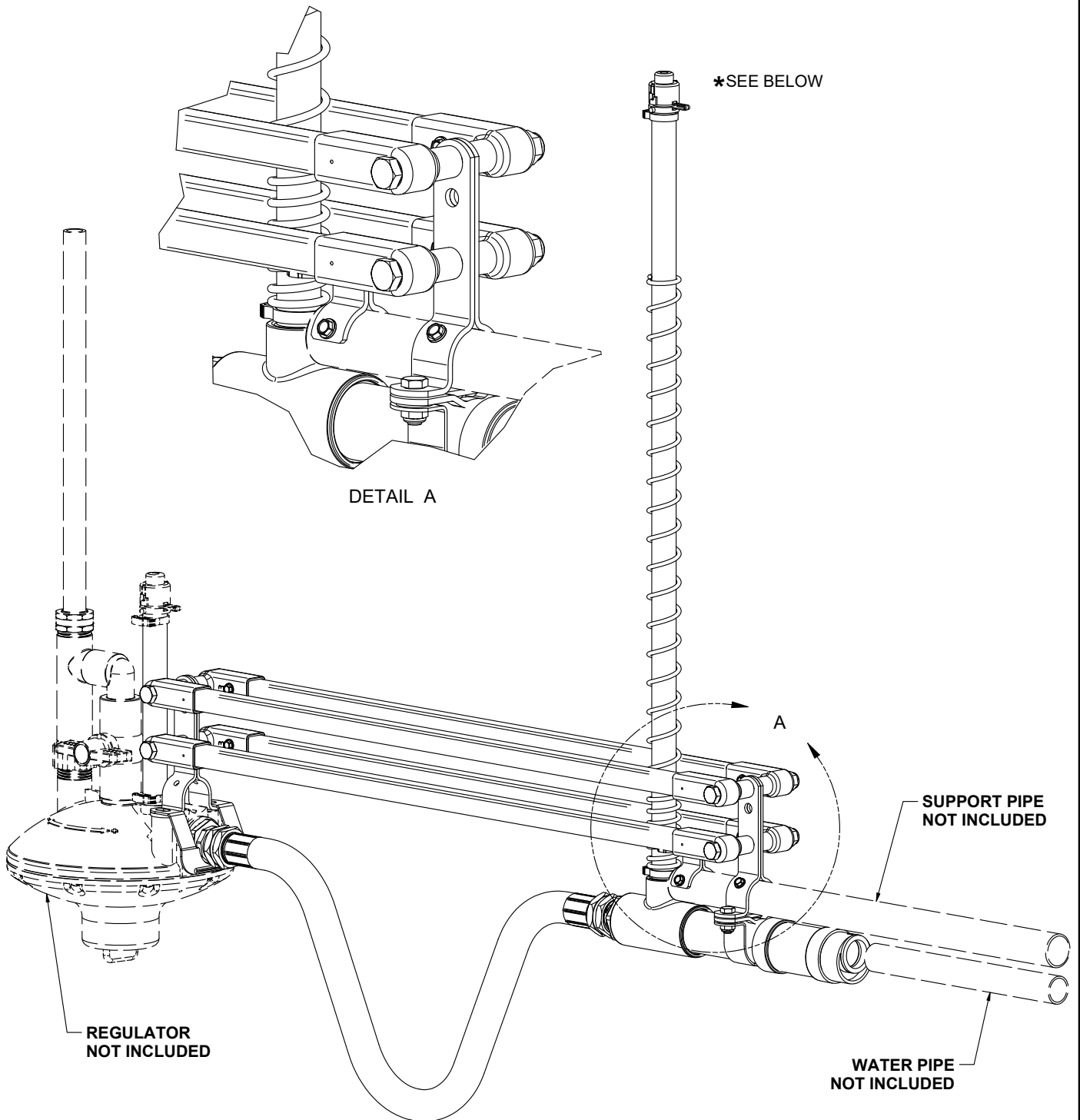


Assembly Layout

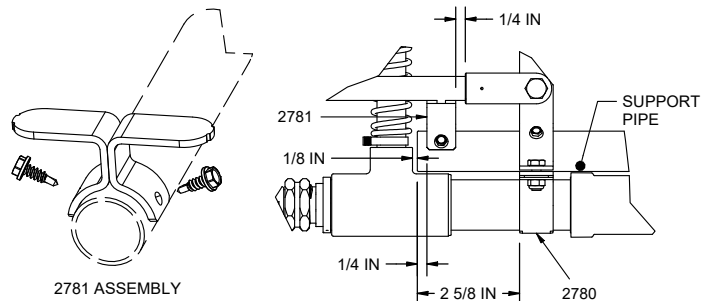
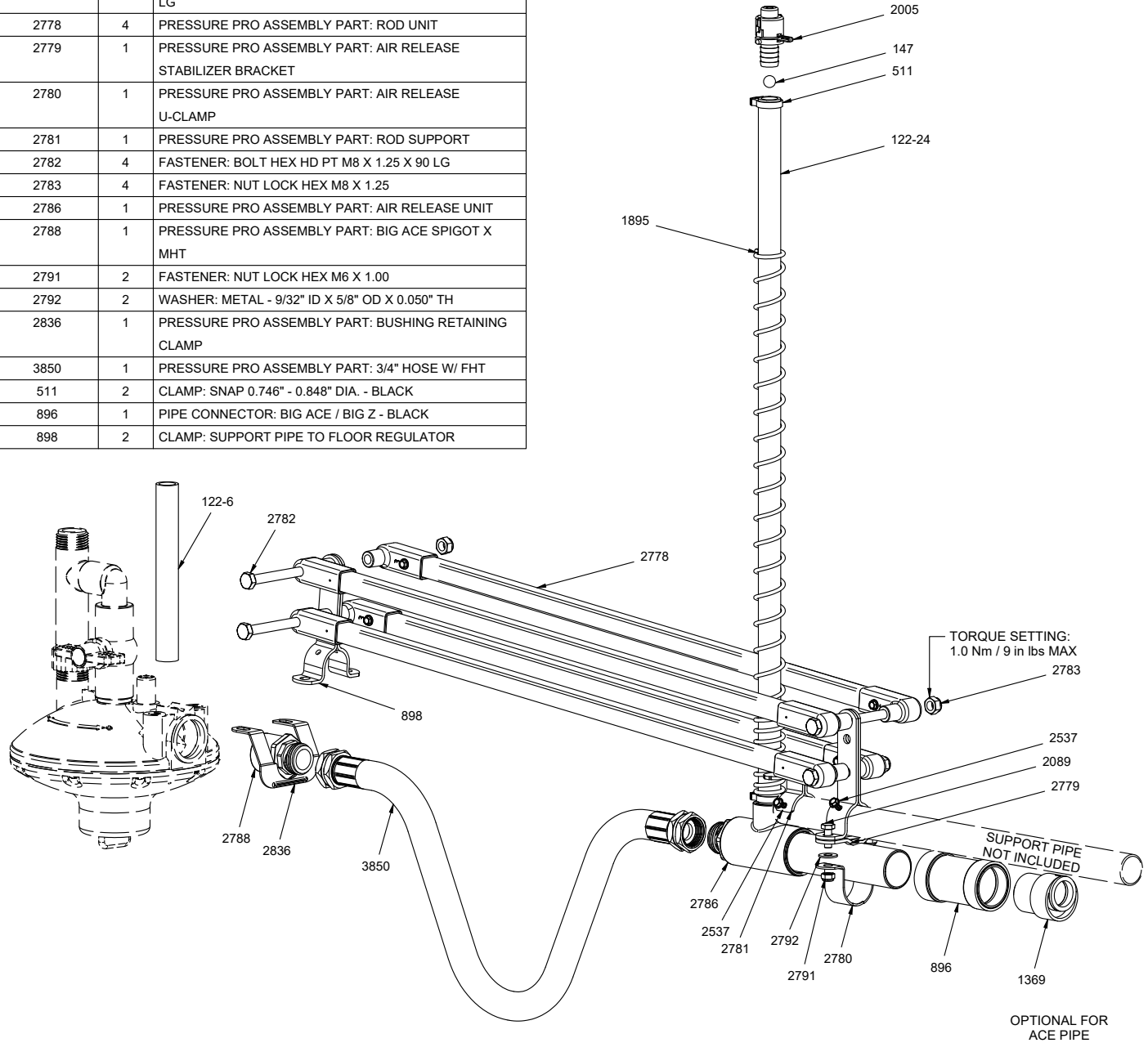


CAUTION

- DO NOT ALLOW THIS ITEM TO COME INTO CONTACT WITH PETROLEUM, PHENOL OR ALDEHYDE BASED PRODUCTS OR ANY OTHER CORROSIVE PRODUCT IN GENERAL.
- ★IF PRESSURE DURING FLUSHING IS BELOW 5 PSI/0.35 BAR SEE GL1089

2790 COMPONENTS

PART NR.	QTY	DESCRIPTION
122-24	1	RISER TUBE: 24" / 60 CM
122-6	1	RISER TUBE: 6" / 15 CM
1369	1	ADAPTER: BIG ACE SPIGOT X ACE SLIP
147	1	BALL: RISER TUBE
1895	1	SPRING: RISER TUBE
2005	1	RISER TUBE CAP
2089	2	FASTENER: BOLT HEX HD M6 X 1 X 16 LG
2537	3	FASTENER: SCREW HEX WHD SELF TAPPING #8-18 X 1/2" LG
2778	4	PRESSURE PRO ASSEMBLY PART: ROD UNIT
2779	1	PRESSURE PRO ASSEMBLY PART: AIR RELEASE STABILIZER BRACKET
2780	1	PRESSURE PRO ASSEMBLY PART: AIR RELEASE U-CLAMP
2781	1	PRESSURE PRO ASSEMBLY PART: ROD SUPPORT
2782	4	FASTENER: BOLT HEX HD PT M8 X 1.25 X 90 LG
2783	4	FASTENER: NUT LOCK HEX M8 X 1.25
2786	1	PRESSURE PRO ASSEMBLY PART: AIR RELEASE UNIT
2788	1	PRESSURE PRO ASSEMBLY PART: BIG ACE SPIGOT X MHT
2791	2	FASTENER: NUT LOCK HEX M6 X 1.00
2792	2	WASHER: METAL - 9/32" ID X 5/8" OD X 0.050" TH
2836	1	PRESSURE PRO ASSEMBLY PART: BUSHING RETAINING CLAMP
3850	1	PRESSURE PRO ASSEMBLY PART: 3/4" HOSE W/ FHT
511	2	CLAMP: SNAP 0.746" - 0.848" DIA. - BLACK
896	1	PIPE CONNECTOR: BIG ACE / BIG Z - BLACK
898	2	CLAMP: SUPPORT PIPE TO FLOOR REGULATOR





Ziggy Systems Inc.
101 Industrial Parkway East
Middlebury Indiana 46540-8549
USA
Tel: + 1 574.825.5849
Fax: + 1 574.825.7674
Web: www.ziggy.com