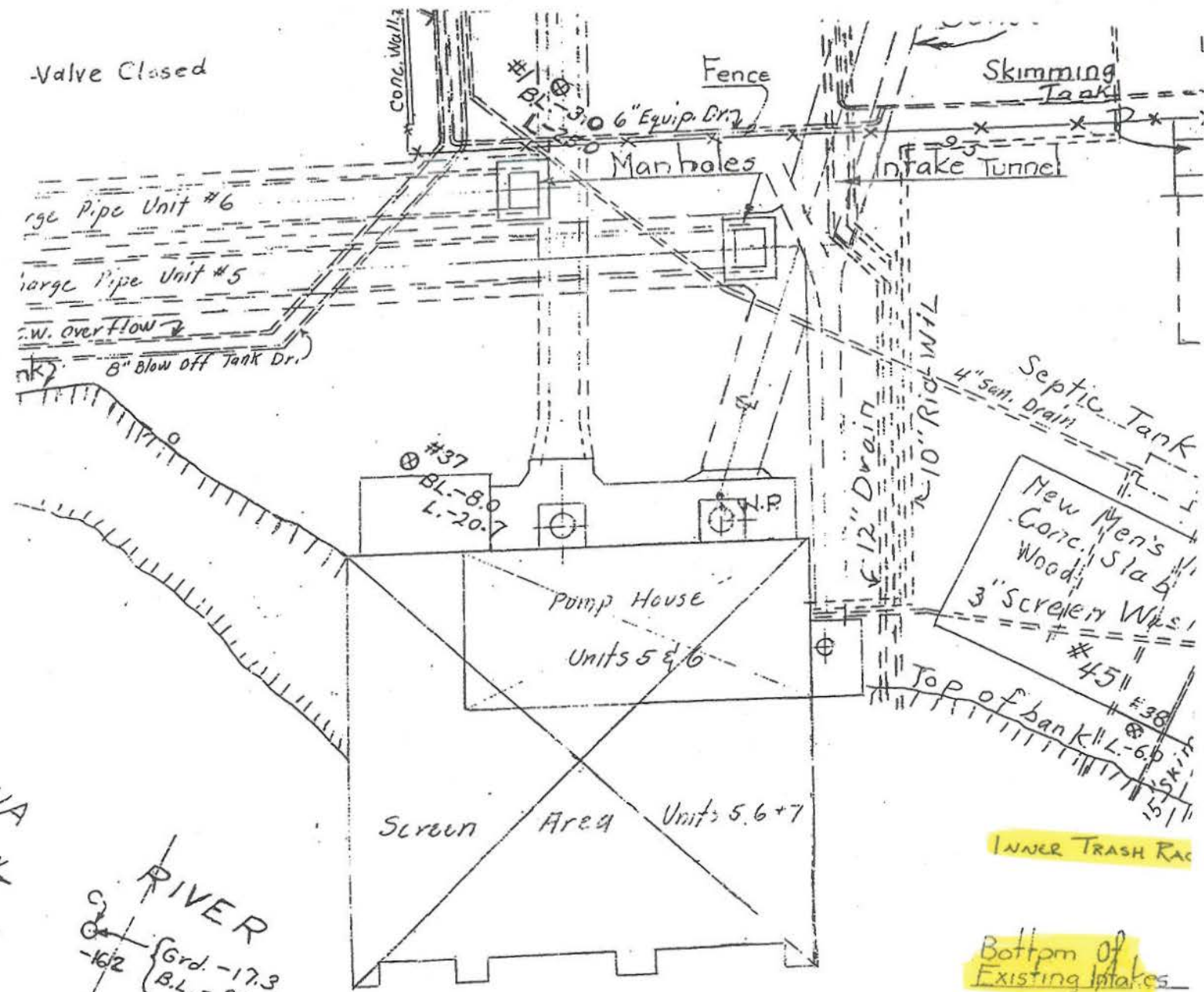


Valve Closed



INNER TRASH RACK

Bottom of Existing Intakes

OUTER TRASH RACKS

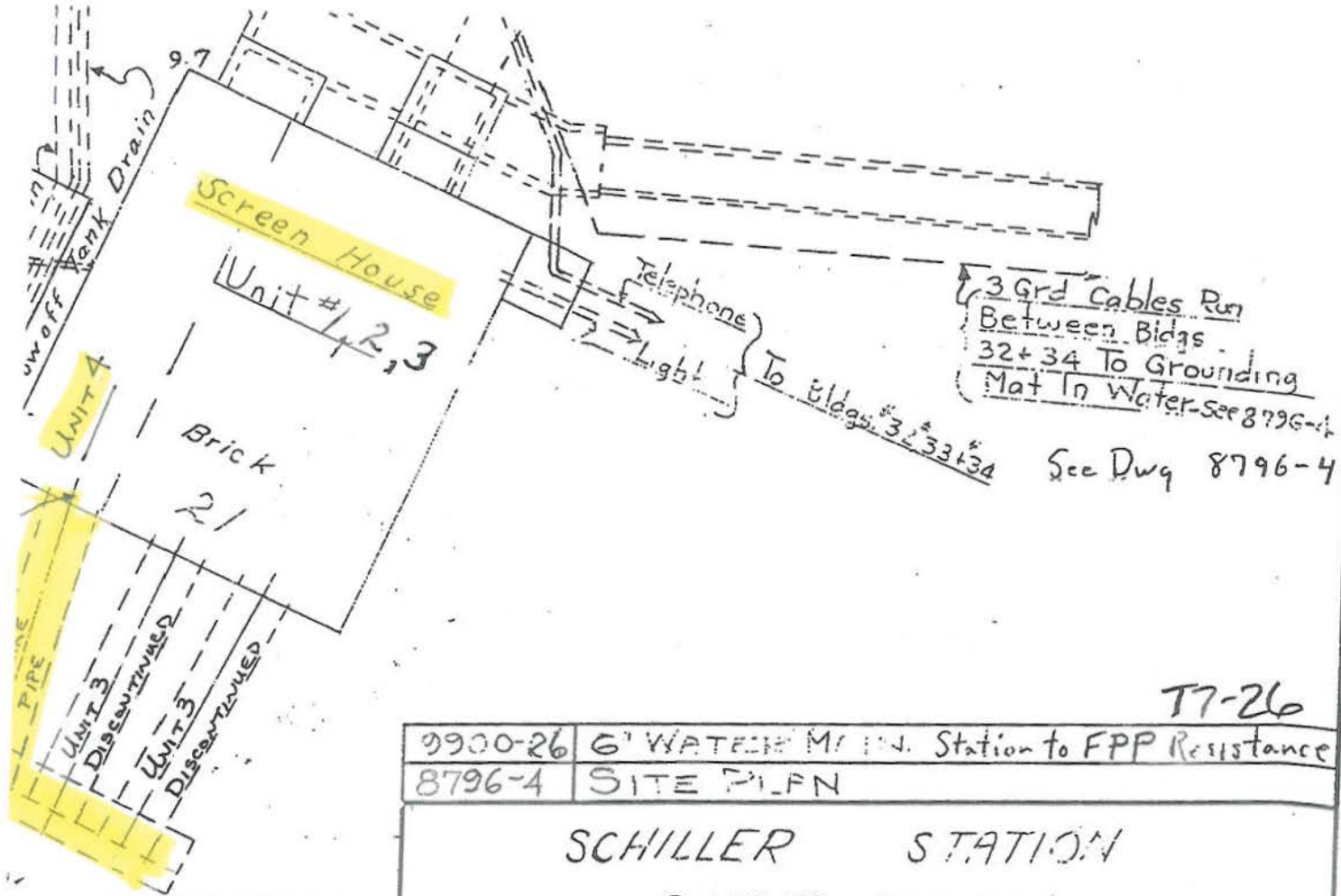
RIVER  
 Grd. -17.3  
 B.L. -26.5  
 L. -28.0

⊕ D -23.3  
 Grd. -20.6  
 B.L. -30.0  
 L. -35.0

Grd. -28.0  
 L. -28.7

6	Revised to Date	3/6/58 R.T.R.	DESIGNED	
5	Revised to Date	5/8/56 L.J.E.	DRAWN	R.T.R.
4	Revised to Date	5-16-55 R.T.R.	TRACED	R.S.T.

3	Bldgs #32-#33+#34
2	Traced - Addition
1	Added Drill Holes
NO.	REVI



3 Grd Cables Run  
Between Bldgs  
32+34 To Grounding  
Mat In Water - See 8796-4  
See Dwg 8796-4

T7-26

9900-26 6' WATER MAIN Station to FPP Resistance  
8796-4 SITE PLAN

# SCHILLER STATION SITE PLAN

## AND LOCATION OF EXISTING UTILITIES

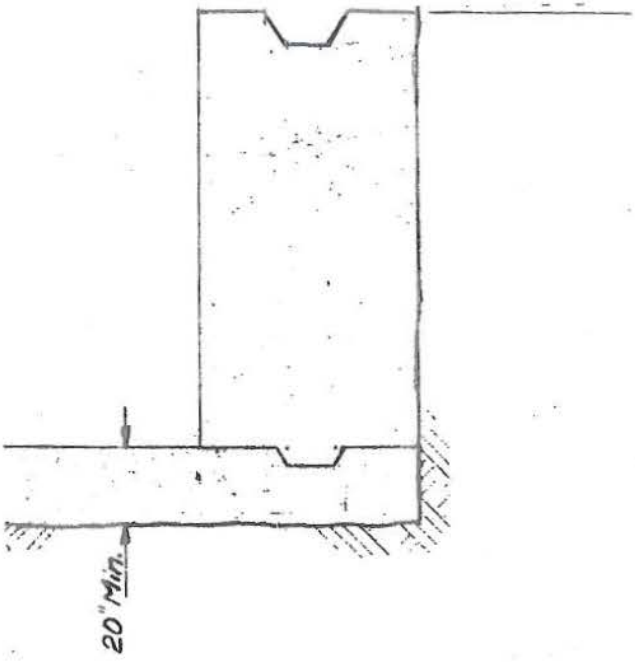
LOCATED (8796-4)	7-21-52
Notes	4-23-52
DATE	CHKD.

CHKD. *E. A. [Signature]*  
APPR. *J. E. [Signature]*

PUBLIC SERVICE CO. OF NEW HAMPSHIRE  
ENGINEERING DEPARTMENT  
SCALE 1" = 20' DATE 11-14-52

9900-1

AK-223



on this drawing see Dwg. No. 592-B-10, except as noted otherwise.

- 5. Floor at Elev. 9'-0" to have a 1 1/2" bonded finish.
- 6. For General Excavation Notes, see Dwg. 592-B-25.

### NOTE WELL

At locations where new concrete is placed adjacent to existing concrete, the surfaces of the existing concrete at the construction joints shall be prepared by scrubbing with wire brushes until the aggregate is exposed in a bright, clean condition, then cover with a thin layer of neat cement grout immediate prior to the placing of the new concrete.

-C

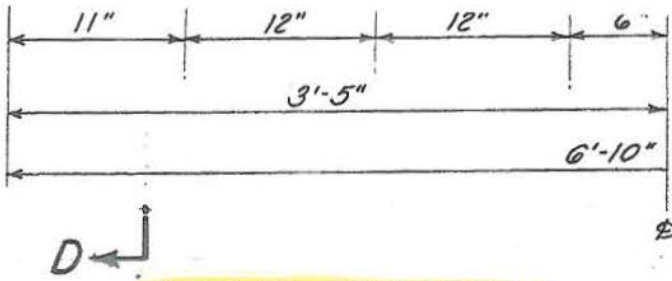
T7-8

JMM 4-6-51 AG 4-5-51 4/5/51	PUBLIC SERVICE CO OF NH SCHILLER STATION PROJECT <b>JACKSON &amp; MORELAND, ENGINEERS</b> <b>BOSTON - NEW YORK</b>	
SCREEN HOUSE SUBSTRUCTURE CONCRETE OUTLINE - PLANS & SECTIONS		
RECORD NUMBER <b>4592</b>	SCALE <i>Unless otherwise Noted</i> 1/4 IN. = 1 FOOT	<b>592-B-3</b>

N.H.  
19-51  
C.M.  
T. MANAGER

DA 592-76  
AR-224



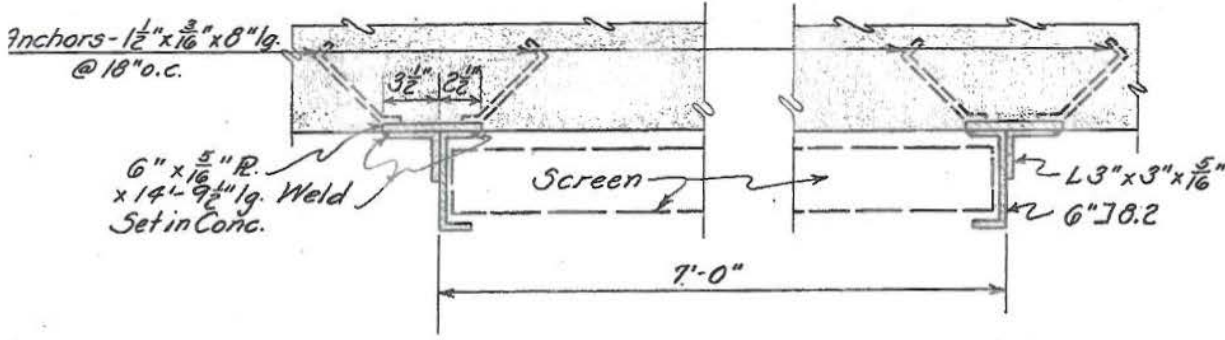


**DETAIL OF SCREEN GUIDES**

SCALE:  $\frac{1}{2}'' = 1'-0''$   
 3 REQ'D AS SHOWN  
 3 REQ'D OPP. HAND.

**DETAIL OF SCREEN**

SCALE:  $1'' = 1'-0''$



**SECTION E-E**

SCALE:  $1'' = 1'-0''$

**MERCURY UNIT POWER PLANT**

			T7-3	
			AK-225	
<b>DETAILS OF INTAKE PIPES          SCREEN HOUSE          PORTSMOUTH STEAM PLANT</b>			<b>PUBLIC SERVICE COMPANY OF NEW HAMPSHIRE</b>	
<b>NEPSCO SERVICES, INC.</b> ENGINEERING DEPARTMENT			<b>544-36</b>	
SCALE SHOWN			DATE 6-21-48	
TRASH RACK	8/12/02			
	7-14-48	B.W.F.		
	6-29-48			
	4-25-48			
VISION	DATE	CHKD		
S.F.	CHKD.			
S.R.				
M.	APPR.			

T7-

MAN	PHM	4-24-51	PUBLIC SERVICE CO. OF N. H. PROJECT NO. 2 JACKSON & MORELAND, ENGINEERS	BOSTON	PORTSMOUTH SCHILLER ST - NEW YORK
NUMBER	144	4-23-51			
DATE	4/24/51				
Co. of N. H. -22-1951			SCREEN HOUSE MISCELLANEOUS STEEL		
CMA 4/24/51 PROJECT MANAGER			RECORD NUMBER 4592	SCALE as noted IN. = 1 FOOT	592-B-10

DA-592-2

AR-226