

Table of Contents

Page	Item	Vendor	Description	Total
3	-	-	Network and Data Center	
4	-	-	High Level Drawing - Network and Data Center	
5	NET-1	Cisco	Network Distribution Closet Catalyst Switches Racks and Cables	\$ 1,163,575
5	NET-1	Cisco	Network Distribution Closet Catalyst Switch (Installation Services)	\$ 192,000
7	NET-1	Presidio	Network Distribution Closet UPS & Battery Upgrades	\$ 136,650
8	NET-2	Cisco	Network Core Nexus Switches	\$ 446,983
8	NET-2	Cisco	Network Core Nexus Switch (Installation Services)	\$ 60,000
11	NET-3	Riverbed	Network Management: Sensor & Profiler w/ Analytics (Appliance & Software)	\$ 91,988
11	NET-3	Riverbed	Network Management: Sensor & Profiler with Analytics (Installation Services)	\$ 12,240
12	NET-4	Gigamon	Network Management: Gigamon HC2 Gnet (Appliance and Software)	\$ 29,296
12	NET-4	Gigamon	Network Management: Gigamon HC2 Gnet (Installation Services)	\$ 1,500
13	NET-5	Cisco	Network Management: Cisco Identity Service Engine (Appliance & Software)	\$ 17,974
			Sub-Total	\$ 2,152,206
14	-	-	High Level Drawing - Fiber Redundancy to Network Core Nexus Switches	
17	NET-6	ESS	Intra-Building Network Fiber Cabling Upgrade Cables and Materials (IDF Closets & Datacenters)	\$ 157,849
17	NET-6	ESS	Intra-Building Network Fiber Cabling Upgrade Installation (IDF Closets & Datacenters)	\$ 180,964
19	-	-	High Level Drawing - Intra-Building Network Fiber Cabling Upgrade	
27	NET-7	ESS	Inter-Building Wireless Network (80Ghz) Equipment/Software	\$ 197,783
28	NET-7	ESS	Inter-Building Wireless Network (80Ghz) (Installation Services)	\$ 39,400
29	NET-8	Dell	Data Center Racks, KVM Console, UPS/Battery	\$ 20,084
32	NET-9	Dell	Dell PowerEdge R740 Servers - Contract No: 70137	\$ 74,384
37	NET-10	Dell	Data Center Backup Software (VEEAM Server Licensing)	\$ 49,968
			Sub-Total	\$ 720,432
			Total	\$ 2,872,638
38	-	-	Biology : Bioinformatics Laboratory	
39	-	-	High Level Drawing - Network and Data Center	
40	BIO-1	Titanium	High Performance 6 Server Cluster for Scientific Analysis**	\$ 74,100
46	BIO-2	Bioinformatics	Geneious R9 Software (DNA Seq/Geno Mapping/Phylogeno Analysis) Perpetual License	\$ 75,000
			Total	\$ 149,100
48	-	-	Chemistry : Organic Chemistry Laboratory and Pharmaceutical SC Laboratory	
49	-	-	High Level Drawing - Chemistry	
50	CHEM-1	Dell	Dell PowerEdge R830 Cluster	\$ 121,736
55	CHEM-6	Matrix SC	Data Analytics Software (2 CPU Lic. & Client SW)	\$ 18,600
56	CHEM-2	Biovia	Base Software and Quantum Mechanics Module	\$ 16,500
59	CHEM-3	Wavefunction	Spartan '16 Molecular Mechanics Software	\$ 20,000
60	CHEM-4	Wave Metrics	Igor Pro Software	\$ 7,680
61	CHEM-5	Thermo Fisher	GRAMS/AI Software	\$ 20,000
62	CHEM-7	OriginLab	OriginPro Software	\$ 9,965
			Total	\$ 214,481
64	-	-	Computer Science/Mathematics/Information Systems Management	
65	-	-	High Level Drawing - Computer Science/Mathematics/ISM	
66	CSMATH-1	Dell	Dell PowerEdge R740 Server Cluster (Computer Science)	\$ 75,388
71	CSMATH-2	Dell	Dell PowerEdge R740 Server Cluster (ISM Commercial Software Products)	\$ 75,388
76	CSMATH-3	Dell	MD 3820i Disk Array (20TB)	\$ 30,000
78	CSMATH-4	Cisco	4331 Integrated Services Router	\$ 26,100
78	CSMATH-5	Cisco	Catalyst 3650 Switches	\$ 7,482
79	CSMATH-6	Cisco	2504 Wireless Controller (5 AP Lics)	\$ 751
79	CSMATH-7	Cisco	Wireless Access Points (AIR-CAP1702I-A-K9)	\$ 2,016
79	CSMATH-8	Cisco	Cisco Catalyst 3850 Switch (Lab Network)	\$ 16,240
81	CSMATH-9	Dell	Cabinet with UPS	\$ 7,924
			Total	\$ 241,289
83	-	-	Foreign Languages: Language Laboratory	
84	-	-	High Level Drawing - Foreign Languages: Language Laboratory	
85	FL1	TBD	Lecturer Audio/Video (Stationary)	\$ 5,640
93	FL2	Dell	30 Student Workstation Lab (Stationary)	\$ 60,000
			Total	\$ 65,640
107	-	-	Geology: Mineralogy and Environmental Health & Safety Laboratory	
108	-	-	High Level Drawing - Geology: Mineralogy and Environmental Health & Safety Laboratory	
109	GEOENV-1	Spectro	Thermo Scientific Niton X-Ray Fluorescence (XRF) Soil and Mining Analyzer	\$ 36,500
115	GEOENV-2	Dell	High Performance Workstation	\$ 1,711
			Total	\$ 38,211

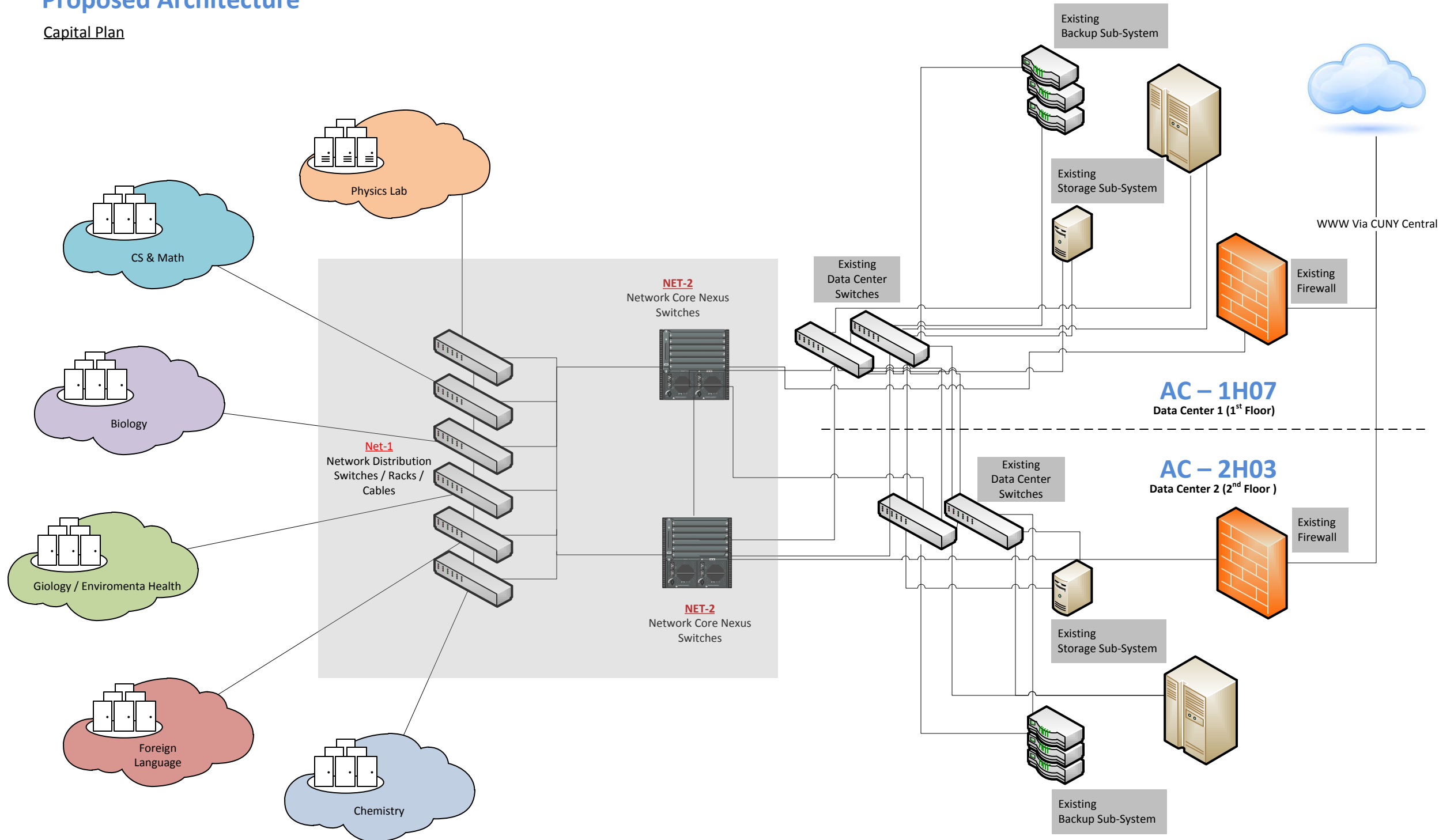
118	-	-	Physics: Digital Convergence & Computer Controlled Manufacturing Lab		
119	-	-	High Level Drawing - Physics: Digital Convergence & Computer Controlled Manufacturing Lab		
120	PHY-1	Dell	Dell PowerEdge R740 Server Cluster	\$	50,594
121	PHY-1	Allegheny	Epilog Fusion40 75-Watt Laser Engraver with Fume Extractor	\$	101,318
127	PHY-3	Allegheny	Techno 48" x 96" CNC Plasma Cutter with Powermax 85 Plasma (#HJPLSRM480996000B-PKG)	\$	35,193
129	PHY-4	Allegheny	Techno HD-II 48"x96" Stepper CNC Router Package with Vacuum Pump (#HD-4896)	\$	38,745
130	PHY-5	Allegheny	Techno HD-II Mini 21"x36" Tabletop CNC Router System with Safety Enclosure	\$	15,877
131	PHY-6	Tyrrell Tech	Roland Benchttop MDX-540A CNC Mill Package with Safety Cover (#MDX-540A-PKG)	\$	34,439
132	PHY-7	Artec Eva	Artec Eva and Spider 3D Scanners EDU Bundle	\$	28,293
133	PHY-8	Pensa Labs	DIWire Desktop Wire Bender EDU Bundle (#4D11332)	\$	5,455
134	PHY-9	F.A. Syst	Fanuc LR Mate 200iD/4S R-30iB CERT Package with 2D iRvision (#LRMATE-A/B-FL-PKG)	\$	49,480
135	PHY-10	Rethink	Baxter Research Robot (US) (#RB-Ret-01)	\$	40,000
138	PHY-11	MasterCam	Mastercam 5-User Network License (#MC-NH-5)	\$	6,045
139	PHY-12	Vectric	Vectric Aspire (40-Seat EDU License)	\$	2,010
140	PHY-13	SolidWorks	SolidWorks 2015-2016 Education Edition 30-User (#SEI0221-PKG)	\$	3,600
141		Allegheny	Implementation Services	\$	4,000
				Total	\$ 415,049
142			NOTES: Equipment Listing		

Network and Data Center

High Level Drawing and Quotes

Proposed Architecture

Capital Plan





Daniel Charles II
Cisco Systems, Inc.

Price Estimate
OGS State Contract number PM20800

Price Estimate for planning and information purposes only and is not a binding offer from Cisco.

Date: 25-Aug-2017

Estimate ID: AD74495181HZ

Deal ID: NA

All prices are shown in USD

Part Number	Description	Service Duration (Months)	Lead Time	Unit List Price	Qty	Unit Net Price	Disc (%)	Extended Net Price
WS-C3850-48F-S	Cisco Catalyst 3850 48 Port Full PoE IP Base	---	14	14,000.00	83	9,520.00	32	790,160.00
S3850UK9-36E	CAT3850 Universal k9 image	---	14	0.00	83	0.00	32	0.00
CAB-C15-CBN	Cabinet Jumper Power Cord, 250 VAC 13A, C14-C15	---	8	0.00	83	0.00	32	0.00
STACK-T1-50CM	50CM Type 1 Stacking Cable	---	14	100.00	83	68.00	32	5,644.00
CAB-SPWR-30CM	Catalyst Stack Power Cable 30 CM	---	14	95.00	83	64.60	32	5,361.80
PWR-C1-BLANK	Config 1 Power Supply Blank	---	14	0.00	83	0.00	32	0.00
PWR-C1-1100WAC	1100W AC Config 1 Power Supply	---	14	0.00	83	0.00	32	0.00
C3850-NM-BLANK	Cisco Catalyst 3850 Network Module Blank	---	14	0.00	83	0.00	32	0.00
C3850-NM-2-10G=	Cisco Catalyst 3850 2 x 10GE Network Module	---	14	2,500.00	76	1,700.00	32	129,200.00
WS-C3850-12X48U-S	Cisco Catalyst 3850 48 Port (12 mGig+36 Gig) UPoE	---	14	15,300.00	35	10,404.00	32	364,140.00
PWR-C1-1100WAC	1100W AC Config 1 Power Supply	---	14	0.00	35	0.00	32	0.00
C3850-NM-BLANK	Cisco Catalyst 3850 Network Module Blank	---	14	0.00	35	0.00	32	0.00
S3850UK9-37E	CAT3850 Universal k9 image	---	14	0.00	35	0.00	32	0.00
PWR-C1-1100WAC/2	1100W AC Config 1 Secondary Power Supply	---	14	1,900.00	35	1,292.00	32	45,220.00
CAB-C15-CBN	Cabinet Jumper Power Cord, 250 VAC 13A, C14-C15	---	8	0.00	70	0.00	32	0.00
STACK-T1-50CM	50CM Type 1 Stacking Cable	---	14	100.00	35	68.00	32	2,380.00
CAB-SPWR-30CM	Catalyst Stack Power Cable 30 CM	---	14	95.00	35	64.60	32	2,261.00
STACK-T1-1M=	1M Type 1 Stacking Cable	---	14	200.00	10	136.00	32	1,360.00
STACK-T1-3M=	3M Type 1 Stacking Cable	---	14	300.00	10	204.00	32	2,040.00
CAB-SPWR-150CM=	Catalyst Stack Power Cable 150 CM Spare	---	14	195.00	12	132.60	32	1,591.20
C3850-NM-4-10G=	Cisco Catalyst 3850 4 x 10GE Network Module	---	14	4,000.00	4	2,720.00	32	10,880.00
R-L-PI2X-U-K9	LMS to Cisco Prime Infrastructure 2.x Upgrade	---	2	0.00	1	0.00	32	0.00
L-L-PI2X-300-U	LMS to Prime Infrastructure 2.x Upgrade 300 Device	---	2	5,695.00	1	3,872.60	32	3,872.60
R-PI22-SW-K9	Prime Infrastructure 2.2 Software	---	2	25.00	1	17.00	32	17.00
L-PI2X-BASE	Prime Infrastructure 2.x Base License	---	2	95.00	1	64.60	32	64.60
L-PILMS42A-300-M	Prime Infrastructure LMS 4.2A - 300 Device Upgrade	---	2	0.00	1	0.00	32	0.00
L-PILMS42-KIT	Prime Infrastructure - LMS License Kit	---	2	0.00	1	0.00	32	0.00

[Back to Table of Contents](#)

Projected Actual Cost calculated based on 42% volumen discount not reflected on Vendor Quote		
Projected Volume Discount (%)	Volume Discount Unit Price	Volume Discount Extended Price
42%	8,120.00	673,960.00
42%	-	-
42%	-	-
42%	58.00	4,814.00
42%	55.10	4,573.30
42%	-	-
42%	-	-
42%	-	-
42%	1,450.00	110,200.00
42%	8,874.00	310,590.00
42%	-	-
42%	-	-
42%	1,102.00	38,570.00
42%	-	-
42%	58.00	2,030.00
42%	55.10	1,928.50
42%	116.00	1,160.00
42%	174.00	1,740.00
42%	113.10	1,357.20
42%	2,320.00	9,280.00
42%	-	-
42%	3,303.10	3,303.10
42%	14.50	14.50
42%	55.10	55.10
42%	-	-
42%	-	-

Valid through:
FOB Point: None

Product Total 1,364,192.20
 *** Service Total : 192,000.00
 Subscription Total 0.00
 Total Price: 1,556,192.20

Product Total 1,163,575.70
 Service Total : 192,000.00
 Subscription Total
 Total Price: 1,355,575.70

[Back to Table of Contents](#)

***** Notes**

This estimate, calculated by YORK, is based on Cisco's Partner Professional Services Implementation on NYS OGS Contract Number: PM20800. The Projected Actual Cost were calculated based on a 42% volume discount the vendor provides beyond the 32% discount in NYS OGS contract.

Manufacturer Part Number (SKU)	Product Description	List Price	Qty	Total Price:
PS-SNY-ADV	Advanced Daily Install	1,200.00	160	192,000.00

This Price Estimate does not constitute an offer by Cisco to sell products, but is instead an invitation to issue a purchase order to Cisco until the valid date specified in this Price Estimate. Such a purchase order will be subject to Cisco standard procedures, terms and conditions for the acceptance of purchase orders. This order may be subject to sales tax, VAT, duty and freight charges even if not noted on this estimate.

TO: York College
 Mohammad Ahsan
 94 - 20 Guy R. Brewer Blvd
 Jamaica, NY 11451

 kahsan@york.cuny.edu
 (p) 718-262-2754

FROM: Presidio Networked Solutions Group, LLC
 Adelina Mauceri
 110 Parkway Drive South
 Hauppauge, NY 11788

 amauceri@presidio.com
 (p) 631.656.7654
 (f) 631.716.7457

Customer#: YORKC002
Account Manager: Andrew Chris
Inside Sales Rep: Adelina Mauceri
Title: York College APC

#	Part #	Description	List Price	Unit Price	Qty	Ext List Price	Ext Price
1	SRT5KRMXLT	SMARTUPS SRT 5000VA RM 208V	\$4,150.00	\$4,133.45	20	\$83,000.00	\$82,669.00
2	AP9571A	PDU 208V 10 C13 30A RACK BASIC	\$239.99	\$223.86	20	\$4,799.80	\$4,477.20
3	SRT6KRMXLT	SMART UPS SRT 6000VA RM 208V	\$4,775.00	\$4,726.84	10	\$47,750.00	\$47,268.40
4	AP9571A	PDU 208V 10 C13 30A RACK BASIC	\$239.99	\$223.86	10	\$2,399.90	\$2,238.60

Total List Price:						\$137,949.70
Sub Total:						\$136,653.20
Grand Total:						\$136,653.20

Quote valid for 30 days from date shown above. Prices may NOT include all applicable taxes and shipping charges. All prices subject to change without notice. Supply subject to availability.

Pricing

- Quoted prices exclude applicable federal, state or local taxes. Invoicing will include applicable taxes unless a valid tax exempt certificate is provided.
- The price included herein reflects a 3% discount for payment by cash, check or wire transfer. This discount will not apply in the event that customer pays using a credit card or debit card.
- Prices exclude freight, handling or insurance (unless itemized in the quote).
- A customer purchase order infers acceptance of Presidio Networked Solutions Group, LLC's terms & pricing per the applicable quote.
- Warehousing fees are charged at 1% per month of the list (selling) price for goods held in warehousing at customers request or failure by customer to accept delivery.
- Fees for international delivery are determined at the time of sale dependant on customer's service requirements as well as customers import registration status in the destination country.

Freight, Handling, Shipping

- Customer is responsible for all freight charges and will be billed accordingly.
- Title/Risk of loss passes to customer Freight on Board (FOB) origin unless otherwise agreed to in writing by Presidio Networked Solutions Group, LLC.
- Presidio Networked Solutions Group, LLC accepts no responsibility / liability in connection with the shipment.
- International delivery services include (i) Consolidated billing in USD for all international deliveries (ii) Consolidated contracting with one entity, namely Presidio Networked Solutions Group, LLC (iii) Single point of contact (iv) Freight forwarding including exportation permits, application of tariff headings, customs clearance (including import permits, licenses, certificates) (v) Asset Management, Tracking & Reporting.

Payment Policy

- Payment of invoices are due within 30 days from date of invoice unless other terms are issued.
- Presidio Networked Solutions Group, LLC has the right to charge a late payment charge of 2% of the outstanding balance per month for any invoice that remains unpaid beyond its due date.
- Customer is billed upon shipment from the manufacturer.
- Customer shall accept and pay for partial shipment of products.
- Customer understands and agrees to its obligation, that applicable sales tax will apply to the quoted services on a by site location basis.

Return Policy

- Customers return rights are subject to the return policies (& fees including restocking) of the applicable manufacturer
- A Presidio Networked Solutions Group, LLC issued Return Material Authorization (RMA) is required & needs to accompany returned items before any credit is issued to a customer
- Customers have 15 calendar days from original ship date to request a RMA (unless shorter period is required by manufacturer)
- Items returned must be in original shipping cartons, unused, undamaged and unaltered failing which Presidio Networked Solutions Group, LLC is entitled to reject acceptance of items or charge further fee's
- The customer is responsible for shipping fees to the destination highlighted in the RMA
- Opened software cannot be returned

Cancellation Policy

- Customers cancellation of purchase order rights are subject to the cancellation policies (& fees) of the applicable manufacturer

Software terms

- Software is subject to the license terms that accompany it.
- License terms are established between the customer & owner of the software
- Unless Presidio Networked Solutions Group, LLC is the owner or licensor, Presidio Networked Solutions Group, LLC makes no reps and/or warranties relating to its operation, ownership or use.

SmartNet (Third party Maintenance)

- Customers rights are subject to the terms provided by the applicable manufacturer. (per website address)

Limitation of liability

- As per MSA

Please remit payment to:

Presidio Networked Solutions Group, LLC
PO 677638, Dallas, TX, 75267-7638

Wire Instructions:

PNC Bank Beneficiary: Presidio Networked Solutions Group, LLC
Beneficiary Account# 8616159745 ABA: 031000053

Customer hereby authorizes and agrees to make timely payment for products delivered and services rendered, including payments for partial shipments

Customer Signature

Date



Price Estimate

OGS State Contract number PM20800

Daniel Charles II
Cisco Systems, Inc.

Price Estimate for planning and information purposes only and is not a binding offer from Cisco.

Date: 25-Aug-2017

Estimate ID: QV74495159WT

Deal ID: NA

All prices are shown in USD

Part Number	Description	Service Duration (Months)	Lead Time	Unit List Price	Qty	Unit Net Price	Disc (%)	Extended Net Price
N9K-C9508-B2	Nexus 9508 Chassis Bundle with 1 Sup, 3 PS, 2 SC, 6 FM, 3 FT	---	21	100,000.00	2	68,000.00	32.00	136,000.00
N9K-C9500-LC-CV	Nexus 9500 Linecard slot cover	---	21	0.00	14	0.00	32.00	0.00
N9K-C9500-P-CV	Nexus 9500 Power Supply slot cover	---	21	0.00	4	0.00	32.00	0.00
NXOS-70314.3	Nexus 9k/3K NX-OS Maintenance Software Rel 7.0(3)4.3	---	2	0.00	2	0.00	32.00	0.00
N9K-C9500-ACK	Nexus 9500 Accessory Kit	---	21	0.00	2	0.00	32.00	0.00
N9K-C9500-RMK	Nexus 9500 Rack Mount Kit	---	21	0.00	2	0.00	32.00	0.00
N9K-C9508-FM	Fabric Module for Nexus 9508 chassis	---	21	0.00	12	0.00	32.00	0.00
N9K-C9508-FAN	Fan Tray for Nexus 9508 chassis, Port-side Intake	---	21	0.00	6	0.00	32.00	0.00
CAB-C19-CBN	Cabinet Jumper Power Cord, 250 VAC 16A, C20-C19 Connectors	---	8	0.00	12	0.00	32.00	0.00
N9K-SC-A	System Controller for Nexus 9500	---	21	0.00	4	0.00	32.00	0.00
N9K-SELECT-SUP-A	PID to Select Default Supervisor: N9K-SUP-A	---	21	0.00	2	0.00	32.00	0.00
N9K-SUP-A	Supervisor for Nexus 9500	---	21	0.00	2	0.00	32.00	0.00
N95-LIC-PAK	N9500 License PAK Expansion	---	21	0.00	2	0.00	32.00	0.00
N95-LAN1K9	LAN Enterprise License for Nexus 9500 Platform	---	21	15,000.00	2	10,200.00	32.00	20,400.00
N9K-DCNM-PAK	N9000 DCNM License PAK Expansion	---	21	0.00	2	0.00	32.00	0.00
DCNM-LAN-N95-K9	DCNM for LAN Advanced Edt. for Nexus 9500 switches	---	21	10,000.00	2	6,800.00	32.00	13,600.00
N9K-NFM1K9	Cisco Nexus Fabric Manager License for N9K Switch	---	21	2,000.00	2	1,360.00	32.00	2,720.00
N9K-SUP-A	Supervisor for Nexus 9500	---	21	10,000.00	2	6,800.00	32.00	13,600.00
N9K-SELECT-C95PAC	PID to Select Default Power Supply: N9K-PAC-3000W-B	---	21	0.00	6	0.00	32.00	0.00
N9K-PAC-3000W-B	Nexus 9500 3000W AC PS, Port-side Intake	---	21	0.00	6	0.00	32.00	0.00
N9K-PAC-3000W-B	Nexus 9500 3000W AC PS, Port-side Intake	---	21	3,000.00	6	2,040.00	32.00	12,240.00
N9K-X9464PX	Nexus 9500 linecard, 48p 1/10G SFP+ & 4p QSFP	---	21	15,000.00	2	10,200.00	32.00	20,400.00
N1K-VLCPU-96-ESSTL	Nexus 1000V Essential Edition Paper Delivery License Qty 96	---	14	0.00	2	0.00	32.00	0.00

Projected Actual Cost calculated based on 42% volume discount not reflected on Vendor Quote		
Projected Volume Discount (%)	Volume Discount Unit Price	Volume Discount Extended Price
42%	58,000.00	116,000.00
42%	-	-
42%	-	-
42%	-	-
42%	-	-
42%	-	-
42%	-	-
42%	-	-
42%	-	-
42%	-	-
42%	-	-
42%	-	-
42%	-	-
42%	8,700.00	17,400.00
42%	-	-
42%	5,800.00	11,600.00
42%	1,160.00	2,320.00
42%	5,800.00	11,600.00
42%	-	-
42%	-	-
42%	1,740.00	10,440.00
42%	8,700.00	17,400.00
42%	-	-

SFP-10G-LRM=	10GBASE-LRM SFP Module	---	14	995.00	160	676.60	32.00	108,256.00
SFP-10G-LR=	10GBASE-LR SFP Module	---	14	3,995.00	36	2,716.60	32.00	97,797.60
SFP-10G-SR=	10GBASE-SR SFP Module	---	14	995.00	36	676.60	32.00	24,357.60
GLC-TE=	1000BASE-T SFP transceiver module for Category 5 copper wire	---	21	395.00	24	268.60	32.00	6,446.40
QSFP-40G-SR-BD=	QSFP40G BiDi Short-reach Transceiver	---	14	1,095.00	12	744.60	32.00	8,935.20
QSFP-40G-LR4-S=	QSFP 40GBASE-LR4 Trnscvr Mod, LC, 10km, Enterprise-Class	---	14	10,900.00	8	7,412.00	32.00	59,296.00

42%	577.10	92,336.00
42%	2,317.10	83,415.60
42%	577.10	20,775.60
42%	229.10	5,498.40
42%	635.10	7,621.20
42%	6,322.00	50,576.00

Valid through:		Product Total	524,048.80
FOB Point: None		*** Service Total :	60,000.00
		Subscription Total	0.00
		Total Price:	584,048.80

Product Total	446,982.80
Service Total :	60,000.00
Subscription Total	
Total Price:	506,982.80

Notes

*** This estimate, calculated by YORK, is based on Cisco's Partner Professional Services Implementation on NYS OGS Contract Number: PM20800. The Projected Actual Cost were calculated based on a 42% volumen discount the vendor provides beyond the 32% discount in NYS OGS contract.

Manufacturer Part Number (SKU)	Product Description	List Price	Qty	Total Price:
PS-SNY-ADV	Advanced Daily Install	1,200.00	50	60,000.00

This Price Estimate does not constitute an offer by Cisco to sell products, but is instead an invitation to issue a purchase order to Cisco until the valid date specified in this Price Estimate. Such a purchase order will be subject to Cisco standard procedures, terms and conditions for the acceptance of purchase orders. This order may be subject to sales tax, VAT, duty and freight charges even if not noted on this estimate.



Pro-Forma Quotation

To:
York College
 Kamrul Ahsan
 94-20 Guy R. Brewer Blvd., Jamaica, NY 11451



From:
Riverbed
 SE Name Trish.Caldiero@riverbed.com 212-520-8938
 Sales Name jmow@riverbed.com 212-520-8913
 Riverbed SteelCentral for Performance Management

October 3, 2017

Contract Information

GSA Schedule is under IT 70
 Schedule 70, Contract No. GS-35F-0511T
<https://www.immixgroup.com/contract-vehicles/>

NYS OGS - Information Technology Umbrella Contract – Distributor Based (Statewide)
 OGS Group 73600; AWARD 22876; CONTRACT(s) PD67644, PD67645, PD67646, PD67647
<https://www.ogs.ny.gov/purchase/snt/awardnotes/7360022876can.HTM>

NYS OGS
 OGS Group 77018; AWARD 21350; CONTRACT PT65085
<http://www.ogs.state.ny.us/purchase/snt/awardnotes/7701821350can.pdf>
 Specifically Immix Group
<https://www.ogs.ny.gov/purchase/snt/awardnotes/7701821350Prices.pdf>
 NOTE: This one is going to come to an end this year, and only valid for Support going forward.

NYC DoITT Requirements Contract # 20161201100
 This is essentially straight to CDW, and requires "no-bid". May be subject to PO value thresholds.

Description: SteelCentral Standard NetProfiler **Budgetary**

ITEM#	QTY	DESCRIPTION	LIST PRICE PER UNIT	EXTENDED PRICE	DISCOUNT	NET PRICE
HARDWARE / SOFTWARE						
Standard NetProfiler Appliance & Flow Capacity License						
SCNP-02270-B010	1	SteelCentral Standard NetProfiler SCNP-02270-B010, 2U	\$ 94,495	\$ 94,495	44.00%	\$ 52,917
LIC-SCNP-02270-F1	1	SteelCentral Standard NetProfiler License for 200K FPM	\$ 10,500	\$ 10,500	44.00%	\$ 5,880
NetShark Physical Appliance						
SCAN-02170-B010-C (up to 1 NIC)	1	1U 8TB Base SteelCentral NetShark model 2170; up to 1Gbps write-to-disk, 400K FPM	\$ 21,000	\$ 21,000	44.00%	\$ 11,760
LIC-SCAN-02170	1	SteelCentral NetShark model 2170 license	\$ 4,000	\$ 4,000	44.00%	\$ 2,240
NIC-1-001G-4SFP-C	1	Quad 1GbE Fiber SFP Capture NIC	\$ 8,495	\$ 8,495	44.00%	\$ 4,757
TRC-1-SFP-SX-C	4	SFP - 1GbE SX Fiber for NIC-1-001G-4SFP-C (requires qty 4 for each NIC)	\$ 195	\$ 780	44.00%	\$ 437
Flow Gateway Appliances						
SCFG-02270-B010	1	SteelCentral Flow Gateway SCFG-02270-B010, 1U	\$ 19,995	\$ 19,995	44.00%	\$ 11,197
LIC-SCFG-02270-F1	1	SteelCentral Flow Gateway License for 200K FPM	\$ 5,000	\$ 5,000	44.00%	\$ 2,800
INSTALLATION AND SERVICES						
SVC-PSD-00215	5	NPM SteelCentral Time & Material Consulting Day. For project planning, technical design, implementation, best practice sharing, environmental review or knowledge transfer (excludes T&E)	\$ 2,400	\$ 12,000	15%	\$ 10,200
SVC-PJM-00002	8	NPM Hourly Time & Materials for SteelCentral Project Mangement Consulting Charges (excludes T&E)	\$ 300	\$ 2,400	15%	\$ 2,040

NOTES

- Pricing contained herein is for budgetary purposes only.
- Pricing subject to change without notice.
- Pricing information is confidential to Riverbed and York College

Hardware / Software Subtotal:	\$ 91,988
Maintenance Subtotal:	\$ -
Installation and Services Subtotal:	\$ 12,240
Total :	\$ 104,228



Quotation

Date: 6/28/2017
 Salesperson.: Ken Klunder
 Phone: 631 935-2610
 Email: kklunder@gnet-inc.com
 Quote Name: CUNY- York Gigamon HC101 CAPEX Quote 2017-6-28
 Quote valid until: 7/26/2017

Sold to: Kamrul Ahsan
 Company: CUNY - York
 Address1 94-20 Guy R. Brewer Blvd
 Address2 0
 City, State, Zip Jamaica, NY 11451
 Phone: (718) 262-2754
 Email: kahsan@york.cuny.edu

SKU	Description	Qty.	List Price	Unit	GSA price	G-Net Add'l Discount	G-Net Discounted Price	Total Disc % off List	Total Price
1.00	GVS-HC101 GIGAVUE-HCI NODE, 12 1G/10G CAGES, 4 10/100/1000M	1	\$ 22,995.00		\$ 22,935.21	10.00%	\$ 20,641.69	10.23%	\$20,641.69
2.00	SFP-532 10 GIG SFP+, MULTIMODE 850NM SR	12	\$ 795.00		\$ 792.93	10.00%	\$ 713.64	10.23%	\$8,563.68
3.00	Shipping Freight + Insurance	1	\$ 90.00		\$ 90.00	0.00%	\$ 90.00	0.00%	\$90.00
4.00	GPS* G-Net Implementation Services: Certified Gigamon Engineer to provide on-site professional services support for implementation and ongoing design support for one year from date of purchase.	1	\$ 1,500.00		\$ 1,500.00	0.00%	\$ 1,500.00	0.00%	\$1,500.00

Totals

\$30,795.37

Terms: 30 Days Net
 Quote Valid Until: 7/28/2017
 To Place an Order: Email to: kklunder@gnet-inc.com

Notes

GSA Pricing: This quote complies with GSA pricing as specified in GSA contract GS-35F-0119Y. Provided on this quote are list prices, GSA prices and a G-Net Solutions price which has an additional discount applied that is above and beyond GSA pricing discounts. Line item 4 is an "open market" service provided by G-Net's certified engineers and there is no comparable part number from Gigamon on the GSA price list.

*G-Net Professional Services (GPS) is delivered by a G-Net Gigamon certified engineer. GPS is good for one year from the date of purchase and includes support for initial implementation of all the products purchased by the customer during the first year after the initial purchase for design and configuration of the Gigamon platform including after the platform is placed into production service. Support will be delivered via both On-Site (With a minimum of three business day's notice) and remote/Web based access. H Y GPS also includes a quarterly review of the platform for operational effectiveness for the life of the Gigamon support contract. (Release version, alarms, events & operational efficiency review.) The effective rate for calculating the GPS fee is 5% of the purchase price of the hardware, software licenses and support fees.

XXX



Daniel Charles II
Cisco Systems, Inc.

Price Estimate

OGS State Contract number PM20800

Price Estimate for planning and information purposes only and is not a binding offer from Cisco.

Date: 25-Aug-2017

Deal ID: NA
All prices are shown in USD
Projected Actual Cost

Projected Actual Cost calculated based on 42% volumen discount not reflected on Vendor Quote

Line No	Item Name	Description	Service Duration	Lead Time	Included Item	Qty	List Price	Extended ListPrice	Discount %	Selling Price
1.0	SNS-3515-K9	Small Secure Network Server for ISE Applications	N/A	14 days	No	1	0.00	0.00	32.00	0.00
1.1	SW-3515-ISE-K9	Cisco ISE Software for the SNS-3515-K9 appliance	N/A	14 days	No	1	15,990.00	15,990.00	32.00	10,873.20
1.2	CAB-9K12A-NA	Power Cord, 125VAC 13A NEMA 5-15 Plug, North America	N/A	8 days	No	1	0.00	0.00	32.00	0.00
1.3	SNS-CPU-E52620D	2.40 GHz E5-2620 v3/6C	N/A	14 days	Yes	1	0.00	0.00	32.00	0.00
1.4	SNS-MR-1X081RU-A	8GB DDR4-2133 Mhz Memory Module	N/A	14 days	Yes	2	0.00	0.00	32.00	0.00
1.5	R2XX-RAID0	Enable RAID 0 Setting	N/A	10 days	Yes	1	0.00	0.00	32.00	0.00
1.6	SNS-MLOM-IRJ45	MLOM Intel -Quad Port 1Gb RJ45	N/A	14 days	Yes	1	0.00	0.00	32.00	0.00
1.7	SNS-HD600G10K12G	600GB SAS 10K RPM HDD	N/A	14 days	Yes	1	0.00	0.00	32.00	0.00
1.8	SNS-PSU1-770W	770W power supply	N/A	14 days	Yes	1	0.00	0.00	32.00	0.00
1.9	SNS-MRAID12G-1GB	1GB FBWC for Cisco 12G SAS Modular RAID	N/A	14 days	Yes	1	0.00	0.00	32.00	0.00
1.10	SNS-MRAID12G	Avila Cisco 12G SAS Modular Raid Controller	N/A	14 days	Yes	1	0.00	0.00	32.00	0.00
SubTotal										10,873.20
2.0	L-ISE-BSE-5K=	Cisco Identity Services Engine 5000 EndPoint Base License	N/A	2 days	No	1	15,000.00	15,000.00	32.00	10,200.00
SubTotal										10,200.00
Estimate Total										21,073.20

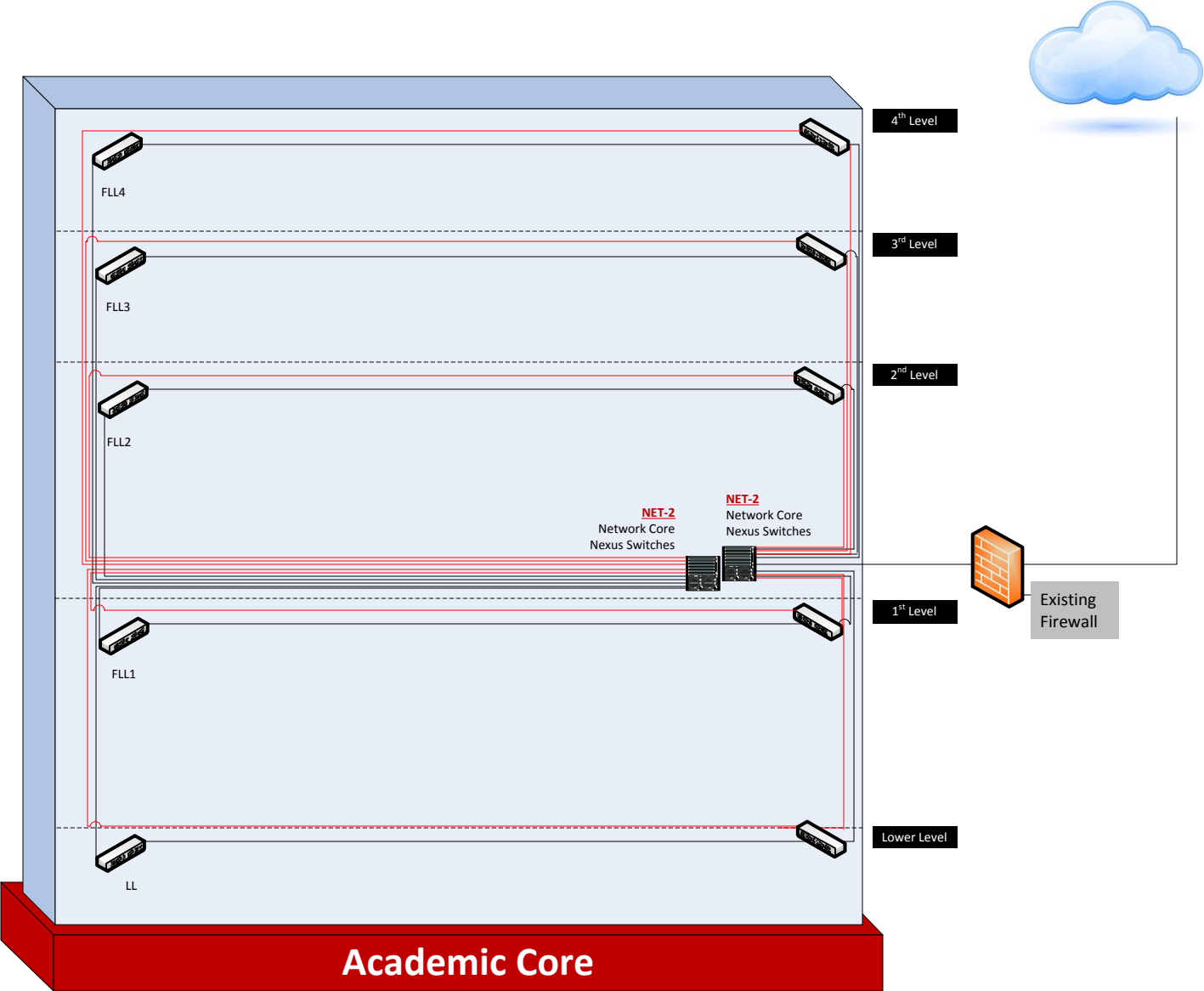
Projected Volume Discount (%)	Volume Discount Unit Price	Volume Discount Extended Price
42%	-	-
42%	9,274.20	9,274.20
42%	-	-
42%	-	-
42%	-	-
42%	-	-
42%	-	-
42%	-	-
42%	-	-
42%	-	-
42%	-	-
42%	-	-
42%	-	-
SubTotal		9,274.20
42%	8,700.00	8,700.00
SubTotal	8,700.00	8,700.00
Estimate Total		17,974.20

*** Notes

This estimate, calculated by YORK, is based on on NYS OGS Contract Number: PM20800. The Projected Actual Cost were calculated based on a 42% volumen discount the vendor provides beyond the 32% discount in NYS OGS contract.

Proposed Architecture

Fiber Redundancy to Network Core Nexus Switches





CREATIVE CABLING SOLUTIONS, INC.

Providing the solution to your cabling needs!

October 4, 2017

York College
The City University of New York
Jamaica, New York 11451
Att: Kamrul Ahsan

Re: Fiber Cabling to redundant Data Center

Quote No. Q-YorkCollege-100417.1541

Mr. Ahsan:

Following is our cabling quote for the work requested at the Academic Core Building as requested. Please review and call me with any questions.

Scope of Work:

Solution A

1. Provide new fiber cable from 25 remote wire closets to new redundant data center 1H07 except for remote closet 2H2 which will be routed back to Data Center 2E03. Refer to closet list below
2. All new fiber cable between remote closets and 1H07 to be OM4 12 strand plenum cable.

Solution B

3. Provide new fiber cable between existing data centers 1H07 and 2E03A-342
4. All new fiber cable between data centers to be 96 OM3 96 strand, armored, plenum.
5. Install new fiber trays in existing racks/cabinets

General Notes

6. At remote closet location furnish and install wall mounted fiber box
7. At closet 1H07 furnish and install 4U fiber tray
8. All cables to be terminated with SC connectors
9. All new cabling to be routed above hung ceiling
10. Where required CCSI to provide vertical coring in order to route new cabling
11. Owner to provide and install network equipment
12. All work to be done during normal business hours
13. All cables to be labeled and tested to 10G parameters
14. CCS to provide soft copy of all test results to owner
15. CCS to provide as-built drawings
16. All pricing based on NY OGS contract
17. Pricing provided is for budgetary purposes only



CREATIVE CABLING SOLUTIONS, INC.

Providing the solution to your cabling needs!

Closet Connection List

From Closet	To Closet	Type of Cable
1H06	1H07-256	OM4
1H3	1H07-256	OM4
1F2	1H07-256	OM4
1F1	1H07-256	OM4
1D	1H07-256	OM4
1B	1H07-256	OM4
1G	1H07-256	OM4
2H1	1H07-256	OM4
2B	1H07-256	OM4
2G	1H07-256	OM4
2F	1H07-256	OM4
2D	1H07-256	OM4
2E	1H07-256	OM4
2H2	2E03	OM4
3D	1H07-256	OM4
3F	1H07-256	OM4
3G2	1H07-256	OM4
3H	1H07-256	OM4
3B	1H07-256	OM4
3G1	1H07-256	OM4
4D	1H07-256	OM4
4TV	1H07-256	OM4
4F	1H07-256	OM4
4G	1H07-256	OM4
LFT-15	1H07-256	OM4
LBT-780	1H07-256	OM4

Equipment List based on OGS State Contract

Manuf.	Part No.	Description	Unit Cost
Superior Essex	L4024BK1Q	24 strand, OM3, armored, plenum	\$6.74
Superior Essex	44012FG01	12 strand, OM4, plenum	\$3.19
Corning	CCH-CP12-E7	12 port duplex modules OM3	\$69.12
Corning	WCH-02P	Wall mounted cabinet	\$63.39
Corning	WCH-02P	Wall mounted cabinet	\$63.39
Corning	CCH-04U	Closet Connector Housing - 4U	\$267.03



CREATIVE CABLING SOLUTIONS, INC.

Providing the solution to your cabling needs!

Please note our pricing is based on the NY OGS State Contract which CCSI hold one of the contracts. Our state contract information is as follows:

Group 77018
Award 21350
Contract No. PT64257

Pricing Solution - A

Material: \$130,540.86

Labor: \$168,746.76

Grand Total: \$299,287.62

Labor Price Breakdown

No. of hrs.	Rate	Total
1326	\$127.26	\$168,746.76

Pricing Solution - B

Material: \$27,307.82

Labor: \$12,216.96

Grand Total: \$39,524.78

Labor Price Breakdown

No. of hrs.	Rate	Total
96	\$127.26	\$12,216.96

Grand Total Solution A & B

Material: \$157,848.68

Labor: \$180,963.72

Grand Total: \$338,812.40

No. of hrs.	Rate	Total
1,422	\$127.26	\$180,963.72



CREATIVE CABLING SOLUTIONS, INC.

Providing the solution to your cabling needs!

Assumptions

1. Electrical by others
2. Owner to indicate location of new fiber at cabinet location at 1H07
3. Owner to provide and install new racks at 1H07 if required
4. Owner to provide access to all closet on a timely manner

If you agree with the quoted pricing please provide a purchase order so we may begin the installation process. You can fax (516-867-5566) or email the purchase order to George Canteros @ gcanteros@creativecablingsolutions.com

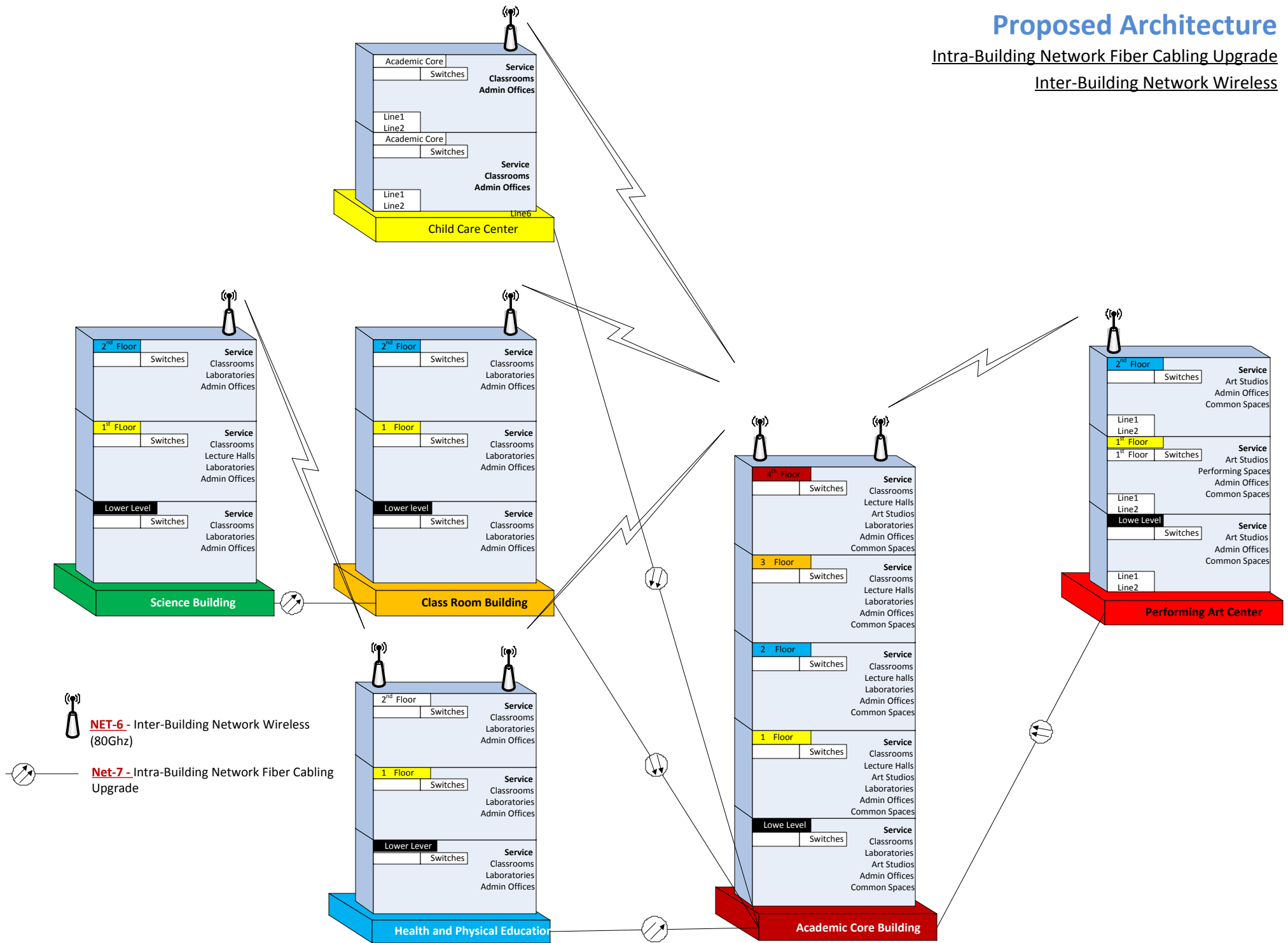
Please call me with any questions regarding our quote.

Thank You,

George Canteros
Sales Representative
C. 631-332-7896

Proposed Architecture

Intra-Building Network Fiber Cabling Upgrade
Inter-Building Network Wireless





ESS, Inc. Headquarters
250 Clearbrook Road
Elmsford, NY 10523
Contact us at :

ESS, New York
141 River Road #6
Nutley, N.J. 07070
(877) 359 5350

Remit To Address
PO Box 3051
West Caldwell, NJ 07007
Website: www.gotoess.com

June 28, 2017

Mr. Peter Tighe
Chief Information Officer
York College
9420 Guy R Brewer Boulevard
Jamaica, NY 11451

Dear Peter,

Thank you for your continued interest in ESS. The following is a revision of our quotation dated June 16, 2016, for 80 Ghz links to connect the 5 buildings on your campus. This revision includes the revised diagram which shows the relocation of the antennas which would have been obstructed by the tree and now has an unobstructed path in the new design.

This revision will give you 5Gb between the Academic Core building and building 3, between buildings 3 and 4 and between building 5 and the Academic Core building. (see the map enclosed). The other links will be 2 Gb links.

Additionally, we relinquished some of the installation responsibilities to the college so as to reduce the cost of the installation. We have detailed what the college will be responsible for in this revision of the proposal.

The following is a System Map, Scope of Work and the Equipment List and Quotation for the system as we discussed. Please review this quote at your first convenience. If you have any questions or concerns, feel free to call me anytime. I am happy to assist you in any way possible.

Respectfully,

Joanna Harrington
Sr. Account Executive
ESS, Inc.



ESS, Inc. Headquarters
250 Clearbrook Road
Elmsford, NY 10523
Contact us at :

ESS, New York
141 River Road #6
Nutley, N.J. 07070
(877) 359 5350

Remit To Address
PO Box 3051
West Caldwell, NJ 07007
Website: www.gotoess.com

Statement of Work

York College SIAE 80GHz Microwave System Installation/Optimization

ESS, Inc will supply the materials and align the dishes to connect the five field studies of the microwave links between the six York College Campus Buildings.

ESS, Inc will register the links with the FCC under the ESS, Inc Nationwide License.

ESS, Inc will need the licensee information: name, address, phone numbers, and other information for the FCC Form 601 preparation.

ESS, Inc will stage the equipment in our Nutley, NJ facility. Staging includes provisioning the RF frequencies, installing the optional software licenses (ACM, Data Rate), incorporating the most recent firmware upgrades, and operational testing of the Ethernet links.

ESS, Inc will install the new SIAE equipment. York College will be responsible for properly ground the equipment to existing ground systems at each site. York will also install all cabling between the ODU and Indoor equipment, including power supplies, UPS, Surge Arresters, grounding of all equipment to a building ground and optimization of the radio link Ethernet connection.

York College will need to provide IP address for all the radio equipment network management in the same subnet. Additionally, this equipment should be connected to emergency power. It is York College's responsibility to provide a dedicated 20 amp receptacle connected to emergency power to support each radio. It is also the responsibility of York College to provide a building ground conductor within 15 feet of the radio for our installers to connect ground wire to. This is necessary to minimize damage due to potential lightning strikes.

ATP testing and documentation will be provided in Adobe Acrobat format.



ESS, Inc. Headquarters
250 Clearbrook Road
Elmsford, NY 10523
Contact us at :

ESS, New York
141 River Road #6
Nutley, N.J. 07070
(877) 359 5350

Remit To Address
PO Box 3051
West Caldwell, NJ 07007
Website: www.gotoess.com

York College Scope of Work

York College expressed an interest in linking the five buildings on campus with licensed point to point 80 Ghz microwave. An initial budgetary quote was provided, however, as a result of a proposal review meeting, it is the desire of York college to assume some of the installation responsibility in order to reduce costs. The following information will equip the college with the requirements for assuming those portions of the installation that ESS will relinquish to York. Please review the following information and call me with any questions you may have. We have provided a detailed Scope of Work because Microwave installation requires percission. My engineer is also available to answer any questions.

Wall Mount Bracket Specifications

The wall mount bracket must be secured with through the wall with galvanized steel hardware a minimum of 5/8" size rod.

The 4 1/2" pipe must be vertical and perpendicular to the ground. That is, checked for plumb at 90 degree intervals around the pipe. The mounting pipe must be plumb for antenna alignment.

The mounting brackets must be secured to the wall between 6" and 12" from the ends.

The wall must be a solid wall or extra wall mount brackets will be needed or a load spreader mounted on the inside of the wall. This would require additional materials above and beyond a normal installation.

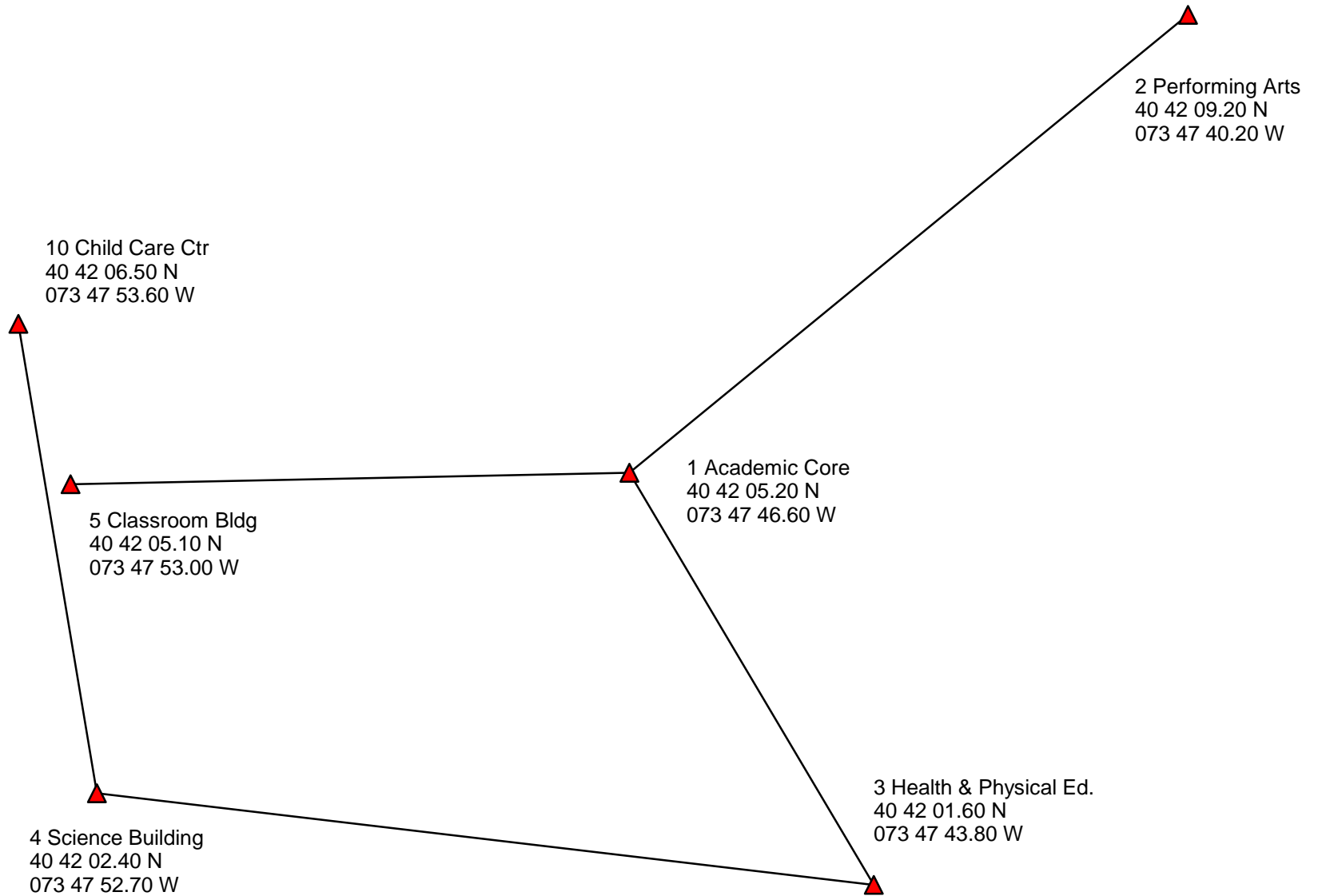
Cable Run Specifications

All cable runs must exit the exterior wall through the appropriate conduit with fire stop applied according to local fire codes.

All cable must be secured at regular intervals (3' recommended) and avoid abrasion or contact with sharp or rough surfaces. All cables going through fire walls must use the appropriate fittings and fire stop at the wall entry/exit.

All cable must be run between the outdoor mounted radio/antenna unit and the indoor equipment room.

The following page will give you a visual of your installation requirements.





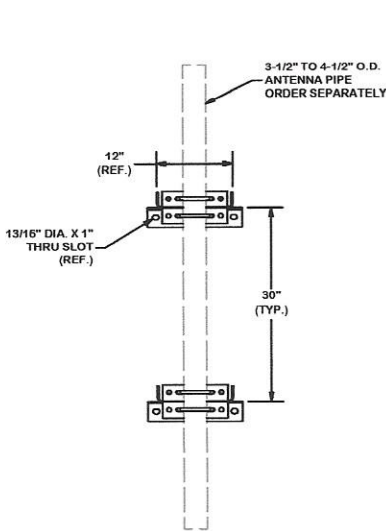
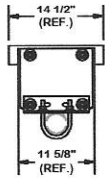
4' Antenna

80GHz 1' Antenna
has ODU Mounted
Directly to Antenna

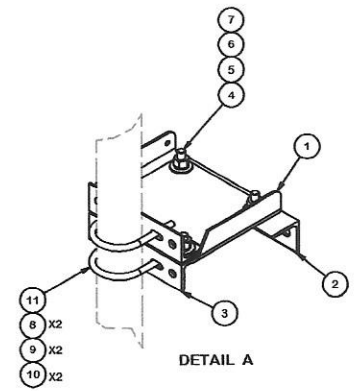
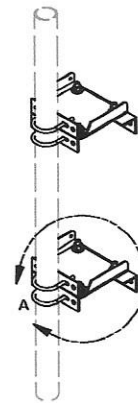
Remote Mounted
ODU's

Wall Mount
For much larger
antennas

Typical Wall Mounted Antenna and ODU

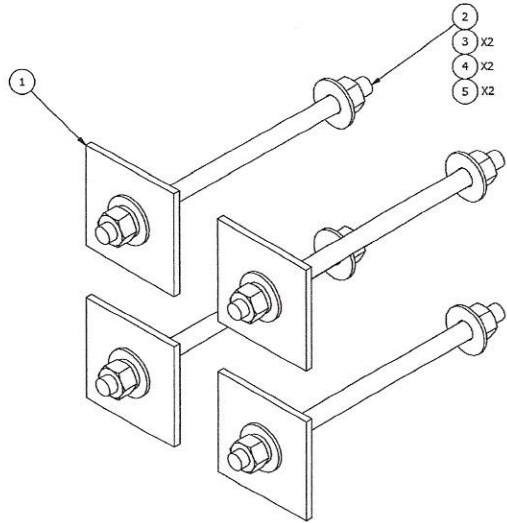
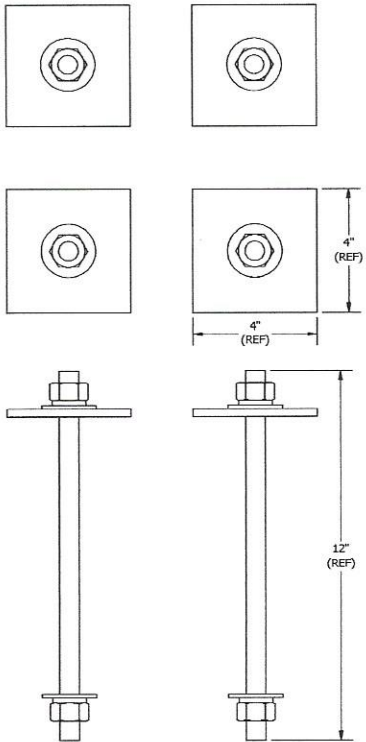


PARTS LIST						
ITEM	QTY	PART NO.	PART DESCRIPTION	LENGTH	UNIT WT.	NET WT.
1	2	X-SLD-BP	SLIDER BRACKET BENT PLATE		8.13	16.26
2	2	X-SLD3	SLIDER BRACKET WALL ANGLE	14 1/2 in	6.10	12.20
3	4	X-SLD-A	SLIDER BRACKET ANGLE	10 in	3.28	13.12
4	8	G5802	5/8" x 2" HDG HEX BOLT GR5		0.27	2.16
5	8	G58FW	5/8" HDG USS FLATWASHER		0.07	0.56
6	8	G58LW	5/8" HDG LOCKWASHER		0.03	0.21
7	8	G58NUT	5/8" HDG HEAVY 2H HEX NUT		0.13	1.04
8	8	G12FW	1/2" HDG USS FLATWASHER		0.03	0.27
9	8	G12LW	1/2" HDG LOCKWASHER		0.01	0.11
10	8	G12NUT	1/2" HDG HEAVY 2H HEX NUT		0.07	0.57
11	4	X-UB1358	1/2" X 3-5/8" X 5-1/2" X 3" GALV U-BOLT		0.77	3.09
11	4	X-UB1458	1/2" X 4-5/8" X 7" X 3" GALV U-BOLT		0.97	3.89
					TOTAL WT. #	53.48



TOLERANCE NOTES TOLERANCES ON DIMENSIONS, UNLESS OTHERWISE NOTED ARE: SAWED, SHEARED AND GAS CUT EDGES (± 0.030) DRILLED AND GAS CUT HOLES (± 0.030) - NO CONING OF HOLES LASER CUT EDGES AND HOLES (± 0.010) - NO CONING OF HOLES BEVELS ARE $\pm 1/2$ DEGREE ALL OTHER MACHINING (± 0.030) ALL OTHER ASSEMBLY (± 0.060)		DESCRIPTION SLIDER BRACKET WALL MOUNT 3-1/2" & 4-1/2" O.D. ANTENNA PIPE		PART NO. SBWM-HD		PAGE 1 OF 1
		CPD NO. CLASS SUB 81 01	DRAWN BY CEK 1/21/2015	ENG. APPROVAL CHECKED BY BMC 1/21/2015	DWG. NO. SBWM-HD	

PARTS LIST						
ITEM	QTY	PART NO.	PART DESCRIPTION	LENGTH	UNIT WT.	NET WT.
1	4	BP4	1/4" x 4" FLAT STOCK	4 in	1.16	4.64
2	4	G58R-12	5/8" x 12" THREADED ROD (HDG.)		1.05	4.18
3	8	G58FW	5/8" HDG USS FLATWASHER		0.07	0.56
4	8	G58LW	5/8" HDG LOCKWASHER		0.03	0.21
5	8	G58NUT	5/8" HDG HEAVY ZH HEX NUT		0.13	1.04
					TOTAL WT. #	10.63



TOLERANCE NOTES TOLERANCES ON DIMENSIONS, UNLESS OTHERWISE NOTED ARE: SAWED, SHEARED AND GAS CUT EDGES (± 0.030) DRILLED AND GAS CUT HOLES (± 0.000) - NO CORNING OF HOLES LASER CUT EDGES AND HOLES (± 0.010) - NO CONING OF HOLES BENDS ARE $\pm 1/2$ DEGREE ALL OTHER MACHINING (± 0.030) ALL OTHER ASSEMBLY (± 0.000)		DESCRIPTION		HOLLOW WALL MOUNT KIT	
		CPD NO.	DRAWN BY	ENG. APPROVAL	PART NO.
CLASS	SUB	DRAWING USAGE	CHECKED BY	DWG. NO.	HWK58
81	01	CUSTOMER	CEK	7/30/2012	

1 OF 1

York College
80GHz 5Gb/s Link

Part Number	Description	Quantity	Unit List Price	Unit Extended Sell Price 15% State Contract	Extended Sell Price 15% State Contract
ANT-80GHZ-12-SP	ANT-80GHZ-12-SP Single Pol	4	\$ 900.00	\$ 765.00	\$ 3,060.00
ANT-80GHZ-12-DP	ANT-80GHZ-12-DP Dual Pol	6	\$ 3,000.00	\$ 2,550.00	\$ 15,300.00
UPG-80HD-ACM	UPG-80HD-ACM ACM Upgrade	16	\$ 500.00	\$ 425.00	\$ 6,800.00
AP80HD-20-LNK	AP80HD-20-LNK (Complete 1Gb Link)	8	\$ 16,695.00	\$ 14,190.75	\$ 113,526.00
UPG-80HD-2000	Aplus 2Gb/s Upgrade License	16	\$ 1,000.00	\$ 850.00	\$ 13,600.00
Included in Link Kit	ALFO Plus80 HD RJ45 waterproof IP67 Connector (Rosenberger)	32	\$ -	\$ -	Included N/C
Included in Link Kit	ALFO Plus ODU Grounding Kit	16	\$ -	\$ -	Included N/C
Included in Link Kit	ALFO Plus80 HD Pointing Cable	16	\$ -	\$ -	Included N/C
Included in Link Kit	ALFO Plus80 HD Console Cable	16	\$ -	\$ -	Included N/C
Included in Link Kit	ALFOplus80HD Power Supply Connector	16	\$ -	\$ -	Included N/C
Included in Link Kit	ALFOplus80 & ALFOplus80HD Polarization Kit	16	\$ -	\$ -	Included N/C
AGS20-IF0GE8	AGS-20, 8X10Ge LAN Interfaces 1+0, 2+0, Optical 2Gb/s Interfaces	6	\$ 3,265.00	\$ 2,775.25	\$ 16,651.50
SIAE-E01430	SFP - CAT-6 100BaseTX	8	\$ 142.00	\$ 120.70	\$ 965.60
SIAE-M02472	CAT-6 Outdoor Cable (per ft)	1000	\$ 0.80	\$ 0.68	\$ 680.00
SIAE-ICD001134	Outdoor Surge Arrestor	8	\$ 200.00	\$ 170.00	\$ 1,360.00
SIAE-E01419	SFP Module LX	0	\$ 100.00	\$ 85.00	\$ -
SIAE-E01428	SFP Module SX	12	\$ 100.00	\$ 85.00	\$ 1,020.00
Wall Bracket, Pipe, Hardware	SBWM-HD, P472, HWK58	10	\$ 700.00	\$ 595.00	\$ 5,950.00
License Fee	Link Registration	5	\$ 200.00	\$ 170.00	\$ 850.00
SIAE-P20046	100M SM	12	\$ 520.00	\$ 442.00	\$ 5,304.00
SIAE-P20037	100M MM	0	\$ 540.00	\$ 459.00	\$ -
SIAE-M10154	Outdoor Power Cable	16	\$ 295.00	\$ 250.75	\$ 4,012.00
SIAE-ICD001085	48VDC Power Supply w/ Surge Prot.	16	\$ 640.00	\$ 544.00	\$ 8,704.00
Total Equipment					\$ 197,783.10

ESS, Inc
PO Box 3051
West Caldwell, NJ 07007

York College
80GHz 5Gb/s Link

Installation and Optimization Services			
Technician	7.5	\$	9,000.00
Tower Crew Labor + Installation Materials	20	\$	27,400.00
Staging	2.5	\$	3,000.00
		\$	-
Total Services			\$ 39,400.00

Total Equipment and Services \$ 237,183.10

ESS, Inc
PO Box 3051
West Caldwell, NJ 07007




Savings \$3,955.38


Subtotal (43) \$20,084.19

Price does not reflect applicable shipping, taxes and state environmental fee.



Details	Billing	Shipping	Payment method
<p>Net-8-cabinet-KVM-UPS Quote number# 1019112235147 Created July 10, 2017 Expires October 8, 2017 Created by stephen@york.cuny.edu</p>	<p>Order contact Stephen Yu, York College Dell Contract Code: 56AHC Customer agreement number: PM20820/1000041162 Phone: (718) 262-2739 Additional:: stephen@york.cuny.edu</p>	<p>Delivery method no charge delivery Trade compliance No, I will not be exporting</p>	

Items	Quantity	Unit Price	Item total
 <p>APC Smart-UPS SRT 10000VA RM - UPS - 10 kW - 10000 VA - with 208/240V to 120V 10kVA Step-Down Transformer Dell Contract Code: 56AHC Manufacturer Part# : SRT10KRMXLT-10KTF Dell Part# : A8668999 Estimated Ship Date July 14, 2017</p>	1	\$7,693.99	\$7,693.99
<p>Premier discount</p>			-\$754.98
			Item total: \$6,939.01

Bundle: Dell Digital 16 Port KVM

 <p>Dell Digital 16 Port KVM Dell Contract Code: 56AHC Estimated Ship Date July 10, 2017</p>	2	\$3,299.99	\$6,599.98
<p>Premier discount</p>			-\$1,320.00
<p>Catalog Number: 84 / dmpu2016g01</p>			
Category	Description	Code	SKU
Base	DMPU2016-G01 Dell 16-port Remote Cosole Switch with two remote users, one local use r, dual power su	546774	[A7546774]
			ID
			1

Grouped with your Dell Digital 16 Port KVM

 <p>Dell USB SIP for Digital and Analog KVMs. Server Interface Module for VGA, USB keyboard, mouse supp Dell Contract Code: 56AHC Manufacturer Part# : DMPUIQ-VMCHS-G01 Dell Part# : A7547276</p>	21	\$129.99	\$2,729.79
<p>Premier discount</p>			-\$760.62
 <p>Dell Serial Interface Pod for Digital KVMs. Serial interface module for DMPU KVMs. Dell Contract Code: 56AHC Manufacturer Part# : DMPUIQ-SRL-G01 Dell Part# : A7547277</p>	12	\$126.99	\$1,523.88
<p>Premier discount</p>			-\$398.64
			Bundle Total: \$8,374.39



American Power Conversion 14-Outlet Basic Rack PDU

3

\$159.99

\$479.97

Dell Contract Code: 56AHC
 Manufacturer Part# : AP9551
 Dell Part# : A0040621

Estimated Ship Date
 July 10, 2017

Premier discount

-\$64.11

Item total: \$415.86



APC Smart-UPS 2200VA RM 2U UPS Battery Backup (SMT2200RM2U)

3

\$1,049.99

\$3,149.97

Dell Contract Code: 56AHC
 Manufacturer Part# : SMT2200RM2U
 Dell Part# : A7383000

Estimated Ship Date
 July 10, 2017

Premier discount

-\$265.29

Item total: \$2,884.68



Dell EMC NetShelter SX 600mm wide x 1200mm Deep Enclosure with Sides - Black

1

\$1,861.99

\$1,861.99

Dell Contract Code: 56AHC
 Manufacturer Part# : AR3300X717
 Dell Part# : A9662451

Estimated Ship Date
 July 11, 2017

Premier discount

-\$391.74

Item total: \$1,470.25

Savings: \$3,955.38

Subtotal (43): \$20,084.19

Savings

\$3,955.38

Subtotal (43)

\$20,084.19

Price does not reflect applicable shipping, taxes and state environmental fee.

Same day shipment subject to order size limitations, Dell standard shipping methods and payment via credit card, gift card or Dell Business Credit. Notification will be provided if there are payment delays which could impact shipping date. Electronics and accessories may ship separately.

Smart Selection. Limited quantities. Only available for orders placed by 5:59 p.m. CT Mon.-Thurs. Systems shipped the next business day after an order is placed. Subject to order approval. Software and accessories not part of the configuration will be shipped separately and may arrive after your system. Please note that Smart Selection Configuration pricing cannot be combined with other pricing offers or discounts provided or agreed to by Dell. ** Orders with Custom Factory Integration might require additional processing time.

***Dell Business Credit:** Offered to business customers by WebBank who determines qualifications for and terms of credit. Taxes, shipping and other charges are extra and vary. Minimum monthly payments are the greater of \$15 or 3% of the new balance shown on the monthly billing statement. Dell and the Dell logo are trademarks of Dell Inc.

**Payment solutions provided and serviced by Dell Financial Services L.L.C. or its affiliate or designee ("DFS") for qualified customers. Offers may not be available or may vary in certain countries. Where available, offers may be changed without notice and are subject to product availability, credit approval, execution of documentation provided by and acceptable to DFS, and may be subject to minimum transaction size. Offers not available for personal, family or household use. Dell and the Dell logo are trademarks of Dell Inc. Restrictions and additional requirements may apply to transactions with governmental or public entities.

¹Subject to applicable law and regulations.

ALL ORDERS ARE SUBJECT TO APPROVAL AND ACCEPTANCE BY DELL. Pricing, availability and other terms of offer may be withdrawn or changed without notice. Dell cannot be held responsible for errors in typography or photography.



A quote for your consideration!

Total: \$75,388.26

Based on your business needs, we put the following quote together to help with your purchase decision. Please review your quote details below, then contact your sales rep when you're ready to place your order.

Quote number: 3000017218388.1	Quote date: Sep. 7, 2017	Quote expiration: Oct. 7, 2017	Solution ID: 8570267
---	------------------------------------	--	--------------------------------

Company name: YORK COLLEGE-CUNY	Customer number: 140301929	Phone: (718) 262-2112
---	--------------------------------------	---------------------------------

Sales rep information: Terri Lehenbauer Terri_Lehenbauer@Dell.com (800) 456-3355 Ext: 5139266	Billing Information: YORK COLLEGE-CUNY RM - 1H12 94-20 GUY R BREWER BLVD JAMAICA NY 11433 US (718) 262-2112
--	--

Pricing Summary

Item	Qty	Unit Price	Subtotal
Dell Server Interface Module for Serial Interface with DMPU Console Servers and Power Edge KVMs - TAA Compliant	3	\$98.97	\$296.91
PowerEdge R740	3	\$25,030.45	\$75,091.35
		Subtotal:	\$75,388.26
		Shipping:	\$0.00
		Environmental Fees:	\$0.00
		Non-Taxable Amount:	\$75,388.26
		Taxable Amount:	\$0.00
		Estimated Tax:	\$0.00
		Total:	\$75,388.26

Special lease pricing may be available for qualified customers. Please contact your DFS Sales Representative for details.

Dear Customer,

Your Quote is detailed below; please review the quote for product and information accuracy. If you find errors or desire certain changes please contact me as soon as possible.

Regards,

Terri Lehenbauer

Order this quote easily online through your [Premier page](#), or if you do not have Premier, using [Quote to Order](#)

Shipping Group 1

Shipping Contact: ACCOUNTS PAYABLE	Shipping phone: (718) 262-2112	Shipping via: Standard Ground	Shipping Address: RM - 1H12 94-20 GUY R BREWER BLVD JAMAICA NY 11433 US
--	--	---	---

SKU	Description	Qty	Unit Price	Subtotal
	Dell Server Interface Module for Serial Interface with DMPU Console Servers and Power Edge KVMs - TAA Compliant	3	\$98.97	\$296.91

Estimated delivery date: Sep. 15, 2017

Contract No: 70137

Customer Agreement No: Dell Std Terms

A7547277	Dell Server Interface Module for Serial Interface with DMPU Console Servers and Power Edge KVMs - TAA Compliant	3	-	-
----------	---	---	---	---

SKU	Description	Qty	Unit Price	Subtotal
	PowerEdge R740	3	\$25,030.45	\$75,091.35

Estimated delivery date: Sep. 27 - Oct. 2, 2017

Contract No: 70137

Customer Agreement No: Dell Std Terms

210-AKXJ	PowerEdge R740 Server	3	-	-
329-BDKH	PowerEdge R740/R740XD Motherboard	3	-	-
461-AADZ	No Trusted Platform Module	3	-	-
321-BCSN	Chassis with up to 16 x 2.5" SAS/SATA Hard Drives for 2CPU Configuration	3	-	-
340-BLKS	PowerEdge R740 Shipping	3	-	-
343-BBFU	PowerEdge R740 Shipping Material	3	-	-

338-BLLY	Intel Xeon Gold 6126 2.6G, 12C/24T, 10.4GT/s 2UPI, 19.25M Cache, Turbo, HT (125W) DDR4-2666	3	-	-
374-BBNT	Intel Xeon Gold 6126 2.6G, 12C/24T, 10.4GT/s 2UPI, 19.25M Cache, Turbo, HT (125W) DDR4-2666	3	-	-
412-AAIQ	Standard 1U Heatsink	3	-	-
412-AAIQ	Standard 1U Heatsink	3	-	-
370-ADNU	2666MT/s RDIMMs	3	-	-
370-AAIP	Performance Optimized	3	-	-
780-BCDS	Unconfigured RAID	3	-	-
405-AAOE	PERC H730P+ RAID Controller, 2Gb NV Cache, Adapter, Low Profile	3	-	-
619-ABVR	No Operating System	3	-	-
421-5736	No Media Required	3	-	-
379-BCQV	iDRAC Group Manager, Enabled	3	-	-
379-BCSG	iDRAC, Legacy Password	3	-	-
330-BBHB	Riser Config 2, 3 x8, 1 x16 slots	3	-	-
540-BBUL	Broadcom 57412 2 Port 10Gb SFP+ + 5720 2 Port 1Gb Base-T, rNDC	3	-	-
385-BBLQ	IDSDM and Combo Card Reader with 16GB VFlash SD	3	-	-
385-BBCF	Redundant SD Cards Enabled	3	-	-
385-BBKH	32GB microSDHC/SDXC Card	3	-	-
385-BBKH	32GB microSDHC/SDXC Card	3	-	-
429-ABBT	DVD+/-RW,SATA,Int	3	-	-
384-BBPZ	6 Performance Fans forR740/740XD	3	-	-
450-ADWM	Dual, Hot-plug, Redundant Power Supply (1+1), 1100W	3	-	-
325-BCHU	PowerEdge 2U Standard Bezel	3	-	-
350-BBKG	Dell EMC Luggage Tag	3	-	-
350-BBJU	Quick Sync 2 (At-the-box mgmt)	3	-	-
384-BBBL	Performance BIOS Settings	3	-	-
770-BBBR	ReadyRails Sliding Rails With Cable Management Arm	3	-	-
631-AACK	No Systems Documentation, No OpenManage DVD Kit	3	-	-

332-1286	US Order	3	-	-
973-2426	Declined Remote Consulting Service	3	-	-
813-9118	Basic Hardware Services: Business Hours (5x10) Next Business Day On-Site Hardware Warranty Repair, 3 Years	3	-	-
813-9119	Dell Hardware Limited Warranty Plus On-Site Service	3	-	-
900-9997	On-Site Installation Declined	3	-	-
370-ADNF	32GB RDIMM, 2666MT/s, Dual Rank	72	-	-
400-ASHP	2TB 7.2K RPM NLSAS 12Gbps 512n 2.5in Hot-plug Hard Drive	3	-	-
385-BBKT	iDRAC9,Enterprise	3	-	-
528-BBSC	OpenManage Essentials, Server Configuration Management	3	-	-
540-BBUH	Broadcom 57412 Dual Port 10Gb, SFP+, PCIe Adapter, Full Height	6	-	-
450-AALV	NEMA 5-15P to C13 Wall Plug, 125 Volt, 15 AMP, 10 Feet (3m), Power Cord, North America	6	-	-
470-AAGP	Dell Networking, Cable, SFP+ to SFP+, 10GbE, Copper Twinax Direct Attach Cable, 3 Meter	18	-	-
			Subtotal:	\$75,388.26
			Shipping:	\$0.00
			Environmental Fees:	\$0.00
			Estimated Tax:	\$0.00
			Total:	\$75,388.26

Important Notes

Terms of Sale

Unless you have a separate written agreement that specifically applies to this order, your order will be subject to and governed by the following agreements, each of which are incorporated herein by reference and available in hardcopy from Dell at your request: Dell's Terms of Sale (www.dell.com/learn/us/en/uscop1/terms-of-sale), which include a binding consumer arbitration provision and incorporate Dell's U.S. Return Policy (www.dell.com/returnpolicy) and Warranty (for [Consumer warranties](#) ; for [Commercial warranties](#)). [Back to Table of Contents](#)

If this purchase includes services: in addition to the foregoing applicable terms, the terms of your service contract will apply ([Consumer](#); [Commercial](#)). If this purchase includes software: in addition to the foregoing applicable terms, your use of the software is subject to the license terms accompanying the software, and in the absence of such terms, then use of the Dell-branded application software is subject to the Dell End User License Agreement - Type A (www.dell.com/AEULA) and use of the Dell-branded system software is subject to the Dell End User License Agreement - Type S (www.dell.com/SEULA).

If your purchase is for Mozy, in addition to the foregoing applicable terms, your use of the Mozy service is subject to the terms and conditions located at <https://mozy.com/about/legal/terms>.

You acknowledge having read and agree to be bound by the foregoing applicable terms in their entirety. Any terms and conditions set forth in your purchase order or any other correspondence that are in addition to, inconsistent or in conflict with, the foregoing applicable online terms will be of no force or effect unless specifically agreed to in a writing signed by Dell that expressly references such terms.

Pricing, Taxes, and Additional Information

All product, pricing, and other information is valid for U.S. customers and U.S. addresses only, and is based on the latest information available and may be subject to change. Dell reserves the right to cancel quotes and orders arising from pricing or other errors. Please indicate any tax-exempt status on your PO, and fax your exemption certificate, including your Customer Number, to the Dell Tax Department at 800-433-9023. Please ensure that your tax-exemption certificate reflects the correct Dell entity name: **Dell Marketing L.P.**

Note: All tax quoted above is an estimate; final taxes will be listed on the invoice.

If you have any questions regarding tax please send an e-mail to Tax_Department@dell.com.

For certain products shipped to end-users in California, a State Environmental Fee will be applied to your invoice. Dell encourages customers to dispose of electronic equipment properly.



Pricing Proposal
Quotation #: 13677226
Created On: 6/21/2017
Valid Until: 9/29/2017

NY-York College

Stephen Yu

94-20 GUY R. BREWER BLVD.
ATTN: ACCOUNTS PAYABLE
JAMAICA, NY 11451
United States
Phone: (718) 262-2739
Fax:
Email: syu@york.cuny.edu

Inside Account Manager

NY SLED

290 Davidson Ave
Somerset, NJ 08873
Phone: 1-888-744-4084
Fax: 732-868-8982
Email: NYSLED@shi.com

All Prices are in US Dollar (USD)

Product	Qty	Your Price	Total
1 Veeam Availability Suite Enterprise Plus for VMware - Public Sector Veeam Software - Part#: P-VASPLS-VS-P0000-00 Contract Name: Distributor Based Software and Hardware Contract #: PD67647	24	\$2,081.87	\$49,964.88
		Total	\$49,964.88

Additional Comments

Thank you for choosing SHI International Corp! The pricing offered on this quote proposal is valid through the expiration date listed above. To ensure the best level of service, please provide End User Name, Phone Number, Email Address and applicable Contract Number when submitting a Purchase Order. For any additional information including Hardware, Software and Services Contracts, please contact an SHI Inside Sales Representative at (888) 744-4084.

SHI International Corp. is 100% Minority Owned, Woman Owned Business.
TAX ID# 22-3009648; DUNS# 61-1429481; CCR# 61-243957G; CAGE 1HTF0

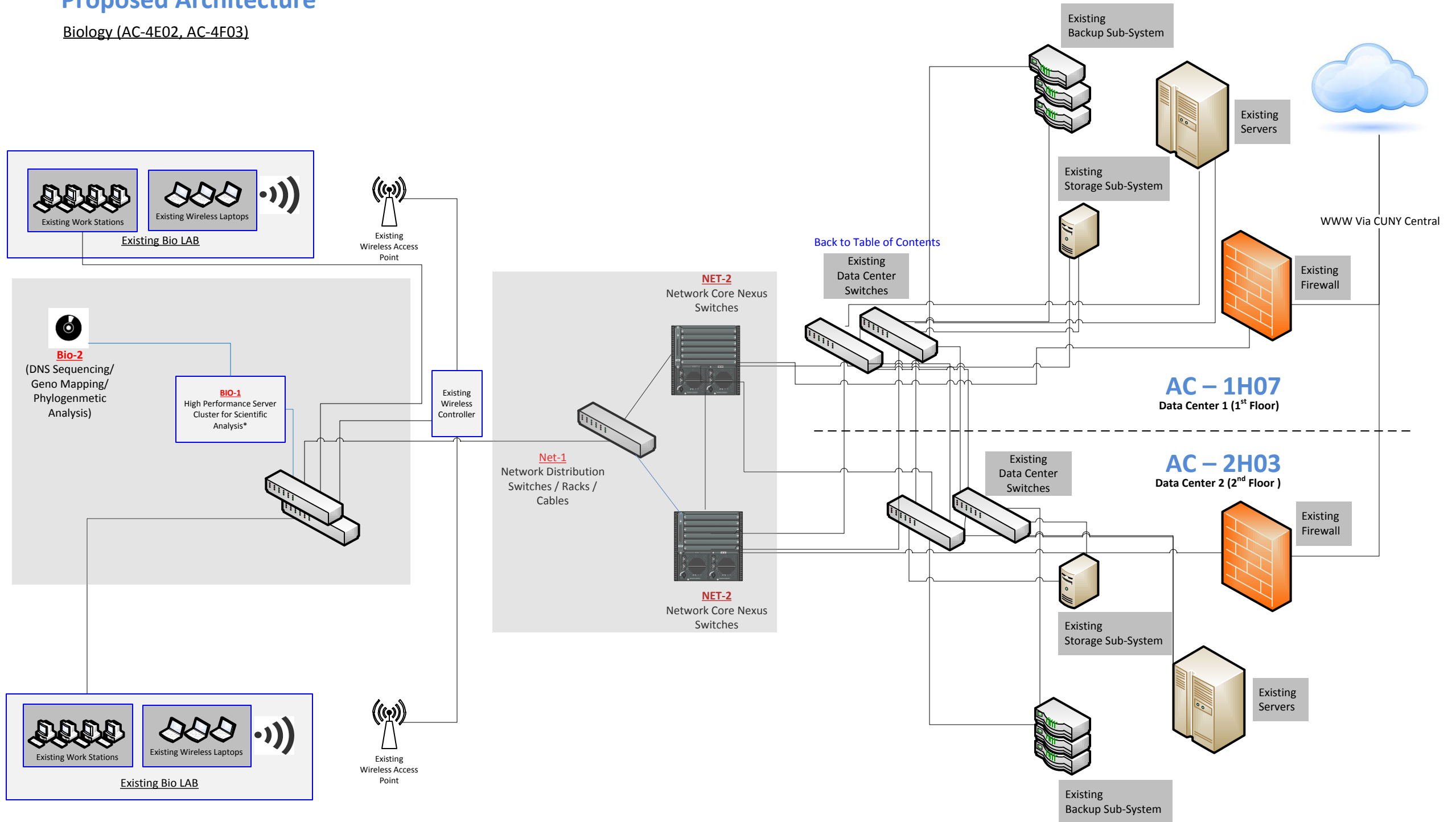
The Products offered under this proposal are subject to the SHI Return Policy posted at www.shi.com/returnpolicy, unless there is an existing agreement between SHI and the Customer.

Biology

High Level Drawing and Quotes

Proposed Architecture

Biology (AC-4E02, AC-4F03)





Harrison A. Angus
PSSC Labs
214-507-3115
harrison@pssclabs.com

Peter Tighe
York College
ptighe@york.cuny.edu
718-262-2711

Quotation # 44-101117-02
Valid Through: 11/25/2017
Terms: Net 30
FOB: Destination / Shipping Costs
are included

GSA Contract # GS-35F-0598R

POWERWULF™ BIO TITANIUM CLUSTER (PN: PS-PWF-CSTM-DH)

The PowerWulf™ Bio Titanium Cluster is a custom configured high performance computing solution designed specifically to meet the computing needs of the York College. The PowerWulf™ Bio Titanium Cluster will be delivered preconfigured with our CBeST Cluster Management Toolkit and optimized for maximum performance.

The PowerWulf™ Titanium Cluster Compute Engine contains:

- 1 Master Node and 6 Compute Nodes
 - Detailed Description of Nodes on Following Page
- 160 Total Intel® Xeon® E5-2600 v4 Cloud Series CPU Cores
 - 320 Total Cores with Hyperthreading enabled
 - 144 Total 2.2 GHz Cores on Compute Nodes
 - 16 Total 2.1 GHz Cores on Head Node
- 448 GB Total High Performance ECC System Memory
 - 2.67 GB per Compute Node Processor Core
 - 4 GB per Master Node Processor Core
- 10+ TB of RAW Storage Space
 - 2 TB Configured as RAID 1 on Head Node (OS & Cluster Management)
 - 2 TB for Data Storage on Head Node
 - 1.0 TB Scratch / Data Space per Compute Node
- 1 x Edge-Core 5600-52X-D2-AC-F 48 Port 10G SFP+ Switch
- Remote Management & Monitoring Network Included
- All necessary Rack and Power Infrastructure included
 - 1 x 42U Rack Enclosure
 - 2 x 20 AMP / 220 V / Three Phase PDU
 - All necessary Power & Network Cables Provided by PSSC Labs
- Additional Head Node Power Redundancy Included
- CBeST Cluster Management Toolkit
 - CentOS Linux Latest PSSC Labs Supported 64 Bit Operating System
 - CBeST Feature Details on Following Page
- Onsite Installation including CBeST
 - Does not Include Additional Software Installation
- Three Year Complete Warranty Coverage
 - Warranty Details on Following Pages



The ability to upgrade all system components including processor cores, memory, network backplane & available storage is built into the PowerWulf ZXR1+ Cluster. The system will grow along with your computing needs.



Harrison A. Angus
PSSC Labs
214-507-3115
harrison@pssclabs.com

PRICING DETAILS

Retail Price: \$113,995.00

- New Customer Discount: subtract \$20,000.00
- Life Sciences Discount: subtract \$20,000.00

FINAL PRICE: \$73,995.00

Price does not include applicable state, use, or sales tax



Harrison A. Angus
PSSC Labs
214-507-3115
harrison@pssclabs.com

NODE CONFIGURATION DETAILS

Head Node Includes:

- 16 x Intel Xeon E5 2620 v4 Cloud Ready Processor Cores / 2.1 GHz
 - 2 x E5-2620 v4 CPU's, 8.0GT/sec QPI
- 64 GB of High Performance 2400 MHz ECC system memory
- 2 x 1.0 TB SATA III 6Gbps 7200 RPM GOLD RAID Level Enterprise Hard Drives
 - Configured for RAID 1 for OS and CBeST Cluster Tools
- 2 x 1.0 TB SATA III 6Gbps 7200 RPM GOLD RAID Level Enterprise Hard Drives
 - Configured for RAID 1 for Data
- LSI 9361-4i 6/12Gbps SAS/SATA III RAID Controller
- 2 x 10/100/1000 BaseT Gigabit On-board Network Adapters
- 10/100/1000 IPMI Remote Management Port
- 1 x Dual Port 10 GigE / PCI Express x8 Adapter
- REDUNDANT Power Supply with 80%+ Energy Efficient Enterprise Class Power Source

Each Compute Node Includes (6 Total Nodes):

- 24 x Intel Xeon E5 2650 v4 Cloud Ready Processor Cores / 2.2 GHz
 - 2 x E5-2650 v4 CPU's, 9.6GT/sec QPI
- 64 GB of High Performance 2400 MHz ECC system memory
- 1 x 1.0 TB SATA III 6Gbps 7200 RPM GOLD RAID Level Enterprise Hard Drives
- 2 x 10/100/1000 BaseT Gigabit On-board Network Adapters
- 10/100/1000 IPMI Remote Management Port
- 1 x Dual Port 10 GigE / PCI Express x8 Adapter
- 90%+ Energy Efficient Enterprise Class Power Source
- Tool Free Patent Pending Rackmount Chassis



Harrison A. Angus
PSSC Labs
214-507-3115
harrison@pssclabs.com

SERVICES INCLUDE

- Installation of CBeST® v. 4.0 Complete Beowulf Software Toolkit including:
 - Setup of and installation of CentOS 7.X x 64-bit
 - Message Passing Libraries (OpenMPI standard, options available)
 - TORQUE Scheduling System
 - Ganglia Cluster Monitoring Utility and Custom Scripting
 - Temperature Monitoring & Auto Shutdown Script
 - Clonezilla to facilitate imaging compute nodes
 - PowerScripts for Remote Cluster or Node Reboot, Remote Cluster or Node Shutdown
 - Security Patches (Port Mapper, IP Chains/Tables and Latest Security Updates)
 - Scientific Libraries (LAPAK & BLAS)
 - GNU Compilers (C & Fortran standard, options available)
 - CBeST® Operation Manual (35+ page) detailing installation, operation, maintenance and support
 - CBeST® Support: PSSC Labs will extend the CBeST® support to 3 years. Our standard warranty includes 1 year CBeST® support. See p.4 for details.
- [Back to Table of Contents](#)
- Hardware Warranty: PSSC Labs will upgrade the standard warranty from 1 year return to depot to 3 year on-site. See p.4 for details.
 - Maintenance Kit. An extensive maintenance kit will ship with the cluster. The maintenance kit allows for immediate replacement of critical failed components.
 - IPMI Remote Network Management Configuration. Allows remote access to all nodes for system management.
 - Complete Recovery (CPR) Toolkit. PSSC Labs will keep a copy of your image at our facility.
 - Performance Tuning. PSSC Labs Cluster Technicians have 10+ years experience optimizing system hardware for maximum performance. Performance tuning encompasses every step of the integration process including:
 - Optimizing BIOS settings for specific hardware
 - Installation of latest component drivers
 - Installation of necessary firmware updates
 - Compiling MPI with various flags for maximum performance
 - Net Connect Integration Service. Prior to software installation by PSSC Labs Cluster Technicians, end user will provide the necessary network information including (cluster name, IP address, subnet, gateway, etc). Once this information is received, PSSC Labs will verify the information and properly configure the PowerWulf Cluster network. All network settings will be tested prior to shipping. End user will simply need to connect a network cable to begin communicating with the PowerWulf Cluster and run jobs.
 - Site Preparation Guide. Gathers information regarding computing environment and network settings to ensure proper connectivity, power and cooling.





Harrison A. Angus
PSSC Labs
214-507-3115
harrison@pssclabs.com

WARRANTY DETAILS

Hardware Support

Each system includes a THREE year return to depot hardware warranty (unless otherwise noted). The warranty services coverage is limited only to PSSC Labs manufactured systems specified on the quotation or technical specifications document. Under no circumstances will the hardware warranty be extended to peripherals or other components added by anyone other than PSSC Labs. Any negligent or malicious treatment of system hardware including but not limited to improper computing environment, unacceptable operating room temperatures, and/or inappropriate firewall as specified by PSSC Labs is considered grounds for voiding warranty service. Shipping costs to PSSC Labs are the responsibility of the end user. PSSC Labs is responsible for all return shipping cost. In order to reduce system down-time, PSSC Labs strongly recommends purchasing our System Maintenance Kit. This System Maintenance Kit includes system components most likely to fail (hard drive, power supply, items with moving parts). On-Site Hardware Support Services are available for up to three years. On-Site Hardware Support Services can be purchased on an annual or per incident basis. Contact your Sales Representative for annual and per incident pricing.

CBeST™ Support

PSSC Labs can preinstall and test the CBeST™ Cluster Management Toolkit. PSSC Labs is responsible for the integration of various software packages (commercial and open source) that constitute CBeST. PSSC Labs is not responsible for making changes to the source code, writing custom scripts or debugging any third party software application (commercial and open source). As part of CBeST installation, PSSC Labs Cluster Technicians will need to establish internal system network configuration settings. These settings (including domain name) cannot be changed without prior notice to PSSC Labs. Making internal system network changes without PSSC Labs consent is prohibited and can void the warranty. No custom configuration, customer scripts or other software changes are included. CBeST Support is included for one year. During this time, the end user may contact PSSC Labs an unlimited number of times via email and telephone. A support ticket must be opened on PSSC Labs website. Our Cluster Technicians are available to discuss the cluster network settings and installed CBeST packages. Cluster Technicians may refer to system manual or online information. If necessary, Cluster Technicians can log into system to verify proper CBeST functionality. If CBeST is not functioning properly, Cluster Technicians can ONLY return system to proper factory installed condition. If during the support process, PSSC Labs determines that the system is not functioning due to unauthorized system changes or unacceptable computing environment (as specified in the site preparation guide) the customer will be notified and sent a void of warranty notification. The end user will have 30 days to return system configuration to factory installed settings at which time PSSC Labs can reinstate the warranty. Cluster Technicians can be contracted in order to return system to factory installed conditions.

Limits of Liability

In no event will PSSC Labs be liable to the customer for lost profits or any form of indirect, special, incidental, or consequential damages of any form from any causes of action of any kind with respect to any order, whether based on breach of contract, tort (including negligence), or otherwise, and whether or not the other party has been advised of the possibility of such damage. Recourse is limited only to the value of the purchase price.

All terms and conditions listed on the PSSC Labs website (www.pssclabs.com) apply to this quotation.



Harrison A. Angus
PSSC Labs
214-507-3115
harrison@pssclabs.com

STATEMENT OF PAST PERFORMANCE

PSSC Labs provides high performance computing solutions to the worlds most prestigious and demanding organizations including NASA, US Department of Defense, Harvard University and many more. Our hardware knowledge, software expertise and support ensure that PSSC Labs end users receive the best possible solution at a competitive price. PSSC Labs recently surpassed a milestone achievement by delivering our 2000th PowerWulf Cluster. We also recently earned the distinction of the world's leading provider of turn-key, high performance computing solutions for life science research and more specifically next generation sequencing.

PSSC Labs delivered its first PowerWulf Linux cluster in 1996 to the University of California at Irvine (UCI). Since that time PSSC Labs has delivered over 2000 PowerWulf Clusters to government, university and research organizations in 35 unique countries. This experience helps our cluster technicians develop CBeST (Complete Beowulf Software Toolkit) the most full featured, easy to use and best supported cluster management software package available today. CBeST is comprised of custom scripts and open source software tools elegantly integrated and custom configured for each unique cluster hardware configuration. CBeST allows you to easily manage, monitor, maintain and upgrade your cluster. Our cluster technicians offer unlimited lifetime support for all CBeST. For complete CBeST details please visit http://www.pssclabs.com/support_cbest.asp

Our record of delivering excellent quality products combined with responsive and knowledgeable support is the primary reasons for our success. Below is a list of organizations currently using PSSCLabs PowerWulf Clusters. Feel free to contact them as references. If you would like additional references please visit <http://www.pssclabs.com/company/endorsement.asp>

Organizations currently using PSSC Labs PowerWulf Clusters

Commercial/Research

Roche Diagnostics
Northrop Grumman
Agencourt Biosciences
Seqwright
Max Planck Institute
Beijing Institute of Genomics
Beth Israel Medical Center
Booz Allen Hamilton
British Airways CACI
Technologies Computer
Sciences Corp.
Concurrent Pharmaceuticals
Sanger Institute
Riken Institute
Memorial Sloan Kettering
Advanced Technologies
Leeds Institute of Medicine
Qingdao Institute of Bio-energy

Universities

MIT
Harvard University
Northwestern UC
Berkeley Stanford
University Yale
University Johns
Hopkins Boston
University
New York University
Northeastern University
Rice University
City University New York
University of Liverpool
University of Sao Paulo
University of Ontario
National Yang-Ming University
Anand Agricultural University
Newcastle University

Government Agencies

NASA
NOAA
US Army Research Labs
US Army Redstone Arsenal
US Naval Research Labs
US Department of Agriculture
US Center for Disease Control
US Nuclear Regulatory Commission
Lawrence Berkeley National Labs
Los Alamos National Labs
Argonne National Labs
Idaho National Laboratory
VA Healthcare System
National Institute of Infectious
Disease (Japan)
National Institute of Oncology
National Botanical Research
Institute (India)

BIOMATTERS

Biomatters Ltd

PO Box 5677, Wellesley St, Auckland
Level 2, 18 Shortland Street
Auckland 1141, New Zealand
Email: sales@biomatters.com
Web: www.biomatters.com
Phone: +64 9 379 5064
Fax: +64 9 379 5063

Biomatters, Inc.

60 Park Place, Suite 520
Newark, NJ 07102
United States
Email: sales@biomatters.com
Web: www.biomatters.com
Phone: +1 530 771 7067
Fax: +1 443 927 7894

Quotation # Q-11102017-18393

[Back to Table of Contents](#)

Date: 11 Oct 2017

Claudio Lindow

City University of New York (CUNY)- York College

United States

Email: clindow@york.cuny.edu

Qty	Product Description	Unit Price	Price (US\$)
30	Geneious Perpetual R11 Non-commercial Floating	\$2,500.00	\$75,000.00
	Handling Fee		\$25.00
Total			\$75,025.00

Sales tax will be added to orders from customers based in Vermont (6%) unless a Sales Tax Exemption Certificate is provided. Please email your Sales Tax Exemption Certificate to accounts@biomatters.com.

GST of 15% will be added to orders from customers based in New Zealand.

Software license keys and invoice are dispatched on receipt of your purchase order. All licenses are valid from date of issue unless otherwise specified.

This quotation is valid until 12 Nov 2017.

Please email your purchase order to sales@biomatters.com, or fax it to +1 443 927 7894 for North America or to +64 9 379 5063 for the rest of the world.

RELEASES, UPDATES, SUPPORT

- Standard release purchases entitle the purchaser to a specified release (e.g., R10) and subsequent updates to the release (e.g., R10.1), but does not entitle purchaser to subsequent, unspecified releases (e.g., R11).
- Time-limited subscription entitlements include access and support for any currently supported release during the time period.
- Biomatters provides support to authorized users holding a valid entitlement for the most recent updates to the two most recent releases of the software.

GENEIOUS - LICENSE AGREEMENT

License terms and conditions for the use of Geneious are described in the Biomatters Software License Agreement for Geneious. Please review the terms of this agreement, as they must be accepted in order to use the software. See: <http://www.geneious.com/web/geneious/licence-agreement>

GENEIOUS SERVER - LICENCE AGREEMENT

The terms and conditions for the purchase of Geneious Server are outlined in the Geneious Server License Agreement. Please review the terms of this agreement and sign the contract before purchase or payment.

GENEIOUS SERVER - ADDITIONAL GENEIOUS LICENCES

*Please note: A valid copy of the latest version of Geneious is required for each user to interface with Geneious Server. Exact license numbers will be confirmed prior to invoicing.

PAYMENT / PURCHASE OPTIONS

Payment by credit card or PayPal is available for purchases made from www.geneious.com/store and does not attract a handling fee, although tax may be payable. Depending upon the license type ordered, license keys will be emailed within one hour to a maximum of two working days from order placement. If you do not receive an email with your key in this amount of time, please check your spam filter and/or email us on

- support@biomatters.com .

- To pay by wire transfer or check please fax an official purchase order to +64 9 379 5063, or email to sales@biomatters.com. License keys will be emailed within two working days upon receipt of your purchase order, and an invoice airmailed to your billing address.
- To pre-pay by wire transfer (i.e. pay prior to supply of license keys), a proforma invoice can be supplied on request by emailing sales@biomatters.com. License keys will be emailed to the designated recipient upon receipt of payment.

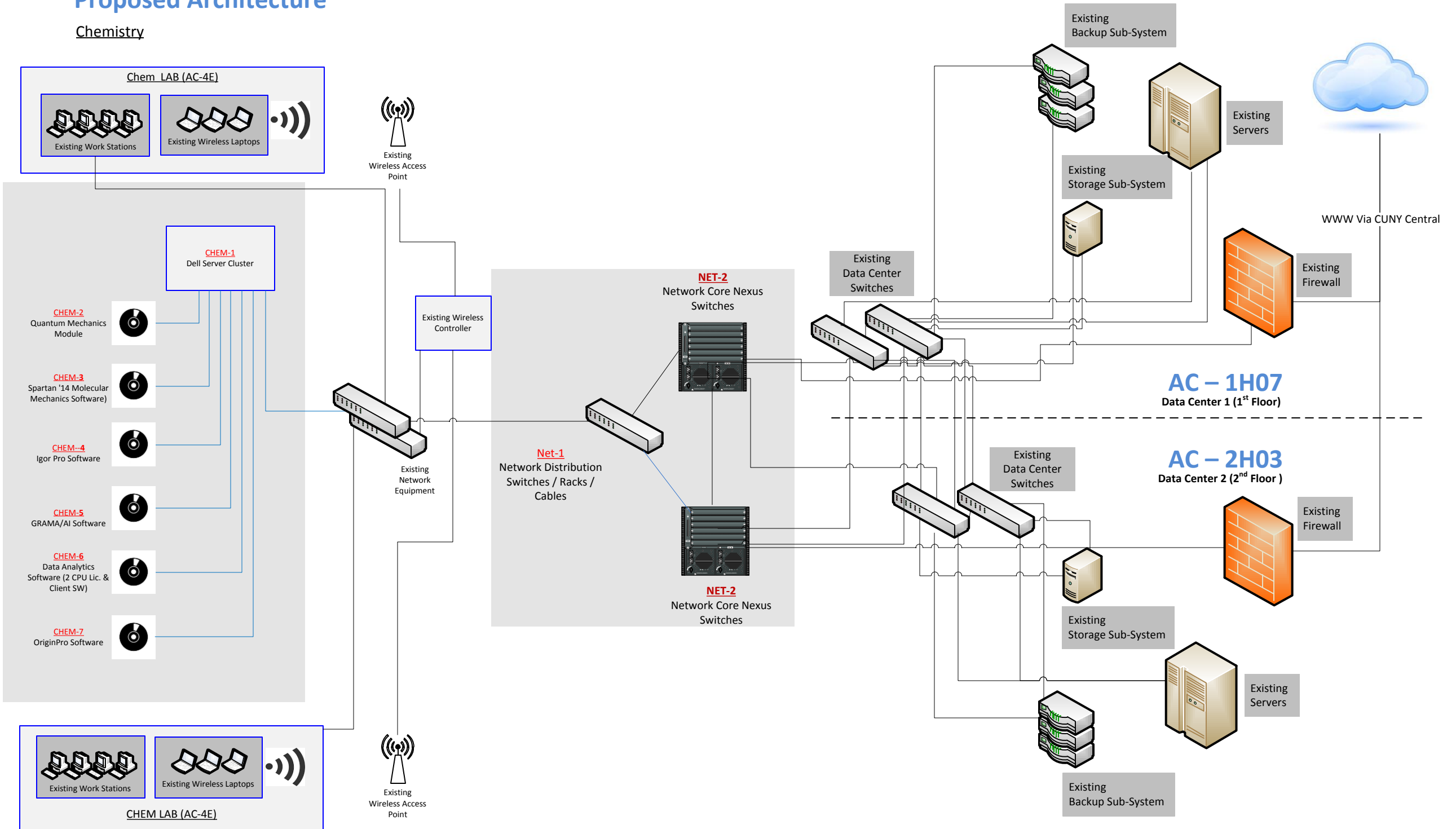
All Geneious purchases are subject to the Geneious Software Licence Agreement, details of which are available on www.geneious.com

Chemistry

High Level Drawing and Quotes

Proposed Architecture

Chemistry





A quote for your consideration!

Based on your business needs, we put the following quote together to help with your purchase decision. Please review your quote details below, then contact your sales rep when you're ready to place your order.

**Total: \$
121,735.80**

Quote number: 3000017218063.1	Quote date: Sep. 7, 2017	Quote expiration: Oct. 7, 2017	Solution ID: 8570227
---	------------------------------------	--	--------------------------------

Company name: YORK COLLEGE-CUNY	Customer number: 140301929	Phone: (718) 262-2112
---	--------------------------------------	---------------------------------

Sales rep information: Terri Lehenbauer Terri_Lehenbauer@Dell.com (800) 456-3355 Ext: 5139266	Billing Information: YORK COLLEGE-CUNY RM - 1H12 94-20 GUY R BREWER BLVD JAMAICA NY 11433 US (718) 262-2112
--	--

Pricing Summary

Item	Qty	Unit Price	Subtotal
PowerEdge R830	6	\$20,190.33	\$121,141.98
Dell Server Interface Module for Serial Interface with DMPU Console Servers and Power Edge KVMs - TAA Compliant	6	\$98.97	\$593.82
Subtotal:			\$121,735.80
Shipping:			\$0.00
Environmental Fees:			\$0.00
Non-Taxable Amount:			\$121,735.80
Taxable Amount:			\$0.00
Estimated Tax:			\$0.00
Total:			\$121,735.80

Special lease pricing may be available for qualified customers. Please contact your DFS Sales Representative for details.

Dear Customer,

Your Quote is detailed below; please review the quote for product and information accuracy. If you find errors or desire certain changes please contact me as soon as possible.

Regards,

Terri Lehenbauer

Order this quote easily online through your [Premier page](#), or if you do not have Premier, using [Quote to Order](#)

Shipping Group 1

Shipping Contact: ACCOUNTS PAYABLE	Shipping phone: (718) 262-2112	Shipping via: Standard Ground	Shipping Address: RM - 1H12 94-20 GUY R BREWER BLVD JAMAICA NY 11433 US
--	--	---	---

SKU	Description	Qty	Unit Price	Subtotal
	PowerEdge R830	6	\$20,190.33	\$121,141.98
	Estimated delivery date: Sep. 26 - 29, 2017			
	Contract No: 70137			
	Customer Agreement No: Dell Std Terms			
210-AIBO	PowerEdge R830 Server	6	-	-
329-BDJF	PowerEdge R830 Motherboard	6	-	-
461-AADZ	No Trusted Platform Module	6	-	-
321-BCER	Chassis with up to 8, 2.5" Hard Drives	6	-	-
340-BBSB	PowerEdge R830 Shipping	6	-	-
338-BJHS	2x Intel Xeon E5-4627 v4 2.6GHz,25M Cache,8.0GT/s QPI 10C/10T,No HT,Turbo (135W) Max Mem 2400MHz	6	-	-
374-BBLZ	Upgrade to Four Intel Xeon E5-4627 v4 2.6GHz,25M Cache,8.0 GT/s QPI,Turbo,No HT,10C/10T (135W)	6	-	-
370-ACPJ	DIMM Blanks for Systems with 4 Processors	6	-	-
374-BBNG	PWA for PowerEdge R830	6	-	-
412-AAHZ	Heat Sink for PowerEdge R830	6	-	-
412-AAHZ	Heat Sink for PowerEdge R830	6	-	-
370-ACPH	2400MT/s RDIMMs	6	-	-

370-AAIP	Performance Optimized	6	-	-
780-BBZJ	RAID 5 for H330/H730/H730P (3-16 HDDs or SSDs)	6	-	-
405-AACU	PERC H730P Adapter RAID Controller, 2GB NV Cache	6	-	-
440-BBGW	PowerEdge Full Height Bracket	6	-	-
540-BBBY	QLogic 57800 2x10Gb DA/SFP+ + 2x1Gb BT Network Daughter Card	6	-	-
385-BBHO	iDRAC8 Enterprise, integrated Dell Remote Access Controller, Enterprise	6	-	-
634-BBWU	OpenManage Essentials, Server Configuration Management	6	-	-
330-BBCL	Internal Dual SD Module	6	-	-
385-BBCF	Redundant SD Cards Enabled	6	-	-
385-BBLI	16GB SD Card For IDSDM	6	-	-
385-BBLI	16GB SD Card For IDSDM	6	-	-
429-AAPS	DVD+/-RW, SATA, Internal	6	-	-
325-BCJT	Dell EMC 2U Standard Bezel	6	-	-
770-BBBR	ReadyRails Sliding Rails With Cable Management Arm	6	-	-
384-BBBL	Performance BIOS Settings	6	-	-
450-ADWM	Dual, Hot-plug, Redundant Power Supply (1+1), 1100W	6	-	-
631-AACK	No Systems Documentation, No OpenManage DVD Kit	6	-	-
619-ABVR	No Operating System	6	-	-
421-5736	No Media Required	6	-	-
800-BBDM	UEFI BIOS Boot Mode with GPT Partition	6	-	-
332-1286	US Order	6	-	-
810-0412	Basic Hardware Services: Business Hours (5x10) Next Business Day On-Site Hardware Warranty Repair, 3 Years	6	-	-
810-0421	Dell Hardware Limited Warranty Plus On-Site Service	6	-	-
900-9997	On-Site Installation Declined	6	-	-
370-ACNX	16GB RDIMM, 2400MT/s, Dual Rank, x8 Data Width	72	-	-
400-AJON	1.2TB 10K RPM SAS 2.5in Hot-plug Hard Drive	36	-	-
540-BBBJ	QLogic 57810 Dual Port 10Gb Direct Attach/SFP+ Low Profile Network Adapter	6	-	-

450-AALV	NEMA 5-15P to C13 Wall Plug, 125 Volt, 15 AMP, 10 Feet (3m), Power Cord, North America	12	-	-
470-AAGP	Dell Networking, Cable, SFP+ to SFP+, 10GbE, Copper Twinax Direct Attach Cable, 3 Meter	36	-	-

SKU	Description	Qty	Unit Price	Subtotal
	Dell Server Interface Module for Serial Interface with DMPU Console Servers and Power Edge KVMs - TAA Compliant	6	\$98.97	\$593.82
	Estimated delivery date: Sep. 15, 2017 Contract No: 70137 Customer Agreement No: Dell Std Terms			
A7547277	Dell Server Interface Module for Serial Interface with DMPU Console Servers and Power Edge KVMs - TAA Compliant	6	-	-

Subtotal:	\$121,735.80
Shipping:	\$0.00
Environmental Fees:	\$0.00
Estimated Tax:	\$0.00
Total:	\$121,735.80

Important Notes

Terms of Sale

Unless you have a separate written agreement that specifically applies to this order, your order will be subject to and governed by the following agreements, each of which are incorporated herein by reference and available in hardcopy from Dell at your request: Dell's Terms of Sale (www.dell.com/learn/us/en/uscop1/terms-of-sale), which include a binding consumer arbitration provision and incorporate Dell's U.S. Return Policy (www.dell.com/returnpolicy) and Warranty (for [Consumer warranties](#) ; for [Commercial warranties](#)).

If this purchase includes services: in addition to the foregoing applicable terms, the terms of your service contract will apply ([Consumer](#); [Commercial](#)). If this purchase includes software: in addition to the foregoing applicable terms, your use of the software is subject to the license terms accompanying the software, and in the absence of such terms, then use of the Dell-branded application software is subject to the Dell End User License Agreement - Type A (www.dell.com/AEULA) and use of the Dell-branded system software is subject to the Dell End User License Agreement - Type S (www.dell.com/SEULA).

If your purchase is for Mozy, in addition to the foregoing applicable terms, your use of the Mozy service is subject to the terms and conditions located at <https://mozy.com/about/legal/terms>.

You acknowledge having read and agree to be bound by the foregoing applicable terms in their entirety. Any terms and conditions set forth in your purchase order or any other correspondence that are in addition to, inconsistent or in conflict with, the foregoing applicable online terms will be of no force or effect unless specifically agreed to in a writing signed by Dell that expressly references such terms.

Pricing, Taxes, and Additional Information

All product, pricing, and other information is valid for U.S. customers and U.S. addresses only, and is based on the latest information available and may be subject to change. Dell reserves the right to cancel quotes and orders arising from pricing or other errors. Please indicate any tax-exempt status on your PO, and fax your exemption certificate, including your Customer Number, to the Dell Tax Department at 800-433-9023. Please ensure that your tax-exemption certificate reflects the correct Dell entity name: **Dell Marketing L.P.**

Note: All tax quoted above is an estimate; final taxes will be listed on the invoice.

If you have any questions regarding tax please send an e-mail to Tax_Department@dell.com.

For certain products shipped to end-users in California, a State Environmental Fee will be applied to your invoice. Dell encourages customers to dispose of electronic equipment properly.



Matrix Science Limited, 64 Baker Street,
London W1U 7GB, UK
Tel: +44 20 7486 1050 Fax: +44 20 7224 1344

Quote Number: RQ 170615-6770
Date: 15th Jun 2017
Sales Person: Richard Jacob

Bill To	Ship To
Accounts Payable York College, CUNY 94-20 Guy R Brewer Blvd Jamaica, NY 11451 United States	Deb Chakravarti York College, CUNY 94-20 Guy R Brewer Blvd Jamaica, NY 11451 United States

Quantity	Part Number:	Product	Unit Price	Line total
1 1	MSS-WIN	Mascot Server software for Windows 2 cpu license	\$12,600.00	\$12,600.00
2 1	MD-GUI	Mascot Distiller Workstation Software	\$2,400.00	\$2,400.00
3 1	MD-STB	Mascot Distiller Search Toolbox (requires MD-GUI)	\$1,200.00	\$1,200.00
4 1	MD-QTB	Mascot Distiller Quantitation Toolbox (requires MD-GUI and MD-STB)	\$1,200.00	\$1,200.00
5 1	MD-DTB	Mascot Distiller Daemon Toolbox (requires MD-GUI)	\$1,200.00	\$1,200.00

Subtotal:	\$18,600.00
Shipping:	\$0.00
Total:	\$18,600.00

Terms and Conditions

Purchase orders must be made out to Matrix Science Limited in the UK at the address above.

Prices are in USD and include shipping but exclude any applicable duties or taxes.

Quotation is valid for 60 days. Delivery is 15 days from acceptance of an official purchase order. Payment terms are Net 30 days from receipt of invoice. Overdue payments attract interest at 1.5% per month.

Errors and omissions excepted

Richard Jacob



Attachment A to License/Services Agreement
Transaction Document to Customer License and Online Services Terms and Conditions

York College - CUNY

Quote ID: **25854**

Quote Date: 07-Jan-2016

Quote Expiration Date: 07-Feb-2016

Line	Qty	Product	Product Information	Duration in Months License/Maintenance/Level	Total
1	1	PR14396-MS Academic Standard Base	See below for prod desc. This product includes the following: PR1817 MS Visualizer & Collection,PR11778 MS Conformers,PR3296 MS Forcite Plus,PR12164 MS Gaussian Interface,PR3116 MS QSAR PLUS, PR2175 MS Reflex,PR2055 MS VAMP,PR2056 MS VAMP Interface	Perpetual	6,000
2	1	PR14396-MS Academic Standard Base	Maintenance Support	12/Bronze - Academic	600
Back to Table of Contents					
3	1	PR14398-MS Academic Standard Quantum	Provides access to modules associated with Quantum Mechanics calculations in MS. Prerequisites: PR14396 MS Academic Standard Base	Perpetual	9,000
4	1	PR14398-MS Academic Standard Quantum	Maintenance Support	12/Bronze - Academic	900

Notes:Bronze Level Support: Includes access to the self-service community and on-line documentation library, both located at <https://community.3dsbiovia.com/>. Customers are entitled to telephone or email assistance relating only to the initial installation of their purchased Software on workstations. Assistance with installations on clusters, grids, or high performance computing centers (HPCs) is not included. Assistance using the software after the initial installation will be directed to the online Discussion Forums located on the Community. Customers are also entitled to applicable upgrades to currently licensed Software.

BIOVIA Contact: Sean Smith

Phone: (858) 799-5287

Fax: (858) 408-3294

Email: sean.smith@3ds.com

Total Fees (Excluding Tax/VAT):	16,500 USD
---------------------------------	------------

Payment: NET 30 - Net Due in 30 Days

MS Academic Standard Quantum

Includes the Following: MS CASTEP Parallel , MS CASTEP Interface, MS DFTB+ , MS DMOL3 Interface, MS DMOL3 Solid State Parallel , MS NMR CASTEP Parallel , MS ONETEP , MS ONETEP Interface, MS QMERA , MS QMERA Interface, MS GULP Parallel, MS GULP Interface

Quote ID: 25854

Quote Date: 07-Jan-2016

Quote Expiration Date: 07-Feb-2016

CONFIDENTIAL



Attachment A to License/Services Agreement Transaction Document to Customer License and Online Services Terms and Conditions

Simultaneous User License Model

Users may run compute jobs on an unlimited number of computer processors provided that the number of simultaneous Users does not exceed the number allotted for in Customer's License.

MS Academic Base

Product Description: Core product for Materials Studio and access to the Materials Studio Collection in Pipeline Pilot. MS Academic Base provides tools for building, manipulating, viewing, and analyzing atomistic and mesoscale models, the infrastructure to support other MS products, and scripting with MaterialsScript. The Materials Studio Collection provides the infrastructure for using MS documents and servers in PP, a MaterialsScript API and structure visualization with the Jmol viewer.

GENERAL TERMS

This Attachment A/Transaction Document is subject to the terms set forth at <http://www.accelrys.com/company/legal/user-agreements.html>, unless Customer and BIOVIA have executed a written agreement that remains in effect and covers the products and services herein, in which case the most recent such agreement will apply (the "Agreement").

This Attachment A/Transaction Document is a part of and incorporated into the Agreement. All BIOVIA software and services are provided exclusively under the Agreement. CONFLICTING OR ADDITIONAL TERMS SET FORTH ON ANY INSTRUMENT ISSUED BY CUSTOMER, INCLUDING ANY PURCHASE ORDER(S), WILL NOT APPLY, AND BIOVIA HEREBY REJECTS SUCH TERMS. The parties expressly acknowledge and agree that Customer's and BIOVIA's obligations set forth herein arise upon execution of this Attachment A/Transaction Document and exclusively in accordance with its terms. If not set forth herein or in the Agreement, License definitions can be found at <http://www.accelrys.com/company/legal/user-agreements.html>.

The term of any maintenance services or subscription licenses shall commence on the date of delivery and continue for the number of months specified above from the last day of the month in which delivery occurs.

Payment

Unless otherwise set forth in the Agreement, (a) all pricing is in USD; (b) BIOVIA is authorized to issue an invoice upon Customer's execution of this Attachment A/Transaction Document; (c) payment is due net 30 days; (d) amounts quoted exclude taxes, shipping and similar fees, and Customer will pay any such taxes, shipping, duties, fees and other governmental assessments (excluding taxes on BIOVIA's net income); and (e) amounts are non-refundable and non-creditable.

Delivery; Access

Unless otherwise set forth in the Agreement, delivery is deemed made when BIOVIA makes the Software available for downloading by Customer; or for tangible materials, FCA (BIOVIA's shipping point). Subject to the limitations set forth above, Customer may allow access to the software via any computer that is commercially supported by BIOVIA and within Customer's authorized network at the specific Location(s) set forth in this Attachment.

Prerequisite Requirements

The Software may require additional BIOVIA or third-party software in order to function in accordance with the applicable specifications, as noted above.



Attachment A to License/Services Agreement
Transaction Document to Customer License and Online Services Terms and Conditions

Accepted and Agreed by:

SIGN HERE	Customer Legal Name:	Dassault Systèmes BIOVIA Corp. ("BIOVIA") (For itself and its affiliates)
	Authorized Signature:	Authorized Signature:
	Name (Please Print):	Name (Please Print):
	Title:	Title:
	Date:	Date:
	Does customer require a Purchase Order for invoicing? Yes: PO Number: PO Value:	No: No Purchase Order is required (N/A in PO field if selected)
	Please confirm bill to address Bill to Company Name: Contact Name & Phone#: Address:	Please confirm ship to address Ship to Company Name: Contact Name: Address:



PRICE QUOTE (PRO-FORMA INVOICE)

Account Category: Acad: University - College

Quote Number: 20171445
 Date: October 5, 2017
 Payment Terms: Net 30 from the Date of Invoice
 Shipping Service: Delivered Electronically
 Quote Valid for: 30 Days

Dr. Ruel Desamero
 York College - CUNY
 Email rdesamero@york.cuny.edu

item #	Item Description	Total Units	Unit Cost	Extension	
				Published	Actual
1	Spartan'16 Parallel Suite; Windows, Macintosh or Linux; Includes SSPD & SMD Data Collections	25	1,600.00	40,000.00	\$40,000.00
2	Volume Discount: 50%	1	-20,000.00	-20,000.00	-\$20,000.00
3					
4					
5					
6					
7					
8					
9					
10					

*Spartan'16 Parallel Suite includes: Spartan Molecular Database, Spartan Spectra & Properties Database, the ability to act as a remote computational and database server for up to 2 concurrent users of Spartan'16 or iSpartan, and extended parallel processing features not available to the base Spartan'16 license.

Subtotal	\$20,000.00	\$20,000.00
Tax		\$0.00
Shipping & Handling		\$0.00
GRAND TOTAL		\$20,000.00

Federal ID Number : 33-0450363

Terms

- Individual Licenses.** Software is licensed with an Individual Product Key (software license key) and can be activated on only one machine. If you need to move the license to an alternate machine due to hardware failure or accessing on a newer machine, contact support@wavefun.com to facilitate license transfer. License transfers are ONLY supported for the current version of the program. If access on a secondary machine is required, Wavefunction may offer a discounted home license option, contact sales@wavefun.com for details.
- Network Licenses.** Access to Spartan or Odyssey can be extended via a network license. Access to the software is facilitated via a license manager program licensed with a Network Product Key (software license key). A network license allows the software to be installed on as many computers as the organization desires, software is accessed concurrently up to the number of seats licensed. Access is restricted to computers at a defined geographic site. The network license manager is to be installed/activated on a physical machine (not a virtual machine) and will license manage the software in a 'floating' mode. For sites requiring use of a virtual machine as license manager, this is (only) available for annual site license customers or for network licenses under a current maintenance contract, contact sales@wavefun.com for additional details.
- Maintenance and Upgrades.** All new Spartan and Odyssey purchases include maintenance for 1 full year at no charge. Additional services including priority technical support, license transfers (new hardware), license resets (failed hardware) and updates (minor version updates and major version upgrades) are provided with renewal of maintenance.
- Shipping.** Most software is available via download, requiring no shipment. If your organization requires a physical shipment, please contact sales@wavefun.com for an estimate of shipping charges, final shipping and handling charges may vary and will be added to the invoice.
- Payment.** All pricing is in U.S. Dollars. Payment is accepted by CHECK drawn on a U.S. Bank. Payment made by wire transfer is subject to an additional \$35.00 wire transfer fee. Payments over \$2,000.00 made by credit card are subject to a 3% service fee. Invoice terms: Net 30. Payments must be made in full. Foreign taxes are the sole responsibility of the customer and may not be deducted from payment due.

Quotation by: _____ Jake Tredwell, Sales Manager

This is not a bill • Quote valid for 60 days

Quote Number: 64168

Quote Date: 6/14/2017

Terms: Net 30

Bill to:

Dr. Ruel Desamero
York College of CUNY
94-20 Guy R. Brewer Blvd
Jamaica NY 11451

Ship to:

Dr. Ruel Desamero
York College of CUNY
94-20 Guy R. Brewer Blvd
Jamaica NY 11451

Customer Contact:
Ruel Desamero
Phone: 718-262-2657
Fax:
Email: rdesamero@york.cuny.edu

Part Number	Quantity	Item	Unit Price	Total
11-575	1	24-Seat Igor Pro 6.3 Multi-user License	7668.00	7668.00

Shipping Method: Internet Download	SubTotal:	7668.00
	Shipping:	0.00
	Total (USD):	\$7668.00

Sales Quotation

Date issued: 6/15/2017
Quote # 170615MT1

Thermo LabSystems, Inc.
1601 Cherry Street
Suite 1200
Philadelphia PA 19102
United States
EIN: 04-3326268

Prepared By:

Melissa Tomeo
Phone: +1.781.287.4850
Email melissa.tomeo@thermofisher.com

Quotation Prepared For:

Jaysen Vedad
York college

NY
United States

For All Orders, please contact:

Melissa Tomeo
Phone: +1.781.287.4850
Fax: +1.781.933.6322
Email melissa.tomeo@thermofisher.com

Currency of Quote: USD-US Dollar
System Registration: Unknown Numbe

Phone:
Fax:
E-mail: JVEDAD@york.cuny.edu

Quote is valid through:	July 15, 2017
--------------------------------	----------------------

Buy 2 get 1 free academic special offer. 12 Seat Network License.

Qty	Part #	Description	Unit Price	List Price	Discount	Final Price
8	INF-15033	GRAMS/AI (Academic) Concurrent license	1,342.00	10,736.00		10,736.00
4	INF-15033	GRAMS/AI (Academic) Concurrent license	1,342.00	5,368.00	5,368.00	
				List Price	16,104.00	
				Discount Savings	5,368.00	
				Final Price		10,736.00

Support & Maintenance

1	INF-19901	Initial Support and Maintenance Services (SMS) annual charge (optional)				\$2,898.00
---	-----------	---	--	--	--	-------------------

Software Total:						13,634.00
------------------------	--	--	--	--	--	------------------

All travel and business expenses associated with services rendered will be invoiced separately at cost, as incurred, and are not included in the pricing above. Travel time to location will be billed at \$75 per hour.

Terms and Conditions per the Master License Agreement.

Authorized By:
Melissa Tomeo
Melissa Tomeo
Sales Administration



Order: **Q25-011F3-160113(C)**
This order is valid only for direct sales made by OriginLab Corporation

OriginLab Corporation
 One Roundhouse Plaza
 Northampton, MA 01060

Your Sales Representative:
 Bob Sullivan
 Email: edusales@originlab.com
 Phone: 413-5862013 X125
 Fax: 413-586-0176

Dr. Ruel Desamero
 Department Chair, Chemistry
 York College
 94 - 20 Guy R. Brewer Blvd
 Jamaica NY 11451
 Phone: (718)262-2676
 Email: jvedad@york.cuny.edu

Date: 06/15/2017
 F.O.B. Origin
 Order Valid: 45 Days

Instructions:

- Please reference this order number, plan description and the total cost when placing your order.
- If you wish to pay by a Purchase Order (PO), please ask your Sales Representative if your company is on payment terms with OriginLab. If not, you will be given a Credit References form to fill out and send back before your PO can be fulfilled.
- Fax your purchase order to: 413-585-0126; to order by credit card, please call us at: 800-969-7720 press 2.

OriginPro 2017 Perpetual Network Research Lab License

Quantity	Description	List Price	Total Price (US \$)
1	24-Seat OriginPro 2017 Perpetual Network Academic License Includes First year of Maintenance*	\$27,600.00	\$27,600.00
	Volume discount (30%)		-\$8,280.00
	Manager special discount (48.5%)		-\$9,370.20
	Shipping and Handling fee (UPS Ground)		\$15.00
Total	<i>(Not including any other applicable taxes)</i>		\$9,964.80

*Annual Maintenance:	
Maintenance Benefits	<ul style="list-style-type: none"> • Free Software Upgrades • Free Personal Technical Support •
Renewal	<ul style="list-style-type: none"> • Customer will be contacted sixty (60) days prior to the maintenance expiration date. • Maintenance for the following year will cost 20% of the current license list price if renewed prior to the expiration date of the plan. This does not include any expiring licenses.

Billing and Shipping:	
Pricing	Any special pricing on this order is a one-time offer.
Payments in US dollars	Payment will be due prior to delivery of service and/or goods unless OriginLab Corporation has authorized payment terms of net thirty (30) days from date of invoice.
Shipments	All taxes and tariffs are additional and the responsibility of the customer.
Federal Tax ID	OriginLab Corporation has Federal Tax ID #04-3165185

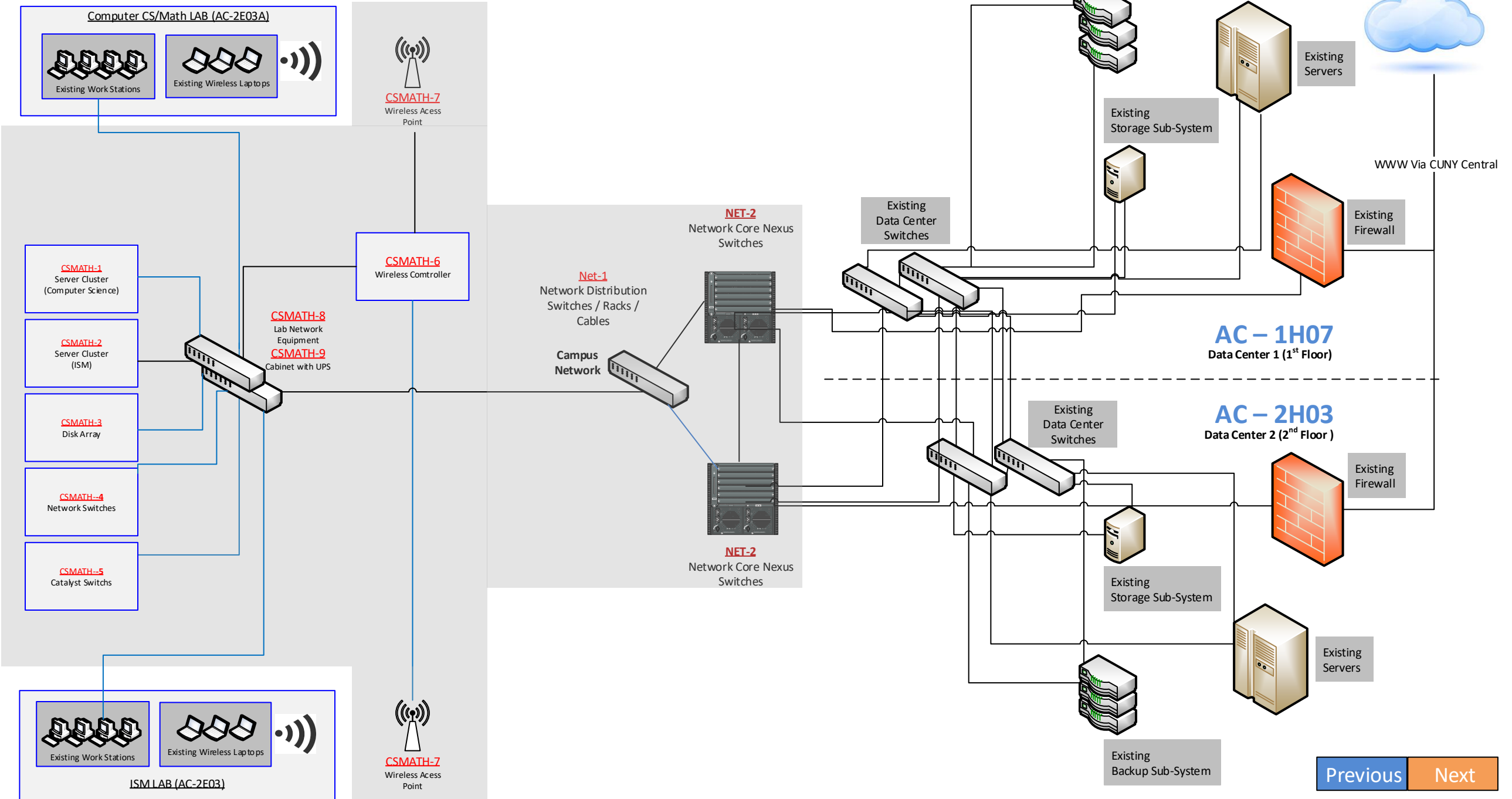
Available License Types for Origin or OriginPro software:	
Node-locked License (Also known as "Fixed Seat")	Each computer running the software requires a computer-specific license which will enable the software to run on that computer. The license is obtained from the OriginLab website using a licensing "wizard" provided when you run the software (an offline option is provided). Once the license is obtained, it is saved to the computer with no further internet access required. Licenses can also be deactivated to prepare for computer replacement.
Concurrent Network License (Also known as "Floating Seat")	The software can be installed on any number of networked computers in your organization at a single site. The number of computers that can run the software at the same time is determined at the time of license purchase and is controlled by a FLEXnet license manager that you set up on one of your workstations or servers on your network. A borrowing option is provided to run the software on mobile computers while traveling. Furthermore, you can set up the license manager to limit the software use, such as you can reserve a number of licenses for a user or group of users.

Computer Science / Math / ISM Lab

High Level Drawing and Quotes

Proposed Architecture

Computer Science/Math/ISM Lab (AC-2E03)





A quote for your consideration!

Total: \$75,388.26

Based on your business needs, we put the following quote together to help with your purchase decision. Please review your quote details below, then contact your sales rep when you're ready to place your order.

Quote number: 3000017218388.1	Quote date: Sep. 7, 2017	Quote expiration: Oct. 7, 2017	Solution ID: 8570267
---	------------------------------------	--	--------------------------------

Company name: YORK COLLEGE-CUNY	Customer number: 140301929	Phone: (718) 262-2112
---	--------------------------------------	---------------------------------

Sales rep information: Terri Lehenbauer Terri_Lehenbauer@Dell.com (800) 456-3355 Ext: 5139266	Billing Information: YORK COLLEGE-CUNY RM - 1H12 94-20 GUY R BREWER BLVD JAMAICA NY 11433 US (718) 262-2112
--	--

Pricing Summary

Item	Qty	Unit Price	Subtotal
Dell Server Interface Module for Serial Interface with DMPU Console Servers and Power Edge KVMs - TAA Compliant	3	\$98.97	\$296.91
PowerEdge R740	3	\$25,030.45	\$75,091.35
		Subtotal:	\$75,388.26
		Shipping:	\$0.00
		Environmental Fees:	\$0.00
		Non-Taxable Amount:	\$75,388.26
		Taxable Amount:	\$0.00
		Estimated Tax:	\$0.00
		Total:	\$75,388.26

Special lease pricing may be available for qualified customers. Please contact your DFS Sales Representative for details.

Dear Customer,

Your Quote is detailed below; please review the quote for product and information accuracy. If you find errors or desire certain changes please contact me as soon as possible.

Regards,

Terri Lehenbauer

Order this quote easily online through your [Premier page](#), or if you do not have Premier, using [Quote to Order](#)

Shipping Group 1

Shipping Contact: ACCOUNTS PAYABLE	Shipping phone: (718) 262-2112	Shipping via: Standard Ground	Shipping Address: RM - 1H12 94-20 GUY R BREWER BLVD JAMAICA NY 11433 US
--	--	---	---

SKU	Description	Qty	Unit Price	Subtotal
	Dell Server Interface Module for Serial Interface with DMPU Console Servers and Power Edge KVMs - TAA Compliant	3	\$98.97	\$296.91

Estimated delivery date: Sep. 15, 2017

Contract No: 70137

Customer Agreement No: Dell Std Terms

A7547277	Dell Server Interface Module for Serial Interface with DMPU Console Servers and Power Edge KVMs - TAA Compliant	3	-	-
----------	---	---	---	---

SKU	Description	Qty	Unit Price	Subtotal
	PowerEdge R740	3	\$25,030.45	\$75,091.35

Estimated delivery date: Sep. 27 - Oct. 2, 2017

Contract No: 70137

Customer Agreement No: Dell Std Terms

210-AKXJ	PowerEdge R740 Server	3	-	-
329-BDKH	PowerEdge R740/R740XD Motherboard	3	-	-
461-AADZ	No Trusted Platform Module	3	-	-
321-BCSN	Chassis with up to 16 x 2.5" SAS/SATA Hard Drives for 2CPU Configuration	3	-	-
340-BLKS	PowerEdge R740 Shipping	3	-	-
343-BBFU	PowerEdge R740 Shipping Material	3	-	-

338-BLLY	Intel Xeon Gold 6126 2.6G, 12C/24T, 10.4GT/s 2UPI, 19.25M Cache, Turbo, HT (125W) DDR4-2666	3	-	-
374-BBNT	Intel Xeon Gold 6126 2.6G, 12C/24T, 10.4GT/s 2UPI, 19.25M Cache, Turbo, HT (125W) DDR4-2666	3	-	-
412-AAIQ	Standard 1U Heatsink	3	-	-
412-AAIQ	Standard 1U Heatsink	3	-	-
370-ADNU	2666MT/s RDIMMs	3	-	-
370-AAIP	Performance Optimized	3	-	-
780-BCDS	Unconfigured RAID	3	-	-
405-AAOE	PERC H730P+ RAID Controller, 2Gb NV Cache, Adapter, Low Profile	3	-	-
619-ABVR	No Operating System	3	-	-
421-5736	No Media Required	3	-	-
379-BCQV	iDRAC Group Manager, Enabled	3	-	-
379-BCSG	iDRAC, Legacy Password	3	-	-
330-BBHB	Riser Config 2, 3 x8, 1 x16 slots	3	-	-
540-BBUL	Broadcom 57412 2 Port 10Gb SFP+ + 5720 2 Port 1Gb Base-T, rNDC	3	-	-
385-BBLQ	IDSDM and Combo Card Reader with 16GB VFlash SD	3	-	-
385-BBCF	Redundant SD Cards Enabled	3	-	-
385-BBKH	32GB microSDHC/SDXC Card	3	-	-
385-BBKH	32GB microSDHC/SDXC Card	3	-	-
429-ABBT	DVD+/-RW,SATA,Int	3	-	-
384-BBPZ	6 Performance Fans forR740/740XD	3	-	-
450-ADWM	Dual, Hot-plug, Redundant Power Supply (1+1), 1100W	3	-	-
325-BCHU	PowerEdge 2U Standard Bezel	3	-	-
350-BBKG	Dell EMC Luggage Tag	3	-	-
350-BBJU	Quick Sync 2 (At-the-box mgmt)	3	-	-
384-BBBL	Performance BIOS Settings	3	-	-
770-BBBR	ReadyRails Sliding Rails With Cable Management Arm	3	-	-
631-AACK	No Systems Documentation, No OpenManage DVD Kit	3	-	-

332-1286	US Order	3	-	-
973-2426	Declined Remote Consulting Service	3	-	-
813-9118	Basic Hardware Services: Business Hours (5x10) Next Business Day On-Site Hardware Warranty Repair, 3 Years	3	-	-
813-9119	Dell Hardware Limited Warranty Plus On-Site Service	3	-	-
900-9997	On-Site Installation Declined	3	-	-
370-ADNF	32GB RDIMM, 2666MT/s, Dual Rank	72	-	-
400-ASHP	2TB 7.2K RPM NLSAS 12Gbps 512n 2.5in Hot-plug Hard Drive	3	-	-
385-BBKT	iDRAC9,Enterprise	3	-	-
528-BBSC	OpenManage Essentials, Server Configuration Management	3	-	-
540-BBUH	Broadcom 57412 Dual Port 10Gb, SFP+, PCIe Adapter, Full Height	6	-	-
450-AALV	NEMA 5-15P to C13 Wall Plug, 125 Volt, 15 AMP, 10 Feet (3m), Power Cord, North America	6	-	-
470-AAGP	Dell Networking, Cable, SFP+ to SFP+, 10GbE, Copper Twinax Direct Attach Cable, 3 Meter	18	-	-
			Subtotal:	\$75,388.26
			Shipping:	\$0.00
			Environmental Fees:	\$0.00
			Estimated Tax:	\$0.00
			Total:	\$75,388.26

Important Notes

Terms of Sale

Unless you have a separate written agreement that specifically applies to this order, your order will be subject to and governed by the following agreements, each of which are incorporated herein by reference and available in hardcopy from Dell at your request: Dell's Terms of Sale (www.dell.com/learn/us/en/uscop1/terms-of-sale), which include a binding consumer arbitration provision and incorporate Dell's U.S. Return Policy (www.dell.com/returnpolicy) and Warranty (for [Consumer warranties](#) ; for [Commercial warranties](#)).

If this purchase includes services: in addition to the foregoing applicable terms, the terms of your service contract will apply ([Consumer](#); [Commercial](#)). If this purchase includes software: in addition to the foregoing applicable terms, your use of the software is subject to the license terms accompanying the software, and in the absence of such terms, then use of the Dell-branded application software is subject to the Dell End User License Agreement - Type A (www.dell.com/AEULA) and use of the Dell-branded system software is subject to the Dell End User License Agreement - Type S (www.dell.com/SEULA).

If your purchase is for Mozy, in addition to the foregoing applicable terms, your use of the Mozy service is subject to the terms and conditions located at <https://mozy.com/about/legal/terms>.

You acknowledge having read and agree to be bound by the foregoing applicable terms in their entirety. Any terms and conditions set forth in your purchase order or any other correspondence that are in addition to, inconsistent or in conflict with, the foregoing applicable online terms will be of no force or effect unless specifically agreed to in a writing signed by Dell that expressly references such terms.

Pricing, Taxes, and Additional Information

All product, pricing, and other information is valid for U.S. customers and U.S. addresses only, and is based on the latest information available and may be subject to change. Dell reserves the right to cancel quotes and orders arising from pricing or other errors. Please indicate any tax-exempt status on your PO, and fax your exemption certificate, including your Customer Number, to the Dell Tax Department at 800-433-9023. Please ensure that your tax-exemption certificate reflects the correct Dell entity name: **Dell Marketing L.P.**

Note: All tax quoted above is an estimate; final taxes will be listed on the invoice.

If you have any questions regarding tax please send an e-mail to Tax_Department@dell.com.

For certain products shipped to end-users in California, a State Environmental Fee will be applied to your invoice. Dell encourages customers to dispose of electronic equipment properly.



A quote for your consideration!

Based on your business needs, we put the following quote together to help with your purchase decision. Please review your quote details below, then contact your sales rep when you're ready to place your order.

Total: \$75,388.26

Quote number: 3000017218388.1	Quote date: Sep. 7, 2017	Quote expiration: Oct. 7, 2017	Solution ID: 8570267
---	------------------------------------	--	--------------------------------

Company name: YORK COLLEGE-CUNY	Customer number: 140301929	Phone: (718) 262-2112
---	--------------------------------------	---------------------------------

Sales rep information: Terri Lehenbauer Terri_Lehenbauer@Dell.com (800) 456-3355 Ext: 5139266	Billing Information: YORK COLLEGE-CUNY RM - 1H12 94-20 GUY R BREWER BLVD JAMAICA NY 11433 US (718) 262-2112
--	--

Pricing Summary

Item	Qty	Unit Price	Subtotal
Dell Server Interface Module for Serial Interface with DMPU Console Servers and Power Edge KVMs - TAA Compliant	3	\$98.97	\$296.91
PowerEdge R740	3	\$25,030.45	\$75,091.35
Subtotal:			\$75,388.26
Shipping:			\$0.00
Environmental Fees:			\$0.00
Non-Taxable Amount:			\$75,388.26
Taxable Amount:			\$0.00
Estimated Tax:			\$0.00
Total:			\$75,388.26

Special lease pricing may be available for qualified customers. Please contact your DFS Sales Representative for details.

Dear Customer,

Your Quote is detailed below; please review the quote for product and information accuracy. If you find errors or desire certain changes please contact me as soon as possible.

Regards,

Terri Lehenbauer

Order this quote easily online through your [Premier page](#), or if you do not have Premier, using [Quote to Order](#)

Shipping Group 1

Shipping Contact: ACCOUNTS PAYABLE	Shipping phone: (718) 262-2112	Shipping via: Standard Ground	Shipping Address: RM - 1H12 94-20 GUY R BREWER BLVD JAMAICA NY 11433 US
--	--	---	---

SKU	Description	Qty	Unit Price	Subtotal
	Dell Server Interface Module for Serial Interface with DMPU Console Servers and Power Edge KVMs - TAA Compliant	3	\$98.97	\$296.91

Estimated delivery date: Sep. 15, 2017

Contract No: 70137

Customer Agreement No: Dell Std Terms

A7547277	Dell Server Interface Module for Serial Interface with DMPU Console Servers and Power Edge KVMs - TAA Compliant	3	-	-
----------	---	---	---	---

SKU	Description	Qty	Unit Price	Subtotal
	PowerEdge R740	3	\$25,030.45	\$75,091.35

Estimated delivery date: Sep. 27 - Oct. 2, 2017

Contract No: 70137

Customer Agreement No: Dell Std Terms

210-AKXJ	PowerEdge R740 Server	3	-	-
329-BDKH	PowerEdge R740/R740XD Motherboard	3	-	-
461-AADZ	No Trusted Platform Module	3	-	-
321-BCSN	Chassis with up to 16 x 2.5" SAS/SATA Hard Drives for 2CPU Configuration	3	-	-
340-BLKS	PowerEdge R740 Shipping	3	-	-
343-BBFU	PowerEdge R740 Shipping Material	3	-	-

338-BLLY	Intel Xeon Gold 6126 2.6G, 12C/24T, 10.4GT/s 2UPI, 19.25M Cache, Turbo, HT (125W) DDR4-2666	3	-	-
374-BBNT	Intel Xeon Gold 6126 2.6G, 12C/24T, 10.4GT/s 2UPI, 19.25M Cache, Turbo, HT (125W) DDR4-2666	3	-	-
412-AAIQ	Standard 1U Heatsink	3	-	-
412-AAIQ	Standard 1U Heatsink	3	-	-
370-ADNU	2666MT/s RDIMMs	3	-	-
370-AAIP	Performance Optimized	3	-	-
780-BCDS	Unconfigured RAID	3	-	-
405-AAOE	PERC H730P+ RAID Controller, 2Gb NV Cache, Adapter, Low Profile	3	-	-
619-ABVR	No Operating System	3	-	-
421-5736	No Media Required	3	-	-
379-BCQV	iDRAC Group Manager, Enabled	3	-	-
379-BCSG	iDRAC, Legacy Password	3	-	-
330-BBHB	Riser Config 2, 3 x8, 1 x16 slots	3	-	-
540-BBUL	Broadcom 57412 2 Port 10Gb SFP+ + 5720 2 Port 1Gb Base-T, rNDC	3	-	-
385-BBLQ	IDSDM and Combo Card Reader with 16GB VFlash SD	3	-	-
385-BBCF	Redundant SD Cards Enabled	3	-	-
385-BBKH	32GB microSDHC/SDXC Card	3	-	-
385-BBKH	32GB microSDHC/SDXC Card	3	-	-
429-ABBT	DVD+/-RW,SATA,Int	3	-	-
384-BBPZ	6 Performance Fans forR740/740XD	3	-	-
450-ADWM	Dual, Hot-plug, Redundant Power Supply (1+1), 1100W	3	-	-
325-BCHU	PowerEdge 2U Standard Bezel	3	-	-
350-BBKG	Dell EMC Luggage Tag	3	-	-
350-BBJU	Quick Sync 2 (At-the-box mgmt)	3	-	-
384-BBBL	Performance BIOS Settings	3	-	-
770-BBBR	ReadyRails Sliding Rails With Cable Management Arm	3	-	-
631-AACK	No Systems Documentation, No OpenManage DVD Kit	3	-	-

332-1286	US Order	3	-	-
973-2426	Declined Remote Consulting Service	3	-	-
813-9118	Basic Hardware Services: Business Hours (5x10) Next Business Day On-Site Hardware Warranty Repair, 3 Years	3	-	-
813-9119	Dell Hardware Limited Warranty Plus On-Site Service	3	-	-
900-9997	On-Site Installation Declined	3	-	-
370-ADNF	32GB RDIMM, 2666MT/s, Dual Rank	72	-	-
400-ASHP	2TB 7.2K RPM NLSAS 12Gbps 512n 2.5in Hot-plug Hard Drive	3	-	-
385-BBKT	iDRAC9,Enterprise	3	-	-
528-BBSC	OpenManage Essentials, Server Configuration Management	3	-	-
540-BBUH	Broadcom 57412 Dual Port 10Gb, SFP+, PCIe Adapter, Full Height	6	-	-
450-AALV	NEMA 5-15P to C13 Wall Plug, 125 Volt, 15 AMP, 10 Feet (3m), Power Cord, North America	6	-	-
470-AAGP	Dell Networking, Cable, SFP+ to SFP+, 10GbE, Copper Twinax Direct Attach Cable, 3 Meter	18	-	-

Subtotal:	\$75,388.26
Shipping:	\$0.00
Environmental Fees:	\$0.00
Estimated Tax:	\$0.00
Total:	\$75,388.26

Important Notes

Terms of Sale

Unless you have a separate written agreement that specifically applies to this order, your order will be subject to and governed by the following agreements, each of which are incorporated herein by reference and available in hardcopy from Dell at your request: Dell's Terms of Sale (www.dell.com/learn/us/en/uscorp1/terms-of-sale), which include a binding consumer arbitration provision and incorporate Dell's U.S. Return Policy (www.dell.com/returnpolicy) and Warranty (for [Consumer warranties](#) ; for [Commercial warranties](#)).

If this purchase includes services: in addition to the foregoing applicable terms, the terms of your service contract will apply ([Consumer](#); [Commercial](#)). If this purchase includes software: in addition to the foregoing applicable terms, your use of the software is subject to the license terms accompanying the software, and in the absence of such terms, then use of the Dell-branded application software is subject to the Dell End User License Agreement - Type A (www.dell.com/AEULA) and use of the Dell-branded system software is subject to the Dell End User License Agreement - Type S (www.dell.com/SEULA).

If your purchase is for Mozy, in addition to the foregoing applicable terms, your use of the Mozy service is subject to the terms and conditions located at <https://mozy.com/about/legal/terms>.

You acknowledge having read and agree to be bound by the foregoing applicable terms in their entirety. Any terms and conditions set forth in your purchase order or any other correspondence that are in addition to, inconsistent or in conflict with, the foregoing applicable online terms will be of no force or effect unless specifically agreed to in a writing signed by Dell that expressly references such terms.

Pricing, Taxes, and Additional Information

All product, pricing, and other information is valid for U.S. customers and U.S. addresses only, and is based on the latest information available and may be subject to change. Dell reserves the right to cancel quotes and orders arising from pricing or other errors. Please indicate any tax-exempt status on your PO, and fax your exemption certificate, including your Customer Number, to the Dell Tax Department at 800-433-9023. Please ensure that your tax-exemption certificate reflects the correct Dell entity name: **Dell Marketing L.P.**

Note: All tax quoted above is an estimate; final taxes will be listed on the invoice.

If you have any questions regarding tax please send an e-mail to Tax_Department@dell.com.

For certain products shipped to end-users in California, a State Environmental Fee will be applied to your invoice. Dell encourages customers to dispose of electronic equipment properly.



Savings \$22,233.15

Subtotal (1) **\$29,471.85**

Price does not reflect applicable shipping, taxes and state environmental fee.

✓ You've successfully saved a new eQuote - #1022980441805 ✕

Details	Billing	Shipping	Payment method
<p>CSMATH-4-Storage Quote number# 1022980441805 Created July 10, 2017 Expires October 8, 2017 Created by stephen@york.cuny.edu</p>	<p>Order contact Stephen Yu, York College Dell Contract Code: 56AHC Customer agreement number: PM20820/1000041162 Phone: (718) 262-2739 Additional:: stephen@york.cuny.edu</p>	<p>Delivery method no charge delivery Trade compliance No, I will not be exporting</p>	

Items	Quantity	Unit Price	Item total
-------	----------	------------	------------

 <p>PowerVault MD3820i Dell Contract Code: 56AHC Estimated Ship Date Ships in 4 - 6 business days</p>	1	\$51,705.00	\$51,705.00
---	---	-------------	-------------

Premier discount -\$22,233.15
Catalog Number: 84 / en1195

Category	Description	Code	SKU	ID
PowerVault MD3820i	PowerVault MD3820i, 10G iSCSI, 2U-24 drive, Dual 4G Cache Controller	M382ID4	[210-ACCP] [340-AINP] [403-BBEY] [403-BBEY]	1
Hardware Support Services	3Yr Basic Hardware Warranty Repair: 5x10 HW-Only, 5x10 NBD Parts	3PDW	[954-5793] [954-5794] [954-5795] [954-5796] [994-4019] [996-8029]	29
Canada Ship Options	US No Canada Ship Charge	USNONE	[332-1286]	111
Deployment Services	No Installation	NOINSTL	[900-9997]	714
Remote Consulting Services	Declined Remote Consulting Service	NORCS	[973-2426]	735
Bezel	Bezel Assembly, MD3820i	BEZEL	[325-BBGD]	1532
Hard Drives	(7) 600GB 15K RPM SAS 12Gbps 2.5in Hot-plug Hard Drive	600GSH	[400-AJRW]	1570
Hard Drives	(9) 2TB 7.2K RPM NLSAS 12Gbps 512n 2.5in Hot-plug Hard Drive	2TB103	[400-AMTP]	1570
Hard Drives	(8) 960GB Solid State Drive SAS Mix Use ML C 12Gbps 2.5in Hot-plug Drive, PX04SV	960SSV	[400-ANNK]	1570
Rails	ReadyRails II Static Rails for 4-post Racks	RDYRL	[770-BBCL]	1610
Power Supply	Power Supply, AC 600W, Redundant	PS600WR	[389-BDZU] [450-AASQ]	1620
Power Cords	5-15P to C13, 10 amp, 6 feet wall plug Power Cord	15A2M	[450-ABLK] [450-ABLK]	1621
Software Data Protection and Performance Features	No data protection software	NOSW	[410-1074]	1651

Item total: \$29,471.85

[Back to Table of Contents](#)

Savings: \$22,233.15

Subtotal (1): \$29,471.85

Savings

\$22,233.15

Subtotal (1)

\$29,471.85

Price does not reflect applicable shipping, taxes and state environmental fee.

Same day shipment subject to order size limitations, Dell standard shipping methods and payment via credit card, gift card or Dell Business Credit. Notification will be provided if there are payment delays which could impact shipping date. Electronics and accessories may ship separately.

Smart Selection. Limited quantities. Only available for orders placed by 5:59 p.m. CT Mon.–Thurs. Systems shipped the next business day after an order is placed. Subject to order approval. Software and accessories not part of the configuration will be shipped separately and may arrive after your system. Please note that Smart Selection Configuration pricing cannot be combined with other pricing offers or discounts provided or agreed to by Dell. ** Orders with Custom Factory Integration might require additional processing time.

Dell Business Credit: Offered to business customers by WebBank who determines qualifications for and terms of credit. Taxes, shipping and other charges are extra and vary. Minimum monthly payments are the greater of \$15 or 3% of the new balance shown on the monthly billing statement. Dell and the Dell logo are trademarks of Dell Inc.

**Payment solutions provided and serviced by Dell Financial Services L.L.C. or its affiliate or designee ("DFS") for qualified customers. Offers may not be available or may vary in certain countries. Where available, offers may be changed without notice and are subject to product availability, credit approval, execution of documentation provided by and acceptable to DFS, and may be subject to minimum transaction size. Offers not available for personal, family or household use. Dell and the Dell logo are trademarks of Dell Inc. Restrictions and additional requirements may apply to transactions with governmental or public entities.

¹Subject to applicable law and regulations.

ALL ORDERS ARE SUBJECT TO APPROVAL AND ACCEPTANCE BY DELL. Pricing, availability and other terms of offer may be withdrawn or changed without notice. Dell cannot be held responsible for errors in typography or photography.



Price Estimate
OGS State Contract number PM20800

Daniel Charles II
 Cisco Systems, Inc.

Price Estimate for planning and information purposes only and is not a binding offer from Cisco.

Date: 25-Aug-2017

Estimate ID: SX74495200CR

Deal ID: NA

All prices are shown in USD

Part Number	Description	Service Duration (Months)	Lead Time	Unit List Price	Qty	Unit Net Price	Disc (%)	Extended Net Price
WS-C3650-24TS-S	Cisco Catalyst 3650 24 Port Data 4x1G Uplink IP Base	---	14	4,300.00	3	2,924.00	32.00	8,772.00
S3650UK9-36E	CAT3650 Universal k9 image	---	14	0.00	3	0.00	32.00	0.00
PWR-C2-250WAC	250W AC Config 2 Power Supply	---	14	0.00	3	0.00	32.00	0.00
CAB-TA-NA	North America AC Type A Power Cable	---	14	0.00	3	0.00	32.00	0.00
STACK-T2-BLANK	Type 2 Stacking Blank	---	14	0.00	3	0.00	32.00	0.00
PWR-C2-BLANK	Config 2 Power Supply Blank	---	14	0.00	3	0.00	32.00	0.00
AIR-CT2504-5-K9	2504 Wireless Controller with 5 AP Licenses	---	21	1,295.00	1	880.60	32.00	880.60
LIC-CT2504-BASE	Base Software License	---	14	0.00	1	0.00	32.00	0.00
LIC-CT2504-5	5 AP License for 2504 WLAN Controller	---	14	0.00	1	0.00	32.00	0.00
AIR-CT2504-CCBL	2504 Wireless Controller Console Cable	---	14	0.00	1	0.00	32.00	0.00
AIR-CT2504-K9	2504 Wireless Controller with 0 AP Licenses	---	14	0.00	1	0.00	32.00	0.00
AIR-CT2504-SW-8.0	Cisco 2504 Wireless Controller SW Rel. 8.0	---	14	0.00	1	0.00	32.00	0.00
CAB-AC2	AC Power cord North America	---	14	0.00	1	0.00	32.00	0.00

Projected Actual Cost		
Projected Volume Discount (%)	Volume Discount Unit Price	Volume Discount Extended Price
42%	2,494.00	7,482.00
42%	-	-
42%	-	-
42%	-	-
42%	-	-
42%	-	-
42%	751.10	751.10
42%	-	-
42%	-	-
42%	-	-
42%	-	-
42%	-	-
42%	-	-

LIC-CT25-DTLS-K9	2504 Wireless Controller DTLS License	---	14	0.00	1	0.00	32.00	0.00
AIR-CT2504-HA-K9	2504 Wireless Controller for High Availability	---	21	1,200.00	1	816.00	32.00	816.00
LIC-CT2504-BASE	Base Software License	---	14	0.00	1	0.00	32.00	0.00
AIR-CT2504-CCBL	2504 Wireless Controller Console Cable	---	14	0.00	1	0.00	32.00	0.00
AIR-CT2504-K9	2504 Wireless Controller with 0 AP Licenses	---	14	0.00	1	0.00	32.00	0.00
AIR-CT2504-SW-7.6	2504 Wireless Controller SW Rel. 7.6 with WLAN Express Setup	---	14	0.00	1	0.00	32.00	0.00
CAB-AC2	AC Power cord North America	---	14	0.00	1	0.00	32.00	0.00
LIC-CT25-DTLS-K9	2504 Wireless Controller DTLS License	---	14	0.00	1	0.00	32.00	0.00
AIR-CAP1702I-B-K9	802.11ac CAP: 3x3:2SS: Int Ant: B Reg Domain	---	14	695.00	5	472.60	32.00	2,363.00
AIR-AP-T-RAIL-R	Ceiling Grid Clip for Aironet APs - Recessed Mount (Default)	---	14	0.00	5	0.00	32.00	0.00
AIR-AP-BRACKET-1	802.11n AP Low Profile Mounting Bracket (Default)	---	14	0.00	5	0.00	32.00	0.00
SWAP1700-CMB-A1-K9	Cisco 1700 Series Combined Unified and Autonomous (xxxxx) SW	---	14	0.00	5	0.00	32.00	0.00
S3G5K9W7-15303JD	Cisco 1700 Series IOS WIRELESS LAN	---	14	0.00	5	0.00	32.00	0.00
SWAP1700-RCOVRY-K9	Cisco 1700 Series IOS WIRELESS LAN RECOVERY	---	14	0.00	5	0.00	32.00	0.00
ISR4331-SEC/K9	Cisco ISR 4331 Sec bundle w/SEC license	---	14	4,500.00	10	3,060.00	32.00	30,600.00
SL-4330-IPB-K9	IP Base License for Cisco ISR 4330 Series	---	14	0.00	10	0.00	32.00	0.00
PWR-4330-AC	AC Power Supply for Cisco ISR 4330	---	14	0.00	10	0.00	32.00	0.00
CAB-AC	AC Power Cord (North America), C13, NEMA 5-15P, 2.1m	---	14	0.00	10	0.00	32.00	0.00
SL-4330-SEC-K9	Security License for Cisco ISR 4330 Series	---	14	0.00	10	0.00	32.00	0.00
MEM-FLSH-4G	4G Flash Memory for Cisco ISR 4300 (Soldered on motherboard)	---	14	0.00	10	0.00	32.00	0.00
MEM-4300-4G	4G DRAM (2G+2G) for Cisco ISR 4330, 4350	---	14	0.00	10	0.00	32.00	0.00
NIM-BLANK	Blank faceplate for NIM slot on Cisco ISR 4400	---	14	0.00	20	0.00	32.00	0.00
SM-S-BLANK	Removable faceplate for SM slot on Cisco 2900,3900,4400 ISR	---	21	0.00	10	0.00	32.00	0.00
SISR4300UK9-316S	Cisco ISR 4300 Series IOS XE Universal	---	14	0.00	10	0.00	32.00	0.00
WS-C3850-48F-S	Cisco Catalyst 3850 48 Port Full PoE IP Base	---	14	14,000.00	2	9,520.00	32.00	19,040.00
S3850UK9-36E	CAT3850 Universal k9 image	---	14	0.00	2	0.00	32.00	0.00
CAB-TA-NA	North America AC Type A Power Cable	---	14	0.00	2	0.00	32.00	0.00
PWR-C1-BLANK	Config 1 Power Supply Blank	---	14	0.00	2	0.00	32.00	0.00
PWR-C1-1100WAC	1100W AC Config 1 Power Supply	---	14	0.00	2	0.00	32.00	0.00
C3850-NM-BLANK	Cisco Catalyst 3850 Network Module Blank	---	14	0.00	2	0.00	32.00	0.00

42%	-	-
42%	696.00	696.00
42%	-	-
42%	-	-
42%	-	-
42%	-	-
42%	-	-
42%	-	-
42%	403.10	2,015.50
42%	-	-
42%	-	-
42%	-	-
42%	-	-
42%	-	-
42%	2,610.00	26,100.00
42%	-	-
42%	-	-
42%	-	-
42%	-	-
42%	-	-
42%	-	-
42%	8,120.00	16,240.00
42%	-	-
42%	-	-
42%	-	-
42%	-	-

Valid through:

FOB Point: None

Product Total	62,471.60	53,284.60
Service Total :	0.00	
Subscription Tota	0.00	
Total Price:	62,471.60	53,284.60

Notes

This Price Estimate does not constitute an offer by Cisco to sell products, but is instead an invitation to issue a purchase order to Cisco until the valid date specified in this Price Estimate. Such a purchase order will be subject to Cisco standard procedures, terms and conditions for the acceptance of purchase orders. This order may be subject to sales tax, VAT, duty and freight charges even if not noted on this estimate.



Savings \$1,750.37
Subtotal (9) **\$7,923.54**

Price does not reflect applicable shipping, taxes and state environmental fee.

✓ You've successfully saved a new eQuote - #1028187112024 ✕

Details	Billing	Shipping	Payment method
<p>CSMATH-10-cabinet Quote number# 1028187112024 Created July 10, 2017 Expires October 8, 2017 Created by stephen@york.cuny.edu</p>	<p>Order contact Stephen Yu, York College Dell Contract Code: 56AHC Customer agreement number: PM20820/1000041162 Phone: (718) 262-2739 Additional:: stephen@york.cuny.edu</p>	<p>Delivery method no charge delivery Trade compliance No, I will not be exporting</p>	

Items	Quantity	Unit Price	Item total
-------	----------	------------	------------


Bundle: Dell Digital 16 Port KVM

	<p>Dell Digital 16 Port KVM Dell Contract Code: 56AHC Estimated Ship Date July 10, 2017</p>	1	\$3,299.99	\$3,299.99
---	---	---	------------	------------


Premier discount -\$660.00
Catalog Number: 84 / dmpu2016g01

Category	Description	Code	SKU	ID
Base	DMPU2016-G01 Dell 16-port Remote Cosole Switch with two remote users, one local user, dual power su	546774	[A7546774]	1

Grouped with your Dell Digital 16 Port KVM

	<p>Dell USB SIP for Digital and Analog KVMs. Server Interface Module for VGA, USB keyboard, mouse supp Dell Contract Code: 56AHC Manufacturer Part# : DMPUIQ-VMCHS-G01 Dell Part# : A7547276</p>	3	\$129.99	\$389.97
---	---	---	----------	----------

Premier discount -\$108.66
Bundle Total: \$2,921.30

	<p>American Power Conversion 14-Outlet Basic Rack PDU Dell Contract Code: 56AHC Manufacturer Part# : AP9551 Dell Part# : A0040621 Estimated Ship Date July 10, 2017</p>	1	\$159.99	\$159.99
---	---	---	----------	----------

Premier discount -\$21.37
Item total: \$138.62

		2	\$1,049.99	\$2,099.98
--	--	---	------------	------------



APC Smart-UPS 2200VA RM 2U UPS Battery Backup (SMT2200RM2U)

Dell Contract Code: 56AHC
Manufacturer Part# : SMT2200RM2U
Dell Part# : A7383000

Estimated Ship Date
July 10, 2017

Premier discount

-~~\$176.86~~
Item total: \$1,923.12



Dell EMC NetShelter SX 600mm wide x 1200mm Deep Enclosure with Sides - Black

2

\$1,861.99

\$3,723.98

Dell Contract Code: 56AHC
Manufacturer Part# : AR3300X717
Dell Part# : A9662451

Estimated Ship Date
July 11, 2017

Premier discount

-~~\$783.48~~
Item total: \$2,940.50

Savings: \$1,750.37

Subtotal (9): \$7,923.54

Savings

\$1,750.37

Subtotal (9)

\$7,923.54

Price does not reflect applicable shipping, taxes and state environmental fee.

Same day shipment subject to order size limitations, Dell standard shipping methods and payment via credit card, gift card or Dell Business Credit. Notification will be provided if there are payment delays which could impact shipping date. Electronics and accessories may ship separately.

Smart Selection. Limited quantities. Only available for orders placed by 5:59 p.m. CT Mon.–Thurs. Systems shipped the next business day after an order is placed. Subject to order approval. Software and accessories not part of the configuration will be shipped separately and may arrive after your system. Please note that Smart Selection Configuration pricing cannot be combined with other pricing offers or discounts provided or agreed to by Dell. ** Orders with Custom Factory Integration might require additional processing time.

***Dell Business Credit:** Offered to business customers by WebBank who determines qualifications for and terms of credit. Taxes, shipping and other charges are extra and vary. Minimum monthly payments are the greater of \$15 or 3% of the new balance shown on the monthly billing statement. Dell and the Dell logo are trademarks of Dell Inc.

**Payment solutions provided and serviced by Dell Financial Services L.L.C. or its affiliate or designee ("DFS") for qualified customers. Offers may not be available or may vary in certain countries. Where available, offers may be changed without notice and are subject to product availability, credit approval, execution of documentation provided by and acceptable to DFS, and may be subject to minimum transaction size. Offers not available for personal, family or household use. Dell and the Dell logo are trademarks of Dell Inc. Restrictions and additional requirements may apply to transactions with governmental or public entities.

¹Subject to applicable law and regulations.

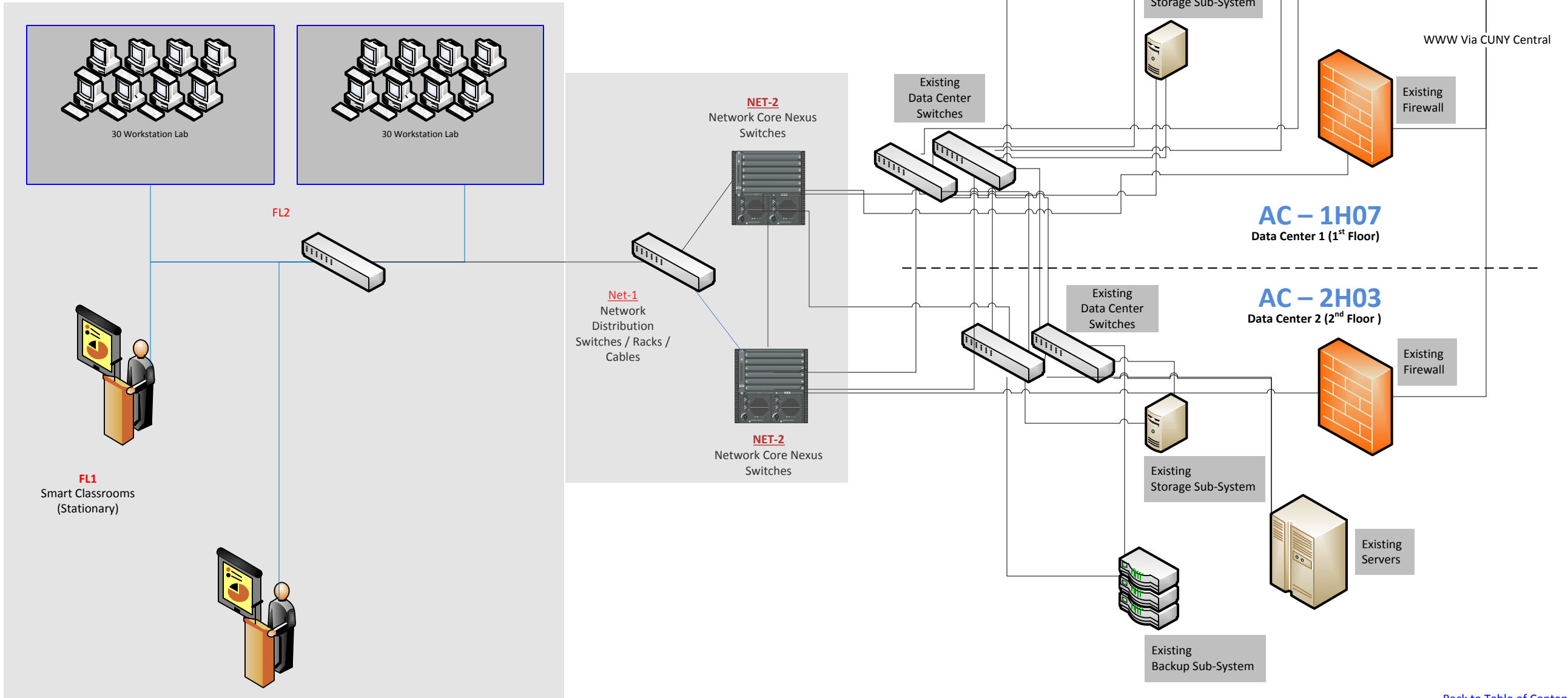
ALL ORDERS ARE SUBJECT TO APPROVAL AND ACCEPTANCE BY DELL. Pricing, availability and other terms of offer may be withdrawn or changed without notice. Dell cannot be held responsible for errors in typography or photography.

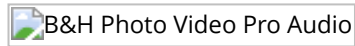
Language

High Level Drawing and Quotes

Proposed Architecture

Foreign Language (AC- 3D05, AC-3D04)





The Professional's Source
800.606.6969/212.444.6615



#6266654058

MY CART

 Select All

Remove

Move to List

Quantity

Price

<input type="checkbox"/>	<p>Speco Technologies NEXUS UL Contractor Series 6.5" 70V Commercial Metal Back Can Speaker</p> <p>B&H #SPSP6NXCTUL • MFR #SP6NXCTUL Update</p> <p>Shipping Charges Apply</p> <p>Square Trade Protection plan:</p> <p>2 Years Protection plan \$10.49</p> <p>3 Years Protection plan \$14.99</p> <p>Compare all options</p>	4	\$126.34 x
			Item Total: \$505.36

<input type="checkbox"/>	<p>Microsoft LifeCam Studio</p> <p>B&H #MILCSPL2 • MFR #Q2F-00013</p> <p>Shipping Discount</p> <p>Square Trade Protection plan:</p> <p>2 Years Protection plan \$5.24</p> <p>3 Years Protection plan \$7.49</p> <p>Compare all options</p>	2	\$68.86 x
			Item Total: \$137.72

-  **Epson ELPAP07 Wireless LAN Module for Select Projectors**
B&H #EPWLMPL1760 • MFR #V12H418P12 2 **\$77.04** ✕
Free Shipping (USA) [Update](#)


Item Total: \$154.08

-  **Peerless-AV PPC Universal Ceiling Projector Mount with Adjustable Extension for ...**
B&H #PEPPCW • MFR #PPC-W 2 **\$71.61** ✕
Shipping Charges Apply [Update](#)

Item Total: \$143.22

-  **Epson ELPLP87 Replacement Lamp for Select Projectors**
B&H #EPL520 • MFR #V13H010L87 2 **\$47.85** ✕
Shipping Charges Apply [Update](#)

Item Total: \$95.70

-  **Epson BrightLink 536Wi Interactive WXGA 3LCD Projector**

B&H #EPBL536WI • MFR #V11H670022

Shipping Charges Apply

Square Trade **Protection plan:**
3 Years Drops & Spills
[Compare all options](#)


2 **\$1,398.57** X

[Update](#)

2 **\$202.49**

[Update](#)

Item Total: \$3,202.12

-  **Comprehensive HDMI Pigtail Wallplate (Single-Port)**


B&H #COWPHM1PT • MFR #WP-HM1PT

Free Shipping (USA)

2 **\$11.99** X

[Update](#)

Item Total: \$23.98

-  **Tera Grand DisplayPort Male to HDMI Male Cable (15')**

B&H #TEDPDPHDMI15 • MFR #DP-DPHDMI-15

Shipping Charges Apply

2 **\$14.21** X

[Update](#)

Item Total: \$28.42

-
-

Tera Grand DisplayPort Male to HDMI Male Cable (6')

B&H #TEDPDPHDMI06 • MFR #DP-DPHDMI-06

2 **\$11.19** **x**

Shipping Charges Apply [Update](#)

Item Total: \$22.38

-
-
-

FSR DSKB-2G 2-Gang Desktop Mounting Box

B&H #FSDSKB2G • MFR #DSKB-2G

4 **\$69.17** **x**

Shipping Charges Apply [Update](#)

Item Total: \$276.68

-
-
-


C2G HDMI, VGA, 3.5mm Audio and USB Pass Through Single Gang Wall Plate ...

B&H #CA39707 • MFR #39707

4 **\$41.11** **x**


Free Shipping (USA) [Update](#)

Item Total: \$164.44

-  **Comprehensive HDMI Pigtail Wallplate (Dual-Port)**
- B&H #COWPHM2PT • MFR #WP-HM2PT 2 **\$14.99** **x**


Free Shipping (USA) [Update](#)

Item Total: \$29.98

-  **Kramer 3.5mm Male to 3.5mm Male Stereo Audio Cable (25')**
- B&H #KRA35MA35M25 • MFR #C-A35M/A35M-25 2 **\$4.20** **x**


Shipping Charges Apply [Update](#)

Item Total: \$8.40

-  **Comprehensive Stereo Mini (3.5mm) Male to Stereo Mini Female Cable (6')**
- B&H #COCSMMSMF6 • MFR #MPS-MJS-6ST 2 **\$3.59** **x**

Shipping Charges Apply [Update](#)

Item Total: \$7.18

-
- 

Comprehensive 10' Stereo 3.5mm Male to Dual RCA Male Y-Cable


B&H #COMPS2PP10ST • MFR #MPS-2PP-10ST

2 **\$4.66** **X**

[Update](#)

Shipping Charges Apply

Item Total: \$9.32

-
- 

Epson ELPSP10 PixiePlus Control System

B&H #EPELPSP10 • MFR #ELPSP10

2 **\$234.36** **X**

[Update](#)

Shipping Charges Apply


Square Trade **Protection plan:**

2 Years Protection plan **\$16.50**

3 Years Protection plan **\$25.50**

[Compare all options](#)

Item Total: \$468.72

-
- 

StarTech 3.5mm Combo Jack Splitter


B&H #STMUYHSMFF • MFR #MUYHSMFF

2 **\$4.93** **X**

[Update](#)

Shipping Charges Apply

Item Total: \$9.86

-
- 

Pyle Pro PTA4 Mini 2 x 120 Watt Stereo Power Amplifier w/ AUX/CD Input

B&H #PYPTA4 • MFR #PTA4

2 **\$50.91** X

[Update](#)

Free Shipping (USA)


Square Trade **Protection plan:**

2 Years Drops & Spills **\$9.75**

3 Years Drops & Spills **\$12.00**

[Compare all options](#)

Item Total: \$101.82

-
- 

NTW 26AWG High Speed HDMI Cable With Ethernet (50')


B&H #NTHSHDMI2650 • MFR #NHDMI4-050/26CL2

4 **\$28.32** X

[Update](#)

Free Shipping (USA)

Item Total: \$113.28

-
- 

Comprehensive Pro AV/IT High-Speed HDMI Cable with ProGrip Connectors (Jet Black, ...)


B&H #COHD20FTPBLK • MFR #HD-HD-20PROBLK

4 **\$30.38** X

[Update](#)

Shipping Discount

Item Total: \$121.52

- 
Xcellon HDMI to VGA Adapter with Audio
- B&H #XCHDMIVGAA • MFR #HDMI-VGAA 2 **\$16.46** x
- Shipping Charges Apply [Update](#)
- Square Trade **Protection plan:**
 - 2 Years Protection plan **\$2.99**
 - 3 Years Protection plan **\$3.74**
- [Compare all options](#)

Item Total: \$32.92

Shipping

Store Pickup

NYC SuperStore

SubTotal: \$5,657.10

Shipping: Choose Above

You Saved: \$665.14



Sales: 800.606.6969 or 212.444.6615

Customer Service: 800-221-5743 or 212-239-7765

Please note that B&H does not process web orders from Friday evening to Saturday evening.

© 2000-2013 B & H Photo & Electronics Corp.



A quote for your consideration!

Total:\$3,199.10

Based on your business needs, we put the following quote together to help with your purchase decision. Please review your quote details below, then contact your sales rep when you're ready to place your order.

Quote number:
3000015455702.1

Quote date:
Jul. 11, 2017

Quote expiration:
Aug. 10, 2017

Company name:
YORK COLLEGE-CUNY

Customer number:
1498754

Phone:
(718) 262-5213

Sales rep information:
Terri Lehenbauer
Terri_Lehenbauer@Dell.com
(800) 456-3355
Ext: 5139266

Bill to:
YORK COLLEGE-CUNY
ACCOUNTS PAYABLE RM1H12
94-20 GUY R BREWER BLVD
JAMAICA
NY 11433-0001
US
(718) 262-5213

Pricing Summary

Item	Qty	Unit price	Subtotal
OptiPlex 7450 AIO	2	\$1,599.55	\$3,199.10
DBC as low as \$96.00 / month^			
			Subtotal: \$3,199.10
			Shipping: \$0.00
			Environmental Fees: \$0.00
			Non-Taxable Amount: \$3,199.10
			Taxable Amount: \$0.00
			Estimated Tax: \$0.00
			Total: \$3,199.10

Special lease pricing may be available for qualified customers. Please contact your DFS Sales Representative for details.

Dear Customer,

Your Quote is detailed below; please review the quote for product and information accuracy. If you find errors or desire certain changes please contact me as soon as possible.

Regards,

Terri Lehenbauer

Order this quote easily online through your [Premier page](#),
or if you do not have Premier, using [Quote to Order](#)

Shipping Group 1

Shipping Contact: ACCOUNTS PAYABLE	Shipping phone: (718) 262-2739	Shipping via: Standard Ground	Shipping Address: 94-20 GUY R BREWER BLVD DEAN-STUDENT SVCES JAMAICA NY 11451-0001 US
--	--	---	---

SKU	Description	Qty	Unit Price	Subtotal
	OptiPlex 7450 AIO	2	\$1,599.55	\$3,199.10
	Estimated Delivery Date: Jul. 21 - Jul. 25, 2017			
	Contract Code: 83AHG			
	Customer Agreement No: PM20820 AggBuy16-'17			
338-BKXX	Intel Core i7-7700 (QC/8MB/8T/3.6GHz/65W); supports Windows 10/Linux	2	-	-
619-AHKN	Win 10 Pro 64 English, French, Spanish	2	-	-
630-AAPK	No Productivity Software	2	-	-
370-ADJH	16GB (2x8GB) 2400MHz DDR4	2	-	-
400-ANPQ	256GB 2.5inch SATA Class 20 Solid State Drive	2	-	-
490-BBFG	Intel Integrated Graphics, Dell OptiPlex	2	-	-
429-AAZF	8x Slimline DVD+/-RW Drive	2	-	-
658-BBTV	Cyberlink Media Suite Essentials for Windows 10 and DVD drive (without Media)	2	-	-
620-AALW	OS-Windows Media Not Included	2	-	-
575-BBHR	Height Adjustable Stand for OptiPlex 7440/7450	2	-	-
580-ADJC	Dell KB216 Wired Multi-Media Keyboard English Black	2	-	-
275-BBBW	Dell MS116 Wired Mouse, Black	2	-	-
634-BENZ	No DDP ESS Software	2	-	-
954-3465	No DDPE Encryption Software	2	-	-

817-BBBB	No FGA	2	-	-
210-AKMX	BASE,AIO,OPTI,7450,CTO,WW	2	-	-
555-BDGO	Intel Dual Band Wireless AC 8265 (802.11ac) 2x2 + Bluetooth	2	-	-
329-BDHW	7450 AIO 23.8, FHD Touch with Camera, Integrated Graphics, Bronze PSU	2	-	-
332-1286	US Order	2	-	-
340-ABJI	No Diagnostic/Recovery CD media	2	-	-
340-BJWF	MOD,PLCMT,QSG,W10,7450,DAO	2	-	-
409-BBCF	No Intel Rapid Start or Smart Connect	2	-	-
422-0008	Dell Data Protection System Tools Digital Delivery/DT	2	-	-
525-BBCL	SupportAssist	2	-	-
640-BBLW	Dell(TM) Digital Delivery Cirrus Client	2	-	-
658-BBMR	Dell Client System Update (Updates latest Dell Recommended BIOS, Drivers, Firmware and Apps)	2	-	-
658-BBRB	Waves Maxx Audio	2	-	-
658-BCUV	Dell Developed Recovery Environment	2	-	-
555-BDIO	Intel Dual Band Wireless 8265 (802.11ac) Driver	2	-	-
450-AAOJ	System Power Cord (Philippine/TH/US)	2	-	-
329-BBJL	TPM Enabled	2	-	-
387-BBLW	E-Star 6.1 & TCO 5.0 Driver, Service Install Module	2	-	-
389-BCGW	No UPC Label	2	-	-
389-BRFZ	MOD,LBL,REG,JSD2,NON-GS,7450	2	-	-
340-AGIK	Safety/Environment and Regulatory Guide (English/French Multi-language)	2	-	-
340-BJWH	MOD,SHP MTL,TAR,AIO23.8,DAO	2	-	-
389-BBUU	Shipping Label for DAO	2	-	-
401-AADF	No Additional Hard Drive	2	-	-
389-BHGE	Intel Core i7 Processor Label	2	-	-
631-ABEU	No Out-of-Bands Systems Management	2	-	-
817-BBBN	NO RAID	2	-	-
800-BBIO	Desktop BTO Standard shipment	2	-	-
391-BDHK	Dell Touch Liquid Crystal Display, Dell OptiPlex 7450AIO	2	-	-
461-AABV	No Accessories	2	-	-
997-6870	Dell Limited Hardware Warranty Plus Service	2	-	-
997-6942	ProSupport Plus: Accidental Damage Service, 5 Years	2	-	-
997-6952	ProSupport Plus: Keep Your Hard Drive, 5 Years	2	-	-
997-6962	ProSupport Plus: Next Business Day Onsite 5 Years	2	-	-
997-6982	ProSupport Plus: 7x24 Technical Support, 5 Years	2	-	-

Subtotal:	\$3,199.10
Shipping:	\$0.00
Environmental Fees:	\$0.00
Estimated Tax:	\$0.00
Total:	\$3,199.10

Important Notes

Terms of Sale

This quote is valid for 30 days unless otherwise stated. Unless you have a separate written agreement that specifically applies to this order, your order will be subject to and governed by the following agreements, each of which are incorporated herein by reference and available in hard copy from Dell at your request:

If this purchase is for your internal use only: Dell's Commercial Terms of Sale (www.dell.com/CTS), which incorporate Dell's U.S Return Policy(www.dell.com/returnpolicy) and Warranty (www.dell.com/warrantyterms).

If this purchase is intended for resale: Dell's Reseller Terms of Sale (www.dell.com/resellerterms).

If this purchase includes services: in addition to the foregoing applicable terms, Dell's service contracts and related service terms (www.dell.com/servicecontracts/global).

If this purchase includes software: in addition to the foregoing applicable terms, your use of the software is subject to the license terms accompanying the software, and in the absence of such terms, then use of the Dell-branded application software is subject to the Dell End User License Agreement - A Version. (www.dell.com/AEULA) and use of the Dell-branded system software is subject to the Dell End User License Agreement - S Version (www.dell.com/SEULA) (the "End User License Agreements").

You acknowledge having read and agree to be bound by the foregoing applicable terms in their entirety. Any terms and conditions set forth in your purchase order or any other correspondence that are in addition to, inconsistent or in conflict with, the foregoing applicable online terms will be of no force or effect unless specifically agreed to in a writing signed by Dell that expressly references such terms.

Pricing, Taxes, and Additional Information

All product, pricing, and other information is valid for U.S. customers and U.S. addresses only, and is based on the latest information available and may be subject to change. Dell reserves the right to cancel quotes and orders arising from pricing or other errors. Please indicate any tax-exempt status on your PO, and fax your exemption certificate, including your Customer Number, to the Dell Tax Department at 800-433-9023. Please ensure that your tax-exemption certificate reflects the correct Dell entity name: **Dell Marketing L.P.** Note: All tax quoted above is an estimate; final taxes will be listed on the invoice. If you have any questions regarding tax please send an e-mail to Tax_Department@dell.com.

For certain products shipped to end-users in California, a [State Environmental Fee](#) will be applied to your invoice. Dell encourages customers to dispose of electronic equipment properly.

Dell Business Credit (DBC):

OFFER VARIES BY CREDITWORTHINESS AS DETERMINED BY LENDER. Offered by WebBank to Small and Medium Business customers with approved credit. Taxes, shipping and other charges are extra and vary. Minimum monthly payments are the greater of \$15 or 3% of account balance. Dell Business Credit is not offered to government or public entities, or business entities located and organized outside of the United States.

Dell Financial Services Lease:

1. This proposal is property of Dell Financial Services and contains confidential information. This proposal shall not be duplicated or disclosed in whole or part. Minimum transaction size \$500.
2. All terms are subject to credit approval, execution and return of mutually acceptable lease documentation.
3. Lease rates are based upon the final amount, configuration and specification of the supplied equipment. Interim rent may apply and be due in the first payment cycle.
4. The Lease Quote is exclusive of shipping costs, maintenance fees, filing fees, licensing fees, property or use taxes, insurance premiums and similar items, which shall be for Lessee's account.
5. This proposal is valid through the expiration date shown above, or, if none is specified, for 30 calendar days from date of presentation.

Important Notes

Terms of Sale

Unless you have a separate written agreement that specifically applies to this order, your order will be subject to and governed by the following agreements, each of which are incorporated herein by reference and available in hardcopy from Dell at your request: Dell's Terms of Sale (www.dell.com/learn/us/en/uscorp1/terms-of-sale), which include a binding consumer arbitration provision and incorporate Dell's U.S. Return Policy (www.dell.com/returnpolicy) and Warranty (for [Consumer warranties](#); for [Commercial warranties](#)).

If this purchase includes services: in addition to the foregoing applicable terms, the terms of your service contract will apply ([Consumer](#); [Commercial](#)). If this purchase includes software: in addition to the foregoing applicable terms, your use of the software is subject to the license terms accompanying the software, and in the absence of such terms, then use of the Dell-branded application software is subject to the Dell End User License Agreement - Type A (www.dell.com/AEULA) and use of the Dell-branded system software is subject to the Dell End User License Agreement - Type S (www.dell.com/SEULA).

You acknowledge having read and agree to be bound by the foregoing applicable terms in their entirety. Any terms and conditions set forth in your purchase order or any other correspondence that are in addition to, inconsistent or in conflict with, the foregoing applicable online terms will be of no force or effect unless specifically agreed to in a writing signed by Dell that expressly references such terms.

Pricing, Taxes, and Additional Information

All product, pricing, and other information is valid for U.S. customers and U.S. addresses only, and is based on the latest information available and may be subject to change. Dell reserves the right to cancel quotes and orders arising from pricing or other errors. Please indicate any tax-exempt status on your PO, and fax your exemption certificate, including your Customer Number, to the Dell Tax Department at 800-433-9023. Please ensure that your tax-exemption certificate reflects the correct Dell entity name: **Dell Marketing L.P.**

Note: All tax quoted above is an estimate; final taxes will be listed on the invoice.

If you have any questions regarding tax please send an e-mail to Tax_Department@dell.com.

For certain products shipped to end-users in California, a State Environmental Fee will be applied to your invoice. Dell encourages customers to dispose of electronic equipment properly.

^Dell Business Credit (DBC):

OFFER VARIES BY CREDITWORTHINESS AS DETERMINED BY LENDER. Offered by WebBank to Small and Medium Business customers with approved credit. Taxes, shipping and other charges are extra and vary. Minimum monthly payments are the greater of \$15 or 3% of account balance. Dell Business Credit is not offered to government or public entities, or business entities located and organized outside of the United States.

***Dell Financial Services Lease:**

1. This proposal is property of Dell Financial Services and contains confidential information. This proposal shall not be duplicated or disclosed in whole or part. Minimum transaction size \$500.
2. All terms are subject to credit approval, execution and return of mutually acceptable lease documentation.
3. Lease rates are based upon the final amount, configuration and specification of the supplied equipment. Interim rent may apply and be due in the first payment cycle.
4. The Lease Quote is exclusive of shipping costs, maintenance fees, filing fees, licensing fees, property or use taxes, insurance premiums and similar items, which shall be for Lessee's account.
5. This proposal is valid through the expiration date shown above, or, if none is specified, for 30 calendar days from date of presentation.



A quote for your consideration!

Based on your business needs, we put the following quote together to help with your purchase decision. Please review your quote details below, then contact your sales rep when you're ready to place your order.

Total:\$26,954.41

Quote number:
3000012413061.1

Quote date:
Mar. 31, 2017

Quote expiration:
Apr. 30, 2017

Company name:
YORK COLLEGE-CUNY

Customer number:
1498754

Phone:
(718) 262-5213

Sales rep information:
Terri Lehenbauer
Terri_Lehenbauer@Dell.com
(800) 456-3355
Ext: 5139266

Bill to:
YORK COLLEGE-CUNY
ACCOUNTS PAYABLE RM1H12
94-20 GUY R BREWER BLVD
JAMAICA
NY 11433-0001
US
(718) 262-5213

Pricing Summary

Item	Qty	Unit price	Subtotal
OptiPlex 7040 MFF	28	\$791.55	\$22,163.40
Dell OptiPlex Micro All-in-One Mount for E Series Monitors	28	\$36.49	\$1,021.72
Dell 22 Monitor - E2216H	31	\$121.59	\$3,769.29

DBC as low as \$809.00/ month^

Subtotal:	\$26,954.41
Shipping:	\$0.00
Environmental Fees:	\$0.00
Non-Taxable Amount:	\$26,954.41
Taxable Amount:	\$0.00
Estimated Tax:	\$0.00
Total:	\$26,954.41

Dear Customer,

Please review the quote for product and information accuracy. If you find errors or desire certain changes please contact me as soon as possible.

Regards,

Terri Lehenbauer

Order this quote easily online through your [Premier page](#), or if you do not have Premier, using [Quote to Order](#)

Shipping Group 1

Shipping Contact: ACCOUNTS PAYABLE	Shipping phone: (718) 262-2739	Shipping via: Standard Ground	Shipping Address: 94-20 GUY R BREWER BLVD DEAN-STUDENT SVCES JAMAICA NY 11451-0001 US
--	--	---	---

SKU	Description	Qty	Unit Price	Subtotal
	OptiPlex 7040 MFF	28	\$791.55	\$22,163.40
	Estimated Delivery Date: Apr. 7 - Apr. 13, 2017			
	Contract Code: 56AHC			
	Customer Agreement No: PM20820/1000041162			
338-BHUS	Intel Core i5-6500T (QC/6MB/4T/2.5GHz/35W); supports Windows 7/8.1/10/Linux	28	-	-
619-AHKN	Win 10 Pro 64 English, French, Spanish	28	-	-
658-BCSB	Microsoft(R) Office 30 Days Trial	28	-	-
370-ACHS	8GB (1x8G) 2133MHz DDR4 Memory	28	-	-
400-AIRY	M.2 256GB PCIe NVMe Class 40 Solid State Drive	28	-	-
412-AAGW	Thermal Pad, OptiPlex	28	-	-
773-BBBC	M2X3.5 Screw for SSD/DDPE	28	-	-
490-BBFG	Intel Integrated Graphics, Dell OptiPlex	28	-	-
620-AALW	OS-Windows Media Not Included	28	-	-
575-BBBI	No Integrated Stand option	28	-	-
580-ADJC	Dell KB216 Wired Multi-Media Keyboard English Black	28	-	-
275-BBBW	Dell MS116 Wired Mouse, Black	28	-	-
634-BENZ	No DDP ESS Software	28	-	-
421-9984	Dell Data Protection Encryption Personal Edition Digital Delivery	28	-	-
954-3455	Dell ProSupport for Software, Dell Data Protection Encryption Personal Edition, 1 Year	28	-	-
998-BXLI	Fixed Hardware Configuration	28	-	-
210-AFGF	OptiPlex 7040 Micro Form Factor BTX	28	-	-

389-BHOC	Regulatory Label Opti 7040 Micro Form Factor	28	-	-
329-BCSB	7040 MFF 87% Adaptor	28	-	-
450-AAZN	US Power Cord	28	-	-
340-ASOG	Placemat Documentation	28	-	-
631-AASO	Intel vPro Technology Enabled	28	-	-
555-BCOG	Intel DB WLAN 8260 Software	28	-	-
387-BBEZ	ENERGY STAR Version 6.0	28	-	-
800-BBIP	Desktop BTS/BTP Shipment	28	-	-
470-ABLR	Wireless Bracket w/Antenna	28	-	-
555-BCMT	Intel Dual Band Wireless 8260 (802.11ac) W/ Bluetooth	28	-	-
401-AANH	2nd Hard Drive: not included	28	-	-
389-BHJT	Intel Core i5 vPro Processor Label	28	-	-
340-AGIK	Safety/Environment and Regulatory Guide (English/French Multi-language)	28	-	-
332-1286	US Order	28	-	-
389-BDQH	Retail POD	28	-	-
389-BBUU	Shipping Label for DAO	28	-	-
389-BEUY	Shipping Material for Micro System	28	-	-
461-AABF	No CompuTrace	28	-	-
551-BBBJ	No Intel Responsive	28	-	-
329-BBJL	TPM Enabled	28	-	-
461-AABV	No Accessories	28	-	-
340-ABJI	No Diagnostic/Recovery CD media	28	-	-
340-AJFC	Kickstart Product Registration	28	-	-
422-0008	Dell Data Protection System Tools Digital Delivery/DT	28	-	-
525-BBCL	SupportAssist	28	-	-
640-BBLW	Dell(TM) Digital Delivery Cirrus Client	28	-	-
658-BBMQ	Enable Low Power Mode	28	-	-
658-BBMR	Dell Client System Update (Updates latest Dell Recommended BIOS, Drivers, Firmware and Apps),OptiPlex	28	-	-
658-BBNH	Waves Maxx Audio	28	-	-
658-BCUV	Dell Developed Recovery Environment	28	-	-
450-AEWN	65W AC Adapter	28	-	-
817-BBBC	Not selected in this configuration	28	-	-
470-AAJL	NO ADAPTER	28	-	-
997-6870	Dell Limited Hardware Warranty Plus Service	28	-	-
997-6872	Onsite/In-Home Service After Remote Diagnosis 3 Years	28	-	-

SKU	Description	Qty	Unit Price	Subtotal
-----	-------------	-----	------------	----------

	Dell OptiPlex Micro All-in-One Mount for E Series Monitors	28	\$36.49	\$1,021.72
--	---	-----------	----------------	-------------------

Estimated Delivery Date: Apr. 7 - Apr. 13, 2017

Contract Code: 56AHC

Customer Agreement No: PM20820/1000041162

482-BBBO Dell OptiPlex Micro All-in-One Mount for E Series Monitors 28 - -

SKU	Description	Qty	Unit Price	Subtotal
	Dell 22 Monitor - E2216H	31	\$121.59	\$3,769.29

Estimated Delivery Date: Apr. 7 - Apr. 14, 2017

Contract Code: 56AHC

Customer Agreement No: PM20820/1000041162

210-AGMV	Dell 22 Monitor E2216H	31	-	-
805-9659	Dell Limited Hardware Warranty	31	-	-
805-9660	Advanced Exchange 3 Years	31	-	-

Subtotal:	\$26,954.41
Shipping:	\$0.00
Environmental Fees:	\$0.00
Estimated Tax:	\$0.00
Total:	\$26,954.41

Important Notes

Terms of Sale

Unless you have a separate written agreement that specifically applies to this order, your order will be subject to and governed by the following agreements, each of which are incorporated herein by reference and available in hardcopy from Dell at your request: Dell's Terms of Sale (www.dell.com/learn/us/en/uscorp1/terms-of-sale), which include a binding consumer arbitration provision and incorporate Dell's U.S. Return Policy (www.dell.com/returnpolicy) and Warranty (for [Consumer warranties](#); for [Commercial warranties](#)).

If this purchase includes services: in addition to the foregoing applicable terms, the terms of your service contract will apply ([Consumer](#); [Commercial](#)). If this purchase includes software: in addition to the foregoing applicable terms, your use of the software is subject to the license terms accompanying the software, and in the absence of such terms, then use of the Dell-branded application software is subject to the Dell End User License Agreement - Type A (www.dell.com/AEULA) and use of the Dell-branded system software is subject to the Dell End User License Agreement - Type S (www.dell.com/SEULA).

You acknowledge having read and agree to be bound by the foregoing applicable terms in their entirety. Any terms and conditions set forth in your purchase order or any other correspondence that are in addition to, inconsistent or in conflict with, the foregoing applicable online terms will be of no force or effect unless specifically agreed to in a writing signed by Dell that expressly references such terms.

Pricing, Taxes, and Additional Information

All product, pricing, and other information is valid for U.S. customers and U.S. addresses only, and is based on the latest information available and may be subject to change. Dell reserves the right to cancel quotes and orders arising from pricing or other errors. Please indicate any tax-exempt status on your PO, and fax your exemption certificate, including your Customer Number, to the Dell Tax Department at 800-433-9023. Please ensure that your tax-exemption certificate reflects the correct Dell entity name: **Dell Marketing L.P.**

Note: All tax quoted above is an estimate; final taxes will be listed on the invoice.

If you have any questions regarding tax please send an e-mail to Tax_Department@dell.com.

For certain products shipped to end-users in California, a State Environmental Fee will be applied to your invoice. Dell encourages customers to dispose of electronic equipment properly.

^Dell Business Credit (DBC):

OFFER VARIES BY CREDITWORTHINESS AS DETERMINED BY LENDER. Offered by WebBank to Small and Medium Business customers with approved credit. Taxes, shipping and other charges are extra and vary. Minimum monthly payments are the greater of \$15 or 3% of account balance. Dell Business Credit is not offered to government or public entities, or business entities located and organized outside of the United States.

***Dell Financial Services Lease:**

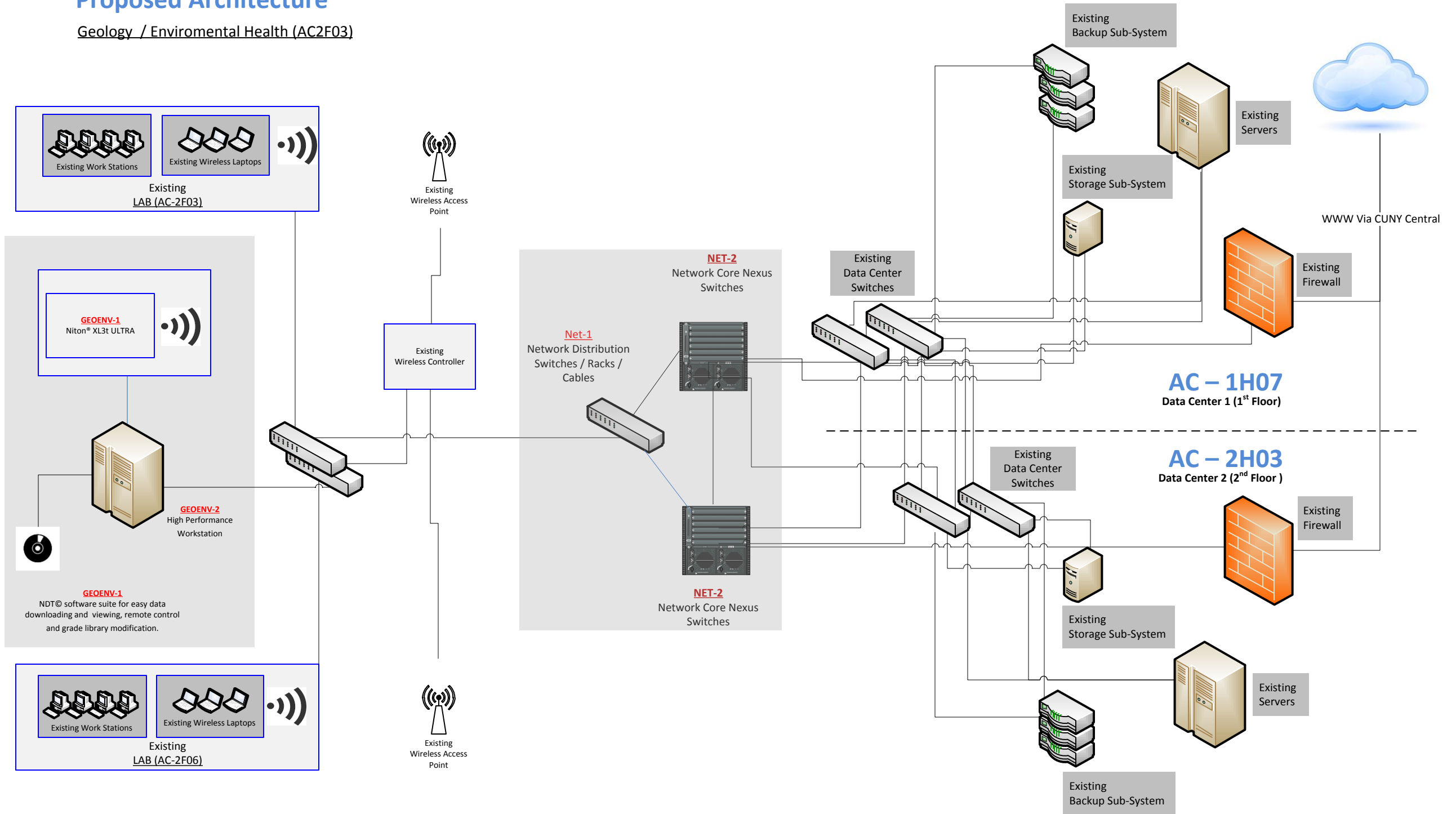
1. This proposal is property of Dell Financial Services and contains confidential information. This proposal shall not be duplicated or disclosed in whole or part. Minimum transaction size \$500.
2. All terms are subject to credit approval, execution and return of mutually acceptable lease documentation.
3. Lease rates are based upon the final amount, configuration and specification of the supplied equipment. Interim rent may apply and be due in the first payment cycle.
4. The Lease Quote is exclusive of shipping costs, maintenance fees, filing fees, licensing fees, property or use taxes, insurance premiums and similar items, which shall be for Lessee's account.
5. This proposal is valid through the expiration date shown above, or, if none is specified, for 30 calendar days from date of presentation.

Geology / Environmental Health

High Level Drawing and Quotes

Proposed Architecture

Geology / Environmental Health (AC2F03)



Sales Quotation

Thermo Scientific Portable Analytical Instruments Inc.
 2 Radcliff Road
 Tewksbury, MA 01876

Quote #	Quote Date	Exp Delivery Time	Page
TMA-CB-9617E	September 6, 2017	30 Days ARO	1 of 7
Payment Terms	Quote valid until	Shipping Method	Inco Terms
Pre-payment. Net 30 with approval	11/30/17	Fed Ex 2 nd Day	FOB Origin
Sales Contact	Christian Balotescu		
Contact Phone	203-938-4114		

Claudio Lindow
 York College
 9420 Guy R Brewer Blvd.
 Jamaica, New York 11451
 718-262-5337
clindow@york.cuny.edu

Thank you for your interest in handheld Thermo Scientific Niton x-ray fluorescence (XRF) analyzers and for giving us the opportunity to earn your business. Attached is the information you requested. We have worked hard to become the worldwide market leader in handheld XRF analysis, as well as one of the fastest growing business units within Thermo Fisher Scientific. Following are just a few of the many features and benefits that make our instrument the best value for reliability, versatility, and performance.

- **Outstanding Service and Support** keep the analyzer in optimal working order
- **Exceptional ergonomics** – superior balance of size and weight.
- **Easy-to-navigate software system** with large characters for error-free data input. Go from start-up to testing in three easy steps!
- **High-strength, rugged, environmentally sealed housing** protects internal components from unwanted dirt, dust, heat, moisture, etc.
- **Fastest throughput** of any handheld XRF analyzer on the market – typical time for routine positive grade identification is less than two seconds.
- **Unmatched battery use** time – 8-12 hours between charges!
- **Multiple safety features**, such as proximity buttons and count-rate proximity sensors.
- **A strong commitment to Research and Development** continues to drive greater reliability through technological innovation that smaller competitors cannot match.
- **Free Radiation Safety and Operational training** at any Thermo Scientific Niton analyzer class for the life of the analyzer.


I look forward to working with you and appreciate the opportunity to present our products. Please let me know if you have any questions or require additional information. Thank you again.

Sincerely,
 Christian Balotescu

For additional information or to place an order:

Call: 203-938-4114
 eMail: chris@techmeasurement.com
 Fax your order to: 877-680-2568

Additional instructions, terms and conditions on last page

Product	Standard Accessories and Features	Specifications
<p>Niton® XL3t ULTRA Technology Environmental and Mining Analyzer</p>  <p>Excitation Configuration</p> <p>50kV/200 uA 2 Watt Max Ag Anode X-Ray Tube</p>	<ul style="list-style-type: none"> ➤ Two rechargeable 6-cell battery packs ➤ Battery Charger; AC power supply ➤ Carrying case ➤ Shielded belt holster ➤ SpectraView element scanner ➤ Integrated Angled touch screen with large intuitive color icons ➤ "Virtual" keyboard for data entry ➤ Password-protected set-up and operation with several other radiation safety features ➤ NDT© software suite for easy data downloading and viewing, remote control and grade library modification ➤ PC connection cable ➤ Reference samples and/or certified reference material (s) ➤ Bluetooth Wireless Connectivity ➤ CCD Camera ➤ RFID technology for test stand recognition ➤ Portable Test Stand (420-017) ➤ Additional Prolene aperture windows for light-element analysis ➤ 24-month limited warranty on parts, labor and accessories ➤ No-charge, on-site operator training included in North America Only. Please contact Thermo Fisher Scientific Niton Analyzers or your local Niton Analyzers distributors for details on training in other geographical locations 	<p>(D) – Soil Analysis (M) – Mining Analysis TestAll Geo™ (D and M)</p> <p>Niton XL3t ULTRA Mining Analyzer (Niton Analyzers Part # XL3t 955)</p> <p>Includes Testall GeoMode</p> <p>\$46,495.00</p> <p>Less Educational Discount -\$10,000.00</p> <p>TOTAL \$36,495.00</p> <p>Includes 100XRF sample cups and mylar.</p> <p>Shipping & Handling \$120.00</p>

“D” ELEMENT SUITE – Standard on Niton XL3t ULTRA Technology Mining Analyzer


Calibration Mode	Model	Source	Standard Element Set
Soils Analysis “D”	Niton XL3t ULTRA Technology Mining Analyzer	X-Ray Tube	Ba, Cs, Te, Sb, Sn, Cd, Ag, Pd, Zr, Mo, Sr, U, Rb, Th, Pb, Se, As, Au, Hg, Zn, W, Cu, Ni, Co, Fe, Mn, Cr, V, Ti, Sc, Ca, K, S
Soil calibration for environmental assessments and metals in soils and sediments analysis with total concentrations generally < 1%. Certified reference standards/samples included.			

M” ELEMENT SUITE – Standard on Niton XL3t ULTRA Technology Mining Analyzer

Calibration Mode	Model	Source	Standard Element Set
Mining Analysis “M”	Niton XL3t ULTRA Technology Mining Analyzer	X-Ray Tube	Ba, Sb, Sn, Cd, Pd, Ag, Mo, Nb, Zr, Sr, Rb, Bi, Se, As, Pb, W, Zn, Cu, Re, Ta, Hf, Ni, Co, Fe, Mn, Cr, V, Ti, Ca, K, Cl, S, P, Si, Al, Mg, Au, Ba Helium Purge available for enhanced analysis of Mg, Al, Si, P and S.
Easy to use calibration for rapid metal and mineral content analysis at concentrations >1% in ore and concentrates. Ideal for analysis of mining samples including concentrates, slags, etc Certified reference standards or reference samples included.			

NOTE: TestallGeo Mode combines D & M Modes above and automatically selects appropriate calibration for each element depending on its concentration in any given sample

ACCESSORIES

Product name and code		Specification	Price
Portable Test Stand, Niton XL2& XL3t 420-017		Folds down for transport. Allows hands-free measurement of samples. Fully shielded to protect operator from primary or scattered radiation. Use with included Niton Data Transfer (NDT) software for "remote" control, data display and download via PC connection cable or optional Bluetooth connection. Pictured PC, samples, and analyzer not included.	Included
Integrated GPS		Integrated GPS for automatic coordinate recording when readings are taking and GPS signal is available	Included

ACCEPTANCE OF PURCHASE Quote TMA-CB-9617E

By signing below, you (i) warrant that you are an authorized representative of your company, (ii) agree that the Thermo Scientific Portable Analytical Instruments Inc. Terms and Conditions of Sale attached hereto (the "Terms and Conditions") shall supersede any preprinted terms and conditions, in their entirety, contained in any purchase order that your company issues and (iii) the Terms and Conditions shall exclusively govern the transaction(s) contemplated hereby

Signature of authorized company representative

Date

Print Name

Title

Model #

Amount + S&H

PO Number

Bill To with Accounting Contact:

Ship To:

Should we charge Sales Tax?

Yes No

If no, you must provide a copy of your Tax Exemption Certificate.

PLEASE FAX THE COMPLETED FORM TO 877-680-2568

UNLESS OTHERWISE EXPRESSLY AGREED IN WRITING, ALL SALES ARE SUBJECT TO THE FOLLOWING TERMS AND CONDITIONS:

1. **GENERAL.** Thermo Scientific Portable Analytical Instruments Inc (“Seller”) hereby offers for sale to the buyer named on the face hereof (“Buyer”) the products listed on the face hereof (the “Products”) on the express condition that Buyer agrees to accept and be bound by the terms and conditions set forth herein. Any provisions contained in any document issued by Buyer are expressly rejected, and, if the terms and conditions in this Agreement differ from the terms of Buyer’s offer, this document shall be construed as a counter offer and shall not be effective as an acceptance of Buyer’s document. Buyer’s receipt of Products or Seller’s commencement of the services provided hereunder will constitute Buyer’s acceptance of this Agreement. This is the complete and exclusive statement of the contract between Seller and Buyer with respect to Buyer’s purchase of the Products. No waiver, consent, modification, amendment or change of the terms contained herein shall be binding unless in writing and signed by Seller and Buyer. Seller’s failure to object to terms contained in any subsequent communication from Buyer will not be a waiver or modification of the terms set forth herein. All orders are subject to acceptance in writing by an authorized representative of Seller.

2. **PRICE.** All prices published by Seller or quoted by Seller’s representatives may be changed at any time without notice. All prices quoted by Seller or Seller’s representatives are valid for thirty (30) days, unless otherwise stated in writing. All prices for the Products will be as specified by Seller or, if no price has been specified or quoted, will be Seller’s price in effect at the time of shipment. All prices are subject to adjustment on account of specifications, quantities, raw materials, cost of production, shipment arrangements or other terms or conditions, which are not part of Seller’s original price quotation.

3. **TAXES AND OTHER CHARGES.** Prices for the Products exclude all sales, value added and other taxes and duties imposed with respect to the sale, delivery, or use of any Products covered hereby, all of which taxes and duties must be paid by Buyer. If Buyer claims any exemption, Buyer must provide a valid, signed certificate or letter of exemption for each respective jurisdiction. Buyer shall be solely responsible for obtaining any and all necessary licenses, registrations, certificates, permits, approvals or other authorizations required by federal, state or local statute, law or regulation pertaining to the use or possession of the products contemplated herein that include radioactive isotopes, or x-ray tubes if any.

4. **TERMS OF PAYMENT.** Seller may invoice Buyer upon shipment for the price and all other charges payable by Buyer in accordance with the terms on the face hereof. If no payment terms are stated on the face hereof, payment terms shall be net thirty (30) days from the date of invoice. If Buyer fails to pay any amounts when due, Buyer shall pay Seller interest thereon at a periodic rate of one and one-half percent (1.5%) per month (or, if lower, the highest rate permitted by law), together with all costs and expenses (including without limitation reasonable attorneys’ fees and disbursements and court costs) incurred by Seller in collecting such overdue amounts or otherwise enforcing Seller’s rights hereunder. Seller reserves the right to require from Buyer full or partial payment in advance, or other security that is satisfactory to Seller, at any time that Seller believes in good faith that Buyer’s financial condition does not justify the terms of payment specified. All payments shall be made in U.S. Dollars.

5. **DELIVERY; CANCELLATION OR CHANGES BY BUYER.** The Products will be shipped to the destination specified by Buyer, Ex Works (Incoterms 2010) shipping point. Seller will have the right, at its election, to make partial shipments of the Products and to invoice each shipment separately. Seller reserves the right to withhold shipments in whole or in part if Buyer fails to make any payment to Seller when due or otherwise fails to perform its obligations hereunder. All shipping dates are approximate only, and Seller will not be liable for any loss or damage resulting from any delay in delivery or failure to deliver which is due to any cause beyond Seller’s reasonable control. In the event of a delay due to any cause beyond Seller’s reasonable control, Seller reserves the right to terminate the order or to reschedule the shipment within a reasonable period of time, and Buyer will not be entitled to refuse delivery or otherwise be relieved of any obligations as the result of such delay. Products as to which delivery is delayed due to any cause within Buyer’s control may be placed in storage by Seller at Buyer’s risk and expense and for Buyer’s account. Orders in process may be canceled only with Seller’s written consent and upon payment of Seller’s cancellation charges. Orders in process may not be changed except with Seller’s written consent and upon agreement by the parties as to an appropriate adjustment in the purchase price therefor. Credit will not be allowed for Products returned without the prior written consent of Seller.

6. **RETURN OF PRODUCTS/RESTOCKING CHARGE.** Buyer must obtain permission from Seller prior to returning Products. The request must be received within ten (10) days of receipt of the Products. Older items, service parts, and discontinued items cannot be returned for credit. In order to obtain a RMA number, Buyer must contact Seller’s customer support. Seller, in its discretion, may impose a twenty (20%) percent restocking charge of the price paid for any item authorized for return for credit.

7. **TITLE AND RISK OF LOSS.** Title to and risk of loss of the Products will pass to Buyer upon delivery of possession of the Products by Seller to the carrier at the point of shipment irrespective of which Party’s carrier is used for the transport or the manner of payment ascribed to the transport; provided, however, that title to any software incorporated within or forming a part of the Products shall at all times remain with Seller or the licensor(s) thereof, as the case may be.

8. **WARRANTY.** Seller warrants that the Products will operate or perform substantially in conformance with Seller’s published specifications and be free from defects in material and workmanship, when subjected to normal, proper and intended usage by properly trained personnel, for the period of time set forth in the product documentation, published specifications or package inserts. If a period of time is not specified in Seller’s product documentation, published specifications or package inserts, the warranty period shall be one (1) year from the date of shipment to Buyer for equipment and ninety (90) days for all other products (the “Warranty Period”). Seller agrees during the Warranty Period, to repair or replace, at Seller’s option, defective Products so as to cause the same to operate in substantial conformance with said published specifications; provided that Buyer shall (a) promptly notify Seller in writing upon the discovery of any defect, which notice shall include the product model and serial number (if applicable) and details of the warranty claim; and (b) after Seller’s review, Seller will provide Buyer with service data and/or a Return Material Authorization (“RMA”), which may include biohazard decontamination procedures and other product-specific handling instructions, then, if applicable, Buyer may return the defective Products to Seller with all costs prepaid by Buyer. Replacement parts may be new or refurbished, at the election of Seller. All replaced parts shall become the property of Seller. Shipment to Buyer of repaired or replacement Products shall be made in accordance with the Delivery provisions of these Seller

Terms and Conditions of Sale. Consumables are expressly excluded from this warranty. Notwithstanding the foregoing, Products supplied by Seller that are obtained by Seller from an original manufacturer or third party supplier are not warranted by Seller, but Seller agrees to assign to Buyer any warranty rights in such Product that Seller may have from the original manufacturer or third party supplier, to the extent such assignment is allowed by such original manufacturer or third party supplier. In no event shall Seller have any obligation to make repairs, replacements or corrections required, in whole or in part, as the result of (i) normal wear and tear, (ii) accident, disaster or event of force majeure, (iii) misuse, fault or negligence of or by Buyer, (iv) use of the Products in a manner for which they were not designed, (v) causes external to the Products such as, but not limited to, power failure or electrical power surges, (vi) improper storage and handling of the Products or (vii) use of the Products in combination with equipment or software not supplied by Seller. If Seller determines that Products for which Buyer has requested warranty services are not covered by the warranty hereunder, Buyer shall pay or reimburse Seller for all costs of investigating and responding to such request at Seller's then prevailing time and materials rates. If Seller provides repair services or replacement parts that are not covered by this Warranty, Buyer shall pay Seller therefor at Seller's then prevailing time and materials rates.

ANY INSTALLATION, MAINTENANCE, REPAIR, SERVICE, RELOCATION OR ALTERATION TO OR OF, OR OTHER TAMPERING WITH, THE PRODUCTS PERFORMED BY ANY PERSON OR ENTITY OTHER THAN SELLER WITHOUT SELLER'S PRIOR WRITTEN APPROVAL, OR ANY USE OF REPLACEMENT PARTS NOT SUPPLIED BY SELLER, SHALL IMMEDIATELY VOID AND CANCEL ALL WARRANTIES WITH RESPECT TO THE AFFECTED PRODUCTS. THE OBLIGATIONS CREATED BY THIS WARRANTY STATEMENT TO REPAIR OR REPLACE A DEFECTIVE PRODUCT SHALL BE THE SOLE REMEDY OF BUYER IN THE EVENT OF A DEFECTIVE PRODUCT. EXCEPT AS EXPRESSLY PROVIDED IN THIS WARRANTY STATEMENT, SELLER DISCLAIMS ALL OTHER WARRANTIES, WHETHER EXPRESS OR IMPLIED, ORAL OR WRITTEN, WITH RESPECT TO THE PRODUCTS, INCLUDING WITHOUT LIMITATION ALL IMPLIED WARRANTIES OF MERCHANTABILITY OR FITNESS FOR ANY PARTICULAR PURPOSE. SELLER DOES NOT WARRANT THAT THE PRODUCTS ARE ERROR-FREE OR WILL ACCOMPLISH ANY PARTICULAR RESULT.

9. INDEMNIFICATION.

9.1 By Seller. Seller agrees to indemnify, defend and save Buyer, its officer, directors, and employees from and against any and all damages, liabilities, actions, causes of action, suits, claims, demands, losses, costs and expenses (including without limitation reasonable attorney's fees) ("Indemnified Items") for (i) bodily injury to or death of persons or damage to tangible property to the extent caused by the negligence or willful misconduct of Seller, its employees, agents or representatives or contractors in connection with the performance of services at Buyer's premises under this Agreement and (ii) claims that a Product infringes any valid United States patent, copyright or trade secret; provided, however, Seller shall have no liability under this Section to the extent any such Indemnified Items are caused by either (i) the negligence or willful misconduct of Buyer, its employees, agents or representatives or contractors, (ii) by any third party, (iii) use of a Product in combination with equipment or software not supplied by Seller where the Product would not itself be infringing, (iv) compliance with Buyer's designs, specifications or instructions, (v) use of the Product in an application or environment for which it was not designed or (vi) modifications of the Product by anyone other than Seller without Seller's prior written approval. Buyer shall provide Seller prompt written notice of any third party claim covered by Seller's indemnification obligations hereunder. Seller shall have the right to assume exclusive control of the defense of such claim or, at the option of the Seller, to settle the same, and Seller shall indemnify only for amounts finally awarded or settled in such claims. Buyer agrees to cooperate reasonably with Seller in connection with the performance by Seller of its obligations in this Section.

Notwithstanding the above, Seller's infringement related indemnification obligations shall be extinguished and relieved if Seller, at its discretion and at its own expense (a) procures for Buyer the right, at no additional expense to Buyer, to continue using the Product; (b) replaces or modifies the Product so that it becomes non-infringing, provided the modification or replacement does not adversely affect the specifications of the Product; or (c) in the event (a) and (b) are not practical, refund to Buyer the amortized amounts paid by Buyer with respect thereto, based on a five (5) year amortization schedule. THE FOREGOING INDEMNIFICATION PROVISION STATES SELLER'S ENTIRE LIABILITY TO BUYER FOR THE CLAIMS DESCRIBED HEREIN.

9.2 By Buyer. Buyer shall indemnify, defend with competent and experienced counsel and hold harmless Seller, its parent, subsidiaries, affiliates and divisions, and their respective officers, directors, shareholders and employees, from and against any and all damages, liabilities, actions, causes of action, suits, claims, demands, losses, costs and expenses (including without limitation reasonable attorneys' fees and disbursements and court costs) to the extent arising from or in connection with (i) the negligence or willful misconduct of Buyer, its agents, employees, representatives or contractors; (ii) use of a Product in combination with equipment or software not supplied by Seller where the Product itself would not be infringing; (iii) Seller's compliance with designs, specifications or instructions supplied to Seller by Buyer; (iv) use of a Product in an application or environment for which it was not designed; or (v) modifications of a Product by anyone other than Seller without Seller's prior written approval.

10. SOFTWARE. With respect to any software products incorporated in or forming a part of the Products hereunder, Seller and Buyer intend and agree that such software products are being licensed and not sold, and that the words "purchase", "sell" or similar or derivative words are understood and agreed to mean "license", and that the word "Buyer" or similar or derivative words are understood and agreed to mean "licensee". Notwithstanding anything to the contrary contained herein, Seller or its licensor, as the case may be, retains all rights and interest in software products provided hereunder.

Seller hereby grants to Buyer a royalty-free, non-exclusive, nontransferable license, without power to sublicense, to use software provided hereunder solely for Buyer's own internal business purposes on the hardware products provided hereunder and to use the related documentation solely for Buyer's own internal business purposes. This license terminates when Buyer's lawful possession of the hardware products provided hereunder ceases, unless earlier terminated as provided herein. Buyer agrees to hold in confidence and not to sell, transfer, license, loan or otherwise make available in any form to third parties the software products and related documentation provided hereunder. Buyer may not disassemble, decompile or reverse engineer, copy, modify, enhance or otherwise change or supplement the software products provided hereunder without Seller's prior written consent. Seller will be entitled to terminate this license if Buyer fails to comply with any

term or condition herein. Buyer agrees, upon termination of this license, immediately to return to Seller all software products and related documentation provided hereunder and all copies and portions thereof.

Certain of the software products provided by Seller may be owned by one or more third parties and licensed to Seller. Accordingly, Seller and Buyer agree that such third parties retain ownership of and title to such software products. The warranty and indemnification provisions set forth herein shall not apply to software products owned by third parties and provided hereunder.

The use, duplication, reproduction, release, modification, disclosure or transfer of software Products, or any related documentation of any kind (including, without limitation, technical data or manuals), is restricted in accordance with Federal Acquisition Regulation 12.212 for civilian agencies and Defense Federal Acquisition Regulation 227.7202 for military agencies. The software Products are "commercial items" and commercial computer software and the related documentation is commercial computer software documentation. The use of the software Products and related documentation is further restricted in accordance with the terms of this Agreement and any software license included or provided with a particular software Product.

11. LIMITATION OF LIABILITY. NOTWITHSTANDING ANYTHING TO THE CONTRARY CONTAINED HEREIN, THE LIABILITY OF SELLER UNDER THESE TERMS AND CONDITIONS (WHETHER BY REASON OF BREACH OF CONTRACT, TORT, INDEMNIFICATION, OR OTHERWISE) SHALL NOT EXCEED AN AMOUNT EQUAL TO THE LESSER OF (A) THE TOTAL PURCHASE PRICE THERETOFORE PAID BY BUYER TO SELLER WITH RESPECT TO THE PRODUCT(S) GIVING RISE TO SUCH LIABILITY OR (B) ONE MILLION DOLLARS (\$1,000,000). NOTWITHSTANDING ANYTHING TO THE CONTRARY CONTAINED HEREIN, IN NO EVENT SHALL SELLER BE LIABLE FOR ANY INDIRECT, SPECIAL, CONSEQUENTIAL OR INCIDENTAL DAMAGES (INCLUDING WITHOUT LIMITATION DAMAGES FOR LOSS OF USE OF FACILITIES OR EQUIPMENT, LOSS OF REVENUE, LOSS OF DATA, LOSS OF PROFITS OR LOSS OF GOODWILL), REGARDLESS OF WHETHER SELLER (a) HAS BEEN INFORMED OF THE POSSIBILITY OF SUCH DAMAGES OR (b) IS NEGLIGENT.

12. EXPORT RESTRICTIONS. Buyer acknowledges that each Product and any related software and technology, including technical information supplied by Seller or contained in documents (collectively "Items"), is subject to export controls of the U.S. government. The export controls may include, but are not limited to, those of the Export Administration Regulations of the U.S. Department of Commerce (the "EAR"), which may restrict or require licenses for the export of Items from the United States and their re-export from other countries. Buyer shall comply with the EAR and all other applicable laws, regulations, laws, treaties, and agreements relating to the export, re-export, and import of any Item. Buyer shall not, without first obtaining the required license to do so from the appropriate U.S. government agency; (i) export or re-export any Item, or (ii) export, re-export, distribute or supply any Item to any restricted or embargoed country or to a person or entity whose privilege to participate in exports has been denied or restricted by the U.S. government. Buyer shall cooperate fully with Seller in any official or unofficial audit or inspection related to applicable export or import control laws or regulations, and shall indemnify and hold Seller harmless from, or in connection with, any violation of this Section by Buyer or its employees, consultants, agents, or customers.

13. HAZARDOUS MATERIALS. Some Products may require special packaging, labeling, marking and handling. Carriers may add additional freight charges for the handling or transporting of these materials. The consolidating of such material with other Products may be prohibited. Additional freight charges will be billed per Seller's shipping terms. Buyer is responsible for advising Seller of shipping instructions for these hazardous materials.

14. MISCELLANEOUS. (a) Buyer may not resell any Products, delegate any duties nor assign any rights or claims hereunder without Seller's prior written consent, and any such attempted resale, delegation or assignment shall be void. (b) The rights and obligations of the parties hereunder shall be governed by and construed in accordance with the laws of the State of Seller's manufacturing location, without reference to its choice of law provisions. Each party hereby irrevocably consents to the exclusive jurisdiction of the state and federal courts located in the county and state of Seller's manufacturing location, in any action arising out of or relating to this Agreement and waives any other venue to which it may be entitled by domicile or otherwise. (c) In the event of any legal proceeding between the Seller and Buyer relating to this Agreement, neither party may claim the right to a trial by jury, and both parties waive any right they may have under applicable law or otherwise to a right to a trial by jury. Any action arising under this Agreement must be brought within one (1) year from the date that the cause of action arose. (d) The application to this Agreement of the U.N. Convention on Contracts for the International Sale of Goods is hereby expressly excluded. (e) In the event that any one or more provisions contained herein shall be held by a court of competent jurisdiction to be invalid, illegal or unenforceable in any respect, the validity, legality and enforceability of the remaining provisions contained herein shall remain in full force and effect, unless the revision materially changes the bargain. (f) Seller's failure to enforce, or Seller's waiver of a breach of, any provision contained herein shall not constitute a waiver of any other breach or of such provision. (g) Buyer agrees that all pricing, discounts and technical information that Seller provides to Buyer are the confidential and proprietary information of Seller. Buyer agrees to (1) keep such information confidential and not disclose such information to any third party, and (2) use such information solely for Buyer's internal purposes and in connection with the use of the Products supplied hereunder. Nothing herein shall restrict the use of information available to the general public. (h) Any notice or communication required or permitted hereunder shall be in writing and shall be deemed received when personally delivered or three (3) business days after being sent by certified mail, postage prepaid



Savings

\$893.27

Subtotal (2)

\$1,711.00

Price does not reflect applicable shipping, taxes and state environmental fee.

Details	Billing	Shipping	Payment method
geoen-2-workstation Quote number# 1026960033326 Created July 10, 2017 Expires October 8, 2017 Created by stephen@york.cuny.edu	Order contact Stephen Yu, York College Dell Contract Code: 56AHC Customer agreement number: PM20820/1000041162 Phone: (718) 262-2739 Additional:: stephen@york.cuny.edu	Delivery method no charge delivery Trade compliance No, I will not be exporting	

Items	Quantity	Unit Price	Item total
-------	----------	------------	------------

Bundle: OptiPlex 7040 Mini Tower - Great value and in-stock for fast shipping



OptiPlex 7040 Mini Tower - Great value and in-stock for fast shipping

1

\$1,884.28

\$1,884.28

Dell Contract Code: 56AHC
Dell Smart Selection
 July 10, 2017

Premier discount

-\$734.87

Catalog Number: 84 / s024o7040mtusr

Category	Description	Code	SKU	ID
OptiPlex 7040 MT	OptiPlex 7040 Mini Tower BTX	7040TB	[210-AFGH]	1
Memory	16GB (2x8G) 2133MHz DDR4 Memory	16G2D4	[370-ACKD]	3
Keyboard	Dell KB216 Wired Keyboard English Black	US216B	[580-ADJC]	4
Video Card	AMD Radeon™ R7 350X (4GB DP/DVI-I)	R7350F	[490-BCQS]	6
Driver	No Wireless Selected	NOWRLS	[555-BBFO]	7
Hard Drive	M.2 256GB PCIe NVMe Class 40 Solid State Drive	256SDM	[400-AIRY] [412-AAGV] [773-BBBC]	8
Media Card Reader	No Media Card Reader Selected	NMCR	[385-BBCR]	10
Operating System	Windows 10 Pro, 64bit English, French, Spanish	10P64M	[619-AHKN]	11
Mouse	Dell MS116 Wired Mouse Black	MS116B	[275-BBBW]	12
Network Card	No Bcom required	NOBCOM	[555-BBKH]	13
Removable Media Storage Device	8x DVD+/-RW 9.5mm Optical Disk Drive	8XDVRW	[325-BBRL] [429-AAJV]	16
Wireless	No Wireless	NOWRLS	[555-BBFO]	19
Power Cord	System Power Cord (English)	US125V	[450-AAOJ]	20
Documentation/Disks	Safety/Environment and Regulatory Guide (English/French Multi-language)	EFDOC	[340-AGIK]	21
Hardware Support Services	3 Year Hardware Service with Onsite/In-Home Service After Remote Diagnosis	NBD3	[997-6870] [997-6872]	29
Systems Management	Intel vPro Technology Enabled	VPRO	[631-AASO]	49
Diagnostic CD / Diskette	No Diagnostic/Recovery CD media	NORDVD	[340-ABJI]	50
Placemat	Quick Reference Guide, Win 10	PLMTW10	[340-ASOH]	60
Canada Ship Options	US No Canada Ship Charge	USNONE	[332-1286]	111

Category	Description	Code	SKU	ID
Chassis Options	OptiPlex 7040 MT with 240W up to 85% efficient Power Supply (80Plus Bronze)	MTBRNZ	[329-BCSE]	116
E-Star	ENERGY STAR Version 6.0	ESTAR6	[387-BBEZ]	122
Processor	Intel® Core™ i7-6700 Processor (Quad Core, 8MB, 8T, 3.4GHz, 65W)	I76700	[338-BHUH] [412-AAGU]	146
Dell Data Security Encryption	DDPE Personal Edition License + ProSupport for Software 1 Year	PDPE1Y	[421-9984] [954-3455]	156
UPC Label	Print on Demand Label	POD	[389-BDQH]	292
TPM Security	Trusted Platform Module (TPM Enabled)	TPM	[329-BBJL]	297
Packaging	Shipping Material for System, Minitower	SHPDOA	[340-ARRJ] [389-BBUU]	465
Stands and Mounts	No Integrated Stand option	NOSTND	[575-BBBI]	558
FGA Module	7040MT_1H17_026/US/BTS	FG0024	[998-BZGD]	572
Cables and Dongles	No Adapter	NOADPTR	[470-AAJL]	592
Dell Threat Protection and Endpoint Security Suite	No Dell Data Protection Endpoint Security Suite Software	NODDP	[634-BENZ]	593
Optical Software	Cyberlink Media Suite Essentials without Media for Win10/8.1	W8DVDSW	[658-BBTV]	597
Additional Hard Drive	No Additional Hard Drive	NADDHD	[401-AANH]	637
Label	Reg Label, MT, MEX,EPA	EPAMEX	[389-BHMP]	676
CompuTrace Offerings + Stoptrack Label	No Computrace	NCTRACE	[461-AABF]	697
Serial Port/PS2 Adapter	No Accessories	NOACC	[461-AABV]	698
Hard Drive Software	NO INTEL RESPONSIVE	NOINTR	[551-BBBJ]	707
Processor Branding	Intel Core I7 vPro Label	VICI7	[389-BHJV]	749
Microsoft Application Software	Microsoft Office 30 Day Trial	16MUI	[658-BCSB]	1002
Non-Microsoft Application Software	Windows 10	WIN10	[340-AJFC] [422-0008] [525-BBCL] [640-BBLW] [658-BBMQ] [658-BBMR] [658-BBNH] [658-BCUV]	1003
RAID Connectivity	NO RAID	NORAID	[817-BBBN]	1009
Operating System Media	OS-Windows Media Not Included	NOMEDIA	[620-AALW]	200013
Transportation from ODM to region	BTS/BTP Shipment	BTS	[800-BBIP]	200080
External Speakers	No External Speaker	NOESPK	[817-BBBC]	200095

Grouped with your OptiPlex 7040 Mini Tower - Great value and in-stock for fast shipping



Dell UltraSharp 27 InfinityEdge Monitor - U2717D

1

\$719.99

\$719.99

Dell Contract Code: 56AHC

Premier discount

Catalog Number: 84 / u2717dcc

-\$158.40

Category	Description	Code	SKU	ID
----------	-------------	------	-----	----

Dell 27 Monitor U2717D	Dell UltraSharp 27 InifinityEdge Monitor - U2717D	U2717D	[210-AHGV]	1
Hardware Support Services	3 Year Premium Panel Limited Warranty-Advanced Exchange	AE3	[808-1298] [808-1299]	29

Bundle Total: \$1,711.00

Savings: \$893.27

Subtotal (2): \$1,711.00

Savings \$893.27

Subtotal (2) \$1,711.00

Price does not reflect applicable shipping, taxes and state environmental fee.

Same day shipment subject to order size limitations, Dell standard shipping methods and payment via credit card, gift card or Dell Business Credit. Notification will be provided if there are payment delays which could impact shipping date. Electronics and accessories may ship separately.

Smart Selection. Limited quantities. Only available for orders placed by 5:59 p.m. CT Mon.–Thurs. Systems shipped the next business day after an order is placed. Subject to order approval. Software and accessories not part of the configuration will be shipped separately and may arrive after your system. Please note that Smart Selection Configuration pricing cannot be combined with other pricing offers or discounts provided or agreed to by Dell. ** Orders with Custom Factory Integration might require additional processing time.

Dell Business Credit: Offered to business customers by WebBank who determines qualifications for and terms of credit. Taxes, shipping and other charges are extra and vary. Minimum monthly payments are the greater of \$15 or 3% of the new balance shown on the monthly billing statement. Dell and the Dell logo are trademarks of Dell Inc.

**Payment solutions provided and serviced by Dell Financial Services L.L.C. or its affiliate or designee ("DFS") for qualified customers. Offers may not be available or may vary in certain countries. Where available, offers may be changed without notice and are subject to product availability, credit approval, execution of documentation provided by and acceptable to DFS, and may be subject to minimum transaction size. Offers not available for personal, family or household use. Dell and the Dell logo are trademarks of Dell Inc. Restrictions and additional requirements may apply to transactions with governmental or public entities.

¹Subject to applicable law and regulations.

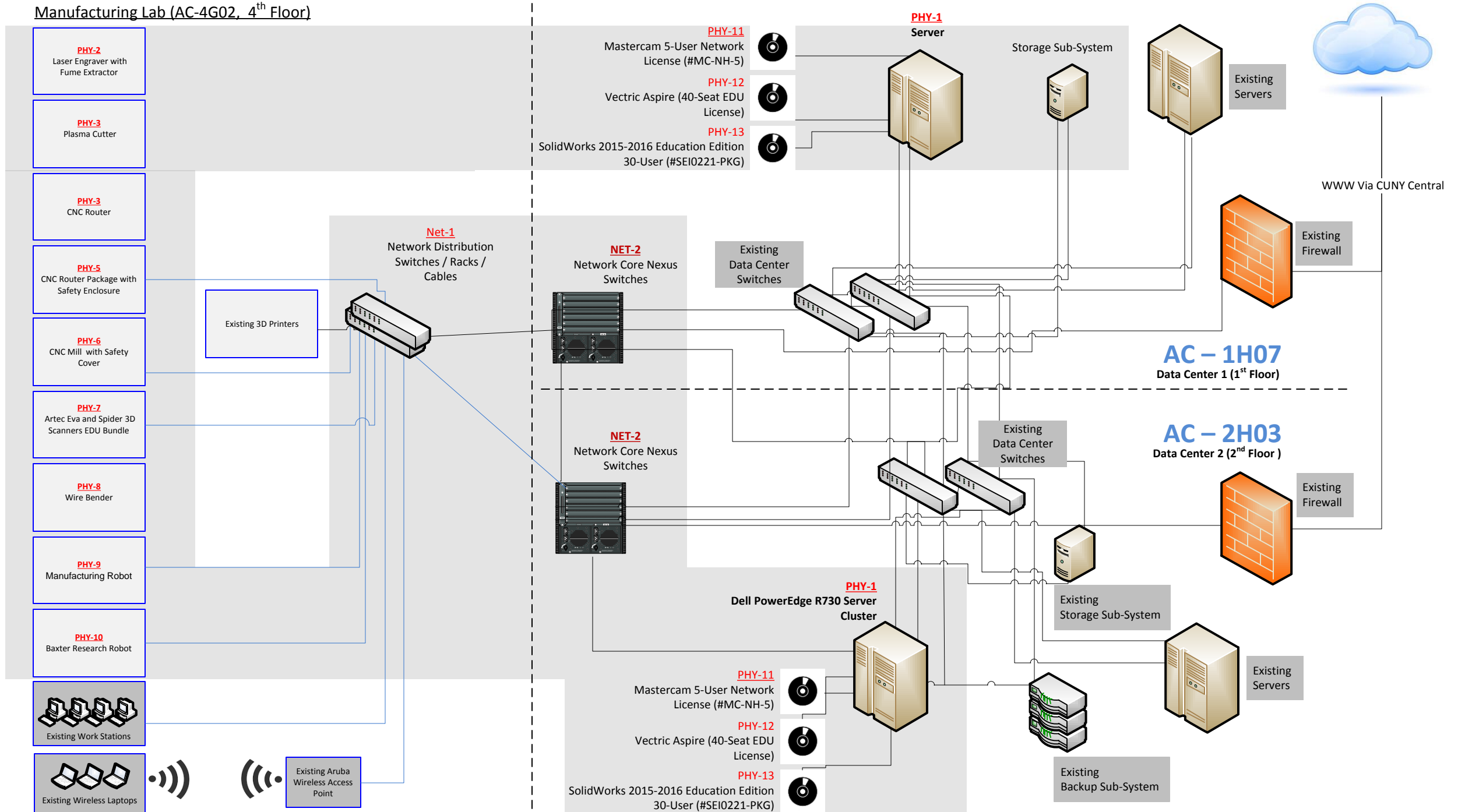
ALL ORDERS ARE SUBJECT TO APPROVAL AND ACCEPTANCE BY DELL. Pricing, availability and other terms of offer may be withdrawn or changed without notice. Dell cannot be held responsible for errors in typography or photography.

Digital Design and Production Manufacturing Lab

High Level Drawing and Quotes

Proposed Architecture

Digital Design and Production
 Manufacturing Lab (AC-4G02, 4th Floor)





A quote for your consideration!

Based on your business needs, we put the following quote together to help with your purchase decision. Please review your quote details below, then contact your sales rep when you're ready to place your order.

Total: \$50,593.76

Quote number: 3000017218496.1	Quote date: Sep. 7, 2017	Quote expiration: Oct. 7, 2017	Solution ID: 8570276
---	------------------------------------	--	--------------------------------

Company name: YORK COLLEGE-CUNY	Customer number: 140301929	Phone: (718) 262-2112
---	--------------------------------------	---------------------------------

Sales rep information: Terri Lehenbauer Terri_Lehenbauer@Dell.com (800) 456-3355 Ext: 5139266	Billing Information: YORK COLLEGE-CUNY RM - 1H12 94-20 GUY R BREWER BLVD JAMAICA NY 11433 US (718) 262-2112
--	--

Pricing Summary

Item	Qty	Unit Price	Subtotal
Dell Server Interface Module for Serial Interface with DMPU Console Servers and Power Edge KVMs - TAA Compliant	2	\$98.97	\$197.94
PowerEdge R740	2	\$25,197.91	\$50,395.82
		Subtotal:	\$50,593.76
		Shipping:	\$0.00
		Environmental Fees:	\$0.00
		Non-Taxable Amount:	\$50,593.76
		Taxable Amount:	\$0.00
		Estimated Tax:	\$0.00
		Total:	\$50,593.76

Special lease pricing may be available for qualified customers. Please contact your DFS Sales Representative for details.

Dear Customer,

Your Quote is detailed below; please review the quote for product and information accuracy. If you find errors or desire certain changes please contact me as soon as possible.

Regards,

Terri Lehenbauer

Order this quote easily online through your [Premier page](#), or if you do not have Premier, using [Quote to Order](#)

Shipping Group 1

Shipping Contact: ACCOUNTS PAYABLE	Shipping phone: (718) 262-2112	Shipping via: Standard Ground	Shipping Address: RM - 1H12 94-20 GUY R BREWER BLVD JAMAICA NY 11433 US
--	--	---	---

SKU	Description	Qty	Unit Price	Subtotal
	Dell Server Interface Module for Serial Interface with DMPU Console Servers and Power Edge KVMs - TAA Compliant	2	\$98.97	\$197.94

Estimated delivery date: Sep. 15, 2017

Contract No: 70137

Customer Agreement No: Dell Std Terms

A7547277	Dell Server Interface Module for Serial Interface with DMPU Console Servers and Power Edge KVMs - TAA Compliant	2	-	-
----------	---	---	---	---

SKU	Description	Qty	Unit Price	Subtotal
	PowerEdge R740	2	\$25,197.91	\$50,395.82

Estimated delivery date: Sep. 27 - Oct. 2, 2017

Contract No: 70137

Customer Agreement No: Dell Std Terms

210-AKXJ	PowerEdge R740 Server	2	-	-
329-BDKH	PowerEdge R740/R740XD Motherboard	2	-	-
461-AADZ	No Trusted Platform Module	2	-	-
321-BCSN	Chassis with up to 16 x 2.5" SAS/SATA Hard Drives for 2CPU Configuration	2	-	-
340-BLKS	PowerEdge R740 Shipping	2	-	-
343-BBFU	PowerEdge R740 Shipping Material	2	-	-

338-BLLY	Intel Xeon Gold 6126 2.6G, 12C/24T, 10.4GT/s 2UPI, 19.25M Cache, Turbo, HT (125W) DDR4-2666	2	-	-
374-BBNT	Intel Xeon Gold 6126 2.6G, 12C/24T, 10.4GT/s 2UPI, 19.25M Cache, Turbo, HT (125W) DDR4-2666	2	-	-
412-AAIQ	Standard 1U Heatsink	2	-	-
412-AAIQ	Standard 1U Heatsink	2	-	-
370-ADNU	2666MT/s RDIMMs	2	-	-
370-AAIP	Performance Optimized	2	-	-
780-BCDS	Unconfigured RAID	2	-	-
405-AAOE	PERC H730P+ RAID Controller, 2Gb NV Cache, Adapter, Low Profile	2	-	-
619-ABVR	No Operating System	2	-	-
421-5736	No Media Required	2	-	-
379-BCQV	iDRAC Group Manager, Enabled	2	-	-
379-BCSG	iDRAC, Legacy Password	2	-	-
330-BBHB	Riser Config 2, 3 x8, 1 x16 slots	2	-	-
540-BBUL	Broadcom 57412 2 Port 10Gb SFP+ + 5720 2 Port 1Gb Base-T, rNDC	2	-	-
385-BBLQ	IDSDM and Combo Card Reader with 16GB VFlash SD	2	-	-
385-BBCF	Redundant SD Cards Enabled	2	-	-
385-BBKH	32GB microSDHC/SDXC Card	2	-	-
385-BBKH	32GB microSDHC/SDXC Card	2	-	-
429-ABBT	DVD+/-RW,SATA,Int	2	-	-
384-BBPZ	6 Performance Fans forR740/740XD	2	-	-
450-ADWM	Dual, Hot-plug, Redundant Power Supply (1+1), 1100W	2	-	-
325-BCHU	PowerEdge 2U Standard Bezel	2	-	-
350-BBKG	Dell EMC Luggage Tag	2	-	-
350-BBJU	Quick Sync 2 (At-the-box mgmt)	2	-	-
384-BBBL	Performance BIOS Settings	2	-	-
770-BBBR	ReadyRails Sliding Rails With Cable Management Arm	2	-	-
631-AACK	No Systems Documentation, No OpenManage DVD Kit	2	-	-

332-1286	US Order	2	-	-
973-2426	Declined Remote Consulting Service	2	-	-
813-9118	Basic Hardware Services: Business Hours (5x10) Next Business Day On-Site Hardware Warranty Repair, 3 Years	2	-	-
813-9119	Dell Hardware Limited Warranty Plus On-Site Service	2	-	-
900-9997	On-Site Installation Declined	2	-	-
370-ADNF	32GB RDIMM, 2666MT/s, Dual Rank	48	-	-
400-ASHP	2TB 7.2K RPM NLSAS 12Gbps 512n 2.5in Hot-plug Hard Drive	2	-	-
385-BBKT	iDRAC9,Enterprise	2	-	-
528-BBSC	OpenManage Essentials, Server Configuration Management	2	-	-
540-BBUH	Broadcom 57412 Dual Port 10Gb, SFP+, PCIe Adapter, Full Height	4	-	-
450-AALV	NEMA 5-15P to C13 Wall Plug, 125 Volt, 15 AMP, 10 Feet (3m), Power Cord, North America	4	-	-
470-AAGP	Dell Networking, Cable, SFP+ to SFP+, 10GbE, Copper Twinax Direct Attach Cable, 3 Meter	12	-	-
			Subtotal:	\$50,593.76
			Shipping:	\$0.00
			Environmental Fees:	\$0.00
			Estimated Tax:	\$0.00
			Total:	\$50,593.76

Important Notes

Terms of Sale

Unless you have a separate written agreement that specifically applies to this order, your order will be subject to and governed by the following agreements, each of which are incorporated herein by reference and available in hardcopy from Dell at your request: Dell's Terms of Sale (www.dell.com/learn/us/en/uscorp1/terms-of-sale), which include a binding consumer arbitration provision and incorporate Dell's U.S. Return Policy (www.dell.com/returnpolicy) and Warranty (for [Consumer warranties](#) ; for [Commercial warranties](#)).

If this purchase includes services: in addition to the foregoing applicable terms, the terms of your service contract will apply ([Consumer](#); [Commercial](#)). If this purchase includes software: in addition to the foregoing applicable terms, your use of the software is subject to the license terms accompanying the software, and in the absence of such terms, then use of the Dell-branded application software is subject to the Dell End User License Agreement - Type A (www.dell.com/AEULA) and use of the Dell-branded system software is subject to the Dell End User License Agreement - Type S (www.dell.com/SEULA).

If your purchase is for Mozy, in addition to the foregoing applicable terms, your use of the Mozy service is subject to the terms and conditions located at <https://mozy.com/about/legal/terms>.

You acknowledge having read and agree to be bound by the foregoing applicable terms in their entirety. Any terms and conditions set forth in your purchase order or any other correspondence that are in addition to, inconsistent or in conflict with, the foregoing applicable online terms will be of no force or effect unless specifically agreed to in a writing signed by Dell that expressly references such terms.

Pricing, Taxes, and Additional Information

All product, pricing, and other information is valid for U.S. customers and U.S. addresses only, and is based on the latest information available and may be subject to change. Dell reserves the right to cancel quotes and orders arising from pricing or other errors. Please indicate any tax-exempt status on your PO, and fax your exemption certificate, including your Customer Number, to the Dell Tax Department at 800-433-9023. Please ensure that your tax-exemption certificate reflects the correct Dell entity name: **Dell Marketing L.P.**

Note: All tax quoted above is an estimate; final taxes will be listed on the invoice.

If you have any questions regarding tax please send an e-mail to Tax_Department@dell.com.

For certain products shipped to end-users in California, a State Environmental Fee will be applied to your invoice. Dell encourages customers to dispose of electronic equipment properly.



YORK COLLEGE CUNY
EPILOG FUSIONM2-40 75-WATT LASER ENGRAVER

320 East 3rd Avenue • Tarentum, PA 15084 • Phone (800) 232-7600 • Fax (724) 230-2406 • www.alleghenyedusys.com

Part No	Description	Qty	Unit	Total
---------	-------------	-----	------	-------

Epilog FusionM2-40 75-Watt Laser Engraver (NYS Contract #PC65608):

#FUSIONM2-40-75	Epilog FusionM2 40" x 28" 75-Watt Laser Engraver <i>Includes servo motors, auto focus, air assist, red dot pointer, lens, Radianc high definition optics, integrated floor stand, Ethernet and USB interface, 2-year onsite parts and labor warranty.</i>	2	\$36,666.00	\$73,332.00
	Fusion40 Vector Grid	2	759.51	1,519.02
	Air Assist Pump <i>Used in place of a compressed air source.</i>	2	342.41	684.82
	Fusion Rotary Attachment	2	1,677.13	3,354.26

Fume Extractor:

#L0862-0003	BOFA Advantage 1500 IQ Fume Extractor <i>Requires the hose connection kit. Includes one set of filters. This unit can be vented into the classroom when using approved materials.</i>	2	10,412.00	20,824.00
#DHK-AD1500IQ-4	Standard Double Hose Connection Kit to 4" Ports	2	252.00	504.00
	Freight for the BOFA	2	550.00	1,100.00

Totals:

Epilog FusionM2-40 75-Watt Laser Engraver (NYS Contract #PC65608).....	\$78,890.10
Fume Extractor	\$22,428.00
GRAND TOTAL.....	\$101,318.10

- * Proposal total is F.O.B. destination.
- ** Proposal is valid for 60 days.
- *** You must show NYS contract #PC65608 on your purchase order.
- **** Setup and training not included. See separate quote.

Ref. #C17-1146A2 - 06/29/2017

Customer to provide the following for each system:

1. An Ethernet network connection (with static IP address) or a Windows based PC with 4GB RAM, a free USB port and graphics software (i.e. CorelDraw, Adobe Illustrator, etc.). If the laser is networked then separate Windows based PC/s with 4GB RAM and graphics software are required. Note: to use the new ECC software you must have a PC connected to the system via USB.
2. The 75-Watt system requires 115vac 20amp power on a dedicated circuit. Epilog highly recommends 220-240vac single-phase 15amp power on a dedicated circuit for optimum performance. The air assist pump requires 115vac 5amp power. The BOFA unit requires 230vac single-phase 25amp power on a separate circuit.
3. **This is a large machine. Double-door building/room access required. Machine size = 60.5" w x 41.25" d x 42.25" h; Machine weight = 643 lbs.**



Allegheny
Educational Systems, Inc.

YORK COLLEGE CUNY
EPILOG FUSIONM2-40 75-WATT LASER ENGRAVER

320 East 3rd Avenue • Tarentum, PA 15084 • Phone (800) 232-7600 • Fax (724) 230-2406 • www.alleghenyedusys.com

Part No	Description	Qty	Unit	Total
---------	-------------	-----	------	-------

Consumable Items - BOFA Replacement Filters (less freight):

#A1030222	Replacement Deep Pleat Pre-Filter for L0862	1	\$455.00	\$ 455.00
#A1030297	Replacement Combined Filter for L0862	1	891.00	891.00



AllegHENY
Educational Systems, Inc.

YORK COLLEGE CUNY TECHNO HD-II 48" x 96" CNC PLASMA CUTTER

320 East 3rd Avenue • Tarentum, PA 15084 • Phone (800) 232-7600 • Fax (724) 230-2406 • www.allegHENYedusys.com

Part No	Description	Qty	Unit	Total
<u>Techno HD-II 48" x 96" CNC Plasma Cutter:</u>				
#HDII-48X96-PLASMA	<u>Techno HD-II 48" x 96" Stepper CNC Plasma Cutter (230v single-phase):</u> - Integrated stand - PC based WinCNC controller - Water table, steel v-grid and down draft - Electronic torch break-away - Automatic digital torch height control - 1-Year onsite parts and labor warranty	1	\$28,393.00	\$28,393.00
#H24H00-PM0085	<u>Hypertherm Powermax 85 Plasma Torch to include (230v 1PH/3PH):</u> - Techno's CNC Plasma real-time torch height control and torch mounting accessories - Cutting Specifications: Production Pierce = 5/8"	1	4,800.00	4,800.00
	<u>Freight</u>	1	2,000.00	2,000.00
<u>TOTAL</u>				<u>\$35,193.00</u>

- * Proposal total is F.O.B. destination.
- ** Proposal is valid for 60 days.
- *** Setup and training not included. See separate quote.

Ref. #C17-1147A2 - 06/29/2017

Customer to provide the following:

- 220vac single-phase 15amp dedicated circuit for the machine.
- #8 Ground wire to machine stand (**Required** for CNC plasma machines).
- **Dedicated power and a compressed air source (or Nitrogen) for the Powermax 85 torch, see info below:**
 Requirements: A clean dry non-fluctuating 90psi Compressed air or Nitrogen (required for Aluminum and Stainless steel cutting applications) source.

 Input Voltage:
 200-480V, 1-PH, 50/60Hz, CSA
 200-600V, 3-PH, 50/60Hz, CSA

 Input Current:
 @ 12.2kW Output
 200/208/240/480 V, 1-PH, 70/68/58/29 A
 200/208/240/480/600 V, 3-PH, 42/40/35/18/17 A

 Flow Rate and Pressure: 400scfh 6.7cfm @ 85psi
 Duty Cycle:
 60%, @ 85Amps, 230-600V, 3-PH
 60%, @ 85Amps, 480V, 1-PH
 50%, @ 85Amps, 240-600V, 1-PH
 50%, @ 85Amps, 200-208V, 3-PH
 40%, @ 85Amps, 200-208V, 1-PH
 100% @ 66Amps, 230-600V, 1/3-PH
 100% @ 46Amps, 230-600V, 1/3-PH
- A licensed electrician to perform/provide all electrical connections.
- 8" Dia metal duct and exhaust port to the outside. Machine stand has an 8" duct at the rear of the unit for the downdraft table.



Allegheny
Educational Systems, Inc.

320 East 3rd Avenue • Tarentum, PA 15084 • Phone (800) 232-7600 • Fax (724) 230-2406 • www.alleghenyedusys.com

YORK COLLEGE CUNY
TECHNO HD-II 48" x 96" CNC PLASMA CUTTER

Part No	Description	Qty	Unit	Total
---------	-------------	-----	------	-------

- **Supplemental fume extraction (if needed).**
- **Access to a water source and drain for use with the water table inserts.**
- **PCs with CAD/CAM software.**
- **Customer is responsible for unloading the machine and placing it into the desired classroom. A forklift and special door access are required.**

Consumable Items:

	<u>Powermax 85 Torch Consumables Kit</u>	1	\$450.00	\$450.00
--	--	---	----------	----------



Allegheny
Educational Systems, Inc.

YORK COLLEGE CUNY
TECHNO HD 48x96 CNC ROUTER

320 East 3rd Avenue • Tarentum, PA 15084 • Phone (800) 232-7600 • Fax (724) 230-2406 • www.alleghenyedusys.com

Part No	Description	Qty	Unit	Total
---------	-------------	-----	------	-------

Techno HD 48x96 CNC Router:

#HD-4896	Techno HD 48" x 96" Stepper CNC Router (230v 3phase) to include: - <i>Integrated stand</i> - <i>Standard 7.5" gantry height</i> - <i>Hand-held controller</i> - <i>Vacuum t-slot table (requires vacuum pump if vac-table is to be used)</i> - <i>4HP HSD Spindle</i> - <i>1-Year onsite parts and labor warranty</i>	1	\$27,322.00	\$27,322.00
	8HP Rotary Vane Vacuum Pump (230v 3-Phase)	1	8,358.00	8,358.00
	Cam Clamp, HD	2	81.00	162.00
	Clamp Bar, HD	4	81.00	324.00
	4-Pc Toggle Clamp Set	1	70.00	70.00
	Educational Tooling Kit	1	509.00	509.00
	Freight	1	2,000.00	2,000.00

GRAND TOTAL.....				\$38,745.00
-------------------------	--	--	--	--------------------

- * Proposal total is F.O.B. destination.*
- ** Proposal is valid for 60 days.*
- *** Setup and training not included. See separate quote.*

Ref. #C16-1148A2 - 06/29/2017

Customer to provide the following:

- **230vac 3-phase 20amp dedicated circuit with disconnect and machine ground for the CNC Router/Spindle. A separate 230vac 3-phase 40amp dedicated circuit with disconnect is required for the vacuum pump.**
- **#8 Ground wire to the machine stand (Highly recommended for CNC routers).**
- **A licensed electrician to perform/provide all electrical connections.**
- **PC/s with CAD/CAM software.**
- **A USB flash drive to transfer the NC files from the PCs to the CNC Router controller.**
- **A dust collection system (if desired).**
- **Customer is responsible for unloading the machine and placing it into the desired room. A forklift and special door access are required. Overall dimensions for the CNC Router are 119"L x 78"W x 60"H (not including the control cabinet). The vacuum pump is approximately 43"L x 30"W x 22"H.**



Allegheny
Educational Systems, Inc.

YORK COLLEGE CUNY TECHNO HD-II MINI CNC ROUTER

320 East 3rd Avenue • Tarentum, PA 15084 • Phone (800) 232-7600 • Fax (724) 230-2406 • www.alleghenyedusys.com

Part No	Description	Qty	Unit	Total
---------	-------------	-----	------	-------

Techno HD-II Mini CNC Router:

#HD-II-MINI	Techno HD-II Mini 21x36 Table Top CNC Router System to include: - X-Axis Travel = 21" - Y-Axis Travel = 36" - Gantry Clearance = 7.5" - Micro Stepper Controller with Brushless Motors - Hand Held Control Pendant - Vacuum T-Slot Table (Includes Venturi Vacuum Generator for Vacuum Source) - Spindle = 2HP High Frequency Spindle, 6000-18000 RPM, with vac-hood, collect wrenches, ER16 collets (1/8", 1/4" x 3/8") and cover nut - 1-Year Onsite Parts and Labor Warranty	1	\$10,661.00	\$10,661.00
	Steel Base with Casters for HD-II Mini	1	1,340.00	1,340.00
	Top Safety Enclosure for HD-II Mini	1	1,554.00	1,554.00
	Toggle Clamp Set	1	70.00	70.00
	Cam Clamp	1	81.00	81.00
	Clamp Bar	2	81.00	162.00
	Starter Educational Tooling Kit	1	509.00	509.00
	Freight	1	1,500.00	1,500.00

TOTAL		\$15,877.00
--------------------	--	--------------------

- * Proposal total is F.O.B. destination.
- ** Proposal is valid for 60 days.
- *** Setup and training not included. See separate quote.

Ref. #C17-1149A2 - 06/21/2017

Customer to provide the following:

- The CNC Router/Spindle requires a 220vac single-phase 15amp dedicated circuit with disconnect.
- #8 Ground wire to the machine stand (Highly recommend for CNC routers).
- A licensed electrician to perform/provide all electrical connections.
- A compressed air source for the Venturi vacuum pump.
- PCs with CAD/CAM software.
- A USB drive to transfer files from the CAD/CAM PCs to the hand-held controller.
- A dust collection system (if desired).
- Customer is responsible for unloading the machine and placing it into the desired room. A forklift and special door access may be required. Overall dimensions with stand and enclosure = 37.5"W x 65"L x 66"H (approx.)



Allegheny
Educational Systems, Inc.

320 East 3rd Avenue • Tarentum, PA 15084 • Phone (800) 232-7600 • Fax (724) 230-2406 • www.alleghenyedusys.com

YORK COLLEGE CUNY ROLAND MDX-540A CNC MILL

Part No	Description	Qty	Unit	Total
---------	-------------	-----	------	-------

Roland MDX-540A CNC Mill:

#MDX-540A	Roland MDX-540 CNC Milling Machine with 4-Tool ATC <i>19.6”(x), 15.7”(y), 6.1”(z). Includes spindle, SRP Player CAM software and 1-year onsite parts and labor warranty. Requires collets and tooling.</i>	1	\$30,995.00	\$30,995.00
#ZBX-540E	Safety Cover for MDX-540	1	1,539.00	1,539.00
#US-COL7-1/8	1/8” Collet for ATC	2	59.99	119.98
#US-COL7-5	3/16” Collet for ATC	2	59.99	119.98
#US-COL-1/4	1/4" Collet for ATC	2	59.99	119.98
#EM-KIT-LR	Long Reach Tooling Kit	1	379.99	379.99
#EM-KIT-SR	Short Reach Tool Kit	1	143.99	143.99
#TAPE-MILLING	Double-Sided Tape for Milling	2	10.49	20.98
	Freight	1	1,000.00	1,000.00

TOTAL	\$34,438.90
--------------------	--------------------

** Proposal total is F.O.B. destination.*

*** Proposal is valid for 60 days.*

**** Setup and training not included. See separate quote.*

Ref. #C17-1150A - 06/21/2017

Please visit www.rolanddga.com to view the latest computer and utility requirements (power, air, etc.). Customer is responsible for unloading the machine and placing it into the desired classroom.

Options:

#ZTT-540	T-Slot Table for MDX-540	1	\$1,399.00	\$1,399.00
#ZCL-540	Rotary 4th Axis Unit	1	5,099.00	5,099.00
	Roland Project Based Learning Kit for MDX-540 Series	1	1,195.00	1,195.00



AllegHENY
Educational Systems, Inc.

320 East 3rd Avenue • Tarentum, PA 15084 • Phone (800) 232-7600 • Fax (724) 230-2406 • www.allegHENYedusys.com

YORK COLLEGE CUNY ARTEC EVA & SPACE SPIDER 3D SCANNERS

Part No	Description	Qty	Unit	Total
---------	-------------	-----	------	-------

Artec Eva & Space Spider 3D Scanner:

#EDU EVA SPACE BUND	Artec Eva & Space Spider 3D Scanners EDU Bundle <i>Includes both scanners, 20-free Artec Studio licenses, 2-year warranty and 2-years of updates.</i>	1	\$28,193.00	\$28,193.00
	Shipping	1	100.00	100.00

GRAND TOTAL.....				\$28,293.00
-------------------------	--	--	--	--------------------

- * Proposal total is F.O.B. destination.*
- ** Proposal is valid for 60 days.*
- *** Setup and training not included. See separate quote.*

Ref. #C17-1151A - 06/21/2017

Please visit www.artec3d.com for the latest system requirements. Additional PC RAM is recommended over the minimum specs for optimal performance (16GB – 32GB total).



AllegHENY
Educational Systems, Inc.

320 East 3rd Avenue • Tarentum, PA 15084 • Phone (800) 232-7600 • Fax (724) 230-2406 • www.allegHENYedusys.com

YORK COLLEGE CUNY
DIWIRE+ DESKTOP WIRE BENDER

Part No	Description	Qty	Unit	Total
---------	-------------	-----	------	-------

DIWire+ Desktop Wire Bender:

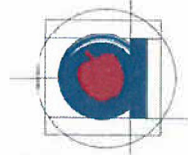
#4D1132	DIWire+ Desktop Wire Bender EDU Bundle <i>Includes machine with Wireware software, 1/8" and 1/16" bend heads and feed wheels and 2-year warranty.</i>	1	\$5,355.00	\$5,355.00
	Shipping	1	100.00	100.00

GRAND TOTAL.....				\$5,455.00
-------------------------	--	--	--	-------------------

- * Proposal is F.O.B. destination.*
- ** Proposal is valid for 60 days.*
- *** Setup and training not included. See separate quote.*

Ref. #C17-1152A2 - 06/29/2017

Please visit www.pensalabs.com to view the latest system requirements.



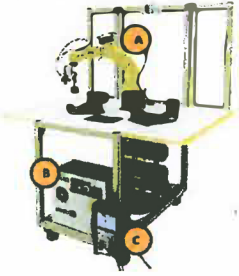
Allegheny
Educational Systems, Inc.

YORK COLLEGE CUNY
FANUC 200iD/4S R-30iB TRAINING CERT PACKAGE
(FENCELESS)

320 East 3rd Avenue • Tarentum, PA 15084 • Phone (800) 232-7600 • Fax (724) 230-2406 • www.alleghenyedusys.com

Part No	Description	Qty	Unit	Total
---------	-------------	-----	------	-------

200iD/4S R-30iB Education Training CERT Package (Fenceless):

	<p>LR Mate 200iD/4S Robot with R-30iB Mate Controller and MH3 Fenceless Education Training Cart to include:</p> <p><i>(1) LR Mate 200iD/4S Robot with R-30iB Mate Controller to include:</i></p> <ul style="list-style-type: none"> - 6 Axis Mechanical Robot - R-30iB Mate Controller - LR Handling Tool Software – CERT Configuration with DCS, Collision Guard and 4D Graphics - MH iPendant with Touch Screen – R-30iB Mate <p><i>(1) MH3 Fenceless Education Training Cart to include:</i></p> <ul style="list-style-type: none"> - DCS/AB SafeZone Scanner – Collaborative Open CERT Cart - 180+ Degree Work Envelope - Enhanced Gripper with Embedded Laser Pointer - Allen Bradley – SafeZone Safety Laser Scanner - Allen Bradley – Auditable Safety Stack Light - 4.6 Gal. Ultra Quiet Air Compressor 	1	\$39,900.00	\$39,900.00
#LRMATE-C	<p>iRVision 2D Guidance Hardware (Carried) and Software</p> <p><i>Requires iRVision Instructor CERT Program and EOAT Adaptor.</i></p>	1	4,000.00	4,000.00
	<p>Fenceless Multi-EOAT Adaptor Kit</p> <ul style="list-style-type: none"> - Allows mounting of pneumatic gripper, vacuum gripper, 2D iRVision camera and ring light. - Includes EOAT extension, mounting brackets, mounting hardware, cables and tubing. 	1	800.00	800.00
	<p>Vision Light Kit – LR Mate Robot (Carried for Fenceless Cart)</p> <p><i>Requires EOAT adaptor.</i></p>	1	680.00	680.00
	<p>Project Based Learning – Battery Package with Basic iRVision 2D and Error Proofing to include:</p> <ul style="list-style-type: none"> - Gripper Fingers for LR Mate (standard M1 gripper will work) - Machined “AA” Battery Magazine - (8) AA Batteries - Machined Loading Trays with iRVision target for teaching vertical, horizontal, and diagonal load / unload programming - (1) FANUC iRVision 2D Manual - Includes a demo program when purchased with a CERT cart 	1	\$4,100.00	\$4,100.00

GRAND TOTAL.....	\$49,480.00
-------------------------	--------------------

* Proposal total is F.O.B. destination.

** Proposal is valid for 60 days.

Ref. #C17-1153A2 - 06/29/2017

Customer is to provide a 120vac 20amp grounded outlet for the robot cart and computers.



27-43 Wormwood Street, Suite 300
Boston, Massachusetts 02210
United States

York College

94-20 Guy R. Brewer Blvd
Jamaica, New York 11451
United States

FEIN: 26-2940435
Duns # 023644066

Date 6/22/2017
Quote # 201706220058900
Quote Valid Until 7/22/2017

Sales Contact Tony Bailey
Phone 617-600-6803
Email tbailey@rethinkrobotics.com

Name Daniel Phelps
Phone 7182622917
Email dphelps@york.cuny.edu

Part #	Product	Description	Quantity	Price	Total Price
59768	Sawyer Robot System	Sawyer Robot including one year hardware warranty and software updates for the life of the robot	1.00	\$34,900.00	\$34,900.00
59769	Sawyer Pedestal	Pedestal designed for standing workplace heights, on casters for movement with leveling feet for stability and controller mounting features	1.00	\$3,500.00	\$3,500.00
31556	Electric Parallel Gripper (EPG) Kit	Electric Parallel Gripper (EPG) Kit. Includes: Parallel Gripper, Fingers- 4 Types, Fingertips, Hex Key for installation, Custom Hard Plastic Carry Case, and a User Guide	1.00	\$1,750.00	\$1,750.00
70024	North America AC Cord	North America AC Cord with IEC Connector C13, V-Lock, 2m	1.00	\$35.00	\$0.00
59770	Adapter Tool Plate	End of Arm Tool (EOAT) mounting plate for attaching Rethink Robotics' grippers (electric or vacuum) to the Sawyer robot. (1 per Sawyer)	1.00	\$0.00	\$0.00
	S&H (est)	Estimated shipping and handling charges	1.00	\$600.00	\$600.00

Total Price \$40,750.00

Notes:

Comments Payment Terms: Net 30 (pending credit approval)
Shipping Terms: FOB Shipping Point
Confidentiality: The information in this quote is confidential

- Please Include the quote number on your purchase order.
- If you are sales tax exempt, please provide a valid exemption certificate or else sales tax will be included on your invoice.

RETHINK ROBOTICS, INC. STANDARD TERMS AND CONDITIONS OF SALE

1. **Scope of Agreement; Acceptance.** Notwithstanding any terms set forth in a purchase order, these Terms and Conditions and the terms of the License Agreement accompanying the software ("Software") provided with the Rethink Robotics, Inc. ("Rethink Robotics") robots (the "Robots") and grippers, end effectors, pedestals and other Robot hardware, excluding consumables, (the "Accessories") (collectively referred to as "Products"), are the terms under which Rethink Robotics accepts the purchase order ("Order") from purchaser for the Products listed in the Purchase Order ("Purchaser"). Acceptance of said Order is expressly made conditional on Purchaser's assent, express or implied, to the terms set forth herein, unless otherwise agreed to in a separate written agreement executed by an officer of Rethink Robotics. Prices are exclusive of, and Purchaser agrees to pay, all federal, state, municipal and other governmental excise, sales, use, and similar taxes, duties or tariffs. Any existing nondisclosure agreements between Rethink Robotics and Purchaser shall remain in effect.
2. **Prices and Payment Terms.** All prices and payments shall be in U. S. dollars. Prices are Ex-Works Shipping Point and Purchaser is responsible for all shipping, handling and insurance costs and any fees, taxes, or duties related to the delivery or use of the Products. Subject to Purchaser meeting Rethink Robotics' open account credit criteria, the balance of the purchase price of each shipment of Products is due and payable net 30 days from the date of invoice. Overdue payments will be charged interest at the rate of one percent (1%) per month (12% per annum) or the maximum amount legally chargeable by Rethink Robotics, whichever is less, compounded monthly. If any action or proceeding is brought for collection, Rethink Robotics shall be entitled to reasonable attorneys' fees and other costs incurred.
3. **Title and Security Interest.** Title and risk of loss for the Products (excluding Software which is licensed) shall pass to Purchaser on delivery Ex-Works to a common carrier. Until Purchaser performs all of its obligations under these Terms and Conditions, Rethink Robotics will retain a purchase money security interest in the purchased Product and the proceeds thereof to secure performance of all of such obligations of Purchaser.
4. **Limited Warranty and Exclusive Remedy.** The Rethink Robotics Robots and Accessories, as supplied and distributed by Rethink Robotics and/or its authorized reseller, and delivered new, in the original carton to the original end user customer, are warranted by Rethink Robotics against manufacturing defects in materials and workmanship for one year from the date of delivery to end user customer. Rethink Robotics will repair or replace the defective product, at its option and at no charge with new or reconditioned parts, if found to be defective during the limited warranty period specified above. Rethink Robotics does not warrant uninterrupted or error-free operation of the product. Replacement parts and products assume the remaining original warranty. Rethink Robotics may require the end user customer to upgrade to its latest version of software before providing any warranty service.

This limited warranty covers manufacturing defects in materials and workmanship encountered in normal use of the Robots and Accessories and shall not apply to any failure or improper operation of the Robots and Accessories not caused by Rethink Robotics, including, but not limited to: damage which occurs in shipment; applications and uses for which the applicable Robot or Accessory was not intended (harsh use, crushing, submersion or high-pressure water, and so forth); failures or problems that are caused by products or equipment not supplied by Rethink Robotics; accidents, misuse, abuse, neglect, misapplication, fire, lightning or other acts of nature; incorrect electrical line voltage, fluctuations or surges; damage caused by improper installation; product alteration or modification; improper or unauthorized repair; exterior finish or cosmetic damage; product with altered serial numbers; failure to follow operating instructions, end user customer adjustments, and/or maintenance and environmental instructions that are covered and prescribed in the documentation; use of non-Rethink Robotics or unauthorized parts, supplies, accessories or equipment which damage the Robot or Accessory or result in service problems; failures or problems due to incompatibility with other equipment. With the exception of using the torso access panel for air system installation, opening the body of a Robot or Accessory casing voids all warranties unless performed by a certified field service technician or an end user customer technician trained and certified by Rethink Robotics or its authorized reseller. With the exception of the air system in the torso access panel, there are no user-serviceable parts inside the body of any Robot or Accessory.

Items such as the Rethink Robotics filters, vacuum cups, vacuum extenders, fingers, finger tips, and air hoses are considered consumables. The limited warranty for consumables begins on the date of delivery to the end user customer and extends for ninety (90) days. Rethink Robotics will repair or replace these items, at its option and at no charge with new or reconditioned consumables, if the consumables are found to be defective during the limited warranty period specified above. Replacement consumable items assume the remaining original warranty, or ninety (90) days, whichever is shorter.

THERE ARE NO EXPRESS WARRANTIES OTHER THAN THOSE SET FORTH ABOVE. RETHINK ROBOTICS AND ITS RESELLERS HEREBY DISCLAIM ALL OTHER WARRANTIES, WHETHER EXPRESS OR IMPLIED, INCLUDING, BUT NOT LIMITED TO, ANY IMPLIED WARRANTIES OF MERCHANTABILITY, FITNESS FOR A PARTICULAR PURPOSE AND NONINFRINGEMENT, OR ANY WARRANTIES WITH RESPECT TO COMPLIANCE OF ANY ROBOT, ACCESSORY OR CONSUMABLE WITH ANSI, ISO OR OTHER INDUSTRIAL ROBOT SAFETY STANDARDS. NO OTHER WARRANTY OR GUARANTEE GIVEN BY ANY OTHER PERSON, FIRM OR CORPORATION WITH RESPECT TO THIS PRODUCT SHALL BE BINDING ON RETHINK ROBOTICS OR ITS RESLLERS.

RETHINK ROBOTICS' ROBOTS HAVE BEEN DEVELOPED AND TESTED FOR RESEARCH AND MANUFACTURING USES AND SHOULD BE OPERATED IN STATIONARY, LEVEL ENVIRONMENTS (AS DESCRIBED IN THE SPECIFICATIONS AND USER GUIDE). THE END USER CUSTOMER SHOULD PERFORM A RISK ASSESSMENT BEFORE OPERATING THE ROBOT. USE OUTSIDE OF THE ROBOT'S SPECIFICATIONS, INTENDED USE, OR WITH UNMITIGATED HAZARDS MAY INCREASE THE RISK OF INJURY TO THE END USER, DAMAGE TO THE ROBOT, VOID THE WARRANTY, AND LIMIT RETHINK ROBOTICS' ABILITY TO PROVIDE SUPPORT FOR THE PRODUCTS.

RETHINK ROBOTICS, INC. MAKES NO, AND HEREBY DISCLAIMS ANY, REPRESENTATION OR WARRANTY, RELATING TO COMPLIANCE WITH REGULATIONS AND/OR STANDARDS OUTSIDE OF THE UNITED STATES AND PURCHASER AGREES TO COMPLY, AND BEAR ANY COSTS OF COMPLIANCE, WITH ANY LOCAL FOREIGN ENTRY, DOMESTIC USE, AND (RE)EXPORT REGULATIONS.

RETHINK ROBOTICS OR ITS RESELLERS SHALL NOT BE LIABLE FOR LOSS OF REVENUE OR PROFITS, FAILURE TO REALIZE SAVINGS OR OTHER BENEFITS, OR ANY OTHER SPECIAL, INCIDENTAL, CONSEQUENTIAL OR OTHER INDIRECT DAMAGES CAUSED BY THE USE, MISUSE OR INABILITY TO USE THIS PRODUCT, REGARDLESS OF THE LEGAL THEORY ON WHICH THE CLAIM IS BASED, AND EVEN IF RETHINK ROBOTICS OR ITS RESELLERS HAVE BEEN ADVISED OF THE POSSIBILITY OF SUCH DAMAGES. NO RECOVERY OF ANY KIND AGAINST RETHINK ROBOTICS OR ITS RESELLERS FOR BREACH OF ANY WARRANTY SHALL BE GREATER IN AMOUNT THAN THE PURCHASE PRICE OF THE PRODUCT SOLD BY RETHINK ROBOTICS AND/OR ITS RESELLERS AND CAUSING THE ALLEGED DAMAGE. WITHOUT LIMITING THE FOREGOING, THE END USER CUSTOMER ASSUMES ALL RISK AND LIABILITY FOR LOSS, DAMAGE OR INJURY TO THE END USER CUSTOMER, ITS EMPLOYEES AND THE END USER CUSTOMER'S PROPERTY AND TO OTHERS AND THEIR PROPERTY ARISING OUT OF THE USE, MISUSE OR INABILITY TO USE A PRODUCT SOLD BY RETHINK ROBOTICS AND/OR ITS RESELLERS AND NOT CAUSED DIRECTLY BY THE GROSS NEGLIGENCE OF RETHINK ROBOTICS OR ITS RESELLERS. THIS LIMITED WARRANTY SHALL NOT EXTEND TO ANYONE OTHER THAN THE ORIGINAL END USER CUSTOMER PURCHASING THIS PRODUCT, IS NONTRANSFERABLE AND STATES PURCHASER'S EXCLUSIVE REMEDY. SOME STATES DO NOT ALLOW LIMITATIONS ON HOW LONG AN IMPLIED WARRANTY LASTS, OR THE EXCLUSION OR LIMITATION OF INCIDENTAL OR CONSEQUENTIAL DAMAGES, SO THE ABOVE LIMITATIONS OR EXCLUSIONS MAY NOT APPLY TO THE END USER CUSTOMER. THIS WARRANTY GIVES THE END USER CUSTOMER SPECIFIC LEGAL RIGHTS AND THE END USER CUSTOMER MAY ALSO HAVE OTHER RIGHTS, WHICH VARY FROM STATE TO STATE.

5. Limitation of Liability. (a) RETHINK ROBOTICS' CUMULATIVE LIABILITY TO PURCHASER OR ANY OTHER PARTY FOR ANY LOSS OR DAMAGES RESULTING FROM ANY CLAIMS, DEMANDS, OR ACTIONS ARISING OUT OF OR RELATING TO THE PRODUCT SHALL NOT EXCEED THE PRICE PAID TO RETHINK ROBOTICS FOR THE PURCHASE OF THE PRODUCT(S) CAUSING DAMAGE.

(b) IN NO EVENT SHALL RETHINK ROBOTICS BE LIABLE FOR LOST PROFITS, OR ANY SPECIAL, INCIDENTAL, CONSEQUENTIAL, EXEMPLARY OR OTHER INDIRECT DAMAGES, OR FOR THE LOSS OF DATA OR LOSS OF USE, EVEN IF RETHINK ROBOTICS HAS BEEN ADVISED OF THE POSSIBILITY OF SUCH DAMAGES.

6. Governing Law. This sale of Products shall be construed and governed in accordance with the laws of the Commonwealth of Massachusetts, excluding: (i) its conflicts of laws principles; and (ii) the United Nations Convention on the International Sale of Goods. Any dispute, controversy or claim arising out of this Agreement shall be referred to an arbitration proceeding in Boston, Massachusetts, USA conducted in English under the commercial arbitration rules of the American Arbitration Association ("AAA"), and shall be the exclusive forum for resolving such dispute, controversy or claim. The arbitration shall be conducted in accordance with the provisions set forth in the License Agreement. The prevailing party shall be entitled to recover, in addition to any other relief granted, reasonable attorneys' fees.

Rethink Robotics, Inc. – Standard Terms and Conditions of Sale Rev. 3/18/15



YORK COLLEGE CUNY MASTERCAM SOFTWARE

320 East 3rd Avenue • Tarentum, PA 15084 • Phone (800) 232-7600 • Fax (724) 230-2406 • www.allegHENYedusys.com

Part No	Description	Qty	Unit	Total
---------	-------------	-----	------	-------

Mastercam Software:

#MC-NH-5-MA	Mastercam 2018 Software NetHASP with 5-User Licenses <i>Includes a 5-license network-based USB NetHASP with Mastercam 2018 Mill Level 3, RouterPro, Lathe, Wire, Solids, Multi-Axis, Mastercam for SolidWorks Plug-In and 1-Year of Mastercam Software Maintenance.</i>	1	\$5,780.00	\$5,780.00
#MC-IGC	Mastercam 2018 Instructor Grant Copy	1	250.00	250.00
	Shipping	1	15.00	15.00

GRAND TOTAL.....	\$6,045.00
-------------------------	-------------------

- * Proposal total is F.O.B. destination.*
- ** Proposal is valid for 60 days.*
- *** Installation and training not included.*

Ref. #C17-1155A - 06/21/2017

Please visit <http://www.mastercam.com/en-us/Support/System-Requirements> to view the latest system requirements.



**YORK COLLEGE CUNY
VECTRIC ASPIRE SOFTWARE**

320 East 3rd Avenue • Tarentum, PA 15084 • Phone (800) 232-7600 • Fax (724) 230-2406 • www.allegHENYedusys.com

Part No	Description	Qty	Unit	Total
---------	-------------	-----	------	-------

Vectric Aspire Software:

	Aspire Software License (Up to a 40-Seat EDU Lab License if software is registered to a specific school)	1	\$1,995.00	\$1,995.00
	Shipping	1	15.00	15.00

GRAND TOTAL				\$2,010.00
--------------------------	--	--	--	-------------------

- * Proposal total is F.O.B. destination.*
- ** Proposal is valid for 60 days.*
- *** Installation and training not included.*

Ref. #C17-1156A - 06/21/2017

Please visit <http://support.vectric.com/aspire-questions/item/minimum-computer-requirements-to-run-software> to view the latest system requirements.

Educational Classroom License Terms:

Educational classroom licenses purchased after May 1st 2012 can be installed on up to 40 computers in one single classroom. The software can also be installed on one teacher's laptop, which may be used outside of the classroom.

The software must not be installed on student's individual or personal laptops.

The license must be registered to an individual school rather than a school district. If you wish an educational classroom license, please let Vectric know the name of the school where the router is installed. An educational classroom license is non-transferable. The software must be registered using an email address belonging to the school or university.



AllegHENY
Educational Systems, Inc.

320 East 3rd Avenue • Tarentum, PA 15084 • Phone (800) 232-7600 • Fax (724) 230-2406 • www.allegHENYedusys.com

YORK COLLEGE CUNY SOLIDWORKS SOFTWARE

Part No	Description	Qty	Unit	Total
---------	-------------	-----	------	-------

SolidWorks Software:

#SMN1124	SolidWorks 2017-2018 Education Edition, 60-User Network License <i>Includes a 1-year SolidWorks Subscription Service. Subscription service includes access to the customer portal and 60-Student Engineering Kit licenses.</i>	1	\$3,600.00	\$3,600.00
----------	---	---	------------	------------

TOTAL	\$3,600.00
--------------------	-------------------

- * Proposal total is F.O.B. destination.*
- ** Proposal is valid for 60 days.*
- *** Installation and training not included.*

Ref. #C17-1154A - 06/21/2017

Please visit <http://www.solidworks.com/sw/support/SystemRequirements.html> to view the latest system requirements.



Allegheny
Educational Systems, Inc.

320 East 3rd Avenue • Tarentum, PA 15084 • Phone (800) 232-7600 • Fax (724) 230-2406 • www.alleghenyedusys.com

YORK COLLEGE CUNY IMPLEMENTATION SERVICES

Part No	Description	Qty	Unit	Total
---------	-------------	-----	------	-------

Implementation Services:

	Implementation Services for the following items <ul style="list-style-type: none"> - Epilog FusionM2-32 50-Watt Laser Engraver - Roland GS-24 Vinyl Cutter - (2) Epilog FusionM2-40 Laser Engravers - Techno HD-II 48x96 CNC Plasma Cutter - Techno HD 48x96 CNC Router - Techno HD-II Mini CNC Router - Roland MDX-540A CNC Mill - Artec EVA & Space Spider Scanners - DIWire+ Wire Bender - Fanuc LR Mate 200iD/4S CERT Cart - SolidWorks Software - Mastercam Software - Vectric Aspire Software <p><i>See each individual quote for customer requirements/responsibilities.</i></p>	1	\$4,000.00	\$4,000.00
--	---	---	------------	------------

TOTAL	\$4,000.00
--------------------	-------------------

** Proposal is valid for 60 days.*

Ref. #C17-1157A2 - 06/29/2017

[Back to Table of Contents](#)

NOTES: Equipment Listing

Note #

- 1 AC - XXXX in the Location column stands for Academic Core Building (AC-) followed by the room number.
- 2 Installation cost of \$192,000 for 118 Network Distribution Switches based on York estimate of 80 days work for a 2 person crew @ \$1,200 a day per Network Engineer (\$1,200 X 160). See NYS OGS Award 21350, Cisco Systems, Inc. Price List extract below. Actual costs will be determined through Competitive Bid at the time of purchase. For installation cost see Item NET-1 in document YC052-016_Attachment_2.
- 3 Installation cost of \$60,000 for 2 Campus Network Core Switches based on York estimate of 50 workdays for 1 Network Engineer @ \$1,200 per day (\$1,200 X 50). See NYS OGS Award 22802 Contract PM20800 extract below. Actual costs will be determined through Competitive Bid at the time of purchase. For installation cost see Item NET-2 in document YC052-016_Attachment_2.

Item Number	Product Name	Product Description	Product Category	Manufacturer Part Number (SKU)	Bundled Part Number?	Unit of Measure	Units Per Unit of Measure	List Price	Minimum NYS Discount	Optional Actual NYS Discount	Net NYS Contract Price	Optional Percent Educational Discount	Optional Net NYS Educational Price
22	Installation and Implementation Services		Advanced Daily Install	Basic Install and Configuration	PS-SNY-ADV	No	Each	1	\$1,200.00	0.00%	\$1,200.00	0.00%	\$1,200.00

- 4 Installation amount of \$12,240 for Riverbed products based on vendor estimate of days required using NYS OGS Award 21350 Contract PT65085, (Reseller: Immix Technology) rates for Planning, Technical Design, and Implementation, and Project Management Services. See Riverbed Quote in attachment 2. Installation Cost Breakdown:
For installation cost see Item NET-3 in document YC052-016_Attachment_2.

Installation and Services	Description	Unit of Measure	Standard Rate	Quantity	Ext. Cost	Discount	Discounted Cost
SVC-PSD-00215	Planning, Technical Design, and Implementation	Day	\$ 2,400.00	5	\$ 12,000.00	15%	\$ 10,200.00
SVC-PJM-00002	Project Management	Hour	\$ 300.00	8	\$ 2,400.00	15%	\$ 2,040.00
Total					\$ 14,400.00		\$ 12,240.00

- 5 Installation amount of \$1,500 for Gigamon products is based on Product Vendor's standard installation per GSA Contract GS-35-F-0119Y, SKU GPS*. See G-Net Solutions, Inc. Quote in Attachment 2. For installation cost see Item NET-4 in document YC052-016_Attachment_2.
- 6 Installation cost of \$180,964 for Intra-Building fiber cabling from 25 Network IDF Closet fiber cables and 1 data center to data center fiber cable based on vendor estimate of 40 days work by 2 crews of 2 installers utilizing NYC Prevailing Wage Rate and Markup (\$127.26 Hrly Rate X 1,422 Hrs) referencing NYS OGS Award 21350 Contract PT64257, Creative Cabling Solutions Inc. See Creative Cabling, Inc. Quote in Attachment2. Extract from vendor website below. Actual cost will be determined by Competitive Bid at the time of purchase.
For installation cost see Item NET-6 in document YC052-016_Attachment_2.

New York State Office of General Services
 Group 77018 RFP 21350 - Comprehensive Telecommunications Equipment & Solutions
 Attachment C - Bronx, Kings, New York, Queens & Richmond Counties
 Cost Tables
 Lot 3
 Network Cable & Fiber Optics
 Manufacturer: LABOR

Part/Model Number (if applicable)	Description	Unit of Measure	Category /Group (identifier if applicable)	MSRP	Percentage Discount	NYS Net Price	NYS One-Time Installation per U/M (Hr,Unit,etc)	NYS Maintenance Cost per Month U/M (Hr, Unit, etc)	Comperable Contract / Sale Price	Comperable Contract / Sale One-Time Installation per U/M (Hr, Unit, etc)	Comperable Contract / Sale Maintenance Cost per Month per U/M (Hr,Unit,etc.)
Labor ST2	Prevailing Wage Electrician \$47.00 Supplemental Benefits + \$37.84 Subtotal \$84.84 Percentage Markup 50% + \$42.42 Contractor's Total Hourly Charge = \$127.26 to NYS for Electrician in Bronx, Kings, New York, Queens & Richmond Counties	HR	Labor			\$127.26	N/A	N/A	N/A	N/A	N/A

7 Installation cost of for Inter-Building Wireless Network based on NYS OGS equipment vendor quote citing Industry Standard Rates for required installation and calibration activities, breakdown below. See ESS, Inc. Quote in Attachment 2. Actual cost will be determined through Competitive Bid at the time of Purchase.

For installation cost see Item NET-7 in document YC052-016_Attachment_2.

Installation Activity	Daily Rate	Crew Size	Estimated Days	Extended Cost
Campus solution design, equipment ordering, equipment delivery, receiving, and inventory	\$ 1,200	1	1.5	\$ 1,800.00
Equipment Staging (RF frquency provisioning,software installation, firmware updates, and te	\$ 1,200	1	2.5	\$ 3,000.00
Microwave Dish Installations (Crew of 2 Antenna and Tower Specialists)	\$ 1,370	2	10	\$ 27,400.00
Dish Alignment and Calibration (Crew of 2 RF Technicians)	\$ 1,200	2	2.5	\$ 6,000.00
Operational Testing as-built documentation	\$ 1,200	1	1	\$ 1,200.00
Total				\$ 39,400.00

8 Servers and software will be installed in College's central Data Center facilities and accessed from instructional spaces via the College's Network.

9 Implementation Service of \$4,000 for hardware and software in Physics: Digital Convergence & Computer Controlled Manufacturing Laboratory is based on vendor's standard installation pricing and include all items included in this section

For installation cost see Item PHY-13 in document YC052-016_Attachment_2.