

# DATA SHEET

Premium Efficiency Motor: **PEWWE7.5-18-213TC**

**60 Hz**

WorldWide Electric Corporation

1 (800) 808-2131

Worldwideelectric.net



Document Generated: 1-Aug-2023

Document ID:

Customer:

## MOTOR INFORMATION

HP	7.5
RPM	1800
Phase	3
Frequency	60 Hz
Voltage	230/460 V
Frame Size	213TC
Enclosure	TEFC
Degree of Protection	IP55
Service Factor	1.25
Poles	4
Full Load Speed	1760
Insulation Class	F
Temp Rise	80°C
NEMA Code Letter	H
Duty Cycle	S1 / Continuous
Slip	2.22%
NEMA Design	B
Moment of Inertia	0.652 lb.ft.^2
Locked Rotor Time (Hot)	12 seconds
Sound Pressure Level	63 dB(A)
Number of Starts	2 Cold/ 1 Hot
Max Ambient Temperature	40°C
Max Elevation	1000 m.a.s.l (3300 f.a.s.l)
Mounting	F1
Rotation	Bi-Directional
Area of Classification	Class 1 Division 2 Groups A,B,C,D T3C(160°C)
Inverter Rating	10:1 CT / 20:1 VT PWM Type
Standard	NEMA MG-1
Approvals	CSA-US, CE

## EFFICIENCY/POWER FACTOR

LOAD	EFF	P. F.
100%	91.7 %	0.83
75%	91.8 %	0.78
50%	91.2 %	0.67

## TORQUE

FULL LOAD	LRT	BDT
22.4 lb.ft.	170 %	280 %

## AMPERAGE INFORMATION

	230V	460V
Full Load Amps	18.5A	9.23A
Locked Rotor Amps	127A	63.5A
No Load Current	8A	4A
Usable at 208V	20.4A	

## BEARING INFORMATION

DE Bearing	6308ZZ C3
ODE Bearing	6207ZZ C3
Grease Type	--
DE Regreasing Interval	- Hours
ODE Regreasing Interval	- Hours

## ADDITIONAL DATA

F2 Suitable	No
Shaft Material	1045 Carbon Steel
Connection Diagram	230 / 460 V - 9 Lead Y
Approximate Weight	158 lbs.

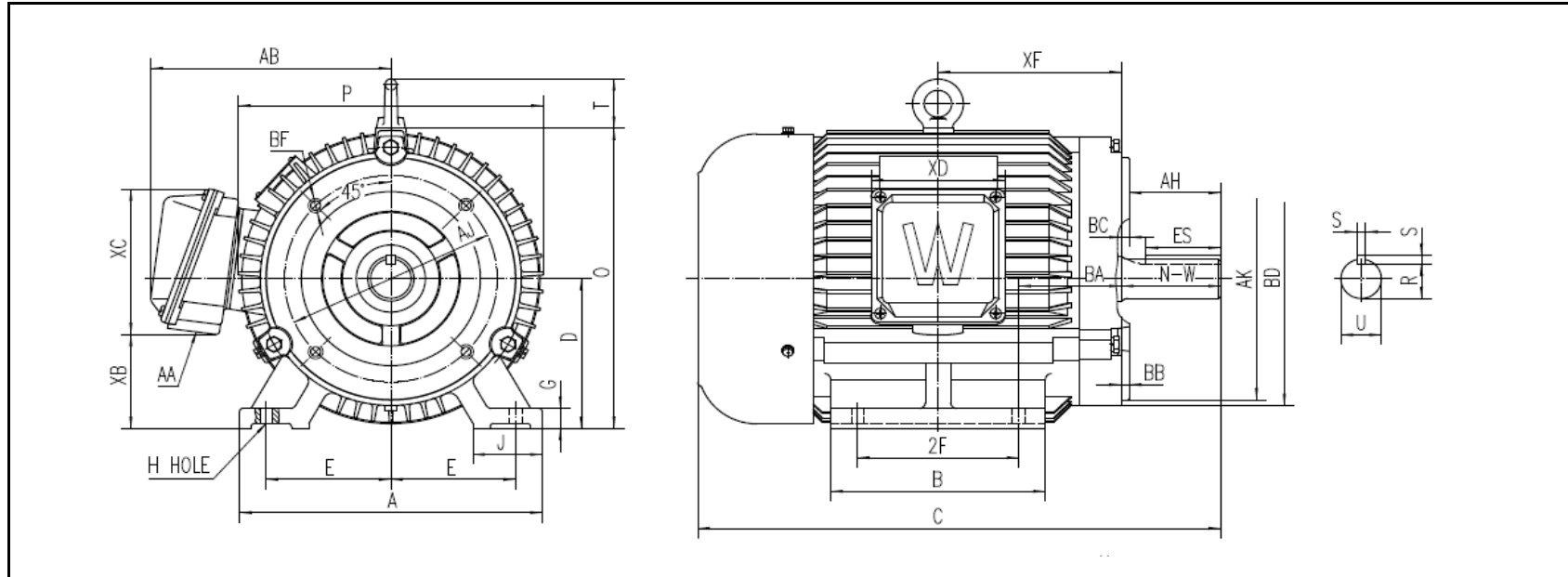
# MOTOR DRAWING

Premium Efficiency Motor: **PEWWE7.5-18-213TC**

WorldWide Electric Corporation

1 (800) 808-2131

Worldwideelectric.net



## DIMENSION - INCHES

MOUNTING					A	B	C	D	G	J	P	O	T	AB
E	2F1	2F	H	BA										
4.25	--	5.5	0.41	3.5	10.315	7.323	17.823	5.25	0.709	2.362	10.389	10.526	1.732	8.178

SHAFT & KEY					
S	ES	R	N-W	AH	U
0.312	2.41	1.201	3.38	3.12	1.375

TERMINAL BOX				
AA	XB	XC	XD	XF
1	3.296	5.098	4.567	6.254

FLANGE					
AJ	AK	BB	BD	BF	BC
7.25	8.5	0.25	8.898	1/2-13	0.25

# PERFORMANCE CURVES

WorldWide Electric Corporation

1 (800) 808-2131

Worldwideelectric.net



Premium Efficiency Motor:

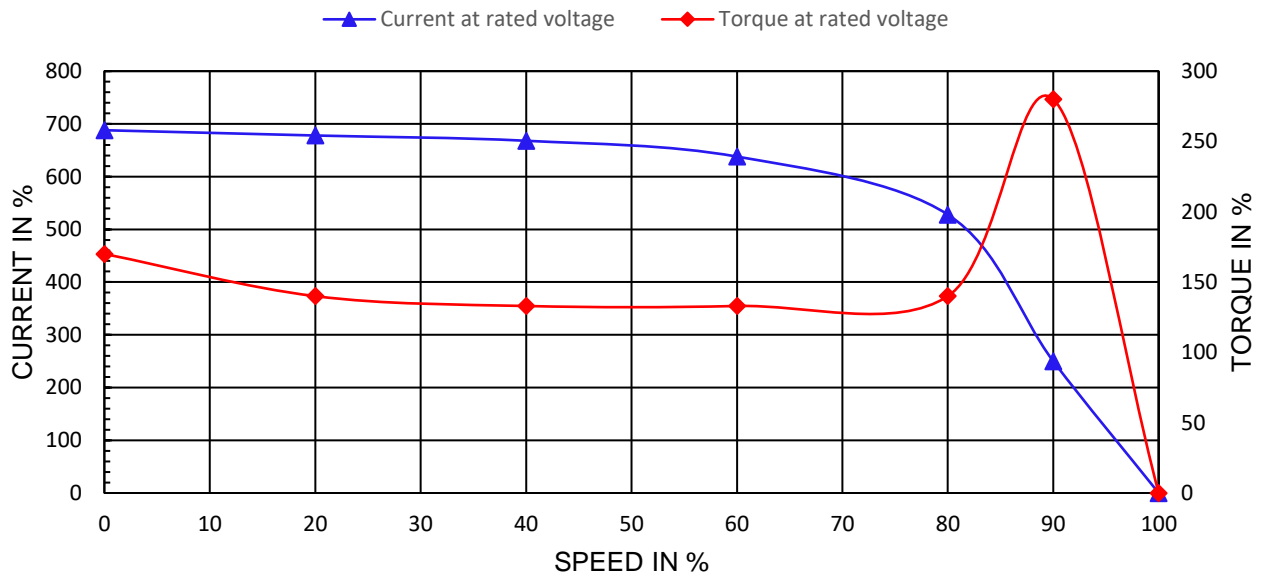
**PEWWE7.5-18-213TC**

Document Generated: 1-Aug-2023  
 Document ID:

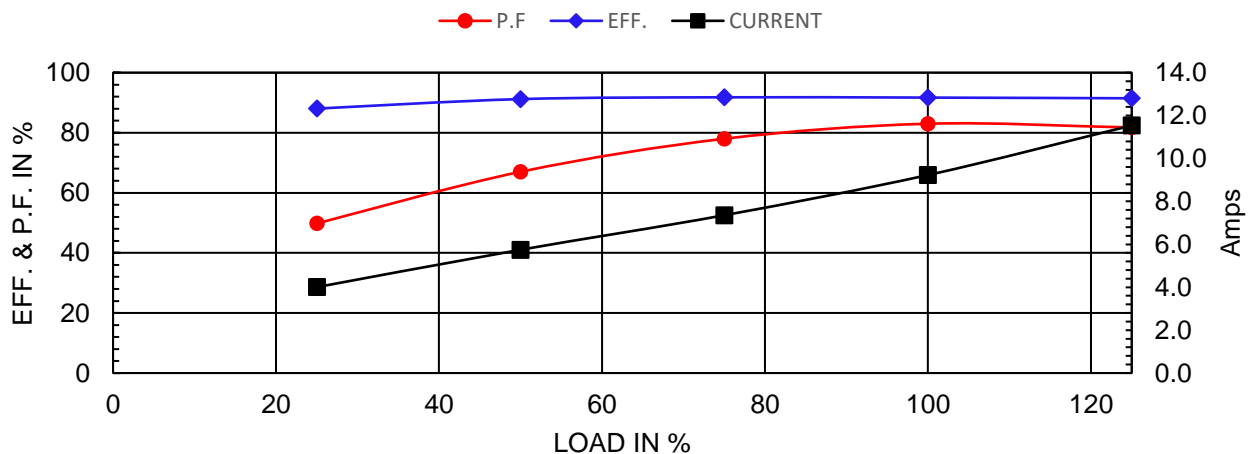
Customer:

Motor Type	PEWWE		FL Speed	1760	
Output Rating (HP)	7.5		LRT (%FLT)	170	460 volt FLA 9.23
Full Load Torque	22.4	lb.ft	BDT (%FLT)	280	230 volt FLA 18.5
Rotor Wk^2	0.652	lb-ft^2			

SPEED VS TORQUE & CURRENT CURVE



OUTPUT VS EFF., P.F. & CURRENT CURVE



# NAMEPLATE / WIRING

Premium Efficiency Motor: **PEWWE7.5-18-213TC**

WorldWide Electric Corporation

1 (800) 808-2131

Worldwideelectric.net



Document Generated: 1-Aug-2023  
Document ID:

Customer:

## SAMPLE NAMEPLATE DATA

		<b>NEMA Premium</b>		3-PHASE INDUCTION MOTOR		259277		<b>CE</b>	CC006A
Model				Ser No.				Low Voltage 4-5-6 7-8-9 1-2-3 L1 L2 L3	
HP	S.F.			IP			Encl		
Frame	P.F.			Code			Type		
Voltage	230/460	Hz			Ins Cl			Rating	°C Amb Cont
Amps			RPM			Design			Date
Nom.Eff.	FL	% 3/4	%	230/460V	10:1 CT	20:1 VT	PWM VFD	1.0SF	
Class I DIV. 2 Groups A B C D				Amb.40°C	T3C(160°C)	DE Brng			
Class I Zone 2 IIC				Amb.55°C	T3A(180°C)	ODE Brng			
				Grease type:				High Voltage 4-5-6 7-8-9 1-2-3 L1 L2 L3	
50Hz	HP	V	A	rpm	S.F1.0				
<b>WorldWide Electric Corporation</b>									

Model	PEWWE7.5-18-213TC									
HP	7.5	S.F.	1.25	IP	IP55	Encl	TEFC			
Frame	213TC	P.F.	0.83	Code	H	Type				
Voltage	230/460 V	Hz	60 Hz	Ins Cl	F	Ambient	40°C			
Amps	18.5/9.23	RPM	1760	Design	B	DE Brng	6308ZZ C3			
Nom.Eff.	FL	91.7%	3/4	91.8%	ODE Brng		6207ZZ C3			
Class 1 Division 2 Groups A,B,C,D					T3C(160°C)		Grease type: --			
50Hz	7.5 HP	200/400 V	22.2/11.1 A	1455 rpm						