

*Morgan*

JANUARY 1986 £1.20

AUSTRALIA  
HOLLAND  
NEW ZEALAND  
NORTH AMERICA \$2.95  
D71699

# Radio & Electronics

The communications and electronics magazine **World**

**RDS:  
DATA TRANSMISSION  
FROM BROADCASTERS**

**BANDPASS FILTER:  
A NOVEL AUDIO  
FREQUENCY PROJECT**

**VOLMET:  
AUTOMATED AIRPORT  
WEATHERMEN**

**EEC NEW BOYS:  
SPECTRUM WATCH  
ON SPAIN**

**DATA FILE:  
MOSFET AND CMOS  
DEVICES EXPLAINED**



**POWER SUPPLIES:  
IN CONCLUSION...**

# WHAT PRICE HI-TECH?



**AN HF BEST SELLER  
FT757GX**



★ 100 watt multimode ★ AM, FM, CW, SSB ★ General coverage RX  
★ Computer compatible ★ Available with RWC mod. fitted. **ONLY £729**



**THE ULTIMATE  
2m/70cm  
MOBILE FT2700RH**



★ Full duplex ★ A big 25 watts on VHF/UHF ★ Scanning ★ 10 channel memory ★ LCD display/ 'S' meter. **ONLY £469**



**NEW EXCITING  
DUAL BANDER  
IC3200E**



★ Simplified front panel ★ Simplex/Duplex memory ★ Built-in duplexer  
★ Smallest in its class. **ONLY £469**



**THE HIGH-TECH  
ALL BAND HF  
TRANSCEIVER IC735**



★ 12 tunable memories ★ Gen coverage RX ★ Scanning ★ 100kHz to 30MHz all mode super receiver  
★ Dynamic range - 105dB ★ Computer compatible. **ONLY £839**

**£1000 INSTANT CREDIT . HP/PERSONAL LOANS AVAILABLE  
RWC CREDITCARD** (written details on request)



## R Withers Communications – agent to the stars !

RWC are main agents/distributors for Yaesu, Icom, Kenwood, M Modules, Jaybeam, Tonna, Revco Antennas, Clearstone, MuTek, AKD, Drae, FDK, Welz, Tait, and Neve Radiotelephones to name but a few! We also stock a wide range of BT approved cordless telephones and telephone systems!

## Tune into our specialist service !

- ★ We manufacture our own range of VHF/UHF beam antennas
- ★ We're the only company in the UK that produces modular VHF/UHF Raycom power amplifiers (15-50 watts output)
- ★ We supply a large range of power transistors/modules imported directly from Japan
- ★ We supply/repair amateur/business radio systems
- ★ We check transceivers on our spectrum analyser – **£12.50** for a comprehensive report
- ★ Only supplier of modified Revco RS2000 60-520MHz extended coverage scanning receiver modified by RWC
- ★ Probably the UK's largest seller of used radio equipment
- ★ We offer the largest selection of radio allied services under one roof

## Tune into the Withers Top 10 !

<b>TURN THAT BEAM KOPEK ROTATORS</b> 50kg loading <b>£38.50</b>	<b>HI-Q INSULATOR TRAP-FORMER</b> <b>£6.99</b>
<b>DATONG AND DRAE MORSE TUTORS</b> <b>£49.50</b>	<b>G5RV HF MULTI-BAND DIPOLE ANTENNA</b> ½size <b>£12.95</b> full size <b>£14.95</b>
<b>TRAVELLING JIM 2m</b> <b>£6.95</b> Incl lead 2m <b>£8.95</b>	<b>STEEL QUAD SPIDERS</b> for 2 ELE Quad Aerials <b>£12.50</b>
<b>FT290R</b> + Nicads, charger, listen on input <b>£299</b>	<b>100W 0-500MHz Dummy Loads</b> (200 watts intermittent) with lead and PL259 connector <b>£12.50</b>
Sun gutter mount + cable assembly, PL259 fittings <b>£9.25</b>	<b>REVCO RS2000 Ext</b> Coverage 60-179 & 380- 520MHz AM/FM 70 memories, Auto search, lock priority <b>£219</b>

ORDERS UNDER £50 SEND £2.50 p&p  
SEND SAE FOR BARGAIN LIST

**584 HAGLEY ROAD WEST, QUINTON, BIRMINGHAM**  
Tel: 021-421 8201 (24hrs) Telex 334303 TXAGWM-G

# R WITHERS



# CONTENTS

## Editor

Duncan Leslie (boool)

## Editorial Assistant

Jane Berry (hooray!)

## Advertisement Manager

Marian Vidler

## Publisher

Peter Williams

## Published by

Radio & Electronics World  
Magazines

Sovereign House

Brentwood

Essex CM14 4SE

England

Tel: (0277) 219876

## ISSN

0262-2572

## Printed

In Great Britain

## Newtrade sales

Seymour Press Ltd

334 Brixton Road

London SW9 7AG

Tel: 01-733 4444

## Subscriptions

Tel: 01-760 0409

© Copyright 1985  
Radio & Electronics World Magazines

## Safety in the shack

Some of the constructional projects featured refer to additions or modifications to equipment; please note that such alterations may prevent the item from being used in its intended role, and also that its guarantee may be invalidated.

When building any constructional project, bear in mind that sometimes high voltages are involved. Avoid even the slightest risk - safety in the shack please, at all times.

Whilst every care is taken when accepting advertisements, we cannot accept responsibility for unsatisfactory transactions. We will, however, thoroughly investigate any complaints.

The views expressed by contributors are not necessarily those of the publishers.

Every care is taken to ensure that the contents of the magazine are accurate, we assume no responsibility for any effect from errors or omissions.

## Cover Photographs

**Top** - This, believe it or not, is a digital storage oscilloscope (p4)

**Bottom** - Ever wondered what an automatic weatherman looks like? (p27)

## SPECIAL FEATURES

### 16 Spectrum Watch

Nigel Cawthorne on an Iberian expedition shows that Spain isn't all rowdy English tourists guzzling cheap wine and producing pavement paellas

### 22 Power Supplies

The end of an era! Roger Alban wraps up his series (and his power supply) in the final instalment

### 25 Calculating Inductance

Derek Guy shows the way (ie let the computer do it!)

### 27 Volmet

Airport weather forecasts are now fully automatic. Mind you, that doesn't mean they're accurate...

### 28 Active Audio Bandpass Filter

Elegance, originality, we've got it all in *R&EW*. Take a look at Lionel Sear's novel design, for instance.

### 33 Data File

Ok, so what's this CMOS that everyone keeps talking about? Ray Marston to the rescue! Read and learn...

### 38 Antenna Tuning Unit

It's about time we had one of these. W G Borland obliges

### 42 Radio Data Systems

Data transmission alongside entertainment broadcasts may sound like something from *Things to Come*, but it's just around the corner

### 44 Traps

Making traps using miniature coaxial cable? Yeah, it was a new one on us, as well. Inventive chap, Geoff Roberts

## REGULARS

- 4 Product News
- 13 News Desk
- 19 Amateur Radio World
- 46 ATV on the Air
- 50 DX-TV Reception Reports
- 54 Short Wave News
- 56 Medium Wave DXing
- 57 Latest Literature
- 60 QSO
- 62 Free Classified Ads
- 64 Small Ads

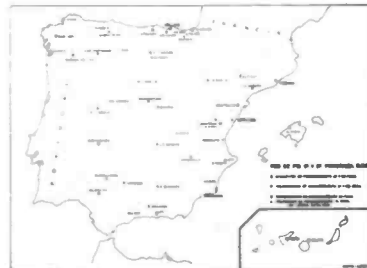
## READER SERVICES

- 20 Newsagents Order Form
- 20 Back Issues Order Form
- 26 Amateurs Handbook Order Form
- 40 Subscription Order Form
- 63 Free Classified Ad Order Form
- 66 Advertisers Index
- 66 Advertising Rates and Information

## NEXT MONTH

### 52 What's in Store for You

- Next Issue**  
Cover date February 1986 on sale Thursday, 9 January
- Publication Date**  
Second Thursday of the month preceding cover date



Iberian odyssey - page 16



Comment on the mag - page 14



Horny beast! - page 14

## Happy Christmas!

Yes, I know the cover says January, but this issue's on sale in December (silly isn't it?). As you will have noticed if you've gotten this far, the price is now a whopping £1.20. I'm supposed to say something about increased production costs, still good value etc, but I'm sure you've seen it all before so I won't bore you. I'll leave it to you to decide whether or not we're still offering value for money. In the mean time, may I wish all of you a very happy Christmas (even if this is the last copy you ever buy!).

# PRODUCT NEWS

Featured on these pages are details of the latest products in communications, electronics and computers. Manufacturers, distributors and dealers are invited to supply information on new products for inclusion in Product News. Readers, don't forget to mention **Radio & Electronics World** when making enquiries

## HAND-HELD DSO



Now available in the UK exclusively from Advance House of Instruments is the Soar Model 1000, a hand-held, battery operated, 3.2MHz digital storage oscilloscope.

Weighing only 2.1kg with dimensions of 264 x 214 x 60mm, the Model 1000 features a dual-trace liquid-crystal display (LCD). The display unit comprises a 128 x 160 dot matrix LCD with an effective display area of approximately 76 x 95mm, and a dot size of 0.55 x 0.55mm.

A built-in battery back-up memory allows storage of the waveform for later analysis and a waveform alarm function ensures correct operation.

Features of the Y-axis operation include a scale of

four vertical divisions for each channel, a nine-range sensitivity from 10mV/div to 5V/div, and a frequency characteristic of  $\pm 3\text{dB}$  or less for dc to 200kHz.

The X-axis operation has 10 divisions, a 20-range sweep speed of 5 $\mu\text{s}/\text{div}$  to 5s/div, continuous sweep and single sweep measurement modes, and positive, negative and switchable trigger slopes.

The Model 1000 also incorporates a separate 7-function 27-range DMM with auto and manual ranging.

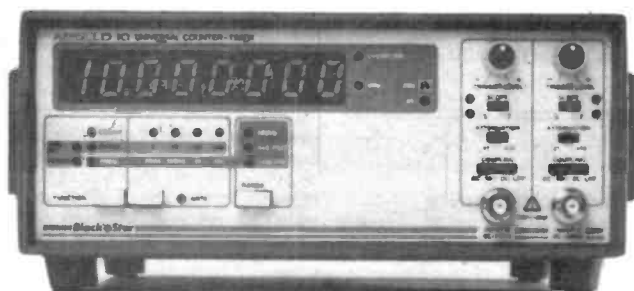
*Advance House of Instruments,  
Raynham Road,  
Bishop's Stortford,  
Herts CM23 5PF.  
Tel: (0279) 55155.*

## COUNTER-TIMER

The new Apollo 10 is a high-performance universal counter-timer with push-button function selection and LED indication of frequency dc-10MHz, ratio, single and average period, time interval and totalise.

Both inputs provide full signal conditioning, including attenuation, edge selection, variable trigger level and low pass filter.

Applications include the calibration of signal sources, video recorders, disc drives and musical instruments. The



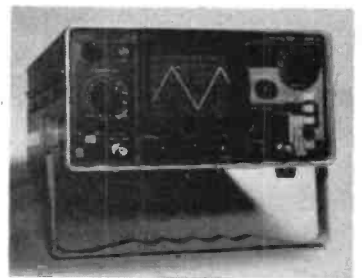
## OSCILLOSCOPE

Today's electronic projects make the oscilloscope an essential part of any hobbyist test equipment, enabling the user to both measure and evaluate the waveform of the signal under test. As fast ICs become more prevalent in the market, higher performance will be demanded from the scope.

To meet this demand Crotech have come up with two new single trace oscilloscopes, the 3031 and 3036.

Both models have a bandwidth of dc-20MHz, coupled with a maximum sensitivity of 2mV/div. The timebase of both models is specified from 40ns to 0.2s/div, with triggering to 25MHz in both auto and level modes, which means that low voltage high frequency signals can be displayed and evaluated.

The well-proven Crotech component tester is incorporated in the 3031 and 3036, which allows the in or out of circuit testing of semicon-



ductor and passive components, with the characteristics displayed on the CRT. There is also a choice of display size as the 3031 has a rectangular 9.5cm CRT while the 3036 has a 13cm display area. On both models the graticule is divided into 10 x 8 divisions.

The 3031 is £195.00 and the 3036 is £216.00 (excluding VAT).

*Crotech Instruments Ltd,  
2 Stephenson Road,  
St Ives,  
Huntingdon,  
Cambridgeshire PE17 4WJ.  
Tel: (0480) 301818.*

## TRACE MULTIPLIER

Up to eight analogue or digital signals can be observed simultaneously on a single channel oscilloscope by using the new oscilloscope multiplexer from MS Components.

Each 35MHz channel will accept input signals of up to

$\pm 6$  volts and exhibit an input impedance of 1Mohm/20pF. The input sensitivity can be reduced by means of a standard X10 oscilloscope probe and/or the internal precision attenuator calibrated to give a choice of 2V, 5V or 10V per division.

Triggered from any one of the eight input signals, the display can be selected for all channels, top four or bottom four only, or any single channel, allowing sensitivity to be increased for more detailed examination as necessary. Flicker-free operation at any timebase speed is assured by a variable multiplex rate control, and trace sharpness can be improved by means of a beam-blanking output for use with Z-modulation facilities.

*MS Components Ltd,  
Ephyr House,  
Naring Street,  
West Norwood,  
London SE27 9LH.  
Tel: (01) 670 4466.*

Apollo 10 is ideal for pulse counting and pulse width measurement and event counting, while applications in physical science include velocity measurement and ballistics.

The Apollo 10 is a bench instrument with bright 1/2in LED displays. A 10MHz external reference facility is provided and a temperature compensated crystal oscillator is available as an option.

*Black Star Limited,  
4 Stephenson Road,  
St Ives,  
Cambs PE17 4WJ.  
Tel: (0480) 62440.*

## RF MONITOR

The sensitivity of computer-based electronic equipment to RF interference has led instrument manufacturers to devise a means of carrying out long-term monitoring of interference levels. Unattended, completely automatic monitoring is now possible with the modular Universal Disturbance Analyser, the Dranetz 626, and a recently announced broadband RF monitor plug-in, available in the UK from Euro Electronics Ltd.

Significant RFI field strengths can be generated by a wide range of equipment - broadcast systems, car ignitions, heavy machinery, CB radio, etc and this energy can couple into electronic circuits through metal enclosures and power lines. These can act as antennas at RF and this can cause equipment malfunction. Monitoring and identifying RFI can be very difficult, due to the random and intermittent nature of this type of interference.

The 626-PA-6020 broadband RF monitor plug-in offers a convenient method of correlating the occurrence of RFI fields with computer-based equipment problems. Monitoring can be carried out on bursts as short as 1µs.

The system uses an omnidirectional antenna to measure the field strength that connects to the RFI monitoring plug-in. If the RF field exceeds user-selected limits for CW or burst signals, then the 6020 will record the electric field strength, the duration and time of occurrence. These events are also summarised for later print-out using the 626's built-in daily summary printing capabilities.

*Euro Electronics Ltd,  
Lancaster Gate House,  
319 Pinner Road, Harrow,  
Middlesex HA1 4HF.  
Tel: (01) 863 0811.*

## 5½-DIGIT MULTIMETER

A sophisticated 5½-digit multimeter with in-built computing and data storage functions is now available from Levell Electronics. Measurement ranges cover ac and dc voltage and current, resist-

## POCKET MICROSCOPE



The self-illuminated pocket microscopes from Cobonic Ltd are about the size of a long slim pack of cigars. They weigh 4½ ounces and provide a clear 30-power magnification (the Spirig-30, £18.90) or a 100-power magnification (the Spirig-100, £27.90) of any surface on which they are focused.

*Cobonic Limited,  
32 Ludlow Road,  
Guildford,  
Surrey GU2 5NW.  
Tel: (0483) 505260.*

ance and diode test. The resolution is 1µV, 1nA and 1 milliohm with basic dc accuracy of 0.5%.

Percentage deviation and limit functions permit the user to enter known values that are then used for comparison in subsequent measurements. A linear scaling function permits a scaling factor and offset to be entered so that the output of a sensor can be scaled directly in terms of a physical parameter.

A dB function displays voltages in logarithmic form relative to a set reference level. Null, hold and store keys are used to select reference conditions and store data. A logger key permits storage of up to 100 readings that can be brought back to the display by a simple recall sequence. It is also possible to display the average value and highest value of a set of stored readings.

Options are available which provide true RMS ac ranges, RS232 output and IEEE-488 interface.

*Levell Electronics Ltd,  
Moxon Street, Barnet,  
Herts EN5 5SD.  
Tel: (01) 449 5028.*

## PORTABLE THERMOMETER

A new portable infra-red thermometer that can make spot temperature measurements of targets as small as 2mm in diameter has been introduced by Land Infrared Ltd.

The Minolta/Land Infrared Cyclops 33CF is a close-focus instrument that can measure temperatures from -50°C to +600°C. Accuracy is within ±1%K of the reading. There are applications in electronics for locating faulty components, in medical research, veterinary medicine, pharmacology, and plastics and rubber processing. Other Cyclops instruments cover the temperature ranges -50°C to +1000°C, 250°C to 800°C and 600°C to 3000°C.

Reflex fixed-focus optics and a digital viewfinder display give a simultaneous view of target and temperature. Once the emissivity control has been set, the instrument is simply moved until the



target comes into sharp focus, at a distance of 170mm.

The instrument has micro-processor-based electronics and produces a reading within half a second. The four-digit LCD viewfinder display holds the reading for 30 seconds after switch-off. The display gives a warning if the target temperature rises above 300°C or moves out of range.

*Land Infrared Ltd,  
Dronfield,  
Sheffield S18 6DJ.  
Tel: (0246) 417691.*

## SHORTS LOCATOR

Antron Electronics has launched a new version of the Toneohm shorts locator. Made by Polar Instruments Ltd, the Toneohm 550 is designed to help semi or unskilled operators find the physical location of PCB short circuits diagnosed by an automatic tester.

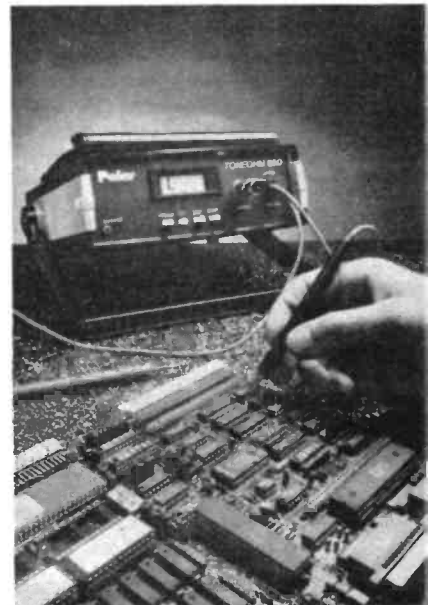
Short circuits make up typically 60% of PCB faults. The causes include solder bridges, poor PCB etching and device failure. Conventional test equipment and ATE are usually limited to diagnosing the presence of the fault down to a node; to find the physical fault requires close visual inspection and perhaps track-cutting and component desoldering.

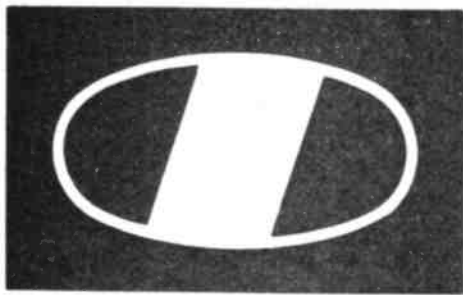
The Toneohm 550 contains a sensitive milliohmeter with an audio output. When the Toneohm probes are placed on shorted tracks it produces an audio tone and a meter reading. One probe is moved along the track - if the tone frequency rises then the probe is moving closer to the fault.

The operator simply moves each probe in turn until the tone is at the highest pitch,

corresponding to the lowest meter reading. The sensitivity of the Toneohm is such that the probes will then be within 2 to 3mm of the physical short circuit. The price of the Toneohm 550 is £219.

*Antron Electronics Limited,  
Hamilton House,  
39 Kings Road,  
Haslemere,  
Surrey GU27 2QA.  
Tel: (0428) 54541.*





# ICOM

## SO GOOD TO RECEIVE AND DURING



At this special time of year, when Christmas Greetings will be jamming the airwaves worldwide, Thanet Electronics send this message to you. During 1986 the ICOM range of equipment will continue its upward trend in the design and production of sophisticated amateur radio equipment.

Typical of the innovation one expects from ICOM is the new 'ultimate' receiver the IC-R7000. To whet your appetite, a brief specification is featured here.

You can visit our premises at 95 Mortimer Street, Herne Bay, telephone (0227) 369464 for demonstration, advice & sales of ICOM Amateur equipment. No matter what your requirements, base, mobile or handheld, ICOM have the answer.

**Attention all Amateurs & SWL's.** If you are thinking of buying an ICOM radio call us. Just pick up the 'phone and dial FREE Linkline No. 0800 521145. for retail enquiries about ICOM Amateur equipment & the address of your nearest authorised ICOM dealer. N.B. No trade enquiries via this special free link, thank you.

The ICOM IC-R7000 is the receiver that every discerning amateur would love to receive at Christmas. The IC-R7000 is able to give high frequency coverage up to 1300MHz without sacrificing SSB stability, which is maintained throughout the IC-R7000's entire frequency range, another example of ICOM's superb design.

For simplified operation & quick tuning, the IC-R7000 features direct keyboard entry. Precise frequencies can be selected by pushing the digit keys in sequence of the frequency or by turning the main tuning knob. FM/AM/SSB modes, frequency coverage 25 - 1000MHz and 1025 - 2000MHz (25 - 1000MHz and 1260 - 1300MHz guaranteed specification).

The IC-R7000 has 99 memories available to store your favourite frequencies including the operation mode. Memory channels may be called up by simply pressing the memory switch, then rotating the memory channel knob, or by direct keyboard entry.



# IC-R7000

## LIVE AT CHRISTMAS THE NEW YEAR



Listed here are just some of the authorised dealers who can demonstrate ICOM equipment all year round. This list covers most areas of the U.K., but if you have difficulty finding a dealer near you, contact Thanet Electronics and we will be able to help you.

A sophisticated scanning system provides instant access to most used frequencies. By depressing the Auto-M switch. The IC-R7000 automatically memorises frequencies in use, while the unit is in the scan mode. This allows you to recall frequencies that were in use. Scanning systems include, memory selected frequency ranges or priority channels scanning speed is adjustable. Narrow/wide filter selection. Five tuning speeds: 10Hz, 1.0KHz, 5KHz, 10KHz, 12.5KHz and 25KHz.

All functions, including memory channel readout are clearly shown on dual-colour fluorescent display with dimmer switch. The IC-R7000 has dial-lock, noise blanker, S-meter & Attenuator. Options include RC-12 infra-red remote controller and a voice synthesizer. Range extender also available.

For a more detailed specification of the competitively priced IC-R7000 contact your authorised ICOM dealer or telephone us direct on 0800 521145, our FREE Linkline service for Amateurs and SWL's.

- Alyntronics, Newcastle, 0632-761002.
- Amateur Radio Exchange, London (Ealing), 01-992 5765.
- Amcomm, London (S. Harrow), 01-422 9585.
- A.R.E. Comms, Earlestown, Merseyside, 09252-29881.
- Arrow Electronics Ltd., Chelmsford, Essex, 0245-381673/26.
- Beamrite, Cardiff, 0222-486884.
- Booth Holding (Bath) Ltd., Bristol, 02217-2402.
- Bredhurst Electronics Ltd., W. Sussex, 0444-400786.
- Dressler (UK) Ltd., London (Leyton), 01-558 0854.
- D.W. Electronics, Widnes, Cheshire, 051-420 2559.
- Hobbytronics, Knutsford, Cheshire, 0565-4040. Until 10pm daily.
- Poole Logic, Poole, Dorset, 0202 683093.
- Photo Acoustics Ltd., Buckinghamshire, 0908-610625.
- Radcomm Electronics, Co. Cork, Ireland, 01035321-632725.
- Radio Shack Ltd., London NW6, 01-624 7174.
- Ray Withers Comms, Warley, West Midlands, 021-421 8201.
- Scotcomms, Edinburgh, 031-657 2430.
- Tyrone Amateur Electronics, Co. Tyrone, N. Ireland, 0662-2043.
- Reg Ward & Co. Ltd., S.W. England, 0279-34918.
- Waters & Stanton Electronics, Hockley, Essex, 0702-206835.





### MODULATOR

The Dutch cable and satellite manufacturer Tratec has brought out a low cost modulator aimed at the customer who hesitates to buy, for example, a complete satellite or video text system because of the expensive modulator which is needed to modulate the signal into the IF or a VHF channel.

Features include: a crystal-controlled vision IF carrier

oscillator; IF section with SAW filter; vestigial sideband suppression; and a group delay pre-correction of 170ns. The complete modulator is mounted in a standard half 19-inch housing.

Tratec BV,  
PO Box 385,  
3900 A J Veenendaal,  
Holland.  
Tel: 8385-21984.

### SATELLITE RECEIVER

Aerial manufacturers Halbar have produced a BBC-based weather satellite receiving station comprising an aerial, receiver, digitiser and software, complete with test signals on tape and sample pictures on disc.

The receiver is designed to receive the 137MHz NOAA series transmissions via the double inverted turnstile aerial, with a 50kHz bandwidth and high sensitivity, and is supplied crystallised for NOAA9. Further crystals can be fitted for reception of up to 6 channels. The unit will also accept Meteosat signals if a suitable aerial and frequency converter is available.

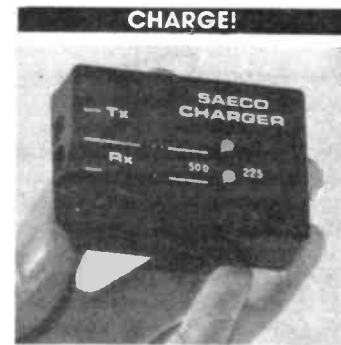
The digitiser processes the analogue audio APT (Automatic Picture Transmission) signal for subsequent inputting to a BBC computer.

Menu driven software is provided on a 40 track disc, which also contains two weather map images, one NOAA and one Meteosat.

The cassette tape provided, containing a sample APT signal, is intended to allow familiarisation with the APT signal before the satellite makes its pass.

The complete outfit retails for £200 + VAT and p&p, although all the items are available separately. Full details are available in return for an SAE and £1 (redeemable on purchase).

Halbar,  
Unit 1,  
Bury Walk,  
Bedford MK41 0DU.  
Tel: (0234) 44720.



### CHARGE!

Radio-controlled model enthusiasts (androids? - Ed) often experience the frustration of being unable to recharge Nicad batteries when a mains derived supply is not available. This is particularly the case when combining a camping or caravan holiday with model operations. An apparent alternative source of current is the car battery.

However, this source has not hitherto been satisfactory because the nominal 12 volt car supply is not only insufficient but is also widely variable in voltage, and so cannot be employed directly to provide the requisite constant current for ideal battery charging. This difficulty has now been overcome, claim Saeco, and Tx and Rx batteries can now be recharged using the car cigar lighter socket.

Novel circuitry ensures the maintenance of safe currents for the simultaneous recharge of one 500mA/h transmitter and up to two receiver batteries. The two receiver outputs may be individually switched between 500mA/h and 225mA/h and LEDs indicate

### 50 OHM TERMINATIONS

Tony Chapman Electronics, exclusive UK distributors for Indianapolis attenuation specialist JFW Industries, has introduced a new range of low cost, high power 50 ohm terminations for under £65.

This, says Tony Chapman Electronics, is as much as £20 less than competitive terminations, despite identical specification and delivered performance ratings.

The new JFW terminations are designated 50T-XXX, and have a frequency range of dc

to 1200MHz, a VSWR of less than 1.2:1, and are fitted with N, BNC or TNC male or female connectors.

Delivery times are four-to-five weeks, and units come with a one year warranty.

Tony Chapman  
Electronics Ltd,  
Electron House,  
Hemnal Street,  
Epping,  
Essex CM16 4LS.  
Tel: (0378) 78231.

how charging is proceeding. The system is protected against inadvertent reversal or short circuit of output leads and the reversal of the car battery voltage.

The unit as supplied includes a lead fitted with a car cigar lighter plug (negative earth) and one Tx and two Rx leads, each with one end unterminated. A 240V mains adaptor is also available as an extra.

Saeco Ltd,  
Gable House,  
40 High Street,  
Rickmansworth,  
Herts WD3 1ES.  
Tel: (0923) 721030.

### NEW MOTOR DESIGN



Among the new 900 Series of dc motors recently introduced by Papst, two models employ a fundamentally different design concept than the usual Papst motor products.

The GIA 21.27 and GIE 31.28 have an ironless and coreless rotor that uses a coil winding which is manufactured flat and formed into a cylinder to form a rotor with a concentricity accurate to 2 microns. Unlike other Papst motors, this forms an internal rotor which is connected to an impact extruded end-plate through which the drive shaft

passes via top and end plate bearings.

The extremely low inertia of the ironless rotor allows the development of very high starting torques.

The very low power consumption inherent in this design means that the 900 Series will suit applications such as belt drive turntables, data recording instrumentations and capstan drive motors for video machines. Both motors can also be incorporated as dc servo motors.

Papst Motors Ltd,  
East Portway, Andover,  
Hampshire SP10 3RT.  
Tel: (0264) 53655.

### SOUND-METER

Cambridge Kits recently introduced a sound-meter with a logic output which can be used for sound-triggered flash photography.

This budget-priced meter has a dial calibrated in sound levels from 40dB to 120dB. An LED flashes and the logic output registers as 'high' when the dialled sound level is exceeded.

The sound-meter can be used to check that the legal limits in factories and residential areas are not transgressed, or to measure the effects of sound-proofing or double glazing.

The meter is available as a kit for £27.20 including VAT and p&p.

Cambridge Kits,  
45 Old School Lane,  
Milton,  
Cambridge CB4 4BS.  
Tel: (0223) 860150.



## VIDEO PRINTER

Thandar Electronics recently announced the launch of a new video printer. Designated TP35, it provides high speed print-out of graphic and text CRT images from a composite video signal, separate video signals or composite sync signals,



requiring no interface.

The TP35 prints both positive and negative copies and features a 6 dots/mm printing pitch offering either low or high resolution. High definition is achieved by the use of thermo-sensitive heads which also minimise the operating noise level. A built-

in self test facility ensures reliability.

The TP35 is priced at £1085 + VAT.

*Thandar Electronics Ltd,  
London Road,  
St Ives,  
Huntingdon,  
Cambs PE17 4HJ.  
Tel: (0480) 64646.*

## PC ADD-ONS

Burr-Brown have introduced a new generation intelligent instrumentation front-end which converts the IBM series of personal computers (and compatibles) into a powerful system for data acquisition, test, measurement and control.

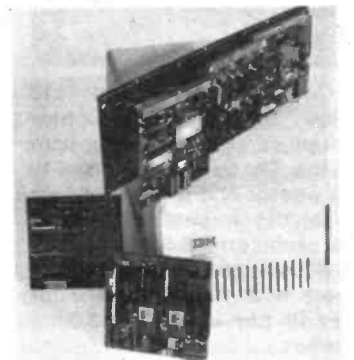
Known as PCI-20000, the system consists of a mother board (carrier), which plugs into an expansion slot in the host PC, and daughter boards (instrument modules) which connect piggy-back style to the carrier.

Each PCI-20000 carrier provides mounting space for up to three modules and includes the Intelligent Instrumentation Interface Bus (I<sup>2</sup>Bus) and PC bus interface and logic circuits. Additionally, the carrier also pro-

vides 32 fully buffered digital input/output points.

A wide variety of instrument modules for analogue and digital applications are available. These can be regarded as building block components that will find wide application in the design of systems of other manufacturers.

An extensive range of software support packages is available for the PCI-20000 system, including versions to support Basic, C and Pascal languages.



*Burr-Brown International Limited,  
Cassiobury House,  
11-19 Station Road,  
Watford,  
Herts WD1 1EA.  
Tel: (0923) 33837.*

## MW AMP

D J Stanton (Radio) have announced the availability of their new DLA1 medium wave loop differential amplifier for DXing. It features a high Z FET input balanced amplifier for high 'Q' in the loop aerial, giving sharper nulls when DXing very weak stations; a balun coupled output; and a variable gain 2 transistor output amplifier, with gain variable over 2-20dB giving complete control over any loss in the Rx system. It has a nominal 50-75 ohm output to suit today's modern rigs.

This compact amplifier system is battery powered (9V) giving freedom from mains borne noise and TV line timebase interference in the amplifier system. A 12 volt option is available on request. The amplifier is housed in a compact case with screw terminals for connection to the loop and comes complete with 2 metres of low loss 50 ohm coaxial cable, already fitted with PL259 plug.

The DLA1 will work with all sizes of loop, including ferrite rods and can improve the smaller types of loop. DLA1 should be attached directly across the loop, usually at the terminals of the loop tuning capacitor. The normal coupling turn is not required.

The DLA1 costs £25 including postage.

*D J Stanton (Radio),  
16 Addison Road,  
Worcester WR3 8EA.*

## SIGNAL GENERATORS

Two new signal generators from MS Components cover the frequency spectrum from 10Hz to 450MHz in overlapping ranges. The dials are geared for easy and accurate frequency selection.

The audio frequency model has an accuracy of  $\pm 3\%$ , generating sine waves from 10Hz to 1MHz and square waves from 10Hz to 100kHz with a rise time of 200ns. Output voltage is fully variable 0-5 volts, flat to within  $\pm 1.5$ dB with an output impedance of 600 ohms. An external sync input is provided, having an input impedance of 10kohms and a sync range of 1% per volt.

The RF model covers six frequency bands from 100kHz to 150MHz on fundamentals, extending to 450MHz on harmonics, and producing a continuously variable output of 0-0.1 Vrms. Modulation is by an internal 1kHz tone or from an externally generated tone of 50Hz to 20kHz by switch selection. Spot frequency calibrations are simplified by provision of an external crystal socket.

Both instruments are mains powered and housed in matching bench mounted cabinets measuring 238 x 150 x 130mm.

*MS Components Ltd,  
Zephyr House,  
Waring St, West Norwood,  
London SE27 9LH.  
Tel: (01) 670 4466.*

## SPECTRUM ADD-ON

The ZX Spectrum, in common with other home computers, can be used to measure a wide range of analogue signals using an appropriate analogue-to-digital converter. Providing this feature an easy-to-build kit, the Velleman K2610, offers Spectrum owners an effective 'window' onto the outside world.

The kit, available from Electronic and Computer Workshop Ltd, enables the Spectrum to collect information from temperature sensors, humidity sensors, pressure transducers and any sensor or source that varies between 0 and 5.1V. Suitable input units can be supplied to adjust the voltage levels if required.

*Electronic and Computer Workshop Ltd,  
171 Broomfield Road,  
Chelmsford,  
Essex CM1 1RY.  
Tel: (0245) 262149.*

## DISC DRIVE INTERFACE

RCS Computer Services, who a little while ago announced a very low cost disc drive for the BBC micro-computer for £66 (inc VAT), is now offering a BBC disc interface upgrade for £75 for customers who purchase a drive at the same time.

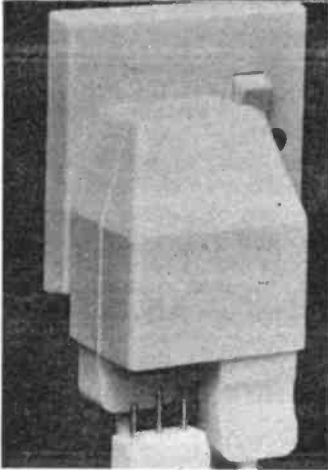
In order to run a disc drive on the BBC an interface needs to be added, which until now has far exceeded the cost of the drive itself.

Incorporating the Acorn DNFS ROM, the interface is supplied in kit form at this special price to purchasers of the RCS disc drive, or fitted for £5 extra to callers at their Feltham facilities.

*RCS Computer Services,  
Enterprise House,  
Central Way,  
North Feltham Trading Estate,  
Feltham,  
Middlesex TW14 0RX.  
Tel: (01) 844 1200.*

## PRODUCT NEWS

### LET'S PLUG CONBLOCK



Conblock Electrical Ltd have announced two new adaptors, complete with plugs. These are designed to be neater and more compact than other similar devices currently on the market. Both products are supplied complete with plugs and are for use in any standard 13 amp socket.

The first is the in-line six-into-one mains adaptor with full 13 amp capacity and six plugs, each having a max-

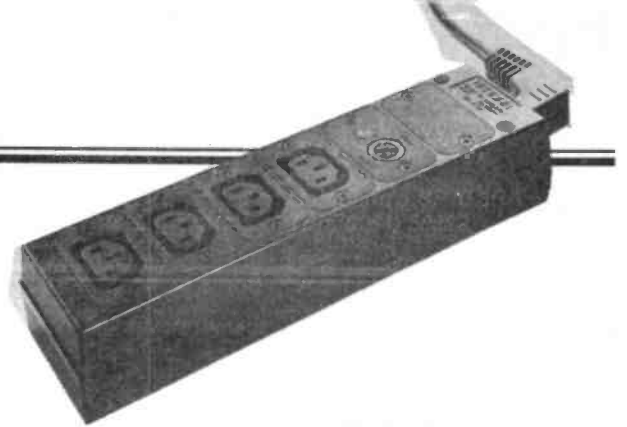
imum 6 amp capacity. The unit is 60% lighter and 30% smaller than the in-line four-into-one adaptor currently in general use.

The unit enables the end-user to have any number up to six individually plugged appliances connected safely, neatly and economically into one mains outlet socket.

It can be supplied complete with 13 amp mains flex and plug, neon 'on-off' indicator and fixing screws. Moulded in polycarbonate, it is virtually impossible to break or chip. The sockets are fully shuttered, thereby giving complete safety.

The second new adaptor is a four square wallplug capable of simple connection to any 13 amp outlet. It possesses similar attributes to the six-way in-line connector and accepts the same 6 amp plug—simply disconnect from one unit and plug into the other when required.

*Conblock Electrical Ltd,  
Mochdre Industrial Estate,  
Newtown, Powys SY16 4LF.  
Tel: (0686) 27100.*



### STRIPBLOC

A mains input filter version of Rendar's popular Stripbloc is now available. This version is particularly suited to sensitive electrical equipment, where 'clean' power is essential for optimum performance.

The Stripbloc multi-power outlet can connect four or five items of electrical equipment safely and economically to one mains power source. It is suitable for office equipment, laboratory instruments, lighting, personal and mini-computers, small domestic appliances and hi-fi/audio units.

Moulded in rugged black ABS and incorporating BEAB accepted components, the Stripbloc is designed to com-

ply with the CEE 22 European Standards and meet BS5733 requirements.

CEE 22 straight and right angle re-wireable plugs, R473.2 and R473.3, are available for use with the Stripbloc. A standard 13A moulded plug with two metres of cable and a CEE 22 plug are available.

The filtered Stripbloc is based on the original free-standing Stripbloc, while there is also a panel-mounted version providing up to six outlets.

*Rendar Ltd,  
Durban Road,  
South Bersted,  
Bognor Regis,  
West Sussex PO22 9RL.  
Tel: (0243) 825811.*

### 32-BIT MICROPROCESSOR

National Semiconductor Corporation recently announced that it has started shipping samples of its second generation 32-bit microprocessor CPU. The device, the NS32332, offers users three times the system speed of National's first generation computing cluster based on the NS32032 CPU.

The device includes a full 32-bit address register, which allows the CPU to address up to 4 gigabytes (4 billion bytes) of memory.

Other new on-chip features include dynamic bus sizing, which means the 32332 can be used with 8, 16 or 32-bit data buses. The 32332 also has burst mode memory addressing capability which speeds up the execution of data moves by 60 per cent. Extensive support for external cache memories, another system speed enhancement, is also provided by the 32332.

*National Semiconductor,  
Industriestrasse 10,  
D-8080 Fürstfeldbruck,  
West Germany.*

### CRYSTAL CLEAR

The latest addition to IQD's 150-page catalogue of frequency control devices is a range of surface mount crystals from 4.0MHz to 20MHz. Maximum measurements are only 13.5mm x 5mm x 4.5mm.

Somerset-based IQD claims it now has the most comprehensive selection and largest stockholding of frequency control devices in the UK.

*IQD Limited,  
North Street,  
Crewkerne,  
Somerset TA18 7AR.  
Tel: (0460) 74433.*

### INMOS TRANSPUTER

Rapid Recall have taken delivery of their initial stocks of the INMOS Transputer in the form of a variety of board level products.

The Transputer is a 32-bit CPU with a processing speed of ten million instructions per second (mips) and the capability to perform concurrent communications with other Transputers at ten

megabytes per second. It contains 250,000 devices fabricated in an advanced two micron CMS process and dissipates less than one watt.

Two versions of the Transputer are currently available from Rapid: the T414 has 2K bits of fast on-chip memory and is available with 64K bytes, one megabyte or two megabytes of system memory; the T404 is identical except that it does not have any on-chip memory. Both versions have a 32-bit multiplexed interface with configurable timing which can provide direct access to up to four gigabytes of memory with a maximum data rate of 25 megabytes/sec.

The architecture of a Transputer is such that several Transputers can be used together in a system. One Transputer provides 10 mips performance, two Transputers provide 20 mips and so on.

Software development can be carried out on an IBM PC, a VAX or MicroVAX under VMS or on a Stride computer. In all cases the development language is OCCAM.

Board level products

include a Transputer plug-in board for the IBM PC with one megabyte or two megabytes of memory.

*Rapid Recall Limited,  
Rapid House,  
Denmark Street,  
High Wycombe,  
Bucks HP11 2ER.  
Tel: (0494) 26271.*

### SOLAR PANEL

Solar Electronics has developed a portable solar panel which supplies power without the use of batteries.

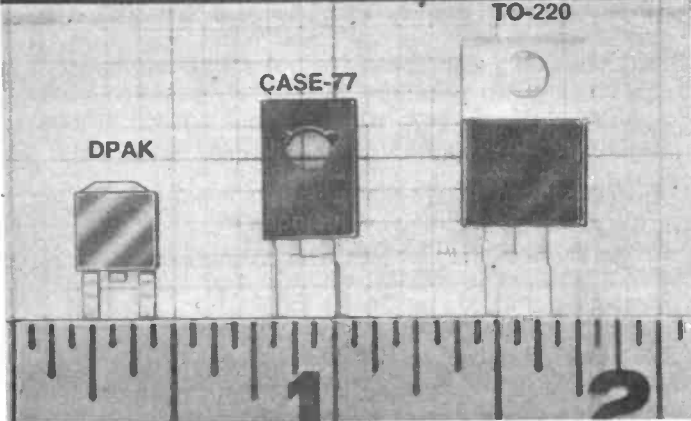
The solar panel measures 8 $\frac{3}{4}$ ins x 5 $\frac{1}{4}$ ins x  $\frac{1}{4}$ in and produces 6.5 volts open circuit at .470 amps.

It works in sunlight, normal daylight or with the aid of electric lights and can be used to power many appliances including CB car and home receiver/transmitters and small portable computers.

*Solar Electronics  
(International) Ltd,  
284 Weyhill Road,  
Andover,  
Hampshire SP10 3RA.  
Tel: (0264) 58822.*

## POWER TRANSISTORS

TO-220



Motorola Semiconductor Products Sector has announced ten new bipolar and three new TMOS power MOSFETs. These new transistors come in the DPAK, the first power package designed for surface-mount applications. The DPAK offers a number of cost reducing features for power control applications, including a reduction of the size of the printed circuit board, the use of both sides of the PCB, the elimination of PCB through-

holes, and the ability to reliably handle power levels of over 1 watt.

Developed by Motorola Inc, the DPAK resembles a miniature TO-220. It will allow a large selection of power devices to be available in a surface-mount package.

*Motorola Semiconductor Products Inc,  
PO Box 20912,  
Phoenix,  
Arizona 85036,  
USA.*

## IC & TEST SOCKETS

Aries Electronics has expanded its range of Collet Eject-A-DIP sockets with the introduction of several additions to its family.

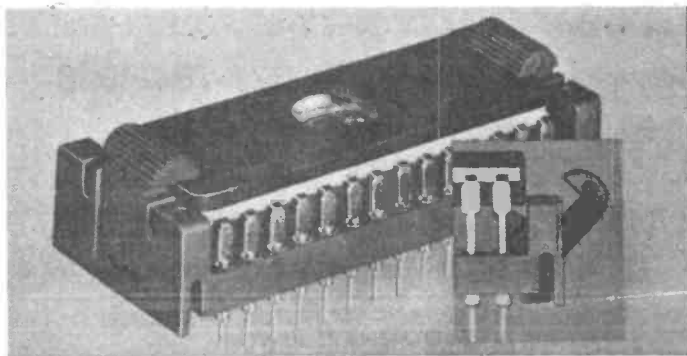
One of these is a 28-pin socket on 0.600 centres offering gold collets and tin shell for 28pin ICs, while another is a new locking arm which is the correct height for most IC packages. The new arm height also takes the previously introduced 24 and 40pin versions on 0.600 inches.

Also new from Aries is a universal test socket, designed to accept all devices from 6 to 40 pins on

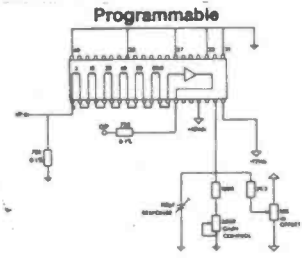
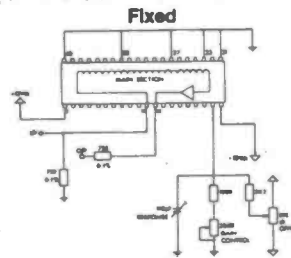
0.300, 0.400 or 0.600 inch centres.

These test sockets accept leads from 0.015 through to 0.045 inches wide and mount onto PCBs on either 0.300 or 0.600 centres. Contact materials are beryllium copper, available with gold or tin plating. Other platings and base metals are available for burn-in applications above 150°C.

*Aries Electronics (Europe),  
Alfred House,  
127 Oatlands Drive,  
Weybridge,  
Surrey KT13 9LB.  
Tel: (0932) 57377.*



## VIDEO DELAY LINE



Aimed at video electronics assemblies, BAL Components Limited are introducing the first video delay line to have its own built-in amplifier in thick film technology. The delay line is fully equalised up to 5.5MHz at 75 ohms impedance.

The active video delay lines save space over conventional passive delay lines plus separate amplifiers, coming in a dual-in-line package just 52.6mm by 15.24mm on the PCB (a standard 40-pin DIL format). Video signals are

delayed without problems due to insertion loss of amplitude, and both fixed and programmable video formats are possible. In fixed format the delay range is 50 nanoseconds to 500 nanoseconds, and in programmable the range is 155 to 235 nanoseconds. The units operate on an ordinary  $\pm 12$  volt dc, 50 milliamp regulated supply.

*BAL Components Ltd,  
Bermuda Road, Nuneaton,  
Warwickshire CV10 7QF.*

## LCD MODULES

The 1:1.4 aspect ratio of the new 640x200 dot liquid crystal display (LCD) module from Epson allows it to use graphics software originally written for cathode ray tube (CRT) displays.

This facility will make the EG-7003A-AR module useful in applications such as desktop and hand-held computers, industrial control equipment, control panels and word processors.

It is currently the largest LCD module in Epson's range, with a viewing area of 266x119mm. The different aspect ratio is a result of using rectangular dots as opposed to the usual square ones. Other features include an 80 character x 25 line display capacity, and a thickness of only 11.5mm. Power consumption is 120mW.

The EG-7003A-AR is compatible with the Epson E1330 LCD controller, a single chip IC which handles the interface between the LCD, the video RAM and Z80 or 6800 series microprocessor.

*Epson (UK) Limited,  
Dorland House,  
388 High Road,  
Wembley,  
Middlesex HA9 6UH.  
Tel: (01) 902 8892.*

## RFI-SCREENED HOUSINGS

Small areas of circuitry can be screened against RFI using BICC-Vero's new KM6 range of RFI-screened modules. They are available in a range of single or double Eurocard sizes, up to a maximum width of 21hp (4.2in).

Previously, designers have had to make their own custom screening for this small size of equipment, or utilise an expensive fully-screened rack.

The modules are supplied as kits with sealing strips incorporating Monel which provides good electrical contact yet is neutral on the galvanic scale, reducing risk of corrosion. The standard stock sizes are 3U x 160mm x 6, 12 or 21hp, 3U x 220mm x 6hp, and 6U x 160mm x 12 or 21hp.

Test results show that the modules achieve 28 and 45dB attenuation for magnetic field tests at 1 and 10MHz respectively, and better than 66 and 87dB respectively for electric fields at the same frequencies.

*BICC-Vero Electronics Ltd,  
Unit 5,  
Industrial Estate,  
Flanders Road, Hedge End,  
Southampton SO3 3LG.  
Tel: (04892) 5824.*

# More News From Scarab Systems

## AMSTRAD PROGRAMS

**RTTY.\*** This program is probably the most advanced RTTY program available today. It features an on screen menu which may be accessed whilst still in receive mode. There is a large 10K memory storage area. Callsign capture, auto-CQ calling, Real-time clock, full type-ahead facility, variable baud rate, PTT, ITM, and saveable QSO buffer. Unlike some programs available this program is fully 464, 664, 6128 compatible.

**MORSE TUTOR.** A highly sophisticated morse tutor which allows you to select the transmit speed, word spacing, print-out during or after the test, adjustable tone, choice of plain text, random figures/letters/mixed text, timed test PLUS an inbuilt vocabulary of over 1000 English words.

**LOG BOOK.** A log book program written for the Amstrad computer allows you to store station details such as callsign, name, date, RST etc. The data is presented in the form of a QSL card and data can be dumped to the printer, features include search, update, sort, save and load.

Buy all three Amstrad programs for a special price of £19.75 (only available via this advert).

\*Requires suitable terminal unit.

**FS-1 PEAK/NOTCH FILTER.** This is a low cost, high performance unit for HF and VHF operation. It features a very sharp peak and notch filter along with a low noise audio amplifier. Attractively cased in either a blue or black box, with internal battery holder. Variable frequency operation (350-3000Hz).

Professional software for the Radio Amateur

Prices Amstrad RTTY – £10.50  
RTTY + MPTU-1 – £78.00  
Morse Tutor £5.00 Log Book – £5.00  
Amstrad Pack – £19.75  
FS-1 Peak/Notch Filter – £35.00

Distributors

**UK Ward Electronics, D W Electronics,  
S P Electronics.  
Scandinavia. Chara Electronics,  
Hofors – Sweden.  
Australasia. Essex Mellor Pty Adelaide.**

Or available directly from:-

## SCARAB SYSTEMS

39 STAFFORD ST, GILLINGHAM,  
KENT ME7 5EN  
TEL: MEDWAY (0634) 570441



# REPRO-ELECTRONICS-SYSTEMS

Are pleased to announce the new TT/903 transistor tester, a unique development in pocket test equipment. This instrument will test transistors *in circuit* as well as out of circuit. Operation involves merely connecting three probes and pushing the button. No wonder the TT/903 has already aroused immense interest throughout Europe.



## MAIN DEALERS

MIDLAND RADIO CENTRE: 133 Flaxley Rd, Birmingham. 021-784-4928

P M COMPONENTS LTD: Springhead Ent Park, Springhead Rd,  
Gravesend, Kent. 0474-60521

WESTMOUNT COMMUNICATIONS LTD: 251a High Street, Eltham,  
London SE9. 01-859-5017.

**TRADE ENQUIRIES TELE: 0474 332101**

# NEWS DESK

## Cable TV

Cable TV Supply (UK) Ltd, a subsidiary of Cable TV Industries, has opened its new warehouse and will supply cable television systems throughout the United Kingdom and on the Continent with materials used to build and maintain cable television systems. The UK sales office in Epsom has been moved and consolidated with the new warehouse, which is located seven miles from London in Leatherhead, Surrey.

Sixteen cable systems have been granted franchises. Eight of these have begun construction this year, prompting the company's expansion. In future years, 10 to 15 franchises are expected to be granted annually.

Cable TV Industries is one of the largest distributors of cable products in the United States and has four wholly-owned subsidiaries: Cable TV Supply (UK) Ltd, Cable TV Supply Company Inc, Home Satellite Systems TM, and Aberdeen Company Inc. The company also markets electronics products and satellite communications products, systems and service through the Startron Systems TM division of Cable TV Supply Company.

## Palette

At the British Medical Ultrasound 17th Annual Scientific Meeting and Commercial Exhibition on 17-19 December, Polaroid are demonstrating a range of products including Palette, their computer image recorder. This is compatible with most personal computers but is shown at the exhibition in the recently introduced BBC Model B version.

Palette is a small unit, measuring no more than 16 x 8 x 6 inches. It connects to the PC by a black and white video line plus a communications line, and is used in conjunction with a 35mm single lens reflex camera body. Hence it can make its images on both conventional 35mm and Polaroid instant 35mm films. The addition of a special 3 1/4 x 4 1/4 inch format film back

also enables the preparation of images on instant print and overhead transparency materials.

Driven by its own software, which actually gives the system an intelligence above that of the host computer, Palette records images on film, straight from the PC, rather than from its VDU screen, guaranteeing superb image quality without the risk of degradation through distortion, reflections or flare.

Palette works by taking computer-generated images and breaking them down into grey-scale elements that are displayed in turn on an integral mono screen and photographed through a tricolour wheel of red, green and blue. In this way, a full range of up to 72 colours can be simulated on film. It also fills in the raster lines created by any TV monitor, producing a purer, more saturated image on print or transparency.

## Optical fibre contract

Telecom Australia has signed a 3-year supply agreement with Plessey for 565Mbit/s optical fibre communications systems for its transcontinental network connecting Melbourne, Sydney, Perth and other major cities.

The initial contract is for the Melbourne - Sydney route. Plessey will supply 565Mbit/s, 1300nm optical fibre terminal equipment and regenerators, operating with single mode fibre cables, to provide a capacity of up to 7,680 voice channels (or the equivalent in data or video) per fibre pair.

The Melbourne/Sydney route will include six line systems, with twelve terminals and seventy-four regenerators. Route protection switching systems will also be supplied.

Deliveries are scheduled to start in late 1986 and installation early in 1987, and all systems are planned to be ready for service in 1988 - to coincide with the bicentenary of the first landing in New South Wales.

## Animal crackers

Greenwood Electronics, in what is described by their PR department as 'a fit of madness on behalf of management', have come up with a scheme to adopt an oryx at London Zoo (all together now - aaah! How sweet...).

For those of you who don't read the *Product News* pages (*yeah, I just like looking at the pics, too - Ed*), Greenwood produce the Oryx range of soldering equipment. Further additions to the range will sport a new logo in 1986, which also happens to be Greenwood's Silver Jubilee year.

So, Greenwood are due congratulations both on contributing to the survival of an attractive and rare animal and on reaching the ripe old age



What a horny beast!

of 25. With a management prone to fits of madness, that should be one hell of a party...

Plessey was awarded the first commercial 565Mbit/s system contract in October 1983 by British Telecom, and this equipment is being installed on the Nottingham-Sheffield route and was due to enter service by the end of 1985.

## Telconsult in Nigeria

British Telconsult, the overseas consultancy division of British Telecom International, has won a £3 million contract to assist in creating Nitel - a new telecommunications administration for Nigeria.

The deal follows a Telconsult study last year of the existing national and international telecommunications organisations in Nigeria.

This study recommended major reforms of these organisations, and the Nigerian Government has now asked British Telconsult to help it set up Nitel to run both national and international services.

One of British Telconsult's major tasks will be to draft a five year business plan for Nitel, pinpointing areas for future investment, ways in which external funding can be attracted, and how new technology can be most effectively introduced.

## The Network

The Network is a sophisticated way for European firms to source electronic parts and components from thousands of distributors in the US with a single phone call.

The Network wires a hard copy listing of a customer's needs to over 3,000 distributors, all over the US. Because of a unique electronic mail system, The Network ensures that all distributors receive the enquiries no more than 24 hours after the Amsterdam office has been contacted. Every request is treated on a 'priority' basis, with no minimum order requirements.

The Network provides a 100% guarantee; products that do not meet the standards can be returned. The system has been successfully available in the US for over three years. Now a European office has been established in Amsterdam.

The service is not charged to the buyer.

To try the service contact: *The Network, PO Box 15703, 1001 NE Amsterdam, The Netherlands. Tel: (+31) 20-233227.*

## Elusive electronics

A component supplier has written to indicate that he is prepared to supply non-stock

## NEWS DESK

or difficult to obtain items for projects. The price lists included were not unreasonable, so if you're having trouble he might be worth a try at the following address: *CPL Electronics, 8 Southdean Close, Hemlington, Middlesbrough, Cleveland TS8 9HE. Tel: (0642) 591157.*

### Testing, testing...

Repro Electronics Services, a company formed earlier this year to produce electronic equipment, recently extended its range of products with the addition of two new pieces of test equipment.

Most interesting of these is a novel transistor tester, which as well as allowing the usual checking of discrete npn and pnp transistors also offers the ability to check these devices in-circuit (and is therefore probably unique in the area of pocket test equipment). A faulty component is indicated by an LED, and the compact unit is powered from a 9V battery. It has already aroused much interest on mainland Europe as well as in Britain.

The other new product is a microphone tester to allow the testing of a combination of different microphones. These products add to a range which already includes a speech processing unit, a microphone switcher box, a 24V to 12V voltage reducer and a 25W linear amplifier for the amateur market.

Repro Electronic Services began production at their Gravesend factory earlier this year, the company having been formed by Ray and Pauline Littleboy, previously importers of electronic equipment. Their products are assembled entirely from British components, and with the promised success of the new units they should soon be releasing further designs.

### DC to light

A new manufacturer, trading under the name of DC to Light, aims to produce finished products to fill the parts of the amateur market which are not well catered for or are very highly priced.

The initial product range includes a 50MHz transverter with 144MHz IF, 70cm ATV

transceiver, power supply, demodulator/VSWR bridge/power meter, and a range of stacking units to hold all the individual units.

New products will be available shortly, with 24cm FM ATV and a dedicated 2 metre FM talk-back transceiver in the pipeline.

A shortform catalogue is available, on receipt of an SAE, from: *DC to Light, 15 Bursley Way, Bradwell, Stoke-on-Trent ST5 8JO. Tel: (0782) 639406.*

### EMC seminar

ERA Technology is organising a technical seminar and exhibition on electromagnetic compatibility (EMC), a complex subject which has become something of a nightmare for the electronics engineer. The seminar, 'Suppression Components, Filters and Screening for EMC' will be held on Thursday 6 February 1986 at the Heathrow Penta Hotel, London.

The purpose of ERA's seminar is to review the range of suppression devices in current use and to comment on their suitability for particular applications. It will also examine new products which have been specially developed to give the engineer improved methods of achieving electromagnetic compatibility.

Industries principally concerned include radio and television, aerospace, the computer industry, data processing, information technology, the household appliances industry, industrial electronics and defence.

To book a place at the seminar or to reserve exhibition space, please contact: *Miss Laura Christie, Seminar Organiser, ERA Technology Ltd, Cleeve Road, Leatherhead, Surrey KT22 7SA. Tel: (0372) 374151 ext 290.*

### Space communications

Student communication engineers are to be offered an opportunity to gain practical experience of the latest information technology systems. Microwave satellite aerials are currently being installed on the top of the tower block in the Holloway Road complex of the Polytechnic of North London.

### Teutonic tuner

Rohde & Schwarz, those Teutonic masters of test and measurement and broadcast equipment, have developed a rather nice ATU for fully automatic matching of all types of rod and wire antennas to the outputs of short wave transmitters up to 1kW.

The quoted VSWR of the FK859 is less than 1.3:1 between 1.5 and 30kHz, and the unit features RFI immunity to neighbouring transmitting antennas. It is fully automatic without transmitter control, and has a V.24 interface for operation in systems with a central process controller as well as a programmable 8-bit parallel interface. Tuning times are typically 2 seconds for starting up and 50ms for normal operation.

It is also hoped that this new communications system, which can be used to transmit telephone, video and digital data, will be used by the polytechnic to link its widespread North London sites.

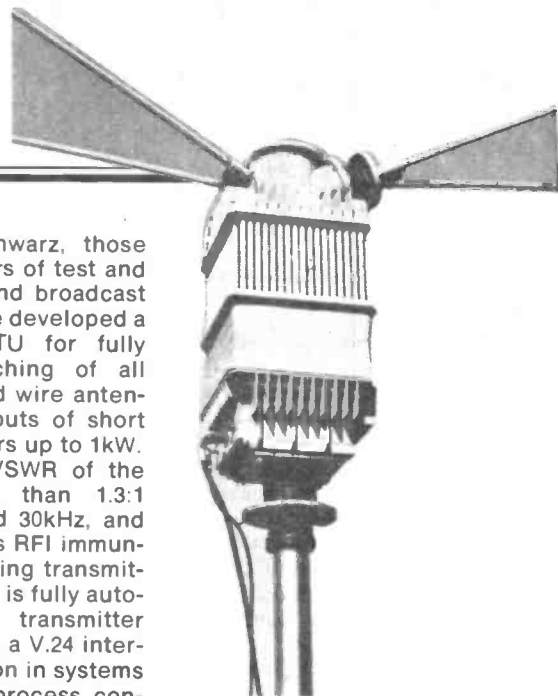
Dr Richard Meadows, of the Department of Electronics and Communications Engineering, believes that it is essential that undergraduate engineers be provided with the facilities to test components and systems which they have designed in their seminars and practical sessions, as well as having the opportunity to operate complete systems.

To further help the students, the Department of Electronics and Communications Engineering is producing video training programmes to show how to operate the test equipment.

The Department of Electronics and Communications Engineering will in future be able to provide technical help and a handbook for anyone thinking of installing satellite receivers.

### Power '86

The Power Supply Manufacturers Association (PSMA) is again sponsoring Power UK '86 (*again? - Ed*), an exhibition/conference on the specialised field of power supply and alternative power sources, organised by TCM Expositions Ltd.



Mind you, it still looks like something that would give a Dalek or Robbi the Robot restless nights and a desperate need for a cold shower.

Applications for space at the exhibition are expected to be 40% up on last year. Power UK '86 will provide a good opportunity to discuss specific requirements with manufacturers and examine many competing products.

The venue this year is the Kensington Exhibition Centre and the exhibition will run from 4-6 March 1986.

TCM Expositions are also organising a similar event in West Germany, Power Europa '86. This will be staged from 3-5 June 1986.

Contact: *TCM Expositions Ltd, Exchange House, 33 Station Road, Liphook, Hampshire GU30 7DN.*



### PROHIBITION SIGN

#### BRITSAFE SAFETY SIGNS

National Safety Centre, London W6 9RS

*No bulls--t: the British Safety Council's tongue in cheek way of reminding us that from 1 January 1986 all safety signs in workplaces must conform to BS5378*

## 934 MHz PERSONAL RADIO

# The Nevada Range

Join the growing number of people discovering this exciting radio band. Available to anyone for the cost of a current CB licence.

Many two way contacts have already been made from 10 miles to 250 miles according to location and weather conditions.

### A. THE CYBERNET DELTA 1 934 MHz TRANSCEIVER

Has been engineered specifically for the UK market using latest "state of the art" technology. With a sensitive receiver and many additional facilities these sets have achieved contacts of over 200 miles range, under certain conditions.

- Sensitive RX (0.25  $\mu$ V for 12 db SIMAD).
- 16 memories available.
- Auto/Manual scan and search facility.
- External 'S' meter socket.

→ \$5 SPECIAL DELIVERY **£355**

Ask for a demonstration of this superb set from one of the Nevada "MAIN" dealers below.

### B. SWR/POWER METER

This precise and extremely accurate meter features an illuminated scale, low loss 'N' type connectors and twin meters for both power and SWR measurement. Power 0-50 watts in two ranges. **£89<sup>95</sup>**

### C. HRA 900 MASTHEAD PRE-AMPLIFIER

Super low noise GaAs FET pre-amplifier that mounts at the masthead. Low insertion loss and noise (typically 0.8 dB) coupled with 15dB gain enable this unit to double the received range of many sets. **£139<sup>95</sup>**

### D. HRA 934 L IN-LINE Ga As FET PRE-AMP

A super new ultra-low noise pre-amp which fits in line on any base or mobile installation. Guaranteed to give a staggering increase in received range. Extremely low noise 0.7 DB NF. 20 DB gain. **£125**

### E. REMOTE ANT. SWITCH

High quality weatherproof mast head mounting switch. For switching 2 antennas with one cable feed. i.e. Beam/Colinear ('N' type sockets). **£59<sup>95</sup>**



### F. HAS-2

Remote DC switch for E **£6<sup>00</sup>**

### G. ANTENNAS

Manufactured to the highest possible specification.

#### PA7-E BASE COLINEAR

Our top of the range base antenna supplied with mounting brackets, weatherproof tape, and 'N' connector. Gain 7.14 dBi stacked  $\frac{3}{8}$  array. incl. p&p **£66**

**P7-ME** High gain mobile magnetic mount antenna with unique  $\frac{1}{4}$  wave matching system. 7.14 dBi gain. incl. p&p **£44**

**P7-RE** High gain gutter mount mobile antenna fully adjustable. 7.14 dBi gain. incl. p&p **£44**

### H. Tc 12L MKII NEW 12 ELEMENT BEAM

A new aluminium version of our successful 12 element loop quad. This beam is now better than ever.

- We guarantee this antenna has more gain than any similar 12 element Yagi array.
- Designed by Mike Walters one of the UK's leading microwave antenna engineers.
- Built in low noise feed system to a high quality 'N' socket.

#### SPECIFICATIONS:

Gain: 18 dBi. Front-Back ratio 25 dB. Weight: 0.7 Kg Length: 53.5 ins. **£49**

### I. POWER SPLITTER

Enables the co-phasing of any two 934 MHz antennas to give an additional 3 DB gain. **£24<sup>90</sup>**

### Aerial Supplies (Liverpool) Limited

Atherton, Liverpool.  
Tel: (051-525) 1006

"Agrimotors" Merton CB Radio Centre  
Merton, Okehampton, Devon EX20 3DZ  
Tel: (08053) 200

Charlie Bravo  
82 Broadway, Bexley Heath, Kent.  
Tel: (01-304) 0467

Chat Back  
East Hill, Camborne, Cornwall.  
Tel: (0209) 715773

CB City  
64 Waterloo Road, Stoke On Trent, Staffs.  
Tel: (0782) 814952

Centre Base 1  
433 Wilmslow Road, Withington, Manchester.  
Tel: (061 445) 8918

Green Electronics  
6 Short Street, Lowestoft, Suffolk.  
Tel: (0502) 513960

Guildford Communications  
34 Aldershot Road, Guildford, Surrey.  
Tel: (0483) 574434

G.W.M. Radio  
40-42 Portland Road, Worthing, West Sussex.  
Tel: (0903) 34897

Henry's  
404-406 Edgware Road, Paddington, London W2 1ED  
Tel: (01-724) 0323

Horsetrader  
1424 Leeds Road, Thornbury, Bradford, Yorks.  
Tel: (0274) 663928

H & R Watson  
24-26 Forest Hill Road, Newcastle On Tyne NE12 9AL  
Tel: (091268) 4609

Hull C.B. Centre  
194 Hessel Road, Hull, N. Humberside.

Imagefree Limited  
1-3 Station Road, Rainham, Kent.  
Tel: (0634) 373960

Imec. Marine Systems Ltd. (Head Office)  
Baldoye Industrial Estate, Dublin 13.  
Tel: 393132/393065

Inrange  
8 Marine Court, St. Leonards-On-Sea, E. Sussex.  
Tel: (0424) 443185

Lincs & S. Humberside  
201 Freeman Street, Grimstey, S. Humberside.  
Tel: (0472) 360037

Maggies C.B.  
63 Fleet Street, Keyham, Plymouth, Devon.  
Tel: (0752) 59237

Marshon Electronics  
366 Spring Road, Ipswich, Suffolk IP4 5NG  
Tel: (0473) 75476

Mitler Telecommunications  
The Parade, Cherry Willingham, Lincoln.  
Tel: (0522) 754279

Modulations Communications  
62 Wootton Road, Abingdon, Oxon.  
Tel: (0235) 21400

Parkside C.B. Centre  
Thursford, Fakenham, Norfolk.  
Tel: (0328) 77402

### Selectronics

203 High Street, Canvey Island, Essex.  
Tel: (0268) 691481

South Coast Electronics  
6 Monks Avenue, Lancing, West Sussex.  
Tel: (0903) 753754

Square Wheels  
82b Edgewood Road, Birmingham 45, West Midlands.  
Tel: (021460) 1581

Stadium Accessories  
67 Bowman Street, Darlington, Co Durham.  
Tel: (0325) 59929

Standens (Tonbridge) Limited  
92a High Street, Tonbridge, Kent.  
Tel: (0732) 353540

Tandy Electronics  
125 Langwith Road, Hillstown, nr Chesterfield, Derbyshire. Tel: (0246) 826578

Tower Communications  
11 High Street, Haddenham, Cambs.  
Tel: (0353) 740306

Wall & Son  
4 Tetbury Street, Minchinhampton, Glos.  
Tel: (0453) 882089

## NEVADA 934 MHz MAIN DEALERS

# NEVADA 934

Professional Series

DISTRIBUTED BY: TELECOMMS, 189 LONDON ROAD, PORTSMOUTH PO2 9AE  
TELEPHONE: 0705 662145 TELEX: 869107 TELCOM G

Nevada 934 MHz Catalogue available £1.00 from Telecomms.

# SPECTRUM WATCH

NIGEL CAWTHORNE G3TXF

**S**pain's entry this month into the EEC (along with that of its neighbour Portugal) brings the EEC's population to some 318 million, which is larger than both the USA (227m) and the USSR (265m).

Spain has a long tradition in broadcasting, and especially in commercial broadcasting. It was from EAJ1 Radio Barcelona that some of the world's first ever radio commercials were broadcast in 1924.

## Broadcasting

Broadcasting in Spain has gone through some major changes in recent years. The creation of 17 autonomous regions such as Catalonia and the Basque country has meant that entirely new regional TV networks are being built where none existed before.

For example, TV3 in Barcelona is the regional network for Catalonia. TV3 has six main transmitter sites to cover Catalonia and is currently working on completing the TV transponder network. Over 50 UHF transponders are in service so far, and TV3 expects to be installing a total of about 90.

The TV3 network is entirely on UHF. The main Barcelona transmitter station has two 10kW transmitters in parallel feeding into a 16-panel antenna, giving an ERP of 300kW on Ch 44. The other main transmitters are either 5kW or 10kW. TV3 uses its own network of microwave links to carry its programme signals to the transmitter sites.

## Makeshift studio

The first test transmissions from TV3 were in December 1983, and the official on-air date was 16 January 1984. TV3 is therefore one of the newest TV networks in Europe. For the first two years of operation TV3 has been using makeshift studios, but a large new purpose-designed studio complex is being completed on the outskirts of Barcelona. The new studios, which cost £50M, were inaugurated in late 1985.

Catalonia is not the only autonomous region of Spain to have its own TV channel. There is Euskadi Television in the Basque country of Northern Spain and TV Gallega in the Galician region.

The new regional TV channels are funded by local government. At the national level Spain has two TV channels run by RTVE, the central Spanish TV organisation.

## National TV channels

RTVE's two national TV channels are carried by a network of VHF and UHF transmitters. The majority of the first programme main transmitters are on VHF Bands I and III, whereas all but one of the second programme main transmitters are on UHF.

Band I transmitters still play an important role in TV transmission in Spain, whereas in other countries (such as the UK) Band I transmissions have been or are being dropped. There are about ten high-power Band I transmitters operating in Spain. Madrid is on Ch E2 (250kW ERP), and the second major city, Barcelona, is on Ch E4 (150kW ERP). The most powerful Band I station is Izaña in the Canary Islands on Ch E3 with 350kW ERP.

Although Barcelona's first programme is on Band I Ch 4 (150kW ERP), the second programme (Ch 31) and the regional TV channel TV3 (Ch 44) are both on UHF. The three TV transmissions for the Barcelona area are all from the same Tibidabo mountain-top site. The mix of TV transmission bands that is found all across Spain means that Band I, Band III and UHF TV antennas can often be seen all stacked together on the same roof.

## Sound radio

Unlike most other European countries where private sound radio broadcasting is a comparative novelty, private radio stations have been a feature of Spanish broadcasting ever since the early days. Cadena SER, whose first station was EAJ1 in Barcelona, is one of the largest private radio organisations in Spain with over 50 stations. Each station in the network has both an MW and a VHF FM outlet in a similar way to the BBC local radio and ILR stations in the UK. For example, SER's Radio Madrid has parallel programming on 810kHz (MW) and 93.9MHz (VHF FM).

## Private TV

Although privately run radio stations are an important part of Spanish sound broadcasting, there are no private TV broadcasters (other than a number of local TV pirates). There is currently a lot of discussion and speculation in Spain on the possibility of private national TV networks.

A key technical argument concerns who would be responsible for transporting the private TV network programmes



*Radio Avui in Barcelona, HQ station of the Cadena 13. Note the tape recorder for off-air logging*

around the country. RTVE have their own microwave network which is used to carry the programme signal to main transmitters. A private TV channel providing a national service would need the same sort of microwave facilities to carry their programmes to the transmitter sites. But who should provide this link? Should it be RTVE, who already have their own microwave network infrastructure? It would be cheapest to use the RTVE facilities because they already have the sites, but the future owners of the private TV channels may not want to depend on RTVE for the networking of their programmes.

Alternatively, should Telefónica, Spain's telephone company, be responsible for networking the private TV channels? Telefónica are reportedly keen to implement new digital microwave transmission techniques, and the private TV operators would be convenient and lucrative customers for them.

Or, finally, should the private TV network operators do their own networking by building, at enormous cost, their own independent national microwave network? A possible compromise solution to the problem of who is to network private TV programming in Spain would be the creation of a new national body (similar to the TDF in France), to take over the running of RTVE's microwave distribution network and to provide similar facilities for the new private TV channels.

## Spain's world service

Radio Exterior de España (REE) is Spain's short wave international broadcasting service. REE provides two types of international service: firstly a Spanish world service for expatriates and mariners, and secondly a more general international service for listeners interested in following events in Spain.

REE transmits from mainland transmitter sites at Arganda and Noblejas. There is also a secondary offshore REE transmitter site at Santa Cruz de Tenerife in the Canary Islands, with two 50kW transmitters for South American services.



Of the two mainland transmitter centres Arganda is the oldest, and first came into service in 1954. Arganda today has five 100kW transmitters. The REE's largest transmitter centre is the 220 acre Noblejas site south of Madrid, where there are six Thomson 350kW transmitters. The station was originally designed to house eight transmitters, but the last two have never been purchased. Construction of the Noblejas site commenced in 1969.

The SW antenna array at Noblejas consists of two long rows of bi-directional and slewable curtain antennas. Slewing is the technique which allows a seemingly fixed SW curtain antenna to fire at an angle other than in the direction of the main beam. This is achieved by altering the feeder lengths to the different parts of the antennas.

At Noblejas the two main arrays are firing at 230° and 290°. The use of slewing permits coverage of all of North and South America from these two arrays. By reversing the direction of fire through 180°, the same antennas with beam centres of 50° and 90° can be used for Europe, Australia and the Middle East. The antenna installations at Noblejas, which consist of sixteen curtains suspended from eighteen towers, total some 2.5km in length.

REE provides 35 hours of programming daily, of which 25 are in Spanish, two each in French and Arabic and five in English.

### Radio Nacional de España

Radio Nacional de España (RNE), which is part of the public broadcasting organisation RTVE, provides three national radio channels, one of which (Radio 1) is carried on medium wave and two (Radios 2 and 3) on VHF FM.

Main transmitters in RNE's medium wave network are the 250kW transmitters at Seville (684kHz) and Barcelona (738kHz) and the 200kW transmitter in Madrid (585kHz). Other RNE medium wave transmitters range from 5kW to 125kW, with a total of twenty MW transmitters in the network. On VHF there are 50 main transmitter stations carrying Radios 2 and 3.

The RNE-run Catalan speaking Radio 4 was inaugurated for listeners in the Barcelona area. This was a significant break from the long tradition that all broadcasting in Spain was in Castilian Spanish and not regional languages such as Catalan. Radio 4 uses a 1kW transmitter on 100.8MHz, and has now been joined by several other Catalan radio stations.

### Cadena 13

Cadena 13, for example, is a network of Catalan speaking private radio stations. Thirty-four private radio broadcast licences were granted in the Catalonia region, and a group of 13 licence holders



Antena 3, one of Spain's several networks of private broadcasting stations, used a mobile sound studio for live programming from the national Spanish electronics show, Sonimag

have formed themselves into the Cadena 13 network.

Radio Avui in Barcelona, which came on air in December 1983, is the headquarters station of the network. Radio Avui transmits on 100.0MHz with a 10kW transmitter located at the Tibidabo site. The same transmitter site is shared by a large number of broadcasters, including RTVE (two TV channels and three FM) and TV3, as well as by many other services such as police, taxis and ambulances.

From the roof of Radio Avui's downtown studio building there is a clear view of the Tibidabo transmitter site some 5km away. The programme feed between the two is carried by an 800MHz link.

Cadena 13 operates a microwave link network across Catalonia which allows programmes to be networked to all thirteen stations, directly from Barcelona. Inside the Radio Avui studio building there are three sound studios and a control room. In order to provide a transmitter back-up facility in case of failure of the main transmitter at Tibidabo, Radio Avui have a 250W standby transmitter at the downtown studio which feeds into a roof-mounted four element circularly polarised array.

### Mobile radio

Spain has been keeping a low profile in mobile radio. Spain's NMT 450 cellular network, which came into service in 1982, was one of the first on-air cellular systems in Europe. But despite being one of the first in the field the network has been slow to develop. The present system covers Madrid and Barcelona only and has around 600 subscribers (for comparison, the UK cellular networks which came on-air just one year ago now have close to 40,000 subscribers).

Today's carphone fleet in Spain totals less than 1,000. There are still some 350 subscribers on the 1972 Motorola-built 150MHz system, which is being phased out as the Ericsson NMT 450MHz cellular network is expanded.

Telefónica have major plans for exten-

ding the coverage of the cellular network. Additional cellular systems were added in Cadiz, Seville and Malaga in late 1985. The new Southern Spain network will be in service in early 1986.

The number of cells in operation, including the new areas, are: Madrid (3), Barcelona (2), Segovia (1), Toledo (1), Cadiz (2), Seville (1) and Malaga (3). The three separate networks have the following channel capacities: Madrid/Toledo/Segovia (57), Barcelona (12) and Southern Spain (35). Telefónica plan to add further new cellular areas, but even with current plans, coverage by 1988 is not expected to exceed 50% of the population nor 15% of the surface area of Spain. Present cellular population coverage is less than 20% (in the UK the two cellular operators are racing towards the 90% population coverage by 1989 goal set by their licences).

Market liberalisation in Spain means that in 1986 cellular mobile sets will be available from sources other than Telefónica, who up until now have had a monopoly. This should lead to increased demand for a service which so far has only been accessible to the ministerial and industrial elite of Spain.



The Barcelona DX Association's demo station at last September's Sonimag



The prices quoted in my Catalogue are below normal trade price — some at only one tenth of manufacturers quantity trade. Just send large 24p stamped addressed envelope for free copy.

Millions of components, thousands of different lines  
Rechargeable Nickel Cadmium batteries (ex unused equipment)  
AA(HP7) 1.25 volt 500 mA Set of four £2.  
ITT Mercury Wetted relay 20-60 VDC Coil. SPCo. 2A. 79p or 10 for £7.

Clear LED illuminates Red, Green or Yellow depending upon polarity/current. Oblong 5 x 2½mm Face. 25p or 100 for £23 or 1000 for £200.

5 mm Red Flashing LED 25p or 10 for £2.25.  
Watch/Calculator/Light etc. Mercury Batteries Made by Ray-O-VAC 10 mixed popular sizes. £1.50, 50 for £5.00.  
IN4004 or IN4006 Diodes. 300 for £6.50.  
KBS005/01/02 3 amp 50 V/100 V/200 V/bridge rectifiers, 35p/36p/40p. 10 off £3.20/£3.40/£3.70. 100 off £30/£31/£34.  
Plessey SL403 3 Watt amp. From Bankrupt source, hence sold as untested. 4 for 60p or 10 for £1.20p.  
5mm LED, clear, lighting hyperbright (600mcd), red up to 200 times brighter (gives beam of light), 25p, 100/£20, 1000/£150.  
Mullard 5mm LED, 40 red, 30 green, 30 yellow = 100 mixed, £7.

'HARVI' Hardware packs (nuts-bolts-screws-self tappers, etc) marked 35p retail, 100 mixed packs for £11.  
Modern silver/black/aluminium, etc. knobs 50 mixed, £6 (sent as 10 sets of 4 + 5 sets of 2 — 15 different type/sizes).

**SEND PAYMENT PLUS 17p SAE**

Postal orders/cash — prompt dispatch.  
Cheques require 9 days from banking to clear.  
Crossed postal orders and cheques — add 20p handling due to Bank's increasing 'commission' on business accounts.  
Cheques drawn on Barclay's Bank not accepted.  
Prices you would not believe before inflation!

**BRIAN J. REED**

TRADE COMPONENTS, ESTABLISHED 28 YEARS  
161 ST JOHNS HILL, CLAPHAM JUNCTION  
LONDON SW11 1TQ.

Open 11am till 6.30 pm Tues. to Sat. Telephone 01-223 5016

# AUDIO MODULES AT THE LOWEST PRICES

Now Distributed by Riscomp

## POWER AMPLIFIERS

**AL 1030** — Low cost general purpose 10W/Bohm module, supply voltage range 18-30V.



£3.85 + VAT

**AL 1540** — At 15W/Bohm medium power module incorporating over-load protection. Operating voltage range 20-40V.



£4.15 + VAT

**AL 2850** — Compact 25W/Bohm module for domestic applications with a distortion figure of 0.08%, operating voltage 28-50V.



£4.95 + VAT

**AL 6070** — Top class 50W/Bohm module with self-contained heat sink and built-in protection circuitry, produces really 1st class sound with a distortion level at an incredible 0.02%.



£10.50 + V.A.T.

**AL 12850** — A rugged top of the range module providing output powers of up to 125W into 4ohms which employs 4 heavy duty output transistors to ensure a stable and reliable performance. Currently used in disco units, public address systems, juke boxes and even domestic Hi-Fi.



£14.70 + VAT

## PRE-AMPLIFIERS & MIXERS

**PA 207** — A quality stereo pre-amplifier and tone control unit suitable for driving any of the above amplifiers. Operates from a supply rail of 40-70V.



£13.95 + VAT

**MM 100** — 3 input mixer featuring individual level controls, master volume, treble & bass controls, with inputs for microphone, magnetic pick-up and tape or second pick-up (selectable). Operates from 45-70V.



£12.40 + VAT

**MM 100G** — As MM 100 except inputs are for 2 guitar + microphone £12.40 + VAT

## POWER SUPPLY

**SPM30/45/55/65** — A stabiliser module available in 3 voltages, 45/55 & 65V providing a stabilised output of up to 2A and providing a superior performance especially with the higher power audio modules. (Requires an appropriate transformer + reservoir capacitor).



£6.85 + VAT

All modules supplied with a comprehensive Data Sheet.

Order by post, order by 'phone  
Add 15% V.A.T. to all prices  
U.K. orders add 70p post & packing  
export orders — post & packing at cost

**RISCOMP LIMITED**

51 POPPY ROAD, Dept. 34  
PRINCES RISBOROUGH,  
BUCKS

Tel: (084 44) 6326



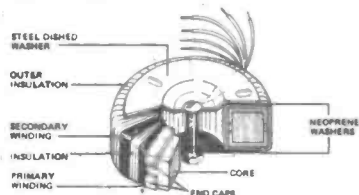
FROM



**Jaytee Electronic Services**  
Dept REW1, 143 Reculver Road, Beltinge,  
Herne Bay, Kent CT6 6PL.  
Telephone: (0227) 375254

ILP Toroidal Transformers are now available through Jaytee. The UK Distributor with the availability and service to match the quality of the toroids.

FOR FREE DATA PACK PLEASE  
WRITE TO OUR SALES DEPT.



TYPE	SERIES NO.	SEC. VOLTS	R.M.S. CURRENT
<b>15VA</b> Regulation 19% 62 x 34 (See diagram) 0.35 Kgs Mounting bolt M4 x 12	03010	6-6	1.25
	03011	9-9	0.83
	03012	12-12	0.63
	03013	15-15	0.50
	03014	18-18	0.42
	03015	22-22	0.30
<b>30VA</b> Regulation 18% Size A B C 70 35 37 0.45 Kgs Mounting bolt M5 x 50	13010	6-6	2.50
	13011	9-9	1.66
	13012	12-12	1.25
	13013	15-15	1.00
	13014	18-18	0.83
	13015	22-22	0.68
<b>50VA</b> Regulation 13% Size A B C 90 40 43 0.9 Kgs Mounting bolt M5 x 50	23010	6-6	4.16
	23011	9-9	2.77
	23012	12-12	2.08
	23013	15-15	1.66
	23014	18-18	1.38
	23015	22-22	1.13
<b>80VA</b> Regulation 12% Size A B C 95 40 43 1.0 Kgs Mounting bolt M5 x 50	33010	6-6	8.66
	33011	9-9	4.44
	33012	12-12	3.33
	33013	15-15	2.66
	33014	18-18	2.22
	33015	22-22	1.81
<b>120VA</b> Regulation 11% Size A B C 95 45 50 1.2 Kgs Mounting bolt M5 x 50	43010	6-6	10.00
	43011	9-9	6.66
	43012	12-12	5.00
	43013	15-15	4.00
	43014	18-18	3.33
	43015	22-22	2.72

TYPE	SERIES NO.	SEC. VOLTS	R.M.S. CURRENT
<b>180VA</b> Regulation 8% Size A B C 110 45 50 1.8 Kgs Mounting bolt M5 x 50	53012	12+12	8.66
	53013	15+15	5.33
	53014	18+18	4.44
	53015	22+22	3.63
	53016	25+25	2.86
	53017	30+30	2.26
<b>225VA</b> Regulation 7% Size A B C 110 50 55 2.2 Kgs Mounting bolt M5 x 60	63012	12+12	9.38
	63013	15+15	7.50
	63014	18+18	6.25
	63015	22+22	5.11
	63016	25+25	4.30
	63017	30+30	3.75
<b>300VA</b> Regulation 6% Size A B C 110 57 62 2.6 Kgs Mounting bolt M5 x 60	73013	15+15	10.00
	73014	18+18	8.33
	73015	22+22	6.82
	73016	25+25	6.00
	73017	30+30	5.00
	73018	35+35	4.28
<b>500VA</b> Regulation 5% Size A B C 135 60 65 4.0 Kgs Mounting bolt M8 x 70	83016	25+25	10.00
	83017	30+30	8.33
	83018	35+35	7.14
	83026	40+40	6.25
	83025	45+45	5.55
	83033	50+50	5.00

TYPE	SERIES NO.	SEC. VOLTS	R.M.S. CURRENT
<b>825VA</b> Regulation 4% Size A B C 140 70 75 5.0 Kgs Mounting bolt M8 x 90	93017	30+30	10.41
	93018	35+35	8.92
	93026	40+40	7.81
	93025	45+45	6.94
	93033	50+50	6.25
	93042	55+55	5.68
<b>1200VA</b> Size A B C 220 220 2.84 2.60	93028	110	5.68
	93029	220	2.84
	93030	240	2.60

**ILP TRANSFORMERS ARE NOW SUPPLIED WITH DUAL PRIMARIES PERMITTING 110V OR 220/240V OPERATION**

## THE TOROIDAL POWER TRANSFORMER

Offers the following advantages:-  
SMALLER SIZE AND WEIGHT TO MEET MODERN 'SLIMLINE' REQUIREMENTS.  
LOW ELECTRICALLY INDUCED NOISE DEMANDED BY COMPACT EQUIPMENT.  
HIGH EFFICIENCY ENABLING CONSERVATIVE RATING WHILST MAINTAINING SIZE ADVANTAGES.  
LOWER OPERATING TEMPERATURE.

## PRICES

VA	Size	£
15	0	8.37
30	1	9.67
50	2	10.70
80	3	11.96
120	4	12.71

VA	Size	£
160	5	14.95
225	6	16.33
300	7	17.84
500	8	23.37
625	9	25.96

ALL ABOVE PRICES INCLUDE VAT AND CARRIAGE.

QUANTITY DISCOUNTS AVAILABLE FOR 6 OR MORE OF ANY ONE TYPE.

# AMATEUR RADIO WORLD

Compiled by Arthur C Gee G2UK

Every so often something occurs on one or other of the amateur bands which is distinctly anti-social, if the number of moans it provokes is anything to go by. One of the perennial moans is the question of contests. Like most folk we have no grumble with contests as such. In fact they are quite useful if they stimulate activity on a band which is otherwise under-used.

However, when they are run on a band like 80 metres on a Sunday morning, which is traditionally used at that time for well-established nets, there can be little wonder that the users of these nets raise a howl of protest at those who organise and those who participate in such thoughtlessness.

## Anti-social

Surely a contest would be more useful, more enjoyable and less anti-social if it was run on a band where increased activity would be welcomed, not on one where it only adds to the QRM?

The other moan is about those folk who use repeaters for long chats without finding out first if anyone else wants to get a look in. Having arranged for a friend to use a local repeater in order to direct him to one's QTH, it is pretty annoying to have the arrangement completely nullified by some visitor to the area in a caravan down on the seashore hogging the repeater for a full three-quarters of an hour preventing any other mobiles, including the writer's friend, from so much as getting a call into the repeater.

Repeaters are meant for mobile operators, not static ones, and if you must use them for an extended QSO, do please check at short intervals that no one else is trying to get in, with a message of considerably more importance than just nattering!

## Increasing activity on 70MHz

David Dodds GM4WLL writes: 'For some time I have believed it to be a considerable pity that so many British amateurs fail to take advantage of our allocation at 70MHz, as it is a band which can be every bit as interesting as any other VHF or UHF band, despite the lack of Continental activity. As someone who is quite active on 4 metres I think the time has come to encourage more activity on the band.'

'But before people can be persuaded

to build or purchase equipment an improvement in the present level of activity outside the south-east is necessary. In my opinion the problem does not lie as much in the lack of people equipped for 4 metres, but in the lack of co-ordination of those who are. The success of 6 metres is due largely to the "outside TV hours" rule, ensuring that most of the permit-holders are on the air at the same time of the day. There are many more people equipped for 4 metres than there are 6 metre permit-holders!

'For some time Monday evening has been recognised as activity time for 2 metre CW activity and this is very successful. In the early 1970s an attempt was made to make Wednesday evening 4 metre activity evening. Although this seems to have long since fizzled out, I think it would be an excellent idea to resurrect it.

'If as many people as possible come onto 4 metres on Wednesday evenings then there is every chance of turning it into an extremely enjoyable band to use, as well as saving it from the greedy eyes of the PMR lobby!

'As a small attempt at getting the ball rolling I am making a point of being on the air on 4 metres every Wednesday evening, either from my home QTH in Dunfermline or from my university QTH in Glasgow. If you could do your utmost to publicise a link between Wednesday evenings and 4 metre activity then it will be the first move towards giving this band the activity it undoubtedly deserves'.

May we compliment David on his offer to stimulate 4 metre activity in this way and express hope that it will prove successful.

## Six metre beacons

With interest in 50MHz increasing, it is good to note from the *VHF/UHF Newsletter* that there are now three six metre beacons in operation, which will be useful indicators of propagation conditions. It is encouraging to hear that GB3SIX on 50.020MHz and GB3NHQ on 50.050 have been heard in the USA on a few occasions, so there do seem to be possibilities for DX working on this band, if only very occasionally. GB3RMK is on 50.060MHz. Any of our overseas readers, particularly those in the USA, who hear these beacons should notify the editor of

*VHF/UHF Newsletter*, at PO Box 73, Hereford HR2 9EW.

## AMRAC

AMRAC, the Amateur Radio and Computer Club, was formed earlier in the year to promote the use of computers in amateur radio and to encourage the use of digital communication techniques. A regular newsletter is produced entitled *AMRAC User* and members have a net on 2 metres. Those in the south Hampshire area, where the club originated, meet every 4 weeks.

Further information is available from: Trevor Tugwell, 50 Mayridge, Fareham, Hants PO14 4QP. Tel: (0489) 581032.

## The space scene

There has been talk by the planners of future amateur radio satellites of the possibility of creating a geosynchronous amateur radio satellite for quite some time now.

Geosynchronous satellites, frequently referred to as Phase 4 satellites in the amateur radio satellite field, have again been the subject of keen interest recently as a result of several unrelated developments, according to AMSAT President Vern Riportella WA2LQQ. This was reported in a recent issue of *Amateur Satellite Report*, AMSAT's newsletter.

These developments are along three fronts. First, NASA announced its Advanced Communications Technology Satellite program (ACTS), in which the suggestion arose that this could conceivably include some amateur radio project.

Secondly, Jan King W3GEY learned of the possibility of AMSAT flying its own transponders aboard the ACTS spacecraft. Thirdly, Arianespace has told AMSAT that it is developing a so-called 'piggy-back' pricing policy for small payloads on its Ariane launchers.

NASA is anxious that if the technical difficulties etc can be overcome in bringing such a scheme to fruition the project should have a slant towards providing a scheme beneficial to society or give some technical advancement of value to future satellite development. Accordingly AMSAT is now asking for suggestions as to how radio amateurs might benefit society either directly through communication services or

# AMATEUR RADIO WORLD

indirectly through technical innovation in connection with ACTS.

## Aboard the shuttles

Dr Ron Parise WA4SIR has been selected by NASA to fly with the Astro 1 space shuttle mission in March 1986. He is a member of AMSAT and was formerly AMSAT's UoSAT science advisor. Formerly an employee of the Systems Science Division of Computer Sciences Corporation, he is an astronomer with a PhD from the University of Florida. He will operate some of the unique astronomical instruments aboard Astro 1, which he himself has designed.

The flight of WA4SIR will be the fourth 'ham in space' mission aboard a shuttle. So far W5LFL and WOORE, and the German and Dutch radio amateur astronauts aboard Spacelab D1 have flown.

## UoS ground station

Last summer and autumn some disruption occurred in the UoSAT 1 operations, due to work going on in constructing a new satellite control station at the University of Surrey. This was directed at providing upgraded facilities for the control of, and data collection from, the UoSAT 1 and UoSAT 2 spacecraft.

Although the new ground station was

assembled alongside the old one, the checking out and commissioning of the new equipment caused only occasional problems in the operation of the old station. By the time you read this, it is hoped all will be working smoothly once again.

UoSAT 1 was launched at the Vandenberg Air Force Base in California on 6 October 1981 from a Delta launch vehicle into a 550km polar sun-synchronous orbit. Early difficulties were soon overcome and the spacecraft continues to perform extremely well, with no signs of degradation so far.

During these four years, the spacecraft has travelled nearly 600 million miles circling the Earth, decreased in orbit height by nearly 100km and transmitted around nine billion characters to listening ground stations world-wide!

## Some camera!

Space quotes from a TASS report that the world's largest satellite tracking camera has been installed at the Zvenigorod Station of the Astronomical Council of the USSR Academy of Sciences. It weighs 25 tons and has an orbital axis which enables it to track a satellite flying in any direction.

The camera makes it possible to record

the influence of the sun, moon and other space bodies such as an artificial Earth satellite. It is currently being used to take pictures of Halley's Comet as it approaches the sun.

The two Soviet probes moving in the direction of the comet have had their path corrected on the basis of photometric information obtained with the camera.

## Prosecutions

Figures for prosecutions taken out under the Wireless Telegraphy Act show that 242 persons were prosecuted during the first three months of 1985 and 332 during the second three months.

## GB2RS news

The Department of Trade and Industry has agreed to a request from the Repeater Management Group to run, as an experiment, the reading of the RSGB GB2RS news bulletins from six repeaters, as follows: GB3SL, S London, 145.650MHz at 1700 UTC; GB3PY, Cambridge, 433.350MHz at 1730 UTC; GB3SK, Canterbury, 433.150MHz at 1800 UTC; GB3HO, Horsham, 433.350MHz at 1830 UTC; GB3NI, Belfast, 145.725MHz at 1830 UTC; GB3CF, Leicester, 145.600MHz at 1900 UTC.



## RADIO & ELECTRONICS WORLD BACK ISSUES

**TO:** Back Issues Department • Radio & Electronics World • Sovereign House • Brentwood • Essex • CM14 4SE

NAME .....

ADDRESS .....

.....

.....

..... POSTCODE .....

**PLEASE SUPPLY:** (state month and year of issue/s required) NOTE: Jan & Feb '82 and Dec '83 issues not available

..... at £1.10 each

**PAYMENT ENCLOSED:** £ -

Cheques should be made payable to **Radio & Electronics World**. Overseas payment by International Money Order or credit card.

**CREDIT CARD PAYMENT:**

.....

SIGNATURE .....

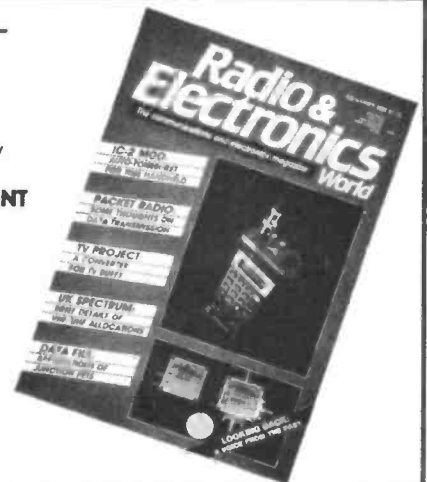
.....  
C P I

**Radio & Electronics World** —  
The communications and electronics magazine

Don't take a chance on being able to get your copy

**AVOID DISAPPOINTMENT**  
Place a regular order with your newsagent

Should you have any difficulties obtaining a copy, phone (0277) 219876 or write to Circulation Department, **Radio & Electronics World**, Sovereign House, Brentwood, Essex CM14 4SE



## NEWSAGENT ORDER FORM

**Radio & Electronics World**  
the communications, electronics & computers magazine

To (name of newsagent) .....

Please order a copy of **Radio & Electronics World** for me every month

NAME .....

ADDRESS .....

.....

Newstrade distributors: Seymour, 334 Brixton Road, London SW9 7AG. Tel: 01-733 4444

## £1 BAKERS DOZEN PARCELS

(all £1 each 13 for £12)

All parcels are brand new components price £1 per parcel - if you order 12 then pick another free

- BD115 - 1 Wall mounting thermostat with thermometer
- BD116 - 3 pairs small and 2 pairs medium insulated croc clips
- BD117 - 4 pairs large croc clips (car battery type)
- BD118 - 1 Teak look 5" extension speaker cabinet with back
- BD119 - 2 fibreglass fire fronts log effect & coal effect
- BD120 - 2 component boards with 2 amp 400v bridge rectifier and 15 other recs
- BD121 - 4 push push switches for table lamps etc
- BD122 - 10 mtrs twin flex, screened and outer pvc covered
- BD123 - 100 staples for thin flex white plastic and hardened nail
- BD124 - 25 clear plastic lenses 1 1/4" diameter
- BD125 - 4 items: rev per hour mains motor, counter, coin switch and srpb panel
- BD126 - 4 pilot bulb lamp holders bakelite batter type
- BD127 - 4 pilot bulb holders metal clip on type
- BD128 - 10 very fine drills for pcbs etc
- BD129 - 4 extra thin screw drivers for instruments
- BD130 - 2 centre zero panel meters 100-0-100 uA
- BD131 - 1 100 uA edge wise balance meter
- BD132 - 2 plastic boxes with windows, ideal interrupted beam kits
- BD133 - 1 Microscopic radio case in leather case
- BD134 - 10 model aircraft motors - require no on/off switch, just spin
- BD135 - 10 large and 20 small Screwit porcelain connector/insulators
- BD136 - 2 car radio speakers 5" round 4 ohm made for Radiomobile
- BD137 - 1 5" 4 ohm speaker 5 watts & 1 matching tweeter
- BD138 - 1 9" x 4" 8 ohm 5 watt speaker
- BD139 - 4 600 ohm microphone/speaker inserts
- BD140 - 1 waterproof metal cased plug and socket 3 pin
- BD141 - 10 miniature slide switches 2 pole c/o
- BD142 - 10 4 ba spanners 1 end open, other end closed
- BD143 - 5 100k multi turn pots with knob
- BD144 - 10 chassis mounting fuse holders for 5 mm fuses
- BD145 - 2 4 reed relay kits 3v coil can be normally open or c/o
- BD146 - 20 pilot bulbs 6.5v .3a Philips
- BD147 - 1 Secret switch kit with data
- BD148 - 1 Printed circuit kit with data and 100 circuits
- BD149 - 4 socket covers (protect inquisitive little fingers) for twin 13A
- BD150 - 5 socket covers (protect inquisitive little fingers) for single 13A
- BD151 - 20 4 way terminal blocks 3A 250v
- BD152 - 1 Air or gas shut off valve - clockwork
- BD153 - 1 Air or gas shut off valve - thermostatic
- BD154 - 1 12v drip proof relay - ideal for car jobs
- BD155 - 3 Varioap push button tuners with knobs
- BD156 - 2 pairs Ferrite cores Neosid 56 x 18 mm
- BD157 - 6 2 circuit micro switches - Licon ideal for joystick
- BD158 - 5 12 way connector blocks 2A 250v
- BD159 - 3 12 way connector blocks 25A 250v
- BD160 - 6 pairs 3 way connectors plug in, terminal block type
- BD161 - 1 13A panel socket MK ref 736 WH1
- BD162 - 1 13A fused and switched spur for surface mounting or can be removed from box for flush mounting
- BD163 - 3 13A sockets good British make but brown
- BD164 - 2 13A switched sockets good British make but brown
- BD165 - 1 13A switched socket on base for surface mounting
- BD166 - 1 30A panel mounting toggle switch
- BD167 - 1 8 pin flex terminating plug and chassis mounting socket (s.h.)
- BD168 - 2 50 tag component mounting strips
- BD169 - 4 Short wave air spaced trimmers 2 - 30pf
- BD170 - 2 Hivac numicator tubes neon type
- BD171 - 1 Shocking coil kit with data - have fun
- BD172 - 10 12v 6w bulbs Philips m.s.e.
- BD173 - 1 6v d.c. solenoid with plunger 1" travel
- BD174 - 2 end of travel c/o switches - very robust mounted on heavy metal plate 10A 250v
- BD175 - 1 200 rpm motor mains operated 2 watt
- BD176 - 4 heavy duty push switches - ideal for foot operation 3A 250v
- BD177 - 5 Lilliput bulbs 12v
- BD178 - 3 Oblong amber indicators with lilliputs 12v
- BD179 - 3 Oblong amber indicators with neons 240v
- BD180 - 6 round amber indicators with neons 249v
- BD181 - 100 p.v.c. grommets 3/4 hole size
- BD182 - 1 short wave tuning condenser 50 pf with 1/4" spindle
- BD183 - 1 two gang short wave tuning condenser with 1/4" spindle 2 x 50 pf
- BD184 - 1 three gang tuning condenser each section 500 pf with trimmers and good length 1/4" spindle
- BD185 - 4 ferrite rod aeriels 8" x 3/4" rods with long and medium wave coils
- BD186 - 1 3 waffer switch: 18 pole 2 way, 12 pole 3 way, 9 pole 4 way, 6 pole 6 way, 3 pole 12 way, your choice
- BD187 - 2 2 waffer switches 12 pole 2 way, 8 pole 3 way, 6 pole 4 way, 4 pole 6 way, 2 pole 12 way, any 2 your choice
- BD188 - 1 plastic box sloping metal front, size 160 x 95mm average depth 45mm
- BD189 - 2 double pole 20 amp 250v flush mounting switches - white

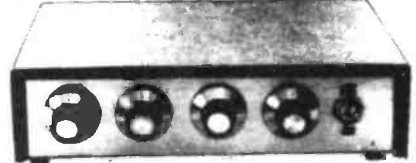


Ex-Electricity Board. Guaranteed 12 months.

### 12 volt MOTOR BY SMITHS

Made for use in cars, etc. these are very powerful and easily reversible. Size 3 1/2" long by 3" dia. They have a good length of 1/4" spindle - 1/10 hp £3.45  
1/8 hp £5.75. 1/6 hp £7.50

### SOUND TO LIGHT UNIT



Complete kit of parts for a three channel sound to light unit controlling over 2000 watts of lighting. Use this at home if you wish but it is plenty rugged enough for disco work. The unit is housed in an attractive two tone metal case and has controls for each channel, and a master on/off. The audio input and output are by 1/4" sockets and three panel mounting fuse holders provide thyristor protection. A four pin plug and socket facilitate ease of connecting lamps. Special price is £14.95 in kit form.

### PRESTEL UNITS

These are brand new and we understand tested, came with manufacturer's guarantee now void as the manufacturer no longer trades. These originally sold for over £150. We offer then complete, except for 7 plug in i.c.s and price is only £14.95 (less than the value of the module included).



### TANGENTIAL BLOW HEATER

By British Solartron, as used in best blow heaters. 3Kw £8.95 complete with 'cold' half and 'full' heat switch, safety cut out and connection diagram.



Please add post £1.50 for 1 or 3 for £20 post paid. 2.5 Kw KIT still available: £4.95 + £1.50 post or have 3 for £16 post paid.

### FROZEN PIPES

Can be avoided by winding our heating cable around them - 15 mtrs connected to mains costs only about 10p per week to run. Hundreds of other uses as it is waterproof and very flexible. Resistance 60 ohms/metre. Price 20p/metre or 15m for £3.95.

### CORDELESS TELEPHONES

"IT'S FOR YOU-OU" even if you are in the bath, it's an infinite extension any room and even in the garden - have one on approval or come and try one here. BT approved £120 not yet approved £88 plus £2 post.

SOCKETS PLUGS ETC for BT phones

Master socket (has surge arrester - ringing condenser etc) and takes B.T. plug £3.95

Extension socket £2.95

Dual adaptors (2 from one socket) £2.95

Cord terminating with B.T. plug 3 metres £2.95

Kit for converting old entry terminal box to new B.T. master socket, complete with 4 core cable, cable clips and 2 BT extension sockets £11.50

### 25A ELECTRICAL PROGRAMMER

Learn in your sleep. Have radio playing and kettle boiling as you wake - switch on lights to ward off intruders - have a warm house to come home to. You can do all these and more. By a famous maker with 25 amp on/off switch. Independent 60 minute memory jogger. A beautiful unit at £2.50.

### THE AMSTRAD STEREO TUNER

This ready assembled unit is the ideal tuner for a music centre or an amplifier, it can also be quickly made into a personal stereo radio - easy to carry about and which will give you superb reception.

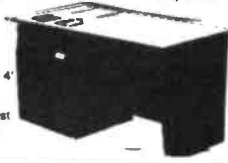
Other uses are "get you to sleep radio", you could even take it with you to use in the lounge when the rest of the family want to view programmes in which you are not interested. You can listen to some music instead.

Some of the features are: long wave band 115 - 170kHz, medium wave band 525 - 1650kHz, FM band 87 - 108 MHz, mono, stereo & AFC switchable, fully assembled and fully aligned. Full wiring up data showing you how to connect to amplifier or headphones and details of suitable FM aerial (note ferrite rod aerial is included for medium and long wave bands). All made up on very compact board.

Offered at a fraction of its cost only £4.95

### COMPUTER DESKS

Few still available  
Computer desks - size approx 4' x 2' x 2'6" high formica covered, cost over £100 each. Our price only £39.50 - you must collect - hundreds supplied to schools.



## J. BULL (Electrical) Ltd.

(Dept RE), 34-36 AMERICA LANE  
HAYWARDS HEATH, SUSSEX RH16 3QU

MAIL ORDER TERMS: Cash, P.O. or cheque with order. Orders under £20 add £1 service charge. Monthly account orders accepted from schools and public companies. Access & Bcard orders accepted day or night. Haywards Heath (0444) 454563. Bulk orders: phone for quote. Shop open 9.00 - 5.30, Mon to Fri, not Saturday.

## TWO POUNDERS

Following the popularity of our BAKERS DOZEN £1 PARCELS, we are now introducing some BAKERS DOZEN £2 PARCELS. We feel that you will agree that most are exceptional bargains but you can still get a bit extra, as with the £1 parcel, if you buy 12 you get another free!

- 2P1 - 24 hour time switch with 2 on/off's, an ideal heating programmer
  - 2P2 - Wall mounting thermostat, high precision with mercury switch and thermostat
  - 2P3 - Variable and reversible 8-12v power supply, ideal for model control
  - 2P4 - 24 volt psu with separate channels for stereo made for Mullard UNILEX Amplifiers.
  - 2P5 - 12 volt psu 750 ma output - plastic cased
  - 2P6 - 10 watt mains to 115 volts auto-transformer with voltage tapping
  - 2P7 - Mini key, 16 button membrane keyboard, list price over £12, as used on PRESTEL
  - 2P8 - Mains motor with gear box and variable speed selector. Series wound so suitable for further speed control
  - 2P9 - Time and set switch. Boxed, glass fronted and with knobs. Controls up to 15 amps. Ideal to program electric heaters, battery chargers etc
  - 2P10 - 12 volt 5 amp mains transformer - low volt winding on separate bobbin and easy to remove to convert to lower voltages for higher currents
  - 2P11 - Power amp module Mullard Unilex EP9000 (note stereo pre-amp module Unilex 9001 is BD216)
  - 2P12 - Disk or Tape precision motor - has balanced rotor and is reversible 230v mains operated 1500 rpm
  - 2P13 - Sun Lamp switch stays on for 1/2 hr or 1 hr depending on setting of grub screw
  - 2P14 - Mug Stop kit - when thrown emit piercing squawk
  - 2P15 - Interrupted Beam kit for burglar alarms, counters, etc
  - 2P16 - Lockable metal box with 2 keys, ideal for your tools
  - 2P17 - 1 rev per minute mains driven motor with gear box, ideal to operate mirror ball
  - 2P18 - Liquid/gas shut off valve mains solenoid operated
  - 2P19 - Disco switch-motor drives 6 or more 10 amp change over micro switches supplied ready for mains operation
  - 2P20 - 20 metres extension lead, 2 core - ideal most Black and Decker garden tools
  - 2P21 - 10 watt amplifier, Mullard module reference 1173
  - 2P22 - Motor driven switch 20 secs on or off after push
  - 2P24 - Clockwork operated 12 hour switch 15A 250v with clutch
  - 2P25 - 1000 watt flasher mains motor driven
  - 2P26 - Counter resettable mains operated 4 digit
  - 2P27 - Goodmans Speaker 6 inch round 8ohm 12 watt
  - 2P28 - Drill Pump - always useful couplings to any make portable drill
  - 2P29 - 24 position Yaxley switch contacts rated 5A - 1/4 spindle
  - 2P30 - 15 metres 6 way telephone or interconnecting wire
  - 2P31 - 4 metres 98 way interconnecting wire easy to strip to use the cores separately
  - 2P32 - Hot Wire amp meter - 4 1/2 round surface mounting - old but working and definitely a bit of history
  - 2P33 - 0-30 amp meter 2" round panel mounting with shunt ex military equipment
  - 2P34 - Solenoid Air Valve mains operated
  - 2P35 - Battery charger kit comprising mains transformer, full wave rectifier and meter, suitable for charging 6v or 12v
  - 2P36 - 20 Amp meter, with shunt unused but ex-equipment
  - 2P37 - 0-100 micro amp meter, 2" square flush mounting good make
  - 2P38 - 200 R.P.M. Geared Mains Motor 1" stack quite powerful, definitely large enough to drive a rotating aerial or a tumbler for polishing stones etc.
  - 2P39 - Gear train size approx. 6 1/2" x 3 1/2", 2 brass pillars for motor mounting (1.9" fixing centres), first wheel made of fibre, 3 other steel and brass wheels. 80 turns of fibre wheel give one turn of final drive shaft which is 1/4" dia. rod
  - 2P40 - 12 volt motor - can be fitted to 2P39 gearbox
- IONISER KIT**  
Refresh your home, office, shop, work room, etc. with a negative ION generator. Makes you feel better and work harder - a complete mains operated kit, case included.  
£11.95 plus £2.00 post.
- BD189 - 2 double pole 20 amp 250v flush mounting switches - white
  - BD190 - 2 double pole 20 amp 250v surface mounting switches with neon indicators - brown
  - BD191 - 6 B.C. lamp holder adaptors white
  - BD192 - 3 B.C. to 2 pin lamp holder adaptors
  - BD193 - 6 5 amp 3 pin flush sockets brown
  - BD194 - 3 5 amp 3 pin switched sockets surface mounting, brown
  - BD195 - 5 B.C. lampholder bakelite threaded entry in flex simmerstat for electric blanket soldering iron etc
  - BD196 - 1 thermostats, spindle setting - adjustable range for heaters opens etc
  - BD197 - 2 rod thermostat for water heater etc 11" rod
  - BD198 - 1 10 digit switch pad for telephones etc
  - BD200 - 1 computer keyboard switches, with knobs, pcb or vero mounting
  - BD202 - 1 solenoid mains operated air valve 110v coil
  - BD203 - 2 8 push button switch banks 6 interlocking and two independent locking less knobs or one with knobs your choice
  - BD204 - 1 3 push mains voltage switch with knobs
  - BD205 - 1 ultra small 12v relay 3A gold-plated contacts normally open
  - BD206 - 20 metres 80 ohm coax, off white
  - BD207 - 20 metres high voltage, lex 14 0075
  - BD208 - 1 Photo multiplier tube RCA 4555
  - BD209 - 1 Metal box approx. 7 1/2" x 4 1/2" x 1 1/2"
  - BD210 - 4 Transistors type 2N3055
  - BD211 - 1 Electric clock mains driven, always right time - not cased
  - BD212 - 1 Double 6v 1/2 amp mains transformer ideal for dimming or strobing fluorescent tubes
  - BD213 - 2 Curly 5 core leads for mobile telephones, transmitters etc
  - BD214 - 3 sub-miniature toggle switches spdt
  - BD215 - 5 miniature slide switches dpdt with chrome dolly
  - BD216 - 1 Stereo preamp Mullard EP9001
  - BD217 - 100 push on tag connector 1/4 straight
  - BD218 - 100 push on tag connector 1/4 right angled
  - BD219 - 100 soldercon terminals make IC sockets any length and width
  - BD220 - 3 Heat sinks for flat ICs predrilled size 40 x 40 x 25mm matt black, four sided

# CONSTRUCTING POWER SUPPLIES

## In the last instalment of his series Roger Alban GW3SPA puts the final touches to the PSU



I decided to provide front panel metering to read the power supply terminal voltage and to measure load current. The junk box provided a  $100\mu\text{A}$  fsd meter which was used in conjunction with a multiplier to read voltage. The multiplier consisted of a  $100\text{k}$  fixed value resistor in series with a  $220\text{k}$  preset potentiometer. The meter was calibrated using the method previously described and the preset tweaked to give an accurate reading.

The ammeter was constructed from a meter with an fsd of  $1\text{mA}$ . A  $15\text{mm}$  length of  $0.6\text{mm}$  diameter wire was soldered across the terminals and with the aid of the dummy load illustrated in Figure 25 the meter was calibrated using the method previously described.

The completed circuit diagram of the power supply is shown in Figure 35. It should be noted that the voltage regulator is fed from the unregulated output of power unit 1.

Power unit 2 supplies the feed to the over-voltage protection relay. Unit 3 feeds the over-voltage sensing LED, and unit 4 supplies an LED which is illuminated when the power supply 'output' switch is in the 'on' position. The circuitry was constructed on four separate tag boards mounted on a sheet of aluminium. The four modified transformers are mounted underneath the tag strips on another piece of aluminium. The LM338 voltage regulator is attached with a mica washer to a vertical piece of aluminium. The mechanical construction is shown in Figure 36. The four capacitors are mounted on the aluminium base plate alongside the transformers.

When the circuit has been constructed and tested it is mounted inside a metal instrument case, found on the bring-and-buy stand at the local rally (of course! - Ed.). The front panel was constructed from a piece of aluminium.

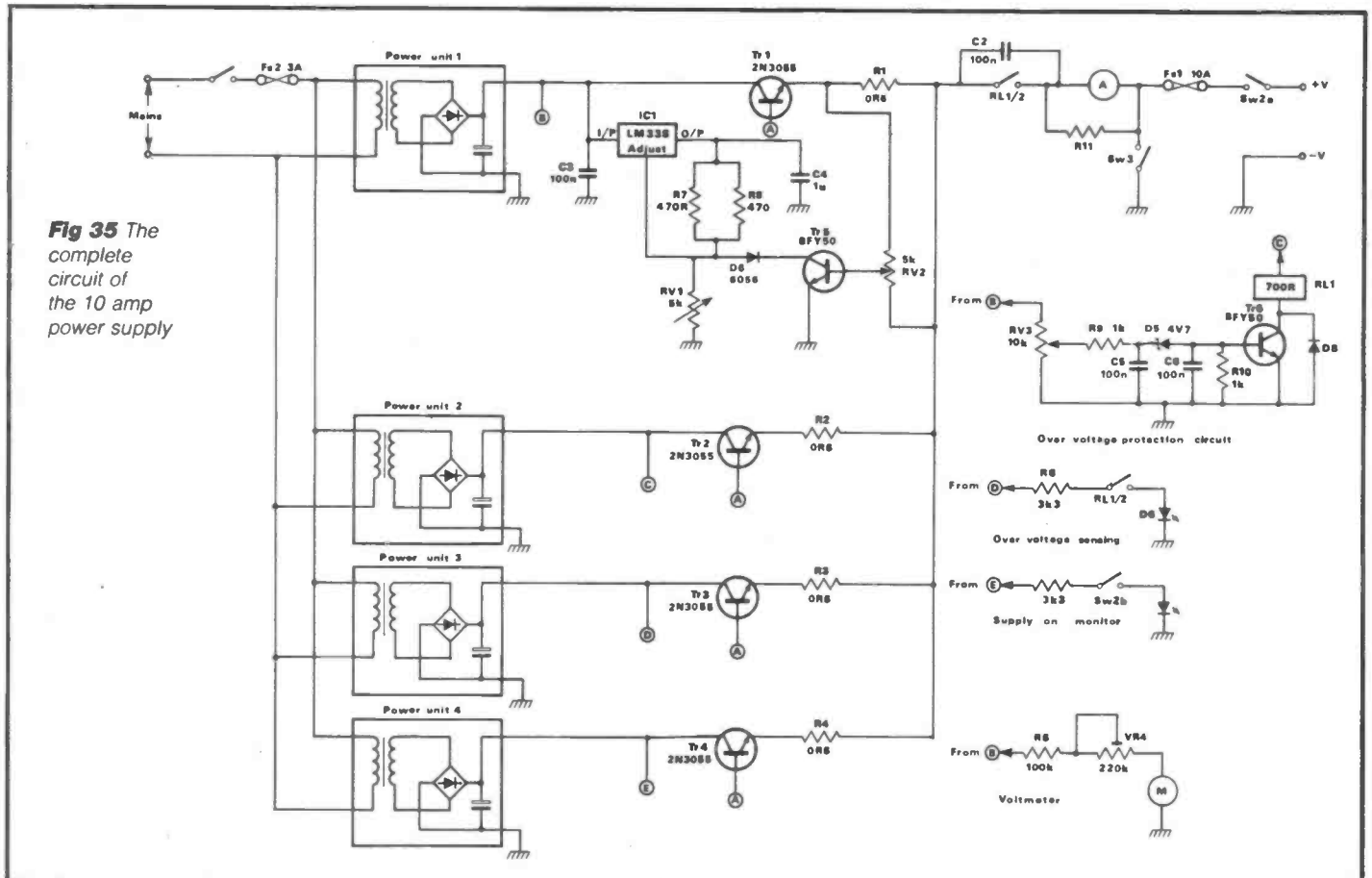


Fig 35 The complete circuit of the 10 amp power supply

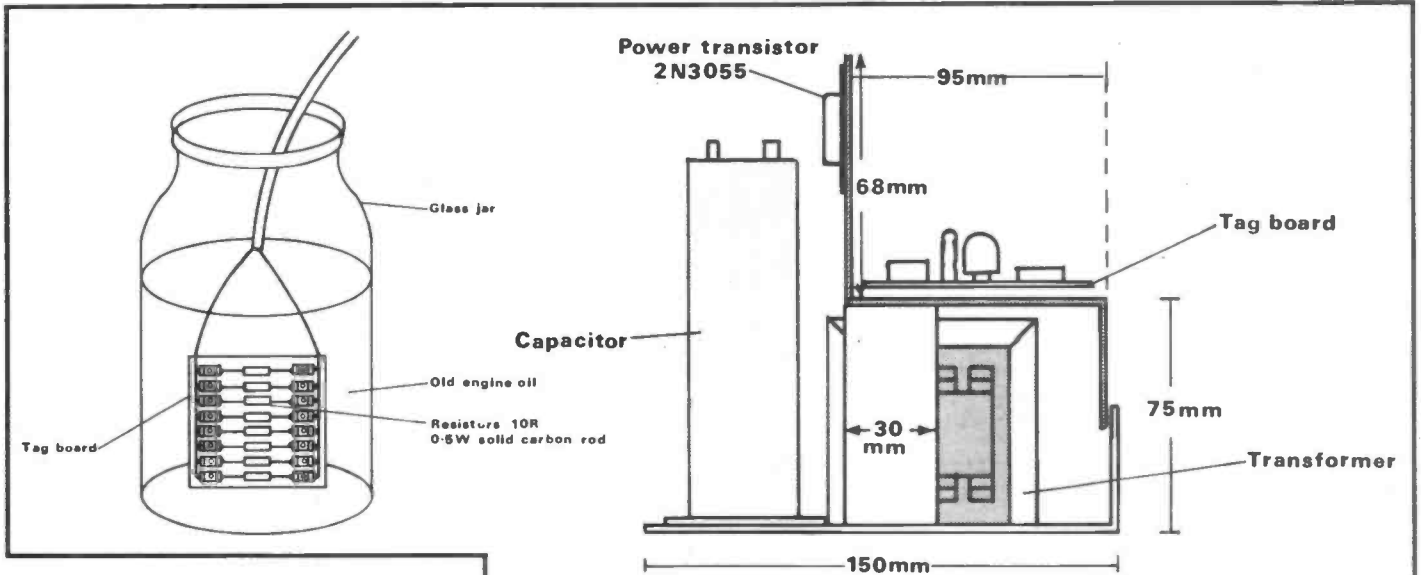


Fig 25 (left) Dummy load

Fig 36 (above) Mechanical construction

**Testing**

Prior to switching on the supply, re-check all the connectors and ensure that the circuit has been connected up correctly.

Adjust the voltage control knob to minimum, turn the over-voltage control to maximum and place the current limit knob to maximum. Now switch on the power supply.

The voltmeter should indicate a reading of approximately 0.6V. Adjust the voltage control and observe the voltmeter reading. The voltage adjust control should be able to adjust the meter reading to read a maximum voltage of approximately 26V off-load. Now check the over-voltage adjust control for various different voltage readings and observe the over-voltage warning LED being illuminated when the relay is energised.

Turn the voltage control to minimum and set the current limiter to minimum. Press and hold in the set current limit switch. Slowly increase the voltage and note the ammeter reading.

It should hold steady at between 4 and 6 amps depending upon the current limiting transistor selected. Adjust the current limiter control and note the changing ammeter readings. Do not exceed 10A and do not keep the set current limit switch pressed for a long period.

If the power supply has passed these tests connect the dummy load to the output terminals, and with the voltage adjust control set to minimum switch on the supply.

Note the different ammeter readings for different voltage settings. A good soak test is to run the power supply into a dummy load of 1.40 ohms at an output voltage of 13.8V, which should produce a load current of just under 10A. As the dummy load heats up the resistance of the load will increase and the load current will fall slightly.

The power supply was tested for approximately half an hour and then checked for excessive heat. The instrument case remained cool, the heatsinks having done their job and kept the four pass transistors cool.

**Conclusions**

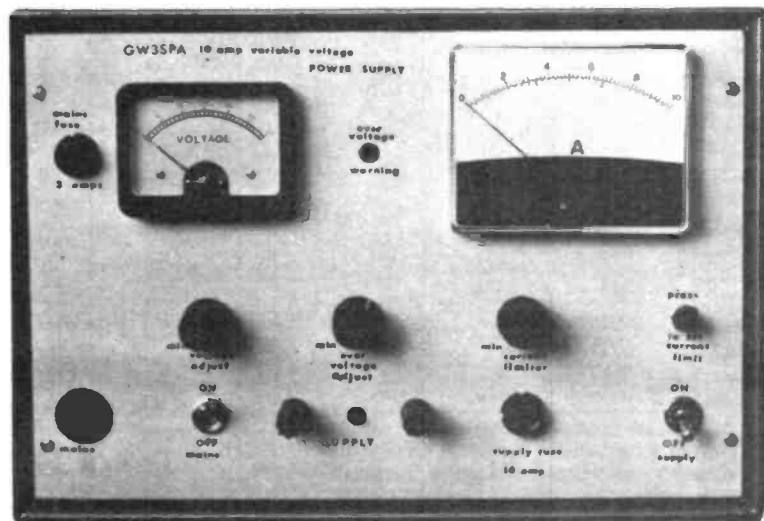
The power supply has been in use in my shack for approximately 6 months and has proved to be a very useful addition to the existing test equipment. In practice when fault finding on equipment the over-voltage adjustment control has been set to be approximately 2 to 3 volts above the operating voltage of the piece of equipment being repaired. The current limiter control is always set to minimum, unless the current consumption of the load is already known. The voltage control is always set at minimum

before the output supply switch is turned on, and the ammeter reading observed as the supply voltage is slowly increased up to the operating voltage of the equipment being repaired.

The information in this series of articles has been intended to show how you can scavenge components from rallies and your junk box in order to tailor your power supplies to particular requirements.

To conclude, I hope that you are able to successfully construct power supplies at a fraction of the price offered by 'black box' merchants.

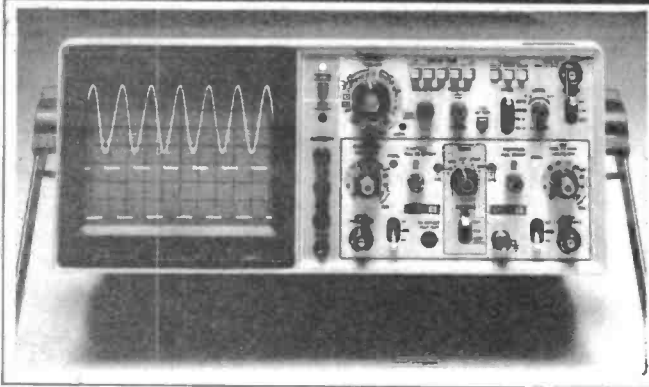
*If you have missed any of this series don't worry - all issues from May 1985, in which we published the first instalment of Power Supplies, are available from the Back Issues Department*





# Hitachi Oscilloscopes

the highest quality from **£299**  
the most competitive prices + VAT



Hitachi Oscilloscopes provide the quality and performance that you'd expect from such a famous name, with a newly-extended 14 model range that represents the best value for money available anywhere.

V-212/222	20MHz Dual Trace	V-650	60MHz Dual Timebase
V-223	20MHz Sweep Delay (illustrated)	V-1050	100MHz Quad Trace
V-209	20MHz Mini-Portable	V-1070	100MHz Four Channel
V-422	40MHz Dual Trace	V-1100	100MHz DMM/Counter
V-423	40MHz Sweep Delay	V-134	10MHz Tube Storage
V-509	50MHz Mini-Portable	VC-6015	10MHz Digital Storage
		VC-6041	40MHz Digital Storage

Prices start at £299 plus vat (20MHz dual trace) including a 2yr. warranty. We hold the range in stock for immediate delivery.

For colour brochure giving specifications and prices ring (0480) 63570 Thurlby-Reltech, 46 High Street, Solihull, W. Midlands, B91 3TB.

## ELECTRONICS C.O.A.D "ANALYSER"

PERFORMANCE ANALYSIS OF LINEAR CIRCUITS using the IBM PC, BBC MODEL B AND SPECTRUM 48K micros.

Simulates Resistors, Capacitors, Inductors, Transformers, Bipolar and Field effect Transistors, and Operational Amplifiers in any circuit configuration.

Performs FREQUENCY RESPONSE ANALYSIS on Circuits with up to 16 Nodes and 60 Components, for Phase and Gain, Loss, Input Impedance and Output Impedance.

Ideal for the analysis of ACTIVE and PASSIVE FILTERS, AUDIO, WIDEBAND and RF AMPLIFIERS, LINEAR INTEGRATED CIRCUITS etc, etc...

"ANALYSER" can greatly reduce or even eliminate the need to breadboard new designs.

USED BY INDUSTRIAL AND UNIVERSITY R & D DEPARTMENTS WORLD WIDE.

Very easy to use. Prices from £20 Access or American Express welcome

For further details write or phone **NUMBER ONE SYSTEMS**

Department REW, 9A Crown Street, St Ives  
Huntingdon, Cambs UK, PE17 4EB

Tel: 0480 61778 Telex: 32339

## REG WARD & CO LTD 1 Western Parade Axminster Devon EX13 5NY

South Wests  
Largest Amateur  
Radio Dealer



Official Agents Yaesu, Trio, Icom, FDK  
: Complete range stocked:  
: Full demonstration facilities:  
: Mail/Phone orders on all items:  
: Barclaycard, Access, Instant Credit:



Ancillary equipment: Adonis, AKD, AOR, Benchor, BNOS, Datong, Diawa, Drae, Hansen, Hinound, JIL, Kempro, Microwave Modules, Mutek, SEM, Snare, TAU, Tollyco Hypower, Tono, Toyo, Welz, Wood & Douglas  
Aerials by: G Whip, Hygain, Jaybean, Mini Products, Rexco, TET, Tonna

New complete range Wood & Douglas Kits  
TAU Tuner SPC 3000



Cables, plugs, sockets, insulators, etc.

Opening hours: Tues-Sat 9.-5.30 (lunch 1-2) Closed Mondays

Tel: Axminster (0297) 34918

Please Note Xmas Closing  
24th Dec-2nd Jan

# DIGITASK

"Probably the best value for money in the U.K."

## PC-XT EXPANSION CARDS — STORAGE DEVICES

ASST SIX PACK PLUS with 64K & spare from MEGA PLUS II with 64K & spare from 10 MBK II & software 10 MBK II & software ADVANTAGE (128K to 384K) with 128K PREVIEW (PC/XT/AT) mono & spare MONOGRAPH PLUS (PC/XT/AT) & spare GRAPHIX PAK with 64K & spare AST 3780 AST 3780 AST 3780 PC AST 3780 PC AST 3751 CC-222 HERCULES HERCULES graphics card HERCULES colour card INTELLIGENCE UKI PC EXPRESS 758K PC EXPRESS 758K LMB MASTER 12 BIT DATA ACQUISITION 8 BIT DATA ACQUISITION 64 CHANNEL data acquisition DATA Acquisition with 80KHz ORCID TECHNOLOGY QUADRAM QUADRAM (emulates Apple II) QUADBOARD II with 64K EXPANDED QUADBOARD OR QUADCOLOUR I SATURN & TITAN T28K ACCELERATOR PC board ACCELERATOR PC Aux board TEGMAR TEGMAR RAM BOARDS—100 numerous 2008 FIRST MATE with 64K 2104A CAPTAIN with 64K 2005S SPEED MASTER lock 4K/16K/32K 2100S ALICE (ARY) VOCABULARY for above 20015 PROTOZOA prototyping board 20017 Explorer board for PC and compat 20033 AMOEBA prototyping for baseboard MEGA Mainboard PC/XT SUPER Mainboard PC/XT 512K RAM EXPAND 12 DIP SWITCH OR Parallel printer card Parallel card with file buffer OR Monochrome (real) display card PC Express (high speed) Research 512K Titan Accelerator 512K	£190 £278 £138 £138 £430 £280 £360 £380 £230 £669 £619 £839 £380 £230 £299 £599 £899 £445 £1374 £499 £1799 £1889 £1904 £479 £274 £208 £199 £689 £125 £219 £319 £329 £329 £329 £99 £29 £119 £79 £79 £229 £99 £29 £99 each £4 99 each £4 99 each £4 99 each £139	COLOUR/GRAPHICS CARD (2 layer) COMPOSITE COLOUR/RGB monitors SUPER COLOUR/GRAPHICS Card (4 layer) PC PC/XT PC/AT COMPATIBLE MONOCHROME GRAPHIC CARD VERSION II single parallel port standard MULTISIO CARD — 5 WAY II Dual floppy controller interface Asynchronous RS232 serial comms port Parallel printer port games adaptor Clock-Cal with battery backup EPROM WRITER CARD up to 176K MODEM CARD V21/V22 CCITT AAJAD FLOPPY DRIVE CONTROLLER (4 DRIVES) TEAC FD-550 hard m 300K floppy drive RS-232 SERIAL (base 1000) 50 9600 SERIAL Alarm RS-232C 2port 50 9600 GAMES ADAPTOR AD-DA 12 bit 16ch A/D 1ch D/A E8K Cherry Style KEYBOARD TRANS-NET NETWORKING BOARD NetRAII Software NetSPOOL Software NetDisk On-Site Server Software NetDMS Data Management Software NET BOOT ROM for Popovers only NET STARTER KIT NOTE: We can supply most of the above as UNPOPULATED boards for OEM's.	£149 £399 £138 £199 £149 £164 £75 £119 £49 £69 £39 £99 £99 £299 £299 £139 £199 £229 £139 £199 £29 £375 £199	384K MULTIFUNCTION CARD—SIX WAY II Parallel Printer Port 64K to 384K RAM Memory RS232C Serial Port Real Time Clock/Calendar with Battery Backup RAMDISK & PSPool Software games port Built & Tested £195.00 4-LAYER PC/XT MAINBOARD 64K to 1MB ON BOARD 8 Fully Compatible Slots Built & Tested £295.00 PC/XT CASE 8-Slot Hinged lid Includes hardware £85.00 IRWIN TAPE DRIVES—IBM COMP 110 - 10MB INTERNAL ..... £415 125 - 20MB INTERNAL ..... £499 145 - 40MB INTERNAL ..... CALL 310 - 10MB EXTERNAL ..... £599 325 - IBM AT 20MB EXTERNAL ..... £699 IRWIN TAPE DRIVES APRICOT 210 - 10MB INTERNAL ..... £489 225 - 20MB INTERNAL ..... £518 PLUS 5 - IBM/OLIVETTI/ERICSSON/APRICOT - SIRIUS FIXED DISK SUBSYSTEMS 10MB ..... £995 20MB ..... £1129 40MB ..... £1899 65MB ..... £2590 FIXED • REMOVABLE SUBSYSTEMS 10MB • 5MB ..... £1895 20MB • 5MB ..... £1995 40MB • 5MB ..... £2845 20MB • 20MB ..... £3445 PLUS NET HOST ADAPTOR KIT ..... £325 (available for IBM-PC/XT, IBM-AT, APRICOT, SIRIUS, EPSON QX10, ERICSSON, OLIVETTI M24, SANYO and most compatibles.)
---	--	---	---	--

DIGITASK Business Systems Ltd,  
Unit M, Charlwoods Business Centre,  
Charlwoods Rd, East Grinstead, W. Sussex RH192HH

Tel (0342) 24631 Telex: 957418



# CALCULATING INDUCTANCE

Why strain your brain and exhaust your calculator batteries with tedious number juggling? That's what computers are for, as Derek Guy G3IBH demonstrates . . .

Most amateur constructors at some time need to wind small coils. In practice this is not difficult, but calculating the number of turns required can be tedious and will often have to be repeated several times to achieve the correct value of inductance.

The most commonly used formula for calculating the inductance of a single-layer coil is:

$$L = \frac{r^2 N^2}{9r + 10l}$$

where L = Inductance ( $\mu$ H)  
r = Coil radius (inches)  
N = Number of turns  
l = Coil length (inches).

As it is not easy to wind a coil evenly to a particular length, most amateur-wound coils are close wound. However, the problem is that the length l varies depending upon the number of turns and the wire gauge used.

This article shows how the formula can be transposed to provide the number of turns for a given inductance, radius and wire gauge and describes a short computer program to do the calculations.

Altering the formula slightly gives:

$$L = \frac{r^2 N^2}{9r + KN}$$

where K = 10 times the inches-per-turn value for the wire gauge used.

Transposing:

$$r^2 N^2 = L(9r + KN) \\ = 9rL + KLN$$

This can be rearranged to form a quadratic:

$$r^2 N^2 - KLN - 9rL = 0$$

Now, a quadratic of the form:

$$aN^2 + bN + c = 0$$

can be solved for N using the standard equation:

$$N = \frac{-b \pm \sqrt{b^2 - 4ac}}{2a}$$

In our example:

$$a = R^2 \\ b = -KL \\ c = -9rL$$

A quadratic will always have two roots (positive and negative), but in our case only the positive root has any meaning. Taking this into account and substituting our constants for a, b and c gives:

$$N = \frac{KL + \sqrt{(KL)^2 + 36Lr^3}}{2r^2}$$

Listing 1 is a short computer program which solves the above equation and yields the number of turns for a given inductance, former diameter and standard wire gauge.

Lines 70 and 80 dimension and fill an

array with turns-per-inch data for enamelled copper wire from 16 to 36swg. This can be extended if required by adding further data and increasing the size of the array.

Lines 90 to 120 clear the screen and print the heading.

Lines 130 to 150 ask for inputs of inductance, former diameter and swg respectively. Line 140 divides the diameter by 2 to give the radius. Line 160 traps values of swg which are out of range.

Line 170 sets up K according to the swg chosen and line 180 calculates the number of turns, N.

Lines 190 and 200 print out the number

of turns and the length of the coil, both rounded to one decimal place.

For those of you who prefer to work in metric, the easiest thing to do is to input as metric, convert to imperial then execute the program, and finally convert coil length back to mm. To do this change line 140 to:

```
INPUT "Input former diameter (mm)",
D:R=D/50.8
```

and line 200 to:

```
PRINT "Length of coil is";
INT(N*K*25.4+.5)/10;" mm"
```

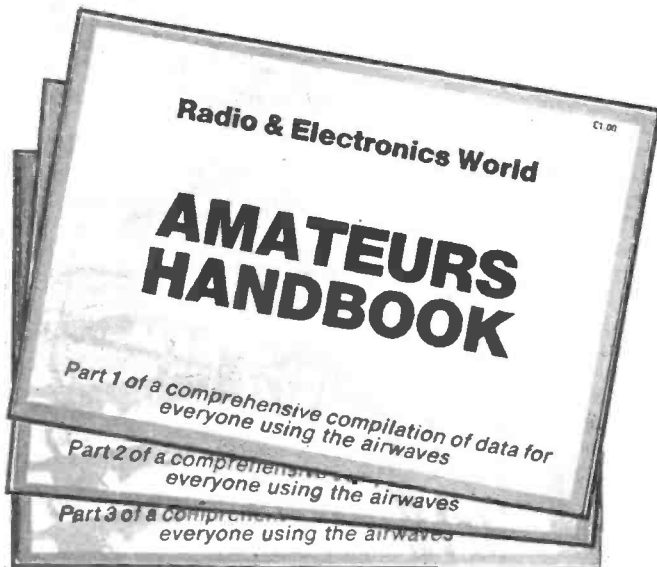
The program was written for the BBC Micro but should run on most others, although the INPUT statement delimiter will need changing to a semicolon for most machines. NEW

```
>L.
10 REM Inductance Calculator
20 REM by Derek G K GUY
30 REM February 1985
40 REM
50 REM
60 REM
70 DIM A(20)
80 FOR L = 0 TO 20:READ A(L):NEXT
90 CLS
100 PRINTTAB(7)"INDUCTANCE CALCULATOR"
110 PRINTTAB(7)"-----"
120 PRINT:PRINT
130 INPUT"Input required inductance (uH) ";L
140 INPUT"Input former diameter (inches) ";D:R = D/2
150 INPUT"Input SWG (in range 16 to 36 SWG) ";S
160 IF S < 16 OR S > 36 GOTO 150
170 K = 10/(S-16)
180 N = (K*L + SQR((K*L)^2 + 36*L*R^3))/(2*R*R)
190 PRINT:PRINT:PRINT"Number of turns is ";INT(N*10+.5)/10
200 PRINT"Length of coil is ";INT(N*K+.5)/10;" inches"
210 DATA 14.81,16.95,19.72,23.47,25.97,29.15,33.33,38.91,42.37,46.51,51.55
220 DATA 56.5,62.5,67.57,74.63,79.37,85.47,91.74,100,109.9,120.5
```

# THE THREE PART AMATEURS HANDBOOK

is available as a complete set for only £2.50 (including post and packing).

The Handbook is an informative guide to the world of the amateur radio enthusiast. It contains a multitude of useful facts and figures designed to benefit both the novice and the licensed amateur.





**To: Radio & Electronics World · Sovereign House · Brentwood · Essex · CM14 4SE**

NAME.....  
ADDRESS.....  
.....  
..... Postcode.....

**PLEASE SUPPLY:  
1 set of R&EW AMATEURS HANDBOOK**

**PAYMENT ENCLOSED:** £2 — 50  
Cheques should be made payable to Radio & Electronics World. Overseas payment by International Money Order, or credit card.

**CREDIT CARD PAYMENT**    

--	--	--	--	--	--	--	--	--	--	--	--	--	--	--	--	--	--	--	--	--

Signature.....

## AFFORDABLE ACCURACY QUALITY MULTIMETERS FROM ARMON

**HM102BZ**  
10ADC Range, 20k $\Omega$ /DC, Buzzer, Battery Test Scale..... £13.00  
19 measuring ranges

**HM402R**  
Low end voltage & current ranges, Jack for Audio o/p Voltages... £11.00  
20 measuring ranges

**HM-1015**  
Rugged, Pocket size meter, for general purpose use..... £7.50  
16 measuring ranges  
Battery, Test Leads and manual included with each model.

**HC7030**  
0.1% Accuracy Standard Model..... £39.50

**HC-6010**  
0.25% Accuracy, Standard Model..... £33.50

**HC-5010T**  
0.25% Accuracy. TR Test Facility..... £39.50

**DM-105**  
0.5% Accuracy. Pocketable..... £21.50

All models have full functions and ranges and feature:  
3½ digit 0.5" LCD display  
Low battery indication  
Auto zero & Auto polarity  
ABS Plastic Casing  
DC AC 10 amp Range (not DM-105)  
Overload Protection on all ranges.  
Battery, Spare Fuse, Test Leads and Manual.



A comprehensive range of Analogue and Pushbutton (or Rotary Switched) Digital Models.

FULL DETAILS ON APPLICATION FROM:

### ARMON ELECTRONICS LTD

DEPT A, HERON HOUSE, 109 WEMBLEY HILL ROAD, WEMBLEY, MIDDLESEX HA9 8AG  
TELEPHONE: 01-902 4321. TELEX: 923985

**PLEASE ADD 15% to your order for VAT. P&P Free of charge. Payment by cheque with order**  
Offer applicable to mainland UK only



Trade enquiries invited



Please allow 28 days for delivery

Readers who listen in to the aeromobile wavebands will be familiar with the Volmet channels. These provide airline pilots with a continuous broadcast of weather reports from a number of airports, and consequently reduce the loading on the already very busy air traffic control channels.

What most listeners – and many pilots – do not realise is that they are not listening to the voice of the duty operator but to a computer system in one of the most successful applications of automation employing speech technology.

For many years the United Kingdom has transmitted three broadcasts, Volmet-North on 126.6MHz, Volmet-Main on 135.375MHz and Volmet-South on 128.6MHz, each of which provides the latest weather information for about nine airports, thus ensuring a reasonably short cycle time between reports.

Many other countries radiate Volmet broadcasts, some of which are transmitted in the HF bands on the 4.8, 11 and 17MHz aeromobile bands. The most easily audible of these in this country is Shannon, which radiates on 4722 and 11700kHz.

#### Relieving the boredom

It would obviously be highly undesirable for a duty operator to sit at a microphone for hours on end just reading the reports from a script, so from the inauguration of the service in the mid 1960s, recordings were used. These utilized Assman continuous tape loop recorders in which the report for each station was recorded on a separate loop, so arranged that as one loop completed its transmission the next was started.

This technique was reasonably successful and was used in the UK until 1981, and still remains in use in air traffic control centres in many countries even today. It had, however, several disadvantages, which included regional accents evident from some broadcasters, inferior transmissions due to variable recording quality, and delays in updating broadcasts due to the necessity of decoding the incoming meteorological reports.

Each message is similar in format, giving first the airport name followed by the wind direction in degrees and speed in knots. This is followed by a description of the cloud by height and cover in 'oktas' (eighths). The temperature in degrees Celsius and pressure in millibars are then given, and the transmission is completed with general comments or trends, 'no sig' meaning no significant difference expected with 'gradu' meaning gradual change.

The most noticeable feature of the automated UK Volmet broadcasts is the exceptional clarity of the transmitted voice. This is not synthesised, but is a combination of digitally recorded individual words, drawn by the computer from memory as required.



## The march of technology has reached the control towers of our airports, whose weather broadcasts are being updated . . .

Although a female voice is normally considered to give greater penetrating power, a male voice was chosen in this instance for the lower vocal pitch, giving greater clarity for less digital storage.

The vocabulary software was built up by recording each word in its context in a typical sentence. The word in digital form was then 'cut out' of the sentence by means of a computer working to an accuracy of a few milliseconds and fitted by an iterative technique to every other word with which it might be associated.

If a word might occur at either the middle or the end of a sentence, it was recorded twice to ensure that the necessary cadence could be used.

The reports from which the broadcasts are prepared, known as METARS, are circulated by the meteorological office via teleprinter. The teleprinter lines are connected directly to the computer, which decodes and reassembles the information into the format which will be broadcast. When required for transmission, the necessary words are called from store and used to modulate the transmitter.

Several advantages accrue from automation of the system: decoding or 'slips

of the tongue' errors are avoided, the transmissions are of high quality, clarity and consistency and the time delays inherent in the manual system due to decoding and recording are now absent, saving at least ten minutes for each report. Finally there is a significant saving of manpower costs.

#### Made in Britain

The system, which was developed and manufactured by Marconi Secure Radio Systems Ltd, has been in use for London Volmet since 1981 and has been the subject of considerable praise from airline pilots. In this period, it is claimed, there has only been one complaint – from a pilot who was worried that they were overworking the operator, who always seemed to be on duty!

Two other countries, France and Germany, have automated their Volmet systems and many others are planning to phase out their continuous loop systems in favour of automation. Italy has decided to buy a Marconi system and by early 1986 the same voice which is heard over the United Kingdom will also be heard giving the four Volmet broadcasts from Milan, Pisa, Rome and Brindisi. 

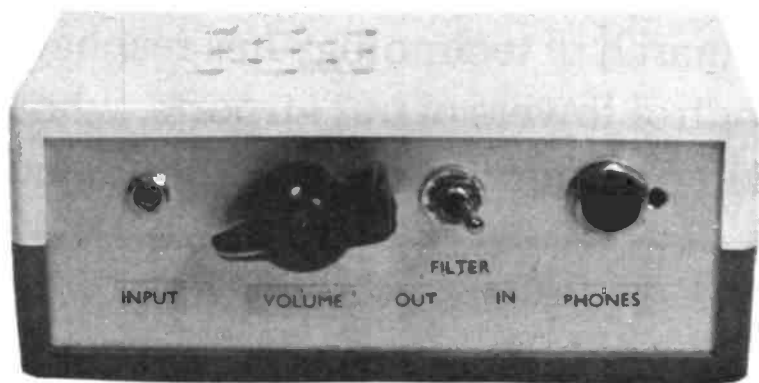
*Marconi are understandably pleased about the interest aroused internationally by their Volmet system. On a different level, they are applying this speech storage technology to ATIS (Automatic Terminal Information Service) equipment.*

*ATIS broadcasts are provided at many airports, and resemble Volmet in that they provide pilots with weather reports and generally use tape loop recordings. The new Marconi ATIS equipment will provide the same benefits for this system as it does for Volmet.*



# ACTIVE AUDIO BANDPASS FILTER

For an elegant design to meet a simple requirement you'd have to go a long way to beat Lionel Sear G3PPT's filter



Seasoned readers of *R&EW* could be excused for barely stifling a yawn at the prospect of reading about 'yet another' audio filter, as there have been many designs published over the last few years. This one however is a little different, producing a genuine bandpass response by a novel technique.

The responses of two identical active filters when tuned to slightly staggered frequencies around 1kHz are shown in Figure 1. Clearly, under the respective

peaks there is a large difference between the two responses, whereas further away from the peaks they are very similar. Thus the electrical difference between the two functions (which will also take into account phase) will be a bandpass response. This works so long as the two frequencies are not too far apart, which would result in an unacceptable trough in the middle of the response.

In the circuitry to be described, a well

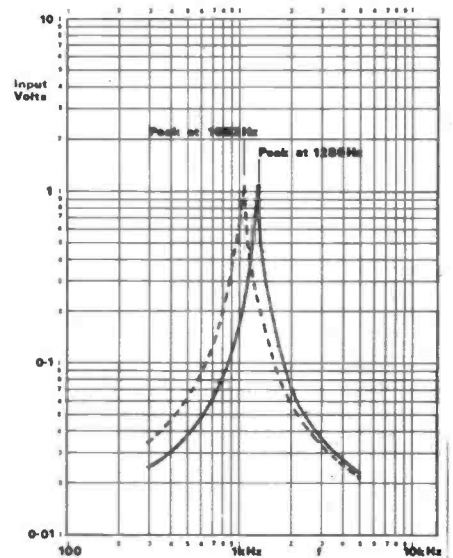


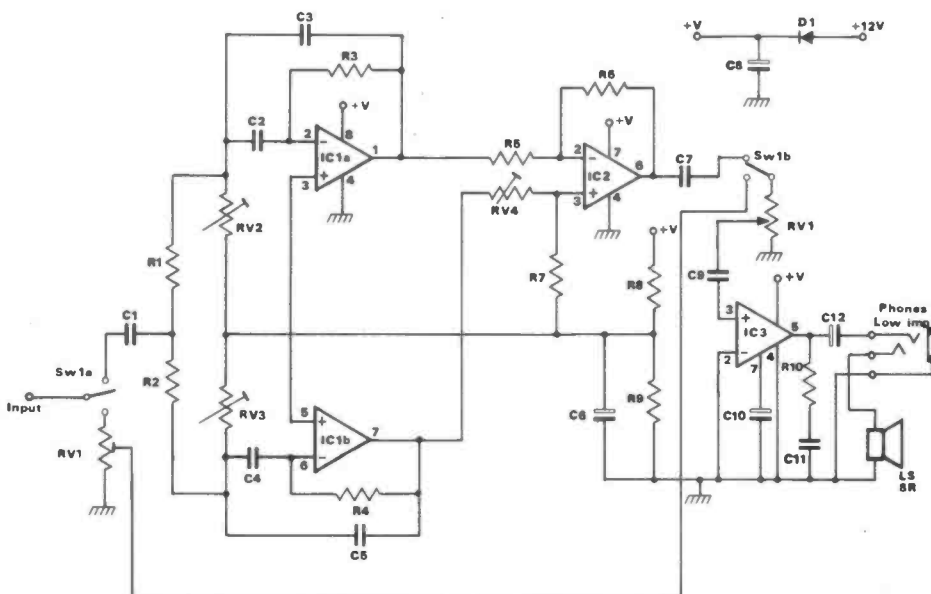
Fig 1 The responses of two identical active filters tuned at slightly different frequencies

shaped steep-sided passband with a bandwidth of up to 300Hz at 1kHz is obtained. A further advantage of this approach is that because the difference between relatively low Q functions is used, the 'ringing' associated with high Q circuits on the verge of oscillation is not suffered and the filter is not tiring to use for long periods.

## The circuit

The circuit is shown in Figure 2. The two constituent op-amps in IC1 are used in two identical tunable bandpass filters

Fig 2 The bandpass filter circuit diagram



## COMPONENTS

### Resistors

R1, 2, 3, 4	220k ¼W carbon
R5, 6, 7	22k ¼W carbon
R8, 9	220R ¼W carbon
R10	10R ¼W carbon
P1	10k skeleton preset
P2, 3	470R skeleton preset
P4	47k skeleton preset
RV1	10k pot, ALPS VM10R

### Capacitors

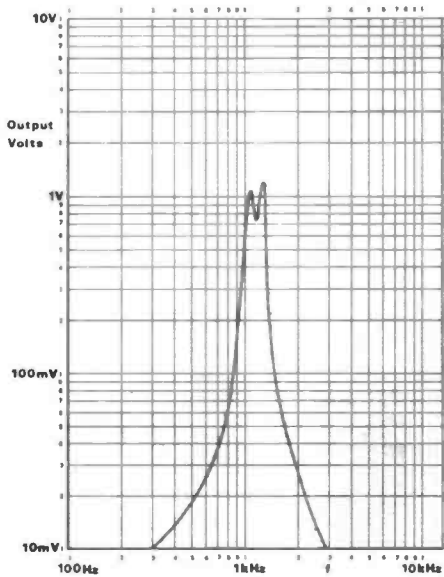
C1, 7, 9, 11	0.1µF 50V disc ceramic
C2, 3, 4, 5	4.7nF 100V mylar
C6, 8, 12	100µF 63V electrolytic
C10	20µF 25V tantalum

### Semiconductors

IC1	LF353
IC2	CA3140
IC3	LM386
D1	1N4001

### Miscellaneous

Printed circuit board  
Vero case 125 × 65 × 50mm  
Toggle switch, DPDT miniature  
2.5mm jack plug and socket  
¼in mono jack socket with n/c switch  
2in 8Ω loudspeaker



**Fig 3** The response of the Figure 2 circuit when adjusted to give a 300Hz bandwidth

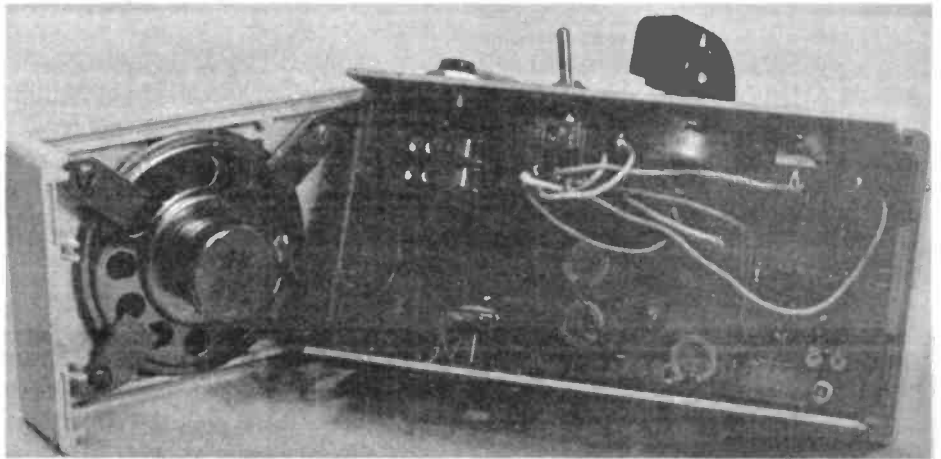
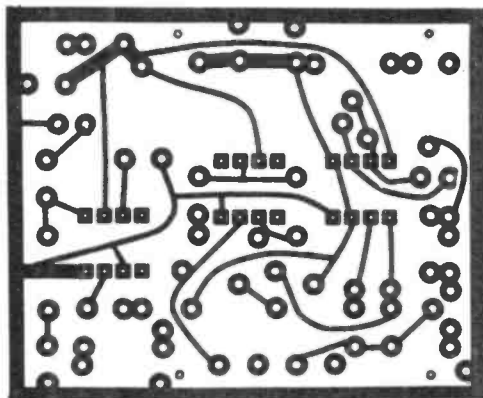
fed in parallel from the input; these are tuned by presets P2 and P3 to frequencies around 1kHz, staggered so as to produce the desired bandwidth. The actual difference function is produced by IC2, a CA3140 working in the differential mode with unity gain, balance being achieved by adjustment of P4.

To avoid the use of a dual voltage power supply, IC1 and IC2 are referred to the decoupled voltage divider circuit formed by R8,9 and C6. To make good the slight losses inherent in the filtering process and to raise the output to loudspeaker/low impedance headphone level, an LM386 is used. A double-pole double-throw switch allows the filter to be switched in or out, the volume level being equalised by P1.

**Circuit response**

Figure 3 shows the response of the circuit when adjusted to give a bandwidth of 300Hz. The unit requires a reasonable quality power supply giving 12 volts at 100mA.

**Fig 4** The PCB foil pattern



**Construction**

The circuitry is not in any way critical and Veroboard or similar may be used in its construction. However, by following the printed circuit layout used by the author (Figures 4 and 5) the whole assembly, complete with a 2 inch loudspeaker, will fit into a standard Verocase of 125mm x 65mm x 50mm.

Close observation of the board, together with the fact that two links have had to be used, might lead those more experienced with PCB design to feel that the author is to PCB artwork what Quasimodo was to department. The author used a 2.5mm jack plug and socket for input and a .25 inch jack plug and socket plus switch for output, together with a 2.5mm power plug/socket to get dc power into the unit. No doubt the prospective constructor will have his own ideas on this.

**Alignment**

Alignment may be accomplished without instrumentation as follows. Set P4 to mid-travel, feed in a tone of approximately 1kHz and peak one of the tuned

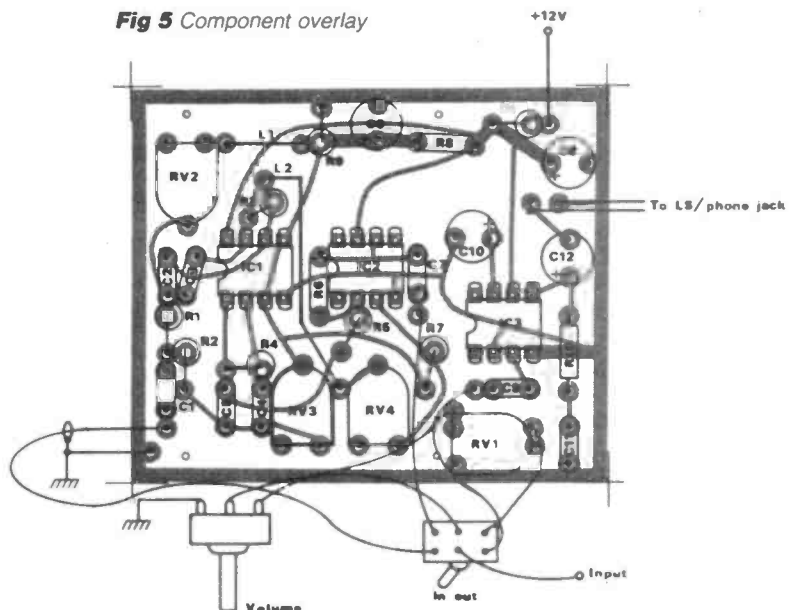
circuits with P2 or 3 as appropriate. Raise the input frequency by the bandwidth required and peak the other tuned circuit to this, then feed in a tone greatly removed from the passband, say 3kHz, and carefully adjust this to a minimum with P4, thus balancing the differential amplifier. Finally adjust P1 so that the output volume is equal with the filter switched in or out with S1.

**Uses**

The circuitry associated with IC1 and IC2 may be incorporated into any equipment where narrow-band filtering would be useful. A good example of this is RTTY equipment, where the two tuned circuits may be easily peaked on the two tones. However, it may be necessary to increase the gain of the differential stage IC2 by increasing R6 and 7 in tandem. The circuit will also prove very beneficial if built into a direct conversion receiver.

The author gratefully acknowledges the help of Bob Currell G4EIK in producing the photographs. REW

**Fig 5** Component overlay







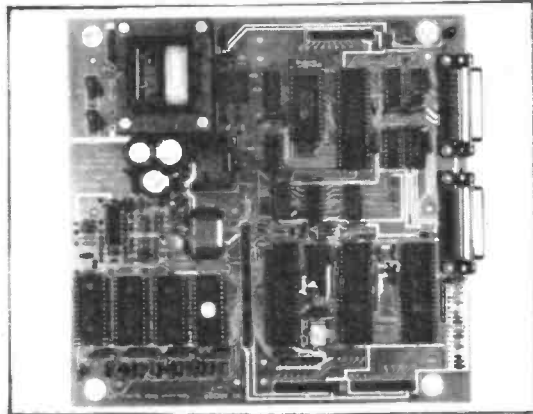
# The Archer Z80 SBC

The SDS ARCHER — The Z80 based single board computer chosen by professionals and OEM users.

- ★ High quality double sided plated through PCB
- ★ 4 Byte-wide memory sockets — upto 64k
- ★ Power-fail and watchdog timer circuits
- ★ 2 Serial ports with full flow control
- ★ 4 Parallel ports with handshaking
- ★ Bus expansion connector
- ★ CMOS battery back-up
- ★ Counter-timer chip
- ★ 4 MHz. Z80A

## OPTIONS:

- ★ SDS BASIC with ROMable autostarting user code
- ★ The powerful 8k byte SDS DEBUG MONITOR
- ★ On board 120 / 240 volt MAINS POWER SUPPLY
- ★ Attractive INSTRUMENT CASE — see photo.
- ★ 64k / 128k byte DYNAMIC RAM card
- ★ 4 socket RAM — ROM EXPANSION card
- ★ DISC INTERFACE card



# Sherwood Data Systems Ltd

Sherwood House, The Avenue, Farnham Common, Slough SL2 3JX. Tel. 02814-5067

## RF CONNECTORS & ADAPTORS

<b>PL259 PLUGS</b> to take 10.3mm coax.....	50p each	<b>REDUCERS</b> for 5mm coax.....	15p each
<b>REDUCERS</b> for 6mm (UR70) coax.....	30p each	<b>PL259 PLUGS</b> with built in 5mm reducers.....	50p each
<b>4 PIN MICROPHONE PLUGS</b> .....	70p each	<b>4 PIN MIC CHASSIS SOCKETS</b> .....	60p each
<b>6 PIN MICROPHONE PLUGS</b> .....	£1 each	<b>6 PIN MIC CHASSIS SOCKETS</b> .....	90p each
<b>7 PIN MICROPHONE PLUGS</b> .....	£1.10 each	<b>7 PIN MIC CHASSIS SOCKETS</b> .....	£1 each
<b>8 PIN MICROPHONE PLUGS</b> .....	£1.20 each	<b>8 PIN MIC CHASSIS SOCKETS</b> .....	£1.10 each

<b>COUPLER</b>	
2 x SO239 SKTS Back to back.....	70p each
ELBOW COUPLER, PL259 to SO239, a plug and socket at right angles.....	£1 each
SO239 CHASSIS SOCKET sq 4 hole fix.....	50p each
GREENPAR SO239 Round Hole Chassis Socket with PTFE Insulation.....	60p each

<b>ADAPTORS</b> SO239 Socket with BNC PLUG on the other end.....	£1.60 each
BNC Socket to PL259 PLUG adaptor.....	£1.80

<b>T CONNECTORS</b> 3 x SO239 Outlets.....	£1.20
T CONNECTORS BNC 3 Sockets.....	£2.50
BNC COUPLER 2 Sockets Back to Back.....	£1.40

<b>JAPANESE N TYPES</b>	
CHASSIS SOCKET	
N COUPLER in line 2N Sockets Back to Back.....	£2.50 each
Japanese BNC Chassis Sockets, open ended back.....	70p each

<b>GREENPAR CONNECTORS</b>	
PLUGS for 10.3mm Cable H100/UR67/RG213.....	£2.50 each
PLUGS for 5mm coax (UR76 etc).....	£2.50 each
CHASSIS SOCKETS 4 hole fix.....	£1.80 each
GREENPAR BNC PLUGS for 5mm cable.....	90p each
BNC Chassis Socket, Mini coax entry, RG174U etc.....	65p each

<b>OTHER JAPANESE ADAPTORS all 50 ohm</b>	
N Type Male to BNC Socket (Female).....	£2.50
BNC PLUG to N Socket (Female).....	£2.50
N Type Male to SO239 Socket.....	£2.50
PL259 Plug to N Socket (Female).....	£2.50

ALSO IN STOCK SC AND 75 OHM BNC PLUGS AND ADAPTORS  
 — SAE For Further Lists  
 Our Normal Range of Cables also stocked — H100/RG213U/UR67/UR57/UR43/UR76/RG58CU/UR70/RG174U/UR95/AERIAL WIRES and other Special Cables  
 — A SAE will bring full lists

POSTAGE IS EXTRA @ ONLY 50P Per ORDER for any Quantity  
**W H WESTLAKE, CLAWTON, HOLSWORTHY, DEVON**  
 (0409) 253758



## THE START OF SOMETHING NEW

If you are leaving College and planning a career in modern communications or if your present job lacks interest and challenge ..... why not join us in GCHQ?  
 We are recruiting

## RADIO OFFICERS

who are after initial training will become members of an organisation that is in the forefront of communications technology. Government Communications Headquarters can offer you a satisfying and rewarding career in the wide field of communications. Training involves a 32 week course (38 weeks if you come straight from Nautical College) which will fit you for appointment to RADIO OFFICER.

Not only will you find the work as an R O extremely interesting but there are also good prospects for promotion opportunities for overseas travel and a good salary. Add to this the security of working for an important Government Department and you could really have the start of something new.

The basic requirement for the job is 2 years radio operating experience or hold a PMG, MPT or MRGC or be about to obtain a MRGC. Registered disabled people are welcome to apply.

Salaries start at £4,988 at age 19 to £6,028 at age 25 and over during training and then £6,832 at 19 to £8,915 at 25 and over as a Radio Officer. Increments then follow annually to £12,328 inclusive of shift and weekend working allowances.

For full details and application form phone 0242 32912/3 or write to:  
**GCHQ** The Recruitment Office A/1108  
 Priors Road  
 CHELTENHAM  
 Glos GL52 5AJ (2806)



# DATA FILE . . .

Ray Marston deals with IGFET/MOSFET devices in this continuation of his 'FET' mini-series.



**Fig 1** Symbols of 3-pin and 4-pin n-channel depletion mode MOSFETs

In the last two editions of *Data File* we discussed the basic principles of the field-effect transistor (FET), and then went on to take an in-depth look at 'usage' information and applications of the junction-type field-effect transistor, or JFET. In the present edition of 'The File' we continue the FET theme by taking an in-depth look at those low-power devices that are generally known as IGFETs or MOSFETs.

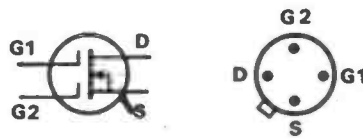
### IGFET/MOSFET basics

The IGFET/MOSFET is basically a low-power general purpose '3-terminal' (gate, source, and drain) amplifier device featuring a near-infinite input impedance between its gate and source terminals. Signal voltages applied between the gate and source terminals control the magnitude of signal currents flowing between the drain and source terminals of the device. Typical device 'gain' or 'transconductance' sensitivity is of the order of a few milliamps of output current per volt of input signal.

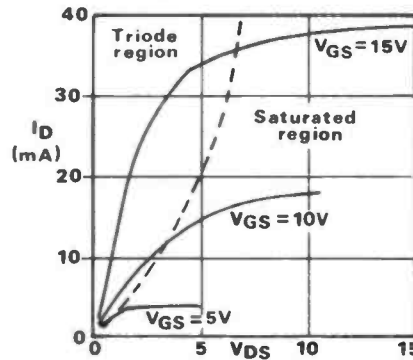
In these 'near-infinite impedance' types of FET the gate terminal is actually insulated from the semiconductor body by a very thin layer of silicon dioxide, hence the title 'insulated gate field effect transistor', or IGFET. The devices generally use a 'metal-oxide silicon' semiconductor material in their construction, and are thus also known as 'MOSFETs'. It should be noted that IGFET and MOSFET are simply alternative names for the same device. Throughout the rest of this article, therefore, we will refer to these devices simply as MOSFETs.

In practical MOSFETs the semiconductor substrate of the device is sometimes made externally available, making a '4-terminal' device. In most cases, however, the substrate is internally connected to the source, and the MOSFET is thus produced as a '3-terminal' device, as already described.

Many early types of MOSFETs were designed to operate in the 'depletion' mode, like a JFET, and *Figure 1* shows the symbols that are used to represent the 3-pin and 4-pin n-channel versions of these devices (arrowhead directions are reversed to represent p-channel types). Depletion mode MOSFETs are used in precisely the same way as the JFET devices described last month and, with one exception, offer no significant advantages over the JFET. This one



**Fig 2** Symbol and TO72 outline of the 3N140 and 40673 dual-gate MOSFETs



**Fig 4** Transfer characteristics of the 4007UB

exception is the 'dual-gate' or 'tetrode' MOSFET, in which the drain-to-source currents can be controlled via either or both of a pair of input terminals. The best known examples of these devices are the 3N140 and 40673 n-channel types, which use the symbols and TO72 outlines shown in *Figure 2*.

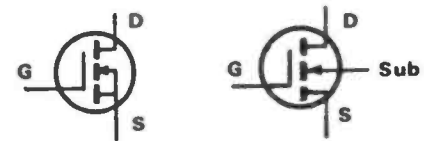
The vast majority of modern MOSFETs operate as enhancement mode devices, in which the drain-to-source conduction path or channel is normally (with zero gate bias applied) closed, but can be opened by applying forward bias to the gate terminal. This 'normally open-circuit' action of the enhancement mode MOSFET shows in the standard symbol of the device, as shown in *Figure 3*, by the 'gaps' between the source and drain. This diagram shows the symbol for an n-channel device; the arrowheads are reversed to indicate p-channel devices.

### Characteristics

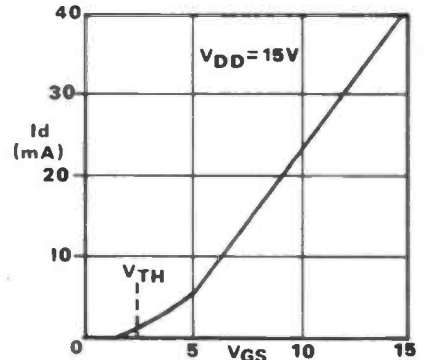
*Figure 4* shows the typical transfer characteristics of an n-channel enhancement mode MOSFET, and *Figure 5* shows the  $V_{GS}/I_D$  curves of the same device when powered from a 15 volt supply. Note that no significant  $I_D$  current flows until the gate voltage rises to a 'threshold' ( $V_T$ ) value of a few volts, but that beyond this value the drain current rises in a near-linear fashion.

Also note that the *Figure 4* graph is divided into two characteristic regions, as indicated by the dotted line, these being the 'triode' region and the 'saturated' region. In the triode region the device acts like a voltage-controlled resistor. In the saturated region it acts like a voltage-controlled constant-current generator.

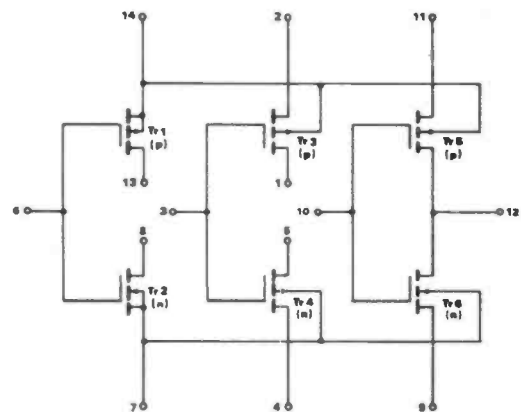
One very important practical point to note about MOSFET devices is that,



**Fig 3** Symbols of 3-pin and 4-pin enhancement mode MOSFETs



**Fig 5**  $V_{GS}/I_D$  characteristics of the 4007UB



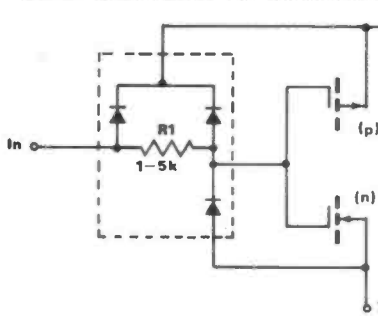
**Fig 6** 4007UB dual CMOS pair plus inverter

because of their very high input impedances, they are very vulnerable to damage from even very low power electrostatic discharges; for this reason MOSFETs are often (but not always) provided with internal protection via integral diodes or Zeners.

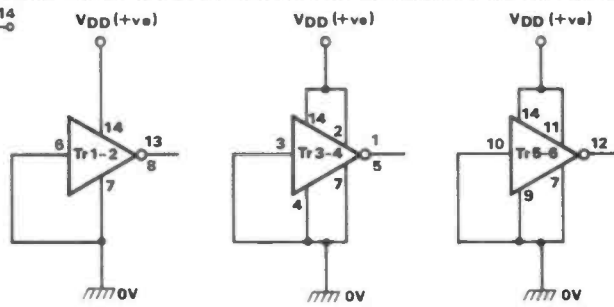
### The 4007UB

The easiest way to learn about any electronic device is to get actual 'hands-on' experience of it, and the cheapest way to get hands-on experience of enhancement mode MOSFETs is to buy a 4007UB chip. This device is the simplest member of the popular CMOS digital IC range, and actually houses six useful MOSFETs in a single 14-pin DIL package.

*Figure 6* shows the functional diagram and pin numbering of the 4007UB, which contains two complementary pairs of independently accessible MOSFETs, plus a third complementary MOSFET pair that is connected in the form of a standard CMOS inverter stage. Each of the three independent input terminals of



**Fig 7** Internal input protection network (dotted) on each 4007UB input



**Fig 8** 4007UB complementary pairs can be disabled by connecting as inverters and grounding their inputs

the IC is internally connected to the standard CMOS protection network shown in *Figure 7*. Within the IC, Tr1, Tr3 and Tr5 are p-channel MOSFETs, and Tr2, Tr4 and Tr6 are n-channel types. Note that the 'performance' graphs of *Figures 4* and *5* actually apply to the individual n-channel devices within this CMOS IC.

## Usage

The term 'CMOS' actually stands for 'complementary metal oxide silicon' field-effect transistors, and it is fair to say that all CMOS ICs are designed around the simple basic elements shown in *Figure 6*. It is thus worth getting a good basic understanding of these elements, and this subject will be discussed in depth shortly. First, however, let's discuss the basic 'usage' rules of the 4007UB.

These rules are quite simple. In any specific application, *all* unused elements of the device must be disabled. Complementary pairs of MOSFETs can be disabled by connecting them as standard CMOS inverters (ie, gate-to-gate and source-to-source) and tying their inputs to ground, as shown in *Figure 8*. Individual MOSFETs can be disabled by tying their source to their substrate and leaving the drain open-circuit.

In use, the input terminals must not be allowed to rise above  $V_{DD}$  (the supply voltage) or below  $V_{SS}$  (zero volts). To use an n-channel MOSFET, the source must be tied to  $V_{SS}$ , either directly or via a current-limiting resistor. To use a p-channel MOSFET the source must be tied to  $V_{DD}$ , either directly or via a current-limiting resistor.

## Linear operation

To fully understand the operation of CMOS circuitry it is vital to understand the linear characteristics of basic MOSFETs. *Figure 5* shows the typical gate voltage to drain current graph of an n-channel enhancement mode MOSFET. Note that negligible drain current flows until the gate voltage rises to a 'threshold' value of about 1.5 to 2.5 volts, but that the drain current then rises almost linearly with further increases in the gate voltage.

*Figure 9* shows how to connect an

n-channel 4007UB MOSFET as a linear inverting (common-source) amplifier. R1 serves as the drain load of Tr2, and potential divider R2-Rx biases the gate so that the device operates in the linear mode. The Rx value must be selected to give the desired quiescent drain voltage; it is normally in the range 18k to 100k. This circuit can be made to give a very high input impedance by wiring a 10M isolating resistor between the R2-Rx junction and the gate of Tr2, as shown.

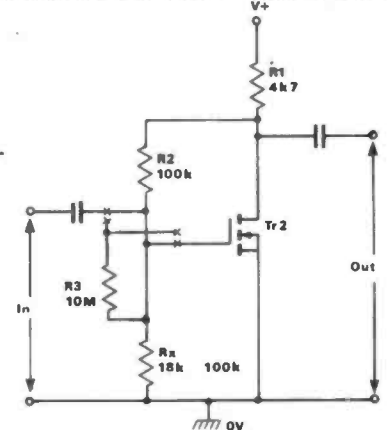
*Figure 10* shows how to connect the n-channel MOSFET as a unity gain non-inverting (common-drain) amplifier or 'source follower'. The MOSFET gate is biased at half-supply volts by the R2-R3 potential divider, and the source terminal automatically takes up a quiescent value that is slightly more than  $V_T$  below the gate value.

## Higher impedance

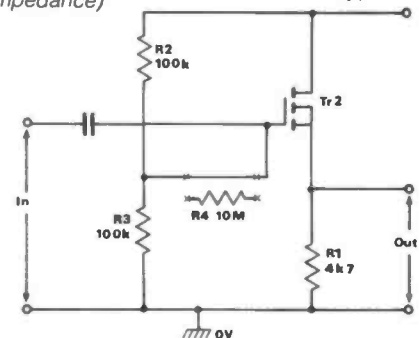
The basic *Figure 10* circuit has an input impedance equal to the paralleled values of R2 and R3 (= 50k), but this value can easily be increased to greater than 10M by wiring R4 as shown. Alternatively, the input impedance value can be raised to several hundred megohms by using the 'bootstrapped' source follower configuration shown in *Figure 11*, in which the Tr2 output signal is coupled back to the R2-R3 junction via C1 so that near-identical 'input' signals appear at each end of R4, which thus passes near-zero signal current and appears (to the input signals) as a near-infinite impedance.

Note from the above descriptions that the enhancement mode MOSFET performs like a conventional bipolar transistor, except that it has an ultra-high input impedance, a self-limiting drain-to-source current, and a substantially larger input-offset voltage than the bipolar transistor (the base-to-emitter offset of a bipolar is typically 600mV, while the gate-to-source offset of a MOSFET is typically 2V). Allowing for these differences the enhancement mode MOSFET can thus be used as a 'plug-in' replacement in virtually any small-signal bipolar transistor circuit.

The most important practical application of the enhancement mode MOSFET is in the basic 'complementary' or CMOS inverter stage of *Figure 12a*, in which an



**Fig 9** Medium impedance linear inverting amp (reconnect between crosses for high impedance)

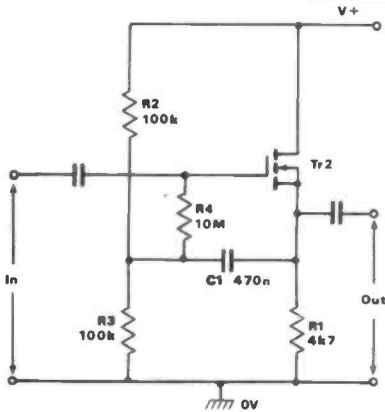


**Fig 10** Unity gain non-inverting amplifier

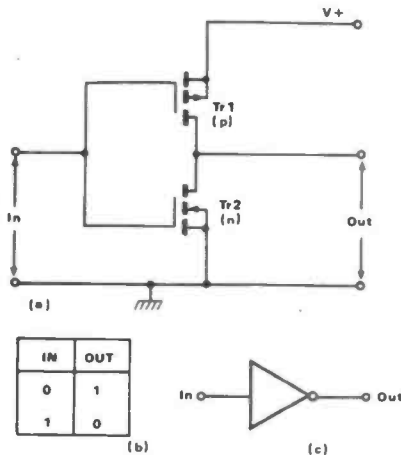
n-channel and a p-channel pair of MOSFETs are wired in series but share common input and output terminals. This simple looking circuit is specifically intended for use in digital applications, and forms the basis of the entire family of CMOS ICs. The circuit can, however, also be used in linear applications.

*Figures 12b* and *12c* show the 'truth' table and the circuit symbol of the basic CMOS inverter when used in the 'digital' mode, in which the input signal is at either a logic 0 or a logic 1 level. Here, with a logic 0 input applied Tr1 is shorted (fully on), so the output is firmly tied to the logic 1 (positive rail) level, but Tr2 is open (fully off) and the inverter thus passes zero quiescent current via this transistor. With a logic 1 input applied Tr2 is shorted and the output is firmly tied to the logic 0 (zero volt) state, but Tr1 is open and the circuit again passes zero quiescent current. This 'zero quiescent current' characteristic of the CMOS inverter is one of the most important features of the CMOS range of digital ICs.

Note that although the CMOS digital inverter consumes zero quiescent current, it *can* source (feed) or sink (absorb) significant current into or from external loads. Thus when the input is at logic 0 the output is effectively shorted (via Tr1) to the positive rail, so substantial current can feed (via Tr1) into a load connected between the output and the zero volt rail. When the input is at logic 1 the output is effectively shorted (via Tr2) to



**Fig 11** Ultra-high input impedance bootstrapped source follower

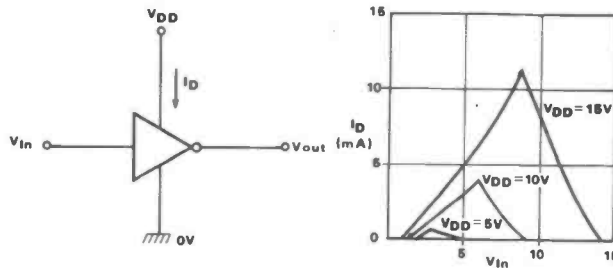
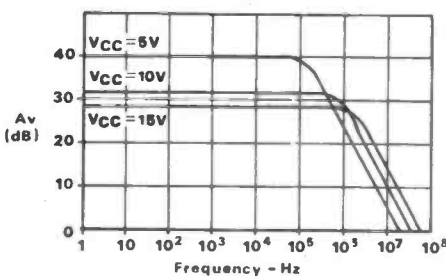


**Fig 12** Circuit, truth table and symbol of the basic CMOS digital inverter

the zero volt rail, so substantial currents can be absorbed (via Tr2) from a load connected between the output and the positive supply rail. This is another very important feature of the CMOS digital inverter circuit. Note that Tr5 and Tr6 of the 4007UB IC are fixed-wired in this inverter configuration.

The CMOS inverter stage can be used in the linear 'inverting amplifier' mode by simply biasing its input terminal at a suitable value that is part way between the logic 0 and logic 1 levels. Under this condition Tr1 and Tr2 are both biased partly on, and the inverter thus passes a significant quiescent current. Figure 13 shows the typical drain current transfer characteristics of the circuit under this

**Fig 16** Typical  $A_v$  and frequency characteristics of the linear mode CMOS amplifier (shown right)



**Fig 13** Drain current transfer characteristics of the simple CMOS inverter

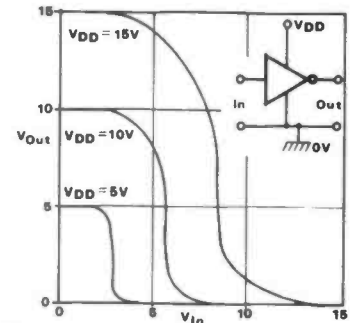
condition. Note that the drain current is zero when the input is at zero or full supply volts, but rises to a maximum value (typically 0.5mA at 5 volts supply, or 10.5mA at 15 volts supply) when the input is at approximately half-supply volts, under which condition both MOSFETs of the inverter are biased on equally.

Figure 14 shows the typical input-to-output voltage transfer characteristics of the simple CMOS inverter at different supply voltage values. Note (on the 15V  $V_{DD}$  line, for example) that the output voltage changes by only a small amount when the input voltage is shifted around the  $V_{DD}$  and 0V levels, but that when  $V_{IN}$  is biased at roughly half-supply volts a small change of input voltage causes a large change of output voltage: under this latter condition the inverter typically gives a voltage gain of about 30dB when used with a 15 volt supply, or 40dB at 5 volts.

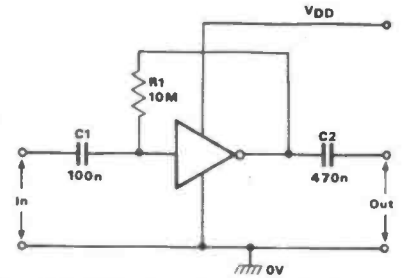
**Practicalities**

Figure 15 shows the practical circuit of a linear CMOS inverting amplifier stage. This circuit is biased automatically by wiring 10M resistor R1 between the input and output terminals, so that the output self-biases at approximately half-supply volts. Figure 16 shows the typical voltage gain and frequency characteristics of this circuit when operated at three alternative supply rail values. This graph assumes that the amplifier output is feeding into the high impedance of a 10M/15pF 'scope probe etc, and under this condition the circuit has a bandwidth of 2.5MHz when operated from a 15 volt supply.

As would be expected from the voltage transfer graph of Figure 14, the distortion characteristics of the CMOS linear



**Fig 14** Typical input to output voltage characteristics of the 4007UB



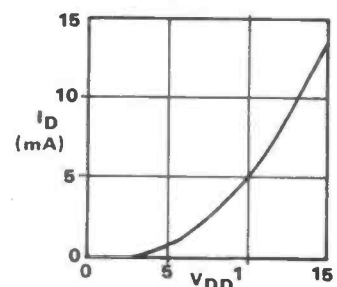
**Fig 15** Biasing the simple CMOS inverter for linear operation

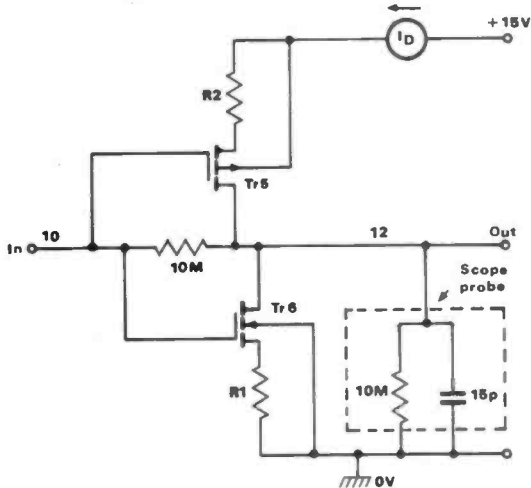
amplifier are not outstandingly good. Linearity is quite good with small amplitude signals (output amplitudes up to 3 volts peak to peak with a 15V supply), but the distortion then increases progressively as the output approaches the upper and lower supply limits. Unlike a bipolar transistor circuit the CMOS amplifier does not 'clip' excessive sine-wave signals, but progressively rounds off their peaks.

Figure 17 shows the typical drain current versus supply voltage characteristics of the CMOS linear amplifier. The current typically varies from 0.5mA at 5 volts to 12.5mA at 15 volts supply.

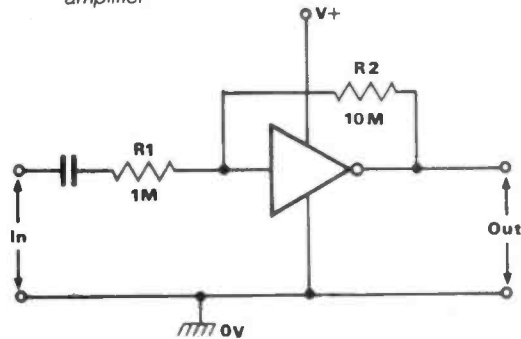
In many applications the quiescent supply current of the 4007UB CMOS amplifier can usefully be reduced, at the cost of reduced amplifier bandwidth, by wiring external resistors in series with the source terminals of the two MOSFETs of the CMOS stage, as shown in the 'micropower' circuit of Figure 18. This diagram also shows the measured effects that different resistor values have on the drain current, voltage gain and bandwidth of the amplifier when it is operated from a 15 volt supply and has its

**Fig 17** Typical  $I_D/V_{DD}$  characteristics of the linear mode CMOS amplifier

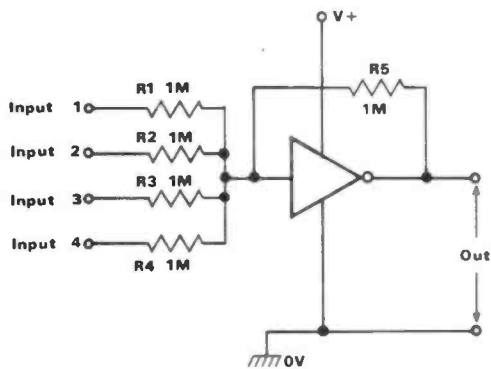




**Fig 18** Micropower 4007U6 CMOS linear amplifier



**Fig 19** Linear CMOS amplifier wired as a  $\times 10$  inverting amplifier



**Fig 20** Linear CMOS amplifier wired as a unity-gain 4 input audio mixer

output loaded by a 10M/15pF oscilloscope probe.

It should be noted that the additional resistors of the *Figure 18* circuit increase the output impedance of the amplifier (the output impedance is roughly equal to the  $R1 \cdot Av$  product), and this impedance and the external load resistance/capacitance has a great effect on the overall gain and bandwidth of the circuit. When using 10k values for  $R1$ , for example, if the load capacitance is increased from 15pF to 50pF the bandwidth falls to about 4kHz, but if the capacitance is reduced to 5pF the bandwidth is increased to 45kHz.

R1	$I_D$ (mA)	$A_v$ ( $V_{IN} / V_{OUT}$ )	Upper 3dB bandwidth
0	12.5mA	20	2.7MHz
100R	8.2mA	20	1.5MHz
560R	3.9mA	25	300kHz
1k0	2.5mA	30	150kHz
5k6	600 $\mu$ A	40	25kHz
10k	370 $\mu$ A	40	15kHz
100k	40 $\mu$ A	30	2kHz
1M0	4 $\mu$ A	10	1kHz

Performance details for *Figure 18*

Similarly, if the resistive load is reduced from 10M to 10k, the voltage gain falls to unity. For significant gain, the load resistance must be large relative to the output impedance of the amplifier.

The basic (unbiased) CMOS inverter stage has an input capacitance of about 5pF and a near-infinite input resistance. Thus if the output of the *Figure 18* circuit is fed directly to such a load, it will show a voltage gain of about 30 and a bandwidth of 3kHz when  $R1$  has a value of 1M; it will even give useful gain and bandwidth when  $R1$  has a value of 10M, but will consume a quiescent current of only 0.4 $\mu$ A!

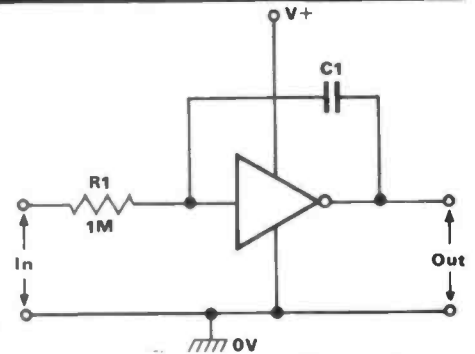
### Practical CMOS

The CMOS linear amplifier can easily be used, in either its standard or micropower forms, to make a variety of fixed-gain amplifiers, mixers, integrators, active filters, oscillators etc. A short selection of such circuits is shown in *Figures 19 to 23*.

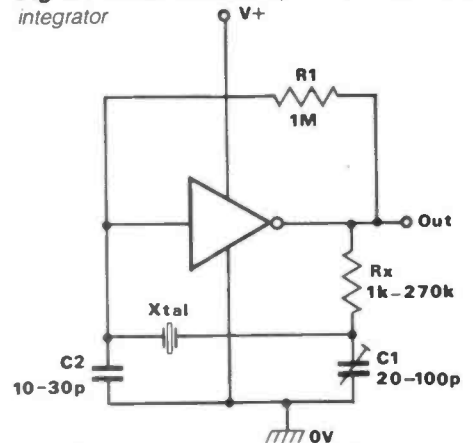
*Figure 19* shows the practical circuit of a  $\times 10$  inverting amplifier. The CMOS stage is biased by feedback resistor  $R2$ , and the voltage gain is set at  $\times 10$  by the  $R2/R1$  ratio. The input impedance of the circuit is 1M, and equals the  $R1$  value.

*Figure 20* shows how the above circuit can be modified for use as an audio 'mixer' or analogue voltage adder. The circuit has four input terminals, and the voltage gain between each input and the output terminal is fixed at unity by the relative values of the 1M input resistor and the 1M feedback resistor. *Figure 21* shows how the basic CMOS amplifier can be used as a simple integrator.

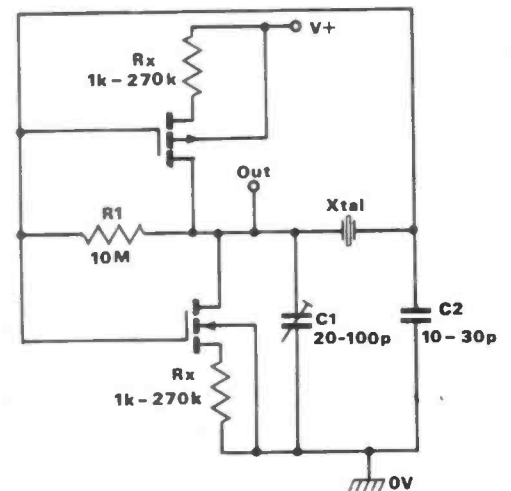
*Figure 22* shows how the linear CMOS amplifier can be used as a crystal oscillator. Here the CMOS amplifier is linearly biased via  $R1$  and provides 180° phase shift, and the  $Rx-C1-Xtal-C2$  pi-type crystal network provides an additional 180° of phase shift at the crystal resonant frequency, thereby causing the circuit to oscillate. If the user simply wants the crystal to provide a frequency accuracy within 0.1% or so,  $Rx$  can be replaced by a short and  $C1-C2$  can be omitted. For ultra-high accuracy, the correct values of  $Rx-C1-C2$  must be individually determined (the diagram shows the typical range of values).



**Fig 21** Linear CMOS amplifier wired as an integrator



**Fig 22** Linear CMOS amplifier wired as a crystal oscillator



**Fig 23** 'Micropower' version of the crystal oscillator

Finally, to complete this edition of *Data File*, *Figure 23* shows a 'micropower' version of the CMOS crystal oscillator. In this case  $Rx$  is actually incorporated in the amplifier. If desired, the output of this oscillator can be fed directly to the input of an additional CMOS inverter stage for improved waveform shape/amplitude.

### Next month

In next month's edition of *Data File* we conclude the present FET mini-series by looking at practical VMOS power amplifier circuits.

# Intruder Alarms and Accessories

## A COMPLETE SECURITY SYSTEM FOR ONLY £39.95 + V.A.T.

Control Unit Enclosure & mechanical fittings  
Key Switch & 2 keys  
LED's  
5 1/2" Horn Speaker  
4 high quality surface mounting Magnetic Switches

With only a few hours of your time it is possible to assemble and install an effective security system to protect your family and property, at the amazingly low cost of £39.95 + V.A.T. No compromises have been made and no corners have been cut. The outstanding value results from volume production and direct supply. Assembly is straightforward with the detailed instructions provided. When installed you can enjoy the peace of mind that results from a secure home. Should you wish to increase the level of security, the system may be extended at any time with additional magnetic switches, pressure pads or ultrasonic sensors. Don't wait until it's too late—order today.  
Order Code: CS 1370.

## EXTENDED SYSTEM CS 1480 Price £62.50 + V.A.T.

This system contains, in addition to the CS 1370, an ultrasonic detector type US 5063—in its enclosure, an additional horn speaker, and a further 2 magnetic switches. This system represents outstanding value for money for the high level of security provided.  
Order Code: CS 1480.

## SELF-CONTAINED ULTRASONIC ALARM UNIT CK 5063 only £37.00 + V.A.T.



Requires no installation. Easily assembled using our professionally built and tested modules.  
•Adjustable range up to 25ft  
•Built-in entrance and exit delay  
•Built-in timed alarm  
•Key operated switch—Off, Test and Operate  
•Provision for an extension speaker  
•Fully self-contained  
•Uses US 5063, PSL 1865 Key Switch 3901  
•Speaker 3515

Now you can assemble a really effective intruder alarm, at this low price using tried and tested Riscomp modules. Supplied with full instructions for your house or flat. With a built-in LED indicator and test position the unit is easily set-up requiring no installation. It may simply be placed on a cupboard or desk. Movement within its range will then cause the built-in siren to produce a penetrating 90db of sound or even 110db with an additional speaker. All parts included and supplied with full instructions for ease of assembly. Size 200 x 180 x 70mm. Order as CK 5063.

**RISCOMP LIMITED**

Dept REW 34  
21 Duke Street,  
Princes Risborough,  
Bucks HP17 0AT  
Princes Risborough (084 44) 6326

## ALARM CONTROL UNIT CA 1250



Price £19.95+V.A.T.

The heart of any alarm system is the control unit. The CA 1250 offers every possible feature that is likely to be required when constructing a system whether a highly sophisticated installation or simply controlling a single magnetic switch on the front door.

- Built-in electronic siren drives 2 loud speakers
- Provides exit and entrance delays together with fixed alarm time
- Battery back-up with trickle charge facility
- Operates with magnetic switches, pressure pads, ultrasonic or IR units
- Anti-tamper and panic facility
- Stabilised output voltage
- 2 operating modes full alarm/anti-tamper and panic facility
- Screw connections for ease of installation
- Separate relay contacts for external loads
- Test loop facility

## HARDWARE KIT HW 1250

only £9.50 + V.A.T.

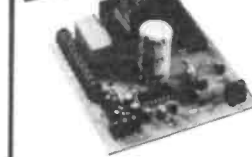


This attractive case is designed to house the control unit CA 1250, together with the appropriate LED indicators and key switch. Supplied with the necessary mounting pillars and punched front panel, the unit is given a professional appearance by an adhesive silk screened label. Size 200 x 180 x 70mm.

## SIREN & POWER SUPPLY MODULE PSL 1865

only £9.95 + V.A.T.

A complete siren and power supply module which is capable of providing sound levels of 110db at 2 metres when used with a horn speaker. In addition, the unit provides a stabilised 12V output up to 100mA. A switching relay is also included so that the unit may be used in conjunction with the US 5063 to form a complete alarm.



## TIMER SWITCH & POWER SUPPLY MODULE DP 3570 Price £13.95 + V.A.T.

The DP 3570 consists of an adjustable timer switch and stabilised 12V power supply for use in a wide range of applications including security, lighting control and automatic switching. The timer section of the module provides switching of loads up to 3A for pre-set times, the duration of which may be set by the user to between 10 secs and 5 mins. The timed period may be triggered by the opening of a loop or the closing of external contacts, with the timed period commencing instantaneously or delayed to provide a form of entrance delay. The power supply section of the module provides a 12V output of up to 250mA which is sufficient for most applications. The module operates from either 240V ac supply or a 12V battery for which trickle charge facilities are included. Connections to the module are by means of screw-terminal connectors with no soldering needed.

For mounting the unit an attractive moulded enclosure is available.

ME 357 only £2.85 + V.A.T.



## INFRA-RED SYSTEM IR 1470 only £25.61+V.A.T.

Consisting of separate transmitter and receiver both of which are housed in attractive moulded cases, the system provides an invisible modulated beam over distances of up to 50ft operating a relay when the beam is broken. Intended for use in security systems, but also ideal for photographic and measurement applications. Size 80 x 50 x 35mm

## DIGITAL ULTRASONIC DETECTOR US 5063

only £13.95 + V.A.T.

This advanced module uses digital signal processing to provide the highest level of sensitivity whilst discriminating against potential false alarm conditions.



## ULTRASONIC MODULE ENCLOSURE

only £2.95 + V.A.T.

Suitable metal enclosure for housing an individual ultrasonic module type US 5063 or US 4012. Supplied with the necessary mounting pillars and screws etc. For US 5063 order SC 5063, for US 4012 order SC 4012.



# RISCOMP THE SECURITY SPECIALISTS!

Add 15% VAT to all prices  
Add 75p post and packing to all orders  
Units on demonstration  
Shop hours 9.00 to 5.30pm  
Closed Wednesday

Saturday 9.00 to 1.00 p.m.  
SAE with all enquiries.  
Order by telephone or post using your credit card

**FULL RANGE OF ACCESSORIES STOCKED SEND SAE FOR DETAILS**

## The RX-4 Multimode receive program for SSTV - RTTY - AMTOR - CW

Text and picture store for instant recall, save and printer dump. Frequency scale and fine-tune adjustment for easy, accurate tuning and a long list of other top features.

For SPECTRUM (not 16k), BBC-B, CBM64, VIC20 (+ at least 8k). Tape £25.

### RTTY and CW TRANSCIVE

Split-screen, type-ahead, 26 saveable memories, auto CR/LF, autotrack CW to 250 wpm, QSO review and lots more.

For BBC-B, CBM64, VIC20 (+ at least 8k). Tape £20.

A CW-only version is available for SPECTRUM (no QSO review). Tape £12.

**Neither of these programs need any expensive hardware.**

SPECTRUM versions need no hardware at all. The others use the same simple interface - kit £5, ready-made £20 Inc all connections (state rig if transceive).

They can also use a TU for RTTY and CW.

We have lots of other programs, too. See November's advert.

Any BBC-B, CBM64, VIC20 program on disk at £2 extra. BBC: state 40/80 tk.

Prices include VAT and p&p by return 1st Class inland, airmail overseas.

Channel Islands, Eire, BFPO Europe deduct 13%.

**technical software**

From Upper Llandwrog, Caernarfon, Gwynedd LL54 7RF. Tel 0286 881886

Radio & Electronics World smart blue binders, each holding up to 12 issues keeping them in prime condition

**Only £4.75 inc p&p**

Overseas readers please add 30p  
Please allow 28 days for delivery

Send your orders to

Edwardschild Ltd, 28 Shenfield Cres  
Brentwood, Essex CM15 8BN

## TRANSISTORS

BC107/8/9	-12p	BC184L	-10p	BFY50,51,52	-20p
BC147/8/9	-10p	BC212,212L	-10p	BFX88	-15p
BC157/8/9	-10p	BC327,337,337L	-12p	BSX19	-12p
BC547/8/9	-8p	BD135,136	-25p	BSX20	-15p
BC557/8/9	-8p	BD137,138,139	-25p	2N2926	-7p
BC182L	-10p	BF195,7	-12p	2N3055	-50p
BC183	-10p	BCY70	-15p	TIP31A,32A	-30p

SUBMINIATURE TANTALUM ELECTROLYTICS, (MFDS/VOLTS)	
0.1/35, 0.2/25, 0.47/35, 1.0/35, 3.3/16, 4.7/16	14p
2.2/35, 4.7/25, 10/6 -15P 4.7/35, 6.8/16	16p
10/16, 10/25, 22/6 -20P, 15/25, 22/16, 33/10	30p

ELECTROLYTIC CAPACITORS, (Mfd/Volts)	
1/25, 1/50, 2.2/25, 2.2/50, 4.7/25, 4.7/50, 10/16, 10/25, 10/50	5p
22/16, 22/25, 22/50, 47/16, 47/25, 47/50, 33/10 -6p, 100/16, 100/25	7p
100/50 -12p, 100/100 -14p, 220/16 -8p, 220/25, 220/50	10p
470/16, 470/25 -11p, 470/35 -12p, 470/40 -15p, 1000/16	15p
1000/35 -22p, 1000/40 -35p, 2200/10 -8p, 2200/25	35p

Carbon Film resistors 1/4W 5% E24 series 0.51R to 10MΩ	1p
100 off per value -75p, even hundreds per value totalling 1000	£7.00
Metal Film resistors 1/4W 10R to 1MΩ 5% E12 series -2p, 1% E24 series	3p
Mixed metal/carbon film resistors 1/2W E12 series 1R0 to 10MΩ	1½p
Mixed metal/carbon film resistors 1 watt E12 series 10R0 to 10MΩ	5p

Miniature polyester capacitors 250V working for vertical mounting	
01, 015, 022, 033, 047, 068 4p, 015, 022 6p, 0.33 & 0.47	8p
Mylar (polyester) capacitors 100V working E12 series vertical mounting	
1000p to 8200p -3p, 01 to 068 mfd -4p, 0.1 5p, 0.12 & 0.15	6p
Plate or disc ceramic 50V E6 series 1.0 pf. to 47,000 pf.	2p

Subminiature ceramic plate capacitors 100V wkg vertical mounting, E12 series.	
2% 1.8 pf to 47 pf -3p, 2% 56 pf to 330 pf -4p, 10% 390p - 4700p	4p
Polystyrene capacitors 63V working E12 series long axial wires	
10 pf to 820 pf -3p, 1000 pf to 10,000 pf -4p, 12,000 pf.	5p
Light dependent resistors NORP12	65p

DIODES (p.i.v./amps)	
75/25mA 1N4148 2p, 800/1A 1N4006 6p, 400/3A 1N5404 14p, 115/15mA OA91	6p
100/1A 1N4002 4p, 1000/1A 1N4007 7p, 60/1.5A S1M1 5p, 100/1A bridge	25p
400/1A 1N4004 5p, 1250/1A BY127 10p, 30/45mA OA90 6p, 30/15A OA47	8p
Zener diodes E24 series 3V3 to 33V 400 mW -8p, 1 watt	12p
L.E.D's 3 & 5mm Red 10, Green, Yellow 12p, Grommets 3mm -2p, 5mm	2p
20mm fuses 100m A to 5A, Q/blow 5p, A surge 6p, Holders pc or chassis	5p
High speed pc drills 0.8, 1.0, 1.3, 1.5, 2.0mm -25p, Machines 12V dc	£6.00
HELPING HANDS 6 ball joints and 2 croc clips to hold awkward jobs	£4.50
Nicads AA -80p, HP11 -£2.00, HP3 -£4.20 Universal charger	£6.00
Glass reed switches with single pole make contacts -8p, Magnets	12p

All prices are inclusive of V.A.T. Postage 20p (free over £5). Lists Free	
---	--

## THE C.R. SUPPLY CO

127 Chesterfield Rd, Sheffield S8 0RN

Return posting

# ANTENNA = TUNING = = UNIT =

**W G Borland G3NXM presents a useful  
and straightforward project for those  
cold, dark evenings in the shack**

There are three drawbacks to a 'Z' match type of ATU. Firstly, the difficulty of winding the coils due to the link windings. Secondly, wide-spaced variable capacitors of sufficiently high values may have to be purchased new and these are expensive. But most importantly, a Z match is essentially an unbalanced to balanced matching device for use with parallel feeders, and although often used with coaxial cables, there are better circuits. All the aerials at the author's QTH are coaxial fed, with baluns at the aerial if necessary.

When this ATU was built, it was decided to incorporate a dummy load, SWR meter, watt meters, outlets for several aerials, and an outlet so that the transmitter output could be monitored on an oscilloscope. The result is shown in *Figure 1*, none of the circuits being original. For descriptive purposes, the circuit is divided into sections as they are basically independent.

## Tuning unit

This comprises L, CV1, CV2, C1 and switch S1 and is based on a circuit published in an old ARRL handbook (1). The variable capacitors CV1, (two gang) and CV2, (single) were obtained at a rally: they came out of the old T1154 transmitter and measured 150pF per section. Unfortunately there was insufficient

capacity for 80 metres, so C1, also obtained at a rally, is switched into circuit for this band. This will not be required if CV2 is at least 200pF.

The coil is 2 inches in diameter with 19 turns at 4mm centres (6.35 turns per inch) tapped at  $\frac{7}{8}$  turn (28 and 24MHz), 2 turns (21 and 18MHz), 3 turns (14 and 10MHz) and  $8\frac{1}{2}$  turns (7MHz) from the earth end of the coil. Switch S1 is the band switch, which also allows for switching out this circuit for direct connection to the aerial and also connection to the dummy load. A dummy load was incorporated, but S4 allowed the choice of using an external dummy load. S4 should be a slide switch to minimise switch capacitance.

## SWR meter

Many circuits have been published for the RF sampling. Any of them will be suitable as long as they have a toroidal core transformer. Strip line circuit output varies with frequency as well as power and cannot be used if power measurements are required. Transformer T1 comprises 16 double turns of 28swg enamelled wire wound on a small toroid such as Amidon T-50 2-Mix Red (1 to 30MHz), with the end of one winding connected to the start of the other winding to form the centre tap. The primary is a short length of coaxial cable through the centre with the screen

earthed at one end only to form a Faraday screen. The OA91 diodes must be a matched pair. Switch S3a selects 'forward' or 'reflected'.

To adjust this circuit, switch S1 to dummy load and S3 to SWR forward. Adjust RV3 for full scale deflection on the meter. Switch S3 to reflected and adjust CV3 for zero reading on the meter. In practice it may not be quite zero as there may be a very slight SWR on the dummy load.

## Wattmeter

Although the meter is calibrated in watts it actually measures voltage, which is proportional to wattage as long as the RF head 'sees' an impedance of 50 ohms, which it will do as long as the SWR is 1:1. S3 selects scales of either 100 or 500 watts.

## PEP wattmeter

Many circuits have been published but this is probably the simplest. Voltage from the RF head is used to charge up C8, D3 preventing any return. R5 allows C8 to

## COMPONENTS

### Resistors

R1	50R dummy load
R2	68R 2W
R3	560R $\frac{1}{2}$ W
R4	10k $\frac{1}{2}$ W
R5	2M2 $\frac{1}{2}$ W
R6,7	220R $\frac{1}{2}$ W
RV1,2,4,5	22k preset pot
RV3	25k panel mounting pot
RV6	10k preset pot

### Capacitors

C1	33pF 4kV
C2	10pF 4kV
C3	220pF mica
C4,5	1000pF ceramic
C6,7	10nF ceramic
C8	3.3 $\mu$ F tantalum
C9,10	100 $\mu$ F 25V electrolytic
CV1	150+150pF transmitting type
CV2	150pF transmitting type
CV3	450pF compression preset
CV4	50pF small variable

### Semiconductors

D1,2	OA91 matched pair
D3	1N4148
D4,5	1N4002 or equivalent
ZD1,2	9V1 400mW Zeners
IC1	LM741

### Miscellaneous

Inductors	see text
T1	toroidal transformer - see text
T2	12V6 1A mains transformer
M1	500 $\mu$ A meter
S1	7-way 3-pole rotary ceramic
S2	4-way 1-pole rotary ceramic
S3	6-way 3-pole rotary ceramic
S4	SPDT slide switch

Co-ax sockets (SO239), 8-pin DIL socket,  $\frac{1}{4}$ in perspex 4x2 $\frac{1}{2}$ in for coil, 4oz 16swg tinned copper wire for coil, etc.

## Switching arrangements

All the switches in *Figure 1* are shown in position 1, and their functions, starting from that position, are:

- S1 3.5; 7; 10/14; 18/21; 24/28MHz; antenna direct; dummy load.
- S2 Antennas 1; 2; 3; 4.
- S3 Low PEP watts; low watts; SWR forward; SWR reflected; high watts; high PEP watts.
- S4 Internal dummy load; external dummy load.

discharge, but as it is a very high value the discharge will be slow. The values of C8 and R5 can of course be varied to suit any required delay. The LM741 has a very high input impedance and prevents C8 from discharging through the meter. The power supply for the LM741 is a standard circuit. No switch has been shown as the ac mains is taken from the transceiver on/off switch.

Before connecting any input, the LM741 has to be adjusted for 'null'. Temporarily connect a meter to pin 6 (which is connected to pin 2) and earth. Switch on ac mains and adjust RV6 for zero output on the meter. Initially it may show either positive or negative output.

The table overleaf shows the calibration of the meter as percentage of full scale deflection. It can of course be calibrated for different wattage. The easiest way of preparing the new scale is to draw it out on a self-adhesive label, which can then be fixed to the existing scale. No adjustments are required for the SWR scale.

### Meter calibration

To calibrate the wattmeter scales, an RF ammeter or RF voltmeter is required. Switch S1 to dummy load and S3 to low wattage (position 2). Apply power from the transmitter. Measure the voltage or current and calculate the power from the formula  $W=I^2R$  or  $W=V^2/R$  as appropriate, where R is 50 ohms. Adjust RV2 so that the meter reads this power.

Fig 2 RF head foil pattern and overlay

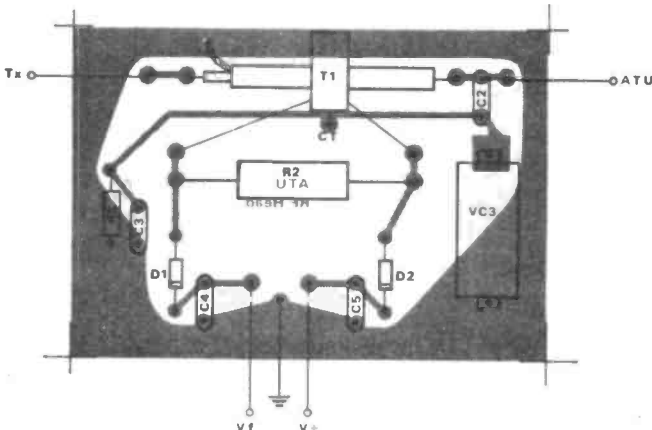
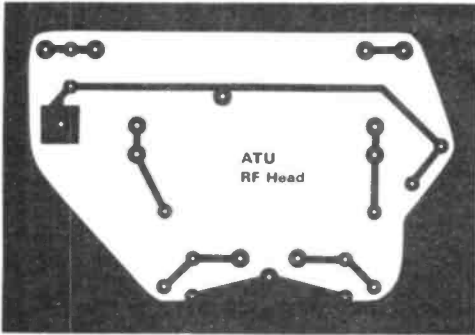
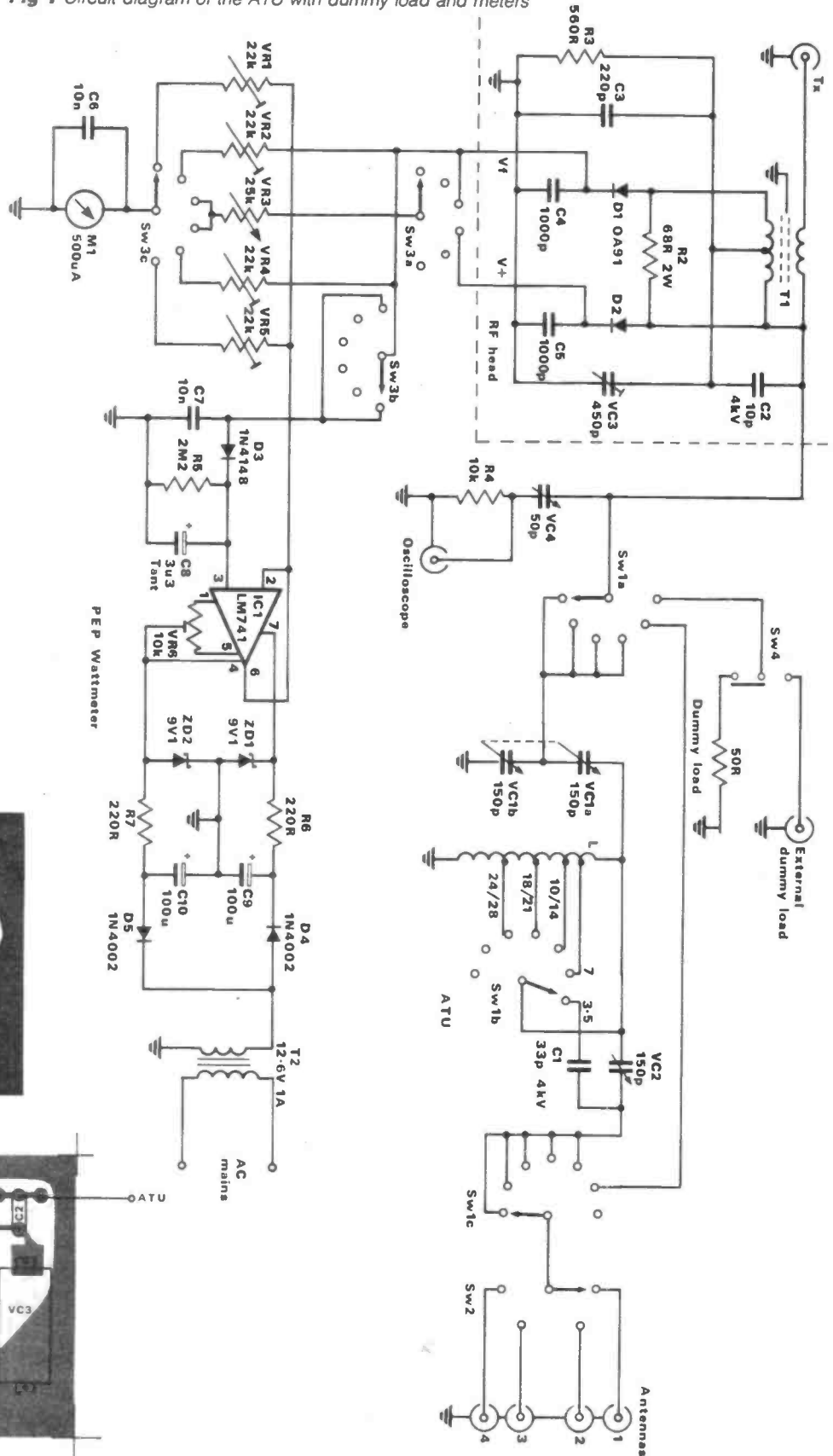


Fig 1 Circuit diagram of the ATU with dummy load and meters



# ANTENNA TUNING UNIT

With S3 switched to high wattage (position 5) repeat the process, but this time adjusting RV4. It is better to do this second calibration using a linear ampli-

fier if one is available, but this is not essential.

To calibrate the PEP wattmeter, a two-tone oscillator is required in addition to the RF voltmeter or ammeter. Connect this oscillator to the microphone input of the transmitter, which will be in the SSB mode instead of CW, switch S1 to dummy load and S3 to low PEP watts (position 1). Adjust RV1 for the calculated watts reading in a similar manner to the procedure for the wattage scale. Then with S3 switched to high PEP watts (position 6) adjust RV5, using a linear amplifier if available.

CV4 and R4 provide an outlet for connecting to the 'Y' plates of an oscilloscope in order to monitor transmissions. CV4 controls the height of the trace.

### Construction

The coil was constructed using the method previously described in *R&EW* (2). It was mounted on two small aluminium brackets. The position of the taps have been found suitable for the many different types of aerials tried at one time or another, some of them being rather unusual.

The frames of CV1 and CV2 have to be insulated from the chassis. A simple way is to mount them using a nylon bolt with a

nylon nut as a spacer. The shafts require insulated flexible couplers.

If difficulty is experienced in obtaining high voltage capacitors C1 and C2, they can be made out of double-sided copper-clad board. The usual paxolin based type measures about 15pF per square inch. The fibreglass board may differ slightly due to the different dielectric constant.

The RF head can be a printed circuit board as in *Figure 2*, but should be checked with the actual components to be used as they may be different in size, particularly CV3. Alternatively it can be built on a piece of Veroboard. It has to be shielded by mounting in an aluminium box and the connections to S3 should be in screened cable.

The PEP wattmeter circuit was constructed on a piece of Veroboard with the transformer mounted separately.

The whole ATU, including a 10 $\frac{3}{4}$  inch dummy load, was built into a case 12 x 12 inches and 4 inches high, the height matching that of the transceiver. And, of course, it cuts out individual pieces of equipment and their connecting cables.

### Bibliography

- (1) ARRL Handbook, 51st Edition, 1974.
- (2) *Radio & Electronics World*, September 1985.

Wattage and SWR scales as a percentage of the full scale deflection of the meter

Watts	% fcd	SWR	% fcd	
<u>5</u>	<u>25</u>	22.5	<u>1.0</u>	0
<u>10</u>	<u>50</u>	31.5	<u>1.1</u>	5
15	75	38.5	1.2	9
<u>20</u>	<u>100</u>	44.5	1.3	13
25	125	50	1.4	16.5
30	150	55	<u>1.5</u>	20
35	175	59	<u>1.6</u>	23
<u>40</u>	<u>200</u>	63	1.7	26
45	225	67	1.8	28.5
50	250	70.5	1.9	31
55	275	74	<u>2.0</u>	33.5
<u>60</u>	<u>300</u>	77.5	2.5	43
65	325	80.5	<u>3.0</u>	50
70	350	83.5	4.0	60
75	375	86.5	<u>5.0</u>	66.5
<u>80</u>	<u>400</u>	89.5	<u>10</u>	82
85	425	92.5	<u>Inf</u>	100
90	450	95		
95	475	97.5		
<u>100</u>	<u>500</u>	100		

Numbers underlined are figured on the scale, the other points being marked

# THE COMMUNICATIONS AND ELECTRONICS MAGAZINE



- Regular well-informed columns on various aspects of amateur communication
- Up-to-date news on the latest technology
- Simple and useful constructional projects, plus clear explanations of the theory behind them
- Delivery to your door by publication date each month
- Inflation proof - price guaranteed for 12 months

**On sale NOW at your newsagent and at equipment dealers**

## RADIO & ELECTRONICS WORLD SUBSCRIPTION ORDER FORM

To: Subscription Department • Radio & Electronics World • 1 Clarendon Road • Croydon • Surrey • CR0 3SJ  
Tel: 01-760 0409

PLEASE SUPPLY: (tick box) for 12 issues, all rates include P & P

Inland  £13.20 World-Surface  £14.30 Europe-Air  £19.10 World-Air  £26.05

NAME .....

PAYMENT ENCLOSED: £

Cheques should be made payable to Radio & Electronics World. Overseas payment by International Money Order, or credit card.

ADDRESS .....

CREDIT CARD PAYMENT

.....

Postcode .....

Signature .....



# HART

This month we feature some fantastic bargains. Our standard range of professional quality kits and cassette decks is still expanding, along with new lines in Video heads and power supplies. Our FREE list gives details of these and many other lines.

ALL BARGAIN ITEMS INCLUDE VAT & POST.

**LED DISPLAY DIGITAL ELECTRONIC CLOCK MODULE**  
Electronic clock module with MOS LSI circuit, 4-digit 0.5" LED display, power supply and other components on a single PCB. Only needs a transformer and switches to construct a complete pretested digital clock/timer for many applications. Suitable for 50 or 60 Hz mains supplies. Direct (non-multiplexed) LED drive eliminates RF interference.  
Supplied complete with 240v mains transformer and wiring diagram/data. Order as SOL144 Alarm Clock Module ..... **£6.88**

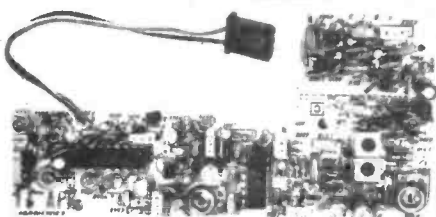
**LIQUID CRYSTAL DISPLAY WATCH MODULE**  
With LCD display, 2 pieces of Polarising material, backlight diffuser, micro lamp, precision crystal, trimmer, battery contacts and open microcircuit. Untested..... **8 for £1**

**PLESSEY MAINS INTERFERENCE SUPPRESSORS**  
Filter unit for mains borne interference. Max current 1.5A. Our Price, brand new..... **only £2.27**  
Same item, store soiled..... **only £1.81**

**10W POWER AMPLIFIER MODULE**  
Mullard LP1173 Amplifier module. Needs 24V DC Supply to give 10 watts into 4 ohm speaker. Size 112x70x29mm. Complete with heat sink..... **Only £2.40** complete with Data

**ALPS HF317U FM FRONT END**  
Beautiful, precision made High Quality variable capacitor tuned FM Front End with Dual-gate MosFet. Covers full FM range of 87 to 109MHz. 12v supply..... **ONLY £6.18** Circuit If required 35p

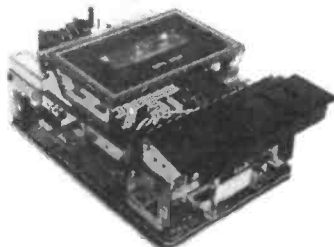
**CAR RADIO FM IF AND STEREO DECODER**



Miniature PCB with 10.7MHz ceramic filters, 2-transformer ratio detector, AX100 noise suppression IC and TCA4500A advanced stereo decoder IC. Only needs front end to make FM tuner or car radio. Complete with circuit. Incredible value at..... **Only £1.99**

**TOP LOADING STEREO CASSETTE MODULES**

Limited quantity of brand new stereo cassette units, as used in hi-fi music centres etc. All have auto stop.



Deck type 8588. R/P circuits. 12v DC motor, 3-digit counter. **£29.32**  
Deck type 811C. As above but with Dolby noise reduction. Fully wired with twin VU meter, level controls, pilot lights and DIN socket..... **£44.73**  
Deck type 828A. Deck mechanism only as used in both above, produced by one of Japan's top manufacturers. Fitted high quality stereo R/P head and Ferrite erase. 12v DC electronically governed motor..... **£11.57**  
Cassette Door to fit any above..... **£4.02**  
Deck type 111B. Complete module with record and play electronics, 3-digit counter, AC drive motor and cassette door..... **£21.73**

**COMPLETE STEREO TUNER MODULE**  
3 Band LW/MW/FM Stereo Tuner fully assembled on PCB 165x85mm. Supplied with Ferrite Rod Aerial, stereo LED and band switch fully wired. 12v DC Supply. TU560 - Tuner..... **Price Only £7.99**  
Drive accessories with 2 knobs, tuning drum, window and scale..... **£2.99**  
Special price for both items bought together..... **£2.99**

**CLOCK/TIMER/FREQUENCY METER PARTS**  
Special offer of the fabulous MSM524 clock, timer and frequency meter chip. MSL2318 prescaler chip and 6LT09 5-Digit fluorescent display. These are the 3 primary components for a complete timing and frequency display system covering the long, medium, short and FM wavebands. Total cost of these parts is normally over £25. OUR SPECIAL OFFER PRICE ONLY..... **£13.99**  
INF230 Data on MSM524 and MSL2318..... **70p**  
INF260 Application Circuit..... **20p**  
Crystal 3276.8KHz..... **£2.10**

**INFRARED SENSOR FOR GARAGE DOORS**  
Specially designed to be easily fitted to most garage doors by simply drilling a 1/2" hole. Body length is 1 1/4" and the device is end sensitive, a 450mm length of twin screened lead is ready fitted. Easily adapted for many other remote control applications.  
Order as SOL146 IR Photocell..... **Only 85p**  
Suitable IR emitting LED (SOL147)..... **85p**

**MARKS SWITCH WITH SOLENOID CONTROLLED "OFF"**  
As used on remote controlled TVs this switch has the normal 2 mains poles plus an auxiliary pole for the 12v solenoid supply. Suitable as a replacement part in Decca 100 series sets or for any remote control application. Normal price £3.70. OUR SPECIAL OFFER PRICE £1.50

**HIGH QUALITY REPLACEMENT CASSETTE HEADS**



Do your tapes lack treble? A worn head could be the problem. Fitting one of our replacement heads could restore performance to better than new! Standard mountings make fitting easy and our TC1 Test Cassette helps you set the azimuth spot-on. We are the actual importers which means you get the benefit of lower prices for prime parts. Compare us with other suppliers and see! The following is a list of our most popular heads, all are suitable for use on Dolby machines and are ex-stock.

HC20 Permatloy Stereo Head. This is the standard head fitted as original equipment on most decks..... **£5.11**  
HM90 High Beta Permatloy Head. A hard-wearing, higher performance head with metal capability..... **£6.00**  
HS16 Sandust Alloy Super Head. The best head we can find. Longer life than Permatloy, higher output than Ferrite, fantastic frequency response..... **£3.91**  
HC551 4-Track Head for auto-reverse or quadrophonic use. Full specification record and playback head..... **£3.73**  
Please consult our list for technical data on these and other Special Purpose Heads.  
MA481 Latest version Double Mono (2/2) Record/Play head. Replaces R484..... **£9.90**  
SM166 Standard Mounting 2/2 Erase head. Compatible with above or HQ551 4 Track head..... **£5.90**  
H524 Standard Erase Head. Semi double gap, high efficiency..... **£1.50**  
H561 Metal Tape Erase Head. Full double gap..... **£4.90**

**HART TRIPLE-PURPOSE TEST CASSETTE TC1**

One inexpensive test cassette enables you to set up VU level, head azimuth and tape speed. Invaluable when fitting new heads. Only £4.66 plus VAT and 50p postage.

Tape Head De-magnetiser. Handy size mains operated unit prevents build up of residual head magnetisation causing noise on playback..... **£4.54**  
Curved Pole Type for inaccessible heads..... **£4.85**

Send for your free copy of our LISTS. Overseas please send 2 IRCs to cover surface Post or 5 IRCs for Airmail.  
Please add part cost of post, packing and insurance as follows:

**INLAND**  
Orders up to £10 - 50p  
Orders £10 to £49 - £1  
Orders over £50 - £1.50

**OVERSEAS**  
Please send sufficient to cover  
Surface or Air Post as required.

Personal callers are always very welcome but please note that we are closed all day Saturday

24hr SALES LINE  
(0691) 652894

ALL PRICES EXCLUDE VAT UNLESS STATED

**HART**  
HART ELECTRONIC KITS LTD  
2 PENYLAN HILL  
OSWESTRY, SHROPSHIRE  
SY10 8AP

**C. M. HOWES COMMUNICATIONS**  
EASY TO BUILD KITS BY MAIL ORDER

139 HIGHVIEW  
VIGO, MEOPHAM,  
KENT DA13 0UT  
TEL. FAIRSEAT (0732) 823129

**ARE YOU ENJOYING THE SIMPLE LIFE?**

QRP (low power) operating is becoming more and more popular. This move away from expensive high power equipment to simple, often home-built gear is offering many amateurs a satisfying challenge. Most experienced operators also have the proverbial "black boxes" in the shack, but QRP offers them the opportunity to build their own equipment and put a little fun back into the hobby. At C. M. HOWES COMMUNICATIONS, we have kits to build simple low power equipment including easy to construct receivers that will appeal to the newcomer as well as the licenced amateur. If you haven't tasted the pleasures of the simple approach yet, why not choose a worthwhile project from our range? Established customers may like to note that we now have 40M band versions of our popular CTX, CVF and DcRx kits available for you to add to your collection!

**DcRx DIRECT CONVERSION COMMUNICATIONS RECEIVER**

The HOWES DcRx receivers are simple, easy to build single band designs. You can choose versions for the following bands: 20, 30, 40, 80 or 160 Metres. They all work from a 12 to 14V DC supply (a battery is fine) and provide plenty of audio output to drive a loudspeaker or headphones. The DcRx has been the first introduction to shortwave listening for many an aspiring amateur. Read the SWL column in the August '85 issue of "Amateur Radio" and find out what Trevor Morgan has to say about the DcRx and how one of his correspondants has claimed a Bronze Award for prefixes and countries heard on his HOWES DcRx20. You will be amazed just how well a simple design can work. A case and a couple of tuning capacitors are the only major items to add to finish your receiver. We have suitable capacitors for all but the 160M version at £1.50 each.  
DcRx kit £14.80. Assembled PCB module £19.90.

**CTX QRP CW Transmitters**

Two versions are available at the moment, one for 80M and the new 40M version. These super little rigs produce up to 5W RF output on 80, and 3W on 40. They come complete with one crystal, but there is also provision for an external VFO for full band coverage (HOWES CVF40 or CVF80). Read the reviews in the August '85 issue of Practical Wireless and the March '85 Shortwave Magazine. A CTX transmitter makes a ideal introduction to HF operating. A few months spent using simple CW only equipment will help to make you into a first class operator. I can only admire the skills of some of our customers, many only having recently passed the Morse test. The sheer number of countries they manage to work with their HOWES QRP equipment puts me to shame! But then I started on HF a few years ago with a black box and a microphone - something I now regard as a mistake!  
CTX40 or CTX80 kit £12.95. Assembled PCB module £18.95.

**CVF VARIABLE FREQUENCY OSCILLATORS**

The HOWES CVF40 and CVF80 VFOs are designed for use with the CTX transmitters. They enable you to tune the whole band instead of being "rock bound". Dual buffered outputs are provided so that you can also connect up your DcRx and form a transceiver. IRT, voltage stabilisation, FET oscillator are some of the features of the CVF designs. These kits require a tuning capacitor of about 50pF (we can supply these at £1.50 if required).  
CVF40 or CVF80 kit £9.30. Assembled PCB module £14.90.

**AP3 AUTOMATIC SPEECH PROCESSOR**

Add more "punch" to your signal with the AP3. Automatically compensates for changes in speech levels, so giving accurately controlled clipping levels and hence clean audio quality. This kit is one of our big sellers, and they enjoy a very good reputation on the air. Suitable for high or low impedance mics, and can even be used with ICOM rigs with a couple of simple mods which we can give you.  
AP3 kit £15.90. Assembled PCB module £21.40.

**CM2 QUALITY COMMUNICATIONS MICROPHONE**

The HOWES CM2 features an electret microphone capsule and a Plessey "VOGAD" chip - excellent quality, accurately controlled audio. This kit will help you construct a really clear sounding desk mic. Voltage stabilisation and a miniature relay for keying your transmitter are provided. Add some extra clarity to your stations audio.  
CM2 kit £10.25. Assembled PCB module + mic capsule £13.75.

**XM1 CRYSTAL CONTROLLED FREQUENCY MARKER**

The XM1 produces signals from LF to UHF for you to use to check and calibrate your station equipment. Eight marker frequencies can be generated (selectable) and there is an ident facility to distinguish the XM1's output from off-air signals. No shack should be without one!  
XM1 kit £16.80. Assembled PCB module £21.30.



All HOWES kits have a good quality glass-fibre printed circuit board. The holes are drilled, the tracks are tinned and the parts locations are screen printed on the board for easy assembly. All board mounted components are provided, as are good clear instructions, circuit etc. All our kits are designed so that even a novice constructor should meet with success. You don't have to be an "old hand" to enjoy the pleasures of using "home-brew" gear.

If you would like further information on any kit, simply drop us a line enclosing an SAE. We have an information sheet for each product as well as a general list of our goodies.

Please add 80p to your total order value.

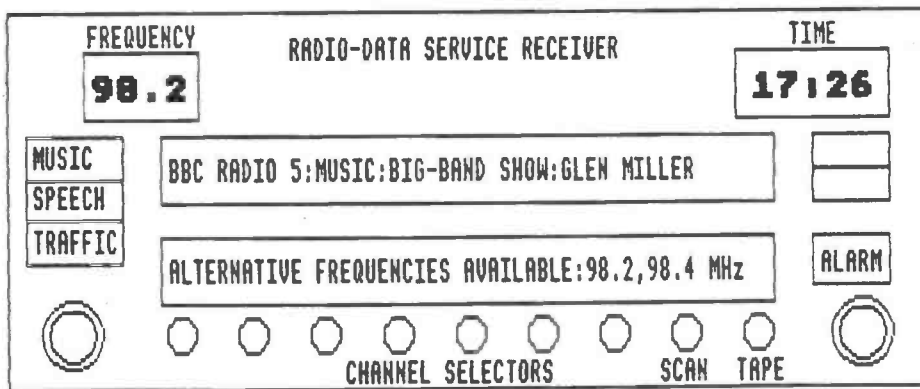
Delivery is normally within 7 days.

73 from Dave G4KQH, Technical Manager.

# RADIO DATA SYSTEMS

Before long it won't be just computer literate radio amateurs and businesses who transmit binary digits over the air.

J N Slater describes plans for data transmission by broadcast companies



**A** statement by the BBC earlier this year that they are looking for partners to build a whole new generation of radio receivers, incorporating a wide range of facilities designed to make listening easier and to provide new services along with radio programmes, has turned the spotlight onto Radio Data Systems.

The Swedish Telecommunications Administration originally developed a Programme Identification System (PI), and after much discussion and several

modifications the European Broadcasting Union has agreed on an extended Radio Data System (RDS) standard for Europe based on the Swedish system. In order to encourage manufacturers to make suitable receivers, 'RDS' is free of patents.

RDS uses digital data pulses which are inserted into the normal VHF/FM mono or stereo sound radio broadcasts, so that they are carried 'piggy-back' fashion on the radio programmes, rather as teletext signals are carried along with conven-

tional television broadcasts. Unlike teletext signals, however, the RDS digital signals are carried by a low level 57kHz subcarrier (three times the frequency of the 19kHz pilot tone) which is amplitude modulated by the carefully shaped bi-phase coded data signals. The actual subcarrier is suppressed before transmission, giving rise to what is effectively a 2-phase, phase shift keyed signal with a phase deviation of  $\pm 90^\circ$ . The RDS signals are completely inaudible to radio listeners, great care having been taken to ensure that the addition of the digital data does not interfere in any way with the normal high quality FM broadcast signals.

## So what does it do?

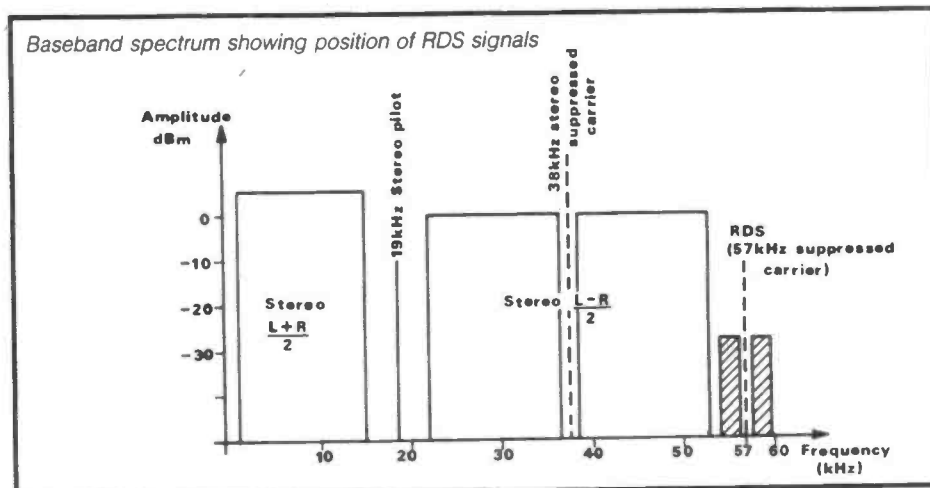
The major features which the new system provides are automatic tuning to the stations of your choice, and the ability for the receiver to try various alternative frequencies carrying the wanted programme in order to ensure that optimum reception is always obtained. It has even been suggested that some receivers will be equipped with two separate front-ends, so that one of these can be feeding the received signal to the loudspeaker whilst the other is searching for the same programme on alternative channels, the switch-over to the best signal occurring automatically and inaudibly. Information about other networks can also be received at will.

RDS receivers will also have a small calculator-type display which can be used to give information about the station to which the radio is tuned, and even to give information about the actual programme. The system has been left flexible so that broadcasters should be able to send various types of message to suit the needs of the listener.

Programme type codes suggested by the EBU include:

- 0 No programme type is indicated
- 1 News
- 2 Current affairs
- 3 Magazine
- 4 Sport
- 5 For children
- 7 For young people
- 8 Religious
- 9 Drama, literature and feature
- 10 Pop and rock music
- 11 Light music
- 12 Serious music
- 13 Jazz
- 14 Folk music
- 15 Variety

Other codes have been left free to accommodate services that may be developed in the future, and code 31 has been reserved for 'emergency announcements made under exceptional circumstances to give warning of events causing danger of a general nature'. Could it be that 'thirty-one' will come to have a doomsday ring about it?



Perhaps the fact that it is 13 reversed had something to do with the choice!

RDS provides for a two-state music/speech identifier code to be broadcast, so that an 'intelligent' receiver can be told to scan the broadcast bands for either music or talk programmes.

Time and date transmissions form part of the code, and together with the programme-item number code will provide listeners with the facility of being able to listen to or record a preselected programme.

### Still more to come

Future extensions of RDS could include a nation-wide radio paging system to allow codes to be transmitted over the air which will alert your receiver, and only your receiver, to the fact that a message is waiting for you. The whole design of RDS has been arranged to provide the maximum possible flexibility.

The range of permitted options is wide, and data that can be transmitted includes:

- Programme identification (PI)
- Programme service name (PS)
- Programme type (PTY)
- Traffic programme identification (TP)
- Traffic announcement (TA)
- Alternative frequency available (AF)
- Music/speech code (M/S)
- Programme item number (PIN)
- Radiotext messages (RT)

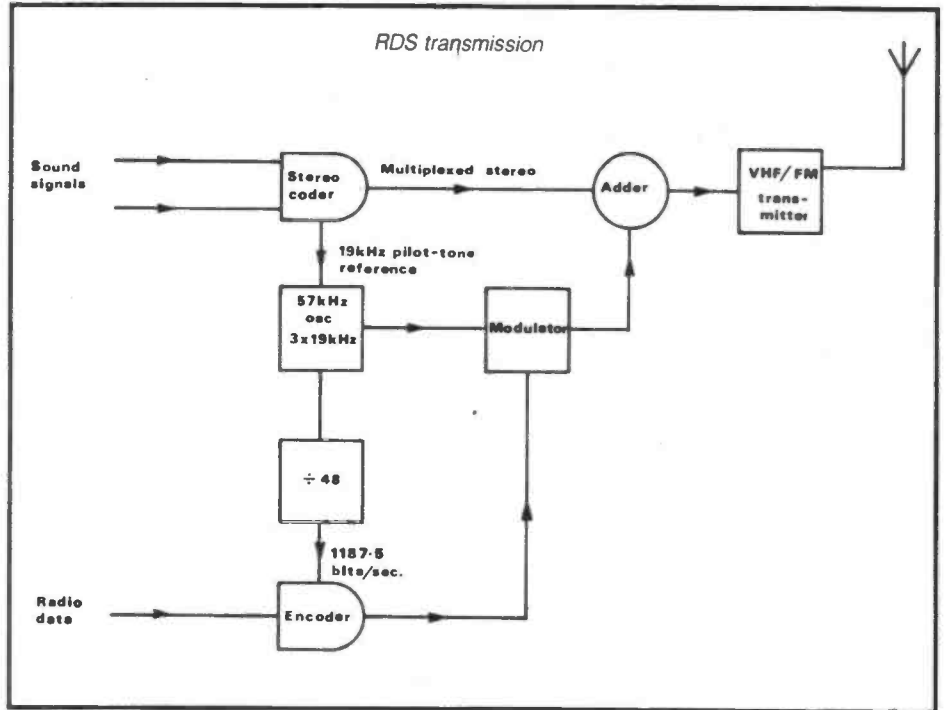
Radiotext messages can be up to 64 characters long, and the coding is arranged so that if the display device on the receiver is less than 64 characters long the information will be displayed sequentially in a 'newsreel' fashion. Radiotext could be used to carry notes about the programme, such as the gramophone record number or the name of the orchestra, or special announcements about programme schedules. The BBC has even suggested that in the long term librettos could be transmitted along with the opera. Sufficient capacity has been reserved to transmit other forms of data, such as computer programs, which will probably not be intended for display on the receiver, but might be in a form suitable for providing a display on a television rather like a teletext display.

In car radios, where it might be undesirable for safety reasons to have a visual display, the radiotext transmissions could eventually be used to control a speech synthesiser; the mind boggles at the thought of a computer generated voice barking out instructions to terrified drivers!

### Traffic news

RDS provides for a sophisticated set of traffic programmes and traffic announcements, and codes can be radiated to indicate one or more of three possible states:

- 1/ The station carries traffic announce-



ments when they are required, but is not radiating an announcement at the moment.

2/ A traffic announcement is being carried on this station at present.

3/ This station does not carry traffic announcements.

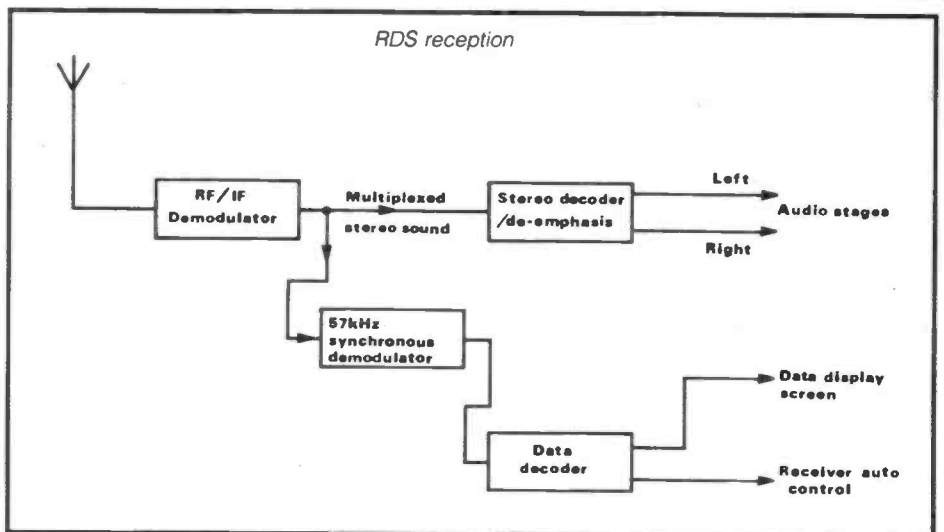
This form of traffic information is fully compatible with the existing German ARI system of broadcast information for motorists, but has a much wider range of applications. The RDS coded signals could be used to automatically switch a car radio from its cassette playing mode to radio mode whenever a traffic announcement is made, and to restore the cassette programme at the end of the announcement, or even to switch on a 'switched-off' radio for the announcement. The designers of the RDS specification have tried to allow the system

to cope with any future requirements, which makes it likely that all sorts of exciting new features will appear on the next generations of radio receivers.

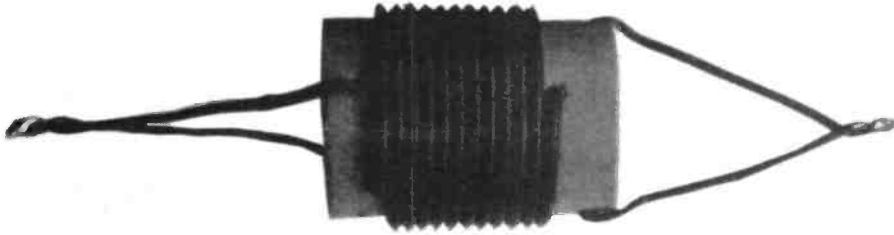
### Coming soon

Several manufacturers, including Philips, are known to be developing receivers to make use of RDS transmissions, and it seems likely that only a few of the features will be incorporated on early models. Eventually there should be a whole range of RDS receivers available, with different radios offering a choice of various features at a choice of prices.

One thing seems certain, however; the injection of RDS data into our radio signals is going to put new vitality into the radio industry and should provide exciting new opportunities for the retail trade.



# TRAPS IN



# COAXIAL CABLE

G N Roberts G3ENY

with a novel approach to making traps  
for your aerials

For the mathematically minded, other equations used are as follows:

**Equation 1**

Total capacitance of a coaxial cable given the capacitance per foot,  $C_0$

$$C_T = \frac{C_0 \pi N(D+T)}{12} \text{ (pF)}$$

where D=diameter of the former  
T=diameter of the co-ax cable  
N=number of turns

**Equation 2**

The standard formula for inductance

$$L = \frac{(D+T)^2 N^2}{18(D+T)+40NT} \text{ (\mu H)}$$

**Equation 3**

The resonant frequency

$$F_0 = \frac{1000}{2\pi\sqrt{LC_T}} \text{ (MHz)}$$

The trap dipole is a popular antenna used by many amateurs which enables multi-band working with a modest wire aerial, often an inverted Vee, supported in the centre and fed with co-ax and a balun. It can be designed to offer a good match to a modern bandswitched transmitter over a limited segment of two, three or four ham bands.

### Simple but efficient

The purpose of this article is to show how simple but efficient traps can be made using readily available materials, and with the help of a home micro do the complicated sums involved.

The standard trap consists of a coil and discrete capacitor, a high voltage component, sealed against the weather, and this forms a simple parallel resonant

circuit tuned to the trap frequency. The useful bandwidth over which the parallel resonant impedance is high enough to isolate the outer sections of the aerial is limited, and is proportional to the reactance of each element (both L and C) at the resonant frequency.

a slightly greater bandwidth than those using standard UR43, and in each case the optimum design is that which uses the shortest length of cable to achieve resonance.

### What a good idea

The clever idea of using a length of co-ax to act as both the inductance and capacitance of a resonant circuit is comparatively new to trap design, and the maths involved are quite formidable. You can resort to cut and try methods, but a micro will do the sums in seconds and you can design many more traps than you'll ever make!

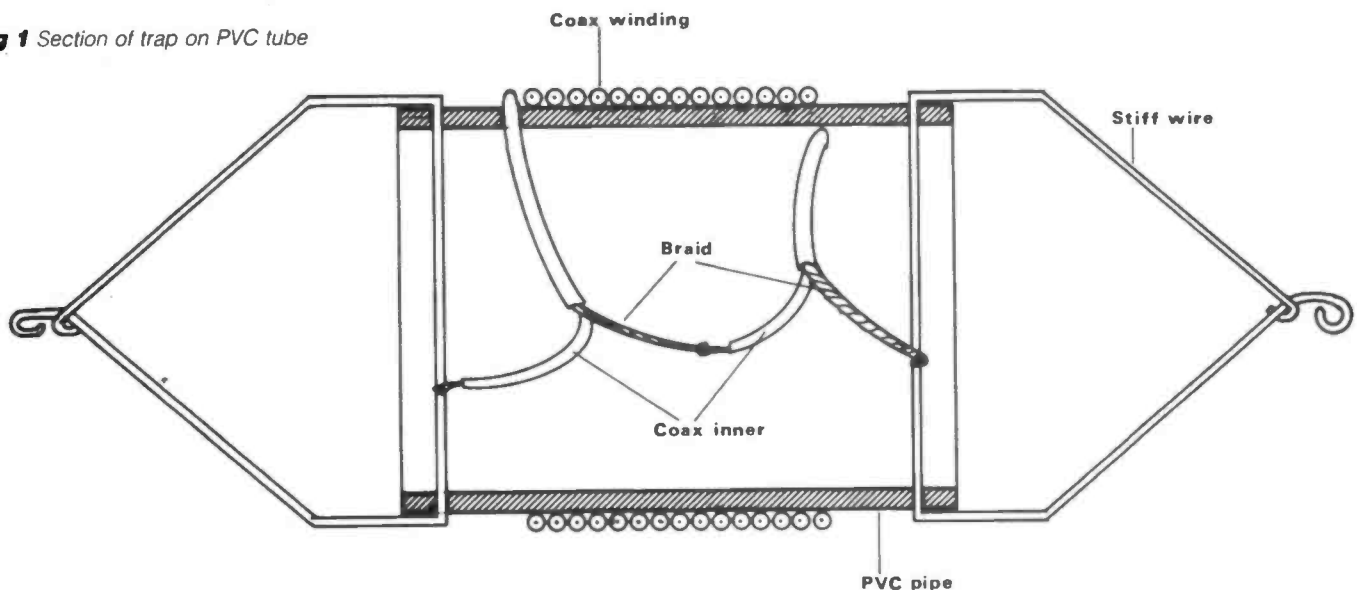
Because the length of cable used not only determines the number of turns (inductance) of the coil but also the value of capacity in parallel, and hence the

### Co-ax for use in traps

Type	Capacitance per foot (pF)	OD
RG58/U	28.5	0.195
UR43	29.0	0.195
UR76	29.0	0.195
RG174/U	30.8	0.105

In the traps to be described those wound with miniature coaxial cable have

Fig 1 Section of trap on PVC tube



frequency of resonance, the maths requires a cubic equation to be solved.

The cubic equation takes the form of:

$$ax^3 + bx^2 + cx + d = 0$$

where  $x = N$  (the number of turns)

$$a = (2\pi F)^2 (D + T)^3 \pi C_0$$

$$b = (2\pi F)^2 (D + T)^2 C_0$$

$$c = -480,000,000T$$

$$d = -216,000,000 (D + T)$$

Given the diameter of the coil (D), the diameter of the co-ax (T), the capacity per unit length of the cable (C<sub>0</sub>) and the frequency of operation (F), the cubic equation will solve for N, the number of turns. The coil diameter is limited to a certain extent by the available size of suitable formers, and a list of PVC pipe sizes is given for reference.

PVC pipe sizes	
mm	in
22.5	0.88
33.0	1.3
34.6	1.36
41.0	1.6
50.0	1.96
54.0	2.12
63.0	2.48
75.0	2.59
82.6	3.25

Having selected the diameter of the former and determined the number of turns, the total length of cable can be found from:

$$L_T = N\pi(D+T) + 1.25$$

adding an inch or so for tuning and wiring.

Not all values of D will solve in the cubic equation and as a general rule choose D to give a coil a little shorter than its diameter. Provision is made in the program to let you watch the micro working and if it gets stuck for an answer try another value.

### Finishing touches

Having designed your trap (some examples are given), drill the former to take the exact number of turns and close-wind the co-ax cable as tightly as possible. Make off the ends as shown in Figure 1, the inner of one end to the outer of the other, and check the frequency with a GDO and a receiver tuned to the exact spot. Any adjustment can be made by trimming back the braid to decrease the capacity.

Seal with lacquer or your favourite potion and check again. It must be on frequency to work well. Working out the length of wire required beyond the trap to make the antenna resonate on the next lower frequency band is a problem which can also be solved on a micro, but that's another story!

```

10 REM COAXTRAP FOR SIMCLAIR BASIC BY G N Roberts.63JENY FEB 85.
50 CLS
60 POKE 23650,8: REM Lock upper case
70 DIM A$(8,31)
75 PRINT AT 0,10;"COAX-TRAP"
80 PRINT "WHICH BAND IS THE TRAP FOR?"
90 FOR N=1 TO 8 STEP 1
100 LET A$(1)="1.) 3.5 MHz BAND": LET A$(2)="2.) 7. MHz BAND": LET A$(3)="3.) 10. MHz BAND": LET A$(4)="4.) 14. MHz"
: LET A$(5)="5.) 18. MHz": LET A$(6)="6.) 21. MHz": LET A$(7)="7.) 24 MHz": LET A$(8)="8.) 28. MHz"
110 LET A$(4)="4.) 14. MHz BAND": LET A$(5)="5.) 18. MHz BAND": LET A$(6)="6.) 21. MHz BAND": LET A$(7)="7.) 24 MHz
BAND": LET A$(8)="8.) 28. MHz BAND"
120 PRINT AT 1+N*3,3;A$(N): NEXT N
125 INPUT "ENTER REQUIRED BAND 1 TO 8":TR
126 IF TR>8 THEN GO TO 125
130 PRINT "MINIATURE COAX (APPR .1 DIA) OR STANDARD (APPR .2 DIA) S"
135 INPUT "ENTER 'N' OR 'S' ?":DS
136 IF DS<"S" AND DS<"M" THEN GO TO 135
140 IF DS="S" THEN CLS: PRINT AT 0,0;"STANDARD COAX": GO SUB 895+(TR*10)
143 IF DS="S" THEN GO TO 150
145 CLS: PRINT AT 0,0;"MINIATURE COAX": GO SUB 890+(TR*10)
150 INPUT "ENTER D/D OF YOUR FORMER IN INCHES":D
160 PRINT "D/B OF FORMER=";D;" INCHES"
170 LET d1=d
180 INPUT "ENTER D/D OF COAX IN INCHES":t
190 PRINT "D/B CABLE=";t;" INCH"
200 LET T1=T
210 INPUT "ENTER CAPACITY IN PF PER FOOT OF YOUR COAX":co
220 PRINT "CAPACITY PER FOOT=";co;" PF"
230 INPUT "ENTER FREQUENCY OF TRAP IN MHz":fo
240 PRINT "FREQUENCY=";fo;" MHz"
245 REM Do the number crunch!
250 LET p=2*pi*fo
260 LET q=d*t
270 LET d=-216E6*q
280 LET c=-48E7*t
290 LET b=p^2*q^2*co
300 LET a=p^2*q^3+p1*co
310 LET b=b/a
320 LET c=c/a
330 LET d=d/a
340 LET x=0
350 LET q=2*x*x*x+b*x*x-d
360 LET h=3*x*x+2*b*x+c
370 IF h=0 THEN GO TO 410: REM x=x+1
380 IF ABS(x-(q/h))<1.E-8 THEN GO TO 430: REM x=INT(xetc)
390 LET x=q/h
395 PRINT AT 21,10;"WORKING=";X
400 GO TO 350
410 LET x=x+1
420 GO TO 350: REM q=2*x*xetc
430 LET x=INT(x+100+.5)/100: LET N=X
440 IF x<1 THEN CLS: PRINT "NO ANSWER TO THIS ONE. PLEASE TRY ANOTHER SIZE FORMER.": GO TO 620
450 PRINT AT 15,3;"TURNS"
500 REM Find Total Length Coax
510 LET TL=INT((PI*(D+T)+1)*1000+.5)/1000: REM INS
520 PRINT AT 17,1;"TOTAL COAX=";TL;" INCHES."
530 PRINT AT 13,0;"D/ALL LENGTH OF TRAP=";INT((T+N+1)*100)/100;"**"
580 REM Find Inductance
590 LET Z1=(D+T)*PI*(D+T)+N*N*(PI*(D+T)+40*N*T)
600 LET Z1=INT(Z1*100+.5)/100
610 PRINT AT 19,1;"INDUCTANCE";Z1;" MICROHENRYS"
620 INPUT "ANOTHER CALCULATION? Y/N":B; IF B<"Y" AND B<"N" THEN GO TO 620
630 IF B="Y" THEN GO TO 1
640 IF B="N" THEN STOP
730 STOP
900 PRINT "FOR THE 3.5MHz BAND RECOMMENDED FORMER ABOUT 2.2 IN (55MM) DIA": RETURN: REM 900
905 PRINT "FOR THE 3.5MHz BAND RECOMMENDED FORMER ABOUT 3.2 IN (83MM) DIA": RETURN: REM 900
910 PRINT "FOR THE 7 MHz BAND RECOMMENDED FORMER ABOUT 1.6 IN (41MM) DIA": RETURN: REM 900
915 PRINT "FOR THE 7 MHz BAND RECOMMENDED FORMER ABOUT 2. IN (50MM) DIA": RETURN: REM 900
920 PRINT "FOR THE 10 MHz BAND RECOMMENDED FORMER ABOUT 1.3 IN (33MM) DIA": RETURN: REM 900
925 PRINT "FOR THE 10 MHz BAND RECOMMENDED FORMER ABOUT 2.0 IN (50MM) DIA": RETURN: REM 900
930 PRINT "FOR THE 14 MHz BAND RECOMMENDED FORMER ABOUT 1.3 IN (33MM) DIA": RETURN: REM 900
935 PRINT "FOR THE 14 MHz BAND RECOMMENDED FORMER ABOUT 1.6 IN (41MM) DIA": RETURN: REM 900
940 PRINT "FOR THE 18 MHz BAND RECOMMENDED FORMER ABOUT 1.1 IN (28MM) DIA": RETURN: REM 900
945 PRINT "FOR THE 18 MHz BAND RECOMMENDED FORMER ABOUT 1.36 IN (35MM) DIA": RETURN: REM 900
950 PRINT "FOR THE 21 MHz BAND RECOMMENDED FORMER ABOUT .87 IN (22MM) DIA": RETURN: REM 900
955 PRINT "FOR THE 21 MHz BAND RECOMMENDED FORMER ABOUT 1.36 IN (35MM) DIA": RETURN: REM 900
960 PRINT "FOR THE 24 MHz BAND RECOMMENDED FORMER ABOUT .7 IN (18MM) DIA": RETURN: REM 900
965 PRINT "FOR THE 24 MHz BAND RECOMMENDED FORMER ABOUT 1.36 IN (35MM) DIA": RETURN: REM 900
970 PRINT "FOR THE 28 MHz BAND RECOMMENDED FORMER ABOUT .7 IN (18MM) DIA": RETURN: REM 900
975 PRINT "FOR THE 28 MHz BAND RECOMMENDED FORMER ABOUT 1.36 IN (35MM) DIA": RETURN: REM 900
1000 STOP
9000 CLS: SAVE "2" LINE 1

```

Two pieces of misinformation last time, neither intentional ... GB3UD, the Stoke-on-Trent TV repeater, did not come on air as predicted. Confidence is high, however, so watch this space for details of imminent switch-on. And straight from the horse's (or G4HCL's) mouth is an update on GB3PV, the proposed video box for Cambridge and the fenny areas surrounding. First of all, to clear up the misunderstanding, they have not applied for a kilowatt ERP licence. No, the initial application is for the normal 25 watts (in order not to prejudice the application), but subsequently they will request permission to run 1kW as an experiment. This latter may or may not be granted: if not, nothing has been lost, but there are indications that it may well be granted.

Apart from this, the proposal (to the repeater group's specifications, not the RSGB's) has now been fully approved by the RSGB and passed forward to the DTI for licensing. It is hoped that switch-on will be agreed before the middle of next year. G4GND, G4HCL and G4XHM have been out making propagation tests which indicate that the Madingley site initially proposed would be less than ideal. Concurrently a much better aerial site has been offered to the group in northern Cambridge, and this may turn out to be very good news!

In the mean time work is progressing on the construction of the repeater. G4XHM has been busy with the receiver and G4HCL is handling the transmitter and duplexing arrangements. G1MZI has donated a ZX-81 computer to generate text messages in the repeater. Thanks to the 'Hot Curry Lover' for this info - you can ring him on (0354) 740672 if you need more info or wish to join the Cambridgeshire Repeater Group.

#### Sundries from Solent

Constructors looking for a short cut to getting a 24cm transmit and receive system operational may appreciate being made aware of some commercial offerings. A little while back we dealt with some new goodies from Wood & Douglas, and it's time we took a closer look at established products from Solent Scientific (tel: (0703) 464675).

Alan Latham G8CMQ, who runs this outfit, offers four transmitter modules and one receiver kit. I have examined all of these and can recommend all as excellent value. There is a 10mW micro-transmitter (£34.95) for testing purposes, a 200mW transmitter (also £34.95) intended for 'creepy-peep' portable use, a 1W sound and vision transmitter (£64.95), and a power amplifier to take the 1W up to 10W (£54.95). On the receive side there is a UHF FM receiver (£69.95) which goes with the 24cm converter I reviewed a few months back.

#### Comprehensive kits

All the kits are complete except for connectors and housing, and are designed to fit in die-cast boxes. The microtransmitter comes ready-made, however, and is essential for testing

# ATV



# ON THE AIR

Andy Emmerson G8PTH puts you in the picture

aerials, pre-amps and receivers. It is beautifully compact, and everyone I know who has seen one has bought one! The advertising says that it is the single most useful item that any 24cm TVer can have in the shack, and I would not disagree. It is not tunable and is supplied tuned on 1255MHz, but this is adjustable.

The 200mW job is vision only, but could have a Wood & Douglas sound modulator added - it is easy to assemble, following the instructions supplied.

The one-watter is in use at many stations and is deservedly popular. It is a little trickier to assemble but gives the stated output, which is very clean. Unlike another similar product this transmitter does not rely upon tripling a 70cm signal. Instead it produces a signal on the final frequency (which is adjustable internally), and the one I built was tested on a spectrum analyser and pronounced more than adequate.

While there is no frequency locking, stability is in fact very good. There is a fixed video pre-emphasis incorporated, and while this does not conform to the CCIR standards favoured by the BATC it seems to work. For the PA Alan guarantees 8 watts output and most examples achieve ten. This is without doubt the lowest cost 23/24cm PA on the market.

#### A different approach

Like the transmitter, the receiver takes a different approach from the rival Wood & Douglas product. In this case the complete 23/24cm band is converted to the UHF broadcast band as a block and the Solent FM receiver demodulates this to baseband sound and vision. This is a valid approach if no broadcast breakthrough occurs, and I can confirm this was not a problem on my sample. Plus points are switchable video de-emphasis, tunable audio subcarrier, adjustable video contrast, external audio volume control and provision for an S-meter. All these features work very well, except the tunable audio which I and others have found distinctly 'touchy'. Vision quality is better than a 'plain vanilla' W&D and identical to a W&D fitted with their new de-emphasis board.

Obviously people are going to ques-

tion whether to buy the Solent or W&D receiver: neither is 100 per cent perfect, and in truth I do not believe the ultimate FM TV receiver has been built yet. In the mean time your choice will depend on price, features and your preference for technical principles and assembly of modules or everything on one board!

Incidentally, the Solent converter and receiver fit nicely inside the largest die-cast box in the STC Components range. Don't do as I did and place the S-meter dead centre on the side panel, with switches arranged symmetrically either side. After I had drilled all the small holes I realised there was a rib right behind where the meter was due to go! I don't enjoy metalwork at the best of times, and that was a pig of a job...

All the Solent kits use good quality components and come with comprehensive instructions: Alan also offers advice at the end of the phone line. Only the drawings let the products down: they are legible but they don't do justice to the quality of the kits.

#### Spooks and subversion

In the trade press two companies are now advertising micro TV cameras smaller than a pack of cigarettes. They run off 12 volts and employ CCD sensors instead of vidicons. The total size of one camera head (Micam) is 47x26x38mm, while the Regisbrook offering is 30x40x30mm. Any suitable D-mount lens can be used. These cameras are intended for industrial inspection in confined places, and are clearly ideal for discreet surveillance as well. They would also go nicely in radio-controlled helicopters and creepy-peepies, and the only thing militating against them is the price, which starts around £1000. For professional applications this is by no means excessive, but it does mean that we amateurs may have to wait a long time before these appear on the surplus market. I wonder what new miracle cameras will be devised by then!

From Germany comes a catalogue of all sorts of electronic bugs and gadgets. One is a combined micro TV camera and transmitter. The complete unit measures 120x200x60mm (excluding rubber duck

## ATV ON THE AIR

antenna) and can be concealed in a briefcase or what have you. Range is up to 5km and frequency of operation is in the 200MHz range above Band III.

### Japanese black boxes


Yes, they are now making TV transmitters, and I wonder how long it will be before some dealer imports them to the UK. They look very attractive in the pictures, but in fact they are out of step with our requirements. All the same, here are some details.

Adonis, best known for microphones,

have a superbly styled 1W transceiver switchable between 1277.5 and 1286.5MHz for 79,800 yen. A receive-only converter to UHF-TV channels costs 14,800 yen. Another firm who make all manner of microwave transverters and converters are offering a similar transceiver (1279.0+1285.0MHz) for 78,000 yen (300 of these to the pound). This latter transmitter comes complete with a VHS camera socket, so presumably these items are intended for mobile use. Finally the new Icom IC-1271 23cm multimode transceiver (FM/SSB/CW)

has an optional ATV adaptor. All of this is for ancient modulation, so I hope no get rich quick importer brings them in here.

### Sign-off

Look in your local Tandy store for a new 5 inch screen black and white portable TV. This covers all VHF and UHF TV bands and is switchable between UK and French systems. The price is around £89 and its styling is unusually smart, very similar to the JVC CX-610 to which it forms a logical partner. Sensitivity seems good and it may tune 70. 

## FREQUENCY COUNTERS

HIGH PERFORMANCE  
HIGH RELIABILITY  
LOW COST

The brand new Meteor series of 8-digit Frequency Counters offer the lowest cost professional performance available anywhere.

- ★ Measuring typically 2Hz – 1.2GHz
- ★ Sensitivity < 50mV at 1GHz
- ★ Setability 0.5ppm
- ★ High Accuracy
- ★ 3 Gate Times
- ★ Low Pass Filter
- ★ Battery or Mains
- ★ Factory Calibrated
- ★ 1-Year Guarantee
- ★ 0.5" easy to read LED Display

PRICES (Inc. adaptor/charger, P & P and VAT)

METEOR 100	(100MHz)	£117.30
METEOR 600	(600MHz)	£148.35
METEOR 1000	(1GHz)	£204.70

NOW AVAILABLE  
WITH  
T.C.X.O. OPTION



Illustrated colour brochure with technical specification and prices available on request.



Designed and  
Manufactured in  
Britain

**Black★Star**

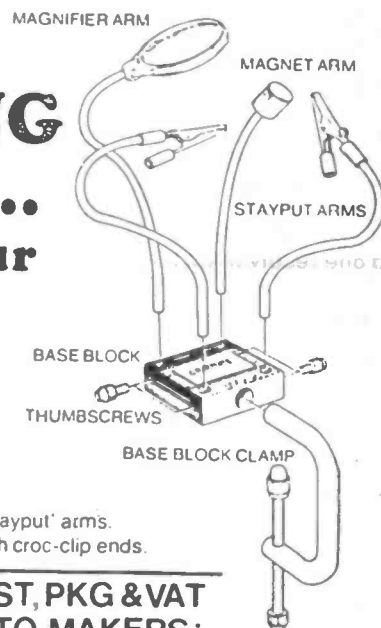
**BLACK STAR LTD, 4 Stephenson Road, St.Ives,  
Huntingdon, Cambs. PE17 4WJ, England.  
Tel: (0480) 62440 Telex: 32762**

# GRIPMATE...

THOSE 'EXTRA HANDS'  
FOR SOLDERING, GLUEING  
AND ASSEMBLING JOBS...

\* This essential compact tool holds your  
small components positively and  
rapidly with infinite positioning.....

BRITISH MADE



**SUPER KIT**  
**£9.35**

- 1 - Base Block with Pad and 4 Thumbscrews for 'Stayput' arms.
- 1 - Base Block Clamp
- 4 - 'Stayput' Arms, with croc-clip ends.
- 1 - 'Stayput' Magnet arm
- 1 - 48mm 2.5x 'Stayput' Magnifier arm

**BASIC KIT**  
**£5.99**

- 1 - Base Block with Pad and 4 Thumbscrews for 'Stayput' arms.
- 1 - Base Block Clamp
- 4 - 'Stayput' Arms, with croc-clip ends.

\* ALL KITS NOW  
IN HANDY 3-FOLD  
WALLET!!

**ALL PRICES INCLUDE POST, PKG & VAT  
SEND CHQ/PO TO MAKERS:**

KEMPLANT LTD  
DURFOLD WOOD, PLAISTOW, BILLINGSHURST,  
WEST SUSSEX, RH14 0PN, UK.  
Tel: 048-649 344

Reg No: 1147213

**KEMPLANT**

TRADE ENQUIRIES INVITED QUANTITY DISCOUNTS FOR SCHOOLS

# COMPUTER WAREHOUSE

1000's OF BARGAINS FOR CALLERS

THE "ALLADINS' CAVE OF COMPUTER AND ELECTRONIC EQUIPMENT"

**EX-STOCK INTEGRATED CIRCUITS**  
 4164 200ns D RAMS 8 for £14.95 4116 300 ns £1.50  
 2112 £10.00 2114 £2.50 2102 £2.00 6116 £2.50  
 EPROMS 2716 £4.50 2732 £3.00 2764 £4.95  
 27128 £5.50 6800 £2.50 6821 £1.00 68A09 £8.00  
 6809 £10.00 8085 £5.50 8086 £15.00 8251 £7.00  
 8748 £15.00.  
 Thousands of IC's EX STOCK send SAE for list.

**RECHARGEABLE BATTERIES**  
 Dry Fit MAINTENANCE FREE by Sonnenschein & Yuasa  
 A300 07191315 12v 3ah as RS 591-770 NEW £13.98  
 A300 07191312 6v 3ah as RS 591-360 NEW £9.95  
 A300 07191202 6-0.5v 1.8ah as RS 591-382 Ex Equip  
 £5.99 3.6v 100 mah PCB mount as RS 591-477 NEW £10.00

**DISK DRIVES**  
 Japanese Half height, 80 track double sided  
 disk drives by TEAC, TOSHIBA etc. Sold as  
 NEW with 90 day guarantee ONLY £125.00.  
**SUGART SA400 SS FH 35 TRK £55.00**  
**SIEMANS FD100 SS FH 40 TRK £75.00**  
 carriage on 5 1/4" drives £5.50  
 Brand NEW metal cases with internal PSU etc  
 for above drives, below cost!!!  
**DSKC 1 for 2 HH or 1 FH 5 1/4" drive £39.95**  
**+ pp £4.50 DSKC 2 for 1 HH or 1 FH 5 1/4" drive**  
**£29.95 + pp £4.50**  
 8" Refurbished standard units  
**SUGART 801 SS £175.00 + pp £8.50**  
**SUGART 851 DS £250.00 + pp £8.50**  
**DRE 7100 SS as seen £125.00**  
**TWIN SUGART 851's** in smart case,  
 complete with PSU etc, £595.00  
**8" DRIVE PSU for 2 drive units £45.00**  
**Hard Disk Drives**  
**DRE/DIABLO Series 30 2.5 Mb front load,**  
**£525.00.** Exchangeable version £295.00  
**ME3029 PSU for above £95.00**  
**DIABLO 44/DRE4000A, B 5+5 Mb from**  
**£350.00**  
**CT60 HWK 5+5 Mb £795.00**  
**CDC 9782 80 Mb RM03 etc £2500.00**  
**PERTEC D3422 5+5 Mb £495.00**  
**RODIME 10MB ST506 Winchester NEW**  
**£299.00**  
**BASF 6172 23Mb Winchester, as seen**  
**£199.00**  
 Carriage on other drives £10.00.  
 Unless stated all drives are refurbished with  
 90 day guarantee. Many other drives and  
 spares in stock - call sales office for details.

**MODEMS**  
 Join the communications revolution with our  
 super range of DATA MODEMS, prices and  
 specifications to suit all applications and  
 budgets...  
**BRAND NEW State of the art products.**  
**DACOM DSL2123 Multi standard 300-300,**  
**1200-75 Auto answer etc. £268.00**  
**DACOM DSL2123AD Auto dial, smart**  
**modem with multi standard AUTO SPEED**  
**detect, and data buffer with flow control**  
**etc. £395.00**  
**DACOM DSL2123GT The CREAM of**  
**the intelligent modems, auto dial, auto call, index,**  
**buffer etc etc. £498.00**  
**STEEBECK SB1212 V22 1200 baud FULL**  
**DUPLEX, sync or async, optional auto dial,**  
**£485.00**  
**TRANSDATA 307A Acoustic coupler 300**  
**baud full duplex, originate only,**  
**RS232 £49.00**  
**Ex BRITISH TELECOM full spec, CCITT,**  
**ruggedised, bargain offers. Sold TESTED with**  
**data. Will work on any MICRO or system with**  
**RS232 interface.**  
**DATL 2B 300 Baud Modem see SPECIAL**  
**OFFER.**  
**MODEM 13A 300 baud unit, only 2" high fits**  
**under phone. CALL mode only £45.00**  
**MODEM 20-1. 75-1200 baud. Compact unit for**  
**use as subscriber end to PRESTEL**  
**TELECOM GOLD, MICRONET etc. £39.95**  
**+ pp £6.50**  
**MODEM 20-2 1200-75 baud. Same as 20-1 but**  
**for computer end, £85.00 + pp £6.50**  
**DATL 2412 Made by SE labs for BT this two**  
**part unit is for synchronous data links at 1200**  
**or 2400 baud using 2780/3780**  
**protocol etc. Many features include 2 or 4 wire**  
**working, self test, auto answer etc.**  
**COST OVER £800 Our price ONLY £199**  
**+ pp £8.00**  
**DATL 4800, RACAL MPS4800 baud**  
**modem, EX BT good working order, ONLY**  
**£295.00 + pp £8.00**

**SUMMER OFFER**  
**MODEM TQ2393, EX BT, Up to 1200 baud, full**  
**duplex over 4 wire or half duplex over 2 wire line.**  
**ONLY £85.00 PER PAIR + pp £10.00**  
 For more information  
**CONTACT OUR SALES OFFICE**

..... HOT LINE DATA BASE .....

**DISTEL**  
 The ORIGINAL FREE OF CHARGE dial up data  
 base. Buy, browse or place YOUR OWN Ad for  
 goods or services to sell. 1000's of stock items,  
 spares and one off bargains. Updated daily.  
**ON LINE NOW. CCITT, 8 bit word, no parity.**  
 For 300 baud modems call 01-679 1888  
 For 1200-75 baud modems call 01-679 6183

PRINTER / TERMINAL SCOOP

A MASSIVE purchase of these attractive stand alone  
 terminal units enables a SUPER BARGAIN offer. Made by  
 the US GENERAL ELECTRIC CORPORATION the GE  
 MODEL 30 features a standard QWERTY 80 key  
 electronic keyboard coupled to a quality built matrix  
 printer with variable 3" to 9.5" forms tractor. The printer is  
 capable of continuous duty printing, with up to 120  
 characters per line. Standard RS232 interface accepts  
 ASCII data at 110, 150 or 300 baud. Ideal for Terminals,  
 Data loggers, local label printing, or just as a printer!! Sold  
 TESTED with data ONLY £95.00. Also available with  
**TWIN MAGTAPE CASSETTE** unit for data capture, data  
 preparation etc £150.00 Carriage £10.00.

COOLING FANS

Keep your hot parts COOL and RELIABLE with  
 our range of COOLING FANS  
**ETRI 126LF21 240v 5 blade equipment fan**  
**Dim. 80 x 80 x 38mm NEW £9.95**  
**ETRI 88XU01 Dim. 92 x 92 x 25mm**  
**240v equipment fan, complete with finger**  
**guard NEW £9.95**  
**GOULD JB-3AR Dim. 3" x 3" x 2.5" compact**  
**very quiet running 240v operation.**  
**NEW £6.95.**  
**BUHLER 89.11.22 8-blush DC micro miniature**  
**reversible fan. Uses a brushless servo motor for**  
**extremely high air flow, also silent running and**  
**guaranteed 10,000 hr life. Measures only 62 x**  
**62 x 22mm. Current cost £32.00. OUR PRICE**  
**ONLY £12.95 complete with data.**  
**MUFFIN-CENTAUR standard 4" x 4" x 1.25"**  
**fans 110v OR 240v NEW at £10.50 or tested**  
**EX EQUIPMENT 240v £6.25 or 110v £4.95.**  
 1000's of other fans Ex Stock.  
 Call for Details. Post & Packing on all fans £2.00

COLOUR AND MONOCHROME MONITOR SPECIALS

**'SYSTEM ALPHA' 14" COLOUR MULTI INPUT MONITOR**  
 made in the UK by the famous REDIFFUSION Co. for their own professional  
 computer system this monitor has all the features to suit your immediate and  
 future monitor requirements. Two video inputs: RGB and PAL Composite Video,  
 allow direct connection to the BBC and most other makes of micro computers  
 and VCR's. An internal speaker and audio amplifier may be connected to your  
 systems output or direct to a VCR machine, giving superior sound quality. Many  
 other features included PIL tube, Matching BBC case colour, Major controls on  
 front panel, Separate Contrast and Brightness - even in RGB mode. Two types of  
 audio input, Separate Colour and audio controls for Composite Video input, BNC  
 plug for composite input, 15 way 'D' plug for RGB input, modular construction  
 etc etc.  
 This Must be ONE OF THE YEAR'S BEST BUYS  
 Supplied BRAND NEW and BOXED, complete with DATA and 90 day guarantee.  
**SUPPLIED BELOW ACTUAL COST - ONLY £149.00**

**DECCA 80 16" COLOUR monitor. RGB input.**  
 Little or hardly used manufacturer's surplus enables us to offer this special  
 converted DECCA RGB Colour Video TV Monitor at a super low price of only  
 £99.00, a price for a colour monitor as yet unheard of! Our own interface, safety  
 modification and special 16" high definition PIL tube, coupled with the tried and  
 tested DECCA 80 series TV chassis gives 80 column definition and picture  
 quality found only on monitors costing 3 TIMES OUR PRICE. In fact, WE  
**GUARANTEE** you will be delighted with this product, the quality for the price,  
 has to be seen to be believed. Supplied complete and ready to plug direct to a  
**BBC MICRO** computer or any other system with a TTL RGB output. Other  
 features are: Internal speaker, Modular construction, auto degaussing circuit,  
 Attractive TEAK CASE, compact dimensions only 52cm W x 34 H x 24 D. 90 day  
 guarantee. Although used, units are supplied in EXCELLENT condition, ONLY  
 £99.00 + Carr.  
**DECCA 80, 18" COLOUR monitor. Composite video input.** Same as above  
 model but fitted with Composite Video input and audio amp for COMPUTER,  
 VCR or AUDIO VISUAL use. ONLY £99.00 + Carr.  
**REDIFFUSION MARK 3, 20" Colour monitor.** Fitted with standard 75 ohm  
 composite video input and sound amp. This large screen colour display is ideal  
 for shops, schools, clubs and other AUDIO VISUAL applications. Supplied in AS  
 NEW or little used condition ONLY £145.00 + Carr.

**BUDGET RANGE EX EQUIPMENT MONOCHROME video**  
**monitors.**  
 All units are fully cased and set for 240v standard working with composite video  
 inputs. Units are pre tested and set up for 80 column use on BBC micro etc. Even  
 when MINOR screen burns exist - normal data displays are unaffected.  
**12" KGM 320-1 B/W high bandwidth input, will display up to 132 x 25 lines.**  
**£32.95**  
**12" GREEN SCREEN version of KGM 320-1 Only £39.95**  
**9" KGM 324 GREEN SCREEN fully cased very compact unit Only £55.00**  
**9" HITACHI VM-906E/K Black and White screen £49.95**  
 Carriage and Insurance on all monitors £10.00

D.C. POWER SUPPLY SPECIALS

**GOULD OF443 enclosed, compact switch mode supply with DC regulated outputs of**  
**+5v @ 5.5a, +12v @ 0.5a, -12v @ 0.1a and -23v @ 0.02a. Dim 18 x 11 x 6 cm. 110 or**  
**240v input. BRAND NEW only £14.95**  
**GOULD G6-40A 5v 40 amp switch mode supply NEW £130.00**  
**GREENLAND 19A-BOE Switch mode 60 watt open PCB with a fully regulated DC**  
**output of 5v @ 6 amps, and three semi regulated outputs of +12V, -12V +15V upto 1**  
**amp. Dim only 11 cm x 20 cm x 5.5 cm. Similar to RS 591-994. 110 or 240v AC input.**  
**TESTED as equipment. Only £24.95**  
**AC-DC Linear PSU for DISK drive and SYSTEM applications. Constructed on a rugged**  
**ALLOY chassis to continuously supply fully regulated DC outputs of +5V @ 3 amps, -5V**  
**@ 0.6 amps and +24V @ 5 amps. Short circuit and overvoltage protected 110 or 240 V**  
**AC input. Dim 28 x 12.5 x 7 cm NEW £49.95.**  
 Carriage on PSU's £3.00

QWERTY KEYBOARDS

Manufacturer's BRAND NEW surplus  
**ALPHAMERIC 7204/80 Full travel ASCII,**  
**60 key with parallel output and strobe.**  
**£39.95**  
**DEC LA34 Uncoded keyboard with 67**  
**quality gold plated switches on X-Y matrix -**  
**ideal micro conversions etc. £24.95**  
**AMKEY MPNK-14 Superb word processor**  
**chassis keyboard on single PCB with 116**  
**keys. Many features such as On board**  
**Micro, Single 5v rail, full ASCII coded**  
**character set with 31 function keys,**  
**Numeric keypad, cursor pad and 9600 baud**  
**SERIAL TTL ASCII OUTPUT! ONLY**  
**£69.00 with data.**



Carriage on all Keyboards £3.50

PLESSEY VUTEL

Manufactured by  
 PLESSEY Ltd this  
 compact unit, only  
 slightly larger than a  
 telephone, features an  
 all in one TELEPHONE.  
 24 x 40 character CRT  
 screen, VIDEO DATA -  
 PRESTEL modem,  
 Keypad and electronics to run as a fully  
 fledged PRESTEL terminal or telephone.  
 Ready to plug direct into a BT 600 type jack  
 socket and instantly connect you to  
 PRESTEL etc. Many other features include  
 Memory dialling, Recall button, Off line screen  
 data storage, Picture expand, Standard  
 Mullard LUCY chip set, Integral 5" JVC crt  
 monitor, etc etc. Designed to sell to the  
 EXECUTIVE at over £600! But from  
 DISPLAY, BRAND NEW AND BOXED at  
 only £99.00 for DTMF tone dial or £140.00  
 for standard DIAL PULSE version.  
**Call £8.00.**

SPECIAL 300 BAUD MODEM OFFER

Another GIGANTIC purchase of these EX BRITISH TELECOM, BRAND  
 NEW or little used 2B data modems allows US to make the FINAL  
 REDUCTION, and for YOU to join the exciting world of data  
 communications at an UNHEARD OF PRICE OF ONLY £29.95. Made to  
 the highest POST OFFICE APPROVED spec at a cost of hundreds of  
 pounds each, the 2B has all the standard requirements for data base,  
 business or hobby communications. All this and more!!  

- 300 baud full duplex
- Full remote control
- CCITT tone standards
- Supplied with full data
- Modular construction
- Direct isolated connection
- CALL, ANSWER and AUTO modes
- Standard RS232 serial interface
- Built in test switching
- 240v Mains operation
- 1 year full guarantee
- Just 2 wires to comms line

**BT 600 Jack plug and cable £2.25 Carriage and Ins. £10.00**

VDU TERMINALS

Standard VDU data entry terminals at give away  
 prices!!  
**QUME QVT108.** Current product, state of the art  
 terminal with detachable keyboard, 12" green  
 screen, 2 page RAM, TVI 925 emulation, 25 x 80,  
 Clock, Swivel and tilt base. Printer port, Function  
 keys etc. BRAND NEW and BOXED AT ALMOST  
**HALF PRICE ONLY £425.00**  
**AJ510 - EX RENTAL 280 controlled, 15"**  
**green screen 24 x 80 display, graphics, cursor**  
**addressing, printer port etc. Very good condition**  
**TESTED complete with manual only £225.00**  
**ADD5 520 - Dumb terminal used, 12" b/w screen**  
**RS232 interface and printer port TESTED,**  
**ONLY £125.00**  
 Carriage on terminals £10.00  
 100's of other terminals in stock,  
 CALL for more details.

**DISPLAY ELECTRONICS**

All prices quoted are for U.K. Mainland, paid cash with order in Pounds Sterling PLUS VAT. Minimum order value £1.00.  
 Minimum Credit Card order £10.00. Minimum BONA FIDE account orders from Government Depts., Schools, Universities and  
 established companies £20.00. Where post and packing not indicated please ADD £1.00 + VAT. Warehouse open Mon-Fri  
 9.30-5.30, Sat 10.30-5.30. We reserve the right to change prices and specifications without notice. Trade, Bulk and Export

32 Biggin Way, Upper Norwood, London SE19 3XF  
 Telephone 01-679 4414 Telex 894502 Data 01-679 1888



# ERS — PRINTERS — PRINTERS — PRINTERS

## SUPER DEAL? NO - SUPER STEAL THE FABULOUS 25 CPS "TEC STARWRITER"

Made to the very highest spec the TEC STARWRITER FP1500-25 features a very heavy duty die cast chassis and DIABLO type print mechanism giving superb registration and print quality. Micro-processor electronics offer full DIABLO/QUME command compatibility and full control via CPM WORDSTAR ETC. Many other features include bi-directional printing, switchable 10 or 12 pitch, full width 381mm paper handling with up to 163 characters per line, friction feed rollers for single sheet or continuous paper, internal buffer, standard RS232 serial interface with handshake. Supplied absolutely BRAND NEW with 90 day guarantee and FREE daisy wheel and dust cover. Order NOW or contact sales office for more information. Optional extras RS232 data cable £10.00. Tech manual £7.50. Tractor Feed £140.00. Spare daisy wheel £3.50. Carriage & Ins. (UK Mainland) £10.00.



SUMMER OFFER ONLY £399.99!!

## DIY PRINTER MECH

Brand New surplus of this professional printer chassis gives an outstanding opportunity for the Student, Hobbyist or Robotics constructor to build a printer - plotter - digitiser etc. entirely to their own specification. The printer mechanism is supplied ready built, aligned and pre tested but WITHOUT electronics. Many features include all metal chassis, phosphor bronze bearings, 132 character optical shaft position encoder, NINE needle head, 2 x two phase 12V stepper motors for carriage and paper control, 9.5" Paper platen etc. etc. Even a manufacturer's print sample to show the unit's capabilities!! Overall dimensions 40 cm x 12 cm x 21 cm.

Sold BRAND NEW at a FRACTION of cost ONLY £49.50 + pp £4.50.

## TELETYPE ASR33 DATA I/O TERMINALS

Industry standard, combined ASCII 110 baud printer, keyboard and 8 hole paper tape punch and reader. Standard RS232 serial interface. Ideal as cheap hard copy unit or tape prep. for CNC and NC machines. TESTED and in good condition. Only £235.00 floor stand £10.00. Carr & Ins. £15.00.

## EX NEWS SERVICE PRINTERS

Compact ultra reliable quality built unit made by the USA EXTEL Corporation. Often seen in major Hotels printing up to the minute News and Financial information, the unit operates on 5 UNIT BAUDOT CODE from a Current loop, RS232 or TTL serial interface. May be connected to your micro as a low cost printer or via a simple interface and filter to any communications receiver to enable printing of worldwide NEWS, TELEX and RTTY services.

Supplied TESTED in second hand condition complete with DATA, 50 and 75 baud xtals and large paper roll.

TYPE AE11	50 Column	ONLY £49.95
Spare paper roll for AE11		£4.50
TYPE AF11R 72 Col.	+ Ribbon	£65.00
TYPE AH11R 80 Col.	ASCII/BAUDOT	£185.00
	Carriage and Insurance	£7.50

## GE TERMIPRINTER



A massive purchase of these desk top printer terminals enables us to offer you these quality 30 or 120 cps printers at a SUPER LOW PRICE against their original cost of over £1000. Unit comprises of full QWERTY, electronic keyboard and printer mech with print face similar to correspondence quality typewriter. Variable forms tractor unit enables full width - up to 13.5" 120 column paper, upper - lower case, standard RS232 serial interface, internal vertical and horizontal tab settings, standard ribbon, adjustable baud rates, quiet operation plus many other features. Supplied complete with manual. Guaranteed working GE30 £130.00. GE1200 120 cps £175.00. Untested GE30 £65.00. Optional floor stand £12.50. Carr & Ins. £10.00.

## SEMICONDUCTOR 'GRAB BAGS'

Mixed Semis amazing value contents include transistors digital, linear, IC's, triacs, diodes, bridge recs, etc. etc. All devices guaranteed brand new full spec with manufacturer's markings. fully guaranteed.

50+ £2.95 100+ £5.15  
TTL 74 Series A. gigantic purchase of an "across the board" range of 74 TTL series IC's enables us to offer 100+ mixed "mostly TTL" grab bags at a price which two or three chips in the bag would normally cost to buy. Fully guaranteed all IC's full spec. 100+ £6.90, 200+ £12.30, 300+ £19.50

## CENTRONICS 710 PRINTERS

Ex RENTAL Heavy duty full width carriage printer up to 132 columns on 17" fan fold sprocket fed paper. 60 cps print speed with standard RS232 or 20 mA loop interface. Supplied in TESTED used condition with data. ONLY £85.00 carriage and insurance £10.00.

## MAINS FILTERS

CURE those unnerving hang ups and data glitches caused by mains interference with professional quality filters. SD5A match-box size up to 1000 watt 240 V Load ONLY £5.95. L12127 compact completely cased unit with 3 pin fitted socket up to 750 watts ONLY £9.99.

## EPROM COPIERS

The amazing SOFTY 2 The "Complete Toolkit" for copying, writing, modifying and listing EPROMS of the 2516, 2716, 2532, 2732 range. Many other functions include integral keyboard, cassette interface, serial and parallel i/o UHF modulator ZIF socket etc. ONLY £195.00 + pp £2.50.

"GANG OF EIGHT" intelligent Z80 controlled 8 gang programmer for ALL single 5v rail EPROMS up to 27128. Will copy 8 27128 in ONLY 3 MINUTES. Internal LCD display and checking routines for IDIOT PROOF operation. Only £395.00 + pp £3.00.

"GANG OF EIGHT PLUS" Same spec. as above but with additional RS232 serial interface for down line loading data from computer etc. ONLY £445.00 + pp £3.00

Data sheets on request

## 20,000 FEET OF ELECTRONIC AND COMPUTER GOODIES ENGLAND'S LARGEST SURPLUS STORE - SEEING IS BELIEVING!!

### DEC CORNER

PDP 1140 System comprising of CPU, 124k memory & MMU 15 line RS232 interface. RP02 40 MB hard disk drive.  
TU10 9 track 800 BPI Mag tape drive, dual track system. VT52 VDU, etc. etc. Tested and running £3,750.00  
BA11-MB 3.5" Box. PSU, LTC £395.00  
DH11-AD 16" x RS232 DMA interface £1,900.00  
DLV11-J4 x EIA interface £350.00  
DLV11-E Serial. Modem support £190.00  
DUP11 Synch. Serial data i/o £650.00  
DQ200 Dialog - multi RK controller £495.00  
DZ11-B 8 line RS232 mux board £650.00  
KDF11-B M8189 PDP 1123 PLUS £1,100.00  
LA30 Printer and Keyboard £80.00  
LA36 Decwriter EIA or 20 mA loop £270.00  
MS11-JP Unibus 32kb Ram £80.00  
MS11-LB Unibus 128kb Ram £450.00  
MS11-LD Unibus 256kb Ram £850.00  
PDP11/05 Cpu Ram, i/o etc £450.00  
PDP11/40 Cpu, 124k MMU £1,850.00  
RT11 ver 3B documentation kit £70.00  
RK05-J 2.5 Mb disk drives £650.00  
KLB JA PDP 8 async i/o £175.00  
M18E PDP 8 Bootstrap option £75.00  
VT50 VDU and Keyboard - 20 mA £175.00  
VT52 VDU and RS232 interface £250.00

Give your VT100 a Birthday!!!  
Brand New VT100 Keyboards  
only £85.00

1000's of EX STOCK spares for DEC PDPs, PDP8A, PDP11 systems & peripherals. Call for details. All types of computer equipment and spares wanted for PROMPT CASH PAYMENT.

### MAG TAPE DRIVES

Many EX STOCK computer tape drives and spares by PERTEC, CIPHER, WANGO, DIGIDATA, KENNEDY etc. Special offer this month on DEI Cartridge tape drives ONLY £450.00 each.

CALL FOR DETAILS

### COMPUTER/SYSTEM CABINET & PSU

All in one quality computer cabinet with integral switched mode PSU, mains filtering, and twin fan cooling. Originally made for the famous DEC PDP8 computer system costing thousands of pounds. Made to run 24 hours per day the psu is fully screened and will deliver a massive +5v DC at 17 amps, +15v DC at 1 amp and -15v DC at 5 amps. The complete unit is fully enclosed with removable top lid, filtering, trip switch, power and run leds mounted on ali front panel, rear cable entries, etc. etc. Units are in good but used condition - supplied for 240v operation complete with full circuit and tech. man. Give your system that professional finish for only £49.95 + carr. 19" wide 16" deep 10.5" high. Useable area 16" w 10.5" h 11.5" d.

Also available less psu, with fans etc. Internal dim. 19" w, 16" d, 10.5" h. £19.95. Carriage £8.75

### 66% DISCOUNT ON ELECTRONIC COMPONENTS EQUIPMENT

Due to our massive bulk purchasing programme, which enables us to bring you the best possible bargains, we have thousands of ICs, Transistors, Relays, Caps, PCBs, Sub-assemblies, Switches etc. etc. surplus to OUR requirements. Because we don't have sufficient stocks of any one item to include in our ads we are packing all these items into the BARGAIN OF A LIFETIME. Thousands of components at giveaway prices. Guaranteed to be worth at least 3 times what you pay. Unbeatable value and perhaps one of the most consistently useful items you will every buy!!! Sold by weight.

2.5kls £5.25 + pp £1.25  
10kls £11.25 + pp £2.25

5 kls £6.90 + £1.80  
20kls £19.50 + pp £4.75

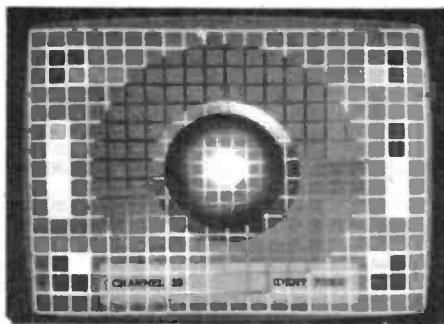
1000's of other EX STOCK items including POWER SUPPLIES, RACKS, RELAYS, TRANSFORMERS, TEST EQUIPMENT, CABLE, CONNECTORS, HARDWARE, MODEMS, TELEPHONES, VARIACS, VDU'S, PRINTERS, POWER SUPPLIES, OPTICS, KEYBOARDS etc. etc. Give us a call for your spare part requirements. Stock changes almost daily.

Don't forget, ALL TYPES and QUANTITIES of electronic surplus purchased for CASH



# DX-TV RECEPTION REPORTS

Compiled by Keith Hamer and Garry Smith



The amount of sporadic-E activity decreased rapidly during September, indicating that the 1985 season was drawing to a close. There were, however, at least two days when the band really buzzed with DX; these were the 6th and 20th. The openings on both days were prolonged and certainly as good as any during the main part of the season.

The opening on the 6th produced signals via sporadic-E from Spain and Italy which lasted well into the evening. Tropospheric activity towards the middle of the month resulted in an interesting, although rather limited, display of signals in Band III and at UHF. Another period of enhanced trop conditions at the end of the month brought in very strong DX from West Germany. Reception was noted in East Anglia but very little was seen elsewhere in the UK according to reports.

## DX logs for September

This month we are featuring two DX-TV logs. The first is from William Maries of Studley in Warwickshire. At the moment William has only a VHF Band I aerial, but even so he has managed to log several French stations on UHF.

**1/9/85:** NOS-1 on test with the PM5544 on channel E4 from Lopik (Netherlands).

**5/9/85:** TVE-1 (Spain) radiating the GTE colour test card on channels E2 and E4 at 1035 via sporadic-E.

**7/9/85:** TF-1 (France) with programmes, received on channels 22, 23 and 51 via enhanced tropospheric conditions; Antenne 2 (France, 2nd Network) with tennis from the USA during the late evening on E28 and E57; FR-3 (France) on E28 with programmes until close-down at 2230 BST; Canal Plus (France) with scrambled programmes on channels L5, L6 and L8 during the late evening.

**8/9/85:** NOS-1 on E4 with the PM5544 electronic test card.

**9/9/85:** Canal Plus during the evening with scrambled transmissions on L6 and L8.

**10/9/85:** Canal Plus on L6 via trop conditions with various programmes.

**12/9/85:** Canal Plus received for much of the day on channels L5, L6, L8 and L10; RTBF1 (French-language network in Belgium) on test with the PM5544 pattern on channels E8 and E11; NOS-1 on E4 from Lopik with the PM5544 test card; CST on R1 and R2 with the 'RS-KH' electronic test card via sporadic-E;

unidentified French TV station on L22 at 1851 via trop.

**22/9/85:** Canal Plus noted at 1130 with very weak signals on channel L6.

**27/9/85:** Canal Plus during the early morning via trop on L6 and L8; TVS (UK) on E27 during the morning via improved trop conditions.

**30/9/85:** Antenne 2 on E43 floating with another station; unidentified French transmissions on channels E26 and E39.

Our other DX-TV log has been sent in by Kevin Jackson of Leeds. He too has noted quite a lot of French reception.

**7/9/85:** TDF (France) tf1 channel E46; TDF Antenne 2 E43; Canal Plus L9; RTBF1 (Belgium) E8.

**8/9/85:** Canal Plus L5, 7 and 9; RTBF1 E8; NOS2 (Netherlands) E27; BRT1 (Belgium) E10.

**9/9/85:** TDF tf1 E42; Canal Plus L5, 7 and 9; RTBF1 E8; NOS1 E5.

**10/9/85:** TDF Antenne 2 E34; Canal Plus L5, 6 and 9; RTBF1 E8 and E52; RTBF2 E49; NOS1 E6 and E39; RTE1 (Ire) IH; West Germany ZDF E34; W Germany HR1 E8.

**11/9/85:** TDF Antenne 2 E39; TDF tf1 E42; Canal Plus L5, 6, 7 and 9; RTBF1 E8 and 52; RTBF2 E49; BRT1 E43; BRT2 E46; West Germany ZDF E34, 35 and 37; West Germany HR1 E7 and 8; HR3 E37; West Germany WDR1 E9; West Germany NDR1 E10; NDR3 E43 and 53; West Germany BR3 E49; NOS1 E6 and 7; East Germany DDR: F1 E6; DDR: F2 E31 and 34.

**12/9/85:** TDF Antenne 2 E21, 34, 39, 43 and 48; TDF tf1 E27, 37, 42 and 46; TDF FR3 E40; Canal Plus L5, 7 and 9; NOS1 E29 and 39; NOS2 E27, 31, 45 and 53; RTBF1 E8 and 52; RTBF2 E42, 45 and 49; West Germany ZDF E21, 32, 34 and 37; West Germany WDR1 E46; West Germany WDR3 E48; West Germany HR1 E7; HR3 E54.

**16/9/85:** TDF Antenne 2 E39; Canal Plus L5, 7 and 9; RTBF1 E8.

**17/9/85:** TDF tf1 E42; Canal Plus L5 and 9; RTBF1 E8.

**18/9/85:** TDF tf1 E42; Canal Plus L5; BRT1 E10; RTBF1 E8.

**19/9/85:** TDF Antenne 2 E21, 34, 39 and 46; TDF tf1 E27, 42 and 43; TDF FR3 E40; Canal Plus L5, 7 and 9; RTBF1 E8.

**20/9/85:** Canal Plus L5; BRT1 E43; BRT2 E46.

**23/9/85:** TDF tf1 E27; Canal Plus L5, 7 and 9; RTBF1 E8; NOS1 E39; NOS2 E27; West Germany BR3 E49; W Germany HR3 E52.

**24/9/85:** TDF Antenne 2 E46; TDF FR3 E40; Canal Plus L7; BRT1 E43; BRT2 E46; NOS1 E6.

**25/9/85:** TDF tf1 E43; Canal Plus L5, 6, 7 and 9; RTBF1 E8; BRT1 E43; BRT2 E46; NOS2 E27.

**26/9/85:** TDF Antenne 2 E39; TDF tf1 E42; Canal Plus L5, 7 and 9; RTBF1 E8; NOS1 E39; BRT1 E10 and 43; BRT2 E46; West Germany NDR1 E53; NDR3 E43.

**27/9/85:** TDF Antenne 2 E39 and 48; TDF tf1 E42 and 43; TDF FR3 E45; Canal Plus L5, 7 and 9; RTBF1 E8; RTBF2 E42; BRT1 E43; BRT2 E46; NOS1 E39; NOS2 E27 and 45.

**28/9/85:** TDF Antenne 2 E34, 39 and 48; TDF tf1 E27, 42 and 54; Canal Plus L5, 7 and 9; RTBF1 E8; NOS2 E27.

**29/9/85:** TDF Antenne 2 E34, 39, 43, 48 and 57; TDF tf1 E27, 41, 42, 46 and 63; TDF FR3 E37, 45 and 60; Canal Plus L5, 6, 7 and 9; West Germany ZDF E30, 34, 35 and 37; West Germany WDR1 E9, 11 and 46; WDR3 E45, 48 and 50; West Germany SWF3 E56; West Germany HR1 E8; NOS1 E5, 6, 7, 39 and 50; NOS2 E27, 45 and 53; RTBF1 E8; RTBF2 E42; BRT1 E10 and 43; Channel TV IBA (UK) E41.

**30/9/85:** TDF Antenne 2 E21, 34, 39, 43, 46, 48 and 57; TDF tf1 E27, 42, 43 and 63; Canal Plus L5, 7 and 9; NOS1 E39; BRT1 E10, 43; BRT2 E42; RTBF2 E42.

Our thanks to William and Kevin for passing on details of their DX-TV reception during September.

## New test cards

In a recent issue of *R&EW* we mentioned that the 'Nederland 1' outlet of NOS at Lopik on channel E4 was radiating the FuBK test card at random periods throughout the day. The rest of the network apparently radiated the usual PM5544 test pattern. Although the FuBK hasn't been seen in recent times we have noticed that the transmitter at Lopik has been screening colour bars prior to the morning PM5544 period. The other stations have been broadcasting the familiar monochrome EBU Bar.

John Bray of St Neots in Cambridgeshire has noticed a multiburst test pattern (frequency gratings) on channel E4 several times recently. It has prompted him to ask whether the Dutch transmitter at Lopik is using this particular pattern. Reception has taken on the characteristics of tropospheric activity, namely slow fading.

The Swedish PM5534 test pattern has been noted carrying an extra line of identification towards the bottom just prior to the start of programmes. Unfortunately reception hasn't been clear enough to read the new inscription but it may well be details about the accompanying music. Until recently the same idea was used by NRK in Norway, but now the information is only used when the clock caption is radiated during the station opening sequence.

## Reception reports

Andy Webster (Billinge, near Wigan) has been experimenting again with Continental teletext reception using a Grundig TV. He has had limited success with sporadic-E propagated signals, although at times the teletext page heading could be deciphered, thus

giving an indication of its origin.

During recent trop activity Andy managed to receive a teletext display from the RTBF1 outlet at Wavre on channel E8. He's tried French signals too but without success due to the Antiope system used. In case you were wondering, the French system L signal is first inverted using a form of external converter which is plugged into the aerial socket of a standard receiver.

The converter consists of a tuner fed into a vision IF module which features a TDA 4421 IF demodulator IC. The device has two vision outputs; one negative-going, the other positive. The appropriate output, depending upon the TV standard being received, can be switched manually and re-modulated to a spare UHF channel. There are, however, a few problems with the gain. Attempts to build an IF preamplifier haven't been too successful so far, but Andy's working on it!

### A few surprises

The 11th brought in a few surprises. Apart from a West German station on channel E7, Andy noted a programme on E6 which was identified as originating from the Brocken transmitter - one of East Germany's 1st network outlets. A flick through the UHF channels rewarded him with the DDR:F2 test card from the 2nd network transmitter at the same location.

Kevin Jackson of Leeds has sent in an excellent log for September. The most productive days for sporadic-E reception were the 4th and 6th. The opening on the 4th consisted mainly of Spanish test transmissions with a variety of patterns on channels E2, E3 and E4. Reception lasted from early morning until mid-afternoon. The opening on the 6th occurred around mid-morning with several central European stations in evidence. Among these were Poland on R1 with the 'dark background' PM5544, Austria on channels E2a and E4 radiating the 'ORF FS1' PM5544, and CST from Czechoslovakia on R1 with the 'RS-KH' electronic test pattern. Teletext pages from West Germany were noted towards the end of the opening on channel E2. The signal probably originated from the Bayerischer Rundfunk outlet at Grunten.

Similar reception took place on channel E3 from the 100kW BR transmitter at Kreuzberg.

Most other DX reception during the month at Kevin's location consisted of trop DX. The most startling event happened on the 10th when he picked up Radio Telefis Eireann (RTE) on channel H from Eire. Why was it so unusual? Well, Kevin uses an indoor aerial and the signal has to pass through a block of flats! Tuning through the FM radio band he noted several pirate stations operating in and around Dublin. These included 'Sunshine Radio' on 101MHz, Q-102 on 102.25MHz and 'Magic 103' on 103.5MHz.

The 11th produced the best DX-TV opening of the month for Kevin with the NDR (Norddeutscher Rundfunk, West Germany) channel E10 outlet radiating the FuBK test pattern. Somewhat unusual identification was used, namely 'LFHS-NDS'. Does anyone know what this means?

Later in the day an FuBK test card from the Rhön transmitter was seen on channel E37 carrying 'HR 3' identification. On channel E49 the inscription was 'BR-MCHN'. Floating with the E37 'HR 3' test card was a ZDF pattern from Amberg. East Germany made an appearance with 2nd network programmes from DDR:F2 on channel E31 (Inselsberg). The Brocken E34 outlet was also logged. On E6, the 1st network was resolved from Brocken. Kevin has commented that the trop conditions at the end of September were very poor and that the best reception must have been confined to the south.

Another DXer in Leeds, Mark Dent, received no fewer than eleven RTE channels from six transmitters on the 9th and 10th. These were RTE-1 on channels B, D, F, H, 29 and 40, and RTE-2 on channels G, I, J, 43 and 33. The channel J outlet, incidentally, is RTE-2 from Mt Kippure with 1kW ERP. This was the first time it had been received by Mark. After close-down, conditions were good enough to allow the reception of colour bars, complete with the 'RTE-1' logo in colour, from Cairn Hill. Unlike Kevin Jackson's location, Mark enjoys an unobstructed path from the west. However, a block of flats to the south prevents good reception from France. If anyone knows the address of a good demolition expert, he'd like to know! Their second task would be to remove the mast at Emley Moor from the skyline...

### Worthy of note

Sporadic-E activity worthy of note at Mark's location consisted mainly of Spanish DX. On the 5th he logged the standard GTE colour test card on channels E2 and E4, while on E3 the electronic bar pattern was present with the identification 'LA MUELA 3'. The low-power TVE-1 outlet at Madrid on E4 also

came through on a bar pattern with the inscription 'MADRID 4'.

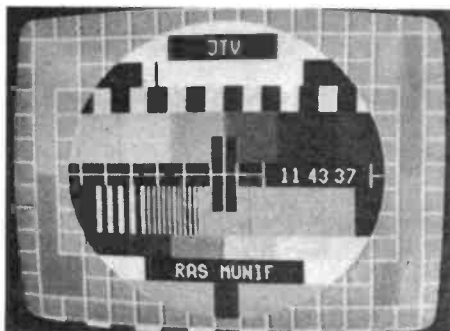
Yet another DX-TV enthusiast in Leeds, C Melia, has received transmissions from all over Europe this summer. Spurred on by Kevin Jackson and Mark Dent's successes, he has received many stations using nothing more than a Band I dipole, mounted horizontally, and a Waltham Minister 416 TV. The receiver is causing a few problems, however. Due to its wide bandwidth it's difficult to differentiate between channels which are close to each other, such as E2 and R1 or IA and E3. During hectic openings with DX on all channels the signals tend to merge and float over one another.

### Success

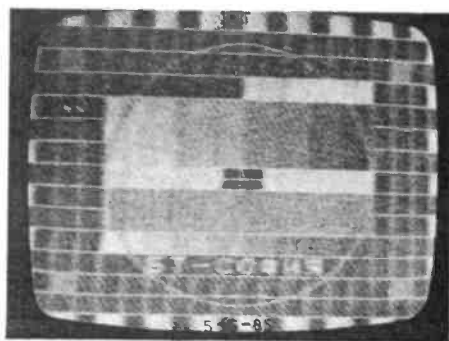
John Bray of St Neots has succeeded in logging RAI (Italy) on channel IA almost daily throughout September. CST-Czechoslovakia on channel R1 was also a frequent visitor in Band I. Tropospheric DX was in abundance too with many West German and French stations in evidence. On the 11th a West German FuBK test card was resolved from Südwestfunk (SWF) on channel E9. The identification read 'SWF HGR 9' and the signal originated from the Hornsgrinde outlet located in the south of the country, close to the French border. The Westdeutsches Fernsehen FuBK pattern appeared on E9 from the Langenberg transmitter carrying the identification 'WDR 1 LA9'. On E7 and E8 the FuBK pattern was present without any form of identification. We feel that these could have been aired over the Hessischer Rundfunk (HR) network from Brotjack-Iriegel and Grosser Feldberg on E7 and E8 respectively.

Resolving French system 'L' transmissions presents no problem for John nowadays. He's had a 12-inch mono portable modified to display negative or positive video, and with the flick of a switch he can watch the French Canal Plus programmes practically on a daily basis. John is feeding the portable from a D-100 DX-TV converter, which provides a very sensitive and compact DX set-up.

Bob Brooks (South Wirral) has submitted a detailed log for the month under review. He was pleased to note sustained



Jordanian PM5534 test card. (Pic Charles Hage)



Bulgarian TV test card received on R3 by Ryn Muntjewerff

## DX-TV RECEPTION REPORTS

reception of RTE-1 on channel H from Kippure. For much of the time during the period of enhanced tropospheric conditions programmes were viewable for long spells. Bob's greatest rewards were via sporadic-E in Band I with ORF (Austria) on E2a, CST on R1 and SR/SVT-1 (Sweden) on E2 with test cards on most days. Several Norwegian transmitters were logged throughout the month. The 'KONGSBERG' identification was seen on the PM5534 on channel E4 on the 11th, 'GAMLEM' E3 on the 12th and 'NORGE TELEVERKET' on the 22nd on channel E2. The latter inscription appears just before programmes commence, thus making the actual transmitter location difficult to identify. The most impressive DX took place during the late afternoon of the 29th when the 'RUV ISLAND' PM5544 appeared on channel E4 from Skalafell in the far west of Iceland.

Simon Hamer (New Radnor, Powys) received several countries during September. On the 6th he noted TVP (Poland) on channel R1 via sporadic-E. Also received during the month were RAI, TDF (via tropo), ARD (West Germany) E2, TSS (Russia) on R1, SR/SVT-1 on E2 and Czechoslovakia (CST) on channel R1.

Finally, Ryn Muntjewerff of Beemster

in the Netherlands has written to say that during the sporadic-E season he received Bulgarian TV (BT) in Band II on channel R3. Fortunately he resolved the electronic test card which provided positive ident-reception confirmation of this extremely rare TV service.

### New DX-TV books

*TV Bildkatalog Europa* (Catalogue of European TV Pictures) is an impressive book which should appeal to all DX-TV enthusiasts. It's written by Norbert Kaiser, an active TV DXer in West Germany.

There are basically two main sections. The first comprises 60 pages which deal with a variety of subjects associated with identifying European TV stations. The second section (111 pages) presents a comprehensive catalogue of test cards, clock and identification captions, etc. The book confines itself to the European area, thus making it an ideal companion to the famous *Guide to World-Wide Television Test Cards - Edition 2*. The text is written in both German and English. It costs £5.50 (including UK p&p) and is available from: *HS Publications, 17 Collingham Gardens, Derby DE3 4FS*.

We understand from Babani Publishing that a new edition of *Long*

*Distance Television Reception (TV-DX) For The Enthusiast* should be available from next February. It will cost £2.95 (including postage) and will also be available from HS Publications.

### Service Information

**West Germany:** BFBS have changed their identification on the PM5544 test pattern and programme captions. The test pattern now carries 'SSVC' at the top and 'GERMANY' in the lower black rectangle. 'SSVC' is the abbreviation used for 'Sound Service & Video Corporation'. BFBS have also changed their name to SSVC in Cyprus.

**East Germany:** The second TV network (DDR:F2) has opened a new transmitter on channel E38. It is located at Dietlas in the Suhl region.

**India:** Doordarshan TV now broadcasts programmes using the 'twin sound' system. Imported films are shown with dubbed Hindu sound on the first network while the original soundtrack is transmitted on the second.

Teletext has also been introduced using the French 'Antiope' system.

This month's service information was kindly supplied by Gösta van der Linden (Rotterdam, Netherlands) and Alexander Wiese (Munich, West Germany). 

## NEXT ISSUE

# Radio & Electronics

The communications and electronics magazine **World**

### THE TRIO R2000

Ken Michaelson gets his hands on the latest communications receiver from Trio

### SPECTRUM RTTY

Data transmission for the ubiquitous spectrum with a project from S Dean

## PLUS ALL THE USUAL FEATURES!

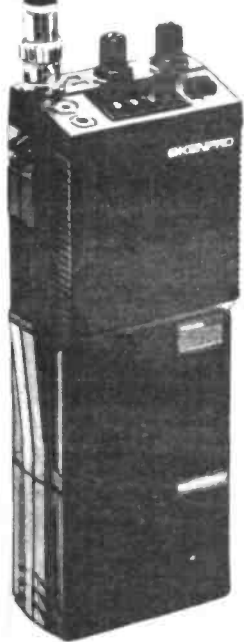
On sale 9 January

To be sure of your copy, why not take out a subscription?

# I HAVE YOU HEARD?

## LOOKING FOR A HANDHELD? READ ON!

No doubt you will have heard of Kenpro and their reputation for uncompromising quality. But have you heard just how good Kenpro's new VHF/UHF handhelds are? Since our first Kenpro's started to arrive at their new homes, we've received many letters and telephone calls from delighted owners. Just one example is G3YGI who writes. . . "Extremely pleased - performance has amazed me." Listen out for Kenprofessional owners on the airwaves. Hear and be assured Kenpro will not sing and dance but they will communicate extremely well. Have you heard it? Kenprofessionals know it!



**£1000 INSTANT CREDIT**  
**HP/PERSONAL LOANS AVAILABLE**  
**RWC CREDITCARD** (written details on request)



## HI-TEC WORLDWIDE LIMITED

**584 Hagley Road West, Quinton, Birmingham B68 0BS**  
**Tel: 021-421 8201 (24hrs) Telex: 334303 TXAGWM-G**

### AUDIO MODULES

For all PA discos, hi-fi & musical applications  
 \*Rugged and reliable \* Exceptional audio performance \*  
 Full installation data supplied \* Immediate despatch \*  
 Complete range of match PSU's, pre-amps, protection and  
 bridging modules also available (SAE for lists) \*

TYPE	OUTPUT	KIT	BUILT
BI-POLAR	50-100W	£8.75	£10.95
BI-POLAR	100-200W	£10.95	£14.95
BI-POLAR	200-300W	£19.75	£24.50
MOS-FET	100-150W	N/A	£19.95
MOS-FET	200-300W	N/A	£32.95
MOS-FET	275-475W	N/A	£54.50

Prices include VAT. Add £1.75 P&P.

RAK, Rosewood House, Bridge Road,  
 Downham Market, Norfolk, PE38 0AE  
 (0366)-382614

## NEW LOGIC KLIP

A versatile logic testing device at a budget price



- Attractive pocket-size unit provides clear and simple 'hands-free' operation.
- Simultaneously monitors the interaction of up to 16 points or nodes via numbered LEDs.
- Simple connection using standard 4-point IC clip supplied or a combination of clips, interfaces, grabbers and probes supplied as optional extras.
- Power supply taken from test circuit, either TTL (operating voltage +5V) or CMOS (4.5-18V).
- Logic state at test point indicated by:-  
 Logic 1 (high) LED on  
 Logic 0 (low) LED off
- Display face of unit can be temporarily marked, using a chinagraph pen, to describe circuit layout or IC pin-outs.
- Separate overlay supplied with unit for marking alternative layouts. Additional overlays available to facilitate build-up of 'library'.
- Uses Include: Development, testing, maintenance, training.

JOHNSONS (LEIGH) LIMITED  
 100/102 Glendale Gardens, Leigh-on-Sea, Essex SS9 2AY

## CENTRE ELECTRONICS

345 STOCKFIELD ROAD, YARDLEY, BIRMINGHAM B25 8JP

SPECIALISTS IN THE SALE AND SERVICE OF EX-GOVERNMENT AND VINTAGE RADIO RECEIVERS.

VALVES FOR SALE Types as used in many popular ex-Government receivers.

CV1862 6AQ5.....£1.50	CV4010 6AK5.....£1.50	CV4015 EF92.....£3.00
CV2524 6AU6.....85p	CV4011 6BE6.....£2.50	CV4024 12AT7.....£2.00
CV3998 E180F.....£5.50	CV4012 6BE6.....£1.50	CV4025 EB91.....£1.00
CV4009 6BA6.....85p	CV4014 EF91.....£1.50	CV4064 S6F33.....£10.00

Post and Packing 50p per Valve. Orders over £5.00 P&P FREE. (3 month Guarantee on all Valves).

Many other items of interest for the Radio Enthusiast, and Service Engineer. Including Test Equipment, Vintage Components, Valves, etc. Credit and Part Exchange Facility.

SPECIAL OFFER! Printed circuit board, double sided copper on fibreglass 7 3/4in x 14 1/2in sheet size @ £1.50 per sheet. Also single sided @ £1.25 per sheet. Plus 50p per order post and package. P&P on orders over £5.00 FREE. Goods in stock, 7 days delivery.

### CALLERS WELCOME

Shop open on Thursdays, Fridays and Saturdays. Opening hours: 10am to 5.30pm

FREE LIST AVAILABLE ON REQUEST

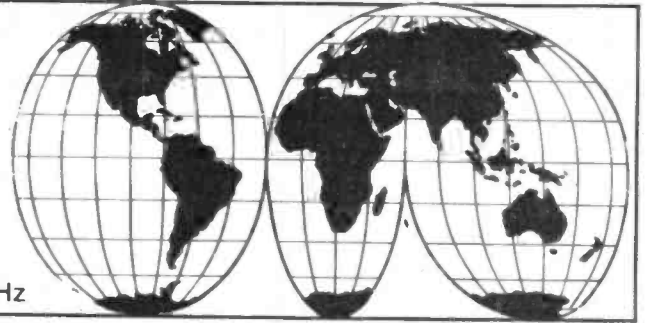
MAIL ORDERS  
 SPECIAL DELIVERY SERVICE

TELEPHONE ENQUIRIES TO: (0678) 32560

# SHORT WAVE NEWS FOR DX LISTENERS

By Frank A Baldwin

All times in GMT, **bold** figures indicate the frequency in kHz



On that favourite band of most DXers, the 60 metre band (**4750 to 5060**), it should now be possible to log some of the Asian stations. Reference here is made particularly to those transmitting from India, Pakistan and Sri Lanka. Although conditions are currently at an almost all-time low, if memory serves me aright, there should hopefully be occasions when such signals filter through.

The three countries mentioned above are regarded by the writer as being 'middle-ground', the far horizons being represented by those of the Far East, South-East Asia and the Pacific. Nevertheless there is some choice DX to be logged by winking out from under the utility and co-channel QRM (interference) some of the signals emanating from the Central Asian area.

## India

Indian regional stations can often be logged on the 60 metre band during our afternoon periods here in the UK. They may conveniently be heard from around 1515 to 1730 and not so conveniently from around 0025 to 0200 - assuming the prevailing conditions for reception of this area of the world are reasonably fair to good.

Not often heard by UK based DXers is All India Radio Gauhati on **4775** with the East Regional Service (HQ Calcutta). This 10kW regional transmitter radiates Gauhati B programmes from 0100 to 0200 and from 1030 to 1215. It should be noted here that all schedules may be extended when transmitting sporting commentaries - cricket test matches in particular.

Often listed in the SWL press is AIR Hyderabad operating on **4800** at 10kW. The schedule is from 0025 to 0215 and from 1200 to 1741 with newscasts in English from 0032 to 0035, from 1230 to 1235, from 1530 to 1545 and from

1730 to 1735. It is the 1530 to 1545 session that is most often reported in SWL club journals. This transmitter radiates Hyderabad A programmes in the South Regional Service (HQ Madras). Hyderabad often comes through quite well to the UK on this channel, often being heard during news transmission periods except that from 1230 to 1235.

Logged several times per 'season', but not so frequently as the above station, is AIR Calcutta on **4820** at 10kW with the East Regional Service timed from 0025 to 0210 and from 1230 to 1732. There is an English newscast from 0032 to 0035 in these Calcutta A transmissions.

## Suffolk greenery

Often heard here amid the Suffolk greenery is AIR Bombay on the **4840** channel. With a power of 10kW it radiates Bombay B programmes from 0025 to 0215 and from 1230 (Saturday from 1200) to 1741 in the West Regional Service (HQ Bombay). There is a news bulletin in English from 0032 to 0035, from 1430 to 1435 and from 1730 to 1735. News in English of sporting events is particularly featured in the 1430 to 1435 slot.

AIR Delhi on **4860** at 10kW operates in the External Service of All India Radio with programmes in Nepali from 0130 to 0215 and in the domestic North Regional Service (HQ New Delhi) from 0215 to 0345 and from 1233 to 1741. There are English newscasts from 0240 to 0250, from 1530 to 1545 and from 1730 to 1735. Sports news in English is from 1430 to 1435.

Tuning to **4920** may possibly result in the reception of AIR Madras. Featuring Madras A programmes in the South Regional Service, this transmitter is on the air from 0025 to 0215 and from 1200 to 1736. At 10kW, it broadcasts the news in English from 0032 to 0035, from 1230 to 1235, from 1530 to 1545 and from 1730 to

1735. This one is regularly logged here.

The comparatively low-powered (2kW) AIR Ranchi on **4960** is, as the reader will realise, regarded as quite a DX 'catch'. Rarely heard by Western European or UK DXers, it transmits Ranchi A programmes in the North Regional Service from 0100 to 0200.

## News bulletin

On **5050** is the 50kW AIR Aizwal radiating programmes in the East Regional Service from 0030 to 0200 and from 1230 to 1630 (Saturdays until 1741). There is a news bulletin in English from 1530 to 1545. In spite of its 50kW it is rarely featured in DXers' lists. The nominal frequency is **5050** but that often reported is **5050.5**, most likely being affected by side-splash from the 50kW Radio Singapore on the nearly adjacent **5052** channel. To date the writer has signally (*groan - Ed*) failed to log AIR Aizwal here amongst the yellow of the Anglian rape seed crops.

## AROUND THE DIAL

It is under this heading that information is provided on some of the stations logged during recent weeks. A few forays on some of the frequencies quoted, at the times mentioned, may possibly produce similar results.

## AFRICA

### Botswana

Radio Botswana, Gaborone on **4820** at 1856, drama in English entitled *The Hero*, which ended with an identification as 'BBC African Service'. At 1900 OM with the station identification and announcements in SeTswana then YL with local and world news in English at 1910.

The published schedule indicates that Radio Botswana radiates the Home Service on this channel from 0400 to 0630 and from 1425 to 2100 (on occasions to 2300) in

SeTswana with English news bulletins at 0510 (Monday to Friday inclusive), 0600 (BBC relay), 1610 and 1910. The drama in English logged at 1856 is therefore at variance with the schedule, probably representing the introduction of an English language session. Radio Botswana is rated at 50kW.

### Cameroon

Radio Yaounde on **4850** at 2125, OM with a talk in French. The schedule of Radio Yaounde is from 0400 to 0700 and from 1630 to 2400, this being the National Service in French and English. News-casts in the latter language are timed for 0530 (Sunday at 0600), 1830 and at 2100. News-casts in French and English are at 1700 and 2200. The power is 100kW.

### Madagascar

Radio Madagasikara, Antananarivo on a measured **3286** at 2005, YL with a song in Malagasy complete with local style orchestral backing. This was a programme in the Home Service, which is radiated on this channel from 0300 to 0500 and from 1500 to 1845 in Malagasy and in French from 1845 to 2100. The power is 100kW.

### Malawi

Blantyre on **3380** at 1934, OM with a talk in Chichewa followed by a few announcements in English then back into the local language. Blantyre is on the air from 0253 to 1110 and from 1300 to 2210 (September to May 0253 to 0530 and 1750 to 2215) with the Home Service in Chichewa and English. The power is 100kW.

### Mali

Radiodiff TV Malienne, Bamako on **3380** at 2235, OM and YL with announcements in French during a programme of African pops. This one had me guessing for some weeks until a clear

station identification was logged a few days ago. Bamako on this new channel signs off at 2400, power not known—nor the schedule. Wait until Blantyre is off the air at 2215 for a clear signal from Bamako.

#### Morocco

Rabat on **17595** at 1524, YL with songs in vernacular complete with local style musical backing in a relay of the Domestic Service to Europe, the Middle East, West Africa, southern Morocco and Mauritania, scheduled from 1400 to 1700 on this channel.

#### Senegal

Dakar on a measured **4892** at 1917, OMs with a ballad, OM with announcements in French. ORTS Dakar is scheduled from 0600 (Sunday from 0700) to 0800 and from 1800 to 2400 with the Home Service in vernaculars and French and reportedly an English slot from 1845 to 1900, not logged here as yet.

#### South Africa

Johannesburg on **3320** at 1924, OM with a talk in Afrikaans. The Home Service in Afrikaans is radiated on this frequency from 0350 (Saturday from 0353, Sunday from 0400) to 0510 and from 1635 to 2200 with a power of 100kW.

Johannesburg on **4990** at 0328, OM with a talk in English about Mexico, its economy and the earthquakes. This 250kW transmitter broadcasts English programmes from 0258 to 0456 and in Chichewa from 1658 to 1756. From November to March inclusive there is a programme in Portuguese from 1858 to 1956.

#### Swaziland

TWR (Trans-World Radio) Mpangela on **4760** at 0327, OM with a talk in the Shona programme listed as being on this channel from 0300 to 0345 from November to May, but obviously this period has been amended. The power is 25kW, and after YL with some announcements and musical chimes it signed off at 0330.

#### CENTRAL AMERICA

##### Costa Rica

Faro del Caribe (Lighthouse of the Caribbean), San Jose on **5055** at 0532, OMs with

a ballad in Spanish with guitar backing, OM with announcements.

This Costa Rican operates from 1030 to 2000 and from 2300 to 0600 which includes an English programme timed from 0300 to 0400. The power is 5kW.

#### NORTH AMERICA

##### USA

WYFR Family Radio, Okeechobee, Florida on a measured **15566** at 1845, YL with the station identification and announcements during the Italian transmission for Europe timed from 1800 to 1900.

#### SOUTH AMERICA

##### Brazil

Radio Difusora do Amazonas, Manaus on **4805** at 0128, OM with a sports commentary in Spanish.

This 5kW transmitter was reactivated in May of this year and signs off around 0200, but occasionally works around the clock.

Radio Clube do Para, Belem on **4885** at 0147, OM with announcements in Portuguese then OM with a ballad in Portuguese. RC do Para is scheduled from 0800 to 0300 but sometimes around the clock, the power being 5kW.

Radio Marajoara, Belem on **4955** at 0137, OM with a sports commentary in Portuguese. This one operates from 0830 to 0300 with a power of 10kW.

##### Colombia

Radio Super, Medellin on **4875** at 0603, OM with full station identification, frequency and location then promos, all in Spanish. Radio Super is listed as being on the air from 1100 to 0500 with a power of 2kW. The time reported here is at variance with the published details, the station either being on an extended transmission for a special occasion or on an amended schedule.

##### Ecuador

Radio Popular de Cuenca, Cuenca on **4800** at 0345, OM with a talk in Spanish about internal affairs. The transmission period is from 1000 to around 0700 and the power is 5kW.

Radio Quito, Quito on **4920** at 0118, OM with a talk in

Spanish about national industries. R Quito is on the air from 1000 to 0500 and is part of the Red Informativa Nacional network. It identifies as 'Radio Quito, La Voz de la Capital' and has a power of 5kW. This one is logged on an almost regular basis.

##### Venezuela

Radio Valera, Trujillo on **4840** at 0026, OM with a talk in Spanish, a short light music interlude then more talk. The schedule is from 1000 to 0400 with a power of 1kW.

#### ASIA

##### China

Gansu PBS (People's Broadcasting Station), Lanzhou on **4865** at 2306, YL with a talk in Chinese. Gansu radiates the Home Service in Chinese from 2130 to 0130, from 0330 to 0620 and from 0900 to 1600.

There is an English language lesson timed from 1330 to 1400.

Radio Beijing on **9945** at 1456, YL with announcements during the Vietnamese programme for Vietnam, scheduled from 1300 to 1550.

##### India

Bombay on **7260** at 0147, YL and OM with a duet in Hindi then OM with some announcements in the West Regional Service, Vivadh Bharat (Commercial Service) which operates from 0130 to 0300 on this channel.

##### Pakistan

Islamabad on **9465** at 1840, YL with some songs, local style music then OM with announcements in the Urdu transmission for Europe, scheduled from 1645 to 1700 and from 1730 to 1900.

#### NEAR AND MIDDLE EAST

##### Iraq

Baghdad on **9635** at 1435, YL and OMs with a song in Arabic during a 'Voice of the Masses' transmission for expatriates in Europe, timed from 1400 to 2200 on this frequency.

##### Israel

Jerusalem on **9009** at 1441, OM and YL with the Persian programme directed to Europe, the Middle East and North America, scheduled from 1430 to 1525.

##### Kuwait

Radio Kuwait on **7120** at 2146, OM with a song in the main Arabic programmed Domestic/External Service which may be heard on this channel from 1830 to 2105.

##### Oman

BBC Relay on **7160** at 1740, OM with sports news in the English transmission for Iran and southern Asia, scheduled from 1700 to 1830.

#### PACIFIC

##### Australia

Melbourne on **7205** at 1603, OM with a newscast in English followed by the station identification. The schedule here is thought to be from 1430 to 1800.

#### CLANDESTINE

A Voz da Resistencia do Galo Negro on **4950** at 1840, OMs with a discussion in Portuguese. The Voice of the Resistance of the Black Cockerel supports the UNITA movement and is hostile to the Angolan government and Cuban involvement in that country. It is scheduled on the air with programmes in Portuguese from 0430 to 0630 on Monday, Wednesday and Friday and from 1730 to 1930 on Tuesday, Thursday and Saturday.

A Voz de Verdade (The Voice of Truth) is another UNITA transmitter that operates on this channel in Portuguese from 0300 to 0415 and from 2000 to 2045 daily.

#### NOW HEAR THIS

Radio Mozambique, Maputo on a measured **4752** at 2110, OM with announcements in Portuguese, a four-note chime, then OM with a talk in Portuguese. This one was logged a few weeks ago on **4738**. The power is 25kW and it signs off at 2210.

#### NOW LOG THIS

AIR (All India Radio) Hyderabad on **4800** at 0038, OM with a newscast in English followed by a YL with announcements in Hindi then YLs with songs.

Hyderabad is on the air from 0025 to 0215 and from 1200 to 1741 with a power of 10kW. There are news bulletins in English at 0032, 1230, 1530 and 1730.

REW

# MEDIUM WAVE

# DXING

by Steve Whitt

As you read this there are only a few days left before Christmas, so if you are hoping for a new receiver or even for some good DX isn't it about time you let Santa Claus know?

If, while still in a festive mood, you feel like giving yourself a present, how about a new aerial, since this month we are starting to look at this aspect of MW-DXing?

## Basic aeriels

The simplest aerial that an MW-DXer is likely to use (apart from the internal

ferrite rod of portable radios) is a random length of wire run up to the end of the garden. Such an aerial probably started life on the short wave bands but in many cases will give acceptable performance on MW with a good receiver. Although often known as a 'long-wire', a random length aerial is seldom long when compared with the wavelengths associated with the MW band (200-600 metres), and consequently it has minimal directional properties on MW.

Generally a long-wire is broadband, picking up signals over the entire MW

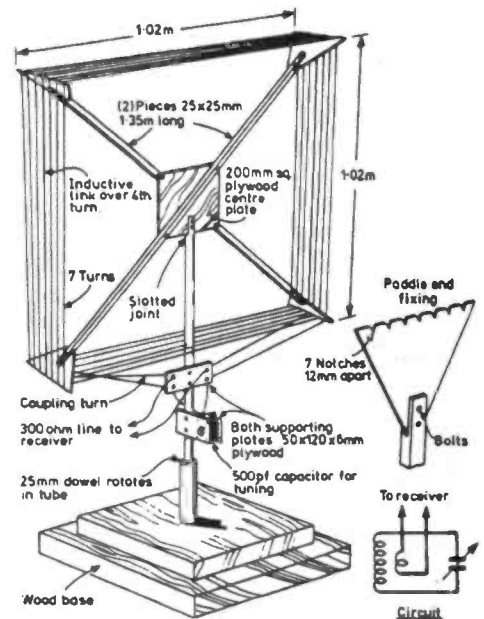


Fig 2 Constructional details of standard 40in box loop for MW

and SW spectrum, and while this can be a useful feature for the SW listener it can cause interference problems for a less than sophisticated MW receiver.

There are many receivers around that suffer from poor image rejection and overload effects (eg cross-modulation) when presented simultaneously with many strong signals, and generally speaking a random wire aerial is likely to give better performance with valve receivers than with run of the mill transistorised equipment.

## Aerial tuning unit

The first improvement to a long-wire aerial is the addition of an aerial tuning unit (ATU), a device that is connected between the aerial and receiver. An ATU 'matches' an aerial to a receiver, a process that ensures that all the energy picked up by the aerial is efficiently transferred to the receiver.

Normally a different matching arrangement is required at different frequencies and typical aerial tuning units therefore have a number of manually controlled adjustments.

Figure 1 shows the circuit of a typical easy to make ATU comprising two variable capacitors and a switched or variable inductor, adjusted by trial and error to give the maximum received signal strength.

Each variable capacitor should be about 1000pF, which can be realised by paralleling both halves of a dual 500pF unit. The exact value is not critical, but care should be taken to see that the moveable plates form the ground connection of the capacitor.

The coil is made from a single layer solenoid winding of enamelled wire

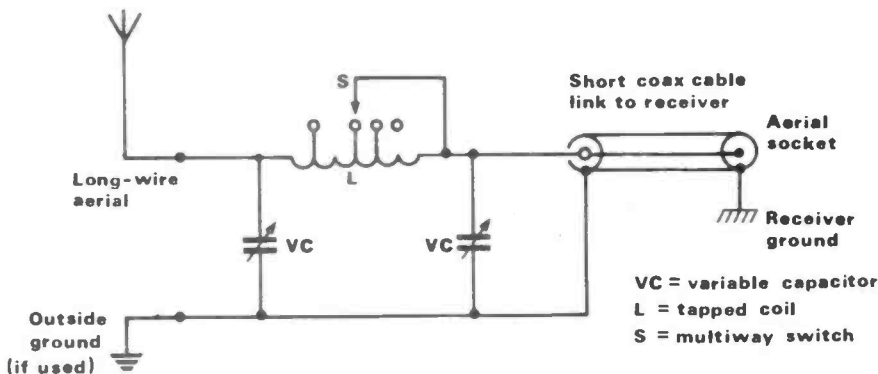


Fig 1 Circuit diagram of a typical ATU

## DX FILE

This month we welcome back A Walmsley from Blackpool who reports hearing the following on his Realistic DX400 receiver plus long-wire aerial (all heard around midnight at the end of October):

- 590kHz VOCM St Johns NF Canada
- 850kHz WHDH Boston MA USA
- 1030kHz WBZ Boston MA USA
- 1130kHz WNEW New York NY USA
- 1220kHz CKCW Moncton NB Canada
- 1220kHz R Globo Rio de Janeiro Brazil
- 1510kHz WMRE Boston MA USA

He also notes hearing CJYQ (Q Radio) on 930kHz at 0738hrs on 4 November, which is interesting because it had been daylight at Blackpool for about half an hour. This again reflects the good

propagation conditions that can be found at this time of year. I can report hearing the following around 0100hrs during the month of November using my R390A receiver and loop aerial:

- 1050kHz WHN New York NY USA with country and western music
- 1100kHz ZDK Antigua with reggae music
- 1470kHz R Vibracion, Curupano, Venezuela in Spanish
- 1580kHz Voice of America Antigua relay with usual VOA news
- 1610kHz Caribbean Beacon Anguilla with gospel programmes

as well as the almost regular Q Radio outlets on 610, 670, 680, and 930kHz (generally CKYQ on 610 has been the most reliable).



# LATEST LITERATURE

Clubs, manufacturers, publishers and agents are invited to send details of new books, catalogues, data sheets, etc for inclusion on this page

## INTERNATIONAL RADIO STATIONS GUIDE

This is an extensively revised version of an earlier Babani publication, and presents basic information about frequencies and powers of radio stations world-wide. It is split geographically, with sections covering European long wave stations, European, Near East and North African medium wave stations, world-wide short wave AM stations, broadcast band stations in the USA, Canada, the Caribbean and Latin America. There are further sections covering programmes in English, UK local radio stations and wavelength/frequency conversion.

These lists are sure to prove useful, but it must be borne in mind that they are neither comprehensive nor entirely accurate. Inconsistencies are noticeable: short wave stations, although nominally listed by station site and country, are sometimes entered under the station name with no mention of the site; a few stations appearing under the English language heading just do not appear in the other lists under the appropriate frequency; the British local radio stations are listed by site, not by station name and site, and there are transmissions missing from this list.

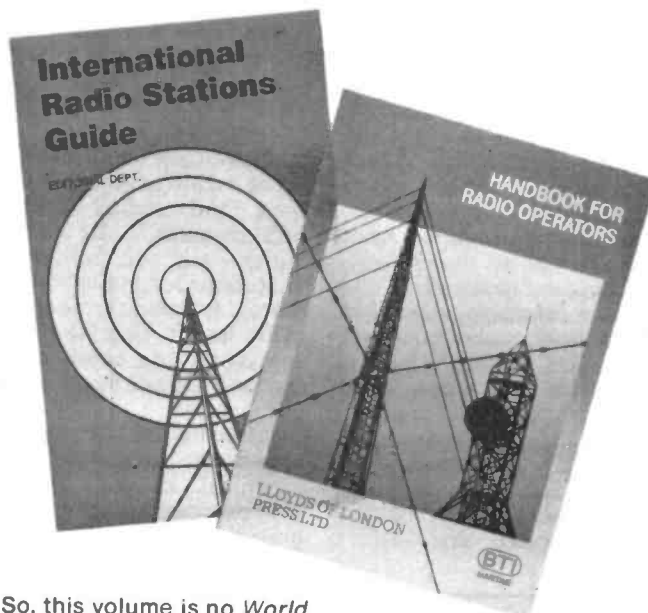
So, this volume is no *World Radio TV Handbook*. However, for the price it provides a good value pocket reference guide, and with stations listed by frequency and English programmes by time of transmission, is very quick and easy to use.

Bernard Babani (publishing) Ltd, £2.95. ISBN 0 85934 130 5

## HANDBOOK FOR RADIO OPERATORS

BTI Marine

This handbook is the replacement for the marine operator's handbook pro-



duced by HMSO in 1975. The new volume was written by British Telecom International Maritime & Aeronautical Services, and incorporates the ITU regulations which became effective in January 1985.

The handbook is intended for radio operators using the international marine mobile bands, and the coverage is, unsurprisingly, fully comprehensive. All the regulations and conditions are described (including the use of amateur stations), plus frequencies, procedures, emergency ser-

duced by HMSO in 1975. The new volume was written by British Telecom International Maritime & Aeronautical Services, and incorporates the ITU regulations which became effective in January 1985.

vices etc, right down to an outline of the wonderful vocabulary used by nautical types. The coverage of this handbook is obviously of limited appeal, but it is an excellent example of how to produce a comprehensive and informative reference manual.

Lloyd's of London Press, £9.95 (\$20). ISBN 1 85044 050 6

## AN INTRODUCTION TO COMPUTER PERIPHERALS

By RA and JW Penfold

The choice of peripherals for a computer must be at least as important, and as difficult, as the choice of the computer itself, and is a subject equally bewildering to the newcomer because of the unfamiliar terms and concepts. This book aims to provide an outline of the various gadgets that are connected to a computer, and is written as an explanatory text for those who are not overly familiar with computerspeak.

The first chapter deals, logically enough, with monitors, and includes a good explanation of the difference between monitors and ordinary television sets. Printers and plotters are covered next. All the different types are described (with a brief mention of recent technology

(0.8-1.0mm diameter) on a plastic former 2-3cm in diameter and about 10cm long. Wind 36 turns, equally spaced, along the former and create taps every 3 turns which are then connected to a 12-way switch - again the construction is not very critical.

This particular configuration has a further desirable property in that it behaves as a low pass filter between aerial and receiver, meaning that it will prevent undesirable SW signals picked up by a long-wire aerial from reaching, and perhaps overloading, the receiver. Since they can lead to a marked improvement in reception and are simply made by the DIY constructor, no long-

wire aerial should be without an antenna tuning unit.

### Special aeriels

The serious MW-DXer will undoubtedly have a more advanced aerial than the basic long-wire, although the latter aerial will often have given sterling service. Included in the list of more sophisticated aeriels are MW tuned loops, cardioid arrays and Beverages. Of these three, the MW loop is the most practical proposition since it is a fairly compact indoor arrangement that is readily home-made (Figure 2). As a consequence quite a number of constructional articles have appeared in

electronics hobby magazines.

The cardioid array is a more sophisticated enhancement of the MW loop that requires both a loop and a non-directional aerial such as a long-wire.

Thirdly, the Beverage aerial (as used by the Scottish MW-DXpedition reported last month) is often thought to provide the best DX performance within the limitations of a DXer's budget. Unfortunately the Beverage is not really for the city dwellers among us since the aerial consists of a straight wire over one wavelength long (at least 200 metres) mounted about 3 to 5 metres above ground level. Next month I hope to look at these aeriels in more detail.

# LATEST LITERATURE

such as laser printing), and there is a useful section about ribbons and stationery.

Alternatives to keyboards are covered (mice, touch screens, etc), then data storage (although no mention of CD ROMs), modems, and interfaces.

This book isn't a guide to what's on the market, restricting itself to what peripherals are and how they work. The descriptions do not go into any great depth technically, which is an advantage in an introductory volume such as this, and their clarity will be appreciated by those computer illiterates who adopt a glazed expression at the mere mention of bytes and floppies.

*Bernard Babani (publishing) Ltd, £2.50. ISBN 0 85934 144 5*

## THE PROPAGATION OF RADIO WAVES

By K G Budden

This is one of those wonderful textbooks the like of which I always love reading and which invariably leave me wishing I had the intelligence to understand fully. It is, to quote the cover notes, 'for final year undergraduates and... a reference book for research'.

Subtitled 'The theory of radio waves of low power in the ionosphere and magnetosphere', this book covers the sections of the atmosphere which include the regions known to most readers as the E and F layers. It necessarily includes a fair amount of maths, but only as this concerns those ideas of practical use, and is intended to be of use to radio engineers who want to understand the principles of propagation. To quote the preface, 'the reader is assumed to be familiar with calculus, the theory of complex variables, vectors including the differential vector operators, matrices, and electromagnetic theory as far as Maxwell's equations and Poynting's theorem.'

The text is very well written, and even a numb-nut like me can follow it. If you're happy with the maths there is a lot to be gained from this volume - get someone to buy it for you

as a Christmas present.

*Cambridge University Press, £60 (\$89.50). ISBN 0 521 25461 2*

## LINEAR/DIGITAL IC EQUIVALENTS AND PIN CONNECTIONS

By Adrian Michaels

Each of these two recent publications is an update of a previous similar volume. The format is similar for both, with the first part of the book listing country of origin, manufacturer, case/package and European, American and Japanese equivalents. After these tables, all the pin connections are illustrated.

These reference works are not comprehensive, but cover those ICs deemed by the author to be those most commonly used and/or useful to hobbyists, designers etc.

*Bernard Babani (publishing) Ltd, £4.95 each. ISBN 0 85934-116 X (linear) and -115 1 (digital)*

## CATALOGUES ETC

### Harris Semiconductor

A new 76-page shortform data book, *Products '85*, describing analogue, digital, gallium arsenide and custom integrated circuit products, is now available from Harris Semiconductor.

Each section of the book provides an individual product description including technical specifications and pin-out.

Standard products highlighted in the book include CMOS digital products (8-16 bit microprocessors and peripherals, RAMs, PROMs, communication ICs, bus drivers, programmable logic, and standard cell capability); bipolar PROMs; analogue products (op amps, voltage references, comparators analogue switches, DAS signal processors, A/D and D/A converters, sample and hold amplifiers and multiplexers).

Communication products include SLICs, PCM codecs, PCM monolithic filters, and speech synthesis ICs. Also in the book are analogue and digital user cross references providing a handy guide for designers.

*Harris-MHS Semiconductor Sales Ltd, Eskdale Road, Winnersh, Wokingham, Berkshire. Tel:(0734) 698787.*

### House of Instruments

New from Advance House of Instruments is a 16-page, two-colour shortform catalogue on the company's range of electronic test and measurement instruments.

The catalogue include real-time and digital storage oscilloscopes, LCR meters, digital and optical power multimeters, function generators, frequency counters, cable length checkers, logic analysers, line conditioners, dc bench power supplies and accessories.

For each product range the catalogue provides basic technical details together with part numbers and photographs.

Copies of the shortform catalogue are available free of charge.

*Advance House of Instruments, Raynham Road, Bishop's Stortford, Herts CM23 5PF. Tel:(0279) 55155.*

### Texas Instruments

A valuable reference work for a wide range of analogue circuit and system designs has been published by Texas Instruments as *The BIFET Design Manual*.

It features sections on amplification, sampling, filter and oscillator circuits, as well as data on individual devices and a section on miscellaneous circuits.

For each application it gives a full circuit diagram, design equations and a description of the circuit operation. In many cases the derivation of the design equations has been provided to help understanding of the circuit operation.

An introduction outlines the production of BIFET devices, which feature both JFET and bipolar transistors on a common substrate.

The book is available from Texas Instruments Limited at

£3.95 per copy, plus £1.50 for postage and packing.

*Texas Instruments Limited, PO Box 50, Market Harborough, Leicestershire.*

### Coutant

Coutant Electronics Ltd, one of the UK's largest manufacturers of both linear and switch mode power supplies, has just published a new illustrated short form catalogue.

The twenty-page publication contains descriptions and specifications for over fifteen power supply families. These include fan cooled, modular, Eurocard and encapsulated switch mode power supplies; encapsulated hybrid power supplies; programmable, enclosed unregulated, pluggable, open frame and encapsulated linear power supplies.

Also included are dc input power supplies - fan cooled and modular; switching regulators; encapsulated and semi-regulated converters. A further section is devoted to laboratory power supplies and racking systems.

The catalogue is available free of charge from the company.

*Coutant Electronics Ltd, Kingsley Avenue, Ilfracombe, Devon EX34 8ES. Tel:(0271) 63781.*

### Motorola Semiconductor

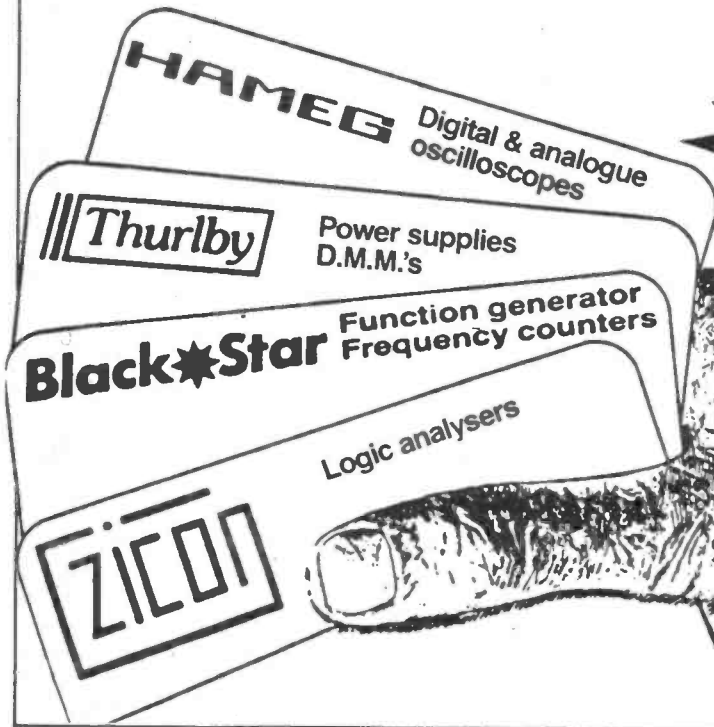
Motorola's new 76-page selector guide (SG96) includes summary data on all current linear and interface integrated circuits, including a new section on telecommunications devices. This guide has been revised to include updated information on Motorola's line of linear integrated circuits, including analogue, power supply, interface, consumer, automotive and communications circuits.

*Motorola Semiconductor Products Inc, PO Box 20912, Phoenix, Arizona 85036, USA.*

# A FULL HOUSE

DISTRIBUTING A GREAT DEAL

**ALL AVAILABLE EX-STOCK**



**Paxton Instruments**

Distributors of Electronic Test Instrumentation

Unit B1  
Pixmore Industrial Estate,  
Pixmore Avenue,  
Letchworth,  
Herts SG6 1JJ

Phone:  
**0462 685648**

## FIELD ELECTRIC LTD

3 SHENLEY ROAD BOREHAM WOOD HERTS Telephone: 01-953 6009  
OFFICIAL ORDERS/OVERSEAS ENQUIRIES WELCOME ETC

**SPECIAL OFFERS** 6in green screen 75Ωcomp: video monitors in case. 12VDC tested 9 1/4x6 1/2x4 1/2in. C/P £3.00..... £15.95

9in green screen 75Ωcomp: video monitors in case 230VAC. High res: tested 10x9 1/2x9 1/2in. C/P £5.00..... £36.00

**Prestel adaptor model P1 complete with remote control keypad in wooden case. Operating instructions. Complete with all electronics etc: new & boxed £15.95 C/P 3.00**

**SAFT 24V 3.3AH rechargeable batts 7 1/4x2 3/4x5 1/2in £10.95 C/P 3.00**

Vero cases two tone sloped panel 220x156x100x52. C/P £1.00..... £5.00

BNC 50ΩAmphenol surface sockets inc C/P 75p

1/2height disk drives BBC Compat: 40 track single sided, new ex-equip: tested tandon cinnon tec C/P 2.75 cases AVA £16.00..... £49.95

AC/DC electronics 24V 4.8A Linear PSU 19.95 C/P 3.75

Yellow Isolating T/X plastic case 120/240 volt 3 amp 125.00 c/p £6.00

Farnell + 5V 10.3A + 12V 1A -12V 1A. Switch mode PSU new 7 1/2x4 1/2x2 1/2in C/P 2.75..... £22.50

Qwerty keyboard 58 key. ASCII code new in plas case C/P 2.00..... £19.95

Computer grade caps Sprague Powerlytic 34000 uf 50VDC inc C/P..... £2.80

1000000 uf 25VDC inc C/P..... £2.80

13000 uf 50VDC inc C/P..... £1.80

16000 uf 25VDC inc C/P..... £1.80

22000 uf 16VDC inc C/P..... £1.50

**ALL-DIE CAST BOX** 114x64x30 £2.00 inc VAT C/P..... 50p

Telonic type 1019/013 sweep signal generator..... £85.00

4xAAA ni-cad re-chargable batts shrink wrap: £2.00 in carr. Ex-New equip

Mercury switches 35 amp 240VAC coil 120VAC..... £5.50

Gould/ Farnell 12V 10 amp switch mode PSU C/P 2.75..... £35.00

Heatsinks double fins 16 1/2x4x1in 13x2N3055 & various components new ex-equip inc C/P. Smaller size's AVA..... £4.50

Advance 5V 20 amp 160x105x90 m/m switch mode PSU C/P 2.75..... £15.00

Brother hrio B/W printer £310.00

0-20V DC panel meter 3.50 £1.00 C/P

1x 10 MHz XTAL 13.00 inc carr

Gould PMA 47.3A linear 12V PSU C/P 2.75..... £16.95

12-0-12V 40A winding 240V prim: transformer C/P 5.00 £16.95

14 pin IC DIL sockets amp with retaining clip 10 for £1.20 C/P 30p

Metrohm V8 500V megger's in case tested C/P 4.00..... £69.00

P.C board, 47 various IC's 5xD2764-4 Eproms

## RADIO & RTTY BOOKS

Ideal for Christmas Presents

GUIDE TO UTILITY STATIONS 1986

New 1986 Edition

Cover 0 to 150 kHz and 1.6 to 30MHz. Lists 15,083 including 1,703 new frequencies. Stations include Aero, CW, Fixed Commercial, FAX, RTTY, etc. Other sections list call signs, meteorological stations, Q & Z codes, station addresses, maritime mobile, plus much more. The most comprehensive frequency book available. £16.00 + 1.45 P&P.

WORLD RADIO TV HANDBOOK 1985

Comprehensive country-by-country listing of Long, MW and SW broadcasting stations by frequency, time and language.

Normal price £17.95 + P&P our price £16.00 P&P FREE

	£	+	£
Radioteletype Free Broadcasts	11.85	+	0.65
US Military Radio Communications	10.80	+	0.65
Shortwave Facsimile Frequencies	7.50	+	0.65
Embassy Radio Communications	5.50	+	0.60
Radioteletype Code Manual	8.78	+	0.65
Air & Metro Code Manual	14.50	+	0.70
Satellite Experimenters Handbook	9.75	+	1.55
World Press Services Frequencies	8.75	+	0.65
Handbook for Radio Operators	9.95	+	0.65
Communication Satellite	12.85	+	1.55
Radio Beacon Handbook	8.85	+	0.35

Two or more books Post & Packing FREE

Ask for our new free catalogue

Delivery normally from stock

INTERBOOKS, RED2, Stanley, Perth PH1 4QQ. Tel: (0738) 828575

## SELECTRONIC

**G6YHB, G1MAM, G6YHC, G4UVJ, G1NBA.**  
RADIO, TV AND RADIO COMMUNICATION SPECIALISTS.

THE UK'S LEADING SUPPLIER OF  
**934 MHz PERSONAL RADIO**

The ideal local 2 way radio system for small business or personal use. Average ranges of about 30 miles under normal conditions are obtained by present users, and over 200 miles in lift conditions.

For a demonstration please call, or send s.a.e. for details.

For further information please ring  
Mike Machin on (0268) 691481

**203 HIGH STREET,  
CANVEY ISLAND, ESSEX.**



**On these pages we present details of interesting contacts from clubs and individuals. We would be happy to receive any similar items from readers**

## Duplex and crossband

The method by which licensed radio amateurs transmit and receive on different frequencies – known as duplex or crossband working (involving one or two amateur bands) – has been clarified after talks between the Department of Trade and Industry and the Radio Society of Great Britain. The following guidelines have been agreed to assist operators:

- (a) A licensed UK amateur may receive any other properly authorised amateur transmission, but may only transmit on frequencies for which he/she is licensed;
- (b) Each station must be identified but the identification of the second station should not be retransmitted by the first. Details of the receiving and transmitting frequencies should be given at the beginning and end of the establishment of communication and at every 15 minutes throughout a long contact;
- (c) Class B licensees may use space satellite transponders which transpond from a frequency band in which they are licensed to transmit, to any band authorised for the

amateur satellite service.

If you want more information, contact: *The Department of Trade and Industry, 1 Victoria Street, London SW10 0ET.*

## A good idea

The members of Chelmsford Amateur Radio Society have come up with a rather good idea in light of the recent changes in the Radio Investigatory Service (it will now cost £21 to call out the RIS to investigate any interference problems).

Attached to their November newsletter was a survey form concerning details of interference. The aim is 'to collect information so that we are able to help each other to solve the most important problem we are likely to encounter (other than increased licence fees!)...'

The newsletter itself produced a real gem: apparently the AGM on 1 October was completed in just one hour. Beat that!

If you want to join these Great Men of our Time (who knows, might rub off), contact Ian G4BYR at 40 Great Leylands, Harlow, Essex CM18 6HR.

## Sprat-catching

The G-QRP Club has sent us the autumn '85 issue of their journal, *Sprat*, which is full of technical tips and news about the club's activities during the year.

If you want to know more, contact: *Reverend George Dobbs G3RJV, St Aidan's Vicarage, 498 Manchester Road, Rochdale, Lancs OL11 3HE.*

## BDXC

The British DX Club has sent us the fifth edition of its publication *Radio Stations of the United Kingdom*, compiled by David Kenny and Colin Wright.

It consists of a comprehensive list of stations plus their location and frequency. The publication costs 75p or 3 IRCs and is available from: *British DX Club, 54 Birkhall Road, Catford, London SE6 1TE.*

## Hands across the airwaves

Ham radio operators are pioneering a new 'hands across the airwaves' scheme. Regulations have been relaxed to allow non-licence holders to use the amateur radio network to pass messages overseas.

First to benefit was Britain's scout movement, in its 'Jamboree-on-the-air' in October. With supervision by a licensed amateur operator, scouts were able to talk directly to each other both in this country and Canada, the United States and the Falklands, where the Department of Trade and Industry recently reached agreement to waive the rule barring non-licensed people from using ham radio.

Non-amateurs will now be able to operate special event stations – specially licensed ham stations set up at country fairs, shows, exhibitions, displays, etc.

## Singapore sked

Glenrothes and District Amateur Radio Club meets at 7.30pm on Wednesdays and the third Sunday of every month at their club at the rear of the library in west Leslie.

The club transmits slow Morse every Thursday after 7.00pm on 145.550 (S22) at 3–15 words per minute. If you are interested and have any comments or suggestions to offer, they would be appreciated by the club organisers.

Another piece of information which caught our attention in the latest newsletter is that GDARC has a contact in Singapore. This is Graham Smith (GM3SNO at home), the 'man from the BBC', who now has the callsign 9V1WL. A sked with Graham can be had on 14-343MHz every Monday at 1500Z. Graham uses a G5RV and 100 watts. His address is 11 Swiss Chalet Road, Singapore 1128.

For further details about the club's activities contact: *Anne Edmonson GM4TCW 94*

*Prinlaws Road, Leslie, Fife KY6 32W. Tel: (0592) 744449.*

## Loony line

You can't teach an old dog to suck eggs (from GDARC's newsletter).

## WAB mobile run

Terry Dansey G0BIX and Bill Gerrard G4ZRB made a Worked All Britain mobile run on 28 and 29 September.

As you may already be aware, the idea of WAB working is to make contact with as many different Ordnance Survey squares as possible, and they decided that a way of giving as many stations as possible a chance to work new squares was to attempt to activate the whole 100 squares to be found within the 100kms square known as 'SU', while running mobile.

To complicate things further, they decided to work two bands (2 metres and 70cms) not often associated with long distance mobile operation, and as a further challenge it was decided to complete it within twenty-four hours.

The Worked All Britain group helps to promote further knowledge of the geographic details of Britain, and also donates to radio charities such as the RAIBC. It also helps to create interest in the VHF/UHF bands when conditions are not too good.

Further information can be obtained from: *Brian Morris G4KSQ, 22 Burdell Avenue, Sandhills Estate, Headington, Oxford OX3 8ED.*

## RAE helpers

Following an appeal on RSGB news GB2RS, several people have come forward offering to help RAIBC members who need assistance with study at home.

However, more are still needed. If you are willing to help please write to RAIBC HQ as soon as possible so that you can either be put in touch with a member in your area, or put on file for future reference. No qualifications are needed, just a little time to help sort out queries or problems.

The address of the Radio Amateur Invalid and Blind Club is: *9 Conigre, Chinnor, Oxon OX9 4JY.*



## 75 and still alive!

The Derby and District Amateur Radio Society will be celebrating its seventy-fifth anniversary next year, and is reputedly one of the oldest radio societies in the world.

The society, originally called the Derby Wireless Club, was established in 1911 by S Grimwood-Taylor and A Trevelyan-Lee, two local wireless experimenters, and was so successful that by 1912 the club was giving advice to amateurs in various parts of the world through the pages of *English Mechanic*.

Over the next few years the club continued to flourish and encourage the formation of similar organisations, although World War I reduced its activities somewhat and World War II caused them to cease altogether, when all transmitting equipment was confiscated by the authorities.

In 1947 it was decided to reform as the Derby and District Amateur Radio Society with the aim of catering for those with an interest in all aspects of radio and electronics.

An exhibition was staged in 1971 at the Derby Museum to commemorate the society's sixty years in amateur radio. Many of the items constructed by the club members in the early days have been preserved, together with original documents and photographs.

The society's original callsign was G3ERD (Experimental Radio Derby) and this is still used, along with G2DJ, formerly held by an early member, A T Lee, and G8DBY.

The society is planning many events for its anniversary year, details of which will be announced at a later date.

Meetings are held on Wednesday evenings, beginning at 7.30pm, at 119 Green Lane, Derby.

## Biggin Hill repeater

The Biggin Hill Amateur Radio Club has informed us that progress is at last being made with plans for its 70cm repeater, GB3KB.

The site originally proposed was at the top of Westerham Hill, but this was

rejected by the RSGB. Now a site has been proposed at Farnborough and tests have already shown that it will provide a good signal in the difficult areas of Chislehurst and Orpington, as well as serving the valleys of Biggin Hill.

There is apparently no interference to other users nearby, and RSGB and DTI approval is awaited.

Further information is available from Robert Sentf G0AMP, QThr.

## Across the pond

The Irish Radio Transmitters Society has been computerised and is now tightening up its rules. In the past, subscription payment was a little casual so a couple of changes have been made. Now, when subscriptions have not been renewed after 2 months from the due date, the newsletter and QSLs will no longer be sent.

While most subscriptions remain due on 1 January, the subscriptions of new members only will become due each year on the first of the month following the date of their election. The society suggests that perhaps other clubs might benefit from similar reforms.

The society's address is: PO Box 462, Dublin 9, Eire.

## South Bristol AGM

The South Bristol ARC have started to plot their course for the next year starting with a cure-all 'Hair of the Dog' night on 1 January.

Make a note of the Annual General Meeting on 27 January where you can find out more about the organisation.

For more information, telephone Len Baker G4RZY on Whitchurch 834282.

## Morse lessons

Abergavenny & Nevill Hall ARC is a registered examination centre for the May 1986 Morse examination session and holds Morse classes every week on club nights.

The club meets every Thursday at 7.30pm in Pen-y-Fal Hospital above Male Ward 2. JB Davies GW4XQH, the club secretary, will supply more details. Write to: 109 Croeson Parc, Abergavenny, Gwent NP7 6PF.

## NOTES FROM THE PAST

Some interesting comments from the 1950's...

I remember as a small lad our maths master, in giving us our introduction to trigonometry, asked how else one could manage to measure heights of hills, distances between mountain peaks, etc, without its use. Eager to prove such a loathsome subject had little practical value, but was merely a form of torture devised by a sadistic educational authority for the sole purpose of making the otherwise carefree lives of small boys miserable, all sorts of ingenious methods were suggested by my hopeful class-mates. In fact, some of their alternatives seemed so plausible that even today I find myself instinctively groping for some way of finding the answers to sticky problems rather than do it by mathematical calculation!

Maybe it is bad psychology to try to induce reluctant schoolboys to take an interest in detestable subjects simply to find out facts about things they are not likely to want to know. I remember I felt it would be far more reliable (and exciting) if, when I wanted to know the height of a steeple, I could shin up it and drop out a plumbline, rather than depend on squaring the hypotenuse and juggling with tricky little sums.

## Echoes

Among the ingenious ways of solving some of the problems he exemplified, several of the lads suggested the use of echoes. Not that there was anything original in that. It had been thought of by our early ancestors and, no doubt, as soon as man learned to sail he used the echoes from the cliff to find out how far he was from the shore when it was dark. That may well have been the first application of the basic idea of radar. Of course, my clever school-fellows never thought of doing it by radio, nor had any adult for that matter, but then there were no cathode ray tubes in those days.

The first use of radio echo-sounding was, I believe, made by Appleton in measuring the height of the Heaviside layer - and thus discovering the Appleton layer in the process. As with radar, they used a short interval pulse and obtained a continuous record on a cathode ray tube of the reflected signals. It was RA Watson-Watt who first proved the possibilities of radar. He used the 50 metre Empire Broadcasting beam from the Daventry Station for the purpose in February 1935, when reflections from aircraft were obtained over a range of up to eight miles.

# FREE CLASSIFIED ADS

## FREE CLASSIFIED ADS CAN WORK FOR YOU

We are pleased to be able to offer readers the opportunity to sell your unwanted equipment or advertise your 'wants'.

Simply complete the order form at the end of these ads, feel free to use an extra sheet of paper if there is not enough space on the order form. We will accept ads not on our order form.

Send to: *Radio & Electronics World*, Sovereign House, Brentwood, Essex CM14 4SE.

## DEADLINE AND CONDITIONS

Advertisements will be inserted in the first available issue on a first come first served basis. We reserve the right to edit and exclude any ad. Trade advertisements are not accepted.

## FOR SALE

■ Oscilloscope, Tequipment type D83 with dual Y and X plug-ins. Delayed timebase, 50MHz bandwidth, fully transistorised. In very good condition and complete with manuals, spare display tube and probes, £350 ono. Tel: Stoneyburn (Scotland) (0501) 62231.

■ Streckfuss assembly table, 130 bins, foot operated, auto search. Can take o/h projector. Dimensions: (H) 3ft 6in (adj), (W) 6ft, (D) 5ft. £500 ono. Noronix 4-way PCB assembly frame, c/w bin holder, £100 ono. Pioneer air compressor, 115CFU, 8 bar, £100 ono. Simmonds air operated lead cropper, c/w 2 sets blades, £80 ono. PCB etching kit, £25.00. Tel: (01) 274 3070.

■ Transistors, OC26, boxed, two for £2. Class D wavemeter, ex-army No 1 Mk2T. Mains, xtal controlled, instructions. Working, £12. Varley LF choke 20H, 120mA, 250Ω, £3. Multi-cable, screened, 57ft, PVC covered, 9/16 dia, 12 coded wires about 20g, £5. Ross mains unit, 240V ac to dc, 3, 4, 5, 6, 7.5, 9, 12V at 500mA, universal plug, polarity change, £6. Ex-WD whip aerial 'Base' No 10 Mk2, £3. Alan G3MBL, 32 Heldhaw Road, Bury St Edmunds, Suffolk IP32 7ES. Tel: (0284) 60984.

■ Logan Organ Two, manual, 13 pedals, draw bars, all voices and effects, two speed rotary speaker, auto rhythm and auto bass, Arpeggio memory system, excellent condition, £425 ono or exchange for Yaesu FT101ZD or similar. Phone John G1LUG, on Coventry 450476.

■ American TA-12 and TCS HF transmitters, full of high quality parts for the constructor, £20 each. USA pan-adaptor, 400Hz supply but with conversion data for 50Hz. Has 30MHz input, 10MHz b/w, £25. Four channel flat bed recorder, Japanese, £30. Tequipment twin channel portable scope, £30. Tandberg reel to reel tape recorder, less mic, £20. Prefer buyer collect or postage extra. Nev Kirk G3JDK, 54 Allendale Road, Rotherham, Yorks. Tel: Wickersley 541606.

■ Sentinel auto HF pre-amp, £8. Roller-coasters, ceramic 1 1/2in diam 36T, £5; ganged pair Paxolin 1in diam 36T, £5. Morse key WT 8 amp No 2, £4. 2 new Altai small vernier drives, £2 ea. Multi-turn drive, circular scale and count to 14, £2. New Racal fittings, panels 19 x 7in, £4, 19 x 5 1/2in, £3, pair chrome handles, £1, large tuning knob, £2. Pair Dow-key miniature co-ax relays, 28V, fitted with addnl spco contact with selection of plugs, £12 or will separate. Plug-in PCBs, with Collins 455kHz mech filter b/w 400Hz, £10; dlto with 455kHz LSB filter, £10; with 455kHz crystal in 12/24V oven, £5. 5MHz crystal oscillator in 24V oven, cylindrical case, £6. All with CCTs. Post 50p all items. Ring Taunton 75776 between 6 and 7pm.

■ Advance sig gen type 62, £20. Eddystone FM tuner type S820, £15. Rogers FM tuner, 7 valves, £10. Goldring Lenco GL75 transcription turntable, 4 speed, £25. GEC 3-band valve radio, type BC5639, £15. AVometer 8 MkV, £55. Tel: Petersfield 62049.

■ HGS electronic reel to reel tape recorder, two track stereo or four track mono, hi-fi sound. High speed or low speed recording. VU/dB meters, built-in monitor amps 15 watts per channel, used only for sound dubbing for films and other audio-visual applications. Would like to swap for Yaesu FT208R, FT290R, Ham International Jumbo, or a set of 2-way headphone and ordinary walkie-talkies (for filming). Simon Fox, 31 Westfield, Shepton Mallet BA4 5TY. Tel: (0749) 5670.

■ AVO Mod 3 light meter, two ranges, 50 FCDLs (500 lux) and 5 x range, boxed with booklet, mint cond, £20. 36V 7.2A mains input trans, £10. Video tapes, beta format (adult) £30 each. Tel: (0521) 41681.

■ New RadioShack CGP115 colour graphic printer, will hook up to any computer using RS232C or

Centronics printer interface. Hardly used, ideal Christmas present, £95 ono. Also stone age Olivetti PR1530 dot matrix printer, hundreds of useful spares. Must sell due to lack of room, £20 ono. Also single channel UHF mobile, needs tuning. Rocks installed for RB/SU8, £25 ono. Stereo record player (no speakers), £12. Atari colour computer TV cartridge game (console only), £13. Professional speaker cabinets, £25 pair. Tel: Nuneaton (0203) 347948 after 6pm and ask for Eden.

■ Chaser MC3000, 26.515-27.855 AM, £30. Midland 100M, 26.965-27.855, needs attention but boxed, good condition, £8. Both ideal conv 10 metres. Sirtel CBE 2005 amplified roger sleep base mike, boxed, vgc, £15. All items ono. Solartron digital voltmeter LM14 02.2, cost approx £400, offers. Scientifica NMR FSR power supply, offers. Sell or swap 2 metre equipment, comm rec, HF TRX, antennas or WHY. Rory G1RLA, 42 Worcester Road, Chipping Norton, Oxon. Tel: (0608) 3558.

■ Basicode +2 kit, includes software and manual, can be used on 20 different computers, £3. Morse code reader for Sinclair Spectrum, no hardware needed, £4. Mr J A Ryan, 31 Stansty Road, Wrexham, Clwyd LL11 2BT. Tel: (0978) 351230.

■ Icom R71 (new £699) fitted with FL44A sideband filter (new £89) and FL33 AM filter (new £32) giving continuous passband tuning on SSB and AM, £580. Icom SP3 speaker (new £55), £35. Datong auto notch filter (new £67) with MPU (new £10), £45. Tono 777 reader/sender, RTTY, AMTOR (ARC/FEC), bit-inversion, Morse, etc (new £399), £280. Trio headphones, Ham De Luxe (new £26.88), £10. All items as new, boxed with manuals. Also Sharp FV310 10-band dual conversion superheterodyne short wave receiver, boxed as new, £25. Tel: Mr Ferry on (01) 570 5603.

■ Two Satchwell room thermostats, £4 for both or £2.50 each (abandoned c/h project). Unusual type—contacts close on temp rise. Four 240V ac relays, four 10A c/o contacts, £6 lot or £2 each. Distortion meter BKF8H, large valve type, very clean condition with manual and circuit diag. Any offers? Five TXAL 228B triacs, £1. 240V ac solenoid valve 1/2in BSP, suits water, oil, gas, air, £7.50. Bubez, 4 Southway, Burgess Hill, W Sussex RH15 9ST. Tel: (04446) 2974.

■ Medium wave broadcast transmitter, 30 watts output, genuine range 10 miles with solid signal and 30 miles or more with an audible signal. Can be used with simple long wire antenna. Crystal controlled, excellent audio reproduction. Very clean signal. Unit includes on-board mains power supply, portable and easy to operate. Instructions provided. Quick sale, £100. Tel: (01) 769 8605 day or evening.

■ National HRO comm Rx, 9 coils, p/pack, £45. Hallicrafters SX23, £15. S27 (S36) VHF com Rx, £28. National NC81X hamband 1938 com Rx, £48. Tobe 1930's hambands kit set, £22. Realistic VHF/UHF prof scanning Rx mains/battery, mobile bracket, antenna, £32. German 1930's military comm Rx, mains/battery, £55. 1930 Celestion radiogram, superb mahogany cabinet on legs, very rare, £50. Rogers-Majestic 9-valve radiogram, American colonial style cabinet, £16. Standard (KB) 1932 mains radio, £30. KB, 1931 mains, £20. Philips 2-valve 1929 mains, £55. HMV 470 Lowboy Superhet Seven, 1932 console. McMichael 135 twin speaker superhet. McMichael 1932 mains TRF. AVO 7 with shunts in wood case, good condition but reads high, £24. Any exchanges considered, interested in early wireless, crystal sets, catalogues, books, valves, tinfoil trains, toys, early gramophones. Jim Taylor, 5 Luther Road, Winton, Bournemouth. Tel: Bournemouth 510400.

■ Fuba high gain VHF aerial group 'A'. As new, £28.

Horn loaded loudspeaker, one only, £38. Very efficient, Ideal organ or practice guitar, 8 ohms, 25 watts. N W Humphrey, 141 Upper Grosvenor Road, Tunbridge Wells, Kent TW1 2EB. Tel: (0892) 20183.

■ Sommerkamp FL200B transmitter, nice appearance, fitted with very conservative outdoor PSU, £80 ono. G3VRU QThr. Tel: Workop (0909) 722133.

■ Racal Universal counter-timer, 0-100MHz, model CT488, £50 ono. Robin phase earth loop tester with case and leads, used once, £30. Cost £110. Both full working order. Tel: Telford (0952) 54488 between 10am-2pm Mon-Sat. Ask for Steve.

■ Valves, all brand new and boxed, Mullard, Mazda etc: 6F23, 6/30L2, 30C1, 30C17, 30L17, EB91, ECC82, ECC83, ECC84, ECL80, EF85,, EF183, EF184, EY86/7, PCC84, all at 50p each. Also 30FL12, ECC88, PC86, PC88, PCC89, PCC189, PL81, PL82 at 75p each, and ECC81, ECF80, EF89, PC97, PC900, PCF86, PCF806, £1 each. 30C15, 30PL1, £2 each. N37, £12.50. Others available - please 'phone. Please add 55p postage. K Bailey, 40 Seymour Close, Selly Park, Birmingham B29 7JD. Tel: (021) 472 3688.

■ Have: HF-VHF 5-digit LED freq counter, 3 amp 6.0-25V PSU, Oric Atmos, 48K micro, Eagle DMM, Ham Multimode II Tx, Crown 3in TV with 3 band radio, plus more, in exchange for Trio R600 SW receiver or any similar Rx WHY. Willing to sell items separately with cash adjustment for mentioned Rx. All items in good cond. Pete Keirle, 27A Friar Street, Bridgewater, Somerset TA6 3LH. Tel: (0278) 428633 anytime.

■ Hallicrafters S-38 communications Rx. 0.5-32MHz in 4 bands, rugged case, with h/book and S G Brown h/phones, excellent condition, £50. Tequipment D/43 D/beam scope with matched probes, h/book, vgc, £45. AEI Labgear stabilised bench PSU 0-50V 1A, £10. Leak Ultralinear audio PA (30W) amplifier (EL34), vgc, £20. Matched 813s with bases, £20. Racal absorption powermeter, £2. H/duty universal drill stand for most drill makes, with controller and attachments, £22. G4FZG QThr. Tel: Cheltenham (0242) 580329.

■ Oric speech synth for about £15. Casio PT80 organ with ROM cartrldge for about £60. Six CPUs - Z80A, calculator, video game, Mastermind, Space Invaders and synth chip, £2 each or £10 for the lot. Also antique radio equipment: 200 valves, all wave oscillator (AVO), valve tester with power supply (AVO), and LCR Wien bridge oscillator/calculator, the lot for about £30. Joel Billinton, 99 Canonbie Road, Forest Hill, London SE23 3AQ. Tel: (01) 699 5354.

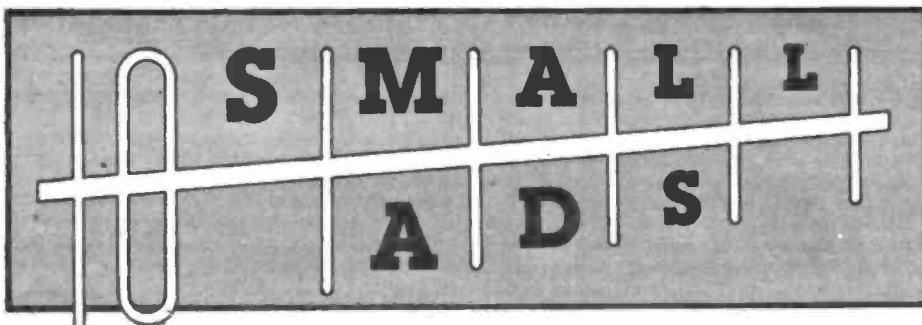
■ Yaesu FRG9600 VHF/UHF receiver, 60/905MHz, all modes, as new in maker's box with Yaesu power pack. 1 1/2 years guarantee left with main agents, £350. Donald, 25 Setley Gardens, Bournemouth. Tel: (0202) 520020.

■ Enthusiast's clearout. Selling in 3kg packs. Each contains minimum of 200 resistors, 200 capacitors, 3 relays, 1 meter, 100 semiconductors, inc ICs and photo-devices, 5 rechargeable batts, 3 transformers, 200 hardware parts, 200 solder tags. Mostly all brand new. Plus other parts too numerous to mention. A real once-in-a-lifetime opportunity for only £10 post free. 12 packs only - so hurry! K Bailey, 40 Seymour Close, Selly Park, Birmingham B29 7JD. Tel: (021) 472 3688.

■ Astral telescope, objective lens 60mm, focal lens 910mm, tracking facility, eye pieces, 2X barlow lens, star diagonal prism, filters, fully adjustable wooden tripod. Sighting scope, manual, accessories. Exchange for 2m rig. Please tel: (0702) 201615.

■ Gemscan digital computer scanner, 60-519MHz, recorder, antenna, £200. Digital DX302 0-30MHz receiver, pre-amp, amp, antenna, £195. 10m tran/c repeater. BNOS PSU power antenna, £95. 2m





**NEW AND SURPLUS COMPONENTS IN STOCK**  
**SPECTRUM RADIO & ELECTRONICS LTD**  
 36 SLATER STREET, LIVERPOOL L1 4BX  
**TELEPHONE 051-709-4628**

**★ SERVICE MANUALS ★**  
 For ALL electronic equipment. Any age, make, model. Amateur Radio, Test Equipment, Televisions, Colour & Mono, Vintage Wireless, Audio, Music Centres, Video etc. Thousands stocked.  
 see enquiries and quote BY RETURN.  
**MAURITRON TECHNICAL SERVICES**  
 DEPT NEW, 8 Cherry Tree Road, Chinnor, Oxon, OX9 4QY.

**ESR**  
 13a Station Road  
 Cullercoats — North Shields  
 Tyne & Wear — NE30 4PQ  
 Telephone 091 2514363

**XXX ADULT VIDEO CLUB**  
 For the genuine adult films. Available only from ourselves. Ring  
**0924-471811 (24hrs)**  
 For the intimate details or write  
**ADULT VIDEO CLUB**  
 P.O. Box 12, Batley, W. Yorks.

**THE NEXT ISSUE ON SALE**  
**9 JANUARY 1986**

**TRANSISTORS — RESISTORS — CAPACITORS — DIODES — LED'S — SCR'S — ICS — VOLTAGE REGULATORS — DISPLAYS — AUDIO & EDGE CONNECTORS — VERO/PCB'S — INSTRUMENT CASES & BOXES — POWER AMPLIFIERS & MODULES — MICROPHONES & STANDS.**

\* MICROCOMPUTERS  
 \* PERIPHERALS  
 \* INSTRUMENTATION  
 For fastest, best CASH offer, phone  
**COMPUTER APPRECIATION**  
 Oxford (0865) 55163  
 Telex: 838750

**ETESON ELECTRONICS**  
 15B Lower Green,  
**E.E.** Poulton-le-Fylde, Blackpool  
 Tel: (0253) 885107  
 Open: 9.30am-12.30, 1.30-5.30. Closed Wed & Sun.  
 Electronic Component Specialists.

**WRITE OR PHONE FOR FREE PRICE LIST.**

**Radio & Electronics**  
*The communications and electronics magazine* World  
 This method of advertising is available in multiples of a single column centimetres — (minimum 2cms). Copy can be changed every month.  
**RATES**  
 per single column centimetre:  
 1 insertion £9.65, 3 — £9.15, 6 — £8.65, 12 — £7.75.

**SMALL ADS**

**PNP Communications Communications Interface**  
 for RTTY — Morse — AMTOR  
 Our popular range of communication modules is now available, fully boxed and tested under the model number.  
**CTU 20**  
 The CTU20R is RTTY only & costs **£62.50** whilst the CTU20RM is for morse as well and costs **£78.25**  
 For shortwave listeners the MF2-DX gives the option of 170Hz, 425Hz or 850Hz shift reception and costs **£56.95**  
 Send a large (A4) SAE for full Cat  
 Please add VAT at the current rate.  
 Access & Barclaycard (VISA) welcome.  
**62 Lawes Avenue, Newhaven East Sussex BN9 9SB**  
**Tel: (0273) 514465**

**QSL CARDS**  
 Printing on colour or white gloss cards printed to your own design. Save money by having a reprint of your own cards. We also print all jobs for clubs or customers printing.  
 Send to: **Treadle Press, King Street, Bude, Cornwall**

**RADIO & ELECTRONICS WORLD SMALL AD ORDER FORM**

**TO:** Radio & Electronics World · Sovereign House  
 Brentwood · Essex CM14 4SE · England · (0277) 219876

**PLEASE RESERVE** .....centimetres by .....columns

**FOR A PERIOD OF** 1 issue..... 3 issues..... 6 issues..... 12 issues.....

**COPY** enclosed..... to follow.....

**PAYMENT ENCLOSED:**..... £ —  Cheques should be made payable to Radio & Electronics World. Overseas payments by International Money Order

**CHARGE TO MY ACCOUNT**.....

**COMPANY** .....

**ADDRESS** .....

**SIGNATURE** ..... **TELEPHONE**.....

..... **C P I** .....



### GW MORSE KEYS

4 Owen Close, Rhyl,  
Ciwyd LL18 2LQ  
Tel: 0745 54763



**"NEW" THE GW LIGHT KEY "NEW"**  
This is the key for the 30wpm + man, very light with no pivot to slow the key down. Only **£34.99** inc VAT. Available in a kit, inc slate base only **£23.50** inc VAT.

**THE GW BRASS KEY**  
Still the best selling brass key in the UK today, a joy to use and to look at. Only **£34.99** inc VAT.

**VIBROPLEX KEYS**  
The Presentation only **£129.62**

Original Std.....	<b>£70.54</b>	Delux .....	<b>£82.74</b>
Vibro key Std .....	<b>£63.98</b>	Delux .....	<b>£78.09</b>
Iambic Std.....	<b>£63.98</b>	Delux .....	<b>£78.09</b>

Brass Racer Iambic only **£54.59**  
All + £2.00 post and packing

**WHY PAY £60.00 + FOR A PEP METER**  
Most radio amateurs possess a power meter and the **GW PEP Module** allows them to carry out a simple modification at little cost and provide themselves with a **true PEP METER**. Only **£9.95** + 60p P&P.  
Come along at anytime and have a day out at Rhyl.

**STAR MASTERSKIT £49.95**  
**GPC 3000 TTY £184.00**  
**GPC 3000 ATU £200.00**  
Discs of Delight All versions at stock  
CW and RTTY Interface  
Noise Aided Filters for CW

### FIBRE OPTICS

Best quality Mitsubishi Rayon 0.5mm cut to length - 25p per metre. Add 75p for postage, packing and data.

**JAR Microengineering Ltd**  
63 Alexandra Street, Thurmaston,  
Leicester LE4 8FE. (0533) 696568

### B45HG VIDEO

Transmit from your video recorder throughout the house. Price £8.90 + P&P 50p. SAE for leaflet:

**Electronic Mailorder**  
62 Bridge Street, Ramsbottom  
Lancs BLO 9AQ  
Tel: 070682-3036

### DW ELECTRONICS G3 XCF

Amateur Radio Supplies  
71 Victoria Rd, Widnes  
Tel: 051-420 2559

Open Mon-Sat 9.30-6 (closed Thurs)  
We supply Yaesu, Icom, Tonna, Jaybeam, Microwave Modules, Datongs etc



**Telephone the advertising department on: 0277 219876 for details**

### MORSE READER PROGRAMMES

SPECTRUM    BBC 'B'    DRAGON  
CBM 64    VIC 20  
ZX81 16K    ATARI 800/800XL    AMSTRAD 464

Sinclair computers need NO interface, others use simple one transistor (BC107 or similar) interface. Programmes self tracking 8/30 WPM. All connections to existing sockets. Cassette with full instructions and interface circuit where required £6.00 inc P&P. Interface built and tested £2.50 inc P&P.

### RTTY

**FOR YOUR 48K SPECTRUM**  
Menu driven, 10 programmable memories, split screen, Morse ident, four baud rates, etc etc. NO TERMINAL UNIT, just a simple filter! Cassette with full instructions, circuit and filter layout £8.50 or SAE for full details. Filter unit built and tested £8.00.

**JEP ELECTRONICS**  
NEW ROAD COMPLEX  
NEW ROAD  
KIDDERMINSTER DY10 1AL  
TEL: 0562 753893



### Falcon DIY SPEAKERS

Send for our **FREE** price list **PL15** all we ask is a large **SAE** (22p stamp) (Overseas **US \$2 bill**) (Europe - 2 International reply coupons)

**SYSTEM DESIGNS** (Total Kits): Focal, KEF Constructor Series, etc

**DRIVE UNITS** Focal, KEF, Audax, Celestion, Coles, Peerless, Seas, Siare, Scanspeak, etc Also Group/Disco Units

**CROSSOVER NETWORKS** - Active & Passive Components, Accessories etc  
Expert advice via our enquiry service.  
**ELEKTOR/KEF PL301**  
Units, Networks & Components

Full details from  
**FALCON ELECTRONICS**  
Dept RE, Tabor House, Mulbarton,  
Norfolk NR14 8JT  
(Proprietors: Falcon Acoustics Ltd)

### G4BMK RADIO SOFTWARE

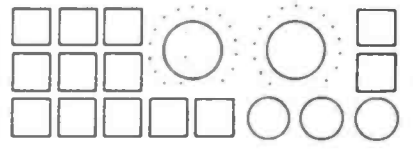
Dragon/TRS80C. A wide range of high quality radio software, available on tape or ROM cartridge

RTTY Tape **£12**, Morse Tutor **£6.50** CW Transceiver **£10.75**  
ROM Cartridge for RTTY, ASCII, CW and AMTOR **£59**  
CBM64-RTTY Tape **£11**, Disk **£14** CBM64-CW Tx/Rx Tape **£10**, Disk **£12**  
VIC20-RTTY Tape **£10**  
ATOM-RTTY Utility ROM **£16**

All programs feature split-screen type-ahead operation  
Maidenhead Locator (Dragon & CBM64) Tape **£8**  
State callign (if any). SAE for details

**GROSVENOR SOFTWARE (REW)**  
2 Beacon Close, Seaford, Sussex BN25 2JZ  
(0323) 893378

# COUNTY GUIDE



### NOTTS

**Thanet Electronics**  
95 Mortimer St, Heme Bay  
Tel: 02273-69464  
Open: Mon, Tues, Wed 9-5  
Thurs 9-1, Fri, Sat 9-5.30  
All mail order & service enquiries to head office, 143 Reculver Rd, Tel: 02273-63859

# COUNTY GUIDE

<b>RATES</b>	<b>BOXES ad sizes</b>			
	20mm x 59mm single			
	40mm x 59mm double			
<b>Total prepayment rates</b>	<b>Ad space</b>	<b>3 issues</b>	<b>6 issues</b>	<b>12 issues</b>
	single	<b>£47.00</b>	<b>£88.00</b>	<b>£158.00</b>
	double	<b>£94.00</b>	<b>£176.00</b>	<b>£316.00</b>

### RADIO & ELECTRONICS WORLD COUNTY GUIDE ORDER FORM

**TO:** Radio & Electronics World · Sovereign House · Brentwood · Essex  
CM14 4SE · England · (0277) 219876

print your copy here .....

.....

.....

.....

### NUMBER OF INSERTIONS REQUIRED

Single County Guide	3	.....	£47.00	<input type="checkbox"/>	6	.....	£88.00	<input type="checkbox"/>	12	.....	£158.00	<input type="checkbox"/>
Double County Guide	3	.....	£94.00	<input type="checkbox"/>	6	.....	£176.00	<input type="checkbox"/>	12	.....	£316.00	<input type="checkbox"/>

**PAYMENT ENCLOSED**    £    —   

Cheques should be made payable to Radio and Electronics World, Overseas payments by International Money Order

Conditions — Payment must be sent with order form. No copy changes allowed. Ads accepted subject to our standard conditions, available on request.

Registered No 2307667 (England)

C P I | | | | | | | |

# ADVERTISERS INDEX

Armon Electronics.....	26	Kemplant.....	47
Blackstar.....	47	Number One Systems .....	24
J Bull.....	21	Paxton Instruments.....	59
Centre Electronics .....	53	RAK.....	53
P M Components .....	30,31	Brian Reed .....	18
Digitask.....	24	Reltech.....	24
Display Electronics .....	48,49	Repro Electronic Systems .....	12
East Cornwall .....	67	Riscomp.....	18,37
Edwardschild.....	37	Scarab Systems.....	12
Field Electronic.....	59	Selectronic.....	59
GCHQ .....	32	Sendz .....	68
Hart Electronic.....	41	Sherwood Data Systems .....	32
Hi-Tec World Wide .....	53	C R Supply.....	37
C M Howes .....	41	Technical Software .....	37
Interproducts .....	59	Telecoms.....	15
Jaytee Electronics.....	18	Thanet Electronics.....	6,7
Johnsons Ltd .....	53	Reg Ward .....	24
		Henry Westlake .....	32
		R Withers .....	2

**Radio & Electronics**  
The communications and electronics magazine *World*

## ADVERTISING RATES & INFORMATION

DISPLAY AD RATES		series rates for consecutive insertions			
depth mm x width mm	ad space	1 issue	3 issues	6 issues	12 issues
61 x 90	1/8 page	£91.00	£86.00	£82.00	£73.00
128 x 90 or 61 x 186	1/4 page	£160.00	£150.00	£145.00	£125.00
128 x 186 or 263 x 90	1/2 page	£305.00	£290.00	£275.00	£245.00
263 x 186	1 page	£590.00	£560.00	£530.00	£475.00
263 x 394	double page	£1140.00	£1070.00	£1020.00	£910.00

COLOUR AD RATES		colour rates exclude cost of separations	series rates for consecutive insertions		
depth mm x width mm	ad space	1 issue	3 issues	6 issues	12 issues
128 x 186 or 263 x 90	1/2 page	£420.00	£395.00	£375.00	£335.00
297 x 210	1 page	£810.00	£760.00	£730.00	£650.00

SPECIAL POSITIONS	Covers:	Outside back cover 20% extra, inside covers 10% extra
	Bleed:	10% extra (Bleed area = 307 x 220)
	Facing Matter:	15% extra

DEADLINES		*Dates affected by public holidays			
issue	colour & mono proof ad	mono no proof and small ad	mono artwork	on sale thurs	
Jan 86.....	14 Nov 85.....	20 Nov 85.....	22 Nov 85.....	12 Dec 85.....	
Feb 86.....	9 Dec 85*.....	13 Dec 85*.....	17 Dec 85*.....	9 Jan 86.....	
Mar 86.....	16 Jan 86.....	22 Jan 86.....	24 Jan 86.....	13 Feb 86.....	
Apr 86.....	13 Feb 86.....	19 Feb 86.....	21 Feb 86.....	13 Mar 86.....	

CONDITIONS & INFORMATION			
<p><b>SERIES RATES</b> Series rates also apply when larger or additional space to that initially booked is taken. An ad of at least the minimum space must appear in consecutive issues to qualify for series rates. Previous copy will automatically be repeated if no further copy is received. A 'hold ad' is acceptable for maintaining your series rate contract. This will automatically be inserted if no further copy is received. Display Ad and Small Ad series rate contracts are not interchangeable.</p>	<p>If series rate contract is cancelled, the advertiser will be liable to pay the unearned series discount already taken. <b>COPY</b> Except for County Guides copy may be changed monthly. No additional charges for typesetting or illustrations (except for colour separations). For illustrations just send photograph or artwork. Colour Ad rates do not include the cost of separations.</p>	<p>Printed — web-offset. <b>PAYMENT</b> Above rates exclude VAT. All single insertion ads are accepted on a pre-payment basis only, unless an account is held. Accounts will be opened for series rate advertisers subject to satisfactory credit references. Accounts are strictly net and must be settled by publication date. <b>FOR FURTHER INFORMATION CONTACT</b> Radio &amp; Electronics World, Sovereign House, Brentwood, Essex CM14 4SE. (0277) 219876</p>	<p>Overseas payments by International Money Order. Commission to approved advertising agencies is 10%. <b>CONDITIONS</b> 10% discount if advertising in both Radio &amp; Electronics World and Amateur Radio. A voucher copy will be sent to Display and Colour advertisers only. Ads accepted subject to our standard conditions, available on request.</p>

# EAST CORNWALL COMPONENTS

**NEW 1986 Catalogue is now available - range of components greatly increased - over 136 pages fully illustrated. Price £1.00 per copy (free upon request with orders over £15.00). Includes 50p Credit Note, Special Offer Sheets, Order Form and Pre-Paid Envelope. Order your copy now - will be despatched within 7 days.**

*We wish you a happy and successful 1986*

PLUGS & SOCKETS	
Metal Co-ax Plug	0.18
Plastic Co-ax Plug	0.14
Metal Line Socket	0.32
Single Junction Socket	0.32
Plastic Phone	0.10
F M Plugs	0.30
PL259 Plugs	0.28
Reducer	0.15

FUSEOLDERS	
20mm Panel Mounting	0.28
20mm Chassis Mounting	0.06
1/4" Panel Mounting	0.35
1/4" Chassis Mounting	0.12
Carline 1/4" Holder	0.10

TELEPHONE SPECIAL	
BT App Telephone Plug - 3m Lead	1.25
BT App Master Socket Inc Wiring Instrs	2.95
BT App Secondary Socket	1.95
4 way Plug	0.58ea/10/£5.50
BT 4-Core Cable per metre	.15
100 metres	12.00
Cable clips for above	100/75p

N/CAD	
Universal Ni-Cad charger charges PP3 AA C D	£5.10
RECHARGEABLE BATTERIES	
AA (HP7)	0.95 ea 10/0.85 ea.
C (HP11)	2.14 ea 10/0.98 ea.
D (HP2)	2.30 ea 10/2.10 ea.
PP3	3.75 ea 10/3.65 ea.
SPEAKERS	
4 round 1.6W 40hm	£1.50 pr
4 round 1.6W 40hm Plus Mounting Bracket	£1.00 ea
2 1/4" round 0.4W 80hm	£0.85 ea

MINI-D CONNECTORS			
9way	15way	25way	37way
Solder Lug	65	88	145
R Angle	89	134	198
SOCKETS	78	98	133
R Angle	118	178	270
COVERS	95	98	100

### SPECIAL OFFER - JAN ONLY

Antex soldering stand **£1.50**, available with orders over **£5.00**.

Look for our 'Special Offer' for each month

SINWAVE/VIDEO MICROPHONE	
1/2" w/1 metre of cable - plug on body dia. Shaft 2 long	£1.50 ea
1/2" w/1 metre of cable - plug on end of switch and stand imp 500 ohm model no HM95	£1.50 ea

ZENER DIODES		
400mW Plastic 3V-30V	8p each 10/70p	
1 1/2 3W Plastic 4V-120V	12p each 10/£1.10	
10/11.5V	11.5W Plastic 1 1/2-75V 1.25 each	
12W Plastic 75V-50V	0.75 each 10/7.00	
15W Plastic 12V-30V	85p each 10/8.00	
20W Metal 15V-68V	1.32 each 10/11.60	
*Only Available while Stocks Last		
*Zener Diode Pack-400mW-5 each-value:11 values-individually packed & marked		
55 Zener Diodes		3.50 per pack

POTENTIOMETERS	
Carbon Track, Rotary 0.25W Log & 1 in values All 1/4in Spindle, 20ml body dia. Shaft 2 long	
4K7-2M2 Single Gang Lin	40 10/3.80
1K - 2M2 Single Gang Lin	38 10 3.50
5K - 2M2 Single Gang DP Switch Log	1.05 10 9.50
5K - 2M2 Double Gang Log & Lin	1.25 10/10.50

CERAMIC CAPACITOR PACK	
50V. Ceramic Capacitors - 5 each value	
25 values - each value individually marked and packed - 125 total.	£3.50 per pack.

D C MOTORS (Min)	
35/086.6-12 volts 25mmx38mm	75p each 10/£6.00
35/552.9 volts 35mmx42mm	85p each 10/£7.00
35/1296-12 volts - m/bracket 25mmx38mm	80p each 10/£6.50
35/0166-12 volts - m/bracket 38mmx42mm	82p each 10/£6.70
SPDC 12 volt Fujiya - Speed Control Board 32mmx38mm	£2.50 each £10/£22.00

CAPACITORS	
Mixed Dielectric 0.01mf 1000V	0.30
0.22mf 1000V	0.20
1mf 1000V	0.48
47mf 1000V	0.78

RESISTORS - CARBON FILM 5%	
1/4W 1R0 to 10M (E12 Range)	2p each. 15p/10. 75p/100
1/2W 1R0 to 10M (E24 Range)	2p each. 15p/10. 75p/100
1W 1R0 to 10M (E12 Range)	7p each. 40p/10. 3.50/100
2W 1R0 to 10M (E6 Range)	8p each. 60p/10. 5.00/100

RESISTOR KITS - each value individually packed	
1/4W pack 10 each value E12 - 10R - 1M 610 pieces	5.75
1/4W pack 5 each value E12 - 10R - 1M 305 pieces	3.35
1/2W pack 10 each value E12 - 2R2 - 2M2 730 pieces	7.95
1/2W pack 5 each value E12 - 2R2 - 2M2 365 pieces	4.75
1W pack 5 each value E12 - 10R - 10M 365 pieces	15.00
2W pack 5 each value E6 - 10R - 10M 365 pieces	18.50

RESISTORS - WIREWOUND Generally 5%	
2.5W 0.22 to 270R	15p each 1.40/10
4W 1R0 to 10K 1R0 to 680R	14p each
1K - 3K3	15p each
4K7 - 6K8	19p each
10K	22p each
7W 1R0 to 22K 1R0 to 5K6	15p each
6K8 - 12K	17p each
15K - 22K	18p each
1W 1R0 to 22K 1R0 - 4K7	15p each
6K8 - 10K	16p each
15K - 22K	22p each
1W 1R0 to 22K 1R0 - 10K	24p each
15K - 22K	25p each

Support Pillars for 4W/7W/1W/1W/2W	4p each 30p/10
25W 0.47R - 470R	1.48 each 12.50/10
50W 0.47R - 470R	1.85 each 13.00/10

CHART RECORDER SPECIAL	
Brand new 3 channel pen recorders complete with charts. Full spec upon request: once only price £40 - £10 p&p - VAT	

Terminal Blocks	
2 amp 12 way	0.20
5 amp 12 way	0.24
15 amp 12 way	0.42
32 amp 12 way	0.88

TRANSISTORS - DIODES							
Type	Price (£)	Type	Price (£)	Type	Price (£)	Type	Price (£)
AC127	0.20	BC145	0.16	BC440	0.35	BF158	0.42
AC128	0.30	BC146	0.27	BC441	0.40	BF160	0.32
AC128K	0.34	BC147	0.26	BC461	0.58	BF167	0.32
AC141	0.58	BC148	0.24	BC478	0.24	BF177	0.42
AC141K	0.38	BC149	0.26	BC516	0.48	BF178	0.28
AC142	0.58	BC147	0.18	BC547	0.12	BF180	0.12
AC142K	0.38	BC147B	0.18	BC548	0.12	BF181	0.27
AC151	0.45	BC148	0.10	BC548	0.12	BF182	0.32
AC152	0.45	BC148B	12	A B or C	0.10	BF183	0.32
AC153	0.57	BC149	0.10	BC549	0.10	BF184	0.30
AC153K	0.46	BC149C	0.14	A or B	0.10	BF185	0.28
AC176	0.30	BC157	0.10	BC550	0.10	BF194A	0.15
AC176K	0.30	BC156	0.12	A or B	0.10	BT108	1.25
AC187	0.28	BC159	0.12	BC557	0.10	BF200	1.15
AC187K	0.38	B/C	0.14	BC558A	0.10	BF222	0.38
AC188	0.28	BC160	0.30	BCV70	0.16	BF224	0.16
AC188K	0.38	BC161	0.30	BC210	£3.21	BF224J	0.20
AC192	1.50	BC168B	0.10	BC211	£2.60	BF240	0.30
AD142	0.88	BC165C	0.12	BD124P	0.70	BF241	0.30
AD143	0.88	BC170	0.16	BD129	0.90	BF244	0.34
AD149	0.72	A B or C	0.16	BD130	0.68	BF244A	0.30
AD161/162	1.20	BC171	0.10	BD131	0.22	BF257	0.22
AD162	0.52	A or B	0.10	BD132	0.36	BF258	0.26
AF114	1.50	BC172	0.12	BD135	0.10	BF259	0.30
AF115	2.10	B or C	0.12	BD136	0.28	BF262	0.34
AF116	2.10	BC177	0.24	BD137	0.28	BF263	0.38
AF121	0.51	A B or C	0.24	BD138	0.30	BF270	0.30
AF124	0.42	BC182	0.10	BD139	0.30	BF271	0.28
AF125	0.58	A B or C	0.10	BD140	0.22	BF273	0.22
AF126	0.58	BC181	0.12	BD141	0.34	BF274	0.34
AF127	0.38	L A L D L C	0.12	BD145	1.82	BF284	0.46
AF139	0.40	BC183	0.10	BD150B	0.72	BF336	0.32
AF178	2.28	A B or C	0.10	BD160	1.58	BF337	0.28
AF239	0.50	BC183L	0.10	BD165	0.45	BF338	0.28
AF279S	0.50	A L B L C	0.10	BD183	0.70	BF355	0.37
AL100	5.40	BC184	0.30	BD201	0.52	BF363	0.35
AL102	4.40	A B C L L C L B	0.10	BD202	0.57	BF367	0.24
ASV80	5.20	BC207	0.15	BD204	0.50	BF371	0.27
AS217	2.00	BC212	0.10	BD222	0.80	BF422	0.20
AU110	2.80	A B or C	0.10	BD225	0.40	BF450	0.38
AY102	4.32	BC212L	0.09	BD232	0.45	BF457	0.36
B40C2200	1.03	L A L B	0.10	BD234	0.30	BF458	0.37
BA110	0.68	BC213	0.10	BD235	0.30	BF459	0.35
BA115	0.14	A B or C	0.10	BD236	0.38	BF459	0.35
BA121	0.40	BC213L	0.10	BD237	0.38	BF459	0.35
BA129	0.38	L A L B L C	0.10	BD410	0.78	BF461	0.38
BA148	0.16	BC237	0.12	BD434	0.58	BF471	0.58
BA155	0.12	BC238	0.12	BD438	0.58	BF473	0.58
BA157	0.28	BC251	0.14	BD439	0.85	BF474	0.84
BB105B	0.30	A B	0.14	BD441	1.00	BF474	0.84
BB105G	0.48	BC262	0.26	BD507	1.05	BF479	1.05
BB110B	0.42	A B	0.28	BD520	1.20	BF484	1.20
BC107	0.10	BC301	0.30	BF587	0.68	BF487	0.65
A or B	0.10	BC302	0.30	BD707	0.88	BF285	0.35
BC108	0.12	BC303	0.30	BFY18	0.22	BFY18	0.22
A B or C	0.13	BC307A	0.18	BDX32	1.48	BFY51	0.22
BC109	0.14	BC317A	0.12	BF115	0.32	BFY90	0.22
A B or C	0.13	BC323	0.90	BF117	0.50	BFY90	0.80
BC113	0.42	BC327	0.16	BF119	0.82	BFY90S	1.34
BC115	0.12	BC328	0.16	BF120	0.38	BR100	0.25
BC116	0.12	BC337	0.12	BF125	0.42	BR101	0.40
BC117	0.22	BC338	0.12	BF127	0.42	BR103	0.50
BC118	0.18	BC350A	0.24	BF154	0.14	BR303	2.75
BC119	0.28	BC351	0.24	BF157	0.48	BRV39	0.50

TRANSISTORS - DIODES							
Type	Price (£)	Type	Price (£)	Type	Price (£)	Type	Price (£)
AC127	0.20	BC145	0.16	BC440	0.35	BF158	0.42
AC128	0.30	BC146	0.27	BC441	0.40	BF160	0.32
AC128K	0.34	BC147	0.26	BC461	0.58	BF167	0.32
AC141	0.58	BC148	0.24	BC478	0.24	BF177	0.42
AC141K	0.38	BC149	0.26	BC516	0.48	BF178	0.28
AC142	0.58	BC147	0.18	BC547	0.12	BF180	0.12
AC142K	0.38	BC147B	0.18	BC548	0.12	BF181	0.27
AC151	0.45	BC148	0.10	BC548	0.12	BF182	0.32
AC152	0.45	BC148B	12	A B or C	0.10	BF183	0.32
AC153	0.57	BC149	0.10	BC549	0.10	BF184	0.30
AC153K	0.46	BC149C	0.14	A or B	0.10	BF185	0.28
AC176	0.30	BC157	0.10	BC550	0.10	BF194A	0.15
AC176K	0.30	BC156	0.12	A or B	0.10	BT108	1.25
AC187	0.28	BC159	0.12	BC557	0.10	BF200	1.15
AC187K	0.38	B/C	0.14	BC558A	0.10	BF222	0.38
AC188	0.28	BC160	0.30	BCV70	0.16	BF224	0.16
AC188K	0.38	BC161	0.30	BC210	£3.21	BF224J	0.20
AC192	1.50	BC168B	0.10	BC211	£2.60	BF240	0.30
AD142	0.88	BC165C	0.12	BD124P	0.70	BF241	0.30
AD143	0.88	BC170	0.16	BD129	0.90	BF244	0.34
AD149	0.72	A B or C	0.16	BD130	0.68	BF244A	0.30
AD161/162	1.20	BC171	0.10	BD131	0.22	BF257	0.22
AD162	0.52	A or B	0.10	BD132	0.36	BF258	0.26
AF114	1.50	BC172	0.12	BD135	0.10	BF259	0.30
AF115	2.10	B or C	0.12	BD136	0.28	BF262	0.34
AF116	2.10	BC177	0.24	BD137	0.28	BF263	0.38
AF121	0.51	A B or C	0.24	BD138	0.30	BF270	0.30
AF124	0.42	BC182	0.10	BD139	0.30	BF271	0.28
AF125	0.58	A B or C	0.10	BD140	0.22	BF273	0.22
AF126	0.58	BC181	0.12	BD141	0.34	BF274	0.34
AF127	0.38	L A L D L C	0.12	BD145	1.82	BF284	0.46
AF139	0.40	BC183	0.10	BD150B	0.72	BF336	0.32
AF178	2.28	A B or C	0.10	BD160	1.58	BF337	0.28
AF239	0.50	BC183L	0.10	BD165	0.45	BF338	0.28
AF279S	0.50	A L B L C	0.10	BD183	0.70	BF355	0.37
AL100	5.40	BC184	0.30	BD201	0.52	BF363	0.35
AL102	4.40	A B C L L C L B	0.10	BD202	0.57	BF367	0.24
ASV80	5.20	BC207	0.15	BD204	0.50	BF371	0.27
AS217	2.00	BC212	0.10	BD222	0.80	BF422	0.20
AU110	2.80	A B or C	0.10	BD225	0.40	BF450	0.38
AY102	4.32	BC212L	0.09	BD232	0.45	BF457	0.36
B40C220							

SAAS000A £1.80	R2775 T1P41c 40p	MR502 10p	2SC458 80p	10 Mixed £4.00	Philips Electret stereo headphone N6325 £12.00
SAAS012A £5.00	RA829 T1P47 30p	BV2171R 30p	2SC515 10p	TV & radio speakers £4.00	Philips stereo headphones min £3.50
SAAS020 £3.80	SC2008B 80p	BYF 1202 10p	2SC732 10p	2x Hi-Fi Philips car tune up tweeter EN8320 £10.00	Philips solder irons, 25w mains £4.00
SAAS030 £5.00	2SC904 £1.00	BYF 1204 10p	2SC733 10p	ITT CVC45 8 way resistor unit for/cap £3.00	8000/30v 50p
SAAS040 £3.80	BU105/04 80p	BYF 3126 40p	2SC1030 £1.00	4700/10v x 10 50p	4700/40v x 10 £1.00
SAAS050 £4.40	BU108 10p	BYF 3214 40p	2SC1172A 10p	68/16 x 10 50p	22/100v x 10 £1.00
SAF1032P £2.80	BU126 80p	BYX 10 8p	2SC1173 20p	150/16 x 10 50p	100/350v 70p
SAF1039 £2.00	BU180a 80p	BYX 36/600 25p	2SC1546 20p	47/25 x 10 50p	400/350v 70p
SAS560 £2.00	BU204 70p	BYX 49/600R 75p	2SC1725 20p	220/25 x 10 50p	47/500v 25p
SA5660 £1.00	BU205 10p	BYX 55/350 10p	2SC2068 20p	1/250 x 10 50p	6100v 25p
SA5670 £1.00	BU206 10p	BYX 55/6000 (Bead) 20p	2SC2073 8p	G8 Speaker £1.00	022/1kv 10p
SL301B £4.80	BU207 £1.00	BYX 71/350 20p	2SC2122A £1.00	DA2581 £2.50	
SL918 £4.80	BU208 80p	BYX 72/300 20p	2SC2229 15p	DA2590 £1.00	
TA7122 £1.15	BU208 on heatsink 70p	BYX 73/300 20p	2SC7350 15p	DA2593 £1.00	
TAA320A 80p	BU208A £1.10	BYX 96/600 50p	2SD180 TO3 80v/5A 15p	DA2599 £1.00	
TAA470 £1.80	BU208D 90p	BYV 95B 12p	2SD200 TO3 80v/5A 15p	DA2599 £1.00	
TAA570 75p	BU222 £1.00	BYV 95C 12p	2SD200 TO3 80v/5A 15p	DA2599 £1.00	
TAA581B 50p	BU222 £1.00	BYV 95C 12p	2SD200 TO3 80v/5A 15p	DA2599 £1.00	
TAA621 £2.00	BU222 £1.00	BYV 95C 12p	2SD200 TO3 80v/5A 15p	DA2599 £1.00	
TAA661 80p	BU222 £1.00	BYV 95C 12p	2SD200 TO3 80v/5A 15p	DA2599 £1.00	
TAA641 £1.50	BU222 £1.00	BYV 95C 12p	2SD200 TO3 80v/5A 15p	DA2599 £1.00	
TA7117 80p	BU222 £1.00	BYV 95C 12p	2SD200 TO3 80v/5A 15p	DA2599 £1.00	
TA7120P 80p	BU222 £1.00	BYV 95C 12p	2SD200 TO3 80v/5A 15p	DA2599 £1.00	
TA7315AP 80p	BU222 £1.00	BYV 95C 12p	2SD200 TO3 80v/5A 15p	DA2599 £1.00	
TA7607AP 40p	BU222 £1.00	BYV 95C 12p	2SD200 TO3 80v/5A 15p	DA2599 £1.00	
TA7609P 80p	BU222 £1.00	BYV 95C 12p	2SD200 TO3 80v/5A 15p	DA2599 £1.00	
TBA120A 40p	BU222 £1.00	BYV 95C 12p	2SD200 TO3 80v/5A 15p	DA2599 £1.00	
TBA120AS 50p	BU222 £1.00	BYV 95C 12p	2SD200 TO3 80v/5A 15p	DA2599 £1.00	
TBA120SA 40p	BU222 £1.00	BYV 95C 12p	2SD200 TO3 80v/5A 15p	DA2599 £1.00	
TBA120B 40p	BU222 £1.00	BYV 95C 12p	2SD200 TO3 80v/5A 15p	DA2599 £1.00	
TBA120SB 40p	BU222 £1.00	BYV 95C 12p	2SD200 TO3 80v/5A 15p	DA2599 £1.00	
TBA120SQ £1.00	BU222 £1.00	BYV 95C 12p	2SD200 TO3 80v/5A 15p	DA2599 £1.00	
TBA120U 75p	BU222 £1.00	BYV 95C 12p	2SD200 TO3 80v/5A 15p	DA2599 £1.00	
TBA120V 30p	BU222 £1.00	BYV 95C 12p	2SD200 TO3 80v/5A 15p	DA2599 £1.00	
TBA120C 40p	BU222 £1.00	BYV 95C 12p	2SD200 TO3 80v/5A 15p	DA2599 £1.00	
TBA1441 £1.00	BU222 £1.00	BYV 95C 12p	2SD200 TO3 80v/5A 15p	DA2599 £1.00	
TBA231 75p	BU222 £1.00	BYV 95C 12p	2SD200 TO3 80v/5A 15p	DA2599 £1.00	
TBA395Q 50p	BU222 £1.00	BYV 95C 12p	2SD200 TO3 80v/5A 15p	DA2599 £1.00	
TBA396 80p	BU222 £1.00	BYV 95C 12p	2SD200 TO3 80v/5A 15p	DA2599 £1.00	
TBA440P £1.00	BU222 £1.00	BYV 95C 12p	2SD200 TO3 80v/5A 15p	DA2599 £1.00	
TBA1440C £1.00	BU222 £1.00	BYV 95C 12p	2SD200 TO3 80v/5A 15p	DA2599 £1.00	
TBA480Q £1.00	BU222 £1.00	BYV 95C 12p	2SD200 TO3 80v/5A 15p	DA2599 £1.00	
TBA520 £2.00	BU222 £1.00	BYV 95C 12p	2SD200 TO3 80v/5A 15p	DA2599 £1.00	
TBA530 £2.00	BU222 £1.00	BYV 95C 12p	2SD200 TO3 80v/5A 15p	DA2599 £1.00	
TBA540 £1.00	BU222 £1.00	BYV 95C 12p	2SD200 TO3 80v/5A 15p	DA2599 £1.00	
TBA550Q £1.75	BU222 £1.00	BYV 95C 12p	2SD200 TO3 80v/5A 15p	DA2599 £1.00	
TBA560CQ £2.00	BU222 £1.00	BYV 95C 12p	2SD200 TO3 80v/5A 15p	DA2599 £1.00	
TBA570 £1.50	BU222 £1.00	BYV 95C 12p	2SD200 TO3 80v/5A 15p	DA2599 £1.00	
TBA625 50p	BU222 £1.00	BYV 95C 12p	2SD200 TO3 80v/5A 15p	DA2599 £1.00	
TBA651 £2.00	BU222 £1.00	BYV 95C 12p	2SD200 TO3 80v/5A 15p	DA2599 £1.00	
TBA673 £1.00	BU222 £1.00	BYV 95C 12p	2SD200 TO3 80v/5A 15p	DA2599 £1.00	
TBA720A £1.50	BU222 £1.00	BYV 95C 12p	2SD200 TO3 80v/5A 15p	DA2599 £1.00	
TBA750Q £1.80	BU222 £1.00	BYV 95C 12p	2SD200 TO3 80v/5A 15p	DA2599 £1.00	
TBA780 £1.50	BU222 £1.00	BYV 95C 12p	2SD200 TO3 80v/5A 15p	DA2599 £1.00	
TBA800 50p	BU222 £1.00	BYV 95C 12p	2SD200 TO3 80v/5A 15p	DA2599 £1.00	
TBA810AP 80p	BU222 £1.00	BYV 95C 12p	2SD200 TO3 80v/5A 15p	DA2599 £1.00	
TBA810S 80p	BU222 £1.00	BYV 95C 12p	2SD200 TO3 80v/5A 15p	DA2599 £1.00	
TBA820 80p	BU222 £1.00	BYV 95C 12p	2SD200 TO3 80v/5A 15p	DA2599 £1.00	
TBA890 £1.00	BU222 £1.00	BYV 95C 12p	2SD200 TO3 80v/5A 15p	DA2599 £1.00	
TBA900 £1.50	BU222 £1.00	BYV 95C 12p	2SD200 TO3 80v/5A 15p	DA2599 £1.00	
TBA920 £1.50	BU222 £1.00	BYV 95C 12p	2SD200 TO3 80v/5A 15p	DA2599 £1.00	
TBA920Q £1.50	BU222 £1.00	BYV 95C 12p	2SD200 TO3 80v/5A 15p	DA2599 £1.00	
TBA950 £1.50	BU222 £1.00	BYV 95C 12p	2SD200 TO3 80v/5A 15p	DA2599 £1.00	
TBA990Q £1.00	BU222 £1.00	BYV 95C 12p	2SD200 TO3 80v/5A 15p	DA2599 £1.00	
TMS1000NL £2.00	BU222 £1.00	BYV 95C 12p	2SD200 TO3 80v/5A 15p	DA2599 £1.00	
TMS1943 clock chip £1.00	BU222 £1.00	BYV 95C 12p	2SD200 TO3 80v/5A 15p	DA2599 £1.00	
TMS5980 £4.00	BU222 £1.00	BYV 95C 12p	2SD200 TO3 80v/5A 15p	DA2599 £1.00	
TMS5901 £1.00	BU222 £1.00	BYV 95C 12p	2SD200 TO3 80v/5A 15p	DA2599 £1.00	
TMS2716JL £1.00	BU222 £1.00	BYV 95C 12p	2SD200 TO3 80v/5A 15p	DA2599 £1.00	
TMS3529 £1.00	BU222 £1.00	BYV 95C 12p	2SD200 TO3 80v/5A 15p	DA2599 £1.00	
TMS3720ANS £3.00	BU222 £1.00	BYV 95C 12p	2SD200 TO3 80v/5A 15p	DA2599 £1.00	
TMS4014 70p	BU222 £1.00	BYV 95C 12p	2SD200 TO3 80v/5A 15p	DA2599 £1.00	
TK-012 £1.20	BU222 £1.00	BYV 95C 12p	2SD200 TO3 80v/5A 15p	DA2599 £1.00	
TMS9902 £1.20	BU222 £1.00	BYV 95C 12p	2SD200 TO3 80v/5A 15p	DA2599 £1.00	
ULN2216 75p	BU222 £1.00	BYV 95C 12p	2SD200 TO3 80v/5A 15p	DA2599 £1.00	
SN2984A 50p	BU222 £1.00	BYV 95C 12p	2SD200 TO3 80v/5A 15p	DA2599 £1.00	
SN29770BN £1.00	BU222 £1.00	BYV 95C 12p	2SD200 TO3 80v/5A 15p	DA2599 £1.00	
SN29772BN £1.00	BU222 £1.00	BYV 95C 12p	2SD200 TO3 80v/5A 15p	DA2599 £1.00	
SN7402N £1.00	BU222 £1.00	BYV 95C 12p	2SD200 TO3 80v/5A 15p	DA2599 £1.00	
SN7472N £1.00	BU222 £1.00	BYV 95C 12p	2SD200 TO3 80v/5A 15p	DA2599 £1.00	
SN74107 £1.00	BU222 £1.00	BYV 95C 12p	2SD200 TO3 80v/5A 15p	DA2599 £1.00	
SN74167 70p	BU222 £1.00	BYV 95C 12p	2SD200 TO3 80v/5A 15p	DA2599 £1.00	
SN7472N £1.00	BU222 £1.00	BYV 95C 12p	2SD200 TO3 80v/5A 15p	DA2599 £1.00	
SN75108AN £1.00	BU222 £1.00	BYV 95C 12p	2SD200 TO3 80v/5A 15p	DA2599 £1.00	
SN76001 £1.00	BU222 £1.00	BYV 95C 12p	2SD200 TO3 80v/5A 15p	DA2599 £1.00	
SN76013ND £1.50	BU222 £1.00	BYV 95C 12p	2SD200 TO3 80v/5A 15p	DA2599 £1.00	
SN76018 £1.00	BU222 £1.00	BYV 95C 12p	2SD200 TO3 80v/5A 15p	DA2599 £1.00	
SN76008 £1.00	BU222 £1.00	BYV 95C 12p	2SD200 TO3 80v/5A 15p	DA2599 £1.00	
SN76023N £1.80	BU222 £1.00	BYV 95C 12p	2SD200 TO3 80v/5A 15p	DA2599 £1.00	
SN76033 £1.50	BU222 £1.00	BYV 95C 12p	2SD200 TO3 80v/5A 15p	DA2599 £1.00	
Diodes					
BY127 10p					
BY133 10p					
BY134 10p					
BY164 25p					
BY176 50p					
BY179 40p					
BY254 10p					
BY255 10p					
BY298 10p					
BY299 10p					
BY406 8p					
BY527 20p					
BY407A 10p					
G11 470M/250V SP £1.00ea					
Min 12 volt relays 75p					
R1038 40p					
R1039 40p					
R2009 80p					
R2010b £1.00					
R2029 50p					
R2210 50p					
R2257 80p					
R2265 50p					
R2305 50p					
R2306 50p					
R2322/2323 pair 80p					
R2323 15p					
R2396 80p					
R2461 80p					
R2030 50p					
R2443-BD124 40p					
R2737 40p					
R2386 80p					
R2461 80p					
R2030 50p					
R2443-BD124 40p					
R2737 40p					
R2386 80p					
R2461 80p					
R2030 50p					
R2443-BD124 40p					
R2737 40p					
R2386 80p					
R2461 80p					
R2030 50p					
R2443-BD124 40p					
R2737 40p					
R2386 80p					
R2461 80p					
R2030 50p					
R2443-BD124 40p					
R2737 40p					
R2386 80p					
R2461 80p					
R2030 50p					
R2443-BD124 40p					
R2737 40p					
R2386 80p					
R2461 80p					
R2030 50p					
R2443-BD124 40p					
R2737 40p					
R2386 80p					
R2461 80p					
R2030 50p					
R2443-BD124 40p					
R2737 40p					
R2386 80p					
R2461 80p					
R2030 50p					
R2443-BD12					