

PRACTICAL

ELECTRONICS

Australia \$1.35 Malaysia \$4.95 IR £1.14 (inc. VAT)

SEPTEMBER 1982

85p

Waveform Digitiser



MAKE SURE YOU STAY LEGAL!!

SEAT BELT REMINDER

Also...



CB Scanner

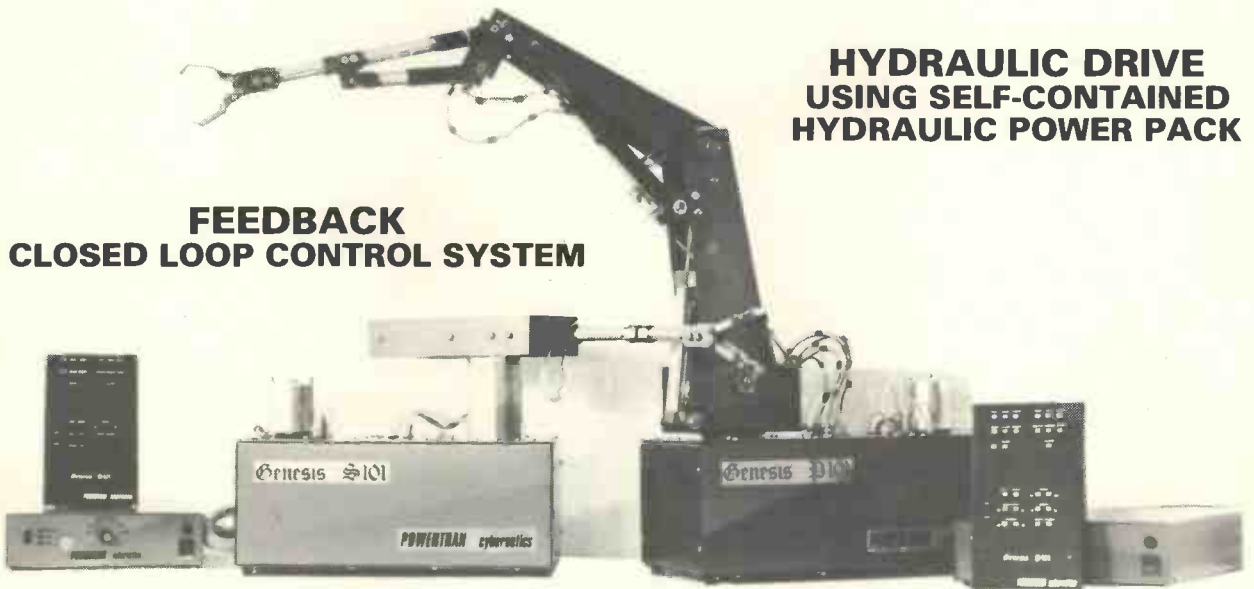
Genesis S101

POWERTRAN

Genesis P101

cybernetics

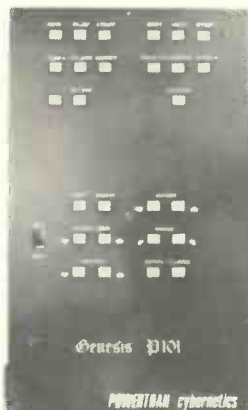
Hydraulic Powered Microprocessor Controlled Robots



**HYDRAULIC DRIVE
USING SELF-CONTAINED
HYDRAULIC POWER PACK**

**FEEDBACK
CLOSED LOOP CONTROL SYSTEM**

With prices starting below £1,000 the Genesis range of general purpose robots provide a first rate introduction to robotics for both education and industry. Each has a self-contained hydraulic power source, which enables loads of several pounds to be smoothly handled. The system operates from a single phase 240 or 120V AC supply or a 12V DC supply. The machine can be supplied with up to 6 axes each of which is fully independent but capable of simultaneous operation. Position control is achieved by means of a closed-loop feedback system based around a dedicated microprocessor. Movement sequences can be entered, stored and replayed by use of a hand held controller, alternatively the systems can also be interfaced to an external computer via a standard RS 232C link.



P101 Hand Held Controller.

Example prices and specifications

Genesis S101

Base: 19.5" x 11" x 7.5"
Lifting capacity: 1500gm
Arm lift: 6.6"
Weight: 29Kg

4 axis model in kit form **£390**
5 axis model in kit form **£445**
5 axis model READY BUILT **£790**

Genesis S101

4 axis system in kit form **£635.50**
5 axis system in kit form **£695.00**
5 axis system READY BUILT **£1355.00**

Genesis P101

Base: 19.5" x 11" x 7.5"
Lifting capacity: 2000gm
Arm lengths between axles: 14.0"
Weight 34Kg

4 axis model in kit form **£495**
6 axis model in kit form **£595**
6 axis model READY BUILT **£950**

Genesis P101

4 axis system in kit form **£742.00**
6 axis system in kit form **£852.00**
6 axis system READY BUILT **£1525.00**

COMPLETE SYSTEMS AS SHOWN IN PHOTOGRAPH ABOVE

As featured in this journal November '81-April'82 issues.

For further details please contact:

POWERTRAN CYBERNETICS

PORTWAY INDUSTRIAL ESTATE, ANDOVER, HANTS SP10 3WN

Telephone: ANDOVER (0264) 64455

PRACTICAL ELECTRONICS

VOLUME 18

No. 9

SEPTEMBER 1982

CONSTRUCTIONAL PROJECTS

SEAT BELT REMINDER by David Shortland "Clunk click" unit	22
AUDIO DEBUG PROBE by Chris Lare Portable fault finding probe	31
CB SCANNER by C. F. Shorto and M. Ward Provides 40 channel mic. control	36
WAVEFORM DIGITISER by Lindsay Robinson BA Hons Will store a signal and display it at any time	46
COMBO AMPLIFIER Part 2 by Fred Judd and E. A. Rule Power amplifier construction	56

GENERAL FEATURES

MENTA REVIEW by David Whitfield MA MSc Micro Electronic mNemonic Teaching Aid analysed	16
SEARCHWATER by Frank W. Hyde Maritime reconnaissance radar of the future	28
SEMICONDUCTOR UPDATE by R. W. Coles MICRO/T-11, TDA2009, TDA2320A, CDP1871	34
MICROBUS by DJD A bimonthly focus on micro's for the home constructor	42

NEWS AND COMMENT

EDITORIAL	11
NEWS & MARKET PLACE With Countdown and Points Arising	12
INDUSTRY NOTEBOOK by Nexus News from the electronics industry	15
PATENTS REVIEW Ingenious ideas from around the world	20
SPACEWATCH by Frank W. Hyde Extra-Terrestrial activities chronicled	26
SPECIAL OFFER—CASSETTES Bargain offer on VHS video and C90 audio cassettes	27
BAZAAR Free readers' advertisement service	30, 44, 61, 62
SPECIAL OFFER—LOUDSPEAKERS Beat this for Videotone speakers	45

OUR OCTOBER ISSUE WILL BE ON SALE FRIDAY, SEPTEMBER 9th, 1982
(for details of contents see page 35)

© IPC Magazines Limited 1982. Copyright in all drawings, photographs and articles published in PRACTICAL ELECTRONICS is fully protected, and reproduction or imitations in whole or part are expressly forbidden. All reasonable precautions are taken by PRACTICAL ELECTRONICS to ensure that the advice and data given to readers are reliable. We cannot, however, guarantee it, and we cannot accept legal responsibility for it. Prices quoted are those current as we go to press.

Beginners' luck

30% OFF
10 selected kits
for first-time
builders



Shortwave
Listener's
Receiver

With Heathkit, you're all set for a great deal. And not just big savings.

Whichever kit you choose, you'll find it easy to build. Simple, but detailed instructions take you through every stage. Everything is included. Even the solder you need

Digital Clock



of. Because you built it yourself.

There are 10 great kits to start you off. An interesting choice of a digital clock to a metal locator, including a short wave listener's receiver, windspeed and direction indicator, digital readout electronic scale and five more useful kits.

All at 30% off to first-timers. Send for your catalogue right now for a start.



Windspeed and Direction
Indicator

To Heath Electronics
(UK) Limited, Dept (PE10),
Bristol Road, Gloucester GL2 6EE.

PE10

To start me off, please send me a copy of the Heathkit catalogue. I enclose 28p in stamps.



Name _____

Address _____



HEATH **You build on our experience**

HEATHKIT

TOROIDALS



The toroidal transformer is now accepted as the standard in industry, overtaking the obsolete laminated type. Industry has been quick to recognise the advantages toroidals offer in size, weight, lower radiated field and, thanks to I.L.P., PRICE.

Our large standard range is complemented by our SPECIAL DESIGN section which can offer a prototype service within 7 DAYS together with a short lead time on quantity orders which can be programmed to your requirements with no price penalty.

- ★ 294 TYPES TO CHOOSE FROM!
- ★ ORDERS DESPATCHED WITHIN 7 DAYS OF RECEIPT FOR SINGLE OR SMALL QUANTITY ORDERS
- ★ 5 YEAR NO QUIBBLE GUARANTEE

TYPE	SERIES No	SECONDARY Volts	RMS Current	PRICE
30 VA 70 x 30mm 0.45 Kg Regulation 18%	1x010	6+6	2.50	£5.12 +P/E £1.04 +VAT £0.92 TOTAL £7.08
	1x011	9+9	1.66	
	1x012	12+12	1.25	
	1x013	15+15	1.00	
	1x014	18+18	0.83	
	1x015	22+22	0.68	
	1x016	25+25	0.60	
50 VA 80 x 35mm 0.9 Kg Regulation 13%	2x010	6+6	4.16	£5.70 +P/E £1.30 +VAT £1.05 TOTAL £8.05
	2x011	9+9	2.77	
	2x012	12+12	2.08	
	2x013	15+15	1.66	
	2x014	18+18	1.38	
	2x015	22+22	1.13	
	2x016	25+25	1.00	
80 VA 90 x 30mm 1 Kg Regulation 12%	3x010	6+6	6.54	£6.08 +P/E £1.67 +VAT £1.15 TOTAL £8.91
	3x011	9+9	4.44	
	3x012	12+12	3.33	
	3x013	15+15	2.66	
	3x014	18+18	2.22	
	3x015	22+22	1.81	
	3x016	25+25	1.60	
120 VA 90 x 40mm 1.2 Kg Regulation 11%	4x010	6+6	10.00	£6.90 +P/E £1.79 +VAT £1.29 TOTAL £9.06
	4x011	9+9	6.56	
	4x012	12+12	5.00	
	4x013	15+15	4.00	
	4x014	18+18	3.33	
	4x015	22+22	2.72	
	4x016	25+25	2.40	
160 VA 110 x 40mm 1.8 Kg Regulation 8%	5x011	9+9	8.89	£7.91 +P/E £1.67 +VAT £1.14 TOTAL £11.02
	5x012	12+12	6.66	
	5x013	15+15	5.33	
	5x014	18+18	4.44	
	5x015	22+22	3.63	
	5x016	25+25	3.20	
	5x017	30+30	2.66	
225 VA 110 x 45mm 2.2 Kg Regulation 7%	6x010	6+6	14.16	£9.20 +P/E £2.30 +VAT £1.68 TOTAL £12.88
	6x011	9+9	9.38	
	6x012	12+12	7.50	
	6x013	15+15	6.25	
	6x014	18+18	5.11	
	6x015	22+22	4.50	
	6x016	25+25	4.50	
300 VA 110 x 50mm 2.6 Kg Regulation 5%	7x010	6+6	20.00	£10.17 +P/E £2.60 +VAT £1.94 TOTAL £14.61
	7x011	9+9	13.33	
	7x012	12+12	10.00	
	7x013	15+15	8.33	
	7x014	18+18	7.00	
	7x015	22+22	6.00	
	7x016	25+25	6.00	
500 VA 140 x 50mm 4 Kg Regulation 4%	8x010	6+6	33.33	£13.53 +P/E £3.35 +VAT £2.38 TOTAL £18.76
	8x011	9+9	22.22	
	8x012	12+12	16.67	
	8x013	15+15	13.33	
	8x014	18+18	11.11	
	8x015	22+22	9.09	
	8x016	25+25	8.33	
625 VA 140 x 75mm 5 Kg Regulation 4%	9x010	6+6	41.67	£16.13 +P/E £4.25 +VAT £3.19 TOTAL £21.42
	9x011	9+9	27.78	
	9x012	12+12	20.83	
	9x013	15+15	16.67	
	9x014	18+18	14.17	
	9x015	22+22	11.63	
	9x016	25+25	10.67	

TYPE	SERIES No	SECONDARY Volts	RMS Current	PRICE
225 VA 110 x 45mm 2.2 Kg Regulation 7%	6x012	12+12	9.38	£9.20 +P/E £2.30 +VAT £1.68 TOTAL £12.88
	6x013	15+15	7.50	
	6x014	18+18	6.25	
	6x015	22+22	5.11	
	6x016	25+25	4.50	
	6x017	30+30	3.75	
	6x018	35+35	3.21	
300 VA 110 x 50mm 2.6 Kg Regulation 5%	6x026	40+40	2.81	£10.17 +P/E £2.60 +VAT £1.94 TOTAL £14.61
	6x025	45+45	2.50	
	6x033	50+50	2.25	
	6x028	110	2.04	
	6x029	220	0.92	
	6x030	240	0.93	
	6x030	240	0.93	
500 VA 140 x 50mm 4 Kg Regulation 4%	7x013	15+15	10.00	£13.53 +P/E £3.35 +VAT £2.38 TOTAL £18.76
	7x014	18+18	8.33	
	7x015	22+22	6.82	
	7x016	25+25	6.00	
	7x017	30+30	5.00	
	7x018	35+35	4.28	
	7x026	40+40	3.75	
625 VA 140 x 75mm 5 Kg Regulation 4%	7x025	45+45	3.33	£16.13 +P/E £4.25 +VAT £3.19 TOTAL £21.42
	7x033	50+50	3.00	
	7x028	110	2.72	
	7x029	220	1.36	
	7x030	240	1.25	
	8x016	25+25	10.00	
	8x017	30+30	8.33	
825 VA 140 x 75mm 5 Kg Regulation 4%	8x018	35+35	7.14	£16.13 +P/E £4.25 +VAT £3.19 TOTAL £21.42
	8x026	40+40	6.25	
	8x025	45+45	5.55	
	8x033	50+50	5.00	
	8x042	55+55	5.68	
	8x028	110	5.68	
	8x029	220	2.84	
8x030	240	2.50		

IMPORTANT: Regulation - All voltages quoted are FULL LOAD. Please add regulation figure to secondary voltage to obtain off load voltage.

The benefits of ILP toroidal transformers

ILP toroidal transformers are only half the weight and height of their laminated equivalents, and are available with 110V, 220V or 240V primaries coded as follows:

For 110V primary insert "0" in place of "X" in type number.

For 220V primary (Europe) insert "1" in place of "X" in type number.

For 240V primary (UK) insert "2" in place of "X" in type number.

How to order Freepost:

Use this coupon, or a separate sheet of paper, to order these products, or any products from other ILP Electronics advertisements. No stamp is needed if you address to Freepost. Cheques and postal orders must be crossed and payable to ILP Electronics Ltd. Access and Barclaycard welcome. All UK orders sent within 7 days of receipt of order for single and small quantity orders.

Also available at Electrovalue, Maplin and Technomatic.

ILP Electronics, Graham Bell House, Roper Close, Canterbury, Kent, CT2 7EP.

Please send _____

Total purchase price _____

I enclose Cheque Postal Orders Int. Money Order

Debit my Access/Barclaycard No. _____

Name _____

Address _____

Signature _____

Post to: ILP Electronics Ltd, Freepost, 2 Graham Bell House, Roper Close, Canterbury CT2 7EP, Kent, England.

Telephone Sales (0227) 54778; Technical (0227) 64723; Telex 965780.



(a division of
ILP Electronics Ltd)

THE MULTI-PURPOSE TIMER HAS ARRIVED

Now you can run your central heating, lighting, hi-fi system and lots more with just one programmable timer. At your selection it is designed to control four mains outputs independently, switching on and off at pre-set times over a 7 day cycle, e.g. to control your central heating (including different switching times for weekends), just connect it to your system programme and set it and forget it—the clock will do the rest.

FEATURES INCLUDE:-

- 0.5" LED 12 hour display.
- Day of week, am/pm and output status indicators.
- 4 zero voltage switched mains outputs.
- 50/60Hz mains operation.
- Battery backup saves stored programmes and continues time keeping during power failures. (Battery not supplied).
- Display blanking during power failure to conserve battery power.
- 18 programme time sets.
- Powerful "Everyday" function enabling output to switch every day but use only one time set.
- Useful "sleep" function—turns on output for one hour.
- Direct switch control enabling output to be turned on immediately or after a specified time interval.
- 20 function keypad for programme entry.
- Programme verification at the touch of a button.

(Kit includes all components, PCB, assembly and programming instructions).



NOW ONLY £39 WITH SO MANY EXTRA FEATURES. OPTIONAL BLACK PLASTIC CASE. READY DRILLED. £2.50

HOME LIGHTING KITS

These kits contain all necessary components and full instructions & are designed to replace a standard wall switch and control up to 300w. of lighting.

- TDR300K Remote Control Dimmer **£14.30**
- MK6 Transmitter for above **£4.20**
- TD300K Touchdimmer **£7.00**
- TDE/K Extension kit for 2-way switching for TD300K **£2.00**
- LD300K Rotary Controlled Dimmer **£3.50**



MINI KITS

- MK1 TEMPERATURE CONTROLLER/THERMOSTAT**
Uses LM3911 IC to sense temperature (80°C max.) and triac to switch heater. 1KW **£4.00**
- MK2 Solid State Relay**
Ideal for switching motors, lights, heaters, etc. from logic. Opto-isolated with zero voltage switching. Supplied without triac. **£2.50**
- MK3 BAR/DOT DISPLAY**
Displays an analogue voltage on a linear 10 element LED display as a bar or single dot. Ideal for thermometers, level indicators, etc. May be stacked to obtain 20 to 100 element displays. Requires 5-20V supply. **£4.50**
- MK4 PROPORTIONAL TEMPERATURE CONTROLLER**
Based on the SL441 zero voltage switch, this kit may be wired to form a "burst fire" power controller, enabling the temperature of an enclosure to be maintained to within 0.5°C. Max. load 3KW **£5.50**
- MK5 MAINS TIMER**
Based on the ZN103AE Timer IC this kit will switch a mains load on (or off) for a preset time from 20 mins. to 35 hrs. Longer or shorter periods may be realised by minor component changes. Max. load 1KW. **£4.50**

3-NOTE DOOR CHIME

Based on the SAB060 IC the kit is supplied with all components, including loudspeaker, printed circuit board, a pre-drilled box (95 x 71 x 35mm) and full instructions. Requires only a PP3 9V battery and push-switch to complete. AN IDEAL PROJECT FOR BEGINNERS. Order as XK102. **£5.00**

For a detailed booklet on remote control - send us 30p & SAE today.

"OPEN-SESAME"

The XK103 is a general purpose infra-red transmitter/receiver with one momentary (normally open) relay contact and two latched transistor output. Designed primarily for controlling motorised garage doors and two auxiliary outputs for drive/garage lights at a range of up to 40 ft. The unit also has numerous applications in the home for switching lights, TV, closing curtains, etc. Ideal for aged or disabled persons.

The kit comprises a mains powered receiver, a four button transmitter, complete with pre-drilled box, requiring a 9V battery and one opto-isolated solid state switch kit for interfacing the receiver to mains appliances. As with all our kits, full instructions are supplied.

Only £23.75

Extra Solid State Switch Kits (XK104) and transmitters (XK105) can be supplied.

XK104 £2.40 XK105 £10.50

ALL PRICES EXCLUDE VAT

THE HOME CONTROL CENTRE

This New Remote Control Kit enables you to control up to 16 different appliances anywhere in the house from the comfort of your armchair. The transmitter injects coded pulses into the mains wiring which are received by receiver modules connected to the same mains supply and used to switch on the appliance addressed. Receivers are addressed by means of a 16-way keyboard, followed by an on or off command. Since pushing buttons can become rather boring, the transmitter also includes a computer interface so you can heating, electric blanket, make your coffee in the morning, etc. without leaving your house. **JUST THINK OF THE POSSIBILITIES.** The kit includes all PCBs and components for one transmitter and two receivers plus a pre-drilled box for the transmitter.

Order as XK112 **£42.00**

DISCO LIGHTING KITS

DL1000K

This value-for-money kit features a bi-directional sequence, speed of sequence and frequency of direction change, being variable by means of potentiometers and incorporates a master dimming control.

Only £14.60

DL2100K
A lower cost version of the above, featuring unidirectional channel sequence with speed variable by means of a pre-set pot. Outputs switched only at mains zero crossing points to reduce radio interference to a minimum.

Only £8.00

Optional opto input DL11
Allowing audio ("beat")
—light response **60p**

DVM/ULTRA SENSITIVE THERMOMETER KIT

This new design is based on the ICL7126 (a lower power version of the ICL7106 chip) and a 3 1/2 digit liquid crystal display. This kit will form the basis of a digital multimeter (only a few additional resistors and switches are required—details supplied), or a sensitive digital thermometer (-50°C to +150°C) reading to 0.1°C. The basic kit has a sensitivity of 200mV for a full scale reading, automatic polarity indication and an ultra low power requirement—giving a 2 year typical battery life from a standard 9V PP3 when used 8 hours a day, 7 days a week. **£15.50**

£9.99

REMOTE CONTROL KITS

- MK6 SIMPLE INFRA RED TRANSMITTER**
Pulsed infra red source complete with hand-held plastic box. Requires a 9V battery. **£4.20**
- MK7 INFRA RED RECEIVER**
Single channel, range approx. 20ft. Mains powered with a triac output to switch loads up to 500W at 240V ac. **£9.00** (RCS500K—Special Price for MK6 and MK7 together **£12.50**)
- MK8 CODED INFRA RED TRANSMITTER**
Based on the SL490, the kit includes all components to make a coded transmitter and only requires a 9V (PP3) battery. 8 x 2 x 1.3cm **£5.90**
- MK10 16-WAY KEYBOARD**
For use with MK6 and MK18 to generate 16 different codes for decoding by the ML928 or ML926 receiver (MK12) kit. **£5.40**
- MK11 10-Channel + 3 Analogue o/p IR Receiver**
Based on ML922 decoder IC. Functions include on/standby output, toggle, control of volume, tone and lamp brightness. Includes its own mains supply. **£12.00**
- MK12 16-CHANNEL IR RECEIVER**
For use with MK8 kit with 16 on/off outputs, which was further interface circuitry, such as relays or triacs, will switch up to 16 items of equipment on or off remotely. Latched or momentary outputs—please specify when ordering. Includes its own mains supply. **£11.95**
- MK13 11-WAY KEYBOARD** For use with MK8, MK18 and MK11 kits. **£4.35**
- MK16 Mains Powered IR Transmitter**
Mains powered for continuous operation—single channel, for applications such as burglar alarms, automatic door openers, etc. Range approx. 6 ft. **£2.50**
- MK17 12V d.c. IR RECEIVER**
For use with MK8 or MK16. Relay output with DP3 Amp change-over contacts, may be used as latched, momentary or "break beam" receiver. Operates from 6-13V d.c. **£9.50**
- MK18 HIGH POWER IR TRANSMITTER**
Similar to MK8 but with range of approx. 60ft. **£6.20**
- Ancillary Kits: MK2 Solid State Relay
Opto-isolated with zero voltage switching. No. triac supplied. **£2.80**
- MK15 DUAL LATCHED SOLID STATE RELAY**
Comprises 2 x solid state relays and latch for use with momentary version of the MK12. 2 output triacs required (not supplied). **£4.50**

We have the **SOFTY 2 EPROM programmer** in stock at **£169**

THE KEY TO YOUR SECURITY IS IN OUR LOCK

If the thought of car thieves, house breakers or people tampering with your electrical and electronic equipment upsets you, we have just the kit for you.

Our **ELECTRONIC LOCK KIT** includes a 10-way keyboard and a special IC which provides a 750mA output to drive a solenoid or relay (not supplied) when four keys are depressed in the correct sequence. This gives over 5,000 possible combinations! The sequence is wired and may be easily changed by means of a small plug and socket. A "SAVE" function is also available enabling the open code to be stored (especially useful in a car when it is left in a garage for servicing as the open code need not be disclosed). Size: 7x6x3 cms. Power Consumption is 40uA at 5V to 15V d.c.

At only **£10.50 + VAT**, it will make a smaller hole in your pocket than a bunch of keys!

Electric Lock Mechanism Suitable for use with existing door locks and above electronic lock kit. **£13.50**

24 HOUR CLOCK/APPLIANCE TIMER KIT

Switches any appliance up to 1kW on and off at present times once per day. Kit contains: AY-5-1230 IC, 0.5" LED display, mains supply, display drivers, switches, LEDs, triacs, PCBs and full instructions.

- CT1000K Basic Kit **£14.90**
- CT1000K with white box (56/131 x 71mm) (Ready Built) **£17.40**
- £22.50**

Add 50p postage & packing +15% VAT to total.

Overseas Customers; Add £1.50 (Europe), £4.00 (elsewhere) for p&p.

Send S.A.E. for further STOCK DETAILS.

Goods by return subject to availability.

OPEN 9am to 5pm (Mon to Fri)
10am to 4pm (Sat)



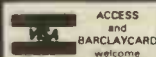
FREE SHORT FORM CATALOGUE - send SAE (6" x 9"). We also stock Vero, Books, Resistors, Capacitors, Semi-Conductors etc.

FAST SERVICE · TOP QUALITY · LOW LOW PRICES

No circuit is complete without a call to

ELECTRONICS PE

11 Boston Road
London W7 3SJ



TEL: 01-567 8910 ORDERS
01-579 2842 TECHNICAL AFTER 3PM

ENQUIRIES 01-579 9794

CLOCK TOWER

EALING & NORTH CIRCULAR RD

UXBRIDGE ROAD

CAR PARK



HANWELL LT GARAGE

Technical Training in Radio, Television and Electronics

ICS have helped thousands of ambitious people to move up into higher paid, more secure jobs in the field of electronics—now it can be your turn. Whether you are a newcomer to the field or already working in the industry, ICS can provide you with the specialised training so essential to success.

Personal Tuition and Guaranteed Success

The expert and personal guidance by fully qualified tutors, backed by the ICS guarantee of tuition until successful is the key to our outstanding record in the technical training field. You study at the time and pace that suits you best and in your own home. In the words of one of our many successful students: "Since starting my course, my salary has trebled and I am expecting a further increase when my course is completed".

CITY AND GUILDS CERTIFICATES

Excellent job prospects await those who hold one of these recognised certificates. ICS can coach you for:

Basic Electronic Engineering (C&G/ICS)
Radio Amateurs

CERTIFICATE COURSES

TV & Audio Servicing
TV, Radio and Audio Engineering
Radio & Amplifier Construction
Electronic Engineering*
Computer Electronics*
Industrial Electronics*
Radio Frequency Electronics*
Introduction to Microprocessing*
Electrical Contracting & Installation

*Qualify for IET Associate Membership



Approved by CACC



Div. National Corporation
Education



Member of ABCC

POST OR PHONE TODAY FOR FREE BOOKLET

Please send me your FREE School of Electronics Prospectus.

Subject of Interest _____

Name _____

Address _____

Post to: Dept 273Y
ICS School of Electronics
160 Stewarts Road
London SW8 4UJ



01-622 9911
(All Hours)

Has seven years of success gone to our heads?



NEW IMPROVED

MINIMAX 2

With the Minimax II, Videotone revolutionised the market by establishing an opening for small, high quality speakers. Natural evolution has brought about the new Minimax 2, retaining all the qualities of clarity and sensitivity. This ideal combination of size and performance is a proven success, acclaimed by the press and public for seven years.

POPULAR HI-FI

"Switching to the Minimax's from any of the others produced an open and natural sound as though something had been taken away. It had, the colouration had gone." Comparative test OCTOBER 1975.

HI-FI ANSWERS

Their modest appearance and price disguise their startling abilities. Never have we heard such a small speaker sound so big!" JANUARY 1975.

PRACTICAL HI-FI & Audio

"The depth, clarity and openness of sound produced is quite astonishing". JUNE '75

WHAT HI-FI

"... the ability of the Mini-

max to take a lot of power and still sound good could be decisive" — Comparative test, APRIL 1977.

PRACTICAL HI-FI

The little Videotone scored highly for such a small inexpensive loudspeaker". JANUARY 1981.

Specification:

Recommended amplifier power: 10 to 40 watts rms into 8 ohms.
Frequency Response: 80Hz — 20KHz±5dB.
Finish: natural teak, veneer with black frets.
Size: 10 7/8" high, 6 3/4" wide, 7 1/2" deep.
Weight: 4.1 Kgs (9 lbs) each.

ONLY £69.95 A PAIR

- We welcome callers to our South London Showroom for demonstrations.
- Enquiries and information phone: 01-690 8511, Ex. 32.
- All products are only available direct or from selected authorised dealers throughout the U.K.

VIDEOTONE 98 CROFTON PARK ROAD
LONDON SE4.

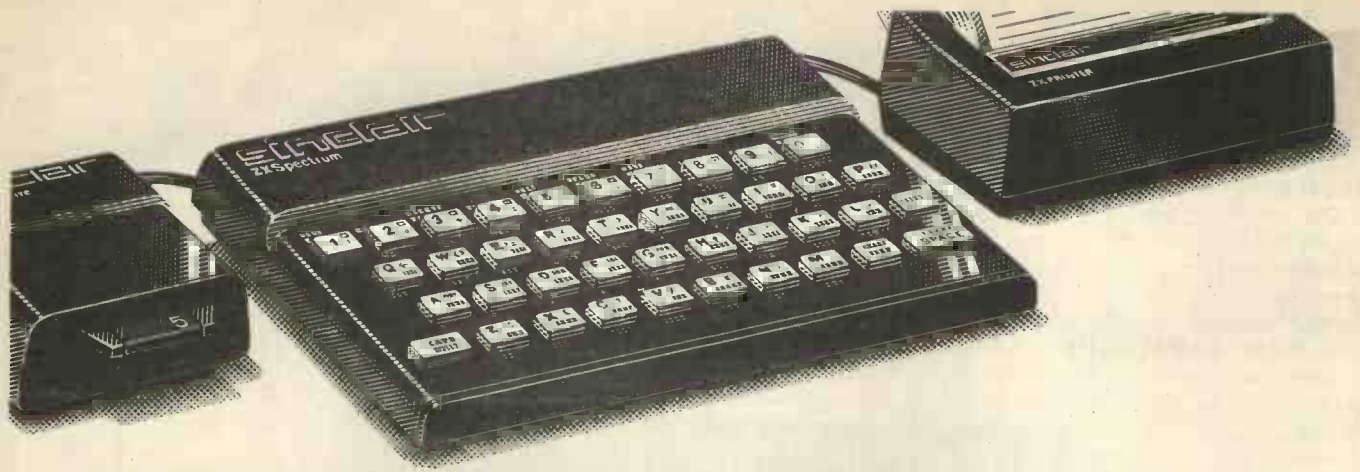
Send for our free brochure and details of outlets in the U.K.

Post to: Videotone, Crofton Park Road, London SE4.

PE9

NAME _____

ADDRESS _____



"...the quality of the colour display is excellent". Popular Computing Weekly.

"The graphics facilities are great fun". Personal Computer World.

"...the Spectrum is way ahead of its competitors". Your Computer.

"The world's best personal computer for under £500."

Chris Sinclair

Sinclair ZX Spectrum 16K RAM £125, 48K RAM £175.

This is the astonishing new ZX Spectrum – a powerful professional's computer in everything but price!

There are two versions – 16K or a really powerful 48K. Both have a full 8 colours, sound generation, a full-size moving-key keyboard and high-resolution graphics. Plus established Sinclair features such as 'one-touch' keyword entry, syntax check and report codes!

Key features of the Sinclair ZX Spectrum

Full colour – 8 colours plus flashing and brightness-intensity control.

Sound – BEEP command with variable pitch and duration.

Massive RAM – 16K or 48K.

Full-size moving-key keyboard – all keys at normal typewriter pitch, with repeat facility on each key.

High resolution – 256 dots horizontally x 192 vertically, each individually addressable for true high-resolution graphics.

ASCII character set – with upper- and lower-case characters.

High speed LOAD & SAVE – 16K in 100 seconds via cassette, with VERIFY and MERGE for programs and separate data files.

The ZX Printer – available now

The printer offers ZX Spectrum owners the full ASCII character set – including lower-case characters and high-resolution graphics.

Printing speed is 50 characters per second, with 32 characters per line and 9 lines per vertical inch.

ZX Microdrive – coming soon

Each Microdrive will hold up to 100K bytes on a single interchangeable microfloppy – with a transfer rate of 16K bytes per second. And you'll be able to connect up to 8 ZX Microdrives to your ZX Spectrum – they're available later this year, for around £50.

How to order your ZX Spectrum

BY PHONE – Access, Barclaycard or Trustcard holders can call 01-200 0200 for personal attention 24 hours a day, every day.

BY FREEPOST – use the coupon below. You can pay by cheque, postal order, Access, Barclaycard or Trustcard.

EITHER WAY – please allow up to 28 days for delivery. And there's a 14-day money-back option, of course. We want you to be satisfied beyond doubt – and we have no doubt that you will be.

sinclair ZX Spectrum

Sinclair Research Ltd,
Stanhope Road, Camberley, Surrey,
GU15 3PS. Tel: Camberley (0276) 685311.

To: Sinclair Research, FREEPOST, Camberley, Surrey, GU15 3BR.				Order
Qty	Item	Code	Item price	Total
	Sinclair ZX Spectrum – 16K RAM version	100	125.00	
	Sinclair ZX Spectrum – 48K RAM version	101	175.00	
	Sinclair ZX Printer	27	59.95	
	Printer paper (pack of 5 rolls)	16	11.95	
	Postage and packing: orders under £100	28	2.95	
	orders over £100	29	4.95	
			TOTAL £	

Please tick if you require a VAT receipt
 I enclose a cheque/postal order payable to Sinclair Research Ltd for £
 Please charge to my Access/Barclaycard/Trustcard account no. Please print.
 Please delete/complete as applicable.

Mr/Mrs/Miss _____
 Address _____

FREEPOST – no stamp needed. Prices apply to UK only. Export prices on application. PRE 809

TECHNICALITIES

Our technical post bag is usually varied, very often letters pose us many problems and sometimes they can be impossible. We will always try to answer technical queries on PE projects. What we cannot do is undertake a design or general advice service. It appears that we are now often asked to design circuits to meet readers individual needs, this we simply cannot undertake, nor can we undertake the provision of modifications to PE designs or information on incorporating a PE circuit into other equipment. As we are sure many readers will be aware such data is time consuming to provide; time that PE staff simply do not have.

We sometimes get questions like "I want to start designing circuits, which computer do you suggest I buy?" or even, "I am setting up a lab what equipment do you recommend?" These are rather akin to "I'm going to start driving, which car should I buy?" The assessment must be an individual one based on various factors, e.g. price, size, accuracy required, expandibility, essential functions etc. All we can do in such a case is suggest the enquirer decides exactly what he wants to do—now and in the future—then collects as

much data as possible on likely equipment, including magazine reviews etc. and makes a decision for himself, based on that data, individual preference and requirements.

S.A.E.

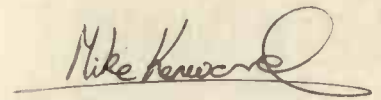
We must also point out that our stamped addressed envelope, or addressed envelope and international reply coupons policy is now strictly enforced. A note about letters has been carried at the foot of this page for a number of years but it seems to be increasingly overlooked by readers. Sorry, but this means no s.a.e., no reply.

Please read all the information below so that you write to the correct department in the correct manner. This will help us to help you. Please also make sure that you write about only one project in your letter—if you have queries regarding two or more projects please write them out separately and send them with a s.a.e. each, even if they come in one envelope. Letters are often answered by designers who are not necessarily on the PE staff, so queries on different projects may be answered by different people, possibly in different parts of the world!

BAZAAR

It seems that *Bazaar* has been universally welcomed and it is interesting to see the wide range of items on offer or wanted; something for everyone! However, after five months we are still getting a few ads. without the date corner, with out-of-date corners, or ads. which do not comply with our rules. We also get the odd complaint about having to cut out the whole coupon. If you want to save the issue, photostat the coupon or copy it out and send it in **with a cut off corner**. Sorry, but if you send a stat or a copy, you must **cut off the corner**, it must be posted within the specified date period and your ad. must comply with the rules. If you don't do these things we will simply not publish it. Since the service is free and the rules are explicit we will not be writing to let you know the situation.

We are pleased to help with the free ads. We are pleased *Bazaar* is so popular. It would also please us if everyone makes sure they get it right, so we don't have to disappoint anyone.



EDITOR Mike Kenward

Gordon Godbold ASSISTANT EDITOR

Mike Abbott TECHNICAL EDITOR

David Shortland PROJECTS EDITOR

Jasper Scott PRODUCTION EDITOR

Jack Pountney ART EDITOR

Keith Woodruff ASSISTANT ART EDITOR

John Pickering SEN. TECH. ILLUSTRATOR

Isabelle Greenaway TECH. ILLUSTRATOR

Jenny Tremaine SECRETARY

ADVERTISEMENT MANAGER

D. W. B. Tilleard

SECRETARY Christine Pocknell

} 01-261 6676

AD. SALES EXEC. Alfred Tonge 01-261 6819

CLASSIFIED SUPERVISOR Barbara Blake 01-261 5897

AD. MAKE-UP/COPY Ian Sweeney 01-261 6601

Technical and Editorial queries and letters (see note below to):

Practical Electronics,
Westover House,
West Quay Road, Poole,
Dorset BH15 1JG

Phone: Editorial Poole 671191

We regret that lengthy technical enquiries cannot be answered over the telephone

Queries and letters concerning advertisements to:

Practical Electronics Advertisements,
King's Reach Tower,
King's Reach, Stamford Street, SE1 9LS
Telex: 915748 MAGDIV-G

Letters and Queries

We are unable to offer any advice on the use or purchase of commercial equipment or the incorporation or modification of designs published in PE. All letters requiring a reply should be accompanied by a stamped, self addressed envelope, or addressed envelope and international reply coupons, and each letter should relate to one published project only.

Components and p.c.b.s are usually available from advertisers; where we anticipate difficulties a source will be suggested.

Back Numbers

Copies of most of our recent issues are available from: Post Sales Department (Practical Electronics), IPC Magazines Ltd., Lavington House, 25 Lavington Street, London SE1 0PF, at £1 each including Inland/Overseas p&p. Please state month and year of issue required.

Binders

Binders for PE are available from the same address as back numbers at £4.60 each

to UK or overseas addresses, including postage and packing, and VAT where appropriate. Orders should state the year and volume required.

Subscriptions

Copies of PE are available by post, inland or overseas, for £13.00 per 12 issues, from: Practical Electronics, Subscription Department, Oakfield House, Perrymount Road, Haywards Heath, West Sussex RH16 3DH. Cheques and postal orders should be made payable to IPC Magazines Limited.

NEWS &

Edited by Jasper Scott

Distel Data Base

Once again, the hobby electronics world has come up with another first—this time in the area of customer service.

Display Electronics, well known to most readers as suppliers of components and surplus electronic equipment, now offer a new service for customers known as Distel.

Distel is a data base with a multi-port dialing system: anyone whose computer system is equipped with a 300 baud modem or acoustic coupler can dial in 24 hours a day, seven days a week to check what is currently in stock and place orders. A credit card facility is available, and schools or colleges can even use their official ordering systems.

Managing Director Dave Fisher believes that Distel is the UK's first free-of-charge public access data base—all it costs the user is his initial phone call. Distel uses European Standard CCITT modem tones, and software is fully interactive, allowing the user to search through the data base.

For anyone who would like to make use of this facility, the telephone number of Distel is 01-683 1133. Alternatively, if you would like further details of the service, call Display Electronics on 01-689 7702.

Fair News

It won't be fair it should be marvellous. That's the Electronic Hobbies Fair that PE, PW and EE are organising later this year for all those interested in the various aspects of electronics. As last month's Countdown stated "taking exhibitions for the amateur a bold step forward". The details are given below and our photo shows the exciting new venue at night in it's lakeside setting.

Electronic Hobbies Fair, Alexandra Pavilion, Wood Green, London. November 18th — 21st 1982.

There will be free car parking and a special bus service to the station. The Fair will include special exhibits and demonstrations.

For further information about the show read this column next month.

MICRO-STRIP

Micro-strip is a self adjusting wire stripper which will deal with all p.v.c. and some thermo-resisting insulations.

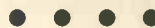
A self adjusting floating cam adjusts the stripper's mechanism to the correct stripping depth and at the same time automatically sets the gripping pressure exerted on the insulation by the jaws, thereby preventing damage to the insulation.

The Micro-strip will deal with all sizes of wire up to a maximum of 1.5mm diameter without any adjustment; for very thin or very thick insulations, an adjustment mechanism is provided.

The Micro-stripper is priced at £17.85. from AB Engineering, Timber Lane, Woburn, Milton Keynes MK17 9PL.

Briefly...

Components and p.c.b., for the PE Quasar Stereo Cassette Deck described in the April and May issues are now available as a separate package from RTVC Ltd. This kit will allow the updating of almost any tape or cassette recorder mechanism at a cost of only £18.95 including VAT plus £1.40 post and packing. Mail order only to RTVC, 21b High Street, Acton W3 6NG. Callers to 323 Edgware Road, London W2.



Not quite a new catalogue but one with a new addition is available from Semiconductor Supplies International Ltd. Their 81/82 catalogue is now accompanied by a free 82/83 Eagle International catalogue which carries a very wide range of consumer products from amplifiers and intercoms to test gear and security equipment.

Semiconductor Supplies own catalogue covers a particularly good range of i.c. devices — as their name would suggest — is 88 pages whilst the Eagle catalogue is 84 pages and virtually all in full colour.

Just send £1 to Semiconductor Supplies International Ltd., Dawson House, 128/130 Carshalton Road, Sutton, Surrey SM1 4RS (01-643 1266). Incidentally p&p on the two catalogues must amount to nearly £1 anyway.

POINTS ARISING . . .

AUTOMATIC SIGNAL SWITCHING
(July '82)

IC1 and IC2 should both be 7805 regulators. The components list contains a misprint.

INFRA-RED TAPE CONTROL (July '82)
Transistor TR1 is a BC461, not BCY 4611

CAR BATTERY CONDITION INDICATOR (March '82)

In Fig. 2 the cut-out shown at G16 should be moved up to F16.



MARKET PLACE

Items mentioned are available through normal retail outlets unless otherwise specified. Prices correct at time of going to press.

CASIOTONE CT-100P

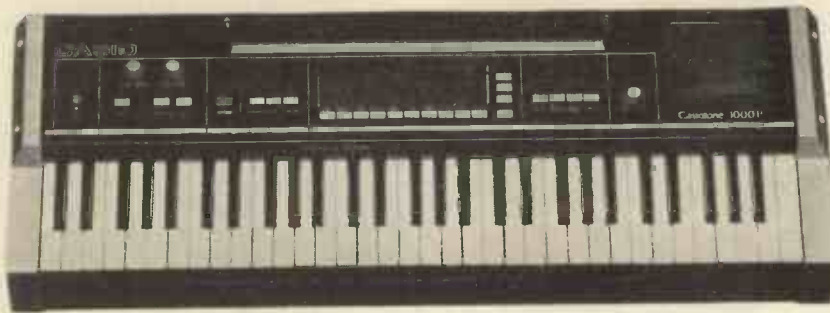
Casio, who must already have made other companies in the electronic musical instrument business feel positively uncomfortable have now come up with an offering that will surely have those companies' directors quaking in their boots!

The Casiotone CT-1000P, which Casio describe as a digitalised synthesiser can produce up to 1000 different sounds, all with eight-note polyphony, by

varying combinations of three elements—FOOTAGE, ENVELOPE, and MODULATION. Each element has ten different settings, thus giving 1000 possible combinations. A memory facility allows you to store up to ten settings for instant recall—a particularly useful feature if you are playing on stage.

As if this were not enough in itself, the CT-1000P also features a programmable arpeggio function which combines arpeggio patterns and can also be used as a sequencer; and a range of ten preset sounds. In addition, the CT-1000P boasts sustain and various vibrato effects, a pitch control which incorporates a transposing function, and a built in speaker for home use.

Recommended retail price for the CT-1000P is an incredible £375, and we know already of one company offering a substantial discount—£325 is the all inclusive price being quoted by Tempus, 38 Burleigh Street, Cambridge, CB1 1DG (0223 312866).



Countdown...

Please check dates before setting out, as we cannot guarantee the accuracy of the information presented below. Note: some exhibitions may be trade only. If you are organising any electrical/electronics, radio or scientific event, big or small, we shall be glad to include it here.

ICCC 82 (Computer Communication Conf.) Sept. 7-10. Barbican O
 BEX Reading (Business Equipment) Sept. 8-9. Hexagon Cntr. K
 BEX Manchester Sept. K
 Personal Computer World Show Sept. 9-12. Barbican Cntr. London M
 Laboratory London Sept. 14-16. Grosvenor Ho. Park Lane, London E
 ElectroWEST Sept. 14-16. Bristol Exhibition Cntr. Q
 Two Counties Fair Sept. 15-18. Plymouth Exhibition Cntr. Millbay, Devon T
 IBC (Int. Broadcasting Convention) Sept. 18-21. Metropole, Brighton N
 Microprocessors In Audiology Sept. 24 A7
 Holographic Techniques Sept. 30-Nov. 28. Light Fantastic Gallery, Covent Gdn. London A8
 BEX Basingstoke Oct. 6-7. Ladbroke Mercury Hotel K
 BEX Cardiff Oct. K
 Viewdata Oct. 12-14. Wembley Conf. Cntr. London O
 Video Show Oct. 16-18. West Cntr. Hotel, London Z1
 Computer Graphics Oct. 19-21. Royal Gdn. & Bloomsbury Cntr. London O
 Testmex Oct. 26-28. Wembley Conf. Cntr. T
 BEX Southampton Oct. 27-28. Polygon Hotel K

BEX Plymouth Nov. 10-11. Holiday Inn K
 Compec Nov. 16-19. Olympia Z1
 Hobby Electronics Fair (is this a new concept?) Nov. 18-21. Alexandra Palace, London Z1
 BEX Bristol Nov. 24-25. Holiday Inn K
 Christmas Holography (+ items for sale) Dec. 2-Mar. (1983). Light Fantastic Gallery, London A8
 ElectroNORTH Dec. 7-9. Harrogate Supercenter Q
 IT82 (Information Technology Year Conf.) Dec. 8-9. Barbican O
 Continuous exhibitions at the National Microprocessor & Electronics Cntr. (nr. Tower of London) L1
 BEX Bournemouth Feb. 9-10 1983. The Pavilion K
 Brighton Electronics March 1983 T
 BEX Leeds Mar. 16-17. Dragonara Hotel K
 INSPEX Mar. 21-25 1983. National Exhibition Cntr. Birmingham International Z1
 HEVAC (Heating, Ventilation & Air Cond.) Apr. 26-28 1983. Barbican I
 Semlab June 1983. Olympia, London I

A7 Institute Of Acoustics ☎ 031 225 2143
 A8 Holographic Exhibitions ☎ 01-836 6423
 E Evan Steadman ☎ 0799 22612
 I Industrial Trade Fairs ☎ 021 705 6707
 K Douglas Temple Studios ☎ 0202 20533
 L1 World Trade Cntr., Europe Ho., London E1
 M Montbuild ☎ 01-486 1951
 N Institute Electrical & Electronics Engineers
 O Online ☎ 09274 28211
 Q Exhibitions For Industry ☎ 08833 4371
 T Trident ☎ 0822 4671
 Z1 IPC Exhibitions ☎ 01-643 8040.

STOP WASTING TIME TESTING BOARDS

MD will pin-point microtroubles in seconds. Portable and simple to use by non-technical staff in the REPAIR SHOP or on the PRODUCTION LINE. MD tests ROM, RAM & I/O and prints diagnostic reports. MICRODOCTOR can be plugged into an unknown system to perform a general diagnostic and print a MEMORY-MAP. The ENGINEER may enter sequences of CHECKSUMS and RAMTESTS, READS and WRITES to specific MEMORY and I/O locations, SHORTING tests on DATA and ADDRESS LINES, PRINT-OUTS of memory in ASCII or HEX. These sequences are retained in CONTINUOUS MEMORY, available always at the push of a key.

★ **FREE Z80 DISASSEMBLER** with each MD (other disassemblers soon to retrofit at low cost). Get a **DISASSEMBLER LISTING** of ROM in any microsystem! **MICRODOCTOR — £295.00**



**NEW PRODUCT
NEW
CONCEPT**

INTELLIGENT EPROM PROGRAMMER

Good tools need not be expensive. **SOFTY 2** is the latest version of the engineer's favourite **EPROM HANDLER**, for anybody who uses 2516, 2716, 2532 and 2732 EPROMS.

SOFTY will program any of these EPROMS or copy any type into another.

SOFTY puts out a TV picture of memory contents, with many code-manipulating and editing facilities.

There is also a fast cassette data storage system.

SOFTY is also a **ROMULATOR** (a lead is supplied which may be inserted into a board under development to emulate the ROM using **SOFTY**'s internal RAM.

This procedure can also be used on the single-chipper piggy-back type MPU.) **SOFTY** is complete in itself as a **PRODUCT DEVELOPMENT SYSTEM**.

Code may be entered in **HEXADECIMAL** via the keyboard also **SERIAL** and **PARALLEL** inputs and outputs allow downloading of object code from your computer or printing **EPROM** contents on your printer.

SOFTY 2 — £169.00 **TEX UV EPROM ERASER — £39**



Z80 DEVELOPMENT SYSTEM

MENTA puts out a TV PICTURE of memory in hexadecimal.

The 40 key keyboard will accept inputs, both in hexadecimal and Z80 mnemonics; there is a quick cassette data storage system, a powerful editor which permits program debugging by showing contents of registers and stack. Also there are 24 bits of I/O

for external control. A Z80 disassembler is also available which outputs to any RS232 device such as a printer or terminal.

MENTA was designed as a low-budget device for teaching microprocessing in schools: professional course-material is available to teachers together with add-on boards for a variety of control functions and robotic applications.

MENTA — £115.00 **SERIAL DISASSEMBLER — £19.50**



Manufactured by Dataman Designs, sold by dealers in UK, USA, France, etc. TRADE ENQUIRIES INVITED — TELEX 418442 DATAMAN

NEC PC 8000 PERSONAL COMPUTER.



The brand-leader in Japan; gaining ground rapidly in America; this beautifully made, reliable system has all the features you could want at the right price. See it! Try it!

8001 Keyboard Unit (24K BASIC, 32K RAM, colour graphics, function keys etc.)	£599
8011 Expansion Unit (32K RAM, RS232, IEEE-488, CLOCK, 34 pin I/O etc.)	£489
8023 Dot Matrix Printer (100 CPS, up to 136 columns, proportional spacing, greek and math)	£399
8031 Dual Disk Drive	£669
8043 Colour Monitor	£579

All CPM software is available



THANDAR TA2080 — £1950

20MHZ LOGIC ANALYSER

A value-for-money instrument with both **TIMING** and **STATE** capture and display and excellent triggering from 23 bits.

We are designing RS232 and IEEE interfaces, Z80 and 8048 disassemblers for our own use, which will be available when tried and approved by Thandar.

PLEASE PHONE FOR PRICES

LOMBARD HOUSE, CORNWALL ROAD, DORCHESTER, DT1 1RX

Telephone: Dorchester (0305) 68066

Prepaid or credit card orders normally shipped by return. Prices include first-class recorded post in UK. Securicor, Red Star, etc. at extra cost.

VAT should be added at current rates.

*Dataman
Designs*



INDUSTRY NOTEBOOK

By Nexus



Atlas Saga

Twenty years ago the conventional wisdom in computers was 'big is beautiful'. True, second generation computers were appearing with transistors instead of thermionic valves which helped shrink physical size but the accent was on big in performance. The yardstick was not on capital cost but cost per calculation per second.

Using this formula the mammoth mainframe computer seemed justified. IBM, the world leader, set the pace with the 7030 Stretch capable of performing more than a million logical operations per second. Ferranti, one of the British pioneers in association with Manchester University, went bigger and better with Atlas with a prototype installed at Manchester in 1961 described triumphantly in the Daily Telegraph as the most powerful computer in the world. It cost the then enormous sum of £2 million.

Computer industry historians record that both Stretch and Atlas were expensive flops. Performance in both cases fell short of expectations. Four years after the prototype Atlas had been installed at Manchester another Atlas at London University was still disappointing its users despite the injection of additional expertise from ICT (later to become today's ICL) who by this time had taken over Ferranti's large mainframe interests. To be fair the difficulty was not so much in the giant hardware but in software where the problem had been grossly underestimated. The thousands of tasks planned to be undertaken by the mighty number-crunching Atlas had to be clipped back to hundreds and the balance transferred to other machines.

The costly experiment didn't automatically lead to a reversal of policy to 'small is beautiful' but from then on there was a trend to smaller modular units, more manageable, which could be grouped into larger units. Later, we progressed through the mini to the micro and to distributed data processing. Over the years the

hardware/software cost ratio has also changed dramatically. The home computer hobbyist can check this for himself by charging a notional commercial rate of, say, £10 per hour for programming time compared with his once-for-all capital outlay in the low hundreds.

There are still jobs which need some mammoths although today they are described as ultra-high-powered. And, as in the battle for size two decades ago, the competitors are again IBM and ICL. And ICL, in challenging IBM, have chosen to resurrect the old name Atlas for two new systems, the Atlas 10, Models 15 and 25.

Naturally enough after 20 years today's Atlas is very different in architecture, type of components, speed and overall capability. It is an entirely different beast owing little of its ancestry to Ferranti or Manchester University or even ICL. It is in fact made in Japan by Fujitsu, a name unheard of in computer science in the days of the original Atlas.

Challenge

The Atlas story dramatically illustrates the changing balance of technological power. Japan has not yet achieved superiority in every field but has been successful in all that have been systematically attacked. In cameras, motorcycles, shipbuilding, cars, consumer electronics and now, we have to assume, the drive is on to achieve market dominance in professional and capital goods electronics, perhaps to be soon followed by defence electronics, challenging the leading companies in the United States and Western Europe.

History is repeating itself. Only the geography has changed. As Japanese success in consumer electronics decimated the domestic industries of Western Europe and the United States, so Japan's own industry is under increasing threat and pressure from the torrent of consumer electronics from Hong Kong, Singapore, Korea and Taiwan. Japan today is in the same position as the UK a decade or so ago, forced to go up-market to keep factories employed because their original products can now be made more cheaply elsewhere.

Looking round the globe we find other nations learning fast. Space vehicle launchers are no longer exclusive to the Soviet Union, the United States and Western Europe. Japan has her own as has India and China. Indonesia put up a satellite some six years ago. The Arabs and some South American countries are also beginning to get involved in space technology. Most still depend on technical assistance from the Eastern or Western blocs but Third World countries must eventually achieve a degree of technological independence.

Happily electronics remains an expanding world industry and newcomers can still be accommodated, albeit at the risk of increasingly growing competition. With a labour-cost handicap the West's relative position can be maintained only by keeping a jump ahead in technology and, as the Atlas story shows, this is no easy challenge when a vigorous young pupil can so easily surpass an ageing tutor.

Push-button War

All the world's military experts have been and still are evaluating electronic sensors and weapons systems deployed in the battle of the South Atlantic. It might have been imagined that sophisticated weapons with built-in 'intelligence' operating at great range by remote control would have been the decisive factor. In the event this was no push-button war. Foot-slogging, blood-and-guts discipline, courage and traditional rifle, machine-gun, mortar and artillery fire were the main components of the land battle rather than the electronic battlefield predicted and promoted by defence equipment salesmen.

The French-built Exocet anti-ship missile was the nearest thing to push-button war. Its stand-off fire-and-forget concept was effective but its hit rate was nowhere near 100 per cent although it is not yet clear whether the misses were missile malfunction or efficient defensive electronic countermeasures (ECM) by British warships. At some 200,000 US dollars each the Exocet is a cheap weapon if it sinks a ship but an expensive failure if it doesn't. Exocet is big business with over 1,000 missiles delivered to 20 countries including the UK.

Exocet first appeared in 1972. The new generation British Sea Eagle, barely yet in service, is said to have a stand-off range of 100km compared with Exocet's 50km. Another new British system was not available for the crisis. This was Nimrod Mk III airborne early warning and control system (AWACS) of which eleven are on order. But even had they been available it is hard to imagine how they could be maintained flying over the battle area so far from Ascension Island, their only possible base. Lack of AWACS allowed low-flying aircraft to close-in on warships with only limited warning time from shipborne radar. Thus, British casualties have to be judged taking into account the self-imposed handicaps as well as those of distance and climate.

From 3,500 BC to the present day there have been 14,500 recorded wars and only 292 years of peace according to Francis A. Beer in his book "Peace Against War".

Outlook

All the leaders in UK electronics turned in good half year results with defence contractors Plessey, GEC, Racal and Ferranti all showing gains in profits and turnover. This due, of course, to delivery on past orders all pre-Falkland. Post-Falkland business is expected to be brisk following re-appraisal of future defence needs and replacement of lost equipment. But in the non-defence sector there is plenty of optimism with Cable & Wireless, for example, nearing the £100 million pre-tax profit milestone.

Thorn-EMI have survived the worst of the recession but streamlining savaged the workforce by some 30,000. Chairman Sir Richard Cave will be pleased to have seen a leading stockbroker forecasting substantial profit improvement for 1983 and 1984. Apart from being the biggest TV and VCR rental company in Europe the company has a number of important defence contracts.

MENTA Review...

DAVID WHITFIELD M.A. M.Sc.

MENTA—Micro Electronic mNemonic Teaching Aid

LEARNING about microprocessors is best done in a practical fashion, at machine code level on a CPU which is an accepted industry standard in its field. This was recognised in the original specification for "Auntie's Micro" (subsequently better known as the BBC Microcomputer), which called for a Z80-based design with good support for machine code programming, as well as BASIC. Although other pressures eventually led the BBC to adopt a non-Z80 design, the exercise does give an indication of the wide degree of acceptance gained by the Z80 since its introduction by Zilog in the late 1970's.

The Z80 was developed by Zilog as a "super-8080", an 8-bit third-generation that would do everything that the then standard Intel 8080 would do, and then much more. The result was a product which has found wide acceptance in many fields of control and stand-alone applications. The 158 instructions offered by the Z80 include the full 78 instructions of the 8080, thereby providing software compatibility with the 8080, and increasing its already considerable appeal.

In the field of popular microcomputers, the Z80 is used as the CPU in the Sinclair ZX81, Tandy TRS-80 and Video Genie, to name but a few. These alone represent a user base of over a million systems. The majority of these machines, however, concentrate in the main on the support of BASIC, The Beginner's All-purpose Symbolic Instruction Code. These systems are mainly concerned with applications programming; the user is usually not even aware of the variety of CPU which lurks behind the keyboard.

The MENTA is not part of the common trend in home computing, and it does not support BASIC in any shape or form. The MENTA is dedicated to teaching how to program and use the Z80 for control applications; it provides a unique opportunity to use a microprocessor to actually DO something. An unusually powerful in-built keyboard assembler and television display facility support a novel approach to learning and using assembly language. The facilities of the MENTA take much of the pain, in terms of both effort and cash, out of the process of learning how to use a real microprocessor in its native environment. Direct comparisons with other systems are difficult; many of the facilities are only offered on microprocessor development

systems or mini-computer systems costing upwards of 10 to 20 times the cost of the MENTA. The MENTA lays down a challenge to the user, provides the necessary facilities, and encourages the development of microprocessor based controllers for real applications.

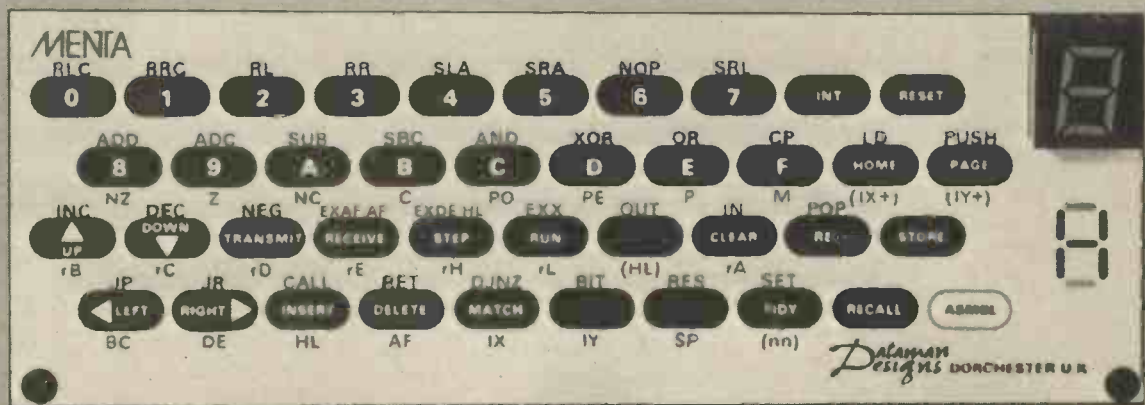
FIRST IMPRESSIONS

The MENTA comes securely packed in a cardboard box measuring approximately 250 mm x 180 mm x 100 mm. Inside the box is a complete MENTA system, and only a mains outlet and a domestic u.h.f. television (set to the ubiquitous channel 36) are required to start programming in assembler. The package includes the MENTA itself, an a.c. mains adaptor with integral 13A plug, a television lead to suit a standard TV coaxial socket, and two manuals. The two unlabelled A5 sized booklets turn out, on inspection of the contents (in the absence of titles), to be the instruction manual and a listing of the monitor ROM.

The first impressions of anything new are always to be treated with care, but initial reaction to the MENTA is rather mixed. The main unit comes housed in a rather strangely contoured vacuum-formed black ABS case a little larger than a Sinclair ZX81. The case is in two distinct halves, the top half of which covers approximately two-thirds of the bottom half, and the two halves are held together by four plastic fasteners (which are not easily separated). The case design seems to owe its origins to the Softy 2, also from Dataman Designs, but does nothing to enhance the appearance of the MENTA.

The keyboard is fabricated directly on the main circuit board on the part which extends beyond the limit of the top half of the case. The flat plastic keyboard is made using silver printing technology and contains 40 clearly marked keys. The keys represent the hexadecimal digits 0 to F, and the rest are used for control and editing functions. When the keyboard assembler is in use, most keys have further functions for entering assembler mnemonics; no key has more than three functions, and no shift keys are necessary. The keyboard layout is shown reproduced in Fig. 1. The plastic surface is relatively immune to dirt and dust, and can easily be cleaned with a soft cloth.

Fig. 1. MENTA keyboard layout



The great improvement of the MENTA keyboard over that of, say, the ZX81 is the audible feedback provided for the user. Each keystroke is accompanied by a short bleep, or by a squawk if that stroke represents an invalid operation. This saves much of the tiresome and continual looking up at the television screen in order to check whether the keystroke has registered or not.

At the top right of the keyboard are a seven-segment l.e.d. display, which stands proud of the board, and a 26-pin input/output connector. This connector has long exposed pins which must be susceptible to accidental damage, and which are certainly painful if encountered while trying to pick up the unit! At the rear of the unit there are sockets for connecting the power supply, television and cassette recorder. The sockets are not labelled in any way on the case, and it is necessary to refer to the manual to be sure of making a correct connection; the same comment applies to the I/O connector. From the outside therefore, the first impression is of a unit with a full range of facilities, but rather bizarre styling and inadequate labelling of connectors.

Removing the top cover from the MENTA immediately moves one to wonder why such a high quality board is hidden by such an uninspiring cover. The main circuit board is a neatly designed, well laid out, double-sided fibreglass printed circuit board. The major i.c.s are all fitted in sockets, and the top surface of the board is coated and then screen printed to simplify identification of components from the circuit diagram in the manual. The CPU, PPI and monitor ROM occupy the space immediately above the keyboard. The piezo-electric audio unit, Astec u.h.f. modulator and tape/power sockets are at the back of the unit. In the middle of the board is the quartz oscillator, counters, RAMs, and assorted logic i.c.s. One very neat feature of the board is the way in which the metal case of the television modulator is used as a heatsink for the voltage regulator i.c. All in all, a very nicely constructed board, well laid out and neatly labelled.

SYSTEM DESCRIPTION

The overall MENTA system incorporates a Z80 CPU, 2048 bytes of read-only memory (ROM), 1024 bytes of random access memory (RAM), a programmable peripheral interface (PPI), a 40-key keyboard, and all of the circuitry necessary to drive a standard u.h.f. television receiver as a display unit. Additional features include a 7-segment l.e.d. display to give prompts and information to the user, a cassette tape recorder interface for storing and retrieving programs, and a miniature loudspeaker. Power for the unit is provided by a separate a.c. mains adaptor which has an integral 13A plug, and which works in conjunction with the internal voltage regulator to provide power for the MENTA circuitry. The PPI also provides three 8-bit input/output (I/O) ports for hardware control applications.

As with any system, the hardware provided should be considered in the light of how it is configured, and the manner in which it performs its functions. A block diagram for the MENTA is shown in Fig. 2, showing a conventional two-bus structure. At switch on, the Z80 CPU is started up under the control of the monitor program stored in ROM. The monitor is the program to which the user "talks" in order to make the MENTA perform the functions which are required. The monitor is responsible for detecting and identifying, via the PPI, keyboard depressions, and for deciding what action is to be taken, if any. As previously mentioned any valid keyboard entry echoes a short "beep", whereas an invalid entry evokes a rather appropriate "squawk". In addition, the monitor drives the television display (doing most of its processing during the line blanking interval), and via the PPI, handles the loudspeaker, cassette tape interface, and the I/O ports.

The monitor is a program which is permanently stored in

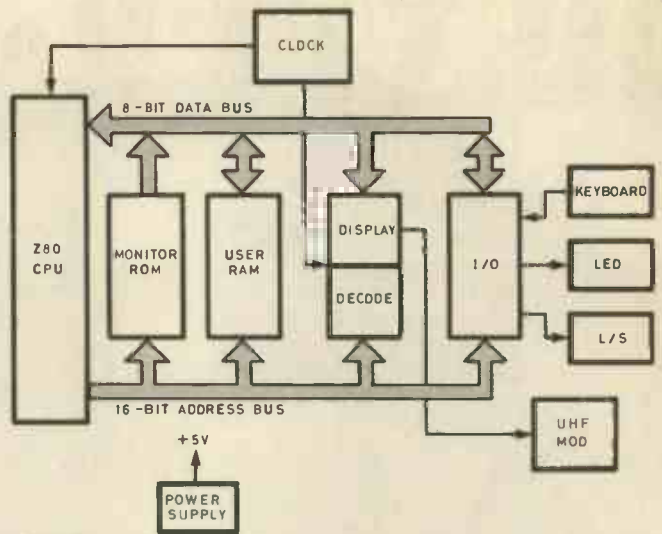


Fig. 2. Block diagram for the MENTA system

ROM, and as such it cannot be modified by the user. In order to write applications programs, the user is provided with an area of RAM, and enlists the services of the MENTA's powerful monitor facilities to enter the necessary instruction codes into the RAM area of the memory. Once satisfied that the stored program is correct, the user instructs the monitor to pass CPU control from the monitor to the program in RAM and RUN the program. At the end of the program, or when the program is halted, control is returned to the monitor for possible further user action or modification.

USING MENTA

Switching on the MENTA produces a display on the television screen of 256 pairs of numbers. Closer inspection shows that the numbers are in hexadecimal notation. For display purposes, the user RAM area of 1024 8-bit locations starting at address F800 is separated into four discrete pages each of 256 locations, identified as pages 0 to 3. These pages, therefore, will display the contents of the 256 (100 HEX) locations starting from F800, F900, FA00 and FB00, respectively, with the addresses for each row of the display incrementing by 10 HEX. The manual advises the user that the last 3½ rows of page 3 (locations FBC7 to FBFF inclusive) are reserved for use by the monitor; the details provided allow the user to gain an interesting insight into the operation of the MENTA's monitor. At any time, the display shows the contents of the page which is identified by the seven-segment display; at switch-on the display comes up at page 0. Different pages are selected by the PAGE key, followed by the required page number (illegal page numbers are ignored).

The initial contents of the memory are random and the whole of the user RAM may be cleared at switch-on by operating the CLEAR key twice. This double operation is a deliberate safety feature included to prevent accidental loss of a program from memory. Similarly, the press-twice feature is provided on the RUN key. The CLEAR key actually zeroes the RAM locations from the current cursor position up to the start of the monitor RAM (FBC7). Movement of the flashing cursor is by four direction keys (UP, DOWN, LEFT, and RIGHT).

Auto-repeat is a facility provided to assist in rapid positioning of the cursor; holding the required key down will cause the cursor to move at a rate of approximately three positions per second. Full row and column wrap-around is implemented, with the next position RIGHT from the end of a row being the start



When entering a program, by whatever means, the facilities offered for making changes, rather than completely re-typing, are important. To delete an instruction without affecting those which remain, the cursor is simply moved to the appropriate address and the code over-written with "00". This is a NOP instruction for the Z80 and is ignored by the CPU. To add an instruction, the INSERT key is pressed as many times as there are bytes in the instruction, making room (filled initially with "FF" codes) for the addition by shifting the following instructions to the right. Any subsequent jump instructions will, of course, require suitable modifications. The DELETE key performs the opposite function from that of the INSERT, deleting bytes and moving to the left.

Code entry in hex is thus very quick and very easy to use. The key "click" takes much of the effort out of entering the code initially, and the whole program can easily be seen on the screen when complete, a vast improvement on systems which display only single locations at one time. The cassette tape interface may then be used to record the contents of the whole memory, in about four seconds, allowing several programs to be developed in different parts of the memory and then saved on tape at the same time.

of the next row, and similarly for pages; page 0 follows page 3 in the normal wrap-around scheme. The HOME key causes the cursor to return to the start of the current page. The cursor is automatically reset to this home position whenever the PAGE key is used to move between pages.

There are two distinct methods of entering machine code instructions into the MENTA's RAM storage area. The first method will be familiar to users of many microprocessor evaluation systems and involves entering the hexadecimal instruction codes into memory directly. The second method is a significant advance over the first and it uses an in-built ROM-based keyboard assembler to allow keys representing the standard Z80 instruction mnemonics to be used to enter instructions into memory. Both entry methods are well supported by the monitor and the features of each will be considered in turn.

PROGRAMMING IN HEX

Entering programs in hex is simply a matter of positioning the cursor at the selected memory start address, and then typing in the hex instruction codes. The cursor automatically moves on to the next location whenever two hex digits have been entered; this does, however, mean that leading zeroes must be used in entering codes. Correction of errors is simply achieved by using the LEFT cursor shift key, followed by re-typing the 2-digit code. At the end of the program, the user includes an 'FF' to cause the program to return control to the monitor. The program is started by positioning the cursor at the start address, and then typing the RUN key twice. Should the program run out of control, it may be stopped using the INT or RESET key, which causes the monitor to resume control. The program may be stepped through one instruction at a time using the STEP key to monitor its operation in detail (the contents of the registers are displayed at the bottom of page 3, and readily accessed using the REG key).

USING THE KEYBOARD ASSEMBLER

The keyboard assembler is started by pressing the ASMBL KEY. This causes the top bar of the l.e.d. display to be illuminated, indicating that the next keystroke will be interpreted as the instruction mnemonic printed in blue above the next key. Once the first mnemonic has been entered, the bottom bar of the l.e.d. will be illuminated, showing that the mnemonic marked in red below the next key will be entered. Some instructions will prompt for more than one red-coded mnemonic to be entered. When all of the necessary mnemonics (up to 3) for the instruction have been correctly entered, the instruction will be assembled and entered into memory, starting at the current cursor position. The cursor will then move on to the next available memory location and the top bar of the l.e.d. will again be illuminated, indicating that the assembler is ready for the next instruction. The instruction codes do not appear on the display screen until a particular instruction has been completed and assembled. An error during the entry of an instruction will produce a "squawk", and the instruction must be re-started.

The assembler handles 94 per cent of the Z80's instruction codes; the remaining 6 per cent must be entered in hex directly. This may be easily done by using the ASMBL key to leave the assembler, keying in the appropriate box code(s), and then using the ASMBL key again to return to the assembler mode from the direct mode. When the keyboard assembler is used to enter code, the first byte of each instruction is automatically highlighted to assist the user in identifying steps in the program.

One of the significant advantages of the MENTA is the way in which jump offsets and addresses do not need to be worked out by hand. When an address is required for a jump instruction, the user leaves the assembler, moves the cursor to the first byte of the target instruction (which will have been highlighted by the assembler), and then types the STORE key. The cursor is then

returned to its original position and the RECALL key is used to enter the jump absolute address or jump relative offset, as appropriate to the instruction selected.

The keyboard assembler puts the MENTA in a class of its own; the traditional hex entry method is retained, but programming the Z80 in the more familiar mnemonic codes is provided with the minimum of fuss. A significantly larger and more expensive system would be required before any greatly improved facilities would become apparent to the average user.

USER DOCUMENTATION

The manual describes the MENTA as "a product made to teach microprocessor application", and the typical user as "a trainee engineer or system designer". It is also mentioned in the introduction to the manual that the MENTA has been designed to meet the requirements of the School's Council's Project "Courses in Modular Technology".

The user documentation provided with the MENTA comprises two A5-sized manuals. The primary, and much the thicker, manual contains approximately 150 pages, of which the first half is the real user guide. This is followed by a 10-page alphabetically ordered listing of the Z80's instruction set. Further appendices contain hex conversion and ASCII code tables. The final 40 or so pages are taken up by two data book extracts; a 19-page data sheet on the 8255 PIA chip, and a 22-page data sheet on the Z80 CPU. The secondary manual contains a copy of the 80-page assembler listing of the MENTA's monitor program.

The primary manual, while easily readable, is somewhat sparsely illustrated and lacks either an index or contents list. The manual does, however, contain a great deal of useful and helpful information, and even includes a complete circuit diagram. The order of presentation of the material in the manual, even allowing for the fact that the manual is not intended to be a teach yourself text, leaves much to be desired. The first sample program, for example, is introduced one-third of the way through chapter one, but it requires the user to "first read quickly through chapter 2", before proceeding. This first program is presented before any discussion of the Z80's CPU has occurred.

The purpose of each example in the text is well explained; the way in which the program achieves its objective, however, is not well covered. This seems a rather strange omission for such a system. The examples are presented as hex codes, with assembler listings given towards the middle of the manual. The listings, however, also err towards providing information on what the programs do, rather than how they do it. The number of examples (three) is rather low, and none are included to cover the latter part of the user text.

The latter part of the user text covers the subjects of I/O and control applications in some detail. This is really what the MENTA is all about, and this section would be excellent if it were extended to include some practical experiments for the user to try, and some sample listings. Much interesting and useful information is included on how hardware should be driven from the I/O ports; further guidance on some aspects of writing software for control applications would have been extremely useful.

In general, the individual user will probably benefit greatly by reading one of the standard Z80 programming books in conjunction with the MENTA manual. The manual otherwise relies heavily on the user studying the Z80 data sheet (not an ideal primary learning text even for an experienced microprocessor design engineer) for details of the Z80 instruction sheet and architecture. Such an additional text should also provide some practical examples in order to complete the picture. It should be mentioned, however, that the School's Council's Course for the

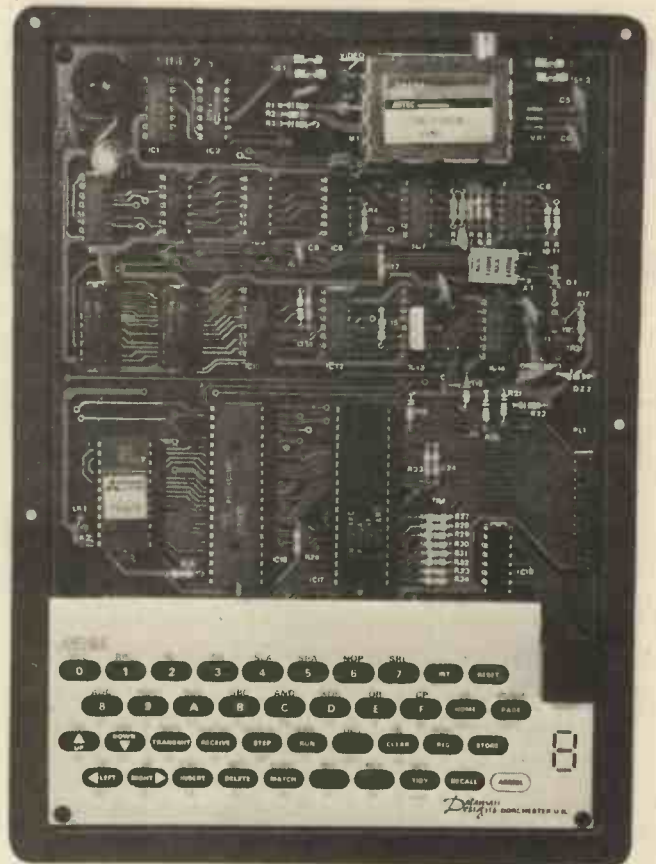
MENTA is intended to provide the complete support for the system. Course material is available which extends far beyond the scope of the standard user manual.

CONCLUSION

The MENTA provides a well supported and cost effective approach to learning assembly language programming, with particular reference to control applications. The choice of a Z80 as the CPU makes this a particularly relevant system to the real world of microprocessor-based applications. The system encourages the adoption of a microprocessor design for roles at which they excel; the replacement of large amounts of dedicated combinational logic by a programmable controller, allowing many changes to be accommodated simply by changes in the software.

The facilities offered by MENTA have been well thought out, and then implemented in a way which minimises many of the difficulties normally associated with low-level programming teaching. The user feels encouraged to start programming, and the keyboard mnemonic assembler removes the need for continual reference to lists of hex instruction codes. The flat keyboard is well complemented by good audible feedback facilities. Program debugging is also well supported, with single stepping and the facility to examine and change registers simply at any step. The cassette tape interface allows the final program to be built up over a number of sessions, and an option is available to allow the program to be sent over a serial link to, say, a PROM programmer, if required.

The MENTA is made in the UK by Dataman Designs, Lombard House, Cornwall Road, Dorchester, Dorset, DT1 1RX; telephone 0305-68066. The one-off price is £115.00, and the dis-assemble option to produce a serial output link is £19.50; prices exclude VAT. ★



Patents Review

SURROUND SOUND

British patent application 2 067 057, from the IBA, offers a useful, and clearly worded, run down on the current state of play over broadcast surround sound. The patent application, naming Jonathan Halliday as the inventor, was filed on 19th December 1979, just two days before a press release from the IBA announcing the development of the "MSC" (Mono-Stereo-Compatible) system of surround sound. This followed a June announcement by the IBA engineers that they had reduced the number of practical options of surround sound to two "irreconcilable" approaches. These are the NRDC-Ambisonics approach (to which the BBC is closely aligned) and the IBA MSC approach. As the IBA used the MSC system to transmit from Radio Victory on September 23rd, 1979 and from Capital Radio on November 25th and December 11th, an interesting legal question is raised: does the transmission of programmes using a new technology constitute public use of the idea? If it does, then the IBA's application for a patent, made on 19th December, could be legally invalid. But valid or not, the IBA patent application makes interesting reading.

It is acknowledged that the IBA system "takes as a basis the Ambisonics B format". This provides four basic signals:

- W—an omni directional signal;
- X—a signal which, together with W, is indicative of front-back positions;
- Y—a signal which, together with W, is indicative of side-to-side positions; and
- Z—a signal which, together with W, is indicative of height.

From these four signals linear mixing techniques provide three signals;

- Σ —a sum signal equivalent to mono;
- Δ —a difference signal which, when taken with the Σ signal gives stereo, and may also be decoded to give horizontal surround-sound of limited quality and;
- T—a third signal which, with the other two signals, gives horizontal surround-sound of good quality.

IBA test transmissions made in 1978 left the Authority's engineers in no doubt that the phase differences between the Σ and Δ signals, and consequently between the received stereo left and right signals, degraded the sound. The IBA engineers

then looked for a way to avoid this degradation. Starting with the same four B format signals they arrived at an encoding matrix with the following characteristic:

$$\begin{bmatrix} \Sigma \\ \Delta \\ T \end{bmatrix} = \begin{bmatrix} 0.9 & 0.1092 & 0 \\ 0 & 0 & 0.6897 \\ -0.3954j & 0.3954j & 0 \end{bmatrix} \begin{bmatrix} W \\ X \\ Y \end{bmatrix}$$

Surround-sound decoding is not possible using the Σ and Δ signals alone. However, since there are no phase differences present between these signals, no compromise is made over normal mono and stereo reception. So the IBA signal produces perfect mono and stereo from existing mono and stereo receivers but requires a three channel receiver and decoder to produce horizontal surround-sound. Moreover the three channel receiver must have a full bandwidth capability on all three channels. This differs from the Ambisonics UHJ approach which is hierarchical. A reasonable surround-sound effect is obtainable by decoding from two signal channels and an improved effect is obtained when a third channel, of either limited or full bandwidth, is received and decoded. This is the "irreconcilable choice" to which the IBA referred in 1979.

With both approaches, the transmission of a fourth channel enables the reproduction of height information.

The decoding matrix is an inverse of the encoder, and delivers signals W' X' and Y', which are equivalent to the original B format signals. In both approaches (Ambisonics and IBA) the decoded W, X and Y signals require further processing to produce speaker feed signals for three, four, five, or even more loudspeakers around the room.

Figure 1 shows an encoding circuit for the IBA system. Linear mixer and amplifier 2 receives the W and X signals, eg from a microphone array, and generates two output signals. One is fed through all-pass filter 3 to produce the Σ signal and the other is passed through all-pass filter 4 which introduces a 90° phase shift to produce the T signal. The Y signal from the input is fed to multiplier 5 and all-pass filter 6 (which is identical to filter 3) to produce the Δ signal. The three transmission signals are multiplexed at 7 and transmitted at 8.

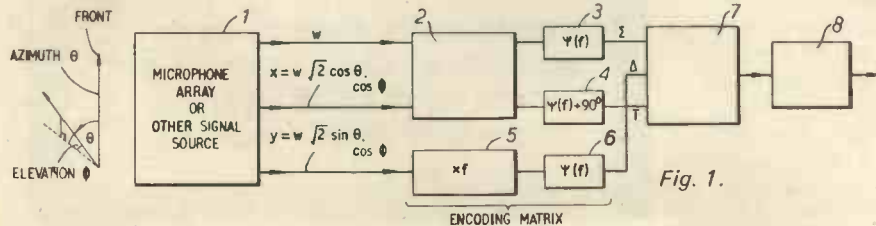


Fig. 1.

DRIVE UNIT IMPROVEMENT

Rank Wharfedale have filed a British patent application 2 083 974 on an interesting proposal for improving the performance of loudspeaker drive units. The idea is to compensate for the non-linearity which is caused by air trapped beneath the diaphragm. Under normal circumstances this air is compressed and rarified as the diaphragm moves. This produces non-linear response to a drive signal fed to the speaker coil. It's already been suggested to feed a direct current bias signal to the coil. But Rank suggests that this can create problems because of the heat generated by the continuous current flow. Instead, suggests Rank, the position of the speaker diaphragm and coil should be continually monitored and this position used to control a feedback signal.

Figure 2 shows one way of doing this. Light emitting diode 9 and photo transistor 8 are mounted on the central pole piece 4 of the speaker magnet. The internal surface of the coil former 2 is coated to make it diffusely reflective. So light from l.e.d. 9 is reflected back to the photo transistor 8. By making the reflected beam vary in dependence on the position of the coil former, the photo transistor 8 will produce a signal which represents displacement of the coil from its rest position. The patent describes several ways of achieving this, for instance by providing the coil former with a non-linear pattern of reflective and non-reflective areas.

Figure 3 shows a feedback circuit which can be used with an optical sensor of this type. Operational amplifier 14 takes the output of photo transistor 8 and itself feeds another op amp 15. This applies a compensation signal to the loudspeaker coil. The gain of op amp 14 can be pre-set to give the optimum level of compensation signal relative to the audio signal being reproduced.

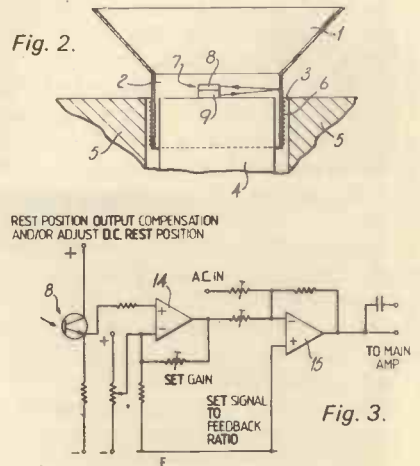


Fig. 2.

Fig. 3.

Tandy

NEW CB

Versatile 40 Channel 4-Watt "Emergency CB" Unit

As Essential To The Motorist as His Spare Tyre

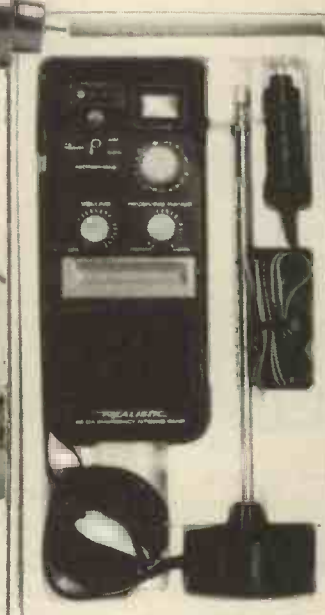
£79.95

- Telescopic Magnetic Base Antenna
- LED "On-The-Air" Indicator
- LED Channel Indicator
- 12v DC Power Cord

Realistic TRC-1004. Its major advantage over "fixed" mobile CB units is its versatility - it can be switched from vehicle to vehicle (making it ideal for the two car family) in seconds. It's ultra simple to set up and use - just connect the supplied antenna, plug-into your car's cigarette lighter socket and you have instant communication! Now you're prepared for emergencies and can call for or give assistance to others, you may want to warn friends of unexpected hazards and delays or tell them that you are safe and well, but will be late, or hear of traffic conditions in advance.

When not in use it can be stored under-seat, in the glove compartment or in the boot until needed again! Features PLL synthesizer circuitry and three ceramic filters for superior selectivity and freedom from adjacent channel interference.

21-9113 £79.95



- *Swaps From Vehicle To Vehicle - Ideal For The Two Car Family*
- *Store It Under The Seat, In The Boot - Or Even In The Glove Compartment*

• Complete With Protective Case

OVER 290 STORES AND DEALERSHIPS NATIONWIDE
Check your phone book for the Tandy Store or Dealer nearest you



Known as Radio Shack in the USA
Prices may vary at individual stores.
Offers subject to availability.

Make
Sure
You
Stay
Legal!!

Seat Belt Reminder

David Shortland

THE proposed legislation regarding the compulsory wearing of seat belts for people travelling in the front seats of cars becomes law in the New Year and many people who have never got into the 'clunk-click' habit could find their lapses not only dangerous but also expensive.

This project has been designed to give an audible warning to both front seat occupants to remind them to fasten their seat belts before driving off.

The system works when the ignition is on. The alarm on the driver's side is only inhibited when the seat belt is fastened or if a front door is opened. The alarm on the passenger's side which is also inhibited when the seat belt is fastened or a door opened can also be turned off by an inhibit switch. This allows the alarm to be disabled when there is no passenger in the front seat. However, the alarm will be retriggered if the passenger door is opened and then closed.

CIRCUIT DESCRIPTION

The circuit diagram of the Seat Belt Reminder is shown in Fig. 1. The switches S2 and S3 are both proximity switches which are fitted to the seat belts and are operated by magnets fitted to the tongues of the seat belts.

When the door switches and switch S3 (on the driver's seat belt) are both open, the inputs to IC3a are both high and the output IC3a pin 12 is low as is IC3c pin 11. The output (pin 8) of IC3c is high and IC4, a 555 timer connected as an astable multivibrator, is turned on triggering the audible warning device (WD1). When either the door switches or S3 are closed (i.e. if a door is opened or the driver's seat belt fastened) the output (pin 12) of IC3a is switched high. Whether or not the output (pin 8) of IC3c is switched low and the alarm inhibited depends upon the state of the other input (pins 9 and 10) of IC3c.

If it is high then the alarm is switched off and if it is low then the alarm will continue until the passenger seat belt is fastened, a door opened or the inhibit switch S1 pressed.

If when the ignition is first turned on, the door switch is open the two inverters IC2c and d are both high and their outputs are low. This sets the output (pin 1) of the latch circuit formed by IC2a and b high. The latch circuit is reset by pressing the inhibit switch S1, IC2a pin 1 goes low, and for the output to be switched high again S2 (the door switch) must be closed or the power to the unit switched off and then on again (via the ignition switch).

If we assume S1 has not been pressed and S2 and S3 are both open the three inputs (pins 3, 4 and 5) of IC3b are all high and its output (pin 6) is low. Closing any one of the three switches (S1, S2, or the door switch) will cause the output (pin 6) of IC3b to go high. If the output of IC3b pin 6 is low the output of IC3c pin 8 is high and the alarm will sound.

TRANSPORT ACT 1981

33A.—(1) The Secretary of State may make regulations requiring, subject to such exceptions as may be prescribed, persons who are driving or riding in motor vehicles on a road to wear seat belts of such description as may be prescribed.

(2) Regulations under this section:

(a) may make different provision in relation to different classes of vehicles, different descriptions of persons and different circumstances;

(b) shall include exceptions for:

(i) the users of vehicles constructed or adapted for the delivery of goods or mail to consumers or addressees, as the case may be, while engaged in making local rounds and deliveries;

(ii) the drivers of vehicles while performing a manoeuvre which includes reversing;

(iii) any person holding a valid certificate signed by a medical practitioner to the effect that it is

inadvisable on medical grounds for him to wear a seat belt.

(3) Any person who drives or rides in a motor vehicle in contravention of regulations under this section will be guilty of an offence; but notwithstanding any enactment or rule of law no person other than the person actually committing the contravention shall be guilty of an offence by reason of the contravention.

In Part I of Schedule 4 to the Road Traffic Act 1972 (prosecution and punishment of offences) after the entry relating to section 33 there shall be inserted the following entry:

"33A. Driving or riding in a motor vehicle in contravention of regulations requiring wearing of seat belts. Summarily. £50

The above extracts have been taken from Chapter 56 of the Transport Act 1981.

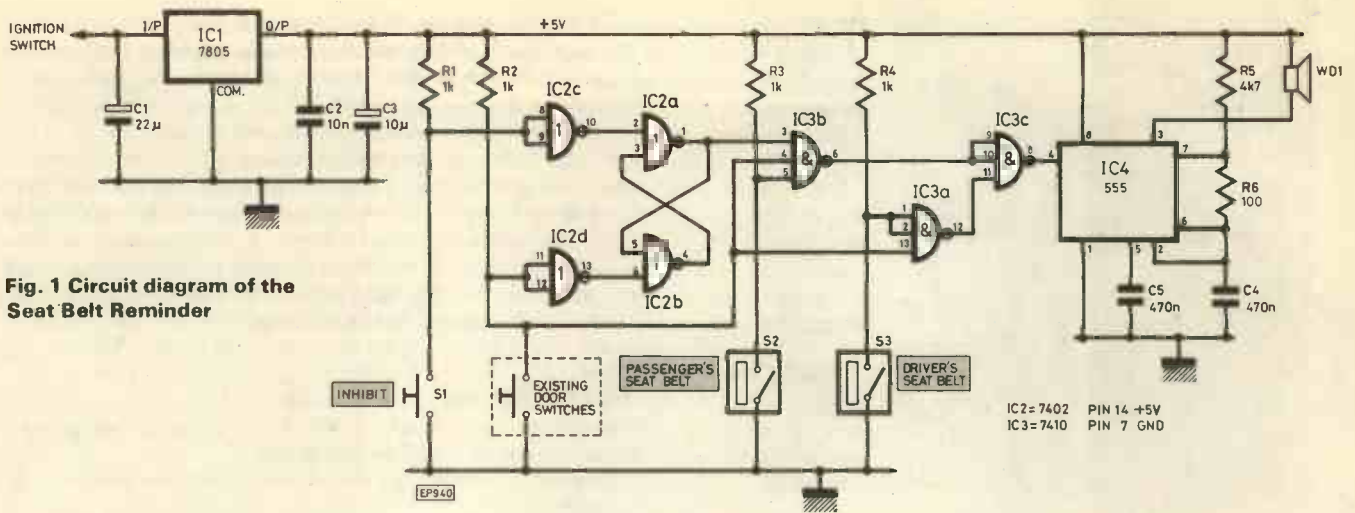


Fig. 1 Circuit diagram of the Seat Belt Reminder

CONSTRUCTION

The p.c.b. design for the Seat Belt Reminder is shown in Fig. 2 with the component layout shown in Fig. 3. The resistors should be mounted first and then the i.c. sockets followed the capacitors and the regulator. Carefully check the orientation of the electrolytic capacitors and the regulator. Also check the p.c.b. tracks to ensure there are no solder splashes.

The case should be drilled next as shown in Fig. 4 and rubber grommets fitted. The two proximity switches should then be fed through the holes in the case and soldered onto the board along with the supply wires and the door switch wire. The warning device should then be mounted in the top of the case and its two leads soldered to the board. The i.c.'s should then be fitted onto the p.c.b. and the p.c.b. mounted into the case.

POWER	S1	DOOR S/W	S2	S3	ALARM
On	Open	Open	Open	Open	On
"	"	"	Closed	Closed	Off
"	"	"	Open	Open	On
"	"	"	Open	Closed	On
"	"	Closed	Open	Open	Off
"	Pressed	Open	"	Closed	Off
"	Open	"	"	"	Off
"	"	Closed/Opened	"	"	On

TABLE 1

COMPONENTS . . .

Resistors

- R1, R2, R3, R4 1k (4 off)
- R5 4k7
- R6 100

All resistors 1/4W 5% carbon

Capacitors

- C1 22µ 25v elect.
- C2 10n polyester C280
- C3 10µ 50v elect. p.c.b. mounted
- C4, C5 470n ceramic (2 off)

Integrated Circuits

- IC1 7805
- IC2 7402
- IC3 7410
- IC4 555

Miscellaneous

- S1 push to make momentary switch
- S2, S3 proximity switch (2 off)
- WD1 Audible warning device
- Case R/S style 509-298
- p.c.b.
- grommets

Constructor's Note

A complete kit of parts for the Seat Belt Reminder is available from **Watford Electronics, 33/35 Cardiff Road, Watford, Herts WD1 8ED (0923 40588).**

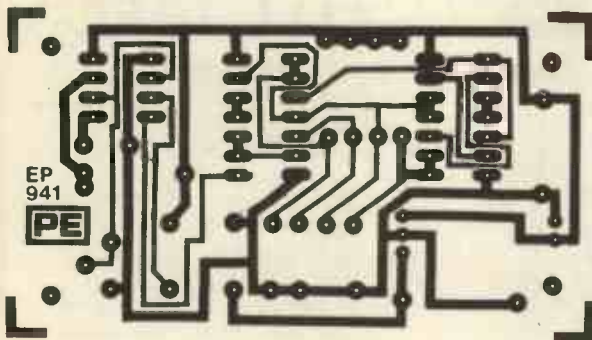


Fig. 2 P.c.b. design

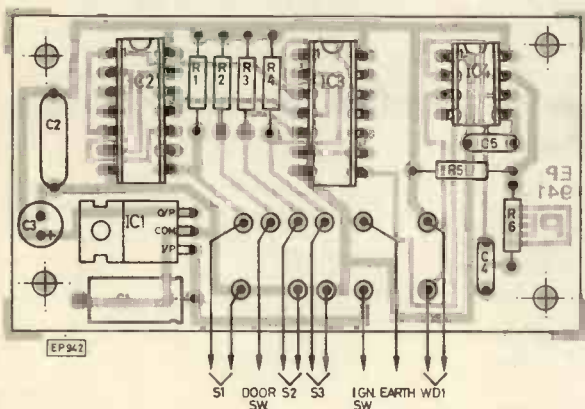


Fig. 3 Component layout

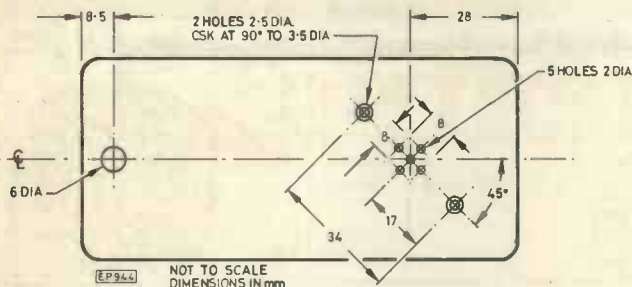


Fig. 4 Case drilling details

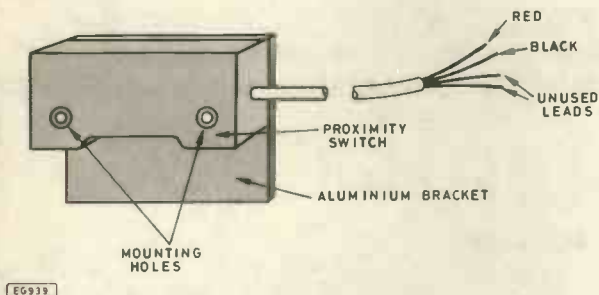


Fig. 5 Mounting bracket.



The actual method of mounting the proximity switches to the seat belts will depend upon the type of seat belts being used. *Note: Under no circumstances should the seat belt housing be drilled in order to fit the switches into position.*

It may be necessary with some seat belts to mount the switches on brackets to ensure the gap between the magnet and the switch is small enough. A suitable bracket is shown in Fig. 5.

The two unused wires on the switches should be trimmed before they are soldered to the p.c.b.

Before fitting the unit into a car connect the supply leads across the car battery. With the magnets removed from the proximity switches and with no earth on the door switch wire the alarm should sound. By following the procedure in Table 1 all the alarm facilities can be checked.

If the unit fails to operate correctly switch off and carefully check the orientation of the components. Remove IC2 and IC3 and with the supply reconnected check the supply rail is 5 volts to all the i.c.s. Next connect a link wire from pin 8 to IC3 to the supply rail this should sound the alarm. Insert IC3 and with S2 and S4 both open the alarm should sound. Finally, insert IC2 and check the output on IC2a pin 1 is high, pins 3, 4 and 5 of IC3b are high and IC3b pin 6 is low.

INSTALLATION

The unit can be sighted anywhere in the car but the following points should be taken into account.

- 1) The inhibit switch S1 should be within easy reach of the driver.
- 2) The leads of the proximity switches are only 300mm long and will need extending if the box is to be placed any distance away from the seat belts.

The proximity switches should be fitted to the seat belts using Superglue. The area on the seat belt under the switch should be smoothed before being glued. The magnet should be fitted to the seat belt tongue as shown in the photograph so that when the seat belt is engaged the gap between the magnet and the switch is less than 6mm to ensure correct operation.

Finally the door switch wire should be connected to either front door courtesy lights switch and the unit is then ready for use. ★

EASIBINDERS

Quick, neat and easy!

It's so easy and tidy with the Easibind binder to file your copies away. Each binder is designed to hold 12 issues and is attractively bound and blocked with the PRACTICAL ELECTRONICS logo. Price UK £4.60 including postage, packing and V.A.T. Overseas orders add 25p.

Please allow 3/4 weeks for fulfilment of order. Why not place your order now? Send the completed coupon below with remittance payable to:—I.P.C. Magazines Ltd., Post Sales Dept., Lavington House, 25 Lavington Street, London SE1 0PF.

Order Form PRACTICAL ELECTRONICS

I enclose P.O./cheque value for binders.

Years required

BLOCK LETTERS PLEASE

Name

Address

Date



MASTER ELECTRONICS NOW! The PRACTICAL way!

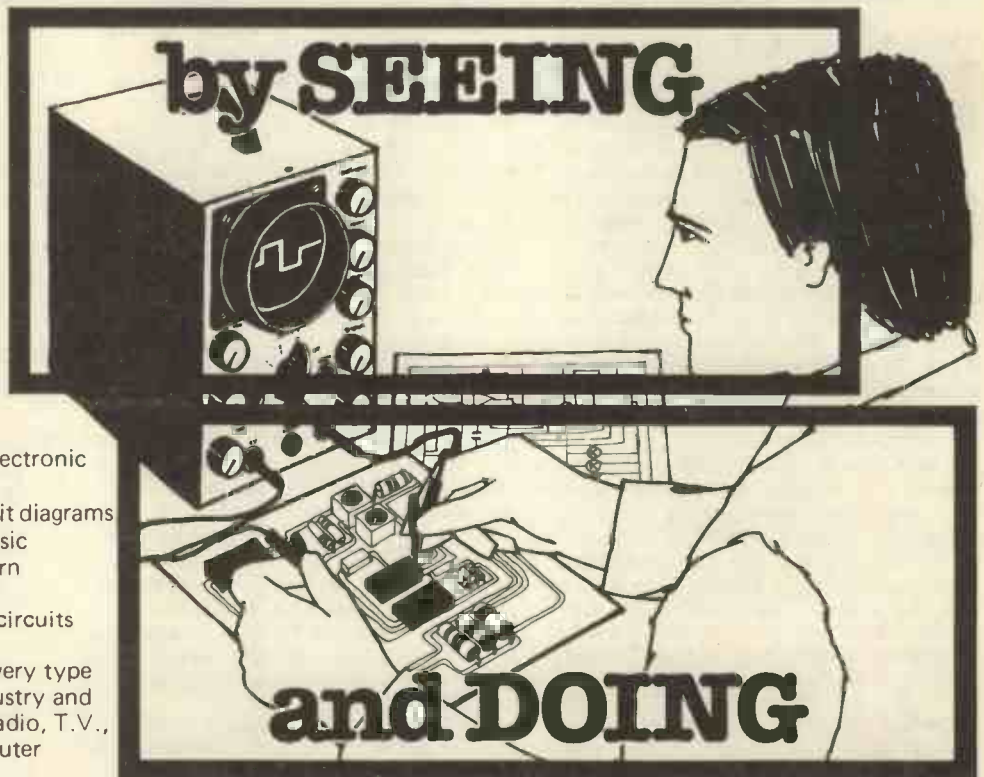
This new style course will enable anyone to have a real understanding of electronics by a modern, practical and visual method. No previous knowledge is required, no maths, and an absolute minimum of theory.

You learn the practical way in easy steps mastering all the essentials of your hobby or to start or further a career in electronics or as a self-employed servicing engineer.

All the training can be carried out in the comfort of your own home and at your own pace. A tutor is available to whom you can write personally at any time, for advice or help during your work. A Certificate is given at the end of every course.

You will do the following:

- Build a modern oscilloscope
- Recognise and handle current electronic components
- Read, draw and understand circuit diagrams
- Carry out 40 experiments on basic electronic circuits used in modern equipment
- Build and use digital electronic circuits and current solid state 'chips'
- Learn how to test and service every type of electronic device used in industry and commerce today. Servicing of radio, T.V., Hi-Fi and microprocessor/computer equipment.



New Job? New Career? New Hobby? Get into **Electronics** Now!

FREE!
COLOUR BROCHURE



POST NOW TO:

Please send your brochure without any obligation to

I am interested in:

PE/9/820

NAME _____

COURSE IN ELECTRONICS
as described above

ADDRESS _____

RADIO AMATEUR LICENCE

MICROPROCESSORS

LOGIC COURSE

OTHER SUBJECTS _____

BLOCK CAPS PLEASE

British National Radio & Electronics School Reading, Berks. RG1 1BR.



Space Watch...

provide material which can be given to human patients as a final test of the validity and efficacy in normal gravity conditions.

BENEFITS

The planned programme will involve some forty different materials under examination for the space processing. The first of these have been selected on the grounds that they could benefit the greatest number of patients in special classes of disability.

Naturally there is a priority for those drugs which could provide for improved chemotherapy particularly for cancer conditions. One of these is Antitrypsin products. This material is able to inhibit the progress of emphysema. At the present time only small amounts are available for research purposes and are of low purity when produced in the normal gravity conditions on Earth. It is predicted that if the space processing is successful the number of patients who could benefit would be of the order of half a million.

Another substance which has already proved itself is Interferon. This fortifies the body against viral infections. It is now being developed for the treatment of cancer. Again the emphasis is on gravitational difficulties which result in low purity and small amounts. Again the estimate of purity of yield would increase the patient load to some 20 million per annum.

Growth hormone products are also in need of advanced yields in quantity and quality. This is particularly so in the case of the young where bone growth is inhibited and other deficiencies resulting in the quality and quantity of life. Another advantage is the improvement in healing of ulcers. Again only low purity material is available on Earth. The patient benefit could extend to three quarters of a million sufferers if it was available in the quantities that would be obtainable from space processing.

Beta cells are valuable for the treatment of diabetes. *There is a possibility of 1-dose cure.* It is thought that in excess of three million patients could be treated in a year. It has not been possible to isolate Beta cells in any quantity in normal gravity conditions. Here there is a great need for this section of the problem to be investigated.

Epidermal growth products are another useful area of research. They are important to the treatment of burns and general healing of wounds. Patient benefit could be over one million cases a year.

Finally in this short selection of the areas of interest to World Health are the Anti-haemophilia products. The present products are not only low purity but also lack the beneficial by-products. The need for this product is world wide.

The two companies are to have the benefit of free space on eight shuttle missions which is an indication of NASA's attitude to the peaceful use of space technology. The funding of the research is of course to be the responsibility of the user.

After two years it will be necessary for the developing group to have their own free space vehicle. It is possible there will be further information about the final production operation for inclusion in the next *SPACEWATCH*.

REACHING FOR THE STARS

In the last issue of *SPACEWATCH* I promised a survey of the achievements of the deep space probes Pioneer 10 and Pioneer 11. On March the 3rd this year Pioneer 10 completed the tenth year of its life. It has been a decade of success for the scientific world and was the most remote man-made device launched from its birthplace, Planet Earth. Its companion Pioneer 11 also shares in the honours.

On its birthday Pioneer 10 was at the heliocentric distance of 26.6926 astronomical units, 2.481 billion miles. It remains healthy. Its body of scientific equipment is in sound working order and it is returning data daily at the rate of 64 bits per second—collected by the 64 metre, deep space antennas of the Jet Propulsion Laboratory USA. The tragedy of this birthday was that Pioneer 10 will after this year be crying in the wilderness, unheard, its data radiating into empty space. A vehicle that has rewarded the designers and teams of researchers and maintenance engineers in a way that no human endeavour thought possible will soon be of no more use, not because it has failed; not because it is old; but because it is being *cut off* in its half life for the simple reason that the dollars are not to be made available. To throw away such a star performer is a tragedy of this age where everything is controlled by money. How little would be needed from each American citizen to provide the amount required. Perhaps there is a specialist organisation that could organise a "Save The Pioneer Fund". Surely this is a worthwhile cause when one considers the extra gain in facts and the employment of engineers. Is 3 Million Dollars too much to ask for such a thing?

Here is a catalogue of the achievements.

Firsts.

Flying through the asteroid belt.

The first planetary spacecraft to derive power from radioactive sources independent of distance from the Sun.

Established the environmental conditions round Jupiter and provided vital information for the design of later spacecraft.

Have extended the distance over which telemetry can operate successfully.

Determination of the vast distance over which the Solar Wind has effect.

Discovery of the large scale structure of the interplanetary magnetic field.

Discovered the ring and satellite features of Saturn not previously known.

Discovery of magnetic properties of Saturn.

And to this must be added what is but a short list of achievements. Major advances in the understanding of Jupiter and Saturn. The propagation of cosmic rays and solar energetic particles in the interplanetary medium. The acceleration of charged particles by interplanetary shock waves. Improved determination of the gravity fields of Jupiter and Saturn and the masses of their satellites. Improved knowledge of the hydrogen and helium abundance ratio in the atmospheres of Saturn and Jupiter.

Frank W. Hyde

Special Cassettes Offer!



V.H.S. VIDEO

C90 AUDIO

V.H.S. E180 VIDEO CASSETTES (3 HOURS)

£7.65 each (minimum of 5); **£7.50 each** (min. 10); **£7.44 each** (min. 15); **£7.40 each** (min. 20) including VAT and postage.

Made for Videotone, these V.H.S. 3-hour tapes are of excellent quality and we are pleased to announce this new PE service.

Over the last couple of years PE offers arranged with Videotone have proved highly successful and we have now been able to arrange special prices (only available to PE readers) on these high quality tapes. The offer is a result of Videotone's direct selling policy; send in a current special PE coupon for prompt delivery of tapes.

We believe these tapes are excellent value and we are pleased to offer them to readers. They are covered by a money back guarantee (return within 21 days for refund). Not only are the tapes of high quality but the cassettes are of screw together construction and the case labels have space for notes on the recordings.

Send valid coupon to: **Videotone Ltd., 98 Crofton Park Road, Crofton Park, London SE4.**

C90LH CASSETTES

56p each (minimum of 5); **53p each** (minimum of 25). Prices include VAT and postage.

Made by a leading European manufacturer for Videotone, these tapes are of excellent quality and we are pleased to continue this PE service.

Over the last couple of years PE offers arranged with Videotone have proved highly successful and we have now been able to arrange special prices (only available to PE readers) on these high quality tapes. The offer is a result of Videotone's direct selling policy; send in a current special PE coupon for prompt delivery of tapes.

We believe these tapes are the best value around and we are pleased to offer them to readers. They are covered by a money back guarantee (return within 21 days for refund). Not only are the tapes of high quality but the cassettes are of screw together construction and the case label has space for notes on the recordings.

Send valid coupon to: **Videotone Ltd., 98 Crofton Park Road, Crofton Park, London SE4.**

BLOCK CAPITALS PLEASE

Please send me V.H.S. 3-hour Video tapes at £..... each. (£7.65 for 5 to 9, £7.50 for 10 to 14, £7.44 for 15 to 19, £7.40 for 20 or more; including VAT & postage.)

I enclose cheque/PO for £

Name

Address

.....

.....

Coupon valid for posting before 10th September '82

(or one month later for overseas readers.)

BLOCK CAPITALS PLEASE

Please send me C90LH Audio tapes atp each. (56p for 5 to 24, 53p for 25 or more; including VAT & postage.)

I enclose cheque/PO for £

Name

Address

.....

.....

Coupon valid for posting before 10th September '82

(or one month later for overseas readers.)



SEARCHWATER

FRANK W. HYDE

CERTAIN requirements have been laid down for ideal equipment for peacetime as well as wartime surveillance. These demanding criteria are achieved by the Searchwater Radar System. They are achieved because Searchwater was designed to those standards. Most systems for one reason or another turn out to be modifications of an equipment which had another original purpose. Searchwater was deliberately developed against specific tasks. In this alone it is unique. The system has also been brought to operational condition in a short time and at a low cost, bearing in mind that demonstrated success sets it apart from all other systems. In short it leads the world but does its job without ballyhoo and "shouting from the roof tops". However, this brief article is an opportunity to bring to the notice of as many engineers as possible that contrary to the disparagements which forever appear in the media, British endeavour still leads the world. For obvious reasons of secrecy it is not possible to provide an extensive technical review of the system.

Because all the design requirements have been met and because after exhaustive tests the first users have discovered even more extensive capabilities in practical use, Searchwater has gone into service with the Royal Air Force in Nimrod Mark 2.

REQUIREMENTS

The main requirements for such a system are as listed below.

- 1 Detection and classification of surface craft in all weather conditions at ranges in excess of the radius of the effectiveness of hostile missiles.
- 2 To provide a measure of overlap in capability against other threats, detection ranges on submarine periscope and "snort" targets should be as great as possible in sea conditions up to the maximum in which submarines might operate.
- 3 The radar should have the capability to detect aircraft at long ranges although the characteristics of such targets are very different from shipping.
- 4 Classification performance should be as comprehensive as possible in order that in a wartime situation there could be no doubt as to whether the target is hostile and that it is a particular type of vessel before making an attack.
- 5 The radar must be able to operate in the presence of severe counter measures.
- 6 It must be possible to update methods of deception; this means active and passive deception measures.

These parameters bring out the complementary measures which are desirable such as the ability to discriminate between

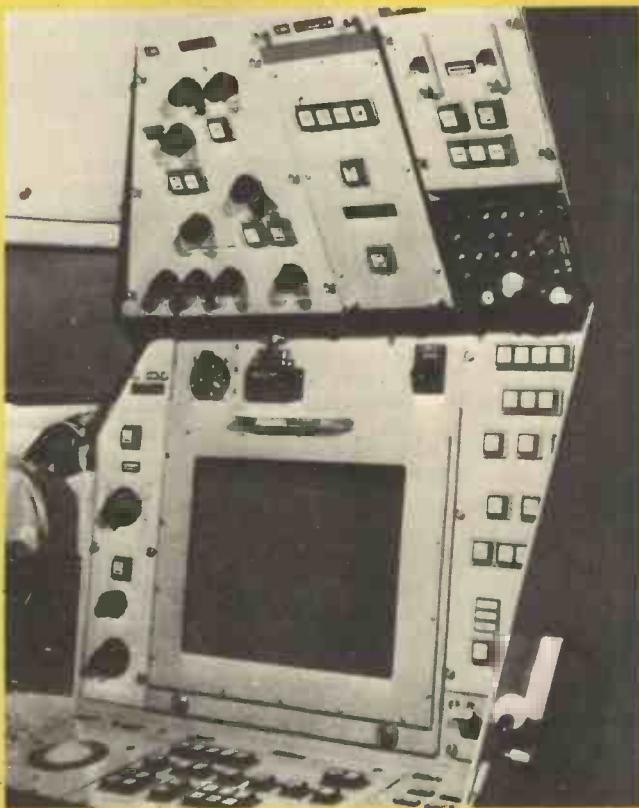
real and false targets. This has to be true whether the deception is by way of disguising one craft to look like another, by the addition of reflecting devices or by electronic synthesis of false targets.

In maritime patrols there are long mission times and therefore operator fatigue must be taken into account. It follows that the parameters outlined for this equipment must lead to a considerable increase in operator load time. Therefore a maximum of automatic operation is required if such a system is to succeed.

PERFORMANCE

Searchwater provides, for all categories of target from periscopes to large surface vessels, a very high probability of

Searchwater operators console



...MARITIME RECONNAISSANCE RADAR OF THE FUTURE

detection combined with a very low false alarm rate in high sea states out to very long ranges. The mere increasing of sensitivity or the reduction of background noise level will *not* improve the target detection efficiency, especially if the sea is very rough and "clutter" return exceeds the receiver noise level. There are a variety of techniques which can be used to attempt improvements in this area.

In this equipment the domains of space, time, frequency and amplitude are all exploited; for example the dimensions of a patch of sea illuminated at any moment are kept small in azimuth by using a narrow beam width and in range by processing a narrow pulse generated by using compression techniques. Frequency agility is employed and the total number of returns during the time the aerial beam takes to pass a given point is integrated. Integration of information for the whole area over several aerial scans results in an improvement in target discrimination because the clutter characteristics change with time. In Searchwater this method of improvement is achieved by using a digital scan convertor for storage of information from scan to scan.

Immediately after the detection of the return signal a threshold is continuously adjusted using a control signal derived from the instantaneous clutter level so that, as near as possible, a constant false alarm rate is presented to the operator. The combination of all these techniques ensures that the display is virtually free of clutter and any new radar contact is immediately evident.

By using an integral real time digital computer many targets can be tracked automatically at one time. Various forms of high resolution display are available for the determination of the classification of data on targets being tracked. Integrated IFF (identification, friend or foe) facilities provide another useful input. Information on the targets can be displayed readily in alpha-numeric form on a single radar display. After a short period of tracking the file on each target is so detailed that the vessels can be classified with great confidence without the need for visual confirmation.

The display is in television raster format on a black and white tube so that bright flicker-free information is shown to the operator. Radar controls, mainly push buttons, are arranged conveniently around the display and the operating routines are simple sequences of push button and roll ball movements.

No measurements are taken directly from the screen. The built-in computer takes care of many of the tasks automatically, consequently the operator can maintain a high level of efficiency

for several hours at a time. This is in contrast to the more usual long persistence radar displays where operator performance is severely affected after about 30 minutes. There is also another relief for the operator in Searchwater in that there are built-in test equipments which enables automatic detection of faults and their diagnosis during operational flying. The modular construction and the use of software control allows easy incorporation of performance improvements and changes as may become necessary.

WHY

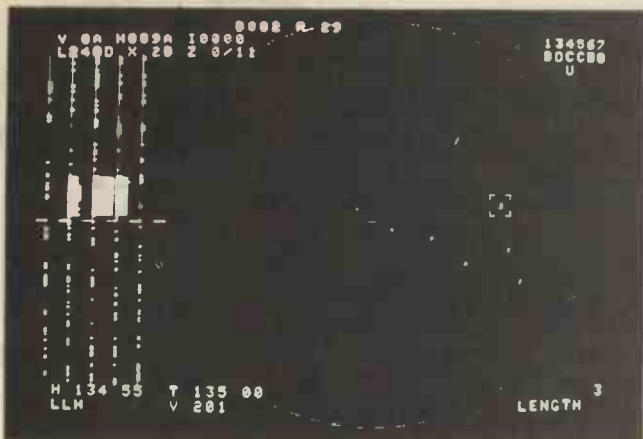
Airborne surveillance using long range aircraft equipped with a wide range of sensors is accepted by the NATO countries as the most effective means of obtaining up to date information to enable vital sea lanes to be protected. Threats to naval surface forces arise from three sources: submarines, aircraft and surface vessels.

Opinion is divided as to which of these threats is the most dangerous. Whatever the opinions the fact remains that all the areas of threat must be taken into account if the philosophy of "sea control" is to be maintained. The matter presents problems because the characteristics of each target are different for each threat. This of course means that each is likely to need a different approach. The original intention was that Searchwater would fill the requirement for use in maritime airborne patrol. The result of this work has provided the most effective sensor system which is likely to emerge in the next decade.

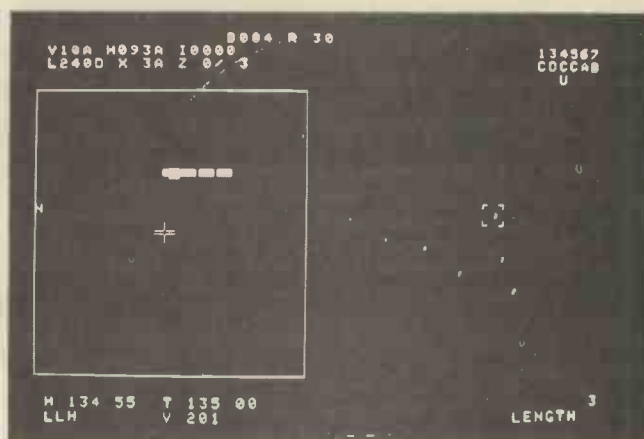
Dealing with the maritime situation, it is clear that the major threat would come from frigates, destroyers and cruisers. Such craft are already fitted with surface to air missiles with ranges of engagement which preclude close examination and positive identification of the nature of the threat. Since development of missiles continues toward greater range and levels of operation, it becomes more important than ever to produce a system providing positive identification quickly. The same system is desirable in peacetime to reduce the flying time in identifying vessels by visual methods. Where there is a concentration of vessels it is extremely important to be able to recognise individual units from a place remote from the threat of missiles. The same criteria rule if there are many vessels strung out, for then the nearest approach must be outside the missile range of the nearest vessel.

At such ranges optical, infra-red and electro-optical systems would be inadequate. Such a situation would arise in poor visibility with low grazing angles or because the inherent resolu-

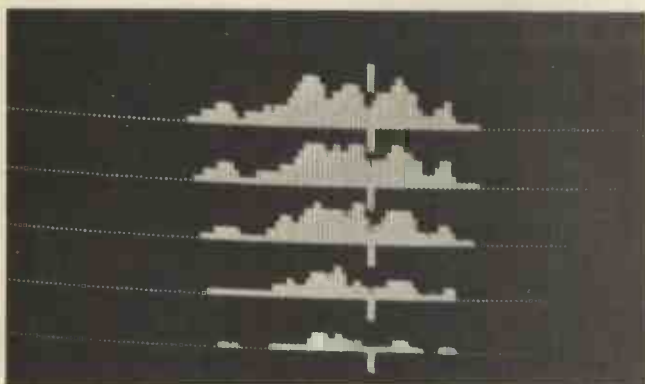




PPI and A1 display, left hand display is a silhouette of the small square



PPI and B display, the large square is an enlargement of the small square



Searchwater A-scan display

tion of such system would be incapable of making positive identification.

IFF systems are not effective in situations of caution because they can only indicate that the ship is not an ally. If it is not identified as an ally there is no way of discovering whether it is a

neutral vessel, a civil vessel or a hostile ship. The interrogation of electronic emissions is equally difficult. Experience has shown that the only positive system is one based on radar. To this end Searchwater has transcended all others.

ABILITY

The collaboration of EMIE and RSRE has been directed over a period of years to the identification and practical evaluation of those techniques most appropriate for the long range airborne surveillance and classification of marine targets; detection of small targets such as the snort of a submarine, its periscope or small fast patrol boats at long range in high seas.

The current state of the art is exemplified by the Searchwater which is highly flexible, based on frequency agile techniques using compression, pitch and roll stabilised scanning antennas with controllable tilt and automatic sector scan.

A Nimrod Mark 2 equipped with Searchwater and flying at 20,000ft can detect a submarine snort in rough seas at a range of 200 nautical miles. Since Nimrods are based on Ascension Island this could be one reason why Argentina did not risk its submarines or surface fleet in the South Atlantic. ★

BAZAAR

COMPONENTS 4166-2, 25-£10. Eproms 2716-10-£5 (require clearing) 8275-3-£6. 8202 -1-5 Mr J. Walker, 7 Warnick Place, Peterlee, Co. Durham, Tel. P/lee 868 255 after 7 p.m.

UK101 8K cased, Cegmon fitted, p.s.u., cased, cassette, printer, sockets fitted. All manuals, cables. £150 extras, Mr H. Pye, 3 Thornfield Crescent, Little Hulton, Worsley, Manchester M28 6RF. Tel 061 799 9912

1000-2000MHz professionally made calibrated absorption wavemeter £35. Wanted Eddystone 880, non working considered. M. Mann, G4FFO, 45 Old School Lane, Milton, Cambridge, Tel: 0223 860150

TTY32 good condition off working circuit with tape reader and perforator on stand, paper and manuals. P. Knight, 7 Meadowlands, Seal, Sevenoaks, Kent 0732 62227

UK101 8K RAM complete with 20 inch TV set and cassette recorder plus 30 programs best offer J. Dilworth, 11 Abbey View, Monkstown, Co. Dublin, Eire. Tel: 800664 evenings

UK101 8K RAM, cased, 2000 Baud cassette, Wemon, MON 02, 2MHz, £130. Tel: Hemel Hempstead 3040.

TWO PSU's 13.5V one 5 amp at £7 Murphy. One 8 amp at £10 at £10 ICL. Both +.cge. or

collect. Brian M. Kermode, 56 Brantwood Road, Bradford 9, Yorks.

AVO 72 Leather case, needs thick film resistor. AVO. Meter survey RADIAC. Needs batteries. Offers or w.h.y. W.H. Davis, Gate House, Little Barford, St. Neots, Cambs. PE19 4YB. Phone (0480) 72480.

WANTED ZX81 in return for an assortment of p.c.b.'s tubes, tuners. For b/w and colour TV's. Mr. T. Saunders, 24 Langdale Close, Lakes Estate, Bletchley, Milton-Keynes, MK2 3QA.

ARP QUARTET Polysynth perfect condition new must sell £295 o.n.o. Tejinderpal Sidhu, Amity, Trafford Road, Hounslow, Middlesex TW3 3EN. Tel: 01 570 7975.

BINATONE programmable colour t.v. game complete with two cartridge and adaptor, excellent condition, must sell £30. Tejinderpal Sidhu, Amity, Trafford Road, Hounslow, Middlesex TW3 3EN. Tel: 01 570 7975.

4118 RAM 8 for £32. R. Boyce, Tel: Bracknell (0344) 57903.

RADIO and TV servicing 1958 to 1970 with Vol. one to seven £10 plus carriage. W. Edwards, 2 Beach Rd, Burton Bradstock, Bridport, Dorset. Tel: 030 889 625.

MICROTAN with Tanex and Keyboard. Fully expanded. Full document. p.s.u. avail. £200 o.n.o. Paul Simmonds, 80 St. Margarets Rd, Stanstead Abbots, Nr. Ware, Herts SG12 8EN. (0920 870603).

LOWREY ORGAN LC88SG—1A. Auto rhythm bass etc. 6 years old. £750 o.n.o. Mr. D. Walkerdine. Tel: 0246 824016.

CLEARING Out ZX81 £20 + loads of electronic stuff cheap. Send s.a.e. please for list. No callers. G. Monaghan, 29 St John's Close, Linden Gardens, Leatherhead, Surrey.

URGENTLY require November 1975 copy of 'Practical Electronics' Your price paid. L. E. Fryer, 113 Ramsey Drive, Arnold, Nottingham. Nottingham 269023.

OSCILLOSCOPE New Heathkit Single beam 10MHz with trace doubler professionally built. Working, not calibrated £130 o.n.o. T. P. Hudson, 17 Sylvia Crescent, Testwood, Totton, Southampton SO4 3LP. Tel: Southampton 862577 Evenings.

PROFESS. Linear power supply. 10A 5V cont. fully over V/1 adj. to +7.5V weight 14lbs. £27-50. N. R. Jones, Medway 666759 (evenings), Medway 43133 (day)

TELEPHONE MODEM: Computer Terminals Ltd. 1125 Telegraph converter. 100/300 Baud. Believed working. Offers please. Colin McCormick, 29 Randwick Park Road, Plymstock, Plymouth, Devon PL9 7QN. (0752) 47860.

8K UK101 12K basic Cegmon 32 x 48 display with new B1, B3 separate p.s.u. repeat key complete with case £220. Mr. T. Redding, 160 Stanhope Road, Smethwick, Warley, W. Midlands. 021 558 2694 9a.m. to 4p.m.

Audio Debug Probe...



CHRIS LARE

FAULT finding on audio circuits is not generally hard if a meter, 'scope and circuit diagram are available. Most equipment, and particularly that used for disco and P.A., is prone to failure at more inconvenient times when such aids are not available. On this note however, the lack of a circuit diagram is inexcusable, and it is good practice to glue a diagram to the inside of any equipment. The need for an audio probe arises once the equipment has failed, and on many occasions can enable the fault to be rectified with the minimum of difficulty.

In its basic form the audio probe is simply an audio amplifier which feeds an earphone. Using such a tool the path of the audio through the circuit can be followed and any breaks identified. However, such a probe will only assist in locating the faulty section, the actual fault being a chip failure, supply failure or a large d.c. offset caused by a leaky capacitor. In normal repair work the components in the faulty section are changed in order until the fault disappears, which is a tedious method, not to mention expensive in components.

The audio probe described here contains an amplifier in the conventional way, but also includes a three state l.e.d. voltage monitor. This monitor can be used to check supply rails and for any unusual d.c. offsets within a circuit, and thus narrows down the possible causes of a fault considerably.

SPECIFICATION

The probe was designed to be used with both single and dual rail audio systems, although its major use was intended to be op-amp based systems rather than power amplifiers.

In most audio circuits the signal should sit on a d.c. level which is very close to half the supply voltage. Accordingly the probe was designed to test for this condition by generating an internal half rail voltage and comparing the probe tip voltage with this internal reference. In order to make the probe suitable for both single and dual rail systems only two supply connections are used, these being connected to the lowest supply and the highest, which, in a dual rail system, will result in the internal reference being about 0 volts.

It is obvious that the internal circuit of the probe must be related to the supplies of the circuit under test and so no conventional regulation is performed within the probe. In order to avoid accidents if the probe is connected across a power amp supply an automatic shut down circuit operates which protects the probe from damage. Under normal circumstances an input supply voltage of less than 33 volts

should be used, which is more than adequate for 30 volt op-amp supplies, or ± 15 volt supplies. The prototype also functioned happily with a single 5 volt supply.

The voltage display takes the form of three l.e.d.s indicating 'Low', 'Centre' and 'High'. The l.e.d. supply is individually regulated so that brightness does not vary with supply voltage.

CIRCUIT

The circuit consists of three sections, amplifier, voltage comparator and power supply control as seen in Fig. 1.

The probe input is connected to the main circuits via R1, which together with D1 and D2 protect the following stages from excessive voltages. The amplifier itself is a.c. coupled and the input is biased to half rail by R4. The first stage serves as a buffer, which feeds a small power amplifier circuit providing drive for the earphone. The amplifier is operated in Class B, with R9, D3 and R10 providing some base bias. The feedback of this amplifier is taken right from the output which helps cut down distortion, and at the same time gives a variable gain control via VR7. C2 obviously acts as a d.c. block for the output, which should ideally be a 600R earphone, although R11 and R12 can be dropped to 68R to drive lower impedances.

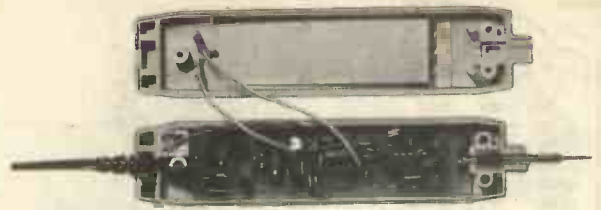
The voltage detector is based on a LM339 quad open collector output comparator. A reference chain (R14, 15 and 16) gives the internally derived centre point used for the probe voltage comparison. The top and bottom comparators detect high and low probe voltages and drive the relevant l.e.d.s directly. The centre two comparators are connected identically to the outer comparators, so that when neither of the outer two outputs are low (l.e.d. on) neither of the inner outputs are low, thus TR3 switches on and the green 'Centre' l.e.d. comes on. It is worth noting that it would have been possible to design the circuit using only two comparators but this method was adopted because it was more compact in terms of pcb space. Since only one l.e.d. can be on at one time a single current limit resistor was used from a simple regulated 5 volt supply.

R13 is used to provide a half level bias to the comparators when the probe is open circuit so that the green l.e.d. lights.

The supply control is very simple. D4 protects the probe against reverse supply connection, and TR6 provides the over voltage shutdown. Under normal circumstances D5 will not conduct, hence TR4 will be off, TR5 on, and thus TR6 will pass current to the circuit. If the input voltage exceeds

33 volts D5 will conduct, removing base drive from TR6 by means of TR4 and TR5, and the probe will shut-down. Obviously the maximum safe supply is determined by the breakdown voltage of TR6.

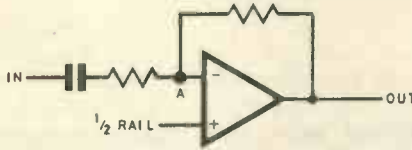
The supply required regulating to ensure that the i.e.d.s were visible with low voltages but did not overload the comparator output stages with high supply voltages.



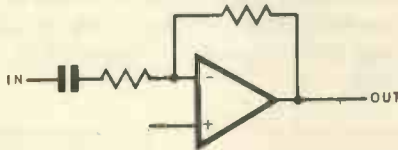
Showing Probe interior construction



Symptom: A not centre (low) Output high
Likely: Capacitor leaky



Symptom: A not centre
Likely: Feedback resistor fault



EG925

Symptom: Output d.c. level settles after switch on. Probe on non-inverting input cures problem
Likely: Non-inverting input not biased to half supply

Fig. 2. Simple faults

CONSTRUCTION

The prototype was built into a standard probe case. The small size of this case means that most of the components were mounted vertically, although the power supply control parts were mounted flat allowing alternative potentiometers to be mounted above them if required.

The prototype board was produced with an etch resist pen, so it can be done, although a commercial board would obviously ease things considerably. It is suggested that whatever board is chosen it should be fitted into the case before board assembly commences. Apart from taking care to mount the vertical components so that no wires can touch no constructional points need be noted. Fig. 4 shows the suggested preform for the i.e.d. leads.

An enclosed skeleton potentiometer was used in the prototype for VR7. Three holes were drilled in the case and the preset glued down. Wires were then soldered onto the pins protruding through the case inside.

TESTING

It is as well to test the unit before final assembly. Connect a 15 volt supply to the unit and vary the probe voltage by means of an external potentiometer. Check that the green

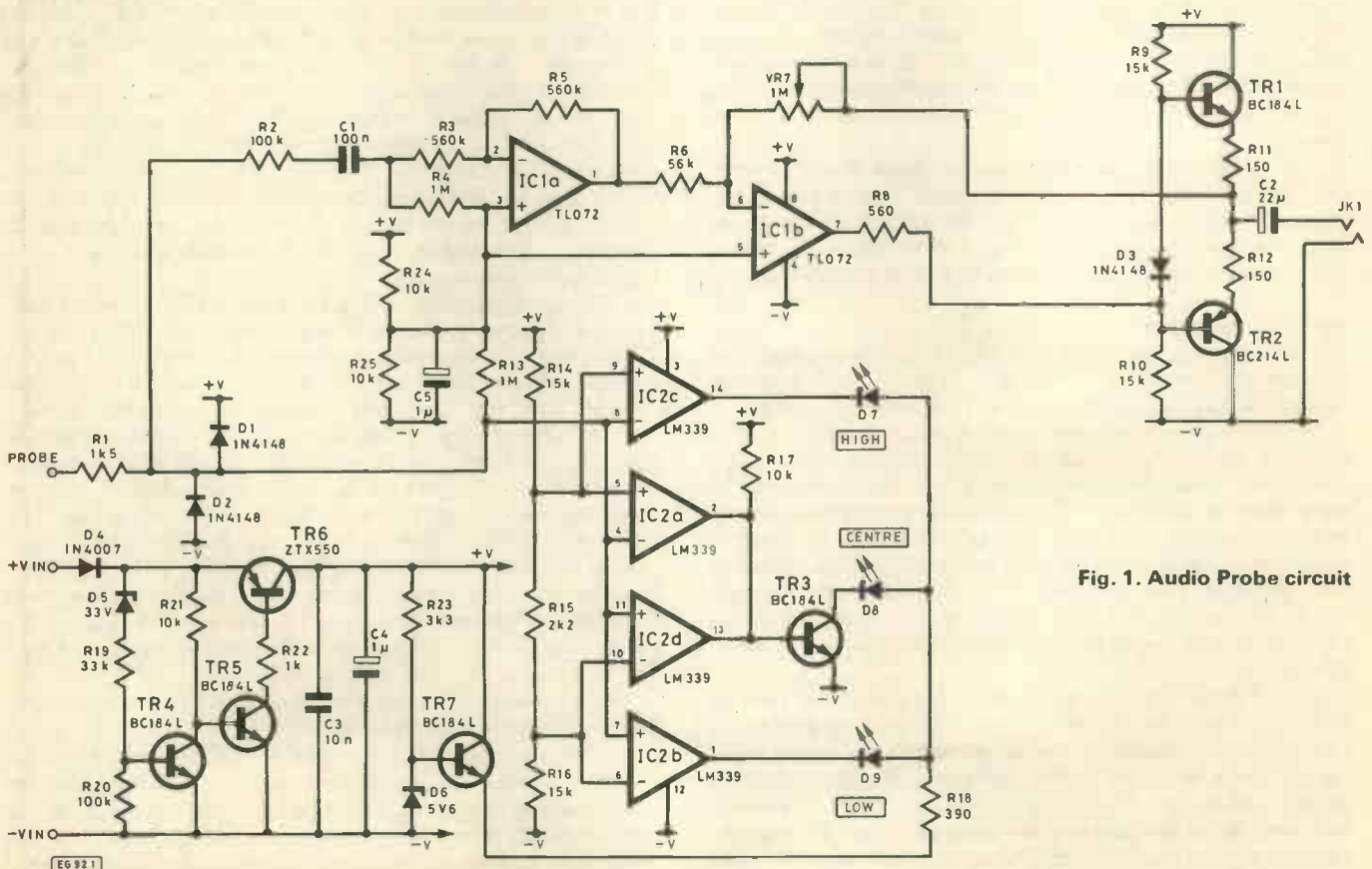


Fig. 1. Audio Probe circuit

EG921

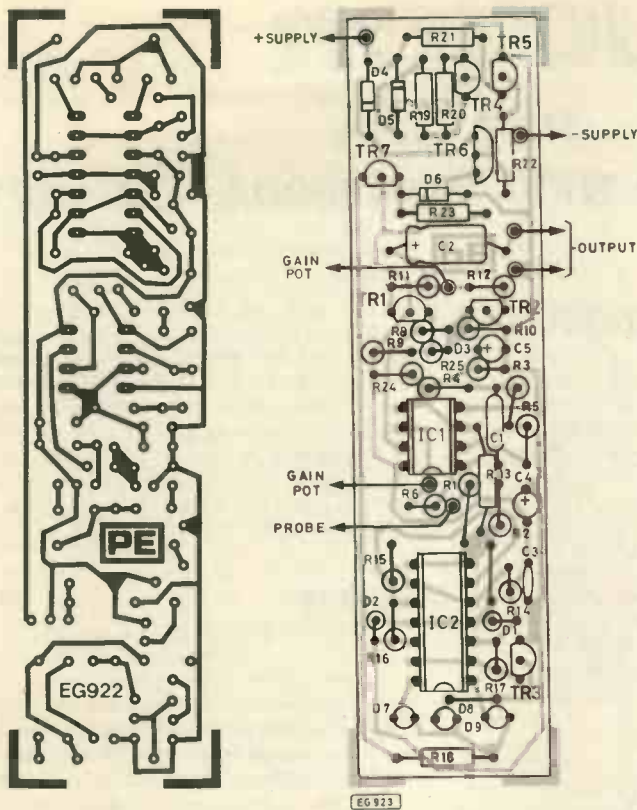


Fig. 3. Showing p.c.b. and board construction

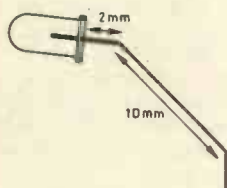
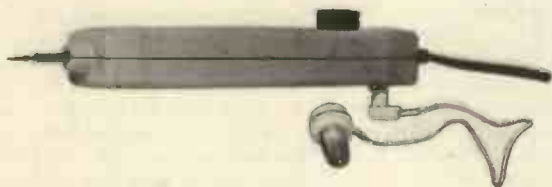


Fig. 4. L.e.d. leg bending details

EG924



Cross section view of Audio Probe showing earphone inserted



View of Probe top showing the three state l.e.d. voltage monitor

l.e.d. centres at 7.5 volts and that both the high and low l.e.d.s come on correctly. Remove the potentiometer from the probe and connect in a signal level audio source to check the amplifier, adjusting the volume with VR7. Finally, slowly increase the supply voltage to 36 volts. Ensure the l.e.d.s go out when the supply exceeds some 33 volts, indicating that the protection circuit functions. If it does not appear to function do not increase the supply above 36 volts or the i.c.s in the probe will fail.

The board may be placed in the case and the top fitted. The best way seems to be to insert the l.e.d.s into their holes at the front of the lid and then press the rear of the lid into place. It may be necessary to remove one or more of the plastic pillars in the case which would otherwise foul against the jack socket or one of the transistors.

IN USE

The probe should always be used with a signal being input to the circuit under test. Firstly follow the signal using the amplifier until the problem area is located. Most frequently the output of the problem stage will have a d.c. offset present, and this can be traced back to the input, or a faulty output by means of the voltage level display. For example if the input of an inverting amplifier is biased slightly below half way and the output is high either the amplifier is suffering from high leakage current or a d.c. blocking capacitor is at fault. ★

COMPONENTS...

Resistors

R1	1k5
R2, 20	100k
R3, 5	560k
R4, 13	1M
R6	56k
VR7	1M skeleton preset enclosed
R8	560R
R9, 10, 14, 16	15k
R11, 12	150R
R15	2k2
R17, 21, 24, 25	10k
R18	390R
R19	33k
R22	1k
R23	3k3
All 1/4 watt	

Capacitors

C1	0.1μF polyester C280
C2	22μF 25 volt electrolytic
C3	0.01μF ceramic disc
C4, 5	1μF 35 volt tantalum

Semiconductors

D1, 2, 3	1N4148
D4	1N4007
D5	33 volt 1.3W Zener
D6	5.6 volt 400mW Zener
TR1, 3, 4, 5, 7	BC184L
TR2	BC412L
TR6	ZTX550
D7, 9	Red l.e.d. 1.25 mm
D8	Green l.e.d. 1.25 mm
IC1	TL072
IC2	LM339

Complete probe case with probe, supply wire and fittings, printed circuit board, 3.5 mm jack socket, wire.

SEMICONDUCTOR UPDATE

R.W.Coles

FEATURING MICRO/T-11 TDA 2009 TDA 2320A CDP1871

PDP11 ON A CHIP

The Digital Equipment Corporation, or DEC to its friends, is probably the world's number one supplier of minicomputers. I am sure that most people will have at least heard of their major products, namely the PDP8, the PDP11 and the VAX range of minicomputers which feature 12, 16 and 32 bit word lengths respectively. Of the three families, the PDP11 is undoubtedly the most popular with a model to suit the majority of applications, from the tiny PDP11-03 with twin floppies to the powerful PDP11-70 with many megabytes of hard disc storage.

The DEC PDP11 family with its common instruction set and 16 bit bus has also influenced the microprocessor scene, since many chip designers have used its architecture as a model for their own more humble offerings. The Motorola 6800, for example, was an early attempt to put as many PDP11 features as possible onto an 8 bit NMOS chip. DEC themselves saw the advantages of an LSI implementation of their popular family, and soon brought out the LSI 11 multi-chip emulation which is used in their low-end systems such as the PDP11-03. The closest design engineers could get to this chip set however, was to purchase the DEC LSI 11/2 or the LSI 11/23 single board computers, since DEC never released the chips for sale to third parties.

With increasing competition from 16 bit microprocessors such as the Intel 8086 and the Motorola 68000, DEC realised that there is a large and expanding market for 16 bit single chip processors for which the LSI.11 boards cannot always compete, and so they went back to the drawing board and produced the MICRO/T-11 single chip PDP11 processor which looks much more like a "conventional" microprocessor than their earlier attempts. Once again, the first use of the T-11 is in a DEC single board computer called the SBC 11/21 which will compete directly with the popular Intel SBCs for applications in real time control and data processing, but this time they intend to sell the chips too, and that is exciting news.

Exciting, because for the first time it is possible to build a customised system which executes the full PDP11 instruction set, exciting too, because the T-11 is a "nice" processor with a lot of useful features which are unavailable from the competition. Perhaps most original is the user option of either a 16 bit or an 8 bit data bus; you tell the T-11 which of these you want via an external mode register during reset. A 16 bit bus is faster of course,

because one memory access gets you one data or instruction word, but it does also mean that the memory array has to be arranged as a 16 bit x nK array so you may need, for example, 2 x 2716 EPROMs in parallel for your program memory. The 8 bit option would allow you to use, say, a single 2732 EPROM to store the same instructions, but the chip would in this case carry out two sequential reads to get a single word and therefore it does take longer. The 8 bit mode saves chips and wire for small systems while still providing the power of the PDP11 instruction set.

Another nice feature of the T-11 is an on-chip dynamic memory address multiplexing and refresh scheme for the simplest possible interface to 16 pin dynamic RAM chips, although once again a user option of static or dynamic memory support is provided. Add to this a comprehensive interrupt scheme with four prioritised inputs and 16 internally generated vectors, an internal clock generator which works up to 7.5MHz, easy interface to industry standard 8 bit peripheral chips, and the usual PDP11 feature of eight 16 bit general purpose registers, and you can see why the T-11 is likely to be a winner!

Despite its 16 bit operation and advanced features, the T-11 fits in a standard 40 pin package and uses a single 5 volt supply.

STEREO PAIR

Audio amplifier construction continues to get simpler, thanks to advanced integrated circuit technology. SGS ATES have recently introduced a pair of devices which make the assembly of a powerful stereo amplifier system an almost trivial activity.

Their TDA 2009 dual power amplifier device features two low distortion audio amplifiers in a single eleven pin MULTIWATT package. Each amplifier will provide at least 10 watts of output at 0.5% THD, and can supply output currents of up to 3.5 amps. Relatively few external components are required and the TDA 2009 can be run from a single low voltage supply rail. The diminutive MULTIWATT package comes with a substantial heat sink tab and a mercifully low thermal resistance of 3°C per watt so that full power can be realised with the use of a simple external heat sink.

With a super power amplifier like the TDA 2009, you will probably also need a high quality preamplifier, so SGS-ATES have brought out the TDA 2320A to match. This device lives in an 8 pin diddy—d.i.p. and yet contains a matched pair of low noise preamplifiers for stereo audio amplification. Unlike its big brother, the TDA

2320A has a very low current consumption of about 0.8 milliamps, and will work from supply rails of 3 to 36 volts. Noise figures are low at about 1 microvolt r.m.s. and there should be no complaints about the THD of typically 0.03%.

At this rate, it can't be long before we find a stereo amplifier with 50 watts per channel taped to the front of *Practical Electronics* as a giveaway!

LOW KEY

For many microprocessor systems, a keyboard is an essential companion. Conventional QWERTY keyboards can be obtained ready built and with an encoder built in (at a price!) but many systems need a non-standard keyboard array. In this situation the designer can either wire up the switch matrix to a couple of 8 bit parallel ports and write a software routine to scan the keyboard and encode the result, or he can buy an LSI keyboard encoder chip to do the job for him. No problem so far, because NMOS encoders are available from Intel and others and these do an admirable job. But what if the system is battery powered and uses a CMOS micro? The NMOS encoder will take more current than the rest of the circuit put together, so until recently it was necessary to use a software solution or to build up a special encoder from CMOS logic chips.

One low power CMOS microprocessor family to suffer from this shortcoming has been the 1802 series from RCA, but not any longer, because RCA have now introduced the CDP 1871 which is a full-house CMOS keyboard encoder drawing only about 100 microamps at 5 volts. Inside the 1871 are all the counters and scanning circuitry to interface to an array of up to 53 ASC11 coded keys and up to 32 HEX coded keys, along with N-key lockout logic and debounce circuitry. The 1871 can be hooked directly on to the bus of most microprocessors where it can be addressed as either an I/O device or as memory. Two output flags are provided to inform the processor of the keyboard status. EFXA goes high to indicate that data is available and an additional flag, EFXB, is used to signify that the key is still pressed after it has been read. This last facility can be used to provide the auto-repeat function if required.

The 53 ASC11 key codes assume a conventional keyboard matrix with SHIFT and CONTROL keys, but the HEX keys generate a binary pattern between 80H and 9FH which can be used for arbitrary user defined applications.

all in your
OCTOBER
issue!

FREE!



This I.C.
**INSERTION
TOOL**

Also...

**Security
Alarm
Controller**

A comprehensive home alarm system which operates when an unauthorised person enters. It features both exit and entrance delays together with a fixed alarm time and has operating modes of full alarm plus anti-tamper and panic or anti-tamper and panic only.

**MICRO-PROFESSOR
COMPETITION**

**SEMI-PROFESSIONAL
MIXING
DESK**

The modular design of our mixing desk enables the number of channels to be easily expanded using a backplane motherboard which allows each complete channel to simply plug in. Channel features include Pre Fade Listen, i.e.d. peak indication and equalisation.

The system, which is ideal for demo tape work or for producing professional audio visual tapes, uses four master channels for mixing down.

PRACTICAL

ELECTRONICS

OCTOBER ISSUE ON SALE FRIDAY, SEPTEMBER 10th

CB Scanner

C. F. SHORTO and M. WARD

Micro Communications Equipment and Design Ltd.

THE concept of this CB Scanner design is to provide mic. controlled channel change and full 40 channel scan facilities. This enables a transceiver to have the following advantages:

1) The ability to change channel from the mic. which most motorists will find much safer than reaching across to the rig and in doing so probably obscuring the channel display anyway.

2) The disabled can sit back at home with the mic. on their lap and use the light touch of the channel buttons to change channels which is so much easier than reaching out and twisting the channel switch, this, will be quite an advantage to people who suffer with arthritis and rheumatism.

The design, as given here, fits Uniden, Audioline and Realistic types of CB transceivers although practically all CB transceivers produced to CB 27/81 specifications can be fitted with this unit, although slight modifications will be necessary.

A list of CB transceivers which can be fitted with the Scanner are detailed in Table 1. The prototype unit was designed with future modification for other CB transceivers

Harvard	Max Com Apollo 16
Rotel	Midland 2001/3001/4001
Yorks	Harrier CB & CBX
Amstrad	Fidelity
Cybernet 2000/3000	Radiomobile

TABLE 1

in mind, however, it was felt that the Uniden 200 is probably the best CB transceiver on the market at this time, by virtue of its ability to withstand strong signals from adjacent channels (bleed over and de-sensing) although this is possibly because Uniden carried a proven design from previous a.m. transceivers with minor modifications, the similarity between the a.m. Cobra 19 G.T.L. and the Uniden 100 both in looks and circuitry bears this out, whereas many manufacturers started from scratch.

Audioline and Realistic use the Uniden chassis and are, therefore, effectively covered by this article.

The full 40 channel squelch controlled pause scan facility provided by the Scanner enables the operator to monitor the entire CB bands, a single press of the scan button will set the unit in motion automatically checking each channel in succession and when it finds a signal strong enough to open the squelch, it will pause for 5 seconds or until the signal ceases whichever happens first. If the operator wishes to stop on a channel, at which the Scanner had paused, or to stop scanning and use the manual control, a further press of the scan button or a single press of the mic. button is required, the Scanner will single step the channels up or down by repeatedly pressing the up or down buttons, however, if you

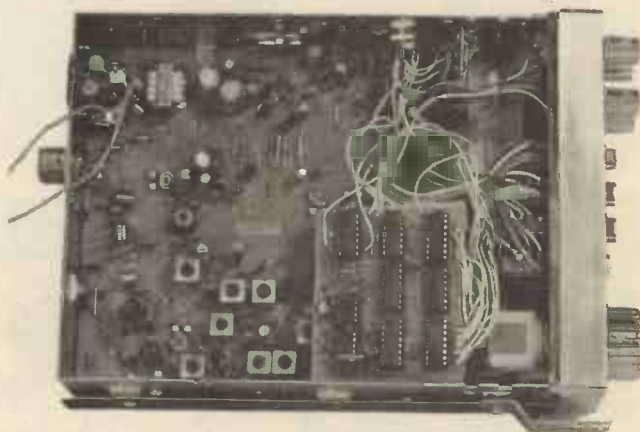
push and hold the up or down buttons the Scanner will automatically step-through the channels in that direction until the button is released, this enables fast channel change when a large amount of channels are to be bridged.

The 40 channel scan can be implemented without the use of the special microphone by simply wiring to a panel switch so that when switching to scan control the Scanner starts automatically and can be stopped by a single push of the mic. button.

CIRCUIT DESCRIPTION

The circuit diagram of the CB Scanner, is shown in Fig. 1. In order to produce a count from 1 to 40 a trick used by CB PLL chip manufacturers has been adopted, IC6 and 8 are BCD/binary up/down counters which actually count from 0 to 39 however, the code for 0 is converted into that of 40 by IC10 which adds the missing bit to make the zero appear as 4 in the most significant digit. IC7 and 9 are BCD to seven segment decoder/drivers, these i.c.s convert to output codes of the counters to drive the channel display of the CB transceiver, in the case of the Uniden chassis the PLL chip derives its channel selection code from the display drive lines and, therefore, interfaces readily with this circuit, most other makes of CB transceivers use a six bit BCD code with channel 40 represented by zero to derive their channel information, these can therefore be driven directly from the counter outputs.

It was thought reasonable that the transceivers, when under control from the Scanner, should be made to power up on the calling channel (14), the parallel load data inputs are therefore hard wired with the code for channel 14, when power is initially applied, C13 will charge through R14, but due to the delay in doing so a short positive pulse is applied to the parallel load input, thereby latching 14 into the coun-



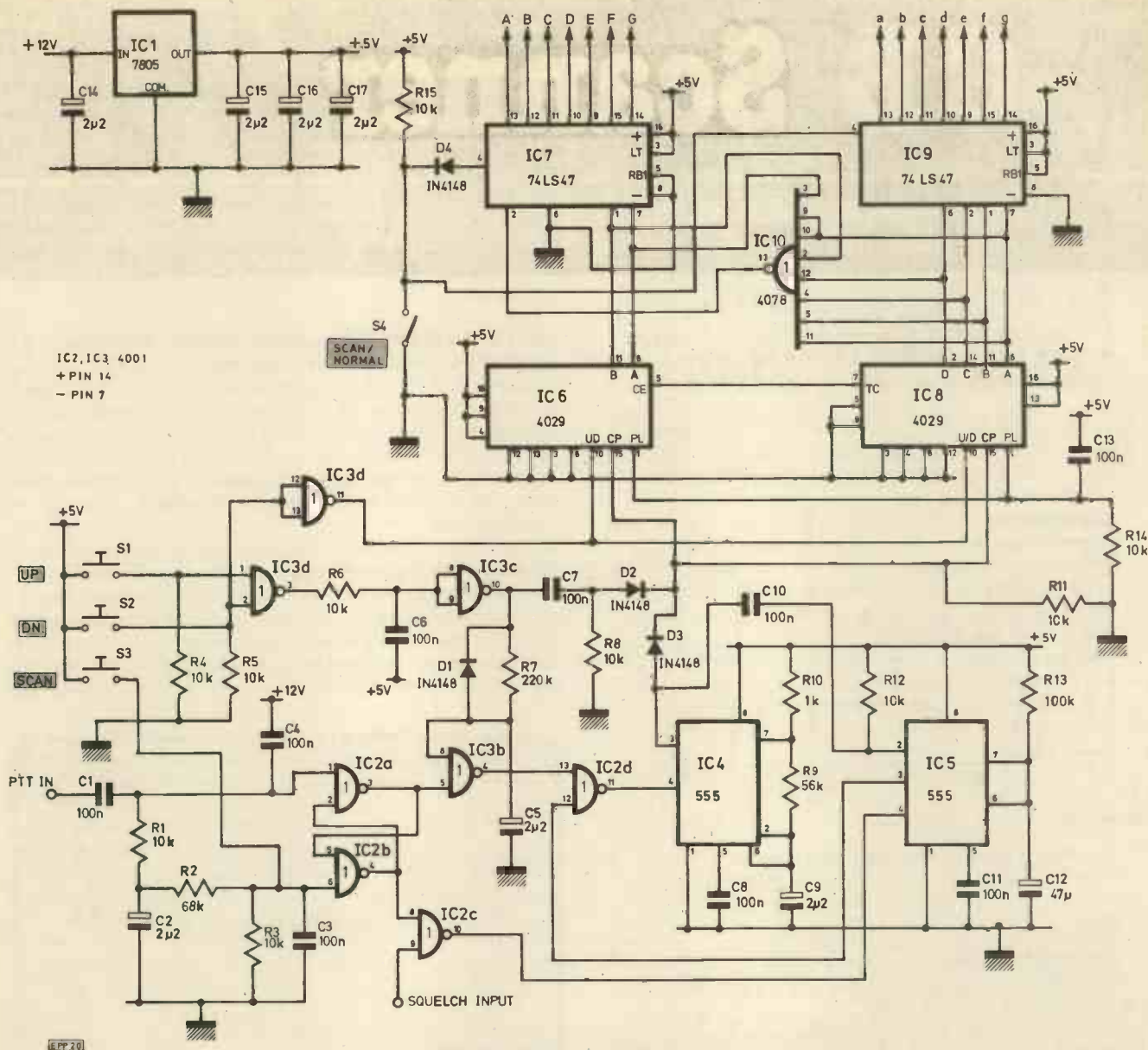


Fig. 1. Circuit diagram of the Scanner

ters from power up and then returning control of the counters to the clock inputs.

The two up and down buttons are gated together and fed through a short delay circuit formed by C6 and R6 and coupled via C7 and D2 to the clock inputs of the counters. If either up or down buttons are pressed a single pulse is placed on both counters, the terminal count (TC) output of IC8 will only enable IC6 to clock at the appropriate times. The up/down inputs of the counters normally reset in the up condition, however, if the down button is pressed the counters are put in the down mode until this button is released. If either the up or down buttons are held pressed for more than half a second C5 will charge through R7 and provide a logic 1 to the input of a NOR gate this, via a second NOR gate, will enable the clock oscillator formed by the IC4 to repeatedly clock the counters in the direction designated by the up/down buttons.

Two cross coupled NOR gates are used to form a simple latch, C4 ensures this latch powers up in the reset mode, if the scan button is momentarily pressed, the latch will be set

(start scan). To reset the latch (stop scan) you may either press the mic. button which will pulse the reset input of the latch or press and hold the scan button, initially this will attempt to set the latch, however, this will have no effect as it is already set, then C2 will charge via R2 and will reset the latch via R1.

The latch when set will enable the clock oscillator IC4 which will clock the counters through all 40 channels in succession, also IC5 which is a 5 second delay circuit is enabled and when the squelch of the CB transceiver is opened by a signal, this delay circuit is triggered which holds the clock oscillator for 5 seconds or until the signal ceases whichever happens first. The Scanner is powered by a 5 volt supply via the regulator IC1.

CONSTRUCTION

The Scanner has been designed to fit into most CB transceivers, in order to do this it was necessary to design a double sided, through hole plated printed circuit board, the track patterns for which are shown in Figs. 2, and 3 with the

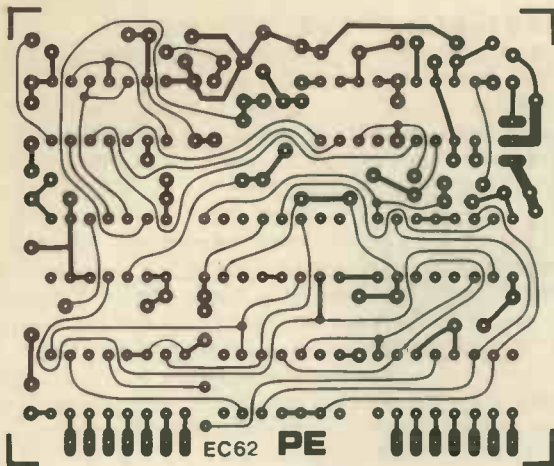


Fig. 2. P.c.b. design (underside)

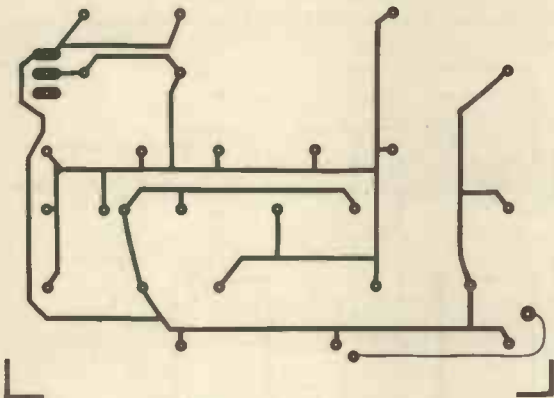


Fig. 3. P.c.b. design (component side)

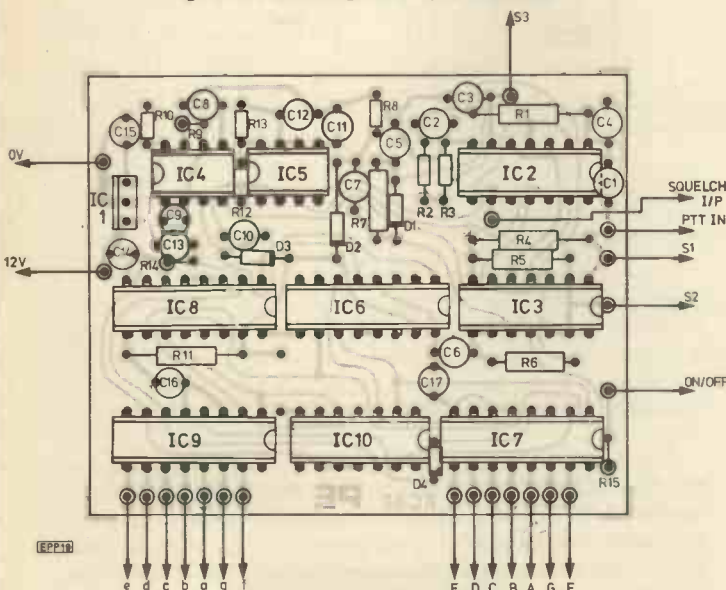


Fig. 4. Component layout

component layout shown in Fig. 4. No mounting holes have been provided although there is ample space for the constructor to include them if required, however, it is often difficult to find suitable mounting positions inside transceivers and the prototype was mounted between two pieces of $\frac{1}{2}$ in. thick foam rubber which provided support, insulation and some degree of shock resistance.

When assembling the components onto the p.c.b. the resistors and diodes should be fitted first followed by the i.c. sockets (if used) and then the capacitors and finally the regulator i.c. as it is the largest component. This order of assembly is not critical but fit the lowest height components first to enable the board to be turned over whilst soldering. One or two resistors will need to be stood on end and they should be left until later.

If i.c. sockets are not used the i.c.s should be inserted last, especially the 5 CMOS i.c.s which are to some extent static conscious and the normal precautions should be taken. If i.c. sockets are used the i.c.s can be left out until the board is finally wired into the transceiver and ready for testing.

INSTRUCTIONS TO MODIFY YAESU MIC YM = 35 TO WORK WITH SCANNING UNIT

To modify a YM = 35 microphone, first undo the 3 screws at the back of the mic. to allow access. Then carefully lift out the push to talk switch and prise the white plastic piece that covers the mic. insert and the 3 push button switches (the white plastic will be tight as it is glued in one spot). Once this is removed follow the instructions in Fig. 5

If it is required to implement the use of the Scanner without the microphone control C3 should be omitted from the p.c.b. and the switching instructions shown in Fig. 6 should be implemented. When the button wired for scan selection is pressed the Scanner will auto start and pause under the control of the squelch as usual if it is required to stop on a channel currently being monitored by the Scanner a short press of the microphone switch will achieve this.

COMPONENTS . . .

Resistors

R1, R3, R4, R5, R6, R8, R11, R12,	10k (10 off)
R14, R15	68k
R2	220k
R7	56k
R9	1k
R10	100k
R13	

All resistors $\frac{1}{4}$ W 10% carbon

Capacitors

C1, C3, C4, C6, C7, C8, C10, C11,	100n (9 off)
C13	2 μ 2 (7 off) tant. bead
C2, C5, C9, C14, C15, C16, C17	47 μ
C12	

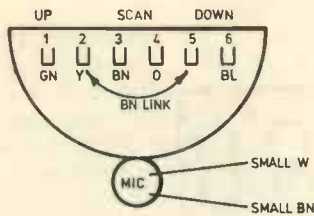
Semiconductors

D1-D17	1N4148 (17 off)
IC1	7805
IC2, IC3	4001 (2 off)
IC4, IC5	555 (2 off)
IC6, IC8	4029 (2 off)
IC7, IC9	74LS47 (2 off)
IC10	4078

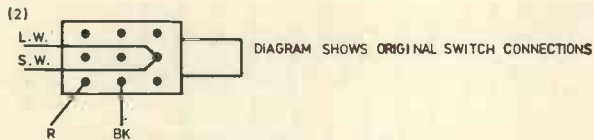
Constructor's Note

A complete kit of parts for the Scanner is available from Micro Communications Equipment and Design Ltd., 5 St. Patricks Avenue, Weymouth, Dorset DT4 9EQ. Tel. 03057 71355. (Price £12.00 plus 50p p.&p. plus V.A.T.) The p.c.b. is available separately (price £4.00 plus 50p p.&p. plus V.A.T.).

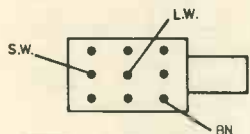
A suitable microphone (YM35) is available from South Midlands Communications Ltd., SM House, Osborne Road, Totton, Southampton.



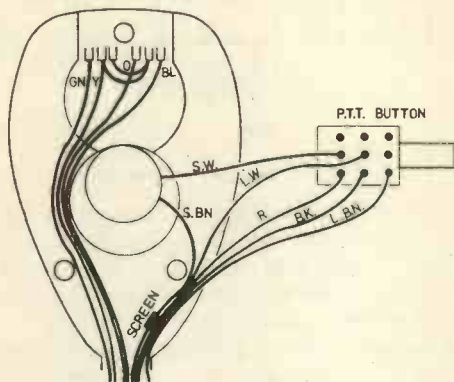
(1) REMOVE BROWN WIRE AND LINK A WIRE FROM THIS PIN 3 TO PIN 5



(3) REMOVE THE 2 WHITE LEADS (LARGE AND SMALL) AND CONNECT AS SHOWN IN DIAGRAM BELOW. ALSO CONNECT BROWN WIRE, REMOVED IN STEP (1), TO NEW POSITION SHOWN IN DIAGRAM BELOW.



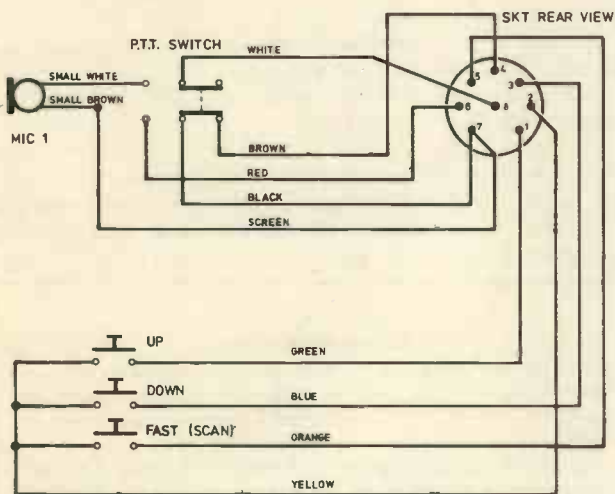
PP12



YAESU MIC YM-35

MIC WHEN MODIFIED SHOULD HAVE WIRES AS ABOVE TO MODIFY MIC AS BOUGHT FOLLOW THE FOLLOWING INSTRUCTIONS.

PP13

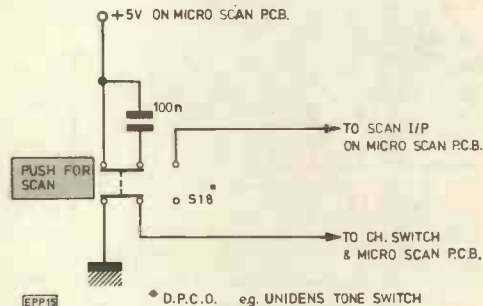


PP14

Fig. 5. Instructions to modify Yaesu mic.

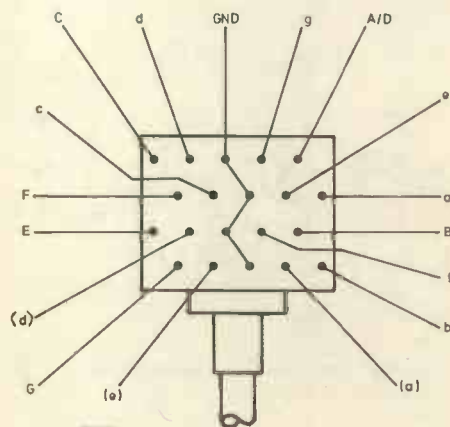
FITTING INSTRUCTIONS

To fit the Scanner into Uniden type transceivers it is necessary to electrically isolate the channel switch contacts from the display and PLL chip inputs, to achieve this cut all the tracks leading to the switch display drive contacts ensuring that both display current limiting resistors and PLL chip inputs remain connected together. The pin connections of the channel switch are shown in Fig. 7, the letters refer to the segments of the displays, capitals being the most significant digit (MSD) and the lower case letters being the least significant digit (LSD). The three letters shown in brackets are segments of the least significant digit display, however when unmodified they only drive the display and the equivalent un-bracketed letters drive the PLL chip inputs. The difference between the two 'a' and 'd' contacts is that the top and bottom segments (wrap round) are displayed with 6s and 9s by the bracketed pins but the PLL chip will not decode this, the other contacts produce the same output with the exception of the wrap round on the 6s and 9s.



PP15

Fig. 6. Scan circuit without mic control



PP17

Fig. 7. Channel switch pin connections

These are now used for both display and PLL chip drive because the 74LS47 decoder drivers also omit the wrap round (although provided wrap round was never used on early Cobra/President type transceivers). The 'e' is a complete duplicate of its counter-part and may be disregarded thereby simplifying changeover from channel switch to Scanner control. The three display segments isolated from the bracketed letters are connected to their counterparts but on the PLL input side of the track cuts. Thirteen diodes are now required to bridge the tracks cuts, the cathodes of which are connected to the channel switch side.

One of the track cuts may be implemented by moving a wire link and replacing it with a diode, Figs. 8 and 9 clearly shows where cut tracks should be made and diodes fitted,

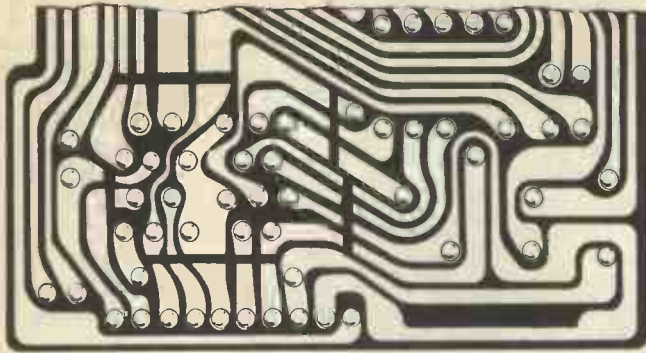


Fig. 8. Track cuts

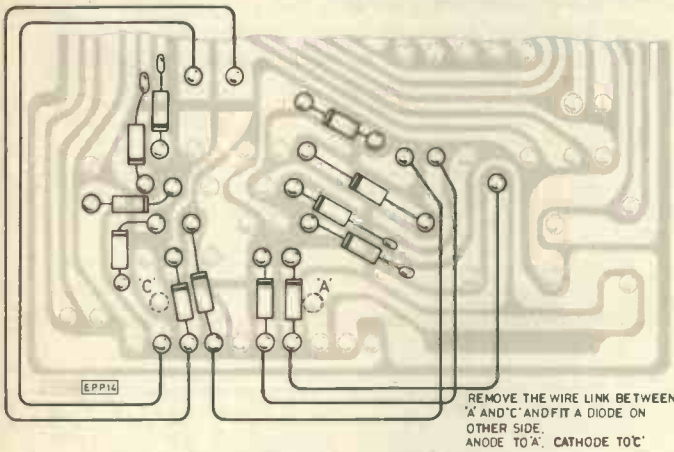


Fig. 9. Diode connections

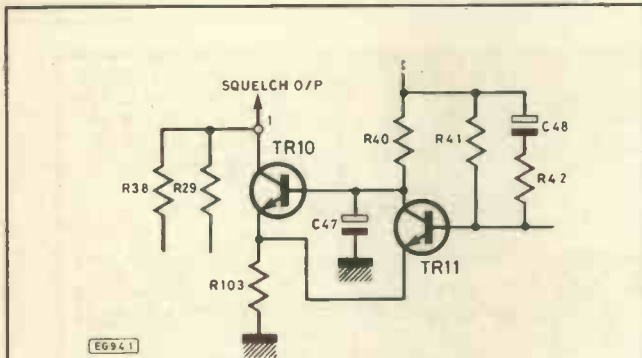


Fig. 11a. Squelch connections

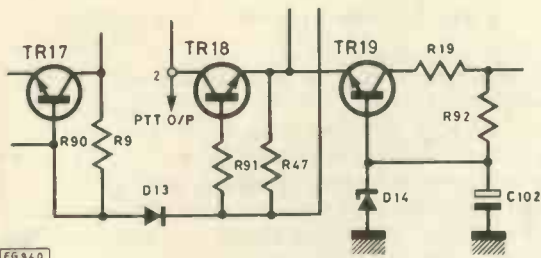


Fig. 11b. PTT connections. Fig. 11a and b show the necessary connections to a Uniden 200 rig from the Scanner. For other types of rigs not listed in Table 1 see the Advice note opposite.

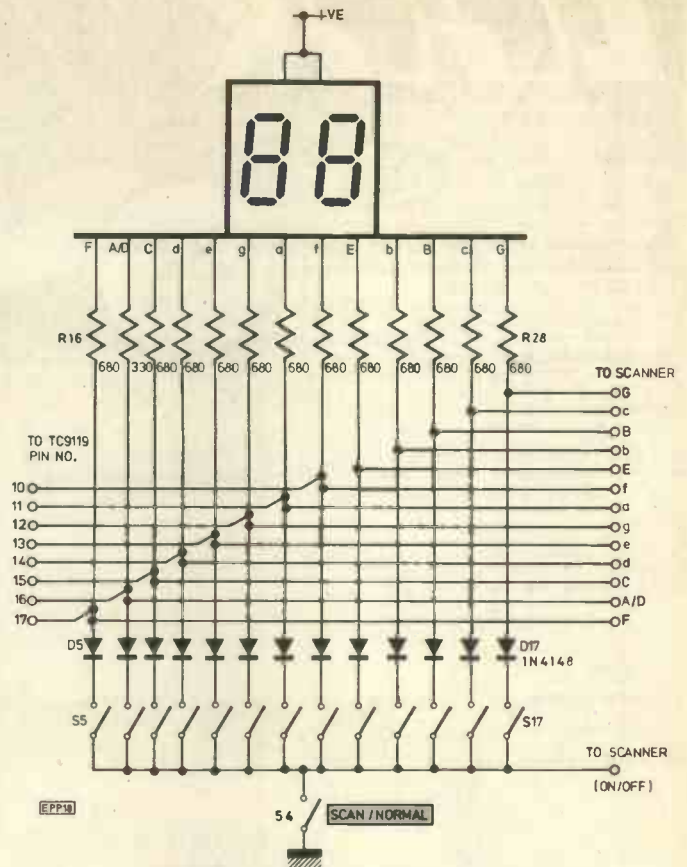


Fig. 10. Display connections

leads are run from the appropriate connections on the Scanner p.c.b. to the anode side of each diode thereby enabling the decoder driver i.c.s of the Scanner to drive both the display and the PLL chip. You can see from Fig. 10 which diode connects to which display segment.

As can be seen in Fig. 9 the four common connections of the channel switch are isolated from the main p.c.b. connection, this enables them to be switched to ground via an appropriate changeover switch when selecting between channel switch and Scanner control. The wiring of which is shown in Fig. 10 this also shows a connection to the Scanner to disable the outputs of the decoder drivers when in channel switch mode.

All that now remains is to connect the PTT Input, the squelch and the microphone buttons.

The connections for the squelch and PTT (Uniden 200) are shown in Figs. 11 a and b.

To connect the microphone buttons to the Scanner you must run wires from the connections labelled 'up', 'down' and 'scan' to the appropriate pins on the mike socket and a +5V feed to the common of the buttons also on the mic. socket, details shown in Fig. 5.

ADVICE SERVICE

If you are unsure about the Scanner connections to your particular rig, then send a photostat copy of the circuit diagram together with a stamped addressed envelope to Micro Communications Equipment and Design Ltd., 5 St. Patricks Avenue, Weymouth, Dorset DT4 9EQ. The appropriate connections will be marked on the diagram and returned.

LOOK

Kit includes tape transport mechanism, ready punched and back printed quality circuit board and all electronic parts. i.e. semiconductors, resistors, capacitors, hardware, top cover, printed scale and mains transformer. You only supply solder and hook-up wire. Self assembly simulated wood cabinet — only £4.50 + £1.50 p+p.

Featured in April issue of P.E. Reprint 50p. Free with kit.

ELECTRONICS ONLY!

Ideal for updating your existing cassette. Includes pcb diagram, all semiconductors, IC's, Capacitors, resistors. +£1.40p&p

£18-95

£32-95

+ £2.75 p&p.



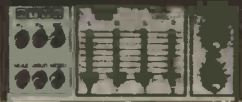
P.E. STEREO CASSETTE RECORDER KIT

- NOISE REDUCTION SYSTEM
- AUTO STOP
- TAPE COUNTER
- SWITCHABLE E.O.
- INDEPENDENT LEVEL CONTROLS
- TWIN V.U. METER
- WOW & FLUTTER 0.1%
- RECORD PLAYBACK I.C. WITH ELECTRONIC SWITCHING
- FULLY VARIABLE RECORDING BIAS FOR ACCURATE MATCHING OF ALL TAPES

STEREO AMPLIFIER KIT

- Featuring latest SGS/ATES TDA 2006 10 watt output IC's with in-built thermal and short circuit protection.
- Mullard stereo preamplifier module. • Attractive black vinyl finish cabinet, 9" x 8" x 3 3/4" (approx).
- 10+10 stereo converts to a 20 watt disco amplifier.

To complete you just supply connecting wire and solder. Features include din input sockets for ceramic cartridge, microphone, tape or tuner. Outputs — tape, speakers and headphones. By the press of a button it transforms into a 20 watt mono disco amplifier with twin deck mixing. The kit incorporates a Mullard LP1183 pre-amp module, pos/pow amp assembly kit and mains power supply. Also features slider controls, push button switches, fascia, knobs and contrasting case. Instructions 50p — supplied free with kit.



£16-50 + £2.90 p&p.

SPECIFICATIONS: Suitable for 4 to 8 ohm speakers. Frequency response: 40Hz - 20KHz. Input sensitivity: P.U. 150mv, Aux. 200mV, Mic. 1.5mV. Tone controls: Bass ±12dB @ 60Hz, Treble ±12dB @ 10KHz Distortion: 0.1% typ. @ 8W. Mains supply: 220-250V 50Hz. **8" SPEAKER KIT**— Two 8" twin cone dome tic speakers. £4.75 a stereo pair plus £1.70 p&p.

125W HIGH POWER AMP MODULE

SPECIFICATIONS: Max output power: 125w rms. Operating voltage (DC): 50-80max. Loads: 4 - 16 ohms. Frequency response measured @ 100 watts: 25Hz - 20KHz. Sensitivity for 100 watts: 400mV @ 47K. Typical T.H.D. @ 50 watts: 4 ohms: 1%. Dimensions: 205 x 90 and 190 x 36 mm.



KIT: £10-50 + £1.15 p&p
BUILT: £14-25 + £1.15 p&p

P.E. STEREO TUNER KIT

This easy to build 3 band stereo AM/FM tuner kit is designed in conjunction with P.E. (July 81 issue).

For ease of construction and alignment it incorporates three Mullard modules and an I.C. IF System. **FEATURES:** VHF, MW, LW bands, interstation muting and AFC on VHF. Tuning meter. Two back printed pcb's. Ready made chassis and scale. Aerial: AM — ferrite rod, FM — 75 or 300 ohms. Stabilised power supply with 'C' core mains transformer. All components supplied are to P.E. strict specification. Front scale size: 10 1/2" x 2 1/2" app. Complete with diagram and instructions. Self assembly simulated wood cabinet sleeve to suit tuner only. Finish size: 11 1/2" x 8 1/2" x 3 1/4". £3.50 Plus £1.50 p&p. Reprint 50p FREE with kit.



£17-95 + £2.50 p&p.

SPECIAL OFFER! TUNER KIT PLUS:
• Matching I.C. 10 watt per channel Power amp kit. • Mullard LP1183 built pre-amp, suitable for ceramic pickup and aux. inputs.
• Matching power supply kit with transformer. • Matching set of 4 slider controls for bass, treble + vols. £21.95 + £3.80 p&p.

All mail to: 21B HIGH STREET, ACTON, W3 6NG. Note: Goods despatched to U.K. postal addresses only. All items subject to availability. Prices correct at 30/6/82 and subject to change without notice. Please allow 7 working days from receipt of order for despatch. RTVC Limited reserve the right to update their products without notice. Send S.A.E. for full list of products. Telephone or mail orders by ACCESS are welcomed.

ALL CALLERS TO: 323 Edgware Rd, London W2. Tel: 01-723 8432. 9.30 - 5.30, closed all day Thurs. ALL PRICES INCLUDE VAT AT 15%.



NEW - NEW - NEW CT 1000P THE 1000 VOICE DIGITALISED POLYPHONIC SYNTH from Casiotone



absurdly low price £325
with £40 FREE accessories

Features

- 1,000 Voices
- Polyphonic
- Pre-set and programmable arpeggios
- 5 octave split Keyboard
- Real time Sequencer
- Pitch Transposer

This advanced technology synthesiser from Casiotone is without doubt the keyboard bargain of the year and has been eagerly awaited by everyone. It has ten superb basic voices plus selectable envelope, footage and modulation giving 10 x 10 x 10 sound variations numbered 0 - 999.

Up to ten sounds can be stored in a non-volatile memory ready for instant selection while playing. The five octave eight note polyphonic keyboard can be split into two separate sections each with a different voice. A sixteen step pre-set arpeggio is available in addition to programmable arpeggios with a 127 steps which can also function as a real time sequencer.

Pitch is displayed digitally and a wide range pitch control, allows transposition over 1 1/2 octaves. There is sustain and vibrato facilities plus an integral amplifier/speaker and line output and phone sockets. Dimensions 117 x 916 x 363 mm (4 1/4 x 36 x 14 1/4 inches) Weight 10kgs (22lbs).

Micro Musical MAIL ORDER SPECIALISTS

Casiotone

FREE accessories worth up to **£65**

MODEL (TICK)	FREE ACC. VALUE	ACCESSORIES (TICK)	
VL-1	35.95	8.85	Song Book (8 Titles) ea. 2.95
VL-10	26.95	2.95	CS-H Stand (CT Models) 30.00
VL-5	79.95	10.90	VPE Vol. Ped (CT Models) 25.00
MT-31	69.00	7.95	SPE Sus. Ped (CT Models) 6.50
MT-40	99.00	12.95	HC-3 Hardcase (CT-202) 44.00
CT-101	195.00	30.00	HC-2 Hardcase (CT-101-403) 44.00
CT-202	275.00	36.50	HC Hardcase (CT-601-701) TBA
CT-403	275.00	36.50	PC-2 Hardcase (MT-31-40) 9.95
CT-801	395.00	55.00	AD-4160 Adaptor (VL-1) 5.00
CT-701	495.00	65.00	AD-1E Adaptor (MT-31-40) 5.00
CT-1000	325.00	40.00	Prelude Chord Computer 19.95

PLEASE SEND ME THE KEYBOARDS TICKED.
PLUS MY CHOICE OF FREE ACCESSORIES TICKED.

TOTAL REMITTANCE ENCLOSED.

I wish to pay by enclosed (please tick)

Cheque P.O. M.O. Cash (Registered)

I wish to pay by Access Card. My Access Card Number is:



SIGNATURE

NAME

ADDRESS

TEL. NO.

PE

Cut out your order form and send (no postage required) to:

Micro Musical Limited
FREE POST
37 WOOD LANE, SHILTON, COVENTRY, CV79BR
TELEPHONE: 0203 - 616760

MICRO-BUS

Compiled by DJD.

Appearing every two months, Micro-Bus presents ideas, applications, and programs for the most popular microprocessors; ones that you are unlikely to find in the manufacturers' data. The most original ideas often come from readers working on their own systems; payment will be made for any contribution featured.

THIS month's Micro-Bus looks at the sound facilities provided by the BBC Microcomputer, and shows how they can be used for electronic music synthesis. Among this month's other topics is the circuit for an analogue interface for the ZX81.

BBC MICRO SOUND

The BBC Microcomputer provides three tone channels, and a fourth channel which can be used for noise or pulsewaves. The four channels are summed and can be played simultaneously through an internal loudspeaker. Each channel can be set to one of 16 amplitudes, and the tone channels can be set to frequencies spanning about five octaves, in steps of a quarter of semitone (where 12 semitones is one octave). Furthermore, pitch and amplitude envelopes can be set up and specified for every sound played, providing effects such as tremolo and vibrato, and allowing an approximation to different musical instruments to be achieved.

The programmer is provided with access to the sound system from BASIC by means of two statements, SOUND and ENVELOPE, each of which takes a number of parameters to control the characteristics of the sounds produced. It would obviously be undesirable for the SOUND statement to hold up further execution of a program while a note of, say, a second's duration was played. The sound system on the BBC Micro therefore has a system of queues; rather than actually sounding a note, the SOUND command places the parameters for that note into a queue. Up to four notes can be queued on each sound channel before program execution is suspended, and various options in the SOUND statement allow several notes to be queued separately on the different channels, but sounded together as a single chord.

The ENVELOPE statement allows up to four envelopes to be set up, for use by subsequent SOUND statements. Six of the parameters, PS1-3 and NS1-3, provide three stages of variation in the frequency of the note chosen in the SOUND statement to give effects such as tremolo, and the change in pitch of a plucked string. The remaining parameters control the ADSR (attack, decay, sustain, release) amplitude envelope of the sound.

The parameters of the SOUND and ENVELOPE statements are summarised in the diagrams of Fig. 1, and the use of these statements is illustrated in the following two music programs.

Fig. 1(a). The BBC Microcomputer's SOUND statement enters the parameters of a sound into one of the four sound queues

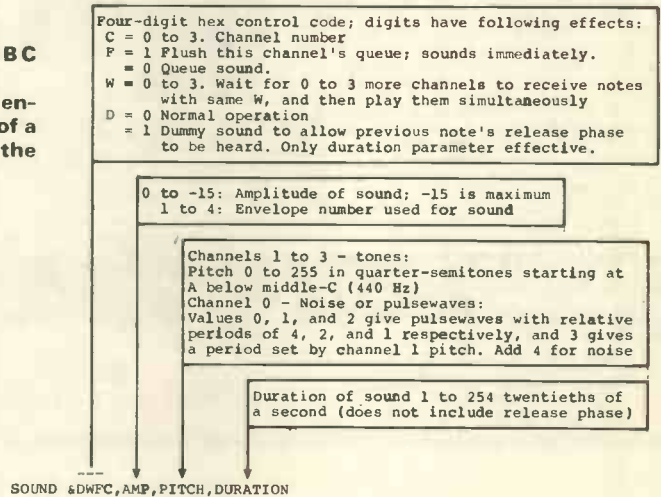
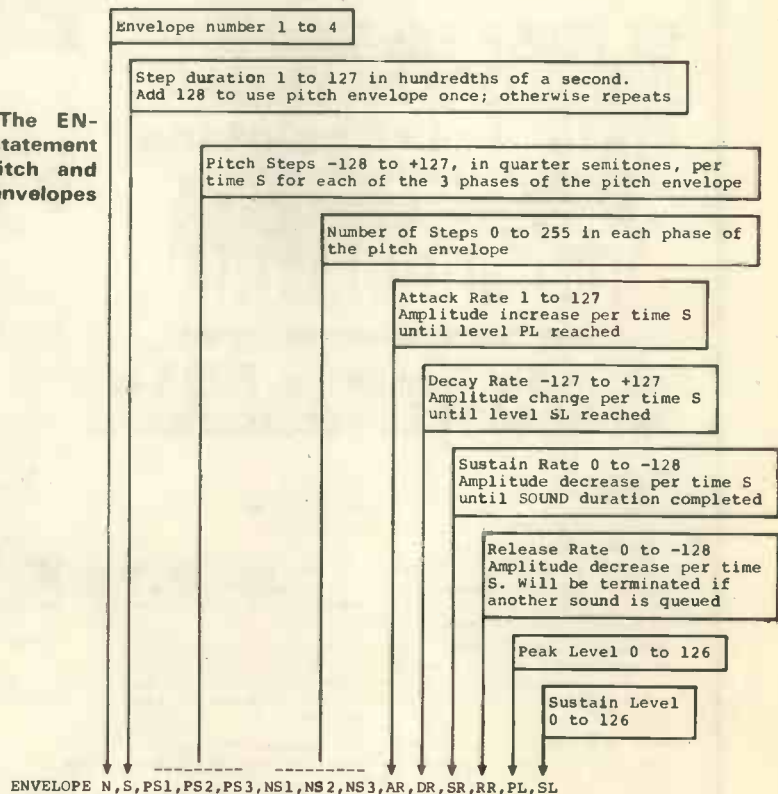


Fig. 1(b). The ENVELOPE statement sets up pitch and amplitude envelopes for sounds



```

0 REM PIANO
10 ONERRORGOTO100
20 *FX11
30 CH=1
40 ENVELOPE1,4,1,-1,1,1,1,1,120,0,-1,-1,120,60
50 AS="1Q2W3ER5TYU8I9O0P@"
60 REPEAT
70 AS=INSTR(AS,GET$)
80 IFAA CH=CH*MOD3+1:SOUNDCH+16,1,AA*4,5
90 UNTILO
100 *FX12

```

Fig. 2. Program turns the BBC Micro into an electric piano

```

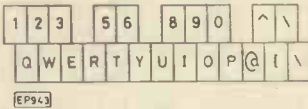
0 REM COMPOSER
1 ENVELOPE1,1,0,0,0,1,1,1,1,126,-3,-3,-3,100,60
2 ENVELOPE2,1,0,0,0,1,1,1,1,126,-5,-5,-5,100,60
3 ENVELOPE3,1,0,0,0,1,1,1,1,126,-1,-1,-1,126,60
20 INPUT"DELAY",D:DUR=5
30 CH=0:I=0:INC=-1:K=0:REPEAT
35 IFI>8:INC=-INC
36 IFI<1:INC=-INC:K=(K+7)MOD12
37 I=I+INC
40 ON(I&MOD4+1)GOTO50,60,70,80
50 P=12*(I&DIV4):GOTO90
60 P=3+12*(I&DIV4):GOTO90
70 P=7+12*(I&DIV4):GOTO90
80 P=10+12*(I&DIV4):GOTO90
90 P=P+(INC+1)/2*7
95 CH=(CH+1)MOD2
99 IFI=1:SOUND13,3,K*4+(RND(2)-1)*48,2
100 SOUND11+CH,1,(P+K)*4,DUR
101 IFCH=1:SOUND10,2,I/2MOD3+4,10
110 NOW=TIME:REPEATUNTILTIME-NOW>D
160 UNTILO:END

```

Fig. 3. Program composes music on a BBC Micro

MICRO KEYBOARD

The surprisingly short program shown in Fig. 2 turns the BBC Microcomputer into an electronic keyboard instrument, which allows chords of up to three notes to be played. It was contributed by *Tim Dobson* of Warrington, and it uses the top two lines of the keyboard as a piano keyboard, as follows:



The top numeric row gives the black notes, and the row "QWERTY" gives the white notes, with "R" as middle-C. The program works by first specifying an envelope for the SOUND statement (line 40) with slight tremolo, a sharp attack phase, a flat decay phase, and slowly decaying sustain and release phases to give a piano-like sound. It then reads

a key, using GET\$, and looks up the key in a string containing all the valid keys of the keyboard, AS, using the INSTR function. This sets A% to the position of the key in the string, or 0 if the key is not found. If A% is non-zero it is used to sound a note on the next sound channel (line 80). The channel number, CH%, is cycled through the tone channel numbers 1, 2, and 3. The SOUND statement's first parameter sets F=1 to sound each note immediately.

The *FX11 call is used to turn off keyboard auto-repeat, which would otherwise cause strange effects if a key were held down. The ON ERROR statement, line 10, allows you to exit from the program by typing ESC, and the *FX12 then turns auto-repeat back on.

MUSIC COMPOSER

The second of the two music programs for the BBC Microcomputer actually composes music, according to a set of simple rules, to produce a tune with three parts and percussion.

The program shown in Fig. 3 begins by setting up the three envelopes used by the subsequent SOUND commands. All three envelopes have a flat pitch envelope, sharp attacks, and different decay rates in the decay, sustain, and release phases. The program next prompts for the "DELAY", which determines the speed of the tune; values of about 5 to 10 give the best results. The SOUND statements in lines 99 and 100 control the tones in the tune, and the one in line 101 gives percussive sounds using channel 0, the noise channel.

Many varied and interesting effects can be produced by varying the parameters in the program, but the program goes only a little way in illustrating the possibilities for music composition by computer.

ZX81 A/D INTERFACE

The addition of an analogue interface to a computer enables it to be used as a chart

recorder, a slow oscilloscope, or in real-time control and data-logging applications. The following analogue-to-digital interface for the ZX81 uses the Ferranti ZN427 in conjunction with a CMOS analogue decoder to give 8 analogue input channels which can be read by programs. The design was submitted by *D. L. Brownlee* of Hatfield, and is based on a circuit for the UK101 published in the July 1981 *Practical Electronics*. What follows is based on his description.

CIRCUIT OPERATION

"In use, one of the eight inputs is first selected by executing: POKE 11000,N where N is the channel number, 0 to 7. Then the chosen input can be read by:

PRINT PEEK 11000 with readings between 0 and 255 corresponding to voltages between 0 and 5V.

"The circuit, shown in Fig. 4, comprises 7 i.c.s and a few ancillary components. The 74LS04 inverters and 74LS30 gate decode a block of 256 bytes containing the address with the convenient round number 11000. The remaining inverter, in conjunction with D1, disables the ROM when this addressed block is active. The A/D inverter chip's clock is derived by dividing down the ZX81's 3.2 MHz clock, using a 74SL93, to approximately 400kHz.

"On writing to the circuit, using a BASIC POKE statement, the lower four data lines are latched into a 74LS75 latch, and these are in turn decoded by a 4051 CMOS analogue switch to select one of 8 input channels. At the same time a latch, formed out of the two remaining NOR gates, is triggered to give a start-conversion pulse to the ZN427; the latch is reset by a pulse from the 74LS93 clock divider.

"On reading the A/D converter, with a PEEK instruction, the latch of the A/D converter is enabled by the RD signal to place the

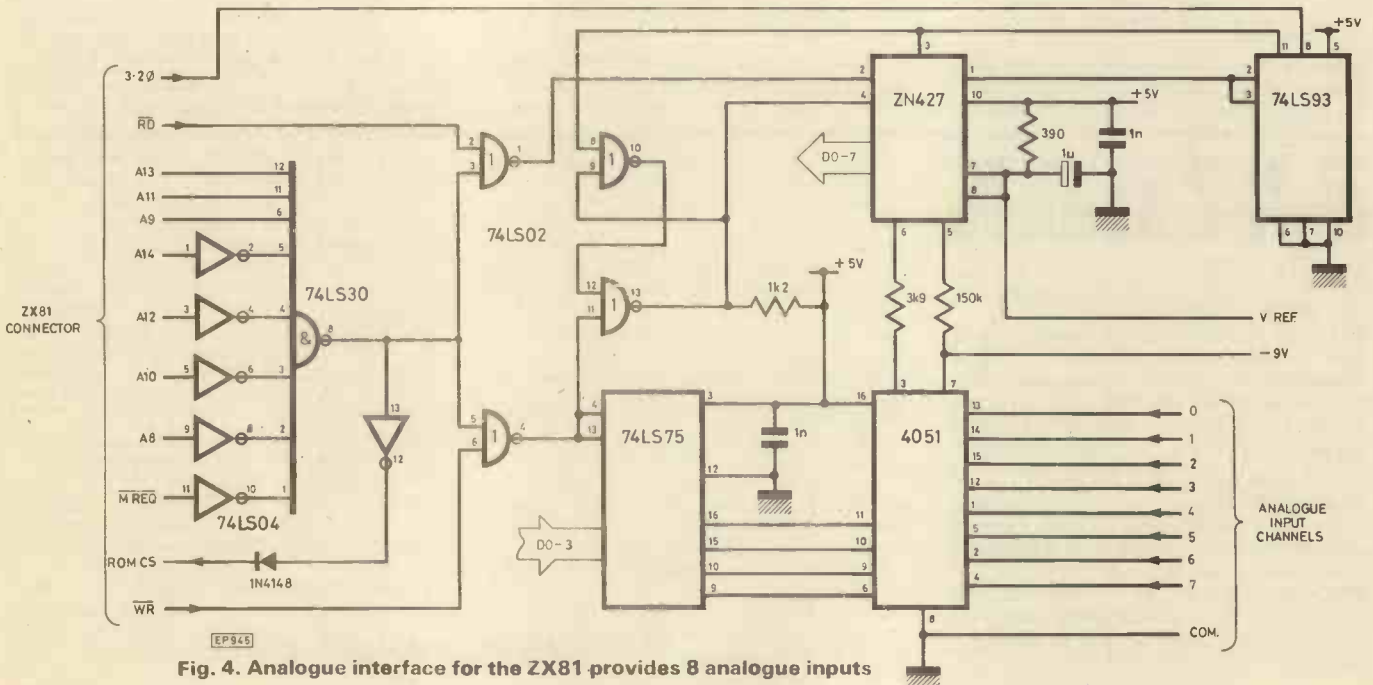


Fig. 4. Analogue interface for the ZX81 provides 8 analogue inputs

digital value of the last analogue input onto the data bus.

"The A/D converter and analogue switch both require a negative supply rail, not available from the ZX81. As the current consumption is small this can conveniently be obtained from a 9V battery."

If only one input channel is required, the circuit can be simplified by omitting the 4051 and 74LS75 i.c.s.

HAWK & SPARROW GAME

In the following game for the ZX81 you control a hawk chasing a sparrow, which tries to reach the safety of the right-hand side of the screen. The program, shown in Fig. 5, was devised by *J. W. H. King* of York.

On pressing "RUN N/L" the screen shows a horizontal line, representing the ground, a symbol representing the hawk near the top left-hand corner of the screen, and lower down to its right a smaller symbol representing the sparrow.

To move the hawk, key any number followed by N/L. The hawk will then move to the right by that number of spaces, and may also move up or down. Meanwhile the sparrow also moves to the right, but by a random number of positions, and up or down. To catch the sparrow you must move the hawk next to it, and both will fall to the ground with the message "CAUGHT" displayed. If, however, the sparrow manages to reach the right-hand side of the screen the message "SAFE" will be displayed, and the number of moves taken is indicated in the top left-hand corner. To restart the game type "0 N/L".

ZX81 ART

The following program, for a ZX81 with 16K of RAM, will allow you to design pictures on the computer screen and print them out on the ZX printer. Ten different pictures may also be stored in memory, and then saved to tape. The program was devised by *D. Wardle* of Norfolk, and a picture of his house produced by the program is shown in Fig. 6.

PROGRAM OPERATION

To use the program press RUN, enter any ZX81 character followed by NEWLINE, and the selected character will appear flashing on

```

4 CLS
10 PRINT AT 1,13;"HAWK"
15 FOR L=0 TO 30
15 PRINT AT 20,L;CHR$ 3
20 NEXT L
25 LET A=19
30 LET B=14
40 LET P=14
45 LET Q=0
45 LET X=0
50 LET C=A
55 LET D=B
60 LET E=P
65 LET F=0
80 PRINT AT A,B;CHR$ 2;CHR$ 1
100 PRINT AT P,Q;CHR$ 132;CHR$
7
120 IF B=0 THEN GOTO 245
125 IF B=0-1 OR -1 THEN GOTO 24
8
130 LET A=INT (RND*4)+16
140 LET B=B+INT (RND*5)
150 LET P=INT (RND*3)+14
160 INPUT A
165 IF B>30 THEN GOTO 210
170 LET Q=0+R
180 LET X=X+1
181 PRINT AT C,D;" "
185 PRINT AT E,F;" "
190 PRINT AT 3,4;X
200 GOTO 50
210 PRINT AT 12,13;"SAFE"
220 GOTO 230
240 IF A-P>=1 THEN GOTO 130
245 IF A-P>=2 THEN GOTO 130
250 PRINT AT A,B;" "
260 PRINT AT P,Q;" "
270 PRINT AT 19,6;CHR$ 136;CHR$
136
280 PRINT AT 12,12;"CAUGHT"
290 INPUT S
300 IF S=0 THEN GOTO 4

```

Fig. 5. ZX81 Hawk and Sparrow game

the screen, indicating that the program is in "Drawing Mode". To move the character type:

- 1 or 2 for horizontal movement,
- 3 or 4 for vertical movement,
- and 5, 6, 7, or 8 for diagonal movement.

To change the drawing character press "9", type the new character, followed by NEWLINE, and the new character will appear at the last drawing position on the screen. To erase previously drawn characters enter a SPACE or null character, or to clear the screen completely press "C".

To save a picture in memory, press "A" when the program is in drawing mode; this will take about 40 seconds. The pictures are numbered in the order in which they are saved. To recall a previously saved picture press "B" followed by the picture number (1 to 10), and to return to drawing mode press "0".

When the program is waiting for a new drawing character, typing the function "PI" will reset the drawing counter; the next picture

```

1 REM ART
10 DIM S$(10,704)
20 LET A=11
30 LET B=16
40 LET A$="00121212"
50 LET B$="12001221"
70 LET N=0
80 INPUT U$
90 IF U$="PI" THEN GOTO 70
95 IF U$="ACS" THEN GOTO 450
100 IF INKEY$="" THEN PRINT AT
A,B;" ";AT A,B;U$
110 IF INKEY$="" THEN GOTO 100
120 IF INKEY$="A" THEN GOTO 320
130 IF INKEY$="B" THEN GOTO 410
140 IF INKEY$="C" THEN CLS
150 IF INKEY$="9" THEN GOTO 80
160 LET X=0
170 LET C$=INKEY$
180 IF CODE C$>=29 AND CODE C$<
=36 THEN LET X=UAL C$
190 IF X<1 OR X>8 THEN GOTO 100
200 LET D=0
210 IF A$(X)="1" THEN LET D=-1
220 IF A$(X)="2" THEN LET D=-1
230 LET A=A+D
240 LET D=0
250 IF B$(X)="1" THEN LET D=1
260 IF B$(X)="2" THEN LET D=-1
270 LET B=B+D
280 IF ABS A>20 THEN LET A=20
290 IF ABS B>30 THEN LET B=30
300 PRINT AT A,B;U$
310 GOTO 100
320 FAST
330 LET N=N+1
340 FOR I=0 TO 21
350 FOR J=1 TO 32
360 LET S$(N,J+32*I)=CHR$ PEEK
(PEEK 16396+256*PEEK 16397+J+33*
I)
370 NEXT J
380 NEXT I
390 SLOW
400 GOTO 100
410 INPUT S
420 IF S=0 THEN GOTO 100
430 CLS
440 PRINT S$(S)
450 GOTO 410
460 PRINT AT 20,0;"START TAPE
PRESS CONT AND NEWLINE"
470 STOP
480 SAVE "ART"
490 GOTO 80

```

Fig. 6. Art program turns a ZX81 into a sketchpad

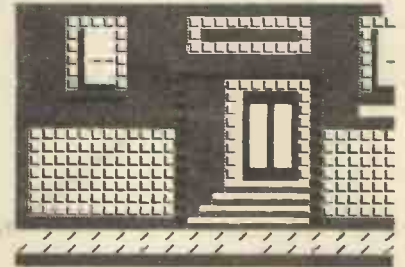


Fig. 7. Drawing generated using the Art program of Fig. 6

saved will be number 1. Typing the function "ARCCOS" will save the program, and all the saved pictures, on tape. To continue, press CONT and NEWLINE. When next loaded the program will be in character-entry mode.

BAZAAR

MAPLIN Pedal unit—Front panel—Generator—Power p.c.b. Working Unused £25. Carr. ex. Tel: 0436 71181. Seon Smyth.

H.E. Mini Synth with memory, various effects, Good condition £15. Transistor and diode checker, new £18. M. Call, 16 Mill Lane, Broomfield, Essex. Tel: 0245 441965.

RADIOMETER—Copenhagen SMG1 stereo transmission generator, 100MHz carrier, int./ext. modulation, full working order, operating manual £250. Tel: 01-650 3884 after 6 p.m.

ZX81 plus 16K RAM pack, loads of software, books, tapes, only 5 months old, perfect £85. S. Mehew, 1 Overton Park, Strathaven, Lanarkshire, Scotland. Tel: Strathaven 21221.

BACK ISSUES P.W., E.T.I., W.W., Byte from 1962. Electronic Books, LS, cases, offers, exchange for components. L. Symes, Titchborne, Redlynch, Salisbury, Wilts SP5 2JX.

UK101, 13K, cased, 1/2 MHz, 300/600 Baud, sound and I/O, software, quick sale £160. Tony Randall, 29, Carlisle Rd, Pudsey, W/Yorks. Tel: 561967.

UK101 32 x 48 Cegmon new basics 1,3 & 4, 300/600b cased but only 3K RAM hence £120 o.n.o. Buyer collects. Tel: Somerton (Somerset) 72663.

MC14559 8-bit successive approximation register (A-D converter) with details to build scope waveform store £5. S. C. Winsor, 47 Barrow Road, Kenilworth, Warwickshire.

HEATHKIT ET3400 microprocessor trainer assembled and tested plus self-instruction texts cassettes etc. Offers please. J. N. Ryan, The Pharmacy, Main St., Ballinasloe, Co. Galway.

CASSETTE recorders (two), stereo cassette mechanism, tape recorder (3in. reel) £5 each. Rigonda 7in. TV, picture unsteady £10. D. Buckley, 142A Lynton Rd, West Acton, London W3. Tel: 01-993 3123.

IBM SELECTRIC printer+magnets, overhauled manual £175. Great Dunmow (0371) 2527. D. Howard, 9 Newton Hall, Dunmow, Essex.

W/T TRANSMITTER. Type 52M, R.A.F. Serial No. 1330 (W/T Stores Depot, Kidbrooke, Kent. Ref. No. 1872). Good condition Offers? R. D. Morton, 92 Peacock Avenue, Wakefield.

MEMOPAK 64K memory for Sinclair ZX81. As new. £65 or nearest offer. D. Smallshire, 25 Caspian Way, Wheaton Aston, Stafford. 0785 840800.

PROFESSIONAL short—wavebands receiver kit, 1-30MHz unused, complete to easily construct superlative rig—£13.00; Post/Pack £1.00. David, 1 Burnhead Road, Burnfoot, Hawick, Scotland TD9 8HB.

VIDEO GENIE 16K, 1 year old, plus monitor £220 or exchange. Goodworking synthesiser. 01-647 6572. B. J. Davenport.

HEATHKIT 5" scope £80. DG6-7 scope tube £4. Wanted Wyndors Vanguard tape recorder Belco 5A oscillator circuit. Dave Bidde. Tel: 01-690 9697.

HOME-WORKSHOP clearance of surplus power—supplies, transformers and rack-units. Phone (0743) 59492. Mr. P. A. Hartwig, 3 Kingswood Road, Cophorne, Shrewsbury.

SPECIAL LOUDSPEAKER OFFER!

**VIDEOTONE GB2
SPEAKERS**

£39-95

Per Pair

**INCLUDES V.A.T.
POSTAGE & PACKING**



We are delighted to be able to offer these excellent Videotone speakers at a truly remarkable price, and challenge you to find a supplier who can equal it!

The GB2 was developed from the components used in the famous Minimax II, which in conjunction with a larger ported cabinet give improved bass and treble performance, whilst maintaining the Minimax's legendary clarity. Distortion throughout the audio band is of a very low order, giving the excellent clarity of sound together with good stereo imaging capability. Popular Hi-Fi had this to say about the GB2:

"In use, the GB2 proves to be quite efficient. Bass is quite extended and clean with only a trace of cabinet resonance, whilst treble performance is well detailed. All in all these Videotones, with their detailed treble, give a lively and enjoyable performance."

SPECIFICATION

Type: Port loaded, two way, floorstanding/bookshelf model.
Recommended Amplifier power: 15-40 watts. In general they need between 10 and 15 watts r.m.s. per channel for every 1000 cu/ft. of room space.

Impedance: 8 ohms nominal.

Frequency response: 50-20kHz \pm 5dB.

Efficiency: 8.8 volts gives 90dB.

Distortion: Less than 1% 60Hz-20,000Hz for 5 volts input.

Finish: Teak foil with black frets.

Size: height 19in., width 10in., depth 11in.

Weight: 22lbs. each.

Offer limited to UK and BFPO only.

To: Videotone Ltd., 98 Crofton Park Road, London SE4

Please complete both parts of the coupon in BLOCK CAPITALS

Please send me pair(s) of speakers at £39.95 (including VAT, postage & packing) per pair.

I enclose P.O./Cheque No. Value
Make cheques payable to Videotone Ltd.

Name

Address

Please allow 28 days for delivery
OFFER CLOSES
FRIDAY, 24th SEPTEMBER 1982

Name

Address

From: Videotone Ltd., 98 Crofton Park Road, London SE4

Waveform Digitiser...

LYNDSAY ROBINSON B.A. Hons.

WAVEFORM Digitisers, or Transient Recorders as they are otherwise known, have been available on the professional market for some time. These devices are able to store a waveform in memory and replay it at a later time, and are particularly useful for capturing transient events, e.g. musical instrument waveforms, power supply glitches, etc., so that the stored waveform can then be displayed on an oscilloscope. It is also useful for recording very low frequency events, e.g. a temperature variation throughout the day, and then displaying this at a much higher frequency on the oscilloscope.

This Waveform Digitiser has a maximum input sampling rate of 100kilohertz and a memory capacity of one kilobyte. The total cost is approximately £50, and the design is based on a new (1982) Ferranti analogue to digital converter i.c., the ZN449.

BASIC OPERATION

An analogue signal, either periodic or transient is converted into a digital signal and stored in memory. The stored signal can then be converted back into analogue for display on the oscilloscope. The digital signal can be stored indefinitely, unlike a conventional analogue storage scope, and be displayed on an ordinary oscilloscope.

APPLICATIONS

The unit can be used with experiments in Physics, Chemistry, Biology and Electronics. Any signal that varies with time and which can be converted to a voltage can be stored, providing the frequency of interest is below 50kHz. (Note that total record time=memory size/sampling time, where memory size is 1024 bytes).

The waveform can be replayed onto an oscilloscope or can be stored on paper by the use of an X/Y plotter. Signals that are too fast for this are recorded by the Digitiser. The stored signal could also be permanently stored on magnetic

SPECIFICATION

Memory—Static RAM (1 kilobyte)
Sampling rate—1 to 100kHz
Amplitude resolution—8 bits (0.4%)
Analogue to digital conversion time—9 μ s
Output display—Can be step or filtered waveform
Trigger facilities—Pretrigger
 Post trigger
 Manual trigger
 Output trigger to oscilloscope for synchronised display
L.e.d. Indicators—Mains power on
 Input overload
 Trigger threshold
 Trigger armed
 End of memory
Input stage—Variable gain 1 to x100, a.c./d.c. 1M Ω input impedance
 Slew rate—13V/ μ s
 Adjustable d.c. offset
 Single or repeat memory record or display BNC connectors

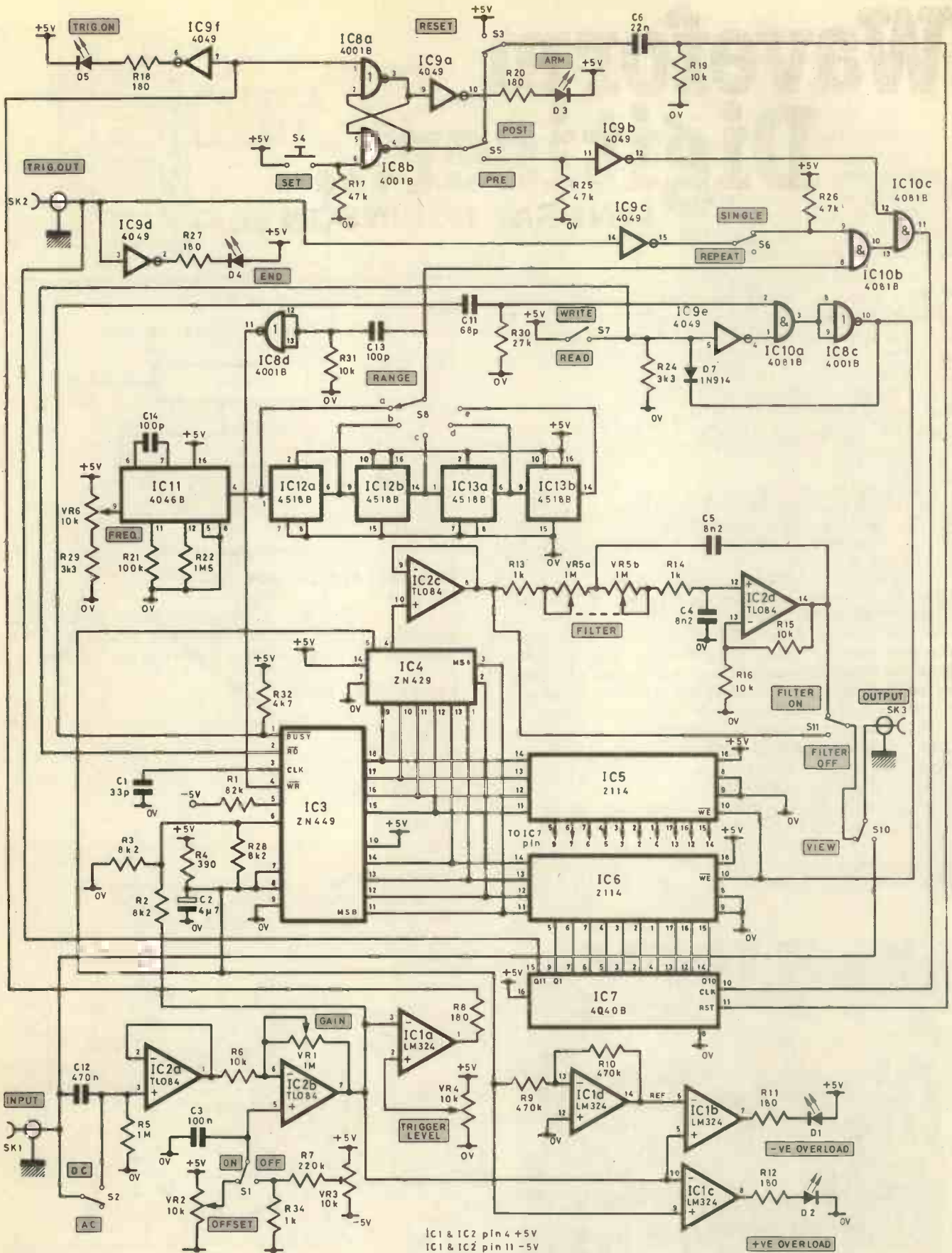
tape, by the use of a suitable serial interface. The minimum sample frequency on the Digitiser is one sample/second, but this can easily be reduced by the addition of more dividers (CMOS 4518).

Physics applications include temperature/time plots, measurement of stress, strain, pressure, volume, acceleration. Transient events, such as shock, can be stored and replayed later.

Fast chemical reactions can be measured. Some transient reactions can have their rates measured by the change in light absorption by the reaction medium, this change in light transmission can be measured and converted into a voltage.

Electronic uses of the Digitiser include measurement of a





IC1 & IC2 pin 4 +5V
 IC1 & IC2 pin 11 -5V

Fig. 1. Circuit of Waveform Digitiser

EG 926

CR charge/discharge curve, power supply monitoring, switch and relay bounce, CSR turn-on time, etc.

Biomedical signals are difficult to display with an ordinary oscilloscope. Some signals have a very low frequency (less than 1Hz), and by recording on the Digitiser can then be replayed at a much higher frequency. By the use of artificial stimuli on muscle and nerve tissue, the resulting response action potential can be stored and displayed by the Digitiser.

INPUT STAGE

The input stage in Fig. 1 consists of a preamplifier, IC2 with a gain variable from x0 to x100. A high slew rate operational amplifier is used (13V/ μ s), a TL084, which is a BIFET op-amp with an input impedance of 10^{12} ohms. The input signal to the waveform digitiser can be either a.c. or d.c. coupled as selected by S2. There is also a variable d.c. offset control, VR2 that can be switched in and out of the circuit by S1, and this enables either a positive or negative level to be added to the input signal. The trigger circuit consists of a voltage comparator, IC1a, and a trigger level potentiometer, VR4. VR4 sets a threshold level for triggering the start of the counter for the memory addressing.

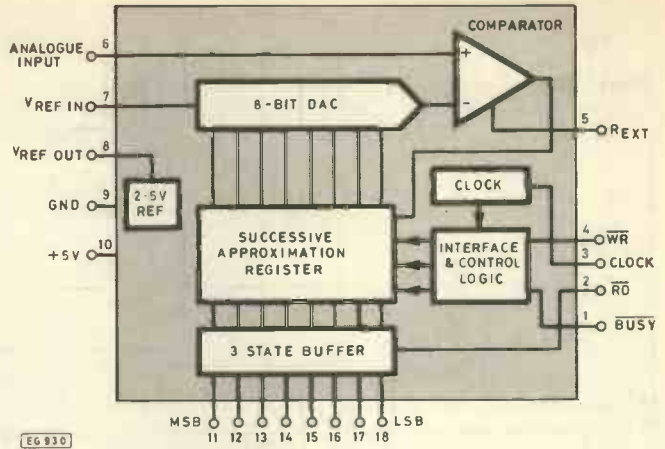
Overload l.e.d.s, D1 and D2, warn when the input signal to the analogue to digital converter, IC3, is either above +2.5V or below -2.5V.

ANALOGUE TO DIGITAL CONVERTER

The analogue to digital converter used is the Ferranti ZN449. This gives a digital output of 8 bits, has a guaranteed conversion time of 9 μ s, its own clock and 2.5V reference source. See Fig. 5 for timing diagram.

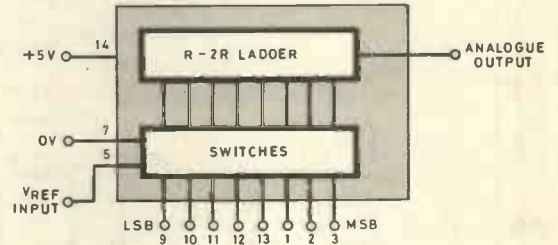
This ADC uses the successive approximation method, and the control pins are as follows. (See Fig. 2).

Pin 1 (**BUSY**) this is low when the ADC is converting and goes high when the conversion has ended, and is used in the Waveform Digitiser to control the write signal to memory. Pin 2 (**RD**) controls the tri-state output of the data outputs of the ADC, when this pin is low, the data can be read, i.e., enabling the tri-state outputs. Pin 3 (**CLOCK**) sets the frequency of the internal clock required for the successive approximation process, and is set to 1MHz with C1 on the Waveform Digitiser. Pin 4 (**WR**) is the write signal, when low a start conversion initiates the analogue to digital conversion process, and so the **BUSY** must go low. In the Waveform Digitiser, the ADC is converting at the rate set by the clock oscillator, ICs 11, 12, 13. At the end of a conversion, the **BUSY** signal is sent to control logic to write the data into the memory.



EG 930

Fig. 2. Block diagram of ZN449 ADC



EG 931

Fig. 3. Block diagram of ZN429 DAC

VARIABLE FREQUENCY CLOCK

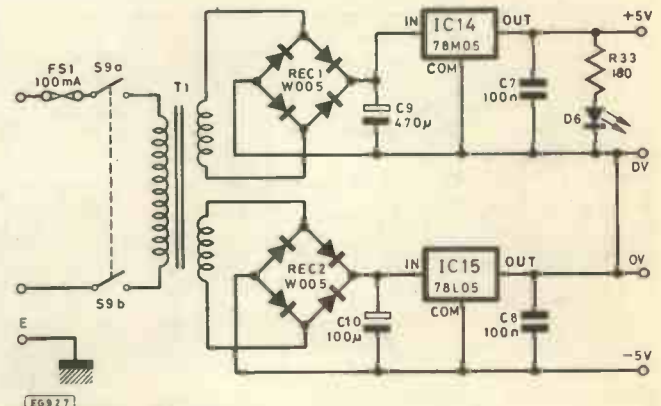
The clock, i.e.s 11,12,13 sets the frequency for the number of conversions/second for the ADC in record (Write) mode, and when in the play (Read) mode, sets the output sample frequency. The maximum input conversion rate is 100kHz.

Table 1: Clock Range

- a 1-10Hz
- b 10-100Hz
- c 100-1kHz
- d 1kHz-10kHz
- e 10kHz-100kHz

MEMORY

A kilobyte static RAM is used as the memory, and consists of two, 1K x 4 bit static RAMs, type 2114. The total memory used can be expanded by using additional 2114s and extending the counter range of the 12 bit counter, IC7. Four kilobytes of memory can be used with IC7 at present and more CMOS 4040s can be used if more memory is required to be addressed.



EG 927

Fig. 4. Circuit of power supply

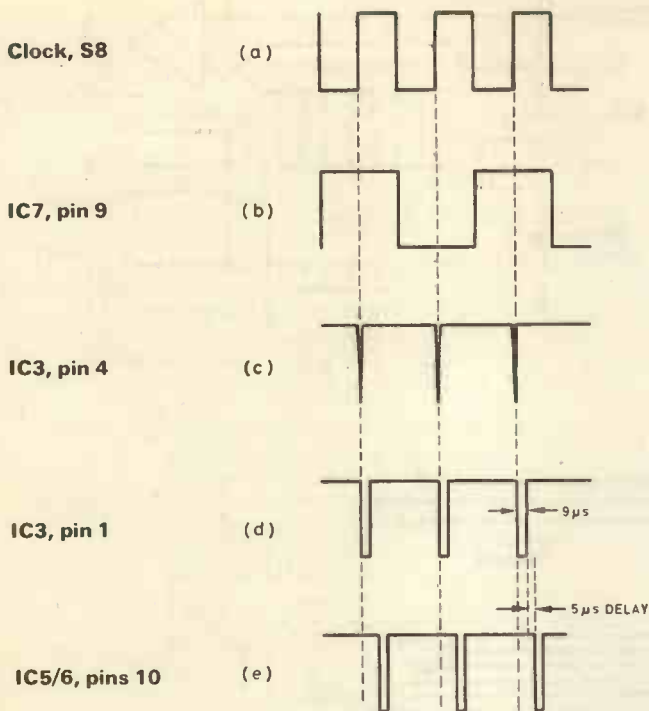


Fig. 5. Logic timing diagram

CONTROL LOGIC AND ADDRESS COUNTER

The control logic allows the following functions to be performed: 'Repeat' or 'Single', 'Write' or 'Read', 'Set' and 'Reset' of counter circuit, 'Post' or 'Pre' trigger control, oscilloscope 'Trigger Out', i.e.d. indication of memory 'End', trigger 'Armed', voltage 'Trigger Level', 'Overload' to ADC.

Read (Play) or Write (Record) is selected by S7 that sets either a 1 (read) or \overline{WE} (write enable) pulse to the memory. The \overline{WE} is derived from the \overline{BUSY} signal from the ADC, and the data from the ADC is written into the RAM.

The Repeat/Single switch sets IC7 to either count continuously or terminate at count 1023.

The Set push switch arms the analogue trigger circuit (IC1a, IC8a, b) and when the trigger level is exceeded, the data will be loaded into memory.

Post trigger starts the addressing from count 0. In the Pre-trigger mode the counter is running continuously until a pre-trigger signal stops the counter. The signal that occurred before the trigger can thus be stored. This is useful for analysing signals such as those caused by power supply transients; the momentary glitch can be observed at leisure in the stored mode.

The oscilloscope trigger control is a 5V CMOS compatible signal that is connected to the External Trigger input of the oscilloscope. This provides a stationary display on the scope.

The memory End i.e.d. is illuminated whenever the address count is at 1024 to 2048, and will light once per 1024 address counts in the Repeat mode. In the Single mode the i.e.d. will indicate that the memory is full and recording has stopped. The trigger Armed i.e.d. is lit when the analogue trigger circuit is in a waiting state, i.e. waiting to be triggered by an input signal. The voltage trigger i.e.d. will light when the threshold has been reached by the sample input, and this i.e.d. is used with the Trigger Level control to set its threshold.

COMPONENTS

Resistors

R1	82k
R2, 3, 28	8k2
R4	390
R5	1M
R6, 15, 16, 19, 31	10k
R7	220k
R8, 13, 14	1k
R9, 10	470k
R11, 12, 18, 20, 27	180
R17, 25, 26	47k
R21	100k
R22	1M5
R23, 32	4k7
R24	3k3
R29	3k3
R30	27k

All $\frac{1}{4}$ W 10% carbon

Capacitors

C1	33p ceramic	C7, 8	0.1µ
C2	4µ7 elect 9V	C9	470µ elect 16V
C3	0.1µ polyester	C10	100µ elect 16V
C4, 5	8n2 10%	C11	68p
C6	22n polyester	C12	470n polyester
		C13, 14	100p ceramic

Integrated Circuits

IC1	LM324	IC9	4049B
IC2	TL084	IC10	4081B
IC3	ZN449	IC11	4046B
IC4	ZN429	IC12, 13	4518B
IC5, 6	2114	IC14	78M05
IC7	4040B	IC15	78L05
IC8	4001B		

Diodes

D1, 2, 4, 6	Red i.e.d.s
D3	Green i.e.d.
D5	Amber i.e.d.

Potentiometers

VR1	1M linear
VR2, 4, 6	10k linear
VR3	10k sub-min horizontal preset
VR5a, b	1M linear dual gang

Switches

S1, 2, 5, 6	S.p.d.t.
S7	S.p.s.t.
S4	S.p.s.t.
S3	S.p.d.t.
S8	Singe pole 6 way rotary
S9	S.p.d.t. mains

Miscellaneous

BR1, BR2—bridge rectifiers W005, transformer T1, 0-9V, 0-9V 9VA, BNC sockets (3 off), knobs (5 off), i.e.d. clips (5 off), cabinet (Maplin type WB6), p.c.b., Veropins (46 off), p.c.b. mounting pillars, stick-on rubber feet (4 off).

D TO A CONVERTER AND OUTPUT FILTER

A Ferranti ZN429 digital to analogue converter i.c. is used to convert the stored signal back to the analogue form. This DAC has an 8 bit input, a settling time of 1µs and uses the voltage reference of the ZN449. The analogue output can be filtered, if required, to smooth the step waveform from the DAC output, by the filter as shown.

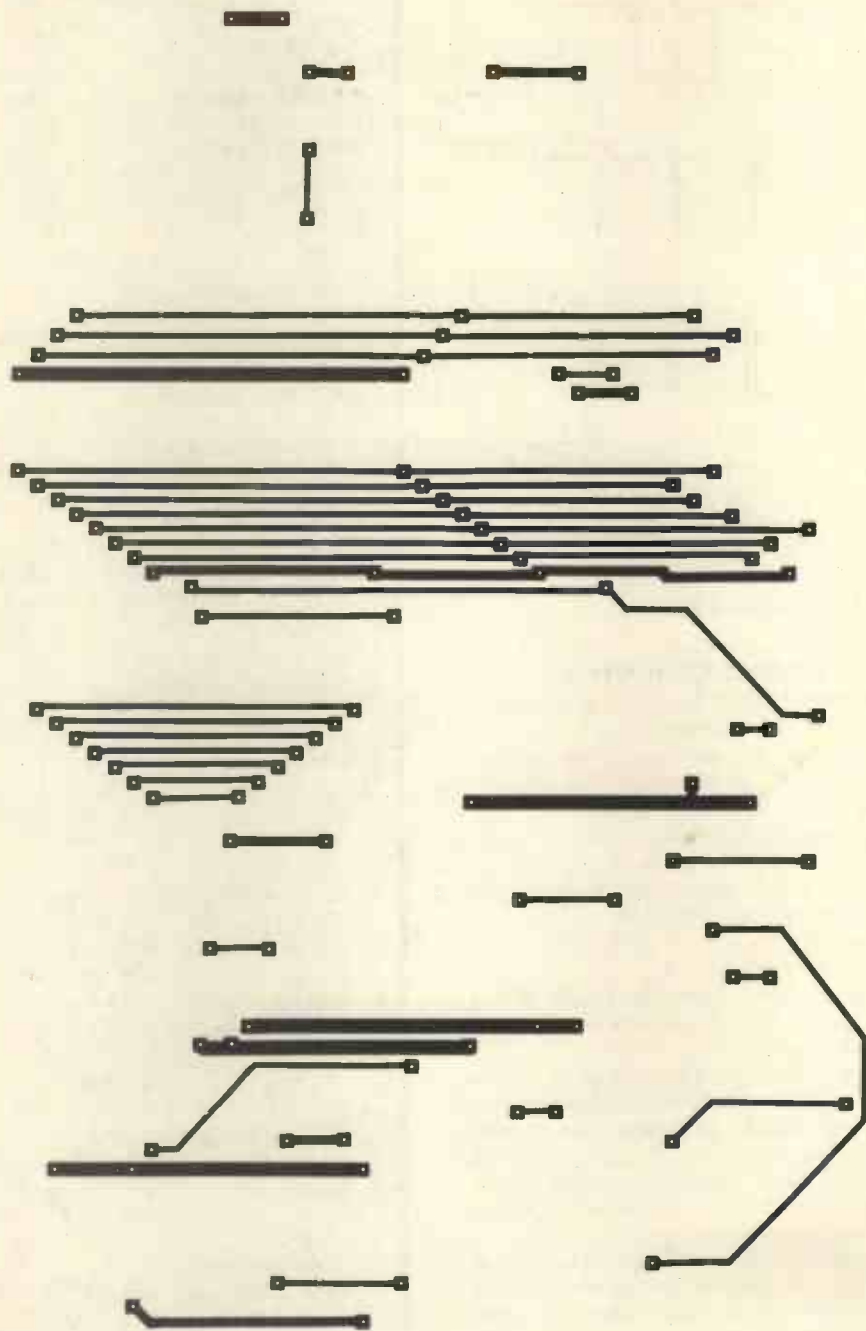


Fig. 6. Etching detail of board topside

POWER SUPPLY

This is a $\pm 5V$ power supply, providing the 200mA required by the +5V circuits and 25mA required for -5V use. In the prototype two separate transformers were used for the power supply, but a transformer with two separate secondary windings is also suitable. (Fig. 4).

CONSTRUCTION

Assemble the components onto the printed circuit board as shown in Fig. 7. The prototype p.c.b. is double sided, with pins linking the two sides of the board.

Connect up the components starting with the resistors, diodes, capacitors.

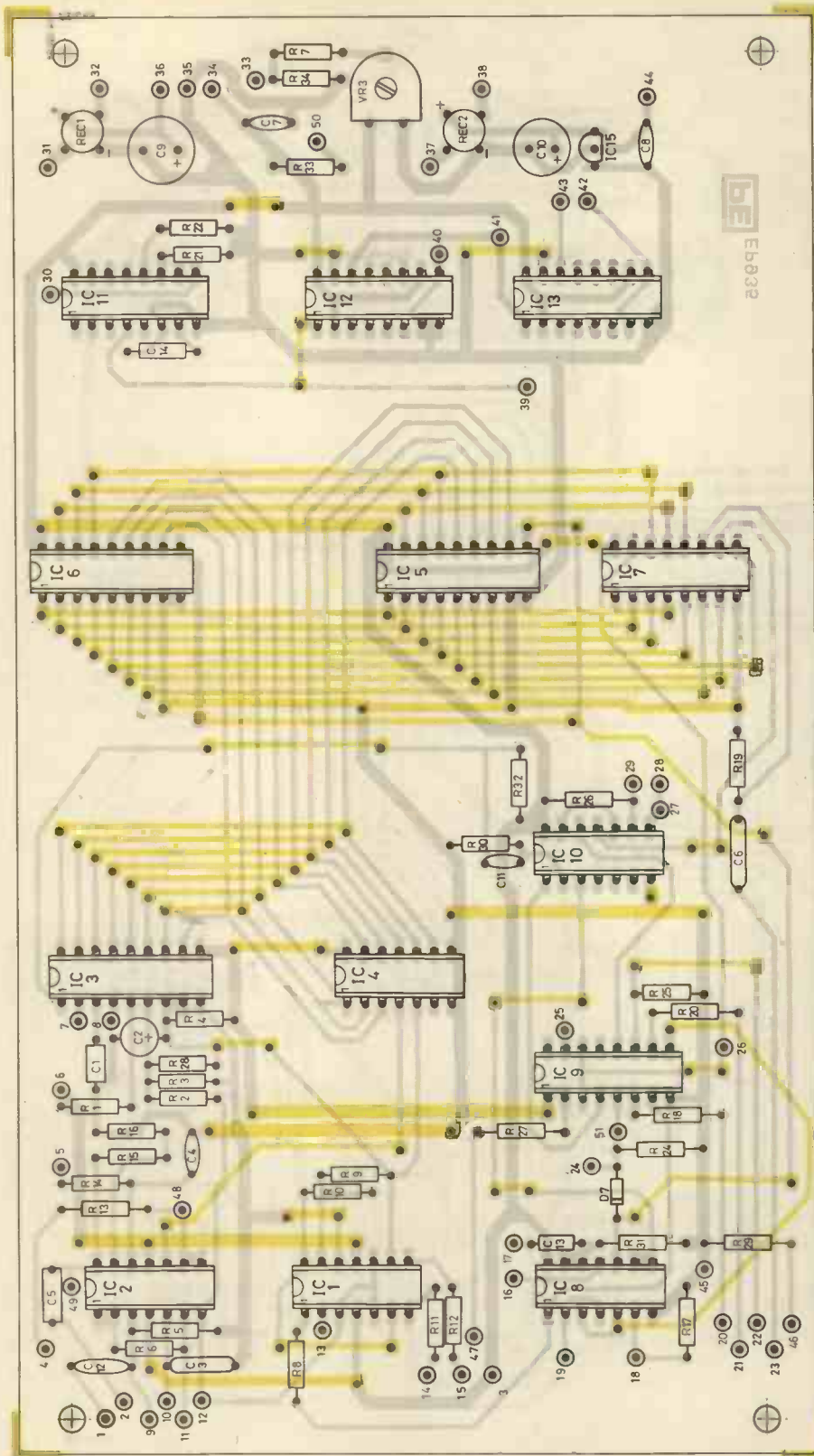


Fig. 7. Track layout and component overlay. Here the board topside is coloured and the underside tinted

The i.c.s can be soldered directly into place on the p.c.b. Take the usual precautions with CMOS i.e., earth yourself when handling and use a low leakage soldering iron. The terminal pins can now be connected to the p.c.b., these can most easily be inserted by pushing the pins gently into place and using the soldering iron to heat up the pin so it slides into position on the board.

The front panel controls are labelled as shown with any suitable dry transfer lettering. Note that the filter shown on the left hand side of the front panel is not in use any more, unless an input filter is required. The lettering can now be protected with clear laquer.

The p.c.b. can now be mounted in the box, together with the transformer, and front panel controls.

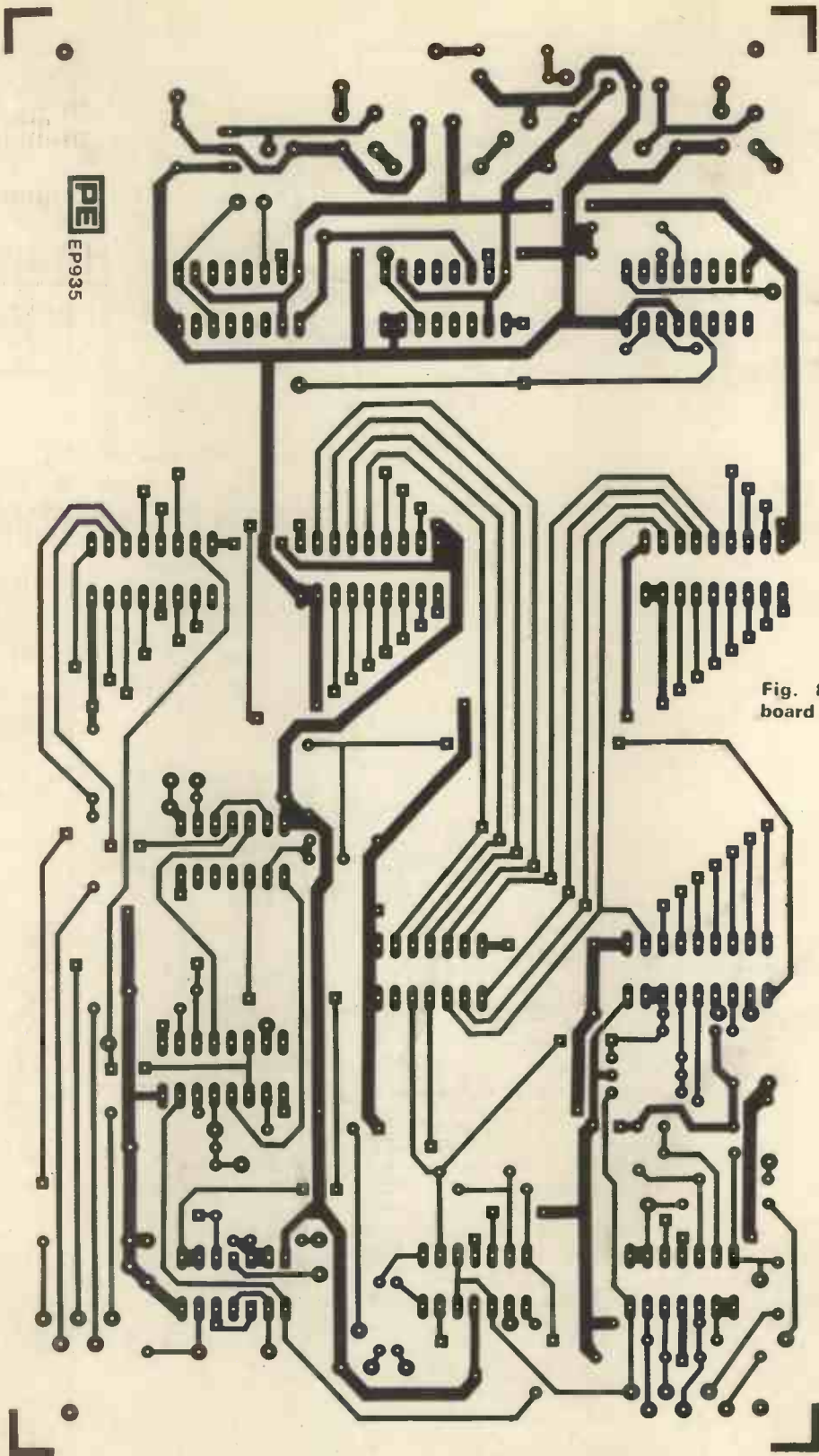


Fig. 8. Underside of board

SETTING UP

The Offset potentiometer is first set up. Connect the input of the Waveform Digitiser to ground, switch to d.c., switch Offset control to 'Off' and set the gain control to maximum. Adjust VR3 until the output of IC2b is 0V.

Set the Frequency control to maximum, and measure the output at IC11, pin 4. This should be 100kHz. Set the control to minimum, and the frequency should now be 10kHz.

Adjust R21 if the upper limit is inaccurate and similarly R22 for the lower limit.

TESTING

Connect a signal generator to the input of the Waveform Digitiser, with a triangle wave of frequency 100Hz and amplitude approximately 1V.

Set the Digitiser controls as follows; 'A.c.' on, 'Offset' off,

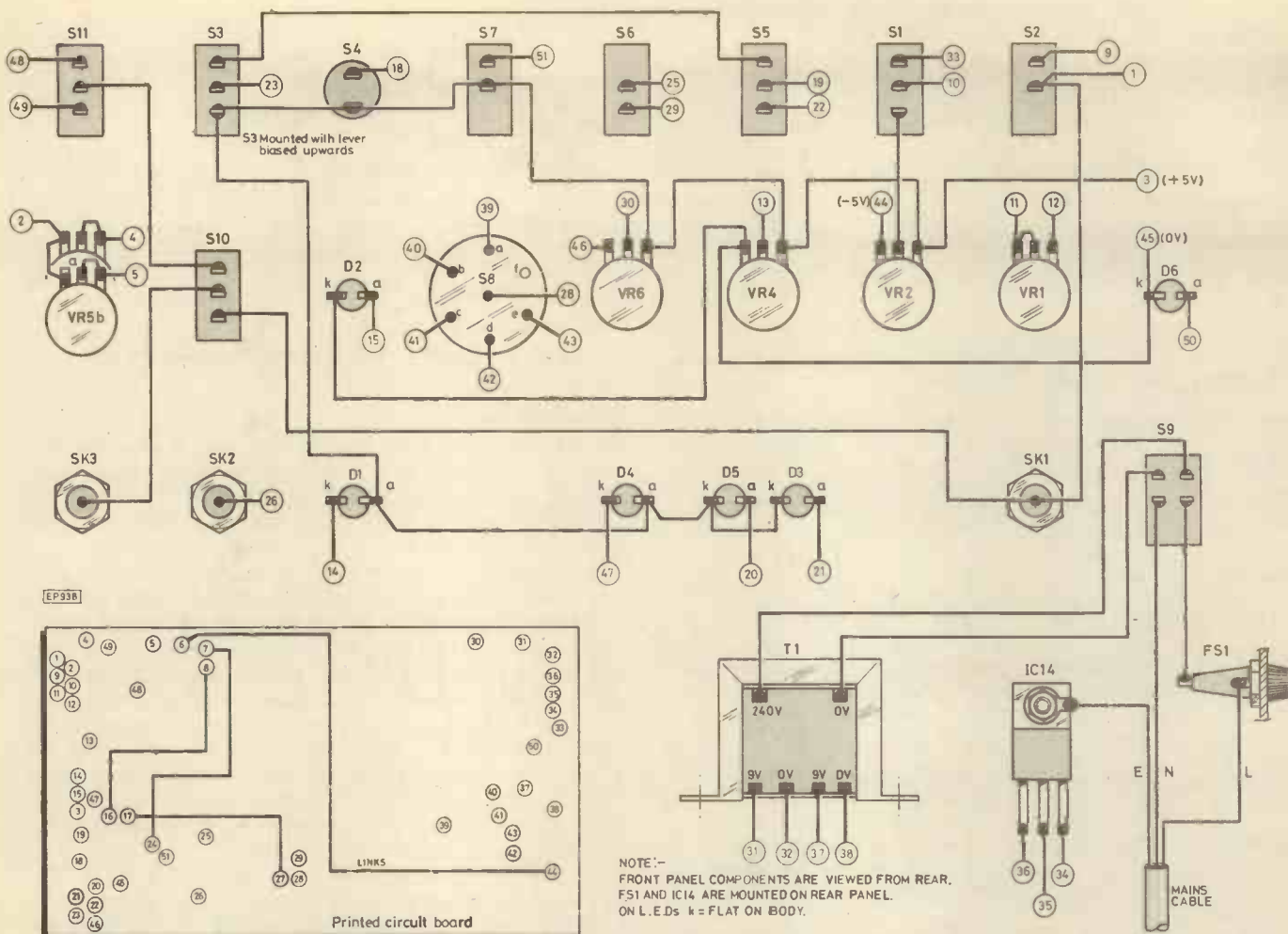


Fig. 9. Case mounted components and interwiring with numbered board pins

'Post' trigger, 'Trigger Level' mid point, 'Repeat', 'Write', 'Freq.' (100kHz), 'Filter' off, 'VIEW OUT' signal.

Connect Trigger out to an oscilloscope external trigger input, and connect the Output of the Waveform Digitiser to the CRO signal input. Adjust the Gain control potentiometer until the overload i.e.d.s just stop flickering. Now switch to Read, and check that the oscilloscope shows the stored triangle wave. This should be 2.5V amplitude, linear, and have no glitches.

The analogue trigger can be tested now. Set the controls as above with the Single setting used instead of Repeat. Reduce the signal generator amplitude to minimum, and press the Set push switch. The Waveform Digitiser is now waiting for a trigger signal, as indicated by the Arm i.e.d. Increase the signal generator output and the Trigger i.e.d. should light when the trigger threshold is crossed. Switch to Read and Repeat and the stored waveform should be displayed.

The Pre-trigger control can now be tested. Set to Pre-trigger, Write, Repeat, Freq. (1kHz). Set the signal generator to 100Hz and minimum amplitude. Press the Set switch and slowly increase the input signal amplitude over a period of about a second. Switch to Read and observe the output waveform is of a stationary waveform with increasing amplitude. Approximately 10 cycles will be seen.

The operation of the filter can be checked by switching it in and adjusting the frequency control until the output waveform is smoothed and the step response is eliminated.

FAULT FINDING

Check that the input signal is present on IC2, pins 1 and 7 and IC3, pin 6. The operation of the analogue trigger circuit can now be checked. IC1a is used as a comparator; and when the signal on pin 3, IC1 is above the voltage level set by VR4 then the output of pin 1, IC1 goes to logic 1 (CMOS logic 1 is 3.5V with 5V power supply). This signal then sets the latch IC8a,b. In the Post trigger mode, the output of IC8, pin 4 goes to C6,R19, which sends a reset pulse to the address counter IC7, so that the count starts at zero. On the negative edge of the pulse from IC8, pin 10, the data from the ADC is written into memory.

Check that the clock oscillator, IC11,12,13 is operating satisfactorily, pin 4 IC11 should give an output frequency of 100kHz with VR5 at maximum. Check that the decade dividers, IC12,13 are working.

Measure the clock frequency on pin 4, IC3 (ADC), this should be as on S8. Now test the frequency of pin 3, IC3, this should be 1MHz. If the ADC is working, then the BUSY output (pin 1) will have an output frequency as on S8. Check that the READ pin is at logic 0, the input waveform from the signal generator should now be seen at the output of the DAC, IC4, pin 4.

If the input waveform is seen at the DAC output, but is not stored in memory, then the following tests can be applied. Observe that the clock signal is present at pins 10 IC6/7, and that each of the address pins on IC5, 6 is correctly addressed.

Test for the \overline{WE} (Write Enable) signal (pin 10, IC5, 6) from IC8 pin 10.

CONTROL FUNCTIONS

'ON' switch—connects mains supply.

'ON' l.e.d.—5V on.

AC/DC switch—a.c. coupled (3Hz) or d.c. coupled.

GAIN pot—Amplifier has unity gain bandwidth of 3MHz.

'IN' BNC socket—input impedance 1M Ω , signal greater than 50mV.

Offset 'ON/OFF'—'On', $\pm 5V$ d.c. offset, 'Off', 0V offset.

'OFFSET' pot—sets d.c. offset level.

Filter 'ON/OFF'-20—20kHz-12db/octave low pass filter.

'FILTER' pot—sets frequency of cut off.

Trigger 'PRE' or 'POST'—pretrigger records and displays the memory contents before a trigger threshold is crossed. Post-trigger records and displays the memory contents after the trigger point.

'TRIG LEVEL' pot—sets a level 0-+5V as threshold.

'ARM' l.e.d.—Digitiser is waiting for a trigger level to be crossed and for recording to be commenced. This is set by Set push button. When the threshold is crossed, the signal is recorded.

'ON' l.e.d. (Trigger)—lights when trigger threshold is crossed.

'SINGLE/REPEAT'—the first is a memory count of 0-1023. Repeat is continuous addressing of memory for read or write. 'End' l.e.d.—count 1023 reached.

'READ/WRITE'—Read—play, Write—record.

'FREQ' sets frequency of clock for read and write.

'RANGE' of clock. Five ranges reading clockwise

- a 1-10Hz
- b 10-100Hz
- c 100-1kHz
- d 1kHz-10kHz
- e 10kHz-100kHz

'SET' press to set arm latch (state shown by arm l.e.d.)

'RESET'—resets addresser to count 0.

'OVERLOAD' +ve and -ve overrange to analogue to digital converter shown by l.e.d.s.

'VIEW' switch—'In' from input BNC 'Out'—digital to analogue converter output.

'TRIG OUT'—to external trigger of oscilloscope.

'OUT' BNC socket 0-+2.5V.

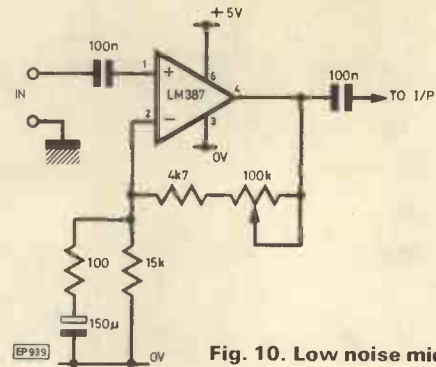


Fig. 10. Low noise mic pre-amp

OPERATION

To store a continuous waveform in the memory of the Waveform Digitiser, set the controls as follows: 'Post', 'Repeat', 'Write', 'View Out', Filter 'Off'. Set Gain and Offset as required, any overload will be indicated by the Overload l.e.d.s. Set clock rate as fast as possible, noting that:

$$\text{Total time for event} = 1024 / \text{clock frequency}$$

To view the stored waveform, switch to Read, and observe the waveform on an oscilloscope connected to the BNC output socket. Connect the external trigger output (Trig Out) of the Waveform Digitiser to the external trigger input of the oscilloscope, so that a stationary display is obtained.

Use of the Post trigger feature is similar to above. Set the switch to Single and adjust the trigger pot until a suitable trigger level is found. Press Set, and when the input signal crosses the threshold the signal will be stored in memory. The Post trigger is used for transient waveforms, and to view the signal, switch to Read and Repeat.

To use the Pre-trigger, switch to Pre, Repeat, Write, Set, and set a suitable trigger level. The pre-trigger event will be recorded when the threshold is crossed. Switch to Read and Post to observe the stored waveform.

The stored waveforms can be displayed at any convenient frequency, by adjusting the Freq and Range controls as required. Hence low frequency events, e.g. less than 10Hz can easily be displayed on the oscilloscope without flicker.

APPLICATIONS

One possible application of the Waveform Digitiser is in the storage of musical instrument sounds. The characteristic of any part of the waveform can be stored and later analysed, e.g. the start of the sound may be of particular interest in the case of a plucked instrument. In another example, the tonal characteristics of a piano waveform five seconds from the start of the note may wish to be stored. A suitable microphone pre-amplifier circuit is shown in Fig. 10

Transient sounds such as those from percussion instruments can be stored. The highest possible input sampling frequency is chosen so that the waveform fits into the memory space and that the greatest possible time resolution is obtained. For a 100kHz input sampling frequency, a sound of length 10ms would fill the kilobyte memory.

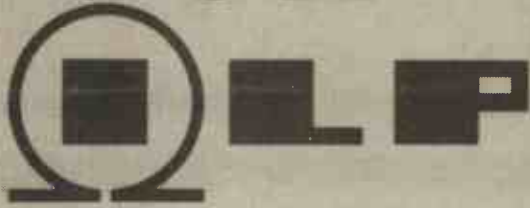
Another use of the Digitiser is in the display of the amplitude envelope of a note being played. By using a precision rectifier circuit to convert the a.c. input to d.c., the envelope can be recorded.

Another application is as a sequencer to store a pattern of notes as played by a sound synthesiser. Some circuit modification would be required, but basically, the synthesiser keyboard control voltage is stored by the Digitiser. The replayed voltages are then converted into frequency by the synthesiser's voltage controlled oscillators. ★



Note: The third strip controls are redundant

THE CASE FOR



It's the chance every constructor wants

Did you know



POWER AMPS

It's something you have always wanted.... something to build your equipment into that's smart, modern, strong, adaptable to requirement and not expensive. The 'UniCase' is yet another triumph of I.L.P. design policy. It presents totally professional appearance and finish, ensuring easier and better assembly to make it equal to the most expensive cased equipment. The all-metal 'UniCase' is enhanced by precision aluminium extruded panels engineered for speedy and perfect aligned assembly within a mere five minutes. Designed in the first case to accommodate I.L.P. power amps with P.S.U.'s, the range will shortly be extended to house any other modular projects.

I.L.P. are the world's largest designers and manufacturers of hi-fi audio modules?

I.L.P. pioneered encapsulated power amps and pre-amps for enhanced thermal stability, mechanical protection and durability?

There are TWENTY power amplifiers from 15 to 240 watts RMS including the very latest super-quality Mosfets to choose from?

TWENTY pre-amp modules allow you to incorporate exciting professional applications to your equipment never before available to constructors and experimenters?

I.L.P. are suppliers to the B.B.C., I.B.A., N.A.S.A., British Aerospace, Marconi, Racal, Ferranti, G.E.C., Rolls Royce etc?

Goods are despatched within 7 days of your order reaching us and covered by our 5 year no-quibble guarantee?



P.S.U.'s

WHAT WE DO FOR CONSTRUCTORS

Our product range is now so vast we cannot possibly hope to show it all in our advertisements without overcrowding or abridging information to the point of uselessness. So we have devised a solution which we invite you to take advantage of without delay. **ALL YOU NEED DO IS FILL IN AND FORWARD THE COUPON BELOW TO RECEIVE OUR NEWEST COMPREHENSIVE I.L.P. CATALOGUE POST FREE BY RETURN.** It gives full details of all current I.L.P. products for the constructor together with prices, full technical and assembly details, wiring and circuit diagrams etc. and it's yours, **FREE.** You don't even have to stamp the envelope if you address it the way we tell you.



PRE-AMP MODULES



FREEPOST 2
GRAHAM BELL HOUSE, ROPER CLOSE, CANTERBURY CT2 7EP
Telephone Sales (0227) 54778 Technical Only (0227) 64723 Telex 965780

FREEPOST
Mark your envelope clearly **FREEPOST 2** and post it **WITHOUT** a stamp to I.L.P. at address above. We pay postage when your letter reaches us.

SEND COUPON
(NO STAMP NECESSARY)
FOR YOUR FREE I.L.P. CATALOGUE AND OPEN UP TO A NEW WORLD OF QUALITY & VALUE

To: I.L.P. ELECTRONICS LTD.
PLEASE SEND ME I.L.P. CATALOGUE,
POST PAID BY RETURN

Name: _____

Address: _____

I HAVE/HAVE NOT PREVIOUSLY
BUILT WITH I.L.P. MODULES

I.L.P. products are available also from Henry's, Marshall's, Technomatic & Watford.

COMBO AMPLIFIER

PART TWO
Fred Judd
E.A. Rule

THE Power Amplifier section of the Combo Amplifier is based on the very successful Winton amplifier design published in *Practical Wireless*, in March 79. The circuit has been modified to give increased power.

One of the most important requirements for an amplifier is that it is reliable, for if an amplifier breaks down in the middle of a concert it can cause all sorts of repercussions, so reliability is very high on the list. For this reason the power MOS-FET is the only choice, in the writers opinion, for the output devices. Two of the advantages of using power MOS-FETs are that they do not suffer from secondary break down or thermal runaway as normal bipolar transistors do, and this means that they are almost 'abuse proof'. They can be run into any type of load without fear of breaking down, and even if they are run into a load that would normally overrun the output stage, the only thing that happens is that they gradually produce less power output as they get hot until a balance is reached between the heating caused by the adverse load and the power delivered into it.

Bipolar devices subjected to the same conditions will almost certainly either suffer from secondary breakdown or thermal runaway, and even if protective circuits were used in such a design these would operate and shut the down output, which, as far as a concert is concerned would have the same effect as a failure.

Power MOS-FETs do not need protection, thus another possible cause of interruption is removed.

The circuit of the power amplifier and power supply is shown in Fig. 2.1. The signal from the control unit section is fed into TR1 via an RF filter C2 R4. TR1 forms one half of a differential pair TR1 and TR2 using low noise transistors type BC556, which in turn drive a second differential pair TR4 and TR5 type 2SC1775e. TR3 and D1 form an active collector load (current mirror) to maintain the pushpull action. Drive to the gates of the power MOS-FETs is taken direct from the second differential pair. The power MOS-FETs are protected from overdrive by diodes D2 to D5.

Because of the very low distortion obtained when using MOS-FETs, only 45dB of negative feedback is needed to obtain the required low distortion, and this is fed via R9 R8 C4 from the output back to the base of TR2. The use of less feedback means that, *at the overload point* the amount of distortion produced is less objectionable than would be the case with the 60dB or more often used in bipolar amplifiers. Yet another advantage of MOS-FETs!

Only minimal phase correction is needed (due to the excellent high frequency response, full power can be obtained at 100kHz) in the negative feedback loop and as a result the amplifier is unconditionally stable. Electronic decoupling is used in the supplies to the early stages of the power amplifier and these enable very low distortion to be maintained at all power outputs as well as improving the overall signal to noise.

As the MOS-FETs have a negative temperature coefficient, no adjustment is needed for setting the quiescent current, which will be around 50mA when cold, and after prolonged high power use the current will quickly return to a low level as thermal runaway is impossible with these devices.

HEAT SINKS

Normally, a heat sink is designed to prevent thermal runaway of the output devices and to maintain the devices used within their maximum power ratings. The requirements of heat sinks when using power MOS-FETs are different to that normally used with bipolar devices in as much as we are not concerned about thermal runaway. If fact, the design could come down to two requirements only. Will the power output required be maintained at the temperature the output devices are running at, and if the heat sink could be touched by someone, would it burn them! Of course, in practice we still want the devices to run as cool as possible for reliability and to maintain maximum power, and as commercial heat sinks are expensive it was decided to make these out of 1.2mm thick aluminium sheet. The method used is shown in Figs. 2.2 to 2.4, and these will enable the full power of the amplifier to be maintained under all practical conditions with a final temperature of around 60 to 80 deg C above ambient with continuous drive. As the power amplifier unit is mounted in the bottom of the speaker cabinet they are unlikely to be touched. Under normal music conditions it is doubtful if they will get anywhere near the maximum temperature.

Specification

Power Amplifier

Power output @ 1 kHz	60 watts
Power bandwidth — 1dB	20Hz to 50kHz
Frequency response, — 1dB	20Hz to 50kHz
Total Harmonic Distortion, 20Hz to 20kHz up to rated power	Less than 0.05%
Slew Rate	20Volts/microsec
Damping Factor	better than 50
Signal to noise (input shorted)	88dB (96dBa)
Stability	Unconditional
Input voltage for maximum power	100 millivolts

... into 8 Ohm load

POWER SUPPLY

To reduce the weight of the unit, and to obtain good regulation, a Toroidal type of transformer is used in the power supply. The output from this goes to a bridge rectifier REC1 and then to two 4700 μ capacitors, C13 C14, which need a high ripple current rating for reliability. A Zener stabilised, ± 15 volts supply is also provided for the control unit section, via R1, R2, D8, D9.

CONSTRUCTION

The power amplifier is mounted in the bottom of the speaker cabinet, and a simple construction can be used for the chassis which consists of one sheet of aluminium bent into an L shape. The dimensions are given in Fig. 2.5.

Mark out and drill all the holes with the aluminium sheet flat, and then bend as shown. Be sure you bend it the correct way. The same procedure is used for the heat sinks. Make sure that the heat sinks are free of all burrs, as these must fit flush to each other so that the heat from the transistors is transferred to the fins.

An improvement in heat dissipation of around 40% can be obtained by painting the heat sink fins matt black, although this was not done on the original prototype and no ill effects were noted.

The mains transformer and 4700 μ capacitors are held in place with large cable ties RS 543-349.

The printed circuit board (Fig. 2.6) is mounted on the insulating pillars. The component layout is shown in Fig. 2.7.

FINAL WIRING

The wiring diagram is shown in Fig. 2.8. Wiring is not critical but 16/0.2mm (.5mm²) flex should be used and all leads to the power MOS-FETs should be kept as short as possible. It will be found that the best way to wire these is to fit the wires to the MOS-FETs first then place the p.c.b. in

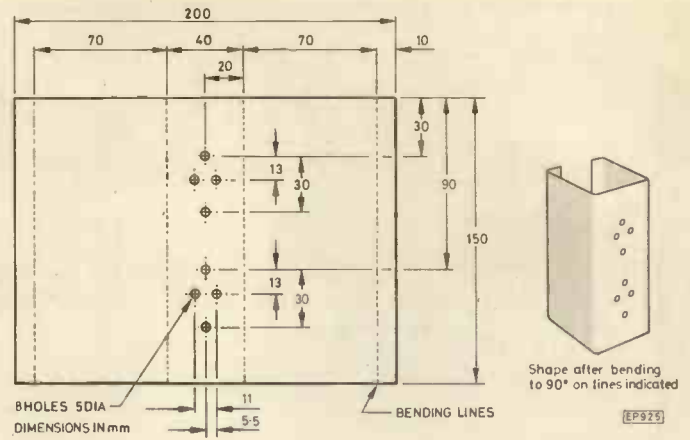


Fig. 2.2. Heatsink plate "A" drilling and bending details

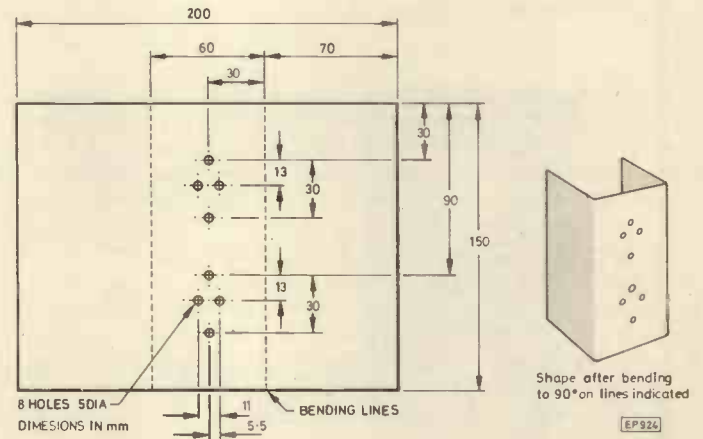
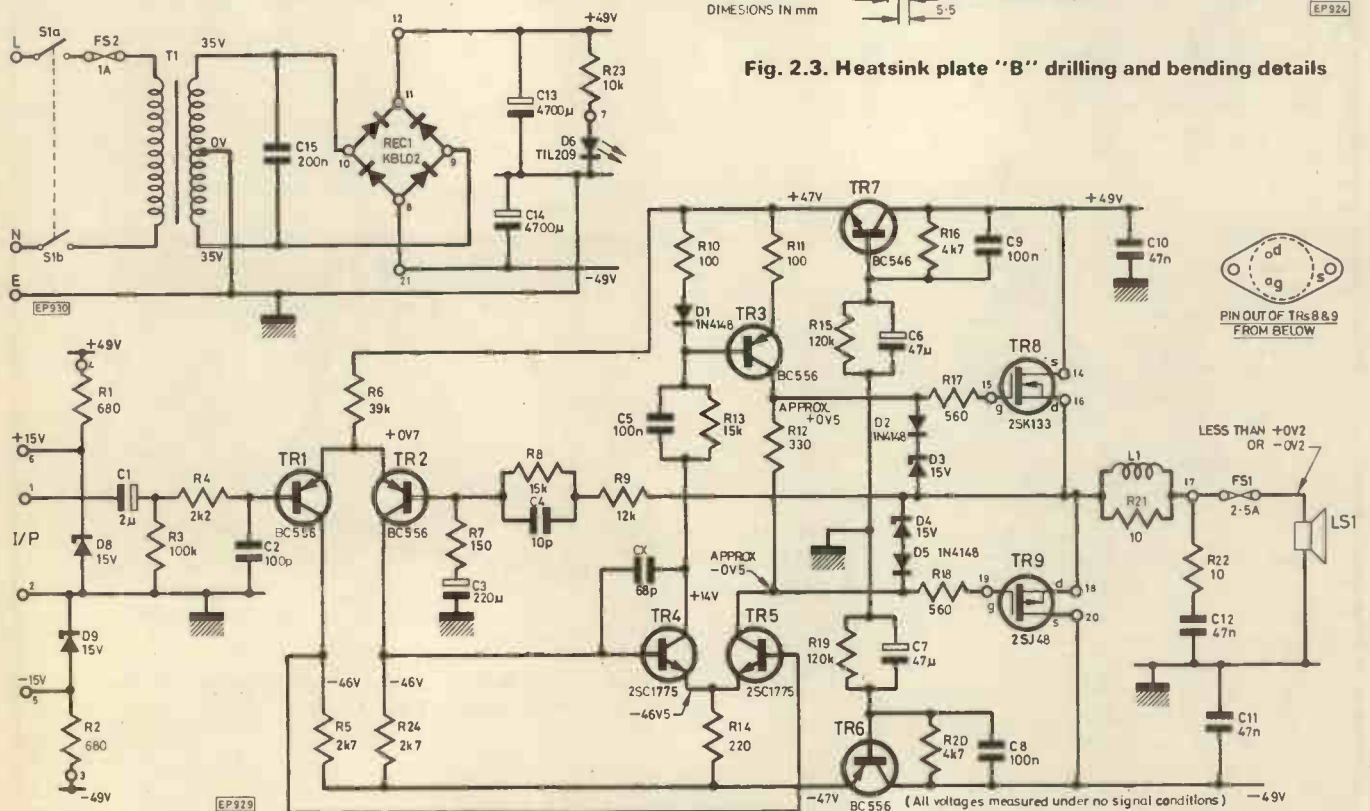


Fig. 2.3. Heatsink plate "B" drilling and bending details

Fig. 2.1. Circuit diagram of the power amplifier
Please note, there is no D7, and R13 should ideally be 18K



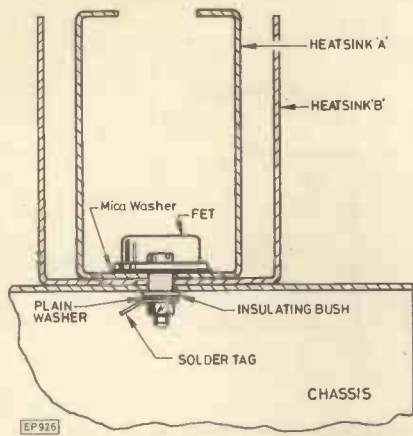


Fig. 2.4. Dual heatsink assembly. Heatsink compound should be used on both sides of the mica washer, and between plate A and plate B

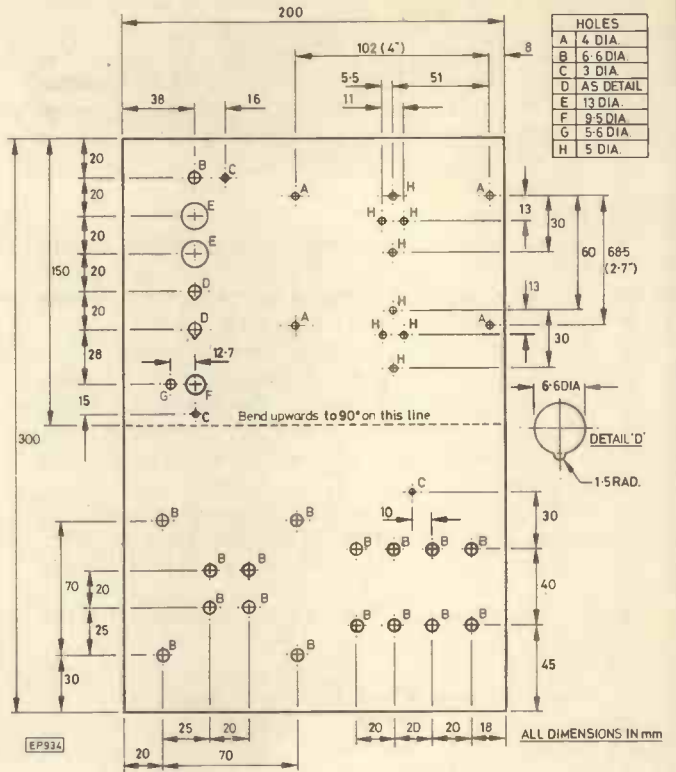
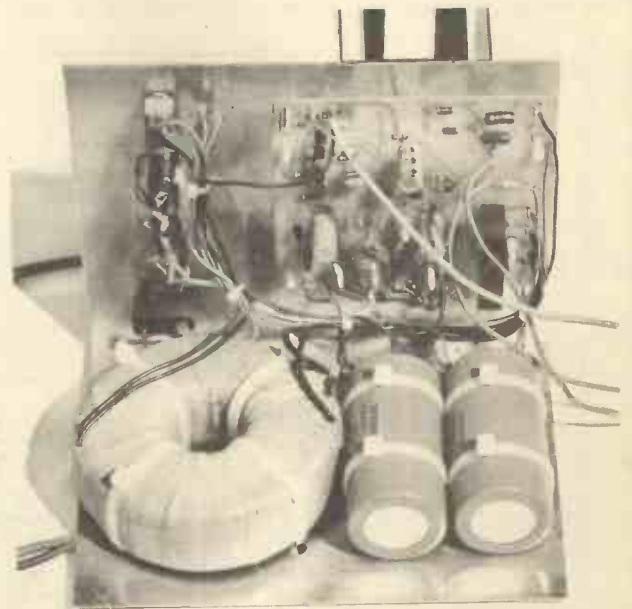
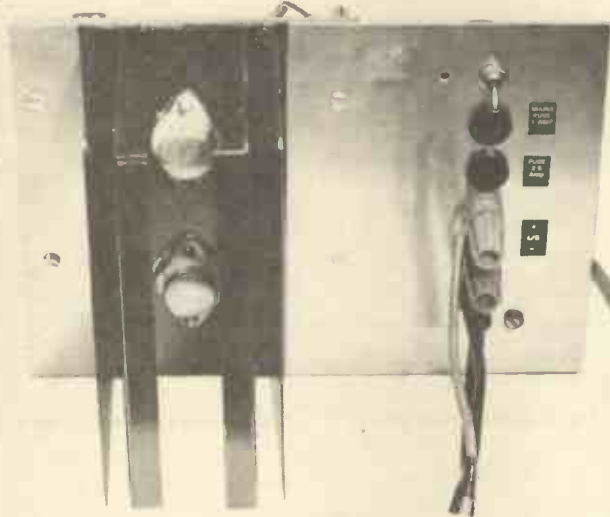


Fig. 2.5. Power amplifier support bracket dimensions



Photographs showing all aspects of the power amplifier and PSU

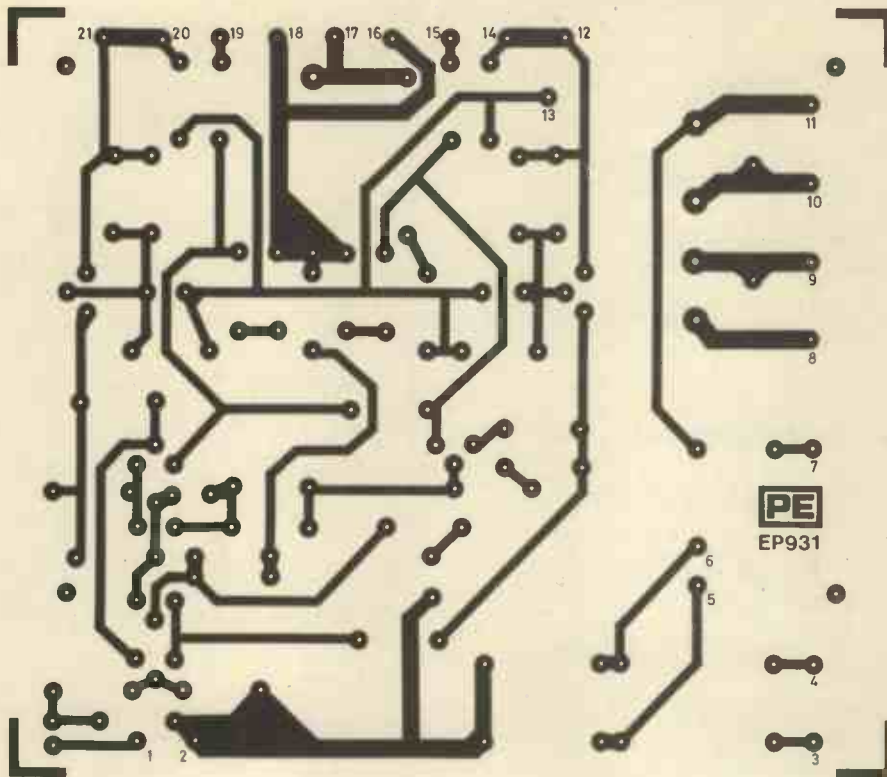


Fig. 2.6. Amplifier p.c.b. (actual size)

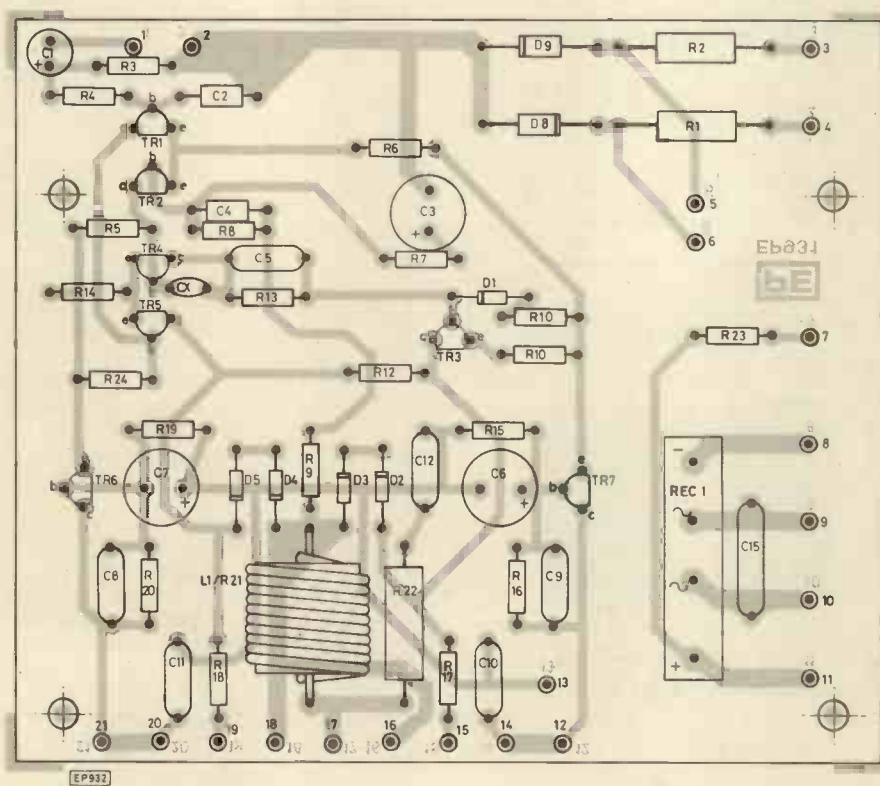


Fig. 2.7. Component layout

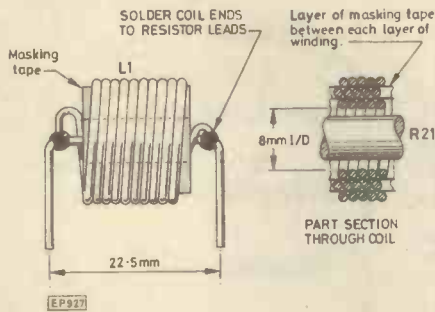


Fig. 2.8. How to make R21/L1 as a combined component

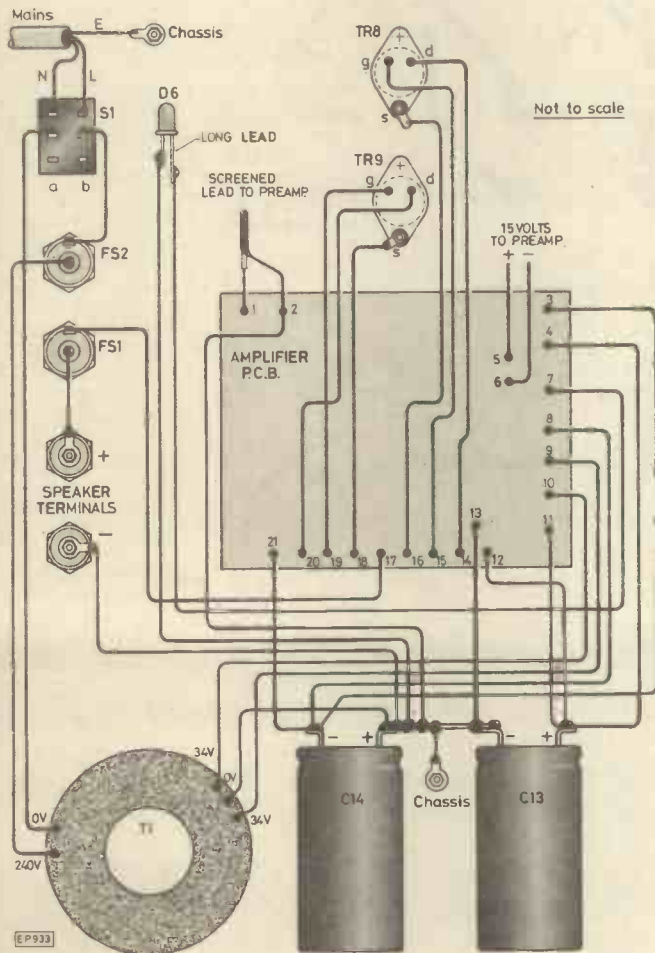


Fig. 2.9. Wiring diagram for this section of the Combo Amp.

COMPONENTS . . .

POWER AMPLIFIER

Resistors

R1, R2	680R	2.5 watt w/w (2 off)
R3	100k	
R4	2k2	
R5, R24	2k7	(2 off)
R6	39k	
R7	150	
R8	15k	
R9	12k	
R10, R11	100	(2 off)
R12	330	
R13	18k	
R14	220	
R15, R19	120k	(2 off)
R16, R20	4k7	(2 off)
R17, R18	560	(2 off)
R21, R22	10	1 watt 5% (2 off)
R23	10k	0.5 watt 5%

All resistors $\frac{1}{4}$ W 5% unless otherwise stated

Diodes

D1, D2, D5	1N4148 (3 off)
D3, D4, D8, D9	15 volt Zener 400mW (4 off)
D6	TIL 209 I.e.d.
REC1	KBL-01/02 (4 off)

Capacitors

C1	2 μ 2	Elect. 63V
C2	100p	Polystyrene
C3	220 μ	Elect. 16V
C4	10p	Polystyrene
C5, C8, C9	100n	Polyester (3 off)
C6, C7	47 μ	Elect. 63V (2 off)
C10, C11	47n	Polyester (3 off)
C12		
C13, C14	4700 μ	Elect. ** (2 off)
C15	200n	Polyester
CX	68p	Polystyrene

**7A ripple current. 63V working.

Transistors

TR1, TR2	BC556b (2 off)
TR3	BC556a
TR4, TR5	2SC1775e (2 off)
TR6	BC556a or b
TR7	BC546a
TR8	2SK133
TR9	2SJ48

Miscellaneous

Printed circuit board. Aluminium for chassis etc. wire, printed circuit stand-offs. Cable ties.
 T1 Mains transformer ILP type 52018.
 A complete set of semiconductors are available from Hart Electronics.
 L1 See Fig. 9 for details.
 S101/102 DPDT Toggle RS 316-989
 F1 fuse, 2.5 amp quick-blo. 20mm
 F2 fuse 1amp SO-blo 20mm
 Fuse holders RS 412-879
 Cable clamp RS 544-263

position and wire the leads to the pins as shown, leave just enough slack wire to enable the p.c.b. to be removed and turned over for any service that may be required. When all the wiring is completed it can be held in place by the use of small cable ties. It is important to note the *common connections*, for example, C14 positive is the common connection for wiring from pins 2, speaker negative, i.e.d. and centre tap of transformer secondary. They should *not* be wired-pin 2 to i.e.d. negative, then to C14, or any other way other than shown if the specification for distortion and signal-to-noise is to be obtained.

TESTING

Before switching on, connect a 30/33 ohm wire wound resistor in series with each of the supply rails to the power

amplifier, i.e. between pins 12, 21 and their respective leads to the power supply. This is to limit the current in case of a fault condition when first switching on. Switch on and check the voltages. Note, *do not connect the speaker* at this stage. If the voltages are correct and there is no d.c. voltage on the output terminals (and no smoke either) switch off, connect the speaker and try the unit out with a signal.

Leave the extra resistors in circuit while testing at *low power* as an extra precaution in case of possible faults. Once signals which sound okay at *low volume* have been obtained, the two 30/33R resistors can be removed and the supply connected direct.

Next Month: The cabinet and speaker construction will be dealt with. Also, various ways of using the Combo amplifier.

FREE! READERS' ADVERTISEMENT SERVICE

PE BAZAAR

RULES Maximum of 16 words plus address and/or phone no. Private advertisers only (trade or business ads. can be placed in our classified columns). Items related to electronics only. No computer software. PE cannot accept responsibility for the accuracy of ads. or for any transaction arising between readers as a result of a free ad. We reserve the right to refuse advertisements. Each ad. must be accompanied by a cut-out valid "date corner". Ads. will not appear (or be returned) if these rules are broken.

12 2708 Eproms £10, or £1 each, 8 21L02 £3, 5204 £2, or £12 the lot. S. Ross, 44 Premier Ave, Grays, Essex RM16 2SD.

PE Champ, based on Intel MCS 4040, includes users manual, data catalogues, construction details, offers D. C. Bateman, 221 Congleton Rd, Butt Lane, Stock on Trent, Staffs ST7 1LP Tel: Keds Grove 2593.

CASH paid for obsolete British transistors EW/GET GT/JT V15/V30 TP/TJ/TS series etc. Circuit cards welcome. Mr A. Wylie, 18 rue de Lausanne, 1201 Geneva, Switzerland

FOR SALE stereo head-phones, good condition, volume control for each ear £4. D. Snowden, 124 Walpole Rd, S. Woodford, London E18 2LL, Phone 01-504 0565

ZX81 16K with software tapes including toolkit. Bargain quick sell price £70 complete. Mr G. M. L. Walters, 1130 St Marks Flats, Raglan Rd, Leeds LS2 9EL

WANTED Sinclair p80 hand book circuits, £60 tuner circuit or photostat. M Gynane 164 Stockbridge Lane, Liverpool 36

GERMAN world war two d.f. radio type 2FL EMPF E26 swap UK101 or w.h.y. K. Walkinsham, 108 Shorncliffe Rd, Folkestone, Kent CT20 2PG

BOX OF components, hardware, boards, etc. £6.50, very good value, K. Y. Chang, 70 Ashley St, Glasgow G3 6HW

ZX81 with power supply, manual, leads, also in/out port if required £60. Tel: 041 771 3957

RTTY types telegraph distortion measuring set Plessey 6ABV-1HE max 200 baud £25 o.n.o. T.

E. Tyler, 20 Rochester Way, Croyley Green, Rickmansworth, Herts, Rickmansworth 76986

PROFESSIONAL Terminals 12" monitor 87 key ASCII kybd. Metal case. Power supply £125, phone Ev/Wknd 076 727 427

AUTO transformer 240V in 100V out. 1000 watts £12. Tel. 01 942 9613 after 6 p.m. please.

MAGAZINES for sale—P.E. P.W. E.E. H.E. E.T.I. R.E.C. full details on request. A. Watt, 10 North Braeherds, Fraserburgh AB4 5EJ

ZX81 modified real keyboard, repeat key 16k RAM 8 bit I/O p.s.u. cassettes, documents, +20 hardware circuit diags. £150 o.n.o. J. Stewart, 29 Gellatly Rd, Dunfermline Fife KY11 4BH. Tel. Dunf. 28836 weekday evenings

FX502P programmable complete with manual, program library and advance maths utilities plus games. Only £50 C. P. NG, Tel: 01-2638730

SOLATRON dual trace CRO 10 MHz B/W £45 o.n.o. Cossor 1035 MK3 dual trace c.r.u. 7MHz B/W £45 o.n.o. Tel. 0323 29296 B. L. Kent, 4 Channel View Rd, Eastbourne, Sussex BN22 71LT

ZX81 MEMOTECH 48K C/W p.s.u. used once £90 o.n.o. phone 030677 274 (Newdigate) after 6 p.m.

SOLATRON Histab p.s.u.'s 200/300V 6.3V £15 ea. Valves 100 new 100 s/hand s.a.e. details A. D. Jones, Penwood, The Avenue, Ross on Wye, Herefordshire, HR9 5AW, Tel. Ross on Wye 63626

MANUALS navy B40 murphy MR 800-862 Redifon GR286 Teletype 32/33 Vols 1 and 2 and

parts list F. N. Howard, 7 John Lewis St, Hakin, Milford Haven, Dyfed SA73 3HT

ZXB1 16K six cassettes three manuals mags. Leads p.s.u. cassette deck holder v.g.c. only £110 o.n.o. L. Knowles, 10 Chapel Lane, Toyton All Saiws, Spilsby, Lincolnshire, PE23 5AE, Spilsby 53425

HEATH microprocessor trainer ET3400, programming and Interfacing Experiments EE 3401, both as new, gone Z80 offers, Cousins, Orchard Lodge, Green Glades, Hornchurch, Essex RM11 3BS Tel. Hornchurch 51410

8" MEMOREX 120V disc drive, also motorised zoom lens (15-150mm) suitable for Vidicon. Tel. 051 653 6918

AUTONA DVM 314 digital panel meter module 0-999mV i.e.d. display £10.50 send stamp for full details. P. H. Pengilly, 77 Newton Wood Rd, Ashtead, Surrey KT21 1NN

8K SUPERBOARD II, decoding module, analogue I/O, 45x30 screen, Cegmon, cassette, all cased £200 o.n.o. Tel: Hatfield 65946, Mr G. A. Page, 50 Bradshaws, Hatfield, Herts.

COMPUTER tape 2400ft., 1/2 inch 10 1/2 inch reels in plastic collars 50p each B. H. Martin, 5 Shepherds Close, Grove, Wantage, Oxon. Tel. Wantage 65477 or Oxford 56727

TELEQUIPMENT oscilloscope type D43 with 3 pluggable Y-amplifiers D43A, B, C. Working but needs attention D-Trace £20 buyer collects. A. M. Alexander, 105 Hollybush Lane, Hampton, Middx TW12 2QY, Tel. 01-941 0005

Please publish the following small ad. FREE in the next available issue. I am not a dealer in electronics or associated equipment. I have read the rules. I enclose a cut-out valid date corner.

Signature

Date

Please read the RULES then write your advertisement here—one word to each box. Add your name, address and/or phone no.

COUPON VALID FOR POSTING BEFORE 9 SEPT. 1982. (One month later for overseas readers.)

SEND TO: PE BAZAAR, PRACTICAL ELECTRONICS, WESTOVER HOUSE, WEST QUAY ROAD, POOLE, DORSET BH15 1JG.

BLOCK CAPITALS PLEASE

Name & Address:			

For readers who don't want to damage the issue send a photostat or a copy of the coupon (filled in of course) with a cut-out valid "date corner"

BAZAAR

ACORN Atom for sale 8K ROM 3½K RAM 6522 via bus socket P.S.U. + software £160 ono. Pete Stephens, 49 Kings Court, Bishops Stortford, Herts CM23 2AB. Tel: (0279) 52719 Sundays.

MULTIMETER for radio/t.v. incl. case £15. 01-554 2913 6-9 p.m. Datel.

SHARP air/m.w. two band portable radio, air 108-136MHz, m.w. 520-1620kHz £11.50 inclusive p & p. Mr. K. Meador, 38 Bishopgate Street, Liverpool L15 1EW.

TEACH your computer to talk, two bought in, error, sell one £3 (Cost £7). Hannis, 34 Falmouth Road, Reading RG2 8QR. Tel: Reading 882641.

ZX81, 32k audio computers Rampack, full size keyboard, p.s.u., taped basic and m/c software only £100. Phone Joseph Nunes, 01 689 3484.

DIGITAL watch modules four for £3. All working. 32 Common Approach, Benfleet, Essex.

AVO 8, cased, immaculate condition £40. 12 element high gain VHF/FM Antenna £40. N.R. Jones, 'White Cairn', Wellington College, Crowthorne, Berkshire. Tel: 03446-2174.

ORGAN or Synth keyboard wanted. El Cheapo with contacts if poss. Tel: Newport 8934 93. K.S., 15A Caerphilly Road, Bassaleg, Newport, Gwent NP1 9LE.

BLACK rigid case for UK101. Fits perfectly £10. Also Data Dynamics Printer £99. Wivenhoe (020622) 5671. C. Hellen, Vine Cott, Main Rd, Alresford, Colchester, Essex.

FREQUENCY meter BC-221-AH O.125/20MHz, mains p.s.u. calibration book, maintenance manual. Mint condition. Offers. A. D. Jones, 'Penwood', The Avenue, Ross-on-Wye, Herefordshire HR9 5AW. Tel: Ross-on-Wye 63626.

WANTED ITT 2020 or Apple Europlus Computer. Must be cheap therefore will consider non-working. J. R. Smith, 54 Wood Avens, Tullibody, Alloa, Scotland FK10 2XA. Tel: 0259 214071.

SOLATRON Hi-Stab PSU's 250/300v d.c., 100mA. 6.3V/4A. 200V d.c. 120mA 6.3V/7A. £15 each. o.n.o. A. D. Jones, 'Penwood', The Avenue, Ross-on-Wye, Herefordshire HR9 5AW. Tel: Ross-on-Wye 63626.

SCOPE TUBE 3BP1. Free but please collect. Tel: Newark 700125 evenings only.

UK101 8K, Books on Basic and Machine Code £80 o.n.o. PE VDU in wooden case £25 o.n.o. T. J. Bellerby, 20 Broadhill Road, Kegworth, Nr Derby Tel: 05097 2902.

COMPSHOP Breakout t.v. game £9. Optim 600 Cartridge t.v. game £6. Tel: 903 3089. Michael Johnson.

MOBILE DISCO Custom console and speaker cabinets. 125W amp. stereo mixer, MP60 decks, lightshow £160 o.n.o. Mr. T. Salter, 11 Argyll Road, Boscombe, Bournemouth, Dorset Tel: Bournemouth 35450 evenings.

WANTED LM373N National Semiconductor I.F. amplifier IC. Woodward, 19 Jacomb Road, Worcester WR2 6QW. Tel: Worcs 641759.

CREED 75 Teletype with interface for Atom. Complete ready to run. £50. K. Y. Chang, 70 1-up, Ashley Street, Glasgow G3 6HW.

WANTED any small computer, none working one or part finished kit would do, must be cheap. K. D. M. Royles, 153 Cefndy Road, Rhyl, Clwyd, North Wales LL18 2HG.

HI-FI AMP cabinet teak with front panel knobs metal work etc. New Cost £20 accept £12. G. A. Noble, 50 Crofthill Road, Slough, Berks SL2 1HF.

TRANSMATION 1040 digital calibrator. Measures generates simulates mA, mV + volts. £851 + VAT new. Only £500. Write to: Mr. S. Akerman, Star Lodge, Oxford Road, Hartwell, Aylesbury, Bucks.

MEDIUM resolution graphics EPROM for UK101 with character 32 as a space. Only £8.50. M. P. Heales, 87 Groveley Road, Sunbury-on-Thames, Surrey TW16 7JZ.

MARCONI TF 1330 Oscilloscope not in working order but can be repaired, with circuit £40.00. Tel: 0903 752594. Mr. C. Jordan.

CLEF BANDBOX. In full working order. Must sell, Driving the wife crazy. £245 o.n.o. Tel: 01 670 2188.

OSCILLOSCOPE Tektronix 545A with I.A.2. and L plugins D.B. valved £180. DC to 25MHz. Tel: Danbury 4114. A. G. Willis.

WANTED Devry 35mm gunnery trainer (or mechanism). Used 35mm cine film made during WWII. J. Cunningham, 9 Beggars Lane, Leek, Staffs ST13 8DB.

UK101—cased, 8K RAM, Mon UK02, All leads, manual and software. £150. M. Grant, 1 Craigpark Rd, Scalloway, Shetland, Scotland. Tel: 059 588 394.

UK101 Cegmon(E) £10 Basic 5 £10 Basic 4 £6 8K RAM/8K ROM Expansion £30 Teleprinter £10. Tel: Chester (0244) 380381.

WANTED Meter f.s.d. 30µA, Res. 1500Ω, for AVO Electronic Tester CT38 Multi-range No. 1. Holmes, 17 Rosemount, Oxton, Wirral, Merseyside. Tel: 051 652 1162.

SUPERBOARD II 8K p.s.u. Cegmon, software, manuals, excellent order £99 o.n.o. or exchange Mattel Intevision. Medway 0634 252845. Mr. H. Field.

500 AMERICAN radio magazines, perfect condition £20. Wanted Mullard Valve Tester cards or complete unit considered. L. Marks, 14 Avenue Road, Kingston, Surrey.

ATOM 12+12K, new style keyboard colour, 3A.5V p.s.u. + £60 software £280. Call Julien after 5 p.m., Limpsfield Chart 2143.

LABORATORY series Amstrad stereo tuner T101 preamp P101 and power amp A101 30W £50 Carr. extra. G. Follett, Pebbles, Hive Close, Burton Bradstock, Bridport, Dorset DT6 4RQ. Tel: Burton Bradstock 330.

TRANSCENDENT DPX, fully polyponic strings/brass/piano/honkytonk ensemble. Fully operational, home use only £250 ono. N. Roe, Tel: Tamworth (0827) 57333.

PE POPULAR PROJECTS...

Our book *PE Popular Projects* containing a selection of popular projects is now available. The book costs £1.25 from retail outlets and is also available for £1.50, UK post paid, or £1.80 overseas surface post paid, from Post Sales Department (PE Popular Projects), IPC Magazines Ltd., Lavington House, 25 Lavington Street, London SE1 0PF.

The book contains the following projects:

Battery Voltage Indicator, Rev. Counter, Ammeter, Engine Temperature Meter, Dwell Meter, Headlight Warning, Automatic Car Aerial, Digital Temperature Controller, Ultrasonic Burglar Alarm, Home Freezer Alarm, PE Diamatic, Digital Exposure Timer, Smooth Fuzz, Phaser, Guitar Sound Multiprocessor, R.C. Failsafe, Waveform Generator and Pulse Generator.

CASES!



Instrument Cases as shown above are available from PE offices at 50p each including post and packing.

Cheques and postal orders should be made payable to IPC Magazines Ltd, and should be sent together with your order (please do not send cash) to:

PRACTICAL ELECTRONICS (INSTRUMENT CASE), WESTOVER HOUSE, WEST QUAY ROAD, POOLE, DORSET BH15 1JG.

CLEF ELECTRONIC MUSIC



ELECTRONIC PIANOS
SPECIALISTS SINCE 1972
 Clef Pianos adopt the most advanced form of Touch Sensitive action which simulates piano Key inertia using a patented electronic technique.

7 1/4 OCTAVE DOMESTIC MODEL COMPONENT KIT £266 COMPLETE KIT £442
 MANUFACTURED £696

Two Domestic Models are available including the 88-note full-size version. Four intermixable Voice Controls may be used to obtain a wide variation of Piano tone, including Harpsichord. Both Soft and Sustain Pedals are incorporated in the Design and internal Effects are provided in the form of Tremolo, Honky-Chorus, and Phase/Flanger. A power amplifier integrates into the Piano top which may be removed from the Base for easy transportation.

SIX OCTAVE DOMESTIC MODEL COMPONENT KIT £234
 MANUFACTURED £620

Component Kits include Keyboard, Key-switch hardware, and all electronic components and may be purchased in four stages at no extra cost. Complete Kits further contain Cabinets, wiring harness, Pedals and in the case of Domestic Models both Power Amplifier and Speaker.

The Six Octave Stage Piano has the same range of Voices and Effects and is designed for use with an External Amplifier and Speaker.

SIX OCTAVE STAGE MODEL COMPONENT KIT £234
 MANUFACTURED £580

Please allow 7 days for normal despatch



COMPLETE KIT £383



MICROSYNTH
THE COMPACT MUSIC SYNTHESIZER

- * 2 1/2 OCTAVES
- * 2 OSCILLATORS
- * 2 SUB-OCTAVES
- * SWITCH ROUTING
- * THUMBWHEEL

COMPLETE KIT £129.00

STRING ENSEMBLE

(As Published in conjunction with 'Practical Electronics')

A very popular Keyboard Synthesizer Kit, for Group or Home use, with a four octave compass and split Keyboard facility.

COMPONENT KIT £197.50

ROTOR-CHORUS

Comprehensive two speed organ rotor simulator plus a three phase chorus generator.

COMPONENT KIT £98.00

KEYBOARDS

Our Square Front Keyboards
 88 NOTE (A-C) £62.67
 73 NOTE (F-F) £61.75
 FIVE OCTAVE £41.97
 FOUR OCTAVE £31.62

Since 1972 Clef Products have consistently produced leading designs in the field of Electronic Musical Instruments, many of which have been published in technical magazines. With musical quality of paramount importance, new techniques have been evolved and the latest musically valid technology has been incorporated into projects which have been successfully completed by constructors over a wide range of technical capability. Back up TELEPHONE advice is available to all our customers.

PRICES INCLUDE VAT, UK CARRIAGE & INSURANCE (CARRIAGE EXTRA ON MFD PIANOS). Please send S.A.E. for our complete lists, or use our telephone VSA/ACCESS Service. Competitive quotations can be given for EXPORT orders - in Australia please contact JAYCAR in Sydney.

CLEF PRODUCTS (ELECTRONICS) LIMITED

(Dept. P.E.) 44A Bramhall Lane South, Bramhall, Stockport, Cheshire SK7 1AH 061 439-3297

"THE COMPUTER BAND-BOX"
 (As Published in conjunction with "Practical Electronics")
COMPLETE KIT £235



£320 MANFD.

MASTER RHYTHM ALSO REQUIRED

A revolution in the field of Computer Music Generation!

A MUSICIANS INSTRUMENT FOR: SOLOISTS - SINGERS - RECORDING - PRACTICE LIVE PERFORMANCE - COMPOSITION

The BAND-BOX provides an Electronic Backing Trio consisting of Drums, Bass, and a Chord Instrument (one of 16 Waveform/Envelope combinations), with the capacity to store over 3,000 User Programmable Chord Changes on more than 120 different Chords. Using advanced Microprocessor technology, Playback of 50-100 Scores can be executed in any Key and at chosen Tempo. Complete Music Pad is electronically Indexed and stored on secondary battery back-up. Facility exists for composition of Intro, Repeat Chorus, and Coda sections including Multiple Score Sequences. Sockets are provided for Volume Pedal and Footswitch plus separate and mixed instrument Outputs. Total size 19" x 11" x 4 1/2" incorporating Master Rhythm.

THE Programmable DRUM MACHINE

(As Published in conjunction with 'Practical Electronics')

EIGHT TRACK PROGRAMMING / TWENTY-FOUR PATTERNS / TWELVE INSTRUMENTS SEQUENCE OPERATION. COMPLETE KIT £79.00 MANFD. £119.00



The Clef Master Rhythm is capable of storing 24 selectable rhythmic drum patterns, invented, modified, and entered by the Operator on to Eight Instrumentation tracks. A three position Instrumentation control expands the number of instruments available to twelve, grouped into sounds typical of playing with Drumsticks, Brushes, or Latin American Bongos and Claves. Sequence operation allows two rhythm sections to be coupled with the second (B) section appearing at four, eight or sixteen Bar repetition. All drums can be adjusted for level and resonance on internal controls to suit individual taste, thus producing good musical sounds in a battery driven unit 8 1/2" x 5" x 2 1/4".

NEW Quality Bench Power Unit Kit

Fully punched, two colour steel case

Electronic O/L and S/C protection

Switched metering for voltage and current

Variable 2.5-30V D.C.

Full 2A throughout range

High Stability - Professional Specification

Build yourself this professional specification bench power unit. You will have a development tool as good as units sold to research laboratories and industry at more than twice the price.

The Kit comes complete with pre-punched, painted and silk-screened steel case, full assembly and setting-up instructions and every item necessary to complete the unit as shown.

£35.00

+£3.35 post and packing
 +£5.75 V.A.T. Also available fully built up and tested at £59
 +£3.35 post and packing
 +£9.35 V.A.T.

Allow 14 days delivery
 Send cheque or Postal Order to:



GRENSON ELECTRONICS LIMITED
 High March Rd, Daventry, Northants,
 NN11 4HQ. Telephone: 03272 5521



Bigger and Better for 1982
 the colourful Wilmslow Audio brochure
 - the definitive loudspeaker catalogue!

Everything for the speaker constructor - kits, drive units, components for HiFi and PA.

50 DIY HiFi speaker designs including the exciting new dB Total Concept speaker kits, the Kef Constructor range, Wharfedale Speakercraft, etc.

Flatpack cabinet kits for Kef, Wharfedale and many others.

- ★ Lowest prices - Largest stocks ★
- ★ Expert staff - Sound advice ★
- ★ Choose your DIY HiFi Speakers in the comfort of our ★ two listening lounges (Customer operated demonstration facilities)
- ★ Ample parking ★

Send £1.50 for catalogue (cheque, M.O. or stamps - or phone with your credit card number)

★ Access - Visa - American Express accepted ★ also HiFi Markets Budget Card.



0625 529599

35/39 Church Street, Wilmslow, Cheshire SK9 1AS



Lightning service on telephoned credit card orders!



PE CAR COMPUTER



"One of the neatest, most comprehensive and most useful of these car computers that we have yet come across..." PRACTICAL MOTORIST The PE Car Computer was designed to exceed the specification of all others, both for number of functions and accuracy.

It provides three classes of information:

Driving information - 7 functions including miles per gallon (or litres per 100 kilometres), speed, fuel used.

Journey information - 11 functions such as how far to go, ETA, how far you can go on fuel left, how fast you need to drive to meet an arrival time.

Car performance information - measure acceleration (eg. 0 to 60), standing quarter miles, braking tests and much more using the unique 'programmed' mode. Check which types of driving are particularly un-economic, tune your car for optimum performance and economy.

The unit also incorporates an ignition cut-out as an optional extra. Set the lock and the engine will not restart until a three digit combination is entered.

The unit is housed in a custom designed box with high quality printed panels and can be fitted above or below the dashboard. The display is liquid crystal for clarity in all lighting conditions.

The kit includes all sensors, wiring, etc and is suitable for all cars except those fitted with diesel or fuel injection engines.

Kit price: £78.50 Assembled Price: £88.50

Ignition cut-out £7.75 + £1 p&p includes VAT.

Goods by return of post. Send S.A.E. for list of separately available parts.



PIMAC SYSTEMS LTD

20 Bloomfield Road, Moseley, Birmingham B13 9BY.
Tel: 021-449 0384

MARCO TRADING

We have now moved to our new much larger premises. (Over 6000 sq ft). We purchased these new premises in November and after we have settled the stock and staff in we are going to open a retail shop for callers. Whilst the shop is not yet ready we will of course make callers very welcome and feel confident they will find many bargains. We will soon open on Saturdays, please telephone for further details.

TRANSFORMERS British made transformers at once only prices.

Primary	Secondary	Current	1+	10+	100+
240V	4.5-0-4.5V	400m/a	50p	45p	35p
240V	6-0-6	100m/a	58p	52p	43p
240V	6-0-6	500m/a	65p	60p	48p

Manufacturers note: We can supply OFF THE SHELF 1000+ quantities of the above transformers.



ADAPTORS

These high quality British made European Adaptors are ideal for driving radio's, cassette recorders, TV games, calculators etc etc.

These adaptors fit the UK shaver socket.



			1+	10+	100+
E08	4.5V DC	200m/a	50p	45p	32p
EM3	6V DC	200m/a	£1.00	80p	55p
E09	6V DC	400m/a	£1.50	£1.25	85p

RESISTOR PACKS

Marco has long been known for its resistor development packs and for the new-come we give full details.

0.25W 10 of every value from 10 ohm to 820K i.e. 10R, 12R, 15R, 18R, 22R, 27R, 33R, 39R, 47R, 56R, 68R, 82R, 100R etc etc up to 820K.

Total: 600 resistors Price: **£5.00**

0.5W 10 of every value from 2R2 to 2M2 i.e. 2R2, 2R7, 3R3, 3R9, 4R7, 5R6, 6R8, 8R2, 10R etc etc up to 2M2.

Total: 730 resistors Price: **£5.50**

OUR LATEST CATALOGUE NOW AVAILABLE FOR ONLY 25p INCLUDES COMPONENTS, CHART RECORDERS, MULTIMETERS, SPECIAL OFFERS AND PRE-PAID ENVELOPES.

Please add 35p postage and packing and 15% VAT to all orders.

Send orders to:

MARCO TRADING (Dept PE9)

The Maltings, High Street,
Wern, Shropshire SY4 5EN
Telephone: WEM (0939) 32763

Every order receives our latest special offer lists. Or send SAE.

All orders despatched by return of mail.

BI-PAK

BI-PAK'S COMPLETELY NEW CATALOGUE

Completely re-designed. Full of the type of components you require, plus some very interesting ones you will soon be using and of course, the largest range of semiconductors for the Amateur and Professional you could hope to find.

There are no wasted pages of useless information so often included in Catalogues published nowadays. Just solid facts i.e. price, description and individual features of what we have available. But remember, Bi-Pak's policy has always been to sell quality components at competitive prices and THAT WE STILL DO.

BI-PAK'S COMPLETELY NEW CATALOGUE is now available to you. You will be amazed how much you can save when you shop for Electronic Components with a Bi-Pak Catalogue. Have one by you all the time—it pays to buy BI-PAK.

To receive your copy send **75p** plus 25p p&p.

8 Bit MICROPROCESSOR

National INS8080AN 40 Pin DIL N. Channel Silicon GATE MOS TECHNOLOGY As used in Nationals N8080 Micro Computer Family

Instruction Cycle Time 2 µs

Supplied with functional Block Diagram

BRAND NEW —

NOT seconds or reclaims

100% perfect ORDER NO. SX8080

Normal Sell price £4.50 each

Our BI-PAK Special Price

SD HURRY — LIMITED STOCKS



only

£2.00

40 Pin IC Socket to fit SX8080

Offer price

ORDER NO. 1609

30p

5 watt (RMS) Audio Amp

High Quality audio amplifier Module. Ideal for use in record players, tape recorders, stereo amps and cassette players, etc. Full data and back-up diagrams with each module.

Specification:

● Power Output 5 watts RMS ● Load Impedance 8-16 ohms ● Frequency response 50Hz to 25 KHz—3db ● Sensitivity 70 mv for full output ● Input Impedance 50k ohms ● Size 85 x 64 x 30mm ● Total Harmonic distortion less than 5%

BI-PAK'S give away price

£2.25

each
You could not Build one for this price.

MW398 NI-CAD CHARGER

Universal Ni-Cad battery charger. All plastic case with lift up lid. Charge/Test switch. LED indicators at each of the five charging points.

Charges: —

PP3 (9V)

U12 (1.5V penlite)

U11 (1.5V "C")

U2 (1.5V "D")

Power: —

220-240V AC

Dims: —

210 x 100 x 50mm

£6.95

POWER SUPPLY OUR PRICE £3.25

Power supply fits directly into 13 amp socket. Fused for safety. Polarity reversing socket.

Voltage switch. Lead with multi plug.

Input: — 240V AC, 50HZ Output: — 3, 4.5, 6,

7.5, 9 & 12V DC Rating: — 300 ma MW88

TRIACS — PLASTIC

4 AMP — 400v — TQ202 — TAG 136G.

1 OFF 10 OFF 50 OFF 100 OFF

40p £3.75 £17.50 £30.00

8 AMP 400v — TQ220 — TAG 425

60p £5.75 £27.50 £50.00

2N3055 The best known Power Transistors in the World — 2N3055 NPN 115w

Our BI-PAK Special Offer Price.

10 off 50 off 100 off

£16.00 £16.00 £30.00

BD312 COMPLIMENTARY PNP POWER TRANSISTORS TO 2N3055

Equivalent MJ2955 — BD312 — 103

SPECIAL PRICE £0.70 each

10 off £6.50

TECASBOTY

The Electronic Components and Semiconductor Bargain of the Year. A host of Electronic components including potentiometers — rotary and slider, presets — horizontal and vertical Resistors of mixed values 22ohms to 2M2 — 1/8 to 2 Watt. A comprehensive range of capacitors including electrolytic and polyester types plus disc ceramics etcetera Audio plugs and sockets of various types plus switches, fuses, heatsinks, wire, nuts/bolts, gromets, cable clips and ties, knobs and P.C. Board. Then add to that 100 Semiconductor to include transistors, diodes, SCR's opto's, all of which are current everyday usable devices. In all a Fantastic Parcel. No rubbish all identifiable and valued in current catalogues as well

— £25.00. Our Fight Against Inflation
— Beat the Budget
— Down with Depression

Price —
JUST £6.50.

O/no SX85

Send your orders to Dept PE9
BI-PAK PO BOX 6 WARE HERTS.
SHOP AT 3 BALDOK ST.
WARE HERTS



Use your credit card. Ring us on Ware 3182 NOW and get your order even faster. Goods normally sent 2nd Class Mail. Remember you must add VAT at 15% to your order. Total. Postage add 75p per total order.

Now our name means more, than ever before.

If the name BICC-Vero sounds only half familiar, that's not the only difference you're going to notice.

Because not only have we added to our name we've also added to our technology. Building upon our well established industrial product range and incorporating the very latest ideas and techniques to ensure that you too are working at a state-of-the-art standard.

But you will of course still recognise the old favourites. Products like Veroboard, which pioneered in so many ways, today's thriving pastime of electronics.

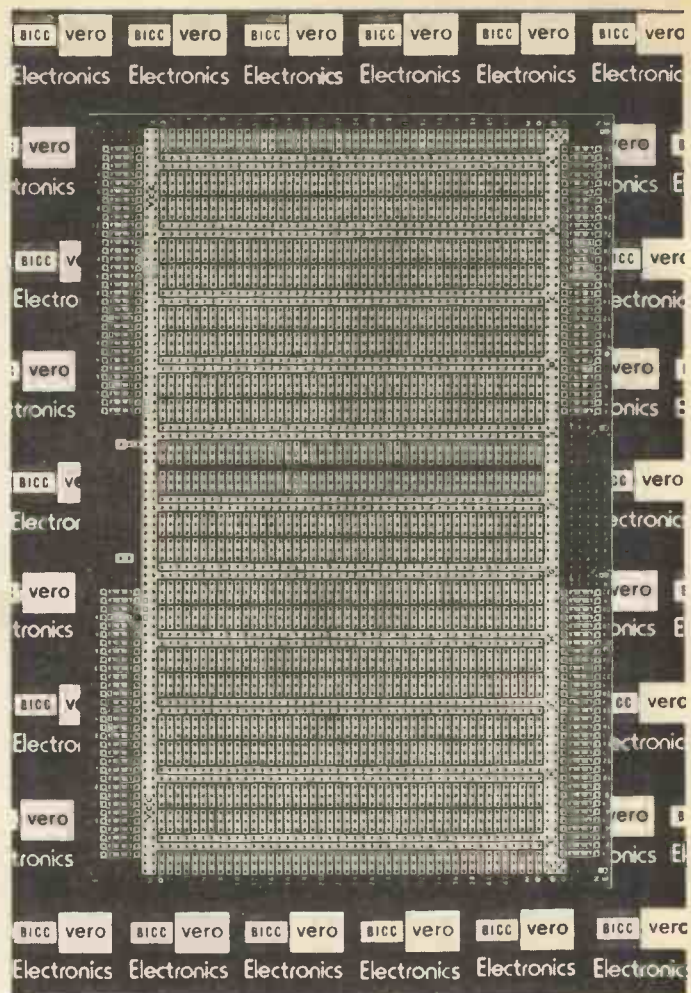
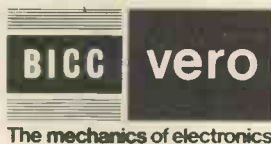
Bigger means better in other respects. Being part of the giant BICC-Vero Electronics Group ensures that we're a major force in electronics technology. Our R and D scope is enlarged, and our supply and distribution facilities improved.

And because we're professionals we appreciate the very real professionalism of the hobbyist market - and service it accordingly.

Yes, we're sure you'll notice the difference. As well as that pleasantly familiar personal touch.

BICC-VERO ELECTRONICS LTD.

Industrial Estate, Chandlers Ford, Eastleigh, Hampshire SO5 3ZR.
Tel: Chandlers Ford (04215) 62829.



OPEN FRAME MONITORS AVAILABLE FOR OEM'S

The 'PRINCE' of Monitors

offers better Monitoring.

24MHz Bandwidth - ensures a clear crisp display.
Available with P4 White P31 Green AND L1 ORANGE



Scan: 625 lines/50 Hz. Deflection: 110°. Active raster: 240x172mm. Bandwidth (3dB): 10 Hz-24 MHz (at 3dB points). Character display: 80 characters x 24 lines. Horizontal frequency: 15625 Hz ± 0.5 KHz. Vertical frequency: 50 Hz. Horizontal linearity: ± 3%. Vertical linearity: ± 2%. Geometric distortion: ± 1.5%. EHT (at zero beam current): 13kV ± 0.5kV. Power drain: 30 Watt approx. Voltage supply: 110V A.C. 50 Hz/220V A.C. - 50 Hz/240V A.C., 50Hz/± 10% upon request. Video input: 2 x BNC - or CINCH - or PL 259, (composite video) negative sync, input 0.5-4V p.p. across 75 Ohms. X-Ray radiation: conforms to I.E.C. Spec. No. 65. Overall dimensions: 320 x 270 x 265 mm. Weight: 7 Kg. approx. Ambient temperature: 0-45°C.

OTHER CROFTON PRODUCTS INCLUDE: Computer peripheral equipment, Frame grabber, Floppy disk drives, Floppy disks, Computer power supplies, C.C.T.V. monitors, Uncased monitors, Monitor P.C.B's., Cathode ray tubes, VHF/UHF modulators, Video switchers, Video distribution amplifiers, Camera housings, Pan and tilt units, Camera lens, Camera tubes, Printed circuit board service.

CROFTON ELECTRONICS LTD

35, Grosvenor Road, Twickenham, Middx, TW1 4AD.
Telephone: 01-891 1923/1513 Telex: 295093 CROFTN G

ALARMS

DIY KITS 'N' BITS

PROFESSIONAL EQUIPMENT AT DISCOUNT PRICES!

- KITS £32, £50, £75, £85 INCLUDING FULL INSTRUCTIONS ●
- CONTROL PANELS £18, £23, £29, £37 ● BELL BOXES £6.25, £7.50 ●
- PRESSURE PADS £1.06, £1.45, £1.95 ● 4 CORE CABLE (100m) £8.00 ●
- SIRENS £7.50 ● CONTACTS 72p, 74p, 76p ● ULTRASONICS £34.50 ●
- DOOR PHONES £49.42 ●

BUY A KIT OR DESIGN YOUR OWN SYSTEM

SEND S.A.E. OR *PHONE NOW FOR **FREE** FULLY ILLUSTRATED CATALOGUE.
IT TELLS YOU ALL YOU NEED TO KNOW!



CARRIAGE INCLUDED. VAT EXTRA 15%
Please allow 14 days for delivery.



A.D. ELECTRONICS, 217 WARBECK MOOR, AINTREE, LIVERPOOL L9 0HU. 051 523 8440

TRADE ENQUIRES WELCOME

ENFIELD ELECTRONICS

BARGAINS OF THE MONTH FOR ALL P.E. READERS!



For up to the minute prices please ring 01366 1873. Please add 15% VAT £1.00 p & p per item ordered.

A superb stereo headphone

- Specifications:
- 1) Sensitivity 110dB at 1,000Hz with 1mw
 - 2) Frequency response: 20-15,000Hz
 - 3) Impedance 8 ohms
 - 4) Matching impedance 4-16 ohms
 - 5) Maximum input 0.5 watts per channel
 - 6) Individual slide volume control (stereo/mono switch)
 - 7) 10 foot coiled cord with stereo phone plug
 - 8) Leathery-soft ear pads and head cushion
- Price £8.95 + VAT + £1 p&p.
Order No. LE-76V5



Universal NI-CAD battery charger. All plastic case with lift up lid. Charge/first switch LED indicators at each of the five charging points.
Charges: PP3 (9V), U12 (1.5V Denial), U11 (1.5V CT), U2 (1.5V T7), Power: 220-240V AC. Dimensions: 210 x 100 x 80mm. Super Special Offer at only £7.95 + VAT + £1 p&p.
Order No. MWV298

PLEASE ALLOW 10 DAYS FOR DELIVERY. OPEN 9am-6pm MONDAY TO SATURDAY.

208 Baker Street, Enfield, Middlesex.
01-366 1873.



MISCELLANEOUS — CONTD.

DIGITAL WATCH REPLACEMENT parts, batteries, displays, back-lights etc., also reports publications charts. SAE for full list. Profords, Copners Drive, Holmergreen, Bucks HP15 6SGG.

CABINET FITTINGS

Fretcloths, Coverings, Handles, Castors, Flight Case Locks & Parts, Jacks, XLRs, Bulgins, Reverb Trays, P & N mic Stands, ASS Glassfibre Horns, CELESTION POWER Speakers.

ADAM HALL SUPPLIES LTD.

Send 30p cheque/P.O. for illustrated catalogue: Adam Hall (PE Supplies), Unit G, Carlton Court, Grainger Road, Southend-on-Sea.

ULTRASONIC TRANSDUCERS, miniature, 40KHz. £2.85 per pair + 25 P+P. DATAPLUS DEVELOPMENTS, 81 Cholmeley Road, Reading, Berks.

CENTURION ALARMS

We manufacture, you save £££'s Send s.a.e. or phone for our Free list of professional D.I.Y. Burglar Alarm Equipment and accessories. Discount up to 20% off list prices, e.g. Control Equipment from £15.98, Decoy Bell Boxes from £5.95 inc.

TRADE ENQUIRIES WELCOME

0484-21000

or 0484 35527 (24 hr. ans.)

CENTURION ALARMS (PE)

285 Wakefield Road, Huddersfield

HD5 9BE, W. Yorkshire

Access & Visa Orders Welcomed



BOOKS AND PUBLICATIONS

FULL SIZE SERVICE SHEETS by return £2.00 each plus L.S.A.E. Except C.T.V./Music Centres from £3.00. Repair data with circuits named T.V.s or early VHS/Philips Video Recorders £8.50. L.S.A.E. for free 50p magazine/quotations etc., T.I.S. (PE), 76 Churches, Larkhall. 0698-883334, Lanarks ML9 1HE.

FOR SALE

NEW FLUKE 8010A DIGITAL MULTIMETER with Y8008 touch and hold probe. £110.00. May, 5, Osnaburgh Court, Dairsie, Fife, Scotland.

LOGIC PROBE for CMOS and TTL. Band width 4MHz, pulse 1µs £22.00 inclusive. G. Butcher, 94 Berecroft, Harlow, Essex.

TELETEXT (Oracle/Ceefax) add-on adaptors for your existing television. Only £149.95 inclusive. Also Prestel. Fantastic colour graphics for microcomputers. Avon Office Services (PE), FREEPOST, Bristol BS10 6BR. (0272) 502008 anytime.

WANTED

WANTED. Changer-over switch devices for operating small solenoid valves at idling R.P.M.s of cars. Potential market for good design and manufacture at right price. Box No. 90.

SERVICE SHEETS

BELL'S TELEVISION SERVICES for Service Sheets on Radio, TV, etc. £1.25 plus S.A.E. Colour TV Service manuals on request. S.A.E. with enquiries to B.T.S. 190 Kings Road, Harrogate, N. Yorkshire. Tel. (0423) 55885.

EDUCATIONAL

CAREERS IN MARINE ELECTRONICS. Courses commencing September and January. Further details, The Nautical College, Fleetwood FY7 8JZ. Tel. 03917 79123.

EDUCATIONAL Cont.

TELEVISION COMPUTER RADIOCOMMUNICATIONS & RADAR SERVICING

2½ YEAR full-time Modular Diploma course to include a high percentage of practical work.

- ELECTRONIC PRINCIPLES (1st)
- ELECTRONIC PRINCIPLES (2nd)
- MONOCHROME TV
- COLOUR TV, CCTV & VCR
- MICROELECTRONICS & DIGITAL TECHNIQUES
- MICROPROCESSORS & COMPUTERS
- RADIOCOMMUNICATIONS & RADAR

Each of the above Modules are 13 weeks in duration. Individual Modules can be arranged for applicants with suitable electronics background.

Subject to approval, students will be awarded a TEC Diploma in Electronics & Communication Engineering on completion of the full course.

Next session starts Sept 13th.

Prospectus from:

LONDON ELECTRONICS COLLEGE

Dept: AA, 20 Penywern Road, London SW5 9SU. Tel: 01-373 8721.

SOFTWARE

UK101 SOFTWARE ON TAPE from the guy who wrote "Le Passe-Temps"

GALACTIC HITCHHIKER (8K). An adventure, all in machine code. A beauty! (£7.00)

SUPERTREK (8K). Sail boldly through the universe zap-ping moving Klingons in real time. Superb graphics. (£7.00)

STARTREK (8K). The old favourite, beautifully presented. (£6.00)

LUNAR LANDER. A real challenge. You won't get down in less than 3 hours. (£3.00)

HANGMAN. Excellent graphics. P.E. said so! (£3.00)

BASIC TUTOR (8x4K). The only way to learn — at the keyboard. (£12.00)

LE PASSE-TEMPS. You NEED this, if you haven't already got it. (£3.00)

MAD MONK (8K). It's ready at last! A machine code adventure with some truly remarkable graphics, this programme is in a class by itself. (£9.50)

These ORIGINAL PROGRAMS are compatible all 2K Monitors and are available for 16x48 and 32x48 displays (including enhanced Superboards).

HARDWARE

These kits are complete in every way: — Fully socketted high quality PCB, all components, switches etc, plus preformed cable assembly for easy interconnection to J1, or our...

MOTHERBOARD SYSTEM. Now you can add on all those extras easily. Provides eight, yes EIGHT, fully buffered J1 type sockets. (£19.50)

8K STATIC RAM BOARD. (£39.50)

HI-SPEED CASSETTE INTERFACE. At last, a system that works. COMPLETELY RELIABLE 4000 baud (8000 with reasonable cassette) plus software for named file handling. A delight to use. (£19.50)

VIDEO ENHANCEMENT. Switch selectable 16x48 or 32x48 displays without butchering your computer. (£19.50). Monitor EPROMs re-blown to suit for just £2.50

8K EPROM BOARD. (£19.50). A 2K Extended Monitor is available in EPROM for £7.50 and Toolkit in EPROM, £12.50.

MONITOR BOARD. Plug into Monitor socket to provide switch selection of up to 4 EPROMS. (£9.50)

BASIC 4 Replacement provides a knock-out Cassette Handling System, Old, Dynamic Halt, Single Step and Trace. (£9.50)

PRINTERS Phone for latest prices e.g. EPSON 8X80FT II for £399.00 incl. Securoid Delivery.

Prices include post & packing but exclude V.A.T. Please write or phone for further details:

MERLIN (MICRO SYSTEMS) LTD.,

93, High Street,

Eston,

Cleveland,

Tel. (0642) 454883.



AERIALS

AERIAL BOOSTERS trebles incoming signal, price £7.00. SAE leaflets. Velco Electronics, Ramsbottom, Lancashire BL0 9AG.

SITUATIONS VACANT

HULL COLLEGE OF HIGHER EDUCATION

MARITIME TECHNICIAN VACANCIES

Following a major review, applications are now invited for the following posts:

Principal Technician £7,371-£7,875

This is a key appointment to manage technical support staff and services. Applicants will have considerable experience and a high level of expertise, preferably in the area of Marine Electronics.

Senior Technician £5,652-£7,137

To lead a small group of technical staff dealing specifically with aspects of Marine Electronics. Applicants must have considerable experience and will hold relevant qualifications, e.g. ONC or Tech. Cert. in Electronics or Electrical Engineering or MRGC or equivalent.

Technician — Electronics Technician — Navigation/Simulator £5,064-£5,526

To work specifically in areas of Marine Electronics and with the College's Advanced Computer Navigation Simulator. Applicants must hold relevant qualifications, e.g. DoT Radar Maintenance Certificate.

Application forms and further details from:

The Personnel Office,
Hull College of Higher Education,
Inglemire Avenue,
Hull HU6 7LU.
Tel. (0482) 446506.

Closing date for receipt of completed applications — 6th September 1982.

When replying to Classified Advertisements please ensure:

- (A) That you have clearly stated your requirements.
- (B) That you have enclosed the right remittance.
- (C) That your name and address is written in block capitals, and
- (D) That your letter is correctly addressed to the advertiser.

This will assist advertisers in processing and despatching orders with the minimum of delay.

NICADS: UK's LOWEST PRICES

AMBIT'S NEW CONCISE COMPONENT CATALOGUE IS OUT NOW -

Price on the page



Ambit's new style catalogue continues to lead the market with low prices, new items, info, 3 x £1 discount vouchers. Here's a few examples of some super low prices:

78XX 1A 37p
 BC237/8/9 8p
 3SK51 54p
 10MHz XTALS £2
 8 Pole 10.7MHz XTAL filters £14.50
 2GHz coax relay 150W £10.95

+ all the usual stuff at rock bottom prices + Toko coils, crystal and ceramic filters, micrometals toroids, Fairrite ferrites, Alps switches, OKI LSI, Piezo sounders, RF, IF Modules + Kits etc.

Available at your newsagent or direct, for 70p inc.



CAPACITY	TYPE	1-9	10-49
500 mAh	AA	80	74
2200 mAh	C	2.35	1.99
1200 mAh	D	2.14	2.06
4000 mAh	D	3.05	2.85
110 mAh	PP3	3.70	3.50

Prices shown EXCLUDE VAT. Access/Barclaycard may be used with written or telephone orders, official MA details on application. E & EO.

POSTAGE and PACKING
 50p per order

Normal delivery 48 hours

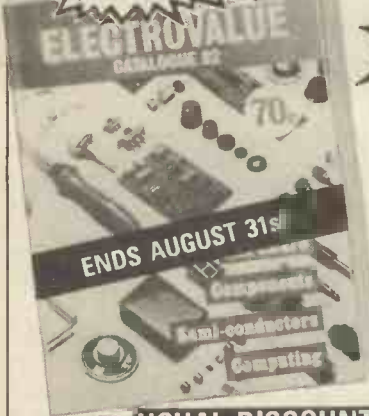
AMBIT international TELEPHONE (STD 0277) 230909 TELEX 995194 AMBIT G POSTCODE CM14 4SG
 200 North Service Road, Brentwood, Essex

ELECTROVALUE

A SPECIAL SUMMER PROMOTION

FREE VOUCHERS TO SAVE YOU UP TO

£2.10



Send for EV Catalogue 82 before Aug. 31 (60 pages A4 - 70p post paid) and we give you THREE 70p. REFUND VOUCHERS FREE! Each is valid at any time for spending singly on any one C.W.O. order minimum list value £10. Now includes latest price list. Frozen to 30/9/82 with new and bargain items list. S.A.E. for free copy.

+ USUAL DISCOUNTS + FREE POSTAGE

DISCOUNTS

5% on orders over £23 (inc V.A.T.)
 10% on orders over £57.50 (inc V.A.T.) on most catalogue items, but not on purchases by credit cards.

POSTAGE

Free on U.K. C.W.O. orders over £5.75 inc V.A.T. If less, add 40p handling charge.

ELECTROVALUE LTD. 28c St Jude's Rd, Englefield Green, Egham, Surrey TW20 0HB.
 Telephone Egham (STD 0784; London 87) 33603; Telex 264475.

Northern Branch (Personal shoppers only) 680-Burnage Lane, Burnage, Manchester M19 1NA.
 Telephone 061 432 4945.

- ★ SEMI-CONDUCTORS/ICs/OPTOs
 - ★ COMPUTERS/SOFTWARE/METERS
 - ★ CAPACITORS/RESISTANCES
 - ★ CONNECTORS/SWITCHES/KNOBS
 - ★ POTS/FERRITES
 - ★ BOOKS/BOXES/TOOLS
- and more and more and more

PARNDON ELECTRONICS LTD.

Dept. No. 21 44 Paddock Mead, Harlow, Essex. CM18 7RR. Tel: 0279 32700

RESISTORS: 1/4 Watt Carbon Film E24 range $\pm 5\%$ tolerance. High quality resistors made under strictly controlled conditions by automatic machines. Banded and colour coded.

£1.00 per hundred mixed. (Min 10 per value)

£8.50 per thousand mixed. (Min 50 per value)

Special stock pack. 60 values, 10 off each £5.50

DIODES: IN4148 3p each. Min order quantity - 15 items.
 £1.60 per hundred

DIL SWITCHES: Gold plated contact in fully sealed base - solve those programming problems.
 4 Way 86p each. 6 Way £1.00 each. 8 Way £1.20 each.

DIL SOCKETS: High quality, low profile sockets.

8 pin - 10p. 14 pin - 11p. 16 pin - 12p. 18 pin - 19p. 20 pin - 21p.
 22 pin - 23p. 24 pin - 25p. 28 pin - 27p. 40 pin - 42p.

ALL PRICES INCLUDE V.A.T. & POST & PACKING - NO EXTRAS
 MIN. ORDER - U.K. £1.00. OVERSEAS £5 - CASH WITH ORDER PLEASE
 Same Day Despatch

NICKEL CADMIUM BATTERIES

	AA (HP7) 0.5Ahr	SUB 'C' 1.2Ahr	'C' (HP11) 1.65Ahr	'C' (HP11) 2.0Ahr	'D' (HP2) 4.0Ahr	PP3 0.1Ahr
1-24	£0.85	£1.38	£1.69	£2.25	£2.97	£3.79
25-49	£0.75	£1.28	£1.58	£2.10	£2.77	
50-99	£0.65	£1.24	£1.52	£2.02	£2.67	
100 up	£0.59	£1.15	£1.41	£1.87	£2.47	

All cells are brand new full spec devices from reputable mfrs. All Nickel Cadmium cells (except PP3) are supplied complete with solder tags and are 'VENTED' devices suitable for fast charge.

CHARGERS - single or dual O/P to charge PP3, AA or SUB 'C' cells in 12-14 hrs [chargers will charge 'C' and 'D' cells but with longer charging time]. Units supplied complete in plug top case with flying leads. Number of cells (10 max) in series and type must be specified for each required O/P when ordering.

SINGLE O/P CHARGER £5.04
 DUAL O/P CHARGER £5.72

TRANSFORMERS - as used in chargers, 2 x 12 volt 0.25 amp secondaries 240v primary, tag connections £1.57 each.

Data and charging circuits free with orders over £10 otherwise 30p post.
 P&P 10% if order less than £10. 5% if order over £10. Prices DO NOT INCLUDE VAT and this should be added to the total order. All advertised goods are ex-stock and normally despatched within 7 days.

Cheques, P.O.'s Mail Order to:-

SOLID STATE SECURITY,
 Dept. (PE), Bradshaw Lane,
 Parbold, Wigan, Lancs.
 Telephone 02576-3018.



Constructor Series Speakers

IT'S SO EASY

Have fun, save money, building a Kef design with a Wilmslow Audio CS Total kit. No electronic or woodworking knowledge necessary and the end result is a proven top-quality design that you'll be proud of.

Each kit contains all cabinet components, accurately machined for easy assembly, speaker drive units, crossovers, wadding, grille fabric, terminals, nuts, bolts, etc.

The cabinets can be painted or stained or finished with iron-on veneer or self adhesive woodgrain vinyl.

Easy foolproof assembly instructions supplied. Set of constructor leaflets sent free on receipt of large S.A.E.

Prices: CS1 (As 101) £110 pr. inc. VAT, plus carr./ins. £ 5.50
 CS1A (simplified LS3/5A) £103 pr. inc. VAT; plus carr./ins. £ 5.50
 CS3 (as 103.2) £129 pr. inc. VAT, plus carr./ins. £10.00
 CS5 (as Carlton II) £192 pr. inc. VAT, plus carr./ins. £15.00
 CS7 (as Cantata) £250 pr. inc. VAT, plus carr./ins. £18.00



0625 529599

35/39 Church Street, Wilmslow, Cheshire SK9 1AS

1982 Catalogue — £1.50 post free



Lightning service on telephoned credit card orders! Please allow 7 days for delivery.



HOW DARE THEY!

If you see an advertisement in the press, in print, on posters or a cinema commercial which makes you angry, write to us at the address below. (TV and radio commercials are dealt with by the I.B.A.)

The Advertising Standards Authority.
If an advertisement is wrong, we're here to put it right.

ASA Ltd, Brook House, Torrington Place, London WC1E 7HN.

★ SPECIAL OFFER ★

1-24	25-99	2732	1-24	25-99
2114L-450 85p	80p	4116-200 90p	375p	350p
2114L-200 95p	90p	6116-150 410p	90p	85p
2716 (+5V) 225p	210p	6522 350p	410p	375p
2532 375p	350p		350p	325p

CONNECTOR SYSTEMS

I.D. CONNECTORS (Speedblock Type)				D-CONNECTORS 9 way 15 way 25 way 37 way				DIL HEADER PLUGS		REBOND CABLE (Grey)	
No. of Header	Recep.	Edge	Conn.	MALE	MALE	MALE	MALE	Solder	type	10 way	
10	90p	90p	200p	Solder 90p	130p	160p	250p	Solder	10C	14 way	
20	145p	125p	240p	Angled 160p	230p	265p	425p	type	type	16 way	
25	175p	150p	300p	FEMALE				type	type	20 way	
34	200p	180p	380p	Solder 110p	180p	210p	350p	14 pin	40p	26 way	
40	220p	190p	550p	Angled 175p	240p	310p	500p	16 pin	50p	34 way	
50	235p	200p	600p	Hood 95p	95p	95p	125p	24 pin	100p	40 way	
				37 way Centronic Type Conn.	£8.50			40 pin	200p	225p	50 way
										64 way	370p

JUMPER LEADS				EURO CONNECTORS (Indirect Edge Conn.)			EDGE CONNECTORS		
24" Ribbon Cable with headers				DIN 510	Plug	Skt	0.1"	0.156"	
1 end	14 pin	18 pin	24 pin	41617 21 way	170p	170p	2x18 way	140p	
2 ends	145p	185p	240p	41617 31 way	180p	180p	2x22 way	200p	
	210p	230p	345p	41612 2x32 way	250p	320p	2x23 way	210p	
24" Ribbon Cable with sockets				Angled 2x32 way	325p	375p	2x25 way	220p	
1 end	20 pin	26 pin	34 pin	41612 3x32 way	275p	380p	1x43 way	260p	
2 ends	160p	210p	270p	Angled 3x32 way	—	400p	2x43 way	395p	
	290p	385p	490p	2x32 way IDC a+b	—	525p	2x50 way	—	
24" Ribbon Cable with D Conn.				2x32 way IDC a+b 475p a/c 525p				1x77 way	700p
	25 way Male	500p	Female 550p	(for 2x32 way specify a+b or a+c)			100 Conn	600p	

OFFICIAL BBC STOCKIST

MEMORY PACK

IC61-68 16K RAM 100ns AP-3
£21.61

PRINTER & USER PORTS

IC69, 70; PL9, 10 £9.50
Printer Lead Complete £13.50

ANALOGUE PORT

IC72, PL6 £7.30; SK6 £1.80

PRINTERS

SEIKOSHA GP100A dot matrix printer, full graphics double width characters, up to 10" wide paper, self testing parallel interface £180 + Carriage £6.

EPSON MX80 FRICTION & TRACTOR TYPE 3 **NEW**

9 x 9 Dot Matrix 80 col. 80 cps. Variety of charac. & High Res Graphics. Many new features. £357 + £8 carr.

NEC PC8023 Matrix Printer

100cps 80 col. with capability up to 132 col. High Res, Block graphics, Alpha numeric, Intl. charact. with total programmer flexibility. £375 + £8 carr.

SEND FOR FULL DETAILS

FLOPPY DISC DRIVES

Single TEAC FD-50A in cabinet with PSU £190 + £6 Carr.
Two TEAC FD-50A in cabinet with PSU £360 + £8 Carr.

Single Drive for Apple II with cable £270 + £6 carr.

MONITORS

BMC 12" Green Screen 18MHz Bandwidth £99 + £6 carr.
BMC 14" Colour Monitor (25 x 40 chars.) RGB Input £240 + £6 carr.

ACORN ATOM

BASIC BUILT 8K + 2K £135 EXPANDED 12K + 12K £175
(p&p £3/unit)

F.P. ROM £20

3A5V Regulated PSU £26 (p&p £2)

1K RAM (2x2114L) £2

TOOL BOX ROM £25

SEND FOR DETAILED ATOM LIST

SOFTY II EPROM PROGRAMMER

The complete microprocessor development system for both Engineers and Hobbyists. You can develop programs, debug, verify and commit them to EPROMs. Will accept most +5V EPROMs. Can also be used as a ROMULATOR. Full review in September '81 P.E. Built unit complete with PSU and TV lead £169.

MENTA

A sophisticated Z80 development system and trainer. Direct Interface to TV & cassette recorder. Powerful keyboard assembler & program debugging facility — ideal for both engineers and students. Audible feedback on keyboard input. Menta + PSU + TV Lead £115.

PROGRAMMABLE TIMER

6502 based dedicated computer with following features:
● 24 hr 7 day timer ● 4 independent switch outputs ● 6 digit display outputs to indicate, real time turn-off times and reset times ● output to drive day of the week, switch and status LEDs.
Complete kit with 2K monitor ROM £54 + £1 p&p

SEND FOR FULL DETAILS

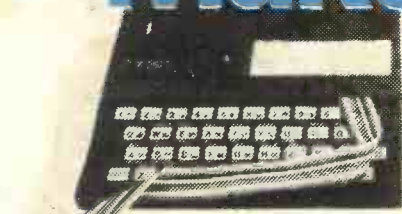
PLEASE ADD 40p p&p & 15% VAT
(Export no VAT p&p at Cost)

Orders from Government Depts, & Colleges etc. welcome.
BARCLAYCARD & ACCESS CARDS ACCEPTED

Detailed Price List on request.

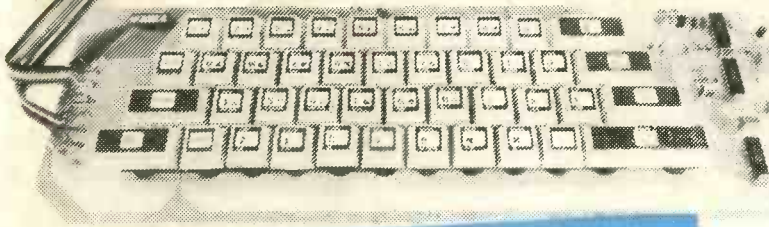
Stock items are normally by return of post.

Make it with MAPLIN



KEYBOARD KIT WITH ELECTRONICS FOR ZX81

- * A full size, full travel 43-key keyboard that's simple to add to your ZX81 (no soldering in ZX81).
 - * Complete with the electronics to make "Shift Lock", "Function" and "Graphics 2" single key selections making entry far easier.
 - * Powered from ZX81's own standard power supply - with special adaptor supplied.
 - * Two-colour print for key caps.
 - * Amazing low price.
- Full details in our projects book. Price 60p. Order As XA03D.
Complete kit for only £19.95 incl. VAT and carriage. Order As LW72P.



25W STEREO MOSFET AMPLIFIER

A superb new amplifier at a remarkably low price.



- * Over 26W per channel into 8Ω at 1kHz both channels driven.
- * Frequency response 20Hz to 40kHz ± 1dB.
- * Low distortion, low noise and high reliability power MOSFET output stage.
- * Extremely easy to build. Almost everything fits on main pcb, cutting interwiring to just 7 wires (plus toroidal transformer and mains lead terminations).
- * Complete kit contains everything you need including pre-drilled and printed chassis and wooden cabinet.

Full details in our projects book. Price 60p. Order As XA03D
Complete kit for only £49.95 incl. VAT and carriage. Order As LW71N

MATINÉE ORGAN

Easy-to-build, superb specification. Comparable with organs selling for up to £1,000. Full construction details in our book. Price £2.50. Order As XH55K.
Complete kits available:
Electronics - £299.95,
Cabinet - £99.50 (carriage extra).
Demo cassette price £1.99. Order As XX43W.



HOME SECURITY SYSTEM

Six independent channels - 2 or 4 wire operation. External horn. High degree of protection and long term reliability. Full details in our projects book. Price 60p. Order As XA02C.



Maplin launches MAPCARD

A new way of buying from Maplin!

Now Maplin have their own credit card. You could have one too!

APPLY NOW!

Write to our Rayleigh address for details or pick up a leaflet in our shops.



MAPLIN'S FANTASTIC PROJECTS

Full details in our project books only 60p each.

In Book 1 (XA01B) 120W rms MOSFET Combo-Amplifier · Universal Timer with 18 program times and 4 outputs · Temperature Gauge · Six Vero Projects

In Book 2 (XA02C) Home Security System · Train Controller for 14 trains on one circuit Stopwatch with multiple modes · Miles-per-Gallon Meter

In Book 3 (XA03D) ZX81 Keyboard with electronics · Stereo 25W MOSFET Amplifier · Doppler Radar Intruder Detector · Remote Control for Train Controller

In Book 4 (XA04E)* Telephone Exchange expandable up to 32 extensions · Ultrasonic Intruder Detector · Frequency Counter 10Hz to 650MHz · Remote Control for 25W Stereo Amplifier

*Projects for book 4 were in an advanced state at the time of writing, but contents may change prior to publication (due 14th Aug 1982).

MORE GREAT KITS FROM MAPLIN

Matinée Organ (see box above)

Spectrum Synthesiser. Full details in book XH56L. Price £1.00

3800 Synthesiser } Full details in book XF11M. Price £2.00

5600S Synthesiser }

150W Power Amp Kit LW32K. Price £17.95*

75W MOSFET Power Amp Kit LW51F. Price £11.49*

50W Power Amp Kit LW35Q. Price £14.95*

15W Power Amp Kit YQ43W. Price £6.45*

8W Power Amp Kit LW36P. Price £4.45*

*Construction details with kit. (Power supply not included - details with kit).

MAPLIN

ELECTRONIC SUPPLIES LTD.

All mail to:

P.O. Box 3, Rayleigh, Essex SS6 8LR

Tel: Sales (0702) 552911 General (0702) 554155

Shops at:

159 King St., Hammersmith, London W6. Tel: 01-748 0926

284 London Rd., Westcliff-on-Sea, Essex. Tel: (0702) 554000

Lynton Square, Perry Barr, Birmingham. Tel: (021) 356 7292

Note: Shops closed Mondays

NEW SHOP IN BIRMINGHAM

Visit our brand new shop in Birmingham for our complete range of electronic components and computers.

Come and see us at Lynton Square, Perry Barr, Birmingham (just off the junction of the Outer Ring Road A4040 and Birchfield Road A34). Tel: 021-356-7292. Excellent free parking.

Opening Tuesday 24th August, 1982



Don't miss out - get a copy of our catalogue now! Over 140,000 copies sold already!

On sale now in all branches of WHSMITH price £1.

320 big pages packed with data and pictures of over 5,500 items.



Post this coupon now!

Please send me a copy of your 320 page catalogue. I enclose £1.25 (inc. 25p p&pl). If I am not completely satisfied I may return the catalogue to you and have my money refunded.

If you live outside the U.K. send £1.68 or 12 International Reply Coupons.

Name _____

Address _____

Delivery within 14 days.

PE882

12 '82