

# RCA Victor TV

**SCHEMATIC DIAGRAMS**

**COLOR MODEL CT-100 INCLUDED**



Publication of this book was made possible  
through the Courtesy and Co-operation of R.C.A. Victor.

## 1946-1954

**\$2.50**



...Talk about Convenience!



In response to your many requests, there will shortly be available the new **TELEBINDER**, designed especially for use with Wallace's **TELAIDES**. Ruggedly constructed, the binder has metal rings which open or close instantly for the addition or removal of material. Pages lie flat when the **TELEBINDER** is opened. The **TELAIDES** you now own are punched to fit exactly the rings of this new binder.



ANNOUNCING THE

# TELEBINDER

**THE TELEBINDER IS CONSTRUCTED SO AS TO HAVE A LONG AND USEFUL LIFE.**

- Cover material is extremely tough, flexible and attractively stamped.
- No tugging at the rings, or jammed fingers--separate levers at opposite ends of the binder spine instantly open or close the twenty-two steel rings.
- Binder and cover are brass riveted.

**USE TELEBINDERS FOR:**

- Combining **TELAIDES** for several manufacturers into a single traveling service reference book!
- Combining 1954 and other added information for a single manufacturer, with the initial **TELAIDE** covering 1946-1953, into one convenient unit!
- Collating information in any other manner to fit your individual needs.

**YOUR JOBBER WILL ACCEPT YOUR ORDER NOW, SO THAT YOU WILL BE ABLE TO ENJOY THE ADVANTAGES OF TELEBINDERS JUST AS SOON AS THEY ARE AVAILABLE.**



**now ready!**

*Is your TELAIDE library up to date?*

- EMERSON
- MOTOROLA
- ADMIRAL
- ZENITH
- SYLVANIA
- PHILCO
- CROSLEY
- RAYTHEON
- WESTINGHOUSE
- GENERAL ELECTRIC
- R.C.A. VICTOR
- COMBINATION No. 1:  
Stromberg-Carlson, Kaye-Halbert, Starrett
- COMBINATION No. 2:  
Arvin, Trav-ler, Philmore
- COMBINATION No. 3: (1954 Models)  
Admiral, Motorola, Westinghouse  
Sylvania, Arvin, Trav-ler
- COMBINATION No. 4: (1954 Models)  
Philco, Emerson, Zenith, Crosley  
Raytheon, Stromberg-Carlson



134 - 136 DAY STREET, JAMAICA PLAIN 30, MASSACHUSETTS

RCA-1 8-54 10M

# RCA Victor TV

# model - chassis index

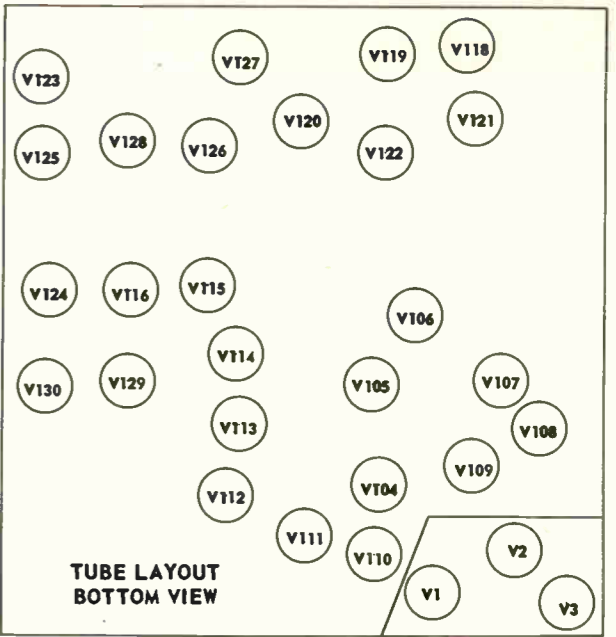
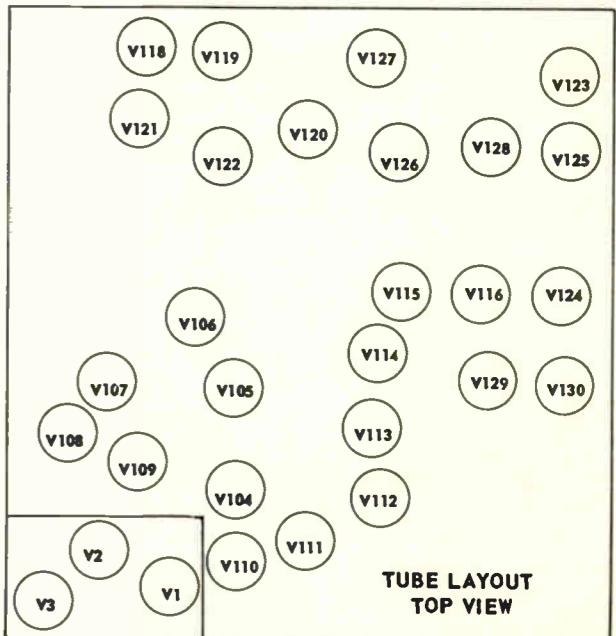
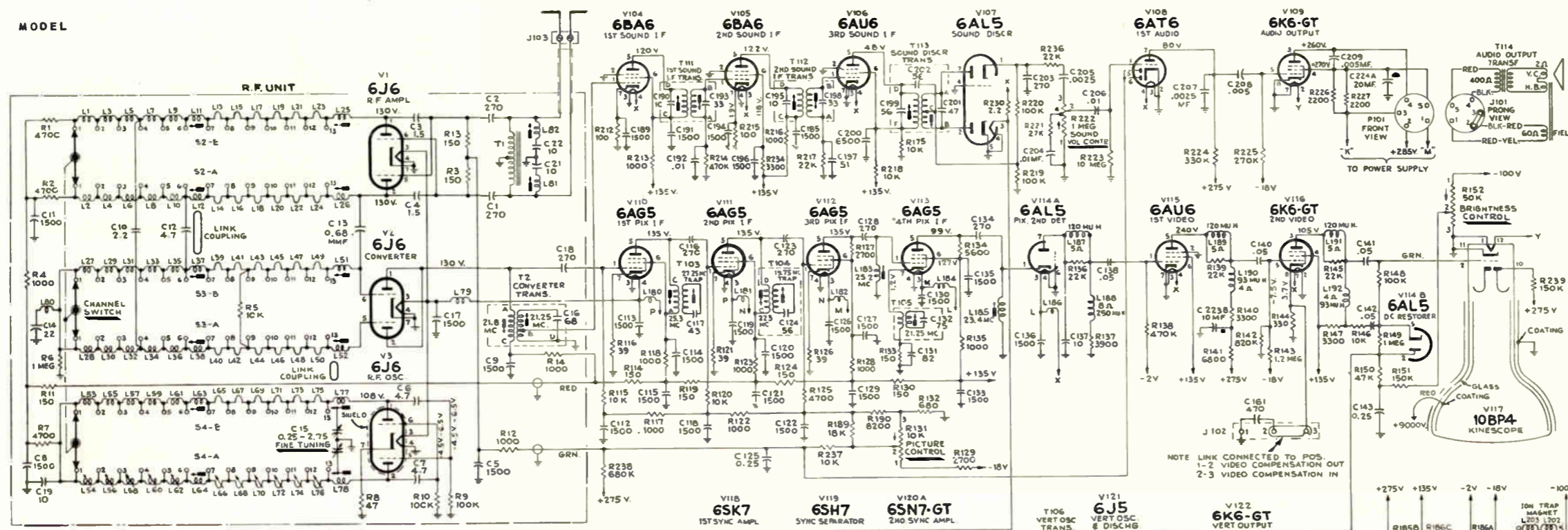
Model	Chassis	Page	Model	Chassis	Page	Model	Chassis	Page	Model	Chassis	Page	Model	Chassis	Page	Model	Chassis	Page	Model	Chassis	Page
PTU-1*		2	TC125	KCS34B	32	9T105	KCS49B	55	21-D-327	KCS81	75	21-S-355KU	KCS88F or H	98	21-S-521U	KCS88J	102	21-T-323U	KCS82B	86
621TS		3	TC127	KCS34B	32	9T105	KCS49BF	55	21-D-327U	KCS81B	75	21-S-357G	KCS83C	82	21-S-522	KCS88B	101	21-T-324	KCS82	84
630TCS		4	TC165	KCS40A	33	9T105	KCS49BF-2	56	21-D-328	KCS81	75	21-S-357G	KCS83PC	82	21-S-522U	KCS88J	102	21-T-324	KCS82A	85
630TS		5	TC166	KCS40A	33	9T126	KCS49C	55	21-D-328U	KCS81B	75	21-S-357G	KCS83PK	81	21-S-523	KCS88Y	101	21-T-324U	KCS82B	86
641TV		6	TC167	KCS40A	33	9T126	KCS49F	55	21-D-329	KCS81	75	21-S-357GU	KCS83D	83	21-S-523U	KCS88YA	102	21-T-342	KCS82D	87
648PTK		7	TC168	KCS40A	33	9T126	KCS49CF-2	56	21-D-329U	KCS81B	75	21-S-357GU	KCS83PD	83	21-S-525	KCS88B	101	21-T-342U	KCS82E	87
648PV		8	2T51	KCS45	37	9T128	KCS49C	55	21-D-330	KCS81	75	21-S-357K	KCS88 & A	97	21-S-525U	KCS88J	102	21-T-344	KCS82D	87
721TCS		9	2T60	KCS45A	37	9T128	KCS49F	55	21-D-330U	KCS81B	75	21-S-357KU	KCS88F or H	98	21-S-526	KCS88E	101	21-T-344U	KCS82E	87
721TS		10	2T81	KCS46	38	9T128	KCS49CF-2	56	21-D-346	KCS81D	76	21-S-359G	KCS83C	82	21-S-526U	KCS88M	102	21-T-356		
730TV1		11	4T101	KCS61	39	9T147	KCS60A	57	21-D-346U	KCS81E	76	21-S-359G	KCS83PC-G	82	21-S-537	KCS88D	101	21-T-356U	KCS83E	89
730TV2		11	4T141	KCS62	40	16T152	KCS47E	58	21-D-358	KCS81F	78	21-S-359G	KCS83PK	81	21-S-537U	KCS88L	102	21-T-363	KCS83	88
741PC5		12	6T53	KCS47	41	17-S-350	KCS78F	69	21-D-358U	KCS81J	77	21-S-359GU	KCS83D	83	21-S-5251U	KCS88J	102	21-T-363U	KCS83B	89
8PC541		13	6T53	KCS47T	42	17-S-350U	KCS78H	70	21-D-368	KCS81F	78	21-S-359GU	KCS83PD	83	21-S-5252	KCS88B	101	21-T-364	KCS83	88
8PC541-B		13	6T54	KCS47	41	17-S-351	KCS78F	69	21-D-368U	KCS81J	77	21-S-362M	KCS83	82	21-S-5252U	KCS88J	102	21-T-364U	KCS83B	89
8PC541-C		13	6T54	KCS47T	42	17-S-351U	KCS78H	70	21-D-376	KCS81F	78	21-S-362MU	KCS83A	83	21-T-159	KCS68E	61	21-T-365	KCS83	88
8T241		14	6T64	KCS47A	41	17-S-360	KCS78F	69	21-D-376U	KCS81J	77	21-S-362G	KCS83C	82	21-T-159DE	KCS68F	62	21-T-365U	KCS83B	89
8T243		14	6T64	KCS47AT	42	17-S-360U	KCS78H	70	21-D-377	KCS81F	78	21-S-362G	KCS83PC	82	21-T-165	KCS68E	61	21-T-372	KCS83	88
8T244		14	6T65	KCS47A	41	17-T-150	KCS66C	67	21-D-377U	KCS81J	77	21-S-362GU	KCS83PK	81	21-T-166DE	KCS68F	62	21-T-372U	KCS83B	89
8T270		15	6T65	KCS47AT	42	17-T-151	KCS66C	67	21-D-378	KCS81F	78	21-S-362GU	KCS83PD	83	21-T-174DE	KCS68F	62	21-T-374	KCS83	88
8TC270		15	6T71	KCS47A	41	17-T-153	KCS66	59	21-D-378U	KCS81J	77	21-S-362K	KCS88 & A	97	21-T-176	KCS68C	61	21-T-374U	KCS83B	89
8TC271		15	6T71	KCS47AT	42	17-T-154	KCS66	59	21-D-379	KCS81F	78	21-S-362KU	KCS88F or H	98	21-T-177	KCS68C	61	21-T-375	KCS83	88
8TK29		16	6T72	KCS40B	43	17-T-155	KCS66	59	21-D-379U	KCS81J	77	21-S-367	KCS83	82	21-T-178DE	KCS68F	62	21-T-375U	KCS83B	89
8TK320		17	6T74	KCS47A	41	17-T-160	KCS66	59	21-D-380	KCS81F	78	21-S-367G	KCS83PC	82	21-T-179	KCS68C	61	21-T-392	KCS83F	90
8TR29		16	6T74	KCS47AT	42	17-T-150	KCS66A	59	21-D-380U	KCS81J	77	21-S-367G	KCS83A	83	21-T-179DE	KCS68F	62	21-T-392U	KCS83H	91
8T530		18	6T75	KCS47A	41	17-T-162	KCS66A	59	21-D-395	KCS81H	79	21-S-367G	KCS83C	82	21-T-197DE	KCS68F	62	21-T-393	KCS83F	90
8TV41		19	6T75	KCS47AT	42	17-T-163	KCS66C	67	21-D-395U	KCS81K	80	21-S-367G	KCS83PC	82	21-T-207	KCS72A	66	21-T-393U	KCS83H	91
8TV321		20	6T76	KCS47A	41	17-T-172	KCS66A	59	21-D-527	KCS90	103	21-S-367G	KCS83PK	81	21-T-207G	KCS72A	66	24-D-542	KCS89	105
8TV323		20	6T76	KCS47AT	42	17-T-172K	KCS66D	60	21-D-527U	KCS90A	104	21-S-367GU	KCS83D	83	21-T-208	KCS72A	66	24-D-542U	KCS89A	106
9PC41		21	6T84	KCS48	47	17-T-173	KCS66A	59	21-S-348	KCS83PJ	82	21-S-367KU	KCS88 & A	97	21-T-217	KCS72A	66	24-D-543	KCS89A	106
9T240		22	6T84	KCS48T	45	17-T-173K	KCS66D	60	21-S-348U	KCS83PD	83	21-S-367KU	KCS88F or H	98	21-T-218	KCS72A	66	24-D-543U	KCS89A	106
9T246		23	6T86	KCS48	47	17-T-174	KCS66A	59	21-S-348G	KCS83PJ	82	21-S-369G	KCS83C	82	21-T-227	KCS72A	66	24-D-544	KCS89B	105
9T256		24	6T86	KCS48T	45	17-T-174K	KCS66D	60	21-S-348G	KCS83PL	81	21-S-369G	KCS83PC	82	21-T-228	KCS72A	66	24-D-544U	KCS89C	106
9T270		25	6T87	KCS48	47	17-T-200	KCS72	63	21-S-348GU	KCS83PM	83	21-S-369GU	KCS83PK	81	21-T-229	KCS72A	66	24-S-529	KCS84F	99
9TC240		22	6T87	KCS48T	45	17-T-201	KCS72	63	21-S-348K	KCS88 & A	97	21-S-369GU	KCS83D	83	21-T-242	KCS72D	68	24-S-529U	KCS84H	100
9TC245		26	7T103	KCS47B	46	17-T-202	KCS72	63	21-S-348KU	KCS88F or H	98	21-S-369KU	KCS83PD	83	21-T-244	KCS72D	68	24-S-531	KCS84J	99
9TC247		26	7T103B	KCS47F	47	17-T-211	KCS72	63	21-S-353	KCS83C	82	21-S-369KU	KCS88F or H	98	21-T-303	KCS82	84	24-S-531U	KCS84K	100
9TC249		26	7T104	KCS47B	46	17-T-220	KCS72	63	21-S-353U	KCS83D	83	21-S-501	KCS88C	101	21-T-303U	KCS82A	85	24-S-532	KCS84F	99
9TC272		25	7T104B	KCS47F	47	17-T-250DE	KCS74	64	21-S-353G	KCS83C	82	21-S-501U	KCS88C	101	21-T-313	KCS82	84	24-S-532U	KCS84H	100
9TC275		25	7T111B	KCS47GF-2	48	17-T-261DE	KCS74	64	21-S-353G	KCS83PC	82	21-S-502U	KCS88K	102	21-T-313U	KCS82A	85	24-T-420	KCS84C	92
9TW309		27	7T112	KCS47C	46	17-T-301	KCS78	71	21-S-353G	KCS83PK	81	21-S-503U	KCS88B	101	21-T-314	KCS82	84	24-T-420U	KCS84E	93
9TW333		28	7T112B	KCS47G	47	17-T-301	KCS78A	72	21-S-353GU	KCS83D	83	21-S-504	KCS88J	102	21-T-314U	KCS82B	86	24-T-435	KCS84C	92
9TW390		29	7T122	KCS47C	46	17-T-301U	KCS78B	73	21-S-354	KCS83C	82	21-S-504	KCS88B	101	21-T-315	KCS82	84	24-T-435U	KCS84E	93
S1000	KCS31-1	30	7T122B	KCS47G	47	17-T-302	KCS78A	72	21-S-354G	KCS83C	82	21-S-504U	KCS88J	102	21-T-315U	KCS82B	86	27-D-331	KCS77A	94
T100	KCS38	31	7T123	KCS47C	46	17-T-302	KCS78	71	21-S-354G	KCS83D	83	21-S-505	KCS88B	101	21-T-316	KCS82	84	27-D-331U	KCS77B	94
T120	KCS34C	32	7T123B	KCS47G	47	17-T-302U	KCS78B	73	21-S-354G	KCS83C	82	21-S-505U	KCS88J	102	21-T-316U	KCS82A	85	27-D-382	KCS77C, F	95
T121	KCS34C	32	7T124	KCS47C	46	17-T-310	KCS78	71	21-S-354G	KCS83PK	81	21-S-506	KCS88B	101	21-T-316U	KCS82B	86	27-D-382U	KCS77D, H	96
T164	KCS40	33	7T125B	KCS47G	47	17-T-310	KCS78A	72	21-S-354G	KCS83D	83	21-S-506U	KCS88J	102	21-T-316	KCS82	84	27-D-383	KCS77C, F	95
TA128	KCS42A	34	7T132	KCS47D	49	17-T-310U	KCS78B	73	21-S-354GU	KCS83D	83	21-S-517	KCS88B	101	21-T-316U	KCS82A	85	27-D-383U	KCS77D, H	96
TA129	KCS41A-1	35	7T143	KCS48A	50	17-T-352U	KCS78J	74	21-S-355	KCS83PD	83	21-S-517U	KCS88B	101	21-T-316U	KCS82B	86	27-D-384	KCS77C, F	95
TA169	KCS43	36	9T57	KCS49	51	17-T-361	KCS78F	69	21-S-355G	KCS83C	82	21-S-518	KCS88B	101	21-T-322	KCS82	84	27-D-384U	KCS77D, H	96
TC124	KCS34B	32	9T57	KCS49T	52	17-T-361U	KCS78J	74	21-S-355G	KCS83D	83	21-S-518U	KCS88C	101	21-T-322	KCS82A	85			
			9T77	KCS49A	51	21-D-305	KCS81	75	21-S-355G	KCS83C	82	21-S-518U	KCS88K	102	21-T-322U	KCS82B	86			
			9T77	KCS49AT	52	21-D-305U	KCS81B	75	21-S-355G	KCS83PC	82	21-S-518U	KCS88K	102	21-T-323	KCS82	84			
			9T79	KCS49A	51	21-D-317	KCS81	75	21-S-355G	KCS83PK	81	21-S-519	KCS88B	101	21-T-323	KCS82A	85			
			9T79	KCS49AT	52	21-D-317U	KCS81B	75	21-S-355GU	KCS83D	83	21-S-519U	KCS88J	102						
			9T89	KCS60	53	21-D-326	KCS81	75	21-S-355GU	KCS83PD	83									
			9T89	KCS60T	54	21-D-326U	KCS81B	75	21-S-355K	KCS88 & A	97									

\*Projection Model Chassis PTU-1 used in Berkshire Models B1, A, B, C; B2-C, F, G, H; B3-A, B; B4-A, B, C; B5-A, B; and Clubman Models CL-1, 2, 3, 4 and 5.

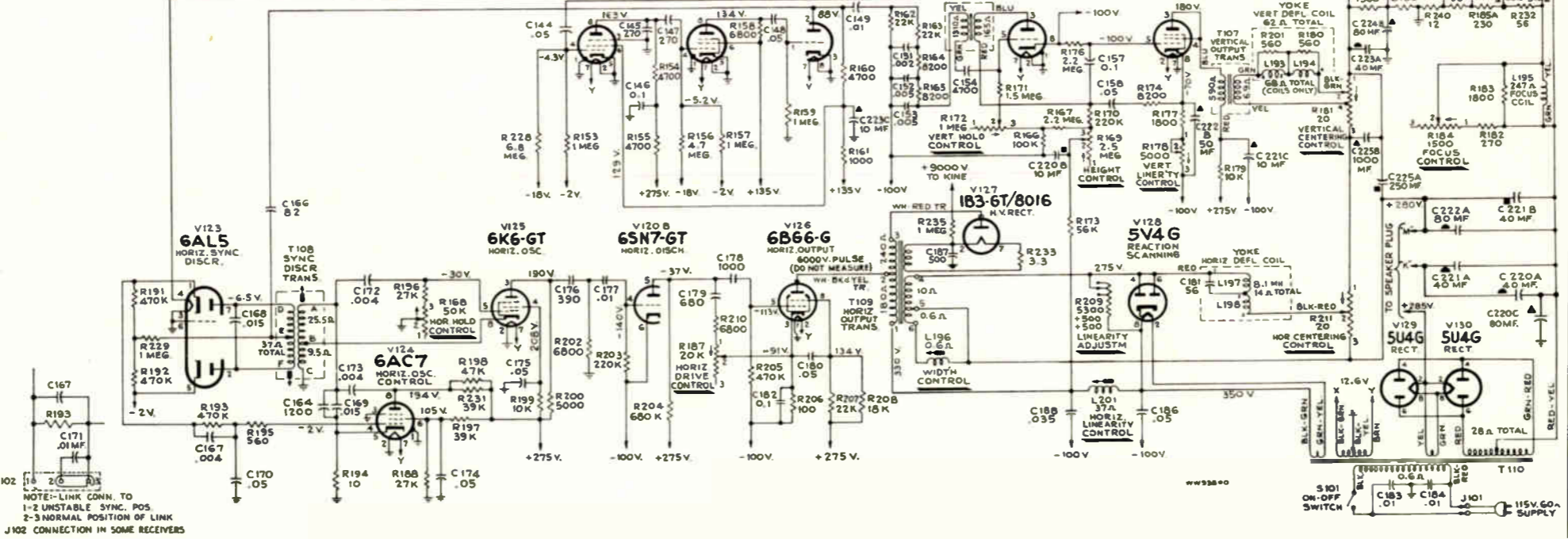
COLOR TV  
 CT100 CTC2 107, 8, 9  
 RADIOS  
 RC1111A 111  
 RC1111B 111  
 RC1111C 111  
 RC1117B 111  
 UHF Convertors 110



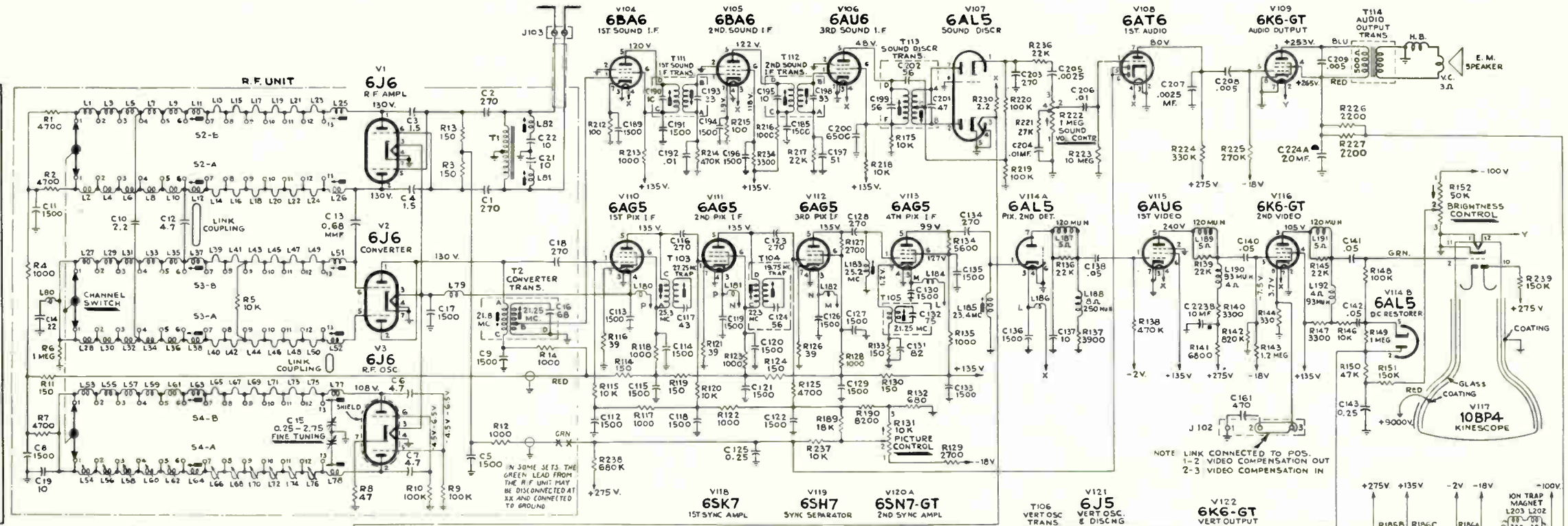
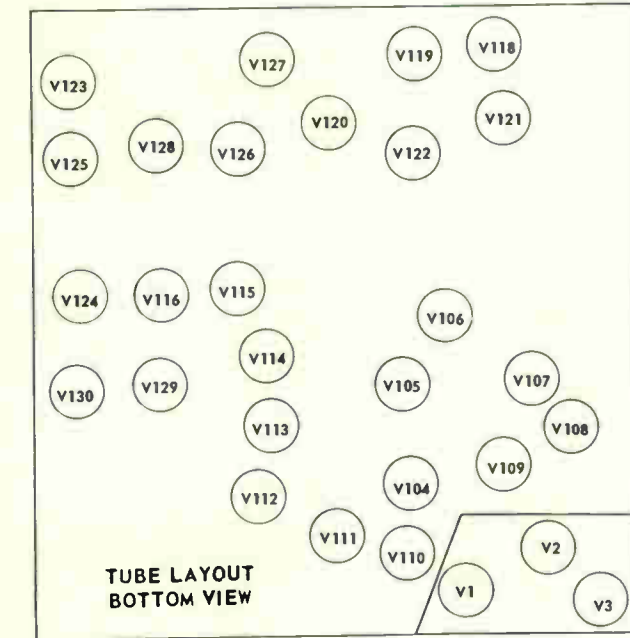
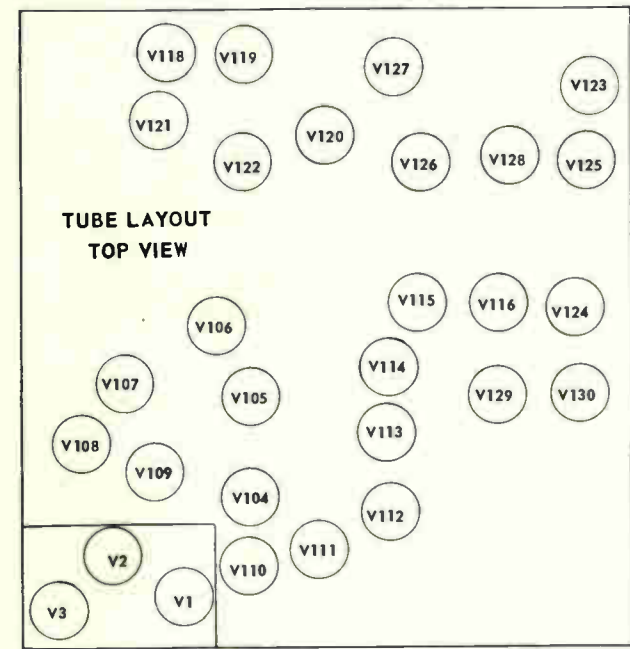




All resistance values in ohms, K = 1000  
 All capacitance values less than 1 in MF and above 1 in MMF unless otherwise noted  
 Direction of arrows at controls indicates clockwise rotation.  
 All voltages measured with Volt-Ohmmyst and with picture control counter-clockwise. Voltages should hold within  $\pm 20\%$  with 117 v. a-c supply.  
 The schematic diagram shows the circuit with all the latest changes incorporated at the time of printing.  
 In some receivers C19 is omitted.  
 In some receivers C14 is fixed.  
 In some receivers C164 is omitted.  
 In some receivers R177 is 27K.  
 In early production receivers, R186B is employed in place of R240.  
 In receivers with a sub. 4 power transformer, R208 is 27K.  
 In some receivers L187 is 180-Mu. M and R136 is 39K.  
 In some receivers the terminals 1 and 3 of the link, J102, are connected across R193 and a .01 mf. capacitor (C171) is connected between terminals 2 and 3.  
 In some receivers substitutions have caused changes in component lead color codes, in electrolytic capacitor values and their lug identification markings.



REF. NO.	PART NO.	DESCRIPTION	REF. NO.	PART NO.	DESCRIPTION	REF. NO.	PART NO.	DESCRIPTION	REF. NO.	PART NO.	DESCRIPTION		
		<b>ELECTROLYTICS</b>			<b>RESISTORS</b>			<b>TRANSFORMERS</b>			<b>MISCELLANEOUS</b>		
C187	71450	Hi-Voltage, filter 500 mmfd.	L188	71526	Peaking coil 250 mfd.	R131	71446	Pic. sound vol. on-off sw.	T108	71428	Horizontal sync disc.	11469	Neutralizing coil.
C220	71431	40/450; 10/450; 80/150.	L189	71529	Peaking coil and R139.	R152	71444	Brightness control.	T109	71416	Hor. output & hi-voltage.	71560	Plug-S prong male plug/speaker.
C222	71433	80/450; 50/50.	L190	71527	Peaking coil 93 mfd.	R168	71445	Vertical & horizontal hold.	T110	71415	Power, 115 V, 60 cycle.	71556	Speaker-12" E.M.
C223	71434	40/450; 80/350.	L191	71529	Peaking coil and R145.	L192	71527	Peaking coil 93 mfd.	R169	71440	Vertical height.	31301	Output transformer.
C224	71435	20/450; 80/350.	L192	71527	Peaking coil 93 mfd.	L193	71420	Deflection yoke.	R172	71445	Vertical & horizontal hold.		
C225	71436	250/10; 1000/6.	L194	71420	Deflection yoke.	L194	71420	Deflection yoke.	R177	71445	Vertical & horizontal hold.		
		<b>COILS</b>	L195	71421	Focus coil.	L195	71421	Focus coil.	R178	71441	Vertical linearity.		
L187	71528	Peaking coil 180 mfd. & R136.	L196	71429	Width control coil.	L196	71429	Width control coil.	R181	71443	Vertical centering.		
			L197		See L193.	L197		See L193.	R184	71442	Focus control.		
			L198		See L193.	L198		See L193.	R185	71458	W.W. 1360/17; 230/10.		
			L201	71449	Horizontal linearity.	L201	71449	Horizontal linearity.	R186	71459	V.O 6750/3.2; 12.0/5; 93/4.		
									R187	71447	Horizontal drive control.		



K = 1000

All resistance values in ohms, and capacitance values in mmfd., unless otherwise noted.

Direction of arrows of controls indicates clockwise rotation.

All voltages measured with Volt-Ohmyst and with picture control counter-clockwise. Voltages should hold within  $\pm 20\%$  with 117 v. a-c supply.

The schematic diagram shows the circuit with all the latest changes incorporated at the time of printing.

In some receivers C19 is omitted.

In some receivers C14 is fixed.

In some receivers R239 is omitted.

In some receivers C164 is omitted.

In some receivers R177 is 27K.

In early production receivers, R186B is employed in place of R240.

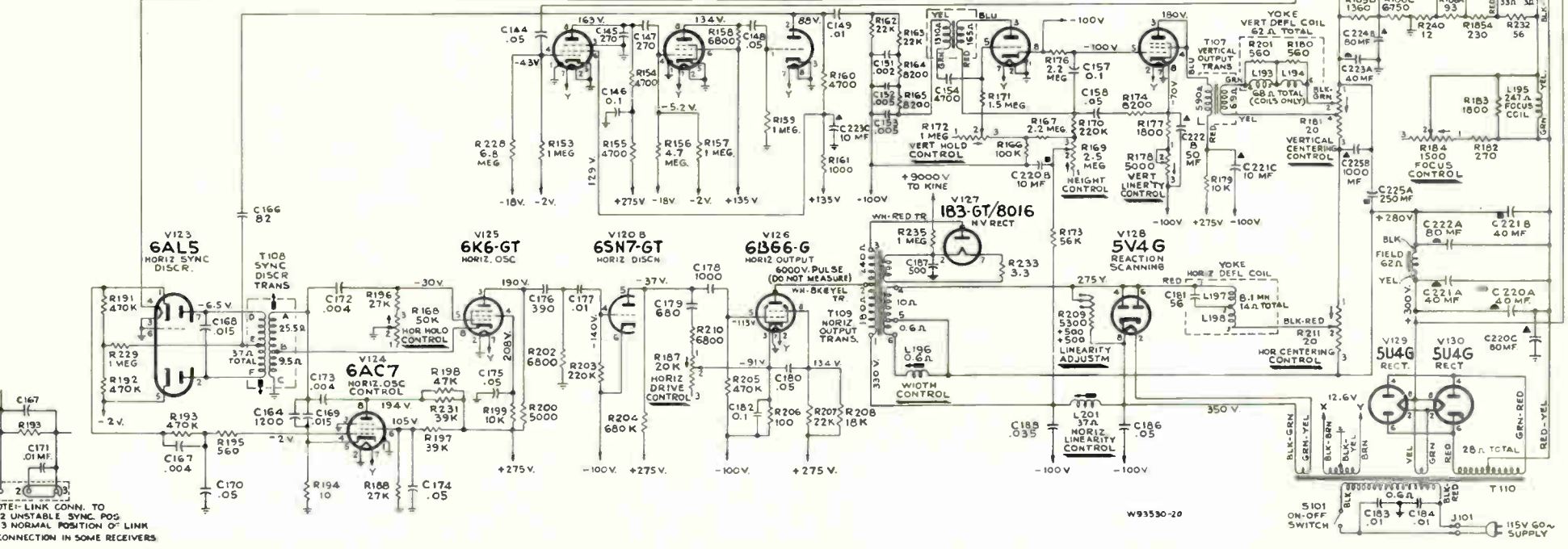
In receivers with a sub. 4 power transformer, R208 is 27K.

In some receivers L187 is 180 Mu. H and R136 is 39K.

In some receivers the terminals 1 and 3 of the link, J102, are connected across; R193 and 0.01 mf. capacitor (C171) is connected between terminals 2 and 3.

In some receivers, substitutions have caused changes in component lead color codes, in electrolytic capacitor values and their lug identification markings.

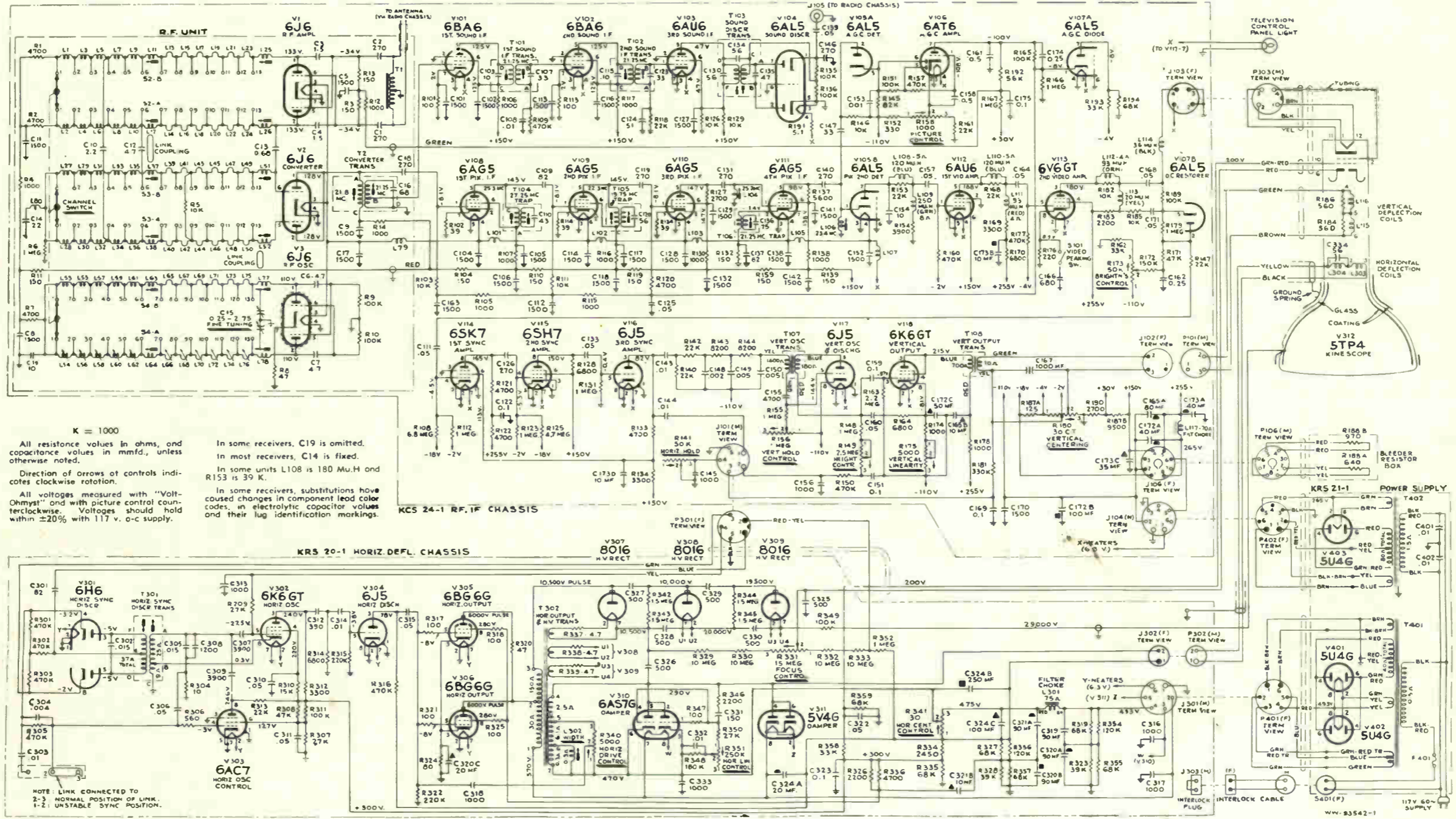
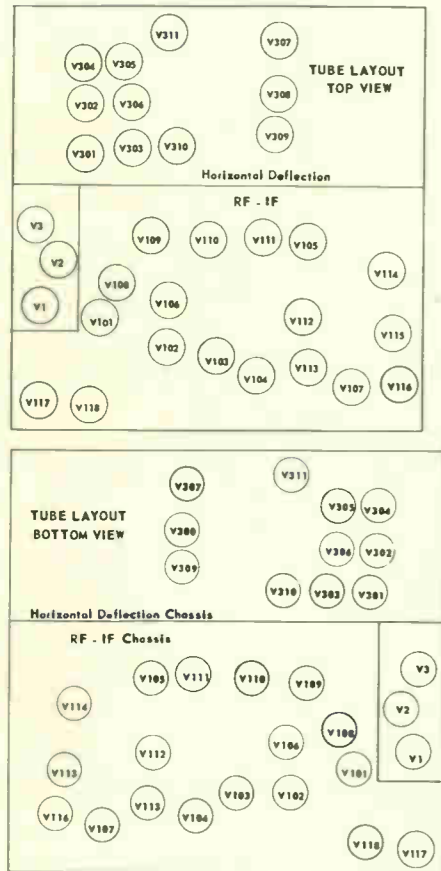
NOTE: LINK CONN. TO 1-2 UNSTABLE SYNC POS. 2-3 NORMAL POSITION OF LINK J102 CONNECTION IN SOME RECEIVERS.



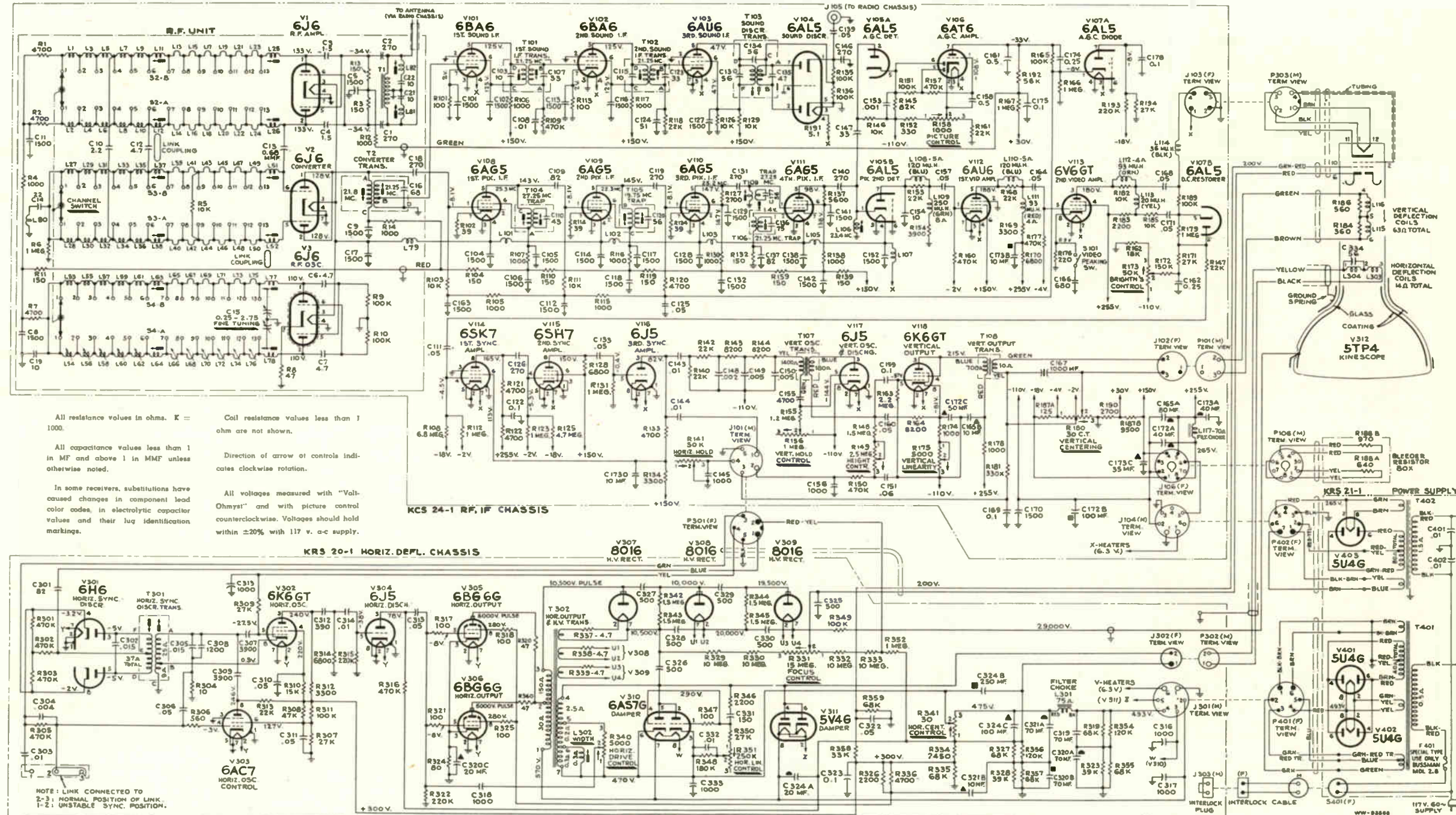
REF. NO.	PART NO.	DESCRIPTION	REF. NO.	PART NO.	DESCRIPTION	REF. NO.	PART NO.	DESCRIPTION	REF. NO.	PART NO.	DESCRIPTION	
		<b>ELECTROLYTICS</b>										
C187	71450	Hi-Voltage filter 500 mmfd.	L78	71488	Tuner.	L189	71529	Peaking coil and R139.	73097		Voltage Div. 6750-3.2w., 93/4w., (late).	
C220	71431	40/450; 10/450; 80/150.	L79	71505	Heater choke.	L190	71527	Peaking coil, 90 mfd.	R187	71447	Horizontal drive control.	
C221	71432	40/450; 40/450; 10/450.	L80	71506	Converter grid trap coil	L191	71529	Peaking coil and R145.	R209	71439	W.W. 5300/20w., 500/2w., 500/2w.	
C222	71433	80/450; 50/50.	L180	71505	Choke.	L192	71527	Peaking coil, 90 mfd.	R211	71443	Horizontal centering control.	
C223	71434	40/450; 10/450; 10/350.	L181	71505	Choke.	L193	71420	Deflecting yoke.	R222	71446	Pic. sound vol. on-off sw.	
C224	71435	20/450; 80/350.	L182	71505	Choke.	L194		See L193.	R240	73098	W.W. 12/1w., replaces R186B in late receivers.	
C225	71436	250/10; 1000-6.	L183	71426	Third picture IF coil.	L195	71421	Focus coil.			<b>TRANSFORMERS</b>	
		<b>COILS</b>	L184	71505	Choke coil.	L196	71429	Width control coil.	T1	71507	Antenna transformer.	
L77	71489	Tuner.	L185	71426	Fourth picture IF.	L197		See L193.	T2	71495	Converter and C16.	
			L186	71505	Choke coil.	L201	71449	Horizontal linearity.	T103	71423	1st picture IF. C117.	
			L187	71529	Peaking coil and R136.	L202	71522	Ion-Trap magnet.	T104	71425	2nd picture IF and C124.	
			L188	71526	Peaking coil and 250 mfd.	L203	71522	Ion-Trap magnet.			<b>MISCELLANEOUS</b>	
											71530	Speaker- 5" E.M.







REF. NO.	PART NO.	DESCRIPTION	COILS	RESISTORS	TRANSFORMERS	MISCELLANEOUS
	<b>ELECTROLYTICS</b>					
C165	71780	80-450; 10/450.	L79 71505 Heater choke coil.	L110 71529 Peaking coil and R168.	T1 71507 Antenna transformer.	
C167	72611	1000/3 nonpolarized.	L80 71506 Converter grid IF.	L111 71527 Choke.	T2 71495 Converter and C16.	
C172	72612	3 sec: 40/450; 100/150; 50/50.	L101 71505 Filament choke.	L112 72619 Peaking coil and R182.	T101 71424 1st sound IF.	
C173	72169	3 sec: 40/450; 10/450; 35/350	L102 71505 Filament choke.	L113 72618 Choke.	T102 71424 2nd sound IF.	
			L103 71505 Filament choke.	L114 71793 Choke.	T103 71427 Sound discriminator.	
			L104 71426 3rd picture IF coil.	L115 72196 Deflecting yoke.		
			L105 71505 Filament choke.	L116 See L115.		
C319	72621	90/350.	L106 71426 4th picture IF.	L115 72167 Filter.		
C320	72622	2 sec: 90/200; 1 sec: 20/50.	L107 71505 Filament choke.	L301 72179 Filter.		
C321	72623	90/350; 10/350.	L108 71505 Filament choke.	L302 72180 Width control.		
C324	72624	20/150; 250/15; 100/15.	L109 71529 Peaking coil and R153.	L303 See L115.		
			L110 71526 Choke.	L304 See L115.		
				R141 72758 Vertical & horiz. hold.		
				R149 71440 Height control.		
				R156 72758 Vertical and horiz. hold.		
				R158 71971 Brightness and picture.		
				R173 71971 Brightness and picture.		
				R175 71441 Vertical linearity.		
				R180 72168 Vertical centering.		
				R183 72613 W.W. 2200/10w.		
				R187 72171 Volt-div. 9500/2w., 125/2.5w.		
				R188 72170 W.W. 970/9w., 640/10.5w.		
				R312 48207 W.W. 3300ohms, 5 watts.		
				R324 72631 W.W. 80 ohms, 5 watts.		
				R340 71441 Horiz. drive.		
				R341 72181 Horiz. centering.		
				R351 72182 Horiz. linearity.		
					<b>TRANSFORMERS</b>	
					T1 71507 Antenna transformer.	
					T2 71495 Converter and C16.	
					T101 71424 1st sound IF.	
					T102 71424 2nd sound IF.	
					T103 71427 Sound discriminator.	
						<b>MISCELLANEOUS</b>
						71144 Speaker- 12" E.M.



All resistance values in ohms. K = 1000.  
 All capacitance values less than 1 in MF and above 1 in MMF unless otherwise noted.  
 In some receivers, substitutions have caused changes in component lead color codes, in electrolytic capacitor values and their lug identification markings.

Coil resistance values less than 1 ohm are not shown.  
 Direction of arrow of controls indicates clockwise rotation.  
 All voltages measured with "Volt-Ohmyst" and with picture control counter-clockwise. Voltages should hold within ±20% with 117 v. a-c supply.

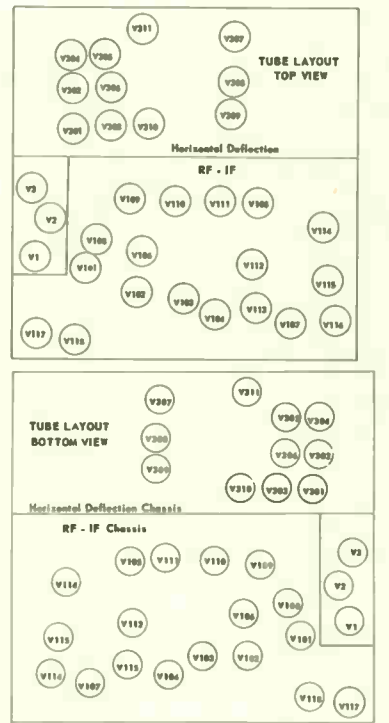
The schematic diagram shows the circuit with all the latest changes incorporated at the time of printing.

In some receivers R182 may be 33K.

In some receivers, the trap winding of T109 may be omitted.

In some receivers R164 may be 6.8K. In some receivers R155 may be 1 Meg.

In some receivers R360 may be omitted.

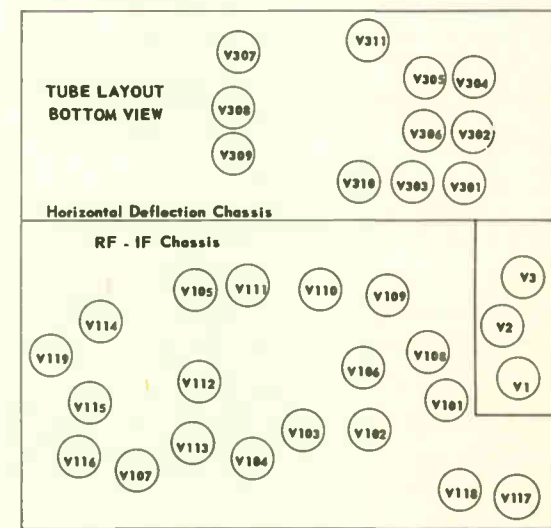
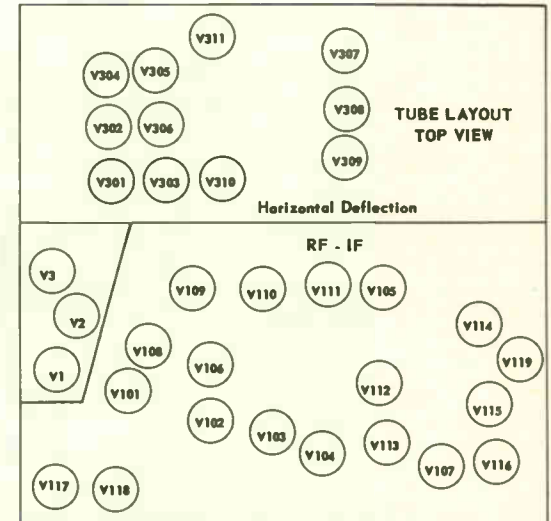
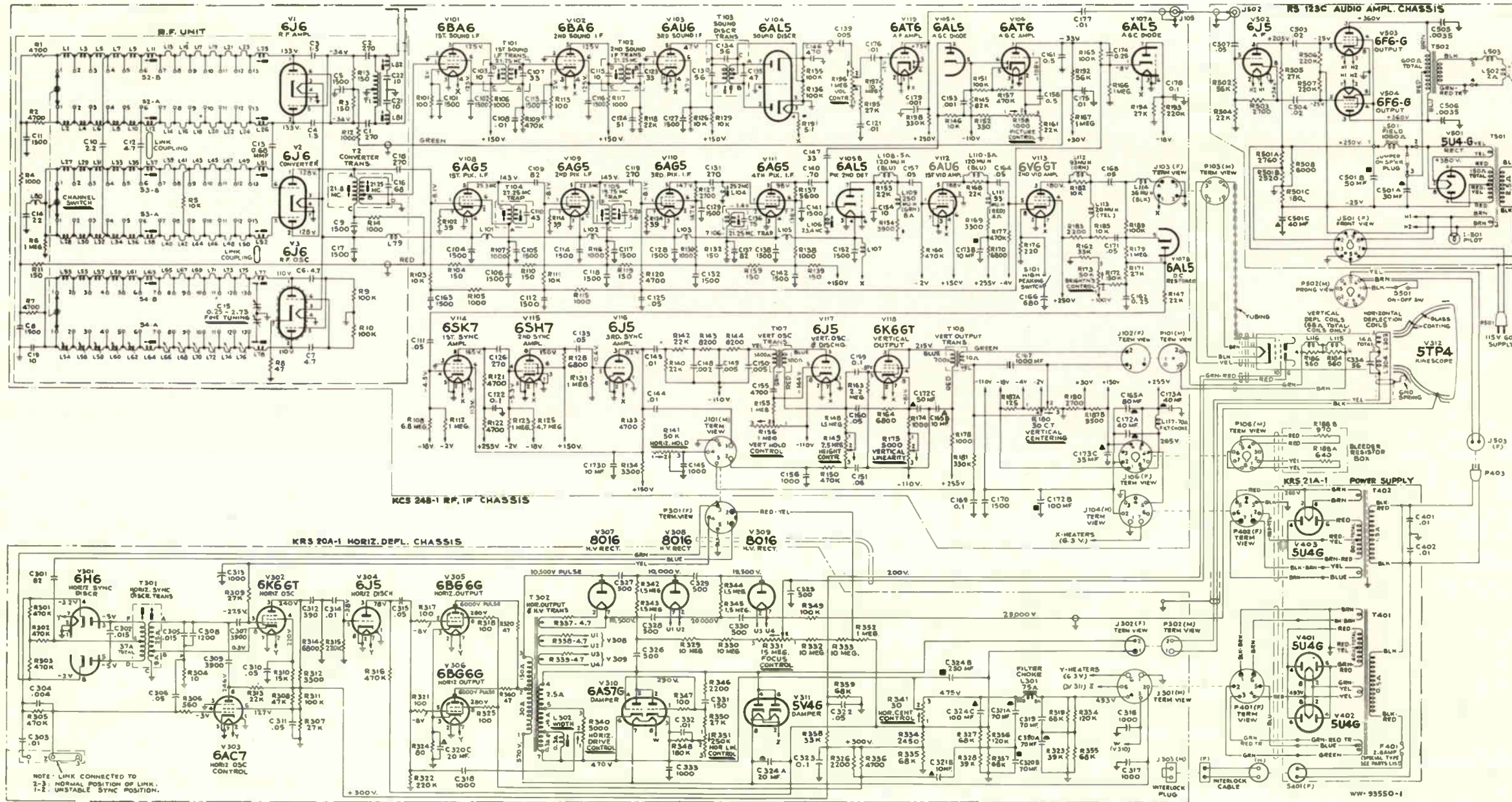


REF. NO.	PART NO.	DESCRIPTION	L79	71505	Heater Choke coil.	L111	71527	Peaking coil.	R156	72758	Vertical & horiz hold.	R338	72633	W.W. 4.7 ohms, 1/2w.	T301	71428	Horiz. sync discriminator.
C165	71780	2 sec: 80/450; 10/450.	L80	71506	Converter grid IF choke.	L112	72619	Peaking and R182.	R158	71971	Brightness & picture.	R339	72633	W.W. 4.7 ohms, 1/2 w.	T302	72178	Horiz. output hi-voltage.
C167	72611	1000/3, nonpolarized.	L81	73239	Antenna trap.	L113	72618	Peaking coil.	R173	71971	Brightness & picture.	R340	71441	Horiz. drive control.	T401	73191	Power trans. 115 V, 50 cy. Horiz. defl. chassis.
C172	72612	3 sec: 40/450; 100/150; 50/50.	L82		See L81.	L114	71793	Peaking coil.	R175	71441	Vertical linearity.	T1	71507	Antenna transformer.		72176	Power, 115 V, 60 cycle, Horiz. defl. chassis.
C173	72169	4 sec: 40/450; 10/450; 35/350; 10/350.	L101	71505	Filament choke.	L115	72196	Deflecting yoke.	R180	72168	Vertical centering.	T2	71495	Converter and C16.		72177	Power, IF, 115 V, 50 cycle, RF TV chassis.
C319	72621	90/350.	L102	71505	Filament choke.	L116		See L115.	R183	72613	W.W. 2200 ohms, 10 w.,	T101	71424	1st sound IF.		72177	Power, IF, 115 V, 60 cycle, RF TV chassis.
C320	72622	2 sec: 90/200; 1 sec: 20/50.	L103	71505	Filament choke.	L117	72167	Filter choke.	R187	72171	Volt-div. 9500/2 w., 125/2.5 w.,	T102	71424	2nd sound IF.		72177	Power, IF, 115 V, 50 cycle, RF TV chassis.
C321	72623	90/350; 10/350.	L105	71505	Filament choke.	L301	72179	Filter choke.	R191	72067	W.W. 5.1 ohms, 1/2 w.,	T103	71427	Sound discriminator.		72177	Power, IF, 115 V, 60 cycle, RF TV chassis.
C324	72624	20/150; 250/15; 100/15.	L106	71426	4th picture IF.	L302	72180	Width control.	R312	48207	W.W. 3300 ohms, 2 w.,	T104	71423	1st picture IF.		71146	Field coil-1060 ohms.
			L107	71505	Filament choke.	L303		See L115.	R324	72631	W.W. 80 ohms, 5 watts.	T105	71425	2nd picture IF.		11233	Neutralizing coil.
			L108	71529	Peaking coil and R153.	L304		See L115.	R331	72183	Focus control.	T106	71422	Sound trap.		71144	Speaker-12" E.M.
			L109	71526	Peaking coil.	R141	72758	Vertical & horiz. hold.	R334	72184	W.W. 2450 ohms, 16.5 w.,	T107	71418	Vertical output.		71145	Suspension-Metal cone.
			L110	71529	Peaking and R168.	R149	71440	Height control.	R337	72633	W.W. 4.7 ohms, 1/2 w.,	T109	73708	3rd picture IF.			









All resistance values in ohms. K=1000.  
 All capacitance values less than 1 in MF and above 1 in MMF unless otherwise noted.  
 Coil resistance values less than 1 ohm are not shown.

Direction of arrows at controls indicates clockwise rotation.  
 All voltages measured with "VoltOhmyst" and with picture control counterclockwise. Voltages should hold within  $\pm 20\%$  with 117 v. a-c supply.

In some receivers, substitutions have caused changes in component lead color codes, in electrolytic capacitor values and their lug identification markings.  
 In some receivers, C19 is omitted.  
 In most receivers, C14 is fixed.

In some receivers, R148 is 1 meg.  
 In some receivers, R360 is omitted.

REF. NO.	PART NO.	DESCRIPTION	REF. NO.	PART NO.	DESCRIPTION	REF. NO.	PART NO.	DESCRIPTION	REF. NO.	PART NO.	DESCRIPTION
C165	71780	80/450; 10/450.	L101	71505	Filament choke.	R191	72067	W.W. 5.1 ohms, 1/2 watt.	T302	72178	Horizontal output & H.V..
C167	72611	1000/3.	L102	71505	Filament choke.	R196	70143	Volume control.	T401	73191	Power, 115 V, 50 cycle.
C171	72996	.05 mfd, 600 V.	L103	71505	Filament choke.	R312	48207	W.W. 3300 ohms, 5 watt.	T2	71495	Converter and C16.
C172	72612	40/450; 100/150; 50/50.	L104	71426	4th pix IF.	R324	72631	W.W. 80 ohms, 5 watt.	T101	71424	First sound IF.
C173	72169	40/450; 10/450; 35/350; 10/350.	L105	71505	Filament choke.	R331	72183	Focus control.	T102	71424	Second sound IF.
C319	72621	70/400.	L107	71505	Filament choke.	R337	72633	W.W. 4.7 ohms 1/3 watt.	T103	71427	Sound discriminator.
C320	72622	2 sec: 70/250; 1 sec: 20/50.	L108	71529	Peaking and R153.	R338	72633	W.W. 4.7 ohms 1/3 watt.	T104	71423	First picture IF.
C321	72623	10/400; 10/400.	L109	71526	Choke coil.	R339	72633	W.W. 4.7 ohms 1/3 watt.	T105	71425	Second picture IF.
C324	72624	20/150; 250/15; 100/15.	L110	71529	Peaking and R168.	R173	71971	Brightness & contrast.	T106	71422	Sound trap and C136.
C501	72955	30/450; 50/400; 40/25.	L111	71527	Choke coil.	R175	71441	Vertical linearity.	T107	71775	Vertical oscillator.
L80	71506	Converter grid IF choke.	L112	72619	Peaking and R182.	R180	72168	Vertical centering.	T108	72952	Vertical output.
L81	73239	Antenna trap.	L113	72618	Choke coil.	R183	72613	W.W. 2200 ohms, 10 watt.	T109	73708	Third picture IF.
L82		See L81.	L114	71793	Choke coil.	R187	72171	Volt-div. 9500/2w, 125/2.5w	T301	71428	Horizontal oscillator.
			L115	72196	Deflecting yoke.	R188	72170	W.W. 970/9w., 640/10.5w.			
			L116		See L115.						

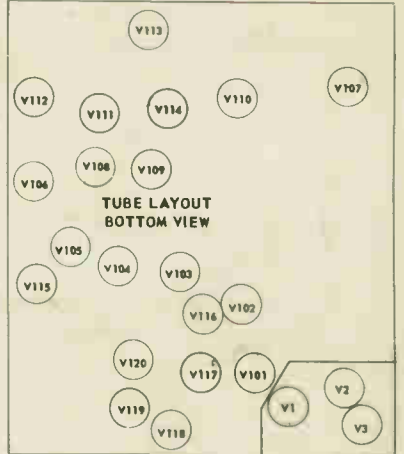
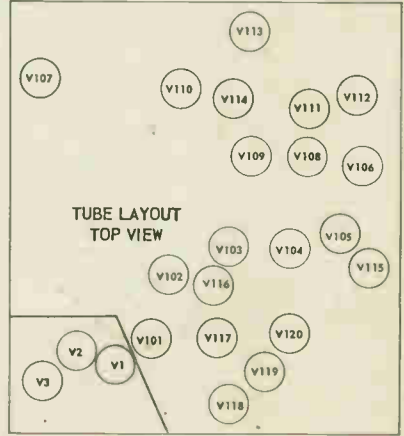
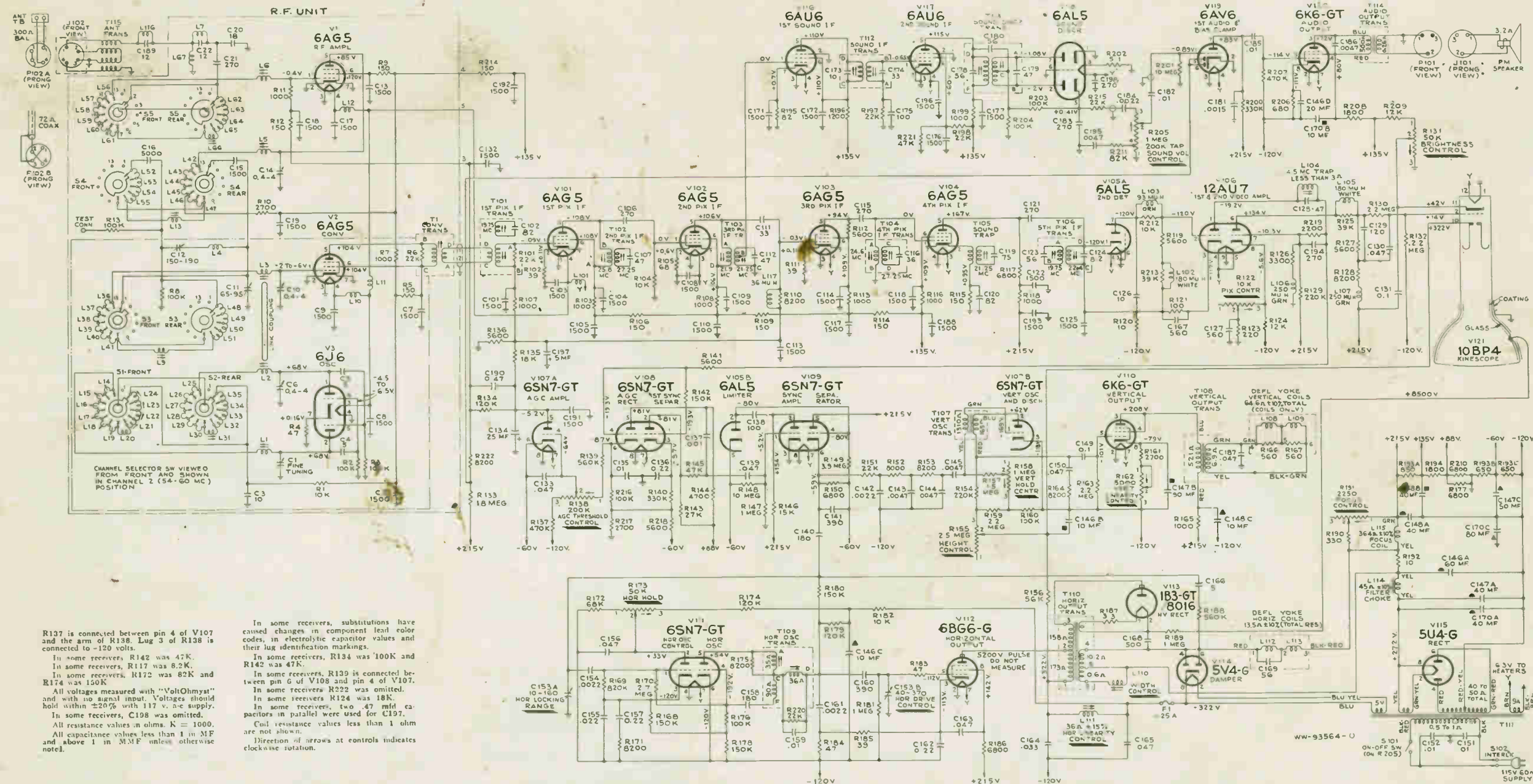
**MISCELLANEOUS**

- 72188 Corrector lens.
- 71287 Spherical mirror.
- 71146 Field coil-1060 ohms.
- 11469 Neutralizing coil.
- 71144 Speaker- 12" E.M.



# 8T241, 8T243, 8T244

MODELS



R137 is connected between pin 4 of V107 and the arm of R138. Lug 3 of R138 is connected to -120 volts.

In some receivers, R142 was 47K. In some receivers, R117 was 8.2K. In some receivers, R172 was 82K and R174 was 150K.

All voltages measured with "VoltOhmym" and with no signal input. Voltages should hold within ±20% with 117 v. a-c supply. In some receivers, C198 was omitted. All resistance values in ohms. K = 1000. All capacitance values less than 1 in MF and above 1 in MMF unless otherwise noted.

In some receivers, substitutions have caused changes in component lead color codes, in electrolytic capacitor values and their lug identification markings.

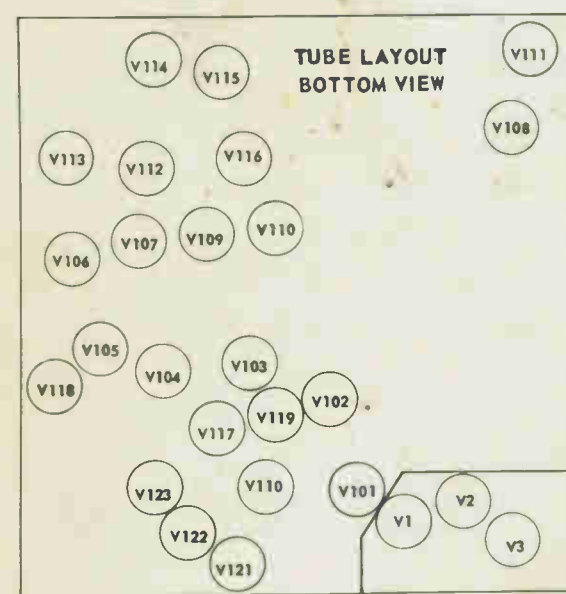
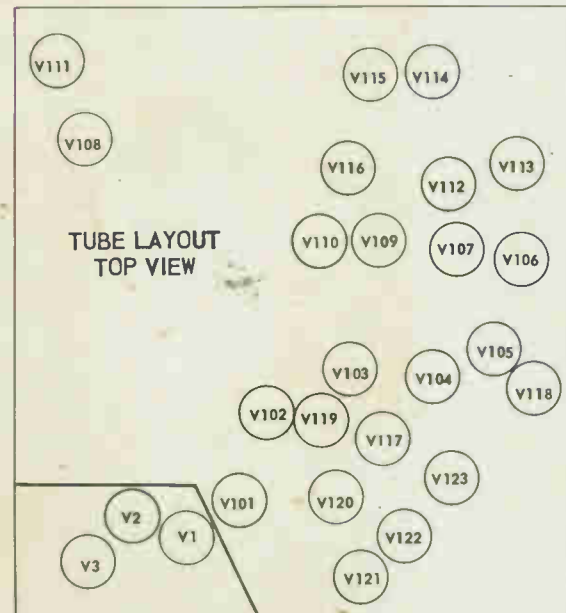
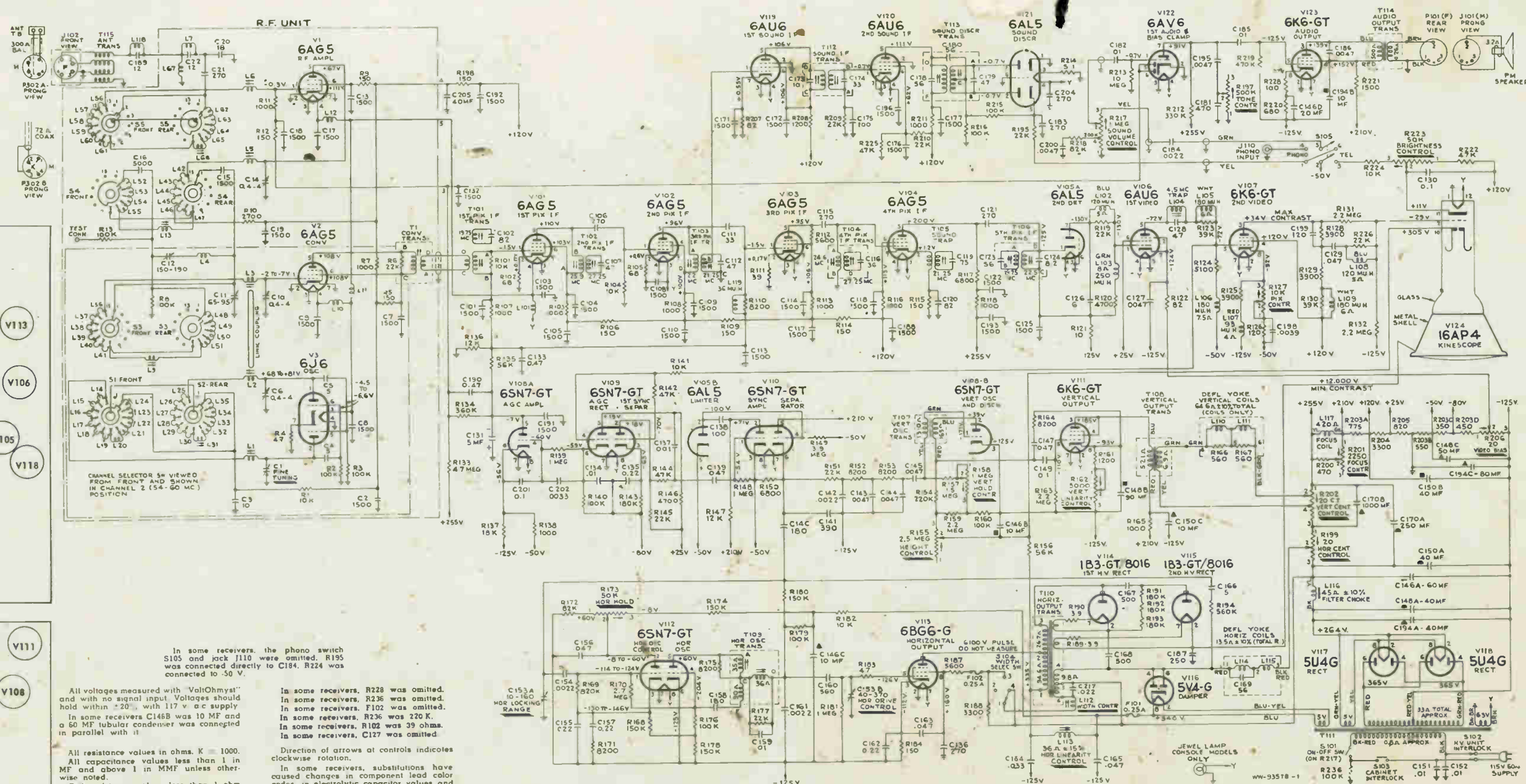
In some receivers, R134 was 100K and R142 was 47K.

In some receivers, R139 is connected between pin 6 of V108 and pin 4 of V107. In some receivers, R292 was omitted. In some receivers, R124 was 18K. In some receivers, two .47 mfd capacitors in parallel were used for C197. Coil resistance values less than 1 ohm are not shown.

Direction of arrows at controls indicates clockwise rotation.

REF. NO.	PART NO.	DESCRIPTION	Value	REF. NO.	PART NO.	DESCRIPTION	Value	REF. NO.	PART NO.	DESCRIPTION	Value
		<b>ELECTROLYTICS</b>									
C11	73449	1 sec: 150-190 mmfd, 1 sec: 65-95 mmfd.		L110	71429	Width control.		R158	72734	Horiz. & vertical hold.	
C134	53147	25 mfd, 50 V.		L111	71449	Horizontal linearity.		R162	71441	Vertical linearity.	
C146	73581	1 sec: 60/450; 2 sec: 10/450 1 sec: 20/150.		L112		See L108.		R173	72734	Horiz. & vertical hold.	
C147	73583	40/450; 90/150; 50/100.		L113		See L108.		R187	71513	W.W. 3.3 ohms, 1/3 w.	
C148	71432	2 sec: 40/450; 1 sec: 10/450.		L114	73154	Filter choke.		R190	37502	W.W. 330 ohms, 2 watt.	
C153	73580	1 sec: 10-160 mmfd, 1 sec: 40-370 mmfd.		L115	73566	Focus coil.		R191	72735	Focus control.	
				L116	73476	IF trap.		R193	73588	Volt-div. 1 sec: 850/12 w., 2 sec: 650/6 w.	
				L117	74170	Peaking coil.		R202	72067	W.W. 5.1 ohms, 1/2 watt.	
				L118	73910	Picture, volume & power sw.		R205	73910	Picture, volume & power sw.	
				L119	73156	Brightness control.		5101	73910	Picture, volume & power sw.	
				L120	73579	AGC threshold.					
				L121	71440	Deflecting yoke.					
				L122		See L108.					
				L123							
				L124							
				L125							
				L126							
				L127							
				L128							
				L129							
				L130							
				L131							
				L132							
				L133							
				L134							
				L135							
				L136							
				L137							
				L138							
				L139							
				L140							
				L141							
				L142							
				L143							
				L144							
				L145							
				L146							
				L147							
				L148							
				L149							
				L150							
				L151							
				L152							
				L153							
				L154							
				L155							
				L156							
				L157							
				L158							
				L159							
				L160							
				L161							
				L162							
				L163							
				L164							
				L165							
				L166							
				L167							
				L168							
				L169							
				L170							
				L171							
				L172							
				L173							
				L174							
				L175							
				L176							
				L177							
				L178							
				L179							
				L180							
				L181							
				L182							
				L183							
				L184							
				L185							
				L186							
				L187							
				L188							
				L189							
				L190							
				L191							
				L192							
				L193							
				L194							
				L195							
				L196							
				L197							
				L198							
				L199							
				L200							
				L201							
				L202							
				L203							
				L204							
				L205							
				L206							
				L207							
				L208							
				L209							
				L210							
				L211							
				L212							
				L213							
				L214							
				L215							
				L216							
				L217							
				L218							
				L219							
				L220							
				L221							
				L222							
				L223							
				L224							
				L225							
				L226							
				L227							
				L228							
				L229							
				L230							
				L231							
				L232							
				L233							
				L234							
				L235							
				L236							
				L237							
				L238							
				L239							
				L240							
				L241							
				L242							
				L243							
				L244							
				L245							
				L246							
				L247							
				L248							
				L249							
				L250							
				L251							
				L252							
				L253							
				L254							
				L255							
				L256							
				L257							
				L258							
				L259							





In some receivers, the phono switch S105 and jack J110 were omitted. R195 was connected directly to C184. R224 was connected to -50 V.

All voltages measured with "ValiOhmyst" and with no signal input. Voltages should hold within  $\pm 20\%$  with 117 v ac supply.

In some receivers C146B was 10 MF and a 60 MF tubular condenser was connected in parallel with it.

All resistance values in ohms, K = 1000. All capacitance values less than 1 in MF and above 1 in MMF unless otherwise noted. Coil resistance values less than 1 ohm are not shown.

In some receivers, R228 was omitted. In some receivers, R236 was omitted. In some receivers, R232 was omitted. In some receivers, R102 was 39 ohms. In some receivers, C127 was omitted.

Direction of arrows of controls indicates clockwise rotation.

In some receivers, substitutions have caused changes in component lead color codes, in electrolytic capacitor values and their lug identification markings.

REF. NO.	PART NO.	DESCRIPTION	COILS	L114	L115	L116	L117	L118	L119	R177	R178	R179	R180	R181	R182	R183	R184	R185	R186	R187	R188	R189	R190	R191	R192	R193	R194	R195	R196	R197	R198	R199	R200	R201	R202	R203	R204	R205	R206	R207	R208	R209	R210	R211	R212	R213	R214	R215	R216	R217	R218	R219	R220	R221	R222	R223	R224	R225	R226	R227	R228	R229	R230	R231	R232	R233	R234	R235	R236	R237	R238	R239	R240	R241	R242	R243	R244	R245	R246	R247	R248	R249	R250	R251	R252	R253	R254	R255	R256	R257	R258	R259	R260	R261	R262	R263	R264	R265	R266	R267	R268	R269	R270	R271	R272	R273	R274	R275	R276	R277	R278	R279	R280	R281	R282	R283	R284	R285	R286	R287	R288	R289	R290	R291	R292	R293	R294	R295	R296	R297	R298	R299	R300	R301	R302	R303	R304	R305	R306	R307	R308	R309	R310	R311	R312	R313	R314	R315	R316	R317	R318	R319	R320	R321	R322	R323	R324	R325	R326	R327	R328	R329	R330	R331	R332	R333	R334	R335	R336	R337	R338	R339	R340	R341	R342	R343	R344	R345	R346	R347	R348	R349	R350	R351	R352	R353	R354	R355	R356	R357	R358	R359	R360	R361	R362	R363	R364	R365	R366	R367	R368	R369	R370	R371	R372	R373	R374	R375	R376	R377	R378	R379	R380	R381	R382	R383	R384	R385	R386	R387	R388	R389	R390	R391	R392	R393	R394	R395	R396	R397	R398	R399	R400
C11	73449	1 sec: 150-190 mmfd, 1 sec: 65-95 mmfd.	L102 71529 Peaking (120 mfd) & R119.	L114 See L110.	L115 See L110.	L116 73154 Filter choke.	L117 74142 Focus coil.	L118 73476 IF trap.	L119 74170 Peaking (36 mfd) & R110.	R177 22K	R178 100K	R179 100K	R180 560	R181 1M	R182 10K	R183 10K	R184 10K	R185 10K	R186 10K	R187 10K	R188 10K	R189 74156 W.W. 3.9 ohms, 1/3 watt.	R190 74156 W.W. 3.9 ohms, 1/3 watt.	R191 74048 Tone, volume, power switch.	R192 74048 Tone, volume, power switch.	R193 74146 Horiz. centering.	R194 74197 W.W. 470 ohms, 4 watt.	R195 72735 Focus control.	R196 71443 Vertical centering.	R197 74155 Volt-div. 775/9.5 w, 550/5 w, 350/3 w, 450/5 w.	R198 48207 W.W. 3300 ohms, 10 w.	R199 74213 W.W. 820 ohms, 4 w.	R200 74146 Video bias control.	R201 73448 Converter and R6.	R202 73571 First pix IF.	R203 73572 Second pix IF.	R204 73573 Third pix IF.	R205 73574 Fourth pix IF.	R206 71778 Sound trap.	R207 73575 Fifth pix IF.	R208 74144 Vertical oscillator.	R209 73568 Vertical output.	R210 73576 Horizontal oscillator.	R211 74145 Horiz. output and H.V.	R212 74143 Power, 115 V, 60 c	R213 71424 Sound IF.	R214 71427 Sound discriminator.	R215 71419 Audio output.	R216 73578 Antenna ma w/sock	R217 74169 Speak	R218 74169 Speak	R219 74169 Speak	R220 74169 Speak	R221 74169 Speak	R222 74169 Speak	R223 74169 Speak	R224 74169 Speak	R225 74169 Speak	R226 74169 Speak	R227 74169 Speak	R228 74169 Speak	R229 74169 Speak	R230 74169 Speak	R231 74169 Speak	R232 74169 Speak	R233 74169 Speak	R234 74169 Speak	R235 74169 Speak	R236 74169 Speak	R237 74169 Speak	R238 74169 Speak	R239 74169 Speak	R240 74169 Speak	R241 74169 Speak	R242 74169 Speak	R243 74169 Speak	R244 74169 Speak	R245 74169 Speak	R246 74169 Speak	R247 74169 Speak	R248 74169 Speak	R249 74169 Speak	R250 74169 Speak	R251 74169 Speak	R252 74169 Speak	R253 74169 Speak	R254 74169 Speak	R255 74169 Speak	R256 74169 Speak	R257 74169 Speak	R258 74169 Speak	R259 74169 Speak	R260 74169 Speak	R261 74169 Speak	R262 74169 Speak	R263 74169 Speak	R264 74169 Speak	R265 74169 Speak	R266 74169 Speak	R267 74169 Speak	R268 74169 Speak	R269 74169 Speak	R270 74169 Speak	R271 74169 Speak	R272 74169 Speak	R273 74169 Speak	R274 74169 Speak	R275 74169 Speak	R276 74169 Speak	R277 74169 Speak	R278 74169 Speak	R279 74169 Speak	R280 74169 Speak	R281 74169 Speak	R282 74169 Speak	R283 74169 Speak	R284 74169 Speak	R285 74169 Speak	R286 74169 Speak	R287 74169 Speak	R288 74169 Speak	R289 74169 Speak	R290 74169 Speak	R291 74169 Speak	R292 74169 Speak	R293 74169 Speak	R294 74169 Speak	R295 74169 Speak	R296 74169 Speak	R297 74169 Speak	R298 74169 Speak	R299 74169 Speak	R300 74169 Speak	R301 74169 Speak	R302 74169 Speak	R303 74169 Speak	R304 74169 Speak	R305 74169 Speak	R306 74169 Speak	R307 74169 Speak	R308 74169 Speak	R309 74169 Speak	R310 74169 Speak	R311 74169 Speak	R312 74169 Speak	R313 74169 Speak	R314 74169 Speak	R315 74169 Speak	R316 74169 Speak	R317 74169 Speak	R318 74169 Speak	R319 74169 Speak	R320 74169 Speak	R321 74169 Speak	R322 74169 Speak	R323 74169 Speak	R324 74169 Speak	R325 74169 Speak	R326 74169 Speak	R327 74169 Speak	R328 74169 Speak	R329 74169 Speak	R330 74169 Speak	R331 74169 Speak	R332 74169 Speak	R333 74169 Speak	R334 74169 Speak	R335 74169 Speak	R336 74169 Speak	R337 74169 Speak	R338 74169 Speak	R339 74169 Speak	R340 74169 Speak	R341 74169 Speak	R342 74169 Speak	R343 74169 Speak	R344 74169 Speak	R345 74169 Speak	R346 74169 Speak	R347 74169 Speak	R348 74169 Speak	R349 74169 Speak	R350 74169 Speak	R351 74169 Speak	R352 74169 Speak	R353 74169 Speak	R354 74169 Speak	R355 74169 Speak	R356 74169 Speak	R357 74169 Speak	R358 74169 Speak	R359 74169 Speak	R360 74169 Speak	R361 74169 Speak	R362 74169 Speak	R363 74169 Speak	R364 74169 Speak	R365 74169 Speak	R366 74169 Speak	R367 74169 Speak	R368 74169 Speak	R369 74169 Speak	R370 74169 Speak	R371 74169 Speak	R372 74169 Speak	R373 74169 Speak	R374 74169 Speak	R375 74169 Speak	R376 74169 Speak	R377 74169 Speak	R378 74169 Speak	R379 74169 Speak	R380 74169 Speak	R381 74169 Speak	R382 74169 Speak	R383 74169 Speak	R384 74169 Speak	R385 74169 Speak	R386 74169 Speak	R387 74169 Speak	R388 74169 Speak	R389 74169 Speak	R390 74169 Speak	R391 74169 Speak	R392 74169 Speak	R393 74169 Speak	R394 74169 Speak	R395 74169 Speak	R396 74169 Speak	R397 74169 Speak	R398 74169 Speak	R399 74169 Speak	R400 74169 Speak



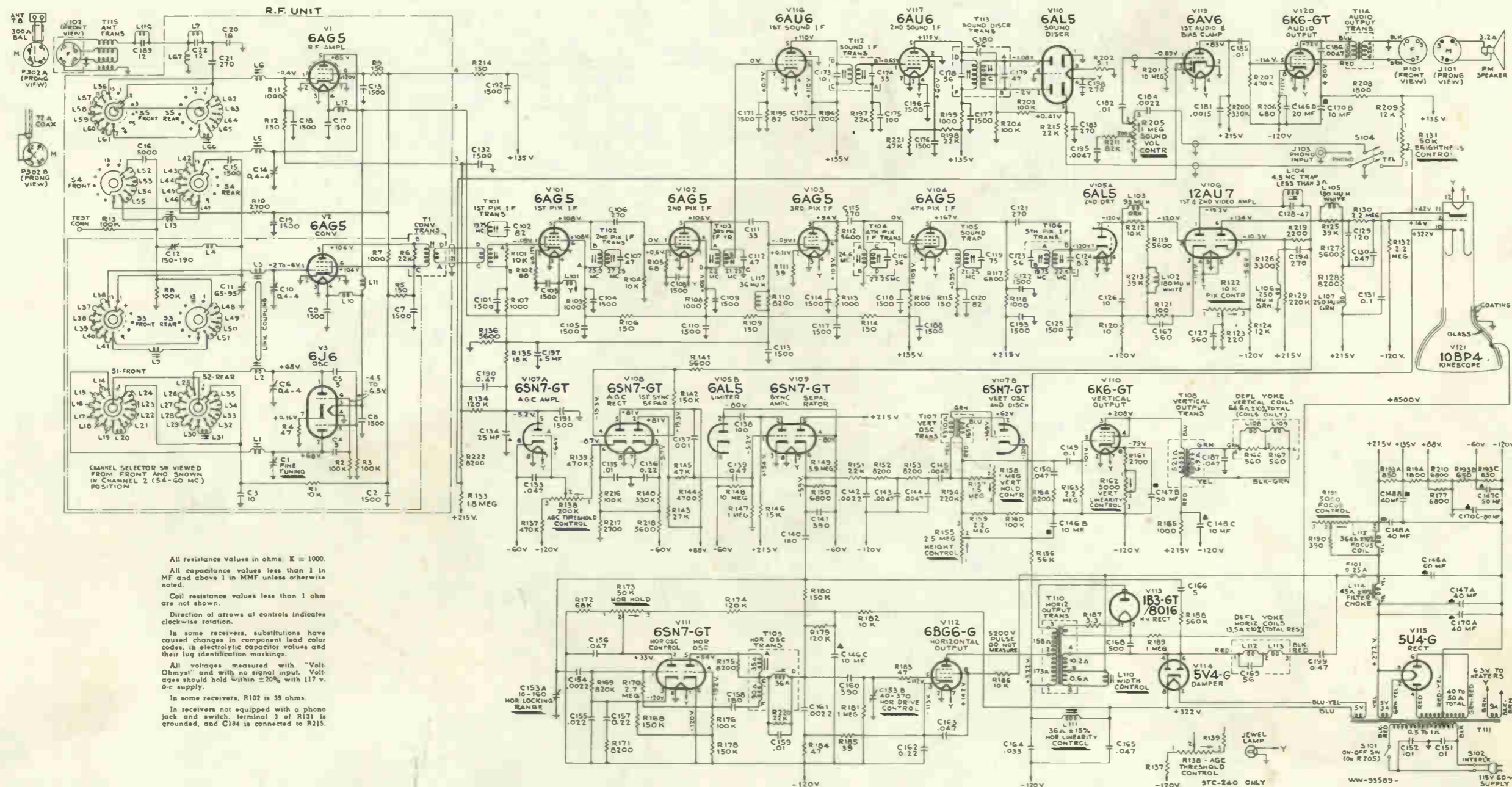




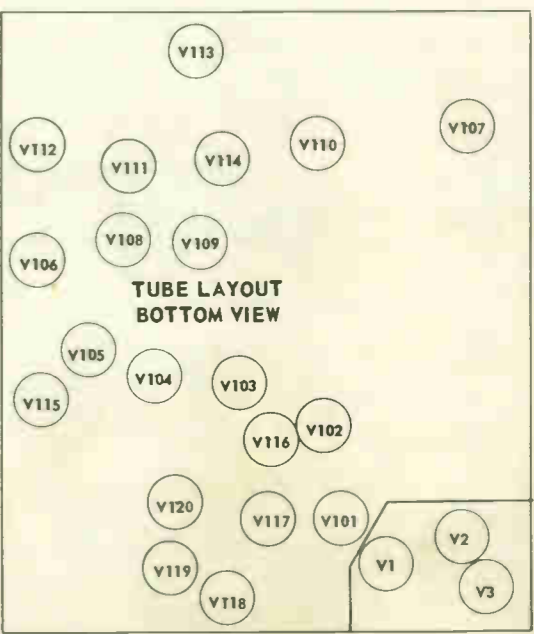
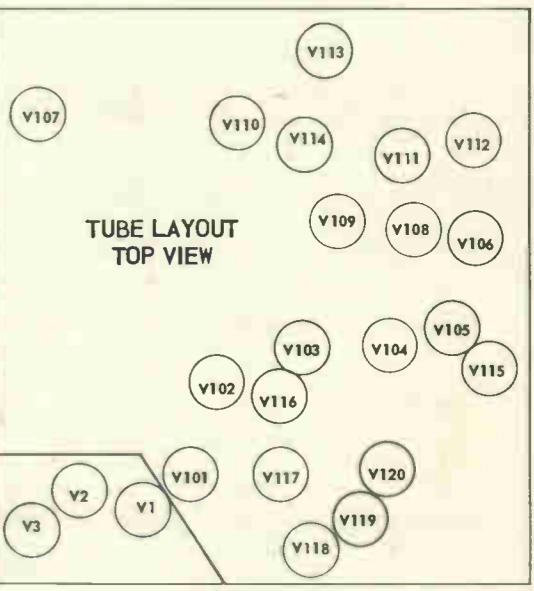






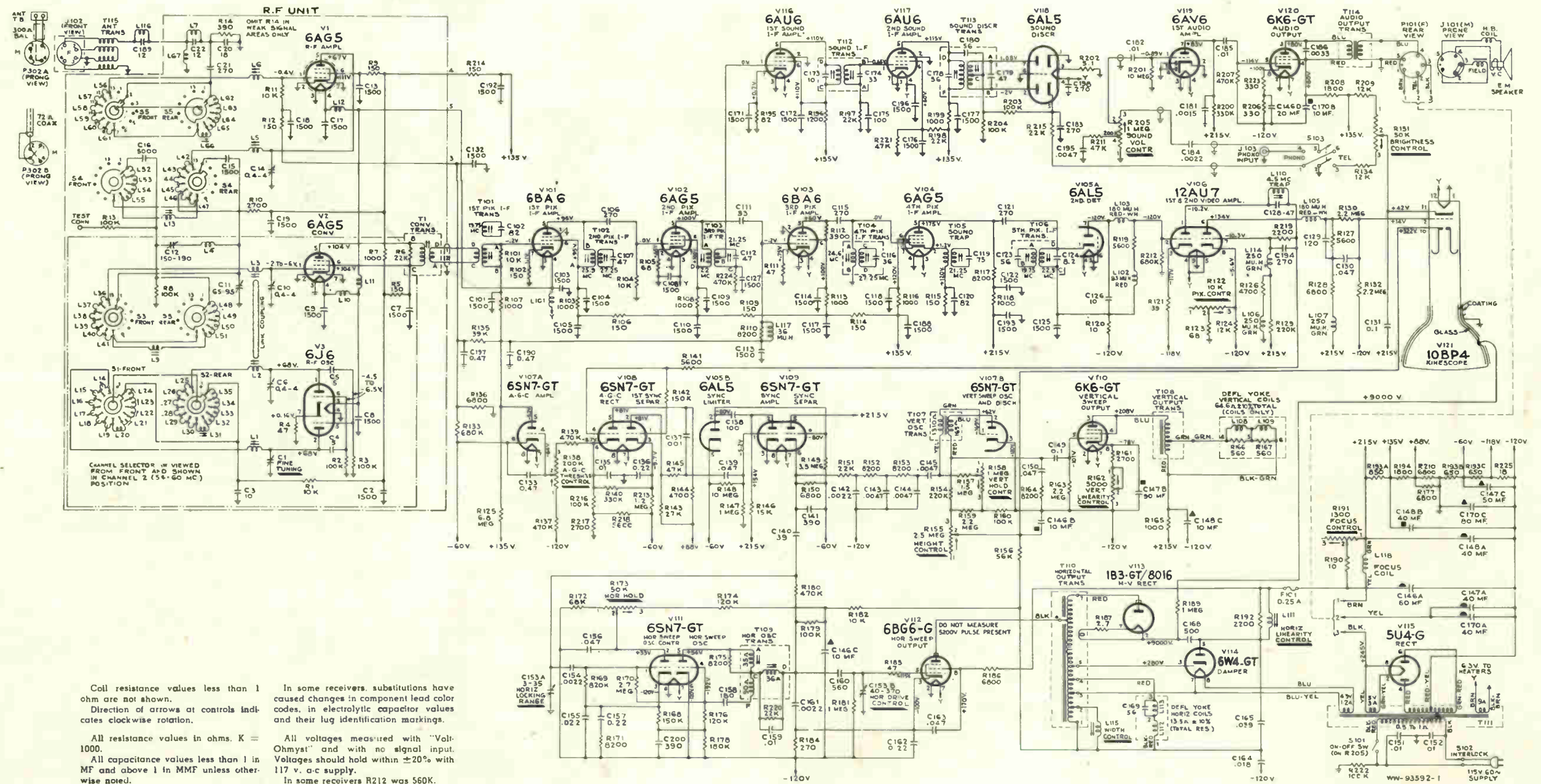
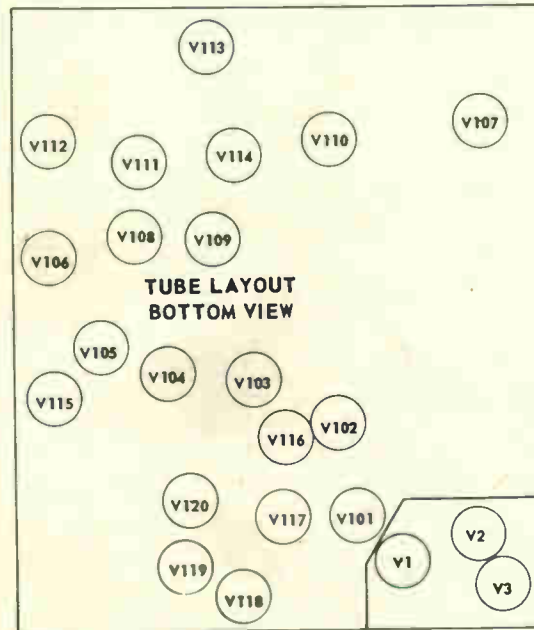
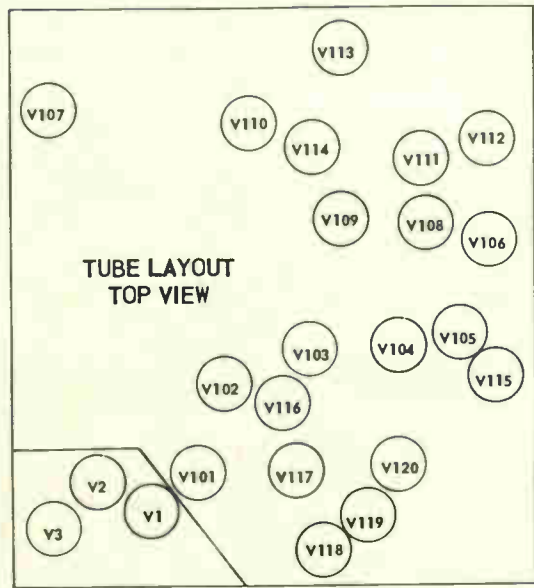


All resistance values in ohms. K = 1000.  
 All capacitance values less than 1 in MF and above 1 in MMF unless otherwise noted.  
 Coil resistance values less than 1 ohm are not shown.  
 Direction of arrows at controls indicates clockwise rotation.  
 In some receivers, substitutions have caused changes in component lead color codes, in electrolytic capacitor values and their lug identification markings.  
 All voltages measured with "Volt-Ohm-mill" and with no signal input. Voltages should hold within  $\pm 20\%$  with 117 v. a-c supply.  
 In some receivers, R102 is 39 ohms.  
 In receivers not equipped with a phono jack and switch, terminal 3 of R131 is grounded, and C184 is connected to R215.



REF. NO.	PART NO.	DESCRIPTION	COILS	L114	L115	L116	L117	R122	R131	R138	R155	R158	R162	R174	R187	R190	R191	R193	R202	R205	S101	T101	T102	T103	T104	T105	T106	T107	T108	T109	T110	T111	T112	T113	T114	T115		
			L102 71528 Peaking ond R213.	73154 Filter choke.	73566 Focus coil.	73476 IF trap.	74170 Peaking 36 mfd & R110.	73910 Picture, volume, power switch.	73156 Brightness control.	73579 AGC threshold (KCS28A).	71449 Horiz. linearity.	72734 Horiz. & vertical hold.	71441 Vertical linearity.	72734 Horiz. & vertical hold.	71513 W.W. 3.3 ohms, 1/3 w.	72325 W.W. 390 ohms, 2 w.	74442 Focus control.	73588 Volt-div. 1 sec: 850/12 w, 2 sec: 650/6 w.	72067 W.W. 5.1 ohms, 1/2 w.	73910 Picture, volume, power switch.	73910 Picture, volume, power switch.	73571 First pix IF.	73572 Second pix IF.	73573 Third pix IF.	73574 Fourth pix IF.	71778 Sound trap.	73575 Fifth pix IF.	73569 Vertical oscillator.	73568 Vertical output.	73576 Synchroguide transformer.	73570 Horiz. output & H.V.	73567 Power, 117 V, 60 cycle.	71424 Sound IF.	71427 Sound discriminator.	71419 Audio transformer.	73578 Antenna w/socket & bracket.		
C11	73449	1 sec: 150-190 mmfd, 1 sec: 65-95 mmfd.	L103 72619 Peaking 93 mfd & R212.																																			
C134	53147	25 mfd, 50 volts.	L104 73577 4.5 mc trap.																																			
C146	73581	1 sec: 60/450, 2 sec: 10/450, 20/150.	L105 71528 Peaking ond R125.																																			
C147	73583	40/450, 90/150, 50/150.	L106 71526 Peaking coil.																																			
C148	71432	2 sec: 40/450, 1 sec: 10/450.	L107 71526 Peaking coil.																																			
C168	74153	HI-voltage 500 mmfd, 15K V.	L108 71420 Deflecting yoke.																																			
C170	73582	40/450, 10/450, 80/200.	L109 See L108.																																			
C197	74106	5 mfd, 50 volts.	L110 71429 Width control.																																			
			L111 71449 Horiz. linearity.																																			
			L112 See L108.																																			
			L113 See L108.																																			

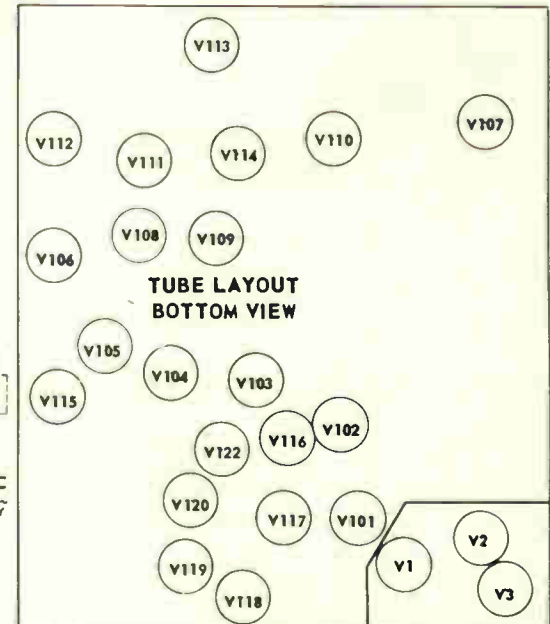
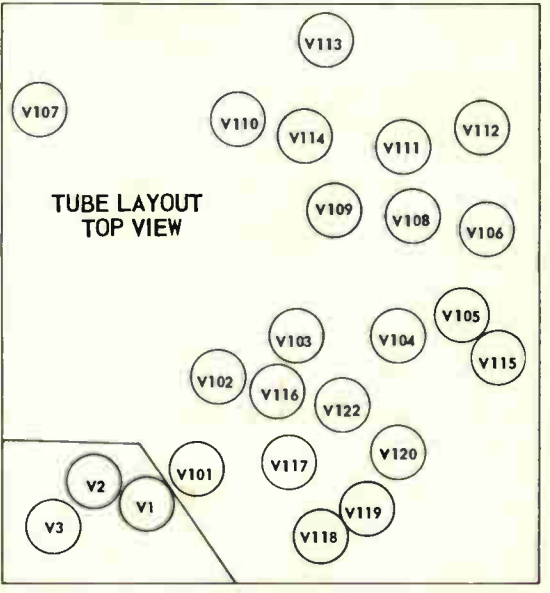
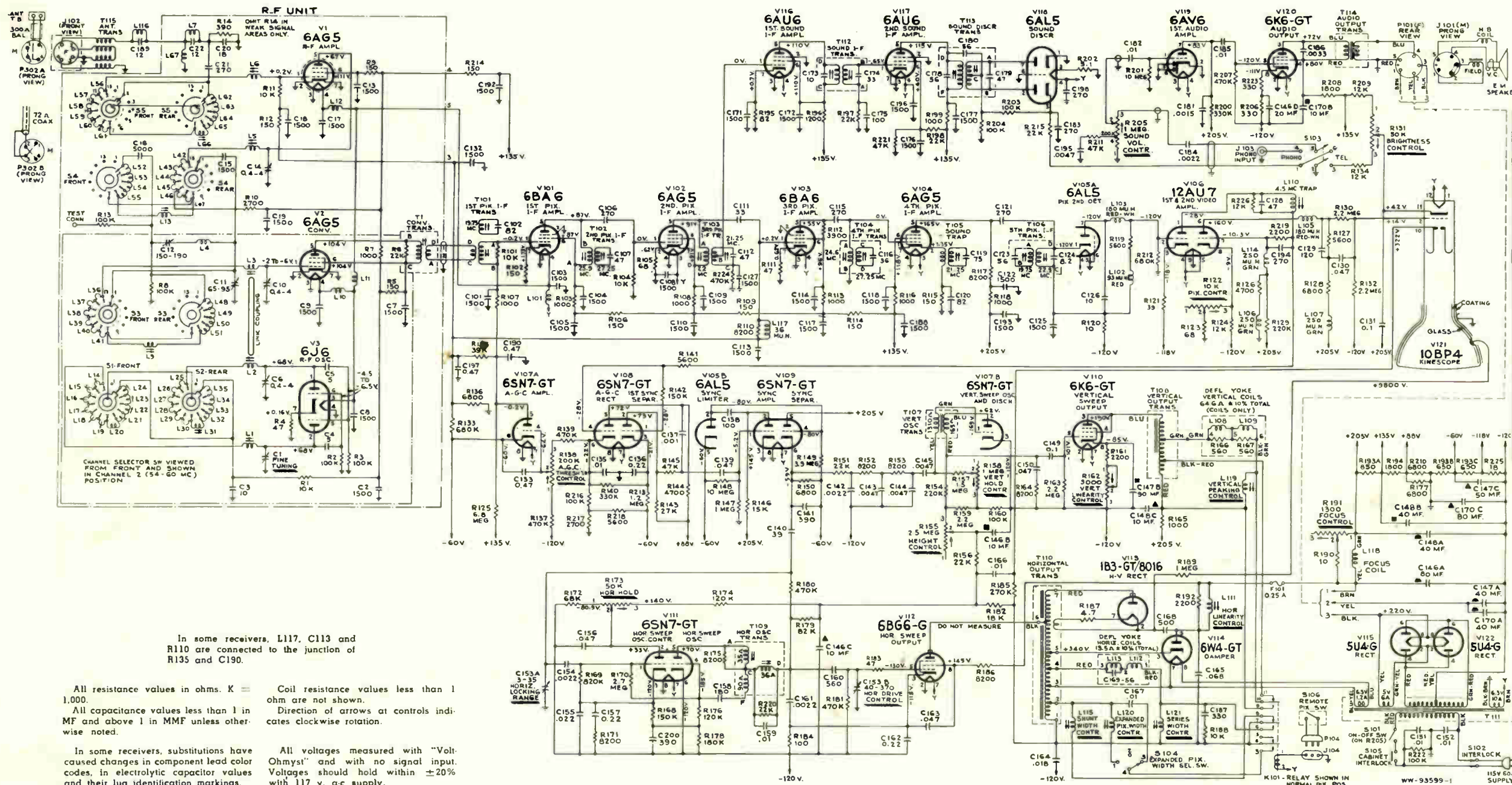




Coil resistance values less than 1 ohm are not shown.  
 Direction of arrows at controls indicates clockwise rotation.  
 All resistance values in ohms, K = 1000.  
 All capacitance values less than 1 in MF and above 1 in MMF unless otherwise noted.

In some receivers, substitutions have caused changes in component lead color codes, in electrolytic capacitor values and their lug identification markings.  
 All voltages measured with "Volt-Ohmyst" and with no signal input. Voltages should hold within ±20% with 117 v. a-c supply.  
 In some receivers R212 was 560K.

REF. NO.	PART NO.	DESCRIPTION	REF. NO.	PART NO.	DESCRIPTION	REF. NO.	PART NO.	DESCRIPTION
<b>ELECTROLYTICS</b>			<b>COILS</b>			<b>TRANSFORMERS</b>		
C134	**53147	25 mfd, 50 volts.	L102	*71527	Peaking coil.	T1	73448	Converter and R6.
C146	73581	4 sec: 60/450V, 10-10/450V 20/150V.	L103	*71528	Peaking coil.	T101	*74589	First pix IF.
C147	73583	3 sec: 40/450V, 90/150V 50/150V.	L104	*71529	Peaking coil.	T102	*74590	Second pix IF.
C148	71432	3 sec: 40-40/450V, 10/450V	L105	*74214	Peaking coil.	T103	*74591	Third pix IF.
C170	73582	3 sec: 40/450V, 10/450V, 80/200V.	L106	*71526	Peaking coil 250 uh.	T104	*74592	Fourth pix IF.
C197	**74106	5 mfd, 50V.	L107	*71527	Peaking coil 250 uh.	T105	*73778	Sound trap.
C11	73449	Ceramic, trimmer.	L108	71420	Deflecting yoke.	T106	73575	Fifth pix IF.
C153	*74593	Mico, trimmer.	L109		See L108.	T107	73569	Vertical oscillator.
	**73580	Mico, trimmer.				T108	*74587	Vertical output.
							*73568	Vertical output.
L110	**71429	Width control.	L111	71449	Horiz. linearity.	<b>MISCELLANEOUS</b>		
L111	71449	Horiz. linearity.	L112		See L108.	S101	*38408	Sound vol., power sw.
L112		See L108.	L113		See L108.		**73910	Pix, vol., power switch.
L113		See L108.	L114	**73154	Filter choke.		5118	3 contact mole connector for speaker.
L114	**73154	Filter choke.	L115	*71526	Peaking coil.		73993	Speaker-5" x 7" P.M.
L115	*73556	Focus coil.	L116	*71429	Width control.	<b>NOTE:</b>		
L116	*71429	Width control.	L117	73476	IF trap.	* for KCS38.		
L117	73476	IF trap.	L118	*74170	Peaking coil.	** for KCS28C.		
L118	*74585	Focus coil.						
<b>RESISTORS</b>								
R122	*74047	Brightness & picture.	R123	50K	MOB HOLD			
	**73910	Pix, vol., power switch.	R124	120K				
R131	*74047	Brightness & picture.	R125	60K				
	**73156	Brightness control.	R126	470K				
R138	74475	AGC threshold cont.	R127	50K				
R155	71440	Height control.	R128	120K				
R158	72734	Horiz. & vertical hold.	R129	100K				
R162	71441	Vertical linearity.	R130	100K				
R173	72734	Horiz. & vertical hold.	R131	100K				
R187	*74598	W.W. 2.7 ohms, 1/3 w.	R132	100K				
R190	*18471	W.W. 10 ohms, 1/2 w.	R133	100K				
	**72325	W.W. 390 ohms, 2 w.	R134	100K				
R191	*74442	Focus control.	R135	100K				
R202	72067	W.W. 5.1 ohms, 1/2 w.	R136	100K				
R205	*38408	Sound vol., power sw.	R137	100K				
	**73910	Pix, vol., power switch.	R138	100K				



In some receivers, L117, C113 and R110 are connected to the junction of R135 and C190.

All resistance values in ohms, K = 1,000. All capacitance values less than 1 in MF and above 1 in MMF unless otherwise noted.

In some receivers, substitutions have caused changes in component lead color codes, in electrolytic capacitor values and their lug identification markings.

Coil resistance values less than 1 ohm are not shown. Direction of arrows at controls indicates clockwise rotation. All voltages measured with "Volt-Ohmyst" and with no signal input. Voltages should hold within ±20% with 117 v. a.c. supply.

REF. NO.	PART NO.	DESCRIPTION	COILS	RESISTORS	TRANSFORMERS	MISCELLANEOUS
C11	73449	1 sec: 150-190 mmfd, 1 sec: 65-95 mmfd,	L102 71527 Peaking coil.	L115 71429 Width control.	T101 74589 First pix I-F.	T112 71424 Sound IF.
C146	73581	1 sec: 60/450, 2 sec: 10/450, 1 sec: 20/150.	L103 74214 Peaking coil.	L116 73476 IF trap.	T102 74590 Second pix I-F.	T113 71427 Sound discriminator.
C147	73583	40/450, 90/150, 50/150.	L105 74214 Peaking coil.	L117 74170 Peaking coil.	T103 74591 Third pix I-F.	T114 71419 Sound output.
C148	71432	2 sec: 40/450, 1 sec: 10/450.	L106 71526 Peaking coil.	L118 74585 Focus coil.	T104 74592 Fourth pix I-F.	T115 73578 Antenna w/socket & bracket.
C153	74593	1 sec: 3-35 mmfd, 1 sec: 40-370 mmfd.	L107 71526 Peaking coil.	L119 74877 Vertical peaking coil.	T105 71778 Sound trap.	74599 Speaker-5" x 7" E.M.
C170	73582	40/450, 10/450, 80/200.	L108 71420 Deflecting yoke.	L120 71429 Width control coil.	T106 73575 Fifth pix I-F.	
			L109 See L108.	L121 74878 Series width coil.	T107 73569 Vertical oscillator.	
			L110 73577 4.5 mc trap.		T108 74875 Vertical output.	
			L111 71449 Horiz. linearity.		T109 73576 Horizontal oscillator.	
			L112 See L108.		T110 74876 Horizontal output & H.V.	
			L113 See L108.		T111 74874 Power, 115 V, 60 cy.	
			L114 71526 Peaking coil.			
				R122 74047 Brightness & picture.		
				R131 74047 Brightness & picture.		
				R138 74475 AGC threshold cont.		
				R155 71440 Height control.		
				R202 72067 W.W. 5.1 ohms, 1/2 w.		
				R205 38408 Sound volume, power switch.		
				S101 38408 Sound vol. power switch.		
				S104 74872 Width selector switch.		
				S106 74881 Electronic magnifier sw.		

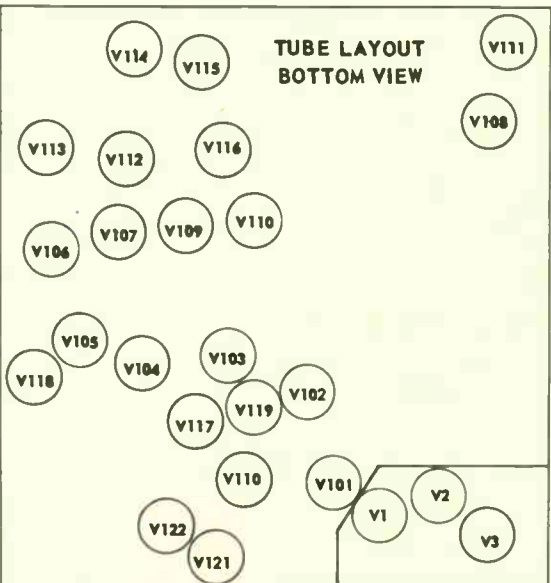
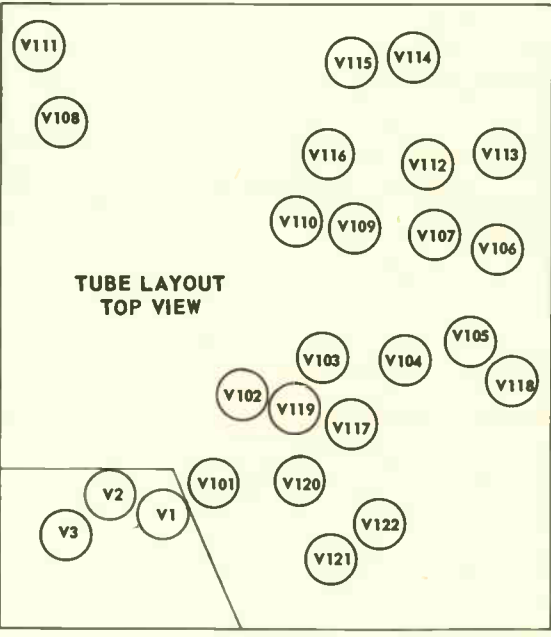
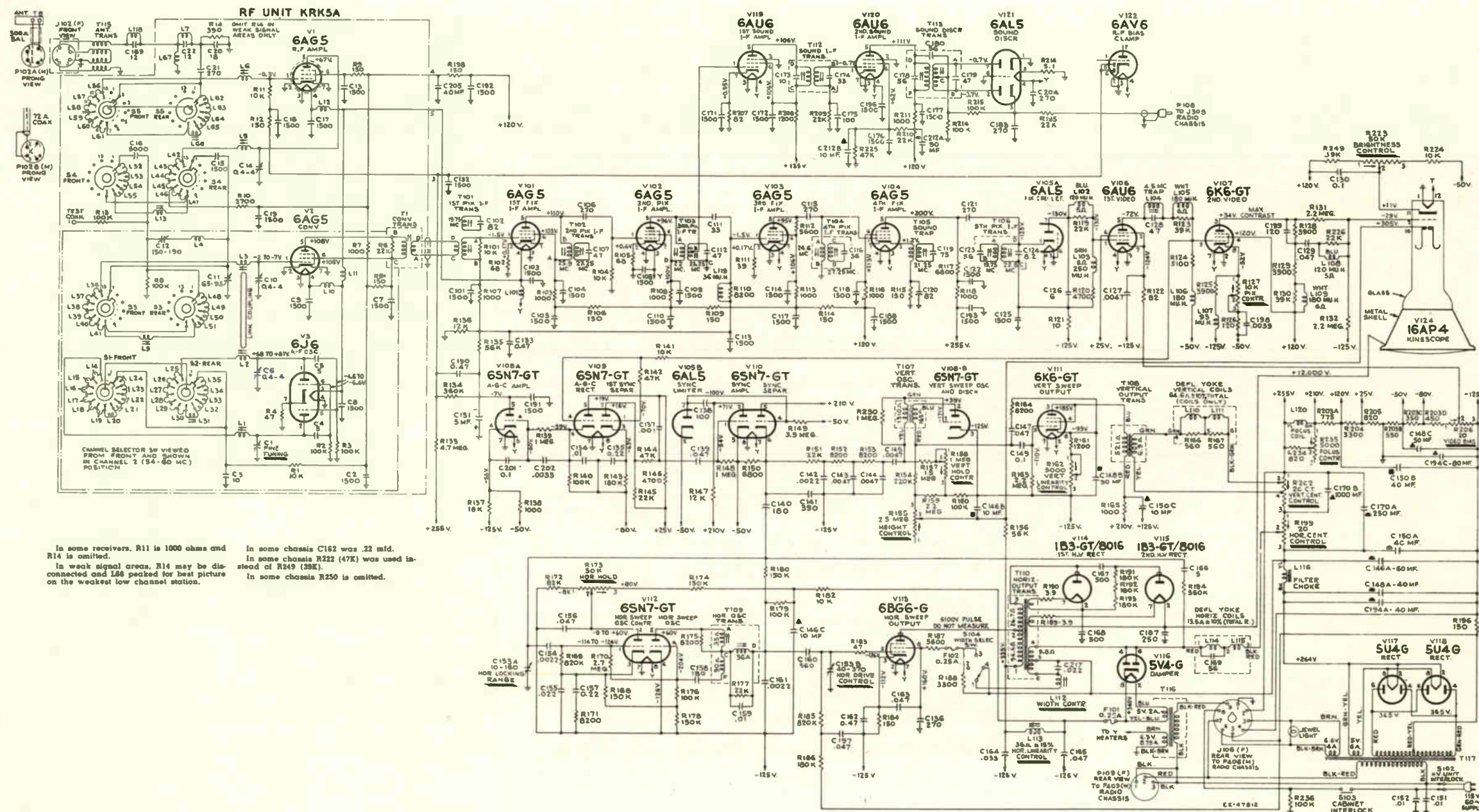












In some receivers, R11 is 1000 ohms and R14 is omitted.  
 In weak signal areas, R14 may be disconnected and L66 peaked for best picture on the weakest low channel station.

In some chassis C162 was .22 mfd.  
 In some chassis R222 (47K) was used instead of R249 (38K).  
 In some chassis R250 is omitted.

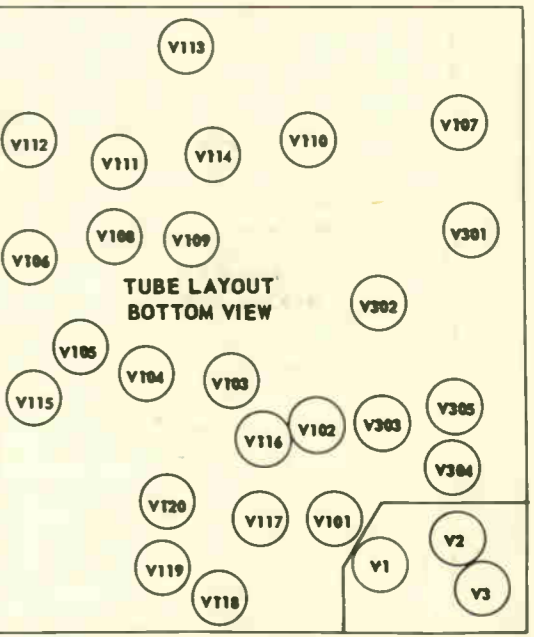
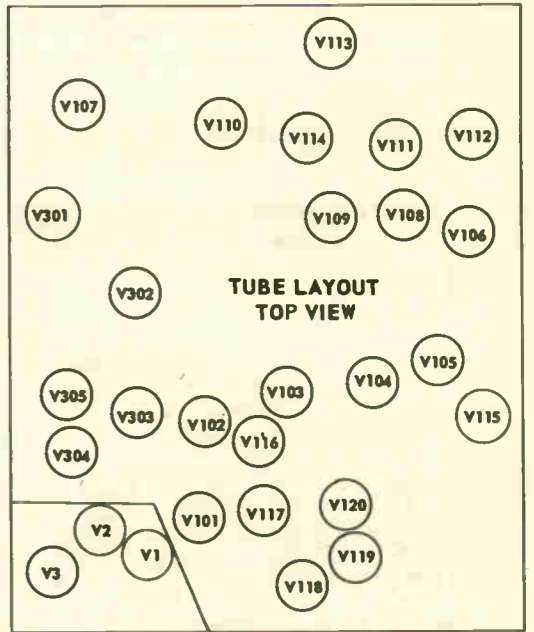
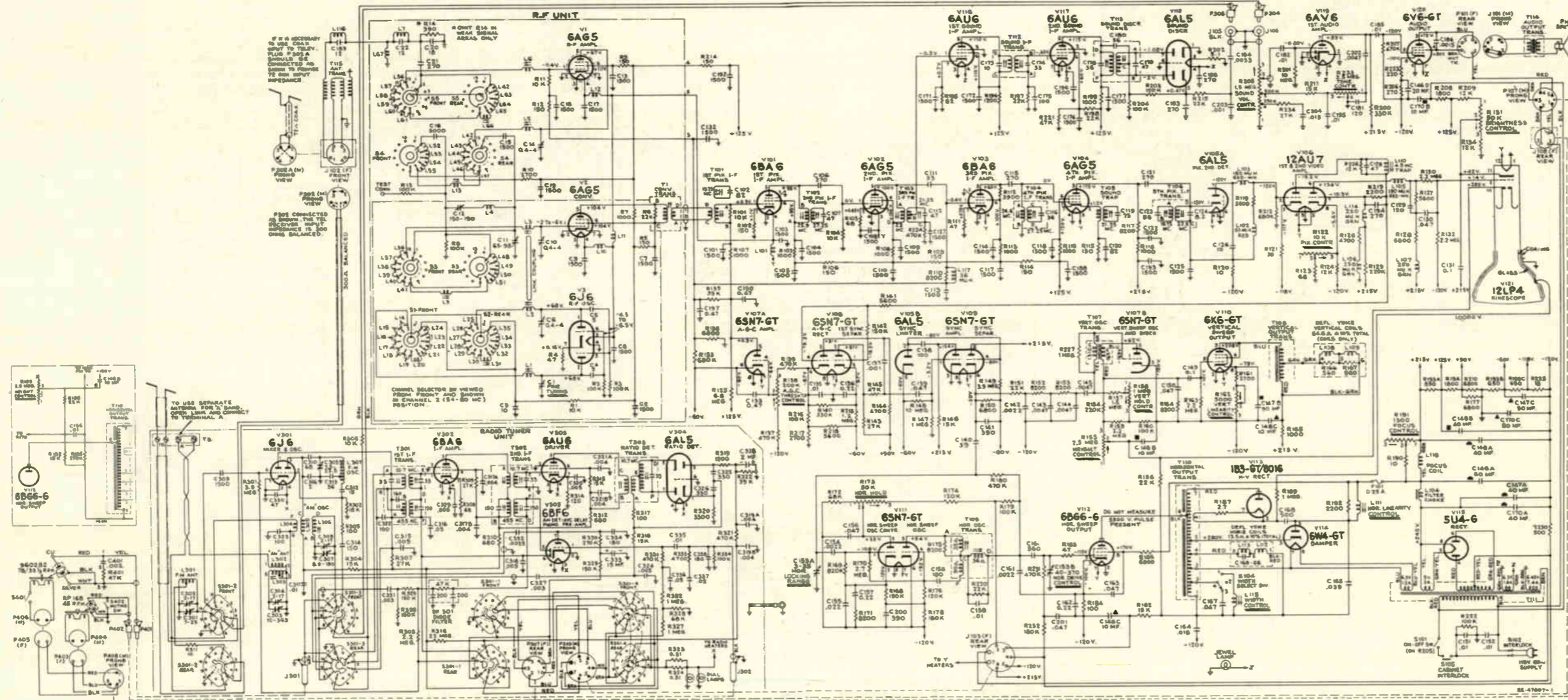
REF. NO.	PART NO.	DESCRIPTION	REF. NO.	PART NO.	DESCRIPTION	REF. NO.	PART NO.	DESCRIPTION	REF. NO.	PART NO.	DESCRIPTION
	C11	73449 Ceramic, trimmer.	L109	71528 Peeking coil.	R162	71441 Vertical linearity.	R234	74213 W.W. 820/4 w.	T108	73568 Vertical output.	
	C153	73580 Mico, trimmer.	L110	74141 Deflecting yoke.	R173	72734 Horiz. & vertical hold.	R235	74442 Focus control.	T109	73576 Horiz. oscillator.	
<b>ELECTROLYTICS</b>			L111	See L110.	R189	74156 W.W. 3.9 ohms, 1/3 w.	<b>TRANSFORMERS</b>			T110	74145 Horiz. output.
C131	74106	5 mfd, 50 volts.	L112	71429 Width control.	R190	74156 W.W. 3.9 ohms, 1/3 w.	T1	73448 Converter and R6.	T112	71424 Sound IF.	
C146	73581	1 sec: 60/450, 2 sec: 10/450 1 sec: 20/150.	L113	71449 Horiz. linearity.	R196	74375 W.W. 150 ohms, 20 w.	T101	73571 First pix IF.	T113	71427 Sound discriminator.	
C148	73583	40/450, 90/450, 50/150.	L118	73476 IF trap.	R199	74146 Horiz. centering.	T102	73572 Second pix IF.	T115	73578 Antenna w/socket & bracket.	
C150	71432	2 sec: 40/450, 1 sec: 10/450.	L119	74170 Peeking coil.	R202	71443 Vertical centering.	T103	73573 Third pix IF.	T116	74195 Filament, 115 V, 60 cycle.	
C170	71436	250/10, 1000/6.	L120	74570 Focus coil.	R203	74155 Volt-div. 775/9.5 w, 550/5 w, 350/3 w, 450/5 w.	T104	73574 Fourth pix IF.	T117	74194 Power, 115 V, 60 cycle.	
C194	73582	40/450, 10/450, 80/200.	<b>RESISTORS</b>			R204	48207 W.W. 3300 ohms, 10 w.	<b>MISCELLANEOUS</b>			
C205	74266	40 mfd, 400 volts.	R127	73663 Picture control.	R205	74213 W.W. 820/4 w.	T105	71778 Sound trap.	74753	Speaker-12" P.M.	
C212	74433	90/350, 10/350.	R155	71440 Height control.	R206	74146 Video bias control.	T106	73575 Fifth pix IF.	73636	Output Xformer.	











Function switch S301 viewed from front and shown in Number 1 (maximum counterclockwise position).  
 Switch position 1—Television.  
 Switch position 2—AM.  
 Switch position 3—FM.  
 Switch position 4—Phono 45 RPM.  
 Switch position 5—Phono 78 RPM.

All resistance values in ohms. K = 1,000.  
 All capacitance values less than 1 in MF and above 1 in MMF unless noted.

Coil resistance values less than 1 ohm are not shown.  
 Direction of arrows at controls indicates clockwise rotation.

In some receivers, substitutions have caused changes in component lead color codes, in electrolytic capacitor values and their tag identification markings.

All voltages measured with "Vohmyst," no signal input with 117 v. a-c supply with the pix control fully clockwise and the brightness control set for average brightness.

The deflection circuits must be connected as shown above for powdered iron core yokes. The partial schematic insert shows the method of connection employed in early production receivers which employed an iron wire wrap yoke.

REF. NO.	PART NO.	DESCRIPTION	COILS	RESISTORS	TRANSFORMERS	MISCELLANEOUS
			L67 73475 Antenna filter shunt.	L111 71449 Horiz. linearity.	T1 73448 Converter and R6.	T111 74981 Power, 115 V, 60 cy.
			L101 73477 Filament choke.	L112 See L108.	T101 74589 First pix IF.	T112 71424 Sound IF.
			L102 71527 Peaking coil.	L113 See L108.	T102 74590 Second pix IF.	T113 71427 Sound discriminator.
C146	73581	1 sect 60/450, 2 sect 10/450, 1 sect 20/150.	L103 74214 Peaking coil.	L114 71526 Peaking coil.	T103 74591 Third pix IF.	T114 74902 Output Xformer.
C147	73583	40/450, 90/150, 50/150.	L104 73154 Filter choke.	L115 71429 Width control.	T104 74592 Fourth pix IF.	T115 73578 Antenna w/socket & bracket.
C148	71432	2 sect 40/450, 1 sect 10/450.	L105 74214 Peaking coil.	L116 73476 IF trap.	T105 71778 Sound trap.	
C170	73582	40/450, 10/450 1 sect 80/200.	L106 71526 Peaking coil.	L117 74170 Peaking coil.	T106 73575 Fifth pix IF.	
C11	73449	Ceramic, trimmer.	L107 71526 Peaking coil.	L118 74585 Focus coil.	T107 73569 Vertical oscillator.	
C153	74593	Mica, trimmer.	L108 74262 Deflecting yoke.		T108 74587 Vertical output.	
C168	74153	Ceramic.	L109 See L108.	R122 74047 Picture & brightness.	T109 73576 Horiz. oscillator.	
			L110 73577 4.5 mc trap.	R131 74047 Picture & brightness.	T110 74588 Horiz. output & H.V.	
				R138 74475 AGC threshold control.		
				R155 71440 Height control.		
				R158 72734 Horiz. & vertical hold.		
				R162 71441 Vertical linearity.		
				R173 72734 Horiz. & vertical hold.		
				R187 74598 W.W. 2.7 ohms, 1/3 w.		
				R190 18471 W.W. 10 ohms, 1/2 w.		
				R191 74597 Focus control.		
				R193 73588 Volt-div. 1 sect 850/12 w, 2 sect 650/6 watts.		
				R202 72067 W.W. 5.1 ohms, 1/2 w.		
				R205 74359 Tone, vol., power switch.		
				R230 74049 W.W. 500 ohms, 20 w.		
				R233 74359 Tone, vol., power switch.		

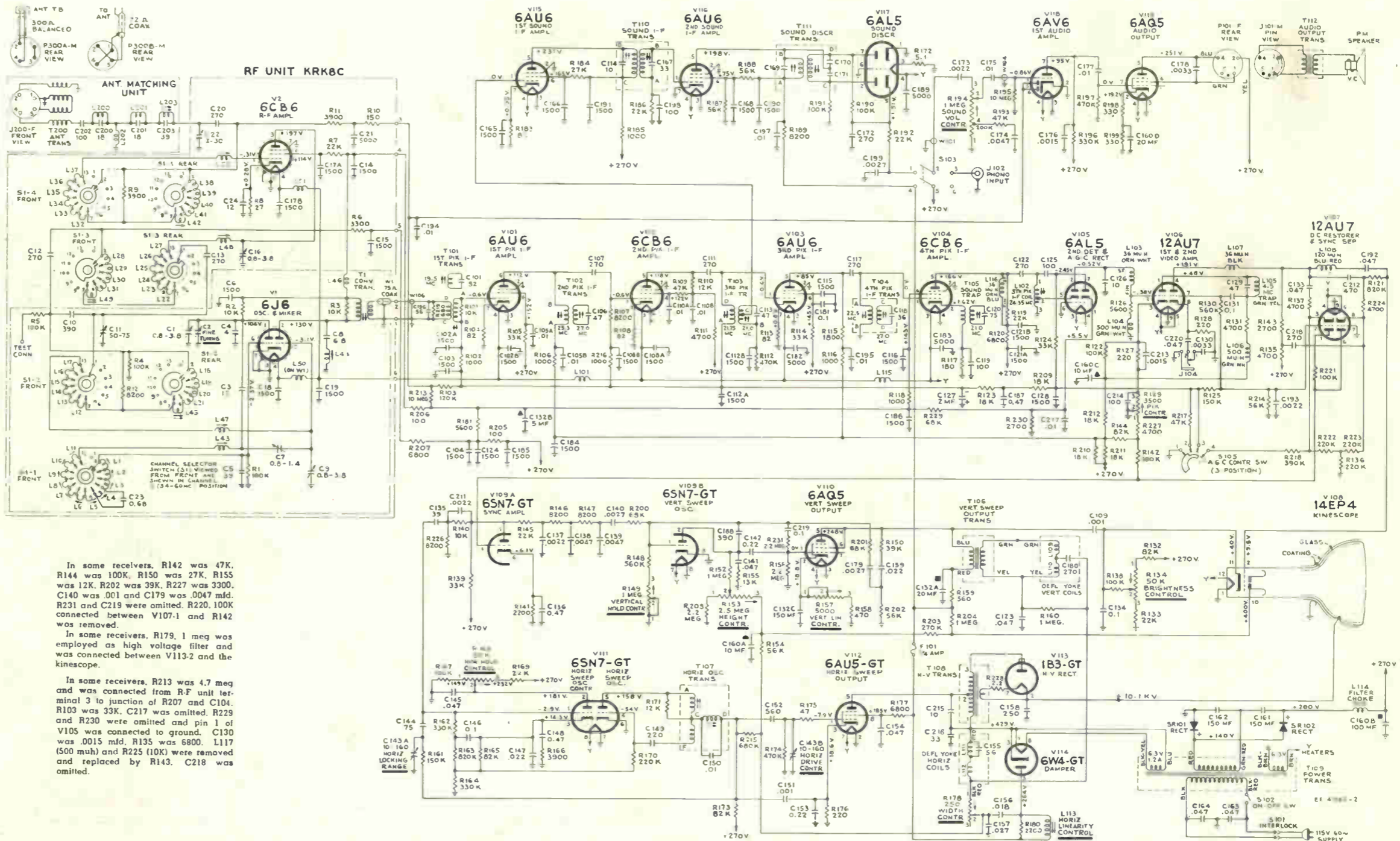
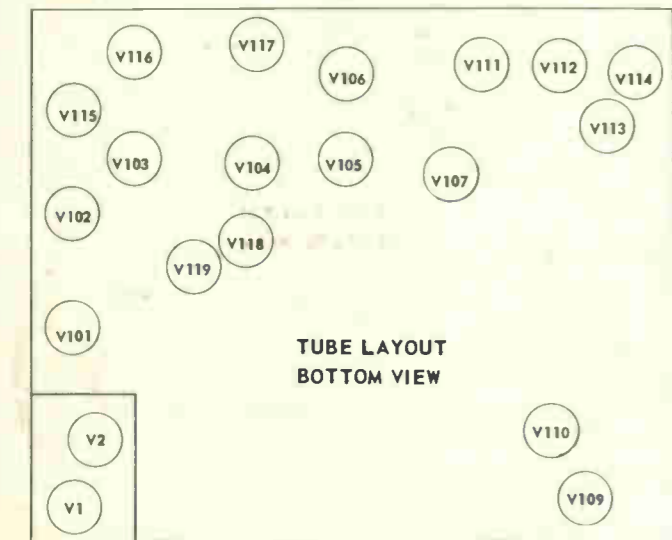
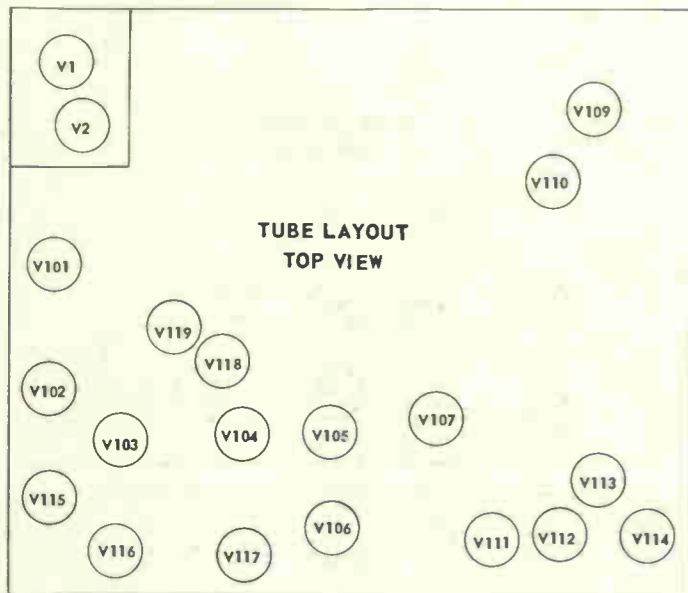










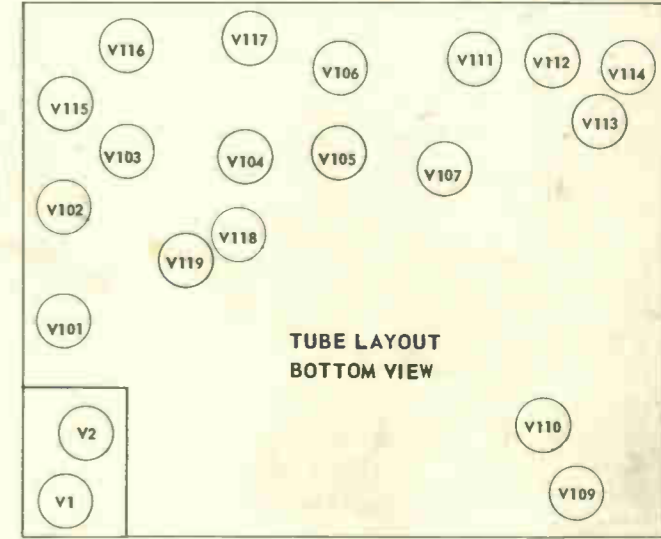
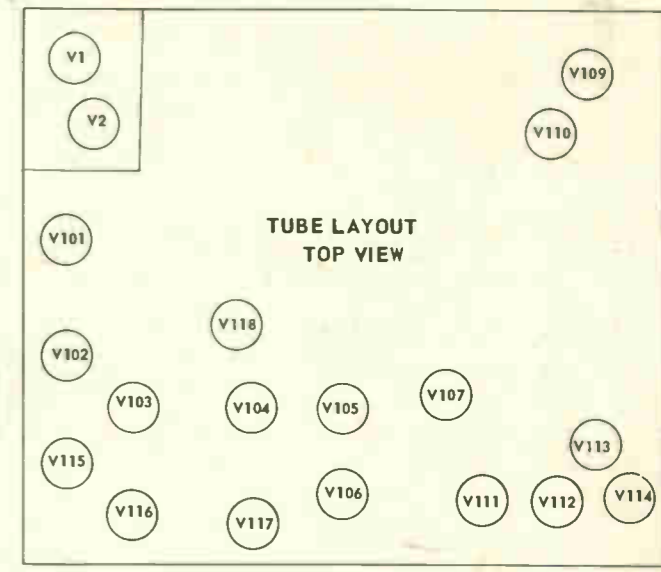
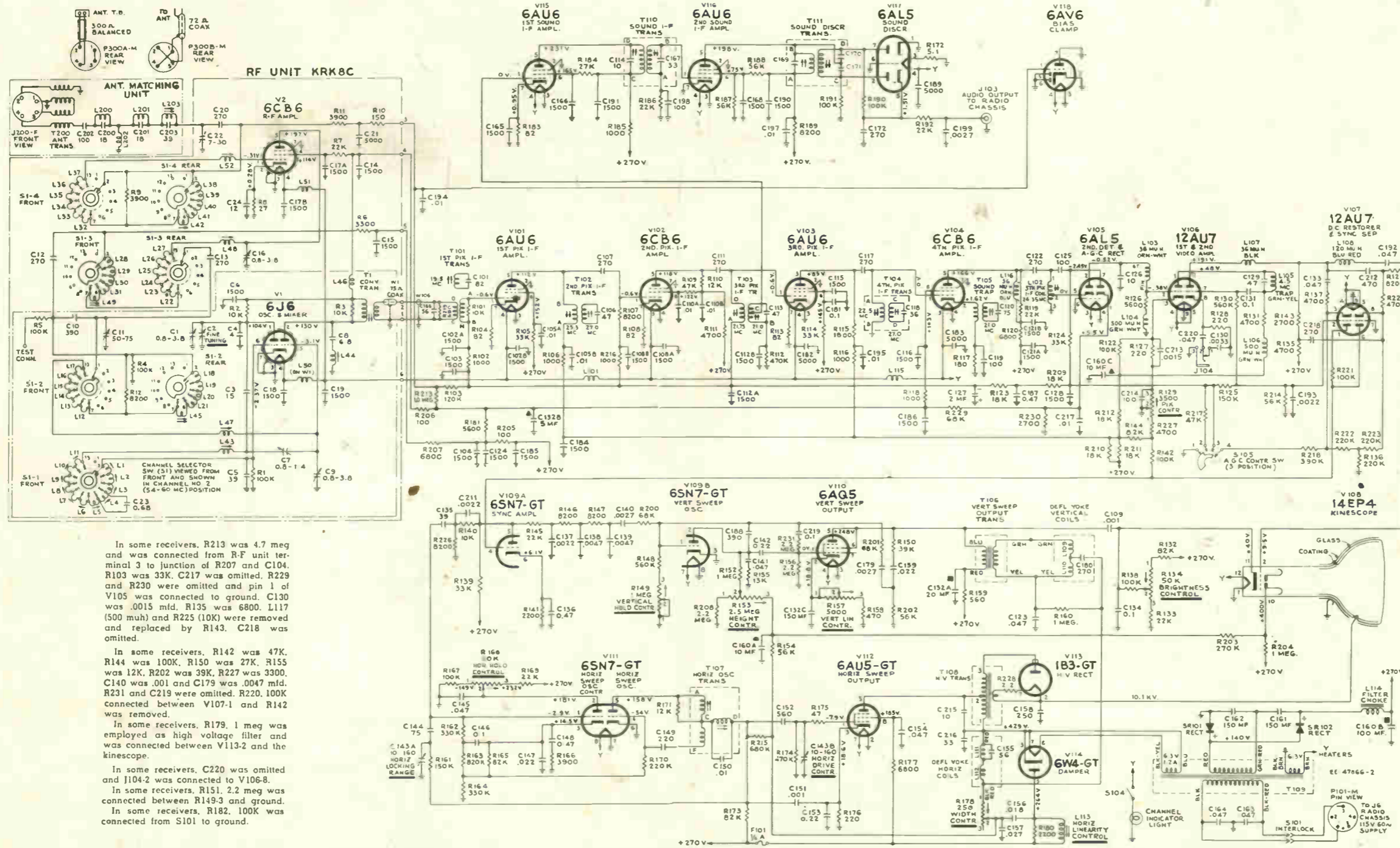


In some receivers, R142 was 47K, R144 was 100K, R150 was 27K, R155 was 12K, R202 was 39K, R227 was 3300, C140 was .001 and C179 was .0047 mfd. R231 and C219 were omitted. R220, 100K connected between V107-1 and R142 was removed.

In some receivers, R179, 1 meg was employed as high voltage filter and was connected between V113-2 and the kinescope.

In some receivers, R213 was 4.7 meg and was connected from R-F unit terminal 3 to junction of R207 and C104. R103 was 33K, C217 was omitted, R229 and R230 were omitted and pin 1 of V105 was connected to ground. C130 was .0015 mfd, R135 was 6800, L117 (500 mh) and R225 (10K) were removed and replaced by R143. C218 was omitted.

REF. NO.	PART NO.	DESCRIPTION	C7	75172	Tubular, steorite, adj.	L106	75252	Peaking coil.	L202	75241	Antenna shunt coil.	TRANSFORMERS		T111	75212	Sound discriminator.			
		<b>ELECTROLYTICS</b>	C11	75174	Ceramic, trimmer.	L107	71793	Peaking coil.	L203	75449	FM trap w/adj core & stud.	T1	75181	Converter Xformer.	T112	76156	Audio output.		
C127	73747	2 mfd, 50 volts.	C22	75189	Adjustable 7-30 mmfd.	L108	75253	Peaking coil.				T101	74589	First pix IF.	T200	75509	Antenna w/connector, IF & FM traps, ant. shunt.		
C132	76142	3 sec: 20/350V, 5/350V 150/50V.	C143	75217	Mica trimmer (dual).	L109	76136	Deflection yoke.				T102	74590	Second pix IF.			73591	Antenna mat. coil 2 required.	
		<b>COILS</b>				L110		See L109.				T103	76264	Third pix IF.					
C160	75219	4 sec: 10/450V, 100/350V 10/350V, 20/25V.	LS1	73477	Choke coil.	L111		See L109.				T104	73574	Fourth pix IF.					
		<b>RESISTORS</b>	LS2		See L32.	L112		See L109.				T105	71778	Sound trap.					
C161	75220	150 mfd, 200 volts.	L101	73477	Filament choke.	L113	71449	Horiz. linearity.				T106	76139	Vertical output.					
C162	75220	150 mfd, 200 volts.	L102	75210	Fifth pix IF w/adj core.	L114	76140	Filter choke.				T107	75213	Horiz. oscillator.					
C1	75184	Ceramic, w/adj stud.	L103	75299	Peaking coil.	L115	76140	Filter choke.				T108	76154	High voltage.					
C2	75186	Ceramic, fine tun'g plunger type.	L104	75252	Peaking coil.	L116	76285	Peaking coil.				T109	75207	Power, 117V, 60 cycle.					
			L105	75251	4.5 mc trap.	L200	75242	IF trap.				T110	71424	Sound IF.					
						L201		See L200.											



In some receivers, R213 was 4.7 meg and was connected from R.F. unit terminal 3 to junction of R207 and C104. R103 was 33K. C217 was omitted. R229 and R230 were omitted and pin 1 of V105 was connected to ground. C130 was .0015 mfd. R135 was 6800. L117 (500 mhd) and R225 (10K) were removed and replaced by R143. C218 was omitted.

In some receivers, R142 was 47K. R144 was 100K. R150 was 27K. R155 was 12K. R202 was 39K. R227 was 3300. C140 was .001 and C179 was .0047 mfd. R231 and C219 were omitted. R220, 100K connected between V107-1 and R142 was removed.

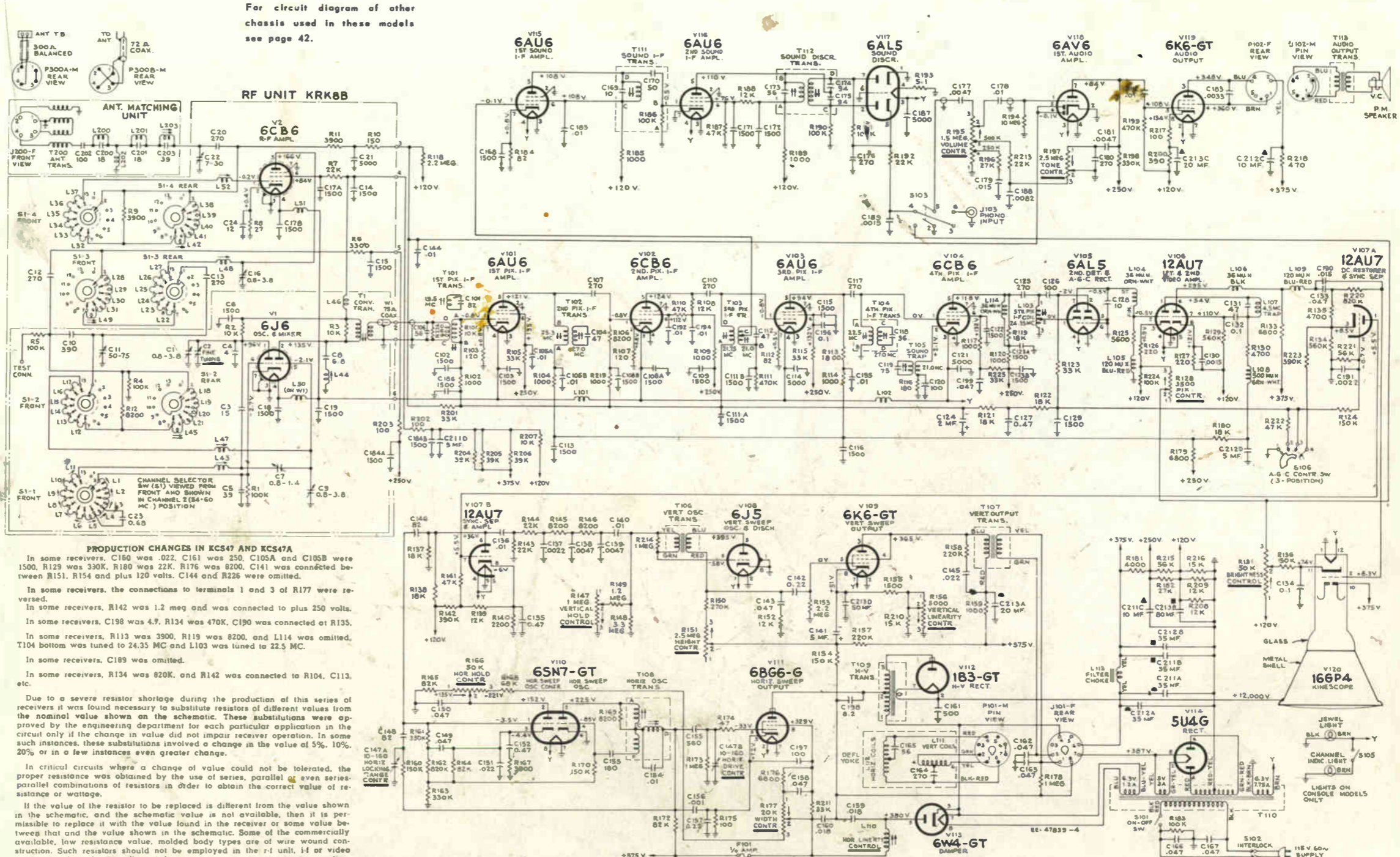
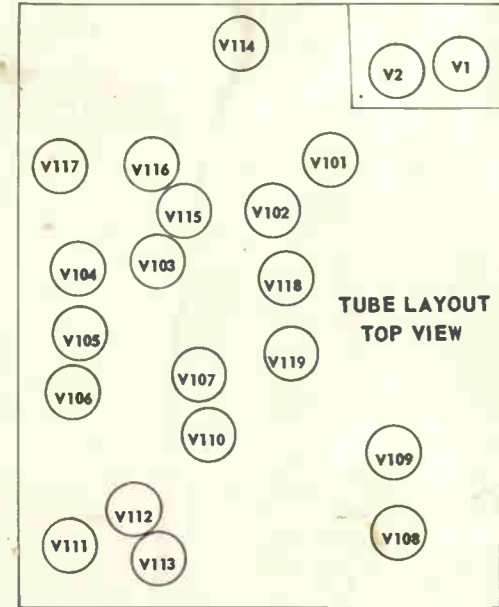
In some receivers, R179, 1 meg was employed as high voltage filter and was connected between V113-2 and the kinescope.

In some receivers, C220 was omitted and J104-2 was connected to V106-B.

In some receivers, R151, 2.2 meg was connected between R149-3 and ground.

In some receivers, R182, 100K was connected from S101 to ground.

REF. NO.	PART NO.	DESCRIPTION	C7	75172	Tubular, steatite, adj.	L102	75210	Fifth pix IF.	L115	73477	Filament choke.	R178	74945	Width control.	T109	75207	Power, 117V, 60 cycle.			
			C11	75174	Ceramic, trimmer.	L103	75299	Peeking coil.	L116	75299	Peeking coil.	R181	76390	W.W. 5600 ohms, 5'w.	T110	71424	Sound IF.			
		<b>ELECTROLYTICS</b>	C2	75189	Adjustable, 7-30 mmfd.	L104	75252	Peeking coil.	L200	75242	IF trop.	R228	72066	W.W. 2.2 ohms, 1/3 w.	T111	75212	Sound discriminator.			
C127	73747	2 mfd, 50 volts.	C143	75217	Mico trimmer. (duol).	L105	75251	4.5 mc trop.	L201		See L200.				T200	75214	Antenna w/connector IF & FM trop, ont. shunt.			
C132	76142	3 sec: 20/350V, 5/350V 150/50V.			<b>COILS</b>	L106	75252	Peeking coil.	L202	75241	Antenna shunt.			<b>TRANSFORMERS</b>			73591	Antenna mot. coil, 2 required.		
C160	75219	4 sec: 10/450V, 100/350V 10/350V, 20/25V.			L46	75202	Choke coil.	L107	71793	Peeking coil.	L108	75253	Peeking coil.					<b>MISCELLANEOUS</b>		
C161	75220	150 mfd, 200 volts.			L47	75182	Trimmer (tuner).	L108	75253	Peeking coil.	L109	76136	Deflection yoke.					S104	75590	Channel Indicator light sw.
C162	75220	150 mfd, 200 volts.			L48	75183	Trimmer (tuner).	L110		See L109.	L111		See L109.					S105	76010	AGC switch.
C1	75184	Ceramic, w/adj stud.			L51	73477	Choke coil.	L112		See L109.	L113	71449	Horiz. linearity.					SR101	75221	Selenium rectifier.
C2	75186	Ceramic, fine tuning plunger type.			L101	73477	Filament choke.	L114	76140	Filter choke.								SR102	75221	Selenium rectifier.
																		W1	75201	75 ohms, coax cable (7/4").
																			74974	Speaker-12" P.M. w/ cone & voice coil.

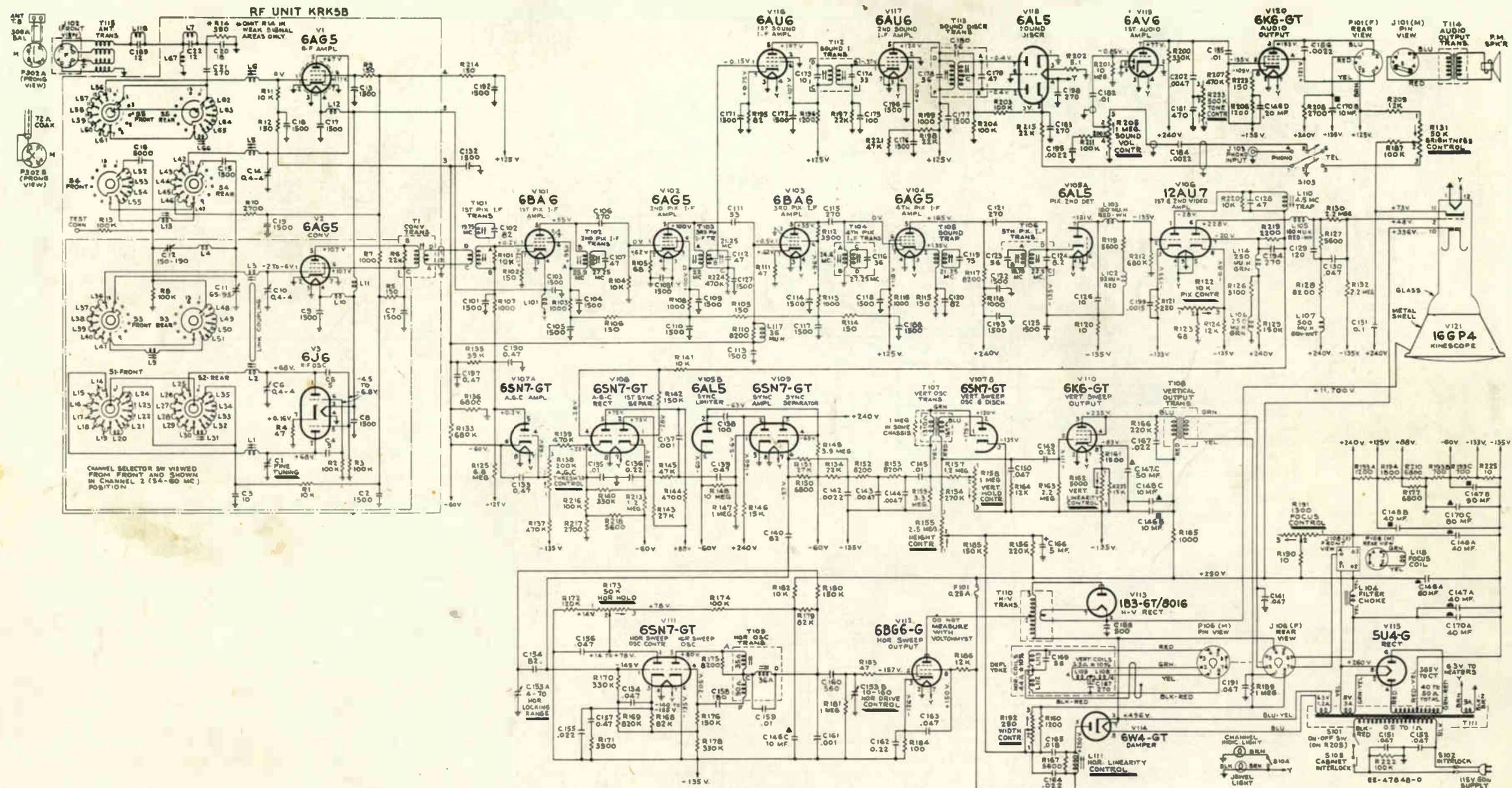
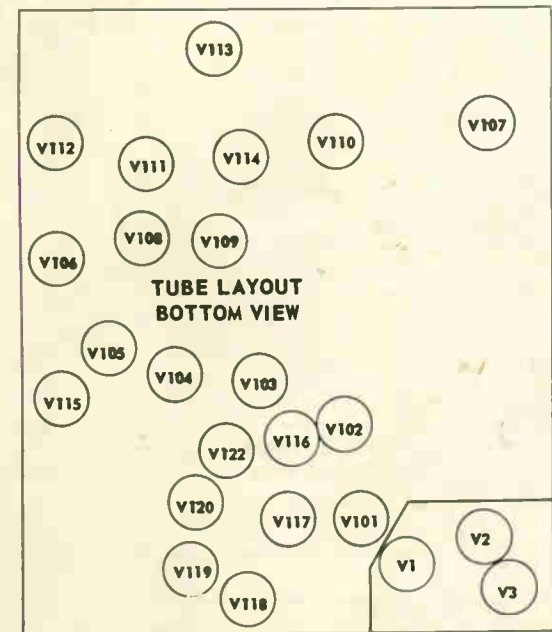
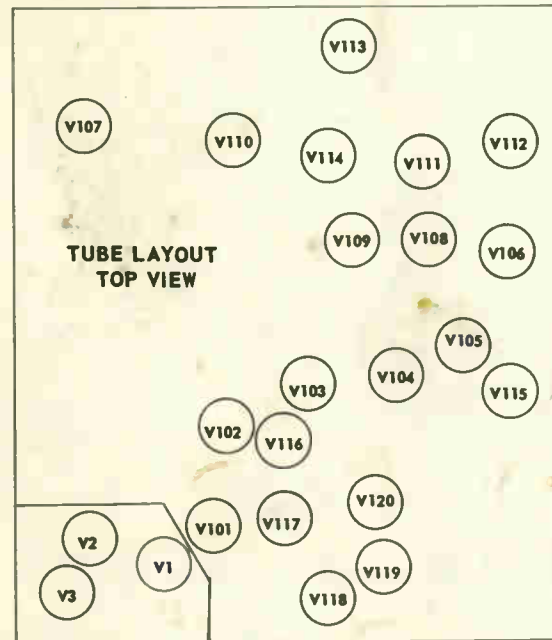


For circuit diagram of other chassis used in these models see page 42.

**PRODUCTION CHANGES IN KCS47 AND KCS47A**  
 In some receivers, C180 was .022, C161 was 250, C105A and C105B were 1500, R129 was 330K, R180 was 22K, R176 was 8200, C141 was connected between R151, R154 and plus 120 volts. C144 and R226 were omitted.  
 In some receivers, the connections to terminals 1 and 3 of R177 were reversed.  
 In some receivers, R142 was 1.2 meg and was connected to plus 250 volts.  
 In some receivers, C198 was 4.7, R134 was 470K, C190 was connected at R135.  
 In some receivers, R113 was 3900, R119 was 8200, and L114 was omitted, T104 bottom was tuned to 24.35 MC and L103 was tuned to 22.5 MC.  
 In some receivers, C189 was omitted.  
 In some receivers, R134 was 820K, and R142 was connected to R104, C113, etc.  
 Due to a severe resistor shortage during the production of this series of receivers it was found necessary to substitute resistors of different values from the nominal value shown on the schematic. These substitutions were approved by the engineering department for each particular application in the circuit only if the change in value did not impair receiver operation. In some such instances, these substitutions involved a change in the value of 5%, 10%, 20% or in a few instances even greater change.  
 In critical circuits where a change of value could not be tolerated, the proper resistance was obtained by the use of series, parallel or even series-parallel combinations of resistors in order to obtain the correct value of resistance or wattage.  
 If the value of the resistor to be replaced is different from the value shown in the schematic, and the schematic value is not available, then it is permissible to replace it with the value found in the receiver or some value between that and the value shown in the schematic. Some of the commercially available, low resistance value, molded body types are of wire wound construction. Such resistors should not be employed in the r-f unit, i-f or video sections as the inductive effect of these resistors may impair circuit operation.

REF. NO.	PART NO.	DESCRIPTION	C7	75172	Tubular, steatite, adj.	L103	75210	Fifth pix IF. w/adj core.	L200	75242	IF trap.	R181	75512	W.W. 4000 ohms, 10 w.	T109	75519	High-voltage.
		<b>ELECTROLYTICS</b>	C11	75174	Ceramic, trimmer.	L104	75299	Peaking coil.	L201		See L200.	R193	72067	W.W. 5.1 ohms, 1/2 w.	T110	75508	Power, 115V, 60 cycle.
C124	73747	2 mfd, 50 volts.	C22	75189	Adjustable, 7-30 mmfd.	L105	75252	Peaking coil.	L202	75241	Antenna shunt.	R195	75513	Tone, vol., power switch.	T111	71424	Sound IF. (dual winding)
C141	28417	5 mfd, 450 volts.	C147	75217	Mica, trimmer. (dual).	L106	71793	Peaking coil.	L203	74549	FM trap w/adj core & stud.			<b>TRANSFORMERS</b>		75211	Sound IF (single winding)
C211	75510	4 sec: 35-35/450V, 10/450V, 5/450V.			<b>COILS</b>	L107	75251	4.5 mc trap.			<b>RESISTORS</b>	T1	75181	Converter Xformer.	T112	75212	Sound discriminator.
C212	75510	4 sec: 35-35/450V, 10/450V, 5/450V.	L46	75202	Choke coil.	L108	75252	Peaking coil.	R128	75216	Picture & brightness.	T101	74589	First pix IF.	T113	75520	Audio output Xformer.
C213	75511	4 sec: 20/450V, 80/200V, 20/200V, 50/50V.	L47	75182	Trimmer. (tuner).	L109	75253	Peaking coil.		75514	Pix & brightness, chan. light sw. consoles only.	T102	74590	Second pix IF.	T200	75509	Antenna Xformer.
C1	75184	Ceramic w/adj. stud.	L48	75183	Trimmer. (tuner).	L110	71449	Horiz. linearity.	R147	75215	Horiz. & vertical hold.	T103	76264	Third pix IF.		73591	Antenna mat. coil 2 required.
C2	75186	Ceramic, fine tuning plunger type.	L51	73477	Choke coil.	L111	74952	Deflection yoke.	R151	71440	Height control.	T104	73574	Fourth pix IF.			<b>MISCELLANEOUS</b>
			L51	73477	Choke coil.	L112		See L111.	R156	71441	Vertical linearity.	T105	71778	Sound trap.		75022	Speaker-8" P.M. (92580-4)
			L101	73477	Choke coil.	L113	73154	Filter choke.	R177	75215	Width control.	T106	71778	Sound trap.		75520	Output Xformer. (92580-4)
			L102	73477	Choke coil.	L114	76285	Peaking coil.	R177	75516	Width control.	T107	74950	Vertical output.		74974	Speaker-12" P.M. (92569-11W)
						L115	76132	Peaking coil.				T108	75213	Horiz. oscillator.		75520	Output Xformer. (92569-11W)



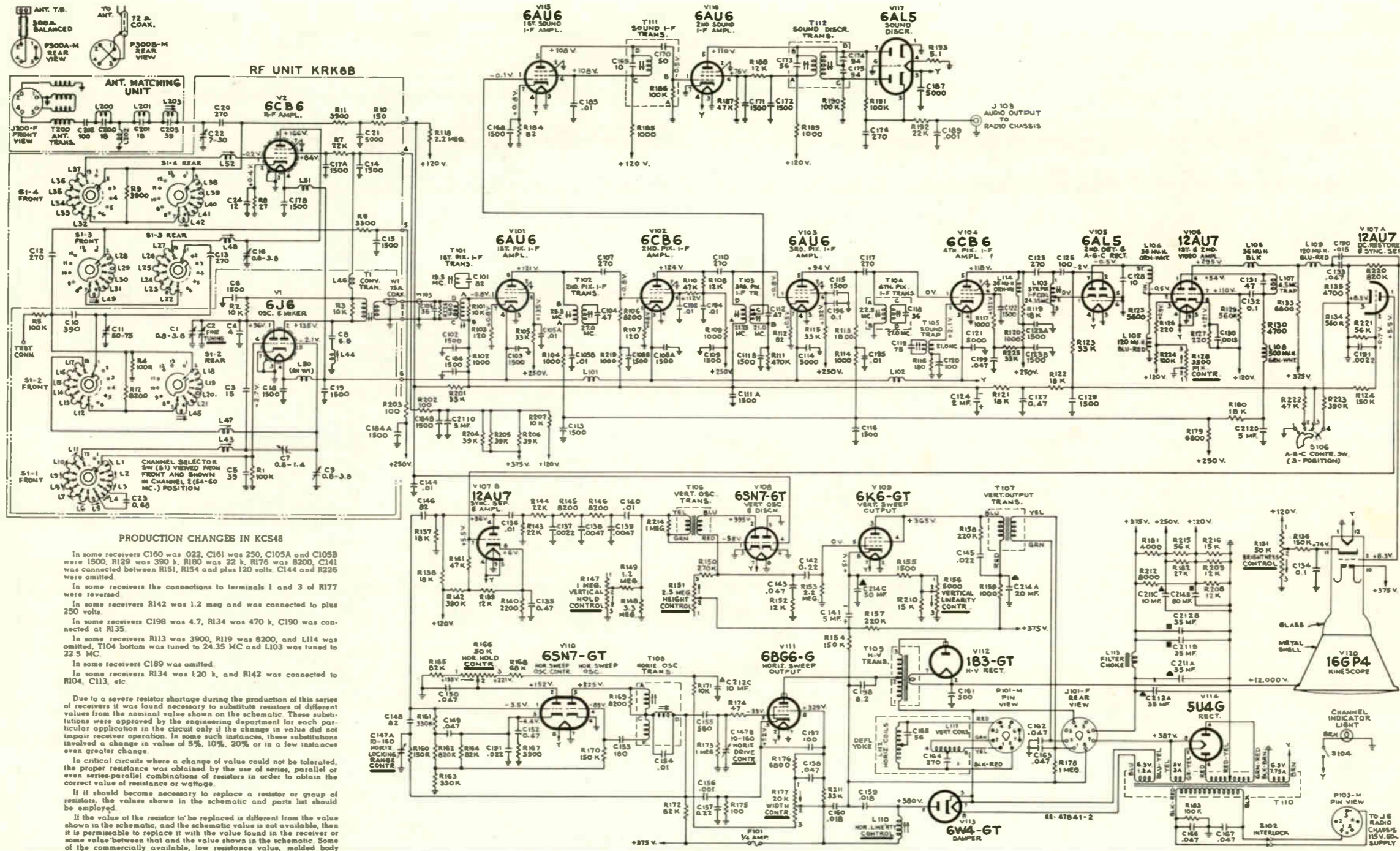


In some receivers, a 4.7 mfd. 5,000 volt capacitor (Stock No. 75846) is connected between terminal 2 of T110 and the 250 volt bus in order to increase

picture width. If this capacitor is added in the field it should be connected to F101 and the red lead on the terminal board in the HV compartment.

The leads of the capacitor must be protected by spaghetti, and dressed away from the HV trans. the 6B6G and the back cover of the HV compartment.

REF. NO.	PART NO.	DESCRIPTION	C11	73449	Ceramic, trimmer.	L109	See L108.	R138	74475	AGC threshold.	TRANSFORMERS		T111	74949	Power, 117V, 60 cycle.		
			C153	74946	Mica, trimmer.	L110	73577	4.5 mc trap.	R155	71440	Height control.	T101	73448	Converter Xformer.	T112	71424	Sound IF.
ELECTROLYTICS			COILS			L111	71449	Horiz. linearity.	R158	72734	Horiz. & vertical hold.	T102	74590	Second pix IF.	T113	71427	Sound discriminator.
C146	73581	4 sec 60/450V, 10-10/450V 20/150V.	L67	73475	Antenna filter shunt.	L112	See L108.		R162	71441	Vertical linearity.	T103	74591	Third pix IF.	T114	75036	Output Xformer.
C147	73583	3 sec 40/450V, 90/150V 50/150V.	L101	73447	Filament choke.	L113	See L108.		R190	18471	W.W. 10 ohms, 1/2 w.	T104	74592	Fourth pix IF.	T115	73578	Antenna w/socket.
C148	71432	3 sec 40-40/450V, 10/450V.	L102	71527	Peaking coil.	L114	71526	Peaking coil.	R191	74597	Focus control.	T105	71778	Sound trap.	MISCELLANEOUS		
C166	28417	5 mfd, 450 volts.	L103	74214	Peaking coil.	L116	73476	IF trap.	R192	74945	Width control.	T106	73575	Fifth pix IF.	5105	74157	Cabinet interlock sw.
C170	73582	3 sec 40/450V 10/450V 80/200V.	L104	73154	Filter choke.	L117	74170	Peaking coil.	R193	74955	Volt-div. 3 sec 1200/16 w, 700-700/5 1/2 w.	T107	73569	Vertical oscillator.		75035	Speaker-12" P.M.
			L105	74214	Peaking coil.	L118	74983	Focus coil.	R202	72067	W.W. 5.1 ohms, 1/2w.	T108	74950	Vertical output.		75036	Output Xformer.
			L106	71526	Peaking coil.	RESISTORS			R205	74048	Vol., tone, power switch.	T109	73576	Horiz. oscillator.			
			L107	75252	Peaking coil.	R122	75452	Pix & brightness, chon. light switch.				T110	74951	High-voltage.			
			L108	74952	Deflection yoke.												



PRODUCTION CHANGES IN KCS48

In some receivers C160 was .022, C161 was .250, C105A and C105B were 1500, R129 was 390 k, R180 was 22 k, R176 was 8200, C141 was connected between R151, R154 and plus 120 volts. C144 and R226 were omitted.

In some receivers the connections to terminals 1 and 3 of R177 were reversed.

In some receivers R142 was 1.2 meg and was connected to plus 250 volts.

In some receivers C198 was 4.7, R134 was 470 k, C190 was connected at R135.

In some receivers R113 was 3900, R119 was 8200, and L114 was omitted, T104 bottom was tuned to 24.35 MC and L103 was tuned to 22.5 MC.

In some receivers C189 was omitted.

In some receivers R134 was 120 k, and R142 was connected to R104, C113, etc.

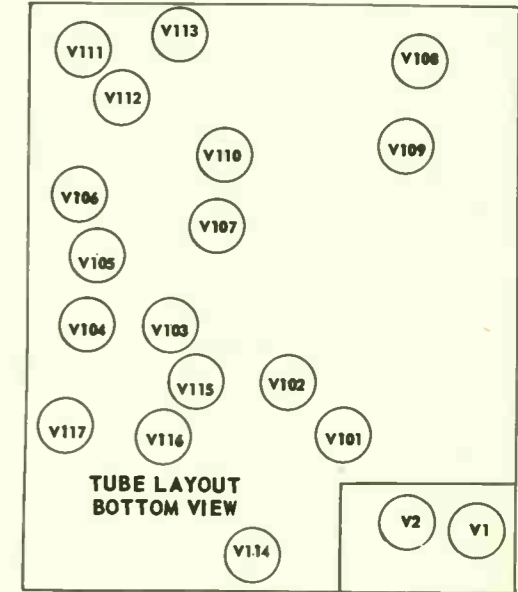
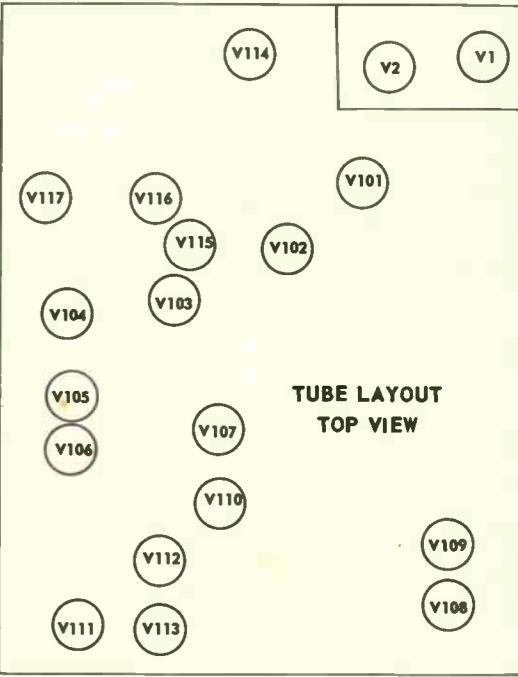
Due to a severe resistor shortage during the production of this series of receivers it was found necessary to substitute resistors of different values from the nominal value shown on the schematic. These substitutions were approved by the engineering department for each particular application in the circuit only if the change in value did not impair receiver operation. In some such instances, these substitutions involved a change in value of 5%, 10%, 20% or in a few instances even greater change.

In critical circuits where a change of value could not be tolerated, the proper resistance was obtained by the use of series, parallel or even series-parallel combinations of resistors in order to obtain the correct value of resistance or wattage.

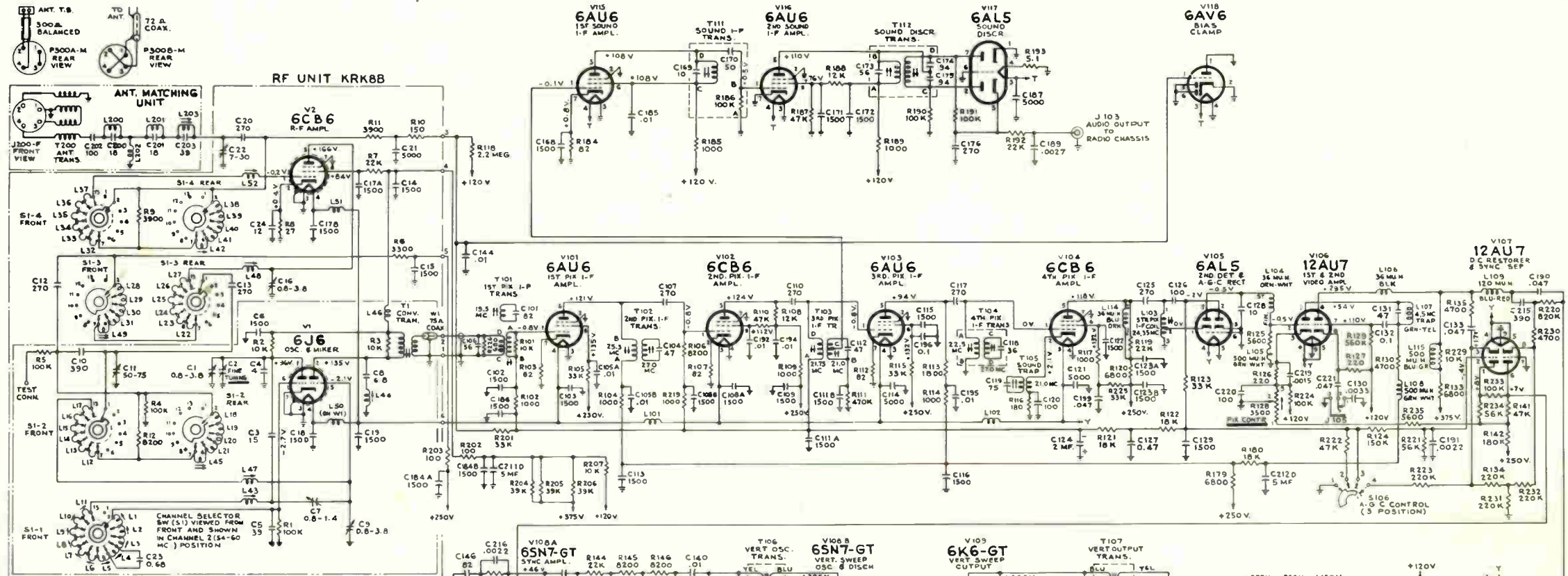
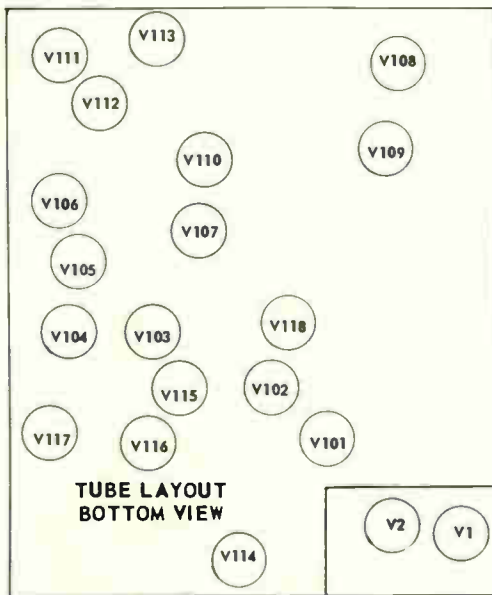
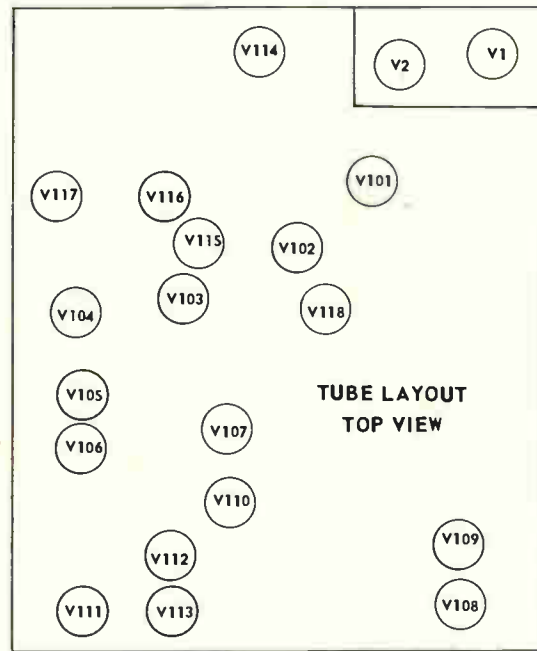
If it should become necessary to replace a resistor or group of resistors, the values shown in the schematic and parts list should be employed.

If the value of the resistor to be replaced is different from the value shown in the schematic, and the schematic value is not available, then it is permissible to replace it with the value found in the receiver or some value between that and the value shown in the schematic. Some of the commercially available, low resistance value, molded body types are of wire wound construction. Such resistors should not be employed in the r-f unit, i-f or video sections as the inductive affect of these resistors may impair circuit operation.

For circuit diagram of other chassis used in these models see page 45.

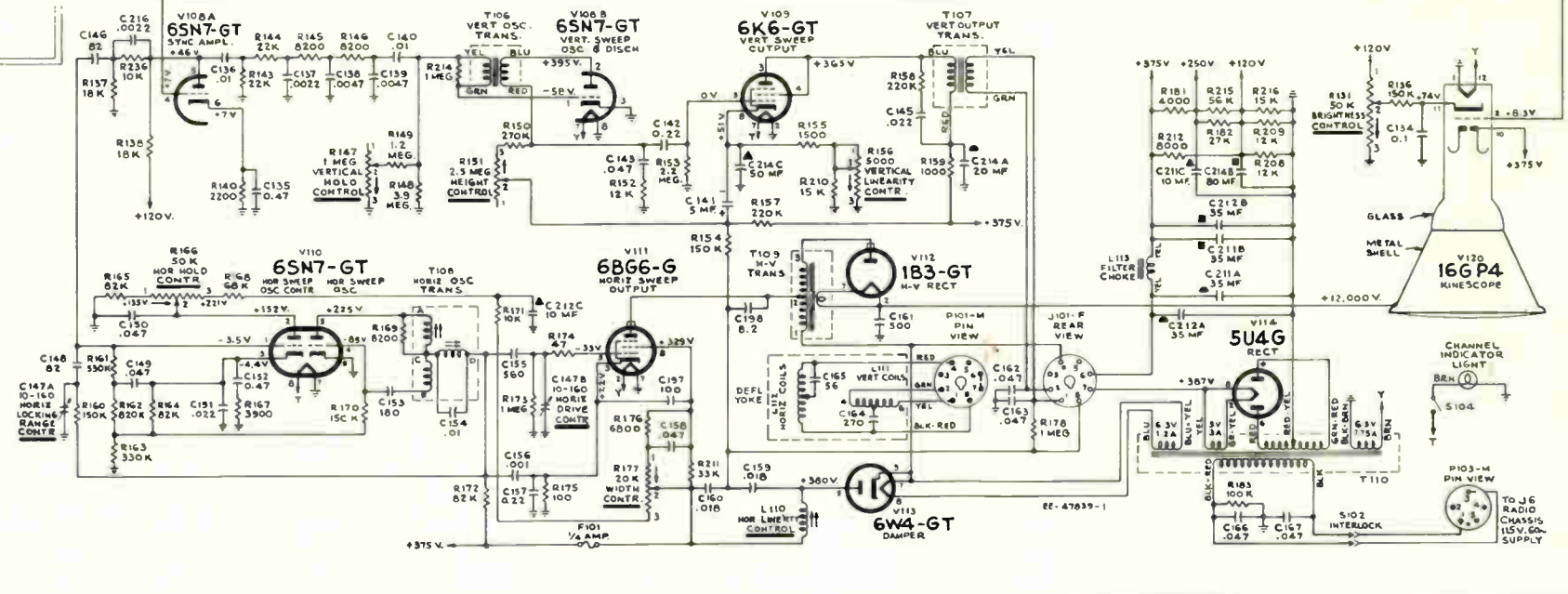


REF. NO.	PART NO.	DESCRIPTION	C2	75186	Ceramic, fine tuning plunger type.	L105	75252	Peaking.	L201	See L200.	TRANSFORMERS						
ELECTROLYTICS			C7	75172	Tubular, steatite, adj.	L106	71793	Peaking coil.	L202	75241	Antenna shunt coil.	T1	75181	Converter Xformer.	T112	75212	Sound discriminator.
C124	73747	2 mfd, 50 volts.	C11	75174	Ceramic, trimmer.	L107	75251	4.5 mc trap.	L203	75449	FM trap w/ adj core & stud.	T101	74589	First pix IF.	T200	75509	Antenna w/amt. connector IF & FM traps, shunt coil.
C141	28417	5 mfd, 450 volts.	C17	75217	Mica, trimmer (dual).	L108	75252	Peaking coil.	RESISTORS			T102	74590	Second pix IF.	73591	Antenna mat. coil, 2 required.	
C211	75510	4 sec 35-35/450V 10/450V, 5/450V.	C22	75189	Adjustable.	L109	75253	Peaking coil.	R128	75216	Picture & brightness.	T103	76264	Third pix IF.	MISCELLANEOUS		
C212	75510	4 sec 35-35/450V 10/450V, 5/450V.	L51	73477	Choke coil.	L110	71449	Horiz. linearity.	R147	75215	Horiz. & vertical hold.	T104	73574	Fourth pix IF.	75681	Speaker-12" P.M. (models 6T86 & 6T87).	
C214	75592	3 sec 20/450V, 80/200V 50/50V.	L101	73477	Choke coil.	L111	74952	Deflection yoke.	R151	71440	Height control.	T105	71778	Sound trap.	74974	Speaker-12" P.M. (model 6T84).	
C1	75184	Ceramic, w/adj. stud.	L102	73477	Choke coil.	L112		See L111.	R156	71441	Vertical linearity.	T106	74144	Vertical oscillator.			
			L103	75210	Fifth pix IF.	L113	73154	Filter choke.	R177	75516	Width control.	T107	74950	Vertical output.			
			L104	75299	Peaking coil.	L114	76285	Peaking coil.	R181	75512	W.W. 4000 ohms, 10 w.	T108	75213	Horiz. oscillator.			
						L115	76132	Peaking coil.	R193	72067	W.W. 5.1 ohms, 1/2 w.	T109	75519	High-voltage.			
						L131	75251	4.5 mc trap.	R212	75593	W.W. 8000 ohms, 15 w.	T110	75508	Power, 115 V, 60 cycle.			
						L200	75242	IF trap.				T111	71424	Sound IF (dual winding).			



PRODUCTION CHANGES IN KCS48T

In some receivers, R120 was 1000 ohms  
 In some receivers, C196 was 01 mfd  
 In some receivers, R103 and R107 were 120 ohms and point C of T103 was 5 turns down from top of coil on the actual transformer  
 In some receivers, J105, C219, C220 and C221 were omitted. L105 was 120 M $\mu$ H (Red/Blue) and C130 was connected between pin 8 of V106 and plus 125 volt bus  
 In some receivers, R148 was 3.3 meg and C189 was 0015  
 The following changes will be made on a few late production receivers but these changes are not shown in the schematic or wiring diagrams.  
 In a few late production chassis T111 will be replaced by a dual winding transformer with two adjustable cores for primary and secondary which are adjustable from the top and bottom of the chassis. R186 will be 22K and will be connected between terminal A of T111 and ground. A 100 mfd capacitor will be connected in parallel with R186. Terminal B of T111 will be connected to Pin 1 of V116. Connections to Terminals C and D of T111 will remain unchanged. For circuit diagram see Service Data, Model 77143.  
 In a few late production receivers the following changes will be made. R118 will be changed to 10 meg and R201 will become 150K. The bleeder resistors, R208, R209 and R216 will be lifted from ground and a 220 ohm resistor, R239 will be inserted between the old bleeder and ground. This will create a new 5.5 volt bus. The cathode of the AGC diode pin 5 of V105 will be lifted from ground and connected to this 5.5 volt bus. A 01 mfd capacitor C224, will be connected from Pin 5 of V105 to ground. Video load resistors R133, R229, and L115 will be removed. A 2700 ohm resistor R139 will be connected to junction of L106 and L109. R133 a 4700 ohm resistor will be connected between R139 and the 375 volt bus. A 270 mfd capacitor C223 will be connected from the junction of R133, R139 and to Pin 8 of V107. C130 will be changed to 0033 mfd. For circuit diagram, see the Service Data for Model 77143.



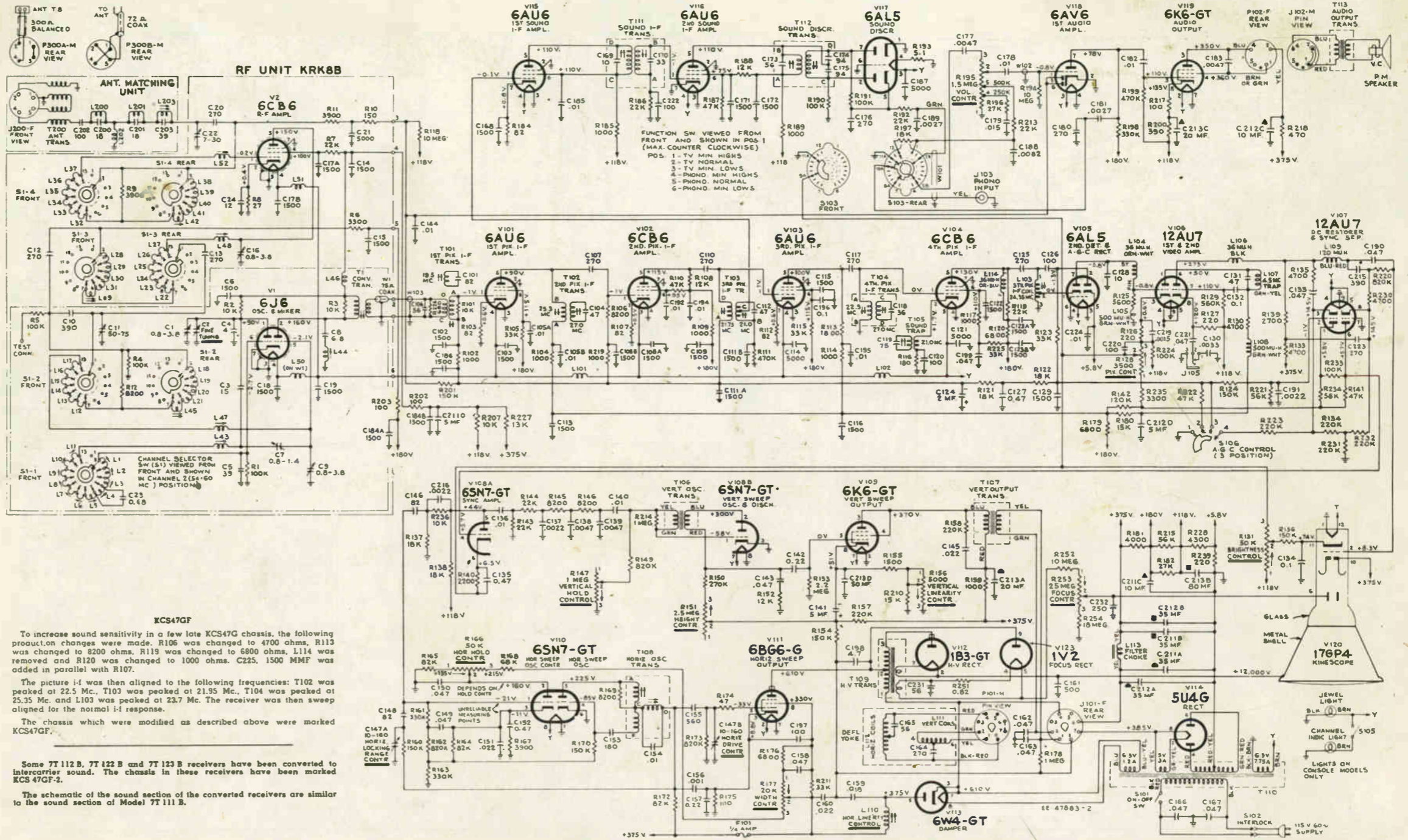
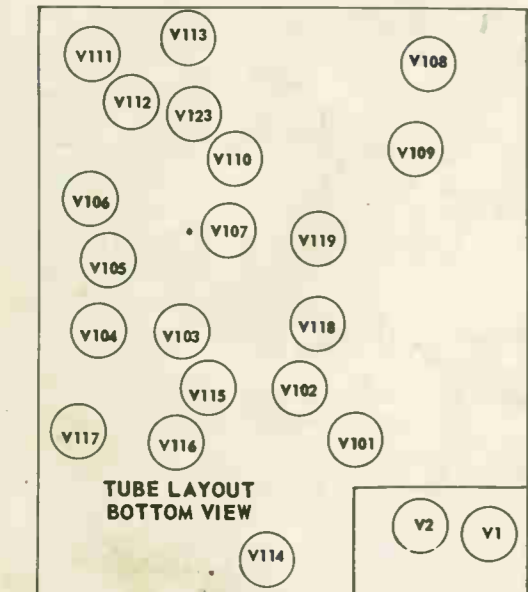
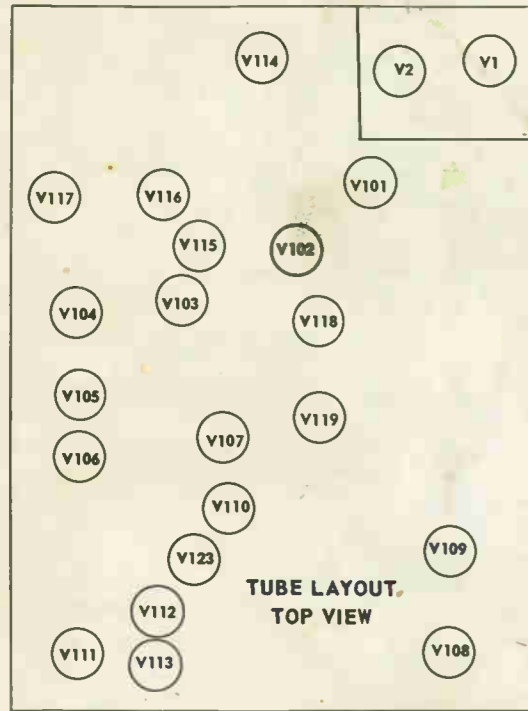
REF. NO.	PART NO.	DESCRIPTION	QTY	VALUE	DESCRIPTION	QTY	VALUE	DESCRIPTION	QTY	VALUE		
	C2	75186	Ceramic, fine tuning plunger type.	L102	73477	Choke coil.	L114	76285	Peaking coil.	R193	72067	W.W. 5.1 ohms, 1/2 w.
	C7	75172	Tubular, steatite, adj.	L103	75210	5th pix IF w/adj core.	L131	75251	4.5 mc trap.	R212	75593	W.W. 8000 ohms, 15 w.
	C11	75174	Ceramic, trimmer.	L104	75299	Peaking coil.	L200	75242	IF trap.	TRANSFORMERS		
	C14	28417	5 mfd, 450 volts.	L105	75252	Peaking coil.	L201		See L200.	T1	75181	Converter Xformer.
	C21	75510	4 sec: 35-34/450V, 10/450V 5/450V.	L106	71793	Peaking coil.	L202	75241	Antenna shunt.	T101	74589	First pix IF.
	C22	75189	Adjustable, 7-30 mmfd.	L107	75251	4.5 mc trap.	L203	75449	FM trap w/adj core & stud.	T102	74590	Second pix IF.
	C147	75217	Mico, trimmer, (dual).	L108	75252	Peaking coil.	RESISTORS			T103	76264	Third pix IF.
	C212	75510	4 sec: 35-35/450V, 10/450V 5/450V.	L109	75253	Peaking coil.	R128	75216	Pix & brightness.	T104	73574	Fourth pix IF.
	C214	75592	3 sec: 20/450V, 80/200V 50/50V.	L110	71449	Horiz. linearity.	R147	75215	Horiz. & vertical hold.	T105	71778	Sound trap.
	C1	75184	Ceramic, w/adj stud.	L111	74952	Deflection yoke.	R151	71440	Height control.	T106	74144	Vertical oscillator.
				L112		See L111.	R156	71441	Vertical linearity.	T107	74950	Vertical output.
				L101	73477	Choke coil.	R177	75516	Width control.	T108	75213	Horiz. oscillator.
							R181	75512	W.W. 4000 ohms, 10 w.	T109	75519	High-voltage.
										T110	75508	Power, 115V, 60 cycle.
										T111	71424	Sound IF. Dual winding.
										T112	75211	Sound IF. Single winding.
										T200	75509	Antenna w/ant. connector, IF & FM traps, shunt coil.
											73591	Antenna mot. coil 2 required.
										MISCELLANEOUS		
										5104	75594	Indicator light switch.
										5106	76010	AGC switch.
											75681	Speaker-12" P.M.
												Models 6T86 & 6T87.
											74974	Speaker-12" P.M. Model 6T84.

For circuit diagram of other chassis used in these models see page 44.





9-T-12



**KCS47GF**

To increase sound sensitivity in a few late KCS47G chassis, the following production changes were made. R106 was changed to 4700 ohms, R113 was changed to 8200 ohms, R119 was changed to 6800 ohms, L114 was removed and R120 was changed to 1000 ohms. C225, 1500 MMF was added in parallel with R107.

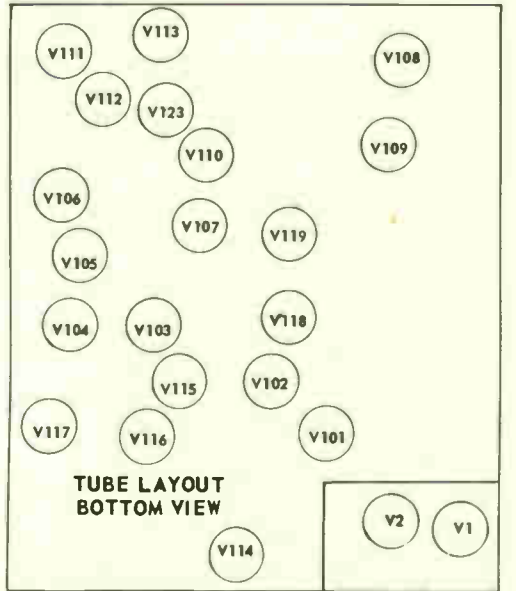
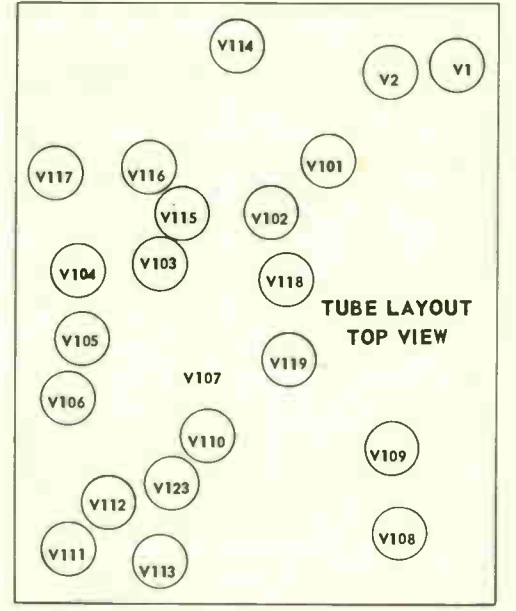
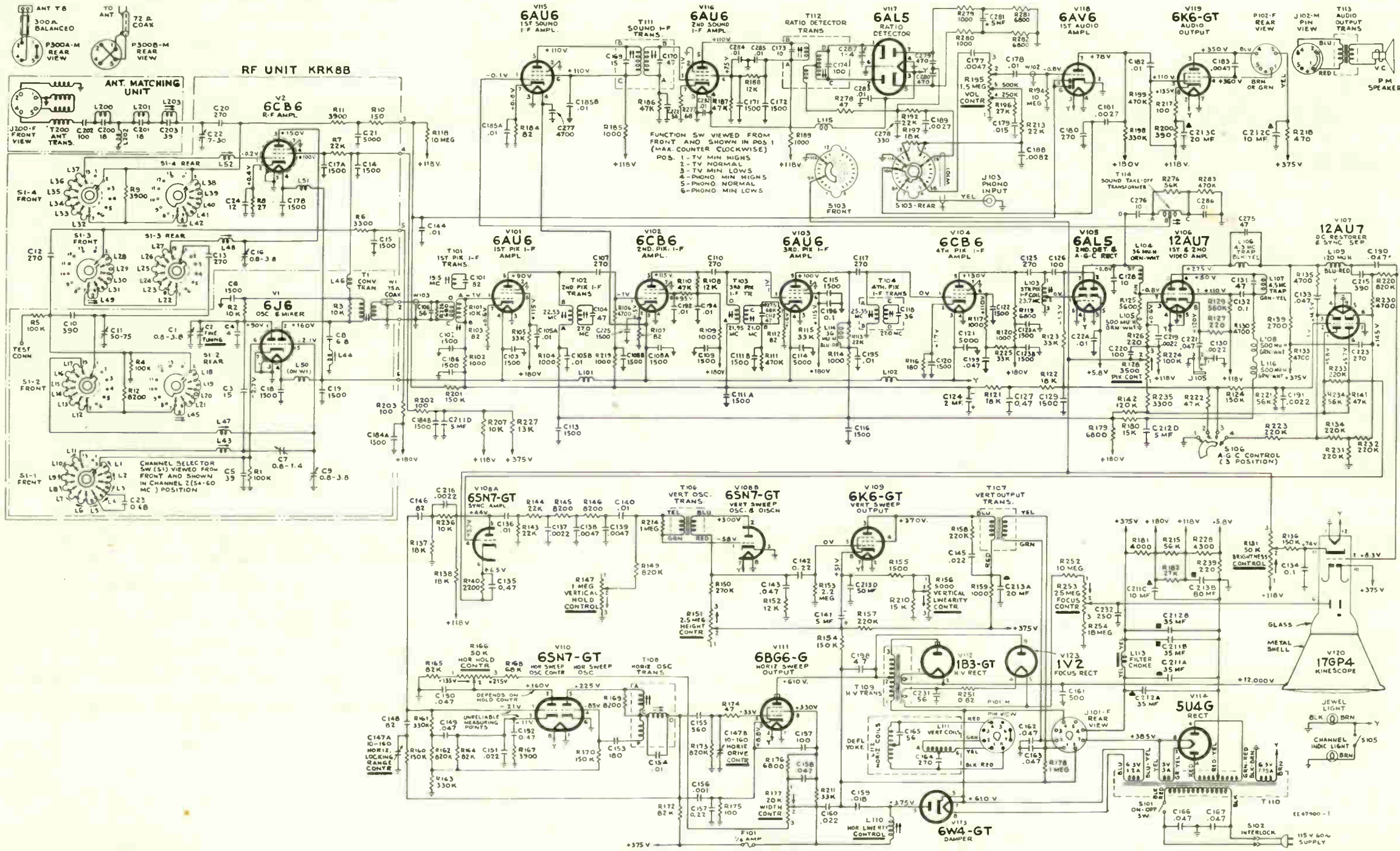
The picture i-f was then aligned to the following frequencies: T102 was peaked at 22.5 Mc., T103 was peaked at 21.35 Mc., T104 was peaked at 25.35 Mc. and L103 was peaked at 23.7 Mc. The receiver was then sweep aligned for the normal i-f response.

The chassis which were modified as described above were marked KCS47GF.

Some 7T112B, 7T122B and 7T123B receivers have been converted to intercarrier sound. The chassis in these receivers have been marked KCS47GF-2.

The schematic of the sound section of the converted receivers are similar to the sound section of Model 7T111B.

REF. NO.	PART NO.	DESCRIPTION	QTY	VALUE	DESCRIPTION	QTY	VALUE	DESCRIPTION	QTY	VALUE	DESCRIPTION
		<b>ELECTROLYTICS</b>									
C124	73747	2 mfd, 50 volts.	1								
C141	28417	5 mfd, 450 volts.	1								
C211	75510	4 sec: 35-35/450V, 10/450V 5/450V.	1								
C212	75510	4 sec: 35-35/450V, 10/450V 5/450V.	1								
C213	75511	4 sec: 20/450V, 80/200V 20/200V, 50/50V.	1								
C1	75184	Ceramic, w/adj. stud.	1								
		<b>COILS</b>									
L106	71793	Peaking coil.	1								
L107	75251	4.5 mc trap.	1								
L108	75252	Peaking coil.	1								
L109	75253	Peaking coil.	1								
L110	71449	Horiz. linearity.	1								
L111	74952	Deflection yoke.	1								
L112		See L111.	1								
L113	76284	Filter choke.	1								
L114	76285	Peaking coil.	1								
L200	76242	IF trap.	1								
L201		See L200.	1								
L103	75210	Fifth pix IF. w/adj core.	1								
L104	75299	Peaking coil.	1								
L105	75252	Peaking coil.	1								
		<b>RESISTORS</b>									
R147	75215	Horiz. & vertical hold.	1								
R151	71440	Height control.	1								
R156	71441	Vertical linearity.	1								
R177	75516	Width control.	1								
R181	75512	W.W. 4000 ohms, 10 w.	1								
R193	72067	W.W. 5.1 ohms, 1/2 w.	1								
R195	76171	Val., power switch.	1								
R227	76065	W.W. 13,000 ohms, 5 w.	1								
R228	76066	W.W. 4300 ohms, 5 w.	1								
R239	76304	W.W. 220 ohms, 1/2 w.	1								
R251	76382	W.W. 0.82 ohms, 1/3 w.	1								
R253	76503	Focus control.	1								
		<b>TRANSFORMERS</b>									
T1	75181	Converter Xformer.	1								
T101	74589	First pix IF.	1								
T102	74590	Second pix IF.	1								
T103	76264	Third pix IF.	1								
T104	73574	Fourth pix IF.	1								
T105	71778	Sound trap.	1								
T106	74144	Vertical oscillator.	1								
T107	74950	Vertical output.	1								
T108	75213	Horiz. oscillator.	1								
T109	76381	High-voltage.	1								
T110	75508	Power, 117V, 60 cycle.	1								
T111	71424	Sound IF.	1								
		<b>MISCELLANEOUS</b>									
S103	76170	Tone, phono sw. less val., power switch.	1								
S106	76010	AGC switch.	1								
		<b>TRANSFORMERS</b>									
T112	75212	Sound discriminator.	1								
T113	75520	Audio output.	1								
T200	75509	Antennaw/ant. connector IF & FM traps, shunt coil.	1								
		<b>MISCELLANEOUS</b>									
		73591	Antenna mat. coil 2 required.								
		5103	Tone, phono sw. less val., power switch.								
		5106	76010 AGC switch.								
		76389	Speaker-12" P.M. (971494-1W)								
		75520	Output Xformer. (971494-1W)								
		75022	Speaker-8" P.M. (92580-4W)								
		75520	Output Xformer. (92580-4W)								

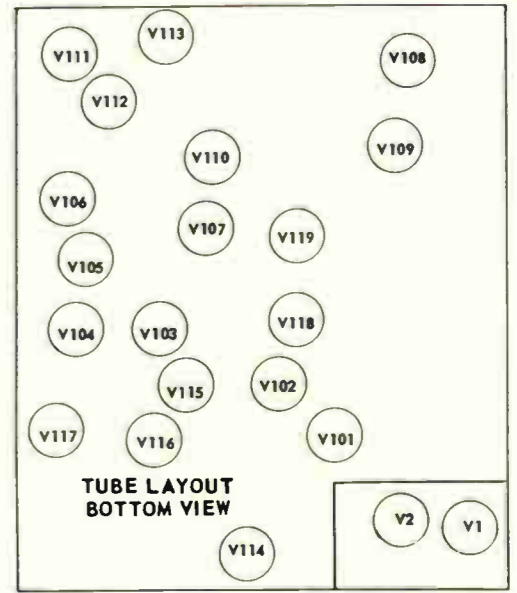
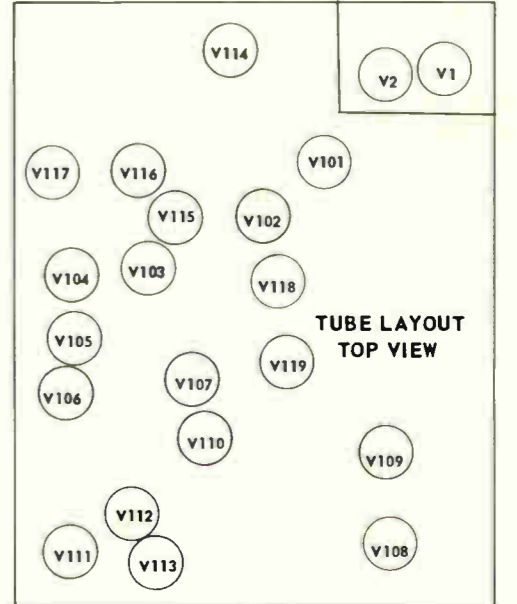
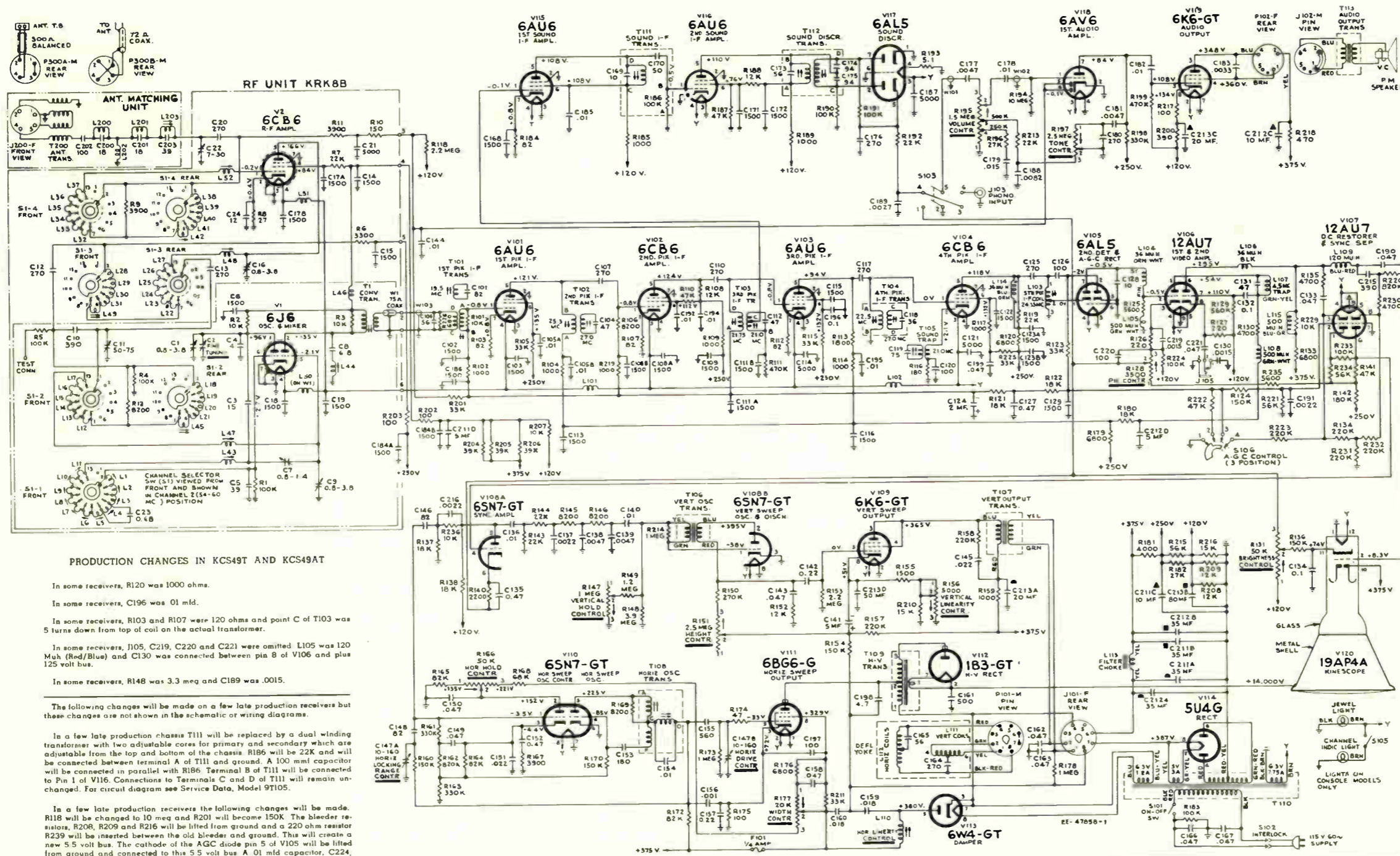


REF. NO.	PART NO.	DESCRIPTION	C2	75186	Ceramic, fine tuning plunger type.	L105	75252	Peeking coil.	L201	See L200.	R227	76065	W.W. 13,000 ohms, 5 w.	T107	74950	Vertical output.				
		<b>ELECTROLYTICS</b>	C7	75172	Tubular, steelite, adj.	L106	76704	4.3 mc trap.	L202	75241	Antenna shunt coil.	R228	76066	W.W. 4300 ohms, 5 w.	T108	75213	Horiz. oscillator.			
C124	73747	2 mfd, 50 volts.	C11	75174	Ceramic, trimmer.	L107	75251	4.5 mc trap.	L203	75449	FM trap w/ core & stud.	R239	76304	W.W. 220 ohms, 1/2 w.	T109	76381	High-voltage.			
C141	28417	5 mfd, 450 volts.	C22	75189	Adjustable.	L108	75252	Peeking coil.	<b>RESISTORS</b>								T110	75508	Power, 117V, 60 cycle.	
C211	75510	4 sec: 35-35/450V, 10/450V, 5/450V.	C147	75217	Mico, trimmer.	L109	75253	Peeking coil.	R128	75514	Pix & brightness, channel light switch.	R251	76382	W.W. 0.82 ohms, 1/3 w.	T111	76438	Sound IF.			
C212	75510	4 sec: 35-35/450V, 10/450V, 5/450V.	<b>COILS</b>			L110	71449	Horiz. linearity.	R253	76503	Focus control.	<b>TRANSFORMERS</b>						T112	76702	Ratio detector.
C213	75511	4 sec: 20/450V, 80/200V 70/200V, 50-50V.	L51	73477	Choke coil.	L111	74952	Deflection yoke.	<b>MISCELLANEOUS</b>								T114	76703	Sound take-off.	
C1	75184	Ceramic, adjustable stud.	L101	73477	Choke coil.	L112		See L111.	R147	75215	Horiz. & vertical hold.	T101	74589	First pix IF.						
			L102	73477	Choke coil.	L113	76284	Filter choke.	R151	71440	Height control.	T102	74590	Second pix IF.						
			L103	73477	Choke coil.	L114	76285	Peeking coil.	R156	71441	Vertical linearity.	T103	76264	Third pix IF.						
			L102	75210	Fifth pix IF. w/ adj stud.	L115	73477	Choke coil.	R177	75516	Width control.	T104	73574	Fourth pix IF.						
			L104	75299	Peeking coil.	L116	75252	Peeking coil.	R181	75512	W.W. 4000 ohms, 10 w.	T106	74144	Vertical oscillator.						
						L200	75242	IF trap.	R195	76171	Vol., power switch.									









**PRODUCTION CHANGES IN KCS49T AND KCS49AT**

In some receivers, R120 was 1000 ohms.  
 In some receivers, C196 was 01 mid.  
 In some receivers, R103 and R107 were 120 ohms and point C of T103 was 5 turns down from top of coil on the actual transformer.  
 In some receivers, I105, C219, C220 and C221 were omitted. L105 was 120 Muh (Red/Blue) and C130 was connected between pin 8 of V106 and plus 125 volt bus.  
 In some receivers, R148 was 3.3 meg and C189 was .0015.  
 The following changes will be made on a few late production receivers but these changes are not shown in the schematic or wiring diagrams.  
 In a few late production chassis T111 will be replaced by a dual winding transformer with two adjustable cores for primary and secondary which are adjustable from the top and bottom of the chassis. R186 will be 22K and will be connected between terminal A of T111 and ground. A 100 mfd capacitor will be connected in parallel with R186. Terminal B of T111 will be connected to Pin 1 of V116. Connections to Terminals C and D of T111 will remain unchanged. For circuit diagram see Service Data, Model 9T105.  
 In a few late production receivers the following changes will be made. R118 will be changed to 10 meg and R201 will become 150K. The bleeder resistors, R208, R209 and R216 will be lifted from ground and a 220 ohm resistor R239 will be inserted between the old bleeder and ground. This will create a new 5.5 volt bus. The cathode of the AGC diode pin 5 of V105 will be lifted from ground and connected to this 5.5 volt bus. A 01 mid capacitor, C224, will be connected from Pin 5 of V105 to ground. Video load resistors R133, R229, and L115 will be removed. A 2700 ohm resistor R139 will be connected to junction of L108 and L109. R133, a 4700 ohm resistor will be connected between R139 and the 375 volt bus. A 270 mfd capacitor C223 will be connected from the junction of R133, R139 and to Pin B of V107. C130 will be changed to 0033 mid. For circuit diagram, see the Service Data for Model 9T105.

For circuit diagram of other chassis used in these models see page 51

REF. NO.	PART NO.	DESCRIPTION	C7	75172	Tubular, steatite, adj.	L107	75251	4.5 mc trap.	RESISTORS		TRANSFORMERS		T111	71424	Sound IF, dual winding.		
			C11	75174	Ceramic, trimmer.	L108	75252	Peaking coil.	R128	75216	Pix & brightness for 9T57.	T1	75181	IF converter Xformer.	T112	75212	Sound discriminator.
			C22	75189	Adjustable.	L109	75253	Peaking coil.		75514	Pix & brightness for 9T77 and model 9T79.	T101	74589	First pix IF.	T113	75520	Output Xformer.
			C141	28417	5 mfd, 450 volts.	L110	71449	Horiz linearity.	R147	75215	Horiz. & vertical hold.	T102	74590	Second pix IF.	T200	75509	Antenna matching, complete.
			C211	75510	4 sec: 35-35/450V, 10/450V 5/450V.	L111	74952	Deflection yoke.	R151	71440	Height control.	T103	76264	Third pix IF.		73591	Antenna mat. coil, 2 required.
			C212	75510	4 sec: 35-35/450V, 10/450V, 5/450V.	L112		See L111.	R156	71441	Vertical linearity.	T104	73574	Fourth pix IF.	<b>MISCELLANEOUS</b>		
			C213	75511	4 sec: 20/450V, 20/200V 20/200V, 50/50V.	L113	73154	Filter choke.	R177	75516	Width control.	T105	71778	Sound trap.	75022	Speaker-8" P.M. (model 9T57)	
			C1	75184	Ceramic, adj. stud.	L114	76285	Peaking coil.	R181	75512	W.W. 4000 ohms, 10 w.	T106	74144	Vertical oscillator.	75520	Output Xformer (model 9T57).	
			C2	75186	Ceramic, fine tuning plunger type.	L115	76132	Peaking coil.	R193	72067	W.W. 5.1 ohms, 1/2 w.	T107	74950	Vertical output.	74974	Speaker-12" P.M. (models 9T77, 9T79).	
						L106	71793	Peaking coil.	R192	75513	Tone, vol., power switch.	T108	75213	Horiz. oscillator.	75520	Output Xformer. (models 9T77, 9T79).	
												T109	75585	High-voltage.			
												T110	75508	Power, 115V, 60 cycle.			





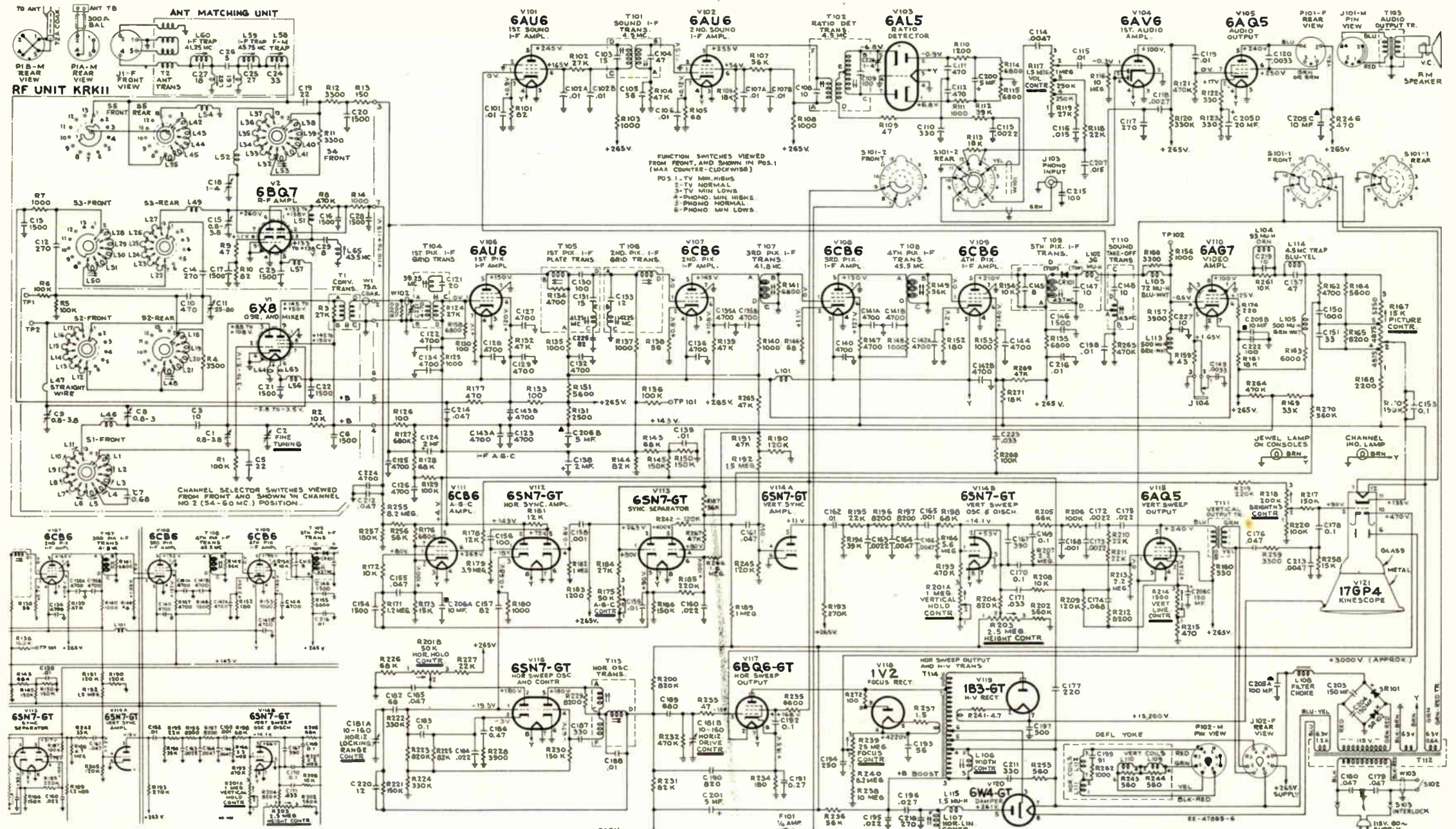
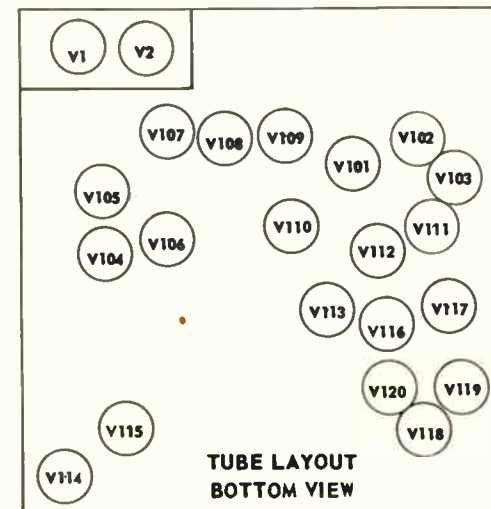
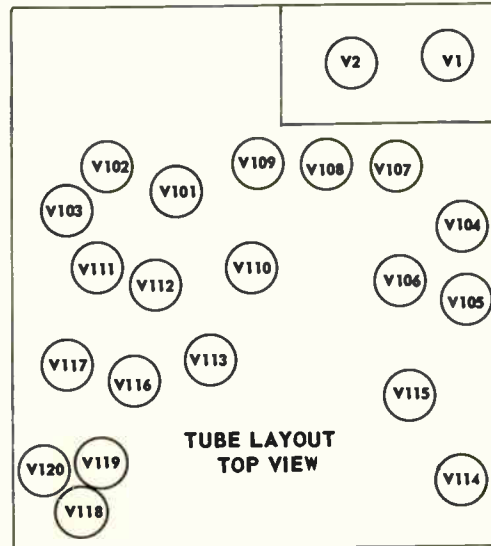












In a few early production receivers the V113 sync separator circuit was wired as shown in the above partial schematic diagram.

In some receivers, focus bleeder resistors R238 was 12 meg and R240 was 15 meg. In some receivers, R238 and R240 are combined into one 18 meg resistor.

In some receivers, R264 (in video amp at sync take-off) was 220 k.

In some receivers, r-f unit terminal 7 by-pass capacitor C224 was omitted.

In some receivers, terminal C of I-F trans. T105 was connected to ground and C225 was omitted.

In some receivers ratio detector trimmer C226 was omitted.

In some receivers, C193 was connected from V118-5 to ground.

In some receivers, a capacitor, C152, 7 mfd was connected between terminals 1 and 4 of the picture control R167.

In some receivers, the V110 screen resistor 1774 was omitted.

In some receivers the r-f unit was wired as shown in the partial schematic shown on page 15. R-F unit wired as shown above are marked "MI".

In some receivers, R300 across T104 A and B was omitted.

In some receivers a 30 mfd capacitor C202 was connected between V115-6 and V115-2 and a resistor R216, 470 ohms was connected between V115-6 and the 265 volt bus.

In some receivers, the junction of R209 and R212 near V115 was connected to ground.

In some receivers a 22 k resistor, R142 was connected from V110-8 to junction of L105, L114.

In some receivers, C227 (at video amp) was omitted.

In some receivers, R272 at V118 was omitted.

In some receivers, R271 in the fourth picture control circuit was omitted.

In some receivers integrator resistor R185 was 3.3 megs.

REF. NO.	PART NO.	DESCRIPTION
		<b>ELECTROLYTICS</b>
G124	75742	2 mfd, 10 volts
C138	75742	2 mfd, 10 volts.
C200	74521	5 mfd, 50 volts.
C201	28417	5 mfd, 450 volts.
C203	75520	150 mfd, 200 volts.
C204	75220	150 mfd, 200 volts.
C205	76451	4 sect: 100/350V, 10-10/350V, 20/50V.
C206	75218	3 sect: 10/350V, 5/350V, 150/50V.
C1	75184	Ceramic, w/adj stud.

C2	75186	Ceramic, fine tuning plunger type.
C8	76545	Tubular, steatite, adj. (early production).
	76781	Tubular, steatite, adj. (prod. marked MI.)
C9	75184	Ceramic, adj. stud.
C11	76527	Mica, trimmer.
C18	76532	Adjustable, trimmer, steatite.
C181	75217	Mica, trimmer, dual.
C226	76800	Adjustable, trimmer, steatite.
CR101	76675	Pix detector crystal rectifier.
L57	73477	Choke coil.

COILS	
L58	76540 FM trap w/adj core.
L59	76541 IF trap w/core.
L60	76542 IF trap w/core.
L61	76537 Shunt w/adj core.
L62	76538 Shunt w/adj core.
L63	76763 Filament choke coil.
L64	76763 Filament choke coil.
L65	76535 IF trap.
L101	73477 Choke coil.
L103	76646 Peaking coil.
L104	72619 Peaking coil.
L105	75252 Peaking coil.
L106	76441 Width complete adj core.
L107	76442 Horiz. linearity w/adj core.

RESISTORS	
L108	76498 Filter choke.
L109	76616 Deflection yoke w/6 contact male connector.
L110	See L109.
L111	See L109.
L112	See L109.
L113	75252 Peaking coil.
L114	76482 4.5 mc trap.
L115	76640 RF choke.
R117	76171 Volume & power switch.
R122	76465 W.W. 330 ohms, 1 w.
R123	76465 W.W. 330 ohms, 1 w.

R131	76469 W.W. 2500 ohms, 10 w.
R151	76390 W.W. 5600 ohms, 5 w.
R163	76638 W.W. 6000 ohms, 10 w.
R167	76445 Picture control.
R175	76447 AGC control.
R201	76443 Horiz. & vertical hold.
R203	76448 Height control.
R214	76449 Vertical linearity.
R218	76444 Brightness control.
R234	76639 W.W. 180 ohms, 2 w.
R237	76468 W.W. 5.1 ohms, 1/3 w.
R239	76503 Focus control.
R241	72633 W.W. 4.7 ohms, 1/3 w.

TRANSFORMERS	
T1	76528 Converter.
T2	76536 Antenna mat. Xformer complete.
T101	76438 Sound IF.
T102	76439 Ratio detector w/adj cores.
T104	76432 First pix IF. Grid w/adj cores.
T105	76434 First pix IF plate w/adj cores.
T106	76435 Second pix IF, grid w/adj cores.
T107	76433 3rd or 4th pix IF.
T108	76433 3rd or 4th pix IF.
T109	76436 Fifth pix IF.
T110	76437 Sound take-off w/adj cores.
T111	76431 Vertical output.

T112	76429 Power, 115V, 60 cycle.
T113	76440 Horiz. oscillator.
T114	76430 High-voltage.
MISCELLANEOUS	
SR101	76452 Selenium rectifier.
SR102	76452 Selenium rectifier.
	75520 Output Xformer. (971490-2W).
	75520 Output Xformer, for models 17T172 & 17T173.
	75520 Output Xformer, model 17T172.

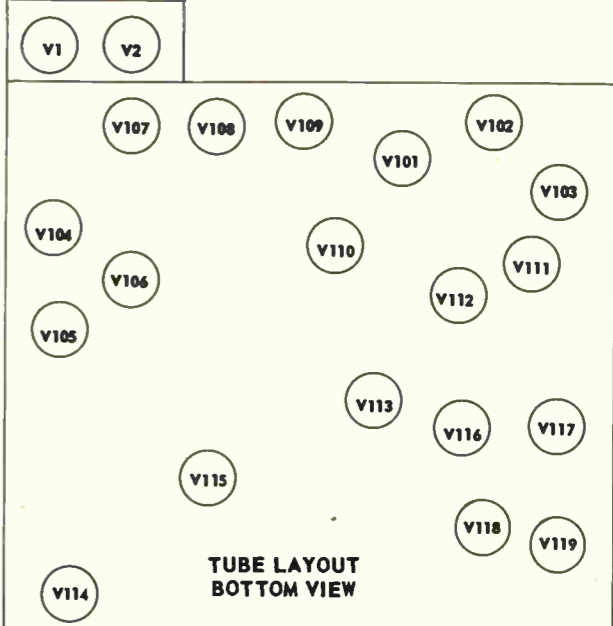
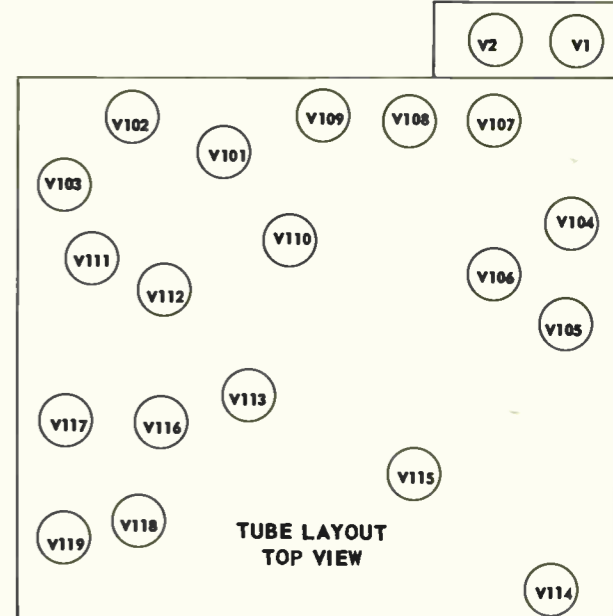
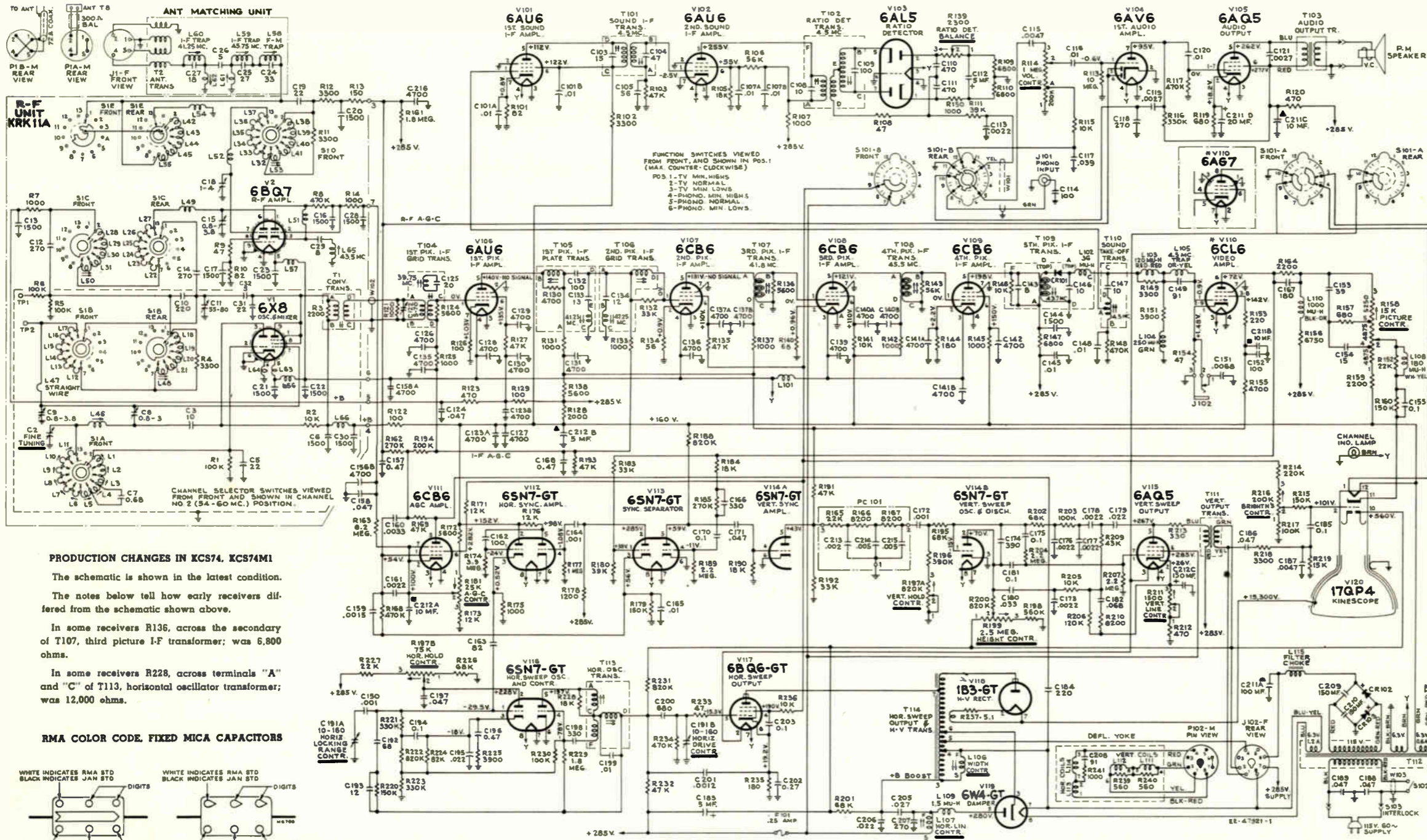












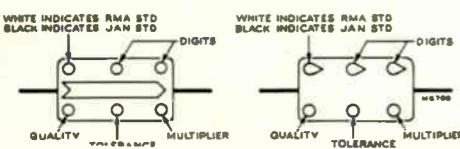
**PRODUCTION CHANGES IN KCS74, KCS74M1**

The schematic is shown in the latest condition. The notes below tell how early receivers differed from the schematic shown above.

In some receivers R136, across the secondary of T107, third picture I-F transformer; was 6,800 ohms.

In some receivers R228, across terminals "A" and "C" of T113, horizontal oscillator transformer; was 12,000 ohms.

**RMA COLOR CODE, FIXED MICA CAPACITORS**



REF. NO.	PART NO.	DESCRIPTION
<b>ELECTROLYTICS</b>		
B8	77151	Tubular, adj 0.8-3.0 mmf.
C9	75184	Ceramic adj. 0.8-3.8 mmf
C11	76527	Mica trimmer 55-80 mmf.
C18	76532	Adj trimmer 1-.4 mmf.
C112	74521	5 mfd, 50V.
C122	71496	Adj trimmer 5-70 mmf.
C191A	75217	Mica trimmer.
C191B	75217	Dual 10-160 mmf.
C183	28417	5 mfd, 450V.
C209, C210	75220	150 mfd, 200V.

C211A	76451	100 mfd, 350V.
C211B	76451	10 mfd, 350V.
C211C	76451	10 mfd, 350V.
C211D	76451	20 mfd, 50V.
C212A	75218	10 mfd, 350V.
C212B	75218	5 mfd, 350V.
C212C	75218	150 mfd, 50V.
<b>RESISTORS</b>		
R114	77010	Volume.
R139	77199	Ratio detector balance.
R158	76445	Picture.

R181	77200	AGC.
R197A	77201	Horizontal hold.
R197B	77201	Vertical hold.
R199	76448	Height.
R211	76449	Vertical linearity.
R216	76444	Brightness.
<b>COILS</b>		
L101	73477	Choke coil.
L103	77195	Peaking 120 mic.
L104	71526	Peaking 250 mic.
L105	77225	Trap 4.5 mc.

L106	76441	Width complete.
L107	76442	Horiz. linearity.
L108	76647	Peaking 180 mic.
L109	76640	RF choke 1.5 mic.
L110	77194	Peaking 1000 mic.
<b>TRANSFORMERS</b>		
T101	76438	Sound IF complete.
T102	76439	Ratio detector.
T103	76997	Output.
T104	77198	1st pix IF grid.
T105	77197	1st pix IF plate.

T106	76435	2nd pix IF grid.
T107	76433	3rd pix IF.
T108	76433	4th pix IF.
T109	76436	5th pix IF.
T110	76437	Sound take-off.
T111	76431	Vertical output.
T112	76429	Power.
T113	76440	Horiz. oscillator.
T114	76795	Hi-voltage.
T2	76536	Ant. match. complete.
T1, R3	77148	Converter.

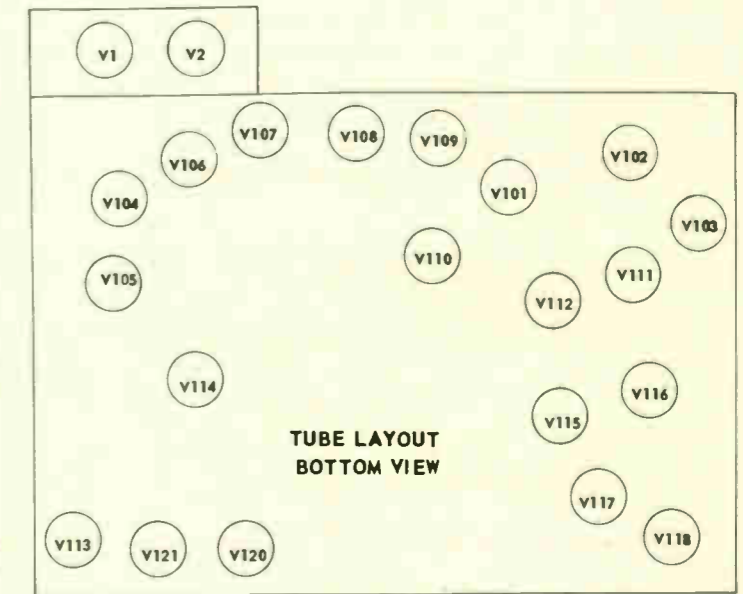
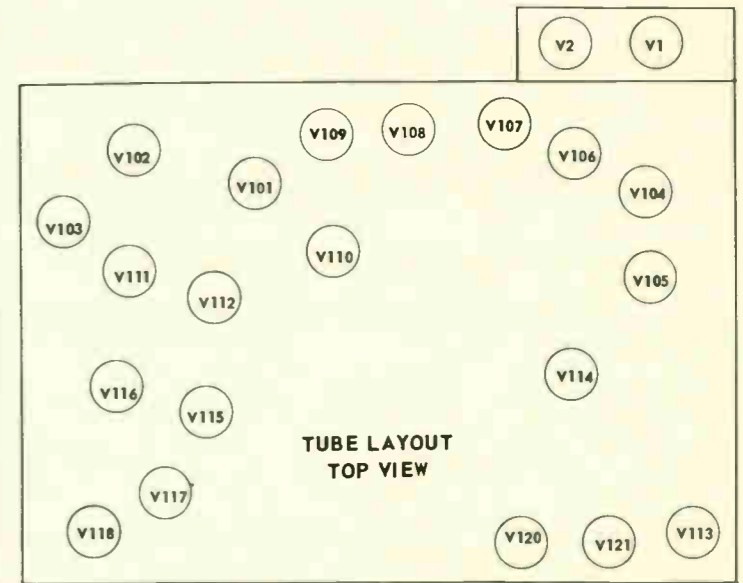
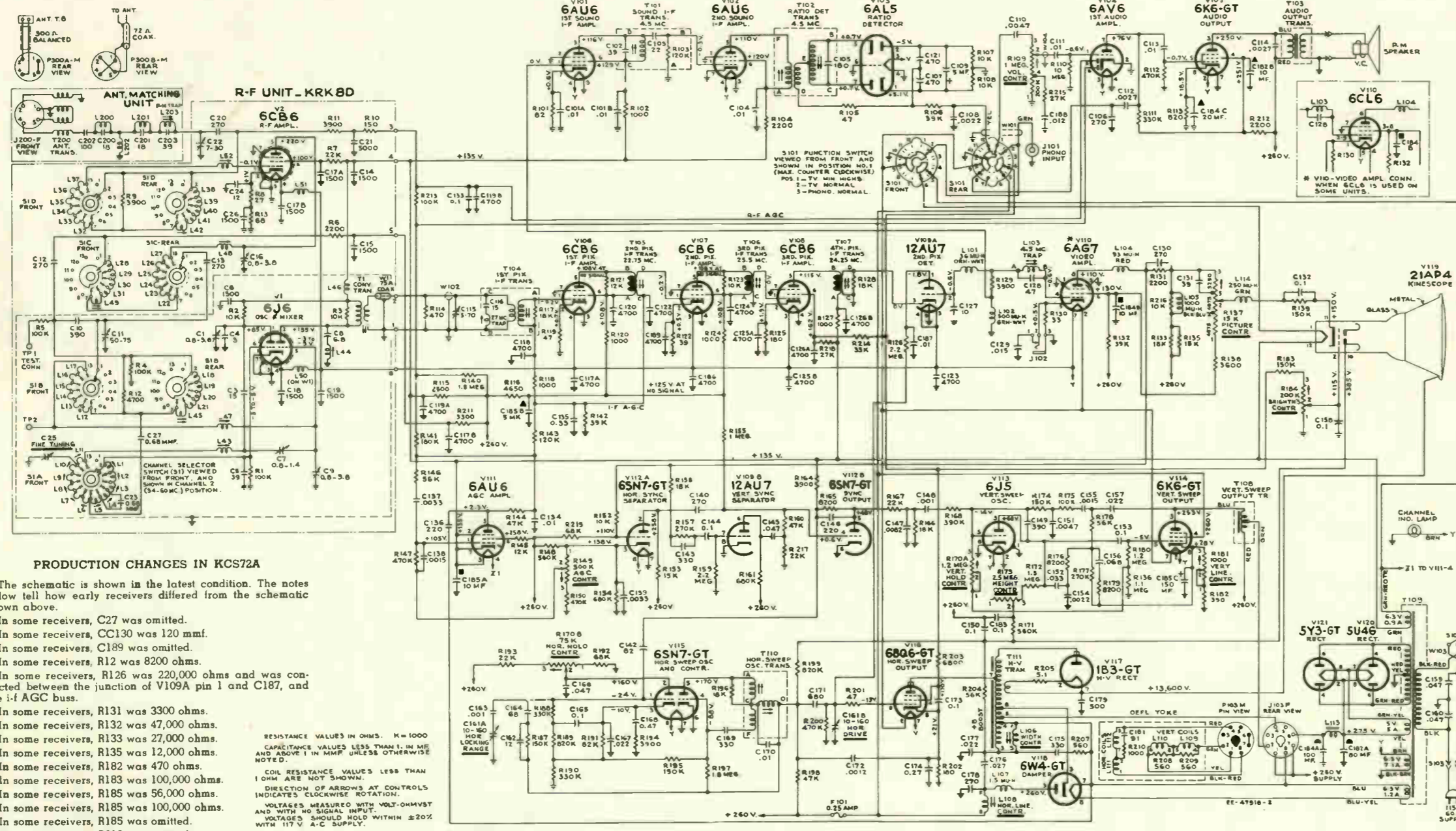
MISCELLANEOUS	
76168	Focus magnet.
76141	Magnet-ion trap P.M.
76633	Magnet-pin cushion correction complete w/support arm.
CR101	76675 Rectifier-Pix detector Xtal.
CR102 CR103	76452 Selenium rectifier.
75022	5pk-8" PM comp. 3.2 ohms. (971490-3W).
76389	5pk-12" PM comp. 3.2 ohms. (92569-12W).

All resistance values in ohms. K = 1000. All capacitance values less than 1 in MF and above 1 in MMF unless otherwise noted. Direction of arrows at controls indicates clockwise rotation.

\* In some receivers, a 6AG7 tube was employed in place of the 6CL6 video amplifier, and was connected as shown in inset above.

All voltages measured with "VoltOhmyst" and with no signal input. Voltages should hold within ±0% with 117 v. a-c supply.





**PRODUCTION CHANGES IN KCS72A**

The schematic is shown in the latest condition. The notes below tell how early receivers differed from the schematic shown above.

- In some receivers, C27 was omitted.
- In some receivers, CC130 was 120 mmf.
- In some receivers, C189 was omitted.
- In some receivers, R12 was 8200 ohms.
- In some receivers, R126 was 220,000 ohms and was connected between the junction of V109A pin 1 and C187, and the i-f AGC buss.
- In some receivers, R131 was 3300 ohms.
- In some receivers, R132 was 47,000 ohms.
- In some receivers, R133 was 27,000 ohms.
- In some receivers, R135 was 12,000 ohms.
- In some receivers, R182 was 470 ohms.
- In some receivers, R183 was 100,000 ohms.
- In some receivers, R185 was 56,000 ohms.
- In some receivers, R185 was 100,000 ohms.
- In some receivers, R185 was omitted.
- In some receivers, R218 was omitted.
- In some receivers, R219 was omitted.
- In some receivers, V119-10 was connected to the junction of R171 and C183.
- In some receivers, V110 used 6AC7 tube.

RESISTANCE VALUES IN OHMS. K=1000  
CAPACITANCE VALUES LESS THAN 1 IN MF AND ABOVE 1 IN MMF UNLESS OTHERWISE NOTED.  
COIL RESISTANCE VALUES LESS THAN 1 OHM ARE NOT SHOWN.  
DIRECTION OF ARROWS AT CONTROLS INDICATES CLOCKWISE ROTATION.  
VOLTAGES MEASURED WITH VOLT-OHMVST AND WITH NO SIGNAL INPUT.  
VOLTAGES SHOULD HOLD WITHIN ±20% WITH 117 V. A-C SUPPLY.

All resistance values in ohms. K = 1000.  
KCS72A-M1 chassis uses 6AG7 video amplifier.  
KCS72A-M2 chassis uses 6CL6 video amplifier.

All capacitance values less than 1 in MF and above 1 in MMF unless otherwise noted.  
Model 21T207G uses glass Kinescope 21EP4.

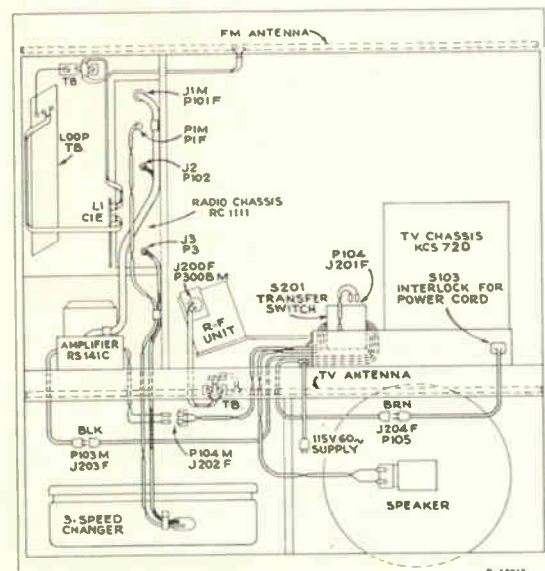
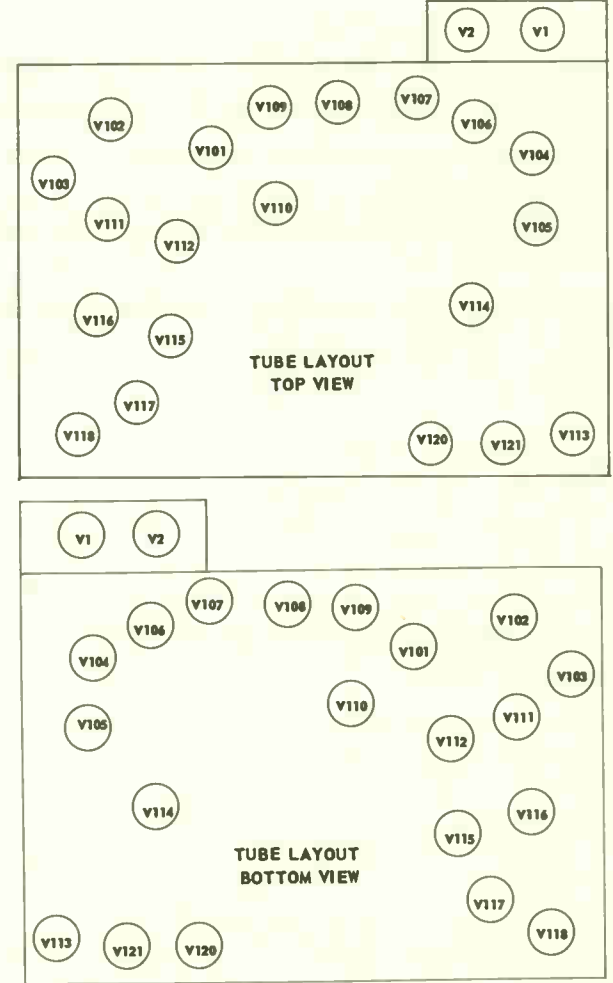
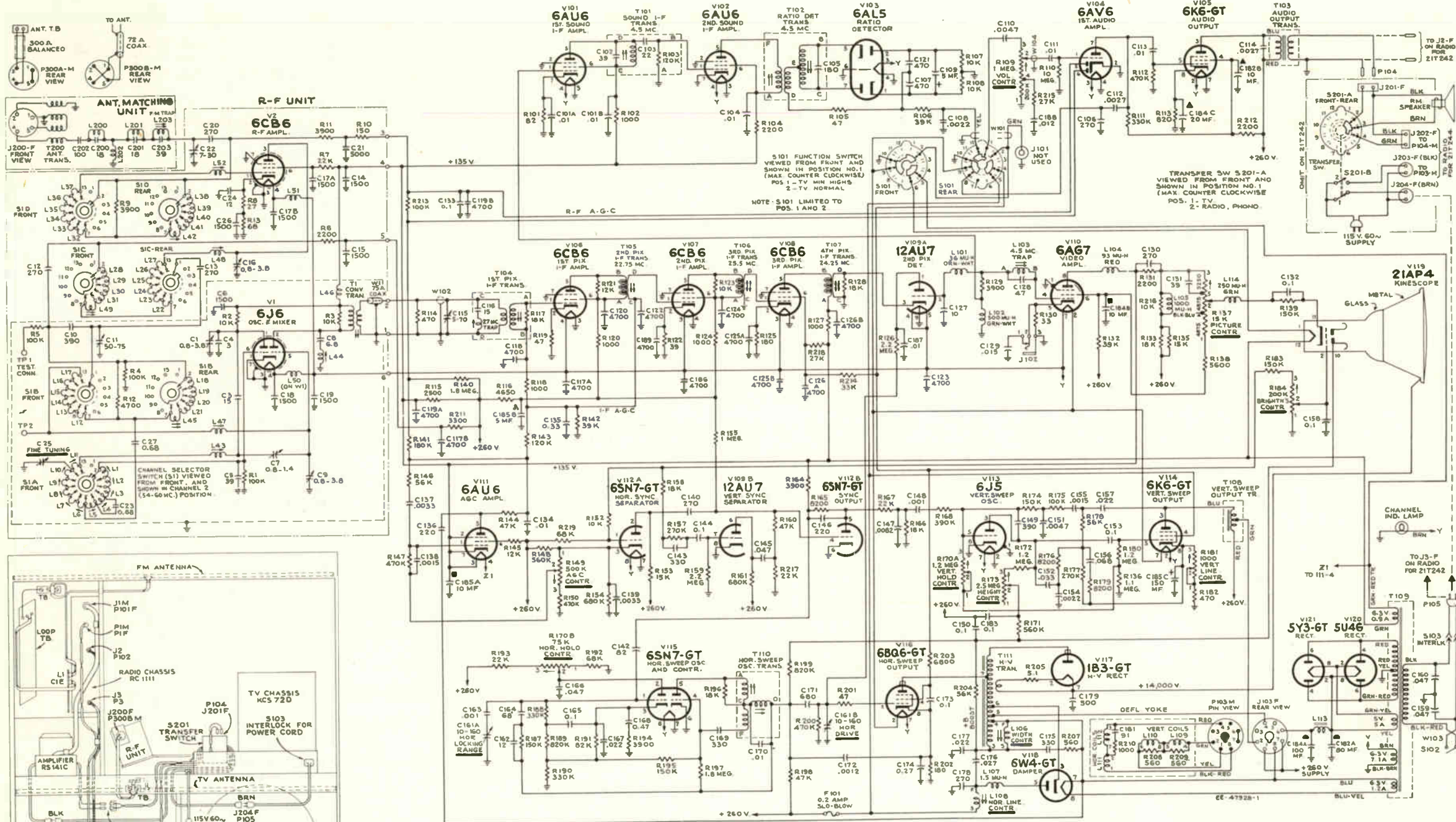
Directions of arrows at controls indicates clockwise rotation.

All voltages measured with "Volt-Ohmyst" and with no signal input. Voltages should hold within ±20% with 117 v. a-c supply.

REF. NO.	PART NO.	DESCRIPTION	VALUE	DESCRIPTION	VALUE	DESCRIPTION	VALUE	
<b>ELECTROLYTICS</b>			C184A	76970	100 mfd, 400V.	R170A	76974	Horiz. hold.
C1	75184	Ceramic adj. 0.75-4 mmf.	C184B	76970	10 mfd, 350V.	R170B	76974	Vertical hold.
C7	75172	Tubular, adj. 0.65-1.2 mmf.	C184C	76970	20 mfd, 50V.	R173	76448	Height.
C11	75174	Ceramic trimmer 50-75 mmf.	C185A	75218	10 mfd, 350V.	R184	76444	Brightness.
C22	75189	Adj. 7-30 mmf.	C185B	75218	5 mfd, 350V.	<b>COILS</b>		
C109	74521	5 mfd, 50V.	C185C	75218	150 mfd, 50V.	L101	76011	Peaking 36 mc.
C115	71496	Adj. mica 5-70 mmf.	<b>RESISTORS</b>		L102	75252	Peaking 500 mc.	
C182A	76987	80 mfd, 400V.	R109	77010	Volume.	L103	76983	Trap 4.5 mc.
C182B	76987	10 mfd, 350V.	R137	76445	Picture.			
			R149	76975	AGC.			
					L104	71527	Peaking 93 mc.	
					L105	77124	Peaking 1000 mc.	
					L106	76441	Width coil.	
					L107	76640	Peaking 1.5 mc.	
					L108	76442	Horiz. linearity.	
					L113	76498	Filter choke.	
						75242	IF Trap.	
						75241	Antenna shunt coil.	
						75449	FM Trap.	
					<b>TRANSFORMERS</b>			
					T1	75181	Converter.	
					T101	76981	Sound IF.	
					T102	77112	Ratio detector.	
					T103	76997	Output.	
					T104	76979	1st pix IF.	
					T105	76980	2nd pix IF.	
					T106	76980	3rd pix IF.	
					T107	76980	4th pix IF.	
					T108	76978	Vertical output.	
					T109	76984	Power 115V, 60 cycle.	
					T110	76440	Horiz. oscillator.	
					T111	76795	Hi-voltage.	
					T200	76977	Ant. match. Xformer.	
					<b>MISCELLANEOUS</b>			
					76168		Focus magnet.	
					76141		Magnet-ion trap PM.	
					76633		Magnet-pin cushion correction (21T207G).	
					75022		Spk-8" PM complete 3.2 ohms,	
					76389		Spk-12" PM, 3.2 ohms.	
					77000		Spk-5" PM, 3.2 ohms.	



Radio RC1111B used with 21-T-244 and RC1117B used with 21-T-242. (See page 111).



All resistance values in ohms. K=1000.  
 All capacitance values less than 1 in MF and above 1 in MMF unless otherwise noted.  
 Direction of arrows at controls indicates clockwise rotation.  
 All voltages measured with "Volt Ohmyst" and with no signal input. Voltages should hold within  $\pm 20\%$  with 117 v. a-c supply.

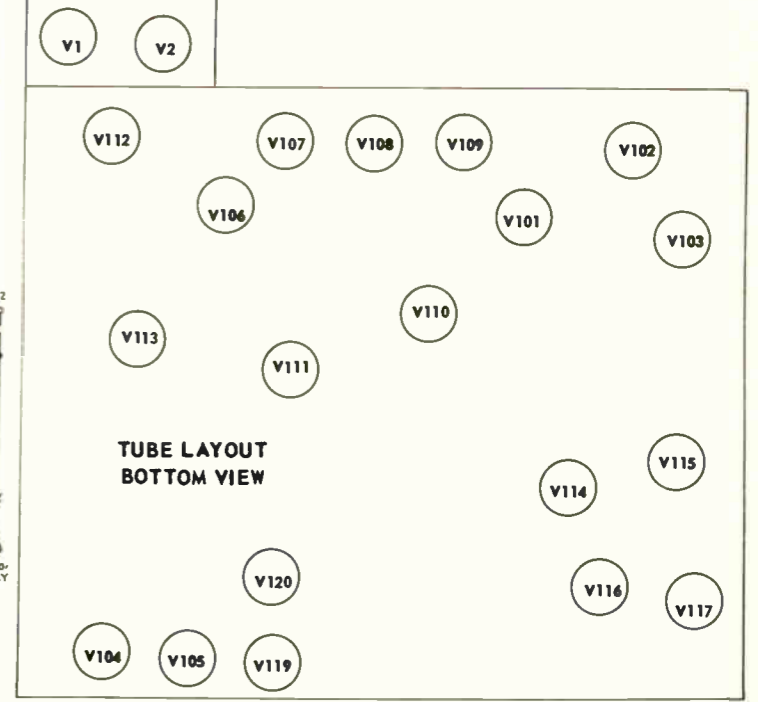
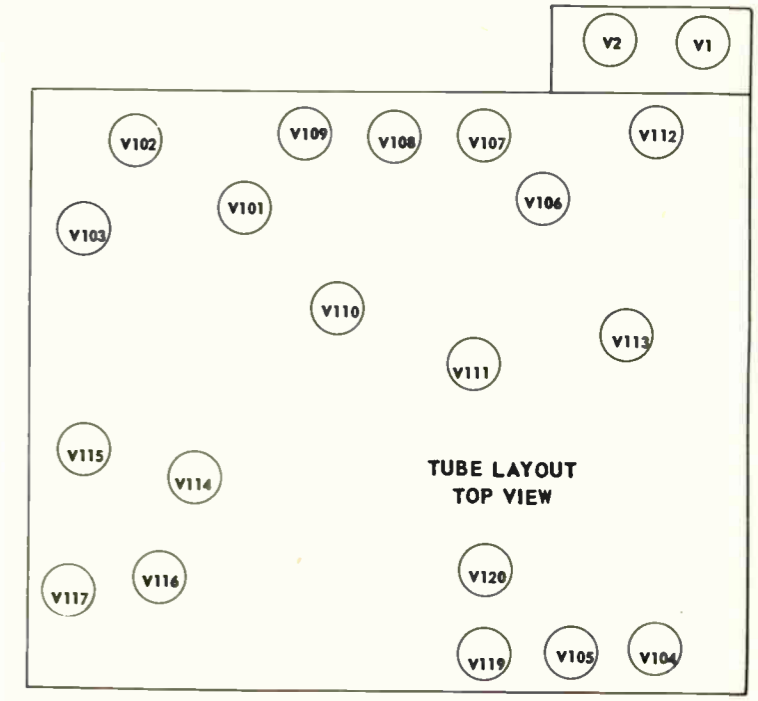
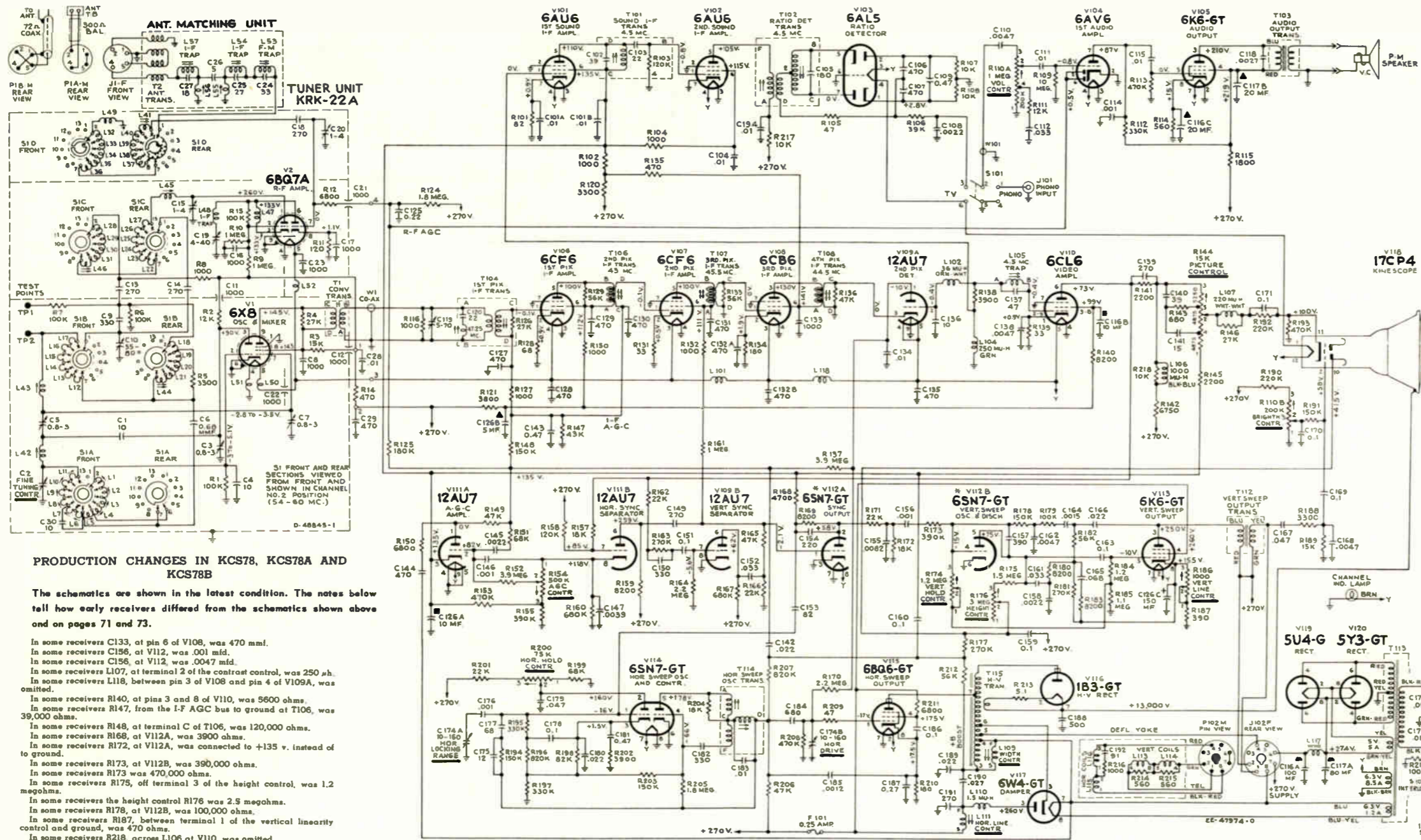
REF. NO.	PART NO.	DESCRIPTION	VALUES
<b>ELECTROLYTICS</b>			
C1	75184	Ceramic w/adj. stud.	80 mfd, 400V.
C22	75189	Adj., 7-30 mmf.	10 mfd, 350V.
C109	74521	5 mfd, 50V.	100 mfd, 400V.
C161A	C161B	Mica trimmer dual 10-160 mmf.	10 mfd, 350V.
	75217		20 mfd, 50V.
			10 mfd, 50V.
			5 mfd, 50V.
			150 mfd, 50V.
<b>COILS</b>			
L101	76011	Peaking 36 mic.	76011 Peaking 36 mic.
L102	75252	Peaking 500 mic.	75252 Peaking 500 mic.
L104	71527	Peaking 93 mic.	71527 Peaking 93 mic.
L105	77124	Peaking 1000 mic.	77124 Peaking 1000 mic.
L106	76441	Width, complete.	76441 Width, complete.
L107	76640	Peaking, 1.5 mic.	76640 Peaking, 1.5 mic.
L108	76442	Horiz. linearity.	76442 Horiz. linearity.
L114	71526	Peaking 250 mic.	71526 Peaking 250 mic.
<b>RESISTORS</b>			
R109	77010	Vol., power switch.	77010 Vol., power switch.
R137	76445	Picture control.	76445 Picture control.
R149	76975	AGC control.	76975 AGC control.
R170A	76974	Horiz. hold.	76974 Horiz. hold.
R170B	76974	Vertical hold.	76974 Vertical hold.
R173	76448	Height control.	76448 Height control.
R181	76976	Vertical linearity.	76976 Vertical linearity.
R184	76444	Brightness control.	76444 Brightness control.
<b>TRANSFORMERS</b>			
T1	75181	IF converter.	75181 IF converter.
T101	76981	Sound IF.	76981 Sound IF.
T102	77112	Ratio detector.	77112 Ratio detector.
T103	76997	Output Xformer.	76997 Output Xformer.
T104	76979	First pix IF.	76979 First pix IF.
T105, T106, T107	76980	2nd, 3rd, or 4th pix IF.	76980 2nd, 3rd, or 4th pix IF.
<b>MISCELLANEOUS</b>			
	76616	Yoke.	76616 Yoke.
	76093	Speaker-12" PM 3.2 ohms.	76093 Speaker-12" PM 3.2 ohms.











**PRODUCTION CHANGES IN KCS78, KCS78A AND KCS78B**

The schematics are shown in the latest condition. The notes below tell how early receivers differed from the schematics shown above and on pages 71 and 73.

- In some receivers C133, at pin 6 of V106, was 470 mfd.
- In some receivers C156, at V112, was .001 mfd.
- In some receivers C155, at V112, was .0047 mfd.
- In some receivers L107, at terminal 2 of the contrast control, was 250  $\mu$ h.
- In some receivers L118, between pin 3 of V108 and pin 4 of V109A, was omitted.
- In some receivers R140, at pins 3 and 8 of V110, was 5600 ohms.
- In some receivers R147, from the I-F AGC bus to ground at T106, was 39,000 ohms.
- In some receivers R148, at terminal C of T106, was 120,000 ohms.
- In some receivers R168, at V112A, was 3900 ohms.
- In some receivers R172, at V112A, was connected to +135 v. instead of ground.
- In some receivers R173, at V112B, was 390,000 ohms.
- In some receivers R173, at V112B, was 470,000 ohms.
- In some receivers R175, off terminal 3 of the height control, was 1.2 megohms.
- In some receivers the height control R176 was 2.9 megohms.
- In some receivers R178, at V112B, was 100,000 ohms.
- In some receivers R187, between terminal 1 of the vertical linearity control and ground, was 470 ohms.
- In some receivers R218, across L106 at V110, was omitted.
- In some receivers R219, at the A.C. input, was omitted.
- In some receivers V106 was a 6CB6 (same pin connections as 6CF6)
- In some receivers V107 was a 6CB6 (same pin connections as 6CF6)

\* In some receivers V112 was a 12AU7

The schematic is shown in the latest condition at the time of printing. All resistance value in ohms. K = 1000.

All capacitance values less than 1 in FM and above 1 in MMF unless otherwise noted.

Direction of arrows at controls indicates clockwise rotation.

All voltages measured with "VoltOhmyst" and with no signal input. Voltages should hold within  $\pm 20\%$  with 117 v. a-c supply.

REF. NO.	PART NO.	DESCRIPTION	REF. NO.	PART NO.	DESCRIPTION	REF. NO.	PART NO.	DESCRIPTION	REF. NO.	PART NO.	DESCRIPTION
		<b>ELECTROLYTICS</b>									
C116A	76970	100 mfd, 400V.	R120	77670	W.W. 3300 ohms 7 W.			<b>COILS</b>			
C116B	76970	10 mfd, 350V.	R121	77671	W.W. 3800 ohms, 7 W.	L102	76011	Peaking 36 mic.			
C116C	76970	20 mfd, 50V.	R144	76445	Picture control.	L104	71526	Peaking 250 mic.			
C117A	77644	80 mfd, 400V.	R154	76975	AGC control.	L106	77124	Peaking 1000 mic.			
C117B	77644	20 mfd, 400V.	R174	77642	Vertical hold.	L107	77925	Peaking 220 mic.			
C119	71496	Mica trimmer 5-70 mmf.	R176	77924	Height control.	L109	76441	Width complete adj core.			
		<b>RESISTORS</b>	R186	77643	Vertical linearity.	L110	76640	RF choke 1.5 mic.			
		R110A, R110B	R200	77639	Horiz. hold.	L111	76442	Horiz. linearity.			
		R117	R210	77639	W.W. 180 ohms, 2 W.						
		R118	R213	76796	W.W. 5.1 ohms, 1/3 W.						
			R142	76642	W.W. 6750 ohms 10 W.						
								<b>TRANSFORMERS</b>			
								T101	76981	Sound IF, complete.	
								T102	77112	Ratio detector.	
								T103	76982	Output Xformer.	
								T104	77637	1st pix IF.	
								T106	77638	2nd pix IF.	
								T107, T108	76433	3rd or 4th pix IF.	
								T112	77636	Vertical output.	
								T113	77635	Power 117V, 60 cy.	
										<b>MISCELLANEOUS</b>	
										77697	Yoke.
										77000	Spk-5" PM 3.2 ohms.
										75022	Spk-8" PM 3.2 ohms.
										71807	Mica trimmer 10-160 mmf for 17T301U, 302U & 310U.









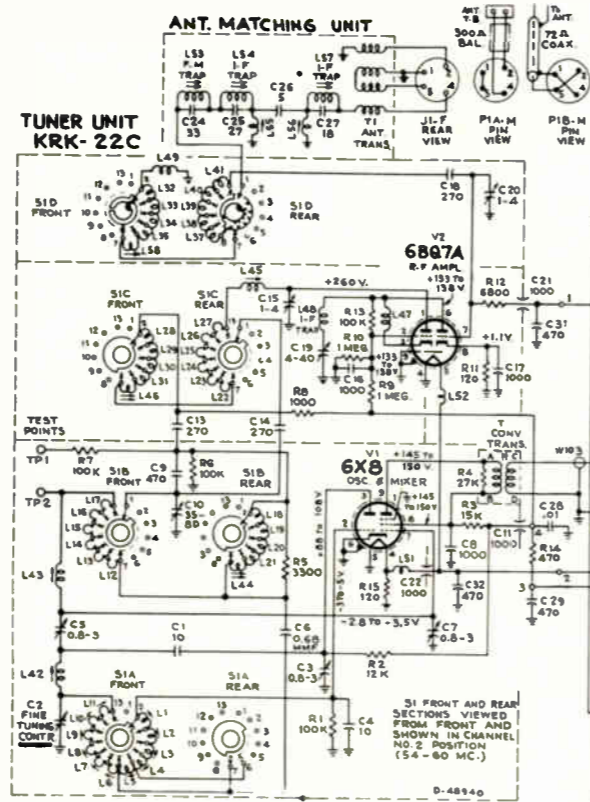
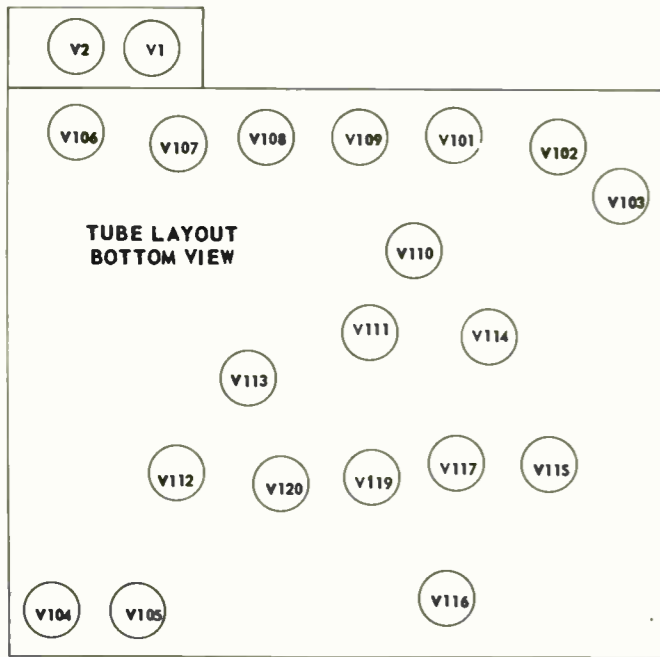
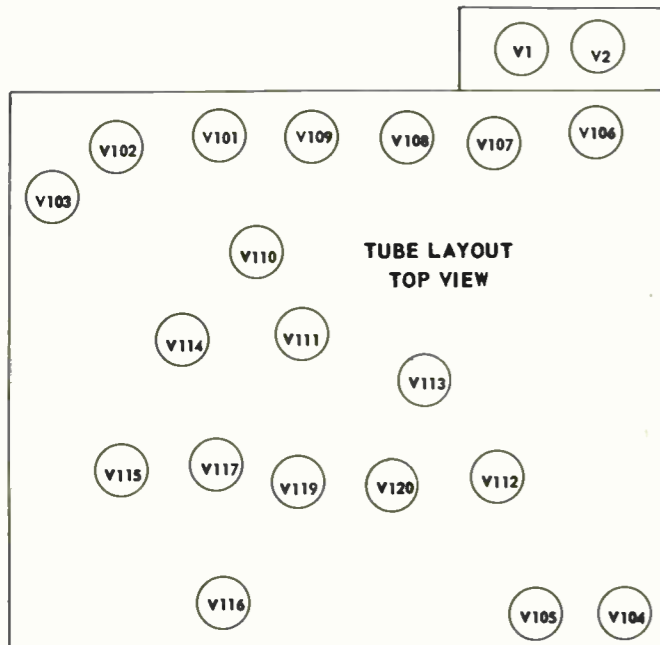






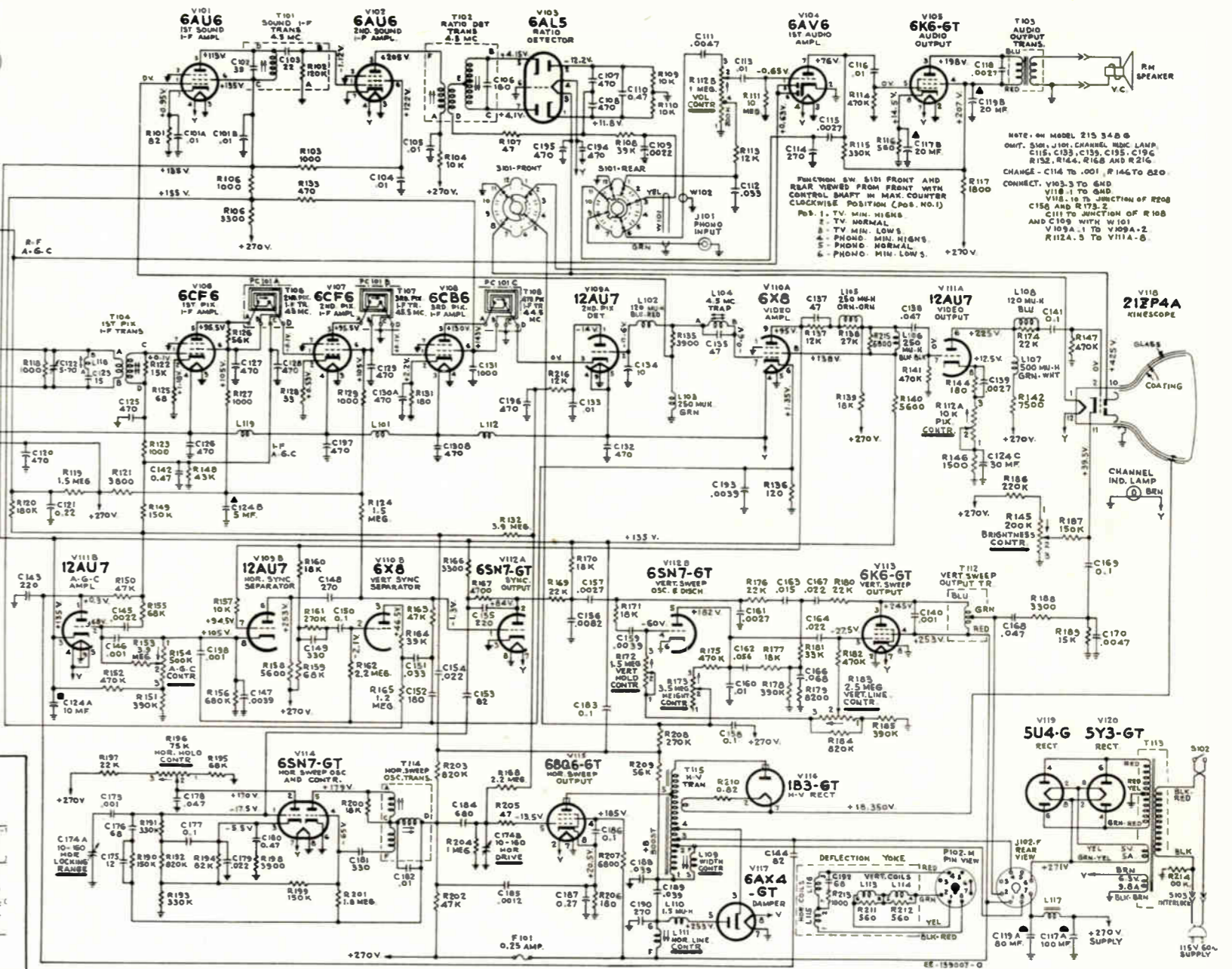
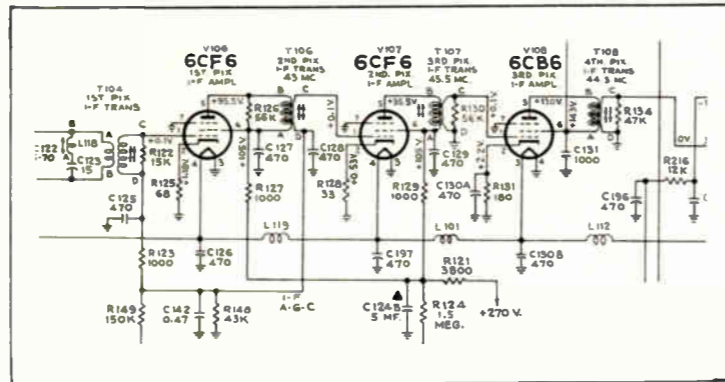






PRODUCTION CHANGES IN KCS83 SERIES CHASSIS

The schematics are shown in the latest condition. The note below tells how early receivers differed from the schematics shown above and on pages 82 and 83. See page 82 for additional changes.  
In early production receivers IF transformers T106, T107 and T108 were individual and were connected as shown below.



The schematic is shown in the latest condition at the time of printing.  
All resistance value in ohms, K = 1000.

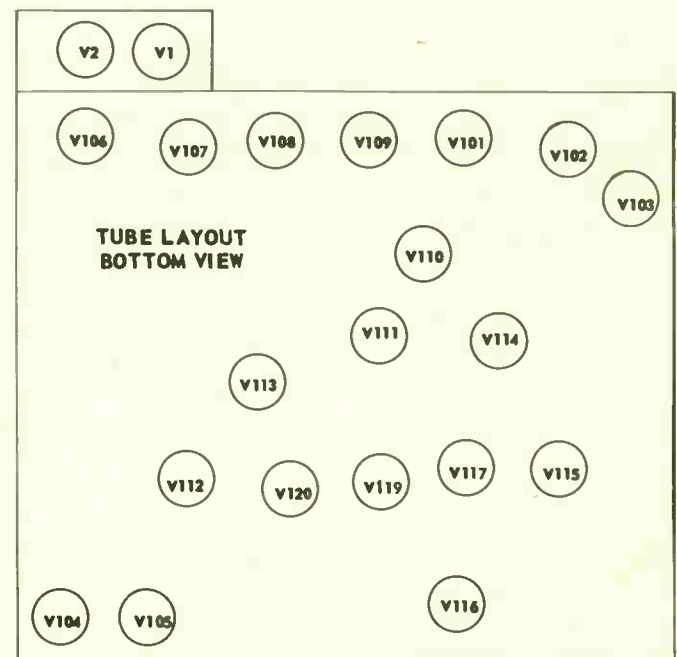
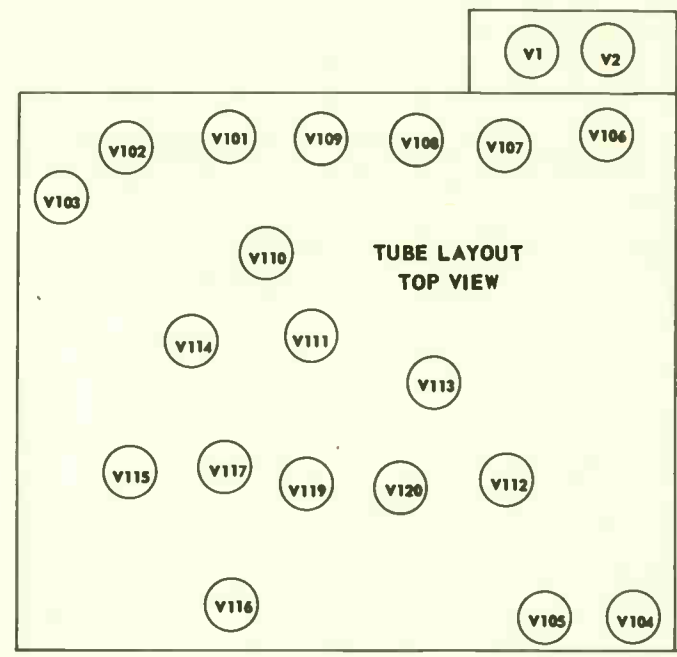
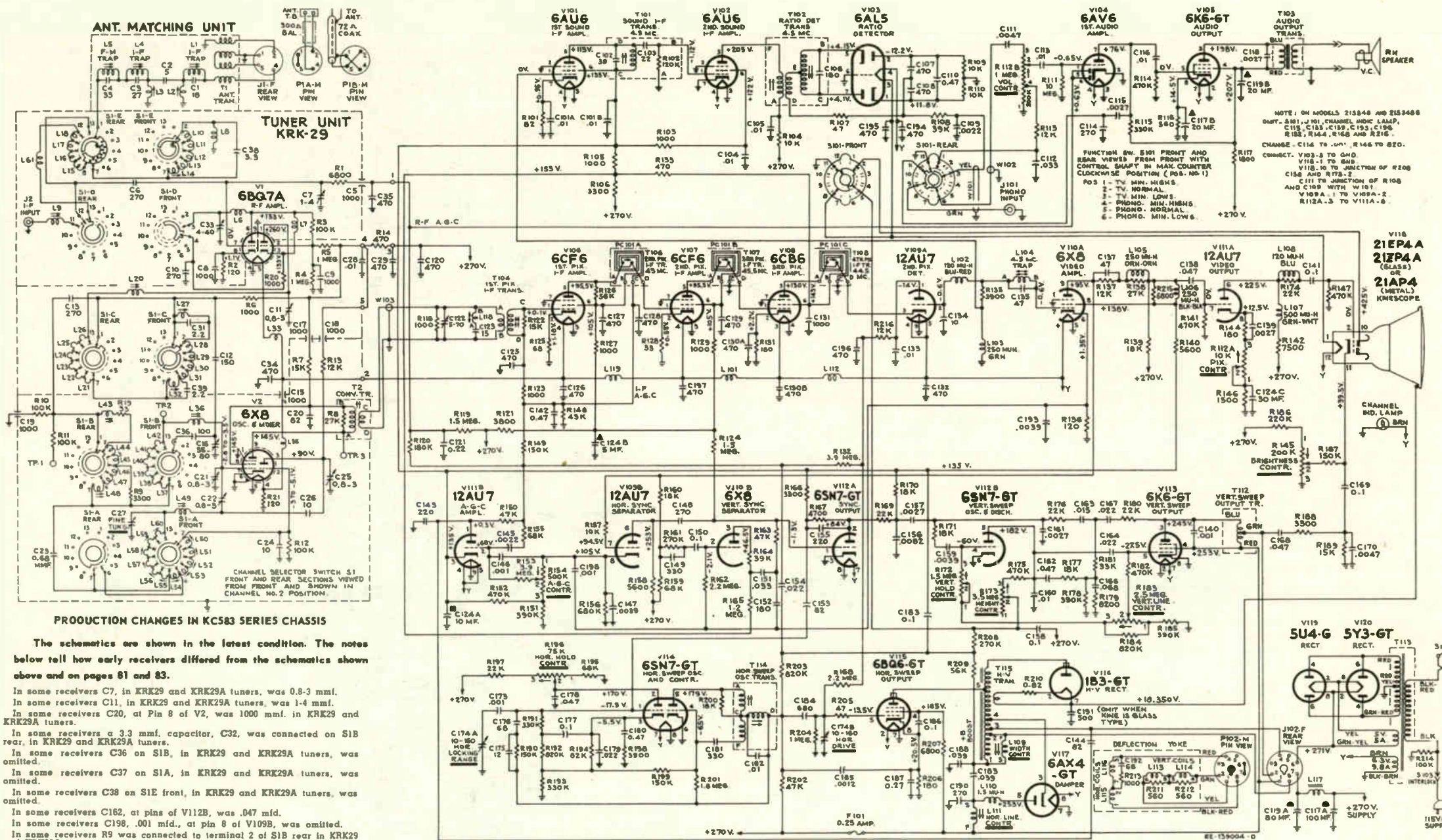
All capacitance values less than 1 in MF and above 1 in MMF unless otherwise noted.

Direction of arrows at controls indicates clockwise rotation.

All voltages measured with "VoltOhm-yst" and with no signal input. Voltages should hold within ±20% with 117 v. a-c supply.

ELECTROLYTICS		COILS		RESISTORS		TRANSFORMERS		MISCELLANEOUS			
C117A	78212	100 mfd, 400V.	L102	75253	Peaking, 120 mic.	R112A, R112B	T101	76981	Sound IF w/adj. core.	76616	Yoke.
C117B	78212	20 mfd, 50V.	L103	71526	Peaking 250 mic.	78208	T102	77112	Ratio detector.	77697	Yoke, w/printed circuit chassis IF.
C119A	77644	80 mfd, 400V.	L105	77674	Peaking, 250 mic.	R145	T103	76997	Output Xformer.	77000	Spk-S" PM 3.2 ohms.
C119B	77644	20 mfd, 400V.	L106	78222	Peaking, 250 mic.	79088	T104	78203	1st IF pix.	75022	Spk-8" PM 3.2 ohms.
C122	78220	Adj mica 5-70 mmf.	L107	75252	Peaking, 500 mic.		T106, T107, T108	76433*	2nd, 3rd, 4th, IF.		
C124A	78213	10 mfd, 350V.	L108	71529	Peaking, 120 mic.		T106, T107, T108	78743*	IF printed circuit.		
C124B	78213	5 mfd, 350V.	L110	76640	RF choke 1.5 mic.	R154	T112	78202	Vertical output.		
C124C	78213	30 mfd, 50V.	L109	78205	Width complete w/adj. core.	R172	T113	78200	Power 117V, 60 cycle.		
C174A	C174B	75217	L111	76442	Horiz. linearity w/adj. core.	R173	T114	76440	Horiz. oscillator.		
		Mica trimmer dual 10-160 mmf.				R183	T115	78201	Hi-voltage.		
						R196					

\* 78743 used in KCS83PC, KCS83PD, KCS83PJ, KCS83PK, KCS83PL, KCS83PM.  
\* 76433 used in all others.



**PRODUCTION CHANGES IN KCS83 SERIES CHASSIS**

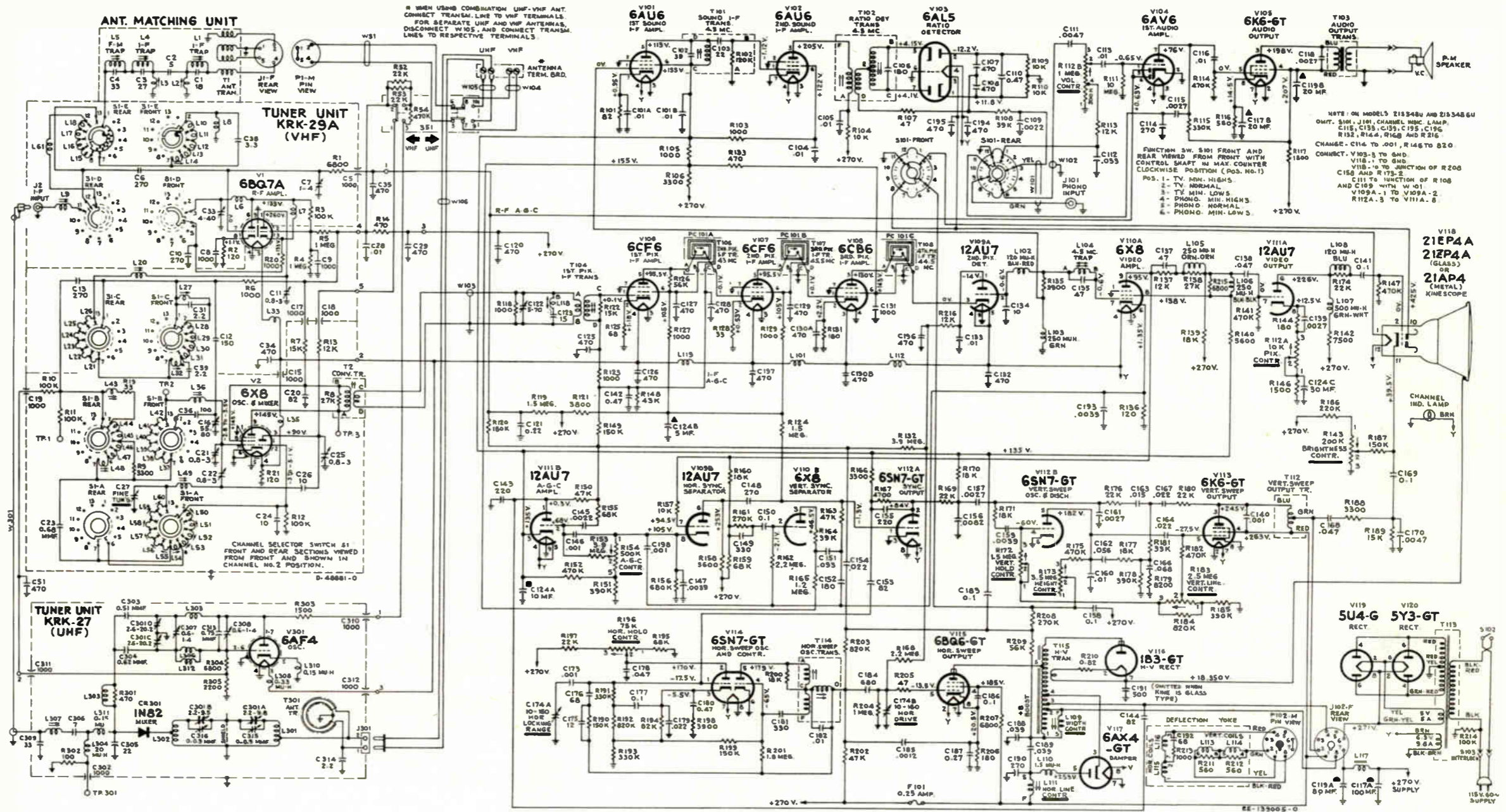
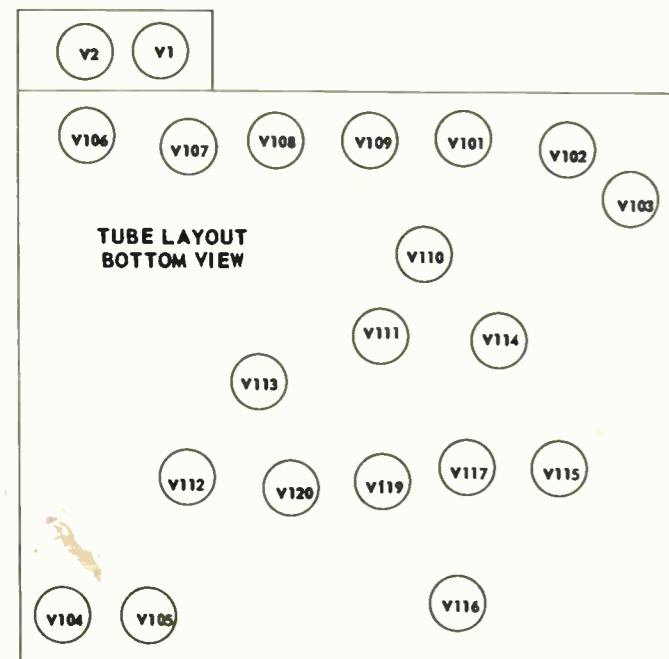
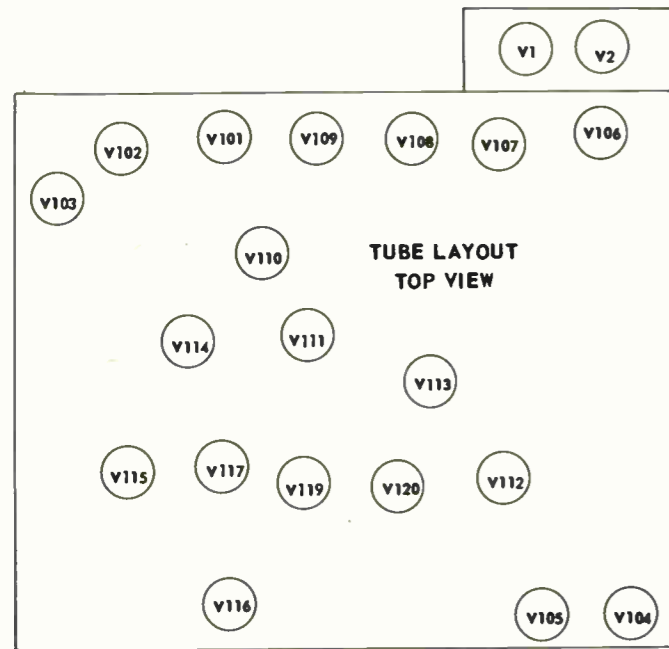
The schematics are shown in the latest condition. The notes below tell how early receivers differed from the schematics shown above and on pages 81 and 83.

In some receivers C7, in KRK29 and KRK29A tuners, was 0.8-3 mfd.  
 In some receivers C11, in KRK29 and KRK29A tuners, was 1-4 mfd.  
 In some receivers C20, at pin 8 of V2, was 1000 mfd. in KRK29 and KRK29A tuners.  
 In some receivers a 3.3 mfd. capacitor, C32, was connected on S1B rear, in KRK29 and KRK29A tuners.  
 In some receivers C36 on S1B, in KRK29 and KRK29A tuners, was omitted.  
 In some receivers C37 on S1A, in KRK29 and KRK29A tuners, was omitted.  
 In some receivers C38 on S1E front, in KRK29 and KRK29A tuners, was omitted.  
 In some receivers C162, at pins of V112B, was .047 mfd.  
 In some receivers C198, .001 mfd., at pin 8 of V109B, was omitted.  
 In some receivers R9 was connected to terminal 2 of S1B rear in KRK29 and KRK29A tuners.  
 In some receivers a 39 ohm resistor R-18, was connected on SIC front from L27 to L28 in KRK29 and KRK29A tuners.  
 In some receivers R158, at pin 6 of V109B, was 6800 ohms.  
 In some receivers R185, at terminal 1 of the vertical linearity control R183, was 470,000 ohms.  
 In some receivers R187, at pin 11 of the Kinescope, was 270,000 ohms.

In some receivers T106, T107 and T108 were individual transformers (see page 81).  
 In some receivers pin 6 of V110A was connected to the junction of R162 and C152.

The schematic is shown in the latest condition at the time of printing.  
 All resistance value in ohms, K = 1000.  
 All capacitance values less than 1 in MF and above 1 in MMF unless otherwise noted.  
 Direction of arrows at controls indicates clockwise rotation.  
 All voltages measured with "VoltOhm-yst" and with no signal input. Voltages should hold within  $\pm 20\%$  with 117 v. a-c supply.

ELECTROLYTICS		COILS		RESISTORS		TRANSFORMERS		MISCELLANEOUS	
C117A	78212	100 mfd, 400V.	L102	75253	Peaking, 120 mic.	R112A, R112B	T101	76981	Sound IF w/adj. core.
C117B	78212	20 mfd, 50V.	L103	71526	Peaking 250 mic.	78208	T102	77112	Ratio detector.
C119A	77644	80 mfd, 400V.	L105	77674	Peaking, 250 mic.	R145	T103	76997	Output Xformer.
C119B	77644	20 mfd, 400V.	L106	78222	Peaking, 250 mic.	78209	T104	78203	1st IF ptx.
C122	78220	Adj mica 5-70 mmf.	L107	75252	Peaking, 500 mic.	79088	T106, T107, T108	76433*	2nd, 3rd, 4th, IF.
C124A	78213	10 mfd, 350V.	L108	71529	Peaking, 120 mic.	R154	T106, T107, T108	78743*	IF printed circuit.
C124B	78213	5 mfd, 350V.	L110	76640	RF choke 1.5 mic.	R172	T112	78202	Vertical output.
C124C	78213	30 mfd, 50V.	L109	78205	Width complete w/adj. core.	R173	T113	78200	Power 117V, 60 cycle.
C174A	C174B	75217	L111	76442	Horiz. linearity w/adj. core.	R183	T114	76440	Horiz. oscillator.
		Mica trimmer dual 10-160 mmf.				R196	T115	78201	Hi-voltage.



The schematic is shown in the latest condition at the time of printing. All resistance value in ohms. K = 1000.

All capacitance values less than 1 in MF and above 1 in MMF unless otherwise noted.

Direction of arrows at controls indicates clockwise rotation.

All voltages measured with "Volt-Ohm-ys" and with no signal input. Voltages should hold within  $\pm 20\%$  with 117 v. a-c supply.

PRODUCTION CHANGES IN KCS83 SERIES CHASSIS

The schematics are shown in the latest condition. The notes on pages 81 and 82 tell how early receivers differed from the schematic shown above.

ELECTROLYTICS	COILS	RESISTORS	TRANSFORMERS	MISCELLANEOUS
C117A 78212 100 mfd, 400V.	L102 75253 Peaking, 120 mic.	R112A, R112B 78208 Pix, vol., & power sw.	T101 76981 Sound IF w/adj. core.	76616 Yoke.
C117B 78212 20 mfd, 50V.	L103 71526 Peaking 250 mic.	R145 78209 Brightness, except KCS83PJ, KCS83PL, KCS83PM.	T102 77112 Ratio detector.	77697 Yoke, w/printed circuit chassis IF.
C119A 77644 80 mfd, 400V.	L105 77674 Peaking, 250 mic.	79088 Brightness for KCS83PJ, KCS83PL, KCS83PM.	T103 76997 Output Xformer.	77000 Spk-5" PM 3.2 ohms.
C119B 77644 20 mfd, 400V.	L106 78222 Peaking, 250 mic.	R154 76975 AGC control.	T104 78203 1st IF pix.	75022 Spk-8" PM 3.2 ohms.
C122 78220 Adj. mica 5-70 mmf.	L107 75252 Peaking, 500 mic.	R172 78210 Vertical hold.	T106, T107, T108 76433* 2nd, 3rd, 4th, IF.	* 78743 used in KCS83PC, KCS83PD, KCS83PJ, KCS83PK, KCS83PL, KCS83PM.
C124A 78213 10 mfd, 350V.	L108 71529 Peaking, 120 mic.	R173 78206 Height control.	T106, T107, T108 78743* IF printed circuit.	* 76433 used in all others.
C124B 78213 5 mfd, 350V.	L110 76640 RF choke 1.5 mic.	R183 78207 Vertical linearity.	T112 78202 Vertical output.	
C124C 78213 30 mfd, 50V.	L109 78205 Width complete w/adj. core.	R196 77639 Horizontal hold.	T113 78200 Power 117V, 60 cycle.	
C174A C174B 75217 Mica trimmer dual 10-160 mmf.	L111 76442 Horiz. linearity w/adj. core.		T114 76440 Horiz. oscillator.	
			T115 78201 Hi-voltage.	

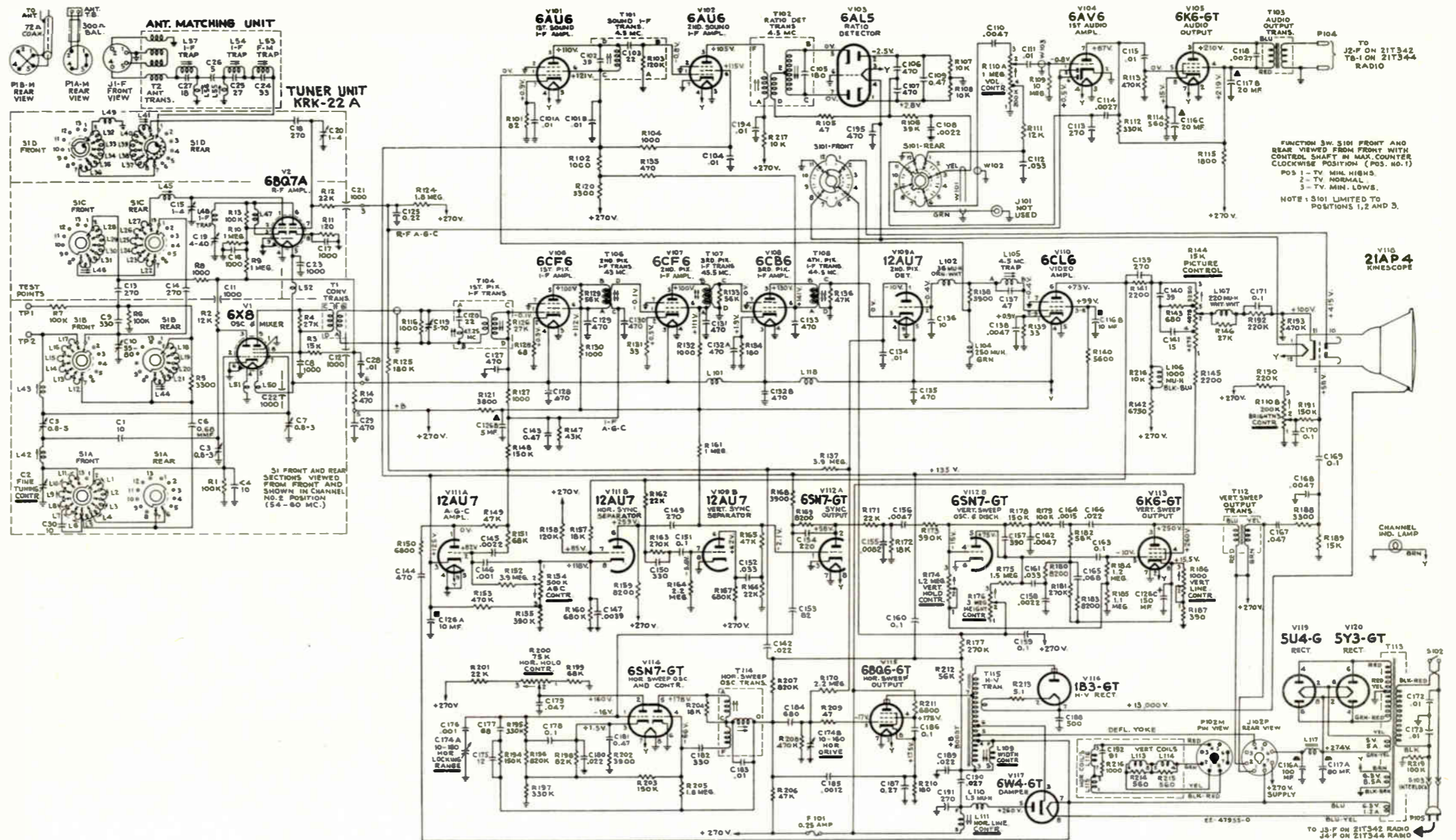
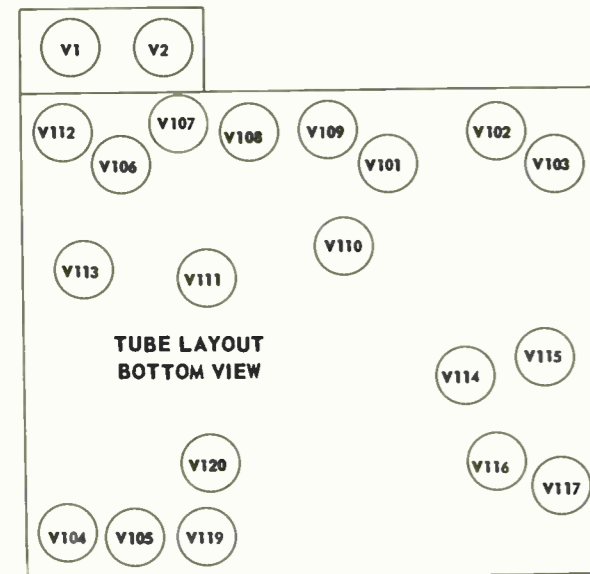
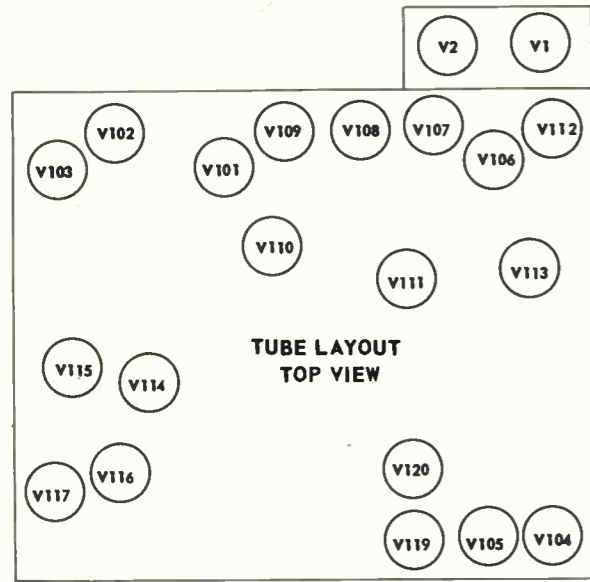








Tuner KRK-12 (page 112) used in "U" Models.



All resistance values in ohms. K = 1000.

All capacitance values less than 1 in MF and above 1 in MMF unless otherwise noted.

Direction of arrows at controls indicates clockwise rotation.

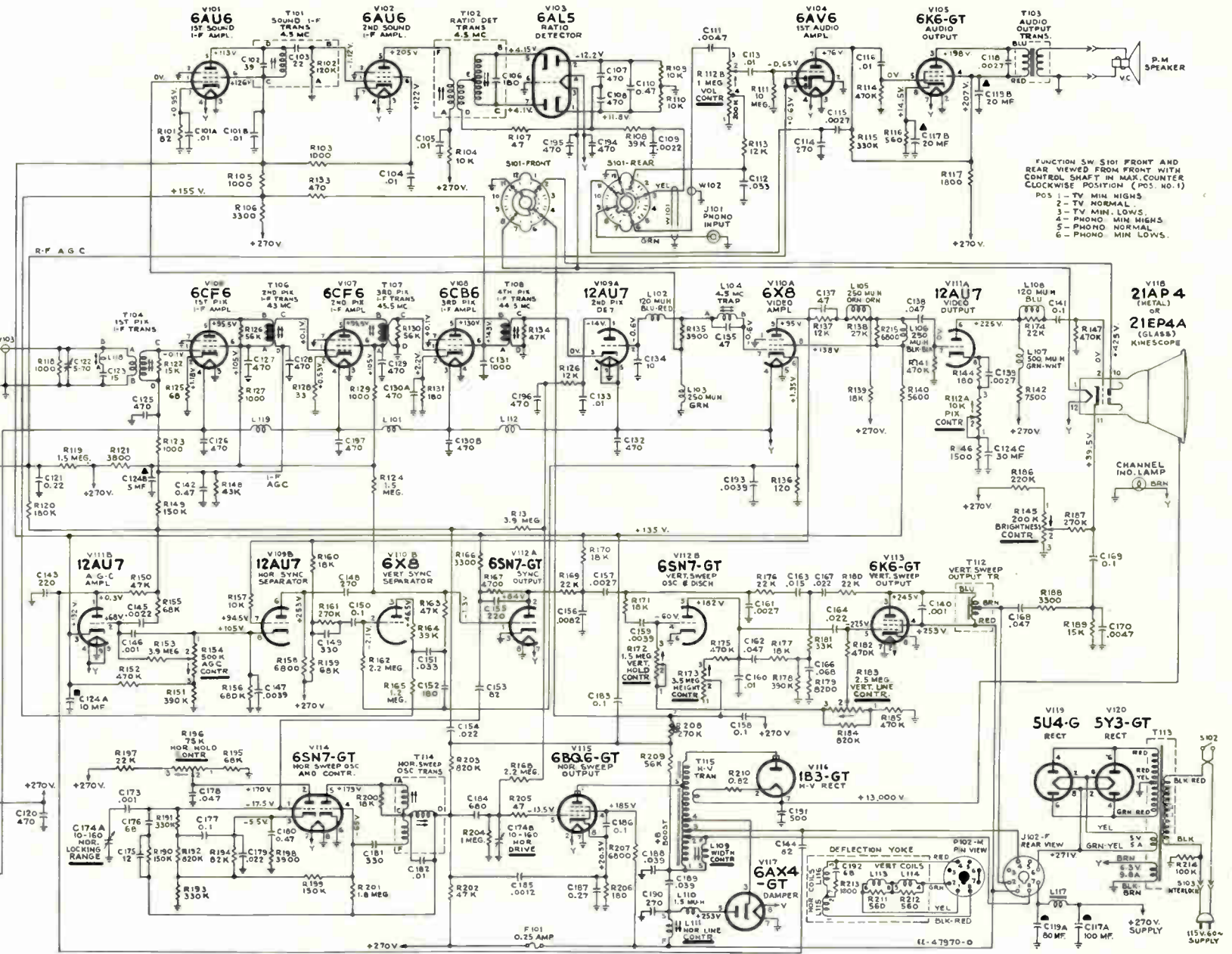
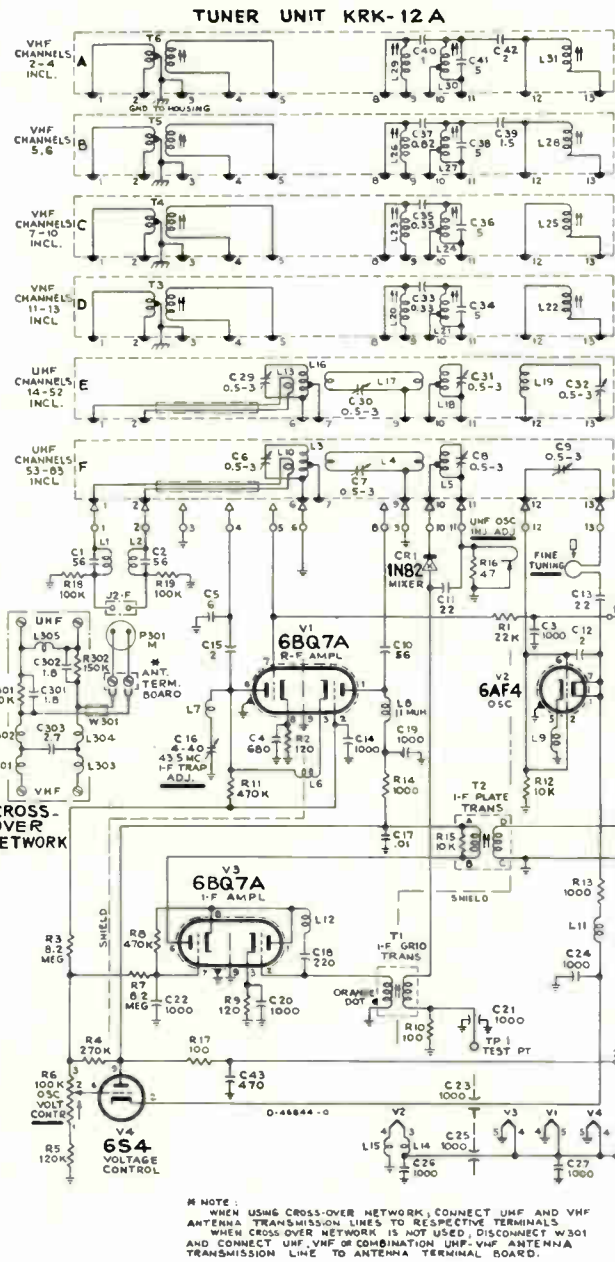
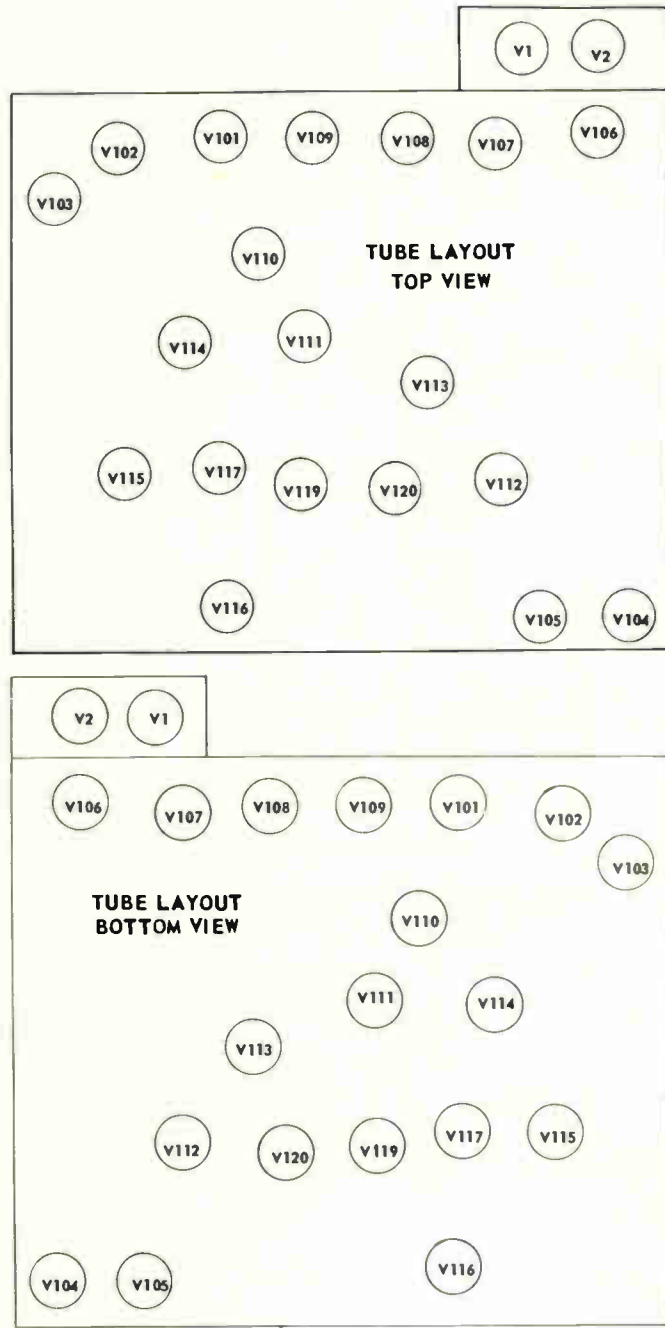
All voltages measured with "VoltOhmyst" and with no signal input. Voltages should hold within ±20% with 117 v. a-c supply.

Radio RC1111C (page 111) used with 21-T-344 and 21-T-344U.

Radio RC1117B (page 111) used with 21-T-342 and 21-T-342U.

REF. NO.	PART NO.	DESCRIPTION	COILS	RESISTORS	TUBES
	<b>ELECTROLYTICS</b>				
C116A	76970	100 mfd, 400V.	L101, 118	R144 76445 Picture control.	T104 77637 1st pix IF.
C116B	76970	10 mfd, 350V.	73477 Choke coil.	R174 77642 Vertical hold.	T106 77638 2nd pix IF.
C116C	76970	20 mfd, 50V.	L102 76011 Peaking, 36 mch.	R176 77924 Height control.	T108 76433 3rd or 4th pix IF.
C117A	77644	80 mfd, 400V.	L104 71526 Peaking, 250 mch.	R186 77643 Vertical linearity.	T112 77636 Vertical output.
C117B	77644	20 mfd, 400V.	L106 77124 Peaking, 1000 mch.	R200 77639 Horiz. hold.	T113 77635 Power Xformer.
C119	71496	Mico trimmer, 5-70 mmf.	L109 76441 Width complete w/adj core.		T114 76440 Horiz. oscillator.
C126A	75218	10 mfd, 350V.	L110 76640 RF choke coil.		T115 76795 HI-voltage.
C126B	75218	5 mfd, 350V.	L111 76442 Horiz. linearity.		
C126C	75218	150 mfd, 50V.	L117 77676 Filter choke.		
C174A, B	75217	Dual 10-160 mmf.	L118 73477 Choke coil.		
				<b>TRANSFORMERS</b>	<b>MISCELLANEOUS</b>
				T101 76981 Sound IF w/adj core	77697 Yoke.
				T102 77112 Ratio detector.	76093 Spk-12" PM 3.2 ohms.
				T103 76997 Output Xformer.	





NOTE: WHEN USING CROSS-OVER NETWORK, CONNECT UHF AND VHF ANTENNA TRANSMISSION LINES TO RESPECTIVE TERMINALS. WHEN CROSS-OVER NETWORK IS NOT USED, DISCONNECT W301 AND CONNECT UHF, VHF OR COMBINATION UHF-VHF ANTENNA TRANSMISSION LINE TO ANTENNA TERMINAL BOARD.

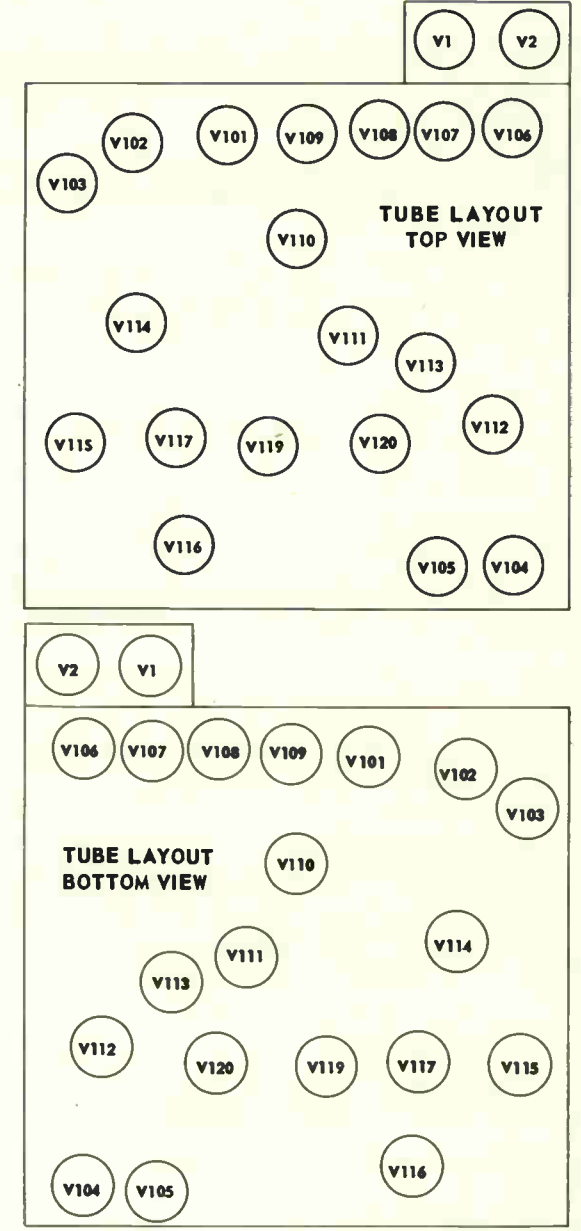
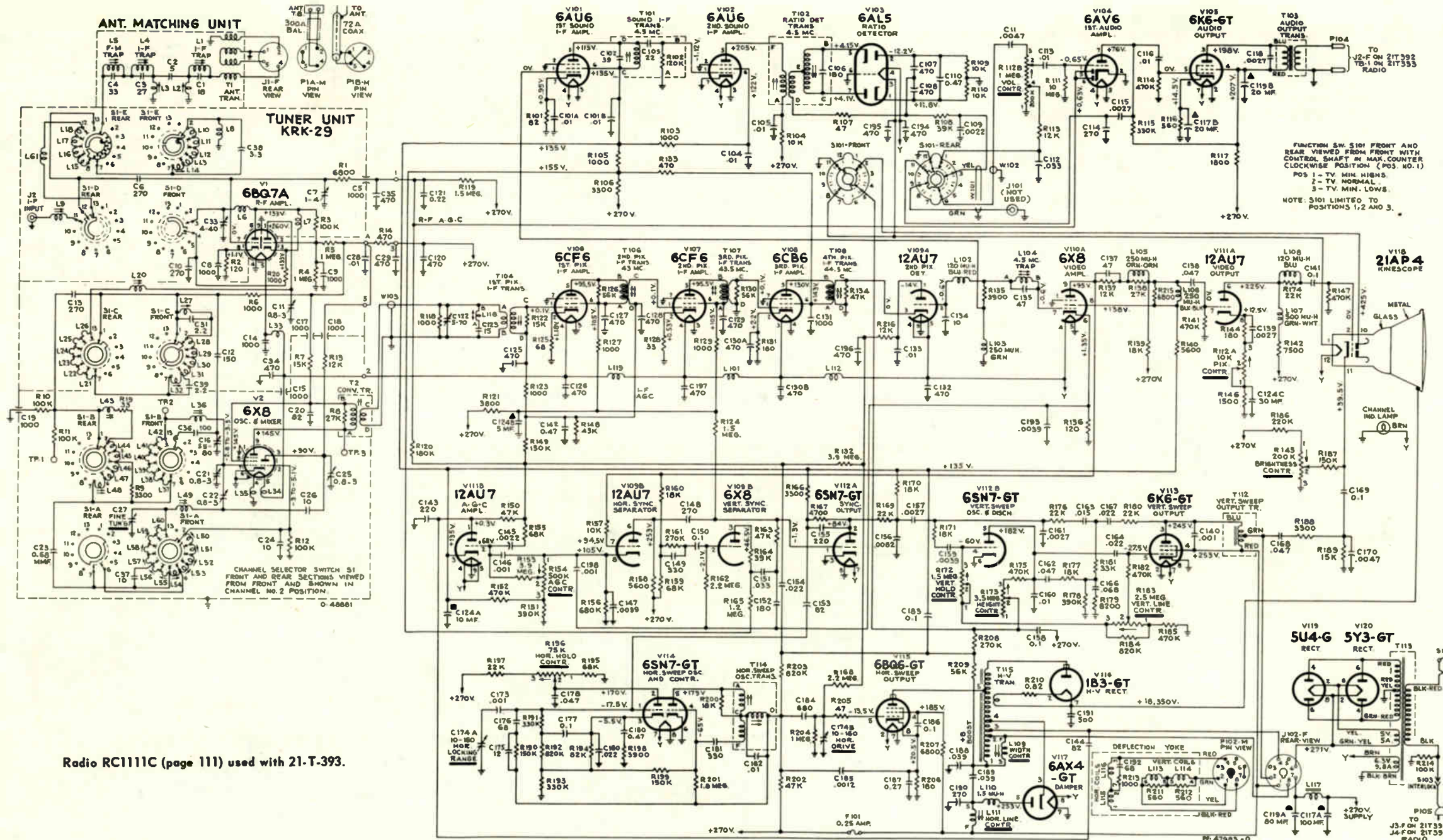
The schematic is shown in the latest condition at the time of printing. All resistance values in ohms. K = 1000.

All capacitance values less than 1 in FM and above 1 in MMF unless otherwise noted.

Direction of arrows at controls indicates clockwise rotation.

All voltages measured with "VoltOhmyst" and with no signal input. Voltages should hold within ±20% with 117 v. a-c supply.

REF. NO.	PART NO.	DESCRIPTION	RESISTORS	COILS	TRANSFORMERS	MISCELLANEOUS
		<b>ELECTROLYTICS</b>	C174A 75217 Mica trimmer.	L101, L112, L119	L110 76440 RF choke 1.5 mc.	
			C174B 75217 Dual 10-160 mmf.	L102 75253 Peaking 120 mic.	L111 76442 Horiz. linearity.	
C117A	78212	100 mfd, 400V.	R112A 78208 Picture.	L103 75126 Peaking 250 mic.	L112 76433 2nd IF.	76168 Focus magnet.
C117B	78212	20 mfd, 50V.	R112B 78208 Volume.	L104 76983 Trop 4.5 mc.	L113 76616 Yoke.	76141 Magnet-Ion trap.
C119A	77644	80 mfd, 400V.	R145 78209 Brightness.	L105 77674 Peaking 250 mic.	L114 78202 Filter choke.	76633 Magnet-pin cushion corr. magnet complete.
C119B	77644	20 mfd, 400V.	R154 76975 AGC.	L106 78222 Peaking 250 mic.	L115 78201 Hi voltage.	77000 Spk-5" PM 3.2 ohms.
C122	78220	Adj. mico 5-70 mmf.	R172 78210 Vertical hold.	L107 75252 Peaking 500 mic.		75022 Spk-8" PM 3.2 ohms.
C124A	78213	10 mfd, 350V.	R173 78206 Height.	L108 71529 Peaking 120 mic.		77777 Spk-10" PM 3.2 ohms.
C124B	78213	5 mfd, 350V.	R183 78207 Vertical linearity.	L109 78205 Width.		76093 Spk-12" PM 3.2 ohms.
C124C	78213	30 mfd, 50V.	R196 77639 Horiz. hold.			

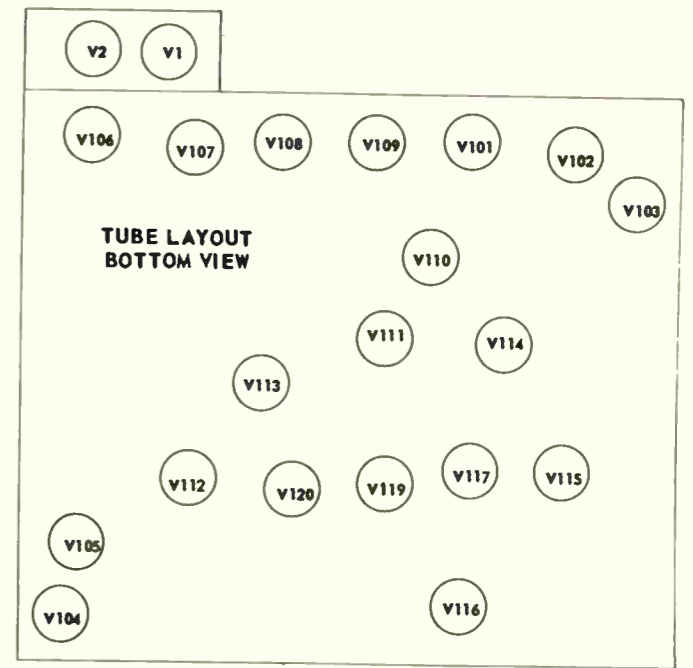
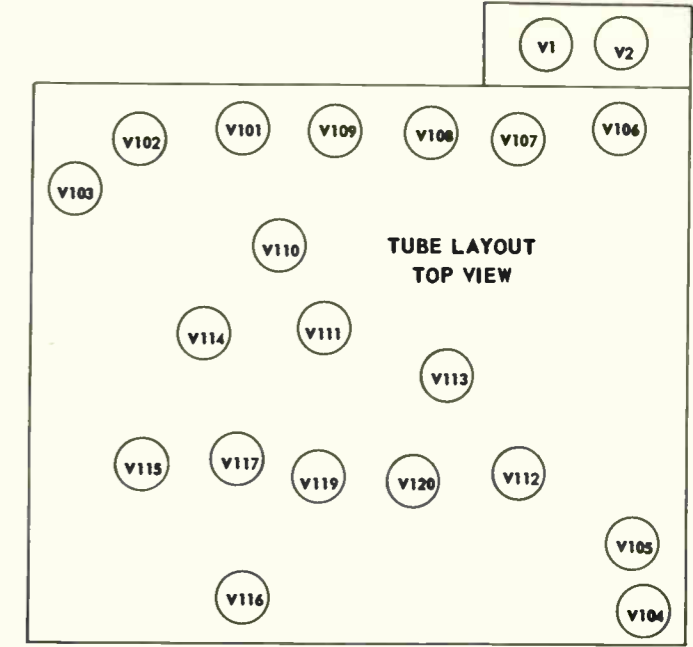
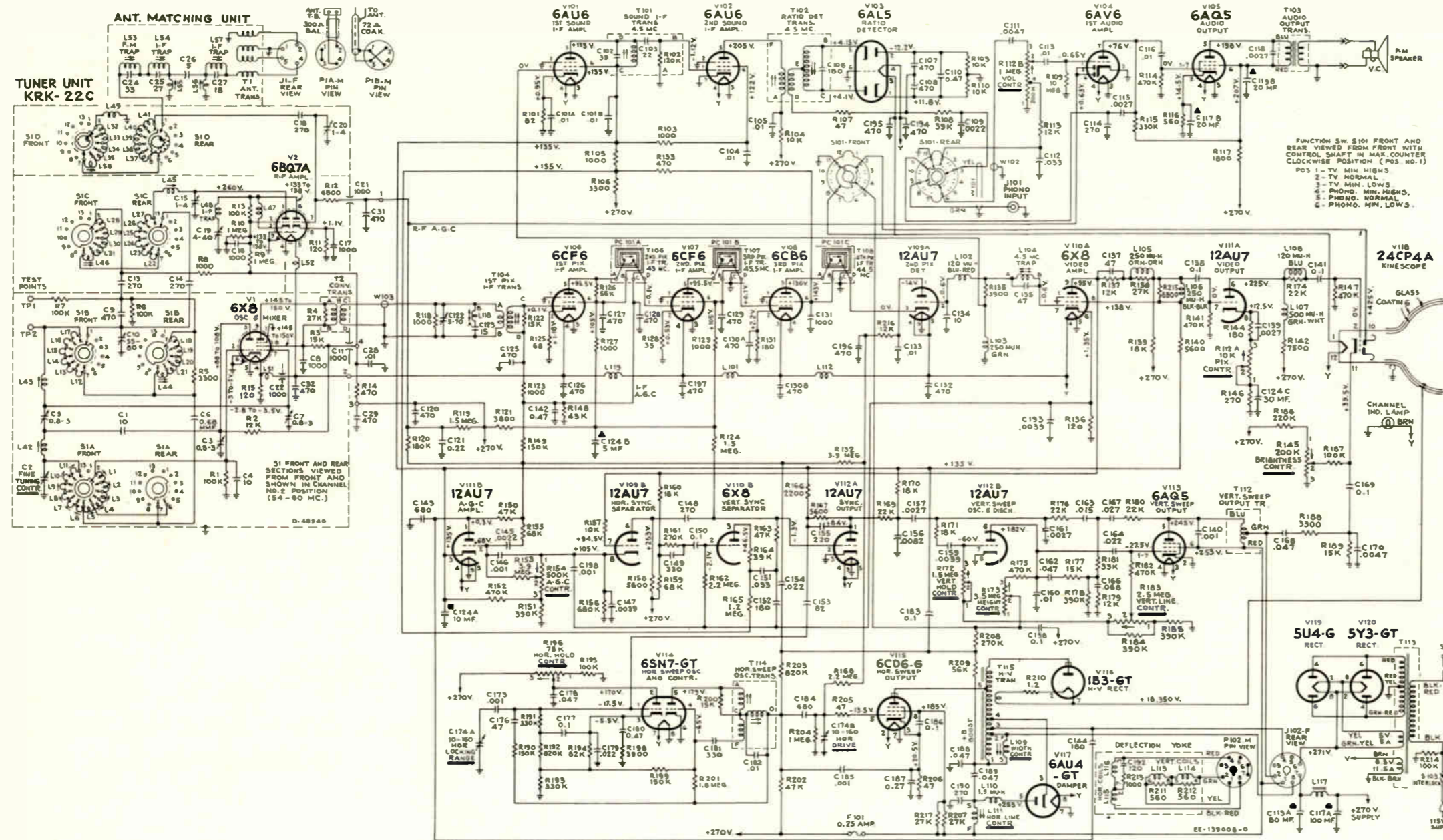


Radio RC111C (page 111) used with 21-T-393.

The schematic is shown in the latest condition at the time of printing. All capacitance values less than 1 in FM and above 1 in MMF unless otherwise noted. Direction of arrows at controls indicates clockwise rotation. All voltages measured with "VoltOhmyst" and with no signal input. Voltages should hold within ±20% with 117 v. a-c supply.

REF. NO.	PART NO.	DESCRIPTION	COILS	RESISTORS	TRANSFORMERS	MISCELLANEOUS
		<b>ELECTROLYTICS</b>				
C117A	78212	100 mfd, 400V.	L102	R112A	T101	76093
C117B	78212	20 mfd, 50V.	L103	R112B	T102	76616
C119A	77644	80 mfd, 400V.	L105	R145	T103	Spk-12" PM 3.2 ohms.
C119B	77644	20 mfd, 400V.	L106	R154	T104	Yoke.
C122	78220	Adj. mica 5-70 mmf.	L107	R172	T106, T107, T108	
C124A	78213	10 mfd, 350V.	L108	R173		
C124B	78213	5 mfd, 350V.	L109	R177		
C124C	78213	30 mfd, 50V.	L110	R183		
			L111	R196		
			L117			





The schematic is shown in the latest condition at the time of printing. All resistance values in ohms. K = 1000.

Direction of arrows at controls indicates clockwise rotation.

All voltages measured with "VoltOhmyst" and with no signal input. Voltages should hold within ±20% with 117 v. a-c supply.

ELECTROLYTICS			COILS			RESISTORS			TRANSFORMERS			MISCELLANEOUS			
C117A	78212	100 mfd, 400V.	C124C	78213	30 mfd, 50V.	L103	98482	Peaking, 250 mic.	R112A, R112B		T101	76981	Sound IF w/adj. core.	78869	Yoke, w/male connector.
C117B	78212	20 mfd, 50V.	C174A, C174B		75217	L105	77674	Peaking, 250 mic.	78208	Pix cont., vol., power sw.	T102	77112	Ratio detector.	77777	Spk-10" PM, 3.2 ohms.
C119A	77644	80 mfd, 400V.				L106	78222	Peaking, 250 mic.	R145	78209	Brightness, vol., power sw.	T103	76997	Output Xformer.	
C119B	77644	20 mfd, 400V.				L107	75252	Peaking, 500 mic.	R154	78808	AGC control.	T106	78203	1st IF pix w/adj. core.	
C122	78220	5-70 mmf, 200V. Trimmer.				L108	71529	Peaking, 120 mic.	R172	78210	Vertical hold.	T112	78809	Vertical output.	
C124A	78213	10 mfd, 350V.				L109	76441	Width, complete w/adj core.	R173	78806	Height control.	T113	78805	Power, 117V, 60 cycle.	
C124B	78213	5 mfd, 350V.				L110	76640	RF choke, 1.5 mic.	R183	78807	Vertical linearity.	T114	76440	Hor. osc. w/adj. core.	
						L111	76442	Hor. lin. complete, w/adj core.	R196	77639	Horiz. hold.	T115	78810	Hor. deflection output.	
						L117	77676	Filter choke.							
						L118	78204	1st IF grid trap.							

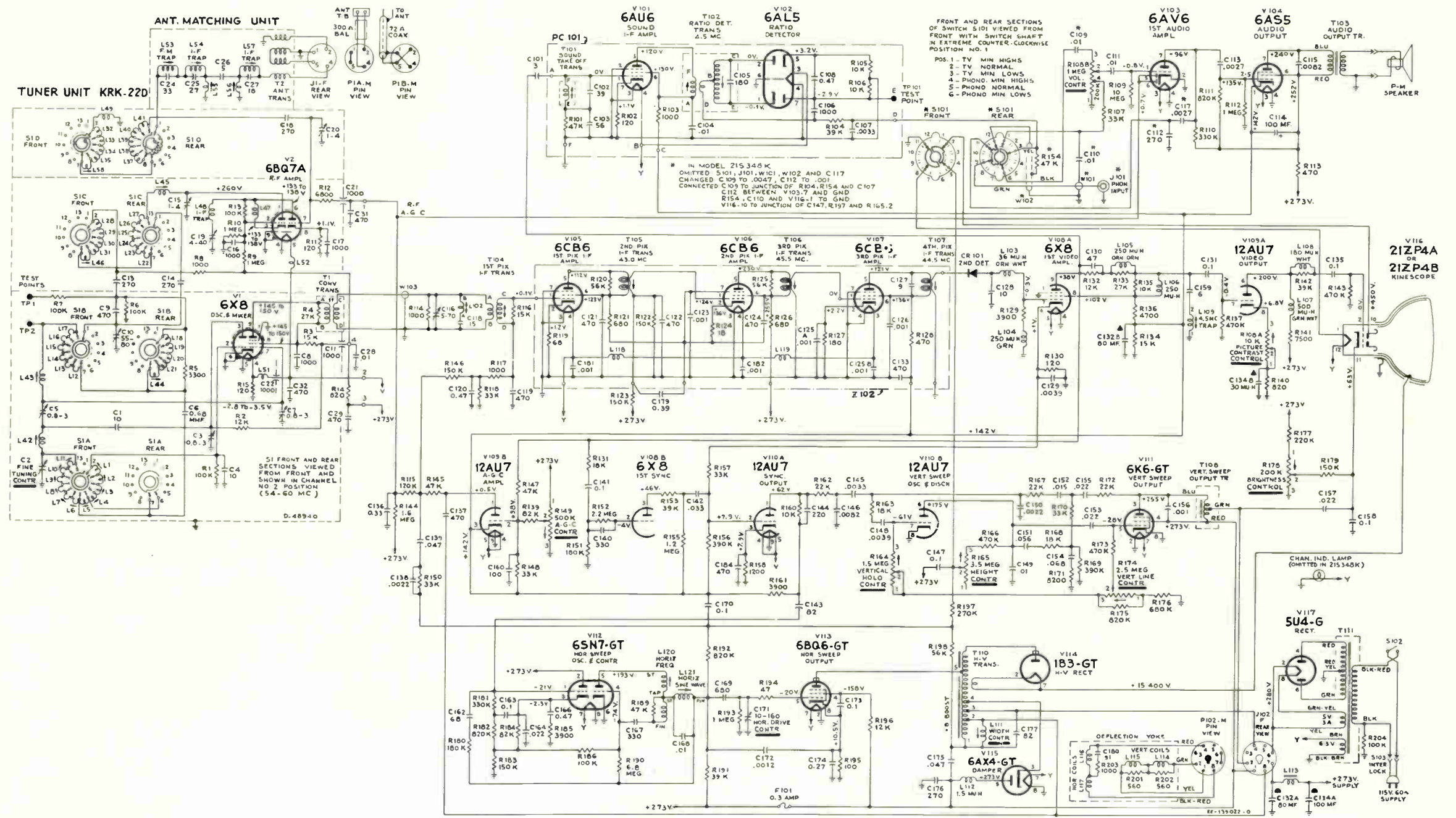
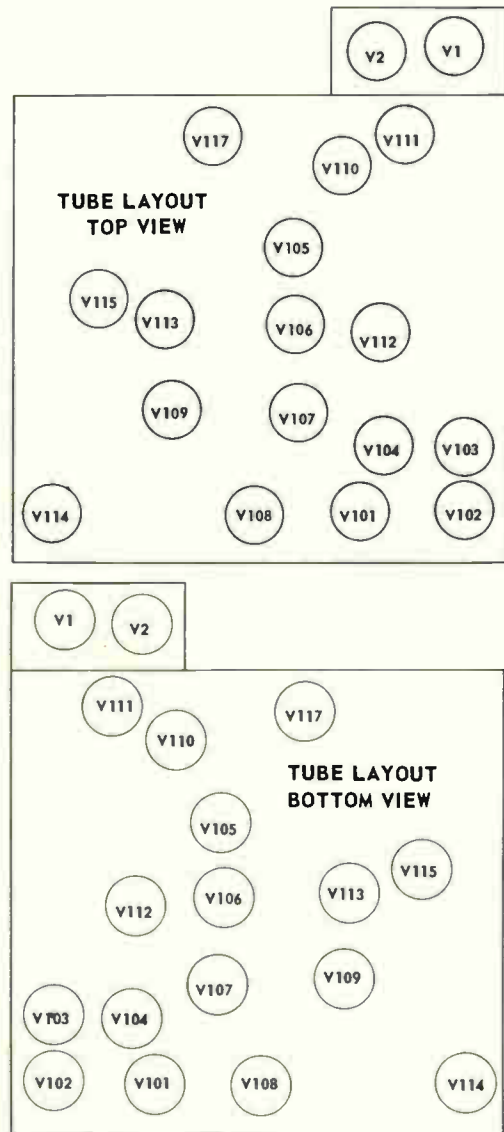










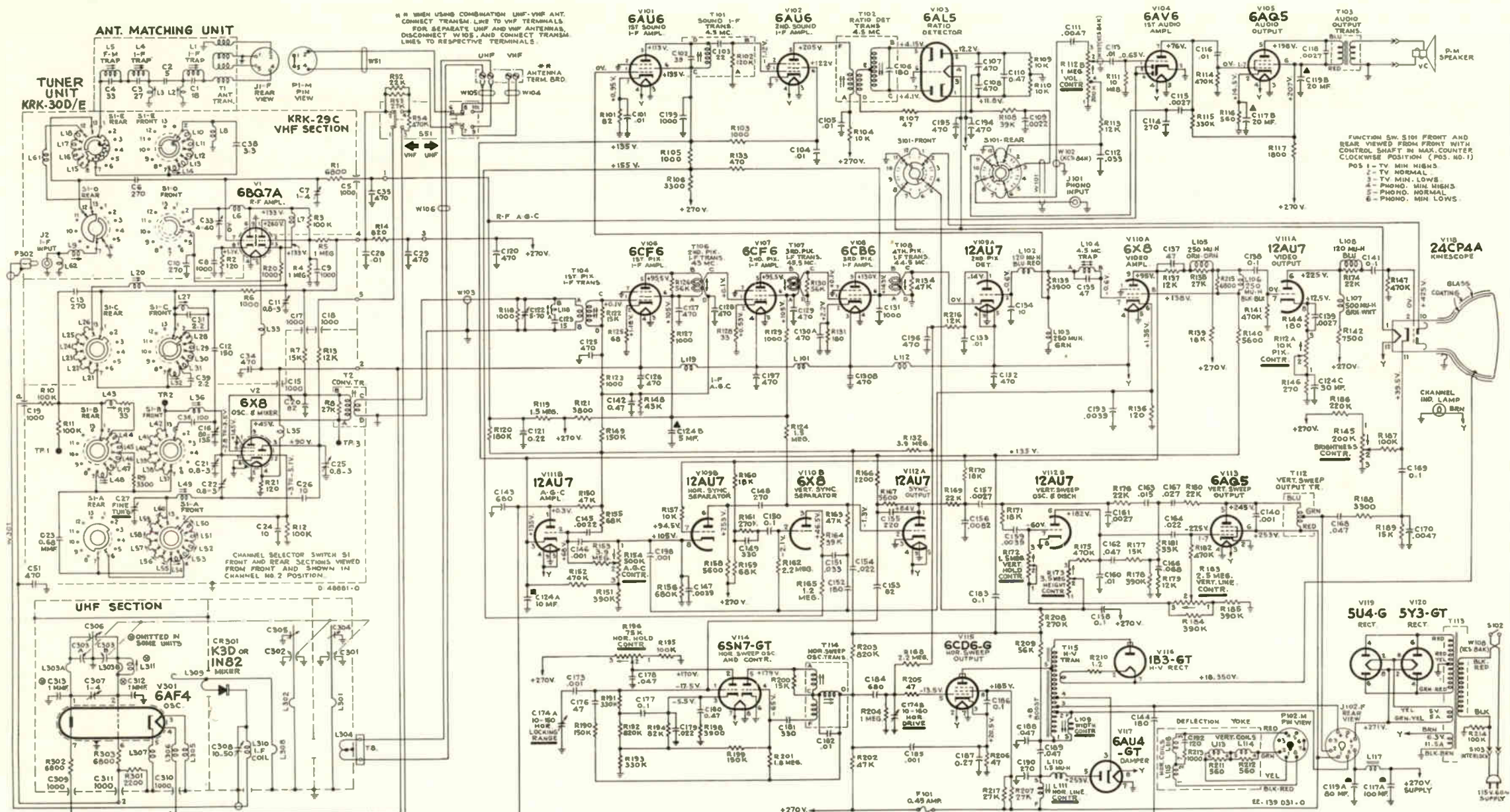


The schematic is shown in the latest condition at the time of printing. All capacitance values less than 1 in MF and above 1 in MMF unless otherwise noted. Direction of arrows at controls indicates clockwise rotation. All voltages measured with "VoltOhm-yst" and with no signal input. Voltages should hold within ±20% with 117 v. a-c supply.

REF. NO.	PART NO.	DESCRIPTION	VALUES	VALUES	VALUES	MISCELLANEOUS		
	C134A	79146	100 mfd, 400V.	R174	78807	Vertical linearity.		
	C134B	79146	30 mfd, 50V.	R178	79139	Brightness control.		
	ELECTROLYTICS		C171	71807	Mico trimmer 10-160 mfd.			
	RESISTORS		COILS					
C114	79314	100 mf. 250V.	R149	78808	AGC control.	L103	76011	Peeking, 36 mh.
C116	78220	Adj. 5-70 mmf, mco.	R164	78210	Vertical hold.	L104	98482	Peeking, 250 mh.
C132A	79147	80 mfd, 400V.	R165	78806	Height control.	L105	77674	Peeking 250 mh.
C132B	79147	80 mfd, 200V.				L106	79321	Peeking, 250 mh.
						TRANSFORMERS		
						T102	79141	IF ratio detector.
						T103	79159	Audio Xformer.
						T104	78203	1st pix IF grid complete.
						T105, T106, T107		
						76433	1st, 2nd & 3rd pix IF	
						T108	79143	Vertical output.
						T110	79145	High voltage.
						T111	79162	Power 117V, 60 cy.
						MISCELLANEOUS		
						77000	Spk-5" PM 3.2 ohms.	
						77872	Spk-8" PM 3.2 ohms.	
						S102	78211	TV phono-tone sw. for KCS88 & 88F.
						PC101	79142	Printed IF sound assem.



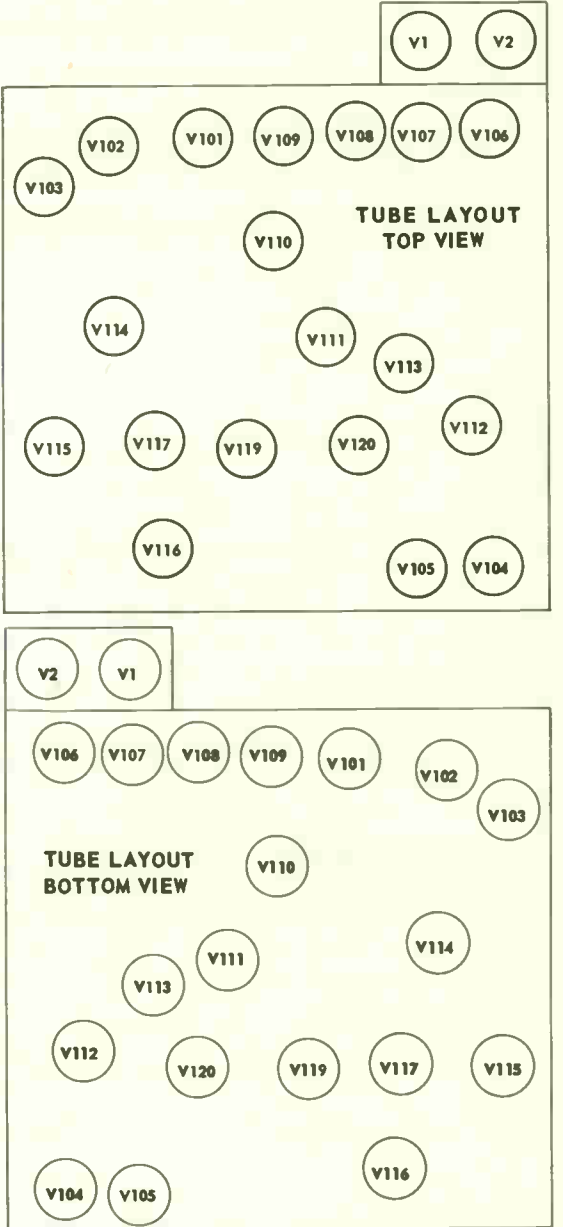




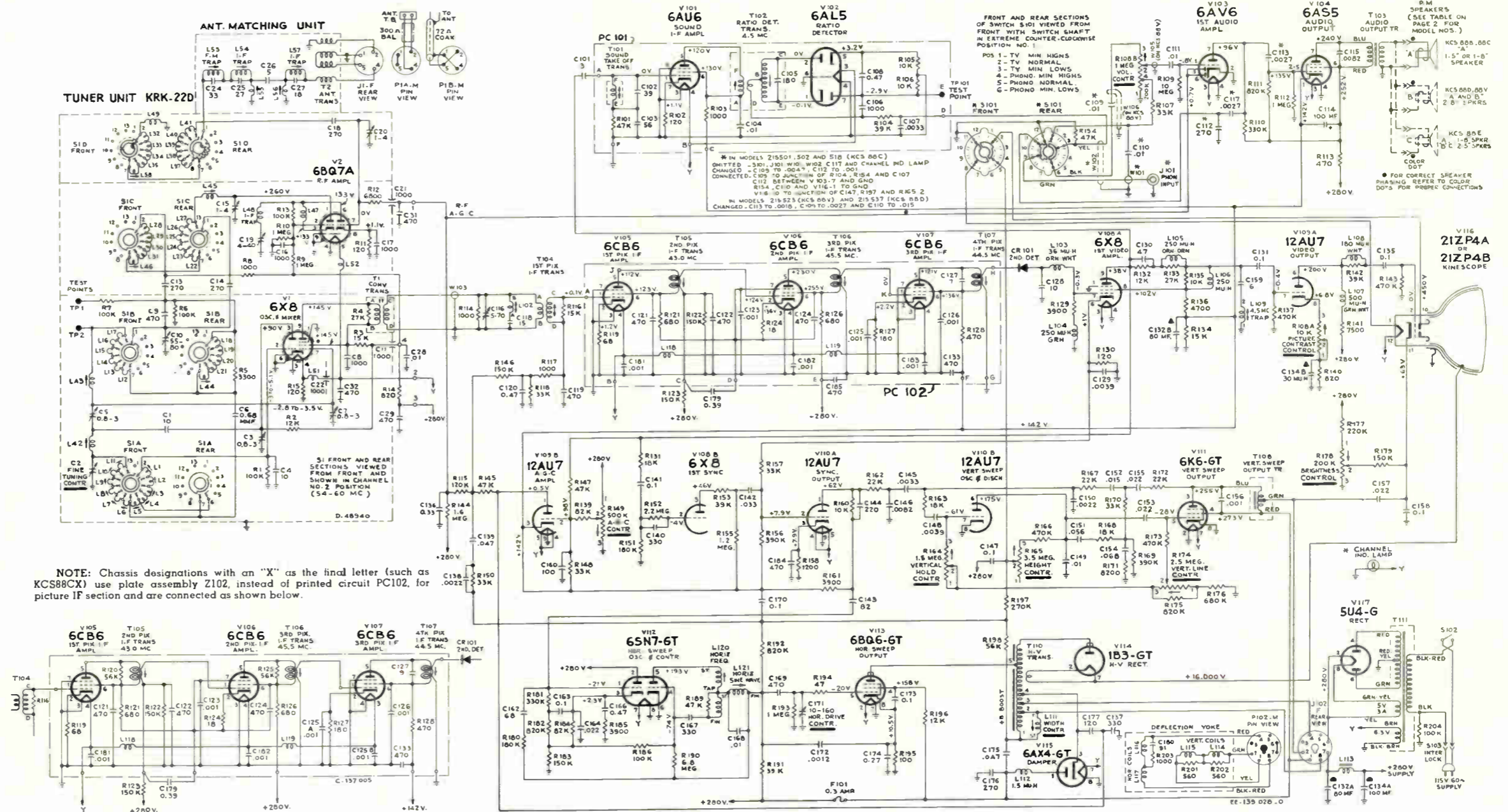
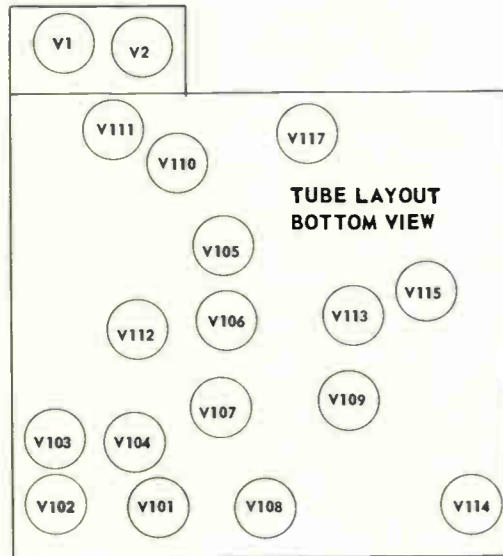
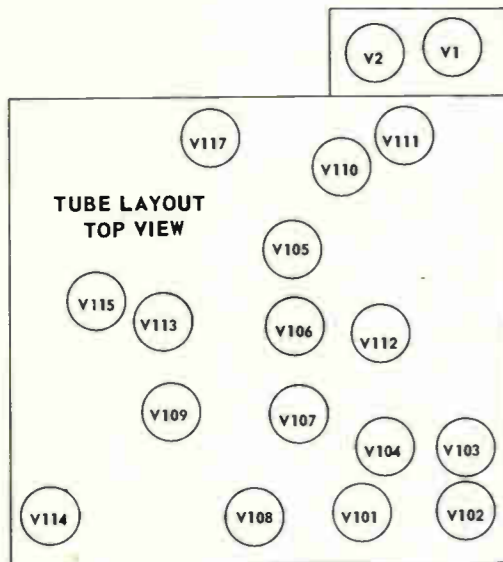
The schematic is shown in the latest condition at the time of printing. All resistance values in ohms. K = 1000.

Direction of arrows at controls indicates clockwise rotation.

All voltages measured with "Volt-Ohmyst" and with no signal input. Voltages should hold within ±20% with 117 v. a-c supply.



REF. NO.	PART NO.	DESCRIPTION	REF. NO.	PART NO.	DESCRIPTION	REF. NO.	PART NO.	DESCRIPTION	REF. NO.	PART NO.	DESCRIPTION		
		<b>ELECTROLYTICS</b>			<b>RESISTORS</b>			<b>TRANSFORMERS</b>			<b>MISCELLANEOUS</b>		
C117A,B	78212	100/20 mf., 400/50V DC.	L102	75253	Peeking 120 mic.	R112A,B	78208	Power, vol., pix cont.	PC101	76433	1st, 2nd & 3rd pix IF includes T106, 107 & 108.	78869	Yoke. Models 245529 & U, 245532 & U.
C119A,B	77644	80/20 mf., 400/400V DC.	L103	98482	Peeking 250 mic.	R145	78209	Brightness control.	T101	76981	Sound IF.	79490	Yoke. Models 245531 & U.
C124A, B, C			L104	76983	4.5 mc trap.	R172	78210	Vertical hold.	T102	77112	Ratio detector.	77777	Spk-10" PM 3.2 ohms.
			L105	77674	Peeking 250 mic.	R173	78806	Height control.	T103	76997	Audio output.		
			L106	78222	Peeking 250 mic.	R183	78807	Vertical linearity.	T104	78203	1st IF grid.		
			L107	75252	Peeking 500 mic.	R196	77639	Horiz. hold.	T112	78809	Vertical output.		
			L108	71529	Peeking 120 mic.				T113	78805	Power Xformer.		
			L109	76441	Width coil.				T114	76440	Synchroguide Xformer.		
			L110	76640	RF choke, 1.5 mic.				T115	78810	Hi voltage.		
			L111	76442	Horiz. linearity.								
			L117	77676	Filter choke.								
			L118	78204	1st IF grid trap.								
			L119	73477	Filter choke.								



NOTE: Chassis designations with an "X" as the final letter (such as KCS88CX) use plate assembly Z102, instead of printed circuit PC102, for picture IF section and are connected as shown below.

All chassis listed above are identical except as noted on schematic diagram. The physical location of controls S102/R108A&B and S101 are interchanged on vertically mounted chassis KCS88V. (Refer to pages 6 and 7.) For speaker information refer to table on page 2.

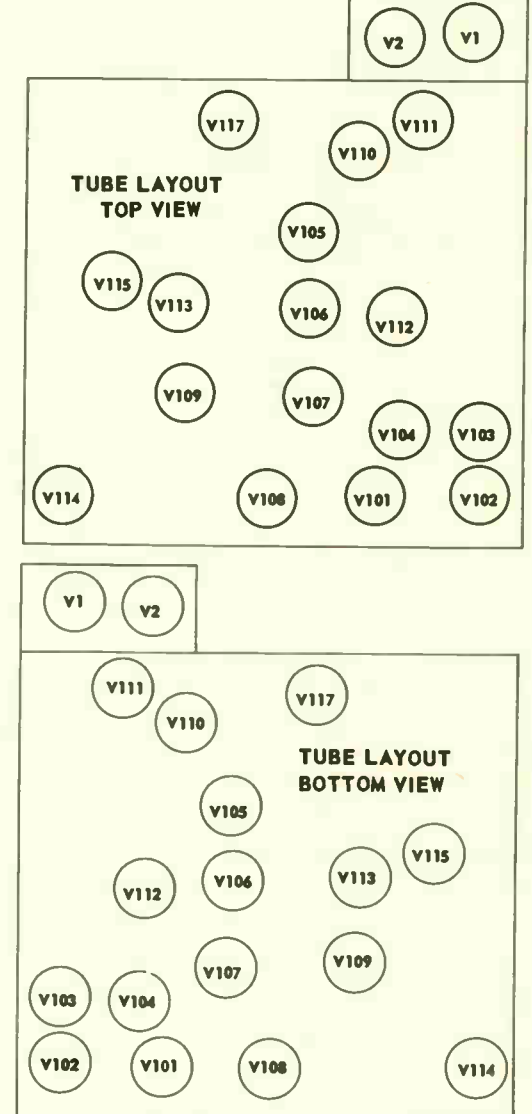
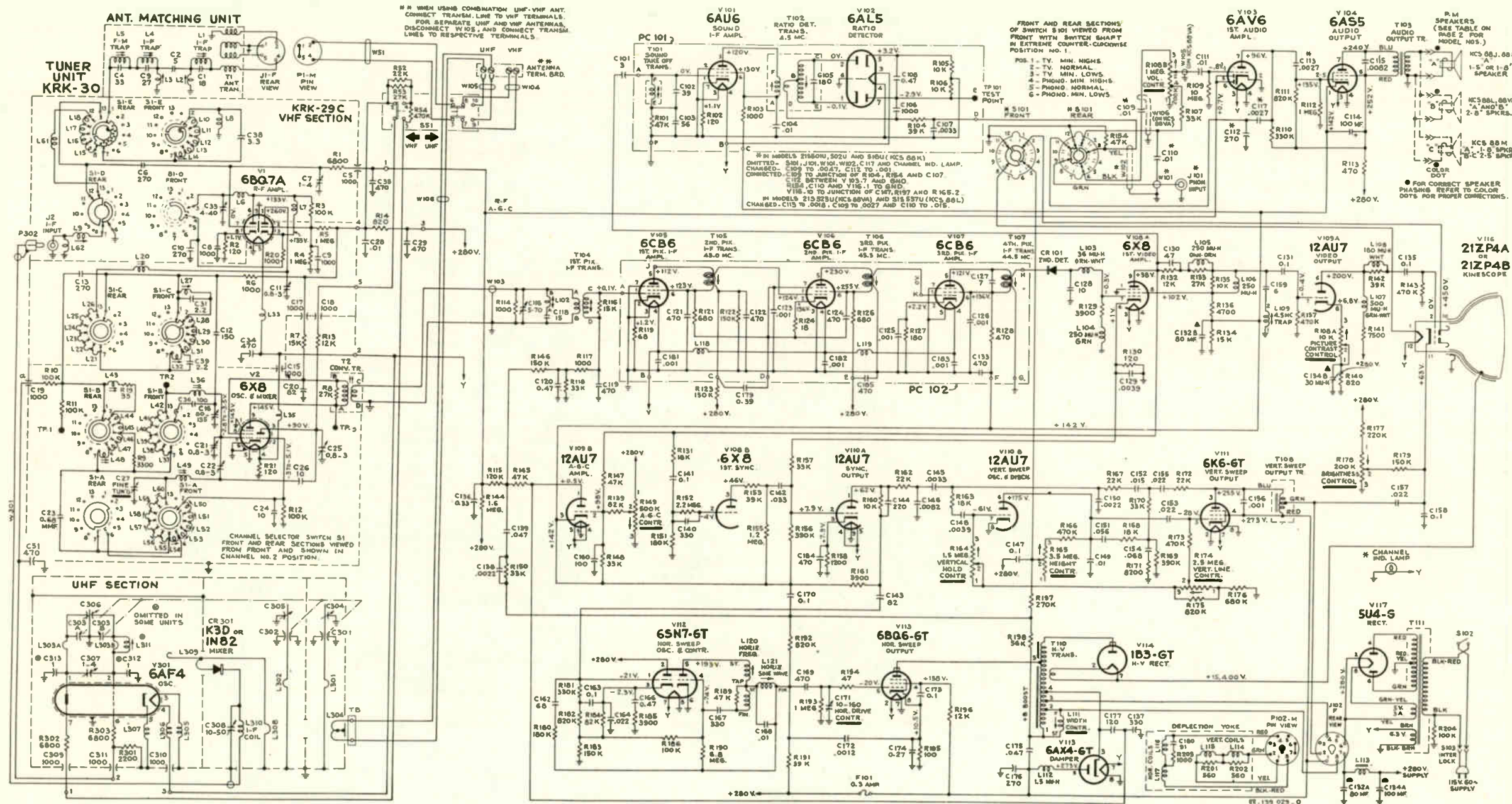
The schematic is shown in the latest condition at the time of printing. All resistance value in ohms. K = 1000.

All capacitance values less than 1 in MF and above 1 in MMF unless otherwise noted.

Direction of arrows at controls indicates clockwise rotation.

All voltages measured with "Volt-Ohmmyst" and with no signal input. Voltages should hold within ±20% with 117 v. a-c supply.

REF. NO.	PART NO.	DESCRIPTION	COILS	TRANSFORMERS	MISCELLANEOUS
		<b>ELECTROLYTICS</b>			
C116	78220	Variable mica, 5-70 trimmer.	L103 76011 Peaking 36 mic.	T103 79159 Audio, for KCS88B C, J, K only.	CR101 76675 Crystal-2nd detector.
C132A	79147	80 mfd, 400V. DC.	L104 98482 Peaking 250 mic	T103 79476 Audio, for KCS88D, E, L, M, V, VA, only.	F101 78214 Fuse-.3 mps. 250V.
C132B	79147	80 mfd, 200V. DC.	L105 77674 Peaking 250 mic (R133).	T104 78203 1st IF grid.	PC101 79142 Sound IF circuit (inc. T101,102).
C134A	79146	100 mfd, 400V. DC.	L106 79321 Peaking 250 mic.	T108 79143 Vertical output.	PC102 79479 Pix IF circuit (inc. T105,6,7).
C134B	79146	30 mfd, 50V. DC.	L107 75252 Peaking 500 mic	T110 79145 High voltage.	Z102 79156 Pix IF circuit plate assem.
C171	71807	Trimmer-horiz. drive 10-160 mmf.	L108 71528 Peaking 180 mic (R142).	T111 79145 Power Xformer.	79510 Yoke for 215523 & U.
			L111 79144 Width coil		77697 Yoke for all models except 215523 & U.
			L120 79534 Horiz frequency. 5q. nut on adj. core.		77000 5pk-5" PM 3.2 ohms.
					74664 5pk-8" PM 3.2 ohms.



NOTE: All chassis listed above are identical except as noted on schematic diagram and in Note on page 19. The physical location of controls S102/R108A&B and S101 are interchanged on vertically mounted chassis KCS88VA. (Refer to pages 6 and 7.) For speaker information refer to table on page 2

The schematic is shown in the latest condition at the time of printing. All resistance value in ohms. K = 1000.

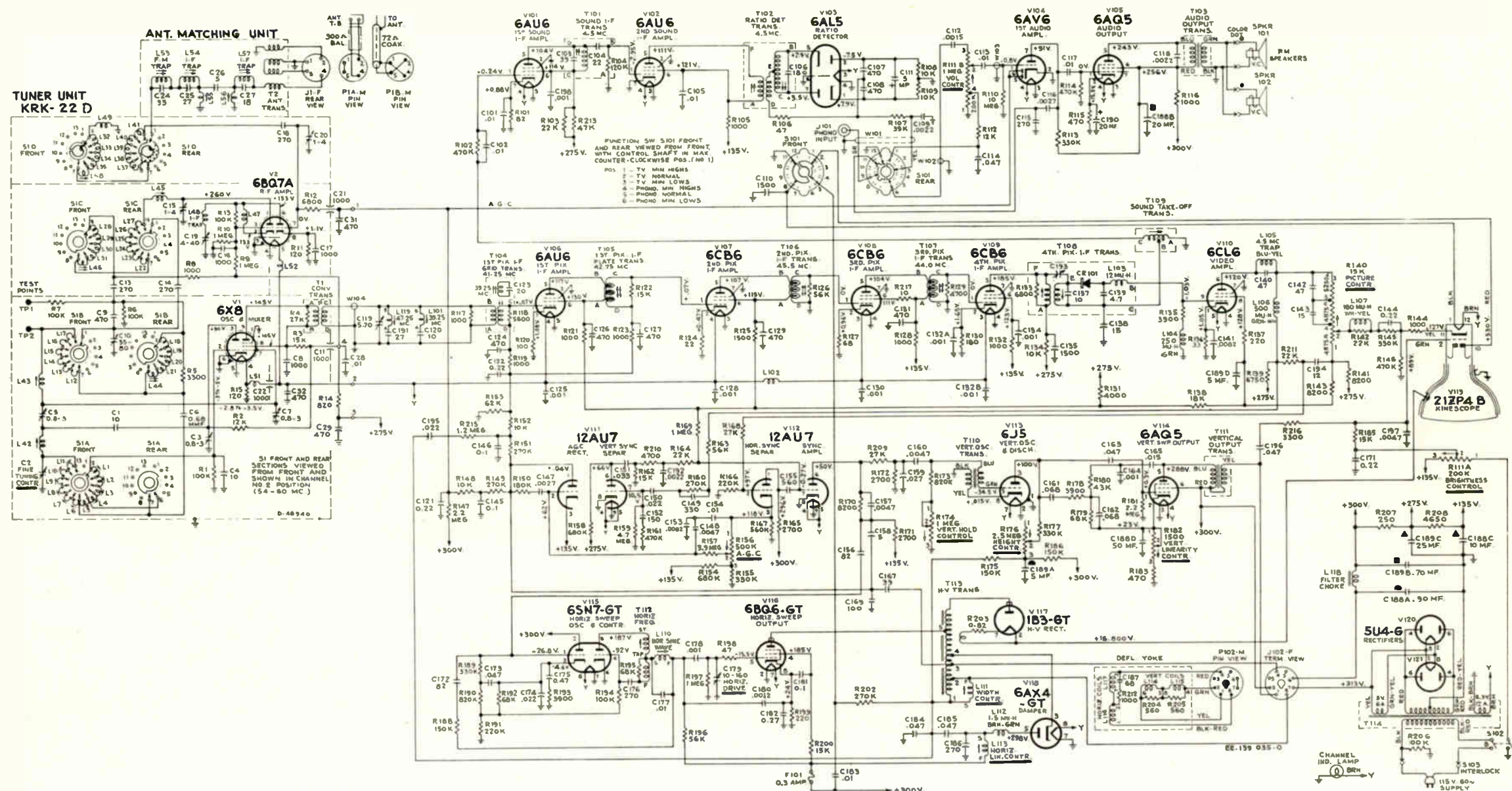
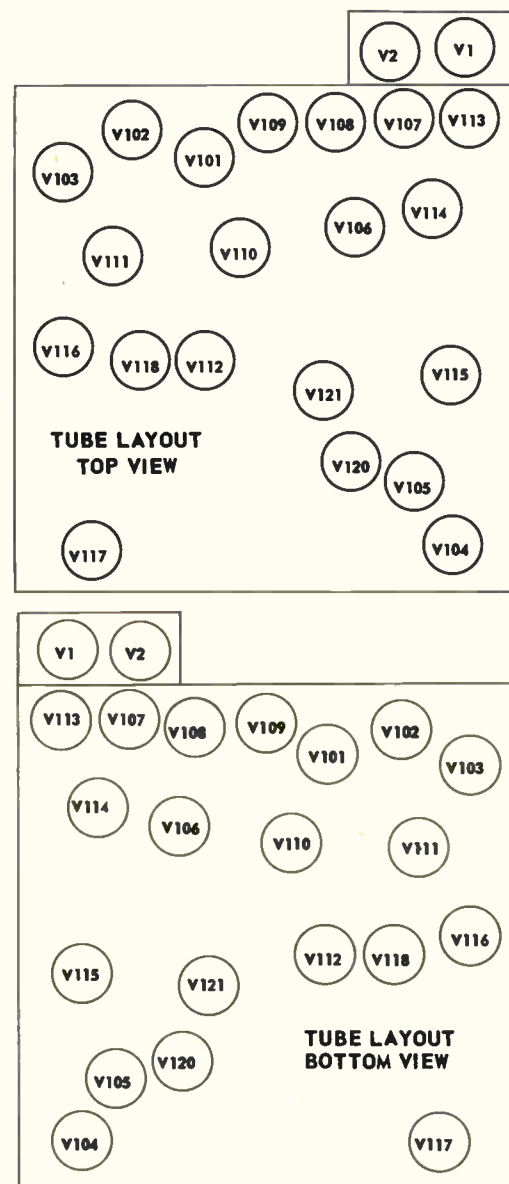
All capacitance values less than 1 in MF and above 1 in MMF unless otherwise noted.

Direction of arrows at controls indicates clockwise rotation.

All voltages measured with "Volt-Ohmms" and with no signal input. Voltages should hold within ±20% with 117 v. a-c supply.

REF. NO.	PART NO.	DESCRIPTION	COILS	RESISTORS	TRANSFORMERS	MISCELLANEOUS
		<b>ELECTROLYTICS</b>	L103 76011 Peaking 36 mic.	L120 79160 Horiz. frequency. Hexagon nut on core.	T103 79159 Audio, for KCS88B C, J, K only.	CR101 76675 Crystal-2nd detector.
C116	78220	Variable micro. 5-70 trimmer.	L104 98482 Peaking 250 mic.	L121 79161 Horiz. sine wave.	T103 79476 Audio, for KCS88D, E, L, M, V, VA, only.	F101 78214 Fuse-.3 amps. 250V.
C132A	79147	80 mfd, 400V. DC.	L105 77674 Peaking 250 mic (R133).		T104 78203 1st IF grid.	PC101 79142 Sound IF circuit (inc. T101,102).
C132B	79147	80 mfd, 200V. DC.	L106 79321 Peaking 250 mic.		T108 79143 Vertical output.	PC102 79479 Pix IF circuit (inc. T105,6,7).
C134A	79146	100 mfd, 400V. DC.	L107 75252 Peaking 500 mic		T110 79145 High voltage.	Z102 79156 Pix IF circuit plate assem.
C134B	79146	30 mfd, 50V. DC.	L108 71528 Peaking 180 mic (R142).	R108A,B 78208 On-Off vol., pix control.	T111 79162 Power Xformer.	79510 Yoke for 215S23 & U.
C171	71807	Trimmer-horiz. drive 10-160 mmf.	L109 75252 Peaking 500 mic	R149 78808 AGC Control.		77697 Yoke for all models except 215S23 & U.
			L110 71528 Peaking 180 mic (R142).	R164 78210 Vertical hold		77000 Spk-5" PM 3 2 ohms.
			L111 79144 Width coil	R165 78806 Height adjustment.		74664 Spk-8" PM 3.2 ohms.
			L120 79534 Horiz frequency. Sq nut on adj. core.	R174 78807 Vertical linearity.		
				R178 79139 Brightness control.		





The schematic is shown in the latest condition at the time of printing. All resistance value in ohms. K = 1000.

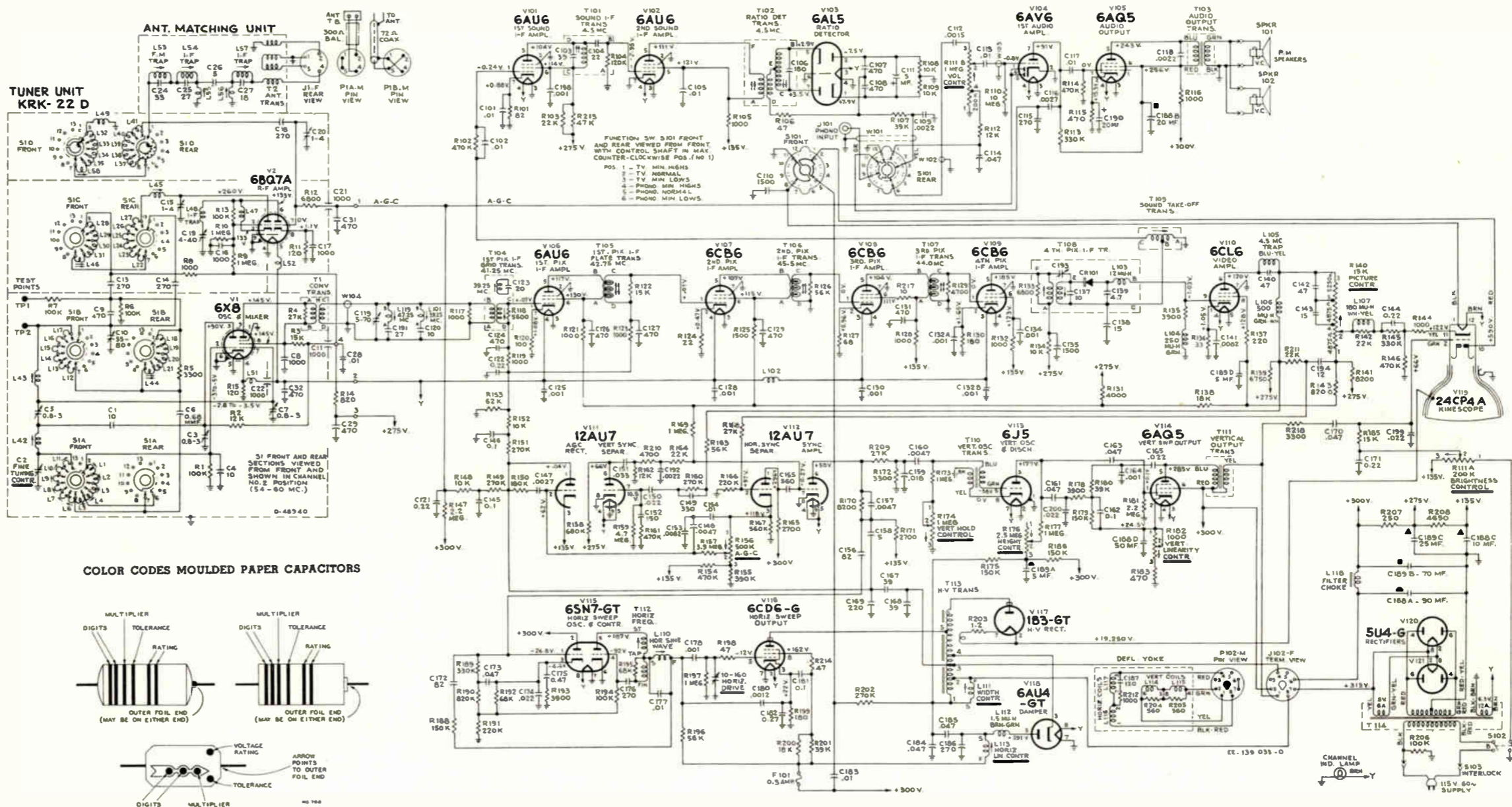
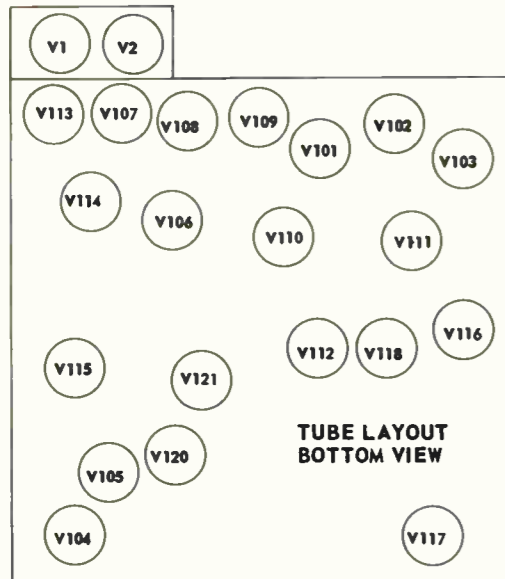
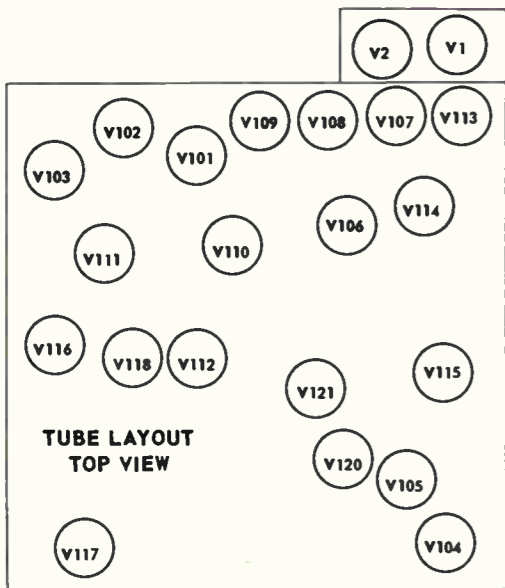
All capacitance values less than 1 in MF and above 1 in MMF unless otherwise noted.

Direction of arrows at controls indicates clockwise rotation.

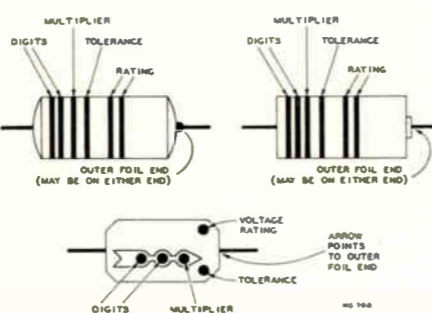
All voltages measured with "Volt-Ohm-ys" and with no signal input. Voltages should hold within ±20% with 117 v. a-c supply.

REF. NO.	PART NO.	DESCRIPTION	VALUE	DESCRIPTION	VALUE	DESCRIPTION	VALUE
		<b>ELECTROLYTICS</b>					
C111	74521	5 mf, 50V.					
C119	71496	Adj. micro, 5/70 mmf.					
C179	79376	Mica trimmer, 10-160 mmf.					
C188A	79391	90 mfd, 400V.					
C188B	79391	20 mfd, 400V.					
C188C	79391	10 mfd, 400V.					
C188D	79391	50 mfd 50V.					
C189A	79392	5 mfd, 450V.					
		<b>COILS</b>					
L102	73477	Choke coil.					
L104	98482	Peaking 250 mic.					
L106	75252	Peaking 500 mic.					
L107	76647	Peaking 180 mic.					
L110	79161	Horiz. sine wave					
L111	76441	Width coil.					
L112	76640	RF choke 1.5 mic.					
		<b>RESISTORS</b>					
R111A,B	76455	Vol. On-Off brightness.					
R140	76445	Contrast control.					
R156	78808	AGC Control.					
R174	79384	Vertical hold.					
R176	78807	Height control.					
R182	79491	Vertical linearity.					
		<b>TRANSFORMERS</b>					
L101	79383	1st IF grid trap.					
T101	76981	1st sound.					
T102	77112	Ratio detector.					
T103	77821	Audio output					
T104	79388	1st IF grid.					
T105	T106	T107	76433	1st, 2nd, 3rd pix.			
T108	79389	4th pix. I.F.					
T109	79386	Sound take-off.					
T110	79379	Vertical oscillator.					
		<b>MISCELLANEOUS</b>					
S101	77656	Rotary sw. control tone.					
F101	78214	Fuse-0.3 amp					
	7625	Yoke.					
	74664	Spk-8" PM 3.2 ohms.					





COLOR CODES MOULDED PAPER CAPACITORS



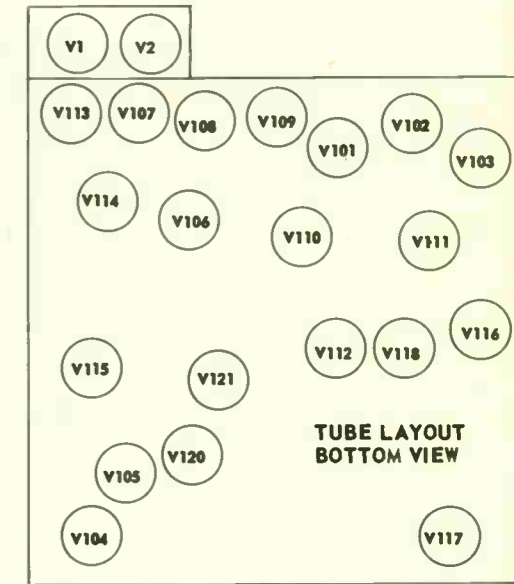
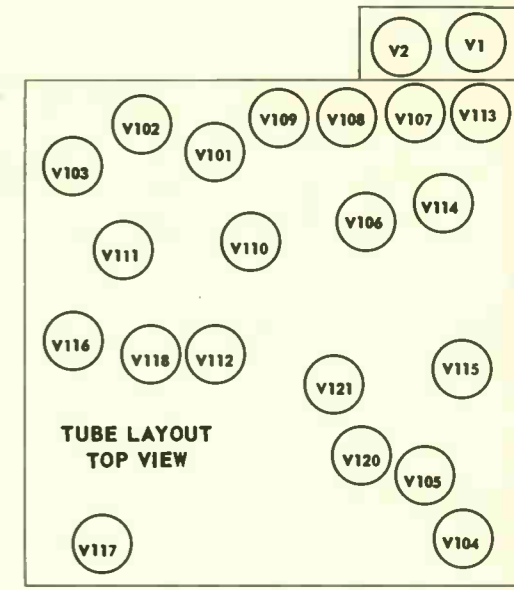
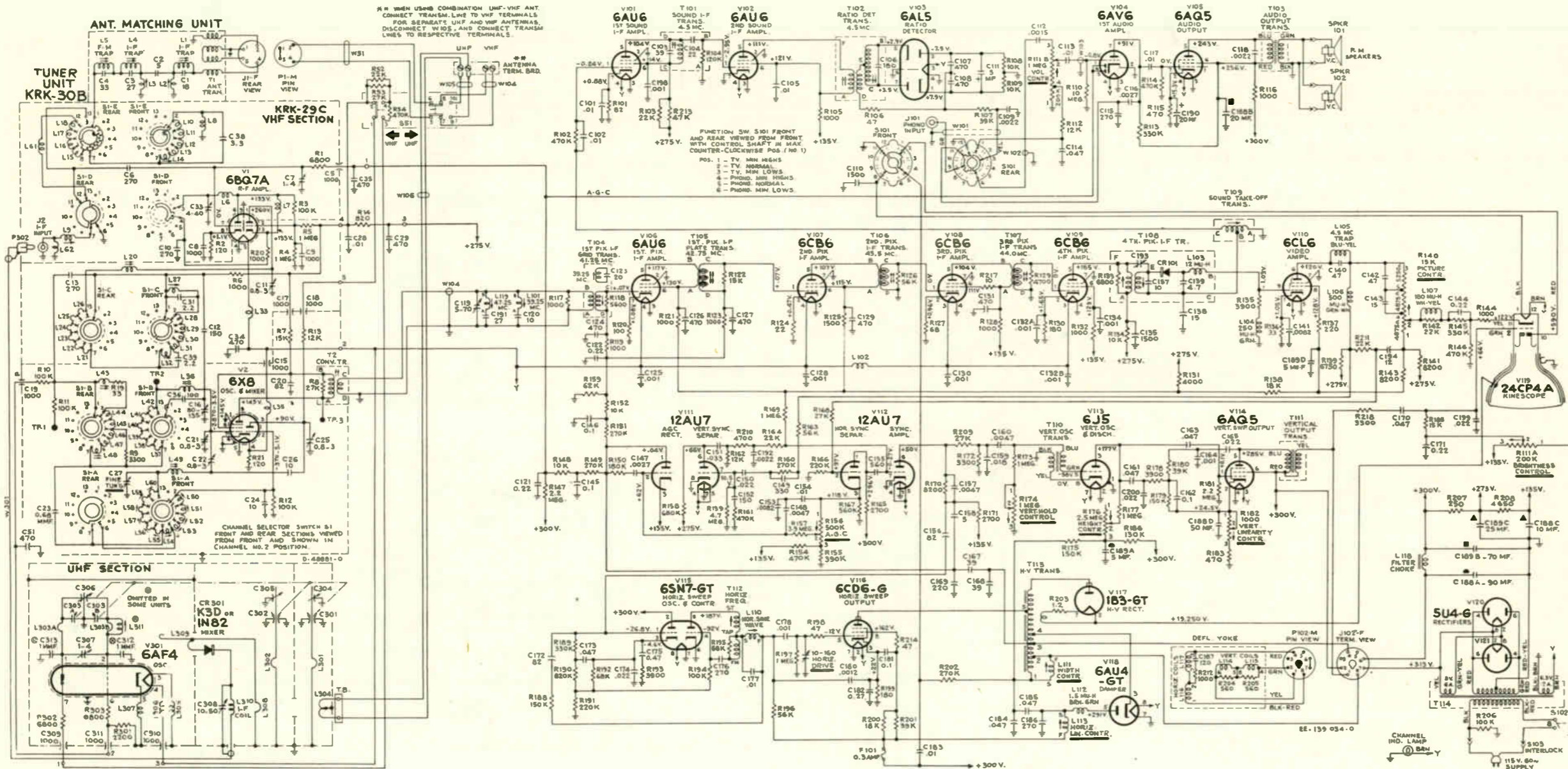
The schematic is shown in the latest condition at the time of printing. All resistance value in ohms. K = 1000.

All capacitance values less than 1 in MF and above 1 in MMF unless otherwise noted.

Direction of arrows at controls indicates clockwise rotation.

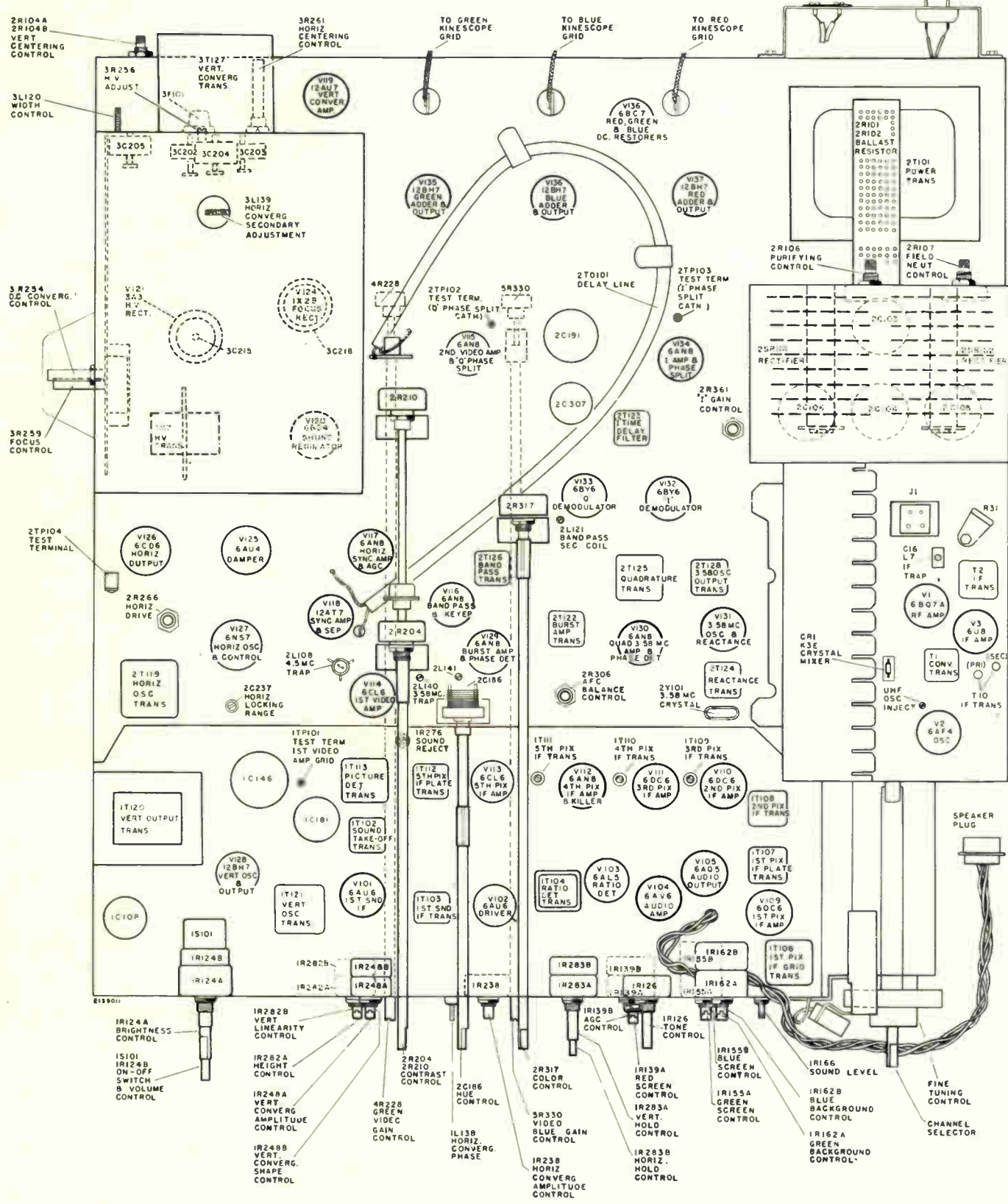
All voltages measured with "VoltOhm-yst" and with no signal input. Voltages should hold within ±20% with 117 v. a-c supply.

REF. NO.	PART NO.	DESCRIPTION	COILS	RESISTORS	TRANSFORMERS	MISCELLANEOUS
		<b>ELECTROLYTICS</b>				
C111	74521	5 mfd 50V.	L102 73477	R111A,B 76655	T101 76981	F101 78214
C119	71496	Adj. mica 4-70 mmf.	L104 98482	R140 76445	T102 77112	79490
C179	79376	Trimmer 10-160 mmfd.	L105 76482	R156 78808	T103 77821	74664
C188A	79391	90 mf.	L106 75252	R174 79384	T104 79386	77777
C190	79380	20 mf. 25V.	L107 76647	R182 79385	T105, T106 T107	
			L110 79161		76433	
			L111 76441		T108 79389	
			L112 76640		T109 79388	
			L113 76442		T110 79379	
			L118 77676		T111 79382	
			T112 79160		T113 78810	
					T114 79387	

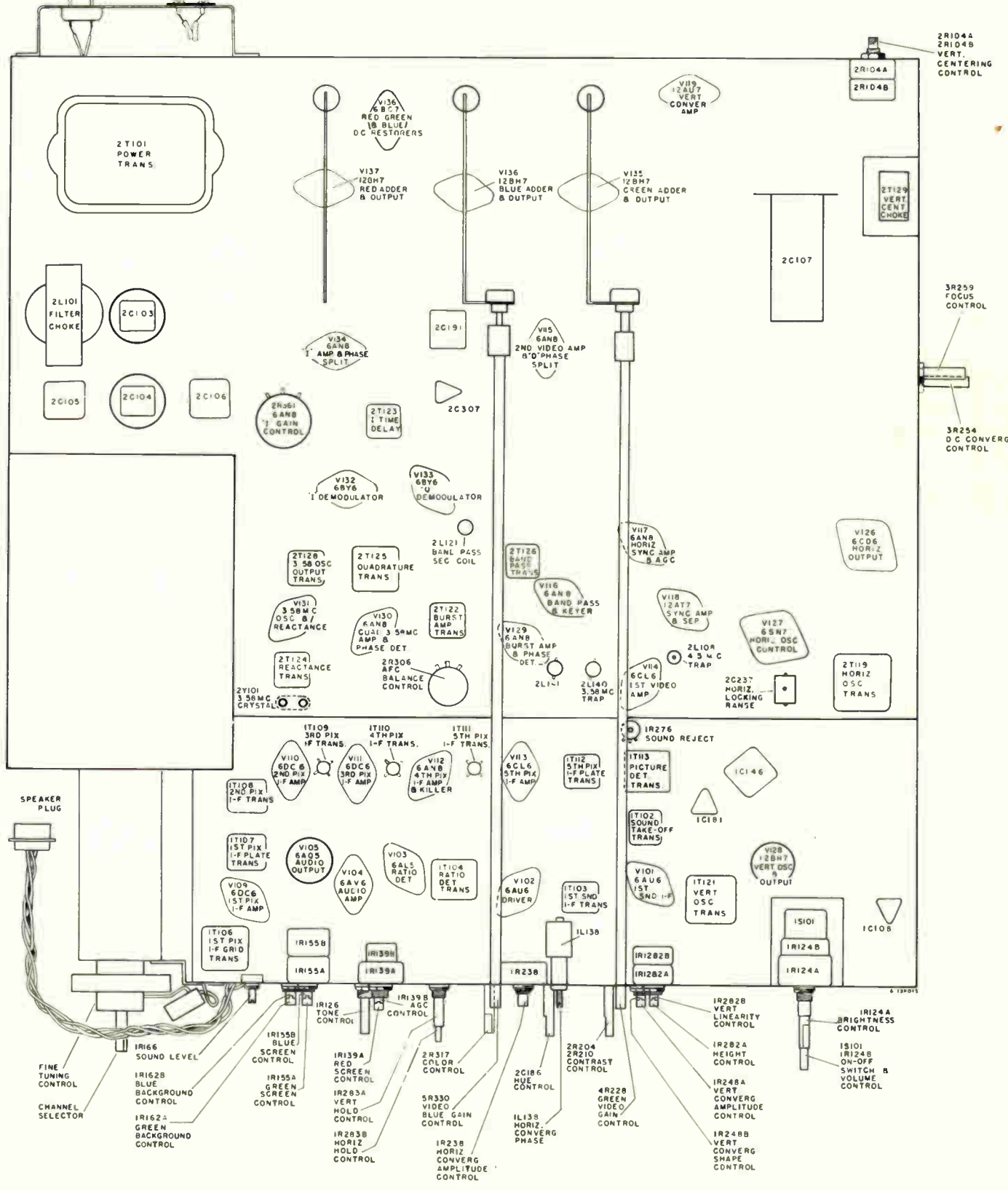


The schematic is shown in the latest condition at the time of printing. All resistance value in ohms. K = 1000. All capacitance values less than 1 in MF and above 1 in MMF unless otherwise noted. Direction of arrows at controls indicates clockwise rotation. All voltages measured with "VoltOhm-yst" and with no signal input. Voltages should hold within ±20% with 117 v. a-c supply.

REF. NO.	PART NO.	DESCRIPTION	COILS	RESISTORS	TRANSFORMERS	MISCELLANEOUS
			L102 73477 Choke coil.	R111A,B 77655 On-Off vol. brightness	T101 76981 1st IF sound 4.5 mc.	F101 78214 Fuse-3 amp.
			L104 98482 Peaking 250 mh	R140 76445 Contrast control.	T102 77112 Ratio detector center freq 4.5 MC.	79490 Yoke
			L105 76482 4.5 MC trap includes C140	R156 78808 AGC Control	T103 77821 Audio output	74664 Spk-8" PM 3.2 ohms
			L106 75252 Peaking 500 mh	R174 79384 Vertical hold.	T104 79386 IF sound take-off 4.5 MC.	77777 Spk-10" PM.
			L107 76647 Peaking 180 mh inc R142.	R182 79385 Vertical linearity.	T105, T106 T107	
			L110 79161 Horiz sine wave		76433 1st, 2nd and 3rd pix	
			L111 76441 Width coil.		79389 4th IF pix, 44 MC.	
			L112 76640 RF choke 1.5 mh		79388 1st IF grid	
			L113 76442 Horiz. linearity.		79379 Vertical oscillator	
			L118 77676 Filter choke		79382 Vertical output.	
			T112 79160 Horiz frequency.		T113 78810 High voltage	
					T114 79387 Power Xformer.	

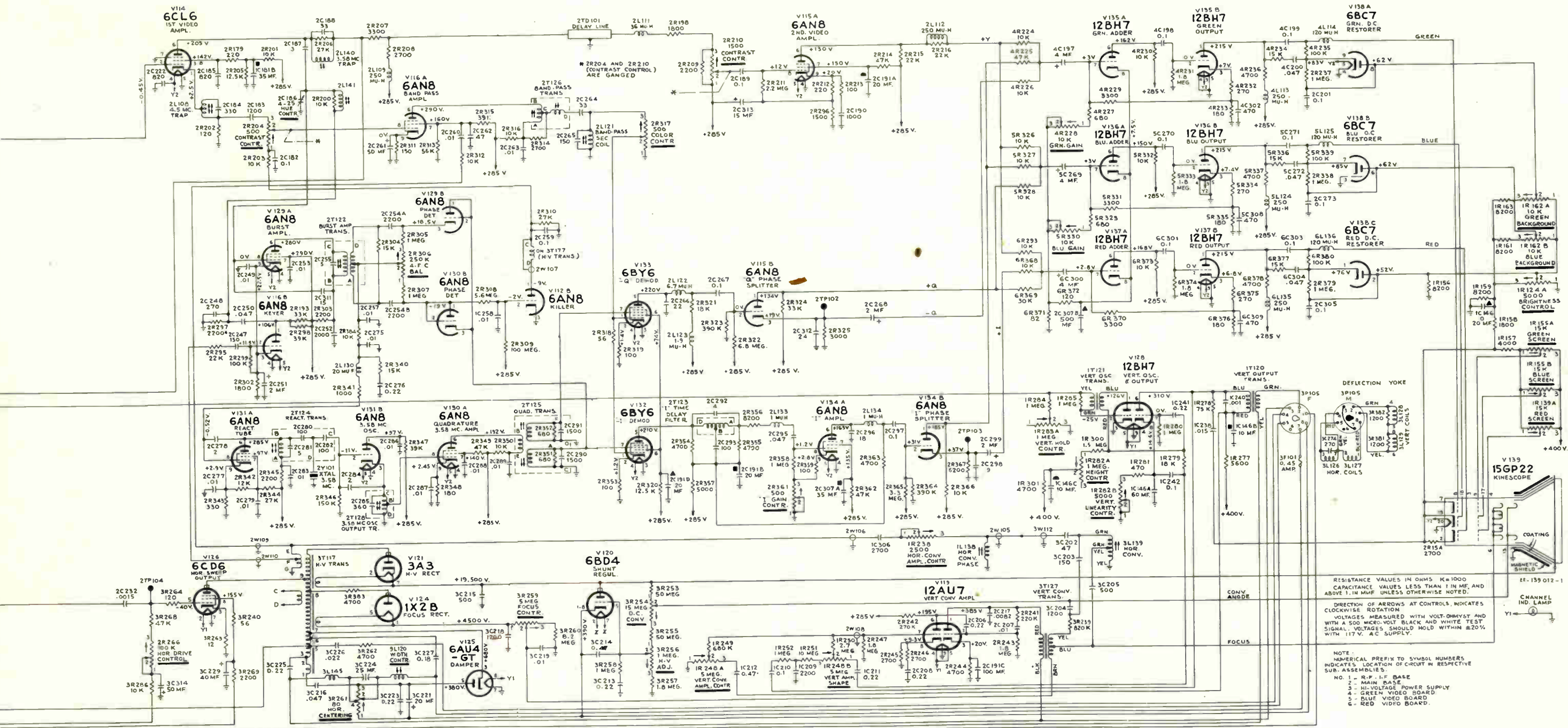


CHASSIS TOP VIEW



CHASSIS BOTTOM VIEW





RESISTANCE VALUES IN OHMS K=1000  
CAPACITANCE VALUES LESS THAN 1 IN MF, AND ABOVE 1 IN MMF UNLESS OTHERWISE NOTED.

DIRECTION OF ARROWS AT CONTROLS, INDICATES CLOCKWISE ROTATION  
VOLTAGES MEASURED WITH VOLT-OHMYST AND WITH A 500 MICRO-VOLT BLACK AND WHITE TEST SIGNAL. VOLTAGES SHOULD HOLD WITHIN ±20% WITH 117 V. AC SUPPLY.

NOTE: NUMERICAL PREFIX TO SYMBOL NUMBERS INDICATES LOCATION OF CIRCUIT IN RESPECTIVE SUB-ASSEMBLIES:  
NO. 1 - R.F. I.F. BASE  
2 - MAIN BASE  
3 - HI-VOLTAGE POWER SUPPLY  
4 - GREEN VIDEO BOARD  
5 - BLUE VIDEO BOARD  
6 - RED VIDEO BOARD.

2L130	72618	Peaking 20 mic.
2L133,4	79185	Peaking 1 mh.
2L137	79119	Field neutralizing.
2L140,1	78892	Burst input 3.58 MC trap.
2L143,4	79126	Purifying coil.
TRANSFORMERS		
2T123	78890	"I" time delay filter.
2T124	78891	Reactance tube plate.
2T126	78887	Bond pass primary.
2T128	78889	Osc. output adj. 3.6-9.5 mic.
2T129	78900	Vertical centering.
2Y101	78896	Plug In type 3,579.545 KC.

HIGH VOLTAGE ASSEMBLIES		
ELECTROLYTICS		
3C221	78927	20 mf 50V.
3C224	78924	25 mf 10V.
3C229	79040	40 mf 200V.
3C314	91392	50 mf 50V.
RESISTORS		
3R256	79030	High voltage adjustment.
3R259	79028	Focus adjusting control.
3R261	79031	Horiz. centering.

COILS		
3L120	79010	Width control coll.
3L139	79009	Horiz. convergence output.
3L145	76441	Horiz. linearity.
TRANSFORMERS		
3T117	79012	High voltage.
3T127	79006	Vert. dynamic converging & focusing.
MISCELLANEOUS		
77129	5pk-8" PM	3.2 ohms.
79116	Yoke.	

VIDEO BOARD-GREEN		
4C197	78919	4 mf 350V.
4L113	98482	Peaking 250 mh.
4L114	75253	Peaking 120 mh.
4R228	78949	Gain control.

VIDEO BOARD-BLUE		
5C269	78919	4 mf 350V.
5L124	98482	Peaking 250 mh.
5L125	75253	Peaking 120 mh.
5R330	78949	Gain control.

VIDEO BOARD-RED		
6C300	78919	4 mf 350V.
6L135	98482	Peaking 250 mh.
6L136	75253	Peaking 120 mh.

# UHF SELECTORS

## MODELS U1A, U1B U2, U2A U70

### PARTS LIST - U1A, U1B

STOCK No.	DESCRIPTION
77273	Capacitor—Tubular trimmer, 0.5—3 mmf., complete with adjustable core (C13)
27272	Capacitor—Tubular trimmer, 0.5—5.0 mmf., complete with adjustable core (C1)
77290	Capacitor—Tubular Trimmer, 1.0—8.0 mmf., complete with adjustable core (C3)
77277	Capacitor—Ceramic, 3 mmf. (C4)
76557	Capacitor—Ceramic, 22 mmf. (C5)
77278	Capacitor—Ceramic, disc, 47 mmf. (C8, C9)
77280	Coil—Cathode choke coil (L8, R3)
77279	Coil—Heater choke coil (L3, L6, L7)
77281	Coil—Oscillator coil (L9)
77271	Printed Circuit—Input printed circuit comprising two inductances and one capacitance (L1, L2, C2)
77282	Rectifier—Germanium crystal rectifier (CR1)
	Resistor—Fixed, composition:
503210	1000 ohms, ±10%, ½ watt (R2)
523282	8200 ohms, ±10%, 2 watts (R6)
503310	10,000 ohms, ±10%, ½ watt (R1)
523333	33,000 ohms, ±10%, 2 watts (R4, R5)
75192	Shield—Tube shield for V1
77274	Socket—Tube socket, 7 pin, miniature, steatite saddle-mounted for V1
76961	Spring—Retaining spring for tube shield
46760	Switch—"UHF-VHF" switch (S1, S2)
77283	Transformer—I-F transformer (T1)

### PARTS LIST - U2, U2A

REF. NO.	PART NO.	DESCRIPTION
<b>ELECTROLYTICS</b>		
C1, C2, C3, C4, C18, C19	77290	Tubular trimmer 1-8 mmf.
C14, C15	77340	Tubular trimmer 1.0-10.0 mmf.
C21A	77086	50 mfd, 200V.
C21B	77086	30 mfd, 200V.
C21C	77086	30 mfd, 200V.
<b>COILS</b>		
L9, L10	77296	Fundamental oscillator.
L11, L12	77297	Harmonic tank.
L13	77298	Choke coil.
<b>TRANSFORMERS</b>		
T1	77287	Power 117V 60 cycle.
T2	77288	IF Xformer.
T3	78578	Antenna input.
<b>MISCELLANEOUS</b>		
CR1	77282	Germanium rectifier.
CR2	77292	Selenium rectifier.

### PARTS LIST - U70

REF. NO.	PART NO.	DESCRIPTION
<b>ELECTROLYTICS</b>		
C19A	77086	50 mfd, 200V.
C19B	77086	30 mfd, 200V.
C19C	77086	30 mfd, 200V.
<b>COILS</b>		
L4	72618	Peaking, 20 mic.
L5	77083	Cathode peaking.
L6, L7, L8, L10	77109	Choke coil.
L9	77224	Oscillator tuning.
<b>TRANSFORMERS</b>		
T1	77081	1st IF, complete.
T2	77082	2nd IF, complete.
T3	77080	Power 117V, 60 cycles.
<b>MISCELLANEOUS</b>		
S1, S2	77089	Function & power sw.
CR1	77489	Crystal rectifier IN82.

### UHF SELECTOR Models U1A, U1B

UHF Selector U1A is provided with a 52 inch power cable with a 7 pin miniature adapter socket for use with television receivers which employ a 6AQ5 audio output stage.

UHF Selector U1B is provided with a similar power cable except that it employs an octal adapter socket for use with television receivers which use a 6K6GT or 6V6 audio output tube.

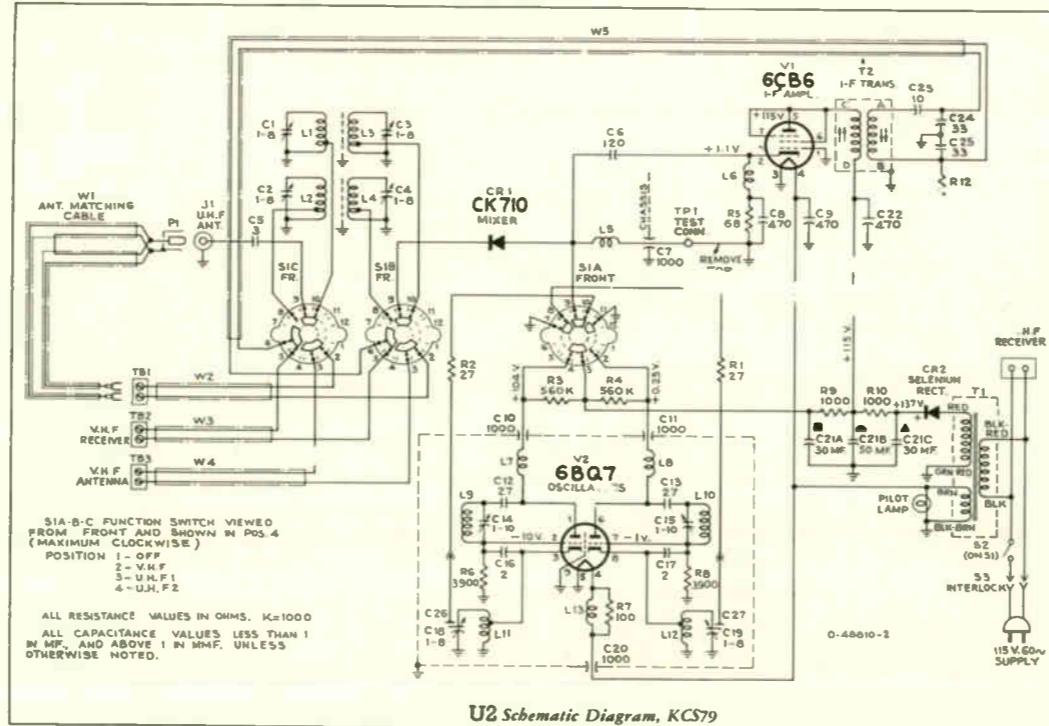
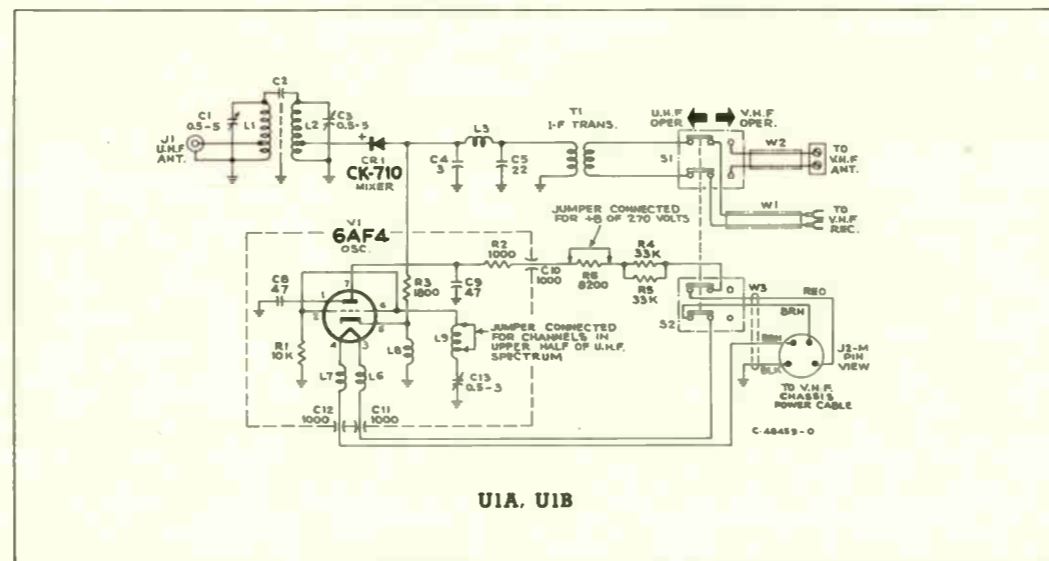
Mount the UHF Selector on the back cover of the cabinet with the adjustment screw holes facing up. Be sure to locate the selector so that the selector switch may be reached conveniently from the top or side of the cabinet and so that the cables may be easily attached.

Mount the selector VHF terminal board on the back of the cabinet.

To install the UHF Selector power cable, remove the television receiver audio output tube and plug the adapter socket into the receiver audio tube socket. In all television-radio combinations, except models 21T242 and 21T244 plug the adapter into the radio's audio output tube socket. Insert the audio output tube into the adapter socket. Ground the black lead with the space terminal under the most convenient screw on the chassis. Dress the power cable out the back of the cabinet in the most convenient and orderly manner. With the end of the power cable hanging out the back of the cabinet fasten the receiver back cover in place making sure that the cable is not pinched under at any point. Connect the power cable to the selector.

Connect the UHF antenna to the UHF Selector UHF antenna terminals.

Connect the VHF antenna to the Selector's VHF antenna terminals.



Connect the UHF Selector output leads to the television receiver antenna terminals.

The UHF Selector is wired with a jumper across R6 as shown in the schematic diagram for receivers which provide 270 volts at the adapter socket. If the receiver provides 370 volts at the adapter socket, the jumper across R6 should be removed.

### USE ON OTHER MAKES OF RECEIVERS

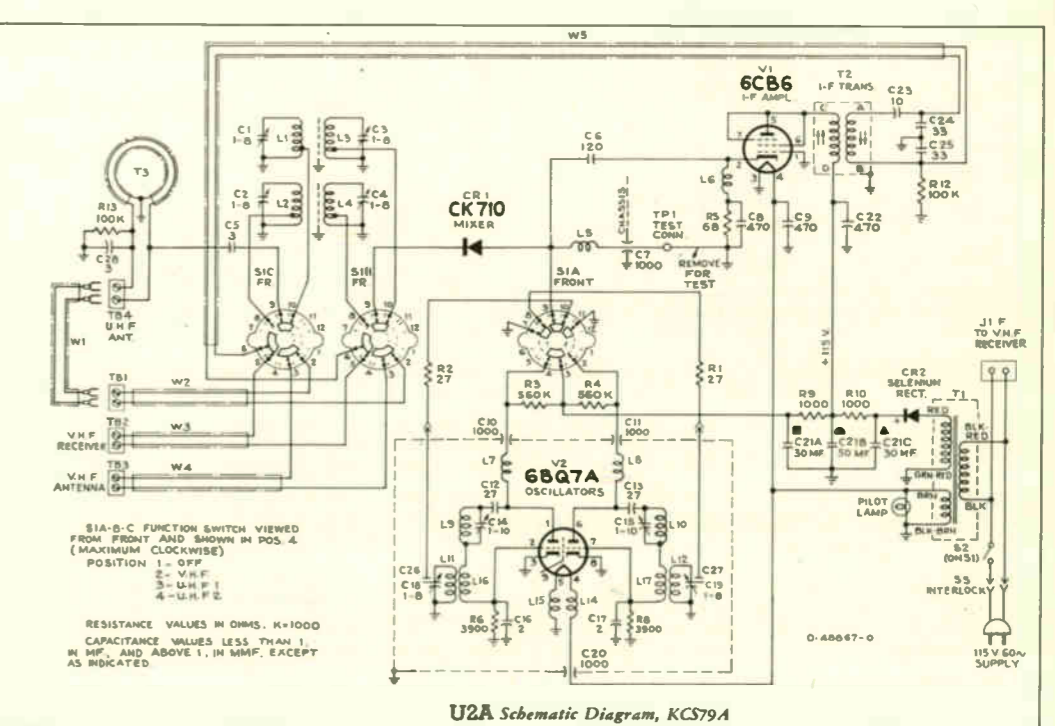
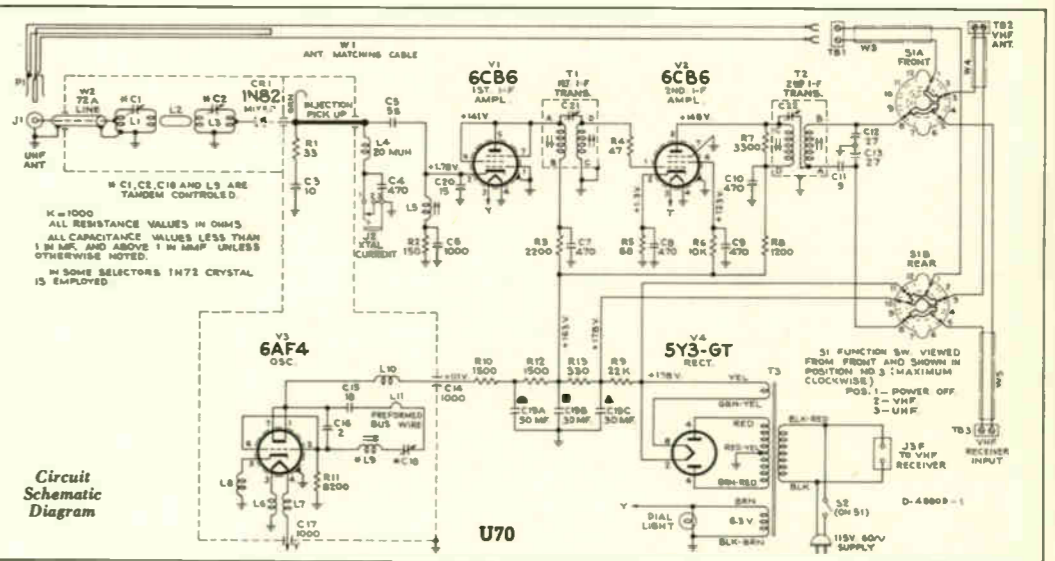
The U1A and U1B UHF Selector will provide satisfactory UHF reception on other makes of receivers provided that the proper voltages for operation of the selector can be obtained from the receiver.

The U1A and U1B UHF selectors were designed for use on receivers in which the tube filaments are fed in parallel from a 6.3 volt transformer winding. Since the black lead of the selector power cable is connected to the selector chassis, the U1 series selectors should not be employed with any receiver in which a direct connection exists between the AC power line and the receiver DC power supply.

The plate voltage available from the receiver may not be optimum for operation of the selector as wired. It is very important that between 60 and 90 volts should be present at the junction of R2 and R6 in order to obtain optimum crystal current. The voltage at the junction of R2 and R6 should be measured with a "VoltOhmyst" and with the UHF Selector shield in place. To obtain voltage at R2 and R6, shunt R4, R5 and R6 as necessary with resistors of adequate wattage to obtain the desired voltage.

The television receiver operating voltages should not be materially altered by the installation of the UHF Selector.

In some makes of receivers it may be necessary to rewire the adapter socket and cable to suit the particular type of audio output tube. In some instances where filament wiring difficulties are encountered, it may be necessary to remove the adapter socket and wire the power cable into the television receiver.





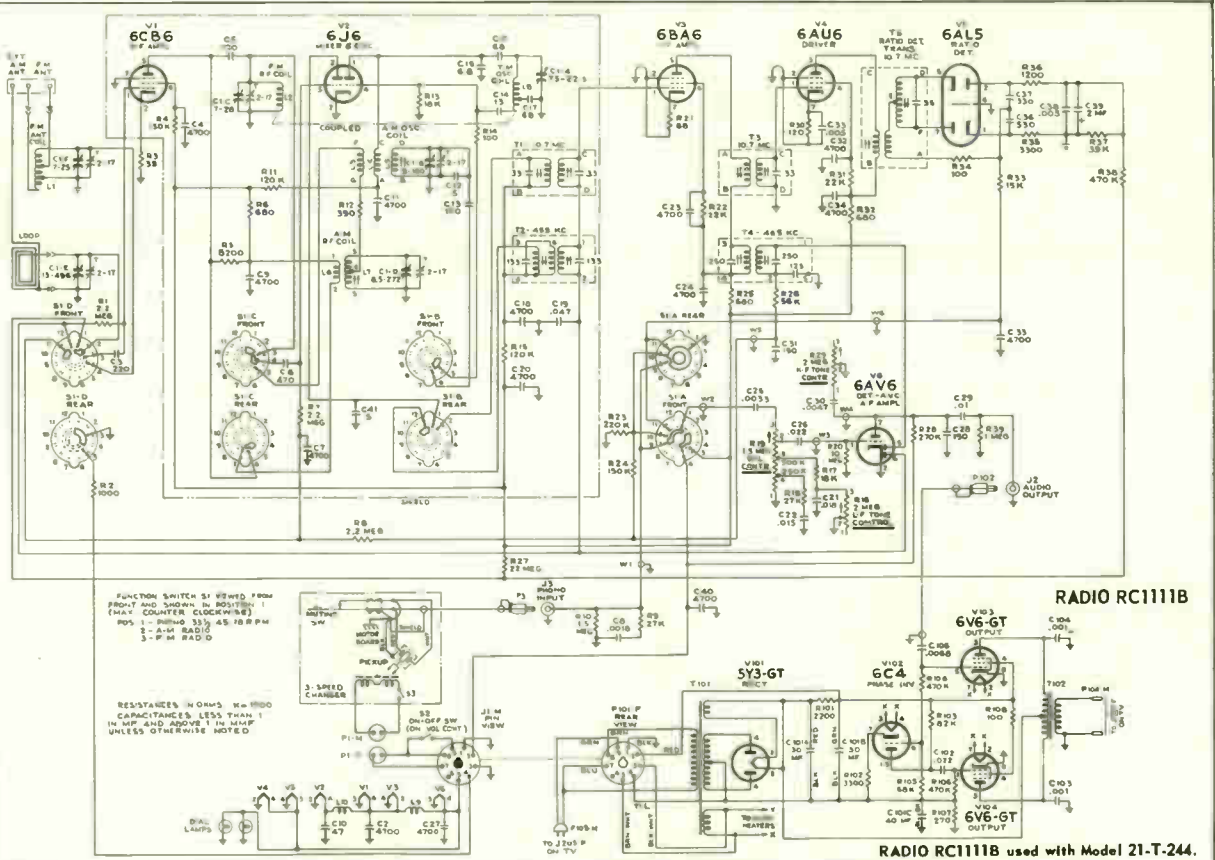
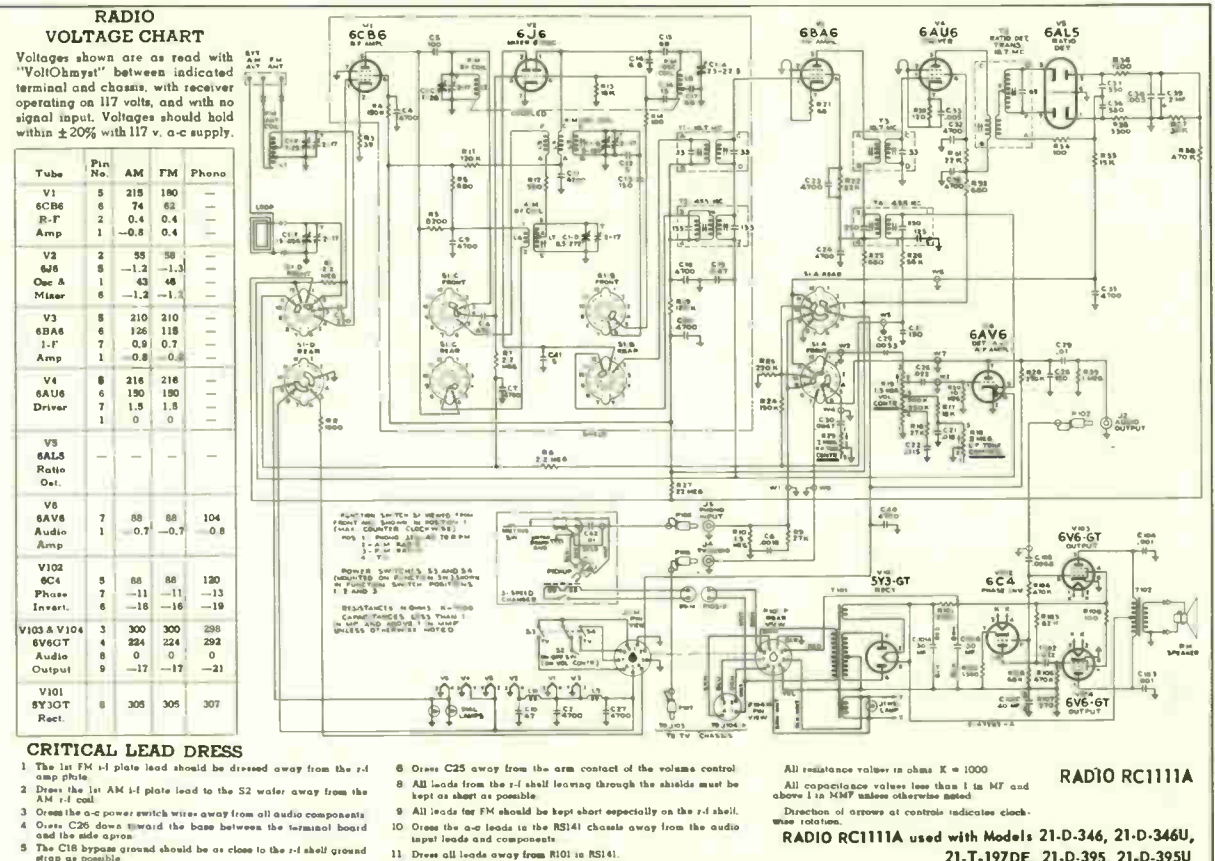
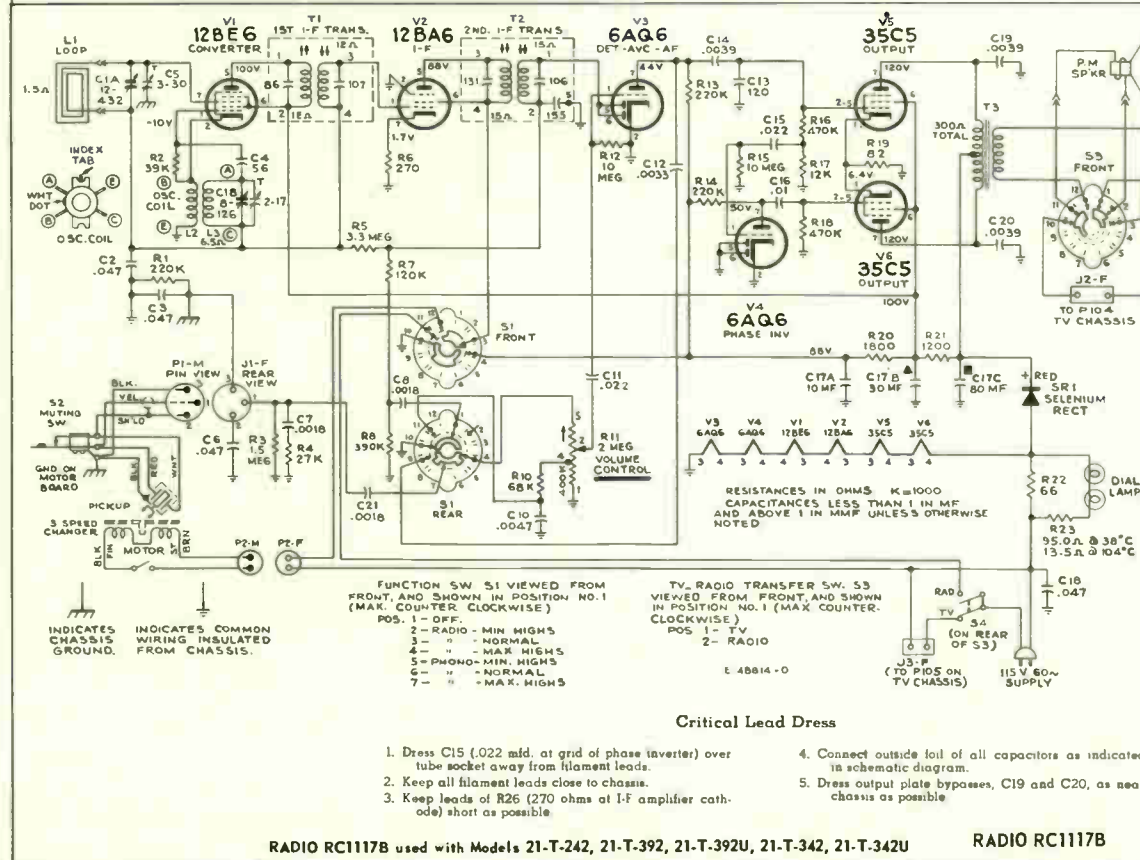
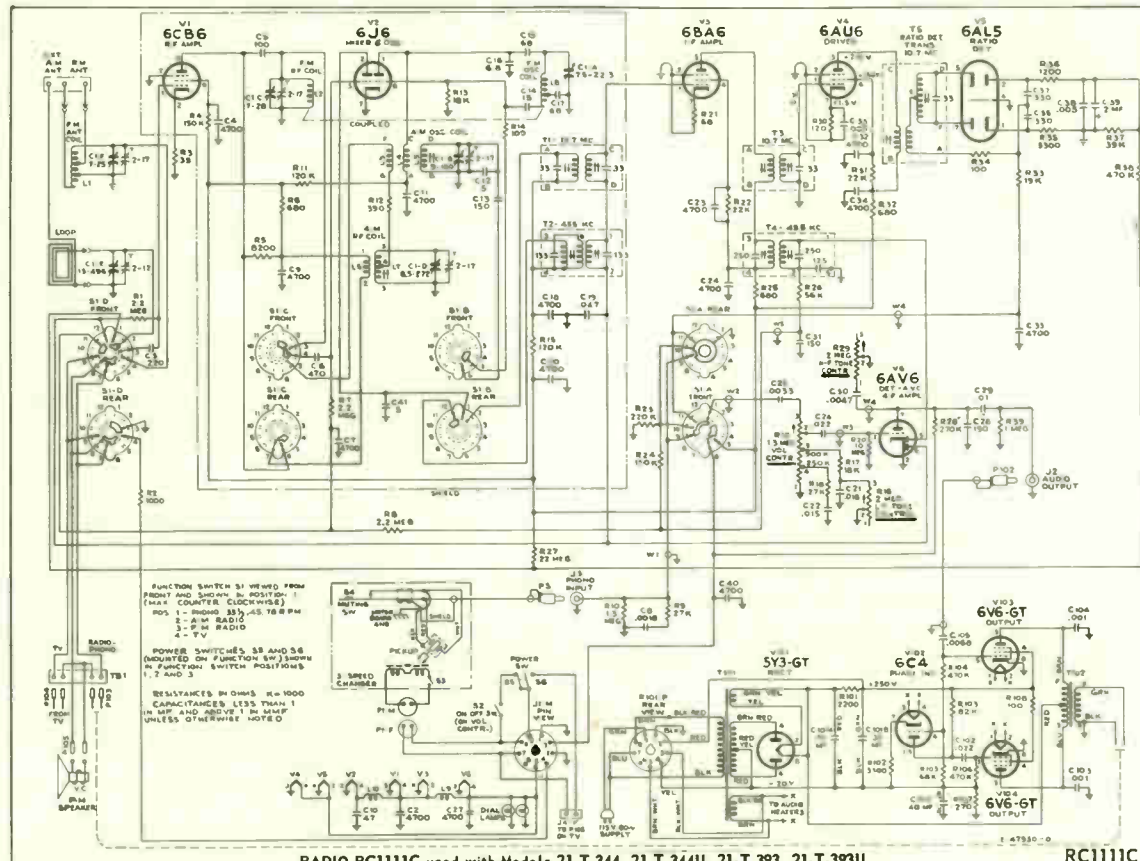
RADIO PARTS LISTS

REF. NO.	PART NO.	DESCRIPTION
<b>RADIO CHASSIS RC1111A</b>		
<b>ELECTROLYTICS</b>		
C39	73747	2 mfd, 50V.
<b>COILS</b>		
L1	77313	Antenna-FM.
L2	77314	RF FM.
L3, L4, L5	75569	Oscillator AM complete.
L6, L7	77305	RF AM complete.
L8	77315	Oscillator FM.
L9, L10	77342	Filament choke.
<b>RESISTORS</b>		
R16	75561	Tone LF.
R19, S2	75537	Volume & power switch.
R29	75562	Tone HF.
<b>TRANSFORMERS</b>		
T1	75559	1st IF FM complete.
T2	75558	1st IF AM complete.
T3	75560	2nd IF FM complete.
T4	76328	2nd IF AM complete.
T5	73743	Ratio detector complete.

REF. NO.	PART NO.	DESCRIPTION
<b>RADIO RC1111B and RC1111C</b>		
<b>ELECTROLYTICS</b>		
C39	73747	2 mfd, 50 volts.
<b>COILS</b>		
L2	77314	RF coil - FM.
L3, L4, L5	75569	AM oscillator coil.
L6, L7	77305	RF AM coil complete.
L8	77315	FM oscillator coil.
<b>RESISTORS</b>		
R14	75561	Tone control. L.F.
R19	75537	Volume & power switch.
R29	75562	Tone control. H.F.
<b>TRANSFORMERS</b>		
S1	77307	Function switch.
T1	75559	1st IF, FM complete.
T2	75558	1st IF, AM complete.
T3	75560	Second IF, FM complete.
T4	76328	Second IF, AM complete.
T5	73743	Ratio detector.
T1	75564*	Power, 117V, 60 cy.
T2	77322*	Output Xformer.

NOTE: \* for RS141D Amplifier.

REF. NO.	PART NO.	DESCRIPTION
<b>RADIO RC1117B</b>		
<b>ELECTROLYTICS</b>		
C5	76872	Adj. trimmer 2.5-30 mmf.
C17A	73013	80 mfd, 150V.
C17B	73013	30 mfd, 150V.
C17C	73013	10 mfd, 150V.
<b>COILS</b>		
L2, L3	76866	Oscillator coil.
<b>RESISTORS</b>		
R11	76874	Volume control.
SR1	76871	Selenium rectifier.
R22	77379	W.W. 66 ohms, 5W.
<b>TRANSFORMERS</b>		
S3, S4	77377	Radio TV switch.
T2	73037	Second IF.
T3	77122	Output Xformer.



VHF-UHF Tuner KRK-12 used in Chassis:

KCS81B (page 75).

KCS81E (page 76).

KCS82E (page 87).

KCS77B (page 94).

