

# ELEKTOR ELECTRONICS USA

THE INTERNATIONAL JOURNAL  
FOR RECREATIONAL ELECTRONICS

OCTOBER 1992

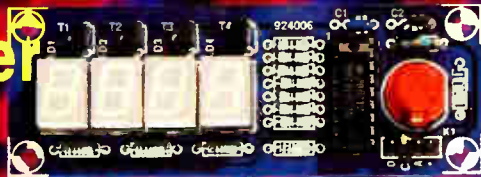
\$3.00 US  
CANADA \$4.00

## 8051 SINGLE-BOARD COMPUTER

History of the valve



Mains sequencer



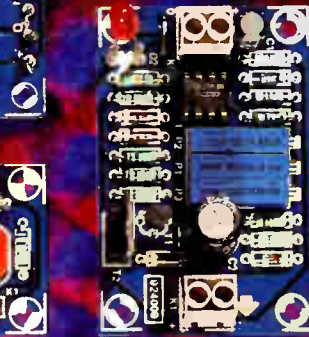
Flash EPROMs



Active antenna  
for 10kHz to 220MHz



Pascal routines  
for measuring card

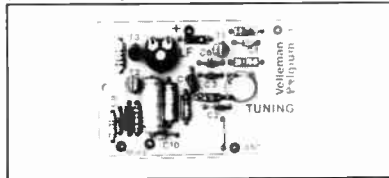


A0026840  
William  
300 Sunset Rd  
Chester MD 21611

# TAPTO KITS

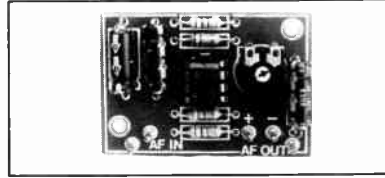
Our high quality kits will provide you with educational projects. After you complete your kit, you will have a high-tech product that will provide years of reliable operation. Assembly instructions in English, French, Dutch and German. Over 100 kits available. Call or write for a full-line catalogue.

**K1771 FM Oscillator \$16.95**



Mini FM transmitter with good frequency stability (100-108MHZ). Built-in pre-amp (5mV Sensitivity). Interfaces to all microphones. Requires 9-12 VDC.

**K1803 Universal Mono Pre-Amplifier \$7.95**



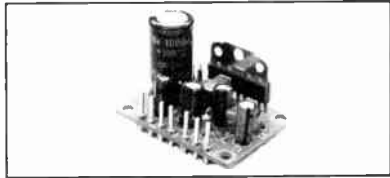
Ideally suited as a microphone amplifier, signal matching of tuner or tape outputs. Supply voltage: 10-30 VDC (stabilized)• Gain: typ. 40 dB• Adjustable output level• Frequency range: 20 Hz to 20 KHZ (+/- 3 db)• Maximum input voltage: 40 mV.

**K2622 AM-FM Antenna Amplifier \$15.95**



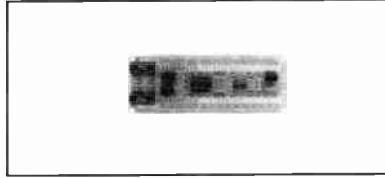
Do away with noisy signals! The K2622 gives you 22 dB gain where it's needed. DC supply direct or via the coax cable (50-75 Ohm impedance), metal box included.

**K2637 2.5 Watt Mini Audio \$13.95**



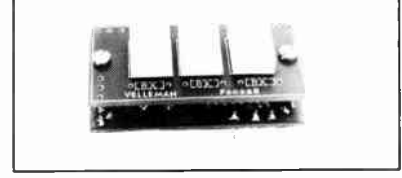
This small kit comes with a pre and power amplifier. No adjustments required. Short circuit protected. Power supply: 4.5 to 15 VDC• Input sensitivity: power-Amp: 150 mV (12V)• Pre-Amp: 20 mV (12V)• Max output 2.5W (4 Ohm, 12V)• Size: 42 x 32 x 27 mm.

**K2666 Precision Stereo Vu-Meter \$69.95**



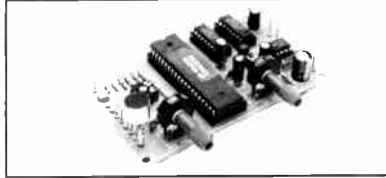
Extremely precise VU-meter• 2 x 30 LED's "flying dot" readout• dB-linear scale from +6 to -6 dB (0.75dB per LED)• Steadily increasing scale partitions under -6dB• Peak measurements• No adjustments• Maximum error 0.5dB.

**K2032 Digital Panel Meter \$33.95**



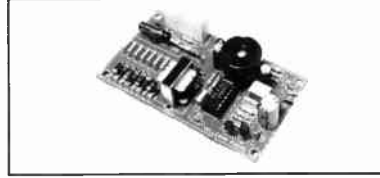
A compact kit that can be incorporated into many housings or into existing equipment• Power supply: 5VDC, 250 mA (regulated)• Read out: -999 mV to +99 mV, 1 mV resolution• Overload indication (positive and negative)• Linearity 0.1%• Input impedance: 100 Mohm.

**K2653 Digital Voice Record/Playback \$61.95**



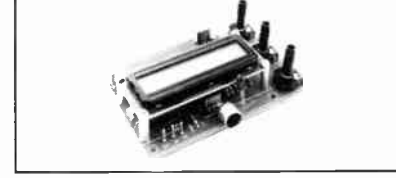
Record your voice message on a IC and play it back! Short messages (10-12 seconds) can be repeated to welcome your guests in your home or store. Use your imagination. Tech data: Loudspeaker output: 2W at 4 Ohm• 9VDC regulated.

**K2645 Geiger-Muller Counter \$119.95**



Reliable acoustic indication of radiation level. Excellent sensitivity to Gamma rays and high energy Beta rays. Battery operated (9V). Battery life exceeds 2 months in continual use and in normal natural radiation surroundings. Very compact: 99 x 54 x 25 mm. Light weight; assembled pcb weighs only 55 gr.

**K2659 Morse decoder w/LC-display \$109.95**



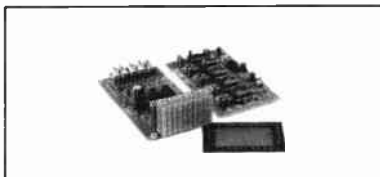
Decode Morse messages on your shortwave receiver. This decoder keeps up with the quickest signallers or automatic stations, and "notes" message on LCD. Alphanumeric LCD• 1 line of 16 characters• decodes Morse at almost any speed.

**K2651 Digital Volt Meter \$39.95**



This kit provides an easy-to-read display. Because of the simple power supply requirement and compact size of the kit, it can easily be incorporated into a variety of applications. Technical specs: Selectable - to + 200 mV or - to + 2V• Power supply: 8 to 15 VDC of 9V battery.

**K4300 Audio Spectrum Analyzer \$99.95**



Provides visual composition of an audio signal. Kit consists of two boards and attractive front panel with 10 frequency bands. Technical specs: 10 bands: 32, 64, 125, 500, 1K, 2K, 4K, 8K and 16 KHZ• Range: 20 dB (10 LED's, 2dB per LED)• Line input: adjustable from 100 mV to 2 V rms, impedance 100K• Power supply 2 x 9v transformer: 12-15VDC• Current consumption 0.75ADC max, 70mA in stand-by.

## ORDER INFORMATION



Call: (303)-480-7544  
Fax: (303)-480-7553



Mail: Tapto Corporation  
2650 W. 18th Street  
Denver, CO 80211

## PAYMENT METHODS

-- VISA  
-- MASTERCARD  
-- CHECK

\$5.00 SHIPPING CHARGE PER ORDER

Reader Service #187

In next month's issue  
(among others):

- Digital slide overflow unit
- Automatic printer switch
- AF current amplifier
- Difference thermometer
- Compact spiral antenna
- Unblocking the pump
- Sound sampler for Amiga
- Wheatstone bridge
- Model analysis

**Front cover**

The collage symbolizes the variety of projects we publish throughout the year and the technology used in them. In the past 12 issues, we have published no fewer than 74 large projects (a number of them multi-part) and over 100 smaller projects. These were backed up by descriptive articles on new components, new techniques and new applications. Also in that period we started the 8051/8032 assembler course which has proved popular beyond expectations.

**ELEKTOR ELECTRONICS USA** (US ISSN 1051-5690) is published monthly except August at \$28 per year; \$50 for two years by Audio Amateur Publications, Inc., 305 Union St., Peterborough NH 03458 USA. Second class postage paid at Peterborough NH and an additional mailing office.

**POSTMASTER:** Send address changes to **Elektor Electronics USA**, Caller Box 876, Peterborough NH 03458-0876.

**AUDIO & HI-FI**

- 21 **PROJECT:** A.F. Digital-to-Analogue Converter—Part 3 (final)  
Design by T. Giesberts

**COMPONENTS**

- 28 Flash EPROMs  
by T. Scherer

**COMPUTERS & MICROPROCESSORS**

- 35 **COURSE:** 8051/8032 Assembler—Part 7  
by Dr. M. Ohsmann
- 40 **PROJECT:** 8051 Single Board Computer  
by Steve Sokolowski

**GENERAL INTEREST**

- 46 A Brief History of the Valve  
by Ian Poole, G3YWX

**POWER SUPPLIES & BATTERY CHARGERS**

- 16 **PROJECT:** Mains Sequencer  
Design by T. Giesberts

**RADIO, TELEVISION & COMMUNICATIONS**

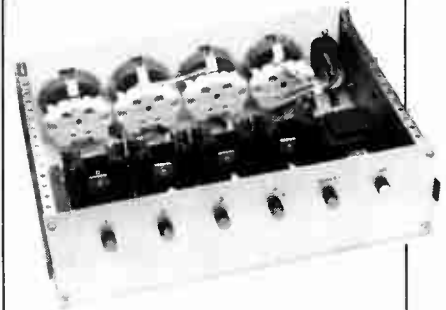
- 14 **PROJECT:** Wideband Active Antenna for 10kHz–220MHz  
Design by J. Barendrecht
- 44 **PROJECT:** RDS Demodulator with Integrated Filter  
Design by G. Kleine

**TEST & MEASUREMENT**

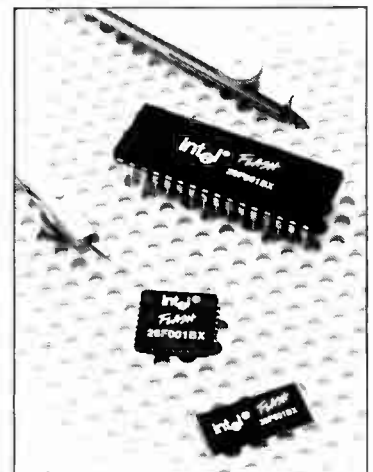
- 32 **PROJECT:** Pascal Routines for Multifunction Measurement Card  
Design by J. Ruiters

**MISCELLANEOUS INFORMATION**

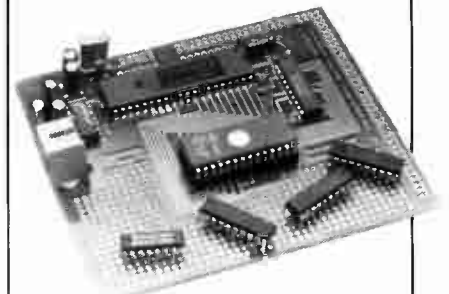
Electronics Scene 11; Advertisers' Index 51; Classifieds 51; New Books 39; Readers' Services 53; Terms of Business 54.



Mains Sequencer—p. 16



Flash EPROMs—p. 28



8051 Single Board Computer—p. 40



A Bri

**ELEKTOR ELECTRONICS**  
Answering

# NOW THAT YOU'VE SEEN OUR NEWEST TREASURE . . .

## WHY NOT HAVE A LOOK AT THE REST?

### GLASS AUDIO

The newest publication from the folks who bring you *Audio Amateur* and *Speaker Builder*

**Glass Audio** features the best vacuum tube designs for audio reproduction—past and contemporary. The new designs take advantage of improved components and control techniques that make the end results far superior to anything possible during the early days of audio's rebirth after World War II.

That's why tubes are having such a renaissance of interest as a perfectionist approach to good sound. And that's why tubes are reappearing in original equipment, in high end consumer and professional audio systems.

Published quarterly, *Glass Audio* will inform you about new innovations in the field and about parts sources. We'll also include modification projects, reviews of technical basics and regular columns such as Tube Troubles, Tube Tips and much more.

Subscribe today!



### Audio Amateur

THE JOURNAL FOR AUDIOPHILE CRAFTS

The innovative, independent audiophile journal for the thoughtful and capable music lover

*Audio Amateur's* articles deal with how audio equipment works, as well as how to build or modify it. Construction and modification articles are plentiful, supplying all needed parts, performance and assembly details. Exceptionally high quality designs.

*Audio Amateur* offers a number of features in each issue that abound with useful ideas. The *Letters* column is an open forum for problem solving and information interchange; *Classic Circuitry* reprints schematics of state-of-the-art gear—old and new; *Audio Aids* relates readers' experience with simple modifications to equipment and construction techniques. We also feature many useful and practical hi-fi accessories you can build to further your audio enjoyment.

For a small investment you can make your music system sound better—very probably a lot better.

### Speaker Builder

THE LOUDSPEAKER JOURNAL

The magazine that finally deals seriously with the art and craft of speaker building

The *Art* of building a speaker is to optimize that mixture of design and engineering to balance all the parameters for the most beautiful sound possible. The *Craft* is knowing how and why. *Speaker Builder* gives you knowledge—from driver parameters and crossovers to woodworking—to develop and refine your techniques, and to get the most out of your system.



*Speaker Builder* helps you explore new designs with how-to construction articles, and can show you how to modify your old speakers and make them sound better than ever. Learn from our writers who turn abstract theory into practical approaches, and from the experience of other readers who have been down the road before you. *Speaker Builder* is the best investment you can make in your system—six issues per year filled with stimulating and exciting ideas.

#### GLASS AUDIO

- Two years, (8 issues) \$35  
 One year, (4 issues) \$20  
 Canada add \$4 per year postage

#### AUDIO AMATEUR

- Two years, (8 issues) \$35  
 One year, (4 issues) \$20  
 Canada add \$4 per year postage

#### SPEAKER BUILDER

- Two years, (12 issues) \$45  
 One year, (6 issues) \$25  
 Canada add \$6 per year postage

NAME \_\_\_\_\_

STREET & NO. \_\_\_\_\_

CITY \_\_\_\_\_

STATE \_\_\_\_\_

ZIP \_\_\_\_\_

MC OR VISA NUMBER \_\_\_\_\_

EXPIRE \_\_\_\_\_

## AUDIO AMATEUR PUBLISHING GROUP

PO Box 576, Dept. E92, Peterborough, NH 03458-0576 • (603) 924-9464 • FAX: (603) 924-9467

Machine for credit card orders only: before 9:00 a.m., after 4:00 p.m. and weekends. Have all information plus MC/VISA available.

# MAXIMUM CONTROL

## MINIMUM PRICE

The Micro-440 is a versatile, full-featured controller with an on-board BASIC interpreter. Available with economical development packages (including C51) and a wide range of accessories.



- AUTOMATION
- DATA LOGGING
- HOBBY/HOME PROJECTS
- OEM APPLICATIONS

**FREE  
CIRCUIT  
BOARD  
OFFER**



**BLUE EARTH...  
RESEARCH**

310 Belle Ave • Mankato, MN 56001  
507-387-4001 • FAX 507-387-4008  
VISA/MASTERCARD ACCEPTED

**134th SMPTE Technical Conference and Equipment Exhibit**  
(Including Media Integration)  
November 10-13, 1992 — Metro Convention Centre  
Toronto, Canada

## LOOK BEYOND BROADCASTING DISCOVER SMPTE '92

TUTORIAL SEMINARS • HANDS-ON-WORKSHOPS  
TECHNICAL SESSIONS • EQUIPMENT EXHIBIT

**All-Day Tutorial Seminars On Mon.**  
November 9th  
"THE POST EXPERIENCE" Post-Production  
Techniques and "MULTIMEDIA WORLD"  
The integration of video and computer  
technologies.

**Hands-On-Workshops**  
November 10-13th  
"MULTIMEDIA PRODUCTION"  
"TELETRAINING AND LEARNING"  
"MULTIMEDIA COMMUNICATIONS"  
"INFORMATION ACCESS AND RETRIEVAL"

**Four Days of Technical Sessions**  
November 10-13th  
"IMAGES IN MOTION—THE SECOND  
CENTURY" Examine the advances and  
developments in motion picture and  
television methodology.

**EQUIPMENT EXHIBIT**  
November 10-13th  
Discover advanced motion imaging equipment,  
prototypes, new product introductions and  
meet the industry's leading manufacturers  
and innovators.

**EXPERIENCE THE SMPTE DIFFERENCE!**  
If you want to look beyond broadcasting and see the linking of motion imaging  
and computer science, be sure to attend the 1992 SMPTE Conference and  
Equipment Exhibit. November 9-13 is the time, Toronto, Canada is the place.

For Advance Registration or Exhibit Information:

**CALL-FAX-OR-WRITE**

Society of Motion Picture and Television Engineers  
595 West Hartsdale Ave., White Plains, New York 10607-1824  
Call (914) 761-1100 Fax (914) 761-3115



## Courteous Service • Discount Prices • Fast Shipping

# ALL ELECTRONICS CORP.

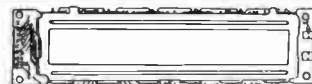
P.O. Box 567 • Van Nuys, CA 91408

### ULTRASONIC TRANSDUCER

Panasonic  
(Matsushita) #  
EFR RCBK40K54  
An ultrasonic  
microphone  
consisting of a bimorph type  
piezo electric ceramic vibra-  
tor. Nom. Freq. 40 kHz. Max  
input volts: 20 Volts. 15/16"  
diameter X 3/8" high. 5/8"  
long leads.  
CAT# UST-1 **\$1.00  
each**



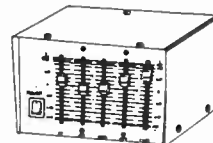
### LCD Display 40 Character X 2 Lines



Optrex # DMC40218 or Hitachi # LM018L  
Built-in controller and drivers. 4 or 8 bit operation.  
5 Vdc power. Display size: 6.05" X 0.7" Module size:  
7.12" X 1.34". Character size: (5 X 7 dots) 3.2mm X  
4.85 mm. Data sheets and instructions available.  
CAT# LCD-3 **\$15.00  
each**

### Monoral Graphic Equalizer

Five band monoral graphic equalizer. Useful in any  
situation where equalization of a monoral source is  
desirable. Originally designed to allow use of a single  
music source for PA background music and telephone  
music-on-hold, RCA jack inputs and outputs. Removable  
metal control cover to prevent tampering.  
6.75" X 5.75" X 3.125" high



CAT# EQ-1 **\$15.00  
each**

### 12 VDC STEPPER MOTOR



Airpax# A83712-M1  
12 Vdc, 36 ohm coil, 15 degree/  
step. 2.25" dia. X 0.95" thick.  
0.25" shaft X 0.6" long.  
CAT# SMT-9 \$6.00 each

### PIEZO ELEMENT

3 Wire Piezo Element.  
Taiyo Yuden Co. # CB35BBKR4.  
Self-excited piezo electric diaphragm.  
1.40" diameter x 0.021" thick. Resonant  
resistance: 400 ohms. 5" color-coded leads.  
CAT# PE-12 \$1.00 each • 10 for \$8.50



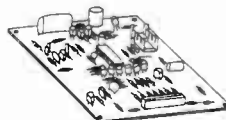
### Car Lighter Coil Cord



Automotive cigar lighter plug with replaceable 5 amp  
fuse. Quality, retractable coil cord extends to approxi-  
mately 6 feet. Terminates with a 5 pin DIN plug which  
can be cut-off. Ideal for battery charger or running  
12 Volt devices from a car battery.

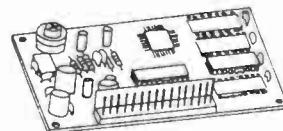
CAT# CLP-18 **\$1.50  
each**  
10 for \$12.50

### MOTOR SPEED CONTROL AND TIMER



With a minimum of external wir-  
ing, this PC board will control the  
speed and duration of a 120 Vac  
motor or other load up to 300  
watts. When activated, motor will  
operate for 10, 20 or 40  
minutes or continuously at high,  
medium or low speed. To simplify  
hook-up we recommend using  
our membrane keypad, CAT#  
KPM-12 which, with slight modifi-  
cation, works well with this de-  
vice. Instructions included.  
CAT# MSC-5  
**\$3.00  
each**

### DIGITAL VOICE MODULE



Ming# DVM-108. Digital recording module especially  
suited for reproducing verbal messages. Ideal for HAM  
contesting, memo recorder, verbal alarm system etc.  
Requires a minimum of external wiring. Up to 8 differ-  
ent phrase channels. Built-in 200 mW audio amp.  
1 Mega-bit of DRAM memory, for up to 32 seconds of  
recording. Condenser or dynamic mike input. Board  
size: 3 3/4" X 2" X 1" high. Includes memory chips  
which require installation. Microphone and other  
external components not included.  
CAT# DVM-108 \$25.00 each

### TOLL FREE ORDER LINES

# 1-800-826-5432

CHARGE ORDERS to Visa, Mastercard or Discover

TERMS: Minimum order \$10.00. Shipping and handling for the 48 continental U.S.A. \$3.50  
per order. All others including AK, HI, PR or Canada must pay full shipping. All orders  
delivered in CALIFORNIA must include state sales tax (7.25, 7.5, 7.75, 8.25 or 8.5%).  
Quantities limited. NO C.O.D. Prices subject to change without notice.

CALL OR WRITE FOR OUR FREE 64 PAGE CATALOG

**ALL ELECTRONICS CORPORATION**  
P.O. Box 567 • Van Nuys, CA • 91408

Reader Service #8

These **Elektor Electronics USA** back issues are still available.

**Oct 90** Medium Power AF Amp ■ Dubbing Mixer ■ Guitar Tuner ■ Microprocessor Controlled Telephone Exchange ■ Speed Control for 3-Phase AC Motors ■ Digital Car Engine Lock/Alarm ■ Sound Generator an ELV Design ■ Phase Meter ■ 400W Laboratory Power Supply ■ S-VHS/CVBS-to-RGB Converter Pt 1 ■ Tuned UHF TV Pre-amplifier ■ Measurement Techniques ■ Negative Resistance ■ In Quest of Panagram ■

**Nov 90** Stereo Bridge Amplifier with TDA7370 an SGS-Thompson Application ■ Dubbing Mixer EV7000 Pt 2 ■ Medium Power AF Amplifier Pt 2 ■ Active Mini-Subwoofer Pt 1 ■ Programmer for 8751 ■ 1-of-N Decoder ■ Smoke Detector ■ PT-100 Thermometer ■ In Quest of Panagram Pt 2 ■ 400W Laboratory Power Supply Pt 2 ■ S-VHS/CVBS-to-RGB Converter Pt 2 ■ Solar-Powered MW Radio ■ Digital Capacitance Meter ■

**Dec 90** Active Mini-Subwoofer Pt 2 ■ Phase Check for Audio Systems ■ Chopper-Stabilized Operational Amplifiers ■ Line Pulse Fundamentals ■ In Quest of Panagram Pt 3 ■ Introduction to Metal Transmission Lines ■ PC-Controlled Videotext Decoder Pt 1 ■ Drotwich Timebase ■ Milliohmeter ■ Measurement Techniques Pt 2 ■ Supplement of 51 Short Projects ■

**Jan 91** The Complete Pre-amplifier Pt 1 ■ Multifunction Measurement Card for PCs Pt 1 ■ 8031 Single Board Computer ■ Advanced Input Stage for a Left/Right Revolution Counter (design idea) ■ In Quest of Panagram Pt 4 ■ PC-Controlled Videotext Decoder PC-VT7000 Pt 2 ■ Error Detection and Correction ■ 23/24-cm FM ATU Receiver (a review) ■ Slide Potentiometers in the Video Mixer—an update ■ Interval Control for Camcoders—an update ■ Measurement Techniques Pt 3 ■ A Simply Elegant L-C-R Bridge ■ Logic Analyzer Pt 1 ■ SWR Meter for 1.5-70MHz ■

**Feb 91** OUT OF STOCK

**Mar 91** The Complete Pre-amplifier Pt 2 ■ Headphone Amplifier ■ 8-Channel Audio/Video Switch (design idea) ■ MIDI-to-CV Interface—some additional notes ■ Computer-Controlled Weather Station Pt 1 ■ Electronic Exposure Timer ■ Central-Heating Controller Pt 2 ■ PC-ECAP Circuit Simulator ■ 2-Meter Band Converter ■ Radar Detector ■ Measurement Techniques Pt 5 ■ PC-Controlled Semiconductor Tester Pt 1 ■

**Apr 91** Pre-amplifier for Moving Coil Pick-up ■ 8-Bit I/O Interface for Atari ST ■ Digital Research DOS 5.0 Brings Back Your Memory ■ Intel/Techtronix-to-Hexdump Converter Program for PCs ■ MIDI Program Changer ■ Dimmer for Halogen Lights ■ Surf Generator ■ 6-Meter Band Transverter ■ AM/FM Receiver ■ Logic Analyzer Pt 3 ■ Wattmeter ■ PC-Controlled Semiconductor Tester Pt 2 ■

**May 91** DC-to-DC Converter ■ Pre-amplifier for Moving-Magnet Pick-Up ■ 8032/8052 Single-Board Computer ■ Universal I/O Interface for IBM PCs ■ Versatile Pulse-Width Modulator (design idea) ■ Speed Control for Large DC Motors ■ Laser Pt 1 ■ Rectifier Calculations ■ Battery Tester ■ Video A/D and D/A Converter Pt 1 ■ Wideband Active Rod Antenna ■ Augmented A-Matrices ■ Conductance Meter ■

**Jun 91** Real-Time Clock for Atari ST ■ Laser Pt 2 ■ Light Switch with TV Remote Control ■ Stepper Motor Board Pt 1 ■ Light Transmitter-Receiver ■ Universal NiCd Battery Charger ■ Variable AC Power Supply ■ Video A/D and D/A Converter Pt 2 ■ The QTC Loop Antenna ■ Logic Analyzer Pt 4 ■ Digital Phase Meter ■

**Jul/Aug 91** Automatic Power Off for Audio Equipment ■ Multi-Function I/O for PCs ■ 1Mbit Adapter for EPROM Programmer ■ Video Enhancement for Acorn Archimedes ■ Angled Bus Extension Card for PCs ■ Change-Over Switch for C64 Control Port ■ Keyboard Change-Over Switch ■ Communication Buses ■ Microprocessor Supply Regulator ■ PC Interrupt Handler ■ 8088 Single-Board Computer ■ Time-Code Interface for Slide Controller ■ Would You Be an Inventor? ■ Solid-State Light-Sensitive Switch ■ Pulse Generator with One 4066 ■ Voltage-Controlled Current Source ■ Electronic Reversing Circuit for Model Trains ■ Fault Signaling Circuit ■ Automatic Cycle Lights ■ Bounce-Free Switch ■ Time Delay with One 555 ■ Switch for Central-Heating Pump ■ House Telephone ■ Darkness-Sensitive Switch ■ Switch-Off Delay for Battery Supply ■ Windscreen Wash/Wipe Circuit ■ Telephone Extension ■ Temperature-Compensated Current Source ■ Sequential Control ■ Car Battery Monitor ■ Varigated LED ■ Programmable LED Indicator ■ Universal Test Probe ■ Slave Flash Trigger ■ Universal Timer ■ 50Hz Band-Stop Filter ■ Momentary Action Push Button ■ Teeth-Cleaning Timer ■ One-Shot Solid-State Relay Timer ■ Laser Pt 3 ■ Stepper Motor Board Pt 2 ■ Modern LED Clock ■ Battery Charger ■ Presettable

Shunt Regulator ■ Automatic Battery Charger I ■ Super Voltage Regulator ■ Automatic Battery Charger II ■ Video Digitizer ■ S-Meter for Short-Wave Rectifiers ■ Synchronization Separator ■ Field Strength Meter ■ Remote Temperature Module for Digital Multimeters ■ Precision Rectifier for Digital Voltmeters ■ Semiconductor Tester ■ Digital LED Voltmeter ■ Wien Bridge with Asymmetrical Supply ■ Measuring Electrolytic Capacitors ■ LED VU Meter ■ Triggered Sawtooth Generator ■ Binary Logarithmic Ladder Network ■ Logic Analyzer Pt 5 ■

**Sep 91** Remote Control ICs MV500 and MV601 ■ Peak Indicator for Loudspeakers ■ ZAP51 an 87C51 Programmer ■ Plotter Driver ■ Keyboard Circuit (design idea) ■ Asymmetrical-to-Symmetrical Converter ■ Central Car Locking Control ■ Time-Code Interface for Slide Control ■ A Cheap, Efficient, Strategic Fire Alarm ■ Build the Optico-clock ■ Fiber Optics Pt 1 ■ Understanding the EDIF Standard ■ Measurement Techniques Pt 6 ■

**Oct 91** Switch-Mode Voltage Regulators LM2575/LM2577 ■ Digital Compact Cassette ■ Upgrade for MCS BASIC-52 V1.1 Pt 1 ■ Audio Spectrum Shift Techniques ■ Computer-Controlled Weather Station Pt 2 ■ Electronic Hygrometer ■ Four-Terminal Networks Pt 1 ■ Build the Optico-clock Pt 2 ■ Fiber Optics Pt 2 ■ AM Broadcast Receiver ■ A Review of Coding Theory ■ 50MHz 8-Bit DAC ■ Measurement Techniques Pt 7 ■ Digital Function Generator Pt 1 ■

**Nov 91** Class A Power Amplifier Pt 1 ■ A Simple Watchdog Circuit ■ Upgrade for MCS BASIC-52 V1.1 Pt 2 ■ Relay Card for Universal I/O Interface ■ Product Modeling ■ Four-Terminal Networks Pt 2 ■ The Cipher Machine ■ Timer for Central-Heating Systems ■ Dissipation Limiter ■ 24-Bit Full Color Video Digitizer ■ Experimental Quadriform Ferrite Transmit/Receive Antenna ■ Measurement Techniques Pt 8 ■ Digital Function Generator Pt 2 ■

**Dec 91** Amplification/Attenuation Selector ■ Digital Tape Counter ■ Microprocessor Programmable Universal Active Filters ■ CMOS Dimmer ■ REF 200 ■ Single-Chip Power Line Supply ■ Power-On Delay ■ Class A Power Amplifier Pt 2 ■ On-Off Delay for Valve Amplifiers ■ Overload Indicator ■ Electronic Power-On Delay ■ Protection Against Direct Voltage ■ Mouse/Joystick Switch for Amiga ■ RS232 for Sharp Pocket Computers ■ 6-Digit Coded AC Power Switch ■ Musical Christmas Present ■ Universal Time Switch ■ Safe Solid-State Relay ■ Connect-4 ■ Automatic Blower Fan Control for Cars ■ VOX Actuator for Baby Alarm ■ Universal Power-On Delay ■ BCD Rotary Switch ■ Gentle Halogen-Light Switch ■ Variable Time Switch ■ Auto Power On-Off for Bicycle Speedometer ■ Disco Running Lights ■ Telephone Buzzer as Switch ■ Bedside Light Timer ■ Video Camera Timer ■ Switching Clock from Parking Timer ■ LED Indicator for Temperature Logger ■ Slave Power Line On-Off Control Mark ■ Water Level Control ■ Voltage Regulator for Cars ■ Fast Switching Gate ■ Horse Simulator ■ Digital 555 ■ Intelligent Power Switch ■ Review of the Heath GC-1000 Clock ■ Battery Tester ■ 9V NiCd Battery Charger ■ Economy Power Supply ■ Static DC-DC Converter ■ Relay Fuse ■ FSK/RTTY Decoder for PCs ■ Alexander Graham Bell ■ Wideband Antenna Amplifier ■ A Simple and Adaptable Logic ■ Sine Wave Converter ■ Temperature Measurement Techniques ■ HCT Crystal Oscillator ■ Audible Tester ■ Digital Function Generator Pt 3 ■ Pulse Shaper ■

**Jan 92** Build a Compact Disk Player ■ Mini Z80 System ■ Prototyping Board for IBM PCs ■ Exploring Negative Resistance: The Lambda Diode (design idea) ■ Computer-Controlled Weather Station Pt 3 ■ Windspeed and Direction Meter ■ NE602 Primer ■ A Direct Conversion Radio ■ Universal RC5-Code Infra-Red Receiver ■ Cochlear Implants ■ Fast, Precise Thermometer ■ Low Frequency Counter ■

**Feb 92** Dual-Output, Switch-Mode Regulator ■ Capacitors in AF Circuits ■ RAM Extension for Mini Z80 Systems ■ I<sup>2</sup>C Interface for PCs ■ 8051/8032 Assembler Pt 1 ■ PWM Temperature Controller ■ Why Use Lithium Cells? ■ The Living Computer ■ Direct Digital Synthesis-DDS ■ Indoor/Outdoor Temperature Indicator ■ Switch-Mode Power Supply ■ Improving Portable Radio Performance ■ RC High-Pass Filter for Active Antennas ■ Audio/Video Switching Unit ■ Greater Capacity in Submarine Optical Cables ■ Measurement Amplifier ■ Mini Square-Wave Generator ■

**Mar 92** AF Drive Indicator ■ 8051/8032 Assembler Pt 2 ■ Centronics Line Booster ■ ADC/DAC and I/O for I<sup>2</sup>C Bus ■ 8751 Emulator ■ MIDI Data Transfer ■ A 555-Based Ramp Generator ■ Measurements on Power Supplies ■ The Flat-Top 80 Antenna ■ FM Tuner Pt 1 ■ A Symmetrical Route Switch for Electronics ■ Inductance/Capacitance Meter ■

**FIND THE LATEST**

**ISSUE**

**OF**



**AT**

**THESE**

**LOCATIONS:**



**Tri-Tek**  
9014 N 23rd Ave 11  
Phoenix, AZ

**Abeltronics**  
9155 E Archibald  
Cucamonga, CA

**All Electronics**  
905 S Vermont Ave  
Los Angeles, CA

**All Electronics**  
14928 Oxnard St  
Van Nuys, CA

**Electronics Plus**  
823 Fourth Street  
San Rafael, CA

**Gateway Electronics**  
9222 Chesapeake Dr  
San Diego, CA

**Henry Radio**  
2050 S Bundy Dr  
Los Angeles, CA

**HSC Electronic Supply**  
4837 Amber Lane  
Sacramento, CA

**HSC Electronic Supply**  
3500 Ryder St  
Santa Clara, CA

**Video Suppliers**  
14526 Crenshaw Blvd  
Gardena, CA

**Centennial Electronics, Inc.**  
2324 East Bijou  
Colorado Springs, CO

**Gateway Electronics**  
2525 N Federal Blvd  
Denver, CO

**Tapco Engineering**  
1639 47th St NE  
Cedar Rapids, IA

**RJM Electronics**  
4204 Overland Rd  
Boise, ID

**BB & W Electronics**  
2137 S. Euclid Ave.  
Berwyn, IL

**Lakeland Electronic Supply**  
202 W Pleasant Street  
Angola, IN

**Purchase Radio Supply**  
327 E Hoover  
Ann Arbor, MI

**Tel Van Electronics**  
22344 Van Born  
Dearborn Heights, MI

**Gateway Electronics**  
8123 Page Blvd  
St. Louis, MO

**Future Electronic Parts, Inc.**  
440 East Main Cross  
Findlay, OH

**Powell's Technical Books**  
33 NW Park  
Portland, OR

**Tanner Electronics**  
1301 W Beltline Rd  
Ste 105  
Carrollton, TX

**Electronic Equipment Bank**  
323 Mill St  
Vienna, VA

**Cody Books Ltd.**  
1122 Fir Ave  
Blaine, WA

**Amateur Radio Supply Co**  
5963 Corson Ave #145  
Seattle, WA

**RP Electronic Co**  
2113 W 4th Ave  
Vancouver, BC  
CANADA

*If you prefer home delivery use the handy subscription card enclosed.*

**PRICES** Double issues (published in Jul/Aug and Dec) \$6  
Regular issues (all others) \$4

Remit in US \$ on US bank  
Prices include postage.

\_\_\_\_\_ I enclose Check/Money Order or Mastercard/Visa \_\_\_\_\_ Please send me: \_\_\_\_\_

MASTERCARD/VISA \_\_\_\_\_ EXPIRE DATE \_\_\_\_\_

NAME \_\_\_\_\_

ADDRESS \_\_\_\_\_

CITY \_\_\_\_\_ ST \_\_\_\_\_ ZIP \_\_\_\_\_

Attach blank sheet if necessary

**ELEKTOR ELECTRONICS USA, PO Box 876, Peterborough, NH 03458-0876 (603) 924-9464 FAX (603) 924-9467**

**DR. "CHIP" MUNK SAYS**



6805 / 68HC05 / 68HC11  
DEVELOPMENT TOOLS  
+  
QUALITY AND SERVICE  
+  
AFFORDABILITY  
=  
TECI

"Chip" experts agree with Dr. Munk. TECI'S PC based microcontroller development tools are the most cost effective for veterans or beginners. Call today for a free information package.

6805 PRIMER FOR BEGINNERS.....\$195.00  
 6805 / 68HC05 / 68HC11 CROSS ASSEMBLERS...\$99.00  
 6805 / 68HC05 SIMULATOR / DEBUGGER.....\$99.00  
 68705 P3,P5,U3,U5,R3,R5 PROGRAMMERS FROM \$349.00  
 68HC705 / 68HC805 PROGRAMMERS FROM \$395.00  
 COMPLETE PC BASED DEV. SYSTEMS FROM \$449.00  
 68HC05 / 68HC11 REAL TIME EMULATORS FROM \$895.00

THE ENGINEERS COLLABORATIVE, INC.  
 R3 BOX 8C BARTON, VT. 05822 USA  
 TEL: (802) 525-3458  
 FAX: (802) 525-3451  
 TOLL FREE 1-800-336-8321

Reader Service #191

# 39,504

## ELECTRONIC COMPONENTS

Whether you order 1 part or all 39,504...MOUSER stocks and...can ship today!!



**CALL...**  
**(800) 992-9943**

for your  
**FREE CATALOG**

2401 Hwy 287 N.  
 Mansfield, TX 76063

# MOUSER<sup>®</sup>

## ELECTRONICS

Sales & Stocking Locations Nationwide

Reader Service #131

## 100% PURE

# SCANNING ACTION!

National Scanning Report is America's fastest-growing scanning magazine. That's because every issue of National Scanning Report offers the latest in:



- \* Law Enforcement Communications
- \* Fire and Rescue
- \* Emergency Medical
- \* Listening Tips
- \* Frequency Lists
- \* New Products
- \* Aeronautical
- \* Railroad
- \* Federal
- \* Much More!

From first alarm to final clean up, National Scanning Report is crammed with up-to-date information written by and for the pros. National Scanning Report is your #1 guide to the scannerbands.™

Order your subscription today: \$17.50 gets you one year (six issues) plus a free custom frequency print-out for your county and more.

*National Scanning Report*™  
**1-800-423-1331**  
 OR SEND CHECK OR MONEY ORDER TO BOX 291918, KETTERING, OHIO 45429

### Weather Radio



A complete guide. NOAA Weather Radio, VOLMET aviation weather, FAA, military, maritime weather services. Where to tune and what you'll hear. 125 pp. \$14.95 plus 2.00 book rate or 3.50 UPS.

**\$14.95 POSTPAID**  
**1993 Passport!**

New, 1993 edition. Offer expires August 15. Don't wait! Order now. Get it first!

**SCANNER POCKET FREQUENCY GUIDE - \$2.00**

Never get lost on the scannerbands again! Handy, laminated, credit card-sized guide. Covers police, fire, EMS, marine and aero emergency, power & water, railroad, weather, more. Cash only. Include SASE.

**DX RADIO SUPPLY**  
 P.O. BOX 360  
 WAGONTOWN, PA 19376  
 215-273-7823

# STILL MORE NEW PRODUCTS!

## AUDIO ANTHOLOGY: WHEN AUDIO WAS YOUNG VOLUME FIVE

C.G. McProud, editor

The major theme of this collection of forty-eight articles from *Audio* magazine, published in 1958-59, is the shift from monophonic to stereo reproduction. Twenty-eight years after Blumlein patented the basic stereo idea, its practical implementation finally took place.

Chapters include: The Stereo-Plus System; Compatible Stereo Multiplex Adaptor; A Panphonic Stereo Control Amplifier; A Stereophonic Tape Recorder Control; A Compact Two-Channel Amplifier for Stereo Systems; Multichannel Audio Mixer-Preamplifier; Stereo Without Bankruptcy; For Stereo, the Bi-Ortho Circuit; Stereo Recording Techniques; The Stereo Phasing Problem; The FM Multiplex Converter; A Stereo Compatibility Translator; A Variable Stereo Suppression Control; Stereophonic Recording and Playback Amplifier; Simple Single-Cabinet Corner Stereo Speaker; FM Commercial Eliminator for Fringe Areas; Variable Electronic Crossover and Biampifier; FM Band Reception in Fringe Areas; Integrated Audio Monitor for Home and Studio Use; Hi-Fi for Lo-Do; Realistic Audio Engineering Philosophy; Sound Reproducing Systems: Monaural, Binaural, Monophonic, Stereophonic; A Heterodyne FM Multiplex Adaptor; A Transistorized Remote-Broadcast Amplifier; Transistor Music System Using Direct Coupling; Universal Stereo Control Center; A Continuously Variable Stereo-Dimension Control; Simple Electronic Switch for Magnetic Sound System; Three-Channel Remote Amplifier; A Transistorized Hi-Fi Preamp; The New "Isodyne" Phase Splitter; Understanding dB, dBm, and VU; Simple Transistor Tester; 60-Watt Amplifier with a Silicon Rectifier Power Supply; A Complete Tone Compensator; An Improved Loudness Control; Spiral Steel Shielding for Audio Circuits; Damping Factor Chart; Puzzled About Amplifiers?; Realistic Bass Without Boom; Output Power Measurements; RC Filter Design for High-Impedance Crossover Networks; Loading the Piezoelectric Cartridge; High-Power Audio Amplifiers; A Paging Preamplifier; Radio Interference in Audio Equipment; The Decibel-Fact or Fable?; and New High Fidelity Loudspeaker Enclosure. 1992, 8½ × 11, softbound. IN PRODUCTION; PLEASE CHECK AVAILABILITY.

AUDIO ANTHOLOGY SPECIALS!: Also available in sets BKAA3/X3, BKAA3/X4, and BKAA3/X5.

## AUDIO ANTHOLOGY 5-BOOK SPECIAL!

All five books in the *Audio Anthology* set (BKAA3/1, BKAA3/2, BKAA3/3, BKAA3/4, BKAA3/5), at a savings of \$14.80! PLEASE CHECK AVAILABILITY OF BKAA3/5.

## THE TUBE AMP BOOK, VOLUME THREE

Aspen Pittman

This long-awaited third edition of the Groove Tubes classic contains hundreds of pages of amp diagrams from more than two dozen manufacturers. In addition to the use of color photos, coverage of mods, maintenance, and history also add interesting and valuable dimensions to the book. If you love tube guitar amps, this book is for you. 1991, 700+pp., softbound.

BKAA3/5  
\$16.95

## RÖRFÖRSTÄRKARE

Jean Hiraga

This hard-to-find book, edited by the renowned audiophile, is a true treasure trove of tube amplifier information. It is written completely in Danish, but fortunately (for English-language readers) the text occupies only about 20% of the book. The remainder contains literally scores of photos, schematics, drawings, spec sheets, and charts, all thoroughly delightful to peruse. Dynaco, Marantz, and Macintosh are but a few of the familiar faces to be found in this volume. France, 1986, 150pp., 8¼ × 10½, softbound.

BKEF1  
\$39.95

## ELECTRONIC PROJECTS FOR MUSICIANS

Craig Anderton

This comprehensive guide, now revised and expanded, shows you how to build your own preamp, compressor/limiter, ring modulator, phase shifter, and talk box, as well as twenty-two other inexpensive electronic accessories. Written in clear language, with simple step-by-step directions and hundreds of helpful diagrams and illustrations. Also includes a 33⅓-rpm soundsheet for demonstrating electronic effects, as well as a glossary. 1975, 1980, 220pp., 9 × 11⅞, softbound.

BKAM1  
\$24.95

## ELECTRONIC TECHNIQUES: SHOP PRACTICES AND CONSTRUCTION

Robert S. Villanucci, et al.

Joined by fellow Wentworth Institute of Technology compatriots Alexander W. Avtgis and William F. Megow, Villanucci has written an excellent hands-on approach to training technicians in all aspects of electronic design and fabrication techniques, demonstrating current solid state devices and using a stereo amplifier system as a motivating example throughout. New chapters in this fourth edition cover surface mount technology and computer-aided design (CAD) of printed circuit boards. An extremely thorough presentation, covering all possible aspects of electronics construction and assembly, presented in textbook style. Appendices, Bibliography, Index. 1991, 591pp., 8½ × 11¼, hardbound.

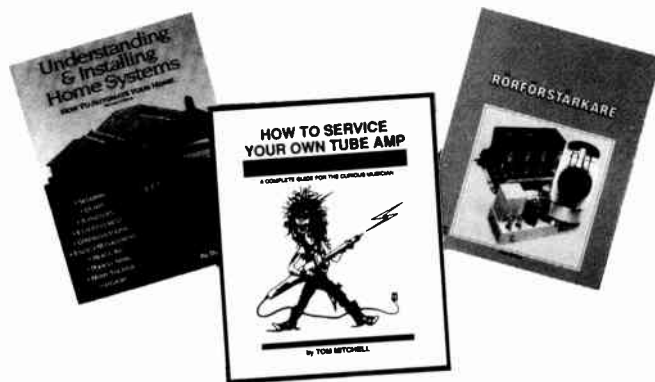
BKPH3  
\$54.95

## INTRODUCTORY OPERATIONAL AMPLIFIERS AND LINEAR ICs: THEORY AND EXPERIMENTATION

Robert F. Coughlin, Robert S. Villanucci

This practical text/workbook presents state-of-the-art op amp and more complex linear integrated circuit techniques, complete with illustrative examples. Also included throughout are labs and manufacturers' data sheets. Certainly one of the best teaching tools available for this subject matter. 1990, 460pp., 8¼ × 11, softbound.

BKPH4  
\$49.95





# STILL MORE NEW PRODUCTS!

## UNDERSTANDING & INSTALLING HOME SYSTEMS: HOW TO AUTOMATE YOUR HOME

David R. Gaddis

Now in a second edition, this handbook is designed to provide information that will help the reader to understand and install various home systems, as well as make his own decisions about home automation. In addition to giving standard how-to advice, the author also includes recommendations on materials and suppliers. Chapters include Basic Information, Installing Electrical Wiring, Home Security Systems, Lighting & Appliance Controls, Audio/Video Systems, Telephone & Communication Systems, Environmental Control Systems, and Automation System Controllers. Bearing in mind that this book emphasizes system theory and design rather than step-by-step construction, it is one of the most complete books of its type available anywhere. 1991, 140pp., 8½ x 11, softbound.

BKDG1  
\$29.95

## BROADCAST SOUND TECHNOLOGY

Michael Talbot-Smith

This comprehensive and easy-to-read account of modern audio technology covers the main items in the broadcast chain: studio acoustics, microphones, loudspeakers, mixing consoles, recording and replay (analog and digital), and the principles of stereo. Chapters include Basic Sound, The Behavior of Sound Waves, Aspects of Hearing, Harming and Charming the Ear, Room Acoustics, Reverberation, Microphones, Phantom Power, Loudspeakers, Basic Stereo, Monitoring the Audio Signal, Processing the Audio Signal, Sockets and Symbols, Sound Desks (Mixing Consoles), Digital Audio, Further Digits, Analog Tape Recording and Reproduction, Digital Recording and Reproduction, Noise Reduction, Public Address, More Uses of Digits, and Further Reading. 1990, 212pp.

BKB9  
\$44.95

## MEASURED TONES: THE INTERPLAY OF PHYSICS AND MUSIC

Ian Johnston

From the School of Physics at the University of Sydney, the author takes a nonmathematical look at the physics involved in music, to show that by linking these two subjects, enjoyment of music can be increased—as well as the understanding of physics. Using a completely fresh approach, the physical concepts are developed together with the musical applications and historical development of music. The physical principles underlying music are explained using analogies and examples, rather than mathematical reasoning. Anyone with an interest in music will find that an appreciation of the physics will add to his enjoyment of music. United Kingdom, 1989, 412pp., softbound.

BKAH1  
\$34.95

## HOW TO SERVICE YOUR OWN TUBE AMP: A COMPLETE GUIDE FOR THE CURIOUS MUSICIAN

Tom Mitchell

This program includes a fact-filled, illustrated, easy-to-read guidebook and a 75-minute VHS color videotape. Written in an informal, nontechnical, and entertaining style, the book takes readers on a step-by-step "crash course" in electronics while teaching troubleshooting, servicing, and problem prevention. The videotape helps to drive home key points from the text, demonstrating procedures and illustrating the use of hand tools and test equipment. Contents include an introduction to basic electronics; recognizing electronic components; in-depth coverage of tubes and transformers; detailed coverage of speakers and enclosures; amplifier circuit basics; demystifying biasing; tool and test equipment selection and use; using schematic diagrams; troubleshooting with voltage charts; how not to use an amplifier; voltage charts for most common amplifiers; ten troubleshooting flowcharts; tables and illustrations for international AC; many amplifier modifications; maintenance checklist for troublefree operation; and much useful reference information. Vinyl carrying case for book plus videotape is extremely handsome and durable. 1991, 250pp., 8½ x 11, spiralbound.

Purchasing options available:

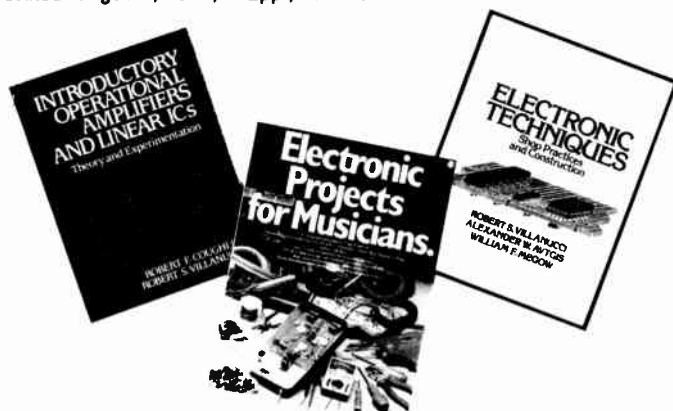
VDMC	HOW TO SERVICE YOUR OWN TUBE AMP	\$44.95
NTSC/VHS Video Only (does not include storage binder)		
BKMC1	HOW TO SERVICE YOUR OWN TUBE AMP	\$29.95
Book Only (does not include storage binder)		
BKMC1/S	HOW TO SERVICE YOUR OWN TUBE AMP	\$69.95
NTSC/VHS Video plus Book plus Vinyl Storage Binder, at a savings of \$4.95!		

## LDCAD SOFTWARE

Madisound Speaker Components

Produced as an innovative supplement to the *The Loudspeaker Design Cookbook*, LDCAD is a special collection of programs and resource lists on a single 360K, DS/DD floppy disk designed to introduce speaker enthusiasts to the kind of work possible on IBM-type personal computers. The disk includes four design programs, beginning with BOX PLOT, a shareware program (please refer to PC-ECAP in our Software ads for shareware details) which works under Microsoft Windows 3.0 and does a graphics output for designing closed and vented boxes. EASY CROSS-OVER DESIGN by Terry Cejka is also included, as well as two audio worksheets based on Lotus 1-2-3 which can also be run with Quattro Pro or Excel. LDCAD also contains a general box design program with graphics, and information on Madisound's audio bulletin board and its contents. It also has a large listing of United States bulletin boards where other audio design programs and info can be found. The disk is archived, or condensed, so that in actuality it contains almost 720K of information. The files unarchive automatically on a separate floppy or hard disk (be sure to read the "README.1ST" file for instructions). Prospective purchasers may wish to note that Old Colony's BKAA2, *The Loudspeaker Design Cookbook* (please see our Books ads), contains a coupon worth \$5 off the price of LDCAD.

SOF-LDC2B5G LDCAD WITH GRAPHICS \$11.95  
for IBM



# STILL MORE NEW PRODUCTS!



## "UCANDO DIGITAL" VIDEO ELECTRONICS COURSES

UCANDO VCR Educational Products Company

These color VHS videos, from the makers of the famous "Electronics and You" basic electronics instructions series (please see our Videos ads), again offer high-quality, computer-animated instruction that entertains as it instructs, resulting in increased material retention. Certainly among the leading tutorial media available in the world today.

Purchasing options available:

- VDVT301 PART 1: \$34.95**  
Begin with the basics as you learn about seven of the most common gates used in building digital circuits, and then study binary math as you learn to multiply, divide, add, and subtract. Included are digital basics; basic gates; binary notation; binary math; and decimal notation. 54:00.
- VDVT302 PART 2: \$34.95**  
Learn the octal and hexadecimal numbering system, as well as about the RS, D, JK, Edge-Triggered, and Master-Slave flipflops, and basic counter circuits and how they work. 55:00.
- VDVT303 PART 3: \$34.95**  
Begin with ones complement and twos complement, and then proceed into registers, multiplexers, demultiplexers, decoder drivers, and common display devices such as the seven-segment, LCD, and dot matrix. 56:00.
- VDVT304 PART 4: \$34.95**  
A must for the serious technician, this video presents how the computer communicates with real world through the use of digital-to-analog and analog-to-digital converter circuits. 57:00.
- VDVT305 PART 5: \$34.95**  
Examine the technologies in today's modern memory devices, including ROM, PROM, EPROM, EEPROM, SRAM, DRAM, and MBM (Magnetic Bubble Memory). 56:00.
- VDVTDDD COMPLETE FIVE-PART "UCANDO DIGITAL" VIDEO COURSE \$149.95**  
as above, at a savings of \$24.80!

## OLD COLONY EASY ORDER FORM

QTY.	ITEM NO.	PRICE EACH	TOTAL
<input type="checkbox"/> FREE CATALOG		SHIPPING	\$
		TOTAL	\$

NAME \_\_\_\_\_

COMPANY \_\_\_\_\_

STREET \_\_\_\_\_

CITY \_\_\_\_\_ ST \_\_\_\_\_ ZIP \_\_\_\_\_

DAYTIME TELEPHONE \_\_\_\_\_

PLEASE REMIT IN US DOLLARS ONLY. PAYMENT BY:

- CHECK / MONEY ORDER     MASTERCARD     VISA

MC OR VISA \_\_\_\_\_ EXP. \_\_\_\_\_

PLEASE BE SURE TO ADD SHIPPING CHARGES:

Shipping Charge According to Destination and Method Desired (\$)

Order Value	United States		Canada		Other	
	Surface	Air	Surface	Air	Surface	Air
<\$50.00	3.00	7.50	5.00	7.50	10.00	20.00
\$50.00-99.99	4.00	15.00	7.50	15.00	20.00	30.00
\$100.00-199.99	5.00	20.00	15.00	20.00	30.00	40.00
>\$200.00	6.00	30.00	25.00	30.00	40.00	50.00



### OLD COLONY SOUND LAB

PO BOX 243, Department E92  
Peterborough, NH 03458-0243 USA

24-Hour Lines  
Telephone: (603) 924-6371 or (603) 924-6526  
FAX: (603) 924-9467

## ELECTRONICS SCENE

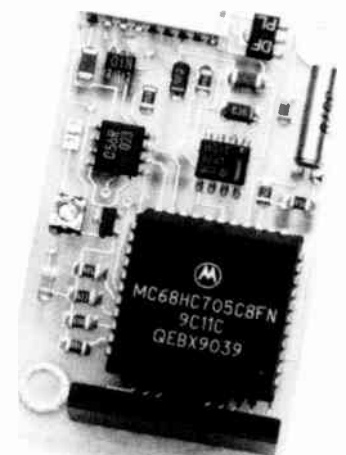
### LOOKING FOR MORSE

Designated as ID-8, **Communications Specialists'** Morse Station Identifier for commercial, public safety, and amateur radio applications, offers field programmability via a 12 button keypad that is included with each unit. Programmable features include: eight changeable messages (200 characters total) CW speed: 1-99 wpm, ID interval timing: 1-99 minutes; ID hold-off timing: 0-99 seconds; CW tone frequency; 100Hz-3kHz; "front porch" delay interval: 0-9.9 seconds; CW or MCW operation; courtesy tone: on/off; activate/inhibit ID: high/low.

The circuit utilizes a CMOS microprocessor for low voltage, low current operation, and is crystal controlled for high accuracy. All programming is stored in a non-volatile EEPROM, which may be reprogrammed with the included keypad.

The ID-8 sells for \$89.95. Contact Communications Specialists, 426 West Taft Ave., Orange, CA 92665-4296, (800) 854-0547, (714) 998-3021, FAX (714) 974-3420.

Reader Service #235



### DISH SET-UP

Baylin Publications announces the second, revised edition of *Install, Aim, and Repair Your Satellite TV System*, written for the layman. This new version contains 4 pages of illustrations, tables, and information on installing systems which receive new digital satellite broadcasts. A brief overview, step-by-step installation and trouble shooting guides, are included.

The book is \$10 plus \$3 for S/H. For information or a free catalog, contact Baylin Publications, 1905 Mariposa, Boulder, CO 80302.

Reader Service #236

### IN CIRCUIT EMULATOR

The Engineers Collaborative announces the TECICE-HC05 In Circuit Emulator, which comes standard with a target system emulation probe and debugging software, and sports many real-time features such as hardware breakpoints with 16-bit pass counter. The Emulator also has a unique automatic clock speed switching feature that allows emulation at very low speeds.

The system includes the emulator, which comes in protective housing, a power supply, one emulation pod, a TASM-05 cross assembler, user's manual, tutorial, and a terminal emulation program.

The complete system sells for \$1,110 (upgrade extra), through The Engineers Collaborative, Rt 3, Box 8C, Barton, VT 05822, (800) 336-8321.

Reader Service #290



### LOOK MOM, NO WIRES

Audio-Technica's ATR45W, a professional-quality wireless microphone system for video camcorders consists of a transmitter, a receiver and an ATR35 omnidirectional condenser lavalier microphone.

The ATR45W's receiver employs a more durable rubber-coated flexible antenna rather than the standard telescoping metal tube style. The antenna can be rotated through a wide angle for better reception and convenience.

Both the receiver and the transmitter operate on 9V batteries and include a camera shoe mount, velcro strips for use when a shoe mount is unavailable, belt clips, earphone for monitoring recording and an ATR35 omnidirectional condenser microphone with tie clip land windscreen. ATR45W system is \$239.95.

Contact Audio-Technica US, 1221 Commerce Dr., Stow, OH 44224-9971, (216) 688-2600, FAX (216) 688-3752.

Reader Service #232

Published by Audio Amateur Publishing Group

**Editor/Publisher:** Edward T. Dell, Jr.

**Editorial Offices:**

305 Union St., P.O. Box 876  
Peterborough, NH 03458-0876 USA

Telephone: 603-924-9464 (National)

or +1 (603) 924-9464 (International)

**FAX:** (603) 924-9467 (National)

or +1 (603) 924-9467 (International)

**Advertising:** Maureen E. McHugh

Telephone: (603) 358-3756

**FAX:** (603) 358-0157

**Subscriptions:** Katharine Gadwah

Elektor Electronics USA

Post Office Box 876,

Peterborough, New Hampshire 03458.

**Subscriptions** to *Elektor Electronics USA* are available **ONLY** in the fifty United States, Canada, Puerto Rico, the Virgin Islands and those Pacific territories administered by the United States of America.

**International Advertising:**

Uitgeversmaatschappij Elektor b.v.

P.O. Box 75

6190 AB BEEK

The Netherlands

Telephone: +31 46 38 94 44

FAX: +31 46 37 01 61

**European Offices:**

Elektor BV

Postbus 75

6190 AB BEEK

The Netherlands

Telephone: 011 31 4638 9444

Telex: 56617 (elekt nl)

FAX: 011 31 4637 0161

**Managing Director:** M.M.J. Landman

**Overseas Editions:**

**FRANCE**

Elektor sarl

Les Trois Tilleuls

B.P. 59; 59850 NIEPPE

**Editors:** D.R.S. Meyer

G.C.P. Raedersdorf

**GERMANY**

Elektor Verlag GmbH

Susterfeld Strasse 25

5100 AACHEN

**Editor:** E.J.A. Krempelsauer

**GREECE**

Elektor EPE

Kariskaki 14

16673 Voula—Athens

**Editor:** E. Xanthoulis

**HUNGARY**

Elektor Elektronikai folyoirat

1015 Budapest

Batthyany U. 13.

**Editor:** Lakatos Andras

**INDIA**

Elektor Electronics PVT Ltd

Chhotani Building

52C, Proctor Road, Grant Road (E)

BOMBAY 400 007

**Editor:** Surendra Iyer

**ISRAEL**

Elektorcal

P O Box 41096

TEL AVIV 61410

**Publisher:** M. Avraham

**NETHERLANDS**

Elektor BV

Peter Treckpoelstraat 2-4

6191 VK BEEK

**Editor:** P.E.L. Kersemakers

**PAKISTAN**

Electro-shop

35 Naseem Plaza

Lasbella Chawk

KARACHI 5

**Editor:** Zain Ahmed

**PORTUGAL**

Ferreira & Bento Lda.

R.D. Estef-83-ni, 32-1°

1000 LISBOA

**Editor:** Jeremias Sequeira

**SPAIN**

Resistor Electronica Aplicada

Calle Maudes 15 Entio C.

28003 MADRID

**Editor:** Agustin Gonzales Buelta

**SWEDEN**

Electronic Press AB

Box 5505

14105 HUDDINGE

**Editor:** Bill Cedrum

**UNITED KINGDOM**

Elektor Electronics (Publishing)

P.O. Box 1414

Dorchester DT2 8YH

England

**Editor/Publisher:** Len Seymour

Printed in the United States of America.

ISSN: 1051-5690

## VIBRATION SCOOPER

Scantek, announces MODENT software for testing mechanical components and structures which are subject to vibration and dynamic loads. Applications include vehicle components testing, PC board vibration characteristics, turbine blade development, and predicting switch-gear performance under earthquake conditions.

The MODENT modal-analysis function uses measured frequency response functions to describe the vibration properties of a structure. MODENT compares and validates finite element modeling results and modifies the models based on experimental findings.

You use MODENT on any industry standard 286, 386, or 486 PC, with high-resolution color graphics and co-processor capabilities and in conjunction with many signal analyzers including *Diagnostic Instruments*, H-P, B&K, Ono-Sokki, Schlumberger, and SD.

For information, contact Richard Peppin, Scantek, Inc., 916 Gist Ave., Silver Spring, MD 20910, (301) 495-7739, FAX (301) 495-7739.

Reader Service #275



## GLOBAL VIDEO MAILER

VidiPax International offers a video cassette mailer service which digitally converts video tape to or from any country's standard, and returns both your tape and the converted one to you for \$39.95.

The world's incompatible television standards need not prevent you from sharing videos for family, training, education, or other communication needs. Simply request an order form, (printed in English, Spanish, and French), and mail it in.

For the VidiPax dealer nearest you, call (914) 557-3600.

## ELECTRONICS SCENE

### HAM SOURCE

Hart Publishing announced the fourth edition of the Amateur Radio Mail Order Catalog and Resource Directory which contains 220 pages and more than 1,200 entries of mail-order products and services for hams.

The catalog is alphabetized in categories from antennas to weather instruments. Listings include the name, address, phone, and FAX number of the vendor, plus a description of products or services. There are new, non-radio related listings in the catalog, such as environmental organization BBSs, and other informative sources under "Catalogs and References." The catalog also has the complete *Ham-Soft Shareware Catalog* included and includes directories of free catalogs, radio clubs, VECs, Amateur Radio-specific BBSs, and foreign radio magazines.

More information is available from Hart Publishing, 767 South Xenon Court, Suite 117, Lakewood, CO 80228, 303 987-9442.

Reader Service #254

### OF GLOBAL CONCERN

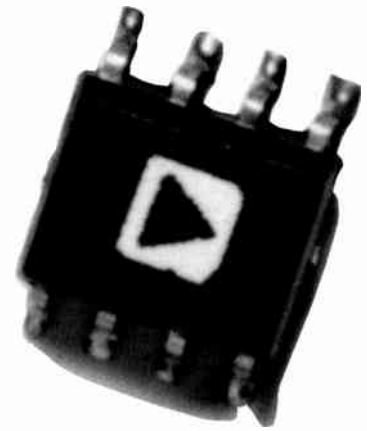
Global Specialties announced a portable design prototyping station, the PB-503-C. It is a complete electronics workstation housed in a rugged carrying case, for anyone who wishes to take their lab with them.

The design station is suited for analog, digital and microprocessor projects. It is complete with a large breadboard area which holds circuits up to 24 ICs. A full range of instrumentation, including a function generator, triple voltage power supply, 8-channel logic probe, and two digital pulsers are included. The triple voltage power supply features a fixed +5V 1A supply, and two variable 5-15V ½A supplies. The function generator is continuously variable in frequency, from 0.1Hz to 100kHz, with selectable waveform outputs of sine/square/triangle and TTL clock output.

The rugged carrying case folds into the size of a large briefcase, making the lab portable. Storage facilities are provided in the carrying case for manuals, an optional multimeter, and the optional WK-1 wire jumping kit. The PB-503-C retails for \$349.95. The Proto-Meter 4000 and WK-1 are \$139.95 and \$13.95 respectively.

Contact Global Specialties, 70 Fulton Terrace, New Haven, CT 06512, (203) 624-3103, FAX (203) 468-0060.

Reader Service #294



### GET MY DRIFT?

Analog Devices' AD621 is a low-drift instrumentation amplifier with 5ppm/°C maximum gain drift and 0.6µV/°C voltage offset drift, key parameters with weigh scales and bridge interfaces. The AD621 features a maximum nonlinearity of 10ppm of full scale, an initial offset voltage of 50µV and a gain error of 0.05%. Packaged in an eight-pin SOIC or DIP, the AD621 has pin-strapable gains of 10 and 100 and a low 1.3mA maximum supply current.

The AD621 operates from power supplies ranging between ±2.3 to ±18V. You can use it with data acquisitions systems and as a high-performance preamplifier: input voltage noise is a low 9nV/√Hz at 1kHz, 0.28µV p-p in the 0.1Hz to 10Hz band, while input current noise is 0.1%, sufficient for multiplexing. The AD621's bandwidth is 800 at a gain of 10, and 200kHz at a gain of 100.

Further information is available through Analog Devices, 181 Ballardvale St., Wilmington, MA 01887, (617) 937-1428, FAX (617) 821-4273.

Reader Service #231

### A LITTLE MATH

Because engineers and scientists often spend days, even weeks "tweaking" their equations in an effort to make their model reflect an accurate representation of the observed data, MicroMath released DIFFEQ with Fitting version 2.0 for MS-DOS systems. Priced at \$399, the program offers a solution environment that encourages experimentations and verification. It does least squares parameter estimation with differential equations. The program features several operators, including those supporting range functions, plot types including time and phase plots phase-portraits with varying initial conditions, and the capability to solve models using any of eight accepted numerical methods.

Current users may upgrade for \$29; suggested retail is \$399. Contact MicroMath Scientific Software, PO Box 21550, Salt Lake City, UT 84121, (801) 943-0290, FAX (801) 943-0299.

Reader Service #260

## VIDEO EDITING SYSTEM

**Interactive MicroSystems, Inc.** offers the MediaPhile Video editing system, which now supports Sony VISCA and controls Sony CTL-L/LANCS from the serial port of Commodore-Amiga computers.

MediaPhile is ideal for 8mm editing and interformat edits from 8mm to SVHS. Edit controllers give infrared and serial control over most prosumer video decks and camcorders. Other source devices include laser and compact disc players, audio cassette decks and DAT decks. The software supports insert and assembly edits with special effects and multimedia presentation.

Complete systems, including Commodore-Amiga computer and video deck, range from \$2,500-10,000. Contact Interactive MicroSystems, Inc., 9 Red Roof Lane, Salem, NH 03079, (603) 898-3545, FAX (603) 898-3606.

Reader Service #248

## TEAM FOR TUNES

**Snell Acoustics** and **Audio Alchemy** have formed an alliance in order to create a new company called MusicSoft. The new company plans to develop an open-architecture digital signal processing audio computer and a music operating system called MOS.

According to the participants, these products will make it possible to control and manipulate sound in new ways with conventional audio signal processors. Plans for the new system include the ability to digitally nullify unwanted loudspeaker characteristics and eliminate the unwanted acoustic characteristics of the listening room.

The audio computers will be sold under the Snell Digital brand name and manufactured in the US by Audio Alchemy.

Snell Digital is located at 143 Essex St., Haverhill, MA 01832, (508) 373-6114, FAX (508) 373-6172.

Reader Service #287



Reader Service #238

## ELECTRONICS SCENE

### SPECTRUM ANALYZER

**Stanford Research Systems' SR760** (\$4,350) is a full-featured FFT with 90dB dynamic range, frequency spans from 191MHz to 100kHz, and a fast 100kHz real-time bandwidth. Analysis functions such as THD, PSD, octave, band and sideband analysis are menu driven and supported with on-screen help. Averaging (vector, peak hold and RMS) can be performed on up to 64K scans. Data traces, Limit and Data tables, and instrument setup files can be stored on the 3.5-inch DOS format disk drive, or accessed through the standard RS-232 and GPIB interfaces. Applications include vibrations, acoustics, noise analysis and electronic design.

Additional data is available from Stanford Research Systems, 1290 D. Reamwood Ave., Sunnyvale, CA 94089, (408) 744-9040.

Reader Service #288

### MICROPHONE PREAMP

New from **Benchmark Media Systems**: the MP-3, a high-quality microphone-preamp on a jack. The MP-3 has a balanced input, variable gain from 26-65dB, a balanced output, and can feed phantom power (external source required) to the microphone.

Performance is a 1dB noise figure, 2kHz THD at A = 40dB of 0.005%, and a bandwidth of greater than 200kHz. The balanced output allows it to drive lines up to 300' in length. The MP-3 requires bipolar power, such as Benchmark's \$35 PS-1 wall mount supply, and is ideal for applications such as classroom monitoring, sound reinforcement, E.N.G., etc.

Suggested retail for the MP-3 is \$95. Contact Benchmark Media Systems, Inc., 5925 Court Street Rd., Syracuse, NY 13206, (315) 437-6300, FAX (315) 437-8119.

Reader Service #238

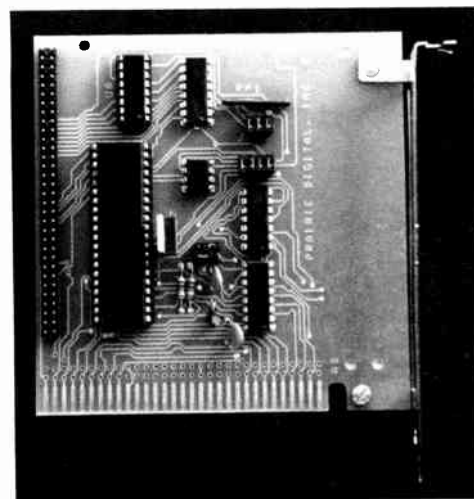
### DATA ACQUISITION AND CONTROL

**Prairie Digital, Inc.** introduces the Model 30, a general purpose data-acquisition and control system for XTs, ATs, 386s, 486s, and PS/2 Model 30s.

The PCB plugs into the expansion bus and occupies a half slot, and includes 24 lines of programmable digital input/output, an 8-channel 8-bit A/D converter, and 12-bit CMOS counter (a 7-channel 50V 0.5A driver is also available). Communication to the PC is via 4 I/O memory locations and is easily interfaced to all popular languages. Sample BASIC, QuickBASIC, and Assembler programs are included on 5.25" floppy.

The Model 30 costs \$79 and is available for immediate shipment from Prairie Digital, Inc., 846 Seventeenth St., Industrial Park, Prairie du Sac, WI 53578, (608) 643-8599, FAX (608) 643-6754.

Reader Service #271



### MIDI INSIDE & OUT

MIDI—the Musical Instrument Digital Interface—is the data communications system that enables music equipment, computers, and software from many different manufacturers to exchange information. Since its introduction in 1983, the impact of MIDI on the design and operation of synthesizers has been dramatic. **A-R Editions' MIDI: A Comprehensive Introduction** (\$39.95), provides a practical guide for readers seeking a thorough discussion of the basic principles of MIDI. Rather than covering a limited number of particular brands of MIDI equipment, the text focuses on MIDI hardware and software as a system. It describes categories of MIDI instruments, accessories, and personal computer software, what to look for in each, and how to get it all to work together.

Book orders may be directed to A-R Editions, 801 Deming Way, Madison, WI 53717, (800) 736-0070, FAX (608) 831-8200.

Reader Service #227

# WIDEBAND ACTIVE ANTENNA FOR 10 kHz - 220 MHz

This design goes to show that low noise and substantial amplification can go hand in hand in a single amplifier with excellent wideband characteristics. Ideal for use with car radios and communication receivers, or as an active probe for a high-frequency sampling oscilloscope, the design presented here is simple to build from a handful of components.

Design by J. Barendrecht

**M**OST wideband antenna amplifiers are simply impedance converters that provide some gain. The impedance of a whip or telescopic rod antenna is relatively high because these antennas are short with respect to the wavelength of the received signal. Obviously, this high impedance needs to be transformed down to 50  $\Omega$  or 75  $\Omega$  to match the receiver input, and that is why most wideband antenna amplifiers 'begin' with an old faithful: the J-FET based source follower.

Now while a J-FET is a nearly ideal impedance converter, its use in a wideband active antenna has two major disadvantages. First, it has a relatively large input capacitance (typically 10 pF), which easily creates a filter in combination with the high antenna impedance. Second, one of the rules of good antenna amplifier design is that the first active stage should provide at least some amplification to ensure the lowest overall noise figure of the design. Unfortunately, this requirement can not be

met by the source follower, because it forms an attenuator, and so degrades the overall noise figure considerably.

## A different approach

Thus, at the input of a wideband antenna amplifier we require a device that (1) has a low input capacitance; (2) is capable of very high frequency operation at low noise; (3) has a very high input impedance; (4) can cope with high signal levels without running into high intermodulation figures; and (5) provides some gain. That may seem a lot to ask from a single active device, but fortunately a good compromise can be struck by using a dual-gate MOSFET at the amplifier input.

The amplifier discussed here is one of the 'overall feedback' type, of which every one of the three stages provides amplification. Actually, it is a two-stage amplifier with an emitter follower at the output.

As opposed to the J-FET source fol-

lower, the MOSFET used here functions as an amplifier, and has an input capacitance of only 2 pF. As shown in the circuit diagram, Fig. 1, a BF981 is used.

The second stage is coupled direct to the MOSFET drain, and is built around the BF979 npn UHF transistor. A medium-power wideband cable TV driver transistor Type 2N5109 (from Motorola) is used in the emitter follower stage.

Feedback is created by taking the emitter signal of T3 back to the source of T1, via network R7-C4. Without feedback, the gain of the amplifier lies between 15 dB and 20 dB (measured at an output impedance of 50  $\Omega$ ). With the feedback parts fitted, the gain starts to rise a little at about 100 MHz. The increase amounts to about 2 dB towards the end of the VHF communications section of the VHF band, at about 160 MHz. This effect is caused by the increased phase shift at lower frequencies, which result in a less effective feedback.

The amplifier is powered by a 12-V regulated supply via the downlead coax cable. This so-called phantom supply is shown separately in the circuit diagram. If you are lucky, your receiver has a 12-V power supply, in which case it is conveniently used to power the antenna amplifier. It should be noted that the components in the phantom supply, i.e., the two connectors (K3 and K4), the choke (L2) and the decoupling capacitor (C7) are not fitted on the PCB.

The inductance of chokes L1 and L2 depends on the frequency that is of interest to you. The highest inductance value, 4.7 mH, is used for VLF reception; the lowest value, 470  $\mu$ H, for VHF/UHF reception. Finding the best value may require some experimenting. In all cases, the d.c. resistance of the chokes must be smaller than 10  $\Omega$ .

The output of the amplifier is connected to the phantom supply via BNC connectors and a length of 50-75  $\Omega$  coax cable. Inexpensive TV coax cable will be adequate for this application.

The current consumption of the antenna amplifier is not more than 60 mA.

## Construction and adjustment

The amplifier is constructed on the small single-sided printed circuit board shown in Fig. 2. Note that the dashed parts indicated on the component overlay are fitted at the track side of the board. The whip or telescopic rod antenna is connected to the amplifier input via a banana socket. The antenna should not be longer than strictly

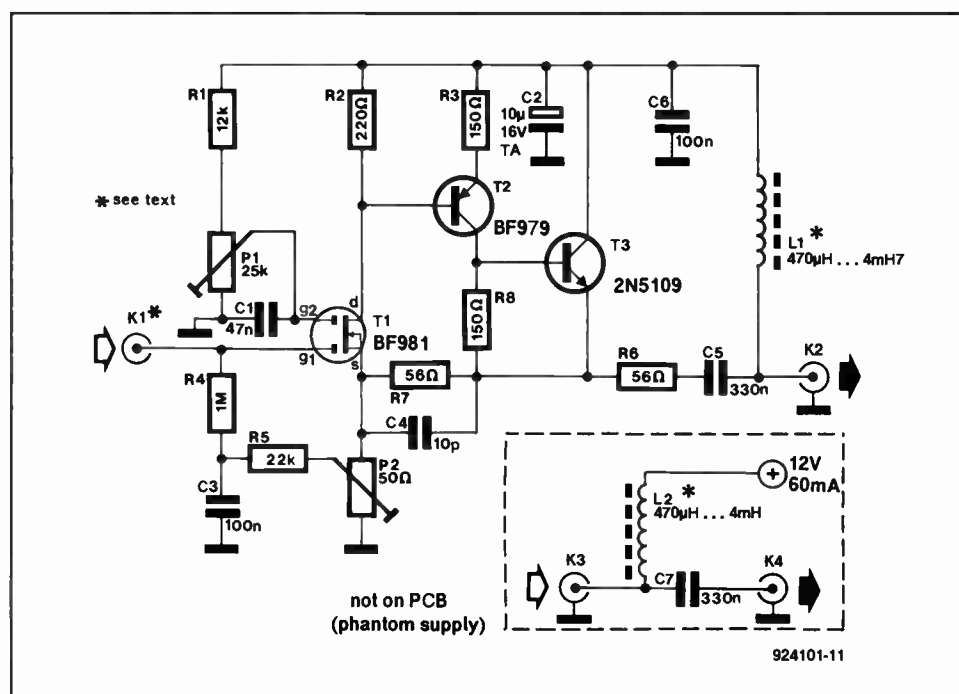


Fig. 1. Circuit diagram of the antenna booster and its phantom power supply.

## COMPONENTS LIST

## Resistors:

1	12k $\Omega$	R1
1	220 $\Omega$	R2
2	150 $\Omega$	R3;R8
1	1M $\Omega$	R4
1	22k $\Omega$	R5
2	56 $\Omega$	R6;R7
1	25k $\Omega$ preset H	P1
1	50 $\Omega$ preset H	P2

## Capacitors:

1	47nF	C1
1	10 $\mu$ F 16V tantalum	C2
2	100nF	C3;C6
1	10pF ceramic	C4
1	330nF	C5

## Semiconductors:

1	BF981	T1
1	BF979	T2
1	2N5109	T3

## Inductor

1	choke 470 $\mu$ H to 4mH7 (see text)	L1
---	--------------------------------------	----

## Miscellaneous:

1	Banana socket, insulated, for chassis mounting, receptacle dia. 2.6 mm	K1
1	BNC socket	K2
1	Printed circuit board	924101

## Phantom supply (not on PCB)

2	BNC socket	K3;K4
1	330nF	C7
1	choke 470 $\mu$ H to 4mH7 (see text)	L2

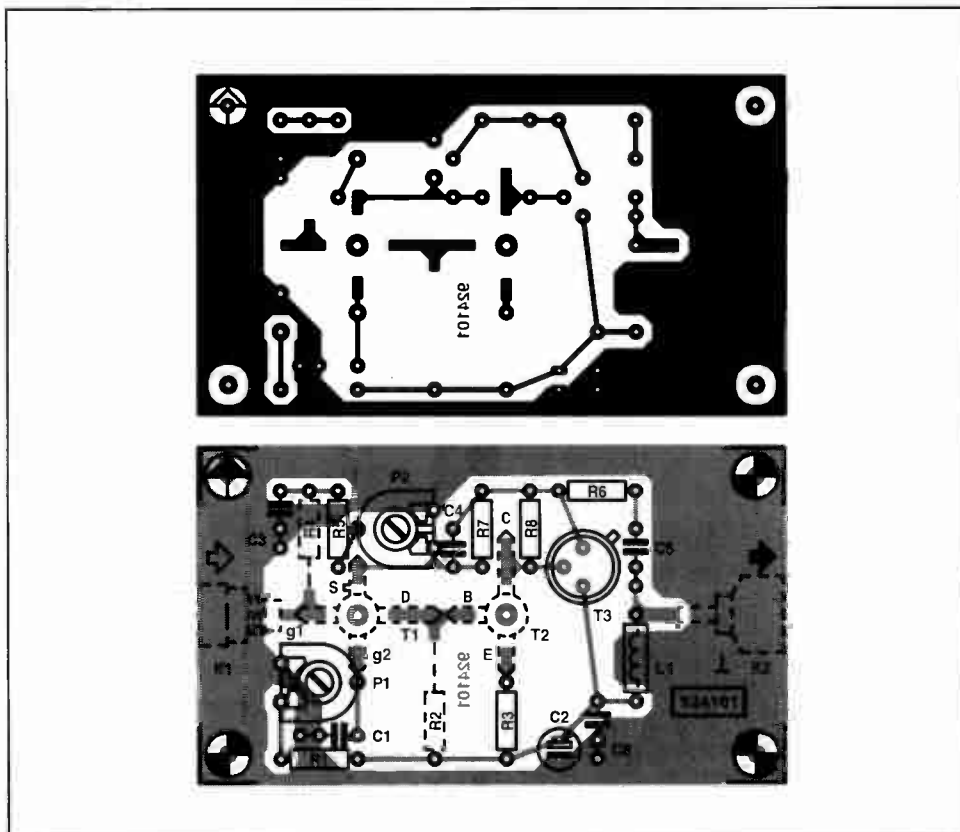


Fig. 2. PCB artwork for the project. Note that a number of components are fitted at the track side of the board.

necessary — 30 to 50 cm is long enough in most cases. The prototype used a bicycle spoke cut to about 40 cm and secured to a banana plug. When your reception area is 'infested' with hum (e.g., from nearby mains wiring), the antenna should be coupled to the amplifier input via a 10-pF capacitor.

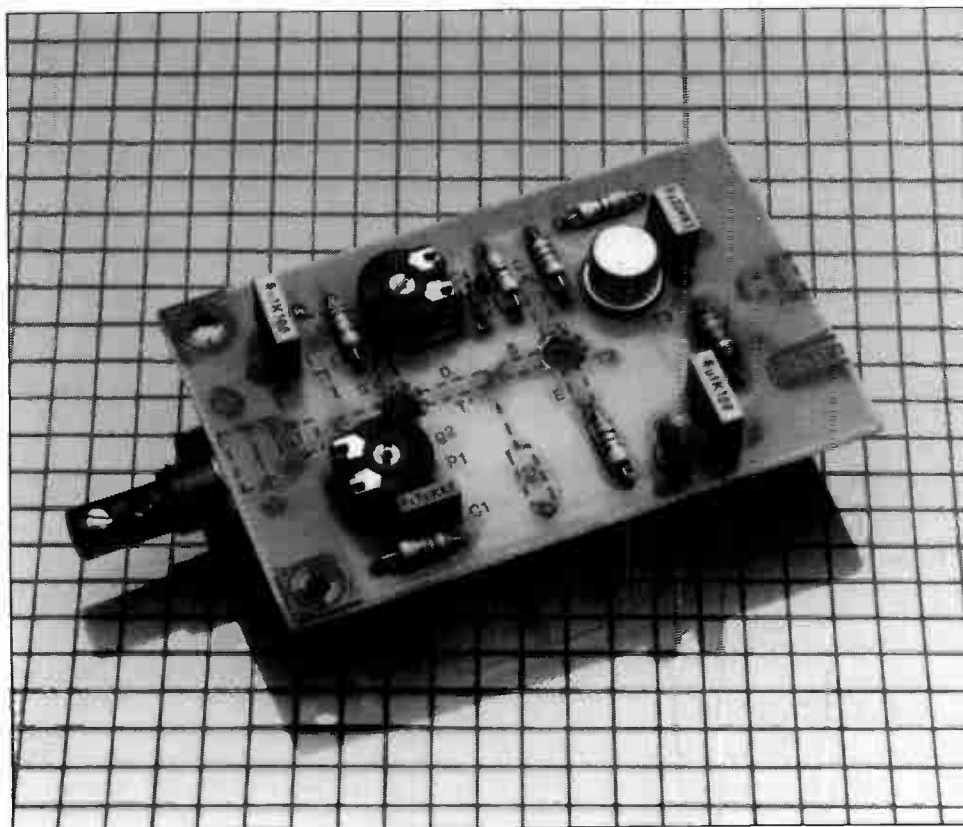
To ensure proper screening, the com-

pleted printed circuit board is fitted in a metal box.

The d.c. setting of the amplifier is dependent on a number of factors, and may require some experimenting for best results. In general, P1 and P2 should be adjusted for a voltage of 6-8 V at the emitter of T3. When the amplifier is used for daytime short-wave or medium-wave reception, the best possible S/N ratio is required. Hence, preset P1 must be adjusted for a gate2-to-source voltage ( $U_{g2-s}$ ) of between 3 V and 6 V. The lowest voltage that gives adequate reception of a weak station should be used.

For night-time reception, a different setting is required to cope with the much higher signal levels. In that case, we require the smallest possible IM (inter-modulation) distortion, which can only be achieved by passing more current through the MOSFET, so that  $U_{g2-s}$  will be nearer 6 V than with daytime reception. Adjust P1 for minimum IM distortion when very strong signals are received. IM distortion will not occur easily, and a good way to pick up extremely strong signals is to tune to the 21-MHz band (14 m) in the late evening hours, or couple the amplifier input to a large antenna via a very small capacitance (a piece of wire wound around the 'outdoor antenna' cable and connected to K1 will be adequate). Remember, the amplifier input forms a very high impedance, which does not allow coax cable to be connected.

Finally, the prototype of the amplifier worked right up to 220 MHz, at which frequency a gain of 5 dB was achieved. ■



# MAINS SEQUENCER

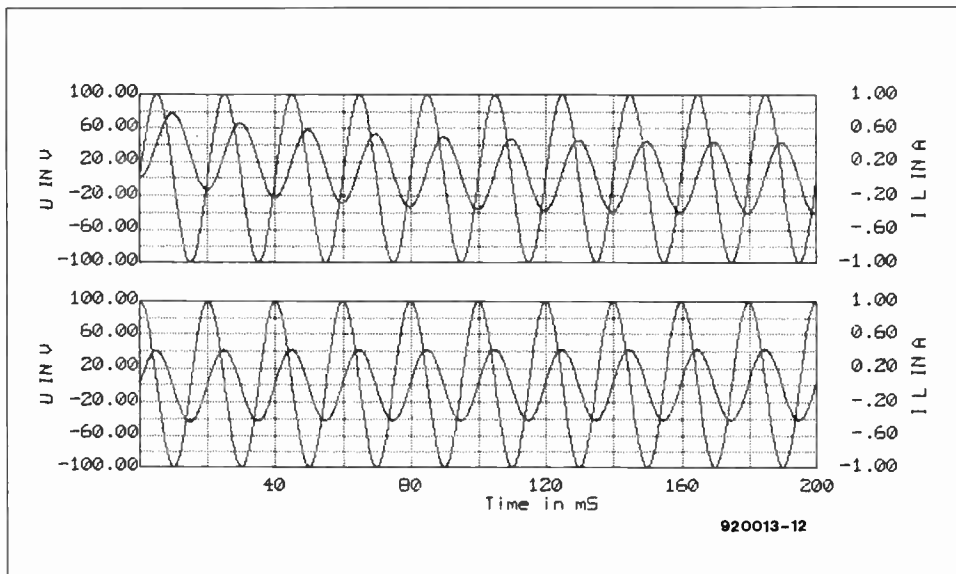
Design by T. Giesberts

**When a group of mains-operated electrical or electronic appliances is switched on simultaneously, it may very well happen that the mains fuse(s) blow or the circuit-breakers cut out. This is caused by the peak currents that flow at switch-on, which can be many times larger than the nominal current. A circuit is described that obviates such an unwelcome happening.**

WHEN an electrical or electronic apparatus is switched on, a peak current much larger than the nominal one flows, particularly in the case of motors and transformers. If a group of such equipment is switched on at the same time, it is quite likely that the relevant fuse in the consumer unit or distribution board gives up the ghost. Modern circuit breakers react even more quickly to peak currents than fuses. The load already connected to the consumer unit or distribution board must, of course, also be taken into account. The circuit proposed here obviates that risk by switching on the units in a group in a predetermined order at intervals of one second.

The circuit does more than just spreading the switch-on times. It also has a facility that enables determining the switch-on instant with respect to the zero (voltage) crossing of the mains supply. The zero (voltage) crossing is just about the most unfavourable instant for switching inductive loads if it comes to preventing high peak currents. Assuming a pure inductance, voltage and current are  $90^\circ$  out of phase, so that the zero crossing occurs at the instant when the current is maximum. If the appliance is switched on at the zero (voltage) crossing, the current will be extra large because it has a tendency to make up for the lag. If it is switched on at maximum voltage, however, the current will almost immediately assume its nominal value—see Fig. 1. In the upper half of the figure, the appliance is switched on at the zero (voltage) crossing. The current is then initially 'lifted' well above the base line, after which it drops back slowly until equilibrium is reached. In this theoretical case, the current at switch-on has about twice the nominal value. In the bottom half, equilibrium is reached immediately, because the appliance is switched on at maximum voltage. In practice, of course, the correct switch-on moment will lie somewhere between the zero crossing and maximum voltage. Two examples will illustrate the point.

1. A problem occurs when iron-cored transformers and inductors are switched on. The core will have to become magnetized before it functions properly. That means that at switch-on the impedance is determined mainly by the primary winding. This may vary from a few ohms to several hundreds



**Fig. 1. When a sinusoidal voltage across an inductance is switched on, the phase angle at which this happens determines the level of the peak current through the inductance.**

of ohms, depending on the nominal rating of the transformer. For instance, the impedance of a 300 VA toroidal transformer is 2–3  $\Omega$ , which could result in a peak current at switch-on of about 100 A. Although that current is limited to some extent by the mains supply, in practice, peak currents of 60 A can nevertheless arise.

2. Another problem occurs when inductors are switched off and then on again. Owing to residual magnetism, the core may have a weak magnetic field before switch-on. When switch-on occurs  $90^\circ$  after a zero (voltage) crossing, a large current will result. It is, therefore, better to ensure that no magnetic field exists just prior to switch-on.

In the proposed circuit, the instant of switch-on can be preset to enable the user to choose the best (or rather, the least bad) moment for the particular appliance(s).

## Circuit description

Although the design can handle four outputs drawing a current of 5 A each, in the UK it is best to limit this to 3–4 A each, because

the maximum rating of the fuse in the usual ring mains plug is 15 A. That means loads of 800–1000 W per output.

The  $\pm 5$  V for the circuit is provided by a small power section that uses regulators Type 7805 and 7905. The transformer specified in the parts list is short-circuit-proof, so that a fuse is not needed.

There is no on/off switch, because that would have to be rated at 20 A, which is not a standard part. Instead,  $D_5$  indicates whether the unit is plugged into the mains or not. This diode and its bias resistor,  $R_{39}$ , form a minimum load for the positive voltage regulator, while  $R_{40}$  provides the same function for the negative voltage regulator. This arrangement means that the regulators always deliver at least a small current, so that regulation is ensured. If no, or only a tiny, current flows, the output voltage tends to rise to the level of the input voltage.

The zero (voltage crossing) is determined by  $IC_2$ , a sort of comparator with a small hysteresis. Its output is a square-wave voltage that is in phase with the mains voltage. The hysteresis can be set with  $P_1$  to a value where the trailing edge of the square-wave voltage



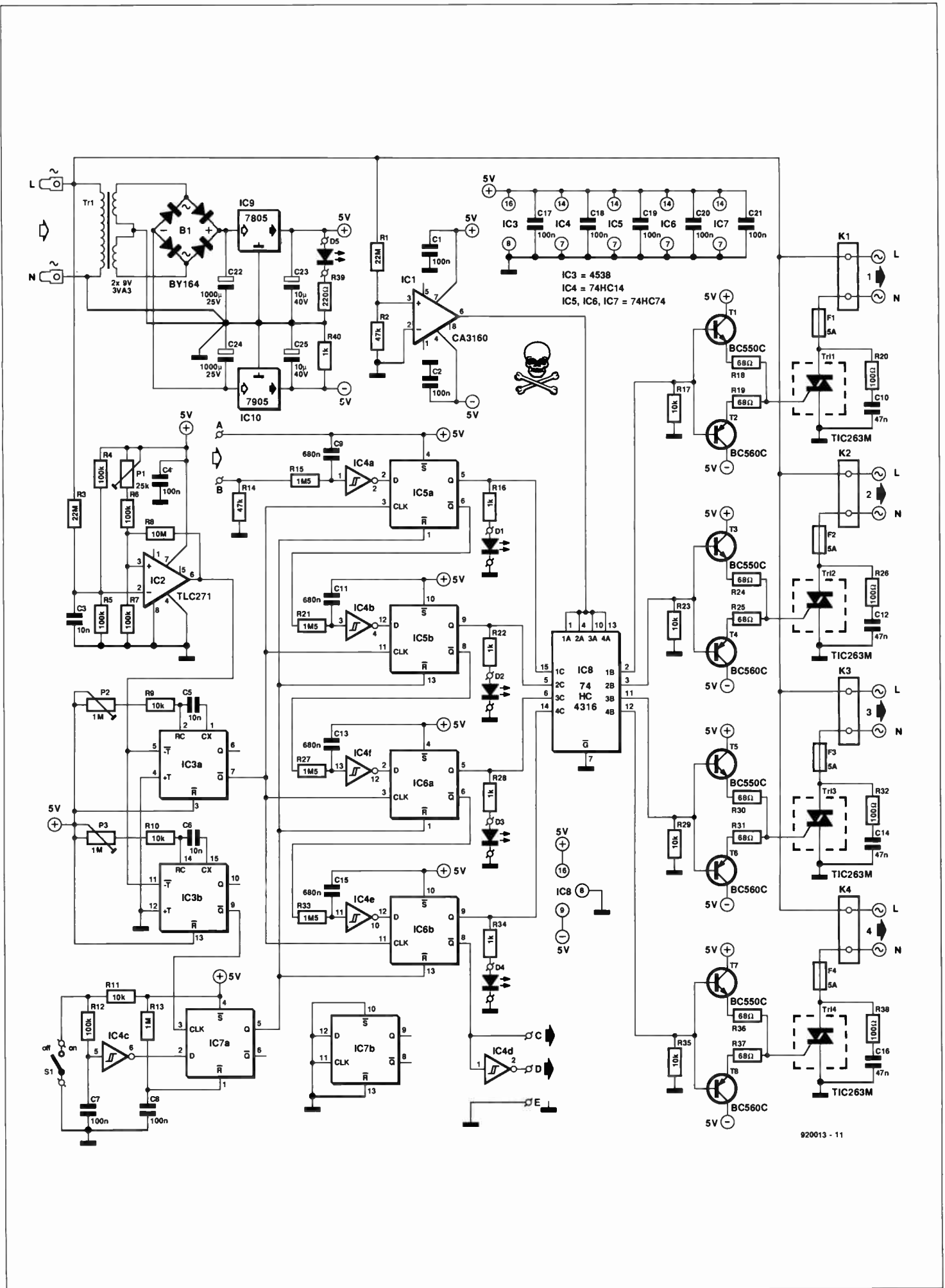


Fig. 2. Circuit diagram of the mains sequencer.

## PARTS LIST

## Resistors:

R1, R3 = 22 M $\Omega$   
 R2, R14 = 47 k $\Omega$   
 R4–R7, R12 = 100 k $\Omega$   
 R8 = 10 M $\Omega$   
 R9–R11, R17, R23, R29, R35 = 10 k $\Omega$   
 R13 = 1 M $\Omega$   
 R15, R21, R27, R33 = 1.5 M $\Omega$   
 R16, R22, R28, R34, R40 = 1 k $\Omega$   
 R18, R19, R24, R25, R30, R31, R36, R37  
 = 68  $\Omega$   
 R20, R26, R32, R38 = 100  $\Omega$   
 R39 = 220  $\Omega$

## Capacitors:

C1, C2, C4, C7, C8, C17–C21 = 100 nF  
 C3, C5, C6 = 10 nF  
 C9, C11, C13, C15 = 680 nF  
 C10, C12, C14, C16 = 47 nF, 630 V  
 C22, C24 = 1000  $\mu$ F, 25 V, radial  
 C23, C25 = 10  $\mu$ F, 40 V, radial

## Semiconductors:

D1–D4 = LED, high efficiency\*  
 D5 = LED\*  
 B1 = BY164  
 T1, T3, T5, T7 = BC550C  
 T2, T4, T6, T8 = BC560C  
 IC1 = CA3160  
 IC2 = TLC271  
 IC3 = 4538  
 IC4 = 74HC14  
 IC5–IC7 = 74HC74  
 IC8 = 74HC4316  
 IC9 = 7805  
 IC10 = 7905  
 Tri1–Tri4 = TIC263M

\* Use only with approved insulated holder.

## Miscellaneous:

K1–K4 = 2-way terminal block, 7.5 mm pitch  
 S1 = single-pole mains switch  
 Tr1 = mains transformer; 2 $\times$ 9 V, 3.3 VA  
 secondary (e.g. Monacor VTR3209)  
 F1–F4 = fuse, 5 A  
 4 fuse holders for PCVB mounting  
 2 heavy-duty mains terminals for screwing  
 on to PCB  
 4 heat sinks for Tri1–Tri4, 5 K/W (e.g.  
 Fischer SK129, available from Dau.  
 Barnham, Sussex,  
 Telephone 0243 553 031)  
 4 Mains outlet chassis socket  
 1 mains inlet chassis plug  
 5 insulated LED holders  
 4 LED lenses, red  
 1 LED lens, green  
 1 enclosure (e.g., LC860 from Telet)  
 1 PCB Type 920013 (see page 70)

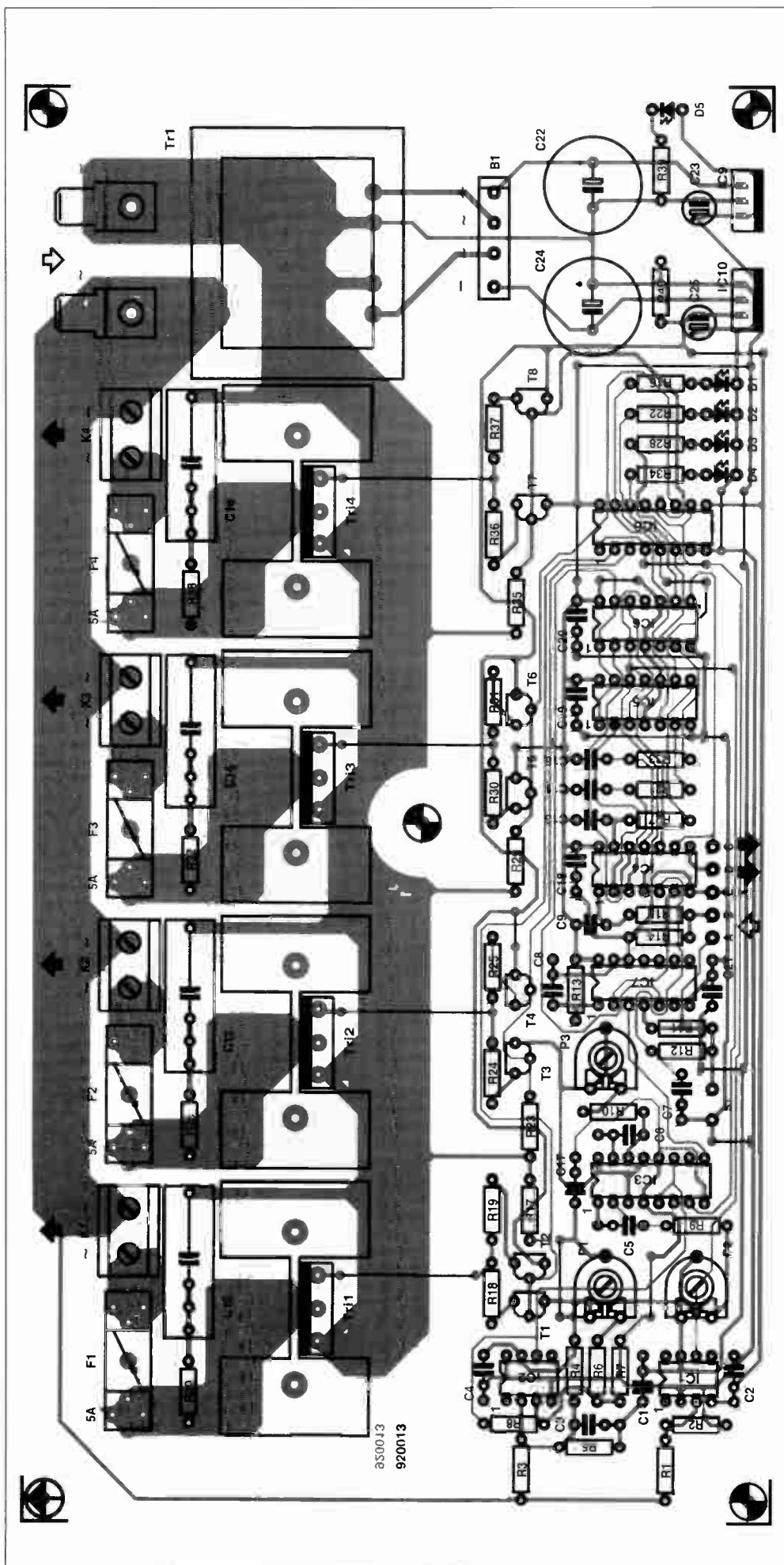
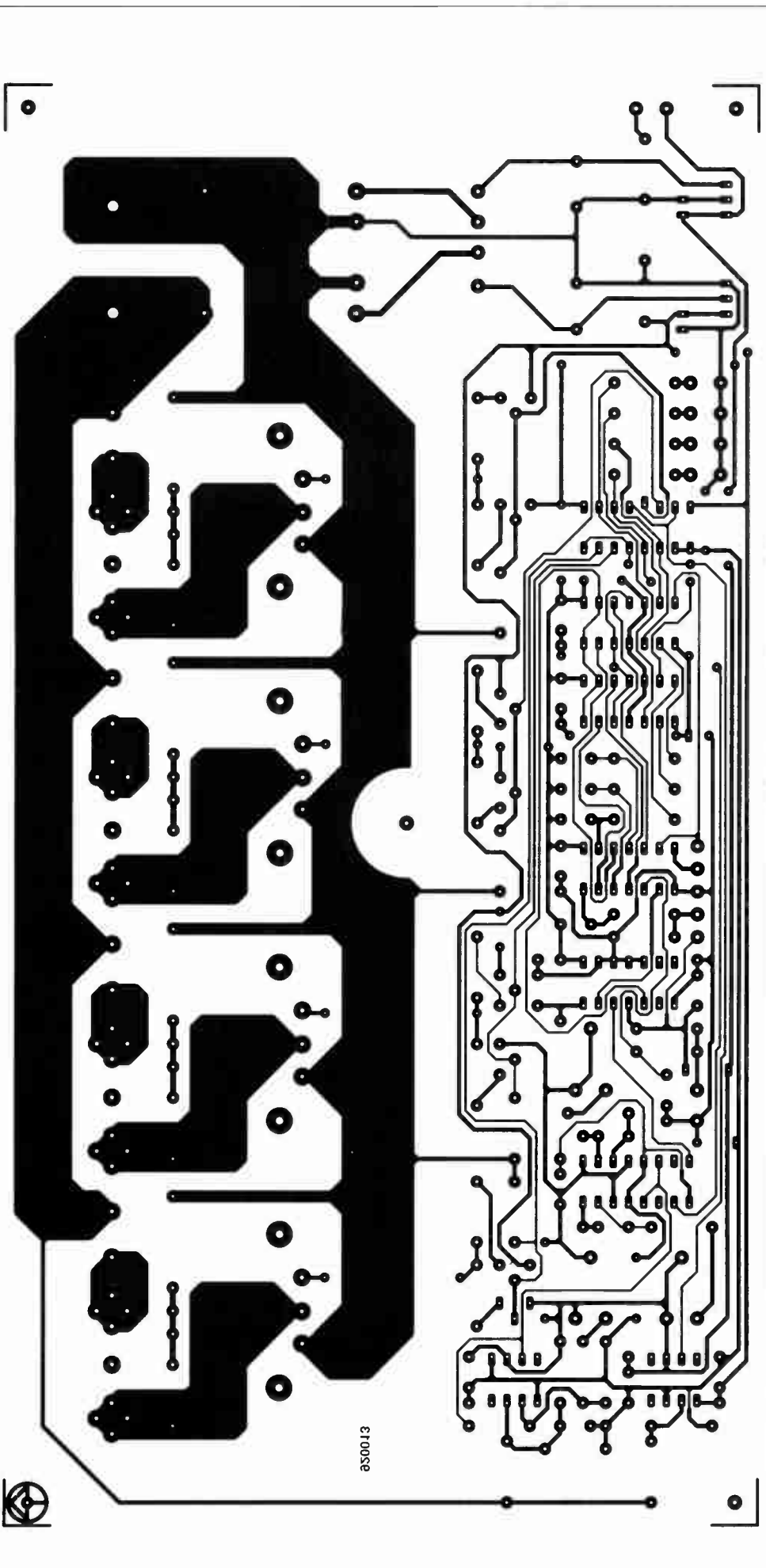


Fig. 3. Printed circuit board for the mains sequencer.



coincides exactly with the zero crossing at the start of a positive half cycle of the mains voltage.

The hysteresis, in conjunction with filter  $R_3-C_3$ , ensures that  $IC_2$  is virtually not affected by noise on the mains.

The trailing edge of the output signal of  $IC_2$  triggers two monostables,  $IC_{3a}$  and  $IC_{3b}$ , which, respectively, determine the switch-on and switch-off moment relative to the zero (voltage) crossing. The mono times may be set between 0.1 ms and 10 ms, which, in practical terms, means between a minute part of a period and a half period.

The sequential switching of the loads is effected by bistables  $IC_{5a}$ ,  $IC_{5b}$ ,  $IC_{6a}$ , and  $IC_{6b}$ . In the following, it is assumed that  $S_1$  is closed and  $IC_{7a}$  reset. The bistables are chain-linked via an RC network and a Schmitt trigger/inverter that ensures a 1 second delay between their being switched. Bistable  $IC_{5a}$  is the first in the chain. When it is switched on, the D-input of  $IC_{5b}$  goes high; when this bistable is clocked, its Q output goes high and the associated output is switched on. At the same time, the D input of  $IC_{6a}$  goes high. The clock is provided by  $IC_{3a}$ , which, as we have seen, is triggered at a zero (voltage) crossing after every period. The four bistables are not clocked, however, until the mono time of  $IC_{3a}$  has elapsed. In other words, setting the pulse width also determines the delay between the zero crossing and the switch-on instant.

Switching off the outputs may be effected in two ways. The first is via  $IC_{3b}$ ,  $IC_{7a}$  and  $S_1$ . This action is similar to that at switch-on:  $IC_{3b}$  clocks  $IC_{7a}$  in step with the mains voltage, so that the switch-off instant can also be set relative to the zero crossing. When  $S_1$  is opened, the D input of  $IC_{7a}$  goes low via  $IC_{4c}$ , which causes the bistable to be reset. This results in the resetting of bistables  $IC_{5a}$ ,  $IC_{5b}$ ,  $IC_{6a}$  and  $IC_{6b}$ , so that all outputs are switched off. A power-up reset is arranged by  $IC_{7a}$  in conjunction with filter  $R_{13}-C_8$ .

The second way of switching off the outputs is by closing a switch between A and B, in which case the switching off is sequential.

The signals at the Q outputs of  $IC_{5a}$ ,  $IC_{5b}$ ,  $IC_{6a}$  and  $IC_{6b}$  indicate whether an output is on or off. This can be made visible by connecting an LED to each of these pins.

Unfortunately, these signals cannot be used directly to drive the gates of the triacs. This is because, if the mains has a polarity relative to ground different from that of the gate voltage, part of the gate current will not flow directly to ground, but via the load and the mains. That means that a small direct current will flow through the load, to which mains transformers react adversely.

The design of the sequencer ensures that the gate current always flows directly to ground. The output signal of  $IC_1$  indicates the polarity of the mains relative to ground. This signal is fed to four 'output stages',  $T_1-T_8$ , via four analogue CMOS switches contained in  $IC_3$  and controlled by  $IC_{5a}$ ,  $IC_{5b}$ ,  $IC_{6a}$  and  $IC_{6b}$ . Depending on the output signal of  $IC_1$ , each of the output stages drives the associated gate with a current of  $\pm 50$  mA. A switched-

on triac is, therefore, driven constantly via its gate, so that it remains on. This design has the advantage over pulse-driving the gate that not only ohmic, but also reactive, loads can be switched without any problems.

## Construction

*It must be borne in mind at all times that the entire circuit is electrically connected to the mains supply. As long as the circuit has not been built into a suitable enclosure, no mains should be supplied to it or, if it is for test purposes, extreme care should be taken not to touch the circuit with your bare hands or non-insulated tools.*

*Furthermore, under no circumstances must the ground of the sequencer be connected to earth (mains or otherwise).*

Populating the ready-made printed-circuit board should present no problems. Although the triacs may be mounted uninsulated on to the heat sinks, it is better to use an insulating washer to keep the heat sinks free of mains voltage (but not safe!). Note also that the LEDs should be fitted in holders as specified in the parts list, because a 'bare' LED does not meet safety requirements.

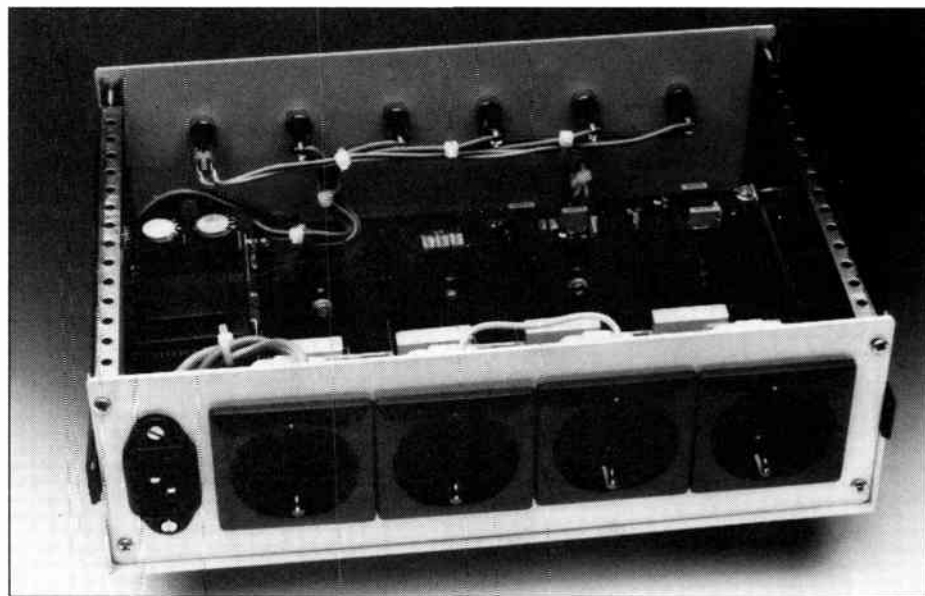
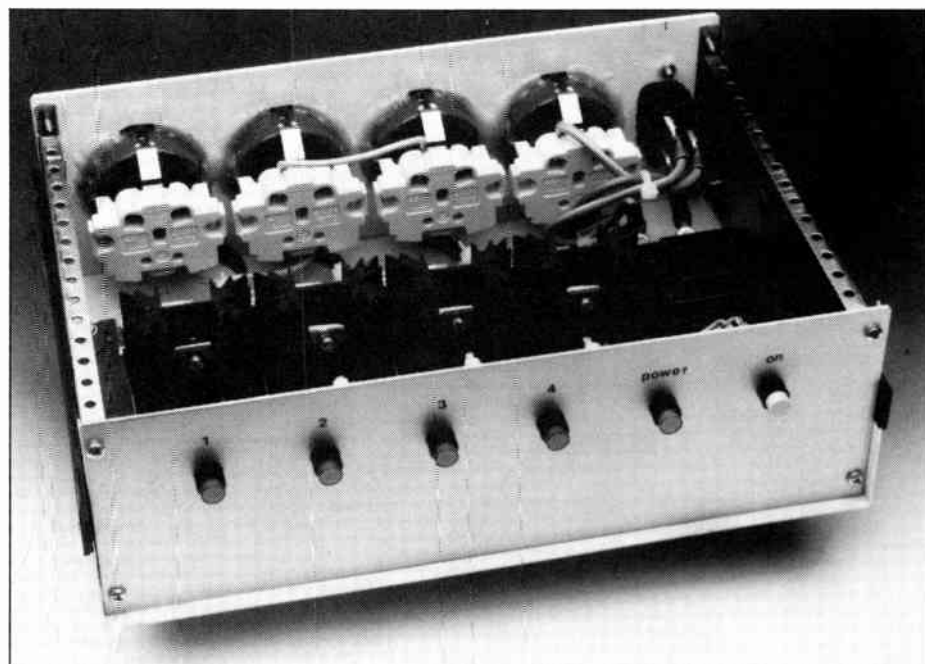
Do not use screws thicker than 4 mm (4 BA) to prevent them getting too close to voltage-carrying parts of the board.

Fix the board with *five* screws: the fifth is essential at the centre of the board in view of the length of the board and the weight of the heat sinks.

Fit the board on to 10 mm ( $13/32$  in) long insulated (man-made fibre) spacers (metal ones might come too close to voltage-carrying parts, which would make protruding screws unsafe).

Keep conducting parts of the enclosure (also any metal parts of a man-made fibre one) that can be touched from the outside well away (at least 3 mm— $1/8$  in—preferably 10 mm— $13/32$  in) from voltage-carrying parts of the board.

When you link two boards, make absolutely sure that the mains connections are not interchanged, since the neutral line is



connected to ground.

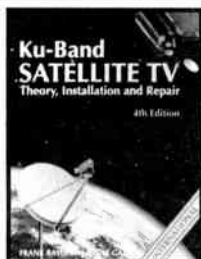
When choosing an enclosure, make sure that the ventilation holes are not larger than 5 mm ( $3/16$  in), but preferably 3 mm ( $1/8$  in).

Any metal parts of the enclosure that can

be touched should be connected to mains earth.

The insulation of switch  $S_1$  must conform to the relevant safety regulations for mains-operating switches. ■

## JOIN the SMALL DISH REVOLUTION



432 pages, 8.5 x 11"

### *The Ku-band satellite TV "bible"*

- Operation, installation and troubleshooting of Ku-band satellite systems
- Footprint maps and video standards
- and much more

TO ORDER - Send \$30 plus \$3 s/h to:  
Baylin Publications  
1905 Mariposa, Boulder, CO 80302

CREDIT CARD orders also accepted  
303-449-4551

Request our FREE CATALOG of other books about Satellite & Private Cable TV

Reader Service #32

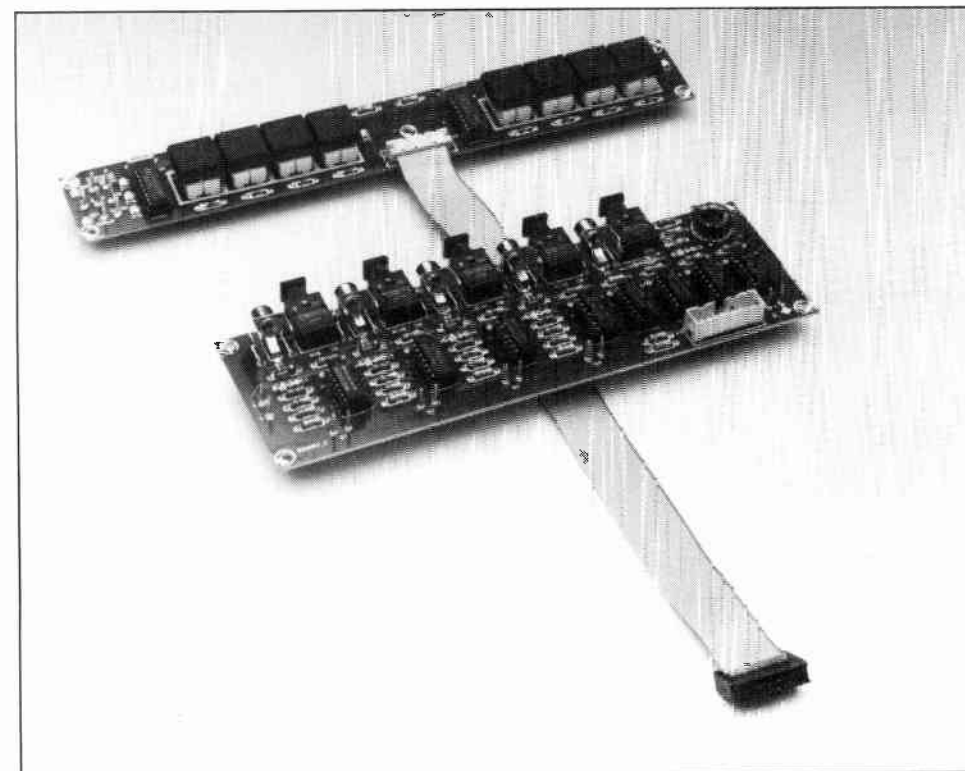
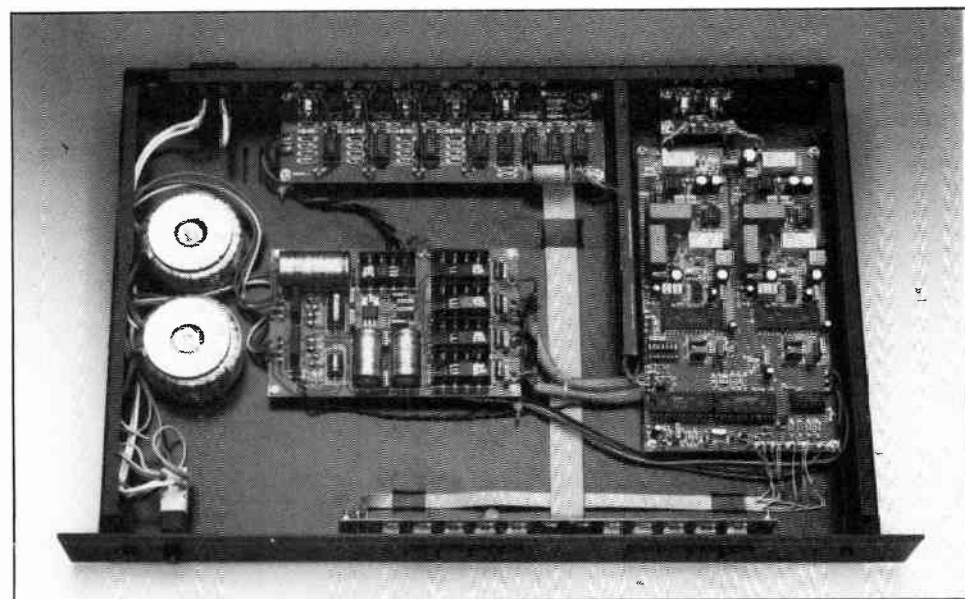
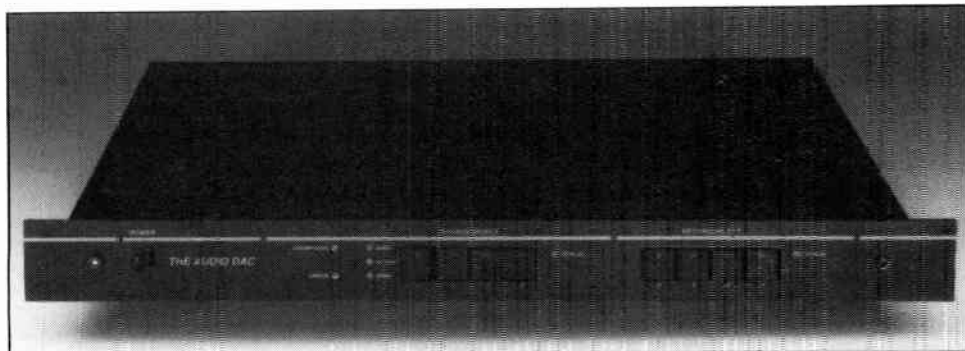
## WORD OF *MOUTH*

Helps us grow, means a stronger publication that can do more of the things that need doing in the pursuit of better electronic systems. If you have friends, associates, relatives or even enemies who share your enthusiasm for ELEKTOR ELECTRONICS tell us their names and addresses, and we will send the word along. THANKS

# A.F. DIGITAL-TO-ANALOGUE CONVERTER

## PART 3 (FINAL)

Design by T. Giesberts



**S**TRICTLY speaking, the converter described so far does not need switching logic, since it can simply be connected direct to a CD player. However, developments in digital audio equipment make it a wise decision to fit the converter with the input/output selector circuit described in this final part of the article. This circuit enables the selection of one of four different digital input signals. Moreover, a tape out facility makes it possible to connect one of the four inputs to a digital recorder, while one of the other three can be listened to at the same time. All inputs and outputs can be linked to either coaxial or optical lines. The inputs are selected with key switches. Four more of these switches facilitate the looping of one of the inputs to the tape record output. The selected source and record inputs, as well as the various settings of the converter, are indicated on the front panel—see Fig. 18.

### Circuit description

The circuit will be described with reference to channel 1: the design of the other three channels is identical—see Fig. 16.

The coaxial input is terminated into a 75  $\Omega$  resistor,  $R_1$ . The bi-phase signal is fed via  $C_1$  and  $R_2$  to inverter  $IC_{1a}$ , which operates as an amplifier. Capacitor  $C_{31}$  suppresses any tendency of the gate to oscillate. Feedback resistor  $R_3$  enables an amplification of  $\times 6$  to be obtained, so that the output of the inverter is about 3  $V_{pp}$ . Note that the design of the circuit is identical to that of the input circuit in Fig. 5 (in Part 1).

The level of the output of  $IC_{1a}$ , which is applied to  $IC_{1b}$ , is exactly half-way between that of the supply voltage and earth. This enables  $IC_{1b}$  to produce rectangular signals with minimal displacement of the transitions (edges) of the signal. This is important for an optimum reconstruction of the original digital signal.

The signal is then applied to three-state buffer  $IC_{3b}$ , which processes it if switch  $S_1$  is open. If  $S_1$  is closed,  $IC_{3b}$  is off and buffer  $IC_{3a}$ , which is fed with the signal from the optical input circuit,  $IC_9$ , is on.

The three-state buffers are followed by two more buffers,  $IC_{5d}$  and  $IC_{6d}$ , which are operated by the key-switch logic. In that way it is determined which of the input signals drives the converter ( $IC_{5d}$ ) or the tape output ( $IC_{6d}$ ).

The optical input consists of a receive diode and a components contained in a small plastic module called a Toslink (named after its manufacturer, Toshiba). Externally, the circuit, whose output is TTL compatible, only needs a power line decoupler, here consist-

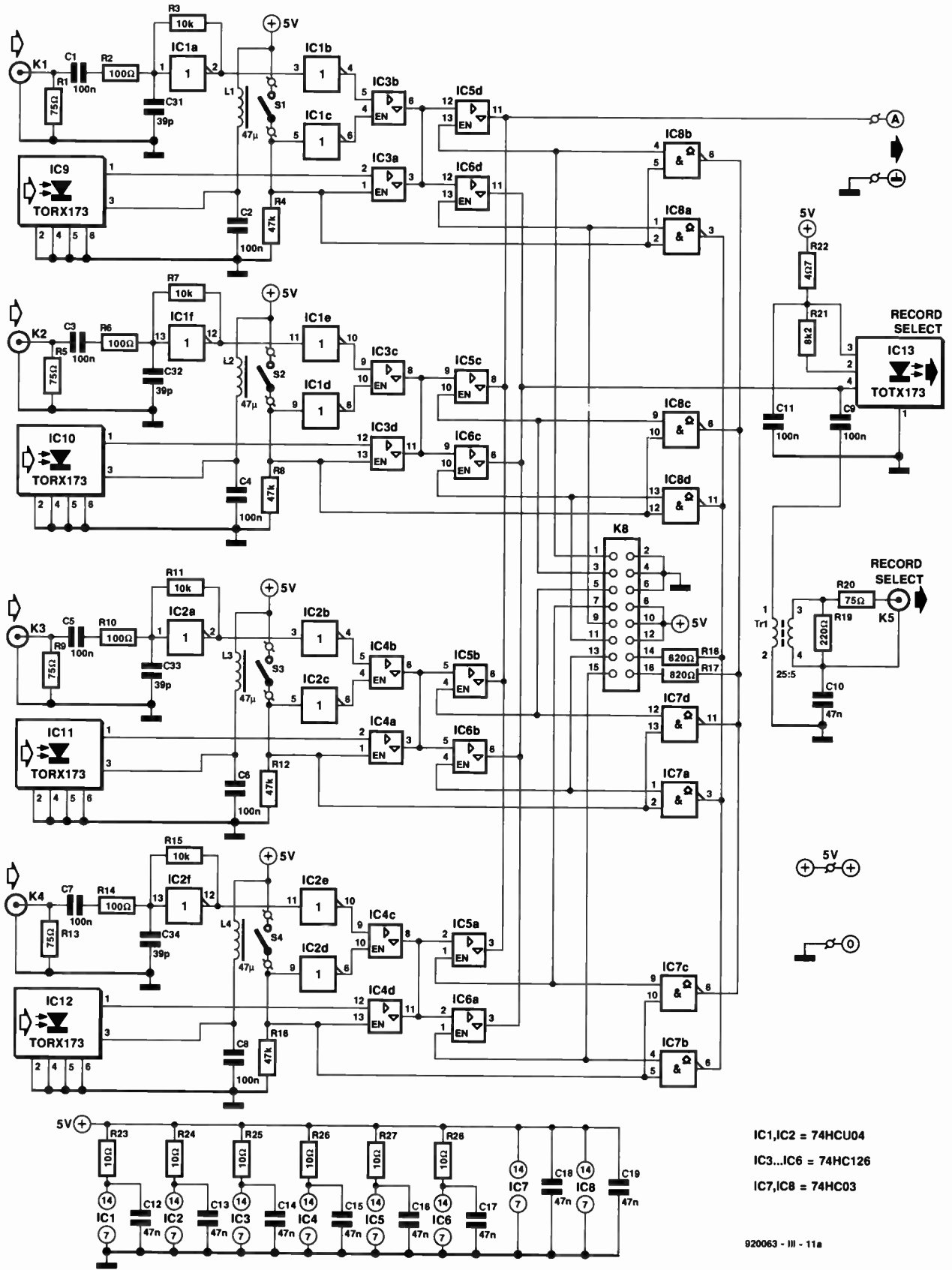
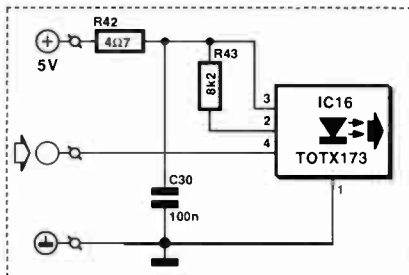
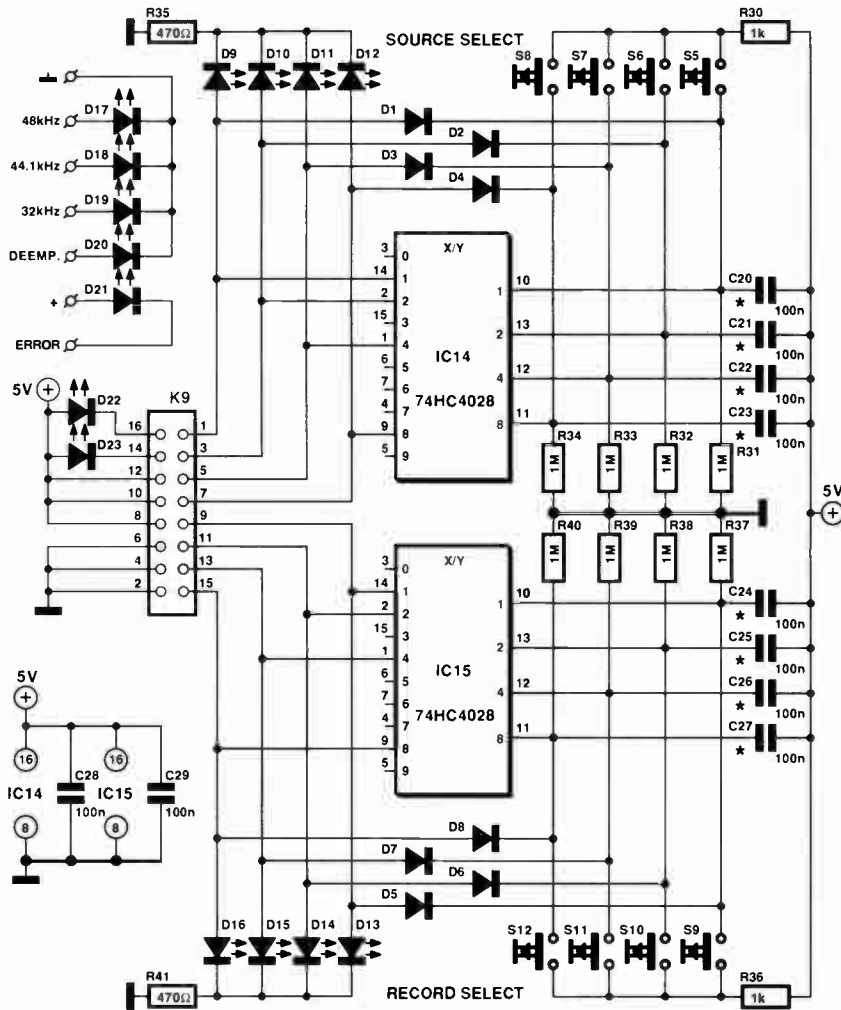


Fig. 16. Circuit diagram of the input/output selector.

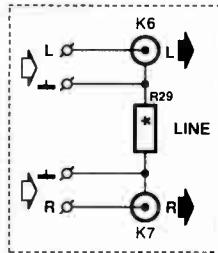
Toslinks

The TORX173 and TOTX173 devices are available from

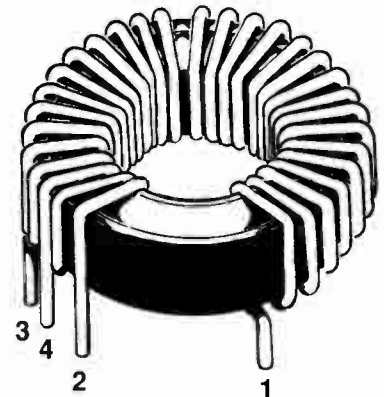
Highland Electronics Ltd  
Albert Drive  
Burgess Hill RH15 9TN  
England  
Telephone (0444) 236 000



\* see text



920063 - III - 11b



920063 - III - 12

ing of  $L_1$  and  $C_2$ .

The tape output, too, is coaxial or optical, the latter again with the aid of a Toslink. Here, this circuit externally needs two resistors,  $R_{21}$  and  $R_{22}$ , and a capacitor,  $C_{11}$ . The coaxial output needs to be isolated (to ensure that no earth loop can arise via the ground line of the digital connection) and this is achieved by a small transformer,  $Tr_1$ . In the CD player a special Philips transformer was used, but here a wind-it-yourself type is used—how it is made is described later. Note already, however, that its bandwidth is far greater (at least in our prototype) than that of any ready-made type that was tried.

The switching signals are provided by two identical circuits,  $IC_{14}$ , which determines which signal is applied to the converter, and  $IC_{15}$ , which ensures that one of the input signals is applied to the tape output. Only the circuit based on  $IC_{14}$  will be described.

Four key-switches,  $S_5$ – $S_8$ , are connected to the inputs of the circuit, a BCD-to-decimal decoder. When a key-switch is operated, the associated input becomes logic high. The decoder translates this into the relevant decimal level to render the appropriate output high (input A is associated with output  $Q_1$ , pin 14; input B with output  $Q_2$ , pin 2 and so on).

The outputs are fed back to the inputs via diodes  $D_1$ – $D_4$  to ensure that an output remains high when the relevant key-switch is released.

The outputs are connected to LEDs that indicate which output is active.

Of the four capacitors  $C_{20}$ – $C_{23}$ , only that in the output associated with the input selected on power-up is used.

In the same way, only one of capacitors  $C_{24}$ – $C_{27}$  in the tape select circuit is needed.

Gates  $IC_7$  and  $IC_8$  serve to show the user (on the front panel) which type of input (optical or coaxial) is in use with the selected source and record signal. To this end, each gate is connected with the control input of one of the three-state buffers and with one of the selector switches,  $S_1$ – $S_8$ . When a given source or record input is selected,  $D_{22}$  or  $D_{23}$  indicates whether a coaxial (LED out) or optical connection (LED on) is in use with that input.

Five more LEDs at the front panel indicate which of the three sampling frequencies is being used, whether the deemphasis correction is on, and when there is an error in the digital transmission chain.

Audio output connectors  $K_6$  and  $K_7$  are shown separately on the diagram, because they are housed on a discrete small PCB. Resistor  $R_{29}$  is for use only if earth loops occur between the left-hand and right-hand channels. Its value (anywhere between a short circuit and a few ohms) must be determined empirically. If, as should be expected, there are no earth loops,  $R_{29}$  is simply omitted.

Also shown by itself is the optical output based on  $IC_{16}$ , which too is housed on a separate small PCB. This board is really intended for installation in the CD player (the output board of the player already has provision—in the shape of three solder pins—for receiving it).

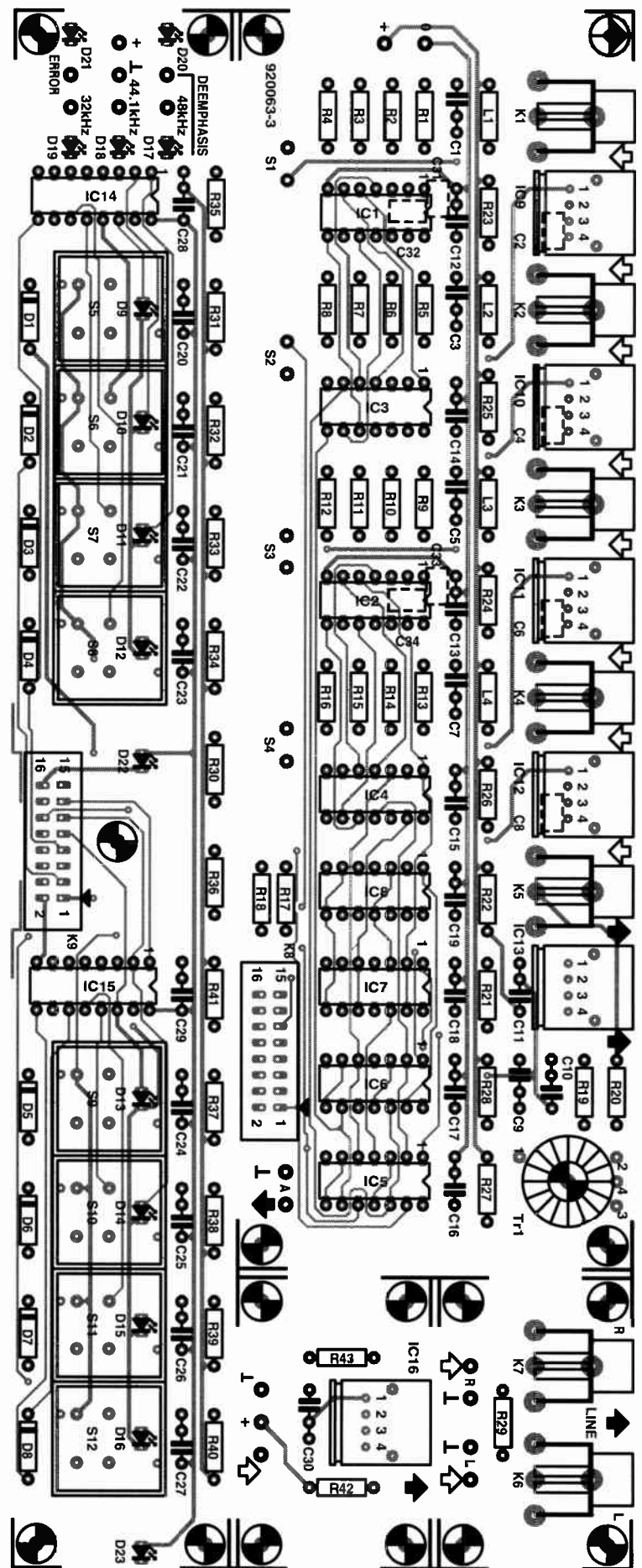
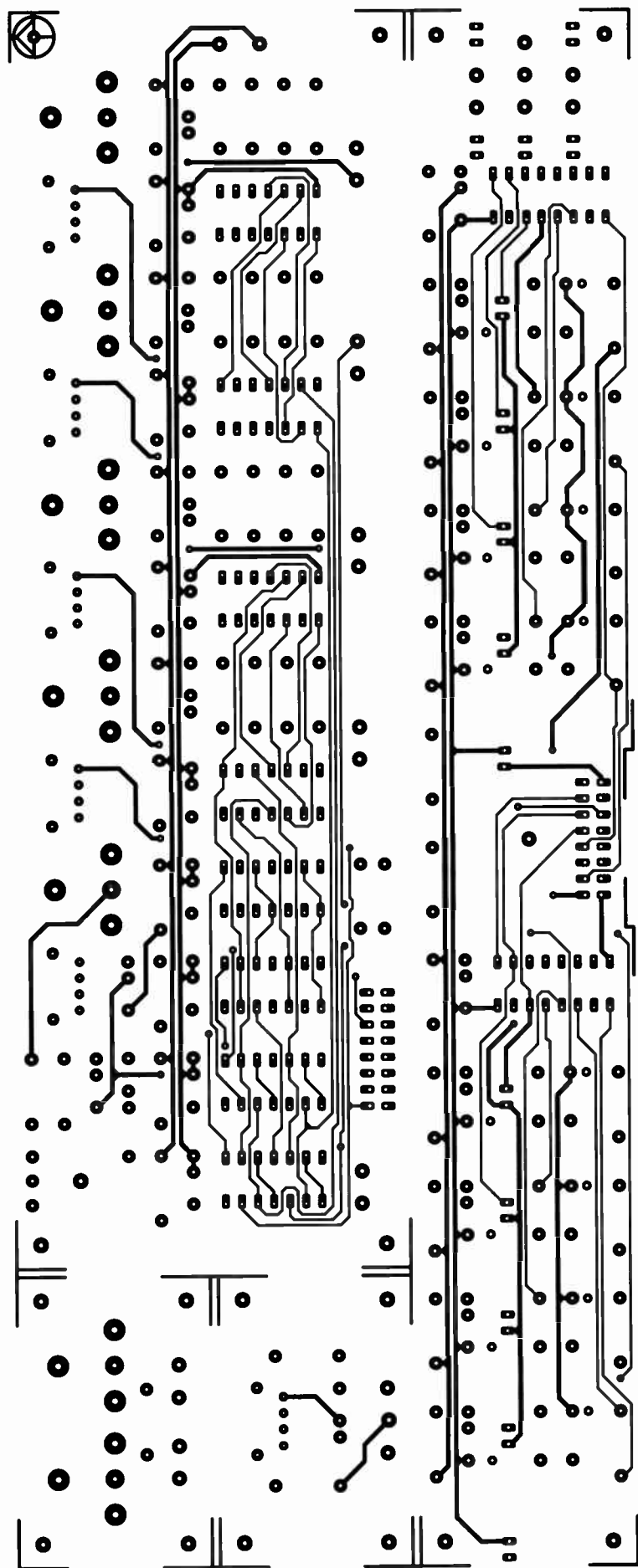


Fig. 17. Printed-circuit board for the input/output selector (continued on pages 25





## Construction

The printed-circuit board in Fig. 17 should be snapped into four along the relevant seams. The resulting parts are: the busboard with the digital inputs and outputs, the switching board, the analogue output board, and the board for the optical output of the CD player. The analogue board is not needed if insulated audio sockets are used at the rear panel of the converter, and a number of users will not want the optical output for the CD player.

Before buying any LEDs, note that some of them already appeared on the mother board (see Fig. 15 in Part 2).

The core for  $Tr_1$  (see inset at bottom right of Fig. 16) must be as indicated in the parts list or the transformer will not perform satisfactorily. Close-wind 25 turns of 1 mm<sup>2</sup> enamelled copper wire on to the core. Then wind five turns of the same type of copper wire over a width of about 5 mm ( $3/16$  in) over one end of the primary 25 turns. The numbers at the terminals correspond with numbers on the PCB.

Capacitors  $C_2$ ,  $C_4$ ,  $C_6$ , and  $C_8$ , are SMD (surface mount design) types that must be soldered at the track side of the board beneath the Toslinks.

The key-switches should preferably be types with integral LEDs, but this is, of course, not essential.

The switching board and the busboard are linked by a short length of 16-core flatcable; normally a length of 30 cm (12 in) will suffice, but this does, of course, depend on the way the boards are fitted in the enclosure. This cable is fitted to the switching board via a flatcable connector with solder tags, while its other end is terminated into a connector that mates with the 16-way header on the busboard.

How everything should be installed into the 19-inch enclosure and what connections are necessary are shown in Fig. 18. Mount the switching board directly behind the front panel. Note the central fixing hole, which is provided to prevent the board bending unduly when the keys are pressed. Run the flatcable under the board to the rear of the enclosure.

Fit the busboard to the rear panel of the enclosure to ensure that all plugs and sockets are easily accessible. The rear panel may be given individual holes for the various connectors or a common rectangular slot. Mount a small slide switch above each audio connector/Toslink combination in such a way that, when open, it points in the direction of the audio connector. It is, of course, not mandatory to fit the Toslinks.

Mount the two transformers at the left of the enclosure and the power supply board roughly at the centre immediately adjacent to the transformers—see photo on page 21.

Fit the busboard at the extreme right of the enclosure in such a way that the analogue output board can just be mounted behind it. It is advisable to screen the left-hand side of the busboard with a small piece of tin

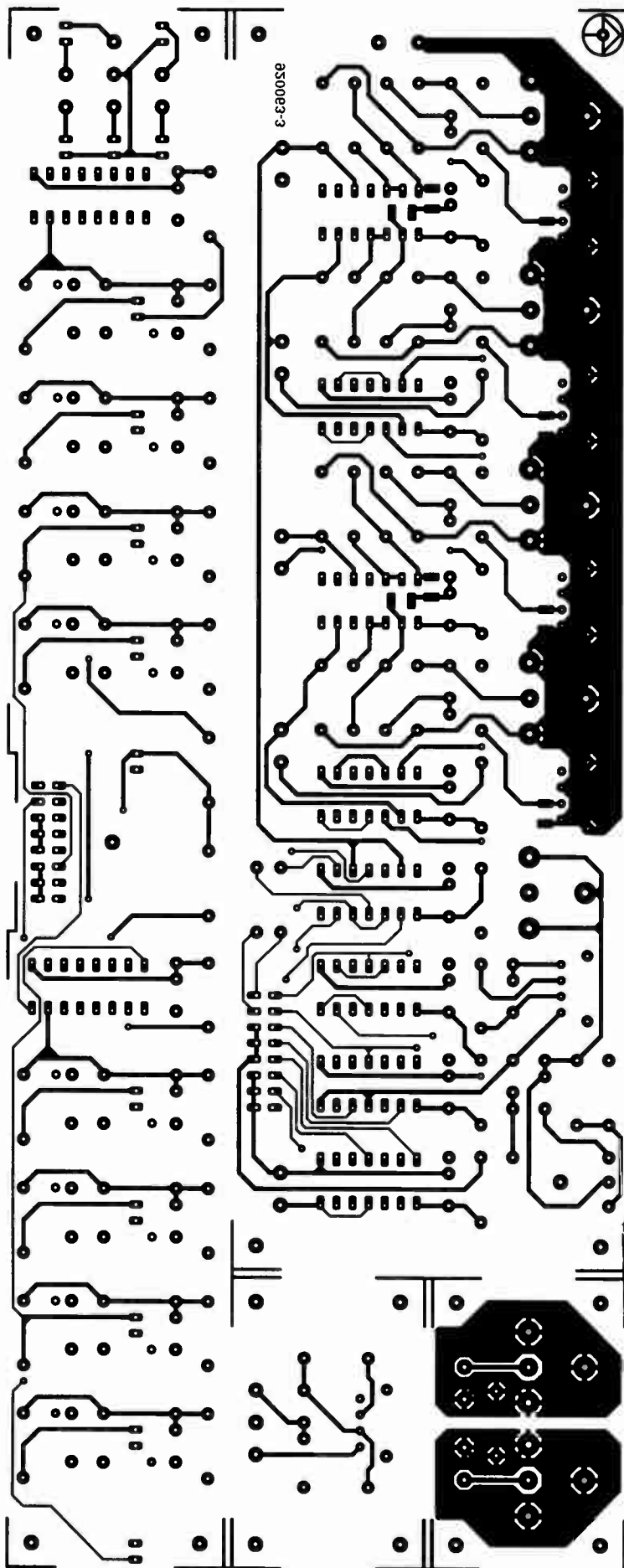


plate running from the rear panel to the power supply connections, that is, only along the analogue section of the board.

First connect the power lines to the boards and then the signal cables. For the mains inlet use a fused type. When all connections are made as shown in Fig. 18, you should have a correctly working converter. ■

## PARTS LIST

### Resistors:

R1, R5, R9, R13, R20 = 75  $\Omega$   
 R2, R6, R10, R14 = 100  $\Omega$   
 R3, R7, R11, R15 = 10 k $\Omega$   
 R4, R8, R12, R16 = 47 k $\Omega$   
 R17, R18 = 820  $\Omega$   
 R19 = 220  $\Omega$   
 R21 = 8.2 k $\Omega$   
 R22 = 4.7  $\Omega$   
 R23–R28 = 10  $\Omega$   
 R29 = see text  
 R30, R36 = 1 k $\Omega$   
 R31–R34, R37–R40 = 1 M $\Omega$   
 R35, R41 = 470  $\Omega$

### Capacitors:

C1, C3, C5, C7, C9, C11 = 100 nF, ceramic  
 C2, C4, C6, C8 = 100 nF, SMD  
 C10, C12–C19 = 47 nF, ceramic  
 C20–C29 = 100 nF (see text)  
 C31–C34 = 39 pF, SMD

### Inductors:

L1–L4 = 47  $\mu$ H

### Semiconductors:

D1–D8 = 1N4148  
 D9–D16 = LED (in S5–S12?)  
 D17, D21–D23 = LED, 3 mm, red\*  
 D18, D20 = LED, 3 mm, yellow\*  
 D19 = LED, 3 mm, green\*  
 IC1, IC2 = 74HCU04  
 IC3–IC6 = 74HC126  
 IC7, IC8 = 74HC03  
 IC9–IC12 = TORX173  
 IC13 = TOTX173  
 IC14, IC15 = 74HCV4028

### Miscellaneous:

K1–K7 = audio socket bus for PCB  
 K8 = 16-way header  
 K9 = 16-way flatcable connector for PCB mounting  
 S1–S4 = mini slide switch, 1 make  
 S5–S12 = key switch, 1 make  
 Tr1 = see text (core = LAB G2-3FT12)  
 PCB Type 920063-3  
 Front panel foil Type 920063-F

### Optional (for optical output):

R42 = 4.7  $\Omega$   
 R43 = 8.2 k $\Omega$   
 C30 = 100 nF, ceramic  
 IC16 = TOTX173

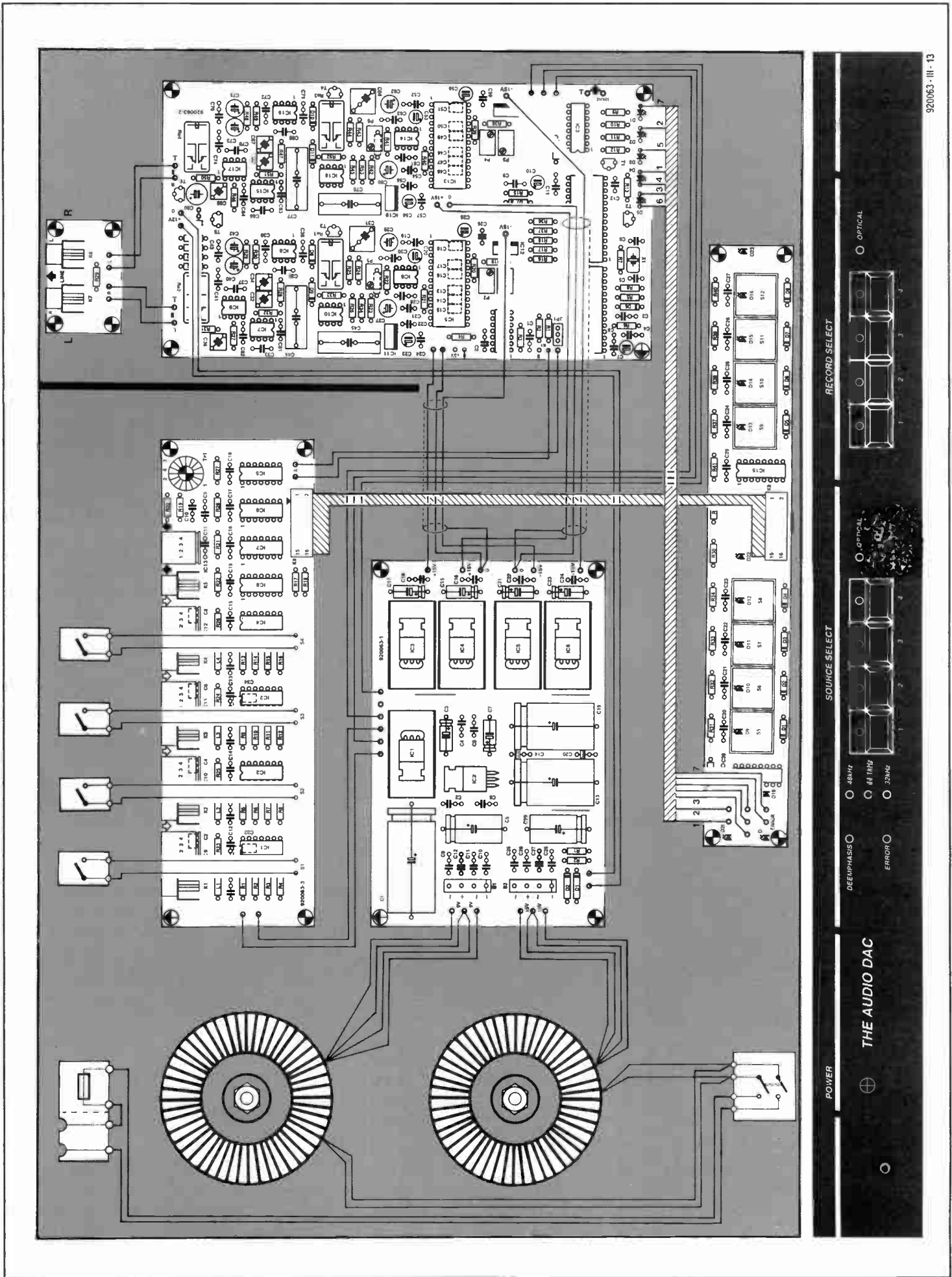


Fig. 18. Wiring and interconnecting diagram of the entire converter, and the suggested front panel (scaled down to half size).

# FLASH EPROMS

by T. Scherer

For years nothing much happened in the field of nonvolatile read/write memory components until the EEPROM (Electrically Erasable and Programmable Read Only Memory), followed within a short time by the Flash EPROM, came along. The EEPROM has (not yet) lived up to its early promise, but the Flash EPROM has made a more auspicious start. Already, within two years of its commercial introduction, these devices are readily available and have been used in some commercial equipment. Chip manufacturers say (and, no doubt, hope) that the Flash EPROM has a promising future.

IF you have followed the fortunes of the world's giant semiconductor manufacturers over the past few years, you will know that, because competition in the chip markets is fierce and price wars are rife, the manufacture of memory chips is profitable only if gigantic quantities are produced. The manufacturer who is the first to develop a new technique and who will, therefore, be the first to bring a new generation of chips on the market has a decided advantage.

Currently, this intense rivalry is particularly noticeable in the market for dynamic RAMs (or DRAMs). These devices occupy the largest sector of the market. Since their structure is fairly simple, new techniques can be readily applied to them.

Processors also have a large share of the market, but they have been handled differently for a long time. Manufacturers of these devices created so-called industry standards that have given them a virtual monopoly for most of the 1980s. However, this cosy setup has recently started to show signs of movement. Intel processors are now being cloned or produced under licence (Harris, AMD, Sun). The most exciting development in the past 18 months was undoubtedly the Apple-IBM cooperative setup that

will ensure a much larger future market share for IBM processors.

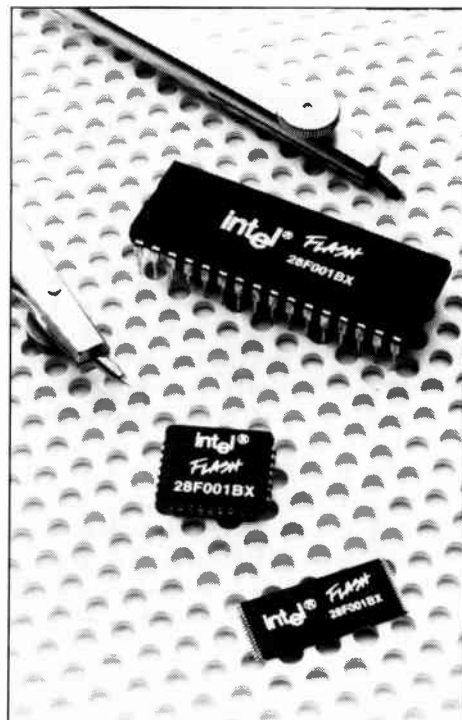
What has all this to do with Flash EPROMs you may ask. As we have seen, all semiconductor manufacturers are under pressure. The market for DRAMs is nearing saturation, that for processors is hard to penetrate and it offers only small niches for all other types of chip. Now, as everyone knows, all computers contain at least one ROM or EPROM. However, since the market for computers expands (at present) only slowly, no fortunes can be made (any more) with these memory chips. Furthermore, the techniques for producing current ROMs or EPROMs are not really suitable for further development. However, Flash EPROMs with their different properties have given manufacturers (and users) new opportunities.

## A comparison

The fact that Flash EPROMs are electrically erasable alone does not make these devices attractive. After all, EEPROMs are also electrically erasable. The important advantages of Flash EPROMs over the current erasable memory chips, summarized in Table 1, are as follows.

Table 1. Comparison of the various properties of erasable memory cells.

	EPROM	Flash EPROM	EEPROM
relative size of cell	1	1.2-1.3	about 3
programming technique	by external means hot electron injection	internal hot electron injection	internal tunnel effect
voltage	12.5 V	12 V	5 V
resolution	byte	byte	byte
time taken	<100 $\mu$ s	<10 $\mu$ s	5 ms
erasing technique	by external means ultraviolet light	internal tunnel effect	internal tunnel effect
voltage	12.5 V	12 V	5 V
resolution	whole chip	whole chip or block	byte
time taken	15 min	1 s	5 ms



There is first of all the relative size of the memory cell (transistor) for one bit; this is an important factor, since the density of the chip, that is, bits per unit area, determines the quantity price of the memory. If the area occupied by one cell in a standard EPROM is taken as unity, that in a Flash EPROM is 1.2-1.3, and in an EEPROM about 3. Assuming equal production quantities, that would make the Flash EPROM 20-30% dearer than the standard EPROM. The EEPROM, particularly since its production quantities are much smaller, is much more expensive than these two. At the time of writing (spring 1992), the price of a 1 Mbit Flash EPROM, in quantities of 1000, is £10-£12 each, while that of Intel's 8 Mbit Flash EPROMs (which they call FlashFile™ memories—Type 28F008SA) in quantities of 10 000 varies from £18 for the 120 ns version to £24 for the 85 ns version. Those prices are expected to come down rapidly over the next 12-18 months as more players enter the field.

Another aspect of chip density is that with current 1  $\mu$ m technology only a certain number of transistors can be deposited on to a given area. At present, most DRAMs, EPROMs and Flash EPROMs are manufactured with a density of 1 Mbit per chip (although Intel introduced an 8 Mbit type in early 1992), and most static RAMs and EEPROMs with a density of 256 Kbit per chip.

Other important factors are the technology and manner of, and time taken for, programming of the memories. Between the three types, there is no difference in resolution: all three types can be programmed byte by byte, although the standard EPROM has the disadvantage that this must be done by an external apparatus. The other two types can be programmed in the equipment in which they are used, since the most important parts of the programming logic have been integrated in them. To make updating of an EPROM at a later date possible, the chip must be fitted

in a socket, which increases manufacturing costs of the equipment in which it is used, ignoring for a moment the extra cost of updating to the user.

There is another aspect connected with programming: EPROMs and Flash EPROMs need an auxiliary voltage of 12 V, otherwise the hot electron injection technology does not work. An EEPROM can operate with the 5 V normally available in the computer: it raises this internally to 18 V. Since the load presented by a Flash EPROM on the 12 V supply is negligible (it draws no more than 30 mA), and most computers have a regulated +12 V line available, there is not likely to be a difficulty. If nevertheless there is no 12 V line available, a tiny voltage converter in a DIL package must be added at a cost of some £2.

It is also interesting to look at the time taken by the programming. A 1 Mbit EPROM needs not less than 15 s, whereas a Flash EPROM is programmed in about 1.5 s. An EEPROM may take minutes!

The technology and manner of erasing is also quite different. An EPROM must be removed from the apparatus in which it is used and be radiated for about 15 minutes with ultraviolet light in a special unit. Flash EPROMs and EEPROMs are electrically erasable and can, therefore, remain in the equipment in which they are used.

As far as the user is concerned, erasing an EEPROM is a normal read operation. Each byte can be erased and re-programmed separately. Since, as already mentioned, this can be a lengthy process, many (large) EEPROMs can be programmed in the so-called page mode at 16 or 32 times the normal speed.

A Flash EPROM is erased in a manner similar to that of an EEPROM, but it is not possible to do this byte by byte, that is, the entire memory or a block or blocks of bytes is erased. Erasure time for a 1 Mbit model is 1–4 s; moreover, before erasure can take place, all bits must be set to '0'.

It is clear that the Flash EPROM looks the most advantageous of the three memories. Its drawback of being erased completely, or in blocks, as compared with the byte-by-byte erasure of an EEPROM is more than made up by the speed with which it is erased (and re-programmed)—whence its name.

## Construction and operation

The construction of a Flash EPROM differs not all that much from that of an EPROM. A bit is stored in the floating gate of a discrete MOS transistor—see Fig. 1. The figure also illustrates the manner in which programming and erasing take place. In the  $p$ -substrate are two  $n^+$  zones that function as the drain and source of a MOSFET. Between the usual gate, that is, the select gate, and the channel there is another gate, the floating gate. The two gates are totally isolated from each other and from the substrate by a layer of silicon oxide. When the memory is erased, the floating gate is uncharged with respect to the source. When the drain is con-



nected as normal to the  $V_{pp}$  line and the transistor is enabled via the select gate, the channel conducts and a logic 1 is available at the source. Programming such a cell requires a negative charge in or at the floating gate, which is not simple to arrange, since that gate is totally isolated.

That difficulty is overcome with the hot electron injection technique. Briefly, this process works as follows. If the cell is arranged as in Fig. 1a, the voltage at the drain and the gate is +12 V, and the source is at earth potential, a channel is formed through which a

relatively high current flows. When that happens, a number of so-called hot electrons ensue and these capture other electrons from the substrate material; because of the high electron density, some of these electrons reach the oxide layer between substrate and floating gate. Because of the high potential of the select gate, several electrons actually pass through the substrate and reach the floating gate. The electron cluster so caused at the floating gate remains (according to the manufacturers for at least ten years) even when the +12 V programming voltage is removed. Thus, the floating gate is negative with respect to the source and the memory cell is inhibited.

In an EPROM there would be only one permissible way back: via ultraviolet light. For that reason, EPROMs have a window in the housing of the chip. Ultraviolet light has enough energy to remove the electrons from the floating gate.

A different process, based on the tunnel effect, is used in EEPROMs. Because of this effect, electrons are able to tunnel through a narrow potential barrier that would constitute a forbidden region if the electrons were treated as classical particles. However, quantum mechanics indicates that there is a definite probability of electrons tunnelling through the barrier. This technique, although slower than the injection process, has the advantage of permitting electrical erasing.

The Fowler-Nordheim variant of the tunnelling technique is used for erasing Flash EPROMs. Briefly, it operates as follows. If the memory cell is arranged as in Fig. 1b,

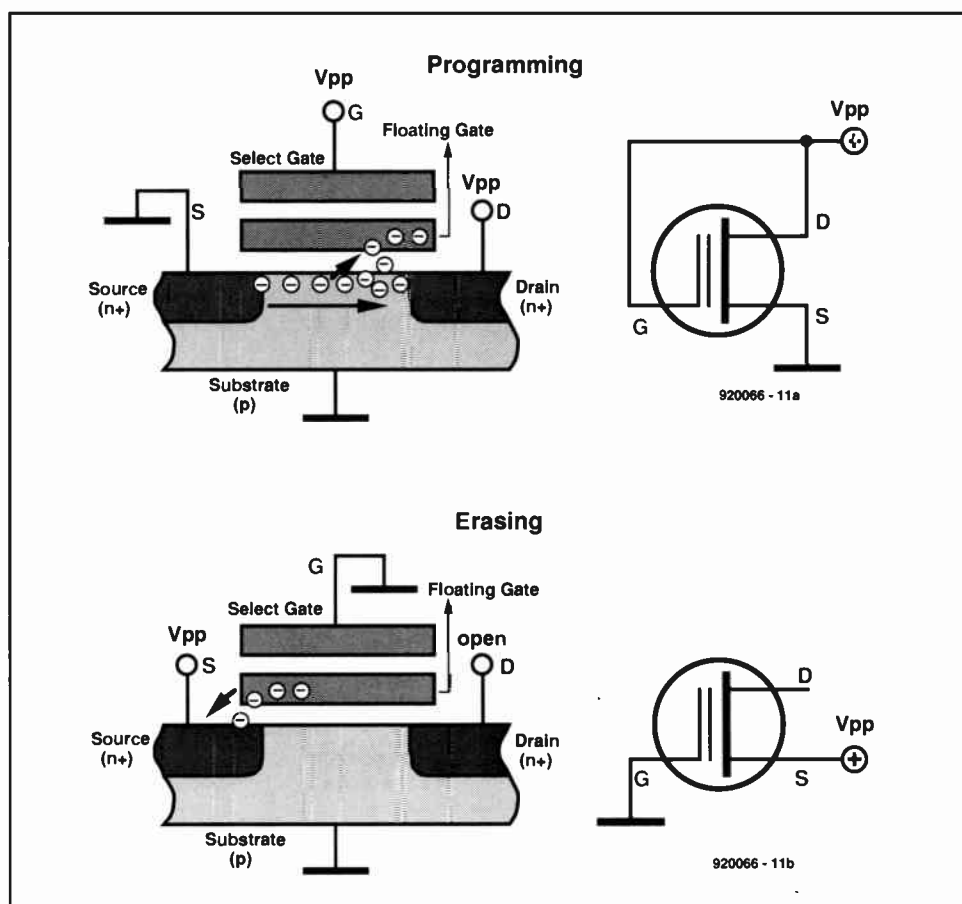


Fig. 1. Schematic representation of the construction and operation of a Flash EPROM.

the source is at +12 V, the drain is at earth potential, and the select gate is open, electrons will tunnel from the floating gate to the source. The floating gate will attain the same potential as the source so that the transistor is on, that is, erased.

The erasing process in a Flash EPROM is even slower than that in an EEPROM, because it happens at a lower internal potential. It is, however, kinder on the oxide layer and altogether more reliable. A Flash EPROM can therefore be cycled considerably more times (up to 100 000) than an EEPROM (a few thousand). The real difference between an EPROM and a Flash EPROM lies in the much thinner oxide layer between substrate and floating gate in the latter. Moreover, the architecture of the floating gate of a Flash EPROM is optimized for the tunnelling process, resulting in shorter write/erase times.

### Types and properties

To prevent spurious voltage levels or voltage peaks, occurring when the apparatus in which a Flash EPROM is used is switched on or off, from modifying the stored information, the chip is provided with logic that enables the erasing or programming mode only if well-defined combinations of levels exist in a fixed sequence at the control pins of the chip. The algorithms needed for the erasing or programming are available from the manufacturers of the memory.

From a reliability consideration, it is important to know how a Flash EPROM behaves after a great many erase/write cycles. Manufacturers normally guarantee no fewer than 10 000, but Flash EPROMs usually still function properly after 100 000 cycles. It is interesting to note that with increasing cycling not one or more bytes become useless (which may, of course, happen once in a while), but that the erase/write times increase. Figure 2 shows the relevant correlations for a 2 Mbit (512 Kbyte capacity) Type 28F020 Flash EPROM from Intel.

Flash EPROMs are normally housed in 32-pin DIL cases (see Fig. 3) which makes it possible to substitute them for pin com-

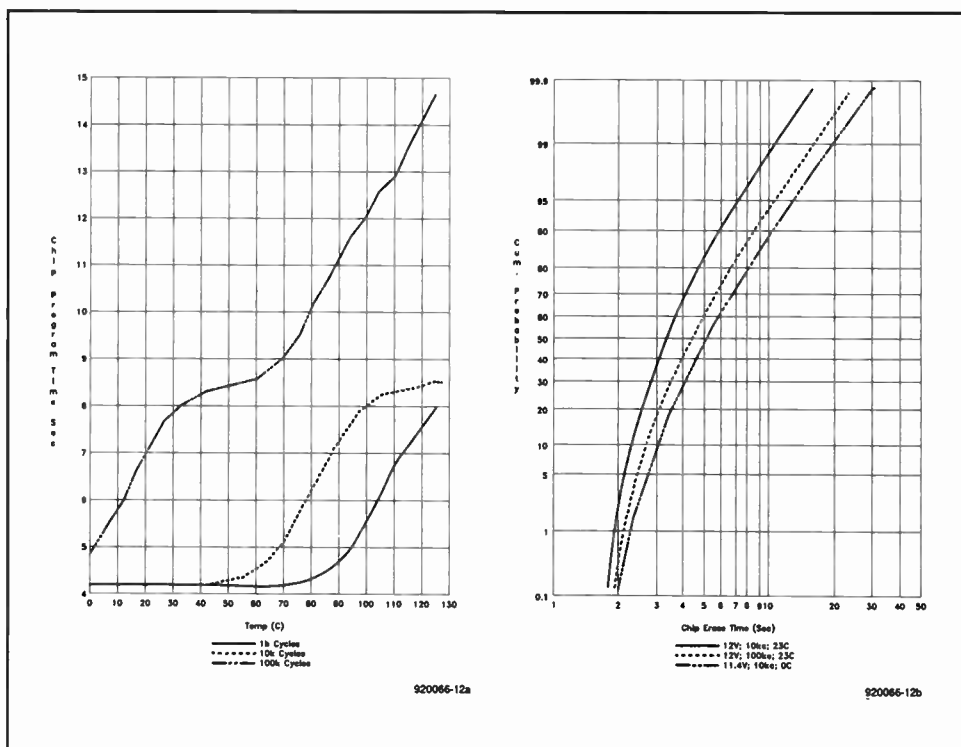


Fig. 2. Time taken by programming and erasing of Flash EPROMs as a function of the number of times the devices have been cycled.

patible EPROMs or static RAMs. There are other housings available, for instance, the 32-lead TSOP, which has the advantage of being very shallow (thickness 1.25 mm). The TSOP version is also available with a different pinout: standard E type, modified F type. As shown in Fig. 4, mixing these two types can simplify the layout of a printed circuit board greatly.

At the time of writing (spring 1992), standard Flash EPROMs are available with capacities ranging from 256 Kbit to 8 Mbit. Like EPROMs they are organized in bytes (8-bit data). Indications are that within 18–24 months there will be 16 Mbit versions (2 Mbyte).

There are also special types available, for example, the Blocked Flash EPROM that contains a number of individually erasable blocks, such as Intel's 1 Mbit Type 28F001BX

in which block 1 has a capacity of 8 Kbyte; blocks 2 and 3 one of 4 Kbyte; and block 4 one of 112 Kbyte. This type is particularly aimed at IBM compatible PCs, where block 1 would function as boot loader, blocks 2 and 3 as data store and block 4 as BIOS.

Finally, there are Flash EPROMs that function as SIMMs (Single Inline Memory Modules) or are used in memory cards with memories from 1 Mbyte up to 20 Mbyte.

### Applications

When a Type 28F001BX is used in a PC, the BIOS of that computer can be updated at any time without the need for opening it. All the manufacturer has to do is to send his customers a diskette with the relevant program. Since this is a good sales point, many

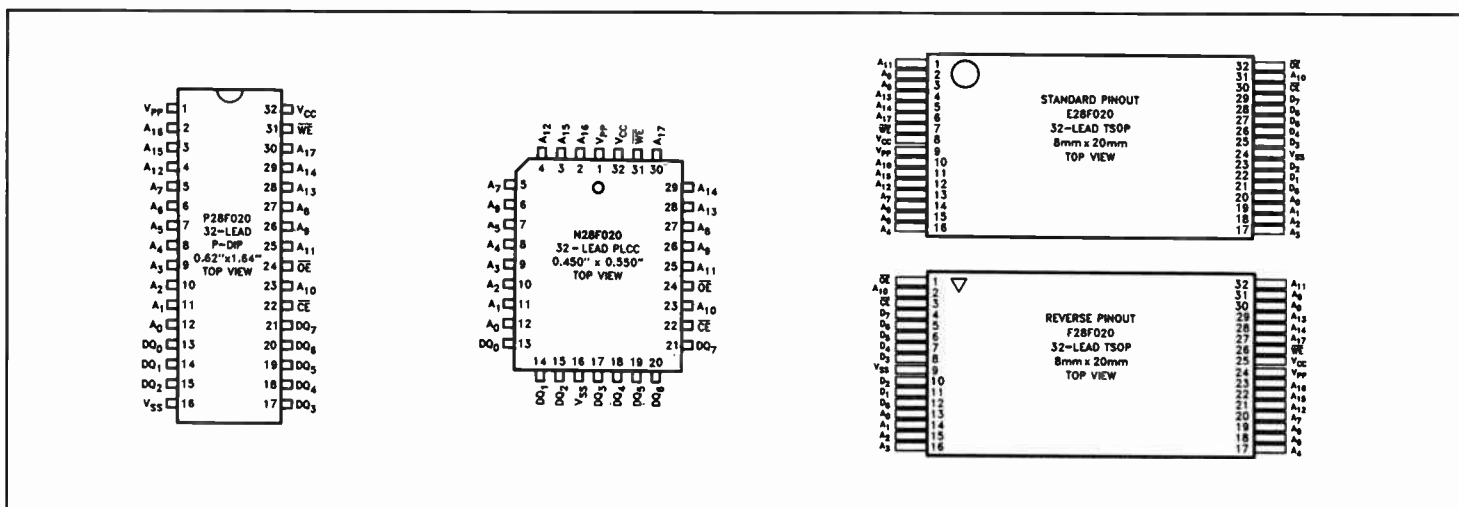
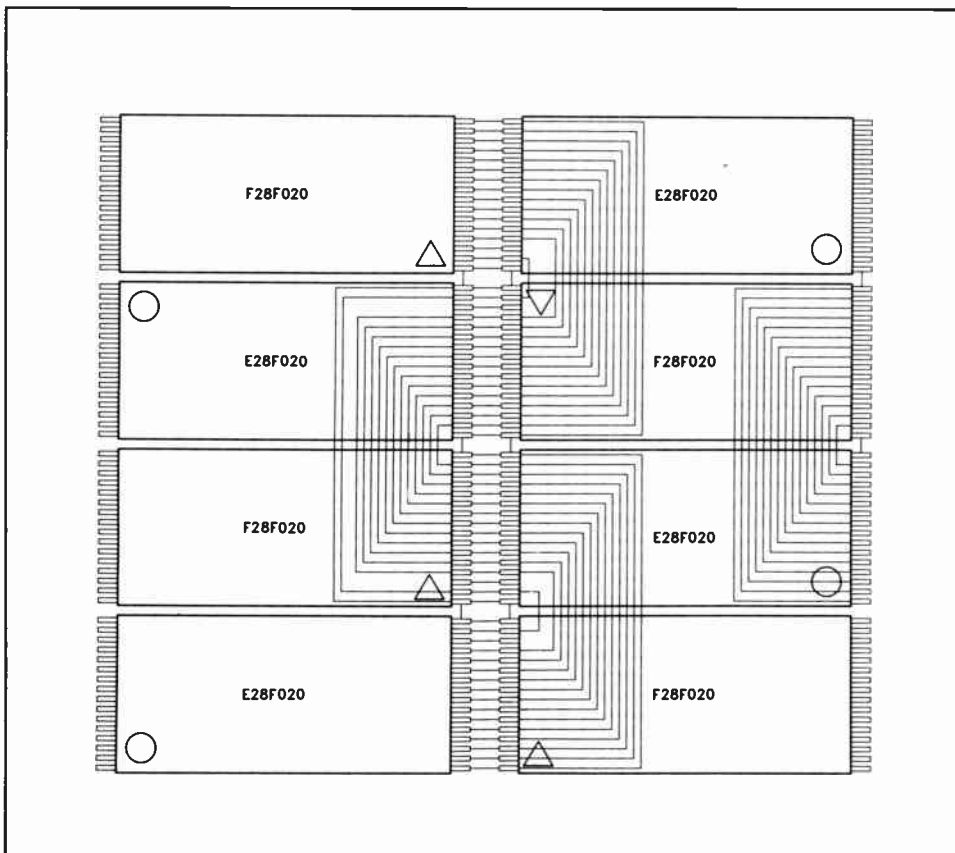


Fig. 3. Housings and pinouts of a 2 Mbit Flash EPROM (Intel's Type 28F020).



**Fig. 4.** The use of Flash EPROMs with mutually different pinouts simplifies the design of a printed circuit board greatly.

PCs have already been equipped with this Flash EPROM.

In Notebook computers, it is possible to incorporate the entire operating system in Flash EPROMs. The Notebook can then be updated as and when required. Manufacturers of operating systems such as Digital Research and Microsoft already offer their DOS in

EPROM versions, and are now working on commercial operating systems using Flash EPROMs.

Flash EPROMs are also of great interest for industrial control equipment; they would enable such equipment to be reprogrammed without this having to be opened, which would reduce servicing costs.

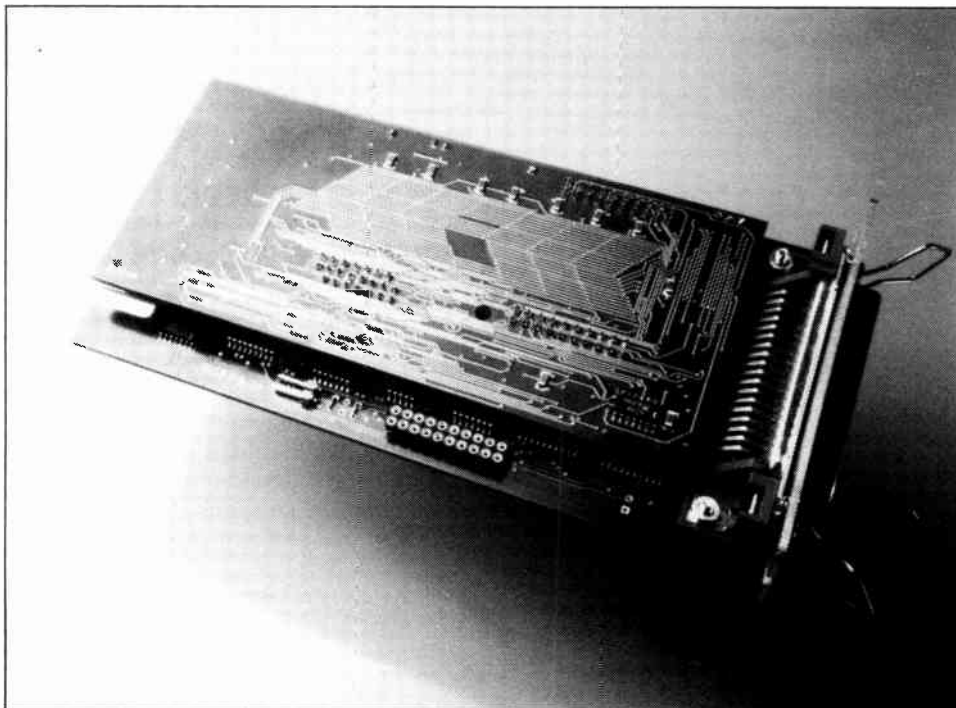
Even more fascinating is the use of Flash EPROMs in apparatus whose operation depends on integrated software, such as modems and printers whose control software is normally contained in ROMs or EPROMs. With today's rapidly moving technology, such equipment is hopelessly out of date after about three years from purchase. This is particularly true of laser printers. Updated versions of page description languages, such as Adobe's PostScript or Hewlett Packard's PCL, appear at fairly short intervals. Many users would love to have a laser printer that can be updated easily. To meet that wish, the German firm Pyramid Computer has brought out an accelerator card (see Fig. 5) for laser printers that contains a fast RISC (Reduced Instruction Set Coding) processor and a 2 Mbyte Flash EPROM. The latter device stores an easily updatable PostScript clone and the necessary fonts.

Manufacturers are also working on the replacement of the hard disk drive in laptop and notebook computers by a Flash EPROM, which would mean a reduction in current consumption (by a factor of 3-5) as well as in weight and size. Furthermore, the computer's reliability would increase tenfold.

The 16 Mbit chip, which is not far off, will enable the production of memory cards in the form of a 3.5 in diskette (or even smaller) with a capacity of 50 Mbyte. As yet, there are some drawbacks. First of all, the write speed of a current Flash EPROM is only about double that of an HD diskette, that is, roughly ten times slower than a modern hard disk. Another one is the incompatibility with systems like MS-DOS™. However, Microsoft has already produced a DOS using Intel's FlashFile™ memory architecture.

Today's graphics oriented operating systems such as Microsoft Windows™, IBM's OS/2 and Apple's Finder may slowly but inexorably be replaced by solid-state architecture.

For the present, although technically Flash EPROMs can already replace diskettes, their price has to come down substantially before they can do so commercially. After all, 1 Mbyte on diskette today costs pence rather than pounds or just over a dollar. ■



**Fig. 5.** The Mustang accelerator card from Pyramid Computer, intended primarily as a retrofit for HP Laserjet printers, uses Intel's Type 28F020 Flash EPROM.

## References

*Memory Products Data Book*, AMD

*Memory Products Data Book* (210 830 010), Intel

Blocked Flash Memory Type 28F001BX, Data Sheet, Intel

*Thin Small Outline Package Data Book* (296514-001), Intel

Mustang Accelerator Card for Laser Printers, Data Sheet, Pyramid

# PASCAL ROUTINES FOR MULTIFUNCTION MEASUREMENT CARD

This article presents a collection of Turbo Pascal routines that should assist constructors of the Multifunction Measurement Card for PCs in writing their own application software.

Design by J. Rutgers



PART of the success of the Multifunction Measurement Card publication (Ref. 1) must be due to the application software developed for it, for instance, that for the multi-channel voltmeter/frequency meter, and the computer-controlled weather station modules. This application software is remarkable because they allow you to set up, say, an advanced data acquisition system built around a PC, without much knowledge of IBM PC hardware and programming languages such as C and Pascal.

None the less, 'low-level' programming remains of interest to many enthusiastic users of the measurement card, witness the large number of requests we received for hints on programming, for example, the ADC (analogue-to-digital converter) contained on the card. These requests are honoured by the present article, which presents software that shows how the various I/O protocols, A-D functions and frequency measurement algorithms may be put to use. In fact, we have thrown together, in a kind of library, a large number of elementary routines for the control of the measurement card. Both 'die-hard' programmers and beginners should find this library, written in Turbo Pascal 5.5, of great use in the development of their own application programs.

A typical feature of today's electronics is that hardware and software are efficiently combined to achieve target specifications. Depending on certain requirements (cost, speed, flexibility and available firmware), a system designer must consciously decide to implement a function either in hardware or in software. Such considerations have also existed in the early design stages of the measurement card. The large computing power of the IBM PC was the factor that made us decide to choose hardware (MSI and LSI building blocks) only for those applications that are impossible, or very difficult, to realize with the aid of software. This decision does have consequences: on the one hand, it means inexpensive hardware and a high degree of flexibility; on the other, a fairly complex piece of programming. Fortunately, the last point is not a problem any more thanks to the availability of the software we present here. This software is available on a diskette with order code ESS 1751.

The unit PMEASURE.PAS, or the compiled version of it, PMEASURE.TPU, con-



```

$300    BASE_IO_ADDRESS: Possible values are $300 (JP1=A) and $310 (JP1=B).
1000000 RefFreq       : Frequency meter (crystal-) reference in Hz.
10      MaximumGateTime: Typical 410 seconds (10 Mhz referency frequency).
2.5    RefVolt       : ADC full-scale voltage
2      IRQ           : Hardware interrupt (Possible values: 2 .. 7)

```

920067-11

Fig. 1. Parameters in the configuration file ADCF.CFG may be edited with any ASCII-compatible wordprocessor.

tains, among others, functions for PPI initialization, multiplexer control, A-D conversion, digital I/O and pulse time and frequency measurement. These and all other procedures and functions that are declared in the unit may be called directly from the associated source file using the command 'uses PMEASURE'.

Before discussing the programming routines, we take the opportunity to refresh your memory: the 'specs' box of the measurement card is repeated on this page. Also, we suggest to once more go through the whole article on the measurement card.

## Pascal unit

The effect of a unit function is nearly always apparent from the name: e.g., SelectFreqChannel(Channel:ZeroToSeven) connects channel number 'Channel' of multiplexer IC22 to the frequency meter. Where necessary, the declared constants, variables, procedures and functions are described by a few words of 'comment'. This comment obviates the need of a de-

tailed description to be rendered here: for more information, refer to the source code.

The peripheral interfaces (PPIs), IC13 and IC14, are read from and written to via the procedures ReadPPI and WritePPI respectively. Although these are really very basic routines, they form the nucleus of the card control system. ReadPPI and WritePPI are, therefore, frequently called by other procedures and functions. Among the 'users' are: InvertInput, CounterValue, GetCurrentAnalogChannel, SelectRatioIO and StartEventCounter.

During the initialization phase, PMEASURE automatically loads the hardware configuration file ADCF.CFG, and the presence of the measurement card at the set base address is checked. If the card is found, the PPIs are automatically initialized at the end of the test (see the InitPPI routine in PMEASURE.PAS). This is an important event, because it takes place before the control program proper (i.e., your software) is started. The Boolean variable 'HardwareFound' thus allows software to decide to go on (card found) or not (card not found).

```

function ADC(var Overflow:boolean):word;
(*****)

{-ADC samples the analogue input and returns the previous 12 bit
conversion result through ADC.
The high order byte must be read first because reading the low
order byte starts the next conversion cycle.}

var
  X:word;

begin (* ADC *)
  if not HardwareFound
  then
    begin
      ADC:=2048;
      Overflow:=false;
    end
  else
    begin
      X:=portw[BIO_Address+1];
      X:=swap(X);
      if (X=$FFF) OR (X=$000)
      then Overflow:=true
      else Overflow:=false;
      ADC:=X;
    end;
  end; (* ADC *)

```

920067-12

Fig. 2. This ADC function is one of the many routines contained in PMEASURE.PAS.

## MULTIFUNCTION MEASUREMENT CARD FOR PCs

### MAIN SPECIFICATIONS

#### DC Voltmeter

Range: 0.1 V to 300 V

Inputs: eight

A-D converter: 12 bits, 3  $\mu$ s,  
0 to 5 V

#### Frequency meter

Range: 0.0025 Hz to 10 MHz

Inputs: eight (TTL)

Max. error: 0.0001%

Accuracy: 6 digits

#### Pulse time meter

Range: 0 to 400 s

Resolution: 0.1  $\mu$ s

Adjustable measurement level

#### Event counter

Range: 32 bits

Max. frequency: 10 MHz

Adjustable trigger edge

## Time related measurements

PMEASURE makes the best possible use of the available hardware facilities. Hence, the pulse time and frequency measurements are fully interrupt-driven. The IRQ input used in the PC needs to be set in hardware as well as in software. On the measurement card, one of the jumpers JP2 to JP7 is fitted in the X-row. Make sure to use a free IRQ line (usually IRQ2), and check that jumper JP8 is in position E. As to the software setting, the IRQ line must be identified in line 5 of the configuration file (see Fig. 1).

Depending on the type of measurement, a measurement cycle starts with a call to StartPulseTimeConversion or StartFrequencyConversion. The associated interrupt routine, HardwareIntHandler, starts automatically the moment hardware flag EOC-F is actuated. This happens at the end of each (sub-) conversion. By virtue of the interrupt procedure, the entire measurement remains fully transparent to the main program. Yet, the measurement results are simple to call up by subsequently reading the records called PulseTime and Frequency.

A second interrupt routine plays an important role when frequency measurement is used. A routine called TimeIntHandler monitors the time taken by the second phase of the measurement ( $f_m$ ), and verifies this time against the maximum conversion time calculated during the test measurement. When the time limit is exceeded, this is taken to mean that the fre-

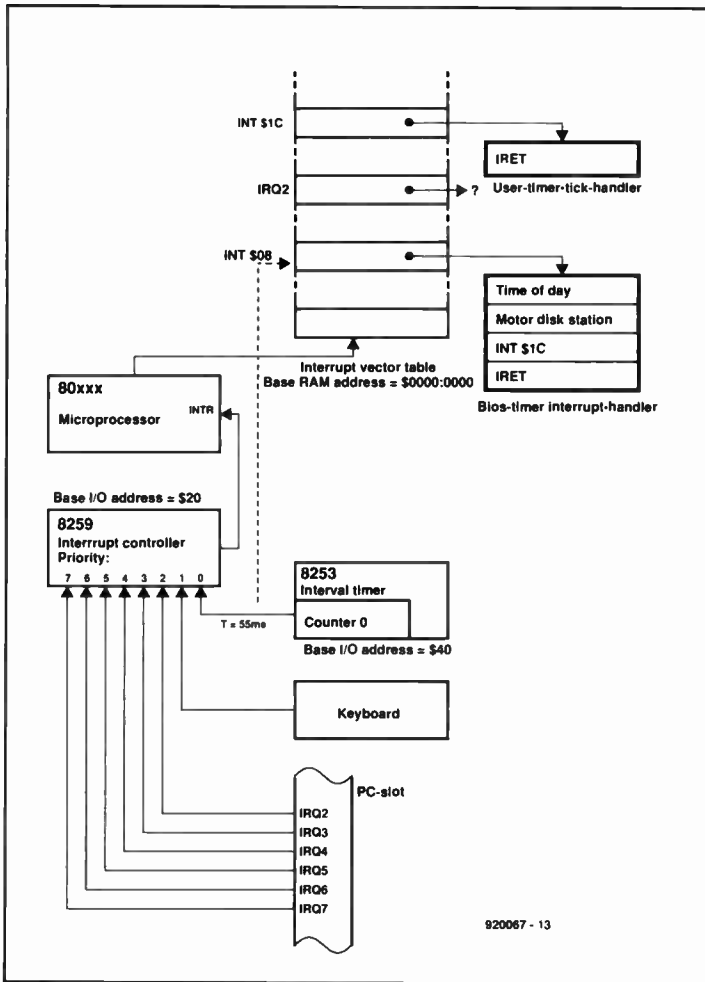


Fig. 3. Schematic representation of the standard PC interrupt network.

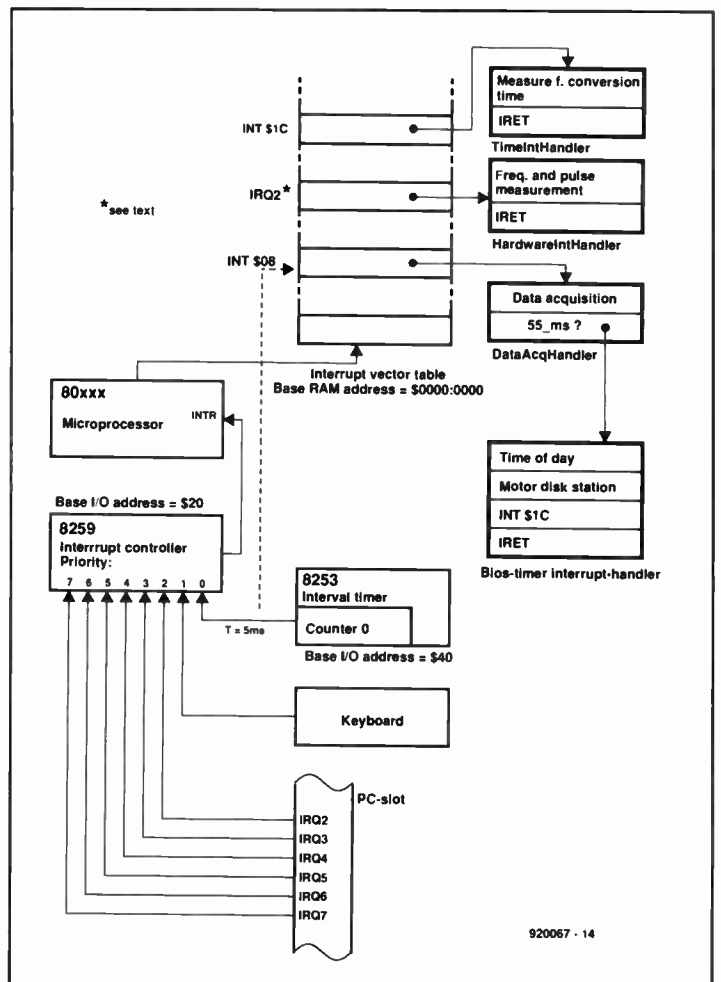


Fig. 4. As Fig. 3, but with the PMEASURE routines installed. Note the way the BIOS interrupt handler is given new parameters.

quency of the input signal has gone down so far that the test measurement and the set scale factor are no longer representative. To prevent frequency measurements taking up too much time, TimeIntHandler breaks off the current conversion, and starts a new test measurement. The procedure itself makes use of the PC-user-timer-tick-interrupt (\$1C), and is therefore actuated every 55 ms.

### DC measurements

The function 'ADC' (Fig. 2) allows a 12-bit binary representation of an analogue input voltage to be acquired. The important thing about ADC is that the A-to-D conversion operations are not started until at the end of the function. This means that the value of ADC is related to the previous conversion, and, inevitably, that the first conversion result is meaningless.

Functions SelectAnalogChannel and SelectRatioIO are intended for the control of the input multiplexer (IC10), and the setting of the stepped attenuator (IC12), respectively.

Since the analogue circuitry on the measurement card is designed for direct voltages, it would seem logical to base each measurement result on an average obtained from a number of samples. This so-called stochastic measurement enables noise pulses to be suppressed efficiently.

The ADC function is called from a periodic interrupt routine to make sure that the d.c. measurements can run in the background, just as the frequency and pulse time measurements. The TimeIntHandler is not suitable to control the timing: being started 'only' 18.2 times a second, it is too slow, and would cause a stochastic calculation using, say, 100 samples, to take far too long. A different data acquisition routine was, therefore, devised, to make sure that the selected input can be sampled at 200 Hz. This sounds simpler than it is, because the only periodic interrupt that is still available in the IBM PC is the user-timer-tick, which runs at a rate of 55 ms. Drastic measures are required to make sure that a much shorter interrupt period is available. This is achieved by replacing the BIOS timer interrupt handler (interrupt \$08) by the data acquisition procedure 'DataAcqHandler'. After having reprogrammed the system clock prescaler, the handler is called at the desired rate, i.e., every 5 ms. The new scale factor (divisor) is supplied by ReProgTimer, while UnDoReProgTimer restores the default factor later.

To make sure that the real-time clock and the diskette station motors continue to function normally, the original BIOS timer interrupt handler (and, with it, interrupt \$1C) is started with the original frequency, and from the DataAcqHandler. For clar-

ity's sake, the usual interrupt network is drawn in Fig. 3, while Fig. 4 shows the configuration with the new interrupt routines installed.

### Get cracking

Apart from the Pascal library, diskette ESS 1751 also contains an example program, PMDEMO.PAS. This program serves to demonstrate how the interrupt procedures are installed and removed, and show you how to get access to the measurement results. Incidentally, a nice feature of PMDEMO is that it makes use of the AutoScan mode. In this mode, the interrupt routines ensure that all channels defined in FChanScan and VChanScan are measured one by one.

As a matter of course, PMEASURE may be extended or adapted to meet your requirements. This will cause few problems as long as you keep to the rules of proper programming. Take care, however, with the special rules that apply to stack use and DOS interrupts, since these have many pitfalls in store for the 'unwary'. Once bitten, twice shy! ■

#### Reference

1. "Multifunction Measurement Card for PCs," *Elektor Electronics USA*, January and February 1991. ¶

# 8051/8032 ASSEMBLER COURSE

## PART 7: SERIAL INTERFACE PROGRAMMING

By Dr. M. Ohsmann

Perhaps unwittingly, you have been using the serial communication features of the 8051 or 8032, and the supporting routines contained in the system monitor, EMON51, ever since the 80C32 single-board computer (our 'course hardware') wrote its first 'welcome' message on your terminal. In this course instalment we will explore the not-so-simple operation of the serial interface with an aim to grasp the way it is programmed.

### 8051 serial interface

The serial interface contained in the 8051 family of microcontrollers is the most complex 'on-chip peripheral'. Hence, this instalment is probably the most difficult of all in the course, and should be studied thoroughly. This effort is also required, unfortunately, on part of those of you who intend to implement only very basic serial communication on a 8051-based controller system, and even if a range of examples of software building blocks is available in the system monitor, EMON51.

The serial interface can operate in a number of modes, some of which are of little interest here because they serve to implement 8051 network systems. We will concentrate on the simplest mode of operation: sending and receiving 8-bit data (asynchronously) with one start bit, one stop bit, and no parity. This mode allows the 80C32 SBC to communicate with a PC, as well as to exchange MIDI data (MIDI = musical instrument digital interface).

The special function register (SFR) identified as SCON (Serial CONTROL) at address 098H serves to control the on-chip serial interface, and determine its mode of operation. The function of the bits contained in the SCON register are shown in Fig. 44. The mode we require can be set by programming SM0=0 and SM1=1. As shown in Fig. 44, this is mode 1, in which bit SM2 may be used to signal transmission errors. The function of the remaining bits in SCON will be reverted to below.

### The transmit and receive buffers

Inside the 8051, serial data is transmitted and received with the aid of a shift register. Bits are transmitted by first loading them, in parallel, into the shift register, and then shifting them out, one by one, at

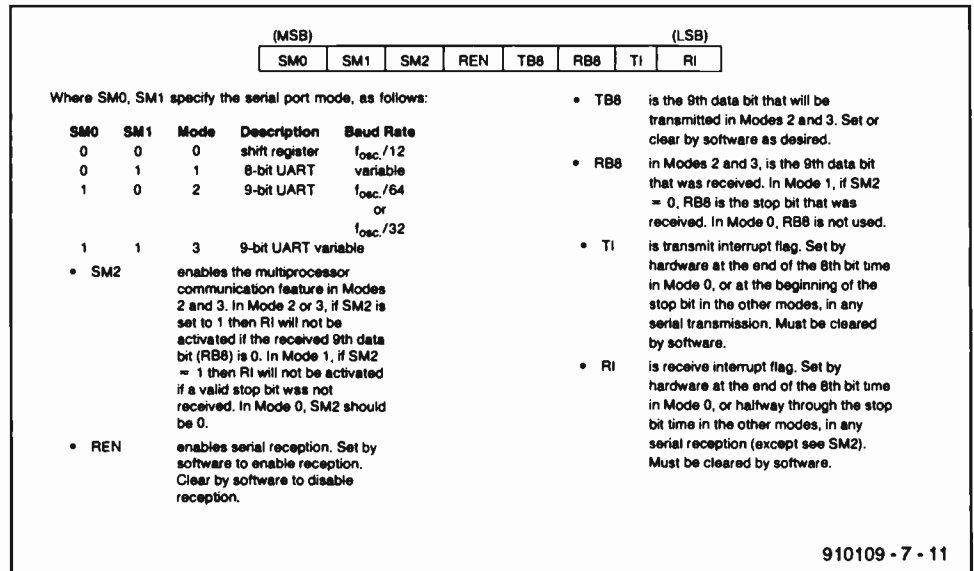


Fig. 44. Overview of SFR SCON bit functions.

the programmed bit rate (baudrate). In receive mode, the bits are gathered, one by one, into the shift register, and are read out in parallel when all are in. In the 8051, the SFR called SBUF (at address 099H) is used as a receive and data buffer. It has the 'quasi-double' functions of a 'receive' buffer, and a 'data' buffer, the relevant function being selected by read or write operations on SBUF, respectively.

The transmit and receive functions are supported by their own shift registers, so that it is actually possible to transmit and receive simultaneously (full-duplex operation).

### Configurations and functions

Figure 45 shows the internal structure of the serial interface contained in the 8051 family of microcontrollers. The baudrate generator is shown in the upper left-hand corner of the diagram. The overflow pulses produced by Timer 1 or Timer 2 (8052 only) may be used to clock the shift registers. The switch marked 'SMOD2' controls a divide-by-two scaler. The switches RCLK and TCLK (8032 and 8052 only!) select the receive clock and transmit clock respectively. The clock signals so obtained are divided by 16 before they are fed to the TX-CONTROL and RX-CONTROL sections.

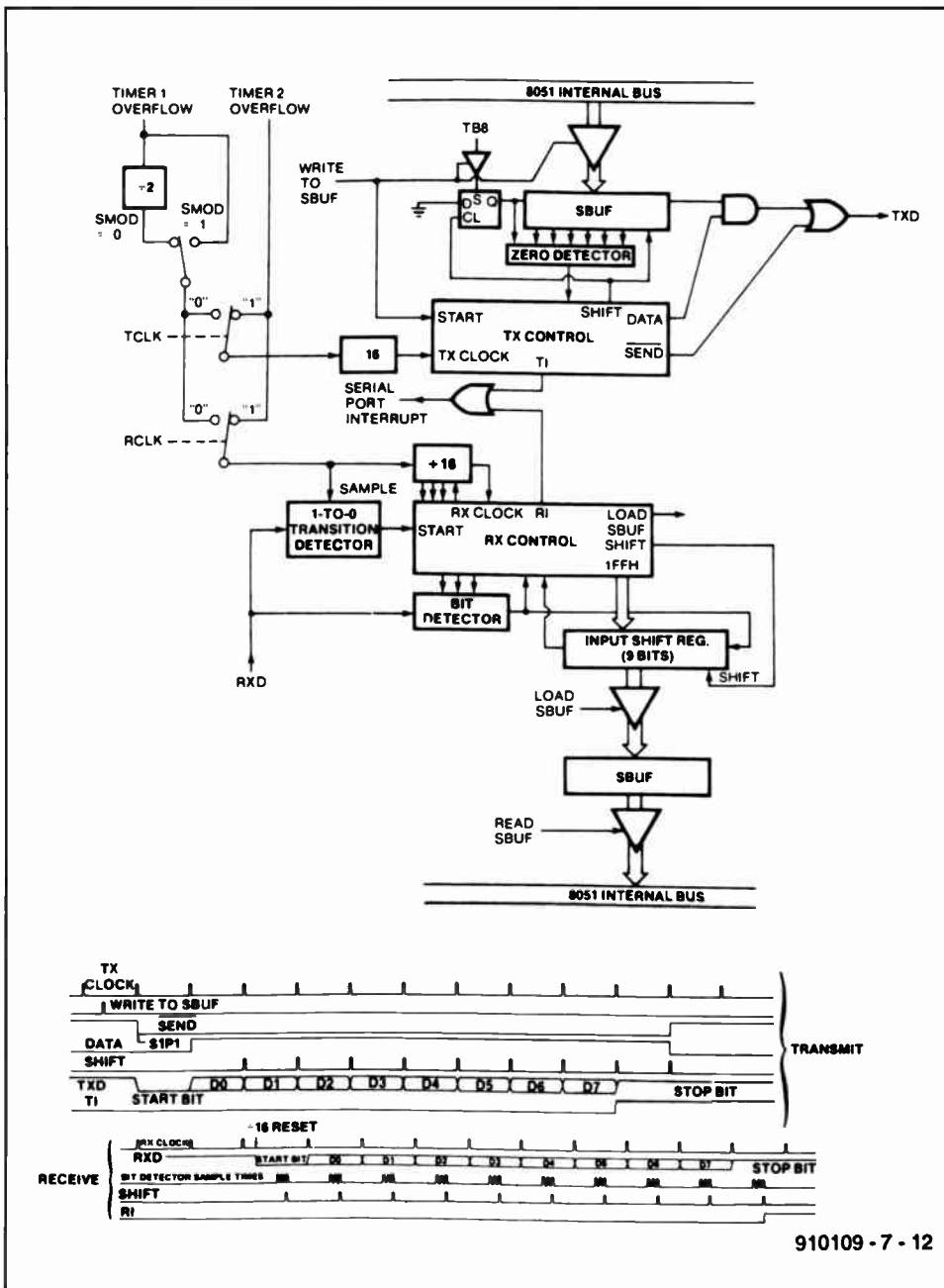
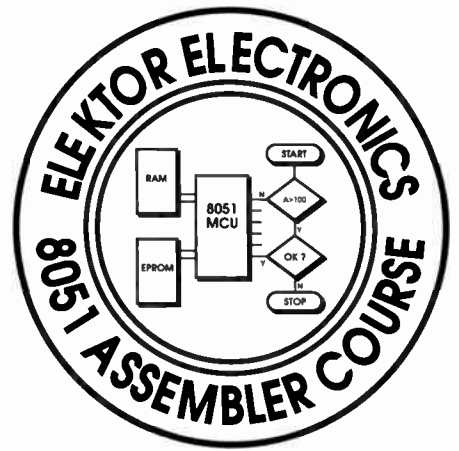
The transmit control clocks and loads the transmit shift register, whose output is connected to the TXD terminal (pin 11) of the 8051 (upper part of the drawing). From the internal databus of the 8051, the

databits are fed in parallel into the SBUF register. The 'zero-detector' finds out if all bits have been transmitted. If so, this is signalled to the transmit control section, which in return is capable of generating a serial port interrupt, TI. When this happens, the TI bit (SCON.1) is set.

The lower part of Fig. 45 shows the receive control section. Serial databits received on pin 10 (RXD) of the 8051 are gathered in the receiver shift register. The data simultaneously arrive in the 1-to-0 transition detector, which serves to recognize the start bit in the serial datastream, and to synchronize the receiver clock with the incoming bits. Data reception starts on a high-to-low level transition (falling pulse edge) at the RXD input, i.e., a start bit at pin 10 of the 8051. The incoming bits are clocked into the shift register. The last bit that is read is the stop bit (the receiver shift register has a width of 9 bits). Next, SBUF is loaded with the eight received bits, and the 'receiver full' bit is set (SCON.0=RI). This sequence does not take place, however, in the following two cases:

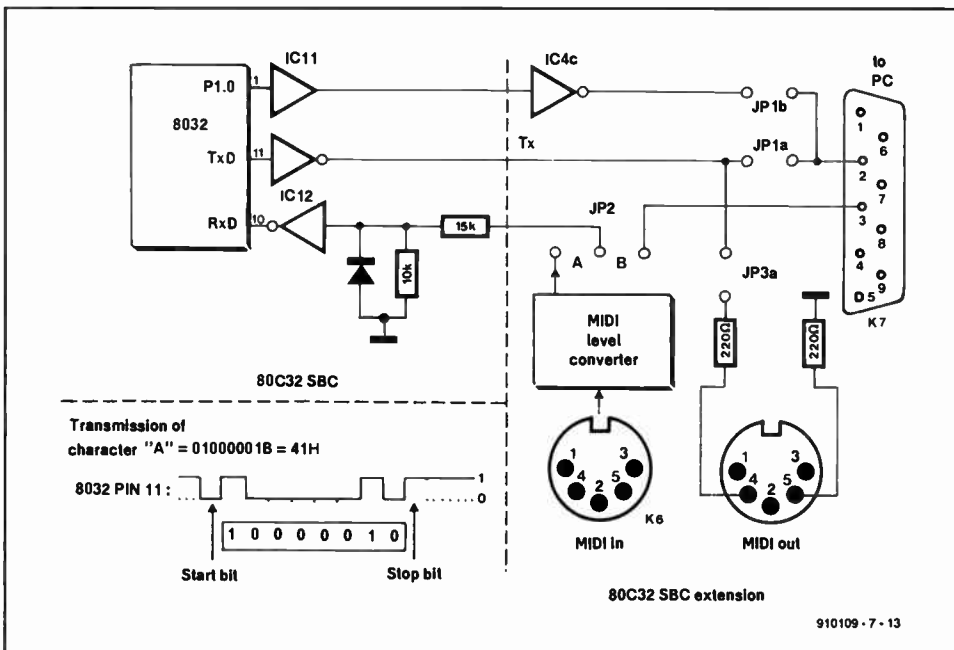
- 1). When RI is already set, which means that previously received data was not fetched.
- 2). When SM2=1, and the stop bit did not have the value '1'. Thus, by programming SM2=1, you can prevent bytes with a framing error (wrong stop bit) getting through.

The level of the RI bit thus allows us to check if a received byte is held ready in



910109 - 7 - 12

Fig. 45. 8051 serial interface architecture.



910109 - 7 - 13

Fig. 46. V24 interface (80C32 single-board computer and extension board).

**JOIN THE COURSE!**

What you need to follow this course:

- a 8032/8052AH-BASIC single board computer as described in Elektor Electronics May 1991. The preferred CPU is a 8051 or 80C32. Alternatively, any other MCS52-based microcontroller system (but read part 1 of the course);
- a course diskette (IBM: order code ESS 1661; Atari: order code ESS 1681) containing programming examples, hex file conversion utilities, and an assembler;
- a monitor EPROM (order code ESS 6091);
- an IBM PC or compatible operating under MS-DOS, or an Atari ST with a monochrome display.

Appeared so far:

- Part 1: Introduction (February 1992)
- Part 2: First 8051 instructions (March 1992)
- Part 3: Hardware extensions for 80C32 SBC (April 1992)
- Part 4: Flags, bit addressing, PSW, conditional jumps, logic operators (June 1992)
- Part 5: Arithmetic instructions (July 1992)
- Part 6: Analogue signal processing and stack management (September 1992)

SBUF. If so, the byte can be fetched (read) for further processing.

The two interrupt events, TI (transmitter interrupt) and RI (receiver interrupt) actually generate only one interrupt, of which the cause (data transmitted, or data received) must be established by the interrupt software. The serial interface only generates interrupts when bit IE.4 in the interrupt enable register is set (see Part 6 of this course).

Details of the TXD and RXD wiring and external circuitry on the 80C32 SBC

and the extension board (Part 3) are shown in Fig. 46. The diagram shows how the various jumpers enable the 8051 serial interface to be connected to a PC (via the 9-way sub-D connector) or a MIDI compatible instrument.

## EMON51 communication

Studying a worked out example is probably the best way to familiarize oneself with the programming of the serial interface. Let us look at the listing in Fig. 47. This program is a series of subroutines contained in EMON51 relevant to communication via the serial interface, 'stitched together' to show how you can make use of them for your own programming work. Each of the points to be observed in programming the serial interface will be discussed below, with reference to certain parts of the listing. Note that this program is not contained on your course disk.

## Baudrate generator

We wish to use mode 1 of the serial interface. In this mode, the baudrate is determined either by Timer1 or Timer2. Remember, Timer2 is not available if you

use a 8031 or 8051 (i.e., TCLK=0 and RCLK=0 in Fig. 45). In the interest of software compatibility we will, therefore, set the baudrate with the aid of Timer1. The 'counter overflow' pulses produced by this timer are fed to the transmit and receive controls. To ensure a continuous supply of pulses, the timer is operated in mode 2, i.e., as an 8-bit clock generator with automatic reload. In this way, the timer is capable of producing an overflow every  $n$  microseconds on the basis of the 1-MHz internal clock (quartz oscillator frequency 12 MHz), where  $n$  is a whole number between 2 and 256. Additionally, we can switch on the divide-by-two scaler by setting the SMOD bit (SFR PCON bit 7). The final baudrate clock is arrived at by dividing the clock signal by 16. If SMOD=1, we get:

$$\text{Baudrate} = (\text{overflow rate Timer1})/16$$

alternatively, if SMOD=0,

$$\text{Baudrate} = (\text{overflow rate Timer1})/32$$

In the system monitor software, EMON51, the following is done to obtain a baudrate of about 4,800. First, Timer1 is set to auto-preload mode with internal

clock (here: 1 MHz). See line 22 in Fig. 47. The preload value is 243 (lines 4, 24 and 25), which causes Timer1 to divide by  $(256-243) = 13$ . SMOD is set to '1' in line 21 to disable the +2 scaler. Thus, the baudrate becomes

$$1 \text{ MHz}/13/16 = 4,807.6923 \text{ bits/s}$$

That is not exactly 4,800 baud, but sufficiently accurate for our application.

After being preloaded and set to the desired mode, Timer1 is switched on by setting TCON bit 6 (line 26). The baudrate generator is now running.

As an aside, Timer2 contained in the 8052 and 8032 may, of course, also be used as the baudrate generator. This can be achieved by setting bits TCLK and RCLK in the Timer2 control register, T2CON. Since T2CON contains the value 00H after a reset, the 8052 always starts with Timer1 as the baudrate generator (which ensures that programs written for the 8051 run on a 8052 too!).

The standardized baudrates (1200, 2400, 4800, etc.) can be achieved exactly by using a crystal clock of 11.0592 MHz rather than 12 MHz. However, a processor cycle then takes  $0.9044225 \mu\text{s}$  rather than  $1 \mu\text{s}$  exactly. Obviously, the deviation from  $1 \mu\text{s}$  may be annoying in calculating loop times, since all the internal timing of the 8051 is derived from the quartz crystal clock oscillator. This dilemma, by the way, has resulted in the integration of on-chip baudrate generators in follow-up controllers such as the 80535 and 80537, whose serial interfaces are capable of operating at 4,800 baud and 9,600 baud exactly, while a 12 MHz quartz crystal is used. More about these interesting processors in future issues of *Elektronics*.

## Transmitting

Transmitting a byte is very simple: write it to the SBUF register. The write operation causes the transmitter control to start the shift-out operation. The transmit register has a ninth bit position, which is loaded with a '1' at the start of the transmit operation. Next, the start bit (0=low) is transmitted (Fig. 46).

Next, the eight databits are shifted out, starting with bit 0. The SBUF transmit register is filled with zeroes. When the ninth bit (i.e., the stop bit with value '1') has been sent, the TI bit in the SCON register is made '1' (Fig. 44) to mark the end of the transmission. This allows an interrupt to be generated (by setting the relevant bit in the interrupt enable register). It is also possible to interrogate this bit by software (polling), to check for the end of the transmission.

EMON51 contains a subroutine called SND (lines 30 to 39 in Fig. 47) that enables a character held in the accumulator to be transmitted via the serial interface.

```

***** LISTING of EASMS1 (V24XAMPL) *****
INE LOC OBJ T SOURCE
1 0000 ; taken from EMON51.A51
2 0000 ;
3 0000 ;
4 0000 V24SPD EQU 256-13 ; V24 speed: 1MHz/16/13 = 4807.69 baud
5 0000 ;
6 0000 ; ; SFR definitions:
7 0000 PSW EQU 0D0H
8 0000 ACC EQU 0E0H
9 0000 ;
10 0000 PCON EQU 087H
11 0000 TCON EQU 088H
12 0000 TMOD EQU 089H
13 0000 TL1 EQU 08BH
14 0000 TH1 EQU 08DH
15 0000 SCON EQU 098H
16 0000 SBUF EQU 099H
17 0000 ;
18 0000 CNT1 EQU 050H ; in RAM: counter for CR/LF time
19 0000 ;
20 0000 ORG 0
21 0000 75 87 80 [2] V24SET MOV PCON,#80H ; SMOD = 1
22 0003 75 89 22 [2] MOV TMOD,#22H ; both counters as timer
23 0006 ; ; RCLK=0, RCLK=0 with 8051, and in TCON also
24 0006 75 8D F3 [2] MOV TH1,#V24SPD ; preload value TIMER1 (baudrate generator)
25 0009 75 8B F3 [2] MOV TL1,#V24SPD
26 000C D2 8E [1] SETB TCON.6 ; start counter 1
27 000E 75 98 52 [2] MOV SCON,#052H ; MODE 1, REN=1, TI=1, RI=0
28 0011 ; etc.
29 0011 ;
30 0011 30 99 FD [2] SND JNB SCON.1,SND ; wait until last char. finally gone
31 0014 C2 99 [1] CLR SCON.1 ; TI=0
32 0016 F5 99 [1] MOV SBUF,A ; start transmit
33 0018 B4 0A 0D [2] CJNE A,#10,OK2 ; LF sent?
34 001B 75 50 64 [2] WAITCR MOV CNT1,#100 ; if so wait for slow scrolling terminals
35 001E 74 FF [1] LOP1 MOV A,#255
36 0020 D5 E0 FD [2] LOP2 DJNZ ACC,LOP2
37 0023 D5 50 F8 [2] DJNZ CNT1,LOP1
38 0026 74 0A [1] MOV A,#10
39 0028 22 [2] OK2 RET ; all ok
40 0029 ;
41 0029 GETCHR EQU $ ; get character from serial port
42 0029 30 98 FD [2] GETC1 JNB SCON.0,GETC1 ; wait until one available
43 002C C2 98 [1] CLR SCON.0 ; signal: char. fetched
44 002E E5 99 [1] MOV A,SBUF ; fetch from buffer
45 0030 22 [2] RET ; ready
46 0031 ;
47 0031 20 98 03 [2] TSTC JB SCON.0,isther ; test if character there return 1 else 0
48 0034 74 00 [1] MOV A,#0 ; no
49 0036 22 [2] RET
50 0037 74 01 [1] isther MOV A,#1 ; yes
51 0039 22 [2] RET
52 003A ;
53 003A END
***** SYMBOLTABLE (21 symbols) *****
V24SPD :00F3 PSW :00D0 ACC :00E0 PCON :0087
TCON :0088 TMOD :0089 TL1 :008B TH1 :008D
SCON :0098 SBUF :0099 CNT1 :0050 V24SET :0000
SND :0011 WAITCR :001B LOP1 :001E LOP2 :0020
OK2 :0028 GETCHR :0029 GETC1 :0029 TSTC :0031
isther :0037

```

910109-7

Fig. 47. Serial interface subroutines contained in EMON51.

This routine waits as long as bit 1 in the SCON register is '0'. This is necessary because a '0' means that the serial interface is still busy transmitting a character. When the TI bit changes to '1', the transmission is finished, and the serial interface is ready to start sending the current character. This is achieved by resetting the TI bit (line 31), and writing the current character to SBUF (line 32). Although TI remains '0' as long as it takes to transmit the current character, the processor already continues with the next instruction.

To make sure that it can be used with slow scrolling terminals, EMON51 is capable of providing a delay after the LF (line feed = 0AH = 1010) character. This delay allows the terminal (or terminal emulation software) to scroll the screen contents. Obviously, no character may be transmitted before the scroll operation is finished. EMON51 therefore checks if an LF was sent (line 33). If so, the loop

WAITCR is called to introduce a delay of about  $100 \times 255 \times 3 \mu\text{s} = 76.5 \text{ ms}$ . This delay is sufficiently long for most terminals.

That completes the description of the SND subroutine contained in the system monitor EMON51. To enable it to function correctly, the TI bit must be set at the start of the program. After a reset, however, this bit is at '0' (refer back to Fig. 8 in Part 2). Therefore, if you want to use it as a 'transmitter empty' indicator, it must be set to '1' at the start of the program.

## Interface control word SCON in EMON51

The above explains the value loaded into the SCON register in line 27. The control word, 52H (01010010B), is built as follows. To start with, bits 5, 6 and 7 (010B) select Mode 1. Next, we also wish to receive data. This requires the receiver

enable bit (bit 4) to be set. Bits 2 and 3 are not of interest for the moment, and are left at '0'. Bit 1 (TI) is set to mark the SBUF register as 'empty' for the rest of the programming. This is necessary to be able to execute a subsequent transmit instruction. Since no byte has been received so far, RI (bit 0) is set to '0'.

That completes the initialization of the serial port for duplex operation at 4,800 baud, 8 databits, 1 stop bit and 1 start bit.

```

***** LISTING of EASM51 (XAMPLE13) *****
LINE LOC OBJ T SOURCE
1 0000 ; ***** FILE XAMPLE13.A51 *****
2 0000 ;
3 0000 ACC EQU 0E0H
4 0000 PCON EQU 087H
5 0000 TCON EQU 088H
6 0000 TMOD EQU 089H
7 0000 TL1 EQU 08BH
8 0000 TH1 EQU 08DH
9 0000 SCON EQU 098H
10 0000 SBUF EQU 099H
11 0000 ;
12 0000 CH EQU 090H ; MIDI channel 0
13 0000 ;
14 0000 ORG 4100H
15 4100 75 87 80 [2] MOV PCON,#10000000B ; SMOD=1
16 4103 75 89 22 [2] MOV TMOD,#00100010B ; both auto preset timer
17 4106 75 8D FE [2] MOV TH1,#256-2 ; preset value for TIMER0
18 4109 75 8B FE [2] MOV TL1,#256-2
19 410C D2 8E [1] SETB TCON.6 ; start TIMER0
20 410E 75 98 52 [2] MOV SCON,#01010010B ; MODE 1 , enable receiver
21 4111 90 C0 00 [2] START1 MOV DPTR,#0C000H
22 4114 E0 [2] MOVX A,@DPTR ; read key
23 4115 20 E7 F9 [2] JB ACC.7,START1 ; start when key pressed
24 4118 90 41 4F [2] MOV DPTR,#NOTES ; pointer to NOTES
25 411B 74 90 [1] NOTELP MOV A,#CH
26 411D 31 3F [2] ACALL SNDMIDI ; send to MIDI ( MIDI channel )
27 411F 31 2F [2] ACALL GETNXT
28 4121 31 3F [2] ACALL SNDMIDI ; ( MIDI NOTE )
29 4123 31 2F [2] ACALL GETNXT
30 4125 31 3F [2] ACALL SNDMIDI ; ( MIDI VOLUME )
31 4127 31 2F [2] ACALL GETNXT ; duration
32 4129 60 E6 [2] JZ START1 ; =0 means end
33 412B 31 33 [2] ACALL WAIT ; otherwise wait this time
34 412D 80 EC [2] SJMP NOTELP ; and on at next note
35 412F ;
36 412F E4 [1] GETNXT CLR A ; offset 0
37 4130 93 [2] MOVC A,@A+DPTR ; fetch byte
38 4131 A3 [2] INC DPTR ; increment datapointer
39 4132 22 [2] RET ; done
40 4133 ;
41 4133 7F 64 [1] WAIT MOV R7,#100 ; wait approx. ACC*100*200*2 microsec
42 4135 7E C8 [1] WAIT1 MOV R6,#200
43 4137 DE FE [2] WAIT2 DJNZ R6,WAIT2
44 4139 DF FA [2] DJNZ R7,WAIT1
45 413B D5 E0 F5 [2] DJNZ ACC,WAIT
46 413E 22 [2] RET
47 413F ;
48 413F 30 99 FD [2] SNDMIDI JNB SCON.1,SNDMIDI ; wait until transmitter empty
49 4142 C2 99 [1] CLR SCON.1 ; clear bit
50 4144 F5 99 [1] MOV SBUF,A ; send
51 4146 22 [2] RET
52 4147 ;
53 4147 30 98 FD [2] GETMIDI JNB SCON.0,GETMIDI ; wait until receiver full
54 414A C2 98 [1] CLR SCON.0 ; clear bit
55 414C E5 99 [1] MOV A,SBUF ; fetch byte
56 414E 22 [2] RET
57 414F ;
58 414F 30 64 06 NOTES DB 48,100,6 ; Note 48 w. 100 on, wait 6 periods
59 4152 30 00 01 DB 48,0,1 ; Note 48 off again, wait 1 period
60 4155 34 64 06 DB 52,100,6 ; Note 52 on w. 100
61 4158 34 00 01 DB 52,0,1 ; and off again
62 415B 37 64 0A DB 55,100,10 ; etc.
63 415E 37 00 00 DB 55,0,0 ; length 0 means end
64 4161 END
***** SYMBOLTABLE (18 symbols) *****
ACC :00E0 PCON :0087 TCON :0088 TMOD :0089
TL1 :008B TH1 :008D SCON :0098 SBUF :0099
CH :0090 START1 :4111 NOTELP :411B GETNXT :412F
WAIT :4133 WAIT1 :4135 WAIT2 :4137 SNDMIDI :413F
GETMIDI :4147 NOTES :414F

```

Fig. 48. Assembly language listing of the MIDI sequencer program.

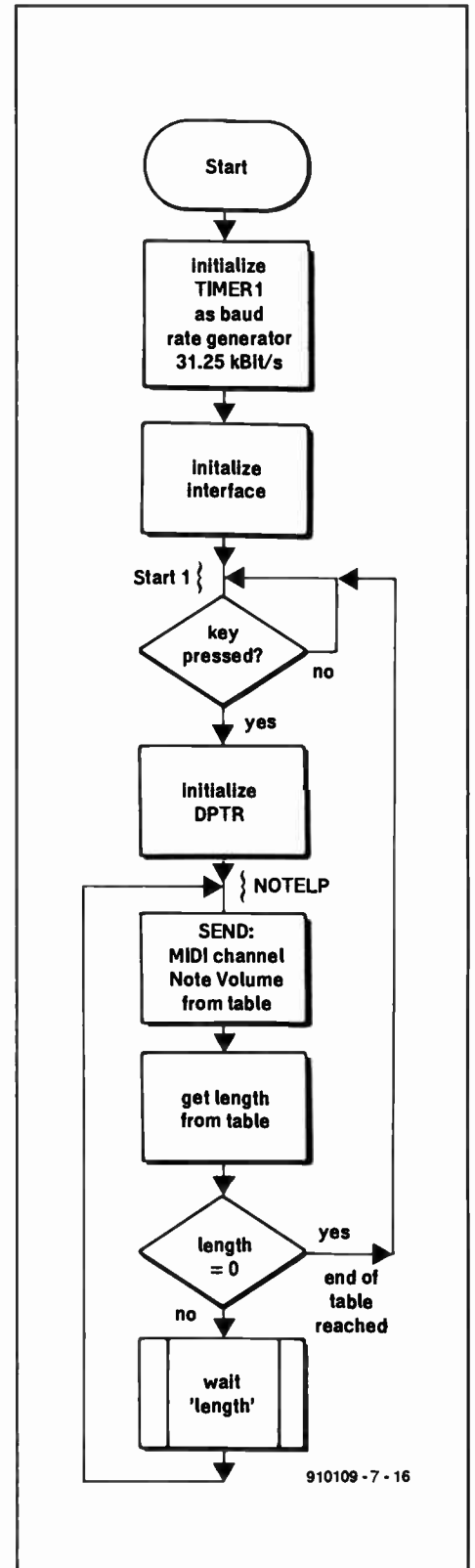


Fig. 49. Main MIDI transmit routine flowchart.

## Receiving

Data reception is arranged by a subroutine called GETCHR (get character) contained in EMON51. Initially, this subroutine (line 42) waits until bit 0 in the SCON register is set. This position has the RI bit, and changes to '1' when a complete character has been received. Next, the program resets RI (in line 43). The received character is fetched from SBUF and copied into the accumulator. That is all there is to it.

In some cases, it is necessary to check if a character is ready to be fetched. For this purpose we have a subroutine called TSTC (lines 47 to 51), which returns a '1' to the accumulator when a character is ready. If not, it returns a '0'. The operation of TSTC will be clear at this point: it simply tests the RI bit.

## MIDI transmit sequencer

To close off this instalment, let us look at how the serial interface can be used to send data to a MIDI compatible instrument. The aim is to develop a program that sends a series of note commands to the instrument when key S2 on the extension board is pressed. This allows a simple melody to be played, or a rhythm box to be realized.

To be able to program different melodies in a simple manner, the data to

be transmitted should be contained in a table. In that way, the program could form the basis for a small sequencer.

A MIDI 'note' command consists of three bytes. The first byte tells the instrument that a note command follows, and indicates on which channel the note is to be played. Here, we wish to use channel 1 (internal number 0), for which the byte must have the value 090H. The next byte indicates the note proper, while the third byte indicates the volume at which it is to be played (note that this requires a note to be switched on and off!). Thus, every note requires the interface to send three bytes, of which first is always the same, hence, need not be stored in the table. Yet, we store a third byte to form a MIDI command. This byte determines the time that elapses before the next MIDI command is sent. The table therefore has three bytes (entries) for every MIDI command:

[Note, volume, duration]

The end of the table is marked by 'duration = 0'.

In the listing of the MIDI driver (Fig. 48), the table starts at the label NOTES. The individual table entries are addressed in the usual way with the aid of the DPTR. The operation of the main program is simple to analyse by studying the flowchart in Fig. 49.

Since the MIDI operates at a speed of

31.25 kBit/s, the baudrate clock is readily obtained by dividing the 8051 internal clock (1 MHz) by 32. Since the serial interface clock is always divided by 16 (internally in the 8051), Timer1 must be programmed to divide by 2, while SMOD must be set to '1'. This is done in lines 15 to 19 of our example program. Next, the control word copied into SCON (line 20) sets mode 1, receiver switched on, TI=1, i.e., transmitter empty. Apart from the baudrate setting, the mode selection procedure is identical to that used in EMON51.

SNDMIDI is the MIDI transmit routine proper. It transmits the character contained in the accumulator. First, it tests TI (SCON bit 1) to check if the previous character is still being transmitted. If so, it waits. If not, the 'transmitter empty' bit, SCON.1, is cleared, and the transmission of the current character (table entry) is triggered by a write operation to SBUF. Again, the transmit routine proper is largely identical to that in EMON51.

## Next time

Next month's final instalment of this course will discuss the connection of a liquid crystal display (LCD) and a keyboard to the SBC extension board. □

## NEW BOOKS

### **KU-BAND SATELLITE TV—THEORY, INSTALLATION AND REPAIR** 4th Ed.

By Frank Baylin and Brent Gale

ISBN 0-917893-10-7

Price \$30

This book covers 11GHz (Ku-band) satellite TV reception in virtually every detail. Remarkably, the authors are American, while the use of the Ku-band for satellite TV is not nearly as widespread in the USA as it is in Europe. Nonetheless, the coverage of the subject is outstanding, and the authors have succeeded in producing a manual with material that is understandable to anyone having a curiosity but not necessarily a technical background. Indeed, this reviewer agrees with them that there is no reason why laymen should not be able to participate in this exciting field in one way or another.

The particularly strong sections of the book are "component operation," "installation," and "troubleshooting and repair." Also, the collection of footprints of European, American, Australian and Japanese TV satellites in Appendix C is invaluable for a quick esti-

mate of what can be received given your dish size and location. Solid material—well worth buying.

Baylin Publications

1905 Mariposa

Boulder, CO 80302

### **WORLD SATELLITE TV AND SCRAMBLING METHODS** 2nd Ed.

By Frank Baylin, Richard Maddox and John McCormac

ISBN 0-917893-11-5

Price \$40

This second edition of the "Technician's Handbook" is again aimed at everyone with an interest in satellite TV reception, and, in particular, decoder operation. Although the larger part of the book deals with principles of encoding and decoding satellite TV signals, a number of quite sizeable other chapters discuss the hardware layout of a TVRO station, from the dish antenna to the video connectors.

Interestingly, both North American and European technology is discussed in great detail. The European contributions are by John McCormac, who is known as a columnist in *Satellite Trader*.

When comparing the second edition of the book with the first, it is salient to notice that the added sections (in which we find subjects like the SCART connector, SMARTcards, repair and service, and loophrough decoder connections) are, firstly, nearly all European-oriented and, secondly, partly rewritten material already published in McCormac's book *European Scrambling Systems*, also known as "The Black Book."

The book has a wealth of illustrations, practical circuits, tables and overviews. It is also remarkable for its easy-going style. Unfortunately, some subjects are only covered superficially, although, admittedly, this can hardly be a serious criticism given the huge amount of information presented, and the large number of references to more detailed information.

Baylin Publications

1905 Mariposa

Boulder, CO 80302

# 8051 SINGLE BOARD COMPUTER

This article describes an inexpensive single board computer based on the popular 8051 microcontroller, plus a bit of assembly code to get things going.

By Steve Sokolowski

NORMALLY, a number of ICs having features in common can be classified as a 'family'. Devices such as the 87C541 and the 80C525 can be considered as part of the 8051 family of microcontrollers from Intel. Although internal ROM/RAM and the added presence of EPROM are different between individual chips, they have a number of common features. Figure 1 illustrates the main blocks of the 8051 computer family. Our development board is based on the easily obtainable HMOS 8051, of which the basic architecture, port functions, programming, and many other features are discussed in great detail in our *8051/8032 Assembler Course*, of which part 7 appears elsewhere in this issue.

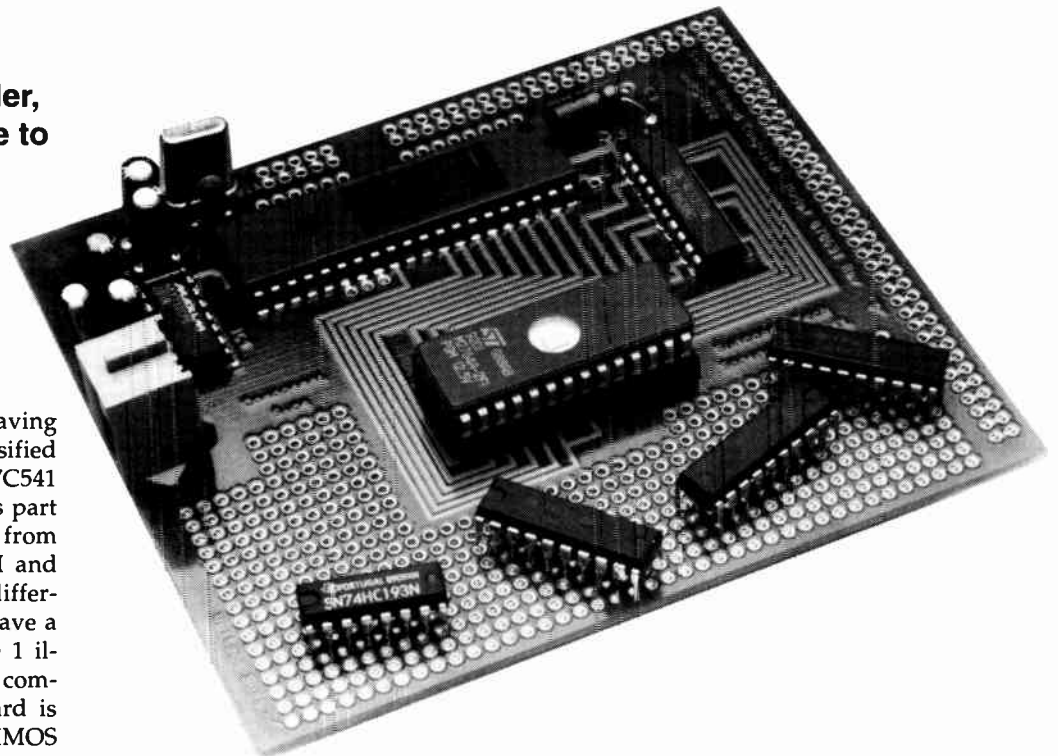
## Circuit description

The circuit diagram of the 8051 SBC, Fig. 2, shows that very few components are required to build a versatile development system around the Intel controller. In fact, the circuit is probably the absolute minimum that you will need to start programming the device.

The 8051 clock oscillator is run at 11.0592 MHz to enable the serial interface of the controller to transmit and receive at any of the standard baud rates between 300 and 9600 bits  $s^{-1}$ .

The address latch enable (ALE) signal is used to separate the data bus signals from the multiplexed data/address bus signals on the AD0-AD7 pins of the 8051. The latch used is a Type 74LS373 octal D-type flip flop with 3-state output buffers. When the output enable (OE) pin is low, the latched data appears at the outputs. When OE is high, the outputs are in the high-impedance 'off' state. The enabling pulses are supplied by the 8051's ALE output. These pulses effectively enable the 74LS373 to strip the low-order address bus from the eight AD lines by turning on the latches' eight 3-state buffer outputs at the correct instant, thus allowing only the addressing information to be fed to the memory.

The external access enable (EA) input of the 8051 (pin 31) is made permanently low



here to enable the controller to fetch program code from the external program memory locations in the address range between 0000H and 0FFFH. Here, the program code is stored in an EPROM, IC3.

The serial interface is formed by the

well-known MAX232 RS232 level converter, which is connected directly to the serial input and output pins of the 8051. The MAX232 has on-board positive and negative step-up voltage converters that obviate a symmetrical supply. The IC gen-

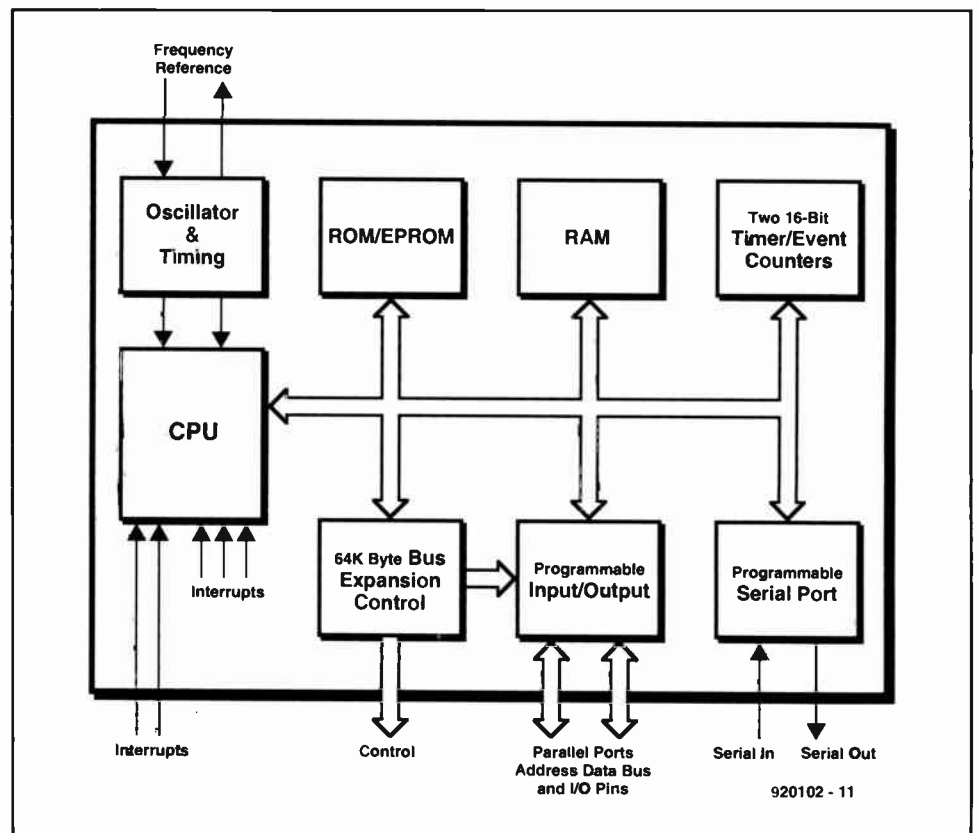


Fig. 1. 8051 family microcontroller architecture.



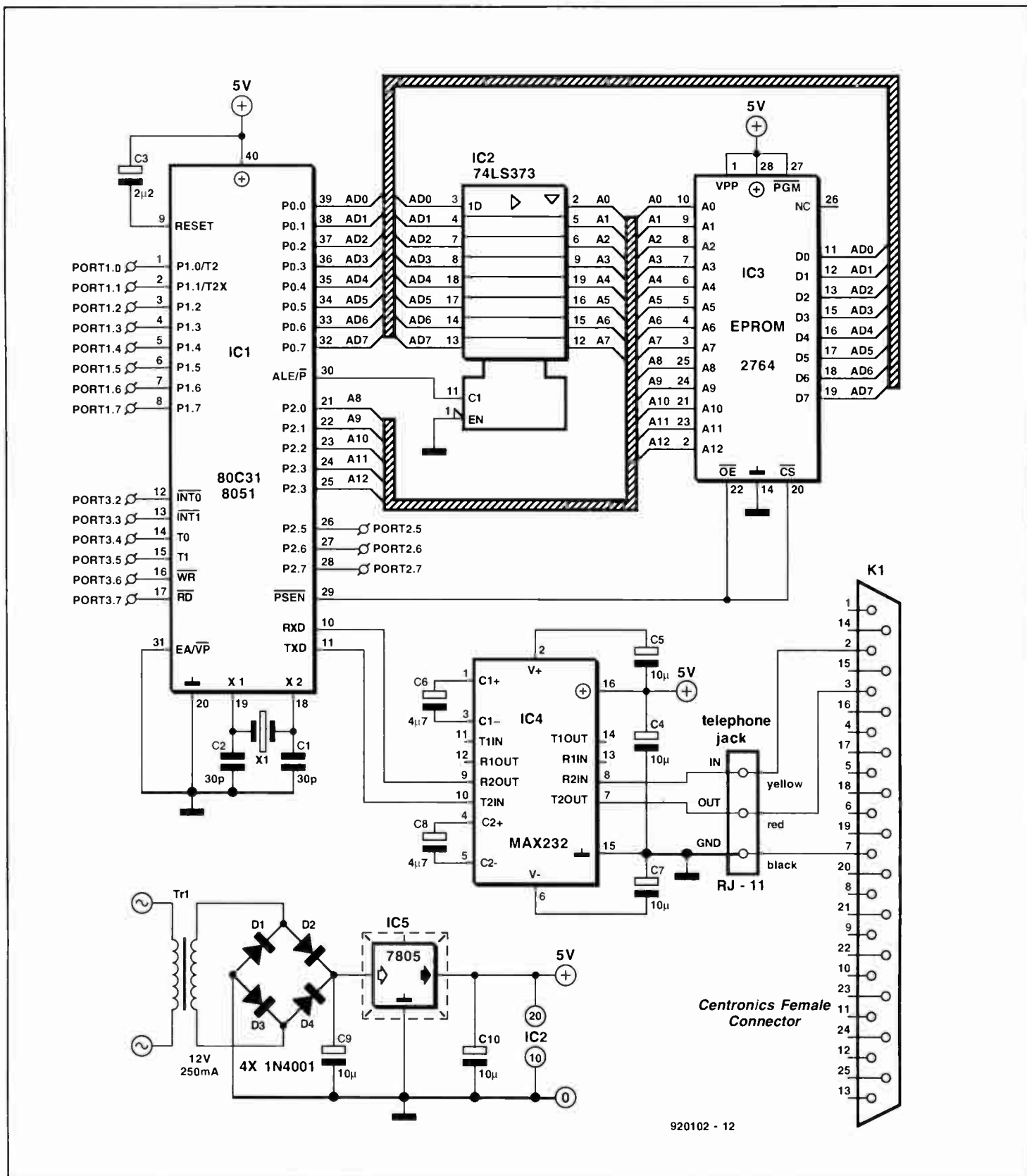


Fig. 2. Circuit diagram of the 8051 single-board computer, its power supply, and the serial interface connection to the PC.

erates internal supply voltages that result in a swing of 20 V ( $\pm 10$  V) on the RS232 output line.

A short length of inexpensive telephone cord is used to connect the 8051 board to the RS232 port on the PC. At the board side of the cable is a 4-way miniature latching telephone cord plug, while a standard D25 sub-D connector (female) is used at the computer side (for pinning details refer to the circuit diagram).

The power supply of the SBC is a classic one designed around the 7805. The mains transformer could be a small mains adaptor with a.c. output. Such an adaptor will in many cases be cheaper (and in all cases, safer to use!) than a discrete transformer. The current demand on the adaptor will be between 250 mA and 500 mA, depending on the circuit fitted in the extension area on the SBC board. In any case, the 7805 will run fairly hot, so it must be fitted with

a heat-sink.

### Building the SBC

If you are interested in building the present 8051 development system, you have two options: (1) produce the PCB yourself (using the artwork given in Fig. 3) and purchasing the components from your local stockist, or (2) purchase a complete kit from Suncoast Technologies.

The following few paragraphs are intended for those of you who wish to assemble the 8051 SBC on a home brewed printed circuit board, which will probably not be plated through, contrary to the one supplied by Suncoast Technologies. Since a fair number of PCB through connections is required, it is best to use Molex clip-type connectors for the IC sockets. These clips can be placed in the holes provided for the IC pins, and soldered at both sides of the board before they are removed from their metal carrier. The resulting pin strips then form an IC socket. To reduce cost, you may want to use Molex connector strips for the EPROM socket only, and solder the 8051, the 74LS373 and the MAX232 direct on to the board, making sure that all pins are soldered at both sides of the board.

Capacitors C4 and C8 are electrolytic types and require proper placement on the board. Mis-insertion of these polarity sensitive components can spell disaster for the part, so take care while fitting them.

The RJ-11 telephone jack was designed in such a way that it can be inserted on the board in only one way. Carefully line up the four 'pig-tail' terminals with their corresponding holes. When lined up, carefully press the jack on to the board until its mounting clips protrude on the opposite side of the board. Solder the four contacts at the solder side of the board. Finally, fit the crystal and the two ceramic capacitors.

Note that the SBC has a large prototyping area. To help eliminate the need for

extra wiring of the voltage buses, the board also contains a common ground and positive supply bus etched in. It is this area where the required interfacing com-

ponents for future projects can be mounted. The power supply may also be hand wired in this section.

Inspect the completed board for solder

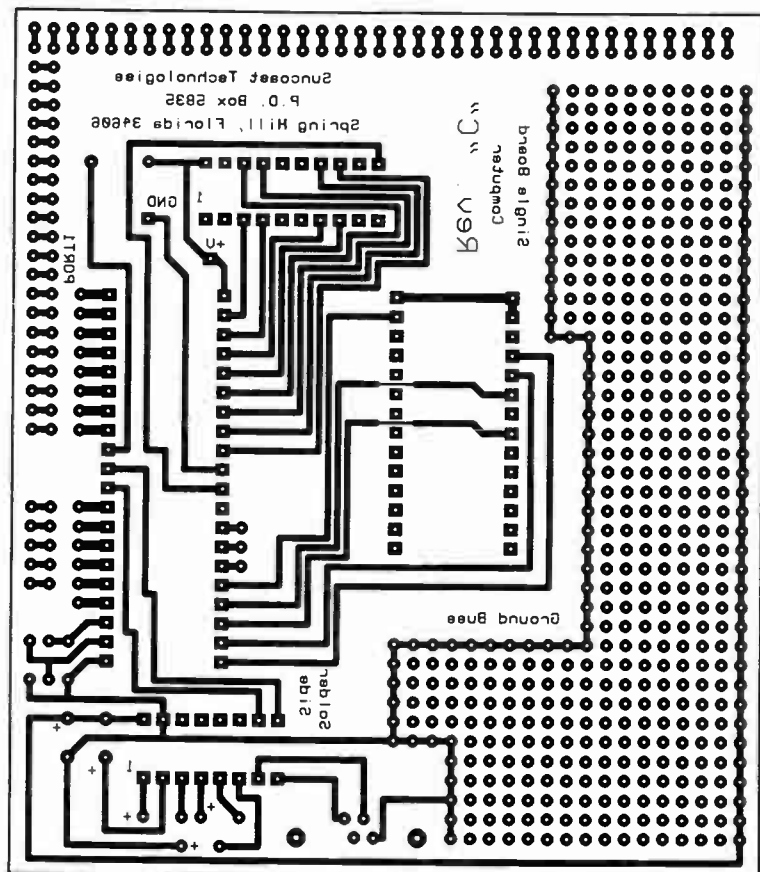
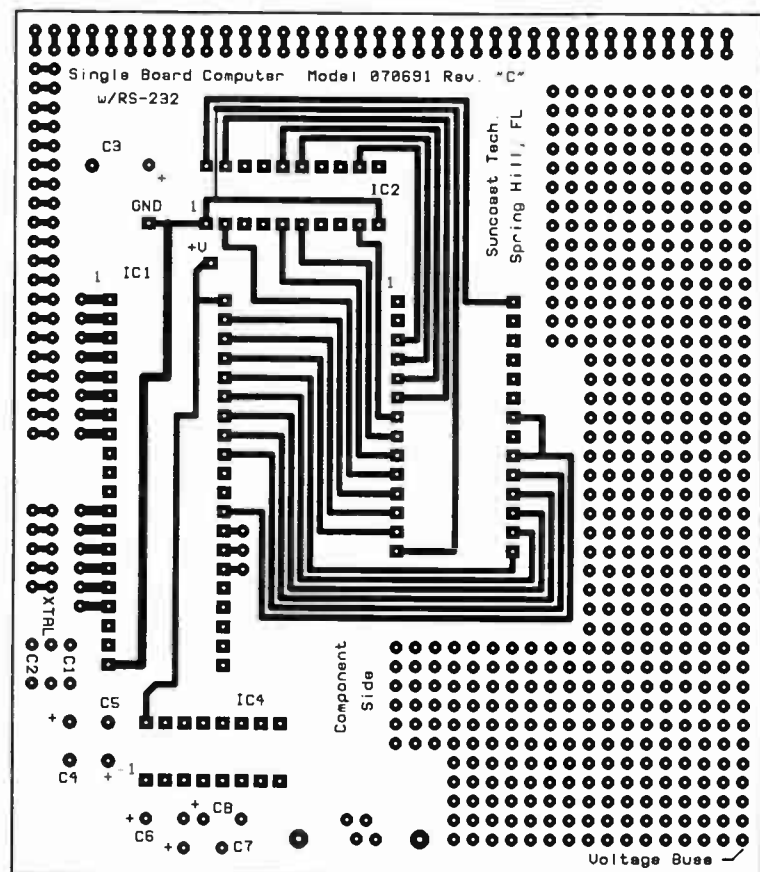


Fig. 3a. Component side and solder side track layout of the PCB.

## COMPONENTS LIST

### Capacitors:

2	33pF 16V disc ceramic	C1;C2
1	2 $\mu$ F 16V radial	C3
3	10 $\mu$ F 16V radial	C4;C5;C7
2	4 $\mu$ F 16V radial	C6;C8
1	470 $\mu$ F 35V radial	C9
1	100 $\mu$ F 16V radial	C10

### Semiconductors:

4	1N4001	D1-D4
1	8051 or 8031	IC1
1	74LS373	IC2
1	2764 EPROM	IC3
1	MAX232	IC4
1	7805	IC5

### Miscellaneous:

1	12V a.c. mains adaptor	Tr1
1	11.0592MHz quartz crystal	XTAL
1	25-pin female sub-D connector with hood	P1
1	4-conductor telephone line cord with clip (approx. 6 ft.)	
1	RJ-11 PCB mount telephone jack	
1	TO-220 heat-sink	
28	Molex connector pin or	
1	28-pin IC socket (see text)	
1	Printed circuit board (Suncoast Technologies)	

splashes, dry joints and solder bridges. When all is to your satisfaction, the 5-volt power supply can be connected to the board.

### Testing the SBC

Shown in Fig. 4 is a test program in assembly language. When programmed into a 2764 EPROM, TEST.ASM will determine if all address and data lines are wired correctly. It also checks the serial cable to the PC, and the wiring of the MAX232.

TEST.ASM uses the serial output feature (CHR\_OUT) of the 8051 to print any character on the computer screen. It also allows keyboard input (CHR\_IN) to be echoed to the screen. Both CHR\_IN and CHR\_OUT check out the operation of the MAX232 chip. If either feature does not work, double check the wiring of IC4 and that of the interface cable assembly (which also includes the RJ-11 telephone jack).

TEST.ASM was written to be assembled into machine code with the A51 assembler (version 1.4 or earlier), an inexpensive program that can be purchased from just about any shareware distributor. Once assembled, TEST.ASM is converted into a series of hexadecimal numbers (TEST.HEX). Although converted, TEST.HEX can not be loaded into an EPROM just like that. Further conversion is necessary, and for this HEXBIN.COM is proposed. HEXBIN.COM takes the hexadecimal format of TEST.HEX, and transforms it into a

```

; 8051 SBC Test Program
; by: Suncoast Technologies
; Spring Hill, Florida
; Program set to 1200 Bauds
;
.EQU ESC,H'1B
.ORG H'0000
INIT: MOV A,#H'40
      MOV SP,A
      CLR A
      MOV PSW,A
;
; INITIALIZE SERIAL PORT
;
MOV SCON,#H'52
MOV TMOD,#H'20
MOV TH1,#H'E8
SETB TR1
;
; PRINT GREETINGS
MENU: LCALL XSTRING
      .DB "\n\r"
      .DB "8051 Single Board "
      .DB "Computer Test Program"
      .DB "\n\r\n\r"
      .DB ESC
LOOP_1: LCALL XSTRING
       .DB "Hit a key - I will echo "
       .DB "the character \n\r\n\r"
       .DB ESC
LOOP_2: LCALL CHR_IN
       CJNE A,#D'13,LOOP_2
       .DB ESC
;
LCALL XSTRING
.DB "\n\r"
.DB ESC
LJMP LOOP_2
;
; 'PRINT' PROGRAM
XSTRING: POP DPH
        POP DPL
        CLR A
        MOV C,A
        MOVC A,@A+DPTR
        JNB TI,*
        CLR TI
        MOV SBUF,A
        INC DPTR
        CLR A
        MOV C,A
        MOVC A,@A+DPTR
        CJNE A,#ESC,STR_2
        MOV A,#1
        JMP @A+DPTR
;
; SERIAL I/O
CHR_IN: JNB RI,*
        CLR RI
        MOV A,SBUF
        ANL A,#H'7F
        ACALL CHR_OUT
        RET
;
CHR_OUT: JNB TI,*
        CLR TI
        MOV SBUF,A
        RET
.END
    
```

920102-13

Fig. 4. An assembly language program to test your new 8051 single board computer.

binary file (TEST.BIN), which is programmed into the 2764 EPROM.

Once programmed, carefully insert the EPROM into its IC3 location on the board. With your PC running your favourite communication program (QMODEM, PC TALK, Procomm, etc.) at 1200 baud, take the mains adaptor and plug it in. Within an instant the SBC will display the follow-

ing:

8051 Single Board Computer Test Program  
Hit a key — I will echo the character

Now, just for fun, type "Hello there" on the PC keyboard, then press the ENTER or RETURN key. The keyboard input will be echoed and printed on the next line. When the 25th line is reached, all text is scrolled up by one line.

If you wish to start programming to 8051 single board computer, I suggest you obtain the collection of 'start up' programs contained on a floppy disk supplied by Suncoast Technologies. This 5¼-inch MSDOS floppy disk (3½-inch not available) contains the following conversion tools that can be run on any IBM PC or compatible running under DOS 2.11 or higher:

- simple communication program
- program editor
- A51 program assembler
- D51 program disassembler
- hex-to-binary conversion program
- 8051 test program in .ASM and .BIN

### Final thoughts

TEST.ASM is not a very elaborate program, and was not meant to be. It is included here so that you can quickly and easily determine that your 8051 SBC is functioning. As the programming of the 8051 chip becomes easier, you will no doubt start to come up with your own state-of-the-art programs. ■

Price and ordering information relevant to the 8051 single board computer and the associated software is available from Suncoast Technologies, P.O. Box 5835, Spring Hill, Florida FL 34606, U.S.A.

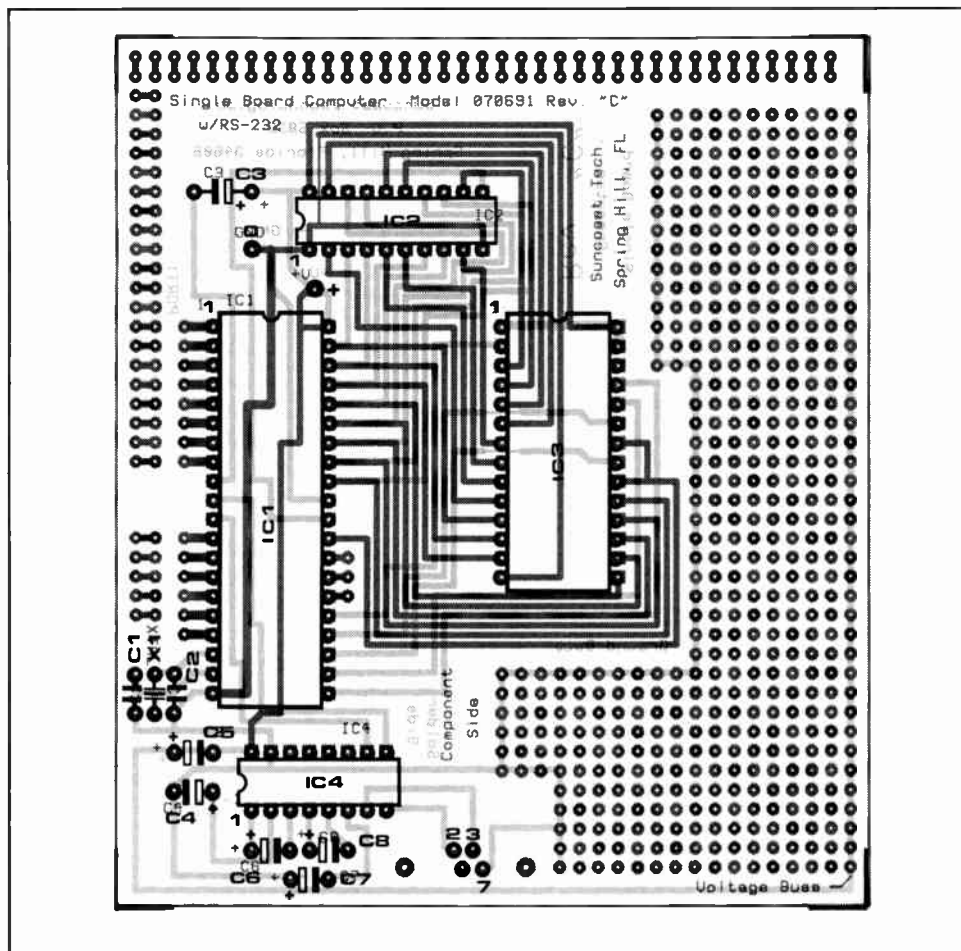


Fig. 3b. Component mounting plan.

# RDS DEMODULATOR WITH INTEGRATED FILTER

The RDS (Radio Data System) demodulator described in the May 1989 issue is based on the SAF7579T, and has an external 4-section 57-kHz bandpass filter ahead of it that is not easy to adjust. A follow-up type of the SAF7579T, the SAA6579T, has an on-chip pre-aligned RDS filter, which eliminates any adjustment.

Design by G. Kleine

**B**OTH the 'old' (Ref. 1) and the 'new' RDS demodulator are connected to a dedicated 80C32-based controller board (Ref. 2). The combination of the RDS demodulator and the controller board forms a stand-alone RDS decoder.

The SAF7579T requires an external bandpass filter to extract the RDS data-stream from the baseband spectrum transmitted by the FM radio station the receiver is tuned to. Unfortunately, this filter is difficult to adjust because of the small bandwidth (approx. 5 kHz). Also, it adds to the total cost of the decoder, and takes up board space, which are important considerations in mass production (car radios!). Philips Components, the manufacturer of the SAF7579T, have, therefore, worked on an improved version of this RDS demodulator IC, and added an on-chip band filter

that obviates the need for an external filter, and, importantly, filter adjustment. The follow-up type is designated SAA6579T, and is available in a 16-pin small outline SMA (surface mount assembly) package.

## Operation

The internal organization of the SAA6579T is shown in Fig. 1. The multiplex signal supplied by the FM receiver is first taken through a second-order anti-aliasing filter. The main function of this filter is to prevent spurious products in the following filter, which is based on switched capacitors (SC filter). Without the anti-aliasing filter, the SC filter is prone to transform certain components in the input frequency spectrum into its pass-band (this effect is

called 'aliasing').

The 57-kHz SC band-pass filter is an 8th order type with a bandwidth of about 3 kHz. It is followed by a reconstruction filter that serves to smooth and clean the output signal before it is fed to the SCOUT pin of the IC. Figure 2 shows the pass-band characteristic of the integrated SC filter (MUX-to-SCOUT).

The filter output signal is coupled capacitively to the input of a clocked comparator, which digitizes the biphas modulated 57-kHz signal. A so-called Costas loop recovers the suppressed 57-kHz carrier from the biphas-coded data-stream. This recovered carrier provides a central clock signal that is locked on to the received RDS signal. It is used to clock the SC band-pass filter and the comparator, and also to recover the RDS data clock, RDCL.

The output signal of the Costas loop is taken to a biphas decoder, which turns the biphas-coded input signal into the original ones and zeros modulated at the transmitter side. Since these are still differentially coded, the biphas decoder is followed by a difference decoder that supplies the RDS data signal, RDDA.

A signal quality detector is implemented on the chip. It indicates whether the received RDS signal is valid (QUAL=H), or invalid (QUAL=L) because of interference or poor reception. The QUAL signal may be used by the RDS decoder to check that the bits on the RDDA line are error-free.

The central clock of the IC is provided by a quartz crystal oscillator (OSCI; OSCO). Depending on the level applied to the MODE input, the oscillator can work with either of two quartz frequencies: 4.332 MHz or 8.664 MHz.

## A practical circuit

The circuit diagram of the 'new' RDS demodulator is shown in Fig. 3. This wonderfully simple circuit can be used as a

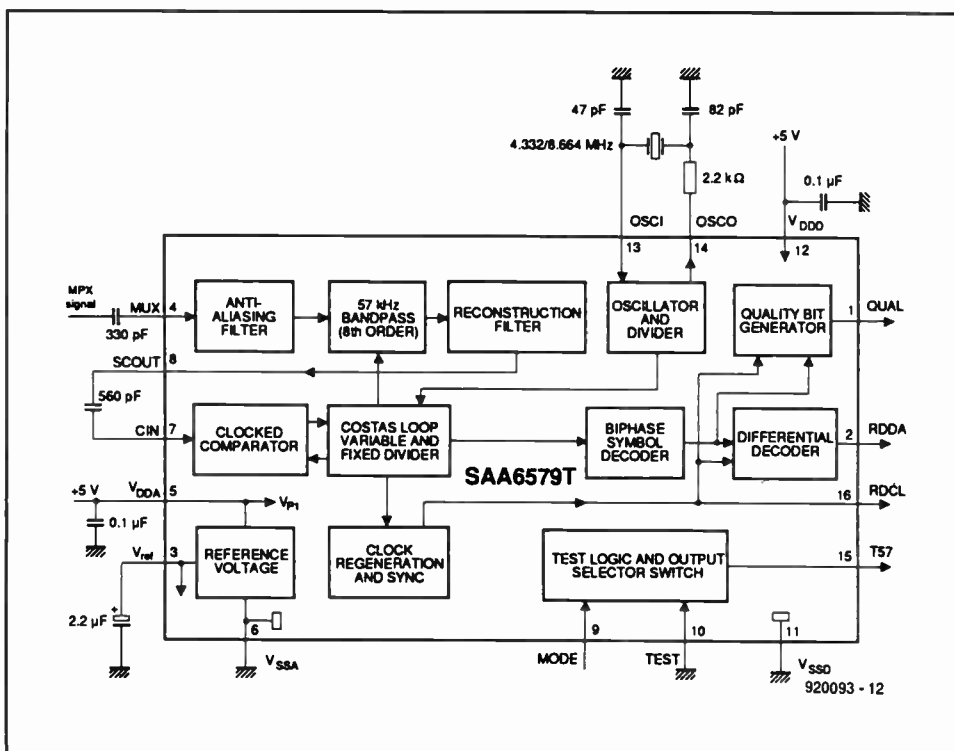


Fig. 1. Block diagram of the SAA6579T RDS demodulator (courtesy Philips Components).

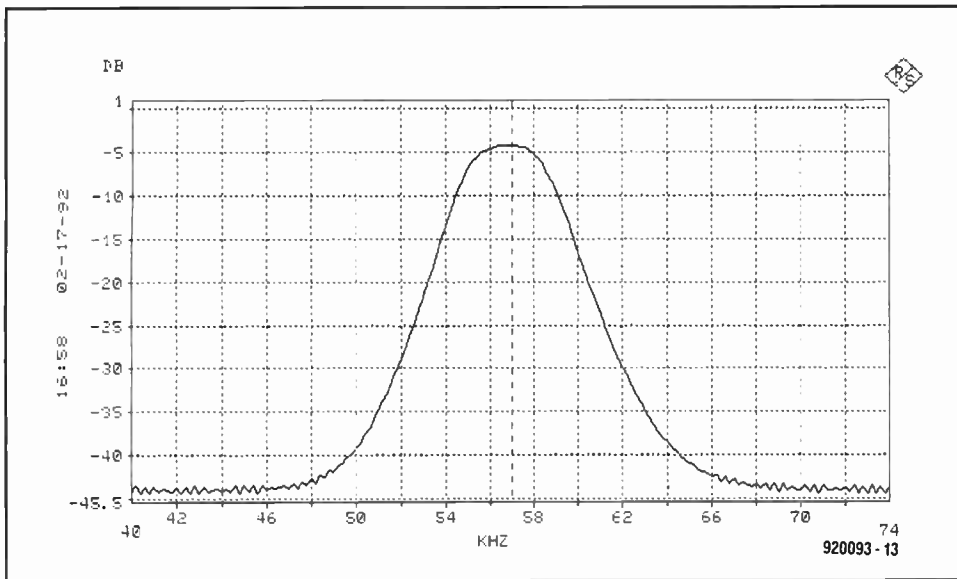


Fig. 2. Pass-band characteristic of the switched capacitor (SC) filter on board the SAA6579T. The dB levels are relative to the signal level at the MUX input.

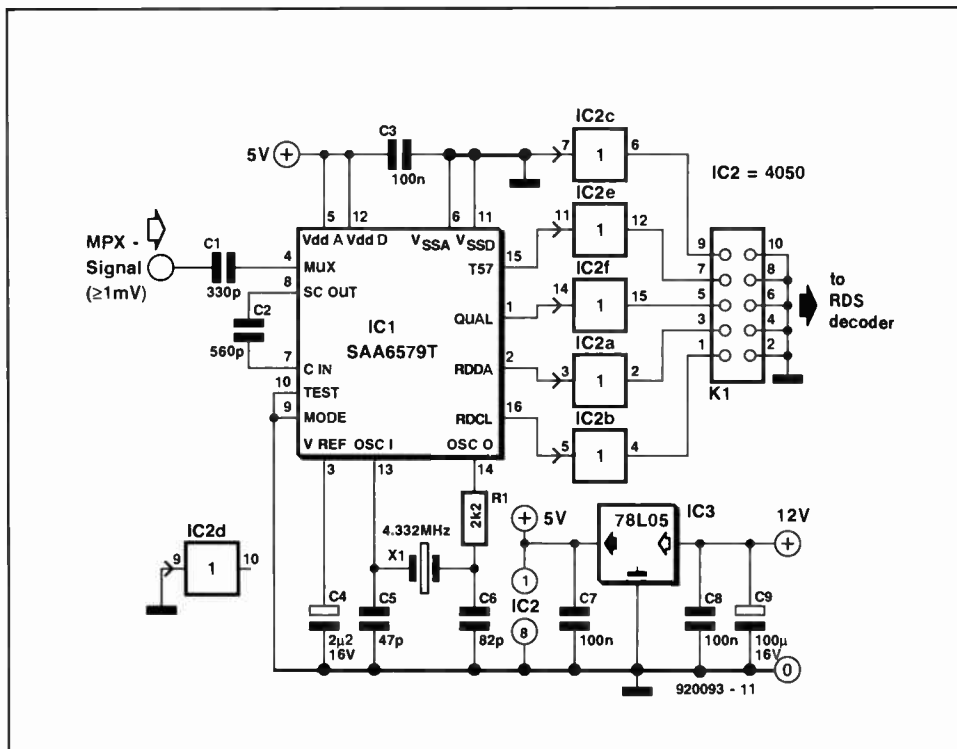


Fig. 3. Circuit diagram of the 'filterless' RDS demodulator. Hook up the FM tuner's MPX output to the input of this circuit, and an 80C32 RDS controller board to connector K1, and you have an experimental RDS decoder.

replacement for the earlier SAF7579T-based version, and is compatible with the associated RDS controller board. Comprising only a handful of components, the SAA6579T-based demodulator can handle input multiplex (MPX) signals in the range from 1 mV to a couple of volts. Capacitor C1 couples the MPX signal to the input filter contained in the SAA6579T. The relatively small value of C1 suppresses the lower-frequency components in the MPX signal because it forms a high-pass filter in combination with the input impedance of the IC.

As described above, a capacitor (here, C2) takes the SCOUT signal to the input of

the digital section contained in the SAA6579T. Output signals T57, QUAL, RDDA and RDCL reach the outside world via a Type 4050 CMOS buffer and a 10-way PCB header, just as in the earlier design based on the SAF7579T. Only the ARI (Autofahrer Rundfunk Information; Motorists Broadcast Information) signal is omitted (ARI is a traffic information service broadcast along with RDS in Germany). Hence, the relevant pin header connection is taken to ground.

Apart from the components already mentioned there are two supply decoupling capacitors, C3 and C4, and two small capacitors, C5 and C6, that flank the quartz

## COMPONENTS LIST

### Resistors:

1 2kΩ R1

### Capacitors:

1 330pF C1  
1 560pF C2  
3 100nF C3;C7;C8  
1 2μF 16V C4  
1 47pF C5  
1 82pF C6  
1 100μF 16V C9

### Semiconductors:

1 SAA6579T IC1  
1 4050 IC2  
1 78L05 IC3

### Miscellaneous:

1 4.332MHz or 8.664MHz quartz crystal (see text) X1  
1 10-way PCB pin header K1  
1 Printed circuit board 880209

crystal. A resistor, R1, is connected in series with the OSCO output to minimize the quartz dissipation, and improve the oscillator stability. When an 8.664-MHz crystal is used, the mode pin (pin 9) is tied to +5 V instead of to ground.

A low-current 5-V regulator, IC3, is provided to allow the circuit to be powered from supplies with an output voltage between 7.5 V and about 30 V.

The circuit shown here can be constructed without problems on the printed circuit board originally designed for the SAA6579T-based demodulator. The filter components are, of course, not required in that case. The track layout and component mounting plan of this PCB (order code 880209) may be found in Ref. 1.

### References:

1. "Radio Data System (RDS) demodulator". *Elektor Electronics* May 1989.
2. "Radio Data System (RDS) decoder". *Elektor Electronics* February 1991.



# A BRIEF HISTORY OF THE VALVE

Like the age of steam to railway enthusiasts, for anyone interested in radio and electronics there is the same nostalgia associated with the thermionic valve. Its discovery heralded the beginning of the age of electronics, and it enabled radio to make some major strides forwards.

By Ian Poole, G3YWX

SINCE then, the warm glow of their heaters, the gentle aroma that rises from them, and the hum from the sets which use them have generated a feeling of life in them. Unfortunately, the superior technical performance of transistors and ICs sounded the death knell for valves. Despite this, many valves are still in use around the world today.

## How it began

Although the first valve was not made until the beginning of this century, the foundations for its discovery were laid many years before. People like Ampère, Faraday and Volta all played their part, but one of the first direct contributions was made in 1873 by professor Guthrie. Investigating effects associated with charged objects, he showed that a red hot iron sphere which was negatively charged and held in a vacuum, would become discharged. He also found that the same did not happen if the sphere was positively charged.

The next major step forwards was taken by Edison in 1883. At the time, electric light bulbs were in their infancy, and had a comparatively short life. One of the major problems was that the bulbs became blackened. Initially, it was thought that this was caused by atoms of carbon from the element hitting the glass. As it was known that the particles leaving the element were negatively charged, experiments were carried out to prevent them hitting the glass. One method which was tried involved placing a second element into the envelope. By placing a positive charge on this new element, it would be able to attract the particles away from the envelope, and prevent them hitting the bulb.

In doing this, Edison noticed that when the second element was made positive relative to the main element, a current flowed in the circuit. When the potentials were reversed, he noticed that this did not happen.

Edison was fascinated by the effect, but surprisingly he did not find a use for it, although it became known as the Edison effect. He demonstrated it to many other leading scientific personalities in-

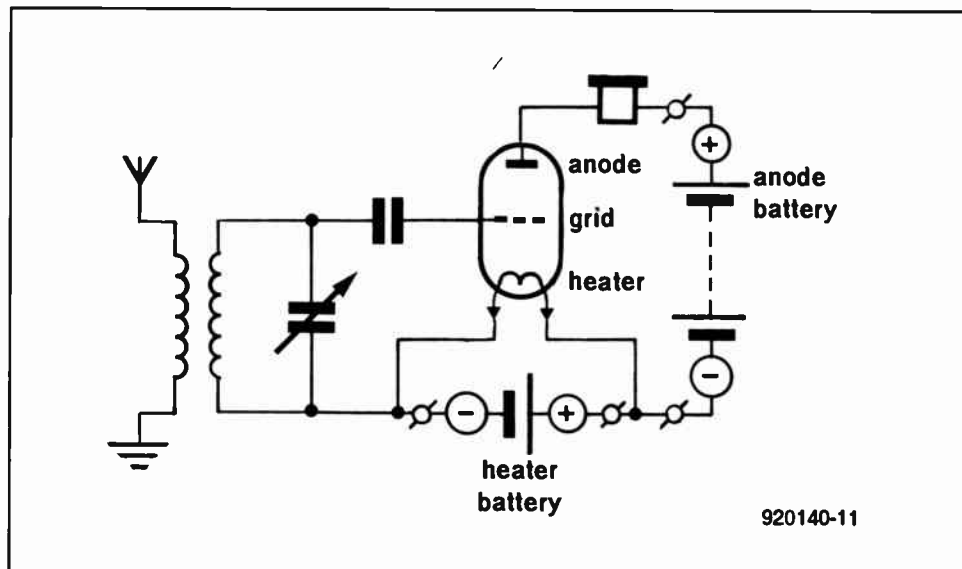


Fig. 1. A circuit using Fleming's oscillation valve.

cluding Preece, a well known British electrical engineer, and Ambrose Fleming, the Professor of Electrical Engineering at University College London. Despite this, no developments were made for some time.

## More developments

Fleming was obviously fascinated by the effect, and experimented with it from time to time. In 1889, he had some bulbs made up for him by the Ediswan Company in the UK, and using these he reproduced the Edison effect. It was not until a few years later that he observed that if an alternating current of between 80 and 100 Hz was passed through the bulb, it became rectified. Finally, Fleming demonstrated this effect to the Physical Society in 1896.

One of the major problems that hampered any further developments was the lack of understanding of what was causing the Edison effect. Matters were made clearer when Sir Joseph Thomson discovered that atoms were made up from even smaller particles, which included negatively charged electrons.

## A happy thought

Apart from being Professor of Electrical Engineering at University College

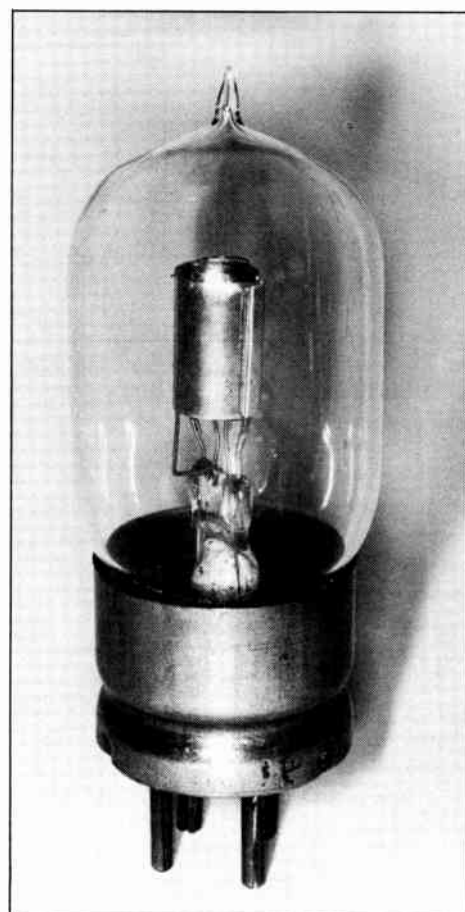


Fig. 2. An early triode.

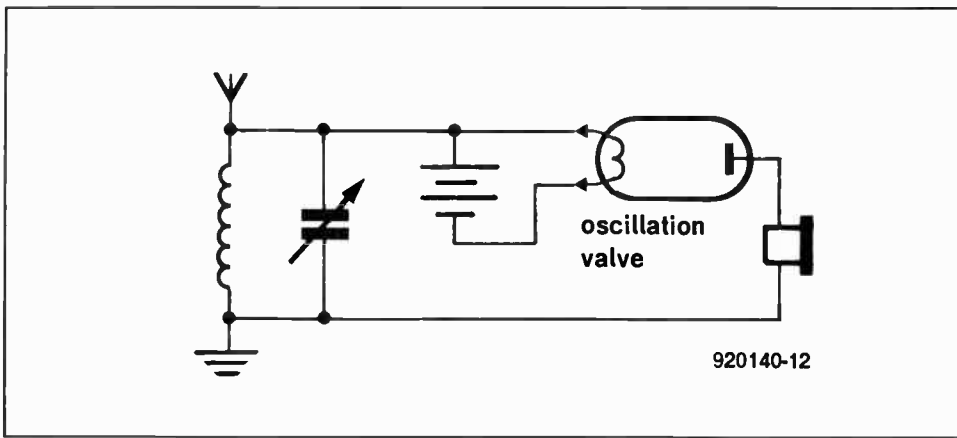


Fig. 3 De Forest's 'Audion' in circuit as a leaky grid detector.

London, Fleming was also a consultant to Marconi, who was pioneering wireless communications. In fact, it was Fleming who designed the transmitter to send the first message across the Atlantic. At this time, the main limitation in wireless communications was the lack of sensitivity of the apparatus which actually received the radio signals — both the coherers and the magnetic detectors were very inefficient.

It was with this problem in mind that Fleming was investigating methods of improving receiver sensitivity. In November 1904, he had what he called a 'sudden very happy thought'. He wondered if the Edison effect could be used to rectify what he called 'feeble to and fro motions of electricity from an aerial wire'. Fleming instructed his assistant to set up an experiment, and they were quickly able

to prove that the idea indeed worked.

Fleming called the idea his 'oscillation valve' (Fig. 1) because it acted in a similar way to a valve in a pump which allows gas or water to move in only one direction. He quickly patented the idea, as it was clearly a major step forwards in wireless technology. Even though the diode was still in its infancy, it was still a major improvement over the coherers available at the time.

## Other devices

Whilst Fleming's oscillation valve was a revolutionary idea, it did not become widely used. Valves were difficult and expensive to make, and their heaters consumed large amounts of power that had to be supplied by expensive batteries.

Then, in 1906, some cheaper devices were discovered. In fact, two different patents were filed, one by Ferdinand Braun for a crystal detector using hydrated crystals of manganese oxide, and the other by H. Dunwoody for a crystal detector using carborundum. These crystal devices were forerunners of the Cat's Whisker detectors which were used up until the mid 1920s. Although they had a number of limitations, they were much cheaper than valves, and this guaranteed their popularity.

## Another electrode

Despite the success of crystal detectors, others still looked towards improving thermionic technology. One was a man named de Forest who had been working on various aspects of wireless, and saw himself as an American rival to Marconi. In his research, he made a number of copies of Fleming's valve, and obtained patents for some modifications and improvements to it. He experimented with a number of different configurations of electrodes, and from the records it can be seen that he took out patents for three-electrode devices in 1905 and 1906. However, it was not until 1907 that he took out a patent for a triode with a fine element between the cathode and the anode. It was this valve that he called his 'Audion' (a later version is shown in Fig. 2).

## Slow road to success

Initially, valves were not widely used. They were expensive, and offered few advantages, partly because they were not used to their full potential. In fact, the triode was only used as a leaky grid detector (Fig. 3). The idea of using it to give amplification had not been considered.

It was not until 1911 that the valve was used as an amplifier or oscillator. After

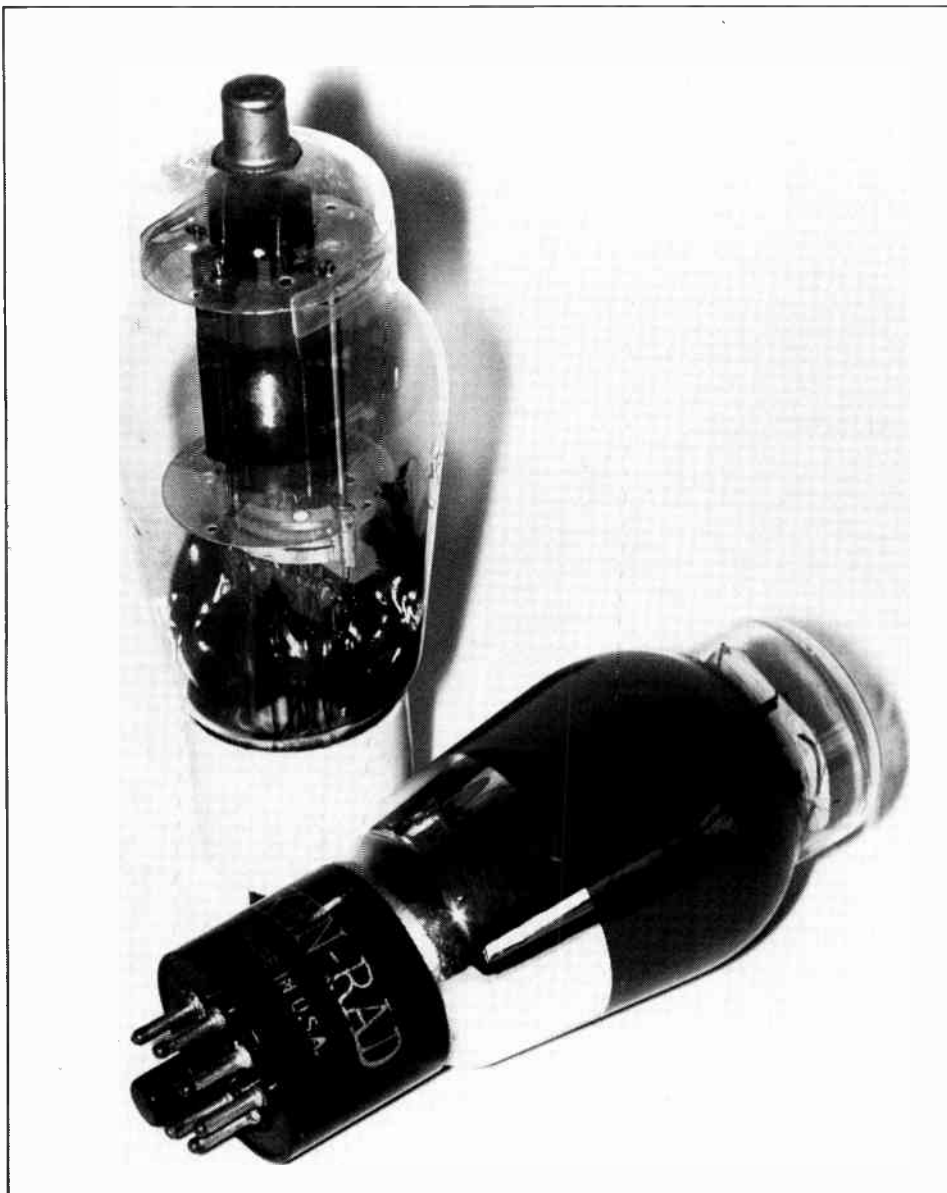


Fig. 4. The famous 6L6 and 807 valves.

this discovery, people were quick to try to exploit it. De Forest built an amplifier using three Audions, and demonstrated it to the telephone company AT&T. Although the performance was poor, they saw its potential, and soon started to build repeaters using valves which they had improved.

It was not until 1915 when an American scientist named Langmuir discovered that gases were not required in the envelope. New, highly evacuated, valves (known as 'hard valves') were soon produced with much better performance. In addition to basic improvements, the full evacuation of the envelopes brought a number of other improvements. Filaments could now be coated to improve their electron emission. Previously, any coating would have been contaminated. Filament temperatures could also be reduced, and this improved reliability as well as reducing the heater current consumption.

The advantages of the new 'hard valves' soon became apparent, and large numbers were manufactured. One type manufactured in France by the military authorities under an engineer called Ferrie was called the TM, of which over 100,000 were produced. An English development of it, called the Type R triode, was equally successful. After the first World War, many of these valves came on to surplus market, and were snapped up by enthusiastic amateurs.

## More electrodes

One of the major difficulties using the early triodes was to prevent them from oscillating, especially when they were used in high-frequency circuits of more than a few hundred kilohertz. The problem was caused chiefly by the inter-electrode capacitance between the anode and the grid. Many attempts were made to try to overcome this capacitance. In 1916, H.J. Round produced a low-capacitance valve known as the Type V24. In it, the anode lead was passed out of the glass envelope

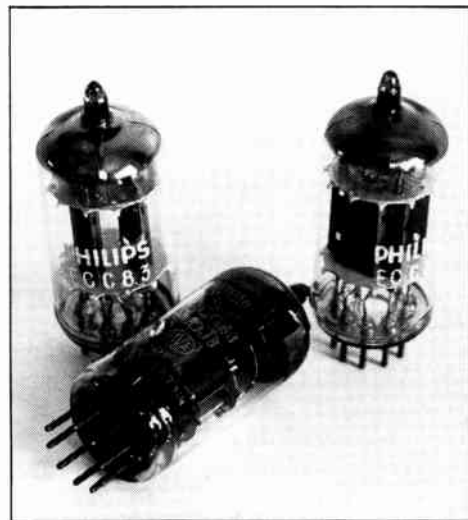


Fig. 5. Three modern all-glass dual triodes.

through a top cap on the valve, and not through the base. This idea has been used on many other radio frequency valves right up to recent times. Whilst this solution was reasonably successful, and Round managed to make his amplifier operate well for the day, it was by no means the answer to the problem.

Many further attempts were made to reduce inter-electrode capacitance. However, it was not until 1926 that the complete solution was found with the introduction of the tetrode. This used a second grid called the screen grid. This was placed between the normal control grid and the anode. Its introduction reduced the anode to control grid capacitance to almost zero, and solved the problem of instability.

Later, the tetrode itself was improved in 1929 by the introduction of the pentode. This valve had yet another grid called the suppressor grid, which improved the discontinuity in the characteristic of the tetrode caused by electrons bouncing off the anode when they hit it.

## Heaters

Apart from making improvements in the operation of valves by creating additional grids, further improvements were made in the heater arrangements. It was discovered that the cathode could be indirectly heated, and this meant that the heaters could be electrically isolated from the cathode. This, in turn, had the advantage that the heaters did not need to be powered by a battery (d.c.) supply. A major improvement indeed, because it meant that size of radios could be considerably reduced, as could be their running costs.

## Increase in use

During the 1930s, valve use increased dramatically. Their use within domestic radios grew, and in addition to this they were used in a variety of applications within industry. By the late 1930s, many thousands of different types of valve were being manufactured, and there was a large number of different manufacturers appearing both in the USA and in Europe.

Many of the valves introduced in this period have long since disappeared from common use. However, a few were very successful, and remained in new designs for a long time. One such valve was the Type 6L6 used in many guitar amplifiers until quite recently. In many ways, it was quite revolutionary, being the first beam tetrode. It used a new technique to overcome the discontinuity in the characteristic of the tetrode caused by electrons bouncing off the anode. Rather than using a suppressor grid, it had a new arrangement connected to the screen grid. This valve became so popular that it was later modified for RF applications by giving it a top cap for the anode. This valve was

called the 807, and was widely used in transmitters in the Second World War and afterwards. The 6L6 and 807 are shown in Fig. 4.

Prior to the war, all valves had used special metal or plastic bases attached to the glass envelopes to hold the pins. After the war, miniaturization and improvements in manufacturing techniques enabled the pins to be mounted into the glass envelope. By doing this, much smaller valves were made (Fig. 5), and costs were reduced.

## The Fall

The heyday of the valve could not last forever. The invention of the transistor in 1948 took a long time to affect the supremacy of the valve. However, in the 1960s, when prices of transistors started to fall, it became obvious that valves were no longer the best option for many applications. Transistors and, later, ICs totally overtook the use of valves in domestic appliances. Radios, televisions and many other items which had previously used valves all turned to semiconductors.

Despite all this, thermionic technology still survives in a number of areas where semiconductors have not been able to compete. One of the most obvious is the cathode ray tube (CRT) in televisions and computer monitors. Although some semiconductor alternatives are slowly appearing, they have not yet supplanted the dominance of the CRT.

Another area where transistors have not been able to compete is in high-power transmitting applications. Today, valves offer the only real solution for transmitters producing a few tens of kilowatts or more. As a result of this, many developments have been made in this area recently.

## Finale

Valves have been used now for nearly 100 years. Their contribution to electronics has been enormous. In fact, there is no doubt that electronics would not be nearly as advanced as it is today, had it not been for the invention of Fleming's oscillation valve, and all the subsequent developments. ■



*Glass Audio* magazine features the best vacuum tube designs for audio reproduction—past and contemporary. The new designs take advantage of improved components and control techniques that make the end result far superior to anything possible during the early days of audio's rebirth after World War II. *Glass Audio*, THE magazine for tube lovers! For further information, contact:

AUDIO AMATEUR PUBLISHING GROUP  
PO Box 576, Dept E92  
Peterborough, NH 03458-0576, USA  
PHONE (603) 924-9464 FAX (603) 924-9467



### 4-Megabyte printer buffer

June 1992, page 34

Two points regarding this project.

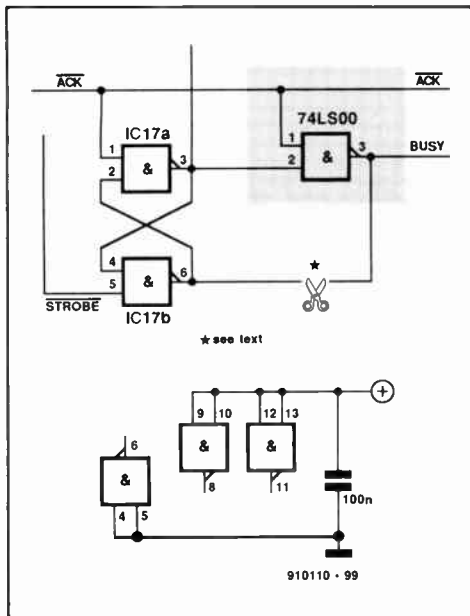
(1) The input of the buffer is designed to be Centronics compatible. Problems may occur when this standard is not respected by the computer or the software. A number of "fast" PCs (in particular 386 and 486 based machines) appear to have printer interfaces derived from the

## LETTERS

Epson standard. These interfaces in general do not wait for the ACKNOWLEDGE signal, but instead process the BUSY signal.

Handshaking problems that may occur between these PCs and the printer buffer may be solved by combining the BUSY and ACKNOWLEDGE signals as shown in the diagram opposite. The result of the modification is that the printer buffer behaves like an Epson-compatible peripheral device.

(2) An updated version of the control software (in EPROM) is available that enables 1-Megabyte (1M x 8 and 1M x 9) SIP/SIM modules with three ICs to be used in the printer buffer.



### Inductance-capacitance meter

March 1992, page 30

Terminals "A" and "B" should be transposed in the circuit diagram of the meter circuit proper (Figure 4 on page 32).

#### FM TUNER

Could you please supply details of where to obtain the TQF-2599 crystal filters used in "AM/FM Receiver" (EEUSA 4/91 p. 59).

P. Holton  
Durhan, South Africa

Editor replies:

The TQF-2599 crystal filter for the FM tuner should by now have become available from several electronics retailers. Unfortunately, there is a delay in delivery from the manufacturers, Tyocom of Japan (yes, even Japanese manufacturers have their problems) and, consequently, the filters are not expected to be with the retailers until July. We are fortunate in being able to buy small quantities directly from the manufacturers, so that we have been able to complete our prototypes.

### Milli-ohm measurement adaptor

April 1992, page 58

To prevent its contacts burning out, switch S<sub>1</sub> must not be operated when an inductive component is connected to the adaptor.

Contrary to what is said under the heading "Extensions," the reference inputs of the DVM are connected to the pole of S<sub>1b</sub> and ground, while the "normal" DVM inputs are connected to the resistor to be measured.



## BACK ISSUES

**1988** An Electrostatic Headphone Amp • Self-Bias Servo for Push/Pull Amps • Greening the G36 • Stereo Microphone Preamp • Dynamic Headphone Amp •

**1989** ST-70 With Solid-State Regulation • Vacuum Tube Denon CD • RestoreYour Scott Tuner • UK Round-Up • Tube Directory • Rejuvenating Dyna's Mark IV • Soft Start for Tubes • Transformer Hunting • Looking at Vacuum Tube Rectifiers • Extending Tube Life •

**1990** Build 70 Watts of McIntosh Power • Amplifier Loads for Testing • Understanding Tube Phase Inverters • KIT REPORT: Five Mods for the Dynaco ST-70 • A Transformerless Output Amplifier • From Oscilloscope to Curve Tracer • On Power Supplies • Test Bench Power • KIT REPORT: Sonic Frontiers' SFM-75 • Unveiling the Silver Screen: Carver's Monoblock Amp •

**1991** Rebuilding Tube Amps • A Four Input Stereo Line Mixer • Improving Dyna's FM-3 • Tubes in Japan • A Line Level Preamp • The 6BX7 Amplifier • Improving the Classic Tube Preamp • Testing Tubes •

**YES! Send me:**  1988 @ \$ 5  1990 @ \$12  
 1989 @ \$12  1991 @ \$12

#### POSTAGE & HANDLING:

**US:** Domestic ground service based on value of order.  
orders \$ 0-\$ 60 add \$4 orders \$131-\$220 add \$ 8  
orders \$61-\$130 add \$6 orders \$221+ add \$10

**Canada:**  
\$4 per yearly set.

**Overseas:**  
Air Mail to Europe add 40% of total order.  
Air Mail to other destinations add 50% of total order.  
Surface Mail to all destinations add 20% of total order.

**Magazine total \$ \_\_\_\_\_ + P/H \$ \_\_\_\_\_ Total: \_\_\_\_\_**

I enclose payment in:  Check or Money Order/Mastercard/ Visa

MC/VISA \_\_\_\_\_ EXPIRES \_\_\_\_\_

NAME \_\_\_\_\_

ADDRESS \_\_\_\_\_

CITY \_\_\_\_\_ ST \_\_\_\_\_ ZIP \_\_\_\_\_

## COMPONENT RATINGS

A number of readers have asked for ratings of circuit components to be specified in the parts lists. Ratings used to be specified in the "decoder" in the past, but for a number of reasons this was discontinued. In view of the requests, we will again publish them starting here.

In resistor and capacitor values, decimal points and large numbers of zeros are avoided wherever possible. The decimal point is usually replaced by one of the following abbreviations:

- (pico-) =  $10^{-12}$
- n (nano-) =  $10^{-9}$
- $\mu$  (micro-) =  $10^{-6}$

## LETTERS

- m (milli-) =  $10^{-3}$
- k (kilo-) =  $10^3$
- M (mega-) =  $10^6$
- G (giga-) =  $10^9$

Note that nano-farad (nF) is the international way of writing 1000pF or 0.001 $\mu$ F.

Resistors are 1/2W, 5% metal film types unless otherwise specified.

The d.c. working voltage of capacitors (other than electrolytic or tantalum types) is assumed to be  $\geq 60V$ . As a rule of thumb, a

safe value is about  $12 \times$  d.c. supply voltage. D.C. test voltages are measured with a 20k $\Omega/V$  instrument unless otherwise specified.

Mains (power line) voltages are not listed in the articles. It is assumed that our readers know what voltage is standard in their part of the world.

Readers in countries that use 60Hz supplies should note that our circuits are usually designed for 50Hz. This will not normally cause problems, although if the mains frequency is used for synchronization, some modification may be required.

The international letter symbol "U" is used for voltage instead of the ambiguous "V." The letter V is reserved for "volts".

**12 INSTRUMENTS IN ONE** TRUE RMS-LCR-Hz-dBm

- DC VOLTMETER • AC VOLTMETER
- AC CURRENT • DC CURRENT
- OHMMETER • DIODE TESTER
- AUDIBLE CONTINUITY TESTER
- dBm • CAPACITANCE METER
- INDUCTANCE METER • LOGIC PROBE
- FREQ COUNTER to 20MHz

**0.1% ACCURACY** on DC Voltages **Water Resistant**

10M OHM IMPEDANCE RELATIVE MODE & DATA HOLD, MAX/MIN AVERAGE MEMORY RECORD, 10A HIGH-ENERGY FUSE PROTECT, AUTO SLEEP & POWER OFF with Bypass

**TRUE RMS PLUS** Model 94  
COMES WITH #990111  
**2 YR WARRANTY**  
YELLOW HOLSTER, PROBES, BATTERY, FUSE, STAND

\$199<sup>95</sup>

KELVIN

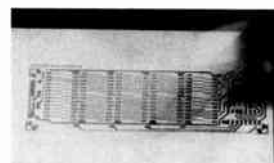
ELECTRONICS

10 HUB DRIVE, MELVILLE, NY 11747

(800) 645-9212 M/C  
(516) 756-1750 VISA  
(516) 756-1763/FAX



## MAKE CIRCUIT BOARDS THE NEW, EASY WAY



### WITH TEC-200 FILM

#### JUST 3 EASY STEPS:

- Copy circuit on TEC-200 film using any plain paper copier or laser printer
- Iron film on to copper clad board
- Peel off film and etch

#### SATISFACTION GUARANTEED

convenient 8 1/2 x 11 size

5-Sheets for \$3.95 10-Sheets only \$5.95  
add \$1.50 postage NY res. add sales tax

#### The MEADOWLAKE Corp.

Dept C, P.O. Box 497, Northport, NY 11768

## A N N O U N C I N G

**A**T long last, *Elektor* project builders on this side of the Atlantic can use this special software downloaded from the Dutch *Elektuur's* internal files. WRITTEN IN DUTCH, EIT provides the manufacturer (name only) for more than 2700 hard-to-find European parts used in *Elektor* projects during the ten years covered. Menu-driven and including a short list of translations for key words and phrases, this detailed index is cross-referenced by ten different parameters, including part number and article title, and requires 4MB of hard drive memory. Despite the language gap, EIT is fun to use and easily mastered in less than an hour—to provide a lifetime of reference value.



#### TELEPHONES:

(603) 924-6371  
(603) 924-6526

#### FAX:

(603) 924-9467

### OLD COLONY SOUND LAB

PO Box 243  
Peterborough, NH 03458-0243

# EIT ELEKTOR ITEM TRACER 1982-1991

**OCSL PART #**  
**SOF-EIT2B5**  
**2 x 360K DS/DD**

\$7.95

POSTPAID

**YES!** PLEASE SEND ME \_\_\_\_\_ EIT (s)  
@ \$7.95 POSTPAID FOR A TOTAL OF \$ \_\_\_\_\_.

NAME \_\_\_\_\_

STREET \_\_\_\_\_

CITY \_\_\_\_\_ ST \_\_\_\_\_ ZIP \_\_\_\_\_

DAYTIME TELEPHONE \_\_\_\_\_ TODAY'S DATE \_\_\_\_\_

PAYMENT BY:  MC  VISA  CHK/MO

MC/VISA \_\_\_\_\_ EXP. DATE \_\_\_\_\_

# CLASSIFIEDS

## KITS

**POOR MAN'S** Spectrum Analyzer monitor receiver kit. 2 to 1,500MHz. Basic kit only \$78. Now available with switched resolution filters, tracking generator and direct digital frequency readout. Works with ANY scope. Send SASE for details. **SCIENCE WORKSHOP**, Box 310-EE, Bethpage, NY 11714. T10/92

**KITS! FREE** catalog of fantastic electronic products that you can build. Microprocessors, test instruments, digital speech and more! **LNS TECHNOLOGIES**, 20993 Foothill Blvd., Suite 307E, Hayward, CA 94541-1511. T10/92

**CRYSTAL SETS.** Complete kit, includes PC board, parts, plans. Remit \$19.95 plus \$4 shipping. **XTAL SET SOCIETY**, RR 1 Box 129A, Lawrence, KS 66044. Teacher's guide, lesson plans, \$9.95 optional. SASE for information. T10/92



**RECEIVING TUBES**  
**OVER 3000 TYPES IN STOCK!**

Also hard-to-find transformers, capacitors and parts for tube equipment.  
Send \$2.00 for our 32 page catalog.

**ANTIQUE ELECTRONIC SUPPLY**  
6221 S. Maple Ave. • Tempe, AZ 85283 • 602-820-5411

Reader Service #15

## COMPUTER SOFTWARE

**PCB LAYOUT & ELECTRONICS IBM SHAREWARE PROGRAMS** \$3 S&H for 2 disks full, plus **DISKALOG**, plus free \$3 gift certificate. **AMERICAN SOFTWARE**, Suite M-17, POB 509, Roseville, MI 48066-0509. T3/93

**2,800+ IBM SHAREWARE PROGRAMS.** Free disk catalog. Specify disk size. **GSEL SHAREWARE DISTRIBUTORS**, 3870 LaSierra Ave. #134E, Riverside, CA 92505. T10/92

**AUXILIARY GENERATOR BLUEPRINTS**

alternate energy source, \$10.00.

**DEE CHA, 307 Each Ash, #153, Box 6025, Columbia, MO 65205**

## TEST EQUIPMENT

**CABLE TEST CHIPS.** S-A 8550, S-A 8500—310, 311, 320, 321 (specify)—\$33.95. S-A 8580/338—\$69.95. TOCOM 5503/07 VIP—\$33.95. **TELECODE**, PO Box 6426-EK, Yuma, AZ 85366-6426. T10/92

## PLANS & SCHEMATICS

**FLAME SPEAKER.** Finally, a speaker with no moving parts! Omnidirectional sound, with higher frequency response than conventional loudspeakers. No diaphragm or voice coil. Plans, \$10. **ELECTROMAN**, PO Box 24474, New Orleans, LA 70184. T11/92

## SURVEILLANCE

**COUNTERSURVEILLANCE Electronic Devices**

Miniature Transmitter Kits.. \$29.95

Voice Changers, Phone Scramblers, Vehicle Tracking, Phone Recording Systems, Bug & Phone Tap Detectors, & More!

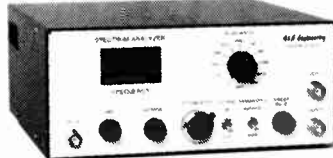
CALL IDENTIFIER device • displays callers phone number before you answer with date & time of call... \$49.95

FOR CATALOG SEND \$5.00 TO...

**FDP** P.O. Box 337, Buffalo, NY 14226 (716) 861-3476

## 450 MHz SPECTRUM ANALYZER

Adapted from Nov. '85 QST article by Al Helfrick K2BLA



**Features:** Three digit LED center frequency readout. 12 position calibrated scan width 1 KHz to 50 MHz, switchable bandwidth; wide = 300 KHz, narrow = 15 KHz. Use your low frequency scope for the display. Switchable 10 KHz video filter. Variable IF attenuator, LOG output calibrated in 10 db steps.

**Complete Kit Only . . . . . \$459.95**  
**Assembled & Tested . . . . . \$799.95**

CA Residents add 7.75% sales tax. S & H: \$6.50 (insured). Foreign orders add 20%. For more info or our catalog; send Legal Size SASE (52 cents postage) to:

**A & A Engineering**

2521 W. LaPalma #K • Anaheim, CA 92801 • 714-952-2114

## COMPUTER HARDWARE

**NEW AND SLIGHTLY** used but guaranteed Radio Shack items: Computer hardware, software, books, "force-feed," etc. 20% to 80% off. Write for what you want. If we don't have it, we'll try to get it. **WERNER L. JORDAN**, 10 N. Morley St., Baltimore, MD 21229, (301) 566-5388. (Please send \$2 for list). T10/92

**PROGRAMMABLE CONTROLLER:** Applications include automation, data logger, design tool. Intel 83C51FB (8051 family) with BASIC and MONITOR-51, 32K RAM, Clock, 8 analog inputs, 14 digital I/O, Dual RS-232C, 5V regulator, just 2 1/2" x 3" (with case), \$199. Hardware Package includes power supply, applications board, cable, User's Manual, \$299. Designer's Package also with Macro Assembler, Symbolic Debugger, \$399. C51 Compiler also available. **BLUE EARTH RESEARCH**, 310 Belle Ave., Mankato, MN 56001, (507) 387-4001. T10/92

**BEEP BEEP—REPAIR IBM COMPATIBLE PCs!** The POST CODE MASTER plug-in board captures and displays Power On Self Test (POST) codes generated by the BIOS in most all 286, 386, and 486 PCs. A complete explanation of codes for all major BIOS manufacturers is included, along with descriptions of cryptic Beep codes that are generated when errors occur. Only \$59. **MICROSYSTEMS DEVELOPMENT**, 4100 Moorpark Ave., #104, San Jose, CA 95117, (408) 296-4000, FAX (408) 296-5877. T10/92

## PRINTED CIRCUIT KIT

**ER-4 PHOTO ETCH™** kit lets you copy art from this magazine onto your PC board. Includes everything but exposure bulbs. Shipped UPS to your street address for \$43.00.

**ER-19 EXPOSURE BULB SET FOR ER-4.** Contains 3400°K reflector flood and 4800°K long wave UV lamp for ordinary 120V socket. Shipped UPS to your street address for \$18.45.

**FREE CATALOG** of dry transfers and PC supplies. Write or phone **DATAK**, 55 Freeport Blvd., Sparks, NV 89431. 702-359-7474 FAX: 702-359-7494

Reader Service #50

## BOOKS & PERIODICALS

**VIDEOCIPHER II/Satellite/Scanner/Cable/Amateur/Cellular/Repair Manuals, Modification Books & Software.** Catalog—\$3. **TELECODE**, PO Box 6426-EK, Yuma, AZ 85366-6426. T1/93

**SHOCKING PHREAK OFFERS:** Computers, electronics, telephones, energy. Hundred books, software, hardware services. Catalog \$4. **CONSUMERTRONICS**, 2011 Crescent, Alamogordo, NM 88310-0537, (505) 434-0234. T10/92

**HEATHKIT NOSTALGIA.** History in pictures and stories of and by the people involved. Compiled by K8TP, 124 pages. \$9.95, postpaid (plus tax in WA). **HEATH NOSTALGIA**, 4320 196th S.W., Slot B-111, Lynnwood, WA 98036. T10/92

**KENWOOD & ICOM Service Bulletins.** 175+ pages covering all models, \$33.95 Catalog—\$3. CODs, (602) 782-2316 / FAX (602) 343-2141. **TELECODE**, Box 6426-EK, Yuma, AZ 85366-6426. T10/92

**PHOTOFACTS:** Folders and specialized books; AR, CB, CM, HTP, MHF, SD, TR, TSM, VCR. **A.G. TANNENBAUM**, PO Box 110, E. Rockaway, NY 11518, (516) 887-0057. T10/92

**UNITED STATES Frequency Allocations:** Radio Spectrum, 32 by 50 color chart shows radio, tv, mobile, amateur, zones, \$7. **PUBNETIX**, Box 1022, Laurel, MD 20725-1022. T10/92

**MICROCONTROLLER** applications notes/software catalog. Temperature logger plans, \$10 U.S. **SENSOR**, 342 Roberta St., Ontario, Canada P7A 1A3. T11/92

## MISCELLANEOUS


**WANTED: K/KU/K/MILLIMETER** band handheld radars, Gunn oscillators, Feedhorns, detectors. Also MacIntosh, IBM-PC equipment, peripherals, software. **JOHN WILLIAMS**, 2011 Crescent, Alamogordo, NM 88310, (505) 434-0234. T10/92

## INDEX OF ADVERTISERS

All Electronics Corporation . . . . .	5	TECI . . . . .	7
Baylin Publications . . . . .	20		
BG Micro . . . . .	CV IV		
Blue Earth Research . . . . .	5		
Deco Industries . . . . .	CV III		
Kelvin Electronics . . . . .	50		
Meadowlake Corporation . . . . .	50		
Micro Video Products . . . . .	CV III		
Mouser Electronics . . . . .	7		
National Scanning Report . . . . .	7		
OLD COLONY SOUND LAB			
Elektr Item Tracer . . . . .	50		
Heath Nostalgia . . . . .	49		
New Products . . . . .	8-10		
Parts Source . . . . .	CV III		
SMPT . . . . .	5		
Spy Supply . . . . .	CV III		
Tupto Corporation . . . . .	CV II		
		<b>ELECTRONICS SCENE/NEW PRODUCTS</b>	
		Analog Devices . . . . .	12
		A-R Editions . . . . .	13
		Audio-Technica US . . . . .	11
		Baylin Publications . . . . .	11
		Benchmark Media Systems . . . . .	13
		Communications Specialists . . . . .	11
		Global Specialties . . . . .	12
		Hart Publishing . . . . .	12
		Interactive MicroSystems, Inc. . . . .	13
		MicroMath . . . . .	12
		Prairie Digital, Inc. . . . .	13
		Scantek, Inc. . . . .	12
		Snell Digital . . . . .	13
		Stanford Research Systems . . . . .	13
		TECI . . . . .	11
		VidiPax . . . . .	12

# CLASSIFIEDS

### RACK AND CHASSIS BOXES



RACK BOXES				CHASSIS BOXES			
MODEL	H	D	PRICE	MODEL	W	D	PRICE
1RU5	1.75	5	\$23.40	MC-1A	4	3	\$15.75
1RU7	1.75	7	31.50	MC-2A	6	3	17.85
1RU10	1.75	10	33.00	MC-3A	6	3	19.95
2RU5	3.50	5	31.50	MC-4A	4	4	17.85
2RU7	3.50	7	33.00	MC-5A	6	4	19.95
2RU10	3.50	10	35.70	MC-6A	6	4	22.05
3RU5	5.25	5	39.90	MC-7A	4	7	18.95
3RU7	5.25	7	42.00	MC-8A	6	7	22.05
3RU10	5.25	10	44.10	MC-9A	6	7	24.15

**FEATURES:**  
 EASY TO FABRICATE SHIPPED FLAT  
 ALL MAIN PANELS ARE FLAT FRONT AND REAR  
 APE CLEAR BRUSHED ANODIZED TOP  
 BOTTOM AND THE END PANELS ARE BLACK BRUSHED ANODIZED.

NOT SHOWN

**VISA / MC** We also accept VISA and MASTERCARD. ORDER DEFECT FROM THE FACTORY. ON PREPAID ORDERS SHIPPED UPS GROUND NO CHARGE SECOND DAY AIR \$10.00 NEXT DAY AIR \$20.00

**SESCOM INC.** 2100 WARFORD DRIVE HENDERSON, NV U.S.A.  
 800-15-4249 (ORDERS) 800-634-3457 (TECHNICAL HELP)  
 702-565-3400 FAX 702-565-4828

### COMPONENTS, PARTS & SUPPLIES

**IF YOU HATE** your order to be delayed in ICs or Fly-backs because it's out of stock, try us. We deliver quality service and low prices. **VIDEO TV PARTS**, 514 S. 17th, McAllen, TX 78501, phone (512) 631-1623.

T10/92

## HUGE

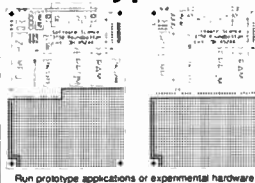
FREE CATALOG WITH PRICES!

- ◆ Shortwave Receivers
- ◆ Scanners
- ◆ Amateur HF Transceivers
- ◆ VHF-UHF HT's and Mobiles
- ◆ Amateur and SWL Antennas
- ◆ Accessories and Parts
- ◆ RTTY and FAX Equipment
- ◆ Books and Manuals

This catalog is available FREE by fourth class mail, or for \$1 by first class mail.

**Universal Radio**  
 6830 Americana Pkwy. EK  
 Reynoldsburg, OH 43068  
 ☎ Orders 800 431-3939  
 ☎ Info. 614 866-4267

## Prototype it..... FAST!



with ProtoQuick 8051 or Z8

- Complete single board computers
- Up to 32K EPROM and 64K RAM
- 12 led in placed through proto area
- RS232 C serial port w/ DB25 conn
- Op sys in EPROM w/ source code
- Assembled ready to run - 5v only
- MS DOS cross-assembler included

**ProtoQuick Z8 and 8051**  
**\$99.00** each

Run prototype applications or experimental hardware from the serial port - WITHOUT PROGRAMMING!

Software Science  
 2750 Roundbottom Road  
 Chesapeake, OH 42824 USA  
 (513) 561-2060

Reader Service #178

For advertising information call Maureen McHugh at  
**(603) 358-3756**  
 or write  
**ELEKTOR ELECTRONICS**  
 Audio Amateur Publishing Group  
 PO Box 878  
 Peterborough, NH 03458

## ELEKTOR ELECTRONICS CLASSIFIED ORDER FORM

**RATES**  
 75 cents per word. Deduct 10% for a 6x contract. \$10.00 minimum for charge card orders.

**HOW TO COUNT WORDS**  
**Definition of a word:** A series of letters with a space before and after. Count words, not letters. Hyphenated words count as one word (i.e. first-rate).

**HOW TO SUBMIT YOUR AD**  
 Type or print your ad clearly on form. Check the category you wish your classified to appear under. Indicate number of insertions. Enclose check with order or include credit card number and expiration date.

**Mail to:**  
 Elektor Electronics, Classifieds, PO Box 876, Peterborough, NH 03458.

**No ads will be taken over the telephone. No questions taken over the phone. Prepayment must accompany ad. No Billing.**

- Categories (please check just one)
- |   |   |  |
|---|---|--|
| <input type="checkbox"/> Audio For Sale               | <input type="checkbox"/> Computer Hardware For Sale | <input type="checkbox"/> Optoelectronics       |
| <input type="checkbox"/> Books & Periodicals          | <input type="checkbox"/> Computer Software For Sale | <input type="checkbox"/> Plans & Schematics    |
| <input type="checkbox"/> Business Opportunities       | <input type="checkbox"/> Computer Systems For Sale  | <input type="checkbox"/> Professional Services |
| <input type="checkbox"/> Cable & Satellite            | <input type="checkbox"/> Education                  | <input type="checkbox"/> Radio Communications  |
| <input type="checkbox"/> Conferences, Fairs, Seminars | <input type="checkbox"/> Home Automation            | <input type="checkbox"/> Security              |
| <input type="checkbox"/> Components, Parts & Supplies | <input type="checkbox"/> Kits                       | <input type="checkbox"/> Test Equipment        |
|   | <input type="checkbox"/> Miscellaneous              | <input type="checkbox"/> Video                 |

Clubs

Wanted To Buy

**Ads in these two categories are free to subscribers. Attach your mailing label to form for verification. Limit 50 words.**

1	2	3	4	5	6	7	8	9	10
11	12	13	14	15	16	17	18	19	20
21	22	23	24	25	26	27	28	29	30
31	32	33	34	35	36	37	38	39	40
41	42	43	44	45	46	47	48	49	50

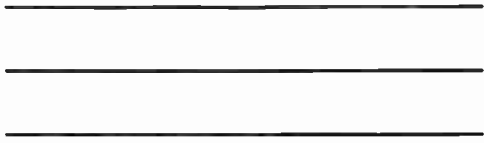
Please run this ad \_\_\_\_\_ times.  
**Advertisement will be inserted in first available issue.**

Check/Money order enclosed

Please charge to my Master Card/Visa

MC/VISA	EXP. DATE
NAME	COMPANY
STREET	
CITY	ST ZIP
PHONE NUMBER	





Your  
Stamp  
Helps

**ELEKTOR ELECTRONICS USA**  
**PO Box 5009**  
**Pittsfield MA 01203-5009**



Your  
Stamp  
Helps

**ELEKTOR ELECTRONICS USA**  
**PO Box 5009**  
**Pittsfield MA 01203-5009**







# TERMS OF BUSINESS

PRICING

Prices, except as noted, include shipping in the continental USA. The minimum order is \$10. A \$2 service charge will be added to orders of less than \$10. Prices are subject to change as our costs change. WE RESERVE THE RIGHT TO MAKE PRICE CHANGES WITHOUT NOTICE.

## TELEPHONE ORDERS

Telephone orders are welcome between the hours of 9:00 a.m. and 4:00 p.m. EDT, Monday-Friday. Orders for parts are to be made on the ORDER FORM provided. Payment for telephone orders is by MC/VISA only. Our TELEPHONE ORDER NUMBER IS (603) 924-6371 or 924-6526. Our answering machine for MC/VISA orders during non-business hours is (603) 924-6371. FAX: (603) 924-9467 (24 hours).

## PAYMENT

All remittances MUST BE IN US FUNDS DRAWN ON A US BANK. Payment for telephone orders must be made by MasterCard or VISA. Mail order payment may be made by MC/VISA, money order, cashier's check or personal check. If payment is made by personal check, allow up to 2 weeks for clearance before order is shipped. Should check be returned for any reason, there will be a \$10 charge.

## SHIPPING

Unless noted, freight is prepaid by Old Colony. All orders shipped USPS first class mail or by UPS. Allow two to three weeks for delivery. Please inquire about appropriate funds for special handling (UPS next day or second day). UPS requires a street address. If you cannot receive UPS delivery, please in-

clude an extra \$2 for insured service via Parcel Post. We cannot accept responsibility for safety or delivery of uninsured Parcel Post shipments. Absolutely no COD shipments.

## BOOKS, RECORDINGS, CDs, and SOFTWARE

The shipping/handling charge for the US is \$2.00, plus 75¢ each additional item. In Canada, please add \$4.50 for the first item, 75¢ each additional. For orders to be shipped outside North America, add 20% to the total order to cover shipping. No returns. According to the Connecticut Dept. of Revenue Services, Regulation #27, Section 12-426-27, in order to sell software to residents of Connecticut, we must register with the department as well as collect taxes for the state from the purchaser. We regret to inform customers that we will not sell software to anyone from Connecticut. ■

# BOOKS FROM ELEKTOR ELECTRONICS USA

## 301 CIRCUITS

This book follows the theme of the first in this series, *300 Circuits* (now out of print). It contains over 300 assorted circuits first published in the 1979, 1980, 1981 summer issues of *Elektor Electronics*.

The circuits range from the simple to the more complex and are described and explained in straightforward language. The book is a comprehensive source of ideas and construction projects for anyone interested in electronics.

ISBN 0-905705-12-2  
BKAA11 Price \$12.50

## 302 CIRCUITS

The popularity of this book is shown by its having been reprinted no fewer than three times. It offers a selection of the most interesting articles from the 1982, 1983, 1984 summer issues of *Elektor Electronics*.

In it you will find circuits for audio and video; car, cycle, and motorcycle; home and garden; receivers and aeriels; hobbies and games; measuring and testing; oscillators and generators; current sources and power supplies; microcomputers and music electronics; and a miscellany of other interesting subjects.

ISBN 0-905705-25-4  
BKAA12 Price \$12.50

## 303 CIRCUITS

Like its predecessors, *303 CIRCUITS* offers a comprehensive collection of practical ideas, concepts, and developments in the gamut of electronics. Unlike its predecessors, the book is arranged in 11 subject sections to make it easier for the reader to find that long-sought circuit.

In well over 300 pages, the book offers 32 Audio and Hi-Fi projects; 14 circuits for Car and Bicycles; 43 Computer & Microprocessor circuits; 11 Electrophonic projects; 24 HF and VHF circuits; 16 circuits for a number of hobbies and pastimes; 54 projects for Home and Garden; 29 Power Supply circuits; 29 circuits for Test and Measurement equipment; nine TV and Video projects; as well as 42 Design Ideas.

ISBN 0-905705-62-2  
BKAA13 Price \$15.90

## 304 CIRCUITS

The latest in *Elektor's* famous "300" series, BKAA18 contains 304 innovative circuits and descriptions broken down as follows: 36 audio/video, 19 high frequency, 36 hobby, 36 home and garden, 9 music/electrophonics, 32 computer/microprocessor, 19 generator/oscillator, 33 test and measurement, 30 power supply, 13 car electronics, and 41 miscellaneous. Arranged by subject for ease of use.

ISBN 0-905705-34-3  
BKAA18 Price \$19.95

## DATA SHEET BOOK 2

Like its predecessor (now out of print), this book offers concise, relevant, and rapidly accessible information, which is both practical (e.g., the pin-out of a device) and informative.

The book contains data on integrated circuits as well as on discrete transistors and diodes. Moreover, it gives an introduction to fast (HCMOS) devices and a review of the new symbolic logic as laid down in British Standard BS3939: Section 21 (IEC Standard 617-12).

The final part of the book deals with a number of computer chips, such as memory devices (including programming information for these) and I/O circuits. This section also includes data on a number of non-digital discrete and integrated devices, such as op amps, as well as on some microprocessor peripherals (e.g., the 6522 VIA, the 6580 ACIA, and the 8355A PPI).

ISBN 0-905705-27-0  
BKAA14 Price \$16.50

## DATABOOK 3: PERIPHERAL CHIPS

This book lists the most important design data of peripheral chips whose type numbers and functions relate them unambiguously to a microprocessor in the same family. All listed devices form part of families based on widely used microprocessors or microcontrollers. Their most evident application will therefore be in conjunction with the associated microprocessor. This should, however, not be taken to mean that a peripheral cannot be used in another application. Far from it, as witness the familiar type MC146818A real-time clock and the type MC6845 cathode-ray tube controller. It deserves a place on the bookshelf of anyone concerned with the design, maintenance and servicing of microprocessor-controlled electronic equipment.

ISBN 0-905705-30-0  
BKAA15 Price \$17.95

## MICROPROCESSOR DATA BOOK

This book has come about because of a need by *Elektor Electronics* engineers, technicians, and editorial staff of a ready reference work on the most important microprocessors. This implies that it does not only contain information on the latest devices, such as the transputer, but also on older, well-established types, such as the Z80 and the 6800.

A general description, hardware block schematic, software structure, DC characteristics, and instruction sets are given for over 70 microprocessors. To prevent the book from becoming unwieldy (and to keep costs down), timing diagrams and AC characteristics have, however, been omitted. The detailed information on all manufacturers mentioned will, however, enable any additional information to be obtained quite readily.

Included in the book are, among others, the 68000 series; the 6502 family; the Z80, 8080, and 8085; Intel's 8086, 80186, 80188, 80286, and 80386; the NS32XXX series, and the IN-MOS transputers.

ISBN 0-905705-28-9  
BKAA16 Price \$17.90

## DATABOOK 4: PERIPHERAL CHIPS II

This further volume in *Elektor Electronics' Microprocessor Data Book* series deals with general peripheral chips that, at least as far as their type-coding is concerned, do not belong to a specific family of microprocessors. There are so many of these, however, that only a portion of them can be dealt with in one book. Those contained in this collection have been chosen carefully on the basis of their practical application and frequency of use. Complete data are given for coprocessors from the 80 series (AMD, Cyrix, ITT, Intel, Weitek); real-time clocks from MEM, OKI, Statek, National Semiconductor, and Dallas Semiconductor; transmitters and receivers of serial interfaces RS232, 422, 423, 485 from Motorola, Newport Components, Maxim, Texas Instruments, National Semiconductor, Dallas Semiconductor, and Linear Technology; UARTS, DUARTS, and QUARTS (i.e., programmable ICs intended for data transfer); and the CS8221 set of ICs from Chips & Technology that are used in a great number of PC mother boards (also included is the data sheet of associated software LIM 4.0 for the management of the Extended Memory System).

Apart from the actual data, the book contains much other useful information, such as comparisons between and second sources for all important IC families; addresses of manufacturers and their representatives; and overviews of all peripheral chips (including many that could not be included in this book) that are available from various manufacturers.

ISBN 0-905705-32-7  
BKAA17 Price \$17.95

## DATABOOK 5: APPLICATION NOTES

This book presents a series of application notes and design briefs that cover a wide variety of subjects. Apart from a number of applications related to specific components, the book also includes articles on basic design theory and the practical use of certain components. For example, there is an article reprint from Advanced Micro Devices that provides information on programming the motion of a stepper motor with the aid of a PAL (programmable array logic). Similarly, an article reprint from Motorola presents an overview of protocols and conventions used for serial communication between computers.

The application notes complement the theoretical sections by discussing the use of components related to current electronics technology. In a number of cases, this technology is ahead of the practical application, and the product is so new that an application note has not yet been published by the manufacturer—for examples, Analog Devices' description of a Continuous Edge Graphics (CEG) digital-to-analog converter (DAC), and that of a NICAM (near instantaneous companding audio multiplex) decoder chip developed by Micronas of Finland. Given the complexity of the practical circuits that could be developed on the basis of these ICs, all the relevant data sheets are included for easy reference. The book also includes a short list of manufacturers' logos that should be helpful in identifying unknown components, as well as a worldwide address list of manufacturers and distributors/representatives for the products which are discussed.

ISBN 0-905705-33-5  
BKAA24 Price \$17.95

## SPECIALS!

- BKAAZ/1 BKAA11, 12, 13, 18: all 4 for \$49.00 (Save \$11.85!)
- BKAAZ/2 BKAA14, 15, 16, 17, 24: all 5 for \$74.95 (Save \$13.30!)
- BKAAZ/S Complete *Elektor* library: all 9 for \$114.95 (Save \$34.15!)

These books are all available direct from *Elektor Electronics USA* through the Readers Services, from a number of bookshops and electronics retailers in the US and Canada, and from selected bookshops throughout the world. Special prices are those of *EEUSA* only.



## Micro Video Cameras

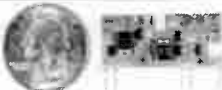
Small size 1 3/8" x 1 1/4" x 2 1/4" Light Weight 2.5 oz. Low Power 7 - 14 volts. @ 80ma. Low Light @ 2 Lux. Camera comes complet in metal case with 3 ft. plug & cable for video out and power. Camera is presently in use in R/C airplanes, helicopters, cars, tanks and robots. Camera output is NTSC or PAL, 240 line resolution with electronic iris. Full stock on hand. VHS video available for \$ 10. Satisfaction Guarenteed!

All Cameras Factory New. For product information and ordering. Call 1 (800) 473-0538 FAX (714) 545-8041  
MICRO VIDEO PRODUCTS

1334 So. Shawnee Dr. Santa Ana, California. zip 92704

Reader Service #120

## HEAR EVERY SOUND OVER 1 MILE AWAY!



Simply attach the VT-75 microtransmitter to any 3V to 12V battery and you can hear every sound in an entire house over 1 mile away! Super-sensitive circuit on a single chip even picks up footsteps from across a large room. Tunable from 80 to 130 MHz.

Hear everything on any FM radio or wideband scanner tuned to the "secret" frequency you select. Unlimited uses for security, baby monitor, remote mic, etc. **Not a toy.** The VT-75 meets many U.S. Gov't Military Specs and with 100mW RF output, it is the smallest, most powerful miniature transmitter you can buy. Easily assembled even by a youngster in only 5 minutes and performs so well that it is the only miniature transmitter available *anywhere* that comes with a **full unconditional moneyback guarantee!** Complete kit includes VT-75 microtransmitter chip, miniature microphone, 9V battery connector and instructions - \$49.95 + \$1.50 S&H or save- buy 2 for \$45.00 each with free S&H! Call toll free or send money order, Visa, or MC acc't number for immediate shipping by U.S. Mail. COD's add \$4. Checks allow 21 days.



**DECO**  
INDUSTRIES\*

BOX 607  
BEDFORD HILLS, NY  
10507

1-800-759-5553 (U.S. ONLY) ALL OTHER 914-232-3878

Reader Service #52

## ELEKTOR BINDERS

Keep your valuable copies in perfect condition in these Elektor Binders. Each binder holds 11 issues with wires so you don't have to punch holes in your magazines.

High quality, book binder cloth construction. The logo is stamped in gold on a dark green background.



each \$12  
three or more, \$10 each

Shipping: Postpaid in US.  
Canada and Caribbean, please add \$4 for one, \$2 for each additional binder.  
Overseas, please add \$4 per binder.

## CELLULAR TELEPHONE MODIFICATION HANDBOOK

*How are hackers making cellular phone calls for free?*



- Techniques for decoding & changing cellular phones' NAMS & ESNS
- Where to buy programming devices
- The "roaming technique" scam!
- Chip supplier's phone numbers
- Instructions on how to change phone numbers on all models
- Cellular phone manufacturer's ESN codes

Complete Manual only \$79.95

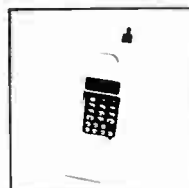
M.O. or C.O.D. to

**SPY Supply**

7 Colby Court Suite 215

Bedford, NH 03110

(617) 327-7272



*Sold for educational purposes only*

## RECOMMENDED SOURCES FOR ELEKTOR ELECTRONICS USA EUROPEAN PARTS

### Borbely Audio

Erno Borbely  
Melchior Fanger Strasse 34A  
8031 Neu-Gilching  
Germany  
Tel 49-8105-5291  
FAX 49-8105-24605 (24H)

### ELV France

BP 40  
F-57480 Sierck-les-Bains  
France  
Tel 33-82-83-72-13  
FAX 33-82-83-81-80

### Bull Electrical

250 Portland Road  
Hove  
Sussex BN3 5QT  
United Kingdom  
Tel 44-0273-203500  
FAX 44-0273-23077

### Meek It Electronics

Rob Planken  
Paveljoensgracht 35A  
2515 BL Den Haag  
The Netherlands  
Tel 31-70-3600357  
Tel 31-70-391-4381  
FAX 31-70-397-9707

### DIL Elektronika

Jan Lighthartstraat 59-61  
3083 AL Rotterdam  
The Netherlands  
FAX 31-10-4841150

### Technomatic

Technohouse  
486 Church Lane  
London NW9 8UF  
United Kingdom  
Tel 44-081-205-9558  
FAX 44-081-205-0190

### EasyTech, Inc.

2917 Bayview Dr.  
Fremont, CA 94538  
Tel (800) 582-4044  
FAX (800) 582-1255

