

Highway Class

SUPER 2003-3i

WHEELED PAVER



Maximum paving width 25 ft. 6 in. (7.75 m)
Maximum laydown rate 1,540 tons/h (1,400 tonnes/h)
Transport width 10 ft. (3.05 m)

PREMIUM LINE

 www.voegele.info



The next generation of versatile asphalt pavers



With the SUPER 2003-3i VÖGELE has now developed an entirely new paver specially for the North American market. The wheeled SUPER 2003-3i is designed primarily for use in highway construction and large-scale commercial applications, which are all about power and productivity. With a powerful, 6-cylinder engine rated at 250 hp (186 kW) and high-output hydraulic drives, it is fully equipped for these jobs.

The SUPER 2003-3i also comes with the latest version of our operating system, the popular ErgoPlus 3, which has been enhanced with a number of new ergonomic and functional features. With its new mounting system, the paver operator's console can be shifted conveniently and easily between the right and left sides of the operator's stand during operation. In addition, it now has a large color display that ensures good

readability even in poor lighting conditions. The screed operating consoles have been completely redesigned, making operation of this "Dash 3" machine even easier for the entire paving crew.

With its new Highway Class paver, VÖGELE also offers the right screed for every application. The SUPER 2003-3i can be combined with the VF 600, the screed with front-mounted extensions, as well as the VR 600 and AB 600, two screeds with rear-mounted extensions. The AB 600 Extending Screed is equipped with both a vibration system and tamper, meaning it can achieve higher compaction. It is ideal for placing recycled materials or RCC applications.

All of these features make this Highway Class machine a truly SUPER paver!

The highlights of the SUPER 2003-3i



10-foot wheeled Highway Class paver with a large range of applications and paving widths up to 25 ft. 6 in. (7.75 m)

Powerful engine complying with US EPA standard Tier 4f

The VÖGELE EcoPlus low-emissions package significantly reduces fuel consumption and noise levels

Innovative and reliable drive concept for accurate tracking

Significantly smaller turning radius due to Pivot Steer steering brake

Optimum feeding with mix thanks to the large material hopper

ErgoPlus 3 with a number of additional ergonomic and functional advantages

The right screed for every application. The paver can be combined with the VF 600, VR 600 or AB 600 Extending Screeds

Powerful and versatile

Given its enormous tractive effort and high laydown rate, the SUPER 2003-3i is the ideal machine for paving in large widths. In order to achieve an optimal paving result for every kind of application, VÖGELE offer screeds which operate with high precision. Several screed options are available for the SUPER 2003-3i, featuring different equipment with compacting

systems. The paver can be combined with the VF 600 for multivariable width applications, the VR 600 for mainline applications and the AB 600 screed, with rear-mounted extensions, achieves higher compaction thanks to vibration and tamper. This screed is particularly suited for placing cold RAP (Reclaimed Asphalt Pavement) for roadbase and polymer modified asphalt.



Efficiency, performance and low fuel consumption



The driving force behind this Highway Class paver is its powerful, six-cylinder diesel engine rated at 250 hp (186 kW).

Both low fuel consumption and low-noise operation are made possible by intelligent engine management with an ECO mode.

Minimum input - maximum output: All drive components, including the three-phase generator, are supplied from the central splitter gearbox and operate at maximum efficiency.

With its high tractive power, the wheeled SUPER 2003-3i perfectly combines high paving performance with maximum mobility when travelling.

State of the art drive technology

Three main components define the power unit of a SUPER 2003-3i: its modern, liquid-cooled diesel engine, a splitter gearbox flanged directly to the engine and a large cooler assembly.

The driving force in this power pack from VÖGELE is its diesel engine. The six-cylinder engine delivers 250 hp (186 kW) at 2,000 rpm. Yet the fuel-saving ECO mode is sufficient for many applications. And even then, the SUPER 2003-3i still has a full 235 hp (175 kW) at its disposal. Moreover, the machine generates even less noise when running at just 1,700 rpm.

A large cooler assembly ensures that the power unit always delivers its full output. With innovative air routing and a variable-speed fan, temperatures

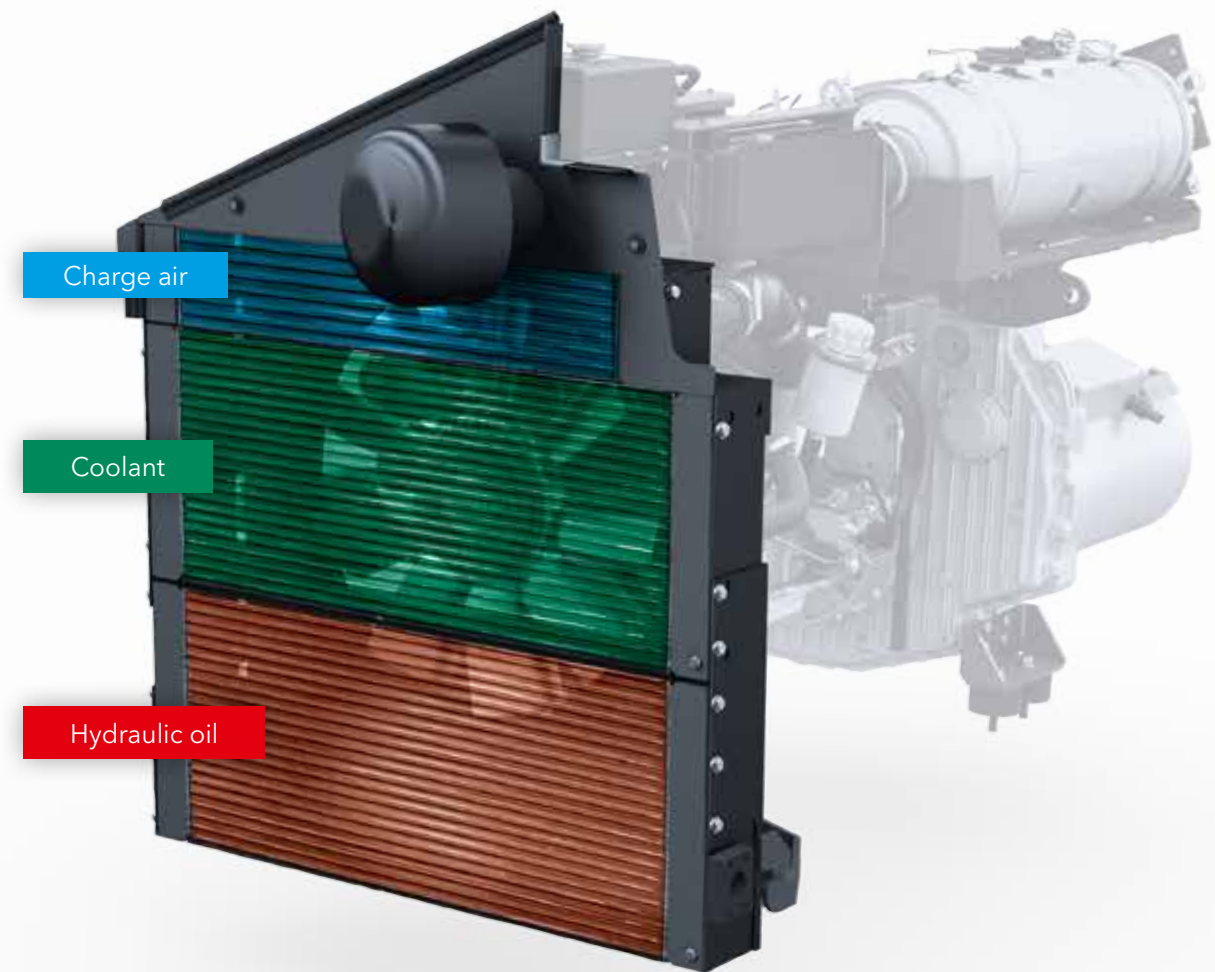
are continually maintained within the optimum range, significantly extending the service life of both the diesel engine and the hydraulic oil. A further advantage is that the machine can operate without difficulty in all climate regions worldwide.

All hydraulic elements are supplied with hydraulic oil directly from the splitter gearbox, the advantage being that all pumps and valves are combined in one spot that is easily accessible for maintenance work.

Even the powerful generator for screed heating is flanged directly onto the splitter gearbox. Its integrated oil cooling system makes it completely maintenance-free and very quiet.



The power unit of the SUPER 2003-3i with diesel oxidation catalyst (DOC) and selective catalytic reduction (SCR) for exhaust gas after-treatment complies with the strict requirements of European exhaust emissions standard Stage 4 and US EPA standard Tier 4f.



The large cooler assembly is made up of three parts. It ensures that engine coolant, charge air and hydraulic oil are maintained at the optimum temperature.

» **Machines with the suffix "i"** in their product designation are not only economical, but also extremely clean.

The "i" stands for "intelligent emission control" and is found in the type names of all machines from the WIRTGEN GROUP equipped with the latest engine technology. Thanks to their sophisticated exhaust gas after-treatment, these engines comply with the strict EPA (Tier 4f) and CARB standards.

» **Powerful 6-cylinder engine** delivers 250 hp (186 kW) at 2,000 rpm.

» **ECO mode** at 1,700 rpm provides low noise levels and low fuel consumption. ECO mode is sufficient for most paving applications.

» **Self-diagnostics** and sensors for all engine vitals eliminate daily checks. Simply put, the engine is daily maintenance-free.

» **The fuel tank** holds 85 gallons (320 liters), more than enough for a day's work. The SUPER 2003-3i additionally has a DEF tank with sufficient capacity.

» **A powerful,** oil-cooled generator with direct drive ensures rapid, uniform heating of the screed. The generator is directly driven by the splitter gearbox and therefore maintenance-free.

VÖGELE EcoPlus: Less is more

It goes without saying that our road pavers conform to the applicable emissions directives, but we like to go much further. That's why the machine concept of the "Dash 3" generation uses environmentally friendly innovations in machine technology, resulting in lower consumption, lower emissions and lower costs.

One of these innovations is the VÖGELE EcoPlus low-emissions package. Fuel savings of up to 25% can be achieved with VÖGELE EcoPlus, depending on the application and capacity utilization of the paver.

That doesn't just result in considerable savings for the contractor - it is good news for the environment, too. That's because every liter of fuel saved reduces carbon dioxide (CO₂) emissions.



25% FUEL SAVING



25% LESS CO₂ EMITTED



LOWER NOISE EMISSIONS

The technical innovations

01

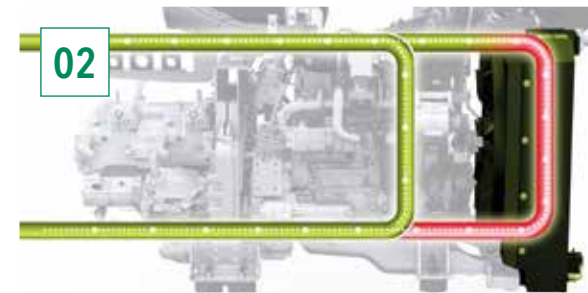


Splitter gearbox with ability to disengage hydraulic pumps

When the paver is stationary, all the hydraulic pumps needed for "traction", "conveyors and augers" and "compaction" are disengaged automatically. The result? Lower fuel consumption.



02

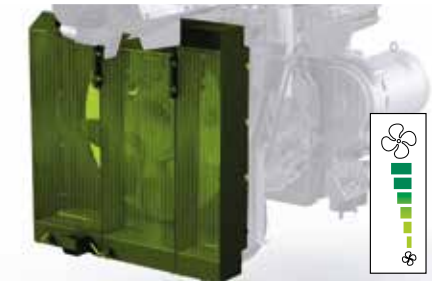


Controlled hydraulic oil temperature circuit

A bypass circuit gets the hydraulic oil to its optimum operating temperature very quickly, enabling rapid, fuel-saving operation of the paver.



03



Variable-speed fan

The variable-speed fan automatically adapts to the engine load and the ambient temperature. This type of drive saves energy and reduces noise emissions.

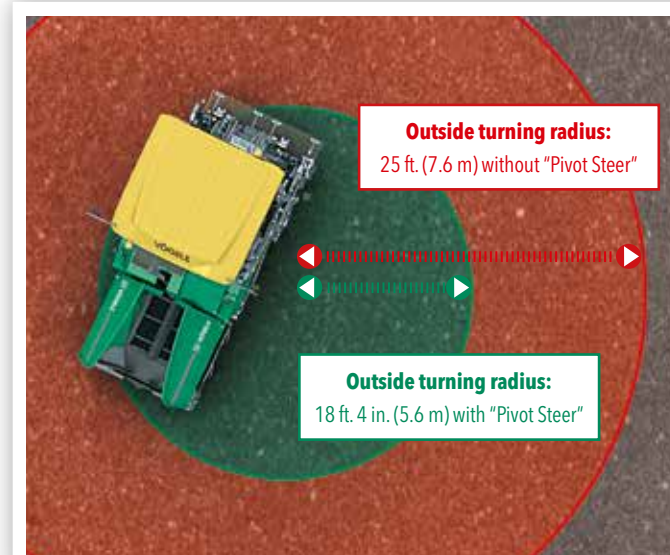


Mobility on wheels



One of the SUPER paver's strong points is its excellent traction behavior. Separate drive and electronic control provided for each powered wheel ensure constant straight-line travel and accurate turns.

- » **Maximum power** and torque from hydraulic drives.
- » **Separate hydraulic drives** are provided for each of the rear wheels. Two or four powered front wheels are available as options.
- » **Electronic traction management** ensures optimum tractive effort and protects the engine against overload.
- » **Permanent ground contact** of the front wheels with pivoting bogies.
- » **Travel speed of 12 mph (20 km/h)** allows the paver to maneuver quickly on the job site.



Extreme maneuverability thanks to "Pivot Steer". The rear inside wheel is automatically slowed down hydraulically when "Pivot Steer" is activated. This minimizes the outside turning radius to not more than 18 ft. 4 in. (5.6 m) for positioning maneuvers and paving.

Precision paving with material management



A continuous flow of mix is key to ensuring uninterrupted and high-quality paving. That is why we attach such importance to professional material management when designing our pavers.

Thanks to its large material hopper and conveyor tunnel, the SUPER 2003-3i can be supplied with mix easily and quickly.

The high-performance and precision systems that convey and spread the material support high laydown rates and consistent quality even at high paving speeds.

Extra large material hopper and easy material feed



The **hydraulically operated hopper apron** prevents material spills during truck exchanges. It directs the material inside the hopper directly onto the conveyors, so no hand work is required. All of the mix is properly conveyed to the screed.

- » **The large material hopper** holds 16.5 tons (15 tonnes) and is dimensioned so that plenty of mix is stored at all times. Two cylinders per side provide smooth operation of the hopper wings.
- » **Sloped inner design** of the hopper for an optimal flow of material to prevent segregation.
- » **Easy feeding with mix** thanks to low material hopper, wide hopper wings and sturdy rubber flashing fitted to the hopper apron.



- » **Large oscillating push-rollers** can be set to 2 different positions for convenient and shock-free docking of feed vehicles even in curves.
- » **A truck hitch** is available as an option.

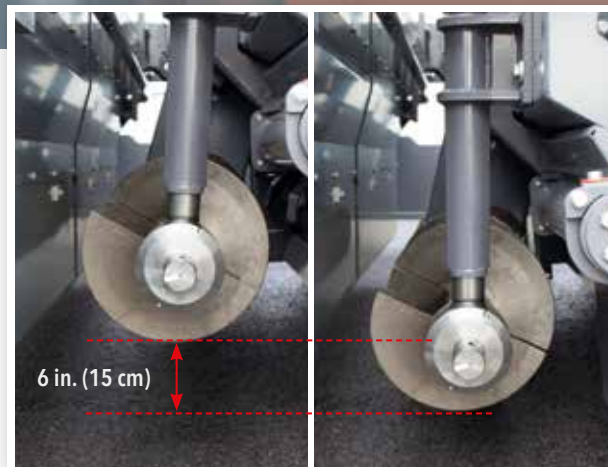


Precision material delivery prevents segregation



Thanks to effective spreading of the material, the SUPER 2003-3i always has an optimal head of mix in front of the screed to meet the demands of every paving situation.

The wide conveyor tunnel and powerful, hydraulic separate drives on the conveyors and augers support high laydown rates of up to 1,540 tons/h (1,400 metric tons/h).



Hydraulically adjustable augers are infinitely variable in height within a range of 6 in. (15 cm). Hydraulic auger height adjustment (including bearing boxes and limiting plates for the auger tunnel) provides optimal spreading of the material even when paving thin layers or on sections where thickness varies.

» **Proportional control** and continuous monitoring of conveyors and augers guarantee a constant head of material in front of the screed.

» **Inclined conveyors** from the front to the rear of the machine provide ideal delivery of the material to the augers.

» **Large, 16 in. (40 cm) diameter auger flights** with precision pitch ensure excellent spreading of the material when paving in large widths or at lower engine rpm. VÖGELE's unique flight design provides prolonged service life versus standard flight designs.

» **Narrow conveyor guard** in the material hopper guarantees uniform material flow.



The optional Power Tunnel is perfect for changing paving widths. The hydraulically adjusted limiting plates adapt to the screed width automatically, ensuring an optimal head of mix in front of the screed all the way to the end gates, even when the screed extensions are fully moved out.



The ErgoPlus 3 operating system

Even the very best machine with the most advanced technology can only really show its strengths if it can be operated easily and as intuitively as possible. At the same time, it should offer an ergonomic and safe working environment for the operating team. Therefore, the ErgoPlus 3 operating system focuses on the operator. With VÖGELE pavers, the operator consequently retains full control over the machine and construction project.

On the following pages you will find detailed information on the extensive functions of the ErgoPlus 3 operating system. ErgoPlus 3 encompasses the operator's stand, the paver operator's console, the screed console and Niveltronic Plus, the System for Automatic Grade and Slope Control.

The paver operator's **ErgoPlus 3** console



“Full control for the machine operator!”

The paver operator's ErgoPlus 3 console

The paver operator's ErgoPlus 3 console has been designed according to practice-related principles. All controls are clearly arranged. Paver functions are clustered in logical groups so that operators find their controls just where they would expect them to be.


On the ErgoPlus 3 console, all push-buttons are easily identifiable by touch even when wearing work gloves. Once a button is pressed, off you go. An advantage due to the "Touch and Work" principle. This means that a function is executed directly - without a need to confirm.



●●●●●	Module 1:	Conveyors and Augers, Traction
●●●●●	Module 2:	Screed
●●●●●	Module 3:	Material Hopper and Steering
●●●●●	Module 4:	Display for monitoring and adjustment of basic settings


"Pivot Steer" steering brake

The "Pivot Steer" steering brake can be switched on with a simple push of a button in the "Positioning" and "Paving" modes. When activated, the speed of the rear inside wheel is automatically slowed down hydraulically when a steering movement is carried out. This reduces the turning radius to a minimum.




Automatic functions

For conveyors and augers, operators can easily select Manual mode or Automatic mode. When selecting Automatic mode for the augers, sensors installed for the material level in the auger tunnel provide that exactly the desired amount of mix is spread in front of the screed.




Choice of operating modes for the paver

On the ErgoPlus 3 console, 5 different operating modes for the paver are available to select from. By pressing the arrow buttons, up or down, the operator changes modes in the following order: "Road Travel", "Neutral", "Job Site", "Positioning" and "Paving". An LED indicates the mode selected. When leaving "Pave" mode, a smart Memory feature stores the last settings for paver functions so that, when resuming work after a move of the paver on site, these settings are restored automatically.




Safe operation during the night

Glarefree backlighting comes on automatically as darkness sets in so that the paver operator can also work safely on night-time jobs.




Display of the paver operator's console

The redesigned color display has a high-contrast user interface ensuring brilliant readability even in poor lighting conditions. Vital information is shown on menu level 1, such as the positions of the screed tow point cylinders or the material level in the conveyor tunnel. Further paver functions such as speeds for tamper and vibration or feed rates for the conveyors can easily be set up via the display, too. And the display gives access to machine-related information such as fuel consumption or service hours.




Choice of engine speed ranges

For the engine, there is a choice of 3 modes to select from: MIN, ECO and MAX. To switch modes for engine rpm, all the operator needs to do is press the arrow buttons, up or down. In ECO mode, the engine delivers sufficient power for a great number of paving applications. Operating in ECO mode reduces noise emission and fuel consumption considerably.




Hopper wings and hydraulic hopper apron

The hydraulically operated hopper apron prevents spills of material when feed trucks change. The two hopper wings can be folded separately or both together at the push of a button.



Screed Assist (option)

This button switches Screed Assist on (LED lights up) or off. The screed Assist pressure and balance can be set via the display. Screed Assist is active only when the screed is floating.



The ErgoPlus 3 screed console

The screed is crucial for pavement quality.

Therefore, easy and positive handling of all screed functions is of utmost importance for high-quality road construction.

With ErgoPlus 3, the screed operator has the process of paving at his fingertips. All functions are easily comprehensible and all controls are clearly arranged.

The screed console

The screed console is designed in keeping with the conditions prevailing on the job site. Push-buttons are provided for the frequently used functions operated from the screed console. These are watertight and enclosed in palpably raised rings, so that they are identifiable blindfold simply by touch even when wearing work gloves. Important paver and screed data can be called up and adjusted from the screed console, too.



The display of the screed console

The display of the screed console allows the screed operator to control and monitor both the left and the right side of the screed. Machine-related parameters such as vibration speed or conveyor speed can be adjusted conveniently via the display panel of the screed console. The clear menu structure, combined with easily understandable, self-explanatory symbols neutral in language, makes operating the display panel both simple and safe.



Crown adjustment at the press of a button

The crown can be conveniently adjusted at the press of a button on the screed operator's console. When pressing the "plus" or "minus" keys, the set crown value is shown on a pop-up window. The conveyors and augers are adjusted accordingly.



Ergonomic screed width control in two speeds

The screed width can be effortlessly adjusted by means of the "SmartWheel". This is done in two speeds: slow, for precise control e.g. along an edge, or fast, for rapid extension or retraction of the screed.



Optimum visibility even in darkness

The screed console is specially designed for night-time operation. To prevent operator errors, the buttons are backlit as soon as dusk falls or in darkness. What is more, the downward-angled high-power LED lighting gives the operator a perfect view of all processes associated with the end gate.



The ErgoPlus 3 remote control

In addition to the screed operating consoles, a compact and very durable remote control is available for each side of the screed to operate the VF 600 and VR 600 screeds.

The remote controls can be securely stowed in the holders on the main screed, or on the ends of the screed extensions.

The holders are magnetic, meaning that the remote controls are easy to grab at any time, giving the operator a large radius of movement so that he can always find the most effective working position in any paving situation.

All the main paving functions of the screed can be controlled using one of the two handy screed remote controls. Intuitive operation is possible thanks to self-explanatory and language-neutral symbols.

- 1 // **Setting:** Conveyor, automatic/manual
- 2 // **Setting:** Auger, automatic/manual
- 3 // **Setting:** Screed, tow point cylinder
- 4 // **Control:** Screed width
- 5 // **Setting:** Power tunnel, automatic/manual
- 6 // **Setting:** Berm
- 7 // **Setting:** Slope
- 8 // **Setting:** Screed extension, height
- 9 // **Lock:** Screed extension



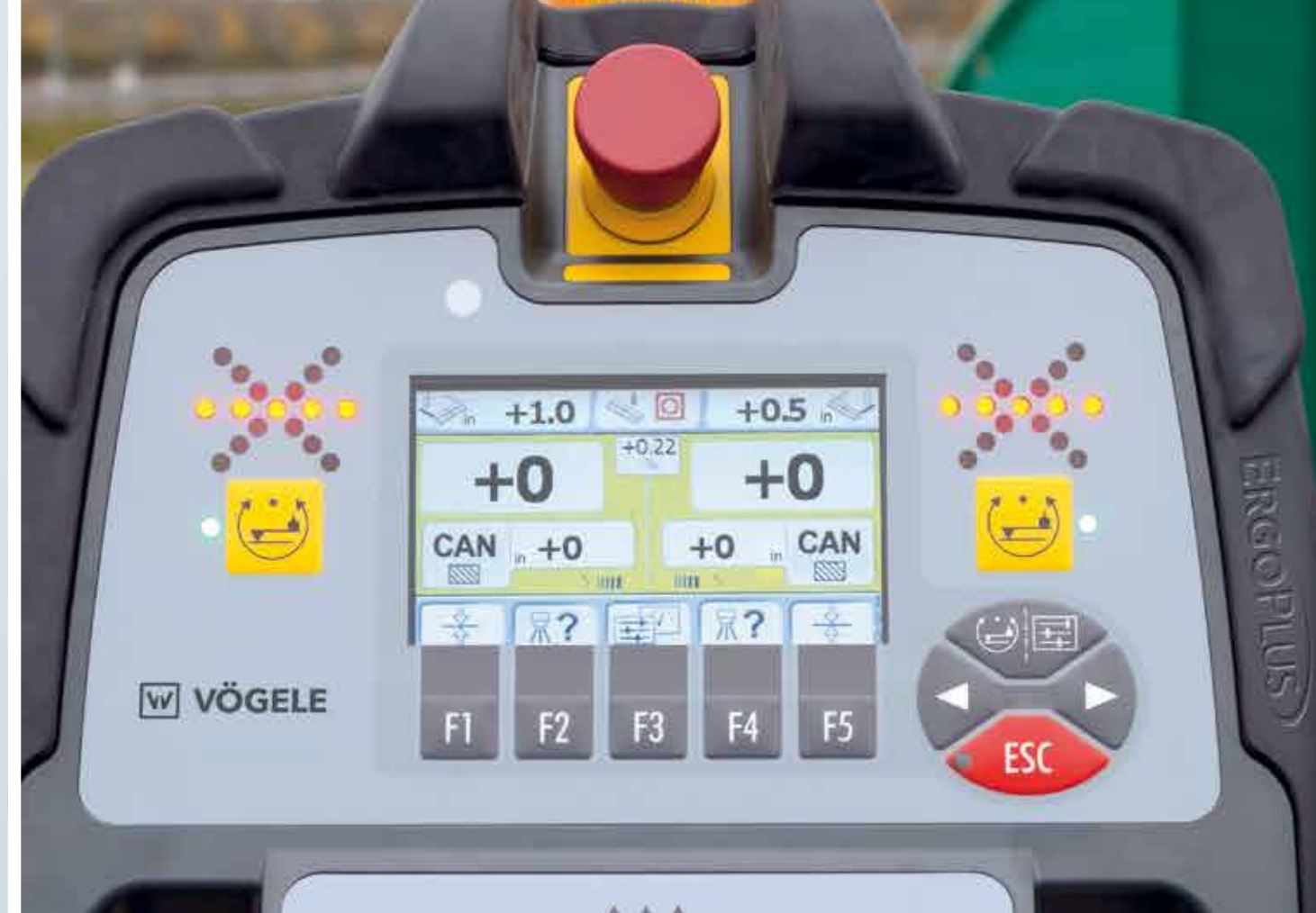
VÖGELE Niveltronic Plus

Niveltronic Plus, the System for Automatic Grade and Slope Control, is an in-house development by VÖGELE based on many years of experience in grade and slope control technology. Easy operation, precision and reliability are its hallmarks, ensuring perfect mastery of all grade and slope control jobs.

This fully integrated system is optimally adapted to the machine technology of the Premium Line pavers. All wiring and connections, for instance, are integrated into the tractor and screed, effectively eliminating all risk of damage to these components.

VÖGELE naturally offer a particularly large and practical selection of sensors permitting versatile use of the Niveltronic Plus system. Whether for instance car parks, roundabouts or highways need to be built or rehabilitated, VÖGELE offer the right sensor for every job site situation.

Sensors can be changed quickly and easily, for Niveltronic Plus automatically detects which sensor is connected, thus simplifying the configuration process for the user.



Left-hand side of screed	Right-hand side of screed
The value (in inches) displays the height of the tow point cylinder on the left-hand side.	The value (in inches) displays the height of the tow point cylinder on the right-hand side.
Shows the value specified for the sensor on the left-hand side. For grade sensors, values are indicated in inches. When working with the slope sensor, values are indicated in percent.	Shows the value specified for the sensor on the right-hand side. For grade sensors, values are indicated in inches. When working with the slope sensor, values are indicated in percent.
Shows the type of sensor selected for the left-hand side. Displayed here in this example is the symbol of the sonic sensor used in Ground mode.	Shows the type of sensor selected for the right-hand side. Displayed here in this example is the symbol of the sonic sensor used in Ground mode.
Shows the actual value picked up by the sensor.	Shows the actual value picked up by the sensor.
Shows the sensitivity set for the sensor selected.	Shows the sensitivity set for the sensor selected.





The ErgoPlus 3 operator's stand

1. The comfortable operator's stand gives an unobstructed view of all crucial areas on the paver such as material hopper, steering guide or screed. It allows the paver operator to closely monitor the paver's feed with mix and the process of paving.

2. The seats swinging out to the sides and an operator's stand of streamlined design provide maximum visibility of the auger tunnel, permitting the paver operator to keep an eye on the head of mix in front of the screed at all times.

3. Working comfort

On the "Dash 3" machines, the paver operator's seat and console, as well as the screed consoles can now be adjusted even more easily to personal needs.

4. A place for everything and everything in its place

The operator's stand, with its streamlined design, is well organized, offering the paver operator a professional workplace. The operator's console can be protected by a shatter-proof cover to prevent willful damage.

5. Hardtop gives excellent protection

The modern hardtop made of glass fiber reinforced polymer material shelters the operator whether rain or shine.

6. Consistent service concept

All "Dash 3" pavers have a consistent maintenance concept with identical service intervals.

7. Ergonomic screed console

The height and position of the console are easily adjusted. The high-contrast color display can be read clearly from all angles.

8. Easy transport

The machine can be prepared quickly and easily for transport on a low-bed trailer. Even the hardtop can be folded down to transport position using a manual hydraulic pump.



Screeds to meet all needs

Several screed options are available for the SUPER 2003-3i, featuring different equipment with compacting systems. The paver can be combined with the VF 600, the VR 600 and the AB 600 Extending Screeds.

VÖGELE VF 600 screed, with unequal-width front-mounted extensions for multivariable width applications. Maximum paving width is 25 ft. and 6 in. (7.75 m) with bolt-on extensions.

VÖGELE VR 600 screed, with rear-mounted extensions for mainline applications. Maximum paving width is 24 ft. (7.3 m) with bolt-on extensions.

VÖGELE AB 600 screed, with rear-mounted extensions, achieves higher compaction thanks to vibration and tamper. The screed is particularly suited for placing cold RAP (Reclaimed Asphalt Pavement) for roadbase and polymer modified asphalt. Maximum paving width is 24 ft. 7 in. (7.5 m) with bolt-on extensions.

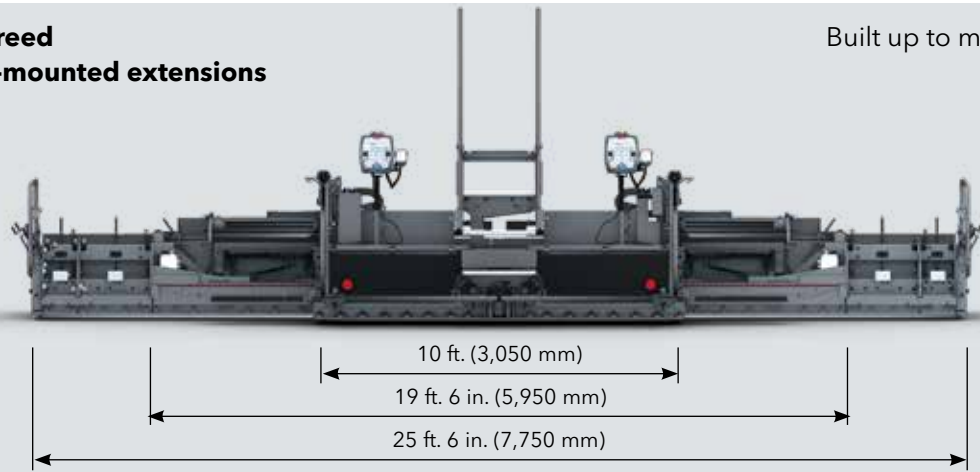
Electric screed heating

A consistent surface texture is provided by uniform heating of the screed plates. With the engine running at minimum rpm, the time required for the screed to reach operating temperature is reduced substantially due to an intelligent generator management system.

Screed options for SUPER 2003-3i

VF 600 Screed with front-mounted extensions

Built up to maximum paving width



Paving widths

- » Infinitely variable range from 10 ft. to 19 ft. 6 in. (3.05 m to 5.95 m)
- » Maximum paving width with bolt-on extensions 25 ft. 6 in. (7.75 m)

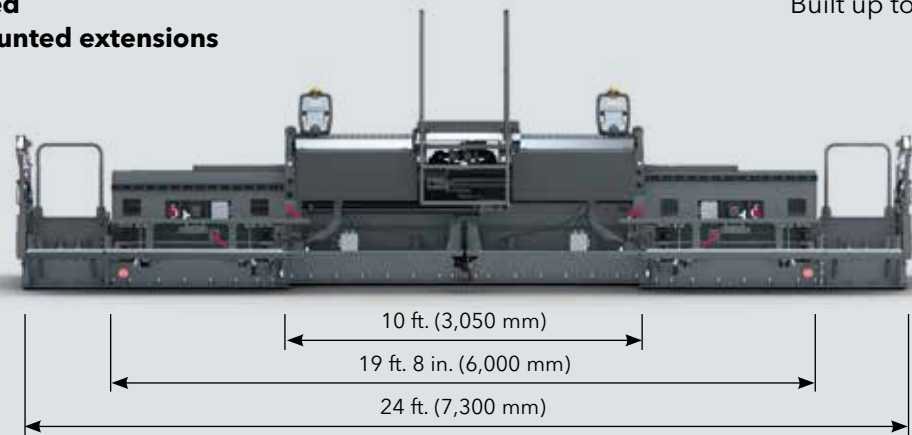
Compacting system

- » VF 600 V with vibration



VR 600 Screed with rear-mounted extensions

Built up to maximum paving width



Paving widths

- » Infinitely variable range from 10 ft. to 19 ft. 8 in. (3.05 m to 6 m)
- » Maximum paving width with bolt-on extensions 24 ft. (7.3 m)

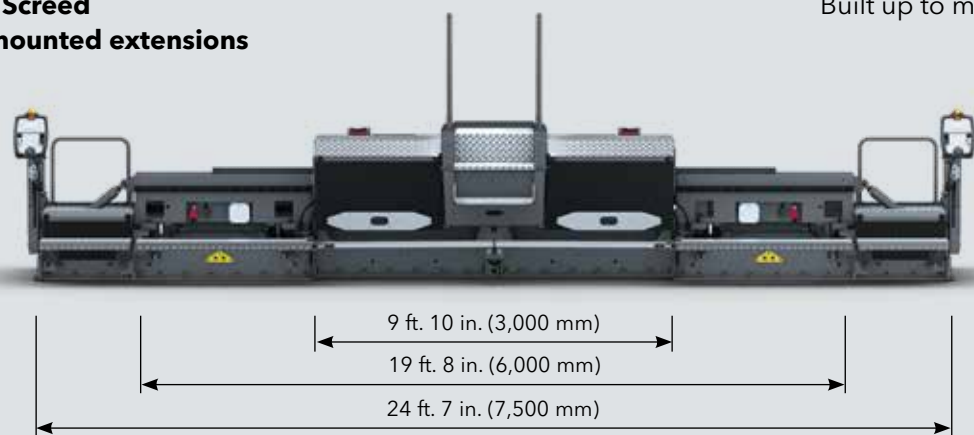
Compacting system

- » VR 600 V with vibration



AB 600 TV Screed with rear-mounted extensions

Built up to maximum paving width



Paving widths

- » Infinitely variable range from 9 ft. 10 in. to 19 ft. 8 in. (3 m to 6 m)
- » Maximum paving width with bolt-on extensions 24 ft. 7 in. (7.5 m)

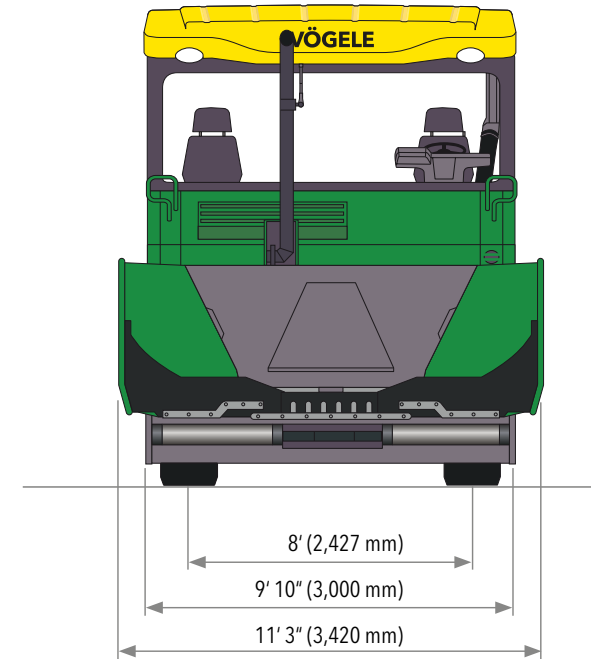
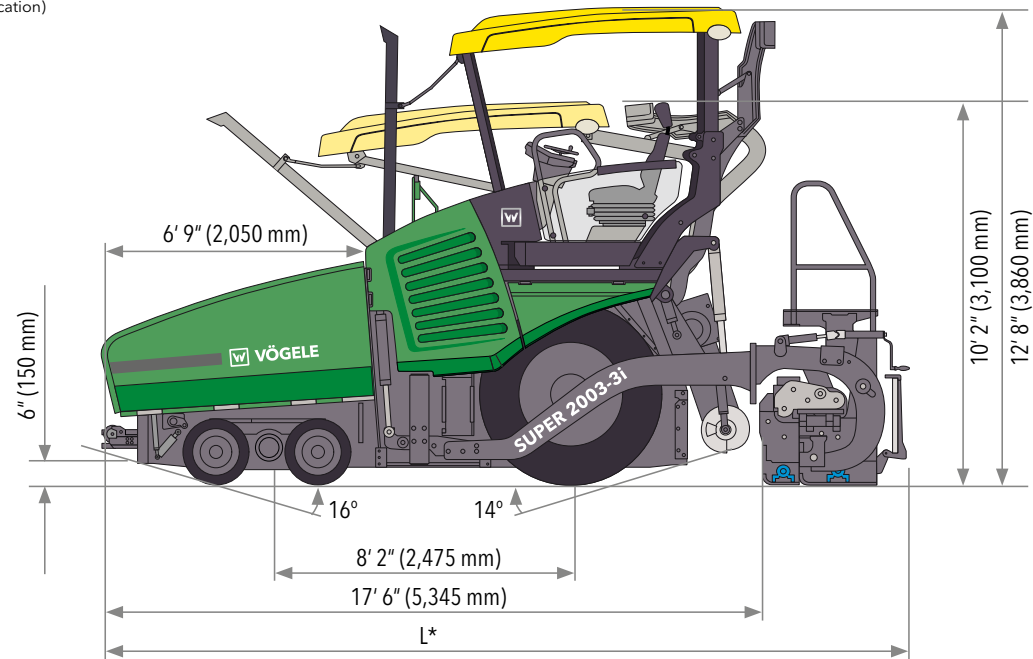
Compacting systems

- » AB 600 TV with tamper and vibration



All the Facts at a Glance

L* = Dependent on screed type (see specification)



Power unit

Engine	6-cylinder diesel engine, liquid-cooled
Manufacturer	Cummins
Type	QSB6.7-C250
Output	
Nominal	250 hp (186 kW) at 2,000 rpm (according to DIN)
ECO mode	235 hp (175 kW) at 1,700 rpm
Exhaust emissions standard	EU Stage 4, US EPA Tier 4f
Exhaust after-treatment	DOC, SCR
Fuel Tank	85 gal. (US) (320 liters)

Undercarriage

Front wheels	4, mounted on bogies (oscillating axle)
Tire equipment	solid tires
Tire size	540/300 - 390
Rear wheels	2, pneumatic tires, tubeless
Tyre size	445/95R25
Traction drive	separate hydraulic drive provided for each wheel
Standard	2 rear wheels powered (6x2)
Options	2 rear wheels and 2 front wheels powered (6x4) 2 rear wheels and 4 front wheels powered (6x6)

Undercarriage

Speeds	
Paving	up to 250 fpm (76 m/min.)
Travel	up to 12 mph (20 km/h)
Outside turning radius	18 ft. 4 in. (5.6 m) with "Pivot Steer"

Material hopper

Hopper capacity	16.5 tons (15 tonnes)
Width	11 ft. 3 in. (3,420 mm)
Feed height	24 in. (620 mm)
Push-rollers	
Standard	oscillating
Positions	can be displaced forwards by 3 in. (75 mm) or 6 in. (150 mm)
Option	truck hitch

Conveyors and augers

Conveyors	2, with replaceable feeder bars, conveyor movement reversible for a short time
Drive	separate hydraulic drive provided for each conveyor
Speed	up to 197 fpm (60 m/min.), infinitely variable (manual or automatic)

Conveyors and augers

Augers	2, with exchangeable auger blades, auger rotation reversible
Diameter	16 in. (400 mm)
Drive	separate hydraulic drive provided for each auger
Speed	up to 130 rpm, infinitely variable (manual or automatic)
Height	infinitely variable by 6 in. (15 cm), hydraulic
Lubrication	automatic centralized lubrication system with electrically driven grease pump

Screed options

VF 600	infinitely variable range	10 ft. to 19 ft. 6 in. (3.05 m to 5.95 m)
	maximum width (V) compacting system	25 ft. 6 in. (7.75 m) V
VR 600	infinitely variable range	10 ft. to 19 ft. 8 in. (3.05 m to 6 m)
	maximum width (V) compacting system	24 ft. (7.3 m) V

Screed options

AB 600	infinitely variable range	9 ft. 10 in. to 19 ft. 8 in. (3 m to 6 m)
	maximum width (TV) compacting system	24 ft. 7 in. (7.5 m) TV
Layer thickness	up to 12 in. (30 cm)	
Screed heating	electric by heating rods	
Power supply	three-phase A.C. generator	

Dimensions (transport) and weights

Lengths	tractor and screed
VF 600 V	21 ft. 4 in. (6.510 m)
VR 600 V	22 ft. 6 in. (6.865 m)
AB 600 TV	21 ft. 9 in. (6.625 m)
Weights	tractor, hardtop and screed
VF 600 V	46,848 lbs. (21,250 kg)
VR 600 V	47,730 lbs. (21,650 kg)
AB 600 TV	47,510 lbs. (21,550 kg)

Key: **DOC** = Diesel Oxidation Catalyst **AB** = Extending Screed **VF** = Screed with Front-Mounted Extensions
SCR = Selective Catalytic Reduction **V** = with vibration **VR** = Screed with Rear-Mounted Extensions
TV = with tamper and vibration

Technical alterations reserved.



*The VÖGELE QR Code
leads you directly
to the SUPER 2003-3i
on our website.*



® ERGOPLUS, InLine Pave, NAVITRONIC, NAVITRONIC Basic, NAVITRONIC Plus, NIVELTRONIC, NIVELTRONIC Plus, RoadScan, SprayJet, VÖGELE, VÖGELE PowerFeeder, PaveDock, PaveDock Assistant, AutoSet, AutoSet Plus, AutoSet Basic, ErgoBasic and VÖGELE-EcoPlus are registered Community Trademarks of JOSEPH VÖGELE AG, Ludwigshafen/Rhein, Germany. PCC is a registered German Trademark of JOSEPH VÖGELE AG, Ludwigshafen/Rhein, Germany. ERGOPLUS, NAVITRONIC Plus, NAVITRONIC BASIC, NIVELTRONIC Plus, SprayJet, VISION, VÖGELE, VÖGELE PowerFeeder, PaveDock, PaveDock Assistant, AutoSet, AutoSet Plus, AutoSet Basic and VÖGELE-EcoPlus are trademarks registered in the US Patent and Trademark Office to JOSEPH VÖGELE AG, Ludwigshafen/Rhein, Germany. Legally binding claims cannot be derived from written information or pictures contained in this brochure. Pictures may include optional extras. We reserve the right of technical or design alterations.

Wirtgen America, Inc.

6030 Dana Way · Antioch, TN 37013, USA
Phone: (615) 501-0600 · Fax: (615) 501-0691
Internet: www.wirtgen-group.com/america