

- 464 TOILET
- 1B1 CODES/STANDARDS USA
- 265 CODES/STANDARDS-CSA/CMVSS
- 23T DRAINAGE SYSTEM-HEATED
- 644 GREAT ALASKAN RENTALS

- 8 SECURE PIPES TO CABINET USING WIRE TIE 108046-02-000 AND SCREW 000G67-10-12B.
- 7 SECURE VENT TUBES TO FLOOR WITH CLAMP 062401-02-000 (2), SCREW 000G67-10-12B (2), AND BRACKET 136878-01-01B (2).
- 6 VENT PIPE MUST PROJECT 51 MIN AND 64 MAX ABOVE ROOF FOR PROPER FIT AND FUNCTION.
- 5. SEAL AROUND SHOWER WITH SILICONE.
- 4. SEE WIRING INSTL-BODY, 12V FOR ELECTRICAL CONNECTION.
- 3. ALL PIPE AND FITTINGS TO BE ASSEMBLED WITH SOLVENT 004020-01-000 (USA), 004020-02-000 (CAN)
- 2. SLOPE OF TRAP ARM MUST BE 6 PER 305 mm.
- 1. SLOPE OF HORIZONTAL PIPING TO BE MIN 3 PER 305 mm.

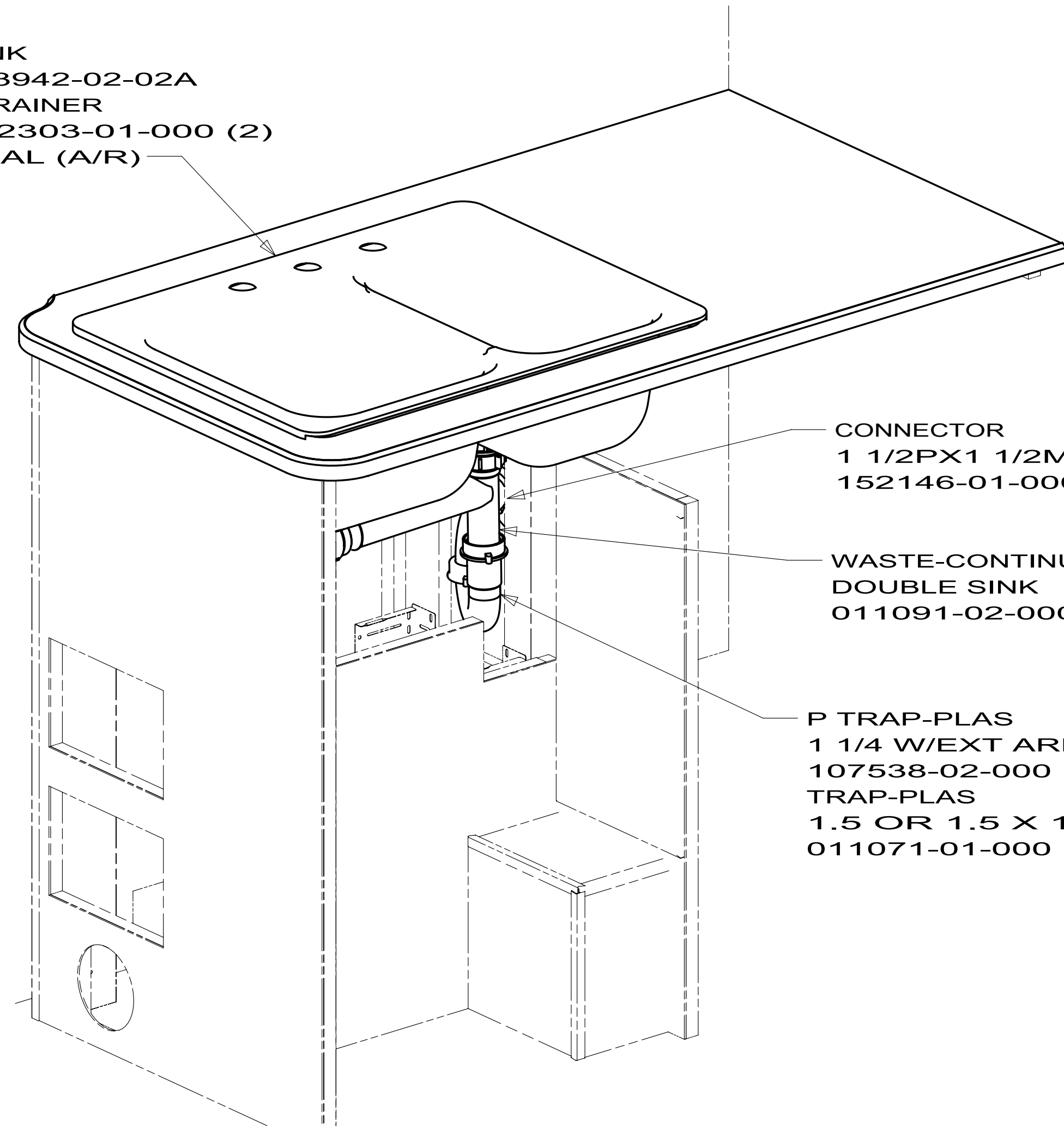
NOTES:

09 231J

X-X	FOR DRAINAGE CALLOUTS SEE DWG NO 116229-01-000
-----	--

DRAINAGE SYSTEM INSTL
1 5 168481

SINK
163942-02-02A
STRAINER
092303-01-000 (2)
SEAL (A/R)



VIEW A

CONNECTOR
1 1/2PX1 1/2MPT 1B1
152146-01-000

WASTE-CONTINUOUS-
DOUBLE SINK
011091-02-000

P TRAP-PLAS
1 1/4 W/EXT ARM 1B1
107538-02-000
TRAP-PLAS
1.5 OR 1.5 X 1.25 265
011071-01-000

VENT- MECHANICAL,
TRAP ARM
079968-01-000

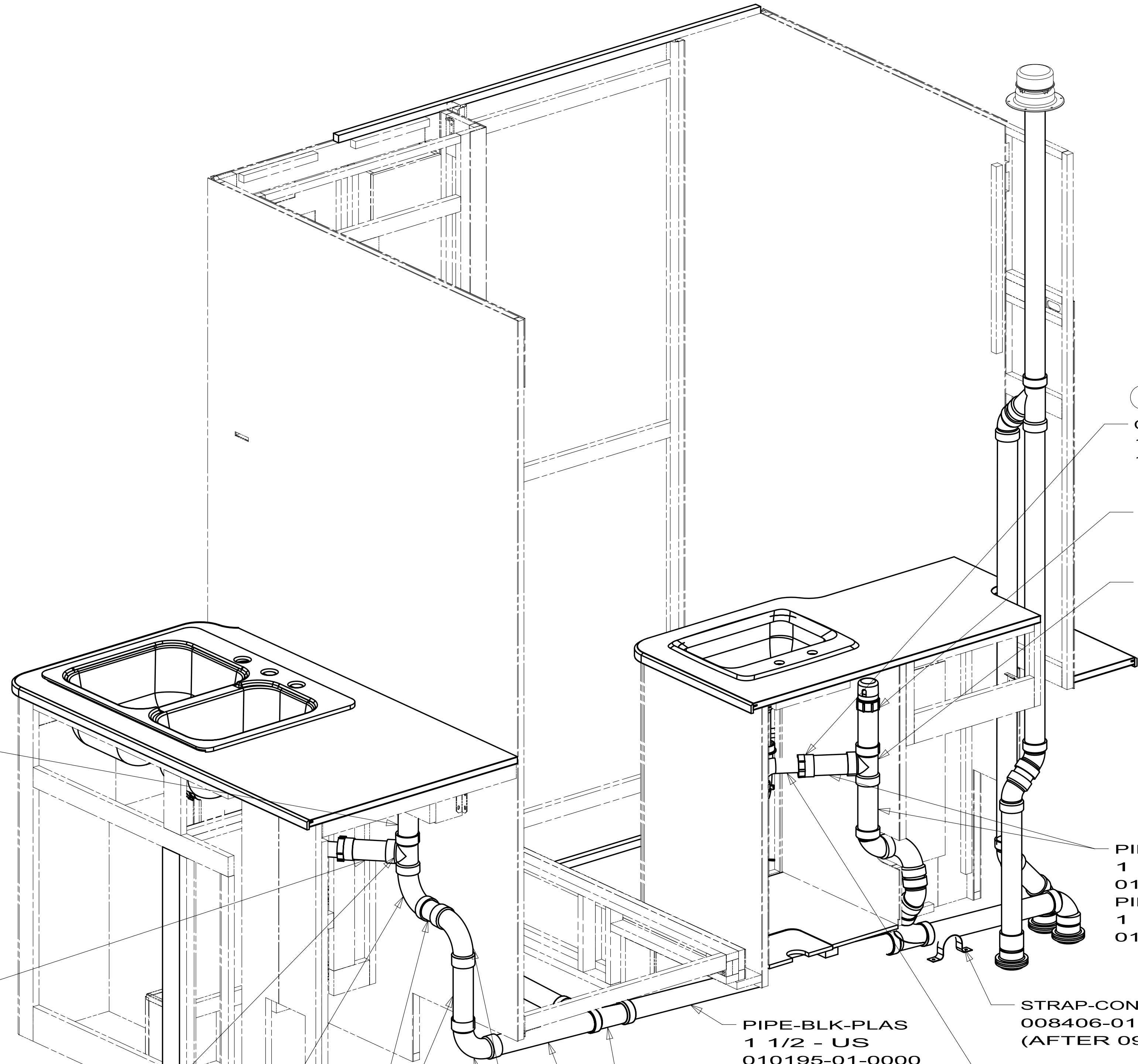
PIPE-BLK-PLAS 1 1/2 - US
010195-01-0000
PIPE-BLK-ABS 1 1/2 - CAN
010195-02-0000

1 1/2" PLASTIC TEE
010071-01-000

ELBOW-ST-PLAS 1 1/2 X 90 DEG.
033761-01-000

PIPE-BLK-PLAS 1 1/2 - US
010195-01-0000
PIPE-BLK-ABS 1 1/2 - CAN
010195-02-0000

VIEW B



CONNECTOR
1 1/2PX1 1/2MPT 1B1
152146-01-000

VENT- MECHANICAL,
TRAP ARM
079968-01-000

1 1/2"
PLASTIC TEE
010071-01-000

PIPE-BLK-PLAS
1 1/2 - US
010195-01-0000
PIPE-BLK-ABS
1 1/2 - CAN
010195-02-0000

STRAP-CONDUIT
008406-01-000
(AFTER 09-14-09)

P TRAP-PLAS
1 1/4 W/EXT ARM 1B1
107538-02-000
TRAP-PLAS
1.5 OR 1.5 X 1.25 265
011071-01-000

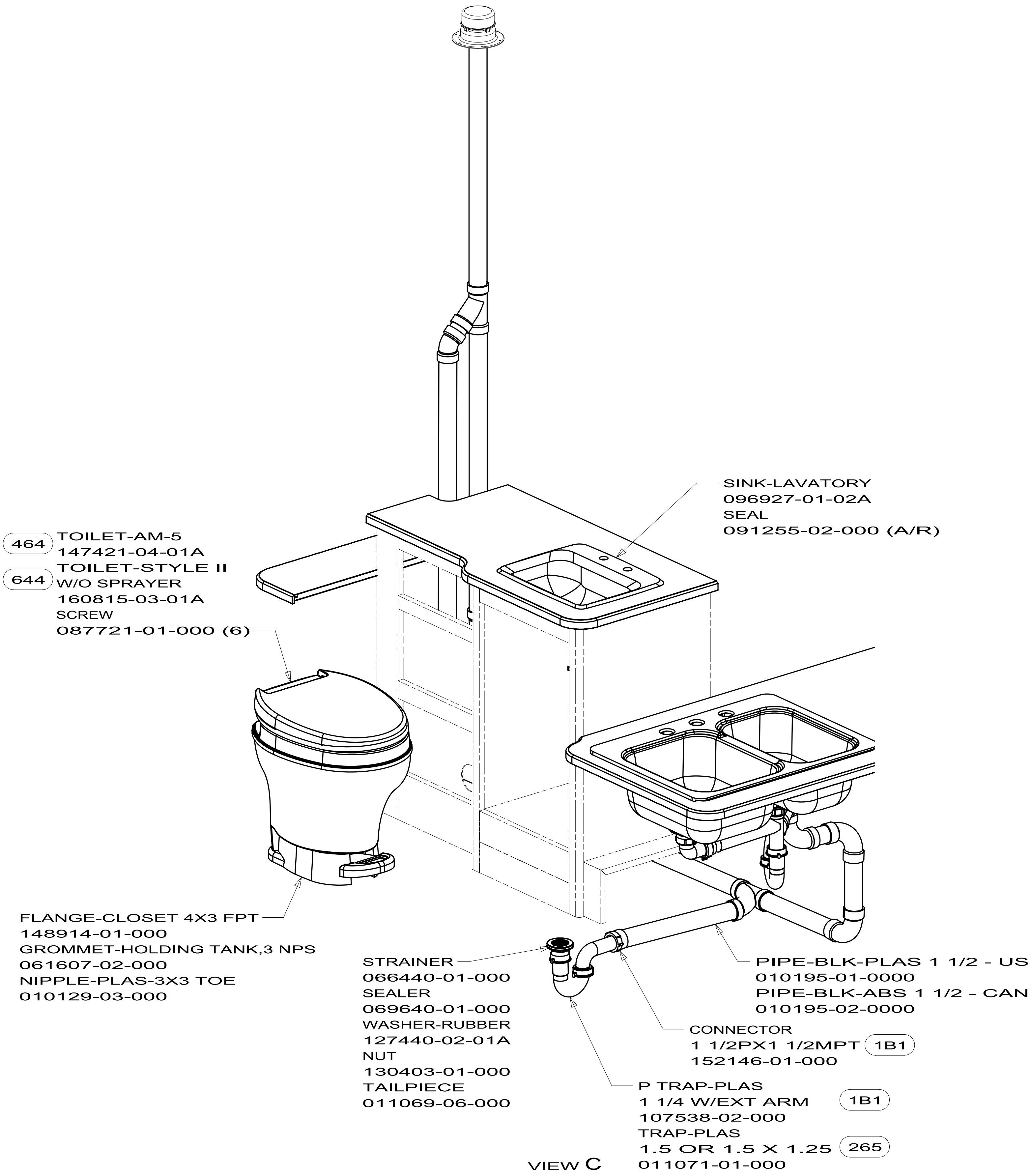
PIPE-BLK-PLAS
1 1/2 - US
010195-01-0000
PIPE-BLK-ABS
1 1/2 - CAN
010195-02-0000

WYE
031365-02-000

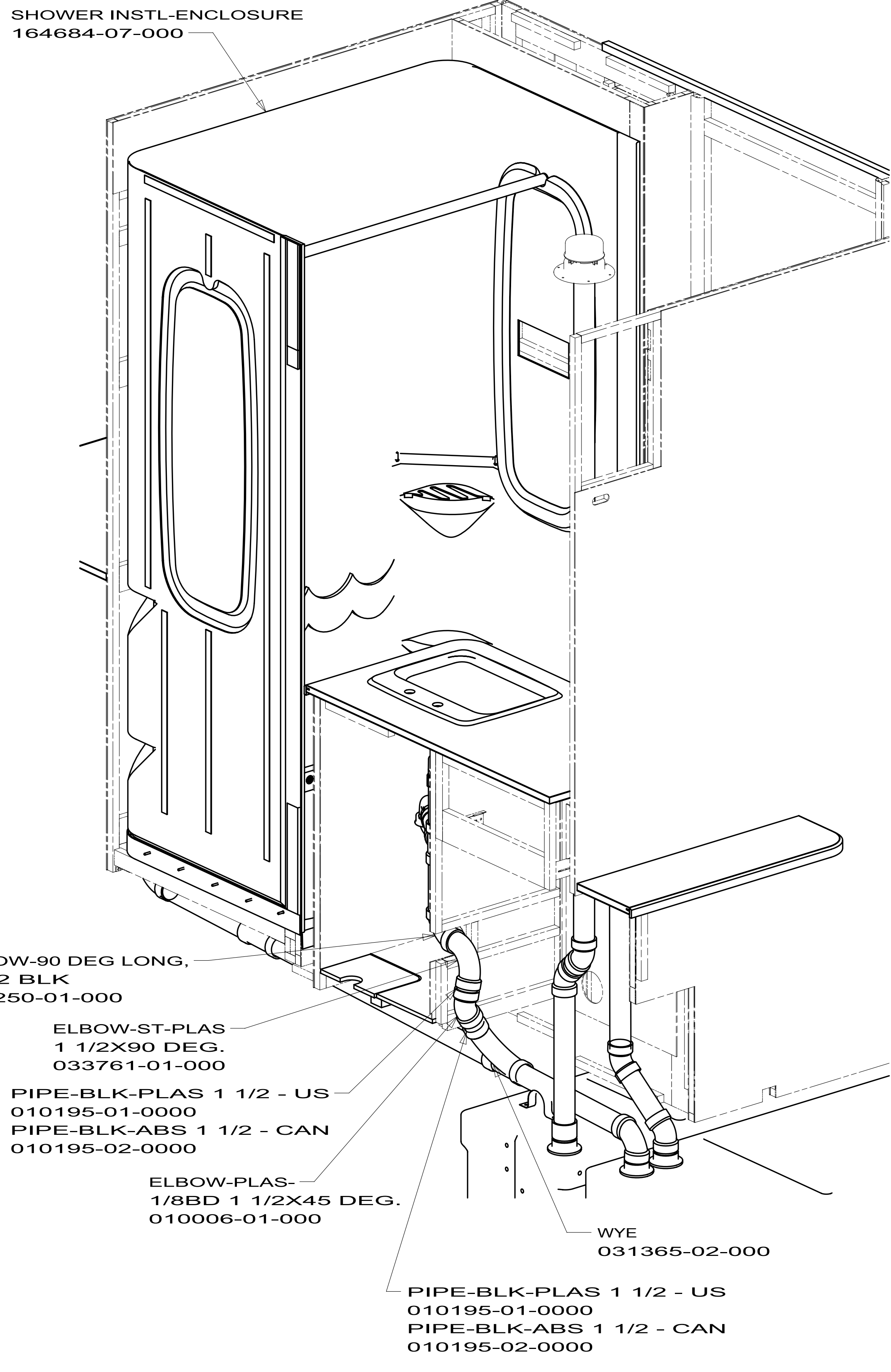
PIPE-BLK-PLAS
1 1/2 - US
010195-01-0000
PIPE-BLK-ABS
1 1/2 - CAN
010195-02-0000

ELBOW-PLAS-1/4BD 11/2X90 XLT
010008-01-000

09 231J

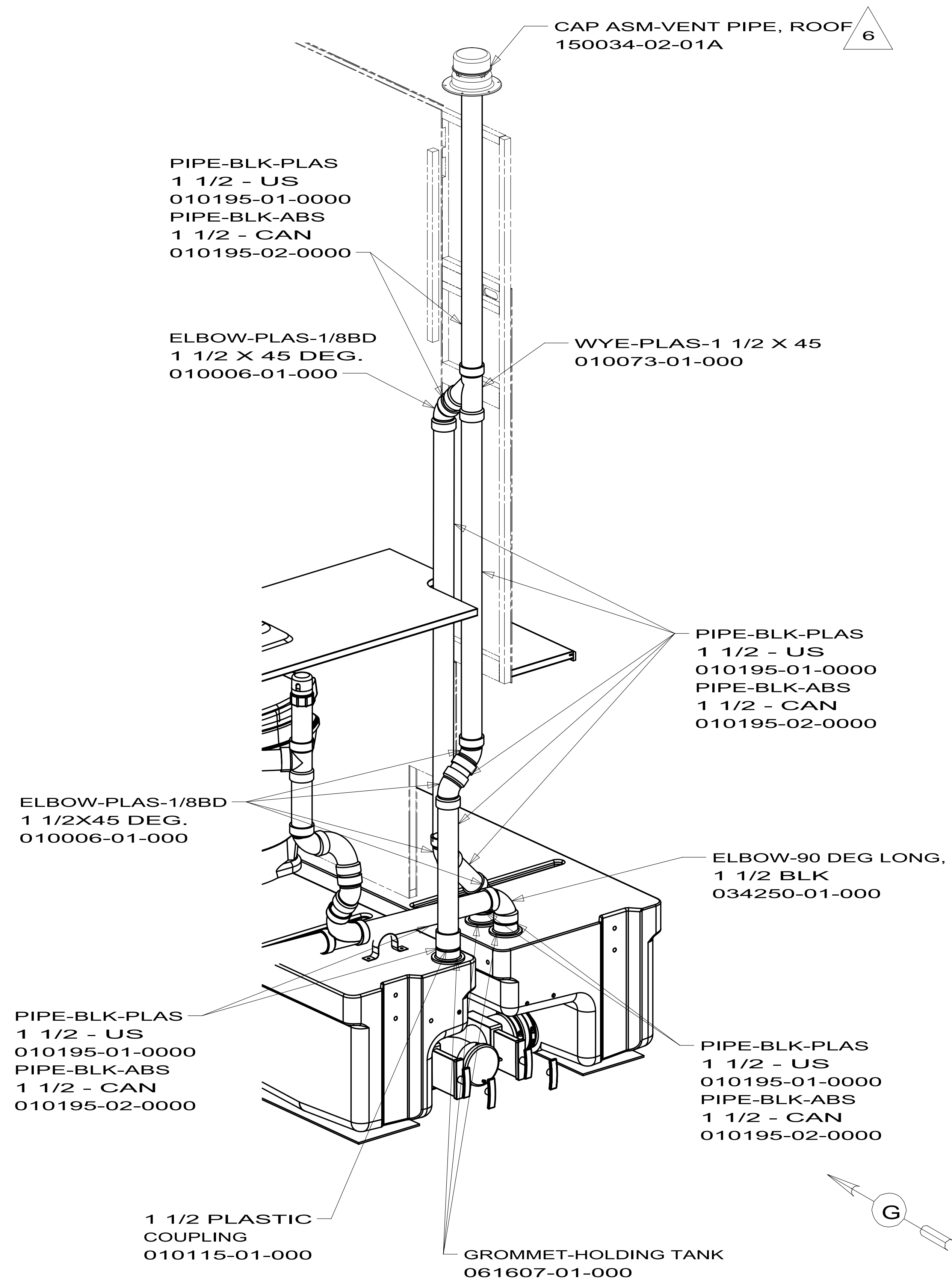


VIEW C



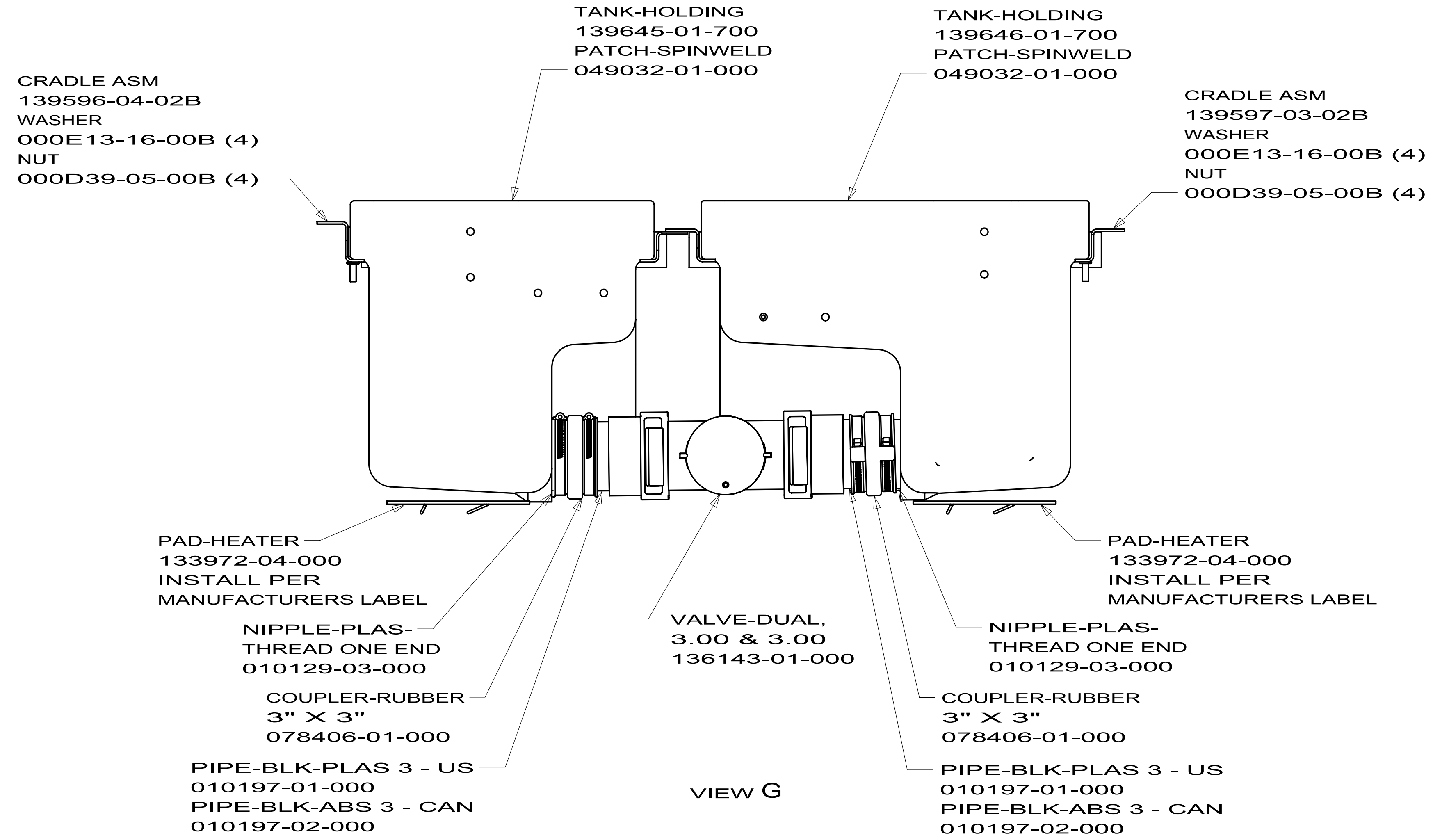
VIEW D

09 231J



VIEW E
(WITHOUT FLOOR)

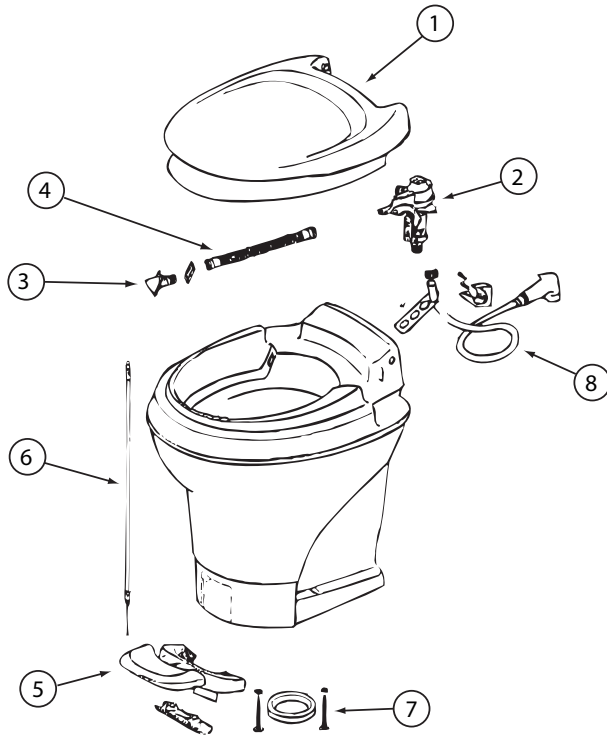
09 231J



09 231J

KEY	PART NUMBER	U/M	DESCRIPTION
	096927-01-700	EA	SINK STOPPER
	096927-01-701	EA	TAILPIECE-DRAIN-LAVATORY

096927-01-02A
VENDOR NO.
M9801
M9802



**147421-01-01A, 147421-02-01A
VENDOR NO.**

KEY	PART NUMBER	U/M	DESCRIPTION
1	147421-01-700	EA	SEAT & COVER ASSEMBLY(WHT)
2	147421-01-701	EA	WATER MODULE ASSEMBLY
3	147421-01-702	EA	NOZZLE ASSEMBLY
4	147421-01-703	EA	LINK - WATER MODULE
5	147421-01-704	EA	PEDAL - WHITE
6	147421-01-705	EA	FOOT CABLE
7	063740-01-706	EA	BOLT PACKAGE-FLOOR FLANGE
8	147421-01-708	EA	HAND SPRAY KIT - WHITE HEAD
	147421-01-706	EA	SEAL - BLADE
	147421-01-707	EA	CAP (UNIVERSAL BOLT) - WHITE

**147421-03-01A
VENDOR NO.**

KEY	PART NUMBER	U/M	DESCRIPTION
1	147421-01-700	EA	SEAT & COVER ASSEMBLY(WHT)
2	147421-01-701	EA	WATER MODULE ASSEMBLY
3	147421-01-702	EA	NOZZLE ASSEMBLY
4	147421-01-703	EA	LINK - WATER MODULE
5	147421-01-704	EA	PEDAL - WHITE
6	147421-01-705	EA	FOOT CABLE
7	063740-01-706	EA	BOLT PACKAGE-FLOOR FLANGE
	147421-01-706	EA	SEAL - BLADE
	147421-01-707	EA	CAP (UNIVERSAL BOLT) - WHITE

CONTACT WINNEBAGO PART SALES FOR UNLISTED COMPONENT(S)

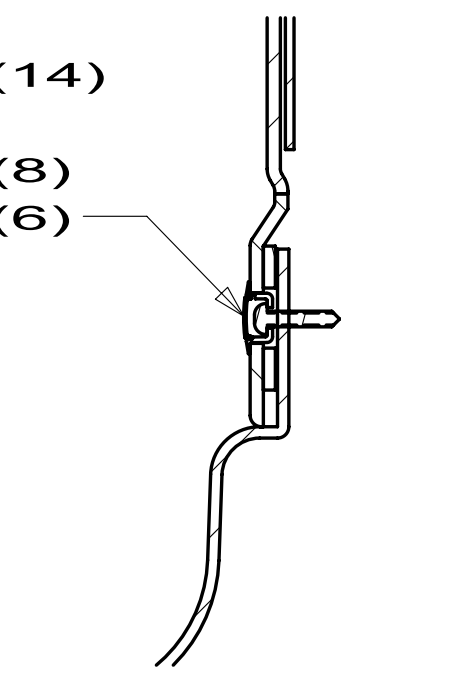
147421-04-01A, 147421-05-01A

KEY	PART NUMBER	U/M	DESCRIPTION	VENDOR NO.
1	147421-01-700	EA	SEAT & COVER ASSEMBLY(WHT)	31703
2	147421-01-701	EA	WATER MODULE ASSEMBLY	31705
3	147421-01-702	EA	NOZZLE ASSEMBLY	31706
4	147421-01-703	EA	LINK - WATER MODULE	31621
7	063740-01-706	EA	BOLT PACKAGE-FLOOR FLANGE	12524 THETFORD
	147421-01-706	EA	SEAL - BLADE	31708
	147421-01-707	EA	CAP (UNIVERSAL BOLT) - WHITE	31713
			CONTACT WINNEBAGO PART SALES FOR UNLISTED COMPONENT(S)	

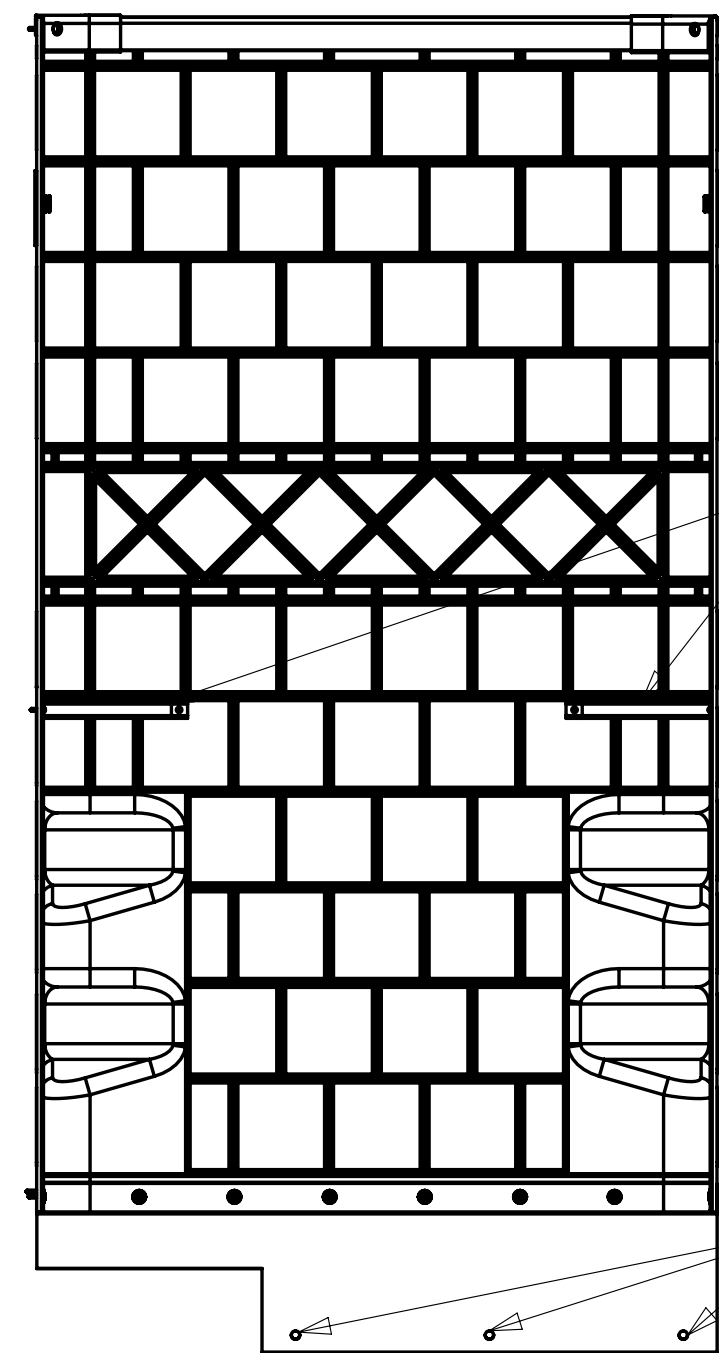
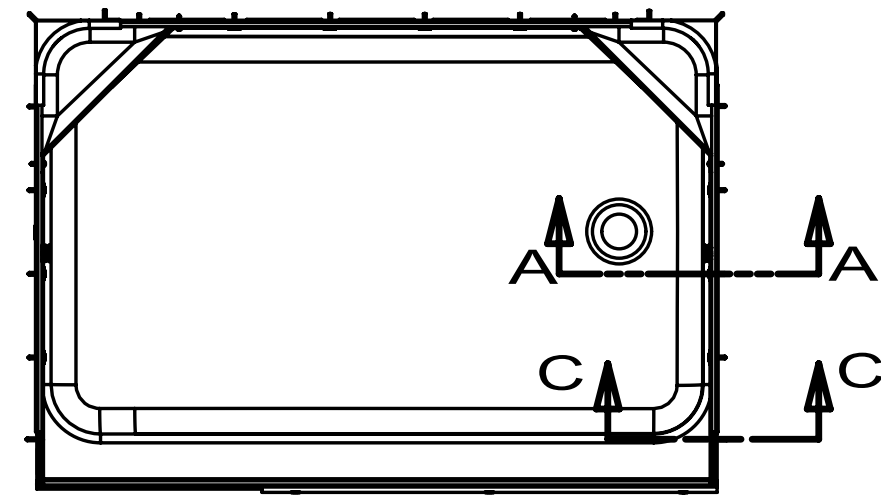
147421-06-01A

KEY	PART NUMBER	U/M	DESCRIPTION	VENDOR NO.
1	147421-01-700	EA	SEAT & COVER ASSEMBLY(WHT)	31703
2	147421-01-701	EA	WATER MODULE ASSEMBLY	31705
3	147421-01-702	EA	NOZZLE ASSEMBLY	31706
4	147421-01-703	EA	LINK - WATER MODULE	31621
5	147421-01-704	EA	PEDAL - WHITE	31709
6	147421-01-705	EA	FOOT CABLE	31711
7	063740-01-706	EA	BOLT PACKAGE-FLOOR FLANGE	12524 THETFORD
	147421-01-707	EA	CAP (UNIVERSAL BOLT) - WHITE	31713
			CONTACT WINNEBAGO PART SALES FOR UNLISTED COMPONENT(S)	

RETAINER-SCREW
149753-01-CHT (14)
CAP-RETAINER
149753-02-CHT (14)
SCREW
000G11-08-12B (8)
000G39-08-12B (6)



SECTION A-A

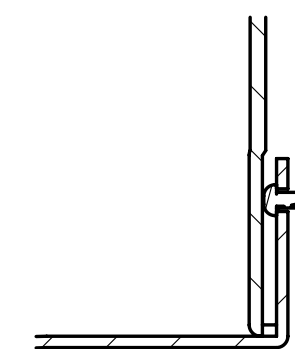


SURROUND-SHOWER
164683-01-18A D33C,D35J
164683-02-18A J32H,P34Y
164683-05-18A 231J,329B

RETAINER-SHELF,SHOWER
113714-02-CHT (2)
SCREW
000G11-08-12B (4)
COVER
166569-01-CHT (4)

CLIP-XMAS TREE
094362-02-000 (3)

SHOWER-PAN
M02630-80-R28 231J,329B,D33C,D35J
M09530-02-W91 J32H
M09530-12-AQ0 P34Y



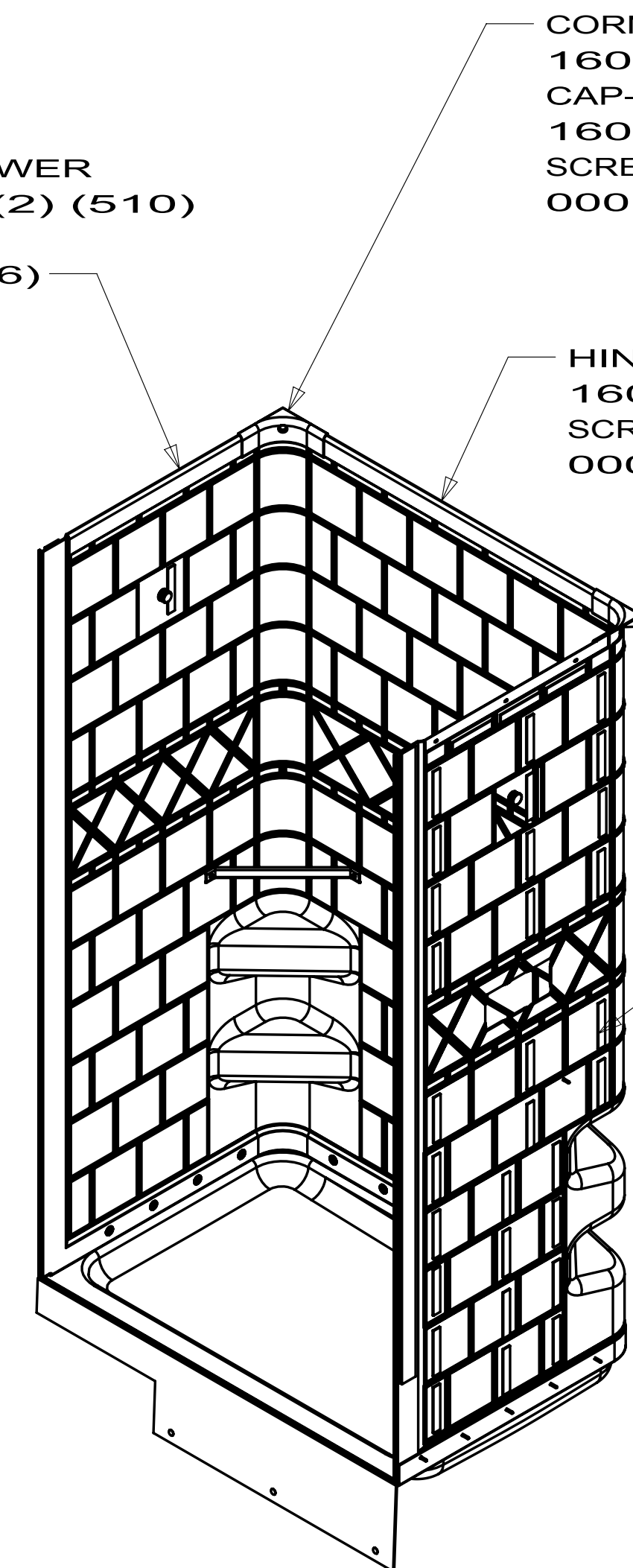
SECTION C-C

SCREW
000G11-08-12B (2)
000G39-08-12B (2)
(FOR ATTACHING
SHOWER PAN)

HINGE-LIVING,SHOWER
160924-01-01A (2) (510)
SCREW
000G39-08-12B (6)

CORNER-SHOWER
160925-01-01A (2)
CAP-CORNER SHOWER
160925-02-01A (2)
SCREW
000G13-08-16B (2)

HINGE-LIVING,SHOWER
160924-01-01A (810)
SCREW
000G11-08-12B (4)



4
TAPE
076322-26-000

09 MOTORHOMES

4 CLEAN AND APPLY ADHESIVES PROMOTER 087211-01-000 TO BOTH SURFACES AND BOND WITH TAPE 076322-26-000.

NOTES:

SHOWER INSTL-ENCLOSURE

1 1 164684

N-5	010129-05-000	NIPPLE-PLAS 3" X 10" TOE
N-4	010129-04-000	NIPPLE-PLAS 3" X 7 5/8" TOE
N-3	010129-03-000	NIPPLE-PLAS 3" X 3" TOE
N-2	010129-01-000	NIPPLE-PLAS 3" X 2 5/8" TOE
N-1	102024-01-000	NIPPLE-PLAS 1 1/2" X 2 5/8" TOE
H-2	139513-02-000	HOSE ASM-SEWER 3" ID X 20 FT
H-1	139513-01-000	HOSE ASM-SEWER 3"IDX10FT(062416-01-000ADAPTER)
G-2	061607-02-000	GROMMET
G-1	061607-01-000	GROMMET
F-8	116644-02-000	FLANGE-CLOSET 4" X 3"MPT
F-7	116644-01-000	FLANGE-CLOSET 4" X 3" } 2
F-6	148914-01-000	FLANGE-CLOSET 4" X 3" MPT
F-5	063641-01-000	FLANGE-CLOSET 4" X 3"
F-3	024676-01-000	FLANGE-CLOSET 4" X 3"
E-19	170414-01-000	ELBOW-3X3X1 1/2 W/HEEL
E-18	010062-01-000	ELBOW-ST-PLAS 3" X 90° SPIGOT X H
E-17	126589-01-000	ELBOW 1 1/2" X90° ,SLIP BY FEMALE NUT
E-16	125569-01-000	ELBOW 1 1/2" X 90° DBL SLIP
E-15	010005-01-000	ELBOW-PLAS 1/16"DB 1 1/2" X 22 1/2
E-14	010009-01-000	ELBOW-ST-PLAS 1/4"BD 1 1/2" X 90°
E-13	031126-01-000	ELBOW 3" X EXTRA LONG TURN
E-12	037101-01-000	ELBOW 90° SHORT TURN
E-11	041956-01-000	ELBOW 3" X 90° EXTRA LONG TURN
E-10	010061-01-000	ELBOW 3" X 45° S
E-9	010024-01-000	ELBOW 3" X 45°
E-7	010023-01-000	ELBOW-PLAS-ST 1/16"BD 3" X 22.5'
E-6	010008-01-000	ELBOW 1 1/2" X 90° EXTRA LONG TURN
E-5	010051-01-000	ELBOW 1 1/2" X 45° S
E-3	033761-01-000	ELBOW 1 1/2" X 90° EXTRA LONG STREET
E-2	034250-01-000	ELBOW 1 1/2" X 90° LONG TURN
E-1	010006-01-000	ELBOW-PLAS 1/8"DB 1 1/2" X 45° HXH
CP-2	150034-02-CHT	CAP ASM-VENT PIPE, ROOF
CP-1	062415-01-000	CAP-SEWER 3"
C-4	089355-01-000	COUPLER-RUBBER 1 1/2" X 1 1/2"
C-3	010115-01-000	COUPLER 1 1/2" X 1 1/2"
C-2	078406-01-000	COUPLER-RUBBER 3" X 3"
B-3	010122-02-000	BUSHING 1 1/2" X 1 1/4" T CSA
B-2	010122-01-000	BUSHING 1 1/2" X 1 1/4" T
B-1	010123-01-000	BUSHING 2" X 1 1/2"
A-15	152146-01-000	CONNECTOR- 1 1/2 P x 1 1/2 MPT
A-14	130685-03-000	1 1/2" MALE ACME X SPIGOT
A-13	130685-02-000	1 1/2" MALE ACME X SOCKET
A-12	130685-01-000	1 1/2" FEMALE ACME X SOCKET
A-11	126425-02-000	ADAPTER-SWIVEL 1 1/2" FPT X SPIGOT
A-10	126425-01-000	ADAPTER-SWIVEL 1 1/2" FPT X H
A-9	126424-01-000	ADAPTER-1 1/2" MPT X 1/2" H
A-8	109571-01-000	ADAPTER-1 1/2" X 1 1/4" MPT
A-6	062416-01-000	HOSE-ADAPTER 3"
A-4	062417-01-000	ADAPTER-3"
A-2	109450-01-000	ADAPTER-PLASTIC HOSE, SEWER
A-1	062422-01-000	ADAPTER-OFFSET REDUCER 3" X 1 1/2"
NO.	P/N	DESCRIPTION

3	126426-01-000	PIPE-FLEX 1 1/2"
2	010197-01-000	PIPE 3"
	010197-02-000	PIPE 3" BLK CSA
1	010195-01-000	PIPE 1 1/2"
	010195-02-000	PIPE 1 1/2" CSA
Y-1	010073-01-000	WYE 1 1/2" X 45° H X H X H
W-7	127440-02-CHT	WASHER-RUBBER 3.2 THICK
W-6	127440-01-CHT	WASHER-RUBBER 1.5 THICK
W-5	011091-05-000	CONTINUOUS WASTE 1 1/4"
W-2	011091-02-000	CONTINUOUS WASTE 1 1/4"
VM-1	079968-01-000	VENT-MECHANICAL
V-12	136143-02-000	VALVE-DUAL 3" X 3" X SPIGOT
V-11	136143-01-000	VALVE-DUAL 3" X 3"
V-10	062418-03-000	VALVE-DUAL 3", SPIGOT X SPIGOT
V-9	070916-03-000	VALVE-DUAL 3" & 1 1/2"
V-8	070916-02-000	VALVE-DUAL 3" & 1 1/2"
V-7	062418-01-000	VALVE 3" W/HANDLE
V-6	062418-02-000	VALVE 3" W/O HANDLE
V-4	062421-02-000	VALVE 1 1/2" W/O HANDLE
V-3	062421-01-000	VALVE 1 1/2" W/HANDLE
V-1	070916-01-000	VALVE-DUAL 3" & 1 1/2"
SP-7	131786-08-CHT	SPACER TOILET
SP-6	131786-07-CHT	SPACER TOILET .78
SP-5	131786-05-CHT	SPACER-TOILET 1 1/4" (THETFORD)
SP-4	131786-04-CHT	SPACER-TOILET 1 1/4" (AQUA IV)
SP-3	131786-03-CHT	SPACER-TOILET 1 1/4" (SEALAND)
SP-2	131786-02-CHT	SPACER-TOILET (THETFORD AQUA IV)
SP-1	131786-01-CHT	SPACER-TOILET (SEALAND)
T-6	136664-01-000	TEE-PLAS 3" S X H X H
T-5	010065-01-000	TEE-PLAS 3" H X H X H
T-4	031365-02-000	TEE-PLAS 1 1/2" EXTRA LONG TURN
T-3	010071-02-000	TEE-PLAS 1 1/2" W/BAFFLE
T-2	031365-01-000	TEE-PLAS 3" X 3" X 1 1/2" EXT LG TUR
T-1	010071-01-000	TEE 1 1/2" X 1 1/2" X 1 1/2"
S-1	116666-01-CHT	SEAL-VENT PIPE
PL-2	010166-02-000	PLUG 1 1/4" MPT CSA
PL-1	010166-01-000	PLUG 1 1/4" MPT
P-8	126588-03-000	ARM-WASTE 1 1/2" X 9 1/2" SLIP
P-7	126588-02-000	ARM-WASTE 1 1/2" X 20", FEMALE NUT
P-6	126588-01-000	ARM-WASTE 1 1/2" X 9 1/2", FEMALE NUT
P-4	037763-01-000	P-TRAP-PLASTIC 1 1/2"H X H W/UNION
P-3	011071-01-000	P-TRAP 1 1/2" X 1 1/2" OR 1 1/4"-CSA
P-2	107538-01-000	P-TRAP-PLASTIC 1 1/4" W/EXT ARM, US
P-1	107538-02-000	P-TRAP-PLASTIC 1 1/2" W/EXT ARM, US
NO.	P/N	DESCRIPTION

3 PART IS ALSO LISTED ON WATER SYSTEM PART LIST DRAWING #116230.

2 USE WITH SEALAND BRAND TOILETS ONLY.

1 INACTIVE.

WINNEBAGO INDUSTRIES

COPYRIGHT 2009 WINNEBAGO INDUSTRIES, INC.

DTR	ORIG. DATE
CHKR	ALL DIMENSIONS ARE IN MILLIMETERS
P.E.	
M.E.	FIRST USED
DSNR	95 MH'S

UNSPECIFIED TOLERANCES ARE:

WHOLE DIM (X)	: 7
ONE-PLACE (X.X)	:
TWO-PLACE (X.XX)	:
ANGLE	:

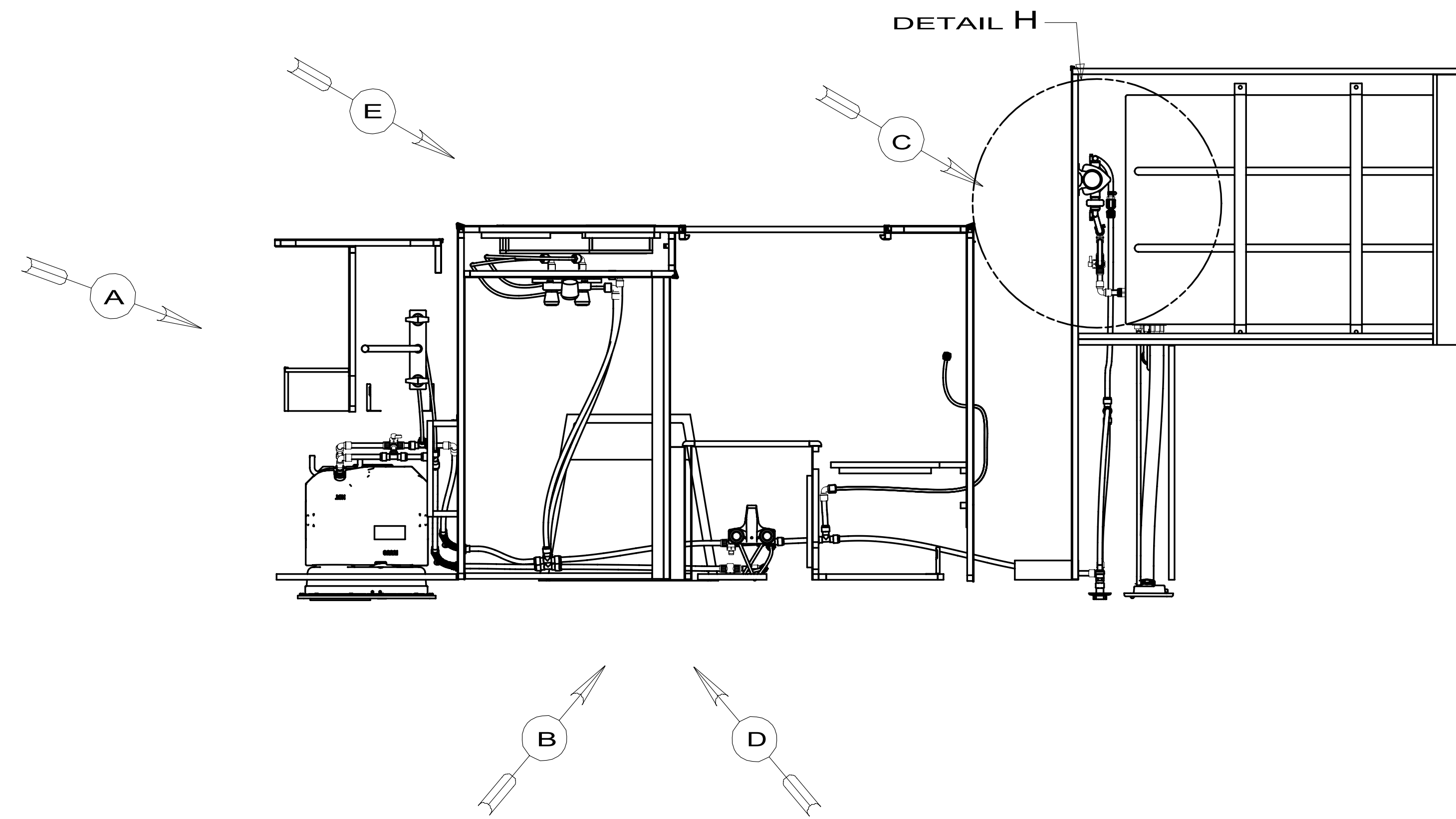
THIRD ANGLE PROJECTION

DO NOT SCALE DRAWING

TITLE: PART LISTING-DRAINAGE SYSTEM

SHEET 1 OF 1 PART NO 116229 REV

REF: 1 10/22/2009



11 ATTACH WASHER PLASTIC 087080-13-000 W/TAPE DOUBLE 123816-03-000 ON BOTTOM SIDE OF FLOOR.

10 ATTACH WASHER PLASTIC 087277-12-000 W/TAPE-DOUBLE 123816-03-000 ON BOTTOM SIDE OF COMPARTMENT.

9 LABEL THE HOT AND COLD SUPPLY RISER TUBE AND TAPE FITTING TO TUBES BEFORE CABINET SET TO PREVENT MOVEMENT.

8 NOT REQUIRED W/644 FEATURE.

7 ADD PIPE WRAP (LADDER SCRAP 110157-02-000) INSULATION OR USE CARPET (SCRAP) 075233-06-000.

6 ADD TEFLON TAPE 010405-03-000.

5 ADD TEFLON TAPE 010405-02-000.

4 ADD TEFLON TAPE 010405-01-000.

3. ALL TUBING TO BE SECURED AT 1200 INTERVALS MAXIMUM WITH CLAMP 010495-01-000 AND SCREW 000G67-10-12B OR EQUIVALENT.

2. TUBING TO BE INSTALLED WITH SUFFICIENT SLOPE TO PROVIDE DRAINAGE TO NEAREST VALVE.

1. PLASTIC FITTINGS TO BE SEALED WITH SEALANT 084456-01-000.

NOTES:

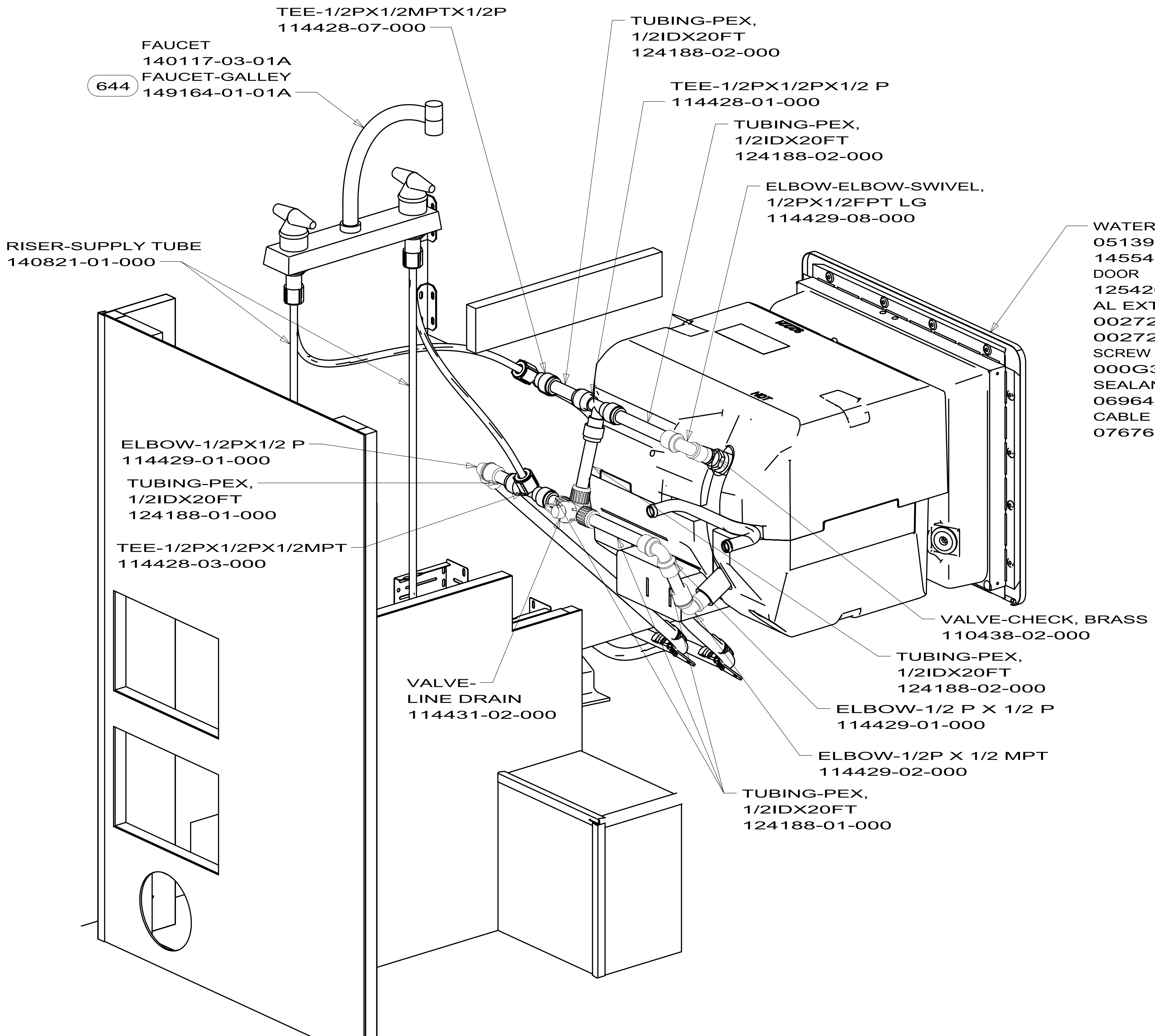
- 08P INTERIOR UPGRADE - WITHOUT
- 644 GREAT ALASKAN RENTAL PACKAGE
- 53F WATER HEATER-ELEC. IGNITION
- 53E WATER SYS WINTERIZATION PKG
- 53B WTR HTR-6GAL ELECTRIC/LP GAS

X-X	FOR WATER CALLOUTS SEE DWG NO 116230-01-000
-----	---

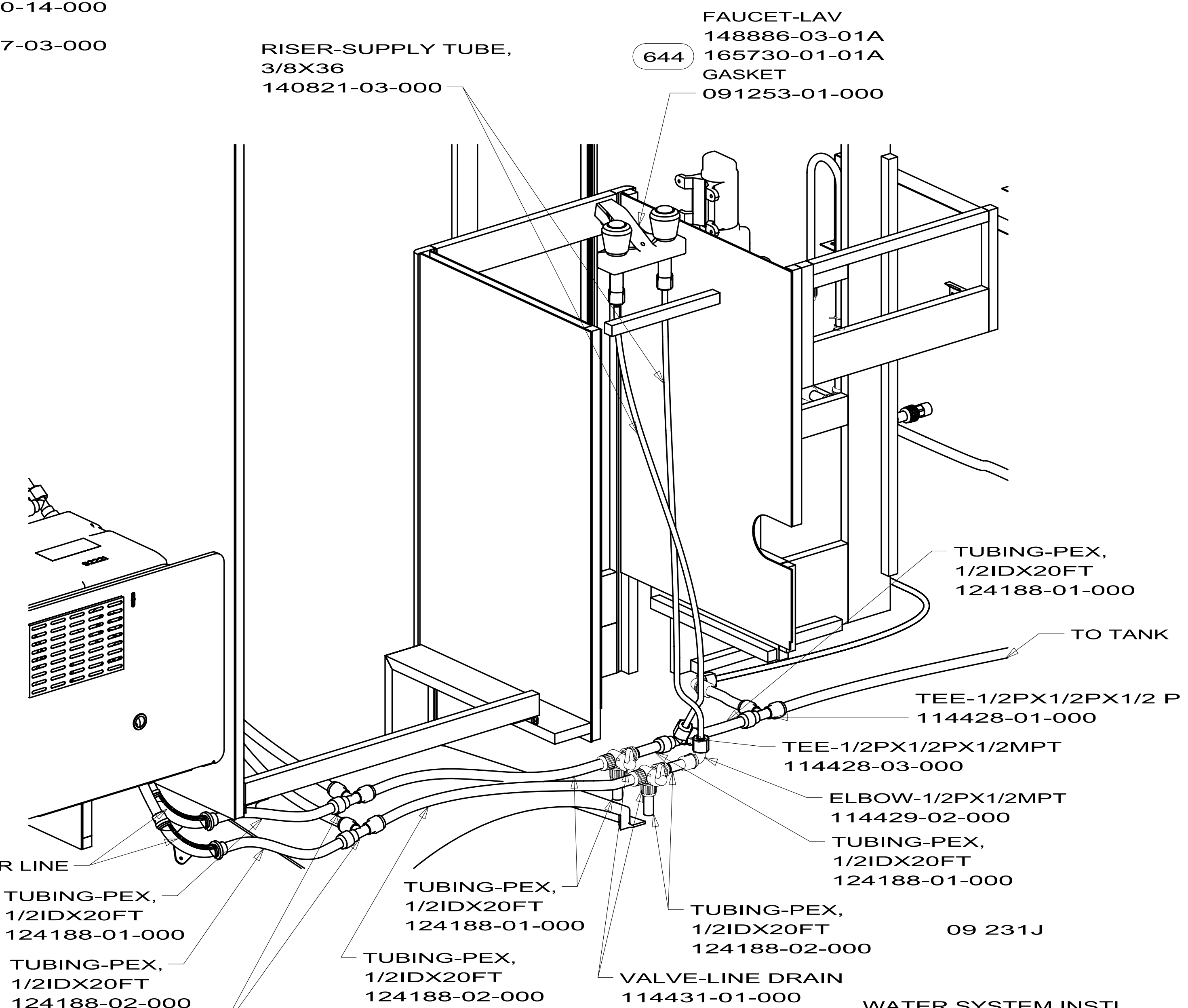
09 231J

WATER SYSTEM INSTL

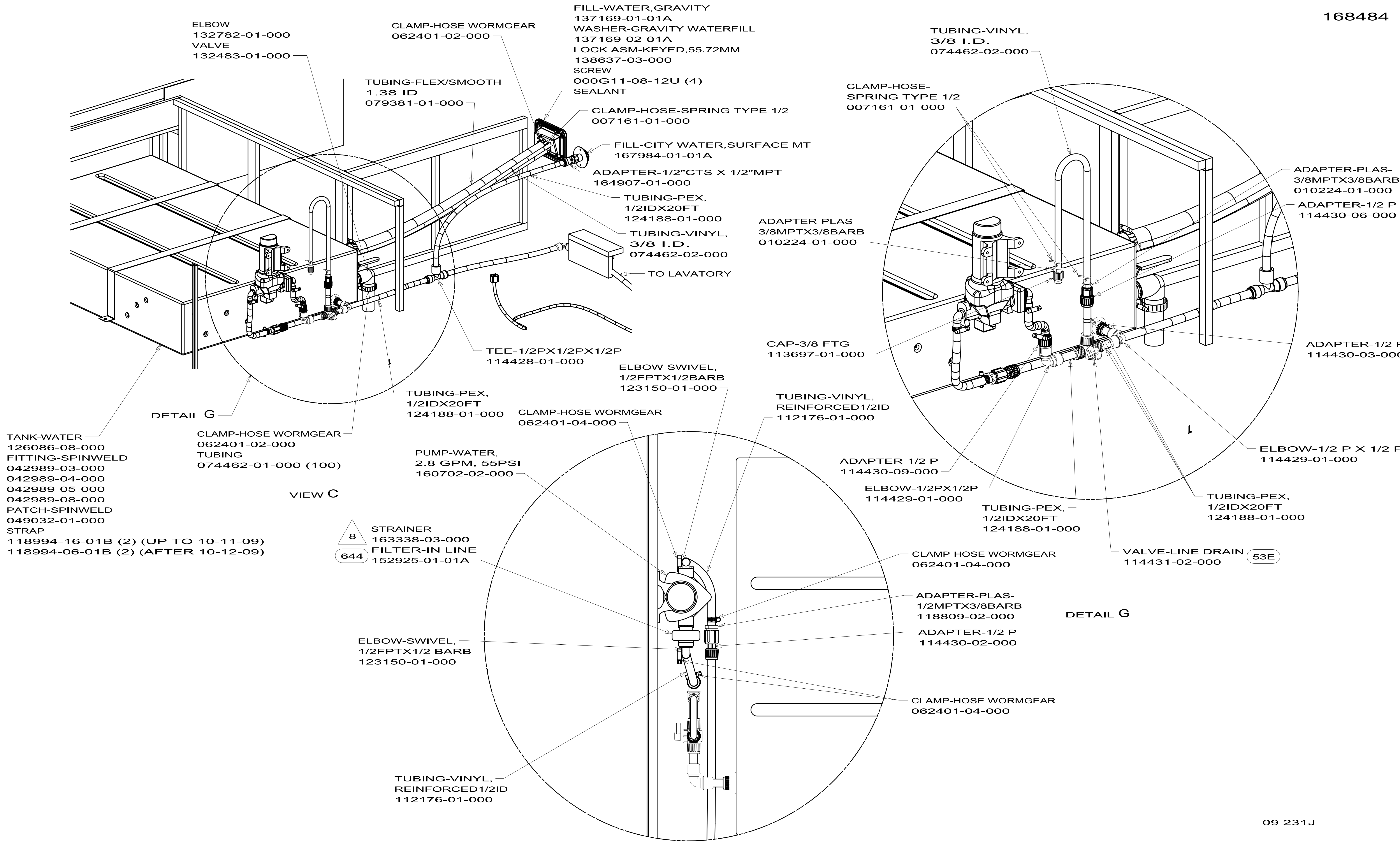
1 5 168484



VIEW A



VIEW B



- TANK-WATER 126086-08-000
- FITTING-SPINWELD 042989-03-000
- 042989-04-000
- 042989-05-000
- 042989-08-000
- PATCH-SPINWELD 049032-01-000
- STRAP 118994-16-01B (2) (UP TO 10-11-09)
- 118994-06-01B (2) (AFTER 10-12-09)

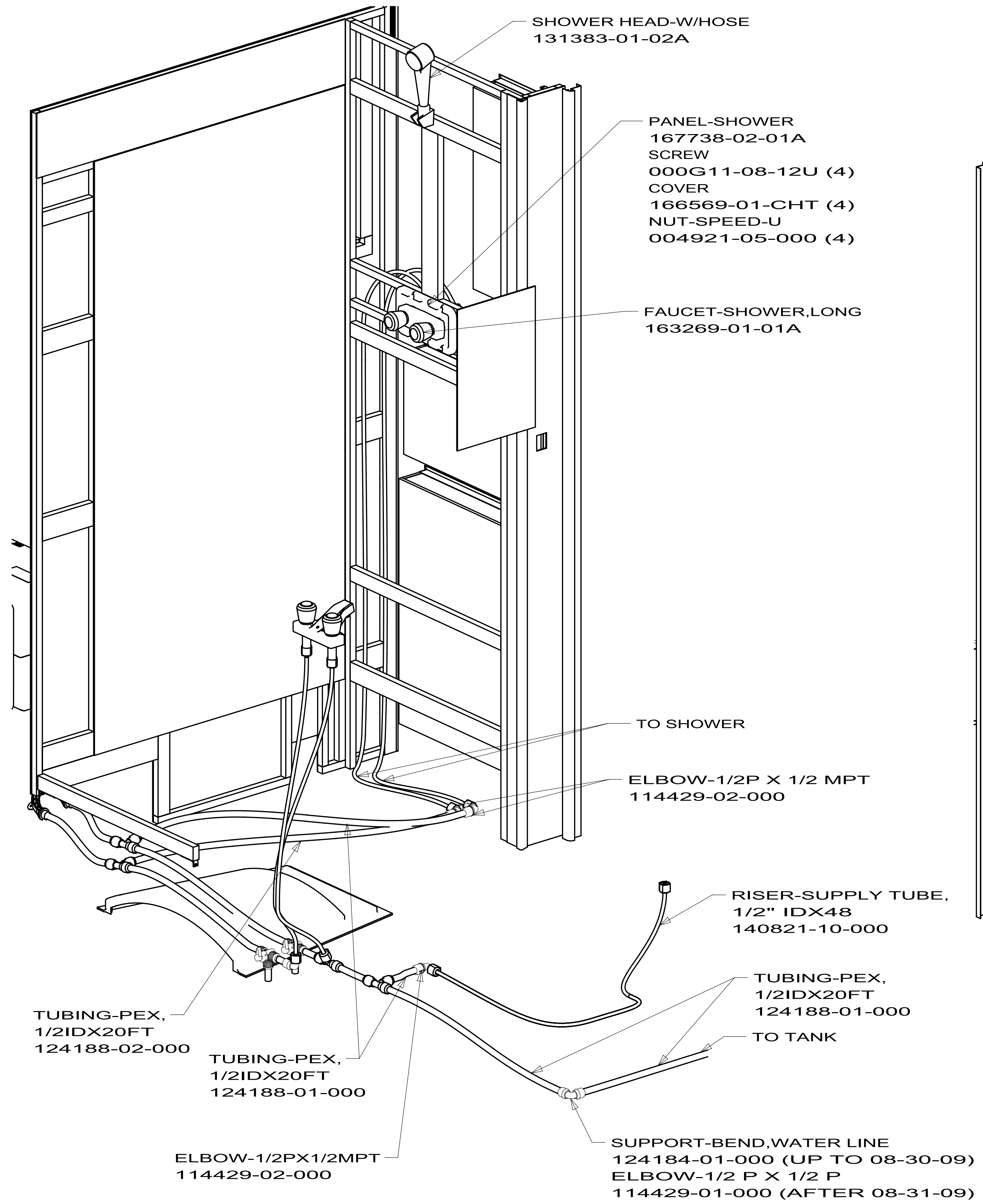
VIEW C

- 8 STRAINER 163338-03-000
- 644 FILTER-IN LINE 152925-01-01A

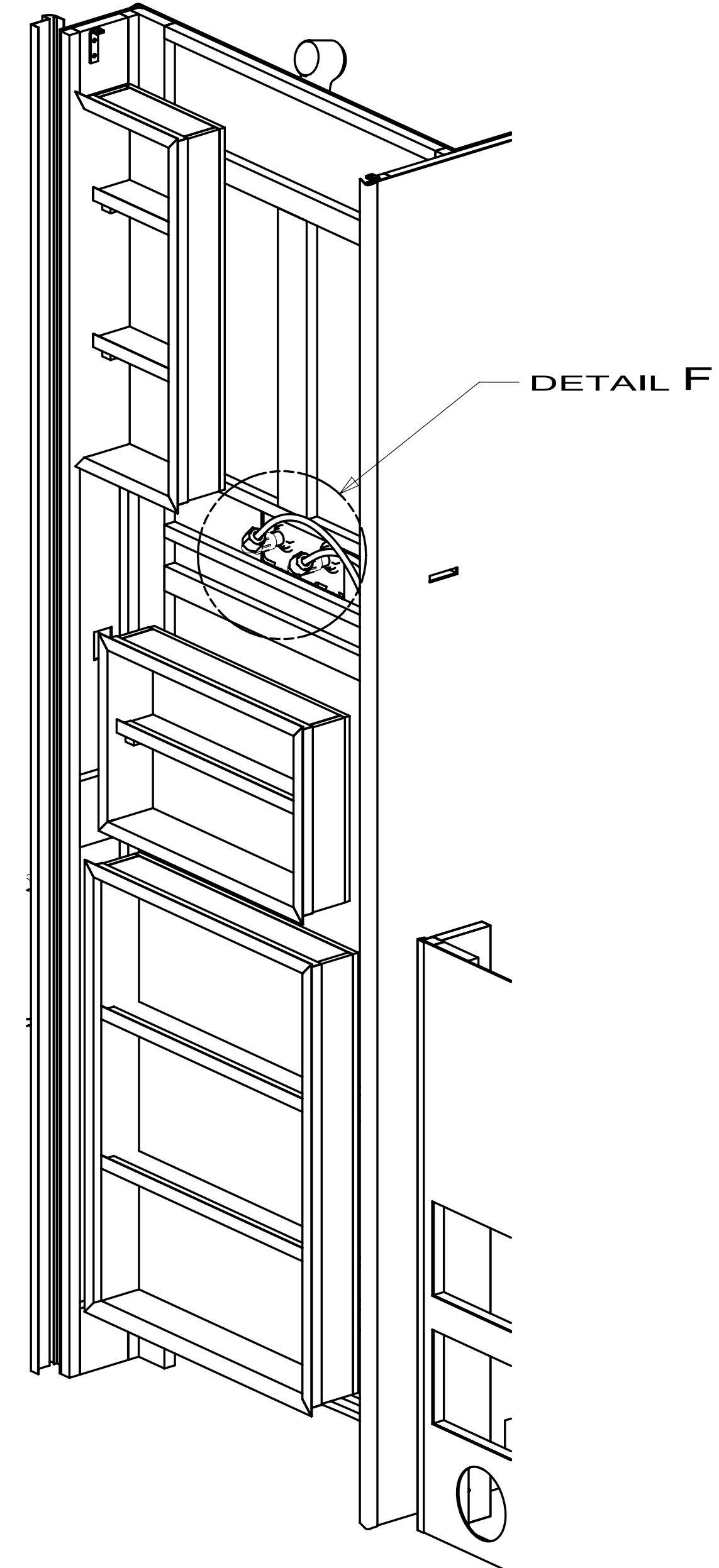
DETAIL H

DETAIL G

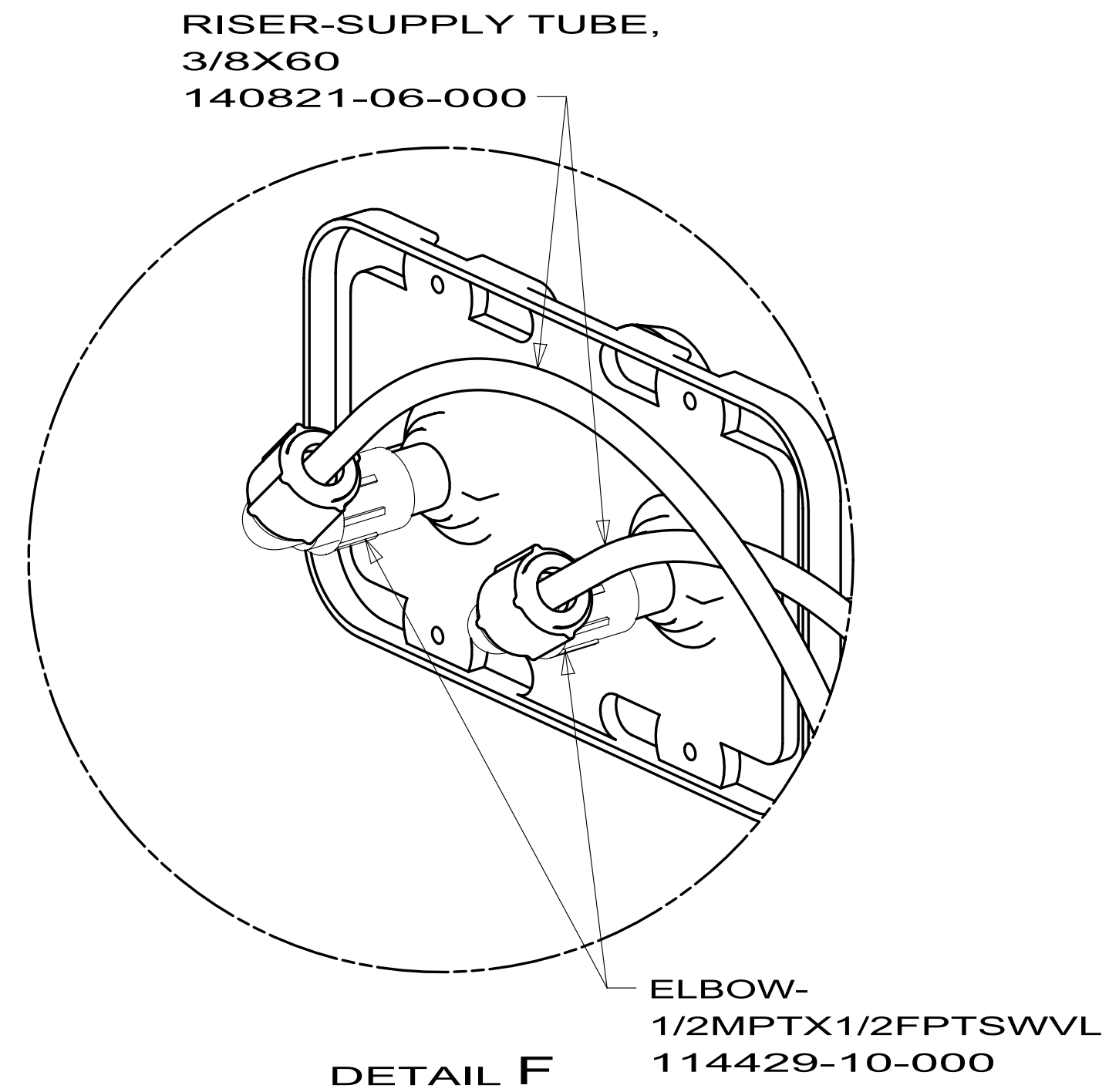
09 231J



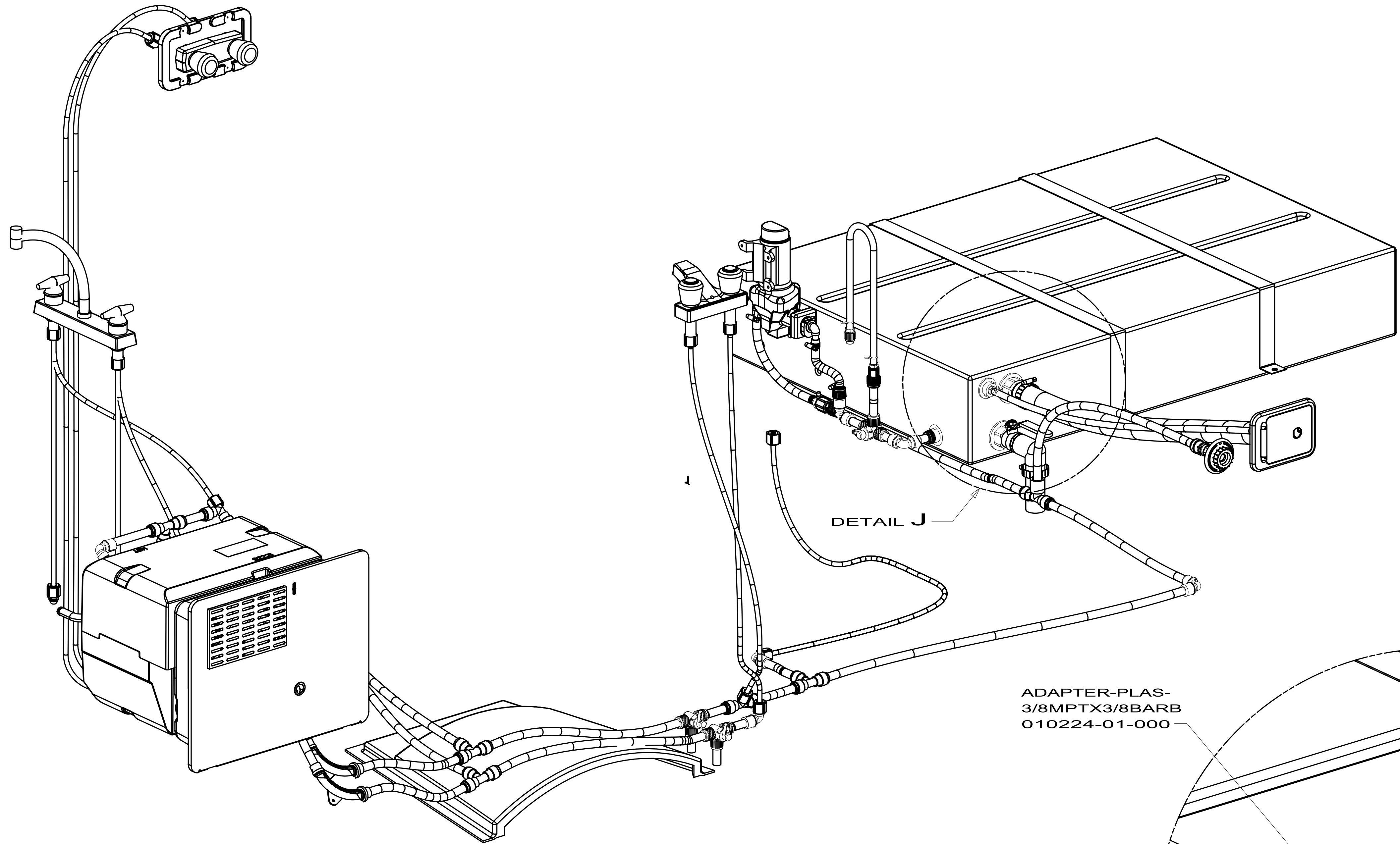
VIEW D



VIEW E



09 231J

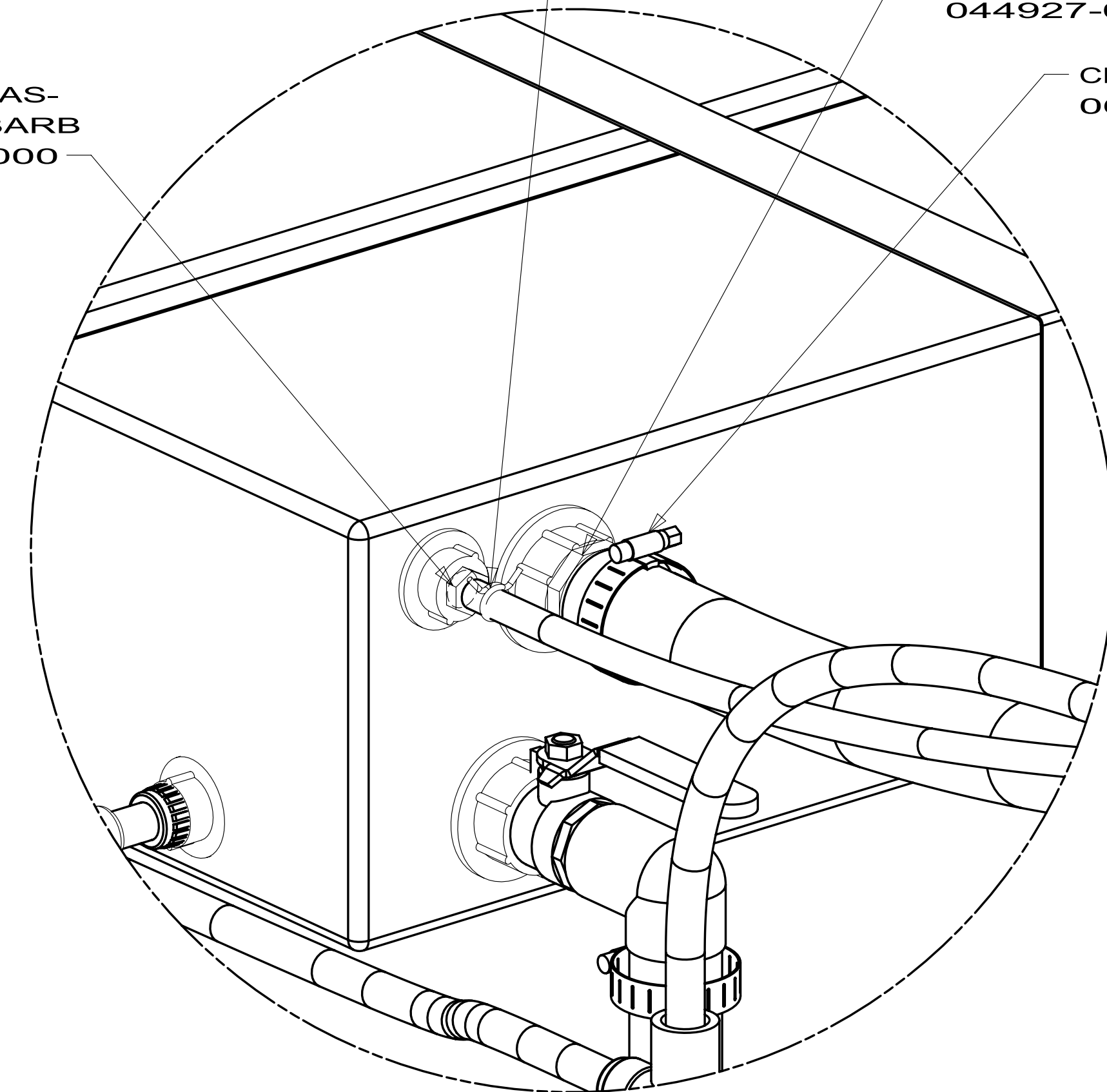


ADAPTER-PLAS-
3/8MPTX3/8BARB
010224-01-000

CLAMP-HOSE-SPRING TYPE 1/2
007161-01-000

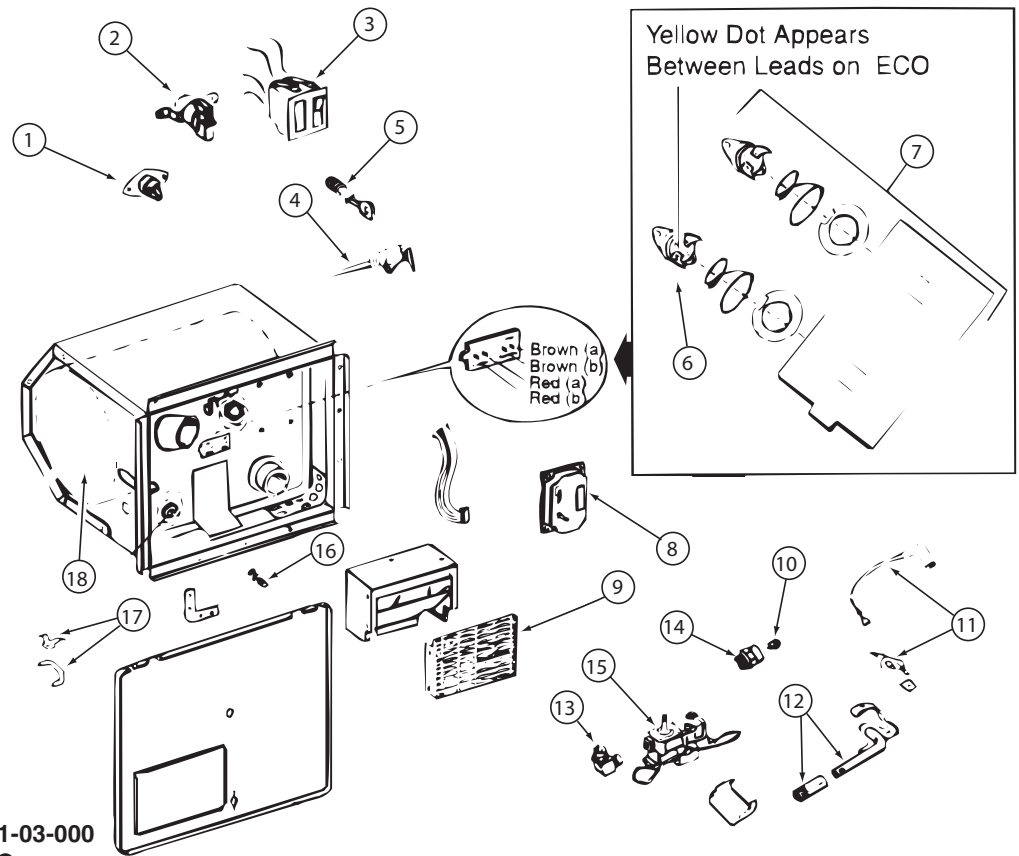
ADAPTER-PLAS-
1 1/4MPTX1 1/4BARB
044927-01-000

CLAMP-HOSE WORMGEAR
062401-02-000



DETAIL J

09 231J



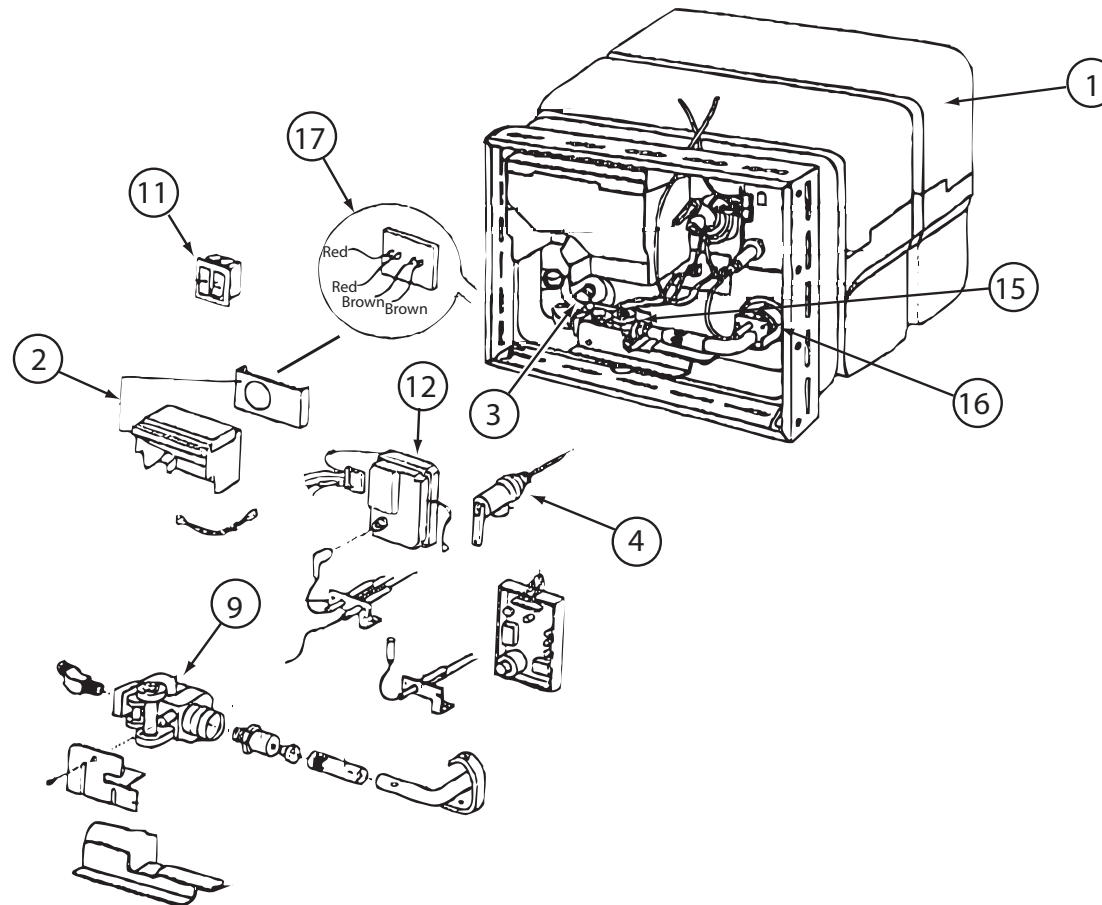
051391-03-000

KEY	PART NUMBER	U/M	DESCRIPTION	VENDOR NO.
3	051393-01-701	EA	SWITCH - REMOTE - W/LIGHT	91959
4	051391-01-704	EA	VALVE-RELIEF, 1/2" FITTING	91604
4	051391-03-701	EA	VALVE-RELIEF - 3/4" FITTING	90028
5	051391-01-705	EA	FASTENER-CAMLOCK	92609
6	051391-04-701	EA	THERMOSTAT 12V DC-120 PRESET	91470
7	051393-01-721	EA	THERMOSTAT W/ECO, 140 FRT MT	91447
9	051391-04-707	EA	KIT-EXHAUST, (FLUE & GASKET)	90960
10	051391-01-710	EA	ORIFICE-MAIN BURNER	92742
12	051391-04-703	EA	BURNER-MAIN/ELECTRONIC IG	91638
13	051391-01-714	EA	FITTING-ELBOW 45,3/8F X 3/8	MPT 1044
14	051391-03-700	EA	HOLDER-ORIFICE	91563
16	051391-01-715	EA	PLUG-DRAIN, 1 EA = 2 PER PKG	91857
17	051391-01-700	EA	HINGE KIT, (PIN & CLIP)	92568&92559
18	051391-04-706	EA	TANK-G6A-4E/6E/7E/8E-FRT.MT	91641 - INNER
	051391-01-717	EA	GRILLE-WATER HEATER DOOR	92640
	051393-01-723	EA	SWITCH - THERMAL CUTOUT 2/PK	93866 WAS 93853
	051393-01-724	EA	BOARD-CIRCUIT, SPADE TERMINAL	93865
	051393-01-725	EA	ELECTRODE-SGL SPADE CONNECT.	93868
	051393-01-726	EA	VALVE/SOLENOID - W/O BRACKET	93870
	111129-01-711	EA	BRACKET-CORNER, SET OF FOUR	91928

CONTACT WINNEBAGO PARTS SALES FOR UNLISTED COMPONENT(S)

KEY	PART NUMBER	U/M DESCRIPTION	VENDOR NO.
	051391-01-705	EA FASTENER - CAMLOCK	92609

KEY	PART NUMBER	U/M	DESCRIPTION	140117-03-01A	VENDOR NO.
	140117-02-700	EA	CARTRIDGE		9-40-5-ORLH(PAIR)
	140117-03-700	EA	HANDLE-LEVER (BLUE)		T44-9C-1C
	140117-03-701	EA	HANDLE-LEVER-(RED)		T44-9C-1H
	140117-03-702	EA	SPOUT ASM.(HI-ARC)		51-78A-0



145541-02-000

KEY	PART NUMBER	U/M	DESCRIPTION	VENDOR NO.
1	145541-02-700	EA	TANK/SERVICE KIT PCS- 6 GAL	91053
2	051391-04-707	EA	KIT-EXHAUST, (FLUE & GASKET)	90960
3	051391-01-715	EA	PLUG-DRAIN, 1 EA = 2 PER PKG	91857
4	051391-01-704	EA	VALVE-RELIEF, 1/2" FITTING	91604
4	051391-03-701	EA	VALVE-RELIEF - 3/4" FITTING	90028
9	051393-01-726	EA	VALVE-SOLENOID - W/O BRACKET	93870
11	051393-01-701	EA	SWITCH - REMOTE - W/LIGHT	91959
11	145541-01-701	EA	SWITCH - ON/OFF - WHITE	91859
12	145541-01-702	EA	CIRCUIT BOARD	91226
15	145541-01-703	EA	SWITCH - THERMAL CUT OFF	93866
16	051393-01-725	EA	ELECTRODE-SGL SPADE CONNECT.	93868
17	051393-01-721	EA	THERMOSTAT W/ECO, 140 FRT MT	91447
	051391-05-706	EA	ELEMENT-HEATING 1500 WATT	92249 W/GASKET
	145541-01-704	EA	RELAY	90061
	145541-02-701	EA	JUNCTION BOX(PLASTIC) 6 GAL	91222

CONTACT WINNEBAGO PARTS SALES FOR UNLISTED COMPONENT(S)

KEY	PART NUMBER	U/M	DESCRIPTION
	075240-05-700	EA	CARTRIDGE - WASHERLESS

148886-01-01A, 148886-02-02A
VENDOR NO.
9-P42

KEY	PART NUMBER	U/M	DESCRIPTION
	140117-02-700	EA	CARTRIDGE
	140117-03-700	EA	HANDLE-LEVER (BLUE)
	140117-03-701	EA	HANDLE-LEVER-(RED)

148886-03-01A
VENDOR NO.
9-40-5-ORLH(PAIR)
T44-9C-1C
T44-9C-1H

E-37	164906-01-000	ELBOW-1/2"CTS X 1/2"MPT
E-36	163338-02-000	FLOJET ELBOW-PUMP, 1/2"BARB X PART
E-35	114429-11-000	ELBOW-1/2" P X 1/2" FPT
E-34	133837-01-000	ELBOW-PVC 1 1/2" X 90° DBL SLIP
E-33	010009-01-000	ELBOW-ST-PLAS 1/4" BD 1 1/2" X 90°
E-32	111223-04-000	ELBOW 1/2" MPT X 1/2" BARB
E-31	111223-03-000	ELBOW 3/4" MPT X 1/2" BARB
E-30	123150-01-000	ELBOW-SWIVEL 1/2" FPT X 1/2" BARB
E-29	114429-09-000	ELBOW 1/2" P X 1/2" FPT DROPEAR
E-28	111223-02-000	ELBOW 1/2" MPT X 3/8" BARB
E-27	118424-01-000	ELBOW-BRASS 1/4" P X 1/4" P
E-26	065318-02-000	ELBOW-BRASS 90° 3/8" MPT X 3/8" FPT
E-25	114429-06-000	ELBOW-SWIVEL 1/2" P X 3/4" FPT
E-24	114429-05-000	ELBOW 1/2" P X 3/4" MPT
E-23	114429-04-000	ELBOW 1/2" P X 3/8" MPT
E-22	114429-08-000	ELBOW-SWIVEL 1/2" P X 1/2" FPT LONG
E-21	114429-02-000	ELBOW 1/2" P X 1/2" MPT
E-20	114429-01-000	ELBOW 1/2" P X 1/2" P
E-19	114429-03-000	ELBOW-SWIVEL 1/2"P X 1/2" FPT
E-14	010009-01-000	ELBOW-ST-PLAS 1/4" BD X 1 1/4" X 90°
E-12	035539-01-000	ELBOW-PLAS 3/8" MPT X 3/8" BARB
E-11	010219-01-000	ELBOW-PLAS 1 1/4" MPT X 1 1/4" BARB
E-10	039808-03-000	ELBOW 1/2" MPT X 1/2" MPT
E-9	114429-10-000	ELBOW-SWIVEL 1/2" MPT X 1/2" FPT
E-8	142812-01-000	ELBOW-BRASS 1/2" MPT X 1/2" FPT
CU-1	101814-01-000	COUPLING-FEMALE 1/2" FPT X 1/2" FPT
CI-5	116473-01-000	SEAL-SWIVEL
CI-4	114427-03-000	NUT 1/2"
CI-3	113697-01-000	CAP 3/8"
CI-2	114427-02-000	PLUG 1/2" P
CI-1	114427-01-000	CAP 1/2" P
CH-4	062401-04-000	CLAMP-HOSE .63-1
CH-3	062401-03-000	CLAMP-HOSE .22-1
CH-2	007161-01-000	CLAMP-HOSE,SPRING
CH-1	062401-02-000	CLAMP-HOSE 1 1/2" - 2 1/2"
CA-3	155264-03-XXX	COMPARTMENT ASM-SHOWER, EXT
CA-2	155264-01-XXX	COMPARTMENT ASM-SHOWER, EXT
CA-1	106217-01-XXX	COMPARTMENT ASM-SHOWER, EXT
C-7	132148-01-000	CONNECTOR-BRASS 1/2" X 1/2" MPT
C-6	103798-01-000	CONNECTOR 1/4" OD X 3/8" MPT
AC-2	123317-01-000	ACCUMULATOR LARGE
AC-1	123243-01-000	ACCUMULATOR SMALL
A-24	164907-02-000	ADAPTER-1/2"CTS X 1/2"FPT SW
A-23	164907-01-000	ADAPTER-1/2"CTS X 1/2"MPT
A-22	114430-10-000	ADAPTER-NUT, FLEX TUBING
A-21	114430-09-000	ADAPTER 1/2" P X 1/2" FPT
A-20	114430-04-000	ADAPTER 1/2" P X 3/8" MPT
A-19	136333-01-000	ADAPTER-BRASS 1/2" MPT X 1/2" FPT
A-18	133835-01-000	ADAPTER 1 1/2" P X 1 1/4" MPT
A-17	114430-06-000	ADAPTER-PLAS 1/2" P X 3/8" FPT
A-16	118809-02-000	ADAPTER-PLAS 1/2" MPT X 1/2" BARB
A-15	123152-01-000	ADAPTER-SWIVEL 1/2" FPT X 1/2" BARB
A-14	114430-08-000	ADAPTER 1/2" P X 3/4" MPT
A-13	118809-01-000	ADAPTER 1/2" MPT X 3/8" BARB
A-12	114430-03-000	ADAPTER 1/2" P X 1/2" MPT
A-11	114430-02-000	ADAPTER-SWIVEL 1/2" P X 1/2" FPT
A-10	114430-01-000	ADAPTER 1/2" P X 1/2" P
A-6	112177-01-000	ADAPTER-BRASS 1/2" MPT X 1/2" BARB
A-5	010224-01-000	ADAPTER 3/8" MPT X 3/8" BARB
A-4	044927-01-000	ADAPTER 1 1/4" MPT X 1 1/4" BARB
NO.	P/N	DESCRIPTION

TU-14	133836-03-000	PIPE 1 1/2" PVC SCH 40 120mm
TU-13	074462-01-000	TUBING-VINYL 1 1/4" ID, CLEAR
TU-12	133836-02-000	TUBING 1 1/2" PVC SCH 40 60mm
TU-11	133836-01-000	TUBING 1 1/2" PVC SCH 40
TU-10	124188-02-000	TUBING 1/2" ID PEX (RED)
TU-9	124188-01-000	TUBING 1/2" ID PEX (BLUE)
TU-8	112176-01-000	TUBING-FLEX X 1/2" ID
TU-7	039800-05-000	TUBING 5/8" OD (RED)
TU-6	115029-01-000	TUBING 3/8" ID
TU-5	039800-04-000	TUBING 1/4"
TU-4	079381-01-000	TUBING 1 1/4" ID
TU-3	074462-02-000	TUBING 3/8"
TU-2	039800-02-000	TUBING 5/8"
T-26	160949-02-000	TEE 1/2" CTS X 1/2" CTS X 1/2" CTS
T-25	160949-01-000	TEE (CONNECTOR) 1/2" X 1/2" X 1/4" REDUCE
T-24	118423-01-000	TEE-BRASS 1/4" C X 1/4" C X 1/4" C
T-23	114428-04-000	TEE 1/2" P X 1/2" P X 1/8" FPT
T-22	114428-03-000	TEE 1/2" P X 1/2" P X 1/2" MPT
T-21	114428-02-000	TEE-SWIVEL 1/2"P X 1/2"P X 1/2" FPT
T-20	114428-01-000	TEE 1/2" P X 1/2" P X 1/2" P
T-19	114428-07-000	TEE 1/2" P X 1/2" MPT X 1/2" P
T-18	114428-06-000	TEE 1/2" P X 1/2" MPT X 1/2" MPT
T-17	114428-05-000	TEE-SWIVEL 1/2"FPTX1/2"MPTX1/2"MPT
T-1	039798-01-000	TEE 1/2" MPT X 1/2" MPT X 1/2" MPT
SH-1	131383-01-CHT	SHOWER HEAD-W/HOSE & BRKT
S-1	124184-01-000	SUPPORT-BEND
N-2	135386-02-000	NIPPLE 1/2" X 4"
N-1	135386-01-000	NIPPLE 1/2" MPT X 1/2" MPT
PW-4	163338-01-000	FLOJET PUMP-WATER, 2.9 GPM
PW-3	160702-02-000	PUMP-WATER, 2.8 GPM, 55PSI
PW-2	144215-01-000	PUMP-WATER, 5.7 GPM
PW-1	098607-01-000	PUMP-WATER, 2.8 GPM
PL-3	145609-01-000	PLUG-BRASS 1/2" MPT
PL-2	010166-02-000	PLUG 1 1/4" MPT-CSA
PL-1	010166-01-000	PLUG 1 1/4" MPT
I-2	111888-01-000	FERRULE-PLASTIC 1/4" COMP
I-1	111888-02-000	INSERT-BRASS 1/4" COMP
F-13	167984-01-CHT	FILL-CITY WATER, SURF, FPT
F-12	163338-03-000	FLOJET STRAINER-WATER PUMP
F-11	144215-02-000	STRAINER-WATER PUMP
F-10	137169-01-CHT	FILL-WATER,LOCK(138290-03-000 LOCK-CASE)
F-9	152925-01-CHT	FILTER IN-LINE
F-8	131081-03-XXX	DOOR ASM-WATER FILL (KEY ONE)
F-7	163269-02-CHT	FAUCET-SHOWER-SHORT
F-6	010230-XX-000	FILL-CITY WATER, SURF, MPT
F-5	077954-02-000	FILTER/SCREEN-WATER, IN-TANK
F-4	137169-01-CHT	FILL-WATER,GRAVITY (138637-03-000 LOCK)
	137169-02-CHT	WASHER-GRAVITY WATERFILL
F-2	163269-01-CHT	FAUCET-SHOWER-LONG
F-1	103106-01-000	FAUCET-EXTERNAL WATER 90°
E-41	164906-04-000	ELBOW-DROP EAR, 1/2 CTS X FPT
E-40	166212-02-000	ELBOW-HOSE BARB
E-39	164906-03-000	ELBOW-1/2"CTS X 1/2" CTS
E-38	164906-02-000	ELBOW-1/2"CTS X 1/2" FPT SWV
NO.	P/N	DESCRIPTION

W-3	087277-11-000	WASHER-PLASTIC Ø 16.5mm HOLE
W-2	087277-12-000	WASHER-PLASTIC Ø 26.5mm HOLE
W-1	087277-08-000	WASHER-PLASTIC Ø 22.0mm HOLE
V-16	062421-03-000	VALVE 1 1/2" HUB X HUB
V-15	120868-01-000	VALVE-NEEDLE, COMP 1/4" C X 1/4" C
V-14	114431-05-000	VALVE-NEEDLE, COMP 1/8" MPT X 1/4"
V-13	114431-04-000	VALVE-STOP 1/2" P X 1/2" P
V-12	114431-03-000	VALVE 1/2" P X 1/2" P
V-11	114431-02-000	VALVE 1/2" P, BYPASS
V-10	114431-01-000	VALVE-LINE DRAIN 1/2" P
V-7	167737-01-000	VALVE-CHECK,UNION
V-6	110438-02-000	VALVE-CHECK, BRASS
U-2	166212-01-000	UNION-HOSE BARB,CTS X 1/2"
U-1	133889-01-000	UNION-PVC 1 1/2" DBL SLIP
R-11	140821-10-000	RISER-SUPPLY TUBE Ø 1/2" X 48" (1219.2)
R-10	140821-09-000	RISER-SUPPLY TUBE Ø 1/2" X 36" (914.4)
R-9	140821-08-000	RISER-SUPPLY TUBE Ø 1/2" X 24" (609.6)
R-8	140821-07-000	RISER-SUPPLY TUBE Ø 3/8" X 72" (1828.8)
R-7	140821-06-000	RISER-SUPPLY TUBE Ø 3/8" X 60" (1524)
R-6	140821-05-000	RISER-SUPPLY TUBE Ø 3/8" X 54" (1371.6)
R-5	140821-04-000	RISER-SUPPLY TUBE Ø 3/8" X 48" (1219.2)
R-4	140821-03-000	RISER-SUPPLY TUBE Ø 3/8" X 36" (914.4)
R-3	140821-02-000	RISER-SUPPLY TUBE Ø 3/8" X 30" (762)
R-2	140821-01-000	RISER-SUPPLY TUBE Ø 3/8" X 24" (609.6)
NO.	P/N	DESCRIPTION

4. PART IS ALSO LISTED ON THE DRAINAGE SYSTEM PART LIST DRAWING 116229.

3. ALL FITTINGS ON THIS DRAWING ARE APPROVED FOR POTABLE WATER. ANY NEW PARTS MUST BE CERTIFIED FOR POTABLE WATER USE.

2. ATTACH WITH TAPE-DOUBLE 123816-03-000.

1. INACTIVE.

NOTES:

WINNEBAGO INDUSTRIES COPYRIGHT 2009 WINNEBAGO INDUSTRIES, INC.

ALL DIMENSIONS ARE IN MILLIMETERS

95-98 MH'S

UNSPECIFIED TOLERANCES ARE:
 WHOLE DIM (X) : 7
 ONE-PLACE (X.X) :
 TWO-PLACE (X.XX) :
 ANGLE :
 THIRD ANGLE PROJECTION

DO NOT SCALE DRAWING

TITLE: PART LISTING-WATER SYSTEM

SHEET 1 OF 1 REF: 1