

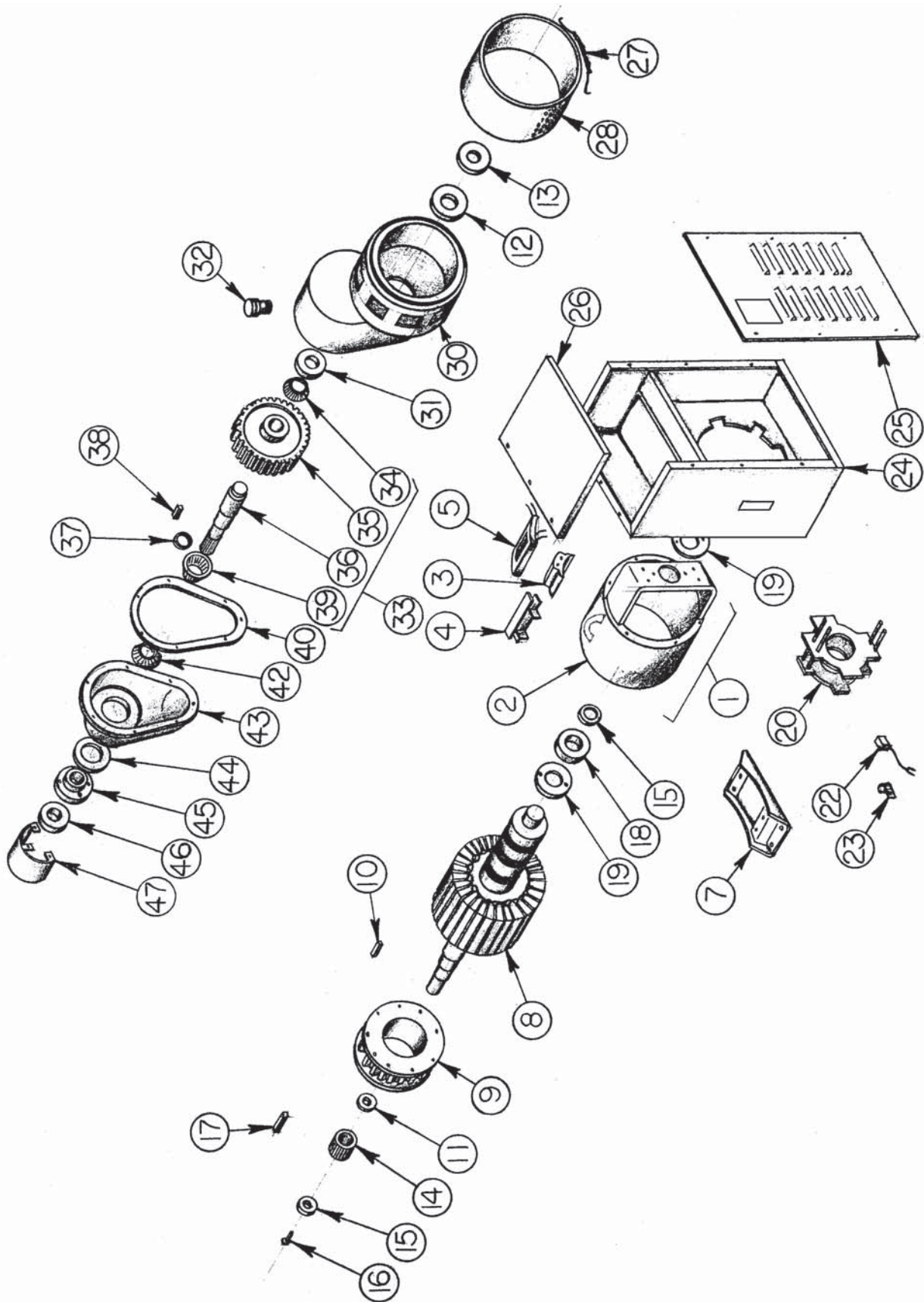
WINPOWER

ILLUSTRATED PARTS LIST

80/50PTCDF/T3

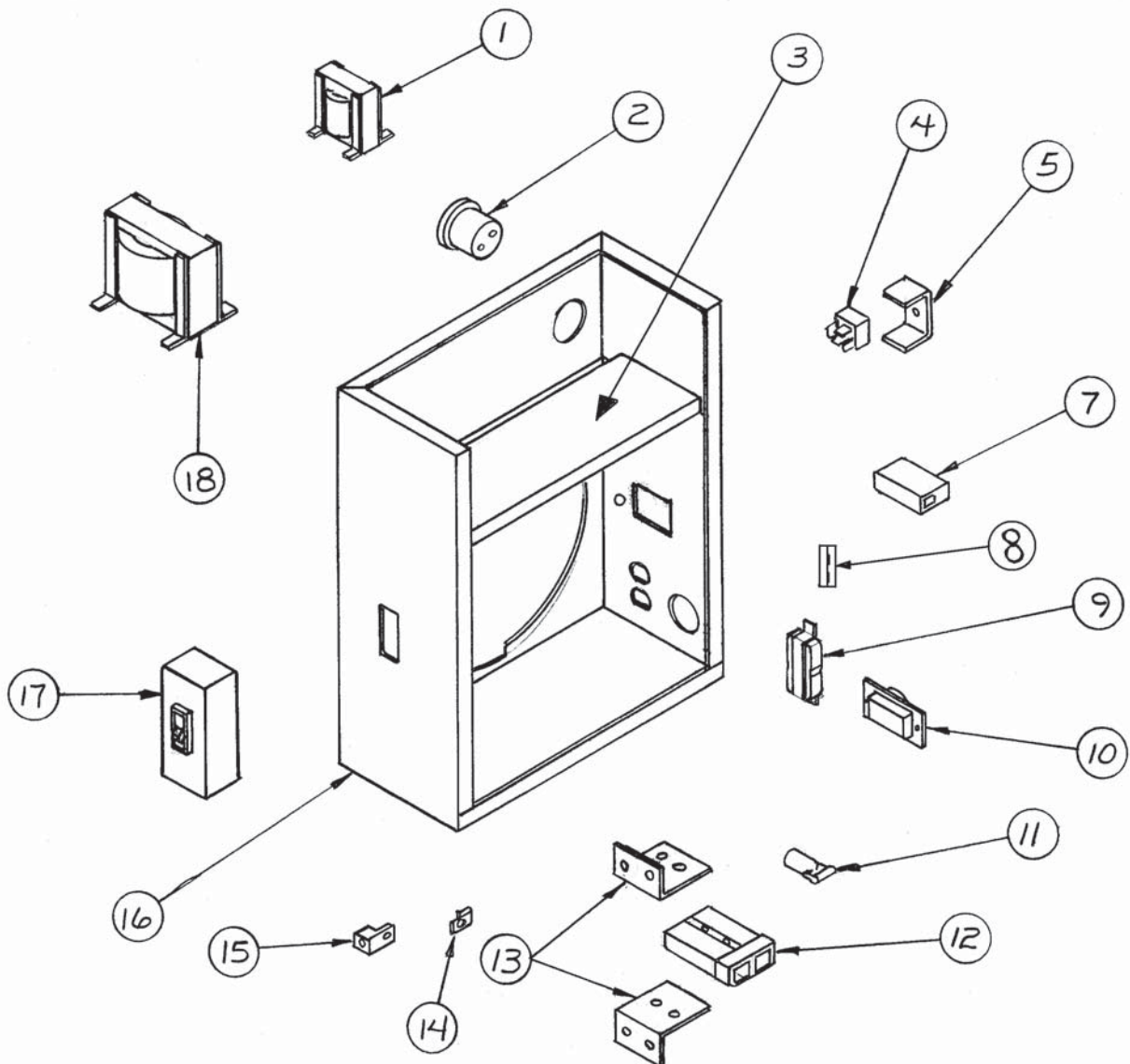


GENERATOR ASSEMBLY



| REF # | PART NUMBER | QTY | DESCRIPTION |
|-------|-------------|-----|----------------------------|
| 1 | G5909 | 1 | Field Frame Assembly |
| 2 | G5938 | 1 | Field Frame |
| 3 | G5936 | 4 | Field Pole |
| 4 | J5141 | 8 | Coil Shield |
| 5A | H10911 | 2 | Field Coil (Straight) |
| 5B | H10912 | 2 | Field Coil (Crossed) |
| 7 | G5940 | 1 | Generator Base |
| 8 | G74044 | 1 | Armature Assembly |
| 9 | G5971S | 1 | Fan |
| 10 | S205626 | 1 | Fan Key |
| 11 | 11112 | 1 | Retaining Ring |
| 12A | D73 | 1 | Bearing DE (Needle Type) |
| 12B | D732 | 1 | Bearing Inner Race |
| 13 | X202 | 1 | Grease Seal |
| 14 | S7404 | 1 | Pinion Gear |
| 15 | S7261 | 2 | Washer |
| 16 | 35243 | 1 | Screw |
| 17 | S205689 | 1 | Sprocket Key |
| 18 | D8 | 1 | Bearing (Slip Ring End) |
| 19 | W43 | 2 | Bearing Retaining Washer |
| 20 | G74011 | 1 | Brush Gear Assembly |
| 22 | Y51 | 18 | Brush |
| 23 | G3422 | 18 | Brush Spring |
| 24 | S74216 | 1 | Panel Back & Sides |
| 25A | S71702 | 1 | Front Panel |
| 25B | G7213 | 1 | Hinged Cover |
| 26 | S7623 | 1 | Top Cover |
| 27 | S7061 | 1 | Spring |
| 28 | S7037 | 1 | Wrapper |
| 30 | I8851 | 1 | Gear Case Housing |
| 31 | D27 | 1 | Bearing Cup |
| 32 | 10801 | 1 | Breather |
| 33 | G62351S | 1 | Drive Shaft Assembly |
| 34 | D28 | 1 | Bearing Cone |
| 35 | S74056 | 1 | Gear |
| 36 | N59310 | 1 | Shaft 6-Spline 1-3/8" dia. |
| 37 | S7046 | 1 | Hardened Washer |
| 38 | S205687 | 1 | Key |
| 39 | D70 | 1 | Bearing Cone |
| 40 | X197 | 1 | Gasket |

| REF # | PART NUMBER | QTY | DESCRIPTION |
|-------|-----------------|-----------|-----------------------|
| 42 | D71 | 1 | Bearing Cup |
| 43 | I884 | 1 | Gear Case Cover |
| 44A | X1981 | as needed | Shim .001 Amber |
| 44B | X1982 | " | Shim .002 Red |
| 44C | X1983 | " | Shim .005 Blue |
| 44D | X1984 | " | Shim .010 Brown |
| 44E | X1985 | " | Shim .020 Yellow |
| 44F | X1989S | " | Shim Kit |
| 45 | I883 | 1 | Retainer Plate |
| 46 | X201 | 1 | Upper Seal |
| 47 | S7606 | 1 | PTO Guard |
| NI | 300281 | 2 | Terminal Box Stiffner |
| NI | Not Illustrated | | |



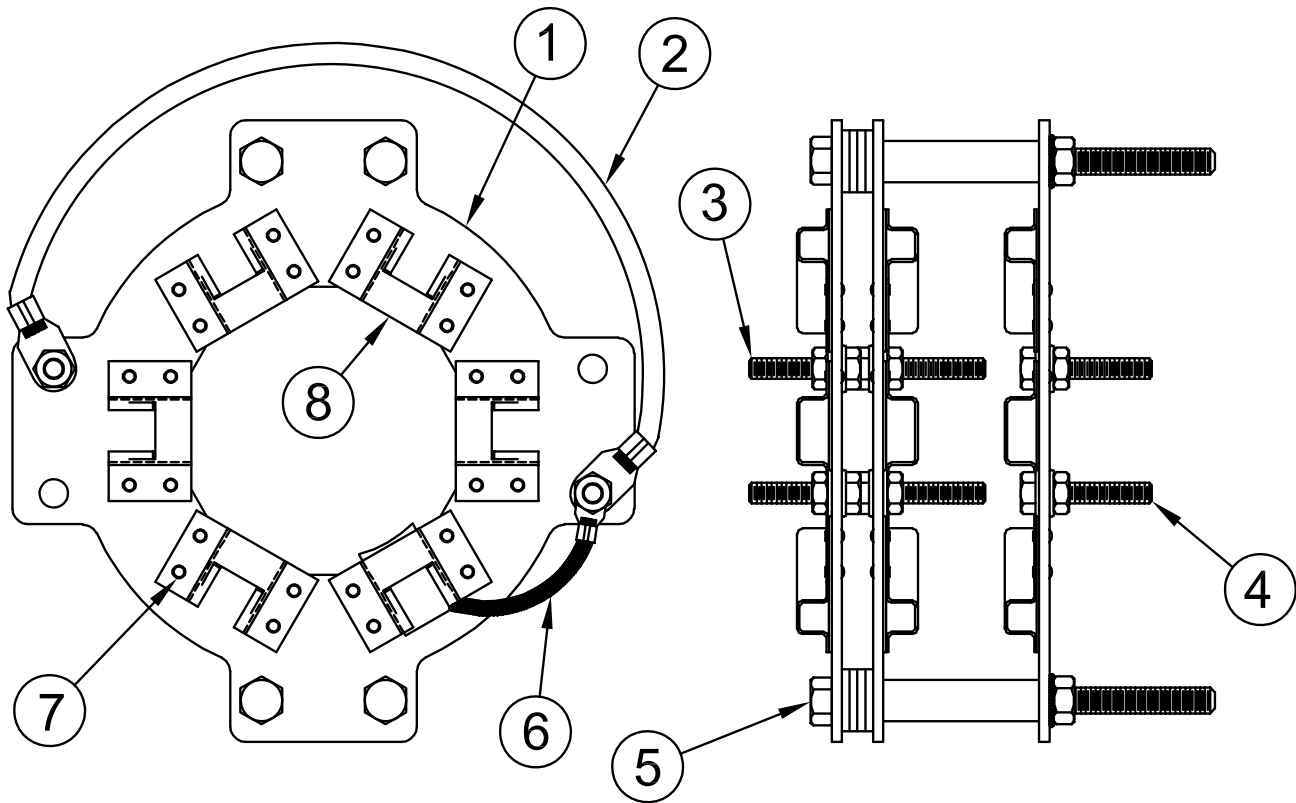
END PANEL ASSEMBLY

| REF # | PART NUMBER | QTY | DESCRIPTION |
|-------|-------------|-----|-----------------------|
| 1 | EE2052 | 1 | Choke |
| 2 | 300498 | 1 | Frequency Meter |
| 3 | S71695 | 1 | Shelf |
| 4 | EE2214 | 1 | Rectifier |
| 5 | A788 | 1 | Heat Sink |
| 7 | EE28098S | 1 | 50A Circuit Breaker |
| 8 | 91286-000 | 1 | 15A Circuit Breaker |
| 9 | EE323 | 1 | 15A Duplex Receptacle |
| 10 | EE399 | 1 | 50A Receptacle |
| 11 | EE23325 | 4 | Contact |
| 12 | EE2331 | 2 | Housing |
| 13 | S92861 | 2 | Mounting Bracket |
| 14 | 4957 | 12 | Retaining Nut |
| 15 | 63708-000 | 1 | Ground Lug |
| 16 | S692813 | 1 | Panel Bottom |
| 17 | EE1873S | 1 | 200A Circuit Breaker |
| 18 | EE2053 | 1 | Transformer |

DECALS

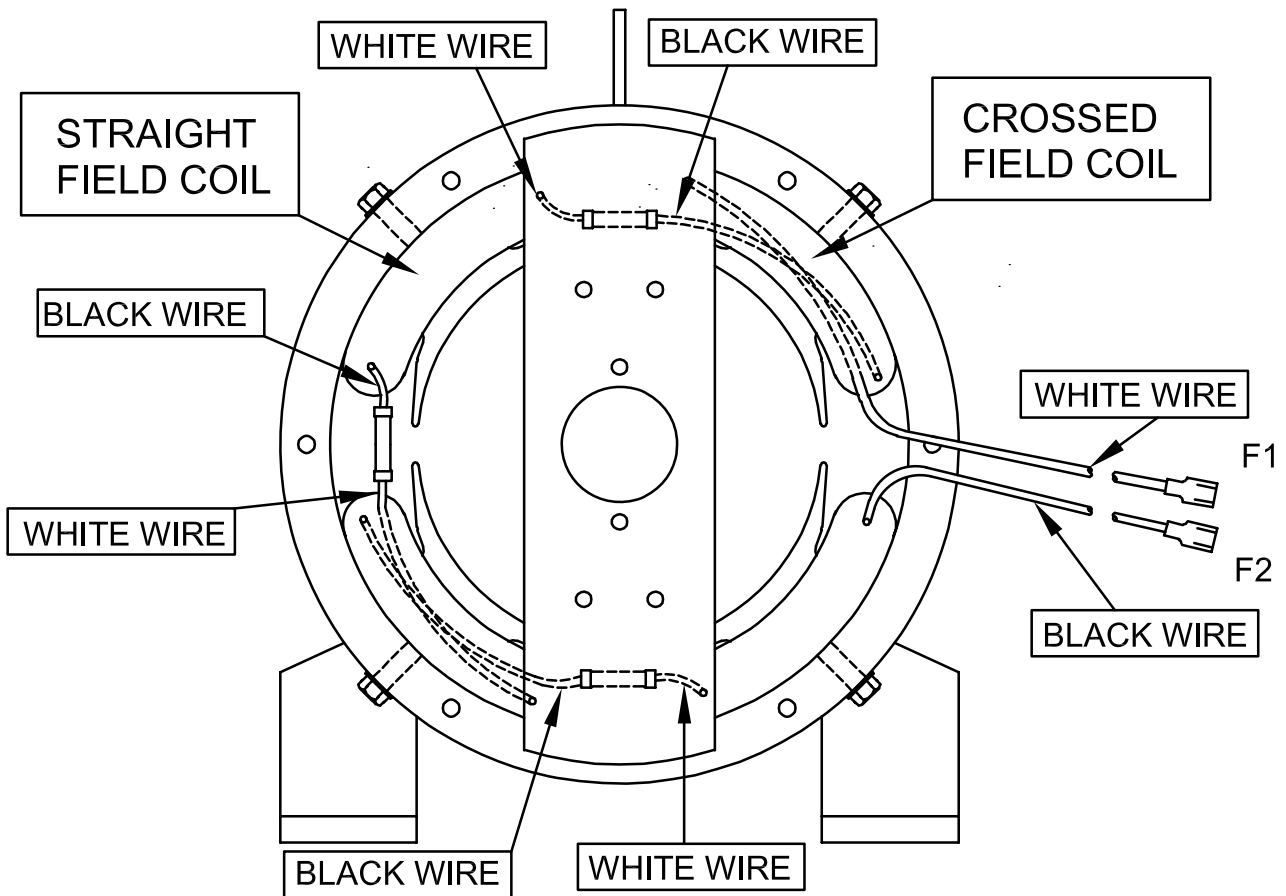
| REF # | PART NUMBER | QTY | DESCRIPTION |
|-------|-----------------|-----|------------------|
| NI | Z25081 | 2 | Winpower Decal |
| NI | Z2516 | 1 | Warning Decal |
| NI | Z25272 | 1 | Connection Decal |
| NI | Z2553 | 1 | Operating Decal |
| NI | Z2568 | 1 | Danger PTO Decal |
| NI | Z9941 | 1 | Oil Fill Decal |
| NI | 91369-000 | 1 | 540 rpm Decal |
| NI | Z2599S | 1 | Decal Kit |
| NI | Not Illustrated | | |

BRUSH RACK ASSEMBLY



| REF # | PART NUMBER | QTY | DESCRIPTION |
|-------|-----------------|---------|------------------------|
| 1 | J558 | 3 | Brush Ring |
| 2 | Reference | 3.88 FT | # 6 AWG Wire |
| 3 | 439-000 | 2 | 1/4" - 20 X 1" Bolt |
| 4 | 95281-000 | 4 | 1/4" - 20 X 1.25" Bolt |
| 5 | 468-001 | 4 | 5/16"-18 X 4.5" Bolt |
| 6 | Y51 | 18 | Brush |
| 7 | 7001 | 72 | Rivet |
| 8 | B61721 | 18 | Brush Holder |
| NI | S630510 | 4 | Spacer |
| NI | Not Illustrated | | |

FIELD FRAME ASSEMBLY



RESISTANCE VALUES:

| | | |
|----------------------|------------|------------|
| ARMATURE: RING 1 & 2 | RING 1 & 3 | RING 2 & 3 |
| .035 Ohms | .025 Ohms | .041 Ohms |

FIELDS: F1 - F2
2.3 Ohms per coil

WINPOWER

225 S. CORDOVA AVE.
LECENTER, MN 56057
507-357-6821
SERVICE DEPT.
507-357-6831

