



AeroMet II – *Plastic Case*

**The
Ultimate
In
Reliability**

Capacitors for AC Motor Applications



SuperMet – *Metal Case*

Aerovox Corp.®

▪ Table of Contents

▪ AeroMet II Specifications (Series Type M)	2
▪ SuperMet Specifications (Series Type Z)	3
▪ Part Numbering System	4
▪ AeroMet II Rating Tables (Single Capacity) (Series Type M)	5
▪ AeroMet II Rating Tables (Dual Capacity) (Series Type M)	6
▪ SuperMet Rating Tables (Single Capacity) (Series Type Z)	7
▪ SuperMet Rating Tables (Dual Capacity) (Series Type Z)	9
▪ AeroMet II Mechanical Dimensions	11
▪ SuperMet Mechanical Dimensions	12
▪ Accessories / Mounting Hardware	13

Information presented in this document is believed to be accurate and reliable. The content, however, is subject to change and Aerovox reserves the right to modify this document without notice.

AeroMet II Specifications

Aerovox's line of AeroMet II (M Series) AC motor run capacitors represent product which is on the leading edge of motor run capacitor technology. This design incorporates an insulating plastic case, rated UL94V-2, and a UL Recognized internal pressure interrupter, which meets or exceeds the performance of traditional metal case alternatives. The non-corrosive plastic case eliminates the need for painted steel or aluminum cases for outdoor applications. In addition, grounding is not necessary with the plastic case.

Each capacitor is filled with Aerovox's patented Supernol dielectric fluid. This fluid is a made from a combination of environmentally safe and compatible ingredients that enhance capacitor performance. The fluid suppresses the degrading effects of corona at the edge of the metallized film and improves heat transfer, resulting in superior capacitance stability and long-term reliability.

All AeroMet II capacitors are available with the time and cost saving AeroMount system. Contact factory for details.

Approval Certifications

- UL file number E51176



- CSA file number 058450



- VDE Certification Available
Consult Factory



Electrical Characteristics

- Temperature Range -40 to +70°C.
- Capacitance Range 3 to 80 µF.
- Capacitance Tolerance ±10%.
- Voltage Range 240 to 440 vac, 60 Hz.
- Dissipation Factor 0.1% max @ 60 Hz & 25°C.
- Insulation Resistance >1000 M per µF.

- Withstand Voltage.
 - Term to Term 1.75 x WVAC
 - Term to Case 2 x WVAC + 1KVAC
- Capacitance stability ± 3% throughout life.

Features

- Non-corrosive, flame-retardant plastic case UL 94V-2.
- Single and dual rated values.
- Integral mounting options available for easy installation.
- 60,000 hours operational life.
- Self-clearing metallized polypropylene film.
- Patented pressure interrupter is UL 810 recognized.
- Fully automated assembly for consistent results.
- Environmentally friendly patented non-PCB Supernol® fluid.
- All AeroMet II capacitors meet the steady state test requirements of EIA RS-186-3E. Contact factory for applications requiring cycled humidity test requirements of EIA RS-186-2E (Tropical Conditions).

Applications

- Window Air Conditioners
- Unitary Air Conditioners
- Electric Motors
- Fans & Blowers
- Pumps
- Laundry Equipment
- Dehumidifiers
- Compressors
- Furnaces

SuperMet Specifications

Aerovox's line of SuperMet capacitors utilize state of the art metallized polypropylene film technology. This latest design material has combined leading edge design techniques with over forty years of capacitor experience.

All SuperMet capacitors incorporate a UL Recognized pressure sensitive interrupter to remove the capacitor from the circuit at end of life.

Each capacitor is filled with an Epoxidized Soybean-oil dielectric fluid. Soybean-Oil has proven reliability throughout several previous decades. Soybean-oil is environmentally compatible and biodegradable. The Soybean-Oil protects metallized film from corrosion, aids heat transfer, and helps suppresses the degrading effects of corona, which may otherwise cause premature failures. Proprietary processing with vacuum and heat cycles ensures complete removal of moisture, resulting in superior capacitance stability and long-term reliability

Electrical Characteristics

- Temperature Range -40 to +70°C.
- Capacitance Range 3 to 80 μ F.
- Capacitance Tolerance \pm 10%.
- Voltage Range 240 to 480 vac, 60 Hz.
- Dissipation Factor 0.1% max
@ 60 Hz & 25°C.
- Insulation Resistance >1000 M - μ F.
- Withstand Voltage.
 - Term to Term 1.75 x WVAC
 - Term to Case 2 x WVAC + 1KVAC

Features

- Steel Case (Aluminum case available upon request – contact factory).
- Round or Oval Case Options.
- Single and Dual Rated Values.
- 60,000 Hours Operational Life.
- Capacitance stability \pm 3% throughout life
- Self-clearing Metallized Polypropylene Film.
- Patented Pressure Interrupter meets UL 810 requirements.
- Environmentally Friendly Patented non-PCB Epoxidized Soybean-oil[®].

Approval Certifications

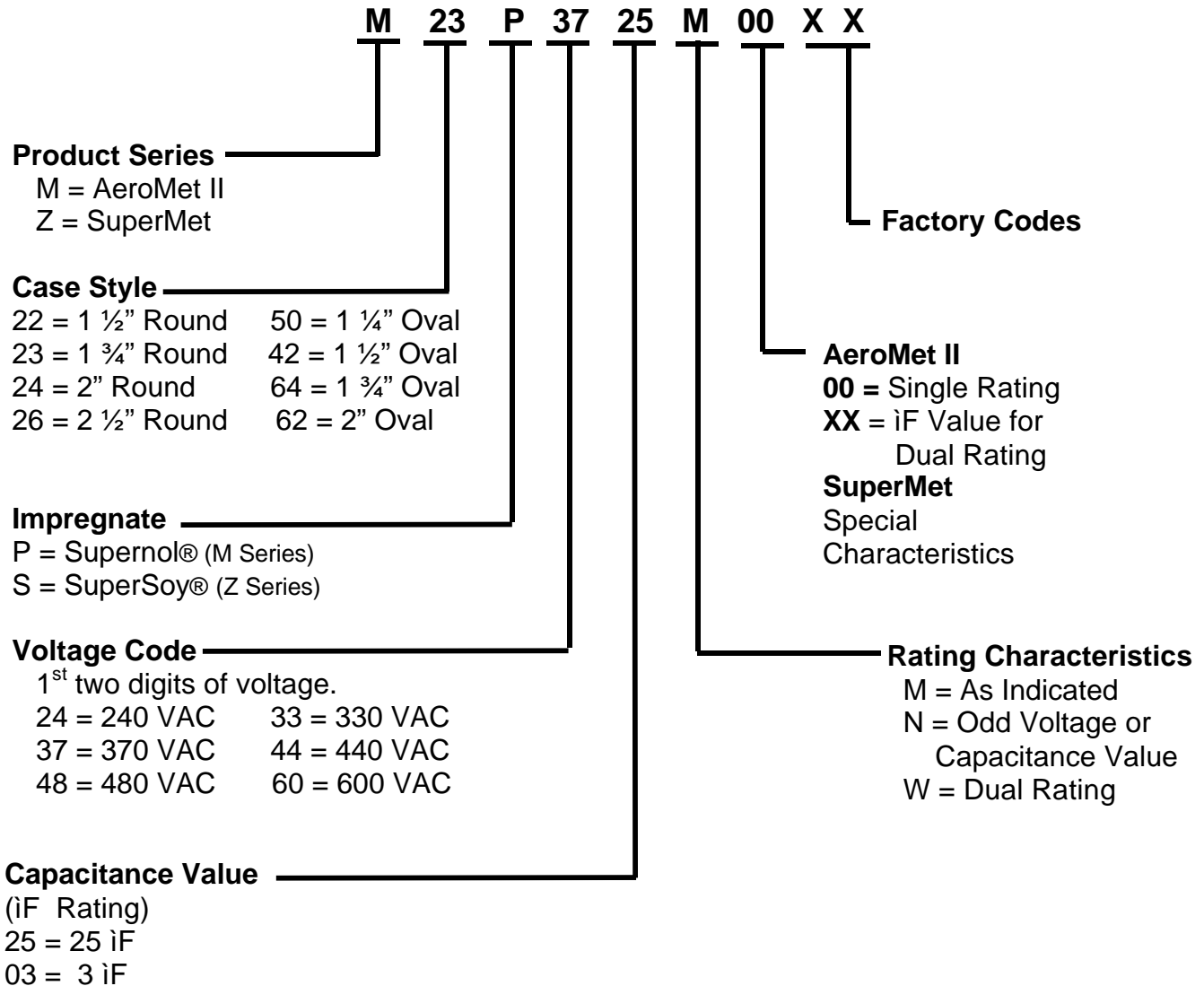
- UL and CUL file number E51176



Applications

- Window Air Conditioners
- Unitary Air Conditioners
- Electric Motors
- Fans & Blowers
- Pumps
- Laundry Equipment
- Dehumidifiers
- Compressors
- Condensing Units

▪ Part Numbering System



AeroMet II Series – (Plastic Case)

- Single Rating Capacitors

240 VAC					
Nominal Capacitance	Standard Catalog Part Number	Case Style	Base Size (inch)	Case Height	
				Inch	mm
5.0	M22P2405M00	MM	1.50	2.62	66.5
6.0	M22P2406M00	MM	1.50	2.62	66.5
7.5	M22P2407N00	MM	1.50	2.62	66.5
10.0	M22P2410M00	MM	1.50	2.62	66.5
12.5	M22P2412N00	MM	1.50	2.62	66.5
15.0	M22P2415M00	MM	1.50	3.15	80.0
17.5	M22P2417N00	MM	1.50	3.15	80.0
20	M22P2420M00	MM	1.50	3.64	92.5
25	M23P2425M00	PP	1.75	3.15	80.0
30	M23P2430M00	PP	1.75	3.15	80.0
35	M23P2435M00	PP	1.75	3.64	92.5
40	M23P2440M00	PP	1.75	4.13	104.9
45	M23P2445M00	PP	1.75	4.13	104.9
50	M23P2450M00	PP	1.75	4.63	117.6
55	M23P2455M00	PP	1.75	4.63	117.6
60	M23P2460M00	PP	1.75	5.13	130.0
65	M24P2465M00	SS	2.00	4.13	104.9

370 VAC					
Nominal Capacitance	Standard Catalog Part Number	Case Style	Base Size (inch)	Case Height	
				Inch	mm
3.0	M22P3703M00	MM	1.50	2.62	66.5
4.0	M22P3704M00	MM	1.50	2.62	66.5
5.0	M22P3705M00	MM	1.50	2.62	66.5
6.0	M22P3706M00	MM	1.50	2.62	66.5
7.5	M22P3707N00	MM	1.50	2.62	66.5
10.0	M22P3710M00	MM	1.50	3.15	80.0
12.5	M22P3712N00	MM	1.50	3.15	80.0
15.0	M22P3715M00	MM	1.50	3.64	92.5
17.5	M23P3717N00	PP	1.75	3.15	80.0
20	M23P3720M00	PP	1.75	3.15	80.0
25	M23P3725M00	PP	1.75	3.64	92.5
30	M23P3730M00	PP	1.75	4.13	104.9
35	M23P3735M00	PP	1.75	4.13	104.9
40	M23P3740M00	PP	1.75	4.63	117.6
45	M24P3745M00	SS	2.00	4.13	104.9
50	M24P3750M00	SS	2.00	4.13	104.9
55	M24P3755M00	SS	2.00	4.63	117.6
60	M24P3760M00	SS	2.00	5.13	130.0
65	M26P3765M00	TT	2.50	3.64	92.5
70	M26P3770M00	TT	2.50	3.64	92.5

440 VAC					
Nominal Capacitance	Standard Catalog Part Number	Case Style	Base Size (inch)	Case Height	
				Inch	mm
3.0	M22P4403M00	MM	1.50	2.62	66.5
4.0	M22P4404M00	MM	1.50	2.62	66.5
5.0	M22P4405M00	MM	1.50	2.62	66.5
6.0	M22P4406M00	MM	1.50	2.62	66.5
7.5	M22P4407N00	MM	1.50	3.15	80.0
10.0	M22P4410M00	MM	1.50	3.64	92.5
12.5	M23P4412N00	PP	1.75	3.15	80.0
15.0	M23P4415M00	PP	1.75	3.15	80.0
17.5	M23P4417N00	PP	1.75	3.64	92.5
20	M23P4420M00	PP	1.75	3.64	92.5
25	M23P4425M00	PP	1.75	4.13	104.9
30	M24P4430M00	SS	2.00	3.64	92.5
35	M24P4435M00	SS	2.00	4.13	104.9
40	M24P4440M00	SS	2.00	4.63	117.6
45	M26P4445M00	TT	2.50	3.64	92.5
50	M26P4450M00	TT	2.50	3.64	92.5
55	M26P4455M00	TT	2.50	4.13	104.9
60	M26P4460M00	TT	2.50	4.13	104.9
65	M26P4465M00	TT	2.50	5.12	130.2

AeroMet II Series – (Plastic Case)

- Dual Rating Capacitors

370 VAC					
Nominal Capacitance	Standard Catalog Part Number	Case Style	Base Size (inch)	Case Height	
				Inch	mm
15.0 / 5.0	M24P3715W05	SS	2.00	3.64	92.5
15.0 / 7.5	M24P3715W07	SS	2.00	3.64	92.5
15.0 / 10.0	M24P3715W10	SS	2.00	4.13	104.9
20.0 / 5.0	M24P3720W05	SS	2.00	3.64	92.5
20.0 / 7.5	M24P3720W07	SS	2.00	3.64	92.5
20.0 / 10.0	M24P3720W10	SS	2.00	4.13	104.9
25.0 / 5.0	M24P3725W05	SS	2.00	3.64	92.5
25.0 / 7.5	M24P3725W07	SS	2.00	3.64	92.5
25.0 / 10.0	M24P3725W10	SS	2.00	4.13	104.9
30.0 / 5.0	M24P3730W05	SS	2.00	4.13	104.9
30.0 / 7.5	M24P3730W07	SS	2.00	3.64	92.5
30.0 / 10.0	M24P3730W10	SS	2.00	4.13	104.9
35.0 / 5.0	M24P3735W05	SS	2.00	4.13	104.9
35.0 / 7.5	M24P3735W07	SS	2.00	4.13	104.9
35.0 / 10.0	M24P3735W10	SS	2.00	4.13	104.9
40.0 / 5.0	M24P3740W05	SS	2.00	4.63	117.6
40.0 / 7.5	M24P3740W07	SS	2.00	4.13	104.9
40.0 / 10.0	M24P3740W10	SS	2.00	4.63	117.6
45.0 / 5.0	M24P3745W05	SS	2.00	5.12	130.0
45.0 / 7.5	M24P3745W07	SS	2.00	5.12	130.0
45.0 / 10.0	M24P3745W10	SS	2.00	5.12	130.0
50.0 / 5.0	M26P3750W05	TT	2.50	3.64	92.5
50.0 / 7.5	M26P3750W07	TT	2.50	3.64	92.5
50.0 / 10.0	M26P3750W10	TT	2.50	4.13	104.9
55.0 / 5.0	M26P3755W05	TT	2.50	3.64	92.5
55.0 / 7.5	M26P3755W07	TT	2.50	3.64	92.5
55.0 / 10.0	M26P3755W10	TT	2.50	4.13	104.9
60.0 / 5.0	M26P3760W05	TT	2.50	4.13	104.9
60.0 / 7.5	M26P3760W07	TT	2.50	4.13	104.9

440 VAC					
Nominal Capacitance	Standard Catalog Part Number	Case Style	Base Size (inch)	Case Height	
				Inch	mm
15.0 / 5.0	M24P4415W05	SS	2.00	3.64	92.5
15.0 / 7.5	M24P4415W07	SS	2.00	4.13	104.9
15.0 / 10.0	M24P4415W10	SS	2.00	5.12	130.0
20.0 / 5.0	M24P4420W05	SS	2.00	3.64	92.5
20.0 / 7.5	M24P4420W07	SS	2.00	4.13	104.9
20.0 / 10.0	M24P4420W10	SS	2.00	5.12	130.0
25.0 / 5.0	M24P4425W05	SS	2.00	4.13	104.9
25.0 / 7.5	M24P4425W07	SS	2.00	4.13	104.9
25.0 / 10.0	M24P4425W10	SS	2.00	5.12	130.0
30.0 / 5.0	M24P4430W05	SS	2.00	3.64	92.5
30.0 / 7.5	M26P4430W07	TT	2.50	5.12	130.0
30.0 / 10.0	M26P4430W10	TT	2.50	4.63	117.6
35.0 / 5.0	M26P4435W05	TT	2.50	3.64	92.5
35.0 / 7.5	M26P4435W07	TT	2.50	4.13	104.9
35.0 / 10.0	M26P4435W10	TT	2.50	5.12	130.0
40.0 / 5.0	M26P4440W05	TT	2.50	3.64	92.5
40.0 / 7.5	M26P4440W07	TT	2.50	4.13	104.9
40.0 / 10.0	M26P4440W10	TT	2.50	5.12	130.0
45.0 / 5.0	M26P4445W05	TT	2.50	4.13	104.9
45.0 / 7.5	M26P4445W07	TT	2.50	4.13	104.9
45.0 / 10.0	M26P4445W10	TT	2.50	5.12	130.0
50.0 / 5.0	M26P4450W05	TT	2.50	4.13	104.9
50.0 / 7.5	M26P4450W07	TT	2.50	4.13	104.9
50.0 / 10.0	M26P4450W10	TT	2.50	5.12	130.0
55.0 / 5.0	M26P4455W05	TT	2.50	4.13	104.9
55.0 / 7.5	M26P4455W07	TT	2.50	5.12	130.0
55.0 / 10.0	M26P4455W10	TT	2.50	5.12	130.0
60.0 / 5.0	M26P4460W05	TT	2.50	5.12	130.0
60.0 / 10.0	M26P4460W10	TT	2.50	5.12	130.0

SuperMet Series – (Metal Case)

▪ Single Rating Capacitors

240 Volts AC										
Nominal Capacitance µF	Round Case Style					Oval Case Style				
	Standard Catalog Number	Case Style	Base Dia (In)	Case Height		Standard Catalog Number	Case Style	Base Size (In)	Case Height	
				Inch	Mm				Inch	mm
4.0	Z23S2404M	P	1.75	2.38	60.3	Z50S2404M	A	1.25	1.56	39.7
5.0	Z23S2405M	P	1.75	2.38	60.3	Z50S2405M	A	1.25	1.56	39.7
6.0	Z23S2406M	P	1.75	2.38	60.3	Z50S2406M	A	1.25	1.56	39.7
7.5	Z23S2407N	P	1.75	2.38	60.3	Z50S2407N	A	1.25	2.38	60.3
10.0	Z23S2410M	P	1.75	2.38	60.3	Z50S2410M	A	1.25	2.38	60.3
12.5	Z23S2412N	P	1.75	2.38	60.3	Z50S2412N	A	1.25	2.75	69.9
15.0	Z23S2415M	P	1.75	2.38	60.3	Z50S2415M	A	1.25	2.75	69.9
17.5	Z23S2417N	P	1.75	2.38	60.3	Z50S2417N	A	1.25	3.25	82.6
20.0	Z23S2420M	P	1.75	2.38	60.3	Z50S2420M	A	1.25	3.25	82.6
25	Z23S2425M	P	1.75	2.38	60.3	Z50S2425M	A	1.25	3.75	95.3
30	Z23S2430M	P	1.75	2.75	69.9	Z64S2430M	C	1.75	2.75	69.9
35	Z23S2435M	P	1.75	2.75	69.9	Z64S2435M	C	1.75	2.75	69.9
40	Z23S2440M	P	1.75	3.25	82.6	Z64S2440M	C	1.75	2.75	69.9
45	Z23S2445M	P	1.75	3.25	82.6	Z64S2445M	C	1.75	3.25	82.6
50	Z23S2450M	P	1.75	3.75	95.3	Z64S2450M	C	1.75	3.25	82.6
55	Z23S2455M	P	1.75	3.75	95.3	Z64S2455M	C	1.75	3.75	95.3
60	Z23S2460M	P	1.75	4.25	108.0	Z64S2460M	C	1.75	3.75	95.3
65	Z26SP2465M	T	2.50	3.25	82.6	Z62S2465M	D	2.00	3.25	82.6
70	Z26S2470M	T	2.50	3.25	82.6	Z62S2470M	D	2.00	3.25	82.6
75	Z26S2475M	T	2.50	3.75	95.3	Z62S2475M	D	2.00	3.25	82.6
80	Z26S2480M	T	2.50	3.75	95.3	Z62S2480M	D	2.00	3.75	95.3

370 Volts AC										
Nominal Capacitance µF	Round Case Style					Oval Case Style				
	Standard Catalog Number	Case Style	Base Dia (In)	Case Height		Standard Catalog Number	Case Style	Base Size (In)	Case Height	
				Inch	Mm				Inch	mm
4.0	Z23S3704M	P	1.75	2.38	60.3	Z50S3704M	A	1.25	1.56	39.7
5.0	Z23S3705M	P	1.75	2.38	60.3	Z50S3705M	A	1.25	1.56	39.7
6.0	Z23S3706M	P	1.75	2.38	60.3	Z50S3706M	A	1.25	2.38	60.3
7.5	Z23S3707N	P	1.75	2.38	60.3	Z50S3707N	A	1.25	2.38	60.3
10.0	Z23S3710M	P	1.75	2.38	60.3	Z50S3710M	A	1.25	2.75	69.9
12.5	Z23S3712N	P	1.75	2.38	60.3	Z50S3712N	A	1.25	3.25	82.6
15.0	Z23S3715M	P	1.75	2.38	60.3	Z50S3715M	A	1.25	3.25	82.6
17.5	Z23S3717N	P	1.75	2.38	60.3	Z50S3717N	A	1.25	3.75	95.3
20.0	Z23S3720M	P	1.75	2.75	69.9	Z50S3720M	A	1.25	4.25	108.0
25	Z23S3725M	P	1.75	2.75	69.9	Z64S3725M	C	1.75	2.75	69.9
30	Z23S3730M	P	1.75	2.75	69.9	Z64S3730M	C	1.75	3.25	82.6
35	Z23S3735M	P	1.75	3.25	82.6	Z64S3735M	C	1.75	3.25	82.6
40	Z24S3740M	S	2.00	2.75	69.9	Z64S3740M	C	1.75	3.75	95.3
45	Z24S3745M	S	2.00	3.75	95.3	Z64S3745M	C	1.75	4.25	108.0
50	Z24S3750M	S	2.00	3.75	95.3	Z64S3750M	C	1.75	4.25	108.0
55	Z24S3755M	S	2.00	3.75	95.3	Z64S3755M	C	1.75	4.75	120.7
60	Z26S3760M	T	2.50	2.75	69.9	Z62S3760M	D	2.00	2.75	69.9
65	Z26S3765M	T	2.50	3.25	82.6	Z62S3765M	D	2.00	3.25	82.6
70	Z26S3770M	T	2.50	3.25	82.6	Z62S3770M	D	2.00	3.25	82.6
75	Z26S3775M	T	2.50	3.25	82.6	Z62S3775M	D	2.00	3.25	82.6
80	Z26S3780M	T	2.50	3.25	82.6	Z62S3780M	D	2.00	3.25	82.6

SuperMet Series – (Metal Case)

- Single Rating Capacitors

440 Volts AC										
Nominal Capacitance iF	Round Case Style					Oval Case Style				
	Standard Catalog Number	Case Style	Base Dia (In)	Case Height		Standard Catalog Number	Case Style	Base Size (In)	Case Height	
				Inch	Mm				Inch	mm
4.0	Z23S4404M	P	1.75	2.38	60.3	Z50S4404M	A	1.25	2.38	60.3
5.0	Z23S4405M	P	1.75	2.38	60.3	Z50S4405M	A	1.25	2.38	60.3
6.0	Z23S4406M	P	1.75	2.38	60.3	Z50S4406M	A	1.25	2.38	60.3
7.5	Z23S4407N	P	1.75	2.38	60.3	Z50S4407N	A	1.25	2.75	69.9
10.0	Z23S4410M	P	1.75	2.38	60.3	Z50S4410M	A	1.25	3.25	82.6
12.5	Z23S4412N	P	1.75	2.38	60.3	Z50S4412N	A	1.25	3.75	95.3
15.0	Z23S4415M	P	1.75	2.75	69.9	Z64S4415M	C	1.75	2.75	69.9
17.5	Z23S4417N	P	1.75	2.75	69.9	Z64S4417N	C	1.75	2.75	69.9
20.0	Z23S4420M	P	1.75	2.75	69.9	Z64S4420M	C	1.75	2.75	69.9
25	Z23S4425M	P	1.75	3.25	82.6	Z64S4425M	C	1.75	3.25	82.6
30	Z23S4430M	P	1.75	3.75	95.3	Z64S4430M	C	1.75	3.75	95.3
35	Z24S4435M	S	2.00	3.25	82.6	Z64S4435M	C	1.75	4.25	108.0
40	Z24S4440M	S	2.00	3.75	95.3	Z64S4440M	C	1.75	4.25	106.0
45	Z26S4445M	T	2.50	2.75	69.9	Z62S4445M	D	2.00	3.25	82.6
50	Z26S4450M	T	2.50	3.25	82.6	Z62S4450M	D	2.00	3.25	82.6
55	Z26S4455M	T	2.50	3.25	82.6	Z62S4455M	D	2.00	3.25	82.6
60	Z26S4460M	T	2.50	3.75	95.3	Z62S4460M	D	2.00	3.75	95.3

480 Volts AC										
Nominal Capacitance iF	Round Case Style					Oval Case Style				
	Standard Catalog Number	Case Style	Base Dia (In)	Case Height		Standard Catalog Number	Case Style	Base Size (In)	Case Height	
				Inch	Mm				Inch	mm
4.0	Z23S4804M	P	1.75	2.38	60.3	Z50S4804M	A	1.25	2.38	60.3
5.0	Z23S4805M	P	1.75	2.38	60.3	Z50S4805M	A	1.25	2.75	69.9
6.0	Z23S4806M	P	1.75	2.38	60.3	Z50S4806M	A	1.25	2.75	69.9
7.5	Z23S4807N	P	1.75	2.38	60.3	Z50S4807N	A	1.25	3.25	82.6
10.0	Z23S4810M	P	1.75	2.75	69.9	Z50S4810M	A	1.25	4.25	108.0
12.5	Z23S4812N	P	1.75	2.75	69.9	Z64S4812N	C	1.75	2.75	69.9
15.0	Z23S4815M	P	1.75	3.25	82.6	Z64S4815M	C	1.75	2.75	69.9
17.5	Z23S4817N	P	1.75	3.75	95.3	Z64S4817N	C	1.75	3.25	82.6
20.0	Z23S4820M	P	1.75	3.75	95.3	Z64S4820M	C	1.75	3.75	95.3
25	Z23S4825M	P	1.75	3.75	95.3	Z64S4825M	C	1.75	4.25	108.0
30	Z24S4830M	S	2.00	4.25	108.0	Z64S4830M	C	1.75	4.75	120.7
35	Z24S4835M	S	2.00	4.25	108.0	Z62S4835M	D	2.00	4.75	120.7
40	Z26S4840M	T	2.50	3.25	82.6	Z62S4840M	D	2.00	3.25	82.6
45	Z26S4845M	T	2.50	3.75	95.3	Z62S4845M	D	2.00	3.75	95.3
50	Z26S4850M	T	2.50	3.75	95.3	Z62S4850M	D	2.00	3.75	95.3
55	Z26S4855M	T	2.50	4.25	108.0	Z62S4855M	D	2.00	3.75	95.3
60	Z26S4860M	T	2.50	4.25	108.0	Z62S4860M	D	2.00	4.25	108.0

SuperMet Series – (Metal Case)

- Dual Rating Capacitors

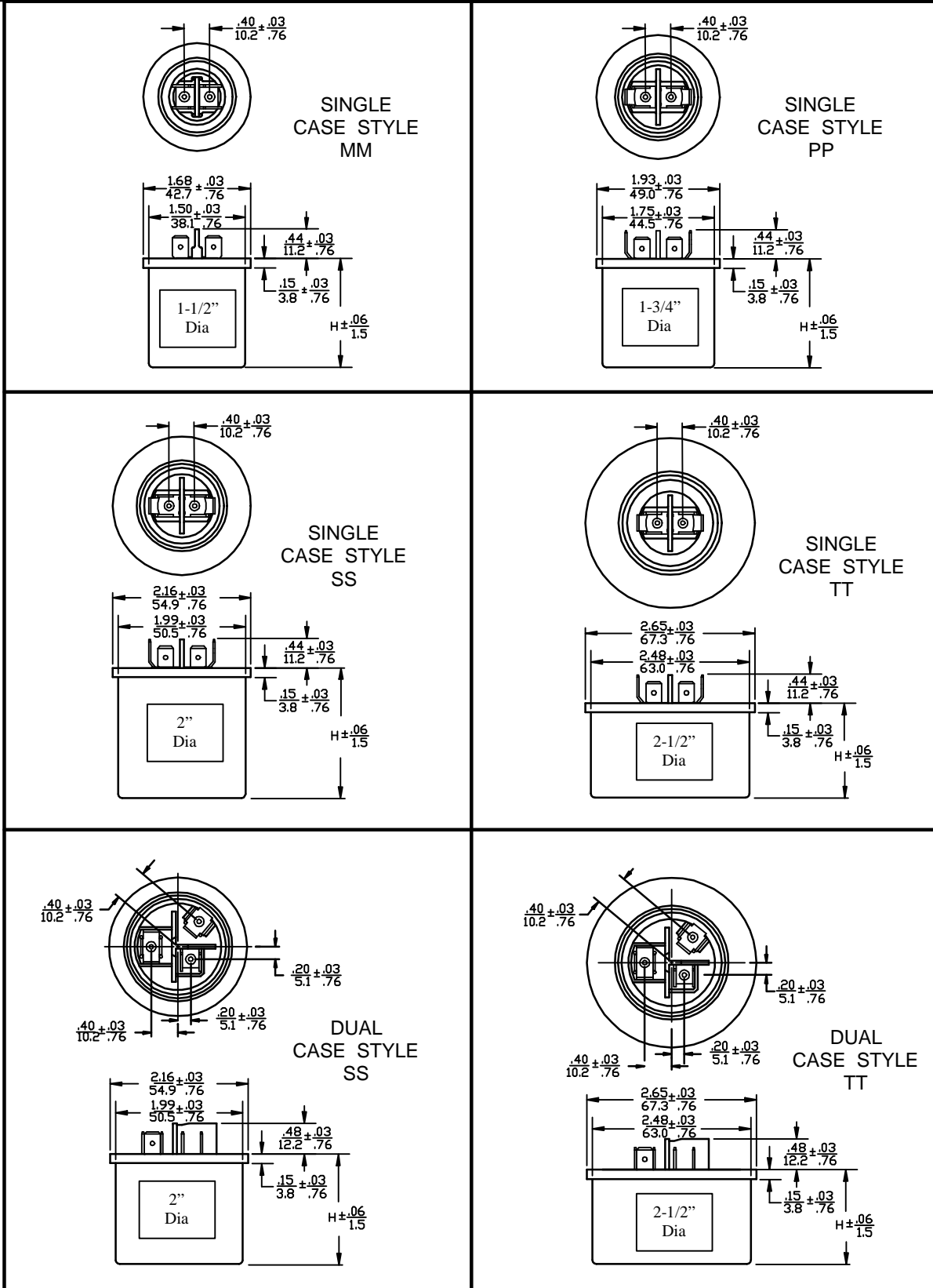
370 Volts AC										
Nominal Capacitance µF	Round Case Style					Oval Case Style				
	Standard Catalog Number	Case Style	Base Dia (In)	Case Height		Standard Catalog Number	Case Style	Base Size (In)	Case Height	
				Inch	Mm				Inch	mm
15.0 / 5.0	Z24S3720W	S	2.00	2.75	69.9	Z64S3720W	C	1.75	2.38	60.3
15.0 / 7.5	Z24S3722W	S	2.00	2.75	69.9	Z64S3722W	C	1.75	2.38	60.3
15.0 / 10.0	Z24S3725W	S	2.00	3.25	82.6	Z64S3725W	C	1.75	2.38	60.3
20.0 / 5.0	Z24S3725W	S	2.00	2.75	69.9	Z64S3725W	C	1.75	2.38	60.3
20.0 / 7.5	Z24S3727W	S	2.00	2.75	69.9	Z64S3727W	C	1.75	2.75	69.9
20.0 / 10.0	Z24S3730W	S	2.00	3.25	82.6	Z64S3730W	C	1.75	2.75	69.9
25.0 / 5.0	Z24S3730W	S	2.00	3.25	82.6	Z64S3730W	C	1.75	2.75	69.9
25.0 / 7.5	Z24S3732W	S	2.00	2.75	69.9	Z64S3732W	C	1.75	2.75	69.9
25.0 / 10.0	Z24S3735W	S	2.00	2.75	69.9	Z64S3735W	C	1.75	2.75	69.9
30.0 / 5.0	Z24S3735W	S	2.00	2.75	69.9	Z64S3735W	C	1.75	3.25	82.6
30.0 / 7.5	Z24S3737W	S	2.00	3.25	82.6	Z64S3737W	C	1.75	3.25	82.6
30.0 / 10.0	Z24S3740W	S	2.00	3.25	82.6	Z64S3740W	C	1.75	3.25	82.6
35.0 / 5.0	Z24S3740W	S	2.00	3.25	82.6	Z64S3740W	C	1.75	3.25	82.6
35.0 / 7.5	Z24S3742W	S	2.00	3.25	82.6	Z64S3742W	C	1.75	3.25	82.6
35.0 / 10.0	Z24S3745W	S	2.00	3.75	95.6	Z64S3745W	C	1.75	3.25	82.6
40.0 / 5.0	Z24S3745W	S	2.00	3.75	95.3	Z64S3745W	C	1.75	3.75	95.3
40.0 / 7.5	Z24S3747W	S	2.00	3.25	82.6	Z64S3747W	C	1.75	3.75	95.3
40.0 / 10.0	Z24S3750W	S	2.00	3.25	82.6	Z64S3750W	C	1.75	3.75	95.3
45.0 / 5.0	Z24S3750W	S	2.00	4.25	108.0	Z64S3750W	C	1.75	3.75	95.3
45.0 / 7.5	Z24S3752W	S	2.00	3.75	95.3	Z64S3752W	C	1.75	3.75	95.3
45.0 / 10.0	Z24S3755W	S	2.00	4.25	108.0	Z64S3755W	C	1.75	4.25	108.0
50.0 / 5.0	Z24S3755W	S	2.00	4.25	108.0					
50.0 / 7.5	Z24S3757W	S	2.00	4.25	108.0					
50.0 / 10.0	Z24S3760W	S	2.00	4.25	108.0					
55.0 / 5.0	Z26S3760W	T	2.50	3.25	82.6					
55.0 / 7.5	Z26S3762W	T	2.50	3.25	82.6					
55.0 / 10.0	Z26S3765W	T	2.50	3.25	82.6					
60.0 / 5.0	Z26S3765W	T	2.50	3.25	82.6					
60.0 / 7.5	Z26S3767W	T	2.50	3.25	82.6					

SuperMet Series – (Metal Case)

- Dual Rated Capacitors

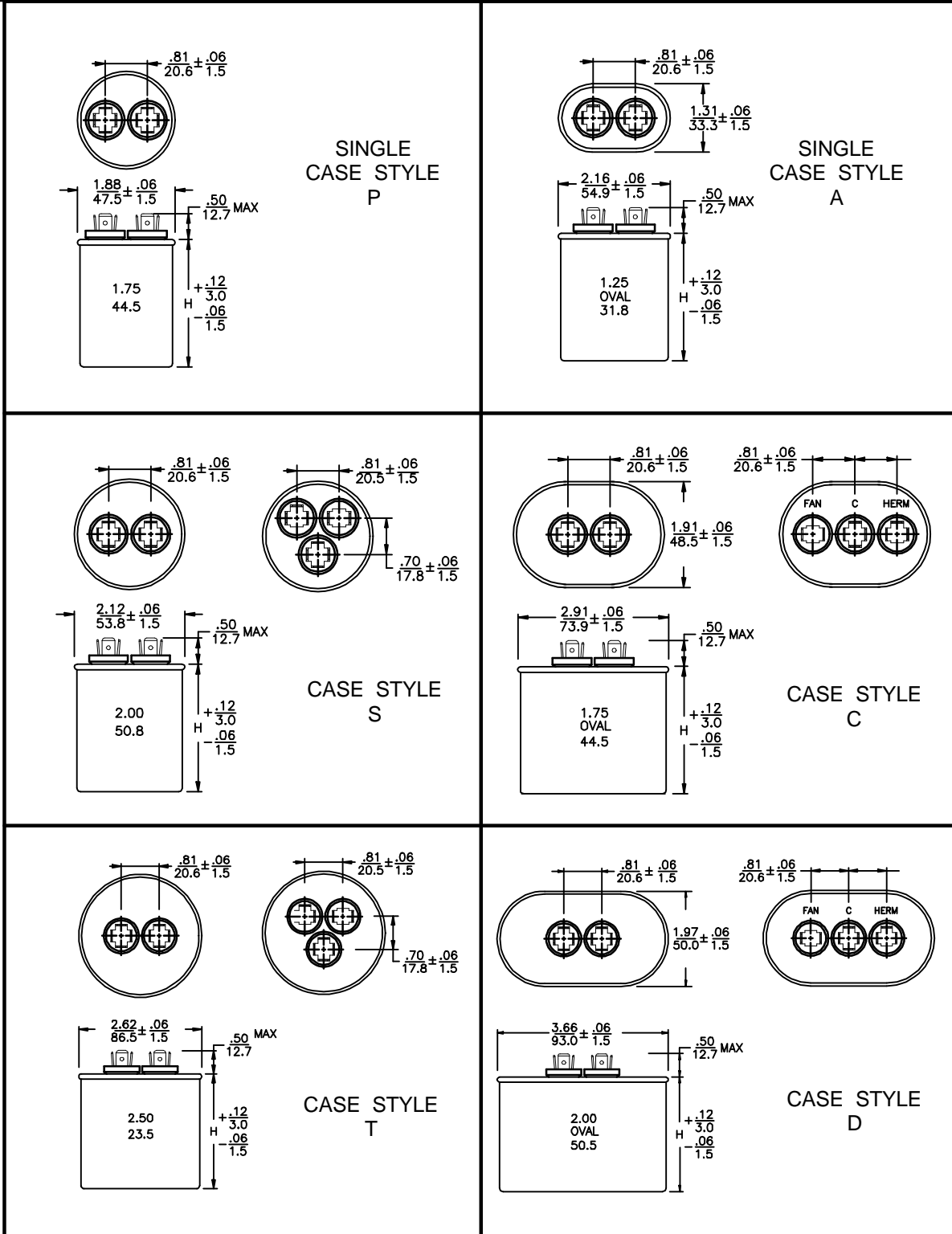
440 Volts AC										
Nominal Capacitance iF	Round Case Style					Oval Case Style				
	Standard Catalog Number	Case Style	Base Dia (In)	Case Height		Standard Catalog Number	Case Style	Base Size (In)	Case Height	
				Inch	Mm				Inch	mm
15.0 / 5.0	Z24S4420W	S	2.00	2.75	69.9	Z64S4420W	C	1.75	2.75	69.9
15.0 / 7.5	Z24S4422W	S	2.00	3.25	82.6	Z64S4422W	C	1.75	2.75	69.9
15.0 / 10.0	Z24S4425W	S	2.00	3.75	95.3	Z64S4425W	C	1.75	2.75	69.9
20.0 / 5.0	Z24S4425W	S	2.00	3.25	82.6	Z64S4425W	C	1.75	2.75	69.9
20.0 / 7.5	Z24S4427W	S	2.00	3.25	82.6	Z64S4427W	C	1.75	3.25	82.6
20.0 / 10.0	Z24S4430W	S	2.00	3.75	95.3	Z64S4430W	C	1.75	3.25	82.6
25.0 / 5.0	Z24S4430W	S	2.00	3.25	82.6	Z64S4430W	C	1.75	3.25	82.6
25.0 / 7.5	Z24S4432W	S	2.00	3.75	95.3	Z64S4432W	C	1.75	3.25	82.6
25.0 / 10.0	Z24S4435W	S	2.00	3.75	95.3	Z64S4435W	C	1.75	3.25	82.6
30.0 / 5.0	Z24S4435W	S	2.00	3.75	95.3	Z64S4435W	C	1.75	3.75	95.3
30.0 / 7.5	Z24S4437W	S	2.00	3.75	95.3	Z64S4437W	C	1.75	3.75	95.3
30.0 / 10.0	Z24S4440W	S	2.00	4.25	108.0	Z64S4440W	C	1.75	3.75	95.3
35.0 / 5.0	Z24S4440W	S	2.00	4.25	108.0	Z64S4440W	C	1.75	4.25	108.0
35.0 / 7.5	Z24S4442W	S	2.00	4.25	108.0	Z64S4442W	C	1.75	4.25	108.0
35.0 / 10.0	Z24S4445W	S	2.00	4.75	120.7	Z64S4445W	C	1.75	4.25	108.0
40.0 / 5.0	Z26S4445W	T	2.50	3.25	82.6	Z64S4445W	C	1.75	4.75	120.7
40.0 / 7.5	Z26S4447W	T	2.50	3.25	82.6	Z64S4447W	C	1.75	4.75	120.7
40.0 / 10.0	Z26S4450W	T	2.50	3.25	82.6	Z64S4450W	C	1.75	4.75	120.7
45.0 / 5.0	Z26S4450W	T	2.50	3.25	82.6					
45.0 / 7.5	Z26S4452W	T	2.50	3.75	95.3					
45.0 / 10.0	Z26S4455W	T	2.50	3.25	82.6					
50.0 / 5.0	Z26S4455W	T	2.50	3.75	95.3					
50.0 / 7.5	Z26S4457W	T	2.50	3.75	95.3					
50.0 / 10.0	Z26S4460W	T	2.50	3.75	95.3					
55.0 / 5.0	Z26S4460W	T	2.50	3.75	95.3					
55.0 / 7.5	Z26S4462W	T	2.50	3.75	95.3					
55.0 / 10.0	Z26S4465W	T	2.50	3.75	95.3					
60.0 / 5.0	Z26S4465W	T	2.50	3.75	95.3					
60.0 / 7.5	Z26S4467W	T	2.50	3.75	95.3					
60.0 / 10.0	Z26S4470W	T	2.50	3.75	95.3					

- AeroMet II Mechanical Dimensions



Aerovox AC Capacitors for Motor Applications

▪ SuperMet Mechanical Dimensions



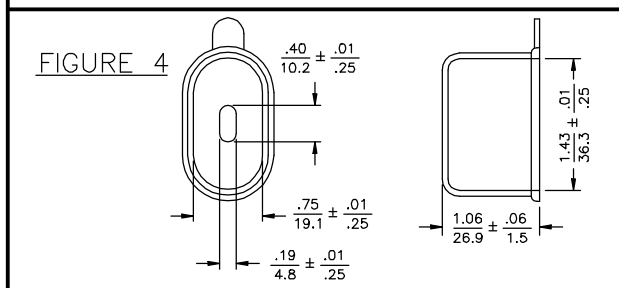
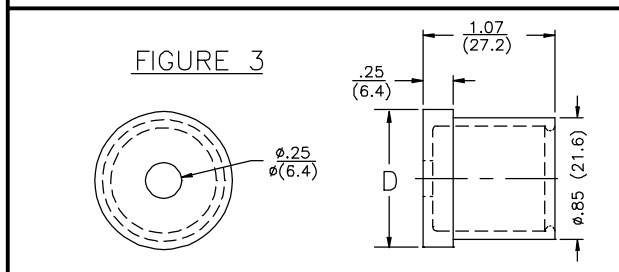
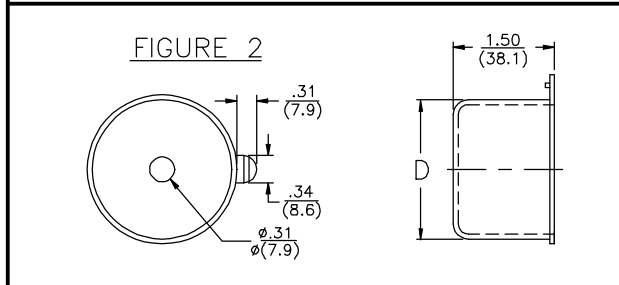
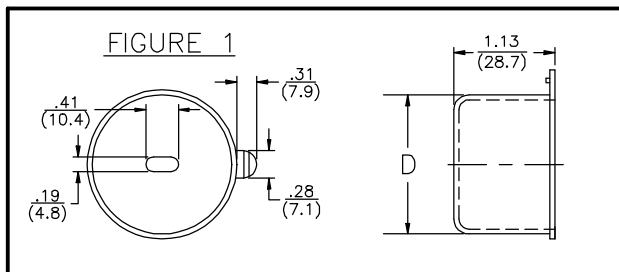
▪ Accessories

Optional mounting accessories are available and must be ordered separately.

Contact Factory for other available options

Terminal Covers – Rubber Boots

Case Style	Fig	D Diameter	Aerovox Part No.
AeroMet II MM	1	1.50 (38.1)	44603-0009
AeroMet II MM	3	.96 (24.4)	44603-0010
AeroMet II PP	2	1.75 (44.5)	44603-0008
AeroMet II SS	2	2.00 (50.8)	44603-0012
SuperMet ALL	4		44603-0000



Mounting Brackets

Case Style	Dimensions		Aerovox Part No.	Fig
	A	B		
MM	1.50 (38.1)	1.22 (31.0)	51045-0013	B
PP	1.75 (44.5)	1.50 (38.1)	51045-0014	B
SS	1.99 (50.5)	1.50 (38.1)	51045-0014	B
P	1.75 (44.5)	1.13 (28.7)	51045-0007	C
S	2.00 (50.8)	1.25 (31.8)	51045-0008	C
T	2.50 (63.5)	1.50 (38.1)	51045-0009	C
A	2.94 (74.7)	2.56 (65.0)	43547-0001	A
B	3.50 (88.9)	3.06 (77.7)	43548-0000	A
C	3.81 (96.8)	3.31 (84.1)	51300-0101	A
D	4.57 (116.1)	4.06 (103.1)	51300-0102	A

