

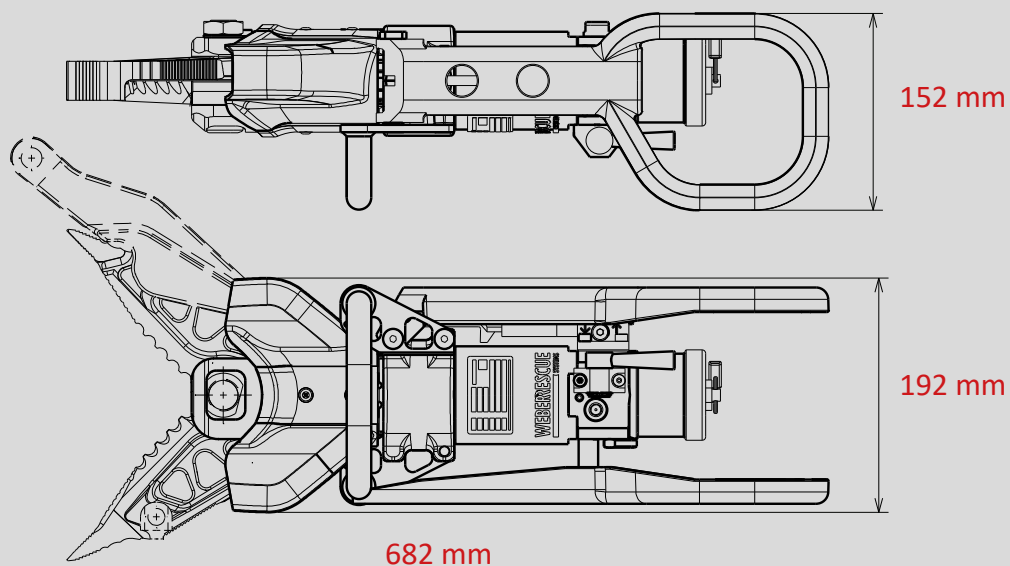
COMBI TOOL SPS 270 H Handvario

Part no.
1084065



Technical data:

Spreading width	270 mm
Spreading force (in the working area)	26 - 534 kN
Opening width	221 mm
Pulling width (with adapters)	380 mm
Max. pulling force	32 kN
Weight	9,8 kg
Dimensions (LxWxH)	682 X 192 X 161 mm
EN cutting class (EN 13204)	1H-2G-3G-4H-5G
NFPA cutting class (NFPA 1936)	A6-B7-C6-D7-E7-F3
DIN class (DIN 14751-4)	K25G-M



Images are non-binding. We reserve the right to technical modifications.
60003679 (200402, A, ALL, 13.02.2020)