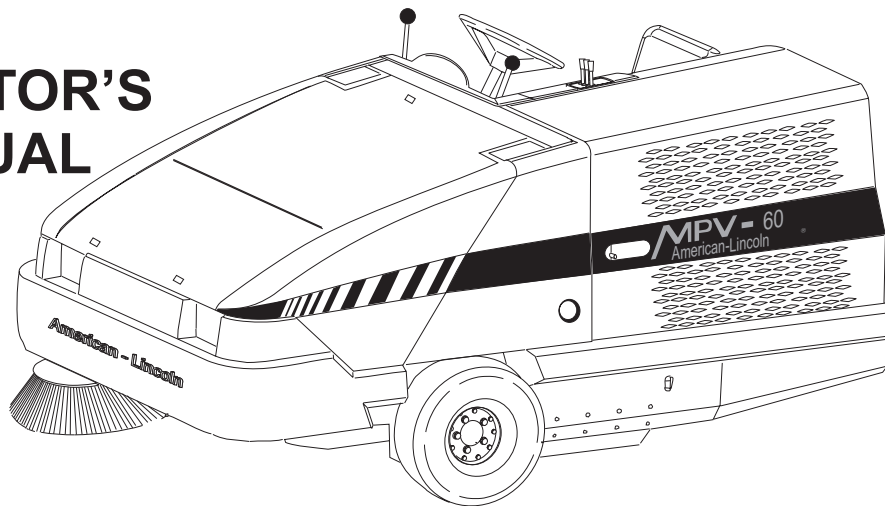




AMERICAN-LINCOLN TECHNOLOGY

OPERATOR'S MANUAL



MPV 60 POWER SWEEPER

Beginning with Serial No. 480490

READ THIS BOOK !

This book has important information for the use and safe operation of this machine. Failure to read this book prior to operating or attempting any service or maintenance procedure to your machine could result in injury to you or to other personnel; damage to the machine or to other property could occur as well. You must have training in the operation of this machine before using it. If you or your operator(s) cannot read English, have this manual explained fully before attempting to operate this machine.

Si Ud. O sus operadores no pueden leer el Inglés, se hacen explicar este manual completamente antes de tratar el manejo o servicio de esta máquina.

All directions given in this book are as seen from the operator's position at the rear of the machine.

For new books, write to: Alto U.S., Inc., 1100 Haskins Rd., Bowling Green, OH 43402

**CALIFORNIA
PROPOSITION 65 WARNING**
Engine exhaust from this product
contains chemicals known to the State
of California to cause cancer, birth
defects, or other reproductive harm.

ISO 9001



FILE A2287

TABLE OF CONTENTS - CHAPTER 2

MAIN BROOM LEVER AND LIFT CABLE	2-2
MAIN BROOM LIFT FRAME	2-4
MAIN BROOM DRIVER	2-5
MAIN BROOM IDLER	2-6
SIDE BROOM ASSEMBLY	2-7
SIDE BROOM LEVER	2-8
SIDE BROOM LIFT SYSTEM	2-10
BRAKE PEDAL	2-12
HOPPER	2-14
HOPPER ASSEMBLY	2-16
HOPPER COVER	2-18
DUMP DOOR	2-20
FILTER SHAKER	2-22
FRONT WHEEL	2-24
REAR WHEEL	2-26
STEERING COLUMN	2-28
BROOM DOOR	2-30
FORWARD/REVERSE CONTROL	2-32
ADJUSTABLE FOOT PEDAL	2-34
SAFETY ARM	2-39
OIL COOLER	2-37
LIGHTS AND HORN ELECTRICAL	2-38
ELECTRICAL ASSEMBLY BATTERY	2-39
RESERVOIR	2-40
VAC FAN	2-41
FLAPS (WHEEL WELL)	2-42
BROOM CHAMBER FLAPS AND SEALS	2-44
CONTROL AND RELIEF VALVE	2-46
HYDRAULIC FILTER	2-48
INSTRUMENT PANEL	2-49
INSTRUMENT HOUSING	2-50
MUFFLER	2-51
FRONT BUMPER	2-52
REAR BUMPER	2-53
RADIATOR AND SHROUD (DIESEL)	2-54
RADIATOR AND SHROUD (GAS)	2-55
FUEL TANK	2-56
SEAT AND FLOOR ASSEMBLY	2-58
ENGINE COVER	2-60
DIESEL ENGINE	2-62
DIESEL FUEL SYSTEM	2-64
PUMP	2-66
GASOLINE/LP ENGINE	2-68
HYDRAULIC HOSE DIAGRAM	2-72
ELECTRICAL ASSEMBLY RELAYS	2-74
ELECTRICAL HARNESS ROUTING (DIESEL)	2-76
ELECTRICAL HARNESS ROUTING (GAS)	2-77
DECALS	2-78
TOTAL STEEL PACKAGE	2-80
NOTES	2-82

MAIN BROOM LEVER AND LIFT CABLE - PARTS LIST

<u>KEY NO.</u>	<u>PART NUMBER</u>	<u>DESCRIPTION</u>	<u>QTY.</u>
1	8-08-00876	Bracket Broom Lift Main Broom	1
2	8-39-00017	Knob Assembly	1
3	8-66-00188	Lever Handle	1
4	8-08-00831	Adjustment Angle/Main Broom	1
5	8-39-00003	Control Knob, Small	1
6	8-08-00779	Pivot, Main Broom Lift	1
7	2-95-04182	Nut, Elastic Stop	1
8	2-00-00656	Nut, ½ - 13 Cap (Acorn)	1
9	8-66-00187	Rod Link	1
10	2-00-00776	Cotter Pin	2
11	8-10-00044	Cable	1
12	7-60-00160	Pulley	2
13	7-13-07130	Retainer	2
14	8-08-00874	Bracket, Pulley Mounting	1
15	2-00-02369	Nut, Hex Jam	1

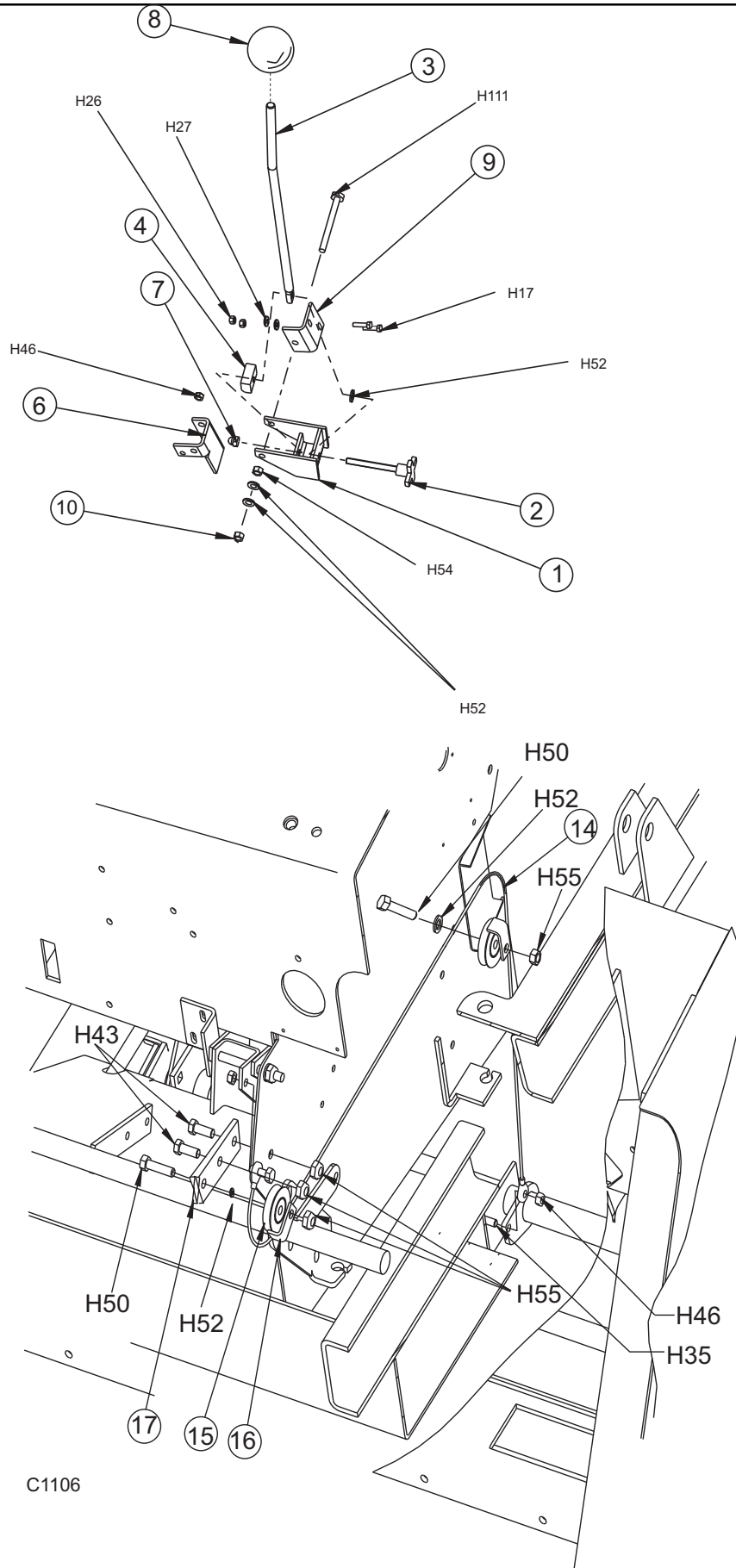
HARDWARE USED:

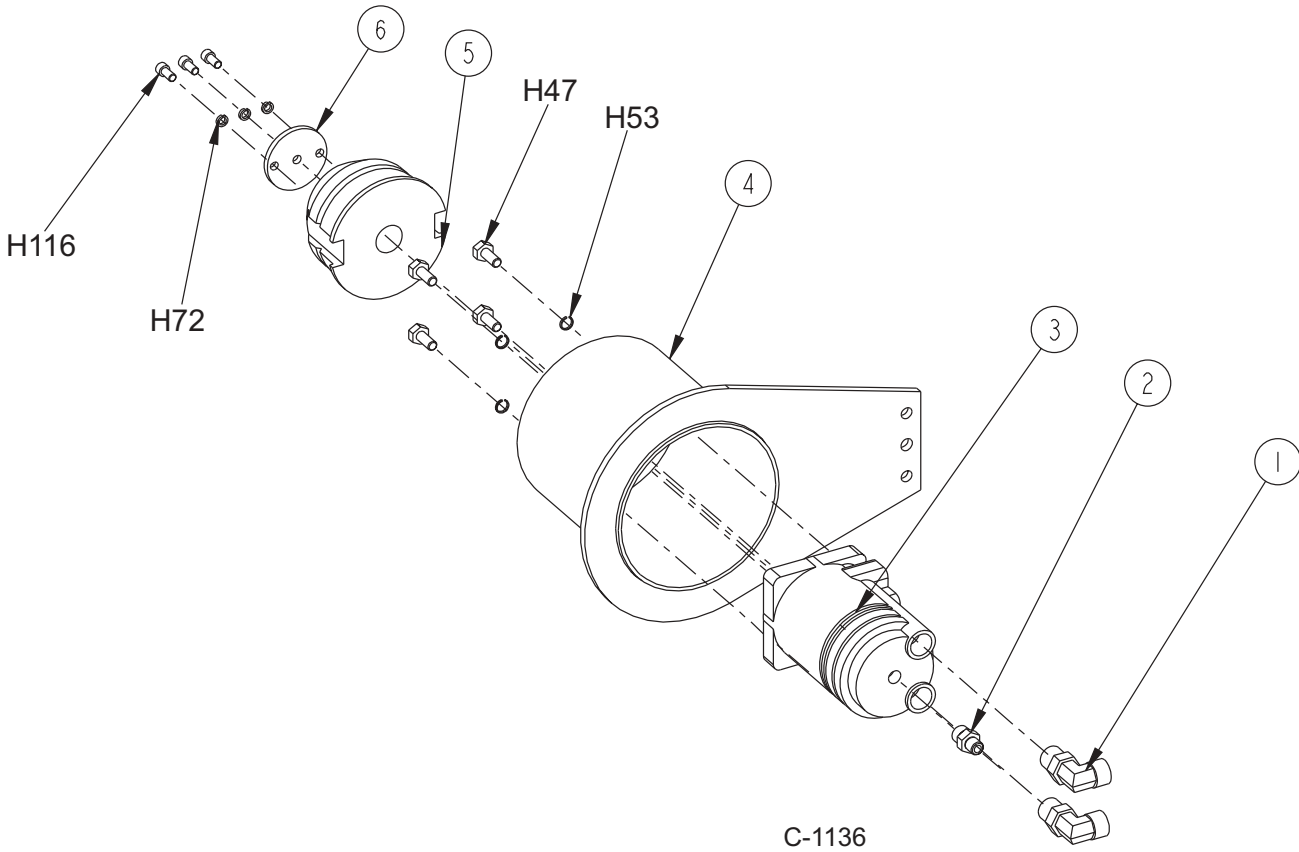
H17	2-00-00205	Screw, 1/4-20 x 1.000 HHC	2
H26	2-00-00641	Nut, 1/4-20 Insert Fiber	2
H27	2-00-03702	Washer, .625 x .281 x .063	2
H35	2-00-02708	Screw, 5/16-18 x 1.000 HHM	1
H46	2-00-00644	Nut, 5/16-18, Insert Fiber	1
H48	2-00-00233	Screw, 3/8-16 x 1.000 HHC	2
H50	2-00-00234	Bolt, 3/8 - 16 x 1.500 HHC	2
H52	2-00-00402	Flat Washer, .750 x .390 x .094	*
H54	2-00-02360	Nut, 3/8-16 Hex.	1
H55	2-00-00643	Nut, 3/8 - 16 Stop	2
H111	2-00-03296	Screw, 3/8-16 x 4.000 HHC	1

*AS NEEDED

C1106/9812

MAIN BROOM LEVER AND LIFT CABLE - EXPLODED VIEW





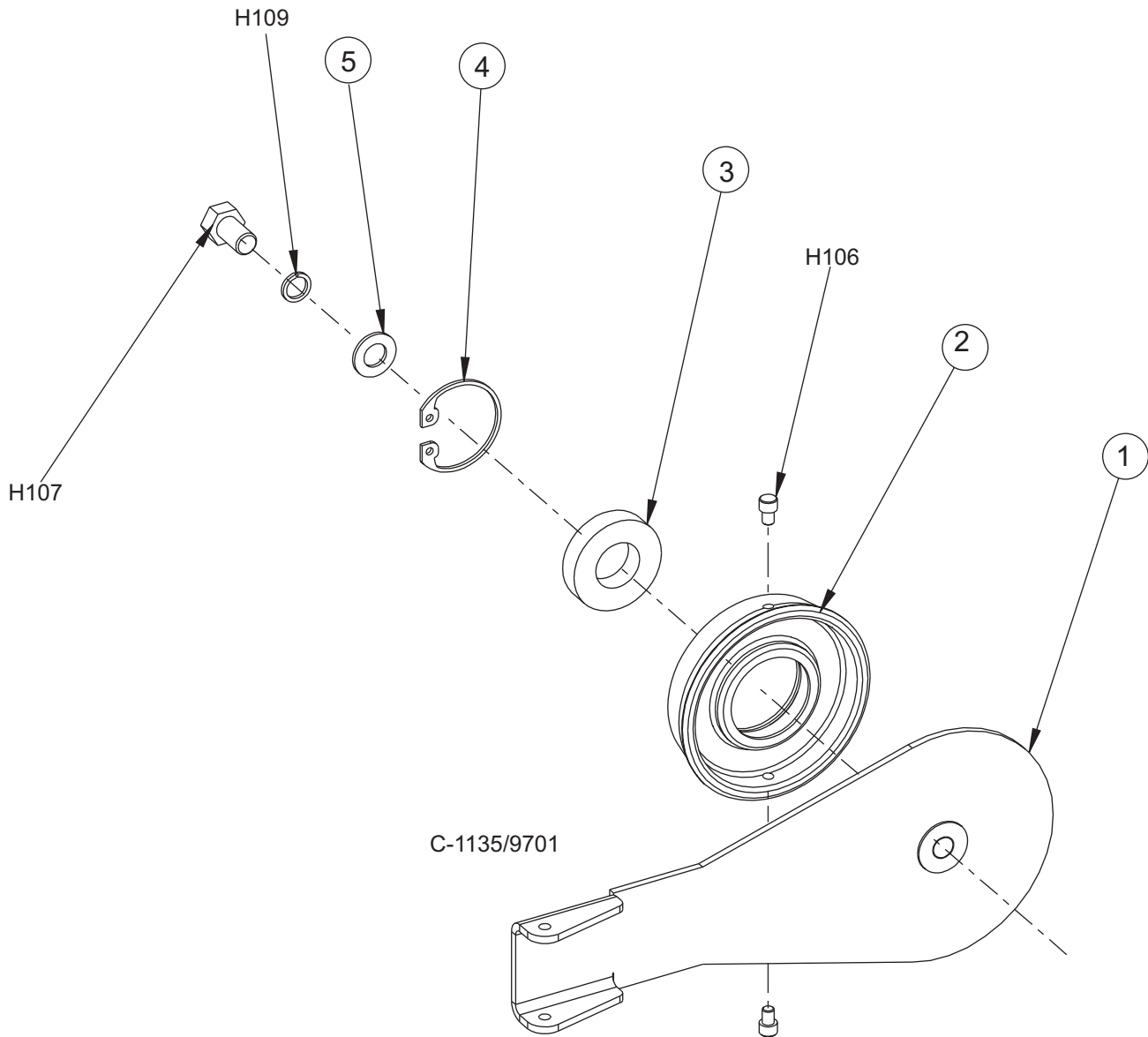
KEY NO.	PART NUMBER	DESCRIPTION	QTY.
1	2-00-04885	Fitting	2
2	2-00-04895	Fitting	1
3	0882-040	Motor	1
	880-448	Motor Seal Kit (Service Part)	
4	8-16-00041	Drive Broom Arm	1
5	8-33-09046-1	Driver, Hub	1
6	8-58-05160	Hub, Lock Plate	1

HARDWARE USED:

H47	2-00-00232	Screw, 3/8-16 x .750 HHC	4
H53	2-00-02310	Lock Washer, Helical Spring 3/8 Med.	4
H72	2-00-00518	Lock Washer, Helical Spring	3
H116	2-00-03039	Screw, 1/4-20 x .625 HSHC	3

C1136/9901

MAIN BROOM IDLER



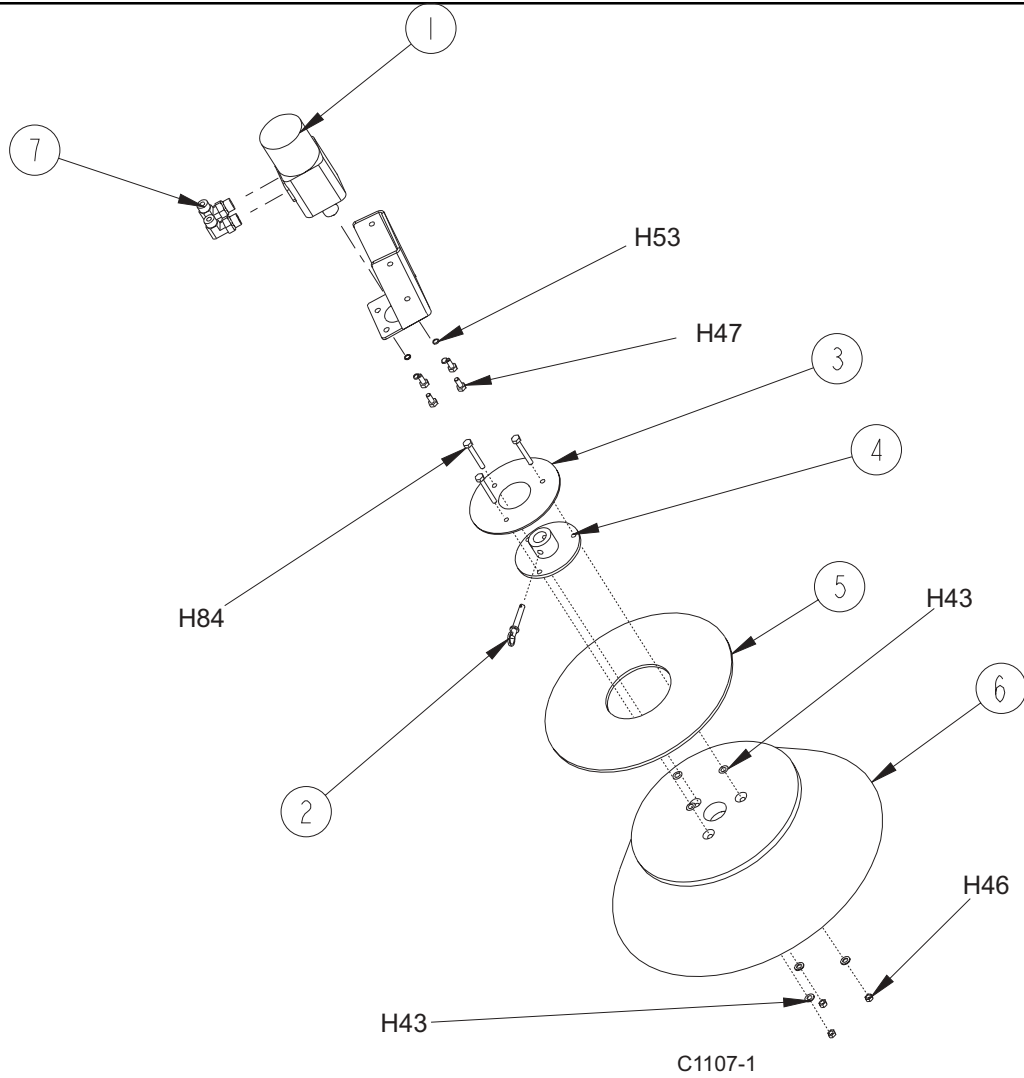
<u>KEY NO.</u>	<u>PART NUMBER</u>	<u>DESCRIPTION</u>	<u>QTY.</u>
1	8-16-00064	Broom Idler Arm	1
2	8-33-09090	Idler, Machined	1
3	2-00-04889	Bearing	1
4	2-00-04890	Clip, Retainer	1
5	8-75-01157	Washer	1

HARDWARE USED:

H106	2-00-04886	Screw, 3/8-16 x .500 HSHC	2
H107	2-00-04887	Screw	1
H109	2-00-00522	Lock Washer, Helical Spring	1

C1135/9901

SIDE BROOM ASSEMBLY



KEY NO.	PART NUMBER	DESCRIPTION	QTY.
1	0882-050	Side Broom Motor	1
	0880-448	Side Broom Motor Seal Kit (Service Part)	
2	8-55-08122	Pin, Side Broom Flange	1
3	8-25-06010	Flange, Roller Disc	1
4	8-33-09091	Hub Weldment	1
5	8-66-05011	Disc, Roller	1
6	8-08-03211	Side Broom, Nylon	1
7	2-00-04921	Fitting	2

HARDWARE USED:

H43	2-00-00409	Flat Washer, .687 x .344 x .062	6
H46	2-00-00644	Nut, 5/16-18, Insert Fiber	3
H47	2-00-00232	Screw, 3/8-16 x .750 HHC	4
H53	2-00-02310	Lock Washer, Helical Spring 3/8 Med.	4
H84	2-00-00228	Screw, 5/16-18 x 2.250 HHC	3

C1107/9812

SIDE BROOM LEVER - PARTS LIST

<u>KEY NO.</u>	<u>PART NUMBER</u>	<u>DESCRIPTION</u>	<u>QTY.</u>
1	8-10-00039	Cable	Ref.
2	8-39-00003	Control Knob, Small	1
3	8-66-00190	Lever Handle	1
4	8-39-00017	Knob Assembly	1
5	8-08-00876	Broom Lift, Weldment	1
6	8-08-00775	Bracket, Angle Adjustment	1
7	7-60-00160	Pulley, Cable	1
8	2-00-00656	Nut, 1/2 -13 Cap (acorn)	1
9	8-08-00890	Bracket, Side Broom Lever Mtg.	1

HARDWARE USED:

H35	2-00-02708	Screw, 5/16-18 x 1.000 HHM	3
H43	2-00-00409	Flat Washer, .687 x .344 x .062	4
H46	2-00-00644	Nut, 5/16-18, Insert Fiber	3
H50	2-00-00234	Screw, 3/8-16 x 1.500 HHC	1
H54	2-00-02360	Nut, 3/8-16 Hex.	2
H94	2-00-00410	Flat Washer, .875 x .375 x .060	1
H111	2-00-03296	Screw, 3/8-16 x 4.00 HHC	1

C1327/9901

SIDE BROOM LIFT SYSTEM - PARTS LIST

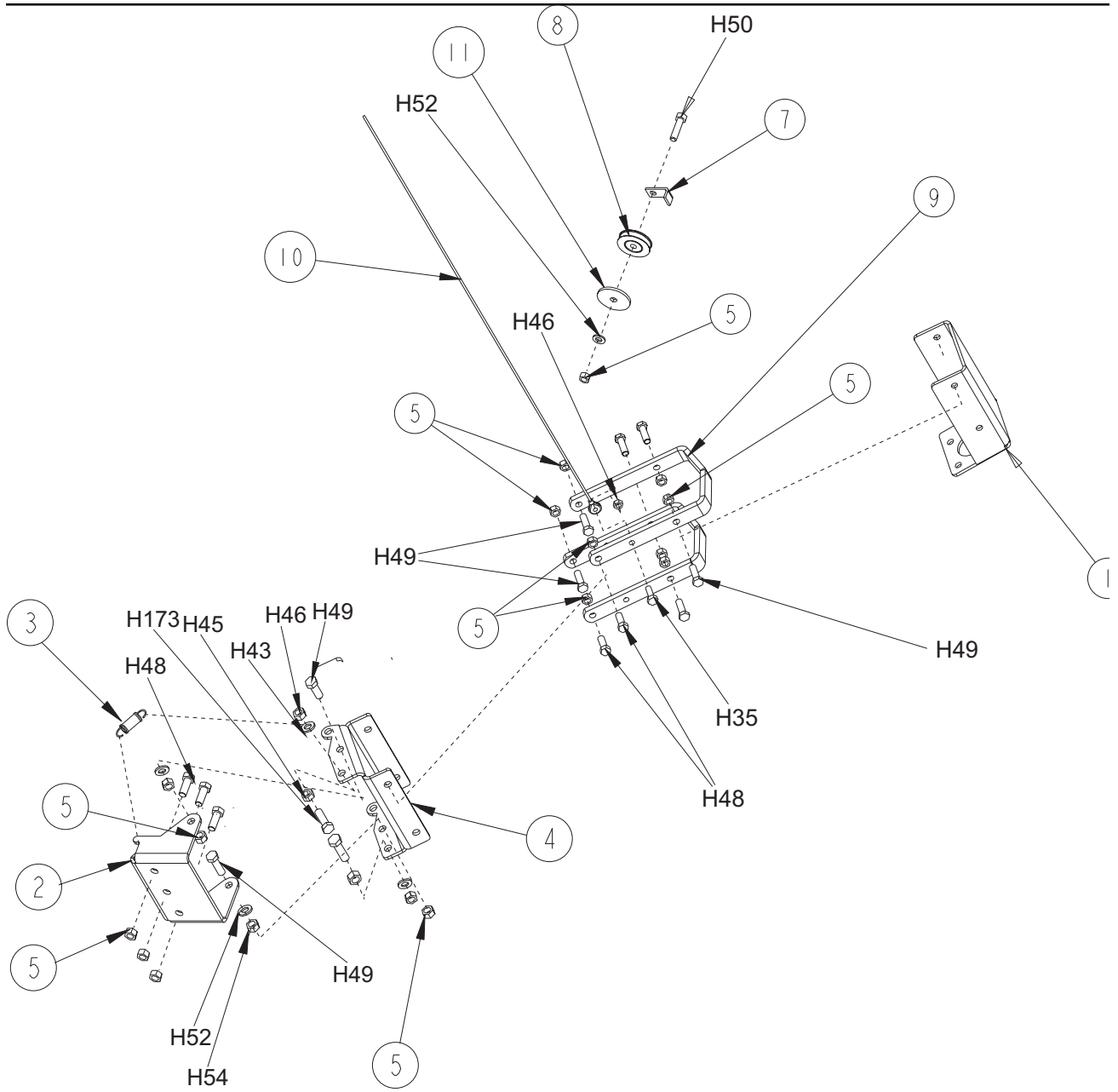
<u>KEY NO.</u>	<u>PART NUMBER</u>	<u>DESCRIPTION</u>	<u>QTY.</u>
1	8-08-00772	Bracket, Side Broom	1
2	8-08-00790	Bracket	1
3	7-76-00101	Spring	2
4	8-08-00846	Pivot Bracket	1
5	2-95-04182	Nut, Elastic Stop	14
6			
7	7-13-07130	Clip, Cable Retainer	1
8	7-60-00160	Pulley, Cable	1
9	8-42-05143	Side Broom Link	2
10	8-10-00039	Cable	1
11	2-95-04689	Flat Washer	1

HARDWARE USED:

H35	2-00-02708	Screw, 5/16-18 x 1.000 HHM	1
H43	2-00-00409	Flat Washer, .687 x .344 x .062	2
H45	2-00-00585	Nut, Hex. 5/16-18 x .500 x .265	2
H46	2-00-00644	Nut, 5/16-18, Insert Fiber	3
H48	2-00-00233	Screw, 3/8-16 x 1.000 HHC	4
H49	2-00-00209	Screw, 3/8-16 x 1.250 HHC	7
H50	2-00-00234	Screw, 3/8-16 x 1.500 HHC	1
H52	2-00-00402	Flat Washer, .750 x .390 x .094	3
H54	2-00-02360	Nut, 3/8-16 Hex.	2
H173	2-00-02709	Screw, 5/16-18 x 1.500	2

C1328/9901

SIDE BROOM LIFT SYSTEM - EXPLODED VIEW



C-1328

BRAKE PEDAL - PARTS LIST

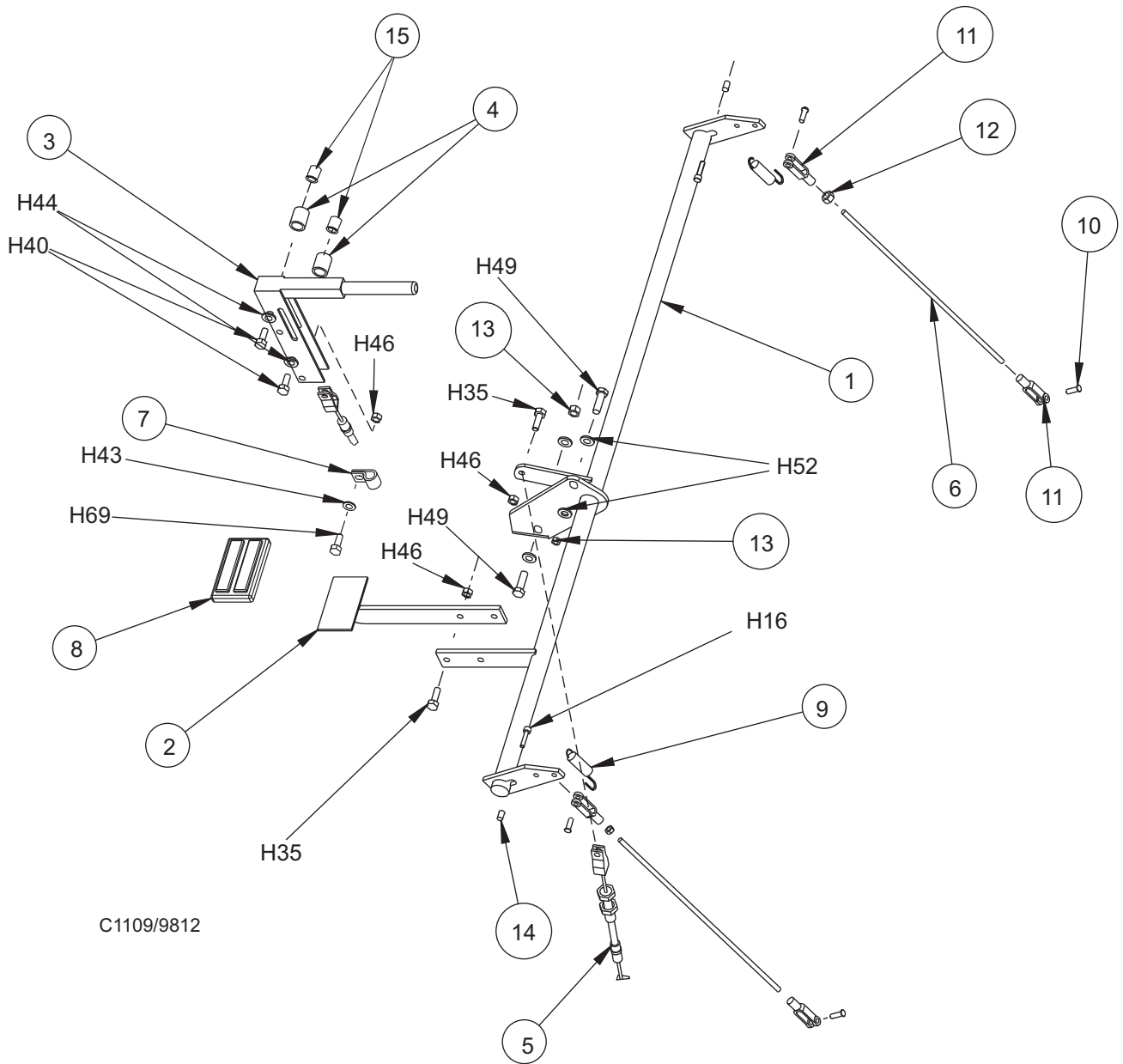
<u>KEY NO.</u>	<u>PART NUMBER</u>	<u>DESCRIPTION</u>	<u>QTY.</u>
1	8-70-05293	Brake Cross Shaft	1
2	8-55-00033	Brake Pedal	1
3	7-41-05083	Lever, Parking Brake	1
4	8-75-01184	Spacer, Lever Mounting	2
5	8-10-00038	Cable	1
6	8-66-00154	Brake Rod	2
7	2-00-05169	Cable Clamp	1
8	7-50-05145	Pad, Pedal	1
9	7-76-00051	Spring	2
10	2-00-04909	Yoke Pin Assembly	4
11	8-14-01006	Clevis	4
12	2-95-01999	Nut, Jam	2
13	2-00-04182	Nut, Jam	3
14	2-00-05261	Threaded Insert	2
15	2-00-05330	Threaded Insert-5/16-18	2

HARDWARE USED:

H16	2-00-03051	Screw, 1/4-20 x .750 HSHC	2
H35	2-00-02708	Screw, 5/16-18 x 1.000 HHM	3
H40	2-00-01770	Screw, 5/16-18 x 2.750 HHC	2
H43	2-00-00409	Flat Washer, .687 x .344 x .062	1
H44	2-00-00530	Lock Washer, 5/16 HS Med.	2
H46	2-00-00644	Nut, 5/16 - 18 , Insert Fiber	4
H49	2-00-00209	Screw, 3/8-16 x 1.250 HHC	3
H52	2-00-00402	Flat Washer, .750 x .390 x .094	6
H69	2-00-01255	Screw, 5/16-18 x .875 HHC	1

C1109/9812

BRAKE PEDAL - EXPLODED VIEW



C1109/9812

HOPPER - PARTS LIST

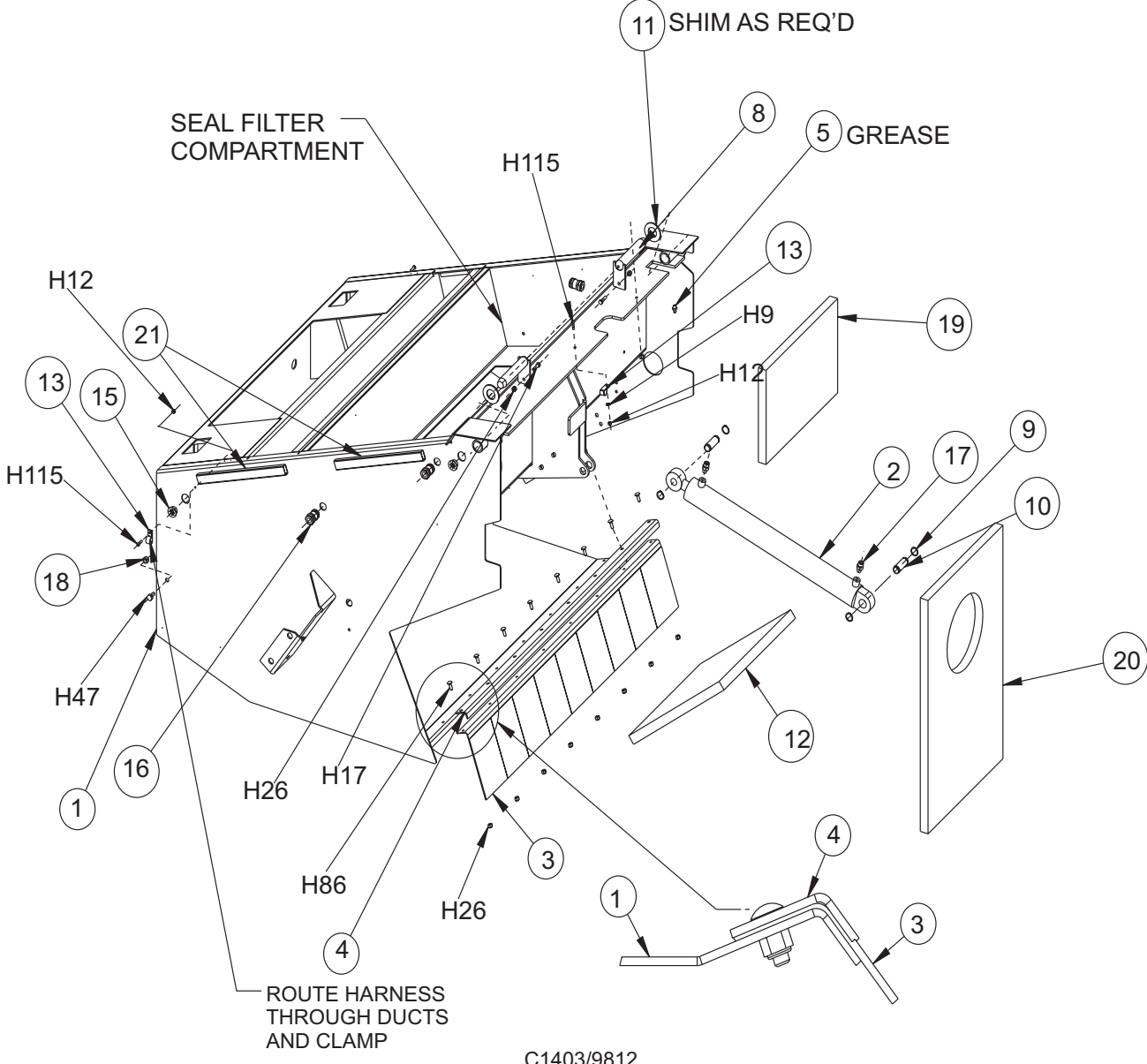
<u>KEY NO.</u>	<u>PART NUMBER</u>	<u>DESCRIPTION</u>	<u>QTY.</u>
1	8-32-06105	Hopper	1
2	7-17-05014	Lift Cylinder	1
	0880-449	Lift Cylinder Seal Kit (Service Part)	
3	8-25-08223	Hopper Flap	1
4	8-13-07169	Clamp, Hopper Flap	1
5	2-00-00566	Grease Zerk	2
6			
7			
8	8-55-08118	Pin, Hopper Pivot	2
9	2-00-00540	Retaining Ring, .750 Ext.	4
10	8-55-08123	Pin, 3/4 Dia.	2
11	2-00-05024	Washer	2
12	8-34-09024	Insulation	1
13	2-00-04210	Clamp	3
14			
15	8-09-01082	Bushing, Star	3
16	8-09-01083	Bushing, Loc-Tite	2
17	2-00-04895	Fitting	2
18	2-95-04182	Nut, Fiber	1
19	8-34-09023	Insulation	1
20	8-34-09022	Insulation	1
21	8-20-06043	Duct Wire	2
22	2-00-05382	Hole Plug	1

HARDWARE USED:

H9	2-00-00426	Flat Washer, .500 x .219 x .063	1
H12	2-00-01246	Nut, Hex Fiber Insert #10-24	3
H17	2-00-00205	Screw, 1/4-20 x 1.000 HHC	2
H26	2-00-00641	Nut, 1/4-20 Insert Fiber	10
H27	2-00-03702	Washer, .625 x .281 x .063	8
H47	2-00-00232	Screw, 3/8-16 x .750 HHC	1
H86	2-00-03575	Carriage Bolt, 1/4-20 x .750	8
H115	2-00-03063	Screw, #10-24 x .750 THM	3

C1403/9812

HOPPER - EXPLODED VIEW



HOPPER ASSEMBLY - PARTS LIST

<u>KEY NO.</u>	<u>PART NUMBER</u>	<u>DESCRIPTION</u>	<u>QTY.</u>
1	7-21-04022	Edging	1
2	8-82-00058	Switch, Door Indicator	1
3			
4	8-63-05014	Clogged Filter Switch	1
5	7-87-02155	Hose	1
6	2-00-04518	Fitting, 1/8 NPT - 1/4 Tube	1
7	8-24-04075	Filter Plug	1
8	8-20-06036	Duct Wire	1
9			
10	2-00-05253	Clamp	3
11	8-82-00050	Switch, Hopper	1
12	2-00-05261	Threaded Insert	1
13	2-00-00092	Carriage Bolt	2
14	2-00-03261	Grommet	1

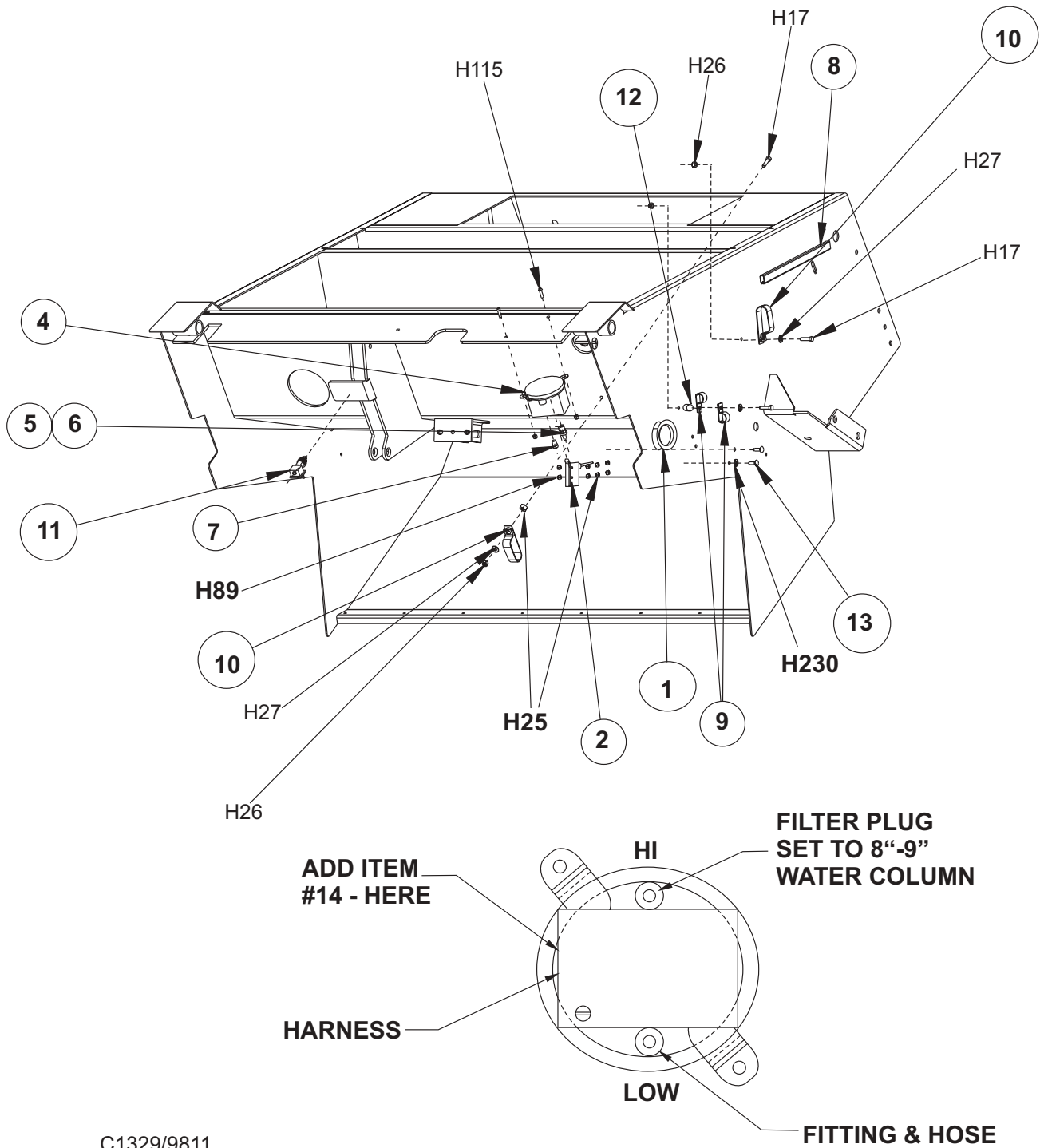
0860-635 Hopper Debris Lid Service Kit

HARDWARE USED:

H17	2-00-00205	Screw, 1/4-20 x 1.000 HHC	3
H25	2-00-00594	Nut, Hex 1/4-20 x .437 x .218	5
H26	2-00-00641	Nut, 1/4-20 Insert Fiber	2
H27	2-00-03702	Washer, .625 x .281 x .063	3
H89	2-00-01372	Nut, Fiber Insert #8-32 Steel	2
H115	2-00-03063	Screw, #10-24 x .750 THM	2
H230	2-00-00466	Flat Washer, .625 x .203 x .031	4

C1329/9901

HOPPER ASSEMBLY - EXPLODED VIEW



C1329/9811

HOPPER COVER - PARTS LIST

<u>KEY NO.</u>	<u>PART NUMBER</u>	<u>DESCRIPTION</u>	<u>QTY.</u>
1	8-16-07397	Cover Assembly (Filter)	1
2	8-16-07398	Cover Assembly (Debris)	1
3	8-08-00878	Bracket - Hinge Cover Pivot	2
4	8-29-00240	Gasket	1
5	8-29-00278	Gasket	1
6	8-29-00279	Gasket	1
7	8-41-00040	Latch	3
8	8-10-00027	Cable	1
9	2-00-00422	Flat Washer	*
10	8-16-07411	Hopper Cover - RH (Shown)	1
11	8-16-07412	Hopper Cover - LH (Not Shown)	1
12	8-08-00886	Bracket - Latch	2

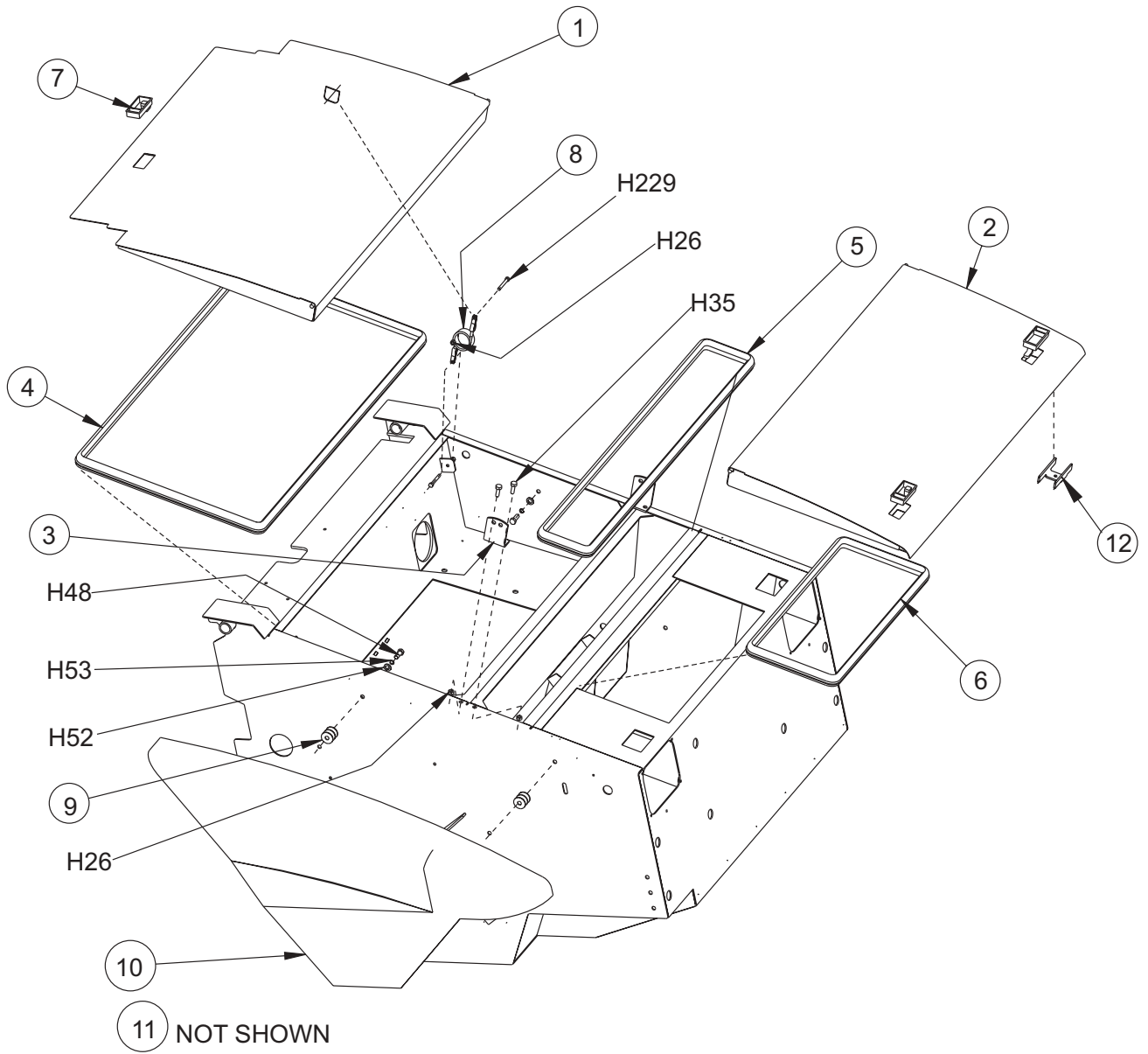
* = As Required

HARDWARE USED:

H26	2-00-00641	Nut, ¼ - 20 Insert Fiber	6
H35	2-00-02708	Screw, 5/16 - x 1.000 HHM	4
H48	2-00-00233	Screw, 3/8-16 x 1.000 HHC	6
H52	2-00-00402	Flat Washer, .750 x .390 x .094	6
H53	2-00-02310	Lock Washer, Helical Spring 3/8 Med.	6
H229	2-00-01490	Screw, .25 - 20 x .875 HHC, STL	2

C1644/9901

HOPPER COVER - EXPLODED VIEW



C1644/9810

DUMP DOOR - PARTS LIST

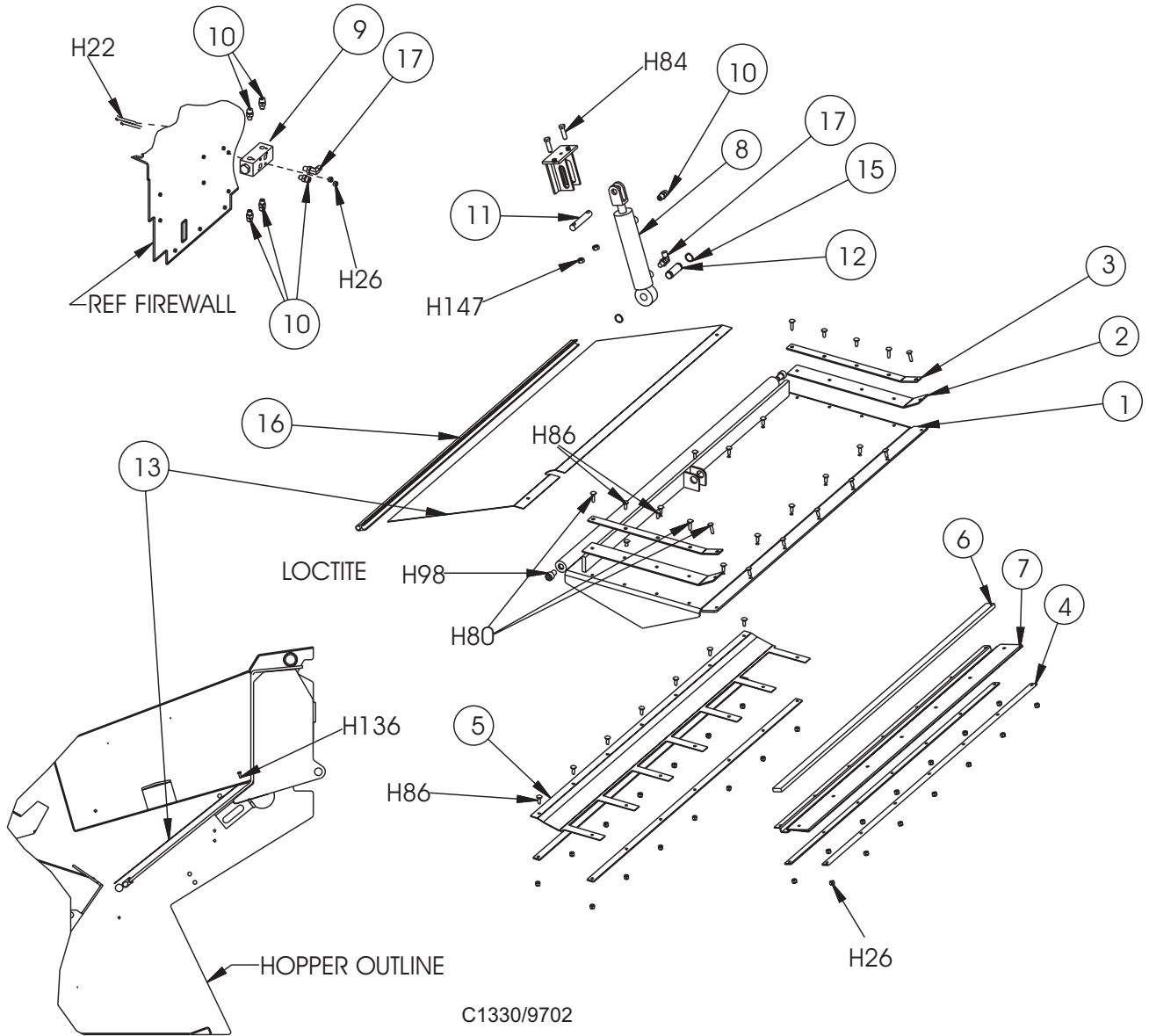
<u>KEY NO.</u>	<u>PART NUMBER</u>	<u>DESCRIPTION</u>	<u>QTY.</u>
1	8-19-08058	Hopper Door	1
2	8-68-05075	Seal, Dump Door	2
3	8-13-07118	Clamp, Door Seal	2
4	8-13-07119	Clamp, Door Seal	4
5	8-25-08193	Flap, Door Vent	1
6	8-68-05076	Seal, Dump Door	1
7	8-68-05077	Seal, Dump Door	1
8	7-17-05011	Cylinder	1
	7-70-00021	Cylinder Seal Kit (Service Part)	
9	8-88-00064	Valve	1
10	2-00-04895	Fitting	6
11	8-55-08124	Pin, Door Cylinder	1
12	8-55-08123	Pin, 3/4 Dia.	1
13	8-52-00191	Panel, Hopper Seal	1
14			
15	2-00-00540	Retaining Ring, 3/4 Dia.	2
16	8-29-00149	Gasket, Dump Door	1
17	2-00-04892	Fitting	2

HARDWARE USED:

H22	2-00-02589	Screw, 1/4 - 20 x 2.000 HHC	2
H26	2-00-00641	Nut, 1/4-20 Insert Fiber	34
H80	2-00-02196	Carriage Bolt, 1/4-20 x 1.000 RHM	6
H84	2-00-00228	Screw, 5/16-18 x 2.250 HHC	2
H86	2-00-03575	Carriage Bolt, 1/4-20 x .750	30
H98	2-00-05277	Screw, 1/2-13 x .750 HSHC	2
H136	2-00-03940	Screw, #10-24 x .500 T/C HH	2
H147	2-00-00642	Nut, Fiber Insert 5/18-18	2

C1330/9702

DUMP DOOR - EXPLODED VIEW



FILTER SHAKER - PARTS LIST

<u>KEY NO.</u>	<u>PART NUMBER</u>	<u>DESCRIPTION</u>	<u>QTY.</u>
1	8-13-07170	Clamp, Filter	1
2	8-05-07090	Vibrator Bar	1
3	8-09-01083	Bushing	1
4	8-58-05280	Plate, Shaker	1
5	8-03-04302	Arm, Shaker	1
6	8-16-07406	Filter Shaker Motor Cover	1
7	0860-623	Filter Shaker Motor	1
8	8-89-04019	Weight	1
9	8-24-04139-1	Filter	1
	8-24-04139-2	POLY Filter Option	
10	8-13-07168	Mounting Angle, Shaker	1
11	8-41-00065	Latch	1
12	8-08-00786	Mounting Angle, Shaker	1
13	8-90-07433	Wire, Hopper Shaker	1
14	2-00-05330	Threaded Insert, 5/16 - 18	3
15	8-68-05099	Dust Seal	1
16	8-13-07172	Clamp - Vibration Bar	1

HARDWARE USED:

H26	2-00-00641	Nut, 1/4-20 Insert Fiber	8
H27	2-00-03702	Washer, .625 x .281 x .063	8
H34	2-00-00208	Screw, 5/16-18 x .750 HHC	5
H37	2-00-00207	Screw, 5/16 - 18 x 1.250 HHC	2
H44	2-00-00530	Lock Washer, 5/16 HS Med.	3
H46	2-00-00644	Nut, 5/16 - 18 Insert Fiber	2
H58	2-00-00241	Screw, 1/2 - 13 x 1.750 HHC	2
H64	2-00-00596	Nut, Hex 1/2 - 13 x .750 x .437	2
H65	2-00-04936	Nut, 1/2 - 13 Fiber Lock	2
H81	2-00-05276	Screw, 3/8 - 16 x 5.500	1
H86	2-00-03575	Carriage Bolt, 1/4-20 x .750	8
H87	2-00-00263	Set Screw, 1/4-20 x .250 HSKCP	1
H219	2-00-05359	Nut, Serrated Flange 5/16 - 18	4

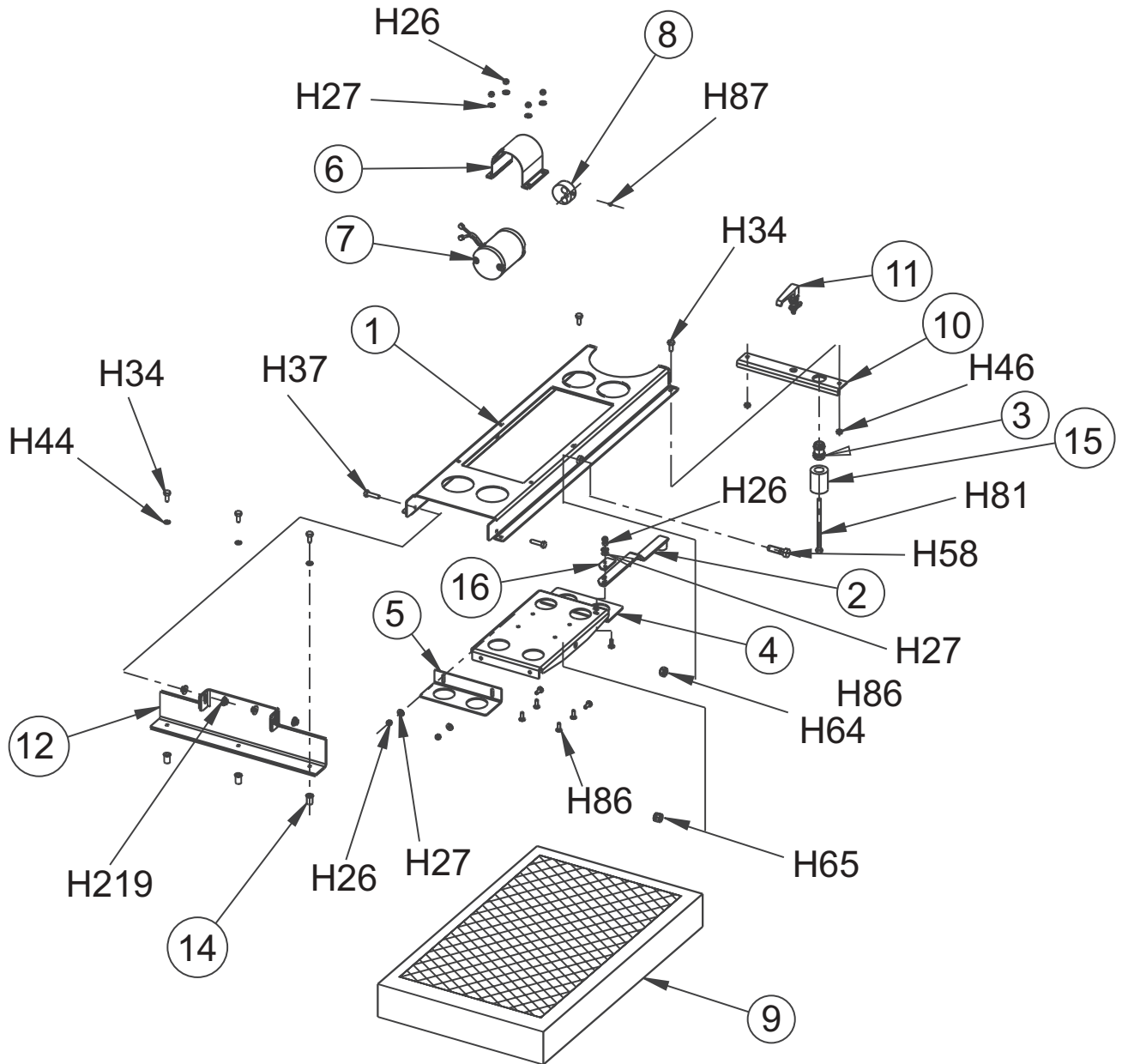
FRAME AND SHAKER ADJUSTMENT INSTRUCTIONS:

1. ADJUST FRAME TO FILTER- ADJUST FILTER FRAME PIVOT BOLTS AND PAWL OF FILTER FRAME LATCH SUCH THAT FILTER GASKET COMPRESSES APPROXIMATELY 1/8 INCH.
2. ADJUST SHAKER TO FILTER-ADJUST SHAKER ARM (8-03-04302) SUCH THAT IT AND SHAKER PLATE (8-58-05280) FORCE FILTER SCREEN TO CONTACT FILTER MEDIA.

NOTE: DO NOT COMPRESS FILTER MEDIA WITH SHAKER

C1404/9812

FILTER SHAKER - EXPLODED VIEW



C1404/9906

FRONT WHEEL - PARTS LIST

<u>KEY NO.</u>	<u>PART NUMBER</u>	<u>DESCRIPTION</u>	<u>QTY.</u>
1	0860-571	Brake	2
	8-71-05007	Brake Shoe (Service Part)	
2	8-89-08067	Wheel, Pneumatic - 18.5"	2
	8-85-06021	Tire (Service Part)	
	8-70-00085	Tube (Service Part)	
	8-70-00080	Rim (Service Part)	
3	8-11-00030	Grease Cap	2
4	8-33-09089	Hub and Drum	2
5	8-80-05035	Stud	10
6	2-00-04621	Bearing Cup	4
7	2-00-02079	Bearing Cone (Sealed)	2
8	2-00-04622	Bearing Cone	2
9	2-00-05026	Nut, Slotted Hex 1-14 UNF	2
10	2-00-05024	Flat Washer	2
11	2-00-02436	Cotter Pin	2
12	2-00-03797	Flat Washer	*

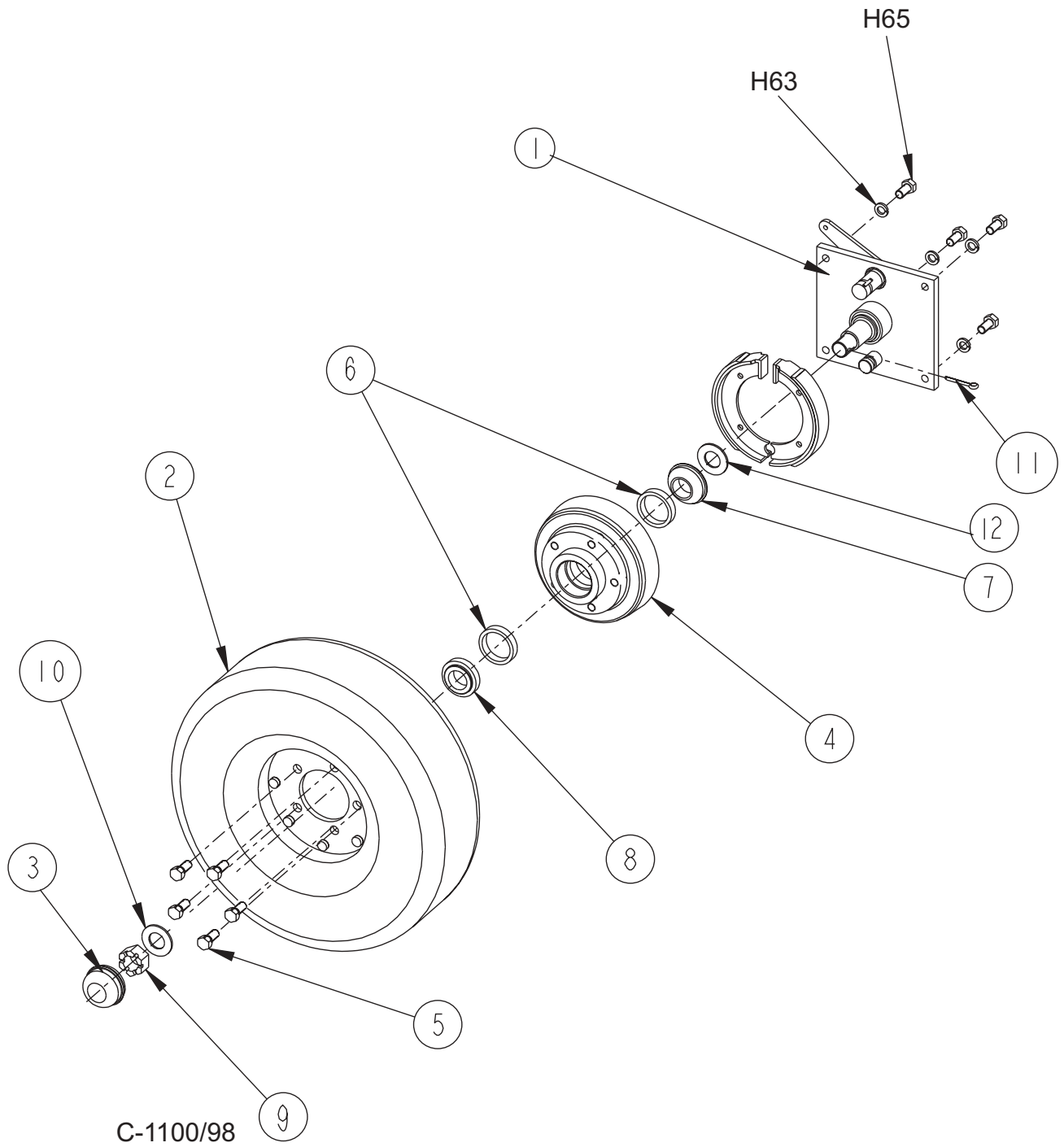
* AS NEEDED

HARDWARE USED:

H63	2-00-02312	Lock Washer, 1/2 HS Med.	8
H66	2-00-02689	Screw, 1/2-20 x 1.000 HHC	8

C1100

FRONT WHEEL - EXPLODED VIEW



REAR WHEEL - PARTS LIST

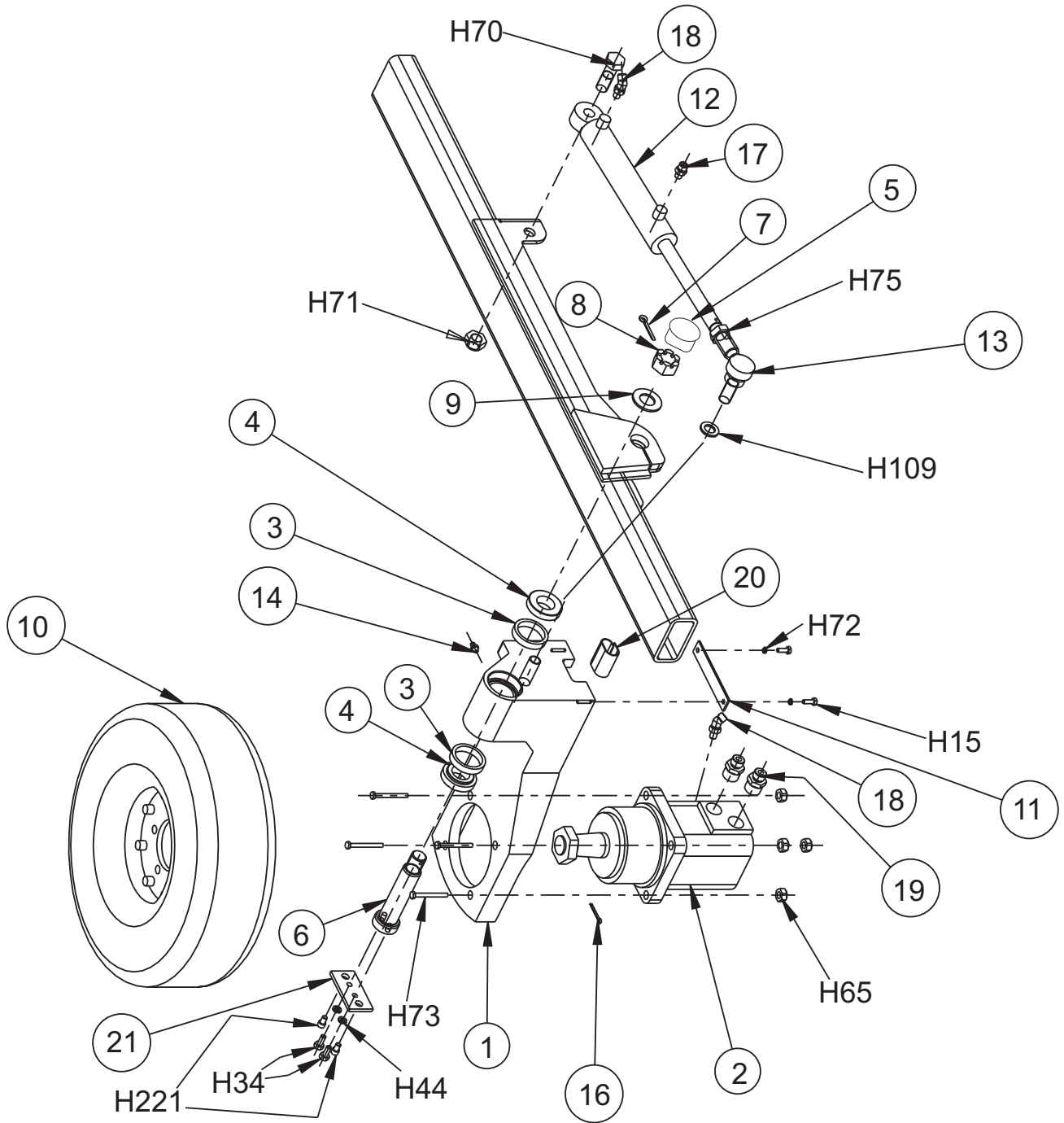
<u>KEY NO.</u>	<u>PART NUMBER</u>	<u>DESCRIPTION</u>	<u>QTY.</u>
1	8-92-00040	Yoke, Rear Wheel	1
2	0885-083	Hydraulic Motor, 4000 Series	1
	0880-237	Hydraulic Motor Seal Kit (Service Part)	
3	2-00-04621	Bearing, Outer Race (Cup Only)	2
4	2-00-02079	Bearing, Roller	2
5	7-11-00048	Cap, 7/8 Hex Nut	1
6	8-55-08131	Pivot Pin, Rear Wheel	1
7	2-00-02436	Cotter Pin	1
8	2-00-05026	Nut, Slotted Hex 1-14 UNF	1
9	2-00-05024	Flat Washer	1
10	8-89-08068	Wheel Assembly	1
	8-85-06021	Tire (Service Part)	
	8-70-00085	Tube (Service Part)	
	7-70-00021	Hydraulic Cylinder Seal Kit (Service Part)	
	0880-238	Shaft Seal Kit (Service Part)	
11	8-65-00045	Retainer, Hydraulic Hose	1
12	7-17-05017	Hydraulic Cylinder	1
13	8-66-00149	Rod End	1
14	2-00-00566	Grease Zerk	1
15			
16	2-00-00776	Cotter Pin, .12 diameter	1
17	2-00-04895	Fitting, Straight	1
18	2-00-04976	Fitting, 45°	2
19	2-00-04979	Fitting, Straight	2
20	8-30-05175	Guard - Hose	1
21	7-13-07176	Clamp - Pivot Pin	1
	0860-639	Service Kit- Wheel Mount	

HARDWARE USED:

H15	2-00-00221	Screw, 1/4-20 x .750 HHC	2
H34	2-00-00208	Screw, 5/16 - 18 x 7.50 HHC	2
H44	2-00-00530	Lock Washer, 5/16 HS Med.	2
H65	2-00-04936	Nut, 1/2-13 Fiber Lock	4
H70	2-00-05254	Screw, 3/4-10 x 2.250 HHC	1
H71	2-00-05255	Nut, 3/4-10 Nylon Lock	1
H72	2-00-00518	Lock Washer, Helical Spring	2
H73	2-00-00247	Screw, 1/2-13 x 2.500 HHC	4
H75	2-00-00618	Nut, Hex Jam 3/8-16	1
H109	2-00-00522	Lock Washer, 3/4 Helical Spring	1
H221	2-00-03335	Screw, 5/16-18 x .500 Hex Soc. Cap	2

C1311a/0703

REAR WHEEL - EXPLODED VIEW



C1311A/0703

STEERING COLUMN - PARTS LIST

<u>KEY NO.</u>	<u>PART NUMBER</u>	<u>DESCRIPTION</u>	<u>QTY.</u>
1	8-60-05034	Steering Control Unit	1
2	8-89-08016	Steering Wheel	1
3	8-58-05270	Plate, Latch	1
4	8-33-05136	Steering, Housing	1
5	8-41-00050	Latch, Tilt Steering	1
6	8-08-00780	Housing, Mounting Bracket	2
7	7-09-01057	Bushing	1
8	8-31-06083	Grip, Latch	1
9	8-76-00042	Spring, Tension	1
10	2-10-01336	Spring, Compression	1
11	8-11-00022	Cap	1
12	2-95-04182	Stop Nut, Elastic	1
13	8-33-02360	Hose, Heat Shield	1

HARDWARE USED:

H17	2-00-00205	Screw, 1/4-20 x 1.000 HHC	4
H25	2-00-00594	Nut, Hex 1/4-20 x .437 x .218	1
H26	2-00-00641	Nut, 1/4-20 Insert Fiber	4
H27	2-00-03702	Washer, .625 x .281 x .063	2
H35	2-00-02708	Screw, 5/16-18 x 1.000 HHM	1
H44	2-00-00530	Lock Washer, 5/16 HS Med.	4
H46	2-00-00644	Nut, 5/16-18, Insert Fiber	5
H52	2-00-00402	Flat Washer, .750 x .390 x .94	4
H69	2-00-01255	Screw, 5/16-18 x .875 HHC	4
H94	2-00-00410	Flat Washer, .875 x .375 x .060	2
H95	2-00-03382	Spring Washer, .875 x .500 x .015	1
H96	2-00-02605	Screw, 3/8-16 x 4.500 HHC, Cadium Pl	1
H154	2-00-04363	Screw, M8 - 1.250 x .750	4

C1605/9812

BROOM DOOR - PARTS LIST

<u>KEY NO.</u>	<u>PART NUMBER</u>	<u>DESCRIPTION</u>	<u>QTY.</u>
1	8-19-08060	Broom Door Weldment (Right)	1
2	8-19-08059	Broom Door Weldment (Left)	1
3	8-25-08222	Flap, Broom Door (Outer)	2
4	8-25-08198	Flap, Broom Door (Inner)	2
5	8-13-07116	Clamp, Broom Door Flap	4
6	8-41-00052	Latch	2
7	8-75-01199	Spacer, Broom Door Latch	1
8	8-29-00232	Gasket	1
9	8-39-00015	Latch Knob, Broom Door	2
10	8-57-05024	Door Pivot Bracket	2
11	8-58-05271	Plate, Idler Retainer	1
12			
13			
14	2-95-04182	Nut, Fiber	6
15	8-29-00235	Edging	2

HARDWARE USED:

H20	2-00-00203	Screw, 1/4-20 x 1.500 HHC	4
H23	2-00-01980	Screw, 1/4-20 x 2.500 HHC	1
H25	2-00-00594	Nut, Hex 1/4-20 x .437 x .218	8
H26	2-00-00641	Nut, 1/4-20 Insert Fiber	21
H27	2-00-03702	Washer, .625 x .281 x .063	5
H52	2-00-00402	Flat Washer, .750 x .390 x .094	4
H54	2-00-02360	Nut, 3/8-16 Hex.	2
H78	2-00-05187	Carriage Bolt, 3/8-16 x 1.250	4
H79	2-00-01676	Flat Washer, 1.062 x .265 x .062	16
H80	2-00-02196	Carriage Bolt, 1/4-20 x 1.000 RHM	16
H81	2-00-05276	Screw, 3/8-16 x 5.500	2
H82	2-00-00505	Lock Washer, 3/8 Int. Tooth	2
H83	2-00-04877	Screw, 1/4-20 x 1.000 BHS	8

C1103/9812

FORWARD/REVERSE CONTROL - PARTS LIST

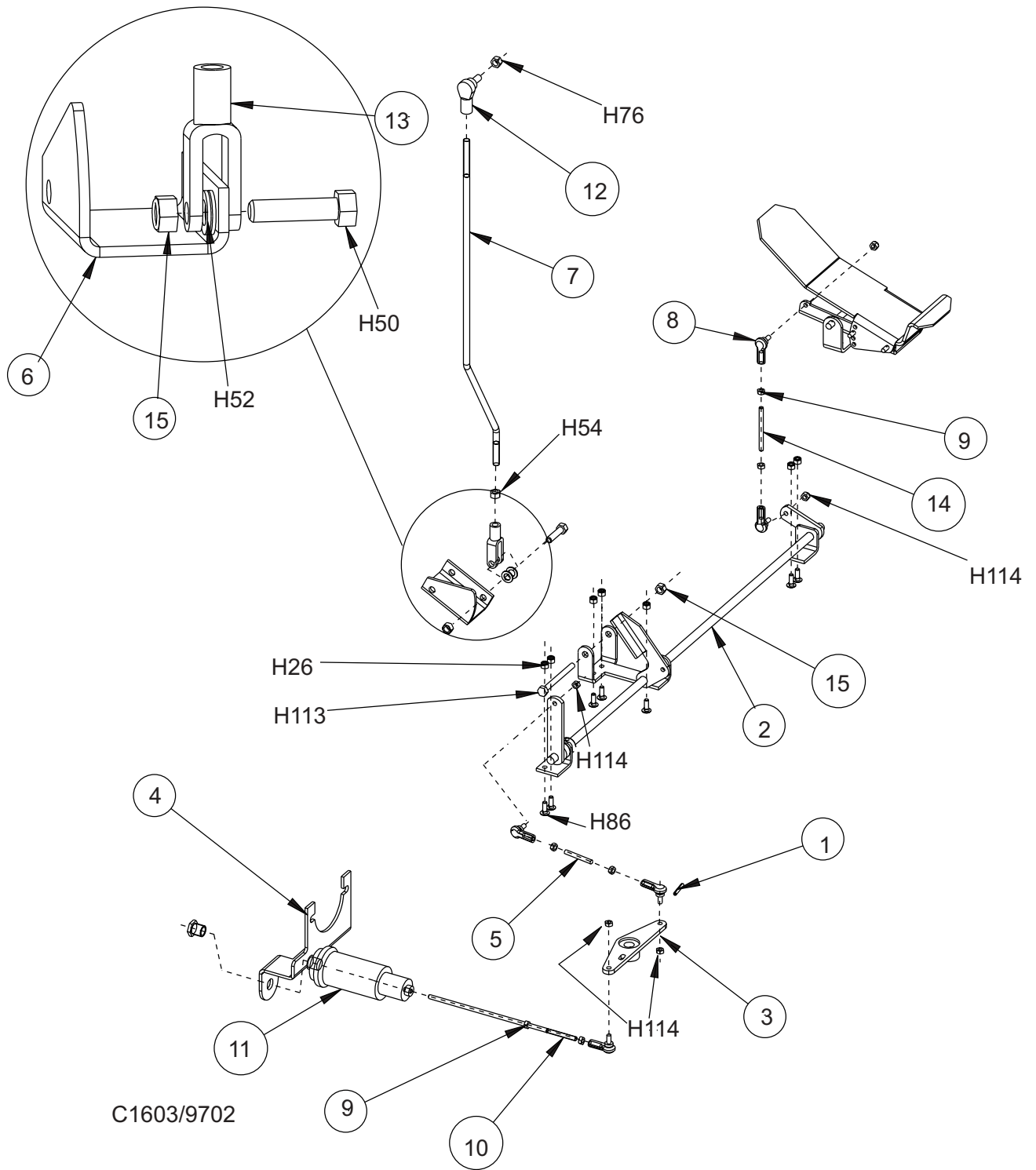
<u>KEY NO.</u>	<u>PART NUMBER</u>	<u>DESCRIPTION</u>	<u>QTY.</u>
1	2-00-00880	Roll Pin	1
2	8-70-05294	Forward/Reverse Shaft	1
3	8-03-04300	Arm, Pump Control	1
4	8-08-00877	Bracket, Hydroback	1
5	8-66-00169	Rod, 1/4-28 Threaded	1
6	8-03-04306	Arm, Speed Limiter	1
7	8-66-00172	Rod, Speed Limiter	1
8	7-25-02050	Rod End	5
9	2-95-01999	Nut, Jam	6
10	8-66-00189	Rod, Threaded	1
11	8-16-00063	Centering Control	1
12	8-66-00173	Rod End	1
13	8-14-01001	Clevis	1
14	8-66-00179	Rod, Threaded, 1/4-28 x 2.50	1
15	2-95-04182	Nut, Fiber	2

HARDWARE USED:

H26	2-00-00641	Nut, 1/4-20 Insert Fiber	7
H50	2-00-00234	Screw, 3/8-16 x 1.500 HHC	1
H52	2-00-00402	Flat Washer, .750 x .390 x .094	2
H54	2-00-02360	Nut, 3/8-16 Hex.	1
H76	2-00-00632	Nut, Fiber Insert 3/8-24 Steel	1
H86	2-00-03575	Carriage Bolt, 1/4-20 x .750	7
H113	2-00-03333	Screw, 3/8-16 x 3.750 HHC	1
H114	2-00-00633	Nut, Fiber 1/4-28	5

C1603/9901

FORWARD/REVERSE CONTROL - EXPLODED VIEW



ADJUSTABLE FOOT PEDAL - PARTS LIST

<u>KEY NO.</u>	<u>PART NUMBER</u>	<u>DESCRIPTION</u>	<u>QTY.</u>
1	8-55-00034	Adjustable Foot Pedal	1
2	8-55-00035	Pedal Base	1
3	8-08-00782	Bracket	1
4	2-00-05246	Pin	1
5	2-00-05247	Pin	2
6	2-00-05249	Cotter Pin	3
7	7-23-03048	Spring Washer	*

* AS NEEDED

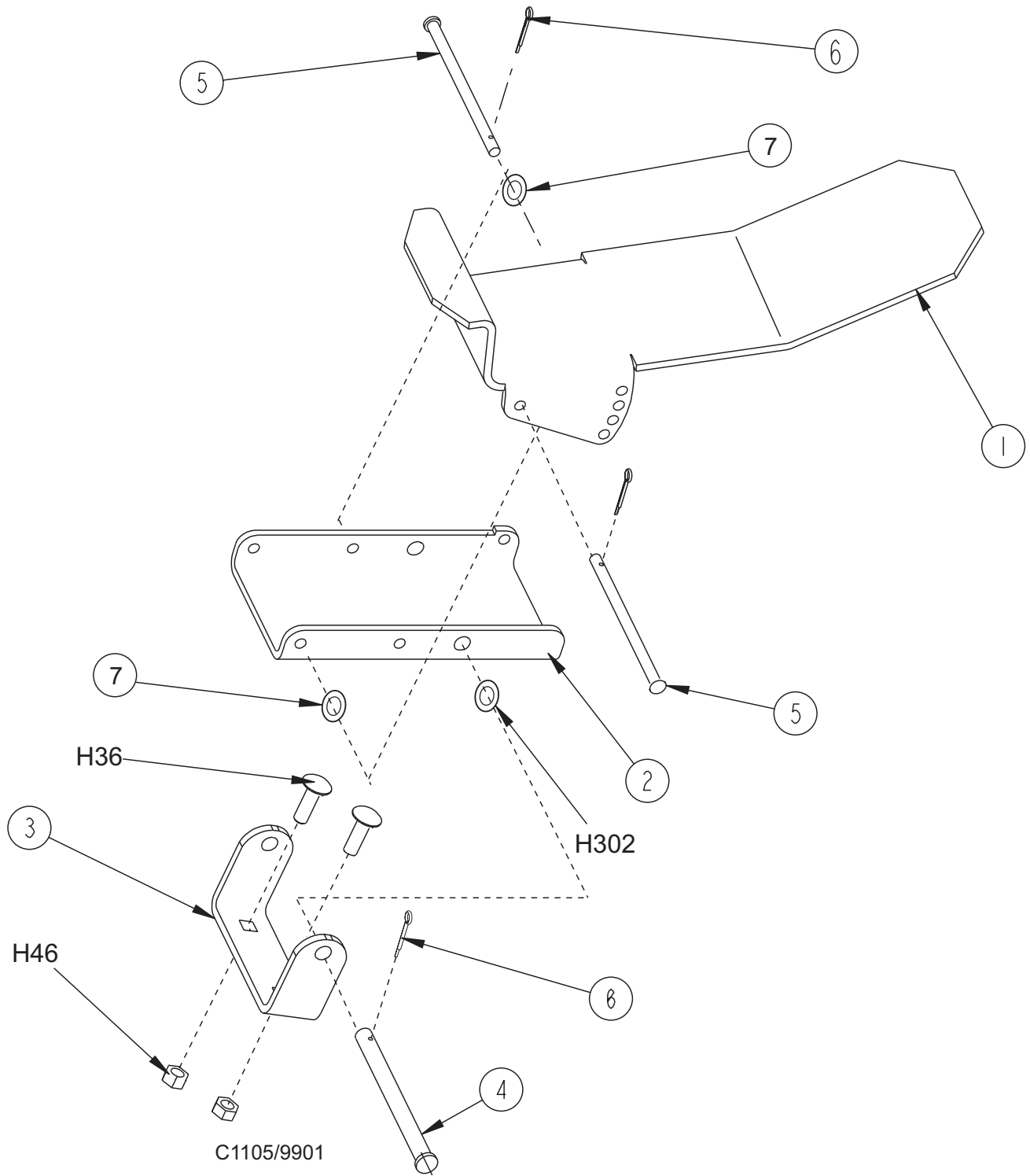
HARDWARE USED:

H36	2-00-00196	Carriage Bolt, 5/16-18 x 1.000	2
H46	2-00-00644	Nut, 5/16-18, Insert Fiber	2
H302*	2-00-00490	Washer, Spring, Shakeproof	1

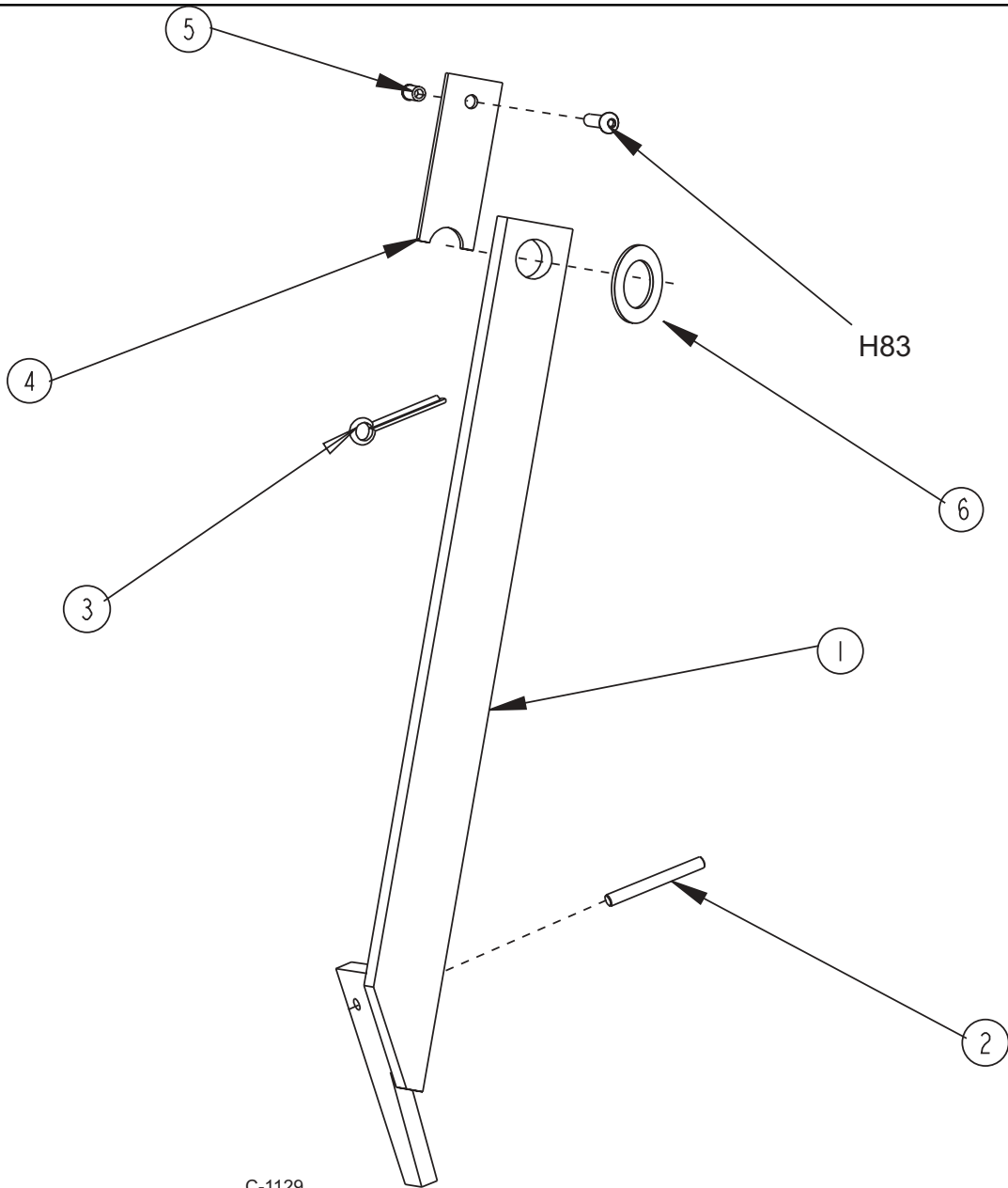
* DIESEL ONLY

C1105/9901

ADJUSTABLE FOOT PEDAL - EXPLODED VIEW



SAFETY ARM



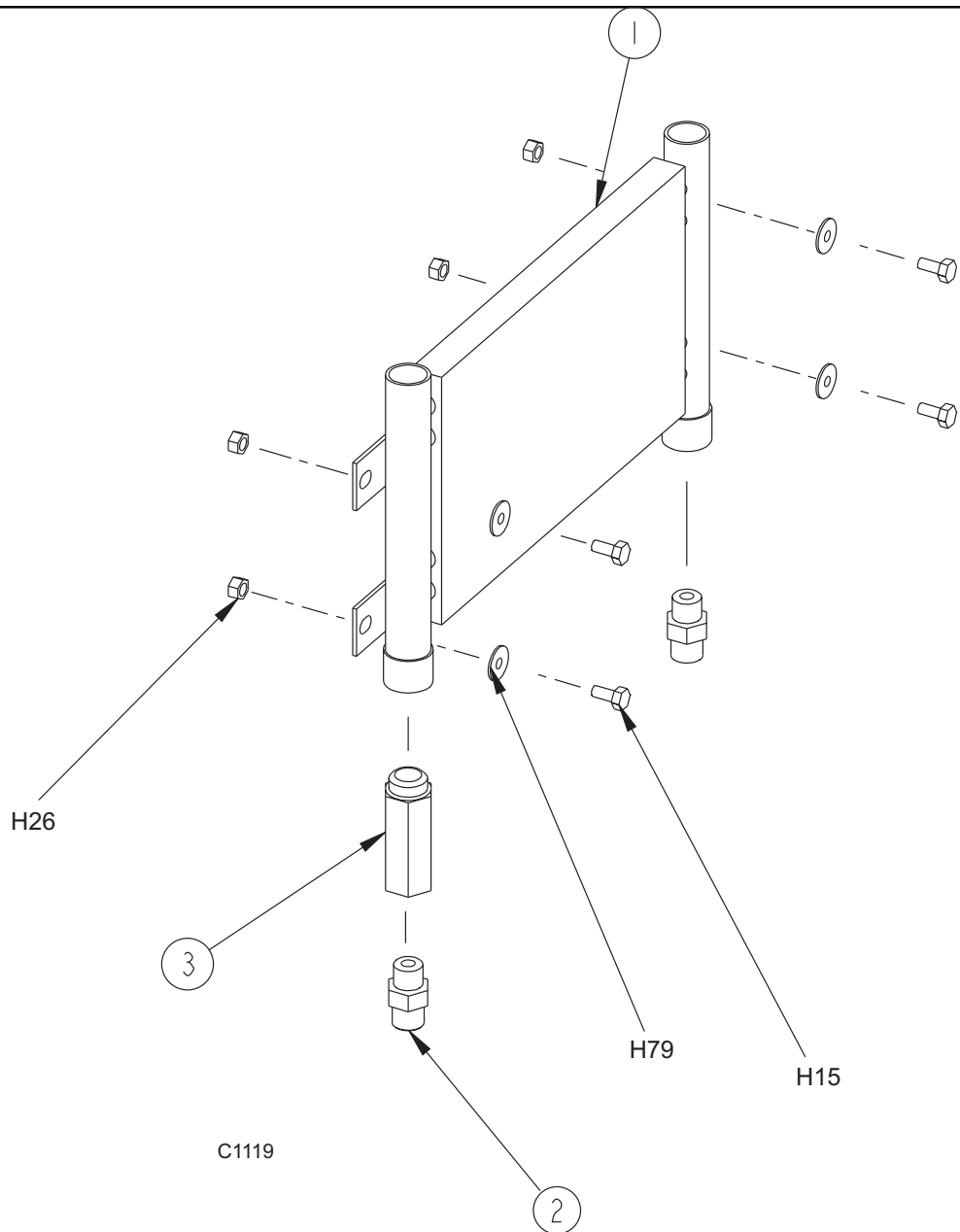
C-1129

<u>KEY NO.</u>	<u>PART NUMBER</u>	<u>DESCRIPTION</u>	<u>QTY.</u>
1	8-81-00168	Safety Arm Weldment	1
2			
3	2-00-02436	Cotter Pin	1
4	8-71-00018	Shim	1
5	2-00-05261	Threaded Insert	1
6	2-00-00432	Flat Washer	1

HARDWARE USED:

H83	2-00-04877	Screw, 1/4-20 x 1.000 BHS	1
-----	------------	---------------------------	---

C1129



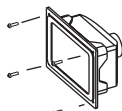
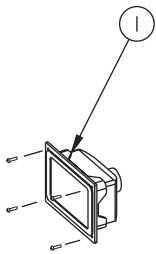
KEY NO.	PART NUMBER	DESCRIPTION	QTY.
1	8-62-01012	Oil Cooler	1
2	2-00-04973	Fitting	2
3	8-88-00059	Check Valve, 5 psi	1

HARDWARE USED:

H15	2-00-00221	Screw, 1/4-20 x .750 HHC	4
H26	2-00-00641	Nut, 1/4-20 Insert Fiber	4
H79	2-00-01676	Flat Washer, 1.062 x .265 x .062	4

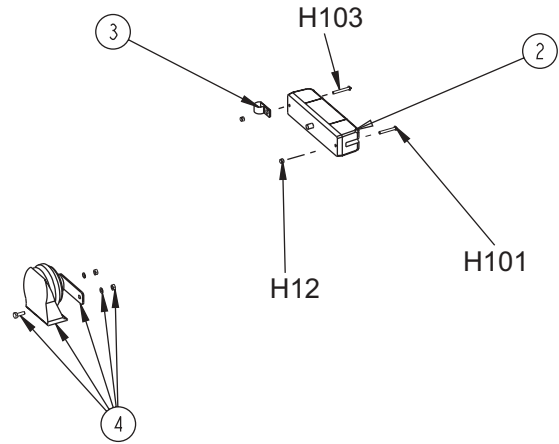
C1119

LIGHTS & HORN ELECTRICAL



H102

C1115



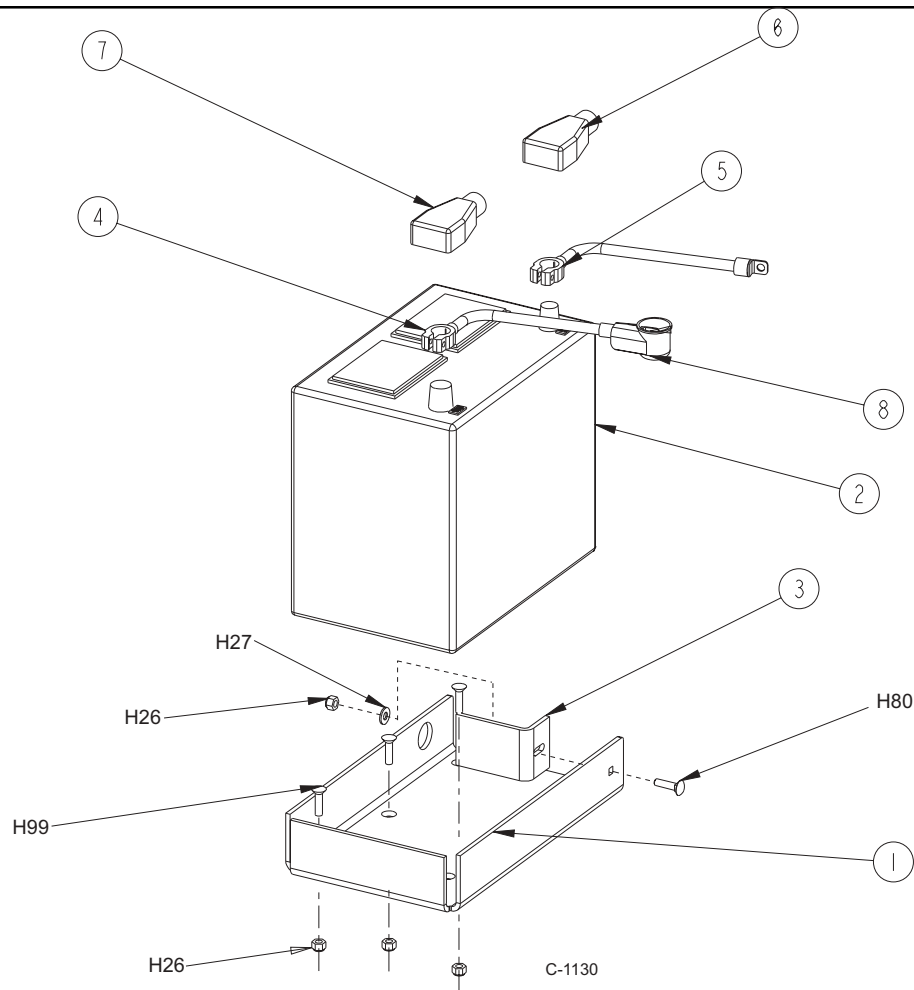
<u>KEY NO.</u>	<u>PART NUMBER</u>	<u>DESCRIPTION</u>	<u>QTY.</u>
1	8-40-05051	Head Light	2
	8-40-05050	Head Light Sealed Beam (Service Part)	
2	8-40-05044	Tail Light	1
	2-00-05291	Bulb, Tail Light (Service Part)	
	8-41-03010	Lens, Tail Light, Center (Service Part)	
	8-41-03011	Lens, Tail Light, Outer (Service Part)	
3	2-00-04210	Clamp	1
4	8-32-09013	Horn	1

HARDWARE USED:

H12	2-00-01246	Nut, Hex Fiber Insert #10-24	2
H101	2-00-04897	Screw, #10-24 x 1.250 THM	1
H102	2-00-04795	Screw, #10-24 x .750 BHS	8
H103	2-00-00089	Screw, 10-24 x 1.500 RHM	1

C1115/9812

ELECTRICAL ASSEMBLY (BATTERY)



<u>KEY NO.</u>	<u>PART NUMBER</u>	<u>DESCRIPTION</u>	<u>QTY.</u>
1	8-08-00792	Battery Bracket	1
2	0875-008	Battery	1
2^	0875-057	Battery (Diesel)	1
3	7-13-07109	Battery Bracket	1
4	7-90-07280	Cable, Positive	1
5	7-90-07281	Cable, Negative	1
6	2-00-05171	Boot, Black	1
7	2-00-05173	Boot, Red	1
8	2-00-04952	Boot, Red	1

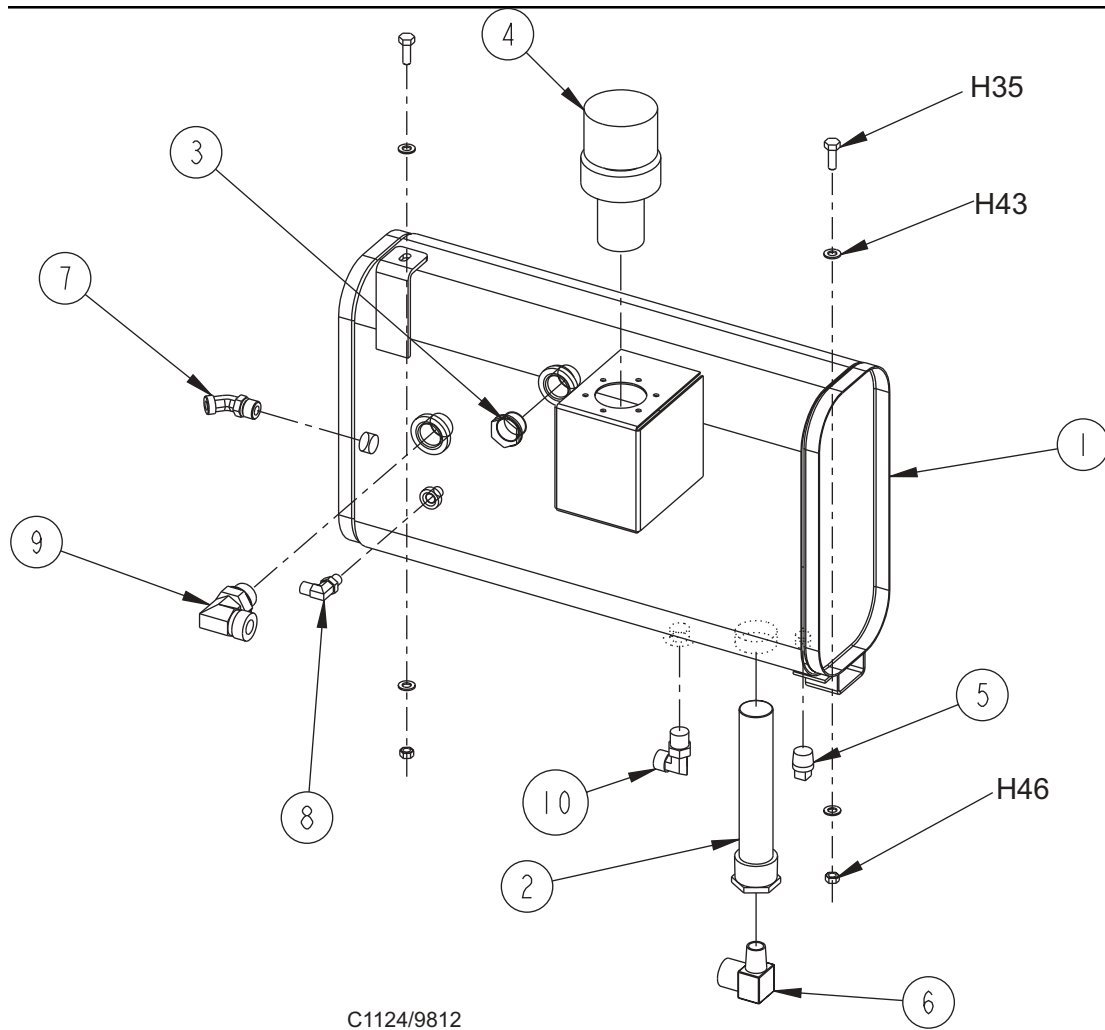
HARDWARE USED:

H26	2-00-00641	Nut, 1/4-20 Insert Fiber	4
H27	2-00-03702	Washer, .625 x .281 x .063	1
H80	2-00-02196	Carriage Bolt, 1/4-20 x 1.000 RHM	1
H99	2-00-02810	Screw, 1/4-20 x 1.000 FHM	3

^=USED ON DIESEL MACHINES ONLY

C1130/9901

RESERVOIR



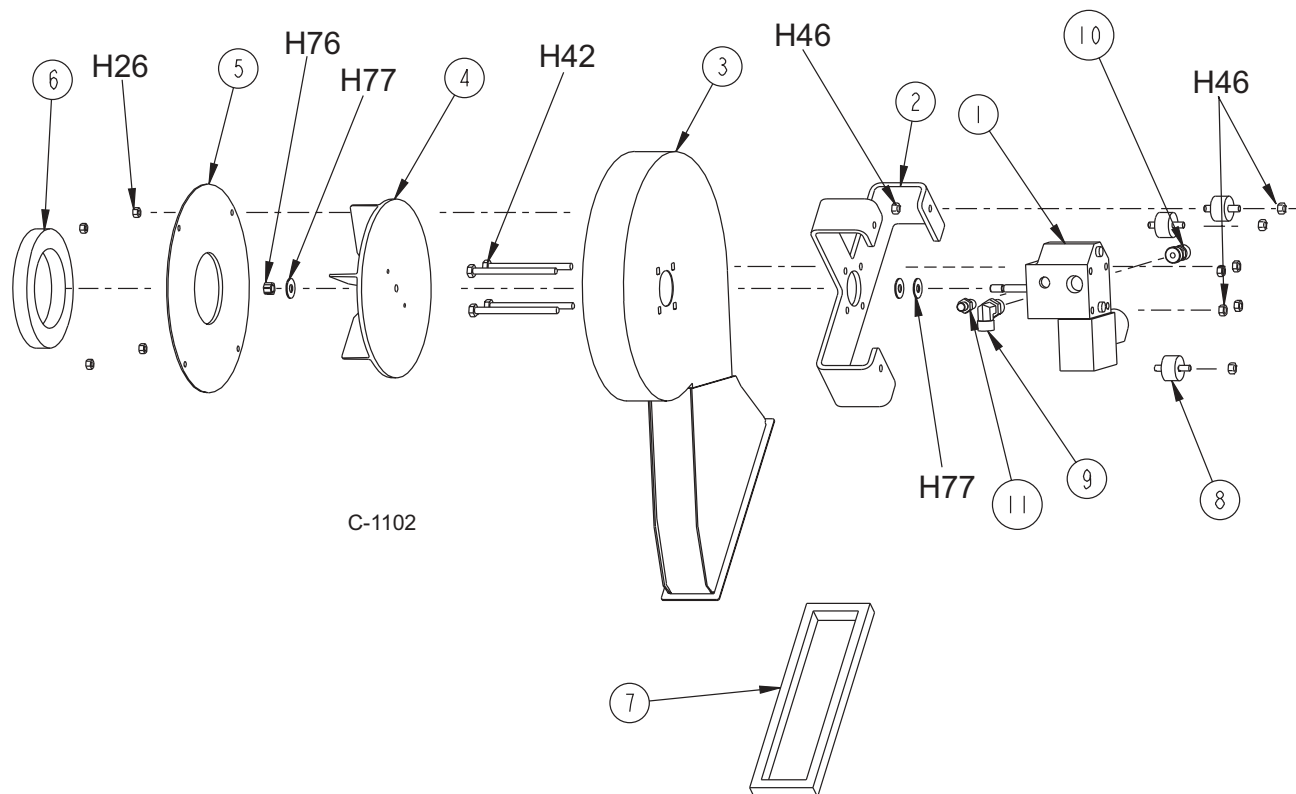
C1124/9812

KEY NO.	PART NUMBER	DESCRIPTION	QTY.
1	8-83-04041	Reservoir	1
2	8-24-04115	Strainer	1
3	8-48-05033	Sight Gauge	1
4	8-11-00026	Filler Cap Assembly	1
5	2-00-02474	Plug	1
6	2-00-05074	Fitting, 90° Street Elbow	1
7	2-00-04975	Fitting, Connector	1
8	2-00-04892	Fitting, 90° Elbow	1
9	2-00-04972	Fitting, 90° Elbow	1
10	2-00-04885	Fitting, 90° Elbow	1

HARDWARE USED:

H35	2-00-02708	Screw, 5/16-18 x 1.000 HHM	2
H43	2-00-00409	Flat Washer, .687 x .344 x .062	4
H46	2-00-00644	Nut, 5/16-18, Insert Fiber	2

C1124/9812



<u>KEY NO.</u>	<u>PART NUMBER</u>	<u>DESCRIPTION</u>	<u>QTY.</u>
1	0882-064	Vacuum Motor	1
2	8-08-00787	Bracket, Vacuum Fan	1
3	8-20-06035	Vacuum Fan Exhaust Duct	1
4	8-23-00012	Fan Impellor	1
5	8-30-05169	Guard, Impellor	1
6	8-29-00183	Gasket, Blower	1
7	8-29-00230	Gasket, Blower Exhaust	1
8	8-50-05037	Radiator Mount Pad	3
9	2-00-04885	Fitting, 90°	1
10	2-00-04970	Fitting, Straight	1
11	2-00-04895	Fitting, Straight	1
12	0875-117	Diode Assembly	1

HARDWARE USED:

H26	2-00-00641	Nut, 1/4-20 Insert Fiber	4
H42	2-00-02655	Screw, 5/16-18 x 4.500 HHC	4
H46	2-00-00644	Nut, 5/16-18, Insert Fiber	10
H76	2-00-00632	Nut, Fiber Insert 3/8-24 Steel	1
H77	2-00-00484	Flat Washer, .625 x .375 x .046	3

C1102/9908

FLAPS (WHEEL WELL) - PARTS LIST

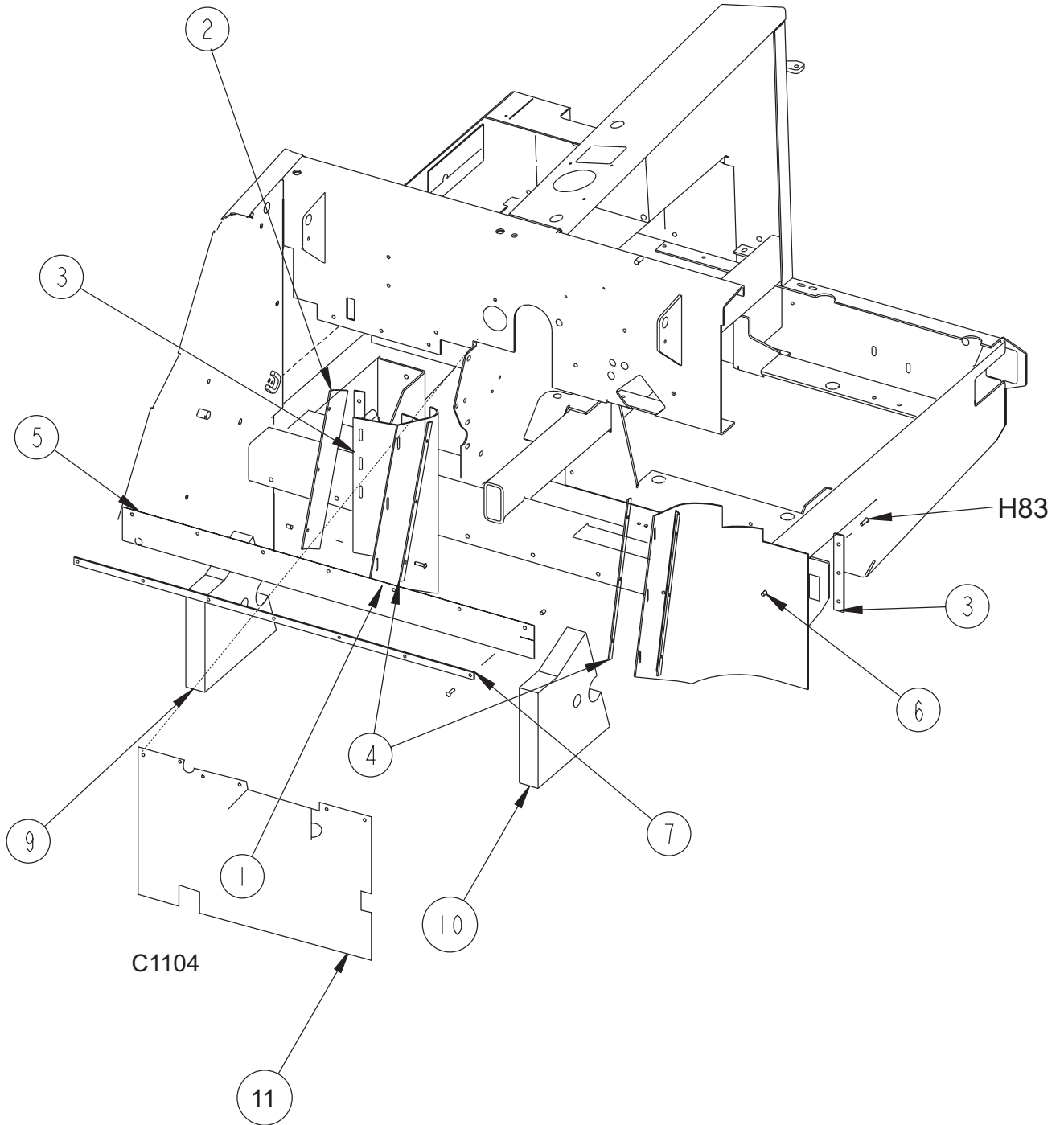
<u>KEY NO.</u>	<u>PART NUMBER</u>	<u>DESCRIPTION</u>	<u>QTY.</u>
1	8-25-08194	Flap, Wheel Well	2
2	8-13-07113	Clamp, Wheel Well Flap, Front	2
3	8-13-07112	Clamp, Wheel Well Flap, Rear	2
4	8-13-07123	Clamp, Wheel Well Flap, Front	2
5	8-68-05078	Seal, Broom Door Chamber/Dump Door	1
6	2-00-05261	Threaded Insert	19
7	8-13-07119	Clamp, Dump Door Seal	1
8			
9	8-68-05079	Seal, Wheel Well, Right	1
10	8-68-05080	Seal, Wheel Well, Left	1

HARDWARE USED:

H83	2-00-04877	Screw, 1/4-20 x 1.000 BHS	19
-----	------------	---------------------------	----

C1104

FLAPS (WHEEL WELL) - EXPLODED VIEW



BROOM CHAMBER FLAPS & SEALS - PARTS LIST

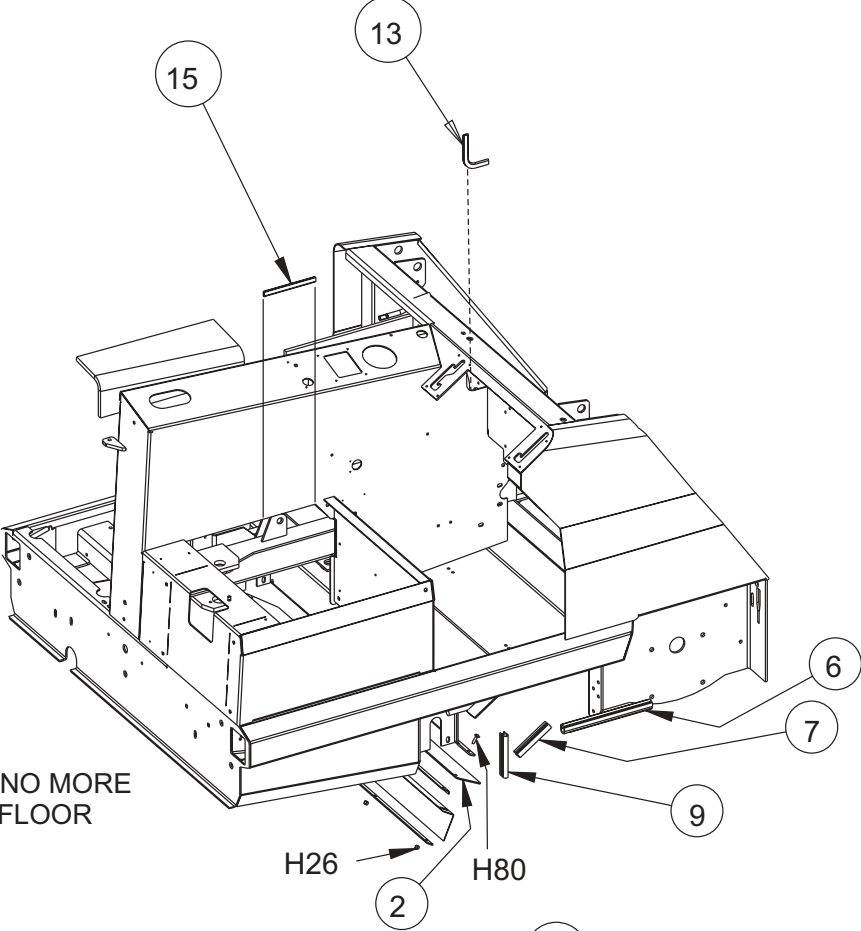
<u>KEY NO.</u>	<u>PART NUMBER</u>	<u>DESCRIPTION</u>	<u>QTY.</u>
1	8-27-07119	Frame, Weldment	1
2	8-25-08197	Flap, Rear Inside Frame	1
3	8-13-07114	Clamp, Rear Flap Broom Chamber Inner	1
4	8-25-08196	Flap, Rear Outside Frame	1
5	8-13-07115	Clamp, Rear Flap Broom Chamber Outer	1
6	8-29-00231	Gasket	2
7	8-29-00232	Gasket	1
8	8-29-00234	Gasket	1
9	8-29-00233	Gasket	1
10	8-29-00277	Gasket-Broom Chamber	1
11	8-34-09017	Insulation	1
12	8-34-09018	Insulation	1
13	7-21-04022	Edging	2
14	7-21-04031	Edging	1
15	7-21-03003	Edging	1
16	2-00-05261	¼ - 20 Threaded Insert	4

HARDWARE USED:

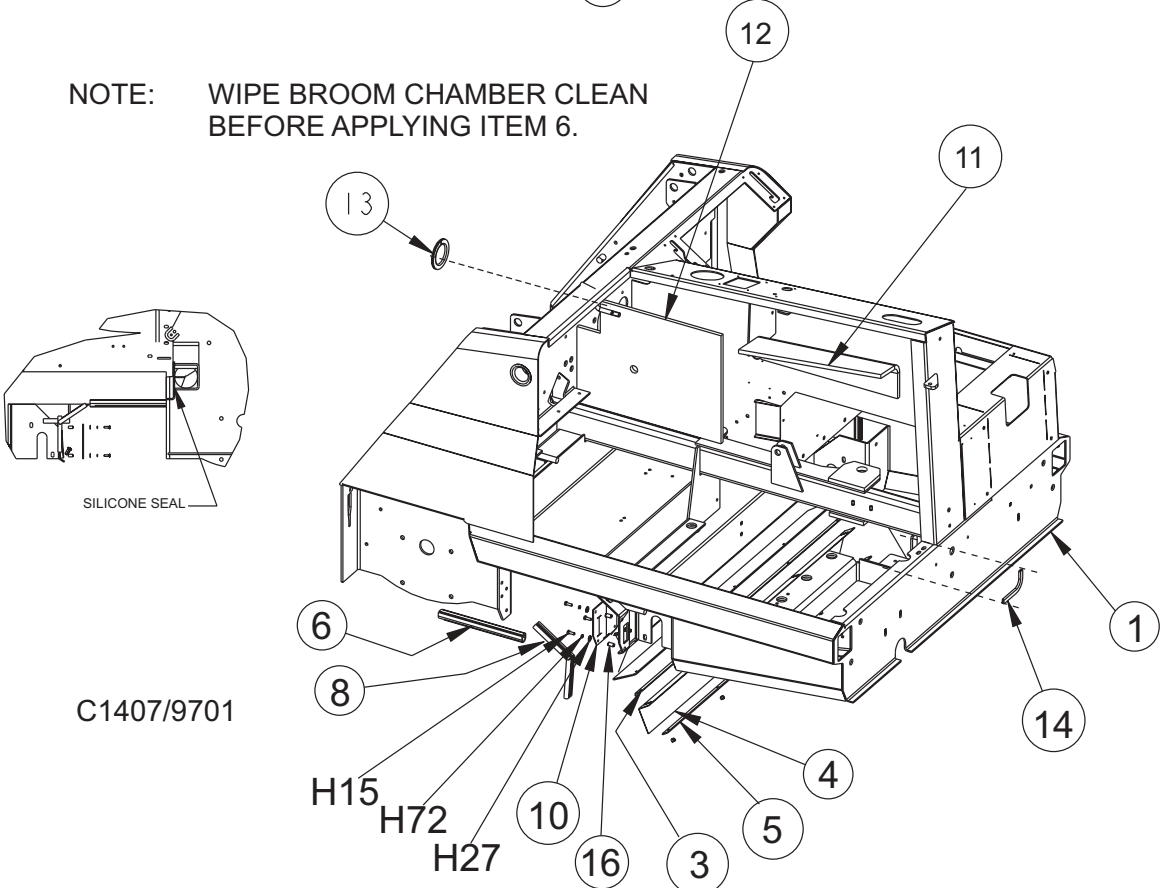
H15	2-00-00221	Screw, ¼ - 20 x .750 HHC	4
H26	2-00-00641	Nut, 1/4-20 Insert Fiber	5
H27	2-00-03702	Washer, .625 x .281 x .063	4
H72	2-00-00518	Lock Washer, Helical spring	4
H80	2-00-02196	Carriage Bolt, 1/4-20 x 1.000 RHM	5

C1407/9702

BROOM CHAMBER FLAPS & SEALS - EXPLODED VIEW



NOTE: WIPE BROOM CHAMBER CLEAN BEFORE APPLYING ITEM 6.

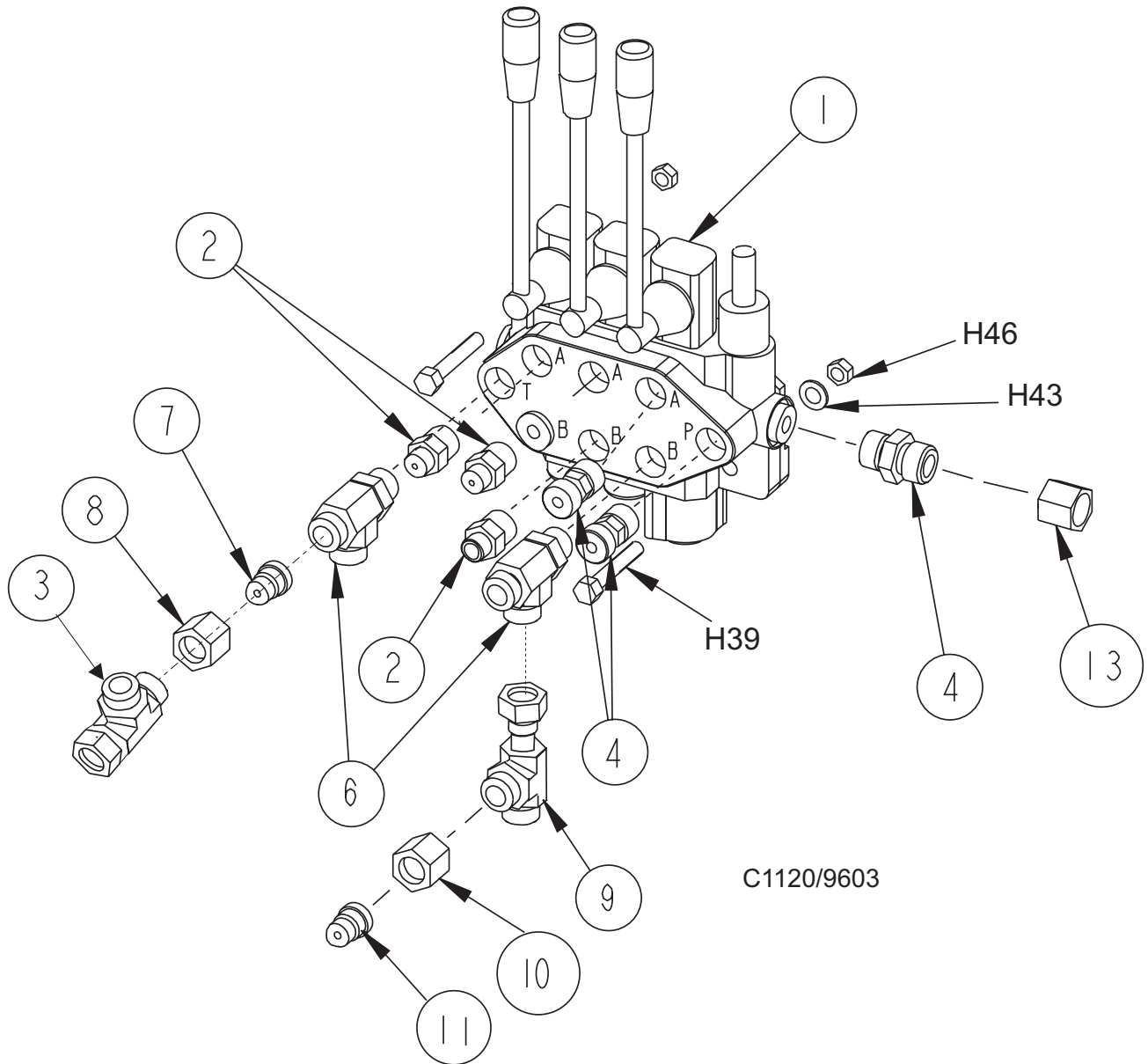


CONTROL & RELIEF VALVES - PARTS LIST

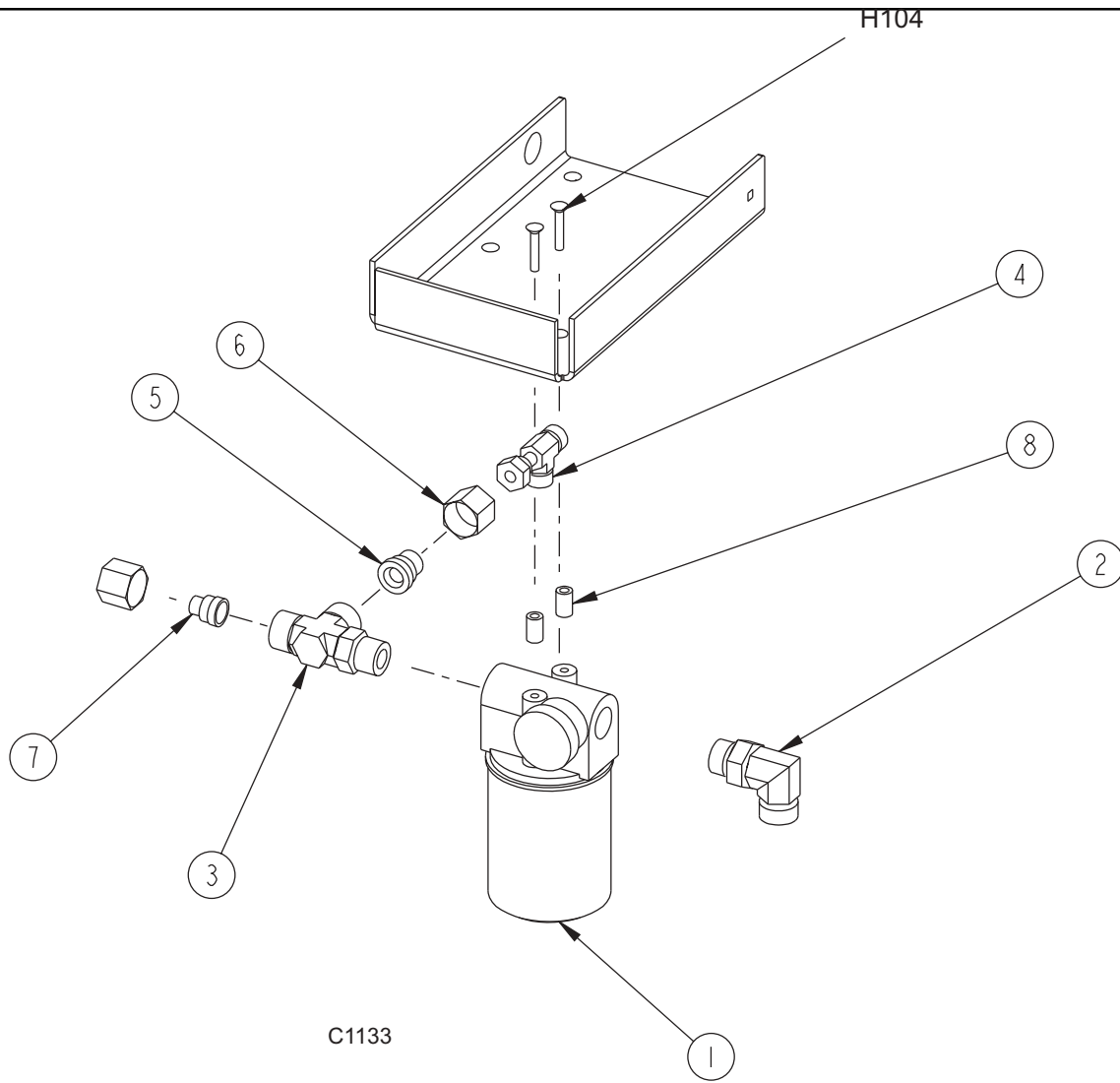
<u>KEY NO.</u>	<u>PART NUMBER</u>	<u>DESCRIPTION</u>	<u>QTY.</u>
1	8-88-00060	Control Valve	1
	7-70-00095	Seal Kit, Control Valve (Service Part)	Ref.
	7-88-00068	Relief Valve, Control Valve (Service Part)	Ref.
2	2-00-05264	Fitting	3
3	2-00-05162	Fitting - Tee	1
4	2-00-04970	Fitting, Connector	3
5			
6	2-00-04924	Fitting, Run Tee	2
7	2-00-04929	Fitting, Reducer	1
8	2-00-04939	Fitting, Nut for Reducer	1
9	2-00-04928	Fitting, Run Tee	1
10	2-00-04939	Fitting	1
11	2-00-04929	Fitting	1
12			
13	2-00-04957	Fitting	1
HARDWARE USED:			
H39	2-00-00218	Screw, 5/16-18 x 2.000 HHC	2
H43	2-00-00409	Flat Washer, .687 x .344 x .062	1
H46	2-00-00644	Nut, 5/16-18, Insert Fiber	2

C1120/9603

CONTROL & RELIEF VALVES - EXPLODED VIEW



HYDRAULIC FILTER



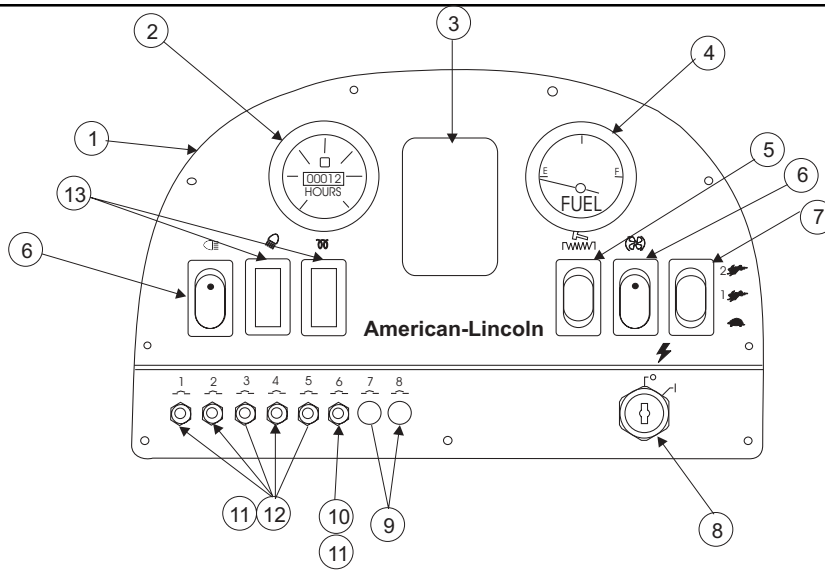
<u>KEY NO.</u>	<u>PART NUMBER</u>	<u>DESCRIPTION</u>	<u>QTY.</u>
1	8-24-04116	Hydraulic Filter	1
	8-24-04118	Filter Element (Service Part)	
	2-60-02280	Pressure Gauge (Service Part)	
2	2-00-04972	90° Elbow	1
3	2-00-05269	Run Tee	1
4	2-00-04928	Run Tee	1
5	2-00-05271	Reducer	1
6	2-00-05270	Nut for Reducer	1
7	2-00-05282	Reducer	1
8	8-75-01199	Spacer	2

HARDWARE USED:

H104	2-00-03541	Screw, 1/4-20 x 1.500 FHSC	2
------	------------	----------------------------	---

C1133

INSTRUMENT PANEL

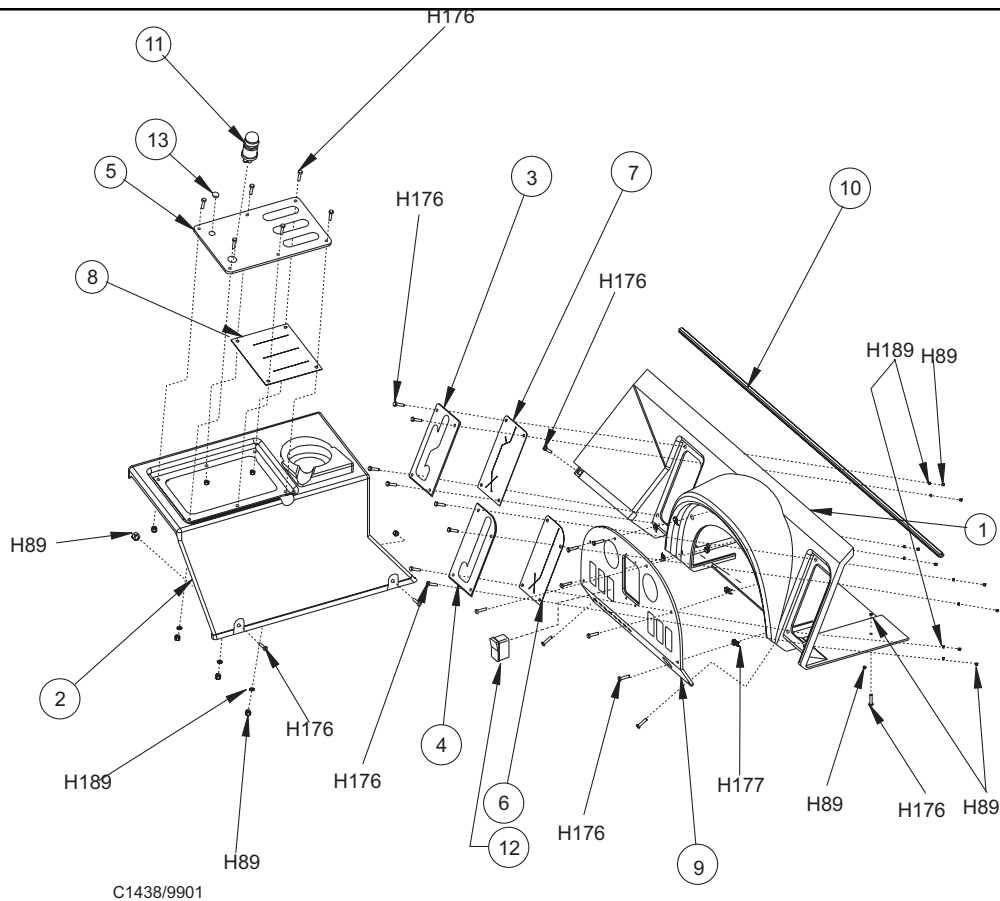


P5175/9901

<u>KEY NO.</u>	<u>PART NUMBER</u>	<u>DESCRIPTION</u>	<u>QTY.</u>
1	8-52-00193	Instrument Panel-Fabricated	1
2	8-48-05036	Hourmeter Assy (A-D below)	1
A		Hourmeter	1
B		Hourmeter Bracket	1
C		Hex Nut #8-32	2
D		Star Washer	2
3	0875-141	Warning Panel Assy (A-F below)	1
A		Warning Panel	1
B	8-40-05056	Warning Lamp- Amber	3
C	8-40-05057	Warning Lamp- Red	3
D		Warning Light Bracket	1
E		Push Nut	6
F		X376 Spacer	4
4	8-48-05037	Fuel Gauge Assy (A-D below)	1
A		Fuel Gauge	1
B		Gauge Bracket	1
C		Hex Nut #8-32	2
D		Star Washer	2
5	8-82-00062	Switch, Momentary On-Off	1
6	8-82-00068	Switch, 2 Position On-Off and Light	2
7	8-82-00069	Switch, 3 Position On-On-Off	1
8	7-82-00026	Ignition Switch	1
9	2-00-04757	Hole Plug-.375 dia.	2
10	7-64-00022	Circuit Breaker- 20 Amp	1
11	8-11-00044	Circuit Breaker Boot	6
12	8-64-00008	Circuit Breaker- 15 Amp	5
13	2-00-05375	Switch Blank	2
N/S	0895-124	Harness	1

P5175/9901

INSTRUMENT HOUSING



<u>KEY NO.</u>	<u>PART NUMBER</u>	<u>DESCRIPTION</u>	<u>QTY.</u>
1	8-33-05118	Instrument Housing	1
2	8-33-05119	Center Wall Housing	1
3	8-52-00194	Panel, Main Broom	1
4	8-52-00195	Panel, Side Broom	1
5	8-52-00196	Panel, Valve	1
6	8-16-07354	Cover, Side Broom Slot	1
7	8-16-07355	Cover, Main Broom Slot	1
8	8-16-07356	Cover, Valve Slot	1
9	0860-626	Instrument Panel Assembly	1
10	8-68-05081	Trim Seal	1
11	8-82-00024	Horn Button	1
12*	8-82-00062	Switch, Glow Plugs (On)/Off, SPST	1
13*	2-00-05283	Plug Button for Choke Hole on Diesel	1

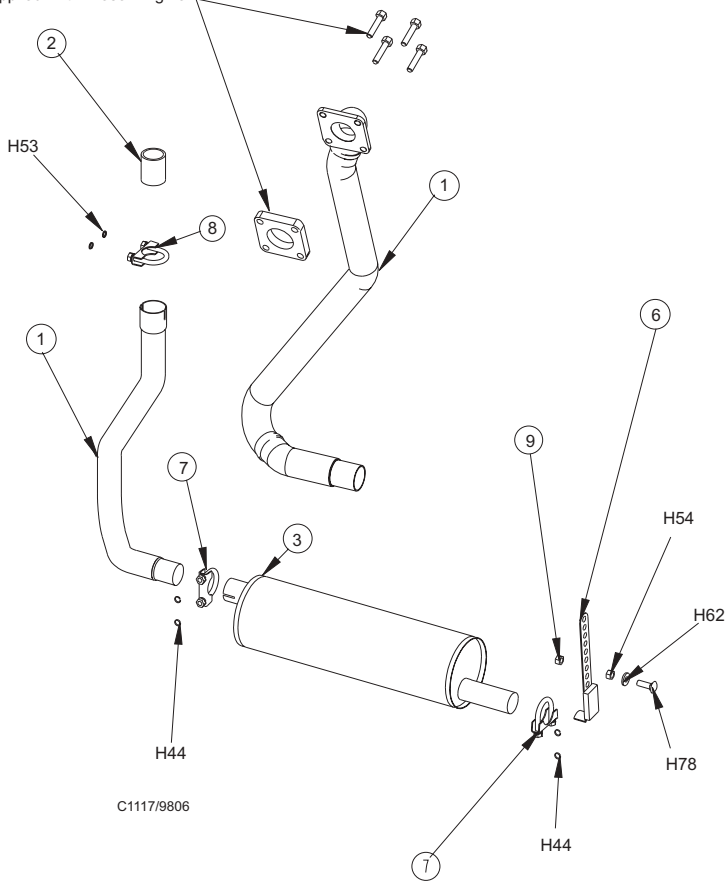
HARDWARE USED:

H89	2-00-01372	Nut, Fiber Insert #8-32 Steel	18
H176	2-00-05337	Screw, #8-32 x .750 BHS SS	27
H177	2-00-05324	Threaded Insert, #8-32	9
H189	2-00-00460	Flat Washer, .437 x .192 x .031 -s	14

* = USED ON DIESEL POWERED MACHINES ONLY

C1438/9901

Supplied With Diesel Engine



<u>KEY NO.</u>	<u>PART NUMBER</u>	<u>DESCRIPTION</u>	<u>QTY.</u>
1*	8-56-04045	Exhaust Pipe	1
1^	8-56-04053	Exhaust Pipe (Diesel)	1
2*	8-56-05079	Fitting, Pipe Nipple	1
3	7-49-00031	Muffler	1
4			
5			
6	7-31-07017	Hanger, Muffler	1
7	2-00-04040	Clamp	2
8*	2-00-05149	Clamp	1
9	2-95-04182	Nut, Fiber	1

HARDWARE USED:

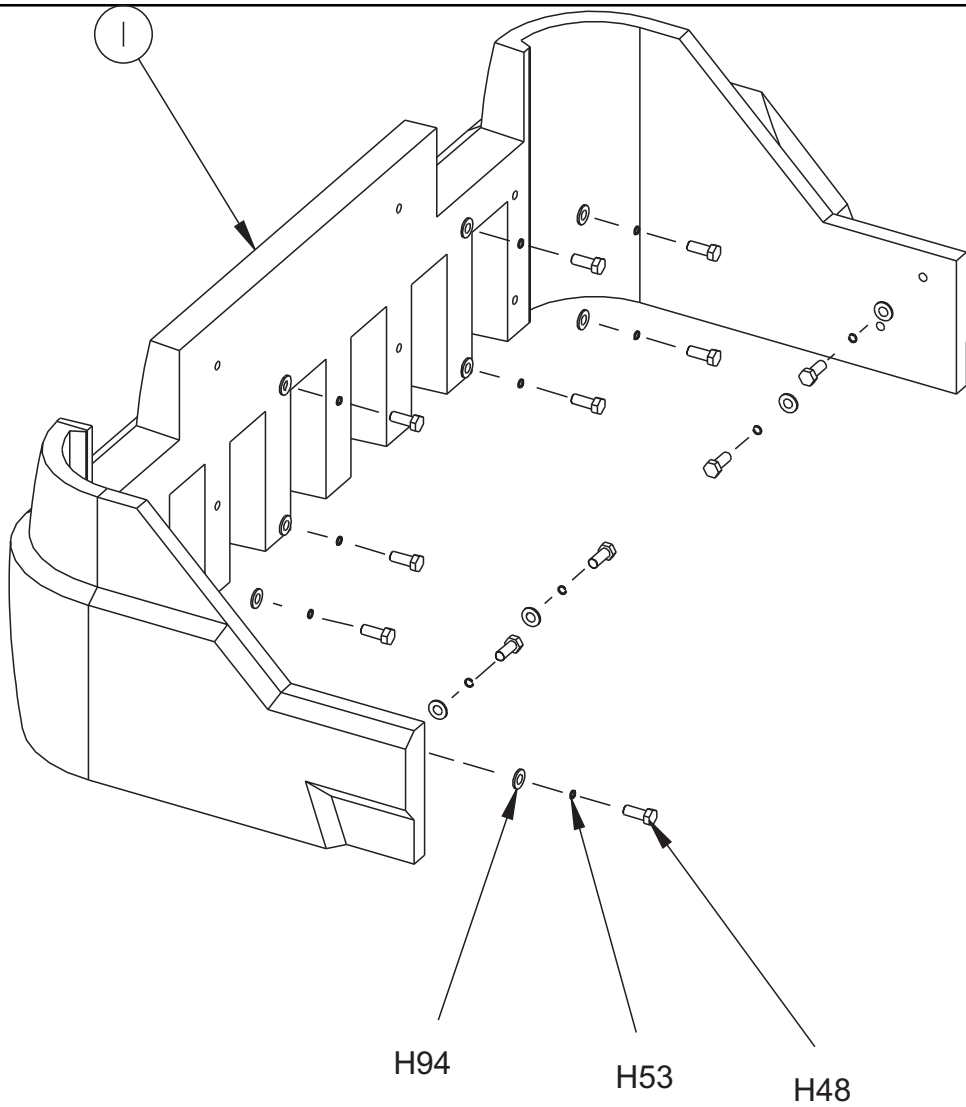
H44	2-00-00530	Lock Washer, 5/16 HS Med.	4
H53*	2-00-02310	Lock Washer, Helical Spring 3/8 Med.	2
H54	2-00-02360	Nut, 3/8-16 Hex.	1
H62	2-00-00405	Flat Washer, 1.063 x .531 x .094	1
H78	2-00-05187	Carriage Bolt, 3/8-16 x 1.250	1

^=USED ON DIESEL MACHINES ONLY

*=USED ON GAS MACHINES ONLY

C1117/9810

FRONT BUMPER



C1121

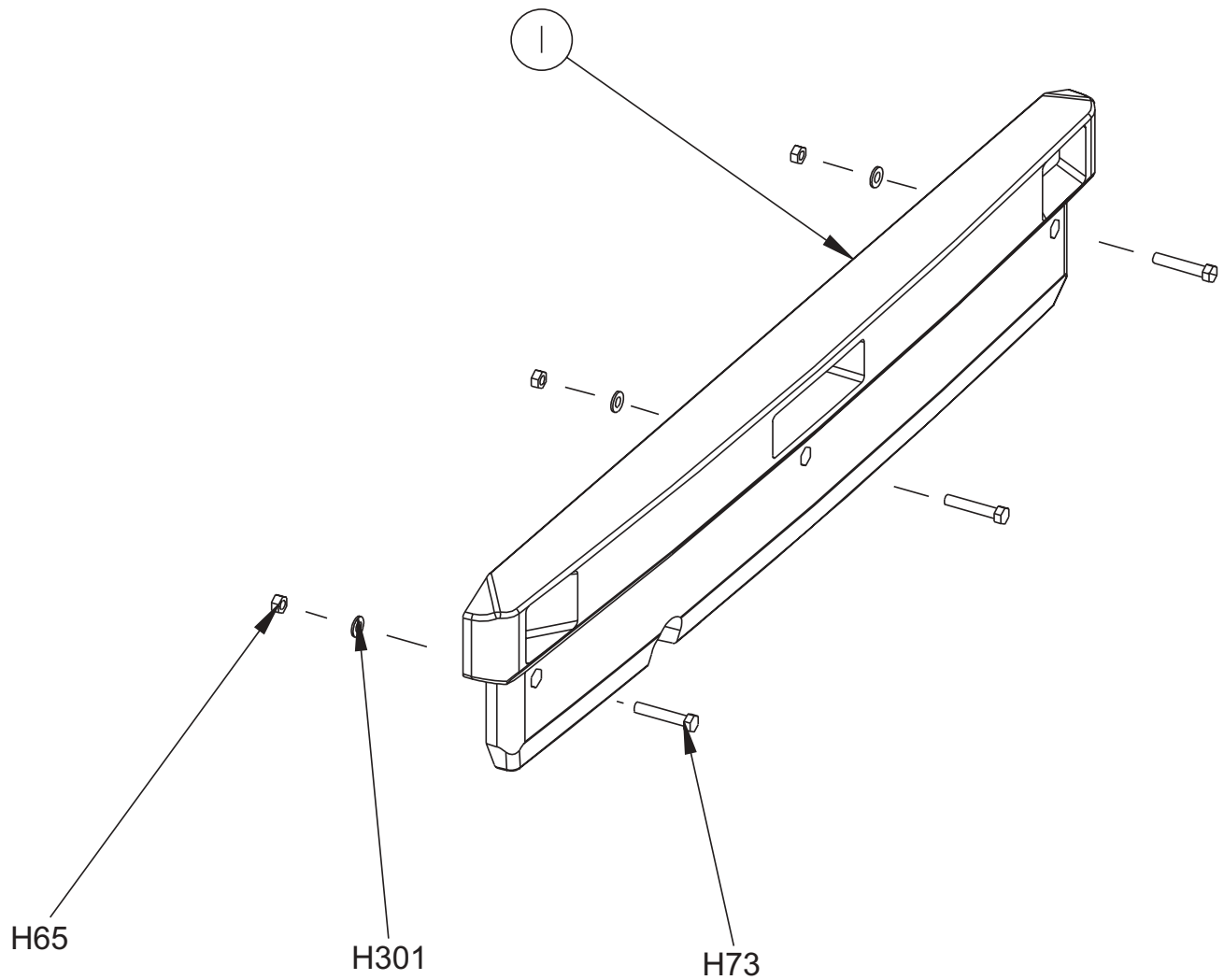
<u>KEY NO.</u>	<u>PART NUMBER</u>	<u>DESCRIPTION</u>	<u>QTY.</u>
1	8-08-07055	Front Bumper	1

HARDWARE USED:

H48	2-00-00233	Screw, 3/8-16 x 1.000 HHC	12
H53	2-00-02310	Lock Washer, Helical Spring 3/8 Med.	12
H94	2-00-04851	Flat Washer	12

C-1121/9506

REAR BUMPER



C1118/9812

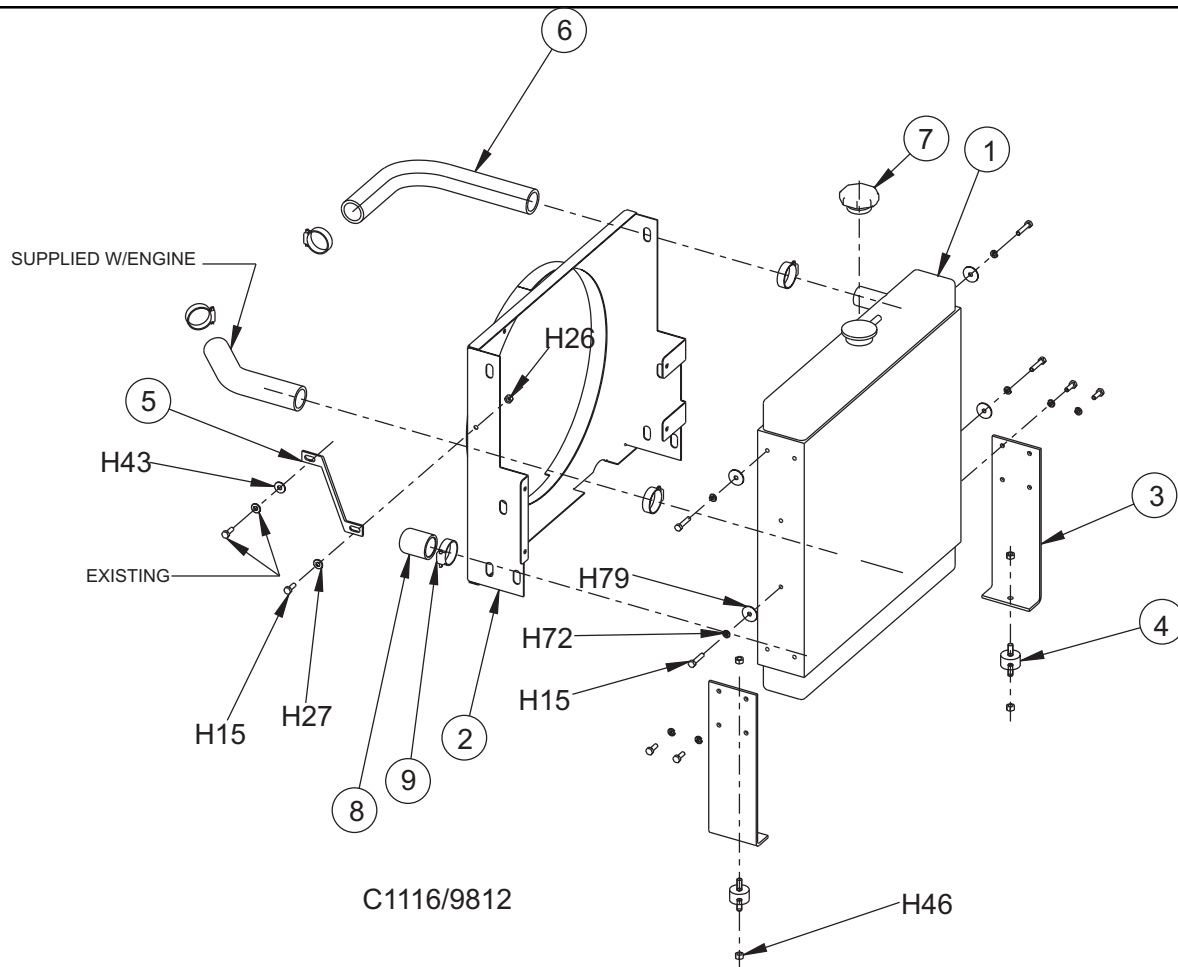
<u>KEY NO.</u>	<u>PART NUMBER</u>	<u>DESCRIPTION</u>	<u>QTY.</u>
1	8-08-07056	Rear Bumper	1

HARDWARE USED:

H65	2-00-04936	Nut, 1/2-13 Fiber Lock	3
H73	2-00-00247	Screw, 1/2-13 x 2.500 HHC	3
H301	2-00-04159	Flat Washer, 1.375 x .563 x .109 STL	3

C1118/9812

RADIATOR & SHROUD (DIESEL)



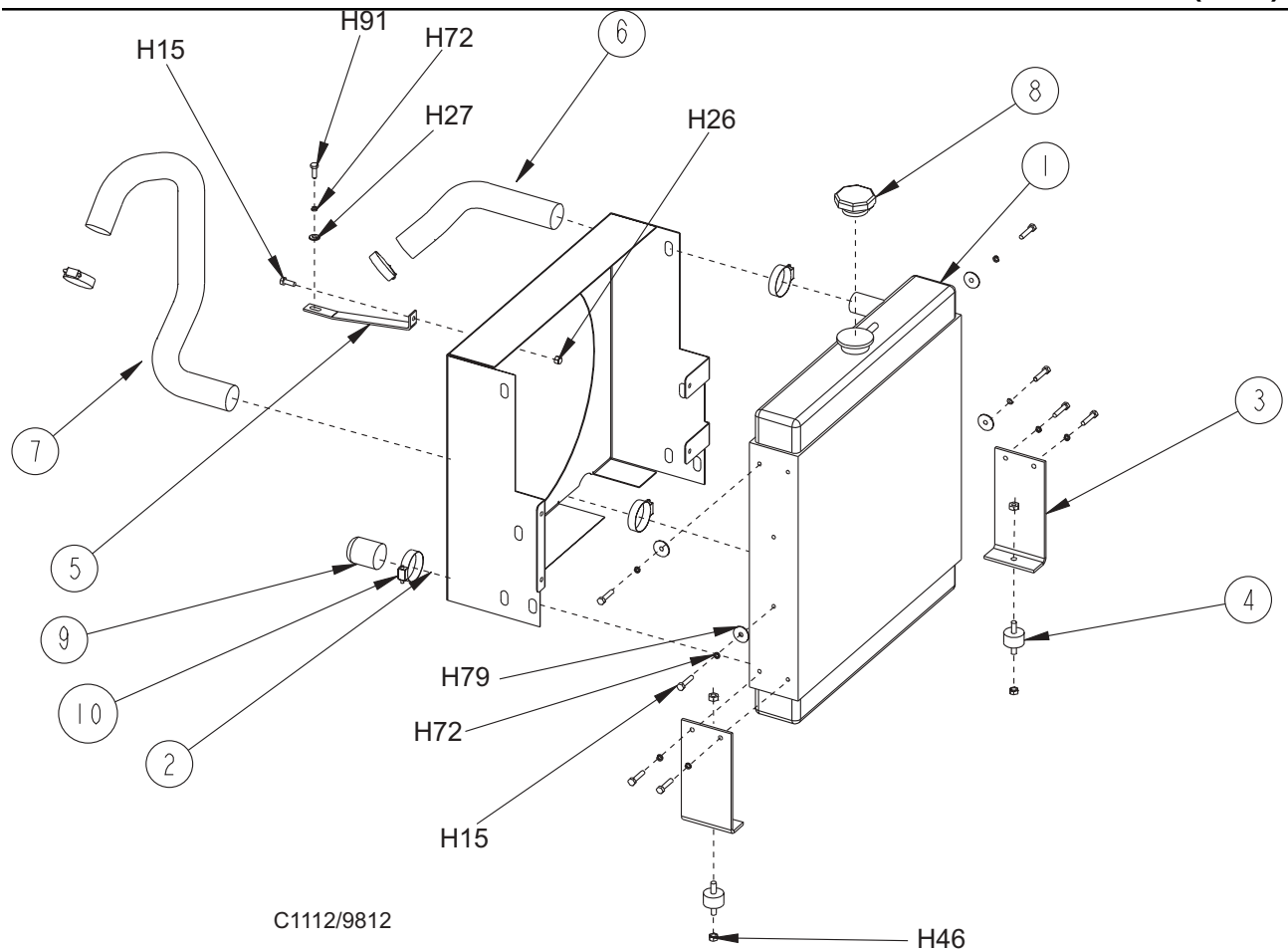
<u>KEY NO.</u>	<u>PART NUMBER</u>	<u>DESCRIPTION</u>	<u>QTY.</u>
1	8-62-01011	Radiator, Four Core	1
2	8-72-00017	Radiator Shroud (Diesel)	1
3	8-08-00805	Mounting Bracket, Radiator (Diesel)	2
4	8-50-05059	Pad, Radiator Mount	2
5	8-08-00824	Radiator Support Bracket (Diesel)	1
6	8-33-02255	Hose, Upper Radiator (Diesel)	1
7	8-11-00045	Cap, Top	1
8	2-00-04913	Cap, Bottom Port	1
9	2-00-03404	Clamp	5

HARDWARE USED:

H15	2-00-00221	Screw, 1/4-20 x .750 HHC	9
H26	2-00-00641	Nut, 1/4-20 Insert Fiber	1
H27	2-00-03702	Washer, .625 x .281 x .063	1
H43	2-00-00409	Flat Washer, .687 x .344 x .062	1
H46	2-00-00644	Nut, 5/16-18, Insert Fiber	4
H72	2-00-00518	Lock Washer, Helical Spring	8
H79	2-00-01676	Flat Washer, 1.062 x .265 x .062	4

C1116/9812

RADIATOR & SHROUD (GAS)



C1112/9812

<u>KEY NO.</u>	<u>PART NUMBER</u>	<u>DESCRIPTION</u>	<u>QTY.</u>
1	8-62-01011	Radiator, Four Core	1
2	8-72-00015	Radiator Shroud	1
3	8-08-00785	Mounting Bracket, Radiator	2
4	8-50-05059	Pad, Radiator Mount	2
5	8-08-00784	Radiator Support Bracket	1
6	8-33-02317	Hose, Upper Radiator	1
7	8-33-02318	Hose, Lower Radiator	1
8	8-11-00045	Cap, Top	1
9	2-00-04913	Cap, Bottom Port	1
10	2-00-03404	Clamp	5

HARDWARE USED:

H15	2-00-00221	Screw, 1/4-20 x .750 HHC	9
H26	2-00-00641	Nut, 1/4-20 Insert Fiber	1
H27	2-00-03702	Washer, .625 x .281 x .063	1
H46	2-00-00644	Nut, 5/16-18, Insert Fiber	4
H72	2-00-00518	Lock Washer, Helical Spring	9
H79	2-00-01676	Flat Washer, 1.062 x .265 x .062	4
H91	2-00-05279	Screw, M6 x 1.0 x 20 mm MHHC	1

C1112/9812

FUEL TANK - PARTS LIST

<u>KEY NO.</u>	<u>PART NUMBER</u>	<u>DESCRIPTION</u>	<u>QTY.</u>
1	8-83-04029	Gas Tank	1
2	8-08-00791	Fuel Support Bracket	1
3	2-95-04182	Nut, Fiber Insert	2
4	2-00-04564	Clamp	2
4^	2-00-04873	Clamp	3
5	8-87-02113	Fuel Line	1
6	8-26-04003	Float/Sender	1
7	2-00-04494	Fitting	1
8	8-08-07038	Bumper	2
9	2-00-05050	Clamp	1
9^	2-00-05253	Clamp	1
10	7-11-00029	Cap	1
11^	8-56-05021	Fitting	1
12^	2-00-04618	Fitting	1
13^	2-95-04388	Hose Clamp	1

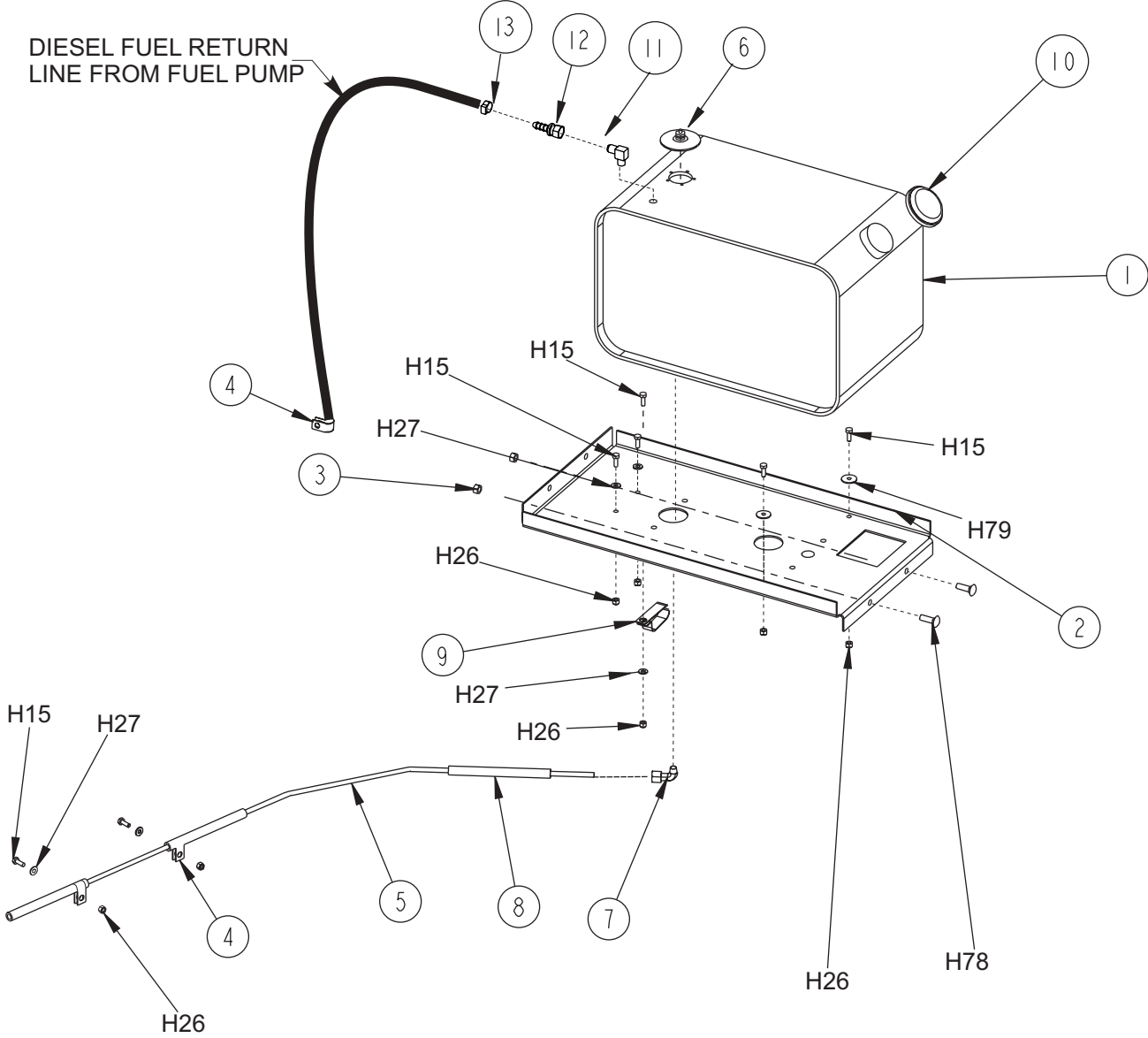
HARDWARE USED:

H15	2-00-00221	Screw, 1/4-20 x .750 HHC	7
H26	2-00-00641	Nut, 1/4-20 Insert Fiber	7
H27	2-00-03702	Washer, .625 x .281 x .063	5
H78	2-00-05187	Carriage Bolt, 3/8-16 x 1.250	2
H79	2-00-01676	Flat Washer, 1.062 x .265 x .062	2

^=USED ON DIESEL MACHINES ONLY

C1125/9506

FUEL TANK - EXPLODED VIEW



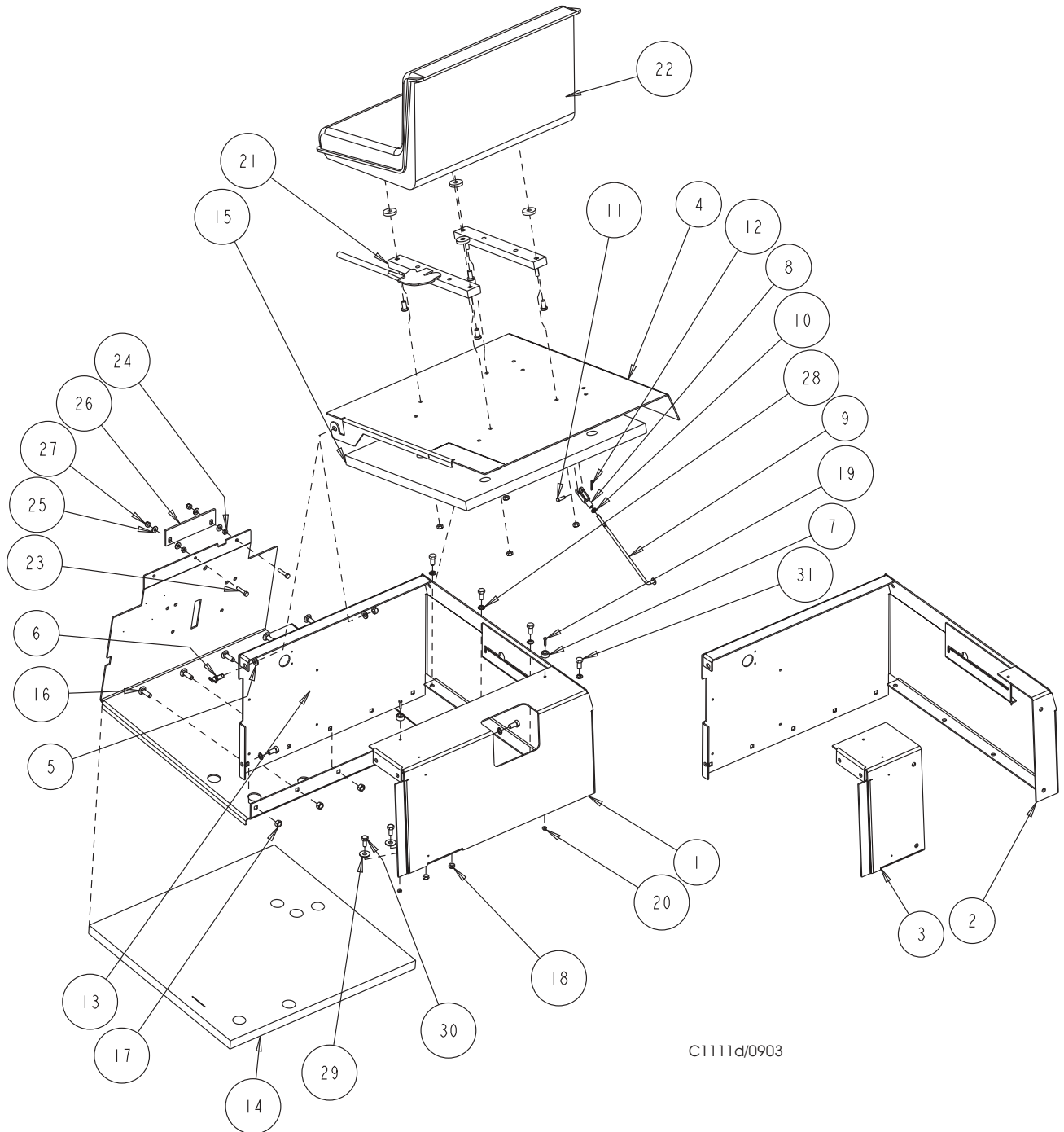
C-1125/9812

SEAT & FLOOR ASSEMBLY - PARTS LIST

<u>KEY NO.</u>	<u>PART NUMBER</u>	<u>DESCRIPTION</u>	<u>QTY.</u>
1	8-33-05152	Housing, Seat (Gas & Diesel only)	1
2	8-33-05153	Housing, Seat (LP only)	1
3	8-08-00922	Bracket, Seat Pedestal (LP only)	1
4	8-16-07348	Seat Deck	1
5	2-00-00402	Flat Washer, .750 x .390 x .094	2
6	8-55-08121	Pin, Seat Deck Pivot	1
7	8-50-05058	Rubber Bumpers	2
8	8-14-01006	Clevis	1
9	8-66-00171	Prop Rod	1
10	2-95-01999	Nut, 1/4-28 Hex Jam	1
11	2-00-04909	Pin, 1/4 x 3/4 LG	1
12	2-00-05249	Hair Pin (Cotter)	1
13	8-52-00123	Kick Panel, Floor	1
14	8-34-09016	Insulation, Floor	1
15	8-34-09019	Insulation, Seat Deck	1
16	2-00-05187	Carriage Bolt, 3/8-16 x 1.0	5
17	2-95-04182	Nut, 3/8-16 Hex Stop	6
18	2-00-00644	Nut, 5/16-18 Hex Insert Fiber	6
19	2-00-05258	Screw, #8-32 x 3/4 SOC BHCS	2
20	2-00-01372	Nut, #8-32 Hex Fiber Lock	2
21	7-72-05005	Slide Adjuster Kit	1
22	8-69-00022	Seat	1
23	2-00-00222	Screw, 1/4-20 x 1.25 Hex Head	2
24	2-00-00589	Nut, 1/4-20	2
25	2-00-03702	Washer, .625 x .281 x .063	4
26	8-58-05270	Plate, Latch	1
27	2-00-00641	Nut, 1/4-20 Fiber Insert	2
28	2-00-02310	Lock Washer, 3/8 Helical Spring	7
29	2-00-03979	Flat Washer, 1.0 x .39 x .062	2
30	2-00-00208	Screw, 5/16-18 x .75 HHC	2
31	2-00-00232	Bolt, 3/8-16 Hex Head Finished	7

C1111d/0903

SEAT & FLOOR ASSEMBLY - EXPLODED VIEW



C1111d/0903

ENGINE COVER - PARTS LIST

<u>KEY NO.</u>	<u>PART NUMBER</u>	<u>DESCRIPTION</u>	<u>QTY.</u>
1	8-16-07349	Engine Cover	1
1^	8-16-07363	Engine Cover (Diesel)	1
2	8-08-00776	Engine Cover Mounting Plate	1
3	8-41-00051	Rotor Latch	1
4	8-39-00014	Latch Knob	1
5	7-21-03003	Edging	1
6	8-66-05012	Roller, Engine Cover Guide	1
7	2-95-04182	Nut, Fiber 3/8-16	2
8	8-29-00236	Gasket, Engine Cover	1
9	8-29-00237	Gasket, Engine Cover	1
10	2-00-05266	Clevis Pin	1
11	2-00-05249	Cotter Pin	1
12	8-34-09020	Insulation	1
13	8-34-09021	Insulation	1

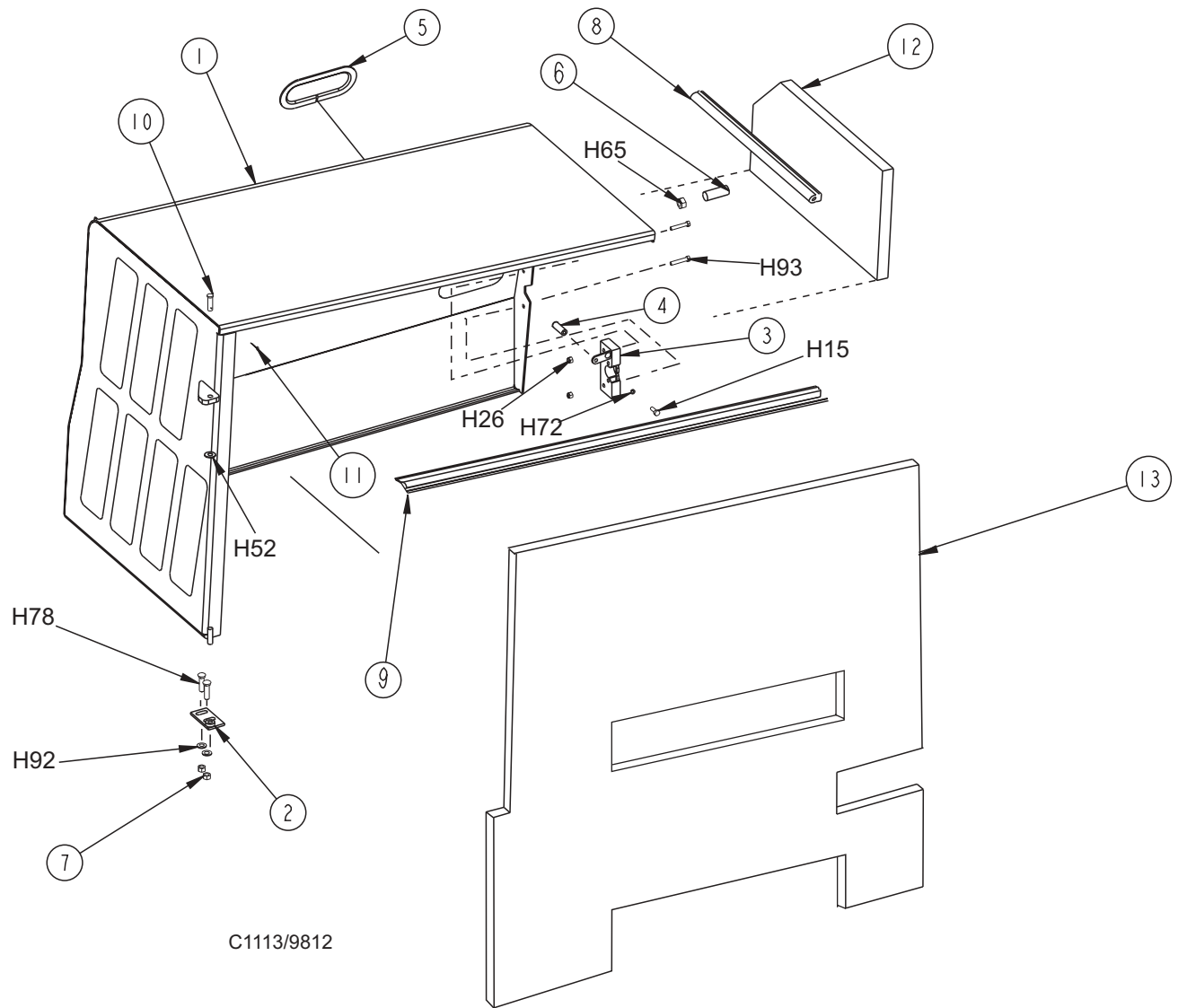
HARDWARE USED:

H15	2-00-00221	Screw, 1/4-20 x .750 HHC	1
H26	2-00-00641	Nut, 1/4-20 Insert Fiber	2
H52	2-00-00402	Flat Washer, .750 x .390 x .094	1
H65	2-00-04936	Nut, 1/2-13 Fiber Lock	1
H72	2-00-00518	Lock Washer, Helical Spring	1
H78	2-00-05187	Carriage Bolt, 3/8-16 x 1.250	2
H92	2-00-04801	Flat Washer, .875 x .375 x .125	2
H93	2-00-00222	Screw, 1/4-20 x 1.250 HHM	2

^=USED ON DIESEL MACHINES ONLY

C1113/9812

ENGINE COVER - EXPLODED VIEW



DIESEL ENGINE - PARTS LIST

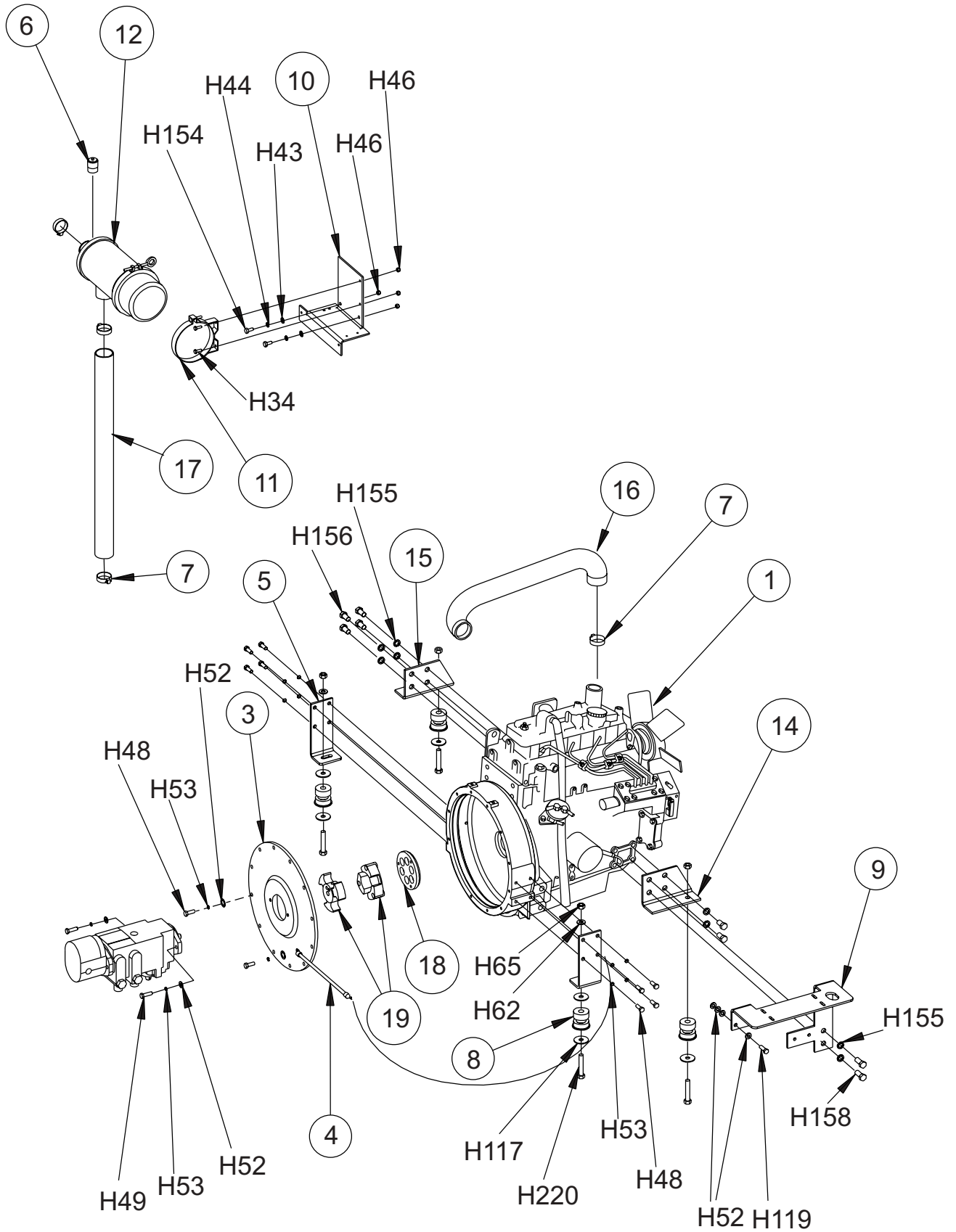
<u>KEY NO.</u>	<u>PART NUMBER</u>	<u>DESCRIPTION</u>	<u>QTY.</u>
1	0877-048-1	Perkins Engine	1
2			
3	8-33-05107	Pump Plate	1
4	8-90-07328	Ground Cable	1
5	8-08-00825	Bracket, Engine Mounting	2
6	8-24-04136	Indicator	1
7	2-00-02216	Hose Clamp	4
8	7-35-00017	Isolator Mount	4
9	8-08-00888	Bracket, Governor Mounting	1
10	7-08-00823	Air Cleaner Mounting Bracket	1
11	8-24-04093	Band Assembly	1
12	8-24-04100	Air Cleaner, Donaldson	1
13			
14	8-08-00822	Bracket, Engine Mounting - Left	1
15	8-08-00823	Bracket, Engine Mounting - Right	1
16	8-33-02332	Hose	1
17	7-33-02596	Hose, A/C Inlet	1
18	8-58-05259	Adapter Plate	1
19	0885-088	Coupling	1

HARDWARE USED:

H34	2-00-00208	Screw, 5/16-18 x .750 HHC	2
H43	2-00-00409	Flat Washer, .687 x .344 x .062	2
H44	2-00-00530	Lock Washer, 5/16 HS Med.	2
H46	2-00-00644	Nut, 5/16-18, Insert Fiber	4
H48	2-00-00233	Screw, 3/8-16 x 1.000 HHC	20
H49	2-00-00209	Screw, 3/8-16 x 1.250 HHC	2
H52	2-00-00402	Flat Washer, .750 x .390 x .094	15
H53	2-00-02310	Lock Washer, Helical Spring 3/8 Med.	22
H62	2-00-00405	Flat Washer, 1.063 x .531 x .094	2
H65	2-00-04936	Nut, 1/2-13 Fiber Lock	4
H72	2-00-00518	Lock Washer, Helical Spring	1
H117	2-00-05067	Flat Washer, 1.750 x .531 x .100	6
H119	2-00-05005	Screw, M10 x 1.500 30 mm MHHC	1
H154	2-00-04363	Screw, M8-1.250 x .750	2
H155	2-00-05044	Lock Washer, M14 Split	8
H156	2-00-05079	Screw, M14 x 1.500 x 25 mm HHC	6
H158	2-00-05306	Screw, M14 x 35 mm HHC	2
H191	2-00-05279	Screw, M6 x 1.0 x 20 mm, MHHC	1
H220	2-00-02617	Screw, 50-13 x 3.25 HHC	4

C1190/9901

DIESEL ENGINE - EXPLODED VIEW



C1190/9806

DIESEL FUEL SYSTEM - PARTS LIST

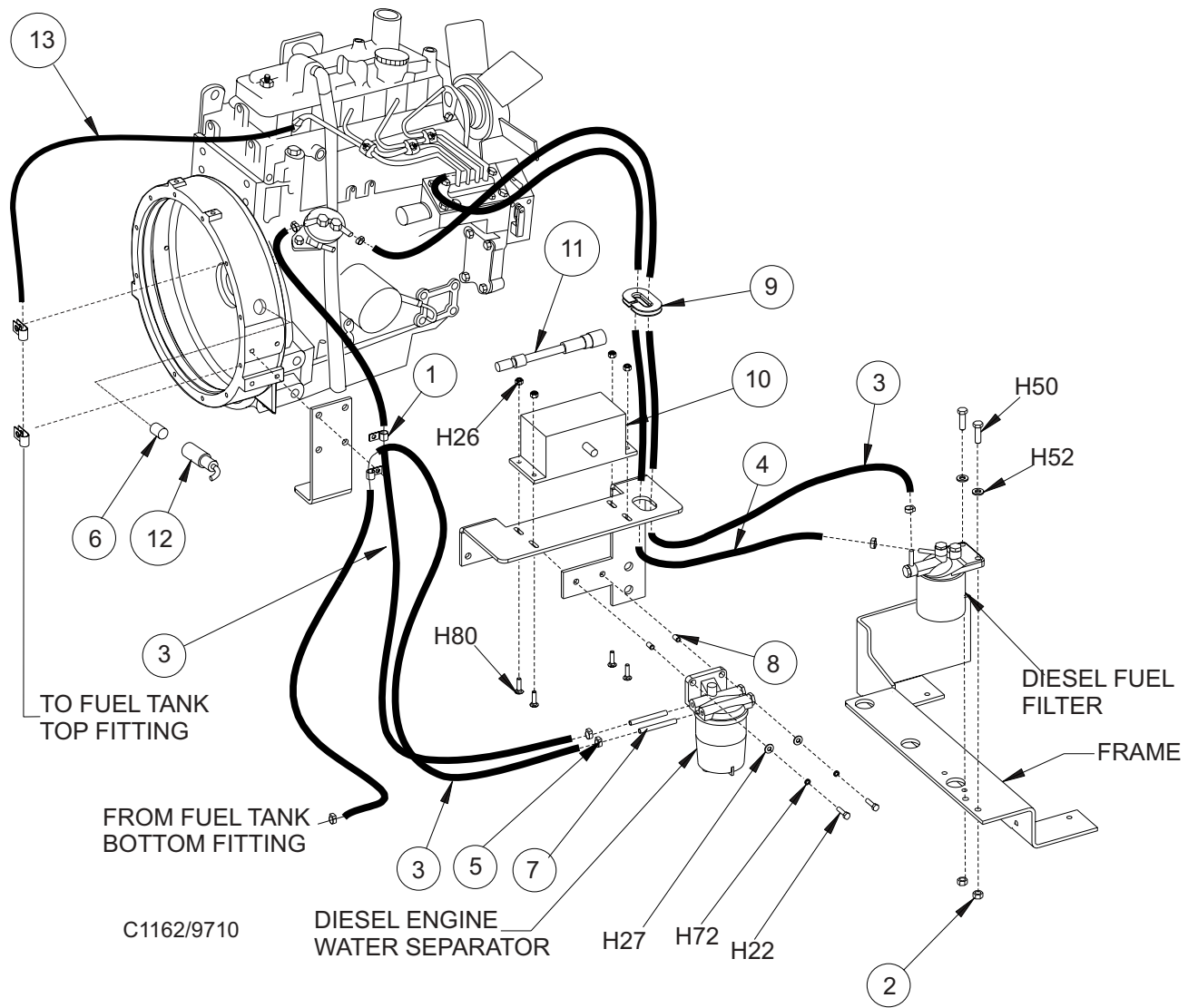
<u>KEY NO.</u>	<u>PART NUMBER</u>	<u>DESCRIPTION</u>	<u>QTY.</u>
1	8-42-05142	Link-Governor	1
2	8-14-01006	Clevis	2
3	2-00-05363	Hose Clamp	12
4	7-74-00006	Solenoid- Throttle	2
5	2-95-01999	Jam-Nut	2
6	8-41-05089	Lever Governor	1
7	8-75-01203	Spacer	4
8	2-00-04873	Hose Clamp	4
9	8-33-02270	Hose	1
10	7-64-00031	Timer Solenoid	2
11	7-21-04031	Edging	1
12	8-08-00889	Bracket- Pivot	1
13	8-33-02154	Hose	1
14	8-33-02145	Hose	3
15	2-00-05261	Threaded Insert	2
16	7-75-01098	Tube	2
17	2-95-04182	Nut, 3/8- 16 Elastic Stop	2
18	2-00-01915	Grommet	1

HARDWARE USED:

H12	2-00-01246	Nut, Hex Fiber Insert #10-24	2
H15	2-00-00221	Screw, 1/4-20 x .750 HHC	3
H26	2-00-00641	Nut, 1/4-20 Insert Fiber	7
H27	2-00-03702	Washer, .625 x .281 x .063	10
H50	2-00-00234	Screw, 3/8-16 x 1.500 HHC	2
H52	2-00-00402	Flatwasher, .750 x .390 x .094	2
H72	2-00-00518	Lock Washer, Helical Spring	2
H185	2-00-02588	Screw, 1/4-20 x 1.125 HHC Cad. Pl.	2
H232	2-00-04909	Yoke Pin Assy.	3
H233	2-00-02638	Screw- HHC .25-20 x 3.00	4
H234	2-00-00064	Screw-RHM #10-24 x .88	2

C1162/0009

DIESEL FUEL SYSTEM - EXPLODED VIEW



PUMP - PARTS LIST

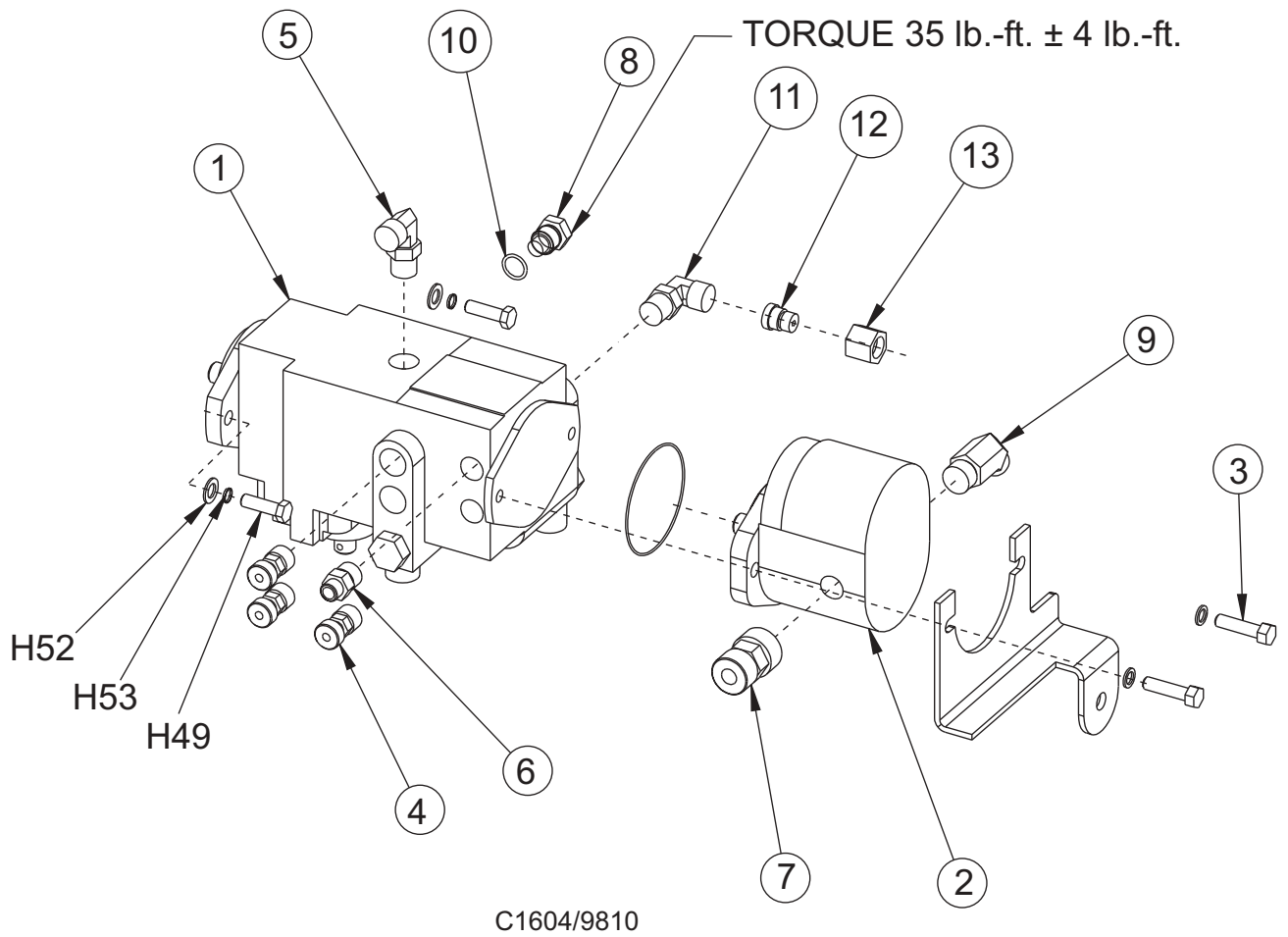
<u>KEY NO.</u>	<u>PART NUMBER</u>	<u>DESCRIPTION</u>	<u>QTY.</u>
1	7-60-05023-1	Piston Pump	1
	7-70-00093	Piston Pump Seal Kit (Service Part)	
2	0885-067	Gear Pump	1
	0780-152	Gear Pump Seal Kit (Service Part)	
3	0880-404	Seal Kit	1
4	2-00-04970	Fitting, Connector	3
5	2-00-04885	Fitting, 90° Elbow	1
6	2-00-05264	Fitting, Connector	1
7	2-00-04971	Fitting, Connector	1
8	7-78-05023	Pump Stop	1
9	2-00-04989	Fitting, 45° Elbow	1
10	2-00-04983	O-Ring	1
11	2-00-04885	Fitting, 90° #8 - #8	1
12	2-00-04929	Reducer, #8 - #4	1
13	2-00-04939	Cap Nut #8	1

HARDWARE USED:

H49	2-00-00209	Screw, 3/8-16 x 1.250 HHC	2
H52	2-00-00402	Flat Washer, .750 x .390 x .094	2
H53	2-00-02310	Lock Washer, Helical Spring 3/8 Med.	2

C1604/9901

PUMP - EXPLODED VIEW



GASOLINE/LP ENGINE - PARTS LIST

<u>KEY NO.</u>	<u>PART NUMBER</u>	<u>DESCRIPTION</u>	<u>QTY.</u>
1	0877-061	411 Ford Engine	1
1^	0877-064	413 Ford Engine (XP Model)	1
2	2-00-05067	Washer	3
3	7-35-00017	Isolator Mount	3
4	8-08-00783	Air Filter Mounting Bracket	1
5	8-24-04093	Band Assembly	1
6	8-24-04100	Air Cleaner	1
	8-24-04106	Air Cleaner Element (Service Part)	Ref.
7	8-33-02279	Hose, Air Cleaner to Carburetor	1
8	2-00-02216	Clamp, Hose	4
9	8-08-00778	Engine Mounting Bracket	1
10	8-16-00066	Choke Cable	1
11	8-24-04101	Meter	1
12	7-33-02596	Hose, Air Cleaner Inlet	1
13	8-33-02145	Hose, Fuel	1
14	8-90-07328	Cable	1
15	2-00-04388	Clamp	2
15^	2-00-05363	Clamp	2
16	8-08-00879	Bracket, Solenoid Mount	1
17	2-95-04182	Nut, Fiber	1
18^	8-30-08025	Guard, Fan-Alternator	1
19^	2-00-03454	Clamp, Hose	1

HARDWARE USED:

H12	2-00-01246	Nut, Hex Fiber Insert #10-24	2
H15	2-00-00221	Screw, 1/4-20 x .750 HHC	3
H26	2-00-00641	Nut, 1/4-20 Insert Fiber	5
H48	2-00-00233	Screw, 3/8-16 x 1.000 HHC	1
H65	2-00-04936	Nut, 1/2-13 Fiber Lock	3
H101	2-00-04897	Screw, #10-24 x 1.250 THM	2
H117	2-00-05067	Flat Washer, 1.750 x .531 x .100	5
H118	2-00-02618	Screw, 1/2-13 x 3.500 HHC	3
H119	2-00-05005	Screw, M10 x 1.500 30 mm MHHC	1
H120	2-00-03829	Lock Washer, 3/8 Bolt	1
H132	2-00-00503	Lock Washer, 1/4 Ext	7

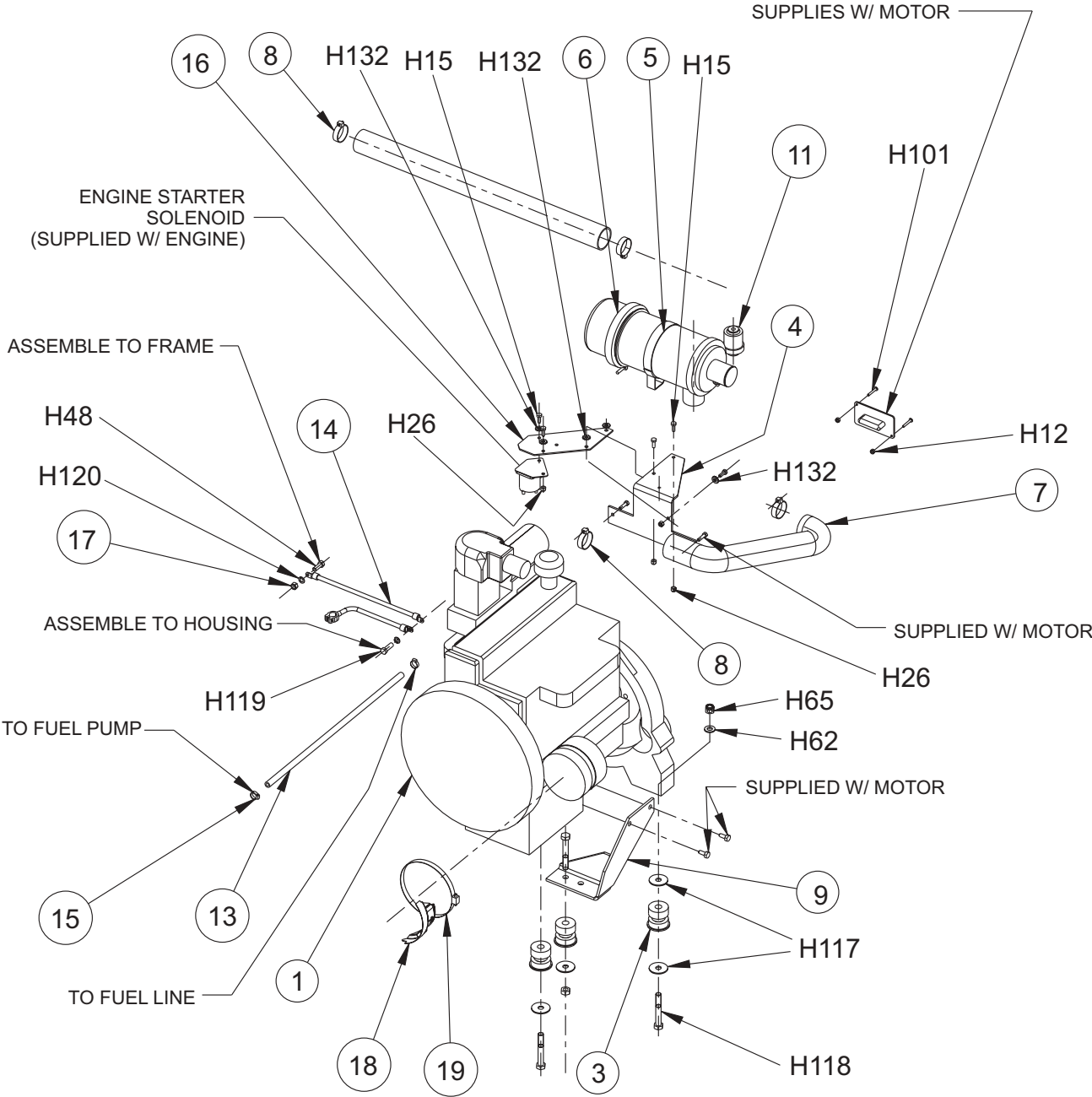
FORD ENGINE SERVICE PARTS:

8-60-05024	Water Pump W/Gasket	0875-120	Starter
8-84-08001	Thermostat	8-14-07011	Coil
8-84-00167	Thermostat Gasket	8-24-04099	Oil Filter
8-70-00066	Fuel Pump W/Gasket	8-24-04138	Fuel Filter
8-03-03005	Alternator W/Pully	8-70-00072	Spark Plug Wire Set
2-00-05248	Alternator Belt	8-75-03007	Spark Plug
0869-085	Carburetor	8-29-00217	Carburetor Gasket

^=USED ON GASOLINE POWERED XP MACHINES ONLY

C1405/0007

GASOLINE/LP ENGINE - EXPLODED VIEW



C1405/0007

GASOLINE/LP ENGINE - PARTS LIST

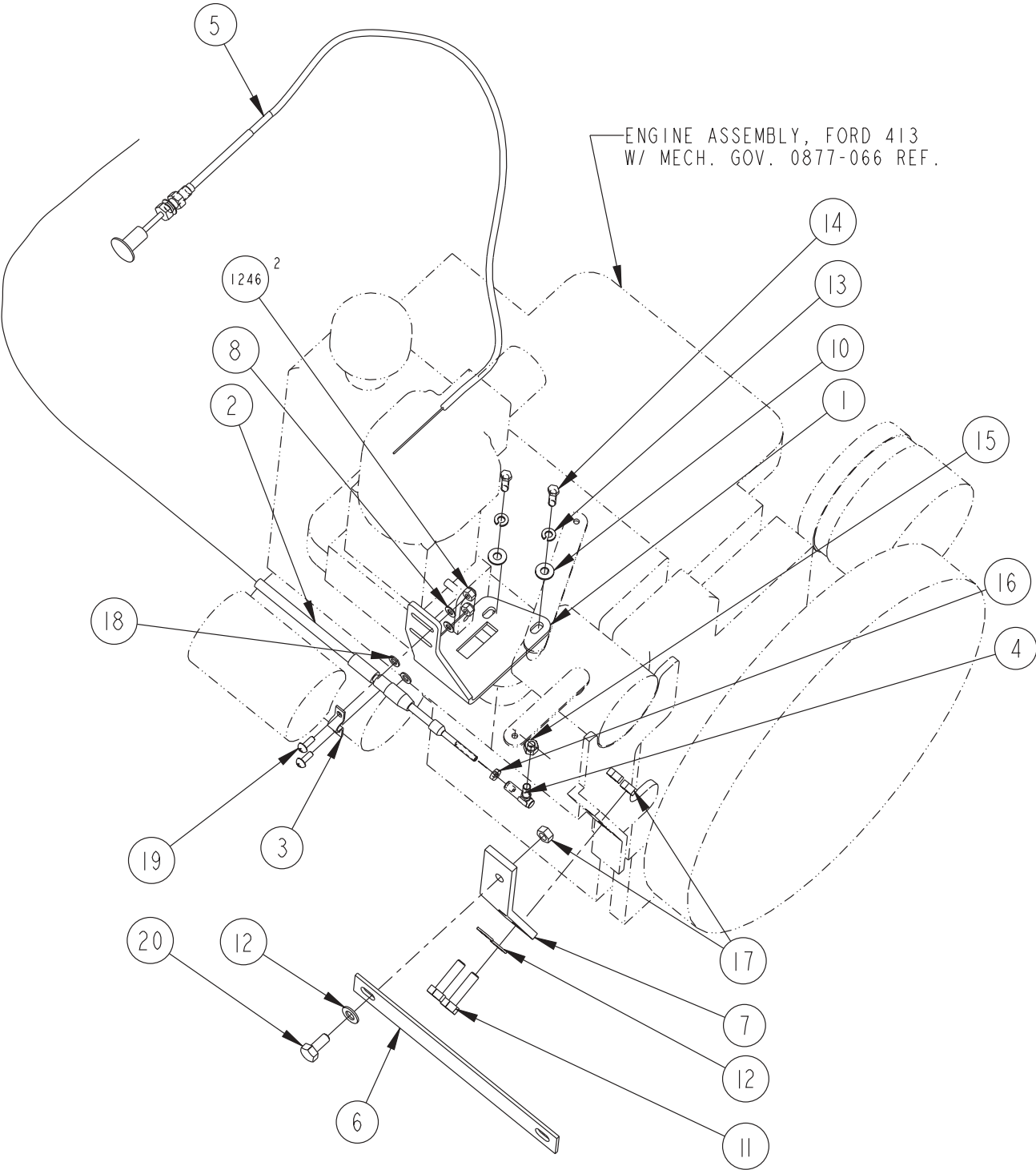
<u>KEY NO.</u>	<u>PART NUMBER</u>	<u>DESCRIPTION</u>	<u>QTY.</u>
1	7-08-00999	Bracket - Mech. Gov. Cable	1
2	7-10-00024	Cable - Throttle	1
3	8-13-07094	Conduit Clamp	1
4	8-25-02036	Ball Joint Connector	1
5	8-16-00054	Choke Cable	1
6	8-89-00129	Strap - Engine/Radiator	1
7	8-08-00916	Bracket, Strap	1

HARDWARE USED:

8	2-00-00426	Flatwasher, .500 x .219 x .063	2
9	2-00-01246	Nut, Hex Fiber Insert #10-24	2
10	2-00-03702	Washer, .625 x .281 x .063	2
11	2-00-00207	Screw, .313-18 x 1.25 HHC	2
12	2-00-00409	Flatwasher, .687 x .344 x .062	3
13	2-00-00518	Lockwasher, Helical Spring	2
14	2-00-05279	Screw, M6 x 1.0 x 20 mm MHHC	2
15	2-00-00633	Nut, Fiber 1/4-28	1
16	2-00-00626	Nut, Hex MS #10-32 x .375 x .125	1
17	2-00-00644	Nut, .31-18 Fiber Insert	3
18	2-00-00501	Lock Washer, Int. Tooth ZN	2
19	2-00-00056	Screw, 10-24 x .75 RHM	2
20	2-00-02708	Screw, .313 x 1.00 HHM	1

C1445k/0103

GASOLINE/LP ENGINE - EXPLODED VIEW

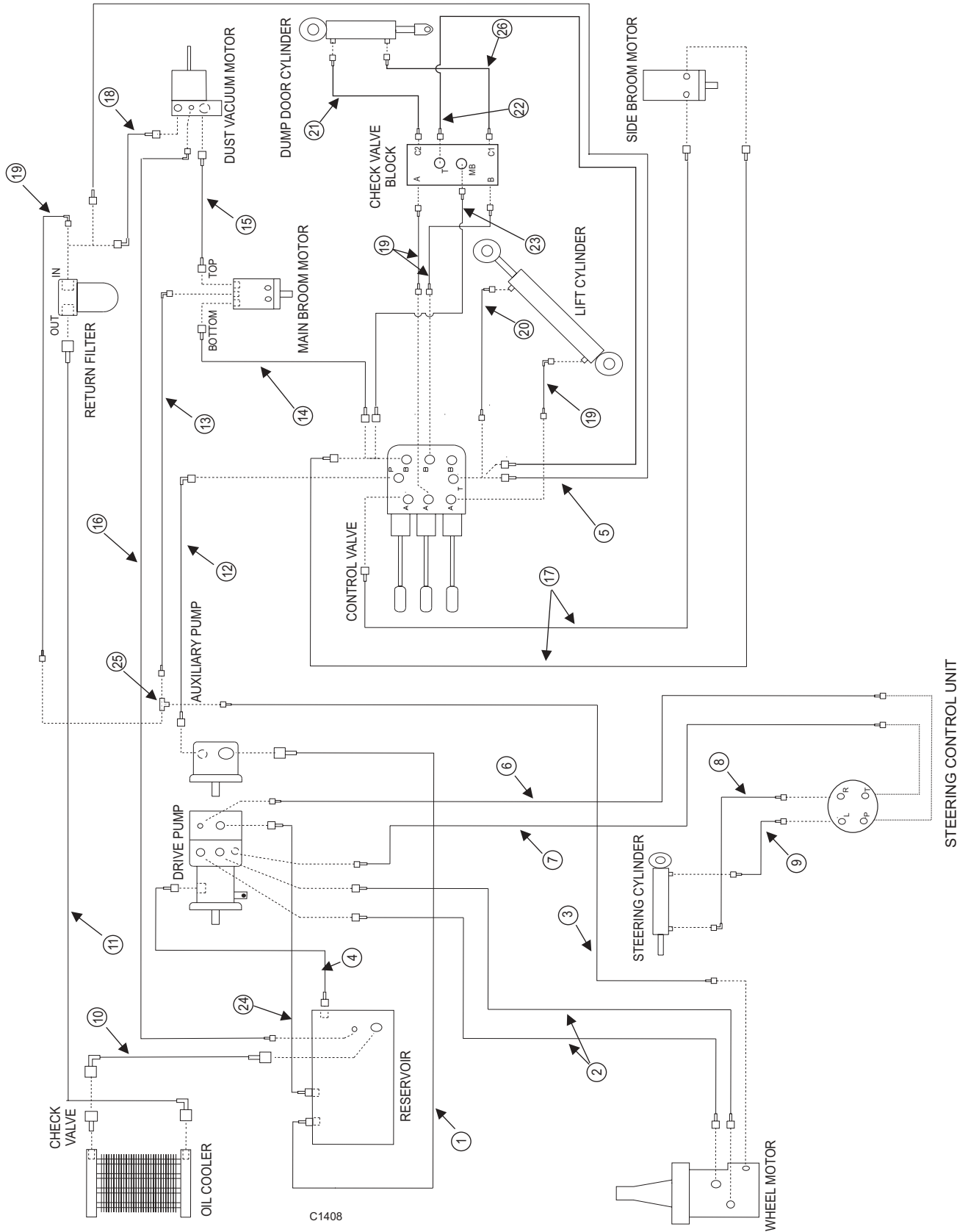


HYDRAULIC HOSE DIAGRAM - PARTS LIST

<u>KEY NO.</u>	<u>PART NUMBER</u>	<u>DESCRIPTION</u>	<u>QTY.</u>
1	8-33-02343	Hose, # 12 x 45.0" -0-45-ORS-1WB	1
2	8-33-02344	Hose, # 8 x 55.0" -0-0-ORS-2WB	2
3	8-33-02173	Hose, # 4 x 80.0" -0-0-ORS-1WB	1
4	8-33-02214	Hose, # 8 x 29.0" -0-0-ORS-1WB	1
5	8-33-02326	Hose, # 8 x 34.5" -0-0-ORS-1WB	1
6	8-33-02185	Hose, # 4 x 56.0" -0-0-ORS-1WB	1
7	8-33-02189	Hose, # 4 x 66.0" -0-0-ORS-1WB	1
8	7-33-02193	Hose, # 4 x 49.0" -0-90-ORS-1WB	1
9	8-33-02182	Hose, # 4 x 42.5" -0-0-ORS-1WB	1
10	8-33-02322	Hose, # 12 x 47.0" -0-90-ORS-1WB	1
11	8-33-02321	Hose, #12 x 58.0" -0-90-ORS-1WB	1
12	8-33-02323	Hose, # 8 x 55.0" -0-90-ORS-1WB	1
13	8-33-02329	Hose, # 4 x 30.0" -0-90-ORS-1WB	1
14	8-33-02324	Hose, # 8 x 72.0" -0-0-ORS-1WB	1
15	8-33-02325	Hose, # 8 x 65.0" -0-0-ORS-1WB	1
16	8-33-02328	Hose, # 4 x 78.5" -0-90-ORS-1WB	1
17	8-33-02327	Hose, # 8 x 94.0" -0-0-ORS-1WB	2
18	7-33-02206	Hose, # 8 x 14.25" -0-90-ORS-1WB	1
19	7-33-02189	Hose, # 4 x 26.0" 0-90-ORS-1WB	4
20	8-33-02175	Hose, # 4 x 21.0" -0-0-ORS-1WB	1
21	7-33-02193	Hose, # 4 x49.0" - 0-90-ORS-1WB	1
22	8-33-02176	Hose, # 4 x 21.0" - 0-90-ORS-1WB	1
23	8-33-02199	Hose, # 4 x 24.5" -0-90-ors-1wb	1
24	7-33-02187	Hose, #8 x 42.0" -0-0-ORS - 1Wb	1
25	2-00-04930	Fitting, Union Tee, # 4	1
26	7-33-02191	Hose, #4 x 42.0" -0-90-ORS-1 WB	1

C1408/9901

HYDRAULIC HOSE DIAGRAM - EXPLODED VIEW



ELECTRICAL ASSEMBLY RELAYS - PARTS LIST

<u>KEY NO.</u>	<u>PART NUMBER</u>	<u>DESCRIPTION</u>	<u>QTY.</u>
1	8-08-00799	Bracket, Relay	1
2	8-64-00012	Relay	2
3	8-64-05010	Time Delay	1
4	0875-116	Diode Assembly	1
5	0895-109	Harness, Governor/Relay	1
6			
7 [^]	8-58-05279	ID Plate	1
8 [^]	8-06-05007	Terminal Strip	1
9	8-64-05009	Relay	2
10 [^]	2-00-04203	Boot	2

HARDWARE USED:

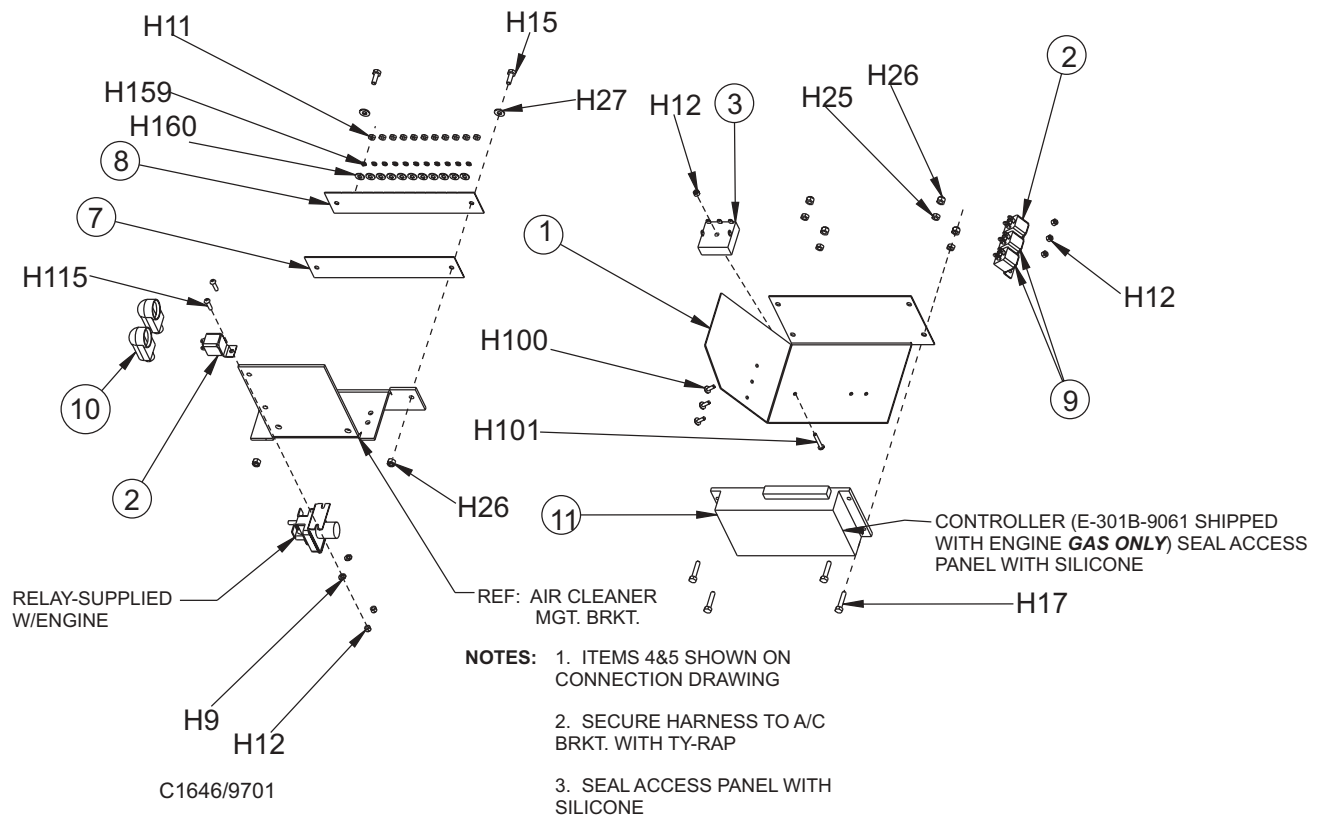
H9	2-00-00426	Flat Washer, .500 x .219 x .063	2
H11	2-00-00605	Nut, Hex MS #10 - 24 x .375 x .125	11
H12	2-00-01246	Nut, Hex Fiber Insert #10-24	6
H15	2-00-00221	Screw, 1/4-20 x .750 HHC	2
H17	2-00-00205	Screw, 1/4-20 x 1.000	4
H25	2-00-00594	Nut, Hex 1/4-20 x .437 x .218	4
H26	2-00-00641	Nut, 1/4 - 20 Insert Fiber	6
H27	2-00-03702	Washer, .625 x .281 x .063	2
H100	2-00-03062	Screw, #10-24 x .625 THM	3
H101	2-00-04897	Screw, #10-24 x 1.250 THM	1
H115	2-00-03063	Screw, #10-24 x .750 THM	2
H159	2-00-00512	Lock Washer	11
H160	2-00-00441	Flat Washer, .438 x .200 x .036	11

+ = USED ON GASOLINE / LP MACHINES ONLY

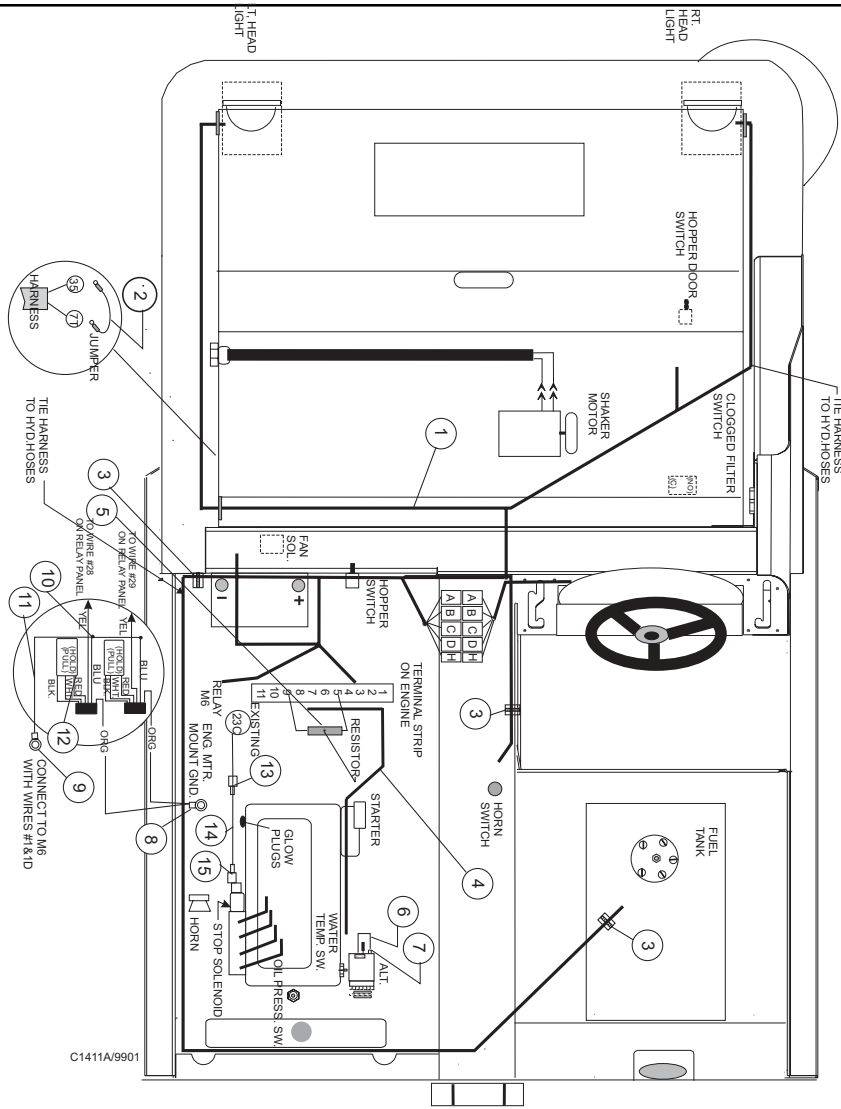
[^] = USED ON DIESEL MACHINES ONLY

C1646/9901

ELECTRICAL ASSEMBLY RELAYS - EXPLODED VIEW



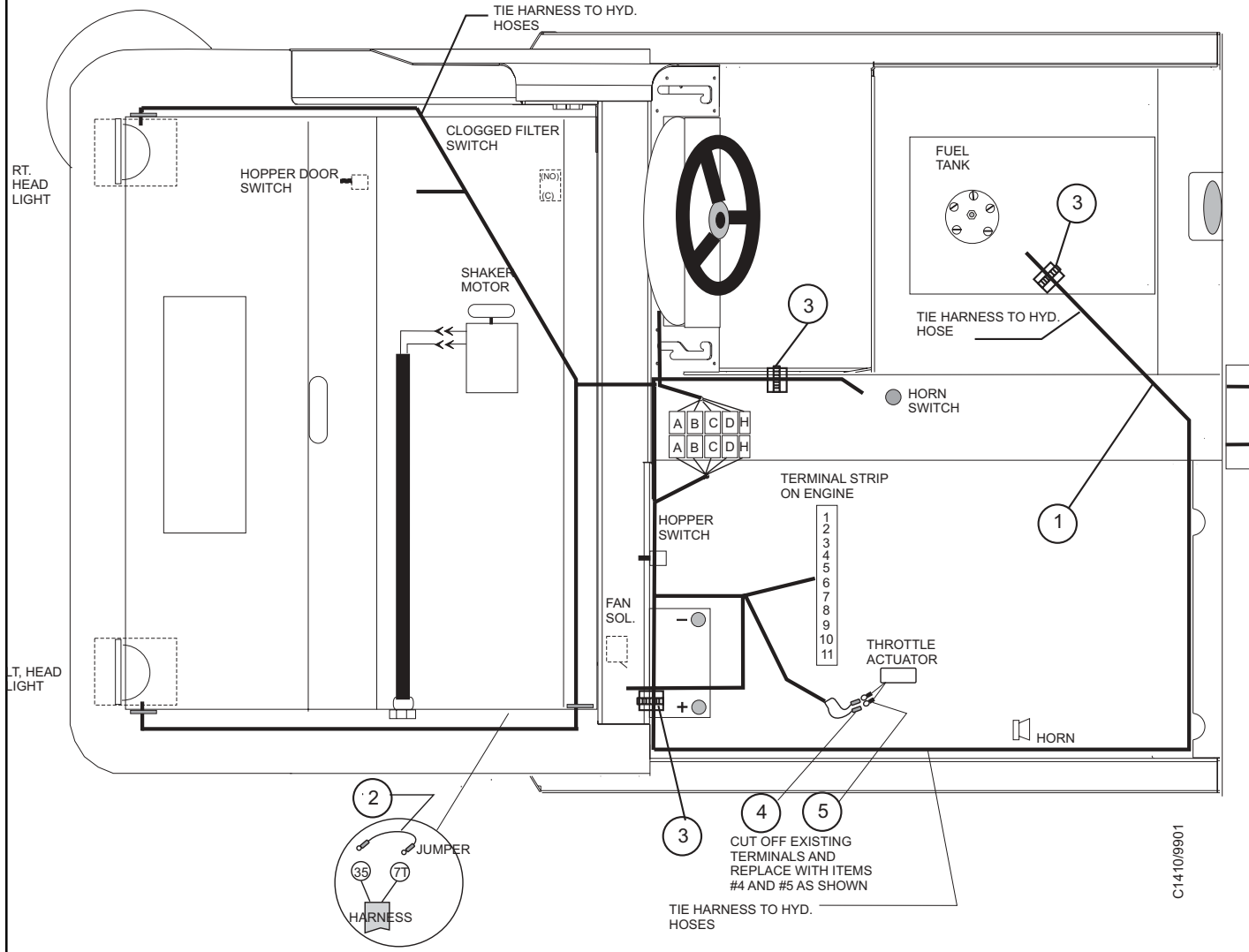
ELECTRICAL HARNESS ROUTING (DIESEL)



KEY NO.	PART NUMBER	DESCRIPTION	QTY.
1	0895-110	Body Harness	1
2	8-90-07455	Wire	1
3	7-13-07096	Clamp	3
4	0895-114	Engine Harness	1
5	0875-121	Resistor Assembly	1
6	0895-092	Diode, Harness	1
7	2-00-04203	Boot	1
8	2-00-04484	Term. Ring	1
9	2-00-04284	Term. Ring	1
10	2-00-03360	Butt-Splice (Yel.)	1
11	3-61-00043	10 AWG. Blk.	1 ft.
12	2-00-04716	Term. #10 SS	6
13	8-11-00015	Term. .25 FISO	1
14	3-61-00189	16 AWG. Blk.	3 ft.
15	2-00-03418	Term. .25 FISO	1

C1411a/9901

ELECTRICAL HARNESS ROUTING (GAS)



KEY NO.	PART NUMBER	DESCRIPTION	QTY.
1	0895-110	Body Harness	1
2	8-90-07455	Wire	1
3	7-13-07096	Clamp	3
4	2-00-04626	.156 F Bullet	2
5	2-00-04578	.156 M Bullet	2

C-1410/9901

DECALS - PARTS LIST

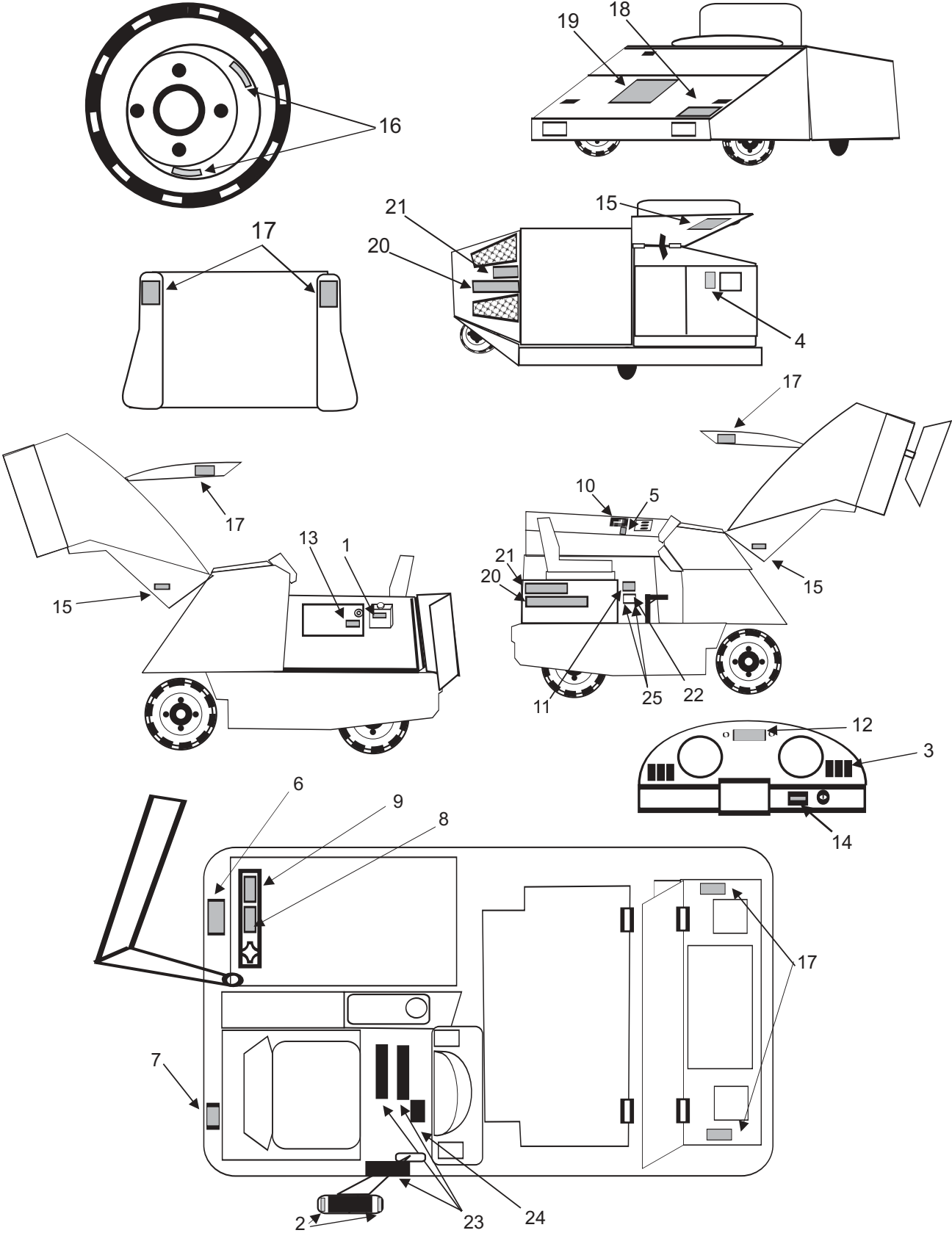
<u>KEY NO.</u>	<u>PART NUMBER</u>	<u>DESCRIPTION</u>	<u>QTY.</u>
1*	REF	ATF/Dextron Fluid Only	1
2	8-18-00490	Bi-Directional Pedal/horizontal	1
3<	8-18-00487	Blank Square-Option Covers	1
4*	REF	Gasoline Only (Gas models)	1
	REF	Diesel Fuel Only (Diesel models)	1
5*	REF	Do Not Use with Flammables	1
6*	REF	Exhaust Warning (G, LP, D)	1
7*	REF	Fire Hazard-Fuel Could Explode (G, D)	1
8*	REF	Moving Belts-Stay Clear (G, LP, D)	1
9*	REF	Moving Fan Blade-Stay Clear (G, LP, D)	1
10	8-18-00505	Throttle	1
11*	REF	Patent/Patents Pending	1
12*	REF	Read Operator's Manual	1
13*	REF	Surface Hot-Stay Clear (G, LP, D)	1
14*	REF	Turn Off-Lock Wheel	1
15*	REF	Cover/Hopper Could Close	3
16	REF	Split Rim (pneumatic tires)	3
17	REF	Pinch Point-Stay Clear	6
18	8-18-00527	ALTO	1
19	8-18-00525	American-Lincoln (medium)	1
20	8-18-00524	American-Lincoln (small)	2
21	8-18-00529	MPV 60	1
22	REF	Serial Plate	1
23	7-50-05136	Non-Skid	3
24	8-50-05055	Non-Skid	1
25	2-00-04115	Rivets	2

*Contained in Warning Decals Kit: 0760-859

<Can be ordered separately but is also included in 0760-859

C1440A/1003

DECALS - EXPLODED VIEW



TOTAL STEEL PACKAGE - PARTS LIST

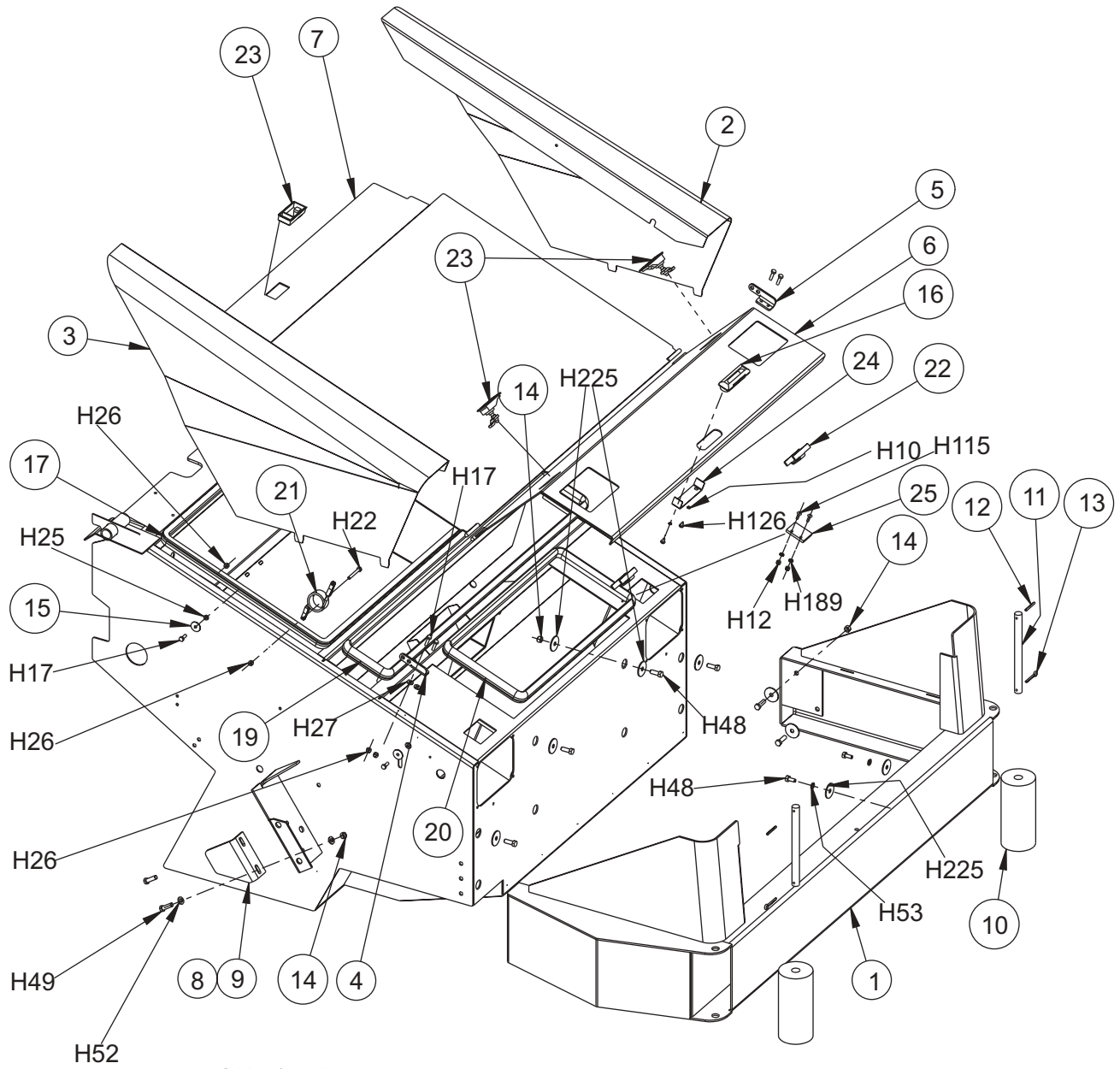
<u>KEY NO.</u>	<u>PART NUMBER</u>	<u>DESCRIPTION</u>	<u>QTY.</u>
1	8-08-07063	Bumper, Front	1
2	8-16-07378	Side Cover (LH)	1
3	8-16-07377	Side Cover (RH)	1
4	8-08-00850	Bracket (RH)	1
5	8-08-00851	Bracket (LH)	1
6	8-16-07402	Front Cover	1
7	8-16-07401	Top Cover	1
8	8-08-00852	Bracket, Bumper Guide (RH)	1
9	8-08-00853	Bracket, Bumper Guide (LH)	1
10	8-66-05013	Roller Bumper	2
11	8-70-05304	Pin, Roller Bumper	2
12	2-00-02444	Roll Pin, 3/16 x 1.750	2
13	2-00-02436	Cotter Pin	2
14	2-95-04182	Nut, Fiber	12
15	7-23-03092	Washer	4
16	8-31-06078	Handle	1
17	8-29-00240	Gasket	1
18			
19	8-29-00278	Gasket	1
20	8-29-00279	Gasket	1
21	8-10-00027	Cable	1
22	8-08-00886	Bracket-Latch	2
23	8-41-00040	Latch, Top Cover	3
24	8-79-00098	Strap, Handle	1
25	8-05-07091	Latch Bar	2

HARDWARE USED:

H10	2-00-00519	Lock Washer, # 10 Med. HS	2
H12	2-00-01246	Nut, Hex Fiber Insert #10-24	2
H17	2-00-00205	Screw, 1/4-20 x 1.000 HHC	8
H22	2-00-02589	Screw, 1/4-20 x 2.000 HHC	2
H25	2-00-00594	Nut, Hex 1/4-20 x .437 x .218	4
H26	2-00-00641	Nut, 1/4-20 Insert Fiber	8
H27	2-00-03702	Washer, .625 x .281 x .063	4
H48	2-00-00233	Screw, 3/8-16 x 1.000 HHC	12
H49	2-00-00209	Screw, 3/8-16 x 1.250 HHC	4
H52	2-00-00402	Flat Washer, .750 x .390 x .094	4
H53	2-00-02310	Lock Washer, Helical Spring 3/8 Med.	4
H115	2-00-03063	Screw, #10-24 x .750 THM	2
H126	2-00-03466	Screw, #10-16 x .500	2
H189	2-00-00460	Flat Washer, .437 x .192 x .031-s	2
H225	2-00-04851	Washer, Engine Mount	16

C-1167/9901

TOTAL STEEL PACKAGE - EXPLODED VIEW

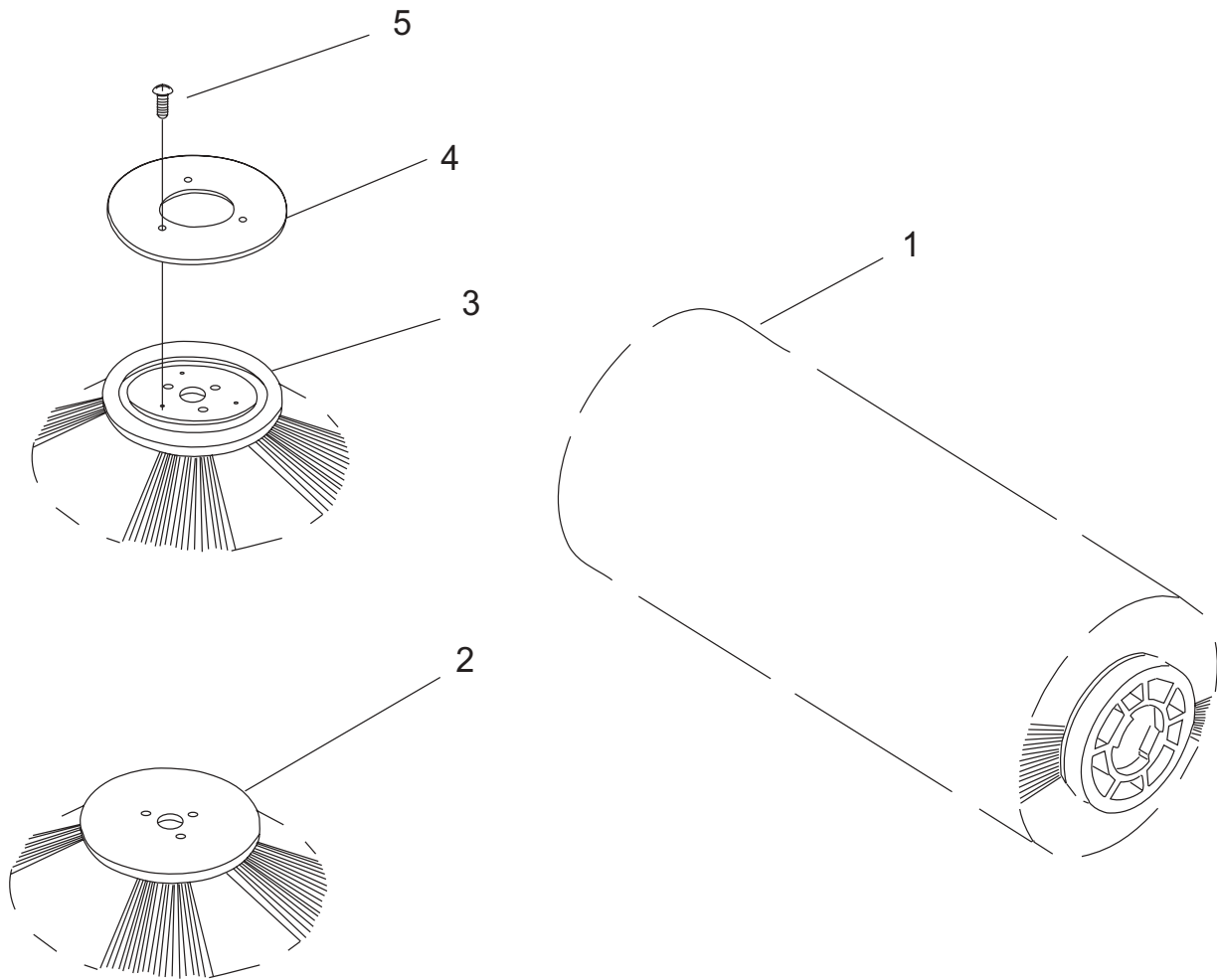


NOTES

TABLE OF CONTENTS - CHAPTER 3

Broom Options	3-2
Side Broom Spotlight	3-3
Skirted Vacuumized Side Broom	3-4
Back-Up Alarm Option	3-6
Brake Light Option	3-8
Rear Work Light Option	3-10
Cab Option	3-12
Cab Dome Light Option	3-14
Cab Fan Option	3-15
Cab Door	3-16
Cab Electrical Assembly	3-18
Cab Heater Option	3-20
Cab Windshield Wiper Option	3-22
Overhead Guard Option	3-23
Strobe Light with Overhead Guard	3-24
Strobe Light with out Overhead Guard	3-26
Fire Extinguisher Option	3-28
Heavy Duty Air Cleaner Option	3-29
Pulse Air Option	3-30
Litter Vac Option	3-36
LP Ford Engine Option	3-42
LP Regulator & Carburetor Option	3-44
Prototectoseal Gas Cap Option	3-46
Purifier Muffler Option	3-47
Retractable Seatbelt Option	3-48
Suspension Seat Option	3-49
Spark Arrestor Option	3-50
Tie Down Option	3-51
Front Solid Cushion Tire Option	3-52
Rear Solid Cushion Tire Option	3-53
Turn Signal Option	3-54
Diesel Spare Parts Kit	3-56
Gas Spare Parts Kit	3-57
Index	3-58
Warranty	3-62

BROOMS OPTION



C1158

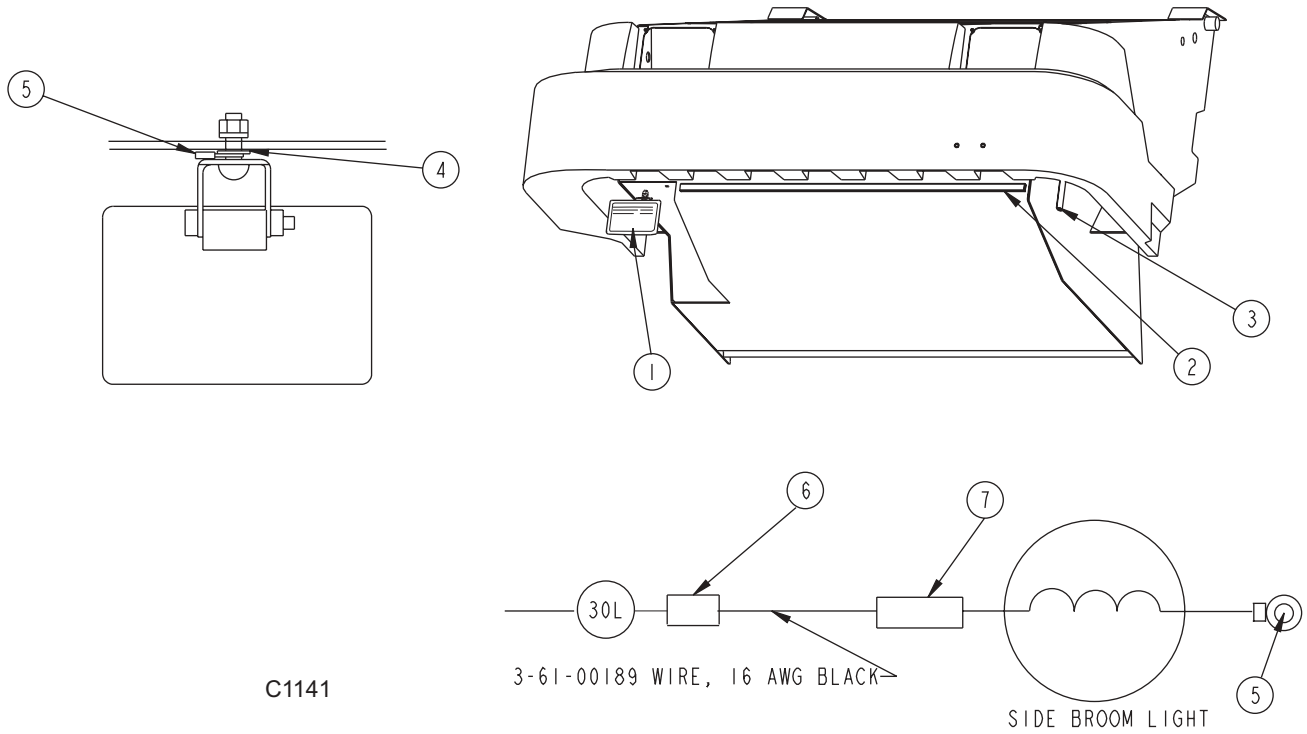
<u>KEY NO.</u>	<u>PART NUMBER</u>	<u>DESCRIPTION</u>	<u>QTY.</u>
1	8-08-03217	Proex and Wire Main Broom	Ref.
1	8-08-03219	Nylon Main Broom	Ref.
1	8-08-03220	Nylon, High Density Main Broom	Ref.
1	8-08-03221	Fiber and Wire High Density Main Broom	Ref.
1	8-08-03218	Poly and Wire Main Broom	Ref.
1	8-08-03232	Nylon	Ref.
2	8-08-03212	Black Prolene Side Broom	Ref.
2	8-08-03211	Nylon Side Broom	Ref.

0880-439

Wire Bristle Side Broom Option

3	8-08-03199	Wire Side Broom	1
4	8-58-05248	Plate	1
5	2-00-04121	Screw #10 - 13 x .750 RHW	3

C1158



C1141

**Side broom spotlight
OPTION NO. 0880-594**

<u>KEY NO.</u>	<u>PART NUMBER</u>	<u>DESCRIPTION</u>	<u>QTY.</u>
1	8-40-05049	Light	1
2	8-20-06038	Duct, Wire	1
3	8-20-06037	Duct, Wire	1
4	2-00-02303	Washer, Internal Lock	1
5	2-00-04282	Ring Terminal	1
6	2-00-04578	Terminal	1
7	2-00-01128	Butt Splice	1

C1141/9901

SKIRTED VACUUMIZED SIDE BROOM - PARTS LIST

**OPTION 0880-607
0880-712 TOTAL STEEL**

<u>KEY NO.</u>	<u>PART NUMBER</u>	<u>DESCRIPTION</u>	<u>QTY.</u>
1	8-33-05144	Broom Guard	1
*	8-33-05146	Broom Guard	1
2^	8-08-00864	Bracket, Broom Guard	1
3	8-25-08216	Flap	1
*	8-25-08224	Flap	1
4	8-25-08266	Flap	1
*	8-25-08227	Flap	1
5^	8-13-07155	Clamp	1
6^	8-13-07156	Clamp	1
7^	8-13-07157	Clamp	3
8^	8-13-07158	Clamp	2
9^	8-13-07159	Clamp	1
10^	8-03-02043	Hose Adapter	2
11^	8-33-02357	Hose	1
12^	8-29-00253	Gasket	2
13^	2-00-02217	Clamp, Hose	2
14^	2-00-05261	Insert - 1/4 - 20	10
15^	2-00-05347	Insert - 3/8 - 16	8

* USED ON TOTAL STEEL MACHINES

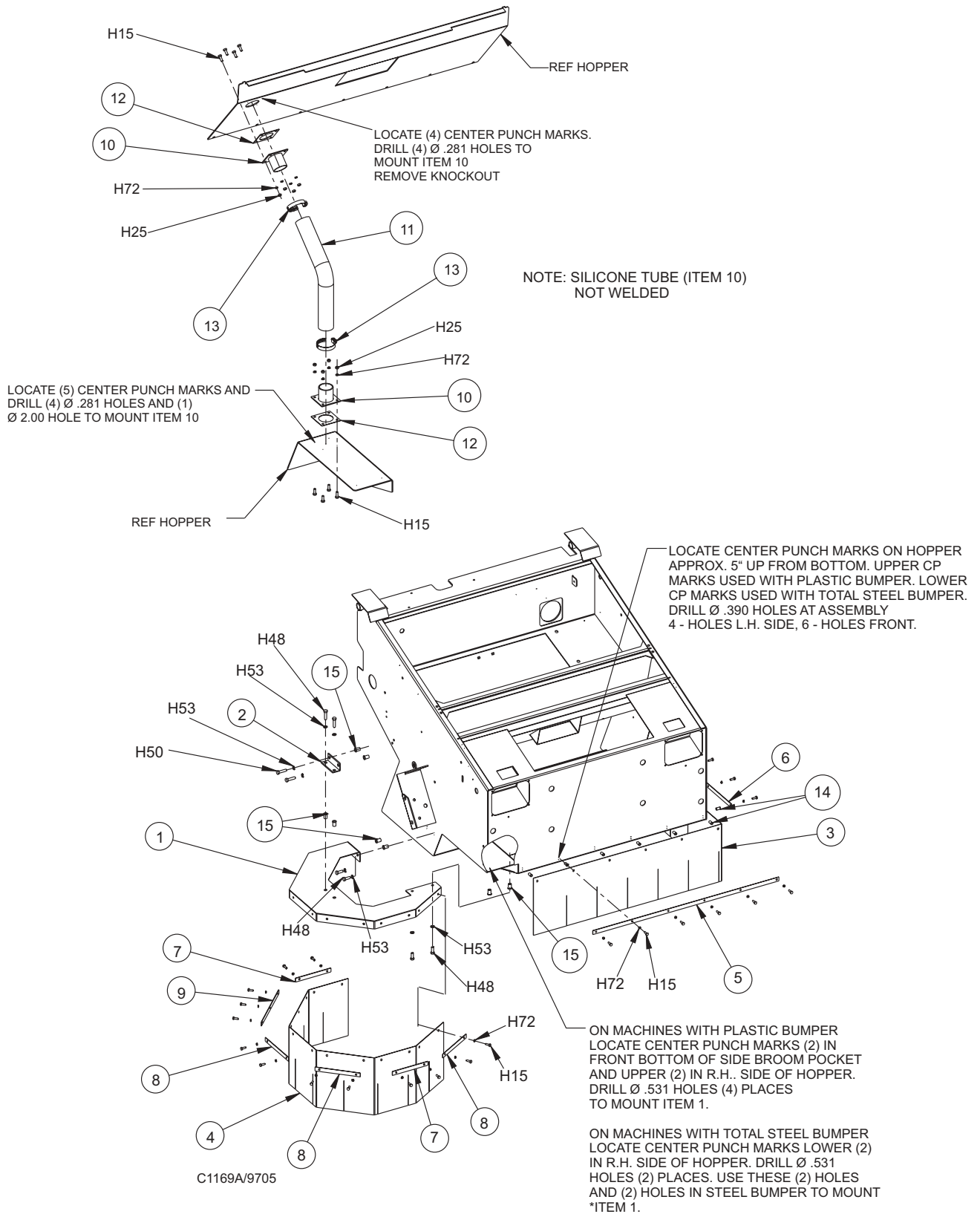
^ USED ON BOTH TOTAL STEEL AND REGULAR MACHINES

HARDWARE USED:

H15	2-00-00221	Screw, 1/4-20 x .750 HHC	31
H25	2-00-00594	Nut, Hex 1/4- 20 x .437 x .218	8
H48	2-00-00233	Screw, 3/8-16 x 1.000 HHC	5
H50	2-00-00234	Screw, 3/8-16 x 1.500 HHC	2
H53	2-00-02310	Lockwasher Split .375 Cad. Pl.	6
H72	2-00-00518	Lock Washer, Helical Spring	31

C-1169a/9901

SKIRTED VACUUMIZED SIDE BROOM - EXPLODED VIEW



BACK-UP ALARM OPTION - PARTS LIST

Back-up alarm OPTION NO. 0880-593

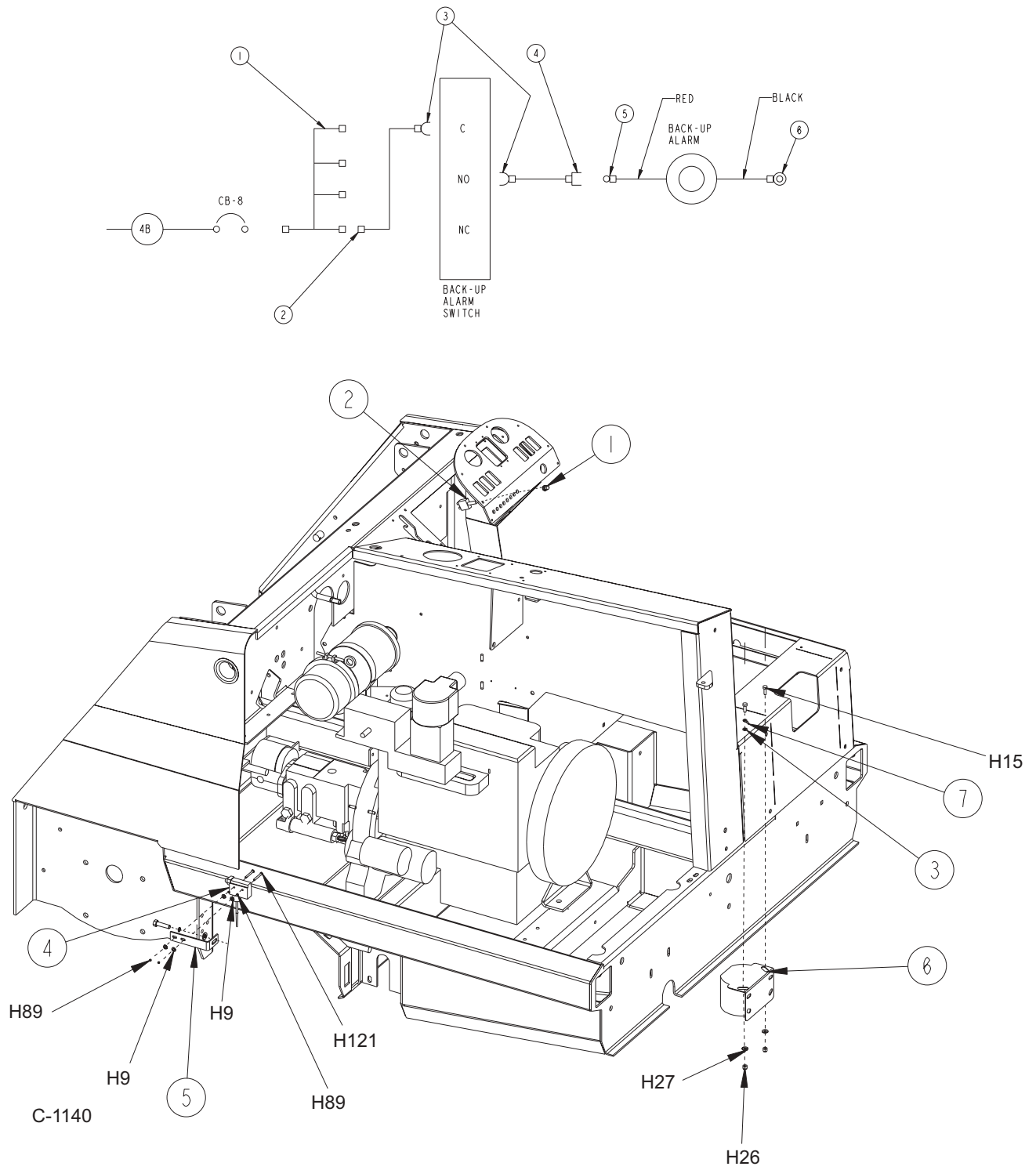
<u>KEY NO.</u>	<u>PART NUMBER</u>	<u>DESCRIPTION</u>	<u>QTY.</u>
1	8-11-00044	Cap, Instrument Panel (Boot)	1
2	8-64-00008	Circuit Breaker, 15 amp	1
3	2-00-00501	Washer, Internal Lock	1
4	8-82-00058	Switch	1
5	8-08-02040	Bracket, Back Up Alarm Switch	1
6	8-32-09009	Alarm, Back Up	1
7	2-00-00828	Ring Terminal	REF.
8	8-90-07434	Wing Wire	1
9	8-11-00015	Terminal	1
10	2-00-04742	Terminal	2
11	2-00-04626	Terminal	1
12	2-00-04578	Terminal, Male Bullet	1
13	2-00-00828	Ring Terminal	1

HARDWARE USED:

H9	2-00-00426	Flat Washer, .500 x .219 x .063	4
H15	2-00-00221	Screw, ¼ - 20 x .750 HHC	2
H26	2-00-00641	Nut, ¼ - 20 Insert Fiber	2
H27	2-00-03702	Washer, .625 x .281 x .063	2
H89	2-00-01372	Nut Fiber Insert, #8 - 32 Steel	4
H121	2-00-00090	Screw, #8 - 32 x 1.500 RHM	2

C1140/9901

BACK-UP ALARM OPTION - EXPLODED VIEW



BRAKE LIGHT OPTION - PARTS LIST

OPTION NO. 0880-617

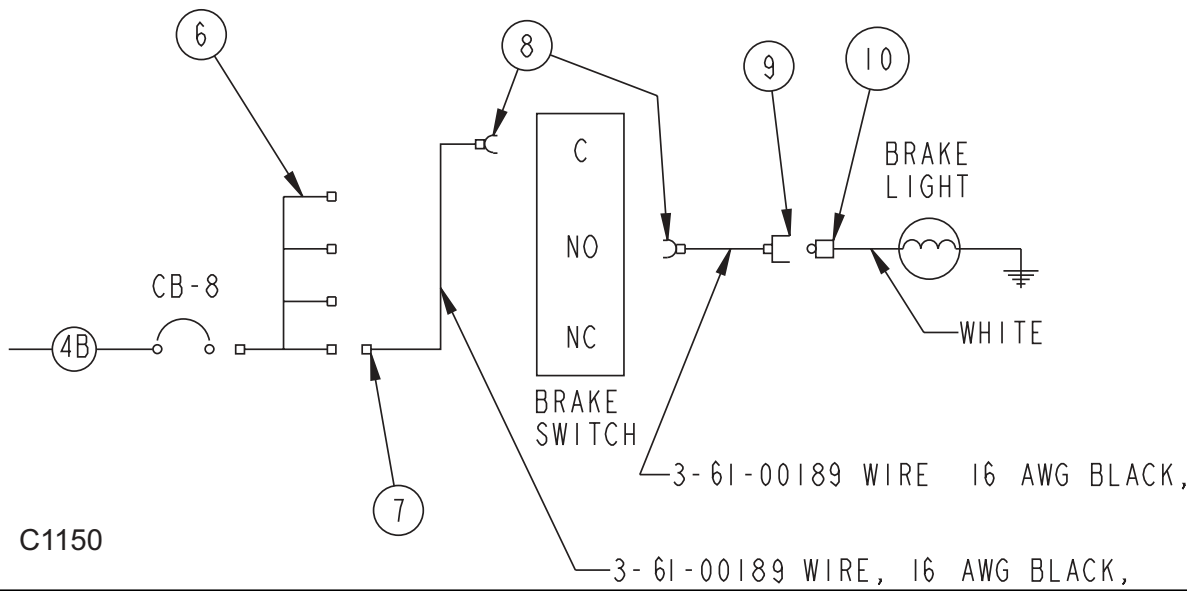
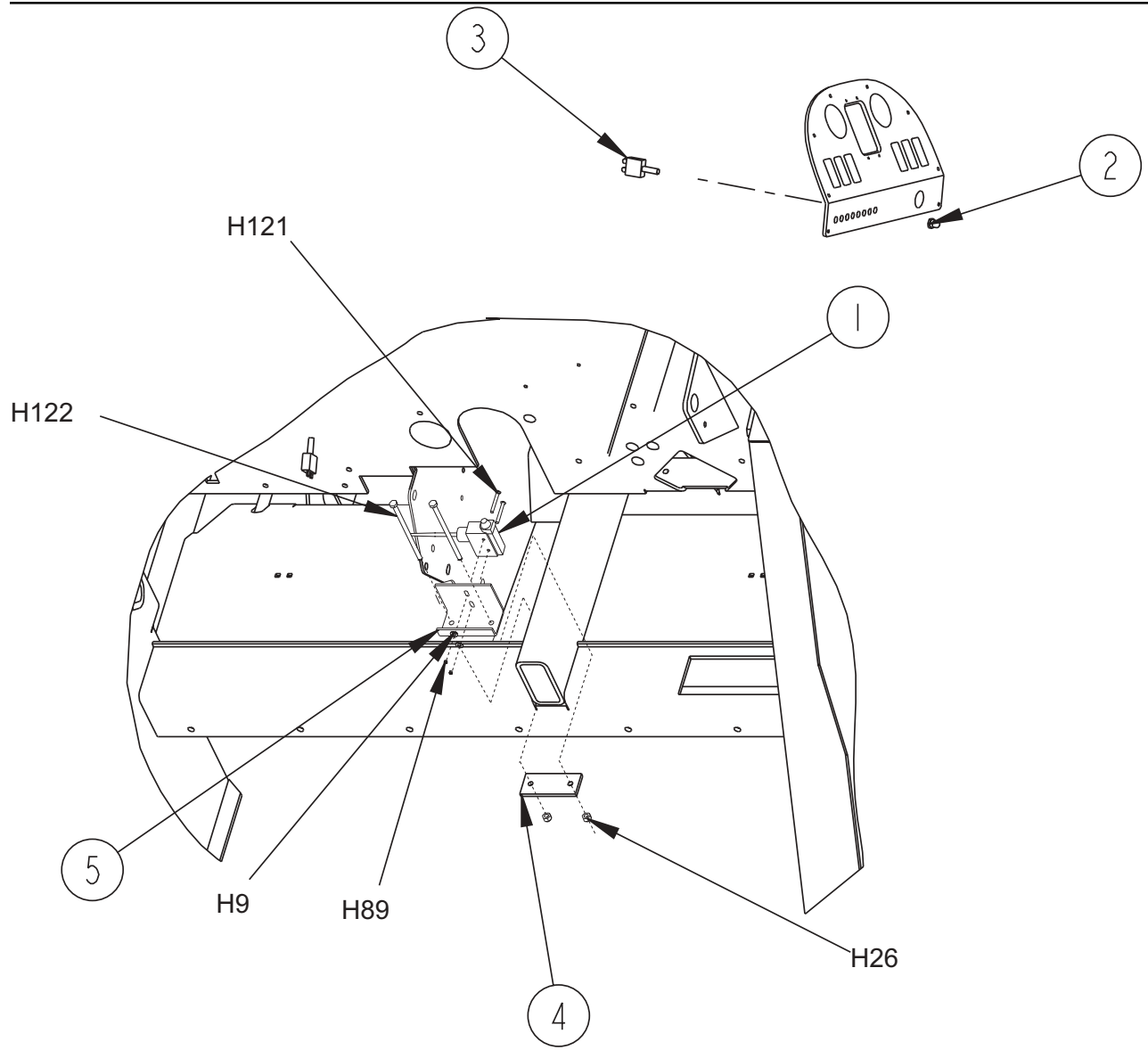
<u>KEY NO.</u>	<u>PART NUMBER</u>	<u>DESCRIPTION</u>	<u>QTY.</u>
1	8-82-00058	Switch	1
2	8-11-00044	Cap, Instrument Panel Boot	1
3	8-64-00008	Circuit Breaker, 15 amp	1
4	8-13-07132	Clamp, Brake Switch	1
5	8-08-00818	Bracket, Brake Switch	1
6	8-90-07434	Wing Wire	1
7	8-11-00015	Terminal	1
8	2-00-04742	Terminal	2
9	2-00-04626	Terminal	1
10	2-00-04578	Terminal	1
	2-00-05291	Bulb, Brake Light	(Service Part)

HARDWARE USED:

H9	2-00-00426	Flat Washer, .500 x .219 x .063	2
H26	2-00-00641	Nut, 1/4-20 Insert Fiber	2
H89	2-00-01372	Nut, Fiber Insert #8-32 Steel	2
H121	2-00-00090	Screw, #8-32 x 1.500 RHM	2
H122	2-00-05216	Screw, 1/4-20 x 5.000 HHC	2

C1150/9901

BRAKE LIGHT OPTION - EXPLODED VIEW



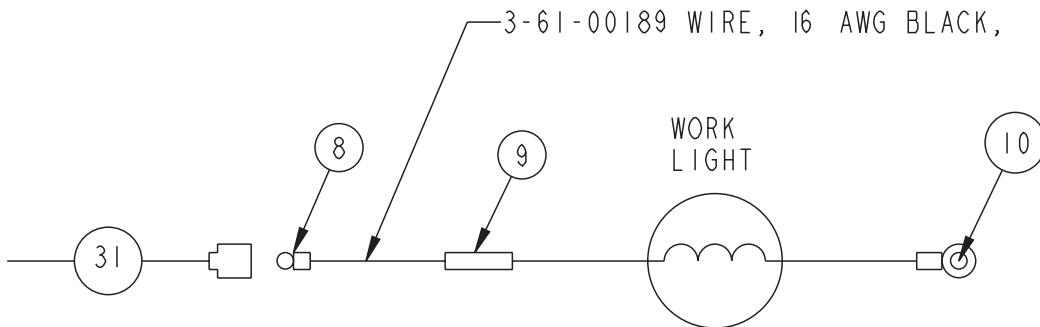
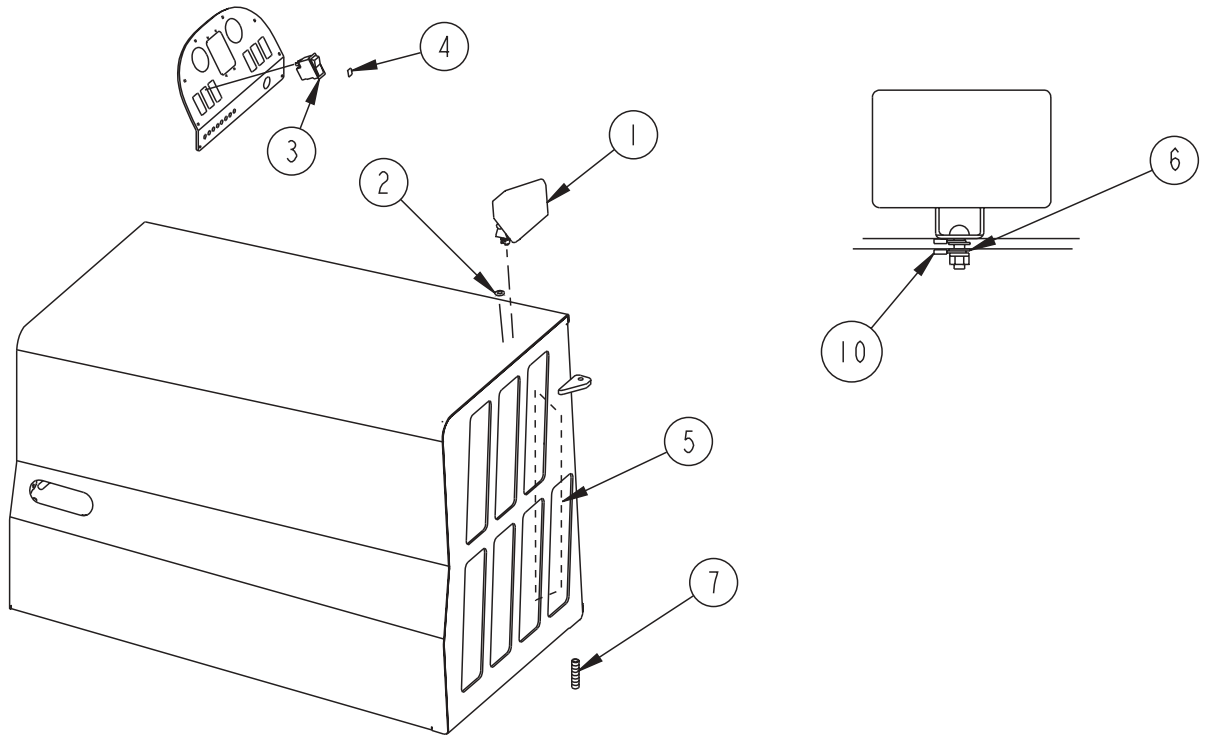
REAR WORK LIGHT OPTION - PARTS LIST

OPTION NO. 0880-595

<u>KEY NO.</u>	<u>PART NUMBER</u>	<u>DESCRIPTION</u>	<u>QTY.</u>
1	8-40-05049	Light	1
2	2-00-00491	Grommet	2
3	8-82-00053	Switch	1
4	8-41-03004	Lens, Work Light	1
5	8-20-06037	Duct, Wire	1
6	2-00-02303	Washer, Internal Lock	1
7	3-61-02014	Convolute Tube	1
8	2-00-04578	Terminal	1
9	2-00-01128	Butt Splice	1
10	2-00-04282	Ring Terminal	1

C1142/9901

REAR WORK LIGHT OPTION - EXPLODED VIEW



C1142

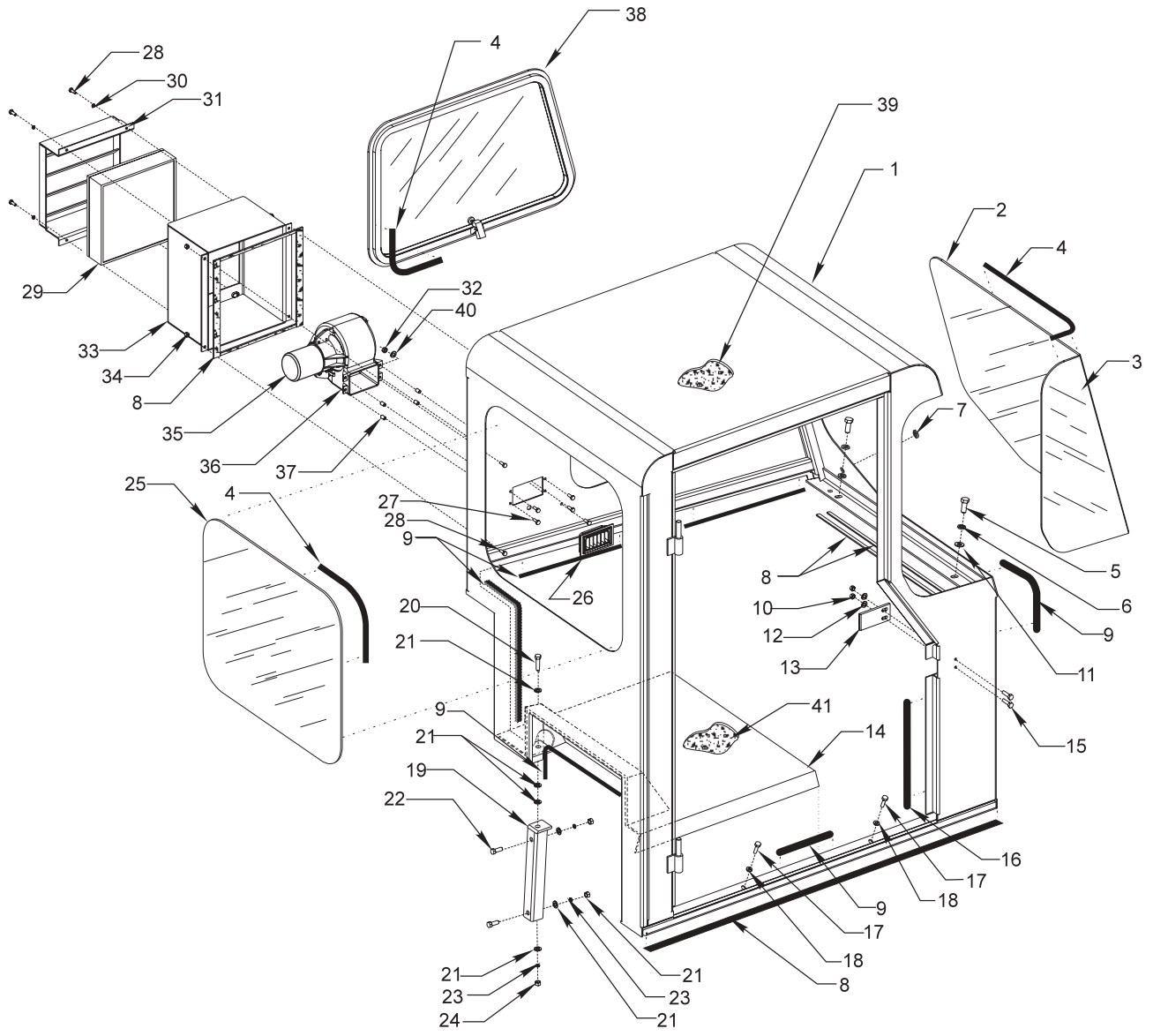
CAB OPTION - PARTS LIST

OPTION 0880-602 SHT. 1 & 2

<u>KEY NO.</u>	<u>PART NUMBER</u>	<u>DESCRIPTION</u>	<u>QTY.</u>
1	8-09-05001	Cab Weldment	1
2	8-90-01003	Window, Front	1
3	8-90-01004	Window, Side	1
4	3-73-00082	Seal, Glass .13 St'l x .19/.25 Glass	35'
5	2-00-00240	Screw, 1/2-13 x 1.250 HHC	2
6	2-00-02312	Lock Washer, 1/2 H.S. Med.	2
7	2-00-04604	Plug Button	1
8	3-73-00056	1/8 x 1/2 C.C. Spring. w/Adhesive	18'
9	3-73-00075	Gasket, Straight Seal	15'
10	2-00-00644	Nut, Hex 5/16-18 Fiber Insert	2
11	2-00-00405	Flat Washer, 1.063 x .531 x .094	2
12	2-00-00409	Flat Washer, .687 x .344 x .062	2
13	8-45-05009	Lug, Striker	1
14	8-16-07365	Seat Deck	1
15	2-00-00207	Screw, 5/16-18 x 1.250 HHC	2
16	3-73-00061	Gasket, 90° Seal	13'
17	2-00-05315	Screw, 1/4-14 x 1.000 TEKS	2
18	2-00-03702	Flat Washer, .625 x .281 x .063	4
19	8-81-00178	Brace	1
20	2-00-00234	Screw, 3/8-16 x 1.500 HHC	1
21	2-00-00402	Flat Washer, .750 x .390 x .094	6
22	2-00-00233	Screw, 3/8-16 x 1.000 HHC	2
23	2-00-02310	Lock Washer, 3/8 H.S. Med.	3
24	2-00-02360	Nut, Hex 3/8-16 x .562 x .328	3
25	8-90-01005	Window, Rear	1
26	8-18-03025	Adj. Louver Vent Cover	1
27	2-00-03042	Screw, 1/4-20 x 1.500 HSHC-Black	4
28	2-00-00221	Screw, 1/4-20 x .750 HHC	10
29	8-24-04141	Filter	1
30	2-00-00518	Lock Washer, 1/4 H.S. Med.	8
31	8-33-05140	Clamp, Filter	1
32	2-00-00594	Nut, Hex 1/4-20 x .437 x .218	7
33	8-33-05139	Blower Housing	1
34	2-00-00641	Nut, Fiber Insert, 1/4-20	9
35	0882-055	Motor	1
36	8-23-00015	Blower Assembly	1
37	8-75-01205	Spacer	4
38	8-90-01001	Canopy Window	1
39	8-34-09026	Cab Insulation, Top	1
40	2-00-00501	Lockwasher, 1/4 Int.	1
41	8-34-09019	Insulation Seat Deck	1
42	8-34-09036	Insulation-Cab Left Side Interior	1

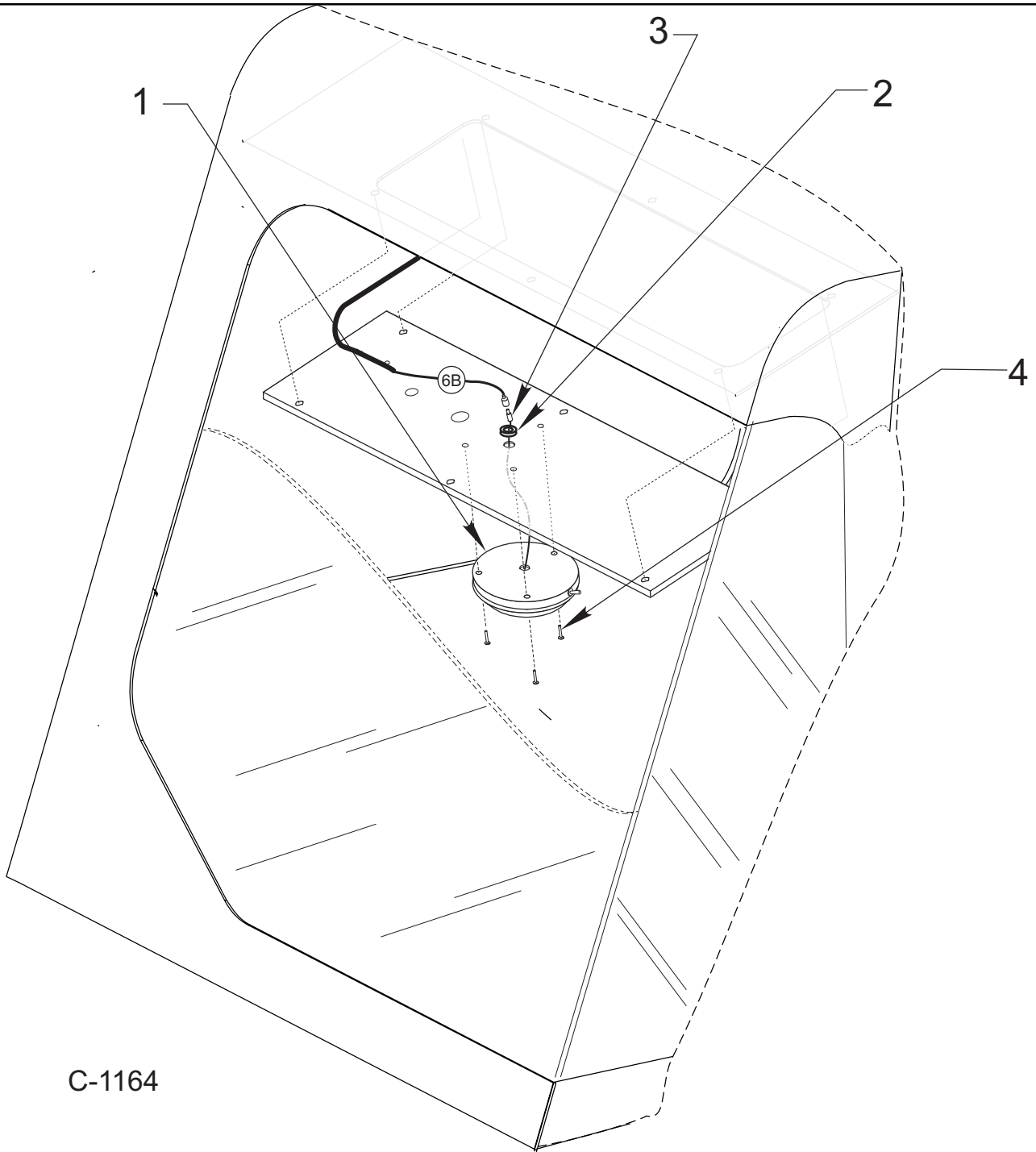
C-1191/9901

CAB OPTION - EXPLODED VIEW



C-1191

CAB DOME LIGHT OPTION

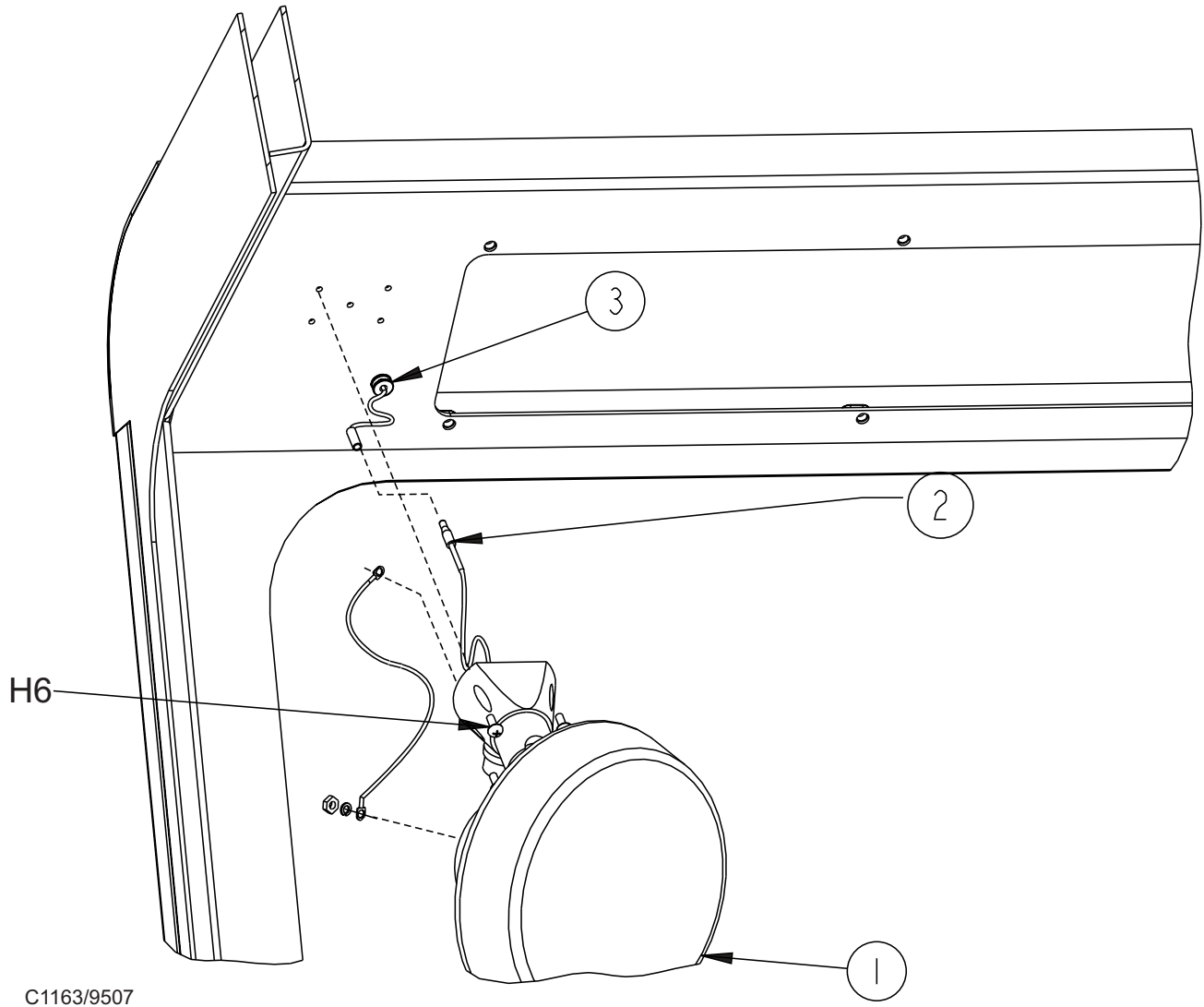


C-1164

OPTION NO. 0880-616

<u>KEY NO.</u>	<u>PART NUMBER</u>	<u>DESCRIPTION</u>	<u>QTY.</u>
1	8-40-05031	Dome Light	1
2	2-00-00491	Grommet	1
3	2-00-04578	Terminal, .156 Male Bullet	1
4	2-00-00044	Screw, # 8-32 x .500 RHM	3

C1164/9901



C1163/9507

OPTION NO 0880-615

<u>KEY NO.</u>	<u>PART NUMBER</u>	<u>DESCRIPTION</u>	<u>QTY</u>
1	8-23-00016	Defroster Fan	1
2	2-00-04578	Terminal, .156 Male Bullet	1
3	2-00-04200	Grommet	1
HARDWARE USED			
H6	2-00-00049	Screw, #10-24 x .500 RHM	4

C1163-9507

CAB DOOR - PARTS LIST

OPTION 0880-602 SHT 2

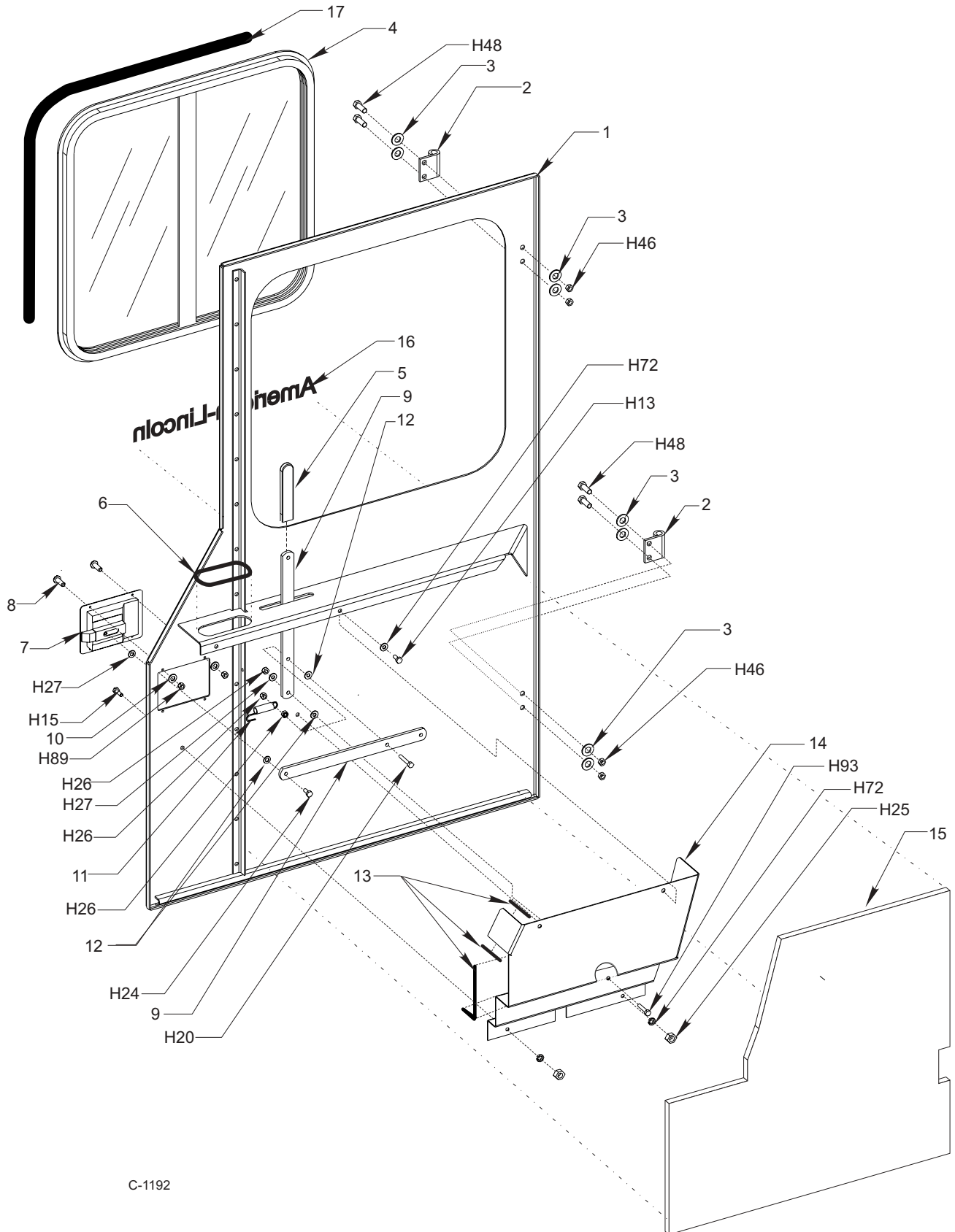
<u>KEY NO.</u>	<u>PART NUMBER</u>	<u>DESCRIPTION</u>	<u>QTY.</u>
1	8-19-08065	Door	1
2	8-32-00048	Hinge	2
3	2-00-00419	Flat Washer .625 x .328 x .032	8
4	8-90-01002	Sliding Window	1
5	7-31-06066	Handle Grip 1.00 x .250	1
6	3-73-00054	Edging	1'
7	8-41-00062	Door Latch	1
8	2-00-00044	Screw #8-32 x .500 RHM	4
9	8-31-06089	Latch Handle	2
10	2-00-00460	Flat Washer, .437 x .192 x .031	4
11	7-76-00051	Spring	1
12	7-23-03048	Washer, Bevel	3
13	3-73-00024	Edging	1.5'
14	8-16-07368	Cover, Door Linkage	1
15	8-34-09027	Insulation, Cab Door	1
16			
17	3-73-00082	Seal, Glass.13 St'l x .19/.25 Glass	35'

HARDWARE USED:

H13	2-00-00054	Screw, 1/4-20 x .500 RHM	1
H15	2-00-00221	Screw, 1/4-20 x .750 HHC	1
H20	2-00-00203	Screw, 1/4-20 x 1.500 HHC	1
H24	2-00-00220	Screw, 1/4-20 x .625 HHC	1
H25	2-00-00594	Nut, Hex 1/4-20 x .437 x .218	2
H26	2-00-00641	Nut, 1/4-20 Insert Fiber	3
H27	2-00-03702	Washer, .625 x .281 x .063	4
H46	2-00-00644	Nut, 5/16-18, Insert Fiber	4
H48	2-00-00233	Screw, 3/8-16 x 1.000 HHC	4
H72	2-00-00518	Lock Washer, Helical Spring	4
H89	2-00-01372	Nut, Fiber Insert #8-32 Steel	4
H93	2-00-00222	Screw, 1/4-20 x 1.250 HHM	1

C-1192/9901

CAB DOOR - EXPLODED VIEW



C-1192

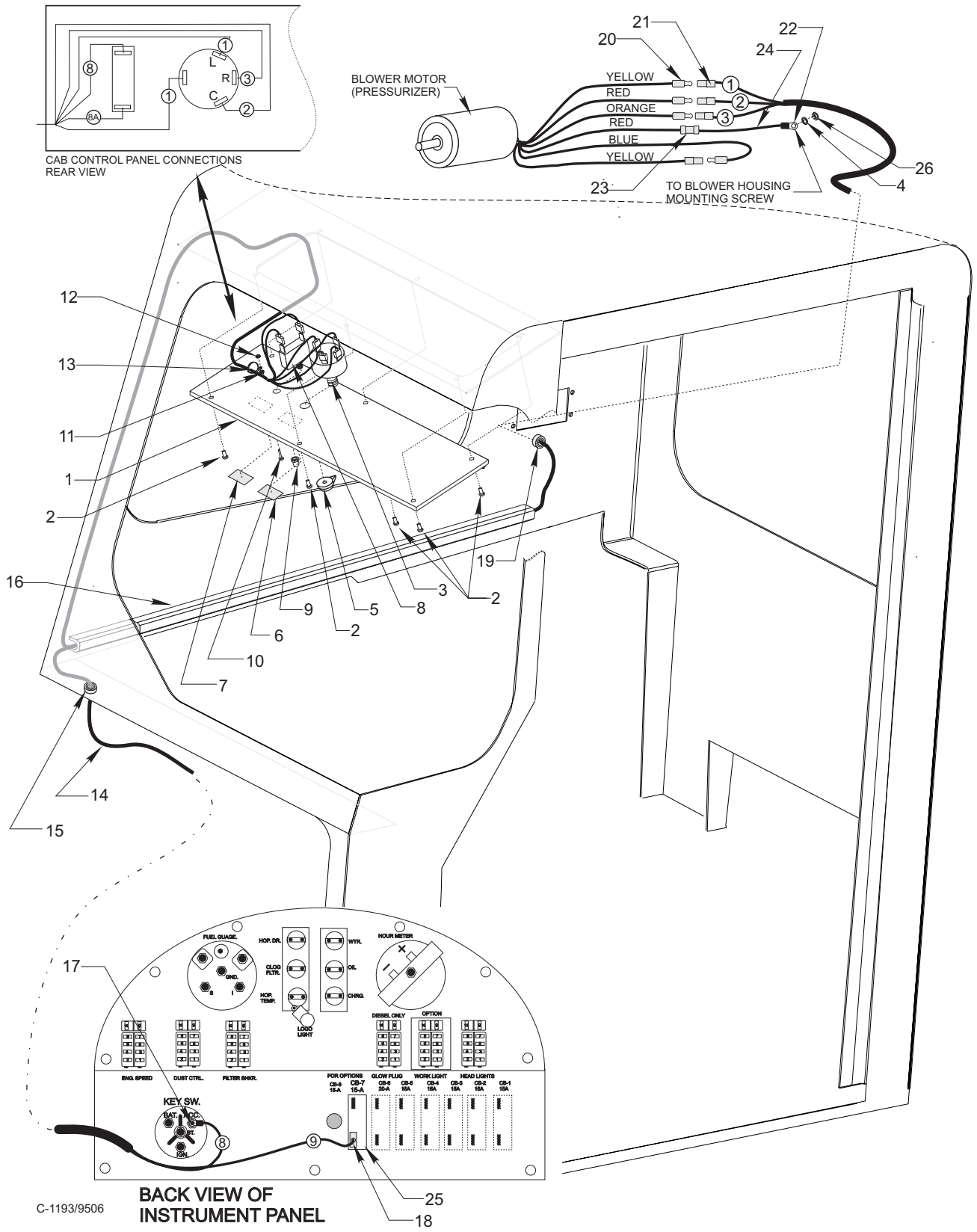
CAB ELECTRICAL ASSEMBLY - PARTS LIST

OPTION 0880-602 SHT. 1

<u>KEY NO.</u>	<u>PART NUMBER</u>	<u>DESCRIPTION</u>	<u>QTY.</u>
1	8-16-07364	Access Cover	1
2	2-00-00054	Screw, 1/4-20 x .500 RHM	8
3	7-82-00011	Switch, 4 Position Rotary w/Mtg. Nut	1
4	2-00-00501	Lock Washer, ¼ INT.	1
5	7-39-00019	Knob	1
6	8-18-00449	Decal, Fan	1
7	8-18-00422	Decal, CB-11	1
8	7-64-00022	Circuit Breaker, 20 Amp.	1
9	8-11-00044	Boot	1
10	2-00-00039	Screw, #10-24 x 1.000 RHM	1
11	2-00-00605	Nut, Hex MS #10-24 x .375 x .125	1
12	2-00-01246	Nut, Hex Fiber Insert, #10-24	1
13	2-00-04937	Wire Tie	1
14	0895-117	Cab Harness	1
15	2-00-01915	Grommet	1
16	8-20-06038	Wire Duct, 36"	1
17	2-00-04281	Terminal, #10Stud, 14-16ga. Ins. Ring	1
18	2-00-03418	Terminal, 1/4 Spade (Female Insulated)	1
19	2-00-00491	Grommet	1
20	2-00-04578	Terminal, Bullet (Male)	3
21	2-00-04626	Terminal, Bullet (Female)	3
22	2-00-00828	Terminal, 1/4 Non-Ins Ring 14-16 ga.	1
23	2-00-01128	Terminal, Butt Connector	1
24	3-61-00193	16 ga., Red Insulated Wire	1
25	8-64-00008	Circuit Breaker, 15 amp.	1
26	2-00-00594	Nut, Hex 1/4-20 x .437 x .218	1

C-1193/9901

CAB ELECTRICAL ASSEMBLY - EXPLODED VIEW



CAB HEATER OPTION - PARTS LIST

OPTION NO. 0880-603-1

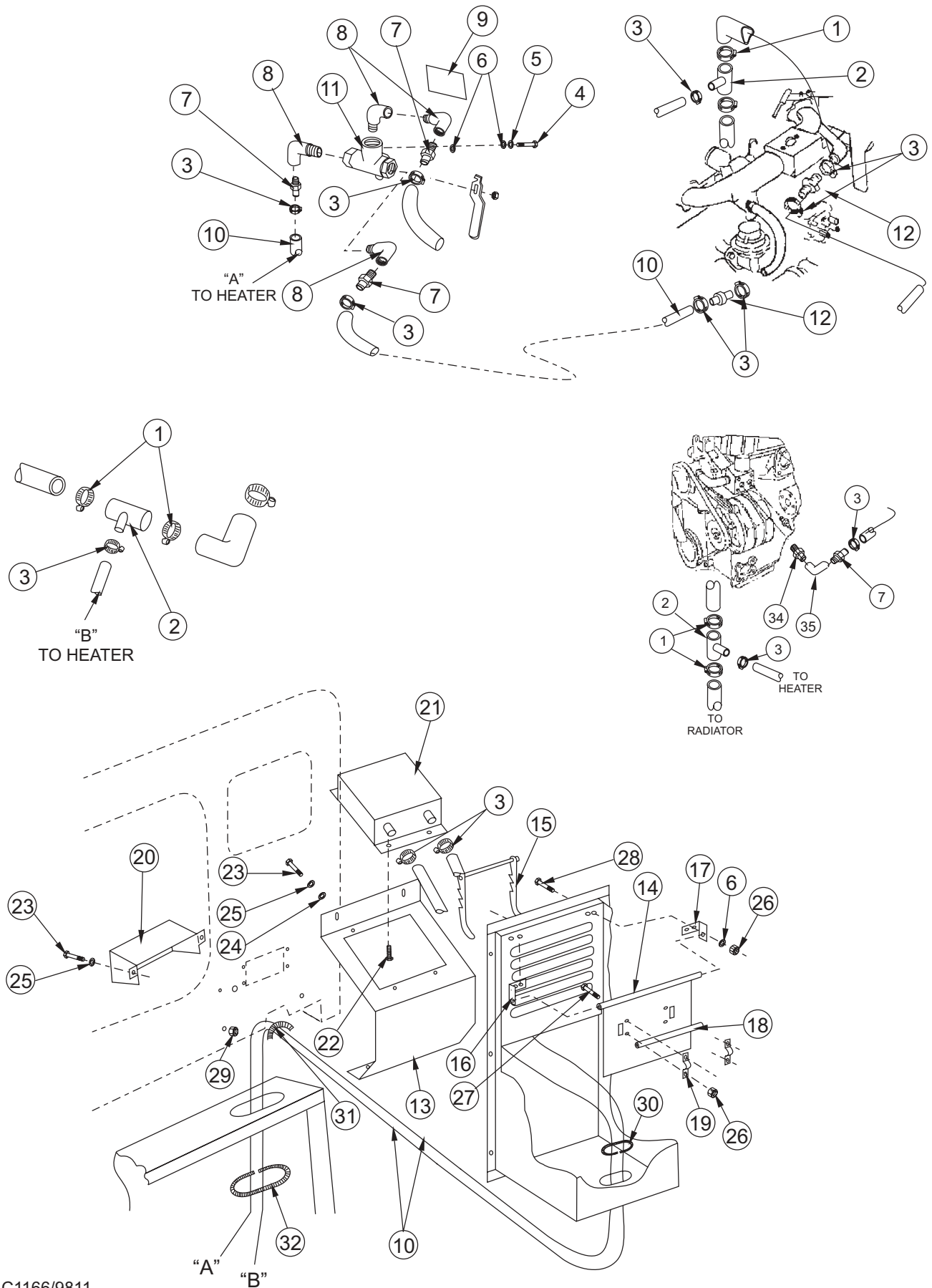
<u>KEY NO.</u>	<u>PART NUMBER</u>	<u>DESCRIPTION</u>	<u>QTY.</u>
1	2-00-03404	Hose Clamp	2
2	8-03-00055	Adapter Fitting	1
3^	2-00-03407	Hose Clamp	10
3*	2-00-03407	Hose Clamp	6
4	2-00-03059	Screw, #10-24 x .38 RHM	2
5	2-00-00519	Lock Washer #10 Med. H.S.	2
6	2-00-00426	Flat Washer, .500 x .219 x .063	8
7	7-25-02040	Fitting 1/2 NPT x 5/8 Hose	3
8^	2-00-04328	Street Elbow 1/2 NPT	4
8*	2-00-04328	Street Elbow 1/2 NPT	3
9	8-18-00331	Decal - Heater	1
10^	3-71-00125	Hose - Heater 5/8 I.D.	25'
10*	3-71-00125	Hose - Heater 5/8 I.D.	20'
11	8-88-00043	Valve	1
12^	2-00-05318	Fitting - Union, Barb 5/8 I.D. Hose	2
13	8-08-00893	Heater Bracket	1
14	8-33-05141	Blower Housing Door	1
15	8-33-05142	Blower Housing Door Handle	1
16	8-32-00052	Hinge (R.H.)	1
17	8-32-00053	Hinge (L.H.)	1
18	8-55-08135	Cab Heater Door Pivot Pin	1
19	8-13-07094	Conduit Clamp	2
20	8-16-07403	Cover	1
21	8-62-01015	Heater Core	1
22	2-00-01994	Screw, TF/RH #8-15 x .75 Type A	4
23	2-00-00220	Screw, 1/4-20 x .62 HHC	6
24	2-00-03702	F.W. - .625 x .281 x .063	4
25	2-00-00518	L.W. - 1/4 HS Medium	6
26	2-00-01246	Nut, Hex Fiber Insert #10-24	8
27	2-00-00006	Screw, #10-24 x .63 FHM	4
28	2-00-00049	Screw, #10-24 x .50 RHM	4
29	2-00-00641	Nut, 1/4-20 Fiber Insert	2
30	8-21-04015	Edging	1
31	8-21-04034	Edging	1
32	8-21-04039	Edging	1
33*	2-00-02474	Pipe Plug, 1/2 NPT	1
34*	2-00-04638	Nipple 3/8 x 1/2 NPT	1
35*	2-00-04616	45° Elbow 1/2 NPT	1

* = USED ON DIESEL MACHINES ONLY

^ = USED ON GAS MACHINES ONLY

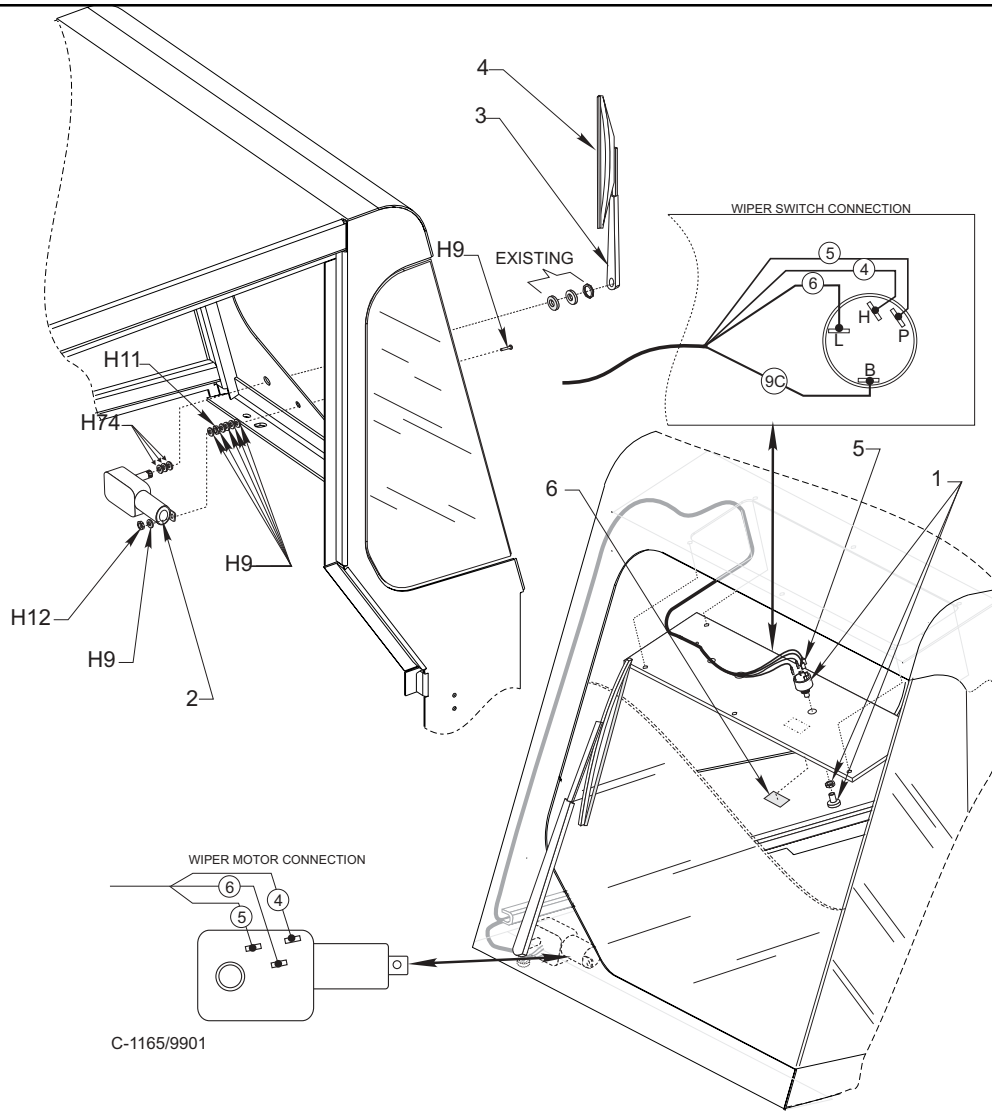
C1166/9901

CAB HEATER OPTION - EXPLODED VIEW



C1166/9811

CAB WINDSHIELD WIPER OPTION



OPTION NO. 0880-614

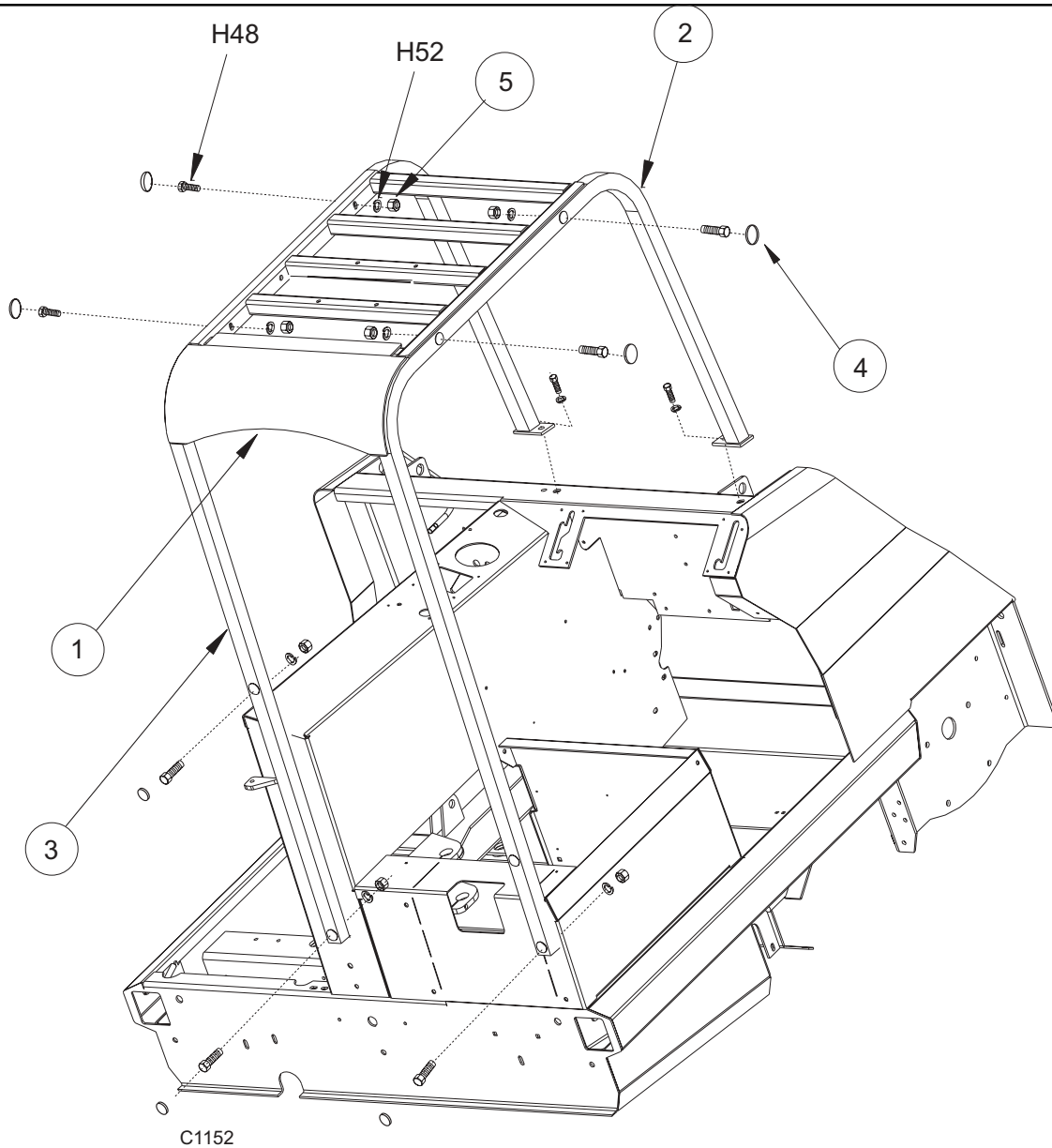
<u>KEY NO.</u>	<u>PART NUMBER</u>	<u>DESCRIPTION</u>	<u>QTY.</u>
1	8-82-00061	Wiper Switch	1
2	0882-056	Wiper Motor	1
3	8-03-04315	Wiper Arm	1
4	8-06-03004	Wiper Blade	1
5	2-00-03418	Terminal, .25 FISO Female	3
6	8-18-00424	Decal, Windshield Wiper	1

HARDWARE USED:

H9	2-00-00426	Flat Washer, .500 x .219 x .063	5
H11	2-00-00605	Nut, Hex MS # 10-24 x .375 x .125	1
H12	2-00-01246	Nut, Hex Fiber Insert # 10-24	1
H74	2-00-03170	Flat Washer, 1.500 x .750 x .125	3

C1165/9901

OVERHEAD GUARD OPTION



OPTION NO. 0880-601

<u>KEY NO.</u>	<u>PART NUMBER</u>	<u>DESCRIPTION</u>	<u>QTY.</u>
1	8-30-05174	Overhead Guard, Top Weld	1
2	8-30-05172	Overhead Guard, Leg Weld R.H.	1
3	8-30-05173	Overhead Guard, Leg Weld L.H.	1
4	2-00-05134	Plug Button	8
5	2-95-04182	Nut, Fiber	8

HARDWARE USED:

H48	2-00-00233	Screw 3/8 - 16 x 1.000 HHC	2
H52	2-00-00402	Flat Washer, .750 X .390 X .094	4
H57	2-00-00240	Screw, 1/2 - 13 x 1.250 HHC	8
H63	2-00-02312	Lock Washer, 1/2 HS Med.	2

C1152-1/9901

STROBE LIGHT WITH OVERHEAD GUARD OPTION - PARTS LIST

OPTION NO. 0880-600 (Amber Strobe)

OPTION NO. 0880-599 (Red Strobe)

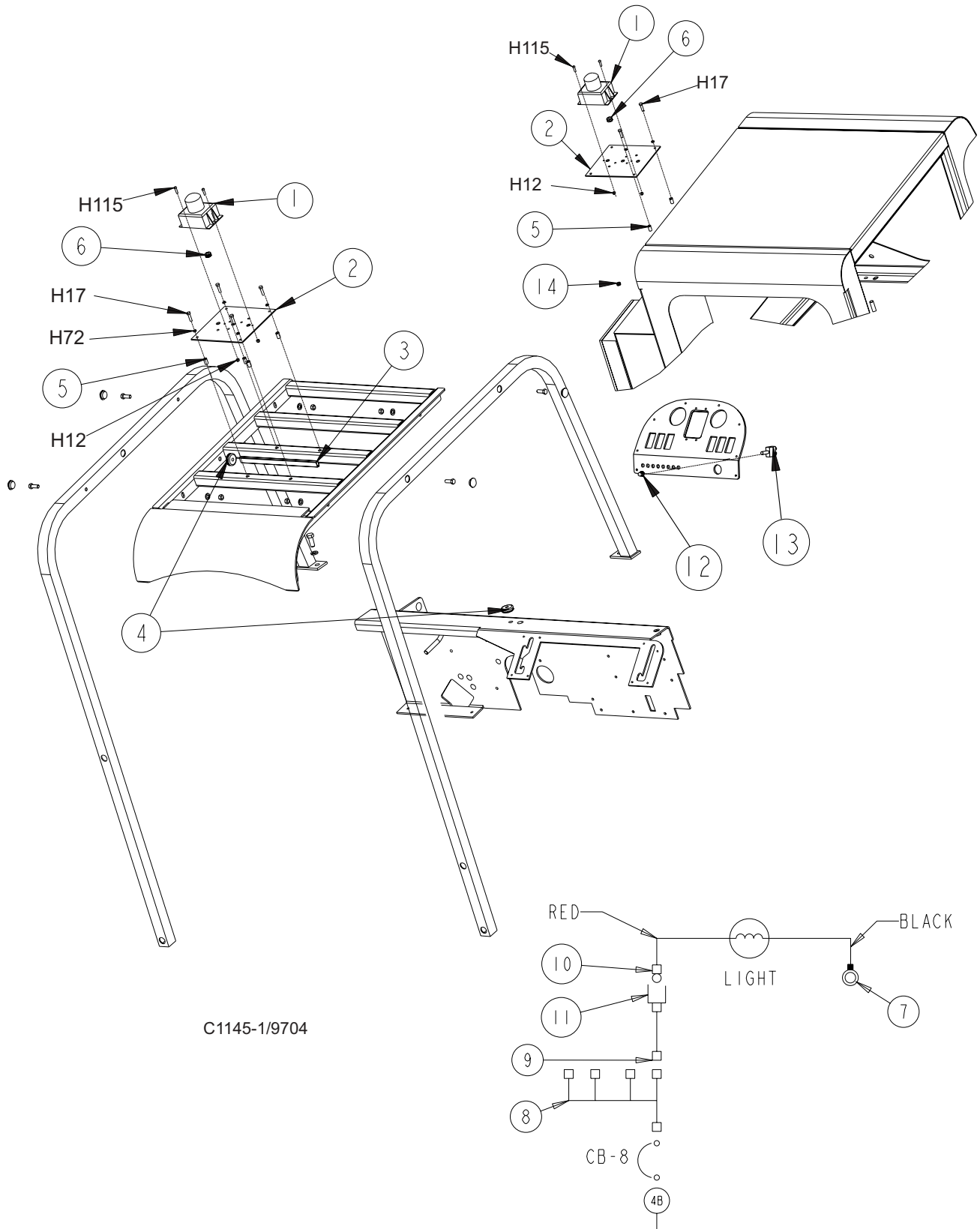
<u>KEY NO.</u>	<u>PART NUMBER</u>	<u>DESCRIPTION</u>	<u>QTY.</u>
1	8-40-05036	Strobe, Amber	1
	8-40-05020	Strobe, Red	1
2	8-58-05228	Panel, Light Support	1
3	8-20-06036	Duct, Wire	1
4	2-00-01915	Grommet	2
5	2-00-05261	Threaded Insert	4
6	2-00-00491	Grommet	1
7	2-00-04281	Terminal	1
8	8-90-07434	Wing Wire	1
9	8-11-00015	Terminal	1
10	2-00-04578	Terminal	2
11	2-00-04626	Terminal	2
12	8-11-00044	Cap, Boot	1
13	8-64-00008	Circuit Breaker, 15 amp	1
14	2-00-04200	Grommet	1

HARDWARE USED:

H12	2-00-01246	Nut, Hex Fiber Insert #10-24	4
H17	2-00-00205	Screw, 1/4-20 x 1.000 HHC	6
H72	2-00-00518	Lock Washer, Helical Spring	4
H115	2-00-03063	Screw, #10-24 x .750 THM	4

C1145/9901

STROBE LIGHT WITH OVERHEAD GUARD OPTION - EXPLODED VIEW



STROBE LIGHT WITHOUT OVERHEAD GUARD OPTION - PARTS LIST

OPTION NO. 0880-598 (Amber Strobe)

OPTION NO. 0880-597 (Red Strobe)

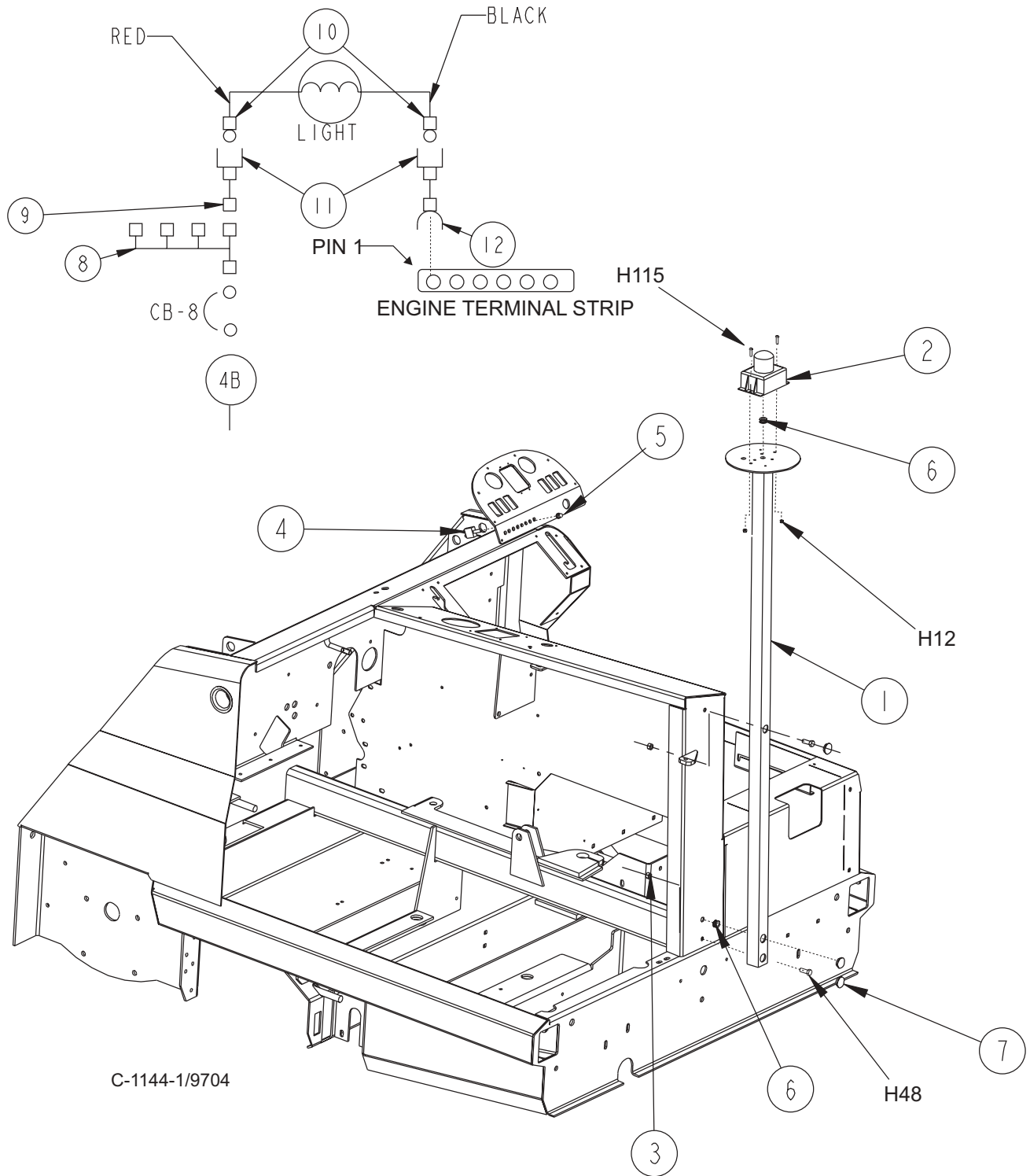
<u>KEY NO.</u>	<u>PART NUMBER</u>	<u>DESCRIPTION</u>	<u>QTY.</u>
1	8-81-00173	Light Pole	1
2	8-40-05036	Strobe, Amber	1
	8-40-05020	Strobe, Red	1
3	2-95-04182	Nut, Elastic Stop	2
4	8-64-00008	Circuit Breaker, 15 amp	1
5	8-11-00044	Cap, Instrument Panel Boot	1
6	2-00-00491	Grommet	2
7	2-00-05134	Plug Button	3
8	8-90-07434	Wing Wire	1
9	8-11-00015	Terminal	1
10	2-00-04578	Terminal	2
11	2-00-04626	Terminal	2
12	2-00-04742	Terminal	1

HARDWARE USED:

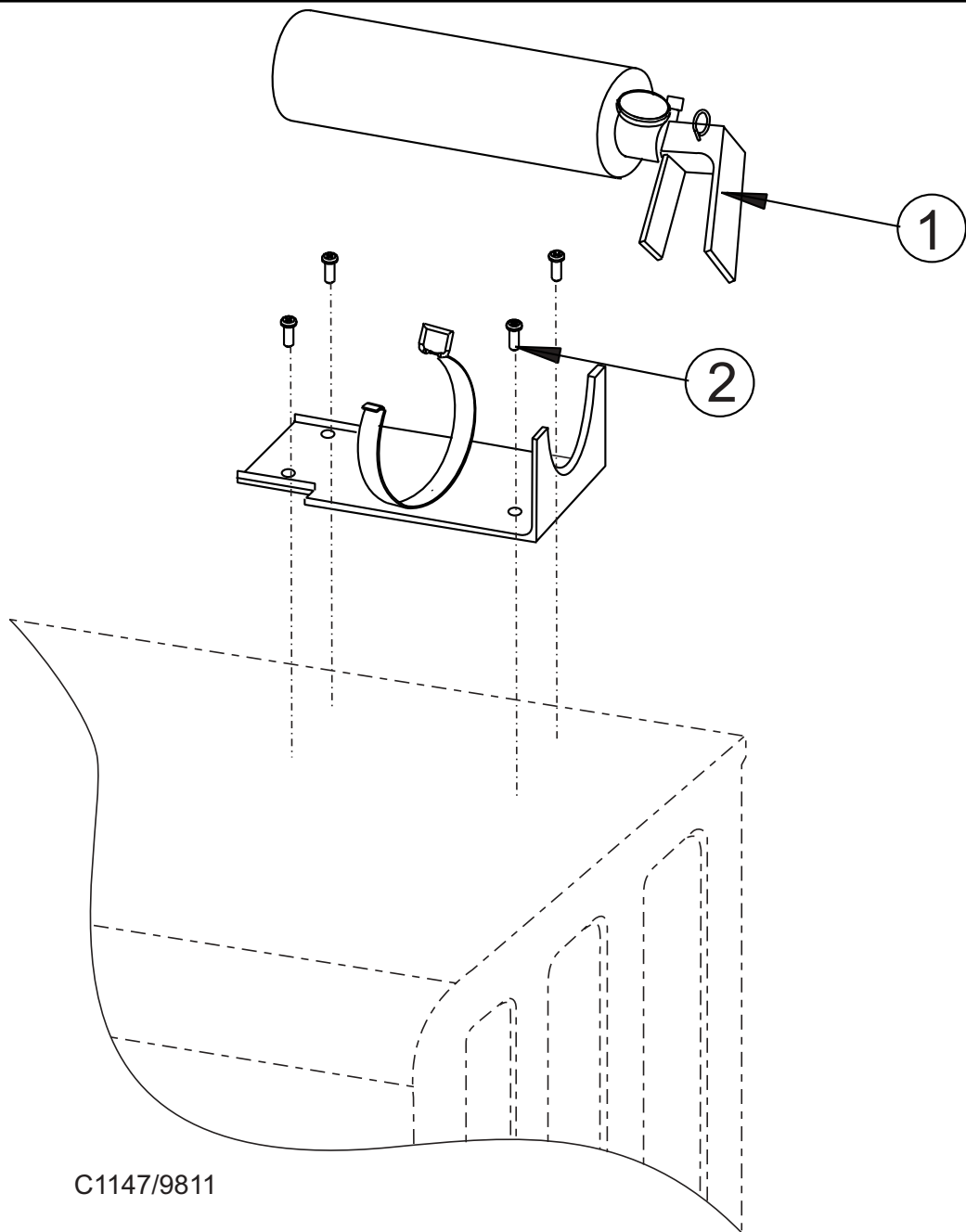
H12	2-00-01246	Nut, Hex Fiber Insert #10-24	2
H48	2-00-00233	Screw 3/8 - 16 x 1.000 HHC	2
H115	2-00-03063	Screw, #10-24 x .750 THM	2

C1144/9901

STROBE LIGHT WITHOUT OVERHEAD GUARD OPTION - EXPLODED VIEW



FIRE EXTINGUISHER OPTION

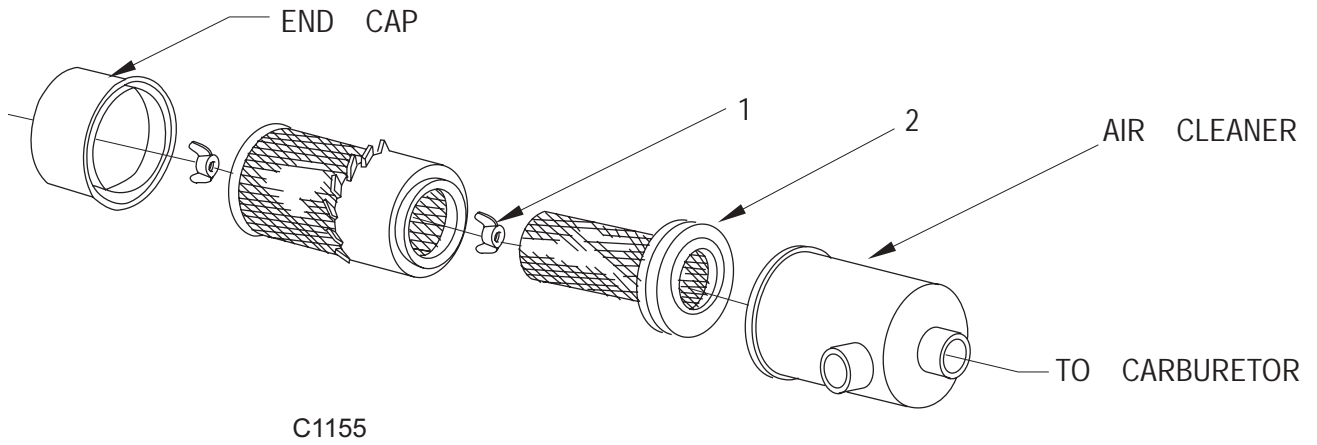


OPTION NO. 0880-609

KEY NO.	PART NUMBER	DESCRIPTION	QTY.
<u>1</u>	<u>8-83-04033</u>	<u>Fire Extinguisher</u>	<u>1</u>
<u>2</u>	<u>2-95-01998</u>	<u>Screw, #14-10 x .750 T/F R.H.</u>	<u>2</u>

C1147/9901

HEAVY DUTY AIR CLEANER OPTION



OPTION NO. 0880-369

<u>KEY NO.</u>	<u>PART NUMBER</u>	<u>DESCRIPTION</u>	<u>QTY.</u>
1	8-23-03064	Wing Nut Assembly	1
2	8-24-04111	Filter Element	1

C1155/9901

PULSE AIR OPTION - PARTS LIST

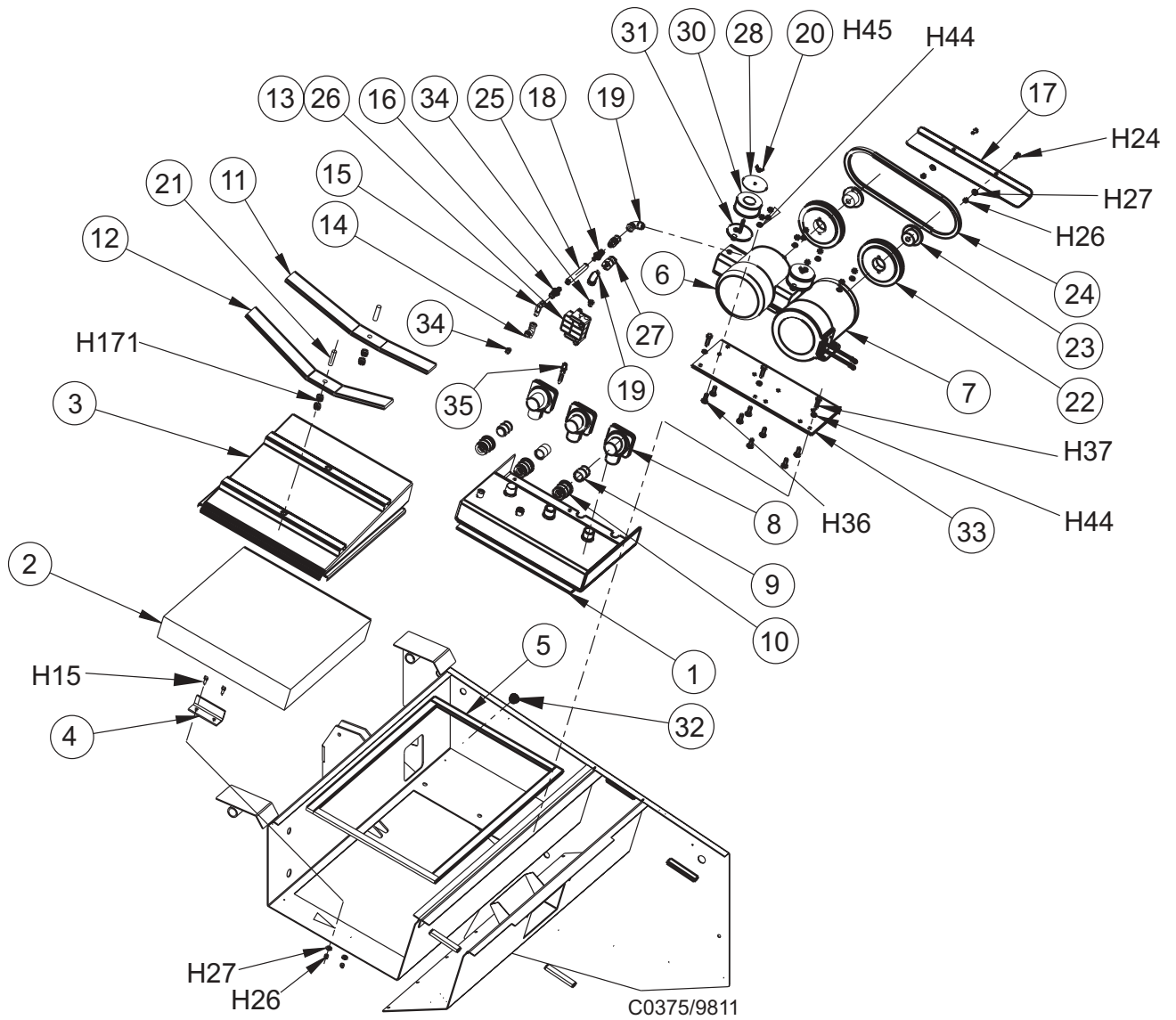
**OPTION NO. 0880-637 (GAS & LP MACHINES)
 OPTION NO. 0880-667 (DIESEL MACHINES)
 SHT 1 OF 3**

<u>KEY NO.</u>	<u>PART NUMBER</u>	<u>DESCRIPTION</u>	<u>QTY.</u>
1	8-48-00020	Manifold (Weldment)	1
2	8-24-04154	Filter	1
3	8-20-06040	Filter Duct (Weldment)	1
4	8-78-05024	Stop	1
5	3-73-00050	Gasket, (4pcs)	6'
6	0890-006	Compressor	1
7	0782-091	Motor	1
8	8-88-00061	Valve - Pilot Operated	3
9	8-56-05080	Fitting - 1" NPT Close Nipple	3
10	2-00-03859	Fitting - Reducer 1 - 3/4" NPT	3
11	8-13-07149	Clamp - Filter Duct (LH)	1
12	8-13-07150	Clamp - Filter Duct (RH)	1
13	8-88-00062	Valve	3
14	2-00-04515	Fitting - Tee (1/4 STR)	1
15	2-00-04477	Fitting - 90 ELL	1
16	2-00-04856	Fitting	2
17	8-16-07408	Cover, V-Belt	1
18	2-00-04499	Fitting	1
19	8-56-05061	Fitting - 90 STR EL	2
20	2-00-02407	Nut-Wing ¼ - 20 Flat Type	2
21	8-80-05045	Stud	2
22	8-60-00165	Pulley	2
23	8-60-00171	Bushing	2
24	2-00-01062	Belt	1
25	8-33-02335	Hose - Compressor to Manifold	1
26	8-58-05787	End Plate Assy	1
27	8-82-00063	Pressure Switch	1
28	8-33-05147	Housing-Filter Cover	2
29	8-03-03007	Alternator - 12V - 94 Amp	1
30	8-24-04157	Filter	2
31	8-33-05145	Weldment-Filter Base	2
32	8-09-01082	Bushing	1
33	8-58-05786	Plate, Comp Mtg.	1
34	2-00-02471	Plug, 1/4 NPT	2
35	8-25-02037	Fitting	1

HARDWARE USED:

H15	2-00-00221	Screw, 1/4-20 x .750 HHC	2
H24	2-00-00220	Screw, 1/4-20 x .625 HHC	2
H26	2-00-00641	Nut, 1/4-20 Insert Fiber	4
H27	2-00-03702	Washer, .625 x .281 x .063	4
H36	2-00-00196	Carriage Bolt, 5/16-18 x 1.000	8
H37	2-00-00207	Screw, 5/16-18 x 1.250 HHC	3
H44	2-00-00530	Lock Washer, 5/16 HS Med.	11
H45	2-00-00585	Nut, Hex. 5/16-18 x .500 x .265	8
H171	2-00-02371	Nut, Hex Jam .50-13 STL.	4

PULSE AIR OPTION - EXPLODED VIEW



PULSE AIR OPTION - PARTS LIST (cont.)

**OPTION NO. 0880-637 (GAS & LP MACHINES)
OPTION NO. 0880-667 (DIESEL MACHINES)
SHT 2 OF 3**

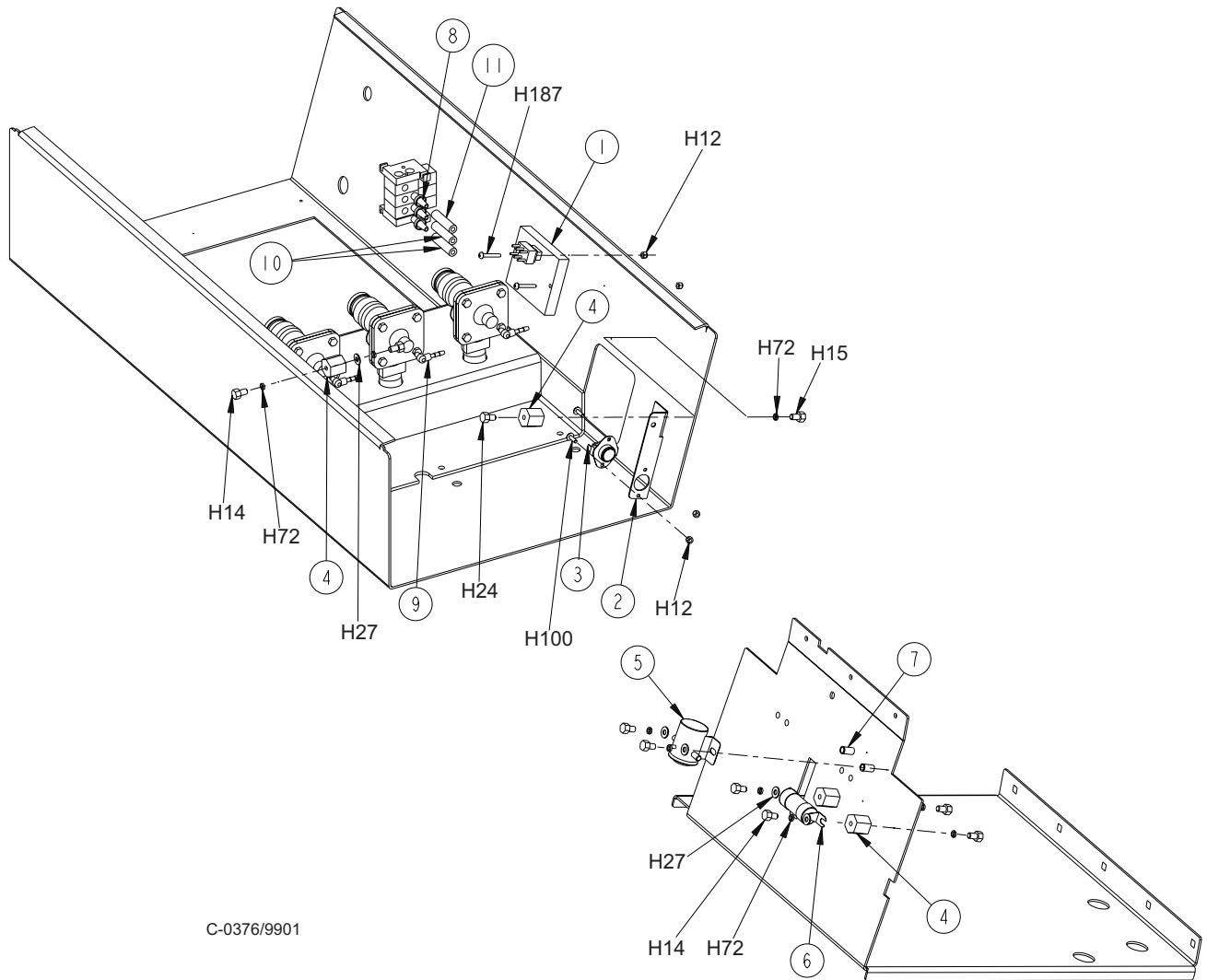
<u>KEY NO.</u>	<u>PART NUMBER</u>	<u>DESCRIPTION</u>	<u>QTY.</u>
1	8-64-00016	Relay	1
2	8-08-00859	Bracket - Temp SW	1
3	8-82-00056	SW - Temp	Ref.
4	8-35-00021	Isolator	4
5	7-74-00002	Solenoid	1
6	7-28-00002	Fuse - 80 Amp	1
7	2-00-05261	1/4 - 20 THD Insert	2
8	2-00-04518	Fitting - 1/8 NPT Straight	3
9	2-00-04787	Fitting - 1/8 NPT Ell	3
10	3-71-00082	Hose (12" Lg.)	2
11	3-71-00082	Hose (6" Lg.)	1

HARDWARE USED:

H12	2-00-01246	Nut, Hex Fiber Insert #10-24	4
H14	2-00-00219	Screw, 1/4-20 x .500 HHC	14
H15	2-00-00221	Screw, 1/4-20 x .750 HHC	1
H24	2-00-00220	Screw, 1/4 - 20 X .625 HHC	2
H27	2-00-03702	Washer, .625 x .281 x .063	9
H72	2-00-00518	Lock Washer, Helical Spring	17
H100	2-00-03062	Screw, #10-24 x .625 THM	2
H187	2-00-00071	Screw, #10-24 x 1.250 RHM	2

C-0376/9901

PULSE AIR OPTION - EXPLODED VIEW (cont.)



PULSE AIR ELECTRICAL ASSEMBLY - PARTS LIST

OPTION NO. 0880-637 (GAS & LP MACHINES)
OPTION NO. 0880-667 (DIESEL MACHINES)
SHT 3 OF 3

<u>KEY NO.</u>	<u>PART NUMBER</u>	<u>DESCRIPTION</u>	<u>QTY.</u>
1*	0895-092	Harness Assy - Wire	1
2*	2-00-04440	Terminal, .25	1
3	2-00-04738	Terminal, .38 Ring	3
4	2-00-04659	Terminal, .25 Ring	5
5	2-00-04284	Terminal, .31 Ring	2
6	3-61-00021	Wire 6 Awg. Black	15'
7	3-61-00144	Wire 14 Awg. Black	10'
8	2-00-03418	Terminal, .25 FISO	2
9	2-00-04584	Terminal, .156 Female Bullet	4
10	2-00-04578	Terminal, .156 Male Bullet	6
11	8-28-05020	Fuse, 5 Amp ATC	1
12	2-00-04479	Terminal, 3-Way	1
13	2-00-04657	Terminal, .31 Ring	2
14	3-61-00189	Wire 16 Awg. Black	5'
15*	2-00-04281	Terminal, # 10 Ring	1
16	0875-121	Resistor Assembly	1
17	2-00-04345	Tye Raps	10
18	7-32-03019	In-Line Fuse Holder	1
19	2-00-01862	Terminal, .25 Ring	3
20	2-00-04626	Terminal, .156 Male Bullet	2

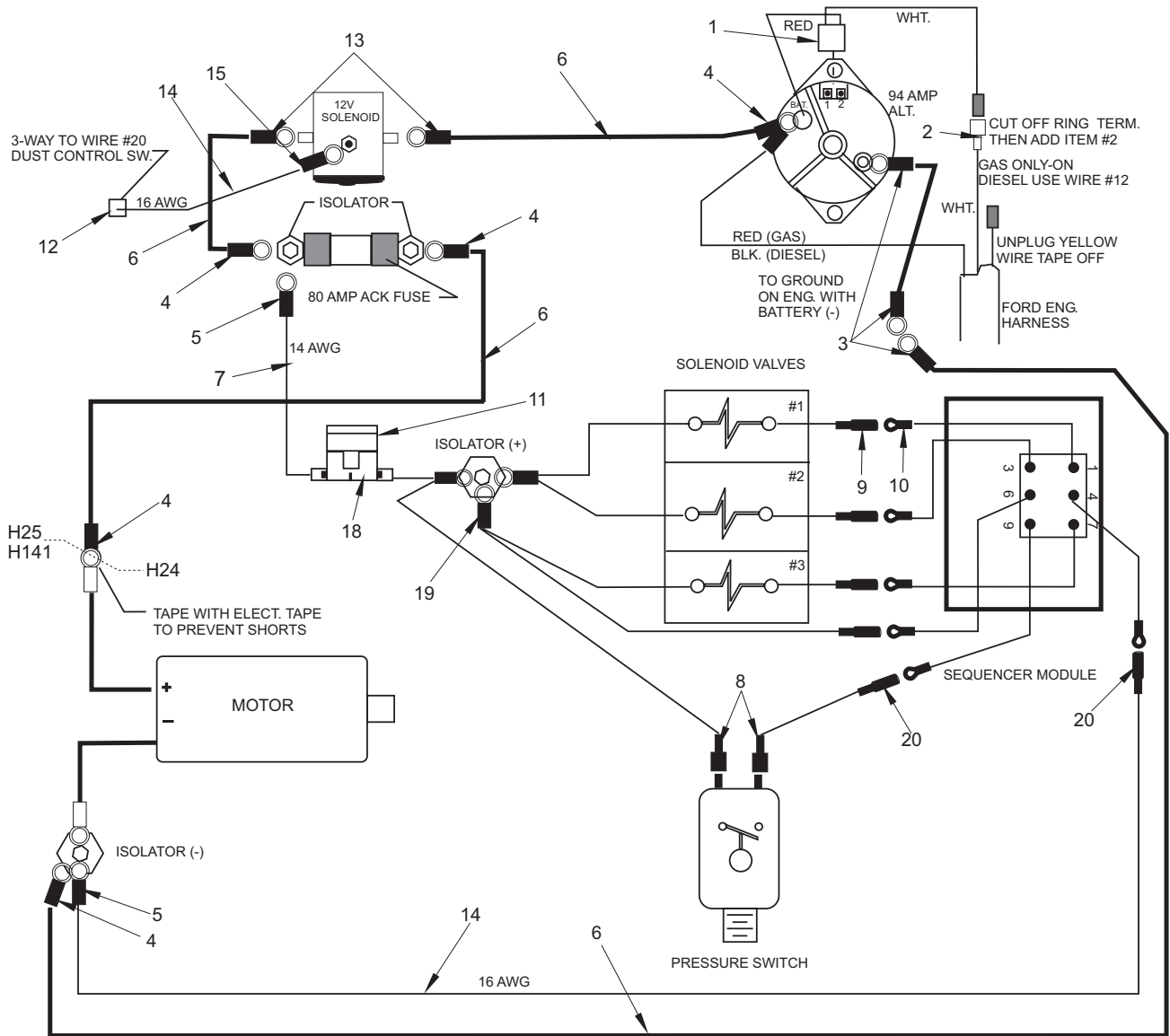
HARDWARE USED:

H24	2-00-00220	Screw, 1/4-20 x .625 HHC	1
H25	2-00-00594	Nut, Hex 1/4-20 x .437 x .218	1
H141	2-00-00501	Lock Washer, Int.	1

*Used on Gas Machines Only

C-0377/9901

PULSE AIR ELECTRICAL ASSEMBLY - EXPLODED VIEW



C-0377/9510

LITTER VAC OPTION - PARTS LIST

OPTION 0880-713 SHT. 1 OF 3

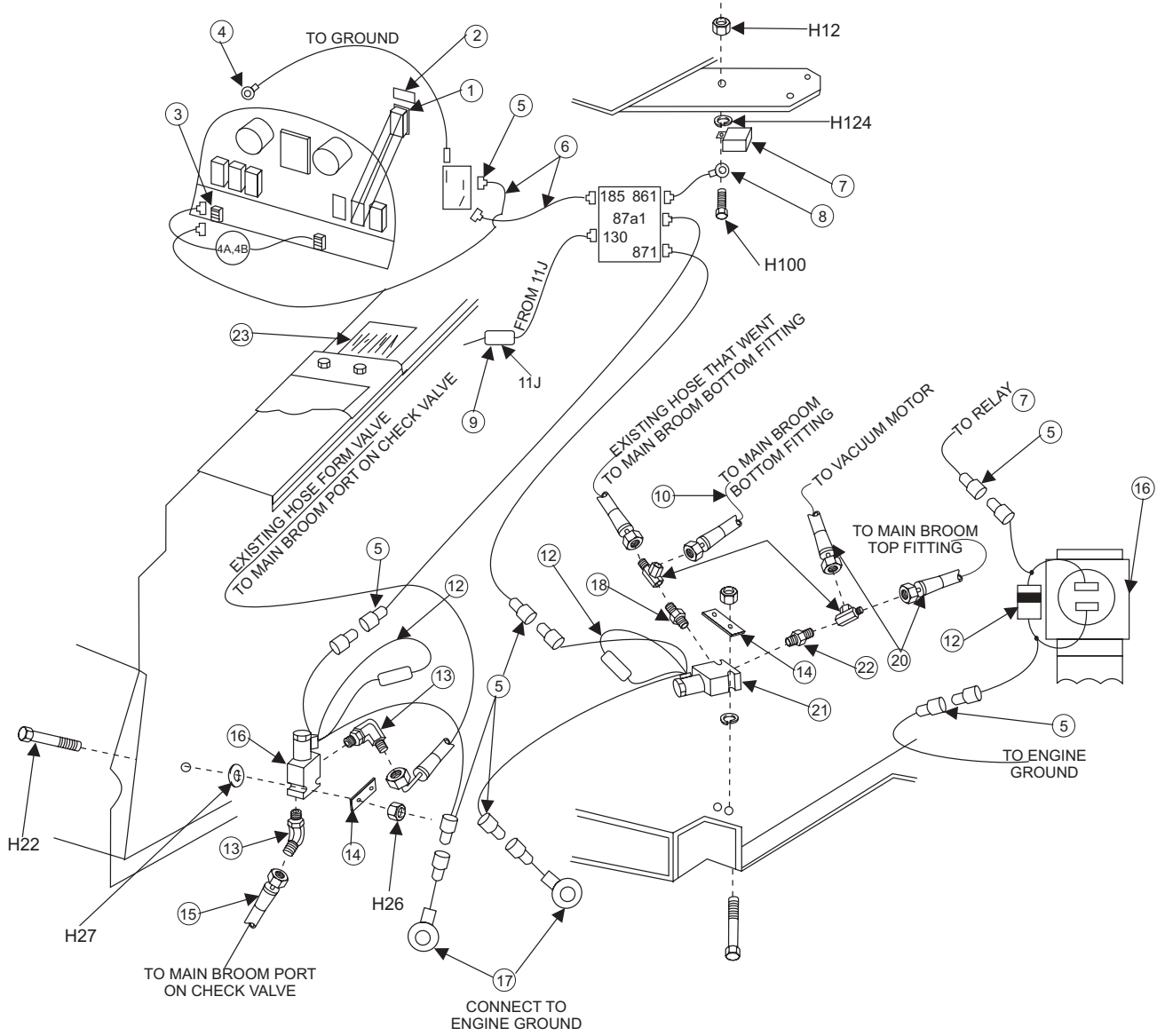
<u>KEY NO.</u>	<u>PART NUMBER</u>	<u>DESCRIPTION</u>	<u>QTY.</u>
1	8-82-00068	Switch 2 Position On-Off & Light	1
2	8-18-00445	Decal-LitterVac	1
3	8-64-00008	Circuit Breaker-15 Amp.	1
4	2-00-04742	Terminal, #6 Spring Spade	1
5	2-00-03418	Terminal, .25 FISO	13
6	3-61-00189	Wire, Black 16 AWG	11'
7	8-64-05009	Relay	1
8	2-00-00833	Terminal- #10 Ring	1
9	2-00-04479	Splice, 3-Way	1
10	8-33-02326	Hose, #8 ORS 0-0 34.5	1
11			
12	0875-117	Diode Assembly	2
13	2-00-04926	Fitting, 90° SAE 6 x ORS 4	2
14	8-08-00590	Bracket- Valve Mount	2
15	7-33-02189	Hose, #4 ORS 0-90° 26.00"	1
16	8-88-00044	Valve	1
17	2-00-05048	Terminal- Ring	2
18	2-00-04885	Fitting 90° SAE 8 x ORS 8	1
19	2-00-04928	Run Tee ORS 8 x 8 x 8	2
20	8-33-02214	Hose, #8 ORS 0-0 29.00"	2
21	8-88-00042	Valve	1
22	2-00-04970	Fitting, Strt. SAE 8 x ORS 8	1
23	8-18-00444	Decal- LitterVac Instructions	1

HARDWARE USED:

H12	2-00-01246	Nut, Hex Fiber Insert #10-24	1
H22	2-00-02589	Screw, 1/4-20 x 2.000HHC	4
H26	2-00-00641	Nut, 1/4-20 Insert Fiber	4
H27	2-00-03702	Washer, .625 x .281 x .063	8
H100	2-00-03062	Screw, #10-24 x .625 THM	1
H124	2-00-02296	Lock Washer, #10 Ext. Shakeproof	1

C1441/9901

LITTER VAC OPTION - EXPLODED VIEW



C-1441/9709

LITTER VAC OPTION - PARTS LIST (cont.)

OPTION 0880-713 SHT. 2 OF 3

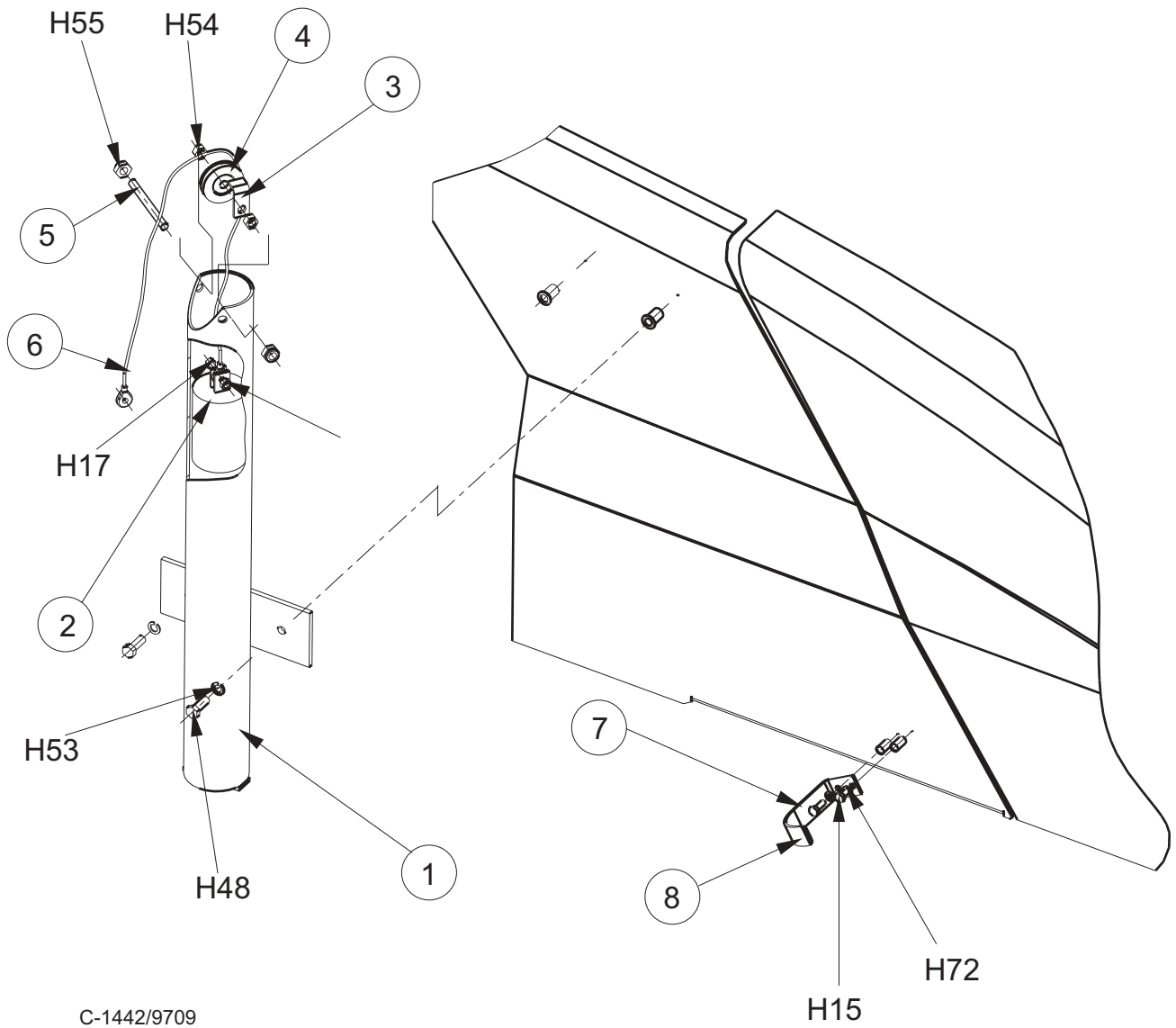
<u>KEY NO.</u>	<u>PART NUMBER</u>	<u>DESCRIPTION</u>	<u>QTY.</u>
1	8-81-00180	Support-Litter Vac Hose	1
2	8-89-04020	Counter Weight	1
3	7-13-07130	Cable Retainer	1
4	7-60-00160	Pulley	1
5	8-80-05047	Threaded Rod, 3/8-16	1
6	8-10-00036	Cable	1
7	8-08-00881	Bracket- Vac. Wand	1
8	7-31-06065	Edging	1

HARDWARE USED:

H15	2-00-00221	Screw, 1/4-20 x .750 HHC	2
H17	2-00-00205	Screw, 1/4-20 x 1.000 HHC	1
H26	2-00-00641	Nut, 1/4-20 Insert Fiber	1
H48	2-00-00233	Screw, 3/8-16 x 1.000 HHC	2
H53	2-00-02310	Lock Washer, HS, 3/8-16 x 1.000	2
H54	2-00-02360	Nut, 3/8-16 Hex.	2
H55	2-00-00643	Nut, 3/8-16 Stop	2
H72	2-00-00518	Lock Washer, Helical Spring	2

c1442/9901

LITTER VAC OPTION - EXPLODED VIEW (cont.)



C-1442/9709

LITTER VAC OPTION - PARTS LIST (cont.)

**OPTION 0880-713
SHT. 3 OF 3**

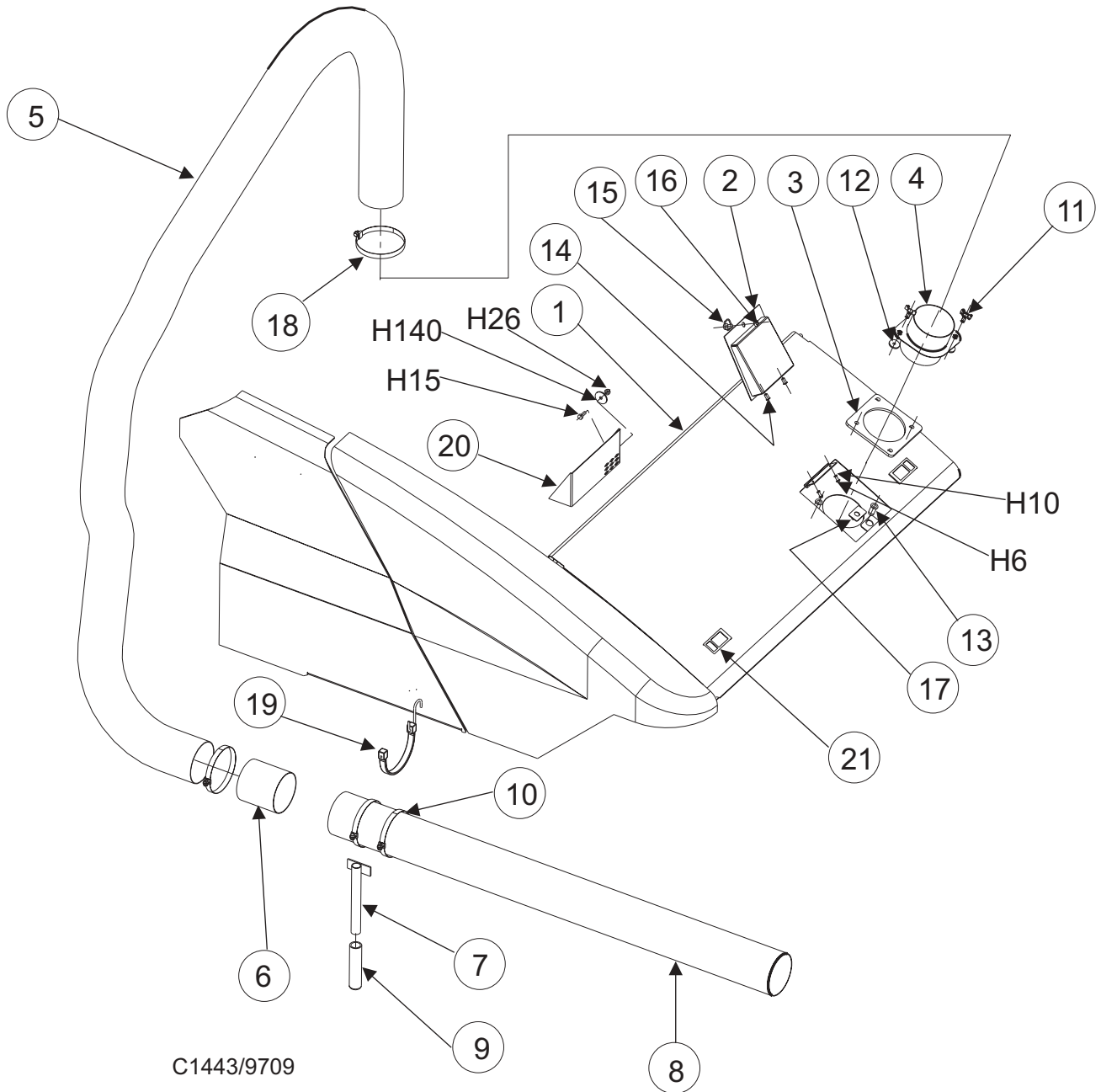
<u>KEY NO.</u>	<u>PART NUMBER</u>	<u>DESCRIPTION</u>	<u>QTY.</u>
1	8-16-07400	Cover	1
2	8-16-07404	Cover	1
3	8-29-00281	Gasket	1
4	8-87-02117	Hose Connector	1
5	8-33-02359	Hose	1
6	8-87-02119	Interconnect	1
7	8-08-00883	Handle	1
8	8-87-02118	Wand Tube (Plastic)	1
9	2-95-03355	Handle-Grip	1
10	2-00-03959	Clamp-Hose	2
11	2-00-04066	Wing Screw-5/16-18	2
12	2-14-03197	Washer-Rubber	2
13	2-00-05330	Insert-5/16-18	2
14	2-00-05262	Insert- #10-24	2
15	7-23-03113	Fastener, QTR Turn	1
16	7-23-03107	Grommet	1
17	7-23-03108	Clip	1
18	8-13-07171	Bridge Clamp	2
19	8-79-00128	Strap-Bungee	1
20	8-30-05180	Guard	1
21	8-41-00040	Latch	2
22		Print of 0880-715	1

HARDWARE USED:

H6	2-00-00049	Screw #10-24 x .500 RHM	2
H10	2-00-00519	Lock Washer, #10 Med. HS	2
H15	2-00-00221	Screw, 1/4-20 x .750 HHC	2
H26	2-00-00641	Nut, 1/4-20 Fiber Insert	2
H140	2-00-00447	Flatwasher, 1.250 x .280 x .090	2

c1443/9901

LITTER VAC OPTION - EXPLODED VIEW (cont.)



C1443/9709

LP FORD 411 ENGINE OPTION - PARTS LIST

OPTION NO. 0880-707SHT 3

<u>KEY NO.</u>	<u>PART NUMBER</u>	<u>DESCRIPTION</u>	<u>QTY.</u>
1	8-83-04016	LP Tank	1
2	8-41-00055	Bracket, LP Tank	1
3	8-08-00813	Bracket, LP Tank	1
4	8-30-05171	Guard, LP Tank Weld	1
5	8-43-05005	Locate Pin, LP Tank	1
6	2-95-04182	Nut, Fiber	4
7	2-00-05281	Plug Button	1
8	2-00-05283	Plug Button	1
9	8-08-00895	Bracket	1
	8-11-04023 MPV60 Ford 411 LP Kit		1

HARDWARE USED:

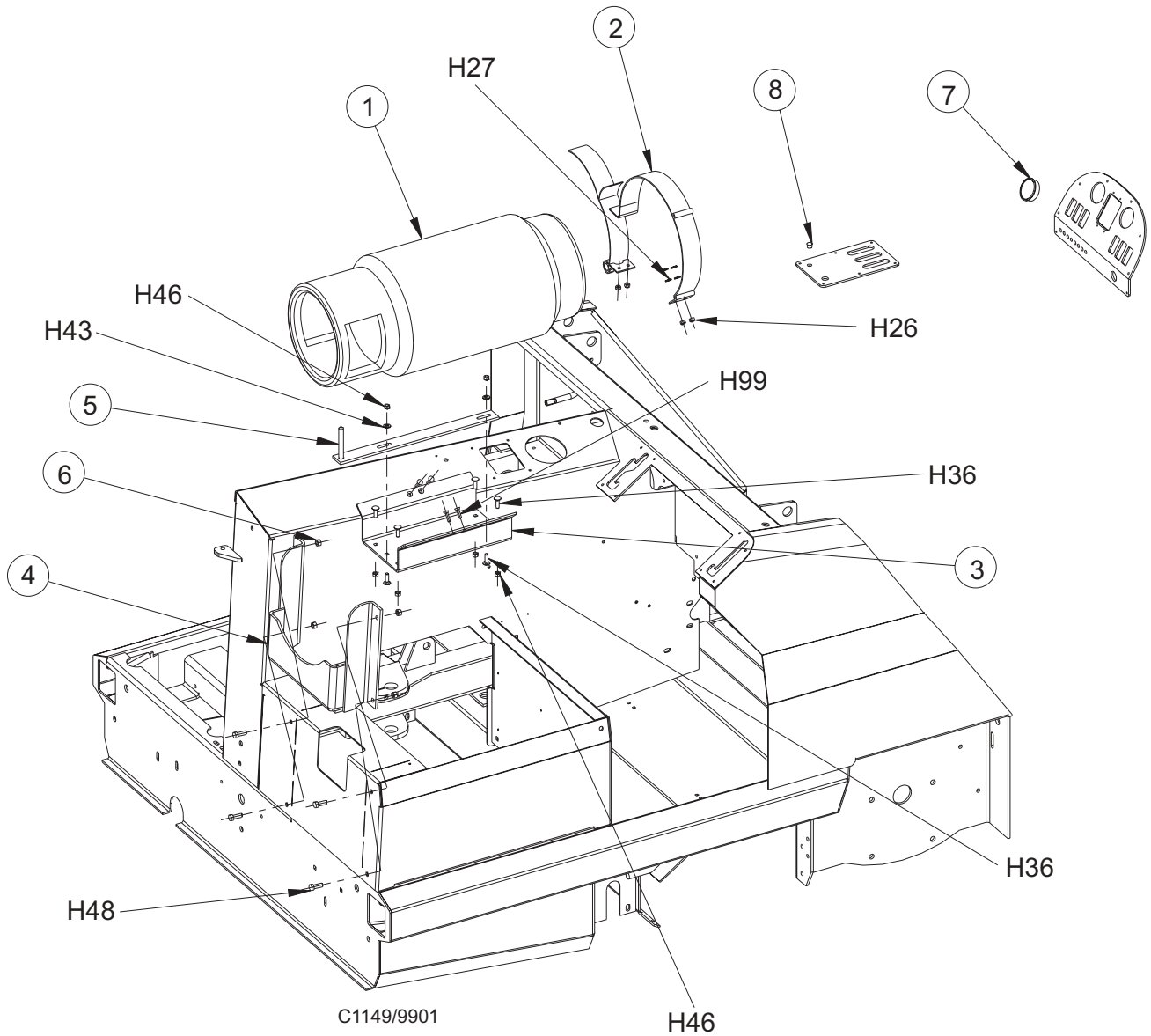
H26	2-00-00641	Nut, 1/4-20 Insert Fiber	4
H27	2-00-03702	Washer, .625 x .281 x .063	4
H36	2-00-00196	Carriage Bolt 5/16-18 x 1.000	6
H43	2-00-00409	Flat Washer, .687 x .344 x .062	2
H46	2-00-00644	Nut, 5/16-18, Insert Fiber	6
H48	2-00-00233	Screw, 3/8-16 x 1.000 HHC	4
H99	2-00-02810	Screw, 1/4-20 x 1.000 FHM	4

LP SERVICE PARTS:

	2-60-02292	Hose, LP Gas (Liquid) 94.00 Lg.	1
	2-60-02293	Regulator	1
	2-60-02294	Vacuum Fuelock Filter	1

C1149/9901

LP FORD 411 ENGINE OPTION - EXPLODED VIEW



LP REGULATOR & CARBURETOR OPTION - PARTS LIST

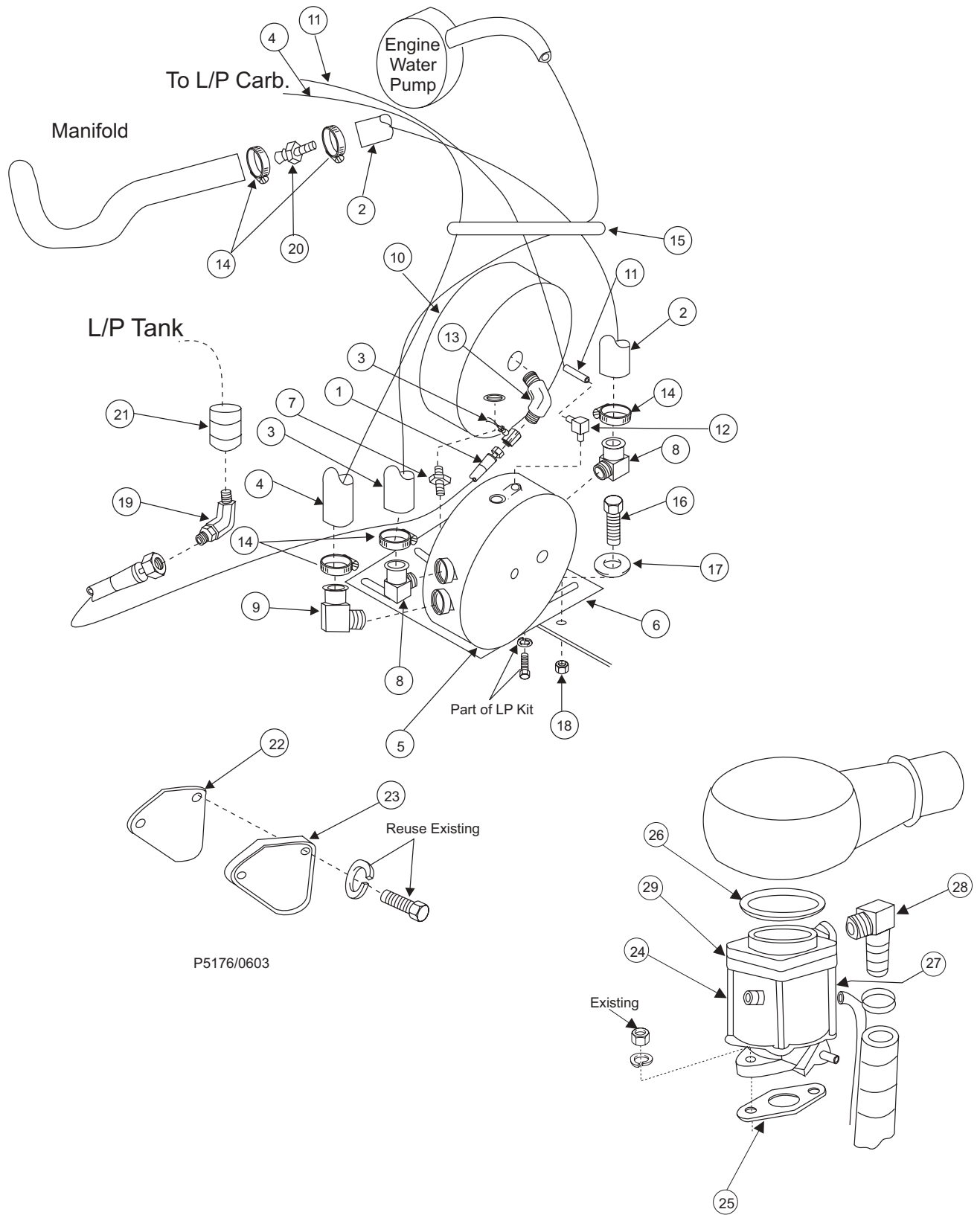
OPTION No. 0880-707 SHT 1

<u>KEY NO.</u>	<u>PART NUMBER</u>	<u>DESCRIPTION</u>	<u>QTY.</u>
1*	2-60-02292	Hose-LP-Gas (Liq) 94.00 (N30-3001-43)	1
2*		Hose-Water 19.25 (N8-1002)	1
3	7-11-04036	Kit, Low LP Switch	1
4*		Hose-Dry Gas 27.00	1
5*	2-60-02293	Regulator-Nolff N-JB (N00-0004)	1
6*		Bracket-Regulator/Fuel lock Assembly (N5-0287)	1
7*		Fitting- ¼ x ¼ Hex. N PT Nipple (N21109)	1
8*		Fitting- 3/8 NPT x 5/8 Hose 90° (N2-1306)	2
9*		Fitting- ½ NPT x 5/8 Hose 90° (N2-0021)	1
10*	2-60-02294	Vac. Fuellock Fil. (N00-0125)	1
11*		Hose-7/32 Vacuum 25.00 (N8-0007)	1
12*		Fitting- 1/8 NPT x 7/32- Hose 90° (N2-1019)	1
14*	2-00-03407	Clamp- Hose ½ to 7/8 (N3-0008)	5
15*		Ty-Wrap 15.00 (N3-0025)	1
16	2-00-00207	Screw- 5/16-18 x .750 HHC	2
17	2-00-00409	Washer-Flat-5/16 ID	2
18	2-00-00644	Nut- 5/16-18 Fibre	2
19*		¼ NPT x 3/8 Flare 45° Elbow (N2-1105)	1
20*		Hose Connector 5/8 (N2-0046)	2
21*		Female Connector 7141F (N3-0042-1)	1
22*		Gasket- Fuel Pump Cover Plate (N3-0020)	1
23*		Fuel Pump Cover Plate (N3-0019)	1
24		Carburetor CA-55 (N1-0405)	1
25		Gasket- Manifold (N00-5208)	1
26		Gasket- Intake (N00-5201)	1
27*		Fitting- #10-32 x ¼ Hose (N1-5101)	1
28		Fitting 3/8 NPT x 5/8 Hose (N2-0020)	1
29		Special Cut Air Horn Adapter (N00-4067)	1

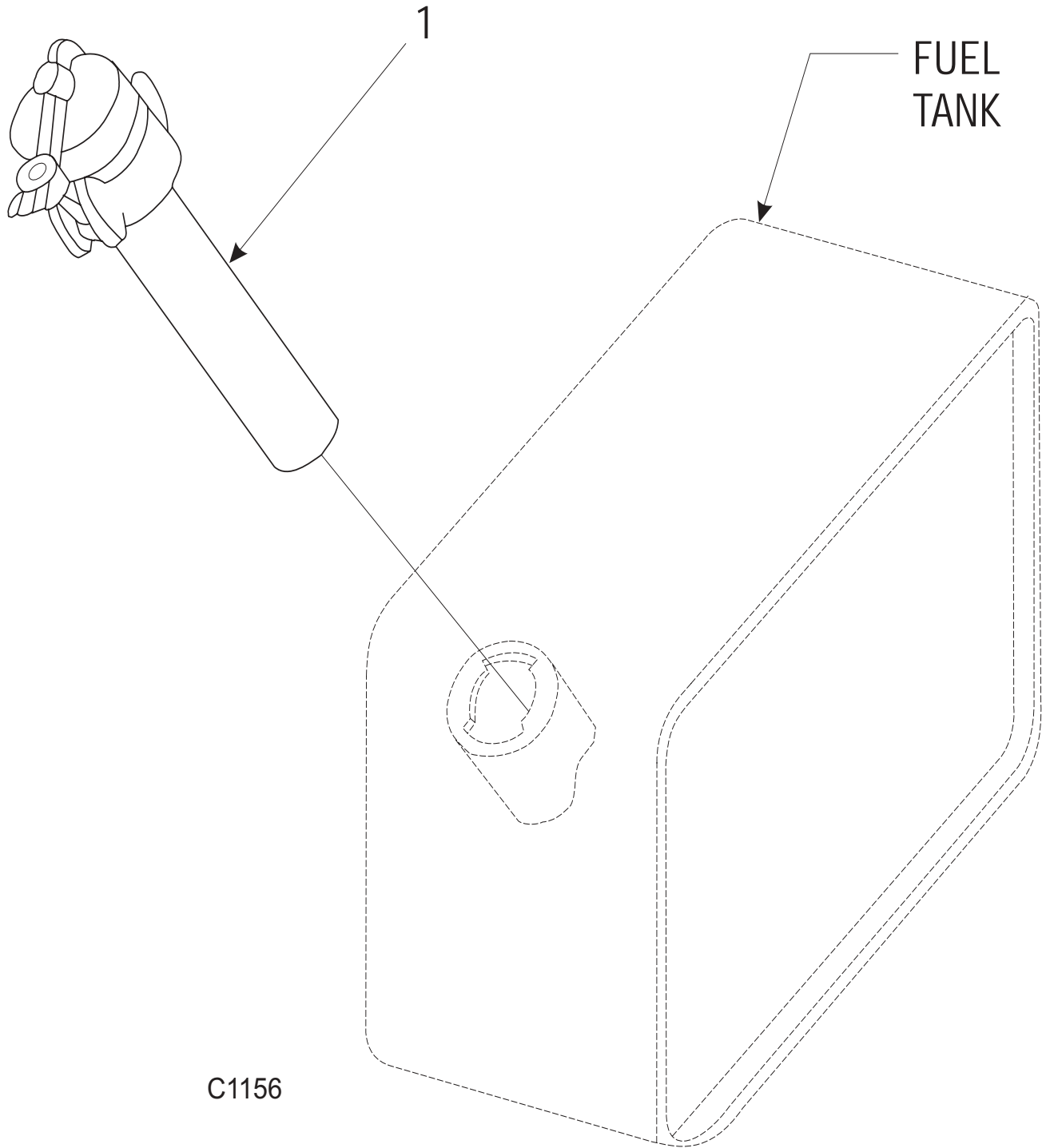
*Items contained in 8-11-04029 LP Kit (MPV 60 Ford 411/413)

P5176/0603

LP REGULATOR & CARBURETOR OPTION - EXPLODED VIEW



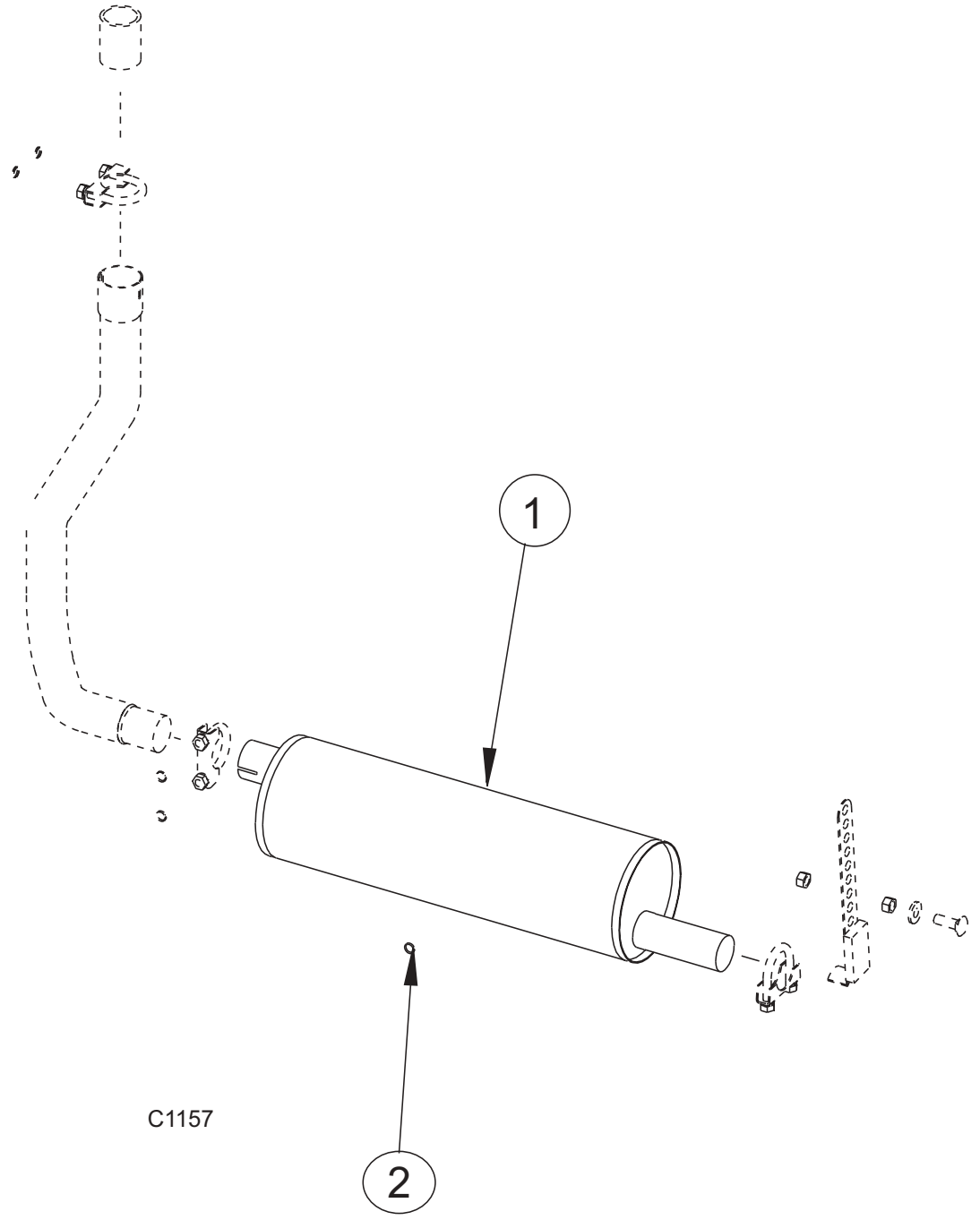
PROTOTECTOSEAL GAS CAP OPTION



<u>KEY NO.</u>	<u>PART NUMBER</u>	<u>DESCRIPTION</u>	<u>QTY.</u>
1	8-11-00024	Protoseal Gas Cap	1

C1156

PURIFIED MUFFLER OPTION

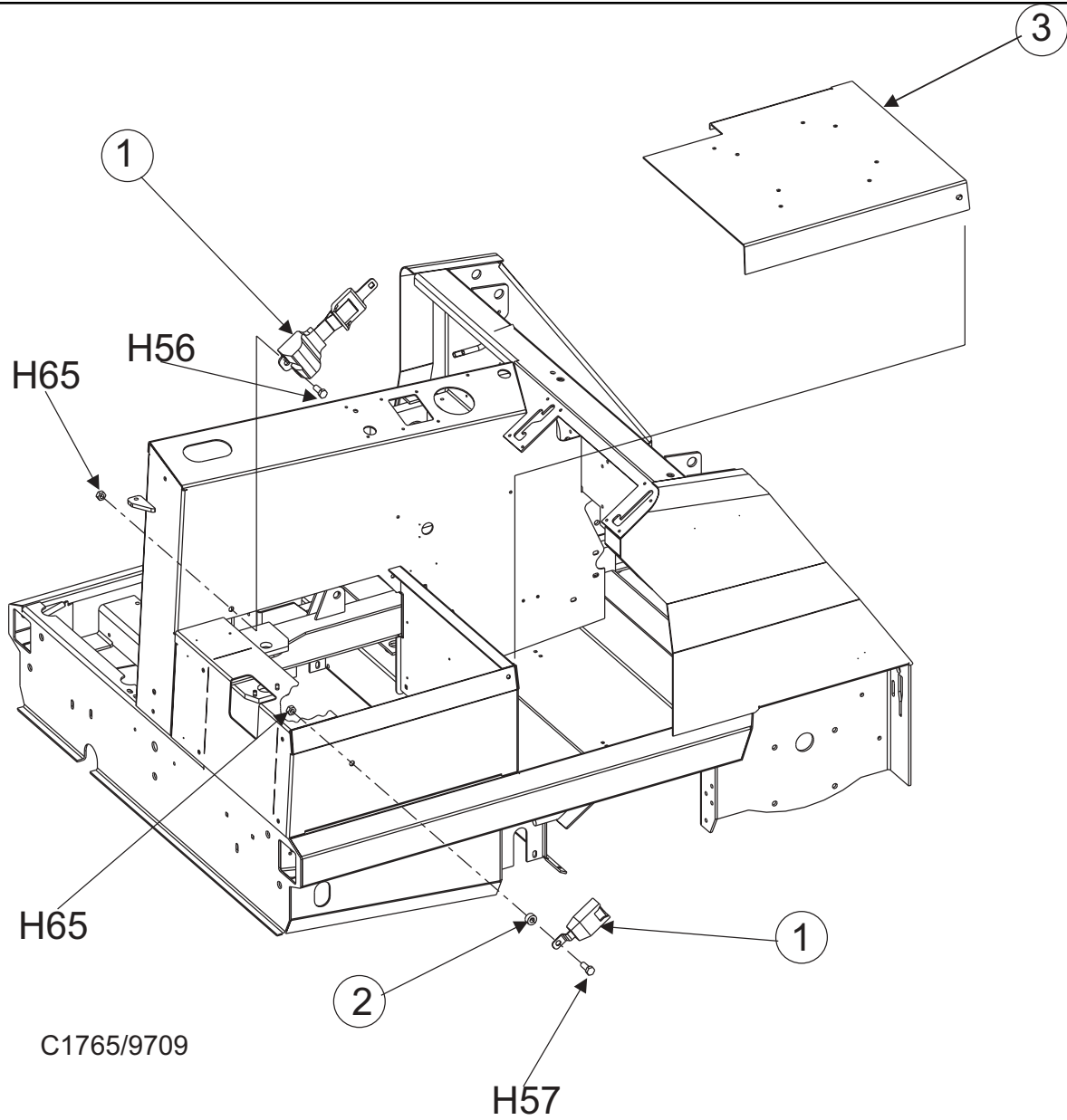


OPTION NO. 0780-146

<u>KEY NO.</u>	<u>PART NUMBER</u>	<u>DESCRIPTION</u>	<u>QTY.</u>
1	7-49-00032	Purifier Muffler	1
2	2-00-02476	Plug, 1/8 NPT	1

C1157

RETRACTABLE SEATBELT OPTION



OPTION NO. 0880-722

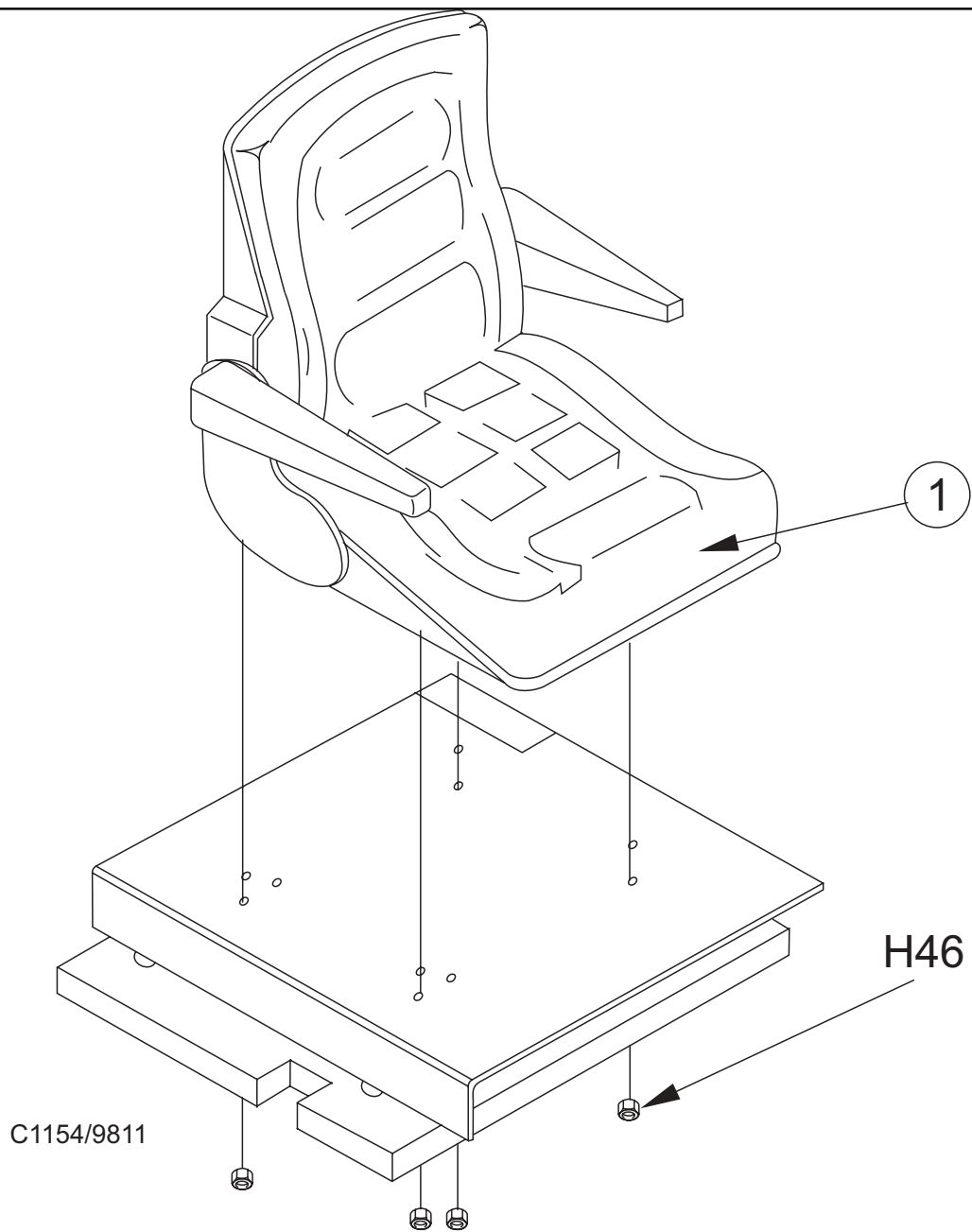
<u>KEY NO.</u>	<u>PART NUMBER</u>	<u>DESCRIPTION</u>	<u>QTY.</u>
1	2-00-05391	Retractable Seatbelt	1
2	2-00-03589	Set Collar	1
3	8-16-07348	Seat Deck, Weldment	Ref.

HARDWARE USED:

H56	2-00-00239	Screw, 1/2 -13 x 1.000 HHC	1
H57	2-00-00240	Screw, 1/2 -13 x 1.250 HHC	1
H65	2-00-04936	Nut, 1/2 -13 Fibre Lock	2

C1765/9901

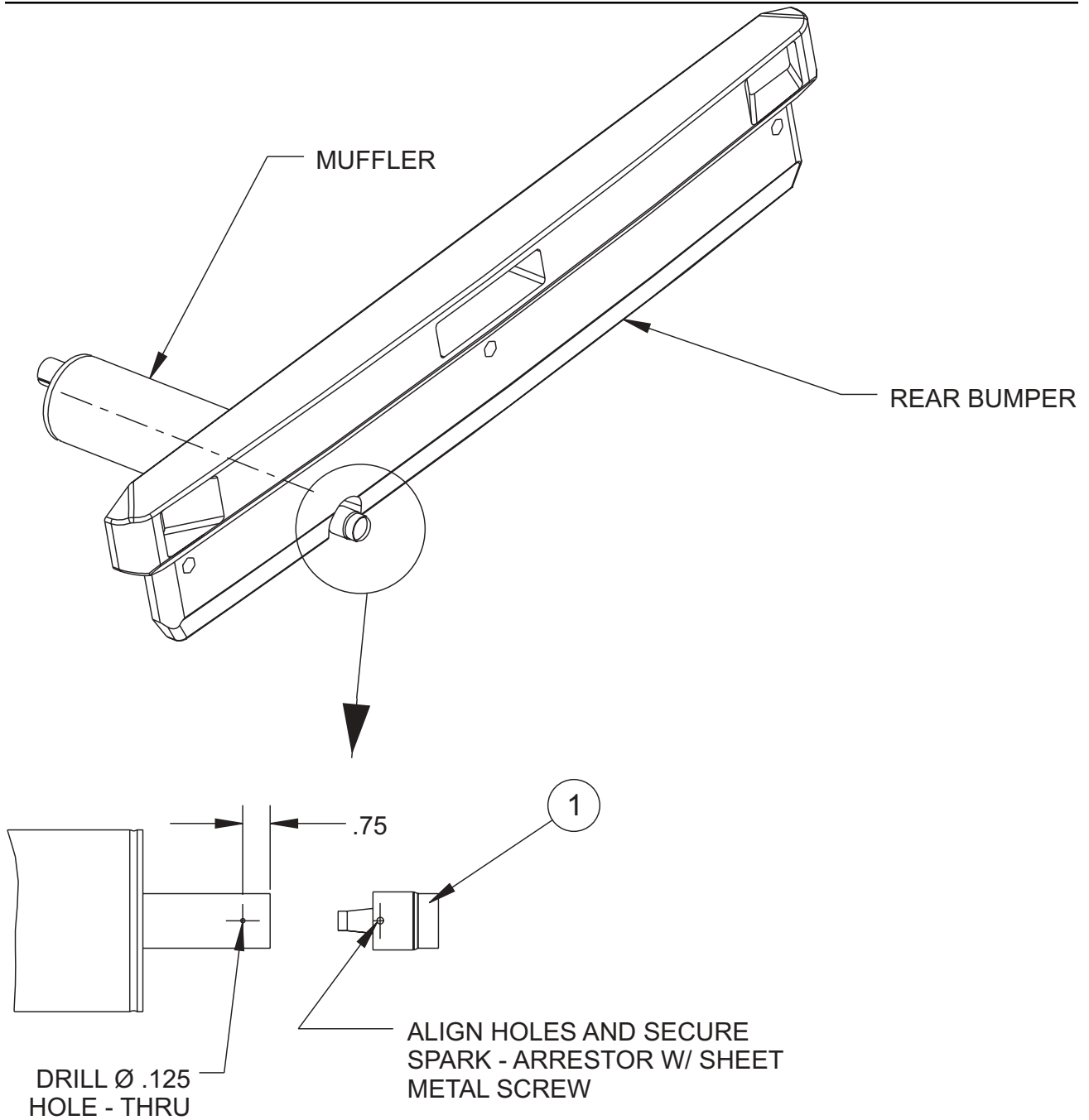
SUSPENSION SEAT OPTION



OPTION NO. 0880-734

<u>KEY NO.</u>	<u>PART NUMBER</u>	<u>DESCRIPTION</u>	<u>QTY.</u>
1	8-69-00019	Seat - Suspension	1
HARDWARE USED:			
H46	2-00-00644	Nut, 5/16-18, Insert Fiber	4
C1154/9901			

SPARK ARRESTOR OPTION

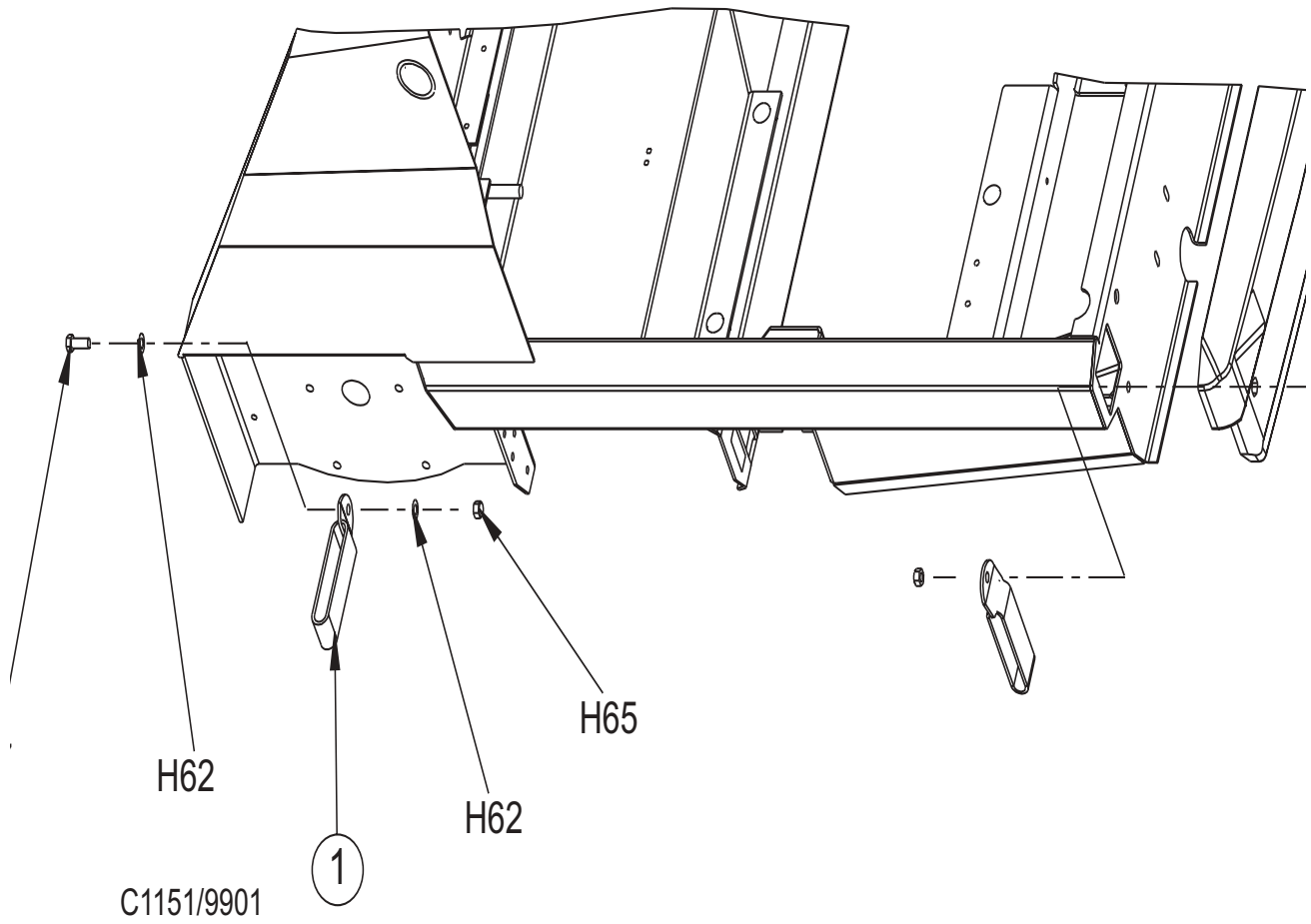


C1146

OPTION NO. 0880-608

KEY NO.	PART NUMBER	DESCRIPTION	QTY.
1	8-81-05001	Spark Arrestor	1

C1146/9901



OPTION NO. 0880-618

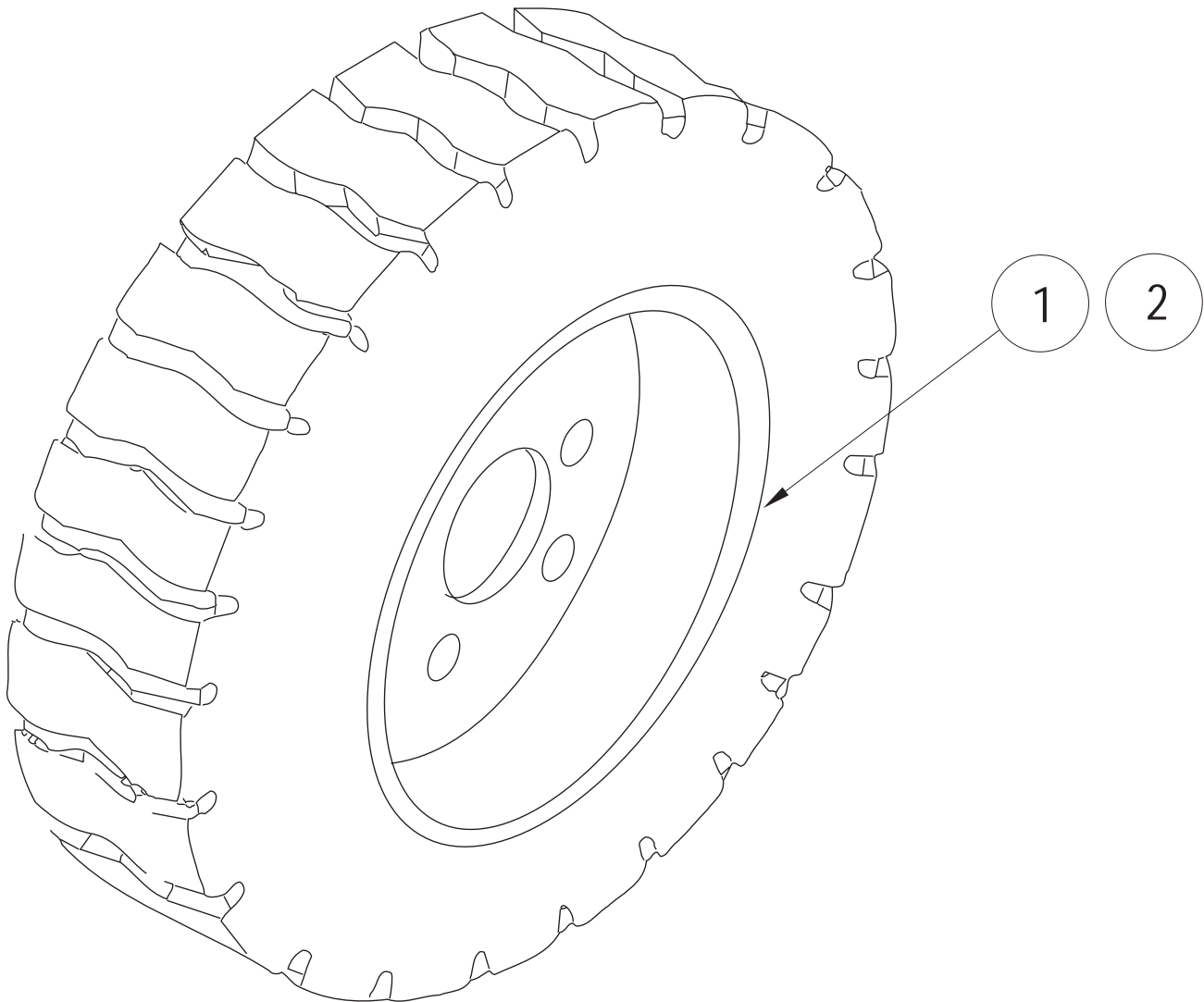
<u>KEY NO.</u>	<u>PART NUMBER</u>	<u>DESCRIPTION</u>	<u>QTY.</u>
1	8-79-00125	Tie Down Strap	4

HARDWARE USED:

H57	2-00-00240	Screw, 1/2 - 13 x 1.250 HHC	1
H62	2-00-00405	Flat Washer, 1.063 x .531 x .094	2
H65	2-00-04936	Nut, 1/2-13 Fiber Lock	1

C1151/9901

FRONT SOLID CUSHION TIRE OPTION

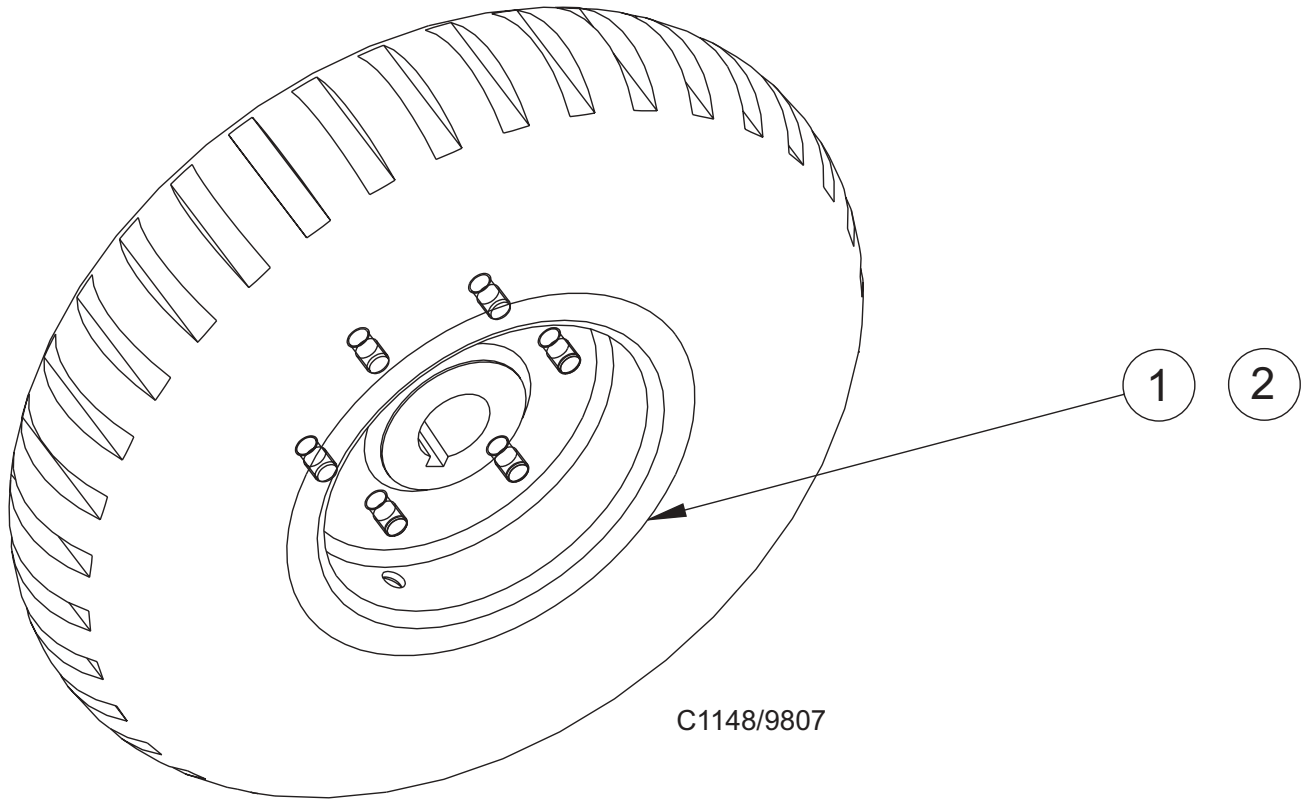


OPTION NO. 0880-610-1

<u>KEY NO.</u>	<u>PART NUMBER</u>	<u>DESCRIPTION</u>	<u>QTY.</u>
1	8-89-08071	Wheel Assembly, Soft Shoe Demountable	2
2	8-85-06018	Tire, Soft Shoe	REF.

C1153/9901

REAR SOLID CUSHION TIRE OPTION



OPTION NO. 0880-610

<u>KEY NO.</u>	<u>PART NUMBER</u>	<u>DESCRIPTION</u>	<u>QTY.</u>
1	8-89-08070	Wheel Assembly, Soft Shoe Demountable	1
2	8-85-06018	Tire - 5.00 x 8 Soft Shoe	REF.

C1148/9901

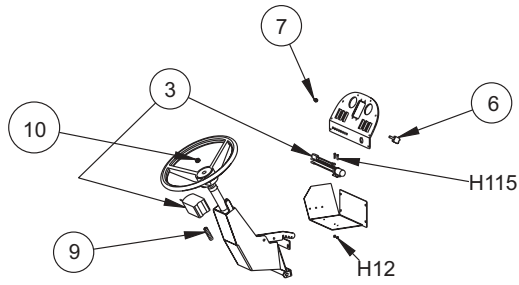
TURN SIGNAL OPTION - PARTS LIST

OPTION NO. 0880-596

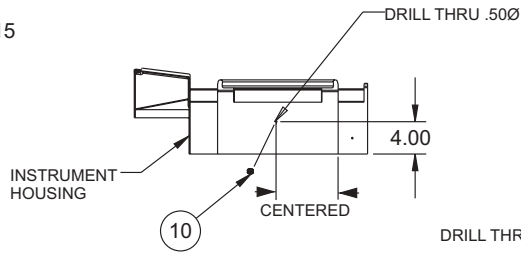
<u>KEY NO.</u>	<u>PART NUMBER</u>	<u>DESCRIPTION</u>	<u>QTY.</u>
1	8-08-00884	Bracket, Light	2
2	8-40-05046	Turn Light	2
	2-00-05291	Bulb, Turn Signal, Front (Service Part)	REF.
	8-41-03012	Lens, Turn Signal, Front (Service Part)	REF.
3	8-82-00025	Turn Signal Switch	1
4	8-20-06037	Duct Wire	2
5	8-41-03009	Lens, Turn Signal	2
	2-00-05292	Bulb, Turn Signal, Rear (Service Part)	REF.
6	8-64-00008	Circuit Breaker	1
7	8-11-00044	Cap, Instrument Panel Boot	1
8	2-00-00828	Ring Terminal	REF.
9	3-61-02014	Convolute Tube	5'
10	2-00-00491	Grommet	2
11	2-00-05261	Insert - ¼ - 20	4
12	8-90-07434	Wing Wire	1
13	8-11-00015	Terminal	1
14	2-00-04626	Terminal	6
15	2-00-04578	Terminal	6
16	2-00-04479	Connector	2
17	2-00-00828	Ring Terminal	2
HARDWARE USED:			
H8	2-00-00039	Screw, 10-24 x 1.000 RHM	4
H12	2-00-01246	Nut, Hex Fiber Insert #10-24	6
H15	2-00-00221	Screw, 1/4-20 x .750 HHC	4
H72	2-00-00518	Lock Washer, Helical Spring	4
H115	2-00-03063	Screw, #10-24 x .750 THM	2
H124	2-00-02296	Lock Washer, #10 Ext. Shakeproof	2

C1143a/9901

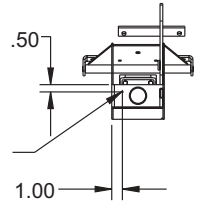
TURN SIGNAL OPTION - EXPLODED VIEW



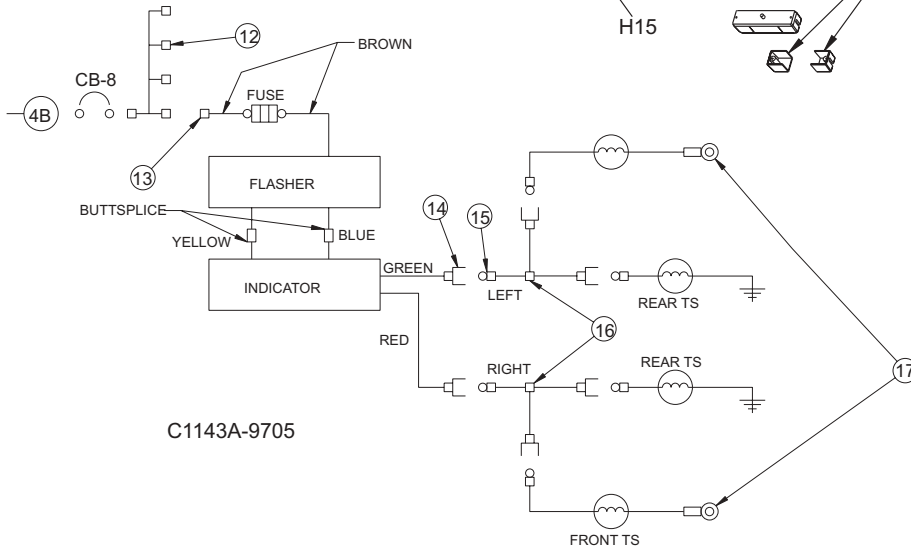
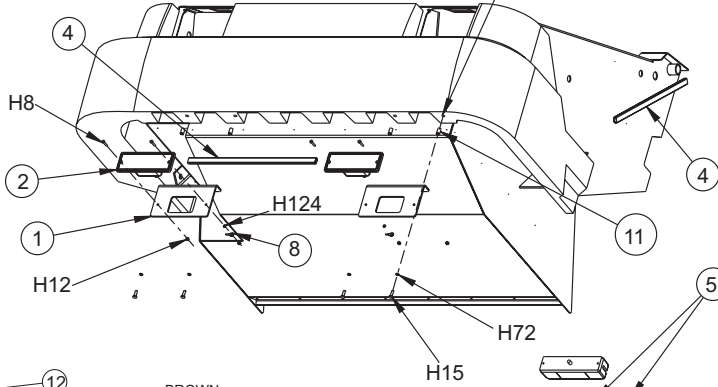
NOTE: SECURE WIRES TO COLUMN WITH TY-RAPS AS REQUIRED



DRILL THRU .50Ø



NOTE: POSITION LIGHT BRKTS AT SIDE EDGES OF HOPPER AND AGAINST BUMPER TO LOCATE HOLES 1.00" IN FROM FRONT EDGE OF BUMPER DRILL (4) Ø .390 HOLES THRU



C1143A-9705

DIESEL SPARE PARTS KIT

OPTION NO. 0860-600

<u>KEY NO.</u>	<u>PART NUMBER</u>	<u>DESCRIPTION</u>	<u>QTY.</u>
1	8-25-08222	Flap, Broom Door Outer	2
2	8-25-08198	Flap, Broom Door Inner	2
3	8-25-08194	Flap, Wheel Well	1
4	8-25-08197	Flap, Rear Inside Frame	1
5	8-25-08196	Flap, Frame Rear Outside	1
6	8-24-04139-1	Hopper Panel Filter	1
7	8-25-08202	Hopper Flap	1
8	8-68-05075	Seal, Dump Door - Sides	2
9	8-68-05077	Seal, Dump Door - Lip	1
10	8-24-04106	Engine Air Cleaner Element	1
11	2-60-02242	Belt, Alternator	1
12	2-60-02241	Fuel Filter	1
13	2-60-02240	Engine Oil Filter	1
14	8-24-04118	Hydraulic Filter Element	1
15	8-68-05076	Seal, Dump Door - Foam	1

9901

OPTION NO. 0860-574

<u>KEY NO.</u>	<u>PART NUMBER</u>	<u>DESCRIPTION</u>	<u>QTY.</u>
1	8-25-08222	Flap, Broom Door Outer	2
2	8-25-08198	Flap, Broom Door Inner	2
3	8-25-08194	Flap, Wheel Well	1
4	8-25-08197	Flap, Rear Inside Frame	1
5	8-25-08196	Flap, Frame Rear Outside	1
6	8-24-04139-1	Hopper Panel Filter	1
7	8-25-08202	Hopper Flap	1
8	8-68-05075	Seal, Dump Door-Sides	2
9	8-68-05077	Seal, Dump Door-Lip	1
10	8-24-04106	Engine Air Cleaner Element	1
11	2-00-05248	V-Belt, Alternator	1
12	8-24-04138	Fuel Filter	1
13	8-24-04099	Engine Oil Filter	1
14	8-24-04118	Hydraulic Filter Element	1
15	8-68-05076	Seal, Dump Door Foam	1

INDEX

ADJUSTABLE FOOT PEDAL	2-34
AIR FILTER	1-38
AIR FILTER ELEMENT, CLEANING	1-38
AIR FILTER ELEMENT, INSTALLING	1-38
AIR FILTER ELEMENT, REMOVING	1-38
BACK-UP ALARM (OPTION)	1-14
BACKWARD MOVEMENT	1-12
BATTERY	1-39
BOLT IDENTIFICATION CHART	1-46
BRAKE DRUM ADJUSTMENT	1-35
BRAKE PEDAL	2-12
BRAKE PEDAL ADJUSTMENT	1-35
BRAKE SERVICE	1-35
BROOM CHAMBER FLAPS AND SEALS	2-44
BROOM CONTROL LEVER	1-15
BROOM DOOR	2-30
CHANGING LP FUEL TANKS	1-43
CHARGING SYSTEM LIGHT	1-13
CHOKE CONTROL	1-10
CIRCUIT BREAKERS	1-18
CLEANING HOPPER	1-33
CONTROL AND RELIEF VALVE	2-46
COOLANT LEVEL	1-39
DASH CONNECTION DIAGRAM	1-48
DEBRIS HOPPER, EMPTYING	1-25
DECALS	2-75
DECIMAL-METRIC CONVERSION TABLE	1-47
DIESEL ENGINE	2-62
DIESEL FUEL SYSTEM	2-64
DRIVE BELTS	1-39
DRIVE SWEEPER FOR TRANSPORT	1-24
DUMP DOOR	2-20
DUMP DOOR LIGHT	1-13
DUST BAFFLE	1-21
DUST CONTROL FILTER	1-34
DUST CONTROL FILTER, CHANGING	1-34
DUST CONTROL FILTER, CHECKING	1-34
DUST CONTROL FILTER, CLEANING	1-34
DUST CONTROL LIGHT	1-13
DUST CONTROL SWITCH	1-15
DUST FLAPS	1-33
DUST FLAPS, ADJUSTING	1-33
DUST FLAPS, CHECKING	1-33
ELECTRICAL ASSEMBLY RELAYS	2-74
ELECTRICAL ASSEMBLY HARNESS ROUTING (DIESEL)	2-76
ELECTRICAL ASSEMBLY HARNESS ROUTING (GAS)	2-77
ELECTRICAL CONNECTION DIAGRAM - 411/413	1-49
ELECTRICAL CONNECTION DIAGRAM - DIESEL	1-49a
ELECTRICAL SCHEMATIC DIAGRAM - 411/413	1-50
ELECTRICAL SCHEMATIC DIAGRAM - DIESEL	1-50a
ENGINE AIR FILTER ELEMENT INDICATOR	1-18
ENGINE AIR INTAKE SERVICE	1-37
ENGINE COMPARTMENT LATCH	1-18

ENGINE COOLING SYSTEM SERVICE	1-38
ENGINE COVER	2-60
ENGINE OIL PRESSURE LIGHT	1-13
ENGINE SPEED SWITCH	1-11
ENGINE TEMP LIGHT	1-13
FILTER PANEL LATCH	1-20
FILTER SHAKER	2-22
FILTER SHAKER SWITCH	1-15
FLAPS (WHEEL WELL)	2-42
FOOT BRAKE	1-12
FOOT PEDAL	1-12
FORWARD MOVEMENT	1-12
FRONT BUMPER	2-52
FRONT WHEEL	2-24
FUEL GAUGE	1-11
FUEL TANK	2-56
FWD/REV CONTROL	2-32
GASOLINE/LP ENGINE	2-68
GLOW PLUG SWITCH	1-10
HARDWARE ABBREVIATIONS	1-52
HARDWARE LEGEND	1-53
HELPFUL HINTS FOR SWEEPING	1-22
HOPPER	1-33
HOPPER	2-14
HOPPER ASSEMBLY	2-16
HOPPER COVER	2-18
HOPPER COVER LATCH	1-20
HOPPER DOOR LEVER	1-17
HOPPER FLAPS, CHECKING	1-33
HOPPER LID	1-17
HOPPER LIFT LEVER	1-17
HOPPER SAFETY ARM	1-20
HOPPER SEALS, CHECKING	1-33
HOPPER TEMP SENSOR	1-21
HOPPER TEMPERATURE LIGHT	1-13
HORN BUTTON	1-10
HOSES	1-39
HOUR METER	1-11
HYDRAULIC FILTER	2-48
HYDRAULIC HOSE DIAGRAM	2-72
HYDRAULIC OIL COOLER	1-36
HYDRAULIC RESERVOIR LEVER SIGHT GAUGE	1-19
HYDRAULIC RESERVOIR, DRAINING	1-36
HYDRAULIC RESERVOIR, FILLING	1-36
HYDRAULIC SCHEMATIC DIAGRAM	1-51
HYDRAULIC SUCTION STRAINER, CLEANING	1-37
HYDRAULIC SYSTEM SERVICE	1-36
HYDRAULIC SYSTEM, CLEANING	1-36
HYDRAULIC TORQUE REQUIREMENTS	1-45
INDEX	3-58
INSTRUCTIONS BEFORE STARTING	1-22
INSTRUMENT HOUSING	2-50
INSTRUMENT PANEL	2-49

INDEX

KEY SWITCH	1-11
LIGHT SWITCH	1-10
LIGHTS AND HORN ELECTRICAL	2-38
LOW OIL SHUTDOWN	1-21
LP CHECKLIST	1-42
LP FUEL TANKS	1-42
LP GAS COMPONENTS	1-41
LP GAS SYSTEM	1-41
LP GAS VAPORIZER-REGULATOR QUICK CHECK	1-42
LP LIQUID WITHDRAW SYSTEM	1-41
LP SAFETY PRECAUTIONS	1-40
MACHINE DIMENSIONS	1-6
MACHINE PREPARATION	1-7
MACHINE SPECIFICATIONS	1-4
MAIN BROOM	1-31
MAIN BROOM ADJUSTMENT	1-16
MAIN BROOM COMPARTMENT DOORS	1-19
MAIN BROOM DRIVER	2-5
MAIN BROOM IDLER	2-6
MAIN BROOM LEVEL ADJUSTMENT	1-31
MAIN BROOM LEVER	1-16
MAIN BROOM LEVER AND LIFT CABLE	2-2
MAIN BROOM LIFT FRAME	2-4
MAIN BROOM SWEEP HEIGHT, ADJUSTING	1-31
MAIN BROOM SWEEP PATTERN, CHECKING	1-31
MAIN BROOM, REPLACING	1-31
MAINTENANCE/TROUBLESHOOTING PULSE AIR SYSTEM	1-26
MUFFLER	2-51
OIL COOLER	2-37
OPERATING INSTRUCTIONS	1-23
OPTIONS	3-1
ORDER PARTS	1-57
PARKING BRAKE	1-12
PRE-START CHECK LIST	1-22
PULSE AIR SYSTEM EXPLODED VIEW	1-27
PULSE AIR SYSTEM OPERATION(option)	1-25
PUMP	2-66
RADIATOR	1-39
RADIATOR & SHROUD (DIESEL)	2-54
RADIATOR & SHROUD (GAS)	2-55
REAR BUMPER	2-53
REAR WHEEL	2-26
RESERVOIR	2-40
RETURN FILTER ELEMENT, REPLACING	1-37
SAFETY ARM	2-39
SAFETY PRECAUTIONS	1-8
SEAT AND FLOOR ASSEMBLY	2-58
SEAT POSITION ADJUSTMENT	1-14
SERVICE CHART	1-28
SERVICE INSTRUCTIONS	1-31

SERVICE PRECAUTIONS	1-30
SIDE BROOM	1-32
SIDE BROOM ADJUSTMENT	1-16
SIDE BROOM ASSEMBLY	2-7
SIDE BROOM HEIGHT ADJUSTMENT, CHANGING	1-32
SIDE BROOM LEVER	2-8
SIDE BROOM LEVER	1-16
SIDE BROOM LIFT SYSTEM	2-10
SIDE BROOM SWEEP PATTERN, CHECKING	1-32
SIDE BROOM, CHANGING	1-32
SPARE PARTS KIT/ DIESEL	3-59
SPARE PARTS KIT/ GAS	3-1
STANDARD METRIC ENGINE TORQUE REQUIREMENTS	1-44
START DIESEL ENGINE	1-23
START GAS ENGINE	1-23
START PROPANE ENGINE	1-23
STEERING COLUMN	2-28
STOP SWEEPING	1-24
STOPPING	1-12
STORAGE OF LP FUEL TANKS	1-43
SWEEP WITH THE MACHINE	1-24
SWEEPER CONTROLS/INSTRUMENTS	1-10
TILT STEERING LEVER	1-14
TOTAL STEEL PACKAGE	2-80
TURN SIGNALS (OPTION)	1-14
USE AND CARE OF LP TANKS	1-43
VAC FAN	2-41
VIBRATION ARM, CHECKING	1-34
WARNING BANK	1-13
WARRANTY	3-62