



SYSTEMFLO

SHK 2, 4, 8, 12 SERIES
Catalog
IMMERSIBLE PUMPS

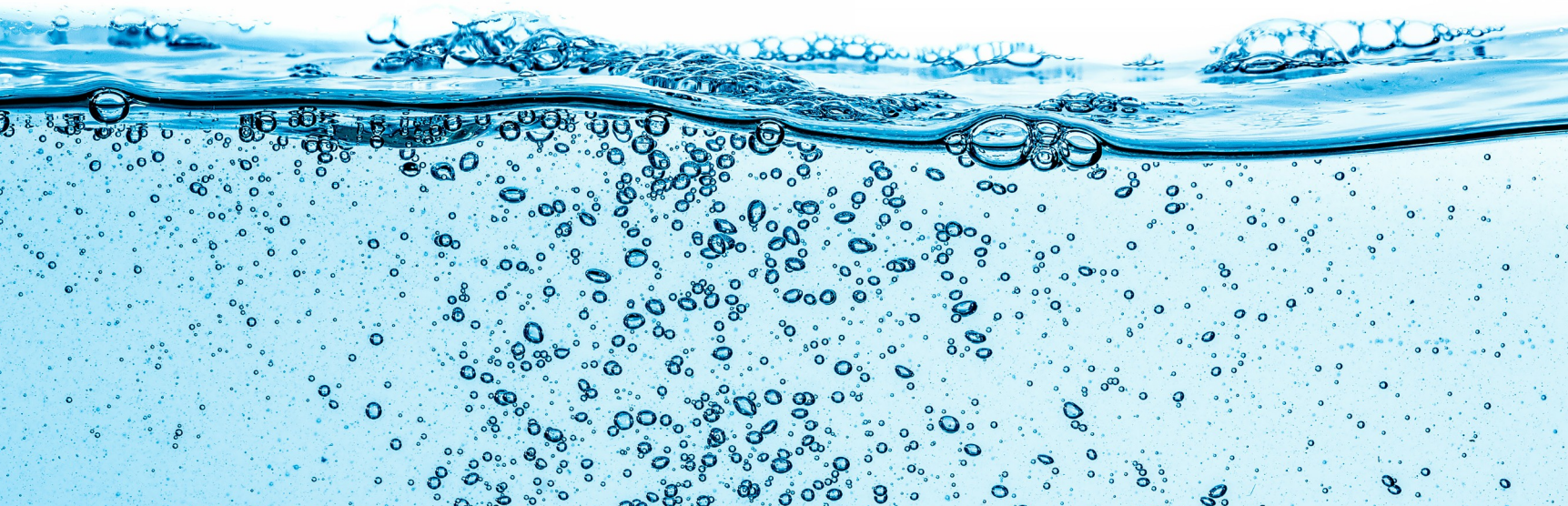


Table of Contents

page	SHK series
1	General data
3	Installation
4	Material
	60Hz Technical data
6	Performance Range
7	SHK 2
10	SHK 4
12	SHK 8
14	SHK 12

General Data

Application

- Cooling units
- Grinding machines
- Machine centers
- Spark machine tools
- Filtering systems
- Milling machines
- Boring machines
- Drilling machines
- Filtering systems
- Swarf conveyors
- Industrial washing machines

Feature

- Compact design
- High Efficiency
- Easy installation
- Flexible installation length
- Wide performance range
- Reliability
- Service-friendly



SHK pumps are vertical multistage centrifugal pumps especially designed for pumping of cooling lubricants for machine tools, and to be mounted on top of tanks with the pump stack immersed in the pumped liquid.

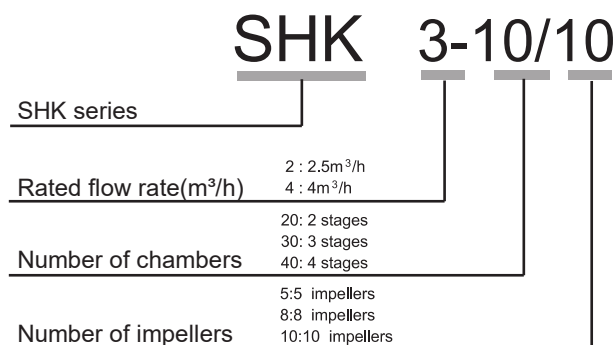
Systemflo SHK pumps are available with various pump sizes and various numbers of stages to provide the flow, the pressure and the length required.

SHK 60Hz Product Data

Range	2	4	8	12
Frequency	60Hz			
Rated flow rate(m ³ /h)	3	4.8	9.5	12.7
Flow range (m ³ /h)	1~4	1~8	5.4~13.2	9.6~16.8
Maximum head (bar)	10	5	12	8.5
Motor power (W)	340~1820	520~1950	1724~5448	3867~5619
Temperature range (°C)	-10 to +90			
Pipe connection				
Union	NPT 3/4		NPT1 1/4	

General Data

Model code



Motor Data

SHK is fitted with totally enclosed fan-cooled, 2-pole standard motor.

Enclosure class : IP 55
 Insulation class : F
 Ambient temperature : Max. + 50°C
 Supply voltage 50 Hz: 3X220-240/380-415V
 Supply voltage 60 Hz: 3X220-255/380-480V
 3X220-277/380-480V

Mechanical Seals

Made of Silicon carbide/Silicon carbide and Viton.

Type of Seal

HQQV Standard

Mechanical seal is available in different material per customer's demand.

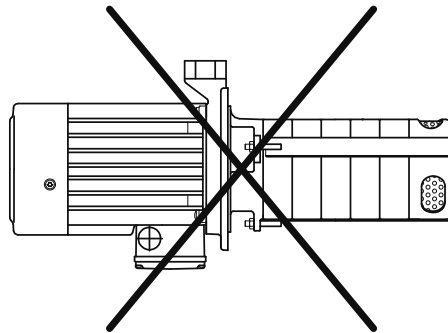
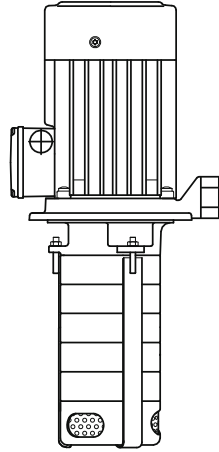
Type of Seal

Seal Type	SHK
Mechanical Seals	2/4/8/12
QQ	Optional
UU	•
O-rings	
E	Optional
V	•

List of Materials

H : Seal Type
Q : Silicon carbide
U : Tungsten carbide
E : EPDM
V : Viton

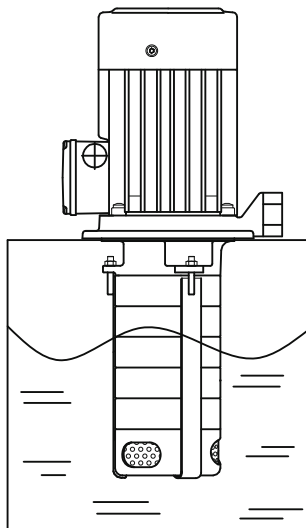
Installation



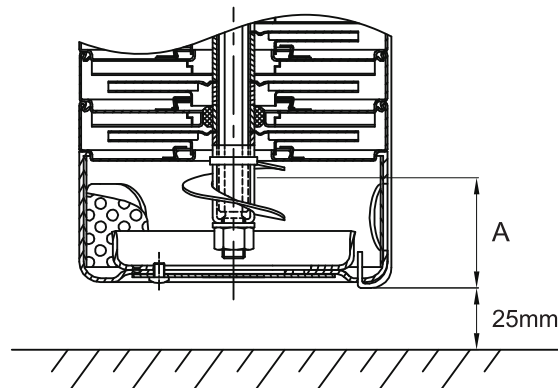
SHK series

Note

- > When you install the SHK 2,4,8,12 series pumps, you must follow the instruction as below.
- > The distance between the liquid level and the pump bottom (Minimum) : A (mm)
- > The distance between the pump and the tank bottom (Minimum) : 25mm

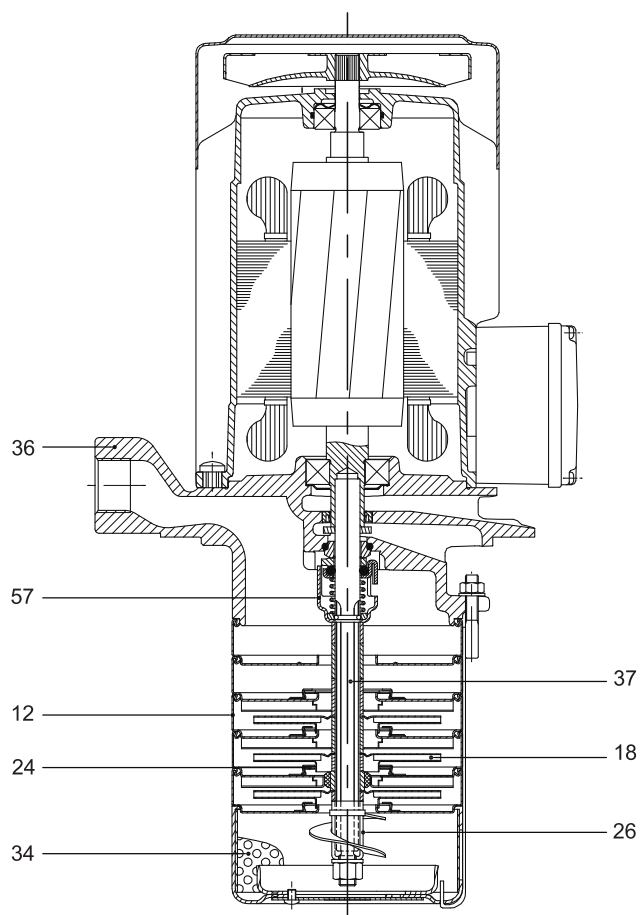


Model	A(mm)
SHK 2,4,8,12	40

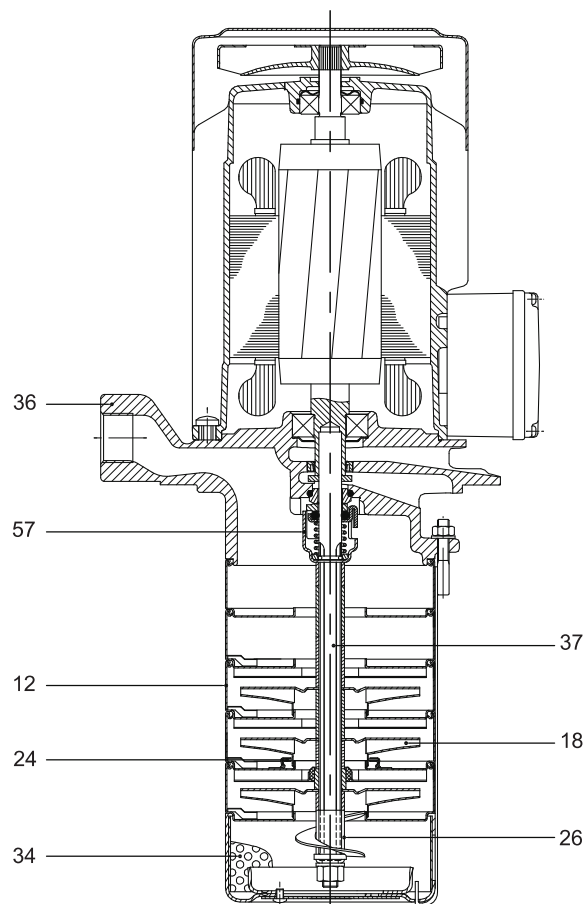


Material

SHK 2



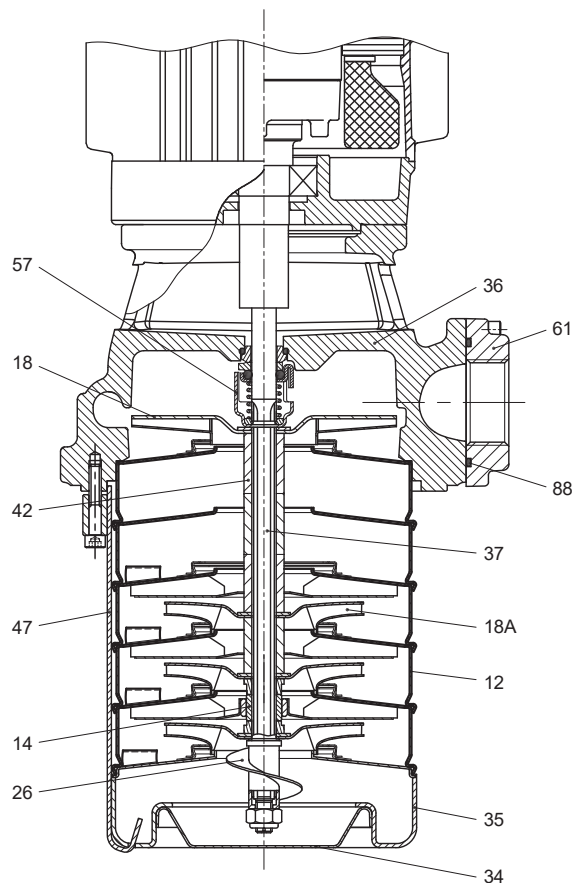
SHK 4



Pos.	Name	Material	Europe	AISI/ASTM
12	Chamber complete	Stainless steel	1.4301	AISI 304
18	Impeller	Stainless steel	1.4301	AISI 304
24	Neck ring	PTFE		
26	Pruming screw	Stainless steel	1.4301	AISI 304
34	Strainer	Stainless steel	1.4301	AISI 304
36	Pump head	Cast Iron EN-GJL-220	0.6020	ASTM 25B
37	Pump shaft	Stainless steel	1.4057	AISI 431
57	Shaft seal	HUUV		

Material

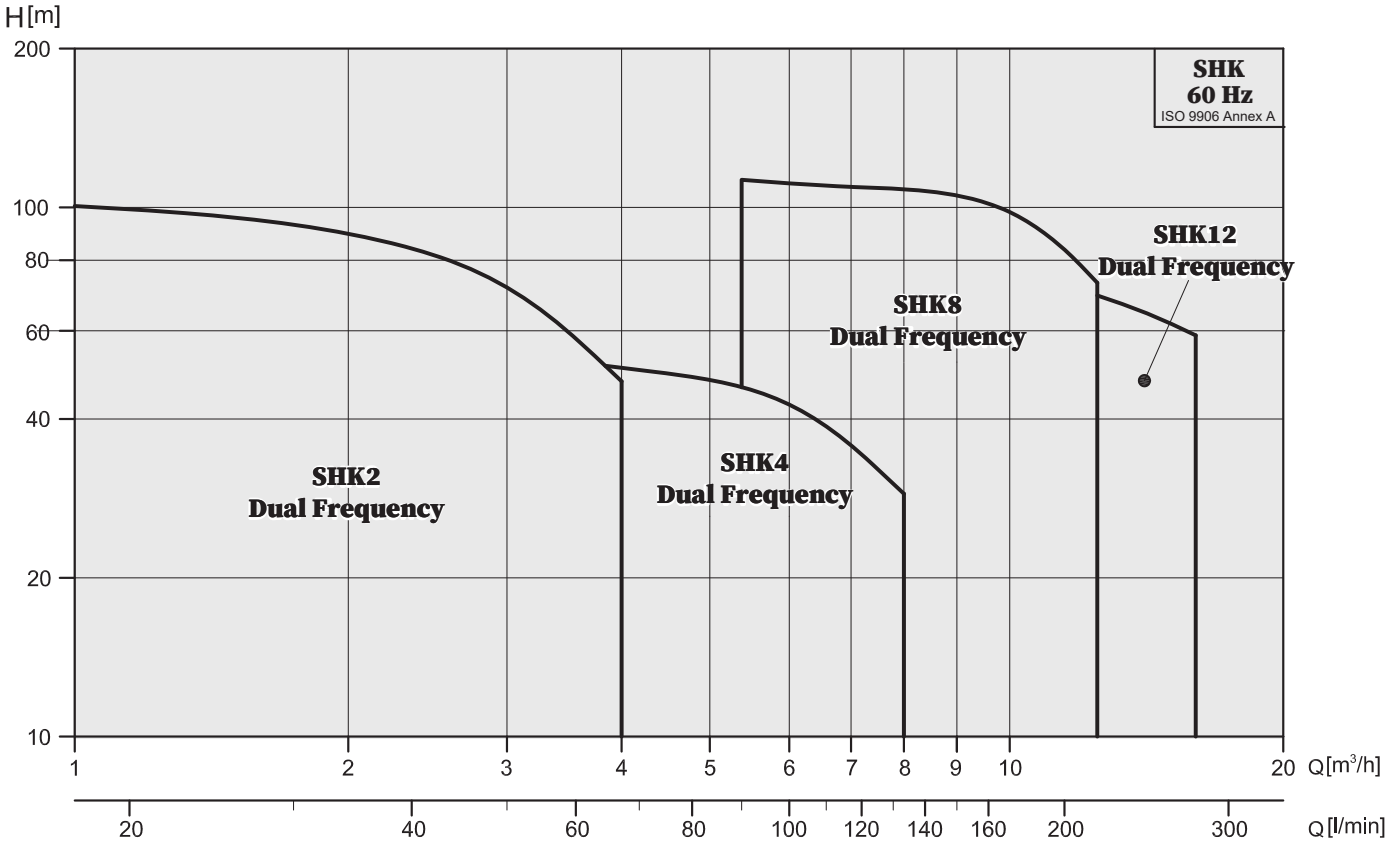
SHK 8,12



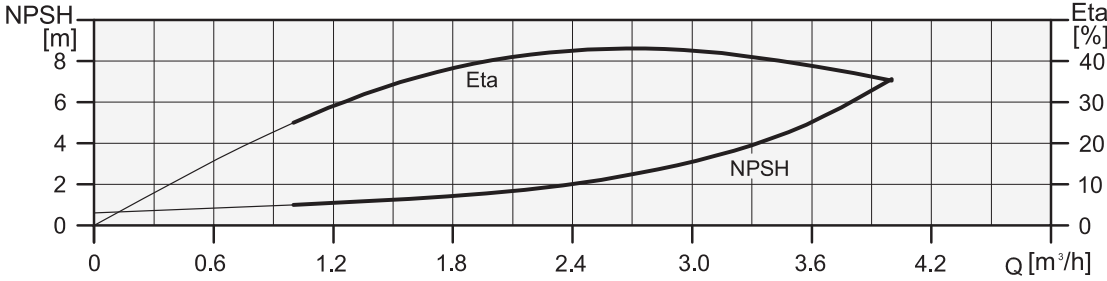
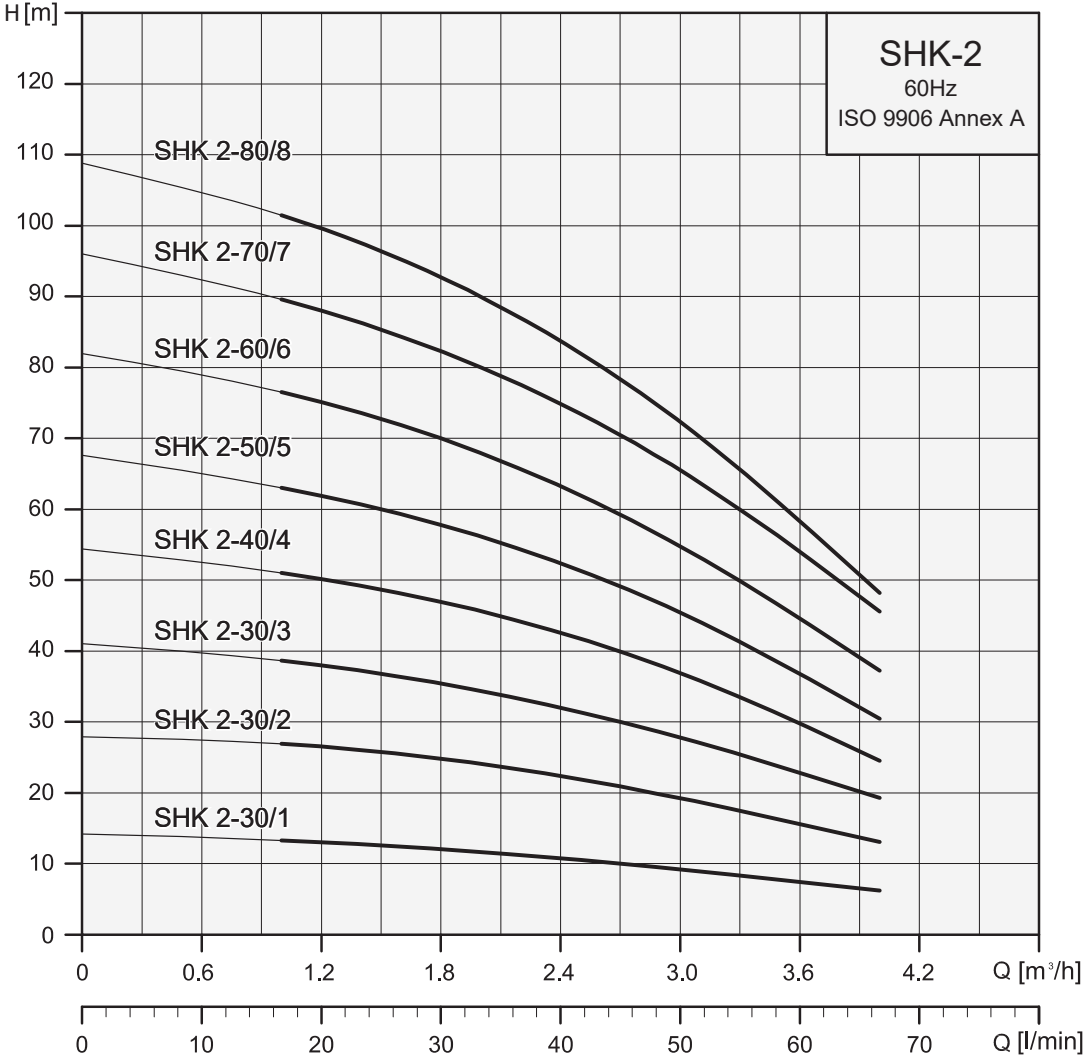
Pos.	Name	Material	Europe	AISI/ASTM
12	Chamber complete	Stainless steel	1.4301	AISI 304
14	Bearing ring, sta	Tungsten carbide		
18	Impeller	Stainless steel	1.4301	AISI 304
18A	Impeller	Stainless steel	1.4301	AISI 304
26	Pruming screw	Stainless steel	1.4301	AISI 304
34	Strainer	Stainless steel	1.4301	AISI 304
35	Retainer for strainer	Stainless steel	1.4301	AISI 304
36	Pump head	Cast Iron	0.6020	ASTM 25B
37	Pump shaft	Stainless steel	1.4057	AISI 431
42	Spacing pipe	Stainless steel	1.4301	AISI 304
47	Strap	Stainless steel	1.4301	AISI 304
57	Shaft seal	HUUV		
61	Flange	EN-GJL-200	0.6020	ASTM 25B
88	O-ring*	FKM		

Performance Range

Performance Range SHK 2,4,8,12



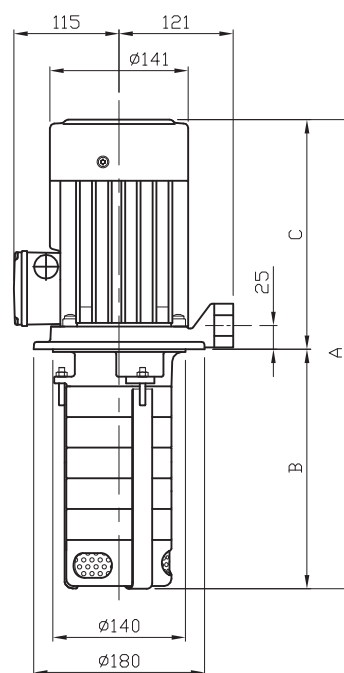
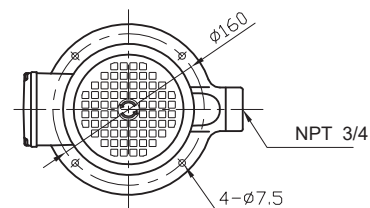
Performance Curves SHK 2



Dimensions and weights SHK 2

Dual Frequency 3PH 220-255/380-480V

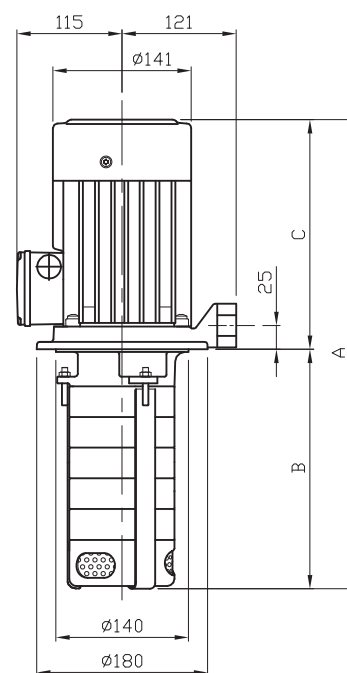
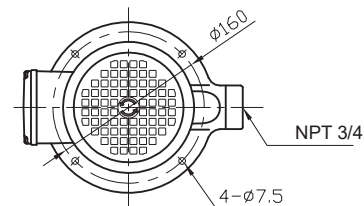
Pump Type	Motor P1[W]	In[A] 220-255 / 380-480V	Dimension (mm)			Net Weight (kg)
			A	B	C	
SHK-2-30/1	340	1.4-1.6 / 0.8-0.9	346	142	204	11.7
SHK-2-30/2	530	1.9-2.1 / 1.1-1.2	346	142	204	11.8
SHK-2-30/3	750	2.4-2.6 / 1.4-1.5	346	142	204	11.9
SHK-2-40/1	340	1.4-1.6 / 0.8-0.9	364	160	204	11.8
SHK-2-40/2	530	1.9-2.1 / 1.1-1.2	364	160	204	11.9
SHK-2-40/3	750	2.4-2.6 / 1.4-1.5	364	160	204	12.1
SHK-2-40/4	950	2.9-3.1 / 1.7-1.8	364	160	204	12.1
SHK-2-50/1	340	1.4-1.6 / 0.8-0.9	382	178	204	12
SHK-2-50/2	530	1.9-2.1 / 1.1-1.2	382	178	204	12.1
SHK-2-50/3	750	2.4-2.6 / 1.4-1.5	382	178	204	12.3
SHK-2-50/4	950	2.9-3.1 / 1.7-1.8	382	178	204	12.3
SHK-2-50/5	1280	3.8-4.0 / 2.2-2.3	422	178	244	13.7
SHK-2-60/1	340	1.4-1.6 / 0.8-0.9	400	196	204	12.2
SHK-2-60/2	530	1.9-2.1 / 1.1-1.2	400	196	204	12.2
SHK-2-60/3	750	2.4-2.6 / 1.4-1.5	400	196	204	12.5
SHK-2-60/4	950	2.9-3.1 / 1.7-1.8	400	196	204	12.5
SHK-2-60/5	1280	3.8-4.0 / 2.2-2.3	440	196	244	14
SHK-2-60/6	1340	4.0-4.2 / 2.3-2.4	440	196	244	14
SHK-2-70/1	340	1.4-1.6 / 0.8-0.9	418	214	204	12.4
SHK-2-70/2	530	1.9-2.1 / 1.1-1.2	418	214	204	12.4
SHK-2-70/3	750	2.4-2.6 / 1.4-1.5	418	214	204	12.6
SHK-2-70/4	950	2.9-3.1 / 1.7-1.8	418	214	204	12.7
SHK-2-70/5	1280	3.8-4.0 / 2.2-2.3	458	214	244	14.2
SHK-2-70/6	1340	4.0-4.2 / 2.3-2.4	458	214	244	14.3
SHK-2-70/7	1750	5.4-5.6 / 3.1-3.2	458	214	244	15.4
SHK-2-80/1	340	1.4-1.6 / 0.8-0.9	436	232	204	12.4
SHK-2-80/2	530	1.9-2.1 / 1.1-1.2	436	232	204	12.6
SHK-2-80/3	750	2.4-2.6 / 1.4-1.5	436	232	204	12.8
SHK-2-80/4	950	2.9-3.1 / 1.7-1.8	436	232	204	13
SHK-2-80/5	1280	3.8-4.0 / 2.2-2.3	476	232	244	14.4
SHK-2-80/6	1340	4.0-4.2 / 2.3-2.4	476	232	244	14.5
SHK-2-80/7	1750	5.4-5.6 / 3.1-3.2	476	232	244	15.7
SHK-2-80/8	1820	5.6-5.7 / 3.2-3.3	476	232	244	15.7



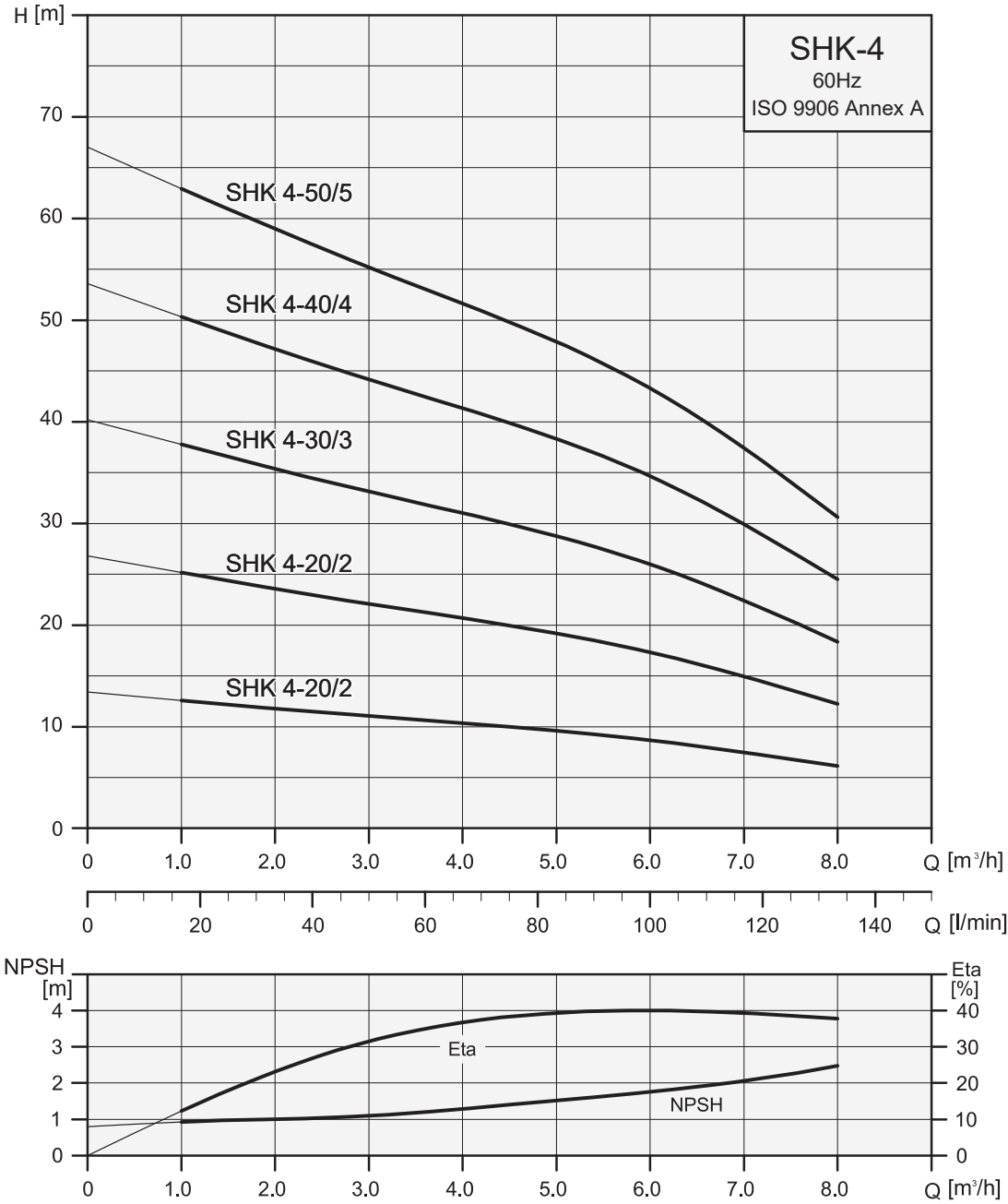
Dimensions and weights SHK 2

Dual Frequency 3PH 220-255/380-480V

Pump Type	Motor P1[W]	In[A] 220-255 / 380-480V	Dimension (mm)			Net Weight (kg)
			A	B	C	
SHK-2-90/1	340	1.4-1.6 / 0.8-0.9	454	250	204	12.7
SHK-2-90/2	530	1.9-2.1 / 1.1-1.2	454	250	204	12.8
SHK-2-90/3	750	2.4-2.6 / 1.4-1.5	454	250	204	13
SHK-2-90/4	950	2.9-3.1 / 1.7-1.8	454	250	204	13
SHK-2-90/5	1280	3.8-4.0 / 2.2-2.3	494	250	244	14.5
SHK-2-90/6	1340	4.0-4.2 / 2.3-2.4	494	250	244	14.8
SHK-2-90/7	1750	5.4-5.6 / 3.1-3.2	494	250	244	15.9
SHK-2-90/8	1820	5.6-5.7 / 3.2-3.3	494	250	244	16
SHK-2-100/1	340	1.4-1.6 / 0.8-0.9	472	268	204	12.9
SHK-2-100/2	530	1.9-2.1 / 1.1-1.2	472	268	204	13
SHK-2-100/3	750	2.4-2.6 / 1.4-1.5	472	268	204	13.2
SHK-2-100/4	950	2.9-3.1 / 1.7-1.8	472	268	204	13.4
SHK-2-100/5	1280	3.8-4.0 / 2.2-2.3	512	268	244	14.8
SHK-2-100/6	1340	4.0-4.2 / 2.3-2.4	512	268	244	14.8
SHK-2-100/7	1750	5.4-5.6 / 3.1-3.2	512	268	244	16.1
SHK-2-100/8	1820	5.6-5.7 / 3.2-3.3	512	268	244	16.1
SHK-2-110/1	340	1.4-1.6 / 0.8-0.9	490	286	204	13
SHK-2-110/2	530	1.9-2.1 / 1.1-1.2	490	286	204	13.2
SHK-2-110/3	750	2.4-2.6 / 1.4-1.5	490	286	204	13.4
SHK-2-110/4	950	2.9-3.1 / 1.7-1.8	490	286	204	13.5
SHK-2-110/5	1280	3.8-4.0 / 2.2-2.3	530	286	244	14.8
SHK-2-110/6	1340	4.0-4.2 / 2.3-2.4	530	286	244	15
SHK-2-110/7	1750	5.4-5.6 / 3.1-3.2	530	286	244	16.3
SHK-2-110/8	1820	5.6-5.7 / 3.2-3.3	530	286	244	16.3



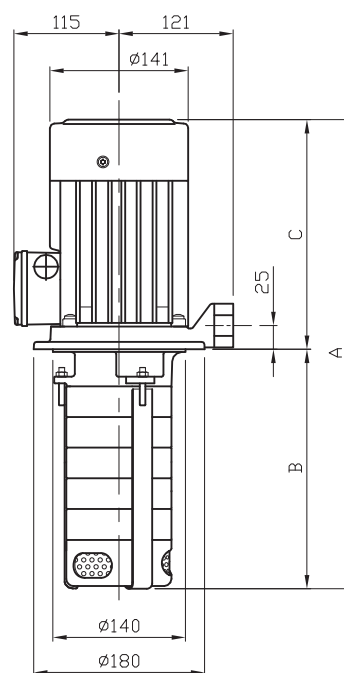
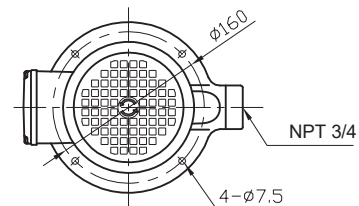
Performance Curves SHK 4



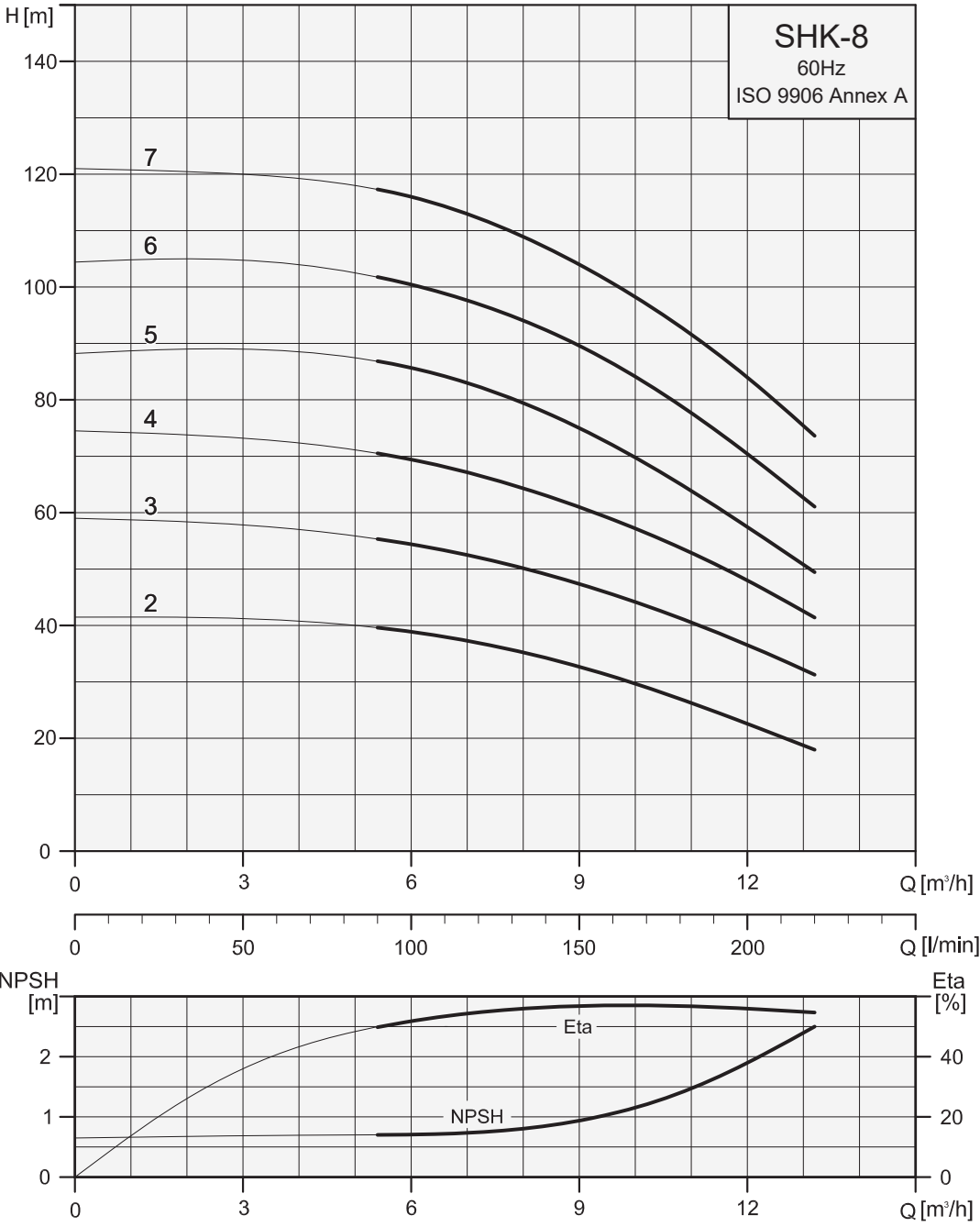
Dimensions and weights SHK 4

Dual Frequency 3PH 220-255/380-480V

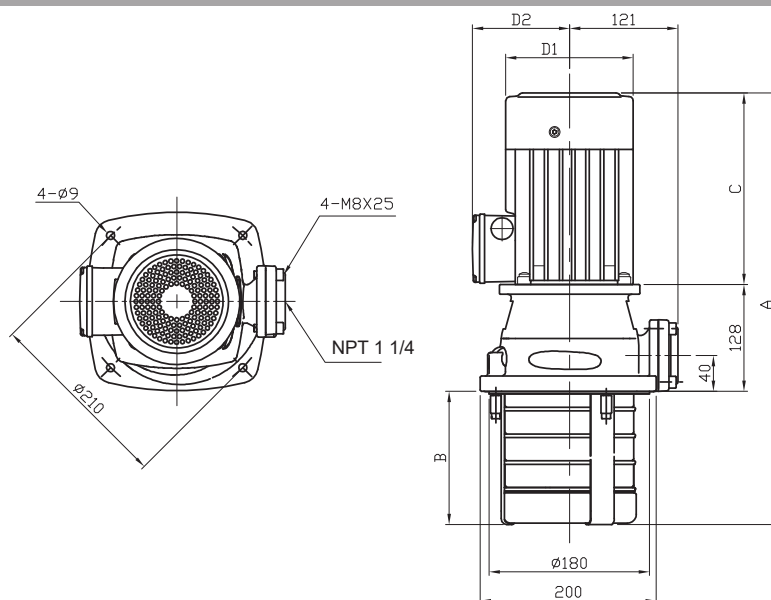
Pump Type	Motor P1[W]	In[A] 220-255 / 380-480V	Dimension (mm)			Net Weight (kg)
			A	B	C	
SHK-4-20/1	520	1.7-1.9 / 1.0-1.1	346	142	204	11.5
SHK-4-20/2	905	2.9-3.1 / 1.7-1.8	346	142	204	11.6
SHK-4-30/1	520	1.7-1.9 / 1.0-1.1	373	169	204	11.7
SHK-4-30/2	905	2.9-3.1 / 1.7-1.8	373	169	204	11.9
SHK-4-30/3	1330	4.2-4.3 / 2.4-2.5	413	169	244	13.4
SHK-4-40/1	520	1.7-1.9 / 1.0-1.1	400	196	204	12
SHK-4-40/2	905	2.9-3.1 / 1.7-1.8	400	196	204	12.1
SHK-4-40/3	1330	4.2-4.3 / 2.4-2.5	440	196	244	13.7
SHK-4-40/4	1650	5.0-5.2 / 2.9-3.0	440	196	244	14.9
SHK-4-50/1	520	1.7-1.9 / 1.0-1.1	427	223	204	12.1
SHK-4-50/2	905	2.9-3.1 / 1.7-1.8	427	223	204	12.3
SHK-4-50/3	1330	4.2-4.3 / 2.4-2.5	467	223	244	14
SHK-4-50/4	1650	5.0-5.2 / 2.9-3.0	467	223	244	15.1
SHK-4-50/5	1950	5.9-6.0 / 3.4-3.5	467	223	244	15.2
SHK-4-60/1	520	1.7-1.9 / 1.0-1.1	454	250	204	12.4
SHK-4-60/2	905	2.9-3.1 / 1.7-1.8	454	250	204	12.5
SHK-4-60/3	1330	4.2-4.3 / 2.4-2.5	494	250	244	14.1
SHK-4-60/4	1650	5.0-5.2 / 2.9-3.0	494	250	244	15.3
SHK-4-60/5	1950	5.9-6.0 / 3.4-3.5A	494	250	244	15.5
SHK-4-70/1	520	1.7-1.9 / 1.0-1.1	481	277	204	12.5
SHK-4-70/2	905	2.9-3.1 / 1.7-1.8	481	277	204	12.6
SHK-4-70/3	1330	4.2-4.3 / 2.4-2.5	521	277	244	14.2
SHK-4-70/4	1650	5.0-5.2 / 2.9-3.0	521	277	244	15.5
SHK-4-70/5	1950	5.9-6.0 / 3.4-3.5	521	277	244	15.6
SHK-4-80/1	520	1.7-1.9 / 1.0-1.1	508	304	204	12.7
SHK-4-80/2	905	2.9-3.1 / 1.7-1.8	508	304	204	12.9
SHK-4-80/3	1330	4.2-4.3 / 2.4-2.5	548	304	244	14.5
SHK-4-80/4	1650	5.0-5.2 / 2.9-3.0	548	304	244	15.7
SHK-4-80/5	1950	5.9-6.0 / 3.4-3.5	548	304	244	15.9



Performance Curves SHK 8



Dimensions and weights SHK 8



Dual Frequency

3PH 220-255/380-480V

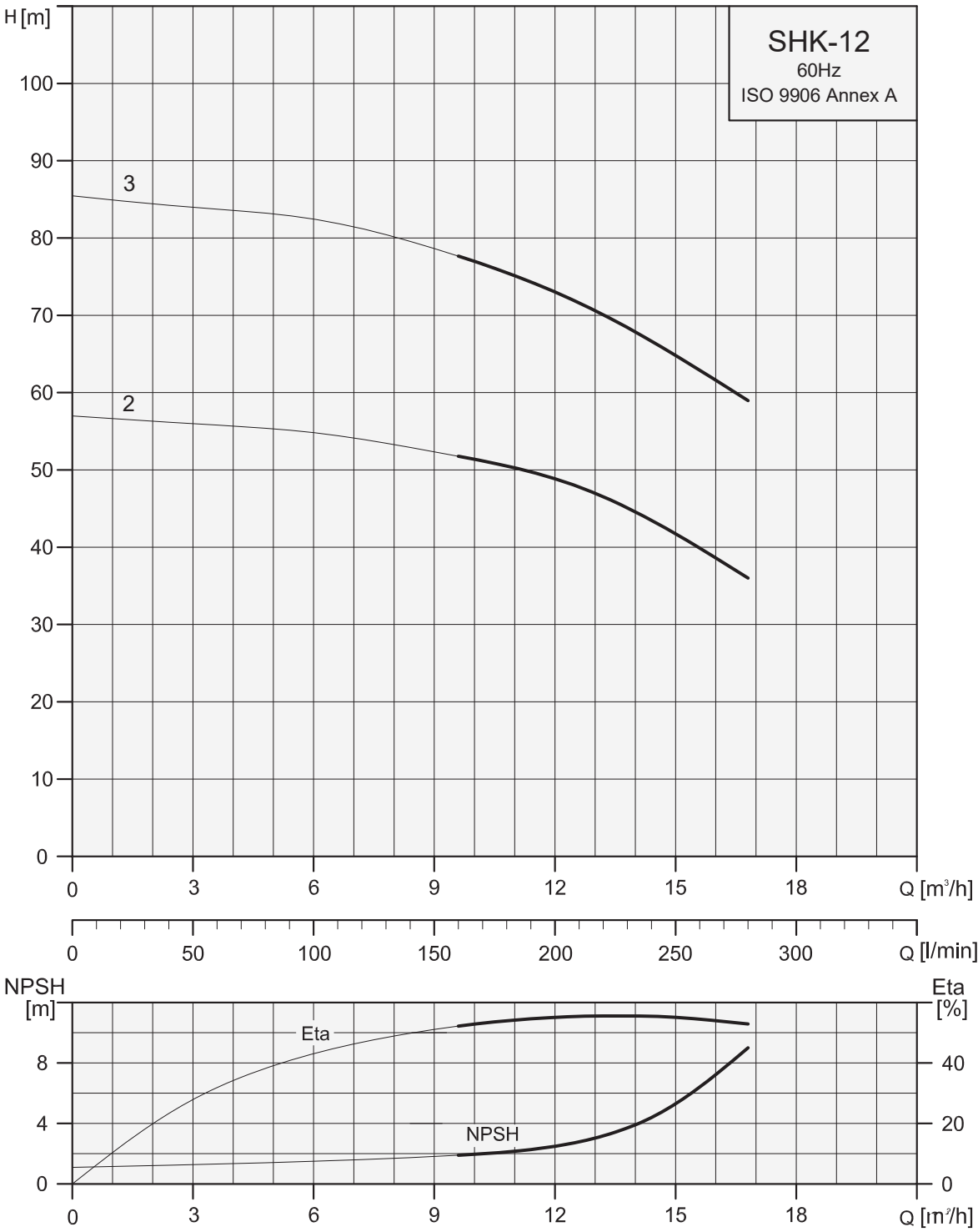
Pump Type	Motor P1[W]	In[A] 220-255 / 380-480V	Dimension (mm)					Net Weight (kg)
			A	B	C	D1	D2	
SHK-8-20/2	1724	5.3-5.0 / 3.1-2.9	423	60	235	141	115	19.3
SHK-8-30/2	1724	5.3-5.0 / 3.1-2.9	453	90	235	141	115	19.4
SHK-8-40/2	1724	5.3-5.0 / 3.1-2.9	483	120	235	141	115	20.1
SHK-8-50/2	1724	5.3-5.0 / 3.1-2.9	513	150	235	141	115	20.5
SHK-8-60/2	1724	5.3-5.0 / 3.1-2.9	543	180	235	141	115	20.8
SHK-8-70/2	1724	5.3-5.0 / 3.1-2.9	573	210	235	141	115	21.6

Dual Frequency

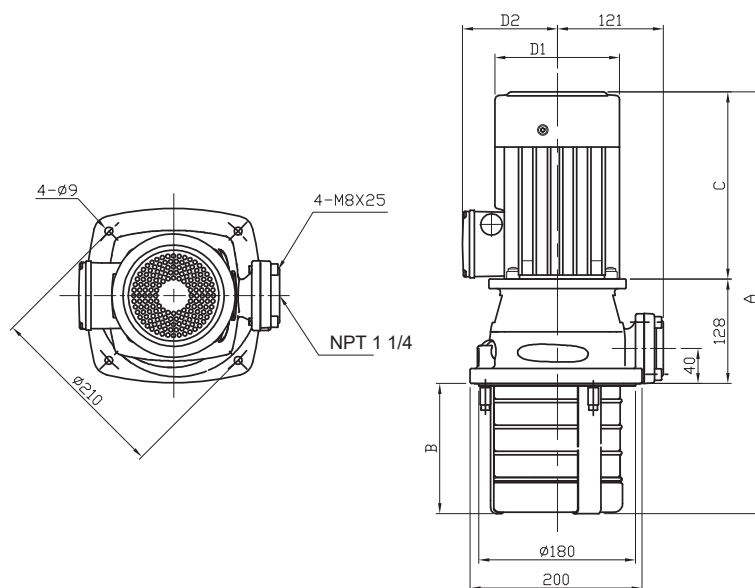
3PH 220-255/380-480V

Pump Type	Motor P1[W]	In[A] 220-255 / 380-480V	Dimension (mm)					Net Weight (kg)
			A	B	C	D1	D2	
SHK-8-30/3	2648	7.3-7.0 / 4.2-4.1	509	90	291	177	141	28.5
SHK-8-40/3	2648	7.3-7.0 / 4.2-4.1	539	120	291	177	141	28.9
SHK-8-40/4	3352	9.2-9.1 / 5.3-5.2	539	120	291	177	141	31.3
SHK-8-50/3	2648	7.3-7.0 / 4.2-4.1	569	150	291	177	141	29.2
SHK-8-50/4	3352	9.2-9.1 / 5.3-5.2	569	150	291	177	141	31.7
SHK-8-50/5	4114	12.0-12.4 / 7.0-7.3	594	150	316	197	147	37.7
SHK-8-60/3	2648	7.3-7.0 / 4.2-4.1	599	180	291	177	141	29.6
SHK-8-60/4	3352	9.2-9.1 / 5.3-5.2	599	180	291	177	141	32
SHK-8-60/5	4114	12.0-12.4 / 7.0-7.3	624	180	316	197	147	37.4
SHK-8-60/6	4800	14.0-12.9 / 8.2-7.5	634	180	326	220	161	43.9
SHK-8-70/3	2648	7.3-7.0 / 4.2-4.1	629	210	291	177	141	29.9
SHK-8-70/4	3352	9.2-9.1 / 5.3-5.2	629	210	291	177	141	32.4
SHK-8-70/5	4114	12.0-12.4 / 7.0-7.3	654	210	316	197	147	37.7
SHK-8-70/6	4800	14.0-12.9 / 8.2-7.5	664	210	326	220	161	44.3
SHK-8-70/7	5448	15.6-14.6 / 9.1-8.5	664	210	326	220	161	44.7

Performance Curves SHK 12



Dimensions and weights SHK 12



Dual Frequency

3PH 220-255/380-480V

Pump Type	Motor P1[W]	In[A] 220 -255 / 380-480V	Dimension (mm)					Net Weight (kg)
			A	B	C	D1	D2	
SHK-12-20/2	3867	11.3-11.6 / 6.6-6.8	504	60	316	197	147	34.8
SHK-12-30/2	3867	11.3-11.6 / 6.6-6.8	534	90	316	197	147	35.2
SHK-12-30/3	5619	15.6-14.2 / 9.0-8.3	544	90	326	220	161	41.7
SHK-12-40/2	3867	11.3-11.6 / 6.6-6.8	564	120	316	197	147	35.5
SHK-12-40/3	5619	15.6-14.2 / 9.0-8.3	574	120	326	220	161	42.1
SHK-12-50/2	3867	11.3-11.6 / 6.6-6.8	594	150	316	197	147	35.9
SHK-12-50/3	5619	15.6-14.2 / 9.0-8.3	604	150	326	220	161	42.4
SHK-12-60/2	3867	11.3-11.6 / 6.6-6.8	624	180	316	197	147	36.2
SHK-12-60/3	5619	15.6-14.2 / 9.0-8.3	634	180	326	220	161	42.8
SHK-12-70/2	3867	11.3-11.6 / 6.6-6.8	654	210	316	197	147	36.6
SHK-12-70/3	5619	15.6-14.2 / 9.0-8.3	664	210	326	220	161	43.1



SYSTEMFLO

Walrus America Inc.
20220 Hempstead Road, Suite #30
Houston, TX 77065

Tel:(281) 955-8035
Fax:(281) 955-8037
E-mail: sales@walrusamerica.com