



# VC44E SERIES

## Double Deck Electric Convection Ovens



Model VC44ED  
Shown on optional casters



### SPECIFIER STATEMENT

Double section, electric convection oven, Vulcan Model No. (VC44ED) (VC44EC). Stainless steel front, sides, top and legs. Independently operated stainless steel doors with double pane windows. Non-sag insulation applied to the top, rear, sides, bottom and doors. Porcelain enamel on steel oven interiors measure 29"w x 22½"d x 20"h. Two interior oven lights per section. Five nickel plated oven racks per section measure 28¾" x 20½". Eleven position nickel plated rack guides with positive rack stops per section. Each section heated by electric solid sheath elements rated at 12 KW. Furnished with a two speed ½ H.P. oven blower-motor per section. Oven cool switch for rapid cool down. 208 or 240 volt, 60 Hz, 1 or 3 phase.

#### Exterior Dimensions:

40¼" W x 41⅞" D (includes motor & door handles)

40¼" W x 37¾" D (includes motor only)

70" H on 8" legs.

NSF listed. UL listed. UL listed to Canadian safety standards.

Project \_\_\_\_\_

AIA # \_\_\_\_\_ SIS # \_\_\_\_\_

Item # \_\_\_\_\_ Quantity \_\_\_\_\_ C.S.I. Section 114000

### MODELS

- VC44ED** Solid state temperature controls adjust from 150° to 500°F. 60 minute timer with audible alarm.
- VC44EC** Computer controls with digital time and temperature readouts. 99-hour timer with audible alarm. Roast and Hold cycle. One hundred programmable menu selections. Shelf I.D. programming.

### STANDARD FEATURES

- Stainless steel front, sides, top and legs
- Independently operated stainless steel doors with double pane windows
- 25 total KW
- ½ H.P. two speed oven blower-motor
- Moisture vent
- Oven cool switch for rapid cool down
- Porcelain enamel on steel oven interiors
- Five nickel plated grab-and-go oven racks with eleven rack positions per section (10 total racks)
- One year limited parts and labor warranty

### OPTIONS

- Complete prison package
  - Security screws only
- Casters
- Simultaneous chain driven doors
- 480V/60 Hz/1 or 3 phase
- Second year extended limited parts and labor warranty

### ACCESSORIES (PACKAGED AND SOLD SEPARATELY)

- Stainless steel rear motor enclosure
- Extra oven rack(s)
- Rack hanger(s)
- Stainless steel drip pan
- Down draft flue diverter for direct vent connection

VC44E SERIES – Double Deck Electric Convection Ovens

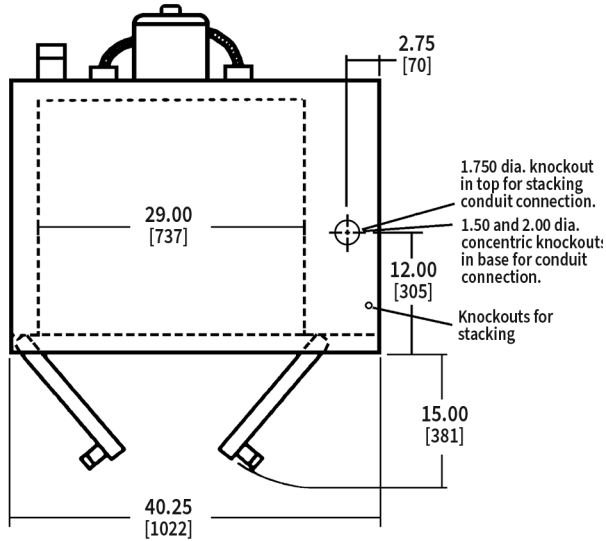
Approved by \_\_\_\_\_ Date \_\_\_\_\_ Approved by \_\_\_\_\_ Date \_\_\_\_\_

## OPTIONAL VOLTAGES

- 480 volt, 60 Hz, 3 phase
- 220/380 volt, 50 Hz, 1 phase, 3 wire
- 220/380 volt, 50 Hz, 3 phase, 4 wire
- 240/415 volt, 50 Hz, 3 phase, 4 wire

## CLEARANCES

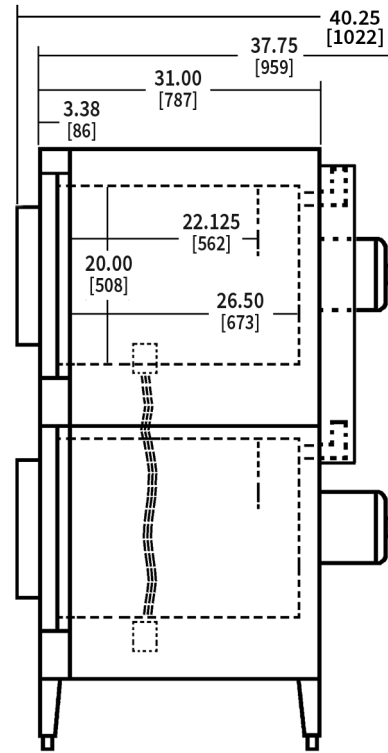
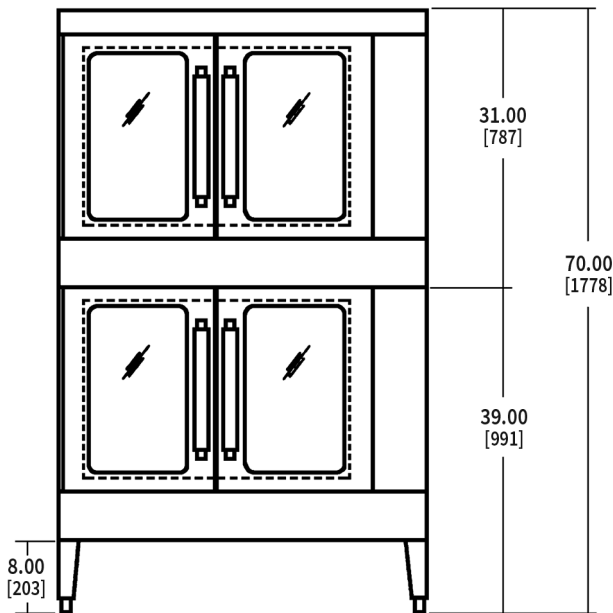
	Combustible	Non-Combustible
Rear	2"	2"
Right Side	4"	4"
Left Side	1"	1"



[CAD and/or Revit Files Available](#)

[INSTALLATION MANUAL](#)

40 $\frac{1}{4}$ " W x 41 $\frac{1}{8}$ " D (includes motor & door handles)  
40 $\frac{1}{4}$ " W x 37 $\frac{3}{4}$ " D (includes motor only)  
70" H on 8" legs



### Nominal Amps per Line Wire

Model	Total Conn.	3 Phase Load KW per Phase		1 Phase		3 Phase									Weight	
		X-Y	Y-Z	X-Z	208 Volt		240 Volt			480 Volt						
					208V	240V	X	Y	Z	X	Y	Z	X	Y		Z
VC44E	25 kW	8	8	9	120	104	70	66	70	66	58	66	28	30	30	778 lbs (352 KG) without skids/packaging 880 lbs (400 KG) with skids/packaging

As continued product improvement is a policy of Vulcan, specifications are subject to change without notice.