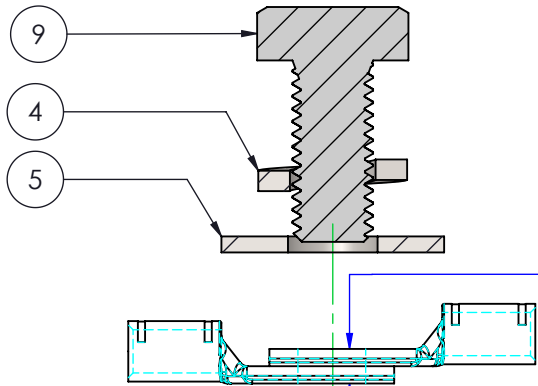
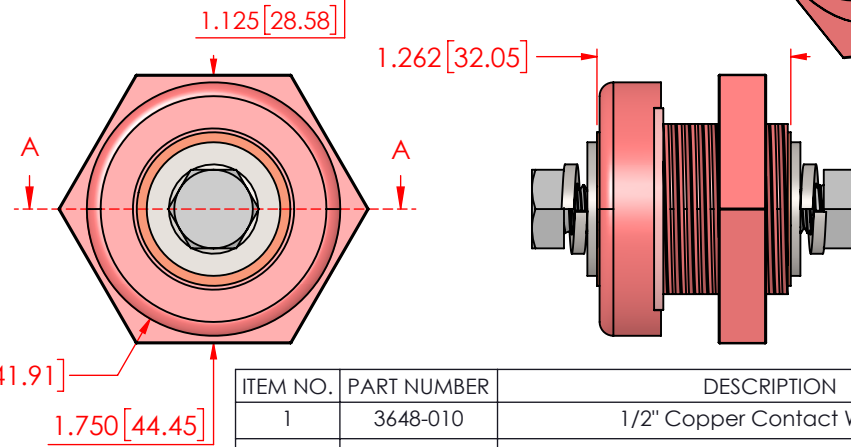
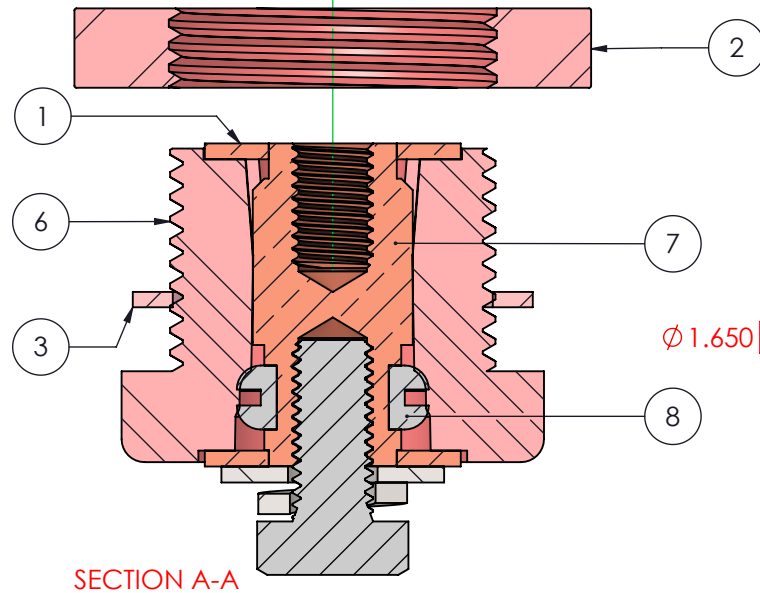
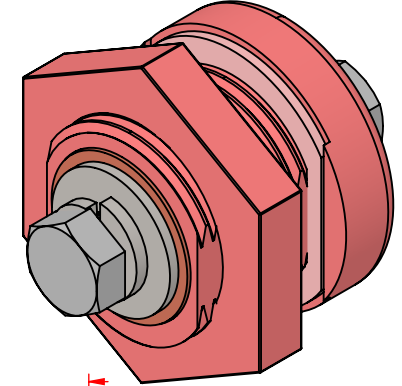
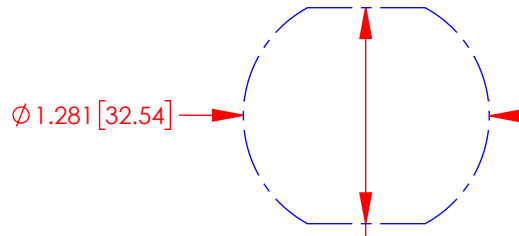


REVISIONS			
REV.	DESCRIPTION	DATE	APPROVED
A	Updated Electrical Values	3/30/2023	RAS



PANEL CUT-OUT



ITEM NO.	PART NUMBER	DESCRIPTION	QTY.
1	3648-010	1/2" Copper Contact Washer	2
2	359N0N02	Glass Filled Nylon Locking Nut (Red)	1
3	3960-005	Norseal Red Silicone Gasket	1
4	3638-002	M8 18-8 Stainless Steel Lock Washer	2
5	3645-000	5/16" 18-8 Stainless Steel Flat Washer	2
6	362N0N02	Nylon Power Bushing Housing (Red)	1
7	3865-000	8mm x 1.25 Threaded Copper Core	1
8	3962-000	EPDM Rubber Grommet	1
9	3731-004	8mm x 1.25 18-8 Stainless Steel Hex Bolt 18mm Long	2

CABLE TEMP RATING :	60c	90c	105c	125c
CURRENT RATING @ 12vdc :	275A	380A	440A	490A
TEMPORARY MAX @ 12vdc :	305A	415A	475A	535A

MAXIMUM VOLTAGE : 48 VDC

MATERIAL PART NO: 7111210502  
 MATERIAL: GLASS FILLED NYLON  
 VENDOR PART NO: HYLON N2015 NAT

MAX M8 FASTENER TORQUE: 144 IN./LBS. [16.27 Nm]  
 MAX NYLON NUT TORQUE: 120 IN./LBS. [13.56 Nm]

Assembly Weight : 0.24 Lbs. [108.8g]

Assembly Color : Red

ALL DIMENSIONS GIVEN AS : INCH [METRIC]  
 TOLERANCES UNLESS OTHERWISE SPECIFIED :  
 MOLDED PRODUCTS : ±.030" / ±0.8mm  
 HARDWARE PRODUCTS : ±.010" / ±0.25mm

PRINTED COPIES ARE NOT CONTROLLED

**PROPRIETARY AND CONFIDENTIAL**

THE INFORMATION CONTAINED IN THIS DRAWING IS THE SOLE PROPERTY OF VTE INCORPORATED. ANY REPRODUCTION IN PART OR AS A WHOLE WITHOUT THE WRITTEN PERMISSION OF VTE INCORPORATED PROHIBITED.



**VTE INCORPORATED**

5437 Robinson Road, P.O. Box 790  
 Pellston, Michigan 49769 USA  
 Telephone : 1-800-527-9256, 231-539-8000  
 Fax : 231-539-0914, Efax : 231-344-5914

REV	<b>A</b>	NAME	DATE
SIZE	<b>A</b>	DRAWN BY:	RAS 3-9-23
		CHECKED BY:	PJK 3-9-23
DO NOT SCALE DRAWING			

TITLE: M8 Waterproof Power Bushing with 18mm Long Bolts

DWG. NO. **ICB088N02**