



2019 MOWERS

Vermeer®



Vermeer understands that in order to efficiently harvest many acres of hay, you need high-quality equipment. Designed with that in mind, the Q3 cutter bar is a modular shaft-driven cutter bar that helps to maximize productivity and make the mower more fuel-efficient with minimal gear-to-gear interface, which requires less horsepower than gear bed style cutter bars. Key features such as the Quick-Clip® blade retention system and Quick-Change™ shear ring are designed for productivity, functionality and allow for quick and convenient replacement in the field. Access on top of each cutter unit lets the operator check and replace oil quickly. Larger componentry, from the discs to the bearings, helps enhance durability. Plus, these cutter bars are backed by a Vermeer 3-year cutter bar warranty.

INCLUDES Q3 CUTTER BAR	TYPE OF MOWER
MC2800	Mower Conditioner
MC3300	Mower Conditioner
MC3700	Mower Conditioner
MC4500	Mower conditioner
TM1210	Trailed Mower
TM1410	Trailed Mower

Q3® CUTTER BAR: QUALITY TO COUNT ON



The Quick-Clip blade retention system allows operators to quickly replace or reverse blades. Slide out the clip, reload the new blade, tap it in place with the provided tool and get back to mowing.



The Quick-Change shear ring is a small ring with pins that sits within the disc hub. Pins shear when the disc encounters a potentially damaging obstacle, to help protect the internal gears and drive spline, while the hub retains the disc. Operators replace the ring rather than the hub reducing potential contamination to the cutter bar.



The Q3 cutter bar has a quick-check system with a built-in dipstick to check oil levels of the individual cutter units.

TABLE OF CONTENTS:

TM1210/TM1410 Trailed Mowers	pg. 4-6
3-Point Mower and Trailed Mower Differences	pg. 7
TM1200 Trailed Mower	pg. 8
TM850 Trailed Mower	pg. 9
TM610/TM710/TM810 Trailed Mowers	pg. 10-11
M5040/M6040/M7040/M8040 3-Point Disc Mowers	pg. 12-13
MC2800/MC3300/MC3700/MC4500 Mower Conditioners	pg. 14-17
Product Specifications	pg. 18-22



Vermeer TM1210 and TM1410 trailed mowers offer cutting widths up to 17.7 ft (5.4 m) (TM1210) and 20.8 ft (6.3 m) (TM1410). These mowers are ideal for operators who want to cut more hay in less time with convenient features that can help take the stress out of operating, transporting and maintaining a large trailed mower. Features include the Q3® cutter bar, 2-point Quick Hitch hookup, a nitrogen-charged accumulator suspension system and the patented Quick-Clip® blade retention system that reduces the process of blade replacement to seconds.

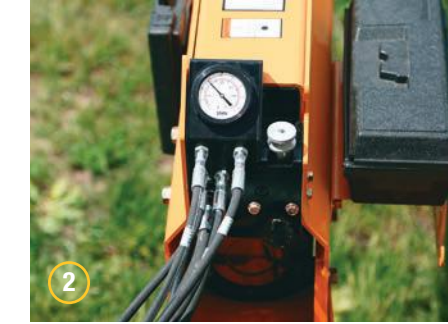
Big-time productivity, big-time convenience and a narrow 9.1 ft (2.7 m) transport width. Plus, a 3-year cutter bar warranty on parts and labor. Add it all up. It's what makes a 10-series a 10.



TM1210/TM1410 TRAILED MOWERS



1 The Q3 cutter bar is designed to keep operators in the field with features focused on productivity and function. The Quick-Clip blade retention system and Quick-Change™ shear ring provide user-friendly repair and maintenance. And a 3-year cutter bar warranty allows operators to rest assured that their cutter bar is backed by Vermeer parts and service from your local Vermeer dealer.



- 2** A convenient nitrogen-charged accumulator suspension system makes it efficient to adjust for various crops and conditions, provides ground-following cutter bar balance and a consistent pitch. The system allows you to establish a setting and charge to that setting every time. If you want, you can adjust with a quarter turn of the valve.
- 3** A patent-pending, newly designed 2-point Quick Hitch hookup allows for a convenient, one-person hookup. It also provides more ground clearance to avoid obstructions while in the field. Quick. Convenient. Durable.
- 4** With market-leading cutting widths, the TM1410 can mow up to 20.8 ft (6.3 m) allowing operators to cover more acres in less time.
- 5** New guarding design provides convenient access for routine maintenance including changing or reversing blades and checking oil. Unhook the latch and swing door guarding out for full access to the cutter bar.



This image is for illustration purposes only. Curtains and shielding have been removed. Never operate equipment without the appropriate shielding in place.

6 Optional large float tires are available for both the TM1210/TM1410 trailed mowers. Most operators can benefit from float tires whether they want to limit compaction in the field, mow in wetter-than-normal conditions or encounter other field obstructions that make the terrain bumpier than usual.

7 Two independent cutter bar units work with the suspension system to allow the mower to flex on uneven ground contour. Each cutter bar can flex and allow the unit to follow ground contour and pivot up and over hidden obstacles.

TM1210/TM1410 TRAILED MOWERS



Just because the 10-series trailed mowers offer wide cutting widths doesn't mean they have to be a hassle to move between fields. Both the TM1210 and TM1410 trailed mowers hydraulically fold down to a 9.1 ft (2.7 m) transport width.

3-POINT DISC MOWERS



RESOURCES NEEDED TO COVER 20 FT (6.1 M)



TRAILED MOWERS



RESOURCES NEEDED TO COVER 20 FT (6.1 M)



	3-POINT DISC MOWER	TRAILED MOWER
Hookup	Attaches to the rear 3-point hitch of the tractor. All of the weight is supported by the tractor, so when the tractor moves, the mower will follow close behind with little variation.	Attaches to the drawbar or 2-point on the tractor. The design allows the majority of the weight to be carried by the trailed mower versus the 3-point hitch of the tractor. This means less horsepower required and an independent suspension system that allows for more responsive ground-following.
Cutting width	Ranges from 6.8 ft (2.1 m) to 10.5 ft (3.2 m). Cannot be much larger due to transport requirements.	Ranges from 8.1 ft (2.5 m) to 20.8 ft (6.3 m). Due to design and horsepower requirements, trailed mowers can range from economy sized to commercial, large-operator sized.
Transport width	7.8 ft (2.4 m)	Ranges can be from 8.3 ft to 10.1 ft. (2.5 m to 3.1 m)
Resources needed to cover 20 ft (6.1 m)	Three tractors Three M7040 disc mowers Three operators	One tractor One TM1410 trailed mower One operator
Customer	Part-time operators mowing smaller fields or ditches.	Small trailed mowers: part-time operators or smaller operations. Large trailed mowers: full-time operators or custom hay operations.

The heavy-duty TM1200 trailed mower offers the convenience and simplicity of a trailed mower while offering a cutting width of 15.5 ft (4.7 m) with a minimal 85 hp (63 kW). Here you'll find Vermeer design and innovative technology; rugged, reinforced frames with versatility and fast, convenient handling of a center-pivot; the flex and ground-hugging ability of independent cutter bars which overlap to help with clean cutting in the center and patented flotation systems for added protection.



- 1 A unique hydraulic suspension system works in conjunction with the split cutter bar to reduce cutter bar weight on the ground, increase flex and allow the large TM1200 trailed mower to follow ground contour and pivot up and over hidden obstacles.
- 2 The TM1200 trailed mower quickly folds down to 8.5 ft (2.6 m) wide and efficiently maneuvers through gates when traveling from field to field, while 2-point hookup accommodates both category II and III hitches.

TM1200 TRAILED MOWER



TM850 TRAILED MOWER



When you first see the TM850 trailed mower alongside other 10.5 ft (3.2 m) trailed mowers, you immediately understand why it's considered the real heavyweight in its class. This one's built to handle a regular diet of high-volume material, while maintaining a low required 60 hp (44.7 kW) tractor.



- 1 Superior flotation and a nitrogen-charged hydraulic suspension system increase flex and allow the TM850 trailed mower to efficiently follow ground contour — even pivot up and over hidden obstacles, while maintaining control. No tools required for suspension setting or pitch control adjustments.
- 2 Mow in all tongue positions. The unique, patented self-aligning driveline provides smooth operating in all tongue positions and enables the TM850 trailed mower to maneuver around obstacles in the field.

Standard on both TM1200 and TM850 Trailed Mowers



Hydraulic cutter bar pitch control sets cutting height to help reduce streaking and allows operator to adjust for different crops and conditions. No tools required.



The new TM610/TM710/TM810 trailed mowers offer simplicity. The hookup procedure is straightforward; after the hitch, PTO and hydraulics are connected, you're ready to go to the field. Toolless adjustments allow users to conveniently set the suspension between fields. The Quick-Clip® blade retention system lives up to its name. Horsepower requirements (TM610: 50 hp [37.3 kW]) are an average 20 percent lower than comparable 3-point disc mowers.

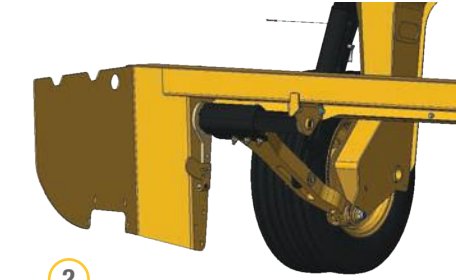
How do 10-series trailed mowers perform in the field? Glad you asked. Choose from three different models for 8.1 ft, 9.2 ft or 10.5 ft (2.5 m, 2.8 m or 3.2 m) cutting widths. The built-in protection of a rubber torsion suspension provides smooth mowing performance in many conditions, including rough and uneven terrain. Plus, narrow transport widths help you mow and go. The trail to better mowing starts here.



TM610/TM710/TM810 TRAILED MOWERS



1 Side pull rotary disc mower design with hydraulic swing cylinder makes transport convenient from field to field.



2



3



4



5

- 2 Exclusive rubber torsion suspension design absorbs shock loads and high impacts by helping to reduce cutter bar weight on the ground and allowing it to float more freely and swing up and over field obstacles. The 10-series trailed mowers also offers toolless adjustments.
- 3 A friction-style clutch is placed close to the very thing it's designed to protect — the cutter bar. Free motion hub provides convenient PTO attachment.
- 4 Sleek, low-profile cutter units and wide skid shoes provide clean, close cutting and helps maximize protection. Thick (5 mm), heat-treated blades help provide greater shatter resistance and longer life. Segmented, hex-shaped driveshafts can help with ease of maintenance.
- 5 Swath width is 80 percent of cutter width for quick and even dry down, depending on crop type and conditions.



Oftentimes, it's pretty easy to overlook the little differences in the performance and reliability of a standard 3-point disc mower. When you can experience optimal productivity, reliability and ease of maintenance with Vermeer disc mowers, it can make a big difference in the end.

Start with the frame and you'll find a more compact design with strong reinforced outer bar support on the end. This allows you to cut much closer to fences compared to other designs. Tapered low-profile cutter units help give you great cutting action, reduce the chance of streaking and optimize performance across a wide variety of crops and conditions.

Time to change blades or conduct maintenance? Check out the access you have with front and rear folding panels. Also, make sure to take a close look at the heavy cutting discs and super-sized skid shoes. It's a reliable, quality-built disc mower that gets the job done — even when you encounter a heavy dose of high-moisture crops or tough ground.

The Quick-Clip® blade retention system lets you replace or reverse blades in seconds. And the Vermeer 3-year cutter bar warranty covers the internal components and included parts and labor. Operators can rest assured the cutter bar is backed by Vermeer parts and service standard on all Vermeer 3-point disc mowers.

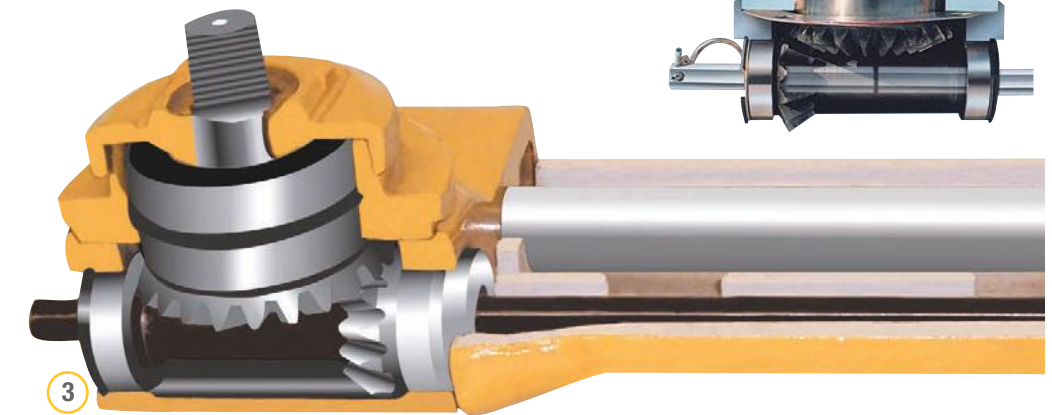
M5040/M6040/M7040/M8040 3-POINT DISC MOWERS



MODEL	HP REQUIREMENT	CUTTING WIDTH
M5040	45 hp (33.6 kW)	6.8 ft (2.1 m)
M6040	60 hp (44.7 kW)	7.8 ft (2.4 m)
M7040	70 hp (52 kW)	9.2 ft (2.8 m)
M8040	80 hp (60 kW)	10.5 ft (3.2 m)



1 Cutter bar protection. Extra-wide skid shoes, made from hardened steel, help eliminate potential pinch points between the cutting discs, protect against damaging rocks and extend the life of the mower. Austempered heat-treated blades are shatter-resistant and reversible. Compare the difference in thickness and quality of the Vermeer cutting blade versus other mowers on the market.



2 Tapered, low-profile cutter bar for close, clean cutting — reduces streaking and helps improve performance across a wide variety of crops and conditions. Heavy-duty cutting discs maximize machine life, especially in tough, rocky cutting conditions.

3 Self-contained cutter units come prepacked with their own set of gears, bearings and lubricant to help extend operating life. Even at extreme working angles, grease continues to lubricate the gears and won't flow to the lower side of the bar.

The latest mower conditioner line from Vermeer combines productivity, flexibility and convenience into one high-performance package — giving the operator complete control in even the toughest mowing conditions.

Equipped with the Q3[®] cutter bar, the MC2800, MC3300, MC3700 and MC4500 mower conditioners provide optimum performance with reduced horsepower requirements. With the modular disc design and unique cutter bar accessibility, maintenance and repair on these mower conditioners are user-friendly. The Quick-Clip[®] blade retention system and Quick-Change[™] shear ring offer simplicity in changing blades and repairing sheared discs. A nitrogen-charged accumulator suspension system replaces traditional spring systems, providing steady ground contact and a more consistent cut. Convenient adjustments allow operators to customize the suspension system to meet varying field conditions.

Productivity. Flexibility. Convenience. As far as mower conditioners go, the MC2800, MC3300, MC3700 and MC4500 are a cut above the rest.

MC2800/MC3300/MC3700/MC4500 MOWER CONDITIONERS



MODEL	CUTTING WIDTH
MC2800	9.1 ft (2.8 m)
MC3300	10.5 ft (3.3 m)
MC3700	12 ft (3.7 m)
MC4500	15 ft (4.5 m)

1 The modular cutter bar design allows for cutter units to be repaired individually, reducing the need to take apart the entire cutter bar.



- 2 The nitrogen-charged accumulator suspension system provides consistent weight on the cutter bar throughout the full range of motion, reducing ground contact and resulting in a consistent cut. With varying field conditions, suspension adjustments can be made quickly and without use of tools, reducing stress on the header and framework, which can result in less field damage and longer mower life.
- 3 The steel roller conditioner option features an aggressive profile that allows for consistent conditioning across the roller. It also provides the ability to break down tougher crops but can be adjusted for gentler conditioning of leafy alfalfa crops.
- 4 The tine conditioner option features free-swinging, steel v-tines, which scrape the surface of the material against a concave plate. The mechanism offers two speed settings and the concave plate is adjustable.
- 5 Rubber rollers are now available as an option on all sizes of mower conditioners. Made specifically with dairy producers in mind, the two rollers intermesh to crimp stems to produce well-conditioned forage.

The Q3[®] cutter bar is a modular shaft-driven cutter bar that helps to maximize productivity by making the mower more fuel-efficient with minimal gear-to-gear interface, requiring less horsepower than gear-bed style cutter bars.

Key features such as the Quick-Clip[®] blade retention system and Quick-Change[™] shear ring are designed for productivity, functionality and to allow for quick and convenient replacement in the field. Access on top of each cutter unit lets the operator check and replace oil quickly. Larger componentry, from the discs to the bearings, provide enhanced durability. Plus, cutter bars are backed by a Vermeer 3-year cutter bar warranty.



1

1 The Quick-Clip blade retention system allows the operator to quickly replace or reverse blades. Slide out the clip, reload the new blade, tap it in place with the provided tool and get back to mowing.

MC2800/MC3300/MC3700/MC4500 MOWER CONDITIONERS



2

2 Multiple swath adjustment options give the operator more control over windrow formation. Produce narrow windrows for baling without the need to rake or a wide swath for quicker dry time.



3



4



5



6

- 3 The MC-series models introduced the patented drawbar swivel hitch option. The drawbar swivel hitch has the same maneuverability as the 2-point swivel hitch and flexibility of 540 or 1000 rpm PTO input. With its balanced pivoting drawbar connection and a hitch pin drop mechanism, hitching up can be a hassle-free, one-man job. The drawbar swivel hitch remains on the mower itself — no bolt-on drawbar attachments means no more lost attachments and no more switching attachments every time you need to pull a different implement.
- 4 The Vermeer 3-year cutter bar warranty covers the internal components and includes parts and labor. Operators can rest assured the cutter bar is backed by Vermeer parts and service. See your Vermeer dealer for details.
- 5 The Quick-Change shear ring is a small ring with pins that sits within the disc hub. Pins shear when the disc encounters a potentially damaging obstacle, to help protect the internal gears and drive spline, while the hub retains the disc. Operators replace the ring rather than the hub, reducing potential contamination to the cutter bar.
- 6 A protective hood guards the cutter bar and provides convenient access to internal components. The lightweight, spring-assisted hood can be conveniently lifted and magnets in the curtain help keep it out of the way while maintenance is performed.

TM850/TM1200/TM1210/TM1410 TRAILED MOWER SPECIFICATIONS

DIMENSIONS AND WEIGHTS	TM850	TM1200	TM1210	TM1410
Transport height	61 in (154.9 cm)	78 in (198.1 cm)	76 in (193 cm)	76 in (193 cm)
Transport width standard	10.1 ft (3.1 m)	8.5 ft (2.6 m)	9.1 ft (2.8 m)	9.1 ft (2.8 m)
Transport width with flotation tires	NA	NA	9.8 ft (3 m)	9.8 ft (3 m)
Transport length	13.8 ft (4.2 m)	22 ft (6.7 m)	25.2 ft (7.7 m)	25.2 ft (7.7 m)
Working height	61 in (154.9 cm)	78 in (198.1 cm)	76 in (193 cm)	76 in (193 cm)
Working width	15.8 ft (4.8 m)	22 ft (6.7 m)	23.9 ft (7.3 m)	27.1 ft (8.3 m)
Working length	13.3 ft (4 m)	18 ft (5.5 m)	19.8 ft (6 m)	19.8 ft (6 m)
Total weight	2420 lb (1097.7 kg)	5900 lb (2676.2 kg)	6275 lb (2846.3 kg)	6660 lb (3020.9 kg)
Tongue weight	700 lb (317.5 kg)	1580 lb (716.7 kg)	1820 lb (825.5 kg)	1940 lb (880 kg)
TRACTOR REQUIREMENTS				
Hitch	Drawbar	3-point, category II or III N	3-point, category II or III N	3-point, category II or III N
Drive PTO	540 rpm	540 or 1000 rpm	540 or 1000 rpm	1000 rpm
Horsepower PTO	60 hp (44.7 kW)	85 hp (63 kW)	95 hp (71 kW)	105 hp (78 kW)
Hydraulics type	2 double-acting	2 double-acting	3 double-acting (2 double-acting with optional kit)	3 double-acting (2 double-acting with optional kit)
Hydraulic pressure	2000 psi (137.9 bar)	1500 psi (103.4 bar)	1850 psi (127.6 bar)	1850 psi (127.6 bar)
Hydraulic flow rate	6 gpm (22.7 L/min)	6 gpm (22.7 L/min)	6 gpm (22.7 L/min)	6 gpm (22.7 L/min)
CUTTER BAR				
Cutting width	10.5 ft (3.2 m)	15.5 ft (4.7 m)	17.7 ft (5.4 m)	20.8 ft (6.3 m)
Cut height minimum	1.3 in (3.2 cm)	1.3 in (3.2 cm)	1 in (2.5 cm)	1 in (2.5 cm)
Cut height maximum	3 in (7.6 cm)	3 in (7.6 cm)	3 in (7.6 cm)	3 in (7.6 cm)
Number of discs	8	12	12	14
Disc diameter	19.7 in (50 cm)	19.7 in (50 cm)	23 in (58.4 cm)	23 in (58.4 cm)
Disc speed	2965 rpm	2950 rpm	2690 rpm	2690 rpm
Number of blades	16	24	24	28
Cutter bar angle	0-6°	0-6°	0-6°	0-6°
Angle adjustment	Hydraulic pitch control	Hydraulic pitch control	Hydraulic pitch control	Hydraulic pitch control
Disc type	Quick-Clip® blade retention system	Quick-Clip blade retention system	Quick-Clip blade retention system	Quick-Clip blade retention system
Skid shoes	Modular independent skid shoes	Modular independent skid shoes	Modular independent skid shoes	Modular independent skid shoes

TM1200/TM1210/TM1410 TRAILED MOWERS STANDARD DETAILS

- ▶ Tires: 31 x 13.5 - 15
- ▶ Curtain material: 1400 gm/m² polyester woven material with flexible PVC covering
- ▶ Hydraulic mower suspension
- ▶ Torque protection – driveline: friction disc clutch
- ▶ SMV sign
- ▶ Highway lights
- ▶ 3-year limited cutter bar warranty

TM1200/TM1210/TM1410 TRAILED MOWERS OPTIONAL FEATURES

- ▶ 2 remote kit (TM1210/TM1410)
- ▶ Float tires: 480/45x17 (TM1210/TM1410)
- ▶ Pickup tow – maximum 20 mph (32.2 km/h)
- ▶ Topping wear skids
- ▶ Wear skids
- ▶ Swath wheel

TM850 TRAILED MOWER STANDARD DETAILS

- ▶ Tires: 11L - 15
- ▶ Curtain material: 1400 gm/m² polyester woven material with flexible PVC covering
- ▶ Hydraulic mower suspension
- ▶ Torque protection – driveline: friction disc clutch
- ▶ SMV sign
- ▶ Highway lights
- ▶ 3-year limited cutter bar warranty

TM850 TRAILED MOWER OPTIONAL FEATURES

- ▶ Safety chain
- ▶ Topping skid shoes
- ▶ Wear skids
- ▶ Swath wheel

TM610/TM710/TM810 TRAILED MOWER SPECIFICATIONS

DIMENSIONS AND WEIGHTS	TM610	TM710	TM810
Transport height	46 in (116.8 cm)	46 in (116.8 cm)	46 in (116.8 cm)
Transport width	8.3 ft (2.5 m)	9.4 ft (2.9 m)	10.8 ft (3.3 m)
Transport length	15.3 ft (4.7 m)	15.3 ft (4.7 m)	15.3 ft (4.7 m)
Working height	46 in (116.8 cm)	46 in (116.8 cm)	46 in (116.8 cm)
Working width	12.4 ft (3.8 m)	13.6 ft (4.1 m)	14.9 ft (4.5 m)
Working length	14.3 ft (4.3 m)	14.3 ft (4.3 m)	14.3 ft (4.3 m)
Total weight	2100 lb (952.5 kg)	2200 lb (997.9 kg)	2300 lb (1043.3 kg)
Tongue weight	600 lb (272.2 kg)	630 lb (285.8 kg)	660 lb (299.4 kg)
TRACTOR REQUIREMENTS			
Hitch	Drawbar	Drawbar	Drawbar
Drive PTO	540 rpm	540 rpm	540 rpm
Horsepower PTO	50 hp (37.3 kW)	55 hp (41 kW)	60 hp (44.7 kW)
Hydraulics type	2 double-acting (1 double-acting with optional kit)	2 double-acting (1 double-acting with optional kit)	2 double-acting (1 double-acting with optional kit)
Hydraulics pressure	1250 psi (86.2 bar)	1250 psi (86.2 bar)	1250 psi (86.2 bar)
Hydraulics flow rate	6 gpm (22.7 L/min)	6 gpm (22.7 L/min)	6 gpm (22.7 L/min)
CUTTER BAR			
Cutting width	8.1 ft (2.5 m)	9.2 ft (2.8 m)	10.5 ft (3.2 m)
Cutting height minimum	1.3 in (3.2 cm)	1.3 in (3.2 cm)	1.3 in (3.2 cm)
Cutting height maximum	3 in (7.6 cm)	3 in (7.6 cm)	3 in (7.6 cm)
Number of discs	6	7	8
Disc diameter	19.7 in (50 cm)	19.7 in (50 cm)	19.7 in (50 cm)
Disc speed	2797 rpm	2797 rpm	2797 rpm
Number of blades	12	14	16
Cutter bar angle	0-6°	0-6°	0-6°
Angle adjustment	Manual turnbuckle	Manual turnbuckle	Manual turnbuckle
Disc type	Quick-Clip® blade retention system	Quick-Clip blade retention system	Quick-Clip blade retention system
Skid shoes	Modular independent skid shoes	Modular independent skid shoes	Modular independent skid shoes

STANDARD DETAILS

- ▶ Tires: 27 x 9.5 - 15
- ▶ Curtain material: 1 ply 1/8 in rubber
- ▶ Rubber torsion suspension
- ▶ Torque protection - driveline: friction disc clutch
- ▶ SMV sign
- ▶ 3-year limited cutter bar warranty

OPTIONAL FEATURES

- ▶ Safety chain
- ▶ Topping wear skids
- ▶ Wear skids
- ▶ Swathboard
- ▶ Single tractor outlet hydraulic kit for tractors with only one auxiliary remote

MC2800/MC3300/MC3700/MC4500 MOWER CONDITIONERS SPECIFICATIONS

DIMENSIONS AND WEIGHTS	MC2800	MC3300	MC3700	MC4500
Transport height	73 in (185.4 cm)	73 in (185.4 cm)	73 in (185.4 cm)	73 in (185.4 cm)
Transport width ends up	8.6 ft (2.6 m)	9.8 ft (3 m)	11.6 ft (3.5 m)	15 ft (4.5 m)
Transport width ends down	11.4 ft (3.5 m)	12.8 ft (3.9 m)	14.1 ft (4.3 m)	17 ft (5.2 m)
Transport length	18.1 ft (5.5 m)	19.8 ft (6 m)	27.5 ft (8.4 m)	29.3 ft (8.9 m)
Working height	73 in (185.4 cm)	73 in (185.4 cm)	73 in (185.4 cm)	73 in (185.4 cm)
Total weight (roller conditioner)	4150 lb (1882.4 kg)	4675 lb (2120.5 kg)	5300 lb (2404 kg)	6700 lb (3039.1 kg)
Total weight (tine conditioner)	3950 lb (1791.7 kg)	4200 lb (1905.1 kg)	5000 lb (2268 kg)	6300 lb (2857.6 kg)
Tongue weight	1000 lb (453.6 kg)	1280 lb (580.6 kg)	1450 lb (657.7 kg)	1700 lb (771.1 kg)
Ground clearance maximum	17 in (43.2 cm)	17 in (43.2 cm)	17 in (43.2 cm)	17 in (43.2 cm)
TRACTOR REQUIREMENTS				
Tongue standard	Drawbar (540 rpm)	Drawbar (540 rpm)	NA	NA
Tongue swivel gearbox	NA	3-point, category II or III N (540 rpm)	3-point, category II or III N (1000 rpm)	3-point, category II or III N (1000 rpm)
Drive PTO	540 rpm	540 rpm	1000 rpm	1000 rpm
Horsepower PTO	65 hp (48.5 kW)	75 hp (56 kW)	90 hp (67 kW)	105 hp (78 kW)
Hydraulic type	2 double-acting	2 double-acting	2 double-acting	2 double-acting
Hydraulics pressure	1900 psi (131 bar)	1900 psi (131 bar)	1900 psi (131 bar)	2475 psi (170.6 bar)
Hydraulic flow rate	6 gpm (22.7 L/min)	6 gpm (22.7 L/min)	6 gpm (22.7 L/min)	6 gpm (22.7 L/min)
Cab	Fully enclosed cab	Fully enclosed cab	Fully enclosed cab	Fully enclosed cab
CUTTER BAR				
Cutting width	9.1 ft (2.8 m)	10.5 ft (3.3 m)	12 ft (3.7 m)	15 ft (4.5 m)
Cutting height minimum	1 in (2.5 cm)	1 in (2.5 cm)	1 in (2.5 cm)	1 in (2.5 cm)
Cutting height maximum	8 in (20.3 cm)	8 in (20.3 cm)	8 in (20.3 cm)	8 in (20.3 cm)
Shear protection	Quick-Change™ shear ring	Quick-Change shear ring	Quick-Change shear ring	Quick-Change shear ring
Number of discs	6	7	8	10
Disc type	Quick-Clip® blade retention system	Quick-Clip blade retention system	Quick-Clip blade retention system	Quick-Clip blade retention system
Disc cut diameter	23.1 in (58.7 cm)	23.1 in (58.7 cm)	23.1 in (58.7 cm)	23.1 in (58.7 cm)
Disc speed	2700 rpm	2700 rpm	2700 rpm	2700 rpm
Number of blades	12	14	16	20
Angle adjustment	Hydraulic pitch control	Hydraulic pitch control	Hydraulic pitch control	Hydraulic pitch control
Skid shoes	Modular independent skid shoe	Modular independent skid shoe	Modular independent skid shoe	Modular independent skid shoe

MC2800/MC3300/MC3700/MC4500 MOWER CONDITIONERS SPECIFICATIONS

ROLLER CONDITIONER	MC2800	MC3300	MC3700	MC4500
Type	Intermeshing steel rollers or rubber rollers	Intermeshing steel rollers or rubber rollers	Intermeshing steel rollers or rubber rollers	Intermeshing steel rollers or rubber rollers
Conditioner drive	(4) 5V belts	(4) 5V belts	(4) 5V belts	(4) 5V belts
Conditioner width	86 in (218.4 cm)	102 in (259.1 cm)	118 in (299.7 cm)	118 in (299.7 cm)
Roller diameter	9.3 in (23.6 cm)	9.3 in (23.6 cm)	9.3 in (23.6 cm)	9.3 in (23.6 cm)
Roller speed	740 rpm	740 rpm	740 rpm	740 rpm
Windrow width minimum*	36 in (91.4 cm)	40 in (101.6 cm)	48 in (121.9 cm)	62 in (157.5 cm)
Windrow width maximum*	82 in (208.3 cm)	95 in (241.3 cm)	108 in (274.4 cm)	112 in (284.5 cm)
TINE CONDITIONER				
Type	V-tine	V-tine	V-tine	V-tine
Conditioner drive	(4) 5V belts	(4) 5V belts	(4) 5V belts	(4) 5V belts
Conditioner width	86 in (218.4 cm)	102 in (259.1 cm)	118 in (299.7 cm)	118 in (299.7 cm)
Working diameter	22 in (55.9 cm)	22 in (55.9 cm)	22 in (55.9 cm)	22 in (55.9 cm)
Tine speed low	800 rpm	800 rpm	800 rpm	800 rpm
Tine speed high	1000 rpm	1000 rpm	1000 rpm	1000 rpm
Windrow width minimum*	36 in (91.4 cm)	40 in (101.6 cm)	48 in (121.9 cm)	62 in (157.5 cm)
Windrow width maximum*	88 in (223.5 cm)	110 in (279.4 cm)	115 in (292.1 cm)	115 in (292.1 cm)

*Dependent on crop

STANDARD DETAILS

- ▶ Tires: 12.5L-15 (31 x 13.5-15 - MC3700/MC4500)
- ▶ Hydraulic nitrogen-charged accumulator suspension system
- ▶ SMV sign
- ▶ Torque protection – friction/over-running clutch
- ▶ 3-year cutter bar warranty
- ▶ Quick-Clip blade retention system
- ▶ Quick-Change shear ring
- ▶ Highway lights
- ▶ Platform (for tall crops in roller conditioner)
- ▶ Topping high cut kit

OPTIONAL FEATURES

- ▶ Safety chain
- ▶ Wear skids
- ▶ Pickup tow – maximum 20 mph (32.2 km/h) (MC3300/MC3700)
- ▶ Tires: 33 x 15.5 - 16.5 float tires (MC4500)

M5040/M6040/M7040/M8040 3-POINT DISC MOWER MOWER SPECIFICATIONS

DIMENSIONS AND WEIGHTS	M5040	M6040	M7040	M8040
Transport width	7.8 ft (2.4 m)	7.8 ft (2.4 m)	7.8 ft (2.4 m)	7.8 ft (2.4 m)
Transport length	6.5 ft (2 m)	6.5 ft (2 m)	6.5 ft (2 m)	6.5 ft (2 m)
Working width	6.8 ft (2 m)	7.8 ft (2.4 m)	9.2 ft (2.8 m)	10.5 ft (3.2 m)
Working length	6.5 ft (2 m)	6.5 ft (2 m)	6.5 ft (2 m)	6.5 ft (2 m)
Total weight	1135 lb (514.8 kg)	1215 lb (551.1 kg)	1291 lb (585.6 kg)	1380 (626 kg)
TRACTOR REQUIREMENTS				
Hitch	3-point, category II or III N	3-point, category II or III N	3-point, category II or III N	3-point, category II or III N
Drive PTO	540 rpm	540 rpm	540 rpm	540 rpm
Horsepower PTO	45 hp (33.6 kW)	60 hp (44.7 kW)	70 hp (52.2 kW)	80 hp (59.7 kW)
Hydraulics type	1 single-acting	1 single-acting	1 single-acting	1 single-acting
Hydraulics pressure	1700 psi (117 bar)	1700 psi (117 bar)	2000 psi (138 bar)	2000 psi (138 bar)
Hydraulics flow rate	6 gpm (22.7 L/min)	6 gpm (22.7 L/min)	6 gpm (22.7 L/min)	6 gpm (22.7 L/min)
CUTTER BAR				
Cutting width	6.8 ft (2.1 m)	7.8 ft (2.4 m)	9.2 ft (2.8 m)	10.5 ft (3.2 m)
Cutting height minimum	1.3 in (3.2 cm)	1.3 in (3.2 cm)	1.3 in (3.2 cm)	1.3 in (3.2 cm)
Cutting height maximum	3.9 in (9.9 cm)	3.9 in (9.9 cm)	3.9 in (9.9 cm)	3.9 in (9.9 cm)
Number of discs	5	6	7	8
Disc diameter	19.7 in (50 cm)	19.7 in (50 cm)	19.7 in (50 cm)	19.7 in (50 cm)
Disc speed	2850 rpm	2850 rpm	2850 rpm	2850 rpm
Number of blades	10	12	14	16
Angle adjustment	Top-link on 3-point	Top-link on 3-point	Top-link on 3-point	Top-link on 3-point
Disc type	Quick-Clip® blade retention system	Quick-Clip blade retention system	Quick-Clip blade retention system	Quick-Clip blade retention system
Skid shoes	Single skid shoe or modular independent skid shoe	Single skid shoe or modular independent skid shoe	Single skid shoe or modular independent skid shoe	Single skid shoe or modular independent skid shoe

STANDARD DETAILS

- ▶ Curtain material: 1400 gm/m² polyester woven material with flexible PVC covering
- ▶ Torque protection – driveline: V-belt
- ▶ 3-year limited cutter bar warranty
- ▶ Swathboard

OPTIONAL FEATURES

- ▶ Topping skid shoes
- ▶ Stabilization chain
- ▶ Wear skids

SIGN UP FOR MAKIN' HAY

and learn more about industry trends, lifestyle topics, videos and products at

MAKINHAY.COM



POST-SEASON MAINTENANCE

We know that you count on your equipment to perform day in and day out. Let us help you maintain that high performance with our post-season maintenance programs. Check with your local Vermeer dealer for exclusive offers each fall including maintenance checks and performance adjustments so you will be ready to go at the start of the next hay season. Programs are offered on select models and vary annually.



FINANCING

Through Vermeer Credit Corporation you and your dealer can determine a payment structure that fits your budget, schedule and needs. For more information on financing options or retail incentives, visit Vermeer.com or contact your local dealer.



SERVICE

Expect top service from our independent authorized dealers backed by factory product support service teams. Our mission is to provide you with a level of experience and expertise that goes far beyond product knowledge, sales training and financing programs.



PARTS

When it's time to make hay, it's time to make hay. That's why we operate on the premise that parts and service support doesn't help tomorrow when you're in the field today. And we support it with one of the most sophisticated and responsive parts centers in the industry.



Learn more about mowers, rakes, tedders, balers, wrappers and processors on Vermeer.com.

Follow along with what's new at Vermeer Ag!



Vermeer Corporation
1410 Vermeer Road East • Pella, Iowa 50219
800-370-3659 • Vermeer.com

Vermeer Corporation reserves the right to make changes in engineering, design and specifications; add improvements; or discontinue manufacturing at any time without notice or obligation.

Equipment shown is for illustrative purposes only and may display optional accessories or components specific to their global region. Please contact your local Vermeer dealer for more information on machine specifications.

Specifications, descriptions and illustrative material herein are as accurate as known at time of publication, but are subject to change without notice. Availability of some models and equipment builds varies according to the country in which the equipment is used.

Vermeer, the Vermeer logo, Equipped to Do More, Quick-Clip, Quick-Change and Q3 are trademarks of Vermeer Manufacturing Company in the U.S. and/or other countries.

© 2018 Vermeer Corporation. All Rights Reserved.

LF00533 08/18 AG (12K) / PN#510505090



2019 MOWERS