

Pressure Gauges

WGI Elite Stainless Steel Series Pressure Gauges (Liquid Filled)

CRN

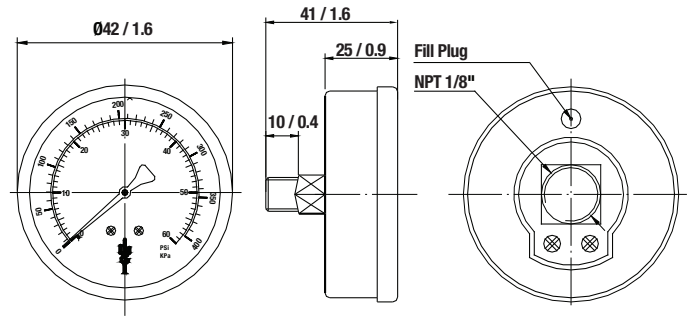


WGI Elite series stainless steel pressure gauges have a 304 stainless steel case for use in harsh or corrosive environments. These gauges are liquid filled for significant cushioning and pulsation dampening which reduces pointer flutter and internal damage. Industries suited for these gauges include oil and gas equipment, refineries, hydraulic equipment, agricultural equipment, pressure washers, pumps, compressors and process systems.

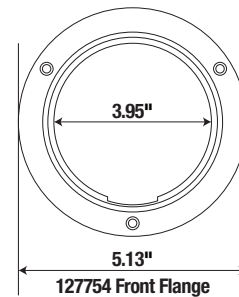
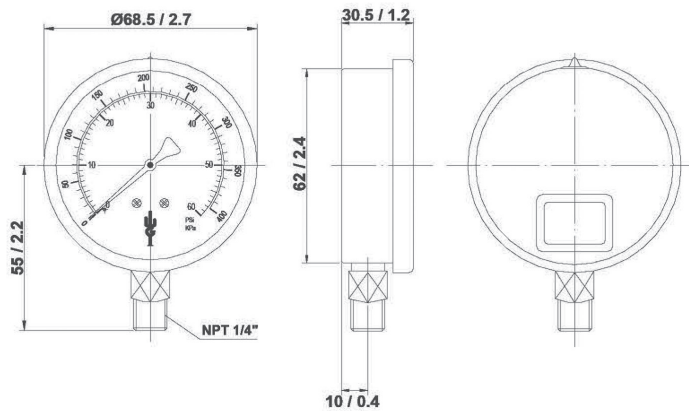
Specifications

Case Material	304 SS, top nitrile vent plug with valve and lens seal
Fill Fluid	Silicone
Lens Material	Acrylic and safety glass (safety glass standard on WH109)
Dial	White aluminum with black and red lettering (UV Resistant Paint)
Pointer	Black aluminum
Accuracy	Elite 150/250 ± 2%-1%-2% ASME B40.1 Grade B Elite 600 + 400 ± 1% full scale ASME B40.1 Grade A
Tube & Socket	316L SS NACE MR 0175
Temperature Limits	-76°F — 158°F (-60°C — 70°C) ambient and medium
Pressure Ranges	-30" Hg Vacuum to 15,000 PSI / kPa
Sizes	1½", 2", 2½", 4", 6"

Elite 150 Stainless Steel – Center Back Mount

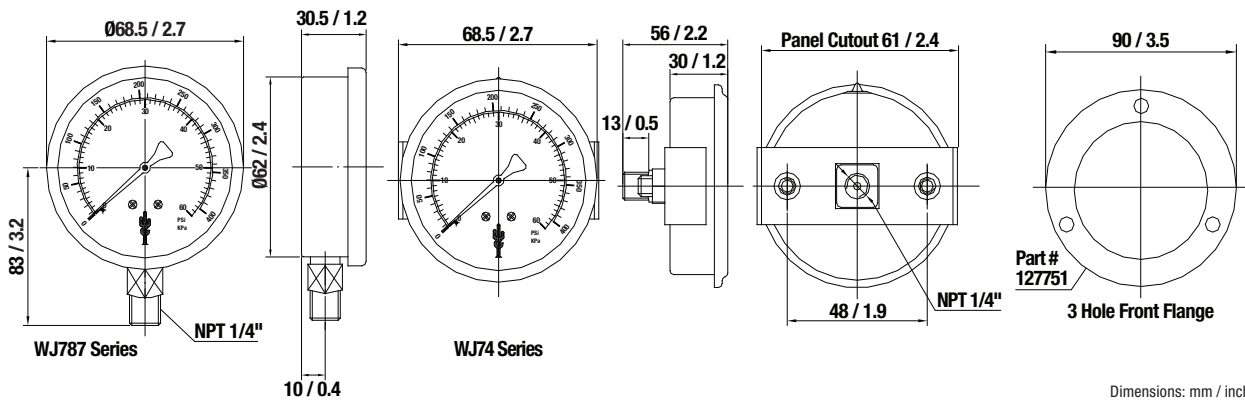


Elite 200 Stainless – Bottom Mount



Dimensions: mm / inch

Elite 250 Stainless Steel – Bottom Mount & U-Clamp



Dimensions: mm / inch

Pressure Range Cross Reference Chart

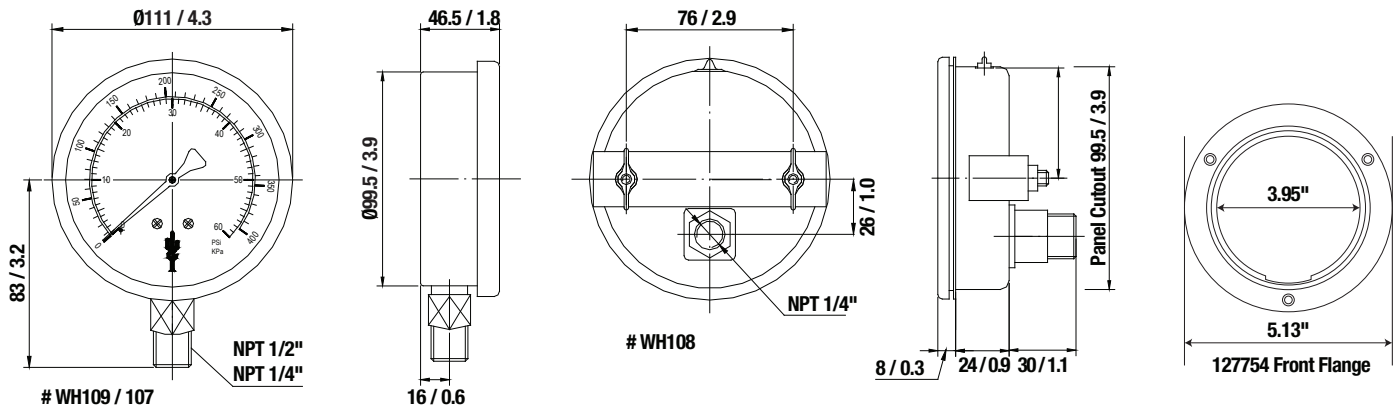
Series	Elite 150		Elite 200		Elite 250		Elite 400		Elite 600	
	1/8" BTM	1/8" CBM	1/4" BTM	1/4" CBM	1/4" BTM	1/4" CBU	1/4" BTM	1/4" LBU	1/2" BTM	1/2" BTM
Dial Size	1 1/2" Dial	1 1/2" Dial	2" Dial	2" Dial	2 1/2" Dial	2 1/2" Dial	4" Dial	4" Dial	4" Dial	6" Dial
30" Hg Vac / -kPa	*N/S	*N/S	*N/S	*N/S	WJ7805P	WJ7405P	WH10705P	WH10805P	WH10905P	WH20905P
30" Hg x 15 PSI / kPa	*N/S	*N/S	*N/S	*N/S	WJ7810P	WJ7410P	WH10710P	WH10810P	WH10910P	WH20910P
30" Hg x 30 PSI / kPa	*N/S	*N/S	*N/S	*N/S	WJ7812P	WJ7412P	WH10712P	WH10812P	WH10912P	WH20912P
30" Hg x 60 PSI / kPa	*N/S	*N/S	*N/S	*N/S	WJ7814P	WJ7414P	WH10714P	WH10814P	WH10914P	WH20914P
30" Hg x 100 PSI / kPa	*N/S	*N/S	*N/S	*N/S	WJ7816P	WJ7416P	WH10716P	WH10816P	WH10916P	WH20916P
30" Hg x 150 PSI / kPa	*N/S	*N/S	*N/S	*N/S	WJ7818P	WJ7418P	WH10718P	WH10818P	WH10918P	WH20918P
30" Hg x 300 PSI / kPa	*N/S	*N/S	*N/S	*N/S	WJ7824P	WJ7424P	WH10724P	WH10824P	WH10924P	WH20924P
0-15 PSI / kPa	*N/S	*N/S	*N/S	*N/S	WJ7840P	WJ7440P	WH10740P	WH10840P	WH10940P	WH20940P
0-30 PSI / kPa	WJ1142P	WJ1042P	WJ1342P	WJ1542P	WJ7842P	WJ7442P	WH10742P	WH10842P	WH10942P	WH20942P
0-60 PSI / kPa	WJ1146P	WJ1046P	WJ1346P	WJ1546P	WJ7846P	WJ7446P	WH10746P	WH10846P	WH10946P	WH20946P
0-100 PSI / kPa	WJ1148P	WJ1048P	WJ1348P	WJ1548P	WJ7848P	WJ7448P	WH10748P	WH10848P	WH10948P	WH20948P
0-160 PSI / kPa	WJ1152P	WJ1052P	WJ1352P	WJ1552P	WJ7852P	WJ7452P	WH10752P	WH10852P	WH10952P	WH20952P
0-200 PSI / kPa	WJ1154P	WJ1054P	WJ1354P	WJ1554P	WJ7854P	WJ7454P	WH10754P	WH10854P	WH10954P	WH20954P
0-300 PSI / kPa	WJ1158P	WJ1058P	WJ1358P	WJ1558P	WJ7858P	WJ7458P	WH10758P	WH10858P	WH10958P	WH20958P
0-400 PSI / kPa	*N/S	*N/S	*N/S	*N/S	WJ7860P	WJ7460P	WH10760P	WH10860P	WH10960P	WH20960P
0-500 PSI / kPa	*N/S	*N/S	*N/S	*N/S	WJ7862P	WJ7462P	WH10762P	WH10862P	WH10962P	WH20962P
0-600 PSI / kPa	*N/S	*N/S	*N/S	*N/S	WJ7864P	WJ7464P	WH10764P	WH10864P	WH10964P	WH20964P
0-800 PSI / kPa	*N/S	*N/S	*N/S	*N/S	WJ7868P	WJ7468P	WH10768P	WH10868P	WH10968P	WH20968P
0-1,000 PSI / kPa	*N/S	*N/S	*N/S	*N/S	WJ7872P	WJ7472P	WH10772P	WH10872P	WH10972P	WH20972P
0-1,500 PSI / kPa	*N/S	*N/S	*N/S	*N/S	WJ7874P	WJ7474P	WH10774P	WH10874P	WH10974P	WH20974P
0-2,000 PSI / kPa	*N/S	*N/S	*N/S	*N/S	WJ7876P	WJ7476P	WH10776P	WH10876P	WH10976P	WH20976P
0-3,000 PSI / kPa	*N/S	*N/S	*N/S	*N/S	WJ7878P	WJ7478P	WH10778P	WH10878P	WH10978P	WH20978P
0-5,000 PSI / kPa	*N/S	*N/S	*N/S	*N/S	WJ7882P	WJ7482P	WH10782P	WH10882P	WH10982P	WH20982P
0-6,000 PSI / kPa	*N/S	*N/S	*N/S	*N/S	WJ7884P	WJ7484P	WH10784P	WH10884P	WH10984P	WH20984P
0-7,500 PSI / kPa	*N/S	*N/S	*N/S	*N/S	WJ7886P	WJ7486P	WH10786P	WH10886P	WH10986P	WH20986P
0-10,000 PSI / kPa	*N/S	*N/S	*N/S	*N/S	WJ7890P	WJ7490P	WH10790P	WH10890P	WH10990P	WH20990P
0-20,000 PSI / kPa	*N/S	*N/S	*N/S	*N/S	*N/S	*N/S	*N/S	WH10894P	WH10994P	*N/S

Index: BTM = Bottom Mount | CBM = Center Back | CBU = Center Back U-Clamp

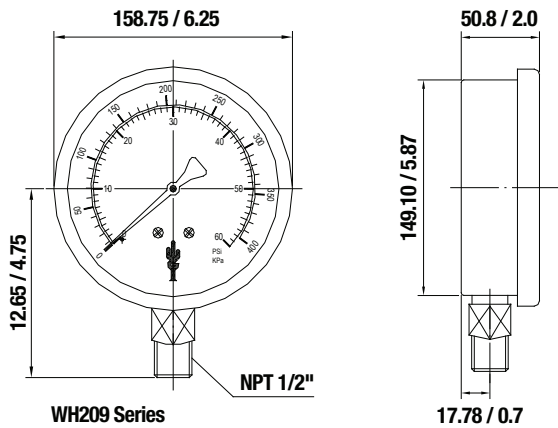
* Not in Stock

Pressure Gauges

Elite 400 Stainless Steel – Lower Back U-Clamp & Bottom Mount



Elite 600 Stainless – Bottom Mount



Dimensions: mm / inch