

H3

H SERIES

A versatile fireplace
with a V-Class fire.



valor®

THE SCIENCE OF WARMTH™

We pioneered and continually work to improve radiant heat technology to generate constant, comfortable warmth within your home.

RADIANT HEAT

WE PUT RADIANT WARMTH INTO EVERY GAS FIRE. IN FACT, THE H3 PRODUCES 20% MORE RADIANT HEAT THAN THE PREVIOUS GENERATION. YOU CAN FEEL IT.

V-CLASS BURNER

THE HIGH TEMPERATURE PRECISION STAINLESS STEEL OF OUR NEW V-CLASS BURNER CREATES A NEW LEVEL OF RADIANT FIRE AND AESTHETICS.

CONVECTIVE HEAT

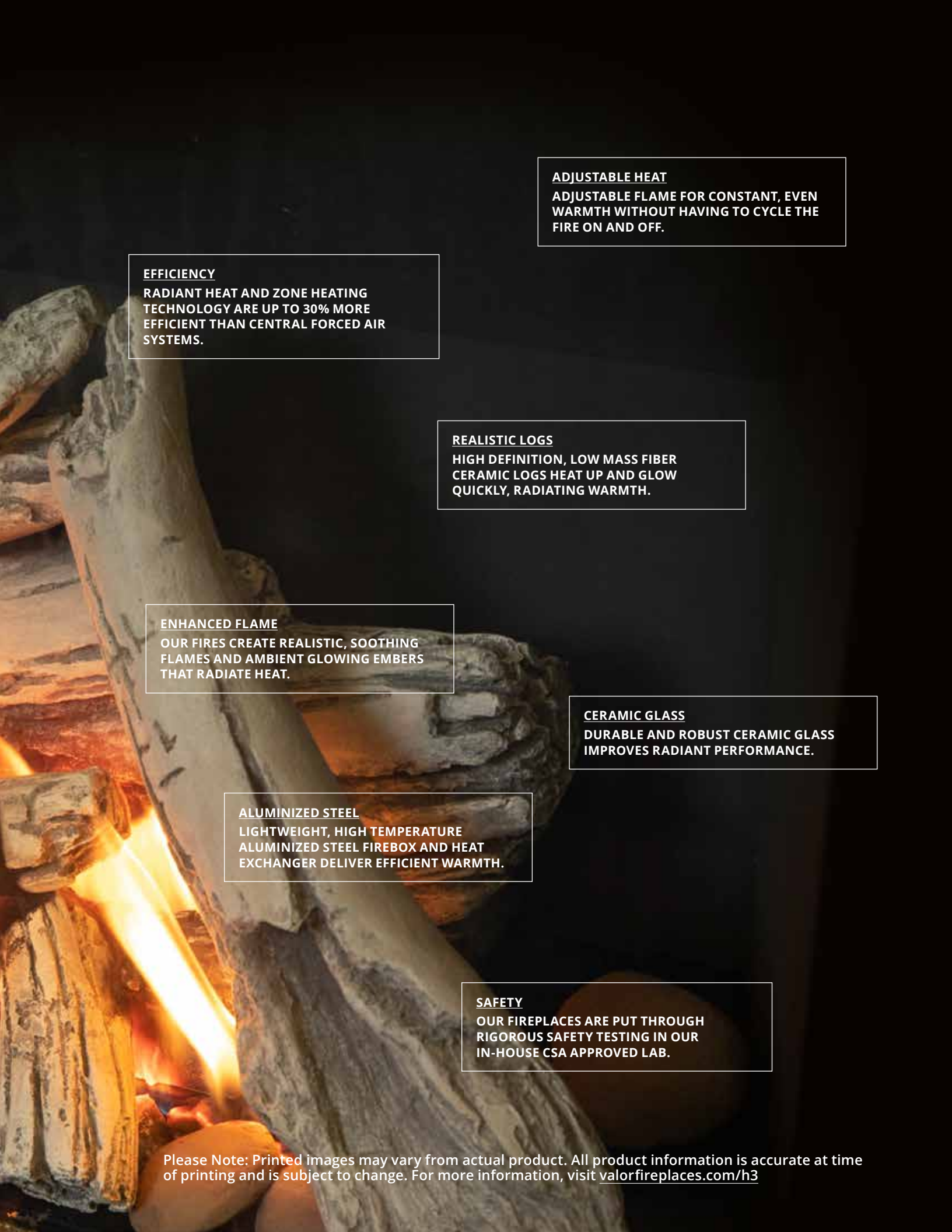
SECONDARY HEAT EXCHANGER NATURALLY IMPROVES CONVECTIVE HEAT—WITHOUT A FAN.

ON FRONT:

BIRCH 1000BLKV2
PLAIN BLACK LINER 1060PBL
4-SIDED VINTAGE IRON FRONT 1041FSV
BACKING PLATE 1040BPB
HEATSHIFT LDK8, LDK10 and LDK11

DRIFTWOOD 1000DWKV2

Proudly Made
in North America



EFFICIENCY

RADIANT HEAT AND ZONE HEATING TECHNOLOGY ARE UP TO 30% MORE EFFICIENT THAN CENTRAL FORCED AIR SYSTEMS.

ADJUSTABLE HEAT

ADJUSTABLE FLAME FOR CONSTANT, EVEN WARMTH WITHOUT HAVING TO CYCLE THE FIRE ON AND OFF.

REALISTIC LOGS

HIGH DEFINITION, LOW MASS FIBER CERAMIC LOGS HEAT UP AND GLOW QUICKLY, RADIATING WARMTH.

ENHANCED FLAME

OUR FIRES CREATE REALISTIC, SOOTHING FLAMES AND AMBIENT GLOWING EMBERS THAT RADIATE HEAT.

CERAMIC GLASS

DURABLE AND ROBUST CERAMIC GLASS IMPROVES RADIANT PERFORMANCE.

ALUMINIZED STEEL

LIGHTWEIGHT, HIGH TEMPERATURE ALUMINIZED STEEL FIREBOX AND HEAT EXCHANGER DELIVER EFFICIENT WARMTH.

SAFETY

OUR FIREPLACES ARE PUT THROUGH RIGOROUS SAFETY TESTING IN OUR IN-HOUSE CSA APPROVED LAB.

Please Note: Printed images may vary from actual product. All product information is accurate at time of printing and is subject to change. For more information, visit valorfireplaces.com/h3



BIRCH 1000BLKV2
3" VINTAGE IRON FRONT 1041FSV
BACKING PLATE 1040BPB-RC

1 LOGS

We designed these expertly crafted logs as realistic-looking as possible, and engineered them to harness radiant heat from the flames and glowing embers.

BIRCH





DRIFTWOOD



TRADITIONAL LOGS



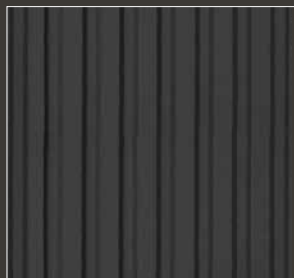


BIRCH 1000BLKV2
HERRINGBONE LINER 1075HBL
CLEARVIEW VINTAGE IRON FRONT 1045CFV
BACKING PLATE 1035BPPB-RC

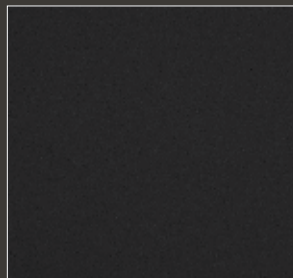
2 LINERS

Choose a firebox liner to complement your front as well as your logs. We have seven popular designs to complement your logs.

BLACK FLUTED



PLAIN BLACK



REFLECTIVE GLASS



ZC REDUCED CLEARANCE
A great way to replace your existing gas or wood fireplace with a ZC fireplace.



LEDGESTONE



CHARCOAL BRICK



RED BRICK



HERRINGBONE





3 FRONTS

Select from three stylish fronts, and a Clean Install option (right) that offers a slim trim—no need for a front or backing plate.

Your Valor dealer can help you choose the best backing plate for your installation. To see more examples, visit your local Valor dealer or valorfireplaces.com/h3

CLEAN INSTALL KIT
1030CIK





BIRCH 1000BLKV2
 CHARCOAL BRICK LINER 1065CBL
 3" BRUSHED CHAMPAGNE FRONT 1041FSCB
 BACKING PLATE 1040BPB-RC

CLEARVIEW VINTAGE IRON
 BACKING PLATE 1035BPB



3" 4-SIDED VINTAGE IRON
 BACKING PLATE 1040BPB



3" 4-SIDED BRUSHED CHAMPAGNE
 BACKING PLATE 1040BPB-RC





TRADITIONAL LOGS 1000LSKV2
PLAIN BLACK LINER 1060PBL
3" BRUSHED CHAMPAGNE FRONT 1041FSCB
BACKING PLATE 1040BPB-RC

FINISHES

Our H3 fronts feature three finishes: the versatile Vintage Iron and elegant Black, both powder-coated for longevity; or, Brushed Champagne, a plated brass. If available, ask your dealer to see an example in person.

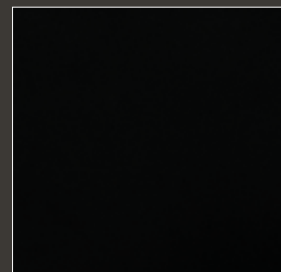
BRUSHED CHAMPAGNE



VINTAGE IRON



BLACK





REMOTE CONTROL

VALOR REMOTE—STANDARD

Your remote lets you select, adjust or program your desired temperature—the fire automatically adjusts to maintain the temperature of the room. Your remote even allows you to turn your pilot light on or off from the comfort of your sofa.

VALOR WALL SWITCH—STANDARD

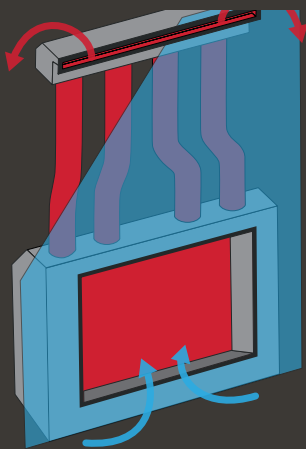
Can't find your remote? Your wall switch allows you to do basic functions—convenience that's always where you put it last! Both the remote and the wall switch come standard with the H3 fireplace.

ZERO CLEARANCE (ZC)

Always a great addition to your new home or major renovation.



HEAT SHIFT™



HeatShift also available with a hidden valance.

KEEPS WALL COOLER

Pioneered by Valor, our unique HeatShift System naturally circulates up to 125 cubic feet of convective heat per minute through hidden ducts and back into the room—avoiding surface areas above the fireplace.

DESIGN FLEXIBILITY

Run standard finishing materials right up to the fireplace surround, including drywall, wood, tile and stone.

Install mantels lower than usual at a one-to-one ratio of depth to height from the fireplace surround.



DRIFTWOOD 1000DWKV2
CHARCOAL BRICK LINER 1065CBL
3" VINTAGE IRON FRONT 1041FSV
BACKING PLATE 1040BPB
HEATSHIFT LDK8, LDK10 and LDK11

IMPROVES PERFORMANCE

Harnessing convective warmth, up to 60% of fireplace heat rises and flows through HeatShift and back into the room. The remaining radiant heat emanates from the fireplace, keeping you warm.

CONSTRUCTION MADE EASY

Unlike many competitor products, HeatShift is built and designed in North America for North American homes, meeting building code requirements.

NO ELECTRICITY REQUIRED

HeatShift circulates heat naturally using gravity and Valor product ingenuity—no need for a fan or electricity. No power—no problem. Valor fully ducts HeatShift for clean, safe air quality.



TRADITIONAL LOGS 1000LSKV2
RED BRICK LINER 1010VRL
3" VINTAGE IRON FRONT 1041FSV
BACKING PLATE 1040BPB-RC



ENERGY EFFICIENCY

EFFICIENCY RATINGS

While the North American fireplace industry is largely self-regulated, at Valor we use recognized Canadian and US government testing methods to determine our energy efficiencies, and ensure our products perform in your home as rated. All our fireplaces are available as natural gas or propane.

SECONDARY HEAT EXCHANGER

The built-in Secondary Heat Exchanger naturally improves convective heat—removing the need for a fan. Your fire will heat up fast for immediate comfort—and with no need for electricity, you'll save money.

To find out more, visit valorfireplaces.com/efficiency

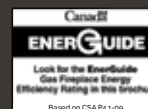


H3 1000KN
Energuide 72.05%
 High 25,000
 Low 12,000
 Max Output* 19,098

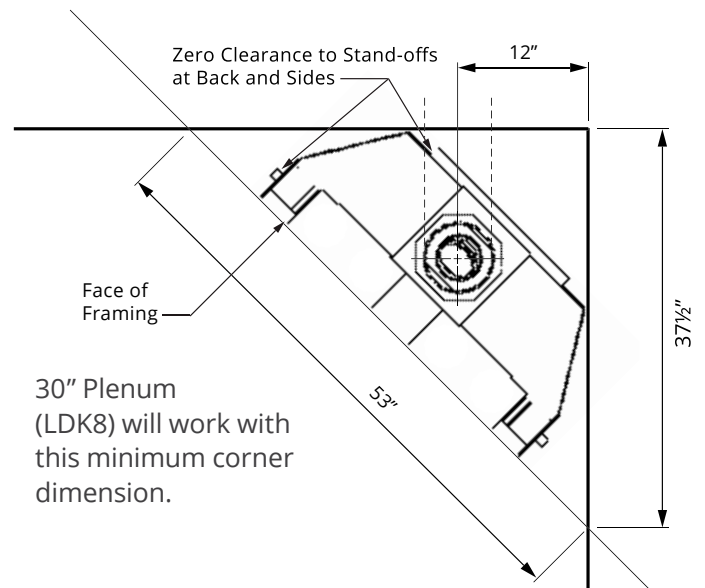
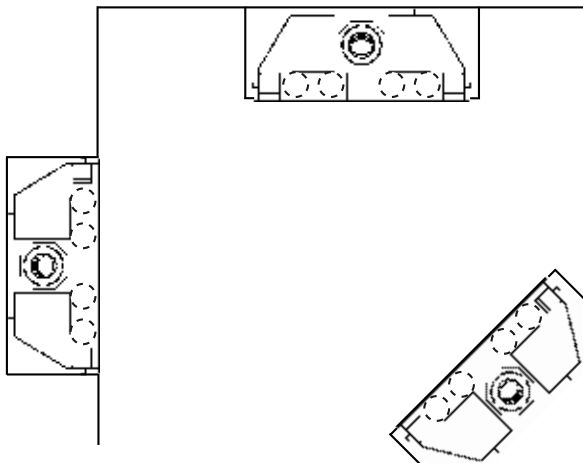
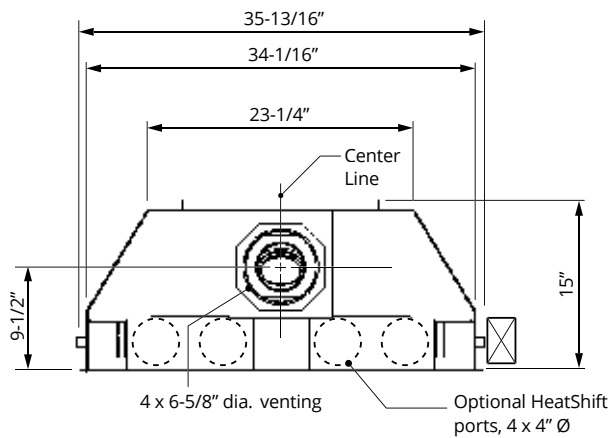
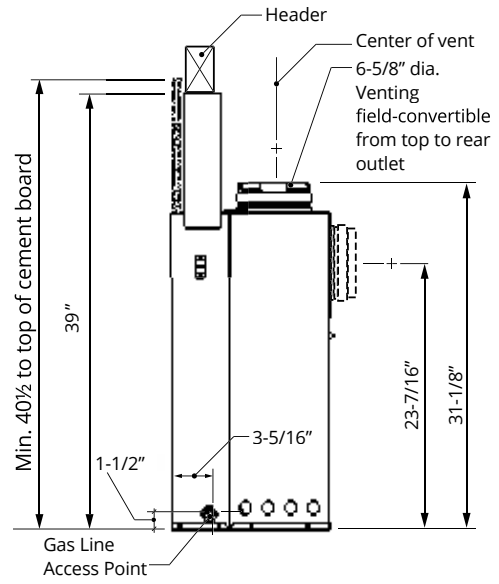
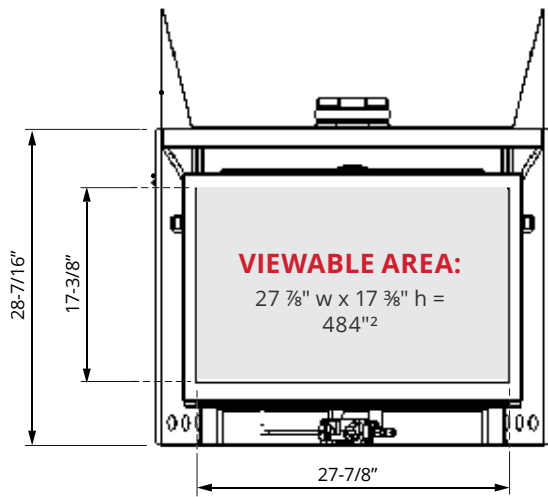
H3 1000KP
Energuide 73.13%
 High 24,000
 Low 11,000
 Max Output* 18,523

**EnerGuide ratings and outputs have been determined without a fan/blower, using the CSA P.4.1-15 test method.*

Certified to ANSI Z21.88/CSA 2.33 Vented Gas Fireplace Heater American National Standard. CGA-2.17-91 Gas Fired Appliances for use at High Altitudes.



DIMENSIONS



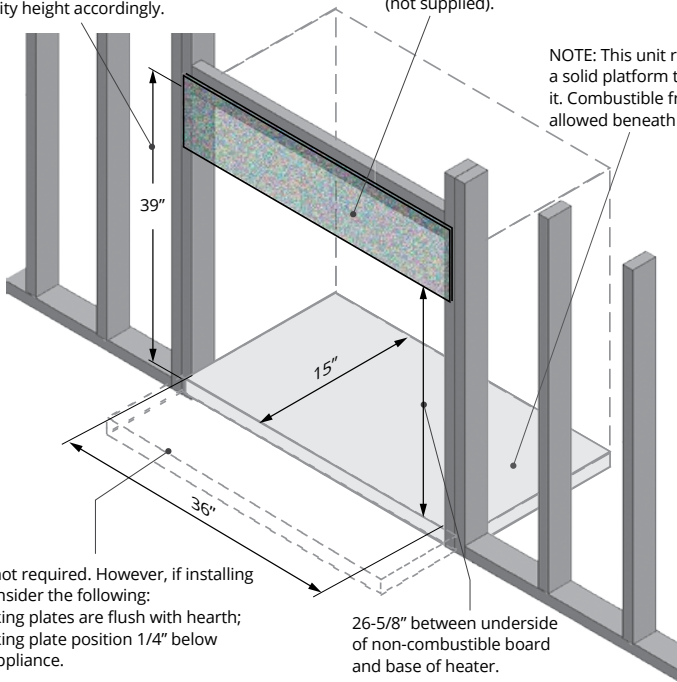
FRAMING AND VENTING

ZC

Between underside of header and base of heater.
Base of heater must be at finished hearth height.
However, please note that the 1040BPB 4-sided backing plate extend 1/4" below the base of heater.
Increase cavity height accordingly.

1/2" thick non-combustible board required above engine (not supplied).

NOTE: This unit requires a solid platform to support it. Combustible framing allowed beneath fireplace.



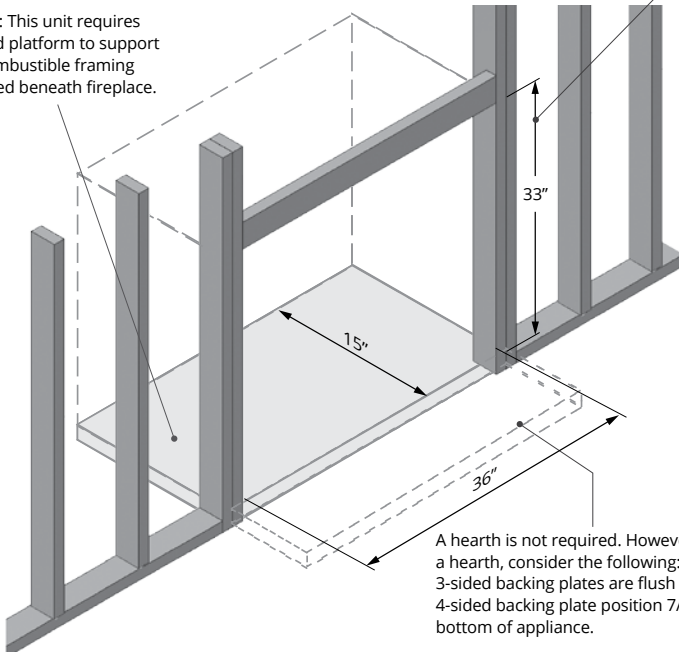
A hearth is not required. However, if installing a hearth, consider the following:
3-sided backing plates are flush with hearth;
4-sided backing plate position 1/4" below bottom of appliance.

26-5/8" between underside of non-combustible board and base of heater.

ZC REDUCED CLEARANCE

Between underside of header and base of heater.
Base of heater must be at finished hearth height.
However, please note that the 1040BPB-RC 4-sided backing plate extend 7/8" below the base of heater.
Increase cavity height accordingly.

NOTE: This unit requires a solid platform to support it. Combustible framing allowed beneath fireplace.



A hearth is not required. However, if installing a hearth, consider the following:
3-sided backing plates are flush with hearth;
4-sided backing plate position 7/8" below bottom of appliance.

ALWAYS REFER TO THE MANUAL FOR COMPLETE INSTALLATION INSTRUCTIONS.



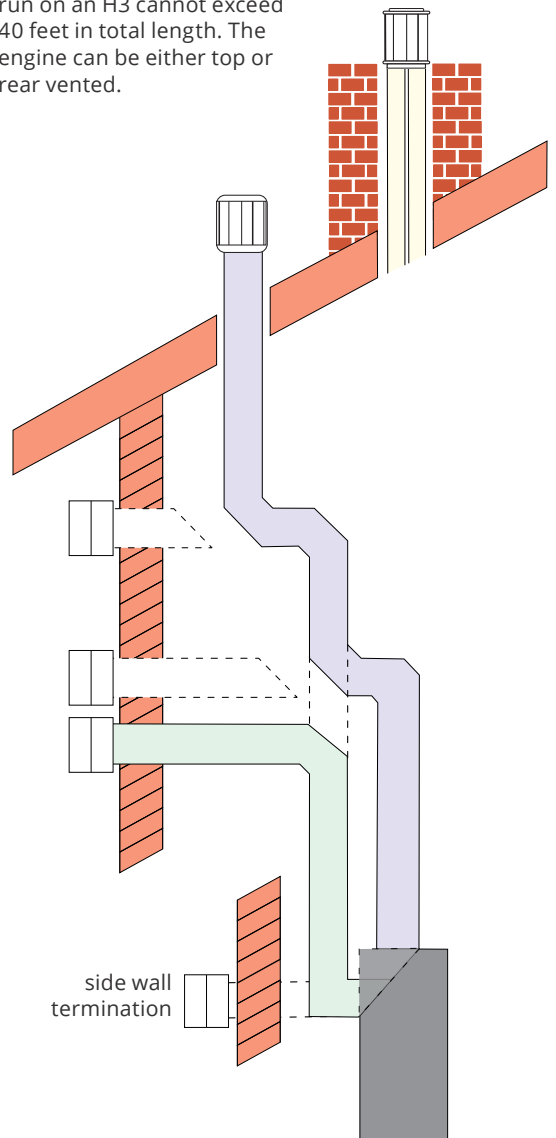
HOMEOWNER



INSTALLER

COAXIAL AND COLINEAR VENTING

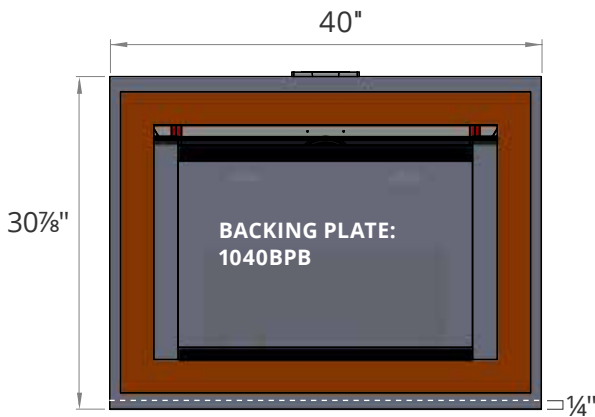
The maximum vertical vent run on an H3 cannot exceed 40 feet in total length. The engine can be either top or rear vented.



BACKING PLATES

ZC

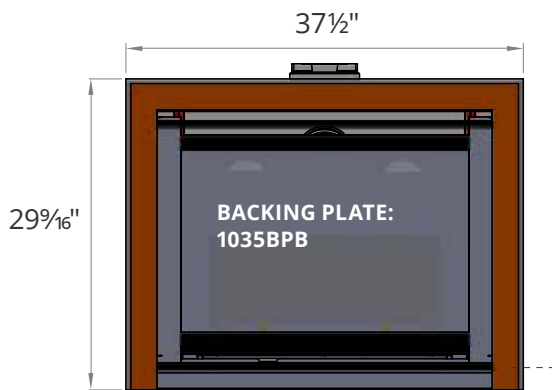
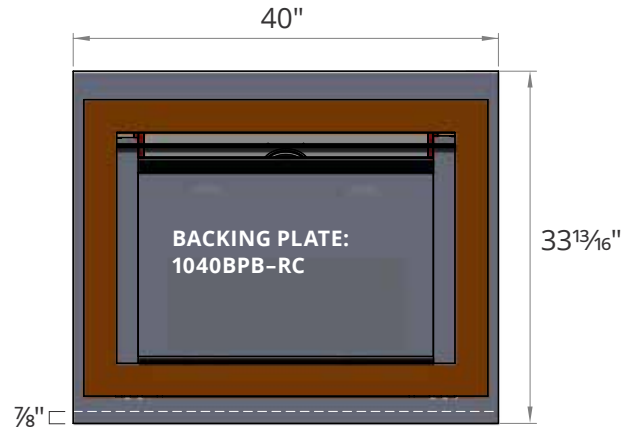
These standard Zero Clearance (ZC) backing plates are typically smaller and made for framing a new fireplace where non-combustible materials are required directly above the unit. The ZC backing plates are compatible with HeatShift.



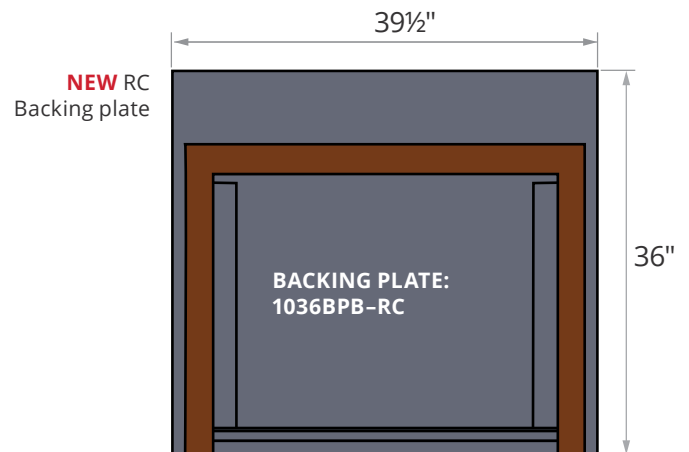
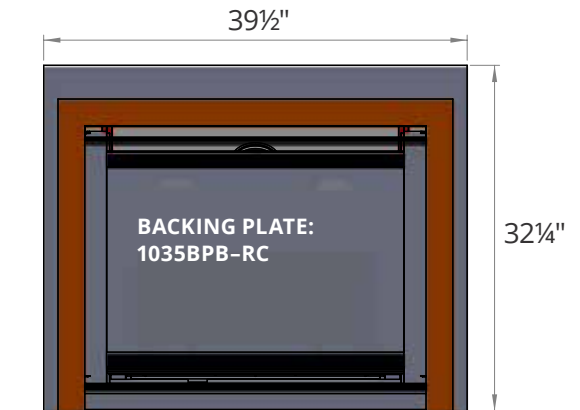
4-SIDED
Backing Plate
overhangs bottom
of appliance.

ZC REDUCED CLEARANCE

These larger ventilated reduced clearance (RC) backing plates allow tighter framing dimensions than standard ZC plates—ideal when replacing wood or gas fireplaces or preserving existing wall finishes or framing. The Reduced Clearance backing plates are not compatible with HeatShift.



3-SIDED
Backing plate sits flush
with bottom of appliance.



⚠ WARNING

This product can expose you to chemicals including Benzene, which is known to the State of California to cause cancer and birth defects or other reproductive harm.

For more information go to www.P65Warnings.ca.gov

Note: Natural gas, in its original state, contains Benzene.

OPTIONS

GAS + EFFICIENCY

Natural Gas	1000KN
Propane	1000KP

1 LOGS

Birch	1000BLKV2
Driftwood	1000DWKV2
Traditional	1000LSKV2

2 LINERS

Ledgestone	1015LSL
Herringbone	1075HBL
Charcoal Brick	1065CBL
Red Brick	1010VRL
Black Fluted	1025FBL
Plain Black	1060PBL
Reflective Glass	1070RGL

3 CHOOSE A FRONT:

Clean Install Kit, Black	4-sided	1030CIK
Clearview Vintage Iron	3-sided	1045CFV
3" Brushed Champagne	4-sided	1041FSCB
3" Vintage Iron	4-sided	1041FSV

4 CHOOSE A BACKING PLATE:

ZC	RC	
n/a	n/a	
+ 1035BPPB	or 1035BPPB-RC or 1036BPPB-RC	RC backing plates are not compatible with HeatShift.
+ 1040BPPB	or 1040BPPB-RC	

H3 HEATSHIFT (OPTIONAL)

30" plenum and collars	LDK8
30" white finishing frame	LDK10
Liners and clamps	LDK11
Top hidden valance*	LDK 7

*for use with 4-5" increasers at the LDK7 plate.

REMOTE CONTROL (STANDARD)

Remote control, standard	GV60
Wall switch, standard	1265WSK

OPTIONAL

Circulating fan	1095CFK
Outdoor conversion kit	GV60CKO
Power adapter	GV60PAK



Copyright Miles Industries Ltd. 2024
Designed and manufactured
by Miles Industries Ltd.



TRADITIONAL LOGS 1000LSKV2
RED BRICK LINER 1010VRL
CLEARVIEW VINTAGE IRON FRONT 1045CFV
BACKING PLATE 1035BPB