

SPLIT SYSTEMS FOR SHUTTLE AND SCHOOL BUSES

TROPICOOOL

25074 SKIRT MOUNTED CONDENSER



PERFORMANCE, RELIABILITY & LOOKS

Valeo provides the best performance and reliability for the application your vehicle requires by manufacturing several different condenser designs. Certain applications provide a more aesthetic OEM look to the bus by eliminating the need to cut intakes in the skirt of the bus.

BEST-BUS-CLIMATE.COM/US



25074 SKIRT MOUNTED CONDENSER

HIGHLIGHTS



Design

- Designed to be skirt mounted
- High performance motors with extended brush life
- Fabricated from galvanized steel & covered in corrosion resistant epoxy for durability
- Inlet filter on condenser protects coil from contaminants



Environmental Friendliness

- High performance parallel flow condenser
- Highly efficient all aluminum micro channel coil



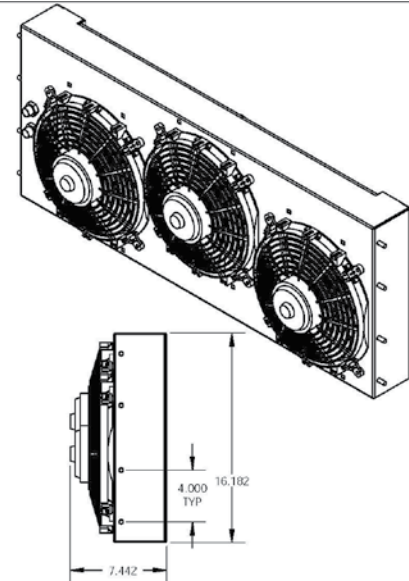
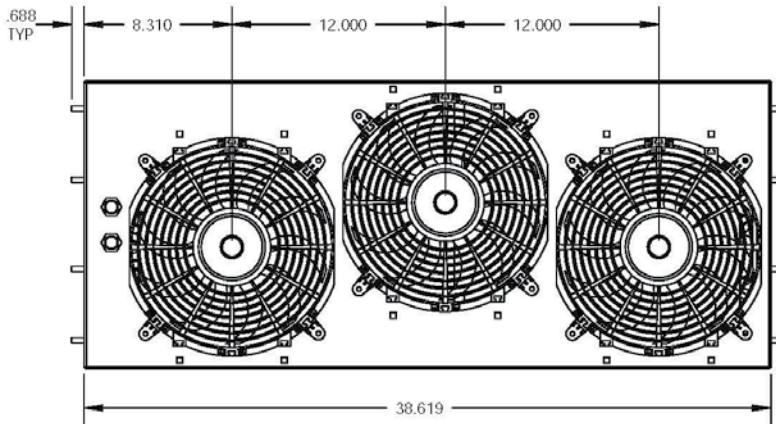
Features

- 3 11" diameter high performance fans covering a larger percentage of surface area on condenser coil

- Easy Installation without having to cut intakes in skirt of bus-school bus

Key Components

- Coil:
- Fan:
- Filter:



TECHNICAL DATA

Model	Up to Cooling Capacity	Power Consumption	Nominal Voltage	Dimensions W x H x D	Weight
25074	78,000 BTU/h	25 Amps	12V	39 x 7 x 16 in	60 lbs.



Valeo Thermal Commercial Vehicles North America, Inc. - 22150 Challenger Drive Elkhart, IN 46514
 Phone 574-264-2190 - Toll free 800-462-6322 - Fax 574-326-3015
 www.valeo-thermalbus.com/us - tcv.na-sales.mailbox@valeo.com

Valeo Thermal Commercial Vehicles (TCV), formerly known as ACC Climate Control/Spheros North America.