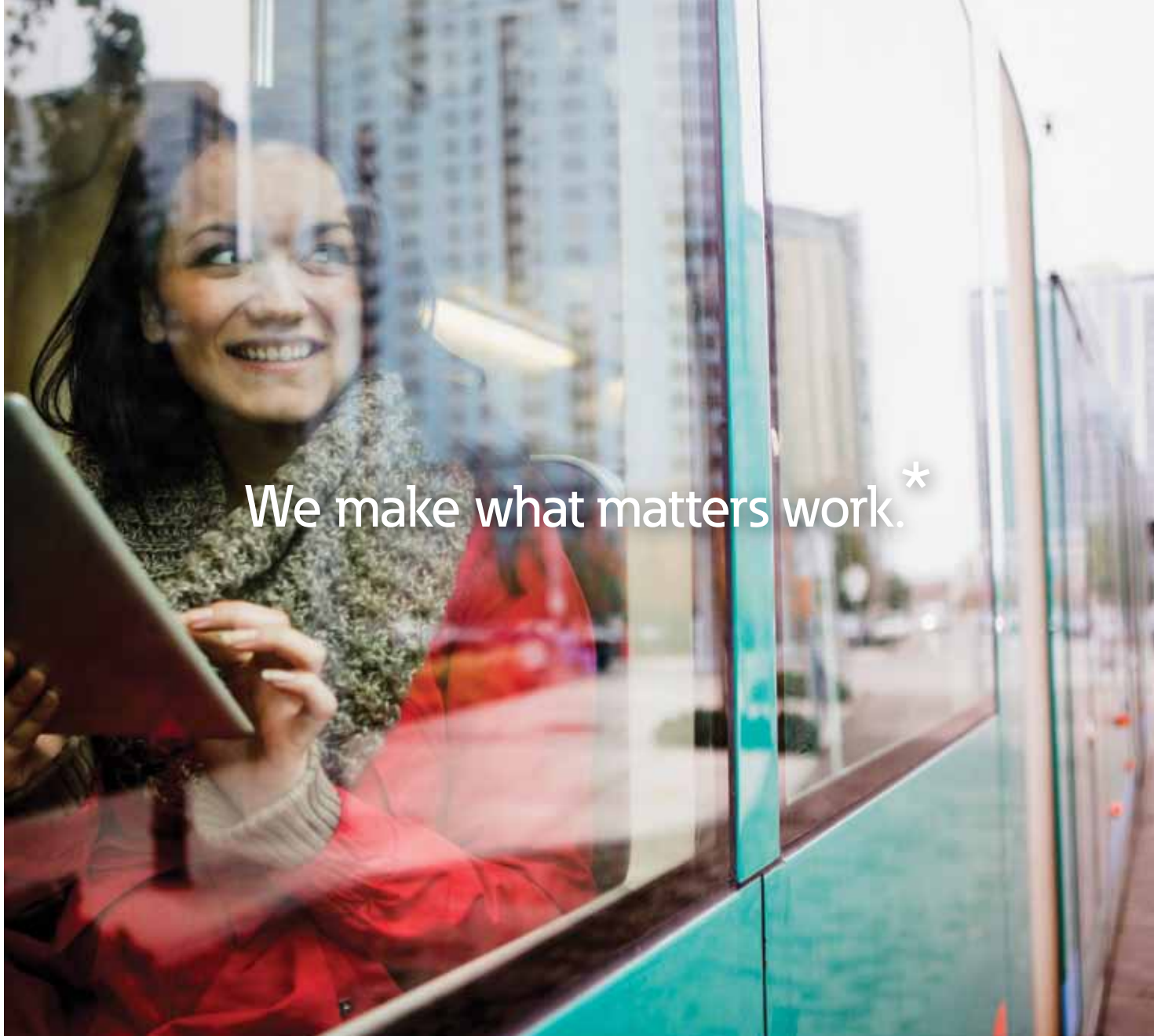


# Server & network solutions

Enclosures, racks & cable management



*Powering Business Worldwide*



We make what matters work.\*

\* Every day, people depend on things like technology, transportation, energy and infrastructure to keep their daily lives on track. But without power, none of it would be possible. That's why companies around the world turn to Eaton. We're dedicated to improving people's lives and the environment with innovative technologies that help manage power more safely, reliably and sustainably. To meet today's challenges, and tomorrow's. This is what truly matters. And we're here to make sure it works.

To learn more go to: [Eaton.com/whatmatters](https://www.eaton.com/whatmatters)
















**EATON**

*Powering Business Worldwide*

We make what matters work.

# Table of contents

---

<b>Introduction</b> . . . . .	<b>i - ii</b>	
<b>Network equipment racks &amp; accessories</b> . . . . .	<b>1 - 56</b>	
<b>High density network rack</b> . . . . .	<b>57 - 68</b>	
<b>Cable managers</b> . . . . .	<b>69 - 102</b>	
<b>Cable runway &amp; accessories</b> . . . . .	<b>103 - 156</b>	
<b>Flextray™, wire basket tray &amp; accessories</b> . . . . . <b>Kwiksplice cable management</b>	<b>157 - 190</b>	
<b>Grounding accessories</b> . . . . .	<b>191 - 202</b>	
<b>Low voltage &amp; communication fasteners</b> . . . . .	<b>203 - 228</b>	
<b>Server &amp; network enclosures</b> . . . . .	<b>229 - 272</b>	
<b>Unequal flange equipment racks &amp; accessories</b> . . . . .	<b>273 - 312</b>	
<b>Auxillary supports</b> . . . . .	<b>313 - 338</b>	
<b>Distribution frames</b> . . . . .	<b>339 - 356</b>	
<b>Hardware</b> . . . . .	<b>357 - 370</b>	
<b>Other Eaton solutions</b> . . . . .	<b>371 - 372</b>	
<b>Index</b> . . . . .	<b>373 - 382</b>	

Introduction



# Introduction

## Eaton- your ONE SOURCE for data center solutions

At Eaton, we can help you build a performance-optimized data center. Our experts help extend the life of your existing data center or design new ones with solutions to scale as needed. Modularity, flexibility and proportionality help you manage an adaptive IT business system.

Eaton has a wide portfolio of products designed for timely and error-reduced installations. Coupled with our expert data center engineers, we can help you accelerate the design, construction and commissioning of your data center at the lowest total cost of ownership.

From network closets to server rooms and data centers, Eaton offers a wide variety of solutions that **Support, Protect, Power, Enclose and Connect (S.P<sup>2</sup>.E.C.)** your infrastructure and critical IT equipment.

- **Supports.** Eaton offers strut support systems for trapeze and wall-mount applications.
- **Protect & Power.** Eaton provides mission-critical data center solutions, including backup power protection and power distribution equipment that helps ensure a steady flow of high-quality power.
- **Enclosure.** Eaton offers a selection of data center enclosures, including wall-mount and seismic zone four enclosures.
- **Connect.** From ceiling grids to rack cable management, Eaton has the supports to manage your cabling system no matter the size.

For more information, visit [eaton.com/datacenters](http://eaton.com/datacenters) or contact your local Eaton representative.



### Link to OPM approvals

For information on OSHPD Preapproval of Manufacturer's (OPM) Certification, visit: <https://www.oshpd.ca.gov/FDD/Pre-Approval/OPM-0063-13.pdf>

# Network Equipment Racks & Accessories

Eaton offers two-post, four-post, fixed wall mount, swing gate wall mount, and seismic zone 4 open frame racks and accessories to support networking equipment and cabling for enterprise data centers, colocation providers and network closets.

- Two-post racks - designed to meet a variety of application requirements.
- Two-post seismic racks - for areas where shock and vibration are a factor and is tested to NEBS GR-63-Core Seismic Zone 4 standards and rated for 900 lbs. of equipment.
- Four-post racks - adjustable depth four-post rack offerings address these needs while also accommodating other Eaton equipment and cable management accessories.

Material:	Type	Thickness	Specifications
	Steel Bar	3/8" (9.5mm) - 7 Gauge (4.5mm)	ASTM A36
	Steel Sheet & Strip	10 Gauge (3.4mm) - 18 Gauge (1.2mm)	ASTM A569
	Aluminum		5052-H32, 6061-T6 & 6063-T6

## Finishes:

- Brushed Aluminum (AL)
- Powder Coat Paint
  - Flat Black (FB)
  - Telco Gray (TG)
  - Eaton White (EW)
  - Silver (SL)
- Chemical Conversion Coatings Available
  - Yellow Zinc (YZ) . . . ASTM B633
  - Black Zinc (BZ) . . . ASTM B633



## Standard Conformance:

- EIA/ECA-310-E
- UL Listed Communication Circuit Accessory (file no. E171936)
- Audio/Video, Information and Communication Technology Equipment Cabinet, Enclosure and Rack Systems

# Network Equipment Racks & Accessories

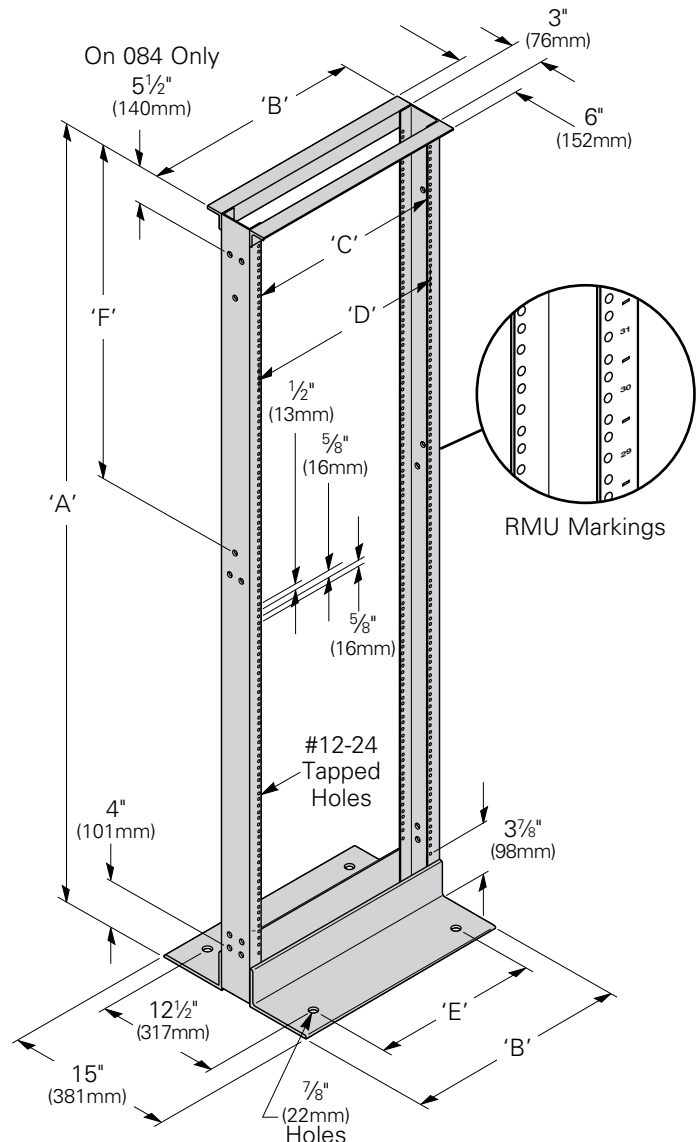
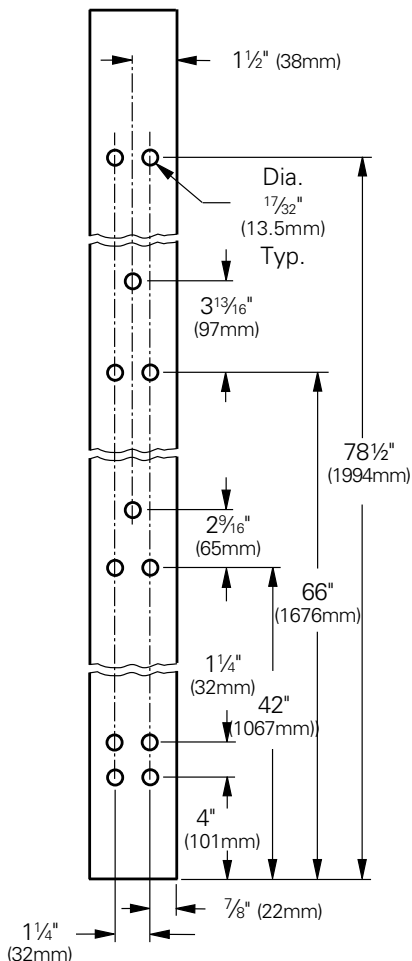
Two-Post Rack

## Two-Post Network Equipment Rack 3" Uprights, 19" & 23" Panel Mounting, Customer Premise

- Universal junction hole pattern matches most manufacturers racks
- #12-24 panel mounting holes
- Conformance to EIA/ECA-310-E
- Load Rating: 1200 lbs. (544kg) for up to 84" (2133mm) height or 1000 lbs. (453kg) for 96" (2438mm) and 108" (2743mm) weight capacity when evenly distributed along the height of the rack
- Permanently stamped rack mount unit (RMU) markings included
- Packaged unassembled in protective carton suitable for parcel shipment
- Assembles in about ten (10) minutes using standard hand tools
- Includes thirty (30) dog point combo head (Phillips and flat blade) mounting screws
- Double sided universal [ $\frac{5}{8}$ " (16mm),  $\frac{5}{8}$ " (16mm),  $\frac{1}{2}$ " (13mm)] mounting spacing
- Twin  $1\frac{1}{2}$ " (58mm) x  $1\frac{1}{4}$ " (50mm) top angles for rigidity
- Tapped assembly holes eliminate the need for nuts and simplifies assembly and squaring
- UL Listed (File No. E171936) as a communications circuit accessory
- Material: Aluminum uprights with steel top/bottom angles
- See page ii for link to OPM approvals
- See SB588A page 44 for anchor kits
- Finish \_\_\_: Aluminum - brushed (AL) uprights with silver powder coated top & bottom angles  
Flat black powder coat (FB)  
Telco gray powder coat (TG)  
Other finishes are available upon request

Network equipment racks & accessories

**Junction Hole Pattern for 84" tall rails**



# Network Equipment Racks & Accessories

Two-Post Rack

## Two-Post Network Equipment Rack 3" Uprights, 19" & 23" Panel Mounting, Customer Premise

	Dimensions			
	19" (482mm) Rack Width		23" (594mm) Rack Width	
	In.	(mm)	In.	(mm)
'A' Overall Height	36" - 108"	(914 - 2743)	36" - 108"	(914 - 2743)
'B' Overall Width	20 <sup>5</sup> / <sub>16</sub> "	(516)	24 <sup>5</sup> / <sub>16</sub> "	(617)
'C' Panel Mounting	18 <sup>5</sup> / <sub>16</sub> "	(465)	22 <sup>5</sup> / <sub>16</sub> "	(567)
'D' Usable Inside Width	17 <sup>3</sup> / <sub>4</sub> "	(451)	21 <sup>3</sup> / <sub>4</sub> "	(552)
'E' Base Anchor Spacing	16"	(406)	20"	(508)

### Universal Spacing [<sup>5</sup>/<sub>8</sub>" (16mm), <sup>5</sup>/<sub>8</sub>" (16mm), <sup>1</sup>/<sub>2</sub>" (13mm)]

Part Number	'A' Height		'F' Spacing		Mounting Spaces	Shipping Weight	
	In.	(mm)	In.	(mm)		Lbs.	(kg)
<b>19" (482mm) Rack Width</b>							
SB556036XU__	36"	(914)	6"	(152)	17	22.0	(10.0)
SB556048XU__	48"	(1219)	3 <sup>7</sup> / <sub>16</sub> "	(87)	24	24.0	(10.9)
SB556072XU__	72"	(1829)	27 <sup>7</sup> / <sub>16</sub> "	(697)	38	27.5	(12.5)
SB556084XU__	84"	(2133)	39 <sup>7</sup> / <sub>16</sub> "	(1001)	45	30.0	(13.6)
SB556096XU__	96"	(2438)	51 <sup>7</sup> / <sub>16</sub> "	(1306)	51	31.5	(14.3)
SB556108XU__	108"	(2743)	54 <sup>3</sup> / <sub>16</sub> "	(1376)	58	33.5	(15.2)
<b>23" (584mm) Rack Width</b>							
SB558036XU__	36"	(914)	6"	(152)	17	24.5	(11.1)
SB558048XU__	48"	(1219)	3 <sup>7</sup> / <sub>16</sub> "	(87)	24	26.5	(12.0)
SB558072XU__	72"	(1829)	27 <sup>7</sup> / <sub>16</sub> "	(697)	38	30.0	(13.6)
SB558084XU__	84"	(2133)	39 <sup>7</sup> / <sub>16</sub> "	(1001)	45	32.0	(14.5)
SB558096XU__	96"	(2438)	51 <sup>7</sup> / <sub>16</sub> "	(1306)	51	34.0	(15.4)
SB558108XU__	108"	(2743)	54 <sup>3</sup> / <sub>16</sub> "	(1376)	58	36.0	(16.3)

Specify part number and finish when ordering.

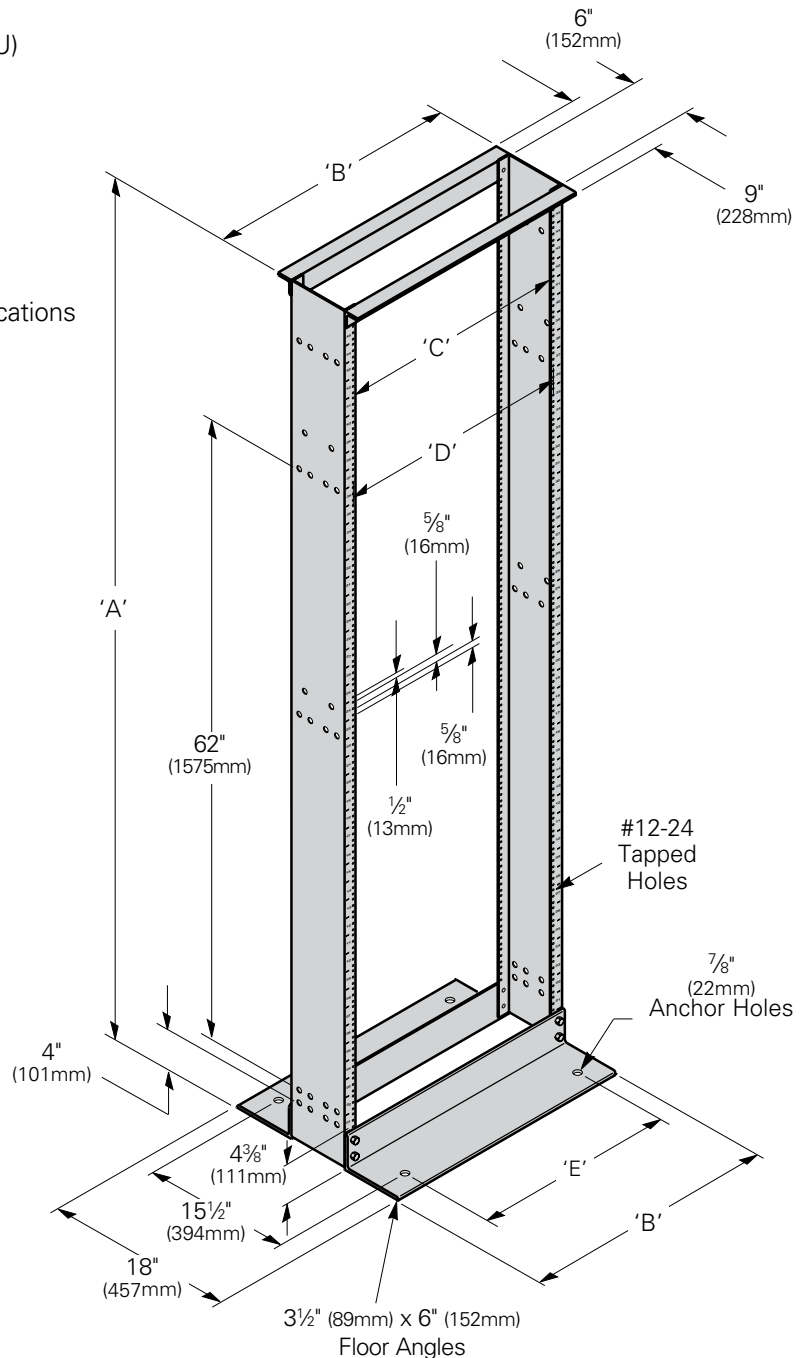
# Network Equipment Racks & Accessories

## Two-Post Rack

### Two-Post Network Equipment Rack 6" Uprights, 19" & 23" Panel Mounting, Customer Premise

- Double sided universal [ $\frac{5}{8}$ " (16mm),  $\frac{5}{8}$ " (16mm),  $\frac{1}{2}$ " (13mm)] mounting spacing
- #12-24 panel mounting holes
- Conformance to EIA/ECA-310-E
- Load Rating: 1200 lbs. (544kg) weight capacity when evenly distributed along the height of the rack
- Twin  $1\frac{1}{2}$ " (38mm) x  $1\frac{1}{4}$ " (32mm) top angles for rigidity
- Tapped assembly holes eliminate the need for nuts and simplifies assembly and squaring
- Permanently stamped rack mount unit (RMU) markings included
- Packaged unassembled in protective carton suitable for parcel shipment
- Assembles in about ten (10) minutes using standard hand tools
- Includes thirty (30) dog point combo head (Phillips and flat blade) mounting screws
- UL Listed (File No. E171936) as a communications circuit accessory
- Material: Aluminum uprights with steel top/bottom angles
- See SB588A page 44 for anchor kits
- Finish \_\_\_\_: Aluminum - brushed (AL) uprights with silver powder coated top & bottom angles  
Flat black powder coat (FB)  
Telco gray powder coat (TG)  
Other finishes are available upon request

Network equipment racks & accessories





**Two-Post Network Equipment Rack**  
**6" Uprights, 19" & 23" Panel Mounting, Customer Premise**

**Universal Spacing**

[5/8" (16mm), 5/8" (16mm), 1/2" (13mm)]

Description	Dimensions			
	19" (482mm) Rack Width In.	Rack Width (mm)	23" (594mm) Rack Width In.	Rack Width (mm)
'A' Overall Height	84"	(2133)	84"	(2133)
'B' Overall Width	20 <sup>5</sup> / <sub>16</sub> "	(516)	24 <sup>5</sup> / <sub>16</sub> "	(617)
'C' Panel Mounting	18 <sup>5</sup> / <sub>16</sub> "	(465)	22 <sup>5</sup> / <sub>16</sub> "	(567)
'D' Usable Inside Width	17 <sup>3</sup> / <sub>4</sub> "	(451)	21 <sup>3</sup> / <sub>4</sub> "	(552)
'E' Base Anchor Spacing	16"	(406)	20"	(508)

Part Number	Rack Width		Mounting Spaces	Shipping Weight	
	In.	(mm)		Lbs.	(kg)
<b>SB55608419U6__</b>	19"	(482)	45	33	(14.9)
<b>SB55608423U6__</b>	23"	(584)	45	37	(16.8)

Specify part number and finish when ordering.

# Network Equipment Racks & Accessories

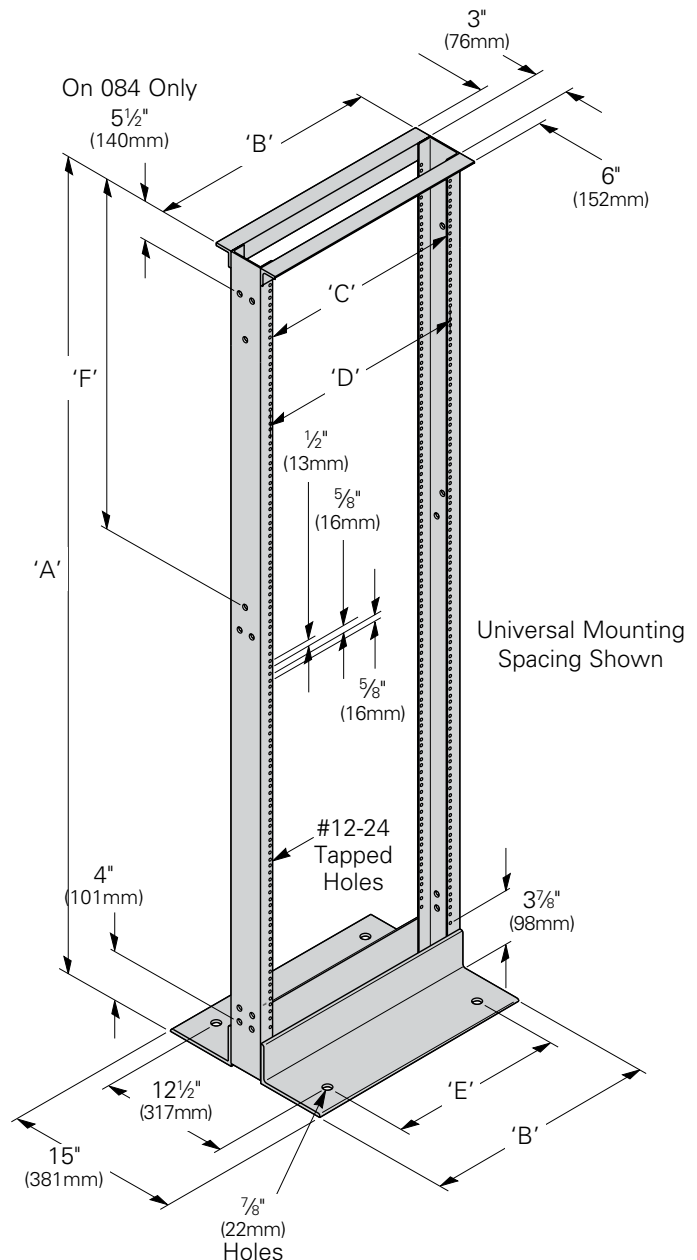
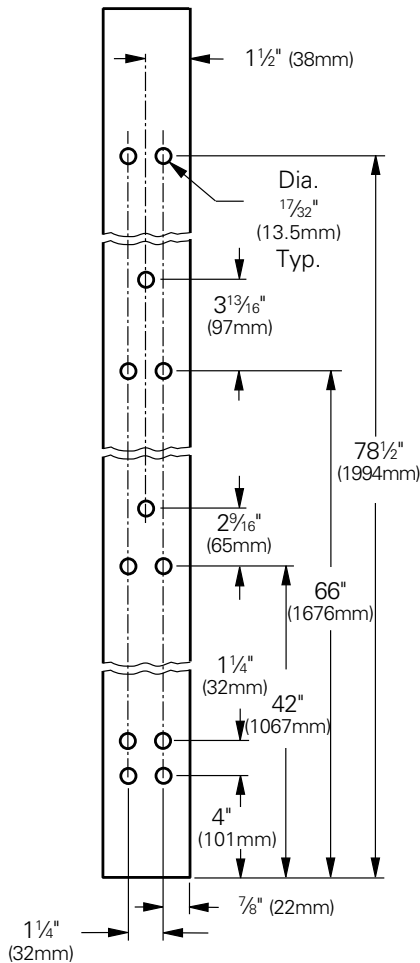
Two-Post Rack

## Two-Post Network Equipment Rack 19" & 23" Panel Mounting, Welded Steel

- #12-24 panel mounting holes
- Conformance to EIA/ECA-310-E
- Load Rating: 1200 lbs. (544kg) weight capacity when evenly distributed along the height of the rack
- Double sided universal mounting spacing [ $\frac{5}{8}$ " (16mm),  $\frac{5}{8}$ " (16mm),  $\frac{1}{2}$ " (13mm)]
- Twin  $\frac{1}{2}$ " (38mm) x  $\frac{1}{4}$ " (32mm) top angles for rigidity
- Accessory mounting holes provided in web and flanges of upright
- Heavy duty welded construction (shipped assembled)
- UL Listed (File No. E171936) as a communications circuit accessory
- Material: Aluminum uprights with steel top/bottom angles
- See SB588A page 44 for anchor kits
- Finish \_\_\_\_: Aluminum - brushed (AL) uprights with silver powder coated top & bottom angles  
Flat black powder coat (FB)  
Telco gray powder coat (TG)  
Other finishes are available upon request

Network equipment racks & accessories

**Junction Hole Pattern for 84" tall rails**



# Network Equipment Racks & Accessories

Two-Post Rack

## Two-Post Network Equipment Rack 19" & 23" Panel Mounting, Welded Steel

### Universal Spacing [ $\frac{5}{8}$ " (16mm), $\frac{5}{8}$ " (16mm), $\frac{1}{2}$ " (13mm)]

Description	Dimensions	
	19" (482mm) Rack Width In. (mm)	23" (594mm) Rack Width In. (mm)
'A' Overall Height	84" (2133)	84" (2133)
'B' Overall Width	20 $\frac{5}{16}$ " (516)	24 $\frac{5}{16}$ " (617)
'C' Panel Mounting	18 $\frac{5}{16}$ " (465)	22 $\frac{5}{16}$ " (567)
'D' Usable Inside Width	17 $\frac{3}{4}$ " (451)	21 $\frac{3}{4}$ " (552)
'E' Base Anchor Spacing	16" (406)	20" (508)

Part Number	'A' Height In. (mm)	'F' Spacing In. (mm)	Mounting Spaces	Shipping Weight Lbs. (kg)
<b>19" (482mm) Rack Width</b>				
<b>SB506084XU</b> ___	84" (2133)	39 $\frac{7}{16}$ " (1001)	45	82 (37.2)
<b>23" (584mm) Rack Width</b>				
<b>SB508084XU</b> ___	84" (2133)	39 $\frac{7}{16}$ " (1001)	45	91 (41.3)

Specify part number and finish when ordering.

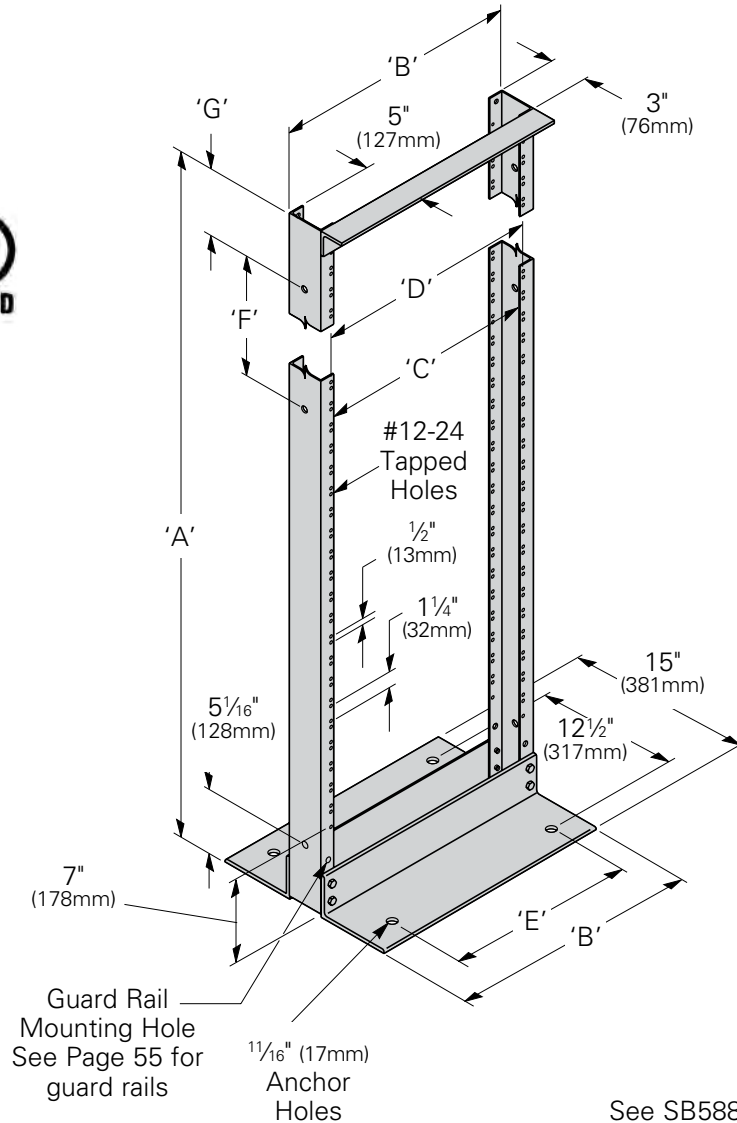
# Network Equipment Racks & Accessories

## Relay Rack

### Self-Supporting Aluminum Relay Rack 3" Uprights, 19" & 23" Panel Mounting, Telco Style

- #12-24 panel mounting holes
- Conformance to EIA/ECA-310-E
- Double sided (1¼" (32mm), ½" (13mm)) mounting spacing
- Heavy duty 3½" (89mm) x 6" (152mm) floor angles
- Single heavy duty 2" (51mm) x 2" (51mm) top angle for pipe bracing
- Self squaring with tapped assembly holes
- UL Listed (File No. E171936) as a communications circuit accessory
- Accessory mounting holes provided in web and flanges or upright
- Material: 6061-T6 aluminum alloy
- See SB588A page 44 for anchor kits
- Finish \_\_\_\_: Aluminum - brushed (AL)  
Telco gray powder coat (TG)  
Other finishes are available upon request

Network equipment  
racks & accessories



See SB588A page 44  
for anchor kits

## Self-Supporting Aluminum Relay Rack 3" Uprights, 19" & 23" Panel Mounting, Telco Style

Description	Dimensions			
	19" (482mm) Rack Width		23" (594mm) Rack Width	
	In.	(mm)	In.	(mm)
'A' Overall Height	72" - 140"	(1829 - 3556)	72" - 140"	(1829 - 3556)
'B' Overall Width	20 <sup>5</sup> / <sub>16</sub> "	(516)	24 <sup>5</sup> / <sub>16</sub> "	(617)
'C' Panel Mounting	18 <sup>5</sup> / <sub>16</sub> "	(465)	22 <sup>5</sup> / <sub>16</sub> "	(567)
'D' Usable Inside Width	17 <sup>3</sup> / <sub>4</sub> "	(451)	21 <sup>3</sup> / <sub>4</sub> "	(552)
'E' Base Anchor Spacing	16"	(406)	20"	(508)

Wide Spacing [1<sup>1</sup>/<sub>4</sub>" (32mm), 1<sup>1</sup>/<sub>2</sub>" (13mm)]

Part Number	'A' Height		'F' Spacing		'G'		Mounting Spaces	Weight	
	In.	(mm)	In.	(mm)	In.	(mm)		Lbs.	(kg)
<b>19" (482mm) Rack Width</b>									
SB556072__	72"	(1828)	25 <sup>1</sup> / <sub>4</sub> "	(641)	2 <sup>3</sup> / <sub>16</sub> "	(55)	36	30.0	(13.6)
SB556084__	84"	(2133)	25 <sup>1</sup> / <sub>4</sub> "	(641)	14 <sup>3</sup> / <sub>16</sub> "	(360)	43	33.0	(15.0)
SB556090__	90"	(2286)	39 <sup>7</sup> / <sub>16</sub> "	(1001)	6"	(152)	46	35.0	(15.9)
SB556096__	96"	(2438)	39 <sup>7</sup> / <sub>16</sub> "	(1001)	12"	(305)	49	36.0	(16.3)
SB556108__	108"	(2743)	48 <sup>1</sup> / <sub>16</sub> "	(1236)	5 <sup>1</sup> / <sub>2</sub> "	(139)	56	39.0	(17.7)
SB556138__	138"	(3505)	64 <sup>1</sup> / <sub>16</sub> "	(1643)	3 <sup>1</sup> / <sub>2</sub> "	(89)	73	46.0	(20.9)
SB556140__	140"	(3556)	64 <sup>1</sup> / <sub>16</sub> "	(1643)	5 <sup>1</sup> / <sub>2</sub> "	(139)	75	47.0	(21.3)
<b>23" (584mm) Rack Width</b>									
SB558072__	72"	(1828)	25 <sup>1</sup> / <sub>4</sub> "	(641)	2 <sup>3</sup> / <sub>16</sub> "	(55)	36	34.0	(15.4)
SB558084__	84"	(2133)	25 <sup>1</sup> / <sub>4</sub> "	(641)	14 <sup>3</sup> / <sub>16</sub> "	(360)	43	37.0	(16.8)
SB558090__	90"	(2286)	39 <sup>7</sup> / <sub>16</sub> "	(1001)	6"	(152)	46	39.0	(17.7)
SB558096__	96"	(2438)	39 <sup>7</sup> / <sub>16</sub> "	(1001)	12"	(305)	49	40.0	(18.1)
SB558108__	108"	(2743)	48 <sup>1</sup> / <sub>16</sub> "	(1236)	5 <sup>1</sup> / <sub>2</sub> "	(139)	56	43.0	(19.5)
SB558138__	138"	(3505)	64 <sup>1</sup> / <sub>16</sub> "	(1643)	3 <sup>1</sup> / <sub>2</sub> "	(89)	73	50.0	(22.7)
SB558140__	140"	(3556)	64 <sup>1</sup> / <sub>16</sub> "	(1643)	5 <sup>1</sup> / <sub>2</sub> "	(139)	75	51.0	(23.1)

Specify part number and finish when ordering.

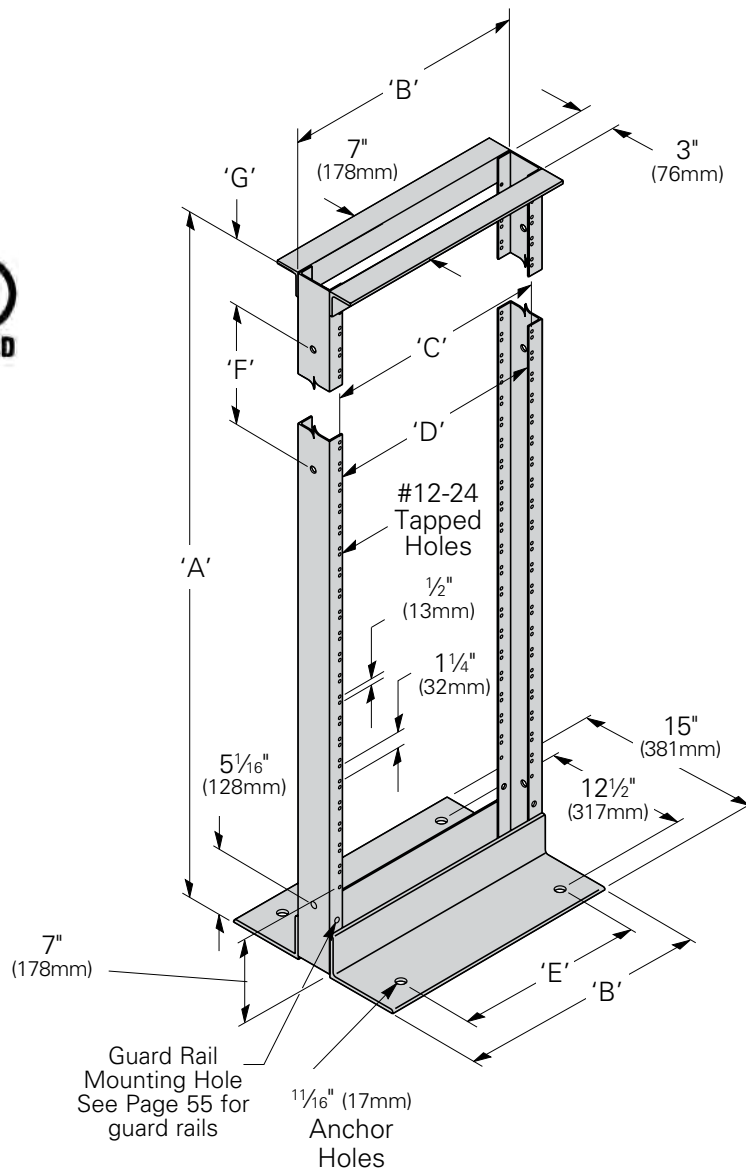
# Network Equipment Racks & Accessories

## Relay Rack

### Self-Supporting Steel Relay Rack 3" Uprights, 19" & 23" Panel Mounting, Telco Style

- #12-24 panel mounting holes
- Conformance to EIA/ECA-310-E
- Double sided (1¼" (32mm), ½" (13mm)) mounting spacing
- Heavy duty 3½" (89mm) x 6" (152mm) floor angles
- Double heavy duty 2" (51mm) x 2" (51mm) top angles for pipe bracing
- Welded assembly
- UL Listed (File No. E171936) as a communications circuit accessory
- Accessory mounting holes provided in web and flanges or upright
- Material: Upright - 11 Ga. (3mm) ASTM A570 structural steel  
Angles - ASTM A36 structural steel
- See SB588A page 44 for anchor kits
- Finish \_\_\_\_: Flat black powder coat (FB)  
Telco gray powder coat (TG)  
Other finishes are available upon request

Network equipment  
racks & accessories



## Self-Supporting Steel Relay Rack 3" Uprights, 19" & 23" Panel Mounting, Telco Style

Description	Dimensions			
	19" (482mm) Rack Width		23" (594mm) Rack Width	
	In.	(mm)	In.	(mm)
'A' Overall Height	84" - 140"	(2134 - 3556)	84" - 140"	(2134 - 3556)
'B' Overall Width	20 <sup>5</sup> / <sub>16</sub> "	(516)	24 <sup>5</sup> / <sub>16</sub> "	(617)
'C' Panel Mounting	18 <sup>5</sup> / <sub>16</sub> "	(465)	22 <sup>5</sup> / <sub>16</sub> "	(567)
'D' Usable Inside Width	17 <sup>3</sup> / <sub>4</sub> "	(451)	21 <sup>3</sup> / <sub>4</sub> "	(552)
'E' Base Anchor Spacing	16"	(406)	20"	(508)

Wide Spacing [1<sup>1</sup>/<sub>4</sub>" (32mm), 1/2" (13mm)]

Part Number	'A' Height		'F' Spacing		'G'		Mounting Spaces	Weight	
	In.	(mm)	In.	(mm)	In.	(mm)		Lbs.	(kg)
<b>19" (482mm) Rack Width</b>									
SB506084__	84"	(2133)	25 <sup>1</sup> / <sub>4</sub> "	(641)	14 <sup>3</sup> / <sub>16</sub> "	(360)	43	101.0	(45.8)
SB506090__	90"	(2286)	39 <sup>7</sup> / <sub>16</sub> "	(1001)	6"	(152)	46	105.0	(47.6)
SB506096__	96"	(2438)	39 <sup>7</sup> / <sub>16</sub> "	(1001)	12"	(305)	49	109.0	(49.3)
SB506108__	108"	(2743)	48 <sup>1</sup> / <sub>16</sub> "	(1236)	5 <sup>1</sup> / <sub>2</sub> "	(139)	56	117.0	(53.1)
SB506138__	138"	(3505)	64 <sup>1</sup> / <sub>16</sub> "	(1643)	3 <sup>1</sup> / <sub>2</sub> "	(89)	73	137.0	(62.1)
SB506140__	140"	(3556)	64 <sup>1</sup> / <sub>16</sub> "	(1643)	5 <sup>1</sup> / <sub>2</sub> "	(139)	75	139.0	(63.0)
<b>23" (584mm) Rack Width</b>									
SB508084__	84"	(2133)	25 <sup>1</sup> / <sub>4</sub> "	(641)	14 <sup>3</sup> / <sub>16</sub> "	(360)	43	110.0	(49.9)
SB508090__	90"	(2286)	39 <sup>7</sup> / <sub>16</sub> "	(1001)	6"	(152)	46	114.0	(51.7)
SB508096__	96"	(2438)	39 <sup>7</sup> / <sub>16</sub> "	(1001)	12"	(305)	49	118.0	(53.5)
SB508108__	108"	(2743)	48 <sup>1</sup> / <sub>16</sub> "	(1236)	5 <sup>1</sup> / <sub>2</sub> "	(139)	56	126.0	(57.1)
SB508138__	138"	(3505)	64 <sup>1</sup> / <sub>16</sub> "	(1643)	3 <sup>1</sup> / <sub>2</sub> "	(89)	73	146.0	(66.2)
SB508140__	140"	(3556)	64 <sup>1</sup> / <sub>16</sub> "	(1643)	5 <sup>1</sup> / <sub>2</sub> "	(139)	75	148.0	(67.1)

Specify part number and finish when ordering.

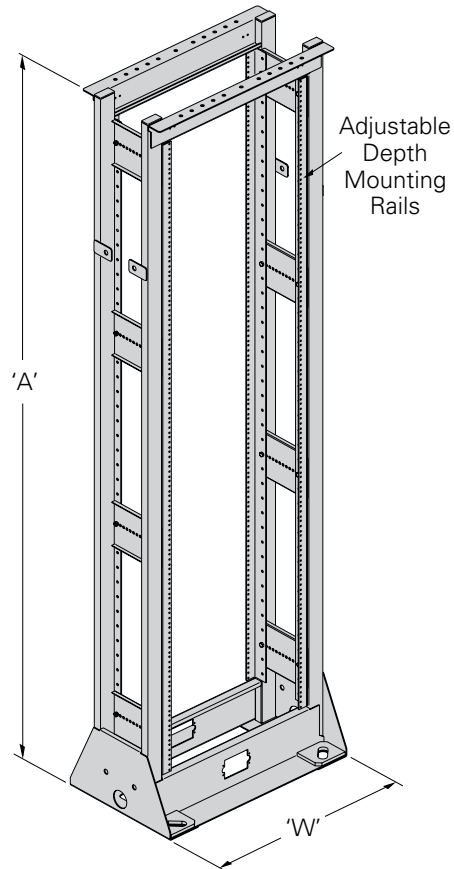
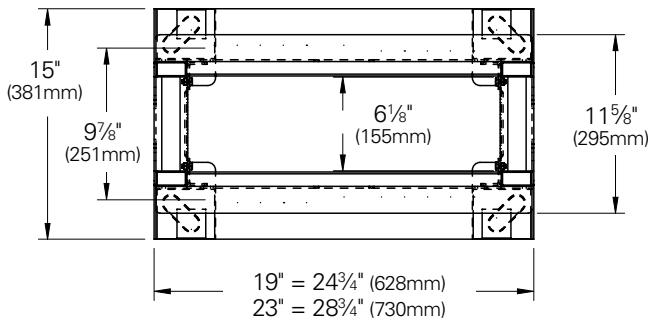
# Network Equipment Racks & Accessories

## Two-Post Relay Rack

### Two-Post Seismic Relay Rack 19" & 23" Panel Mounting, Welded Steel

- Independently tested to NEBS GR-63-CORE Seismic Zone 4 standard; and for 900 lbs. (408kg) of equipment
- Independent testing conducted in accordance with ICBO AC156 standard for use up to 900 lbs. (408kg)
- Conformance to EIA/ECA-310-E
- Mounting rail spacing is adjustable from 3" (76mm) to 8" (203mm)
- 43 RMU (rack mounting units)
- Open top, bottom, and sides permit unlimited cable management options
- Industry standard mounting holes on sides allow attachment of vertical cable managers
- Top angles drilled for runway attachment
- Openings in front and rear of base for duplex receptacle mounting
- Holes for grounding provided in four locations
- Tubular steel frame provides a high degree of strength to weight ratio
- See page ii for link to OPM approvals
- Concrete installation requires (4) AWA-62-350 (sold separately)
- Finish \_\_\_\_: Flat black powder coat (FB)  
Telco gray powder coat (TG)

Network equipment racks & accessories



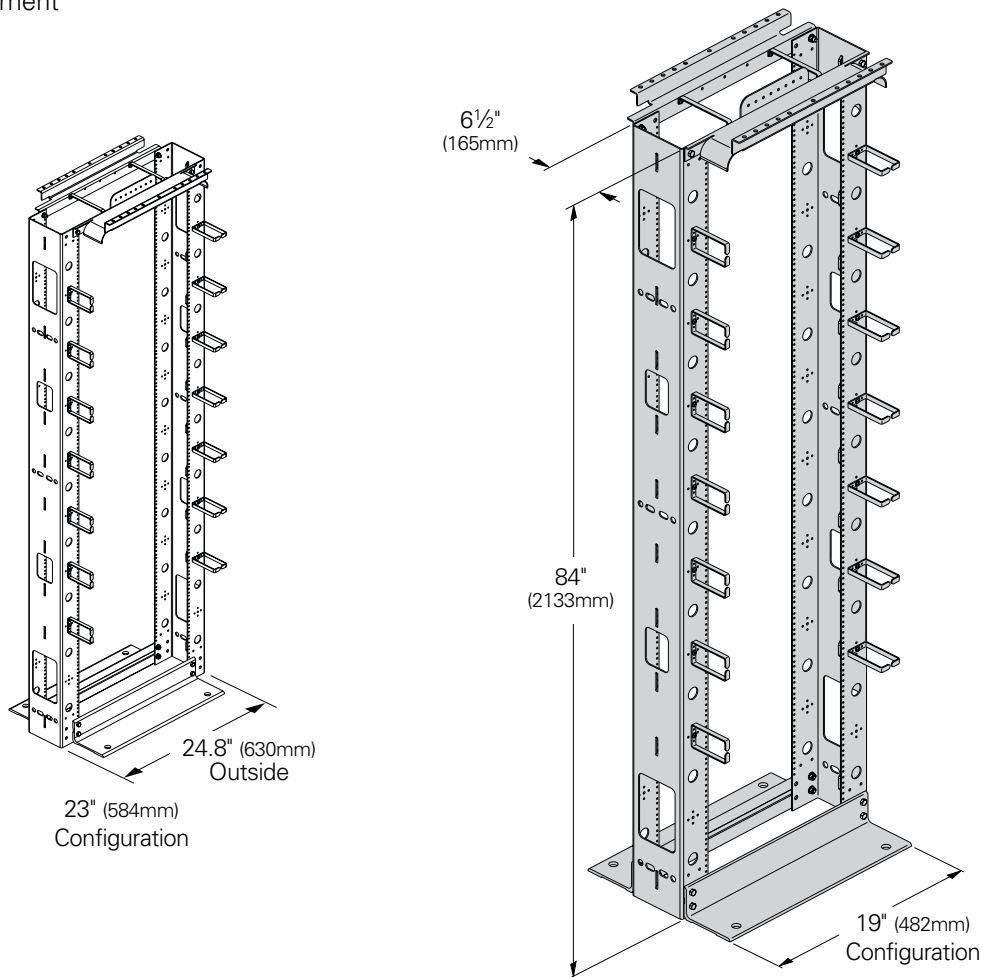
Part Number	'A' Height In. (mm)	'W' Spacing In. (mm)	Mounting Spaces	Shipping Weight Lbs. (kg)
<b>19" (482mm) Rack Width</b>				
<b>SB85219084</b> __	84" (2133)	24 3/4" (628)	43	113 (51.3)
<b>SB85219096</b> __	96" (2438)	24 3/4" (628)	49	124 (56.2)
<b>23" (584mm) Rack Width</b>				
<b>SB85223084</b> __	84" (2133)	28 3/4" (730)	43	117 (53.1)
<b>SB85223096</b> __	96" (2133)	28 3/4" (730)	49	127 (57.6)

Specify part number and finish when ordering.



## Two-Post Cable Management Rack 19"/23" Panel Mounting, 6½" Uprights

- Large vertical duct for increased cable capacity
- Integrated waterfalls provide a 1½" (38mm) bend radius
- Large side cable pass-thru holes for rack to rack cabling
- Cable pass-thru holes above and below "D" rings improve cable management
- Top angles are pre-drilled for runway attachment
- Rack may be assembled for either 19" (482mm) or 23" (584mm) panels
- Includes (30) dog point combo head (Phillips and flat blade) mounting screws
- Packaged unassembled in protective carton suitable for parcel shipment
- Adjustable waterfalls on top cable management trays
- RCM+ managers compatible with B-Line series RCM
- Includes: (18) one-wrap straps, (14) "D" rings, and #12-24 mounting hardware
- Material: Aluminum
- Finish \_\_\_: Flat black powder coat (FB)



Part Number	Height In. (mm)	Mounting Spaces	Weight Lbs. (kg)
SB813084FB	84 (2133)	45	49.5 (22.4)

# Network Equipment Racks & Accessories

## Four-Post Rack

Network equipment racks & accessories

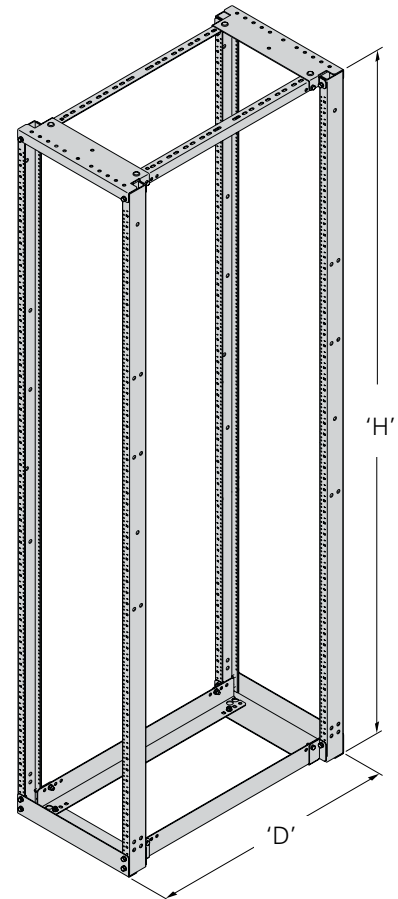
### Four-Post - Adjustable Depth Equipment Rack 19" Panel Mounting, Customer Premise

- Open 19" 4-post frame with #12-24 tapped hole extruded aluminum mounting rails designed to provide nearly 360 degrees of accessibility and unrestricted air flow
- EIA/ECA-310-E universal 5/8" (16mm), 5/8" (16mm), 1/2" (13mm) hole pattern
- Available in 72" (1828mm) 38RMU, 84" (2133mm) 45RMU, and 96" (2438mm) 51 RMU heights
- Depth adjustable in 1" (25.4mm) increments from 18" (457mm) to 24" (609mm), 24" (609mm) to 30" (762mm), 30" (762mm) to 36" (914mm) and 36" (914mm) to 42" (1067mm) overall depth
- Load Rating: 2000 lbs. (907kg) weight capacity, when evenly distributed along the height of the rack
- Ships unassembled in protective carton
- Permanently stamped rack mount unit (RMU) markings included
- Assembles in about twenty (20) minutes using standard hand tools
- Upper cross and attachment members are pre-drilled for runway attachment
- SB837 4-Post Kit includes: (4) Mounting Rails, (2) Upper Cross Members, (2) Lower Cross Members, (2) Upper Adjustment Members, (2) Lower Adjustment Members, (30) #12-24 mounting screws. Required hardware and installation instructions
- UL Listed to the UL60950 Standard - File No. E171936
- Use SB1003A for 1 1/2" runway or SBJ003J for 2" runway to attach to the top of rack
- See page ii for link to OPM approvals
- Material: Aluminum uprights, steel cross members and adjustment members
- Finish \_\_: Flat black powder coat (FB)



### 19" EIA Mounting Tapped Hole Rail Design Universal Spacing [5/8" (16mm), 5/8" (16mm), 1/2" (13mm)]

Part Number	'H' Height In. (mm)	'D' Depth In. (mm)	Shipping Weight Lbs. (kg)
SB837072AFB	72" (1829)	18" - 24" (457 - 609)	49.8 (22.6)
SB837084AFB	84" (2133)	18" - 24" (457 - 609)	53.2 (24.1)
SB837096AFB	96" (2438)	18" - 24" (457 - 609)	56.8 (25.7)
SB837072BFB	72" (1829)	24" - 30" (609 - 762)	57.9 (26.2)
SB837084BFB	84" (2133)	24" - 30" (609 - 762)	56.4 (25.6)
SB837096BFB	96" (2438)	24" - 30" (609 - 762)	59.9 (27.2)
SB837072CFB	72" (1829)	30" - 36" (762 - 914)	56.0 (25.4)
SB837084CFB	84" (2133)	30" - 36" (762 - 914)	59.5 (27.0)
SB837096CFB	96" (2438)	30" - 36" (762 - 914)	63.1 (28.6)
SB837072DFB	72" (1829)	36" - 42" (914 - 1067)	59.2 (26.8)
SB837084DFB	84" (2133)	36" - 42" (914 - 1067)	62.6 (28.4)
SB837096DFB	96" (2438)	36" - 42" (914 - 1067)	66.2 (30.0)



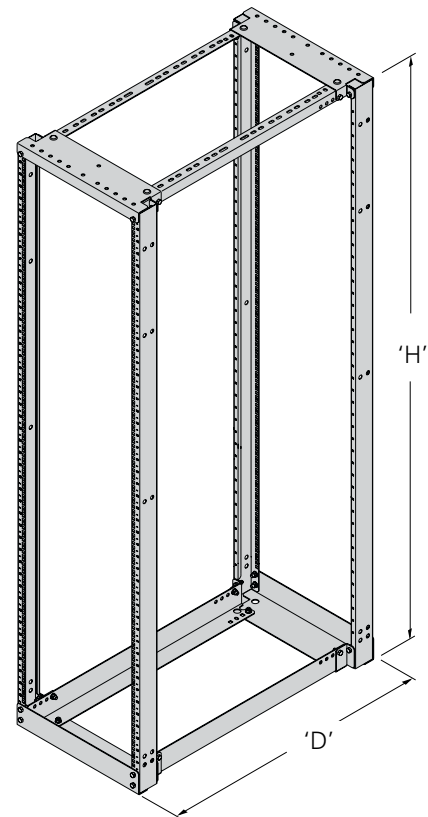
## Four-Post - Adjustable Depth Server Rack - Self-Supporting 19" Panel Mounting, Customer Premise

- Open 4-post frame with 19" EIA square hole 14 gauge steel mounting rails designed to provide nearly 360 degrees of accessibility and unrestricted air flow
- EIA/ECA-310-E universal  $\frac{5}{8}$ " (16mm),  $\frac{5}{8}$ " (16mm),  $\frac{1}{2}$ " (13mm) hole pattern rails accept M6, #10-32 or #12-24 cage nuts
- Unequal flange design of the rails allows for server rail clearance
- Available in 72" (1828mm) 38RMU, 84" (2133mm) 45RMU, and 96" (2438mm) 51 RMU heights
- Depth adjustable in 1" (25.4mm) increments from 18" (457mm) to 24" (609mm), 24" (609mm) to 30" (762mm), 30" (762mm) to 36" (914mm) and 36" (914mm) to 42" (1067mm) overall depth
- Load Rating: 2000 lbs. (907kg) weight capacity, when evenly distributed along the height of the rack
- Ships unassembled in protective carton
- Permanently stamped rack mount unit (RMU) markings included
- Assembles in about twenty (20) minutes using standard hand tools
- Upper cross and attachment members are pre-drilled for runway attachment
- SB838 4-post kit includes: (4) mounting rails, (2) upper cross members, (2) lower cross members, (2) upper adjustment members, (2) lower adjustment members, (30) #12-24 mounting screws. Required hardware and installation instructions
- UL Listed to the UL60950 Standard - file no. E171936
- Use SB1003A for  $1\frac{1}{2}$ " runway or SBJ003J for 2" runway to attach to the top of rack
- See page ii for link to OPM approvals
- Material: Steel uprights, steel cross members and adjustment members
- Finish \_\_\_: Flat black powder coat (FB)



### 19" EIA Mounting Square Hole Rail Design Universal Spacing [ $\frac{5}{8}$ " (16mm), $\frac{5}{8}$ " (16mm), $\frac{1}{2}$ " (13mm)]

Part Number	'A' Height In. (mm)	'D' Depth In. (mm)	Shipping Weight Lbs. (kg)
SB838072AFB	72" (1829)	18" - 24" (457 - 609)	55.4 (25.1)
SB838084AFB	84" (2133)	18" - 24" (457 - 609)	59.9 (27.2)
SB838096AFB	96" (2438)	18" - 24" (457 - 609)	64.4 (29.2)
SB838072BFB	72" (1829)	24" - 30" (609 - 762)	58.6 (26.6)
SB838084BFB	84" (2133)	24" - 30" (609 - 762)	63.0 (28.6)
SB838096BFB	96" (2438)	24" - 30" (609 - 762)	67.5 (30.6)
SB838072CFB	72" (1829)	30" - 36" (762 - 914)	61.7 (28.0)
SB838084CFB	84" (2133)	30" - 36" (762 - 914)	66.1 (30.0)
SB838096CFB	96" (2438)	30" - 36" (762 - 914)	70.6 (32.0)
SB838072DFB	72" (1829)	36" - 42" (914 - 1067)	64.8 (29.4)
SB838084DFB	84" (2133)	36" - 42" (914 - 1067)	69.3 (31.4)
SB838096DFB	96" (2438)	36" - 42" (914 - 1067)	73.8 (33.5)

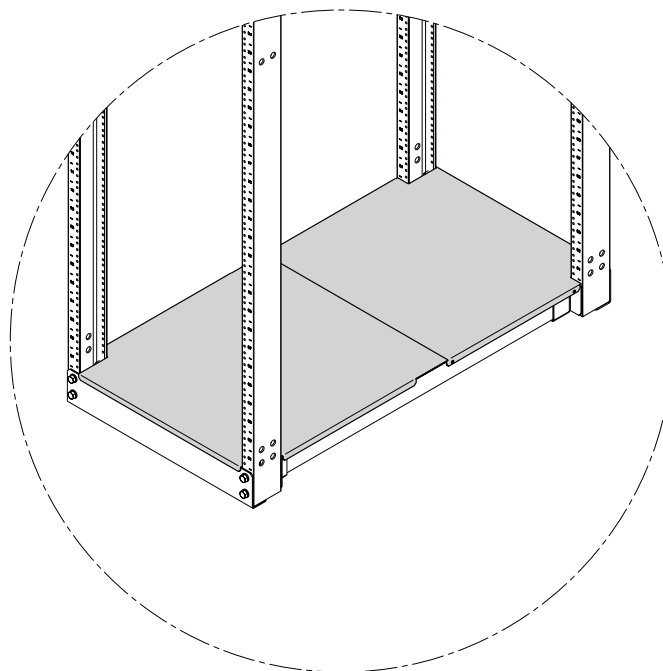
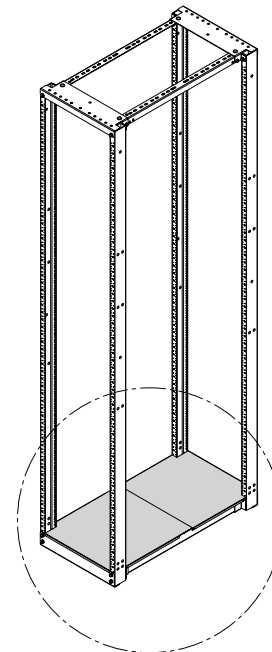


# Network Equipment Racks & Accessories

## Four-Post Rack Accessories

### Base Dust Cover For Adjustable Depth Four-Post Racks

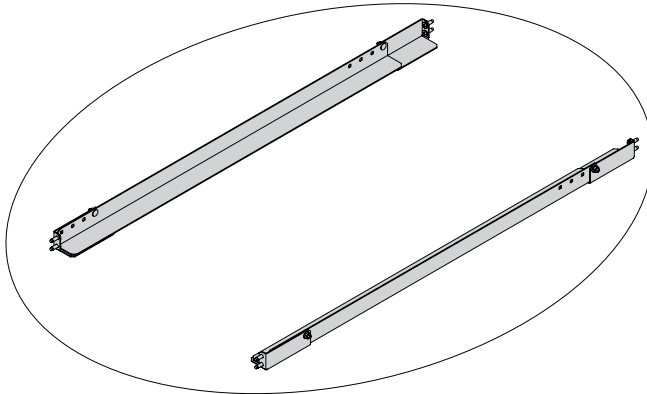
- Used to cover the opening at the bottom of the adjustable depth four-post racks
- Helps to maintain a professional, clean appearance when applied
- Works with both SB837 and SB838 series adjustable depth four-post racks
- Constructed of 18 gauge (1.2mm) steel
- Tool-less assembly
- Finish: Flat black powder coat (FB)



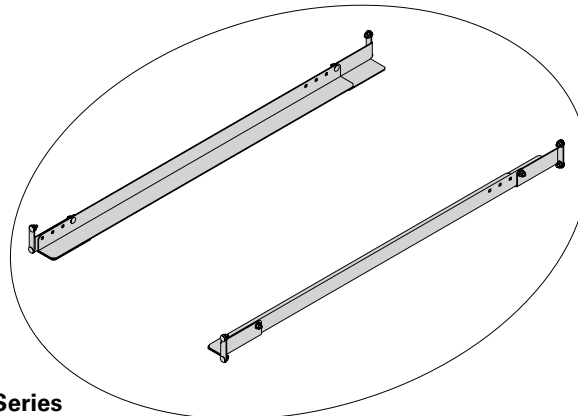
Part Number	Adjustable Depth		Weight	
	In.	(mm)	Lbs.	(kg)
<b>SB837ADCFB</b>	18" - 24"	(457 - 609)	6.1	(2.7)
<b>SB837BDCFB</b>	24" - 30"	(609 - 762)	7.6	(3.4)
<b>SB837CDCFB</b>	30" - 36"	(762 - 914)	9.1	(4.1)
<b>SB837DDCFB</b>	36" - 42"	(914 - 1067)	10.6	(4.8)

## Equipment Support Rails For Adjustable Depth Four-Post Racks

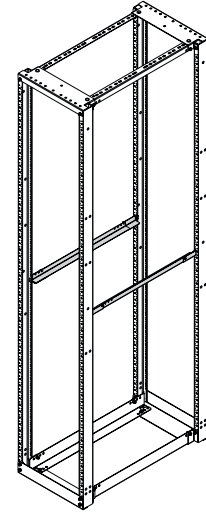
- Provides a 1" (25.4mm) wide surface as additional support (front to rear) for heavy rack mounted equipment
- 1" (25.4mm) increment adjustability feature to match the depth of the rack
- Does not interfere with usable RMU spaces
- Supports maximum load of 200 lbs. (90.7kg)
- Sold in pairs
- Finish: Flat Black Powder Coat (FB)



**SB837 ES Series**  
(Use with SB837 racks)



**SB838 ES Series**  
(Use with SB838 racks)



Part Number	Adjustable Equipment Support		Weight	
	In.	(mm)	Lbs.	(kg)
<b>SB837AESFB</b>	18" - 24"	(457 - 609)	2.1	(0.9)
<b>SB837BESFB</b>	24" - 30"	(609 - 762)	2.7	(1.2)
<b>SB837CESFB</b>	30" - 36"	(762 - 914)	3.3	(1.5)
<b>SB837DESFB</b>	36" - 42"	(914 - 1067)	3.9	(1.7)
<b>SB838AESFB</b>	18" - 24"	(457 - 609)	2.2	(1.0)
<b>SB838BESFB</b>	24" - 30"	(609 - 762)	2.8	(1.3)
<b>SB838CESFB</b>	30" - 36"	(762 - 914)	3.4	(1.5)
<b>SB838DESFB</b>	36" - 42"	(914 - 1067)	4.0	(1.8)

# Network Equipment Racks & Accessories

## Swing Gate Wall Mount Rack

### Swing Gate Wall Mount Equipment Rack 19" Panel Mount

- Wall mounted rack door hinges to either side providing convenient access to the back of mounted equipment
- Constructed of a steel frame and aluminum door with steel hinge pins
- Easy, one person installation in about five (5) minutes
- Mounting holes on 16" (406mm) centers
- Door can be completely removed from frame after installation
- EIA/ECA-310-E compliant with universal ( $\frac{5}{8}$ " (16mm),  $\frac{5}{8}$ " (16mm),  $\frac{1}{2}$ " (13mm)) mounting hole spacing
- Available in 19" EIA width. (Other sizes available upon request)
- Available in mounting heights of 24" (609mm), 30" (762mm), 44" (1117mm), 54" (1371mm) and 79" (2006mm)
- Available in depths of 8" (203mm), 12" (305mm), 18" (457mm), and 25" (635mm)
- Packaged unassembled in protective carton suitable for parcel shipment
- Integrated cable tie/cable wrap tie-down points
- Load Rating: 150 lbs. (68kg) (assumes suitable mounting surface)
- UL listing - file number E235184
- See page ii for link to OPM approvals
- Finish \_\_\_\_: Flat black powder coat (FB)  
Telco gray powder coat (TG)

Network equipment  
racks & accessories

#### Rack Mounting Units Spacing Qty.

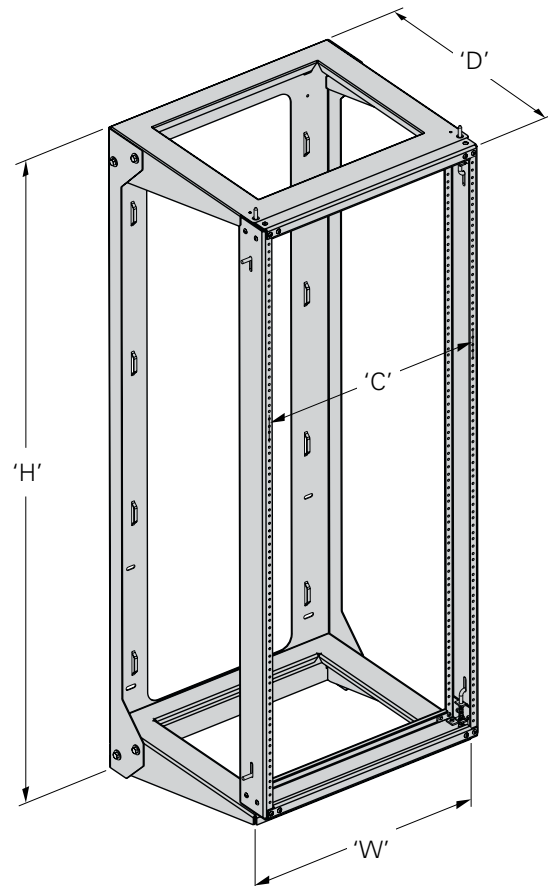
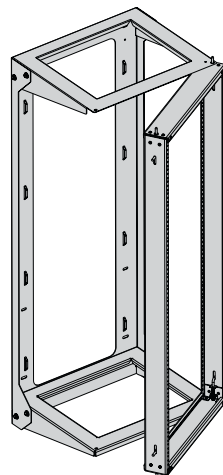
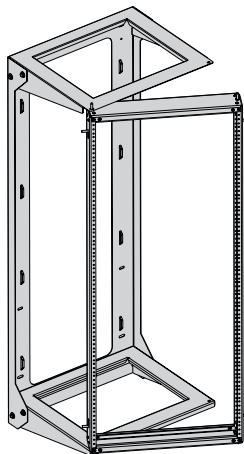
24" (609mm) height  
10 RMU's

30" (762mm) height  
13 RMU's

44" (1117mm) height  
21 RMU's

54" (1371mm) height  
27 RMU's

79" (2006mm) height  
41 RMU's



# Network Equipment Racks & Accessories

Swing Gate Wall Mount Rack

## Swing Gate Wall Mount Equipment Rack 19" Panel Mount

Part Number	Rack Width		'W' Overall Width		'C' Panel Mounting		'H' Overall Height		'D' Usable Depth		Weight	
	In.	(mm)	In.	(mm)	In.	(mm)	In.	(mm)	In.	(mm)	Lbs.	(kg)
<b>SB708192408</b> __	19"	(482)	19.88"	(505)	18 <sup>5</sup> / <sub>16</sub> "	(465)	24"	(609)	8"	(203)	21	(9.5)
<b>SB708192412</b> __	19"	(482)	19.88"	(505)	18 <sup>5</sup> / <sub>16</sub> "	(465)	24"	(609)	12"	(305)	23	(10.4)
<b>SB708192418</b> __	19"	(482)	19.88"	(505)	18 <sup>5</sup> / <sub>16</sub> "	(465)	24"	(609)	18"	(457)	26	(11.8)
<b>SB708192425</b> __	19"	(482)	19.88"	(505)	18 <sup>5</sup> / <sub>16</sub> "	(465)	24"	(609)	25"	(635)	33	(14.9)
<b>SB708193008</b> __	19"	(482)	19.88"	(505)	18 <sup>5</sup> / <sub>16</sub> "	(465)	43 <sup>3</sup> / <sub>16</sub> "	(741)	8"	(203)	30	(13.6)
<b>SB708193012</b> __	19"	(482)	19.88"	(505)	18 <sup>5</sup> / <sub>16</sub> "	(465)	43 <sup>3</sup> / <sub>16</sub> "	(741)	12"	(305)	32	(14.5)
<b>SB708193018</b> __	19"	(482)	19.88"	(505)	18 <sup>5</sup> / <sub>16</sub> "	(465)	43 <sup>3</sup> / <sub>16</sub> "	(741)	18"	(457)	35	(15.9)
<b>SB708193025</b> __	19"	(482)	19.88"	(505)	18 <sup>5</sup> / <sub>16</sub> "	(465)	43 <sup>3</sup> / <sub>16</sub> "	(741)	25"	(635)	39	(17.7)
<b>SB708194408</b> __	19"	(482)	19.88"	(505)	18 <sup>5</sup> / <sub>16</sub> "	(465)	43 <sup>3</sup> / <sub>16</sub> "	(1096)	8"	(203)	32	(14.5)
<b>SB708194412</b> __	19"	(482)	19.88"	(505)	18 <sup>5</sup> / <sub>16</sub> "	(465)	43 <sup>3</sup> / <sub>16</sub> "	(1096)	12"	(305)	34	(15.4)
<b>SB708194418</b> __	19"	(482)	19.88"	(505)	18 <sup>5</sup> / <sub>16</sub> "	(465)	43 <sup>3</sup> / <sub>16</sub> "	(1096)	18"	(457)	38	(17.2)
<b>SB708194425</b> __	19"	(482)	19.88"	(505)	18 <sup>5</sup> / <sub>16</sub> "	(465)	43 <sup>3</sup> / <sub>16</sub> "	(1096)	25"	(635)	44	(19.9)
<b>SB708195408</b> __	19"	(482)	19.88"	(505)	18 <sup>5</sup> / <sub>16</sub> "	(465)	53 <sup>5</sup> / <sub>8</sub> "	(1363)	8"	(203)	34	(15.4)
<b>SB708195412</b> __	19"	(482)	19.88"	(505)	18 <sup>5</sup> / <sub>16</sub> "	(465)	53 <sup>5</sup> / <sub>8</sub> "	(1363)	12"	(305)	37	(16.8)
<b>SB708195418</b> __	19"	(482)	19.88"	(505)	18 <sup>5</sup> / <sub>16</sub> "	(465)	53 <sup>5</sup> / <sub>8</sub> "	(1363)	18"	(457)	40	(18.1)
<b>SB708195425</b> __	19"	(482)	19.88"	(505)	18 <sup>5</sup> / <sub>16</sub> "	(465)	53 <sup>5</sup> / <sub>8</sub> "	(1363)	25"	(635)	46	(20.8)
<b>SB708197908</b> __	19"	(482)	19.88"	(505)	18 <sup>5</sup> / <sub>16</sub> "	(465)	78 <sup>3</sup> / <sub>16</sub> "	(1985)	8"	(203)	39	(17.7)
<b>SB708197912</b> __	19"	(482)	19.88"	(505)	18 <sup>5</sup> / <sub>16</sub> "	(465)	78 <sup>3</sup> / <sub>16</sub> "	(1985)	12"	(305)	41	(18.6)
<b>SB708197918</b> __	19"	(482)	19.88"	(505)	18 <sup>5</sup> / <sub>16</sub> "	(465)	78 <sup>3</sup> / <sub>16</sub> "	(1985)	18"	(457)	45	(20.4)
<b>SB708197925</b> __	19"	(482)	19.88"	(505)	18 <sup>5</sup> / <sub>16</sub> "	(465)	78 <sup>3</sup> / <sub>16</sub> "	(1985)	25"	(635)	51	(23.1)

Specify part number and finish when ordering.

Available in 23" rackmount upon request.

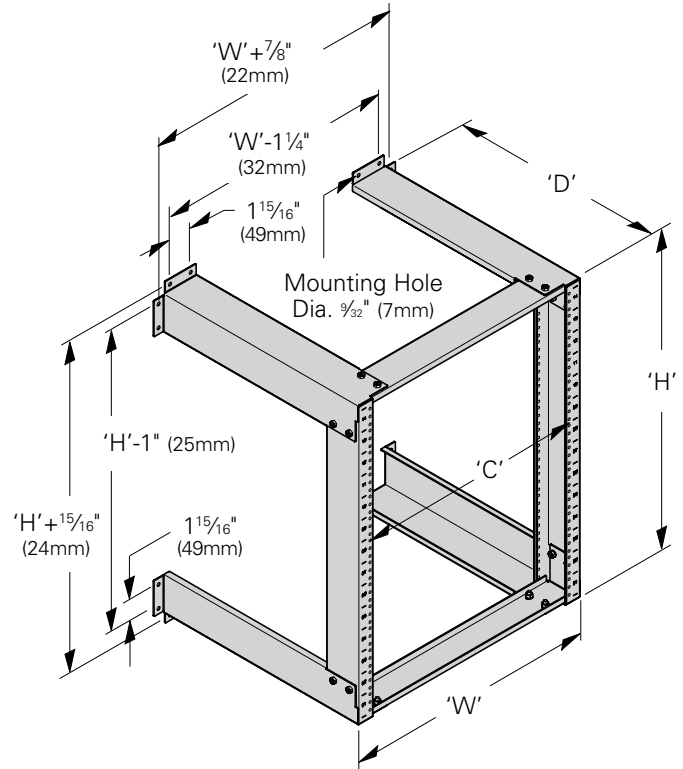
Network equipment  
racks & accessories

# Network Equipment Racks & Accessories

## Wall Mount Network Rack

### Wall-Mounted Network Equipment Rack Heavy Duty, 19" Panel Mount

- Rated for 350 lbs. (159kg) load capacity (assuming suitable mounting surface)
- Double sided universal ( $\frac{5}{8}$ " (16mm),  $\frac{5}{8}$ " (16mm),  $\frac{1}{2}$ " (13mm)) mounting spacing
- #12-24 panel mounting holes
- Conformance to EIA/ECA-310-E
- 19" (482mm) width (other sizes are available upon request)
- 25" (635mm), 39" (990mm) and 74" (1879mm) heights
- 18" (457mm), 24" (609mm) and 30" (762mm) depths
- Permanently stamped rack mount unit (RMU) markings included
- Packaged unassembled in protective carton suitable for parcel shipment
- Installs in about fifteen (15) minutes using standard hand tools
- Material: Aluminum uprights and steel extension brackets
- See page ii for link to OPM approvals
- Finish \_\_\_: Brushed (AL)  
Flat black powder coat (FB)  
Telco gray powder coat (TG)



Mounting Spaces for Height 'H' of  
25 1/4" - 14 spaces • 39 1/4" - 22 spaces • 74 1/4" - 42 spaces

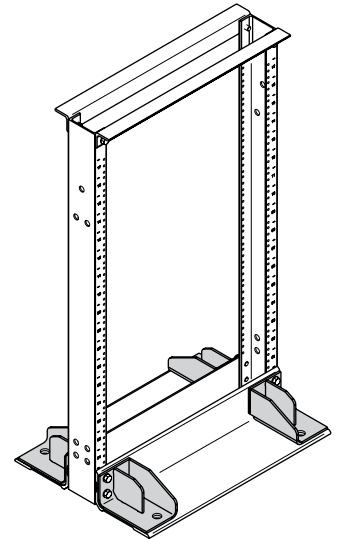
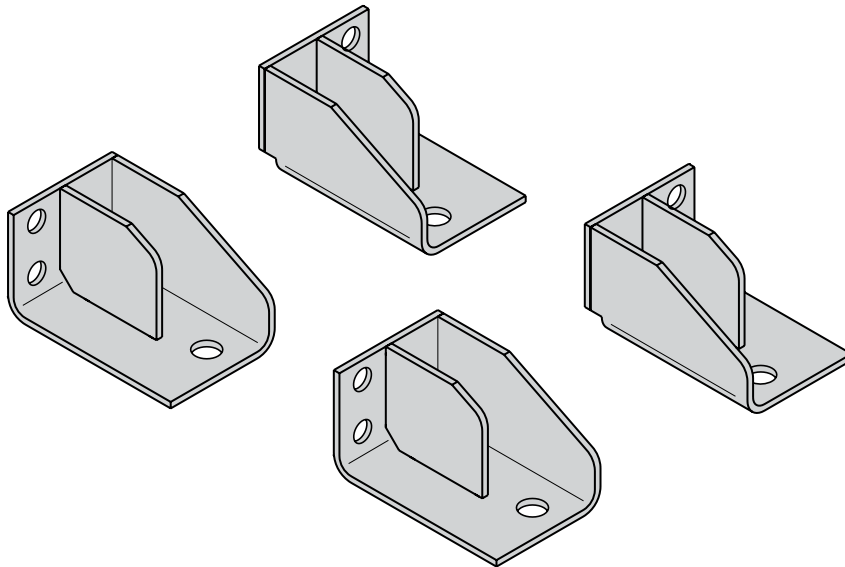
Part Number	'W' Rack Width		'H' Height		'C' Panel Mounting		'D' Depth		Weight	
	In.	(mm)	In.	(mm)	In.	(mm)	In.	(mm)	(kg)	
<b>SB704192518</b> ___	20 1/2"	(521)	25 1/2"	(648)	18 5/16"	(465)	18"	(457)	16.6	(7.5)
<b>SB704192524</b> ___	20 1/2"	(521)	25 1/2"	(648)	18 5/16"	(465)	24"	(609)	19.8	(9.0)
<b>SB704192530</b> ___	20 1/2"	(521)	25 1/2"	(648)	18 5/16"	(465)	30"	(762)	22.9	(10.4)
<b>SB704193918</b> ___	20 1/2"	(521)	39 1/2"	(1003)	18 5/16"	(465)	18"	(457)	18.7	(8.5)
<b>SB704193924</b> ___	20 1/2"	(521)	39 1/2"	(1003)	18 5/16"	(465)	24"	(609)	21.8	(9.9)
<b>SB704193930</b> ___	20 1/2"	(521)	39 1/2"	(1003)	18 5/16"	(465)	30"	(762)	25.0	(11.3)
<b>SB704197418</b> ___	20 1/2"	(521)	74 1/2"	(1892)	18 5/16"	(465)	18"	(457)	24.0	(10.9)
<b>SB704197424</b> ___	20 1/2"	(521)	74 1/2"	(1892)	18 5/16"	(465)	24"	(609)	27.1	(12.3)
<b>SB704197430</b> ___	20 1/2"	(521)	74 1/2"	(1892)	18 5/16"	(465)	30"	(762)	30.2	(13.7)

Specify part number and finish when ordering.



## Seismic Gusset Kit

- Provides seismic support to rack joints
- Can be added to any rack with 6" (152mm) wide bottom flanges
- Can only be used with two-post equipment racks on pages 2-5, 8-9 & 13.
- Kit includes: four (4) gussets  
eight (8) each bolts and nuts
- Material: Steel
- See page ii for link to OPM approvals
- Finish \_\_: Flat black powder coat (FB)  
Telco gray powder coat (TG)



Part Number	Weight Set	
	Lbs.	(kg)
<b>SB556 GUSSET KIT__</b>	12.3	(5.8)

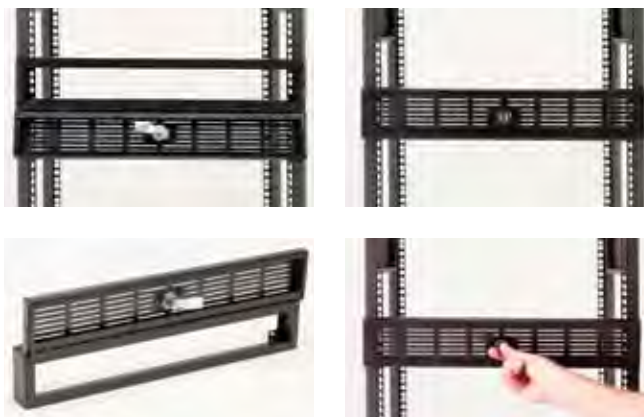
Specify part number and finish when ordering.

# Network Equipment Racks & Accessories

## Rack Accessories

### Small Server Boot 19" Panel Mount

- Limits access to a 1U, 2U, or 4U server
- Designed for shallow equipment that does not extend in front of the rack
- Suitable for DVR applications and switches
- Fully enclosed top, bottom, and sides
- All front server attachment hardware is enclosed inside server boot
- Slotted hole pattern on door
- Keys are keyed alike
- Mounting hardware not included
- Part number includes:
  - One (1) server boot enclosure with lock
  - Two (2) keys
- Finish: Flat black powder coat (FB)



Part Number	Rack Width In. (mm)	Rack Space Available For Equipment	Total Rack Space Used	Weight Lbs. (kg)
<b>SBSBO01FB*</b>	19" (482)	1U	2U	3.86 (1.75)
<b>SBSBO02FB*</b>	19" (482)	2U	3U	4.47 (2.03)
<b>SBSBO04FB*</b>	19" (482)	4U	6U	5.66 (2.57)

\* Minimum quantity order = 10.

### Large Server Boot 19" Panel Mount

- Limits access to a 5U or 20U server
- Deep enclosure extends out in front of the rack for patching and gear
- Fully enclosed top, bottom, and sides
- All front server attachment hardware is enclosed inside server boot
- Diamond hole pattern on door
- Keys are keyed alike
- Also suitable for switches
- Part number includes:
  - One (1) server boot enclosure with lock
  - Two (2) keys
  - #12-24 x 5/8" combo pan head mounting screws
  - Four (4) on 5U server and six (6) on 20U server
- Finish: Flat black powder coat (FB)



Part Number	Rack Width In. (mm)	Rack Space Available For Equipment	Total Rack Space Used	Weight Lbs. (kg)
<b>SBSBO05FB*</b>	19" (482)	5U	7U	9.25 (4.19)
<b>SBSBO20FB*</b>	19" (482)	20U	21U	29.40 (13.33)

\* Minimum quantity order = 10.

## Server Boot With Extension Rails 19" Panel Mount

- Hinged design allows easy access
- Limits access to a 4U or 6U server
- Fully enclosed top, bottom, and sides
- All front server attachment hardware is enclosed inside server boot
- Diamond hole pattern on door
- Includes extension rails for backs of sliding servers
- Part number includes:
  - One (1) server boot enclosure with lock
  - Two (2) keys
  - Four (4) #12-24 x 5/8" combo pan head mounting screws
  - Two (2) extension rails

- Keys are keyed alike
- Also suitable for switches
- Finish: Flat black powder coat (FB)



Part Number	Extension Length		Rack Width		Rack Space Available For Equipment	Total Rack Space Used	Weight	
	In.	(mm)	In.	(mm)			Lbs.	(kg)
<b>SBSBE0413FB*</b>	13"	(330)	19"	(482)	4U	5U	21.63	(9.81)
<b>SBSBE0418FB*</b>	18"	(457)	19"	(482)	4U	5U	23.80	(10.79)
<b>SBSBE0613FB*</b>	13"	(330)	19"	(482)	6U	7U	24.55	(11.13)

\* Minimum quantity order = 10.

## Patch Panel Protector 19" Panel Mount

- Limits access to 1U or 4U patch panels
- Fully enclosed top and bottom
- All front patch panel hardware is enclosed inside patch panel
- Diamond hole pattern on door
- Keys are keyed alike
- Openings on side for cable exit

- Drop outs included to support cable bends
- Part number includes:
  - One (1) patch panel protector enclosure with lock
  - Two (2) keys
  - Four (4) #12-24 x 5/8" combo pan head mounting screws
  - Two (2) plastic drop outs
- Finish: Flat black powder coat (FB)



Part Number	Rack Width		Rack Space Available For Equipment	Total Rack Space Used	Weight	
	In.	(mm)			Lbs.	(kg)
<b>SBSP01FB*</b>	19"	(482)	1U	3U	12.00	(5.44)
<b>SBSP04FB*</b>	19"	(482)	4U	6U	8.69	(3.94)

\* Minimum quantity order = 10.

# Network Equipment Racks & Accessories

## Rack Accessories

### Rack Security Door 19" Panel Mount

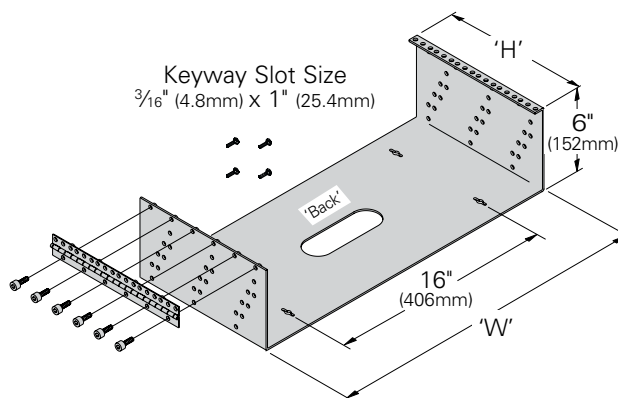
- Provides security for 84" (2133mm) racks
- Designed to be field installed on existing racks with no need to shut off equipment
- For use on two-post non-welded racks
- Available with acrylic (SBRSD84XUPFB) or perforated (SBRSD84XUVFB) steel doors. Does not fit four post racks
- Part number includes:
  - One (1) door assembly
  - Two (2) inner slides
  - Eight (8) #10-32 flange nuts
  - Eight (8) #10-32 carriage bolts
  - Two (2) keys
- Inner slide allows for depth adjustment from 5¼" (133mm) to 9¼" (235mm)
- Keys are keyed alike
- Finish: Flat black powder coat (FB)



Part Number	Depth Adjustment		Weight	
	In.	(mm)	Lbs.	(kg)
<b>SBRSD84XUPFB</b>	5¼" - 9¼"	(133.3 - 234.9)	34.02	(15.43)
<b>SBRSD84XUVFB</b>	5¼" - 9¼"	(133.3 - 234.9)	29.85	(13.53)

### Wall Mounted Patch Panel Bracket 19" or 23" Panel Mount, Hinged

- Use to mount patch panels to wall
- Hinged design allows easy access
- Tie holes for cable management
- Installs in less than five (5) minutes using standard hand tools
- Material: Aluminum
- Finish \_\_\_\_: Flat black powder coat (FB)  
Telco gray powder coat (TG)

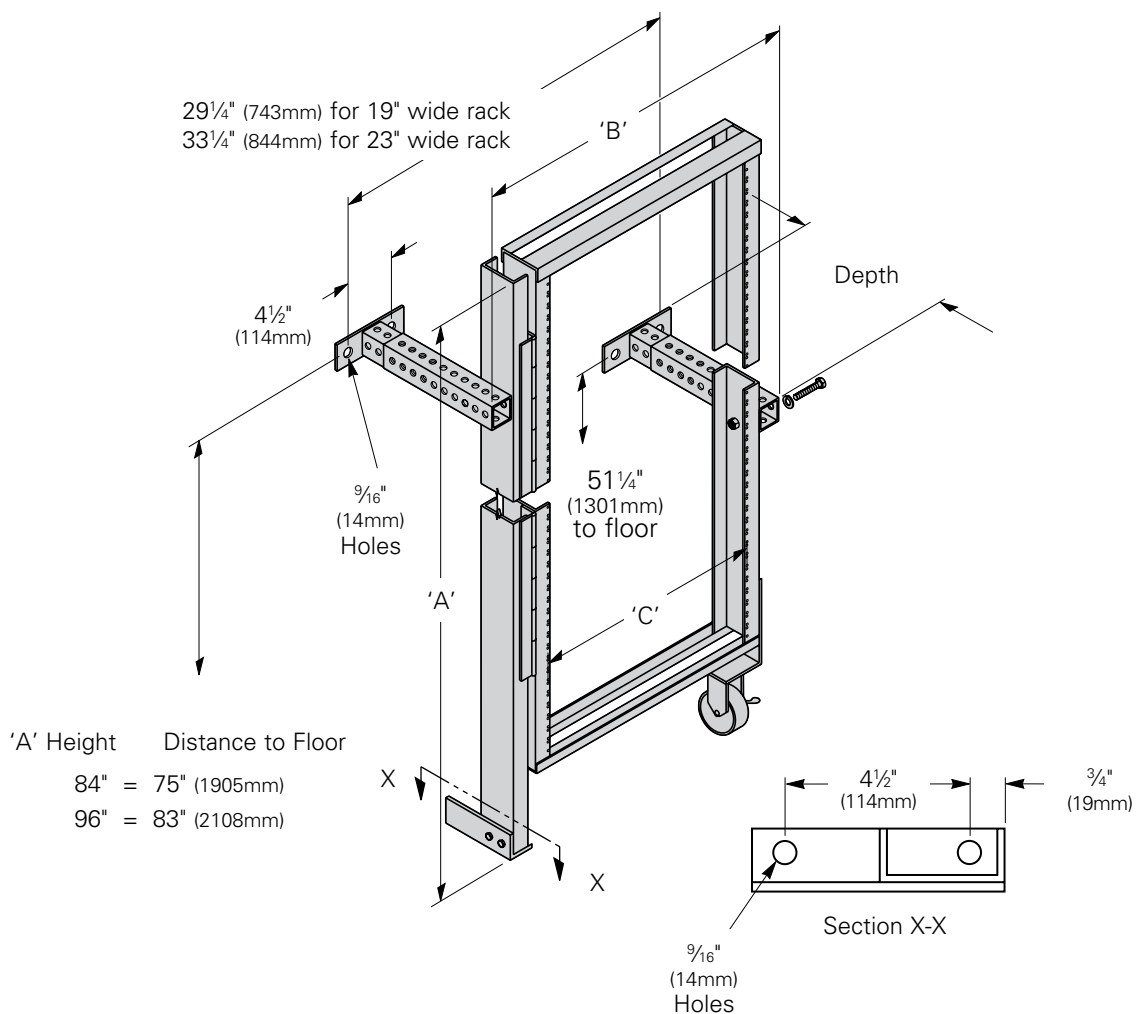


Part Number	Rack Width 'AW'		Height 'H'		Mounting Units	Slot Size		Weight Each	
	In.	(mm)	In.	(mm)		In.	(mm)	Lbs.	(kg)
<b>SB750190602</b> __	19"	(482)	3½"	(89)	2	1" x 6"	(25 x 152)	4.0	(1.8)
<b>SB750190603</b> __	19"	(482)	5¼"	(133)	3	2" x 6"	(51 x 152)	6.0	(2.7)
<b>SB750190604</b> __	19"	(482)	7"	(178)	4	2" x 6"	(51 x 152)	8.0	(3.6)
<b>SB750190606</b> __	19"	(482)	10½"	(267)	6	2" x 6"	(51 x 152)	12.0	(5.4)
<b>SB750230602</b> __	23"	(584)	3½"	(89)	2	1" x 6"	(25 x 152)	4.5	(2.0)
<b>SB750230603</b> __	23"	(584)	5¼"	(133)	3	2" x 6"	(51 x 152)	6.8	(3.1)
<b>SB750230604</b> __	23"	(584)	7"	(178)	4	2" x 6"	(51 x 152)	9.0	(4.1)
<b>SB750230606</b> __	23"	(584)	10½"	(267)	6	2" x 6"	(51 x 152)	13.5	(6.1)

Specify part number and finish when ordering.

## Wall & Floor Mounted Swing Gate Network Equipment Rack

- #12-24 panel mounting holes
- Conformance to EIA/ECA-310-E
- Single sided wide spacing 1 1/4" (32mm), 1/2" (13mm) mounting spacing
- 10" (254mm) to 18" (457mm) adjustable depth
- Order anchoring hardware separately
- Installs in about thirty (30) minutes using standard hand tools
- Hinged left only
- Load Rating: 600 lbs. (272kg)
- Material: Aluminum with steel hinge and mounting brackets
- Finish \_\_\_\_: Flat black powder coat (FB)  
Telco gray powder coat (TG)



Part Number	Rack Width In. (mm)	'A' Height		'B' Overall Width		'C' Panel Mounting		Mounting Spaces	Weight	
		In.	(mm)	In.	(mm)	In.	(mm)		Lbs.	(kg)
<b>SB542084</b> __	19" (482)	84"	(2133)	25 13/16"	(655)	18 5/16"	(465)	43	50.4	(22.8)
<b>SB542096</b> __	19" (482)	96"	(2438)	25 13/16"	(655)	18 5/16"	(465)	50	53.7	(24.3)

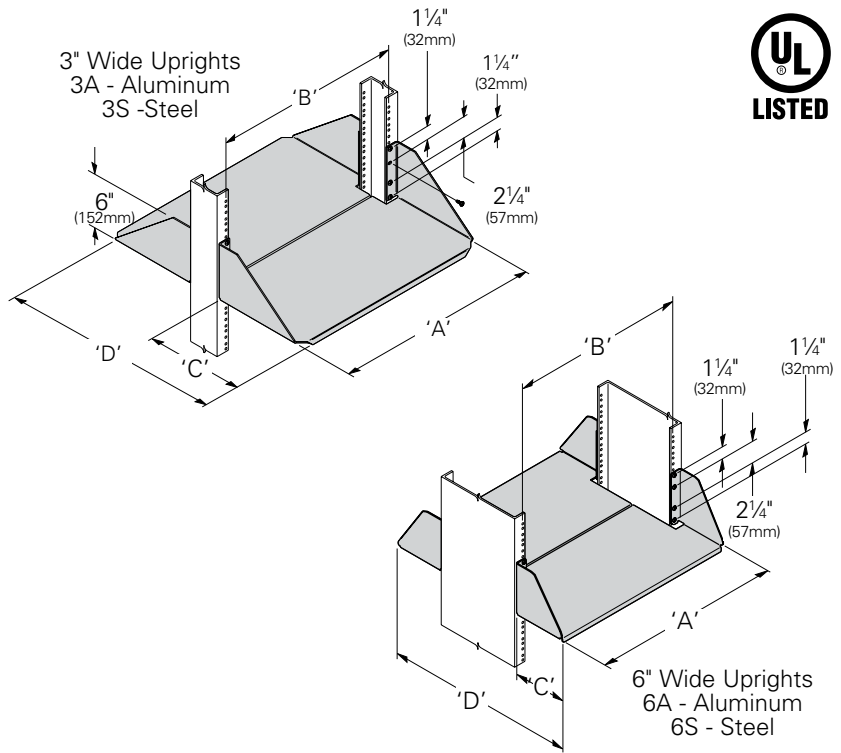
Specify part number and finish when ordering.

# Network Equipment Racks & Accessories

## Rack Accessories

### Double Sided Rack Mounted Shelf Heavy Duty, Solid Shelf

- Use to support large monitors, CPU's or printers
- Four (4) mounting spaces required
- 200 lbs. (91kg) load capacity (when used as shown)
- Includes: (2) shelves and #12-24 mounting hardware
- UL 1863 Listed (File No. E171936) as a communications circuit accessory
- Can be mounted individually or matched, front and rear, for larger shelf area
- Material: 0.090 (2.3mm) thick Aluminum sheet or 14 Gauge (1.9mm) ASTM 569 Steel
- Finish \_\_\_\_: Aluminum - brushed (AL)  
Flat black powder coat (FB)  
Telco gray powder coat (TG)  
Silver powder coat (SL)

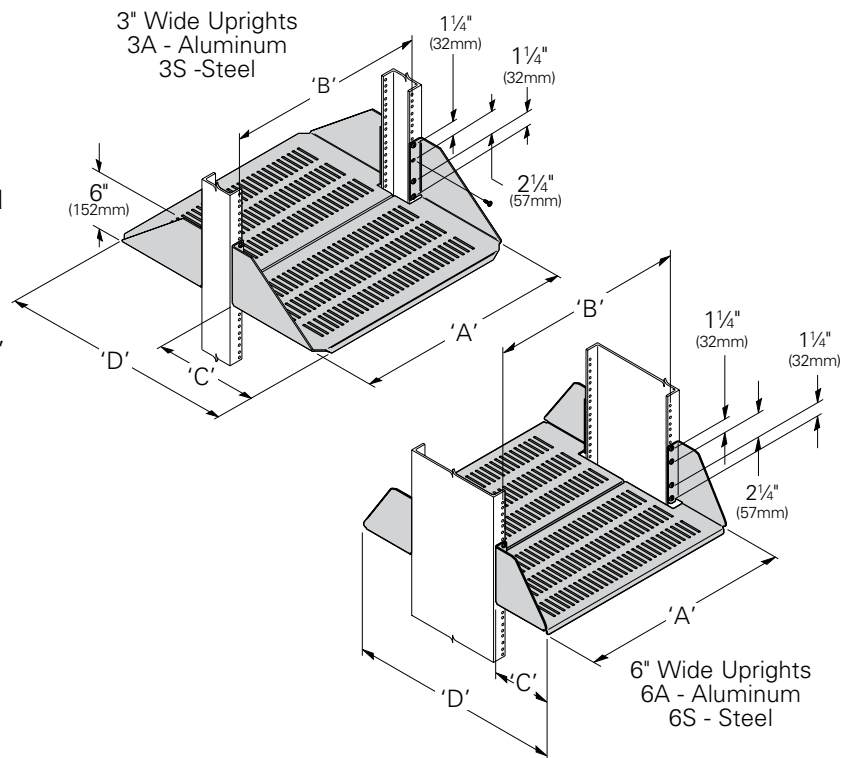


Part Number	Mat'l.	'A' Shelf Width		'B' Panel Mtg.		'C'		'D' Overall Depth		Weight	
		In.	(mm)	In.	(mm)	In.	(mm)	In.	(mm)	Lbs.	(kg)
<b>19" (482mm) Rack Width 3" (76mm) Wide Uprights</b>											
SB596S19103A__	Alum	19 <sup>5</sup> / <sub>16</sub> "	(490)	18 <sup>5</sup> / <sub>16</sub> "	(465)	8 <sup>1</sup> / <sub>2</sub> "	(216)	20"	(508)	5.0	(2.2)
SB596S19103S__	Steel	19 <sup>5</sup> / <sub>16</sub> "	(490)	18 <sup>5</sup> / <sub>16</sub> "	(465)	8 <sup>1</sup> / <sub>2</sub> "	(216)	20"	(508)	14.4	(6.5)
SB596S19153A__	Alum	19 <sup>5</sup> / <sub>16</sub> "	(490)	18 <sup>5</sup> / <sub>16</sub> "	(465)	13 <sup>1</sup> / <sub>2</sub> "	(343)	30"	(762)	6.0	(2.7)
SB596S19153S__	Steel	19 <sup>5</sup> / <sub>16</sub> "	(490)	18 <sup>5</sup> / <sub>16</sub> "	(465)	13 <sup>1</sup> / <sub>2</sub> "	(343)	30"	(762)	17.3	(7.8)
<b>19" (482mm) Rack Width 6" (152mm) Wide Uprights</b>											
SB596S19106A__	Alum	19 <sup>5</sup> / <sub>16</sub> "	(490)	18 <sup>5</sup> / <sub>16</sub> "	(465)	7"	(178)	20"	(508)	5.0	(2.2)
SB596S19106S__	Steel	19 <sup>5</sup> / <sub>16</sub> "	(490)	18 <sup>5</sup> / <sub>16</sub> "	(465)	7"	(178)	20"	(508)	14.4	(6.5)
SB596S19156A__	Alum	19 <sup>5</sup> / <sub>16</sub> "	(490)	18 <sup>5</sup> / <sub>16</sub> "	(465)	12"	(305)	30"	(762)	6.0	(2.7)
SB596S19156S__	Steel	19 <sup>5</sup> / <sub>16</sub> "	(490)	18 <sup>5</sup> / <sub>16</sub> "	(465)	12"	(305)	30"	(762)	17.3	(7.8)
<b>23" (584mm) Rack Width 3" (76mm) Wide Uprights</b>											
SB596S23103A__	Alum	23 <sup>5</sup> / <sub>16</sub> "	(643)	22 <sup>5</sup> / <sub>16</sub> "	(567)	8 <sup>1</sup> / <sub>2</sub> "	(216)	20"	(508)	5.2	(2.8)
SB596S23103S__	Steel	23 <sup>5</sup> / <sub>16</sub> "	(643)	22 <sup>5</sup> / <sub>16</sub> "	(567)	8 <sup>1</sup> / <sub>2</sub> "	(216)	20"	(508)	15.0	(6.8)
SB596S23153A__	Alum	23 <sup>5</sup> / <sub>16</sub> "	(643)	22 <sup>5</sup> / <sub>16</sub> "	(567)	13 <sup>1</sup> / <sub>2</sub> "	(343)	30"	(762)	7.2	(3.2)
SB596S23153S__	Steel	23 <sup>5</sup> / <sub>16</sub> "	(643)	22 <sup>5</sup> / <sub>16</sub> "	(567)	13 <sup>1</sup> / <sub>2</sub> "	(343)	30"	(762)	20.8	(9.4)
<b>23" (584mm) Rack Width 6" (152mm) Wide Uprights</b>											
SB596S23106A__	Alum	23 <sup>5</sup> / <sub>16</sub> "	(643)	22 <sup>5</sup> / <sub>16</sub> "	(567)	7"	(178)	20"	(508)	5.2	(2.8)
SB596S23106S__	Steel	23 <sup>5</sup> / <sub>16</sub> "	(643)	22 <sup>5</sup> / <sub>16</sub> "	(567)	7"	(178)	20"	(508)	15.0	(6.8)
SB596S23156A__	Alum	23 <sup>5</sup> / <sub>16</sub> "	(643)	22 <sup>5</sup> / <sub>16</sub> "	(567)	12"	(305)	30"	(762)	7.2	(3.2)
SB596S23156S__	Steel	23 <sup>5</sup> / <sub>16</sub> "	(643)	22 <sup>5</sup> / <sub>16</sub> "	(567)	12"	(305)	30"	(762)	20.8	(9.4)

Specify part number and finish when ordering.

## Double Sided Rack Mounted Shelf Heavy Duty, Ventilated Shelf

- Use to support large monitors, CPU's or printers
- Four (4) mounting spaces required
- 200 lbs. (91kg) load capacity (when used as shown)
- Includes: (2) shelves and #12-24 mounting hardware
- Can be mounted individually or matched, front and rear, for larger shelf area
- Material: 0.090 (2.3mm) thick Aluminum sheet or 14 Gauge (1.9mm) ASTM 569 Steel
- Finish \_\_\_\_: Aluminum - brushed (AL)  
Flat black powder coat (FB)  
Telco gray powder coat (TG)  
Silver powder coat (SL)



Part Number	Mat'l.	'A' Shelf Width		'B' Panel Mtg.		'C'		'D' Overall Depth		Weight	
		In.	(mm)	In.	(mm)	In.	(mm)	In.	(mm)	Lbs.	(kg)
<b>19" (482mm) Rack Width 3" (76mm) Wide Uprights</b>											
SB596V19103A__	Alum	19 <sup>5</sup> / <sub>16</sub> "	(490)	18 <sup>5</sup> / <sub>16</sub> "	(465)	8 <sup>1</sup> / <sub>2</sub> "	(216)	20"	(508)	4.6	(2.1)
SB596V19103S__	Steel	19 <sup>5</sup> / <sub>16</sub> "	(490)	18 <sup>5</sup> / <sub>16</sub> "	(465)	8 <sup>1</sup> / <sub>2</sub> "	(216)	20"	(508)	13.3	(6.0)
SB596V19153A__	Alum	19 <sup>5</sup> / <sub>16</sub> "	(490)	18 <sup>5</sup> / <sub>16</sub> "	(465)	13 <sup>1</sup> / <sub>2</sub> "	(343)	30"	(762)	5.4	(2.4)
SB596V19153S__	Steel	19 <sup>5</sup> / <sub>16</sub> "	(490)	18 <sup>5</sup> / <sub>16</sub> "	(465)	13 <sup>1</sup> / <sub>2</sub> "	(343)	30"	(762)	15.6	(7.1)
<b>19" (482mm) Rack Width 6" (152mm) Wide Uprights</b>											
SB596V19106A__	Alum	19 <sup>5</sup> / <sub>16</sub> "	(490)	18 <sup>5</sup> / <sub>16</sub> "	(465)	7"	(178)	20"	(508)	4.6	(2.1)
SB596V19106S__	Steel	19 <sup>5</sup> / <sub>16</sub> "	(490)	18 <sup>5</sup> / <sub>16</sub> "	(465)	7"	(178)	20"	(508)	13.3	(6.0)
SB596V19156A__	Alum	19 <sup>5</sup> / <sub>16</sub> "	(490)	18 <sup>5</sup> / <sub>16</sub> "	(465)	12"	(305)	30"	(762)	5.4	(2.4)
SB596V19156S__	Steel	19 <sup>5</sup> / <sub>16</sub> "	(490)	18 <sup>5</sup> / <sub>16</sub> "	(465)	12"	(305)	30"	(762)	15.6	(7.1)
<b>23" (584mm) Rack Width 3" (76mm) Wide Uprights</b>											
SB596V23103A__	Alum	23 <sup>5</sup> / <sub>16</sub> "	(643)	22 <sup>5</sup> / <sub>16</sub> "	(567)	8 <sup>1</sup> / <sub>2</sub> "	(216)	20"	(508)	5.8	(2.6)
SB596V23103S__	Steel	23 <sup>5</sup> / <sub>16</sub> "	(643)	22 <sup>5</sup> / <sub>16</sub> "	(567)	8 <sup>1</sup> / <sub>2</sub> "	(216)	20"	(508)	16.8	(7.6)
SB596V23153A__	Alum	23 <sup>5</sup> / <sub>16</sub> "	(643)	22 <sup>5</sup> / <sub>16</sub> "	(567)	13 <sup>1</sup> / <sub>2</sub> "	(343)	30"	(762)	6.4	(2.9)
SB596V23153S__	Steel	23 <sup>5</sup> / <sub>16</sub> "	(643)	22 <sup>5</sup> / <sub>16</sub> "	(567)	13 <sup>1</sup> / <sub>2</sub> "	(343)	30"	(762)	18.5	(8.4)
<b>23" (584mm) Rack Width 6" (152mm) Wide Uprights</b>											
SB596V23106A__	Alum	23 <sup>5</sup> / <sub>16</sub> "	(643)	22 <sup>5</sup> / <sub>16</sub> "	(567)	7"	(178)	20"	(508)	5.8	(2.6)
SB596V23106S__	Steel	23 <sup>5</sup> / <sub>16</sub> "	(643)	22 <sup>5</sup> / <sub>16</sub> "	(567)	7"	(178)	20"	(508)	16.8	(7.6)
SB596V23156A__	Alum	23 <sup>5</sup> / <sub>16</sub> "	(643)	22 <sup>5</sup> / <sub>16</sub> "	(567)	12"	(305)	30"	(762)	6.4	(2.9)
SB596V23156S__	Steel	23 <sup>5</sup> / <sub>16</sub> "	(643)	22 <sup>5</sup> / <sub>16</sub> "	(567)	12"	(305)	30"	(762)	18.5	(8.4)

Specify part number and finish when ordering.

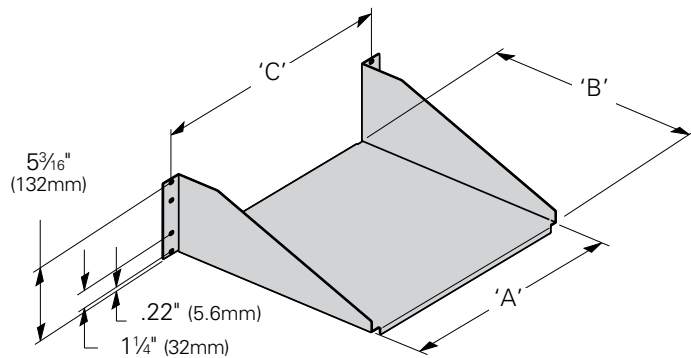
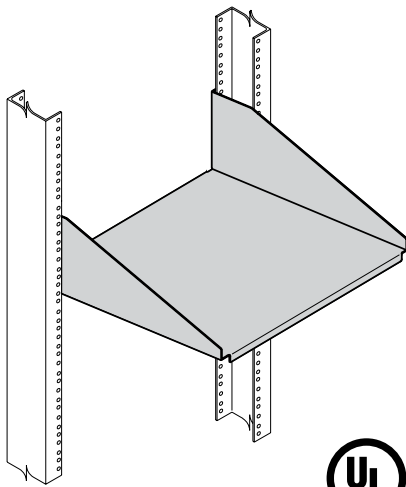
# Network Equipment Racks & Accessories

## Rack Accessories

### Single Sided Rack Mounted Shelf Solid Shelf

- Use to support monitors, CPU's and modems
- Can be mounted to any flat surface including walls
- Three (3) mounting spaces required
- 100 lbs. (.45kg) load capacity
- Includes: #12-24 mounting hardware
- UL 1863 Listed (File No. E171936) as a communications circuit accessory
- Material: 0.090 (2.3mm) thick Aluminum sheet or 14 Gauge (1.9mm) ASTM 569 Steel
- Finish \_\_\_\_: Aluminum - brushed (AL)  
Flat black powder coat (FB)  
Telco gray powder coat (TG)  
Silver powder coat (SL)

Network equipment racks & accessories



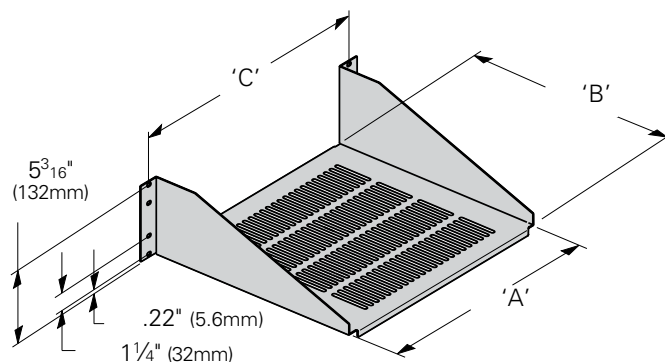
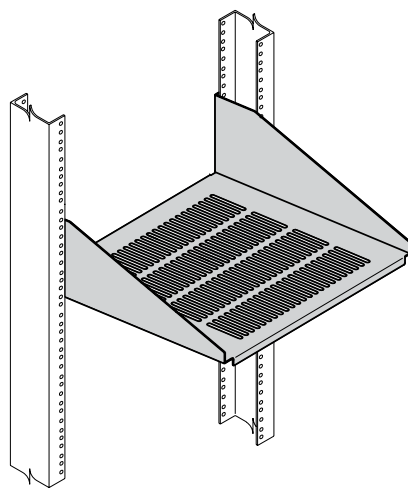
Part Number	Mat'l.	Rack Width		'A'		'B'		'C'		Weight	
		In.	(mm)	In.	(mm)	In.	(mm)	In.	(mm)	Lbs.	(kg)
SB747S1910A__	Alum	19"	(482)	17½"	(444)	10"	(254)	18⅝"	(465)	2.7	(1.2)
SB747S1910S__	Steel	19"	(482)	17½"	(444)	10"	(254)	18⅝"	(465)	7.8	(3.5)
SB747S1915A__	Alum	19"	(482)	17½"	(444)	15"	(381)	18⅝"	(465)	3.8	(1.7)
SB747S1915S__	Steel	19"	(482)	17½"	(444)	15"	(381)	18⅝"	(465)	11.0	(5.0)
SB747S2310A__	Alum	23"	(584)	21½"	(546)	10"	(254)	22⅝"	(567)	2.9	(1.3)
SB747S2310S__	Steel	23"	(584)	21½"	(546)	10"	(254)	22⅝"	(567)	8.4	(3.8)
SB747S2315A__	Alum	23"	(584)	21½"	(546)	15"	(381)	22⅝"	(567)	4.2	(1.9)
SB747S2315S__	Steel	23"	(584)	21½"	(546)	15"	(381)	22⅝"	(567)	12.1	(5.5)

Specify part number and finish when ordering.



## Single Sided Rack Mounted Shelf Ventilated Shelf

- Use to support monitors, CPU's and modems
- Can be mounted to any flat surface including walls
- Three (3) mounting spaces required
- 100 lbs. (.45kg) load capacity
- Includes: #12-24 mounting hardware
- Material: 0.090 (2.3mm) thick Aluminum sheet or 14 Gauge (1.9mm) ASTM 569 Steel
- Finish \_\_\_\_: Aluminum - brushed (AL)  
Flat black powder coat (FB)  
Telco gray powder coat (TG)  
Silver powder coat (SL)



Network equipment  
racks & accessories

Part Number	Mat'l.	Rack Width		'A'		'B'		'C'		Weight	
		In.	(mm)	In.	(mm)	In.	(mm)	In.	(mm)	Lbs.	(kg)
SB747V1910A__	Alum	19"	(482)	17½"	(444)	10"	(254)	18 <sup>5</sup> / <sub>16</sub> "	(465)	2.3	(1.0)
SB747V1910S__	Steel	19"	(482)	17½"	(444)	10"	(254)	18 <sup>5</sup> / <sub>16</sub> "	(465)	6.6	(3.0)
SB747V1915A__	Alum	19"	(482)	17½"	(444)	15"	(381)	18 <sup>5</sup> / <sub>16</sub> "	(465)	3.2	(1.4)
SB747V1915S__	Steel	19"	(482)	17½"	(444)	15"	(381)	18 <sup>5</sup> / <sub>16</sub> "	(465)	9.2	(4.2)
SB747V2310A__	Alum	23"	(584)	21½"	(546)	10"	(254)	22 <sup>5</sup> / <sub>16</sub> "	(567)	2.5	(1.1)
SB747V2310S__	Steel	23"	(584)	21½"	(546)	10"	(254)	22 <sup>5</sup> / <sub>16</sub> "	(567)	7.2	(3.3)
SB747V2315A__	Alum	23"	(584)	21½"	(546)	15"	(381)	22 <sup>5</sup> / <sub>16</sub> "	(567)	3.1	(1.4)
SB747V2315S__	Steel	23"	(584)	21½"	(546)	15"	(381)	22 <sup>5</sup> / <sub>16</sub> "	(567)	9.0	(4.1)

Specify part number and finish when ordering.

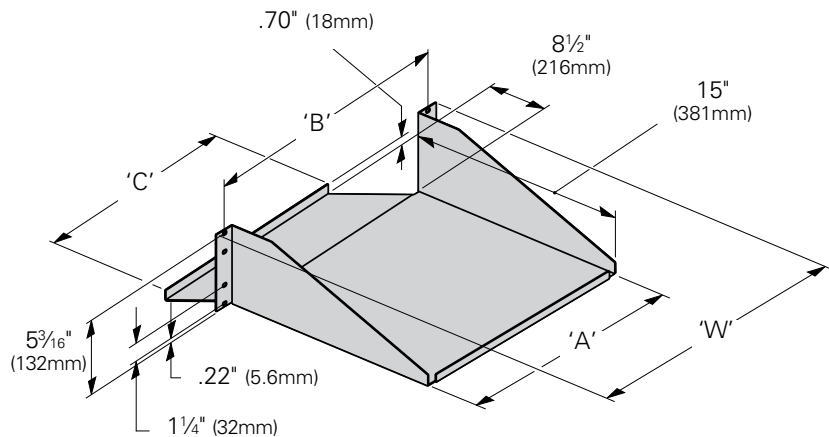
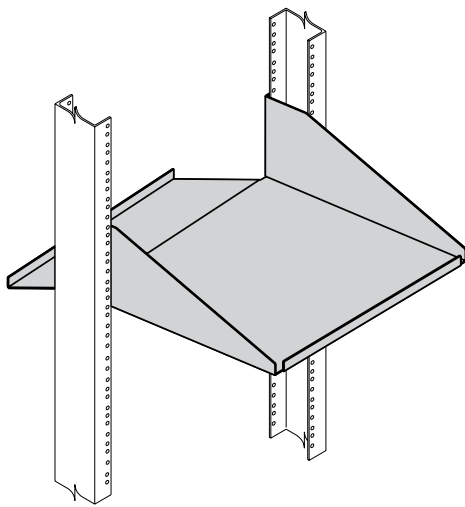
# Network Equipment Racks & Accessories

## Rack Accessories

### CPU/Monitor Rack Mounted Shelf with Keyboard Extension Solid Shelf

- Use to support monitor and keyboard without requiring additional mounting spaces
- Three (3) mounting spaces required
- 100 lbs. (.45kg) load capacity
- Includes: #12-24 mounting hardware
- UL 1863 Listed (File No. E171936) as a communications circuit accessory
- Material: 0.090 (2.3mm) thick Aluminum sheet or 14 Gauge (1.9mm) ASTM 569 Steel
- Finish \_\_: Aluminum - brushed (AL)  
Flat black powder coat (FB)  
Telco gray powder coat (TG)  
Silver powder coat (SL)

Network equipment racks & accessories

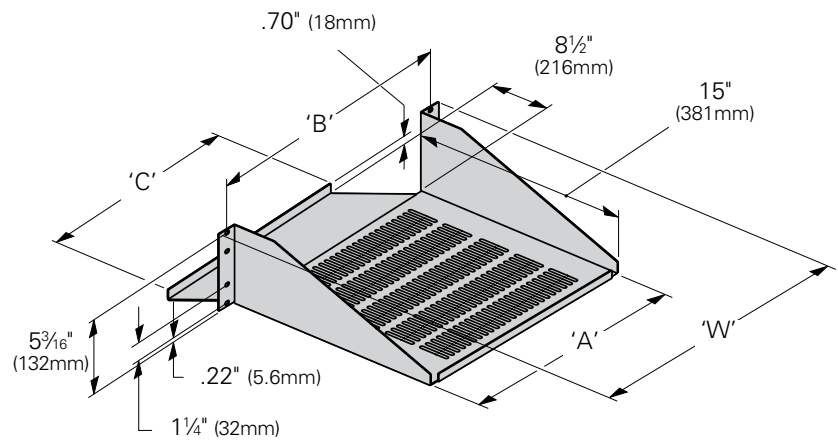
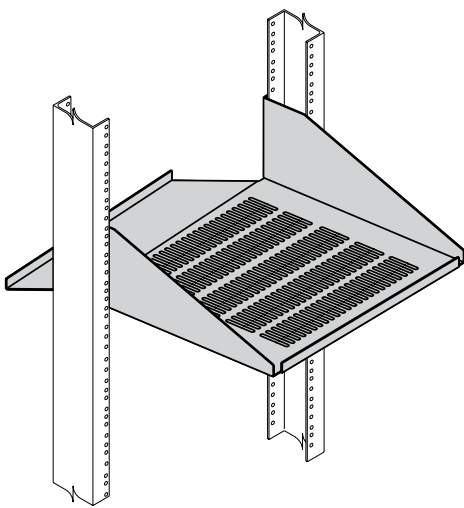


Part Number	Mat'l.	Rack Width 'W'		'A'		'B'		'C'		Weight	
		In.	(mm)	In.	(mm)	In.	(mm)	In.	(mm)	Lbs.	(kg)
<b>SB741S19A__</b>	Alum	19"	(482)	17 <sup>5</sup> / <sub>16</sub> "	(440)	18 <sup>5</sup> / <sub>16</sub> "	(465)	16 <sup>5</sup> / <sub>16</sub> "	(414)	5.0	(2.2)
<b>SB741S19S__</b>	Steel	19"	(482)	17 <sup>5</sup> / <sub>16</sub> "	(440)	18 <sup>5</sup> / <sub>16</sub> "	(465)	16 <sup>5</sup> / <sub>16</sub> "	(414)	17.3	(7.8)
<b>SB741S23A__</b>	Alum	23"	(584)	21 <sup>5</sup> / <sub>16</sub> "	(541)	22 <sup>5</sup> / <sub>16</sub> "	(567)	20 <sup>5</sup> / <sub>16</sub> "	(516)	5.9	(2.7)
<b>SB741S23S__</b>	Steel	23"	(584)	21 <sup>5</sup> / <sub>16</sub> "	(541)	22 <sup>5</sup> / <sub>16</sub> "	(567)	20 <sup>5</sup> / <sub>16</sub> "	(516)	17.1	(7.7)

Specify part number and finish when ordering.

## CPU/Monitor Rack Mounted Shelf with Keyboard Extension Ventilated Shelf

- Use to support monitor and keyboard without requiring additional mounting spaces
- Three (3) mounting spaces required
- 100 lbs. (.45kg) load capacity
- Includes: #12-24 mounting hardware
- Material: 0.090 (2.3mm) thick Aluminum sheet or 14 gauge (1.9mm) ASTM 569 Steel
- Finish \_\_\_\_: Aluminum - brushed (AL)  
Flat black powder coat (FB)  
Telco gray powder coat (TG)  
Silver powder coat (SL)



Part Number	Mat'l.	Rack Width 'W'		'A'		'B'		'C'		Weight	
		In.	(mm)	In.	(mm)	In.	(mm)	In.	(mm)	Lbs.	(kg)
<b>SB741V19A__</b>	Alum	19"	(482)	17 <sup>5</sup> / <sub>16</sub> "	(440)	18 <sup>5</sup> / <sub>16</sub> "	(465)	16 <sup>5</sup> / <sub>16</sub> "	(414)	4.5	(2.0)
<b>SB741V19S__</b>	Steel	19"	(482)	17 <sup>5</sup> / <sub>16</sub> "	(440)	18 <sup>5</sup> / <sub>16</sub> "	(465)	16 <sup>5</sup> / <sub>16</sub> "	(414)	13.0	(5.9)
<b>SB741V23A__</b>	Alum	23"	(584)	21 <sup>5</sup> / <sub>16</sub> "	(541)	22 <sup>5</sup> / <sub>16</sub> "	(567)	20 <sup>5</sup> / <sub>16</sub> "	(516)	5.0	(2.2)
<b>SB741V23S__</b>	Steel	23"	(584)	21 <sup>5</sup> / <sub>16</sub> "	(541)	22 <sup>5</sup> / <sub>16</sub> "	(567)	20 <sup>5</sup> / <sub>16</sub> "	(516)	17.3	(7.7)

Specify part number and finish when ordering.

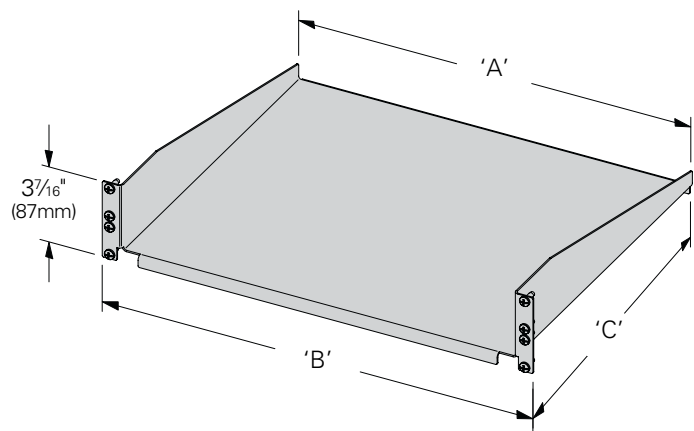
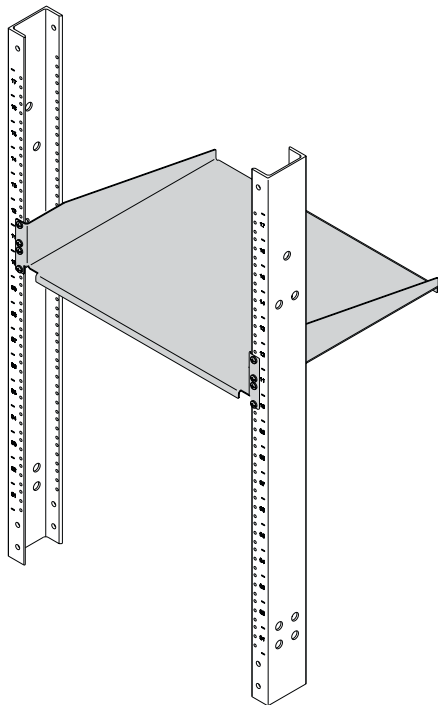
# Network Equipment Racks & Accessories

## Rack Accessories

### Single Sided Rack Mounted Shelf - 2U Solid Shelf

- Use to support equipment in a relay rack
- Two (2) mounting spaces required
- 100 lbs. (.45kg) load capacity
- Includes: #12-24 mounting hardware
- Material: 14 Gauge (1.9mm) ASTM 569 Steel
- Finish \_\_\_\_: Flat black powder coat (FB)  
Telco gray powder coat (TG)  
Silver powder coat (SL)

Network equipment racks & accessories

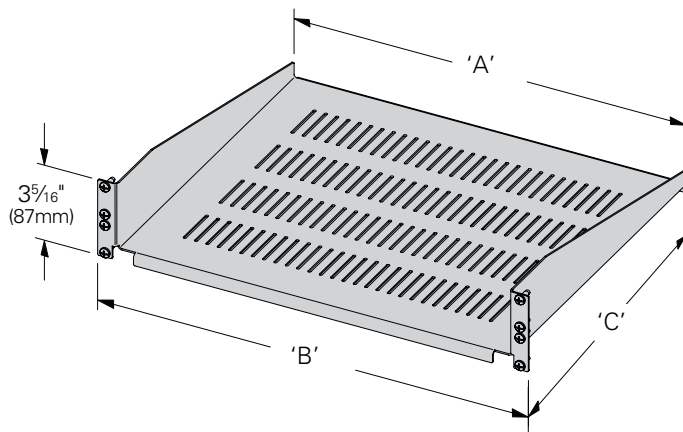
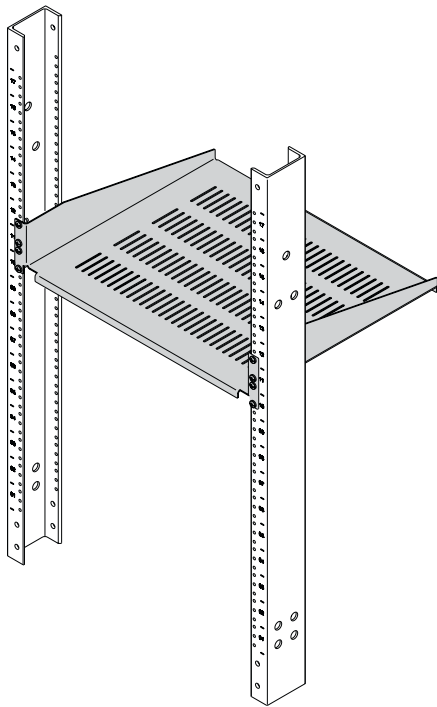


Part Number	Mat'l.	Rack Width 'W'		'A'		'B'		'C'		Weight	
		In.	(mm)	In.	(mm)	In.	(mm)	In.	(mm)	Lbs.	(kg)
<b>SB749S1915S</b> __	Steel	19"	(482)	17 <sup>5</sup> / <sub>16</sub> "	(440)	19"	(482)	15"	(381)	6.4	(2.9)

Specify part number and finish when ordering.

## Single Sided Rack Mounted Shelf - 2U Ventilated Shelf

- Use to support equipment in a relay rack
- Two (2) mounting spaces required
- 100 lbs. (.45kg) load capacity
- Includes: #12-24 mounting hardware
- Material: 14 Gauge (1.9mm) ASTM 569 Steel
- Finish \_\_: Flat black powder coat (FB)  
Telco gray powder coat (TG)  
Silver powder coat (SL)



Part Number	Mat'l.	Rack Width 'W'		'A'		'B'		'C'		Weight	
		In.	(mm)	In.	(mm)	In.	(mm)	In.	(mm)	Lbs.	(kg)
<b>SB749V1915S__</b>	Steel	19"	(482)	17 <sup>5</sup> / <sub>16</sub> "	(440)	19"	(482)	15"	(381)	5.8	(2.6)

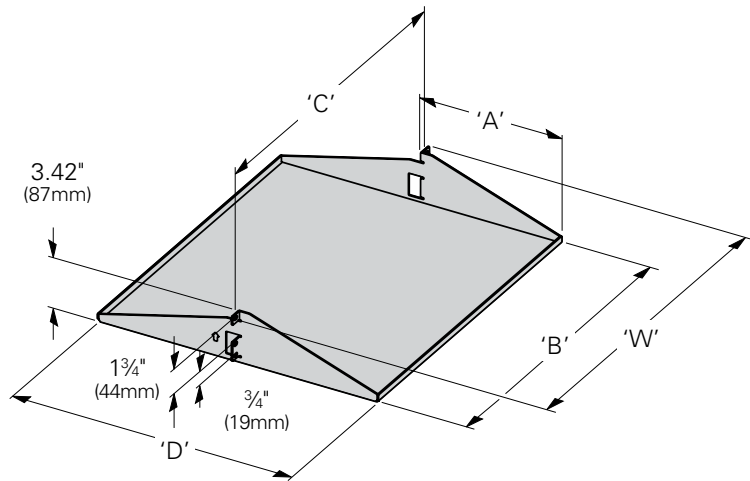
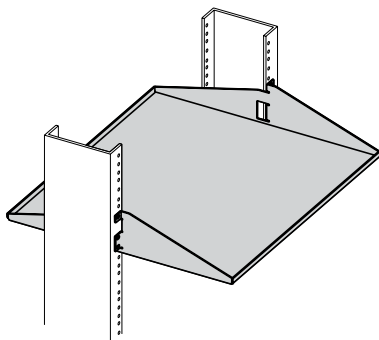
Specify part number and finish when ordering.

# Network Equipment Racks & Accessories

## Rack Accessories

### Low Profile Rack Mounted Shelf Solid Shelf

- Use to center mount networking or other equipment
- Designed to work with the following mounting spaces: universal [ $\frac{5}{8}$ ",  $\frac{5}{8}$ ",  $\frac{1}{2}$ " (16mm, 16mm, 13mm)] spacing, wide [ $1\frac{1}{4}$ ",  $\frac{1}{2}$ " (32mm, 13mm)] spacing or  $\frac{1}{2}$ " (13mm) spacing
- Two (2) mounting spaces required
- 50 lbs. (.23kg) load capacity
- Includes: #12-24 mounting hardware
- UL 1863 Listed (File No. E171936) as a communications circuit accessory
- Material: 0.090 (2.3mm) thick Aluminum sheet or 14 Gauge (1.9mm) ASTM 569 Steel
- Finish \_\_\_\_: Aluminum - brushed (AL)  
Flat black powder coat (FB)  
Telco gray powder coat (TG)  
Silver powder coat (SL)

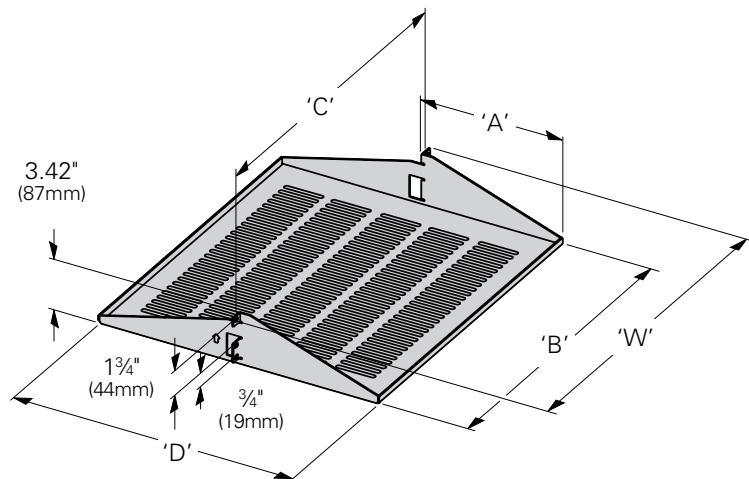
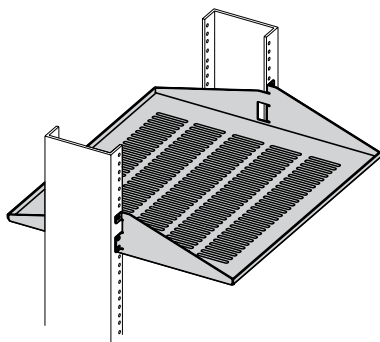


Part Number	Mat'l.	Rack Width 'W'		'A'		'B'		'C'		'D'		Weight	
		In.	(mm)	In.	(mm)	In.	(mm)	In.	(mm)	In.	(mm)	Lbs.	(kg)
SB745S1916A__	Alum	19"	(482)	8"	(203)	17 $\frac{1}{4}$ "	(438)	18 $\frac{5}{16}$ "	(465)	16"	(406)	3.5	(1.6)
SB745S1916S__	Steel	19"	(482)	8"	(203)	17 $\frac{1}{4}$ "	(438)	18 $\frac{5}{16}$ "	(465)	16"	(406)	10.1	(4.6)
SB745S1919A__	Alum	19"	(482)	9 $\frac{1}{2}$ "	(241)	17 $\frac{1}{4}$ "	(438)	18 $\frac{5}{16}$ "	(465)	19"	(482)	4.1	(1.8)
SB745S1919S__	Steel	19"	(482)	9 $\frac{1}{2}$ "	(241)	17 $\frac{1}{4}$ "	(438)	18 $\frac{5}{16}$ "	(465)	19"	(482)	11.8	(5.3)
SB745S2316A__	Alum	23"	(584)	8"	(203)	21 $\frac{1}{4}$ "	(540)	22 $\frac{5}{16}$ "	(567)	16"	(406)	4.1	(1.8)
SB745S2316S__	Steel	23"	(584)	8"	(203)	21 $\frac{1}{4}$ "	(540)	22 $\frac{5}{16}$ "	(567)	16"	(406)	11.8	(5.3)
SB745S2319A__	Alum	23"	(584)	9 $\frac{1}{2}$ "	(241)	21 $\frac{1}{4}$ "	(540)	22 $\frac{5}{16}$ "	(567)	19"	(482)	4.9	(2.2)
SB745S2319S__	Steel	23"	(584)	9 $\frac{1}{2}$ "	(241)	21 $\frac{1}{4}$ "	(540)	22 $\frac{5}{16}$ "	(567)	19"	(482)	14.2	(6.4)

Specify part number and finish when ordering.

## Low Profile Rack Mounted Shelf Ventilated Shelf

- Use to center mount networking or other equipment
- Designed to work with the following mounting spaces: universal [ $\frac{5}{8}$ ",  $\frac{5}{8}$ ",  $\frac{1}{2}$ " (16mm, 16mm, 13mm)] spacing, wide [ $1\frac{1}{4}$ ",  $\frac{1}{2}$ " (32mm, 13mm)] spacing or  $\frac{1}{2}$ " (13mm) spacing
- Two (2) mounting spaces required
- 50 lbs. (.23kg) load capacity
- Includes: #12-24 mounting hardware
- Material: 0.090 (2.3mm) thick Aluminum sheet or 14 Gauge (1.9mm) ASTM 569 Steel
- Finish \_\_\_\_: Aluminum - brushed (AL)  
Flat black powder coat (FB)  
Telco gray powder coat (TG)  
Silver powder coat (SL)



Part Number	Mat'l.	Rack Width 'W' In. (mm)	'A'		'B'		'C'		'D'		Weight	
			In.	(mm)	In.	(mm)	In.	(mm)	In.	(mm)	Lbs.	(kg)
SB745V1916A__	Alum	19" (482)	8"	(203)	17 $\frac{1}{4}$ "	(438)	18 $\frac{5}{16}$ "	(465)	16"	(406)	3.0	(1.3)
SB745V1916S__	Steel	19" (482)	8"	(203)	17 $\frac{1}{4}$ "	(438)	18 $\frac{5}{16}$ "	(465)	16"	(406)	8.7	(3.9)
SB745V1919A__	Alum	19" (482)	9 $\frac{1}{2}$ "	(241)	17 $\frac{1}{4}$ "	(438)	18 $\frac{5}{16}$ "	(465)	19"	(482)	3.7	(1.7)
SB745V1919S__	Steel	19" (482)	9 $\frac{1}{2}$ "	(241)	17 $\frac{1}{4}$ "	(438)	18 $\frac{5}{16}$ "	(465)	19"	(482)	10.7	(4.8)
SB745V2316A__	Alum	23" (584)	8"	(203)	21 $\frac{1}{4}$ "	(540)	22 $\frac{5}{16}$ "	(567)	16"	(406)	3.7	(1.7)
SB745V2316S__	Steel	23" (584)	8"	(203)	21 $\frac{1}{4}$ "	(540)	22 $\frac{5}{16}$ "	(567)	16"	(406)	10.7	(4.8)
SB745V2319A__	Alum	23" (584)	9 $\frac{1}{2}$ "	(241)	21 $\frac{1}{4}$ "	(540)	22 $\frac{5}{16}$ "	(567)	19"	(482)	4.9	(2.2)
SB745V2319S__	Steel	23" (584)	9 $\frac{1}{2}$ "	(241)	21 $\frac{1}{4}$ "	(540)	22 $\frac{5}{16}$ "	(567)	19"	(482)	14.2	(6.4)

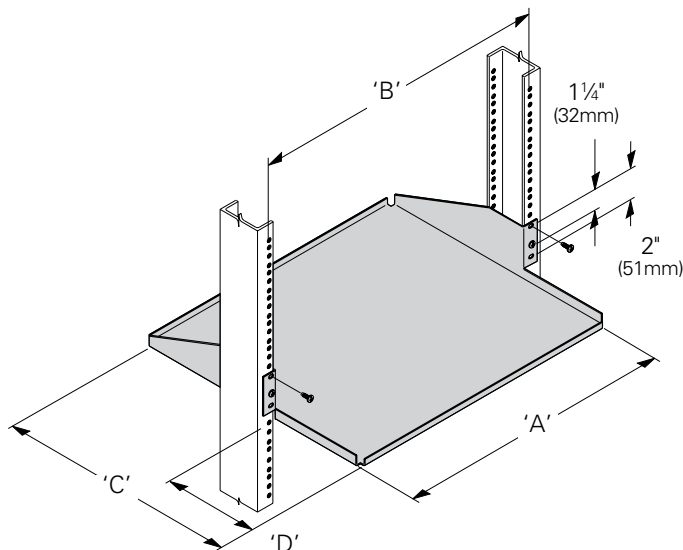
Specify part number and finish when ordering.

# Network Equipment Racks & Accessories

## Rack Accessories

### Center Mount Rack Mounted Shelf

- Use to support monitors, CPU's or modems
- Two (2) mounting spaces required
- 100 lbs. (0.45kg) load capacity
- Includes: #12-24 mounting hardware
- UL 1863 Listed (File No. E171936) as a communications circuit accessory
- Material: 0.090 (2.3mm) thick Aluminum sheet or 14 Gauge (1.9mm) ASTM 569 Steel
- Finish \_\_\_\_: Aluminum - brushed (AL)  
Flat black powder coat (FB)  
Telco gray powder coat (TG)  
Silver powder coat (SL)



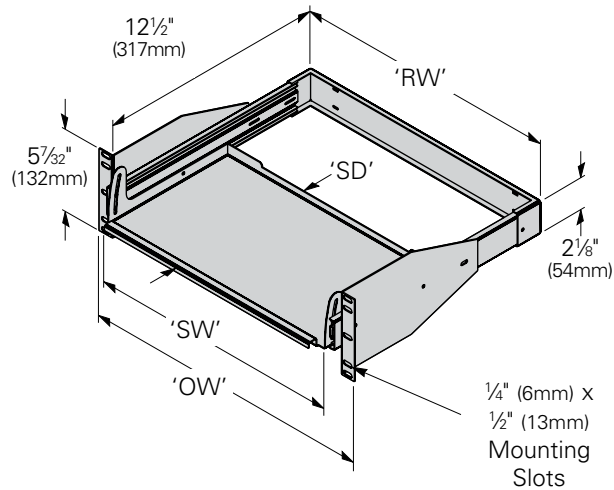
Part Number	Mat'l.	Rack Width		'A'		'B'		'C'		'D'		Weight	
		In.	(mm)	In.	(mm)	In.	(mm)	In.	(mm)	In.	(mm)	Lbs.	(kg)
SB5961911A__	Alum	19"	(482)	17½"	(444)	18 <sup>5</sup> / <sub>16</sub> "	(465)	11"	(279)	4"	(101)	2.8	(1.3)
SB5961911S__	Steel	19"	(482)	17½"	(444)	18 <sup>5</sup> / <sub>16</sub> "	(465)	11"	(279)	4"	(101)	8.1	(3.7)
SB5961913A__	Alum	19"	(482)	17½"	(444)	18 <sup>5</sup> / <sub>16</sub> "	(465)	13"	(330)	5"	(127)	3.3	(1.5)
SB5961913S__	Steel	19"	(482)	17½"	(444)	18 <sup>5</sup> / <sub>16</sub> "	(465)	13"	(330)	5"	(127)	9.5	(4.3)
SB5961915A__	Alum	19"	(482)	17½"	(444)	18 <sup>5</sup> / <sub>16</sub> "	(465)	15"	(381)	6"	(152)	3.7	(1.7)
SB5961915S__	Steel	19"	(482)	17½"	(444)	18 <sup>5</sup> / <sub>16</sub> "	(465)	15"	(381)	6"	(152)	10.7	(4.8)
SB5961919A__	Alum	19"	(482)	17½"	(444)	18 <sup>5</sup> / <sub>16</sub> "	(465)	19"	(482)	8"	(203)	4.7	(2.1)
SB5961919S__	Steel	19"	(482)	17½"	(444)	18 <sup>5</sup> / <sub>16</sub> "	(465)	19"	(482)	8"	(203)	13.6	(6.1)
SB5962311A__	Alum	23"	(584)	21½"	(546)	22 <sup>5</sup> / <sub>16</sub> "	(567)	11"	(279)	4"	(101)	3.2	(1.4)
SB5962311S__	Steel	23"	(584)	21½"	(546)	22 <sup>5</sup> / <sub>16</sub> "	(567)	11"	(279)	4"	(101)	9.2	(4.2)
SB5962313A__	Alum	23"	(584)	21½"	(546)	22 <sup>5</sup> / <sub>16</sub> "	(567)	13"	(330)	5"	(127)	3.8	(1.7)
SB5962313S__	Steel	23"	(584)	21½"	(546)	22 <sup>5</sup> / <sub>16</sub> "	(567)	13"	(330)	5"	(127)	11.0	(5.0)
SB5962315A__	Alum	23"	(584)	21½"	(546)	22 <sup>5</sup> / <sub>16</sub> "	(567)	15"	(381)	6"	(152)	4.3	(1.9)
SB5962315S__	Steel	23"	(584)	21½"	(546)	22 <sup>5</sup> / <sub>16</sub> "	(567)	15"	(381)	6"	(152)	12.4	(5.6)
SB5962319A__	Alum	23"	(584)	21½"	(546)	22 <sup>5</sup> / <sub>16</sub> "	(567)	19"	(482)	8"	(203)	5.4	(2.4)
SB5962319S__	Steel	23"	(584)	21½"	(546)	22 <sup>5</sup> / <sub>16</sub> "	(567)	19"	(482)	8"	(203)	15.6	(7.1)

Specify part number and finish when ordering.



## Rack Mounted Keyboard Tray, Sliding/Tilting

- Use to mount keyboard allowing adjustment to convenient working angle
- Slide allows keyboard to be recessed when not in use
- Three (3) mounting spaces required
- Up to 50 lbs. (.23kg) load capacity
- Includes: #12-24 mounting hardware
- Material: .090 (2.3mm) Aluminum sheet
- Finish \_\_\_\_: Aluminum - brushed (AL)  
Flat black powder coat (FB)  
Telco gray powder coat (TG)  
Silver powder coat (SL)



Part Number	Rack Width		Overall Shelf Width 'OW'		Rear Width 'RW'		Shelf Width 'SW'		Shelf Depth 'SD'	
	In.	(mm)	In.	(mm)	In.	(mm)	In.	(mm)	In.	(mm)
SB742T19__	19"	(482)	18.9"	(480)	17 1/2"	(444)	15"	(381)	9"	(228)
SB742T23__	23"	(584)	22.9"	(581)	21 1/2"	(546)	19"	(482)	9"	(228)

Part Number	Shelf Assembly (Closed)		Shelf Assembly (Open)		Weight	
	In.	(mm)	In.	(mm)	Lbs.	(kg)
SB742T19__	14 1/2"	(368)	27"	(686)	7.5	(3.4)
SB742T23__	18 1/2"	(470)	31"	(787)	8.5	(3.8)

Specify part number and finish when ordering.

# Network Equipment Racks & Accessories

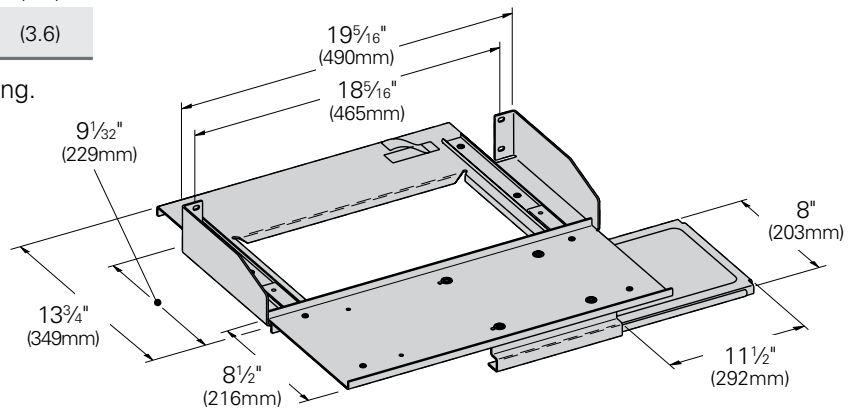
## Rack Accessories

### Rack Mounted Keyboard Tray, Sliding With Mouse Tray

- Designed to support a keyboard and mouse from the equipment rack
- Rack mounting hardware included
- Self-adhesive Velcro® wire management wrap included to contain keyboard cord
- Material: Aluminum
- Finish \_\_\_\_: Aluminum - brushed (AL)  
Flat black powder coat (FB)  
Telco gray powder coat (TG)  
Silver powder coat (SL)

Part Number	Rack Width		Weight	
	In.	(mm)	Lbs.	(kg)
<b>SB742M19</b> __	19"	(482)	7.4	(3.3)
<b>SB742M23</b> __	23"	(584)	8.0	(3.6)

Specify part number and finish when ordering.

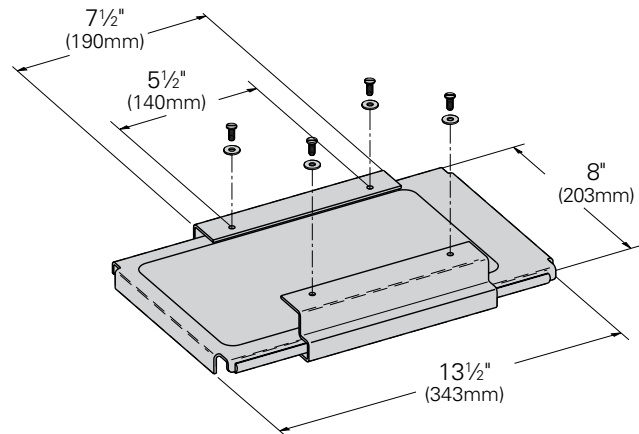


### Mouse Tray Kit for Retrofit on SB743KB

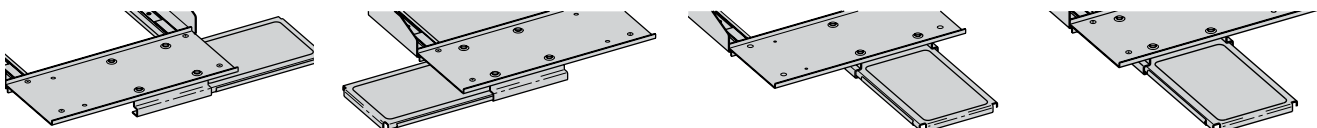
- Mouse tray may be mounted in four ways as shown below
- Mounting hardware included
- Material: Aluminum
- Finish \_\_\_\_: Aluminum - brushed (AL)  
Flat black powder coat (FB)  
Telco gray powder coat (TG)  
Silver powder coat (SL)

Part Number	Weight	
	Lbs.	(kg)
<b>SB743M</b> __	2.0	(0.9)

Specify part number and finish when ordering.

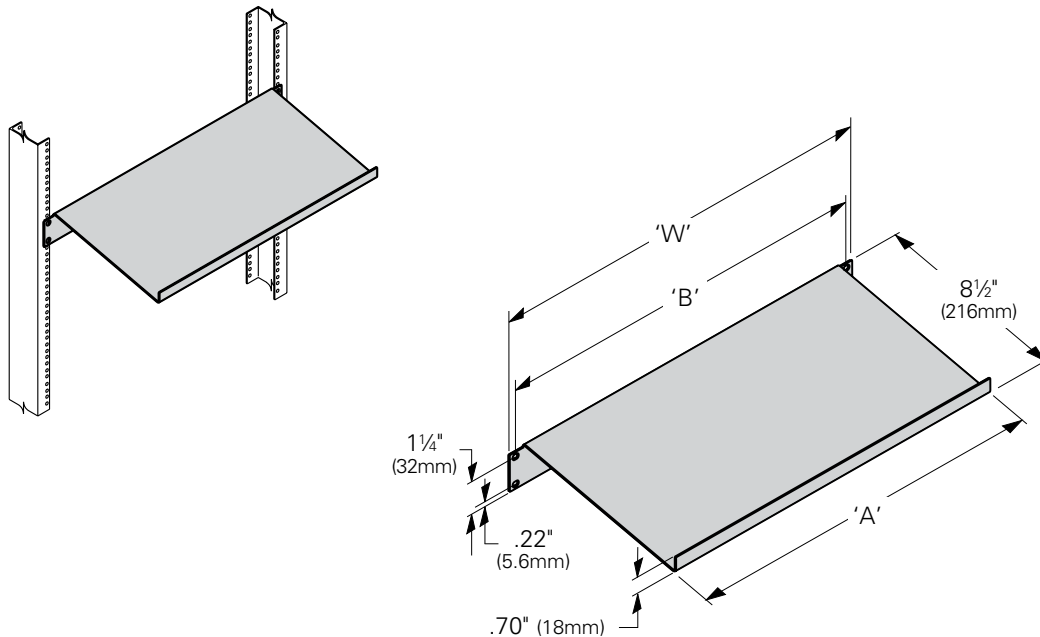


4 Mounting Positions



## Fixed Keyboard Shelf

- Use to support keyboard at a convenient and accessible angle
- One (1) mounting space required
- Includes: #12-24 mounting hardware
- Material: Aluminum sheet .090 (2.3mm)
- Finish \_\_\_: Aluminum - brushed (AL)  
Flat black powder coat (FB)  
Telco gray powder coat (TG)  
Silver powder coat (SL)



Part Number	Rack Width 'W'		'A'		'B'		Weight	
	In.	(mm)	In.	(mm)	In.	(mm)	Lbs.	(kg)
<b>SB74019</b> __	19"	(482)	17 <sup>5</sup> / <sub>16</sub> "	(440)	18 <sup>5</sup> / <sub>16</sub> "	(465)	1.8	(0.8)
<b>SB74023</b> __	23"	(584)	21 <sup>5</sup> / <sub>16</sub> "	(541)	22 <sup>5</sup> / <sub>16</sub> "	(567)	2.2	(1.0)

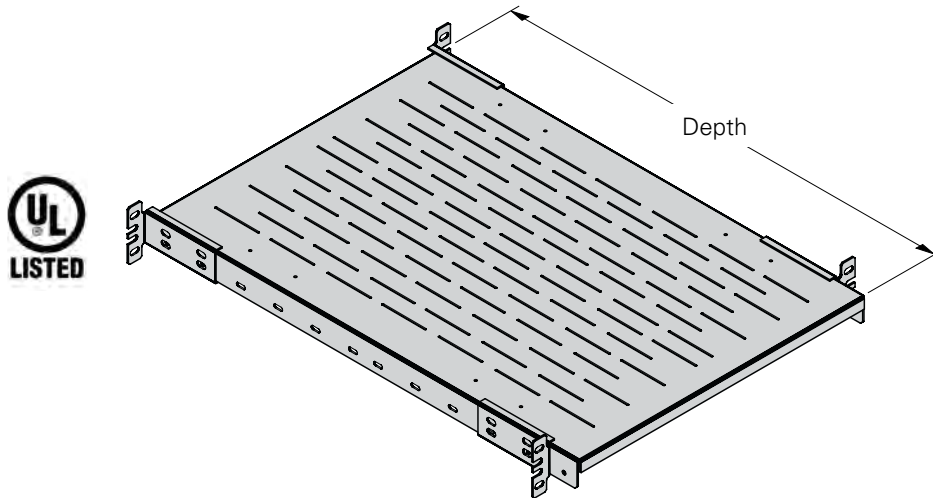
Specify part number and finish when ordering.

# Network Equipment Racks & Accessories

## Rack Accessories

### 4-Post Rack Shelves - Fixed 19" Rack Mount

- Adjustable shelf mounting brackets offer unlimited placement options
- Designed with flow through perforations on both sides of the shelf for maximum equipment ventilation
- Uses one (1) rack mount unit (RMU) of space - 1¾" (44.4mm)
- Standard shelf rated for 150 lbs. (68kg) load capacity
- Heavy duty shelf rated for 350 lbs. (159kg) load capacity
- E2SHH Series heavy duty shelves UL Listed (File No. E171936) as a communications circuit accessory
- Includes: #12-24 mounting hardware
- UL Listed for heavy duty version only
- Material: 14 Gauge (1.9mm) Steel Sheet
- Finish \_\_: Flat black powder coat (FB)  
Telco gray powder coat (TG)  
Silver powder coat (SL)



### Fixed Shelf - Standard

Part Number	Shelf Depth		Weight	
	In.	(mm)	Lbs.	(kg)
E2SH4P1920__	20"	(508)	12.0	(5.4)
E2SH4P1924__	24"	(610)	14.4	(6.5)
E2SH4P1930__	30"	(762)	18.0	(8.2)
E2SH4P1936__	36"	(914)	21.6	(9.8)

Specify part number and finish when ordering.

### Fixed Shelf - Heavy Duty

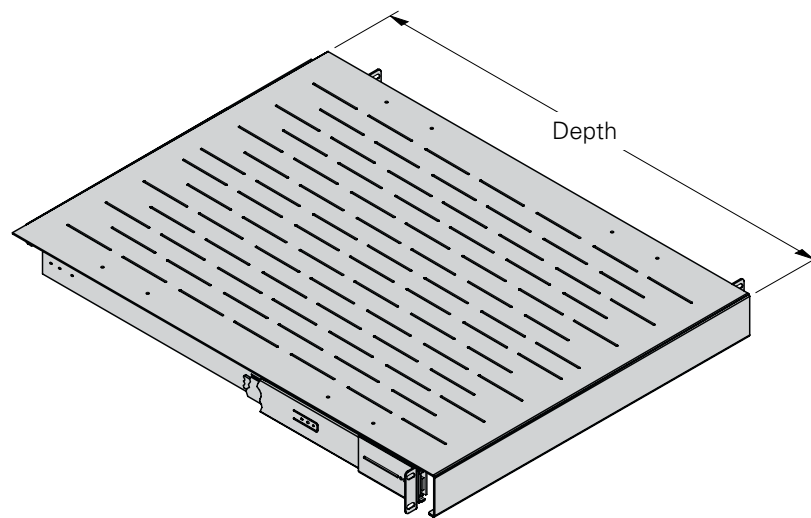
Part Number	Shelf Depth		Weight	
	In.	(mm)	Lbs.	(kg)
E2SHH4P1920__	20"	(508)	14.0	(6.4)
E2SHH4P1924__	24"	(610)	16.8	(7.6)
E2SHH4P1930__	30"	(762)	21.0	(9.5)
E2SHH4P1936__	36"	(914)	25.2	(11.4)

Specify part number and finish when ordering.



## 4-Post Rack Shelves - Sliding 19" Rack Mount

- Adjustable shelf mounting brackets offer unlimited placement options
- Sliding shelves can be fully extended for easy access to equipment
- Designed with flow through perforations on both sides of the shelf for maximum equipment ventilation
- Uses one (1) rack mount unit (RMU) of space - 1¾" (44.4mm)
- Standard shelf rated for 150 lbs. (68kg) load capacity
- Heavy duty shelf rated for 200 lbs. (91kg) load capacity
- Includes: #12-24 mounting hardware
- Material: 14 Gauge (1.9mm) Steel Sheet
- Finish \_\_: Flat black powder coat (FB)  
Telco gray powder coat (TG)  
Silver powder coat (SL)



## Sliding Shelf - Standard

Part Number	Shelf Depth		Weight	
	In.	(mm)	Lbs.	(kg)
E2SHSS1920__	20"	(508)	13.6	(6.2)
E2SHSS1924__	24"	(610)	16.3	(7.4)
E2SHSS1930__	30"	(762)	20.4	(9.3)
E2SHSS1936__	36"	(914)	21.6	(9.8)

Specify part number and finish when ordering.



## Sliding Shelf - Heavy Duty

Part Number	Shelf Depth		Weight	
	In.	(mm)	Lbs.	(kg)
E2SHHSS1920__	20"	(508)	15.6	(7.1)
E2SHHSS1924__	24"	(610)	18.7	(8.5)
E2SHHSS1930__	30"	(762)	23.4	(10.6)
E2SHHSS1936__	36"	(914)	28.1	(12.7)

Specify part number and finish when ordering.

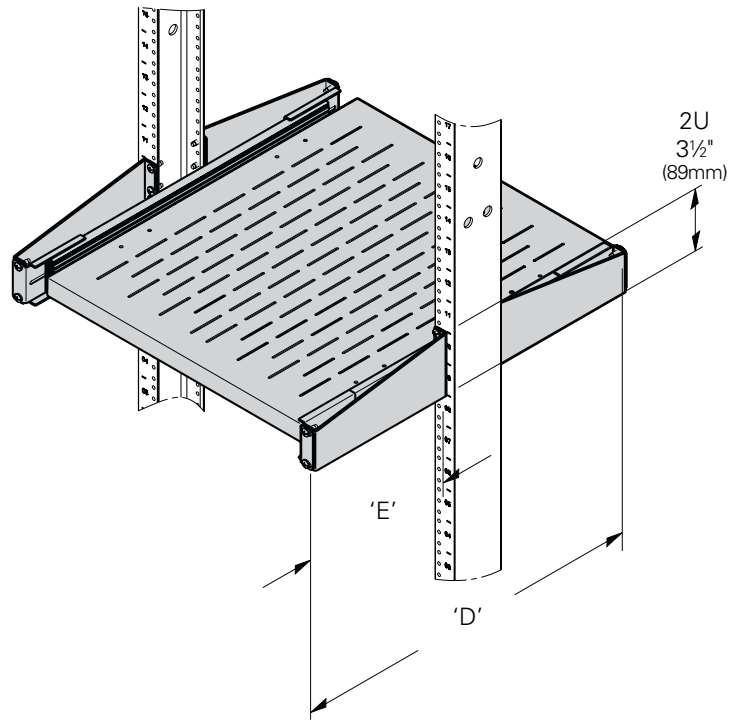


# Network Equipment Racks & Accessories

## Rack Accessories

### 2-Post Rack Shelves - Sliding 19" Rack Mount

- Sliding shelf and bracket kit for mounting 20" (508mm) or 24" (609mm) deep sliding shelves on to 3" (76mm) upright two-post racks
- Includes sliding shelf, two (2) left and two (2) right sided mounting brackets, and (24) #12-24 x 5/8" long dog point mounting screws
- Bracket only kit with hardware available
- Equipment racks should be anchored to the floor or otherwise secured when using this kit
- Supports up to 150 lbs. (68kg)
- Requires three (3) rack mount units (RMU) of space
- Material: 11 Gauge (3.0mm) Steel
- Finish \_\_\_: Flat black powder coat (FB)  
Telco gray powder coat (TG)  
Silver powder coat (SL)



### Bracket & Hardware with Sliding Shelf

Part Number	'D'		'E'		Weight	
	In.	(mm)	In.	(mm)	Lbs.	(kg)
E2556SSH20__	20"	(508)	8½"	(216)	18.0	(8.2)
E2556SSH24__	24"	(610)	10½"	(267)	20.5	(9.3)

Specify part number and finish when ordering.

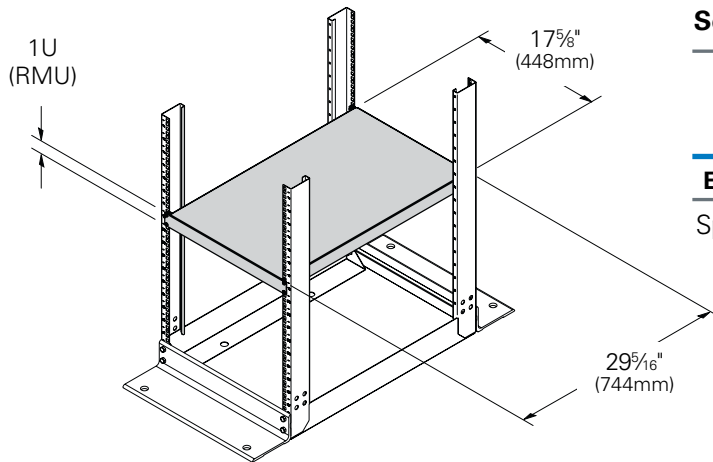
### Bracket Only with Hardware

Part Number	Weight	
	Lbs.	(kg)
E2556SHBRKT__	4.0	(1.8)

Specify part number and finish when ordering.

## Solid Shelf Kit - 19" Rack Mount For SB836 Series Four-Post Racks

- Installs at any location vertically along four post rack offering unlimited placement options
- Uses one (1) rack mount unit (RMU) of space - 1¾" (44.4mm)
- Includes: #12-24 mounting hardware, cage nuts and removable rivets
- Shelf rated for 100 lbs. (45kg) load capacity
- Material: 14 Gauge (1.9mm) Steel Sheet
- Finish \_\_\_\_: Flat black powder coat (FB)  
Telco gray powder coat (TG)  
Silver powder coat (SL)



### Solid Shelf Kit

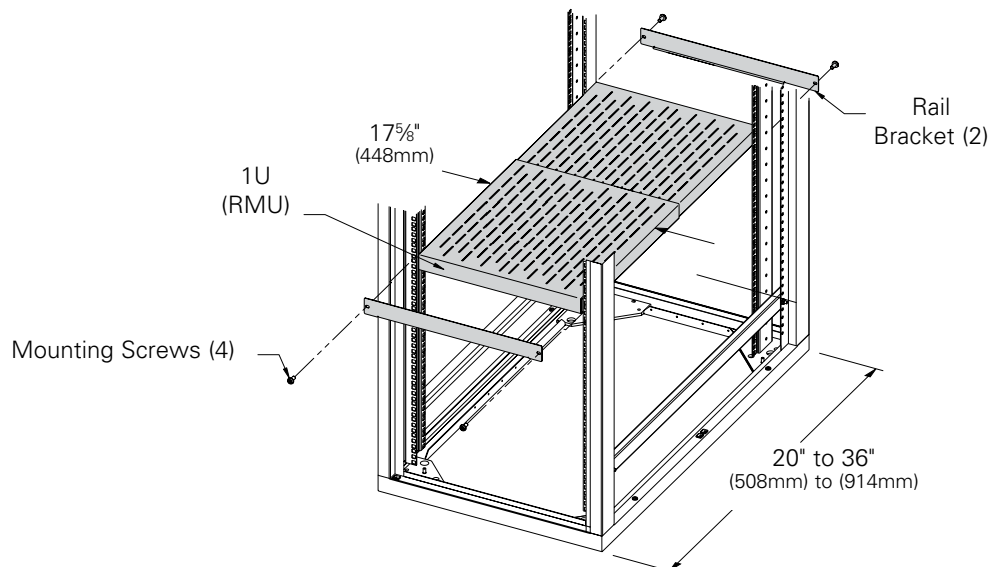
Part Number	Shelf Depth		Weight	
	In.	(mm)	Lbs.	(kg)
<b>E4PFSS1929</b>	29"	(736)	13.7	(6.2)

Specify part number and finish when ordering.

## Telescopic Shelf Kit

Part Number	Adjustable Shelf Depth		Weight	
	In.	(mm)	Lbs.	(kg)
<b>ELPTSV19B</b>	20" - 36"	(508 - 914)	20.0	(9.1)

Available in black only.

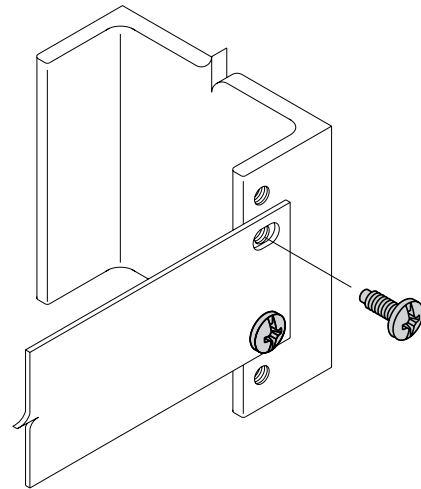


# Network Equipment Racks & Accessories

## Rack Accessories

### Mounting Screws

- Use with equipment racks and equipment frames
- #12-24 x 5/8" (16mm) screw size
- Combination head design
- Dog point to minimize cross threading
- Sold in packages of 50
- Material: SAE J429 Grade 5 steel
- Finish\_\_\_: Clear zinc (ZN) or Black zinc (BZ)

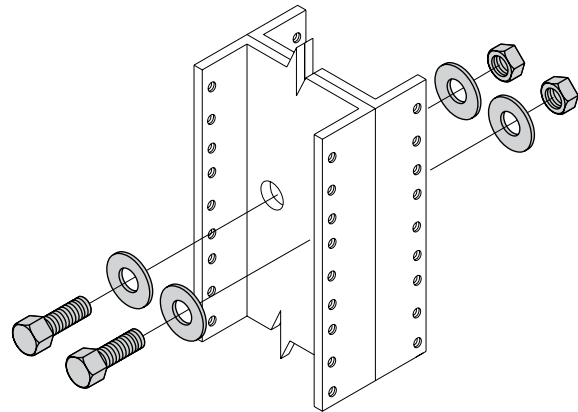


Part Number	Weight	
	Lbs.	(kg)
<b>SB58604</b> ___	0.40	(0.18)

Specify part number and finish when ordering.

### Network Equipment Rack Junction Kit

- Use to join two network equipment racks side by side
- Includes: (4) 3/8"-16 x 1" (25mm) HHCS,  
(8) 3/8" flat washers and (4) 3/8"-16 hex nuts
- Finish\_\_\_: Yellow zinc (YZ) or Black zinc (BZ)

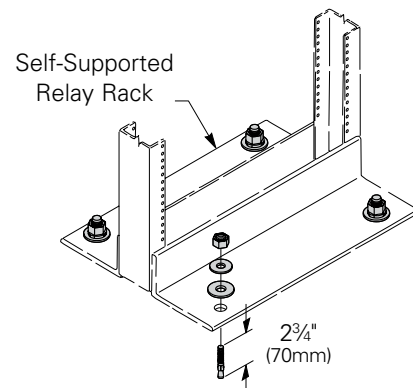
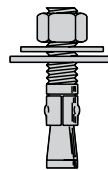


Part Number	Weight	
	Lbs.	(kg)
<b>SB58704</b> ___	0.25	(0.11)

Specify part number and finish when ordering.

### Network Equipment Rack Anchor Kit

- Use for anchoring network equipment racks to concrete
- Includes: 3/8"-16 x 2 3/4" (70mm) wedge anchors and hardware
- Finish: Clear zinc (ZN)



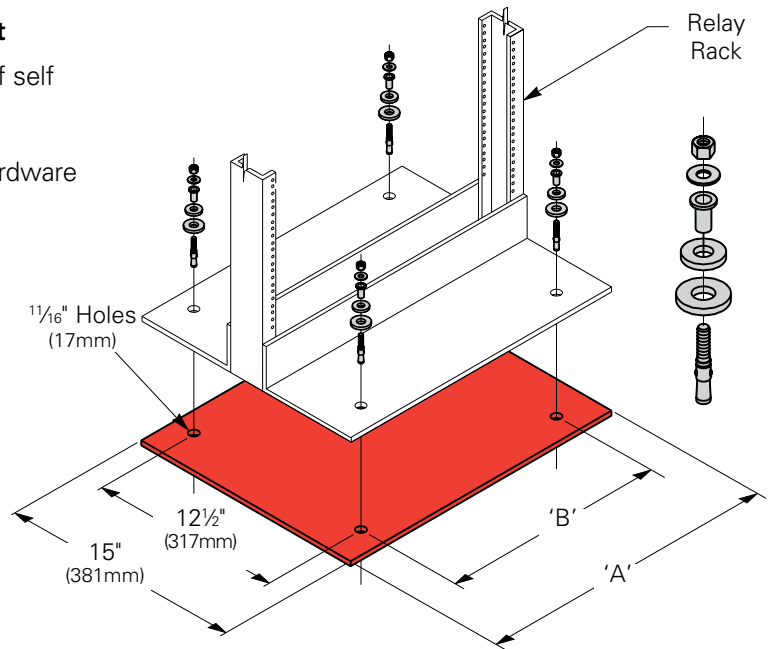
Part Number	Relay Rack Type	Anchor Quantity	Weight	
			Lbs.	(kg)
<b>SB588A</b>	Self Supported	4	0.46	(0.21)

For additional anchoring options, see page 361 & 362.



## Self Supported Equipment Rack Isolation Kit

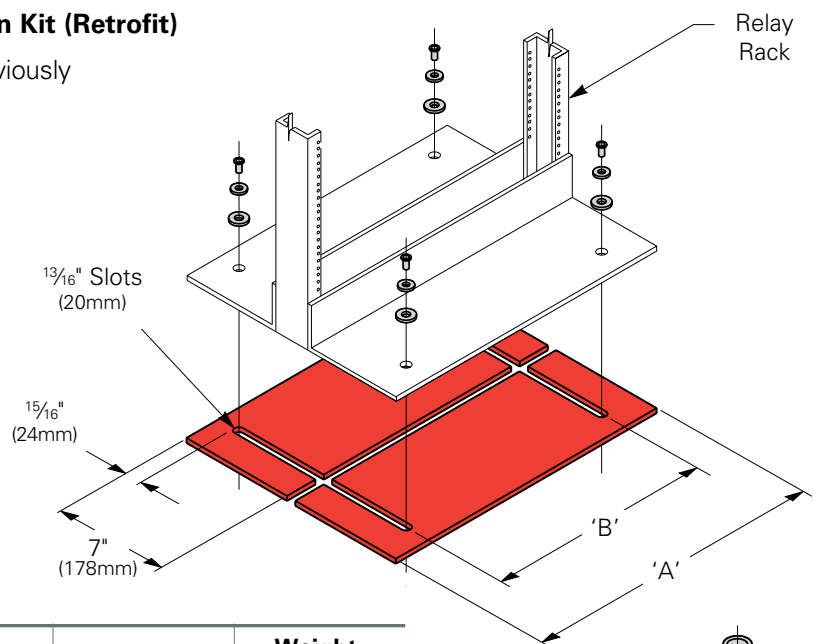
- Use to anchor and provide electrical isolation of self supported equipment rack from concrete
- Includes: (1) isolation pad, (4) sleeve kits, (4)  $\frac{3}{8}$ "-16 x  $2\frac{3}{4}$ " (70mm) wedge anchors and hardware
- Material: Polyester fiberglass - pad  
Steel - anchors and hardware  
6/6 Nylon - sleeve
- Finish: Pad - Red  
Sleeve - Natural  
Anchors and hardware - Clear zinc (ZN)



Part Number	Rack Width		'A'		'B'		Weight	
	In.	(mm)	In.	(mm)	In.	(mm)	Lbs.	(kg)
SB254101	19"	(483)	20 $\frac{5}{16}$ "	(516)	16"	(406)	2.47	(1.12)
SB254102	23"	(584)	24 $\frac{5}{16}$ "	(617)	20"	(508)	2.86	(1.30)

## Self Supported Equipment Rack Isolation Kit (Retrofit)

- Use to provide electrical isolation on a previously installed self supported equipment rack
- Includes: (1) isolation pad, (4) sleeve kits, (4)  $\frac{7}{16}$ " flat washers
- Anchors not included
- Material: Polyester fiberglass - pad  
6/6 Nylon - sleeve  
steel - flat washers
- Finish: Pad - Red  
Sleeve - Natural  
Flat washers - Yellow zinc (YZ)



Part Number	Rack Width		'A'		'B'		Weight	
	In.	(mm)	In.	(mm)	In.	(mm)	Lbs.	(kg)
SB254401	19"	(483)	20 $\frac{5}{16}$ "	(516)	16"	(406)	1.80	(0.82)
SB254402	23"	(584)	24 $\frac{5}{16}$ "	(617)	20"	(508)	2.20	(1.00)

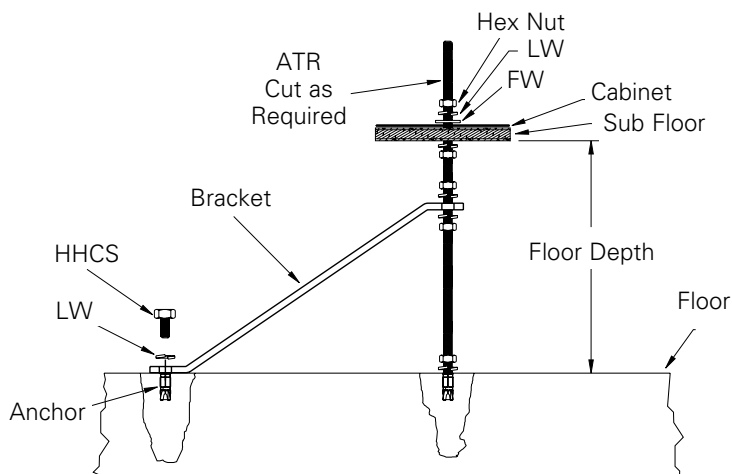
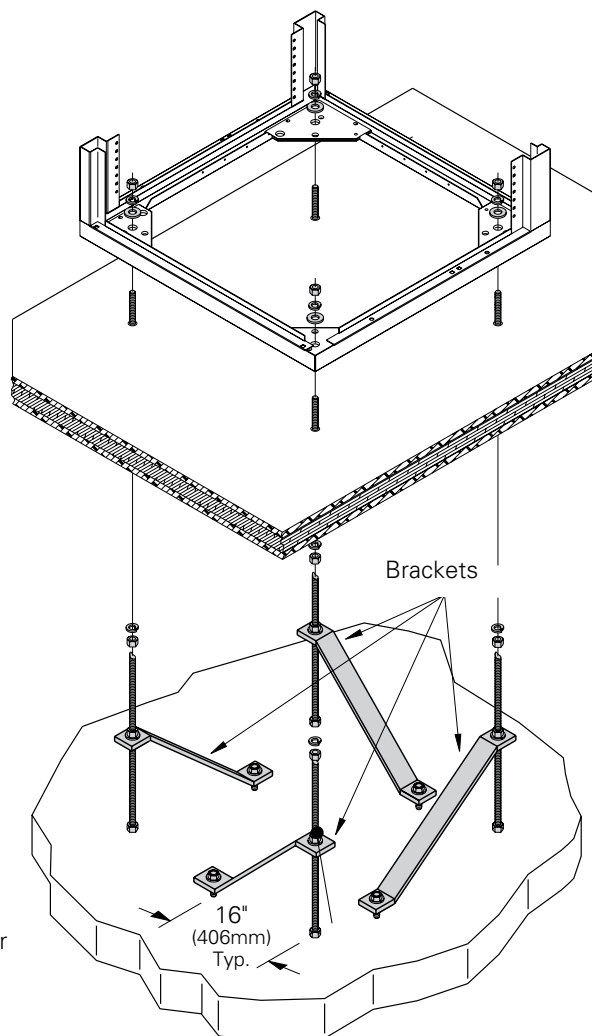
# Network Equipment Racks & Accessories

## Rack Accessories

Network equipment racks & accessories

### Raised Floor Support Kit For Four-Post Racks and Electronic Enclosures

- Used to support racks or enclosures installed on 4" (101mm) to 32" (813mm) high raised floors
- Kit includes four (4) 3/8" (9.5mm) x 1 3/4" (44.4mm) steel "Z" brackets, four (4) pre-cut all threaded rod pieces, anchors and mounting hardware
- All mounting hardware - zinc plated
- Application: Used with four-post racks or electronic enclosures
- V-Line - use with VSBDK
- Bracket Finishes: Flat black powder coat (FB), Telco gray powder coat (TG), or Yellow zinc plated (YZ)



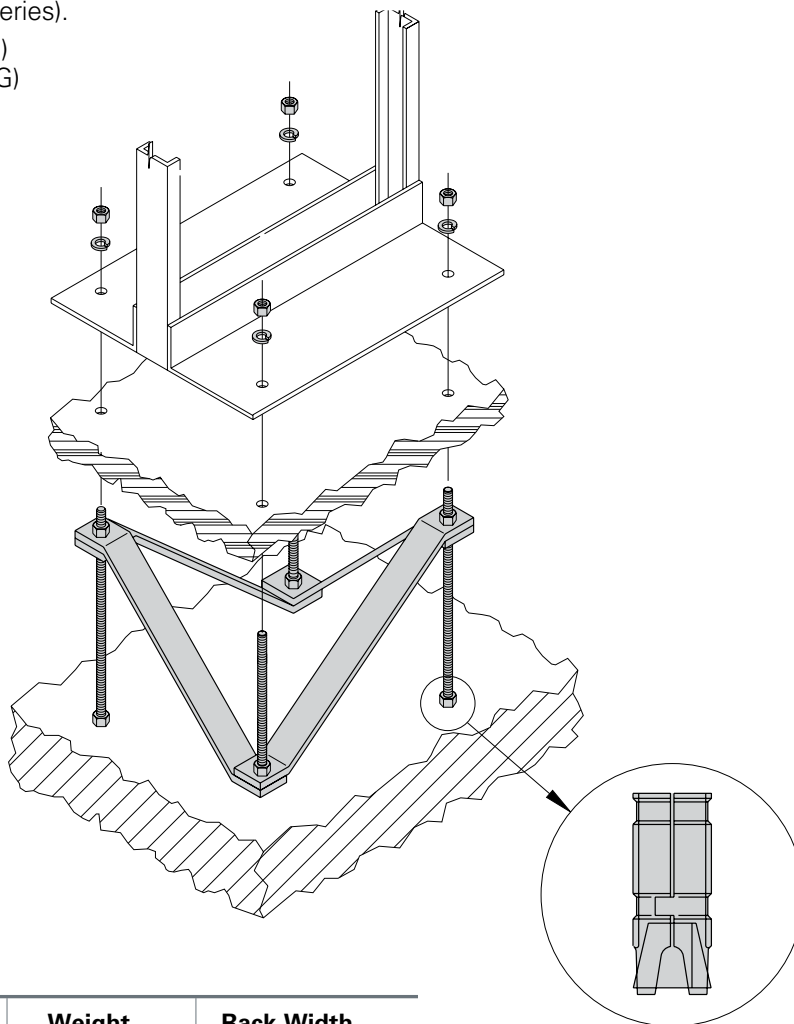
### Kits for 4-Post Racks & Electronic Enclosures

Part Number	Floor Depth		Weight	
	In.	(mm)	Lbs.	(kg)
ERFS10__	4" to 10"	(101 to 254)	25.0	(11.3)
ERFS16__	10" to 16"	(254 to 406)	27.0	(12.2)
ERFS22__	16" to 22"	(406 to 559)	29.0	(13.1)
ERFS28__	22" to 28"	(559 to 711)	32.0	(14.5)
ERFS32__	28" to 32"	(711 to 813)	33.0	(14.9)

Specify part number and finish when ordering.

## Raised Floor Support Kit For Two-Post Racks

- Used to support racks on 4" (101mm) to 28" (711mm) high raised floors
- Kit includes four (4) 3/8" (9.5mm) x 1 3/4" (44.4mm) steel "Z" brackets, four (4) pre-cut all threaded rod pieces, anchors and mounting hardware
- All mounting hardware - zinc plated
- Application: Used with two-post racks (RR Series).
- Bracket Finishes: Flat black powder coat (FB)  
Telco gray powder coat (TG)  
Yellow zinc plated (YZ)



### Kits for 2-Post Racks

Part Number	Floor Depth		Weight		Rack Width	
	In.	(mm)	Lbs.	(kg)	In.	(mm)
<b>RRFS1910__</b>	4" to 10"	(101 to 254)	25.0	(11.3)	19"	(482)
<b>RRFS1916__</b>	10" to 16"	(254 to 406)	27.0	(12.2)	19"	(482)
<b>RRFS1922__</b>	16" to 22"	(406 to 559)	29.0	(13.1)	19"	(482)
<b>RRFS1928__</b>	22" to 28"	(559 to 711)	32.0	(14.5)	19"	(482)
<b>RRFS2310__</b>	4" to 10"	(101 to 254)	25.0	(11.3)	23"	(584)
<b>RRFS2316__</b>	10" to 16"	(254 to 406)	27.0	(12.2)	23"	(584)
<b>RRFS2322__</b>	16" to 22"	(406 to 559)	33.0	(14.9)	23"	(584)
<b>RRFS2328__</b>	22" to 28"	(559 to 711)	37.0	(17.7)	23"	(584)

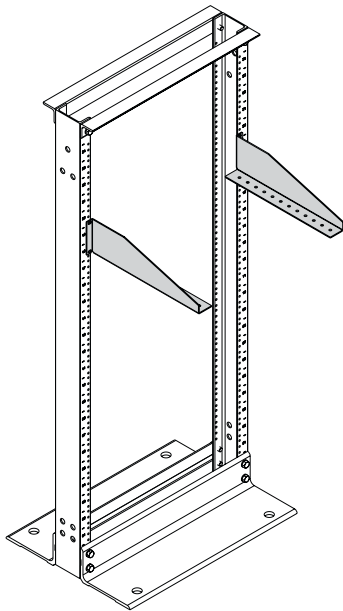
Specify part number and finish when ordering.

# Network Equipment Racks & Accessories

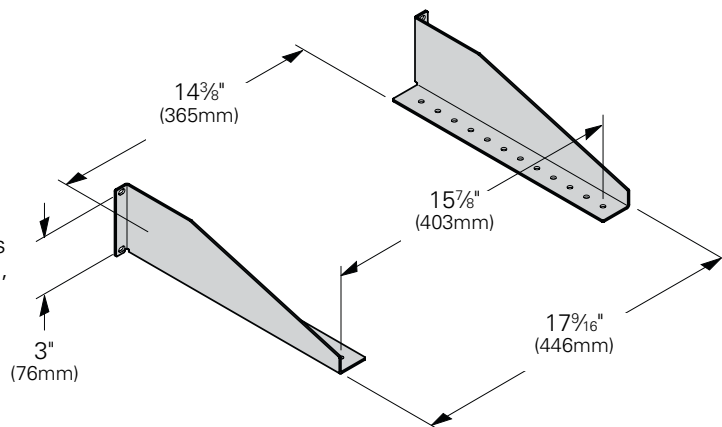
## Rack Accessories

### Equipment Support Bracket For Two-Post Rack Applications

- Used to provide additional support to heavy equipment installed in two-post rack applications
- Made of .100 (2.5mm) aluminum
- Includes left and right brackets, and mounting hardware
- Max load rating 60 lbs.
- Dimensions: 13" (330mm) long x 1.6" (40mm) support flange
- Finish \_\_: Brushed (AL)  
Flat black powder coat (FB)  
Telco gray powder coat (TG)  
Silver powder coat (SL)



Each bracket has 4 slots  
1 1/4" (32mm), 1/2" (13mm),  
1 1/4" (32mm) spacing



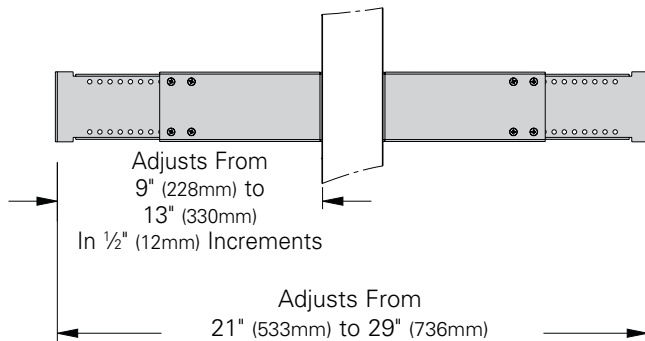
### Equipment Support Bracket

Part Number	Weight	
	Lbs.	(kg)
RESB__	1.5	(0.68)

Specify part number and finish when ordering.

## Server Support Bracket For Two-Post Rack Applications

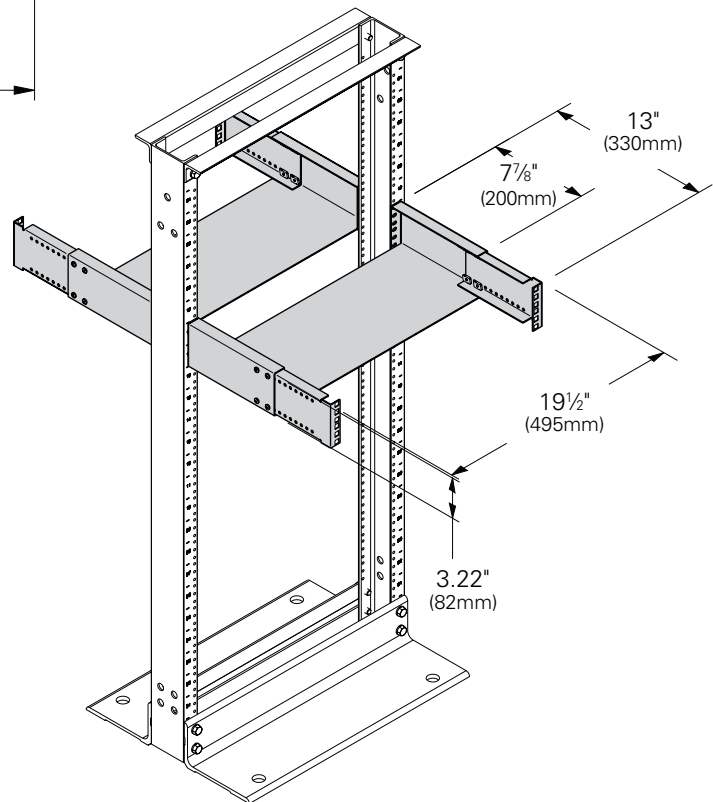
- Used to mount 19" wide server equipment into tapped hole two-post racks
- Includes two (2) support pans, four (4) fully adjustable support arms and required assembly hardware
- Square mounting holes for cage nuts (cage nuts sold separately)
- Adjustable from 7.9" (200mm) to 13" (330mm) from the front of the rack
- Requires two (2) mounting spaces - 3½" (89mm)
- Made of 14 gauge (1.9mm) steel
- Finish \_\_\_\_: Flat black powder coat (FB)  
Telco gray powder coat (TG)  
Silver powder coat (SL)



## Server Support Bracket

Part Number	Weight	
	Lbs.	(kg)
RSB2U__	11.3	(5.12)

Specify part number and finish when ordering.



# Network Equipment Racks & Accessories

## Rack Accessories

### Document Drawers 5" (127mm) Deep

- Designed to store important equipment, installation and service information, or magnetic media used for backup
- Drawers are offered in locking or non-locking styles
- Drawer capacity is 100 lbs. (45.4mm)
- Comes complete with hardware
- Finish \_\_: Black powder coat



Network equipment  
racks & accessories

### Document Drawers

Part Number	Drawer Style	Width		Minimum Cabinet Depth		Weight	
		in.	(mm)	in.	(mm)	Lbs.	(kg)
<b>E2SHDRW19205B</b>	No Lock	19"	(482)	24"	(609)	18.0	(8.1)
<b>E2SHDRWL19205B__</b>	Lock	19"	(482)	24"	(609)	18.0	(8.1)
<b>E2SHDRW23205B</b>	No Lock	23"	(584)	24"	(609)	20.0	(9.1)
<b>E2SHDRWL23205B</b>	Lock	23"	(584)	24"	(609)	20.0	(9.1)
<b>E2SHDRW19245B</b>	No Lock	19"	(482)	26"	(660)	20.0	(9.1)
<b>E2SHDRWL19245B</b>	Lock	19"	(482)	26"	(660)	20.0	(9.1)
<b>E2SHDRW23245B</b>	No Lock	23"	(584)	26"	(660)	25.0	(11.3)
<b>E2SHDRWL23245B</b>	Lock	23"	(584)	26"	(660)	25.0	(11.3)
<b>E2SHDRW19305B</b>	No Lock	19"	(482)	32"	(813)	23.0	(10.4)
<b>E2SHDRWL19305B</b>	Lock	19"	(482)	32"	(813)	23.0	(10.4)
<b>E2SHDRW23305B</b>	No Lock	23"	(584)	32"	(813)	27.8	(12.6)
<b>E2SHDRWL23305B</b>	Lock	23"	(584)	32"	(813)	27.8	(12.6)

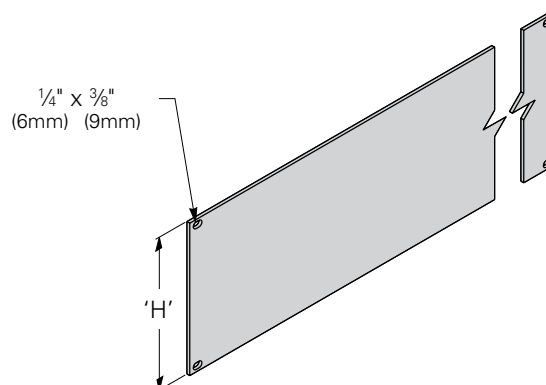
# Network Equipment Racks & Accessories

Rack Accessories

## Blank Filler Panel

- Use to close unused mounting spaces in 19" (483mm) or 23" (584mm) racks
- Accommodates 1 to 10 mounting spaces (other sizes are available on request)
- Includes: #12-24 mounting hardware
- Aluminum - 0.09 (2.3mm) thick

- Finish \_\_\_\_: Aluminum - brushed (AL)  
Flat black powder coat (FB)  
Telco gray powder coat (TG)  
Silver powder coat (SL)



## Blank Filler Panels

Part Number	Rack Width		'H' Height		Mounting Spaces	Mounting Screws	Weight	
	In.	(mm)	In.	(mm)			Lbs.	(kg)
SB5771901__	19"	(483)	1 $\frac{1}{16}''$	(43)	1	4	.58	(0.18)
SB5771902__	19"	(483)	3 $\frac{7}{16}''$	(87)	2	4	1.17	(0.32)
SB5771903__	19"	(483)	5 $\frac{3}{16}''$	(132)	3	4	1.75	(0.50)
SB5771904__	19"	(483)	6 $\frac{15}{16}''$	(176)	4	4	2.33	(0.68)
SB5771905__	19"	(483)	8 $\frac{1}{16}''$	(220)	5	4	2.91	(1.32)
SB5771906__	19"	(483)	10 $\frac{7}{16}''$	(265)	6	8	3.50	(1.59)
SB5771907__	19"	(483)	12 $\frac{3}{16}''$	(309)	7	8	4.08	(1.85)
SB5771908__	19"	(483)	13 $\frac{15}{16}''$	(354)	8	8	4.66	(2.11)
SB5771909__	19"	(483)	15 $\frac{1}{16}''$	(398)	9	8	5.24	(2.37)
SB5771910__	19"	(483)	17 $\frac{7}{16}''$	(443)	10	8	5.82	(2.64)
SB5772301__	23"	(584)	1 $\frac{1}{16}''$	(43)	1	4	0.71	(0.32)
SB5772302__	23"	(584)	3 $\frac{7}{16}''$	(87)	2	4	1.41	(0.50)
SB5772303__	23"	(584)	5 $\frac{3}{16}''$	(132)	3	4	2.12	(0.68)
SB5772304__	23"	(584)	6 $\frac{15}{16}''$	(176)	4	4	2.83	(1.28)
SB5772305__	23"	(584)	8 $\frac{1}{16}''$	(220)	5	4	3.54	(1.60)
SB5772306__	23"	(584)	10 $\frac{7}{16}''$	(265)	6	8	4.25	(1.93)
SB5772307__	23"	(584)	12 $\frac{3}{16}''$	(309)	7	8	4.96	(2.25)
SB5772308__	23"	(584)	13 $\frac{15}{16}''$	(354)	8	8	5.77	(2.62)
SB5772309__	23"	(584)	15 $\frac{1}{16}''$	(398)	9	8	6.48	(2.94)
SB5772310__	23"	(584)	17 $\frac{7}{16}''$	(443)	10	8	7.19	(3.26)

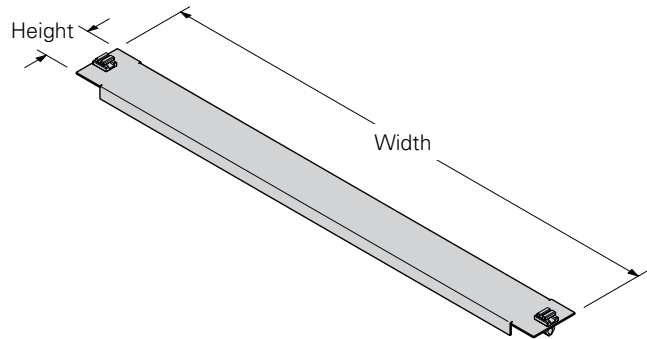
Specify part number and finish when ordering.

# Network Equipment Racks & Accessories

## Rack Accessories

### Quick Fit Blanking Panel

- Use to prevent air recirculation in electronic enclosures by blocking off unused rack mounting space which maximizes cooling efficiency
- For use with EIA square hole mounting rails
- Tool-less quarter turn polycarbonate latches for quick installation and removal
- Panel made of 17 gauge (1.3mm) steel
- Available in 1U, 2U, and 5U heights
- Finish: Flat black powder coat (FB)
- Meets UL 94VO



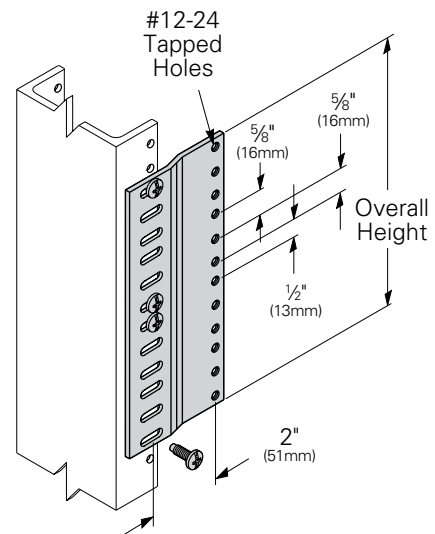
Part Number	Width		Height		Mounting Spaces	Weight	
	In.	(mm)	In.	(mm)		Lbs.	(kg)
PPS1UQFB	19"	(483)	1¾"	(44)	1	0.60	(0.27)
PPS2UQFB	19"	(483)	3½"	(89)	2	1.00	(0.46)
PPS5UQFB	19"	(483)	8¾"	(222)	5	2.40	(1.09)

### 23" Equipment Rack to 19" Panel Mount Adapter Plate

- Use to mount 19" (483mm) equipment with 1¾" (44mm) mounting space configuration on 23" (584mm) racks with 1¾" (44mm) mounting space configuration
- Accommodates 1 to 8 mounting spaces. Special sizes are available
- #12-24 panel mounting holes for 19" (483mm) equipment on universal ⅝" (16mm), ⅝" (16mm), ½" (13mm) mounting spacing
- Includes: (2) plates, and #12-24 mounting hardware
- Material: 11 Ga. (3mm) ASTM A36 structural steel
- Other heights are available upon request
- Finish: Flat black powder coat (FB), Telco gray powder coat (TG), Silver powder coat (SL), Yellow zinc (YZ)

Part Number	Overall Height		Mtg. Spaces	Mtg. Screws	Weight	
	In.	(mm)			Lbs.	(kg)
SB576A01__	1 11/16"	(43)	1	4	0.4	(0.18)
SB576A02__	3 7/16"	(87)	2	4	0.7	(0.32)
SB576A03__	5 9/16"	(132)	3	4	1.1	(0.50)
SB576A04__	6 15/16"	(176)	4	8	1.5	(0.68)
SB576A05__	8 11/16"	(220)	5	8	1.8	(0.81)
SB576A06__	10 7/16"	(265)	6	8	2.2	(1.00)
SB576A07__	12 3/16"	(309)	7	8	2.5	(1.13)
SB576A08__	13 15/16"	(354)	8	8	2.9	(1.31)

Specify part number and finish when ordering.





# Network Equipment Racks & Accessories

Rack Accessories

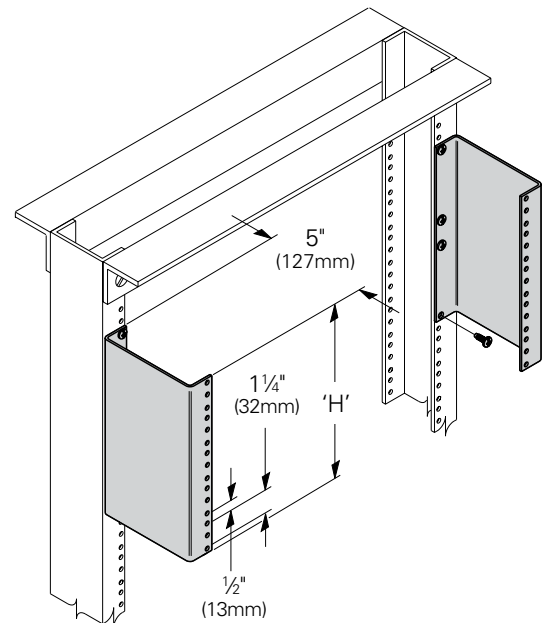
## Network Equipment Rack Standoff Bracket

- Use to increase depth for oversized equipment
- 5" (127mm) depth. (Other depths and heights are available upon request)
- Includes: (2) standoff brackets and #12-24 mounting hardware

- Material: 11 Gauge (3.0mm) ASTM A569 steel
- Finish\_\_\_: Flat black powder coat (FB)  
Telco gray powder coat (TG)  
Silver powder coat (SL)  
Yellow zinc (YZ)

Part Number	Height 'H'		Mounting Spaces	Screws	Weight	
	In.	(mm)			Lbs.	(kg)
SB58501__	1 <sup>1</sup> / <sub>16</sub> "	(43)	1	4	0.8	(0.3)
SB58502__	3 <sup>7</sup> / <sub>16</sub> "	(87)	2	4	1.6	(0.7)
SB58503__	5 <sup>3</sup> / <sub>16</sub> "	(132)	3	6	2.4	(1.1)
SB58504__	6 <sup>15</sup> / <sub>16</sub> "	(176)	4	8	3.2	(1.4)
SB58505__	8 <sup>1</sup> / <sub>16</sub> "	(220)	5	8	4.0	(1.8)
SB58506__	10 <sup>7</sup> / <sub>16</sub> "	(265)	5	8	4.2	(1.9)
SB58507__	12 <sup>3</sup> / <sub>16</sub> "	(309)	7	8	5.6	(2.5)
SB58508__	13 <sup>15</sup> / <sub>16</sub> "	(354)	8	8	6.4	(2.9)
SB58510__	17 <sup>7</sup> / <sub>16</sub> "	(443)	10	10	8.0	(3.6)
SB58520__	34 <sup>15</sup> / <sub>16</sub> "	(887)	20	20	16.0	(7.2)
SB58530__	52 <sup>7</sup> / <sub>16</sub> "	(1332)	30	30	24.0	(10.9)

Specify part number and finish when ordering.  
Other heights and depths are available on request.



Network equipment  
racks & accessories

## Two-Post Network Rack Extension Kit

- Use to increase rack height for additional equipment mounting space
- Double sided universal [5/8" (16mm), 5/8" (16mm), 1/2" (13mm)] mounting spacing
- Includes (2) uprights, (2) splice bars and 3/8"-16 hardware
- #12-24 panel mounting holes
- Available in steel or aluminum uprights

- See SB575 for top angle
- Material: Aluminum  
Steel - ASTM A36 structural steel
- Finish \_\_\_: Aluminum - brushed (AL)  
Flat black powder coat (FB)  
Telco gray powder coat (TG)

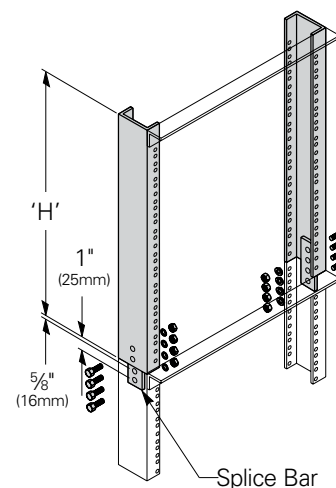
### Aluminum

Part Number	'H' Height		Mounting Spaces	Weight	
	In.	(mm)		Lbs.	(kg)
SB57412A__	12"	(305)	5	4.2	(1.9)
SB57424A__	24"	(609)	12	7.0	(3.2)

### Steel

Part Number	'H' Height		Mounting Spaces	Weight	
	In.	(mm)		Lbs.	(kg)
SB57412S__	12"	(305)	5	9.6	(4.3)
SB57424S__	24"	(609)	12	17.8	(8.1)

Specify part number and finish when ordering.



Note: Holes must be field drilled in rack.

# Network Equipment Racks & Accessories

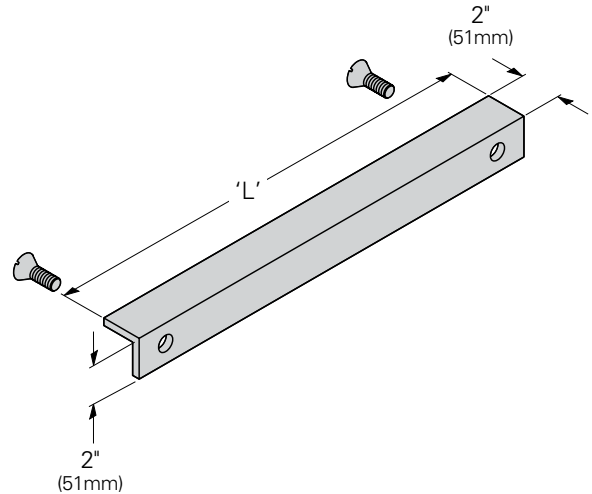
## Rack Accessories

### Top Angle

- Used with SB574 rack extension kit or Telco style racks to provide rigidity
- Includes 3/8"-16 mounting hardware
- Material: Aluminum or Steel - ASTM A36 structural steel
- Finish \_\_\_\_: Aluminum - brushed (AL)  
Flat black powder coat (FB)  
Telco gray powder coat (TG)  
Silver powder coat (SL)

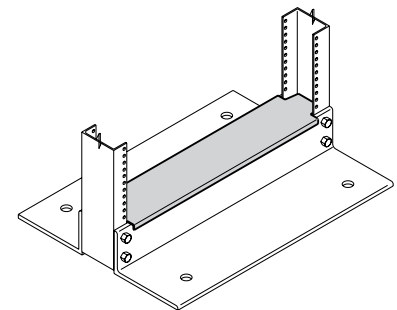
Part Number	Rack Width		'L'		Weight	
	In.	(mm)	In.	(mm)	Lbs.	(kg)
<b>Steel</b>						
<b>SB575A</b> __	19"	(482)	20 <sup>5</sup> / <sub>16</sub> "	(516)	5.5	(2.5)
<b>SB575B</b> __	23"	(584)	24 <sup>5</sup> / <sub>16</sub> "	(617)	6.5	(2.9)
<b>Aluminum</b>						
<b>SB575C</b> __	19"	(482)	20 <sup>5</sup> / <sub>16</sub> "	(516)	1.9	(0.8)
<b>SB575D</b> __	23"	(584)	24 <sup>5</sup> / <sub>16</sub> "	(617)	2.3	(1.0)

Specify part number and finish when ordering.



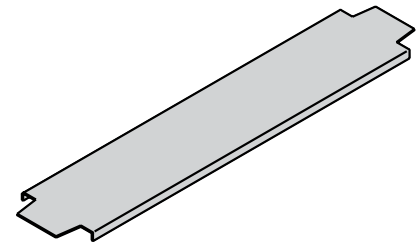
### Two-Post Network Equipment Rack Base Dust Cover

- Use to cover opening at bottom of equipment rack
- Available for aluminum or steel network equipment racks
- Material: Aluminum or Steel ASTM A569
- Finish \_\_\_\_: Aluminum - brushed (AL)  
Flat black powder coat (FB)  
Telco gray powder coat (TG)



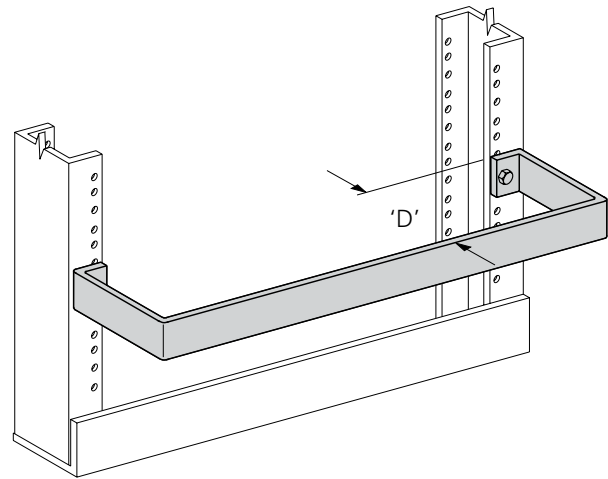
Part Number	Material	Rack Depth		Rack Width		Weight	
		In.	(mm)	In.	(mm)	Lbs.	(kg)
<b>SB59501</b> __	Steel	3"	(76)	19"	(482)	1.6	(0.72)
<b>SB59502</b> __	Steel	3"	(76)	23"	(584)	2.0	(0.90)
<b>SB59501A</b> __	Aluminum	3"	(76)	19"	(482)	1.1	(0.50)
<b>SB59502A</b> __	Aluminum	3"	(76)	23"	(584)	1.6	(0.72)
<b>SB59503A</b> __	Aluminum	6"	(152)	19"	(482)	2.0	(0.90)
<b>SB59504A</b> __	Aluminum	6"	(252)	23"	(584)	3.1	(1.40)

Specify part number and finish when ordering.



## Two-Post Network Equipment Rack Guard Rail

- Use to protect rack mounted equipment
- Available in 4¼" (108mm) to 9½" (241mm) depths
- Includes: ⅜"-16 mounting hardware
- Uses two (2) RMUs of mounting space
- Material: ¼" (6.3mm) x 2" (51mm) Aluminum Bar
- Finish \_\_\_\_: Flat black powder coat (FB)  
Telco gray powder coat (TG)  
Silver powder coat (SL)



Part Number	'D' Depth		Weight	
	In.	(mm)	Lbs.	(kg)
<b>19" (482mm) Rack Width</b>				
SB58901A__	4¼"	(108)	1.5	(0.68)
SB58901B__	5¼"	(133)	1.6	(0.72)
SB58901C__	6½"	(165)	1.7	(0.77)
SB58901D__	7"	(178)	1.8	(0.81)
SB58901E__	9½"	(241)	2.0	(0.91)
<b>23" (584mm) Rack Width</b>				
SB58902A__	4¼"	(108)	1.7	(0.77)
SB58902B__	5¼"	(133)	1.8	(0.81)
SB58902C__	6½"	(165)	1.9	(0.86)
SB58902D__	7"	(178)	2.0	(0.91)
SB58902E__	9½"	(241)	2.2	(1.00)

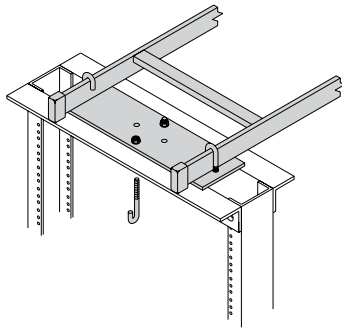
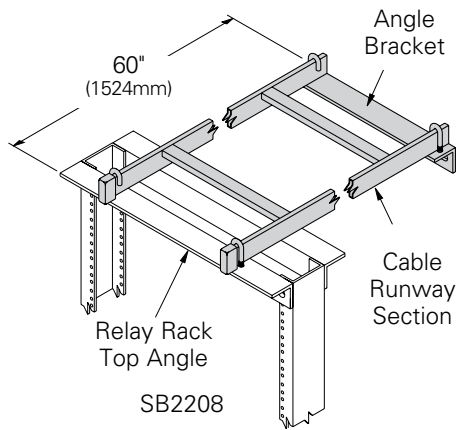
Specify part number and finish when ordering.

# Network Equipment Racks & Accessories

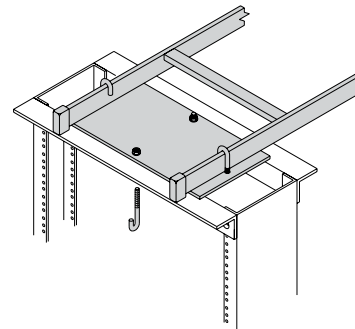
## Rack Accessories

### Network Equipment Rack Wall Support Kit

- Use to stabilize top end of relay rack 60" (1524mm) from wall
- All kits include: (1) 12" (305mm) wide x 60" (1524mm) long SB17 series runway section, (1) wall mounted angle bracket, (2) runway stringer end caps, and the required number of J-Bolts and hardware
- SB22083 comes with a 3" (76mm) rack depth rack to runway mounting plate
- SB22086 comes with a 6" (152mm) rack depth rack to runway mounting plate
- SB2208 requires drilling of rack top angle
- Order anchor hardware (for wall) separately
- Material: ASTM A36 structural steel
- Finish \_\_\_\_: Flat black powder coat (FB)  
Telco gray powder coat (TG)  
Yellow zinc (YZ)



SB22083



SB22086

Part Number	Rack Depth		Support Type		Weight	
	In.	(mm)	In.	(mm)	Lbs.	(kg)
SB22083__	3"	(76)	12" Runway	(305) Runway	20.0	(9.1)
SB22086__	6"	(152)	12" Runway	(305) Runway	23.0	(10.5)
SB2208__	Universal		12" Runway	(305) Runway	15.0	(6.8)

Specify part number and finish when ordering.

# High Density Network Rack Series

The HDNR system includes a full line of rack, cable management, power, and air flow accessories. HDNR provides an adjustable in-rack cable management, equipment mounting rails, and airflow accessories to deliver industry-leading flexibility, density, and reliable mounting of critical network equipment.

- **Best-in-class flexibility** – features rear rail adjustment, adjustable overhead drop-outs, runway mounting brackets, cable strap brackets and more.
- **Maximum density** – up to 10% increase in total cable capacity versus the leading competitor high density rack system
- **Greater reliability** – supports up to 2,200 lbs. (998kg) tested static load, self-bonding grounding throughout the rack, UL and OSPHD OPM verified and more.

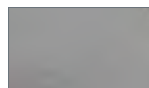
Material:	Type	Thickness	Specifications
	Steel Bar	3/8" (9.5mm) - 7 Gauge (4.5mm)	ASTM A36
	Steel Sheet & Strip	10 Gauge (3.4mm) - 18 Gauge (1.2mm)	ASTM A569
	Aluminum		5052-H32, 6061-T6 & 6063-T6

## Finishes:

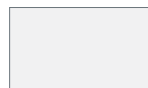
- Brushed Aluminum (AL)
- Powder Coat Paint
  - Telco Gray (TG)
  - Eaton White (EW)
  - Flat Black (FB)
  - Silver (SL)
- Chemical Conversion Coatings Available
  - Yellow Zinc (YZ) . . . ASTM B633
  - Black Zinc (BZ) . . . ASTM B633



(AL)  
Brushed  
Aluminum



(TG)  
Telco Gray



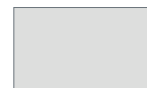
(EW)  
Eaton White



(FB)  
Flat Black  
&  
(BZ)  
Black Zinc



(YZ)  
Yellow Zinc



(SL)  
Silver

## Standard Conformance:

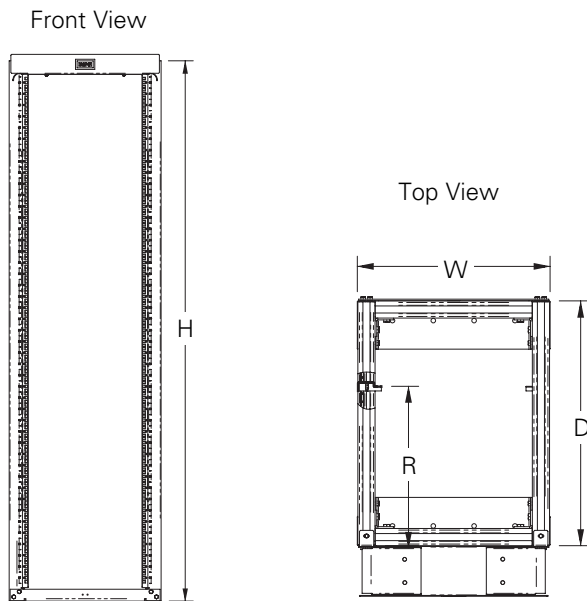
- EIA/ECA-310-E
- UL Listed Communication Circuit Accessory (file no. E171936).

# High Density Network Rack Series

## Four-post adjustable rack, square hole

- Open 19" four-post frame with EIA steel mounting rails
- Available in 45 RMU and 52 RMU heights with permanently stamped RMU markings
- EIA/ECA-310-E universal hole pattern rails accept M6, #10-32, or #12-24 cage nuts
- Load Rating: 2,200 lb. (998kg) capacity, evenly distributed along the rack height
- Integrated 4Dimension™ strut to accommodate
  - Easy rear rail adjustment (included)
  - Adjustable overhead drop-outs
  - Adjustable runway mounting brackets
  - Adjustable cable strap brackets
  - Side panel and air-baffle mounting
- Low profile PDU mounting in rear channel supports up to full-height and four half-height PDU's
- Adjustable waterfall compatible to HDNR and RCM+ vertical managers
- Ships in protective carton and easily assembles using standard hand tools
- Supports HDNR and RCM+ vertical cable managers
- HDNR four-post adjustable rack kit includes:
  - (2) pre-welded side assemblies, (2) 4Dimension strut cross members, (2) rear adjustable mounting strips, (1) adjustable waterfall, assembly hardware
- UL Listed to the UL1863 standard – File No. E171936
- See page iv for link to OPM approvals
- Material: Steel uprights, cross members, and anchor plates
- Finish \_\_\_\_: Flat black powder coat (FB)  
Eaton white powder coat (EW)

High density network rack



HD4S7DFB

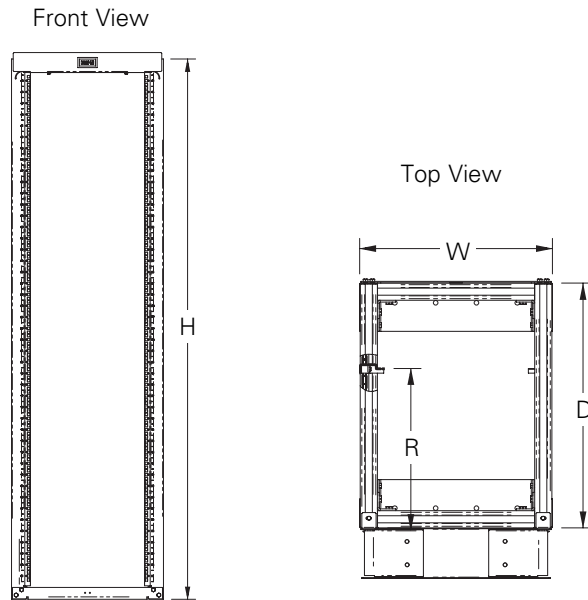
Part Number	RMU	H Height In. (mm)	W - Max Outer Width In. (mm)	D - Max Outer Depth In. (mm)	R - Max Rail Depth In. (mm)	Weight Per Each Lbs. (kg)
HD4S7C_	45	84" (2134)	23 <sup>5</sup> / <sub>8</sub> " (600)	30" (762)	23" (584)	144.7 (65.6)
HD4S7D_	45	84" (2134)	23 <sup>5</sup> / <sub>8</sub> " (600)	36" (914)	29" (736)	149.0 (67.6)
HD4S7E_	45	84" (2134)	23 <sup>5</sup> / <sub>8</sub> " (600)	42" (1067)	35" (889)	153.3 (69.6)
HD4S8C_	52	96" (2433)	23 <sup>5</sup> / <sub>8</sub> " (600)	30" (762)	23" (584)	158.2 (71.7)
HD4S8D_	52	96" (2433)	23 <sup>5</sup> / <sub>8</sub> " (600)	36" (914)	29" (736)	162.5 (73.7)
HD4S8E_	52	96" (2433)	23 <sup>5</sup> / <sub>8</sub> " (600)	42" (1067)	35" (889)	166.8 (75.6)

Specify part number and finish when ordering.

# High Density Network Rack Series

## Four-post adjustable rack, tapped hole

- Open 19" four-post frame with EIA steel mounting rails
- Available in 45 RMU and 52 RMU heights with permanently stamped RMU markings
- EIA/ECA-310-E universal tapped rails accept #12-24 screws
- Load Rating: 2,200 lb. (998kg) capacity, evenly distributed along the rack height
- Integrated 4Dimension™ strut to accommodate
  - Easy rear rail adjustment (included)
  - Adjustable rack drop-outs
  - Adjustable runway mounting brackets
  - Adjustable cable strap brackets
  - Side panel and air-baffle mounting
- Low profile PDU mounting in rear channel supports up to full-height and four half-height PDU's
- Adjustable waterfall compatible to HDNR and RCM+ vertical managers
- Ships in protective carton and easily assembles using standard hand tools
- Supports HDNR and RCM+ vertical cable managers
- HDNR four-post adjustable rack kit includes: (2) pre-welded side assemblies, (2) 4Dimension strut cross members, (2) rear adjustable mounting strips, (1) adjustable waterfall, assembly hardware
- UL Listed to the UL1863 standard – File No. E171936
- See page iv for link to OPM approvals
- Material: Steel uprights, cross members, and anchor plates
- Finish \_\_\_\_: Flat black powder coat (FB)  
Eaton white powder coat (EW)



HD4T7DFB

High density network rack

Part Number	RMU	H Height		W - Max Outer Width		D - Max Outer Depth		R - Max Rail Depth		Weight Per Each	
		In.	(mm)	In.	(mm)	In.	(mm)	In.	(mm)	Lbs.	(kg)
HD4T7C__	45	84"	(2134)	23 <sup>5</sup> / <sub>8</sub> "	(600)	30"	(762)	23"	(584)	152.3	(69.1)
HD4T7D__	45	84"	(2134)	23 <sup>5</sup> / <sub>8</sub> "	(600)	36"	(914)	29"	(736)	156.6	(71.0)
HD4T7E__	45	84"	(2134)	23 <sup>5</sup> / <sub>8</sub> "	(600)	42"	(1067)	35"	(889)	160.9	(73.0)
HD4T8C__	52	96"	(2433)	23 <sup>5</sup> / <sub>8</sub> "	(600)	30"	(762)	23"	(584)	167.0	(75.7)
HD4T8D__	52	96"	(2433)	23 <sup>5</sup> / <sub>8</sub> "	(600)	36"	(914)	29"	(736)	171.3	(77.7)
HD4T8E__	52	96"	(2433)	23 <sup>5</sup> / <sub>8</sub> "	(600)	42"	(1067)	35"	(889)	175.6	(79.6)

Specify part number and finish when ordering.

# High Density Network Rack Series

## Cable management rack, tapped hole

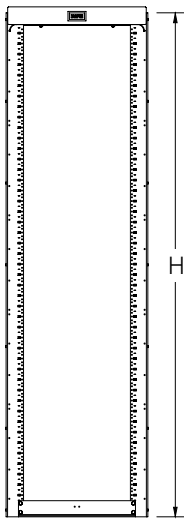
- Open 19" cable management rack
- Available in 45 RMU and 52 RMU heights with permanently stamped RMU markings
- EIA/ECA-310-E universal tapped rails accept #12-24 screws
- Load Rating: 2,000 lb. (907kg) capacity, evenly distributed along the rack height
- Integrated 4Dimension™ strut to accommodate
  - Adjustable overhead drop-outs
  - Adjustable runway mounting brackets
  - Adjustable cable strap brackets
- Ships in protective carton and easily assembles in about 15 minutes using standard hand tools
- Supports HDNR and RCM+ vertical cable managers on both front and rear sides
- HDNR cable management rack kit includes: (2) side

assemblies, (2) 4Dimension strut cross members, (1) adjustable waterfall, assembly hardware

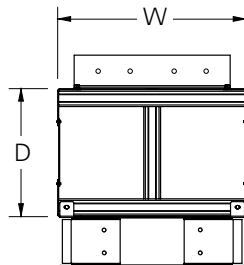
- UL Listed to the UL1863 standard – File No. E171936
- See page iv for link to OPM approvals
- Material: Aluminum uprights, steel cross members, and anchor plates
- Finish \_\_\_\_: Flat black powder coat (FB)  
Eaton white powder coat (EW)

High density network rack

Front View



Top View



HD2T7BFB

Part Number	RMU	H Height		W - Max Outer Width		D - Max Outer Depth		Weight Per Each	
		In.	(mm)	In.	(mm)	In.	(mm)	Lbs.	(kg)
HD2T7A__	45	84"	(2134)	23 <sup>5</sup> / <sub>8</sub> "	(600)	16"	(406)	76.8	(34.8)
HD2T7B__	45	84"	(2134)	23 <sup>5</sup> / <sub>8</sub> "	(600)	24"	(609)	86.2	(39.1)
HD2T8A__	52	96"	(2433)	23 <sup>5</sup> / <sub>8</sub> "	(600)	16"	(406)	84.4	(38.3)
HD2T8B__	52	96"	(2433)	23 <sup>5</sup> / <sub>8</sub> "	(600)	24"	(609)	95.3	(43.2)

Specify part number and finish when ordering.

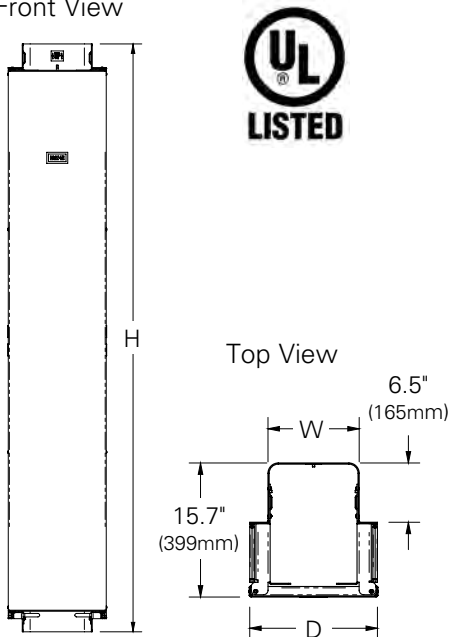


# High Density Network Rack Series

## High capacity vertical cable manager

- Compatible only with Eaton's HDNR four-post adjustable racks and HDNR cable management racks
- Designed with high-capacity outer flange for extra cable bundle support. Extra front capacity helps reduce the need for double-sided cable management, without adding footprint
- Stylistic, solid-door design with single-hand opening via squeeze-lock hinges from either side
- Floor-resting for added stability
- Easy installation
- Ribbed back design for cable bundle pass-through
- Arrowhead finger design for fast install and reliable cable retention
- Clean-break finger design to easily remove (hand-tool required)
- Compatible with RCM+ horizontal cable managers (extended finger version recommended)
- Compatible with RCM+ telescopic cable spool (6 per 84", 7 per 96")
- Compatible with RCM+ vertical managers for double-sided cable management (need to purchase HDNR cable management bracket, HDCMBFB)
- UL Listed to the UL1863 standard – File No. E171936
- Vertical cable manager includes: (1) vertical cabling section, (1) full-height door, and installation hardware
- Material: Aluminum back and door, steel door support brackets, and plastic fingers
- Finish \_\_\_\_: Flat black powder coat (FB)  
Eaton white powder coat (EW) (metal only), plastic offered in black

Front View



High density network rack

Part Number	Fits HDNR Height of RMU	H Height		W Rear Width		D Door Width		Cable Cap. 50% Fill CAT6A .375 dia.	Weight Per Each	
		In.	(mm)	In.	(mm)	In.	(mm)		Lbs.	(kg)
HDVS76__	45	84"	(2134)	6"	(152)	10"	(254)	436	54.9	(24.9)
HDVS710__	45	84"	(2134)	10"	(254)	14"	(355)	673	59.4	(26.9)
HDVS712__	45	84"	(2134)	12"	(305)	16"	(406)	791	61.6	(27.9)
HDVS715__	45	84"	(2134)	15"	(381)	19"	(482)	969	65.0	(29.5)
HDVS86__	52	96"	(2438)	6"	(152)	10"	(254)	436	63.0	(28.6)
HDVS810__	52	96"	(2438)	10"	(254)	14"	(355)	673	68.5	(31.1)
HDVS812__	52	96"	(2438)	12"	(305)	16"	(406)	791	71.2	(32.3)
HDVS815__	52	96"	(2438)	15"	(381)	19"	(482)	969	75.3	(34.1)

Specify part number and finish when ordering.

# High Density Network Rack Series

## Side panels

- Compatible with Eaton’s HDNR four-post adjustable racks and HDNR cable management racks
- Stylistic, half-height design to seal end-of-row applications
- Installs in minutes
- Can be mounted with HDNR air baffles (half-height)
- Side Panels include:
  - (2) half-height panels and rack mounting hardware
- Material: Steel side panel
- Finish \_\_\_\_: Flat black powder coat (FB)  
Eaton white powder coat (EW)

High density network rack



**HDSP7BFB**  
(includes 2)

### HDNR Cable Management Rack System



- A** HD2T7BFB (HDNR cable management rack)
- B** HDSP7BFB (HDNR side panel)
- C** HDAB7BFB (HDNR air baffle)

### HDNR Four-Post Adjustable Rack System



- D** HD4S7DFB (HDNR four-post adjustable rack)
- E** HDSP7DFB (HDNR side panel, half)
- F** HDAB7DFB (HDNR air baffle)

Part Number	Fits HDNR Height of RMU	H Height		W Width		Weight Per Set		Compatible With HDNR Rack
		In.	(mm)	In.	(mm)	Lbs.	(kg)	
<b>HDSP7A__</b>	45	41¾"	(1060)	6⅝"	(168)	11.7	(5.3)	HD2T7A__
<b>HDSP7B__</b>	45	41¾"	(1060)	14⅝"	(371)	20.7	(9.4)	HD2T7B__
<b>HDSP7C__</b>	45	41⅜"	(1051)	20¼"	(514)	27.0	(12.2)	HD4S7C__, HD4T7C__
<b>HDSP7D__</b>	45	41⅜"	(1051)	26¼"	(641)	33.6	(15.2)	HD4S7D__, HD4T7D__
<b>HDSP7E__</b>	45	41⅜"	(1051)	32¼"	(819)	40.3	(18.3)	HD4S7E__, HD4T7E__
<b>HDSP8A__</b>	52	47¾"	(1213)	6⅝"	(168)	17.3	(7.8)	HD2T8A__
<b>HDSP8B__</b>	52	47¾"	(1213)	14⅝"	(371)	27.5	(12.4)	HD2T8B__
<b>HDSP8C__</b>	52	47⅞"	(1203)	20¼"	(514)	34.7	(15.7)	HD4S8C__, HD4T8C__
<b>HDSP8D__</b>	52	47⅞"	(1203)	26¼"	(641)	42.3	(19.2)	HD4S8D__, HD4T8D__
<b>HDSP8E__</b>	52	47⅞"	(1203)	32¼"	(819)	49.9	(22.6)	HD4S8E__, HD4T8E__

Specify part number and finish when ordering.

# High Density Network Rack Series

## Air baffles

- Compatible with Eaton’s HDNR four-post adjustable racks and HDNR cable management racks
- Low-profile design to support minimal rack footprint
- Installs in minutes
- Can be mounted with HDNR side panels (half) to block air-flow between racks
- Compatible with Cisco Nexus®† and Catalysts Series®† mounting specifications
- Air Baffles include:
  - (1) half-height air baffle and rack mounting hardware
- Material: Steel air baffle
- Finish \_\_\_\_: Flat black powder coat (FB)  
Eaton white powder coat (EW)

### Cable management rack system

### Four-post adjustable rack system



HDAB7BFB



- A** HD2T7BFB (HDNR cable management rack)
- B** HDSP7BFB (HDNR side panel)
- C** HDAB7BFB (HDNR air baffle)



- D** HD4S7DFB (HDNR four-post adjustable rack)
- E** HDSP7DFB (HDNR side panel, half)
- F** HDAB7DFB (HDNR air baffle)

High density network rack

Part Number	Fits HDNR Height of RMU	H Height		W Width		Weight Each		Compatible With HDNR Rack
		In.	(mm)	In.	(mm)	Lbs.	(kg)	
HDAB7B__	45	38¾"	(984)	19⅛"	(168)	20.3	(9.2)	HD2T7B__
HDAB7C__	45	39½"	(1003)	20⅞"	(519)	21.5	(9.7)	HD4S7C__, HD4T7C__
HDAB7D__	45	39½"	(1003)	26⅞"	(671)	25.5	(11.5)	HD4S7D__, HD4T7D__
HDAB7E__	45	39½"	(1003)	32⅞"	(824)	29.6	(13.4)	HD4S7E__, HD4T7E__
HDAB8B__	52	44¾"	(1136)	19⅛"	(168)	22.8	(10.3)	HD2T8B__
HDAB8C__	52	45½"	(1156)	20⅞"	(519)	24.0	(10.9)	HD4S8C__, HD4T8C__
HDAB8D__	52	45½"	(1156)	26⅞"	(671)	28.6	(13.0)	HD4S8D__, HD4T8D__
HDAB8E__	52	45½"	(1156)	32⅞"	(824)	33.1	(15.0)	HD4S8E__, HD4T8E__

Specify part number and finish when ordering.

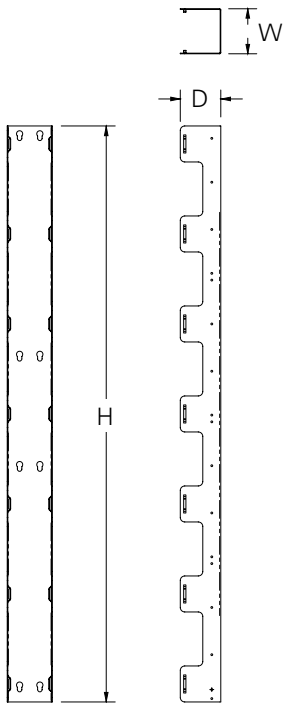
† All trademarks are property of their respective owners.

# High Density Network Rack Series

## PDU mounting brackets

- Compatible with Eaton’s HDNR four-post adjustable racks (see pages 14-15)
- Supports up to two (2) full-height and four (4) half-height PDU’s
- Fast, toolless install to the rack
- PDU Brackets include:
  - (1) PDU mounting bracket (full length) and mounting hardware
- Material: Steel mounting bracket and hardware
- Finish \_\_\_: Flat black powder coat (FB)  
Eaton white powder coat (EW)

High density network rack



**HDPDUFB**

## HDNR four-post adjustable rack system



- A** HD4S7DFB (HDNR four-post adjustable rack)
- B** HDPDUFB (HDNR PDU mounting bracket)
- C** SBSMV BCKL Eaton Velcro® strap
- D** Eaton G3 full-height PDU

Part Number	Fits Rack Height of RMU	A Height		W Width		D Depth		Weight Each		# of PDU's		Compatible With HDNR Rack
		In.	(mm)	In.	(mm)	In.	(mm)	Lbs.	(kg)	Half Height	Full Height	
HDPDU__	45 52	64"	(1625)	5"	(127)	4½"	(114)	15.1	(6.8)	4	2	Four-Post Adjustable Rack

Specify part number and finish when ordering.

®† All trademarks are property of their respective owners.

# High Density Network Rack Series

## Overhead drop-outs

- Compatible with Eaton's HDNR four-post adjustable racks and HDNR cable management racks
- Integrated with Eaton's patented 4Dimension™ strut to support cable bundles with Eaton's Velcro®† straps
- Fast install to the top of rack
- Drop-Out kit includes:
  - (2) overhead drop-outs and mounting hardware
- Material: Black plastic drop-outs and steel mounting hardware



HDDODFB



Part Number	Length		Weight Per Kit		Compatible With HDNR Rack
	In.	(mm)	Lbs.	(kg)	
HDDOAFB	11 1/2"	(292)	2.4	(1.09)	HD2T7A__, HD2T8A__
HDDOBFB	19 1/2"	(495)	3.3	(1.49)	HD2T7B__, HD2T8B__
HDDOCFB	25 3/4"	(654)	3.9	(1.77)	HD4S7C__, HD4S8C__ HD4T7C__, HD4T8C__
HDDODFB	31 3/4"	(806)	4.5	(2.04)	HD4S7D__, HD4S8D__ HD4T7D__, HD4T8D__
HDDOEFB	37 3/4"	(959)	5.1	(2.45)	HD4S7E__, HD4S8E__ HD4T7E__, HD4T8E__

## Runway stand-off kit

- Compatible with Eaton's HDNR four-post adjustable racks and HDNR cable management racks
- Integrated with Eaton's patented 4Dimension™ strut to adjust to any height
- Installs in minutes
- Compatible with full-line of Eaton runway system
- Runway stand-off kit includes:
  - (2) runway mounting brackets and installation hardware
- Material: Steel mounting bracket and hardware
- Finish \_\_: Flat black powder coat (FB)  
Eaton white powder coat (EW)



HDRSK6FB



Part Number	Max. Height		Min. Height		Weight Per Kit	
	In.	(mm)	In.	(mm)	Lbs.	(kg)
HDRSK4__	6 3/4"	(171)	4"	(101)	3.3	(1.49)
HDRSK6__	10 3/4"	(273)	6"	(152)	3.9	(1.77)
HDRSK8__	14 3/4"	(374)	8"	(203)	4.5	(2.04)

Specify part number and finish when ordering.

®† All trademarks are property of their respective owners.

# High Density Network Rack Series

## HDNR Cable Management Bracket Kit

- Connects RCM+ high density (SB860 Series) and low density (SB862 Series) to support double-sided cable management with the HDNR high capacity vertical cable managers
- Fast installation
- Material: Aluminum bracket and steel hardware
- Cable management bracket kit includes:
  - (2) brackets and installation hardware
- Finish \_\_\_: Flat black powder coat (FB)  
Eaton white powder coat (EWW)

Part Number	Weight Per Kit	
	Lbs.	(kg)
HDCMB__	0.50	(0.22)

Specify part number and finish when ordering.



HDCMBFB



HDCMBFB



- A HDCMBFBFB (Cable management bracket)
- B HDVS710FB (High capacity vertical manager)
- C SB86286S084FB (RCM+ Low density vertical manager)

## HDNR Cable Strap Mounting Kit

- Compatible with Eaton's HDNR four-post adjustable racks and HDNR cable management racks
- Compatible with Eaton's patented 4Dimension™ strut and Eaton's Velcro® Straps
- Fast installation
- Cable strap mounting kit includes:
  - (10) Velcro strap mounting brackets and installation hardware
- Material: Plastic Velcro strap bracket and steel hardware
- Finish: Flat black (FB)

Part Number	Weight Per Kit	
	Lbs.	(kg)
HDCSKFB	0.80	(0.36)



HDCSKFB



Eaton Velcro®† Strap  
(not included)

®† All trademarks are property of their respective owners.

# High Density Network Rack Series

## Recommended HDNR configuration for common applications\*

- Finish \_\_\_\_: Flat black powder coat (FB)  
Eaton white powder coat (EW)

### Cisco Catalyst Series (6500)

Switch	6503	6504	6506	6509	6513
Airflow	side/side	side/side	side/side	side/side	side/side
Cable Management Rack	HD2T7B__	HD2T7B__	HD2T7B__	HD2T7B__	HD2T7B__
Vertical Manager	HDVS76__	HDVS76__	HDVS76__	HDVS76__	HDVS76__
Air Baffle	HDAB7B__	HDAB7B__	HDAB7B__	HDAB7B__	HDAB7B__
Side Panel	HDSP7B__	HDSP7B__	HDSP7B__	HDSP7B__	HDSP7B__
Rack Drop-Out	HDD0BFB	HDD0BFB	HDD0BFB	HDD0BFB	HDD0BFB
PDU Mounting Bracket	SB3010__ or SB3011__	SB3010__ or SB3011__	SB3010__ or SB3011__	SB3010__ or SB3011__	SB3010__ or SB3011__
Cable Strap Mounting Kit	HDCSKFB	HDCSKFB	HDCSKFB	HDCSKFB	HDCSKFB

### Cisco Nexus Series (7000)

Switch	7004	7009	7010	7018
Four-Post Adjustable Rack	HD4S7D__ or HD4T7D__	HD4S7D__ or HD4T7D	HD4S7E__ or HD4T7E	HD4S7E__ or HD4T7E
Vertical Manager	HDV710__	HDV710__	HDV712__	HDV712__
Air Baffle	HDAB7D__	HDAB7D__	Not Required	HDAB7E__
Side Panel	HDSP7D__	HDSP7D__	HDSP7E__	HDSP7E__
Rack Drop-Out	HDD0BFB	HDD0BFB	HDD0BFB	HDD0BFB
PDU Mounting Bracket	HDPDU	HDPDU	HDPDU	HDPDU
Cable Strap Mounting Kit	HDCSKFB	HDCSKFB	HDCSKFB	HDCSKFB

### Cisco Nexus Series (7700)

Switch	7706	7710	7718
Four-Post Adjustable Rack	HD4S7E__ or HD4T7E__	HD4S7E__ or HD4T7E	HD4S7E__ or HD4T7E
Vertical Manager	HDV710__	HDV712__	HDV712__
Side Panel	HDSP7E__	HDSP7E__	HDSP7E__
Rack Drop-Out	HDD0BFB	HDD0BFB	HDD0BFB
PDU Mounting Bracket	HDPDU	HDPDU	HDPDU
Cable Strap Mounting Kit	HDCSKFB	HDCSKFB	HDCSKFB

### High Density Patch Panel

Switch	7706
Cable Management Rack	HD2T7B__
Vertical Manager	HDV710__
Side Panel	HDSP7E__
Rack Drop-Out	HDD0BFB
RCM+ Extended Finger Horizontal Cable Manager	SB87019SX1__

Specify part number and finish when ordering.

\* Suggested use only. Configurations may vary based on customer or application requirements.





# Cable Management - RCM & RCM+

RCM System

Rack cable management (RCM) – features sleek, cost-effective options for basic network closet applications. The enhanced low profile cable management solution features a stylized door and unique accessories that are compatible with the RCM+ system.

Rack cable management plus (RCM+) - provides greater network rack density, featuring up to 30% more total rack cable capacity versus leading competitors in its class. The innovative system includes greater cable capacity, low-profile mounting and three color options, including Eaton white.



Material:	Type	Thickness	Specifications
	Steel Bar	3/8" (9.5mm) - 7 Gauge (4.5mm)	ASTM A36
	Steel Strip	10 Gauge (3.4mm) - 12 Gauge (2.6mm)	ASTM A569
	Aluminum		6061-T6 & 6063-T6

## Finishes:

- Brushed Aluminum (AL)
- Powder Coat Paint
  - Telco Gray (TG)
  - Eaton White (EW)
  - Flat Black (FB)
  - Silver (SL)
- Chemical Conversion Coatings Available
  - Yellow Zinc (YZ) . . . ASTM B633
  - Black Zinc (BZ) . . . ASTM B633



(AL)  
Brushed  
Aluminum



(TG)  
Telco Gray



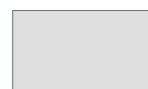
(EW)  
Eaton White



(FB)  
Flat Black  
&  
(BZ)  
Black Zinc



(YZ)  
Yellow Zinc



(SL)  
Silver

Cable managers

## Standard Conformance:

- EIA/ECA-310-E
- UL Listed Communication Circuit Accessory (file no. E171936).
- UL Listed Communication Circuit Accessory (file no. E235184).

# Cable Managers

RCM System

## RCM Rack & Cable Management Value Pack

- Part number includes:
  - One (1) Standard 19" (482mm) wide, 84" (2134mm) tall equipment rack (SB556084XUFB)
  - Two (2) RCM high density single sided cable managers (SB861\_\_FB, see page 71)
- Ships unassembled
- Stylistic, full-length cable management door compatible with RCM+ standard vertical cable managers
- Rack is UL Listed (File No. E171936) as a communications circuit accessory
- Finish: Flat black powder coat (FB)



Sloped Fingers & Captive Mounting Nuts



Mounting Hardware

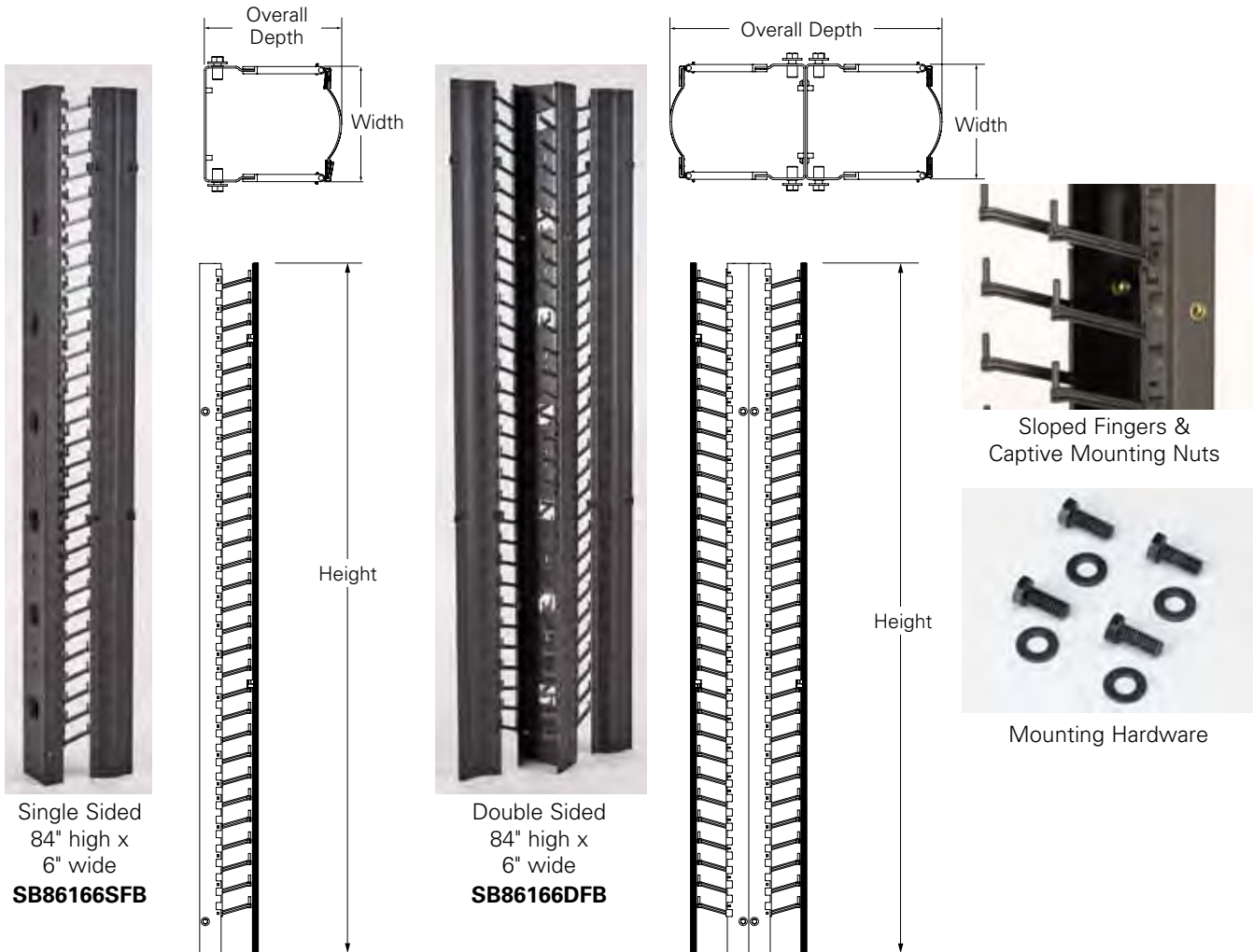
Value Pack, 84" high x 6" wide vertical managers  
**SB81006FB**

Part Number	Height		Cable Manager Width		Weight Each		Max CAT6A Cables Per Manager (50% Fill) (0.375" dia)
	In.	(mm)	In.	(mm)	Lbs.	(kg)	
<b>SB81003FB</b>	84"	(2134)	3.6"	(92)	44	(19.9)	86
<b>SB81006FB</b>	84"	(2134)	6.0"	(152)	55	(24.9)	153

Cable managers

## RCM High Density Cable Managers

- Sloped fingers at 1.5U provide additional cable support
- Captive hardware for faster installation onto equipment rack
- Designed for fast, easy installation by one person
- Stylish, full-length door compatible with RCM+ standard vertical cable managers
- Dual-hinged door provides cable access from either side
- Multiple cable pass-through openings with cable tie lances
- Finish: Flat black powder coat (FB)



Part Number	Height		Width		Overall Depth		Configuration	Weight Each		Max CAT6A Cables Per Manager (50% Fill) (0.375" dia)
	In.	(mm)	In.	(mm)	In.	(mm)		Lbs.	(kg)	
<b>SB86163SFB</b>	84"	(2134)	3.6"	(92)	7.1"	(180)	Single	10.7	(4.8)	86
<b>SB86166SFB</b>	84"	(2134)	6.0"	(152)	7.1"	(180)	Single	22.3	(10.1)	153
<b>SB861610SFB</b>	84"	(2134)	10.0"	(152)	7.1"	(180)	Single	31.0	(14.1)	256
<b>SB86163DFB</b>	84"	(2134)	3.6"	(92)	14.1"	(358)	Double	21.4	(9.7)	172
<b>SB86166DFB</b>	84"	(2134)	6.0"	(152)	14.1"	(358)	Double	44.6	(20.2)	307
<b>SB861610DFB</b>	84"	(2134)	10.0"	(92)	14.1"	(358)	Double	62.0	(28.1)	512

# Cable Managers

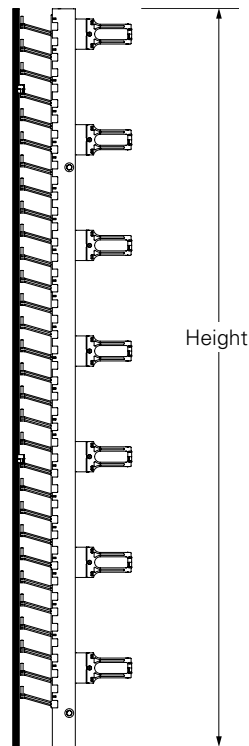
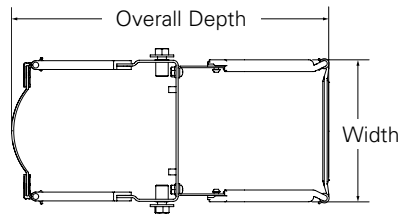
RCM System

## RCM Dual Density Cable Managers

- Sloped fingers at 1.5U provide additional cable support
- Captive hardware for faster installation onto equipment rack
- Popular dual density configuration combines SB861 vertical manager with SB863 low density gates
- Designed for fast, easy installation by one person
- Stylish, full-length door compatible with RCM+ standard vertical cable managers
- Dual-hinged door provides cable access from either side
- Multiple cable pass-through openings with cable tie lances
- Finish: Flat black powder coat (FB)



Dual-Density  
84" high x 6" wide  
**SB86566DFB**



Sloped Fingers &  
Captive Mounting Nuts



Mounting Hardware

Part Number	Height		Width		Overall Depth	Configuration	Weight Each		Max CAT6A Cables Per Manager (50% Fill) (0.375" dia)
	In.	(mm)	In.	(mm)			Lbs.	(kg)	
<b>SB86563DFB</b>	84"	(2134)	3.6"	(92)	13.5" (343)	Double	15.4	(7.0)	162
<b>SB86566DFB</b>	84"	(2134)	6.0"	(152)	13.5" (343)	Double	27.1	(12.3)	297

Cable managers

### Flextray™ lacing device kit for RCM system

- Kit installs easily onto the back of single-sided RCM cable managers
- Open framework leaves room for flexible cable lacing and attachment
- Available for 6" (152mm) wide vertical manager (SB86166SFB)
- Three (3) sets of mounting hardware included
- Finish: Flat black powder coat (FB)  
Brackets electroplated zinc FLEXTRAY



Mounting Hardware



Mounted On Cable Manager



Part Number	Height		Width		Weight Each	
	In.	(mm)	In.	(mm)	Lbs.	(kg)
<b>SB86306FTKFB</b>	84"	(2134)	6"	(152)	4.8	(2.2)

Flextray Kit 6" wide  
**SB86306FTK**

### RCM Back Gate Kit

- Gates contain cables on back of single sided managers
- Gate cover snaps on and off for easy installation and removal
- Available for 3.6" (92mm) and 6" (152mm) wide vertical managers
- Kits include seven (7) sets of gates and hardware
- Finish: Flat black powder coat (FB)



Back Gate Kit  
6" wide  
**SB86306GK**



Gates & Hardware



Gates & Hardware Installed

Part Number	RCM Height		Width		Weight Each		Compatible With
	In.	(mm)	In.	(mm)	Lbs.	(kg)	
<b>SB86303GKFB</b>	84"	(2134)	3.6"	(92)	4.4	(2.0)	SB86163SFB
	84"	(2134)	6.0"	(152)	4.6	(2.1)	SB86166SFB

# Cable Managers

RCM+ System

## RCM+ Rack Mounted Vertical Cable Manager With Cover Single Sided High Density Plastic Finger Style

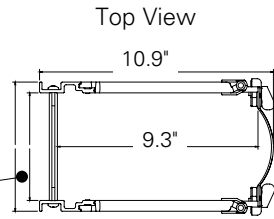
- Single-sided SB860 Series RCM+ vertical cable managers with extended fingers are designed for routing high density cabling by providing maximum cable support for each rack mounting space
- Stylistic, full length doors, with quarter-turn locking hinges, allow for quick opening from either side or complete removal
- Compatible with RCM+ extended horizontal cable managers
- Three (3) snap-on gates retain cables when doors are opened or removed. Gates can be placed at any location
- Open back design allows unrestricted front and rear routing of cables
- Installation is easy and can be done in minutes using standard hand tools
- Optional back removable covers are designed with pass through openings for cable routing, keyhole slots for cable spools, slots for cable straps, and keyhole slots for direct PDU mounting
- 1/4" (6.3mm) accessory mounting holes run the full height on both sides of the cable manager to accommodate the attachment of cable management accessories

- UL Listed as a Communication Circuit Accessory. File No. E171936
- Material: Aluminum with UL 94V-0 black plastic components
- Vertical cable manager includes:
  - (1) vertical cabling section, (1) door, (3) gates, (25) push-in fasteners,
  - (6) cable strap mounts, (2) cable retainer bars and mounting hardware
- Finish\_\_\_: Flat black powder coat (FB)  
Silver powder coat (SL)  
Eaton white powder coat (EW)



U.S. Patent 7,362,941  
Other Patents Pending

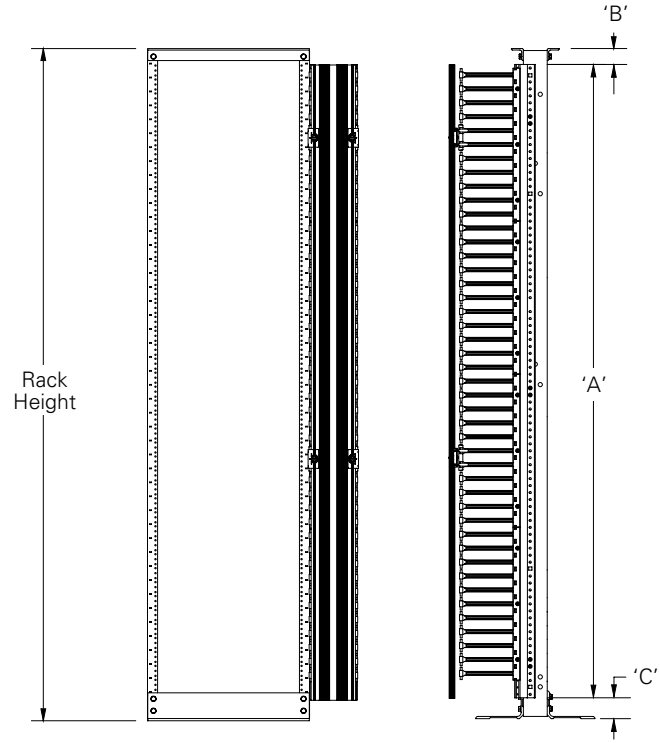
Outside Dim.	Inside Dim.
3.6"	2.6"
6.0"	5.0"
10.0"	9.0"
12.0"	11.0"



Single sided,  
84" high x 6" wide  
**SB86086S084FB**



**SB86086S084FB**  
shown with optional  
back removable cover  
(see page 85)



Cable managers

## RCM+ Rack Mounted Vertical Cable Manager With Cover cont. Single Sided High Density Plastic Finger Style

Part Number	Fits Rack Height of In. (mm)	'A' In. (mm)	'B' In. (mm)	'C' In. (mm)	Weight Each Lbs. (kg)	Max CAT6A Cables (0.375" OD) (50% Fill)
3 <sup>5</sup> / <sub>8</sub> " (92mm) Wide x 10 <sup>13</sup> / <sub>16</sub> " (275mm) Deep						
SB86083S066__	66" (1676)	60 <sup>3</sup> / <sub>8</sub> " (1533)	3" (76.2)	2 <sup>5</sup> / <sub>8</sub> " (66.7)	11.8 (5.4)	109
SB86083S072__	72" (1829)	67 <sup>3</sup> / <sub>8</sub> " (1711)	2" (50.8)	2 <sup>5</sup> / <sub>8</sub> " (66.7)	13.3 (6.0)	109
SB86083S078__	78" (1981)	72 <sup>5</sup> / <sub>8</sub> " (1845)	2 <sup>3</sup> / <sub>4</sub> " (69.9)	2 <sup>5</sup> / <sub>8</sub> " (66.7)	14.3 (6.5)	109
SB86083S084__	84" (2133)	79 <sup>5</sup> / <sub>8</sub> " (2022)	1 <sup>3</sup> / <sub>4</sub> " (44.4)	2 <sup>5</sup> / <sub>8</sub> " (66.7)	15.5 (7.0)	109
SB86083S090__	90" (2286)	84 <sup>7</sup> / <sub>8</sub> " (2156)	2 <sup>1</sup> / <sub>2</sub> " (63.5)	2 <sup>5</sup> / <sub>8</sub> " (66.7)	16.5 (7.5)	109
SB86083S096__	96" (2438)	90 <sup>1</sup> / <sub>8</sub> " (2289)	3 <sup>1</sup> / <sub>4</sub> " (82.6)	2 <sup>5</sup> / <sub>8</sub> " (66.7)	17.6 (8.0)	109
SB86083S108__	108" (2743)	102 <sup>3</sup> / <sub>8</sub> " (2600)	3" (76.2)	2 <sup>5</sup> / <sub>8</sub> " (66.7)	20.0 (9.0)	109
6" (152mm) Wide x 10 <sup>13</sup> / <sub>16</sub> " (275mm) Deep						
SB86086S066__	66" (1676)	60 <sup>3</sup> / <sub>8</sub> " (1533)	3" (76.2)	2 <sup>5</sup> / <sub>8</sub> " (66.7)	13.4 (6.1)	210
SB86086S072__	72" (1829)	67 <sup>3</sup> / <sub>8</sub> " (1711)	2" (50.8)	2 <sup>5</sup> / <sub>8</sub> " (66.7)	14.9 (6.9)	210
SB86086S078__	78" (1981)	72 <sup>5</sup> / <sub>8</sub> " (1845)	2 <sup>3</sup> / <sub>4</sub> " (69.9)	2 <sup>5</sup> / <sub>8</sub> " (66.7)	16.1 (7.3)	210
SB86086S084__	84" (2133)	79 <sup>5</sup> / <sub>8</sub> " (2022)	1 <sup>3</sup> / <sub>4</sub> " (44.4)	2 <sup>5</sup> / <sub>8</sub> " (66.7)	17.4 (7.9)	210
SB86086S090__	90" (2286)	84 <sup>7</sup> / <sub>8</sub> " (2156)	2 <sup>1</sup> / <sub>2</sub> " (63.5)	2 <sup>5</sup> / <sub>8</sub> " (66.7)	18.6 (8.4)	210
SB86086S096__	96" (2438)	90 <sup>1</sup> / <sub>8</sub> " (2289)	3 <sup>1</sup> / <sub>4</sub> " (82.6)	2 <sup>5</sup> / <sub>8</sub> " (66.7)	19.9 (9.0)	210
SB86086S108__	108" (2743)	102 <sup>3</sup> / <sub>8</sub> " (2600)	3" (76.2)	2 <sup>5</sup> / <sub>8</sub> " (66.7)	22.5 (10.2)	210
10" (254mm) Wide x 10 <sup>13</sup> / <sub>16</sub> " (275mm) Deep						
SB860810S066__	66" (1676)	60 <sup>3</sup> / <sub>8</sub> " (1533)	3" (76.2)	2 <sup>5</sup> / <sub>8</sub> " (66.7)	16.3 (7.4)	378
SB860810S072__	72" (1829)	67 <sup>3</sup> / <sub>8</sub> " (1711)	2" (50.8)	2 <sup>5</sup> / <sub>8</sub> " (66.7)	18.3 (8.3)	378
SB860810S078__	78" (1981)	72 <sup>5</sup> / <sub>8</sub> " (1845)	2 <sup>3</sup> / <sub>4</sub> " (69.9)	2 <sup>5</sup> / <sub>8</sub> " (66.7)	19.6 (8.9)	378
SB860810S084__	84" (2133)	79 <sup>5</sup> / <sub>8</sub> " (2022)	1 <sup>3</sup> / <sub>4</sub> " (44.4)	2 <sup>5</sup> / <sub>8</sub> " (66.7)	21.3 (9.7)	378
SB860810S090__	90" (2286)	84 <sup>7</sup> / <sub>8</sub> " (2156)	2 <sup>1</sup> / <sub>2</sub> " (63.5)	2 <sup>5</sup> / <sub>8</sub> " (66.7)	22.7 (10.3)	378
SB860810S096__	96" (2438)	90 <sup>1</sup> / <sub>8</sub> " (2289)	3 <sup>1</sup> / <sub>4</sub> " (82.6)	2 <sup>5</sup> / <sub>8</sub> " (66.7)	24.3 (11.0)	378
SB860810S108__	108" (2743)	102 <sup>3</sup> / <sub>8</sub> " (2600)	3" (76.2)	2 <sup>5</sup> / <sub>8</sub> " (66.7)	27.5 (12.5)	378
12" (305mm) Wide x 10 <sup>13</sup> / <sub>16</sub> " (275mm) Deep						
SB860812S066__	66" (1676)	60 <sup>3</sup> / <sub>8</sub> " (1533)	3" (76.2)	2 <sup>5</sup> / <sub>8</sub> " (66.7)	20.2 (9.2)	463
SB860812S072__	72" (1829)	67 <sup>3</sup> / <sub>8</sub> " (1711)	2" (50.8)	2 <sup>5</sup> / <sub>8</sub> " (66.7)	22.6 (10.2)	463
SB860812S078__	78" (1981)	72 <sup>5</sup> / <sub>8</sub> " (1845)	2 <sup>3</sup> / <sub>4</sub> " (69.9)	2 <sup>5</sup> / <sub>8</sub> " (66.7)	24.3 (11.0)	463
SB860812S084__	84" (2133)	79 <sup>5</sup> / <sub>8</sub> " (2022)	1 <sup>3</sup> / <sub>4</sub> " (44.4)	2 <sup>5</sup> / <sub>8</sub> " (66.7)	26.4 (12.0)	463
SB860812S090__	90" (2286)	84 <sup>7</sup> / <sub>8</sub> " (2156)	2 <sup>1</sup> / <sub>2</sub> " (63.5)	2 <sup>5</sup> / <sub>8</sub> " (66.7)	28.2 (12.8)	463
SB860812S096__	96" (2438)	90 <sup>1</sup> / <sub>8</sub> " (2289)	3 <sup>1</sup> / <sub>4</sub> " (82.6)	2 <sup>5</sup> / <sub>8</sub> " (66.7)	30.3 (13.7)	463
SB860812S108__	108" (2743)	102 <sup>3</sup> / <sub>8</sub> " (2600)	3" (76.2)	2 <sup>5</sup> / <sub>8</sub> " (66.7)	34.0 (15.4)	463

Specify part number and finish when ordering.

A = Height of RCM+ vertical section without doors

B = Distance between the top of the rack and the top of the RCM+ cable manager

C = Distance between the floor and the lowest part of the RCM+ cable manager

# Cable Managers

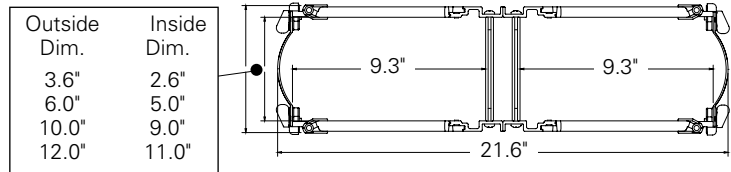
RCM+ System

## RCM+ Rack Mounted Vertical Cable Manager With Cover Double Sided High Density Plastic Finger Style

- Single-sided SB860 Series RCM+ vertical cable managers with extended fingers are designed for routing high density cabling by providing maximum cable support for each rack mounting space. Provides greater cable capacity with access doors and gates on the front and rear
- Front and rear vertical sections can be spaced apart when mounting on racks deeper than 3" (76mm)
- Compatible with RCM+ extended horizontal cable managers
- Stylistic, full length doors, with quarter-turn locking hinges, allow for quick opening from either side or complete removal
- Six (6) snap-on gates retain cables when doors are opened or removed. Gates can be placed at any location
- Open back design allows unrestricted routing of cables between front and rear cables managers
- Installation is easy and can be done in minutes using standard hand tools
- Optional back removable covers are designed with pass through openings for cable routing, keyhole slots for cable spools, slots for cable straps, and keyhole slots for direct PDU mounting
- ¼" (6.3mm) accessory mounting holes run the full height on both sides of the cable manager to accommodate the attachment of cable management accessories
- UL Listed as a communication circuit accessory. File No. E171936
- Material: Aluminum with UL 94V-0 black plastic components
- Vertical cable manager includes:
  - (2) vertical cabling sections, (2) doors, (6) gates, (50) push-in fasteners, (12) cable strap mounts, (4) cable retainer bars and mounting hardware. On 10" and 12" wide cable managers only, and (2) spool kits are included
- Finish\_\_\_: Flat black powder coat (FB)  
Silver powder coat (SL)  
Eaton white powder coat (EW)



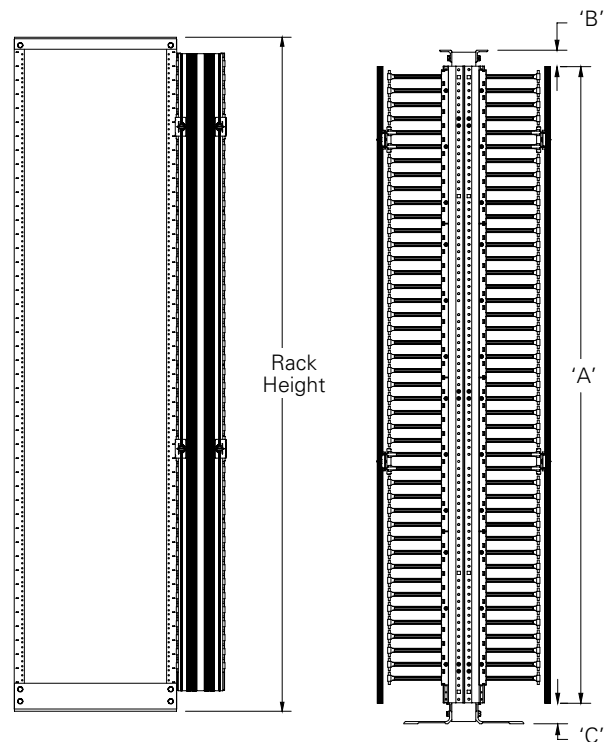
Top View



U.S. Patent 7,362,941  
Other Patents Pending



Double sided,  
84" high x 6" wide  
**SB86086D084FB**



Cable managers



## RCM+ Rack Mounted Vertical Cable Manager With Cover cont. Double Sided High Density Plastic Finger Style

Part Number	Fits Rack Height of In. (mm)	'A' In. (mm)	'B' In. (mm)	'C' In. (mm)	Weight Each Lbs. (kg)	Max CAT6A Cables (0.375" OD) (50% Fill)
3 <sup>5</sup> / <sub>8</sub> " (92mm) Wide x 21 <sup>5</sup> / <sub>8</sub> " (549mm) Deep						
SB86083D066__	66" (1676)	60 <sup>3</sup> / <sub>8</sub> " (1533)	3" (76.2)	2 <sup>5</sup> / <sub>8</sub> " (66.7)	23.7 (10.7)	218
SB86083D072__	72" (1829)	67 <sup>3</sup> / <sub>8</sub> " (1711)	2" (50.8)	2 <sup>5</sup> / <sub>8</sub> " (66.7)	26.5 (12.0)	218
SB86083D078__	78" (1981)	72 <sup>5</sup> / <sub>8</sub> " (1845)	2 <sup>3</sup> / <sub>4</sub> " (69.9)	2 <sup>5</sup> / <sub>8</sub> " (66.7)	28.5 (12.9)	218
SB86083D084__	84" (2133)	79 <sup>5</sup> / <sub>8</sub> " (2022)	1 <sup>3</sup> / <sub>4</sub> " (44.4)	2 <sup>5</sup> / <sub>8</sub> " (66.7)	30.9 (14.0)	218
SB86083D090__	90" (2286)	84 <sup>7</sup> / <sub>8</sub> " (2156)	2 <sup>1</sup> / <sub>2</sub> " (63.5)	2 <sup>5</sup> / <sub>8</sub> " (66.7)	33.1 (15.0)	218
SB86083D096__	96" (2438)	90 <sup>1</sup> / <sub>8</sub> " (2289)	3 <sup>1</sup> / <sub>4</sub> " (82.6)	2 <sup>5</sup> / <sub>8</sub> " (66.7)	35.3 (16.0)	218
SB86083D108__	108" (2743)	102 <sup>3</sup> / <sub>8</sub> " (2600)	3" (76.2)	2 <sup>5</sup> / <sub>8</sub> " (66.7)	39.9 (18.1)	218
6" (152mm) Wide x 21 <sup>5</sup> / <sub>8</sub> " (549mm) Deep						
SB86086D066__	66" (1676)	60 <sup>3</sup> / <sub>8</sub> " (1533)	3" (76.2)	2 <sup>5</sup> / <sub>8</sub> " (66.7)	26.7 (12.1)	421
SB86086D072__	72" (1829)	67 <sup>3</sup> / <sub>8</sub> " (1711)	2" (50.8)	2 <sup>5</sup> / <sub>8</sub> " (66.7)	29.9 (13.6)	421
SB86086D078__	78" (1981)	72 <sup>5</sup> / <sub>8</sub> " (1845)	2 <sup>3</sup> / <sub>4</sub> " (69.9)	2 <sup>5</sup> / <sub>8</sub> " (66.7)	32.1 (14.6)	421
SB86086D084__	84" (2133)	79 <sup>5</sup> / <sub>8</sub> " (2022)	1 <sup>3</sup> / <sub>4</sub> " (44.4)	2 <sup>5</sup> / <sub>8</sub> " (66.7)	34.9 (15.8)	421
SB86086D090__	90" (2286)	84 <sup>7</sup> / <sub>8</sub> " (2156)	2 <sup>1</sup> / <sub>2</sub> " (63.5)	2 <sup>5</sup> / <sub>8</sub> " (66.7)	37.2 (16.9)	421
SB86086D096__	96" (2438)	90 <sup>1</sup> / <sub>8</sub> " (2289)	3 <sup>1</sup> / <sub>4</sub> " (82.6)	2 <sup>5</sup> / <sub>8</sub> " (66.7)	39.9 (18.1)	421
SB86086D108__	108" (2743)	102 <sup>3</sup> / <sub>8</sub> " (2600)	3" (76.2)	2 <sup>5</sup> / <sub>8</sub> " (66.7)	45.0 (20.4)	421
10" (254mm) Wide x 21 <sup>5</sup> / <sub>8</sub> " (549mm) Deep						
SB860810D066__	66" (1676)	60 <sup>3</sup> / <sub>8</sub> " (1533)	3" (76.2)	2 <sup>5</sup> / <sub>8</sub> " (66.7)	38.4 (17.4)	757
SB860810D072__	72" (1829)	67 <sup>3</sup> / <sub>8</sub> " (1711)	2" (50.8)	2 <sup>5</sup> / <sub>8</sub> " (66.7)	42.8 (19.4)	757
SB860810D078__	78" (1981)	72 <sup>5</sup> / <sub>8</sub> " (1845)	2 <sup>3</sup> / <sub>4</sub> " (69.9)	2 <sup>5</sup> / <sub>8</sub> " (66.7)	46.1 (20.9)	757
SB860810D084__	84" (2133)	79 <sup>5</sup> / <sub>8</sub> " (2022)	1 <sup>3</sup> / <sub>4</sub> " (44.4)	2 <sup>5</sup> / <sub>8</sub> " (66.7)	49.9 (22.6)	757
SB860810D090__	90" (2286)	84 <sup>7</sup> / <sub>8</sub> " (2156)	2 <sup>1</sup> / <sub>2</sub> " (63.5)	2 <sup>5</sup> / <sub>8</sub> " (66.7)	52.6 (23.9)	757
SB860810D096__	96" (2438)	90 <sup>1</sup> / <sub>8</sub> " (2289)	3 <sup>1</sup> / <sub>4</sub> " (82.6)	2 <sup>5</sup> / <sub>8</sub> " (66.7)	56.8 (25.8)	757
SB860810D108__	108" (2743)	102 <sup>3</sup> / <sub>8</sub> " (2600)	3" (76.2)	2 <sup>5</sup> / <sub>8</sub> " (66.7)	64.0 (29.1)	757
12" (305mm) Wide x 21 <sup>5</sup> / <sub>8</sub> " (549mm) Deep						
SB860812D066__	66" (1676)	60 <sup>3</sup> / <sub>8</sub> " (1533)	3" (76.2)	2 <sup>5</sup> / <sub>8</sub> " (66.7)	46.3 (21.0)	926
SB860812D072__	72" (1829)	67 <sup>3</sup> / <sub>8</sub> " (1711)	2" (50.8)	2 <sup>5</sup> / <sub>8</sub> " (66.7)	51.4 (23.3)	926
SB860812D078__	78" (1981)	72 <sup>5</sup> / <sub>8</sub> " (1845)	2 <sup>3</sup> / <sub>4</sub> " (69.9)	2 <sup>5</sup> / <sub>8</sub> " (66.7)	55.4 (25.1)	926
SB860812D084__	84" (2133)	79 <sup>5</sup> / <sub>8</sub> " (2022)	1 <sup>3</sup> / <sub>4</sub> " (44.4)	2 <sup>5</sup> / <sub>8</sub> " (66.7)	60.0 (27.2)	926
SB860812D090__	90" (2286)	84 <sup>7</sup> / <sub>8</sub> " (2156)	2 <sup>1</sup> / <sub>2</sub> " (63.5)	2 <sup>5</sup> / <sub>8</sub> " (66.7)	63.6 (28.9)	926
SB860812D096__	96" (2438)	90 <sup>1</sup> / <sub>8</sub> " (2289)	3 <sup>1</sup> / <sub>4</sub> " (82.6)	2 <sup>5</sup> / <sub>8</sub> " (66.7)	68.7 (31.2)	926
SB860812D108__	108" (2743)	102 <sup>3</sup> / <sub>8</sub> " (2600)	3" (76.2)	2 <sup>5</sup> / <sub>8</sub> " (66.7)	77.1 (35.0)	926

Specify part number and finish when ordering.

A = Height of RCM+ vertical section without doors

B = Distance between the top of the rack and the top of the RCM+ cable manager

C = Distance between the floor and the lowest part of the RCM+ cable manager

# Cable Managers

RCM+ System

## RCM+ Rack Mounted Vertical Cable Manager Single Sided Low Density Plastic Gate Style

- Single-sided SB862 Series RCM+ low density vertical cable managers are designed for routing cabling on and between racks
- Vertical cabling section can be used with RCM+ standard horizontal cable managers
- Snap-on gates allow for quick opening from either side or complete removal
- Open back design allows unrestricted front and rear routing of cables
- Optional back removable covers are designed with pass through openings for cable routing, keyhole slots for cable spools, slots for cable straps, and keyhole slots for direct PDU mounting
- Installation is easy and can be performed in minutes using standard hand tools
- 1/4" (6.3mm) accessory mounting holes run the full height on both sides of the cable manager to accommodate the attachment of cable management accessories
- UL Listed as a communication circuit accessory. File No. E171936
- Material: Aluminum with UL 94V-0 black plastic components
- Vertical cable manager includes:
  - (1) vertical cabling section,
  - (25) push-in fasteners,
  - (6) cable strap mounts,
  - (2) cable retainer bars,
  - required number of gates, and mounting hardware
- Finish\_\_\_: Flat black powder coat (FB)  
Silver powder coat (SL)  
Eaton white powder coat (EW)

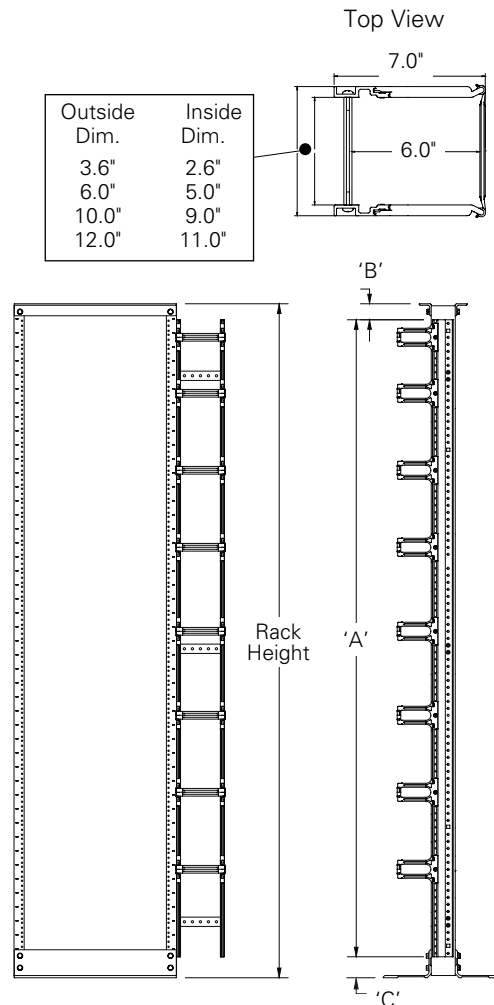
U.S. Patent 7,362,941  
Other Patents Pending



Single sided,  
84" high x 6" wide  
**SB86286S084FB**



**SB86286S084FB**  
shown with optional  
back removable cover  
(see page 85)



Cable managers

## RCM+ Rack Mounted Vertical Cable Manager cont. Single Sided Low Density Plastic Gate Style

Part Number	Fits Rack Height of In. (mm)	'A'		'B'		'C'		Weight Each Lbs. (kg)	Max CAT6A Cables (0.375" OD) (50% Fill)
		In.	(mm)	In.	(mm)	In.	(mm)		
3 <sup>5</sup> / <sub>8</sub> " (92mm) Wide x 7" (178mm) Deep									
SB86283S066__	66" (1676)	60 <sup>3</sup> / <sub>8</sub> " (1533)		3" (76.2)		2 <sup>5</sup> / <sub>8</sub> " (66.7)		8.0 (3.6)	69
SB86283S072__	72" (1829)	67 <sup>3</sup> / <sub>8</sub> " (1711)		2" (50.8)		2 <sup>5</sup> / <sub>8</sub> " (66.7)		9.0 (4.1)	69
SB86283S078__	78" (1981)	72 <sup>5</sup> / <sub>8</sub> " (1845)		2 <sup>3</sup> / <sub>4</sub> " (69.9)		2 <sup>5</sup> / <sub>8</sub> " (66.7)		9.8 (4.4)	69
SB86283S084__	84" (2133)	79 <sup>5</sup> / <sub>8</sub> " (2022)		1 <sup>3</sup> / <sub>4</sub> " (44.4)		2 <sup>5</sup> / <sub>8</sub> " (66.7)		10.5 (4.8)	69
SB86283S090__	90" (2286)	84 <sup>7</sup> / <sub>8</sub> " (2156)		2 <sup>1</sup> / <sub>2</sub> " (63.5)		2 <sup>5</sup> / <sub>8</sub> " (66.7)		11.0 (5.0)	69
SB86283S096__	96" (2438)	90 <sup>1</sup> / <sub>8</sub> " (2289)		3 <sup>1</sup> / <sub>4</sub> " (82.6)		2 <sup>5</sup> / <sub>8</sub> " (66.7)		11.7 (5.3)	69
SB86283S108__	108" (2743)	102 <sup>3</sup> / <sub>8</sub> " (2600)		3" (76.2)		2 <sup>5</sup> / <sub>8</sub> " (66.7)		13.2 (6.0)	69
6" (152mm) Wide x 7" (178mm) Deep									
SB86286S066__	66" (1676)	60 <sup>3</sup> / <sub>8</sub> " (1533)		3" (76.2)		2 <sup>5</sup> / <sub>8</sub> " (66.7)		8.3 (3.8)	134
SB86286S072__	72" (1829)	67 <sup>3</sup> / <sub>8</sub> " (1711)		2" (50.8)		2 <sup>5</sup> / <sub>8</sub> " (66.7)		9.4 (4.2)	134
SB86286S078__	78" (1981)	72 <sup>5</sup> / <sub>8</sub> " (1845)		2 <sup>3</sup> / <sub>4</sub> " (69.9)		2 <sup>5</sup> / <sub>8</sub> " (66.7)		10.2 (4.7)	134
SB86286S084__	84" (2133)	79 <sup>5</sup> / <sub>8</sub> " (2022)		1 <sup>3</sup> / <sub>4</sub> " (44.4)		2 <sup>5</sup> / <sub>8</sub> " (66.7)		10.9 (4.9)	134
SB86286S090__	90" (2286)	84 <sup>7</sup> / <sub>8</sub> " (2156)		2 <sup>1</sup> / <sub>2</sub> " (63.5)		2 <sup>5</sup> / <sub>8</sub> " (66.7)		11.4 (5.2)	134
SB86286S096__	96" (2438)	90 <sup>1</sup> / <sub>8</sub> " (2289)		3 <sup>1</sup> / <sub>4</sub> " (82.6)		2 <sup>5</sup> / <sub>8</sub> " (66.7)		12.1 (5.5)	134
SB86286S108__	108" (2743)	102 <sup>3</sup> / <sub>8</sub> " (2600)		3" (76.2)		2 <sup>5</sup> / <sub>8</sub> " (66.7)		13.7 (6.2)	134
10" (254mm) Wide x 7" (178mm) Deep									
SB862810S066__	66" (1676)	60 <sup>3</sup> / <sub>8</sub> " (1533)		3" (76.2)		2 <sup>5</sup> / <sub>8</sub> " (66.7)		8.9 (4.0)	241
SB862810S072__	72" (1829)	67 <sup>3</sup> / <sub>8</sub> " (1711)		2" (50.8)		2 <sup>5</sup> / <sub>8</sub> " (66.7)		10.0 (4.5)	241
SB862810S078__	78" (1981)	72 <sup>5</sup> / <sub>8</sub> " (1845)		2 <sup>3</sup> / <sub>4</sub> " (69.9)		2 <sup>5</sup> / <sub>8</sub> " (66.7)		10.8 (4.9)	241
SB862810S084__	84" (2133)	79 <sup>5</sup> / <sub>8</sub> " (2022)		1 <sup>3</sup> / <sub>4</sub> " (44.4)		2 <sup>5</sup> / <sub>8</sub> " (66.7)		11.6 (5.2)	241
SB862810S090__	90" (2286)	84 <sup>7</sup> / <sub>8</sub> " (2156)		2 <sup>1</sup> / <sub>2</sub> " (63.5)		2 <sup>5</sup> / <sub>8</sub> " (66.7)		12.1 (5.5)	241
SB862810S096__	96" (2438)	90 <sup>1</sup> / <sub>8</sub> " (2289)		3 <sup>1</sup> / <sub>4</sub> " (82.6)		2 <sup>5</sup> / <sub>8</sub> " (66.7)		12.8 (5.8)	241
SB862810S108__	108" (2743)	102 <sup>3</sup> / <sub>8</sub> " (2600)		3" (76.2)		2 <sup>5</sup> / <sub>8</sub> " (66.7)		14.4 (6.5)	241
12" (305mm) Wide x 7" (178mm) Deep									
SB862812S066__	66" (1676)	60 <sup>3</sup> / <sub>8</sub> " (1533)		3" (76.2)		2 <sup>5</sup> / <sub>8</sub> " (66.7)		9.2 (4.1)	294
SB862812S072__	72" (1829)	67 <sup>3</sup> / <sub>8</sub> " (1711)		2" (50.8)		2 <sup>5</sup> / <sub>8</sub> " (66.7)		10.3 (4.7)	294
SB862812S078__	78" (1981)	72 <sup>5</sup> / <sub>8</sub> " (1845)		2 <sup>3</sup> / <sub>4</sub> " (69.9)		2 <sup>5</sup> / <sub>8</sub> " (66.7)		11.2 (5.1)	294
SB862812S084__	84" (2133)	79 <sup>5</sup> / <sub>8</sub> " (2022)		1 <sup>3</sup> / <sub>4</sub> " (44.4)		2 <sup>5</sup> / <sub>8</sub> " (66.7)		11.9 (5.4)	294
SB862812S090__	90" (2286)	84 <sup>7</sup> / <sub>8</sub> " (2156)		2 <sup>1</sup> / <sub>2</sub> " (63.5)		2 <sup>5</sup> / <sub>8</sub> " (66.7)		12.4 (5.6)	294
SB862812S096__	96" (2438)	90 <sup>1</sup> / <sub>8</sub> " (2289)		3 <sup>1</sup> / <sub>4</sub> " (82.6)		2 <sup>5</sup> / <sub>8</sub> " (66.7)		13.2 (6.0)	294
SB862812S108__	108" (2743)	102 <sup>3</sup> / <sub>8</sub> " (2600)		3" (76.2)		2 <sup>5</sup> / <sub>8</sub> " (66.7)		14.8 (6.7)	294

Specify part number and finish when ordering.

A = Height of RCM+ vertical section without doors

B = Distance between the top of the rack and the top of the RCM+ cable manager

C = Distance between the floor and the lowest part of the RCM+ cable manager

Note: Doors not furnished with this series of cable managers.

# Cable Managers

RCM+ System

## RCM+ Rack Mounted Vertical Cable Manager Double Sided Low Density Plastic Gate Style

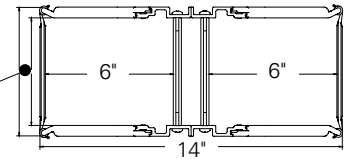
- Double-sided SB862 Series RCM+ low density vertical cable managers are designed for routing lower density cabling on and between racks; with double cable capacity with gates on front and rear
- Front and rear vertical sections can be spaced apart when mounting on racks deeper than 3" (76mm)
- Vertical cabling section can be used with RCM+ standard horizontal cable managers
- Snap-on gates allow for quick opening from either side or complete removal
- Open back design allows unrestricted front and rear routing of cables
- Optional back removable covers are designed with pass through openings for cable routing, keyhole slots for cable spools, slots for cable straps, and keyhole slots for direct PDU mounting
- Installation is easy and can be done in minutes using standard hand tools
- 1/4" (6.3mm) accessory mounting holes run the full height on both sides of the cable manager to accommodate the attachment of cable management accessories

- UL Listed as a communication circuit accessory. File No. E171936
- Material: Aluminum with UL 94V-0 plastic components
- Vertical cable manager includes:
  - (2) vertical cabling sections,
  - (50) push-in fasteners,
  - (12) cable strap mounts,
  - (4) cable retainer bars,
  - required number of gates,
  - and mounting hardware
- Finish\_\_\_: Flat black powder coat (FB)  
Silver powder coat (SL)  
Eaton white powder coat (EW)

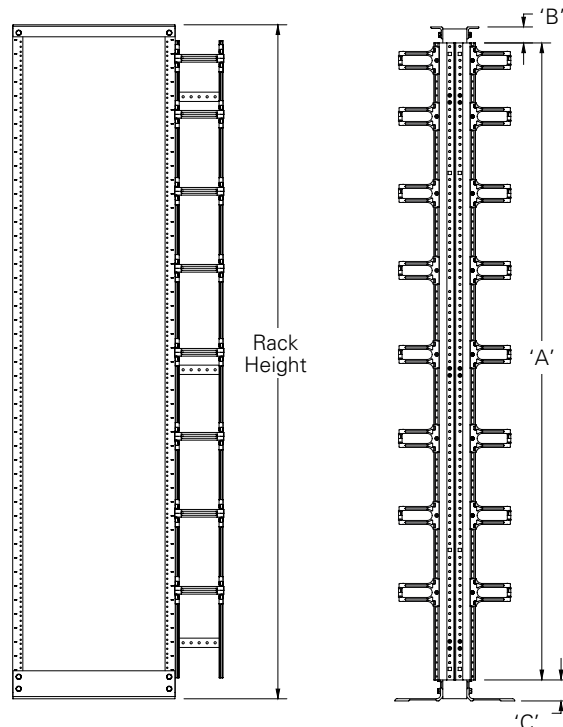


Top View

Outside Dim.	Inside Dim.
3.6"	2.6"
6.0"	5.0"
10.0"	9.0"
12.0"	11.0"



U.S. Patent 7,362,941  
Other Patents Pending



Double sided,  
84" high x 6" wide  
**SB86286D084FB**

Cable managers

## RCM+ Rack Mounted Vertical Cable Manager cont. Double Sided Low Density Plastic Gate Style

- Finish\_\_\_: Flat black powder coat (FB)  
Silver powder coat (SL)  
Eaton white powder coat (EW)

Part Number	Fits Rack Height of In. (mm)	'A'		'B'		Weight 'C'		Max CAT6A Each		Cables (0.375" OD) (50% Fill)
		In.	(mm)	In.	(mm)	In.	(mm)	Lbs.	(kg)	
3 <sup>5</sup> / <sub>8</sub> " (92mm) Wide x 14" (355mm) Deep										
SB86283D066__	66" (1676)	60 <sup>3</sup> / <sub>8</sub> " (1533)		3" (76.2)		2 <sup>5</sup> / <sub>8</sub> " (66.7)		16.1 (7.3)		139
SB86283D072__	72" (1829)	67 <sup>3</sup> / <sub>8</sub> " (1711)		2" (50.8)		2 <sup>5</sup> / <sub>8</sub> " (66.7)		18.0 (8.2)		139
SB86283D078__	78" (1981)	72 <sup>5</sup> / <sub>8</sub> " (1845)		2 <sup>3</sup> / <sub>4</sub> " (69.9)		2 <sup>5</sup> / <sub>8</sub> " (66.7)		19.6 (8.9)		139
SB86283D084__	84" (2133)	79 <sup>5</sup> / <sub>8</sub> " (2022)		1 <sup>3</sup> / <sub>4</sub> " (44.4)		2 <sup>5</sup> / <sub>8</sub> " (66.7)		21.0 (9.5)		139
SB86283D090__	90" (2286)	84 <sup>7</sup> / <sub>8</sub> " (2156)		2 <sup>1</sup> / <sub>2</sub> " (63.5)		2 <sup>5</sup> / <sub>8</sub> " (66.7)		22.1 (10.0)		139
SB86283D096__	96" (2438)	90 <sup>1</sup> / <sub>8</sub> " (2289)		3 <sup>1</sup> / <sub>4</sub> " (82.6)		2 <sup>5</sup> / <sub>8</sub> " (66.7)		23.4 (10.6)		139
SB86283D108__	108" (2743)	102 <sup>3</sup> / <sub>8</sub> " (2600)		3" (76.2)		2 <sup>5</sup> / <sub>8</sub> " (66.7)		26.4 (12.0)		139
6" (152mm) Wide x 14" (355mm) Deep										
SB86286D066__	66" (1676)	60 <sup>3</sup> / <sub>8</sub> " (1533)		3" (76.2)		2 <sup>5</sup> / <sub>8</sub> " (66.7)		16.7 (7.6)		268
SB86286D072__	72" (1829)	67 <sup>3</sup> / <sub>8</sub> " (1711)		2" (50.8)		2 <sup>5</sup> / <sub>8</sub> " (66.7)		18.7 (8.5)		268
SB86286D078__	78" (1981)	72 <sup>5</sup> / <sub>8</sub> " (1845)		2 <sup>3</sup> / <sub>4</sub> " (69.9)		2 <sup>5</sup> / <sub>8</sub> " (66.7)		20.4 (9.3)		268
SB86286D084__	84" (2133)	79 <sup>5</sup> / <sub>8</sub> " (2022)		1 <sup>3</sup> / <sub>4</sub> " (44.4)		2 <sup>5</sup> / <sub>8</sub> " (66.7)		21.8 (9.9)		268
SB86286D090__	90" (2286)	84 <sup>7</sup> / <sub>8</sub> " (2156)		2 <sup>1</sup> / <sub>2</sub> " (63.5)		2 <sup>5</sup> / <sub>8</sub> " (66.7)		22.9 (10.4)		268
SB86286D096__	96" (2438)	90 <sup>1</sup> / <sub>8</sub> " (2289)		3 <sup>1</sup> / <sub>4</sub> " (82.6)		2 <sup>5</sup> / <sub>8</sub> " (66.7)		24.2 (11.0)		268
SB86286D108__	108" (2743)	102 <sup>3</sup> / <sub>8</sub> " (2600)		3" (76.2)		2 <sup>5</sup> / <sub>8</sub> " (66.7)		27.3 (12.4)		268
10" (254mm) Wide x 14" (355mm) Deep										
SB862810D066__	66" (1676)	60 <sup>3</sup> / <sub>8</sub> " (1533)		3" (76.2)		2 <sup>5</sup> / <sub>8</sub> " (66.7)		17.8 (8.1)		482
SB862810D072__	72" (1829)	67 <sup>3</sup> / <sub>8</sub> " (1711)		2" (50.8)		2 <sup>5</sup> / <sub>8</sub> " (66.7)		19.9 (9.0)		482
SB862810D078__	78" (1981)	72 <sup>5</sup> / <sub>8</sub> " (1845)		2 <sup>3</sup> / <sub>4</sub> " (69.9)		2 <sup>5</sup> / <sub>8</sub> " (66.7)		21.6 (9.3)		482
SB862810D084__	84" (2133)	79 <sup>5</sup> / <sub>8</sub> " (2022)		1 <sup>3</sup> / <sub>4</sub> " (44.4)		2 <sup>5</sup> / <sub>8</sub> " (66.7)		23.2 (10.5)		482
SB862810D090__	90" (2286)	84 <sup>7</sup> / <sub>8</sub> " (2156)		2 <sup>1</sup> / <sub>2</sub> " (63.5)		2 <sup>5</sup> / <sub>8</sub> " (66.7)		24.2 (11.0)		482
SB862810D096__	96" (2438)	90 <sup>1</sup> / <sub>8</sub> " (2289)		3 <sup>1</sup> / <sub>4</sub> " (82.6)		2 <sup>5</sup> / <sub>8</sub> " (66.7)		25.7 (11.7)		482
SB862810D108__	108" (2743)	102 <sup>3</sup> / <sub>8</sub> " (2600)		3" (76.2)		2 <sup>5</sup> / <sub>8</sub> " (66.7)		28.9 (13.1)		482
12" (305mm) Wide x 14" (355mm) Deep										
SB862812D066__	66" (1676)	60 <sup>3</sup> / <sub>8</sub> " (1533)		3" (76.2)		2 <sup>5</sup> / <sub>8</sub> " (66.7)		18.3 (8.3)		589
SB862812D072__	72" (1829)	67 <sup>3</sup> / <sub>8</sub> " (1711)		2" (50.8)		2 <sup>5</sup> / <sub>8</sub> " (66.7)		20.6 (9.3)		589
SB862812D078__	78" (1981)	72 <sup>5</sup> / <sub>8</sub> " (1845)		2 <sup>3</sup> / <sub>4</sub> " (69.9)		2 <sup>5</sup> / <sub>8</sub> " (66.7)		22.4 (10.2)		589
SB862812D084__	84" (2133)	79 <sup>5</sup> / <sub>8</sub> " (2022)		1 <sup>3</sup> / <sub>4</sub> " (44.4)		2 <sup>5</sup> / <sub>8</sub> " (66.7)		23.8 (10.8)		589
SB862812D090__	90" (2286)	84 <sup>7</sup> / <sub>8</sub> " (2156)		2 <sup>1</sup> / <sub>2</sub> " (63.5)		2 <sup>5</sup> / <sub>8</sub> " (66.7)		24.9 (11.3)		589
SB862812D096__	96" (2438)	90 <sup>1</sup> / <sub>8</sub> " (2289)		3 <sup>1</sup> / <sub>4</sub> " (82.6)		2 <sup>5</sup> / <sub>8</sub> " (66.7)		26.4 (12.0)		589
SB862812D108__	108" (2743)	102 <sup>3</sup> / <sub>8</sub> " (2600)		3" (76.2)		2 <sup>5</sup> / <sub>8</sub> " (66.7)		29.7 (13.5)		589

Specify part number and finish when ordering.

A = Height of RCM+ vertical section without doors

B = Distance between the top of the rack and the top of the RCM+ cable manager

C = Distance between the floor and the lowest part of the RCM+ cable manager

Note: Doors not furnished with this series of cable managers.

# Cable Managers

RCM+ System

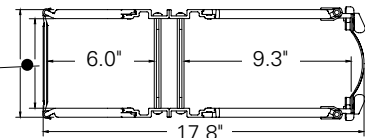
## RCM+ Rack Mounted Vertical Cable Manager With Cover Double Sided Dual Density Style

- Double-sided SB864 Series cable managers utilize the SB860 and SB862 Series cable managers in back-to-back combination for use in applications with varying cable management requirements
- High-density extended fingers provide maximum cable support for each rack mounting space
- Low-density vertical cabling section can be used with RCM+ horizontal cable managers
- Front and rear vertical sections can be spaced apart when mounting on racks deeper than 3" (76mm), allowing cables to be routed out through side openings created between the vertical sections
- High-density vertical cable section can be used with RCM+ extended horizontal cable manager
- Snap-on gates on both sides allows for quick opening from either side or complete removal
- Open back design allows unrestricted routing of cables between front and rear sections
- Optional back removable covers are designed with pass through openings for cable routing, keyhole slots for cable spools, slots for cable straps, and keyhole slots for direct PDU mounting
- Installation is easy and can be done in minutes using standard hand tools
- ¼" (6.3mm) accessory mounting holes run the full height on both sides of cable manager to accommodate the attachment of cable management accessories
- UL Listed as a communication circuit accessory. File No. E171936
- Material: Aluminum with UL 94V-0 black plastic components
- Vertical cable manager includes:
  - (2) vertical cabling sections,
  - (1) door, (50) push-in fasteners,
  - (12) cable strap mounts,
  - (4) cable retainer bars, required number of gates and mounting hardware
- Finish\_\_\_: Flat black powder coat (FB)  
Silver powder coat (SL)  
Eaton white powder coat (EW)

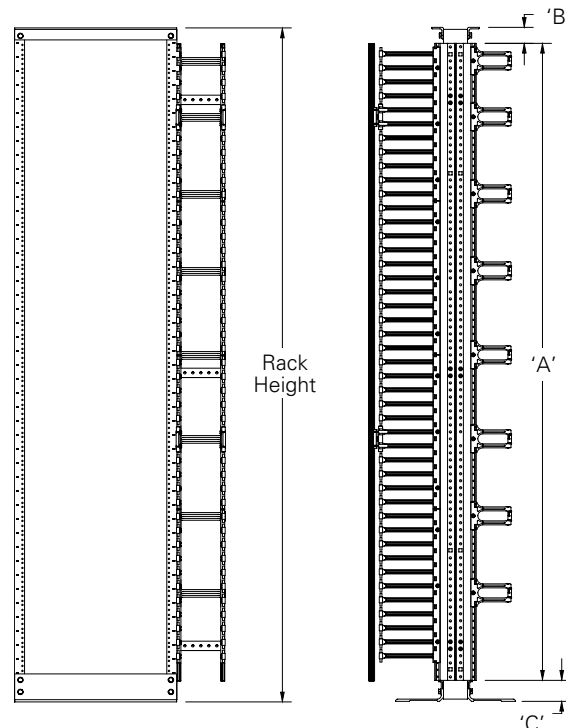


Top View

Outside Dim.	Inside Dim.
3.6"	2.6"
6.0"	5.0"
10.0"	9.0"
12.0"	11.0"



U.S. Patent 7,362,941  
Other Patents Pending



Double sided,  
84" high x 6" wide  
**SB86486D084FB**

Cable managers

## RCM+ Rack Mounted Vertical Cable Manager cont. Double Sided Dual Density Plastic Gate Style

- Finish\_\_\_: Flat black powder coat (FB)  
Silver powder coat (SL)  
Eaton white powder coat (EW)

Part Number	Fits Rack Height of In. (mm)	'A' In. (mm)	'B' In. (mm)	'C' In. (mm)	Weight Each Lbs. (kg)	Max CAT6A Cables (0.375" OD) (50% Fill)
3 <sup>5</sup> / <sub>8</sub> " (92mm) Wide x 17 <sup>7</sup> / <sub>8</sub> " (454mm) Deep						
SB86483D066__	66" (1676)	60 <sup>3</sup> / <sub>8</sub> " (1533)	3" (76.2)	2 <sup>5</sup> / <sub>8</sub> " (66.7)	19.9 (9.0)	179
SB86483D072__	72" (1829)	67 <sup>3</sup> / <sub>8</sub> " (1711)	2" (50.8)	2 <sup>5</sup> / <sub>8</sub> " (66.7)	22.3 (10.1)	179
SB86483D078__	78" (1981)	72 <sup>5</sup> / <sub>8</sub> " (1845)	2 <sup>3</sup> / <sub>4</sub> " (69.9)	2 <sup>5</sup> / <sub>8</sub> " (66.7)	24.1 (10.9)	179
SB86483D084__	84" (2133)	79 <sup>5</sup> / <sub>8</sub> " (2022)	1 <sup>3</sup> / <sub>4</sub> " (44.4)	2 <sup>5</sup> / <sub>8</sub> " (66.7)	26.0 (11.8)	179
SB86483D090__	90" (2286)	84 <sup>7</sup> / <sub>8</sub> " (2156)	2 <sup>1</sup> / <sub>2</sub> " (63.5)	2 <sup>5</sup> / <sub>8</sub> " (66.7)	27.6 (12.5)	179
SB86483D096__	96" (2438)	90 <sup>1</sup> / <sub>8</sub> " (2289)	3 <sup>1</sup> / <sub>4</sub> " (82.6)	2 <sup>5</sup> / <sub>8</sub> " (66.7)	29.3 (13.3)	179
SB86483D108__	108" (2743)	102 <sup>3</sup> / <sub>8</sub> " (2600)	3" (76.2)	2 <sup>5</sup> / <sub>8</sub> " (66.7)	33.2 (15.0)	179
6" (152mm) Wide x 17 <sup>7</sup> / <sub>8</sub> " (454mm) Deep						
SB86486D066__	66" (1676)	60 <sup>3</sup> / <sub>8</sub> " (1533)	3" (76.2)	2 <sup>5</sup> / <sub>8</sub> " (66.7)	21.7 (9.8)	344
SB86486D072__	72" (1829)	67 <sup>3</sup> / <sub>8</sub> " (1711)	2" (50.8)	2 <sup>5</sup> / <sub>8</sub> " (66.7)	24.3 (11.0)	344
SB86486D078__	78" (1981)	72 <sup>5</sup> / <sub>8</sub> " (1845)	2 <sup>3</sup> / <sub>4</sub> " (69.9)	2 <sup>5</sup> / <sub>8</sub> " (66.7)	26.3 (11.9)	344
SB86486D084__	84" (2133)	79 <sup>5</sup> / <sub>8</sub> " (2022)	1 <sup>3</sup> / <sub>4</sub> " (44.4)	2 <sup>5</sup> / <sub>8</sub> " (66.7)	28.4 (12.9)	344
SB86486D090__	90" (2286)	84 <sup>7</sup> / <sub>8</sub> " (2156)	2 <sup>1</sup> / <sub>2</sub> " (63.5)	2 <sup>5</sup> / <sub>8</sub> " (66.7)	30.1 (13.6)	344
SB86486D096__	96" (2438)	90 <sup>1</sup> / <sub>8</sub> " (2289)	3 <sup>1</sup> / <sub>4</sub> " (82.6)	2 <sup>5</sup> / <sub>8</sub> " (66.7)	32.1 (14.5)	344
SB86486D108__	108" (2743)	102 <sup>3</sup> / <sub>8</sub> " (2600)	3" (76.2)	2 <sup>5</sup> / <sub>8</sub> " (66.7)	36.2 (16.4)	344
10" (254mm) Wide x 17 <sup>7</sup> / <sub>8</sub> " (454mm) Deep						
SB864810D066__	66" (1676)	60 <sup>3</sup> / <sub>8</sub> " (1533)	3" (76.2)	2 <sup>5</sup> / <sub>8</sub> " (66.7)	25.2 (11.4)	620
SB864810D072__	72" (1829)	67 <sup>3</sup> / <sub>8</sub> " (1711)	2" (50.8)	2 <sup>5</sup> / <sub>8</sub> " (66.7)	28.3 (12.8)	620
SB864810D078__	78" (1981)	72 <sup>5</sup> / <sub>8</sub> " (1845)	2 <sup>3</sup> / <sub>4</sub> " (69.9)	2 <sup>5</sup> / <sub>8</sub> " (66.7)	30.4 (13.8)	620
SB864810D084__	84" (2133)	79 <sup>5</sup> / <sub>8</sub> " (2022)	1 <sup>3</sup> / <sub>4</sub> " (44.4)	2 <sup>5</sup> / <sub>8</sub> " (66.7)	32.9 (14.9)	620
SB864810D090__	90" (2286)	84 <sup>7</sup> / <sub>8</sub> " (2156)	2 <sup>1</sup> / <sub>2</sub> " (63.5)	2 <sup>5</sup> / <sub>8</sub> " (66.7)	34.8 (15.8)	620
SB864810D096__	96" (2438)	90 <sup>1</sup> / <sub>8</sub> " (2289)	3 <sup>1</sup> / <sub>4</sub> " (82.6)	2 <sup>5</sup> / <sub>8</sub> " (66.7)	37.2 (16.9)	620
SB864810D108__	108" (2743)	102 <sup>3</sup> / <sub>8</sub> " (2600)	3" (76.2)	2 <sup>5</sup> / <sub>8</sub> " (66.7)	42.0 (19.0)	620
12" (305mm) Wide x 17 <sup>7</sup> / <sub>8</sub> " (454mm) Deep						
SB864812D066__	66" (1676)	60 <sup>3</sup> / <sub>8</sub> " (1533)	3" (76.2)	2 <sup>5</sup> / <sub>8</sub> " (66.7)	29.4 (13.3)	757
SB864812D072__	72" (1829)	67 <sup>3</sup> / <sub>8</sub> " (1711)	2" (50.8)	2 <sup>5</sup> / <sub>8</sub> " (66.7)	32.9 (14.9)	757
SB864812D078__	78" (1981)	72 <sup>5</sup> / <sub>8</sub> " (1845)	2 <sup>3</sup> / <sub>4</sub> " (69.9)	2 <sup>5</sup> / <sub>8</sub> " (66.7)	35.5 (16.1)	757
SB864812D084__	84" (2133)	79 <sup>5</sup> / <sub>8</sub> " (2022)	1 <sup>3</sup> / <sub>4</sub> " (44.4)	2 <sup>5</sup> / <sub>8</sub> " (66.7)	38.3 (17.4)	757
SB864812D090__	90" (2286)	84 <sup>7</sup> / <sub>8</sub> " (2156)	2 <sup>1</sup> / <sub>2</sub> " (63.5)	2 <sup>5</sup> / <sub>8</sub> " (66.7)	40.6 (18.4)	757
SB864812D096__	96" (2438)	90 <sup>1</sup> / <sub>8</sub> " (2289)	3 <sup>1</sup> / <sub>4</sub> " (82.6)	2 <sup>5</sup> / <sub>8</sub> " (66.7)	48.5 (19.7)	757
SB864812D108__	108" (2743)	102 <sup>3</sup> / <sub>8</sub> " (2600)	3" (76.2)	2 <sup>5</sup> / <sub>8</sub> " (66.7)	48.9 (22.2)	757

Specify part number and finish when ordering.

A = Height of RCM+ vertical section without doors

B = Distance between the top of the rack and the top of the RCM+ cable manager

C = Distance between the floor and the lowest part of the RCM+ cable manager

Note: Doors are not furnished on rear side cable managers.

# Cable Managers

RCM+ System

## RCM+ Vertical Cable Manager Door Kit

- Additional doors are designed to fit SB860 and SB864 Series vertical cable managers
- Double-hinge doors, with quarter-turn locking hinges, open in either direction, and can quickly be removed for easy cable access
- Select appropriate vertical cable manager height and width prior to selecting door
- Material: Aluminum with UL 94V-0 black plastic components
- Finish\_\_\_: Flat black powder coat (FB)  
Silver powder coat (SL)  
Eaton white powder coat (EW)

Part Number	Fits Rack Height of In. (mm)	Door Height In. (mm)	Weight Each Lbs. (kg)
<b>3<sup>5</sup>/<sub>8</sub>" (92mm) Wide</b>			
<b>SB860CVR3066__</b>	66" (1676)	60 <sup>3</sup> / <sub>8</sub> " (1533)	3.2 (1.5)
<b>SB860CVR3072__</b>	72" (1829)	67 <sup>3</sup> / <sub>8</sub> " (1711)	3.5 (1.6)
<b>SB860CVR3078__</b>	78" (1981)	72 <sup>5</sup> / <sub>8</sub> " (1845)	3.7 (1.7)
<b>SB860CVR3084__</b>	84" (2133)	79 <sup>5</sup> / <sub>8</sub> " (2022)	3.8 (1.7)
<b>SB860CVR3090__</b>	90" (2286)	84 <sup>7</sup> / <sub>8</sub> " (2156)	4.1 (1.9)
<b>SB860CVR3096__</b>	96" (2438)	90 <sup>1</sup> / <sub>8</sub> " (2289)	4.3 (2.0)
<b>SB860CVR3108__</b>	108" (2743)	102 <sup>3</sup> / <sub>8</sub> " (2600)	4.6 (2.1)
<b>6" (152mm) Wide</b>			
<b>SB860CVR6066__</b>	66" (1676)	60 <sup>3</sup> / <sub>8</sub> " (1533)	5.4 (2.5)
<b>SB860CVR6072__</b>	72" (1829)	67 <sup>3</sup> / <sub>8</sub> " (1711)	5.9 (2.7)
<b>SB860CVR6078__</b>	78" (1981)	72 <sup>5</sup> / <sub>8</sub> " (1845)	6.4 (2.9)
<b>SB860CVR6084__</b>	84" (2133)	79 <sup>5</sup> / <sub>8</sub> " (2022)	6.6 (3.0)
<b>SB860CVR6090__</b>	90" (2286)	84 <sup>7</sup> / <sub>8</sub> " (2156)	7.1 (3.2)
<b>SB860CVR6096__</b>	96" (2438)	90 <sup>1</sup> / <sub>8</sub> " (2289)	7.6 (3.4)
<b>SB860CVR6108__</b>	108" (2743)	102 <sup>3</sup> / <sub>8</sub> " (2600)	8.1 (3.7)
<b>10" (254mm) Wide</b>			
<b>SB860CVR10066__</b>	66" (1676)	60 <sup>3</sup> / <sub>8</sub> " (1533)	8.1 (3.7)
<b>SB860CVR10072__</b>	72" (1829)	67 <sup>3</sup> / <sub>8</sub> " (1711)	8.8 (4.0)
<b>SB860CVR10078__</b>	78" (1981)	72 <sup>5</sup> / <sub>8</sub> " (1845)	9.5 (4.3)
<b>SB860CVR10084__</b>	84" (2133)	79 <sup>5</sup> / <sub>8</sub> " (2022)	9.9 (4.5)
<b>SB860CVR10090__</b>	90" (2286)	84 <sup>7</sup> / <sub>8</sub> " (2156)	10.6 (4.8)
<b>SB860CVR10096__</b>	96" (2438)	90 <sup>1</sup> / <sub>8</sub> " (2289)	11.4 (5.2)
<b>SB860CVR10108__</b>	108" (2743)	102 <sup>3</sup> / <sub>8</sub> " (2600)	12.2 (5.5)
<b>12" (305mm) Wide</b>			
<b>SB860CVR12066__</b>	66" (1676)	60 <sup>3</sup> / <sub>8</sub> " (1533)	12.2 (5.5)
<b>SB860CVR12072__</b>	72" (1829)	67 <sup>3</sup> / <sub>8</sub> " (1711)	13.4 (6.1)
<b>SB860CVR12078__</b>	78" (1981)	72 <sup>5</sup> / <sub>8</sub> " (1845)	14.5 (6.6)
<b>SB860CVR12084__</b>	84" (2133)	79 <sup>5</sup> / <sub>8</sub> " (2022)	15.2 (6.9)
<b>SB860CVR12090__</b>	90" (2286)	84 <sup>7</sup> / <sub>8</sub> " (2156)	16.3 (7.4)
<b>SB860CVR12096__</b>	96" (2438)	90 <sup>1</sup> / <sub>8</sub> " (2289)	17.5 (7.9)
<b>SB860CVR12108__</b>	108" (2743)	102 <sup>3</sup> / <sub>8</sub> " (2600)	18.7 (8.5)

Specify part number and finish when ordering.

Pre-Installed  
Quarter-Turn Latches



Each part number includes a one-piece door as shown.  
**SB860CRV6084FB**



## RCM+ Vertical Cable Manager Back Removable Cover

- The back cover provides closure on the rear side of SB860, SB862, and SB864 vertical cable managers
- Back removable covers are designed with pass through openings for cable routing, keyhole slots for cable spools, slots for cable straps, and keyhole slots for direct PDU mounting
  - 84" (2133mm) version can mount up to two (2) full-height PDUs or four (4) half-height PDUs
- Includes mounting hardware
- Material: 14 gauge (1.9mm) steel
- Finish\_\_\_\_: Flat black powder coat (FB)  
Silver powder coat (SL)  
Eaton white powder coat (EW)

Part Number	Fits Rack Height of In. (mm)	Weight Lbs. (kg)	PDU Mounting	
			½ Height	Full Height
<b>3<sup>5</sup>/<sub>8</sub>" (92mm) Wide</b>				
SB862BRC3066__	66" (1676)	2.8 (1.3)	-	-
SB862BRC3072__	72" (1829)	3.1 (1.4)	-	-
SB862BRC3078__	78" (1981)	3.4 (1.5)	-	-
SB862BRC3084__	84" (2133)	3.6 (1.6)	2	1
SB862BRC3090__	90" (2286)	3.6 (1.6)	-	-
SB862BRC3096__	96" (2438)	3.9 (1.8)	-	-
SB862BRC3108__	108" (2743)	4.3 (1.9)	-	-
<b>6" (152mm) Wide</b>				
SB862BRC6066__	66" (1676)	4.4 (2.0)	-	-
SB862BRC6072__	72" (1829)	4.6 (2.1)	-	-
SB862BRC6078__	78" (1981)	4.9 (2.2)	-	-
SB862BRC6084__	84" (2133)	5.3 (2.4)	4	2
SB862BRC6090__	90" (2286)	5.3 (2.4)	-	-
SB862BRC6096__	96" (2438)	5.7 (2.5)	-	-
SB862BRC6108__	108" (2743)	6.4 (2.9)	-	-
<b>10" (254mm) Wide</b>				
SB862BRC10066__	66" (1676)	6.5 (3.0)	-	-
SB862BRC10072__	72" (1829)	6.9 (3.1)	-	-
SB862BRC10078__	78" (1981)	7.5 (3.4)	-	-
SB862BRC10084__	84" (2133)	8.2 (3.7)	4	2
SB862BRC10090__	90" (2286)	8.2 (3.7)	-	-
SB862BRC10096__	96" (2438)	8.8 (4.0)	-	-
SB862BRC10108__	108" (2743)	10.0 (4.5)	-	-
<b>12" (305mm) Wide</b>				
SB862BRC12066__	66" (1676)	7.9 (3.6)	-	-
SB862BRC12072__	72" (1829)	8.1 (3.7)	-	-
SB862BRC12078__	78" (1981)	8.9 (4.0)	-	-
SB862BRC12084__	84" (2133)	9.6 (4.3)	4	2
SB862BRC12090__	90" (2286)	9.6 (4.3)	-	-
SB862BRC12096__	96" (2438)	10.3 (4.7)	-	-
SB862BRC12108__	108" (2743)	11.8 (5.3)	-	-



SB862BRC6084FB

Specify part number and finish when ordering.

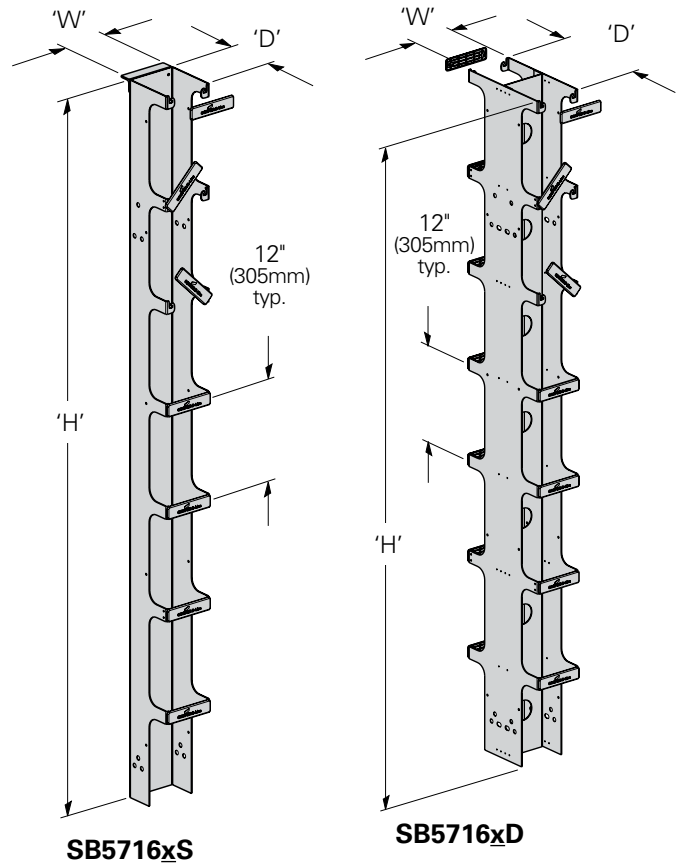
Note: Each part number under 96" includes two half-height back removable covers; heights over 96" include three back removable sections.

# Cable Managers

RCM+ System

## Rack Mounted Vertical Cabling Section Dual Hinging Removable Plastic Gate Style

- Use to provide vertical cable management between equipment racks
- Available in both single and double sided
- Convenient dual hinging, removable gates are designed for quick and easy cable installation
- Packages assembled in protective carton suitable for parcel shipment
- Fits 3" (76mm) or 6" (152mm) upright web equipment racks
- Includes: 1/2"-13 mounting hardware
- Material: Aluminum
- Finish \_\_\_\_: Aluminum - brushed (AL)  
Flat black powder coat (FB)  
Telco gray powder coat (TG)



Accessory Part Number	Type of Kit
SB571BUSHINGKIT	Bushing Kit
SB571GROMMETKIT	Grommet Kit

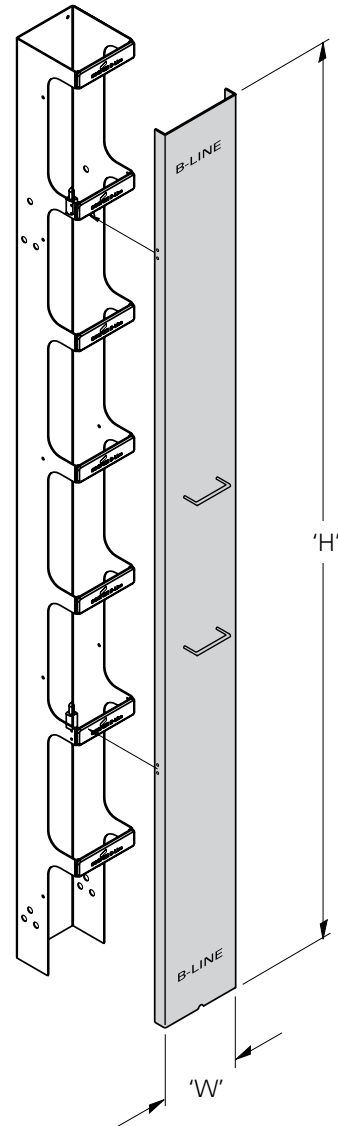
Cable managers

Part Number	Height 'H'		Depth 'D'		Width 'W'		Weight	
	In.	(mm)	In.	(mm)	In.	(mm)	Lbs.	(kg)
SB57163S084__	84"	(2133)	6 <sup>3</sup> / <sub>8</sub> "	(162)	3 <sup>5</sup> / <sub>8</sub> "	(92)	8.0	(3.6)
SB57163D084__	84"	(2133)	12 <sup>3</sup> / <sub>4</sub> "	(324)	3 <sup>5</sup> / <sub>8</sub> "	(92)	24.1	(10.9)
SB57166S084__	84"	(2133)	6 <sup>3</sup> / <sub>8</sub> "	(162)	6"	(152)	10.6	(4.8)
SB57166D084__	84"	(2133)	12 <sup>3</sup> / <sub>4</sub> "	(324)	6"	(152)	25.0	(11.3)
SB57163S096__	96"	(2438)	6 <sup>3</sup> / <sub>8</sub> "	(162)	3 <sup>5</sup> / <sub>8</sub> "	(92)	9.6	(4.3)
SB57163D096__	96"	(2438)	12 <sup>3</sup> / <sub>4</sub> "	(324)	3 <sup>5</sup> / <sub>8</sub> "	(92)	26.5	(12.0)
SB57166S096__	96"	(2438)	6 <sup>3</sup> / <sub>8</sub> "	(162)	6"	(152)	12.1	(5.5)
SB57166D096__	96"	(2438)	12 <sup>3</sup> / <sub>4</sub> "	(324)	6"	(152)	28.6	(13.0)
SB57163S108__	108"	(2743)	6 <sup>3</sup> / <sub>8</sub> "	(162)	3 <sup>5</sup> / <sub>8</sub> "	(92)	19.0	(8.6)
SB57163D108__	108"	(2743)	12 <sup>3</sup> / <sub>4</sub> "	(324)	3 <sup>5</sup> / <sub>8</sub> "	(92)	32.0	(14.5)
SB57166S108__	108"	(2743)	6 <sup>3</sup> / <sub>8</sub> "	(162)	6"	(152)	21.0	(9.5)
SB57166D108__	108"	(2743)	12 <sup>3</sup> / <sub>4</sub> "	(324)	6"	(152)	36.0	(16.3)

Specify part number and finish when ordering.

## Cover for SB571 Series Rack Mounted Vertical Cable Manager Hinged Aluminum

- Conceals cables for a more professional appearance
- Designed to hinge open as well as lift off
- Available in 84" (2133mm) and 96" (2438mm) heights
- Available in 3.65" (93mm) and 6" (152mm) widths
- Handles assist in removal and attachment
- Includes cover with handles, hinges, tape and hardware
- Material: 1/8" (3mm) aluminum
- Finish \_\_\_: Aluminum - brushed (AL)  
Flat black powder coat (FB)  
Telco gray powder coat (TG)

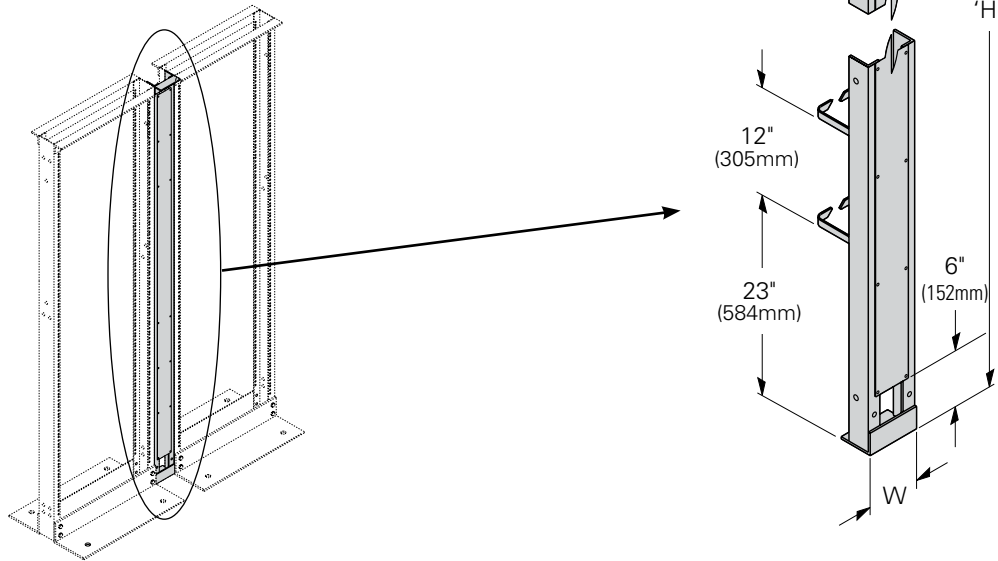


Part Number	Height 'H'		Width 'W'		Weight	
	In.	(mm)	In.	(mm)	Lbs.	(kg)
<b>SB571HRC3X084</b> __	83¼"	(2114)	5 <sup>7</sup> / <sub>16</sub> "	(138)	9.5	(4.31)
<b>SB571HRC6X084</b> __	83¼"	(2114)	7 <sup>13</sup> / <sub>16</sub> "	(198)	11.8	(5.35)
<b>SB571HRC3X096</b> __	95¼"	(2419)	5 <sup>7</sup> / <sub>16</sub> "	(138)	10.5	(4.76)
<b>SB571HRC6X096</b> __	95¼"	(2419)	7 <sup>13</sup> / <sub>16</sub> "	(198)	13.0	(5.89)

Specify part number and finish when ordering.

## Telco Style Cabling Section

- Attaches to relay rack for cabling organization and distribution
- Reversible attachment to conceal cables
- Welded frame for increased rigidity
- Removable panel
- 7" (178mm) depth D-ring cable brackets with 6" (152mm) or 8" (203mm) width option
- Includes: 3/8"-16 mounting hardware
- Material: 6061-T6 aluminum alloy frame, 5052-H32 aluminum alloy panel, ASTM A36 structural steel D-rings
- Finish \_\_\_\_: Aluminum - brushed (AL)  
Telco gray powder coat (TG)

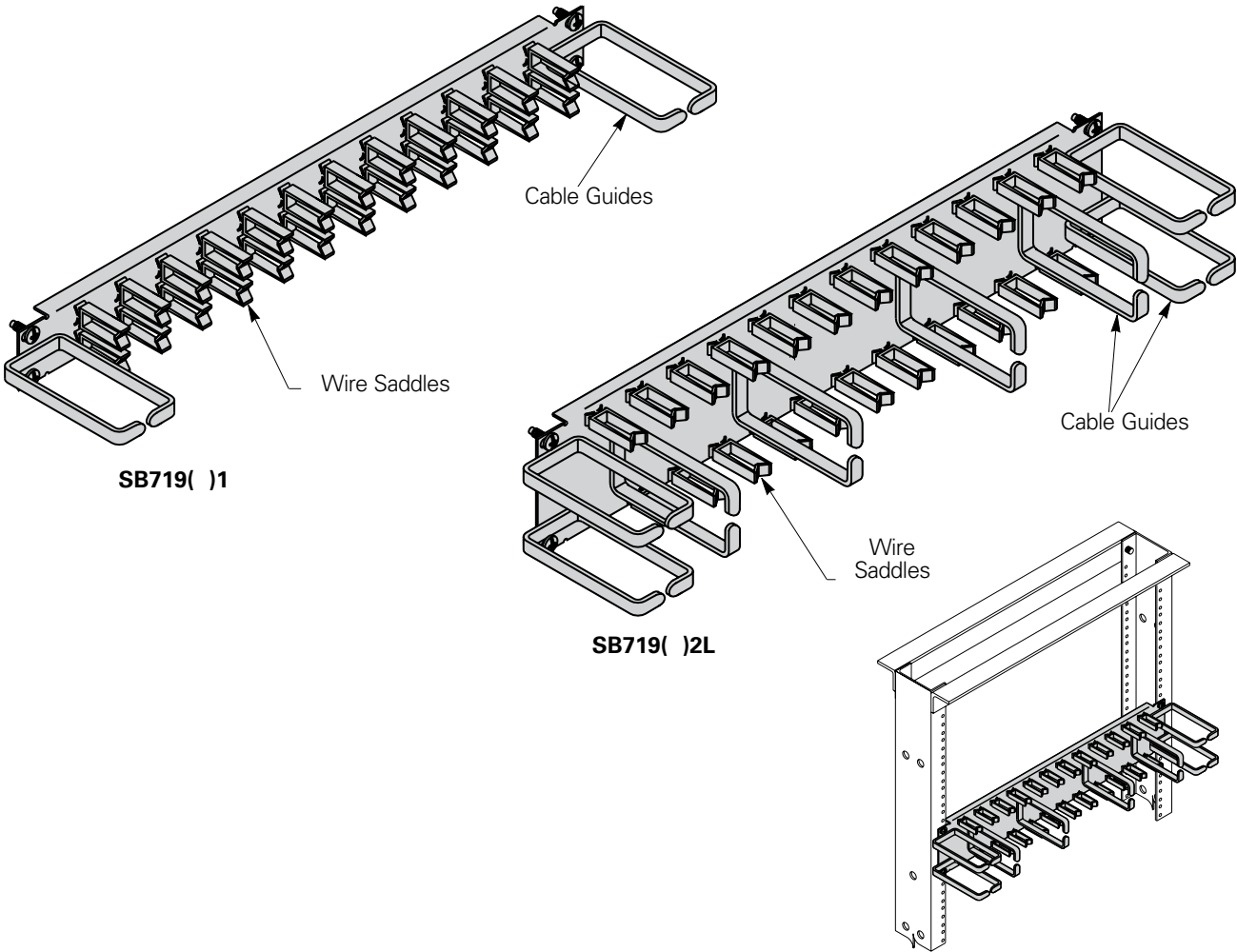


Part Number	'H' Height		'W' Width		D-Ring Quantity	Shipping Weight	
	In.	(mm)	In.	(mm)		Lbs.	(kg)
SB572084__	84"	(2133)	6"	(152)	5	22.7	(10.3)
SB572090__	90"	(2286)	6"	(152)	6	24.9	(11.3)
SB572096__	96"	(2438)	6"	(152)	6	26.1	(11.9)
SB572108__	108"	(2743)	6"	(152)	7	29.4	(13.4)
SB572138__	138"	(3505)	6"	(152)	10	38.2	(17.4)
SB572140__	140"	(3556)	6"	(152)	10	38.6	(17.6)
SB573084__	84"	(2133)	8"	(203)	5	24.8	(11.3)
SB573090__	90"	(2286)	8"	(203)	6	28.0	(12.7)
SB573096__	96"	(2438)	8"	(203)	6	28.4	(12.9)
SB573108__	108"	(2743)	8"	(203)	7	32.0	(14.5)
SB573138__	138"	(3505)	8"	(203)	10	41.6	(18.9)
SB573140__	140"	(3556)	8"	(203)	10	42.0	(19.1)

Specify part number and finish when ordering.

### Rack Mounted Patch Cord Organizer

- Use to organize and provide strain relief for horizontal or vertical cable runs between equipment
- Cable rings are welded to panel for reliability and strength
- Includes: #12-24 mounting hardware
- Material: Panel & cable rings - ASTM A569 steel wire saddles - Nylon
- Finish\_\_\_: Panel & cable rings - Flat black powder coat (FB)  
Telco gray powder coat (TG)  
Wire saddles - Natural

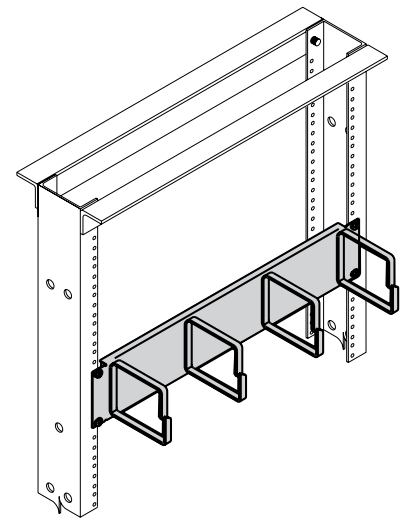
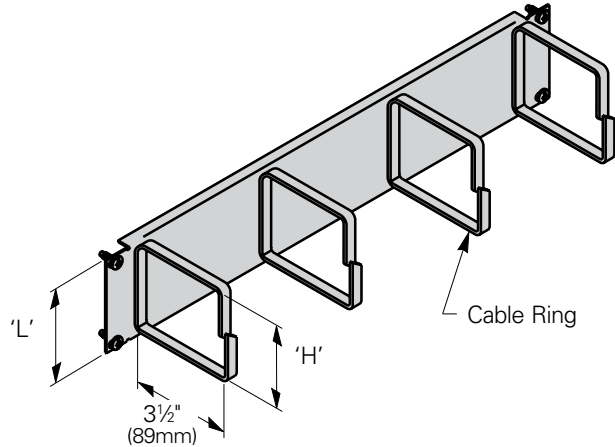


Part Number	Rack Width		Mounting Spaces	Number Of Wire Saddles	Weight	
	In.	(mm)			Lbs.	(kg)
SB719191__	19"	(482)	1	24	2.3	(1.04)
SB719192L__	19"	(482)	2	24	2.8	(1.27)
SB719231__	23"	(584)	1	30	2.8	(1.27)
SB719232L__	23"	(584)	2	30	3.4	(1.54)

Specify part number and finish when ordering.

## Rack Mounted Horizontal Cable Management Panels

- Use to organize cable runs between bays
- Cable rings are designed and positioned to manage large wire bundles
- Cable rings are welded to panel for reliability and strength
- Includes: #12-24 mounting hardware
- Material: ASTM A569 steel
- Finish \_\_\_\_: Flat black powder coat (FB)  
Telco gray powder coat (TG)  
Eaton white powder coat (EW)



Cable managers

Part Number	Rack Width		Mounting Spaces	'L'		'H'		Weight	
	In.	(mm)		In.	(mm)	In.	(mm)	Lbs.	(kg)
SB719192XL__	19"	(482)	2	3½"	(89)	3"	(76)	1.0	(0.45)
SB719194XL__	19"	(482)	4	7"	(178)	6½"	(165)	2.0	(0.90)
SB719232XL__	23"	(584)	2	3½"	(89)	3"	(76)	1.2	(0.54)
SB719234XL__	23"	(584)	4	7"	(178)	6½"	(165)	2.4	(1.09)

Specify part number and finish when ordering.

## RCM+ Rack Mounted Horizontal Cable Manager With Cover Single Sided, Plastic Finger Style

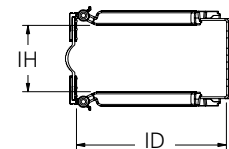
- Used to provide horizontal pathway for cabling on one side of a two-post rack
- #12-24 mounting hardware is included
- Plastic cable manager fingers help control bend radius
- Snap-on removable hinged door opens past 180°, and remains open in up position for convenient cable access
- Stylized door that complements the look of the RCM and RCM+ vertical managers
- Open back design allows for free movement of cables from the front to the back of the cable manager
- Standard finger versions are fully compatible with the RCM vertical cable managers for enhanced cable capacity
- Extended finger versions are fully compatible with the RCM+ vertical cable managers
  - SX series managers offer extended length fingers which provide 45% more cable capacity than standard fingers
- UL Listed as a communication circuit accessory. File No. E171936
- Material: Steel - 14 ga. (ASTM A569) with UL 94V-0 black plastic components
- Finish \_\_\_\_: Flat black powder coat (FB)  
Silver powder coat (SL)  
Eaton white powder coat (EW)



**SB87019S2FB**  
Standard Length  
(2U)



**SB87019SX2FB**  
Extended Length  
(2U)



IH = Inner Height  
ID = Inner Depth

Part Number	Height	Inner Height In. (mm)	Width In. (mm)	Inner Depth In. (mm)	Weight Each Lbs. (kg)	Max CAT6A Cables 0.375" OD (50% Fill)
<b>Standard Fingers (for use with RCM Vertical Managers)</b>						
SB87019S1__	1U	0.7" (18)	19" (482)	5.5" (140)	2.1 (0.9)	17
SB87023S1__	1U	0.7" (18)	23" (584)	5.5" (140)	2.3 (1.0)	17
SB87019S2__	2U	2.4" (61)	19" (482)	5.5" (140)	2.5 (1.1)	59
SB87023S2__	2U	2.4" (61)	23" (584)	5.5" (140)	2.7 (1.2)	59
SB87019S3__	3U	4.2" (106)	19" (482)	5.5" (140)	2.8 (1.3)	104
SB87023S3__	3U	4.2" (106)	23" (584)	5.5" (140)	3.1 (1.4)	104
SB87019S4__	4U	5.9" (150)	19" (482)	5.5" (140)	3.2 (1.4)	146
SB87023S4__	4U	5.9" (150)	23" (584)	5.5" (140)	3.6 (1.6)	146
<b>Extended Fingers (for use with RCM+ High Density Vertical Managers)</b>						
SB87019SX1__	1U	0.7" (18)	19" (482)	8.0" (203)	2.4 (1.1)	25
SB87019SX2__	2U	2.4" (61)	19" (482)	8.0" (203)	3.1 (1.4)	86
SB87019SX3__	3U	4.2" (106)	19" (482)	8.0" (203)	3.8 (1.7)	152
SB87019SX4__	4U	5.9" (150)	19" (482)	8.0" (203)	4.4 (2.0)	213

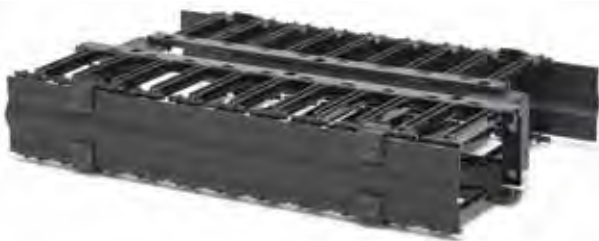
Specify part number and finish when ordering.

## RCM+ Rack Mounted Horizontal Cable Manager With Cover Double Sided, Plastic Finger Style

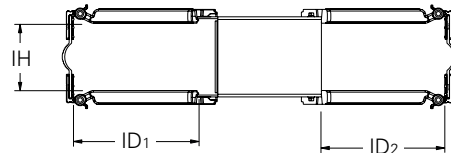
- Used to provide a horizontal pathway for cabling on both sides of a two-post rack in the same RMU spacing
- #12-24 mounting hardware is included
- Plastic cable manager fingers help control bend radius
- Snap-on, removable, hinged aluminum doors that open past 180° and remain open in the up position for convenient cable access
- Stylized door that complements the look of the RCM and RCM+ vertical managers
- Open back design allows for free movement of cables from the front to the back of the cable manager
- Standard finger versions are fully compatible with the RCM vertical cable managers for enhanced cable capacity
- Extended finger versions are fully compatible with the new RCM+ vertical cable managers
  - DX series managers offer extended length fingers which provide 45% more cable capacity than standard fingers
- Low-profile rear-design provides easy cabling access to the back-side of patch panels
- Material: Steel - 14 ga. (ASTM A569) with UL 94V-0 black plastic components
- Finish \_\_\_: Flat black powder coat (FB)  
Silver powder coat (SL)  
Eaton white powder coat (EW)



**SB87019D1FB** Standard (2U) Length



**SB87019D2FB** Standard (2U) Length



IH = Inner Height  
ID = Inner Depth

Part Number	Height	IH In. (mm)	Width In. (mm)	ID1 In. (mm)	ID2 In. (mm)	Weight Each Lbs. (kg)	Max CAT6A Cables 0.375" OD (50% Fill)
<b>Standard Fingers (for use with RCM Vertical Managers)</b>							
SB87019D1__	1U	0.7" (18)	19" (482)	5.2" (132)	4.5" (114)	2.9 (1.3)	30
SB87023D1__	1U	0.7" (18)	23" (584)	5.2" (132)	4.5" (114)	3.3 (1.5)	30
SB87019D2__	2U	2.4" (61)	19" (482)	5.2" (132)	4.5" (114)	3.7 (1.7)	105
SB87023D2__	2U	2.4" (61)	23" (584)	5.2" (132)	4.5" (114)	4.1 (1.8)	105
SB87019D3__	3U	4.2" (106)	19" (482)	5.2" (132)	4.5" (114)	4.5 (2.0)	184
SB87023D3__	3U	4.2" (106)	23" (584)	5.2" (132)	4.5" (114)	4.9 (2.2)	184
<b>Extended Fingers (for use with RCM+ High Density Vertical Managers)</b>							
SB87019DX1__	1U	0.7" (18)	19" (482)	7.7" (195)	7.0" (178)	3.1 (1.4)	46
SB87019DX2__	2U	2.4" (61)	19" (482)	7.7" (195)	7.0" (178)	3.9 (1.7)	159
SB87019DX3__	3U	4.2" (106)	19" (482)	7.7" (195)	7.0" (178)	4.7 (2.1)	279

Specify part number and finish when ordering.

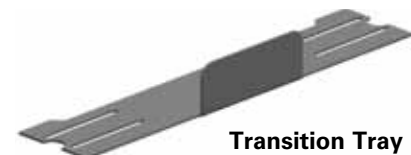
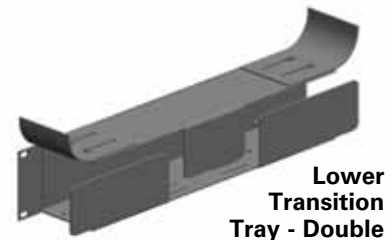
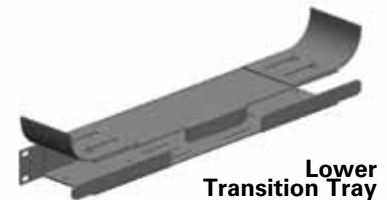
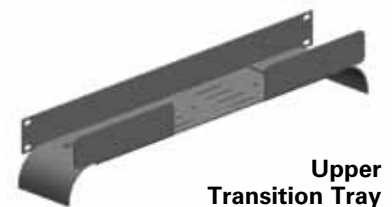


## Rack Mounted Horizontal Transition Trays For Patchcords and Jumpers

- Transition trays offer top and bottom field adjustable horizontal cable management support
- Bend radius is 1½" (38mm)
- Available for 19" (482mm) and 23" (584mm) racks
- Material: Aluminum
- Finish \_\_\_\_: Flat black powder coat (FB)  
Silver powder coat (SL)

Part Number	Depth		Width		Weight	
	In.	(mm)	In.	(mm)	Lbs.	(kg)
<b>Top Transition Tray - 1½" (38mm) High</b>						
SB81319TT3__	3½"	(89)	19"	(482)	3.0	(1.36)
SB81319TT6__	6"	(152)	19"	(482)	4.0	(1.81)
SB81323TT3__	3½"	(89)	23"	(584)	4.0	(1.81)
SB81323TT6__	6"	(152)	23"	(584)	5.0	(2.27)
<b>Upper Transition Tray</b>						
SB81319UT3__	3½"	(92)	19"	(482)	3.0	(1.36)
SB81319UT6__	6"	(152)	19"	(482)	4.0	(1.81)
SB81323UT3__	3½"	(92)	23"	(584)	4.0	(1.81)
SB81323UT6__	6"	(152)	23"	(584)	5.0	(2.27)
<b>Lower Transition Tray</b>						
SB81319LT3__	3½"	(92)	19"	(482)	4.0	(1.81)
SB81319LT6__	6"	(152)	19"	(482)	5.0	(2.27)
SB81323LT3__	3½"	(92)	23"	(584)	5.0	(2.27)
SB81323LT6__	6"	(152)	23"	(584)	6.0	(2.72)
<b>Lower Transition Tray - Double - 3½" (89mm) High</b>						
SB81319LTD3__	3½"	(92)	19"	(482)	4.0	(1.81)
SB81319LTD6__	6"	(152)	19"	(482)	5.0	(2.27)
SB81323LTD3__	3½"	(92)	23"	(584)	5.0	(2.27)
SB81323LTD6__	6"	(152)	23"	(584)	6.0	(2.72)
<b>Transition Tray - 1⅞" (47mm) High</b>						
SB813TP3__	3¼"	(82)	15.8"	(401)	2.0	(0.91)
SB813TP6__	5¾"	(146)	15.8"	(401)	4.0	(1.81)

Specify part number and finish when ordering.



# Cable Managers

RCM System

RCM+ System

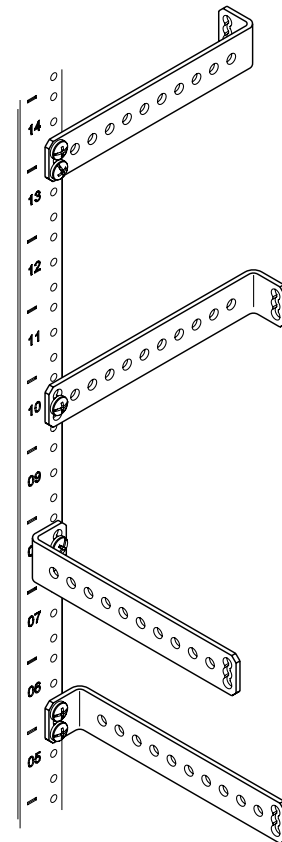
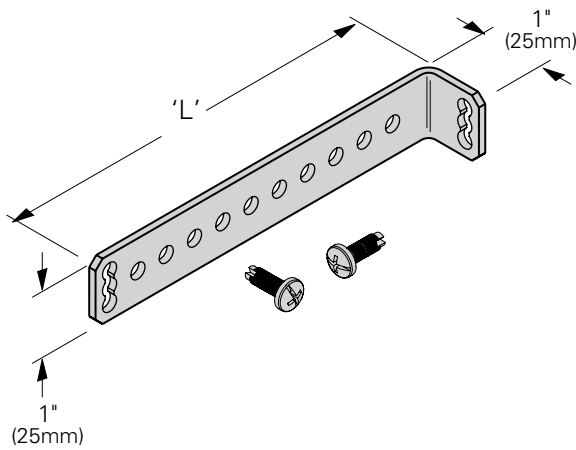
## Metal Cable Tie Brackets

- Use with cable ties to secure cable runs
- Includes: (1) bracket and #12-24 mounting hardware
- Material: ASTM A570 structural steel
- Includes: plastic end caps

Finish \_\_\_\_: Flat black powder coat (FB)  
 Telco gray powder coat (TG)  
 Yellow zinc (YZ)

Part Number	Length 'L'		Weight Each	
	In.	(mm)	Lbs.	(kg)
<b>SB58106</b> __	6"	(152)	0.21	(0.09)
<b>SB58108</b> __	8"	(203)	0.26	(0.12)

Specify part number and finish when ordering.



### RCM+ Cable Management Finger Bracket Rack Mountable 11U Plastic Finger Section

- High-density finger bracket mounts directly to a relay rack and provides cable support at each rack mounting unit
- Includes (1) finger bracket
- Fingers align with rack mounting units
- Finish: UL 94V-0 black plastic
- Material: Steel bracket with UL 94V-0 black plastic finger section



**SB860FSFB**

Part Number	Height	Depth		Weight Each	
		In.	(mm)	Lbs.	(kg)
<b>SB860FSFB</b>	11U	4"	(101)	0.9	(0.41)
<b>SB860FSXFB</b>	11U	6½"	(165)	1.0	(0.45)

### RCM+ Cable Management Finger Bracket, 11U Plastic Finger Section

- Used to replace finger sections on RCM+ high density cable managers; or for use in adding high density finger sections to SB862 or the low density side of the SB864
- Includes (1) finger section and mounting hardware
- Material: UL 94V-0 black plastic
- Finger section is 19" (482mm) long



Part Number	Height	Depth		Weight Each		Compatible With	
		In.	(mm)	Lbs.	(kg)	Vertical	Horizontal
<b>SB860FSKFB</b>	11U	4"	(101)	0.50	(0.22)	VVCM (Cabinet)	SB870
<b>SB860FSXKFB</b>	11U	6½"	(165)	0.60	(0.27)	SB860, SB864	SB870 (X)

Specify part number and finish when ordering.

## RCM+ Cable Management Plastic Gate Section

- Gate kits are 2U high and designed for attachment to SB862 and SB864 vertical cable managers
- Kit includes (2) finger sections, (1) gate, and mounting hardware
- Material: UL 94V-0 black plastic components



Part Number	Width		Weight Each	
	In.	(mm)	Lbs.	(kg)
SB8623KFB	3 $\frac{5}{8}$ "	(92)	0.23	(0.10)
SB8626KFB	6"	(152)	0.24	(0.11)
SB86210KFB	10"	(254)	0.27	(0.12)
SB86212KFB	12"	(305)	0.29	(0.13)

## RCM+ Cable Management Plastic Cable Retaining Gate

- Designed to provide convenient cable containment on SB860, SB862, and SB864 vertical cable managers
- For use with SB860, SB862 and SB864 vertical cable managers
- Gates snap on and can be installed under doors
- Gates can be opened in either direction, and can be quickly removed for easy cable access
- Includes (6) gates
- Material: UL 94V-0 black plastic

Part Number	Width		Weight Each	
	In.	(mm)	Lbs.	(kg)
SB8623GTFB	3 $\frac{5}{8}$ "	(92)	0.15	(0.07)
SB8626GTFB	6"	(152)	0.26	(0.12)
SB86210GTFB	10"	(254)	0.44	(0.20)
SB86212GTFB	12"	(305)	0.53	(0.24)



### RCM+ Cable Management Push-In Fastener & Cable Strap Mount

- SB862PIF is used to quickly attach accessories to ¼" (6mm) mounting holes in a vertical cable manager
- SB862CSM provides attachment for cable straps up to ¾" (19mm) wide. Attaches with SB862PIF to ¼" (6mm) accessory mounting holes in cable manager
- Can be easily removed for relocation
- Standard pack: 100 pieces
- Material: Black plastic UL 94V-2

Part Number	Weight per 100	
	Lbs.	(kg)
SB862PIF	0.62	(0.28)
SB862CSM	0.87	(0.40)



SB862CSM



SB862PIF



### RCM+ Floor Mounting Bracket

- Provides floor support for RCM+ vertical managers on end-of-row applications
- Universal design can be used with single and double-sided managers
- Includes (1) floor mounting bracket and mounting hardware
- Material: 14 gauge (1.9mm) steel
- Finish \_\_: Flat black powder coat (FB)  
Eaton white powder coat (EW)

Part Number	Width		Weight Each	
	In.	(mm)	Lbs.	(kg)
SB860FMB__	5 7/8"	(149)	.53	(0.24)

Specify part number and finish when ordering.



Single Sided RCM+  
SB860FMBFB



Double Sided RCM+  
SB860FMBFB



## RCM+ Telescopic Cable Spools and Spool Kits

- Designed for use with RCM, RCM+, HDNR vertical cable managers
- Facilitates storage and routing of cable with a 1.125" (28mm) bend radius
- Unique, telescopic design that provides for depth adjustability from 5" (127mm) to 8" (203mm) with hands-only twist and lock capability (no tools required for adjustment)
- Cable spools attach quickly to keyhole slots provided in mounting channels and optional back covers
- Pre-installed screws for quick mounting inside cable pathways
- SB860ACSF B includes (1) spool
- SB860ACS\_\_FB spool kits includes (2) spools, mounting channels, and hardware
- Unique spool kit design provides for vertical and horizontal adjustability to suit any need
- Material: Steel mounting channels with UL 94V-0 black plastic spools
- Finish: Flat black powder coat (FB) mounting channels, black plastic spools

## Spool Kits - (2) Spools & Mounting Channel with Hardware

Part Number	Fits Rack Height of		Adjustable Depth		Bend Radius		Weight per Kit	
	In.	(mm)	In.	(mm)	In.	(mm)	Lbs.	(kg)
SB860ACSK066FB	66"	(1676)	5" - 8"	(127 - 203)	1.125"	(28)	3.1	(1.40)
SB860ACSK072FB	72"	(1829)	5" - 8"	(127 - 203)	1.125"	(28)	3.3	(1.49)
SB860ACSK078FB	78"	(1981)	5" - 8"	(127 - 203)	1.125"	(28)	3.6	(1.63)
SB860ACSK084FB	84"	(2133)	5" - 8"	(127 - 203)	1.125"	(28)	3.8	(1.72)
SB860ACSK090FB	90"	(2286)	5" - 8"	(127 - 203)	1.125"	(28)	4.1	(1.86)
SB860ACSK096FB	96"	(2438)	5" - 8"	(127 - 203)	1.125"	(28)	4.4	(1.99)
SB86ACSPK108FB	108"	(2743)	5" - 8"	(127 - 203)	1.125"	(28)	4.8	(2.18)

## Spool Only

Part Number	Adjustable Depth		Bend Radius		Weight Each	
	In.	(mm)	In.	(mm)	Lbs.	(kg)
SB860ACSF B	5" - 8"	(127 - 203)	1.125"	(28)	0.53	(0.24)

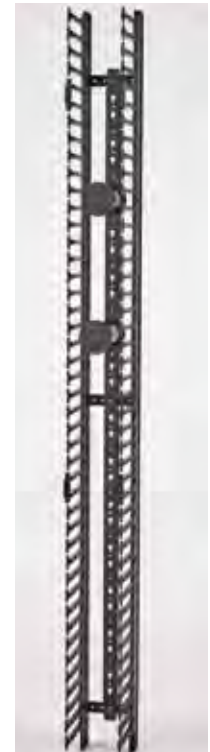
RCM+ Telescopic Cable Spools



5" to 8" Adjustable Depth  
SB860ACSF B



84" Tall Kit  
SB860ACSK084FB



SB860ACSK084FB

### RCM+ High Density Vertical Manager Kit

- Complete RCM+ vertical cable manager kit offers easy ordering and shipment
- Compatible with full line of Eaton two-post and four-post racks
- High density fingers support large cabling applications
- Back removable cover mounts up to (10) spools and (2) full height PDU's (back side)
- Kit includes:
  - (1) RCM+ high-density cable manager (single-sided)
  - (2) Cable spools
  - (10) Eaton Velcro<sup>®†</sup> straps
  - (1) Back removable cover (full height)
- Material: Aluminum with UL 94V-0 black plastic components
- Finish: Flat black powder coat (FB)

RCM+ High Density Vertical Cable Manager (single-sided)



Single Sided  
84" High x 6" Wide  
**SB86086S084FB**

RCM+ Back Removable Cover



84" High x 6" Wide  
**SB862BRC084FB**

Part Number	Height		Width		Weight per Kit	
	In.	(mm)	In.	(mm)	Lbs.	(kg)
<b>SB86086SK084FB</b>	84"	(2133)	6"	(0152)	25.7	(11.6)
<b>SB860810SK084FB</b>	84"	(2133)	10"	(254)	33.6	(15.2)
<b>SB860812SK084FB</b>	84"	(2133)	12"	(305)	40.9	(18.5)

<sup>®†</sup> All trademarks are property of their respective owners.

# Cable Managers

RCM System

Accessories

## Velcro® Cable Hanger

- Use to secure and organize cables to equipment racks
- Velcro cable hangers allow for mechanical fastening of strap to multiple points in the enclosure
- Velcro offers superior reusability versus tie wraps
- Grommet size: ¼" (6mm)
- Ten (10) straps per kit (standard Velcro straps)



Part Number	Width x Length		Weight Each	
	In.	(mm)	Lbs.	(kg)
SB728¾x6	¾"	6"	.1	(.045)

## Eaton Velcro® Straps

- Use to secure and large organize cables to equipment racks
- Compatible with cable strap mount
- Ten (10) straps per kit



9" Long Strap  
SBCMVBCKL

Part Number	Width x Length		Weight Each	
	In.	(mm)	Lbs.	(kg)
SBCMVBCKL	¾"	10 <sup>5</sup> / <sub>16</sub> "	.1	(.045)



## Velcro® Buckle Straps

- Use to secure and organize cables to equipment racks
- Velcro buckle straps allow for mechanical fastening of strap to multiple points in the enclosure
- Velcro offers superior reusability versus tie wraps
- Grommet size: ¼" (6mm)
- Ten (10) straps per kit (standard Velcro buckle straps)



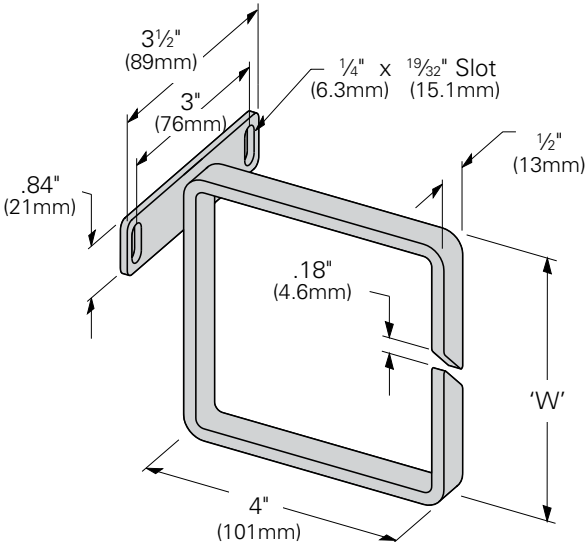
Part Number	Width x Length		Weight Each	
	In.	(mm)	Lbs.	(kg)
SB727 <sup>5</sup> / <sub>8</sub> x6	¾"	8 <sup>1</sup> / <sub>2</sub> "	.1	(.045)

®† All trademarks are property of their respective owners.



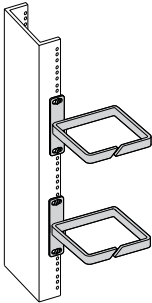
### Cable Management Ring

- Use to provide cable management anywhere on equipment rack
- Versatile design allows multiple support configurations
- Available in both 2" (51mm) and 4" (101mm) widths
- Standard 4" (101mm) depth
- Includes: #12-24 mounting hardware
- Material: ASTM A569 steel
- Finish \_\_\_: Flat black powder coat (FB)  
Telco gray powder coat (TG)  
Clear zinc (ZN)



Part Number	Width 'W'		Mounting Spaces	# of Guides	Weight	
	In.	(mm)			Lbs.	(kg)
SB563222__	2"	(51)	2	2	0.8	(0.3)
SB563226__	2"	(51)	2	6	1.6	(0.7)
SB563242__	4"	(101)	2	2	2.4	(1.1)
SB563246__	4"	(101)	2	6	3.2	(1.4)

Specify part number and finish when ordering.





# Cable Runway & Accessories

When it comes to optimizing cable pathway, Eaton offers a wide variety of solutions for horizontal and vertical cable runs between racks and enclosures. All cable pathway devices are UL classified and meet or exceed TIA/EIA standards for cable pathways.

- **SB17U series** – features 1½" rungs on 12" centers that are individually boxed for finish protection
- **SB17 & SB17T series** – features 1" rungs on 9" centers which is ideal for telecommunications cables
- **Redi-Rail runway (SB13AL)** - rather than a welded rung, the Redi-rail rungs are joined with durable, strong connectors which allow rungs to be removed using standard tools, resulting in job-site flexibility and future expansion opportunities

Material:	Type	Thickness	Specifications
	Steel Bar	¾" (9.5mm) - 7 Gauge (4.5mm)	ASTM A36
	Steel Strip	10 Gauge (3.4mm) - 16 Gauge (1.5mm)	ASTM A569
	Steel Tube	.049 - .065 steel tubing (1.2 - 1.7mm)	ASTM A513
	Extruded Aluminum (AL)		ASTM 6063-T6

**Finishes:**

- Powder Coat Paint
  - Telco Gray (TG)
  - Eaton White (EW)
  - Flat Black (FB)
- Chemical Conversion Coatings Available
  - Yellow Zinc (YZ) . . . ASTM B633
  - Black Zinc (BZ) . . . ASTM B633



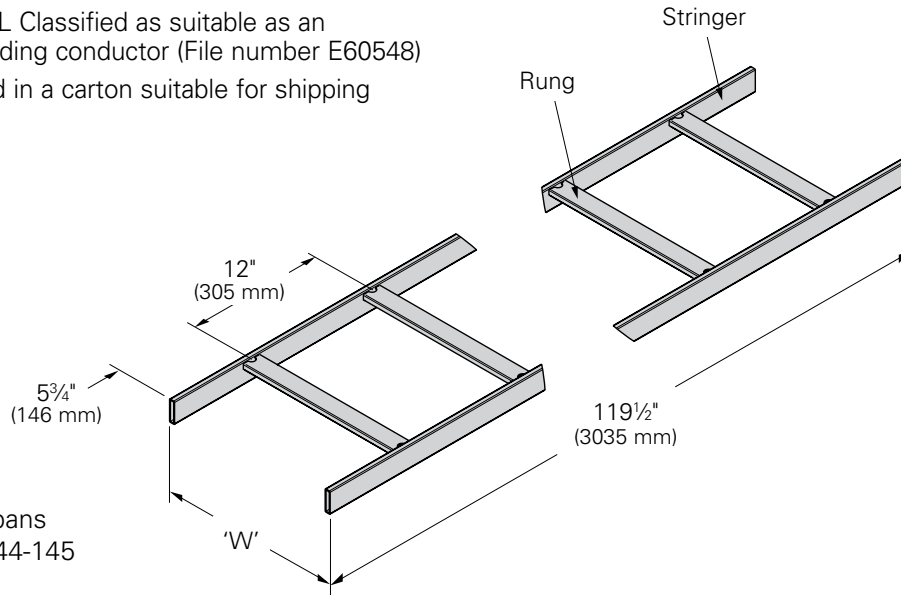
**Standard Conformance:**

UL Classified as an equipment grounding conductor (File No. E60548). Painted finishes must be removed at grounding connection before attaching conductive splices or jumpers.

# Cable Runway & Accessories

## Tubular Stringer Style - 1 1/2" (Boxed)

- Ladder type cable runway for communication cabling pathways
- Mounts to ceilings, walls, floors, relay racks, and electronic enclosures
- 3/8" (9mm) x 1 1/2" (38mm) x 0.049" (1.2mm) tubular steel stringers
- 3/8" (9.5mm) x 1 1/2" (38.1mm) steel tube welded rungs spaced 12" (305mm) on center
- All finishes are UL Classified as suitable as an equipment grounding conductor (File number E60548)
- Individually boxed in a carton suitable for shipping
- Available palletized without individual boxes for larger installation projects
- Material: ASTM A513 grade 1008 steel tube
- Finish \_\_\_\_: Flat black powder coat (FB)  
Telco gray powder coat (TG)  
Yellow zinc (YZ)



Note: For runway pans see pages 144-145

Series Number	Stringer Dimensions	Span		Recommended Load		Max. Load @ 5/8" Deflection		Deflection Multiplier
		Ft.	(m)	Lbs./Ft.	(N/m)	Lbs./Ft.	(N/m)	
SB17U		4	(1.22)	149	(2174)	347	(5062)	0.0018
		5	(1.52)	95	(1386)	145	(2115)	0.0043
		6	(1.83)	66	(963)	70	(1021)	0.0089

### UL Cross Sectional Area

0.40 in<sup>2</sup> (2.58 cm<sup>2</sup>)

### Design Factors for (1) Rail

Area = .174 in<sup>2</sup> (1.12 cm<sup>2</sup>)

Sx = .056 in<sup>3</sup> (0.92 cm<sup>3</sup>)

Ix = .419 in<sup>4</sup> (17.44 cm<sup>4</sup>)

## SB17U Tubular - 1 1/2" (38mm) Stringers

Part Number	'W' Width		Weight	
	In.	(mm)	Lbs.	(kg)
SB17U06B__	6"	(152)	18.0	(8.2)
SB17U09B__	9"	(228)	21.0	(9.5)
SB17U12B__	12"	(305)	23.0	(10.4)
SB17U15B__	15"	(381)	25.0	(11.3)
SB17U18B__	18"	(457)	28.0	(12.7)
SB17U24B__	24"	(609)	32.0	(14.5)
SB17U30B__	30"	(762)	37.0	(16.8)
SB17U36B__	36"	(914)	41.0	(18.6)

### Rung Profile



3/8" x 1 1/2"

.049 thick

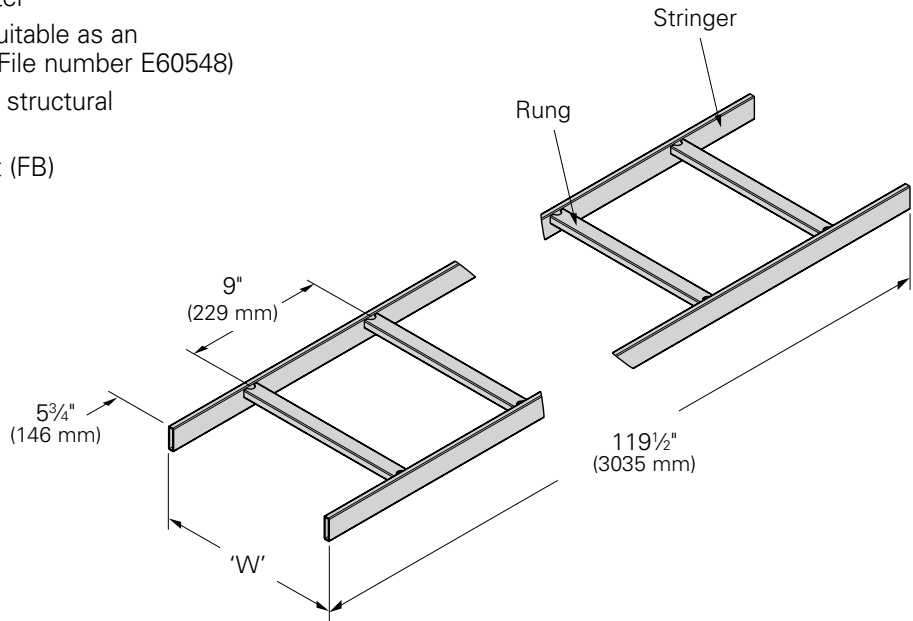
Specify part number and finish when ordering.

# Cable Runway & Accessories

## Tubular Stringer Style - 1 1/2" (Telco Spacing)

- Ladder type cable runway for communication cabling pathways
- Mounts to ceilings, walls, floors, relay racks, and electronic enclosures
- 3/8" (9mm) x 1 1/2" (38mm) x 0.049" (1.2mm) tubular steel stringers
- 1/2" (13mm) x 1" (25mm) x 0.060" (1.5mm) tubular steel rungs spaced 9" (228mm) on center
- All finishes are UL Classified as suitable as an equipment grounding conductor (File number E60548)
- Material: ASTM A513 grade 1008 structural steel tubing
- Finish \_\_\_\_: Flat black powder coat (FB)

Telco gray powder coat (TG)  
Yellow zinc (YZ)



Note: For runway pans  
see pages 144-145

Series Number	Stringer Dimensions	Span		Recommended Load		Max. Load @ 5/8" Deflection		Deflection Multiplier
		Ft.	(m)	Lbs./Ft.	(N/m)	Lbs./Ft.	(N/m)	
SB17T		4	(1.22)	149	(2174)	347	(5062)	0.0018
		5	(1.52)	95	(1386)	145	(2115)	0.0043
		6	(1.83)	66	(963)	70	(1021)	0.0089

### UL Cross Sectional Area

0.40 in<sup>2</sup> (2.58 cm<sup>2</sup>)

### Design Factors for (1) Rail

Area = .174 in<sup>2</sup> (1.12 cm<sup>2</sup>)

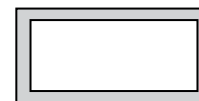
Sx = .056 in<sup>3</sup> (0.92 cm<sup>3</sup>)

Ix = .419 in<sup>4</sup> (17.44 cm<sup>4</sup>)

## SB17T Tubular - 1/2" (38mm) Stringers

Part Number	'W' Width		Weight	
	In.	(mm)	Lbs.	(kg)
SB17T06__	6"	(152)	18.7	(8.5)
SB17T09__	9"	(228)	20.9	(9.5)
SB17T12__	12"	(305)	23.1	(10.5)
SB17T15__	15"	(381)	25.2	(11.5)
SB17T18__	18"	(457)	27.4	(12.4)
SB17T24__	24"	(609)	31.7	(13.4)

### Rung Profile



1/2" x 1"  
.060 thick

Specify part number and finish when ordering.

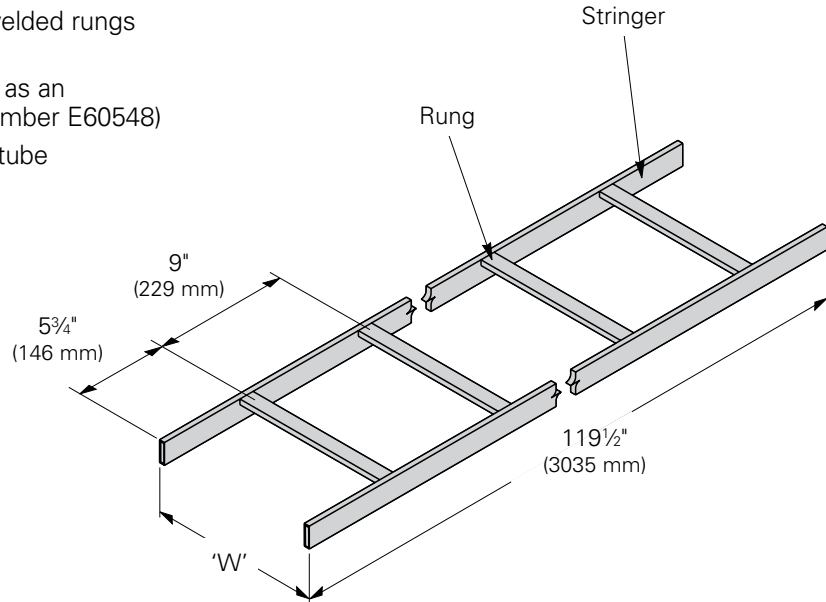
# Cable Runway & Accessories

## Tubular Stringer Style - 1½" (Value Line)

- Ladder type cable runway for communication cabling pathways
- Mounts to ceilings, walls, floors, relay racks, and electronic enclosures
- 3/8" (9mm) x 1½" (38mm) x 0.049" (1.2mm) tubular steel stringers
- ½" (13mm) x 1" (25mm) steel channel welded rungs spaced 9" (228mm) on center
- All finishes are UL Classified as suitable as an equipment grounding conductor (File number E60548)
- Material: ASTM A513 grade 1008 steel tube
- Finish \_\_\_\_: Flat black powder coat (FB)  
Telco gray powder coat (TG)  
Yellow zinc (YZ)



Note: For runway pans see pages 144-145



Series Number	Stringer Dimensions	Span		Recommended Load		Max. Load @ 5/8" Deflection		Deflection Multiplier
		Ft.	(m)	Lbs./Ft.	(N/m)	Lbs./Ft.	(N/m)	
SB17		4	(1.22)	149	(2174)	347	(5062)	0.0018
		5	(1.52)	95	(1386)	145	(2115)	0.0043
		6	(1.83)	66	(963)	70	(1021)	0.0089

### UL Cross Sectional Area

0.40 in<sup>2</sup> (2.58 cm<sup>2</sup>)

### Design Factors for (1) Rail

Area = .210 in<sup>2</sup> (1.35 cm<sup>2</sup>)

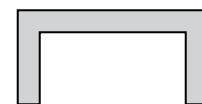
Sx = .066 in<sup>3</sup> (1.08 cm<sup>3</sup>)

Ix = .050 in<sup>4</sup> (2.08 cm<sup>4</sup>)

## SB17 Tubular - 1½" (38mm) Stringers

Part Number	'W' Width		Weight	
	In.	(mm)	Lbs.	(kg)
SB1706__	6"	(152)	18.7	(8.5)
SB1709__	9"	(228)	20.9	(9.5)
SB1712__	12"	(305)	23.1	(10.5)
SB1715__	15"	(381)	25.2	(11.5)
SB1718__	18"	(457)	27.4	(12.4)
SB1720__	20"	(508)	28.8	(13.0)
SB1724__	24"	(609)	31.7	(13.4)
SB1730__	30"	(762)	36.1	(16.4)
SB1736__	36"	(914)	40.4	(18.3)

### Rung Profile



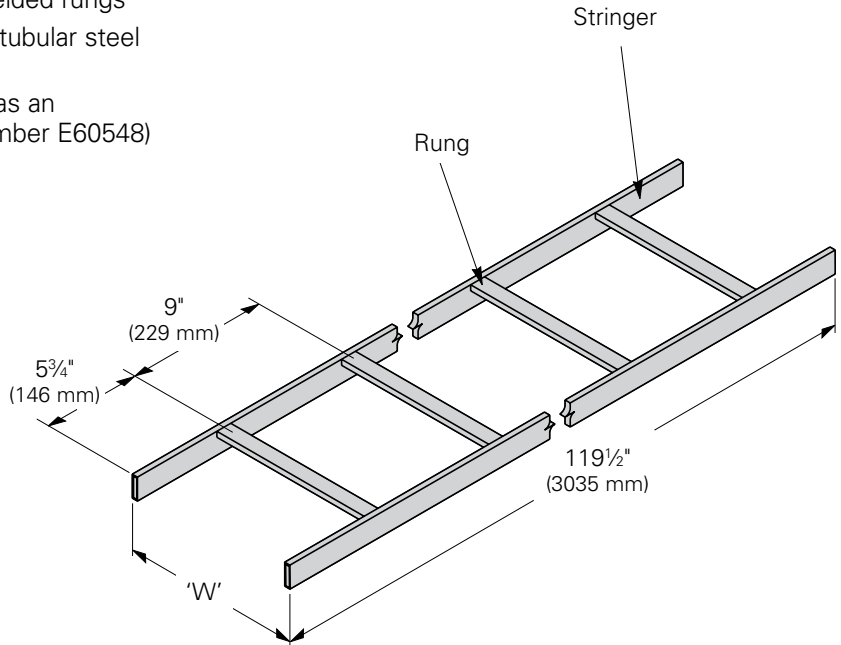
½" x 1"  
11 gauge

Specify part number and finish when ordering.

# Cable Runway & Accessories

## Tubular Stringer Style - 2"

- ½" (13mm) x 1" (25mm) steel channel welded rungs
- ⅜" (9mm) x 2" (51mm) x 0.065" (1.7mm) tubular steel stringers
- All finishes are UL Classified as suitable as an equipment grounding conductor (File number E60548)
- Material: ASTM A513 steel tube
- Finish \_\_\_\_: Flat black powder coat (FB)  
Telco gray powder coat (TG)  
Yellow zinc (YZ)



Series Number	Stringer Dimensions	Span		Load		Deflection Multiplier
		Ft.	(m)	Lbs./Ft.	(N/m)	
SB16A		4	(1.22)	254	(3707)	0.0007
		5	(1.52)	163	(2379)	0.0018
		6	(1.83)	113	(1649)	0.0037
		7	(2.13)	83	(1211)	0.0069
		8	(2.44)	63	(919)	0.0117

### UL Cross Sectional Area

0.40 in<sup>2</sup> (2.58 cm<sup>2</sup>)

### Design Factors for (1) Rail

Area = .271 in<sup>2</sup> (1.75 cm<sup>2</sup>)

S<sub>x</sub> = .145 in<sup>3</sup> (2.37 cm<sup>3</sup>)

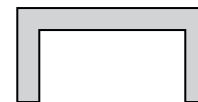
I<sub>x</sub> = .109 in<sup>4</sup> (4.53 cm<sup>4</sup>)

## SB16A Tubular - 2" (51mm) Stringers

Part Number	'W' Width		Weight	
	In.	(mm)	Lbs.	(kg)
SB1606A	6"	(152)	23.6	(10.7)
SB1609A	9"	(228)	25.8	(11.7)
SB1612A	12"	(305)	28.0	(12.7)
SB1615A	15"	(381)	30.1	(13.6)
SB1618A	18"	(457)	33.7	(15.3)
SB1620A	20"	(508)	32.3	(14.6)
SB1624A	24"	(609)	36.6	(16.6)
SB1630A	30"	(762)	41.0	(18.6)
SB1636A	36"	(914)	45.3	(20.5)

Specify part number and finish when ordering.

### Rung Profile

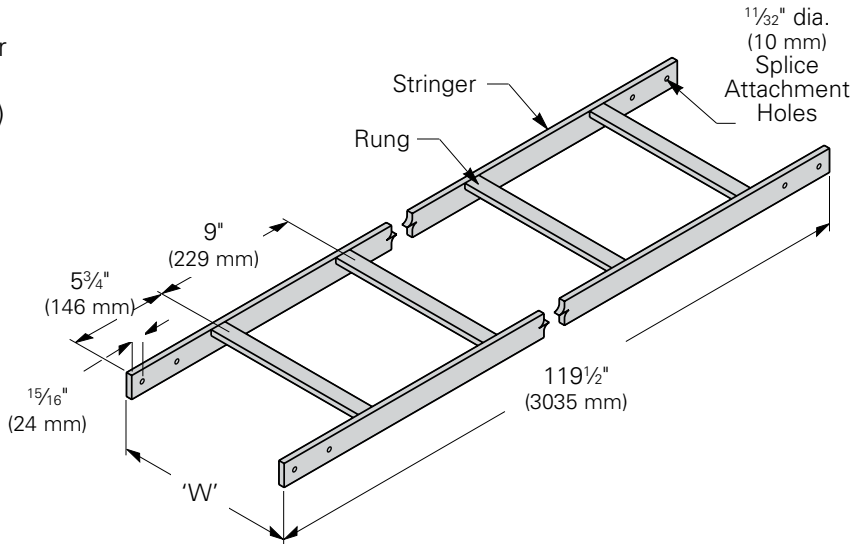


½" x 1"  
11 gauge

# Cable Runway & Accessories

## Solid Bar Stringer Style - 2"

- 1/2" (13mm) x 1" (25mm) steel channel welded rungs
- All finishes are UL Classified as suitable as an equipment grounding conductor (File number E60548)
- 13/32" (10mm) holes provided in solid bar stringers for use with SB2135 heavy duty splice
- Material: ASTM A36 structural steel bar
- Finish \_\_\_\_: Flat black powder coat (FB)  
Telco gray powder coat (TG)  
Yellow zinc (YZ)



Series Number	Stringer Dimensions	Span		Load		Deflection Multiplier
		Ft.	(m)	Lbs./Ft.	(N/m)	
SB16		4	(1.22)	292 <sup>†</sup>	(4261)	0.0003
		5	(1.52)	292 <sup>†</sup>	(4261)	0.0008
		6	(1.83)	250	(3648)	0.0016
		7	(2.13)	184	(2685)	0.0069
		8	(2.44)	141	(2057)	0.0051

**UL Cross Sectional Area**  
1.00 in<sup>2</sup> (6.45 cm<sup>2</sup>)

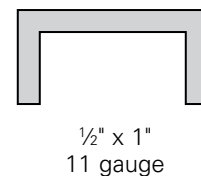
**Design Factors for (1) Rail**  
Area = .750 in<sup>2</sup> (4.84 cm<sup>2</sup>)  
Sx = .250 in<sup>3</sup> (4.09 cm<sup>3</sup>)  
Ix = .250 in<sup>4</sup> (10.40 cm<sup>4</sup>)

<sup>†</sup> Limited by rung load capacity.

## SB16 Solid Bar - 2" (51mm) Stringers

Part Number	'W' Width		Weight	
	In.	(mm)	Lbs.	(kg)
SB1606__	6"	(152)	54.6	(24.7)
SB1609__	9"	(228)	56.7	(25.7)
SB1612__	12"	(305)	58.9	(26.7)
SB1615__	15"	(381)	61.1	(27.7)
SB1618__	18"	(457)	63.3	(28.7)
SB1620__	20"	(508)	64.7	(29.3)
SB1624__	24"	(609)	67.6	(30.6)
SB1630__	30"	(762)	71.9	(32.6)
SB1636__	36"	(914)	76.3	(34.6)

### Rung Profile



Specify part number and finish when ordering.

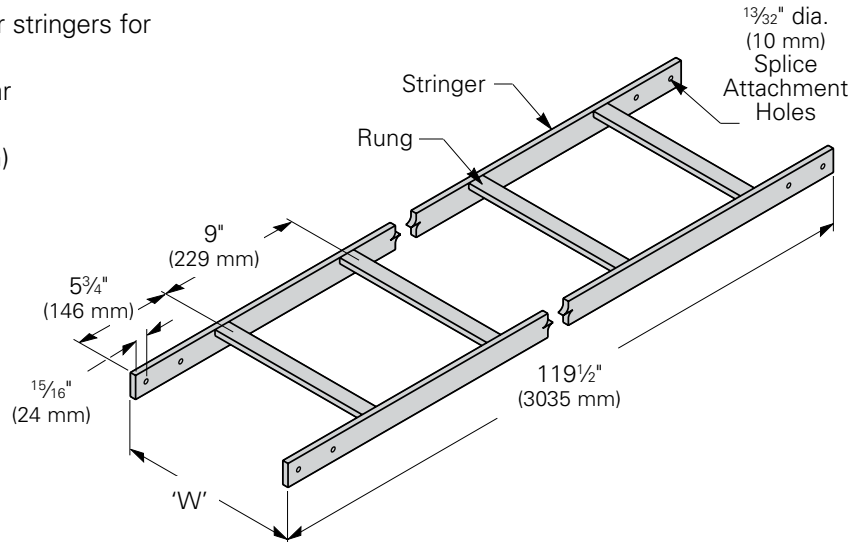
Cable runway & accessories



# Cable Runway & Accessories

## Solid Bar Stringer Style 1½"

- ½" (13mm) x 1" (25mm) steel channel welded rungs
- All finishes are UL Classified as suitable as an equipment grounding conductor (File number E60548)
- 13/32" (10mm) holes provided in solid bar stringers for use with SB2135 heavy duty splice
- Material: ASTM A36 structural steel bar
- Finish \_\_\_\_: Flat black powder coat (FB)  
Telco gray powder coat (TG)  
Yellow zinc (YZ)



Series Number	Stringer Dimensions	Span		Load		Deflection Multiplier
		Ft.	(m)	Lbs./Ft.	(N/m)	
SB15		4	(1.22)	292 <sup>†</sup>	(4261)	0.0008
		5	(1.52)	217	(3167)	0.0019
		6	(1.83)	151	(2204)	0.0038
		7	(2.13)	111	(1620)	0.0171
		8	(2.44)	85	(1240)	0.0122

### UL Cross Sectional Area

1.00 in<sup>2</sup> (6.45 cm<sup>2</sup>)

### Design Factors for (1) Rail

Area = .562 in<sup>2</sup> (3.62 cm<sup>2</sup>)

Sx = .141 in<sup>3</sup> (2.31 cm<sup>3</sup>)

Ix = .105 in<sup>4</sup> (4.37 cm<sup>4</sup>)

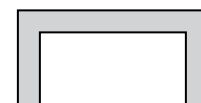
<sup>†</sup> Limited by rung load capacity.

## SB15 Solid Bar - 1½" (38mm) Stringers

Part Number	'W' Width		Weight	
	In.	(mm)	Lbs.	(kg)
SB1506__	6"	(152)	41.8	(18.9)
SB1509__	9"	(228)	44.0	(19.9)
SB1512__	12"	(305)	46.2	(20.9)
SB1515__	15"	(381)	48.3	(21.9)
SB1518__	18"	(457)	50.5	(22.9)
SB1520__	20"	(508)	52.0	(23.6)
SB1524__	24"	(609)	54.8	(24.8)
SB1530__	30"	(762)	59.2	(26.8)
SB1536__	36"	(914)	63.5	(28.8)

Specify part number and finish when ordering.

### Rung Profile

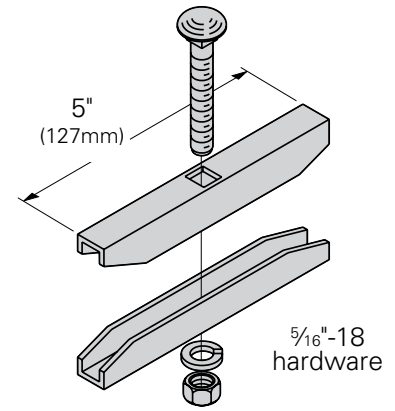


½" x 1"  
11 gauge

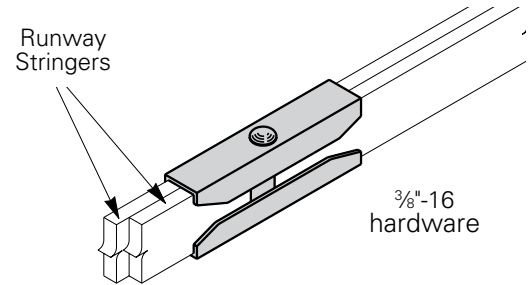
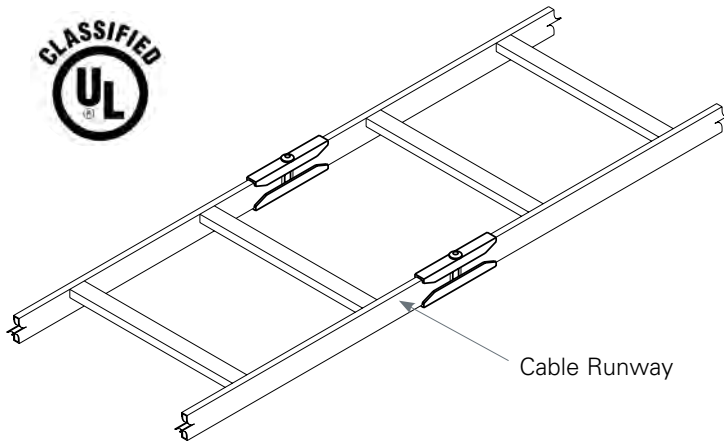
# Cable Runway & Accessories

## Cable Runway Butt-Splice Clamp & Kit

- Use to connect runway stringers
- SB166A & SB166B includes one (1) clamp and hardware as shown
- SB2107 kit includes two (2) clamps and hardware as shown
- Material: ASTM A570 structural steel
- UL Classified - file number E60548
- Finish\_\_\_: Black zinc (BZ)  
Yellow zinc (YZ)



**SB166A**  
For Single Stringer

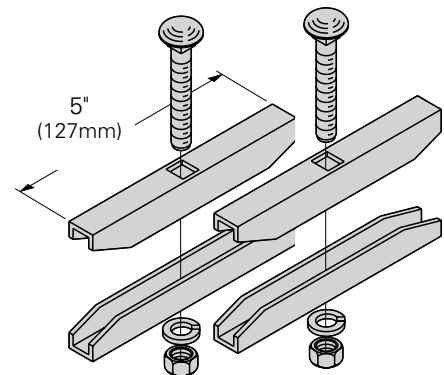


**SB166B** For Dual Stringers

## One Splice Clamp

Part Number	Runway Height		Stringer Style	Weight	
	In.	(mm)		Lbs.	(kg)
<b>SB166A</b> ___	1½"	(38)	Single	0.48	(.22)
<b>SB166A2</b> ___	2"	(51)	Single	0.48	(.22)
<b>SB166B</b> ___	1½"	(38)	Dual	0.74	(.33)
<b>SB166B2</b> ___	2"	(51)	Dual	0.74	(.33)

Specify part number and finish when ordering.



**SB2107**  
Kit For Single Stringers

## Pair of Splice Clamps

Part Number	Runway Height		Stringer Style	Weight	
	In.	(mm)		Lbs.	(kg)
<b>SB2107</b> ___	1½"	(38)	Single	0.95	(.43)
<b>SB21072</b> ___	2"	(51)	Single	0.95	(.43)

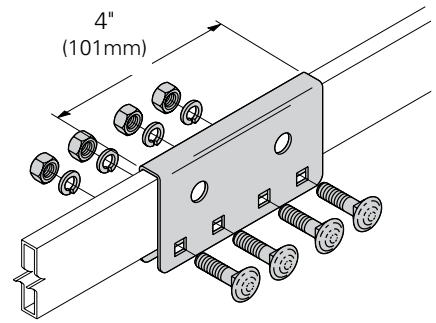
Specify part number and finish when ordering.

Cable runway & accessories

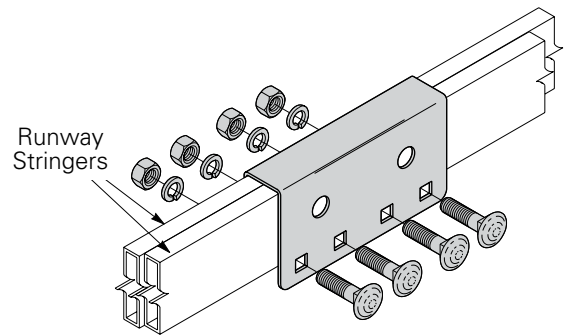
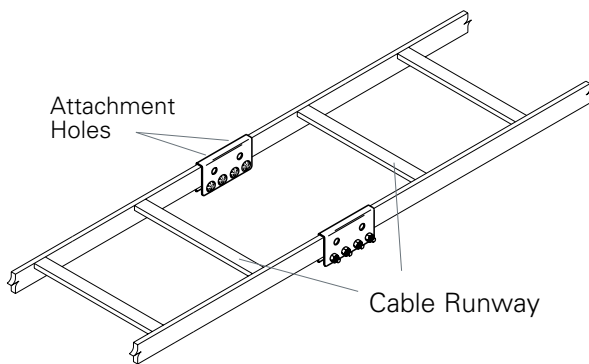
# Cable Runway & Accessories

## Heavy Duty Cable Runway Butt-Splice Clamp & Kit

- Use to connect runway stringers
- SB168C & SB168D includes one (1) clamp and hardware as shown
- SB2135 kit includes two (2) clamps and hardware as shown
- For additional strength use  $\frac{3}{8}$ "-16 through bolts in attachment holes. (not included)
- Material: ASTM A570 structural steel
- UL Classified - file number E60548
- Finish\_\_\_: Black zinc (BZ)  
Yellow zinc (YZ)



**SB168C** For Single Stringer



**SB168D** For Dual Stringers

## One Splice Clamp

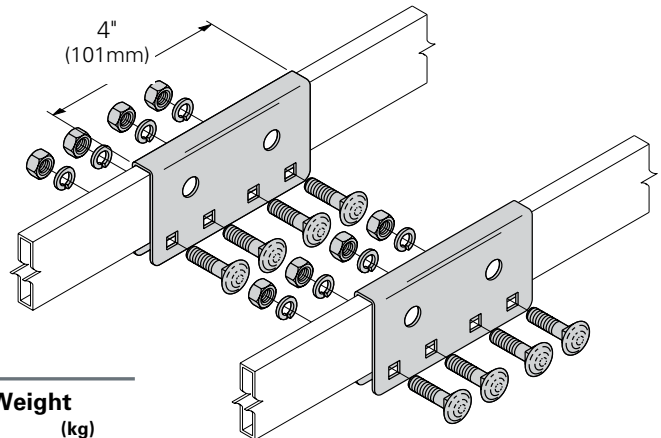
Part Number	Runway Height		Stringer Style	Weight	
	In.	(mm)		Lbs.	(kg)
<b>SB168C</b> ___	1½"	(38)	Single	0.50	(.23)
<b>SB168C2</b> ___	2"	(51)	Single	0.50	(.23)
<b>SB168D</b> ___	1½"	(38)	Dual	0.54	(.24)
<b>SB168D2</b> ___	2"	(51)	Dual	0.54	(.24)

Specify part number and finish when ordering.

## Pair of Splice Clamps

Part Number	Runway Height		Stringer Style	Weight	
	In.	(mm)		Lbs.	(kg)
<b>SB2135</b> ___	1½"	(38)	Single	1.00	(.45)
<b>SB21352</b> ___	2"	(51)	Single	1.00	(.45)

Specify part number and finish when ordering.



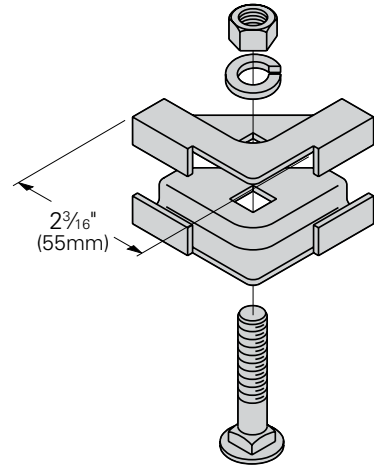
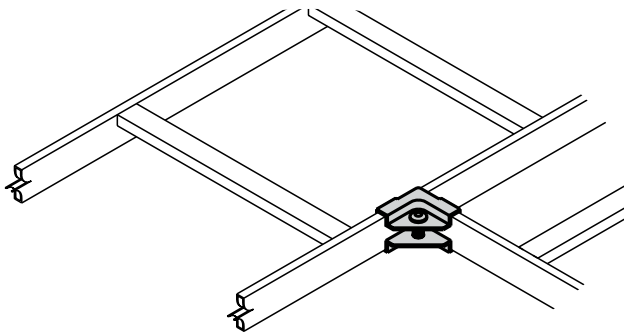
**SB2135** For Single Stringers

Cable runway & accessories

# Cable Runway & Accessories

## Runway 90° Junction Splice Clamp & Kit

- Use to connect cable runway stringers to form a 90° horizontal tee
- SB165 includes one (1) clamp and hardware as shown
- SB2101A kit includes two (2) clamps and hardware as shown
- Material: ASTM A570 structural steel
- UL Classified - file number E60548
- Finish \_\_\_\_: Black zinc (BZ)  
Yellow zinc (YZ)

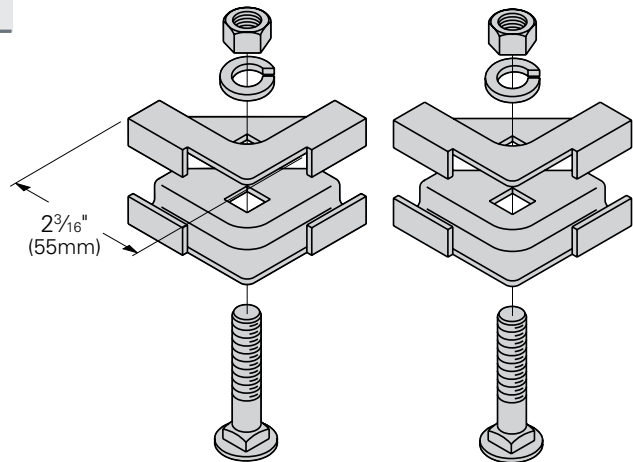


**SB165**

### One Splice Clamp

Part Number	Runway Height		Weight	
	In.	(mm)	Lbs.	(kg)
SB165__	1½"	(38)	0.32	(.14)
SB1652__	2"	(51)	0.33	(.15)

Specify part number and finish when ordering.



**SB2101A**

### Pair of Splice Clamps

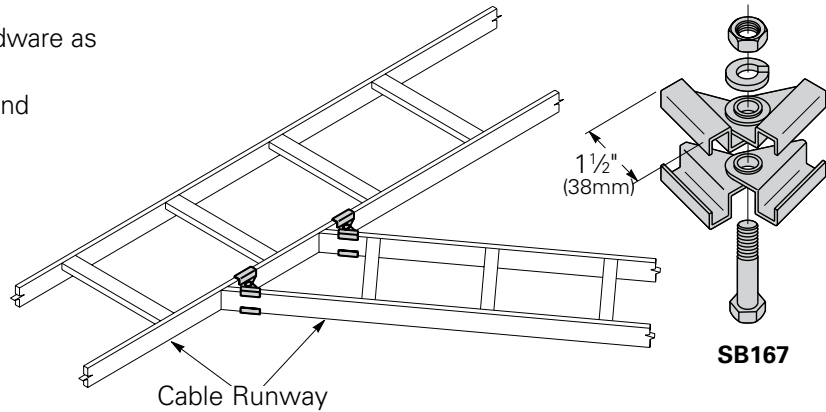
Part Number	Runway Height		Weight	
	In.	(mm)	Lbs.	(kg)
SB2101A__	1½"	(38)	0.63	(.28)
SB2101A2__	2"	(51)	0.65	(.29)

Specify part number and finish when ordering.

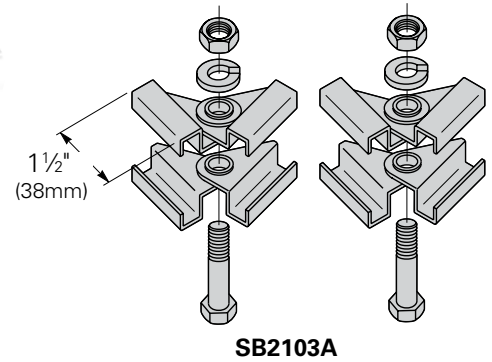
# Cable Runway & Accessories

## Runway Adjustable Junction Splice Clamp

- Use to connect cable runway stringers at angles from 0° to 90°
- SB167 includes one (1) clamp and hardware as shown
- SB2103A kit includes two (2) clamps and hardware as shown
- Runway mitering recommended
- Material: ASTM A570 structural steel
- UL Classified - file number E60548
- Finish\_\_\_: Black zinc (BZ)  
Yellow zinc (YZ)



Part Number	Runway Height In. (mm)	Weight Lbs. (kg)
SB167__	1 1/2" (38)	0.35 (.16)
SB1672__	2" (51)	0.35 (.16)

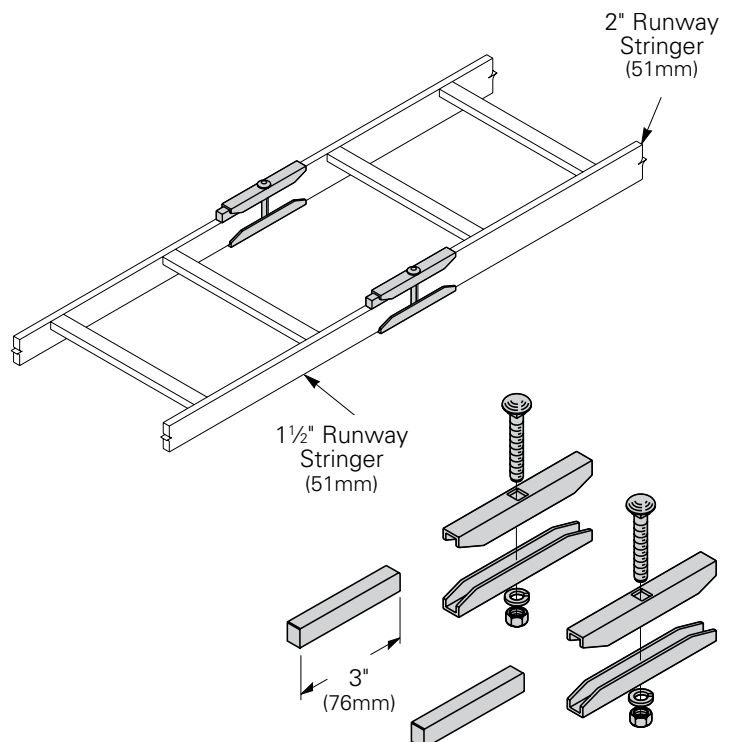


Part Number	Runway Height In. (mm)	Weight Lbs. (kg)
SB2103A__	1 1/2" (38)	0.70 (.34)
SB2103A2__	2" (51)	0.70 (.34)

Specify part number and finish when ordering.

## Runway Stringer Reducer Butt-Splice Kit

- Use to connect 1 1/2" (38mm) runway stringer to 2" (51mm) runway stringer
- Includes: (2) 2" (51mm) clamps with hardware and (2) reducer bars
- No drilling or modification necessary
- Material: ASTM A570, A513 & A36 steel
- UL Classified - file number E60548
- Finish\_\_\_: Black zinc (BZ)  
Yellow zinc (YZ)



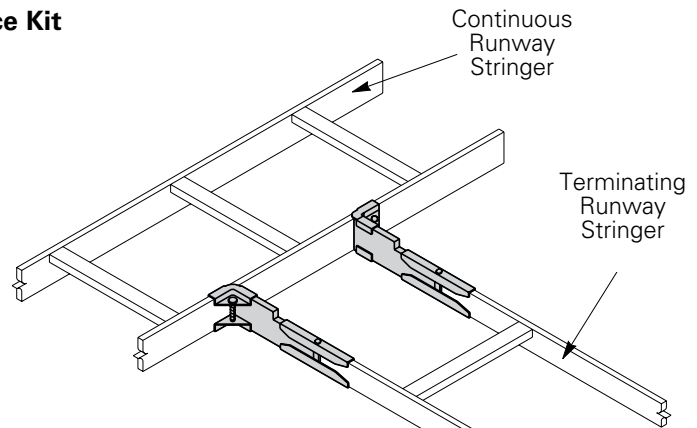
Part Number	Weight Lbs. (kg)
SB2108A__	1.25 (0.57)

Specify part number and finish when ordering.

# Cable Runway & Accessories

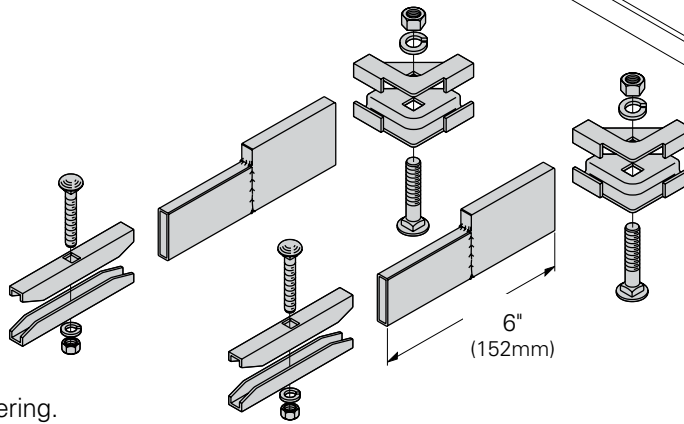
## Runway Stringer Reducing and 90° Junction Splice Kit

- Use to connect 1½" (38mm) runway stringer to 2" (51mm) runway stringer to form a 90° horizontal tee
- Includes: (2) extension clamps, (2) corner clamps, (2) reducer bars and hardware
- No drilling or modification necessary
- Material: ASTM A570, A513 & A36 steel
- UL Classified - file number E60548
- Finish\_\_\_: Black zinc (BZ)  
Yellow zinc (YZ)



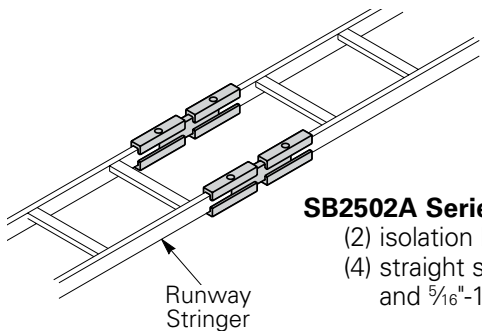
Part Number	Weight	
	Lbs.	(kg)
SB2108C___	3.8	(1.7)

Specify part number and finish when ordering.

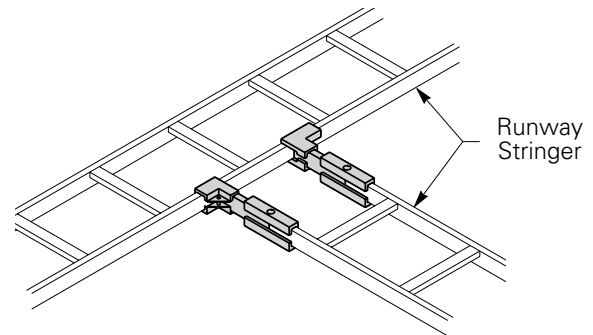


## Cable Runway Isolation Kit

- Use to provide electrical isolation and splice cable runway
- Material: Bar - Phenolic & Clamps - Steel
- Finish: Bar - Natural  
Clamps and hardware - Yellow Zinc (YZ)



**SB2502A Series Includes:**  
(2) isolation bars,  
(4) straight splice clamps  
and 5/16"-18 hardware.



**SB2502B Series Includes:**  
(2) isolation bars  
(2) straight splice clamps  
(2) corner clamps and  
5/16"-18 hardware.

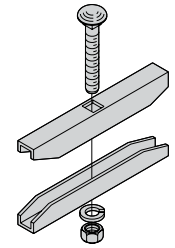
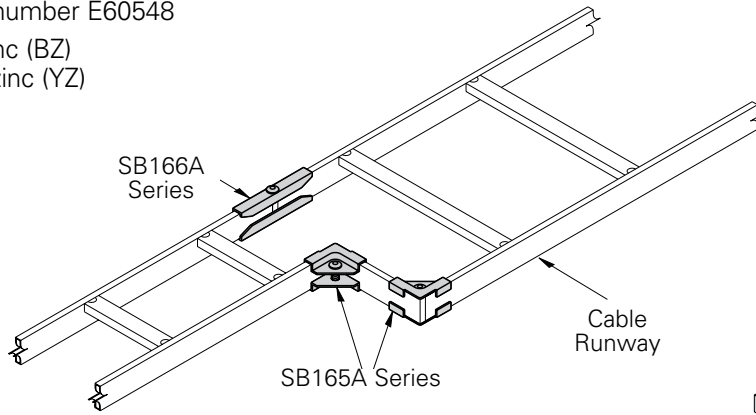
Part Number	Splice Type	Runway Height		Weight	
		In.	(mm)	Lbs.	(kg)
SB2502A	Straight	1½"	(38)	2.30	(1.04)
SB2502A2	Straight	2"	(51)	2.40	(1.09)
SB2502B	Tee	1½"	(38)	1.90	(0.86)
SB2502B2	Tee	2"	(51)	2.00	(0.91)

Cable runway & accessories

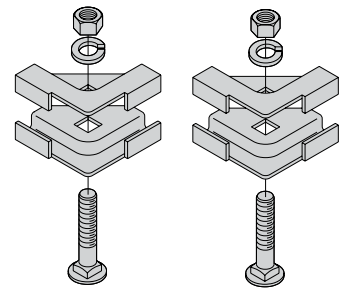
# Cable Runway & Accessories

## Runway Horizontal Reducing Butt Splice Kit

- Use to connect cable runway stringers to form a reducing straight run
- Includes: (2) SB165A Series, (1) SB166A Series and hardware
- Material: ASTM A570 structural steel
- UL Classified - file number E60548
- Finish \_\_\_\_: Black zinc (BZ)  
Yellow zinc (YZ)



**SB166A Series**



**SB165A Series**

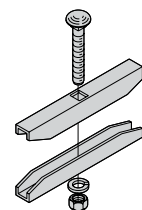
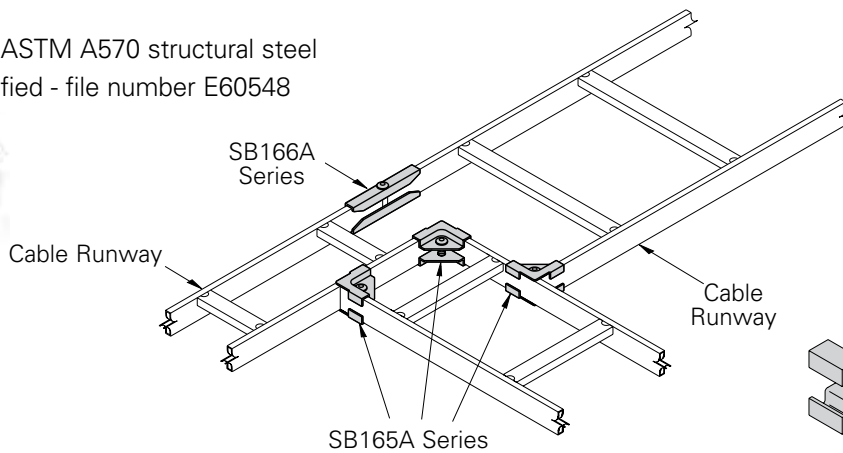
Note: Auxiliary stringer tube not included.

Part Number	Runway Height		Weight	
	In.	(mm)	Lbs.	(kg)
SB2102A__	1½"	(38)	1.10	(.50)
SB2102A2__	2"	(51)	1.13	(.51)

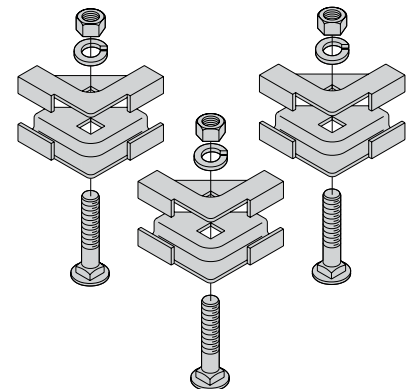
Specify part number and finish when ordering.

## Runway Horizontal Reducing and 90° Junction Butt Splice Kit

- Use to connect cable runway stringers to form a reducing straight run with a horizontal tee
- Includes: (3) SB165A Series, (1) SB166A Series and hardware
- Material: ASTM A570 structural steel
- UL Classified - file number E60548
- Finish \_\_\_\_: Black zinc (BZ)  
Yellow zinc (YZ)



**SB166A Series**



**SB165A Series**

Part Number	Runway Height		Weight	
	In.	(mm)	Lbs.	(kg)
SB2102B__	1½"	(38)	1.40	(.63)
SB2102B2__	2"	(51)	1.44	(.65)

Specify part number and finish when ordering.

Cable runway & accessories

# Cable Runway & Accessories

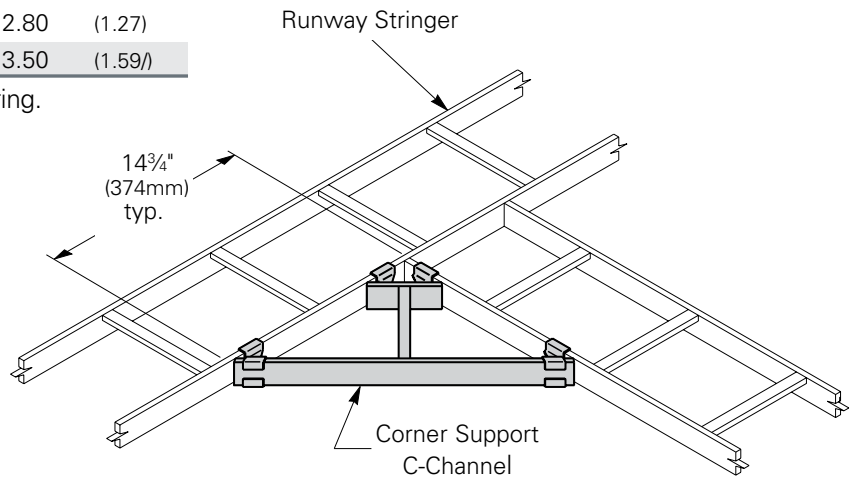
## 90° Corner Support Kit

- Use to provide additional support for intersecting cable runway and larger cable bend radius
- Includes: (1) mitered runway section, (2) clamps and  $\frac{3}{8}$ "-16 hardware
- Material: ASTM A570 structural steel
- UL Classified - file number E60548
- Finish \_\_\_\_: Flat black powder coat (FB)  
Telco gray powder coat (TG)  
Yellow zinc (YZ)



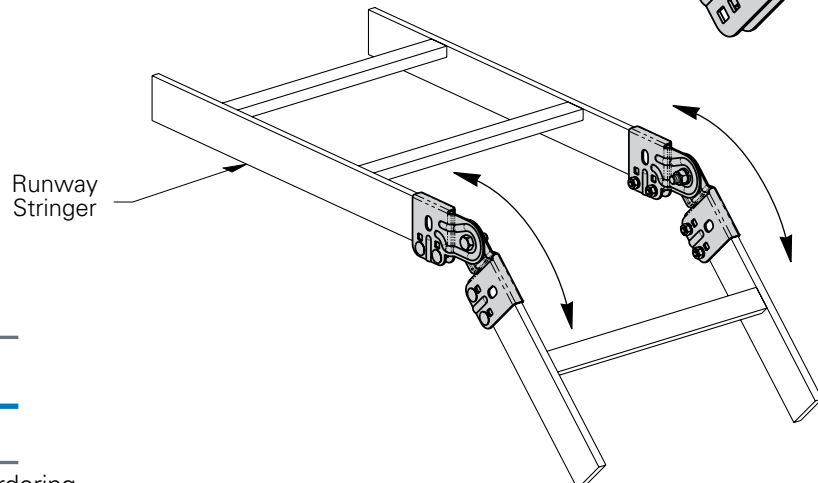
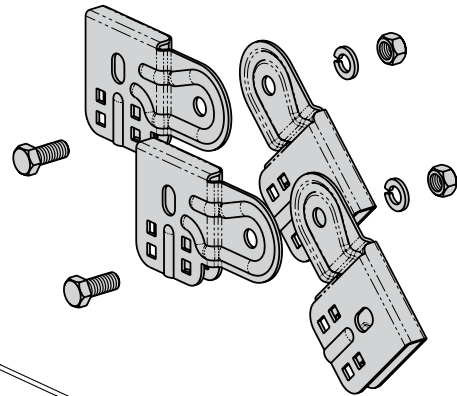
Part Number	Runway Height		Weight	
	In.	(mm)	Lbs.	(kg)
<b>SB2104</b> __	1½"	(38)	2.80	(1.27)
<b>SB21042</b> __	2"	(51)	3.50	(1.59)

Specify part number and finish when ordering.



## Adjustable Butt Splice Kit

- Use for vertical change in direction of cable runway
- Includes: (2) splices and hardware
- Attachment holes match  $1\frac{3}{32}$ " (10mm) holes in solid bar stringers
- Works with both 1½" & 2" stringer runways
- Adjusts 180°
- Material: ASTM A570 structural steel
- UL Classified - file number E60548
- Finish \_\_\_\_: Black Zinc (BZ)  
Yellow Zinc (YZ)



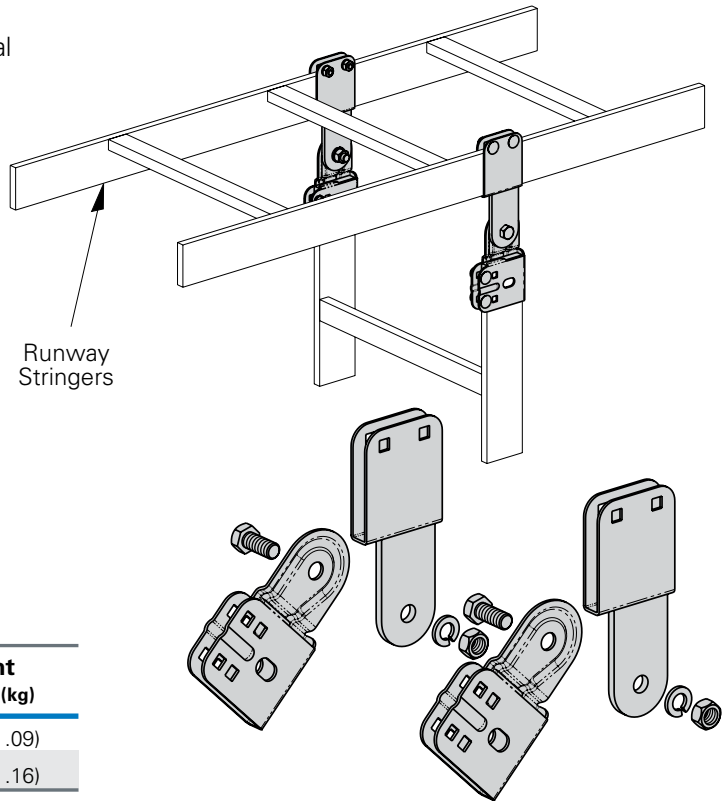
Part Number	Weight	
	Lbs.	(kg)
<b>SB2110A</b> __	2.40	(1.09)

Specify part number and finish when ordering.



## Adjustable Vertical Splice Kit

- Use to connect cable runway stringers in a vertical direction
- Adjusts 180°
- Includes: (2) splices and hardware
- Material: ASTM A570 structural steel
- UL Classified - file number E60548
- Finish \_\_\_\_: Black zinc (BZ)  
Yellow zinc (YZ)

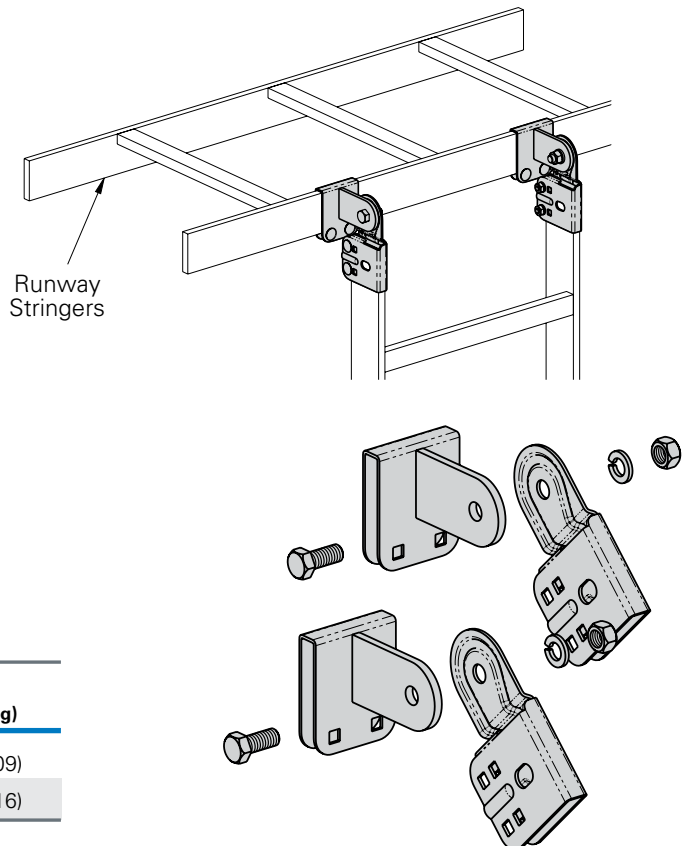


Part Number	Runway Height		Weight	
	In.	(mm)	Lbs.	(kg)
SB2111A__	1½"	(38)	2.40	(1.09)
SB2111A2__	2"	(51)	2.56	(1.16)

Specify part number and finish when ordering.

## Adjustable Junction Splice Kit

- Use to connect one cable runway to the side of another cable runway
- Adjusts 270°
- Includes: (2) splices and hardware
- Material: ASTM A570 structural steel
- UL Classified - file number E60548
- Finish \_\_\_\_: Black zinc (BZ)  
Yellow zinc (YZ)



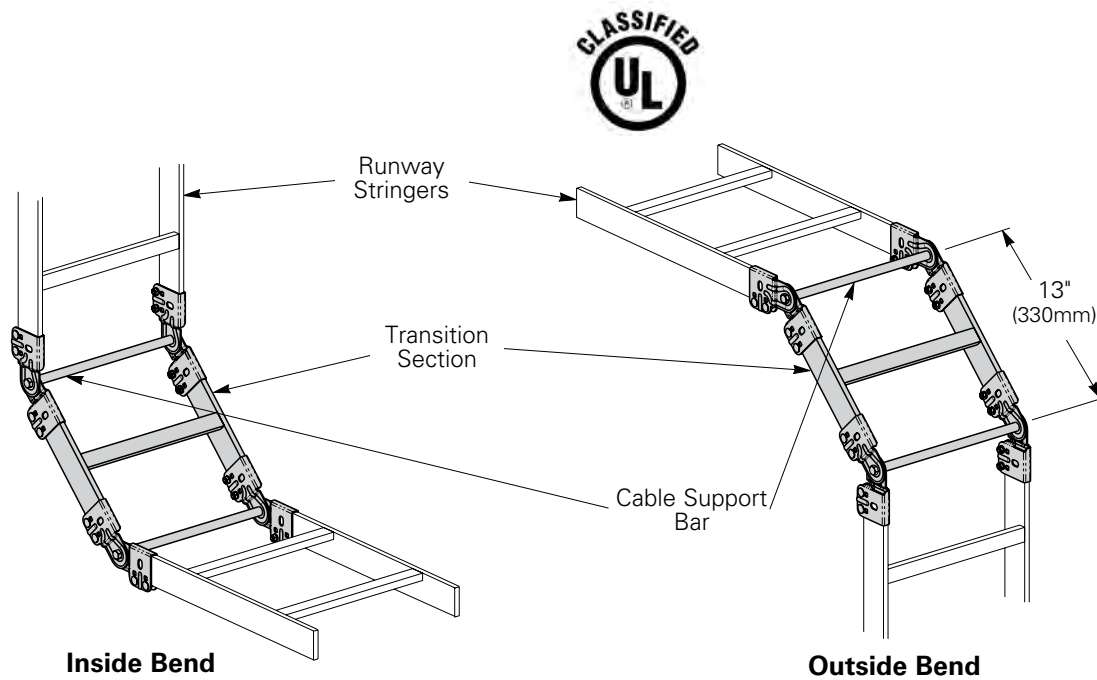
Part Number	Runway Height		Weight	
	In.	(mm)	Lbs.	(kg)
SB2111B__	1½"	(38)	2.40	(1.09)
SB2111B2__	2"	(51)	2.56	(1.16)

Specify part number and finish when ordering.

# Cable Runway & Accessories

## Adjustable Runway Horizontal To Vertical Transition Kit

- Use for vertical change of direction of cable runway
- All finishes are UL Classified as suitable as an equipment grounding conductor (file number E60548)
- Forms inside or outside bends
- Includes: (1) transition section, (4) splices, (2) cable support bars, and hardware
- Material: ASTM A513 and A570 structural steel
- Finish \_\_\_\_: Flat black powder coat (FB)  
Telco gray powder coat (TG)  
Black zinc (BZ)  
Yellow zinc (YZ)



### 1½" (38mm) Stringers

Part Number	Runway Width		Weight	
	In.	(mm)	Lbs.	(kg)
SB212806__	6"	(152)	10.1	(4.56)
SB212809__	9"	(228)	12.9	(5.83)
SB212812__	12"	(305)	15.7	(7.10)
SB212815__	15"	(381)	18.4	(8.36)
SB212818__	18"	(457)	21.2	(9.63)
SB212820__	20"	(508)	23.1	(10.48)
SB212824__	24"	(609)	26.8	(12.17)
SB212830__	30"	(762)	32.7	(14.81)
SB212836__	36"	(914)	15.5	(17.37)

Specify part number and finish when ordering.

### 2" (51mm) Stringers

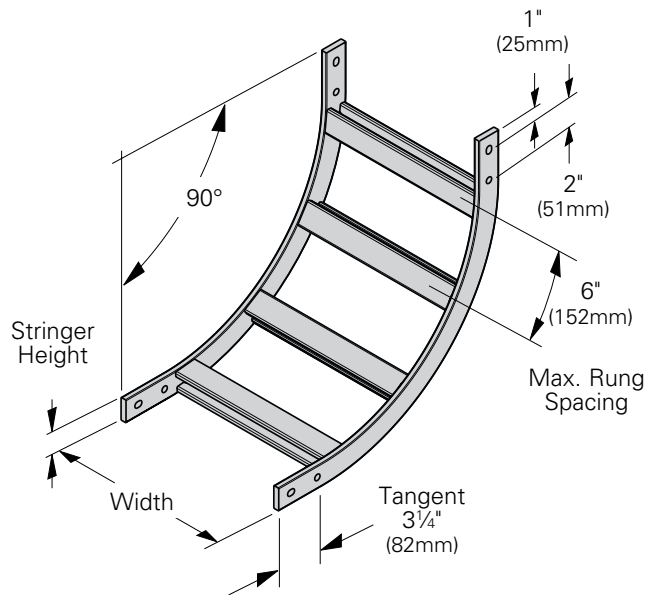
Part Number	Runway Width		Weight	
	In.	(mm)	Lbs.	(kg)
SB2128062__	6"	(152)	11.3	(5.12)
SB2128092__	9"	(228)	14.1	(6.39)
SB2128122__	12"	(305)	16.9	(7.65)
SB2128152__	15"	(381)	19.7	(8.92)
SB2128182__	18"	(457)	22.5	(10.19)
SB2128202__	20"	(508)	24.3	(11.03)
SB2128242__	24"	(609)	28.0	(12.72)
SB2128302__	30"	(762)	33.9	(15.36)
SB2128362__	36"	(914)	39.5	(17.92)

Specify part number and finish when ordering.

# Cable Runway & Accessories

## Universal 90° Vertical Bends

- Used to make a smooth, 90° vertical change in runway direction
- Made of 1½" x ⅜" ASTM A36 steel solid bar stringers and ASTM A513 grade 1008 structural steel tubing rungs
- All finishes are UL Classified as an equipment grounding conductor - file number E60548
- Universal design to handle both inside and outside bends with one part
- Four inside and outside rungs welded at 26° increments
- Smooth 12" (305mm) inside radius
- Connects to runway sections using standard runway splices
- Slotted splice attachment holes provided for use with SB2135 series heavy duty splice plates
- Compatible with "C"-channel, tubular, and solid bar cable runway
- Range of widths from 6" (152mm) to 36" (914mm)
- Finish \_\_\_\_: Flat black powder coat (FB)  
Telco gray powder coat (TG)  
Yellow zinc (YZ)



### 1½" (38mm) Stringers

Part Number	Runway Width		Weight	
	In.	(mm)	Lbs.	(kg)
SB17VRB06__	6"	(152)	10.7	(4.85)
SB17VRB09__	9"	(228)	12.1	(5.49)
SB17VRB12__	12"	(305)	13.5	(6.12)
SB17VRB15__	15"	(381)	14.8	(6.71)
SB17VRB18__	18"	(457)	16.2	(7.35)
SB17VRB20__	20"	(508)	17.1	(7.75)
SB17VRB24__	24"	(609)	19.0	(8.62)
SB17VRB30__	30"	(762)	21.8	(9.89)
SB17VRB36__	36"	(914)	24.5	(11.11)

Specify part number and finish when ordering.

### 2" (51mm) Stringers

Part Number	Runway Width		Weight	
	In.	(mm)	Lbs.	(kg)
SB16VRB06__	6"	(152)	13.2	(5.98)
SB16VRB09__	9"	(228)	15.0	(6.80)
SB16VRB12__	12"	(305)	16.4	(7.44)
SB16VRB15__	15"	(381)	18.0	(8.06)
SB16VRB18__	18"	(457)	19.5	(8.84)
SB16VRB20__	20"	(508)	20.5	(9.30)
SB16VRB24__	24"	(609)	22.0	(9.98)
SB16VRB30__	30"	(762)	25.0	11.34)
SB16VRB36__	36"	(914)	28.0	(12.70)

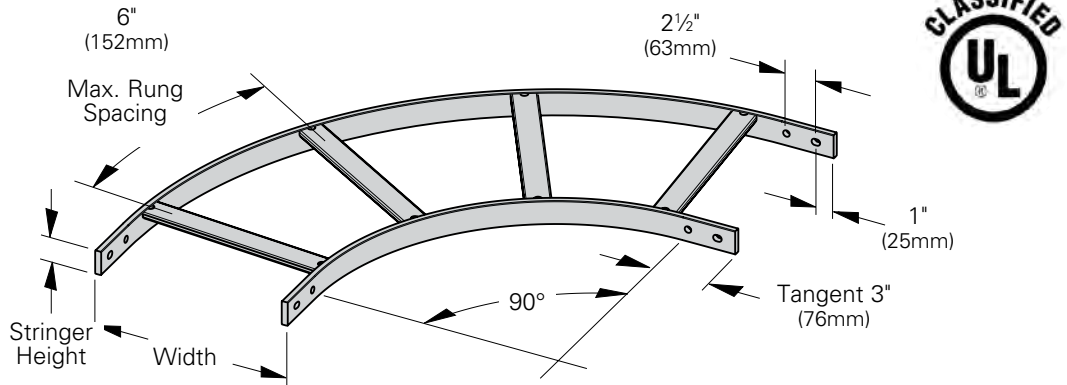
Specify part number and finish when ordering.

Cable runway & accessories

# Cable Runway & Accessories

## 90° Horizontal Bends

- Used to make a smooth, 90° horizontal change in runway direction
- Made of 1½" x ⅜" ASTM A36 steel solid bar stringers and ASTM A513 grade 1008 structural steel tubing rungs
- All finishes are UL Classified as an equipment grounding conductor - file number E60548
- Smooth 15" (381mm) inside radius
- Connects to runway sections using standard runway splices
- Attachment holes provided for use with SB2135 series heavy duty splice plates
- Compatible with "C"-channel, tubular, and solid bar cable runway
- Range of widths from 6" (152mm) to 36" (914mm)
- Finish \_\_\_\_: Flat black powder coat (FB)  
Telco gray powder coat (TG)  
Yellow zinc (YZ)



### 1½" (38mm) Stringers

Part Number	Runway Width		Weight	
	In.	(mm)	Lbs.	(kg)
SB17HRB06__	6"	(152)	12.0	(5.44)
SB17HRB09__	9"	(228)	13.5	(6.12)
SB17HRB12__	12"	(305)	14.9	(6.76)
SB17HRB15__	15"	(381)	17.2	(7.80)
SB17HRB18__	18"	(457)	18.8	(8.53)
SB17HRB20__	20"	(508)	19.8	(8.98)
SB17HRB24__	24"	(609)	23.3	(10.57)
SB17HRB30__	30"	(762)	26.9	(12.20)
SB17HRB36__	36"	(914)	30.4	(13.79)

Specify part number and finish when ordering.

### 2" (351mm) Stringers

Part Number	Runway Width		Weight	
	In.	(mm)	Lbs.	(kg)
SB16HRB06__	6"	(152)	15.7	(7.12)
SB16HRB09__	9"	(228)	17.4	(7.89)
SB16HRB12__	12"	(305)	19.1	(8.66)
SB16HRB15__	15"	(381)	20.8	(9.43)
SB16HRB18__	18"	(457)	22.5	(10.20)
SB16HRB20__	20"	(508)	23.6	(10.70)
SB16HRB24__	24"	(609)	25.9	(11.75)
SB16HRB30__	30"	(762)	29.2	(13.24)
SB16HRB36__	36"	(914)	31.7	(14.38)

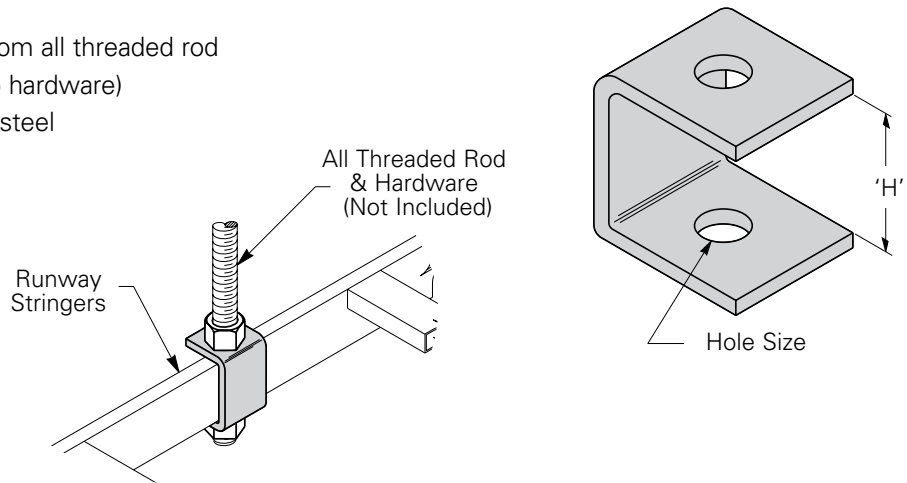
Specify part number and finish when ordering.

Cable runway & accessories

# Cable Runway & Accessories

## Runway Support

- Use to suspend cable runway from all threaded rod
- Includes one hanger support (no hardware)
- Material: ASTM A570 structural steel
- Finish\_\_\_: Black zinc (BZ)  
Yellow zinc (YZ)

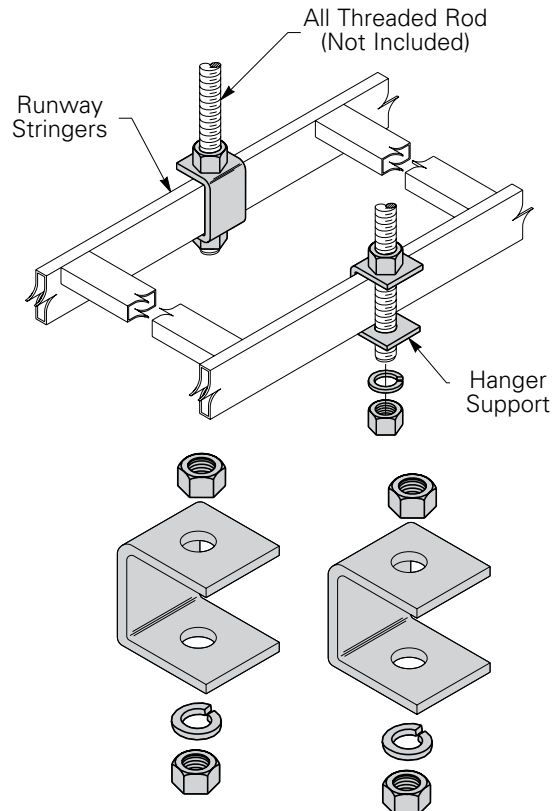


Part Number	Runway Height		'H'		ATR Size	Hole Size		Weight	
	In.	(mm)	In.	(mm)		In.	(mm)	Lbs.	(kg)
<b>SB156A</b> ___	1 1/2"	(38)	1 9/16"	(39.7)	1/2"-13	1 7/32"	(13.5)	0.34	(0.15)
<b>SB156A2</b> ___	2"	(51)	2 1/16"	(52.4)	1/2"-13	1 7/32"	(13.5)	0.34	(0.15)
<b>SB156B</b> ___	1 1/2"	(38)	1 9/16"	(39.7)	5/8"-11	2 1/32"	(16.6)	0.34	(0.15)
<b>SB156B2</b> ___	2"	(51)	2 1/16"	(52.4)	5/8"-11	2 1/32"	(16.6)	0.34	(0.15)

Specify part number and finish when ordering.

## Runway Support Kit

- Use to suspend cable runway from all threaded rod
- Includes two hanger supports and hardware
- Material: ASTM A570 structural steel
- Finish\_\_\_: Black zinc (BZ)  
Yellow zinc (YZ)



Part Number	Runway Height		ATR Size	Weight	
	In.	(mm)		Lbs.	(kg)
<b>SB2116A</b> ___	1 1/2"	(38)	5/8"-11	0.76	(0.34)
<b>SB2116A2</b> ___	2"	(51)	5/8"-11	0.76	(0.34)
<b>SB2116D</b> ___	1 1/2"	(38)	1/2"-13	0.76	(0.34)
<b>SB2116D2</b> ___	2"	(51)	1/2"-13	0.76	(0.34)

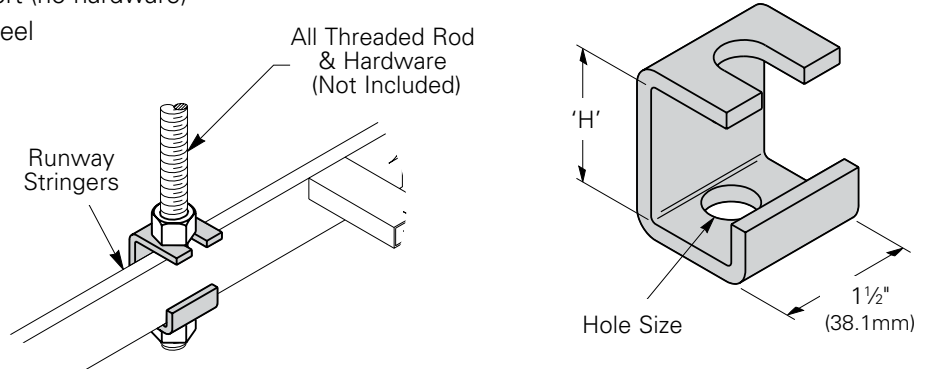
Specify part number and finish when ordering.

Cable runway & accessories

# Cable Runway & Accessories

## Slotted Runway Support

- Use to suspend cable runway from all threaded rod
- Includes one slotted hanger support (no hardware)
- Material: ASTM A570 structural steel
- Finish\_\_\_: Black Zinc (BZ)  
Yellow Zinc (YZ)

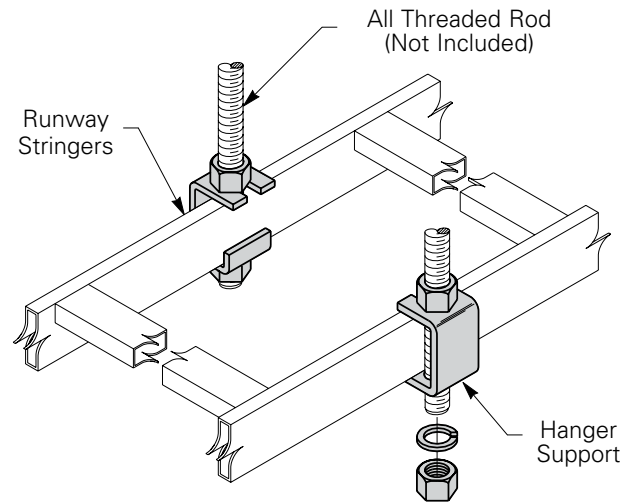


Part Number	Runway Height		'H'		ATR Size	Hole Size		Weight	
	In.	(mm)	In.	(mm)		In.	(mm)	Lbs.	(kg)
SB157A___	1 1/2"	(38)	1 9/16"	(39.7)	1/2"-13	9/16"	(14.3)	0.34	(0.15)
SB157A2___	2"	(51)	2 1/16"	(52.4)	1/2"-13	9/16"	(14.3)	0.34	(0.15)
SB157B___	1 1/2"	(38)	1 9/16"	(39.7)	5/8"-11	1 1/16"	(17.5)	0.34	(0.15)
SB157B2___	2"	(51)	2 1/16"	(52.4)	5/8"-11	1 1/16"	(17.5)	0.34	(0.15)

Specify part number and finish when ordering.

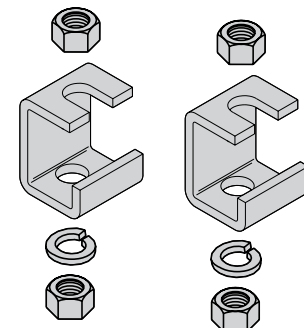
## Slotted Runway Support Kit

- Use to suspend cable runway from all threaded rod
- Slotted hanger support design allows easier cable runway installation
- Includes two slotted hanger supports and hardware
- Material: ASTM A570 structural steel
- Finish\_\_\_: Black zinc (BZ)  
Yellow zinc (YZ)



Part Number	Runway Height		ATR Size	Weight	
	In.	(mm)		Lbs.	(kg)
SB2118A___	1 1/2"	(38)	5/8"-11	0.52	(0.23)
SB2118A2___	2"	(51)	5/8"-11	0.60	(0.27)
SB2118D___	1 1/2"	(38)	1/2"-13	0.71	(0.32)
SB2118D2___	2"	(51)	1/2"-13	0.80	(0.36)

Specify part number and finish when ordering.

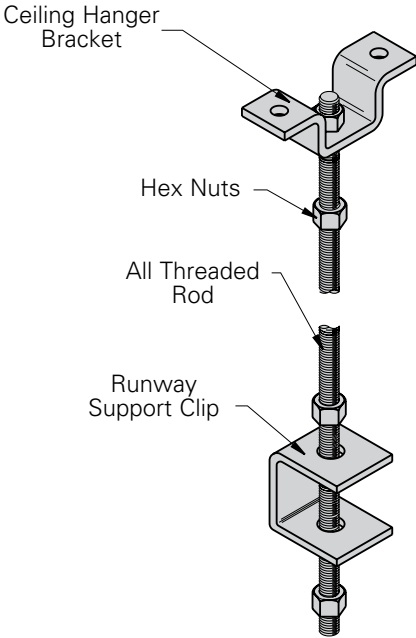


Cable runway & accessories

# Cable Runway & Accessories

## Runway To Ceiling Kit

- Use to suspend cable runway paths from a ceiling
- Includes: (1) 72" (1829mm) section of all threaded rod, (1) ceiling hanger bracket, (1) runway support clip and (4) hex nuts
- Available in 3/8"-16 (SB2221A) or 5/8"-11 (SB2221C) threaded rod sizes. Other sizes available upon request
- Finish\_\_\_: Black zinc (BZ)  
Yellow zinc (YZ)



Part Number	Runway Height		ATR Size	Weight	
	In.	(mm)		Lbs.	(kg)
SB2221A__	1½"	(38)	3/8"-16	2.7	(1.22)
SB2221C__	1½"	(38)	5/8"-11	6.5	(2.95)

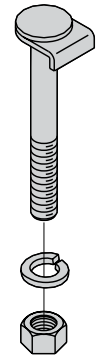
Specify part number and finish when ordering.

# Cable Runway & Accessories

## 'J' Clip

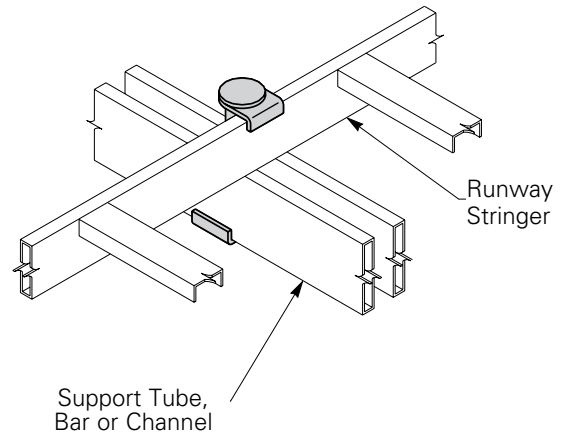
- Use to attach cable runway to auxiliary support
- SB107 & SB1072 each include one (1) "J" clip and hardware as shown
- Material: ASTM A570 structural steel
- Finish\_\_\_: Black zinc (BZ)  
Yellow zinc (YZ)

Part Number	Runway Height In. (mm)	Use With Support Structure	Weight	
			Lbs.	(kg)
SB107___	1½" (38)	⅜" (9mm) x 1½" (38mm) runway	0.5	(0.22)
SB1072___	2" (51)	⅜" (9mm) x 2" (51mm) runway	0.5	(0.22)



SB107

Specify part number and finish when ordering.



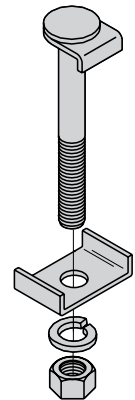
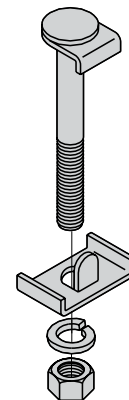
## 'J' Clip Kit

- Use to attach cable grid or cable runway to auxiliary support where rung of cable grid or cable runway is directly positioned over support tube, bar or channel
- SB2003A, SB2003B, SB2003A2, & SB2003B2 include one (1) "J" clip, one (1) framing clip, and hardware as shown
- Material: ASTM A570 structural steel
- Finish \_\_\_: Black zinc (BZ)  
Yellow zinc (YZ)

Part Number	Runway Height In. (mm)	Use With Support Structure	Weight	
			Lbs.	(kg)
SB2003A___	1½" (38)	⅜" (9mm) x 2" (51mm) tube or channel	0.5	(0.22)
SB2003B___	1½" (38)	⅜" (9mm) x 2" (51mm) bar	0.5	(0.22)
SB2003A2___	2" (51)	⅜" (9mm) x 2" (51mm) tube or channel	0.5	(0.22)
SB2003B2___	2" (51)	⅜" (9mm) x 2" (51mm) bar	0.5	(0.22)

SB2003A

SB2003B



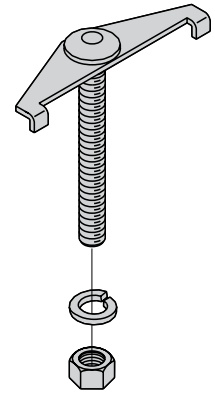
Specify part number and finish when ordering.



# Cable Runway & Accessories

## Spanner Clip

- Use to attach cable grid or cable runway to auxiliary support
- Used where rung of cable grid or cable runway is directly positioned over support tube, bar or channel
- SB107A and SB107A2 each include one (1) spanner clip and hardware as shown
- Material: ASTM A570 structural steel
- Finish\_\_\_: Black zinc (BZ)  
Yellow zinc (YZ)



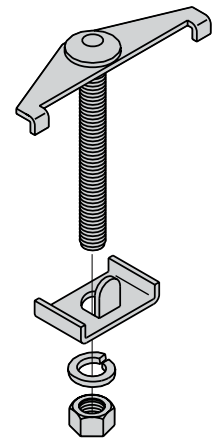
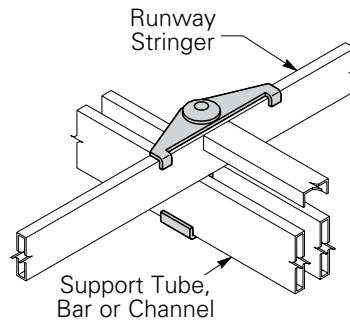
**SB107A**

Part Number	Runway Height		Use With Support Structure	Weight	
	In.	(mm)		Lbs.	(kg)
<b>SB107A</b> ___	1½"	(38)	¾" (9mm) x 1½" (38mm) runway	0.5	(0.22)
<b>SB107A2</b> ___	2"	(51)	¾" (9mm) x 2" (38mm) runway	0.5	(0.22)

Specify part number and finish when ordering.

## Spanner Clip Kit

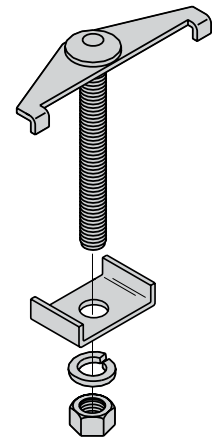
- Use to attach cable grid or cable runway to auxiliary support
- Used where rung of cable grid or cable runway is directly positioned over support tube, bar or channel
- SB2003E, SB2003E2, SB2003F & SB2003F2 include one (1) spanner clip, one (1) framing clip, and hardware as shown
- Material: ASTM A570 structural steel
- Finish \_\_\_: Black zinc (BZ)  
Yellow zinc (YZ)



**SB2003E Series**

Part Number	Runway Height		Use With Support Structure	Weight	
	In.	(mm)		Lbs.	(kg)
<b>SB2003E</b> ___	1½"	(38)	9/16" (14mm) x 2" (51mm) tube or channel	0.6	(0.27)
<b>SB2003F</b> ___	1½"	(38)	¾" (9mm) x 2" (51mm) bar	0.6	(0.27)
<b>SB2003E2</b> ___	2"	(38)	9/16" (14mm) x 2" (51mm) tube or channel	0.6	(0.27)
<b>SB2003F2</b> ___	2"	(38)	¾" (9mm) x 2" (51mm) bar	0.6	(0.27)

Specify part number and finish when ordering.

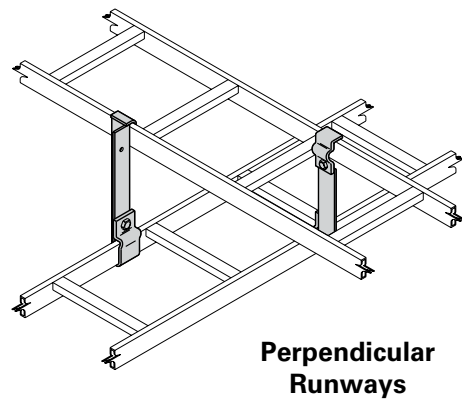
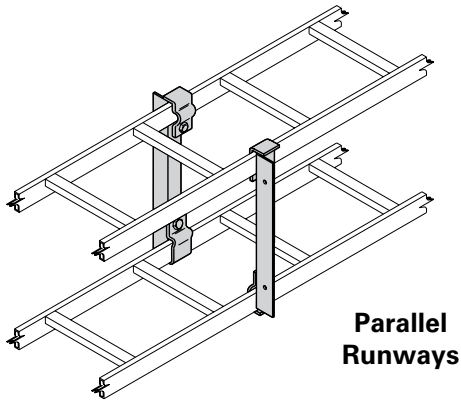
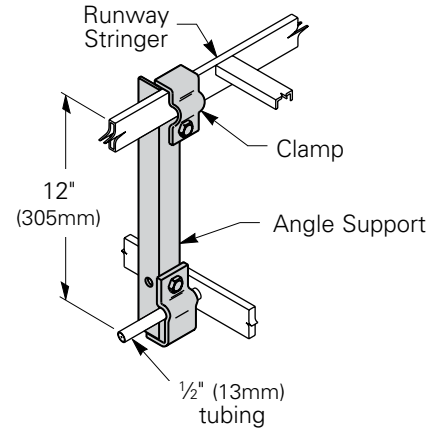


**SB2003F Series**

# Cable Runway & Accessories

## Runway Standoff Support

- Use to support or suspend one cable grid or runway from another
- Provides 12" (305mm) spacing between decks
- Designed for parallel or perpendicular runways
- Includes: (2) angle supports, (4) clamps and 3/8"-16 hardware
- Material: Support & Clamps - ASTM A36 structural steel
- Note: For vertical support only. Diagonal bracing may be required
- Finish\_\_\_: Black zinc (BZ)  
Yellow zinc (YZ)



Part Number	Runway Height		Weight	
	In.	(mm)	Lbs.	(kg)
<b>SB2125</b> ___	1 1/2"	(38)	5.0	(2.26)
<b>SB21252</b> ___	2"	(51)	5.0	(2.26)

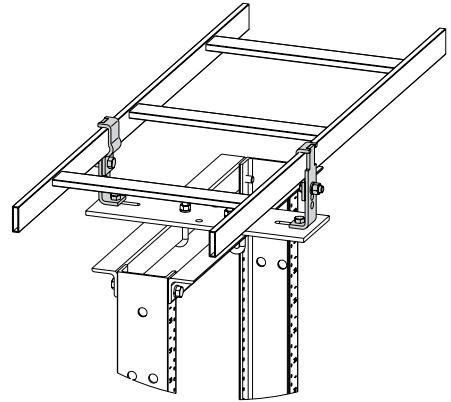
Specify part number and finish when ordering.

# Cable Runway & Accessories

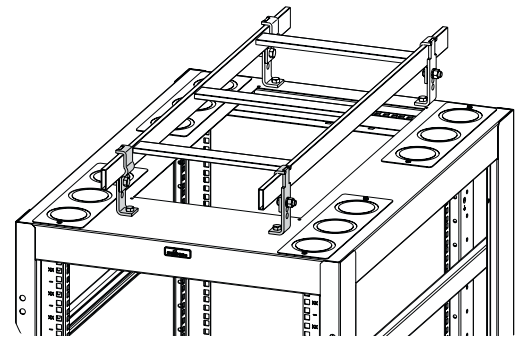
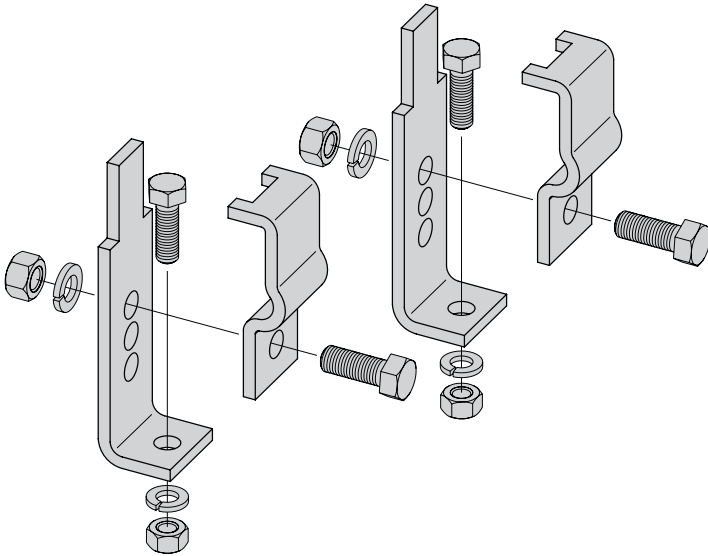
## Runway Stand-Off Kit

- Use to provide additional space between the top of racks and enclosures over standard runway attachment devices
- Elevation kits options are 2" (51mm), 2½" (63mm) or 3" (76mm) and 4" (101mm), 5" (127mm) or 6" (152mm)
- Can be installed to accommodate perpendicular or parallel pathway orientations
- Rack elevation kits include: (1) pair of brackets and assembly hardware
- Cabinet elevation kits include: (2) pair of brackets and assembly hardware
- Rack elevation kits attach to SB2133 or SB2134 series top plate runway support kits (sold separately)
- Cabinet elevation kits attach directly to the cabinets

- Finish \_\_\_\_: Flat black powder coat (FB)  
Telco gray powder coat (TG)  
Yellow zinc (YZ)



Two-Post Rack Application



Enclosure Application

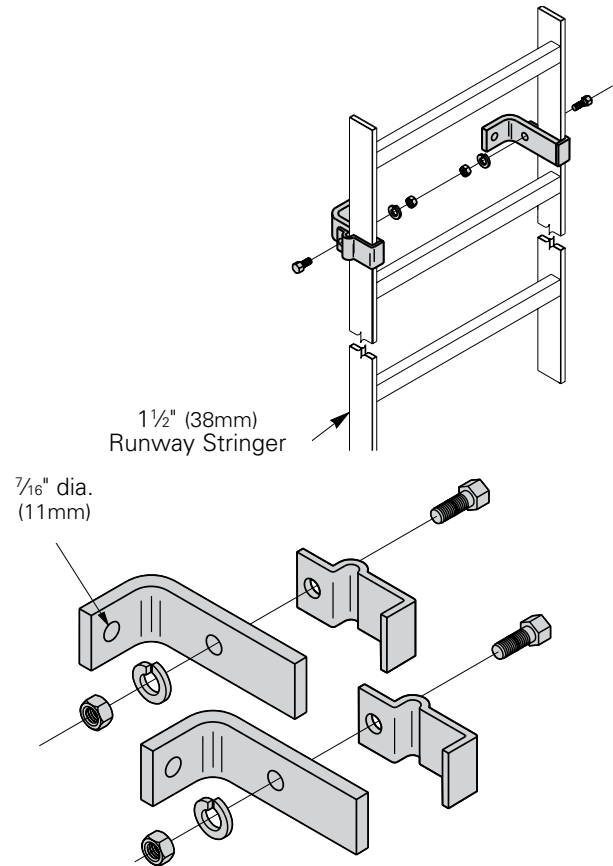
Part Number	Application	Runway Height		Elevation Settings		Weight	
		In.	(mm)	In.	(mm)	Lbs.	(kg)
<b>SB227R3</b> __	Two-Post Rack	1½"	(38)	2", 2½", & 3"	(51, 63, & 76)	1.5	(0.68)
<b>SB227R6</b> __	Two-Post Rack	1½"	(38)	4", 5", & 6"	(101, 127, & 152)	1.5	(0.68)
<b>SB227E3</b> __	Enclosures	1½"	(38)	2", 2½", & 3"	(51, 63, & 76)	1.5	(0.68)
<b>SB227E6</b> __	Enclosures	1½"	(38)	4", 5", & 6"	(101, 127, & 152)	1.5	(0.68)
<b>SB227R32</b> __	Two-Post Rack	2"	(51)	2", 2½", & 3"	(51, 63, & 76)	1.6	(0.73)
<b>SB227R62</b> __	Two-Post Rack	2"	(51)	4", 5", & 6"	(101, 127, & 152)	2.0	(0.91)
<b>SB227E32</b> __	Enclosures	2"	(51)	2", 2½", & 3"	(51, 63, & 76)	2.6	(1.18)
<b>SB227E62</b> __	Enclosures	2"	(51)	4", 5", & 6"	(101, 127, & 152)	3.3	(1.50)

Specify part number and finish when ordering.

# Cable Runway & Accessories

## Runway Stand-Off Kit

- Use to secure cable runway to wall, floor or ceiling
- Provides 2½" (63mm) clearance
- Order anchors separately
- Includes: (2) stand-off supports and ¾"-16 hardware
- Material: ASTM A36 structural steel
- Finish \_\_\_\_: Flat black powder coat (FB)  
Telco gray powder coat (TG)  
Yellow zinc (YZ)

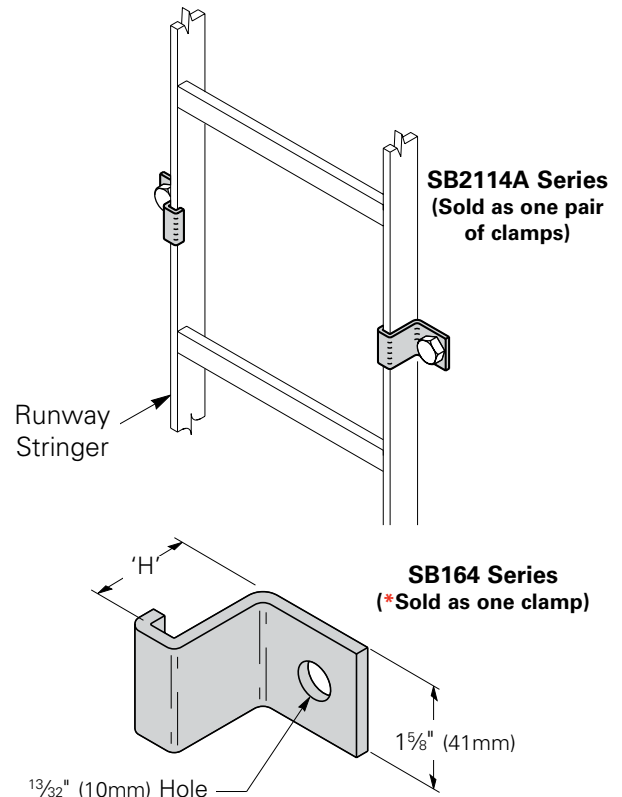


Part Number	Runway Height		Weight	
	In.	(mm)	Lbs.	(kg)
SB2109__	1½"	(38)	2.2	(1.0)
SB21092__	2"	(51)	2.5	(1.1)

Specify part number and finish when ordering.

## Runway Hold-Down Clamp Kit

- Use to secure cable runway to wall, floor, ceiling or strut
- Order anchors separately
- SB2114A Series include (2) wall clamps
- SB164 Series include (1) wall clamp
- Material: 11 Ga. (3.0mm) ASTM A570 structural steel
- Finish \_\_\_\_: Flat black powder coat (FB)  
Telco gray powder coat (TG)  
Yellow zinc (YZ)



Part Number	Runway Height 'H'		Weight	
	In.	(mm)	Lbs.	(kg)
SB2114A__	1½"	(38)	0.54	(0.24)
SB2114A2__	2"	(51)	0.65	(0.29)
SB1641½__*	1½"	(38)	0.27	(0.12)
SB1642__*	2"	(51)	0.32	(0.14)

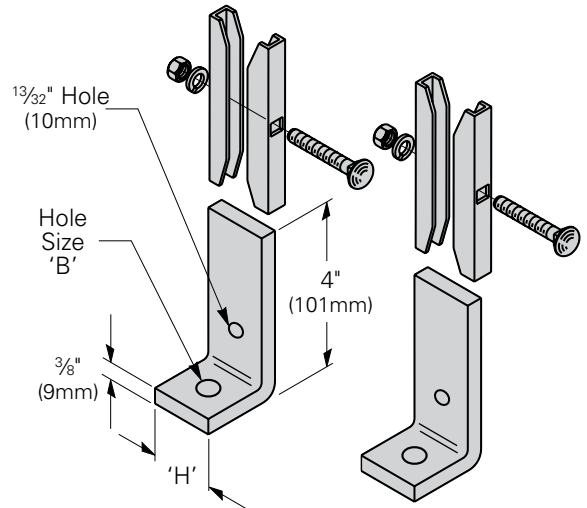
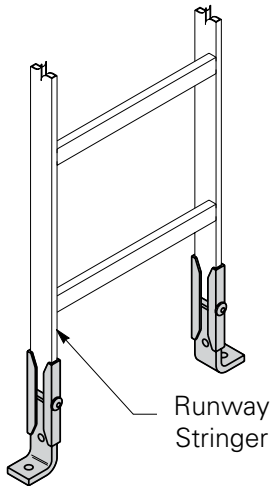
Specify part number and finish when ordering.

Cable runway & accessories

# Cable Runway & Accessories

## Runway Foot Kit

- Use to secure cable runway to floor, ceiling, or wall
- Order anchors separately
- Includes: (2) end supports, (2) clamps and 5/16"-18 hardware
- Material: ASTM A36 structural steel
- UL Classified - file number E60548
- Finish\_\_\_: Black zinc (BZ)  
Yellow zinc (YZ)

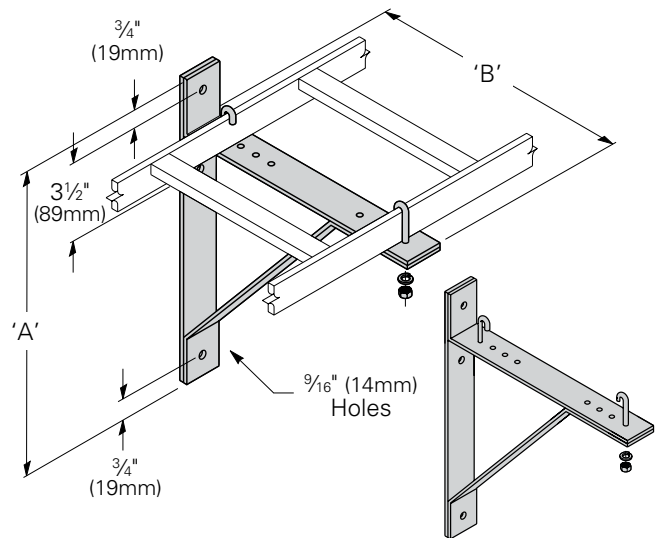


Part Number	Runway Height 'H'		Hole Size 'B'		Weight	
	In.	(mm)	In.	(mm)	Lbs.	(kg)
<b>SB2106A</b> ___	1 1/2"	(38)	7/16"	(11)	2.60	(1.18)
<b>SB2106A2</b> ___	2"	(51)	7/16"	(11)	2.64	(1.20)
<b>SB2106B</b> ___	1 1/2"	(38)	9/16"	(14)	2.60	(1.18)
<b>SB2106B2</b> ___	2"	(51)	9/16"	(14)	2.64	(1.20)

Specify part number and finish when ordering.

## Triangular Runway Wall Support Kit

- Use to support cable runway from wall
- Sized for both 1 1/2" (38mm) & 2" (51mm) stringers
- Welded steel construction
- Designed for 6" (152mm), 9" (228mm) 12" (305mm), and 18" (457mm) cable runways
- Order anchors separately
- See SB214 for larger sizes
- Support width: 2" (51mm)
- Includes: (1) wall support, (2) "J" bolts, and 5/16"-18 hardware
- Material: ASTM A36 structural steel
- See page ii for link to OPM approvals
- Finish \_\_\_: Flat black powder coat (FB)  
Telco gray powder coat (TG)  
Yellow zinc (YZ)



Part Number Steel	Runway Width 'W'		'A'		'B'		Weight	
	In.	(mm)	In.	(mm)	In.	(mm)	Lbs.	(kg)
<b>SB21306K</b> ___	6"	(152)	10"	(254)	7 7/8"	(254)	3.8	(1.7)
<b>SB21312K</b> ___	6" - 12"	(152 - 305)	13 1/8"	(254)	13 3/8"	(292)	5.9	(2.7)
<b>SB21318K</b> ___	12" - 18"	(305 - 457)	19 1/8"	(254)	19 7/8"	(368)	8.8	(4.0)

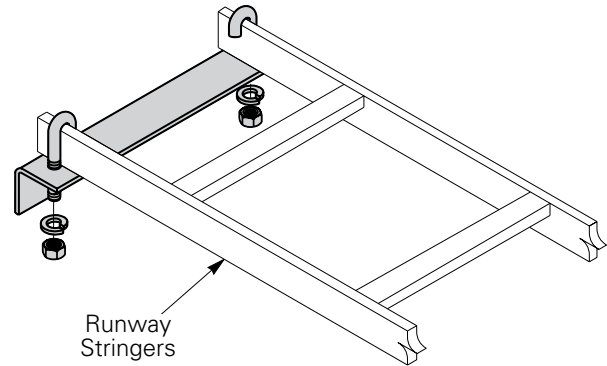
Specify part number and finish when ordering.

Cable runway & accessories

# Cable Runway & Accessories

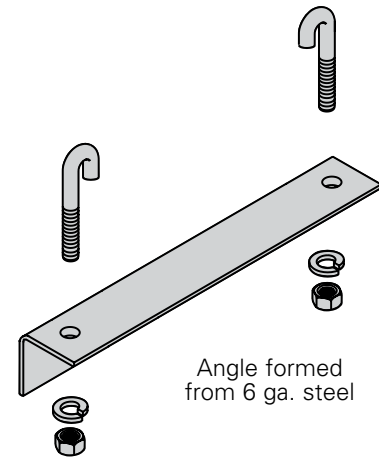
## Runway Wall Angle Support Kit

- Use to secure cable runway to a wall
- Sized for both 1½" (38mm) & 2" (51mm) stringers
- Order anchors separately
- Includes: (1) angle bracket,  
(2) "J" Bolts and 5/16"-18 hardware
- Material: 6 Gauge ASTM A569 steel
- Finish \_\_\_\_: Flat black powder coat (FB)  
Telco gray powder coat (TG)  
Yellow zinc (YZ)



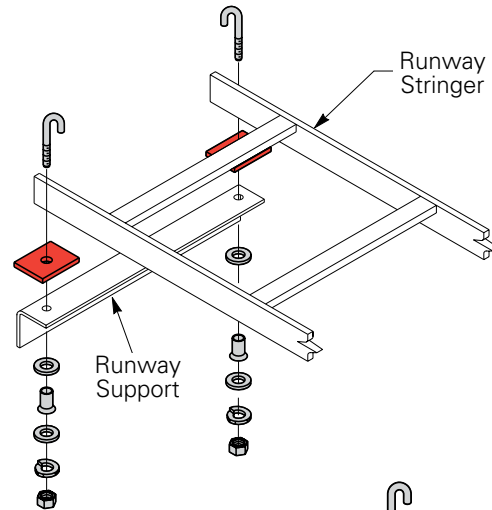
Part Number	Runway Width		Weight	
	In.	(mm)	Lbs.	(kg)
SB211306__	6"	(152)	2.10	(0.95)
SB211309__	9"	(228)	2.60	(1.18)
SB211312__	12"	(305)	3.70	(1.68)
SB211315__	15"	(381)	4.50	(2.04)
SB211318__	18"	(457)	5.40	(2.45)
SB211320__	20"	(508)	6.00	(2.72)
SB211324__	24"	(609)	7.20	(3.26)
SB211330__	30"	(762)	9.00	(4.08)
SB211336__	36"	(914)	10.80	(4.90)

Specify part number and finish when ordering.

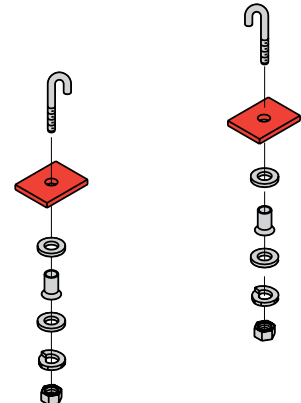


## Runway Wall Support Isolation Kit

- Use to secure and provide electrical isolation of cable runway to wall support
- Includes: (2) pads, (2) "J" Bolts, (2) sleeve kits and hardware
- Material: Polyester fiberglass - pad  
6/6 Nylon - sleeve  
steel - "J" Bolt and hardware
- Finish: Pad - Red  
Sleeve - Natural  
J-Bolts and hardware - Yellow Zinc (YZ)



Part Number	Runway Height		Weight	
	In.	(mm)	Lbs.	(kg)
SB2501	1½"	(38)	0.20	(0.09)

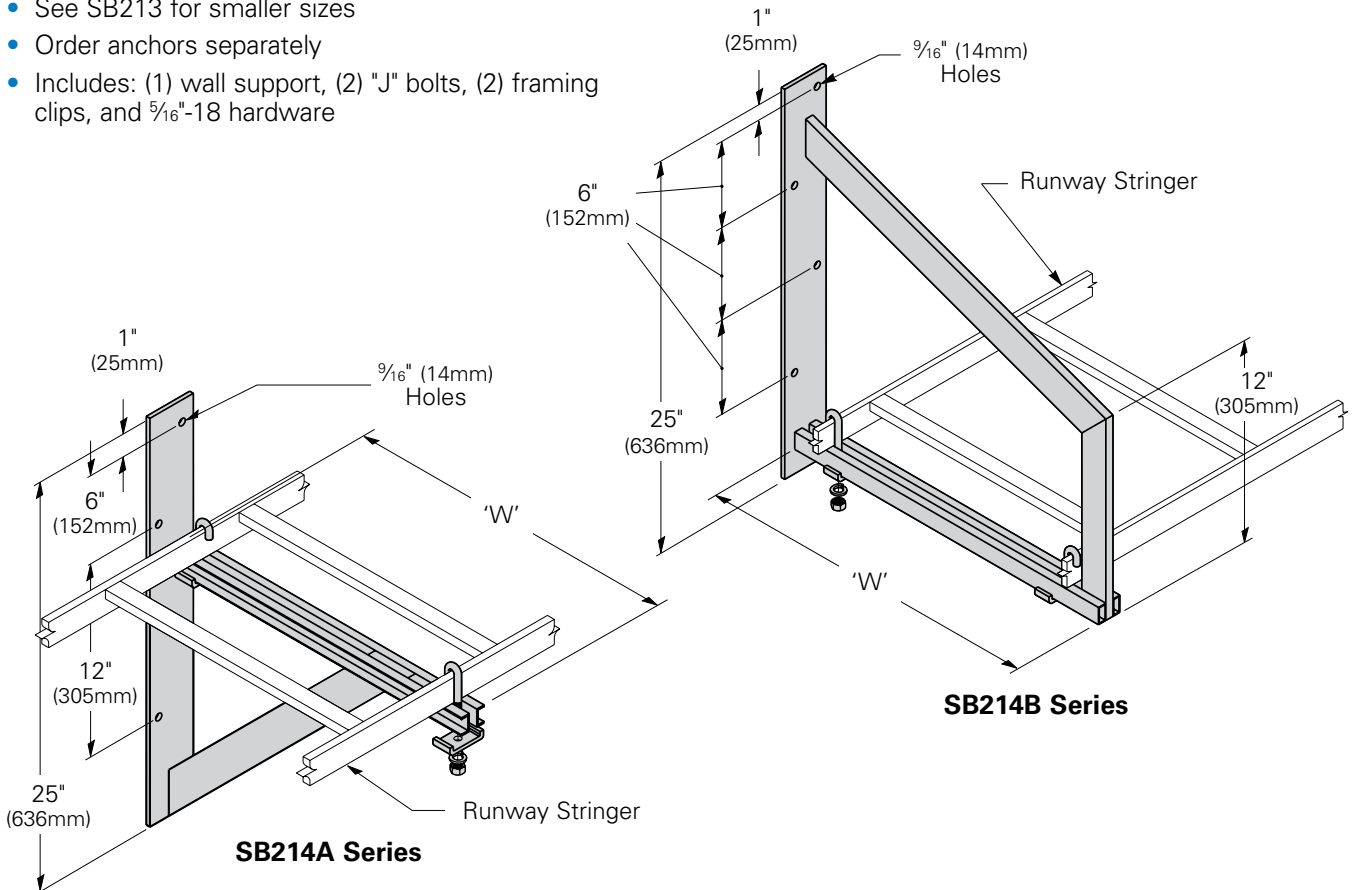


Cable runway & accessories

# Cable Runway & Accessories

## Runway Wall Support

- Use to support cable runway from wall
- Sized for both 1½" (38mm) & 2" (51mm) stringers
- Welded steel construction
- Designed for 15" (381mm), 18" (457mm), and 24" (609mm) cable runways
- See SB213 for smaller sizes
- Order anchors separately
- Includes: (1) wall support, (2) "J" bolts, (2) framing clips, and 5/16"-18 hardware
- Material: ASTM A36 structural steel
- Finish \_\_\_\_: Flat black powder coat (FB)  
Telco gray powder coat (TG)  
Yellow zinc (YZ)



### SB214A Series

Part Number	Runway Width		'W' Bracket Width		Weight	
	In.	(mm)	In.	(mm)	Lbs.	(kg)
SB214A15K__	15"	(381)	18"	(457)	9.0	(4.1)
SB214A18K__	18"	(457)	21"	(533)	9.3	(4.2)
SB214A24K__	24"	(609)	27"	(686)	10.0	(4.5)

### SB214B Series

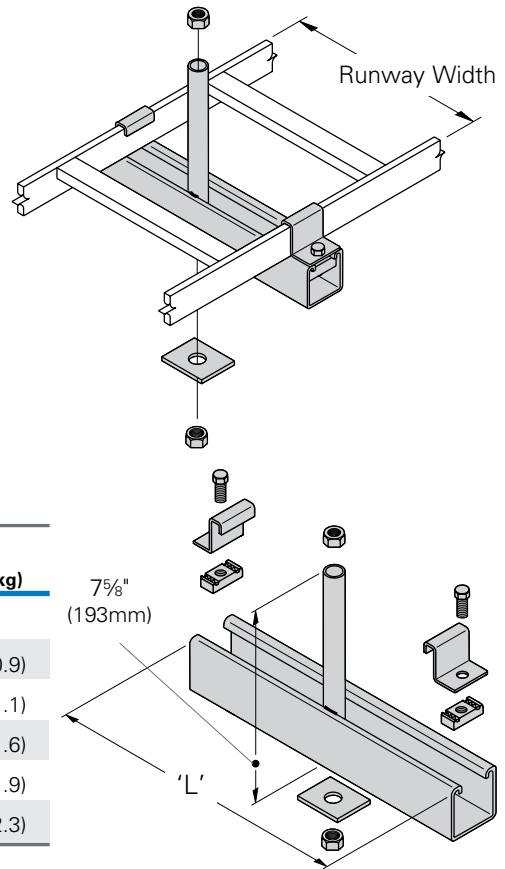
Part Number	Runway Width		'W' Bracket Width		Weight	
	In.	(mm)	In.	(mm)	Lbs.	(kg)
SB214B15K__	15"	(381)	18"	(457)	10.0	(4.5)
SB214B18K__	18"	(457)	21"	(533)	10.5	(4.7)
	24"	(609)	27"	(686)	11.4	(5.2)

Specify part number and finish when ordering.

# Cable Runway & Accessories

## Cable Runway Center Hung Supports

- Used to support cable runways
- For use with ½"-13 or ⅝"-11 threaded rod
- Welded steel construction
- Includes: (1) support, (2) hold-down clamps, (2) HHCS, (2) channel nuts, (1) square washer, (2) ½"-13 hex nuts, and (2) ⅝"-11 hex nuts
- Material: ASTM A570 structural steel
- Finish \_\_\_\_: Flat black powder coat (FB)  
Telco gray powder coat (TG)  
Yellow zinc (YZ)

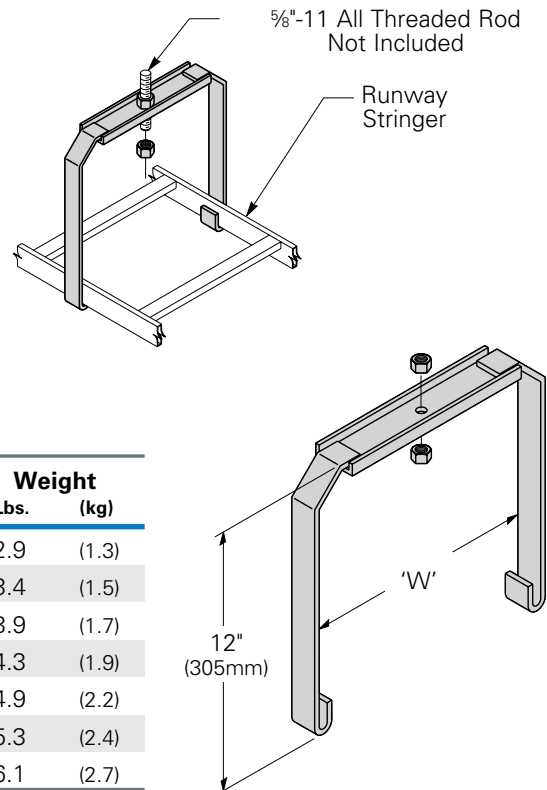


Part Number	Runway Width In. (mm)	'L' In. (mm)	Weight Lbs. (kg)
<b>For ⅜" (9mm) x 1½" (38mm) Stringers</b>			
SB2127S06__	6" (152)	9" (228)	2.0 (0.9)
SB2127S09__	9" (228)	12" (305)	2.5 (1.1)
SB2127S15__	12" - 15" (305-381)	18" (457)	3.5 (1.6)
SB2127S20__	18" - 20" (457-508)	23" (584)	4.3 (1.9)
SB2127S24__	24" (609)	27" (686)	5.0 (2.3)

Specify part number and finish when ordering.

## Runway Center Support Hanger Kit

- Use to suspend cable runway from a single all threaded rod
- Welded steel construction
- Includes: (1) center support and (2) ⅝"-11 hex nuts
- Material: ASTM A36 structural steel
- Finish \_\_\_\_: Flat black powder coat (FB)  
Telco gray powder coat (TG)  
Yellow zinc (YZ)



Part Number	Runway Width In. (mm)	'W' In. (mm)	Weight Lbs. (kg)
SB212706A__	6" (152)	6⅞" (155)	2.9 (1.3)
SB212709A__	9" (228)	9⅞" (232)	3.4 (1.5)
SB212712A__	12" (305)	12⅞" (308)	3.9 (1.7)
SB212715A__	15" (381)	15⅞" (384)	4.3 (1.9)
SB212718A__	18" (457)	18⅞" (460)	4.9 (2.2)
SB212720A__	20" (508)	20⅞" (511)	5.3 (2.4)
SB212724A__	24" (609)	24⅞" (613)	6.1 (2.7)

Specify part number and finish when ordering.

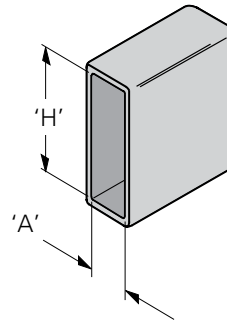
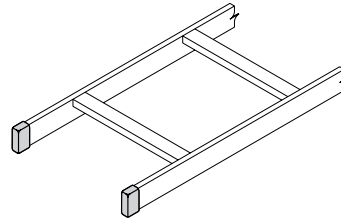
Cable runway & accessories



# Cable Runway & Accessories

## PVC End Cap

- Use as a protective covering for stringer ends of cable runway
- Sold in packages of 10
- Meets UL 94 flame resistance requirement
- Material: Black PVC plastic

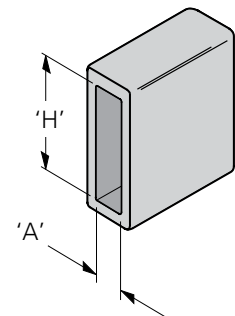
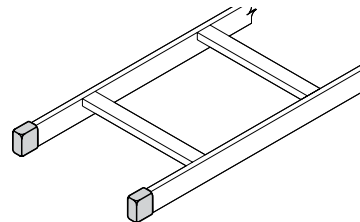


Part Number	Stringer Size 'A' x 'H'		Weight	
	In.	(mm)	Lbs.	(kg)
<b>SB110A1BK</b>	3/8" x 1 1/2"	(9 x 38)	.013	(0.006)

## Neoprene End Caps

- Use as a protective covering for stringer ends of cable runway
- Sold in packages of 10
- Meets UL 94 flame resistance requirement
- Material: Neoprene
- Color: Black

Note: Sold in bulk pack of 100 (add -100 to part number) Example: SB21A100. Sold in bulk pack of 2 (add -2 to part number) Example: SB21A2.



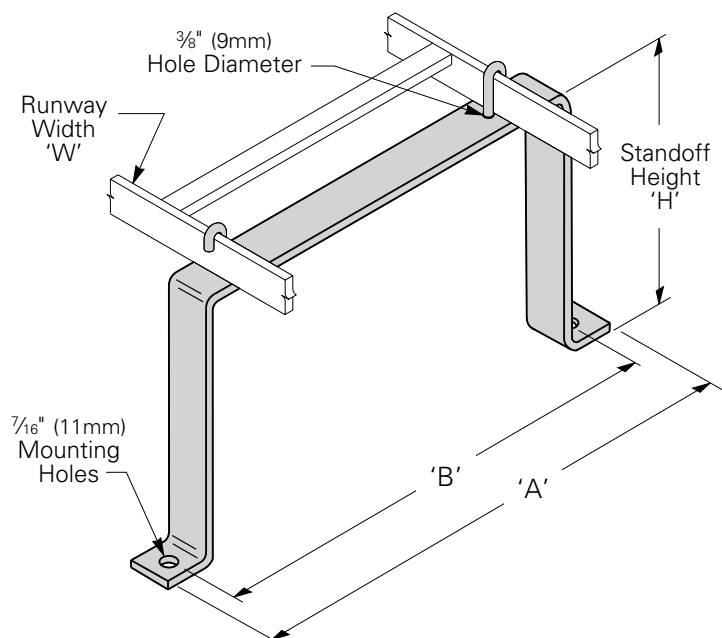
Part Number	'A'		"H"		Weight Per 10		For Use With
	In.	(mm)	In.	(mm)	Lbs.	(kg)	
<b>SB21</b>	9/16"	(14)	2"	(51)	0.8	(0.36)	SB20 or SB22
<b>SB21A</b>	3/8"	(9)	2"	(51)	0.4	(0.18)	SB16 or SB23
<b>SB21B</b>	3/8"	(9)	1 1/2"	(38)	0.3	(0.13)	SB15 or SB17
<b>SB21C</b>	2"	(51)	1"	(25)	1.0	(0.45)	SB24

Cable runway & accessories

# Cable Runway & Accessories

## Runway Support

- Use to support cable runway from equipment cabinets, floor, or wall
- Includes  $\frac{5}{16}$ " "J" bolts and nuts. Anchors sold separately
- Material: ASTM A36 structural steel
- Finish \_\_\_\_: Flat black powder coat (FB)  
Telco gray powder coat (TG)  
Yellow zinc (YZ)



Part Number	'W'		'A'		'B'		'H'		Weight	
	In.	(mm)	In.	(mm)	In.	(mm)	In.	(mm)	Lbs.	(kg)
SB2260602							2"	(51)	1.1	(0.50)
SB2260604							4"	(101)	1.4	(0.63)
SB2260606							6"	(152)	1.7	(0.77)
SB2260608	6"	(152)	9 $\frac{3}{4}$ "	(247)	7"	(178)	8"	(203)	2.1	(0.95)
SB2260610							10"	(254)	2.4	(1.09)
SB2260612							12"	(305)	2.7	(1.22)

Specify part number and finish when ordering.

Chart for SB226 series continued on next page.

# Cable Runway & Accessories

Chart continued from previous page.

Part Number	'W'		'A'		'B'		'H'		Weight	
	In.	(mm)	In.	(mm)	In.	(mm)	In.	(mm)	Lbs.	(kg)
SB2260902	9"	(228)	12 <sup>3</sup> / <sub>4</sub> "	(324)	10"	(254)	2"	(51)	1.3	(0.59)
SB2260904							4"	(101)	1.7	(0.77)
SB2260906							6"	(152)	2.0	(0.91)
SB2260908							8"	(203)	2.3	(1.04)
SB2260910							10"	(254)	2.6	(1.18)
SB2260912							12"	(305)	2.9	(1.31)
SB2261202	12"	(305)	15 <sup>3</sup> / <sub>4</sub> "	(400)	13"	(330)	2"	(51)	1.6	(0.72)
SB2261204							4"	(101)	1.9	(0.86)
SB2261206							6"	(152)	2.2	(1.00)
SB2261208							8"	(203)	2.5	(1.13)
SB2261210							10"	(254)	2.8	(1.27)
SB2261212							12"	(305)	3.2	(1.45)
SB2261502	15"	(381)	18 <sup>3</sup> / <sub>4</sub> "	(476)	16"	(406)	2"	(51)	1.8	(0.81)
SB2261504							4"	(101)	2.1	(0.95)
SB2261506							6"	(152)	2.4	(1.09)
SB2261508							8"	(203)	2.8	(1.27)
SB2261510							10"	(254)	3.1	(1.40)
SB2261512							12"	(305)	3.4	(1.54)
SB2261802	18"	(457)	21 <sup>3</sup> / <sub>4</sub> "	(552)	19"	(482)	2"	(51)	2.1	(0.95)
SB2261804							4"	(101)	2.4	(1.09)
SB2261806							6"	(152)	2.7	(1.22)
SB2261808							8"	(203)	3.0	(1.36)
SB2261810							10"	(254)	3.3	(1.49)
SB2261812							12"	(305)	3.6	(1.63)
SB2262002	20"	(508)	23 <sup>3</sup> / <sub>4</sub> "	(603)	21"	(533)	2"	(51)	2.3	(1.04)
SB2262004							4"	(101)	2.6	(1.18)
SB2262006							6"	(152)	2.9	(1.31)
SB2262008							8"	(203)	3.2	(1.45)
SB2262010							10"	(254)	3.5	(1.59)
SB2262012							12"	(305)	3.8	(1.72)
SB2262402	24"	(609)	27 <sup>3</sup> / <sub>4</sub> "	(705)	25"	(635)	2"	(51)	2.5	(1.13)
SB2262404							4"	(101)	2.8	(1.27)
SB2262406							6"	(152)	3.2	(1.45)
SB2262408							8"	(203)	3.5	(1.59)
SB2262410							10"	(254)	3.8	(1.72)
SB2262412							12"	(305)	4.1	(1.86)

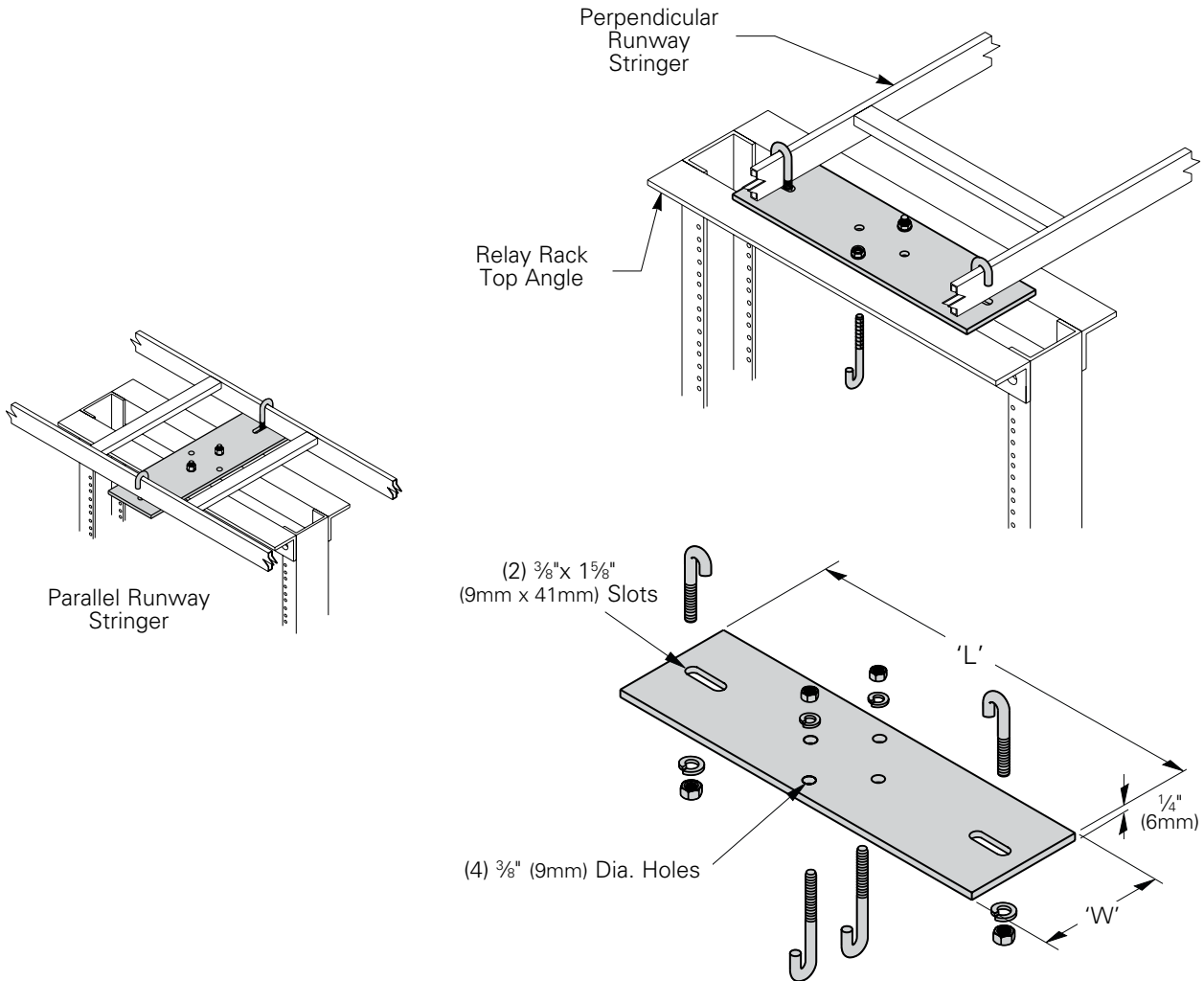
Specify part number and finish when ordering.

Cable runway & accessories

# Cable Runway & Accessories

## 3" Upright Network Equipment Rack Top Plate Runway Support Kit

- Use to secure cable runway to top angles of network equipment rack
- Accommodates runway in parallel or perpendicular arrangement
- Includes: (1) mounting plate and (4) "J" bolts with  $\frac{5}{16}$ "-18 hardware
- Material: ASTM A36 structural steel
- Finish \_\_\_\_: Flat black powder coat (FB)  
Telco gray powder coat (TG)  
Yellow zinc (YZ)



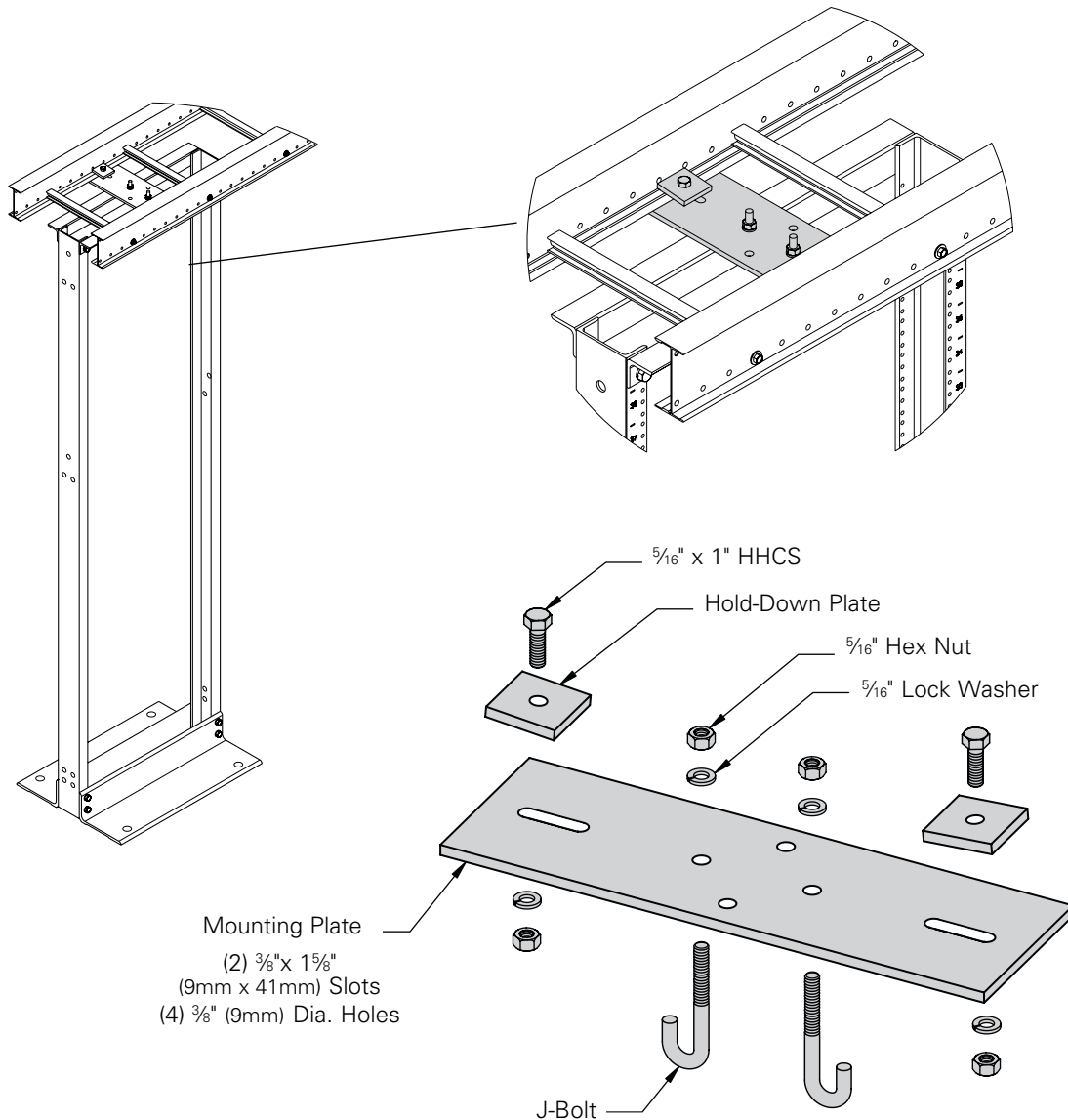
Part Number	Runway Width		Width 'W'		Length 'L'		Weight	
	In.	(mm)	In.	(mm)	In.	(mm)	Lbs.	(kg)
<b>SB213309</b> __	6" - 9"	(152 - 228)	4"	(101)	9 $\frac{7}{8}$ "	(251)	3.4	(1.5)
<b>SB213312</b> __	8" - 12"	(203 - 305)	4"	(101)	12 $\frac{7}{8}$ "	(327)	4.3	(2.0)
<b>SB213318</b> __	14" - 18"	(355 - 457)	4"	(101)	18 $\frac{7}{8}$ "	(479)	6.1	(2.8)
<b>SB213324</b> __	24"	(609)	7"	(178)	24 $\frac{7}{8}$ "	(632)	12.5	(5.7)

Specify part number and finish when ordering.

# Cable Runway & Accessories

## 3" Upright Network Equipment Rack Top Plate Redi-Rail™ Support Kit

- Use to secure Eaton B-Line series Redi-Rail to top angles of network equipment rack
- Accommodates Redi-Rail in parallel or perpendicular arrangement
- Includes: (1) mounting plate, (2) hold-down plates, (2) "J" bolts, and  $\frac{5}{16}$ "-18 hardware
  - Material: ASTM A36 structural steel
  - Finish \_\_\_\_: Flat black powder coat (FB)  
Telco gray powder coat (TG)  
Yellow zinc (YZ)



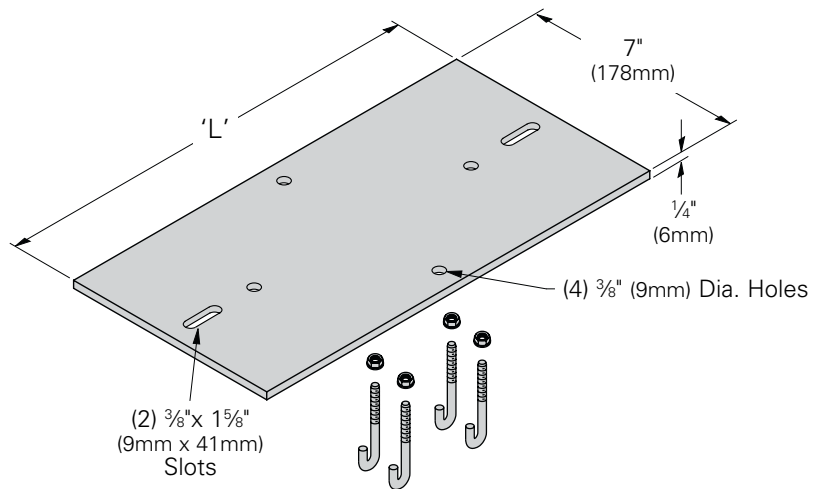
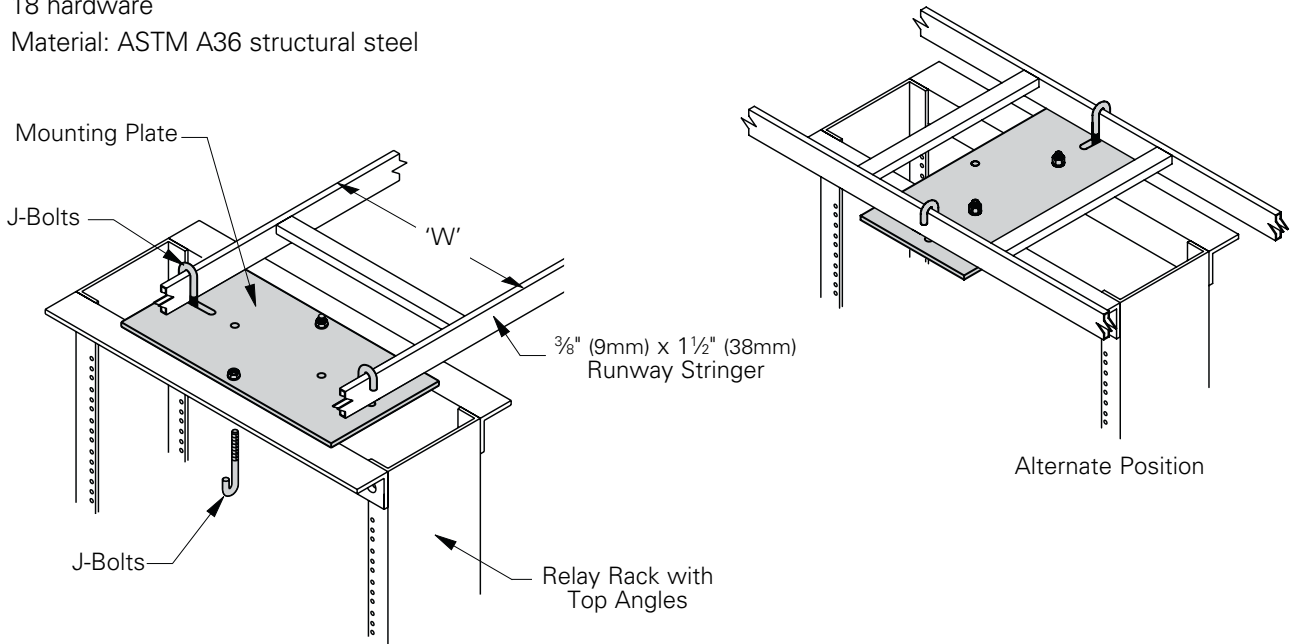
Part Number	Redi-Rail Width 'W'		Plate Size Width x Length		Weight	
	In.	(mm)	In.	(mm)	Lbs.	(kg)
<b>SB213312RR</b> __	9" - 12"	(228 - 305)	4" x 12 $\frac{7}{8}$ "	(101 x 327)	6.0	(2.72)
<b>SB213318RR</b> __	18"	(457)	4" x 18 $\frac{7}{8}$ "	(101 x 479)	6.3	(2.85)

Specify part number and finish when ordering.

# Cable Runway & Accessories

## 6" Upright Network Equipment Rack Top Plate Runway Support Kit

- Use to secure cable runway to top angles of network equipment rack
- Accommodates runway in parallel or perpendicular arrangement
- Includes: (1) mounting plate and (4) "J" bolts with 5/16"-18 hardware
- Material: ASTM A36 structural steel
- Finish \_\_\_: Flat black powder coat (FB)  
Telco gray powder coat (TG)  
Yellow zinc (YZ)



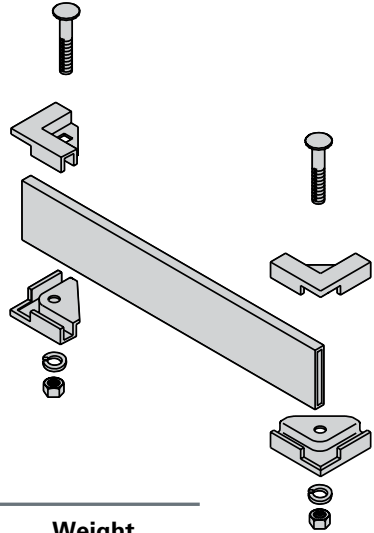
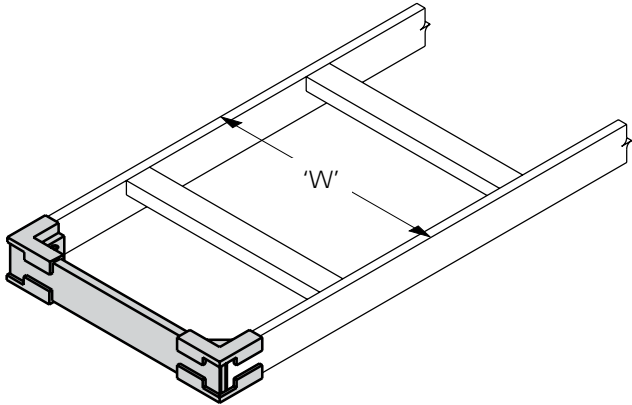
Part Number	Runway Width 'W'		Length 'L'		Weight	
	In.	(mm)	In.	(mm)	Lbs.	(kg)
<b>SB213209</b> __	6" - 9"	(152 - 228)	9 <sup>3</sup> / <sub>8</sub> "	(238)	5.5	(2.49)
<b>SB213212</b> __	8" - 12"	(203 - 305)	12 <sup>3</sup> / <sub>8</sub> "	(314)	6.8	(3.08)
<b>SB213218</b> __	14" - 18"	(355 - 457)	18 <sup>3</sup> / <sub>8</sub> "	(467)	10.0	(4.53)
<b>SB213224</b> __	24"	(609)	24 <sup>3</sup> / <sub>8</sub> "	(619)	12.9	(5.85)

Specify part number and finish when ordering.

# Cable Runway & Accessories

## Runway Termination Kit

- Use to close end of cable runway
- No drilling required for installation
- Includes: (1) termination end, (2) clamps, and  $\frac{3}{8}$ "-16 hardware
- Material: ASTM A513 steel tube
- Finish \_\_\_\_: Flat black powder coat (FB)  
Telco gray powder coat (TG)  
Yellow zinc (YZ)



### 1½" (38mm) Tube Stringers

Part Number	'W' Runway Width		Weight	
	In.	(mm)	Lbs.	(kg)
SB210506__	6"	(152)	1.0	(0.46)
SB210509__	9"	(228)	1.1	(0.48)
SB210512__	12"	(305)	1.2	(0.55)
SB210515__	15"	(381)	1.5	(0.70)
SB210518__	18"	(457)	1.7	(0.77)
SB210520__	20"	(508)	1.8	(0.82)
SB210524__	24"	(609)	2.0	(0.91)
SB210530__	30"	(762)	2.3	(1.52)
SB210536__	36"	(914)	2.6	(1.20)

### 2" (38mm) Tube Stringers

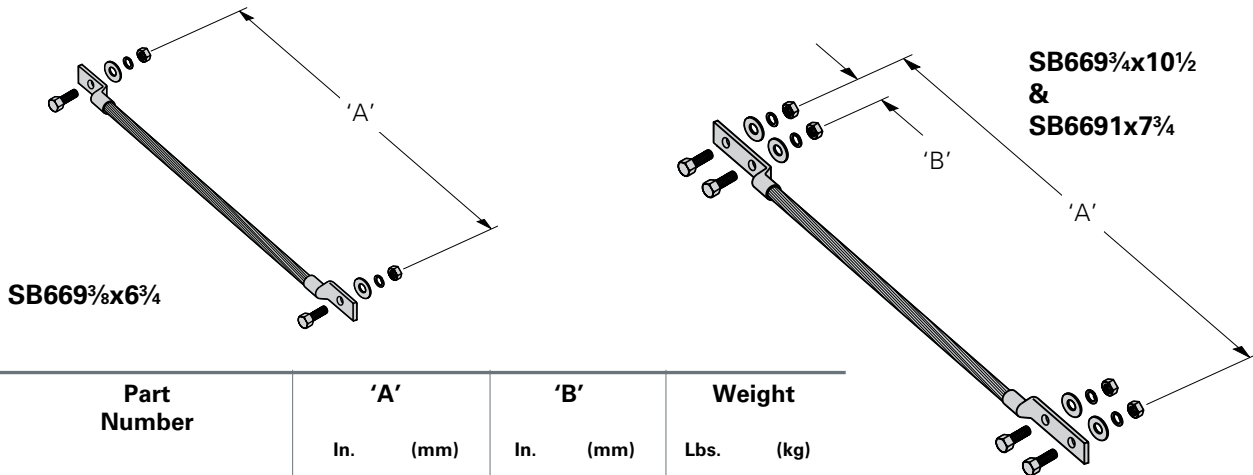
Part Number	'W' Runway Width		Weight	
	In.	(mm)	Lbs.	(kg)
SB2105062__	6"	(152)	1.3	(0.57)
SB2105092__	9"	(228)	1.5	(0.68)
SB2105122__	12"	(305)	1.7	(0.79)
SB2105152__	15"	(381)	2.0	(0.91)
SB2105182__	18"	(457)	2.2	(1.02)
SB2105202__	20"	(508)	2.4	(1.09)
SB2105242__	24"	(609)	2.7	(1.24)
SB2105302__	30"	(762)	3.2	(1.47)
SB2105362__	36"	(914)	3.7	(1.70)

Specify part number and finish when ordering.

# Cable Runway & Accessories

## Grounding Strap

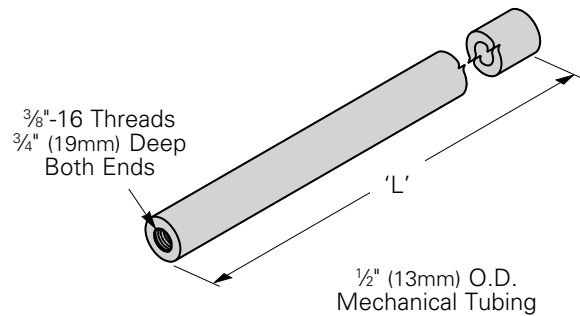
- Use to provide grounding path
- Includes: (1) cable with crimped lugs and hardware
- Material: #6 flexible tin plated copper wire



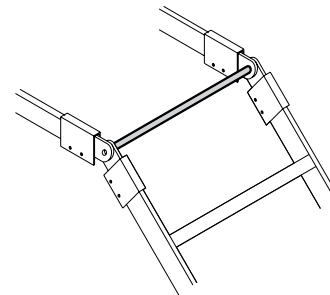
Part Number	'A'		'B'		Weight	
	In.	(mm)	In.	(mm)	Lbs.	(kg)
SB669 <sup>3/4</sup> x10 <sup>1/2</sup>	10 <sup>1/2</sup> "	(267)	3/4"	(19)	.36	(0.16)
SB6691x7 <sup>3/4</sup>	7 <sup>3/4</sup> "	(197)	1"	(25)	.27	(0.12)
SB669 <sup>3/8</sup> x6 <sup>3/4</sup>	6 <sup>3/4</sup> "	(171)	N/A	N/A	.20	(0.09)

## Cable Support Bar

- Use to support cable when using adjustable vertical bend SB2110
- Material: 1/2" (13mm) x 13 Ga. (2.3mm) steel tubing
- Finish \_\_\_\_: Flat black powder coat (FB)  
Telco gray powder coat (TG)  
Yellow zinc (YZ)



Part Number	'L' Length		Weight	
	In.	(mm)	Lbs.	(kg)
SB16106__	5 <sup>7/32</sup> "	(132)	0.24	(0.11)
SB16109__	8 <sup>7/32</sup> "	(209)	0.37	(0.17)
SB16112__	11 <sup>7/32</sup> "	(285)	0.51	(0.23)
SB16115__	14 <sup>7/32</sup> "	(361)	0.64	(0.29)
SB16118__	17 <sup>7/32</sup> "	(437)	0.78	(0.35)
SB16120__	19 <sup>7/32</sup> "	(494)	0.87	(0.39)
SB16124__	23 <sup>7/32</sup> "	(590)	1.05	(0.47)
SB16130__	29 <sup>7/32</sup> "	(742)	1.32	(0.60)
SB16136__	35 <sup>7/32</sup> "	(894)	1.59	(0.72)



Specify part number and finish when ordering.

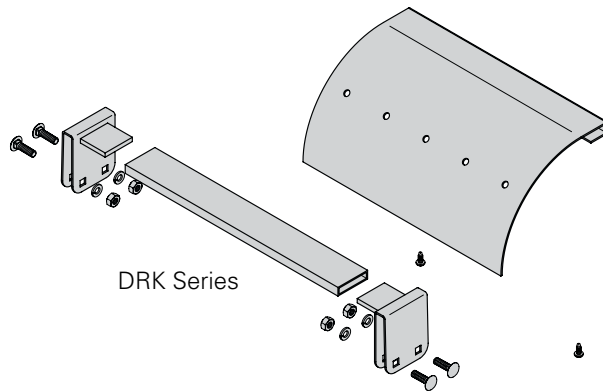
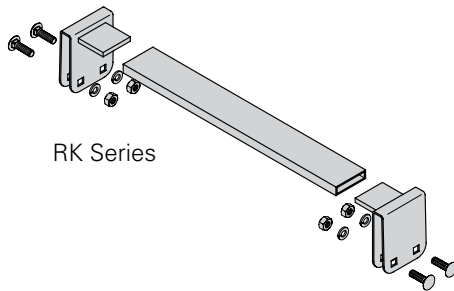
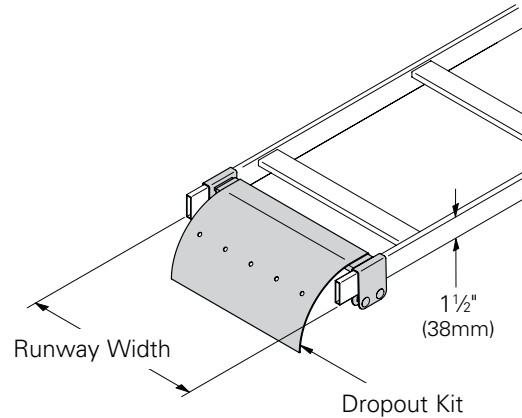
Cable runway & accessories



# Cable Runway & Accessories

## Rung Drop-Out Kit

- Used to insert an extra rung on existing runway sections to accommodate cable drops
- Attaches to 1½" (38mm) x ¾" (9mm) stringers
- Compatible with all 1½" (38mm) stringer runway styles
- SB17RK series rungs include: (1) rung, (2) rung clips, and assembly hardware
- SB17DRK series drop-out kits include: (1) rung, (2) rung clips, (1) runway dropout, and assembly hardware
- Steel construction
- Finish \_\_\_\_: Flat black powder coat (FB)  
Telco gray powder coat (TG)  
Yellow zinc (YZ)



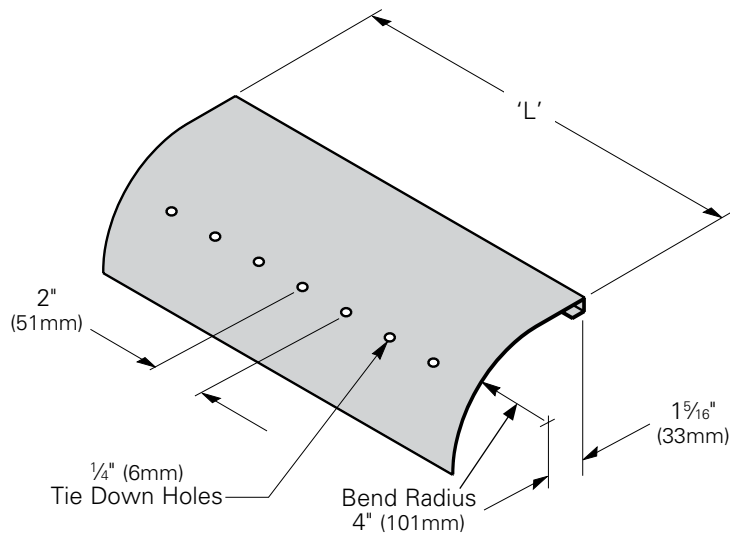
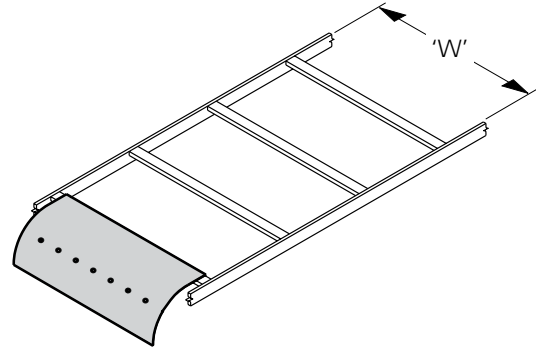
Part Number		Runway Width 'W'		Weight Each			
RK Series	DRK Series	In.	(mm)	RK Series		DRK Series	
				Lbs.	(kg)	Lbs.	(kg)
SB17RK05__	SB17DRK05__	5"	(127)	0.9	(0.41)	1.4	(0.63)
SB17RK06__	SB17DRK06__	6"	(152)	0.9	(0.41)	1.6	(0.72)
SB17RK09__	SB17DRK09__	9"	(228)	1.1	(0.50)	2.3	(1.04)
SB17RK12__	SB17DRK12__	12"	(305)	1.3	(0.59)	3.0	(1.36)
SB17RK15__	SB17DRK15__	15"	(381)	1.5	(0.68)	3.6	(1.63)
SB17RK18__	SB17DRK18__	18"	(457)	1.6	(0.72)	4.3	(1.93)
SB17RK20__	SB17DRK20__	20"	(508)	1.8	(0.81)	4.8	(2.17)
SB17RK24__	SB17DRK24__	24"	(609)	2.0	(0.91)	5.7	(2.58)
SB17RK30__	SB17DRK30__	30"	(762)	2.4	(1.09)	7.1	(3.22)
SB17RK36__	SB17DRK36__	36"	(914)	2.7	(1.22)	8.4	(3.81)

Specify part number and finish when ordering.

# Cable Runway & Accessories

## Steel Runway Drop-Out

- Use to provide a smooth radius for cable exit
- SB2129 Series fits channel or tube rungs  $\frac{1}{2}$ " (13mm) x 1" (25mm)
- SB2129U Series fits rungs  $\frac{3}{8}$ " (9mm) x  $1\frac{1}{2}$ " (38mm)
- Cable tie down holes provided
- 4" (102mm) cable bend radius
- Includes: self-drilling screws
- Material: 18 Gauge (1.2mm) ASTM A569 steel
- Finish \_\_\_\_: Flat black powder coat (FB)  
Telco gray powder coat (TG)  
Yellow zinc (YZ)



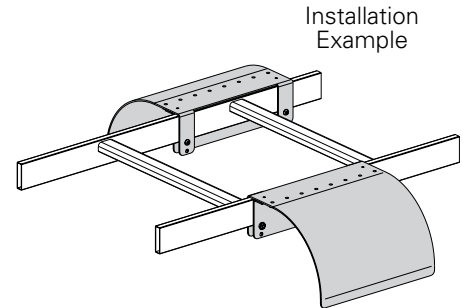
Part Number		Dropout Width 'L'		Runway Width 'W'		Weight	
SB2129 Series	SB2129U Series	In.	(mm)	In.	(mm)	Lbs.	(kg)
SB212906__	SB2129U06__	4"	(101)	6"	(152)	0.7	(0.31)
SB212909__	SB2129U09__	7"	(178)	9"	(228)	1.2	(0.54)
SB212912__	SB2129U12__	10"	(254)	12"	(305)	1.7	(0.77)
SB212915__	SB2129U15__	13"	(330)	15"	(381)	2.2	(0.99)
SB212918__	SB2129U18__	16"	(406)	18"	(457)	2.7	(1.22)
SB212920__	SB2129U20__	18"	(457)	20"	(508)	3.0	(1.36)
SB212924__	SB2129U24__	22"	(559)	24"	(609)	3.7	(1.67)
SB212930__	SB2129U30__	28"	(711)	30"	(762)	4.7	(2.13)
SB212936__	SB2129U36__	34"	(863)	36"	(914)	5.7	(2.58)

Specify part number and finish when ordering.

# Cable Runway & Accessories

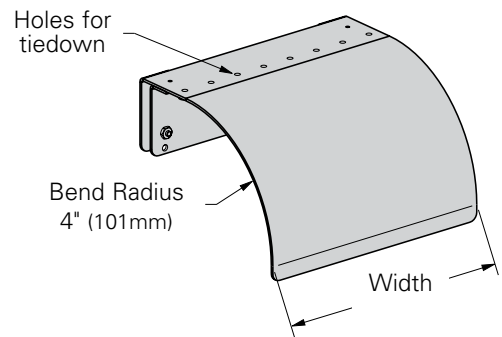
## Side Drop-Out

- Allows for cable to exit from side of cable runway stringer
- Provides a smooth radius for cable exit.
- Will fit either 3/8" (9mm) x 1 1/2" (38mm) or 2" (51mm) stringers
- Includes installation hardware
- Material: 14 ga. (1.9mm) ASTM A36 steel
- Finish \_\_\_: Flat black powder coat (FB)  
Telco gray powder coat (TG)  
Yellow zinc (YZ)



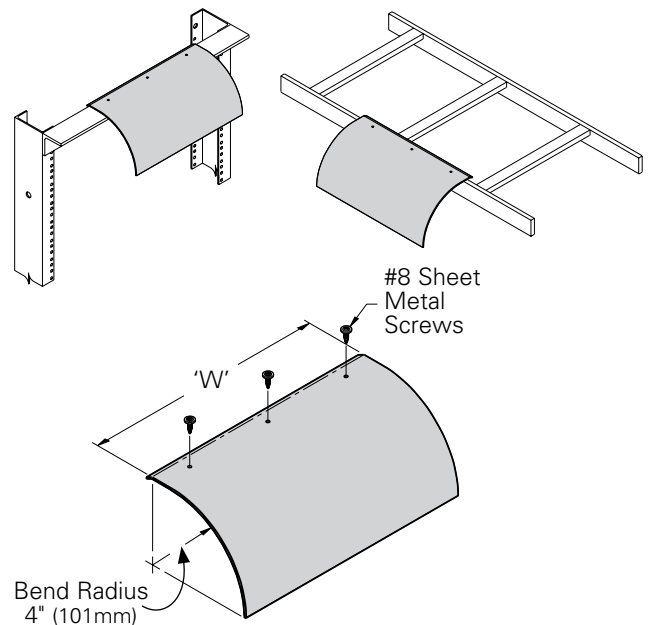
Part Number	Width		Weight	
	In.	(mm)	Lbs.	(kg)
SB2129SD06__	5"	(127)	1.8	(0.8)
SB2129SD09__	7 3/4"	(197)	1.8	(0.8)
SB2129SD12__	10 1/4"	(260)	2.0	(0.9)
SB2129SD18__	16 3/4"	(425)	3.9	(1.7)
SB2129SD24__	22 1/4"	(565)	5.1	(2.3)

Specify part number and finish when ordering.



## Universal Drop-Out

- Drop-out can be used on both cable runway and relay racks
- Provides a smooth radius for cable exit.
- Attaches with sheet metal screws (included)
- Material: Aluminum
- Finish \_\_\_: Aluminum - brushed (AL)  
Flat black powder coat (FB)  
Telco gray powder coat (TG)



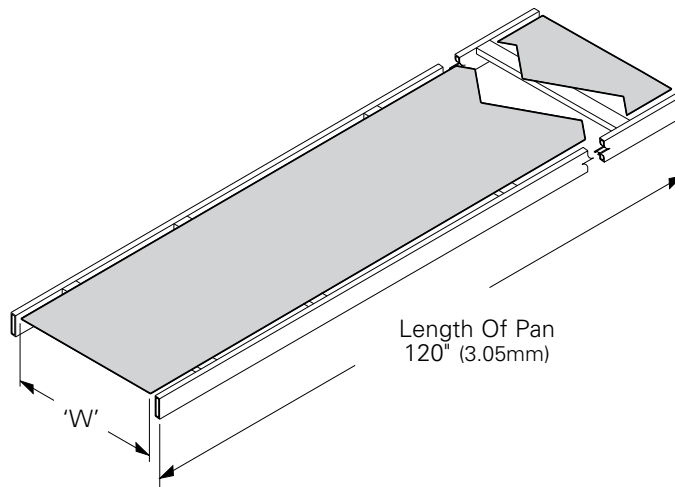
Part Number	'W'		# of Screws	Weight	
	In.	(mm)		Lbs.	(kg)
SB78706__	5.44	(138)	2	0.3	(0.13)
SB78712__	11.44	(290)	3	0.7	(0.32)
SB78718	17.44	(443)	4	1.1	(0.50)

Specify part number and finish when ordering.

# Cable Runway & Accessories

## Cable Runway Pan

- Use to provide continuous support for cables in runway
- See SB128 for alternate pan positioning
- Pans can be trimmed to fit in field
- Material: Aluminum sheet
- Finish \_\_\_: Aluminum - brushed (AL)  
Flat black powder coat (FB) (one side only)  
Telco gray powder coat (TG) (one side only)



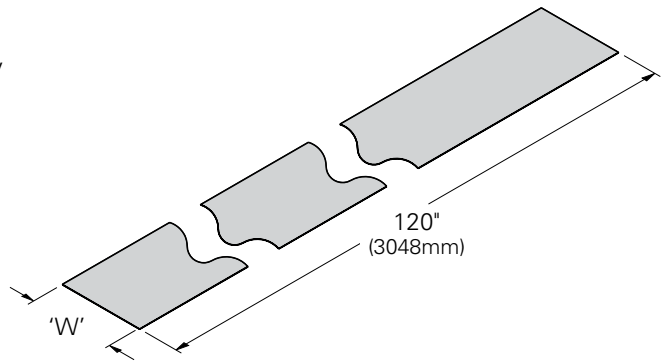
Part Number	Runway Width		'W'		Weight	
	In.	(mm)	In.	(mm)	Lbs.	(kg)
SB1906__	6"	(152)	4¼"	(108)	2.0	(0.91)
SB1909__	9"	(228)	7¼"	(184)	3.4	(1.54)
SB1912__	12"	(305)	10¼"	(260)	4.8	(2.18)
SB1915__	15"	(381)	13¼"	(336)	6.2	(2.81)
SB1918__	18"	(457)	16¼"	(413)	7.6	(3.45)
SB1920__	20"	(508)	18¼"	(463)	8.6	(3.90)
SB1924__	24"	(609)	22¼"	(565)	10.5	(4.76)
SB1930__	30"	(762)	28¼"	(717)	13.4	(6.08)
SB1936__	36"	(914)	34¼"	(870)	16.3	(7.39)

Specify part number and finish when ordering.

# Cable Runway & Accessories

## Kydex®† Runway Pan

- Use to provide continuous support for cables in runway
- Meets UL 94 V-O
- Material: .04" (1mm) thick Kydex®†
- Colors: Gray (G)



Part Number	Runway Width		'W'		Weight	
	In.	(mm)	In.	(mm)	Lbs.	(kg)
<b>SB1906KG</b>	6"	(152)	4¼"	(108)	1.4	(0.63)
<b>SB1909KG</b>	9"	(228)	7¼"	(184)	2.1	(0.95)
<b>SB1912KG</b>	12"	(305)	10¼"	(260)	2.8	(1.27)
<b>SB1915KG</b>	15"	(381)	13¼"	(336)	3.5	(1.59)
<b>SB1918KG</b>	18"	(457)	16¼"	(413)	4.2	(1.90)
<b>SB1920KG</b>	20"	(508)	18¼"	(463)	4.6	(2.08)
<b>SB1924KG</b>	24"	(609)	22¼"	(565)	5.6	(2.54)
<b>SB1936KG</b>	36"	(914)	34¼"	(870)	8.4	(3.81)

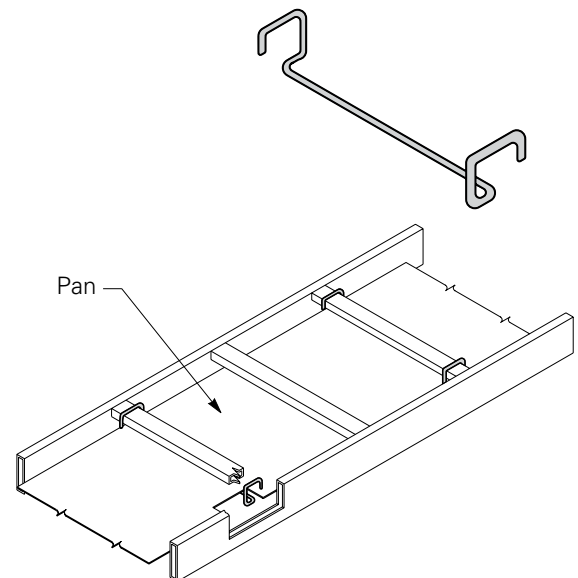
## Pan Support

- Use to suspend cable runway pan from rungs of cable runway
- Seven (7) pan supports recommended for each length, 119½" (3.05m), of cable runway
- SB128 Series is designed for use on cable runways with ½" x 1" (13mm x 25mm) rungs
- SB128U Series is designed for use on cable runways with ⅜" x 1½" (9mm x 38mm) rungs
- Material: cold finished steel wire
- Finish \_\_\_\_: Flat black powder coat (FB)  
Telco gray powder coat (TG)  
Yellow zinc (YZ)

Part Number		Runway Width		Weight	
SB128 Series	SB128U Series	In.	(mm)	Lbs.	(kg)
<b>SB1286__</b>	<b>SB128U6__</b>	6"	(152)	0.10	(0.04)
<b>SB1289__</b>	<b>SB128U9__</b>	9"	(228)	0.12	(0.05)
<b>SB12812__</b>	<b>SB128U12__</b>	12"	(305)	0.14	(0.06)
<b>SB12815__</b>	<b>SB128U15__</b>	15"	(381)	0.16	(0.07)
<b>SB12818__</b>	<b>SB128U18__</b>	18"	(457)	0.19	(0.08)
<b>SB12820__</b>	<b>SB128U20__</b>	20"	(508)	0.20	(0.09)
<b>SB12824__</b>	<b>SB128U24__</b>	24"	(609)	0.23	(0.10)
<b>SB12830__</b>	<b>SB128U30__</b>	30"	(762)	0.27	(0.12)
<b>SB12836__</b>	<b>SB128U36__</b>	36"	(914)	0.31	(0.14)

Specify part number and finish when ordering.

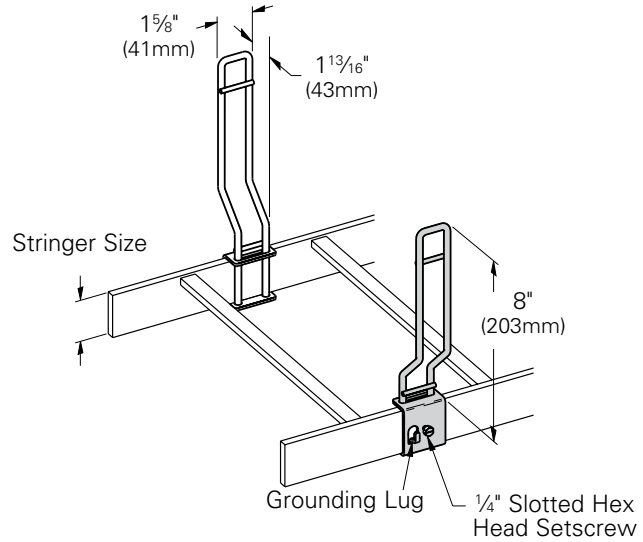
† All trademarks are property of their respective owners.



# Cable Runway & Accessories

## Offset Cable Horn - Stringer Mounted

- Designed as a stringer extension to help retain cables in the runway
- Grounding lugs included on retainer clip for quick and easy grounding
- Includes: (1) offset cable horn and (1) runway stringer retainer clip
- Material: cable horn - ASTM A510 steel  
retainer clip - ASTM A607 grade 50
- Finish\_\_\_: Black zinc (BZ)  
Yellow zinc (YZ)

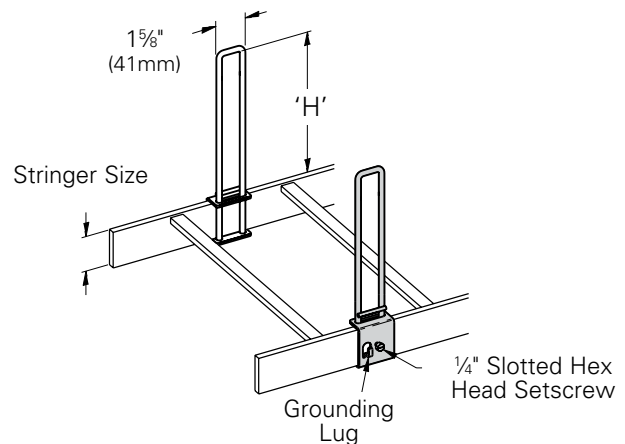


Part Number	Stringer Size		Weight	
	In.	(mm)	Lbs.	(kg)
<b>SB1301</b> $\frac{1}{2}$ ___	$\frac{3}{8}$ " x 1 $\frac{1}{2}$ "	(9 x 38)	.61	(0.27)
<b>SB1302</b> ___	$\frac{3}{8}$ " x 2"	(9 x 51)	.69	(0.31)

Specify part number and finish when ordering.

## Straight Cable Horn - Stringer Mounted

- Designed as a stringer extension to help retain cables in the runway
- Grounding lugs included on retainer clip for quick and easy grounding
- Includes: (1) straight cable horn and (1) runway stringer retainer clip
- Material: cable horn - ASTM A510 steel  
retainer clip - ASTM A607 grade 50
- Finish\_\_\_: Black zinc (BZ)  
Yellow zinc (YZ)



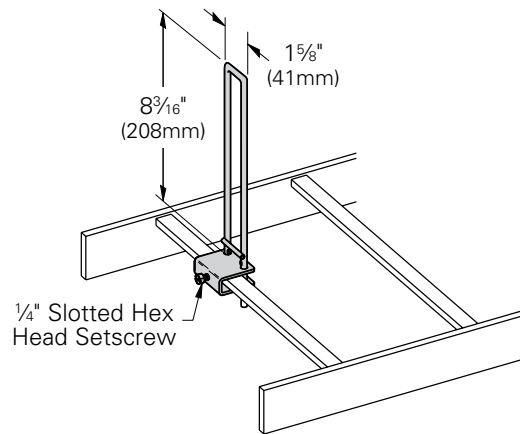
Part Number	Stringer Size		'H'		Weight	
	In.	(mm)	In.	(mm)	Lbs.	(kg)
<b>SB13181</b> $\frac{1}{2}$ ___	$\frac{3}{8}$ " x 1 $\frac{1}{2}$ "	(9 x 38)	8"	(203)	.58	(0.26)
<b>SB13182</b> ___	$\frac{3}{8}$ " x 2"	(9 x 51)	8"	(203)	.66	(0.30)
<b>SB131141</b> $\frac{1}{2}$ ___	$\frac{3}{8}$ " x 1 $\frac{1}{2}$ "	(9 x 38)	14"	(355)	.72	(0.32)
<b>SB131142</b> ___	$\frac{3}{8}$ " x 2"	(9 x 51)	14"	(355)	.80	(0.36)

Specify part number and finish when ordering.

# Cable Runway & Accessories

## Cable Horn - Rung Mounted

- Designed as a separator between cables in the runway
- For use with SB17 and SB17T Series runway only
- Includes: (1) straight cable horn and (1) runway rung retainer clip
- Material: cable horn - ASTM A510  
retainer clip - ASTM A607 grade 50
- Finish\_\_\_: Black zinc (BZ)  
Yellow zinc (YZ)

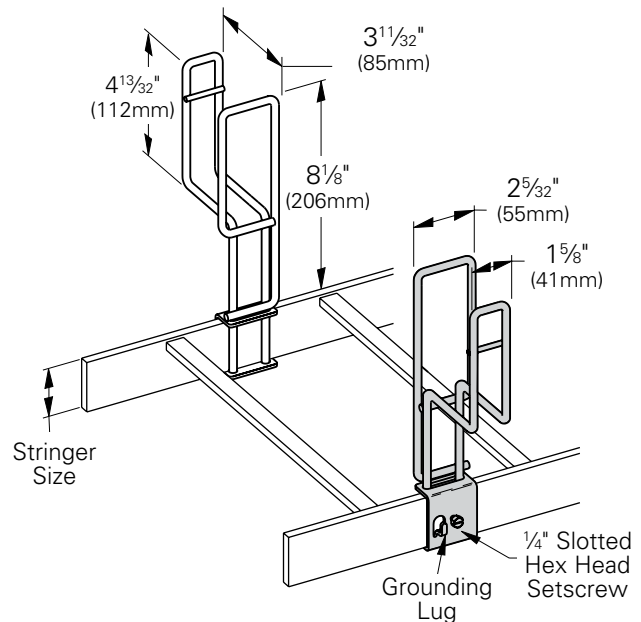


Part Number	Weight	
	Lbs.	(kg)
SB1328___	.67	(0.30)

Specify part number and finish when ordering.

## Overhead Power Cable Support

- Designed as a stringer extension to help retain cables in the runway
- Includes a upper compartment for additional cabling space
- Grounding lugs included on retainer clip for quick and easy grounding
- Includes: (1) straight cable horn with bracket and (1) runway stringer retainer clip
- Material: cable horn - ASTM A510  
retainer clip - ASTM A607 grade 50
- Finish\_\_\_: Black zinc (BZ)  
Yellow zinc (YZ)



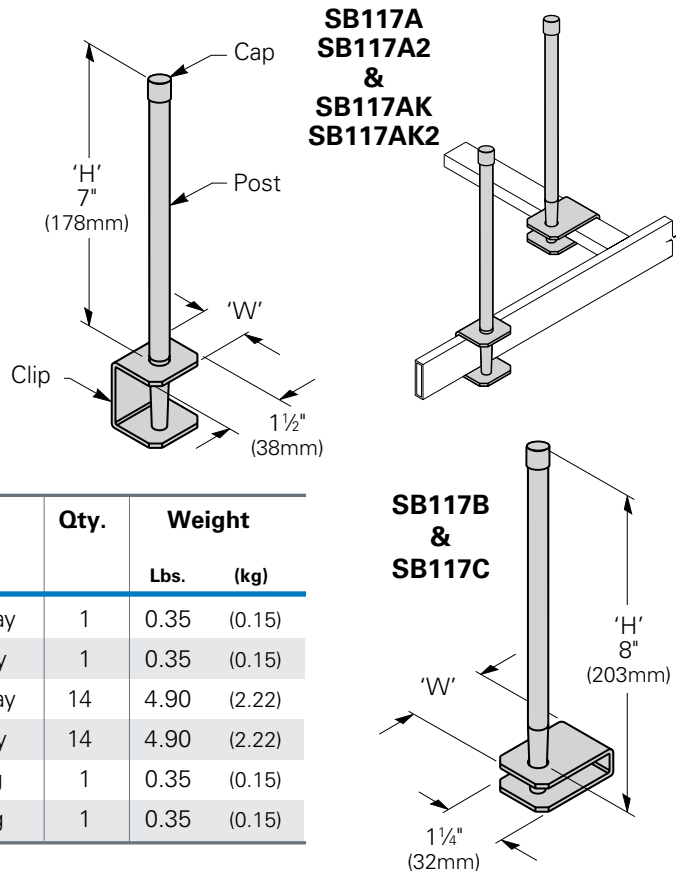
Part Number	Stringer Size		Weight	
	In.	(mm)	Lbs.	(kg)
SB1341½___	¾" x 1½"	(9 x 38)	.77	(0.35)
SB1342___	¾" x 2"	(9 x 51)	.84	(0.38)

Specify part number and finish when ordering.

# Cable Runway & Accessories

## Cable Retaining Post

- Use to increase cable capacity fill of runway
- Self wedging design locks post on runway
- SB117A, SB117B, and SB117C includes: (1 each) post, plug, and clip
- SB117AK includes: (14 each) post, plug, and clip
- Material: ASTM A569 and A513 steel
- Finish \_\_\_: Black zinc (BZ)  
Yellow zinc (YZ)

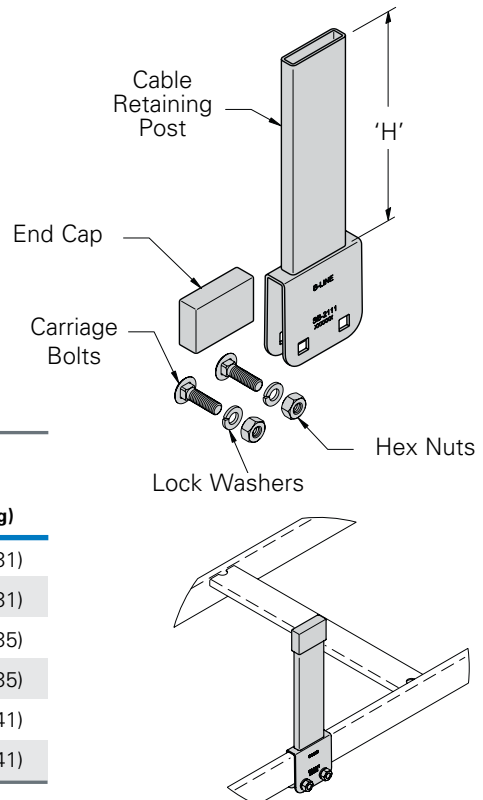


Part Number	'W'		Fits	Qty.	Weight	
	In.	(mm)			Lbs.	(kg)
SB117A__	1 5/16"	(49)	3/8" x 1 1/2" (9mm x 38mm) Runway	1	0.35	(0.15)
SB117A2__	1 5/16"	(49)	3/8" x 2" (9mm x 38mm) Runway	1	0.35	(0.15)
SB117AK__	1 5/16"	(49)	3/8" x 1 1/2" (9mm x 38mm) Runway	14	4.90	(2.22)
SB117AK2__	1 5/16"	(49)	3/8" x 2" (9mm x 38mm) Runway	14	4.90	(2.22)
SB117B__	1 5/16"	(49)	1/2" x 1" (12mm x 25mm) Rung	1	0.35	(0.15)
SB117C__	2 7/16"	(62)	3/8" x 1 1/2" (9mm x 38mm) Rung	1	0.35	(0.15)

Specify part number and finish when ordering.

## Cable Retaining Post

- Use to increase cable capacity fill of runway
- Mounts directly to cable runway stringers
- Made from a 1 1/2" x 3/8" (38mm x 9mm) tubular steel post welded to a stringer mounting bracket
- Kits include: (1) cable retaining post, 1/4" mounting hardware, and neoprene end cap
- Available in three (3) heights
- Finish \_\_\_: Flat black powder coat (FB)  
Telco gray powder coat (TG)  
Yellow zinc (YZ)  
Other finishes are available upon request



Part Number	'H' Height		Fits	Weight	
	In.	(mm)		Lbs.	(kg)
SB12606__	6"	(152)	3/8" x 1 1/2" (9mm x 38mm) Stringer	0.68	(0.31)
SB126062__	6"	(152)	3/8" x 1 1/2" (9mm x 38mm) Stringer	0.68	(0.31)
SB12608__	8"	(203)	3/8" x 1 1/2" (9mm x 38mm) Stringer	0.78	(0.35)
SB126082__	8"	(203)	3/8" x 1 1/2" (9mm x 38mm) Stringer	0.78	(0.35)
SB12610__	10"	(254)	3/8" x 1 1/2" (9mm x 38mm) Stringer	0.90	(0.41)
SB126102__	10"	(254)	3/8" x 1 1/2" (9mm x 38mm) Stringer	0.90	(0.41)

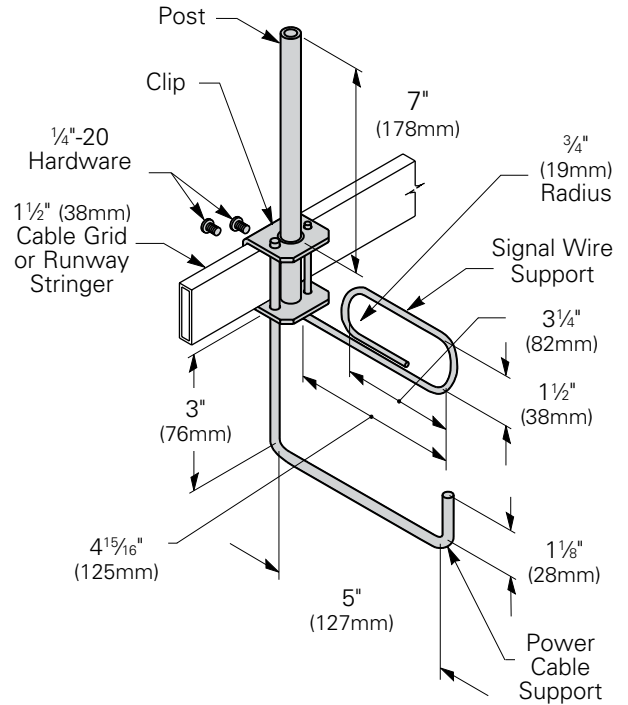
Specify part number and finish when ordering.



# Cable Runway & Accessories

## Wire Support Bracket Assembly

- Use to increase cable fill capacity and support power and signal cables
- Includes: (1) post, (1) clip, (2) support wires and ¼"-20 hardware
- Material: ASTM A569 steel A513 steel and alloy steel wire
- Finish \_\_\_\_: Flat black powder coat (FB)  
Telco gray powder coat (TG)  
Yellow zinc (YZ)

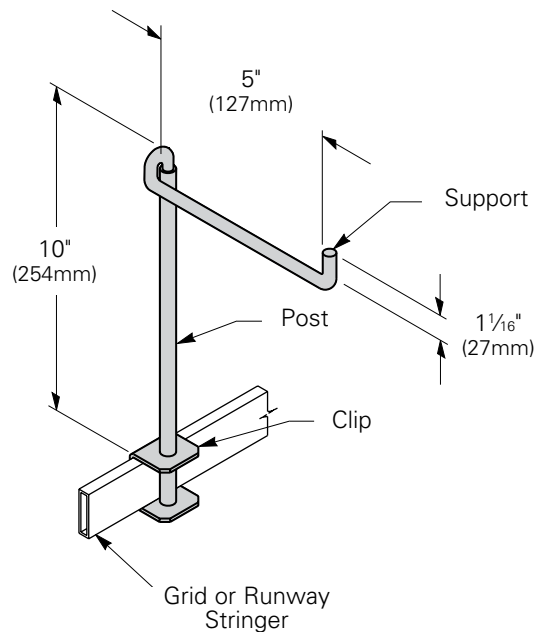


Part Number	Fits 1 1/2" (38mm) Stringer	Weight	
		Lbs.	(kg)
SB118A__	Single	0.7	(0.31)
SB118B__	Dual	0.7	(0.31)

Specify part number and finish when ordering.

## Overhead Power Cable Support

- Use to support power cable above cable runway
- Self wedging design locks post on runway
- Includes: (1 each) post, clip, and support wire
- Material: ASTM A570, A513 and alloy steel wire
- Finish\_\_\_\_: Black zinc (BZ)  
Yellow zinc (YZ)



Part Number	Runway Height		Weight	
	In.	(mm)	Lbs.	(kg)
SB122__	1 1/2"	(38)	0.8	(0.36)
SB1222__	2"	(51)	0.8	(0.36)

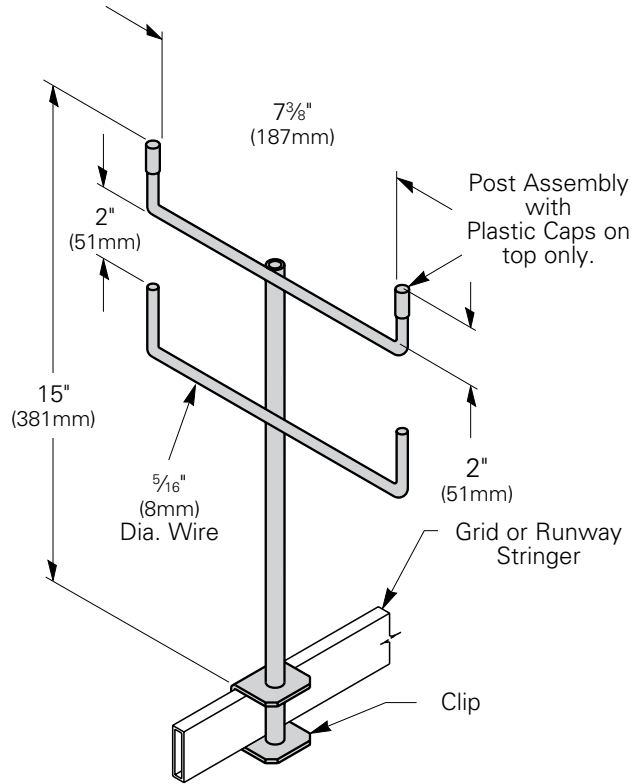
Specify part number and finish when ordering.

Cable runway & accessories

# Cable Runway & Accessories

## Power And Signal Cable Support

- Use to support and separate power and signal cables above cable runway and cable grid
- Self wedging design locks post on runway
- Includes: (1) post assembly, (1) clip and (2) plastic caps
- Material: ASTM A570, A513 and alloy steel wire
- Finish \_\_\_: Black zinc (BZ)  
Yellow zinc (YZ)

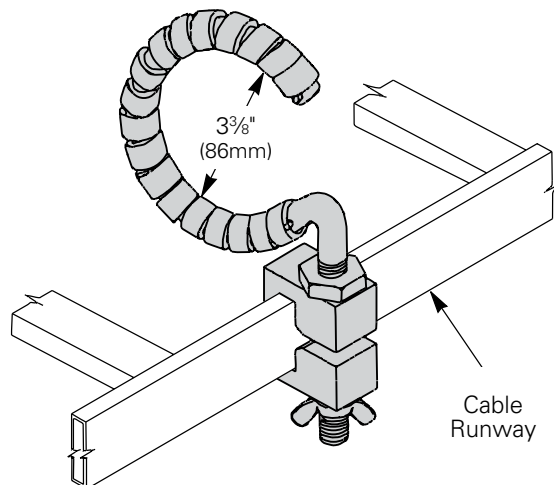


Part Number	Runway Height		Weight	
	In.	(mm)	Lbs.	(kg)
SB125___	1 1/2"	(38)	1.1	(0.49)
SB1252___	2"	(51)	1.1	(0.49)

Specify part number and finish when ordering.

## Cable Guide - Roller Type

- Designed for use as a guide when pulling cables into place
- Used with cable runways and cable grids
- Adjustable for either 3/8" (9mm) x 1 1/2" (38mm) or 2" (51mm) stringers
- Material: Aluminum clamp and rings with steel nuts

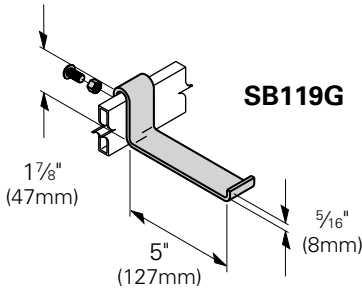
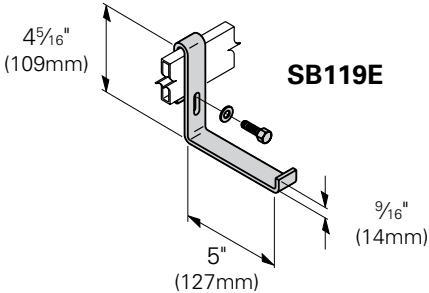
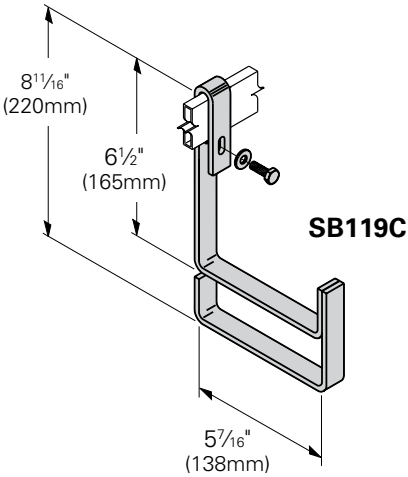
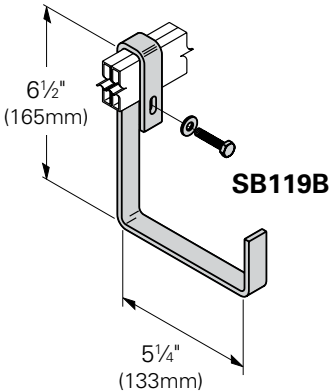
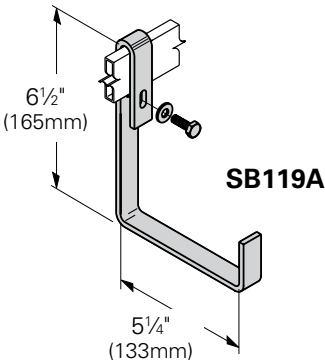


Part Number	Weight	
	Lbs.	(kg)
SB116	2.0	(0.91)

# Cable Runway & Accessories

## Power Cable Supports

- Use to support power cable under cable runway
- Use with 1½" (38mm) or 2" (51mm) stringers
- Designed for cable runway stringers
- Attachment hardware included
- Material: ASTM A36 structural steel
- Finish \_\_\_\_: Flat black powder coat (FB)  
Telco gray powder coat (TG)  
Yellow zinc (YZ)



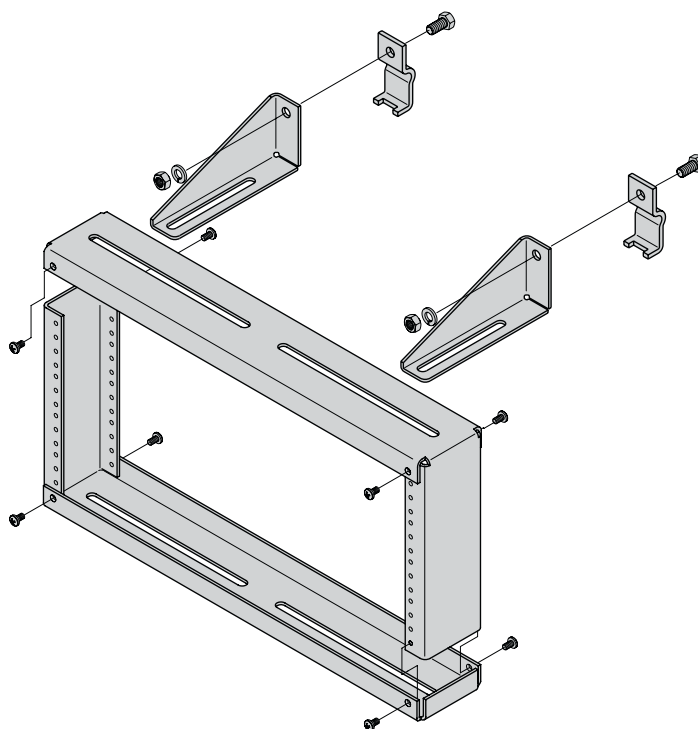
Part Number	Stringer Style	Material Thickness		Weight	
		In.	(mm)	Lbs.	(kg)
SB119A__	Single	3/16" x 1 1/4"	(4.7 x 32)	0.69	(0.31)
SB119B__	Dual	3/16" x 1 1/4"	(4.7 x 32)	0.71	(0.32)
SB119C__	Single	3/16" x 1 1/4"	(4.7 x 32)	1.14	(0.51)
SB119E__	Single	3/16" x 1 1/4"	(4.7 x 32)	0.73	(0.33)
SB119G__	Single	1/8" x 1"	(3 x 25)	0.34	(0.15)

Specify part number and finish when ordering.

# Cable Runway & Accessories

## Patch Panel Rack - Runway Stringer Mounted 4RMU Cable Runway

- Use to to mount patch panels off a runway stringer above racks or cabinets to save space
- Two (2) RMU (3½" (89mm)) of 19" mounting space
- Four (4) RMU (7" (178mm)) of 19" mounting space
- For use on 1½" (38mm) high stringer runway sections
- Aluminum construction
- Includes: (30) #12-24 mounting screws and all required installation hardware
- Finish \_\_\_\_: Flat black powder coat (FB)  
Telco gray powder coat (TG)



Part Number	Weight	
	Lbs.	(kg)
RSMPP2U__	3.8	(1.72)
RSMPP4U__	4.2	(1.90)

Specify part number and finish when ordering.

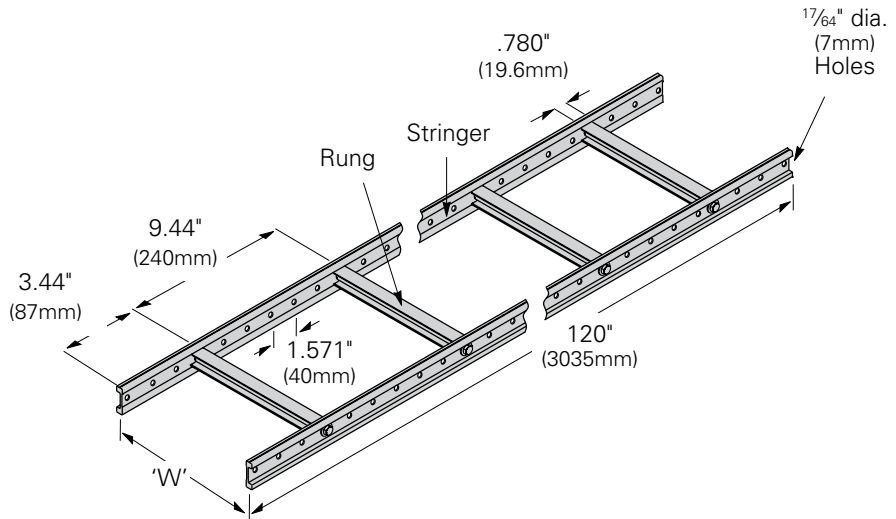
# Cable Runway & Accessories

## Redi-Rail™ Runway - 1½"

- Lightweight design for ease of installation
- Uses standard cable runway stringer accessories
- 6", 9", 12", 15", 18", 20", 24", 30" and 36" widths
- 9" rung spacing
- Rungs can be removed or repositioned to accommodate the specific project or buildings requirements
- Material: Aluminum
- Both aluminum and painted finishes are UL Listed
- Finish \_\_\_: Aluminum - brushed (AL)  
Flat black powder coat (FB)  
Telco gray powder coat (TG)



Note: For runway pans see Pages 144-145



Series Number	Stringer Dimensions	Spa <sup>®</sup> Load		Deflection		Multiplier
		Ft.	(m)	Lbs./Ft.	(N/m)	
SB13AL		4	(1.22)	81	(1182)	0.0033
		5	(1.52)	51	(744)	0.0080
		6	(1.83)	35	(510)	0.0166
		7	(2.13)	26	(379)	0.0308
		8	(2.44)	20	(292)	0.0526

### UL Cross Sectional Area

0.60 in<sup>2</sup> (3.87 cm<sup>2</sup>)

### Design Factors for (1) Rail

Area = .318 in<sup>2</sup> (2.06 cm<sup>2</sup>)

Sx = .116 in<sup>3</sup> (1.90 cm<sup>3</sup>)

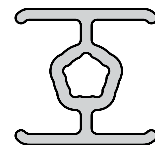
Ix = .087 in<sup>4</sup> (3.65 cm<sup>4</sup>)

## SB13AL C-Channel - 1½" (38mm) Stringers

Part Number	'W' Width		Weight	
	In.	(mm)	Lbs.	(kg)
SB13AL06__	6"	(152)	9.1	(4.1)
SB13AL09__	9"	(228)	9.8	(4.4)
SB13AL12__	12"	(305)	10.5	(4.7)
SB13AL15__	15"	(381)	11.2	(5.1)
SB13AL18__	18"	(457)	11.8	(5.4)
SB13AL20__	20"	(508)	12.3	(5.6)
SB13AL24__	24"	(609)	13.2	(6.0)
SB13AL30__	30"	(762)	14.6	(6.6)
	36"	(914)	16.0	(7.2)

Specify part number and finish when ordering.

### Rung Profile



¾" high x 25/32" wide

# Cable Runway & Accessories

## End Caps SB21\_

(see Page 133 for chart & information)



1

## Hanger Rod Bracket 9ZNR\_

(see Page 155 for chart & information)



2

## Butt-Splice Clamp SB2107\_BZ

(see Page 110 for chart & information)



3

## Cable Retaining Post SB126\_FB

(see Page 148 for chart & information)



4



5



6



7



8

## Stand-Off Bracket SB227\_FB

(see Page 126 for chart & information)

## Drop Out SB13ALDO\_FB

(see Page 156 for chart & information)

## Outboard Rung 9A-SR0\_

(see Page 155 for chart & information)

## Mounting Bracket 9ZN-MB1-4

(see Page 155 for chart & information)

# Cable Runway & Accessories

## Hanger Rod Bracket

- Wall studded bracket bolts to Redi-Rail™ holes
- For 3/8" ATR
- Loading is 1,000 lbs. (4.45kN), per pair, safety factor 3
- Finish: Zinc plated

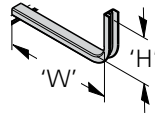
Part Number	Support ATR Size
9ZN-R238	3/8"
9ZN-R250	1/2"



## Out Board Rungs

- Formed aluminum rung with attachment screw
- Field installs as required
- Torque rung fasteners to 6 ft/lbs
- Uniform load capacity on rung: 10 lbs

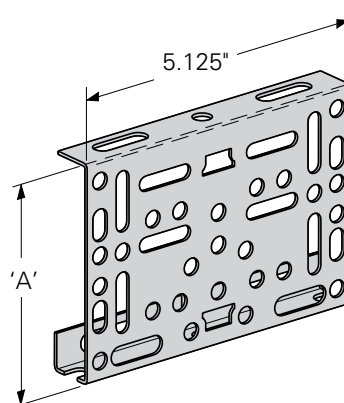
Part Number	Fill Depth 'H'		Fill Width 'W'	
	in	(mm)	in	(mm)
9A-SR0406	4	(101)	6	(152)
9A-SR0409	4	(101)	9	(226)
9A-SR0506	5	(127)	6	(152)
9A-SR0509	5	(127)	9	(226)



## Mounting Bracket

- Furnished with 1/4" mounting hardware
- EIA/TIA panel mounting holes - both sides
- Mounting holes with NEMA outlet/junction boxes
- Zinc plated steel

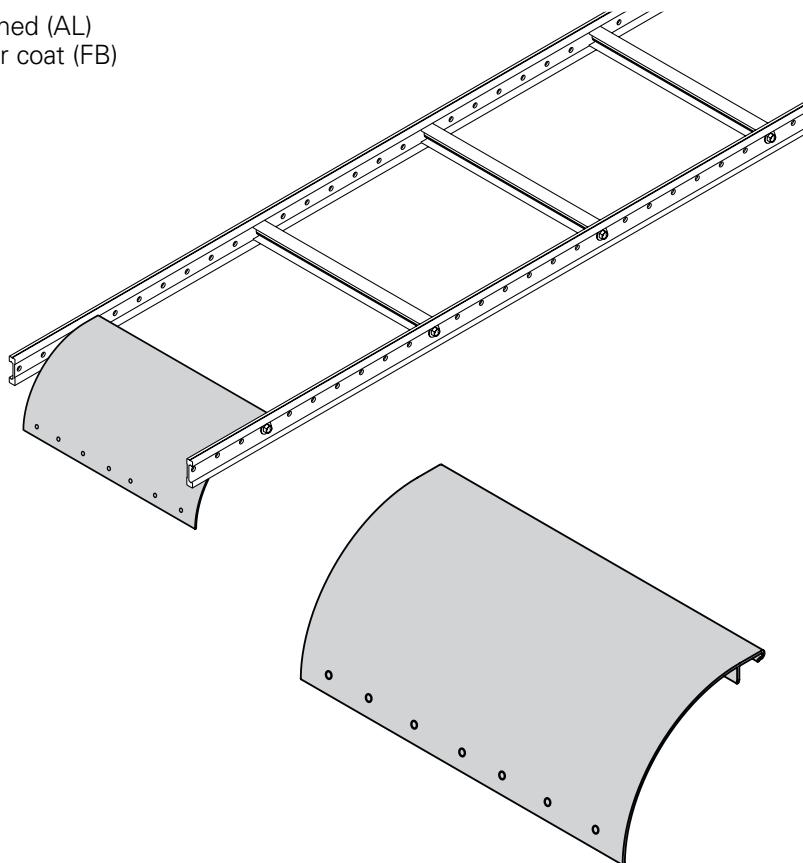
Part Number	'A'	
	in	(mm)
9ZN-MB1-4	3 5/8"	(92)



# Cable Runway & Accessories

## Drop-Out for Aluminum C-Channel Stringer Only

- Provides a smooth radius for cable exit
- Fits SB13AL style stringer only (not compatible with welded runways)
- No hardware required to attach drop-out to rung
- Material: Aluminum
- Finish \_\_\_: Aluminum - brushed (AL)  
Flat black powder coat (FB)



Part Number	Width		Weight	
	In.	(mm)	Lbs.	(kg)
SB13ALDO06__	5.24"	(184)	0.4	(0.18)
SB13ALDO09__	8.24"	(209)	0.7	(0.32)
SB13ALDO12__	11.24"	(285)	0.9	(0.41)
SB13ALDO18__	17.24"	(438)	1.4	(0.63)
SB13ALDO24__	23.24"	(590)	1.9	(0.86)
SB13ALDO30__	29.24"	(742)	2.3	(1.04)
SB13ALDO36__	35.24"	(895)	2.7	(1.22)

Specify part number and finish when ordering.



The Flextray system is a flexible, field-adaptable way to manage cables throughout your project. The tray can be cut and bent to the needs of the installer on the jobsite, allowing cable runs to be adjusted as needed. The wide range of sizes offered makes Flextray a great choice for everything from a small cable drop to a large trunk of cables. Our tray has the market-preferred "T" weld safety edge, protecting both the cable and the installer during cable installation. Flextray is also UL Classified as an equipment grounding conductor.

Material:	Type	Thickness	Specifications
	Standard Materials		
	Steel Wire		ASTM A510
	Steel Strip	10 Gauge (3.4mm) - 14 Gauge (1.9mm)	ASTM A569/A570
	Other Available Materials		
	Stainless Steel		AISI Type 304

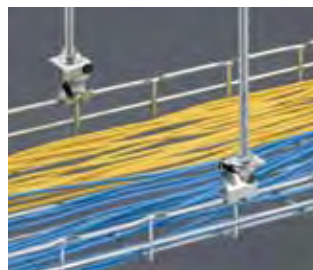
## Finish Information

Flextray cable tray and accessories are available in a wide variety of finishes to meet the environmental or aesthetic requirements of customer installations. Use the list below to find the finish and suffix that will meet your needs.

Available product finishes will be listed on individual pages throughout the catalog.

Finish codes shown in **bold type** are the standard for that product.

	Plain wire: ASTM A510, Grade 1008	<b>HD</b>	Hot dip galvanized finish applied after fabrication
<b>EG</b>	Electroplated zinc galvanized finish applied after fabrication	(HDG)	Recommended applications: Exterior, corrosive. Not intended for clean room applications.
(ELG)	Recommended applications: Controlled interior UL/CSA Classified as an equipment ground conductor when spliced as recommended ASTM B633 - Average thickness of 0.3 mils (8 microns)		UL/CSA Classified as an equipment ground conductor when spliced as recommended ASTM A123 - Average thickness of 2.4 mils (60 microns) to 3.2 mils (80 microns)
<b>GS</b>	Pre-galvanized zinc finish applied before fabrication	<b>304S</b>	304L Stainless steel
(GLV)	Recommended applications: Limited industrial & interior UL/CSA Classified as an equipment ground conductor when spliced as recommended ASTM A641	(SS4)	Recommended applications: Food preparation, wash-down areas ASTM A580
<b>BLE</b>	Black powder coat finish applied after fabrication Recommended applications: Controlled interior UL/CSA Classified as an equipment ground conductor when coating has been removed at splice contact points Average paint thickness of 1.2 mils (30 microns) to 3.0 mils (75 microns)	<b>316S</b>	316L Stainless steel
		(SS6)	Recommended applications: Highly corrosive applications & marine environments ASTM A580
			Custom <b>powder coat finish</b> applied after fabrication Recommended applications: Controlled interior UL/CSA Classified as an equipment ground conductor when coating has been removed at splice contact points No Specification



# Flextray & Accessories

## Grounding Information

Statement for all UL Classified products:



This product is classified by Underwriters Laboratories, Inc. as to its suitability as an equipment grounding conductor only. 556E



Most sizes of the Flextray system are UL Classified to serve as an Equipment Ground Conductor.

The ground path can be achieved in one of two ways listed below:

1. Use the recommended quantity of UL Classified splices to connect sections and at places where the tray is cut.
2. Run an appropriately sized ground wire alongside the tray and attach it to each tray section and on both sides of a cut in the tray. (This method is recommended by NEMA VE-2 Installation Manual.)

## Load & Fill Chart

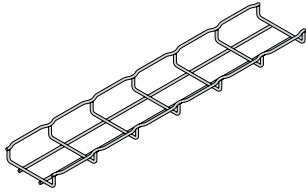
Flextray Series		Support Span / Loading Capacity* Lbs/Ft (max)				Actual Area Inside Tray (in <sup>2</sup> )	Cable Fill (50% fill)**		
Part Number	Size height x width	5'-0"	6'-0"	7'-0"	8'-0"		Number of CAT 5e Cables***	Number of CAT 6 Cables***	Number of CAT 6A Cables***
FT1.5X12	1½" x 12"	29	17	14	11	12.2	176	124	95
FT2X2	2" x 2"	34	28	24	20	4.3	61	43	33
FT2X4	2" x 4"	52	43	35	27	8.2	118	83	64
FT2X6	2" x 6"	66	47	35	27	12.1	175	123	95
FT2X8	2" x 8"	66	47	35	27	16.1	231	163	125
FT2X12	2" x 12"	68	47	35	27	23.9	345	243	187
FT2X16	2" x 16"	68	47	35	27	31.8	459	324	249
FT2X18	2" x 18"	68	47	35	27	35.8	516	364	280
FT2X20	2" x 20"	68	47	35	27	39.7	573	404	311
FT2X24	2" x 24"	68	47	35	27	47.5	686	484	372
FT2X30	2" x 30"	68	47	35	27	59.8	862	608	468
FT2X32	2" x 32"	77	53	39	30	63.3	914	645	496
FT4X4	4" x 4"	58	49	42	36	15.8	227	160	123
FT4X6	4" x 6"	93	77	60	46	23.6	341	240	185
FT4X8	4" x 8"	94	78	61	47	31.5	454	321	247
FT4X12	4" x 12"	119	83	61	47	47.5	686	484	372
FT4X16	4" x 16"	119	83	61	47	63.5	917	647	498
FT4X18	4" x 18"	119	83	61	47	71.5	1032	728	560
FT4X20	4" x 20"	119	83	61	47	79.5	1148	810	623
FT4X24	4" x 24"	128	89	65	50	95.5	1379	973	749
FT4X30	4" x 30"	128	89	65	50	119.5	1725	1217	936
FT6X8	6" x 8"	111	77	57	43	47.3	682	481	370
FT6X12	6" x 12"	124	86	63	48	71.6	1034	729	561
FT6X16	6" x 16"	128	89	65	50	95.3	1375	970	746
FT6X18	6" x 18"	128	89	65	50	107.3	1549	1092	840
FT6X20	6" x 20"	141	98	72	55	118.9	1716	1211	932
FT6X24	6" x 24"	154	107	78	60	143.3	2068	1459	1123

\* Published load chart has not been tested with Flexmate™ splice. Please consult the factory for load information when using the Flexmate option.

\*\* Flextray fill capacity is based on NEC allowable fill of 50%. The NEC rule requires that the cable cross-sectional areas together may not exceed 50% of the tray area (width x depth = fill). Cables will nearly completely fill the cable tray when reaching the 50% cable fill, due to empty space between the surface of the cables. TIA recommends 40% fill ratio. Flextray loads shown in the loading chart will not be exceeded at 50% fill.

\*\*\* CAT 5e 4-pr non-plenum approximated at .21 in. diameter, CAT 6 4-pr non-plenum approximated at .25 in. diameter, CAT 6A approximated at .285 diameter. Actual diameters vary by cable manufacturer.

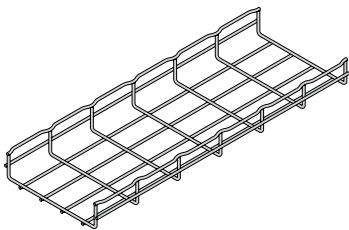
## 1.5" Deep Flextray



**Height:** 1.38" (35 mm)  
**Length:** 118.312" (3 meter)  
**Wire Dia. Minimum:** .196" (5.0 mm)  
**Finishes:** EG, GS, BLE, HD, 304S, 316S  
**Only FT1.5X12 (12" wide) is UL Classified**

Part Number	Height		Width		Wt. Per Pc.	
	in.	(mm)	in.	(mm)	lbs.	(kg)
<b>FT1.5X4X10</b>	1.38	(35)	4	(100)	5.8	(2.63)
<b>FT1.5X6X10</b>	1.38	(35)	6	(150)	7.4	(3.35)
<b>FT1.5X8X10</b>	1.38	(35)	8	(200)	9.0	(4.08)
<b>FT1.5X12X10</b>	1.38	(35)	12	(300)	12.1	(5.49)

## 2" Deep Flextray

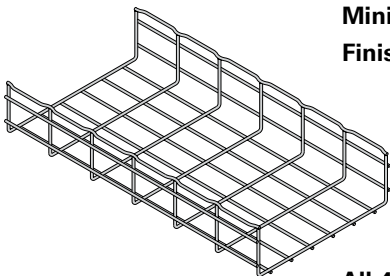


**Height:** 2.38" (60 mm)  
**Length:** 118.312" (3 meter)  
**Wire Dia. Minimum:** .196" (5.0 mm)  
**Finishes:** EG, GS, BLE, HD, 304S, 316S

FT2X6 (6" wide) through FT2X32 (32" wide) are UL Classified

Part Number	Height		Width		Wt. Per Pc.	
	in.	(mm)	in.	(mm)	lbs.	(kg)
<b>FT2X2X10</b>	2.38	(60)	2	(50)	6.6	(2.99)
<b>FT2X4X10</b>	2.38	(60)	4	(100)	8.2	(3.72)
<b>FT2X6X10</b>	2.38	(60)	6	(150)	9.7	(4.40)
<b>FT2X8X10</b>	2.38	(60)	8	(200)	11.2	(5.08)
<b>FT2X12X10</b>	2.38	(60)	12	(300)	14.3	(6.48)
<b>FT2X16X10</b>	2.38	(60)	16	(400)	17.4	(7.89)
<b>FT2X18X10</b>	2.38	(60)	18	(450)	18.9	(8.57)
<b>FT2X20X10</b>	2.38	(60)	20	(500)	20.4	(9.25)
<b>FT2X24X10</b>	2.38	(60)	24	(600)	23.5	(10.66)
<b>FT2X30X10</b>	2.38	(60)	30	(750)	28.1	(12.74)
<b>FT2X32X10</b>	2.38	(60)	32	(800)	29.7	(13.47)

## 4" Deep Flextray

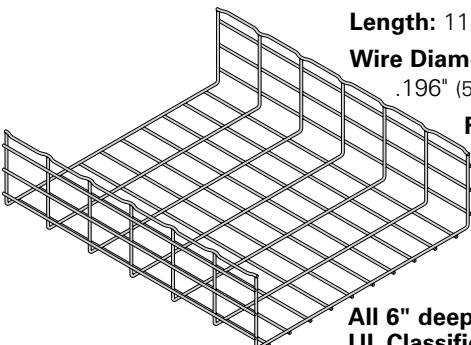


**Height:** 4.38" (111 mm)  
**Length:** 118.312" (3 meter)  
**Wire Diameter Minimum:** .196" (5.0 mm)  
**Finishes:** EG, GS, BLE, HD, 304S, 316S

**All 4" deep Flextrays are UL Classified**

Part Number	Height		Width		Wt. Per Pc.	
	in.	(mm)	in.	(mm)	lbs.	(kg)
<b>FT4X4X10</b>	4.38	(111)	4	(100)	11.25	(5.10)
<b>FT4X6X10</b>	4.38	(111)	6	(150)	12.79	(5.80)
<b>FT4X8X10</b>	4.38	(111)	8	(200)	14.32	(6.49)
<b>FT4X12X10</b>	4.38	(111)	12	(300)	17.39	(7.89)
<b>FT4X16X10</b>	4.38	(111)	16	(400)	20.45	(9.27)
<b>FT4X18X10</b>	4.38	(111)	18	(450)	21.99	(9.97)
<b>FT4X20X10</b>	4.38	(111)	20	(500)	23.52	(10.67)
<b>FT4X24X10</b>	4.38	(111)	24	(600)	26.59	(12.06)
<b>FT4X30X10</b>	4.38	(111)	30	(750)	31.19	(14.15)

## 6" Deep Flextray



**Height:** 6.38" (162 mm)  
**Length:** 118.312" (3 meter)  
**Wire Diameter Minimum:** .196" (5.0 mm)  
**Finishes:** EG, GS, BLE, HD, 304S, 316S

**All 6" deep Flextrays are UL Classified**

Part Number	Height		Width		Wt. Per Pc.	
	in.	(mm)	in.	(mm)	lbs.	(kg)
<b>FT4X4X10</b>	6.38	(162)	4	(100)	11.25	(5.10)
<b>FT6X8X10</b>	6.38	(162)	8	(200)	17.39	(7.89)
<b>FT6X12X10</b>	6.38	(162)	12	(300)	20.45	(9.27)
<b>FT6X16X10</b>	6.38	(162)	16	(400)	23.52	(10.67)
<b>FT6X18X10</b>	6.38	(162)	18	(450)	25.06	(11.37)
<b>FT6X20X10</b>	6.38	(162)	20	(500)	26.59	(12.06)
<b>FT6X24X10</b>	6.38	(162)	24	(600)	29.66	(13.45)

# Flextray & Accessories

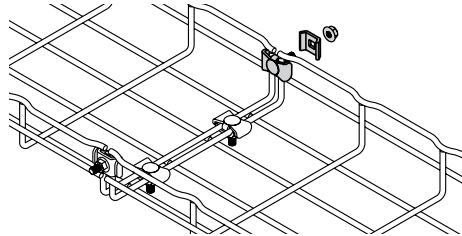
## Straight Section

- Washer is staked to bolt, holding part stationary during installation
- Fewer parts to handle
- For use with all tray widths and sizes
- Finishes \_\_: **EG, BLE**

**BLE** suffix indicates black zinc finish for this part only



Part Number	Description	Qty./Box	Wt./Box lbs. (kg)
WASHER SPL KIT__	Assembly of Staked Washer Stud/Washer & Finned Nut	100	4.5 (2.04)



### Splicing Chart (number of splices required for UL Classification)

Tray Height	Tray Width - number of splices									
	2" (50mm)	4" (100mm)	6" (150mm)	8" (200mm)	12" (300mm)	16" (400mm)	18" (450mm)	20" (500mm)	24" (600mm)	>24" (>600mm)
2"	NC	NC	3	3	3	4	4	4	4	5
4"	NM	3	3	3	3	4	4	4	4	5
6"	NM	NM	3	3	3	4	4	4	4	5

NC = Not UL Classified in this size    NM = Flextray is not manufactured in this size

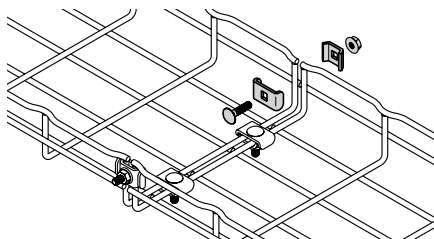
### Splice Hardware Components

- Works with all splicing needs
- For use with all tray widths and sizes
- Components are sold separately
- Finishes \_\_: **EG, BLE, 304S, 316S**

**FTHDWE 1/4** not available in **BLE**.



Part Number	Description	Qty./Box	Wt./Box lbs. (kg)
FTHDWE 1/4__	1/4" x 1" Carriage Bolt & Finned nut	50	2.4 (1.08)
TOP WASHER__	1" Square Splice Washer	100	2.8 (1.26)
BTM WASHER__	1 3/16" Square Splice Washer	100	4.0 (1.82)



BTM WASHER



FTHDWE1/4



TOP WASHER

### Splicing Chart (number of splices required for UL Classification)

Tray Height	Tray Width - number of splices									
	2" (50mm)	4" (100mm)	6" (150mm)	8" (200mm)	12" (300mm)	16" (400mm)	18" (450mm)	20" (500mm)	24" (600mm)	>24" (>600mm)
2"	NC	NC	3	3	3	4	4	4	4	5
4"	NM	3	3	3	3	4	4	4	4	5
6"	NM	NM	3	3	3	4	4	4	4	5

NC = Not UL Classified in this size    NM = Flextray is not manufactured in this size

See pages 157-158 for finish and grounding information

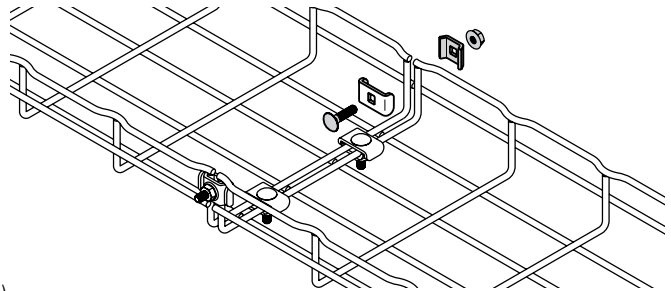
## Connecting Hardware

- Adaptable and designed for use with splice plate (FTS3SP), SPLICE BAR, and long splice bar (FTS36SB)
- Finishes \_\_: EG, BLE-BLO, 304S, 316S



Part Number	Description	Qty./Box	Wt./Box lbs. (kg)
FTSCH__	Connecting Hardware	50	2.0 (0.91)

Specify part number and finish when ordering.



## Splicing Chart (number of splices required for UL Classification)

Tray Height	Tray Width - number of splices									
	2" (50mm)	4" (100mm)	6" (150mm)	8" (200mm)	12" (300mm)	16" (400mm)	18" (450mm)	20" (500mm)	24" (600mm)	>24" (>600mm)
2"	NC	NC	3	3	3	4	4	4	4	5
4"	NM	3	3	3	3	4	4	4	4	5
6"	NM	NM	3	3	3	4	4	4	4	5

NC = Not UL Classified in this size    NM = Flextray is not manufactured in this size

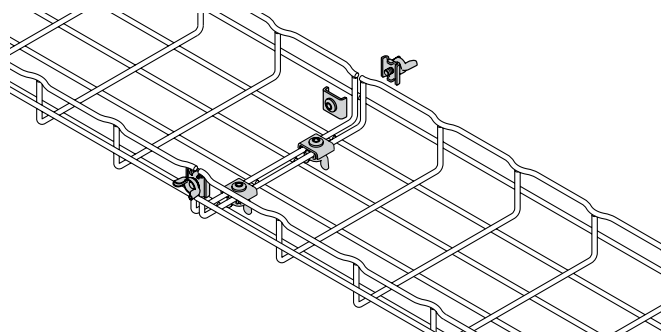
## Wing Splice™ Hardware

- Two piece design for easy handling
- Tool-less installation
- Reduces installation time, especially when used on fittings and bends
- Finish\_\_: ZN



Part Number	Description	Qty./Box	Wt./Box lbs. (kg)
FTSWN__	Wing Splice	50	3.0 (1.38)

Specify part number and finish when ordering.



## Splicing Chart (number of splices required for UL Classification)

Tray Height	Tray Width - number of splices									
	2" (50mm)	4" (100mm)	6" (150mm)	8" (200mm)	12" (300mm)	16" (400mm)	18" (450mm)	20" (500mm)	24" (600mm)	>24" (>600mm)
2"	NC	NC	3	3	3	4	4	4	4	5
4"	NM	3	3	3	3	4	4	4	4	5
6"	NM	NM	3	3	3	4	4	4	4	5

NC = Not UL Classified in this size    NM = Flextray is not manufactured in this size

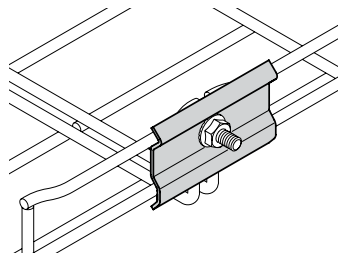
See pages 157-158 for finish and grounding information

# Flextray & Accessories

## Splicing Accessories

### Splice Plate (only)

- Splice plate is designed for use with connecting hardware (FTSCH) to provide added stability of splice connections
- Hardware sold separately
- Finish\_\_: **ZN**, SS6
- Note: FT2x2x10 and FT2x4x10 are not UL Classified



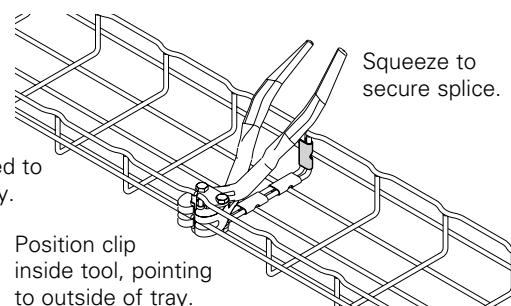
Part Number	Description	Length in. (mm)	Height in. (mm)	Hole Diameter in. (mm)	Qty./Box	Wt./Box lbs. (kg)
<b>FTS3SP__</b>	Splice Plate	2.7" (68.5)	1.6" (40.6)	0.27" (6.8)	50	6.1 (2.76)

### Flexmate™ Splice System

- Fastest splice connection method available in the industry
- For use with 4" (100mm) to 12" (300mm) wide tray
- Clips and tool sold separately
- Finishes \_\_: **GS**, BLE

Note: Tray widths larger than 12" (300mm) are not UL Classified. We recommend that splice/supports comply with NEMA VE-2 installation requirements

Part Number	Description	Qty./Box	Wt./Box lbs. (kg)
<b>FLEXMATE2__</b>	Flexmate Splice Clips	100	1.0 (0.45)
<b>FLEXMATE TOOL</b>	Flexmate Splice Tool	1	0.7 (0.32)



### Splicing Chart (number of splices required for UL Classification)

Tray Height	Tray Width - number of splices				
	2" (50mm)	4" (100mm)	6" (150mm)	8" (200mm)	12" (300mm)
2"	2	2	4	4	4
4"	NM	4	5	6	6
6"	NM	NM	NM	6	6

NC = Not UL Classified in this size

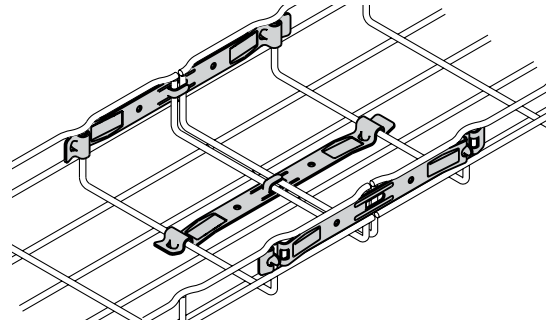
NM = Flextray is not manufactured in this size

See pages 157-158 for finish and grounding information

## Tab-Lock Connector

- Fast splice for straight runs of tray
- For use with 2" (50mm) to 32" (800mm) wide tray to connect straight sections only
- Finishes \_\_: **ZN**, SS6

Part Number	Description	Length in. (mm)	Qty./Box	Wt./Box lbs. (kg)
FTSTLC__	Tab-Lock Connectors	9.29" (235.9)	50	7.2 (3.26)



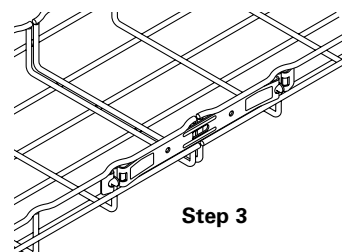
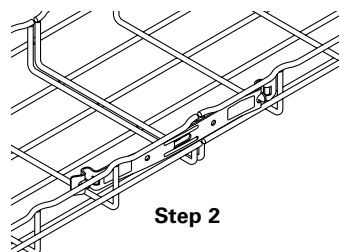
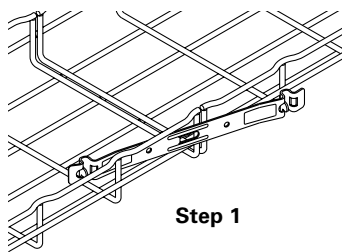
### Application Requirements

The recommendations listed are equal for all depths (except as noted).

### Splicing chart (number of splices required for UL Classification)

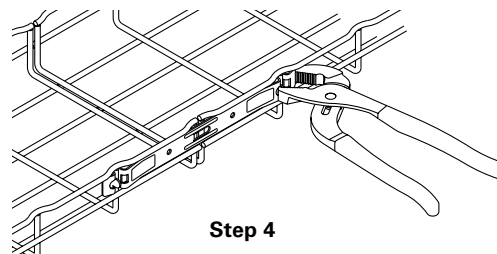
Tray Height	Tray Width - number of splices								
	2" (50mm)	4" (100mm)	6" (150mm)	8" (200mm)	12" (300mm)	16" (400mm)	18" (450mm)	20" (500mm)	24" (600mm)
2"	2	2	4	4	4	4	4	5	5
4"	NM	4	5	6	6	7	7	7	8
6"	NM	NM	NM	6	6	7	7	7	8

NM = Flextray is not manufactured in this size



### Tab-Lock security without special tools.

Screwdriver can also be used to bend tab-locks (hold connector ends while bending).



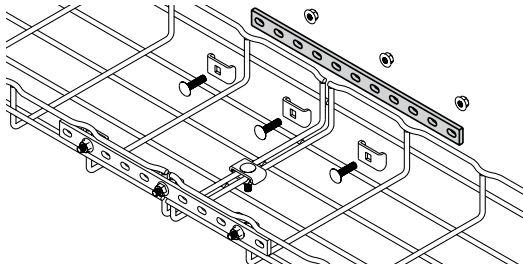
See pages 157-158 for finish and grounding information

# Flextray & Accessories

## Splicing Accessories

### Splice Bar

- Adds rigidity to washer splice methods
- Used on side rails only (not for use in tray bottom)
- For use on trays when using splice hardware FTSCH
- Hardware sold separately
- Finishes \_\_: **EG**, BLE, HD, 304S, 316S



Hardware is not sold with splice bar.



Part Number	Bar Length in. (mm)	Qty./Box	Wt./Box lbs. (kg)
<b>SPLICE BAR__</b>	10 <sup>13</sup> / <sub>16</sub> " (274.6)	50	14.0 (6.35)

Specify part number and finish when ordering.



Each splice bar requires three (3) each of Hardware Splice Components - TOP WASHER, and FTHDWE 1/4 to complete connection.

These items must be ordered separately.

Washer Splice Kits (WASHER SPL KIT) are required for connections on bottom of tray.

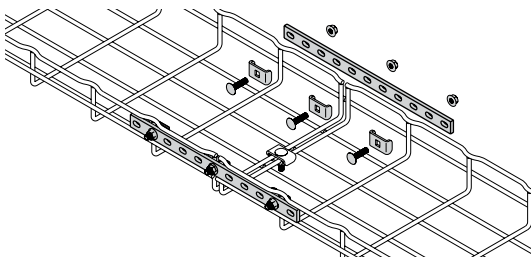
### Splicing Chart (number of splices required for UL Classification)

Tray Height	Tray Width - number of splices								
	2" (50mm)	4" (100mm)	6" (150mm)	8" (200mm)	12" (300mm)	16" (400mm)	18" (450mm)	20" (500mm)	24" (600mm)
2"	NC	NC	2	2	2	2	2	2	2
4"	NM	2	2	2	2	2	2	2	2
6"	NM	NM	2	2	2	2	2	2	2

NC = Not UL Classified in this size    NM = Flextray is not manufactured in this size

### Splice Bar Kit

- Adds rigidity
- Includes two (2) SPLICE BAR and hardware
- Finishes \_\_: **ZN**, FB, SS6



Part Number	Bar Length in. (mm)	Qty./Box	Wt./Box lbs. (kg)
<b>FTSBK__</b>	12" (304.8)	5 Sets	6.4 (2.90)

Specify part number and finish when ordering.



### Splicing Chart (number of splices required for UL Classification)

Tray Height	Tray Width - number of splices								
	2" (50mm)	4" (100mm)	6" (150mm)	8" (200mm)	12" (300mm)	16" (400mm)	18" (450mm)	20" (500mm)	24" (600mm)
2"	NC	NC	2	2	2	2	2	2	2
4"	NM	2	2	2	2	2	2	2	2
6"	NM	NM	2	2	2	2	2	2	2

NC = Not UL Classified in this size    NM = Flextray is not manufactured in this size

See pages 157-158 for finish and grounding information

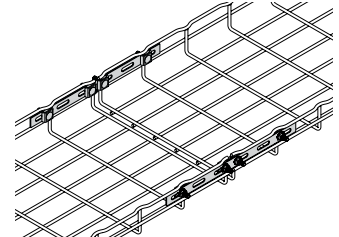


## Expansion Splice Kit

- Allows 1¾" (44mm) of expansion between two pieces of Flextray at expansion joints
- To install, tighten nylon loc-nut until nut comes into contact with splice bar, then loosen approximately 1/4 turn
- Includes two (2) splice bars and eight (8) sets of hardware
- Finishes \_\_: **ZN**

Part Number	Bar Length in. (mm)	Qty./Box	Wt./Box lbs. (kg)
FTS12ESK__	12" (304.8)	1 Kit	0.45 (0.20)

Specify part number and finish when ordering.



## Long Splice Bar (only)

- FTS36SB long splice bar is used for assembly of large radius horizontal bends or field cut into short splice bars
- Splice Bars are designed for use with connecting hardware (FTSCH)
- Hardware sold separately
- Finishes \_\_: **ZN**, **FB**, **SS6**

Part Number	Bar Length in. (mm)	Qty./Box	Wt./Box lbs. (kg)
FTS12SB__	12" (304.8)	1	0.13 (0.06)
FTS36SB__	36" (914.4)	1	0.40 (0.18)

Specify part number and finish when ordering.

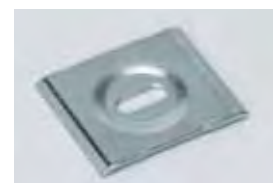
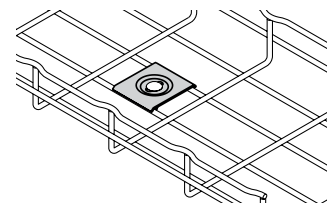
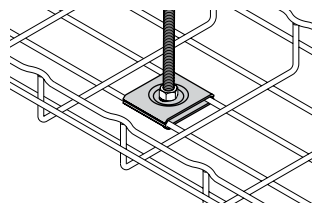


## Hold Down Plate

- Easy way to mount 4" (100mm) wide tray for raceway run
- Use ¼" screws to attach SUPT WASHER to your specific wall/stud application (hardware sold separately)
- FTA6HD can be used in pairs to create a center-hung support using ¾" rod
- To protect cables use threaded rod protector (page 171)
- To complete ¾" center hanger assembly use:
  - 2 - FTA6HD
  - 2 - HN ¾"-16 hex nuts
- Finish: **ZN**, **SS6**

Part Number	Description	Qty./Box	Wt./Box lbs. kg
SUPT WASHER__	.28" x .70" (7.1mm x 17.8mm)	100	9.4 (4.26)
FTA6HD__	.40" x .70" (10.1mm x 17.8mm)	100	7.0 (3.17)

Specify part number and finish when ordering.



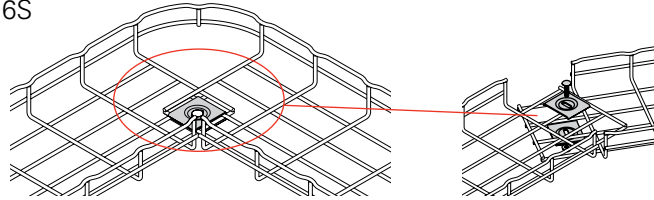
See pages 157-158 for finish and grounding information

# Flextray & Accessories

## Splicing Accessories

### Horizontal Adjustable Kit

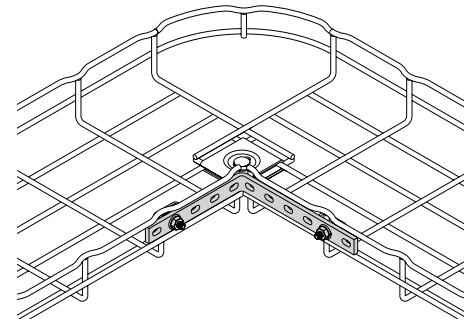
- Horizontal adjustable kit can be used to create horizontal angles from prepared Flextray straight sections
- Conveniently poly-bagged
- Finishes \_\_: **EG**, BLE, 316S



Part Number	Description	Qty./Box	Wt./Box lbs. (kg)
FTSHAK__	Horizontal Adjustable Kit	10	2.4 (1.09)

### 90 Degree Kit

- For fast assembly of 90° turns and tee fittings
- For use with all tray widths and sizes
- One kit will make two 90° turns or one tee fitting
- 90 DEGREE KIT includes: two (2) 90° splice bars and eight (8) FTSCH
- Finishes \_\_: **EG**, BLE, 316S

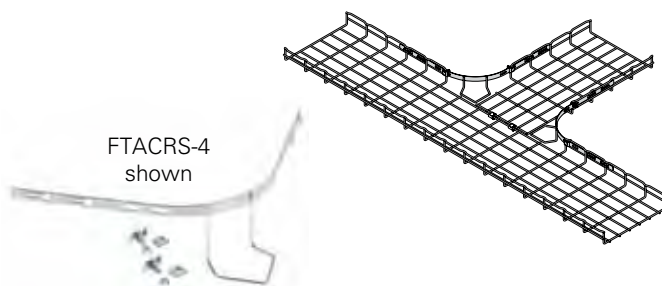


Part Number	Description	Qty./Box	Wt./Box lbs. (kg)
90 DEGREE KIT__	90 degree splice bar & hardware	1	1.3 (0.59)

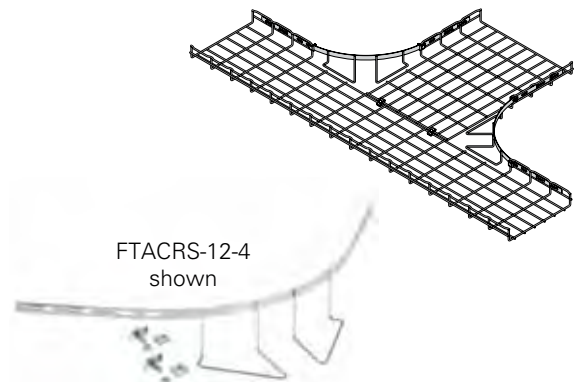
### Corner Radius Kit

- Helps eliminate need for field fabrication and is quick to install
- Built in tab features for positioning onto side rails at transition locations
- For fast assembly of a 90° bend, tee, and cross fittings
- One kit will make one 90° bend, two kits will make one tee, and four kits will make one cross fitting
- Kit includes: one (1) corner radius and two (2) WASHER SPL KIT
- Finishes \_\_: **EG**, BLE, 316S

Part Number	Height in. (mm)	Radius in. (mm)	Qty. per Box	Wt./Box lbs. (kg)
FTACRS-2	2" (50.8)	6" (152.4)	1	1.3 (0.59)
FTACRS-4	4" (101.6)	6" (152.4)	1	1.3 (0.59)
FTACRS-6	6" (152.4)	6" (152.4)	1	1.3 (0.59)
FTACRS-12-2	2" (50.8)	12" (304.8)	1	1.3 (0.59)
FTACRS-12-4	4" (101.6)	12" (304.8)	1	1.3 (0.59)
FTACRS-12-6	6" (152.4)	12" (304.8)	1	1.3 (0.59)



FTACRS-4 shown



FTACRS-12-4 shown

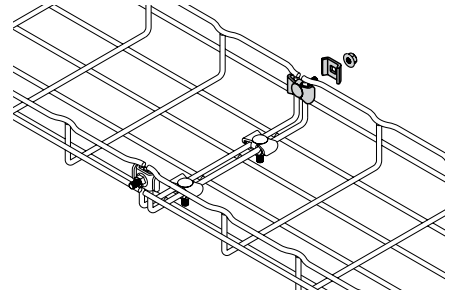
See pages 157-158 for finish and grounding information

## Components Required to Connect Two Sections of Flextray

System Part Number	System Width in. (mm)	Connector Assembly	Connecting Hardware	Splice Plate	Splice Bar
		WASHER SPL KIT	FTSCH	FTS3SP	SPLICE BAR
FT2X2 †	2" (50)	2	-	-	-
FT2X4 †	4" (100)	2	-	-	-
FT2X6	6" (150)	3 <sup>1</sup>	-	-	-
FT2X8	8" (200)	3 <sup>1</sup>	-	-	-
FT2X12	12" (300)	3 <sup>1</sup>	-	-	-
FT2X16	16" (400)	4 <sup>1</sup>	-	-	-
FT2X18	18" (450)	4 <sup>1</sup>	-	-	-
FT2X20	20" (500)	4 <sup>1</sup>	-	-	-
FT2X24	24" (600)	4 <sup>1</sup>	-	-	-
FT2X30	30" (750)	5 <sup>1</sup>	-	-	-
FT2X32	32" (800)	5 <sup>1</sup>	-	-	-
FT4X4	4" 100	3 <sup>1</sup>	-	-	-
FT4X6	6" 150	3 <sup>1</sup>	-	-	-
FT4X8	8" 200	3 <sup>2</sup>	-	-	-
FT(*)X12	12" 300	3 <sup>2</sup>	-	-	-
FT(*)X16	16" 400	4 <sup>2</sup>	-	-	-
FT(*)X18	18" (450)	4 <sup>2</sup>	-	-	-
FT(*)X20	20" 500	4 <sup>2</sup>	-	-	-
FT(*)X24	24" 600	4 <sup>2</sup>	-	-	-
FT(*)X30	30" (750)	5 <sup>2</sup>	-	-	-
FT2X2 †	2" (50)	-	2	2	-
FT2X4 †	4" (100)	-	2	2	-
FT2X6	6" (150)	1	2	2	-
FT2X8	8" (200)	1	2	2	-
FT2X12	12" (300)	1	2	2	-
FT2X16	16" (400)	2	2	2	-
FT2X18	18" (450)	2	2	2	-
FT2X20	20" (500)	2	2	2	-
FT2X24	24" (600)	2	2	2	-
FT2X30	30" (750)	3	2	2	-
FT2X32	32" (800)	3	2	2	-
FT4X4	4" (100)	1	2	2	-
FT4X6	6" (150)	1	2	2	-
FT4X8	8" (200)	1	2	2	-
FT(*)X12	12" (300)	1	2	2	-
FT(*)X16	16" (400)	2	2	2	-
FT(*)X18	18" (450)	2	2	2	-
FT(*)X20	20" (500)	2	2	2	-
FT(*)X24	24" (600)	2	2	2	-
FT(*)X30	30" (750)	3	2	2-	-
FT2X2 †	2" (50)	-	6	-	2
FT2X4 †	4" (100)	-	6	-	2
FT2X6	6" (150)	1	6	-	2
FT2X8	8" (200)	1	6	-	2
FT2X12	12" (300)	1	6	-	2
FT2X16	16" (400)	2	6	-	2
FT2X18	18" (450)	2	6	-	2
FT2X20	20" (500)	2	6	-	2
FT2X24	24" (600)	2	6	-	2
FT2X30	30" (750)	3	6	-	2
FT2X32	32" 800	3	6	-	2
FT4X4	4" (100)	1	6	-	2
FT4X6	6" (150)	1	6	-	2
FT4X8	8" (200)	1	6	-	2
FT(*)X12	12" (300)	1	6	-	2
FT(*)X16	16" (400)	2	6	-	2
FT(*)X18	18" (450)	2	6	-	2
FT(*)X20	20" (500)	2	6	-	2
FT(*)X24	24" (600)	2	6	-	2
FT(*)X30	30" (750)	3	6	-	2

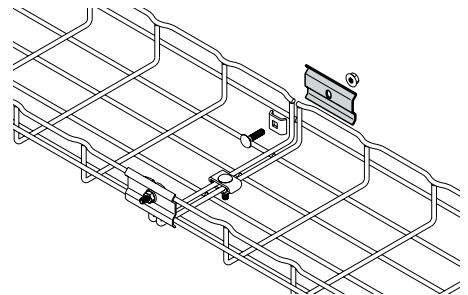
(\* ) 4 for 4" Deep Flextray  
6 for 6" Deep Flextray

### Washer Splice Kits



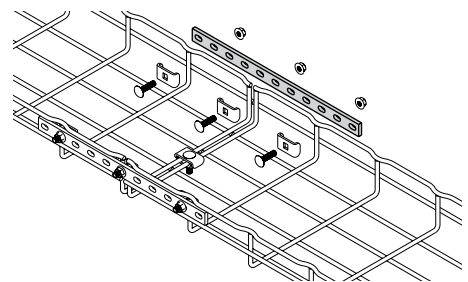
- 1 Install one kit on each side and remaining kit(s) on bottom.
- 2 Install two kits on each side and remaining kits on bottom.

### Splice Plates



Install splice plates on sides and WASHER SPL KIT on bottom.

### Splice Bars



Install splice bars on sides and WASHER SPL KIT on bottom.

† Sizes not UL Classified

# Flextray & Accessories

## Splicing Accessories

### Splice Plate Kits for 2" Deep Flextray

- Conveniently poly-bagged for use with 2" deep Flextray

Part Number	System Width		Weight Per 100		Box Quantity	
	in.	(mm)	lbs.	(kg)		
FTS20SK	2"	(50)	2.91	(1.32)	10	
	4"	(100)				
FTS21SK	6"	(150)	3.63	(1.64)	10	
	8"	(200)				
FTS22SK	12"	(300)	4.35	(1.97)	10	
	18"	(450)				
	20"	(500)				
	24"	(600)				

### Splice Plate Kits for 4" & 6" Deep Flextray

- Conveniently poly-bagged for use with 4" & 6" deep Flextray

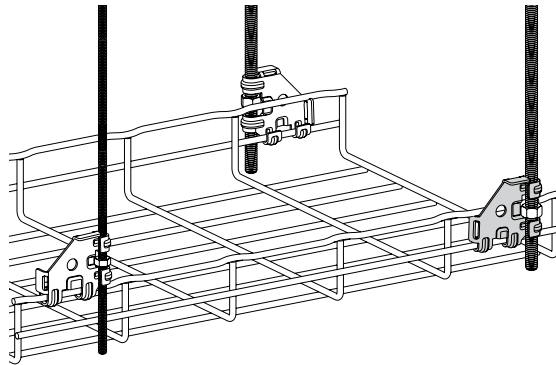
Part Number	System Width		Weight Per 100		Box Quantity	
	in.	(mm)	lbs.	(kg)		
FTS23SK	4"	(100)	5.07	(2.30)	10	
	6"	(150)				
	8"	(200)				
	12"	(300)				
FTS24SK	18"	(450)	5.79	(2.62)	10	
	20"	(500)				
	24"	(600)				

## Flip Clip™ Solution

- Accommodates 1/4" and 3/8" rod sizes
- Installs quickly with a screwdriver or pliers thus reducing installation time
- Requires only one hex nut (not included) to hang and level the Flextray
- Retainer tabs can be bent over to lock-in the threaded rod and wire basket
- Finishes \_\_: **ZN**, FB, SS6

Part Number	Description	Qty./Box	Wt./Box lbs. (kg)
WB46H__	Flip Clip	50	5.2 (2.36)

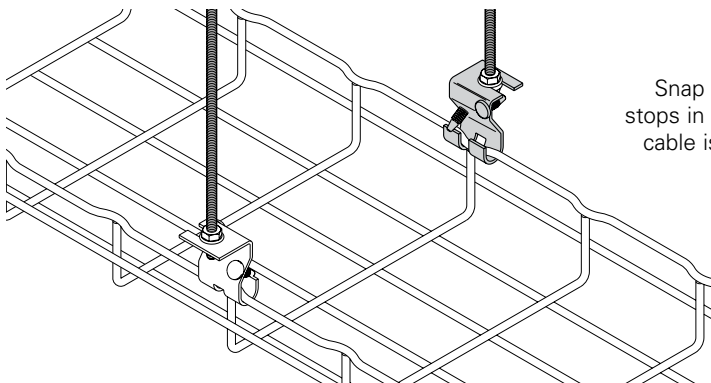
Snap retainer stops in place after cable is loaded.



## Trapeze Support

- Trapeze Clip installs fast
- For use with trays up to 4" (100mm) deep, 12" (300mm) wide, and spans up to 8'-0" (2.44m)
- Tray can be released from support to allow side cable loading
- Accepts 1/4" and 3/8" threaded rod sizes
- Finishes \_\_: **GS**, BLE

Part Number	Description	Qty./Box	Wt./Box lbs. (kg)
TRAPEZE SUPT2__	Trapeze Support Clip 100 retainer stops	50 trapeze clips 100 retainer stops	7.0 (3.17)



Snap retainer stops in place after cable is loaded.



See page 157 for finish information

# Flextray & Accessories

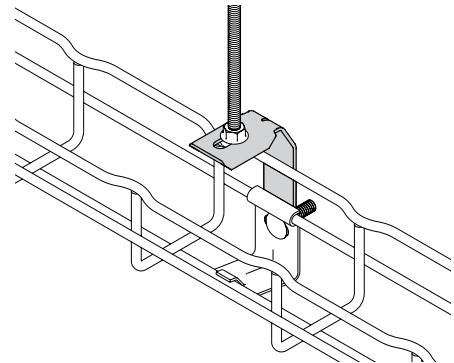
## Ceiling Support Methods

### 2" Center Hanger

- For use with 2" (50mm) tray widths only
- Accepts 1/4" threaded rod
- Hardware sold separately
- Finishes \_\_: **GS**, BLE
- Assemble with ATTACHMENT CLP & FTHDWE 1/4 hardware

Part Number	Description	Qty./Box	Wt./Box lbs. (kg)
<b>2 IN CTR SUPT__</b>	Center Support Hanger for FT2x2	50	5.0 (2.27)

Specify part number and finish when ordering.

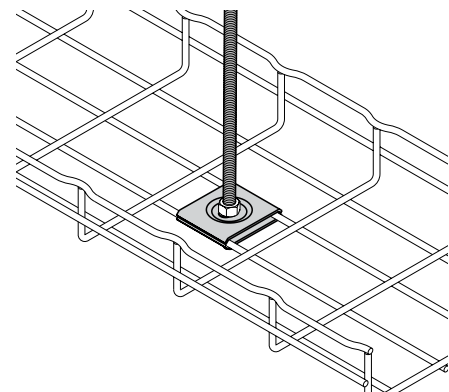
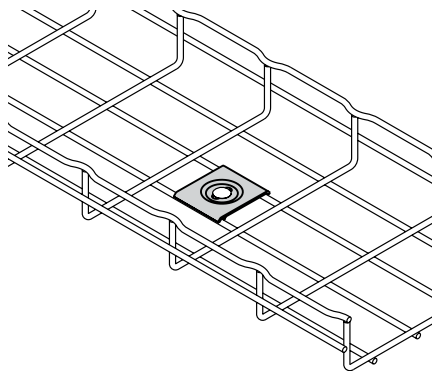
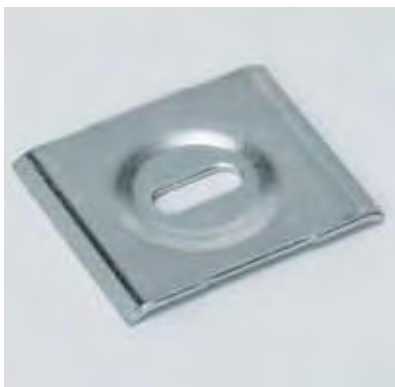


### Hold Down Plate

- Easy way to mount 4" (100mm) wide tray for raceway run
- Use 1/4" screws to attach SUPT WASHER to your specific wall/stud application (hardware sold separately)
- FTA6HD can be used in pairs to create a center-hung support using 3/8" rod
- To protect cables use threaded rod protector (page 171)
- To complete 3/8" center hanger assembly use:  
2 - FTA6HD  
2 - HN 3/8"-16 hex nuts
- Finish: **ZN**, SS6

Part Number	Description	Qty./Box	Wt./Box lbs. (kg)
<b>SUPT WASHER__</b>	.28" x .70" (7.1mm x 17.8mm)	100	9.4 (4.26)
<b>FTA6HD__</b>	.40" x .70" (10.1mm x 17.8mm)	100	7.0 (3.18)

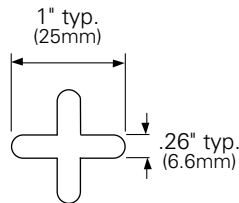
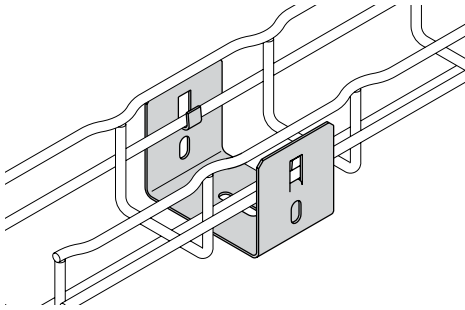
Specify part number and finish when ordering.



See page 157 for finish information

### Mounting Bracket

- Designed to support FT2X2X10 Flextray
- Click tabs for Flextray attachment
- Use ¼" hardware and washer (not included) to mount bracket
- Finishes \_\_: **SS6**

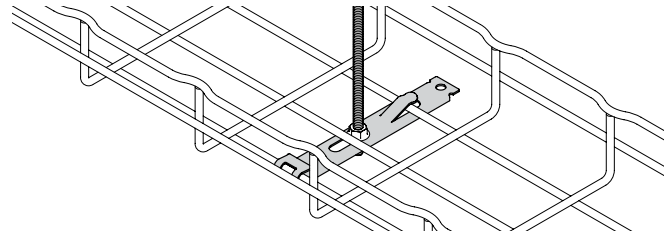


Specify part number and finish when ordering.

Part Number	Description	Qty./Box	Wt./Box lbs. (kg)
<b>FTB2UB__</b>	Light Duty Wall/Rack Bracket	10	2.1 (0.95)

### Center Hung Clip

- Use for light duty cabling applications
- For use with 1½" (38mm) & 2" (51mm) deep tray with 4" (100mm) and 6" (150mm) widths
- When hanging 4" (100mm) wide tray, center hung clip must be run parallel with the tray
- Built-in hold down tab
- Accepts ¼" threaded rod
- Threaded rod and nuts sold separately
- Finishes \_\_: **GS**, BLE



Assemble with ¼" threaded rod and finned nut

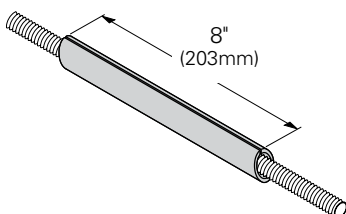


Part Number	Description	Qty./Box	Wt./Box lbs. (kg)
<b>CTR HUNG CLP__</b>	Light Duty Center Hanger	50	4.0 (1.81)

Specify part number and finish when ordering.

### Threaded Rod Protector

- Use to protect cables from ¼" to ½" threaded rod
- PVC UL94V-O material
- Color: Gray
- Not plenum rated



Part Number	Description	Qty./Box	Wt./Box lbs.(kg)
<b>SB301-1/2x8</b>	Rod Protector	1	0.03 (0.013)



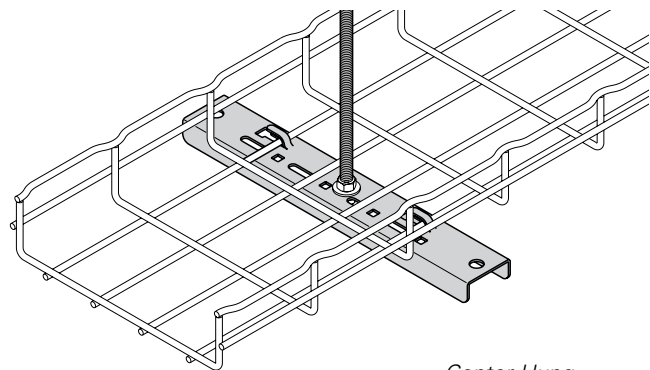
# Flextray & Accessories

## Ceiling Support Methods

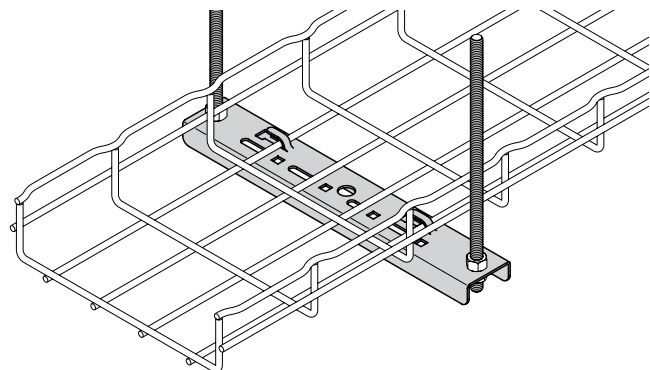
### Center Trapeze Hanger

Part Number	Maximum Tray Width		Actual Length		Wt./Pc.	
	in.	(mm)	in.	(mm)	lbs.	(kg)
<b>FTB06CT</b>	6"	(150)	9.78"	(248)	0.61	(0.27)
<b>FTB08CT</b>	8"	(200)	11.75"	(298)	0.74	(0.33)
<b>FTB12CT</b>	12"	(300)	15.69"	(398)	0.98	(0.44)
<b>FTB16CT</b>	16"	(400)	19.63"	(498)	1.61	(0.73)
<b>FTB18CT</b>	18"	(450)	21.59"	(548)	1.77	(0.80)
<b>FTB20CT</b>	20"	(500)	23.56"	(598)	1.93	(0.87)
<b>FTB24CT</b>	24"	(600)	27.50"	(698)	2.25	(1.02)

- Can be installed as center-hung or traditional trapeze hanger
- Multiple options to secure Flextray to hanger
  - Built in hold down tabs (use screwdriver to bend down tab)
  - Compatible with TOOLLESS CLIP with snap-in locking pin
  - Compatible with WBUHD hold down clip when tray crosswire is aligned over top of hanger
  - Slots and holes for optional hardware attachment
- Corrosion resistant pre-galvanized zinc finish (other finishes available upon request)
- Center hole for up to 1/2" rod
- Hole on each end for up to 3/8" rod
- Threaded rod protector available (SB301-1/2 x 8) see page 171
- When 1/2" trapeze rods are required, add -1/2 to end of part number when ordering
- Finishes \_\_: **GLV**, HDG, BLE, SS6



Center Hung



Trapeze

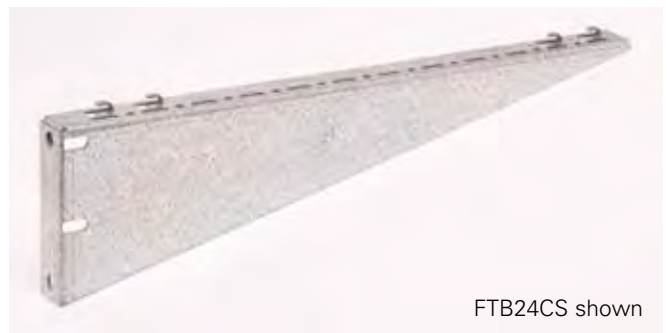
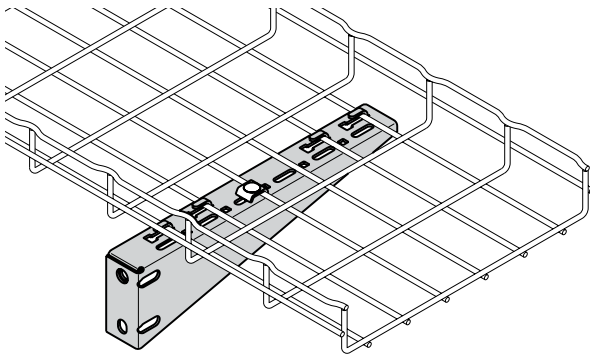
See page 157 for finish information



### Shelf Brackets

- Heavy-duty support bracket
- For use with 6" (150mm) to 24" (600mm) wide trays
- Built-in tab for hold down
- Optional hardware (FTSCH) sold separately
- Finishes \_\_: **GLV**, HDG, BLE, SS6

Part Number	Use With Tray Width		Qty./Box	Wt./Pc.	
	in.	(mm)		lbs.	(kg)
<b>FTB06CS</b> __	6"	(150)	1	0.5	(0.22)
<b>FTB08CS</b> __	8"	(200)	1	0.6	(0.27)
<b>FTB12CS</b> __	12"	(300)	1	1.2	(0.54)
<b>FTB16CS</b> __	16"	(400)	1	1.7	(0.77)
<b>FTB18CS</b> __	18"	(450)	1	1.9	(0.86)
<b>FTB20CS</b> __	20"	(500)	1	2.6	(1.18)
<b>FTB24CS</b> __	24"	(600)	1	3.2	(1.45)

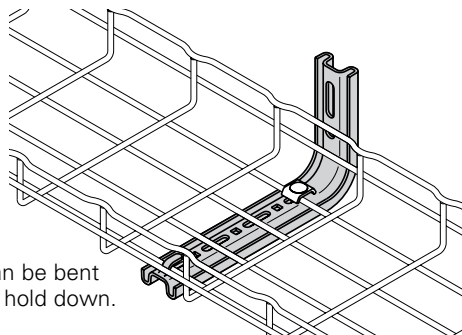


FTB24CS shown

### "L" Brackets

- Installs tray to wall cleanly
- Built-in tab for hold down (not available in stainless steel)
- For use with 4" (100mm) to 24" (600mm) wide trays
- Use with pedestal clamp in raised floor applications
- Optional hardware (FTSCH) sold separately
- Finishes \_\_: **EG**, HD, BLE, 316S

Part Number	Use With Tray Width		Qty./Box	Wt./Pc.	
	in.	(mm)		lbs.	(kg)
<b>4 L BRKT</b> __	4"	(100)	1	0.6	(0.27)
<b>8 L BRKT</b> __	6"	(150)	1	0.8	(0.36)
	8"	(200)			
<b>12 L BRKT</b> __	12"	(300)	1	1.3	(0.59)
<b>16 L BRKT</b> __	16"	(400)	1	1.4	(0.63)
<b>20 L BRKT</b> __	18"	(450)	1	2.0	0.91
	20"	(500)			
<b>24 L BRKT</b> __	24"	(600)	1	2.3	(1.04)



Tab can be bent over for hold down.



12 L BRKT

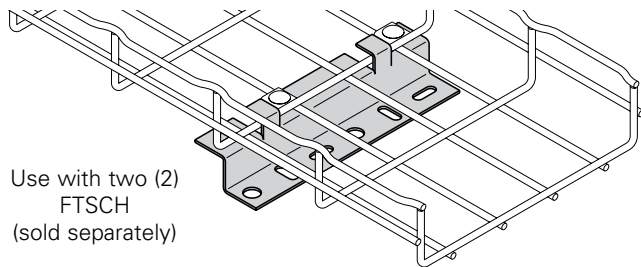
See page 157 for finish information

# Flextray & Accessories

## Wall Support Methods

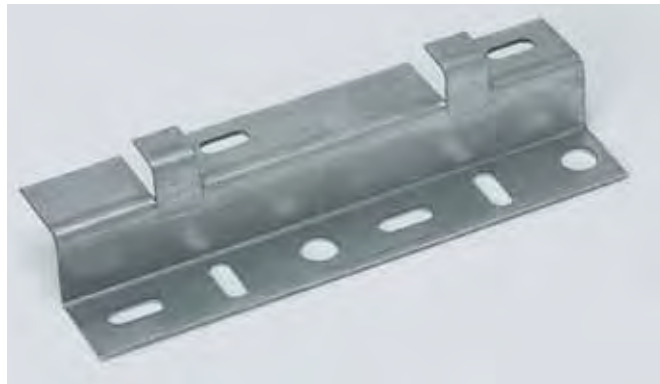
### "Z" Brackets

- Used for horizontal and/or vertical mounting
- 8" (200mm) wide bracket for use with 4" (100mm) to 32" (800mm) wide trays
- Can be used to offset trays from floor
- Can be used to terminate tray run at wall
- Multiple brackets can be used for wider tray widths
- Finishes \_\_: **GS**, BLE



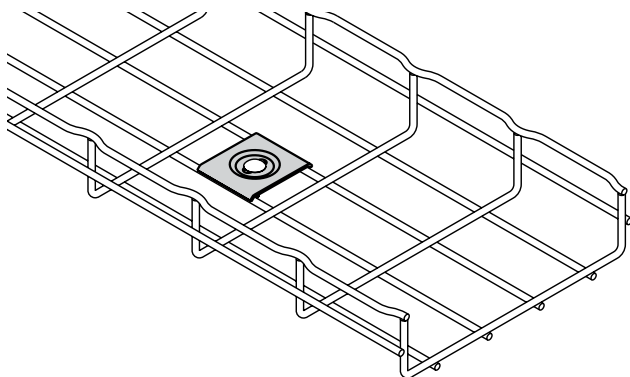
Use with two (2)  
FTSCH  
(sold separately)

Part Number	Description	Qty./Box	Wt./Box lbs. (kg)
Z BRKT__	Z Bracket	25	14.0 (6.35)

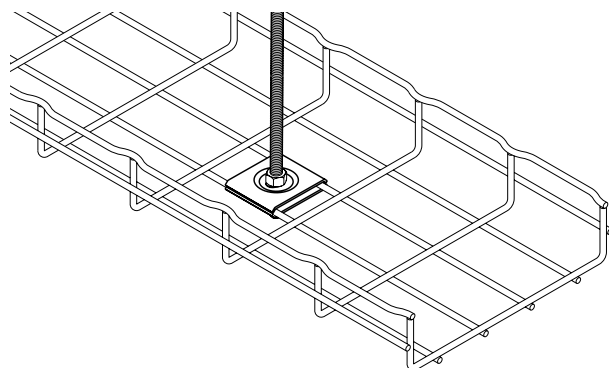
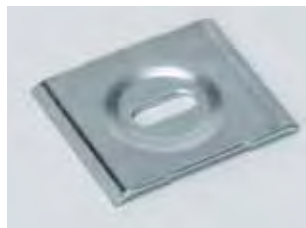


### Hold Down Plate

- Easy way to mount 4" (100mm) wide tray for raceway run
- Use 1/4" screws to attach SUPT WASHER to your specific wall/stud application (hardware sold separately)
- FTA6HD can be used in pairs to create a center-hung support using 3/8" rod
- To protect cables use threaded rod protector (page 171)
- To complete 3/8" center hanger assembly use:
  - 2 - FTA6HD
  - 2 - HN 3/8"-16 hex nuts
- Finish: **ZN**, SS6



Part Number	Description	Qty./Box	Wt./Box lbs. (kg)
SUPT WASHER__	.28" x .70" (7.1mm x 17.8mm)	50	4.7 (2.13)
FTA6HD__	.40" x .70" (10.1mm x 17.8mm)	50	3.5 (1.59)

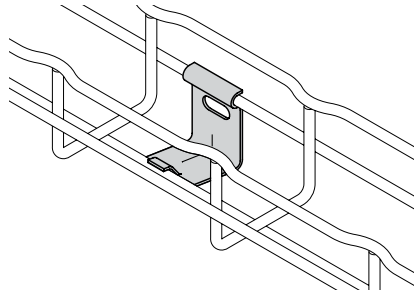


See page 157 for finish information

## Attachment Clips

- Wall attachment for 2" (50mm) wide tray only (FT2X2X10)
- Low-profile appearance
- Built-in tab to hold down tray
- Can also be used with 2" (50mm) Center Hanger (see page 170)
- Hardware sold separately
- Finishes \_\_: **GS**, BLE

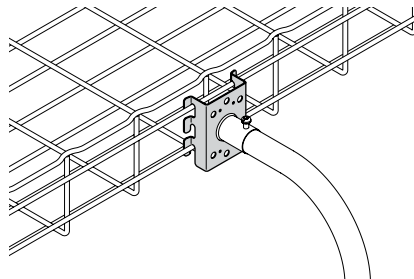
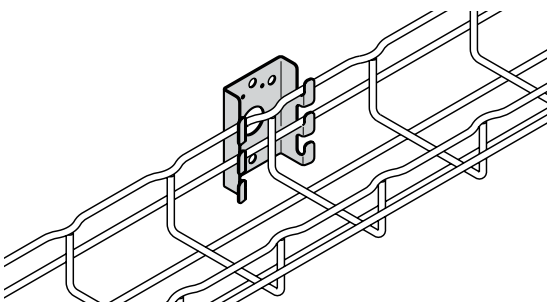
Part Number	Description	Qty./Box	Wt./Box lbs. (kg)
<b>ATTACHMENT CLP</b> __	Support for FT2x2x10	50	3.4 (1.54)



## Wall Supports

- Used to attach 2" (50mm) or 4" (100mm) wide trays to walls, struts or cabinets
- Use for raceway mounting
- Mount to metal framing for vertical support
- Tabs are built in for tray hold down
- Mount to side rail for electrical box connection
- Finishes \_\_: **GLV**

Part Number	Description	Qty./Box	Wt./Box lbs. (kg)
<b>FTA050CC</b> __	Wall Support Bracket	1	0.8 (0.36)



See page 157 for finish information

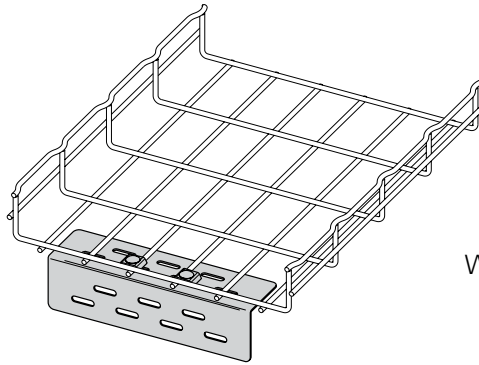
# Flextray & Accessories

## Wall Support Methods

### Wall Termination Kit

- Kit includes all hardware necessary to support Flextray when terminated at a wall
- Mount slotted angle to wall with up to 3/8" hardware (not included)
- Finishes \_\_: **ZN**, FB, SS6

Part Number	Length		Qty./Box	Wt./Box	
	in.	(mm)		lbs.	(kg)
<b>FTA9WTK__</b>	9"	(228.6)	1	1.3	(0.59)



Wall Termination Kit includes:  
 1 - Angle with Slots  
 2 - FTSCH

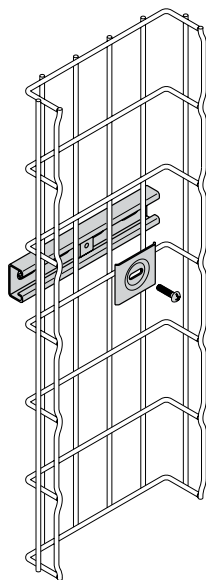
### Wall Mount Kit

- Kit includes all components necessary to mount Flextray to a wall horizontally or vertically
- Mount strut to wall with up to 1/2" hardware (not included)
- Finish: Channel - **GLV**  
 Hardware - **ZN**  
 Available in SS6

Part Number	Length		Qty./Box	Wt./Box	
	in.	(mm)		lbs.	(kg)
<b>WB48WMK__</b>	8"	(203.2)	1	0.76	(0.35)
<b>WB1224WMK__</b>	12"	(304.8)	1	1.22	(0.55)



WB1224WMK shown

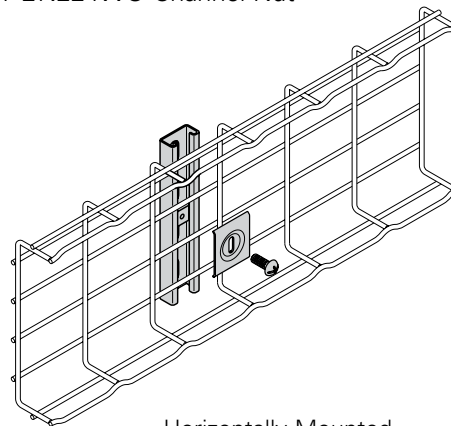


Vertically Mounted

Wall Mount Kit includes:

#### **WB48WMK WB1224WMK**

- 1 1B54SH Strut
- 1 2SUPT WASHER Hold Downs
- 1 2 1/4"-20 x 1" Slotted Head Screw
- 1 2N224WO Channel Nut



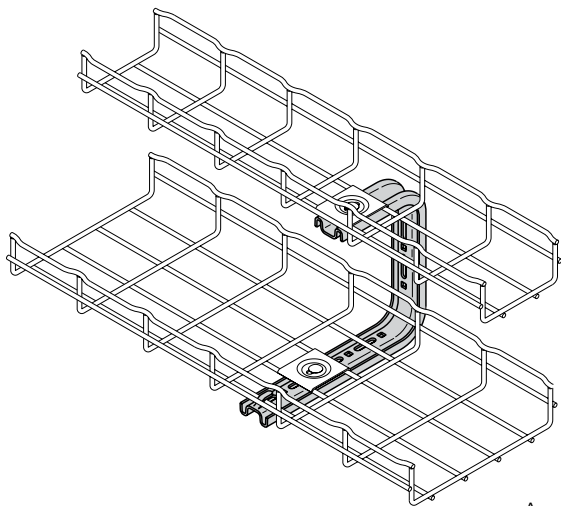
Horizontally Mounted

See page 157 for finish information

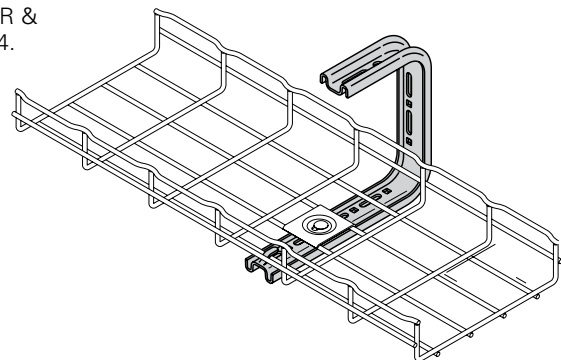
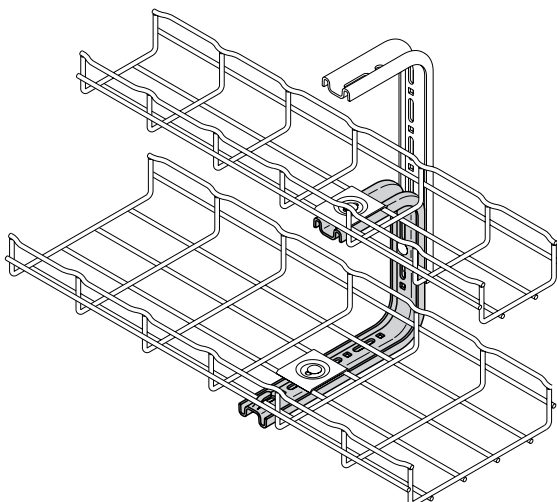
## C Brackets

- Tab can be used for hold down (stainless steel will not have these tabs)
- For use with 4" (100mm) to 12" (300mm) wide trays
- C bracket attaches to hard ceiling types
- All brackets are 7<sup>7</sup>/<sub>8</sub>" (200mm) tall
- Cables can be side loaded
- L brackets (page 173) and C brackets can be combined for layered tray runs
- Finishes \_\_: **EG**, BLE, HD

Part Number	Tray Width - Up To in. (mm)	Qty./Box	Wt./Box lbs. (kg)
<b>4 C BRKT__</b>	4" (100)	1	1.2 (0.54)
<b>8 C BRKT__</b>	8" (200)	1	1.4 (0.63)
<b>12 C BRKT__</b>	12" (300)	1	1.9 (0.86)



Assemble with  
SUPT WASHER &  
FTHDWE 1/4.

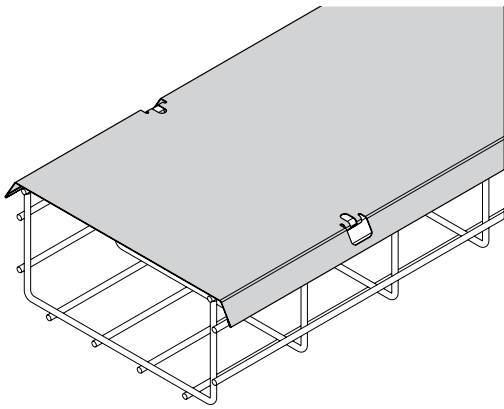


# Flextray & Accessories

## Accessories

### Covers

- Protects cable from debris and dust
- Adds security to cable installation
- Easy bend-over tabs secure cover to trays
- Available for 2" (50mm) to 24" (600mm) wide trays
- Comes in 118" (2997mm) length
- Finishes \_\_: **GS**, BLE, 304S, 316S



Part Number	For Tray Width Of		Qty./Box	Wt./Box	
	in.	(mm)		lbs.	(kg)
<b>2 IN COVER</b> __	2"	(50)	1	3.8	(1.72)
<b>4 IN COVER</b> __	4"	(100)	1	5.7	(2.58)
<b>6 IN COVER</b> __	6"	(150)	1	6.7	(3.04)
<b>8 IN COVER</b> __	8"	(200)	1	8.7	(3.94)
<b>12 IN COVER</b> __	12"	(300)	1	11.6	(5.26)
<b>16 IN COVER</b> __	16"	(400)	1	15.6	(7.07)
<b>18 IN COVER</b> __	18"	(450)	1	17.0	(7.71)
<b>20 IN COVER</b> __	20"	(500)	1	18.5	(8.39)
<b>24 IN COVER</b> __	24"	(600)	1	22.0	(9.98)

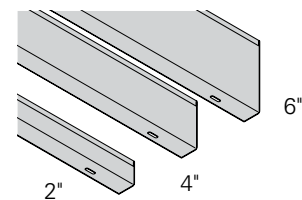
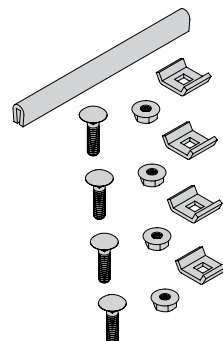
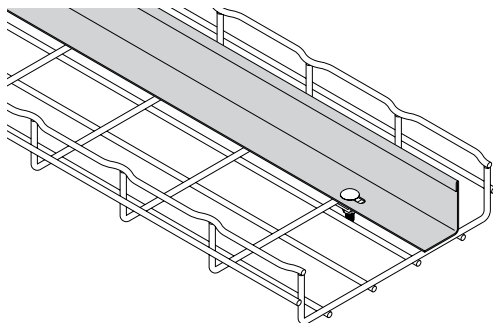
### Dividers

- Allows cable separation within a single tray
- Hemmed/rounded edge provides cable jacket safety
- Hardware included
- Field miter for bends and turns
- Dual slots every 24" (609mm) for field cutting
- Available in 2" (50mm), 4" (100mm) and 6" (150mm) heights
- Comes in 118.125" (3000mm) length
- Finishes \_\_: **GS**, BLE, 304S, 316S

Part Number	For Tray Depth Of		Qty./Box	Wt./Box	
	in.	(mm)		lbs.	(kg)
<b>2 IN DIVIDER</b> __	2"	(50)	1	3.5	(1.59)
<b>4 IN DIVIDER</b> __	4"	(100)	1	9.6	(4.35)
<b>6 IN DIVIDER</b> __	6"	(150)	1	14.5	(6.58)



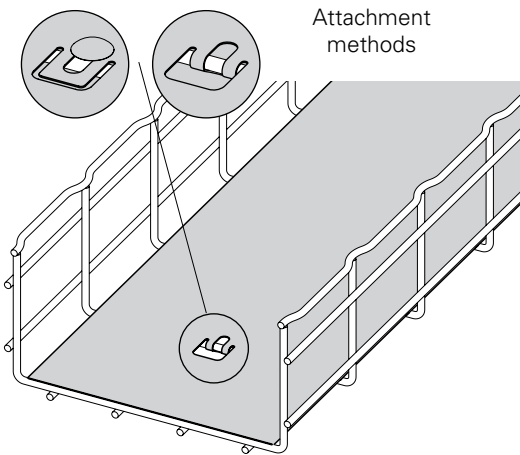
Dividers include hardware shown below



See page 157 for finish information

## Solid Bottom Inserts

- Continuous support for sensitive cables
- Security of cable in high-traffic areas
- Hardware included
- Available for 4" (100mm) to 24" (600mm) wide trays
- Comes in 118" (2997mm) length
- Finishes \_\_: **GS**, BLE, 304S, 316S



Part Number	For Tray Width Of		Qty./Box	Wt./Box	
	in.	mm		lbs.	kg
<b>INSERT 4X118</b> __	4"	(100)	1	6.8	(3.08)
<b>INSERT 6X118</b> __	6"	(150)	1	9.8	(4.44)
<b>INSERT 8X118</b> __	8"	(200)	1	13.3	(6.03)
<b>INSERT 12X118</b> __	12"	(300)	1	21.6	(9.80)
<b>INSERT 16X118</b> __	16"	(400)	1	26.4	(11.97)
<b>INSERT 18X118</b> __	18"	(450)	1	32.4	(14.69)
<b>INSERT 20X118</b> __	20"	(500)	1	32.9	(14.92)
<b>INSERT 24X118</b> __	24"	(600)	1	39.3	(17.82)

Attach with  
FTHDWE ¼" &  
Top Washer

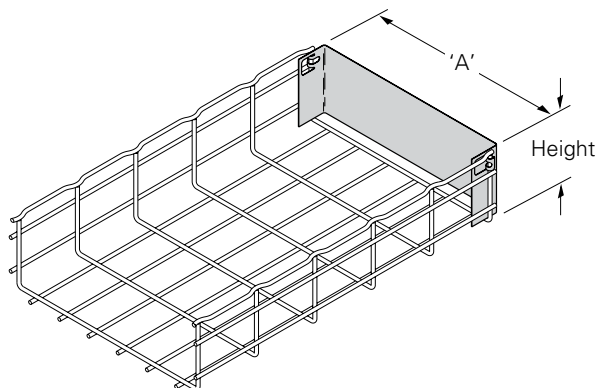


## Blind Ends

- Tab features eliminate need for hardware
- Forms a closure for a dead-end Flextray
- Hardware included
- Finish: **GLV**, SS6

(\* ) Insert: 2 = 2" (50 mm), 4 = 4" (100 mm) for height

(\*\* ) Insert: 2 = 2" (50 mm),  
4 = 4" (100 mm),  
6 = 6" (150 mm) for height



Part Number	'A' in. (mm)	Height in. (mm)	Box Quantity
<b>FT BE 2X2</b>	2" (50)	2" (50)	1
<b>FT BE (* )X4</b>	4" (100)	(* ) (* )	1
<b>FT BE (* )X6</b>	6" (150)	(* ) (* )	1
<b>FT BE (** )X8</b>	8" (200)	(* ) (* )	1
<b>FT BE (** )X12</b>	12" (300)	(** ) (** )	1
<b>FT BE (** )X16</b>	16" (400)	(** ) (** )	1
<b>FT BE (** )X18</b>	18" (450)	(** ) (** )	1
<b>FT BE (** )X20</b>	20" (500)	(** ) (** )	1
<b>FT BE (** )X24</b>	24" (600)	(** ) (** )	1



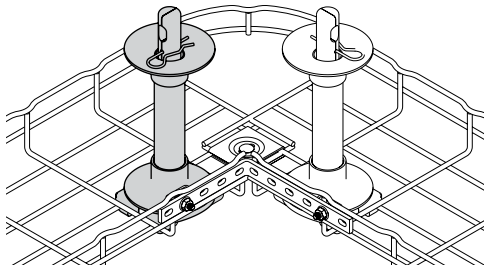
See page 157 for finish information

# Flextray & Accessories

## Accessories

### Cable Roller

- Protects and maintains recommended cable radii for Cat 5, Cat 5E, Cat 6, Cat 6A, Fiber, etc
- Height of roller can be adjusted to tray depth
- Installs in seconds with no tools
- Reduces cable installation time
- Prevents migration of cables
- For use with 4" (100mm) to 32" (800mm) tray widths
- Finish: Cast Aluminum



Part Number	Description	Qty./Box	Wt./Box lbs. (kg)
<b>CABLE ROLLER</b>	Cable Roller	1	1.0 (0.45)



Quick, snap-together design

### Toolless Clip

- Securely holds tray to support
- Snap-in locking pin
- No tools or fastening required
- Fastest hold-down method available
- For use with the following:
  - FTB\_CS (page 173)
  - L BRKT (page 173)
  - C BRKT (page 177)
- Finish: Plenum rated resin (black)

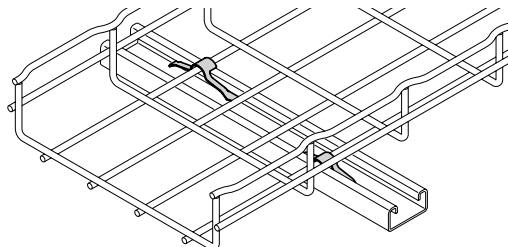
Part Number	Description	Qty./Box	Wt./Box lbs. (kg)
<b>TOOLLESS CLIP</b>	Toolless Hold-Down Clip	50	1.0 (0.45)



### Strut Mounting Clip

- Use to secure Flextray to horizontal strut support
- Designed for use as shown in drawing (no load rating)
- Finish: Black Zinc Phosphate

Part Number	Description	Qty./Box	Wt./Box lbs. (kg)
<b>BW4</b>	Strut Mounting Clip	100	0.9 (0.41)



See page 157 for finish information



## Drop Out Fitting

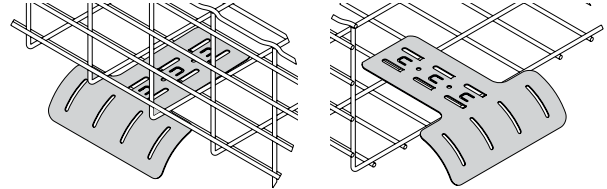
- Keeps cable radius secure at drop point
- Retention tabs to secure positioning
- For use with 4" (100mm) to 32" (800mm) wide trays
- Attaches to tray without hardware



- Drop outs can be attached at bottom, side or ends of tray
- Retention tabs on bottom of drop out to secure positioning
- Finishes \_\_: **EG**, BLE, SS6

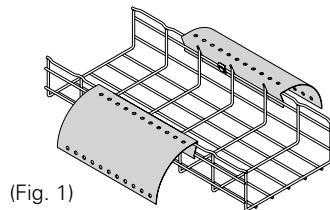
Part Number	Description	Qty./Box	Wt./Box lbs. (kg)
<b>DROP OUT__</b>	Drop Out Fitting	50	15.0 (6.8)

Specify part number and finish when ordering.

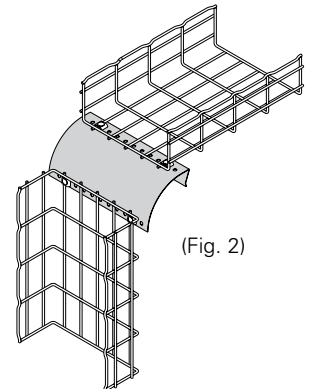


## Side Drop Out Fitting

- Keeps cable radius secure at drop point
- For use with 4" (100mm) to 32" (800mm) wide trays (Fig. 1)
- For use with 6" (152mm) to 12" (300mm) wide trays (Fig. 2)
- Drop outs can be attached at side or ends of tray as shown
- Finishes \_\_: **EG**, BLE, SS6



(Fig. 1)



(Fig. 2)

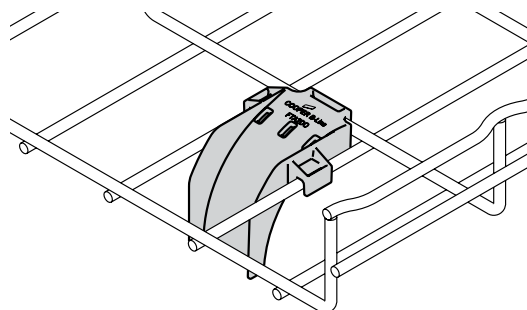
Part Number	Width		Qty./Box	Wt./Box	
	in.	(mm)		lbs.	(kg)
<b>FTA6SDO</b>	6.0	(152.4)	10	7.17	(3.2)
<b>FTA8SDO</b>	8.0	(203.2)	10	9.57	(4.3)
<b>FTA12SDO</b>	12.0	(304.8)	10	14.35	(6.5)

## Cable Drop Out

- Non-metallic 2" (50mm) radius cable drop-out snap locks into mesh bottom and protects cables from sharp bend
- Material: black plenum-rated plastic



Part Number	Description	Qty./Box	Wt./Box lbs. (kg)
<b>FTA2DO</b>	Cable Drop Out	10	0.17 (0.08)



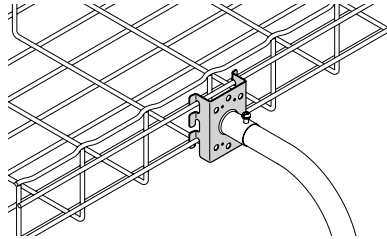
See page 157 for finish information

# Flextray & Accessories

## Accessories

### Conduit Connector

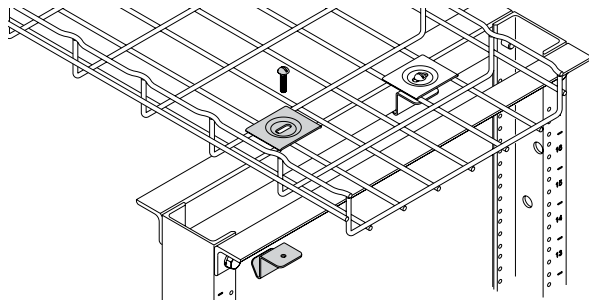
- Conduit connector is designed to connect conduit to the side or bottom of Flextray
- Conduit bushing will remain outside of tray to keep cable pathway clear
- Bend tabs to secure connector to tray
- No hardware included
- Finishes \_\_: **GLV**



Part Number	Conduit Size in. (mm)	Qty./Box	Wt./Box lbs. (kg)
<b>FTA050CC</b> __	1/2" (15)	10	2.0 (0.91)
<b>FTA075CC</b> __	3/4" (20)	10	2.0 (0.91)
<b>FTA100CC</b> __	1" (25)	10	2.0 (0.91)
<b>FTA125CC</b> __	1 1/4" (32)	10	2.0 (0.91)

### Rack Clamp

- Securely holds tray down to rack
- Installs without drilling
- Black-painted finish to match rack
- Finish \_\_: **BLE**

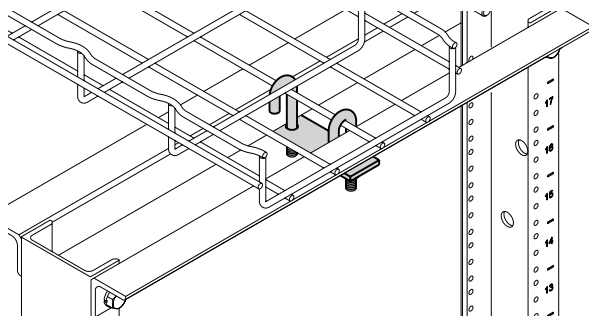


Part Number	Description	Qty./Box	Wt./Box lbs. (kg)
<b>RACK CLAMP</b> __	Rack Clamp	4	4.7 (2.13)

Specify part number and finish when ordering.

### Adaptor Kit

- Adaptor kit includes all hardware necessary to connect Flextray system to top of relay rack at right angle or parallel position
- Finish \_\_: **YZN (Yellow Zinc Chromate)**



Adaptor Kit includes:

- (1) - Mounting Plate
- (2) - 5/16"-18 x 2" "J"-Bolts
- (2) - HN 5/16"-18 Hex Nuts
- (2) - LW 5/16" Lock Washers

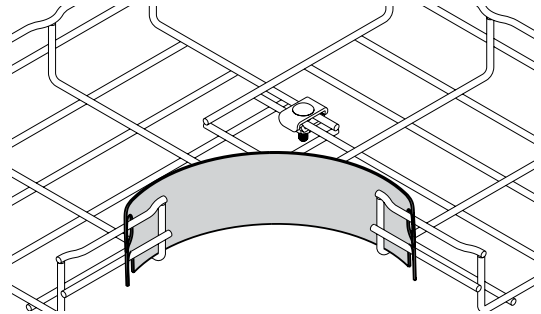
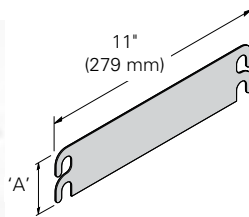


See page 157 for finish information

## Radius Shield

- Provides a smooth inside radius surface
- No tools or fasteners needed to install
- Sizes for 2", 4" & 6" deep Flextray; 90° horizontal bends, tees, and crosses
- Installs in seconds. Simply hold in place and bend back tabs
- Slick surface to reduce cable friction.
- Material: Black Polycarbonate

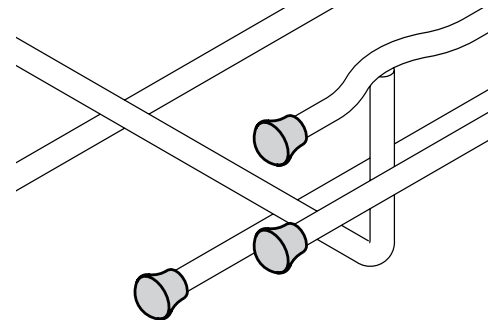
Part Number	Height A in. (mm)	Qty./Box	Wt./Box lbs. (kg)
<b>FTA2RS</b>	2.5 (63)	50	4.0 (1.8)
<b>FTA4RS</b>	4.3 (110)	50	7.0 (3.2)
<b>FTA6RS</b>	5.9 (150)	25	5.0 (2.3)



## Rubber Cap

- Install on wire ends if required. Fits all wire diameters
- Sold as each

Part Number	Qty./Box	Wt. Per 100 lbs. (kg)
<b>B719EB</b>	100	0.20 (0.10)



## Touch-Up Paint

- Size: 6 ounce bottle
- Cannot ship air freight

Part Number	Color	Qty./Box	Wt./Box ozs. (liter)
<b>SB420CCW</b>	Computer White Lacquer	1	0.6 (0.18)
<b>SB420CFB</b>	Flat Black Lacquer	1	0.6 (0.18)
	Gray Lacquer	1	0.6 (0.18)

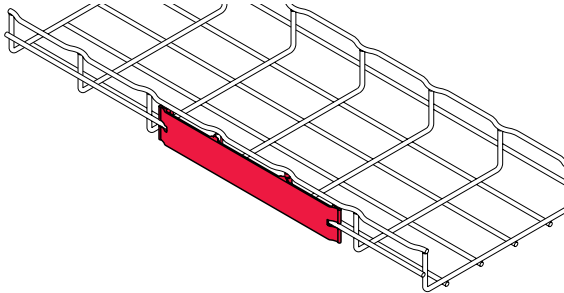
See page 157 for finish information

# Flextray & Accessories

## Accessories

### Label Clip

- Clips easily into trays
- Use for identifying your cable pathways
- Can be used on all tray sizes
- Will not fit on side of 1½" deep Flextray
- Finish: non-plenum-rated resins

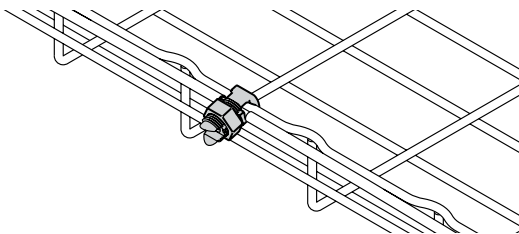


Part Number	Length in.	Qty./Box (mm)	Wt./Box lbs. (kg)
<b>LABEL CLIP</b>	10½" (267)	10	0.6 (0.27)



### Ground Bolt

- Attaches up to #1 ground wire to each tray section when separate ground wire is required
- Used for UL grounding compliance.
- When using color powder coated finish or paint, coating must be removed at the points of contact
- Finish: copper plated

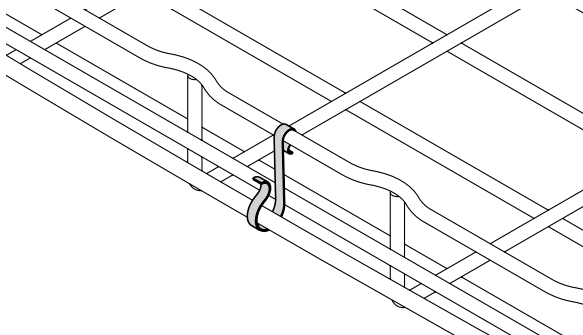


Part Number	Description	Qty./Box	Wt./Box lbs. (kg)
<b>GROUND BOLT</b>	Ground Bolt	100	1.0 (0.45)



### Ground Wire Supports

- Supports ground wire along side of tray
- Can be used on all trays
- Finish \_\_: Zinc Plated



Part Number	Description	Qty./Box	Wt./Box lbs. (kg)
<b>GROUND SUPT GL</b>	Ground Wire Support	100	0.6 (0.27)



See page 157 for finish information

- Complete source of hardware for ceiling connections
- Available in stock
- Strut can be purchased in pre-cut lengths and various colors
- All hardware is zinc plated

## Threaded Rod



Part Number	Size	Qty.	Wt./Qty. lbs. (kg)
ATR1/4x72	1/4" x 72" (1828mm)	1	0.7 (0.31)
ATR1/4x120	1/4" x 120" (3048mm)	1	1.2 (0.54)
ATR1/4x144	1/4" x 144" (3657mm)	1	1.4 (0.63)
ATR3/8x72	3/8" x 72" (1828mm)	1	1.7 (0.77)
ATR3/8x120	3/8" x 120" (3048mm)	1	2.9 (1.31)
ATR3/8x144	3/8" x 144" (3657mm)	1	3.5 (1.58)
ATR1/2x72	1/2" x 72" (1828mm)	1	3.2 (1.45)
ATR1/2x120	1/2" x 120" (3048mm)	1	5.4 (2.45)
ATR1/2x144	1/2" x 144" (3657mm)	1	6.5 (2.95)

## Rod Couplings



Part Number	Size	Qty.	Wt./Qty. lbs. (kg)
B655-1/4	1/4"-20	50	2.0 (0.91)
B655-3/8	3/8"-16	50	5.5 (2.49)
B655-1/2	1/2"-13	50	6.0 (2.72)

## Hex Nuts



Part Number	Size	Qty.	Wt./Qty. lbs. (kg)
1/4HN	1/4"-20	100	0.6 (0.27)
3/8HN	3/8"-16	100	1.6 (0.72)
1/2HN	1/2"-13	100	4.3 (1.95)

## Lock Washers



Part Number	Size	Qty.	Wt./Qty. lbs. (kg)
1/4LW	1/4"	200	0.6 (0.27)
3/8LW	3/8"	200	1.6 (0.72)
1/2LW	1/2"	200	2.0 (0.91)

## Flat Washers



Part Number	Size	Qty.	Wt./Qty. lbs. (kg)
1/4FW	1/4"	200	1.2 (0.54)
3/8FW	3/8"	200	3.0 (1.36)
1/2FW	1/2"	200	6.6 (2.99)

## Square Washers



Part Number	Size	Qty.	Wt./Qty. lbs. (kg)
B201	7/16	50	6.0 (2.72)
B202	9/16	50	7.0 (3.17)

## Beam Clamps



Part Number	Size	Qty.	Wt./Qty. lbs. (kg)
B3036L-3/8	3/8"-16	100	60.0 (27.2)
B3036L-1/2	1/2"-13	100	140.0 (63.5)

See page 157 for finish information

# Flextray & Accessories

## Accessories

### Beam Clamps



Part Number	Size	Qty.	Wt./Qty. lbs. (kg)
B444-1/4	1/4"-20	100	160 (72.5)
B444-3/8	3/8"-16	100	430 (195.0)
B444-1/2	1/2"-13	100	430 (195.0)

### U-Bolt Clamps



Part Number	Size	Qty.	Wt./Qty. lbs. (kg)
B441-22	3/8"-16 x 3 3/8" long	100	160 (72.5)

### Spring Nuts



Part Number	Thread Size	Qty.	Wt./Qty. lbs. (kg)
N224	1/4"-20	100	6.5 (2.95)
N228	3/8"-16	100	9.3 (4.22)
N225	1/2"-13	100	11.3 (5.12)

### Strut Channels

B22S B22SH B56SH B56S



Part Number	Channel Size	Qty.	Wt./Qty. lbs. (kg)
B22SGALV120	1 5/8" x 120" - 12 ga.	1	6.0 (2.72)
B22SHGALV120	1 5/8" x 120" - 12 ga.	1	6.0 (2.72)
B56SGALV120	1 3/16" x 120" - 15 ga.	1	7.0 (3.17)
B56SHGALV120	1 3/16" x 120" - 15 ga.	1	6.0 (2.72)

### Concrete Rapid Rod™ Hanger



Part Number	Rod Size	Shank Size	Qty.	Wt./Qty. lbs. (kg)
ARC-37-150	3/8"	1/4" x 1 1/2"	100	3.4 (1.54)

### Wood Rapid Rod Hanger



Part Number	Rod Size	Shank Size	Qty.	Wt./Qty. lbs. (kg)
ARW-37-200	3/8"	1/4" x 2"	100	3.4 (1.54)
ARW-37-200SW	3/8"	1/4" x 2"	100	3.4 (1.54)

SW = Side Mount

### Steel Rapid Rod Hanger



Part Number	Rod Size	Shank Size	Qty.	Wt./Qty. lbs. (kg)
ARS-37-150	3/8"	1/4" x 1 1/2"	100	3.4 (1.54)
ARS-37-150SW	3/8"	1/4" x 1"	100	3.4 (1.54)

SW = Side Mount

### Sockets for Rapid Rod Hangers

Part Number	Size	Qty.	Wt./Qty. lbs. (kg)
7187	Universal Steel & Wood Socket	1	4.5 (2.04)
7197	3/8" Concrete Socket	1	4.5 (2.04)

See page 157 for finish information

## Flextray Cutters

- Exclusive, patented Cleanshear™ cuts tray fast
- No sharp edges
- Designed specifically for cutting Flextray
- Safely cut and bend Flextray into any configuration

Part Number	Description	Qty./Box	Wt./Box lbs. (kg)
<b>CLEANSHEAR</b>	Cutting Tool	1	4.3 (1.95)



**1** Face tray up. Slide cutter next to vertical wire and cut.



**2** Turn tray to the side with open side facing you. Repeat step 1 to cut wire.



**3** Finish cutting all side wires.



**4** Turn tray open-side down and cut wires from bottom of tray.



**5** Finish cutting by moving to other side of tray to cut remaining wires,

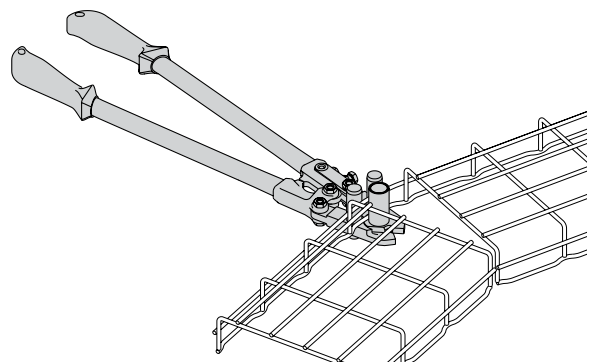
## Flextray Bender

- Exclusive bending attachment
- Makes bending larger trays easy
- Recommended for bending tray widths of 16" (400mm) or greater

Part Number	Description	Qty./Box	Wt./Box lbs. (kg)
<b>CLEANSHEAR BEND</b>	Cutting Tool With Bender Attachment	1	5.4 (2.45)



Patented

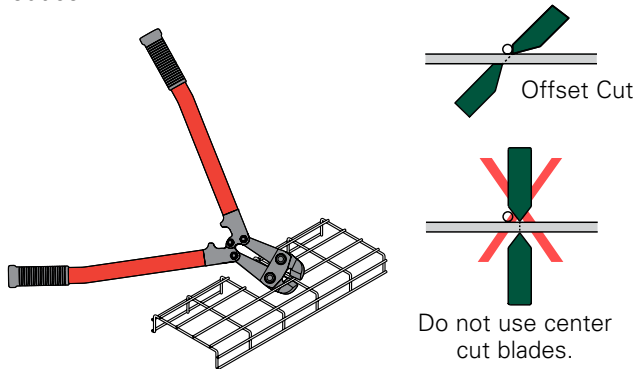


# Flextray & Accessories

## Accessories

### Angular Bolt Cutter

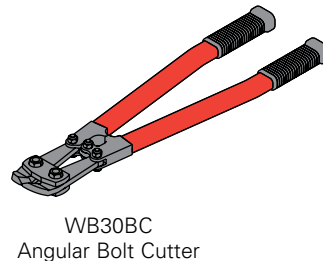
Completely adaptable, the Flextray system is designed to accommodate jobsite changes. Cut wires with our Angular Bolt Cutter, bend to create a bend, tee, or reducer.



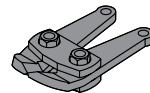
For the best results, use a WB30BC angular blade offset bolt cutter with 24" (600 mm) long handles.

The offset blade cutter produces a clean cut. Position bolt cutter blades near the cross wire and perpendicular to wire to be cut (see illustration above). Proper cut will make the assembly faster, easier and safer while minimizing grinding.

Part Number	Description	Qty./Box	Wt./Box lbs. (kg)
WB30BC	Bolt Cutter	1	6.8 (3.1)
WB30RB	Replacement Blade	1	1.3 (0.6)

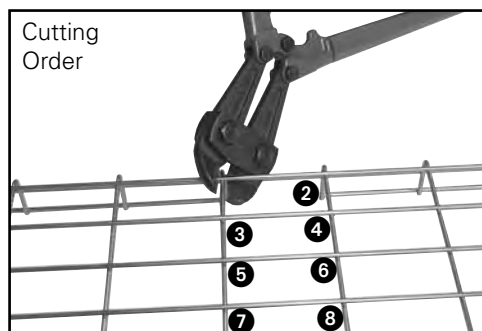


WB30BC  
Angular Bolt Cutter



WB30RB  
Replacement Blade

Cut and remove each wire as illustrated below. Follow cutting pattern and blade positioning. Placing Flextray open side down provides the optimum cutting angle.



Part Number	Length in. (mm)	Wt. Per Cutter lbs. (kg)	Box Quantity
WB50WC	12 $\frac{3}{4}$ " (324)	3.0 (1.3)	1

Part Number	Description	Box Quantity
WB50RB	Replacement Blade	1
WB50BA	Replacement Battery	1

The Greenlee®† cable wire cutter makes flush cuts without burrs. Will cut .191" (4.8mm) diameter wire in 2 seconds. Cutting head rotates 330° for ease of positioning and the tool automatically retracts when cut is complete.

Comes with 2 batteries, charger, and carrying case. Approximately 250 cuts per charge.



† Mark shown is the property of its respective owner.



## KwikSplice™ cable tray systems

The KwikSplice™ system is a light-weight, yet durable cable management system that is rated for NEMA 12A and 12B load classes. The system is ideal for commercial, light-industrial, data center, healthcare, education and government cable management applications.

- Light-weight aluminum construction
- Patent pending I-beam splice retention groove to secure splice connection
- Splice maintains structural integrity and electrical grounding
- Rated for NEMA 12A and NEMA 12B (CSA class C-3m and D-3m) load classes
- Full line of labor saving accessories and fittings
- Standardized ¼" hardware

## Innovative Design



- Material savings over traditional C-channel side rail systems
- Fewer supports required compared to wire basket systems (up to 50% reduction in supports for total installation)
- Less time to field cut

## Two Bolt Splice Connection



- Minimizes hardware
- 50% hardware reduction over traditional cable tray systems that utilize four bolts
- Reduces installation time
- Up to 50% less field drilling required when field cut

## Universal Fitting



Eliminates use of multiple horizontal fittings

- I-Beam Profile with Splice Retention Groove
- High strength-to-weight ratio

- Helps reduce planning complexity
- Eliminates the need for trapeze supports

- Smaller footprint than traditional fittings

## Tab and Lock Trapeze System



Elimination of hold down hardware

- Up to 75% installation time reduction in positioning and clamping cable tray to supports

Time and material savings over traditional strut applications

- No field cutting of strut in field

- Allows for pre-installation on tray and post installation on threaded rod
- Average of 50% material cost reduction on trapeze assembly (strut and clamp hardware)

## Tool-Less Accessories



Material savings

- Elimination of all hardware needed to secure accessories to cable tray (up to 50% material cost reduction)

Time savings

- Elimination of time consuming field fabricated solutions

[Eaton.com/kwiksplice](http://Eaton.com/kwiksplice)



# Grounding Accessories

Eaton offers a variety of grounding accessories which are sold individually or as a kit. Kits are available as one kit per rack, allowing for ease of stocking and reordering.

- Vertical rack ground bar kit
- Horizontal rack ground bar kit
- Telecommunications grounding bar
- Ground rod / pipe clamps
- Compression lugs
- Unit bonding conductors

<b>Material:</b>	<b>Type</b>	<b>Thickness</b>	<b>Specifications</b>
	Copper Bar	..... as shown on pages .....	ASTM 187 / 187M-06

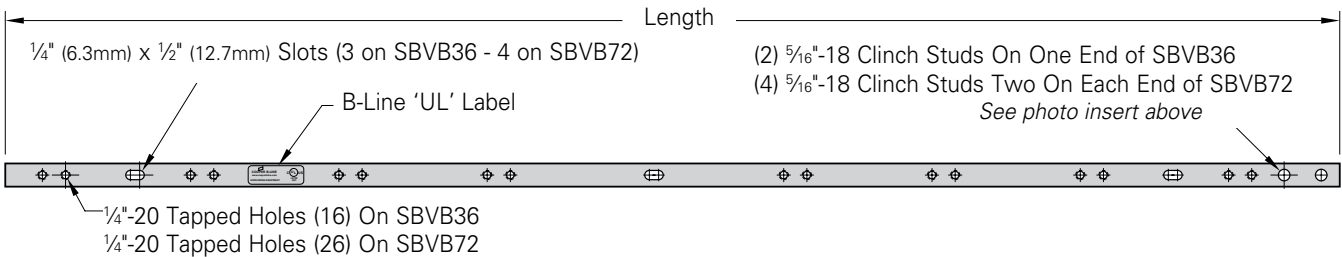
**Standard Conformance:**

ANSI / TIA / EIA 607  
UL File Number E184155).

# Grounding Accessories

## Vertical Rack Ground Bar & Kits

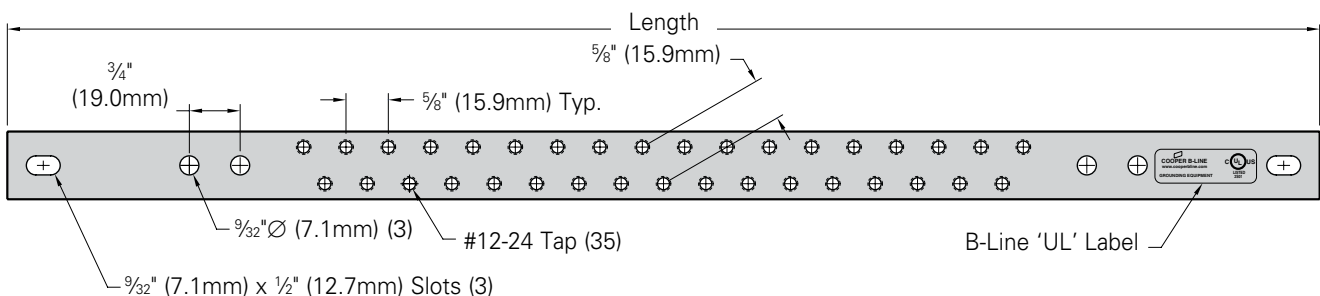
- Provides a vertical ground path between equipment mounted on the rack
- Typically used on 2-post or 4-post racks
- Blank end and studded end can be attached together to splice bars
- Isolators may be used to separate bar from rack (or omitted depending on application grounding scheme)
- Kit includes
  - 1 - Vertical rack ground bar
  - 3 - Insulators
  - 1 - #2 compression lug
  - 8 - 1/4"-20 x 1/2" (12.7mm) SS4 hex bolts & lock washers
  - 4 - 5/16"-18 SS4 hex nut & lock washers
  - 3 - #12-24 x 5/8" (15.9mm) SS4 hex washer bolts
- Material: 1/4" (6.3mm) x 5/8" (15.9mm) copper bar



Part Number	Includes	Length		Wt./Ea.	
		in.	(mm)	lbs.	(kg)
<b>SBVB36</b>	Ground Bar Only	36"	(914)	2.0	(0.91)
<b>SBVB36K</b>	Bar & Hardware Kit	36"	(914)	2.2	(1.00)
<b>SBVB72</b>	Ground Bar Only	72"	(1828)	3.7	(1.69)
<b>SBVB72K</b>	Bar & Hardware Kit	72"	(1828)	3.9	(1.77)

## Horizontal Rack Ground Bar Kit

- Used to consolidate grounds on the equipment rack
- Typically used on 2-post or 4-post racks
- Isolators may be used to separate bar from rack (or omitted depending on application grounding scheme)
- Kit includes
  - 1 - Horizontal rack ground bar
  - 2 - White insulators
  - 4 - #12-24 x 5/8" (15.9mm) zinc plated screws & flat washers
  - 20 - #12-24 x 1/2" (12.7mm) zinc plated screws
  - 2 - Ground labels
- Material: 3/16" (4.7mm) x 1" (25.4mm) copper bar

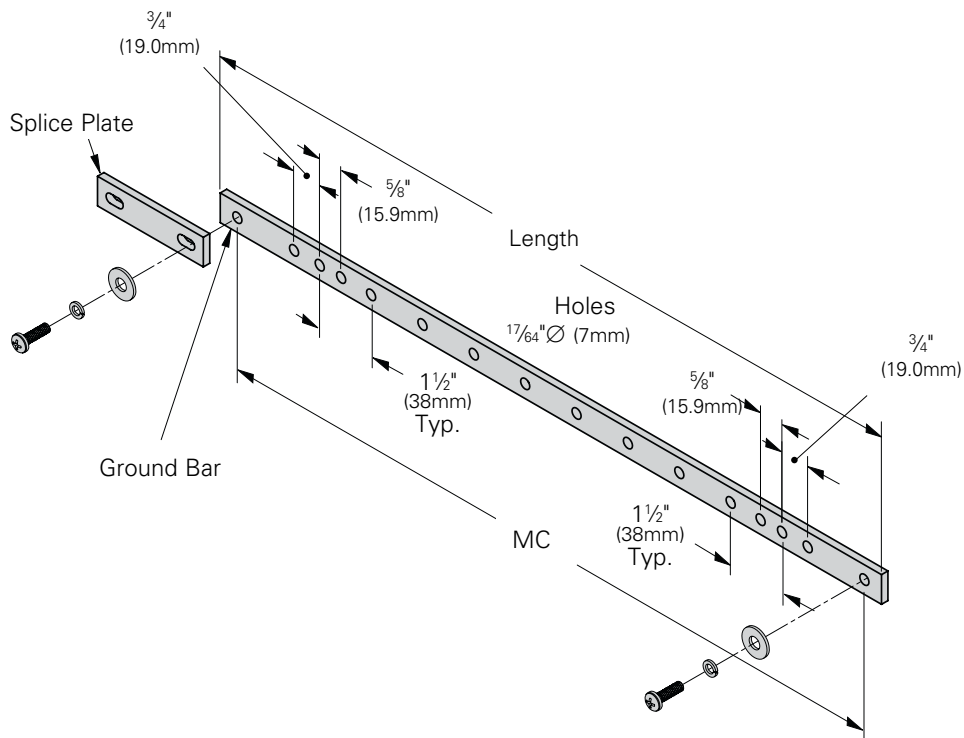


Part Number	Rack Width		Includes	Length		Wt./Ea.	
	in.	(mm)		in.	(mm)	lbs.	(kg)
<b>SBHB119K</b>	19"	(482)	Bar & Hardware Kit	19 3/8"	(492)	3.0	(1.36)
<b>SBHB123K</b>	23"	(584)	Bar & Hardware Kit	23 3/8"	(592)	1.7	(0.79)

# Grounding Accessories

## Universal Ground Bar

- Used as a rack mounted equipment grounding bus
- Kit includes:
  - 1 - Ground bar
  - 1 - Splice plate
  - 2 - #12-24 x 3/4" (19.0mm) yellow zinc plated screws
  - 2 - #12 yellow zinc plated lock washers
  - 2 - 1/4" yellow zinc plated flat washers
- Material: 3/16" (4.7mm) x 3/4" (19.0mm) copper bar



Part Number	Rack Width		Length (overall)		MC (mtg. centers)	Holes	Wt./Ea.	
	in.	(mm)	in.	(mm)			in.	(mm)
<b>SB57903</b>	19"	(482)	19 5/16"	(490)	18 5/16"	(465)	16	1.0 (0.04)
<b>SB57904</b>	23"	(584)	23 5/16"	(592)	22 5/16"	(567)	18	1.2 (0.05)

# Grounding Accessories

## Telecommunications Main Grounding Bar

- Used as a central consolidation point for telecommunications and other low voltage systems within the room
- Typically located on wall or entry room where exterior ground enters building
- Kit includes:
  - 1 - Grounding bar assembly
  - 6 - #6 compression lugs
  - 1 each - #2, 1/0, 2/0, 3/0 compression lugs
  - 12 each - 1/4"-20 x 3/4" (19.0mm) SS4 hex bolts, hex nuts & lock washers
  - 6 each - 3/8"-16 x 1" (25.4mm) SS4 hex bolts, hex nuts & lock washers
- Material: Copper bar and SS4 wall brackets



SBTMGB12K shown

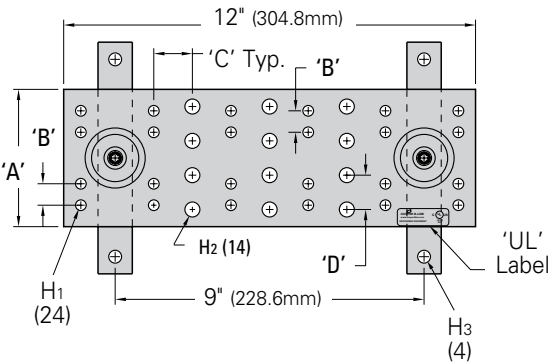
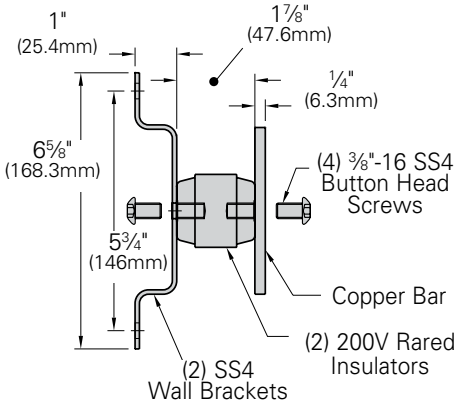


SBTMGB12 shown

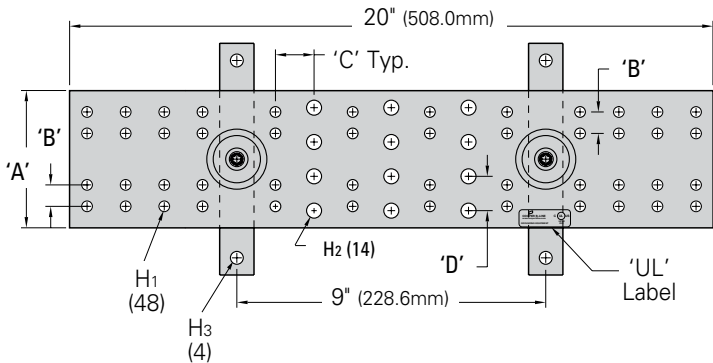


**Dimensional Data**

- A = 4" (101.6mm)
- B = 5/8" (15.8mm)
- C = 1 1/4" (31.7mm)
- D = 1" (25.4mm)
- H1 = 5/16"Ø (7.9mm)
- H2 = 7/16"Ø (11.1mm)
- H3 = 3/8"Ø (9.5mm)



SBTMGB12



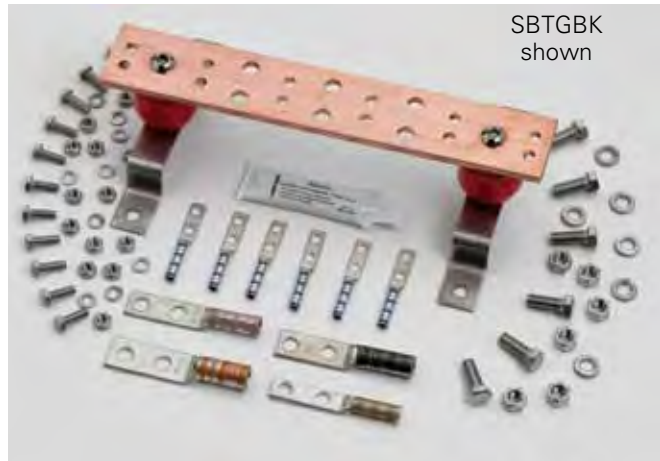
SBTMGB20

Part Number	Includes	Length		Wt./Ea.	
		in.	(mm)	lbs.	(kg)
SBTMGB12	Grounding Bar Assy	12"	(305)	4.7	(2.13)
SBTMGB12K	Bar Assy & Hardware Kit	12"	(305)	7.7	(3.49)
SBTMGB20	Grounding Bar Assy	20"	(508)	7.1	(3.22)
SBTMGB20K	Bar Assy & Hardware Kit	20"	(508)	10.1	(4.58)

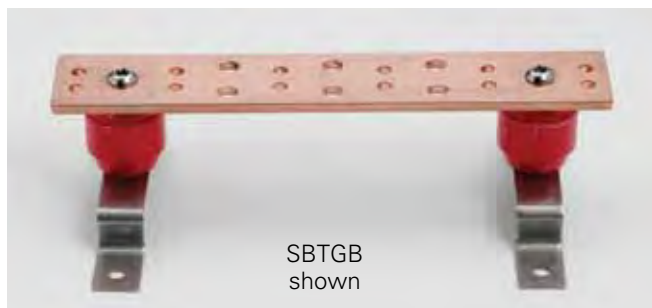
# Grounding Accessories

## Telecommunications Grounding Bar Kit

- Provides a common grounding point within the telecommunications room
- Typically is located on wall of data room
- Kit includes
  - 1 - Grounding bar assembly
  - 6 - #6 compression lugs
  - 1 each - #2, 1/0, 2/0, 3/0 compression lugs
  - 12 each - 1/4"-20 x 3/4" (19.0mm) SS4 hex bolts, hex nuts & lock washers
  - 6 each - 3/8"-16 x 1" (25.4mm) SS4 hex bolts, hex nuts & lock washers
- Material: Copper bar & SS4 wall brackets



SBTGBK shown

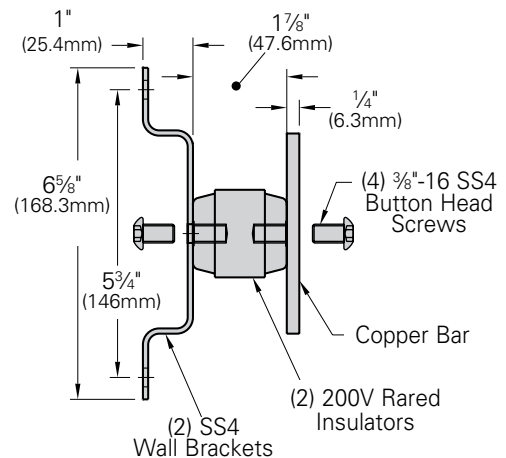
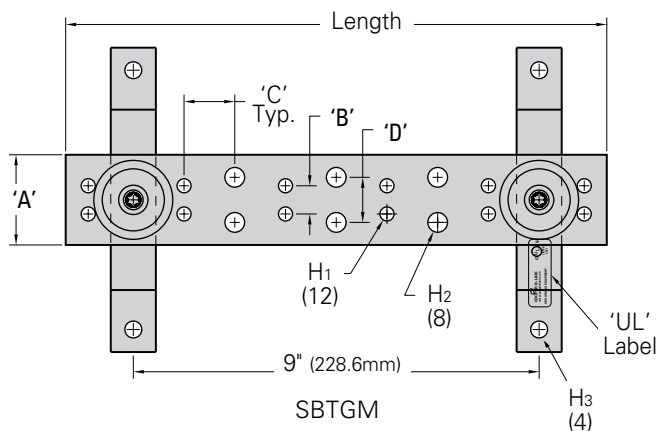


SBTGB shown



### Dimensional Data

- A = 2" (50.8mm)
- B = 5/8" (15.8mm)
- C = 1 1/4" (31.7mm)
- D = 1" (25.4mm)
- H1 = 5/16"Ø (7.9mm)
- H2 = 7/16"Ø (11.1mm)
- H3 = 3/8"Ø (9.5mm)



Part Number	Includes	Length		Wt./Ea.	
		in.	(mm)	lbs.	(kg)
<b>SBTGB</b>	Grounding Bar Assy	12"	(305)	2.91	(1.32)
<b>SBTGBK</b>	Bar Assy & Hardware Kit	12"	(305)	4.91	(2.23)



## Ground Rod / Pipe Clamps

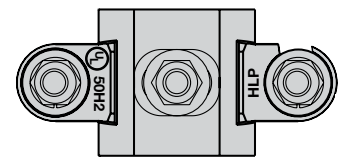
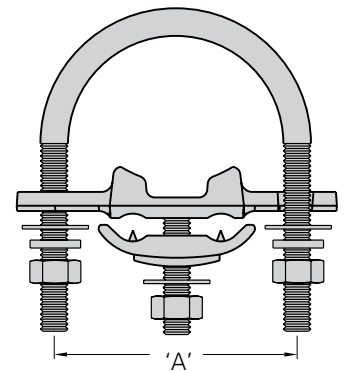
- Used to attach ground wire to raised floor pedestals
- Ground wire system inside floor can be used to ground F.A.S.T.™ System trays
- Sized for ground wires 6 AWG stranded through 250MCM
- 5/16" hardware included
- Material: SS4 U-bolt and hardware - tinned bronze casting



SBPC050075  
closed



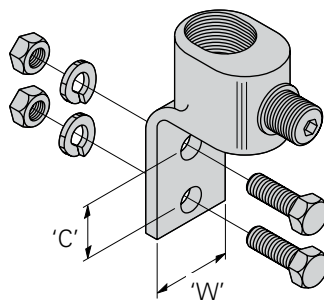
SBPC050075  
open



Part Number	Pipe Size (nominal)		A		Wt./Ea.	
	in.	(mm)	in.	(mm)	lbs.	(kg)
<b>SBPC050075</b>	1/2" - 3/4"	(15 - 20)	1.57"	(39.9)	0.47	(0.21)
<b>SBPC100125</b>	1" - 1 1/4"	(25 - 32)	2.03"	(51.5)	0.79	(0.36)
<b>SBPC150200</b>	1 1/2" - 2"	(40 - 50)	2.75"	(69.8)	0.75	(0.34)
<b>SBPC250300</b>	2 1/2" - 3"	(65 - 80)	3.87"	(98.3)	0.95	(0.43)
<b>SBPC350400</b>	3 1/2" - 4"	(90 - 100)	4.87"	(123.7)	1.21	(0.55)
<b>SBPC500600</b>	5" - 6"	(125 - 150)	7.00"	(177.8)	1.70	(0.77)

## Two-Hole Mechanical Lug

- Use for connection of electric wire to grounding bus
- Setscrew may be either allen head or hex head
- Includes: silicon bronze hardware
- Additional sizes available
- Sold individually
- Material: Copper alloy

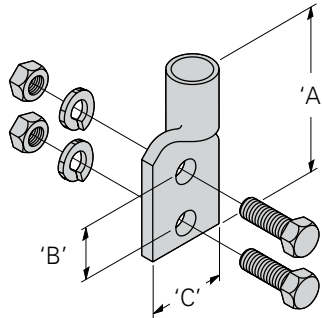


Part Number	Wire Size	'C'		'W'		Bolt Size	Wt./Ea.	
		in.	(mm)	in.	(mm)		Lbs.	(kg)
<b>SB47801</b>	#14 to #8	5/8"	(16)	1/2"	(13)	#10-24	0.05	(0.02)
<b>SB47802</b>	#8 to #4	5/8"	(16)	1/2"	(13)	1/4"-20	0.07	(0.03)
<b>SB47803</b>	#4 to #1	3/4"	(19)	5/8"	(16)	1/4"-20	0.14	(0.06)
<b>SB47804</b>	#1 to 2/0	1"	(25)	1 3/16"	(20)	3/8"-16	0.23	(0.10)

# Grounding Accessories

## Compression Connector Lug

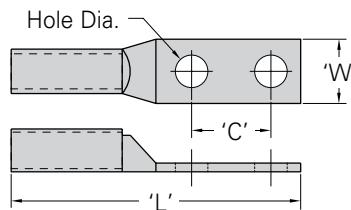
- Use for connection of ground wire to grounding bus
- Includes: silicon bronze hardware
- See SBTMGB20 or SBTGB for bus bar
- Additional sizes available
- Material: Copper alloy



Part Number	Wire Size	'A'		'B'		'C'		Bolt Size		Weight	
		in.	(mm)	in.	(mm)	in.	(mm)			Lbs.	(kg)
SB47901	#8	1 <sup>11</sup> / <sub>16</sub> "	(43)	5/8"	(16)	1 <sup>3</sup> / <sub>32</sub> "	(10)	#10-24		0.03	(0.01)
SB47902	#6	1 <sup>13</sup> / <sub>16</sub> "	(46)	5/8"	(16)	7/16"	(11)	1/4"-20		0.05	(0.02)
SB47903	#4	1 <sup>29</sup> / <sub>32</sub> "	(48)	5/8"	(16)	9/16"	(14)	1/4"-20		0.06	(0.03)
SB47904	#2	2"	(51)	5/8"	(16)	1 <sup>9</sup> / <sub>32</sub> "	(15)	1/4"-20		0.08	(0.03)
SB47905	#1	2 <sup>1</sup> / <sub>16</sub> "	(52)	5/8"	(16)	4 <sup>5</sup> / <sub>64</sub> "	(18)	1/4"-20		0.10	(0.04)
SB47906	1/0	2 <sup>3</sup> / <sub>4</sub> "	(70)	1"	(25)	3/4"	(19)	3/8"-16		0.20	(0.09)
SB47907	2/0	3 <sup>13</sup> / <sub>16</sub> "	(97)	1 <sup>3</sup> / <sub>4</sub> "	(44)	1 <sup>3</sup> / <sub>16</sub> "	(20)	1/2"-13		0.23	(0.10)

## Compression Lugs (Long Barrel)

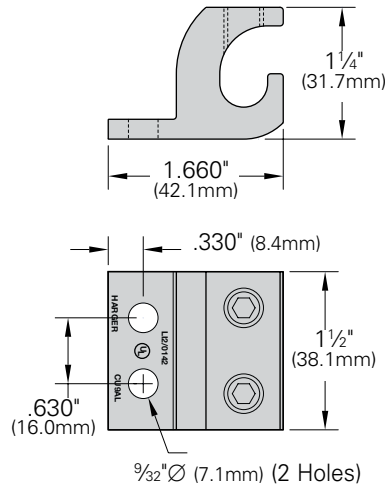
- Use for connection of electric grounding wire to grounding bus
- Sold in package of 10 pcs
- Material: Tinned Copper



Part Number	Lug Size & # of Holes	Hole Dia.		'W'		'L'		'C'		Wt./Pkg.	
		in.	(mm)	in.	(mm)	in.	(mm)	in.	(mm)	lbs.	(kg)
SBCL 1	2/0 - 2 Hole	1 <sup>3</sup> / <sub>32</sub> "	(10.3)	1 <sup>3</sup> / <sub>16</sub> "	(20.6)	3 <sup>21</sup> / <sub>32</sub> "	(92.8)	1"	(25.4)	6.0	(2.72)
SBCL 2	2/0 - 2 Hole	1 <sup>7</sup> / <sub>32</sub> "	(13.5)	1 <sup>3</sup> / <sub>16</sub> "	(20.6)	4 <sup>7</sup> / <sub>8</sub> "	(123.8)	1 <sup>3</sup> / <sub>4</sub> "	(44.4)	14.0	(6.35)
SBCL 3	3/0 - 2 Hole	9/16"	(14.3)	1 <sup>5</sup> / <sub>16</sub> "	(23.8)	3 <sup>3</sup> / <sub>4</sub> "	(95.2)	1"	(25.4)	20.0	(9.07)
SBCL 4	4/0 - 2 Hole	9/16"	(14.3)	1"	(25.4)	3 <sup>29</sup> / <sub>32</sub> "	(99.2)	1"	(25.4)	20.0	(9.07)

## Lay-In Lug

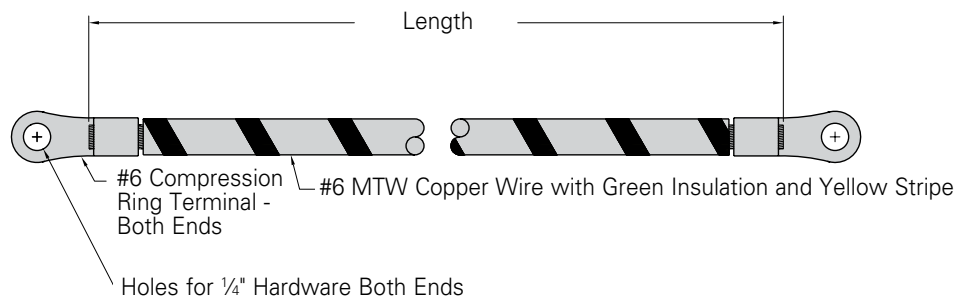
- Used to attach ground wires to racks or cabinets
- Sold in package of 10 pcs
- Setscrews (2): 3/8"-24 Hex Head Oval Point
- Material: Aluminum - tin plated



Part Number	Lug Size	Wt./Pkg.	
		lbs.	(kg)
<b>SBL1</b>	2/0 - #14AWG	2.40	(1.09)

## Unit Bonding Conductor

- Used to bond electronic equipment to vertical or horizontal rack mount busbars
- Sold in packages of 5 with aluminum joint compound
- Material: Copper wire

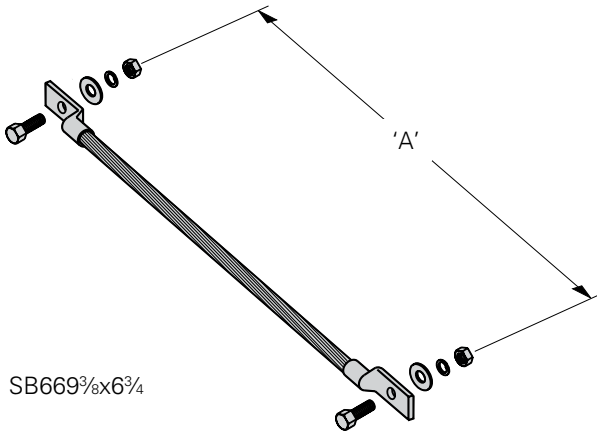


Part Number	Length		Wt./Ea.	
	in.	(mm)	lbs.	(kg)
<b>SBUBC614K</b>	14"	(355)	1.45	(0.66)
<b>SBUBC618K</b>	18"	(457)	1.45	(0.66)
<b>SBUBC632K</b>	32"	(813)	2.54	(1.15)

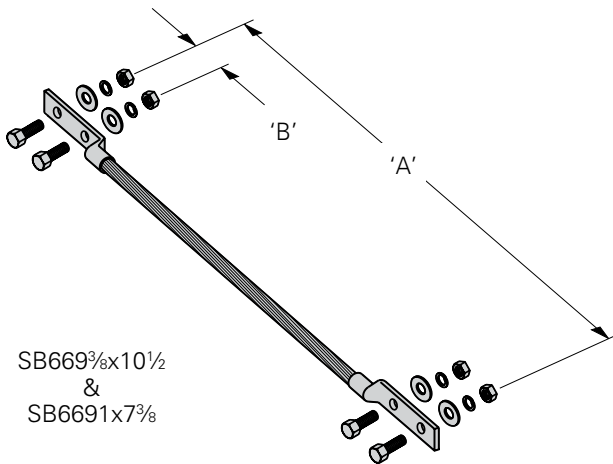
# Grounding Accessories

## Grounding Strap

- Use to provide grounding path
- SB669 $\frac{3}{4}$ x10 $\frac{1}{2}$  and SB6691x7 $\frac{3}{4}$  includes: (1) cable with crimped lugs and  $\frac{1}{4}$ "-20 hardware
- SB669 $\frac{3}{8}$ x6 $\frac{3}{4}$  includes: (1) cable with crimped lugs and  $\frac{3}{8}$ "-16 hardware
- Material: #6 flexible tin plated copper wire



SB669 $\frac{3}{8}$ x6 $\frac{3}{4}$



SB669 $\frac{3}{8}$ x10 $\frac{1}{2}$   
&  
SB6691x7 $\frac{3}{8}$



Part Number	'A'		'B'		Wt./Ea.	
	In.	(mm)	In.	(mm)	Lbs.	(kg)
<b>SB669<math>\frac{3}{4}</math>x10<math>\frac{1}{2}</math></b>	10 $\frac{1}{2}$ "	(267)	$\frac{3}{4}$ "	(19)	.36	(0.16)
<b>SB6691x7<math>\frac{3}{4}</math></b>	7 $\frac{3}{4}$ "	(197)	1"	(25)	.27	(0.12)
<b>SB669<math>\frac{3}{8}</math>x6<math>\frac{3}{4}</math></b>	6 $\frac{3}{4}$ "	(171)	N/A	(NA)	.20	(0.09)

## Crimp Tool

- Used to attach ground lugs to electrical wire
- Sold per piece
- 10½" (266mm) in length

Part Number	Wt./Ea.	
	lbs.	(kg)
SBTCR	2.00	(0.91)



## Dieless Compression Tool

- Used to attach ground lugs to electrical wire
- Sold per piece
- 24" (609mm) in length



Part Number	Wt./Ea.	
	lbs.	(kg)
SBTCC	5.00	(2.27)



## Joint Compound 19" Panel Mounting, Customer Premise

- Improves electrical continuity at a grounding or bonding connection
- Sold in packages of 12
- ½ ounce per package

Part Number	Material	Wt./Pkg.	
		lbs.	(kg)
SBJCA	Aluminum	0.37	(0.17)
SBJCC	Copper	0.37	(0.17)





# Low Voltage & Communication Fasteners

Eaton offers a wide variety of B-Line series cable management solutions that are ideal for data centers and light-duty commercial, low voltage telecommunication and network cable organization.

- Com Dangle Cable Management Solution - ideal for ceiling wire applications, and easily integrates into the ceiling grid with only tie off wires where jurisdiction requires.
- J-Hook Cable Management - available as a single cable retainers or as a single or double sided, multi-tiered j-hook. These hooks are ideal to support all category 5/5e/6, fiber optic, inner duct, and low voltage cable.
- J-Hook Color ID Clips - ideal alternative to long-lead time custom painted j-hook cable managers, Eaton's B-Line series j-hooks combined with j-hook color ID clips allow installers and inspectors to easily verify that cables are running in their correct, designated pathways.
- Bridle Rings - convenient easy to use, with the cable bearing surface of a hook, supports a variety of mounting and hanging applications.

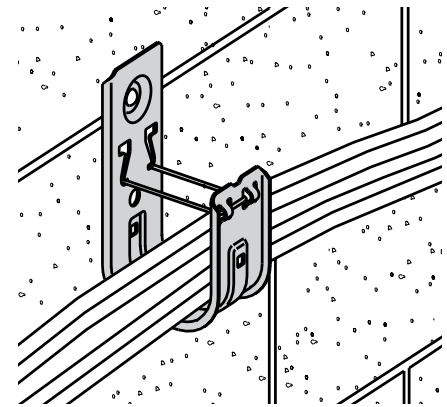
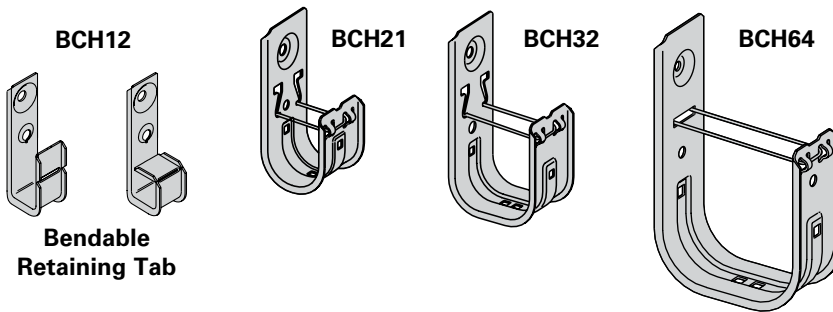
Material:	Type	Thickness	Specifications
	Steel Bar	3/8" (9.5mm) - 7 Gauge (4.5mm)	ASTM A36
	Steel Strip	10 Gauge (3.4mm) - 12 Gauge (2.6mm)	ASTM A569
	Aluminum		6061-T6 & 6063-T6

# Low Voltage & Communication Fasteners

Low voltage & communication fasteners

## Cable Hooks

- Supports all category 5/5e/6, fiber optic, innerduct, and low voltage cabling requirements
- Finish is Pre-Galvanized Steel
- Static Load Capacity: 30 lbs. (13.6kg)
- Exclusive Qwik-Latch™ cable retainers provide secure containment of cables and are included in each box of cable hooks
- Quick open and close design for adding and removing cable runs
- Plenum-rated Qwik-Latch is more economical than plenum-rated cable ties
- Box Quantity: BCH12, BCH21, and BCH32 - 50 • BCH64 - 25



Patent #5961081

Part Number	Hook Size		Capacity	Wt. Per 100	
	In.	(mm)		Lbs.	(kg)
<b>BCH12</b>	¾"	(19.0)	16 4-Pair UTP	7.0	(3.2)
<b>BCH21</b>	1½"	(38.3)	50 4-Pair UTP	15.4	(7.0)
<b>BCH32</b>	2"	(50.8)	80 4-Pair UTP	20.6	(9.3)
<b>BCH64</b>	4"	(101.6)	300 4-Pair UTP	56.0	(25.4)



## Painted Cable Hooks

- Powder coated cable hooks are available in a range of colors to help meet your cable identification requirements.
- Standard riveted assemblies are available with painted cable hooks.
- Part numbers can be made by adding the paint color suffix after the cable hook part number
- Minimum order quantity 500 pieces.
- Standard lead time is 5-10 working days.

### Colors

- |                     |                    |
|---------------------|--------------------|
| Bright White - BW   | Green - GR         |
| Brown - BR          | Orange - OR        |
| Computer White - CW | Regal Red - RR     |
| Equipment Blue - BL | Safety Yellow - YL |
| Flat Black - FB     | Telcom Gray - TG   |



Part # Example:

Painted Cable Hook Part Number - BCH32BW  
 Painted Cable Hook Assembly - BCH32BW-U24



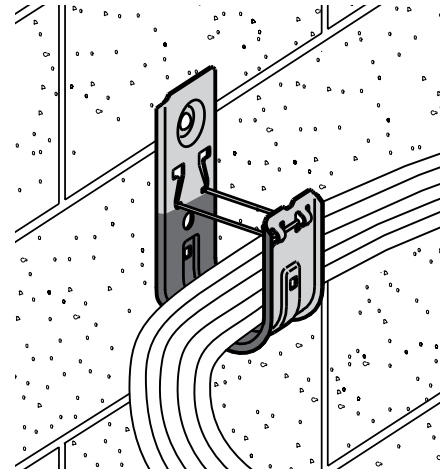
# Low Voltage & Communication Fasteners

## X-Hook Low Friction Cable Hooks

- Xylan<sup>®†</sup> coating provides smooth frictionless surface for cable pulling
- Great for use in corners, drop-outs or any direction change in the cable run
- X-Hook has lower coefficient of friction than Teflon<sup>®†</sup>
- Includes Quik-Latch cable retainer
- Box Quantity: BCH21X and BCH32X - 50  
BCH64X - 25

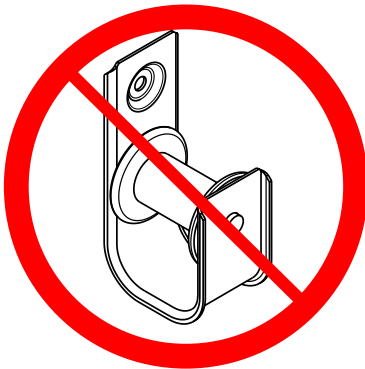
Part Number	Hook Size		Capacity	Wt. Per 100	
	In.	(mm)		Lbs.	(kg)
<b>BCH21X</b>	1 $\frac{5}{16}$ "	(33.3)	50 4-Pair UTP	15.4	(7.0)
<b>BCH32X</b>	2"	(50.8)	80 4-Pair UTP	20.6	(9.3)
	4"	(101.6)	300 4-Pair UTP	56.0	(25.4)

Available with most fastener assemblies. See the following pages.

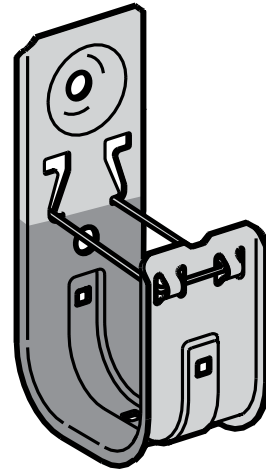


New Xylan coating reduces cable friction. Ideal for pulling cable.

Low voltage & communication fasteners



Cable rollers are too expensive and require installation and removal.



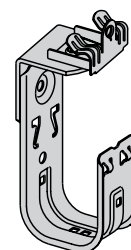
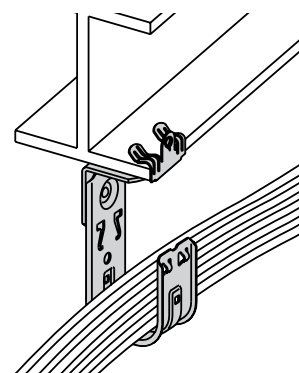
† Marks shown are property of respective owners.

### Cable To Beam Fasteners

- Permits fast and easy installation on beam flanges
- Qwik-Latch™ cable retainers included (not shown on drawings)
- Designed to accept cable ties
- Simply installed with a hammer
- Static Load Capacity: 30 lbs. (13.6kg)
- Box Quantity: BCH12, BCH21, and BCH32 - 50 • BCH64 - 25

Part Number	Hook Size		Flange Thickness		Wt. Per 100	
	In.	(mm)	In.	(mm)	Lbs.	(kg)
<b>BCH12-U-2-4</b>	¾"	(19.0)	⅛" to ¼"	(3.2 to 6.3)	35.0	(15.9)
<b>BCH12-U-5-8</b>	¾"	(19.0)	⅝" to ½"	(7.9 to 12.7)	36.0	(16.3)
<b>BCH12-U-9-12</b>	¾"	(19.0)	⅞" to ¾"	(14.3to 19.0)	37.0	(16.8)
<b>BCH21-U-2-4 *</b>	1⅝"	(33.3)	⅛" to ¼"	(3.2 to 6.3)	40.4	(18.3)
<b>BCH21-U-5-8 *</b>	1⅝"	(33.3)	⅝" to ½"	(7.9 to 12.7)	40.2	(18.2)
<b>BCH21-U-9-12 *</b>	1⅝"	(33.3)	⅞" to ¾"	(14.3to 19.0)	42.6	(19.3)
<b>BCH32-U-2-4 *</b>	2"	(50.8)	⅛" to ¼"	(3.2 to 6.3)	44.6	(20.2)
<b>BCH32-U-5-8 *</b>	2"	(50.8)	⅝" to ½"	(7.9 to 12.7)	46.4	(21.0)
<b>BCH32-U-9-12 *</b>	2"	(50.8)	⅞" to ¾"	(14.3to 19.0)	46.8	(21.2)
<b>BCH64-U-2-4 *</b>	4"	(101.6)	⅛" to ¼"	(3.2 to 6.3)	98.0	(44.4)
<b>BCH64-U-5-8 *</b>	4"	(101.6)	⅝" to ½"	(7.9 to 12.7)	96.0	(43.5)
<b>BCH64-U-9-12 *</b>	4"	(101.6)	⅞" to ¾"	(14.3to 19.0)	97.2	(44.1)

\* For Xylan® coating, add "X" after cable hook part number. Ex: BCH32X-U-5-8



Allows 360° Rotation

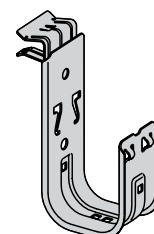
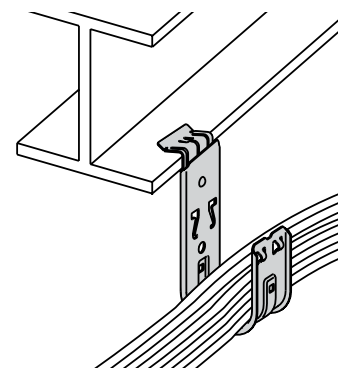


### Cable To Beam Fasteners

- Permits fast and easy installation on beam flanges
- Qwik-Latch cable retainers included (not shown on drawings)
- Designed to accept cable ties
- Simply installed with a hammer
- Static Load Capacity: 30 lbs. (13.6kg)
- Box Quantity: BCH12 and BCH21 - 50 • BCH32 - 25

Part Number	Hook Size		Flange Thickness		Wt. Per 100	
	In.	(mm)	In.	(mm)	Lbs.	(kg)
<b>BCH12-E-2-4</b>	¾"	(19.0)	⅛" to ¼"	(3.2 to 6.3)	11.0	(5.0)
<b>BCH12-E-5-8</b>	¾"	(19.0)	⅝" to ½"	(7.9 to 12.7)	11.0	(5.0)
<b>BCH12-E-9-12</b>	¾"	(19.0)	⅞" to ¾"	(14.3to 19.0)	12.0	(5.4)
<b>BCH21-E-2-4 *</b>	1⅝"	(33.3)	⅛" to ¼"	(3.2 to 6.3)	18.4	(8.3)
<b>BCH21-E-5-8 *</b>	1⅝"	(33.3)	⅝" to ½"	(7.9 to 12.7)	22.6	(10.2)
<b>BCH21-E-9-12 *</b>	1⅝"	(33.3)	⅞" to ¾"	(14.3to 19.0)	19.8	(9.0)
<b>BCH32-E-2-4 *</b>	2"	(50.8)	⅛" to ¼"	(3.2 to 6.3)	23.8	(10.8)
<b>BCH32-E-5-8 *</b>	2"	(50.8)	⅝" to ½"	(7.9 to 12.7)	24.4	(11.0)
<b>BCH32-E-9-12 *</b>	2"	(50.8)	⅞" to ¾"	(14.3to 19.0)	24.6	(11.1)

\* For Xylan® coating, add "X" after cable hook part number. Ex: BCH32X-E-5-8



® All trademarks are property of their respective owners.

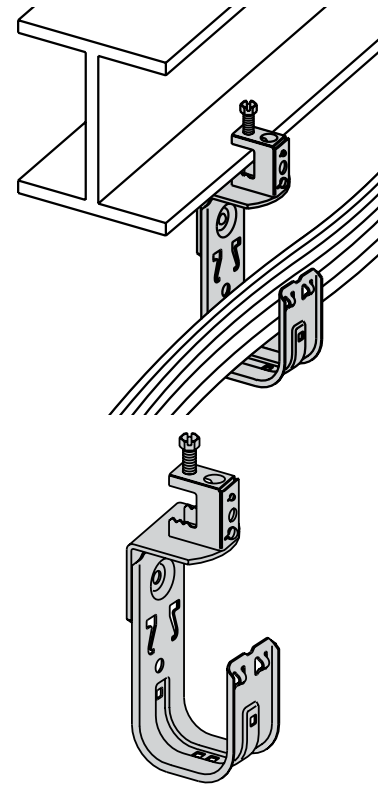
### Cable To Beam Fasteners

- 360° rotation allows cable to run in any direction
- Qwik-Latch™ cable retainers included (not shown on drawings)
- Designed to accept cable ties
- Simply installed with a screwdriver
- Static Load Capacity: 30 lbs. (13.6kg)
- Box Quantity: BCH12, BCH21, and BCH32 - 50  
BCH64 - 25



Part Number	Hook Size		Flange Thickness	Wt. Per 100	
	In.	(mm)		Lbs.	(kg)
<b>BCH12-C2</b>	¾"	(19.0)	Thru ½" (13mm)	17.4	(7.9)
<b>BCH21-C2 *</b>	1⅝"	(33.3)	Thru ½" (13mm)	39.8	(18.0)
<b>BCH32-C2 *</b>	2"	(50.8)	Thru ½" (13mm)	45.0	(20.4)
<b>BCH64-C2 *</b>	4"	(101.6)	Thru ½" (13mm)	95.6	(43.3)

\* For Xylan®† coating, add "X" after cable hook part number. Ex: BCH32X-C2



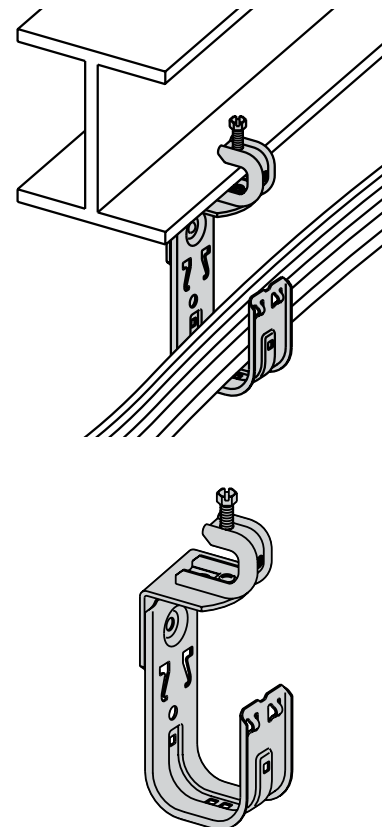
### Cable To Beam Fasteners

- 360° rotation allows cable to run in any direction
- Qwik-Latch cable retainers included (not shown on drawings)
- Designed to accept cable ties
- Simply installed with a screwdriver
- Static Load Capacity: 30 lbs. (13.6kg)
- Box Quantity: BCH12, BCH21, and BCH32 - 50  
BCH64 - 25



Part Number	Hook Size		Flange Thickness		Wt. Per 100	
	In.	(mm)	In.	(mm)	Lbs.	(kg)
<b>BCH12-C442</b>	¾"	(19.0)	⅛" - ⅝"	(3 - 16)	23.5	(10.6)
<b>BCH21-C442 *</b>	1⅝"	(33.3)	⅛" - ⅝"	(3 - 16)	45.8	(20.8)
<b>BCH32-C442 *</b>	2"	(50.8)	⅛" - ⅝"	(3 - 16)	51.6	(23.4)
<b>BCH64-C442 *</b>	4"	(101.6)	⅛" - ⅝"	(3 - 16)	102.4	(46.6)

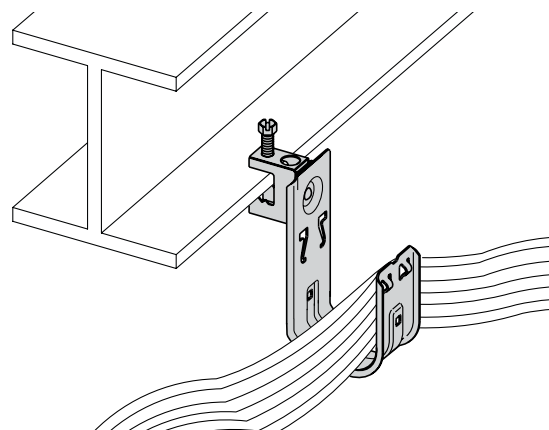
\* For Xylan®† coating, add "X" after cable hook part number. Ex: BCH32X-C442



®† All trademarks are property of their respective owners.

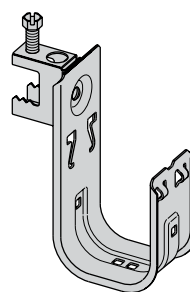
### Cable To Beam Fasteners

- Qwik-Latch™ cable retainers included (not shown on drawings)
- Designed to accept cable ties
- Simply installed with a screwdriver
- Static Load Capacity: 30 lbs. (13.6kg)
- Box Quantity: BCH12, BCH21, and BCH32 - 50  
BCH64 - 25



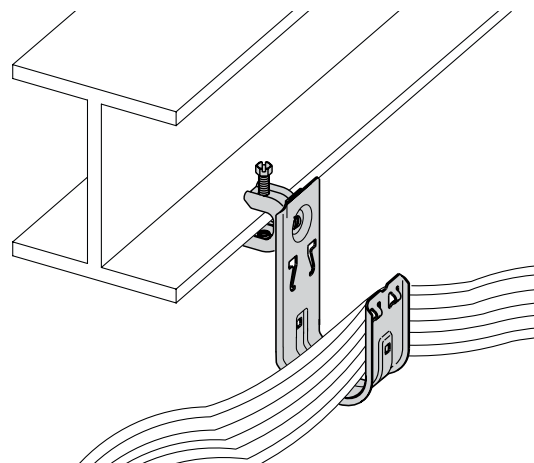
Part Number	Hook Size		Flange Thickness	Wt. Per 100	
	In.	(mm)		Lbs.	(kg)
<b>BCH12-C1</b>	3/4"	(19.0)	Thru 1/2" (13mm)	12.3	(5.6)
<b>BCH21-C1 *</b>	1 5/16"	(33.3)	Thru 1/2" (13mm)	20.7	(9.4)
<b>BCH32-C1 *</b>	2"	(50.8)	Thru 1/2" (13mm)	25.9	(11.7)
<b>BCH64-C1 *</b>	4"	(101.6)	Thru 1/2" (13mm)	61.3	(27.8)

\* For Xylan®† coating, add "X" after cable hook part number. Ex: BCH32X-C1



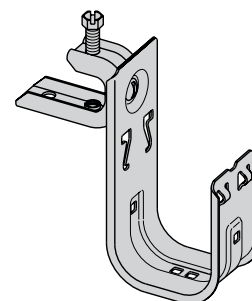
### Cable To Beam Fasteners

- Qwik-Latch cable retainers included (not shown on drawings)
- Designed to accept cable ties
- Simply installed with a screwdriver
- Static Load Capacity: 30 lbs. (13.6kg)
- Box Quantity: BCH12, BCH21, and BCH32 - 50  
BCH64 - 25



Part Number	Hook Size		Flange Thickness		Wt. Per 100	
	In.	(mm)	In.	(mm)	Lbs.	(kg)
<b>BCH12-C442A</b>	3/4"	(19.0)	1/8" - 5/8"	(3 - 16)	18.4	(8.3)
<b>BCH21-C442A *</b>	1 5/16"	(33.3)	1/8" - 5/8"	(3 - 16)	26.8	(12.1)
<b>BCH32-C442A *</b>	2"	(50.8)	1/8" - 5/8"	(3 - 16)	32.0	(14.5)
<b>BCH64-C442A *</b>	4"	(101.6)	1/8" - 5/8"	(3 - 16)	67.4	(30.6)

\* For Xylan®† coating, add "X" after cable hook part number. Ex: BCH32X-C442A



®† All trademarks are property of their respective owners.

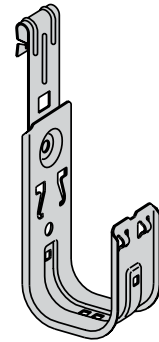
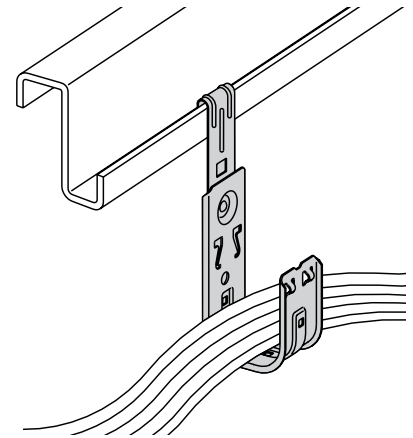
### Cable To Flange Fasteners

- Supports cable from vertical flanges
- Qwik-Latch™ cable retainers included (not shown on drawings)
- Designed to accept cable ties
- Simply installed with a hammer
- Static Load Capacity: 30 lbs. (13.6kg)
- Box Quantity: BCH12, BCH21, and BCH32 - 50  
BCH64 - 25



Part Number	Hook Size		Flange Thickness		Wt. Per 100	
	In.	(mm)	In.	(mm)	Lbs.	(kg)
<b>BCH12-F3</b>	¾"	(19.0)	⅛" - ¼"	(1.6 - 6.3)	13.0	(5.9)
<b>BCH21-F3 *</b>	1⅝"	(33.3)	⅛" - ¼"	(1.6 - 6.3)	21.0	(9.5)
<b>BCH32-F3 *</b>	2"	(50.8)	⅛" - ¼"	(1.6 - 6.3)	26.0	(11.8)
<b>BCH64-F3 *</b>	4"	(101.6)	⅛" - ¼"	(1.6 - 6.3)	62.4	(28.3)

\* For Xylan® coating, add "X" after cable hook part number. Ex: BCH32X-F3



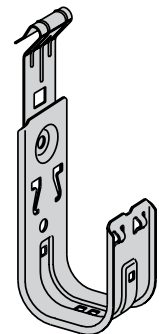
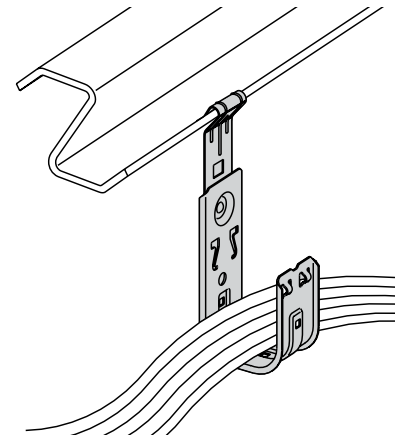
### Cable To Flange Fasteners

- Supports cable from angled flanges
- Qwik-Latch™ cable retainers included (not shown on drawings)
- Designed to accept cable ties
- Simply installed with a hammer
- Static Load Capacity: 30 lbs. (13.6kg)
- Box Quantity: BCH12, BCH21, and BCH32 - 50  
BCH64 - 25



Part Number	Hook Size		Flange Thickness		Wt. Per 100	
	In.	(mm)	In.	(mm)	Lbs.	(kg)
<b>BCH12-F4</b>	¾"	(19.0)	⅛" - ¼"	(1.6 - 6.3)	13.0	(5.9)
<b>BCH21-F4 *</b>	1⅝"	(33.3)	⅛" - ¼"	(1.6 - 6.3)	21.0	(9.5)
<b>BCH32-F4 *</b>	2"	(50.8)	⅛" - ¼"	(1.6 - 6.3)	25.8	(11.7)
<b>BCH64-F4 *</b>	4"	(101.6)	⅛" - ¼"	(1.6 - 6.3)	62.4	(28.3)

\* For Xylan® coating, add "X" after cable hook part number. Ex: BCH32X-F4

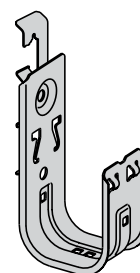
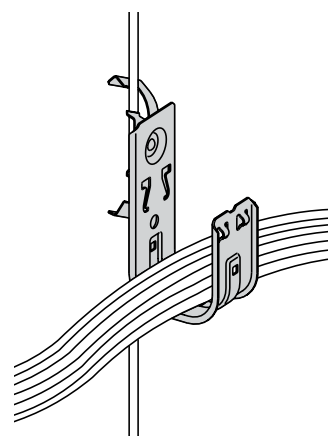


Patent #5961081

®† All trademarks are property of their respective owners.

### Cable To Rod Fasteners

- Supports cable from #12 wire thru 3/8" threaded rod
- Qwik-Latch™ cable retainers included (not shown on drawings)
- Designed to accept cable ties
- Static Load Capacity: 25 lbs. (11.3kg)
- W2 series attaches to #12 wire thru 1/4" plain or threaded rod
- W6 series attaches to 3/8" plain or threaded rod
- Box Quantity - 50

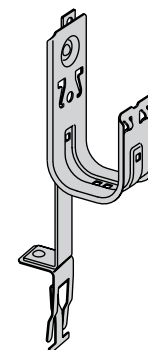
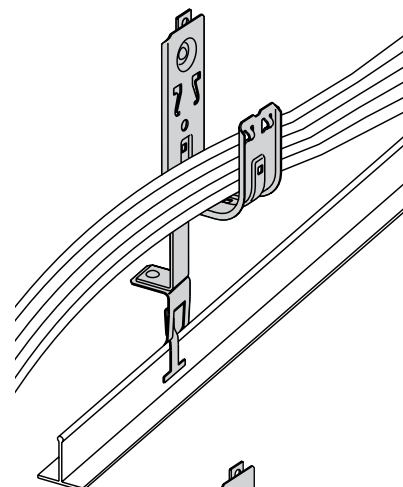


Part Number	Hook Size		Wt. Per 100	
	In.	(mm)	Lbs.	(kg)
BCH12-W2	3/4"	(19.0)	10.0	(4.5)
BCH21-W2 *	1 5/16"	(33.3)	17.6	(8.0)
BCH32-W2 *	2"	(50.8)	23.4	(10.6)
BCH12-W6	3/4"	(19.0)	10.0	(4.5)
BCH21-W6 *	1 5/16"	(33.3)	17.8	(8.1)
BCH32-W6 *	2"	(50.8)	23.6	(10.7)

\* For Xylan®† coating, add "X" after cable hook part number. Ex: BCH32X-W6

### Cable To T-Bar Fasteners

- Supports cable above ceiling grid
- Qwik-Latch cable retainers included (not shown on drawings)
- Designed to accept cable ties
- 360° rotation allows cable to run in any direction
- Provides compliance with 1997 EIA/TIA standard 569-A
- Permits dropwire attachment if required
- Static Load Capacity: 30 lbs. (13.6kg)
- Box Quantity - 50



Part Number	Hook Size		Wt. Per 100	
	In.	(mm)	Lbs.	(kg)
BCH12-A28	3/4"	(19.0)	23.0	(10.4)
BCH21-A28 *	1 5/16"	(33.3)	30.6	(13.9)
BCH32-A28 *	2"	(50.8)	36.8	(16.7)

\* For Xylan®† coating, add "X" after cable hook part number. Ex: BCH32X-A28

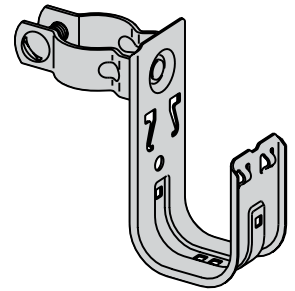
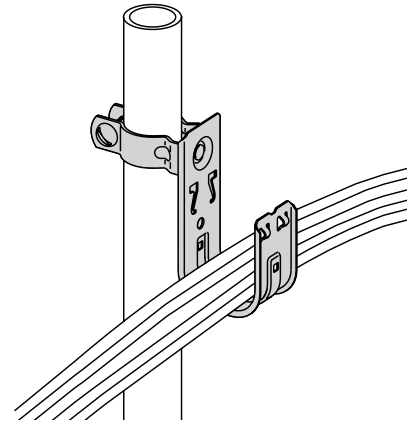
®† All trademarks are property of their respective owners.

### Cable To Floor Support Fasteners

- Supports cable from computer floor post
- Organizes cable off the floor for a neat installation
- Qwik-Latch™ cable retainers included (not shown on drawings)
- Static Load Capacity: 30 lbs. (13.6kg)
- Finish: Pre-galvanized
- Box Quantity: BCH12, BCH21, and BCH32 - 50  
BCH64 - 25



Part Number	Hook Size - Floor Post Size	Wt. Per 100	
		Lbs.	(kg)
BCH12-L1410	3/4" - 1" O.D.	13.4	(6.1)
BCH21-L1410	1 5/16" - 1" O.D.	22.8	(10.3)
BCH32-L1410	2" - 1" O.D.	28.4	(12.9)
BCH64-L1410	4" - 1" O.D.	64.0	(29.0)

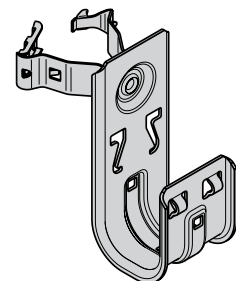
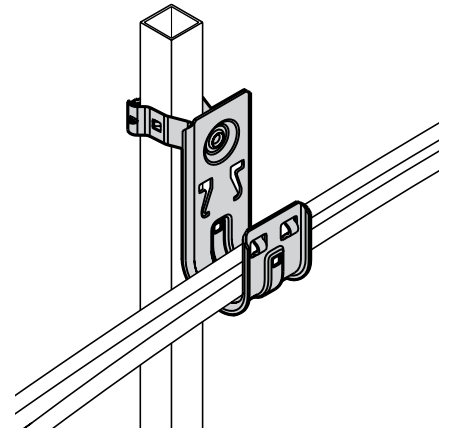


### Cable To Floor Support Fasteners

- Supports cable from square computer floor post
- Organizes cable off the floor for a neat installation
- Qwik-Latch cable retainers included (not shown on drawings)
- Static Load Capacity: 30 lbs. (13.6kg)
- Finish: Pre-galvanized
- Box Quantity: BCH12, BCH21, and BCH32 - 50  
BCH64 - 25



Part Number	Hook Size - Floor Post Size	Wt. Per 100	
		Lbs.	(kg)
BCH12-G-8-12	3/4" - 1" Square	13.4	(6.1)
BCH21-G-8-12	1 5/16" - 1" Square	22.8	(10.3)
BCH32-G-8-12	2" - 1" Square	28.4	(12.9)
BCH64-G-8-12	4" - 1" Square	64.0	(29.0)



# Low Voltage & Communication Fasteners

Low voltage & communication fasteners

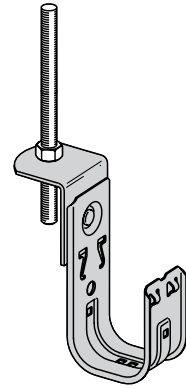
## Cable To ATR Fasteners

- .505" (12.8mm) diameter hole designed to support cable from 3/8" or 1/2" threaded rod
- Allows back-to-back and multi-tier installations
- Qwik-Latch™ cable retainers included (not shown on drawings)
- Designed to accept cable ties
- Static Load Capacity: 30 lbs. (13.6kg)
- Box Quantity: BCH21 and BCH32 - 50  
BCH64 - 25

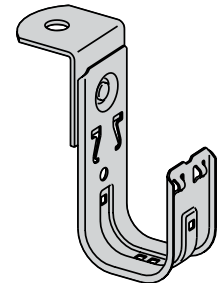


Part Number	Hook Size		Wt. Per 100	
	In.	(mm)	Lbs.	(kg)
<b>BCH21-AB *</b>	1 5/16"	(33.3)	34.2	(15.5)
<b>BCH32-AB *</b>	2"	(50.8)	40.0	(18.1)
<b>BCH64-AB *</b>	4"	(101.6)	91.2	(41.3)

\* For Xylan®+ coating, add "X" after cable hook part number.  
Ex: BCH32X-AB



Note: Part numbers listed are for galvanized hooks - Add "SS4" for Stainless Steel.



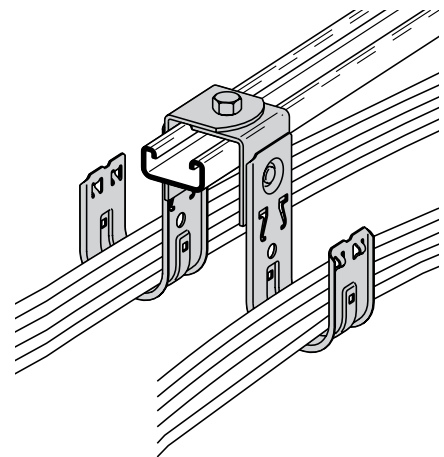
## Angle Bracket Cable Fasteners

- Designed for direct attachment to structures
- Supports cable from 1/4" threaded rod
- .265" (6.7mm) diameter hole accepts anchors, screws or common nails
- Qwik-Latch™ cable retainers included (not shown on drawings)
- Designed to accept cable ties
- Static Load Capacity: 30 lbs. (13.6kg)
- Box Quantity: BCH12, BCH21, and BCH32 - 50  
BCH64 - 25

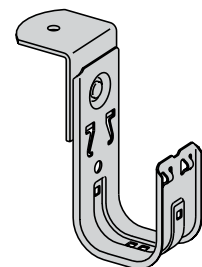


Part Number	Hook Size		Wt. Per 100	
	In.	(mm)	Lbs.	(kg)
<b>BCH12-RB</b>	3/4"	(19.0)	29.0	(13.2)
<b>BCH21-RB *</b>	1 5/16"	(33.3)	34.4	(15.6)
<b>BCH32-RB *</b>	2"	(50.8)	39.4	(17.9)
<b>*</b>	4"	(101.6)	91.2	(41.3)

\* For Xylan®+ coating, add "X" after cable hook part number.  
Ex: BCH32X-RB



Note: Part numbers listed are for galvanized hooks - Add "SS4" for Stainless Steel.



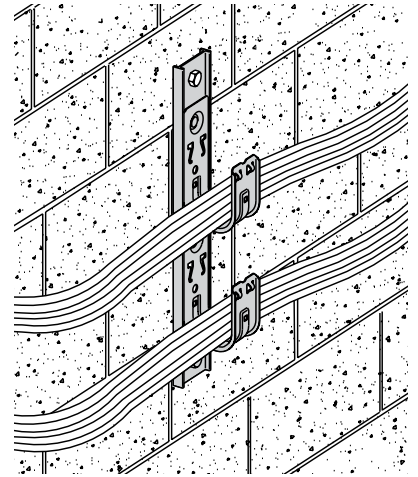
®+ All trademarks are property of their respective owners.



# Low Voltage & Communication Fasteners

## Single-Sided Multi-Tier Cable Fasteners

- Factory assembled multi-tier fasteners increase installation flexibility
- Qwik-Latch™ cable retainers included (not shown on drawings)
- Designed to accept cable ties
- Available in two-tier through six-tier assemblies
- Unique design prevents hooks and assembly from rotating when pulling cable
- All support bars furnished in 6063-T6 aluminum
- Static Load Capacity: 30 lbs. (13.6kg)
- Box Quantity - 10

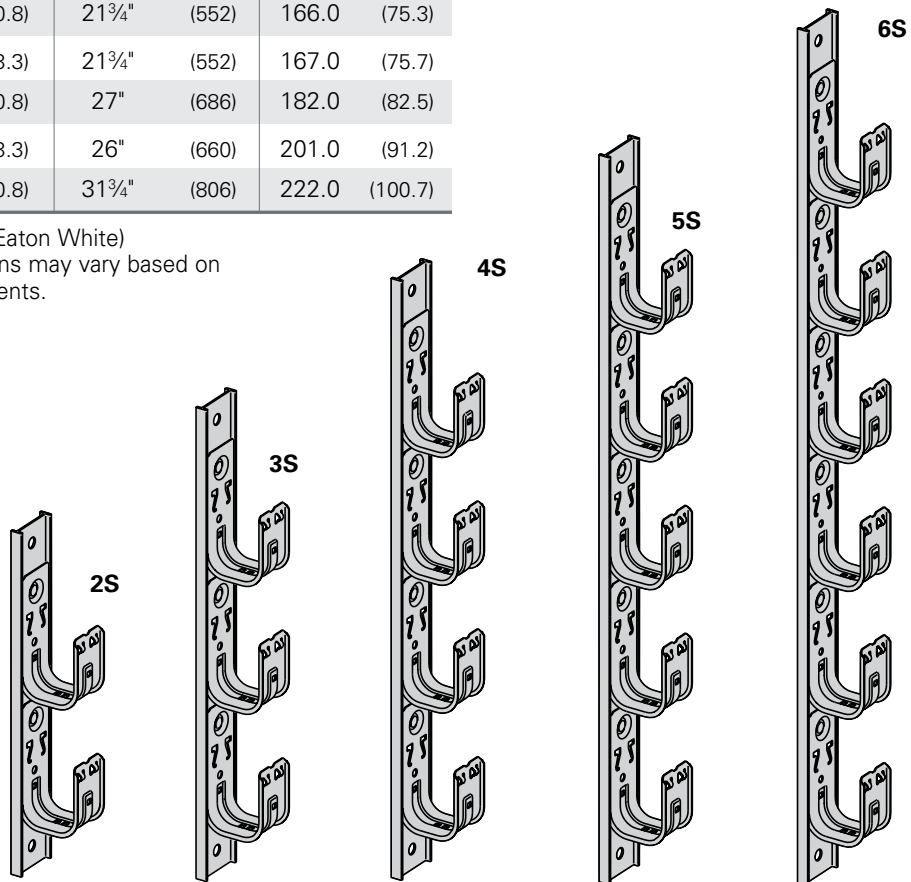


Low voltage & communication fasteners

Part Number	Hook Size		Overall Height		Wt. Per 100	
	In.	(mm)	In.	(mm)	Lbs.	(kg)
BCH21-2S	1 <sup>5</sup> / <sub>16</sub> "	(33.3)	11"	(279)	65.0	(29.5)
BCH32-2S	2"	(50.8)	12 <sup>3</sup> / <sub>4</sub> "	(324)	78.0	(35.4)
BCH64-2S	4"	(101.6)	19 <sup>5</sup> / <sub>16</sub> "	(490)	94.0	(42.6)
BCH21-3S	1 <sup>5</sup> / <sub>16</sub> "	(33.3)	14 <sup>3</sup> / <sub>4</sub> "	(374)	99.0	(44.9)
BCH32-3S	2"	(50.8)	17 <sup>1</sup> / <sub>2</sub> "	(444)	122.0	(55.3)
BCH64-3S	4"	(101.6)	28 <sup>1</sup> / <sub>16</sub> "	(713)	148.0	(67.1)
BCH21-4S	1 <sup>5</sup> / <sub>16</sub> "	(33.3)	18 <sup>1</sup> / <sub>2</sub> "	(470)	133.0	(60.3)
BCH32-4S	2"	(50.8)	21 <sup>3</sup> / <sub>4</sub> "	(552)	166.0	(75.3)
BCH21-5S	1 <sup>5</sup> / <sub>16</sub> "	(33.3)	21 <sup>3</sup> / <sub>4</sub> "	(552)	167.0	(75.7)
BCH32-5S	2"	(50.8)	27"	(686)	182.0	(82.5)
BCH21-6S	1 <sup>5</sup> / <sub>16</sub> "	(33.3)	26"	(660)	201.0	(91.2)
BCH32-6S	2"	(50.8)	31 <sup>3</sup> / <sub>4</sub> "	(806)	222.0	(100.7)

\_\_ = Color (FB = Flat Black, EW = Eaton White)

\* Suggested use only. Configurations may vary based on customer or application requirements.

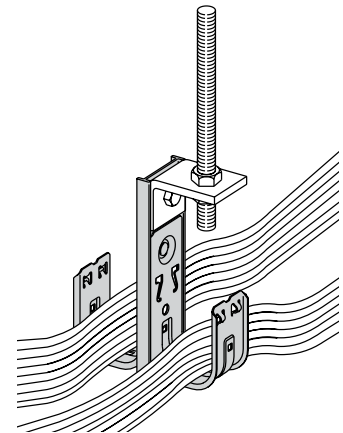


# Low Voltage & Communication Fasteners

Low voltage & communication fasteners

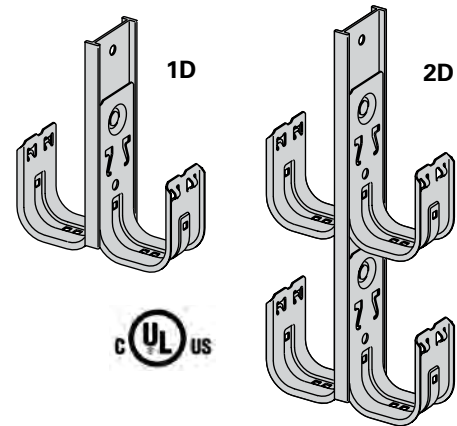
## Double-Sided Multi-Tier Cable Fasteners

- Factory assembled multi-tier fasteners increase installation flexibility
- Unique design prevents hooks and assembly from rotating when pulling cable
- All support bars furnished in 6063-T6 aluminum
- Shown (at right) with optional BCHK2 kit
- Qwik-Latch™ cable retainers included (not shown on drawings)
- Designed to accept cable ties
- Static Load Capacity: (per hook) 30 lbs. (13.6kg)
- Box Quantity: BCH21-1D and BCH32-1D - 20  
BCH64-1D and All 2D Fasteners - 10



Part Number	Hook Size		Overall Height		Wt. Per 100	
	In.	(mm)	In.	(mm)	Lbs.	(kg)
BCH21-1D	1 5/16"	(33.3)	5 1/2"	(140)	46.0	(20.8)
BCH32-1D	2"	(50.8)	6 3/16"	(157)	63.0	(28.6)
BCH64-1D	4"	(101.6)	9"	(228)	144.0	(65.3)
BCH21-2D	1 5/16"	(33.3)	9 1/4"	(234)	101.0	(45.8)
BCH32-2D	2"	(50.8)	11"	(279)	112.0	(50.8)
BCH64-2D	4"	(101.6)	18 1/4"	(463)	287.0	(130.2)

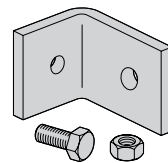
Note: Part numbers listed above are for galvanized hooks - Add "SS4" for Stainless Steel or add "H" for Zinc-Plated Spring Steel for heavy-duty applications.



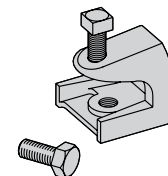
Patent #5961081

## Multi-Tier Attachment Kits

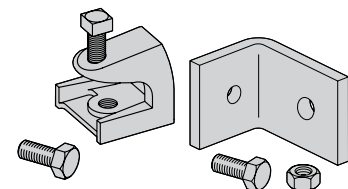
- Kits permit secure attachment of single-tier and multi-tier fasteners.
- BCHK1 includes:
  - 1 ea. beam clamp (B444-1/4)
  - 1 ea. 1/4"-20 x 1/2" hex head cap screw
- BCHK2 includes:
  - 1 ea. angle bracket (with .320"Ø and .390"Ø holes)
  - 1 ea. 5/16"-18 x 3/4" hex head cap screw
  - 1 ea. 5/16"-18 hex nut
- BCHK3 includes:
  - 1 ea. BCHK1 Kit
  - 1 ea. BCHK2 Kit
- Box Quantity - 10



**BCHK2  
Angle Bracket**



**BCHK1  
Beam Clamp**



**BCHK3  
Beam Clamp with  
Angle Bracket  
(Swivels 360°)**

Part Number	Flange Thickness		Wt. Per 100	
	In.	(mm)	Lbs.	(kg)
BCHK1	thru 5/8"	(thru 15.9)	27.0	(12.2)
BCHK2	-	-	43.0	(19.5)
BCHK3	thru 5/8"	(thru 15.9)	67.0	(30.4)

# Low Voltage & Communication Fasteners

## J-Hook Color ID Clip

- Color-coded clips allow for content designation without inventorying various colored hardware.
- Easy to designate pathways to prevent crossover.
- Order separately and field install.
- Can be snapped on J-Hook after it has been installed.
- Manufactured from Underwriters Laboratories (UL) Listed material for plenum spaces.
- Suitable for ¾", 15/16", 2", and 4" J-Hook sizes.
- Available in six (6) colors: Blue (BL), White (WH), Gray (GY), Orange (OR), Red (RD), and Yellow (YW).

Part # Example: Blue Colored ID Clip Part Number BCHID-BL12 - blue clip for BCH12 J-Hook  
See page 212 for cable hooks.



Low voltage & communication fasteners

## COM Dangle System Load Table – Number of Cables Allowed

Part Number	Color	Diameter In. (mm)	Cat5e	Cat6	Cat6a
<b>BLCD8</b>	Neutral	2.5" (63mm)	110	75	50
<b>BLCD8RD</b>	Red	2.5" (63mm)	110	75	50
<b>BLCD8BL</b>	Blue	2.5" (63mm)	110	75	50
<b>BLCD12</b>	Neutral	4" (102mm)	220	150	115
<b>BLCD12RD</b>	Red	4" (102mm)	220	150	115
<b>BLCD12BL</b>	Blue	4" (102mm)	220	150	115

\*Contact factory for other color options

## COM Dangle™ Cable Support System

The COM Dangle system is an innovative, cost-efficient solution alternative to J-Hooks to help support cables in a data center environment. The system is ideal for ceiling wire applications, and can easily integrate to the ceiling grid with only tie-off wire where jurisdiction requires.

### Features

- Made from advanced polymer
- UL listed, Plenum rated and RoHS compliant
- Corrosion and chemical resistant
- High strength-to-weight ratio
- Abrasion and impact resistance over a wide range of temperatures
- Installs easily with minimal steps

### COM Dangle Standards

- Maximum 5 foot space between supports
- 20 lb. maximum weight
- 40% max fill based on TIA 569-B

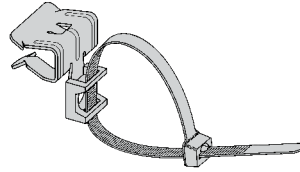
®† All trademarks are property of their respective owners.



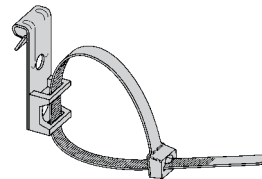
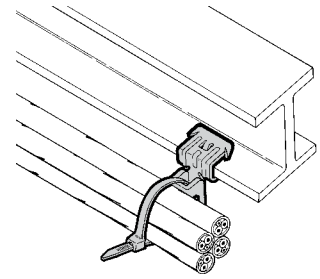
# Low Voltage & Communication Fasteners

## Cable Fasteners

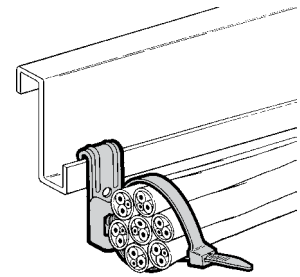
- Supports cable ties up to  $\frac{3}{32}$ " (7.1mm) wide from flanges  $\frac{1}{16}$ " (1.6mm) to  $\frac{3}{4}$ " (19.0mm)
- Designed for securing communications cables
- 8" (203mm) cable tie included
- Simply installed with a hammer
- Finish: Zinc Phosphate
- Box Quantity - 100



BE-\_\_-CT2



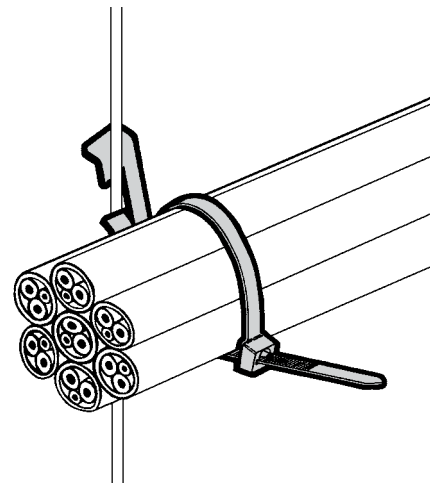
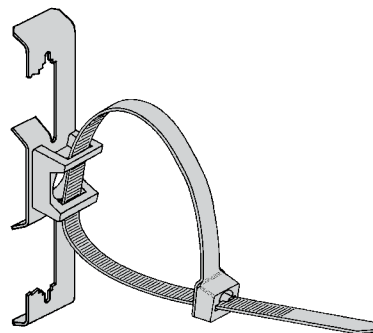
BF\_\_-CT2



Part Number	Description		Wt. Per 100	
	In.	(mm)	Lbs.	(kg)
BE-2-4-CT2	$\frac{1}{8}$ " to $\frac{1}{4}$ "	(3.2 to 6.3)	4.4	(2.0)
BE-5-8-CT2	$\frac{5}{16}$ " to $\frac{1}{2}$ "	(7.9 to 12.7)	4.8	(2.2)
BE-9-12-CT2	$\frac{5}{16}$ " to $\frac{1}{2}$ "	(7.9 to 12.7)	5.4	(2.4)
BF1-CT2	$\frac{1}{16}$ " to $\frac{5}{32}$ "	(1.6 to 3.9)	3.6	(1.6)
BF2-CT2	$\frac{5}{32}$ " to $\frac{1}{4}$ "	(3.9 to 6.3)	3.6	(1.6)

## Cable Fasteners

- Supports cable ties up to  $\frac{3}{32}$ " (7.1mm) wide from drop wires
- Designed for securing communications cables
- 8" (203mm) cable tie included
- Finish: Zinc Phosphate
- Box Quantity - 100



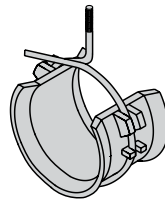
Part Number	Description	Wt. Per 100	
		Lbs.	(kg)
BW2-CT2	#12 Wire thru $\frac{1}{4}$ " Plain Rod"	3.9	(1.7)
BW6-CT2	$\frac{3}{8}$ " Plain or Threaded Rod"	4.5	(2.0)

Low voltage & communication fasteners

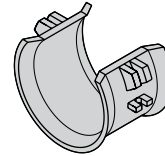
# Low Voltage & Communication Fasteners

## Bridle Ring Saddles

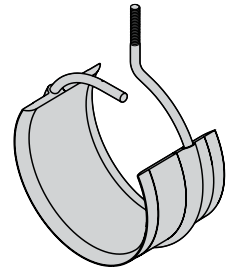
- The convenience of a bridle ring with the cable-bearing surface of a hook
- 2" (51mm) saddle is available separately
- Can be easily attached before or after cable installation
- Box Quantity: BRS-32A and BRS-32 - 50  
BRS 64A - 25



BRS-32A

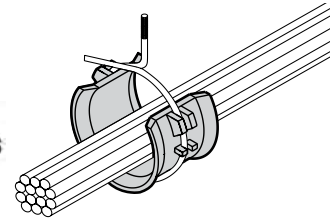


BRS-32



BRS-64A

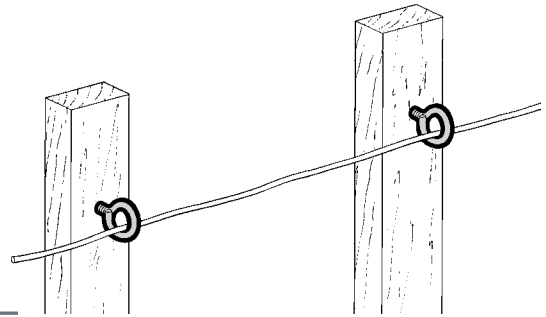
Part Number	Thread Size x Description	Wt. Per 100	
		Lbs.	(kg)
BRS-32A	¼"-20 x 7/8" 2" Ring Assembly	13.0	(5.89)
BRS-64A	¼"-20 x 1" 4" Ring Assembly	30.0	(13.61)
BRS-32	2" Saddle Only	3.0	(1.36)



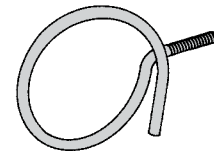
Low voltage & communication fasteners

## Threaded Bridle Rings

- Supports low voltage communication cables from wood beams
- Ultimate Load Capacity: 50 lbs. (22.7kg)
- Finish: Zinc Plated
- Box Quantity - 100



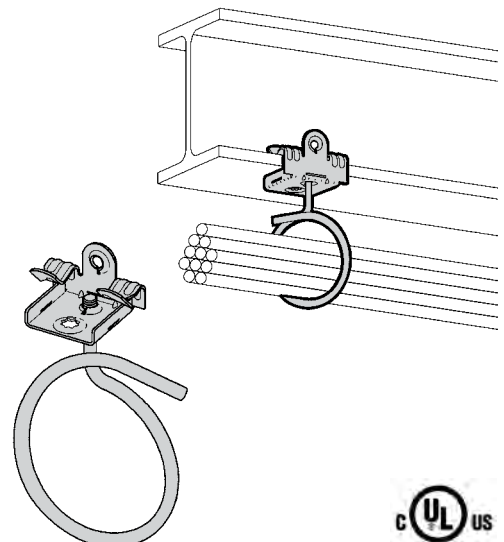
Part Number	Ring Size		Thread Size/Length	Wt. Per 100	
	In.	(mm)		Lbs.	(kg)
BR-16-3W	1"	(25.4)	3/16" x 9/16"	2.6	(1.18)
BR-24-4W	1½"	(38.1)	¼" x 27/32"	7.1	(3.22)
BR-32-4W	2"	(50.8)	¼" x 7/8"	10.9	(4.94)



## Bridle Ring/Beam Fastener Assembly

- Supports low voltage communication cables from beam flanges 1/8" (3.2mm) to 3/4" (19.0mm) thick
- Pre-assembled with 2" (51mm) bridle ring
- Reduces installation time
- Static Load Capacity: 15 lbs. (6.8kg)
- Box Quantity - 50

Part Number	Flange Thickness		Wt. Per 100	
	In.	(mm)	Lbs.	(kg)
BR-32-4T-U-2-4	1/8" to 1/4"	(3.2 to 6.3)	14.6	(6.6)
BR-32-4T-U-5-8	5/16" to 1/2"	(7.9 to 12.7)	15.2	(6.9)
BR-32-4T-U-9-12	9/16" to 3/4"	(14.3 to 19.0)	16.6	(7.5)



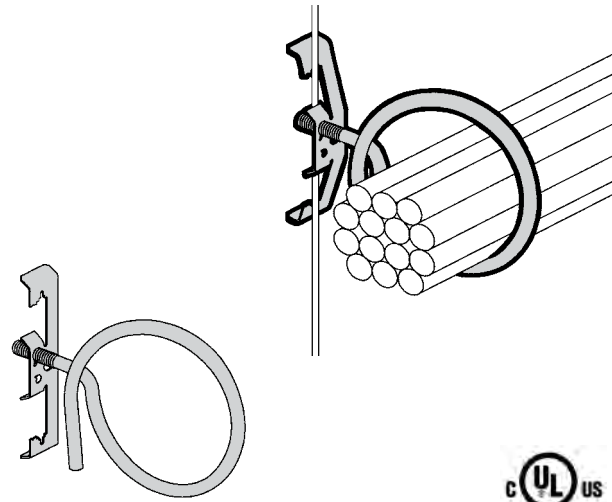
# Low Voltage & Communication Fasteners

Low voltage & communication fasteners

## Bridle Ring/Rod & Wire Fastener Assy.

- Supports low voltage communication cables from drop wire
- Pre-assembled with 2" (51mm) bridle ring
- Reduces installation time
- Static Load Capacity: 15 lbs. (6.8kg)
- Box Quantity - 50

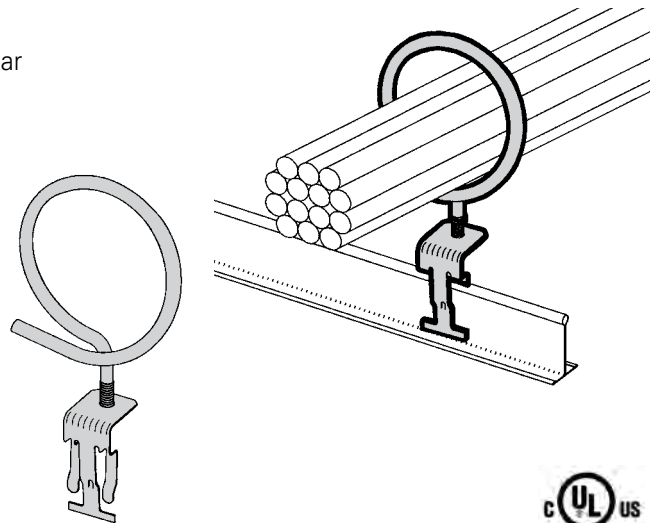
Part Number	Wire or Rod Size	Wt. Per 100	
		Lbs.	(kg)
<b>BR-32-4T-W2</b>	#12 Wire thru ¼" Plain or Threaded Rod	12.4	(5.6)



## Bridle Ring/T-Bar Fastener Assy.

- Supports low voltage communication cables from the T-Bar
- Pre-assembled with 2" (51mm) bridle ring
- Reduces installation time
- For positioning only - No Load Rating
- Box Quantity - 50

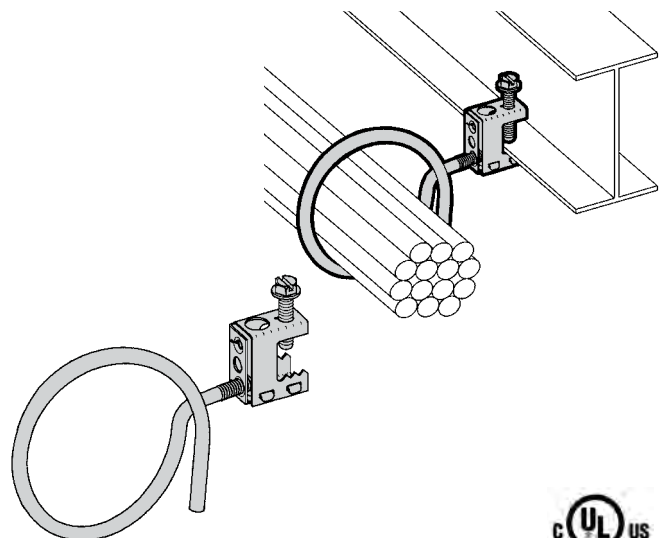
Part Number Saddle Only	Ring Size		Wt. Per 100	
	In.	(mm)	Lbs.	(kg)
<b>BR-32-4T-A6</b>	2"	(50.8)	11.6	(5.2)



## Bridle Ring/Beam Fastener Assy.

- Supports low voltage communication cables from beam flanges thru ½" (12.7mm) thick
- Pre-assembled with 2" (51mm) bridle ring
- Reduces installation time
- Static Load Capacity: 15 lbs. (6.8kg)
- Box Quantity - 50

Part Number Saddle Only	Ring Size		Wt. Per 100	
	In.	(mm)	Lbs.	(kg)
<b>BR-32-4T-C1</b>	2"	(50.8)	15.0	(6.8)



# Low Voltage & Communication Fasteners

## KwikWire Hanging System

- Flexible replacement for jack chain and all thread rod that will help reduce your installation time.
- Installs up to 50% faster - can quickly wrap around beams with no drilling required
- Simple height adjustments are made by releasing the clamp's adjustment pin - **no tools required**
- Aesthetic appeal - blends in with upper structural supports
- Compatible with many fastener, anchor, and hanger products reducing inventory & shipping costs
- Ideal for sloped ceiling applications - will support loads at up to a 60° angle from vertical
- 2 sku's cover a wide range of application requirements

## KwikWire Accessory Numbering System

Product Line	Assembly Configuration	Leg Termination	Leg Length	Wire Rope Diameter	Straight Length	Assembly or Kit
BK = KwikWire	Blank = Single Leg Y = 2 Legs 3 - 3 Legs	A = Angle Bracket w/Pin H = Hook L = Loop T = Toggle W = Fuse Cut B25 = Bolt w/ 1/4"-20 Thread B38 = Bolt w/ 3/8"-16 Thread BM6 = Bolt w/ M6 Thread BM8 = Bolt w/ M8 Thread BM10 = Bolt w/ M10 Thread	Blank = See Straight Length 18 = 18" Leg 30 = 30" Leg	063 = 1/16" 094 = 3/32"	Blank = Loop w/ Plastic Tube 18 = 18" 30 = 30" 40 = 40" 80 = 80" 120 = 120" 180 = 180" 240 = 240" 360 = 360"	Blank = Assembly Only K = Kit (Assembly & BKC100 Clamp)

## KwikWire™ Clamps

- KwikWire system replaces jack chain or ATR to support lighting, ductwork, cable tray, etc.
- Can be quickly installed around beams - No drilling required.
- Ideal for sloped ceilings - can hang objects at up to 60° angles.
- Simple height adjustments are made by releasing locking tab, no tools required.
- Spools of wire can be cut to length in field, reducing waste and up front planning.



Part Number	For Use With Wire Rope Diameters	Box Qty.
<b>BKC100</b>	1/16" & 3/32"	100
<b>BKC200</b>	1/8" & 3/16"	50

**\* Working loads shown are for hanging vertically. For suspending at 15°, 30°, 45° or 60° angles from vertical, use the following percentage of the working loads from the chart:**

**15° = 96%      45° = 70%**  
**30° = 86%      60° = 50%**

### KwikWire Clamp Working Loads\*

Clamp Part No.	Wire Rope Dia.	Lbs. Safety Factor 5
BKC100	1/16"	0-75
BKC100	3/32"	25-150
BKC200	3/32"	25-150
BKC200	1/8"	25-250
BKC200	3/16"	50-640

Read safety/installation instruction sheets in packages before use.

# Low Voltage & Communication Fasteners

Low voltage & communication fasteners

## KwikWire™ Wire Rope

- Finish: Uncoated Galvanized Wire



Part Number	Rope Dia.		Working Load		Spool Qty.	
	In.	(mm)	Lbs.	(kN)	Ft.	(m)
<b>BKW063</b> <sup>(1)</sup>	1/16"	(1.59)	96	(0.43)	500	(152.4)
<b>BKW094</b> <sup>(1)</sup>	3/32"	(2.36)	184	(0.82)	500	(152.4)
<b>BKW125</b> <sup>(1)</sup>	1/8"	(3.17)	340	(1.51)	500	(152.4)
<b>BKW188</b> <sup>(2)</sup>	3/16"	(4.77)	840	(3.73)	250	(76.2)

<sup>(1)</sup> Wire Rope Construction Type 7 x 7

<sup>(2)</sup> Wire Rope Construction Type 7 x 19



## KwikWire™ Cutter

- Used to cut wire rope.
- Never use cutter on energized circuits, wire, or cable.
- Box Quantity - 1

Part Number	Wt. Per 100	
	Lbs.	(kg)
<b>BKCC</b>	1.0	(0.45)



## KwikPak™

- KwikPak include KwikWire clamps and a spool of wire rope
- KwikPaks are shipped in a specially designed dispenser box to ease field cutting of wire



Part Number	Kit Includes	Box Qty.
<b>BKP10063</b>	BKC100 (100 pcs.) 1/16" Diameter Wire Rope (500 ft.)	1
<b>BKP10094</b>	BKC100 (100 pcs.) 3/32" Diameter Wire Rope (500 ft.)	1
<b>BKP20125</b>	BKC200 (50 pcs.) 1/8" Diameter Wire Rope (500 ft.)	1
<b>BKP20188</b>	BKC200 (50 pcs.) 3/16" Diameter Wire Rope (250 ft.)	1

Read safety/installation instruction sheets in packages before use.



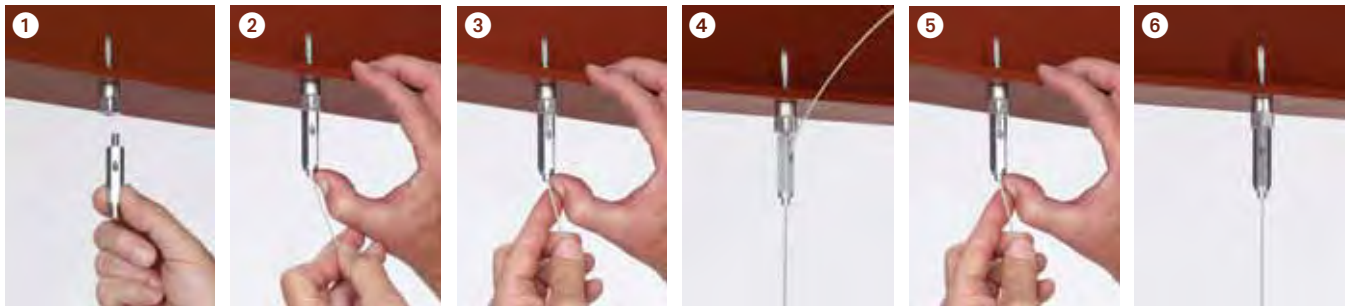
# Low Voltage & Communication Fasteners

## KwikWire™ Hanger

- KwikWire hanger combines the versatility of a bolt with an adjustable wire rope solution.
- Can be quickly installed in existing anchors or metal brackets with a nut.
- ARS, ARC, and ARW anchors are ideal for use with KwikWire Hangers.
- Ideal for supporting light fixtures, wire basket cable tray, HVAC ducts, and sign/banner supports.
- Allows for tool-less adjustment of wire rope.



Part Number	Thread Size	For Use With Wire Rope Diameters	Loading SF5	
			lbs.	(kg)
BKF100-4	1/4"-20	1/16"	45	(20.0)
		3/32"	90	(40.0)
BKF100-6	3/8"-16	1/8"	45	(20.0)
		3/16"	90	(40.0)



## KwikWire Hanger Installation

1. Screw KwikWire Hanger into installed hanger support (ARS anchor pictured)
2. Push cable wire up through the bottom of KwikWire Hanger
3. Continue pushing through until 1/4" minimum is extending out the side of the KwikWire Hanger
4. To adjust up - pull or push more cable wire through KwikWire Hanger
5. To adjust down - push up on bottom of KwikWire Hanger and allow cable wire to feed down
6. When hanging the cable wire is complete, cut off any excess cable wire if desired

# Low Voltage & Communication Fasteners

## KwikWire™ Loop Termination

Part Number	Wire Rope Diameter		Length	
	in.	(mm)	in.	(mm)
<b>BKL-063-40</b>	1/16"	(1.59)	40"	(1016)
<b>BKL-063-80</b>	1/16"	(1.59)	80"	(2032)
<b>BKL-063-120</b>	1/16"	(1.59)	120"	(3948)
<b>BKL-063-180</b>	1/16"	(1.59)	180"	(4572)
<b>BKL-063-240</b>	1/16"	(1.59)	240"	(6096)
<b>BKL-063-360</b>	1/16"	(1.59)	360"	(9144)
<b>BKL-094-40</b>	3/32"	(2.36)	40"	(1016)
<b>BKL-094-80</b>	3/32"	(2.36)	80"	(2032)
<b>BKL-094-120</b>	3/32"	(2.36)	120"	(3948)
<b>BKL-094-180</b>	3/32"	(2.36)	180"	(4572)
<b>BKL-094-240</b>	3/32"	(2.36)	240"	(6096)
<b>BKL-094-360</b>	3/32"	(2.36)	360"	(9144)



**Box Quantity - 20**  
5 bags containing 4 pieces per bag

## KwikWire™ Loop Termination Kits

- Available as a wire rope with loop termination only or as a ready-to-use kit with a BKC100 clamp.
- Available in lengths of 40", 80", 120", 180", 240", and 360".

Part Number	Wire Rope Diameter		Length	
	in.	(mm)	in.	(mm)
<b>BKL-063-40K</b>	1/16"	(1.59)	40"	(1016)
<b>BKL-063-80K</b>	1/16"	(1.59)	80"	(2032)
<b>BKL-063-120K</b>	1/16"	(1.59)	120"	(3948)
<b>BKL-063-180K</b>	1/16"	(1.59)	180"	(4572)
<b>BKL-063-240K</b>	1/16"	(1.59)	240"	(6096)
<b>BKL-063-360K</b>	1/16"	(1.59)	360"	(9144)
<b>BKL-094-40K</b>	3/32"	(2.36)	40"	(1016)
<b>BKL-094-80K</b>	3/32"	(2.36)	80"	(2032)
<b>BKL-094-120K</b>	3/32"	(2.36)	120"	(3948)
<b>BKL-094-180K</b>	3/32"	(2.36)	180"	(4572)
<b>BKL-094-240K</b>	3/32"	(2.36)	240"	(6096)
<b>BKL-094-360K</b>	3/32"	(2.36)	360"	(9144)



**Box Quantity - 20**  
5 bags containing 4 pieces per bag

Read safety/installation instruction sheets in packages before use.

# Low Voltage & Communication Fasteners

## KwikWire™ Single Style Hook Termination

Part Number	Wire Rope Diameter		Length	
	in.	(mm)	in.	(mm)
<b>BKH-094-40</b>	3/32"	(2.36)	40"	(1016)
<b>BKH-094-80</b>	3/32"	(2.36)	80"	(2032)
<b>BKH-094-120</b>	3/32"	(2.36)	120"	(3948)
<b>BKH-094-180</b>	3/32"	(2.36)	180"	(4572)
<b>BKH-094-240</b>	3/32"	(2.36)	240"	(6096)
<b>BKH-094-360</b>	3/32"	(2.36)	360"	(9144)



**Box Quantity - 20**  
5 bags containing 4 pieces per bag

## KwikWire™ Single Style Hook Termination Kits

Part Number	Wire Rope Diameter		Length	
	in.	(mm)	in.	(mm)
<b>BKH-094-40K</b>	3/32"	(2.36)	40"	(1016)
<b>BKH-094-80K</b>	3/32"	(2.36)	80"	(2032)
<b>BKH-094-120K</b>	3/32"	(2.36)	120"	(3948)
<b>BKH-094-180K</b>	3/32"	(2.36)	180"	(4572)
<b>BKH-094-240K</b>	3/32"	(2.36)	240"	(6096)
<b>BKH-094-360K</b>	3/32"	(2.36)	360"	(9144)



**Box Quantity - 20**  
5 bags containing 4 pieces per bag

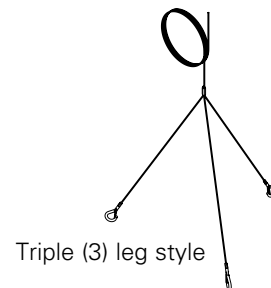
## KwikWire™ 'Y' Style Hook Termination With Loop

- Hook designed to accept up to 3/8" diameter wire.
- Available as a wire rope with hook termination only or as a ready-to-use kit with a BKC100 clamp.
- Available in lengths of 40", 80", 120", 180", 240", and 360".
- Available in single, double (Y), and triple (3) leg styles

Part Number	Wire Rope Diameter		Length	
	in.	(mm)	in.	(mm)
<b>BKYH18-094</b>	3/32"	(2.36)	18"	(457)
<b>BKYH30-094</b>	3/32"	(2.36)	30"	(762)



**Box Quantity - 10**  
5 bags containing 2 pieces per bag



Read safety/installation instruction sheets in packages before use.

# Low Voltage & Communication Fasteners

## KwikWire™ 'Y' Style Hook Termination

Part Number	Leg Length		Wire Rope Diameter		Length	
	in.	(mm)	in.	(mm)	in.	(mm)
BKYH18-094-40	18"	(457)	3/32"	(2.36)	40"	(1016)
BKYH18-094-80	18"	(457)	3/32"	(2.36)	80"	(2032)
BKYH18-094-120	18"	(457)	3/32"	(2.36)	120"	(3948)
BKYH18-094-180	18"	(457)	3/32"	(2.36)	180"	(4572)
BKYH18-094-240	18"	(457)	3/32"	(2.36)	240"	(6096)
BKYH18-094-360	18"	(457)	3/32"	(2.36)	360"	(9144)
BKYH30-094-40	30"	(762)	3/32"	(2.36)	40"	(1016)
BKYH30-094-80	30"	(762)	3/32"	(2.36)	80"	(2032)
BKYH30-094-120	30"	(762)	3/32"	(2.36)	120"	(3948)
BKYH30-094-180	30"	(762)	3/32"	(2.36)	180"	(4572)
BKYH30-094-240	30"	(762)	3/32"	(2.36)	240"	(6096)
BKYH30-094-360	30"	(762)	3/32"	(2.36)	360"	(9144)



**Box Quantity - 10**  
5 bags containing 2 pieces per bag

## KwikWire™ 'Y' Style Hook Termination Kits

- Hook designed to accept up to 3/8" diameter wire.
- Available as a wire rope with loop termination only or as a ready-to-use kit with a BKC100 clamp.
- Available in lengths of 40", 80", 120", 180", 240", and 360".

Part Number	Leg Length		Wire Rope Diameter		Length	
	in.	(mm)	in.	(mm)	in.	(mm)
BKYH18-094-40K	18"	(457)	3/32"	(2.36)	40"	(1016)
BKYH18-094-80K	18"	(457)	3/32"	(2.36)	80"	(2032)
BKYH18-094-120K	18"	(457)	3/32"	(2.36)	120"	(3948)
BKYH18-094-180K	18"	(457)	3/32"	(2.36)	180"	(4572)
BKYH18-094-240K	18"	(457)	3/32"	(2.36)	240"	(6096)
BKYH18-094-360K	18"	(457)	3/32"	(2.36)	360"	(9144)
BKYH30-094-40K	30"	(762)	3/32"	(2.36)	40"	(1016)
BKYH30-094-80K	30"	(762)	3/32"	(2.36)	80"	(2032)
BKYH30-094-120K	30"	(762)	3/32"	(2.36)	120"	(3948)
BKYH30-094-180K	30"	(762)	3/32"	(2.36)	180"	(4572)
BKYH30-094-240K	30"	(762)	3/32"	(2.36)	240"	(6096)
BKYH30-094-360K	30"	(762)	3/32"	(2.36)	360"	(9144)



**Box Quantity - 10**  
5 bags containing 2 pieces per bag

Read safety/installation instruction sheets in packages before use.

# Low Voltage & Communication Fasteners

## KwikWire™ Single Style Toggle Termination

Part Number	Wire Rope Diameter		Length	
	in.	(mm)	in.	(mm)
<b>BKT-063-40</b>	1/16"	(1.59)	40"	(1016)
<b>BKT-063-80</b>	1/16"	(1.59)	80"	(2032)
<b>BKT-063-120</b>	1/16"	(1.59)	120"	(3948)
<b>BKT-063-180</b>	1/16"	(1.59)	180"	(4572)
<b>BKT-063-240</b>	1/16"	(1.59)	240"	(6096)
<b>BKT-063-360</b>	1/16"	(1.59)	360"	(9144)



**Box Quantity - 20**  
5 bags containing 4 pieces per bag

## KwikWire™ Single Style Toggle Termination Kits

Part Number	Wire Rope Diameter		Length	
	in.	(mm)	in.	(mm)
<b>BKT-063-40K</b>	1/16"	(1.59)	40"	(1016)
<b>BKT-063-80K</b>	1/16"	(1.59)	80"	(2032)
<b>BKT-063-120K</b>	1/16"	(1.59)	120"	(3948)
<b>BKT-063-180K</b>	1/16"	(1.59)	180"	(4572)
<b>BKT-063-240K</b>	1/16"	(1.59)	240"	(6096)
<b>BKT-063-360K</b>	1/16"	(1.59)	360"	(9144)



**Box Quantity - 20**  
5 bags containing 4 pieces per bag

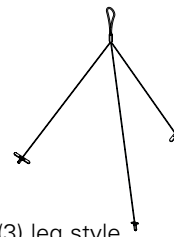
## KwikWire™ 'Y' Style Toggle Termination With Loop

- Available as a wire rope with toggle termination only or as a ready-to-use kit with a BKC100 clamp.
- Available in lengths of 40", 80", 120", 180", 240", and 360".
- Available in single, double (Y), and triple (3) leg styles
- All triple (3) leg styles are non-stock, consult Eaton for lead times



**Box Quantity - 10**  
5 bags containing 2 pieces per bag

Part Number	Wire Rope Diameter		Length	
	in.	(mm)	in.	(mm)
<b>BKYT12-063</b>	1/16"	(1.59)	12"	(305)
<b>BKYT18-063</b>	1/16"	(1.59)	18"	(457)
<b>BKYT30-063</b>	1/16"	(1.59)	30"	(762)



Triple (3) leg style

Read safety/installation instruction sheets in packages before use.

# Low Voltage & Communication Fasteners

## KwikWire™ 'Y' Style Toggle Termination

Part Number	Leg Length		Wire Rope Diameter		Length	
	in.	(mm)	in.	(mm)	in.	(mm)
BKYT12-063-40	12"	(305)	1/16"	(1.59)	40"	(1016)
BKYT12-063-80	12"	(305)	1/16"	(1.59)	80"	(2032)
BKYT12-063-120	12"	(305)	1/16"	(1.59)	120"	(3948)
BKYT12-063-180	12"	(305)	1/16"	(1.59)	180"	(4572)
BKYT12-063-240	12"	(305)	1/16"	(1.59)	240"	(6096)
BKYT12-063-360	12"	(305)	1/16"	(1.59)	360"	(9144)
BKYT18-063-40	18"	(457)	1/16"	(1.59)	40"	(1016)
BKYT18-063-80	18"	(457)	1/16"	(1.59)	80"	(2032)
BKYT18-063-120	18"	(457)	1/16"	(1.59)	120"	(3948)
BKYT18-063-180	18"	(457)	1/16"	(1.59)	180"	(4572)
BKYT18-063-240	18"	(457)	1/16"	(1.59)	240"	(6096)
BKYT18-063-360	18"	(457)	1/16"	(1.59)	360"	(9144)
BKYT30-063-40	18"	(457)	1/16"	(1.59)	40"	(1016)
BKYT30-063-80	30"	(762)	1/16"	(1.59)	80"	(2032)
BKYT30-063-120	30"	(762)	1/16"	(1.59)	120"	(3948)
BKYT30-063-180	30"	(762)	1/16"	(1.59)	180"	(4572)
BKYT30-063-240	30"	(762)	1/16"	(1.59)	240"	(6096)
BKYT30-063-360	30"	(762)	1/16"	(1.59)	360"	(9144)



**Box Quantity - 10**  
5 bags containing 2 pieces per bag

## KwikWire™ 'Y' Style Toggle Termination Kits

- Available as a wire rope with loop termination only or as a ready-to-use kit with a BKC100 clamp.
- Available in lengths of 40", 80", 120", 180", 240", and 360"

Part Number	Leg Length		Wire Rope Diameter		Length	
	in.	(mm)	in.	(mm)	in.	(mm)
BKYT12-063-40K	12"	(305)	1/16"	(1.59)	40"	(1016)
BKYT12-063-80K	12"	(305)	1/16"	(1.59)	80"	(2032)
BKYT12-063-120K	12"	(305)	1/16"	(1.59)	120"	(3948)
BKYT12-063-180K	12"	(305)	1/16"	(1.59)	180"	(4572)
BKYT12-063-240K	12"	(305)	1/16"	(1.59)	240"	(6096)
BKYT12-063-360K	12"	(305)	1/16"	(1.59)	360"	(9144)
BKYT18-063-40K	18"	(457)	1/16"	(1.59)	40"	(1016)
BKYT18-063-80K	18"	(457)	1/16"	(1.59)	80"	(2032)
BKYT18-063-120K	18"	(457)	1/16"	(1.59)	120"	(3948)
BKYT18-063-180K	18"	(457)	1/16"	(1.59)	180"	(4572)
BKYT18-063-240K	18"	(457)	1/16"	(1.59)	240"	(6096)
BKYT18-063-360K	18"	(457)	1/16"	(1.59)	360"	(9144)
BKYT30-063-40K	18"	(457)	1/16"	(1.59)	40"	(1016)
BKYT30-063-80K	30"	(762)	1/16"	(1.59)	80"	(2032)
BKYT30-063-120K	30"	(762)	1/16"	(1.59)	120"	(3948)
BKYT30-063-180K	30"	(762)	1/16"	(1.59)	180"	(4572)
BKYT30-063-240K	30"	(762)	1/16"	(1.59)	240"	(6096)
BKYT30-063-360K	30"	(762)	1/16"	(1.59)	360"	(9144)



**Box Quantity - 10**  
5 bags containing 2 pieces per bag

Read safety/installation instruction sheets in packages before use.

# Low Voltage & Communication Fasteners

## KwikWire™ Bolt Termination

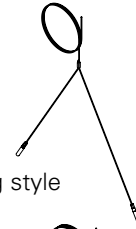
- Ideal for use with ARS, ARC, ADI, ACPW, or ACPD anchors.
- Available as a wire rope with bolt termination only or as a ready-to-use kit with a BKC100 clamp.
- Available in lengths of 40", 80", 120", 180", 240", and 360".
- Available in single, double (Y), and triple leg (3) styles
- All (Y) and triple (3) styles are non-stock, consult Eaton for lead times

Part Number	Thread Size	Wire Rope Diameter		Length	
		in.	(mm)	in.	(mm)
<b>BKB25-063-40</b>	¼"-20	¼"	(1.59)	40"	(1016)
<b>BKB25-063-80</b>	¼"-20	¼"	(1.59)	80"	(2032)
<b>BKB25-063-120</b>	¼"-20	¼"	(1.59)	120"	(3948)
<b>BKB25-063-180</b>	¼"-20	¼"	(1.59)	180"	(4572)
<b>BKB25-063-240</b>	¼"-20	¼"	(1.59)	240"	(6096)
<b>BKB25-063-360</b>	¼"-20	¼"	(1.59)	360"	(9144)
<b>BKB38-094-40</b>	⅜"-16	⅜"	(2.36)	40"	(1016)
<b>BKB38-094-80</b>	⅜"-16	⅜"	(2.36)	80"	(2032)
<b>BKB38-094-120</b>	⅜"-16	⅜"	(2.36)	120"	(3948)
<b>BKB38-094-180</b>	⅜"-16	⅜"	(2.36)	180"	(4572)
<b>BKB38-094-240</b>	⅜"-16	⅜"	(2.36)	240"	(6096)
<b>BKB38-094-360</b>	⅜"-16	⅜"	(2.36)	360"	(9144)

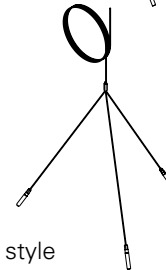


### Box Quantity - 20

5 bags containing 4 pieces per bag



Double (Y) leg style



Triple (3) leg style

## KwikWire™ Bolt Termination Kits

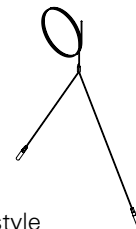
- Ideal for use with ARS, ARC, ADI, ACPW, or ACPD anchors.
- Available as a wire rope with bolt termination only or as a ready-to-use kit with a BKC100 clamp.
- Available in lengths of 40", 80", 120", 180", 240", and 360".
- Available in single, double (Y), and triple (3) styles
- All double (Y) and triple (3) styles are non-stock, consult Eaton for lead times

Part Number	Thread Size	Wire Rope Diameter		Length	
		in.	(mm)	in.	(mm)
<b>BKB25-063-40K</b>	¼"-20	¼"	(1.59)	40"	(1016)
<b>BKB25-063-80K</b>	¼"-20	¼"	(1.59)	80"	(2032)
<b>BKB25-063-120K</b>	¼"-20	¼"	(1.59)	120"	(3948)
<b>BKB25-063-180K</b>	¼"-20	¼"	(1.59)	180"	(4572)
<b>BKB25-063-240K</b>	¼"-20	¼"	(1.59)	240"	(6096)
<b>BKB25-063-360K</b>	¼"-20	¼"	(1.59)	360"	(9144)
<b>BKB38-094-40K</b>	⅜"-16	⅜"	(2.36)	40"	(1016)
<b>BKB38-094-80K</b>	⅜"-16	⅜"	(2.36)	80"	(2032)
<b>BKB38-094-120K</b>	⅜"-16	⅜"	(2.36)	120"	(3948)
<b>BKB38-094-180K</b>	⅜"-16	⅜"	(2.36)	180"	(4572)
<b>BKB38-094-240K</b>	⅜"-16	⅜"	(2.36)	240"	(6096)
<b>BKB38-094-360K</b>	⅜"-16	⅜"	(2.36)	360"	(9144)

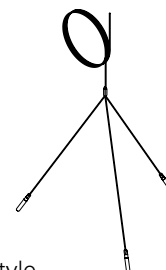


### Box Quantity - 20

5 bags containing 4 pieces per bag



Double (Y) leg style



Triple (3) leg style

Read safety/installation instruction sheets in packages before use.

# Low Voltage & Communication Fasteners

Low voltage & communication fasteners

## KwikWire™ Angle Bracket Termination

Part Number	Wire Rope Diameter		Length	
	in.	(mm)	in.	(mm)
<b>BKA-063-40</b>	1/16"	(1.59)	40"	(1016)
<b>BKA-063-80</b>	1/16"	(1.59)	80"	(2032)
<b>BKA-063-120</b>	1/16"	(1.59)	120"	(3948)
<b>BKA-063-180</b>	1/16"	(1.59)	180"	(4572)
<b>BKA-063-240</b>	1/16"	(1.59)	240"	(6096)
<b>BKA-063-360</b>	1/16"	(1.59)	360"	(9144)



**Box Quantity - 20**  
5 bags containing 4 pieces per bag

## KwikWire™ Angle Bracket Termination Kits

- Available as a wire rope with angle bracket termination only or as a ready-to-use kit with a BKC100 clamp.
- Available in lengths of 40", 80", 120", 180", 240", and 360".

Part Number	Wire Rope Diameter		Length	
	in.	(mm)	in.	(mm)
<b>BKA-063-40K</b>	1/16"	(1.59)	40"	(1016)
<b>BKA-063-80K</b>	1/16"	(1.59)	80"	(2032)
<b>BKA-063-120K</b>	1/16"	(1.59)	120"	(3948)
<b>BKA-063-180K</b>	1/16"	(1.59)	180"	(4572)
<b>BKA-063-240K</b>	1/16"	(1.59)	240"	(6096)
<b>BKA-063-360K</b>	1/16"	(1.59)	360"	(9144)



**Box Quantity - 20**  
5 bags containing 4 pieces per bag



## Electronic Enclosures & Cabinets

Eaton offers a comprehensive line of standard and custom server and network enclosures including both free-standing and wall-mountable styles, as well as a complete selection of accessories.

### RS Enclosures

Whether you have a network closet, server room, or multi-tenant data center, the Eaton® RS Enclosure provides an easy-to-configure solution for IT equipment storage. RS features tool-less configuration, optimized mounting for power distribution, flexible cable management solutions and security provisions. For more information visit, [Eaton.com/RS](http://Eaton.com/RS).

### V-Line Cabinet System

Many innovative features are designed into the V-Line cabinet platform, offering valuable benefits for users. The heart of the system, the cabinet frame, has standard features, such as, fully adjustable mounting angles with RMU markings, removable and replaceable cable entry plates, and leveling feet. The frame can be fitted with a range of options including solid or vented side panels, a variety of door styles, and top or bottom panels. .

All of these features, good looks and high quality are offered at a competitive price point, making the V-Line cabinet an excellent choice for anyone needing to house data communications equipment while watching the bottom line.

### E2 Seismic Zone 4

If your application requires a seismic rated enclosure, Eaton's E2 Zone 4 enclosure line offers a NEBS GR-63 CORE compliant solution. Our heavy duty, reinforced steel construction offers a seismic load rating of 850 lbs. and comes with a variety of options for doors and panels.

# Server & Network Enclosures

## RS Enclosure

**RS server configurations are the perfect solution for labs, network closets or basic server racks.**

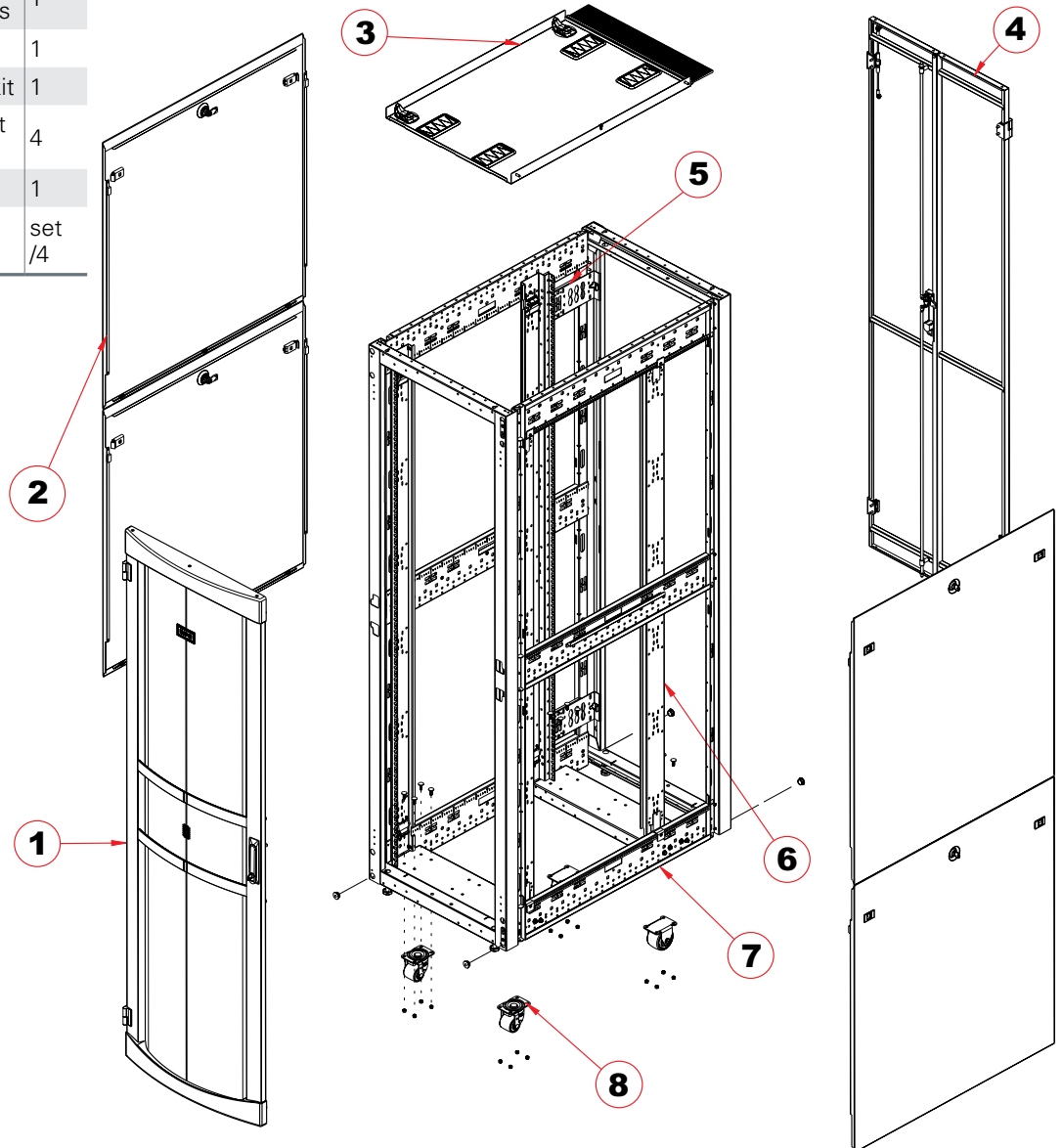
Server configurations are available in black or white in a wide range of sizes including heights of 42U, 45U, 48U and 52U, widths of 600mm and 800mm, and depths of 1000mm, 1100mm and 1200mm. To support different thermal requirements, servers are available with and without side panels.

### Each configuration includes:

- Robust frame
- Square hole adjustable rails
- High-flow perforated front door
- High-flow split rear door
- Locking split side panels (where applicable)
- Networking top panel with cable pass-thru grommets and brush
- Casters and levelers
- PDU mounting brackets
- Grounding

### RS server configuration

Item	Description	Qty
1	Full front door	1
2	Locking split side panels	2
3	Top panel with cable pass-thru grommets	1
4	Rear split door	1
5	Dual PDU bracket kit	1
6	Tool-less rackmount rails	4
7	Welded frame	1
8	Caster kit	set /4



Server & network enclosures

## How to order a RS server configuration

### Server configuration part number matrix

- Step 1** Select **server style** RSV = standard server  
or  
RSVNS = standard server - no sides
- Step 2** Select **(U) height** 42, 45, 48, 52
- Step 3** Select **width** 6 = 600mm or  
8 = 800mm
- Step 4** Select **depth** 0 = 1000mm or  
1 = 1100mm  
2 = 1200mm
- Step 5** Select **color** W = white or  
B = black

**Example:** RSV4261B is a 42U high, 600mm wide, 1100mm deep, black standard enclosure with sides



Server configuration front

Server configuration back

Server & network enclosures

### RS server configuration most popular accessories\*



Vertical air dam



Cable fingers

Air dams	Width	Height (U)	Color
RSAIRD = RS air dam	600 for 600mm	42, 45, 48, 52	N/A
	800 for 800mm		W = white B = black

**Example:** RSAIRD80042B is an air dam that is 800mm wide, 42U high, black

Side panels	Height (U)HH	Depth D	Color
RSSP = RS side panels - solid	42, 45, 48, 52	0 = 1000mm	W = white B = black
RSSPC = RS side panel cable pass-thru		1 = 1100mm	
		2 = 1200mm	

**Example:** RSSP420B: RS side panel solid, 42U high, 1000mm deep, black

Vertical cable manager finger kit	Height (U)
RSCMF = Vertical cable manager finger kit	42, 45, 48, 52

**Example:** RSCMF42U is a 42U high, vertical cable manager finger kit.

\* For a full range of accessories, see Pages 238 through 245.

# Server & Network Enclosures

## RS Enclosure

**RS network configurations are the perfect solution for applications with medium to high-density cabling requirements.**

Each enclosure features vertical cable managers in the front and rear. The front features a medium-density vertical cable manager with fingers installed on the front rail. The 600mm wide enclosures feature the medium-density cable manager which is also installed in the rear. The 800mm wide enclosures features a high-density cable manager with two sets of fingers and a door installed.

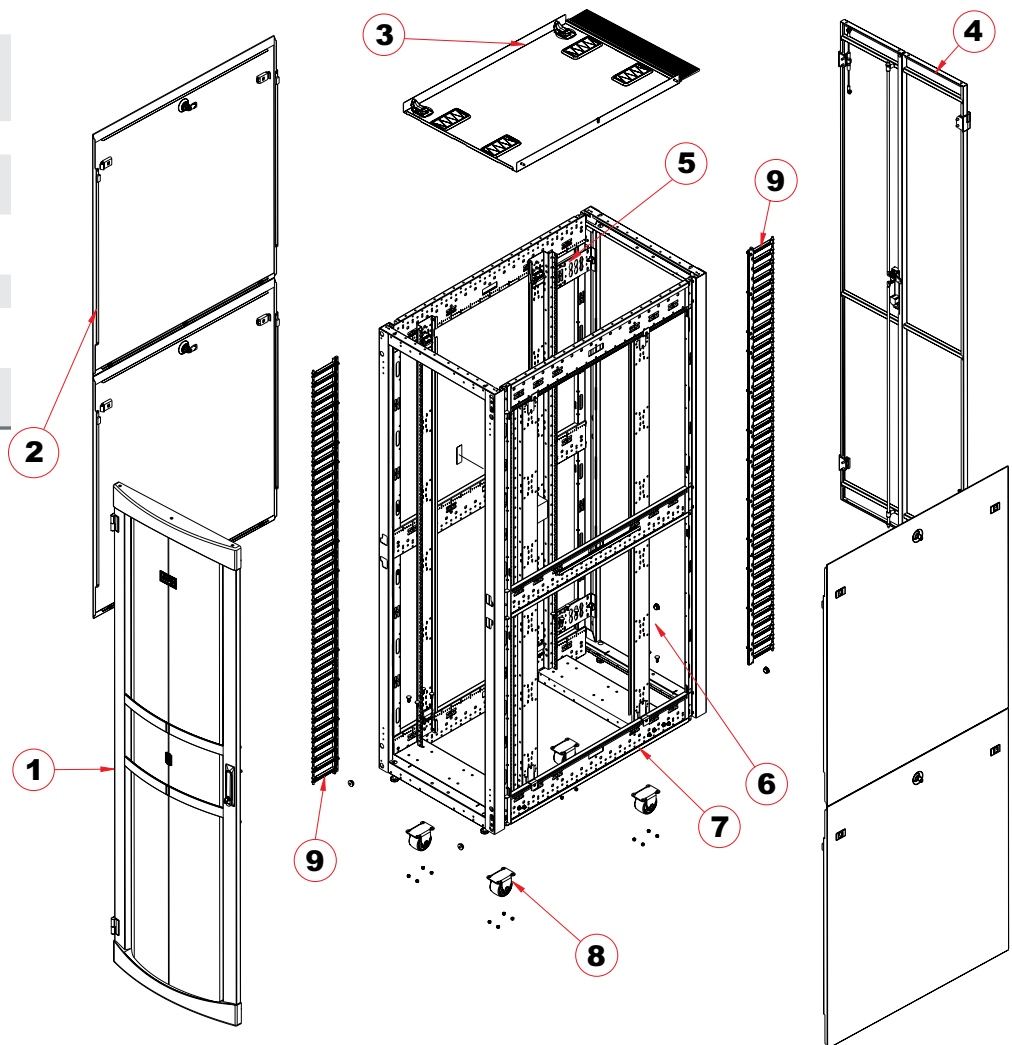
Preconfigured network configurations are available in a wide range of sizes including heights of 42U and 48U, widths of 600mm and 800mm and depths of 1100mm and 1200mm. Colors include black with black trim and white with black trim.

Each configuration includes:

- Robust frame
- Square hole adjustable rails
- High-flow perforated front door with swing handle lock
- High-flow split rear door with swing handle
- Locking split side panels
- Tool-less cable managers can be removed or adjusted
- Networking top panel with cable pass-thru grommets
- Casters and levelers
- PDU mounting brackets
- Grounding
- Vertical cable managers in front and rear

### RS network configuration

Item	Description	Qty
1	Full front door	1
2	Locking split side panels	2
3	Top panel with cable pass-thru grommets	1
4	Rear split door	1
5	Dual PDU bracket kit	1
6	Tool-less rack-mount rails	4
7	Welded frame	1
8	Caster kit	set /4
9	Front and rear cable managers	2



Server & network enclosures



## RS network configuration ordering information

- Select \_\_ = B (black) or W (white)

Part number	Size	Color	Cable management
<b>RSN4261</b> __	42U x 600mm x 1100mm	Black with black trim or white with black trim	2 MDVCM
<b>RSN4281</b> __	42U x 800mm x 1100mm	Black with black trim or white with black trim	1 MDVCM, 1 HDVCM
<b>RSN4262</b> __	42U x 600mm x 1200mm	Black with black trim or white with black trim	2 MDVCM
<b>RSN4282</b> __	42U x 800mm x 1200mm	Black with black trim or white with black trim	1 MDVCM, 1 HDVCM
<b>RSN4861</b> __	48U x 600mm x 1100mm	Black with black trim or white with black trim	2 MDVCM
<b>RSN4881</b> __	48U x 800mm x 1100mm	Black with black trim or white with black trim	1 MDVCM, 1 HDVCM
<b>RSN4862</b> __	48U x 600mm x 1200mm	Black with black trim or white with black trim	2 MDVCM
<b>RSN4882</b> __	48U x 800mm x 1200mm	Black with black trim or white with black trim	1 MDVCM, 1 HDVCM

**Example:** RSN4261B is a 42U high, 600mm wide, 1100mm deep, black enclosure

Network configuration shown with side panels removed; optional Flextray™ included in addition to finger style vertical managers



Medium-duty vertical cable manager (MDVCM)



High-density vertical cable manager (HDVCM)



Top panel with cable pass-thru grommets and brush



Grounding

## RS network configuration most popular accessories\*

- Select \_\_ = B (black) or W (white)

Part number	Description
<b>Anchor brackets</b>	
<b>RSANC</b> __	Anchor brackets in black or white
<b>Air dams</b>	
<b>RSAIRD60042</b>	Air dam kit for 42U, 600mm wide enclosure
<b>RSAIRD60048</b>	Air dam kit for 48U, 600mm wide enclosure
<b>RSAIRD80042</b> __	Air dam kit for 42U, 800mm wide enclosure – includes vertical blanking panels; black or white
<b>RSAIRD80048</b> __	Air dam kit for 48U 800mm wide enclosure – includes vertical blanking panels; black or white
<b>Bottom panel</b>	
<b>RSBPAIRD2</b> __	Bottom panel for 800mm wide enclosures for configurations with rails recessed more than 100mm; black or white
<b>RSHPC63</b> __	Bottom panel for 600mm wide enclosures for configurations with rails recessed more than 100mm; black or white
<b>Blanking panels</b>	
<b>ETN-PBP1U10</b>	Kit of 10 tool-less plastic blanking panels

\* For a full range of accessories, see Pages 238 through 245.

# Server & Network Enclosures

## RS Enclosure

The RS colocation configuration is ideal for data centers that require additional flexibility and security.

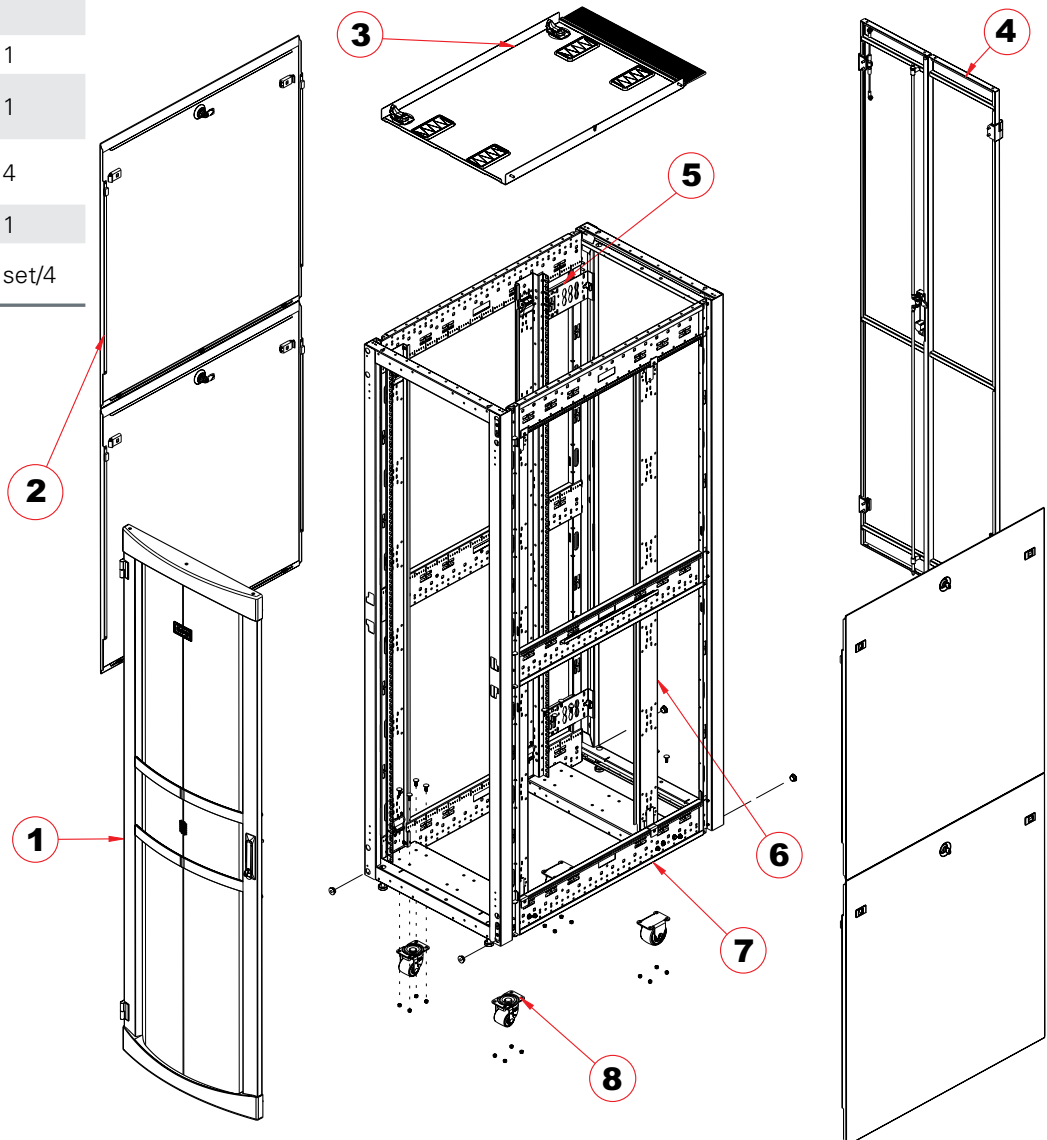
Colocation enclosures are available in a wide range of sizes including heights of 42U and 48U, widths of 600mm and 800mm and depths of 1100mm and 1200mm. Colors include black with black trim and white with black trim.

### Each configuration includes:

- Robust frame
- High-flow perforated front door with combination swing handle lock; alternative HFID lock also available
- Square hole adjustable rails
- High-flow split rear door with combination swing handle
- Locking split side panels
- Networking top panel with cable pass-thru grommets and brush
- Casters and levelers
- PDU mounting brackets
- Grounding

### RS colocation enclosure configuration

Item	Description	Qty
1	Full front door	1
2	Locking split side panels	2
3	Top panel with cable pass-thru grommets	1
4	Rear split door	1
5	Dual PDU bracket kit	1
6	Tool-less rackmount rails	4
7	Welded frame	1
8	Caster kit	set/4



Server & network enclosures



RS comes in black with black trim or white with black trim

## RS colocation configuration ordering information

- Select \_\_ = B (black with black trim) or W (white with black trim)

Part number	Size
RSC4261__	42U x 600mm x 1100mm
RSC4281__	42U x 800mm x 1100mm
RSC4262__	42U x 600mm x 1200mm
RSC4282__	42U x 800mm x 1200mm
RSC4861__	48U x 600mm x 1100mm
RSC4881__	48U x 800mm x 1100mm
RSC4862__	48U x 600mm x 1200mm
RSC4882__	48U x 800mm x 1200mm

*Example: RSC4261B is a 42U high, 600mm wide, 1100mm deep, black enclosure*



Combination lock

## RS colocation configuration most popular accessories\*

- Select \_\_ = B (black) or W (white)

Part number	Description
-------------	-------------

### Anchor brackets

RSANC__	Anchor brackets in black or white
---------	-----------------------------------

### Air dams

RSAIRD60042	Air dam kit for 42U, 600mm wide enclosure
RSAIRD60048	Air dam kit for 48U, 600mm wide enclosure
RSAIRD80042__	Air dam kit for 42U, 800mm wide enclosure – includes vertical blanking panels; black or white
RSAIRD80048__	Air dam kit for 48U 800mm wide enclosure – includes vertical blanking panels; black or white

### Bottom panel

RSBPAIRD2__	Bottom panel for 800mm wide enclosures for configurations with rails recessed more than 100mm;
RSHPC63__	Bottom panel for 600mm wide enclosures for configurations with rails recessed more than 100mm;

### Blanking panels

ETN-PBP1U10	Kit of 10 tool-less plastic blanking panels
-------------	---

### Cable managers

RSCMF42U	42U vertical cable manager finger kit; tool-less
RSCMF48U	48U vertical cable manager finger kit; tool-less
RSVCMC42B	42U high-density cable manager for 800mm wide enclosures; black
RSVCMC48B	48U high-density cable manager for 800mm wide enclosures; black

\* For a full range of accessories, see Pages 238 through 245.



Flexible PDU mounting options

# Server & Network Enclosures

RS Enclosure

## RS configured-to-order (CTO) solutions

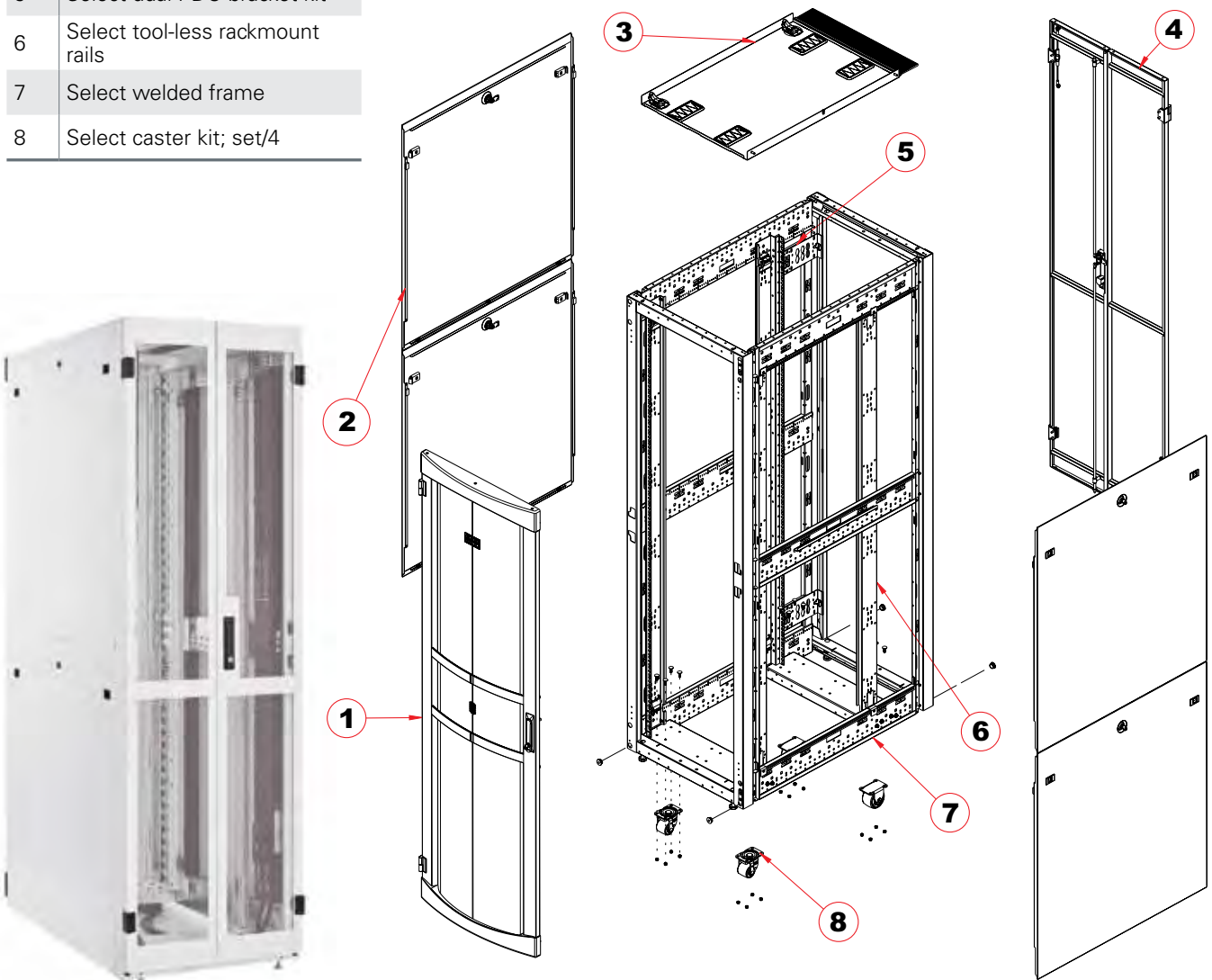
RS can be custom configured to meet your specific requirements with our configured-to-order program. Configure a four-post frame solution for a lab, a high security HFID enclosure for a colocation facility, and more. The options are limitless.

### Overview

- Build the part number to configure the enclosure for your application
- Options include: side panels, top panels, doors, casters, door handles, rails and color
- Add-on features for installation include: air dams and heavy duty packaging

### RS CTO configuration

Item	Description
1	Select front door
2	Select locking split side panels
3	Select top panel with cable pass-thru grommets
4	Select rear split door
5	Select dual PDU bracket kit
6	Select tool-less rackmount rails
7	Select welded frame
8	Select caster kit; set/4



Server & network enclosures



## RS configured-to-order (CTO) solutions

To build a part number for a configured-to-order Eaton RS Enclosure, follow the steps below and refer to the exploded view on page 236 for additional reference.

Step 1	<b>R</b>	<b>RS Enclosure Platform</b>	<b>R</b> = RS Enclosure
	<b>42</b>	<b>Height (rack units)</b>	<b>42, 45, 48, 52</b>
	<b>6</b>	<b>Width</b>	<b>6</b> = 600mm <b>8</b> = 800mm
	<b>1</b>	<b>Depth</b>	<b>0</b> = 1000mm <b>1</b> = 1100mm <b>2</b> = 1200mm
Step 2	<b>2</b>	<b>Rail type</b>	<b>1</b> = EIA 19" square <b>2</b> = EIA 19" tapped 12-24"
Step 3	<b>X</b>	<b>Left side panel</b>	<b>S</b> = Solid with lock <b>C</b> = Cable pass-thru with lock <b>X</b> = No side panel
	<b>S</b>	<b>Right side panel</b>	<b>S</b> = Solid with lock <b>C</b> = Cable pass-thru with lock <b>X</b> = No side panel
Step 4	<b>1</b>	<b>Front door</b>	<b>1</b> = Perf left hand <b>2</b> = Perf right hand <b>X</b> = No door
	<b>3</b>	<b>Rear door</b>	<b>1</b> = Perf left <b>2</b> = Perf right <b>3</b> = Split perf <b>4</b> = Split solid <b>X</b> = No door
	<b>S</b>	<b>Locks (same front &amp; rear)</b>	<b>S</b> = Swing <b>C</b> = Combo <b>H</b> = HFID
Step 5	<b>T</b>	<b>Top panel</b>	<b>S</b> = Server (modular) <b>T</b> = One piece <b>X</b> = No top
Step 6	<b>B</b>	<b>Color</b>	<b>B</b> = Black <b>W</b> = White
Step 7	<b>1</b>	<b>Casters</b>	<b>1</b> = Standard casters <b>X</b> = No casters

Example: R42612XS13STB1 is a 42U tall, 600mm wide, 1100mm deep enclosure with EIA 19" tapped hole rails, no left side panel, solid right side panel with locks, perforated front door (hinged left) and split perforated rear doors all with swing lock handles, a one piece top panel, black finish with casters.

# Server & Network Enclosures

RS Enclosure

## Side panels – solid

- Side panels feature simple unlock and lift-off design for ease of servicing. Each side panel includes top and bottom
- Select \_\_ = B (black) or W (white)



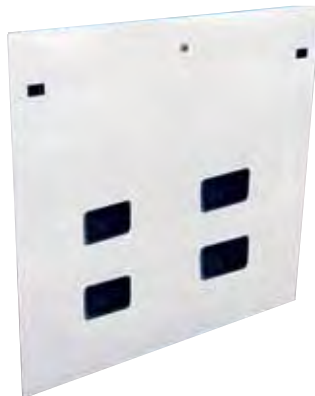
## Solid locking split side panel, black or white

Part number	Description
RSSP420__	42U, 1000mm, solid
RSSP450__	45U, 1000mm, solid
RSSP480__	48U, 1000mm, solid
RSSP520__	52U, 1000mm, solid
RSSP421__	42U, 1100mm, solid
RSSP451__	45U, 1100mm, solid
RSSP481__	48U, 1100mm, solid
RSSP521__	52U, 1100mm, solid
RSSP422__	42U, 1200mm, solid,
RSSP452__	45U, 1200mm, solid
RSSP482__	48U, 1200mm, solid
RSSP522__	52U, 1200mm, solid



## Side panels – cable pass-thru

- Side panels feature a simple unlock and lift-off design for ease of servicing.
- Grommet pathways for routing cable between adjacent enclosures
- Select \_\_ = B (black) or W (white)



## Cable pass-thru locking split side panel

Part number	Description
RSSPC420__	42U, 1000mm
RSSPC450__	45U, 1000mm
RSSPC480__	48U, 1000mm
RSSPC520__	52U, 1000mm
RSSPC421__	42U, 1100mm
RSSPC451__	45U, 1100mm
RSSPC481__	48U, 1100mm
RSSPC521__	52U, 1100mm
RSSPC422__	42U, 1200mm
RSSPC452__	45U, 1200mm
RSSPC482__	48U, 1200mm
RSSPC522__	52U, 1200mm

## Grommet kit

Part number	Description
RSGROM4	Replacement grommets (pkg. of four)



## Top panels – solid

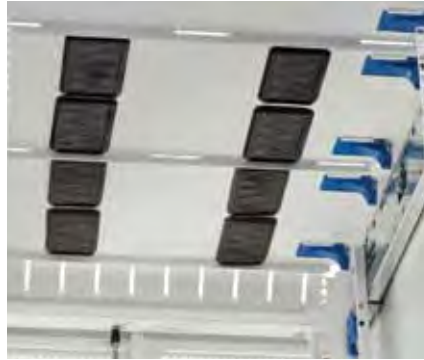
- Limitless number of top panel configurations can be created using the modular top panels shown at right
- Easy to install without tools – simply pull back the latches and push the panel
- Available in a range of sizes (with and without grommets for cable pass-thru)
- Brushes and waterfalls available to attach to end of panels for added cable pass-thru options
- Select \_\_ = B (black) or W (white)

## Solid horizontal top panel, black or white

Part number	Description
RSHPS61__	600mm x 100mm
RSHPS63__	Horizontal top panel, 600mm x 300mm
RSHPS64__	Horizontal top panel, 600mm x 400mm
RSHPS65__	Horizontal top panel, 600mm x 500mm

## Top panels – cable pass-thru

- Select \_\_ = B (black) or W (white)



Cable pass-thru horizontal top panel, black or white

Part number	Description
RSHPC63__	600mm x 300mm
RSHPC64__	600mm x 400mm
RSHPC65__	600mm x 500mm
RSHPC67__	600mm x 700mm
RSHPC68__	600mm x 800mm
RSHPC69__	600mm x 900mm

## Top panel edge grip

An alternative to brushes, the heavy duty edge grip seal simply pushes on to edge of panel and can be used when panels are in staggered up/down configuration to help provide air seal.



Part number	Description
RSHPEDGE61	600mm, 180 edge

## Vertical cable management 2" vertical Flextray™ system

Robust wire basket; cost effective and flexible option for cable management.

- Cabling can be routed in/out of gates and at any point of basket
- Velcro® straps are available to secure the cabling in place
- Tool-less mounting brackets are included in each kit
- Black finish

### 2" Vertical Flextray™ with mounting hardware

Part number	Description
RSCMBFT42U42	2" x 4", 42U
RSCMBFT45U42	2" x 4", 45U
RSCMBFT48U42	2" x 4", 48U
RSCMBFT52U42	2" x 4", 52U
RSCMBFT42U62	2" x 6", 42U
RSCMBFT45U62	2" x 6", 45U
RSCMBFT48U62	2" x 6", 48U
RSCMBFT52U62	2" x 6", 52U



### 6" Vertical flat Flextray™ system with mounting hardware

Part number	Description
RSCMFFT42U6	42U
RSCMFFT45U6	45U
RSCMFFT48U6	48U
RSCMFFT52U6	52U



®† All trademarks are property of their respective owners.

# Server & Network Enclosures

## RS Enclosure Accessories

### Vertical cable managers

For 600mm wide enclosures or low density requirements in 800mm widths, the robust cable manager finger sections can be installed from top to bottom, or in select locations.

- Kits include tool-less fasteners for easy installation
- For high density requirements, full cable managers with doors mount on tool-less brackets behind the rails
- Doors will help provide cable retention

#### Railmounted cable management fingers, with mounting hardware

Part number	Description
RSCMF42U	42U
RSCMF45U	45U
RSCMF48U	48U
RSCMF52U	52U
RSCMF11U	11U



- Includes high and low density fingers to manage cables
- Dual hinged door to retain cables

#### High density vertical cable manager, with mounting brackets for 800mm enclosures

Part number	Description
RSVCMC42B	42U
RSVCMC45B	45U
RSVCMC48B	48U
RSVCMC52B	52U



### Horizontal cable management

For front-to-back cabling, the horizontal Flextray system is robust, yet provides a perfect low profile support to attach/route cabling from front to rear of the enclosure.

- Available in 800mm enclosures or flat for any width enclosure
- Tool-less mounting brackets included

#### 4" Horizontal Flextray™ system; black with mounting hardware

Part number	Description
RSBFT42800	2" x 4" x 800mm
RSBFT42900	2" x 4" x 900mm
RSBFT421000	2" x 4" x 1000mm



#### 6" Horizontal flat Flextray™ system with mounting hardware

Part number	Description
RSFFT6800	800mm; black
RSFFT6900	900mm; black
RSFFT61000	1000mm; black



### Horizontal rackmount cable manager kit with cover

19" rackmount horizontal cable managers are the perfect solution for managing cabling along the front of the enclosure.

Part number	Description
SB87019S1FB	19" – 482mm W x 1U H
SB87019S2FB	19" – 482mm W x 2U H
SB87019S3FB	19" – 482mm W x 3U H



### Cable management accessories

#### Split cable retention gate kit

Retention gates are designed to snap onto basket Flextray™ wire basket for cable management.

Part number	Description
RSCRG10	10 pc (5LH, 5RH)



## Cable management accessories

### Overhead cable management trough

Use one or more cable troughs to provide separate cable pathways on top of enclosures.

- Select \_\_ = B (black) or W (white)

Part number	Description
<b>RSCMOT6__</b>	600mm, with mounting hardware
<b>RSCMOT8__</b>	800mm, with mounting hardware



### Top cable waterfalls

Waterfalls are designed to provide a radius for fiber cables. The waterfall attaches tool-less to the edge of a top panel.

- Select \_\_ = B (black) or W (white)

Part number	Description
<b>RSCMTWF600__</b>	600mm, with mounting hardware



### Air management brush kit

Cable management brush for tool-less attachment to edge of top panel.

Part number	Description
<b>RSHPBRS61</b>	600mm x 100mm



### Spools and rings

For use with PDU brackets, the following spools and rings can be mounted to bracket for cable management.

Part number	Description
<b>ETN-CMTUNR02</b>	Cable spool
<b>ETN-CMDRNR031U</b>	Kit of 4 cable rings



### Velcro® buckle straps

- Velcro buckle straps allow for mechanical fastening of strap to multiple points in enclosure
- Velcro offers superior reusability versus tie wraps
- 50 straps per kit (standard Velcro straps) and 10 straps per kit (Velcro buckle straps)

Part number	Length	Width	Qty
<b>ETN-CMVCKL</b>	9"	.5"	10
<b>ETN-CMVCKL12</b>	12"	.5"	10
<b>ETN-BX45V8</b>	8"	.5"	50
<b>ETN-BX45V11</b>	10"	.5"	50



®† All trademarks are property of their respective owners.

# Server & Network Enclosures

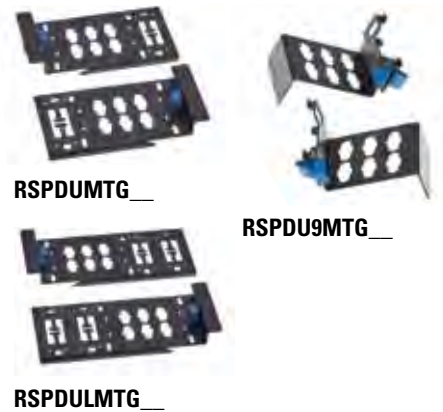
## RS Enclosure Accessories

### PDU mounting brackets

PDU brackets install easily without tools in the enclosure providing mounting for up to two PDUs and supports for cable management. Velcro® straps, cable rings and spools can attach to the brackets. The standard and long brackets attach to the frame in a variety of locations. The 90-degree version is for use behind the rails on an 800mm wide enclosure.

- Select \_\_ = B (black) or W (white)

Part Number	Description	Height	Width	Depth
RSPDUMTG__	PDU brackets with cable management	5.12"	9"	4.0"
RSPDULMTG__	PDU extended brackets with cable management	5.12"	10"	1.0"
RSPDU9MTG__	PDU brackets – 90-degree mounting behind rails	4.00"	4"	4.2"

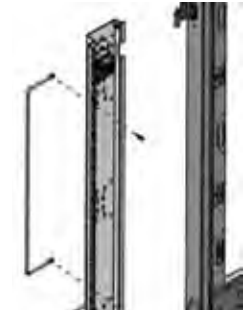


### PDU mounting kits

Part number	Description
RSPDURTNKITB	Kit, PDU retainer
RSCMPWR11	Kit, bar, 11U, for managing IT equipment power cords



RSPDURTNKITB



RSCMPWR11

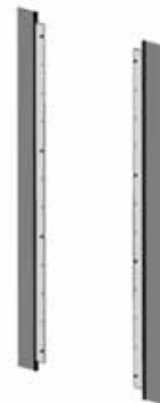
### Airflow management

For applications where the hot/cold aisle seal is required, we offer brush strips or vertical blanking panel solutions for 800mm wide enclosures. Both feature tool-less installation. For 600mm wide enclosures, a simple to install air dam kit is available.

- Select \_\_ = B (black) or W (white)

### Vertical brush strip air dams for 800mm enclosures; black or white

Part number	Description
RSAIRB80042__	42U enclosure
RSAIRB80045__	45U enclosure
RSAIRB80048__	48U enclosure
RSAIRB80052__	52U enclosure



### Vertical air dam kits with hardware and grommets; black or white

- Select \_\_ = B (black) or W (white)

#### 800mm kit

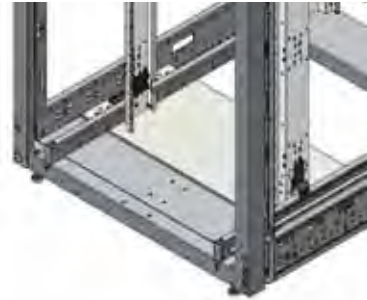
Part number	Description
RSAIRD80042__	42U enclosure
RSAIRD80045__	45U enclosure
RSAIRD80048__	48U enclosure
RSAIRD80052__	52U enclosure



®† All trademarks are property of their respective owners.

## Bottom panel air seal for 800mm

Part number	Description
*RSBPAIRD2__	With grommet



## Bottom panel for 600mm

Part number	Description
*RSHPC63__	With cable pass-thru



## Plastic blanking panels

- Tapped/square holes
- Cost effective, tool-less, aesthetic solution for airflow management requirements.

Part number	Height	Qty
ETN-PBP1U10	1U	10
ETN-PBP1U100	1U	100
ETN-PBP1U500	1U	500
ETN-PBP2U10	2U	10
ETN-PBP2U100	2U	100
ETN-PBP2U500	2U	500
ETN-PBP8U10	8U	10
ETN-PBP8U100	8U	100
ETN-PBP8U500	8U	500



## Anti-tip bracket

The anti-tip brackets are for use during installation of heavy equipment in the enclosure; particularly in the upper U mounting spaces.

- Select \_\_ = B (black) or W (white)

Part number	Description
RSANT6__	600mm stabilizer kit with hardware
RSANT8__	800mm stabilizer kit with hardware



## 600mm kit

Part number	Description
RSAIRD60042__	42U enclosure
RSAIRD60045__	45U enclosure
RSAIRD60048__	48U enclosure
RSAIRD60052__	52U enclosure

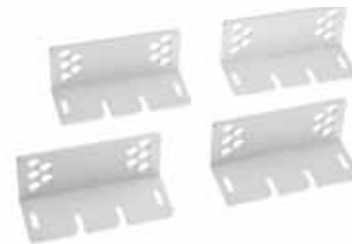


## Anchoring kit

Anchor brackets attach to the front and rear of the enclosure for anchoring to the data center floor.

- Select \_\_ = B (black) or W (white)

Part number	Description
RSANC__	Anchor brackets with hardware



\* For use in configurations with rails recessed greater than 100mm.

®† All trademarks are property of their respective owners.

# Server & Network Enclosures

## RS Enclosure Accessories

### Shelving

Standard and heavy-duty fixed and roll-out shelves for storing peripherals and non-rackmounted legacy equipment

Part Number	Description	Height	Width	Depth	Weight Capacity	Mounting Range
ETN-US192U1605	Utility shelf	2U	17.2"	16"	50 lbs.	n/a
ETN-FS19201U20	Standard-duty fixed shelf	1U	17.4"	20"	200 lbs.	20" to 26"
ETN-FS19241U20	Standard-duty fixed shelf	1U	17.4"	24"	200 lbs.	24" to 29"
ETN-FS19281U20	Standard-duty fixed shelf	1U	17.4"	28"	200 lbs.	28" to 35"
ETN-RS19241U10	Standard-duty roll-out shelf	1U	17.5"	24"	100 lbs.	24" to 29"
ETN-RS19281U10	Standard-duty roll-out shelf	1U	17.5"	28"	100 lbs.	28" to 34"
ETN-FS19201U40	Heavy-duty fixed shelf	1U	17.7"	20"	400 lbs.	20" to 26"
ETN-FS19241U40	Heavy-duty fixed shelf	1U	17.7"	24"	400 lbs.	20" to 29"
ETN-FS19281U40	Heavy-duty fixed shelf	1U	17.7"	28"	400 lbs.	28" to 35"
ETN-RS19242U20	Heavy-duty roll-out shelf	1U	n/a	24"	200 lbs.	n/a
ETN-RS19282U20	Heavy-duty roll-out shelf	1U	n/a	28"	200 lbs.	n/a
ETN-CHASBKT2032	Chassis Bracket 20-32"	n/a	n/a	n/a	n/a	n/a



### Baying kit

The baying kit includes a spare set of baying brackets (all enclosures come standard with a baying kit) and a black filler strip which can be used when mounting enclosures on 24" spacing to fill the gap between the racks

- Select \_\_ = B (black) or W (white)

Part number	Description
RSBAYKIT__	With hardware and filler, (filler strip not shown)



### Hinge kits

Part number	Description
RSHINGEKITR	For changing to right side open doors
RSHINGEKITL	For changing to left side open doors



### Hardware

#### Rackstuds™ tool-less mounting kit

Part number	Description
RSSTUDKIT100	Pkg. of 100



#### Caster kit

Part number	Description
RSCSTRKIT	Set of four casters (two fixed, two swivel)



#### Cage nuts & screws

Part number	Description
ETN-1032CAGE20	10-32 - kit of 20
ETN-M6CAGE20	M6 - kit of 20





## Handles & locks

### HFID lock

For HFID locks, a battery kit is required to activate the lock for opening prior to installation. For managing the locks, a software package by Dirak® is available

Part number	Description
<b>RSHDLH</b>	HFID handle replacement kit
<b>RSHFIDBATT</b>	HFID battery pack
<b>RSHFIDADMSW</b>	Admin software for HFID lock



### Swing handles

Part number	Description
<b>RSHDLS</b>	Swing handle replacement kit (2 handles)



### Combo lock

Part number	Description
<b>RSHDLC</b>	Combo lock handle replacement kit (2 handles)



## Miscellaneous accessories

### Rail kits with square holes for 600mm enclosures

- Select \_\_\_ = B (black) or W (white)

Part number	Description
<b>RSRSPSQ42__</b>	42U rails, kit of 2 rails
<b>RSRSPSQ45__</b>	45U rails, kit of 2 rails
<b>RSRSPSQ48__</b>	48U rails, kit of 2 rails
<b>RSRSPSQ52__</b>	52U rails, kit of 2 rails



### Ramp

The optional ramp is used with the standard RS packaging to facilitate easy movement of the enclosure from the pallet.

Part number	Description
<b>RSRMPSTD</b>	Standard ramp (must be ordered with enclosures; not available for separate shipment)



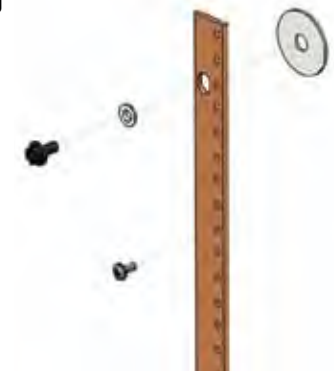
### Rail kits with square holes for 800mm enclosures

- Select \_\_\_ = B (black) or W (white)

Part number	Description
<b>RSRSPSQ842__</b>	42U rails, kit of 2 rails
<b>RSRSPSQ845__</b>	45U rails, kit of 2 rails
<b>RSRSPSQ848__</b>	48U rails, kit of 2 rails
<b>RSRSPSQ852__</b>	52U rails, kit of 2 rails

### Buss bars with mounting hardware

Part number	Description
<b>RSBB42</b>	42U
<b>RSBB45</b>	45U
<b>RSBB48</b>	48U
<b>RSBB52</b>	52U



### Hardware kit

Part number	Description
<b>RSRLKIT</b>	Rail locking kit for securing rails during shipment when IT equipment is installed

### Grommet kit

Replacement grommet kit.

Part number	Description
<b>RSGROM4</b>	Kit of grommets, package of four



# Server & Network Enclosures

## V-Line Enclosure

Removable cable entry knockout plates

Range of single & double door options with a variety of locking choices

Fully adjustable 19" rails. 29½" wide cabinet offer offset and 23" mounting

Square hole or #12-24 tapped hole mounting rail options

Doors can be configured left hand (LH) or right hand (RH) hinged

Open base with infill panel & filter options

Fully configurable top panel assembly

Lockable side panels

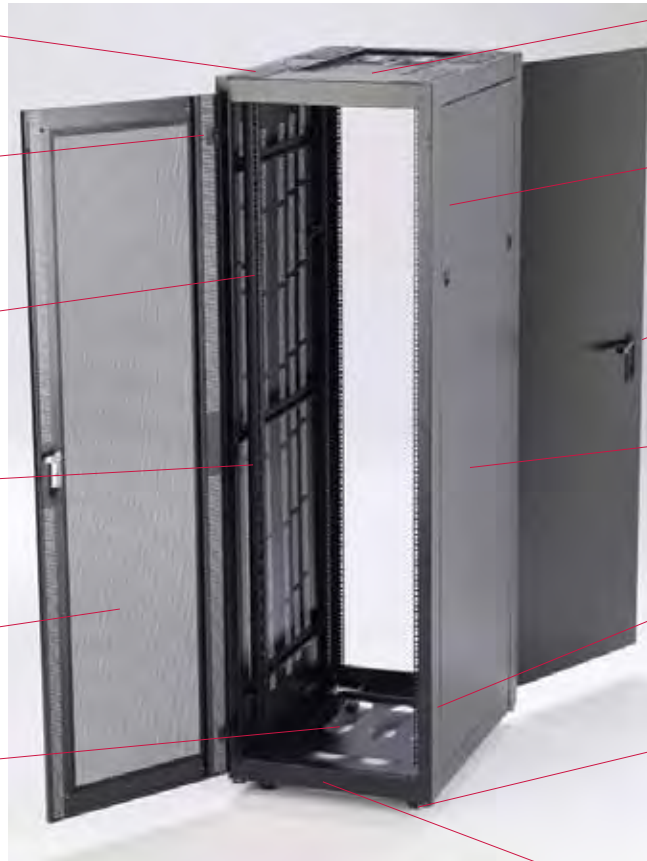
Extensive range of mechanical and electronic locking options

Plain & vented side panel options

New ganging knockouts allow cabinets to be ganged with or without side panels

Leveling feet supplied as standard with optional castor availability

Fully welded steel frame structure



Standard cabinet finish is a black hard wearing epoxy polyester powder coat paint, color reference RAL 9005. Enclosures are also available finished in Light Gray, reference NCS 1502-Y, but may be subject to increased lead times.

# Server & Network Enclosures

V-Line Enclosure

The V-Line cabinet platform is designed to provide high quality enclosure solutions to the market at competitive prices and short lead times. Ordering the V-Line solution can be done by ordering individual components or ordering a configured enclosure solution with a single part number.

Use the following matrix to build the part number for your desired V-Line enclosure configuration.

Step 1	V	V-Line Cabinet Range	<b>Options</b>				
	42	Cabinet Effective Height	24U	38U	42U	45U	47U
	24	Cabinet Overall Width	24 = 24"		29 = 29½"		
	42	Cabinet Overall Depth	24 = 24"	30 = 30"	36 = 36"	42 = 42"	48 = 48"
Step 2	A	Mounting Rail Type	A = 19" Square Holes B = 19" #12-24 Tapped Holes		C = 23" Square Holes * D = 23" #12-24 Tapped Holes * <i>* Only on 29½" wide cabinets</i>		
	C	Mounting Rail Position	L = Offset Left* R = Offset Right* C = Centered		<i>* Only on 29½" wide cabinets</i>		
Step 3	V	Front Door	V = High Flow Vented LH W = High Flow Vented RH X = High Flow Vented Split* S = Solid LH T = Solid RH U = Solid Split* N = None		A = Acrylic LH B = Acrylic RH C = Vented Acrylic LH D = Vented Acrylic RH F = Split Fan Door* <i>* Only available with T &amp; D locking options.</i>		
	X	Rear Door					
	S	Locking Options	S = Swing Handle (single point) C = Combo Handle (single point) T = Swing Handle (3-point)		D = Combo Handle (3-point) P = i-PAL Handle (2-point) N = None		
Step 4	S	Left Hand (LH) Side Panel Configuration	S = Solid Full Height* T = Solid Split**		<i>* Not available on 42U x 48", 45U x 48", &amp; 47U x 48" options</i>		
	S	Right Hand (RH) Side Panel Configuration	V = Vented Full Height* W = Vented Split** N = None		<i>** Not available on 24U high options</i>		
Step 5	V	Top Panel Configuration	S = Solid Top V = Vented Top N = None	2 = 210 CFM Fan Top 4 = 420 CFM Fan Top 5 = 550 CFM Fan Top	1 = 1100 CFM Fan Top* <i>* Not available on 24" wide deep units</i>		
Step 6	B	Finish	A = Gray    B = Black				
Step 7	+	Accessories	See Pages 255 - 257				

Server & network enclosures

What features do you require for your electronic cabinet solution? Whatever you require, you can be sure that the V-Line cabinet platform from Eaton will meet your needs. For assistance with selecting the optimal cabinet solution for your network, contact a B-Line series sales representative or call our sales engineering department at (800) 851-7415.

# Server & Network Enclosures

V-Line Colocation Enclosure

Server & network enclosures

VC	V-Line™ Co-Locate Cabinet	Options
2	Compartments	2 = 2-Bay (22U per compartment)    3 = 3-Bay (14U per compartment)
45	Cabinet Height	45U
29	Cabinet Width	29 = 29½"
42	Cabinet Depth	36 = 36"    42 = 42"    48 = 48"
A	Mounting Rail Type	A = 19" Square Holes B = 19" #12-24 Tapped Holes <i>Rails only available centered on co-locate cabinets</i>
V	Front Door	V = High Flow Vented LH W = High Flow Vented RH X = High Flow Vented Split* S = Solid LH T = Solid RH N = None A = Acrylic LH B = Acrylic RH
X	Rear Door	* Only available with T & D locking options.
S	Locking Options	S = Swing Handle (single point) C = Combo Handle (single point) T = Swing Handle (3-point) D = Combo Handle (3-point) P = i-PAL Handle (2-point) N = None
S	Left Hand (LH) Side Panel Configuration	S = Solid V = Vented N = None
S	Right Hand (RH) Side Panel Configuration	
V	Top Panel Configuration	S = Solid Top    2 = 210 CFM Fan Top    1 = 1100 CFM Fan Top V = Vented Top    4 = 420 CFM Fan Top N = None    5 = 550 CFM Fan Top
B	Finish	A = Gray    B = Black



### Caster Kit

- Unique, drop-in design that helps simplify the installation process
- A 300 lb (136kg) dynamic load rating each allowing for a 1200 lb (544kg) dynamic load for cabinet on casters
- Includes four casters and installation hardware

Part Number	Weight Each	
	lbs.	(kg)
VCK	7	(3)

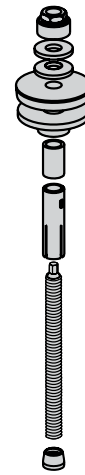


### Seismic Bolt-Down Kit

- Includes four anchor plates and is used with isolated seismic anchors to attach the frame to a concrete floor in seismic applications
- Includes the anchor plates and the hardware required to attach to the V-Line frame
- Seismic anchors are sold separately

VSBDK

Part Number	Description	Weight Each	
		lbs.	(kg)
VSBDK	Seismic Bolt-Down Kit	2.9	(1.3)
ASSAM12157HN	Seismic Anchors (Hex Nut Type)	0.1	(0.05)



ASSAM12157HN



Cable Entry Knockout Plate

### Removable / Replaceable Cable Entry Knockout Plates

- Plates are designed to help maximize the area available for cable entry into the V-Line enclosures while eliminating large open areas that would limit security, aesthetics and the ability to keep contaminants and debris out
- Four of these plates are included with each V-Line frame
- 13" (330mm) x 3¾" (95mm) removable plates feature three 2½" (58mm) / 3" (76mm) concentric knockouts allowing numerous different cable entry options in each corner
- The bottom panel also includes four VOZIP plates as well for the same benefits when bringing cables in from the bottom of the enclosure
- Optional plastic bushings fit in the openings to enhance appearance and offer additional protection for the cables.



Plastic Bushing

Part Number	Description	Weight Each	
		lbs.	(kg)
VOZIP	Cable Entry Knockout Plate	0.7	(0.3)
E013603	2½" Plastic Bushing (2 pack)	0.1	(0.05)
E018757	3" Plastic Bushing (2 pack)	0.1	(0.05)

# Server & Network Enclosures

## V-Line Enclosure Accessories

### Brush Strips Cable Opening Plates

These plates are designed to maximize the area available for cable entry into the V-Line enclosures while limiting air leakage out of the cabinet and limiting the entry of dust and debris.

- 13" (330mm) x 33/4" (95mm) removable plates install perfectly in the space where the VOZIP plates are installed on the V-Line frames

- The V-Line bottom panel also includes four spaces where this plate can be used for the same benefits when bringing cables in from the bottom of the enclosure



Part Number	Weight Each	
	lbs.	(kg)
<b>VBCOK</b>	0.25	(0.11)

### Air Dam

Brush strips help manipulate airflow through the cabinet.

- Brush strip sections are secured to the back of the mounting rails with plastic push-in fasteners and do not interfere with any available mounting spaces
- Cable management fingers can be purchased separately



Server & network enclosures

<b>VVB</b>		<b>V-LINE™ Cabinet Vertical Baffle</b>	<b>Options</b>
<b>1</b>	<b>Rail Mounting Configuration</b>	<b>1 = 19"</b> <b>2 = *23"</b>	<i>* 23" mounting centers are only available in 29½" wide cabinets</i>
<b>C</b>	<b>Rail Offset Position</b>	<b>C = Center</b> <b>D = *Offset</b>	<i>* Offset configuration is only available in 29½" wide cabinets</i>
<b>42</b>	<b>Cabinet Height</b>	<b>24U, 38U, 42U, 45U, 47U</b>	
<b>24</b>	<b>Cabinet Width</b>	<b>24 = 24"    29 = 29½"</b>	
<b>B</b>	<b>Finish</b>	<b>B = Black    G = Gray</b>	

### Vertical Cable Manager Kit

This kit is comprised of an 11U high piece of plastic finger section with slotted fixing points to match the vertical U pitches.

- Finger sections can be mounted and secured in tandem with any 19" equipment



Part Number	Description	Weight Each	
		lbs.	(kg)
<b>SB860FSFB</b>	11U Finger Kit	0.9	(0.4)

## Enhanced Vertical Cable Manager Kit

Developed to provide enhanced vertical cable management, these new cable manager kits have been designed specifically to complement the 29½" (749mm) V-Line enclosure platform. The 2¾" (70mm) wide units can be fitted on the left hand and right hand side of the cabinets with the mounting rails positioned centrally. The 5½" (140mm) wide units can only be fitted on the left or right to match the optional mounting rail offset configurations.

- Can factory fitted or easily retro-fitted in the field
- Split doors for improved operation and easy removal
- Integral cable tie lances and multiple mounting points for twist and lock cable management arms
- Steel material with UL 94V-0 black plastic components
- Black RAL 9005 epoxy polyester powder coat paint finish

Part Number	Cabinet Unit Height	Cabinet Width in. (mm)	Offset
VVCMC24FB	24U	2¾" (70)	Center
VVCMC38FB	38U		
VVCMC42FB	42U		
VVCMC45FB	45U		
VVCMC47FB	47U		
VVCMS24FB	24U	5½" (140)	Offset Left or Right
VVCMS38FB	38U		
VVCMS42FB	42U		
VVCMS45FB	45U		
VVCMS47FB	47U		



## Horizontal Cable Trough Kit

Designed to span between front and rear mounted enhanced vertical cable managers, these cable troughs simply clip into the rear of the vertical manager in line with the cable pass through.

- Can factory fitted or easily retro-fitted in the field
- Available in two widths
- Available in varying depth ranges
- Black RAL 9005 epoxy polyester powder coat paint finish

Part Number	Mim. Depth Adjustment		Max. Depth Adjustment		To Suit Vertical Manager Configuration	
	in.	(mm)	in.	(mm)	in.	(mm)
ACCT070400B	10¼"	(260)	15⅞"	(403)	2.785"	(70)
ACCT070590B	14⅜"	(365)	23⅜"	(594)	2.785"	(70)
ACCT070890B	18⅞"	(460)	31⅞"	(790)	2.785"	(70)
VCT5501600B	10¼"	(260)	15⅞"	(403)	5.5"	(140)
VCT5502350B	14⅜"	(365)	23⅜"	(594)	5.5"	(140)
VCT5503525B	18⅞"	(460)	31⅞"	(790)	5.5"	(140)



## Cabinet Ganging Kit

The V-Line™ enclosure frame has been updated to include a simpler ganging facility. Each cabinet frame has knock-outs in the side members, allowing frames to be butted side by side, and simply fastened together. This feature allows the cabinets to be ganged with or without side panels fitted.

- Ganging kits include six (6) bolts and six (6) flange nuts

Part Number
VLGK



# Server & Network Enclosures

## V-Line Wall Mount Enclosure

### Dual Hinge Wall Mount Enclosure

- Used to provide a cost effective, versatile and secure means to mount communications cabling, networking gear, and related equipment on a wall
- Enclosure features fully welded, 16 gauge (1.5mm) cold rolled steel construction
- Ships ready to mount to the wall as left hinged or right hinged opening
- Heavy duty, field reversible hinge and lock system
- Rear section can easily be separated from the cabinet for simple installation onto a wall
- Rear sections feature removable plates with either multiple knockouts for conduit or bushing installation or a high-density foam gland plate for ease of installing pre-terminated patch panels
- Provisioned for 16" (406mm) on-center mounting and multiple wire management lances for cable tie points or accessory mounting
- Available with locking solid steel or smoked Plexiglas insert doors
- Fully adjustable EIA/ECA-310-E compliant mounting rail system with #12-24 tapped rails
- UL listed to the UL60950 standard - file number E235184
- 24" (609mm) and 36" (914mm) high cabinets rated for 200 lb (91kg) load; 48" (1219mm) high cabinets are rated for 300 lb (136kg) load
- Designed to help keep installed equipment cool with adequate ventilation areas and easy adaptation to available fan kits and intake air filter kits
- Available in Black and Light Gray powder coat finishes.



Server & network enclosures

### Accessories

Part Number		Description
<b>VLWMFKB</b>	Thermal Management	105 CFM Fan Kit with filter, power cord and blanking plates
<b>E018757</b>		3" snap bushing kit
<b>SB87019S1FB</b>	Cable Management	1U horizontal cable manager
<b>SB87019S2FB</b>		2U horizontal cable manager
<b>VLWMSMB45B</b>		V-Line 45° equipment mounting bracket
<b>VLWMSMBH90B</b>	Accessories	V-Line 90° horizontal equipment mounting bracket
<b>VLWMSMBV90B</b>		V-Line 90° vertical equipment mounting bracket



### Dual Hinge Wall Mount Cabinet - *cont.*

- See page ii for link to OPM approvals

Part Number	Panel Units	Height		Width		Depth		Max Usable Depth		Swing Out Body Depth	
		in	(mm)	in	(mm)	in	(mm)	in	(mm)	in	(mm)
VLWM2420 * __	12	24.125	(613)	24.7	(627)	20.00	(508)	18.5	(470)	14.00	(356)
VLWM2425 * __						25.00	(635)	23.5	(597)	19.00	(483)
VLWM2430 * __						30.00	(762)	28.5	(724)	24.00	(610)
VLWM3620 * __	19	36.375	(924)	24.7	(627)	20.00	(508)	18.5	(470)	14.00	(356)
VLWM3625 * __						25.00	(635)	23.5	(597)	19.00	(483)
VLWM3630 * __						30.00	(762)	28.5	(724)	24.00	(610)
VLWM4820 * __	26	48.625	(1235)	24.7	(627)	20.00	(508)	18.5	(470)	14.00	(356)
VLWM4825 * __						25.00	(635)	23.5	(597)	19.00	(483)
VLWM4830 * __						30.00	(762)	28.5	(724)	24.00	(610)

Part Number	Load Capacity		Approx. Weight With			
	Lbs	(kg)	Plexiglas Door		Solid Door	
			Lbs	(kg)	Lbs	(kg)
VLWM2420 * __	200	(91)	62	(28)	61	(28)
VLWM2425 * __	200	(91)	69	(31)	70	(32)
VLWM2430 * __	200	(91)	78	(35)	79	(36)
VLWM3620 * __	200	(91)	79	(36)	80	(36)
VLWM3625 * __	200	(91)	89	(40)	90	(41)
VLWM3630 * __	200	(91)	99	(45)	100	(46)
VLWM4820 * __	300	(136)	96	(44)	98	(44)
VLWM4825 * __	300	(136)	108	(49)	111	(50)
VLWM4830 * __	300	(136)	121	(55)	123	(56)

Specify part number and finish when ordering.

\_\_ **Finish code** - Insert A for Light Gray or B for Black

\* **Door code** - Insert P for Plexiglas door or S for solid steel door.

# Server & Network Enclosures

## E2 Zone 4 Enclosure

### E2Z4 Enclosure Features

- Tested in accordance with NEBS GR-63-CORE and ANSI T1.329. Complete Bellcore test results available upon request on cabinets up to 30" (762mm) deep
- Seismic anchor kits. Kit includes seismic rated anchor bolts, leveling shims, and anchor plates
- Reinforced cabinet frame for added rigidity
- Heavy duty 12 ga. (2.6mm) steel welded frame
- Lift-off locking solid side panels with compression latches. (Other type/style patterns available.)
- Smoked plexiglass removable front locking door. (Other type/style patterns available)
- Louvered top/bottom removable rear locking door. Other type/style patterns available
- Two (2) pair of heavy-duty adjustable mounting rails available with #12-24 tapped holes or square pierced holes (for cage nuts)
- Load Capacity in non-seismic applications is 2500 lbs. (1134kg)
- Load Capacity 850 lbs. (386kg), [450 lbs. (204kg) equipment weight] in accordance with NEBS GR-63-CORE and ANSI T1.329
- Lift lugs (4) in corners of top frame - threaded 5/8" engaged 11 threads
- Open base for floor-routed cable access
- Perforated top panel for ventilation and optional fan mounting
- Quick-release hinge design permits fast and easy removal of front and rear doors
- Two (2) 3" (76mm) diameter holes with snap in bushings to protect cables
- Fifty (50) #12-24 mounting screws for tapped rails or fifty (50) #12-24 screws and fifty (50) #12-24 cage nuts for square pierced rails
- See page ii for link to OPM approvals

Select from the following options:

- Two (2) standard colors (custom colors available upon request)
- Four (4) heights, two (2) widths and nine (9) depths. Depths up to 30" (762mm) are seismically qualified
- 19" (482mm) or 23" (584mm) EIA mounting options.



**Mounting Rails  
Usable "U" space chart  
1U = 1.75" (44mm)**

Cabinet Height	Mounting Units U
60" (1524mm)	29
72" (1829mm)	36
78" (1981mm)	39
84" (2133mm)	42

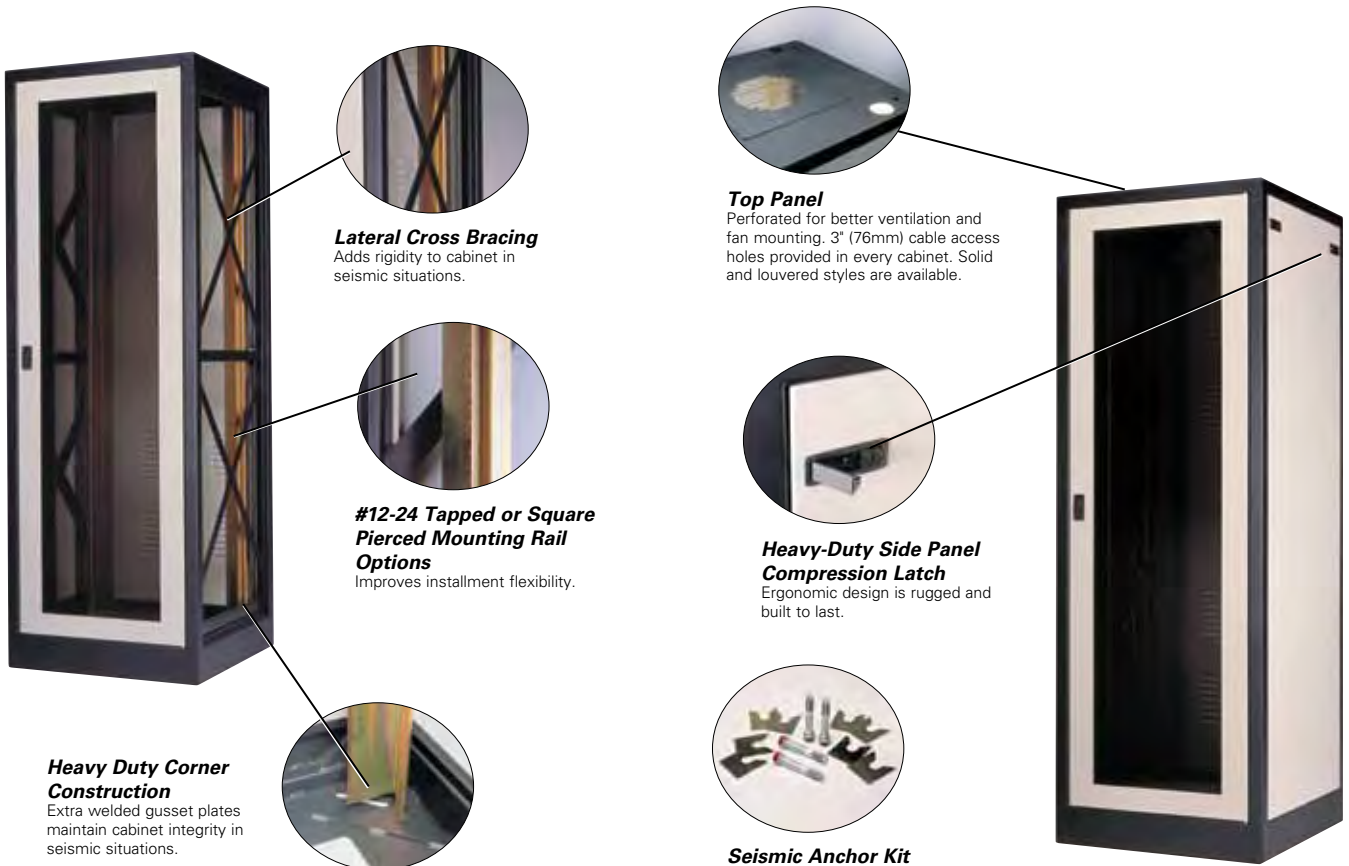
# Server & Network Enclosures

E2 Zone 4 Enclosure

Use the following matrix to build the part number for your desired E2 Zone 4 seismic enclosure

Product	Cabinet Dimensions			EIA Mounting	Hole Style	Color
	Height	Width *	Depth			
E2Z4 Cabinet	60" (1524mm)	24" (609mm)	24" (609mm)	19" (482mm)	24 = #12-24 Tapped Holes	A = Gray B = Black
	72" (1829mm)	29" (736mm)	26" (660mm)	23" (584mm)		
	78" (1981mm)		28" (711mm)		SQ = Square Pierced Rails	
	84" (2133mm)		30" (762mm)			

\* 24" only available for 19" EIA  
29" available for 19" or 23" EIA



Server & network enclosures

# Server & Network Enclosures

## NEMA Type 4 Premier Enclosure

### Wall-Mount Enclosures Type 4 Premier Series with Quarter-Turn Latches

#### Application

- Houses electrical controls and instruments
- Intended for indoor or outdoor use
- Protects against circulating and windblown dust, falling dirt, dripping non-corrosive liquids, rain, splashing water and hose directed water

#### Standards

- UL 508A Listed, Type 4 and Type 12
- cUL Listed, Type 4 and Type 12
- Conforms to NEMA standard for Type 4 and Type 12
- Wall-mounting brackets required to maintain UL/CSA external mounting requirements

#### Finish

- Wash and phosphate undercoat
- ANSI 61 gray polyester powder finish
- Available with RAL7035 Light Gray textured paint. To order add an "LG" to the end of the part number as shown in the tables (page 257)

#### Accessories

- Premier panels
- Security latch inserts
- NEMA panel adapters
- Mounting foot kits
- Depth adjustment brackets
- EIA/TIA rack mounting angles
- Print pockets
- Swing-out panels
- Padlockable or keyed handles



#### Construction

- Enclosure and door are fabricated from code gauge steel (see tables, page 257)
- All continuous welded seams are finished smooth
- Hardware kit provided contains grounding hardware, .312-18 flanged hex nuts for panel mounting, and sealing washers for body mounting holes

#### Body Construction

- Body flange trough design is formed around body opening to divert liquid contaminants away from door opening
- Reduced width flange design increases enclosure opening
- Ground stud provided on enclosure body and on door
- .312-18 collar studs are provided for mounting optional Premier panels
- Enclosure mounting holes in body provided for direct mounting or optional mounting feet

#### Door Construction

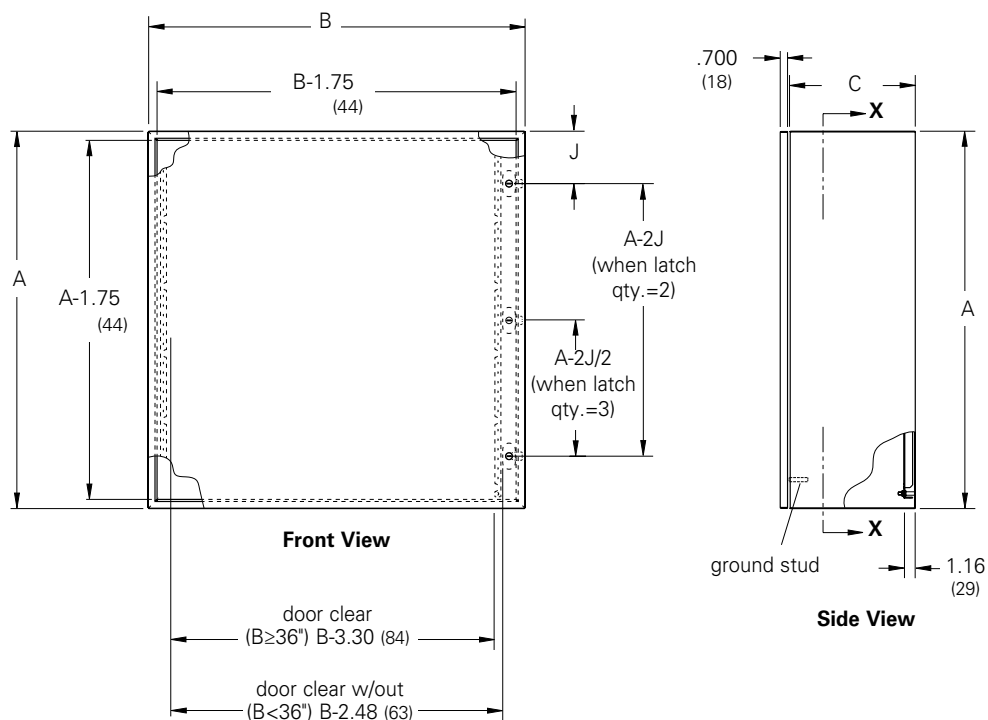
- Doors are secured to the body with concealed hinge design on one side and slotted quarter-turn flush latch(es) on the opposite side
- Doors are easily removed and interchangeable
- Door has a seamless poured in-place gasket
- Door opens 180° for easy access
- Window-door enclosures feature flush-mounted clear polycarbonate window

### Wall-Mount Enclosures Type 4 Premier Series with Quarter-Turn Latches

Enclosure Catalog Number		Enclosure Size		Door/ Body Gauge	Panel Part Number	Panel Size		Mounting		Window Size		Latch Qty.	J	
Solid Door	Window Door	A x B x C				H x W	D x E	F x G	Latch Qty.	in.	mm			
RAL7035 Lt. Gray	RAL7035 Lt. Gray	in.	mm			in.	mm	in.	mm	in.	mm	in.	mm	
24246-SDLG	24246-SDWLG	24 x 24 x 6	610 x 610 x 152	14/16	2424P	22.00 x 22.00	559 x 559	22.50 x 22.37	572 x 568	20.25 x 17.62	514 x 448	1	5.00	127
20248-SDLG	-	20 x 24 x 8	508 x 610 x 203	16/16	2420P	18.00 x 22.00	457 x 559	18.50 x 22.37	470 x 568	-	-	1	10.00	254
24248-SDLG	24248-SDWLG	24 x 24 x 8	610 x 610 x 203	14/16	2424P	22.00 x 22.00	559 x 559	22.50 x 22.37	572 x 568	20.25 x 17.62	514 x 448	2	5.00	127
30248-SDLG	30248-SDWLG	30 x 24 x 8	762 x 610 x 203	14/16	3024P	28.00 x 22.00	711 x 559	28.50 x 22.37	724 x 568	26.25 x 17.62	667 x 448	2	5.00	127
36248-SDLG	-	36 x 24 x 8	914 x 610 x 203	14/14	3624P	34.00 x 22.00	864 x 559	34.50 x 22.37	876 x 568	-	-	2	5.00	127
202410-SDLG	-	20 x 24 x 10	508 x 610 x 254	16/16	2420P	18.00 x 22.00	457 x 559	18.50 x 22.37	470 x 568	-	-	1	10.00	254
242410-SDLG	242410-SDWLG	24 x 24 x 10	610 x 610 x 254	14/16	2424P	22.00 x 22.00	559 x 559	22.50 x 22.37	572 x 568	20.25 x 17.62	514 x 448	2	5.00	127
302410-SDLG	302410-SDWLG	30 x 24 x 10	762 x 610 x 254	14/16	3024P	28.00 x 22.00	711 x 559	28.50 x 22.37	724 x 568	26.25 x 17.62	667 x 448	2	5.00	127
362410-SDLG	-	36 x 24 x 10	914 x 610 x 254	14/14	3624P	34.00 x 22.00	864 x 559	34.50 x 22.37	876 x 568	-	-	2	5.00	127
482410-SDLG	-	48 x 24 x 10	1219 x 610 x 254	14/14	4824P	46.00 x 22.00	1168 x 559	46.50 x 22.37	1181 x 568	-	-	3	5.00	127
242412-SDLG	242412-SDWLG	24 x 24 x 12	610 x 610 x 305	14/16	2424P	22.00 x 22.00	559 x 559	22.50 x 22.37	572 x 568	20.25 x 17.62	514 x 448	2	5.00	127

Enclosure Catalog Number		Enclosure Size		Door/ Body Gauge	Panel Part Number	Panel Size		Mounting		Window Size		Latch Qty.	J	
Solid Door	Window Door	A x B x C				H x W	D x E	F x G	Latch Qty.	in.	mm			
RAL7035 Lt. Gray	RAL7035 Lt. Gray	in.	mm			in.	mm	in.	mm	in.	mm	in.	mm	
302412-SDLG	302412-SDWLG	30 x 24 x 12	762 x 610 x 305	14/16	3024P	28.00 x 22.00	711 x 559	28.50 x 22.37	724 x 568	26.25 x 17.62	667 x 448	2	5.00	127
362412-SDLG	-	36 x 24 x 12	914 x 610 x 305	14/14	3624P	34.00 x 22.00	864 x 559	34.50 x 22.37	876 x 568	-	-	2	5.00	127
482412-SDLG	-	48 x 24 x 12	1219 x 610 x 305	14/14	4824P	46.00 x 22.00	1168 x 559	46.50 x 22.37	1181 x 568	-	-	3	5.00	127
242416-SDLG	242416-SDWLG	24 x 24 x 16	610 x 610 x 406	14/14	2424P	22.00 x 22.00	559 x 559	22.50 x 22.37	572 x 568	20.25 x 17.62	514 x 448	2	5.00	127
302416-SD	-	30 x 24 x 16	762 x 610 x 406	14/14	3024P	28.00 x 22.00	711 x 559	28.50 x 22.37	725 x 568	-	-	2	5.00	127
362416-SD	-	36 x 24 x 16	914 x 610 x 406	14/14	3624P	34.00 x 22.00	864 x 559	34.50 x 22.37	876 x 568	-	-	2	5.00	127
242420-SDLG	242420-SDWLG	24 x 24 x 20	610 x 610 x 508	14/14	2424P	22.00 x 22.00	559 x 559	22.50 x 22.37	572 x 568	20.25 x 17.62	514 x 448	2	5.00	127
302420-SDLG	302420-SDWLG	30 x 24 x 20	762 x 610 x 508	14/14	3024P	28.00 x 22.00	711 x 559	28.50 x 22.37	724 x 568	26.25 x 17.62	667 x 448	2	5.00	127

### Illustration Without Window



**Notes:** Dimensions are in inches. Millimeters shown are for reference only. Data subject to change without notice.

# Server & Network Enclosures

NEMA Type 4X Premier Enclosure

## Wall-Mount Enclosures Type 4X Premier Series with Quarter-Turn Latches

### Application

- Houses electrical controls and instruments
- Intended for indoor or outdoor use where a corrosive environment exists
- Protects against corrosion, circulating and windblown dust, falling dirt, dripping non-corrosive liquids, rain, splashing water and hose directed water

### Standards

- UL 508A Listed, Type 4X, Type 4 and Type 12
- cUL Listed, Type 4X, Type 4 and Type 12
- Conforms to NEMA standard for Type 4X, Type 4 and 12
- Wall-mounting brackets required to maintain UL/CSA external mounting requirements

### Finish

- Door and sides of body have a smooth #4 brushed finish

### Accessories

- Premier panels
- NEMA panel adapters
- Depth adjustment brackets
- Print pockets
- Padlockable or keyed handles
- Security latch inserts
- Mounting foot kits
- EIA/TIA rack mounting angles
- Swing-out panels

### Construction

- Enclosure and door are fabricated from code gauge Type 304 or Type 316L stainless steel (see page 259)
- All continuous welded seams are finished smooth
- Hardware kit provided contains grounding hardware, .312-18 flanged hex nuts for panel mounting, and sealing washers for body mounting holes



### Body Construction

- Body flange trough design is formed around body opening to divert liquid contaminants away from door opening
- Reduced width flange design increases enclosure opening
- Ground stud provided on enclosure body and door
- .312-18 collar studs are provided for mounting optional Premier panels
- Enclosure mounting holes in body provided for direct mounting or optional mounting feet

### Door Construction

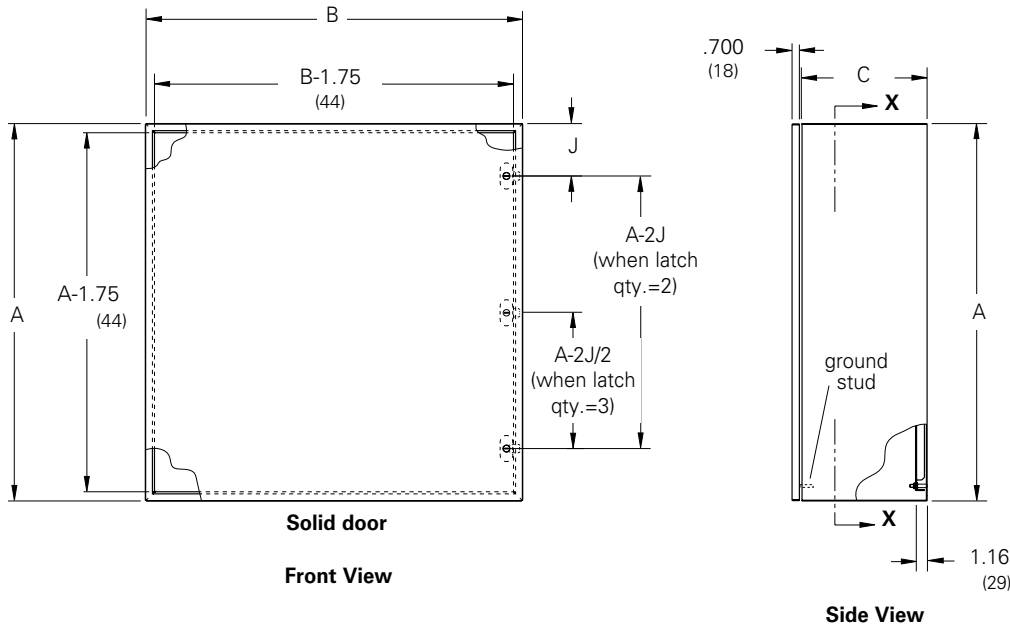
- Doors are secured to the body with a concealed hinge design on one side and slotted quarter-turn flush latch(es) on the opposite side
- Doors are easily removed and interchangeable
- Door has a seamless poured in-place gasket
- Door opens 180° for easy access
- Window-door enclosures feature flush-mounted clear polycarbonate window

**Notes:** We can provide special sizes, finishes and other modifications. Consult the factory for your special requirements.

### Wall-Mount Enclosures Type 4X Premier Series with Quarter-Turn Latches

Enclosure Catalog Type 304 Stainless Steel		Enclosure Number A x B x C		Size Door/Body Gauge	* Panel Catalog Number	Panel Size H x W		Mounting D x E		Window Size F x G		Latch Qty.	J	
Solid Door	Window Door	in.	mm			in.	mm	in.	mm	in.	mm		in.	mm
24248-SDSS4	24248-SDWSS4	24 x 24 x 8	610 x 610 x 203	14/16	2424P	22.00 x 22.00	559 x 559	22.50 x 22.37	572 x 568	20.25 x 17.62	514 x 448	2	5.00	127
30248-SDSS4	30248-SDWSS4	30 x 24 x 8	762 x 610 x 203	14/16	3024P	28.00 x 22.00	711 x 559	28.50 x 22.37	724 x 568	26.25 x 17.62	667 x 448	2	5.00	127
36248-SDSS4	-	36 x 24 x 8	914 x 610 x 203	14/16	3624P	34.00 x 22.00	864 x 559	34.50 x 22.37	876 x 568	-	-	2	5.00	127
242412-SDSS4	-	24 x 24 x 12	610 x 610 x 305	14/14	2424P	22.00 x 22.00	559 x 559	22.50 x 22.37	572 x 568	-	-	2	5.00	127
302412-SDSS4	302412-SDWSS4	30 x 24 x 12	762 x 610 x 305	14/14	3024P	28.00 x 22.00	711 x 559	28.50 x 22.37	724 x 568	26.25 x 17.62	667 x 448	2	5.00	127
362412-SDSS4	-	36 x 24 x 12	914 x 610 x 305	14/14	3624P	34.00 x 22.00	864 x 559	34.50 x 22.37	876 x 568	-	-	2	5.00	127
242416-SDSS4	-	24 x 24 x 16	610 x 610 x 406	14/14	2424P	22.00 x 22.00	559 x 559	22.50 x 22.37	572 x 568	-	-	2	5.00	127
302416-SDSS4	-	30 x 24 x 16	762 x 610 x 406	14/14	3024P	28.00 x 22.00	711 x 559	28.50 x 22.37	724 x 568	-	-	2	5.00	127

Enclosure Catalog Number Type 316L Stainless Steel Solid Door	Enclosure Size A x B x C		Door/ Body Gauge	Steel Panel Catalog Number	Stainless Steel Panel* Catalog Number	Panel Size H x W		Mounting D x E		Latch Qty.	J	
	in.	mm				in.	mm	in.	mm		in.	mm
24248-SDSS6	24 x 24 x 8	610 x 610 x 203	14/16	2424P	2424PSS4	22.00 x 22.00	559 x 559	22.50 x 22.37	572 x 568	2	5.00	127
30248-SDSS6	30 x 24 x 8	762 x 610 x 203	14/16	3024P	3024PSS4	28.00 x 22.00	711 x 559	28.50 x 22.37	724 x 568	2	5.00	127
36248-SDSS6	36 x 24 x 8	914 x 610 x 203	14/16	3624P	3624PSS4	34.00 x 22.00	864 x 559	34.50 x 22.37	876 x 568	2	5.00	127
242412-SDSS6	24 x 24 x 12	610 x 610 x 305	14/14	2424P	2424PSS4	22.00 x 22.00	559 x 559	22.50 x 22.37	572 x 568	2	5.00	127
302412-SDSS6	30 x 24 x 12	762 x 610 x 305	14/14	3024P	3024PSS4	28.00 x 22.00	711 x 559	28.50 x 22.37	724 x 568	2	5.00	127
362412-SDSS6	36 x 24 x 12	914 x 610 x 305	14/14	3624P	3624PSS4	34.00 x 22.00	864 x 559	34.50 x 22.37	876 x 568	2	5.00	127
242416-SDSS6	24 x 24 x 16	610 x 610 x 406	14/14	2424P	2424PSS4	22.00 x 22.00	559 x 559	22.50 x 22.37	572 x 568	2	5.00	127
302416-SDSS6	30 x 24 x 16	762 x 610 x 406	14/14	3024P	3024PSS4	28.00 x 22.00	711 x 559	28.50 x 22.37	724 x 568	2	5.00	127



**Notes:** Dimensions are in inches. Millimeters shown are for reference only. Data subject to change without notice.

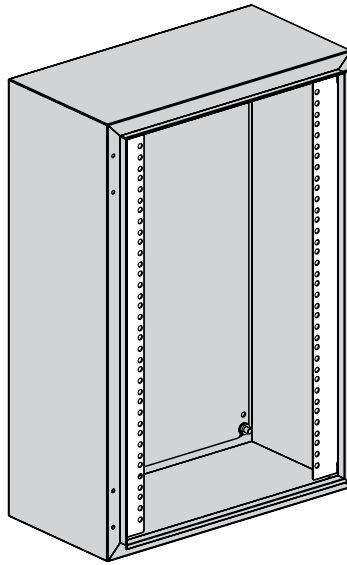
# Server & Network Enclosures

Premier Enclosure Accessories

## Rack Mounting Angles

Relay rack angles are designed for mounting EIA 19" rack mount equipment inside 24" wide enclosures. Fabricated from 14 gauge steel and zinc plated. Rack angles are mounted to enclosure flange with hardware provided. Rack mount angles are untapped and require screws and cage nuts for equipment mounting (order separately).

Finish: Zinc Plated



Part Number	For use with Premier Enclosures	Mounting Units
10URMA	20" height	10
12URMA	24" height	12
16URMA	30" height	16
19URMA	36" height	19
26URMA	48" height	26

Universal Spacing [ $\frac{5}{8}$ " (16mm),  $\frac{5}{8}$ " (16mm),  $\frac{1}{2}$ " (13mm)]

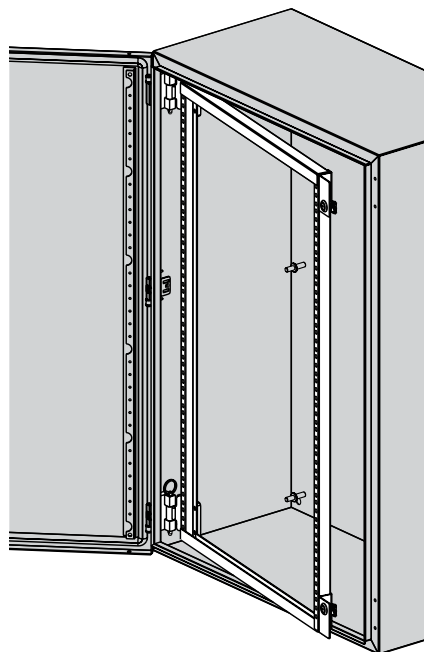
Server & network enclosures

## Swing-Out Rack Frames

Swing-out rack frames allow mounting of EIA 19" rack mount equipment. Flexible pivoting framework provides access to back of equipment or other internal components. Designed for use with 24" wide Premier series enclosures. Mounting hardware included. Swing-out rack frame holes are untapped and require screws and cage nuts for equipment mounting (order separately).

(Note: Cannot be used in conjunction with depth adjustment brackets).

Finish: ANSI Gray Polyester Powder



Part Number	For use with Premier Enclosures	Mounting Units
2424SF	24" x 24"	11
3024SF	30" x 24"	15
3624SF	36" x 24"	18

Universal Spacing [ $\frac{5}{8}$ " (16mm),  $\frac{5}{8}$ " (16mm),  $\frac{1}{2}$ " (13mm)]

Read safety/installation instruction sheets in packages before use.



# Server & Network Enclosures

Premier Enclosure Accessories

## Handles

Padlocking, key-locking or non-locking handles are interchangeable with standard slotted quarter-turn flush latch on Premier series enclosures. Available keyed alike or keyed different, please specify when ordering.



Part Number	Description
<b>WMHNL</b>	Wall-mount handle, non-locking
<b>WMHK-01</b>	Wall-mount handle, key-locking - keyed 01
<b>WMHK-02</b>	Wall-mount handle, key-locking - keyed 02
<b>WMHK-03</b>	Wall-mount handle, key-locking - keyed 03
<b>WMHK-04</b>	Wall-mount handle, key-locking - keyed 04
<b>WMHPTO</b>	Wall-mount handle, padlockable

## Security Latch Inserts

Security latch inserts interchange with slotted quarter-turn flush latch and provide security and control access to interior of enclosure. Inserts include matching key.



7MTLK



7MSLK

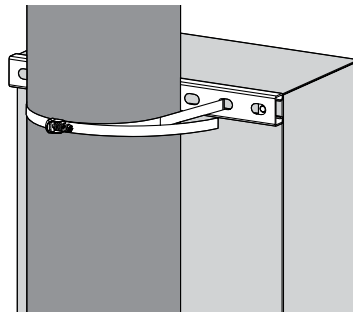
Part Number	Description
<b>7MTLK</b>	7mm triangular latch insert
<b>7MSLK</b>	7mm square latch insert
<b>3MDBLK</b>	3mm double bit latch insert



3MDBLK

## Pole Mounting Kits

Pole mounting kits allow installation of enclosure on round or rectangular poles. Kit includes hot dip galvanized after fabrication strut channel, stainless steel band and hardware for top and bottom mounting of enclosure.



Note: Pole diameter range 4" minimum to 12" maximum.

Catalog Number	For use with Premier Enclosures
<b>12PMK</b>	12" width
<b>16PMK</b>	16" width
<b>20PMK</b>	20" width
<b>24PMK</b>	24" width
<b>30PMK</b>	30" width

# Server & Network Enclosures

NEMA Type 4 Ground-Mount Enclosure

## Ground-Mount Enclosures

### Type 4 Single Door Free-Standing with 3-Point Locking

#### Application

- Houses electrical controls and instruments
- Easy access panels or rack mounts for housing optional equipment
- Intended for indoor or outdoor use
- Protects against windblown dust and rain, splashing water and hose directed water

#### Standards

- UL 508A listed, Type 4 and Type 12
- CSA C22.2 No.94 certified, Type 4 and Type 12
- Conforms to NEMA standard for Type 3, 4, 12
- E.I.A. RS-310-D

#### Finish

- Wash and phosphate undercoat
- ANSI 61 gray polyester powder finish

#### Accessories

- Full and half panels
- Side and swing panels
- Panel Support Kit
- Panel Lifting Kit
- Channel mounting hardware
- Equipment Rack Mounts
- Lights
- Window kits
- Replacement handle, BD-PKHB, (see page 271)



#### Construction

- Enclosure and door are fabricated from (12) gauge steel
- All continuous welded seams are finished smooth
- Door is secured to the body with removable concealed hinges and a center locating 3-point key-locking and padlock handle mechanism
- Additional quarter turn latches provided at the top and bottom on all enclosure doors
- Modern bevel profile on both sides of enclosure door
- Door has a seamless poured in-place gasket
- Formed lip around enclosure opening diverts liquids and contaminants
- Ground stud provided on door and body
- Print pocket provided
- Mounting channels are welded inside for locating panels or rack-mount equipment along enclosure depth
- Provision for mounting fluorescent light
- Large lifting eyebolts

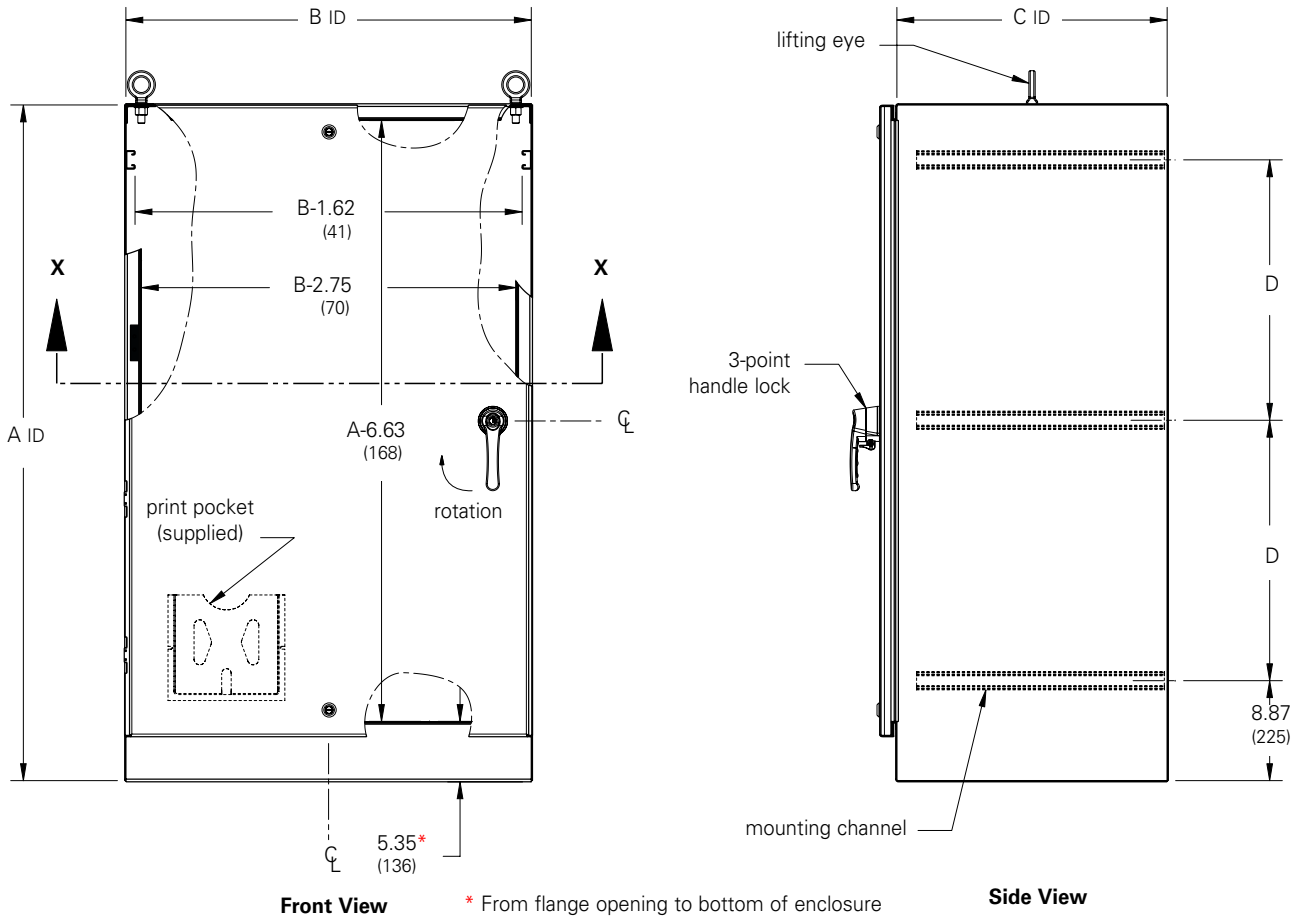
Enclosure Part Number	Enclosure Size Height x Width x Depth A x B x C		D	
	in.	mm	in.	mm
602418-4FS3PT	60 x 24 x 18	1524 x 609 x 457	23.12	587
722418-4FS3PT	72 x 24 x 18	1829 x 609 x 457	29.12	739
902420-4FS3PT	90 x 24 x 20	2286 x 610 x 508	38.12	968
722424-4FS3PT	72 x 24 x 24	1829 x 609 x 609	29.12	739
722430-4FS3PT	72 x 24 x 30	1829 x 609 x 762	29.12	739

**Notes:** We can provide special sizes, finishes and other modifications. Consult the factory for your special requirements.

### Ground-Mount Enclosures

### Type 4 Single Door Free-Standing with 3-Point Locking

ID = Inside Dimension



**Section X-X**

**Notes:** Four lifting eyes are furnished when C dimension is 30" (762 mm) or larger.  
Dimensions are in inches. Millimeters shown are for reference only. Data subject to change without notice.

# Server & Network Enclosures

NEMA Type 4 Ground-Mount Enclosure

## Ground-Mount Enclosures

### Type 4 Single-Door Dual-Access Free-Standing with 3-Point Locking

#### Application

- Houses electrical controls and instruments
- Easy access panels or rack mounts for housing optional equipment
- Intended for indoor or outdoor use
- Protects against windblown dust and rain, splashing water and hose directed water

#### Standards

- UL 508A listed, Type 4 and Type 12
- CSA C22.2 No.94 certified, Type 4 and Type 12
- Conforms to NEMA standard for Type 3, 4, 12
- E.I.A. RS-310-D

#### Finish

- Wash and phosphate undercoat
- ANSI 61 gray polyester powder finish

#### Accessories

- Full and half panels
- Side and swing panels
- Panel Support Kit
- Panel Lifting Kit
- Channel mounting hardware
- Equipment Rack Mounts
- Lights
- Window kits
- Replacement handle, BD-PKHB, (see page 271)



#### Construction

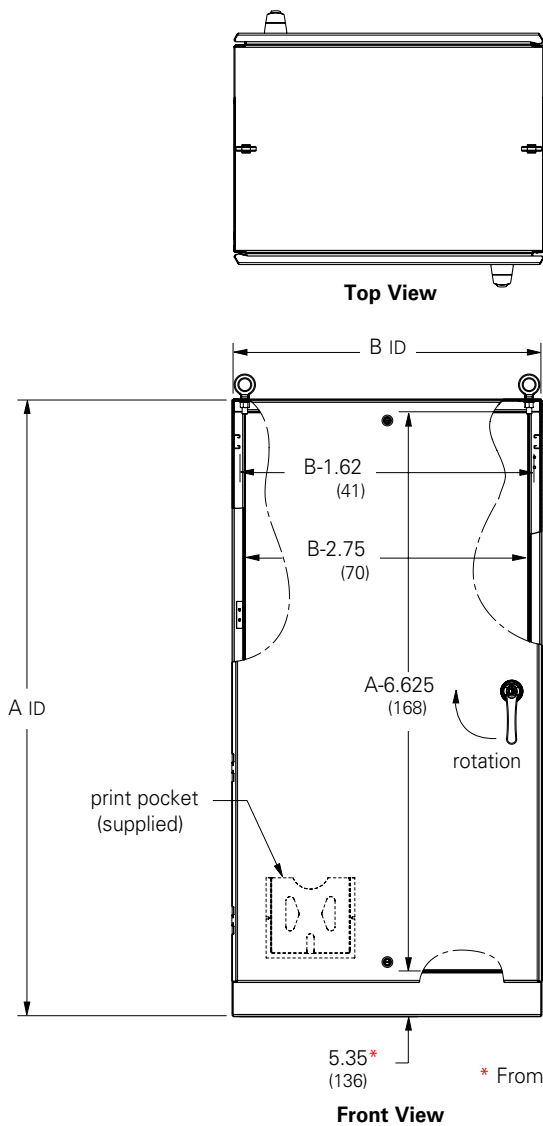
- Enclosure and doors are fabricated from (12) gauge steel
- All continuous welded seams are finished smooth
- Door is secured to the body with removable concealed hinges and a center locating 3-point key-locking and padlock handle mechanism
- Additional quarter turn latches provided at the top and bottom on all enclosure doors
- Modern bevel profile on both sides of enclosure door
- Door has a seamless poured in-place gasket
- Formed lip around enclosure opening diverts liquids and contaminants
- Ground stud provided on door and body
- Print pocket provided
- Mounting channels are welded inside for locating panels or rack-mount equipment along enclosure depth
- Provision for mounting fluorescent light
- Large lifting eyebolts

**Notes:** We can provide special sizes, finishes and other modifications. Consult the factory for your special requirements.

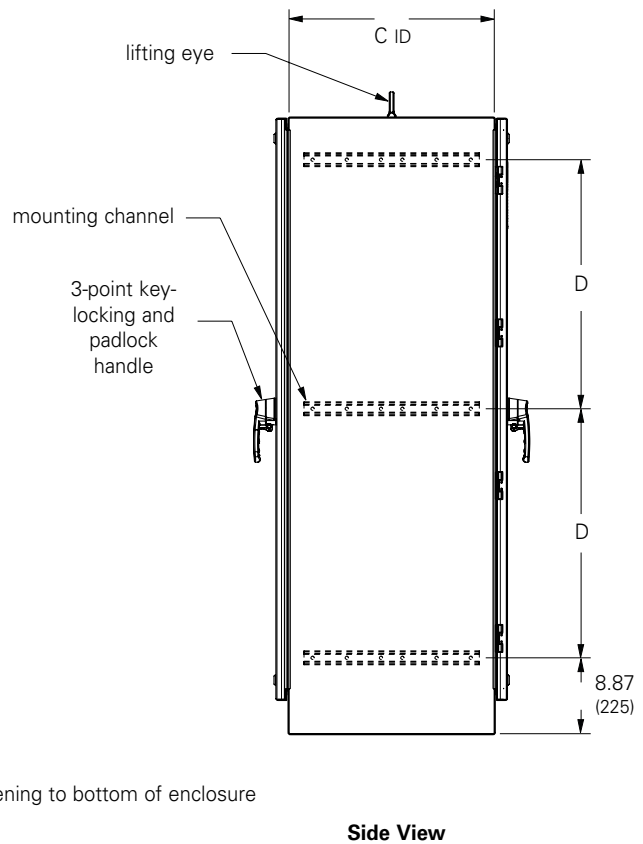
## Ground-Mount Enclosures

### Type 4 Single-Door Dual-Access Free-Standing with 3-Point Locking

Enclosure Catalog Number ANSI 61 Gray Carbon Steel	Enclosure Size Height x Width x Depth A x B x C		D	
	in.	mm	in.	mm
<b>722424-4FSDA3PT</b>	72.00 x 24.00 x 24.00	1829 x 610 x 610	29.12	740
<b>722430-4FSDA3PT</b>	72.00 x 24.00 x 30.00	1829 x 610 x 762	29.12	740
<b>722436-4FSDA3PT</b>	72.00 x 24.00 x 36.00	1829 x 610 x 914	29.12	740



ID = Inside Dimension



Server & network enclosures

**Notes:** Four lifting eyes are furnished when C dimensions is 30.00 (762 mm) or more.  
Dimensions are in inches. Millimeters shown are for reference only. Data subject to change without notice.

# Server & Network Enclosures

NEMA Type 4X Ground-Mount Enclosure

## Ground-Mount Enclosures

### Type 4X Single-Door Free-Standing with 3-Point Locking

#### Application

- Houses electrical controls and instruments
- Easy access panels or rack mounts for housing optional equipment
- Intended for indoor or outdoor use
- Protects against corrosion, windblown dust and rain, splashing water and hose directed water

#### Standards

- UL 508A listed, Type 3R, Type 4, Type 4X, Type 12
- CSA C22.2 No.94 certified, Type 3R, Type 4, Type 4X, Type 12
- Conforms to NEMA standard for Type 3, Type 3R, Type 4, Type 4X, Type 12
- E.I.A. RS-310-D

#### Finish

- Door and sides of body have a smooth #4 brushed finish

#### Accessories

- Full and half panels
- Side and swing panels
- Panel Support Kit
- Panel Lifting Kit
- Channel mounting hardware
- Equipment Rack Mounts
- Lights
- Window kits
- Replacement handle (black), BD-PKHB, (see page 271)

#### Construction

- Enclosure and doors are fabricated from (12) gauge Type 304 stainless steel
- All continuous welded seams are finished smooth
- Door is secured to the body with removable concealed stainless hinges and a center locating 3-point key-locking and padlock handle mechanism
- Modern bevel profile on both sides of enclosure door
- Additional quarter-turn latches provided top and bottom on all enclosure doors
- Door has a seamless poured in-place gasket
- Formed lip around enclosure opening diverts liquids and contaminants
- Ground stud provided on door and body
- Print pocket provided
- Mounting channels are welded inside for locating panels or rack-mount equipment along enclosure depth
- Provision for mounting fluorescent light
- Large lifting eyebolts
- Hole seals are provided to seal enclosure after removal of lifting eyebolts



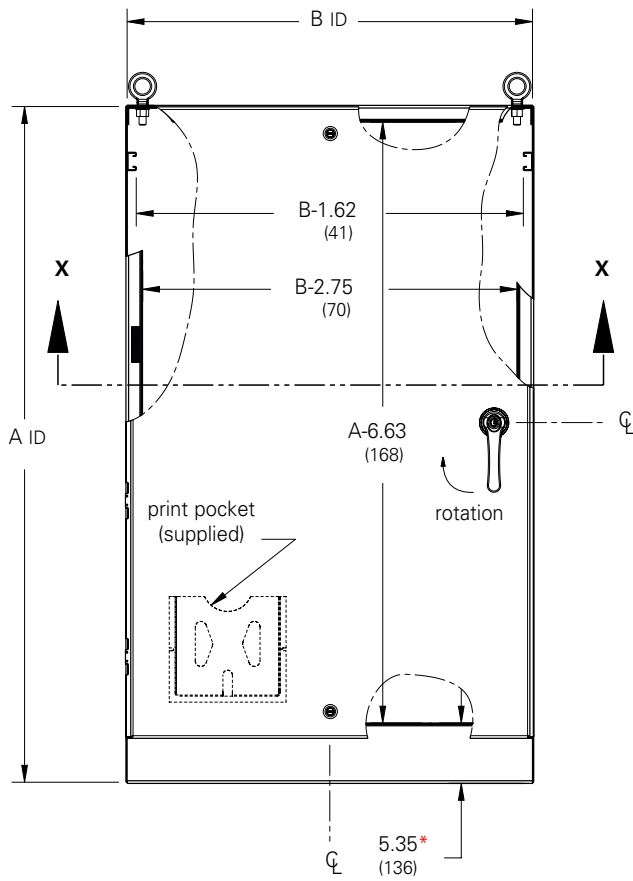
Enclosure Part Number	Enclosure Size Height x Width x Depth A x B x C		D	
	in.	mm	in.	mm
	<b>602418-4XSFS3PT</b>	60.00 x 24.00 x 18.00	1524 x 609 x 457	23.12
<b>722418-4XSFS3PT</b>	72.00 x 24.00 x 18.00	1829 x 609 x 457	29.12	739
<b>902420-4XSFS3PT</b>	90.00 x 24.00 x 20.00	2286 x 609 x 508	38.12	968
<b>722424-4XSFS3PT</b>	72.00 x 24.00 x 24.00	1829 x 609 x 609	29.12	739

**Notes:** We can provide special sizes, finishes and other modifications. Consult the factory for your special requirements. Dimensions are in inches. Millimeters shown are for reference only. Data subject to change without notice.

### Ground-Mount Enclosures

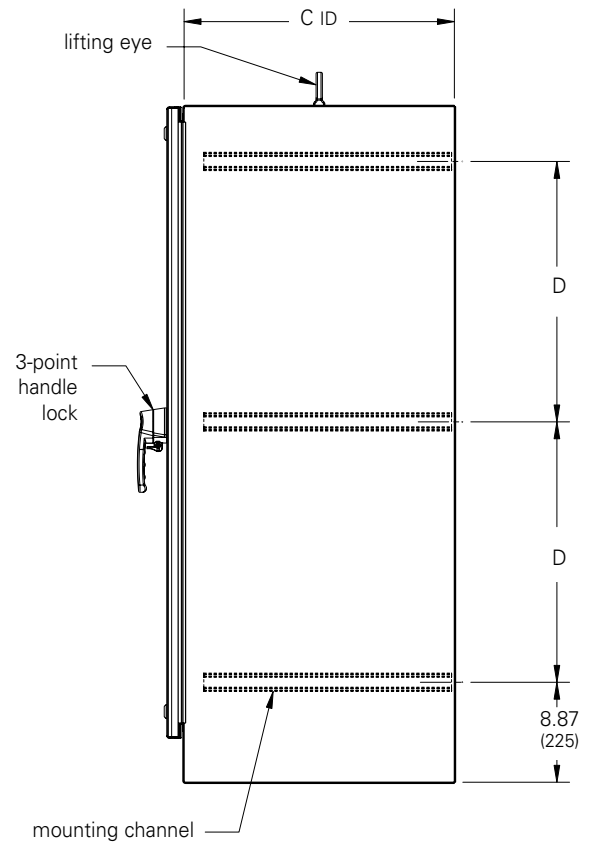
### Type 4X Single-Door Free-Standing with 3-Point Locking

ID = Inside Dimension

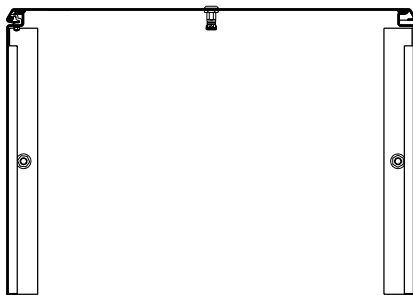


**Front View**

\* From flange opening to bottom of enclosure



**Side View**



**Section X-X**

**Notes:** Four lifting eyes are furnished when C dimension is 30" (762 mm).  
 Dimensions are in inches. Millimeters shown are for reference only. Data subject to change without notice.  
 Additional quarter-turn latch provided on top and bottom of all enclosures.

# Server & Network Enclosures

NEMA Type 4X Ground-Mount Enclosure

## Ground-Mount Enclosures

### Type 4X Single-Door Dual Access Free-Standing with 3-Point Locking

#### Application

- Houses electrical controls and instruments
- Easy access panels or rack mounts for houseing optional equipment
- Intended for indoor or outdoor use
- Protects against corrosion, windblown dust and rain, splashing water and hose directed water

#### Standards

- UL 508A listed, Type 3R, Type 4, Type 4X, Type 12
- CSA C22.2 No.94 certified, Type 3R, Type 4, Type 4X, Type 12
- Conforms to NEMA standard for Type 3, Type 3R, Type 4, Type 4X, Type 12
- E.I.A. RS-310-D

#### Finish

- Door and sides of body have a smooth #4 brushed finish

#### Accessories

- Full and half panels
- Side and swing panels
- Panel Support Kit
- Panel Lifting Kit
- Channel mounting hardware
- Equipment Rack Mounts
- Lights
- Window kits
- Replacement handle (black), BD-PKHB, (see page 271)

#### Construction

- Enclosure and doors are fabricated from (12) gauge Type 304 stainless steel
- All continuous welded seams are finished smooth
- Doors are secured to the body with removable concealed hinges and a center locating 3-point key-locking and padlock handle mechanism
- Modern bevel profile on both sides of enclosure door
- Additional quarter-turn latches provided top and bottom on all enclosure doors
- Doors have a seamless poured in-place gasket
- Formed lip around enclosure openings to divert liquids and contaminants
- Dual-access construction available for back-to-back panel and equipment mounting
- Ground studs provided on doors and body
- Print pockets provided
- Mounting channels are welded inside for locating panels or rack-mount equipment along enclosure depth
- Provisions for mounting fluorescent light
- Large lifting eyebolts
- Hole seals are provided to seal enclosure after removal of lifting eyebolts



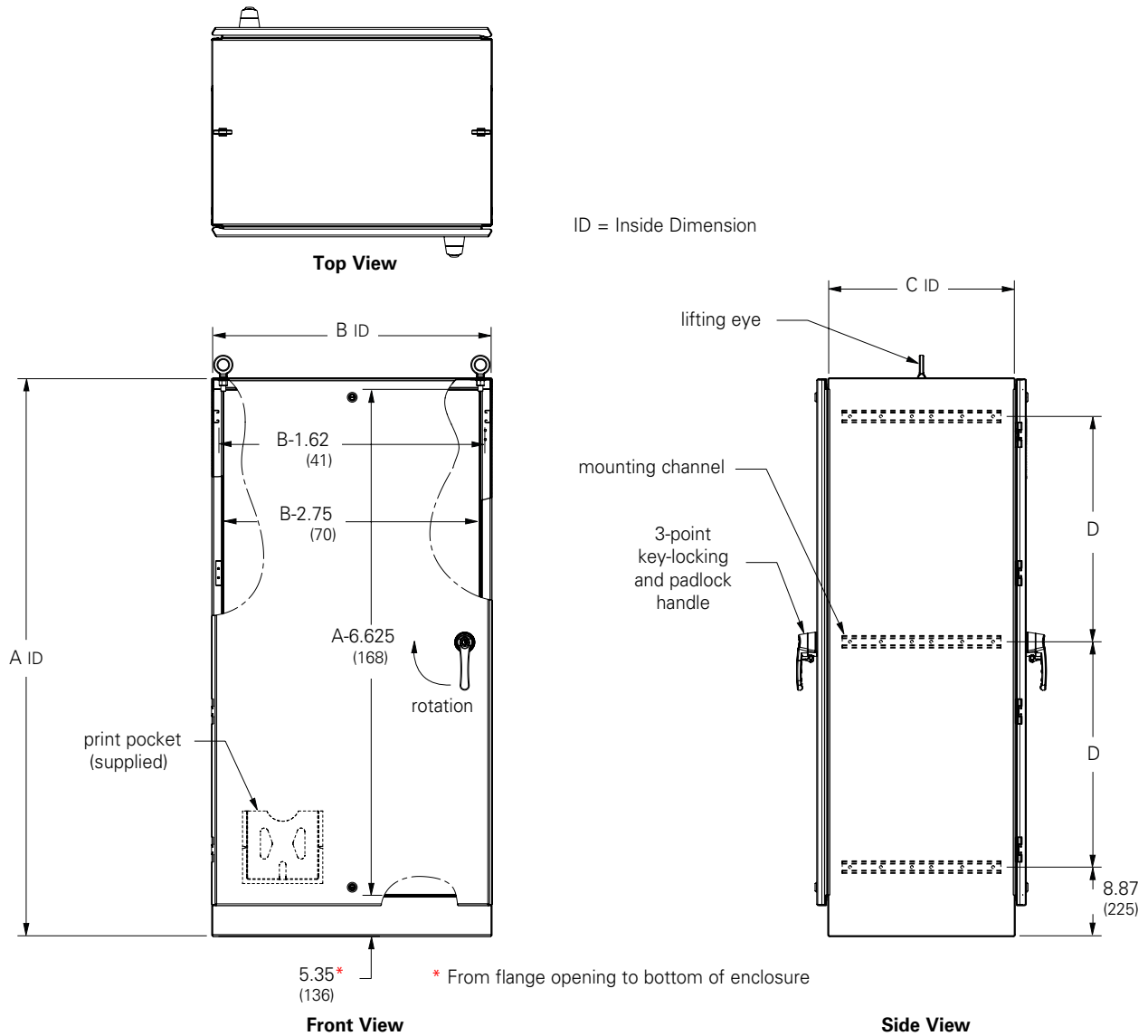
Enclosure Part Number	Enclosure Size Height x Width x Depth A x B x C		D	
	in.	mm	in.	mm
	722424-4XSFDA3PT	72.00 x 24.00 x 24.00	1829 x 609 x 609	29.12
722430-4XSFDA3PT	72.00 x 24.00 x 30.00	1829 x 609 x 762	29.12	739
722436-4XSFDA3PT	72.00 x 24.00 x 36.00	1829 x 609 x 914	29.12	739

**Notes:** We can provide special sizes, finishes and other modifications. Consult the factory for your special requirements. Dimensions are in inches. Millimeters shown are for reference only. Data subject to change without notice.



## Ground-Mount Enclosures

### Type 4X Single-Door Dual Access Free-Standing with 3-Point Locking



**Notes:** Four lifting eyes are furnished when C dimension is 30" (762 mm) or larger.  
 Dimensions are in inches. Millimeters shown are for reference only. Data subject to change without notice.  
 Additional quarter-turn latch provided on top and bottom of all enclosures.

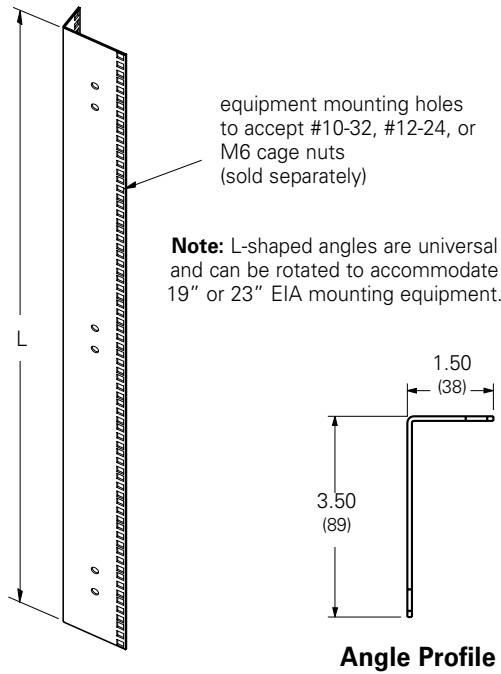
# Server & Network Enclosures

NEMA Type 4 & Type 4X Ground-Mount Accessories

## Ground-Mount, Free-Standing Enclosures Accessories

### Rack Mounting Angles

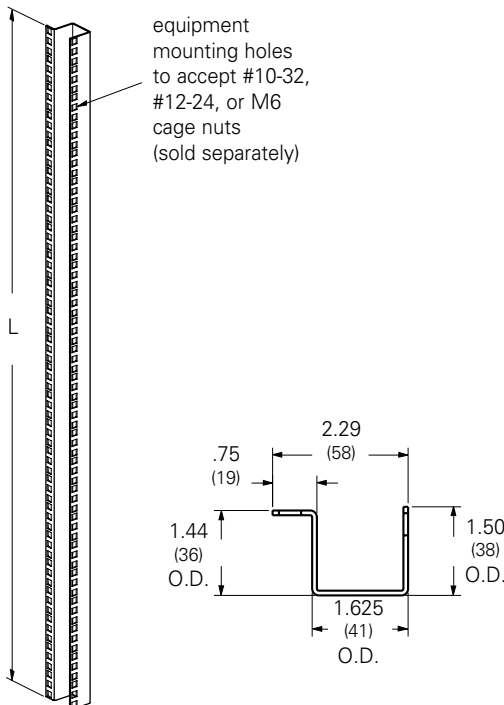
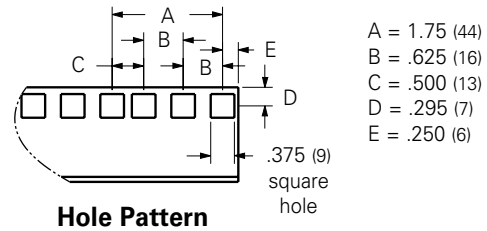
Heavy duty rack mounting angles are designed for mounting 19" (482mm) equipment in free-standing enclosures. Mounting holes are spaced at the 19" "EIA" standard and are provided to accept #10-32, #12-24, or M6 cage nuts (sold in packages of 100).



### 'L' Shaped Mounting Angles

Part Number	Fits Enclosure Height		L		Mounting U's
	in.	mm	in.	mm	
ES-48RMA-L	48	1219	42.00	1067	24
ES-60RMA-L	60	1524	54.25	1378	31
ES-72RMA-L	72	1829	66.50	1689	38
ES-90RMA-L	90	2286	78.75	2000	45

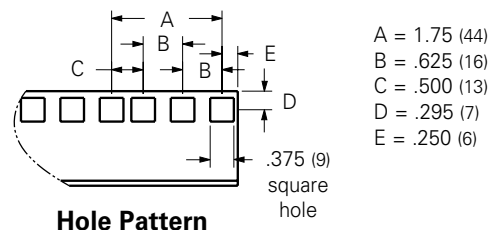
Kit contains two (2) full length 'L' angles, installation instructions, and hardware necessary to mount in single-door enclosures. Yellow Zinc finish.



### 'U' Shaped Mounting Angles

Part Number	Fits Enclosure Height		L		Mounting U's
	in.	mm	in.	mm	
ES-48RMA-U	48	1219	42.00	1067	24
ES-60RMA-U	60	1524	54.25	1378	31
ES-72RMA-U	72	1829	66.50	1689	38
ES-90RMA-U	90	2286	78.75	2000	45

Kit contains two (2) full length 'U' angles, installation instructions, and hardware necessary to mount in single-door enclosures. Yellow Zinc finish.



**Notes:** Dimensions are in inches. Millimeters shown are for reference only. Data subject to change without notice.

# Server & Network Enclosures

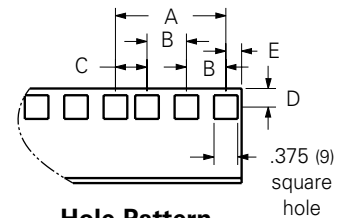
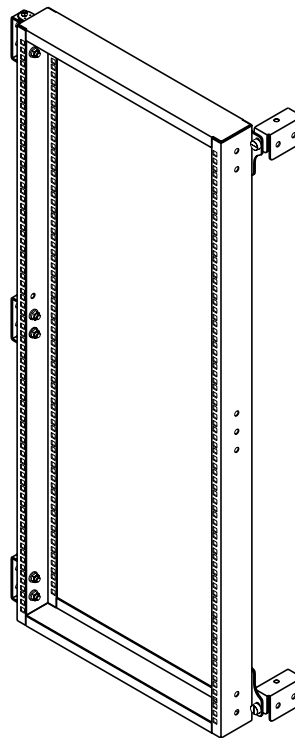
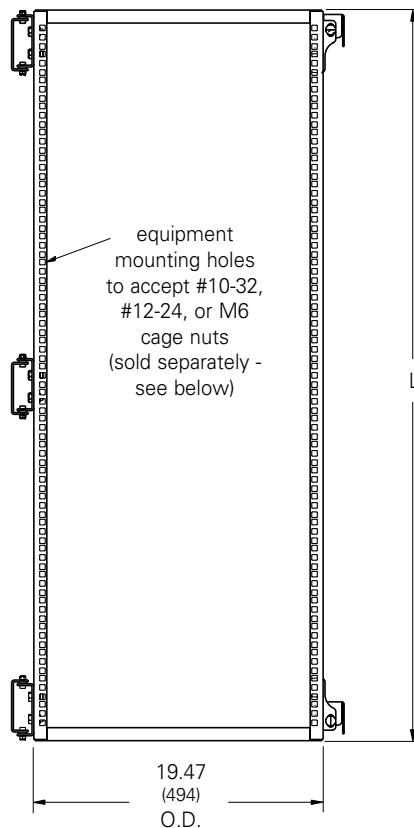
NEMA Type 4 & Type 4X Ground-Mount Accessories

## Free-Standing Enclosures Accessories

### Swing-Out Rack Mounted Frame

Part Number	Fits Enclosure Height		L	
	in.	mm	in.	mm
ES-48SORMF	48	1219	36.91	937
ES-60SORMF	60	1524	49.16	1248
ES-72SORMF	72	1829	59.66	1515
ES-90SORMF	90	2286	77.18	1960

Heavy Duty Swing-Out Rack Mounting Frames are designed for mounting 19" (482mm) equipment in free standing enclosures. Mounting holes are spaced per the "EIA" Standard and are provided to accept #10-32, #12-24, or M6 cage nuts (sold in packages of 100). Swing-Out Rack Mounting frames have white powder coated finish.



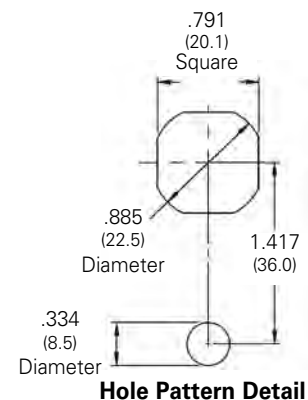
- A = 1.75 (44)
- B = .625 (16)
- C = .500 (13)
- D = .295 (7)
- E = .250 (6)

### Padlocking Keylocking Handle Kit

These door handles can be used as replacement locks for Type 12, Type 4 and Type 4X ground mounted enclosures featuring a beveled door. Handles are a zinc die-cast construction with a textured powder coat finish to provide durability and corrosion resistance. A key-lock and padlockable handle trigger provides secondary security. Handles are supplied with nut and gasketing materials and keys.



Catalog Number	Description
BD-PKHB	Type 4X - 1 pt padlocking keylocking



**Notes:** We can provide special sizes, finishes and other modifications. Consult the factory for your special requirements. Dimensions are in inches. Millimeters shown are for reference only. Data subject to change without notice.

# Server & Network Enclosures

NEMA Type 4 & Type 4X Ground-Mount Accessories

## Electrical Accessories



LED 025 light with on/off switch and screw mount

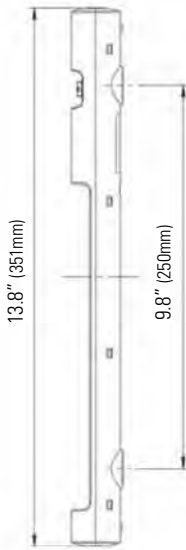


### LED 025 Enclosure with Input Connector

Part No. screw mount	Operating voltage	Description
<b>BL02540.0-01-0003</b>	AC 100-240 V, 50/60 Hz (min. AC 90 V, max. AC 265 V)	starter on/off switch with power input connector
<b>BL02540.0-01</b>	AC 100-240 V, 50/60 Hz (min. AC 90 V, max. AC 265 V)	add-on on/off switch for daisy chaining
<b>BL02541.0-01-0003</b>	AC 100-240 V, 50/60 Hz (min. AC 90 V, max. AC 265 V)	starter PIR motion sensor <sup>1</sup> with power input connector
<b>BL02541.0-01</b>	AC 100-240 V, 50/60 Hz (min. AC 90 V, max. AC 265 V)	add-on PIR motion sensor <sup>1</sup> for daisy chaining

<sup>1</sup> Passive Infrared (PIR) motion sensor is factory pre-set to turn the light off 6 minutes after all motion ceases

On/off switch light



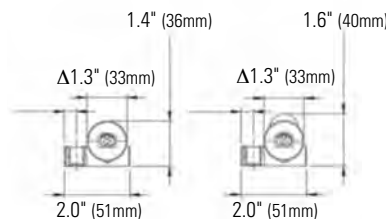
Other options:

- Available in magnet and clip mount models
- Available in DC models

### Technical Data

Power consumption	max. 5 W (~ 75 W incandescent bulb)
Luminosity	400 Lm at 120° (1200 Lm at 360° or equivalent 95W light bulb)
Lamp type	LED, 120° angle of radiation light color - daylight, color temperature - 6,500 K
Service life	60,000 hrs. at 68 °F (20 °C)
Connection	2-pole plug with snap lock; AC: max. 2.5 A / AC 240 V, white connector; DC: max. 2.5 A / DC 60 V, blue connector
Housing	plastic, transparent
Mounting	magnet, M5 screws (not included), or clip (M6 screws) torque 2 Nm max.
Operating temperature	-22°F to +140 °F (-30°C to +60 °C)
Storage temperature	-40°F to +185 °F (-40°C to +85 °C)
Dimensions	see drawings
Protection type/Protection class	IP20 / II (double insulated)
Accessories	input connector (P/N: BL264057) and output connector (P/N: BL264058) cable for supply )P/N: BL244357) or cable for daisy chain (P/N: BL244359)
Approvals	UL File No. E234324, VDE, GOST-R

Screw mount end view



**Notes:** Dimensions are in inches. Millimeters shown are for reference only. Data subject to change without notice.

# Unequal Flange Equipment Racks & Accessories

Unequal Flange

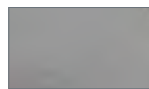
Eaton's B-Line series DataComm designs and engineers top-quality seismic and non-seismic unequal flange equipment racks to support switching and transmission equipment in the central office environment.

Both unequal flange racks have Eaton quality and innovation built in. They include many unique and labor-saving features, such as Eaton's patented removable base cover for easier cable and anchor installation. Each of these racks is offered in 19" (482mm) and 23" (584mm) widths, 84" (2133mm) to 140" (3556mm) heights, open or closed duct configurations, and with either top angle or top channel supports

Eaton also provides a full line of accessories to complement our unequal flange rack offering. Base covers, guard rails, bumper rails, and end duct finishing panels are just a few of the products offered to enhance and complete your installations.

<b>Material:</b>	<b>Type</b>	<b>Thickness</b>	<b>Specifications</b>
	Steel Bar		ASTM A510
	Steel Sheet	10 Gauge (3.4mm) - 14 Gauge (1.9mm)	ASTM A1011CS/A1011SS

<b>Finishes:</b>			
	Powder Coat Paint		ASTM D3451
	- Telco Gray (TG)		
	Chemical Conversion Coatings Available		
	- Yellow Zinc (YZ)		ASTM B633



(TG)  
Telco Gray



(YZ)  
Yellow Zinc

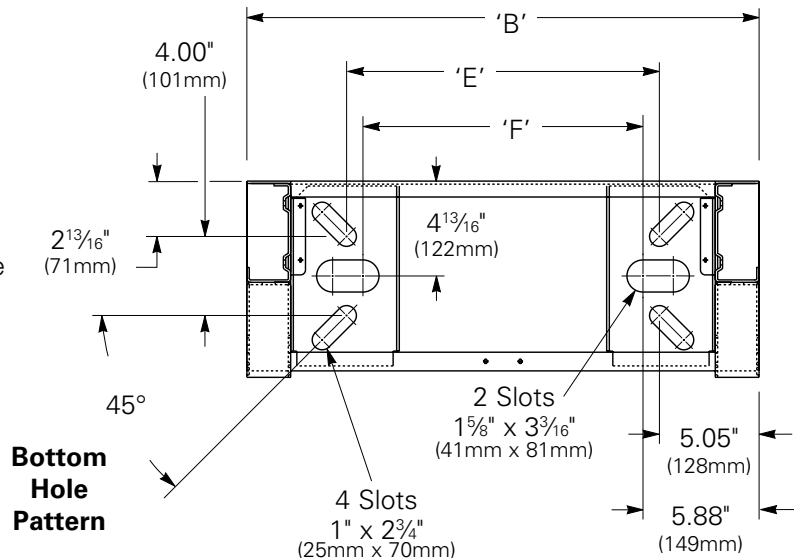
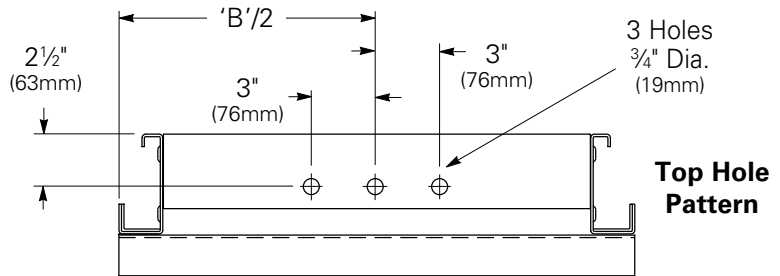
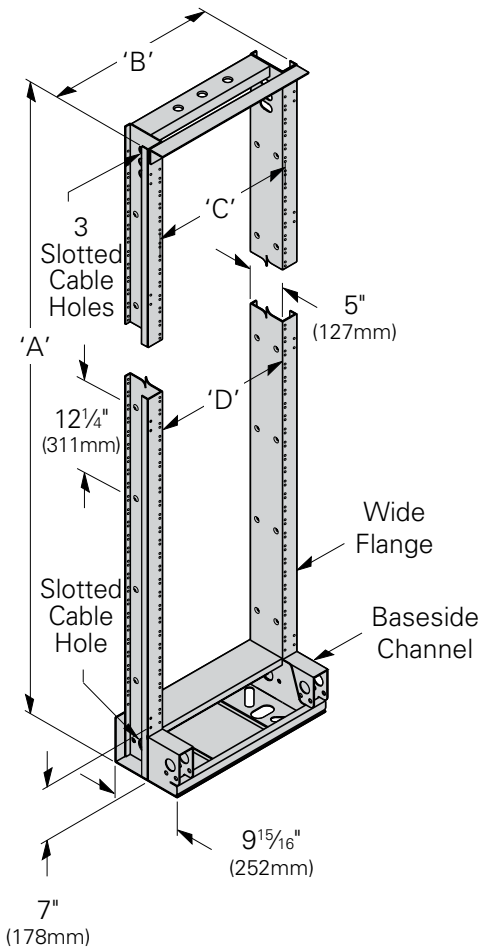
# Unequal Flange Equipment Racks & Accessories

## Unequal Flange

### Seismic Zone 4, Closed Duct Unequal Flange Rack - Top Angle Style

- Use to mount electronic switching equipment in seismic environments
- Certified to ANSI T1.329-2000 and Telcordia NEBS GR-63-CORE for seismic zone 4 installation [84" (2133mm) only]
- Load Rating: Equipment 500 lbs. (2.22kg)  
System 595 lbs. (2.64kg)
- Removable base cover plate for easier anchor and cable installation
- Heavy duty welded construction, ideal for central office installations
- Available in both top channel and top angle styles
- Includes: Anchor plates, shims and seismically approved concrete anchors
- Two mounting spacing styles to choose from:  
Double-Side 2" (51mm) panel mounting spacing. [1" (25mm) hole spacing]  
Double-Side 1¾" (44mm) panel mounting spacing [1¼" (32mm), ½" (13mm) hole spacing]
- Conformance to EIA/ECA-310-E (except inside clearance)
- Single heavy duty 2" (51mm) x 2" (51mm) top angle for added rigidity
- #12-24 panel mounting holes
- Accessory mounting holes provided in base, uprights and top channel
- Integrated cable grounding strip available on 84" (2133mm) rack (contact factory)
- Material: 11 Ga. (3mm) ASTM A1011SS structural steel
- Finish \_\_\_\_: Telco gray powder coat (TG)  
Other finishes are available upon request
- U.S. Patent No. 5,284,254 - Canada Patent No. 2,099,081

Unequal flange equipment racks & accs.



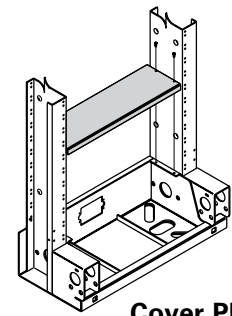
See page 287 for cable support bar quantity required.

# Unequal Flange Equipment Racks & Accessories

Unequal Flange

## Seismic Zone 4, Closed Duct Unequal Flange Rack - Top Angle Style

Description	Dimensions			
	19" (482mm) Rack Width		23" (594mm) Rack Width	
	In.	mm	In.	mm
'A' Overall Height	84" - 140"	(2133 - 3556)	84" - 140"	(2133 - 3556)
'B' Overall Width	21 <sup>15</sup> / <sub>16</sub> "	(557)	25 <sup>15</sup> / <sub>16</sub> "	(659)
'C' Panel Mounting	18 <sup>5</sup> / <sub>16</sub> "	(465)	22 <sup>5</sup> / <sub>16</sub> "	(567)
'D' Usable Inside Width	17 <sup>1</sup> / <sub>2</sub> "	(444)	21 <sup>1</sup> / <sub>2</sub> "	(546)
'E' Angle Slot Spacing	11 <sup>27</sup> / <sub>32</sub> "	(300)	15 <sup>27</sup> / <sub>32</sub> "	(402)
'F' Center Slot Spacing	10 <sup>3</sup> / <sub>16</sub> "	(259)	14 <sup>3</sup> / <sub>16</sub> "	(360)



**Cover Plate**  
Included

See page 284 for guard rail covers

2" (51mm) Panel Mounting Spacing  
1" (25mm) Hole Spacing

Part Number	'A' Height	Mtg. Spaces	Weight	
			Lbs.	(kg)
23" (584mm) Rack Width				
<b>SB5569084</b>	84" (2133)	37	95	(43.1)
<b>SB5569090</b>	90" (2286)	40	98	(44.4)
<b>SB5569096</b>	96" (2438)	43	101	(45.8)
<b>SB5569108</b>	108" (2743)	49	107	(48.5)
<b>SB5569138</b>	138" (3505)	64	113	(51.2)
<b>SB5569140</b>	140" (3556)	65	114	(51.7)
19" (482mm) Rack Width				
<b>SB5564084</b>	84" (2133)	37	91	(41.3)
<b>SB5564090</b>	90" (2286)	40	94	(42.6)
<b>SB5564096</b>	96" (2438)	43	97	(44.0)
<b>SB5564108</b>	108" (2743)	49	103	(46.7)
<b>SB5564138</b>	138" (3505)	64	109	(49.4)
<b>SB5564140</b>	140" (3556)	65	110	(49.9)

For WECO Universal Spacing [ 1/2" (13mm) ] add -U suffix to part numbers.  
Example: SB55(69 or 64)084U

1 3/4" (44mm) Panel Mounting Spacing  
1 1/4" (32mm), 1/2" (13mm) Hole Spacing

Part Number	'A' Height	Mtg. Spaces	Weight	
			Lbs.	(kg)
23" (584mm) Rack Width				
<b>SB5568084</b>	84" (2133)	43	95	(43.1)
<b>SB5568090</b>	90" (2286)	46	98	(44.4)
<b>SB5568096</b>	96" (2438)	49	101	(45.8)
<b>SB5568108</b>	108" (2743)	56	107	(48.5)
<b>SB5568138</b>	138" (3505)	73	113	(51.2)
<b>SB5568140</b>	140" (3556)	75	114	(51.7)
19" (482mm) Rack Width				
<b>SB5563084</b>	84" (2133)	43	91	(41.3)
<b>SB5563090</b>	90" (2286)	46	94	(42.6)
<b>SB5563096</b>	96" (2438)	49	97	(44.0)
<b>SB5563108</b>	108" (2743)	56	103	(46.7)
<b>SB5563138</b>	138" (3505)	73	109	(49.4)
<b>SB5563140</b>	140" (3556)	75	110	(49.9)

For EIA Universal Spacing [ 5/8" (16mm), 5/8" (16mm), 1/2" (13mm) ] add -U suffix to part numbers.  
Example: SB55(68 or 63)084U

Unequal flange equipment racks & accs.

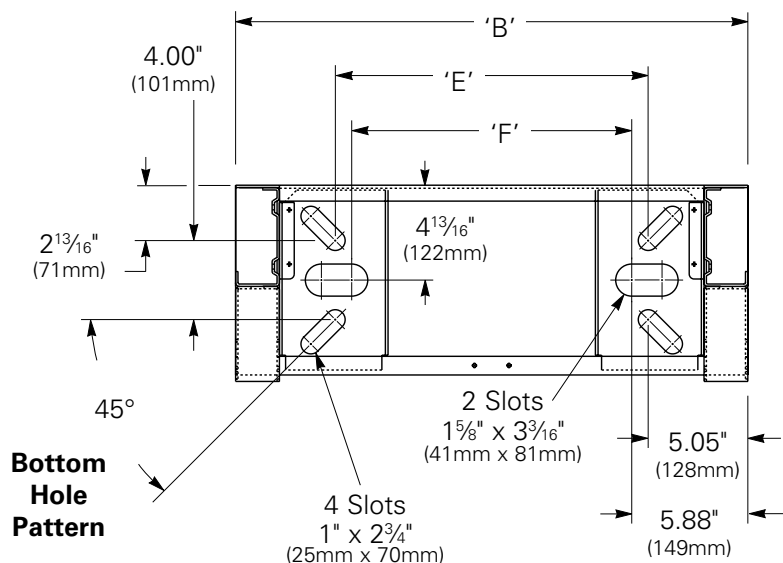
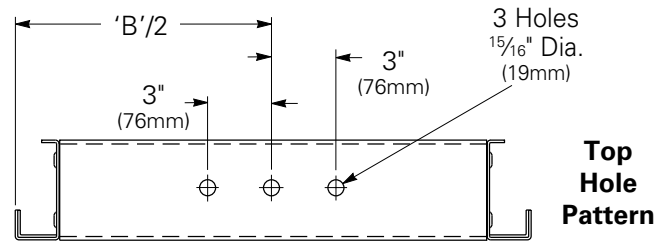
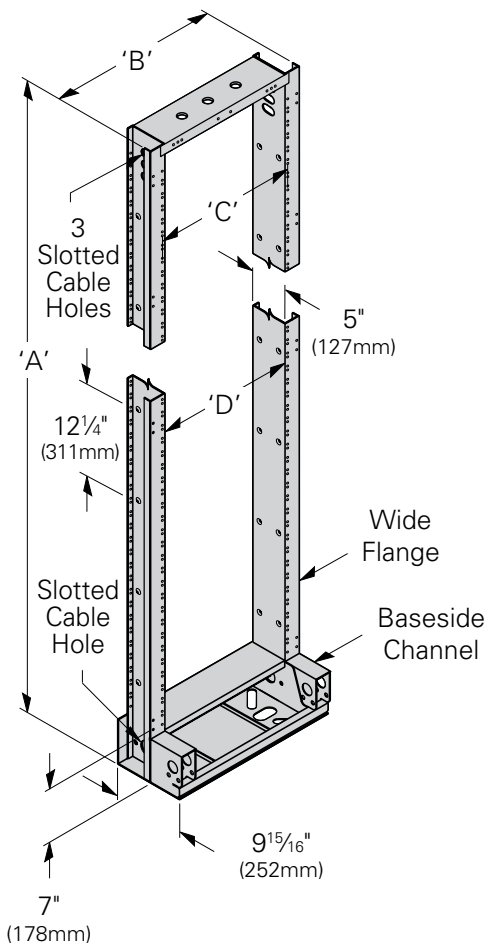
# Unequal Flange Equipment Racks & Accessories

## Unequal Flange

### Seismic Zone 4, Closed Duct Unequal Flange Rack - Top Channel Style

- Use to mount electronic switching equipment in seismic environments
- Certified to ANSI T1.329-2000 and Telcordia NEBS GR-63-CORE for seismic zone 4 installation [84" (2133mm) only]
- Load Rating: Equipment 500 lbs. (2.22kg)  
System 595 lbs. (2.64kg)
- Removable base cover plate for easier anchor and cable installation
- Heavy duty welded construction, ideal for central office installations
- Available in both top channel and top angle styles
- Includes: Anchor plates, shims and seismically approved concrete anchors
- Conformance to EIA/ECA-310-E (except inside clearance)
- Two mounting spacing styles to choose from:  
Double-Side 2" (51mm) panel mounting spacing.  
[1" (25mm) hole spacing]
- Double-Side 1 $\frac{3}{4}$ " (44mm) panel mounting spacing  
[1 $\frac{1}{4}$ " (32mm),  $\frac{1}{2}$ " (13mm) hole spacing]
- #12-24 panel mounting holes
- Accessory mounting holes provided in base, uprights and top channel
- Integrated cable grounding strip available on 84" (2133mm) rack (contact factory)
- Material: 11 Ga. (3mm) ASTM A1011SS structural steel
- Finish \_\_\_\_: Telco gray powder coat (TG)  
Other finishes are available upon request
- U.S. Patent No. 5,284,254 - Canada Patent No. 2,099,081

Unequal flange equipment racks & accs.



See page 287 for cable support bar quantity required.

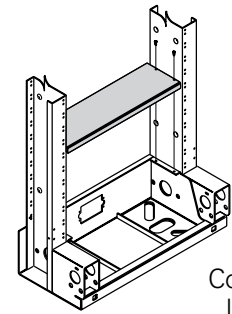


# Unequal Flange Equipment Racks & Accessories

Unequal Flange

## Seismic Zone 4, Closed Duct Unequal Flange Rack - Top Channel Style

Description	Dimensions			
	19" (482mm) Rack Width		23" (594mm) Rack Width	
	In.	mm	In.	mm
'A' Overall Height	84" - 140"	(2133 - 3556)	84" - 140"	(2133 - 3556)
'B' Overall Width	21 <sup>15</sup> / <sub>16</sub> "	(557)	25 <sup>15</sup> / <sub>16</sub> "	(659)
'C' Panel Mounting	18 <sup>5</sup> / <sub>16</sub> "	(465)	22 <sup>5</sup> / <sub>16</sub> "	(567)
'D' Usable Inside Width	17 <sup>1</sup> / <sub>2</sub> "	(444)	21 <sup>1</sup> / <sub>2</sub> "	(546)
'E' Angle Slot Spacing	11 <sup>27</sup> / <sub>32</sub> "	(300)	15 <sup>27</sup> / <sub>32</sub> "	(402)
'F' Center Slot Spacing	10 <sup>3</sup> / <sub>16</sub> "	(259)	14 <sup>3</sup> / <sub>16</sub> "	(360)



Cover Plate Included

See page 284 for guard rail covers

2" (51mm) Panel Mounting Spacing  
1" (25mm) Hole Spacing

Part Number	'A' Height	Mtg. Spaces	Weight	
			Lbs.	(kg)
<b>23" (584mm) Rack Width</b>				
SB5579084	84" (2133)	37	95	(43.1)
SB5579090	90" (2286)	40	98	(44.4)
SB5579096	96" (2438)	43	101	(45.8)
SB5579108	108" (2743)	49	107	(48.5)
SB5579138	138" (3505)	64	113	(51.2)
SB5579140	140" (3556)	65	114	(51.7)

Part Number	'A' Height	Mtg. Spaces	Weight	
			Lbs.	(kg)
<b>19" (482mm) Rack Width</b>				
SB5574084	84" (2133)	37	91	(41.3)
SB5574090	90" (2286)	40	94	(42.6)
SB5574096	96" (2438)	43	97	(44.0)
SB5574108	108" (2743)	49	103	(46.7)
SB5574138	138" (3505)	64	109	(49.4)
SB5574140	140" (3556)	65	110	(49.9)

For WEKO Universal Spacing [1/2" (13mm) ] add -U suffix to part numbers.  
Example: SB55(79 or 74)084U

1 3/4" (44mm) Panel Mounting Spacing  
1 1/4" (32mm), 1/2" (13mm) Hole Spacing

Part Number	'A' Height	Mtg. Spaces	Weight	
			Lbs.	(kg)
<b>23" (584mm) Rack Width</b>				
SB5578084	84" (2133)	43	95	(43.1)
SB5578090	90" (2286)	46	98	(44.4)
SB5578096	96" (2438)	49	101	(45.8)
SB5578108	108" (2743)	56	107	(48.5)
SB5578138	138" (3505)	73	113	(51.2)
SB5578140	140" (3556)	75	114	(51.7)

Part Number	'A' Height	Mtg. Spaces	Weight	
			Lbs.	(kg)
<b>19" (482mm) Rack Width</b>				
SB5573084	84" (2133)	43	91	(41.3)
SB5573090	90" (2286)	46	94	(42.6)
SB5573096	96" (2438)	49	97	(44.0)
SB5573108	108" (2743)	56	103	(46.7)
SB5573138	138" (3505)	73	109	(49.4)
SB5573140	140" (3556)	75	110	(49.9)

For EIA Universal Spacing [5/8" (16mm), 5/8" (16mm), 1/2" (13mm) ] add -U suffix to part numbers.  
Example: SB55(78 or 73)084U

Unequal flange equipment racks & accs.

See page 293 for cable support bar quantity required.

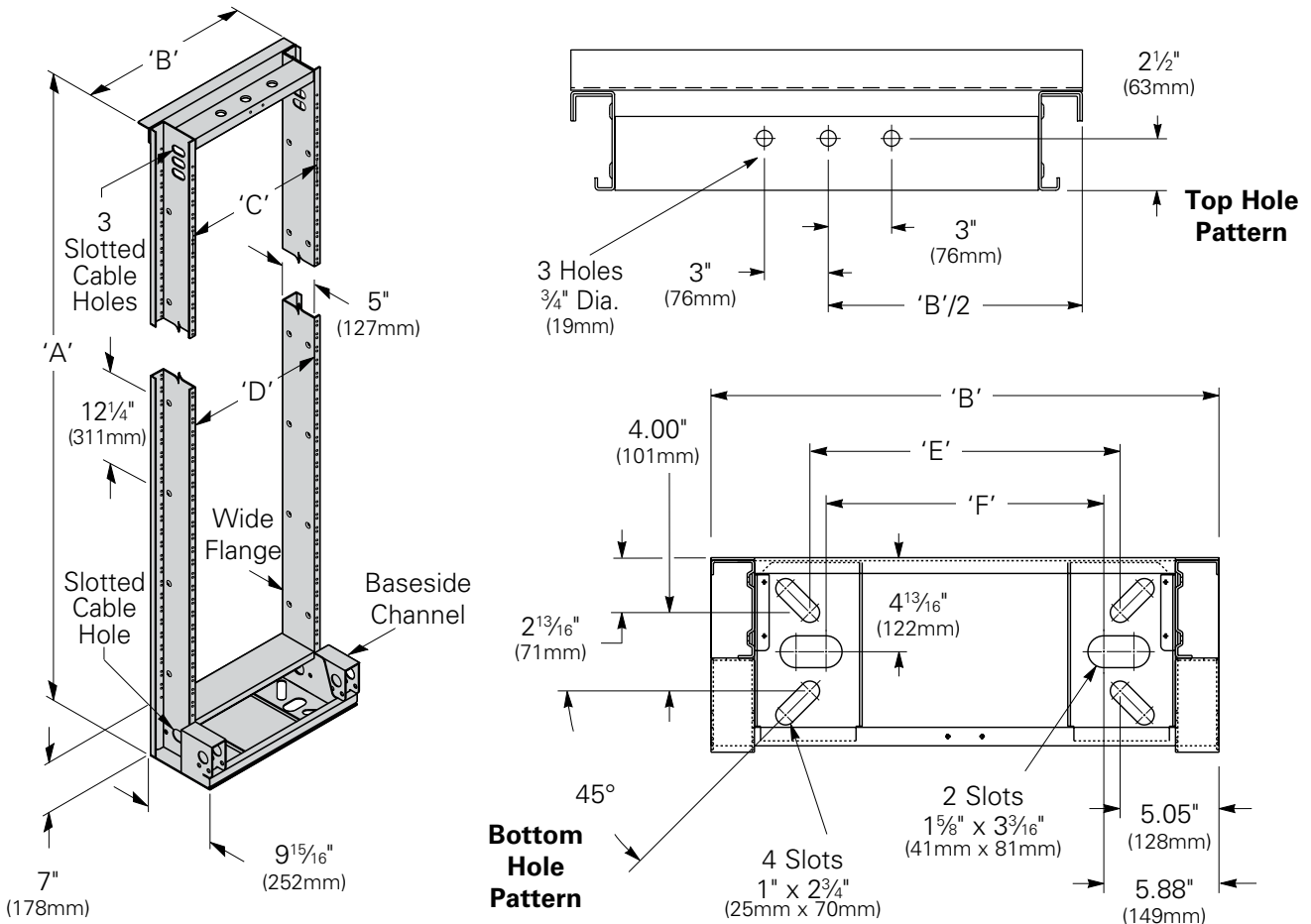
# Unequal Flange Equipment Racks & Accessories

## Unequal Flange

### Seismic Zone 4, Open Duct Unequal Flange Rack - Top Angle Style

- Use to mount electronic switching equipment in seismic environments
- Certified to ANSI T1.329-2000 and Telcordia NEBS GR-63-CORE for seismic zone 4 installation [84" (2133mm) only]
- Load Rating: Equipment 500 lbs. (2.22kg)  
System 595 lbs. (2.64kg)
- Removable base cover plate for easier anchor and cable installation
- Heavy duty welded construction, ideal for central office installations
- Available in both top channel and top angle styles
- Includes: Anchor plates, shims and seismically approved concrete anchors
- Two mounting spacing styles to choose from: Double-Side 2" (51mm) panel mounting spacing. [1" (25mm) hole spacing] Double-Side 1¾" (44mm) panel mounting spacing [1¼" (32mm), ½" (13mm) hole spacing]
- Conformance to EIA/ECA-310-E (except inside clearance)
- Single heavy duty 2" (51mm) x 2" (51mm) top angle for added rigidity
- #12-24 panel mounting holes
- Accessory mounting holes provided in base, uprights and top channel
- Integrated cable grounding strip available on 84" (2133mm) rack (contact factory)
- Material: 11 Ga. (3mm) ASTM A1011SS structural steel
- Finish \_\_\_\_: Telco gray powder coat (TG)  
Other finishes are available upon request
- U.S. Patent No. 5,284,254 - Canada Patent No. 2,099,081

Unequal flange equipment racks & accs.



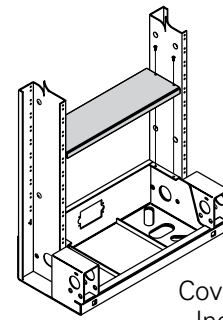
See page 287 for cable support bar quantity required.

# Unequal Flange Equipment Racks & Accessories

Unequal Flange

## Seismic Zone 4, Open Duct Unequal Flange Rack - Top Angle Style

Description	Dimensions			
	19" (482mm) Rack Width		23" (594mm) Rack Width	
	In.	mm	In.	mm
'A' Overall Height	84" - 140"	(2133 - 3556)	84" - 140"	(2133 - 3556)
'B' Overall Width	21 <sup>15</sup> / <sub>16</sub> "	(557)	25 <sup>15</sup> / <sub>16</sub> "	(659)
'C' Panel Mounting	18 <sup>9</sup> / <sub>16</sub> "	(465)	22 <sup>5</sup> / <sub>16</sub> "	(567)
'D' Usable Inside Width	17 <sup>1</sup> / <sub>2</sub> "	(444)	21 <sup>1</sup> / <sub>2</sub> "	(546)
'E' Angle Slot Spacing	11 <sup>27</sup> / <sub>32</sub> "	(300)	15 <sup>27</sup> / <sub>32</sub> "	(402)
'F' Center Slot Spacing	10 <sup>3</sup> / <sub>16</sub> "	(259)	14 <sup>3</sup> / <sub>16</sub> "	(360)



Cover Plate Included

See page 284 for guard rail covers

2" (51mm) Panel Mounting Spacing  
1" (25mm) Hole Spacing

Part Number	'A' Height	Mtg. Spaces	Weight	
			Lbs.	(kg)
<b>23" (584mm) Rack Width</b>				
SB5567084	84" (2133)	37	95	(43.1)
SB5567090	90" (2286)	40	98	(44.4)
SB5567096	96" (2438)	43	101	(45.8)
SB5567108	108" (2743)	49	107	(48.5)
SB5567138	138" (3505)	64	113	(51.2)
SB5567140	140" (3556)	65	114	(51.7)
<b>19" (482mm) Rack Width</b>				
SB5562084	84" (2133)	37	91	(41.3)
SB5562090	90" (2286)	40	94	(42.6)
SB5562096	96" (2438)	43	97	(44.0)
SB5562108	108" (2743)	49	103	(46.7)
SB5562138	138" (3505)	64	109	(49.4)
SB5562140	140" (3556)	65	110	(49.9)

For WEKO Universal Spacing [ 1/2" (13mm) ] add -U suffix to part numbers.  
Example: SB55(67 or 62)084U

1 3/4" (44mm) Panel Mounting Spacing  
1 1/4" (32mm), 1/2" (13mm) Hole Spacing

Part Number	'A' Height	Mtg. Spaces	Weight	
			Lbs.	(kg)
<b>23" (584mm) Rack Width</b>				
SB5566084	84" (2133)	43	95	(43.1)
SB5566090	90" (2286)	46	98	(44.4)
SB5566096	96" (2438)	49	101	(45.8)
SB5566108	108" (2743)	56	107	(48.5)
SB5566138	138" (3505)	73	113	(51.2)
SB5566140	140" (3556)	75	114	(51.7)
<b>19" (482mm) Rack Width</b>				
SB5561084	84" (2133)	43	91	(41.3)
SB5561090	90" (2286)	46	94	(42.6)
SB5561096	96" (2438)	49	97	(44.0)
SB5561108	108" (2743)	56	103	(46.7)
SB5561138	138" (3505)	73	109	(49.4)
SB5561140	140" (3556)	75	110	(49.9)

For EIA Universal Spacing [ 5/8" (16mm), 5/8" (16mm), 1/2" (13mm) ] add -U suffix to part numbers.  
Example: SB55(66 or 61)084U

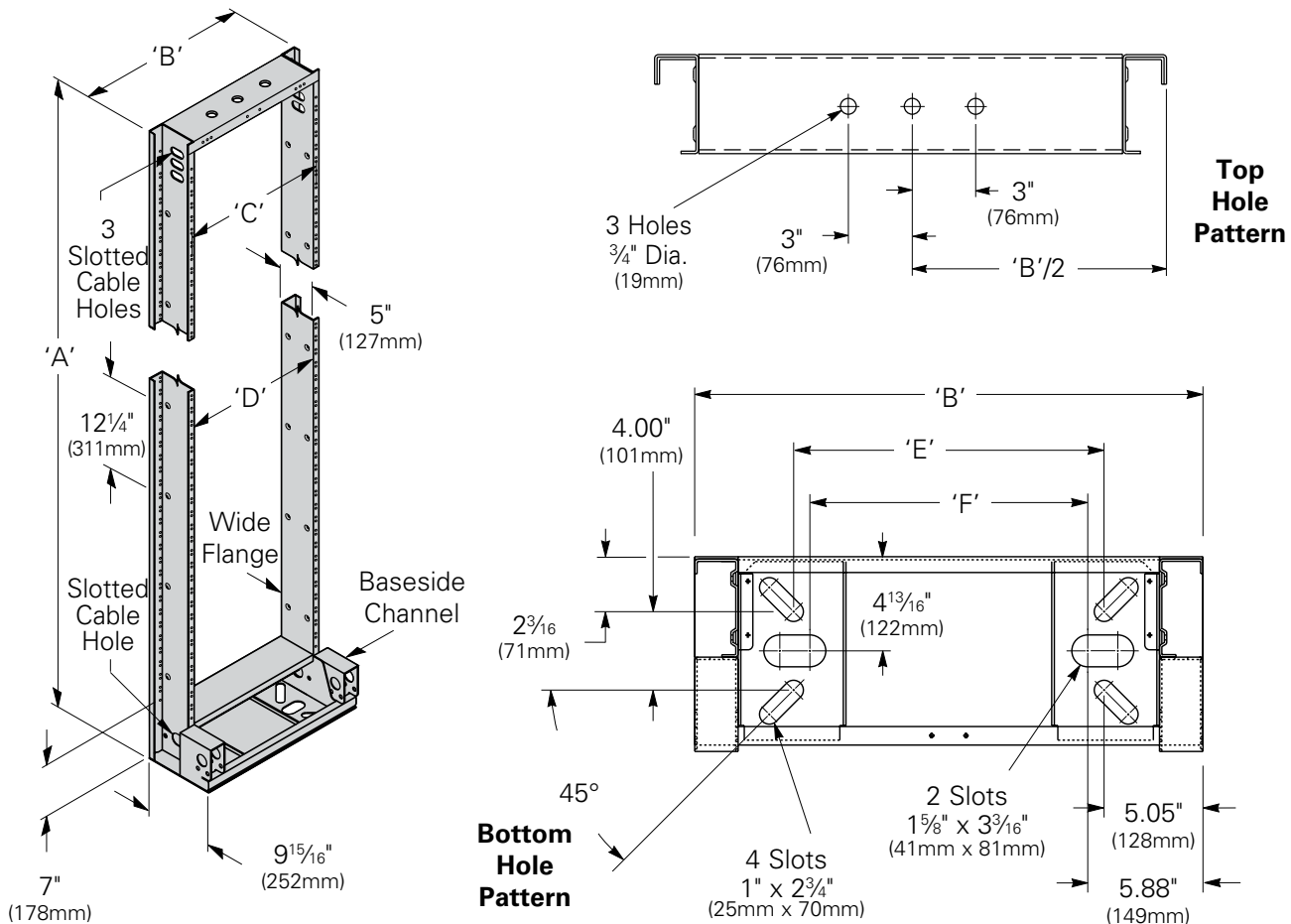
# Unequal Flange Equipment Racks & Accessories

## Unequal Flange

### Seismic Zone 4, Open Duct Unequal Flange Rack - Top Channel Style

- Use to mount electronic switching equipment in seismic environments
- Certified to ANSI T1.329-2000 and Telcordia NEBS GR-63-CORE for seismic zone 4 installation [84" (2133mm) only]
- Load Rating: Equipment 500 lbs. (2.22kg)  
System 595 lbs. (2.64kg)
- Removable base cover plate for easier anchor and cable installation
- Heavy duty welded construction, ideal for central office installations
- Available in both top channel and top angle styles
- Includes: Anchor plates, shims and seismically approved concrete anchors
- Two mounting spacing styles to choose from:  
Double-Side 2" (51mm) panel mounting spacing. [1" (25mm) hole spacing]  
Double-Side 1¾" (44mm) panel mounting spacing [1¼" (32mm), ½" (13mm) hole spacing]
- Conformance to EIA/ECA-310-E (except inside clearance)
- #12-24 panel mounting holes
- Accessory mounting holes provided in base, uprights and top channel
- Integrated cable grounding strip available on 84" (2133mm) rack (contact factory)
- Material: 11 Ga. (3mm) ASTM A1011SS structural steel
- Finish: Telco Gray Powder Coat (TG), other finishes available
- U.S. Patent No. 5,284,254 - Canada Patent No. 2,099,081

Unequal flange equipment racks & accs.



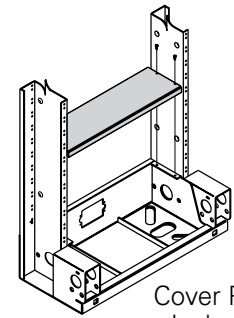
See page 287 for cable support bar quantity required.

# Unequal Flange Equipment Racks & Accessories

Unequal Flange

## Seismic Zone 4, Open Duct Unequal Flange Rack - Top Channel Style

Description	Dimensions			
	19" (482mm) Rack Width		23" (594mm) Rack Width	
	In.	mm	In.	mm
'A' Overall Height	84" - 140"	(2133 - 3556)	84" - 140"	(2133 - 3556)
'B' Overall Width	21 <sup>15</sup> / <sub>16</sub> "	(557)	25 <sup>15</sup> / <sub>16</sub> "	(659)
'C' Panel Mounting	18 <sup>5</sup> / <sub>16</sub> "	(465)	22 <sup>5</sup> / <sub>16</sub> "	(567)
'D' Usable Inside Width	17 <sup>1</sup> / <sub>2</sub> "	(444)	21 <sup>1</sup> / <sub>2</sub> "	(546)
'E' Angle Slot Spacing	11 <sup>27</sup> / <sub>32</sub> "	(300)	15 <sup>27</sup> / <sub>32</sub> "	(402)
'F' Center Slot Spacing	10 <sup>3</sup> / <sub>16</sub> "	(259)	14 <sup>3</sup> / <sub>16</sub> "	(360)



Cover Plate Included

See page 284 for guard rail covers

2" (51mm) Panel Mounting Spacing  
1" (25mm) Hole Spacing

Part Number	'A' Height	Mtg. Spaces	Weight	
			Lbs.	(kg)
<b>23" (584mm) Rack Width</b>				
SB5577084	84" (2133)	37	95	(43.1)
SB5577090	90" (2286)	40	98	(44.4)
SB5577096	96" (2438)	43	101	(45.8)
SB5577108	108" (2743)	49	107	(48.5)
SB5577138	138" (3505)	64	113	(51.2)
SB5577140	140" (3556)	65	114	(51.7)
<b>19" (482mm) Rack Width</b>				
SB5572084	84" (2133)	37	91	(41.3)
SB5572090	90" (2286)	40	94	(42.6)
SB5572096	96" (2438)	43	97	(44.0)
SB5572108	108" (2743)	49	103	(46.7)
SB5572138	138" (3505)	64	109	(49.4)
SB5572140	140" (3556)	65	110	(49.9)

For WECO Universal Spacing [1/2" (13mm) ] add -U suffix to part numbers.  
Example: SB55(77 or 72)084U

1 3/4" (44mm) Panel Mounting Spacing  
1 1/4" (32mm), 1/2" (13mm) Hole Spacing

Part Number	'A' Height	Mtg. Spaces	Weight	
			Lbs.	(kg)
<b>23" (584mm) Rack Width</b>				
SB5576084	84" (2133)	43	95	(43.1)
SB5576090	90" (2286)	46	98	(44.4)
SB5576096	96" (2438)	49	101	(45.8)
SB5576108	108" (2743)	56	107	(48.5)
SB5576138	138" (3505)	73	113	(51.2)
SB5576140	140" (3556)	75	114	(51.7)
<b>19" (482mm) Rack Width</b>				
SB5571084	84" (2133)	43	91	(41.3)
SB5571090	90" (2286)	46	94	(42.6)
SB5571096	96" (2438)	49	97	(44.0)
SB5571108	108" (2743)	56	103	(46.7)
SB5571138	138" (3505)	73	109	(49.4)
SB5571140	140" (3556)	75	110	(49.9)

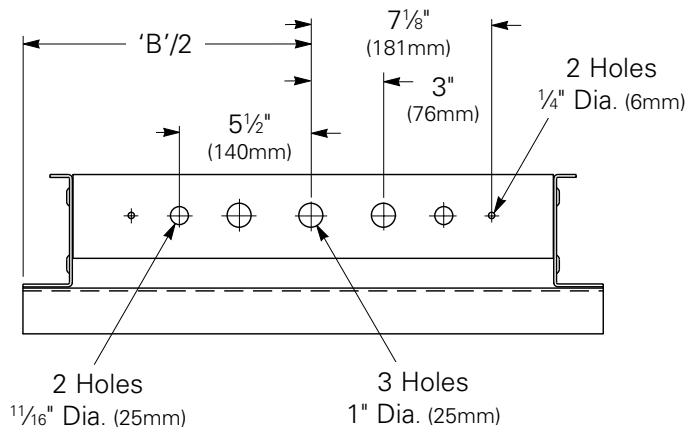
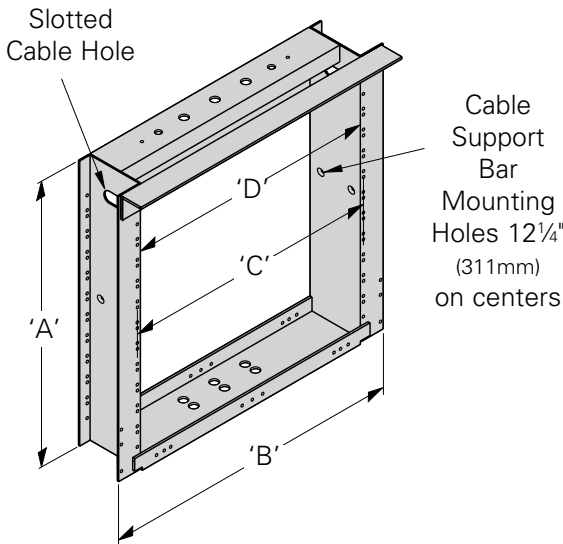
For EIA Universal Spacing [5/8" (16mm), 5/8" (16mm) , 1/2" (13mm) ] add -U suffix to part numbers.  
Example: SB55(76 or 71)084U

# Unequal Flange Equipment Racks & Accessories

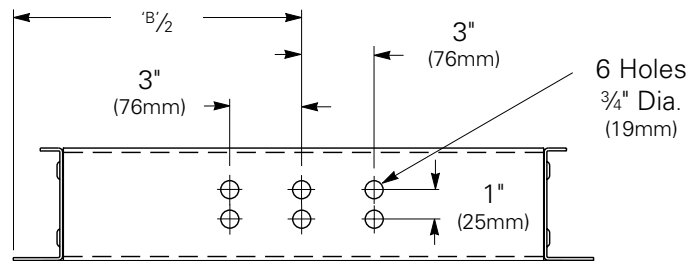
## Unequal Flange

### Rack Extension

- Use to increase rack height for mounting additional equipment or attaching to overhead support structure
- Heavy duty welded construction, ideal for central office installations
- Conformance to EIA/ECA-310-E (except inside clearance)
- Double-Side 1 3/4" (44mm) panel mounting spacing [1 1/4" (32mm), 1/2" (13mm) hole spacing]
- Double-Side 2" (51mm) panel mounting spacing. [1" (25mm) hole spacing] available (consult customer service)
- #12-24 panel mounting holes
- Accessory mounting holes provided in base, uprights and top channel
- Includes: 5/8"-11 rack attachment hardware
- Material: 11 Ga. (3mm) ASTM A1011CS steel
- Finish \_\_\_\_: Telco gray powder coat (TG)  
Other finishes are available upon request



**Top Hole Pattern**



**Bottom Hole Pattern**

### Dimensions

Description	19" (482mm) Rack Width		23" (594mm) Rack Width	
	In.	mm	In.	mm
'A' Overall Height	6" - 56"	(152 - 1422)	6" - 56"	(152 - 1422)
'B' Overall Width	21 15/16"	(557)	25 15/16"	(659)
'C' Panel Mounting	18 5/16"	(465)	22 5/16"	(567)
'D' Usable Inside Width	17 1/2"	(444)	21 1/2"	(546)

See page 287 for cable support bar quantity required.

# Unequal Flange Equipment Racks & Accessories

Unequal Flange

## Rack Extension

Part Number	'A' Height		Mounting Spaces	Weight	
	In.	(mm)		Lbs.	(kg)
23" (584mm) Rack Width					
SB5646006	6"	(152)	1	26	(11.8)
SB5646012	12"	(305)	4	30	(13.6)
SB5646018	18"	(457)	8	33	(14.9)
SB5646024	24"	(609)	11	36	(16.3)
SB5646030	30"	(762)	14	40	(18.1)
SB5646032	32"	(813)	16	41	(18.6)
SB5646042	42"	(1067)	21	46	(20.8)
SB5646044	44"	(1117)	22	47	(21.3)
SB5646048	48"	(1219)	25	50	(22.7)
SB5646050	50"	(1270)	26	51	(23.1)
SB5646054	54"	(1371)	28	53	(24.0)
SB5646056	56"	(1422)	29	54	(24.5)
19" (482mm) Rack Width					
SB5641006	6"	(152)	1	22	(10.0)
SB5641012	12"	(305)	4	26	(11.8)
SB5641018	18"	(457)	8	29	(13.1)
SB5641024	24"	(609)	11	32	(14.5)
SB5641030	30"	(762)	14	36	(16.3)
SB5641032	32"	(813)	16	37	(16.8)
SB5641042	42"	(1067)	21	42	(19.0)
SB5641044	44"	(1117)	22	43	(19.5)
SB5641048	48"	(1219)	25	45	(20.4)
SB5641050	50"	(1270)	26	47	(21.3)
SB5641054	54"	(1371)	28	49	(22.2)
SB5641056	56"	(1422)	29	50	(22.7)

Unequal flange  
equipment racks & accs.

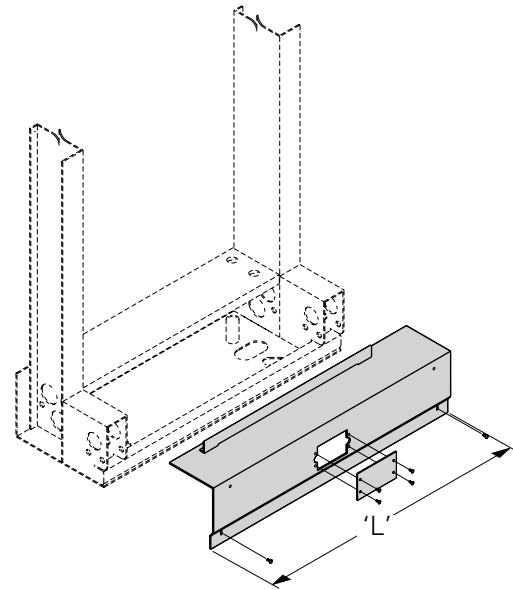
# Unequal Flange Equipment Racks & Accessories

## Unequal Flange

### ACCESSORIES

#### Guard Rail Cover

- Use to enclose base of unequal flange equipment rack
- Gives installation a clean professional appearance
- Cover has receptacle cut-out
- Includes: base cover, receptacle cover and mounting hardware
- Material: 11 Gauge (3mm) ASTM A1011CS steel
- Finish\_\_\_: Telco Gray Powder Coat (TG)  
Other finishes are available upon request



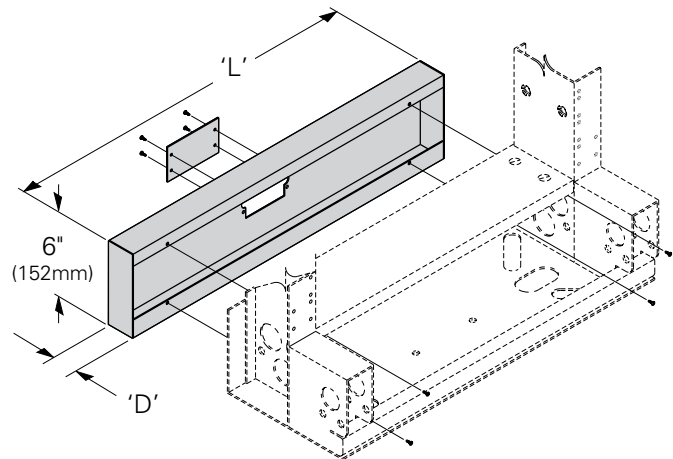
Part Number	Rack Width		'L'		Weight	
	In.	(mm)	In.	(mm)	Lbs.	(kg)
<b>SB560223</b> __	23"	(584)	25 <sup>15</sup> / <sub>16</sub> "	(659)	13.0	(5.9)
<b>SB560219</b> __	19"	(482)	21 <sup>15</sup> / <sub>16</sub> "	(557)	11.0	(5.0)

Specify part number and finish when ordering.

### ACCESSORIES

#### Base Guard Box

- Use to protect unequal flange rack equipment
- Available with or without (WO) receptacle cutout
- Available in 2" (51mm) & 5" (127mm) depths
- Includes: mounting hardware
- Material: 14 Gauge (2mm) ASTM A1011SS steel
- Finish \_\_\_: Telco gray powder coat (TG)  
Other finishes are available upon request



Part Number	Rack Width		'L'		'D'		Weight	
	In.	(mm)	In.	(mm)	In.	(mm)	Lbs.	(kg)
<b>SB561323</b> __	23"	(584)	25 <sup>15</sup> / <sub>16</sub> "	(659)	2"	(51)	7.5	(3.40)
<b>SB561319</b> __	19"	(482)	21 <sup>15</sup> / <sub>16</sub> "	(557)	2"	(51)	6.0	(2.72)
<b>SB561323WO</b> __	23"	(584)	25 <sup>15</sup> / <sub>16</sub> "	(659)	2"	(51)	7.5	(3.40)
<b>SB561319WO</b> __	19"	(482)	21 <sup>15</sup> / <sub>16</sub> "	(557)	2"	(51)	6.0	(2.72)
<b>SB561423</b> __	23"	(584)	25 <sup>15</sup> / <sub>16</sub> "	(659)	5"	(127)	11.5	(5.21)
<b>SB561419</b> __	19"	(482)	21 <sup>15</sup> / <sub>16</sub> "	(557)	5"	(127)	9.5	(4.31)

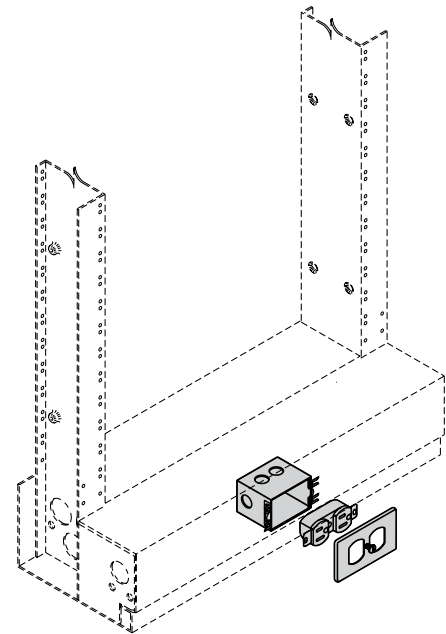
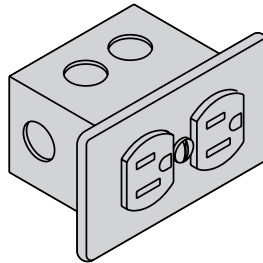
Specify part number and finish when ordering.



## ACCESSORIES

### Duplex Receptacle

- Use as an electrical receptacle for unequal flange equipment racks
- Three prong, grounded style
- UL listed
- Material: box and cover - steel
- Finish: Box - Zinc Plated (ZN)

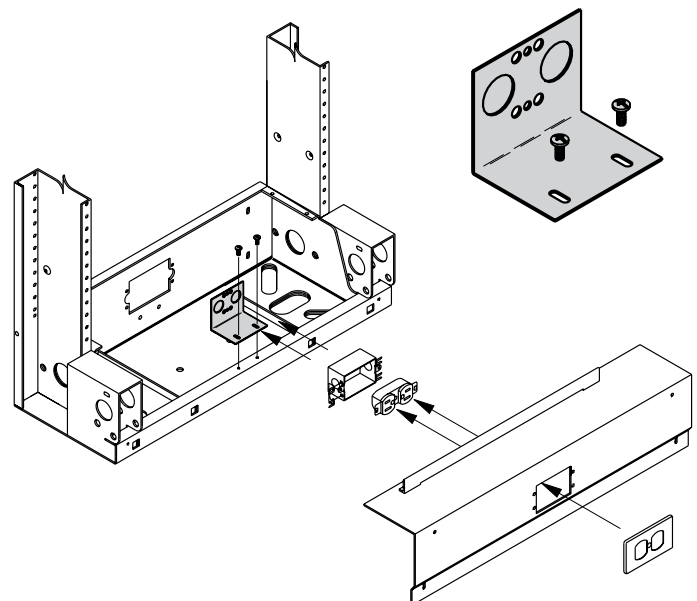


Part Number	Configuration	Weight	
		Lbs.	(kg)
SB560301	(1) Duplex Receptacle Kit	0.8	(0.36)
SB560302	(1) Box Only	0.6	(0.27)
SB560303	(2) Duplex Receptacle Kits	1.5	(0.68)
SB560304	(2) Boxes Only	1.1	(0.50)

## ACCESSORIES

### Base Plate Outlet Bracket

- Use as an electrical receptacle support attachment for unequal flange equipment racks
- Allows base cover to be removed without disturbing the receptacle
- Includes outlet bracket and hardware
- Material: steel
- Finish \_\_\_\_: Telco gray powder coat (TG)  
Other finishes are available upon request



Part Number	Weight	
	Lbs.	(kg)
SB5604__	0.8	(0.36)

Specify part number and finish when ordering.

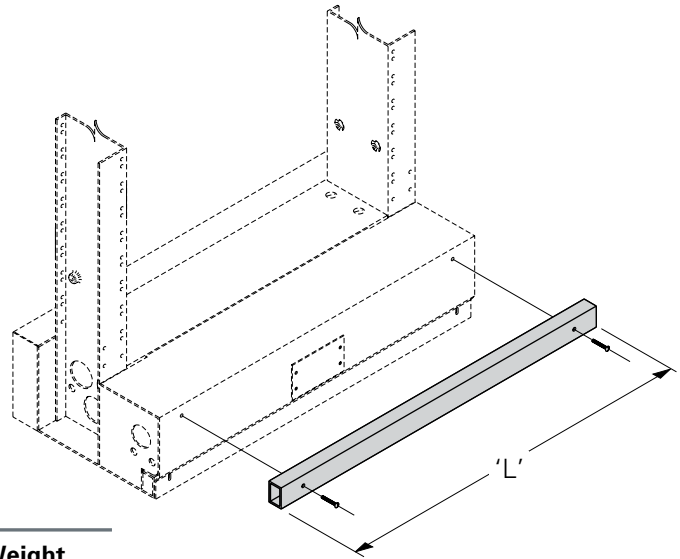
# Unequal Flange Equipment Racks & Accessories

## Unequal Flange

### ACCESSORIES

#### Bumper Rail

- Use to protect unequal flange equipment rack
- Includes: hardware
- Material: .120" (3mm) x 1" (25mm) x 1 1/2" (38mm)  
ASTM A513 steel tubing
- Finish \_\_\_\_: Telco gray powder coat (TG)  
Other finishes are available upon request



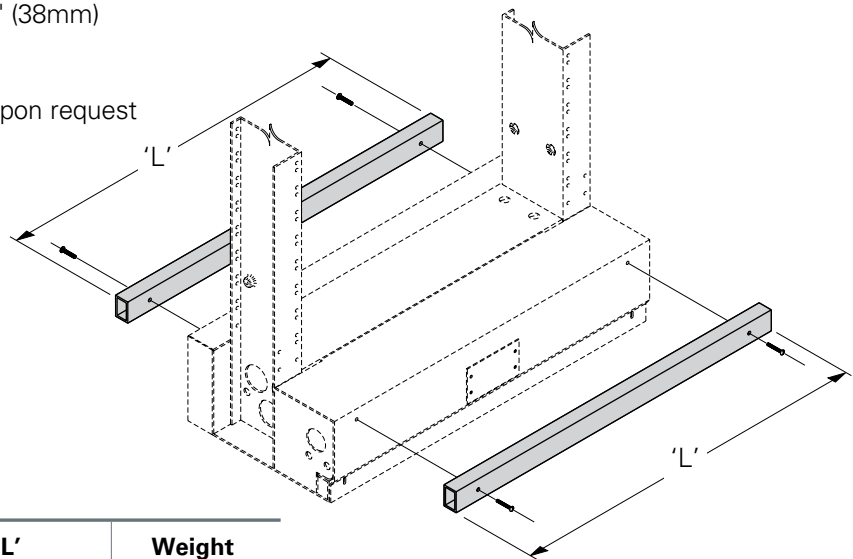
Part Number	Rack Width		'L'		Weight	
	In.	(mm)	In.	(mm)	Lbs.	(kg)
SB562319__	19	(482)	21 15/16"	(557)	4.5	(2.04)
SB562323__	23	(584)	25 15/16"	(659)	5.0	(2.27)

Specify part number and finish when ordering.

### ACCESSORIES

#### Bumper Rail Assembly

- Use to protect unequal flange equipment rack
- Includes: (2) bumper rails and hardware
- Material: .120" (3mm) x 1" (25mm) x 1 1/2" (38mm)  
ASTM A513 steel tubing
- Finish \_\_\_\_: Telco gray powder coat (TG)  
Other finishes are available upon request



Part Number	Rack Width		'L'		Weight	
	In.	(mm)	In.	(mm)	Lbs.	(kg)
SB562419__	19	(482)	21 15/16"	(557)	8.5	(3.85)
SB562423__	23	(584)	25 15/16"	(659)	10.0	(4.53)

Specify part number and finish when ordering.

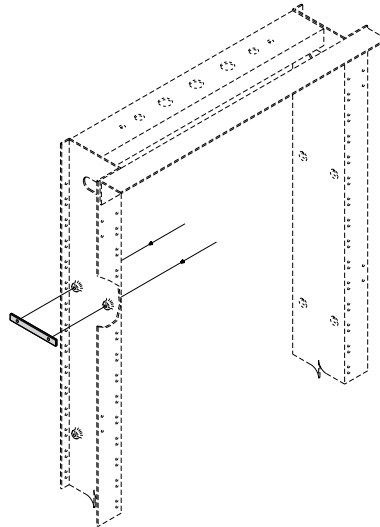
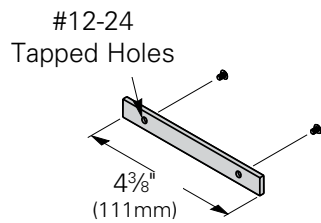
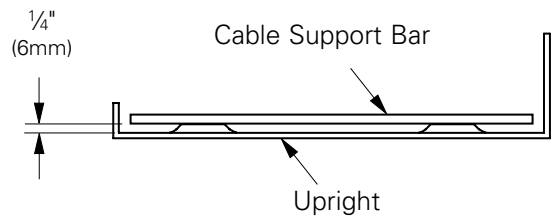
# Unequal Flange Equipment Racks & Accessories

Unequal Flange

## ACCESSORIES

### Cable Support Bar

- Use with cable ties to secure cable runs
- Includes: hardware
- Material: ASTM A36 structural steel
- Finish \_\_\_\_: Telco gray powder coat (TG)  
Other finishes are available upon request



Part Number	Weight	
	Lbs.	(kg)
SB5631__	0.08	(0.03)

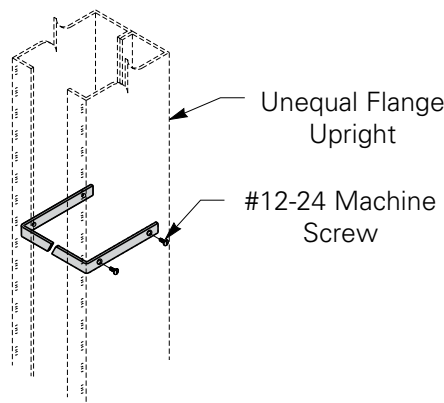
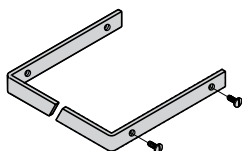
Specify part number and finish when ordering.

Rack Height in.	(mm)	Quantity of support bars required for unequal flange equipment racks
6"	(152)	0
12"	(305)	0
18"	(457)	2
24"	(609)	2
30"	(762)	4
32"	(812)	4
42"	(1067)	6
44"	(1117)	6
48"	(1219)	8
50"	(1270)	8
54"	(1371)	8
56"	(1422)	8
84"	(2133)	14
90"	(2286)	14
96"	(2438)	14
108"	(2743)	16
138"	(3505)	22
140"	(3556)	22

## ACCESSORIES

### Cable Duct Support Bar

- Use with cable ties to secure cable runs in duct formed by unequal flange equipment rack
- Includes: (2) support bars and hardware
- Material: ASTM A36 structural steel
- Finish \_\_\_\_: Telco gray powder coat (TG)  
Other finishes are available upon request



Part Number	Weight	
	Lbs.	(kg)
SB5631A01__	0.08	(0.03)

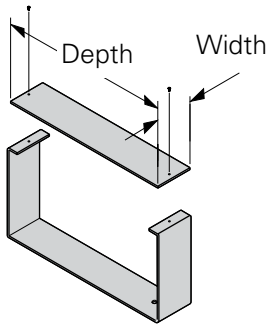
Specify part number and finish when ordering.

# Unequal Flange Equipment Racks & Accessories

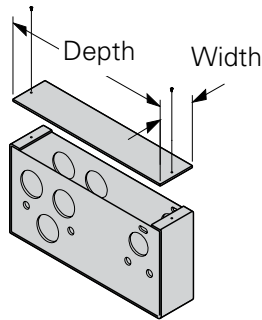
## Unequal Flange

### ACCESSORIES Spacer Box

- Use for creating wider cable duct between unequal flange equipment racks
- See SB5616 for spacer bars or SB5617 for spacer cover
- Includes: (1) box, (1) cover and hardware
- Material: ASTM A1011CS steel
- Finish \_\_\_\_: Telco gray powder coat (TG)  
Other finishes are available upon request



SB5615( ) ( )OP  
Open End



SB5615( ) ( )CL  
Closed End

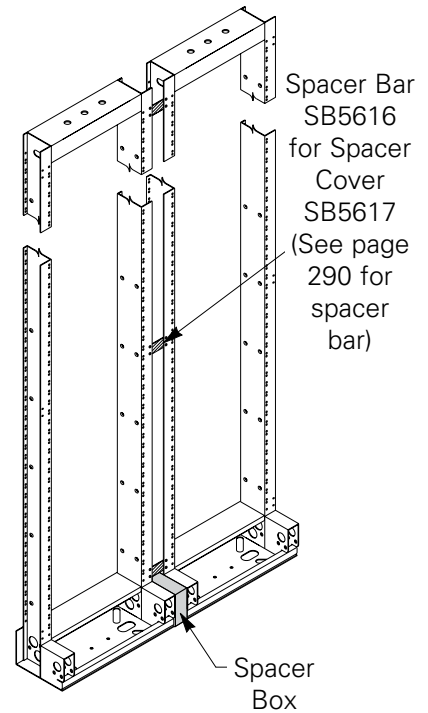
### Example Of Part Number

**SB5615 2 10 CL** Spacer Box for Unequal Flange Equipment Rack  
2" (51mm) Width x 10" (254mm) Depth with Closed Ends  
CL - Closed End or OP - Open End

Depth\*: 10 for 10" (254mm)  
12 for 12" (305mm)  
15 for 15" (381mm)  
17 for 17" (432mm),

Width: 2 for 2" (51mm)  
2½ for 2½" (63mm)  
3 for 3" (76mm)  
5 for 5" (127mm)  
7½ for 7½" (190mm),

\* Overall depth of rack including base guard box (if used)



Part Number	Weight	
	Lbs.	(kg)
Open End Spacer Box		
SB5615210OP__	2.3	(1.04)
SB5615212OP__	2.6	(1.18)
SB5615215OP__	2.9	(1.32)
SB5615217OP__	3.3	(1.50)
SB56152½10OP__	2.9	(1.32)
SB56152½12OP__	3.2	(1.45)
SB56152½15OP__	3.7	(1.68)
SB56152½17OP__	4.1	(1.86)
SB5615310OP__	3.5	(1.59)
SB5615312OP__	3.9	(1.77)
SB5615315OP__	4.5	(2.04)
SB5615317OP__	4.9	(2.22)
SB5615510OP__	5.8	(2.63)
SB5615512OP__	6.4	(2.90)
SB5615515OP__	7.4	(3.36)
SB5615517OP__	8.1	(3.67)
SB56157½10OP__	8.6	(3.90)
SB56157½12OP__	9.6	(4.35)
SB56157½15OP__	11.2	(5.08)
SB56157½17OP__	12.2	(5.53)

Specify part number and finish when ordering.

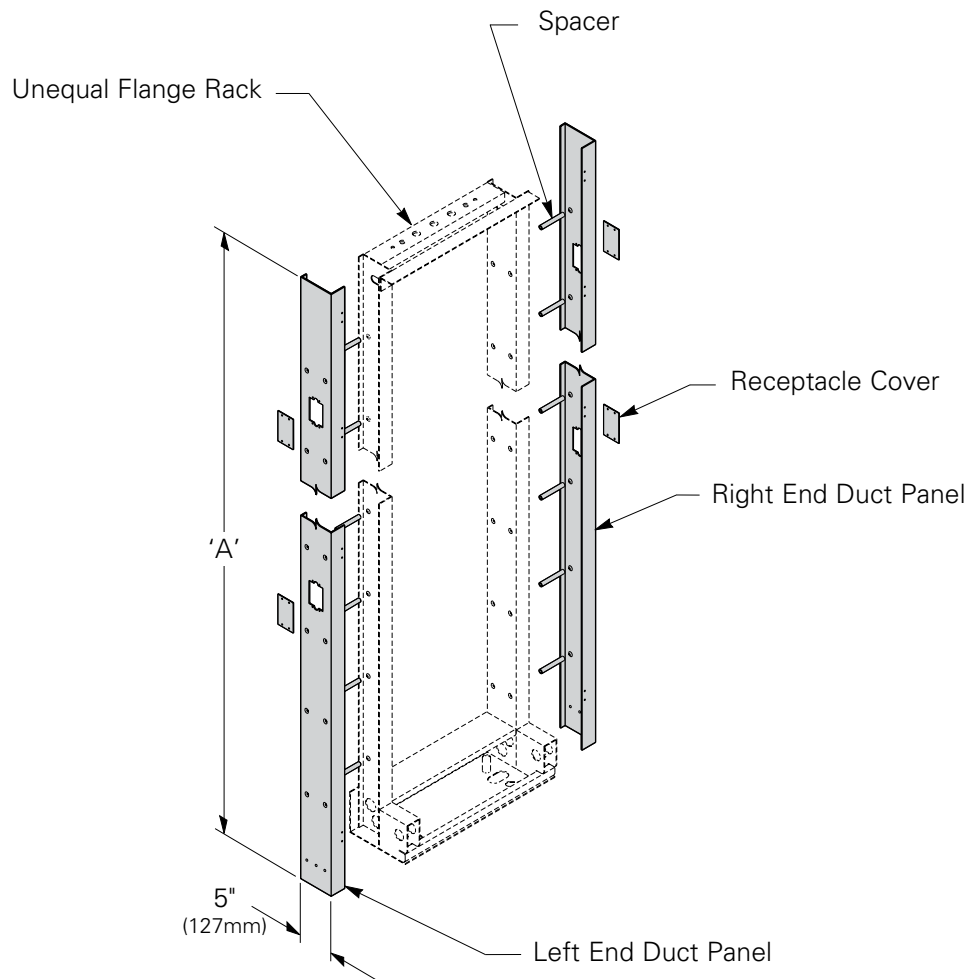
Part Number	Weight	
	Lbs.	(kg)
Closed End Spacer Box		
SB5615210CL__	5.6	(2.54)
SB5615212CL__	6.7	(3.04)
SB5615215CL__	8.1	(3.67)
SB5615217CL__	9.3	(4.22)
SB56152½10CL__	6.2	(2.81)
SB56152½12CL__	7.3	(3.31)
SB56152½15CL__	8.9	(4.04)
SB56152½17CL__	10.1	(4.58)
SB5615310CL__	6.8	(3.08)
SB5615312CL__	8.0	(3.63)
SB5615315CL__	9.7	(4.40)
SB5615317CL__	10.9	(4.94)
SB5615510CL__	9.1	(4.13)
SB5615512CL__	10.5	(4.76)
SB5615515CL__	12.6	(5.72)
SB5615517CL__	14.1	(6.40)
SB56157½10CL__	11.9	(5.40)
SB56157½12CL__	13.7	(6.21)
SB56157½15CL__	16.4	(7.44)
SB56157½17CL__	18.2	(8.26)

Specify part number and finish when ordering.

## ACCESSORIES

### End Duct Finishing Panel Assembly

- Use to create an enclosed wiring duct for cable management
- Gives installation a clean professional appearance
- Includes: (1 each) left and right end duct panels, junction plates, spacers, receptacle covers and hardware
- Material: 11 Gauge (3mm) ASTM A1011CS steel
- Finish \_\_\_\_: Telco gray powder coat (TG)  
Other finishes are available upon request



Part Number	'A'		Junction Plates	Spacers	Weight	
	In.	(mm)			Lbs.	(kg)
<b>SB5581084</b> __	84"	(2133)	6	12	59.0	(26.7)
<b>SB5581090</b> __	90"	(2286)	6	14	63.0	(28.6)
<b>SB5581096</b> __	96"	(2438)	6	14	67.0	(30.4)
<b>SB5581108</b> __	108"	(2743)	8	16	76.0	(34.5)
<b>SB5581138</b> __	138"	(3505)	8	22	97.0	(44.0)
<b>SB5581140</b> __	140"	(3556)	8	22	98.0	(44.4)

Specify part number and finish when ordering.

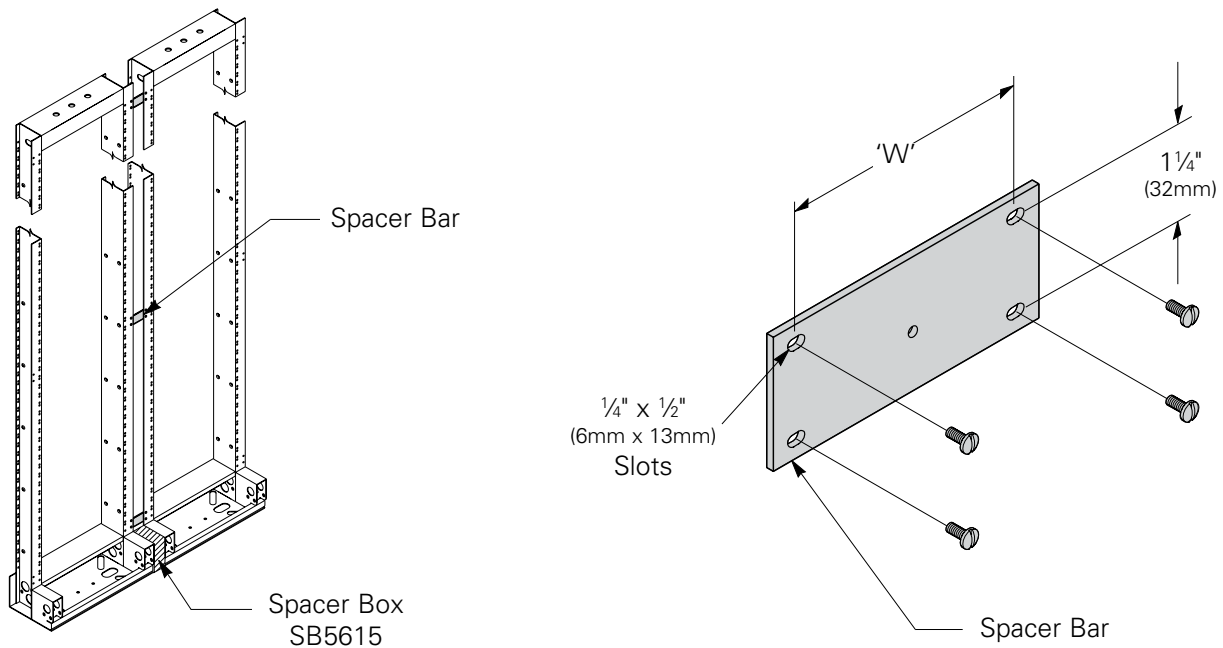
# Unequal Flange Equipment Racks & Accessories

## Unequal Flange

### ACCESSORIES

#### Spacer Bar

- Use for creating wider cable duct between unequal flange equipment rack
- Includes: (3) spacer bars and hardware [96" (2438mm) or less] (4) spacer bars and hardware [Over 96" (2438mm)]
- #8-32 tapped center hole for mounting spacer cover (see SB5617)
- See SB5615 for spacer box
- Material: ASTM A1011CS steel
- Finish \_\_\_\_: Telco gray powder coat (TG)  
Other finishes are available upon request



Unequal flange equipment racks & accs.

Part Number	Space Between Racks		'W'		Rack Height		Weight	
	In.	(mm)	In.	(mm)	In.	(mm)	Lbs.	(kg)
SB56162A__	2"	(51)	2¾"	(70)	96" or Less	(2438) or Less	0.6	(0.27)
SB56162½A__	2½"	(63)	3¼"	(82)			0.7	(0.32)
SB56163A__	3"	(76)	3¾"	(95)			0.8	(0.36)
SB56165A__	5"	(127)	5¾"	(146)			1.2	(0.54)
SB56167½A__	7½"	(190)	8¼"	(209)			1.6	(0.72)
SB56162B__	2"	(51)	2¾"	(70)	Over 96"	Over (2438)	0.8	(0.36)
SB56162½B__	2½"	(63)	3¼"	(82)			1.0	(0.45)
SB56163B__	3"	(76)	3¾"	(95)			1.0	(0.45)
SB56165B__	5"	(127)	5¾"	(146)			1.6	(0.72)
SB56167½B__	7½"	(190)	8¼"	(209)			2.1	(0.95)

Specify part number and finish when ordering.

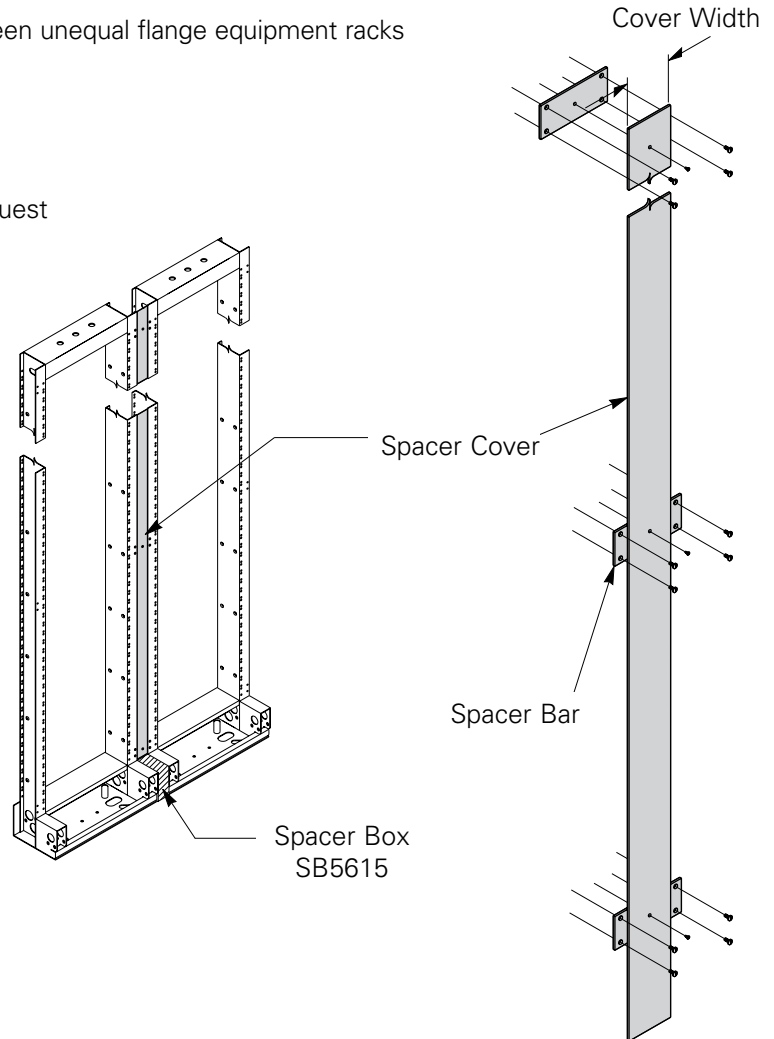
# Unequal Flange Equipment Racks & Accessories

Unequal Flange

## ACCESSORIES Spacer Cover

- Use to create and cover wider cable duct between unequal flange equipment racks
- Includes: (1) cover, bars and hardware
- See SB5615 for spacer box
- Material: ASTM A1011CS steel
- Finish \_\_\_\_: Telco gray powder coat (TG)  
Other finishes are available upon request

Part Number	Weight	
	Lbs.	(kg)
<b>2" (51mm) Cover Width</b>		
SB56172084__	5.9	(2.67)
SB56172090__	6.3	(2.86)
SB56172096__	6.7	(3.04)
SB56172108__	7.6	(3.45)
SB56172138__	9.8	(4.44)
SB56172140__	9.9	(4.49)
<b>2½" (63mm) Cover Width</b>		
SB56172½084__	7.3	(3.31)
SB56172½090__	7.8	(3.54)
SB56172½096__	8.3	(3.76)
SB56172½108__	9.7	(4.40)
SB56172½138__	12.2	(5.53)
SB56172½140__	12.4	(5.62)
<b>3" (76mm) Cover Width</b>		
SB56173084__	8.7	(3.94)
SB56173090__	9.4	(4.26)
SB56173096__	10.0	(4.53)
SB56173108__	11.4	(5.17)
SB56173138__	14.5	(6.58)
SB56173140__	14.7	(6.67)
<b>5" (127mm) Cover Width</b>		
SB56175084__	14.4	(6.53)
SB56175090__	15.5	(7.03)
SB56175096__	16.5	(7.48)
SB56175108__	18.9	(8.57)
SB56175138__	24.0	(10.88)
SB56175140__	24.4	(11.07)
<b>7½" (190mm) Cover Width</b>		
SB56177½084__	7.3	(3.31)
SB56177½090__	7.8	(3.54)
SB56177½096__	8.3	(3.76)
SB56177½108__	9.7	(4.40)
SB56177½138__	12.2	(5.53)
SB56177½140__	12.4	(5.62)



### Example Of Part Number

SB5617 2 096      Spacer Cover for Unequal Flange Equipment Rack 2" (51mm) Width x 96" (2438mm) Height with 3 Spacer Bars

Code	Rack Height	Spacer Bars Included
084	84" (2134mm)	3
090	90" (2286mm)	3
096	96" (2438mm)	3
108	108" (2743mm)	4
138	138" (3505mm)	4
140	140" (3556mm)	4

**Cover Width**

2	- 2" (51mm)
2½	- 2½" (63mm)
3	- 3" (76mm)
5	- 5" (127mm)
7½	- 7½" (190mm)

Specify part number and finish when ordering.

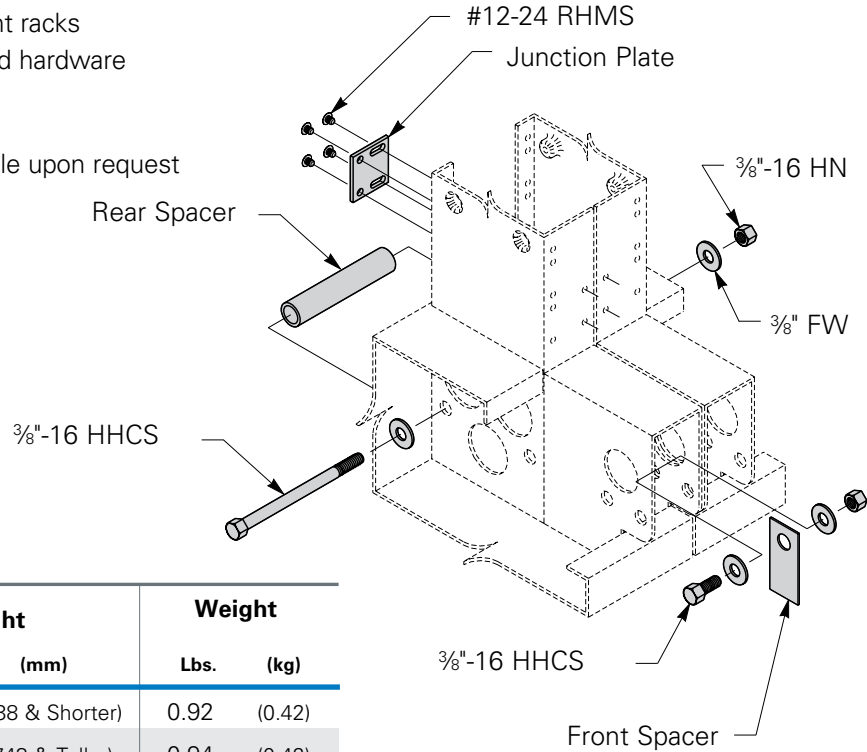
# Unequal Flange Equipment Racks & Accessories

## Unequal Flange

### ACCESSORIES

#### Junction Kit

- Use to join unequal flange equipment racks
- Includes: junction plates, spacers and hardware
- Material: All components - steel
- Finish \_\_\_\_: Yellow zinc (YZ)  
Other finishes are available upon request

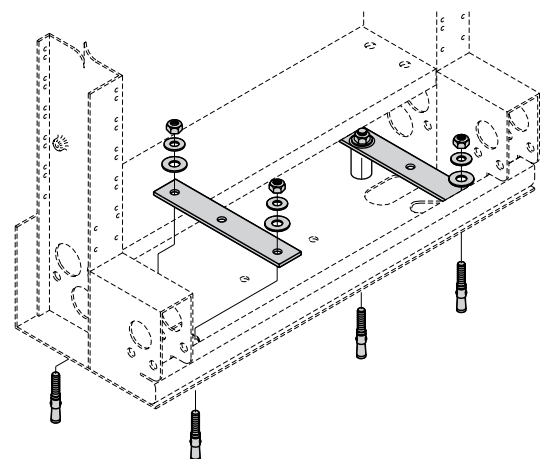


Part Number	Frame Height		Weight	
	In.	(mm)	Lbs.	(kg)
SB559101	96" & Shorter	(2438 & Shorter)	0.92	(0.42)
SB559102	108" & Taller	(2743 & Taller)	0.94	(0.42)

### ACCESSORIES

#### Wedge Type Anchor Kit

- Use to anchor unequal flange equipment rack to concrete
- Includes: (2) plates, (4) 3/8"-16 x 2 3/4" (70mm) wedge anchors and hardware
- Material: All components - steel
- Finish \_\_\_\_: Yellow zinc (YZ)  
Anchors and Hardware - Clear Zinc (ZN)  
Other finishes are available upon request



Part Number	Weight	
	Lbs.	(kg)
SB5593	1.85	(0.84)

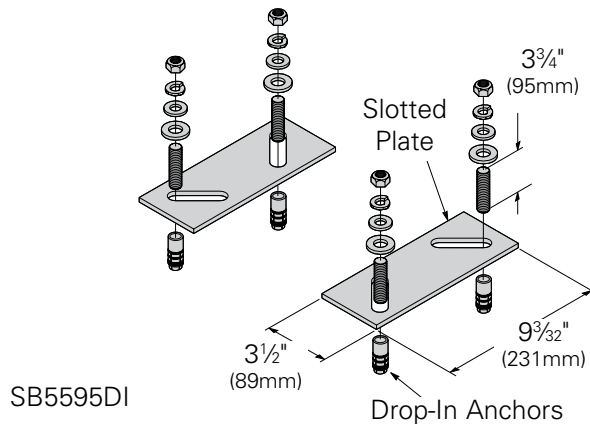
Unequal flange equipment racks & accs.



## ACCESSORIES

### Flush Mount Anchor Kits

- Use to anchor unequal flange equipment rack to concrete
- Includes: (2) slotted plates, (4) 1/2"-13 anchors and hardware
- Material: All components - steel
- Finish \_\_\_\_: Plate - yellow zinc (YZ)  
Anchors and hardware - clear zinc (ZN)  
Other finishes are available upon request

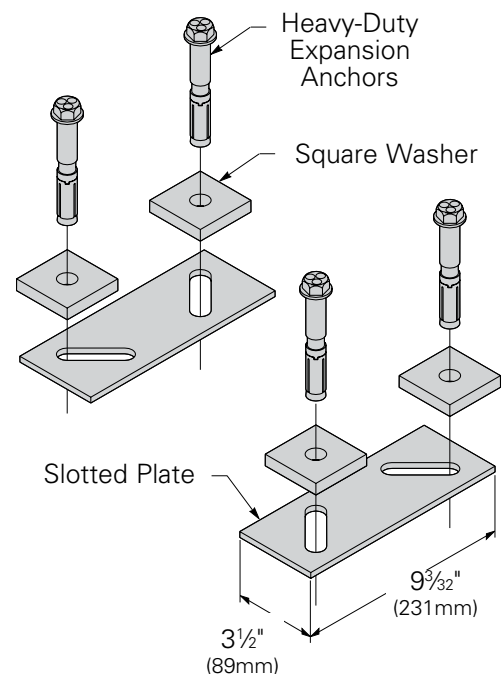


Part Number	Anchor Type	Drilled Hole Size		Weight	
		In.	(mm)	Lbs.	(kg)
SB5595DI	Drop-In	5/8"	(15.9)	5.8	(2.63)

## ACCESSORIES

### Seismic Zone 4 Anchoring Kit

- Use to anchor seismic unequal flange equipment rack to concrete
- Certified to ANSI-3219.1995 and Telcordia NEBS GR-63-CORE for seismic zone 4 installation
- Includes: (2) slotted plates, (4) 12mm x 50mm expansion anchors and (4) square washers
- Twist off indicator cap assures proper installation torque
- Material: All components - steel
- Finish \_\_\_\_: Telco gray powder coat (TG)  
Anchors and hardware - clear zinc (ZN)  
Other finishes are available upon request
- Note: This kit is included with seismic racks



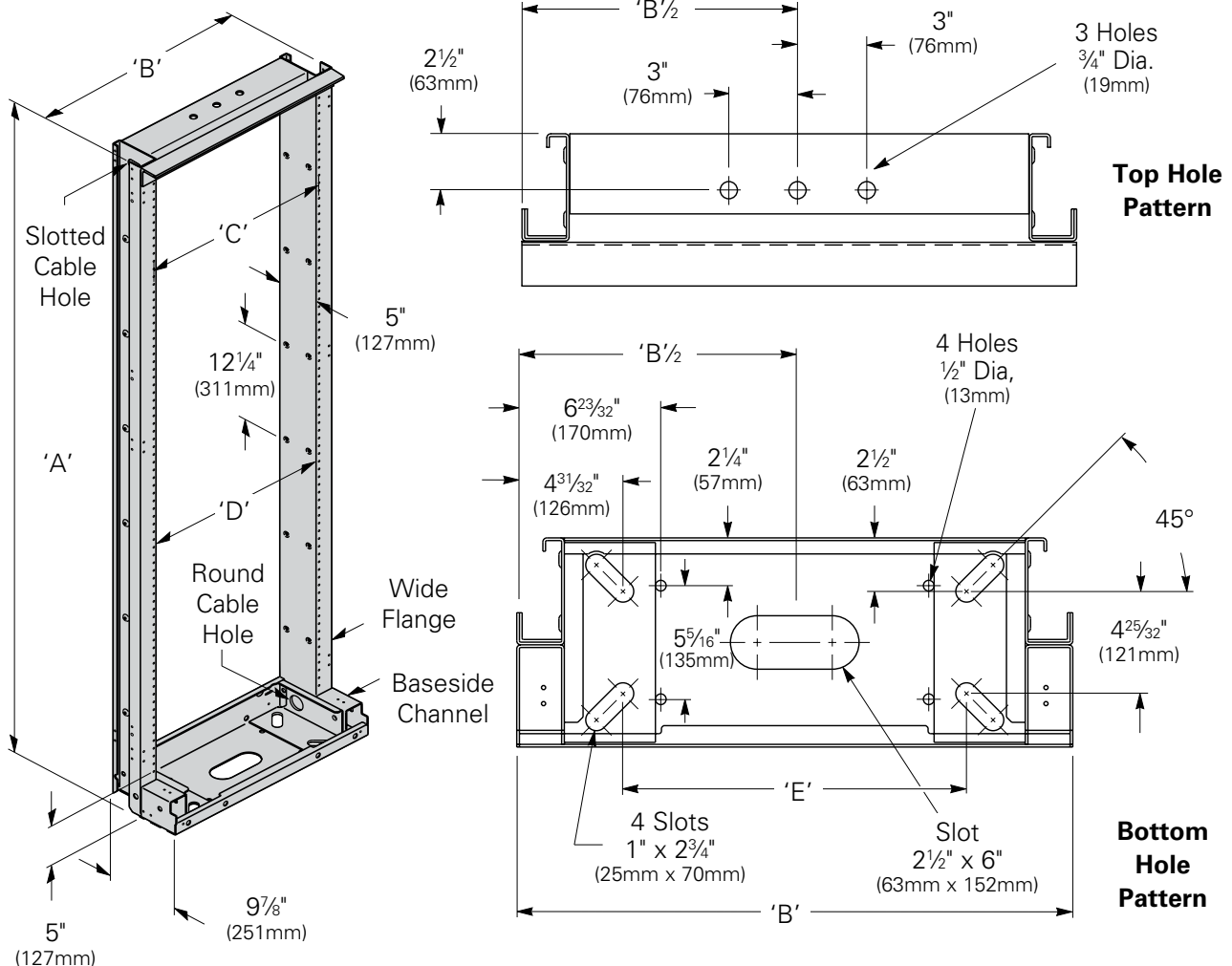
Part Number	Anchor Type	Drilled Hole Size		Weight	
		In.	(mm)	Lbs.	(kg)
SB5595H	Expansion	23/32"	(18.0)	8.9	(4.0)

# Unequal Flange Equipment Racks & Accessories

Network Bay

## Seismic Zone 4, Network Bay Closed Duct - Top Angle Style

- Use to mount electronic switching equipment
- Low profile base provides additional mounting spaces
- One piece removable cover for easier anchor and cable installation
- Certified to ANSI T1.329-2000 and Telcordia NEBS GR-63-CORE for seismic zone 4 installation [84" (2133mm) only]
- Load Rating: Equipment 200 lbs. (0.89kN)  
System 340 lbs. (1.51kN)
- Conformance to EIA/ECA-310-E (except inside clearance)
- Includes: Anchor plates, shims and seismically approved concrete anchors
- Two mounting spacing styles to choose from:  
Double-Side 2" (51mm) panel mounting spacing.  
[1" (25mm) hole spacing]  
Double-Side 1¾" (44mm) panel mounting spacing  
[1¼" (32mm), ½" (13mm) hole spacing]
- Single heavy duty 2" (51mm) x 2" (51mm) top angle for added rigidity
- #12-24 panel mounting holes
- Accessory mounting holes provided in base, uprights and top channel
- Integrated cable grounding strip available on 84" (2133mm) rack (contact factory)
- Material: 6 Ga. (4.8mm), 10 Ga. (3.4mm), and 11 Ga. (3.0mm) ASTM A1011SS steel
- Finish \_\_\_\_: Telco gray powder coat (TG)  
Other finishes are available upon request
- U.S. Patent No. 5,819,956 - Canada Patent No. 2,099,081 - other patents pending



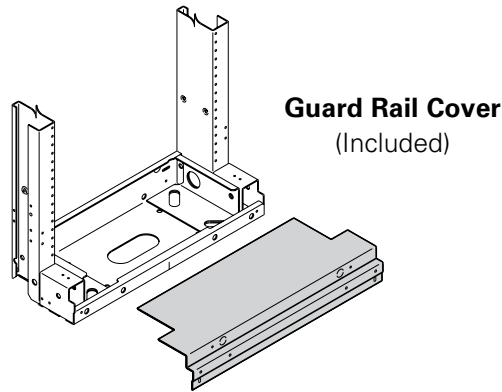
See page 308 for cable support bar quantity required.

Unequal flange equipment racks & accs.

# Unequal Flange Equipment Racks & Accessories

Network Bay

## Seismic Zone 4, Network Bay Closed Duct Rack - Top Angle Style



Description	Dimensions			
	19" (482mm) Rack Width		23" (594mm) Rack Width	
	In.	(mm)	In.	(mm)
'A' Overall Height	84" - 140"	(2133 - 3556)	84" - 140"	(2133 - 3556)
'B' Overall Width	21 <sup>15</sup> / <sub>16</sub> "	(557)	25 <sup>15</sup> / <sub>16</sub> "	(659)
'C' Panel Mounting	18 <sup>5</sup> / <sub>16</sub> "	(465)	22 <sup>5</sup> / <sub>16</sub> "	(567)
'D' Usable Inside Width	17 <sup>1</sup> / <sub>2</sub> "	(444)	21 <sup>1</sup> / <sub>2</sub> "	(546)
'E' Slot Spacing	12"	(305)	16"	(406)

2" (51mm) Panel Mounting Spacing  
1" (25mm) Hole Spacing

Part Number	'A' Height In. (mm)	Mtg. Spaces	Weight lbs. (kg)
<b>23" (584mm) Rack Width</b>			
SB5869084	84" (2133)	38	118 (53.5)
SB5869090	90" (2286)	41	121 (54.9)
SB5869096	96" (2438)	44	124 (56.2)
SB5869108	108" (2743)	50	130 (58.9)
SB5869138	138" (3505)	65	136 (61.7)
SB5869140	140" (3556)	66	137 (62.1)
<b>19" (482mm) Rack Width</b>			
SB5864084	84" (2133)	38	114 (51.7)
SB5864090	90" (2286)	41	117 (53.1)
SB5864096	96" (2438)	44	120 (54.4)
SB5864108	108" (2743)	50	126 (57.1)
SB5864138	138" (3505)	65	130 (58.9)
SB5864140	140" (3556)	66	131 (59.4)

For WEKO Universal Spacing [1/2" (13mm), 1/2" (13mm), 1/2" (13mm)] add -U suffix to part numbers.  
Example: SB58(69 or 64)084U

1 3/4" (44mm) Panel Mounting Spacing  
1 1/4" (32mm), 1/2" (13mm) Hole Spacing

Part Number	'A' Height In. (mm)	Mtg. Spaces	Weight Lbs. (kg)
<b>23" (584mm) Rack Width</b>			
SB5868084	84" (2133)	45	118 (53.5)
SB5868090	90" (2286)	48	121 (54.9)
SB5868096	96" (2438)	51	124 (56.2)
SB5868108	108" (2743)	58	130 (58.9)
SB5868138	138" (3505)	75	136 (61.7)
SB5868140	140" (3556)	77	137 (62.1)
<b>19" (482mm) Rack Width</b>			
SB5863084	84" (2133)	45	114 (51.7)
SB5863090	90" (2286)	48	117 (53.1)
SB5863096	96" (2438)	51	120 (54.4)
SB5863108	108" (2743)	58	126 (57.1)
SB5863138	138" (3505)	75	130 (58.9)
SB5863140	140" (3556)	77	131 (59.4)

For EIA Universal Spacing [5/8" (16mm), 5/8" (16mm), 1/2" (13mm)] add -U suffix to part numbers.  
Example: SB58(68 or 63)084U

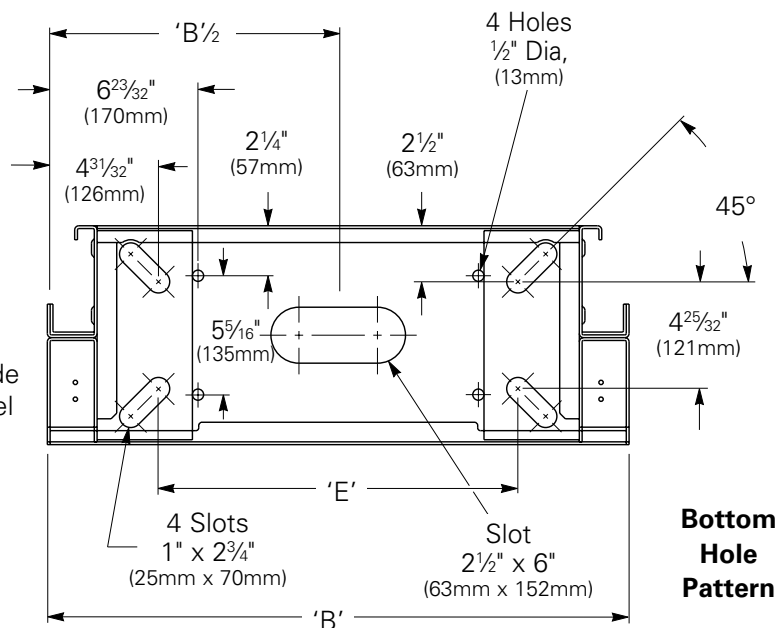
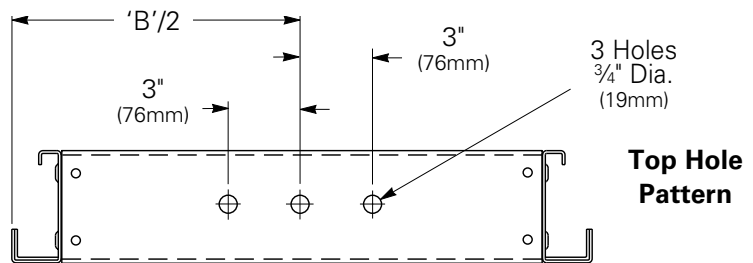
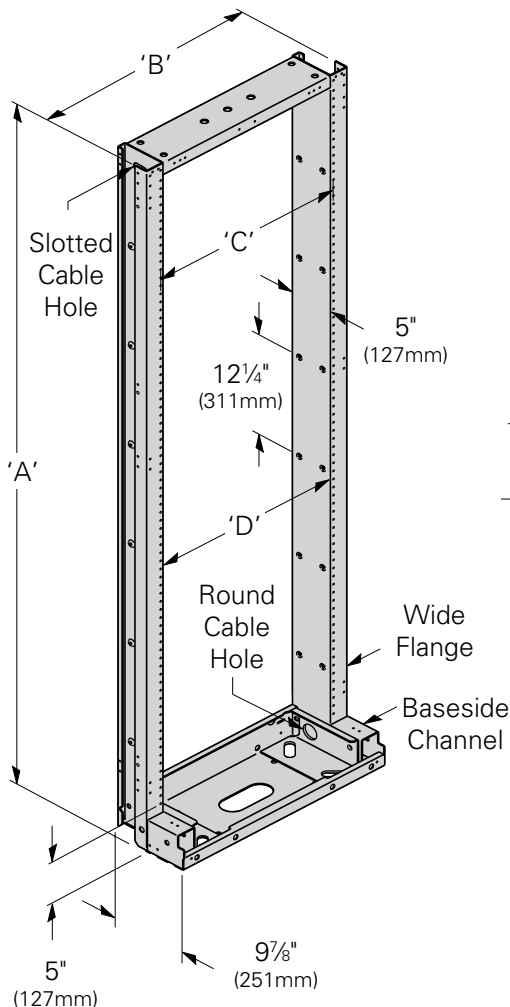
Unequal flange equipment racks & accs.

# Unequal Flange Equipment Racks & Accessories

Network Bay

## Seismic Zone 4, Network Bay Closed Duct - Top Channel Style

- Use to mount electronic switching equipment
- Low profile base provides additional mounting spaces
- One piece removable cover for easier anchor and cable installation
- Certified to ANSI T1.329-2000 and Telcordia NEBS GR-63-CORE for seismic zone 4 installation [84" (2133mm) only]
- Load Rating: Equipment 200 lbs. (0.89kN)  
System 340 lbs. (1.51kN)
- Conformance to EIA/ECA-310-E (except inside clearance)
- Includes: Anchor plates, shims and seismically approved concrete anchors
- Two mounting spacing styles to choose from:  
Double-Side 2" (51mm) panel mounting spacing [1" (25mm) hole spacing]
- Double-Side 1 $\frac{3}{4}$ " (44mm) panel mounting spacing [1 $\frac{1}{4}$ " (32mm),  $\frac{1}{2}$ " (13mm) hole spacing]
- #12-24 panel mounting holes
- Accessory mounting holes provided in base, uprights and top channel
- Integrated cable grounding strip available on 84" (2133mm) rack (contact factory)
- Material: 6 Ga. (4.8mm), 10 Ga. (3.4mm), and 11 Ga. (3.0mm) ASTM A1011SS steel
- Finish \_\_\_\_: Telco gray powder coat (TG)  
Other finishes are available upon request
- U.S. Patent No. 5,819,956 - Canada Patent No. 2,099,081 - other patents pending



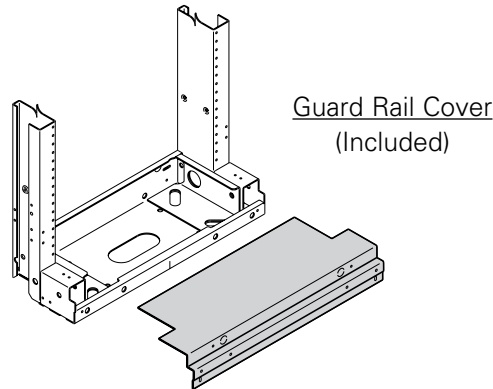
See page 308 for cable support bar quantity required.

Unequal flange equipment racks & accs.

# Unequal Flange Equipment Racks & Accessories

Network Bay

## Seismic Zone 4, Network Bay Closed Duct Rack - Top Channel Style



Description	Dimensions			
	19" (482mm) Rack Width		23" (594mm) Rack Width	
	In.	(mm)	In.	(mm)
'A' Overall Height	84" - 140"	(2133 - 3556)	84" - 140"	(2133 - 3556)
'B' Overall Width	21 <sup>15</sup> / <sub>16</sub> "	(557)	25 <sup>15</sup> / <sub>16</sub> "	(659)
'C' Panel Mounting	18 <sup>5</sup> / <sub>16</sub> "	(465)	22 <sup>5</sup> / <sub>16</sub> "	(567)
'D' Usable Inside Width	17 <sup>1</sup> / <sub>2</sub> "	(444)	21 <sup>1</sup> / <sub>2</sub> "	(546)
'E' Slot Spacing	12"	(305)	16"	(406)

2" (51mm) Panel Mounting Spacing  
1" (25mm) Hole Spacing

Part Number	'A' Height	Mtg. Spaces	Weight	
			Lbs.	(kg)
23" (584mm) Rack Width				
<b>SB5879084</b>	84" (2133)	39	118	(53.5)
<b>SB5879090</b>	90" (2286)	42	121	(54.9)
<b>SB5879096</b>	96" (2438)	45	124	(56.2)
<b>SB5879108</b>	108" (2743)	51	130	(58.9)
<b>SB5879138</b>	138" (3505)	66	136	(61.7)
<b>SB5879140</b>	140" (3556)	67	137	(62.1)
19" (482mm) Rack Width				
<b>SB5874084</b>	84" (2133)	39	114	(51.7)
<b>SB5874090</b>	90" (2286)	42	117	(53.1)
<b>SB5874096</b>	96" (2438)	45	120	(54.4)
<b>SB5874108</b>	108" (2743)	51	126	(57.1)
<b>SB5874138</b>	138" (3505)	66	130	(58.9)
<b>SB5874140</b>	140" (3556)	67	131	(59.4)

For WEKO Universal Spacing [1/2" (13mm), 1/2" (13mm), 1/2" (13mm)] add -U suffix to part numbers.  
Example: SB58(69 or 64)084U

1 3/4" (44mm) Panel Mounting Spacing  
1 1/4" (32mm), 1/2" (13mm) Hole Spacing

Part Number	'A' Height	Mtg. Spaces	Weight	
			Lbs.	(kg)
23" (584mm) Rack Width				
<b>SB5878084</b>	84" (2133)	45	118	(53.5)
<b>SB5878090</b>	90" (2286)	48	121	(54.9)
<b>SB5878096</b>	96" (2438)	51	124	(56.2)
<b>SB5878108</b>	108" (2743)	58	130	(58.9)
<b>SB5878138</b>	138" (3505)	75	136	(61.7)
<b>SB5878140</b>	140" (3556)	77	137	(62.1)
19" (482mm) Rack Width				
<b>SB5873084</b>	84" (2133)	45	114	(51.7)
<b>SB5873090</b>	90" (2286)	48	117	(53.1)
<b>SB5873096</b>	96" (2438)	51	120	(54.4)
<b>SB5873108</b>	108" (2743)	58	126	(57.1)
<b>SB5873138</b>	138" (3505)	75	130	(58.9)
<b>SB5873140</b>	140" (3556)	77	131	(59.4)

For EIA Universal Spacing [5/8" (16mm), 5/8" (16mm), 1/2" (13mm)] add -U suffix to part numbers.  
Example: SB58(68 or 63)084U

Unequal flange equipment racks & accs.

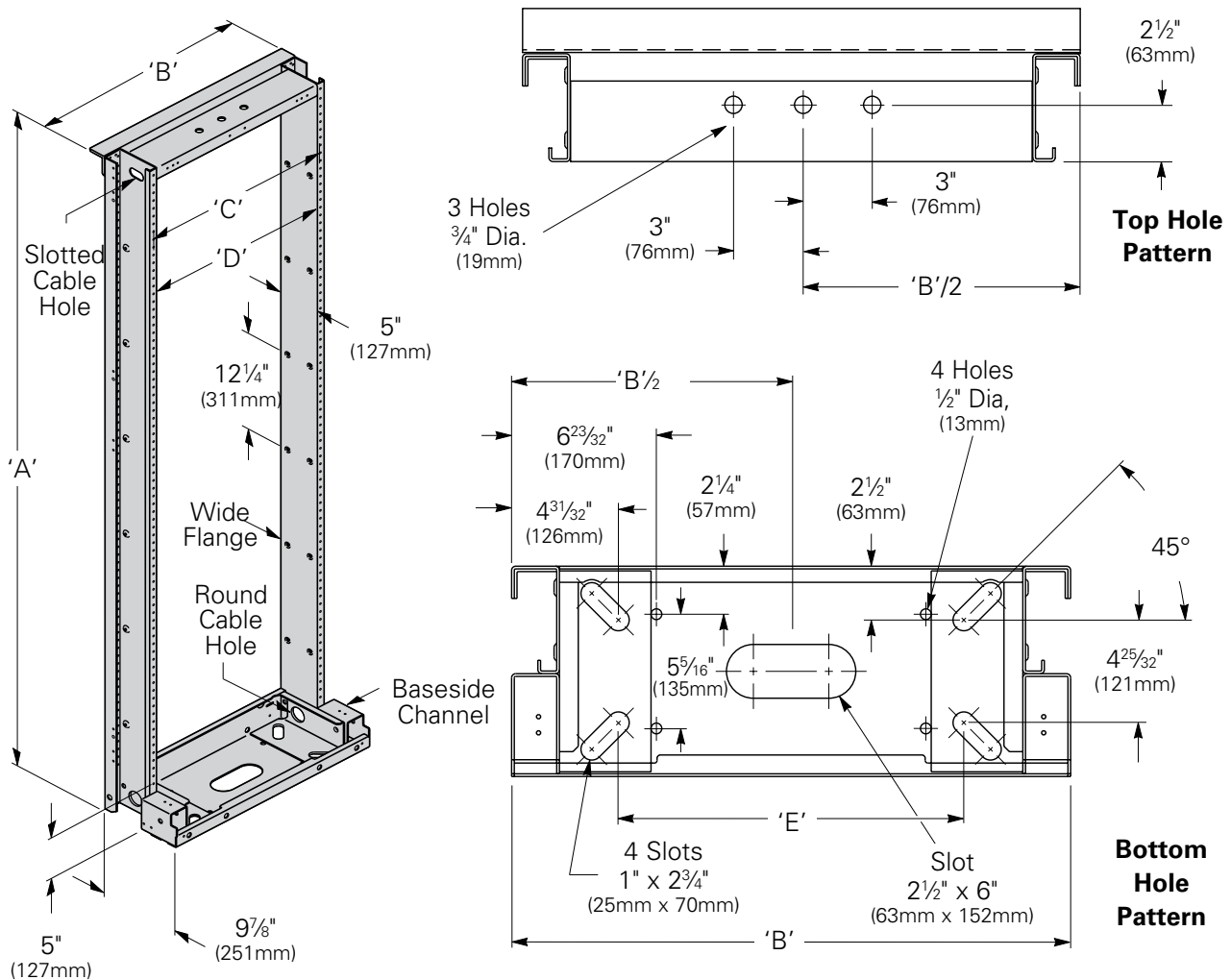
# Unequal Flange Equipment Racks & Accessories

Network Bay

## Seismic Zone 4, Network Bay Open Duct - Top Angle Style

- Use to mount electronic switching equipment
- Low profile base provides additional mounting spaces
- One piece removable cover for easier anchor and cable installation
- Certified to ANSI T1.329-2000 and Telcordia NEBS GR-63-CORE for seismic zone 4 installation [84" (2133mm) only]
- Load Rating: Equipment 200 lbs. (0.89kN)  
System 340 lbs. (1.51kN)
- Conformance to EIA/ECA-310-E (except inside clearance)
- Includes: Anchor plates, shims and seismically approved concrete anchors
- Two mounting spacing styles to choose from:  
Double-Side 2" (51mm) panel mounting spacing.  
[1" (25mm) hole spacing]  
Double-Side 1 3/4" (44mm) panel mounting spacing  
[1 1/4" (32mm), 1/2" (13mm) hole spacing]
- Single heavy duty 2" (51mm) x 2" (51mm) top angle for added rigidity
- #12-24 panel mounting holes
- Accessory mounting holes provided in base, uprights and top channel
- Integrated cable grounding strip available on 84" (2133mm) rack (contact factory)
- Material: 6 Ga. (4.8mm), 10 Ga. (3.4mm), and 11 Ga. (3.0mm) ASTM A1011SS steel
- Finish \_\_\_\_: Telco gray powder coat (TG)  
Other finishes are available upon request
- U.S. Patent No. 5,819,956 - Canada Patent No. 2,099,081 - other patents pending

Unequal flange equipment racks & accs.

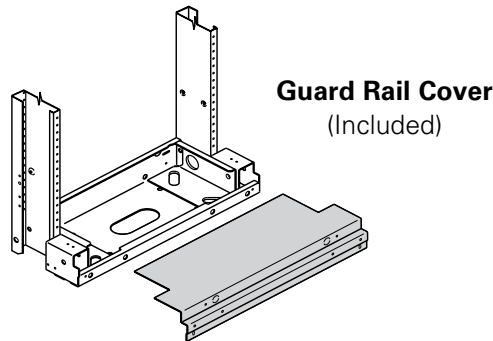


See page 308 for cable support bar quantity required.

# Unequal Flange Equipment Racks & Accessories

Network Bay

## Seismic Zone 4, Network Bay Open Duct Rack - Top Angle Style



Description	Dimensions			
	19" (482mm) Rack Width In. (mm)		23" (594mm) Rack Width In. (mm)	
'A' Overall Height	84" - 140"	(2133 - 3556)	84" - 140"	(2133 - 3556)
'B' Overall Width	21 <sup>5</sup> / <sub>16</sub> "	(557)	25 <sup>5</sup> / <sub>16</sub> "	(659)
'C' Panel Mounting	18 <sup>5</sup> / <sub>16</sub> "	(465)	22 <sup>5</sup> / <sub>16</sub> "	(567)
'D' Usable Inside Width	17 <sup>1</sup> / <sub>2</sub> "	(444)	21 <sup>1</sup> / <sub>2</sub> "	(546)
'E' Slot Spacing	12"	(305)	16"	(406)

2" (51mm) Panel Mounting Spacing  
1" (25mm) Hole Spacing

1<sup>3</sup>/<sub>4</sub>" (44mm) Panel Mounting Spacing  
1<sup>1</sup>/<sub>4</sub>" (32mm), <sup>1</sup>/<sub>2</sub>" (13mm) Hole Spacing

Part Number	'A' Height In. (mm)	Mtg. Spaces	Weight	
			Lbs.	(kg)
<b>23" (584mm) Rack Width</b>				
<b>SB5867084</b>	84" (2133)	38	118	(53.5)
<b>SB5867090</b>	90" (2286)	41	121	(54.9)
<b>SB5867096</b>	96" (2438)	44	124	(56.2)
<b>SB5867108</b>	108" (2743)	50	130	(58.9)
<b>SB5867138</b>	138" (3505)	65	136	(61.7)
<b>SB5867140</b>	140" (3556)	66	137	(62.1)

Part Number	'A' Height In. (mm)	Mtg. Spaces	Weight	
			Lbs.	(kg)
<b>19" (482mm) Rack Width</b>				
<b>SB5862084</b>	84" (2133)	38	114	(51.7)
<b>SB5862090</b>	90" (2286)	41	117	(53.1)
<b>SB5862096</b>	96" (2438)	44	120	(54.4)
<b>SB5862108</b>	108" (2743)	50	126	(57.1)
<b>SB5862138</b>	138" (3505)	65	130	(58.9)
<b>SB5862140</b>	140" (3556)	66	131	(59.4)

For WECO Universal Spacing [<sup>1</sup>/<sub>2</sub>" (13mm), <sup>1</sup>/<sub>2</sub>" (13mm), <sup>1</sup>/<sub>2</sub>" (13mm)] add -U suffix to part numbers.  
Example: SB58(67 or 62)084U

Part Number	'A' Height In. (mm)	Mtg. Spaces	Weight	
			Lbs.	(kg)
<b>23" (584mm) Rack Width</b>				
<b>SB5866084</b>	84" (2133)	45	118	(53.5)
<b>SB5866090</b>	90" (2286)	48	121	(54.9)
<b>SB5866096</b>	96" (2438)	51	124	(56.2)
<b>SB5866108</b>	108" (2743)	58	130	(58.9)
<b>SB5866138</b>	138" (3505)	75	136	(61.7)
<b>SB5866140</b>	140" (3556)	77	137	(62.1)

Part Number	'A' Height In. (mm)	Mtg. Spaces	Weight	
			Lbs.	(kg)
<b>19" (482mm) Rack Width</b>				
<b>SB5861084</b>	84" (2133)	45	114	(51.7)
<b>SB5861090</b>	90" (2286)	48	117	(53.1)
<b>SB5861096</b>	96" (2438)	51	120	(54.4)
<b>SB5861108</b>	108" (2743)	58	126	(57.1)
<b>SB5861138</b>	138" (3505)	75	130	(58.9)
<b>SB5861140</b>	140" (3556)	77	131	(59.4)

For EIA Universal Spacing [<sup>5</sup>/<sub>8</sub>" (16mm), <sup>5</sup>/<sub>8</sub>" (16mm), <sup>1</sup>/<sub>2</sub>" (13mm)] add -U suffix to part numbers.  
Example: SB58(66 or 61)084U

Unequal flange equipment racks & accs.

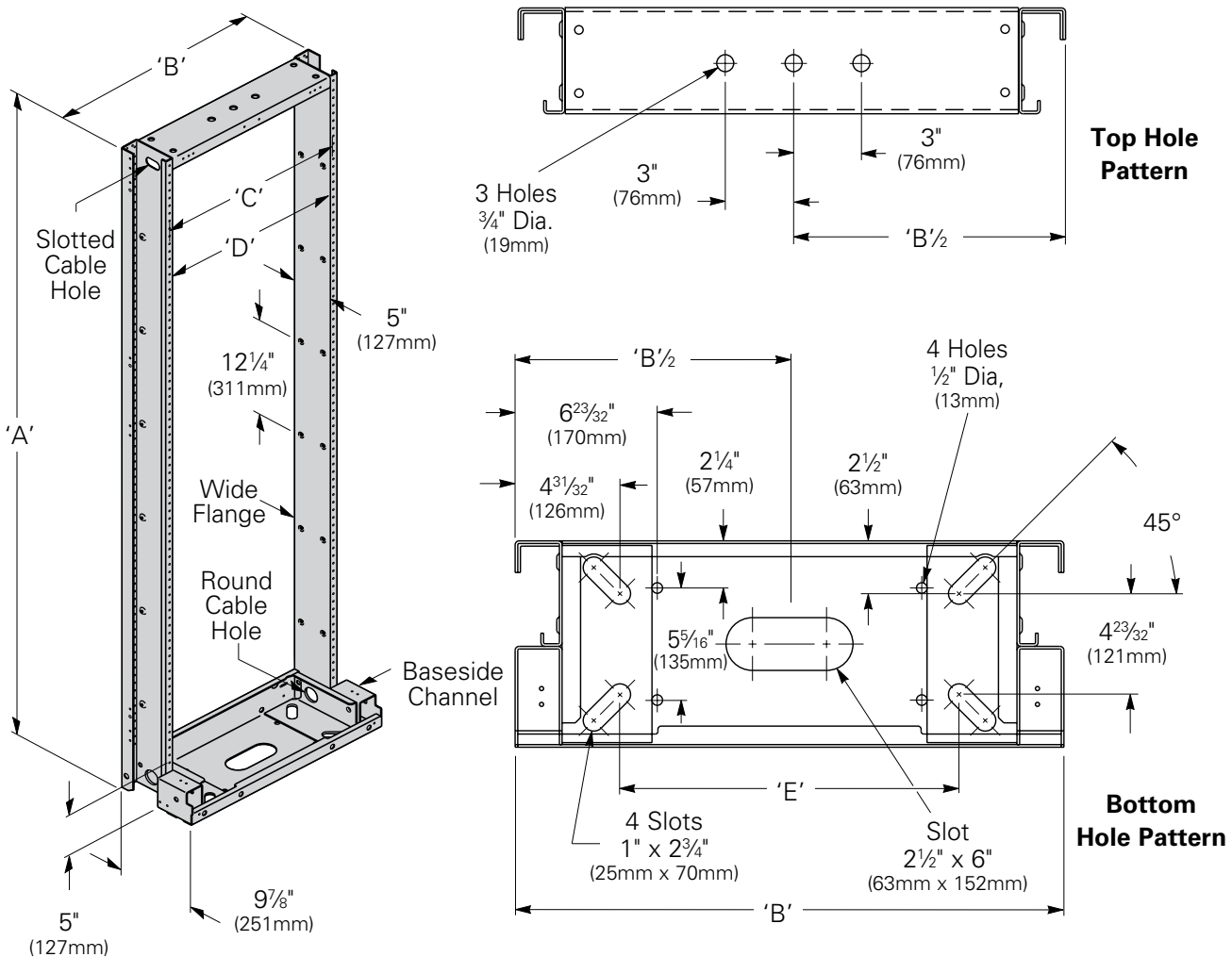
# Unequal Flange Equipment Racks & Accessories

Network Bay

## Seismic Zone 4, Network Bay Open Duct - Top Channel Style

- Use to mount electronic switching equipment
- Low profile base provides additional mounting spaces
- One piece removable cover for easier anchor and cable installation
- Certified to ANSI T1.329-2000 and Telcordia NEBS GR-63-CORE for seismic zone 4 installation [84" (2133mm) only]
- Load Rating: Equipment 200 lbs. (0.89kN)  
System 340 lbs. (1.51kN)
- Conformance to EIA/ECA-310-E (except inside clearance)
- Includes: Anchor plates, shims and seismically approved concrete anchors
- Two mounting spacing styles to choose from:  
Double-Side 2" (51mm) panel mounting spacing [1" (25mm) hole spacing]
- Double-Side 1 3/4" (44mm) panel mounting spacing [1 1/4" (32mm), 1/2" (13mm) hole spacing]
- #12-24 panel mounting holes
- Accessory mounting holes provided in base, uprights and top channel
- Integrated cable grounding strip available on 84" (2133mm) rack (contact factory)
- Material: 06 Ga. (4.8mm), 10 Ga. (3.4mm), and 11 Ga. (3.0mm) ASTM A1011SS steel
- Finish \_\_\_\_: Telco gray powder coat (TG)  
Other finishes are available upon request
- U.S. Patent No. 5,819,956 - Canada Patent No. 2,099,081 - other patents pending

Unequal flange equipment racks & accs.



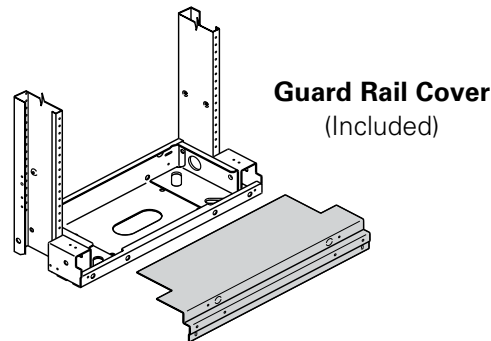
See page 308 for cable support bar quantity required.



# Unequal Flange Equipment Racks & Accessories

Network Bay

## Seismic Zone 4, Network Bay Open Duct Rack -Top Channel Style



Description	Dimensions			
	19" (482mm) Rack Width		23" (594mm) Rack Width	
	In.	(mm)	In.	(mm)
'A' Overall Height	84" - 140"	(2133 - 3556)	84" - 140"	(2133 - 3556)
'B' Overall Width	21 <sup>15</sup> / <sub>16</sub> "	(557)	25 <sup>15</sup> / <sub>16</sub> "	(659)
'C' Panel Mounting	18 <sup>5</sup> / <sub>16</sub> "	(465)	22 <sup>5</sup> / <sub>16</sub> "	(567)
'D' Usable Inside Width	17 <sup>1</sup> / <sub>2</sub> "	(444)	21 <sup>1</sup> / <sub>2</sub> "	(546)
'E' Slot Spacing	12"	(305)	16"	(406)

2" (51mm) Panel Mounting Spacing  
1" (25mm) Hole Spacing

1<sup>3</sup>/<sub>4</sub>" (44mm) Panel Mounting Spacing  
1<sup>1</sup>/<sub>4</sub>" (32mm), <sup>1</sup>/<sub>2</sub>" (13mm) Hole Spacing

Part Number	'A' Height	Mtg. Spaces	Weight	
			Lbs.	(kg)
<b>23" (584mm) Rack Width</b>				
<b>SB5877084</b>	84" (2133)	39	118	(53.5)
<b>SB5877090</b>	90" (2286)	42	121	(54.9)
<b>SB5877096</b>	96" (2438)	45	124	(56.2)
<b>SB5877108</b>	108" (2743)	51	130	(58.9)
<b>SB5877138</b>	138" (3505)	66	136	(61.7)
<b>SB5877140</b>	140" (3556)	67	137	(62.1)

Part Number	'A' Height	Mtg. Spaces	Weight	
			Lbs.	(kg)
<b>19" (482mm) Rack Width</b>				
<b>SB5872084</b>	84" (2133)	39	114	(51.7)
<b>SB5872090</b>	90" (2286)	42	117	(53.1)
<b>SB5872096</b>	96" (2438)	45	120	(54.4)
<b>SB5872108</b>	108" (2743)	51	126	(57.1)
<b>SB5872138</b>	138" (3505)	66	130	(58.9)
<b>SB5872140</b>	140" (3556)	67	131	(59.4)

For WECO Universal Spacing [<sup>1</sup>/<sub>2</sub>" (13mm), <sup>1</sup>/<sub>2</sub>" (13mm), <sup>1</sup>/<sub>2</sub>" (13mm)] add -U suffix to part numbers.  
Example: SB58(77 or 72)084U

Part Number	'A' Height	Mtg. Spaces	Weight	
			Lbs.	(kg)
<b>23" (584mm) Rack Width</b>				
<b>SB5876084</b>	84" (2133)	45	118	(53.5)
<b>SB5876090</b>	90" (2286)	48	121	(54.9)
<b>SB5876096</b>	96" (2438)	51	124	(56.2)
<b>SB5876108</b>	108" (2743)	58	130	(58.9)
<b>SB5876138</b>	138" (3505)	75	136	(61.7)
<b>SB5876140</b>	140" (3556)	77	137	(62.1)

Part Number	'A' Height	Mtg. Spaces	Weight	
			Lbs.	(kg)
<b>19" (482mm) Rack Width</b>				
<b>SB5871084</b>	84" (2133)	45	114	(51.7)
<b>SB5871090</b>	90" (2286)	48	117	(53.1)
<b>SB5871096</b>	96" (2438)	51	120	(54.4)
<b>SB5871108</b>	108" (2743)	58	126	(57.1)
<b>SB5871138</b>	138" (3505)	75	130	(58.9)
<b>SB5871140</b>	140" (3556)	77	131	(59.4)

For EIA Universal Spacing [<sup>5</sup>/<sub>8</sub>" (16mm), <sup>5</sup>/<sub>8</sub>" (16mm), <sup>1</sup>/<sub>2</sub>" (13mm)] add -U suffix to part numbers.  
Example: SB58(76 or 71)084U

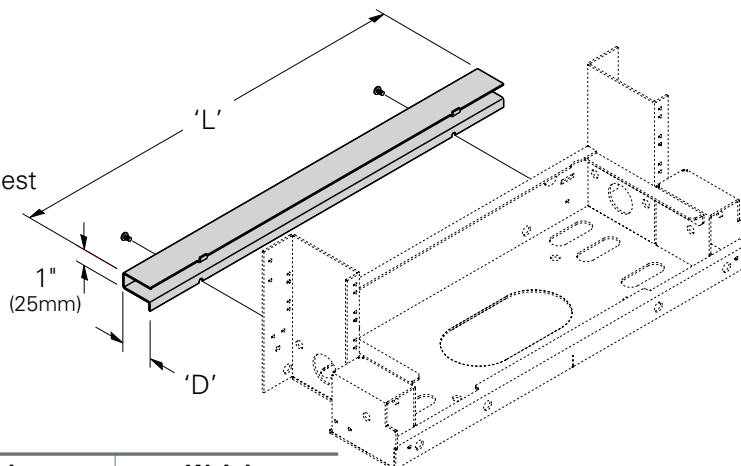
Unequal flange equipment racks & accs.

# Unequal Flange Equipment Racks & Accessories

Network Bay

## Rear Bumper Rail - Network Bay

- Use to protect network bay equipment
- Includes (4) #12-24 bolts and nuts
- Material: 14 Ga. (1.9mm) ASTM A1011SS
- Finish \_\_\_\_: Telco gray powder coat (TG)  
Yellow zinc (YZ)  
Other finishes are available upon request

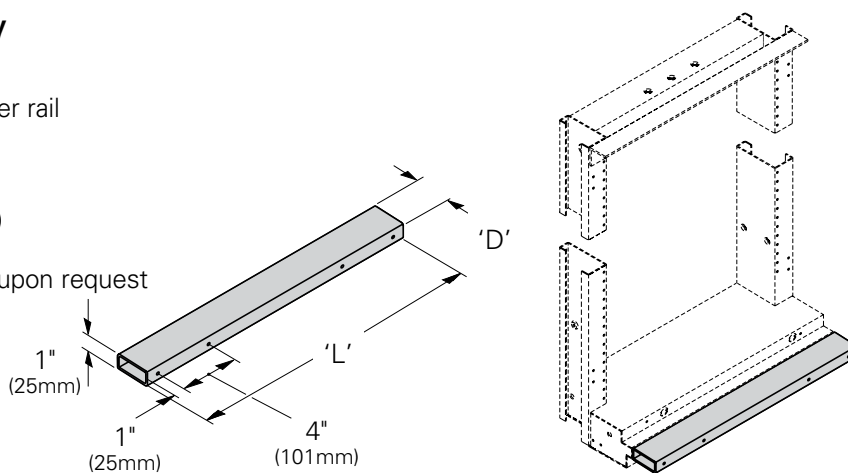


Part Number	'D' Depth		'L' Length		Weight	
	in.	(mm)	in.	(mm)	lbs.	(kg)
<b>SB592319x1</b> __	1"	(25)	21 <sup>3</sup> / <sub>16</sub> "	(538)	2.4	(1.09)
<b>SB592319x2</b> __	2"	(51)	21 <sup>3</sup> / <sub>16</sub> "	(538)	2.8	(1.27)
<b>SB592323x1</b> __	1"	(25)	25 <sup>3</sup> / <sub>16</sub> "	(640)	3.9	(1.77)
<b>SB592323x2</b> __	2"	(51)	25 <sup>3</sup> / <sub>16</sub> "	(640)	4.6	(2.08)

Specify part number and finish when ordering.

## Bumper Rail Extension - Network Bay

- Use to protect network bay equipment
- Can mount to front cover or rear bumper rail
- Includes (4) #12-24 bolts and nuts
- Material: Steel Tubing
- Finish \_\_\_\_: Telco gray powder coat (TG)  
Yellow zinc (YZ)  
Other finishes are available upon request



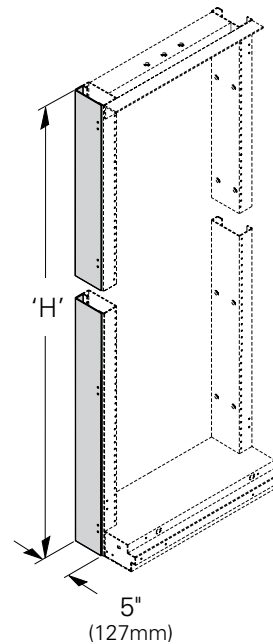
Part Number	'D' Depth		'L' Length		Weight	
	in.	(mm)	in.	(mm)	Lbs.	(kg)
<b>SB592419x1</b> __	1"	(25)	19 <sup>7</sup> / <sub>8</sub> "	(505)	3.13	(1.4)
<b>SB592419x2</b> __	2"	(51)	19 <sup>7</sup> / <sub>8</sub> "	(505)	4.70	(2.1)
<b>SB592419x3</b> __	3"	(76)	19 <sup>7</sup> / <sub>8</sub> "	(505)	6.20	(2.8)
<b>SB592423x1</b> __	1"	(25)	23 <sup>7</sup> / <sub>8</sub> "	(606)	3.56	(1.6)
<b>SB592423x2</b> __	2"	(51)	23 <sup>7</sup> / <sub>8</sub> "	(606)	5.20	(2.3)
<b>SB592423x3</b> __	3"	(76)	23 <sup>7</sup> / <sub>8</sub> "	(606)	6.60	(3.0)

Specify part number and finish when ordering.

Unequal flange equipment racks & accs.

## Channel End Guard - Network Bay

- Use to close off wiring duct and protect cabling
- Gives installation a clean professional appearance
- Can be used for either left or right side
- Includes #12-24 x 3/8" (9mm) PHMS (see chart for quantity)
- Material: 11 Ga. (3.0mm) ASTM A1011CS steel
- Finish \_\_\_\_: Telco gray powder coat (TG)  
Yellow zinc (YZ)  
Other finishes are available upon request



Part Number	'H' Height		Hardware Quantity	Weight	
	in.	(mm)		Lbs.	(kg)
SB5882012__	11 7/8"	(301)	4	2.40	(1.1)
SB5882024__	23 7/8"	(606)	4	4.90	(2.2)
SB5882054__	53 7/8"	(1368)	4	11.00	(5.0)
SB5882056__	55 7/8"	(1419)	4	11.40	(5.2)
SB5882084__	83 7/8"	(2130)	6	17.12	(7.7)
SB5882090__	89 7/8"	(2283)	6	18.32	(8.3)
SB5882096__	95 7/8"	(2435)	6	18.32	(8.3)
SB5882108__	107 7/8"	(2740)	8	19.52	(8.8)
SB5882138__	137 7/8"	(3502)	8	28.12	(12.7)
SB5882140__	139 7/8"	(3553)	8	28.52	(12.9)

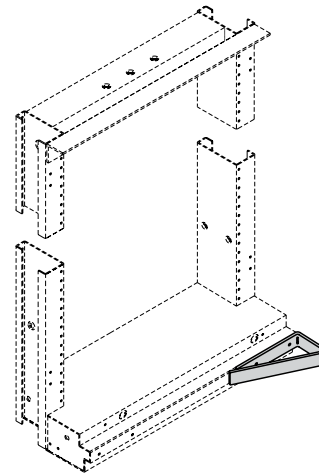
Specify part number and finish when ordering.

# Unequal Flange Equipment Racks & Accessories

Network Bay

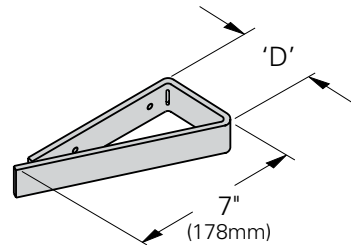
## Bumper Rail Adapter - Network Bay

- Use to protect network bay equipment
- Can mount to either front cover or rear bumper rail
- Can be used for either left or right side
- Includes (2) #12-24 x ¼" (6mm) PHMS
- Material: 11 Ga. (3.0mm) ASTM A1011CS steel
- Finish \_\_\_: Telco gray powder coat (TG)  
Yellow zinc (YZ)  
Other finishes are available upon request



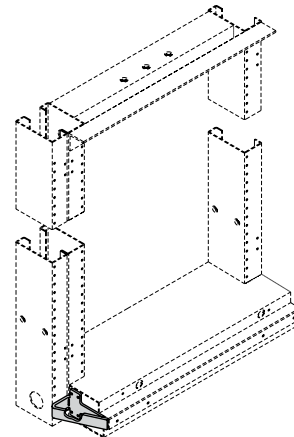
Part Number	'D' Depth		Weight	
	in.	(mm)	Lbs.	(kg)
<b>SB59251</b> __	1"	(25)	0.52	(0.23)
<b>SB59252</b> __	2"	(51)	0.58	(0.26)
<b>SB59253</b> __	3"	(76)	0.64	(0.30)
<b>SB59254</b> __	4"	(101)	0.70	(0.32)

Specify part number and finish when ordering.



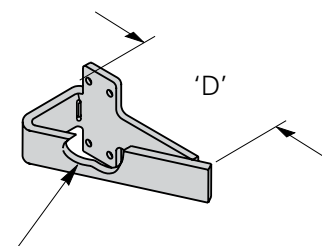
## End Bumper Rail Guard - Network Bay

- Use to protect network bay equipment
- Can only mount to front cover
- Can be used for either left or right side
- Includes (2) #12-24 x ⅜" (9mm) PHMS
- Material: 11 Ga. (3.0mm) ASTM A1011CS steel
- Finish \_\_\_: Telco gray powder coat (TG)  
Yellow zinc (YZ)  
Other finishes are available upon request



Part Number	'D' Depth		Weight	
	in.	(mm)	Lbs.	(kg)
<b>SB59265</b> __	1"	(25)	0.55	(0.25)
<b>SB59266</b> __	2"	(51)	0.63	(0.28)
<b>SB59267</b> __	3"	(76)	0.71	(0.71)
<b>SB59268</b> __	4"	(101)	0.79	(0.36)

Specify part number and finish when ordering.



Cut-Out Section for Clarity

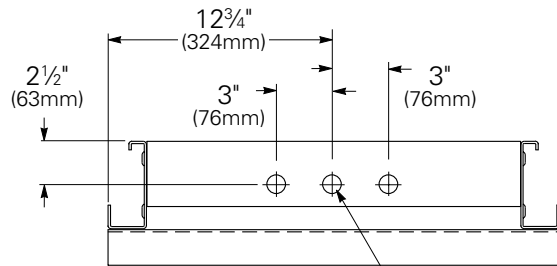
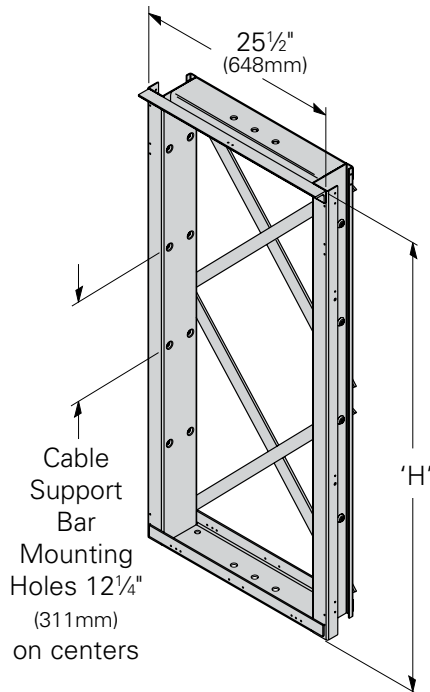
Unequal flange equipment racks & accs.

# Unequal Flange Equipment Racks & Accessories

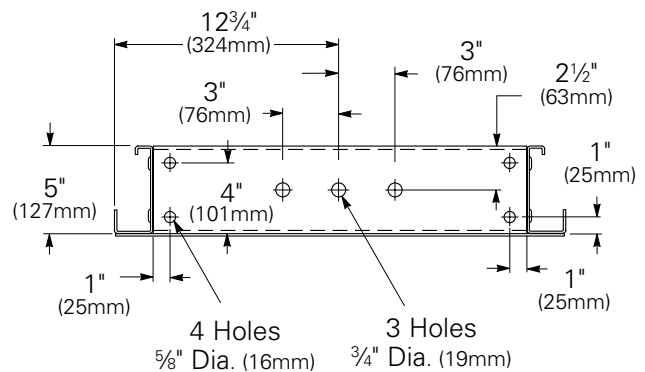
Network Bay

## Extender - Network Bay

- Use to increase rack height for attaching to overhead support structure
- Heavy duty welded construction, ideal for central office installations
- Accessory mounting holes provided in base, uprights and top channel
- Includes: 1/2"-13 rack attachment hardware
- Material: 11 Ga. (3mm) ASTM A1011CS steel
- Finish \_\_\_\_: Telco gray powder coat (TG)  
Yellow zinc (YZ)  
Other finishes are available upon request



**Top Hole Pattern**



**Bottom Hole Pattern**

Part Number	'H' Height		Weight	
	in.	(mm)	Lbs.	(kg)
SB5946012__	12"	(305)	28.6	(13.0)
SB5946024__	24"	(609)	37.3	(16.9)
SB5946054__	54"	(1371)	56.6	(25.7)
SB5946056__	56"	(1422)	57.8	(26.2)

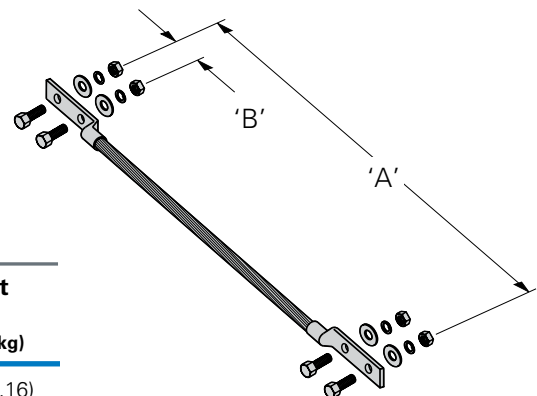
See page 308 for cable support bar quantity required.

Unequal flange equipment racks & accs.

## Grounding Strap

- Use to provide grounding path
- Includes: (1) cable with crimped lugs and 1/4"-20 hardware
- Material: #6 flexible tin plated copper wire

Part Number	'A'		'B'		Weight	
	In.	(mm)	In.	(mm)	Lbs.	(kg)
SB669 3/4x10 1/2	10 1/2"	(267)	3/4"	(19)	.36	(0.16)

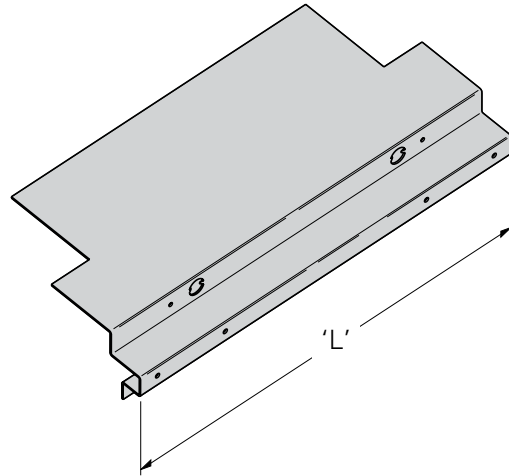


# Unequal Flange Equipment Racks & Accessories

## Accessories

### Guard Rail Cover

- Use to enclose and protect base on unequal flange network bay racks (One cover is included with each rack)
- Gives installation a clean professional appearance
- Includes knock-out and mounting holes for addition of raceway strips
- Material: 12 Ga. (2.6mm) ASTM A1011CS steel
- Finish \_\_\_\_: Telco gray powder coat (TG)  
Yellow zinc (YZ)  
Other finishes are available upon request

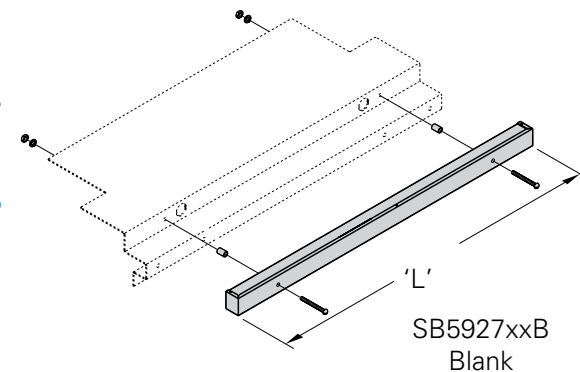
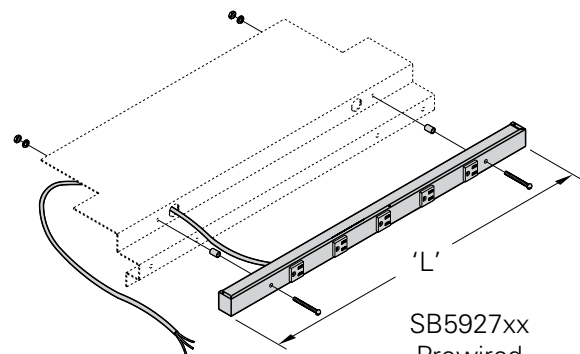


Part Number	'L' Length		Weight	
	in.	(mm)	Lbs.	(kg)
SB590119__	21 <sup>7</sup> / <sub>8</sub> "	(555)	10.5	(4.7)
SB590123__	25 <sup>7</sup> / <sub>8</sub> "	(657)	12.6	(5.7)

Specify part number and finish when ordering.

### AC Raceways

- Prewired with outlets or blank
- SB592719 or 23 includes (1) prewired raceway and (2) each bolts, hex nuts, lock washers and spacers
- SB592719B or 23B includes (1) blank raceway and (2) each bolts, hex nuts, lock washers and spacers
- Finish \_\_\_\_: Telco gray powder coat (TG)  
Other finishes are available upon request



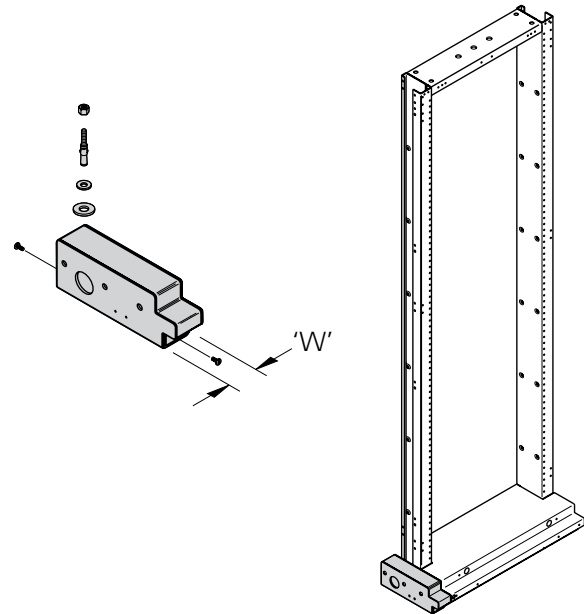
Part Number	'L' Length		Weight	
	in.	(mm)	Lbs.	(kg)
SB592719__	21 <sup>13</sup> / <sub>16</sub> "	(554)	2.2	(1.00)
SB592723__	25 <sup>13</sup> / <sub>16</sub> "	(655)	2.4	(1.09)
SB592719B__	21 <sup>13</sup> / <sub>16</sub> "	(554)	1.6	(0.72)
SB592723B__	25 <sup>13</sup> / <sub>16</sub> "	(655)	1.8	(0.81)

Specify part number and finish when ordering.

Unequal flange equipment racks & accs.

## Closed Spacer Box

- Use for creating wider cable duct between network bay equipment racks
- Can be used for either left or right side
- Includes (1 each) spacer box,  $\frac{3}{8}$ " x  $2\frac{3}{4}$ " wedge anchor,  $\frac{3}{8}$ " hex nut,  $\frac{3}{8}$ " flat washer,  $\frac{7}{16}$ " flat washer, and (2) #12-24 x  $\frac{3}{8}$ " PHMS
- Material: 11 Ga. (3.0mm) ASTM A1011SS steel
- Finish \_\_: Telco gray powder coat (TG)  
Yellow zinc (YZ)  
Other finishes are available upon request

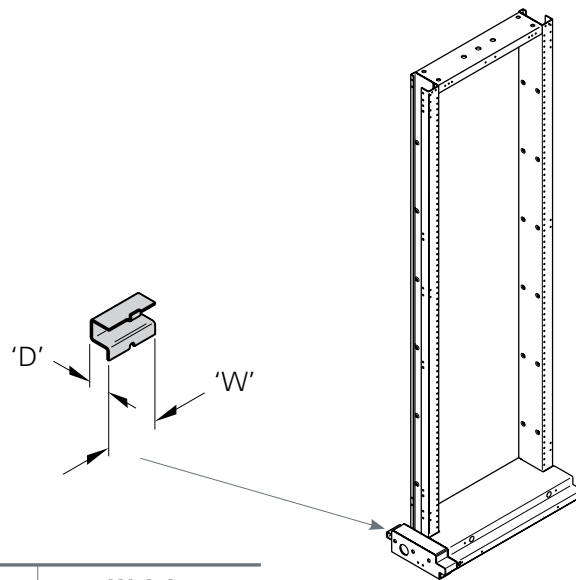


Part Number	'W' Width		Weight	
	in.	(mm)	Lbs.	(kg)
SB59152 $\frac{1}{2}$ __	2 $\frac{1}{2}$ "	(63)	5.92	(2.68)
SB59155__	5"	(127)	8.59	(3.89)

Specify part number and finish when ordering.

## Rear Bumper Clip For Spacer Box

- Use to protect back side of spacer box
- Material: 14 Ga. (1.9mm) ASTM A1011CS steel
- Finish \_\_: Telco gray powder coat (TG)  
Yellow zinc (YZ)  
Other finishes are available upon request



Part Number	'D' Depth		'W' Width		Weight	
	in.	(mm)	in.	(mm)	Lbs.	(kg)
SB59232 $\frac{1}{2}$ x1__	1"	(25)	2 $\frac{1}{2}$ "	(63)	0.20	(0.09)
SB59235x1__	1"	(25)	5"	(127)	0.40	(0.18)
SB59232 $\frac{1}{2}$ x2__	2"	(51)	2 $\frac{1}{2}$ "	(63)	0.32	(0.14)
SB59235x2__	2"	(51)	5"	(127)	0.65	(0.29)

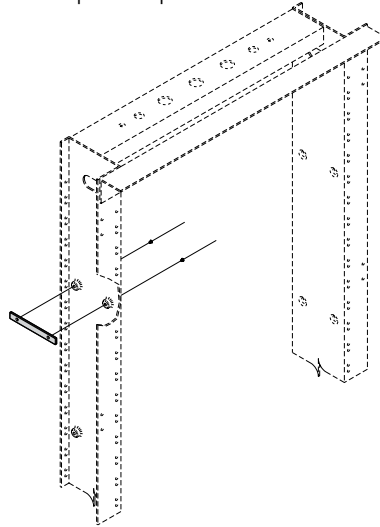
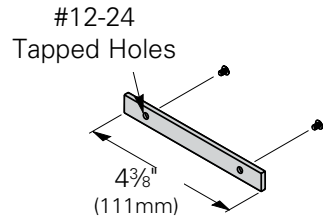
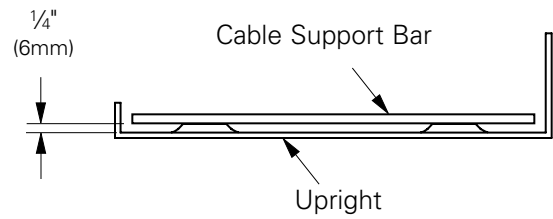
Specify part number and finish when ordering.

# Unequal Flange Equipment Racks & Accessories

## Accessories

### Cable Support Bar

- Use with cable ties to secure cable runs
- Includes: hardware
- Material: ASTM A36 structural steel
- Finish \_\_\_\_: Telco gray powder coat (TG)  
Yellow zinc (YZ)  
Other finishes are available upon request



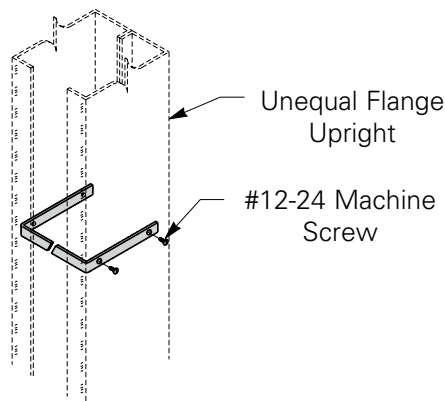
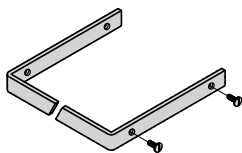
Part Number	Weight	
	Lbs.	(kg)
SB5631__	0.08	(0.03)

Specify part number and finish when ordering.

Rack Height	Quantity of support bars required for unequal flange equipment racks
in. (mm)	
6" (152)	0
12" (305)	0
18" (457)	2
24" (609)	2
30" (762)	4
32" (812)	4
42" (1067)	6
44" (1117)	6
48" (1219)	8
50" (1270)	8
54" (1371)	8
56" (1422)	8
84" (2133)	14
90" (2286)	14
96" (2438)	14
108" (2743)	16
138" (3505)	22
140" (3556)	22

### Cable Duct Support Bar

- Use with cable ties to secure cable runs in duct formed by unequal flange equipment rack
- Includes: (2) support bars and hardware
- Material: ASTM A36 structural steel
- Finish \_\_\_\_: Telco gray powder coat (TG)  
Yellow zinc (YZ)  
Other finishes are available upon request



Part Number	Weight	
	Lbs.	(kg)
SB5631A01__	0.08	(0.03)

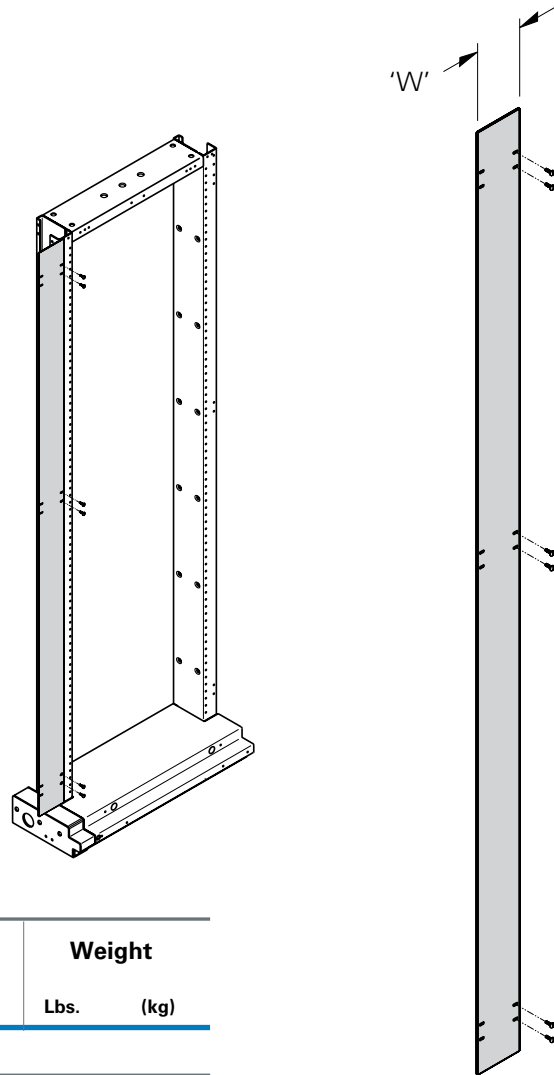
Specify part number and finish when ordering.

Unequal flange equipment racks & accs.



## Spacer Cover

- Used to create and cover wider cable duct between unequal flange network bay racks
- Includes (1) spacer cover and (16) mounting screws
- Material: 11 Ga. (3.0mm) ASTM A1011SS steel
- Finish \_\_\_\_: Telco gray powder coat (TG)  
Yellow zinc (YZ)  
Other finishes are available upon request



Part Number	Rack Height		'W' Width		Weight	
	In.	(mm)	In.	(mm)	Lbs.	(kg)
2½" (63mm) Space Between Racks						
<b>SB59172½084</b> __	84"	(2133)	4½"	(105)	11.9	(5.4)
<b>SB59172½090</b> __	90"	(2286)	4½"	(105)	12.8	(5.8)
<b>SB59172½096</b> __	96"	(2438)	4½"	(105)	13.6	(6.1)
<b>SB59172½108</b> __	108"	(2743)	4½"	(105)	15.4	(7.0)
<b>SB59172½138</b> __	138"	(3505)	4½"	(105)	19.6	(8.9)
<b>SB59172½140</b> __	140"	(3556)	4½"	(105)	19.8	(9.0)
5" (127mm) Space Between Racks						
<b>SB59175084</b> __	84"	(2133)	6⅝"	(168)	17.6	(8.0)
<b>SB59175090</b> __	90"	(2286)	6⅝"	(168)	18.9	(8.6)
<b>SB59175096</b> __	96"	(2438)	6⅝"	(168)	20.1	(9.1)
<b>SB59175108</b> __	108"	(2743)	6⅝"	(168)	22.7	(10.3)
<b>SB59175138</b> __	138"	(3505)	6⅝"	(168)	28.9	(13.1)
<b>SB59175140</b> __	140"	(3556)	6⅝"	(168)	29.3	(13.3)

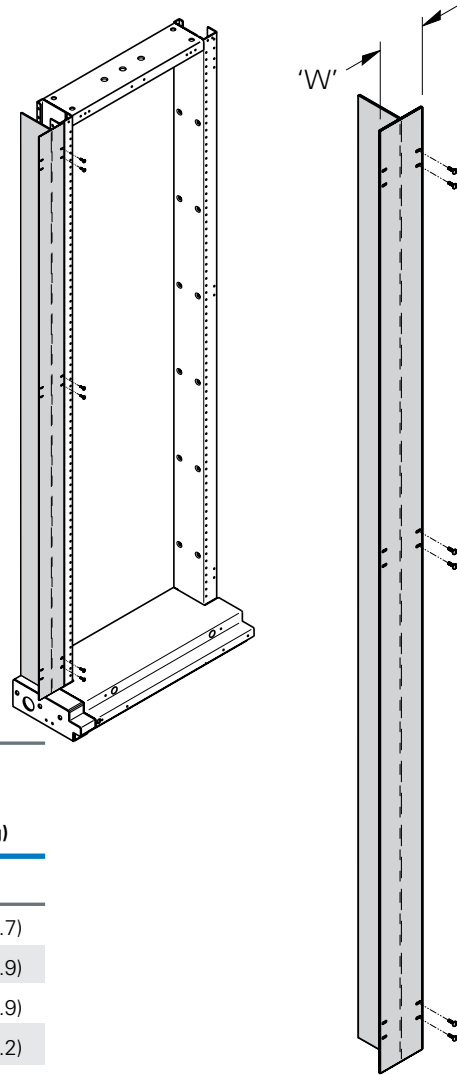
Specify part number and finish when ordering.

# Unequal Flange Equipment Racks & Accessories

## Accessories

### Spacer Separator

- Used to create, divide and cover wider cable duct between unequal flange network bay racks
- Includes (1) spacer separator and (16) mounting screws
- Material: 11 Ga. (3.0mm) ASTM A1011SS steel
- Finish \_\_\_\_: Telco gray powder coat (TG)  
Yellow zinc (YZ)  
Other finishes are available upon request



Part Number	Rack Height		'W' Width		Weight	
	In.	(mm)	In.	(mm)	Lbs.	(kg)
1/2" (13mm) Space Between Racks						
<b>SB59181/2084</b> __	84"	(2133)	2 1/8"	(54)	34.7	(15.7)
<b>SB59181/2090</b> __	90"	(2286)	2 1/8"	(54)	37.2	(16.9)
<b>SB59181/2096</b> __	96"	(2438)	2 1/8"	(54)	39.6	(17.9)
<b>SB59181/2108</b> __	108"	(2743)	2 1/8"	(54)	44.6	(20.2)
<b>SB59181/2138</b> __	138"	(3505)	2 1/8"	(54)	56.9	(25.8)
<b>SB59181/2140</b> __	140"	(3556)	2 1/8"	(54)	57.8	(26.2)
2 1/2" (63mm) Space Between Racks						
<b>SB591821/2084</b> __	84"	(2133)	4 1/8"	(105)	37.5	(17.0)
<b>SB591821/2090</b> __	90"	(2286)	4 1/8"	(105)	40.2	(18.2)
<b>SB591821/2096</b> __	96"	(2438)	4 1/8"	(105)	42.9	(19.4)
<b>SB591821/2108</b> __	108"	(2743)	4 1/8"	(105)	48.3	(21.9)
<b>SB591821/2138</b> __	138"	(3505)	4 1/8"	(105)	61.6	(27.9)
<b>SB591821/2140</b> __	140"	(3556)	4 1/8"	(105)	62.5	(28.3)
5" (127mm) Space Between Racks						
<b>SB59185084</b> __	84"	(2133)	6 5/8"	(168)	44.7	(20.3)
<b>SB59185090</b> __	90"	(2286)	6 5/8"	(168)	47.8	(21.7)
<b>SB59185096</b> __	96"	(2438)	6 5/8"	(168)	51.0	(23.1)
<b>SB59185108</b> __	108"	(2743)	6 5/8"	(168)	57.4	(26.0)
<b>SB59185138</b> __	138"	(3505)	6 5/8"	(168)	73.3	(33.3)
<b>SB59185140</b> __	140"	(3556)	6 5/8"	(168)	74.4	(33.7)

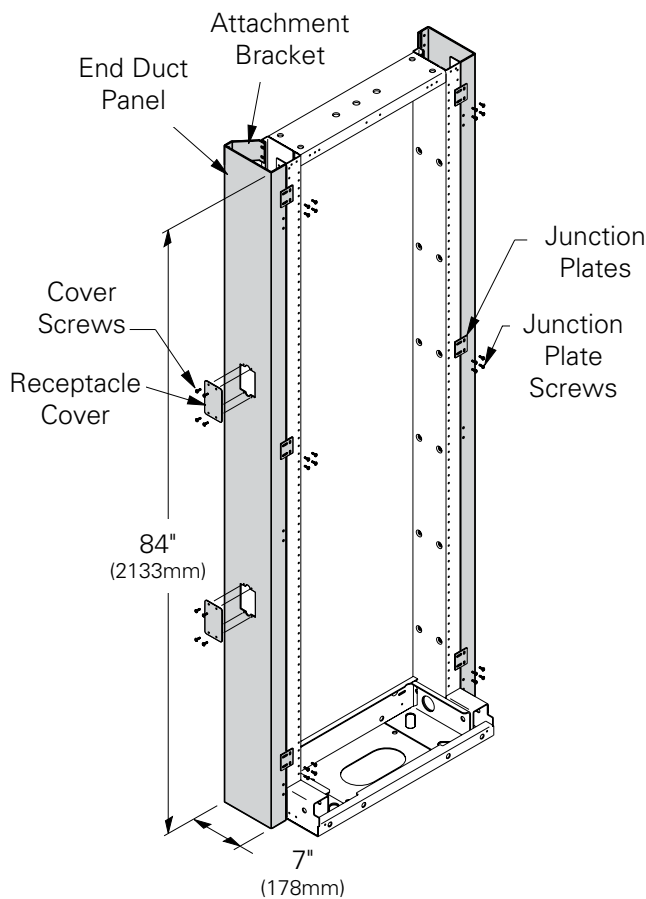
Specify part number and finish when ordering.

Unequal flange equipment racks & accs.

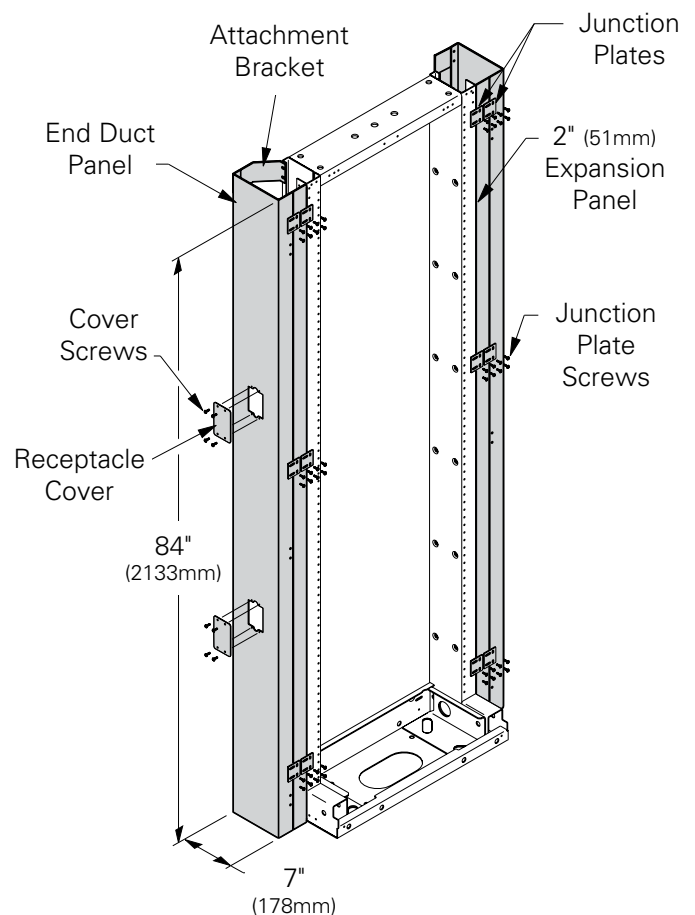
## ACCESSORIES

### End Duct Finishing Panel Assembly

- Use to create an enclosed wiring duct for cable management
- Gives installation a clean professional appearance
- SB55817084 includes (2) end duct panels, junction plates, receptacle covers and hardware
- SB55817x2084 includes (2) end duct panels, (2) 2" (51mm) end duct expansion plates, junction plates, receptacle covers and hardware
- Material: 11 Gauge (3mm) ASTM A569 steel
- Finish \_\_\_\_: Telco gray powder coat (TG)  
Other finishes are available upon request



**SB55817084**



**SB55817x2084**

Part Number	Junction Plates	Weight	
		Lbs.	(kg)
<b>SB55817084</b> __	6	63.1	(28.6)
<b>SB55817x2084</b> __	12	76.5	(34.7)

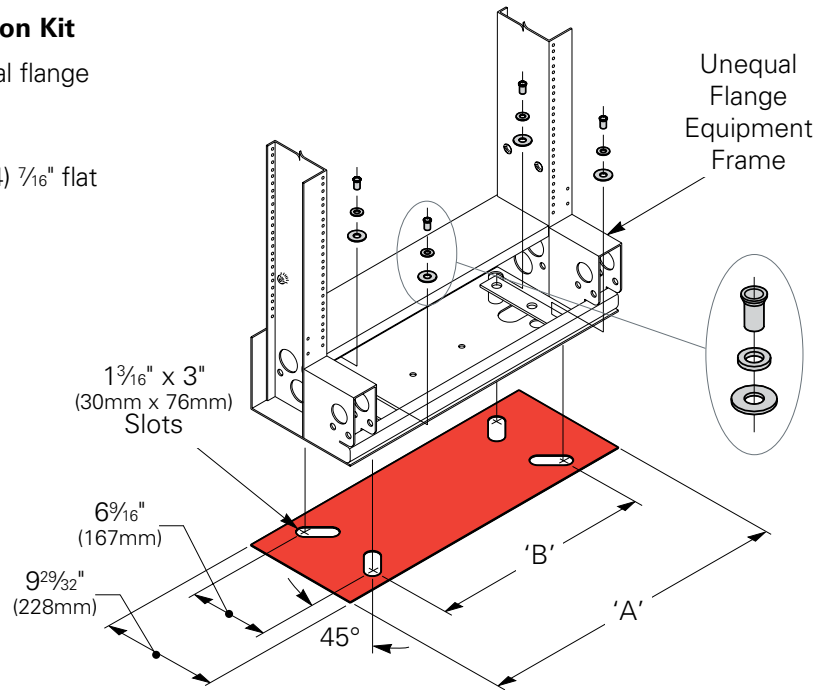
Specify part number and finish when ordering.

# Unequal Flange Equipment Racks & Accessories

## Accessories

### Unequal Flange Equipment Frame Isolation Kit

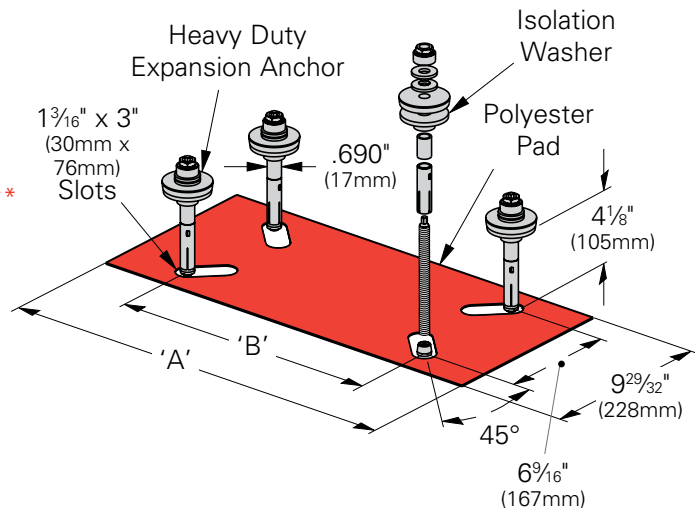
- Use to provide electrical isolation of unequal flange equipment rack
- Order  $\frac{3}{8}$ " anchors separately
- Includes: (1) isolation pad, (4) sleeve kits, (4)  $\frac{7}{16}$ " flat washers
- Material: Polyester fiberglass - pad  
6/6 Nylon - sleeve  
Steel - flat washers
- Finish: Pad - Red  
Sleeve - Natural  
Flat washers - Yellow  
Zinc (YZ)



Part Number	Rack Width In. (mm)	'A'		'B'		Weight	
		In.	(mm)	In.	(mm)	Lbs.	(kg)
<b>SB254701</b>	19" (483)	21 <sup>15</sup> / <sub>16</sub> "	(557)	14 <sup>19</sup> / <sub>32</sub> "	(371)	0.50	(0.23)
<b>SB254702</b>	23" (584)	25 <sup>15</sup> / <sub>16</sub> "	(659)	18 <sup>19</sup> / <sub>32</sub> "	(472)	0.56	(0.25)

### Isolation Seismic Anchor Kit

- Use to provide electrical isolation and anchor seismic unequal flange equipment racks
- Complies with all NRBS GR-63-CORE requirements
- Includes: (1) isolation pad SB1165 Series, (4) ASSAM12157\*\* Seismic anchor bolt kits (\*\*see chart below for torque nut or hex nut style and page 249 for ASSAM12157 seismic anchor).
- Material: Polyester fiberglass - pad and isolation washer  
Steel - Anchors and hardware
- Finish: Pad - Red  
Isolation collar - Black plastic  
Anchor & hardware - Yellow Zinc (YZ)



Part Number	Type of Nut	Rack Width In. (mm)	'A'		'B'		Weight	
			In.	(mm)	In.	(mm)	Lbs.	(kg)
<b>SB254703HN</b>	Hex	19" (483)	21 <sup>15</sup> / <sub>16</sub> "	(557)	14 <sup>19</sup> / <sub>32</sub> "	(371)	4.50	(2.04)
<b>SB254703TN</b>	Torque	19" (483)	21 <sup>15</sup> / <sub>16</sub> "	(557)	14 <sup>19</sup> / <sub>32</sub> "	(371)	4.50	(2.04)
<b>SB254704HN</b>	Hex	23" (584)	25 <sup>15</sup> / <sub>16</sub> "	(659)	18 <sup>19</sup> / <sub>32</sub> "	(472)	4.56	(2.07)
<b>SB254704TN</b>	Torque	23" (584)	25 <sup>15</sup> / <sub>16</sub> "	(659)	18 <sup>19</sup> / <sub>32</sub> "	(472)	4.56	(2.07)

Unequal flange equipment racks & accs.

# Auxiliary Supports & Accessories

Eaton offers an extensive variety of auxiliary supports for communication equipment and accessories which suspend from the ceiling, secure to walls and join together all styles of auxiliary supports.

- SB20 series tube
- SB22 series channel
- SB23 series bar
- SB24 series channel
- SB212 series support angles

<b>Material:</b>	<b>Type</b>	<b>Thickness</b>	<b>Specifications</b>
	Steel Shapes	... 3/16" (4.8mm) - 3/8" (9.5mm)	... ASTM A36
	Steel Strip	... .042 (1.0mm) -.135 (3.4mm)	... ASTM A1011
	Steel Tube	... .060 (1.5mm)	... ASTM A513
	Copper Bar		... ASTM B187, B152
	Silicon Bronze		... ASTM F468, F467, F651

**Finishes:**

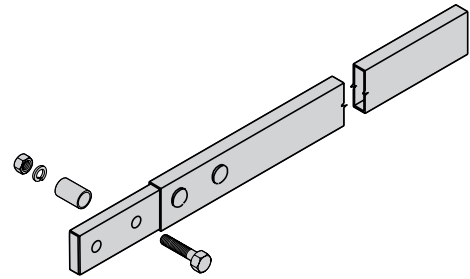
- Powder Coat Paint
- Telco Gray (TG)
  - Flat Black (FB)
  - Yellow Zinc (YZ) ASTM B633



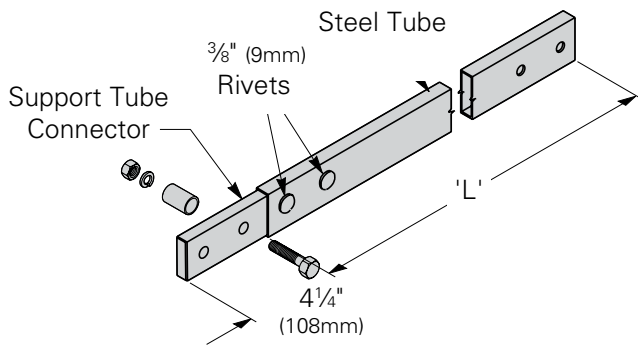
# Auxillary Supports & Accessories

## 2" x 3/16" Support Tube

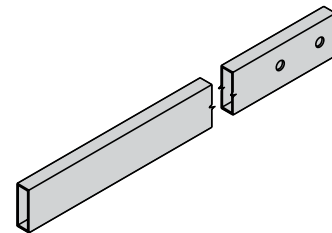
- Use as an auxiliary support
- 2" (51mm) x 3/16" (14mm) x .060 (1.5mm) steel tube
- Normally used in pairs
- 3/16" (14mm) diameter attachment holes where shown
- Includes: Pre-assembled tube, spacer and hardware for 01 and 02 styles only
- Material: ASTM A513 steel tube ASTM A36 structural steel splices
- Finish \_\_\_\_: Flat black powder coat (FB)  
Telco gray powder coat (TG)  
Yellow zinc (YZ)  
Other finishes are available upon request



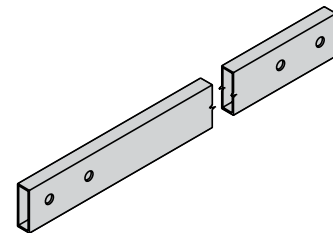
**SB2002( )**  
With Pre-assembled Riveted Splice



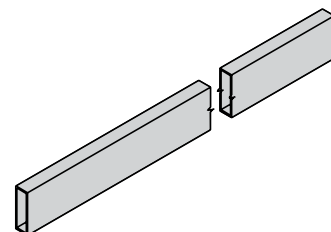
**SB2001( )**  
With Pre-assembled Riveted Splice



**SB2003( )**



**SB2004( )**



**SB2005( )**

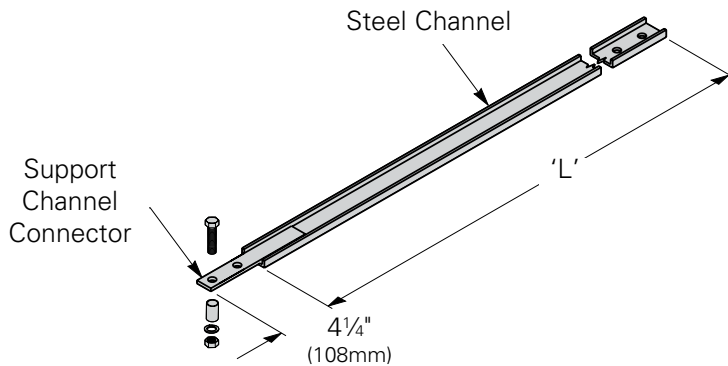
Part Number	Length 'L'		Weight	
	Ft.	(m)	Lbs.	(kg)
SB200103__	3'	(.91)	4.6	(2.1)
SB200105__	5'	(1.52)	6.6	(3.0)
SB200110__	10'	(3.05)	11.6	(5.2)
SB200203__	3'	(.91)	4.6	(2.1)
SB200205__	5'	(1.52)	6.6	(3.0)
SB200210__	10'	(3.05)	11.6	(5.2)
SB200303__	3'	(.91)	3.0	(1.3)
SB200305__	5'	(1.52)	5.0	(2.2)
SB200310__	10'	(3.05)	10.0	(4.5)
SB200403__	3'	(.91)	3.0	(1.3)
SB200405__	5'	(1.52)	5.0	(2.2)
SB200410__	10'	(3.05)	10.0	(4.5)
SB200503__	3'	(.91)	3.0	(1.3)
SB200505__	5'	(1.52)	5.0	(2.2)
SB200510__	10'	(3.05)	10.0	(4.5)

Specify part number and finish when ordering.

# Auxiliary Supports & Accessories

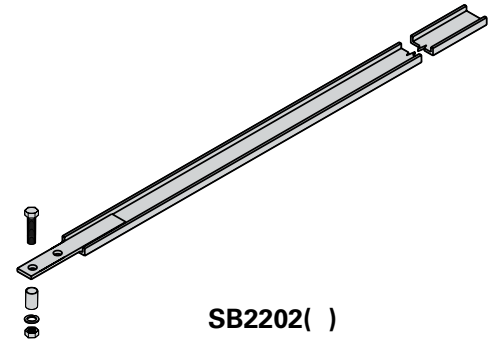
## 2" x 9/16" Support Channel

- Use as an auxiliary support
- 2" (51mm) x 9/16" (14mm) x 3/16" (5mm) steel channel
- Normally used in pairs
- 9/16" (14mm) diameter attachment holes where shown
- Includes: Pre-assembled channel, spacer, and hardware for 01 and 02 styles only
- Material: ASTM A36 structural steel splices ASTM A36 structural steel channel
- Finish \_\_\_: Flat black powder coat (FB)  
Telco gray powder coat (TG)  
Yellow zinc (YZ)  
Other finishes are available upon request



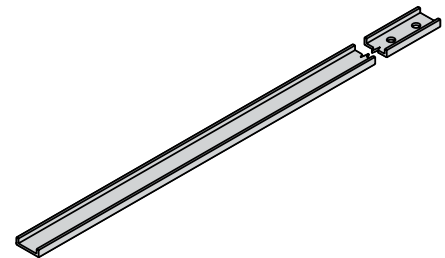
**SB2201( )**

With Pre-assembled Welded Splice

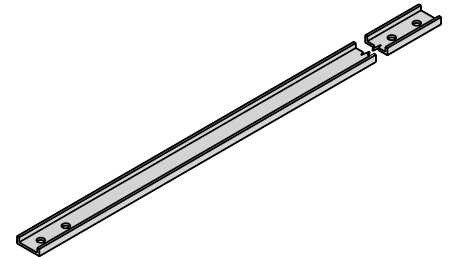


**SB2202( )**

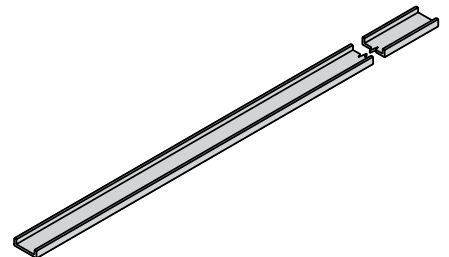
With Pre-assembled Welded Splice



**SB2203( )**



**SB2204( )**



**SB2205( )**

Part Number	Length 'L'		Weight	
	Ft.	(m)	Lbs.	(kg)
SB220103__	3'	(.91)	6.5	(2.9)
SB220105__	5'	(1.52)	10.0	(4.5)
SB220110__	10'	(3.05)	18.8	(8.5)
SB220203__	3'	(.91)	6.5	(2.9)
SB220205__	5'	(1.52)	10.0	(4.5)
SB220210__	10'	(3.05)	18.8	(8.5)
SB220303__	3'	(.91)	5.3	(2.4)
SB220305__	5'	(1.52)	8.8	(4.0)
SB220310__	10'	(3.05)	17.6	(8.0)
SB220403__	3'	(.91)	5.3	(2.4)
SB220405__	5'	(1.52)	8.8	(4.0)
SB220410__	10'	(3.05)	17.6	(8.0)
SB220503__	3'	(.91)	5.3	(2.4)
SB220505__	5'	(1.52)	8.8	(4.0)
SB220510__	10'	(3.05)	17.6	(8.0)

Specify part number and finish when ordering.

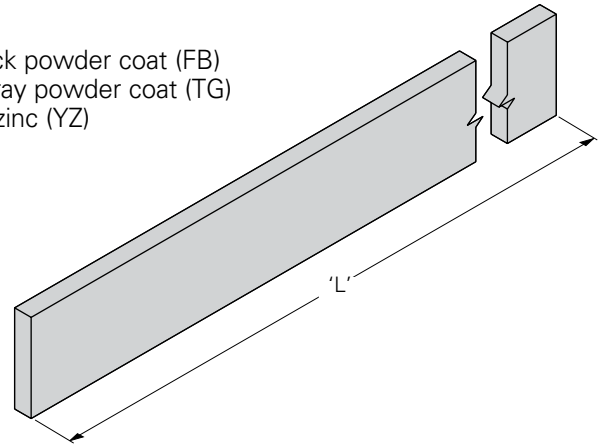
# Auxillary Supports & Accessories

## 2" x 3/8" Support Bar

- Use as an auxiliary support
- Normally used in pairs
- Material: ASTM A36 structural steel
- Finish \_\_\_\_: Flat black powder coat (FB)  
Telco gray powder coat (TG)  
Yellow zinc (YZ)

Part Number	Length 'L'		Weight	
	Ft.	(m)	Lbs.	(kg)
SB2305__	5'	(1.52)	12.75	(5.78)
SB2310__	10'	(3.05)	25.50	(11.56)

Specify part number and finish when ordering.

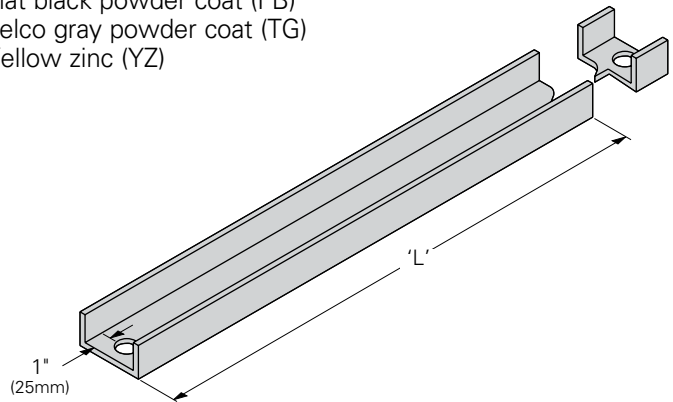


## 1" x 2" Support Channel

- Use as an auxiliary support
- 17/32" (13mm) diameter attachment holes
- Material: ASTM A36 structural steel
- Finish \_\_\_\_: Flat black powder coat (FB)  
Telco gray powder coat (TG)  
Yellow zinc (YZ)

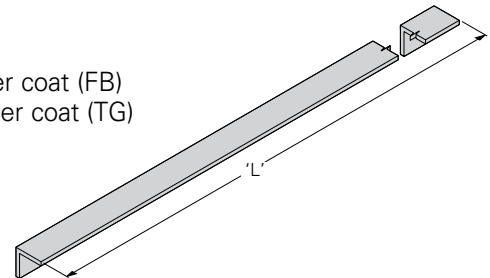
Part Number	Length 'L'		Weight	
	Ft.	(m)	Lbs.	(kg)
SB24B05__	5'	(1.52)	11.7	(5.31)
SB24B10__	10'	(3.05)	23.3	(10.57)

Specify part number and finish when ordering.



## Support Angle

- Use as an structural support or brace
- Angle size shown in chart
- Material: ASTM A1011 CS steel
- Finish \_\_\_\_: Flat black powder coat (FB)  
Telco gray powder coat (TG)  
Yellow zinc (YZ)



Part Number	Angle Size		Length 'L'		Weight	
	in.	(mm)	Ft.	(m)	Lbs.	(kg)
SB212A05__	1½" x 1½" x 3/16"	(38 x 38 x 5)	5'	(1.52)	9.0	(4.1)
SB212A10__	1½" x 1½" x 3/16"	(38 x 38 x 5)	10'	(3.05)	18.0	(8.1)
SB212B05__	2" x 2" x 1/4"	(51 x 51 x 6)	5'	(1.52)	16.0	(7.2)
SB212B10__	2" x 2" x 1/4"	(51 x 51 x 6)	10'	(3.05)	32.0	(14.5)
SB212C05__	2" x 2" x 3/16"	(51 x 51 x 5)	5'	(1.52)	12.0	(5.4)
SB212C10__	2" x 2" x 3/16"	(51 x 51 x 5)	10'	(3.05)	24.0	(10.9)

Specify part number and finish when ordering.



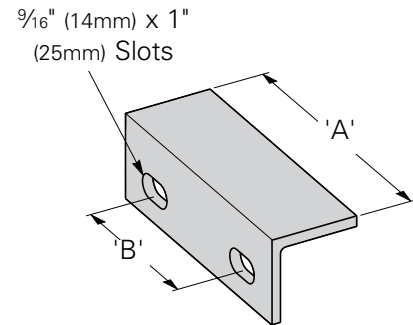
# Auxiliary Supports & Accessories

## Wall Bracket

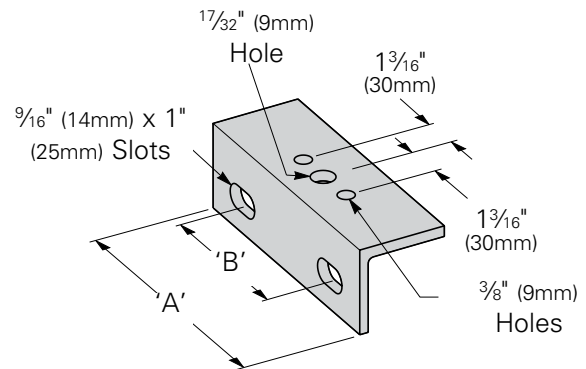
- Use to attach auxiliary structure to wall
- Material: 2" (51mm) x 2" (51mm) ASTM A1011 CS steel
- Finish \_\_\_\_: Flat black powder coat (FB)  
Telco gray powder coat (TG)  
Yellow zinc (YZ)  
Other finishes are available upon request

Part Number	'A'		'B'		Weight	
	in.	(mm)	in.	(mm)	Lbs.	(kg)
SB211A__	6"	(152)	4"	(101)	1.9	(0.86)
SB211B__	6"	(152)	4"	(101)	1.9	(0.86)

Specify part number and finish when ordering.



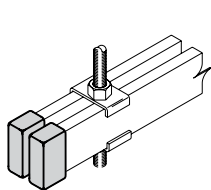
SB211A



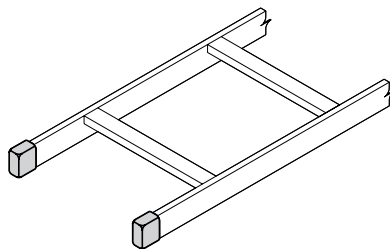
SB211B

## End Cap

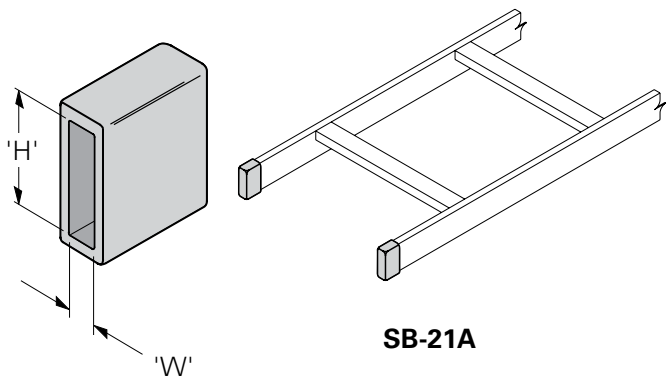
- Use as safety and protective coverings for cable runway stringers, support channel, tubes and bars
- Meets U.L. 94-V-O Flame Resistance requirement
- Sold in quantity of 10 pieces
- Material: Black Neoprene Rubber



SB21



SB21B



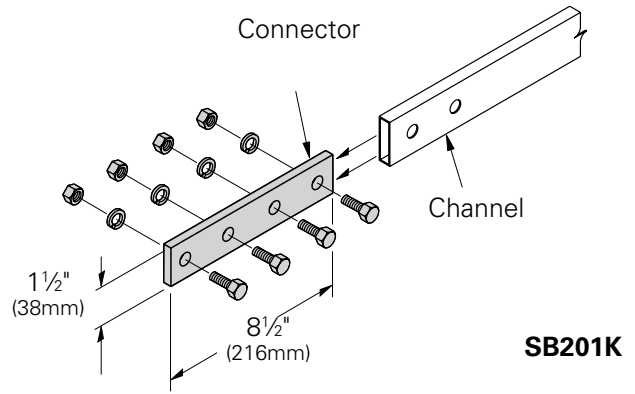
SB-21A

Part Number	Support Size 'H' x 'W'		Primary Usage	Weight	
	in.	(mm)		Lbs.	(kg)
SB21	2" x 9/16"	(51) x (14)	SB20 or SB22 Support	0.80	(0.36)
SB21A	2" x 3/8"	(51) x (9)	SB16 Runway	0.40	(0.18)
SB21B	1 1/2" x 3/8"	(38) x (9)	SB15, SB17 or SB18 Runway	0.30	(0.13)

# Auxillary Supports & Accessories

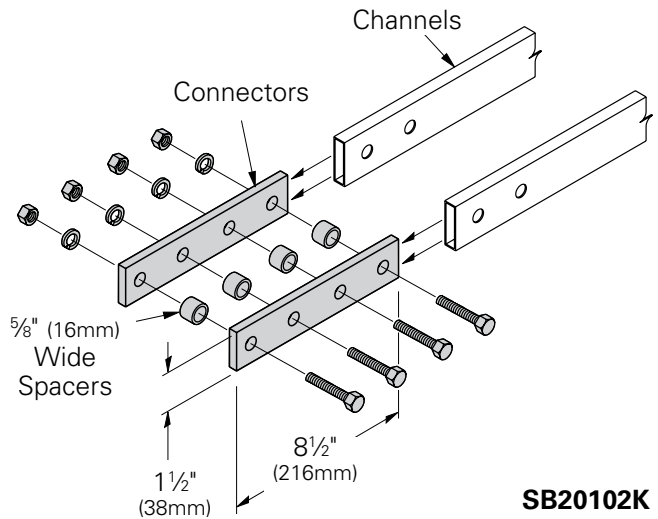
## 2" x 9/16" Support Tubing Splice Kit

- Use to splice 2" (51mm) x 9/16" (14mm) auxiliary support tubing
- Single tubing connector includes (1) splice plate with 1/2"-13 hardware
- Dual tubing connector includes (2) splice plates, spacers, and 1/2"-13 hardware
- Material: 3/8" (9mm) ASTM A36 structural steel
- Finish \_\_\_\_: Flat black powder coat (FB)  
Telco gray powder coat (TG)  
Yellow zinc (YZ)  
Other finishes are available upon request



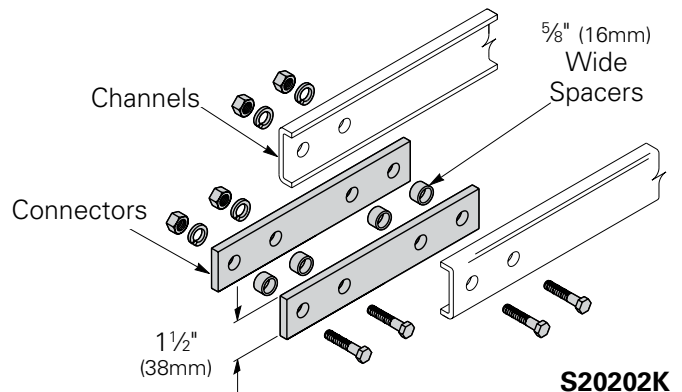
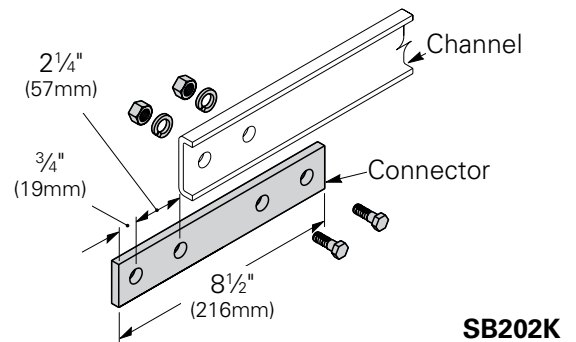
Part Number	Support Configuration	Weight	
		Lbs.	(kg)
SB201K__	Single Tubing	1.7	(0.77)
SB20102K__	Dual Tubing	3.3	(1.49)

Specify part number and finish when ordering.



## 2" x 9/16" Support Channel Splice

- Use to splice 2" (51mm) x 9/16" (14mm) auxiliary support channel
- Single channel connector includes (1) splice plate with 1/2"-13 hardware
- Dual channel connector includes (2) splice plates, spacers, and 1/2"-13 hardware
- Material: 3/8" (9mm) ASTM A36 structural steel
- Finish \_\_\_\_: Flat black powder coat (FB)  
Telco gray powder coat (TG)  
Yellow zinc (YZ)  
Other finishes are available upon request



Part Number	Support Configuration	Weight	
		Lbs.	(kg)
SB202K__	Single C-Channel	1.7	(0.77)
SB20202K__	Dual C-Channel	3.1	(1.40)

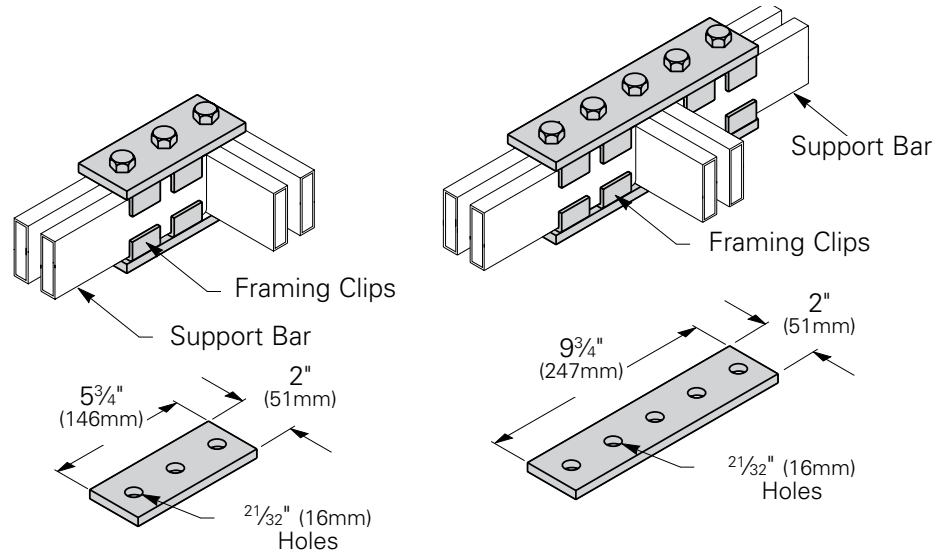
Specify part number and finish when ordering.

# Auxiliary Supports & Accessories

## 2" x 3/8" Junction Kit

- Use to splice 2" (51mm) x 3/8" (9mm) auxiliary supports
- Can be used as a straight or perpendicular splice
- SB205AK1 includes: (2) plates, (6) framing clips and (3) 5/8"-11 bolts and hardware
- SB205BK1 includes: (2) plates, (10) framing clips and (5) 5/8"-11 bolts and hardware
- Material: 3/8" (9.5mm) ASTM A36 structural steel
- Finish \_\_\_\_: Yellow zinc (YZ)  
Other finishes are available upon request

Holes are on 2" (51mm) centers with first hole 7/8" (22mm) from end to center.



Part Number	Weight	
	Lbs.	(kg)
SB205AK1	3.9	(1.77)
SB205BK1	6.6	(2.99)

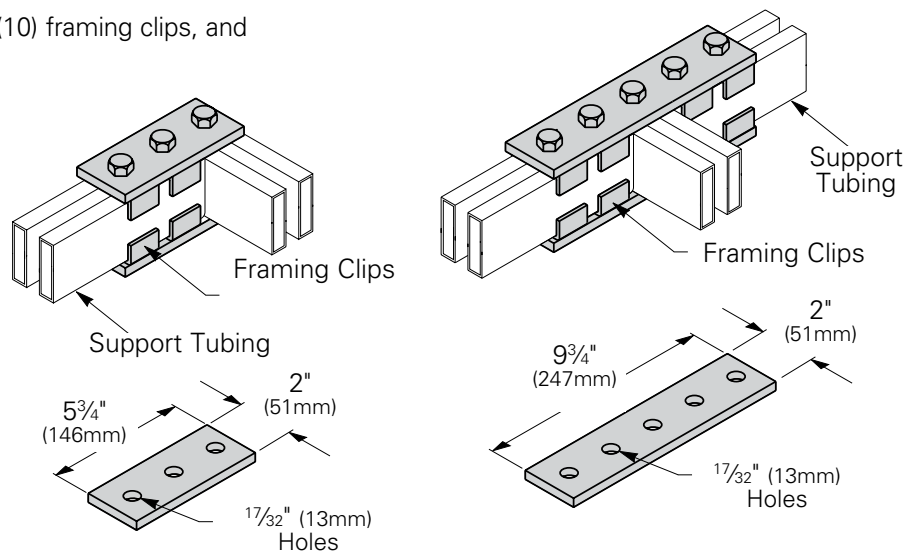
**SB205AK1**

**SB205BK1**

## 2" x 9/16" Junction Kit

- Use to splice 2" (51mm) x 9/16" (14mm) auxiliary support tubing
- Can be used as a straight or perpendicular splice
- SB205AK includes: (2) plates, (6) framing clips, and (3) 1/2"-13 bolts and hardware
- SB205BK includes: (2) plates, (10) framing clips, and (5) 1/2"-13 bolts and hardware
- Material: 3/8" (9.5mm) ASTM A36 structural steel
- Finish \_\_\_\_: Yellow zinc (YZ)  
Other finishes are available upon request

Holes are on 2" (51mm) centers with first hole 7/8" (22mm) from end to center.



Part Number	Weight	
	Lbs.	(kg)
SB205AK	3.9	(1.77)
SB205BK	6.6	(2.99)

**SB205AK**

**SB205BK**

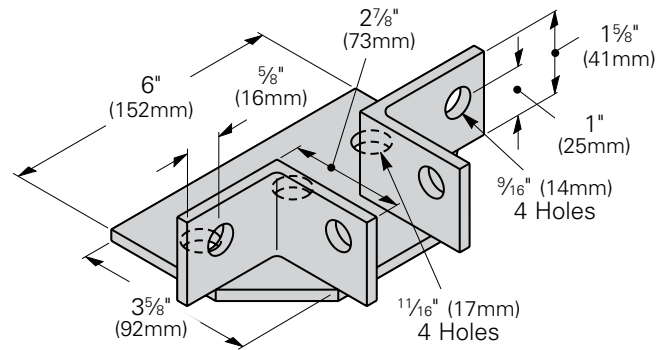
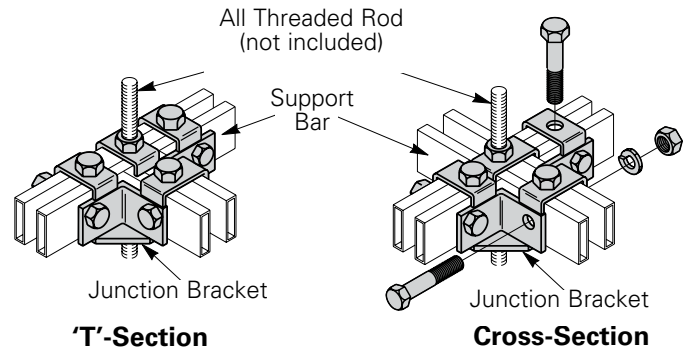
# Auxillary Supports & Accessories

## 2" x 3/8" Heavy Duty Junction Kit

- Use to suspend and splice 2" (51mm) x 3/8" (9mm) auxiliary support
- Designed with welded gussets and through bolts for additional strength and rigidity
- Material: 3/8" (9.5mm) ASTM A36 structural steel
- Finish \_\_\_\_: Yellow zinc (YZ)  
Other finishes are available upon request

**SB205DK1** includes

- (1) Junction bracket
- (4) Framing clips
- (3) 5/8"-11 Hex head cap screws
- (5) 5/8" Lockwashers
- (1) 5/8" Flatwashers
- (6) 5/8"-11 Hex nuts
- (3) 1/2"-13 Hex head cap screws
- (3) 1/2" Lockwashers
- (3) 1/2"-13 Hex nuts.



**Junction Bracket**

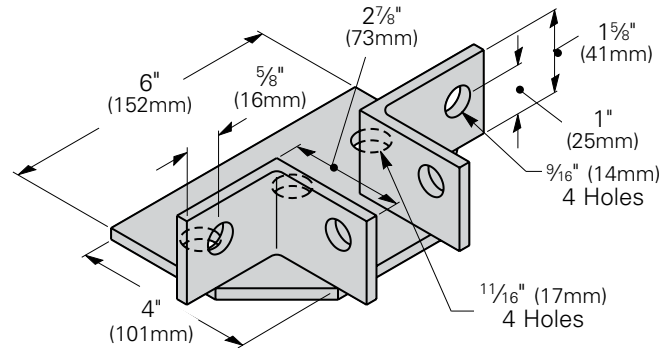
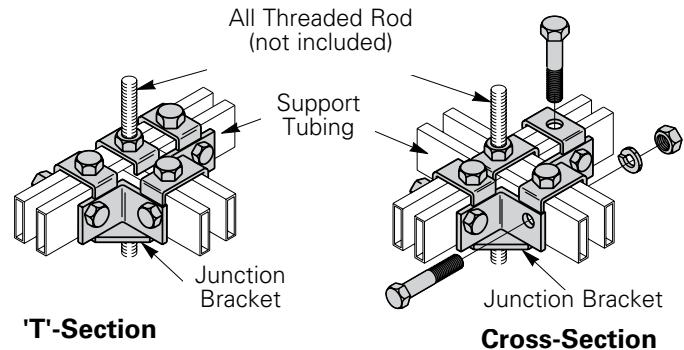
Part Number	Weight	
	Lbs.	(kg)
<b>SB205DK1</b>	1.80	(0.81)

## 2" x 9/16" Heavy Duty Junction Kit

- Use to suspend and splice 2" (51mm) x 9/16" (14mm) auxiliary support
- Designed with welded gussets and through bolts for additional strength and rigidity
- Material: 3/8" (9.5mm) ASTM A36 structural steel
- Finish \_\_\_\_: Yellow zinc (YZ)  
Other finishes are available upon request

**SB205DK** includes

- (1) Junction bracket
- (4) Framing clips
- (3) 5/8"-11 Hex head cap screws
- (5) 5/8" Lockwashers
- (1) 5/8" Flatwashers
- (6) 5/8"-11 Hex nuts
- (3) 1/2"-13 Hex head cap screws
- (3) 1/2" Lockwashers
- (3) 1/2"-13 Hex nuts.



**Junction Bracket**

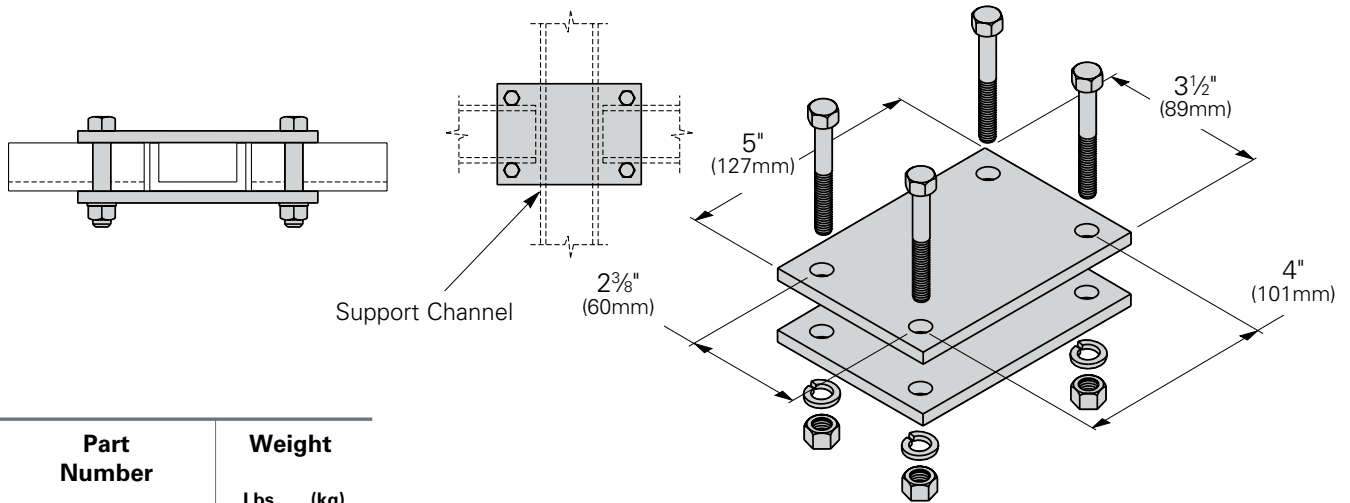
Part Number	Weight	
	Lbs.	(kg)
<b>SB205DK</b>	1.80	(0.81)

Auxillary supports

# Auxiliary Supports & Accessories

## 1" x 2" Intersecting Splice Plate Kit

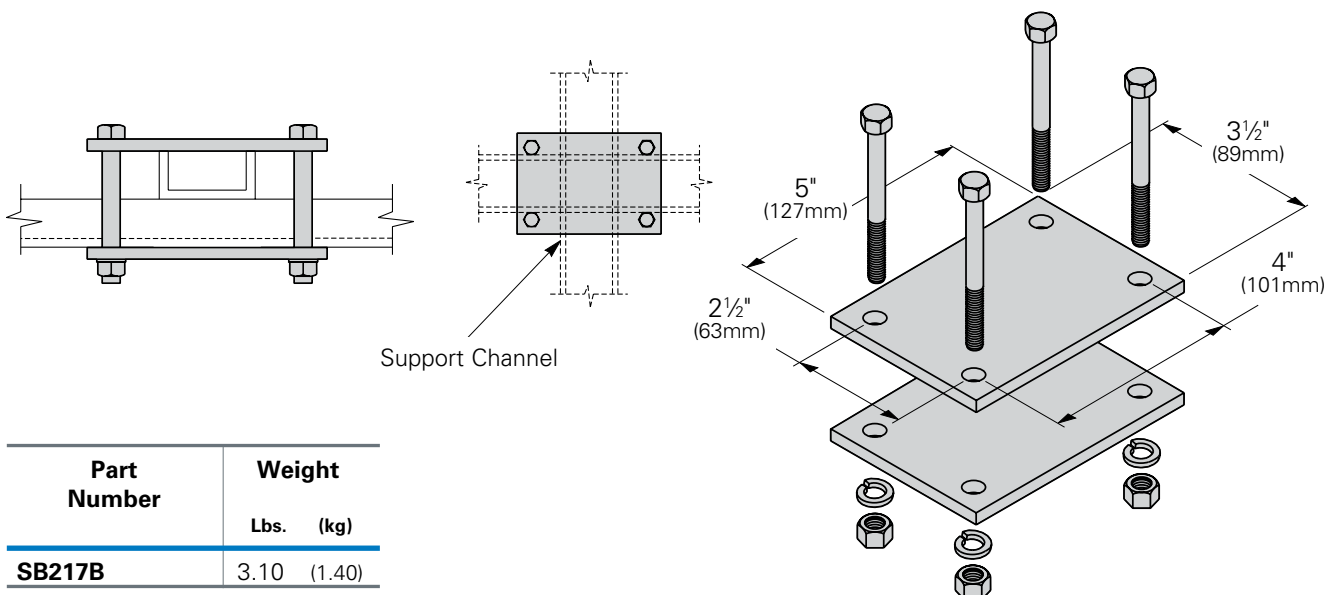
- Use to splice 1" (25mm) x 2" (51mm) auxiliary support
- Includes (2) plates with  $\frac{3}{8}$ "-16 hardware
- Material:  $\frac{1}{4}$ " (6mm) ASTM A36 structural steel
- Finish \_\_\_\_: Yellow zinc (YZ)  
Other finishes are available upon request



Part Number	Weight	
	Lbs.	(kg)
SB217A	3.00	(1.36)

## 1" x 2" Crossover Splice Plate Kit

- Use to splice perpendicular auxiliary support runs
- Includes (2) plates with  $\frac{3}{8}$ "-16 hardware
- Material:  $\frac{1}{4}$ " (6mm) ASTM A36 structural steel
- Finish \_\_\_\_: Yellow zinc (YZ)  
Other finishes are available upon request

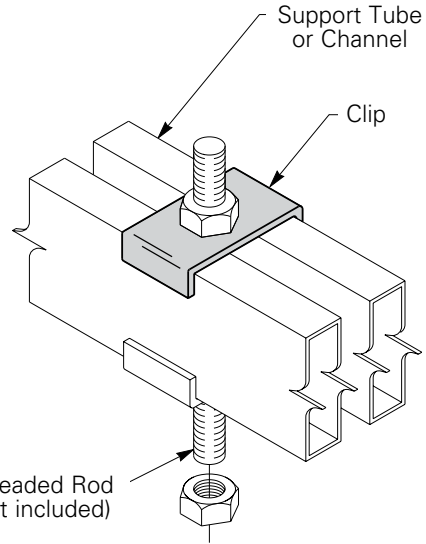
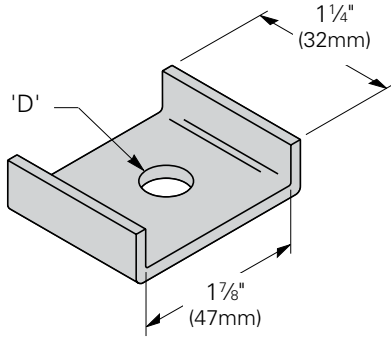


Part Number	Weight	
	Lbs.	(kg)
SB217B	3.10	(1.40)

# Auxillary Supports & Accessories

## 2" x 9/16" Framing Clip

- Use to suspend auxiliary support with threaded rod or to attach accessories to auxiliary support
- Use with 2" (51mm) x 9/16" (14mm) tube or channel
- Material: 11Ga. (3mm) ASTM A1011 structural steel
- Finish\_\_\_: Black zinc (BZ) or Yellow zinc (YZ)  
Other finishes are available upon request

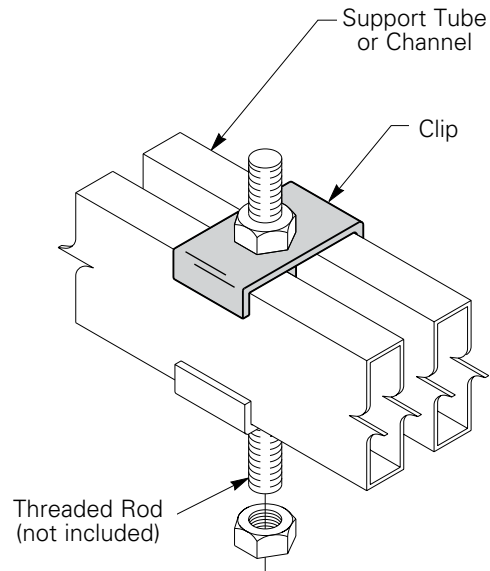
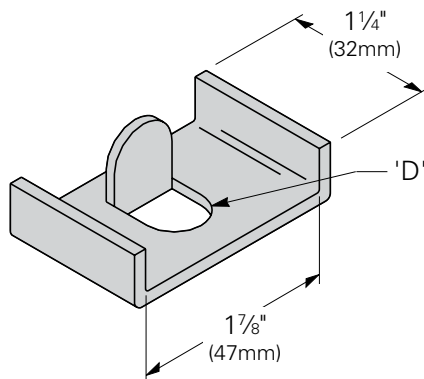


Part Number	'D' Hole Size		Hardware Size	Weight	
	in.	(mm)		Lbs.	(kg)
SB103__	3/8"	(9)	5/16"-18	0.11	(0.05)
SB104__	7/16"	(11)	3/8"-16	0.11	(0.05)
SB106__	1 1/16"	(17)	5/8"-11	0.11	(0.05)

Specify part number and finish when ordering.

## 2" x 9/16" Tabbed Framing Clip

- Use to suspend auxiliary support with threaded rod or to attach accessories to auxiliary support
- Built-in spacer tab to maintain proper tube and channel spacing
- Use with 2" (51mm) x 9/16" (14mm) tube or channel
- Material: 11Ga. (3mm) ASTM A1011 structural steel
- Finish\_\_\_: Black zinc (BZ) or Yellow zinc (YZ)  
Other finishes are available upon request



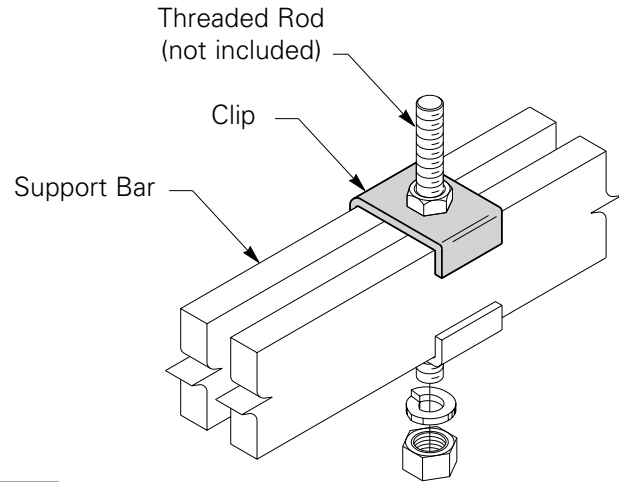
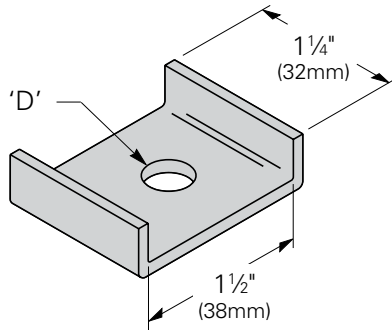
Part Number	'D'		Hardware Size	Weight	
	in.	(mm)		Lbs.	(kg)
SB105__	9/16"	(14)	1/2"-13	0.11	(0.05)

Specify part number and finish when ordering.

# Auxiliary Supports & Accessories

## 2" x 3/8" Bar Framing Clip

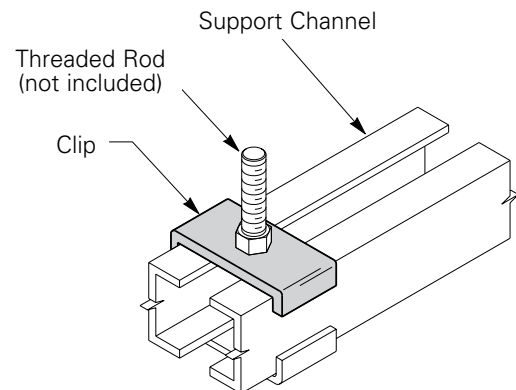
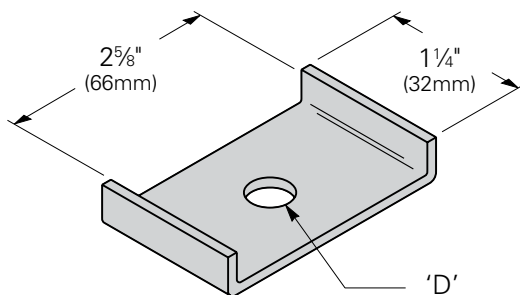
- Use to suspend auxiliary support with threaded rod or to attach accessories to auxiliary support
- Use with 2" (51mm) x 3/8" (9mm) bar
- Material: 11 Ga. (2.3mm) ASTM A1011 structural steel
- Finish \_\_: Yellow zinc (YZ)  
Other finishes are available upon request



Part Number	'D' Hole Size in. (mm)	Hardware Size	Weight	
			Lbs.	(kg)
SB109B	7/16" (11)	3/8"-16	0.95	(0.43)
SB109C	9/16" (14)	1/2"-13	0.95	(0.43)
SB109D	1 1/16" (17)	5/8"-11	0.95	(0.43)

## 1" x 2" Framing Clip

- Use to suspend auxiliary support with threaded rod or to attach accessories to auxiliary support
- Use with 1" (25mm) x 2" (51mm) channel
- Material: 11 Ga. (2.3mm) ASTM A1011 structural steel
- Finish \_\_: Yellow zinc (YZ)  
Other finishes are available upon request

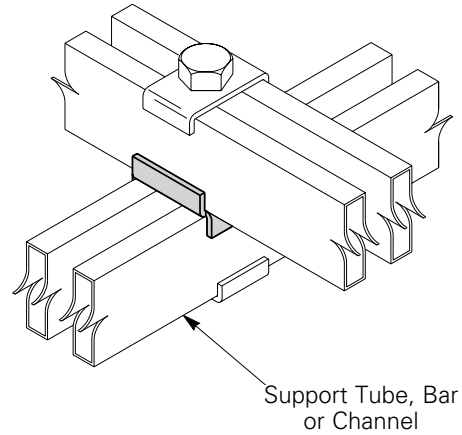
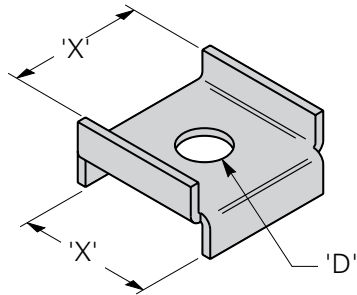


Part Number	'D' Hole Size in. (mm)	Hardware Size	Weight	
			Lbs.	(kg)
SB112A	9/16" (14)	1/2"-13	0.23	(0.10)
SB112B	1 1/16" (17)	5/8"-11	0.23	(0.10)

# Auxiliary Supports & Accessories

## Crossover Framing Clip

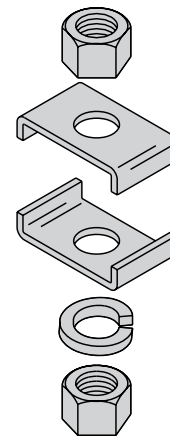
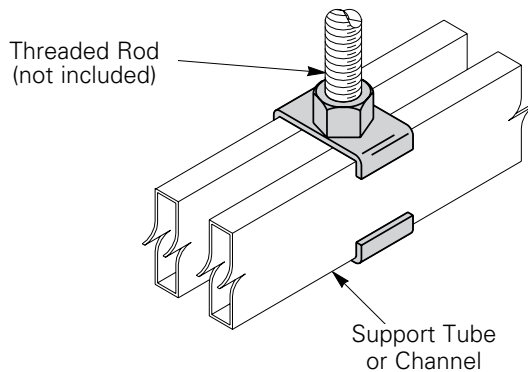
- Use to secure perpendicular auxiliary support runs
- See SB2210 & SB2211 for kits
- Material: 12 gauge (2.2mm) ASTM A1011 steel
- Finish: Yellow Zinc (YZ)



Part Number	Support Framing Size		'D' Hole Size		Hardware Size		'X'		Weight	
	in.	(mm)	in.	(mm)	in.	(mm)	in.	(mm)	Lbs.	(kg)
SB114A	2" x 3/8"	(51 x 9)	9/16"	(14)	1/2"	(13)	1 1/2"	(38)	0.13	(0.06)
SB114B	2" x 3/8"	(51 x 9)	1 1/16"	(17)	5/8"	(16)	1 1/2"	(38)	0.13	(0.06)
SB114C	2" x 9/16"	(51 x 14)	9/16"	(14)	1/2"	(13)	1 7/8"	(47)	0.15	(0.07)
SB114D	2" x 9/16"	(51 x 14)	1 1/16"	(17)	5/8"	(16)	1 7/8"	(47)	0.15	(0.07)

## Framing Clip Kit

- Use to suspend auxiliary support
- Sized for 5/8"-11 all threaded rod
- Includes: (2) framing clips and hardware
- Material: 11 Ga. (3mm) ASTM A1011 steel
- Finish: Yellow Zinc (YZ)



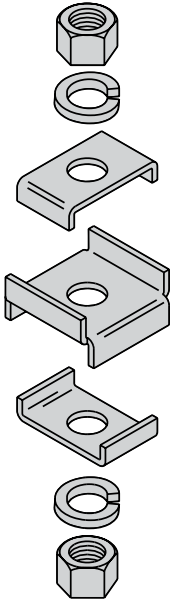
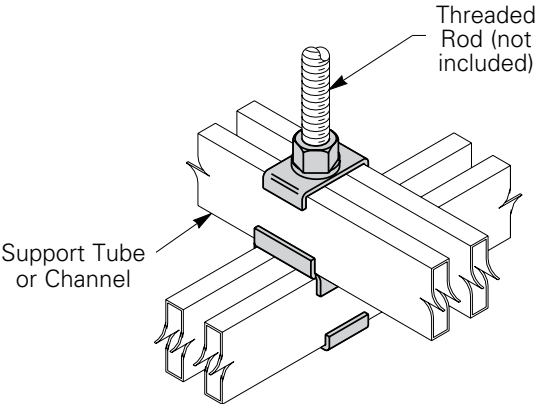
Part Number	Support Framing Size		Weight	
	in.	(mm)	Lbs.	(kg)
SB2209A	2" x 9/16"	(51 x 14)	0.40	(0.18)
SB2209B	2" x 3/8"	(51 x 9)	0.36	(0.16)



# Auxiliary Supports & Accessories

## Suspending Crossover Framing Clip Kit

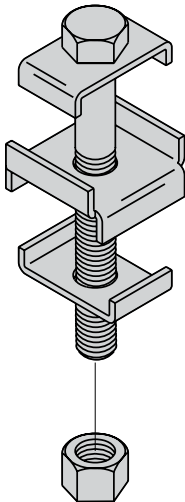
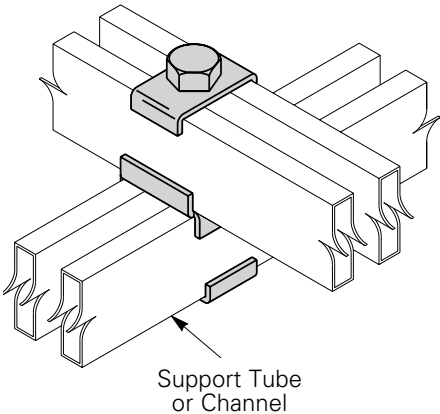
- Use to secure and suspend perpendicular auxiliary support runs
- Sized for 5/8"-11 all threaded rod
- Includes: (1) crossover clip, (2) framing clips, and hardware
- Material: 11 Ga. (3mm) ASTM A1011 steel
- Finish: Yellow Zinc (YZ)



Part Number	Support Framing Size		Weight	
	in.	(mm)	Lbs.	(kg)
SB2210A	2" x 5/16"	(51 x 14)	0.60	(0.27)
SB2210B	2" x 3/8"	(51 x 9)	0.40	(0.18)

## Securing Crossover Framing Clip Kit

- Use to secure perpendicular auxiliary support runs
- Includes: (1) crossover clip, (2) framing clips, and 5/8"-11 hardware
- Material: 11 Ga. (3mm) ASTM A1011 steel
- Finish: Yellow Zinc (YZ)



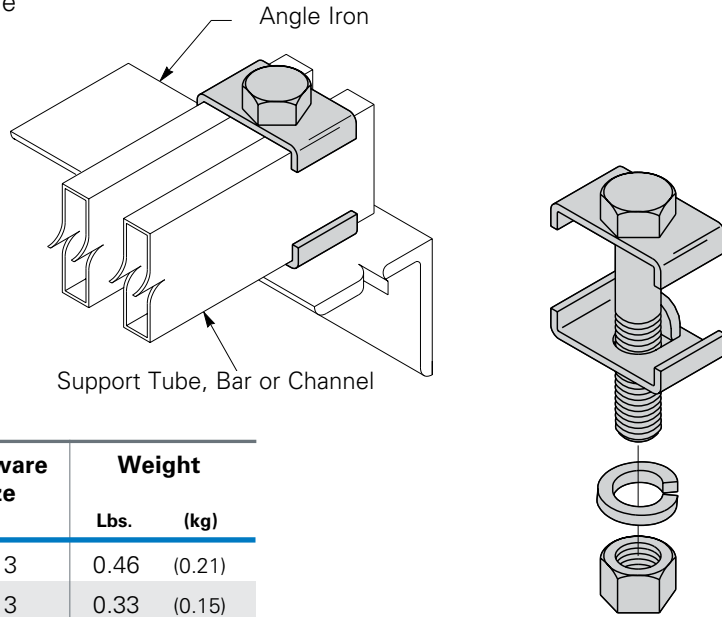
Part Number	Support Framing Size		Weight	
	in.	(mm)	Lbs.	(kg)
SB2211A	2" x 5/16"	(51 x 14)	0.90	(0.41)
SB2211B	2" x 3/8"	(51 x 9)	0.80	(0.36)

Auxiliary supports

# Auxillary Supports & Accessories

## Wall Angle Framing Clip Kit

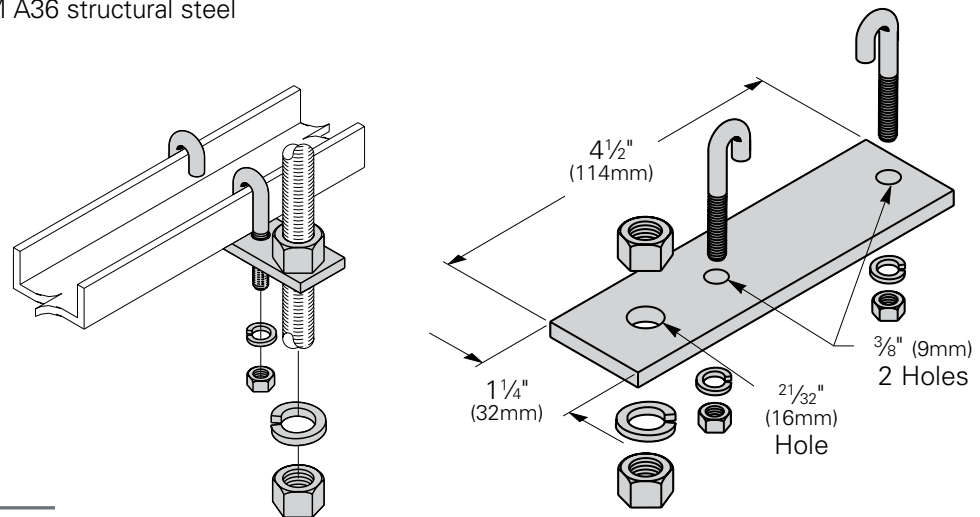
- Use to fasten support framing to wall support angle
- Includes: (2) framing clips and ½"-13 hardware
- Material: 11 Ga. (3mm) ASTM A1011 steel
- Finish: Yellow Zinc (YZ)



Part Number	Support Framing Size		Hardware Size	Weight	
	in.	(mm)		Lbs.	(kg)
<b>SB2212A</b>	2" x 9/16"	(51 x 14)	½"-13	0.46	(0.21)
<b>SB2212B</b>	2" x 3/8"	(51 x 9)	½"-13	0.33	(0.15)
<b>SB2212C</b>	2" x 9/16"	(51 x 14)	5/8"-11	0.50	(0.22)
<b>SB2212D</b>	2" x 3/8"	(51 x 9)	5/8"-11	0.39	(0.17)

## 1" x 2" Channel Support Kit

- Use to suspend 1" (25mm) x 2" (51mm) auxiliary support
- Sized for 5/8"-11 threaded rod
- Includes: (1) plate, (2) 'J'-Bolts, lockwashers, and hex nuts, (1) 5/8" lockwasher and (2) 5/8"-11 hex nuts
- Material: ¼" (6mm) ASTM A36 structural steel
- Finish: Yellow Zinc (YZ)



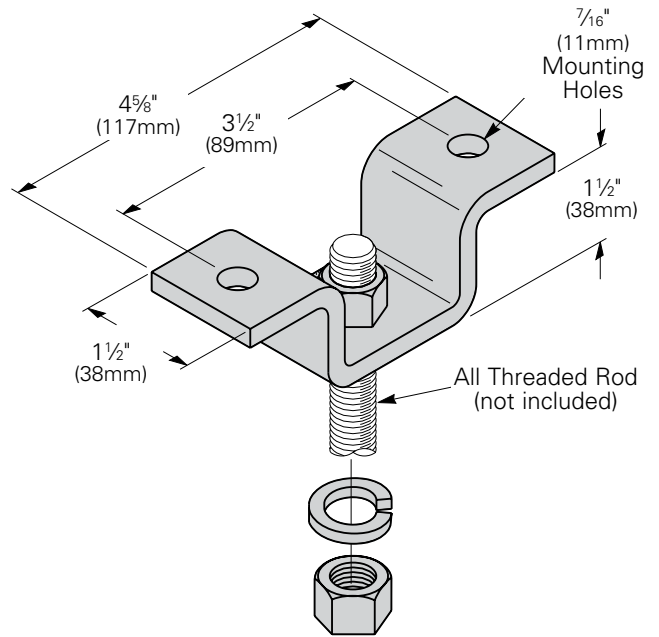
Part Number	Weight	
	Lbs.	(kg)
<b>SB2206A</b>	0.70	(0.32)

# Auxillary Supports & Accessories

## Ceiling Hanger Bracket Kit

- Use to suspend all threaded rod from ceiling
- Includes: (1) bracket, (1) lockwasher, and (2) hex nuts
- Material: 1/4" (6mm) ASTM A907 steel
- Finish: Yellow Zinc (YZ)

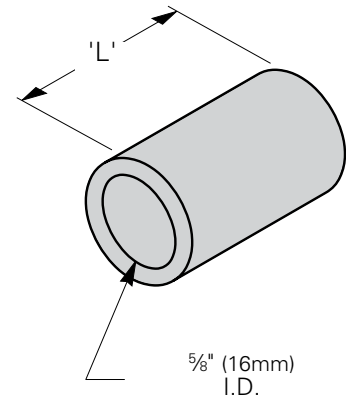
Part Number	ATR Size		Weight	
	in.	(mm)	Lbs.	(kg)
SB2215A	1/2"	(13)	0.84	(0.38)
SB2215B	5/8"	(16)	0.93	(0.42)



## Spacer

- Use as a spacer between parallel overhead support structures
- Material: ASTM A120 Schedule 40 steel pipe
- Finish: Yellow Zinc (YZ)

Part Number	'L'		Weight	
	in.	(mm)	Lbs.	(kg)
SB20601	2 5/32"	(20)	0.06	(0.03)
SB20602	3/8"	(19)	0.04	(0.02)
SB20603	1 3/8"	(35)	0.12	(0.05)
SB20604	5/8"	(16)	0.06	(0.03)
SB20605	1 5/16"	(33)	0.12	(0.05)
SB20606	2 7/16"	(62)	0.24	(0.11)



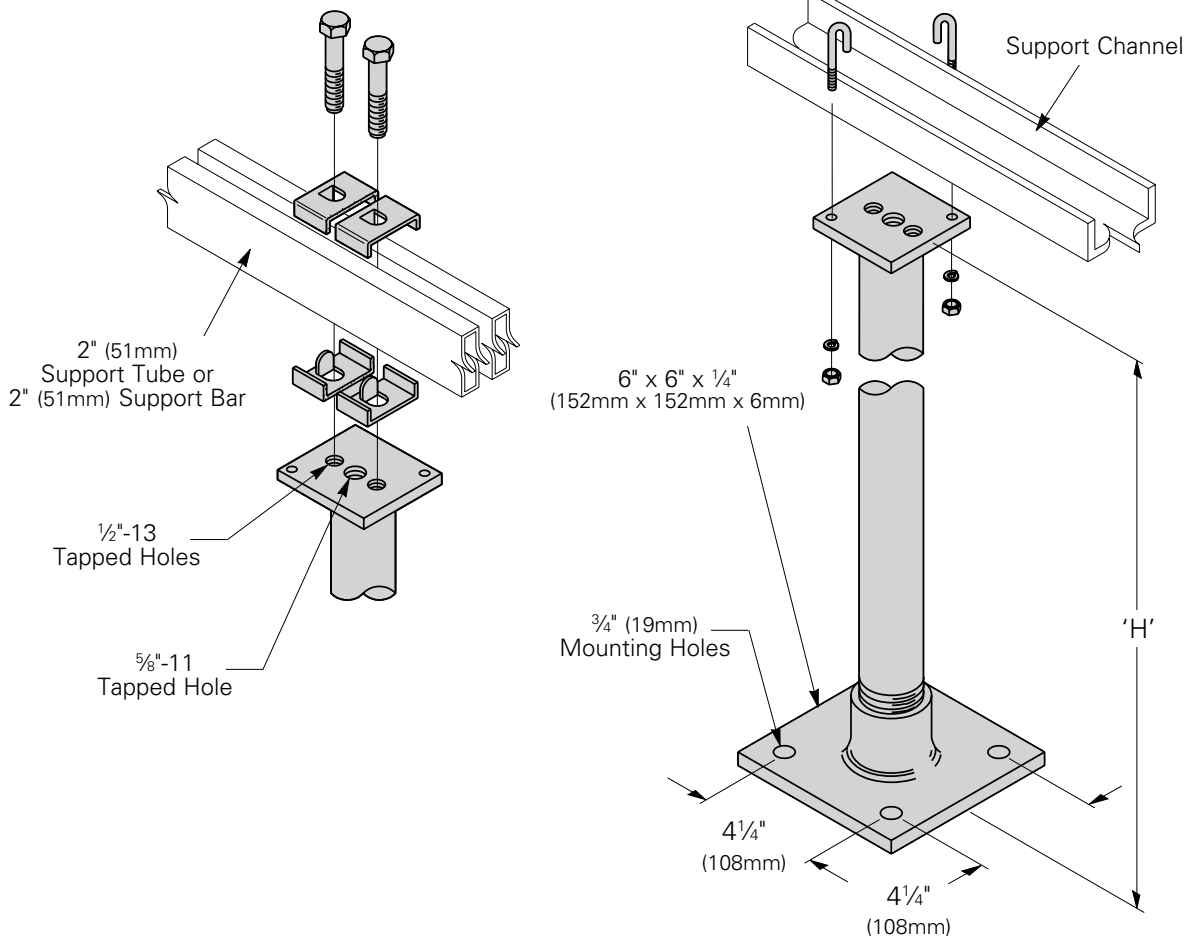
# Auxillary Supports & Accessories

## Pipe Column

- Use to support and secure 2" (51mm) x 1/16" (14mm), 1" (25mm) x 2" (51mm), or 2" (51mm) x 3/8" (9mm) auxiliary support
- Threaded base allows 1" (25mm) height adjustment (1/2" (13mm) on either side of the 'H' dimension shown in chart)
- Order anchor hardware separately
- Includes: (1) base, (1) column, (8) framing clips, (2) 1/2"-13 HHCS and hardware, (2) 5/16"-18 J-Bolts, and hardware
- Material: 2" (50mm) Schedule 40 steel pipe, ASTM A36 structural steel
- Finish \_\_\_\_: Flat black powder coat (FB)  
Telco gray powder coat (TG)  
Yellow zinc (YZ) framing clips and hardware  
Other finishes are available upon request

Part Number	Height 'H'		Weight	
	in.	(mm)	Lbs.	(kg)
<b>SB315A084</b> __	84"	(2133)	32.7	(14.8)
<b>SB315A096</b> __	96"	(2438)	36.5	(16.5)
<b>SB315A108</b> __	108"	(2743)	40.2	(18.2)
<b>SB315A120</b> __	120"	(3048)	44.0	(19.9)
<b>SB315A140</b> __	140"	(3556)	50.2	(22.8)

Specify part number and finish when ordering.



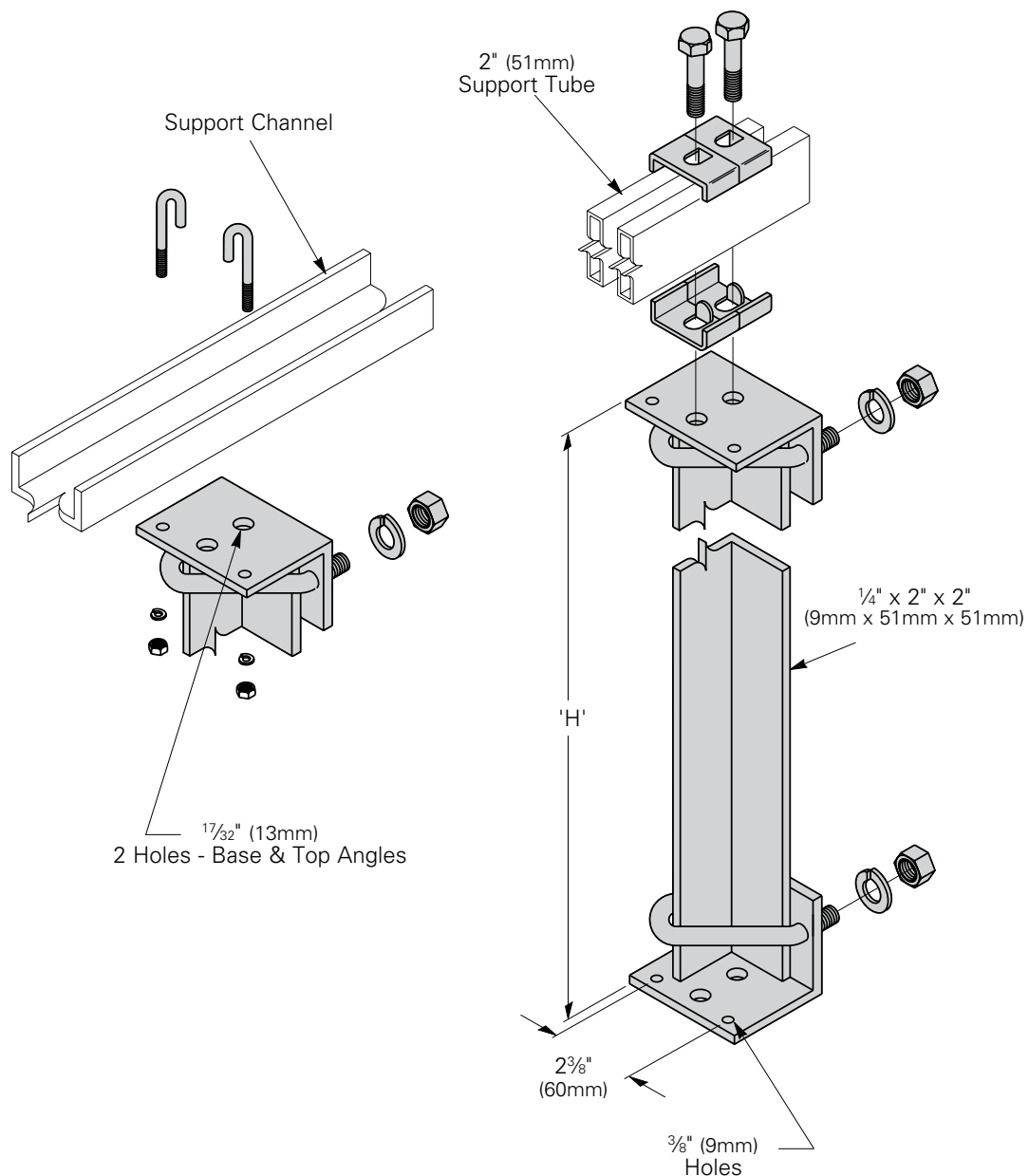
# Auxiliary Supports & Accessories

## Angle Column

- Use to support and secure 2" (51mm) x  $\frac{9}{16}$ " (14mm) or 1" (25mm) x 2" (51mm) auxiliary support
- Order anchor hardware separately
- Designed for easy field modification of height
- Includes: (1) base angle, (1) top angle, (1) column, (4) framing clips, (2)  $\frac{1}{2}$ "-13 HHCS and hardware, (2)  $\frac{5}{16}$ "-18 J-Bolts, and hardware
- Material: ASTM A36 structural steel
- Finish \_\_\_\_: Flat black powder coat (FB)  
Telco gray powder coat (TG)  
Yellow zinc (YZ) framing clips and hardware  
Other finishes are available upon request

Part Number	Height 'H'		Weight	
	in.	(mm)	Lbs.	(kg)
<b>SB320A084</b>	84"	(2133)	26.4	(12.0)
<b>SB320A096</b>	96"	(2438)	29.6	(13.4)
<b>SB320A108</b>	108"	(2743)	32.8	(14.9)
<b>SB320A120</b>	120"	(3048)	36.0	(16.3)
<b>SB320A140</b>	140"	(3556)	41.3	(18.7)

Specify part number and finish when ordering.



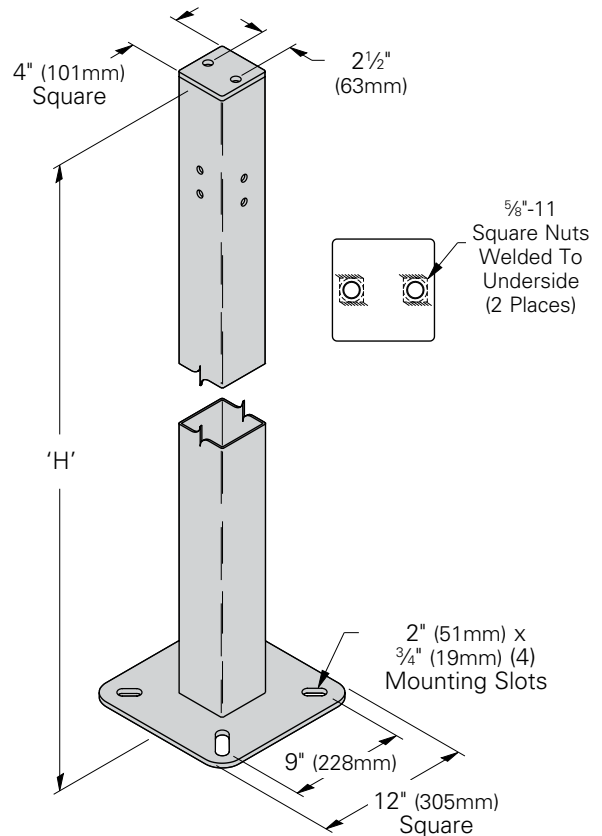
# Auxillary Supports & Accessories

## 4" (101mm) Square Stanchion Support

- Use to support and secure 2" (51mm) x 3/16" (14mm) or 1" (25mm) x 2" (51mm) or 2" (51mm) x 3/8" (9mm) auxiliary supports
- All welded construction
- Material: 3/8" (9.5mm) structural steel plate ASTM A36, 3/16" (4.7mm) steel tubing
- Finish \_\_\_\_: Flat black powder coat (FB)  
Telco gray powder coat (TG)  
Yellow zinc (YZ) framing clips and hardware  
Other finishes are available upon request
- Other heights and finishes available upon request

Part Number	Height 'H'		Weight	
	in.	(mm)	Lbs.	(kg)
<b>SB322084</b> __	84"	(2133)	83.0	(37.6)
<b>SB322090</b> __	90"	(2286)	88.0	(39.9)
<b>SB322096</b> __	96"	(2438)	98.0	(44.4)
<b>SB322108</b> __	108"	(2743)	108.0	(49.0)

Specify part number and finish when ordering.

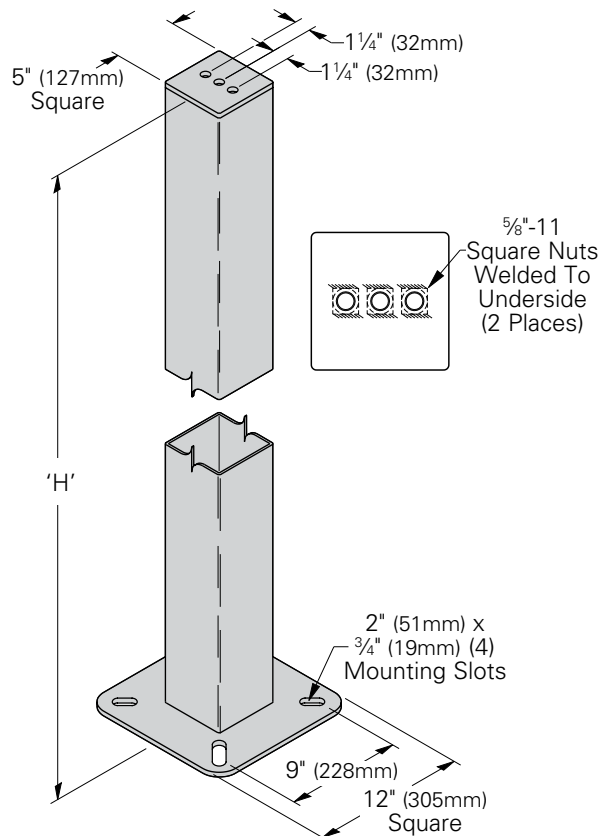


## 5" (127mm) Square Stanchion Support

- Use to support and secure 2" (51mm) x 3/16" (14mm) or 1" (25mm) x 2" (51mm) or 2" (51mm) x 3/8" (9mm) auxiliary supports
- All welded construction
- Material: 3/8" (9.5mm) structural steel plate ASTM A36, 3/16" (4.7mm) steel tubing
- Finish \_\_\_\_: Flat black powder coat (FB)  
Telco gray powder coat (TG)  
Yellow zinc (YZ) framing clips and hardware  
Other finishes are available upon request
- Other heights and finishes available upon request

Part Number	Height 'H'		Weight	
	in.	(mm)	Lbs.	(kg)
<b>SB323084</b> __	84"	(2133)	101.0	(45.8)
<b>SB323090</b> __	90"	(2286)	107.0	(48.5)
<b>SB323096</b> __	96"	(2438)	113.0	(51.2)
<b>SB323108</b> __	108"	(2743)	125.0	(56.7)

Specify part number and finish when ordering.

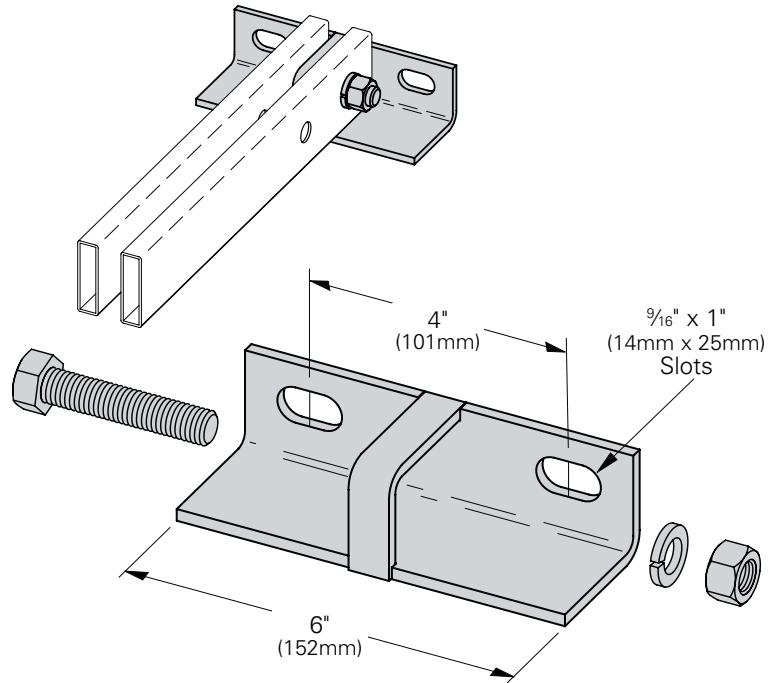
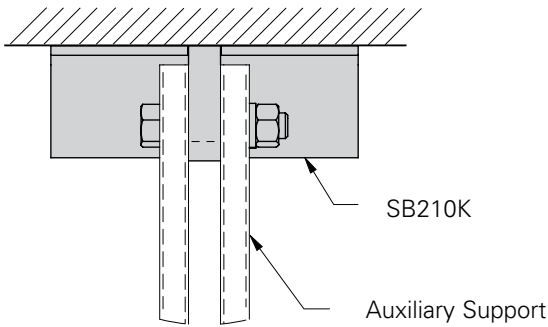


# Auxiliary Supports & Accessories

## Angle Wall Support Kit

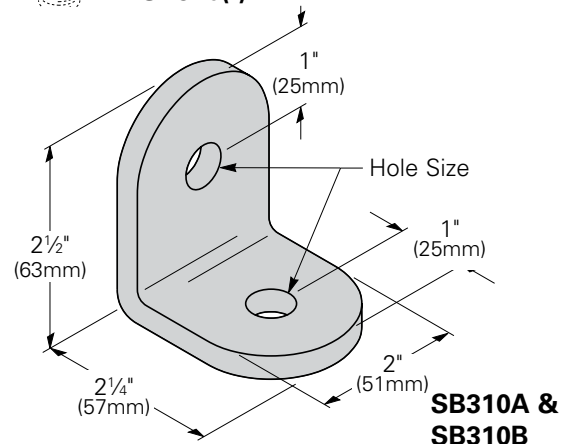
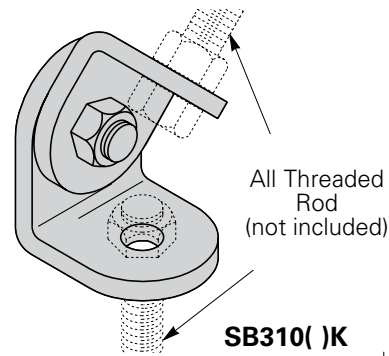
- Use to secure 2" (51mm) x 3/16" (14mm) or 2" (51mm) x 3/8" (9mm) auxiliary support to a wall
- Includes: 1/2"-13 HHCS and hardware
- Order anchors separately
- Material: ASTM A36 1/4" (6mm) x 2" (51mm) x 2" (51mm) structural steel angle  
5/8" (16mm) structural steel bar
- Finish \_\_\_: Flat black powder coat (FB)  
Telco gray powder coat (TG)  
Yellow zinc (YZ)  
Other finishes are available upon request

Part Number	Weight	
	Lbs.	(kg)
SB210K__	2.25	(1.02)



## Angled Drop Rod Bracket

- Use to create bracing systems with the use of all threaded rod
- Use kit to secure all threaded rod as a diagonal brace
- SB310AK includes: (2) brackets and 1/2"-13 hardware
- SB310BK includes: (2) brackets and 5/8"-11 hardware
- Material: 1/4" (6mm) ASTM A907 structural steel
- Finish\_\_\_: Black zinc (BZ) or Yellow zinc (YZ)  
Other finishes are available upon request



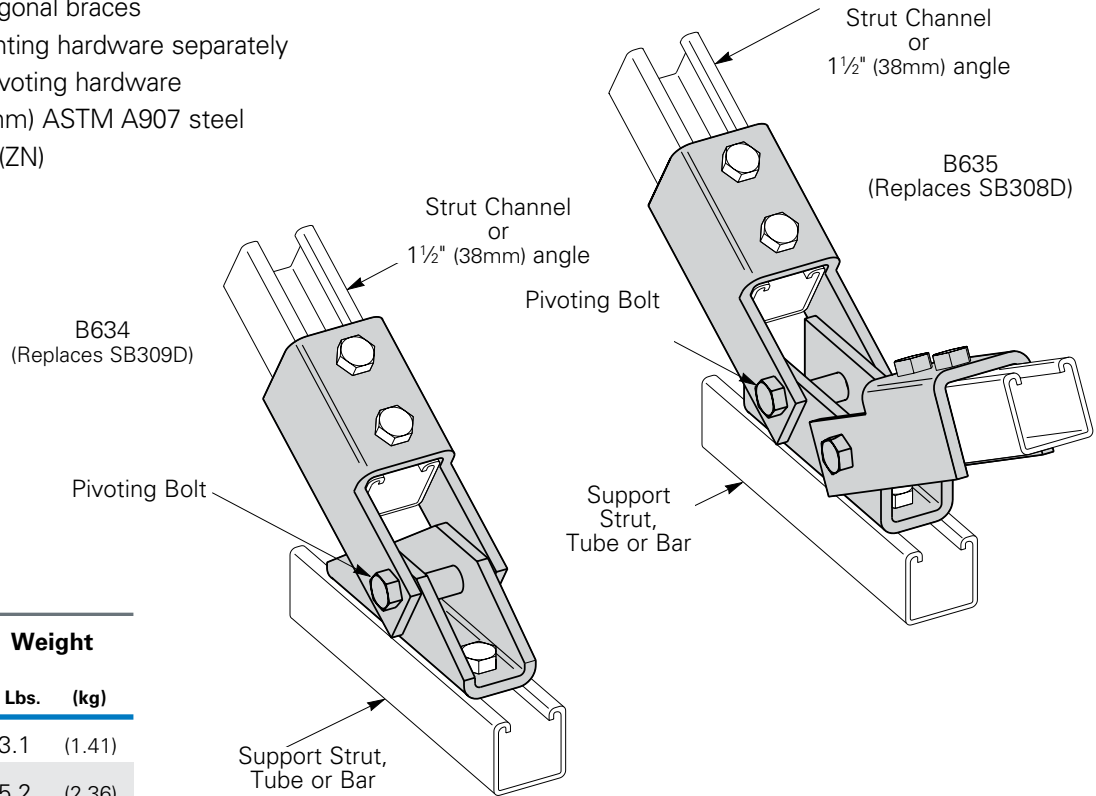
Part Number	Hole Size		ATR Size		Weight Each	
	in.	(mm)	in.	(mm)	Lbs.	(kg)
SB310A*	9/16"	(14)	1/2"	(13)	0.70	(0.32)
SB310B*	1 1/16"	(17)	5/8"	(16)	0.70	(0.32)
SB310AK	9/16"	(14)	1/2"	(13)	1.50	(0.68)
SB310BK	1 1/16"	(17)	5/8"	(16)	1.50	(0.68)

\* Single bracket only.

# Auxillary Supports & Accessories

## Adjustable Single & Double Diagonal Channel Brace Kit

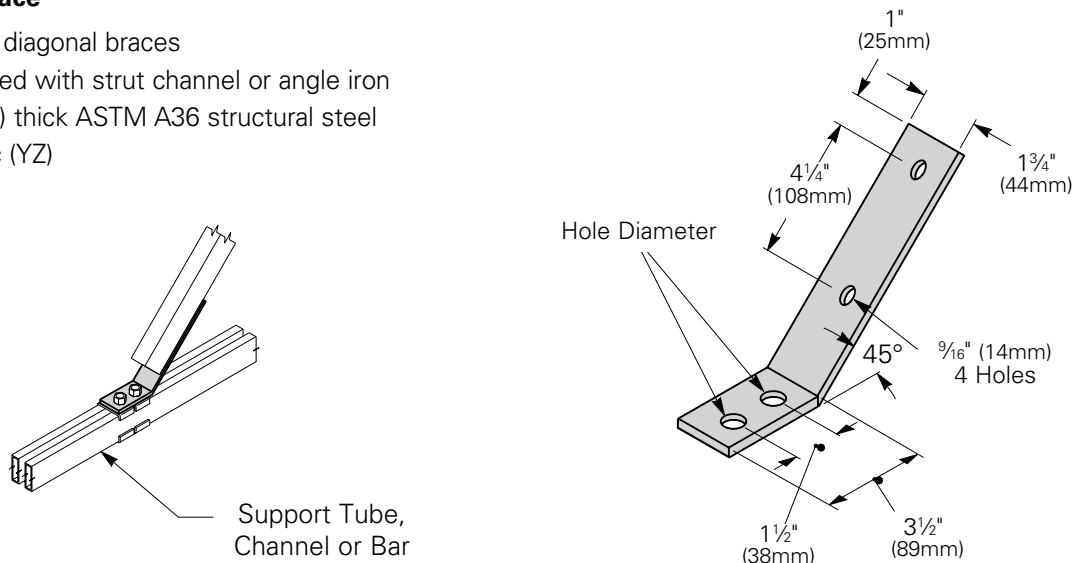
- Use to secure diagonal braces
- Order 1/2"-13 mounting hardware separately
- Includes: 1/2"-13 pivoting hardware
- Material: 1/4" (6.3mm) ASTM A907 steel
- Finish: Clear Zinc (ZN)



Part Number	Weight	
	Lbs.	(kg)
<b>B634</b>	3.1	(1.41)
<b>B635</b>	5.2	(2.36)

## Single Diagonal Brace

- Use to secure 45° diagonal braces
- Designed to be used with strut channel or angle iron
- Material: 3/8" (9mm) thick ASTM A36 structural steel
- Finish: Yellow Zinc (YZ)



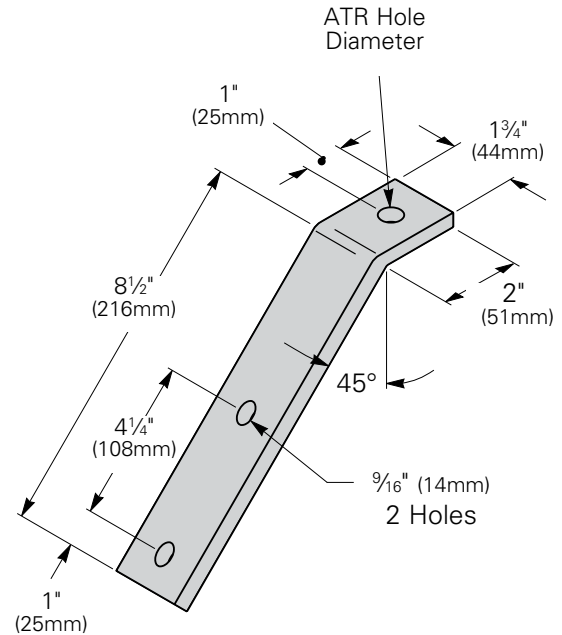
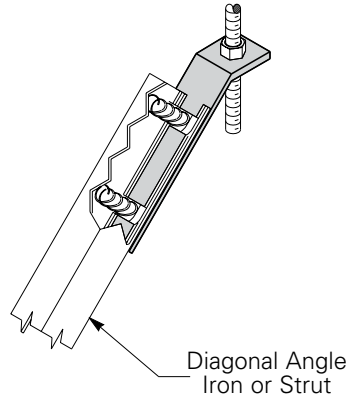
Part Number	Hole Diameter		Weight	
	In.	(mm)	Lbs.	(kg)
<b>SB307A</b>	9/16"	(14)	2.1	(.95)
<b>SB307B</b>	11/16"	(17)	2.1	(.95)



# Auxillary Supports & Accessories

## Single Diagonal Brace

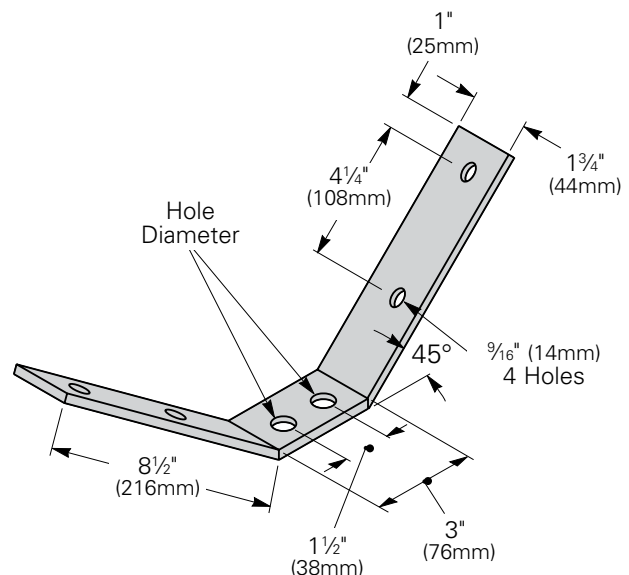
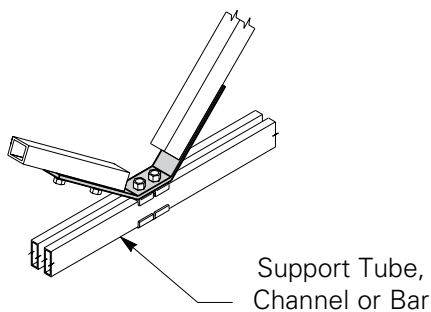
- Use to secure 45° diagonal braces
- Designed to be used with strut channel or angle iron
- See SB-2306 series for kits
- Material: 3/8" (9mm) thick ASTM A36 structural steel
- Finish: Yellow Zinc (YZ)



Part Number	ATR Size	Hole Diameter		Weight	
		In.	(mm)	Lbs.	(kg)
SB309A	1/2"-13	9/16"	(14)	1.84	(.83)
SB309B	5/8"-11	11/16"	(17)	1.84	(.83)

## Double Diagonal Brace

- Use to secure 45° diagonal braces
- Designed to be used with strut channel or angle iron
- See SB2308 series for kits
- Material: 3/8" (9mm) thick ASTM A36 structural steel
- Finish: Yellow Zinc (YZ)

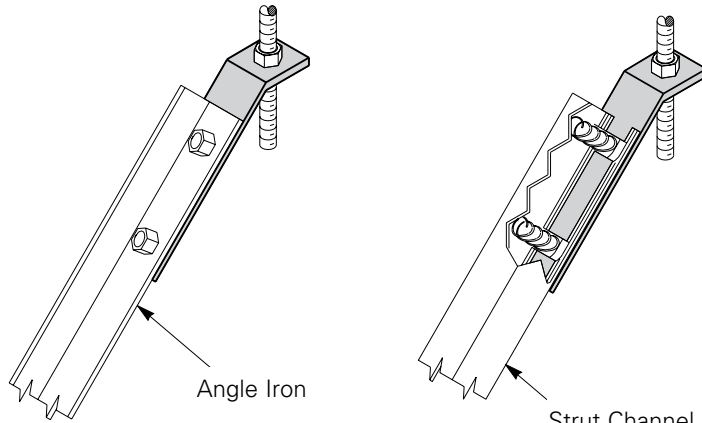


Part Number	Hole Diameter		Weight	
	In.	(mm)	Lbs.	(kg)
SB308A	9/16"	(14)	3.5	(1.59)
SB308B	11/16"	(17)	3.5	(1.59)

# Auxillary Supports & Accessories

## Diagonal Brace Kit

- Use to secure 45° diagonal brace
- Designed to be used with strut channel or angle iron
- Material: ASTM A36 structural steel
- Finish: Yellow Zinc (YZ)



**SB2304( )**  
Angle Iron Brace

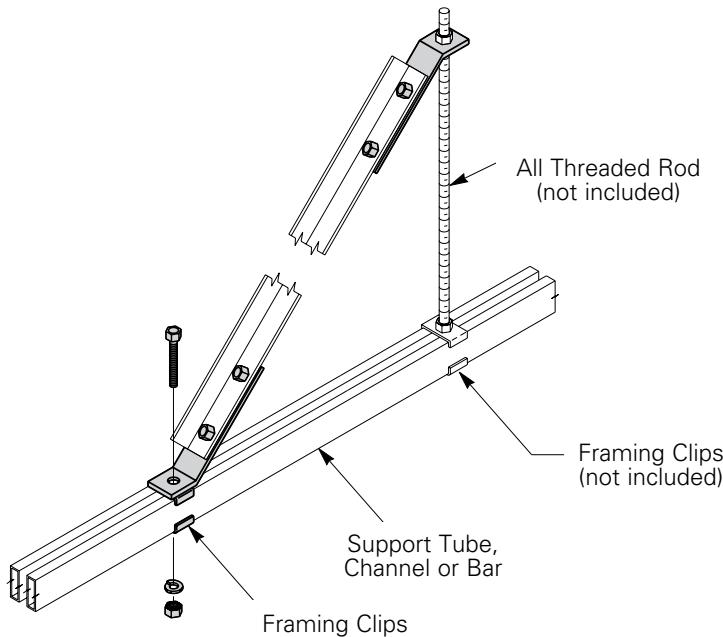
**SB2306( )**

**SB2304A** includes  
 (2) single brace fittings  
 (2) framing clips  
 (4) 1/2"-13 HHCS, LW, HN  
 (1) 5/8"-11 HHCS, LW, HN

**SB2304B** includes  
 (2) single brace fittings  
 (2) framing clips  
 (4) 1/2"-13 HHCS, LW, HN  
 (1) 5/8"-11 HHCS, LW, HN

**SB2306A** includes  
 (2) single brace fittings  
 (2) framing clips  
 (4) 1/2"-13 HHCS, LW, channel nuts  
 (1) 5/8"-11 HHCS, LW, HN

**SB2306B** includes  
 (2) single brace fittings  
 (2) framing clips  
 (4) 1/2"-13 HHCS, LW, channel nuts  
 (1) 5/8"-11 HHCS, LW, HN



Auxillary supports

Part Number	Support Structure Type		Weight	
	in.	(mm)	Lbs.	(kg)
<b>SB2304A</b>	2" x 9/16"	(51 x 14)	4.9	(2.22)
<b>SB2304B</b>	2" x 3/8"	(51 x 9)	4.9	(2.22)
<b>SB2306A</b>	2" x 9/16"	(51 x 14)	5.6	(2.54)
<b>SB2306B</b>	2" x 3/8"	(51 x 9)	5.5	(2.49)

# Auxillary Supports & Accessories

## Double Diagonal Brace Kit

- Use to secure 45° diagonal brace
- Designed to be used with strut channel or angle iron
- Material: ASTM A36 structural steel
- Finish: Yellow Zinc (YZ)

### SB2307A includes

- (1) double brace fitting
- (2) single brace fittings
- (4) framing clips
- (8) 1/2"-13 HHCS, LW, HN
- (2) 5/8"-11 HHCS, LW, HN

### SB2307B includes

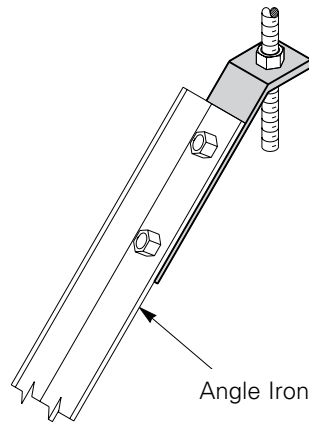
- (1) double brace fitting
- (2) single brace fittings
- (4) framing clips
- (8) 1/2"-13 HHCS, LW, HN
- (2) 5/8"-11 HHCS, LW, HN

### SB2308A includes

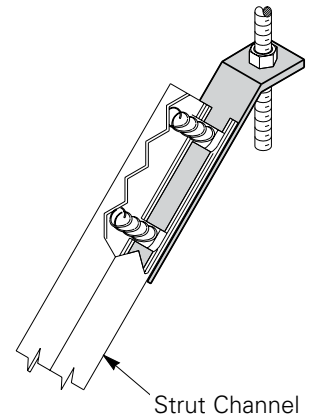
- (1) double brace fitting
- (2) single brace fittings
- (4) framing clips
- (8) 1/2"-13 HHCS, LW, channel nuts
- (2) 5/8"-11 HHCS, LW, HN

### SB2308B includes

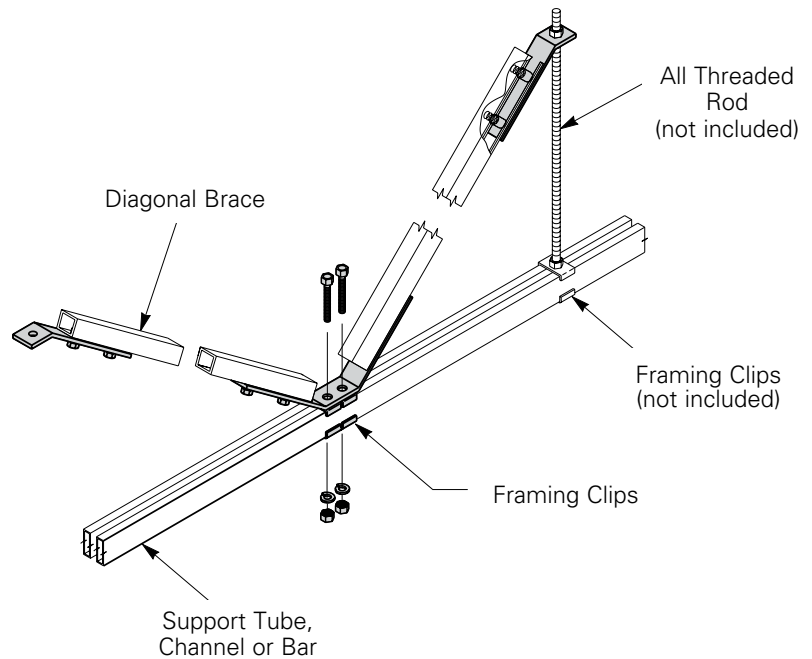
- (1) double brace fitting
- (2) single brace fittings
- (4) framing clips
- (8) 1/2"-13 HHCS, LW, channel nuts
- (2) 5/8"-11 HHCS, LW, HN



SB2307( )



SB2308( )  
Strut Channel Brace

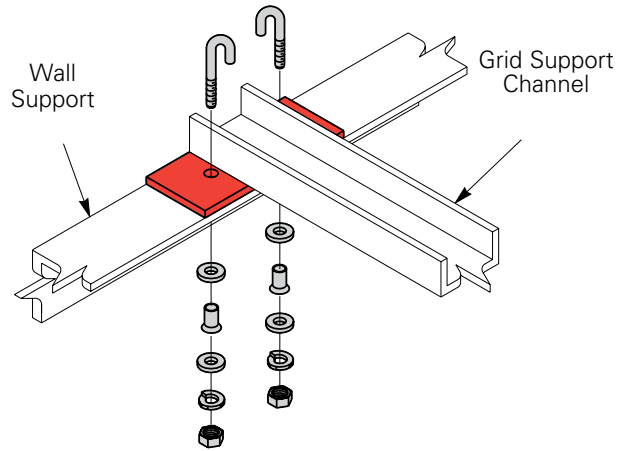


Part Number	Support Structure Type		Weight	
	in.	(mm)	Lbs.	(kg)
SB2307A	2" x 9/16"	(51 x 14)	9.7	(4.40)
SB2307B	2" x 3/8"	(51 x 9)	9.6	(4.35)
SB2308A	2" x 9/16"	(51 x 14)	9.7	(4.40)
SB2308B	2" x 3/8"	(51 x 9)	9.6	(4.35)

# Auxillary Supports & Accessories

## 1" x 2" Support Channel Isolation Kit

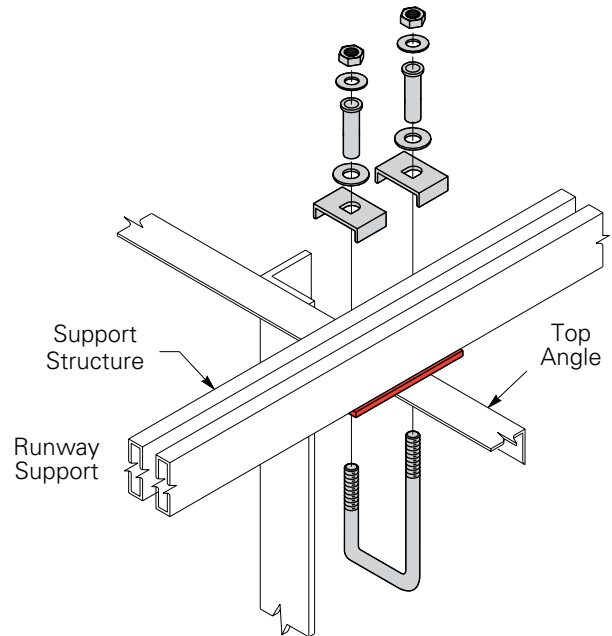
- Use to secure and provide electrical isolation of 1" (25mm) x 2" (51mm) overhead structural support channel to wall support
- Includes: (1) pad, (2) J-Bolts, (2) sleeve kits and  $\frac{5}{16}$ "-18 hardware
- Material: Polyester fiberglass - pad  
6/6 Nylon - sleeve  
Steel - J-Bolt and hardware
- Finish: Pad - Red  
Sleeve - Natural  
J-Bolts and hardware - Yellow  
Zinc (YZ)



Part Number	Weight	
	Lbs.	(kg)
SB2531	0.19	(0.09)

## Top Angle Isolation Kit

- Use to secure and provide electrical isolation of 2" (51mm) x  $\frac{1}{16}$ " (14mm) or 2" (51mm) x  $\frac{3}{8}$ " (9mm) overhead structural support from equipment rack top angle
- Includes: (1) pad, (1) V-Bolt, (2) framing clips, (2) sleeve kits and  $\frac{1}{2}$ "-13 hardware
- Material: Polyester fiberglass - pad  
6/6 Nylon - sleeve  
Steel - V-Bolts, framing clips and hardware
- Finish: Pad - Red  
Sleeve - Natural  
V-Bolts, framing clips and hardware - Yellow  
Zinc (YZ)

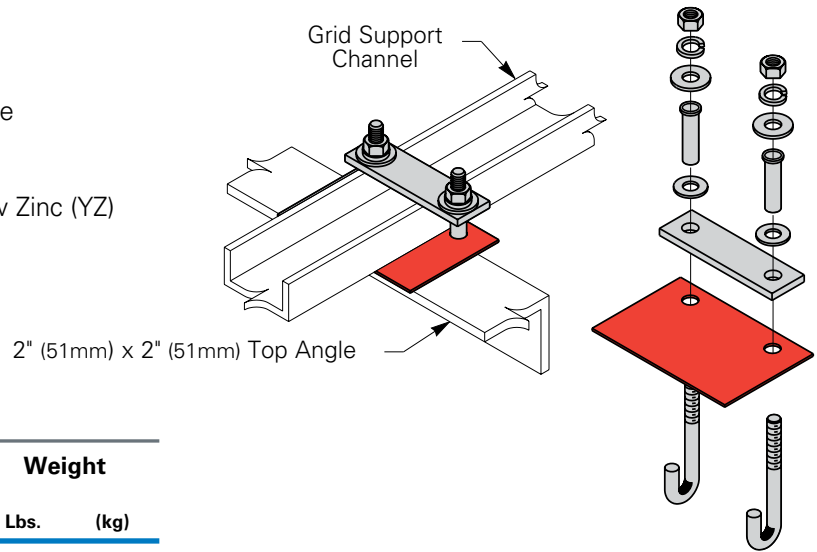


Part Number	Support Frame Size		Top Angle Size		Weight	
	In.	(mm)	In.	(mm)	Lbs.	(kg)
SB2528A	2" x $\frac{1}{16}$ "	(51 x 14)	2" x 2"	(51 x 51)	0.81	(0.37)
SB2528B	2" x $\frac{3}{8}$ "	(51 x 9)	2" x 2"	(51 x 51)	0.77	(0.35)
SB2528C	2" x $\frac{1}{16}$ "	(51 x 14)	1 $\frac{1}{2}$ " x 1 $\frac{1}{2}$ "	(38 x 38)	0.80	(0.36)
SB2528D	2" x $\frac{3}{8}$ "	(51 x 9)	1 $\frac{1}{2}$ " x 1 $\frac{1}{2}$ "	(38 x 38)	0.76	(0.34)

# Auxillary Supports & Accessories

## Top Angle Isolation Kit

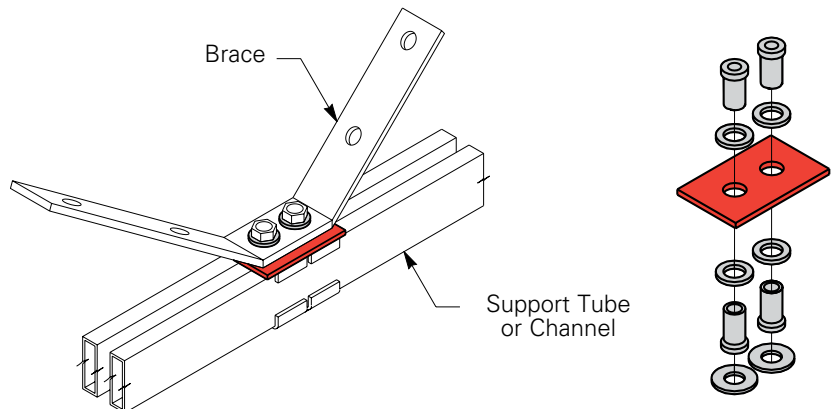
- Use to secure and provide electrical isolation of 1" (25mm) x 2" (51mm) overhead structural support channel from equipment rack top angle
- Sized for 5/16"-18 hardware
- Includes: (1) pad, (1) plate, (2) J-Bolts, (2) sleeve kits and 5/16"-18 hardware
- Material: Polyester fiberglass - pad  
6/6 Nylon - sleeve  
Steel - plate, J-Bolts and hardware
- Finish: Pad - Red  
Sleeve - Natural  
Plate, J-Bolts and hardware - Yellow Zinc (YZ)



Part Number	Top Angle Size		Weight	
	In.	(mm)	Lbs.	(kg)
<b>SB2529A</b>	2" x 2"	(51 x 51)	0.51	(0.23)
<b>SB2529B</b>	1½" x 1½"	(38 x 38)	0.51	(0.23)

## Diagonal Brace Isolation Kit

- Use to provide electrical isolation of support structure from diagonal brace
- Sized for 1/2"-13 hardware
- Includes: (1) pad, (2) sleeve kits and (2) 1/2" flat washers
- Material: Polyester fiberglass - pad  
6/6 Nylon - sleeve  
Steel - flat washer
- Finish: Pad - Red  
Sleeve - Natural  
Flat washer - Yellow zinc (YZ)



Part Number	Weight	
	Lbs.	(kg)
<b>SB2526A</b>	0.05	(0.02)



# Distribution Frames

Eaton offers a range of cable grids and distribution frames to meet various telecommunications applications.

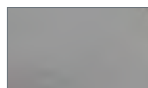
- **Cable grids** – feature light-weight, yet durable steel c-channel, and are design to support cable above equipment lineups, providing for the shortest pathway possible.
- **Distribution frames** - available in single-sided, double-sided and wall-mounted options, and includes terminal block mounting brackets, jumper rings and other accessories to help meet your application needs.

<b>Material:</b>	<b>Type</b>	<b>Thickness</b>	<b>Specifications</b>
	Steel Shapes	... 1/8" (3.2mm) - 3/8" (9.5mm)	ASTM A36
	Steel Strip	... .042 (1.0mm) -.135 (3.4mm)	ASTM A569/A570
	Steel Tube	... .060 (1.5mm)	ASTM A513
	Copper Bar		ASTM B187, B152
	Silicon Bronze		ASTM F468, F467, F651

## Finishes:

Powder Coat Paint

- Telco Gray (TG) ..... ASTM D3451
- Flat Black (FB) ..... ASTM D3451
- Yellow Zinc (YZ) ..... ASTM B633



(TG)  
Telco Gray



(FB)  
Flat Black

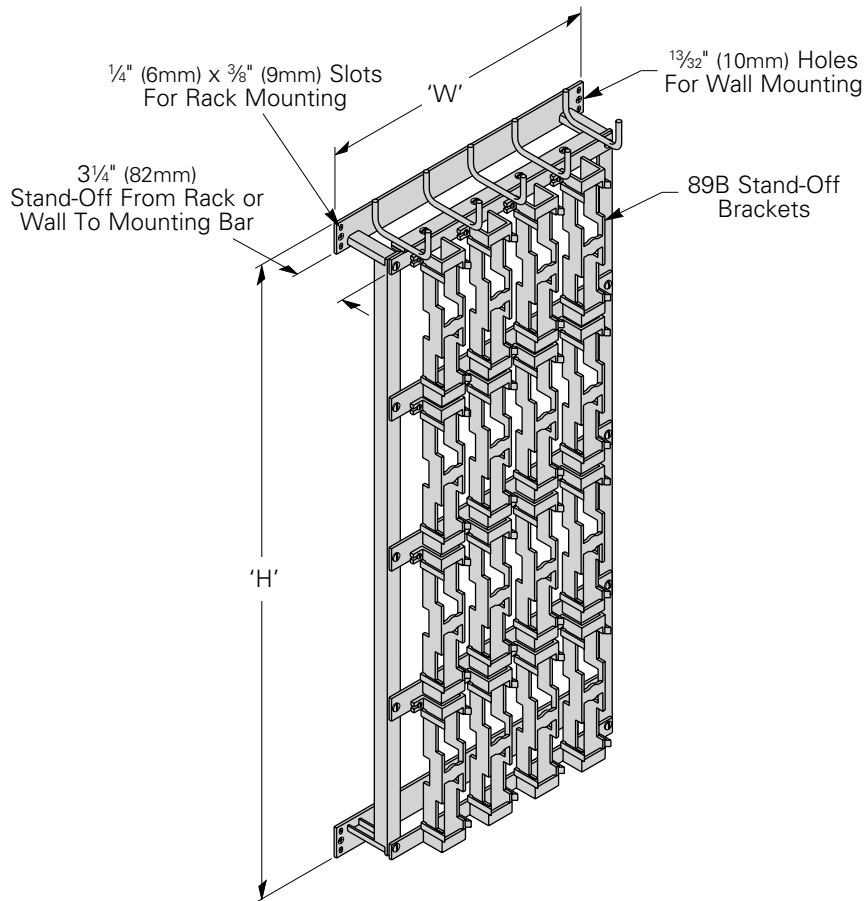


(YZ)  
Yellow Zinc

# Distribution Frames

## Wall/Rack Mounted Cross-Connect Frame

- Use to support 66M - Type Quick Connect Blocks
- Welded frame and jumper ring construction for added rigidity
- Fully assembled for fast installation
- Jumper space behind blocks
- Can be wall or rack mounted
- Shipped fully assembled
- Includes: 89B block stand-off brackets
- Material: ASTM A569 & A36 structural steel  
Nylon stand-off brackets
- Finish: Frame and jumper rings - black powder coat  
89B block stand-off brackets - natural

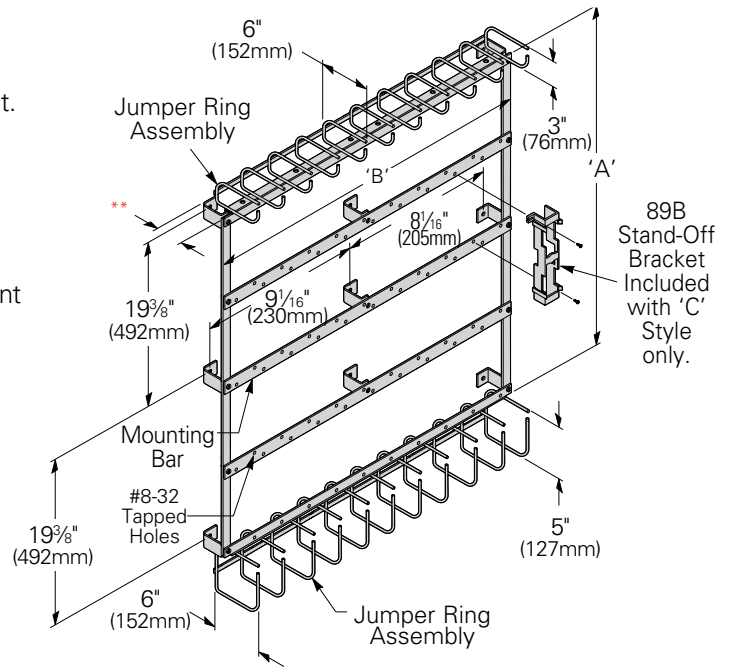


Part Number	Number of Block Spaces Row / Columns	Rack Width 'W'		'H'		Mounting Spaces Required	Weight	
		In.	(mm)	In.	(mm)		Lbs.	(kg)
<b>SB7200104B</b>	1 / 4	19"	(481)	12 1/2"	(317)	8	13	(5.9)
<b>SB7200105B</b>	1 / 5	23"	(584)	12 1/2"	(317)	8	15	(6.8)
<b>SB7200204B</b>	2 / 4	19"	(481)	21 1/4"	(540)	13	16	(7.2)
<b>SB7200205B</b>	2 / 5	23"	(584)	21 1/4"	(540)	13	19	(8.6)
<b>SB7200304B</b>	3 / 4	19"	(481)	31 3/4"	(806)	19	20	(9.1)
<b>SB7200305B</b>	3 / 5	23"	(584)	31 3/4"	(806)	19	21	(9.5)
<b>SB7200404B</b>	4 / 4	19"	(481)	42 1/4"	(1073)	25	24	(10.9)
<b>SB7200405B</b>	4 / 5	23"	(584)	42 1/4"	(1073)	25	27	(12.2)



## Wall Mounted Cross-Connect Frame

- Use to support 66M - Type quick connect blocks
- "A" style assemblies do not include standoff bracket.  
"C" style assemblies include standoff brackets for 89B terminal blocks.
- "E" style assemblies include standoff brackets for 89D terminal blocks
- Shipped fully assembled
- Jumper rings provided for convenient wire management
- Material: ASTM A569 & A36  
Steel frame  
Steel jumper rings  
Nylon block stand-off brackets
- Finish: Frame - Yellow Zinc  
Jumper rings - Black Powder Coat  
89B block stand-off brackets - Natural



Part Number	'A'		'B'		Number of Block Spaces Rows / Columns	Weight	
	In.	(mm)	In.	(mm)		Lbs.	(kg)
SB7200204A	20"	(508)	16 3/4"	(425)	2 / 4	18.0	(8.1)
SB7200206A	20"	(508)	24 1/4"	(616)	2 / 6	22.0	(10.0)
SB7200210A	20"	(508)	39 1/8"	(994)	2 / 10	33.0	(14.9)
SB7200304A	30"	(762)	16 3/4"	(425)	3 / 4	21.0	(9.5)
SB7200306A	30"	(762)	24 1/4"	(616)	3 / 6	26.0	(11.8)
SB7200310A	30"	(762)	39 1/8"	(994)	3 / 10	38.0	(17.2)
SB7200404A	40"	(1016)	16 3/4"	(425)	4 / 4	25.0	(11.3)
SB7200406A	40"	(1016)	24 1/4"	(616)	4 / 6	30.0	(13.6)
SB7200410A	40"	(1016)	39 1/8"	(994)	4 / 10	44.0	(19.9)
SB7200204C	20"	(508)	16 3/4"	(425)	2 / 4	20.0	(9.1)
SB7200206C	20"	(508)	24 1/4"	(616)	2 / 6	25.0	(11.3)
SB7200210C	20"	(508)	39 1/8"	(994)	2 / 10	37.0	(16.8)
SB7200304C	30"	(762)	16 3/4"	(425)	3 / 4	24.0	(10.9)
SB7200306C	30"	(762)	24 1/4"	(616)	3 / 6	30.0	(13.6)
SB7200310C	30"	(762)	39 1/8"	(994)	3 / 10	44.0	(19.9)
SB7200404C	40"	(1016)	16 3/4"	(425)	4 / 4	29.0	(13.1)
SB7200406C	40"	(1016)	24 1/4"	(616)	4 / 6	35.0	(15.9)
SB7200410C	40"	(1016)	39 1/8"	(994)	4 / 10	52.0	(23.6)
SB7200204E	20"	(508)	16 3/4"	(425)	2 / 4	20.0	(9.1)
SB7200206E	20"	(508)	24 1/4"	(616)	2 / 6	25.0	(11.3)
SB7200210E	20"	(508)	39 1/8"	(994)	2 / 10	37.0	(16.8)
SB7200304E	30"	(762)	16 3/4"	(425)	3 / 4	24.0	(10.9)
SB7200306E	30"	(762)	24 1/4"	(616)	3 / 6	30.0	(13.6)
SB7200310E	30"	(762)	39 1/8"	(994)	3 / 10	44.0	(19.9)
SB7200404E	40"	(1016)	16 3/4"	(425)	4 / 4	29.0	(13.1)
SB7200406E	40"	(1016)	24 1/4"	(616)	4 / 6	35.0	(15.9)
SB7200410E	40"	(1016)	39 1/8"	(994)	4 / 10	52.0	(23.6)

Dimensions for SB7200410 Shown Above

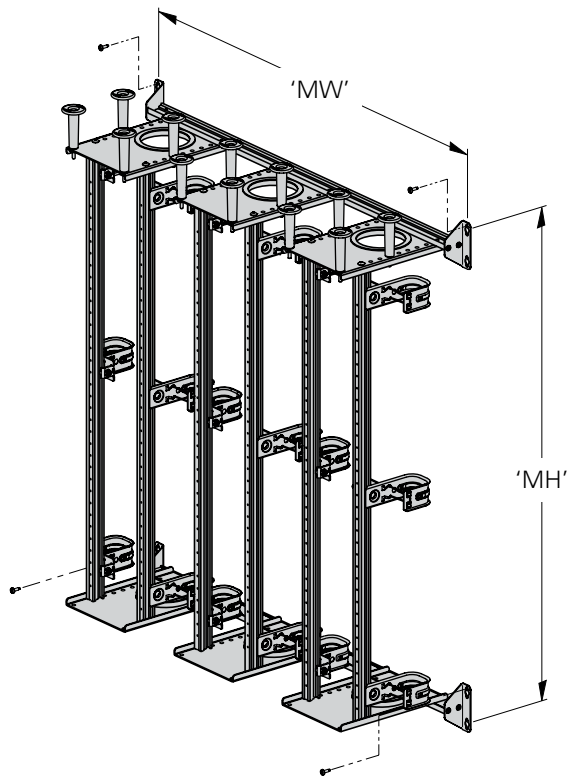
\*\* 3 3/16" (81mm) Stand-Off From Wall To Mounting Bar

# Distribution Frames

## Cross Connect Frame, 110 Block, Rack Module

- Distribution frame provides a means to support 110D telecommunication blocks for cross-connecting
- Provides adjustable horizontal and vertical wire management
- Frame will accommodate a variety of 110D block sizes
- Can be either wall or rack mounted
- Provided in three widths and three heights. The rack will accommodate 19" (482mm), 23" (584mm) or 35" (889mm) racks
- Shipped fully assembled
- Includes: Mounting screws for blocks and attachment hardware to rack
- Material: Aluminum alloy
- Finish \_\_\_\_: Aluminum - brushed (AL)  
Flat black powder coat (FB)  
Telco gray powder coat (TG)  
Other finishes are available upon request

SB7210303  
Shown



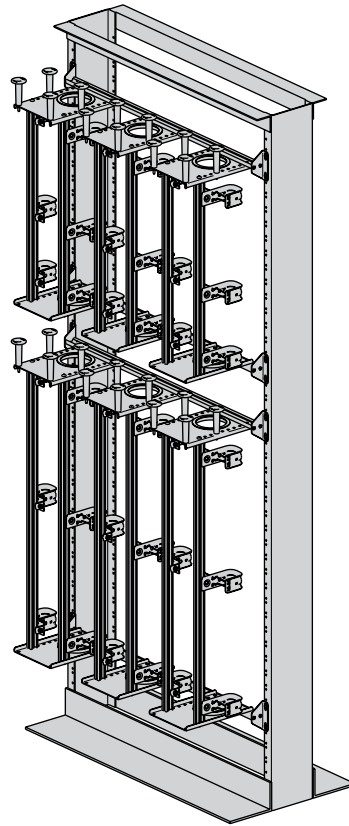
Part Number	'MW' Mtg. Width In. (mm)	'MH' Mtg. Height In. (mm)	Mtg. Spaces Req'd	# of Block Spaces Rows / Columns	# of Pairs	Weight	
						Lbs. (kg)	
SB7210101__	18 <sup>5</sup> / <sub>16</sub> " (465)	15 <sup>3</sup> / <sub>4</sub> " (400)	9	1 / 1	300	2.2	(1.0)
SB7210201__	18 <sup>5</sup> / <sub>16</sub> " (465)	28" (711)	16	2 / 1	600	2.9	(1.3)
SB7210301__	18 <sup>5</sup> / <sub>16</sub> " (465)	38 <sup>1</sup> / <sub>2</sub> " (978)	22	3 / 1	900	3.3	(1.5)
SB7210102__	22 <sup>5</sup> / <sub>16</sub> " (567)	15 <sup>3</sup> / <sub>4</sub> " (400)	9	1 / 2	600	3.9	(1.7)
SB7210202__	22 <sup>5</sup> / <sub>16</sub> " (567)	28" (711)	16	2 / 2	1200	5.3	(2.4)
SB7210302__	22 <sup>5</sup> / <sub>16</sub> " (567)	38 <sup>1</sup> / <sub>2</sub> " (978)	19	3 / 2	1800	6.0	(2.7)
SB7210103__	34 <sup>5</sup> / <sub>16</sub> " (871)	15 <sup>3</sup> / <sub>4</sub> " (400)	9	1 / 3	900	5.7	(2.6)
SB7210203__	34 <sup>5</sup> / <sub>16</sub> " (871)	28" (711)	16	2 / 3	1800	7.9	(3.6)
SB7210303__	34 <sup>5</sup> / <sub>16</sub> " (871)	38 <sup>1</sup> / <sub>2</sub> " (978)	25	3 / 3	2700	8.9	(4.0)

Specify part number and finish when ordering.

## Single Sided Rack Cross Connect Frame

- Distribution frame provides a means to support 110D telecommunication blocks for cross-connecting
- Provides adjustable horizontal and vertical wire management
- Frame will accommodate a variety of 110D block sizes
- Rack height: 84" (2133mm)
- Provided in three widths and three heights. The rack will accommodate 19" (482mm), 23" (584mm) or 35" (889mm) racks
- Cross-connect module shipped fully assembled. Equipment rack shipped unassembled
- Includes: Equipment rack, cross connect frames, and mounting screws for blocks
- Material: Aluminum alloy
- Finish \_\_: Aluminum - brushed (AL)  
Telco gray powder coat (TG)  
Other finishes are available upon request

SB72135S4500  
Shown



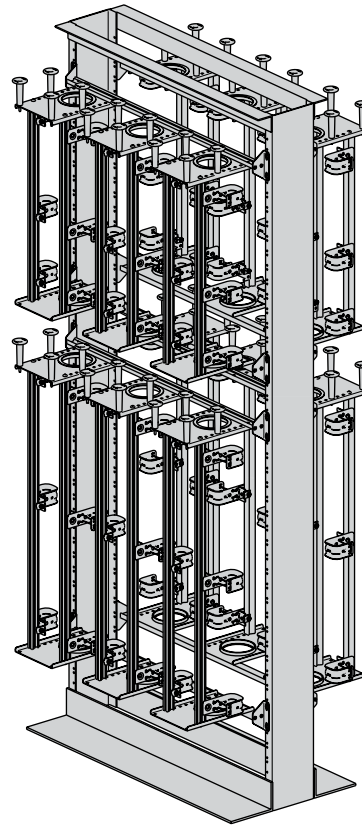
Part Number	Rack Width In. (mm)	# of Pairs	Weight	
			Lbs.	(kg)
SB72119S1200__	19" (482)	1200	60.6	(27.5)
SB72119S1500__	19" (482)	1500	54.8	(24.8)
SB72123S2400__	23" (584)	2400	78.4	(35.5)
SB72123S3000__	23" (584)	3000	69.1	(31.3)
SB72135S3600__	35" (889)	3600	103.4	(46.9)
SB72135S4500__	35" (889)	4500	90.1	(40.8)

Specify part number and finish when ordering.

# Distribution Frames

## Double Sided Rack Cross Connect Frame

- Distribution frame provides a means to support 110D telecommunication blocks for cross-connecting
- Provides adjustable horizontal and vertical wire management
- Frame will accommodate a variety of 110D block sizes
- Rack height: 84" (2133mm)
- Provided in three widths and three heights. The rack will accommodate 19" (482mm), 23" (584mm) or 35" (889mm) racks
- Cross-connect module shipped fully assembled. Equipment rack shipped unassembled
- Includes: Equipment rack, cross connect frames, and mounting screws for blocks
- Material: Aluminum alloy
- Finish \_\_\_: Aluminum - brushed (AL)  
Telco gray powder coat (TG)  
Other finishes are available upon request



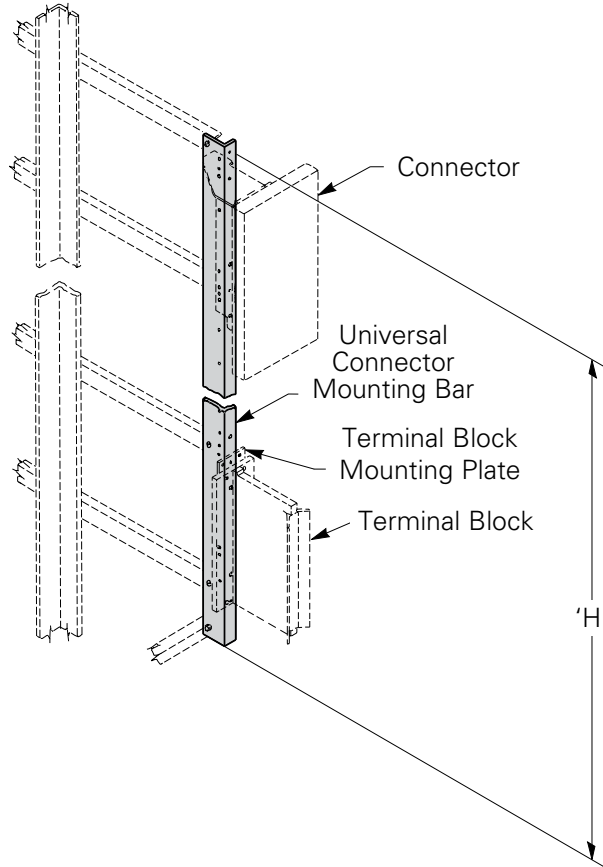
SB72135D9000  
Shown

Part Number	Rack Width		# of Pairs	Weight	
	In.	(mm)		Lbs.	(kg)
SB72119D2400__	19"	(482)	2400	80.2	(36.4)
SB72119D3000__	19"	(482)	3000	68.6	(31.1)
SB72123D4800__	23"	(584)	4800	112.8	(51.1)
SB72123D6000__	23"	(584)	6000	94.2	(42.7)
SB72135D7200__	35"	(889)	7200	153.8	(69.7)
SB72135D9000__	35"	(889)	9000	127.2	(57.7)

Specify part number and finish when ordering.

## Universal Connector Mounting Bar

- Use to mount vertical terminal blocks and various connectors to distribution frames (see below)
- Material: 1/8" aluminum
- Finish \_\_\_\_: Aluminum - brushed (AL)  
Other finishes are available upon request

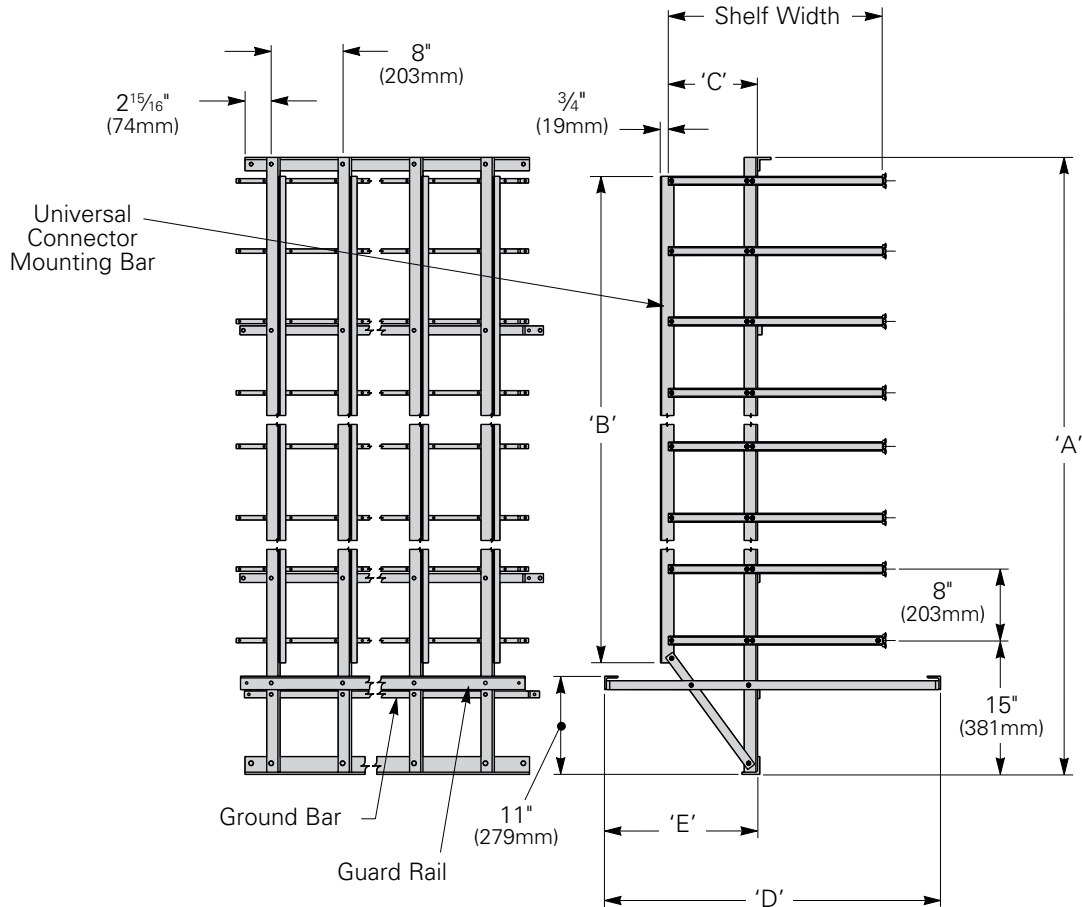


Part Number	Frame Size (No. of Shelves)	'H'		No. Terminal Blocks	C-303	R-700	C-310 R-710	C-377 R-355 C-388	Weight	
		In.	(mm)		Connector Capacity No. of Pairs of Protection				Lbs.	(kg)
SB65008	8	64"	(1625)	7	300	300	400	600	1.65	(0.75)
SB65009	9	71"	(1803)	8	300	300	500	600	1.83	(0.83)
SB65010	10	80"	(2032)	9	400	400	500	700	2.07	(0.94)
SB65011	11	86"	(2184)	10	400	400	600	800	2.22	(1.00)
SB65012	12	94"	(2387)	11	500	400	600	800	2.43	(1.10)
SB65013	13	100"	(2540)	12	500	500	700	900	2.58	(1.17)
SB65014	14	110"	(2794)	13	500	500	700	1000	2.84	(1.29)
SB65015	15	118"	(2997)	14	600	600	800	1000	3.01	(1.36)
SB65016	16	123"	(3124)	15	600	600	800	1100	3.18	(1.44)

# Distribution Frames

## Universal Distribution Frame - Double Sided

- Use to support terminal blocks for central office cross connects
- If the vertical terminal blocks are to be corner-mounted, SB658 terminal block mounting plate must be ordered separately
- End guards and grounding strap must be ordered separately
- Includes: frame, universal connector mounting bar, jumper rings, ground bar, guard rails and supports, terminal block mounting brackets and hardware
- Material: ASTM A36 structural steel
- Finish \_\_\_\_: Telco gray powder coat (TG)  
Other finishes are available upon request



### Part Number Legend

SB60x	Frame Height No. of Shelves	Number of Verticals (*)
Frame Type -	084 (8 shelves)	01 - 1 Vertical
Shelf Width	096 (10 shelves)	02 - 2 Verticals
602 - 18" (457mm)	108 (12 shelves)	03 - 3 Verticals
603 - 24" (609mm)	120 (13 shelves)	04 - 4 Verticals
604 - 30" (762mm)	138 (16 shelves)	05 - 5 Verticals
	140 (16 shelves)	06 - 6 Verticals
		07 - 7 Verticals
		08 - 8 Verticals
		09 - 9 Verticals
		10 - 10 Verticals
		11 (No Verticals, End Guards Only)
		[End guards for both sides included]
		12 (No Verticals, Junction Kit Only)

**Example: SB60209608**

SB602 - [18" (457mm)]  
096 - [96" (2438mm) tall with 10 shelves]  
08 - [8 Verticals]

## Universal Distribution Frame - Double Sided *continued*

- Finish \_\_\_\_: Telco gray powder coat (TG)  
Other finishes are available upon request

Part Number	Frame Height 'A'		'B'		'C'		'D'		'E'		No. of Shelves
	In.	(mm)	In.	(mm)	In.	(mm)	In.	(mm)	In.	(mm)	
18" (457mm) Shelf Width											
SB602084(*)__	84"	(2133)	64"	(1625)	7"	(178)	31 $\frac{1}{8}$ "	(803)	14 $\frac{1}{8}$ "	(359)	8
SB602096(*)__	96"	(2438)	80"	(2032)	7"	(178)	31 $\frac{1}{8}$ "	(803)	14 $\frac{1}{8}$ "	(359)	10
SB602108(*)__	108"	(2743)	94"	(2387)	7"	(178)	31 $\frac{1}{8}$ "	(803)	14 $\frac{1}{8}$ "	(359)	12
SB602120(*)__	120"	(3048)	100"	(2540)	7"	(178)	31 $\frac{1}{8}$ "	(803)	14 $\frac{1}{8}$ "	(359)	13
SB602138(*)__	138"	(3505)	123"	(3124)	7"	(178)	31 $\frac{1}{8}$ "	(803)	14 $\frac{1}{8}$ "	(359)	16
SB602140(*)__	140"	(3556)	123"	(3124)	7"	(178)	31 $\frac{1}{8}$ "	(803)	14 $\frac{1}{8}$ "	(359)	16
24" (609mm) Shelf Width											
SB603084(*)__	84"	(2133)	64"	(1625)	10"	(254)	37 $\frac{1}{8}$ "	(955)	17 $\frac{1}{8}$ "	(447)	8
SB603096(*)__	96"	(2438)	80"	(2032)	10"	(254)	37 $\frac{1}{8}$ "	(955)	17 $\frac{1}{8}$ "	(447)	10
SB603108(*)__	108"	(2743)	94"	(2387)	10"	(254)	37 $\frac{1}{8}$ "	(955)	17 $\frac{1}{8}$ "	(447)	12
SB603120(*)__	120"	(3048)	100"	(2540)	10"	(254)	37 $\frac{1}{8}$ "	(955)	17 $\frac{1}{8}$ "	(447)	13
SB603138(*)__	138"	(3505)	123"	(3124)	10"	(254)	37 $\frac{1}{8}$ "	(955)	17 $\frac{1}{8}$ "	(447)	16
SB603140(*)__	140"	(3556)	123"	(3124)	10"	(254)	37 $\frac{1}{8}$ "	(955)	17 $\frac{1}{8}$ "	(447)	16
30" (762mm) Shelf Width											
SB604084(*)__	84"	(2133)	64"	(1625)	12"	(305)	43 $\frac{5}{8}$ "	(1108)	19 $\frac{1}{8}$ "	(486)	8
SB604096(*)__	96"	(2438)	80"	(2032)	12"	(305)	43 $\frac{5}{8}$ "	(1108)	19 $\frac{1}{8}$ "	(486)	10
SB604108(*)__	108"	(2743)	94"	(2387)	12"	(305)	43 $\frac{5}{8}$ "	(1108)	19 $\frac{1}{8}$ "	(486)	12
SB604120(*)__	120"	(3048)	100"	(2540)	12"	(305)	43 $\frac{5}{8}$ "	(1108)	19 $\frac{1}{8}$ "	(486)	13
SB604138(*)__	138"	(3505)	123"	(3124)	12"	(305)	43 $\frac{5}{8}$ "	(1108)	19 $\frac{1}{8}$ "	(486)	16
SB604140(*)__	140"	(3556)	123"	(3124)	12"	(305)	43 $\frac{5}{8}$ "	(1108)	19 $\frac{1}{8}$ "	(486)	16

Specify part number and finish when ordering.

\* See part number legend on page 346.

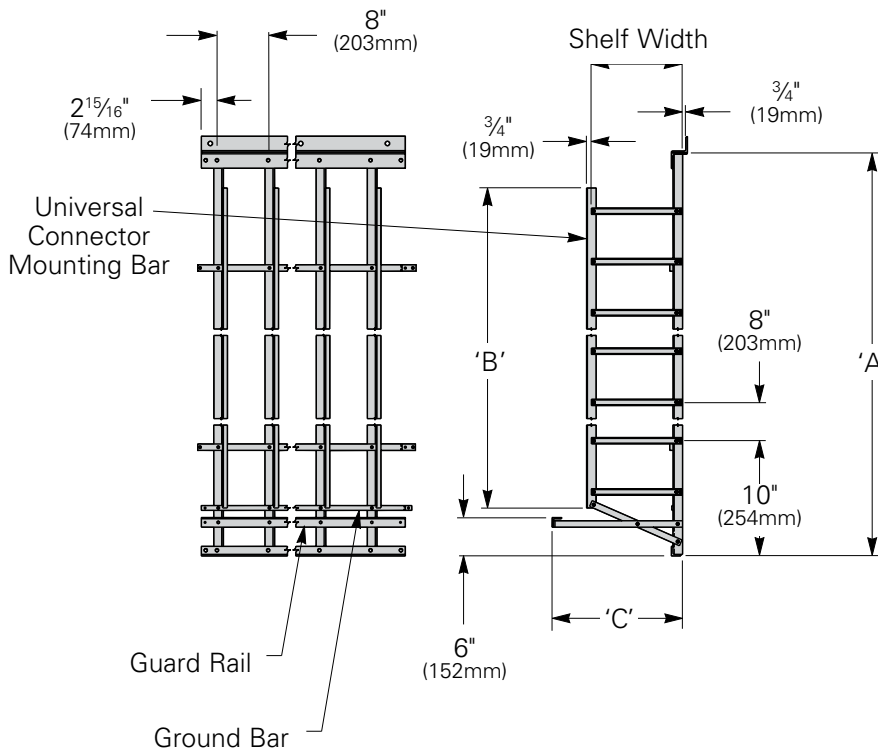
## Universal Connector Mounting Bar Capacity

Frame Size (No. of Shelves)	'B'		No. Terminal Blocks	C-303	R-700	C-310 R-710	C-377 R-355 C-388
				Connector Capacity			
	In.	(mm)		No. of Pairs of Protection			
8	64"	(1625)	7	300	300	400	600
10	80"	(2032)	9	400	400	500	700
12	94"	(2387)	11	500	400	600	800
13	100"	(2540)	12	500	500	700	900
16	123"	(3124)	15	600	600	800	1100

# Distribution Frames

## Universal Distribution Frame - Wall Mount

- Use to support terminal blocks for central office cross connects
- If the vertical terminal blocks are to be corner-mounted, SB658 terminal block mounting plate must be ordered separately
- End guards and grounding strap must be ordered separately
- Includes: frame, universal connector mounting bar, jumper rings, ground bar, guard rail, support and hardware
- Material: ASTM A36 structural steel
- Finish \_\_\_\_: Telco gray powder coat (TG)  
Other finishes are available upon request



### Part Number Legend

SB-6xx	Frame Height No. of Shelves	Number of Verticals (*)
Frame Type -	084 (9 shelves)	01 - 1 Vertical
Shelf Width	096 (11 shelves)	02 - 2 Verticals
615 - Wall Mount	108 (12 shelves)	03 - 3 Verticals
617 - Wall Mount	120 (14 shelves)	04 - 4 Verticals
	138 (16 shelves)	05 - 5 Verticals
	140 (16 shelves)	06 - 6 Verticals
		07 - 7 Verticals
		08 - 8 Verticals
		09 - 9 Verticals
		10 - 10 Verticals
		11 (No Verticals, End Guards Only) [End guards for both sides included]
		12 (No Verticals, Junction Kit Only)

**Example: SB61508406**

SB615 - [9 1/4" (235mm) Wide - Wall Mount]  
 084 - [84" (2133mm) tall with 9 shelves]  
 06 - [6 Verticals]



## Universal Distribution Frame - Wall Mount *continued*

- Finish \_\_: Telco gray powder coat (TG)  
Other finishes are available upon request

### Wall Mounted Frames

Part Number	Frame Height 'A' In. (mm)	'B' Dimension In. (mm)	'C' Dimension In. (mm)	No. of Shelves
9¼" (235mm) Shelf Width				
SB615084(*)__	84" (2133)	71" (1803)	16⅜" (416)	9
SB615096(*)__	96" (2438)	86" (2184)	16⅜" (416)	11
SB615108(*)__	108" (2743)	94" (2387)	16⅜" (416)	12
SB615120(*)__	120" (3048)	110" (2794)	16⅜" (416)	14
SB615138(*)__	138" (3505)	123" (3124)	16⅜" (416)	16
SB615140(*)__	140" (3556)	123" (3124)	16⅜" (416)	16
14¼" (362mm) Shelf Width				
SB617084(*)__	84" (2133)	71" (1803)	21⅜" (542)	9
SB617096(*)__	96" (2438)	86" (2184)	21⅜" (542)	11
SB617108(*)__	108" (2743)	94" (2387)	21⅜" (542)	12
SB617120(*)__	120" (3048)	110" (2794)	21⅜" (542)	14
SB617138(*)__	138" (3505)	123" (3124)	21⅜" (542)	16
SB617140(*)__	140" (3556)	123" (3124)	21⅜" (542)	16

Specify part number and finish when ordering.

\* See part number legend on page 348.

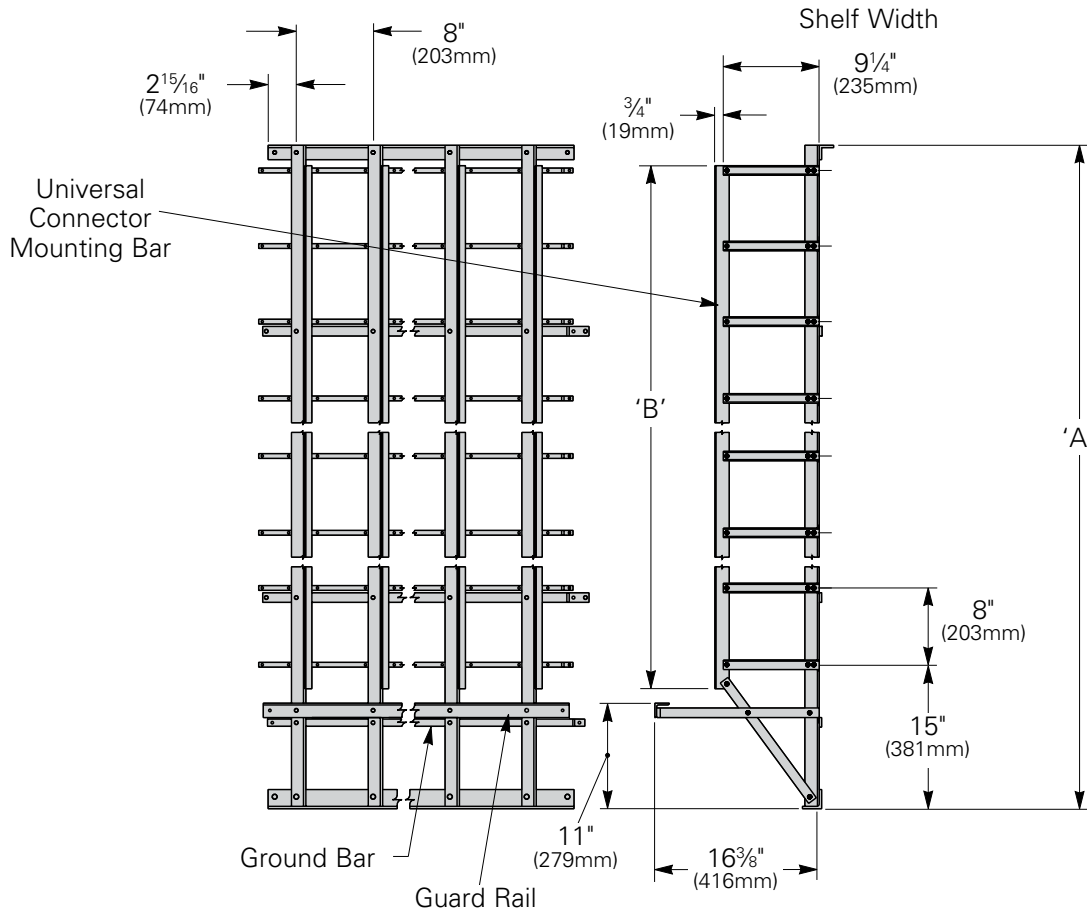
### Universal Connector Mounting Bar Capacity

Frame Size (No. of Shelves)	'B'		No. Terminal Blocks	C-303	R-700	C-310 R-710	C-377 R-355 C-388
	In.	(mm)					
9	71"	(1803)	8	300	300	500	600
11	86"	(2184)	10	400	400	600	800
12	94"	(2387)	11	500	400	600	800
14	110"	(2794)	13	500	500	700	1000
16	123"	(3124)	15	600	600	800	1100

# Distribution Frames

## Universal Distribution Frame - Single Sided

- Use to support terminal blocks for central office cross connects
- If the vertical terminal blocks are to be corner-mounted, SB658 terminal block mounting plate must be ordered separately
- End guards and grounding strap must be ordered separately
- Includes: frame, universal connector mounting bar, jumper rings, ground bar, guard rail, guard rail support, and hardware
- Material: ASTM A36 structural steel
- Finish \_\_\_\_: Telco gray powder coat (TG)  
Other finishes are available upon request



### Part Number Legend

SB-609	Frame Height No. of Shelves	Number of Verticals (*)
609 - 9 1/4" (235mm)	084	(8 shelves)
	096	(10 shelves)
	108	(12 shelves)
	120	(13 shelves)
	138	(16 shelves)
	140	(16 shelves)
	01	1 Vertical
	02	2 Verticals
	03	3 Verticals
	04	4 Verticals
05	5 Verticals	
06	6 Verticals	
07	7 Verticals	
08	8 Verticals	
09	9 Verticals	
10	10 Verticals	
11	(No Verticals, End Guards Only) [End guards for both sides included]	
12	(No Verticals, Junction Kit Only)	

### Example: SB60909608

SB609 - [9 1/4" (235mm)]  
096 - [96" (2438mm) tall with 10 shelves]  
08 - [8 Verticals]

## Universal Distribution Frame - Single Sided *continued*

- Finish \_\_\_: Telco gray powder coat (TG)  
Other finishes are available upon request

### Single Sided Frames

Part Number	Frame Height 'A'		'B' Dimension		No. of Shelves
	In.	(mm)	In.	(mm)	
9¼" (235mm) Shelf Width					
<b>SB609084(*)</b> __	84"	(2133)	64"	(1625)	8
<b>SB609096(*)</b> __	96"	(2438)	80"	(2032)	10
<b>SB609108(*)</b> __	108"	(2743)	94"	(2387)	12
<b>SB609120(*)</b> __	120"	(3048)	100"	(2540)	13
<b>SB609138(*)</b> __	138"	(3505)	123"	(3124)	16
<b>SB609140(*)</b> __	140"	(3556)	123"	(3124)	16

Specify part number and finish when ordering.

\* See Part Number Legend on page 350.

### Universal Connector Mounting Bar Capacity

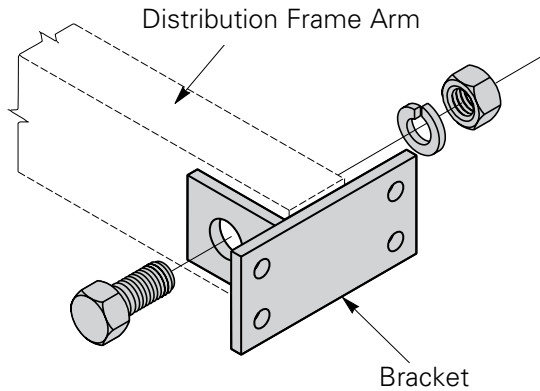
Frame Size (No. of Shelves)	'B'		No. Terminal Blocks	C-303	R-700	C-310 R-710	C-377 R-355 C-388
	In.	(mm)					
Connector Capacity No. of Pairs of Protection							
8	64"	(1625)	7	300	300	400	600
10	80"	(2032)	9	400	400	500	700
12	94"	(2387)	11	500	400	600	800
13	100"	(2540)	12	500	500	700	900
16	123"	(3124)	15	600	600	800	1100

# Distribution Frames

## Terminal Block Mounting Bracket

- Use to mount terminal blocks vertically or horizontally to distribution frame arms
- Includes: 5/16"-18 hardware
- Material: ASTM A570 structural steel
- Finish \_\_\_: Telco gray powder coat (TG)  
Other finishes are available upon request

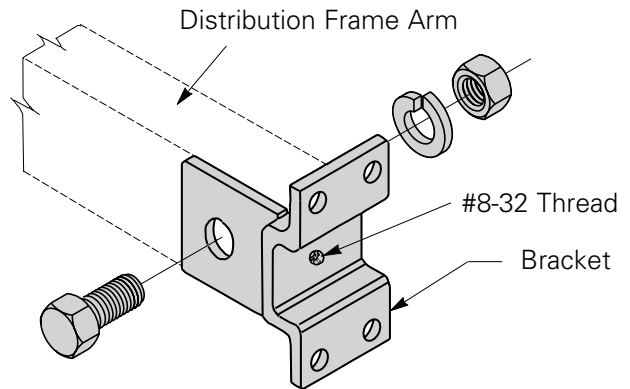
### Vertical Mounting Bracket



Part Number	Weight	
	Lbs.	(kg)
<b>SB656</b> __	0.10	(0.04)

Specify part number and finish when ordering.

### Horizontal Mounting Bracket

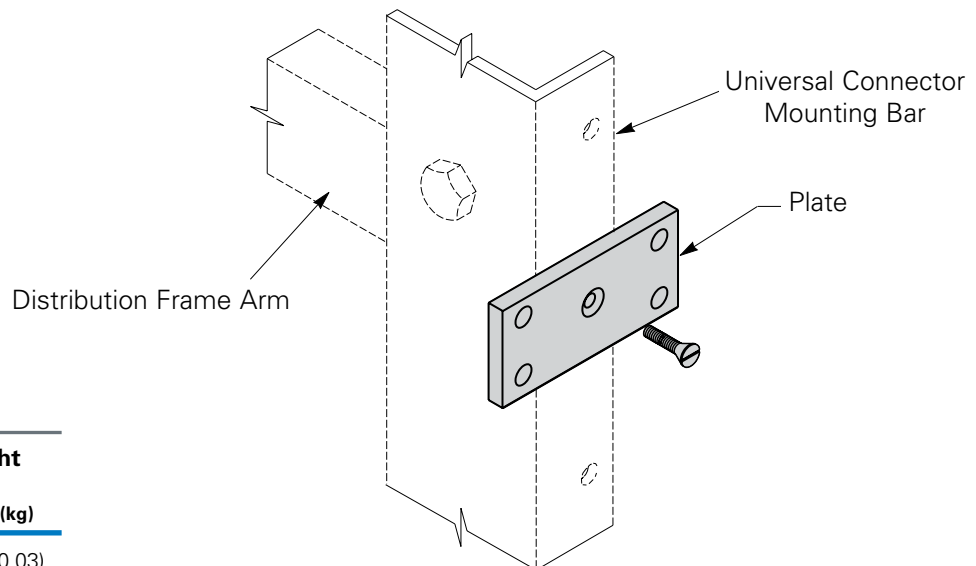


Part Number	Weight	
	Lbs.	(kg)
<b>SB657</b> __	0.95	(0.43)

Specify part number and finish when ordering.

## Terminal Block Mounting Plate

- Use to mount terminal blocks vertically to universal connector mounting bar
- Includes: #8-32 hardware
- Material: ASTM A570 structural steel
- Finish \_\_\_: Telco gray powder coat (TG)  
Other finishes are available upon request

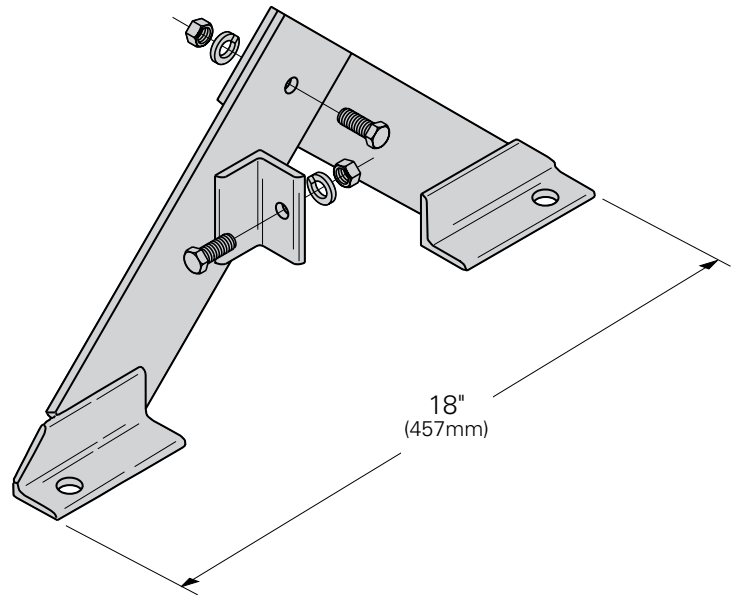
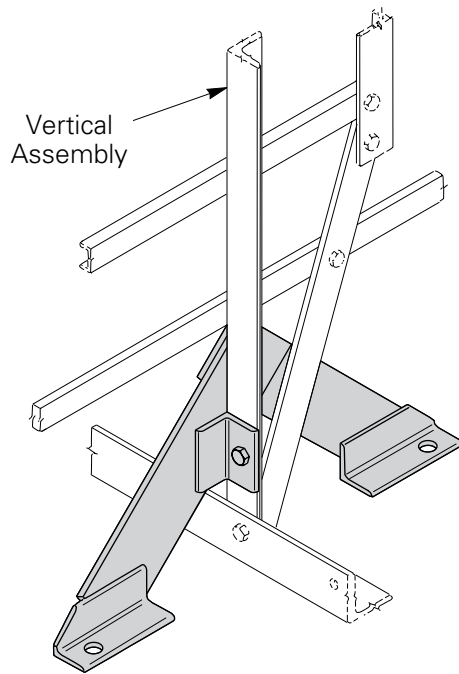


Part Number	Weight	
	Lbs.	(kg)
<b>SB658</b> __	0.06	(0.03)

Specify part number and finish when ordering.

## Floor Brace

- Use to brace distribution frame vertically
- Welded construction increases stability of single or double sided frames
- Includes:  $\frac{3}{8}$ "-16 mounting hardware
- Material: ASTM A36 structural steel
- Finish \_\_\_\_: Telco gray powder coat (TG)  
Other finishes are available upon request



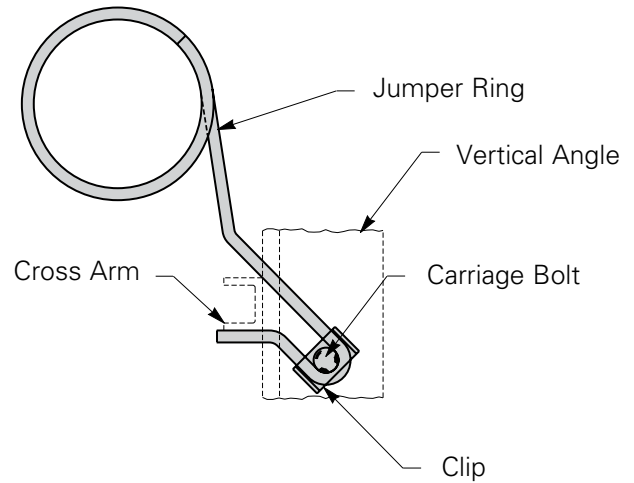
Part Number	Distribution Frame Verticals	Floor Braces	Weight	
			Lbs.	(kg)
SB67001__	1	1	6.25	(2.83)
SB67002__	2	2	12.50	(5.67)
SB67003__	3	2	12.50	(5.67)
SB67004__	4	2	12.50	(5.67)
SB67005__	5	3	18.75	(8.50)
SB67006__	6	3	18.75	(8.50)
SB67007__	7	3	18.75	(8.50)
SB67008__	8	4	25.00	(11.34)
SB67009__	9	4	25.00	(11.34)
SB67010__	10	4	25.00	(11.34)

Specify part number and finish when ordering.

# Distribution Frames

## 3½"(89mm) Single Jumper Ring

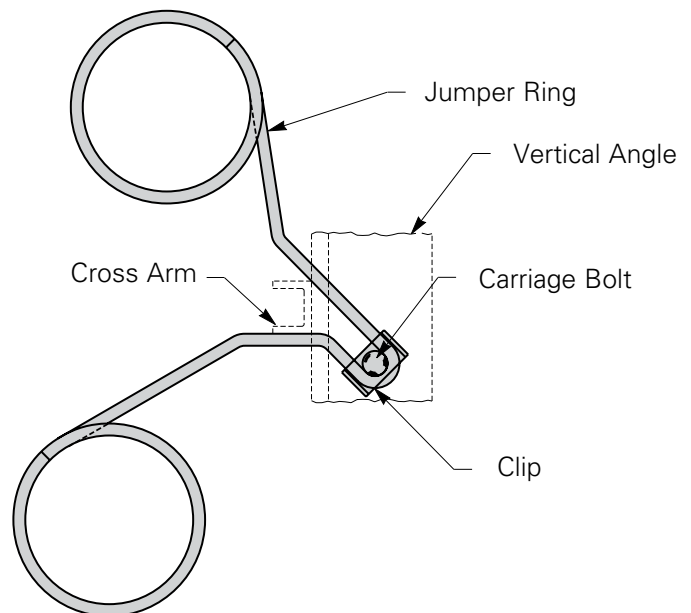
- Use to organize and support cross connect wiring
- Includes: ring, clip and ¼"-20 hardware
- Material: alloy steel
- Finish \_\_\_\_: Yellow zinc (YZ)  
Other finishes are available upon request



Part Number	Weight	
	Lbs.	(kg)
<b>SB660</b>	0.34	(0.15)

## 3½"(89mm) Double Jumper Ring

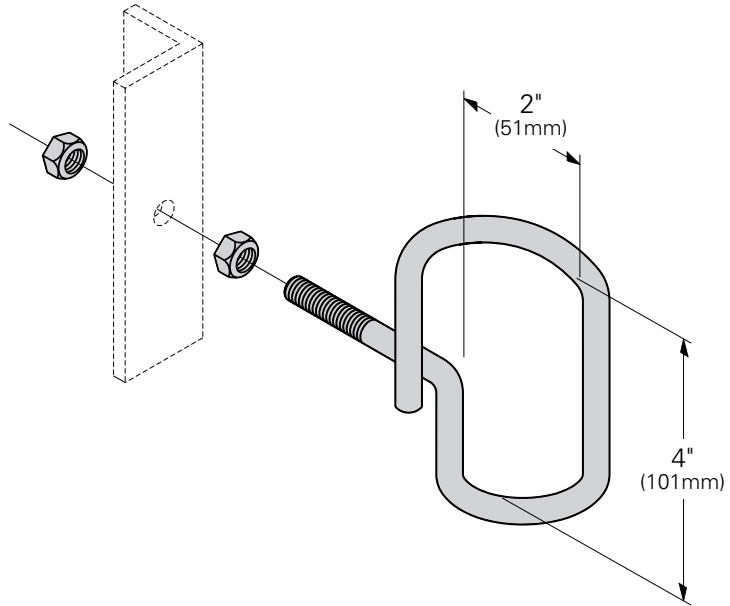
- Use to organize and support cross connect wiring
- Includes: ring, clip and ¼"-20 hardware
- Material: alloy steel
- Finish \_\_\_\_: Yellow zinc (YZ)  
Other finishes are available upon request



Part Number	Weight	
	Lbs.	(kg)
<b>SB661</b>	0.54	(0.24)

## Jumper Ring

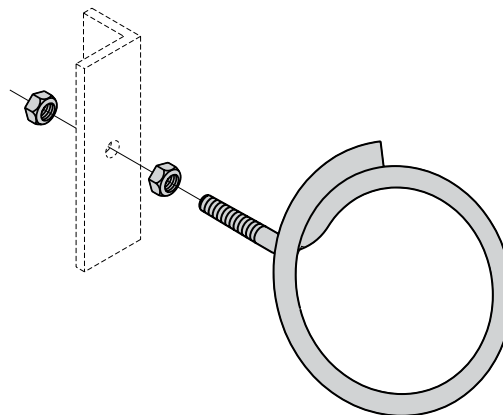
- Use to organize and support cross connect wiring
- Includes: ring and (2) ¼"-20 hex nuts
- Material: alloy steel
- Finish \_\_\_\_: Yellow zinc (YZ)  
Other finishes are available upon request



Part Number	Weight	
	Lbs.	(kg)
<b>SB662</b>	0.19	(0.08)

## 3" (76mm) Jumper Ring

- Use to organize and support cross connect wiring
- Includes: ring and (2) ¼"-20 hex nuts
- Material: alloy steel
- Finish \_\_\_\_: Yellow zinc (YZ)  
Other finishes are available upon request

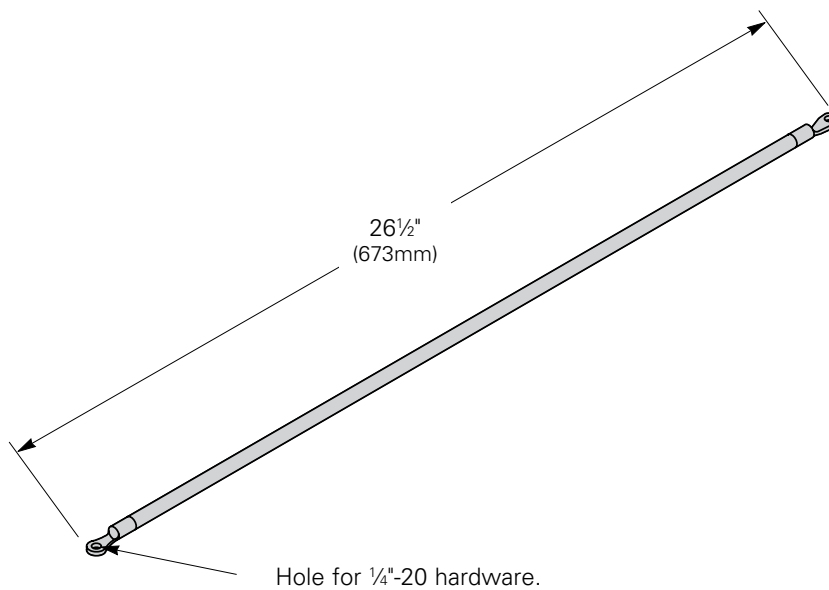


Part Number	Weight	
	Lbs.	(kg)
<b>SB663</b>	0.31	(0.14)

# Distribution Frames

## Grounding Strap

- Use to provide grounding path between the lowest main frame connector and frame ground bar
- Includes: Cable with crimped lugs
- Lug holes for ¼"-20 hardware
- Material: Plastic-insulated flexible #6 copper cable



Part Number	Weight Each	
	Lbs.	(kg)
SB668	0.27	(0.12)



# Mounting Hardware & Supports

Eaton's B-Line series is a leading manufacturer of high quality support systems for the data communications and from all threaded rod to U, V and J bolts and more, Eaton offers a complete line of hardware to help complete a professional installation.

<b>Material:</b>	<b>Type</b>	<b>Specification</b>
	Steel .....	ASTM A307 and SAE J429
	Silicon Bronze (BR) .....	ASTM F468

- Finishes:**
- Zinc Plated (ZN) ..... ASTM B633
  - Yellow Zinc (YZ) ..... ASTM B633
  - Black Zinc (BZ) ..... ASTM B633



(ZN)  
Zinc Plated



(YZ)  
Yellow Zinc

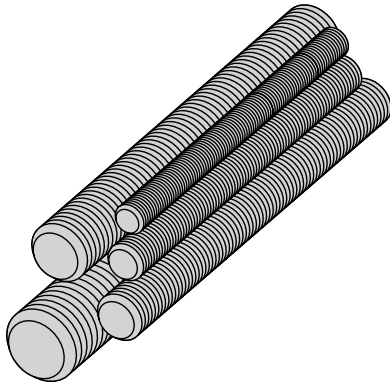


(BZ)  
Black Zinc

# Mounting Hardware & Supports

## All Threaded Drop Rod

- Rolled threads for added strength
- Loading Capacity (Safety Factor of 5)
  - $\frac{3}{8}$ "-16 = 610 lbs. (2.71 kN)
  - $\frac{1}{2}$ "-13 = 1130 lbs. (5.02 kN)
  - $\frac{5}{8}$ "-11 = 1810 lbs. (8.05 kN)
- Sold per 100 ft. (30.5m)
- Material: ASTM A307 Gr. A steel
- Finish: Yellow zinc (YZN)
  - (Other finishes available upon request)

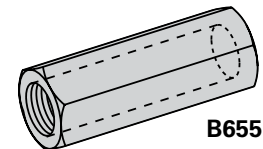


Part Number	Rod Length		Weight Per Rod	
	In.	(mm)	Lbs.	(kg)
<b><math>\frac{3}{8}</math>"-16 Thread Size</b>				
<b>ATR<math>\frac{3}{8}</math>x12YZN</b>	12"	(305)	0.3	(0.13)
<b>ATR<math>\frac{3}{8}</math>x36YZN</b>	36"	(914)	0.9	(0.41)
<b>ATR<math>\frac{3}{8}</math>x72YZN</b>	72"	(1829)	1.9	(0.86)
<b>ATR<math>\frac{3}{8}</math>x120YZN</b>	120"	(3048)	3.1	(1.40)
<b>ATR<math>\frac{3}{8}</math>x144YZN</b>	144"	(3657)	3.8	(1.72)
<b><math>\frac{1}{2}</math>"-13 Thread Size</b>				
<b>ATR<math>\frac{1}{2}</math>x12YZN</b>	12"	(305)	0.6	(0.27)
<b>ATR<math>\frac{1}{2}</math>x36YZN</b>	36"	(914)	1.8	(0.81)
<b>ATR<math>\frac{1}{2}</math>x72YZN</b>	72"	(1829)	3.6	(1.63)
<b>ATR<math>\frac{1}{2}</math>x120YZN</b>	120"	(3048)	6.0	(2.72)
<b>ATR<math>\frac{1}{2}</math>x144YZN</b>	144"	(3657)	7.2	(3.26)
<b><math>\frac{5}{8}</math>"-11 Thread Size</b>				
<b>ATR<math>\frac{5}{8}</math>x12YZN</b>	12"	(305)	1.0	(0.45)
<b>ATR<math>\frac{5}{8}</math>x36YZN</b>	36"	(914)	3.0	(1.36)
<b>ATR<math>\frac{5}{8}</math>x72YZN</b>	72"	(1829)	6.0	(2.72)
<b>ATR<math>\frac{5}{8}</math>x120YZN</b>	120"	(3048)	10.0	(4.53)
<b>ATR<math>\frac{5}{8}</math>x144YZN</b>	144"	(3657)	12.0	(5.44)

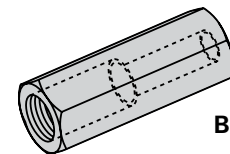
## Threaded Rod Coupling

- Material: ASTM A307 Gr. A steel
- Finish: Clear zinc (ZN)

Part Number	Thread Size	Coupling Length		Weight	
		In.	(mm)	Lbs.	(kg)
<b>B655-<math>\frac{3}{8}</math></b>	$\frac{3}{8}$ "-16	1 $\frac{1}{8}$ "	(28)	0.02	(0.01)
<b>B656-<math>\frac{1}{8}</math> x <math>\frac{3}{8}</math></b>	$\frac{3}{8}$ "-16 & $\frac{1}{8}$ "-13	1 $\frac{1}{8}$ "	(32)	0.07	(0.03)
<b>B655-<math>\frac{1}{8}</math></b>	$\frac{1}{8}$ "-13	1 $\frac{3}{8}$ "	(44)	0.11	(0.05)
<b>B655-<math>\frac{5}{8}</math></b>	$\frac{5}{8}$ "-11	2 $\frac{1}{8}$ "	(54)	0.18	(0.08)
<b>B656-<math>\frac{5}{8}</math> x <math>\frac{1}{8}</math></b>	$\frac{1}{8}$ "-13 & $\frac{5}{8}$ "-11	1 $\frac{1}{8}$ "	(32)	0.14	(0.06)



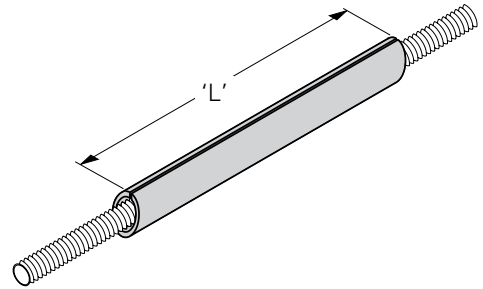
**B655**



**B656**

## Threaded Rod Protector

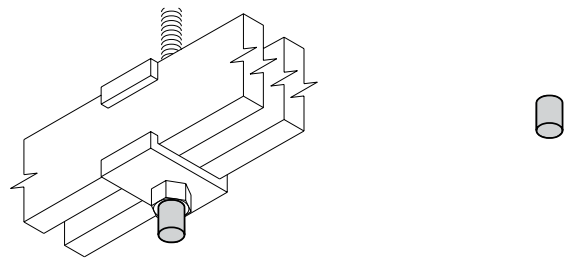
- Use to protect cabling from the all threaded rod
- UL-94 VO material for flame resistance
- Material: PVC
- Finish Color: Gray



Part Number	Thread Size	'L'		Weight	
		In.	(mm)	Lbs.	(kg)
<b>SB301½x8</b>	½"-13	8"	(203)	0.03	(0.01)
<b>SB301⅝x8</b>	⅝"-11	8"	(203)	0.04	(0.02)
<b>SB301½x72</b>	½"-13	72"	(1829)	0.23	(0.10)
<b>SB301⅝x72</b>	⅝"-11	72"	(1829)	0.32	(0.14)

## Threaded Rod End Cap

- Use to provide a protective covering for exposed threads on threaded rods, cap screws, etc
- Sold in packages of 10
- Material: Polyethylene
- Finish Color: Yellow



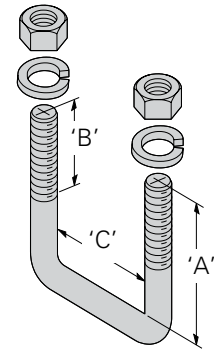
Part Number	Hardware Size	Weight per Package	
		Lbs.	(kg)
<b>SB300B</b>	⅜"-16	0.04	(0.018)
<b>SB300C</b>	½"-13	0.05	(0.022)
<b>SB300D</b>	⅝"-11	0.06	(0.027)

# Mounting Hardware & Supports

## "U" Bolt

- Includes: hardware shown
- Material: SAE J429 steel
- Finish\_\_\_: Black zinc (BZ) or Yellow zinc (YZ)  
Other finishes are available upon request

Part Number	'A'		'B'		'C'		Thread Size	Weight Per 100	
	In.	(mm)	In.	(mm)	In.	(mm)		Lbs.	(kg)
SB1001A__	3"	(76)	1¼"	(32)	3⅛"	(79)	½"-13	18	(8.1)
SB1001B__	4½"	(114)	1½"	(38)	3⅛"	(79)	½"-13	23	(10.4)
SB1001E__	5½"	(140)	1½"	(38)	1⅞ <sub>32</sub> "	(40)	¾"-16	34	(15.4)
SB1001M__	5"	(127)	1½"	(38)	4⅛"	(105)	½"-13	75	(34.0)
SB1001S__	5"	(127)	1"	(25)	5¼"	(133)	½"-13	84	(38.1)
SB1001U__	4"	(101)	1"	(25)	1⅞ <sub>16</sub> "	(39)	½"-13	54	(24.5)

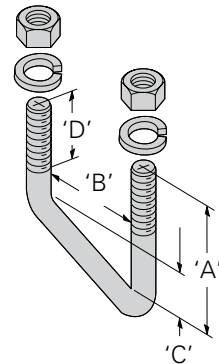


Specify part number and finish when ordering.

## "V" Bolt

- Designed for use with angle iron
- Includes: hardware shown
- Material: SAE J429 steel
- Finish\_\_\_: Black zinc (BZ) or Yellow zinc (YZ)  
Other finishes are available upon request

Part Number	'A'		'B'		'C'		'D'		Thread Size	Weight Per 100	
	In.	(mm)	In.	(mm)	In.	(mm)	In.	(mm)		Lbs.	(kg)
SB100203A__	3"	(76)	2⅛"	(52)	1⅛"	(28)	1¼"	(32)	¾"-16	21	(9.5)
SB100203B__	4"	(101)	2⅛"	(52)	1⅛"	(28)	1½"	(32)	¾"-16	26	(11.8)
SB100203C__	6"	(152)	2⅛"	(52)	1⅛"	(28)	1½"	(32)	¾"-16	36	(16.3)
SB100204B__	3"	(76)	2⅞"	(54)	2"	(51)	1⅜ <sub>16</sub> "	(20)	½"-13	44	(19.9)
SB100204D__	4"	(101)	2⅞"	(54)	2"	(51)	1½"	(32)	½"-13	52	(23.6)
SB100204G__	5"	(127)	2⅞"	(54)	2"	(51)	2"	(51)	½"-13	62	(28.1)
SB100204H__	6"	(152)	2⅞"	(54)	2"	(51)	2"	(51)	½"-13	71	(32.2)

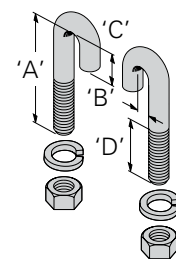


Specify part number and finish when ordering.

## "J" Bolt

- Includes: hardware shown
- Material: SAE J429 steel
- Finish\_\_\_: Black zinc (BZ) or Yellow zinc (YZ)  
Other finishes are available upon request

Part Number	'A'		'B'		'C'		'D'		Thread Size	Weight Per 100	
	In.	(mm)	In.	(mm)	In.	(mm)	In.	(mm)		Lbs.	(kg)
SB1003A__	2"	(51)	¼"	(6)	½"	(13)	1"	(25)	⅝"-18	13	(5.9)
SB1003F__	4¼"	(108)	½"	(13)	¾"	(19)	1¼"	(32)	¾"-16	31	(14.0)
SB1003G__	3½"	(89)	1⅜ <sub>16</sub> "	(20)	¾"	(19)	1¼"	(32)	⅝"-18	20	(9.1)
SB1003J__	2¾"	(28)	⅞ <sub>16</sub> "	(11)	¾"	(19)	1¼"	(25)	⅝"-18	16	(7.2)
SB1003K__	5"	(127)	½"	(13)	¾"	(19)	1¼"	(32)	⅝"-18	25	(11.3)
SB1003M__	3¾"	(95)	⅞ <sub>16</sub> "	(11)	¾"	(19)	1¼"	(32)	⅝"-18	20	(9.1)

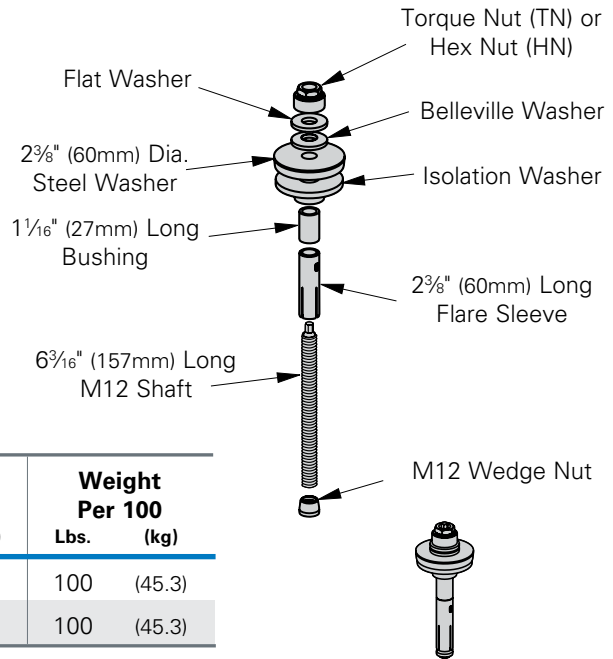


Specify part number and finish when ordering.

# Mounting Hardware & Supports

## Isolated Seismic Anchors

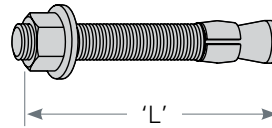
- For use in concrete in seismic applications
- Complies with all NEBS GR-63-CORE requirements
- Loading: 2700 Lbs (12.0kN) pull-out load with safety factor of 3
- Material: Steel anchor & hardware with isolation washer
- Finish: Yellow zinc (YZN)



Part Number	Overall Length		Hole Size		Weight Per 100	
	In.	(mm)	In.	(mm)	Lbs.	(kg)
<b>ASSAM12157TN</b>	6 <sup>3</sup> / <sub>16</sub> "	(157)	1 <sup>1</sup> / <sub>16</sub> "	(17)	100	(45.3)
<b>ASSAM12157HN</b>	6 <sup>3</sup> / <sub>16</sub> "	(157)	1 <sup>1</sup> / <sub>16</sub> "	(17)	100	(45.3)

## Wedge Anchors

- For use in concrete or stone
- Material: steel with stainless steel clip
- Finish: Clear zinc (ZN)



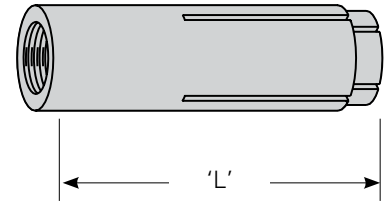
Part Number	Thread Size	'L' Length		Hole Size		Weight Per 100	
		In.	(mm)	In.	(mm)	Lbs.	(kg)
<b>AWA-25-225</b>	1/4"-20	2 1/4"	(57)	1/4"	(6)	3.7	(1.7)
<b>AWA-37-275-BLT</b>	3/8"-16	2 3/4"	(70)	3/8"	(19)	18.8	(8.5)
<b>AWA-50-275</b>	1/2"-13	2 3/4"	(70)	1/2"	(13)	18.8	(8.5)
<b>AWA-50-375</b>	1/2"-13	3 3/4"	(95)	1/2"	(13)	23.6	(10.7)
<b>AWA-62-350</b>	5/8"-11	3 1/2"	(89)	5/8"	(16)	36.0	(16.3)

\* Includes an additional 3/8" fender washer.

# Mounting Hardware & Supports

## Drop-In Anchors

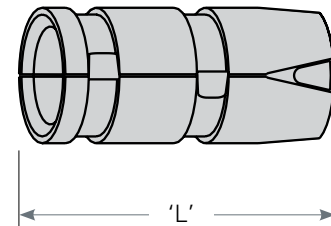
- For use in concrete or stone
- Use with machine screw, bolt, or threaded rod
- Material: Zamac #3 alloy



Part Number	Thread Size	'L' Length		Thread Depth		Hole Size		Weight Per 100	
		In.	(mm)	In.	(mm)	In.	(mm)	Lbs.	(kg)
ADI-37	3/8"-16	1 9/16"	(40)	5/8"	(16)	1/2"	(13)	3.2	(1.4)
ADI-50	1/2"-13	2"	(51)	1 3/16"	(20)	5/8"	(16)	5.8	(2.6)
ADI-62	5/8"-11	2 1/2"	(64)	1 3/16"	(30)	7/8"	(22)	8.0	(3.6)
ADI-75	3/4"-10	3 1/8"	(79)	1 3/16"	(30)	1"	(25)	12.5	(5.7)

## Single Expansion Anchors

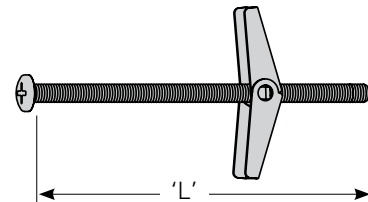
- For use in concrete, block, brick, or stone
- Use with machine screw or bolt
- Material: Zamac #3 alloy



Part Number	Thread Size	'L' Length		Hole Size	Weight Per 100	
		In.	(mm)		Lbs.	(kg)
ASE-25	1/4"-20	1 5/16"	(33)	1/2"	(13)	3.6 (1.6)
ASE-37	3/8"-16	1 1/2"	(38)	5/8"	(16)	6.4 (2.9)
ASE-50	1/2"-13	2"	(51)	7/8"	(22)	12.4 (5.6)
ASE-62	5/8"-11	2 5/8"	(67)	1"	(25)	20.5 (9.3)

## Toggle Bolts

- For use in any type of hollow construction, drywall or block
- Material: Steel
- Finish: Clear zinc (ZN)

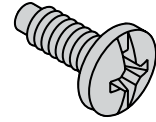


Part Number	Thread Size	'L' Length		Hole Size		Weight Per 100	
		In.	(mm)	In.	(mm)	Lbs.	(kg)
ATB-25-300	1/4"-20	3"	(76)	5/8"	(16)	5.8	(2.6)
ATB-37-300	3/8"-16	3"	(76)	7/8"	(22)	14.4	(6.5)
ATB-37-400	3/8"-16	4"	(101)	7/8"	(22)	17.6	(8.0)

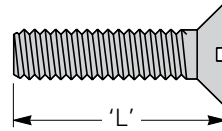
# Mounting Hardware & Supports

## Bolts and Screws

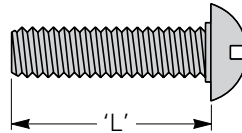
- Threads: Class 2A, except lag screw
- Material: ASTM A307 Gr. A steel
- Finish: Yellow zinc (YZN)
- Other sizes are available, contact customer service
- For equipment rack mounting hardware see page 44 (SB58604)



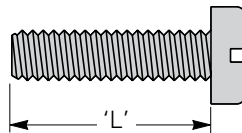
Part Number	Thread Size	'L' Length		Weight Per 100	
		In.	(mm)	Lbs.	(kg)
5/16X3/4SFHMSYZN	5/16"-18	3/4"	(19)	2.0	(0.91)
5/16X7/8SFHMSYZN	5/16"-18	7/8"	(22)	2.0	(0.91)
5/16X1SFHMSYZN	5/16"-18	1"	(25)	3.0	(1.36)
3/8X1SFHMSYZN	3/8"-16	1"	(25)	4.0	(1.81)



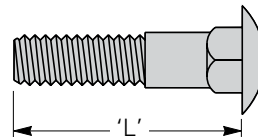
Part Number	Thread Size	'L' Length		Weight Per 100	
		In.	(mm)	Lbs.	(kg)
12-24X1/2SRHMSYZN	#12-24	1/2"	(13)	1.0	(0.45)
12-24X1SRHMSYZN	#12-24	1"	(25)	2.0	(0.91)
1/4X3/8SRHMSYZN	1/4"-20	3/8"	(9)	1.0	(0.45)
1/4X3/4SRHMSYZN	1/4"-20	3/4"	(19)	2.0	(0.91)



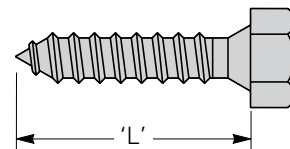
Part Number	Thread Size	'L' Length		Weight Per 100	
		In.	(mm)	Lbs.	(kg)
12-24X1/2SPHMSYZN	#12-24	1/2"	(13)	1.0	(0.45)
12-24X5/8SPHMSYZN	#12-24	5/8"	(16)	2.1	(0.95)
12-24X3/4SPHMSYZN	#12-24	3/4"	(19)	1.0	(0.45)



Part Number	Thread Size	'L' Length		Weight Per 100	
		In.	(mm)	Lbs.	(kg)
1/4X11/4SNCBYZN	1/4"-20	1 1/4"	(32)	2.0	(0.91)
5/16X21/4SNCBYZN	5/16"-18	2 1/4"	(57)	5.0	(2.27)
5/16X23/4SNCBYZN	5/16"-18	2 3/4"	(70)	6.0	(2.72)
3/8X11/4SNCBYZN	3/8"-16	1 1/4"	(32)	5.0	(2.27)
3/8X13/4SNCBYZN	3/8"-16	1 3/4"	(44)	7.0	(3.17)
3/8X21/4SNCBYZN	3/8"-16	2 1/4"	(57)	8.0	(3.63)



Part Number	Thread Size	'L' Length		Weight Per 100	
		In.	(mm)	Lbs.	(kg)
3/8X11/2HHL SYZN	3/8"	1 1/2"	(38)	4.0	(1.81)
3/8X2HHL SYZN	3/8"	2"	(51)	5.0	(2.27)
3/8X21/2HHL SYZN	3/8"	2 1/2"	(63)	8.0	(3.63)
1/2X21/2HHL SYZN	1/2"	2 1/2"	(63)	15.0	(6.80)

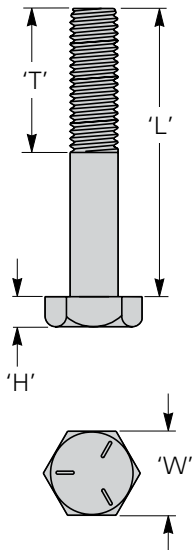


# Mounting Hardware & Supports

## Steel Hex Head Cap Screw

- No threads within two pitches of bolt head
- Class 2A threads
- Dimensions are for reference only
- Material: SAE J429 grade 5 steel. ASTM F468 silicon bronze
- Finish: Yellow zinc (YZN)
- Other sizes are available, contact customer service.

Bolt Size	'H'		'W'		'T'	
	In.	(mm)	In.	(mm)	In.	(mm)
¼"-20	⅝"	(3.97)	⅞"	(11.1)	¾"	(19.0)
⅝"-18	¼"	(6.35)	½"	(12.7)	⅞"	(22.2)
⅜"-16	⅜"	(7.54)	⅝"	(14.3)	1"	(25.4)
½"-13	⅝"	(7.94)	¾"	(19.0)	1¼"	(31.7)
⅝"-11	1⅝"	(11.90)	1⅞"	(23.8)	1½"	(38.1)



### Part Number Example

½ x 2 HHCS YZ

### Thread Size

- ¼ = ¼"-20
- ⅝ = ⅝"-18
- ⅜ = ⅜"-16
- ½ = ½"-13
- ⅝ = ⅝"-11

Length  
'L'

**Add Suffix** \_\_  
**YZN** - Yellow Zinc  
**SB** - Silicon Bronze

Part Number	Weight Per 100	
	Lbs.	(kg)
<b>¼"-20 Thread Size</b>		
¼X½HHCS__	1.0	(0.45)
¼X¾HHCS__	1.0	(0.45)
¼X1HHCS__	2.0	(0.91)
¼X1¼HHCS__	2.0	(0.91)
¼X1½HHCS__	2.0	(0.91)
¼X1¾HHCS__	3.0	(1.36)
¼X2HHCS__	4.0	(1.81)
¼X2½HHCS__	4.0	(1.81)
¼X2¾HHCS__	4.0	(1.81)
¼X3HHCS__	5.0	(2.27)
<b>⅝"-18 Thread Size</b>		
⅝X¾HHCS__	2.0	(0.91)
⅝X1HHCS__	3.0	(1.36)
⅝X1¼HHCS__	3.0	(1.36)
⅝X1½HHCS__	4.0	(1.81)
⅝X2HHCS__	5.0	(2.27)
⅝X3HHCS__	7.0	(3.17)
<b>⅝"-18 Thread Size</b>		
⅝X½HHCS__	4.0	(1.81)
⅝X¾HHCS__	4.0	(1.81)
⅝X1HHCS__	5.0	(2.27)
⅝X1¼HHCS__	5.0	(2.27)
⅝X1½HHCS__	6.0	(2.72)
⅝X1¾HHCS__	7.0	(3.17)
⅝X2HHCS__	7.0	(3.17)
⅝X2¼HHCS__	8.0	(3.63)
⅝X2½HHCS__	9.0	(4.08)
⅝X2¾HHCS__	9.0	(4.08)
⅝X3HHCS__	10.0	(4.45)

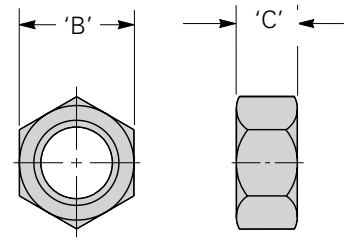
Part Number	Weight Per 100	
	Lbs.	(kg)
<b>½"-13 Thread Size</b>		
½X¾HHCS__	8.0	(3.63)
½X1HHCS__	9.0	(4.08)
½X1¼HHCS__	10.0	(4.45)
½X1½HHCS__	11.0	(4.99)
½X1¾HHCS__	12.0	(5.44)
½X2HHCS__	14.0	(6.35)
½X2¼HHCS__	15.0	(6.80)
½X2½HHCS__	16.0	(7.26)
½X2¾HHCS__	18.0	(8.16)
½X3HHCS__	19.0	(8.62)
½X3¼HHCS__	20.0	(9.07)
½X3½HHCS__	22.0	(9.98)
½X3¾HHCS__	23.0	(10.43)
½X4HHCS__	25.0	(11.34)
½X4½HHCS__	27.0	(12.25)
<b>⅝"-11 Thread Size</b>		
⅝X¾HHCS__	13.0	(5.89)
⅝X1HHCS__	15.0	(6.80)
⅝X1¼HHCS__	17.0	(7.71)
⅝X1½HHCS__	18.0	(8.16)
⅝X1¾HHCS__	20.0	(9.07)
⅝X2HHCS__	22.0	(9.98)
⅝X2¼HHCS__	24.0	(10.88)
⅝X2½HHCS__	26.0	(11.79)
⅝X2¾HHCS__	28.0	(12.70)
⅝X3HHCS__	31.0	(14.06)
⅝X3¼HHCS__	33.0	(14.97)
⅝X3½HHCS__	35.0	(15.87)
⅝X3¾HHCS__	37.0	(16.78)
⅝X4HHCS__	40.0	(18.14)
⅝X5HHCS__	48.0	(21.77)



# Mounting Hardware & Supports

## Hex Nuts

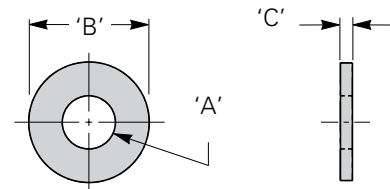
- Material: ASTM A536 Gr. A steel.  
ASTM F468 silicon bronze
- Finish: Yellow zinc (YZ)  
Silicon Bronze (SB)



Part Number		Thread Size	'B'		'C'		Weight Per 100	
YZN	Silicon Bronze		In.	(mm)	In.	(mm)	Lbs.	(kg)
<b>12-24HNYZN</b>	<b>12-24HNSB</b>	#12-24	7/16"	(11.1)	5/32"	(3.9)	1.0	(0.45)
<b>1/4HNYZN</b>	<b>1/4HNSB</b>	1/4"-20	7/16"	(11.1)	7/32"	(5.5)	1.0	(0.45)
<b>5/16HNYZN</b>	<b>5/16HNSB</b>	5/16"-18	1/2"	(12.7)	17/64"	(6.7)	1.0	(0.45)
<b>3/8HNYZN</b>	<b>3/8HNSB</b>	3/8"-16	9/16"	(14.3)	21/64"	(8.3)	2.0	(0.91)
<b>1/2HNYZN</b>	<b>1/2HNSB</b>	1/2"-13	3/4"	(19.0)	7/16"	(11.1)	6.0	(2.72)
<b>5/8HNYZN</b>	<b>5/8HNSB</b>	5/8"-11	15/16"	(23.8)	35/64"	(13.9)	7.0	(3.17)

## Flat Washer

- Material: ASTM 844 steel.  
651 alloy silicon bronze
- Finish: Yellow zinc (YZ)  
Silicon Bronze (SB)

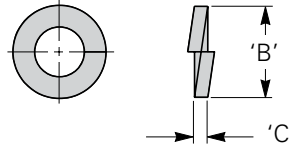


Part Number		Thread Size	'A'		'B'		'C'		Weight Per 100	
YZN	Silicon Bronze		In.	(mm)	In.	(mm)	In.	(mm)	Lbs.	(kg)
<b>12FWYZN</b>	—	#12-24	1/4"	(6.3)	9/16"	(14.3)	3/64"	(1.19)	0.30	(0.13)
<b>1/4FWYZN</b>	<b>1/4FWSB</b>	1/4"-20	5/16"	(7.9)	3/4"	(19.0)	1/16"	(1.59)	0.40	(0.18)
<b>5/16FWYZN</b>	<b>5/16FWSB</b>	5/16"-18	3/8"	(9.5)	3/4"	(19.0)	5/64"	(1.98)	1.20	(0.54)
<b>3/8FWYZN</b>	<b>3/8FWSB</b>	3/8"-16	7/16"	(11.1)	1"	(25.4)	5/64"	(1.98)	1.60	(0.72)
<b>1/2FWYZN</b>	<b>1/2FWSB</b>	1/2"-13	9/16"	(14.3)	1 3/8"	(34.9)	7/64"	(2.78)	4.10	(1.86)
<b>5/8FWYZN</b>	—	5/8"-11	1 1/16"	(17.4)	1 3/4"	(44.4)	9/64"	(3.57)	7.30	(3.31)

# Mounting Hardware & Supports

## Lock Washer

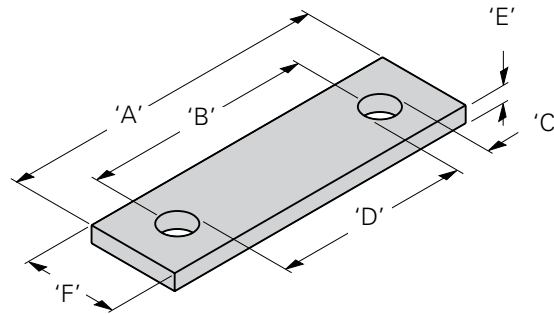
- Material: ANSI 18.21.1 steel.  
651 alloy silicon bronze
- Finish: Yellow zinc (YZ)  
Silicon Bronze (SB)



YZN	Part Number Silicon Bronze	Thread Size	'B'		'C'		Weight Per 100	
			In.	(mm)	In.	(mm)	Lbs.	(kg)
—	<b>10LWSB</b>	#10-24	2 <sup>1</sup> / <sub>64</sub> "	(8.2)	.05"	(1.3)	0.1	(0.04)
<b>1/4LWYZN</b>	<b>1/4LWSB</b>	1/4"-20	1 <sup>5</sup> / <sub>32</sub> "	(11.9)	.05"	(1.3)	3.0	(1.36)
<b>5/16LWYZN</b>	<b>5/16LWSB</b>	5/16"-18	1 <sup>9</sup> / <sub>32</sub> "	(15.1)	.09"	(2.3)	4.0	(1.81)
<b>3/8LWYZN</b>	<b>3/8LWSB</b>	3/8"-16	1 <sup>1</sup> / <sub>16</sub> "	(17.4)	.10"	(2.5)	6.0	(2.72)
<b>1/2LWYZN</b>	<b>1/2LWSB</b>	1/2"-13	7/8"	(22.2)	.13"	(3.3)	13.0	(5.89)
<b>5/8LWYZN</b>	—	5/8"-11	1 <sup>3</sup> / <sub>32</sub> "	(27.8)	.17"	(4.3)	25.0	(11.34)

## Two Hole Plate

- Material: ASTM A36 structural steel
- Finish: Yellow zinc (YZ)



Part Number	'A'		'B'		'C'		'D'		'E'		'L'		Weight	
	In.	(mm)	In.	(mm)	In.	(mm)	In.	(mm)	In.	(mm)	In.	(mm)	Lbs.	(kg)
<b>SB21501</b>	3 <sup>5</sup> / <sub>8</sub> "	(92)	2 <sup>7</sup> / <sub>16</sub> "	(62)	7/16"	(11)	2"	(51)	3/16"	(5)	1 <sup>1</sup> / <sub>4</sub> "	(32)	0.25	(0.11)
<b>SB21502</b>	3 <sup>13</sup> / <sub>16</sub> "	(97)	2 <sup>5</sup> / <sub>8</sub> "	(66)	9/16"	(14)	2 <sup>1</sup> / <sub>16</sub> "	(52)	3/16"	(5)	1 <sup>1</sup> / <sub>4</sub> "	(32)	0.25	(0.11)
<b>SB21503</b>	3 <sup>1</sup> / <sub>4</sub> "	(82)	2 <sup>1</sup> / <sub>16</sub> "	(52)	9/16"	(14)	1 <sup>1</sup> / <sub>2</sub> "	(38)	3/16"	(5)	1 <sup>1</sup> / <sub>4</sub> "	(32)	0.20	(0.09)
<b>SB21504</b>	3 <sup>3</sup> / <sub>4</sub> "	(95)	2 <sup>9</sup> / <sub>16</sub> "	(65)	3/8"	(9)	2 <sup>3</sup> / <sub>16</sub> "	(55)	3/16"	(5)	1 <sup>1</sup> / <sub>4</sub> "	(32)	0.20	(0.09)
<b>SB21505</b>	3 <sup>1</sup> / <sub>2</sub> "	(89)	2 <sup>7</sup> / <sub>16</sub> "	(62)	3/8"	(9)	2 <sup>1</sup> / <sub>16</sub> "	(52)	3/16"	(5)	1 <sup>1</sup> / <sub>4</sub> "	(32)	0.20	(0.09)
<b>SB21506</b>	5 <sup>1</sup> / <sub>8</sub> "	(130)	4 <sup>3</sup> / <sub>8</sub> "	(111)	3/8"	(9)	4"	(101)	1/4"	(6)	1 <sup>1</sup> / <sub>4</sub> "	(32)	0.35	(0.16)
<b>SB21507</b>	6 <sup>3</sup> / <sub>4</sub> "	(171)	5 <sup>3</sup> / <sub>4</sub> "	(146)	9/16"	(14)	5 <sup>3</sup> / <sub>16</sub> "	(132)	3/8"	(9)	2"	(51)	1.40	(0.63)

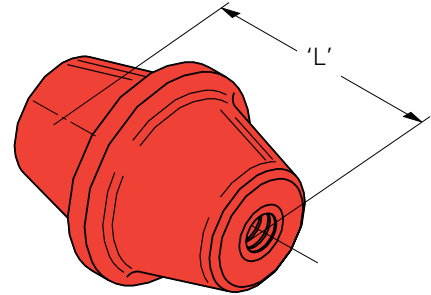
## Touch-Up Paint

- Size: 0.6 ounce bottle
- Brush on

Part Number	Color	Qty./Box	Wt./Box ozs. (liter)
<b>SB420CFB</b>	Flat Black Lacquer	1	0.6 (0.18)
<b>SB420CTG</b>	Gray Lacquer	1	0.6 (0.18)

## Stand-Off Isolator

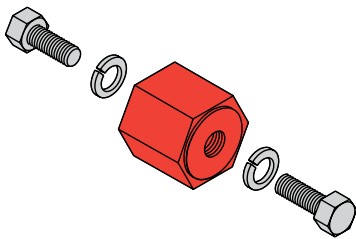
- Use to electrically isolate copper ground bus
- UL recognized material
- UL 94 VO flame resistance
- Material: Polyester fiberglass with steel threaded inserts
- Finish color: Red
- Tensile pull-out strength: 2300 lbs. (10.23kN)
- Cantilever strength: 2800 in./lbs. (316Nm)
- Dielectric strength: 19000 - 21000 volt S.T.



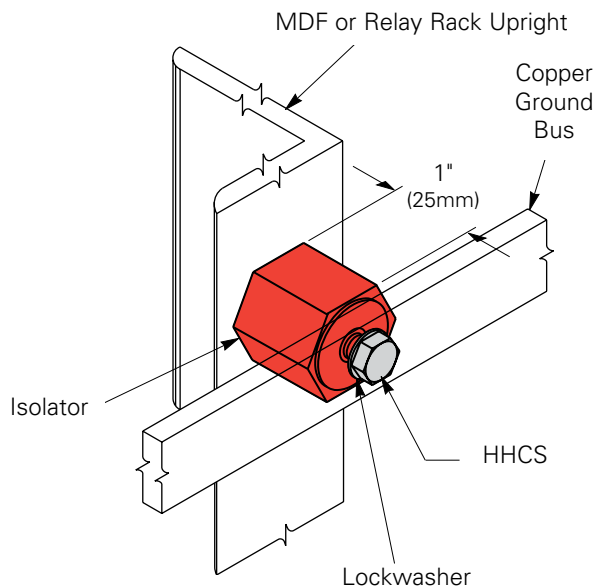
Part Number	Thread Size	'L'		Weight	
		In.	(mm)	Lbs.	(kg)
<b>SB1155</b>	3/8"-16	2 1/2"	(63)	0.30	(0.13)
<b>SB1156</b>	1/2"-13	2 1/2"	(63)	0.31	(0.14)
<b>SB1157</b>	5/8"-11	2 5/8"	(66)	0.39	(0.17)

## 1" (25mm) Stand-Off Isolator

- Use to secure and electrically isolate copper ground bus to equipment frame
- Includes: (1) Isolator, (2 each) hex head cap screws and lock washers
- UL recognized material
- UL 94 VO flame resistance
- Material: Polyester fiberglass with steel threaded inserts
- Finish color: Red
- Tensile pull-out strength: 900 lbs. (4.00kN)
- Cantilever strength: 350 in./lbs. (39.5Nm)
- Dielectric strength: 10000 volt S.T. minimum



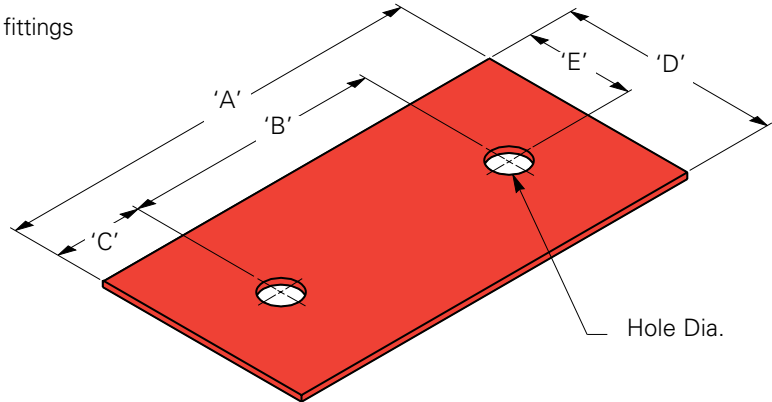
Part Number	Thread Size	Weight	
		Lbs.	(kg)
<b>SB1154</b>	1/4"-20	0.09	(0.04)
<b>SB1153</b>	#12-24	0.09	(0.04)



# Mounting Hardware & Supports

## Two-Hole Isolation Pad

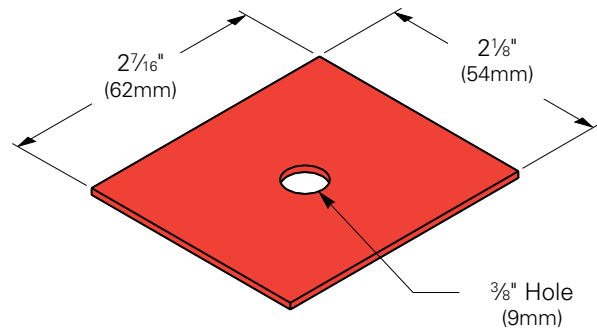
- Use to provide electrical isolation between metallic fittings
- See SB-2531 for kit
- UL recognized material
- UL 94 VO flame resistance
- Material: 1/16" (1.6mm) polyester fiberglass
- Finish Color: Red



Part Number	'A'		'B'		'C'		'D'		'E'		Hole Diameter		Weight	
	In.	(mm)	In.	(mm)	In.	(mm)	In.	(mm)	In.	(mm)	In.	(mm)	Lbs.	(kg)
<b>SB116301</b>	4 7/16"	(112)	2 7/16"	(62)	1"	(25)	2 1/8"	(54)	1 1/16"	(27)	3/8"	(9)	0.04	(0.02)
<b>SB116302</b>	3 1/2"	(89)	1 1/2"	(38)	1"	(25)	2 1/8"	(54)	1 1/16"	(27)	3/4"	(19)	0.03	(0.01)
<b>SB116303</b>	6 5/8"	(168)	4 5/8"	(117)	1"	(25)	2 1/8"	(54)	1 1/16"	(27)	1 1/16"	(17)	0.06	(0.03)
<b>SB116304</b>	4 5/8"	(117)	2 5/8"	(66)	1"	(25)	2 1/8"	(54)	1 1/16"	(27)	9/16"	(14)	0.04	(0.02)
<b>SB116305</b>	4 9/16"	(116)	2 9/16"	(65)	1"	(25)	2 3/4"	(70)	2 9/32"	(58)	3/8"	(9)	0.06	(0.03)
<b>SB116306</b>	4 1/8"	(105)	2 1/8"	(54)	1"	(25)	2 1/8"	(54)	1 1/16"	(27)	9/16"	(14)	0.04	(0.02)
<b>SB116307</b>	7 3/4"	(197)	5 3/4"	(146)	1"	(25)	2 5/8"	(67)	1 5/16"	(33)	5/8"	(16)	0.09	(0.04)
<b>SB116308</b>	4 9/16"	(116)	2 9/16"	(65)	1"	(25)	7 3/4"	(197)	2 9/32"	(58)	3/8"	(9)	0.16	(0.07)
<b>SB116309</b>	9 1/8"	(232)	2 5/8"	(67)	1"	(25)	2 1/8"	(54)	1 1/16"	(27)	9/16"	(14)	0.09	(0.04)

## Single-Hole Isolation Pad

- Use to provide electrical isolation between metallic fittings
- See SB-2501 for kit
- UL recognized material
- UL 94 VO flame resistance
- Material: 1/16" (1.6mm) polyester fiberglass
- Finish Color: Red

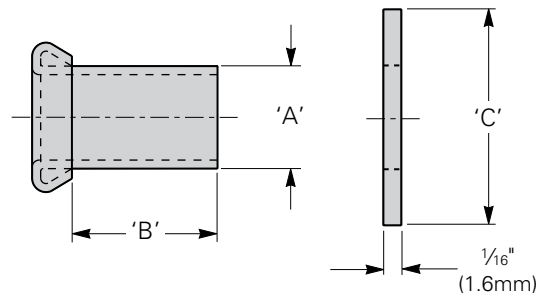


Part Number	Weight	
	Lbs.	(kg)
<b>SB1162</b>	0.03	(0.01)

# Mounting Hardware & Supports

## Nylon Headed Sleeve Kit (Sleeve Washer Included)

- Use to provide electrical isolation when using metallic fasteners
- Material: 6/6 Nylon
- Finish: Natural



Part Number	Used With Bolt Size	'A'		'B'		'C'		Weight	
		In.	(mm)	In.	(mm)	In.	(mm)	Lbs.	(kg)
<b>SB114502</b>	5/16"-18	.356"	(0.16)	1/4"	(6)	3/4"	(19)	0.001	(0.0004)
<b>SB114504</b>	5/16"-18	.356"	(0.16)	1/2"	(13)	3/4"	(19)	0.001	(0.0004)
<b>SB114518</b>	5/16"-18	.356"	(0.16)	2 5/16"	(59)	3/4"	(19)	0.003	(0.0013)
<b>SB114602</b>	3/8"-16	.419"	(0.19)	1/4"	(6)	7/8"	(22)	0.001	(0.0004)
<b>SB114605</b>	3/8"-16	.419"	(0.19)	5/8"	(16)	7/8"	(22)	0.001	(0.0004)
<b>SB114707</b>	1/2"-13	.548"	(0.25)	7/8"	(22)	1"	(25)	0.001	(0.0004)
<b>SB114718</b>	1/2"-13	.548"	(0.25)	2 5/16"	(59)	1"	(25)	0.005	(0.0022)
<b>SB114807</b>	5/8"-11	.680"	(0.31)	7/8"	(22)	1 1/4"	(32)	0.002	(0.0009)
<b>SB114818</b>	5/8"-11	.680"	(0.31)	2 5/16"	(59)	1 1/4"	(32)	0.006	(0.0027)

## Screws & Cage Nuts

- All part numbers are packaged and sold in bags of 100 pieces.



Cage Nuts



Screws

	Part Number	Description Finish	Each	Weight	
				lbs.	(kg)
Screws	<b>E2MA1032PHMS100</b>	#10-32 Phillips	Clear Zinc	0.1	(0.04)
	<b>E2MA1224PHMS100</b>	#12-24 Phillips	Clear Zinc	0.1	(0.04)
	<b>E2MAM6PHMS100</b>	M6 Phillips	Yellow Zinc	0.1	(0.04)
Cage Nuts	<b>E2MACN1032100</b>	#10-32 Phillips	Clear Zinc	0.1	(0.04)
	<b>E2MACN1224100</b>	#12-24 Phillips	Clear Zinc	0.1	(0.04)
	<b>E2MACNM6100</b>	M6 Phillips	Yellow Zinc	0.1	(0.04)

## Hardware

### Rackstuds™ tool-less mounting kit

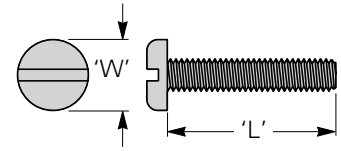
Part number	Description
<b>RSSTUD-KIT100</b>	Pkg. of 100



# Mounting Hardware & Supports

## Nylon Fasteners

- Sold in packages of 100 pcs
- Material: 6/6 Nylon
- Finish: Natural

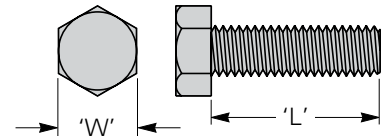


## Pan Head Machine Screw

Part Number	Thread Size	'L'		'W'		Weight Per 100	
		In.	(mm)	In.	(mm)	Lbs.	(kg)
12-24X1SPHMSNYL	#12"-24	1"	(25)	$\frac{27}{64}$ "	(11)	0.2	(0.09)

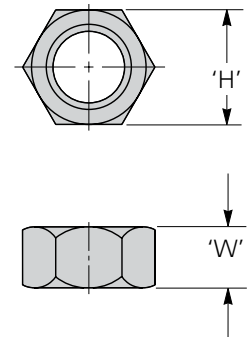
## Hex Head Cap Screw

Part Number	Thread Size	'L'		'W'		Weight Per 100	
		In.	(mm)	In.	(mm)	Lbs.	(kg)
$\frac{1}{4}$ X $\frac{3}{4}$ HHCSNYL	$\frac{1}{4}$ "-20	$\frac{1}{4}$ "	(6)	$\frac{3}{8}$ "	(9)	0.2	(0.09)
$\frac{1}{4}$ X1HHCSNYL	$\frac{1}{4}$ "-20	1"	(25)	$\frac{3}{8}$ "	(9)	0.3	(0.13)
$\frac{1}{4}$ X1 $\frac{1}{2}$ HHCSNYL	$\frac{1}{4}$ "-20	1 $\frac{1}{2}$ "	(38)	$\frac{3}{8}$ "	(9)	0.3	(0.13)
$\frac{5}{16}$ X1HHCSNYL	$\frac{5}{16}$ "-18	1"	(25)	$\frac{7}{16}$ "	(11)	0.4	(0.18)



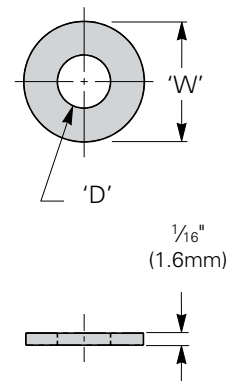
## Hex Nut

Part Number	Thread Size	'H'		'W'		Weight Per 100	
		In.	(mm)	In.	(mm)	Lbs.	(kg)
12HNNYL	#12"-24	$\frac{5}{32}$ "	(4)	$\frac{7}{16}$ "	(11)	0.1	(0.04)
$\frac{1}{4}$ HNNYL	$\frac{1}{4}$ "-20	$\frac{7}{32}$ "	(5)	$\frac{7}{16}$ "	(11)	0.1	(0.04)
$\frac{5}{16}$ HNNYL	$\frac{5}{16}$ "-18	$\frac{17}{64}$ "	(7)	$\frac{1}{2}$ "	(13)	0.2	(0.09)



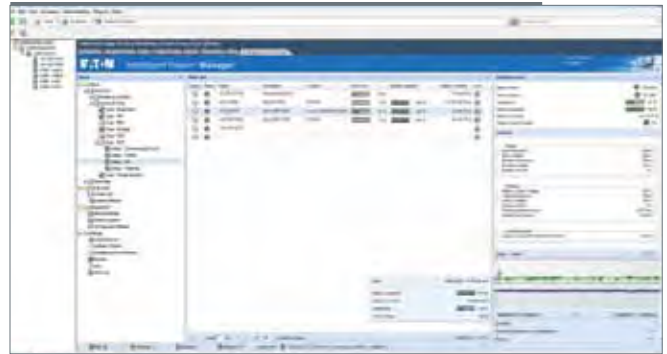
## Flat Washer

Part Number	For Bolt Size	'D'		'W'		Weight Per 100	
		In.	(mm)	In.	(mm)	Lbs.	(kg)
12FWNYL	#12	$\frac{1}{4}$ "	(6.3)	$\frac{9}{16}$ "	(14)	0.1	(0.04)
$\frac{1}{4}$ FWNYL	$\frac{1}{4}$ "	$\frac{5}{16}$ "	(7.9)	$1\frac{1}{16}$ "	(17)	0.1	(0.04)
$\frac{5}{16}$ FWNYL	$\frac{5}{16}$ "	$\frac{3}{8}$ "	(9.5)	$\frac{3}{4}$ "	(19)	0.1	(0.04)
$\frac{3}{8}$ FWNYL	$\frac{3}{8}$ "	$\frac{7}{16}$ "	(11.1)	$\frac{7}{8}$ "	(22)	0.1	(0.04)



## Software

- **IPM:** Eaton's Intelligent Power Manager (IPM) software provides the tools needed to monitor and manage power devices in your physical or virtual environment. This innovative software solution leverages predefined configuration policies to ensure increased uptime and automatically remediate issues within the environment to maintain business continuity.
- **VPM:** Visual Power Manager (VPM) is an easy-to-use, comprehensive power monitoring software that saves time and simplifies the day-to-day monitoring of your IT environment. This will ensure you stay on top of power management while still focusing on the bigger picture – running your data center efficiently and effectively.
- **VCOM:** Eaton's Visual Capacity Optimization Manager (VCOM) tool for Data Centers (DCIM - data center infrastructure management) combines data monitoring and management for facility, IT and security assets to provide a holistic view of the facility and a centralized software solution to manage these groups of assets. VCOM is designed to aggregate multiple sources of asset data, reduce data center operational expenses and improve system and application reliability.



IPM



VPM



VCOM

## 4Dimension strut system

Eaton's 4Dimension™ strut profile design, along with its innovative accessories, compress installers project schedules and cuts material costs – all without sacrificing load while increasing configuration flexibility.

For more information, visit [Eaton.com/4dimension](http://Eaton.com/4dimension).



4Dimension strut system

## Technical furniture

Command and control consoles offer electronic height-adjustable work surfaces for sit-to-stand applications and superior power and cable management for easy service access. Industrial workbench systems maximize vertical storage space and offer rugged durability for heavy-duty applications.

For more information, visit [Eaton.com/furniture](http://Eaton.com/furniture).



Furniture for technical workspaces

# Eaton Solutions Overview

## Airflow management solutions

Whether your airflow management strategy is based at the enclosure level or at the hot or cold aisle level, we have a solution to meet your unique requirements, including enclosure chimneys, aisle containment, vertical wall systems and end of row doors.



## Cages

The ideal solution for partitioning white space environments, Eaton's cages are perfect for multi-tenant data centers – providing the ultimate level of security for your valuable IT systems.



## Eaton Power Distribution Unit (PDU) G3

The Eaton PDU G3 rack mounted power distribution units (PDUs) provide best-in-class power distribution to IT equipment within a rack, enabling data center and IT managers to simplify installation, enhance operation and maximize control of their environment. We offer a tiered portfolio of rack PDUs in multiple form factors with capabilities ranging from basic power distribution to advanced power management and precision control designed to save time, save money and reduce risk.



PDU G3

For more information, visit [Eaton.com/datacenters](http://Eaton.com/datacenters).

## Eaton Uninterruptible Power Supply (UPS)

- **BladeUPS** - offers expandable power protection in a single 19-inch rack. Power rating: 8-60 kW.
- **93E UPS** - delivers customers the most efficient power quality solution in three key areas: space, power and cost. Power rating: 20-60 kVA
- **93PM UPS** - combines efficiency, reliability, and vertical or horizontal scalability with eye-catching design. A space-saving, flexible device that's as easy to deploy as it is to manage, it's the perfect three-phase white or grey space solution for today's data center. Power rating: 20-200 kW
- **Eaton 9355 UPS** - offers double-conversion backup power and scalable battery runtimes. A complete three-phase power protection solution. Power rating: 10-30 kVA
- **9PX UPS** - an ideal solution for both rack and stand alone installations – even in virtualized environments. Power rating: 2-11 kVA
- **Eaton 5 series UPS (500-3000 VA)** - offers enterprise-class battery backup for desktops, network closets, storage and small data centers. All 5 series models feature a graphical LCD interface that provides clear status of key UPS information and come with Eaton's Intelligent Power Manager (IPM) software to allow you to optimize power performance in your virtualized environments.



Eaton BladeUPS



Eaton 93E



Eaton 93PM



Eaton 9355



Eaton 9PX



Eaton 5 series UPS (500-3000 VA)



Catalog No.	Page	Catalog No.	Page	Catalog No.	Page	Catalog No.	Page
0248-SDLG	257	3/8X21/4SNCBYZN	363	12-24HNYZN	365	36248-SDSS6	259
1/4FW	185	3/8X23/4HHCS	364	12-24X1/2SPHMSYZN	363	482410-SDLG	257
1/4HN	185	3/8X2HHCS	364	12-24X1/2SRHMSYZN	363	482412-SDLG	257
1/4LW	185	3/8X2HHLSYZN	363	12-24X1SPHMSNYL	370	602418-4FS3PT	262
1/4FWNYL	370	3/8X3/4HHCS	364	12-24X1SRHMSYZN	363	602418-4XSF3S3PT	266
1/4FWSB	365	3/8X3HHCS	364	12-24X3/4SPHMSYZN	363	722418-4FS3PT	262
1/4FWYZN	365	5/16FWNYL	370	12-24X5/8SPHMSYZN	363	722418-4XSF3S3PT	266
1/4HNNYL	370	5/16FWSB	365	12FWNYL	370	722424-4FS3PT	262
1/4HNSB	365	5/16FWYZN	365	12FWYZN	365	722424-4FSDA3PT	265
1/4HNYZN	365	5/16HNNYL	370	12HNNYL	370	722424-4XSF3S3PT	266
1/4LWSB	366	5/16HNSB	365	12PMK	261	722424-4XSFSDA3PT	268
1/4LWYZN	366	5/16HNYZN	365	12URMA	260	722430-4FS3PT	262
1/4X1/2HHCS	364	5/16LWSB	366	16 IN COVER	178	722430-4FSDA3PT	265
1/4X11/2HHCS	364	5/16LWYZN	366	16 L BRKT	173	722430-4XSFSDA3PT	268
1/4X11/2HHCSNYL	370	5/16X11/2HHCS	364	16PMK	261	722436-4FSDA3PT	265
1/4X11/4HHCS	364	5/16X11/4HHCS	364	16URMA	260	722436-4XSFSDA3PT	268
1/4X11/4SNCBYZN	363	5/16X1HHCS	364	18 IN COVER	178	79903821893	252
1/4X13/4HHCS	364	5/16X1HHCSNYL	370	19URMA	260	90 DEGREE KIT	166
1/4X1HHCS	364	5/16X1SFHMSYZN	363	20 IN COVER	178	902420-4FS3PT	262
1/4X1HHCSNYL	370	5/16X21/4SNCBYZN	363	20 L BRKT	173	902420-4XSF3S3PT	266
1/4X21/2HHCS	364	5/16X23/4SNCBYZN	363	20PMK	261	ACCT070400B	251
1/4X23/4HHCS	364	5/16X2HHCS	364	24 IN COVER	178	ACCT070590B	251
1/4X2HHCS	364	5/16X3/4HHCS	364	24 L BRKT	173	ACCT070890B	251
1/4X3/4HHCS	364	5/16X3/4SFHMSYZN	363	24PMK	261	ADI-37	362
1/4X3/4HHCSNYL	370	5/16X3HHCS	364	26URMA	260	ADI-50	362
1/4X3/4SRHMSYZN	363	5/16X7/8SFHMSYZN	363	30PMK	261	ADI-62	362
1/4X3/8SRHMSYZN	363	5/8FWYZN	365	2424SF	260	ADI-75	362
1/4X3HHCS	364	5/8HNSB	365	3024SF	260	ARC-37-150	186
1/2FW	185	5/8HNYZN	365	3624SF	260	ARS-37-150	186
1/2HN	185	5/8LWYZN	366	7187	186	ARS-37-150SW	186
1/2LW	185	5/8X11/2HHCS	364	7197	186	ARW-37-200	186
1/2FWSB	365	5/8X11/4HHCS	364	202410-SDLG	257	ARW-37-200SW	186
1/2FWYZN	365	5/8X13/4HHCS	364	242410-SDLG	257	ASE-25	362
1/2HNSB	365	5/8X1HHCS	364	242410-SDWLG	257	ASE-37	362
1/2HNYZN	365	5/8X21/2HHCS	364	242412-SDLG	257	ASE-50	362
1/2LWSB	366	5/8X21/4HHCS	364	242412-SDSS4	259	ASE-62	362
1/2LWYZN	366	5/8X23/4HHCS	364	242412-SDSS6	259	ASSAM12157HN	249
1/2X11/2HHCS	364	5/8X2HHCS	364	242412-SDWLG	257	ASSAM12157HN	361
1/2X11/4HHCS	364	5/8X3/4HHCS	364	242416-SDLG	257	ASSAM12157TN	361
1/2X13/4HHCS	364	5/8X31/2HHCS	364	242416-SDSS4	259	ATB-25-300	362
1/2X1HHCS	364	5/8X31/4HHCS	364	242416-SDSS6	259	ATB-37-300	362
1/2X21/2HHCS	364	5/8X33/4HHCS	364	242416-SDWLG	257	ATB-37-400	362
1/2X21/2HHLSYZN	363	5/8X3HHCS	364	242420-SDLG	257	ATR1/2x120	185
1/2X21/4HHCS	364	5/8X4HHCS	364	242420-SDWLG	257	ATR1/2x144	185
1/2X23/4HHCS	364	5/8X5HHCS	364	24246-SDLG	257	ATR1/2x72	185
1/2X2HHCS	364	2 IN COVER	178	24246-SDWLG	257	ATR1/4x120	185
1/2X3/4HHCS	364	2 IN CTR SUPT	170	24248-SDLG	257	ATR1/4x144	185
1/2X31/2HHCS	364	2 IN DIVIDER	178	24248-SDSS4	259	ATR1/4x72	185
1/2X31/4HHCS	364	3MDBLK	261	24248-SDSS6	259	ATR1/2x120YZN	358
1/2X33/4HHCS	364	4 C BRKT	177	24248-SDWLG	257	ATR1/2x12YZN	358
1/2X3HHCS	364	4 IN COVER	178	24248-SDWSS4	259	ATR1/2x144YZN	358
1/2X41/2HHCS	364	4 IN DIVIDER	178	302410-SDLG	257	ATR1/2x36YZN	358
1/2X4HHCS	364	4 L BRKT	173	302410-SDWLG	257	ATR1/2x72YZN	358
3/8FW	185	6 IN COVER	178	302412-SDLG	257	ATR3/8x120	185
3/8HN	185	6 IN DIVIDER	178	302412-SDSS4	259	ATR3/8x144	185
3/8LW	185	7MSLK	261	302412-SDSS6	259	ATR3/8x72	185
3/8FWNYL	370	7MTLK	261	302412-SDWLG	257	ATR3/8x120YZN	358
3/8FWSB	365	8 C BRKT	177	302412-SDWSS4	259	ATR3/8x12YZN	358
3/8FWYZN	365	8 IN COVER	178	302416-SD	257	ATR3/8x144YZN	358
3/8HNSB	365	8 L BRKT	173	302416-SDSS4	259	ATR3/8x36YZN	358
3/8HNYZN	365	9A-SR0	154	302416-SDSS6	259	ATR3/8x72YZN	358
3/8LWSB	366	9A-SR0406	155	302420-SDLG	257	ATR5/8x120YZN	358
3/8LWYZN	366	9A-SR0409	155	302420-SDWLG	257	ATR5/8x12YZN	358
3/8X1/2HHCS	364	9A-SR0506	155	30248-SDLG	257	ATR5/8x144YZN	358
3/8X11/2HHCS	364	9A-SR0509	155	30248-SDSS4	259	ATR5/8x36YZN	358
3/8X11/2HHLSYZN	363	9ZN-MB1-4	154, 155	30248-SDSS6	259	ATR5/8x72YZN	358
3/8X11/4HHCS	364	9ZN-R238	155	30248-SDWLG	257	ATTACHMENT CLP	175
3/8X11/4SNCBYZN	363	9ZN-R250	155	30248-SDWSS4	259	AWA-25-225	361
3/8X13/4HHCS	364	9ZNR	154	362410-SDLG	257	AWA-37-275-BLT	361
3/8X13/4SNCBYZN	363	10LWSB	366	362412-SDLG	257	AWA-50-275	361
3/8X1HHCS	364	10URMA	260	362412-SDSS4	259	AWA-50-375	361
3/8X1SFHMSYZN	363	12 C BRKT	177	362412-SDSS6	259	AWA-62-350	361
3/8X21/2HHCS	364	12 IN COVER	178	362416-SD	257	B201	185
3/8X21/2HHLSYZN	363	12 L BRKT	173	36248-SDLG	257	B202	185
3/8X21/4HHCS	364	12-24HNSB	365	36248-SDSS4	259	B22SGALV120	186

Catalog No.	Page	Catalog No.	Page	Catalog No.	Page	Catalog No.	Page
B22SHGALV120	186	BCH32-C2	207	BKB38-094-360	227	BKYH18-094-360K	224
B3036L-1/2	185	BCH32-C442	207	BKB38-094-360K	227	BKYH18-094-40	224
B3036L-3/8	185	BCH32-C442A	208	BKB38-094-40	227	BKYH18-094-40K	224
B441-22	186	BCH32-E-2-4	206	BKB38-094-40K	227	BKYH18-094-80	224
B444-1/2	186	BCH32-E-5-8	206	BKB38-094-80	227	BKYH18-094-80K	224
B444-1/4	186	BCH32-E-9-12	206	BKB38-094-80K	227	BKYH30-094	223
B444-3/8	186	BCH32-F3	209	BKC100	219	BKYH30-094-120	224
B56SGALV120	186	BCH32-F4	209	BKC200	219	BKYH30-094-120K	224
B56SHGALV120	186	BCH32-G-8-12	211	BKCC	220	BKYH30-094-180	224
B634	332	BCH32-L1410	211	BKF100-4	221	BKYH30-094-180K	224
B635	332	BCH32-RB	212	BKF100-6	221	BKYH30-094-240	224
B655-1/2	185	BCH32-U-2-4	206	BKH-094-120	223	BKYH30-094-240K	224
B655-1/4	185	BCH32-U-5-8	206	BKH-094-120K	223	BKYH30-094-360	224
B655-1/8	358	BCH32-U-9-12	206	BKH-094-180	223	BKYH30-094-360K	224
B655-3/8	185	BCH32-W2	210	BKH-094-180K	223	BKYH30-094-40	224
B655-3/8	358	BCH32-W6	210	BKH-094-240	223	BKYH30-094-40K	224
B655-5/8	358	BCH32X	205	BKH-094-240K	223	BKYH30-094-80	224
B656-1/8 x 3/8	358	BCH64	204	BKH-094-360	223	BKYH30-094-80K	224
B656-5/8 x 1/8	358	BCH64-1D	214	BKH-094-360K	223	BKYT12-063	225
B719EB	183	BCH64-2D	214	BKH-094-40	223	BKYT12-063-120	226
BCH12	204	BCH64-2S	213	BKH-094-40K	223	BKYT12-063-120K	226
BCH12-C1	208	BCH64-3S	213	BKH-094-80	223	BKYT12-063-180	226
BCH12-C2	207	BCH64-AB	212	BKH-094-80K	223	BKYT12-063-180K	226
BCH12-C442	207	BCH64-C1	208	BKL-063-120	222	BKYT12-063-240	226
BCH12-C442A	208	BCH64-C2	207	BKL-063-120K	222	BKYT12-063-240K	226
BCH12-E-2-4	206	BCH64-C442	207	BKL-063-180	222	BKYT12-063-360	226
BCH12-E-5-8	206	BCH64-C442A	208	BKL-063-180K	222	BKYT12-063-360K	226
BCH12-E-9-12	206	BCH64-F3	209	BKL-063-240	222	BKYT12-063-40	226
BCH12-F3	209	BCH64-F4	209	BKL-063-240K	222	BKYT12-063-40K	226
BCH12-F4	209	BCH64-G-8-12	211	BKL-063-360	222	BKYT12-063-80	226
BCH12-G-8-12	211	BCH64-L1410	211	BKL-063-360K	222	BKYT12-063-80K	226
BCH12-L1410	211	BCH64-RB	212	BKL-063-40	222	BKYT18-063	225
BCH12-RB	212	BCH64-U-2-4	206	BKL-063-40K	222	BKYT18-063-120	226
BCH12-U-2-4	206	BCH64-U-5-8	206	BKL-063-80	222	BKYT18-063-120K	226
BCH12-U-5-8	206	BCH64-U-9-12	206	BKL-063-80K	222	BKYT18-063-180	226
BCH12-U-9-12	206	BCH64X	205	BKL-094-120	222	BKYT18-063-180K	226
BCH12-W2	210	BCHK1	214	BKL-094-120K	222	BKYT18-063-240	226
BCH12-W6	210	BCHK2	214	BKL-094-180	222	BKYT18-063-240K	226
BCH21	204	BCHK3	214	BKL-094-180K	222	BKYT18-063-360	226
BCH21-1D	214	BD-PKHB	271	BKL-094-240	222	BKYT18-063-360K	226
BCH21-2D	214	BE-2-4-CT2	216	BKL-094-240K	222	BKYT18-063-40	226
BCH21-2S	213	BE-5-8-CT2	216	BKL-094-360	222	BKYT18-063-40K	226
BCH21-3S	213	BE-9-12-CT2	216	BKL-094-360K	222	BKYT18-063-80	226
BCH21-4S	213	BF1-CT2	216	BKL-094-40	222	BKYT18-063-80K	226
BCH21-5S	213	BF2-CT2	216	BKL-094-40K	222	BKYT30-063	225
BCH21-6S	213	BKA-063-120	228	BKL-094-80	222	BKYT30-063-120	226
BCH21-AB	212	BKA-063-120K	228	BKL-094-80K	222	BKYT30-063-120K	226
BCH21-C1	208	BKA-063-180	228	BKP10063	220	BKYT30-063-180	226
BCH21-C2	207	BKA-063-180K	228	BKP10094	220	BKYT30-063-180K	226
BCH21-C442	207	BKA-063-240	228	BKP20125	220	BKYT30-063-240	226
BCH21-C442A	208	BKA-063-240K	228	BKP20188	220	BKYT30-063-240K	226
BCH21-E-2-4	206	BKA-063-360	228	BKT-063-120	225	BKYT30-063-360	226
BCH21-E-5-8	206	BKA-063-360K	228	BKT-063-120K	225	BKYT30-063-360K	226
BCH21-E-9-12	206	BKA-063-40	228	BKT-063-180	225	BKYT30-063-40	226
BCH21-F3	209	BKA-063-40K	228	BKT-063-180K	225	BKYT30-063-40K	226
BCH21-F4	209	BKA-063-80	228	BKT-063-240	225	BKYT30-063-80	226
BCH21-G-8-12	211	BKA-063-80K	228	BKT-063-240K	225	BKYT30-063-80K	226
BCH21-L1410	211	BKB25-063-120	227	BKT-063-360	225	BL02540.0-01	272
BCH21-RB	212	BKB25-063-120K	227	BKT-063-360K	225	BL02540.0-01-0003	272
BCH21-U-2-4	206	BKB25-063-180	227	BKT-063-40	225	BL02541.0-01	272
BCH21-U-5-8	206	BKB25-063-180K	227	BKT-063-40K	225	BL02541.0-01-0003	272
BCH21-U-9-12	206	BKB25-063-240	227	BKT-063-80	225	BLCD12	215
BCH21-W2	210	BKB25-063-240K	227	BKT-063-80K	225	BLCD12BL	215
BCH21-W6	210	BKB25-063-360	227	BKW063	220	BLCD12RD	215
BCH21X	205	BKB25-063-360K	227	BKW094	220	BLCD8	215
BCH32	204	BKB25-063-40	227	BKW125	220	BLCD8BL	215
BCH32-1D	214	BKB25-063-40K	227	BKW188	220	BLCD8RD	215
BCH32-2D	214	BKB25-063-80	227	BKYH18-094	223	BR-16-3W	217
BCH32-2S	213	BKB25-063-80K	227	BKYH18-094-120	224	BR-24-4W	217
BCH32-3S	213	BKB38-094-120	227	BKYH18-094-120K	224	BR-32-4T-A6	218
BCH32-4S	213	BKB38-094-120K	227	BKYH18-094-180	224	BR-32-4T-C1	218
BCH32-5S	213	BKB38-094-180	227	BKYH18-094-180K	224	BR-32-4T-U-2-4	217
BCH32-6S	213	BKB38-094-180K	227	BKYH18-094-240	224	BR-32-4T-U-5-8	217
BCH32-AB	212	BKB38-094-240	227	BKYH18-094-240K	224	BR-32-4T-U-9-12	217
BCH32-C1	208	BKB38-094-240K	227	BKYH18-094-360	224	BR-32-4T-W2	218

Catalog No.	Page	Catalog No.	Page	Catalog No.	Page	Catalog No.	Page
BR-32-4W	217	ETN-CMDRNR031U	241	FT4X20	158	HD2T7A	60
BRS-32	217	ETN-CMTUNR02	241	FT4X20X10	159	HD2T7B	60
BRS-32A	217	ETN-CMVBCKL	241	FT4X24	158	HD2T8A	60
BRS-64A	217	ETN-CMVBCKL12	241	FT4X24X10	159	HD2T8B	60
BTM WASHER	160	ETN-FS19201U20	244	FT4X30	158	HD4S7C	58
BW2-CT2	216	ETN-FS19201U40	244	FT4X30X10	159	HD4S7D	58
BW4	180	ETN-FS19241U20	244	FT4X4	158, 167	HD4S7E	58
BW6-CT2	216	ETN-FS19241U40	244	FT4X4X10	159	HD4S8C	58
CABLE ROLLER	180	ETN-FS19281U20	244	FT4X6	158, 167	HD4S8D	58
CLEANSHEAR	187	ETN-FS19281U40	244	FT4X6X10	159	HD4S8E	58
CLEANSHEAR BEND	187	ETN-M6CAGE20	244	FT4X8	158, 167	HD4T7C	59
CTR HUNG CLP	171	ETN-PBP1U10	233, 235, 243	FT4X8X10	159	HD4T7D	59
DROP OUT	181	ETN-PBP1U100	243	FT6X12	158	HD4T7E	59
E013603	249	ETN-PBP1U500	243	FT6X12X10	159	HD4T8C	59
E018757	249, 252	ETN-PBP2U10	243	FT6X16	158	HD4T8D	59
E2556SHBRKT	42	ETN-PBP2U100	243	FT6X16X10	159	HD4T8E	59
E2556SSH20	42	ETN-PBP2U500	243	FT6X18	158	HDAB7B	63
E2556SSH24	42	ETN-PBP8U10	243	FT6X18X10	159	HDAB7C	63
E2MA1032PHMS100	369	ETN-PBP8U100	243	FT6X20	158	HDAB7D	63
E2MA1224PHMS100	369	ETN-PBP8U500	243	FT6X20X10	159	HDAB7E	63
E2MACN1032100	369	ETN-RS19241U10	244	FT6X24	158	HDAB8B	63
E2MACN1224100	369	ETN-RS19242U20	244	FT6X24X10	159	HDAB8C	63
E2MACNM6100	369	ETN-RS19281U10	244	FT6X8	158	HDAB8D	63
E2MAM6PHMS100	369	ETN-RS19282U20	244	FT6X8X10	159	HDAB8E	63
E2SH4P1920	40	ETN-US192U1605	244	FTA050CC	182	HDCMB	66
E2SH4P1924	40	FLEXMATE TOOL	162	FTA075CC	182	HDCSKFB	66
E2SH4P1930	40	FLEXMATE2	162	FTA100CC	182	HDDOAFB	65
E2SH4P1936	40	FT BE (*)X4	179	FTA125CC	182	HDDOBFB	65
E2SHDRW19205B	50	FT BE (***)X6	179	FTA12SDO	181	HDDOCFB	65
E2SHDRW19245B	50	FT BE (***)X12	179	FTA2DO	181	HDDODFB	65
E2SHDRW19305B	50	FT BE (***)X16	179	FTA2RS	183	HDDOEFB	65
E2SHDRW23205B	50	FT BE (***)X18	179	FTA4RS	183	HDPDU	64
E2SHDRW23245B	50	FT BE (***)X20	179	FTA6HD	165, 170, 174	HDRSK4	65
E2SHDRW23305B	50	FT BE (***)X24	179	FTA6RS	183	HDRSK6	65
E2SHDRW19205B	50	FT BE (***)X8	179	FTA6SDO	181	HDRSK8	65
E2SHDRWL19245B	50	FT BE 2X2	179	FTA8SDO	181	HDSP7A	62
E2SHDRWL19305B	50	FT(*)X12	167	FTA9WTK	176	HDSP7B	62
E2SHDRWL23205B	50	FT(*)X16	167	FTACRS-12-2	166	HDSP7C	62
E2SHDRWL23245B	50	FT(*)X18	167	FTACRS-12-4	166	HDSP7D	62
E2SHDRWL23305B	50	FT(*)X20	167	FTACRS-12-6	166	HDSP7E	62
E2SHH4P1920	40	FT(*)X24	167	FTACRS-2	166	HDSP8A	62
E2SHH4P1924	40	FT(*)X30	167	FTACRS-4	166	HDSP8B	62
E2SHH4P1930	40	FT1.5X12	158	FTACRS-6	166	HDSP8C	62
E2SHH4P1936	40	FT1.5X12X10	159	FTB06CS	173	HDSP8D	62
E2SHHSS1920	41	FT1.5X4X10	159	FTB06CT	172	HDSP8E	62
E2SHHSS1924	41	FT1.5X6X10	159	FTB08CS	173	HDVS710	61
E2SHHSS1930	41	FT1.5X8X10	159	FTB08CT	172	HDVS712	61
E2SHHSS1936	41	FT2X12	158, 167	FTB12CS	173	HDVS715	61
E2SHSS1920	41	FT2X12X10	159	FTB12CT	172	HDVS76	61
E2SHSS1924	41	FT2X16	158, 167	FTB16CS	173	HDVS810	61
E2SHSS1930	41	FT2X16X10	159	FTB16CS	173	HDVS812	61
E2SHSS1936	41	FT2X18	158, 167	FTB16CT	172	HDVS815	61
E4PFSS1929	43	FT2X18X10	159	FTB18CS	173	HDVS86	61
ELPTSV19B	43	FT2X2	158, 167	FTB18CT	172	INSERT 12X118	179
ERFS10	46	FT2X20	158, 167	FTB20CS	173	INSERT 16X118	179
ERFS16	46	FT2X20X10	159	FTB20CT	172	INSERT 18X118	179
ERFS22	46	FT2X24	158, 167	FTB24CS	173	INSERT 20X118	179
ERFS28	46	FT2X24X10	159	FTB24CT	172	INSERT 24X118	179
ERFS32	46	FT2X2X10	159	FTB2UB	171	INSERT 4X118	179
ES-48RMA-L	270	FT2X30	158, 167	FTHDWE 1/4	160	INSERT 6X118	179
ES-48RMA-U	270	FT2X30X10	159	FTS12ESK	165	INSERT 8X118	179
ES-48SORMF	271	FT2X32	158, 167	FTS12SB	165	LABEL CLIP	184
ES-60RMA-L	270	FT2X32X10	159	FTS20SK	168	N224	186
ES-60RMA-U	270	FT2X4	158, 167	FTS21SK	168	N225	186
ES-60SORMF	271	FT2X4X10	159	FTS22SK	168	N228	186
ES-72RMA-L	270	FT2X6	158, 167	FTS23SK	168	PPS1UQFB	52
ES-72RMA-U	270	FT2X6X10	159	FTS24SK	168	PPS2UQFB	52
ES-72SORMF	271	FT2X8	158, 167	FTS36SB	165	PPS5UQFB	52
ES-90RMA-L	270	FT2X8X10	159	FTS3SP	162	RACK CLAMP	182
ES-90RMA-U	270	FT4X12	158	FTSBK	164	RESB	48
ES-90SORMF	271	FT4X12X10	159	FTSHAK	166	RRFS1910	47
ETN-1032CAGE20	244	FT4X16	158	FTSTLC	163	RRFS1916	47
ETN-BX45V11	241	FT4X16X10	159	FTSWN	161	RRFS1922	47
ETN-BX45V8	241	FT4X18	158	GROUND BOLT	184	RRFS1928	47
ETN-CHASBKT2032	244	FT4X18X10	159	GROUND SUPT GL	184	RRFS2310	47

Catalog No.	Page	Catalog No.	Page	Catalog No.	Page	Catalog No.	Page
RRFS2316	47	RSHPC63	233, 235, 239, 243	SB100203C	360	SB126082	148
RRFS2322	47	RSHPC64	239	SB100204B	360	SB12610	148
RRFS2328	47	RSHPC65	239	SB100204D	360	SB126102	148
RSAIRB80042	242	RSHPC67	239	SB100204G	360	SB12812	145
RSAIRB80045	242	RSHPC68	239	SB100204H	360	SB12815	145
RSAIRB80048	242	RSHPC69	239	SB1003A	360	SB12818	145
RSAIRB80052	242	RSHPEDGE61	239	SB1003F	360	SB12820	145
RSAIRD	231	RSHPS61	238	SB1003G	360	SB12824	145
RSAIRD60042	233, 235	RSHPS63	238	SB1003J	360	SB12830	145
RSAIRD60042	243	RSHPS64	238	SB1003K	360	SB12836	145
RSAIRD60045	243	RSHPS65	238	SB1003M	360	SB1286	145
RSAIRD60048	233, 235	RSMPP2U	152	SB103	322	SB1289	145
RSAIRD60048	243	RSMPP4U	152	SB104	322	SB128U12	145
RSAIRD60052	243	RSN4261	233	SB105	322	SB128U15	145
RSAIRD80042	233, 235, 242	RSN4262	233	SB106	322	SB128U18	145
RSAIRD80045	242	RSN4281	233	SB107	124	SB128U20	145
RSAIRD80048	233, 235, 242	RSN4282	233	SB1072	124	SB128U24	145
RSAIRD80052	242	RSN4861	233	SB107A	125	SB128U30	145
RSANC	233, 235, 243	RSN4862	233	SB107A2	125	SB128U36	145
RSANT6	243	RSN4881	233	SB109B	323	SB128U6	145
RSANT8	243	RSN4882	233	SB109C	323	SB128U9	145
RSB2U	49	RSPDU9MTG	242	SB109D	323	SB13011/2	146
RSBAYKIT	244	RSPDULMTG	242	SB110A1BK	133	SB1302	146
RSBB42	245	RSPDUMTG	242	SB112A	323	SB1311411/2	146
RSBB45	245	RSPDURTNKITB	242	SB112B	323	SB131142	146
RSBB48	245	RSRLKIT	245	SB114502	369	SB131811/2	146
RSBB52	245	RSRMPSTD	245	SB114504	369	SB13182	146
RSBFT421000	240	RSRSPSQ42	245	SB114518	369	SB1328	147
RSBFT42800	240	RSRSPSQ45	245	SB114602	369	SB13411/2	147
RSBFT42900	240	RSRSPSQ48	245	SB114605	369	SB1342	147
RSBPAIRD2	233, 235, 243	RSRSPSQ52	245	SB114707	369	SB13AL	153
RSC4261	235	RSRSPSQ842	245	SB114718	369	SB13AL06	153
RSC4262	235	RSRSPSQ845	245	SB114807	369	SB13AL09	153
RSC4281	235	RSRSPSQ848	245	SB114818	369	SB13AL12	153
RSC4282	235	RSRSPSQ852	245	SB114A	324	SB13AL15	153
RSC4861	235	RSSP	231	SB114B	324	SB13AL18	153
RSC4862	235	RSSP420	238	SB114C	324	SB13AL20	153
RSC4881	235	RSSP421	238	SB114D	324	SB13AL24	153
RSC4882	235	RSSP422	238	SB1153	367	SB13AL30	153
RSCM0T8	241	RSSP450	238	SB1154	367	SB13AL36	153
RSCMBFT42U42	239	RSSP451	238	SB1155	367	SB13ALDO_FB	154
RSCMBFT42U62	239	RSSP452	238	SB1156	367	SB13ALDO06	156
RSCMBFT45U42	239	RSSP480	238	SB1157	367	SB13ALDO09	156
RSCMBFT45U62	239	RSSP481	238	SB116	150	SB13ALDO12	156
RSCMBFT48U42	239	RSSP482	238	SB1162	368	SB13ALDO18	156
RSCMBFT48U62	239	RSSP520	238	SB116301	368	SB13ALDO24	156
RSCMBFT52U42	239	RSSP521	238	SB116302	368	SB13ALDO30	156
RSCMBFT52U62	239	RSSP522	238	SB116303	368	SB13ALDO36	156
RSCMF	231	RSSPC	231	SB116304	368	SB15	109
RSCMF11U	240	RSSPC420	238	SB116305	368	SB1506	109
RSCMF42U	235, 240	RSSPC421	238	SB116306	368	SB1509	109
RSCMF45U	240	RSSPC422	238	SB116307	368	SB1512	109
RSCMF48U	235, 240	RSSPC450	238	SB116308	368	SB1515	109
RSCMF52U	240	RSSPC451	238	SB116309	368	SB1518	109
RSCMFFT42U6	239	RSSPC452	238	SB117A	148	SB1520	109
RSCMFFT45U6	239	RSSPC480	238	SB117A2	148	SB1524	109
RSCMFFT48U6	239	RSSPC481	238	SB117AK	148	SB1530	109
RSCMFFT52U6	239	RSSPC482	238	SB117AK2	148	SB1536	109
RSCMOT6	241	RSSPC520	238	SB117B	148	SB156A	121
RSCMPWR11	242	RSSPC521	238	SB117C	148	SB156A2	121
RSCMTWF600	241	RSSPC522	238	SB118A	149	SB156B	121
RSCRG510	240	RSSTUDKIT100	244	SB118B	149	SB156B2	121
RSCSTRKIT	244	RSSTUDKIT100	369	SB119A	151	SB157A	122
RSFFT61000	240	RSVVCMC42B	235, 240	SB119B	151	SB157A2	122
RSFFT6800	240	RSVVCMC45B	240	SB119C	151	SB157B	122
RSFFT6900	240	RSVVCMC48B	235, 240	SB119E	151	SB157B2	122
RSGROM4	245	RSVVCMC52B	240	SB119G	151	SB16	108
RSHDL	245	SB1001A	360	SB122	149	SB1606	108
RSHDLH	245	SB1001B	360	SB1222	149	SB1606A	107
RSHDLS	245	SB1001E	360	SB125	150	SB1609	108
RSHFIDADMSW	245	SB1001M	360	SB1252	150	SB1609A	107
RSHFIDBATT	245	SB1001S	360	SB126_FB	154	SB16106	140
RSHINGEKITL	244	SB1001U	360	SB12606	148	SB16109	140
RSHINGEKITR	244	SB100203A	360	SB126062	148	SB16112	140
RSHPBRSH61	241	SB100203B	360	SB12608	148	SB16115	140

Catalog No.	Page	Catalog No.	Page	Catalog No.	Page	Catalog No.	Page
SB16118	140	SB17HRB15	120	SB200403	314	SB2116D2	121
SB1612	108	SB17HRB18	120	SB200405	314	SB2118A	122
SB16120	140	SB17HRB20	120	SB200410	314	SB2118A2	122
SB16124	140	SB17HRB24	120	SB200503	314	SB2118D	122
SB1612A	107	SB17HRB30	120	SB200505	314	SB2118D2	122
SB16130	140	SB17HRB36	120	SB200510	314	SB211A	317
SB16136	140	SB17RK05	141	SB20102K	318	SB211B	317
SB1615	108	SB17RK06	141	SB201K	318	SB2125	126
SB1615A	107	SB17RK09	141	SB20202K	318	SB21252	126
SB1618	108	SB17RK12	141	SB202K	318	SB212706A	132
SB1618A	107	SB17RK15	141	SB205AK	319	SB212709A	132
SB1620	108	SB17RK18	141	SB205AK1	319	SB212712A	132
SB1620A	107	SB17RK20	141	SB205BK	319	SB212715A	132
SB1624	108	SB17RK24	141	SB205BK1	319	SB212718A	132
SB1624A	107	SB17RK30	141	SB205DK	320	SB212720A	132
SB1630	108	SB17RK36	141	SB205DK1	320	SB212724A	132
SB1630A	107	SB17T	105	SB20601	327	SB2127S06	132
SB1636	108	SB17T06	105	SB20602	327	SB2127S09	132
SB1636A	107	SB17T09	105	SB20603	327	SB2127S15	132
SB16411/2	128	SB17T12	105	SB20604	327	SB2127S20	132
SB1642	128	SB17T15	105	SB20605	327	SB2127S24	132
SB165	112	SB17T18	105	SB20606	327	SB212806	118
SB1652	112	SB17T24	105	SB21	133	SB2128062	118
SB166A	110	SB17U	104	SB21	317	SB212809	118
SB166A2	110	SB17U06B	104	SB21	154	SB2128092	118
SB166B	110	SB17U09B	104	SB2101A	112	SB212812	118
SB166B2	110	SB17U12B	104	SB2101A2	112	SB2128122	118
SB167	113	SB17U15B	104	SB2102A	115	SB212815	118
SB1672	113	SB17U18B	104	SB2102A2	115	SB2128152	118
SB168C	111	SB17U24B	104	SB2102B	115	SB212818	118
SB168C2	111	SB17U30B	104	SB2102B2	115	SB2128182	118
SB168D	111	SB17U36B	104	SB2103A	113	SB212820	118
SB168D2	111	SB17VRB06	119	SB2103A2	113	SB2128202	118
SB16A	107	SB17VRB09	119	SB2104	116	SB212824	118
SB16HRB06	120	SB17VRB12	119	SB21042	116	SB2128242	118
SB16HRB09	120	SB17VRB15	119	SB2105062	139	SB212830	118
SB16HRB12	120	SB17VRB18	119	SB2105092	139	SB2128302	118
SB16HRB15	120	SB17VRB20	119	SB2105122	139	SB212836	118
SB16HRB18	120	SB17VRB24	119	SB2105152	139	SB2128362	118
SB16HRB20	120	SB17VRB30	119	SB2105182	139	SB212906	142
SB16HRB24	120	SB17VRB36	119	SB2105202	139	SB212909	142
SB16HRB30	120	SB1906	144	SB2105242	139	SB212912	142
SB16HRB36	120	SB1906KG	145	SB2105302	139	SB212915	142
SB16VRB06	119	SB1909	144	SB2105362	139	SB212918	142
SB16VRB09	119	SB1909KG	145	SB2106A	129	SB212920	142
SB16VRB12	119	SB1912	144	SB2106A2	129	SB212924	142
SB16VRB15	119	SB1912KG	145	SB2106B	129	SB212930	142
SB16VRB18	119	SB1915	144	SB2106B2	129	SB212936	142
SB16VRB20	119	SB1915KG	145	SB2107	110	SB2129SD06	143
SB16VRB24	119	SB1918	144	SB2107_BZ	154	SB2129SD09	143
SB16VRB30	119	SB1918KG	145	SB21072	110	SB2129SD12	143
SB16VRB36	119	SB1920	144	SB2108A	113	SB2129SD18	143
SB17	106	SB1920KG	145	SB2108C	114	SB2129SD24	143
SB1706	106	SB1924	144	SB2109	128	SB2129U06	142
SB1709	106	SB1924KG	145	SB21092	128	SB2129U09	142
SB1712	106	SB1930	144	SB210K	331	SB2129U12	142
SB1715	106	SB1936	144	SB2110A	116	SB2129U15	142
SB1718	106	SB1936KG	145	SB2111A	117	SB2129U18	142
SB1720	106	SB200103	314	SB2111A2	117	SB2129U20	142
SB1724	106	SB200105	314	SB2111B	117	SB2129U24	142
SB1730	106	SB200110	314	SB2111B2	117	SB2129U30	142
SB1736	106	SB200203	314	SB211306	130	SB2129U36	142
SB17DRK05	141	SB200205	314	SB211309	130	SB212A05	316
SB17DRK06	141	SB200210	314	SB211312	130	SB212A10	316
SB17DRK09	141	SB200303	314	SB211315	130	SB212B05	316
SB17DRK12	141	SB200305	314	SB211318	130	SB212B10	316
SB17DRK15	141	SB200310	314	SB211320	130	SB212C05	316
SB17DRK18	141	SB2003A	124	SB211324	130	SB212C10	316
SB17DRK20	141	SB2003A2	124	SB211330	130	SB21306K	129
SB17DRK24	141	SB2003B	124	SB211336	130	SB21312K	129
SB17DRK30	141	SB2003B2	124	SB2114A	128	SB21318K	129
SB17DRK36	141	SB2003E	125	SB2114A2	128	SB213209	138
SB17HRB06	120	SB2003E2	125	SB2116A	121	SB213212	138
SB17HRB09	120	SB2003F	125	SB2116A2	121	SB213218	138
SB17HRB12	120	SB2003F2	125	SB2116D	121	SB213224	138

# Index

Catalog No.	Page	Catalog No.	Page	Catalog No.	Page	Catalog No.	Page
SB213309	136	SB2261204	135	SB300D	359	SB556090	9
SB213312	136	SB2261206	135	SB301-1/2x8	171	SB556096	9
SB213312RR	137	SB2261208	135	SB3011/2x72	359	SB556096XU	3
SB213318	136	SB2261210	135	SB3011/2x8	359	SB556108	9
SB213318RR	137	SB2261212	135	SB3015/8x72	359	SB5561084	279
SB213324	136	SB2261502	135	SB3015/8x8	359	SB556108XU	3
SB2135	111	SB2261504	135	SB307A	332	SB5561090	279
SB21352	111	SB2261506	135	SB307B	332	SB5561096	279
SB214A15K	131	SB2261508	135	SB308A	333	SB5561108	279
SB214A18K	131	SB2261510	135	SB308B	333	SB5561138	279
SB214A24K	131	SB2261512	135	SB309A	333	SB5561140	279
SB214B15K	131	SB2261802	135	SB309B	333	SB556138	9
SB214B18K	131	SB2261804	135	SB310A	331	SB556140	9
SB214B24K	131	SB2261806	135	SB310AK	331	SB5562084	279
SB21501	366	SB2261808	135	SB310B	331	SB5562090	279
SB21502	366	SB2261810	135	SB310BK	331	SB5562096	279
SB21503	366	SB2261812	135	SB315A084	328	SB5562108	279
SB21504	366	SB2262002	135	SB315A096	328	SB5562138	279
SB21505	366	SB2262004	135	SB315A108	328	SB5562140	279
SB21506	366	SB2262006	135	SB315A120	328	SB5563084	275
SB21507	366	SB2262008	135	SB315A140	328	SB5563090	275
SB217A	321	SB2262010	135	SB320A084	329	SB5563096	275
SB217B	321	SB2262012	135	SB320A096	329	SB5563108	275
SB21A	133	SB2262402	135	SB320A108	329	SB5563138	275
SB21A	317	SB2262404	135	SB320A120	329	SB5563140	275
SB21B	133	SB2262406	135	SB320A140	329	SB5564084	275
SB21B	317	SB2262408	135	SB322084	330	SB5564090	275
SB21C	133	SB2262410	135	SB322090	330	SB5564096	275
SB220103	315	SB2262412	135	SB322096	330	SB5564108	275
SB220105	315	SB227_FB	154	SB322108	330	SB5564138	275
SB220110	315	SB227E3	127	SB323084	330	SB5564140	275
SB220203	315	SB227E32	127	SB323090	330	SB5566084	279
SB220205	315	SB227E6	127	SB323096	330	SB5566090	279
SB220210	315	SB227E62	127	SB323108	330	SB5566096	279
SB220303	315	SB227R3	127	SB420CCW	183	SB5566108	279
SB220305	315	SB227R32	127	SB420CFB	183	SB5566138	279
SB220310	315	SB227R6	127	SB420CFB	366	SB5566140	279
SB2204	182	SB227R62	127	SB420CTG	183	SB5567084	279
SB220403	315	SB2304A	334	SB420CTG	366	SB5567090	279
SB220405	315	SB2304B	334	SB47801	197	SB5567096	279
SB220410	315	SB2305	316	SB47802	197	SB5567108	279
SB220503	315	SB2306A	334	SB47803	197	SB5567138	279
SB220505	315	SB2306B	334	SB47804	197	SB5567140	279
SB220510	315	SB2307A	335	SB47901	198	SB5568084	275
SB2206A	326	SB2307B	335	SB47902	198	SB5568090	275
SB2208	56	SB2308A	335	SB47903	198	SB5568096	275
SB22083	56	SB2308B	335	SB47904	198	SB5568108	275
SB22086	56	SB2310	316	SB47905	198	SB5568138	275
SB2209A	324	SB24B05	316	SB47906	198	SB5568140	275
SB2209B	324	SB24B10	316	SB47907	198	SB5569084	275
SB2210A	325	SB2501	130	SB506084	11	SB5569090	275
SB2210B	325	SB2502A	114	SB506084XU	7	SB5569096	275
SB2211A	325	SB2502A2	114	SB506090	11	SB5569108	275
SB2211B	325	SB2502B	114	SB506096	11	SB5569138	275
SB2212A	326	SB2502B2	114	SB506108	11	SB5569140	275
SB2212B	326	SB2526A	337	SB506138	11	SB5571084	281
SB2212C	326	SB2528A	336	SB506140	11	SB5571090	281
SB2212D	326	SB2528B	336	SB508084	11	SB5571096	281
SB2215A	327	SB2528C	336	SB508084XU	7	SB5571108	281
SB2215B	327	SB2528D	336	SB508090	11	SB5571138	281
SB2221A	123	SB2529A	337	SB508096	11	SB5571140	281
SB2221C	123	SB2529B	337	SB508108	11	SB5572084	281
SB2260602	134	SB2531	336	SB508138	11	SB5572090	281
SB2260604	134	SB254101	45	SB508140	11	SB5572096	281
SB2260606	134	SB254102	45	SB542084	25	SB5572108	281
SB2260608	134	SB254401	45	SB542096	25	SB5572138	281
SB2260610	134	SB254402	45	SB556 GUSSET KIT	21	SB5572140	281
SB2260612	134	SB254701	312	SB556036XU	3	SB5573084	277
SB2260902	135	SB254702	312	SB556048XU	3	SB5573090	277
SB2260904	135	SB254703HN	312	SB556072	9	SB5573096	277
SB2260906	135	SB254703TN	312	SB556072XU	3	SB5573108	277
SB2260908	135	SB254704HN	312	SB556084	9	SB5573138	277
SB2260910	135	SB254704TN	312	SB55608419U6	5	SB5573140	277
SB2260912	135	SB300B	359	SB55608423U6	5	SB5574084	277
SB2261202	135	SB300C	359	SB556084XU	3	SB5574090	277

Catalog No.	Page	Catalog No.	Page	Catalog No.	Page	Catalog No.	Page
SB5574096	277	SB5615210CL	288	SB562423	286	SB576A05	52
SB5574108	277	SB5615210OP	288	SB5631	287	SB576A06	52
SB5574138	277	SB5615212CL	288	SB5631	308	SB576A07	52
SB5574140	277	SB5615212OP	288	SB5631A01	287	SB576A08	52
SB5576084	281	SB5615215CL	288	SB5631A01	308	SB5771901	51
SB5576090	281	SB5615215OP	288	SB563222	101	SB5771902	51
SB5576096	281	SB5615217CL	288	SB563226	101	SB5771903	51
SB5576108	281	SB5615217OP	288	SB563242	101	SB5771904	51
SB5576138	281	SB5615310CL	288	SB563246	101	SB5771905	51
SB5576140	281	SB5615310OP	288	SB5641006	283	SB5771906	51
SB5577084	281	SB5615312CL	288	SB5641012	283	SB5771907	51
SB5577090	281	SB5615312OP	288	SB5641018	283	SB5771908	51
SB5577096	281	SB5615315CL	288	SB5641024	283	SB5771909	51
SB5577108	281	SB5615315OP	288	SB5641030	283	SB5771910	51
SB5577138	281	SB5615317CL	288	SB5641032	283	SB5772301	51
SB5577140	281	SB5615317OP	288	SB5641042	283	SB5772302	51
SB5578084	277	SB5615510CL	288	SB5641044	283	SB5772303	51
SB5578090	277	SB5615510OP	288	SB5641048	283	SB5772304	51
SB5578096	277	SB5615512CL	288	SB5641050	283	SB5772305	51
SB5578108	277	SB5615512OP	288	SB5641054	283	SB5772306	51
SB5578138	277	SB5615515CL	288	SB5641056	283	SB5772307	51
SB5578140	277	SB5615515OP	288	SB5646006	283	SB5772308	51
SB5579084	277	SB5615517CL	288	SB5646012	283	SB5772309	51
SB5579090	277	SB5615517OP	288	SB5646018	283	SB5772310	51
SB5579096	277	SB561571/210CL	288	SB5646024	283	SB57903	194
SB5579108	277	SB561571/210OP	288	SB5646030	283	SB57904	194
SB5579138	277	SB561571/212CL	288	SB5646032	283	SB58106	94
SB5579140	277	SB561571/212OP	288	SB5646042	283	SB58108	94
SB558036XU	3	SB561571/215CL	288	SB5646044	283	SB58501	53
SB558048XU	3	SB561571/215OP	288	SB5646048	283	SB58502	53
SB558072	9	SB561571/217CL	288	SB5646050	283	SB58503	53
SB558072XU	3	SB561571/217OP	288	SB5646054	283	SB58504	53
SB558084	9	SB561621/2A	290	SB5646056	283	SB58505	53
SB558084XU	3	SB561621/2B	290	SB57163D084	86	SB58506	53
SB558090	9	SB56162A	290	SB57163D096	86	SB58507	53
SB558096	9	SB56162B	290	SB57163D108	86	SB58508	53
SB558096XU	3	SB56163A	290	SB57163S084	86	SB58510	53
SB558108	9	SB56163B	290	SB57163S096	86	SB58520	53
SB5581084	289	SB56165A	290	SB57163S108	86	SB58530	53
SB558108XU	3	SB56165B	290	SB57166D084	86	SB58604	44
SB5581090	289	SB561671/2A	290	SB57166D096	86	SB5861084	299
SB5581096	289	SB561671/2B	290	SB57166D108	86	SB5861090	299
SB5581108	289	SB56172084	291	SB57166S084	86	SB5861096	299
SB5581138	289	SB56172090	291	SB57166S096	86	SB5861108	299
SB5581140	289	SB56172096	291	SB57166S108	86	SB5861138	299
SB558138	9	SB561721/2084	291	SB571BUSHINGKIT	86	SB5861140	299
SB558140	9	SB561721/2090	291	SB571GROMMETKIT	86	SB5862084	299
SB55817084	311	SB561721/2096	291	SB571HRC3X084	87	SB5862090	299
SB55817x2084	311	SB561721/2108	291	SB571HRC3X096	87	SB5862096	299
SB559101	292	SB561721/2138	291	SB571HRC6X084	87	SB5862108	299
SB559102	292	SB561721/2140	291	SB571HRC6X096	87	SB5862138	299
SB5593	292	SB56172108	291	SB572084	88	SB5862140	299
SB5595DI	293	SB56172138	291	SB572090	88	SB5863084	295
SB5595H	293	SB56172140	291	SB572096	88	SB5863090	295
SB560219	284	SB56173084	291	SB572108	88	SB5863096	295
SB560223	284	SB56173090	291	SB572138	88	SB5863108	295
SB560301	285	SB56173096	291	SB572140	88	SB5863138	295
SB560302	285	SB56173108	291	SB573084	88	SB5863140	295
SB560303	285	SB56173138	291	SB573090	88	SB5864084	295
SB560304	285	SB56173140	291	SB573096	88	SB5864090	295
SB5604	285	SB56175084	291	SB573108	88	SB5864096	295
SB561319	284	SB56175090	291	SB573138	88	SB5864108	295
SB561319WO	284	SB56175096	291	SB573140	88	SB5864138	295
SB561323	284	SB56175108	291	SB57412A	53	SB5864140	295
SB561323WO	284	SB56175138	291	SB57412S	53	SB5866084	299
SB561419	284	SB56175140	291	SB57424A	53	SB5866090	299
SB561423	284	SB561771/2084	291	SB57424S	53	SB5866096	299
SB561521/210CL	288	SB561771/2090	291	SB575A	54	SB5866108	299
SB561521/210OP	288	SB561771/2096	291	SB575B	54	SB5866138	299
SB561521/212CL	288	SB561771/2108	291	SB575C	54	SB5866140	299
SB561521/212OP	288	SB561771/2138	291	SB575D	54	SB5867084	299
SB561521/215CL	288	SB561771/2140	291	SB576A01	52	SB5867090	299
SB561521/215OP	288	SB562319	286	SB576A02	52	SB5867096	299
SB561521/217CL	288	SB562323	286	SB576A03	52	SB5867108	299
SB561521/217OP	288	SB562419	286	SB576A04	52	SB5867138	299

Catalog No.	Page	Catalog No.	Page	Catalog No.	Page	Catalog No.	Page
SB5867140	299	SB58901C	55	SB59502A	54	SB65008	345
SB5868084	295	SB58901D	55	SB59503A	54	SB65009	345
SB5868090	295	SB58901E	55	SB59504A	54	SB65010	345
SB5868096	295	SB58902A	55	SB5961911A	36	SB65011	345
SB5868108	295	SB58902B	55	SB5961911S	36	SB65012	345
SB5868138	295	SB58902C	55	SB5961913A	36	SB65013	345
SB5868140	295	SB58902D	55	SB5961913S	36	SB65014	345
SB5869084	295	SB58902E	55	SB5961915A	36	SB65015	345
SB5869090	295	SB590119	306	SB5961915S	36	SB65016	345
SB5869096	295	SB590123	306	SB5961919A	36	SB656	352
SB5869108	295	SB591521/2	307	SB5961919S	36	SB657	352
SB5869138	295	SB59155	307	SB5962311A	36	SB658	352
SB5869140	295	SB591721/2084	309	SB5962311S	36	SB660	354
SB58704	44	SB591721/2090	309	SB5962313A	36	SB661	354
SB5871084	301	SB591721/2096	309	SB5962313S	36	SB662	355
SB5871090	301	SB591721/2108	309	SB5962315A	36	SB663	355
SB5871096	301	SB591721/2138	309	SB5962315S	36	SB668	356
SB5871108	301	SB591721/2140	309	SB5962319A	36	SB6691x73/4	140
SB5871138	301	SB59175084	309	SB5962319S	36	SB6691x73/4	200
SB5871140	301	SB59175090	309	SB596S19103A	26	SB6693/4x101/2	140
SB5872084	301	SB59175096	309	SB596S19103S	26	SB6693/4x101/2	200
SB5872090	301	SB59175108	309	SB596S19106A	26	SB6693/4x101/2	305
SB5872096	301	SB59175138	309	SB596S19106S	26	SB6693/8x63/4	140
SB5872108	301	SB59175140	309	SB596S19153A	26	SB6693/8x63/4	200
SB5872138	301	SB59181/2084	310	SB596S19153S	26	SB67001	353
SB5872140	301	SB59181/2090	310	SB596S19156A	26	SB67002	353
SB5873084	297	SB59181/2096	310	SB596S19156S	26	SB67003	353
SB5873090	297	SB59181/2108	310	SB596S23103A	26	SB67004	353
SB5873096	297	SB59181/2138	310	SB596S23103S	26	SB67005	353
SB5873108	297	SB59181/2140	310	SB596S23106A	26	SB67006	353
SB5873138	297	SB591821/2084	310	SB596S23106S	26	SB67007	353
SB5873140	297	SB591821/2090	310	SB596S23153A	26	SB67008	353
SB5874084	297	SB591821/2096	310	SB596S23153S	26	SB67009	353
SB5874090	297	SB591821/2108	310	SB596S23156A	26	SB67010	353
SB5874096	297	SB591821/2138	310	SB596S23156S	26	SB704192518	20
SB5874108	297	SB591821/2140	310	SB596V19103A	27	SB704192524	20
SB5874138	297	SB59185084	310	SB596V19103S	27	SB704192530	20
SB5874140	297	SB59185090	310	SB596V19106A	27	SB704193918	20
SB5876084	301	SB59185096	310	SB596V19106S	27	SB704193924	20
SB5876090	301	SB59185108	310	SB596V19153A	27	SB704193930	20
SB5876096	301	SB59185138	310	SB596V19153S	27	SB704197418	20
SB5876108	301	SB59185140	310	SB596V19156A	27	SB704197424	20
SB5876138	301	SB592319x1	302	SB596V19156S	27	SB704197430	20
SB5876140	301	SB592319x2	302	SB596V23103A	27	SB708192408	19
SB5877084	301	SB592321/2x1	307	SB596V23103S	27	SB708192412	19
SB5877090	301	SB592321/2x2	307	SB596V23106A	27	SB708192418	19
SB5877096	301	SB592323x1	302	SB596V23106S	27	SB708192425	19
SB5877108	301	SB592323x2	302	SB596V23153A	27	SB708193008	19
SB5877138	301	SB59235x1	307	SB596V23153S	27	SB708193012	19
SB5877140	301	SB59235x2	307	SB596V23156A	27	SB708193018	19
SB5878084	297	SB592419x1	302	SB596V23156S	27	SB708193025	19
SB5878090	297	SB592419x2	302	SB602084(*)	347	SB708194408	19
SB5878096	297	SB592419x3	302	SB602096(*)	347	SB708194412	19
SB5878108	297	SB592423x1	302	SB602108(*)	347	SB708194418	19
SB5878138	297	SB592423x2	302	SB602120(*)	347	SB708194425	19
SB5878140	297	SB592423x3	302	SB602138(*)	347	SB708195408	19
SB5879084	297	SB59251	304	SB602140(*)	347	SB708195412	19
SB5879090	297	SB59252	304	SB603084(*)	347	SB708195418	19
SB5879096	297	SB59253	304	SB603096(*)	347	SB708195425	19
SB5879108	297	SB59254	304	SB603108(*)	347	SB708197908	19
SB5879138	297	SB59265	304	SB603120(*)	347	SB708197912	19
SB5879140	297	SB59266	304	SB603138(*)	347	SB708197918	19
SB5882012	303	SB59267	304	SB603140(*)	347	SB708197925	19
SB5882024	303	SB59268	304	SB604084(*)	347	SB719191	89
SB5882054	303	SB592719	306	SB604096(*)	347	SB719192L	89
SB5882056	303	SB592719B	306	SB604108(*)	347	SB719192XL	90
SB5882084	303	SB592723	306	SB604120(*)	347	SB719194XL	90
SB5882090	303	SB592723B	306	SB604138(*)	347	SB719231	89
SB5882096	303	SB5946012	305	SB604140(*)	347	SB719232L	89
SB5882108	303	SB5946024	305	SB609084(*)	351	SB719232XL	90
SB5882138	303	SB5946054	305	SB609096(*)	351	SB719234XL	90
SB5882140	303	SB5946056	305	SB609108(*)	351	SB7200104B	340
SB588A	44	SB59501	54	SB609120(*)	351	SB7200105B	340
SB58901A	55	SB59501A	54	SB609138(*)	351	SB7200204A	341
SB58901B	55	SB59502	54	SB609140(*)	351	SB7200204B	340



Catalog No.	Page	Catalog No.	Page	Catalog No.	Page	Catalog No.	Page
SB7200204C	341	SB745S2319A	34	SB837BDCFB	16	SB86086D096	77
SB7200204E	341	SB745S2319S	34	SB837BESFB	17	SB86086D108	77
SB7200205B	340	SB745V1916A	35	SB837CDCFB	16	SB86086S066	75
SB7200206A	341	SB745V1916S	35	SB837CESFB	17	SB86086S072	75
SB7200206C	341	SB745V1919A	35	SB837DDCFB	16	SB86086S078	75
SB7200206E	341	SB745V1919S	35	SB837DESFB	17	SB86086S084	75
SB7200210A	341	SB745V2316A	35	SB838072AFB	15	SB86086S090	75
SB7200210C	341	SB745V2316S	35	SB838072BFB	15	SB86086S096	75
SB7200210E	341	SB745V2319A	35	SB838072CFB	15	SB86086S108	75
SB7200304A	341	SB745V2319S	35	SB838072DFB	15	SB86086SK084FB	99
SB7200304B	340	SB747S1910A	28	SB838084AFB	15	SB860ACSBFB	98
SB7200304C	341	SB747S1910S	28	SB838084BFB	15	SB860ACSK066FB	98
SB7200304E	341	SB747S1915A	28	SB838084CFB	15	SB860ACSK072FB	98
SB7200305B	340	SB747S1915S	28	SB838084DFB	15	SB860ACSK078FB	98
SB7200306A	341	SB747S2310A	28	SB838096AFB	15	SB860ACSK084FB	98
SB7200306C	341	SB747S2310S	28	SB838096BFB	15	SB860ACSK090FB	98
SB7200306E	341	SB747S2315A	28	SB838096CFB	15	SB860ACSK096FB	98
SB7200310A	341	SB747S2315S	28	SB838096DFB	15	SB860CVR10066	84
SB7200310C	341	SB747V1910A	29	SB838AESFB	17	SB860CVR10072	84
SB7200310E	341	SB747V1910S	29	SB838BESFB	17	SB860CVR10078	84
SB7200404A	341	SB747V1915A	29	SB838CESFB	17	SB860CVR10084	84
SB7200404B	340	SB747V1915S	29	SB838DESFB	17	SB860CVR10090	84
SB7200404C	341	SB747V2310A	29	SB85219084	12	SB860CVR10096	84
SB7200404E	341	SB747V2310S	29	SB85219096	12	SB860CVR10108	84
SB7200405B	340	SB747V2315A	29	SB85223084	12	SB860CVR12066	84
SB7200406A	341	SB747V2315S	29	SB85223096	12	SB860CVR12072	84
SB7200406C	341	SB749S1915S	32	SB860810D066	77	SB860CVR12078	84
SB7200406E	341	SB749V1915S	33	SB860810D072	77	SB860CVR12084	84
SB7200410A	341	SB750190602	24	SB860810D078	77	SB860CVR12090	84
SB7200410C	341	SB750190603	24	SB860810D084	77	SB860CVR12096	84
SB7200410E	341	SB750190604	24	SB860810D090	77	SB860CVR12108	84
SB7210101	342	SB750190606	24	SB860810D096	77	SB860CVR3066	84
SB7210102	342	SB750230602	24	SB860810D108	77	SB860CVR3072	84
SB7210103	342	SB750230603	24	SB860810S066	75	SB860CVR3078	84
SB7210201	342	SB750230604	24	SB860810S072	75	SB860CVR3084	84
SB7210202	342	SB750230606	24	SB860810S078	75	SB860CVR3090	84
SB7210203	342	SB78706	143	SB860810S084	75	SB860CVR3096	84
SB7210301	342	SB78712	143	SB860810S090	75	SB860CVR3108	84
SB7210302	342	SB78718	143	SB860810S096	75	SB860CVR6066	84
SB7210303	342	SB78718	143	SB860810S108	75	SB860CVR6072	84
SB72119D2400	344	SB81003FB	70	SB860810SK084FB	99	SB860CVR6078	84
SB72119D3000	344	SB81006FB	70	SB860812D066	77	SB860CVR6084	84
SB72119S1200	343	SB813084FB	13	SB860812D072	77	SB860CVR6090	84
SB72119S1500	343	SB81319LT3	93	SB860812D078	77	SB860CVR6096	84
SB72123D4800	344	SB81319LT6	93	SB860812D084	77	SB860CVR6108	84
SB72123D6000	344	SB81319LTD3	93	SB860812D090	77	SB860FMB	97
SB72123S2400	343	SB81319LTD6	93	SB860812D096	77	SB860FSFB	250
SB72123S3000	343	SB81319TT3	93	SB860812D108	77	SB860FSFB	95
SB72135D7200	344	SB81319TT6	93	SB860812S066	75	SB860FSKFB	95
SB72135D9000	344	SB81319UT3	93	SB860812S072	75	SB860FSXFB	95
SB72135S3600	343	SB81319UT6	93	SB860812S078	75	SB860FSXKFB	95
SB72135S4500	343	SB81323LT3	93	SB860812S084	75	SB861610DFB	71
SB7275/8x6	100	SB81323LT6	93	SB860812S090	75	SB861610SFB	71
SB7283/4x6	100	SB81323LTD3	93	SB860812S096	75	SB86163DFB	71
SB74019	39	SB81323LTD6	93	SB860812S108	75	SB86163SFB	71
SB74023	39	SB81323TT3	93	SB860812SK084FB	99	SB86166DFB	71
SB741S19A	30	SB81323TT6	93	SB86083D066	77	SB86166SFB	71
SB741S19S	30	SB81323UT3	93	SB86083D072	77	SB86210GTFB	96
SB741S23A	30	SB81323UT6	93	SB86083D078	77	SB86210KFB	96
SB741S23S	30	SB813TP3	93	SB86083D084	77	SB86212GTFB	96
SB741V19A	31	SB813TP6	93	SB86083D090	77	SB86212KFB	96
SB741V19S	31	SB837072AFB	14	SB86083D096	77	SB8623GTFB	96
SB741V23A	31	SB837072BFB	14	SB86083D108	77	SB8623KFB	96
SB741V23S	31	SB837072CFB	14	SB86083S066	75	SB8626GTFB	96
SB742M19	38	SB837072DFB	14	SB86083S072	75	SB8626KFB	96
SB742M23	38	SB837084AFB	14	SB86083S078	75	SB862810D066	81
SB742T19	37	SB837084BFB	14	SB86083S084	75	SB862810D072	81
SB742T23	37	SB837084CFB	14	SB86083S090	75	SB862810D078	81
SB743M	38	SB837084DFB	14	SB86083S096	75	SB862810D084	81
SB745S1916A	34	SB837096AFB	14	SB86083S108	75	SB862810D090	81
SB745S1916S	34	SB837096BFB	14	SB86086D066	77	SB862810D096	81
SB745S1919A	34	SB837096CFB	14	SB86086D072	77	SB862810D108	81
SB745S1919S	34	SB837096DFB	14	SB86086D078	77	SB862810S066	79
SB745S2316A	34	SB837ADCFB	16	SB86086D084	77	SB862810S072	79
SB745S2316S	34	SB837AESFB	17	SB86086D090	77	SB862810S078	79

# Index

Catalog No.	Page	Catalog No.	Page	Catalog No.	Page	Catalog No.	Page
SB862810S084	79	SB862BRC6084	85	SBHB123K	193	VVCMS45FB	251
SB862810S090	79	SB862BRC6090	85	SBJCA	201	VVCMS47FB	251
SB862810S096	79	SB862BRC6096	85	SBJCC	201	Wall Support	175
SB862810S108	79	SB862BRC6108	85	SBLL 1	199	WB1224WMK	176
SB862812D066	81	SB862CSM	97	SBPC050075	197	WB30BC	188
SB862812D072	81	SB862PIF	97	SBPC100125	197	WB30RB	188
SB862812D078	81	SB86303GKFB	73	SBPC150200	197	WB46H	169
SB862812D084	81	SB86306FTKFB	73	SBPC250300	197	WB48WMK	176
SB862812D090	81	SB86306GKFB	73	SBPC350400	197	WB50BA	188
SB862812D096	81	SB864810D066	83	SBPC500600	197	WB50RB	188
SB862812D108	81	SB864810D072	83	SBRSD84XUPFB	24	WB50WC	188
SB862812S066	79	SB864810D078	83	SBRSD84XUVFB	24	WMHK-01	261
SB862812S072	79	SB864810D084	83	SBSBE0413FB	23	WMHK-02	261
SB862812S078	79	SB864810D090	83	SBSBE0418FB	23	WMHK-03	261
SB862812S084	79	SB864810D096	83	SBSBE0613FB	23	WMHK-04	261
SB862812S090	79	SB864810D108	83	SBSBO01FB	22	WMHNL	261
SB862812S096	79	SB864812D066	83	SBSBO02FB	22	WMHPTO	261
SB862812S108	79	SB864812D072	83	SBSBO04FB	22	Z BRKT	174
SB86283D066	81	SB864812D078	83	SBSBO05FB	22		
SB86283D072	81	SB864812D084	83	SBSBO20FB	22		
SB86283D078	81	SB864812D090	83	SBSP01FB	23		
SB86283D084	81	SB864812D096	83	SBSP04FB	23		
SB86283D090	81	SB864812D108	83	SBTCO	201		
SB86283D096	81	SB86483D066	83	SBTCR	201		
SB86283D108	81	SB86483D072	83	SBTGB	196		
SB86283S066	79	SB86483D078	83	SBTGBK	196		
SB86283S072	79	SB86483D084	83	SBTMGB12	195		
SB86283S078	79	SB86483D090	83	SBTMGB12K	195		
SB86283S084	79	SB86483D096	83	SBTMGB20	195		
SB86283S090	79	SB86483D108	83	SBTMGB20K	195		
SB86283S096	79	SB86486D066	83	SBUBC614K	199		
SB86283S108	79	SB86486D072	83	SBUBC618K	199		
SB86286D066	81	SB86486D078	83	SBUBC632K	199		
SB86286D072	81	SB86486D084	83	SBVB36	192		
SB86286D078	81	SB86486D090	83	SBVB36K	192		
SB86286D084	81	SB86486D096	83	SBVB72	192		
SB86286D090	81	SB86486D108	83	SPLICE BAR	164		
SB86286D096	81	SB86563DFB	72	SUPT WASHER	165, 170, 174		
SB86286D108	81	SB86566DFB	72	TOOLLESS CLIP	180		
SB86286S066	79	SB86ACSPK108FB	98	TOP WASHER	160		
SB86286S072	79	SB87019D1	92	TRAPEZE SUPT2	169		
SB86286S078	79	SB87019D2	92	VBCOK	250		
SB86286S084	79	SB87019D3	92	VCK	249		
SB86286S090	79	SB87019DX1	92	VCT5501600B	251		
SB86286S096	79	SB87019DX2	92	VCT5502350B	251		
SB86286S108	79	SB87019DX3	92	VCT5503525B	251		
SB862BRC10066	85	SB87019S1	91	VLGK	251		
SB862BRC10072	85	SB87019S1FB	240, 252	VLWM2420	253		
SB862BRC10078	85	SB87019S2	91	VLWM2425	253		
SB862BRC10084	85	SB87019S2FB	240, 252	VLWM2430	253		
SB862BRC10090	85	SB87019S3	91	VLWM3620	253		
SB862BRC10096	85	SB87019S3FB	240	VLWM3625	253		
SB862BRC10108	85	SB87019S4	91	VLWM3630	253		
SB862BRC12066	85	SB87019SX1	91	VLWM4820	253		
SB862BRC12072	85	SB87019SX2	91	VLWM4825	253		
SB862BRC12078	85	SB87019SX3	91	VLWM4830	253		
SB862BRC12084	85	SB87019SX4	91	VLWMFKB	252		
SB862BRC12090	85	SB87023D1	92	VLWMSMB45B	252		
SB862BRC12096	85	SB87023D2	92	VLWMSMBH90B	252		
SB862BRC12108	85	SB87023D3	92	VLWMSMBV90B	252		
SB862BRC3066	85	SB87023S1	91	VOZIP	249		
SB862BRC3072	85	SB87023S2	91	VSBDK	249		
SB862BRC3078	85	SB87023S3	91	VVCMC24FB	251		
SB862BRC3084	85	SB87023S4	91	VVCMC38FB	251		
SB862BRC3090	85	SBCL 1	198	VVCMC42FB	251		
SB862BRC3096	85	SBCL 2	198	VVCMC45FB	251		
SB862BRC3108	85	SBCL 3	198	VVCMC47FB	251		
SB862BRC6066	85	SBCL 4	198	VVCMS24FB	251		
SB862BRC6072	85	SBCLMVBCKL	100	VVCMS38FB	251		
SB862BRC6078	85	SBHB119K	193	VVCMS42FB	251		

Eaton reserves the right to make changes to the specifications, materials, equipment, prices, or the availability of products at any time without prior notice. While every effort has been made to assure the accuracy of information contained in this catalog at the time of publication, we cannot accept responsibility for inaccuracies resulting from undetected errors or omissions.

For more information or for support  
on your next data comm project,  
contact [Eaton.com/datacomm](http://Eaton.com/datacomm)

**Our U.S. Customer Service Center is staffed Monday through Friday from 7 a.m. to 5 p.m. Central Standard Time.**

**United States**  
509 West Monroe Street  
Highland, IL 62249  
United States  
800-851-7415  
[Eaton.com/b-lineseries](http://Eaton.com/b-lineseries)

**Canada**  
Eaton  
5925 McLaughlin Road  
Mississauga, ON L5R 1B8  
Canada  
800-569-3660  
[www.cooperblinc.com/contactca](http://www.cooperblinc.com/contactca)

**Eaton**  
1000 Eaton Boulevard  
Cleveland, OH 44122  
United States  
[Eaton.com](http://Eaton.com)

© 2017 Eaton  
All Rights Reserved  
Printed in USA  
Publication No. CA301002EN BLDCOM-17  
November 2017

Eaton is a registered trademark.

All other trademarks are property  
of their respective owners.

Follow us on social media to get the  
latest product and support information.

