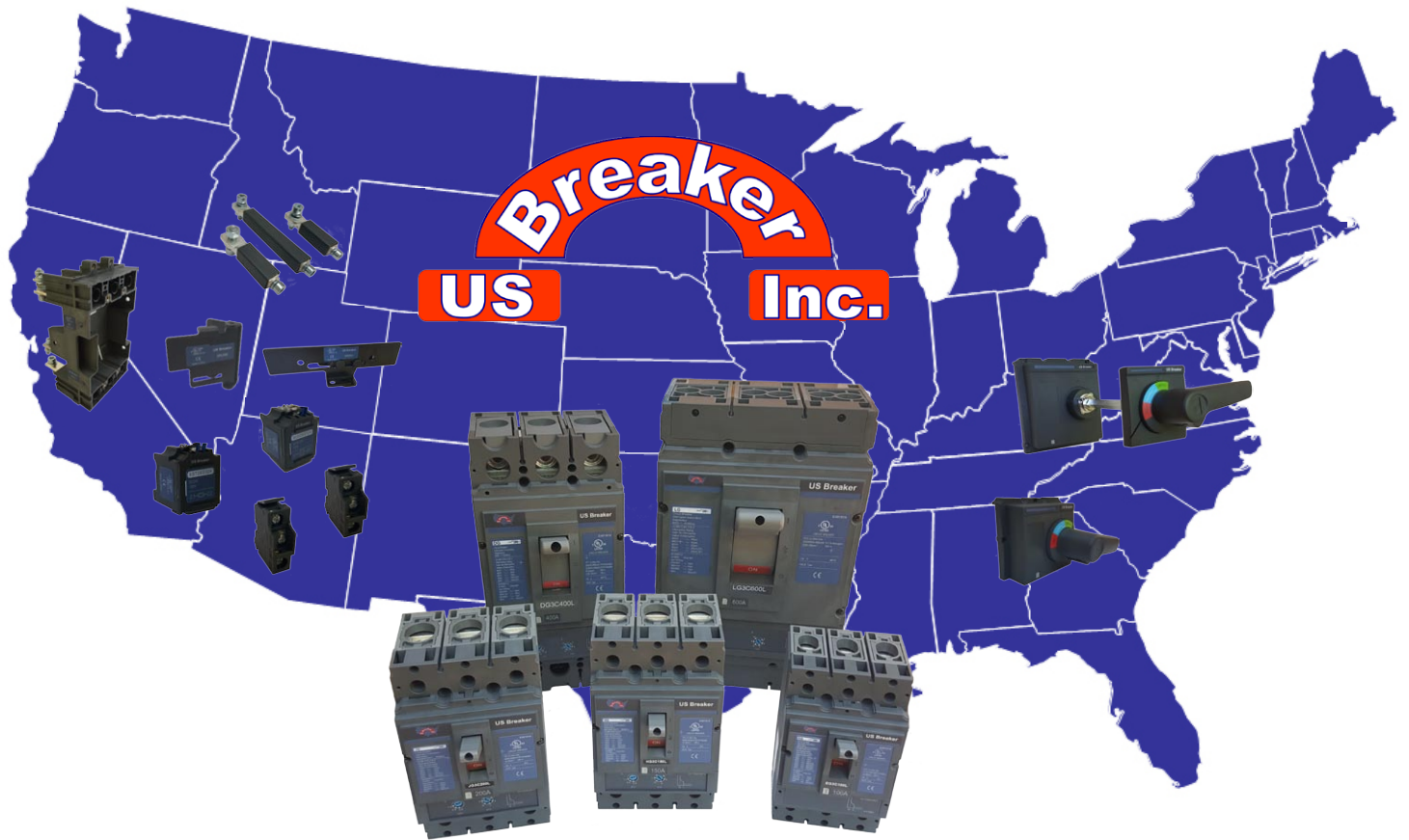


# US Breaker, Inc.

## UL489 Circuit Breakers V-17



**Superior UL489 Listed  
Circuit Breakers at a Better Price!**



**[www.usbreaker.com](http://www.usbreaker.com)**

**Toll Free: (866) 652-2045**

**In Georgia: (706) 467-0007**

**DIN Rail Circuit Breakers • Molded Case Breakers**



## US Breaker Brand UL489 480V/277V DIN Rail Breakers



- ✓ Global Certifications: UL489 (US & Canada), IEC60947-2 & CE Marked
- ✓ DIN Rail Mountable with a Compact 3/4 Inch Pole Width
- ✓ Ratings: 1 - 30 Amp, 1, 2 & 3P, 10KA @ 480/277V, Standard C Trip Curve
- ✓ Suitable for Branch Circuit and Supplementary Protection
- ✓ UL Lited Field Installable Accessories

**2 Year Warranty!**



### UL489 DIN Rail Circuit Breakers: 1, 2 & 3P, 1 - 30Amp

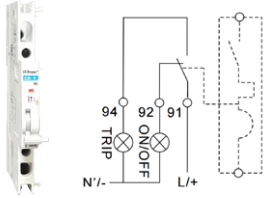


Poles	Amps	Part #	Description	Price
1	1	C60X1C01	US Breaker UL489 DIN Rail Breaker 1P 1A 10KA @ 277V	\$12.99
	2	C60X1C02	US Breaker UL489 DIN Rail Breaker 1P 2A 10KA @ 277V	\$12.99
	3	C60X1C03	US Breaker UL489 DIN Rail Breaker 1P 3A 10KA @ 277V	\$12.99
	4	C60X1C04	US Breaker UL489 DIN Rail Breaker 1P 4A 10KA @ 277V	\$12.99
	5	C60X1C05	US Breaker UL489 DIN Rail Breaker 1P 5A 10KA @ 277V	\$12.99
	6	C60X1C06	US Breaker UL489 DIN Rail Breaker 1P 6A 10KA @ 277V	\$12.99
	8	C60X1C08	US Breaker UL489 DIN Rail Breaker 1P 8A 10KA @ 277V	\$12.99
	10	C60X1C10	US Breaker UL489 DIN Rail Breaker 1P 10A 10KA @ 277V	\$12.99
	15	C60X1C15	US Breaker UL489 DIN Rail Breaker 1P 15A 10KA @ 277V	\$12.99
	20	C60X1C20	US Breaker UL489 DIN Rail Breaker 1P 20A 10KA @ 277V	\$12.99
	25	C60X1C25	US Breaker UL489 DIN Rail Breaker 1P 25A 10KA @ 277V	\$12.99
	30	C60X1C30	US Breaker UL489 DIN Rail Breaker 1P 30A 10KA @ 277V	\$12.99
2	1	C60X2C01	US Breaker UL489 DIN Rail Breaker 2P 1A 10KA @ 480/277V	\$27.99
	2	C60X2C02	US Breaker UL489 DIN Rail Breaker 2P 2A 10KA @ 480/277V	\$27.99
	3	C60X2C03	US Breaker UL489 DIN Rail Breaker 2P 3A 10KA @ 480/277V	\$27.99
	4	C60X2C04	US Breaker UL489 DIN Rail Breaker 2P 4A 10KA @ 480/277V	\$27.99
	5	C60X2C05	US Breaker UL489 DIN Rail Breaker 2P 5A 10KA @ 480/277V	\$27.99
	6	C60X2C06	US Breaker UL489 DIN Rail Breaker 2P 6A 10KA @ 480/277V	\$27.99
	8	C60X2C08	US Breaker UL489 DIN Rail Breaker 2P 8A 10KA @ 480/277V	\$27.99
	10	C60X2C10	US Breaker UL489 DIN Rail Breaker 2P 10A 10KA @ 480/277V	\$27.99
	15	C60X2C15	US Breaker UL489 DIN Rail Breaker 2P 15A 10KA @ 480/277V	\$27.99
	20	C60X2C20	US Breaker UL489 DIN Rail Breaker 2P 20A 10KA @ 480/277V	\$27.99
	25	C60X2C25	US Breaker UL489 DIN Rail Breaker 2P 25A 10KA @ 480/277V	\$27.99
	30	C60X2C30	US Breaker UL489 DIN Rail Breaker 2P 30A 10KA @ 480/277V	\$27.99
3	1	C60X3C01	US Breaker UL489 DIN Rail Breaker 3P 1A 10KA @ 480/277V	\$39.96
	2	C60X3C02	US Breaker UL489 DIN Rail Breaker 3P 2A 10KA @ 480/277V	\$39.96
	3	C60X3C03	US Breaker UL489 DIN Rail Breaker 3P 3A 10KA @ 480/277V	\$39.96
	4	C60X3C04	US Breaker UL489 DIN Rail Breaker 3P 4A 10KA @ 480/277V	\$39.96
	5	C60X3C05	US Breaker UL489 DIN Rail Breaker 3P 5A 10KA @ 480/277V	\$39.96
	6	C60X3C06	US Breaker UL489 DIN Rail Breaker 3P 6A 10KA @ 480/277V	\$39.96
	8	C60X3C08	US Breaker UL489 DIN Rail Breaker 3P 8A 10KA @ 480/277V	\$39.96
	10	C60X3C10	US Breaker UL489 DIN Rail Breaker 3P 10A 10KA @ 480/277V	\$39.96
	15	C60X3C15	US Breaker UL489 DIN Rail Breaker 3P 15A 10KA @ 480/277V	\$39.96
	20	C60X3C20	US Breaker UL489 DIN Rail Breaker 3P 20A 10KA @ 480/277V	\$39.96
	25	C60X3C25	US Breaker UL489 DIN Rail Breaker 3P 25A 10KA @ 480/277V	\$39.96
	30	C60X3C30	US Breaker UL489 DIN Rail Breaker 3P 30A 10KA @ 480/277V	\$39.96



## Internal Accessories - UL489 Circuit Breakers

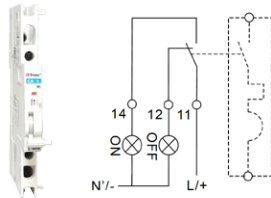
✓ UL Listed for Field Installation!



### Alarm Switch (NO/NC)

Part #	Contacts		Price
	NO	NC	
CAL1	1	1	\$12.94

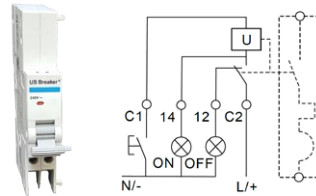
Rated Operation: 6A@240Vac, 3A@480Vac,  
6A@24 Vdc, 2A@48Vac, 1A@125Vdc, 0.5@250Vdc



### Aux Switch (NO/NC)

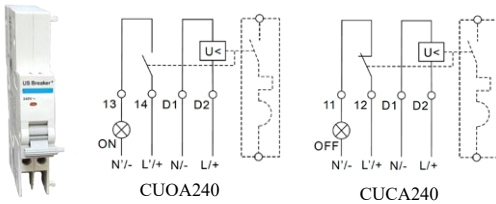
Part #	Contacts		Price
	NO	NC	
CAU1	1	1	\$16.88

Rated Operation: 6A@240Vac, 3A@480Vac,  
6A@24 Vdc, 2A@48Vac, 1A@125Vdc, 0.5@250Vdc



### Shunt Trip & Aux Combo

Part #	Voltage AC	Voltage DC	Contacts		Price
			NO	NC	
CSAC110415	110 - 415 Vac	110 - 130Vdc	1	1	\$25.79
CSAC1224	12 - 24 Vac	12 - 24 Vdc	1	1	\$25.79

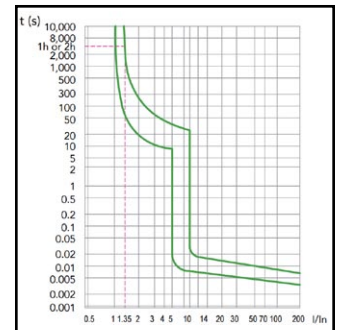


### Under Voltage Release & Aux Combo

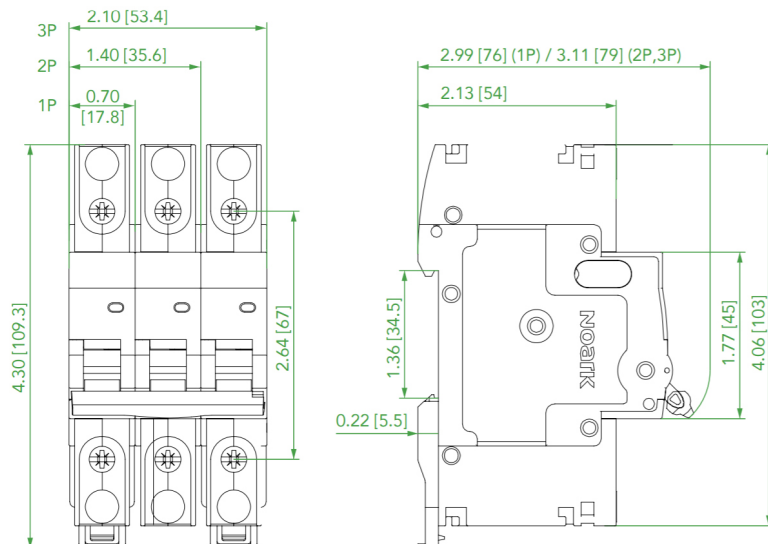
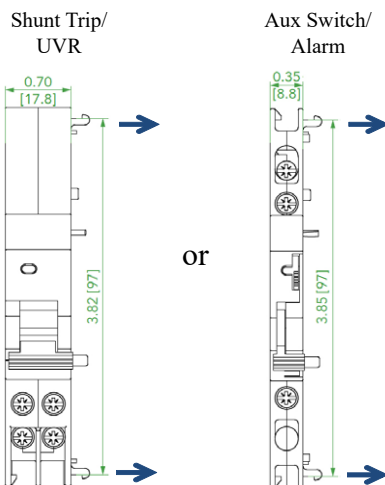
Part #	Voltage	Contacts		Price
		NO	NC	
CUOA240	240Vac	1	-	\$25.79
CUCA240	240Vac	-	1	\$25.79

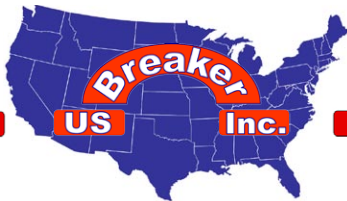
## Technical Data (C- Curve 5-10 x)

US Breaker UL489 Frame		1P	2P	3P
Rated Voltage	(50/ 60 Hz)	277V	480/277V	
AIC- UL489 Interrupting Capacity (A rms)	120V	10,000	-	
	240V		10,000	
	277V		-	
	480V/277V	-	10,000	
Operations	Mech.	20,000		
	Elec.	6,000		
Wire AWG	Single Wire	# 14 - 4		
	Two Wire	(1) #14-6 + (1) #14-10		



## Circuit Breaker Dimensions - in (mm)





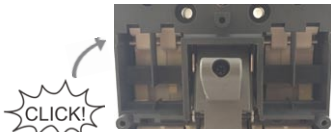
15 - 600 Amp

## A Superior Circuit Breaker at a Better Price!

Safety Minded Isolated Current Chambers use Double Break Technology to Reduce Let-Thru Current in a Fault



Click-in-Place Field Installable Accessories Save on Inventory



Global Certifications  
in One Product  
(UL File # E481916)



Adjustable Amperage Reduces  
Inventory & Improves  
Coordination



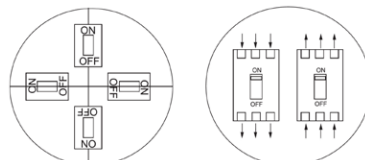
Compact Size and  
Interchangeable  
Mounting with Many  
Square D Frames



Highly Reliable  
Current Limiting Design  
Backed by a 2 Year Warranty



Flexible Mounting Options  
Allow Any Position Forward  
or Reverse Feed







## UL489 Molded Case Circuit Breakers by US Breaker (600Vmax)

### 15 - 100A 3P E Frame (Includes 6 Wire Lugs 14 - 3/0)



E Frame

ED Standard AIC ( 50KA@240V, 22KA@480V )				
Amps	Part #	Thermal	Magnetic	Price
15	ED3C015L	15	150	\$109.90
20	ED3C020L	20	200	\$109.90
25	ED3C025L	25	250	\$109.90
30	ED3C030L	30	300	\$109.90
35	ED3C035L	35	350	\$117.90
40	ED3C040L	40	400	\$117.90
50	ED3C050L	50	500	\$117.90
60	ED3C060L	60	600	\$117.90
70	ED3C070L	70	700	\$129.00
80	ED3C080L	80	800	\$129.00
90	ED3C090L	90	900	\$129.00
100	ED3C100L	100	1000	\$129.00

EG High AIC ( 100KA@240V, 35KA@480V )				
Amps	Part #	Thermal	Magnetic	Price
15	EG3C015L	15	150	\$139.00
20	EG3C020L	20	200	\$139.00
25	EG3C025L	25	250	\$139.00
30	EG3C030L	30	300	\$139.00
35	EG3C035L	35	350	\$142.00
40	EG3C040L	40	400	\$142.00
50	EG3C050L	50	500	\$142.00
60	EG3C060L	60	600	\$142.00
70	EG3C070L	70	700	\$147.00
80	EG3C080L	80	800	\$147.00
90	EG3C090L	90	900	\$147.00
100	EG3C100L	100	1000	\$147.00



H & J Frame

### 100 - 150A 3P H Frame (Includes 6 Wire Lugs 8 - 350kcmil)

HD Standard AIC ( 50KA@240V, 25KA@480V )				
Amps	Part #	Thermal	Magnetic	Price
100	HD3C100L	(80 - 100)	(700 - 1200)	\$189.00
125	HD3C125L	(100 - 125)	(875 - 1500)	\$224.00
150	HD3C150L	(120 - 150)	(1050 - 1800)	\$224.00

HG High AIC ( 100KA@240V, 42KA@480V )				
Amps	Part #	Thermal	Magnetic	Price
100	HG3C100L	(80 - 100)	(700 - 1200)	\$254.00
125	HG3C125L	(100 - 125)	(875 - 1500)	\$289.00
150	HG3C150L	(120 - 150)	(1050 - 1800)	\$289.00



D Frame

### 175 - 225A 3P J Frame (Includes 6 Wire Lugs 8 - 350 kcmil)

JD Standard AIC ( 50KA@240V, 25KA@480V )				
Amps	Part #	Thermal	Magnetic	Price
175	JD3C175L	(140 - 175)	(875 - 1750)	\$233.00
200	JD3C200L	(160 - 200)	(1000 - 2000)	\$233.00
225	JD3C225L	(180 - 225)	(1125 - 2250)	\$233.00

JG High AIC ( 100KA@240V, 42KA@480V )				
Amps	Part #	Thermal	Magnetic	Price
175	JG3C175L	(140 - 175)	(875 - 1750)	\$299.00
200	JG3C200L	(160 - 200)	(1000 - 2000)	\$299.00
225	JG3C225L	(180 - 225)	(1125 - 2250)	\$299.00



L Frame

### 250 - 400A 3P D Frame (Includes 6 Wire Lugs 3/0 - 500 kcmil)

DG Standard AIC ( 65KA@240V, 35KA@480V )				
Amps	Part #	Thermal	Magnetic	Price
250	DG3C250L	(200 - 250)	(1250 - 2500)	\$389.00
300	DG3C300L	(240 - 300)	(1500 - 3000)	\$414.00
350	DG3C350L	(280 - 350)	(1750 - 3500)	\$414.00
400	DG3C400L	(320 - 400)	(2000 - 4000)	\$414.00

DJ High AIC ( 100KA@240V, 50KA@480V )				
Amps	Part #	Thermal	Magnetic	Price
250	DJ3C250L	(200 - 250)	(1250 - 2500)	\$499.00
300	DJ3C300L	(240 - 300)	(1500 - 3000)	\$537.00
350	DJ3C350L	(280 - 350)	(1750 - 3500)	\$537.00
400	DJ3C400L	(320 - 400)	(2000 - 4000)	\$537.00

### 400 - 600A 3P L Frame (Includes 6 Wire Lugs (2) 3/0 - 400 kcmil)

LG Standard AIC ( 65KA@240V, 42KA@480V )				
Amps	Part #	Thermal	Magnetic	Price
400	-	-	-	-
500	LG3C500L	(400 - 500)	(2500 - 5000)	\$879.00
600	LG3C600L	(480 - 600)	(3000 - 6000)	\$879.00

LC High AIC - ( 100KA@240V, 65KA@480V )				
Amps	Part #	Thermal	Magnetic	Price
400	LC3C400L	(320 - 400)	(2000 - 4000)	\$999.00
500	LC3C500L	(400 - 500)	(2500 - 5000)	\$999.00
600	LC3C600L	(480 - 600)	(3000 - 6000)	\$999.00



## Circuit Breaker Technical Data



Frame Size		100A		225A				400A		600A	
Circuit Breaker Frame		ED	EG	HD	HG	JD	JG	DG	DJ	LG	LC
Rated Current		15 - 100		100 - 150		175 - 225		250 - 400		400 - 600	
Max Voltage	AC 50/60 Hz	600/347V						600V			
	DC	600V									
AIC - UL489 Interrupting Capacity (KA rms)	240Vac	50	100	50	100	50	100	65	100	65	100
	480Vac	22	35	25	42	25	42	35	50	42	65
	600/347Vac	14	20	14	20	14	20	14	25	18	30
	600Vac	-									
	500Vdc (2P)	20	35	20	35	20	35	35	50	35	50
600Vdc (3P)											
(K)AIC - IEC 60947-2 (Icu = 100% Ics)	380 / 415Vac	50	100	50	100	50	100	65	100	65	100
T-M Trip Unit Adjustments	Thermal Adj.	Fixed		Adjustable (0.8, 0.9 or 1.0) x In							
	Magnetic Adj.	Fixed - (10) x In		Adj. (7 - 12) x In			Adjustable (5 - 10) x In				
Dimensions & Weight	L x W x D (in)	6.5 x 3.5 x 3.3		7.2 x 4.1 x 3.5				11.2 x 5.5 x 4.6		12.3 x 7.7 x 5.4	
	Weight (lb)	3.7		4.4				13.5		25.4	
Wire Terminals (75C Cu Only)	AWG	14 - 3/0		8 - 350 kcmil				3/0 - 500 kcmil		(2) 3/0 - 400 kcmil	
	Torque (in-lb)	89		230				310		310	

## Connection Accessories - UL489 Circuit Breakers



### Replacement Wire Lugs\*

Frame	Type	Part #	Holes	Wire Size Per Hole	Price Ea
E	Standard	XWL1EE1H	1	14 - 3/0 AWG	\$13.44
	Optional	XWL1EE3H	3	14 - 10 AWG	\$16.80
H, J	Standard	XWL1HJ1H	1	8 AWG - 350 Kcmil	\$13.44
D	Standard	XWL1DD1H	1	3/0 AWG - 500 Kcmil	\$33.60
	Optional	XWL1DD2H	2	3/0 AWG - 250 Kcmil	\$33.60
L	Standard	XWL1LL2H	2	3/0 AWG - 400 Kcmil	\$42.00

\* All wire lugs are rated for 75C Cu Only

\* Catalog number represents 1 unit.

### Rear Connection Kit\*

Frame	Part #	Price
E	XRC1EE	\$63.84
H, J	XRC1HJ	\$75.60
D	XRC1DD	\$168.00
L	XRC1LL	\$235.20

\* Complete Breaker Kit (2 short - 2 long - 2 short)



### Plug-In Kit\*

Frame	Part #	Price
E	XPB1EE	\$184.80
H, J	XPB1HJ	\$252.00
D	XPB1DD	\$588.00

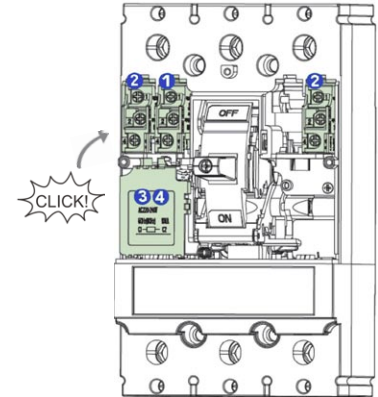
\* Complete Kit Including 6 Breaker Stabs and Base



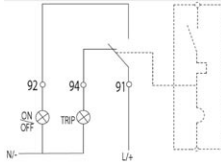


## Internal Accessories - UL489 Circuit Breakers

- ✓ Click in Place Accessories!
- ✓ UL Listed for Field Installation!



1

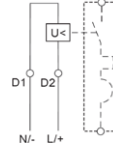


### Alarm Switch (1 per breaker)

Frames	Switch Part #	Contacts		Price
		NO	NC	
E, H, J, D, L	XAL1EL	1	1	\$16.80

Rated Operation: 5A@240Vac, 2A@480Vac, 0.25A@110-220Vdc

3

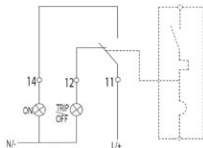


### Under Voltage Release

Frame	110 - 127Vac	220 - 240Vac	24 - 30Vdc	Price
E	XUVAEE120	XUVAEE240	XUVDEE024	\$33.60
H, J, D	XUVAHD120	XUVAHD240	XUVDHD024	\$36.96
L	XUVALL120	XUVALL240	XUVDLL024	\$42.00

Voltage: Pickup Ue 80-110%, Drop Out Ue 35-70%, Auto Interrupts 10-60ms

2

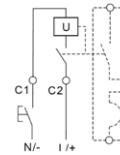


### Aux Switch (up to 2 per breaker)

Frames	Switch Part #	Contacts		Price
		NO	NC	
E, H, J, D, L	XAU1EL	1	1	\$16.80

Rated Operation: 5A@240Vac, 2A@480Vac, 0.25A@110-220Vdc

4



### Shunt Trip

Frame	100 - 130Vac	220 - 240Vac	480 - 500Vac	Price	24Vdc	Price
E	XSTAE120	XSTAE240	XSTAE480	\$33.60	XSTDEE024	\$42.00
H, J, D	XSTAHD120	XSTAHD240	XSTAHD480	\$43.68	XSTDHD024	\$50.40
L	XSTALL120	XSTALL240	XSTALL480	\$53.76	XSTDLL024	\$58.80

Pickup Voltage: Us 70 - 110%, Auto Interrupts 10-60ms

## External Accessories - UL489 Circuit Breakers

### Close Coupled Operator (Gray/Green -Nema 4/4X, IP55)



Frame	Part #	Price
E	XCCGEE00	\$86.94
H, J	XCCGHJ00	\$86.94
D	XCCGDD00	\$96.60
L	XCCGLL00	\$96.60



### Lock (off position)

Frame	Part #	Price
E	XPLFEE	\$13.44
H, J	XPLFHJ	\$13.44
D	XPLFDD	\$13.44
L	XPLFLL	\$13.44

### Through the Door Operator (Gray/Green -Nema 4/4X, IP55)



Frame	Assembly Including the Shaft Length Shown			
	6 inch	Price	12 inch	Price
E	XVDGEE06	\$94.60	XVDGEE12	\$96.60
H, J	XVDGHJ06	\$94.60	XVDGHJ12	\$96.60
D	XVDGDD06	\$111.92	XVDGDD12	\$115.92
L	XVDGLL06	\$111.92	XVDGLL12	\$115.92

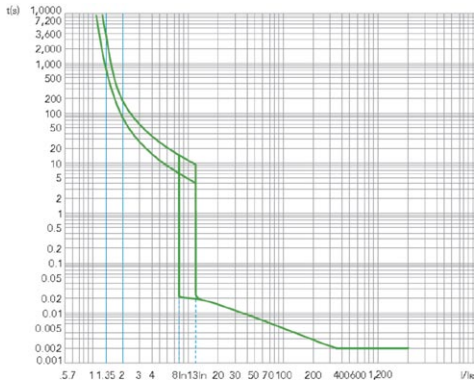


### Mechanical Interlock

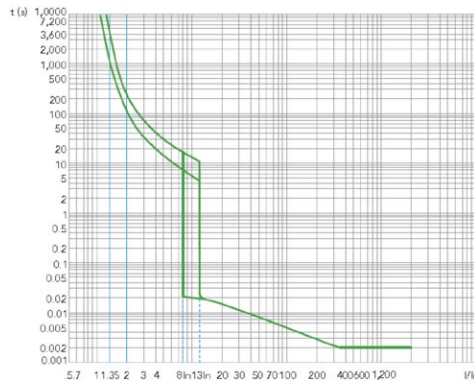
Frame	Part #	Price
E	XMIXEE	\$33.60
H, J	XMIXHJ	\$33.60
D	XMIXDD	\$33.60
L	XMIXLL	\$33.60



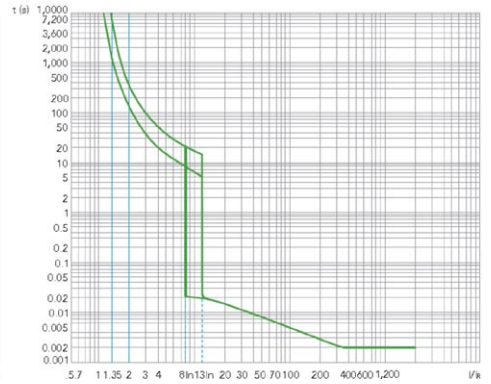
## Circuit Breaker Time Current Curves



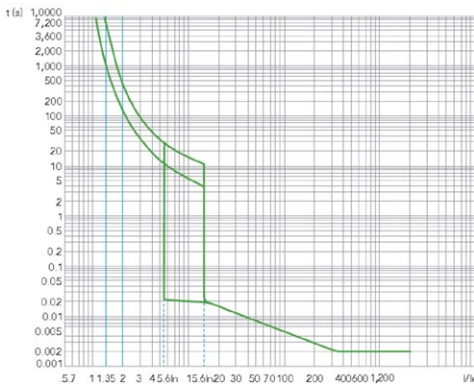
**E Frame 15 - 35 Amp**



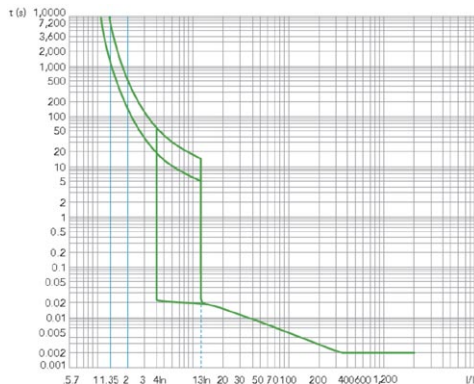
**E Frame 40 - 50 Amp**



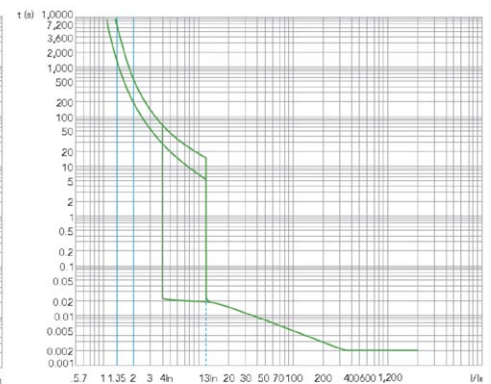
**E Frame 60 - 100 Amp**



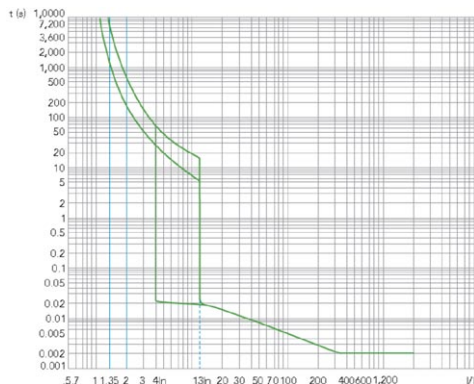
**H Frame 100 - 150 Amp**



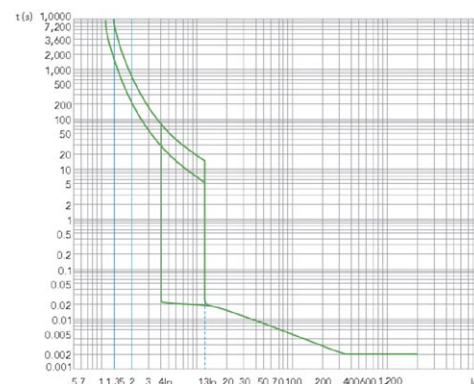
**J Frame 175 - 225 Amp**



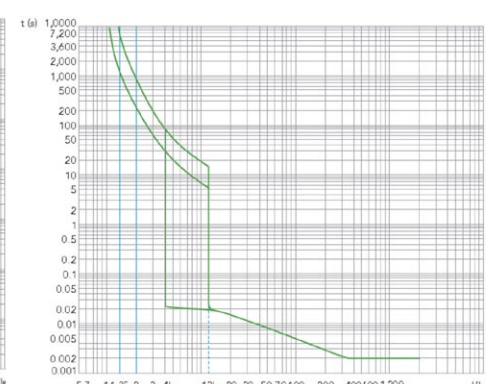
**D Frame 250 - 350 Amp**



**D Frame 400 Amp**



**L Frame 400 Amp**



**L Frame 500- 600 Amp**

Example: JD3C200L  $I_n = 200$  Amps



**Ir Thermal Setting**  
 .8 (x  $I_n$ ) => 160 Amp  
 .9 (x  $I_n$ ) => 180 Amp  
 1 (x  $I_n$ ) => 200 Amp

**Ii Magnetic Setting**  
 5 (x  $I_n$ ) => 1000A    8 (x  $I_n$ ) => 1600A  
 6 (x  $I_n$ ) => 1200A    9 (x  $I_n$ ) => 1800A  
 7 (x  $I_n$ ) => 1400A    10 (x  $I_n$ ) => 2000A

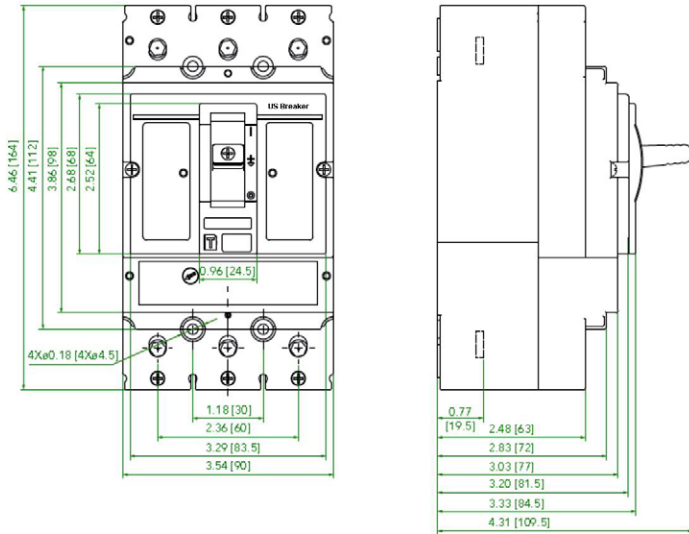
### Trip Unit Adjustments

Circuit Breaker Frame	ED	EG	HD	HG	JD	JG	DG	DJ	LG	LC	
Rated Current $I_n$	15 - 100		100 - 150		175 - 225		250 - 400		400 - 600		
Thermal Adj.	Fixed= $I_n$		Adjustable = (0.8, 0.9 or 1.0) x $I_n$								
Magnetic Adj.	Fixed=(10) x $I_n$		Adj=(7-12) x $I_n$		Adjustable = (5-10) x $I_n$						

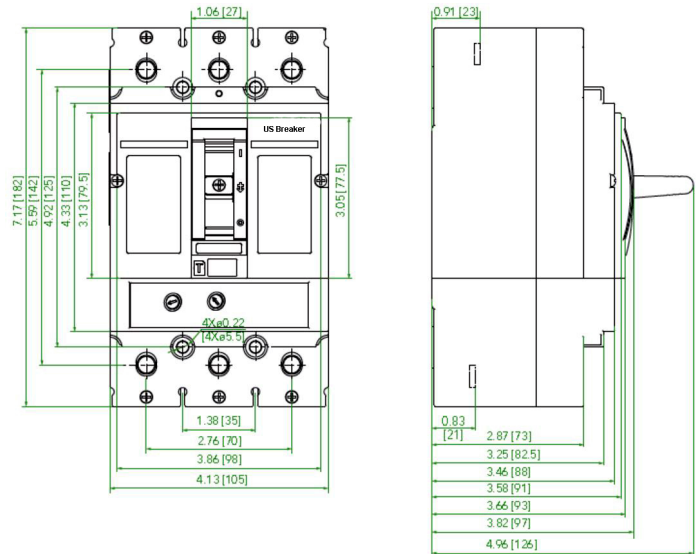




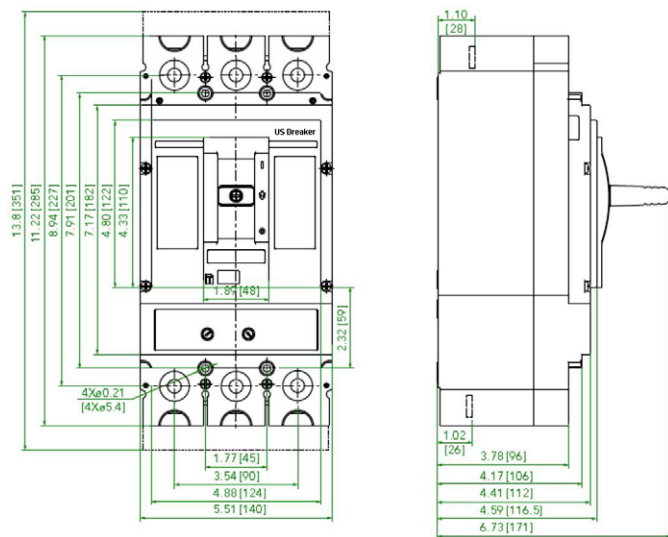
## Circuit Breaker Dimensions



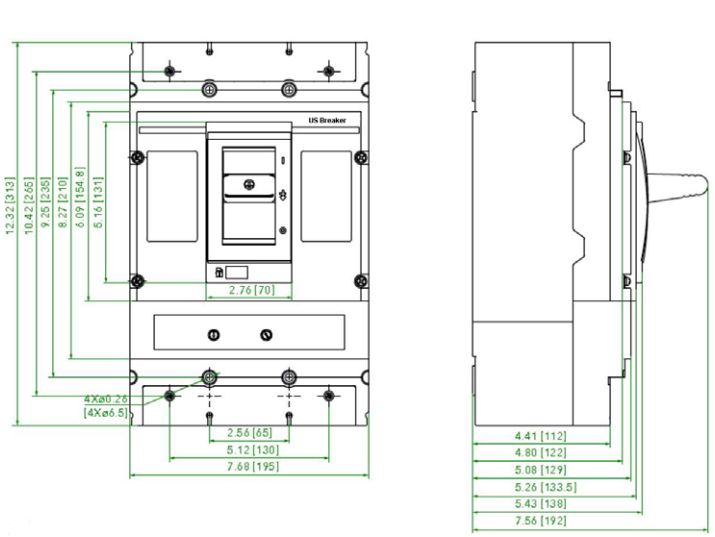
E Frame 3P 15 - 100A



H & J Frame 3P 100 - 125A



D Frame 3P 250 - 400A

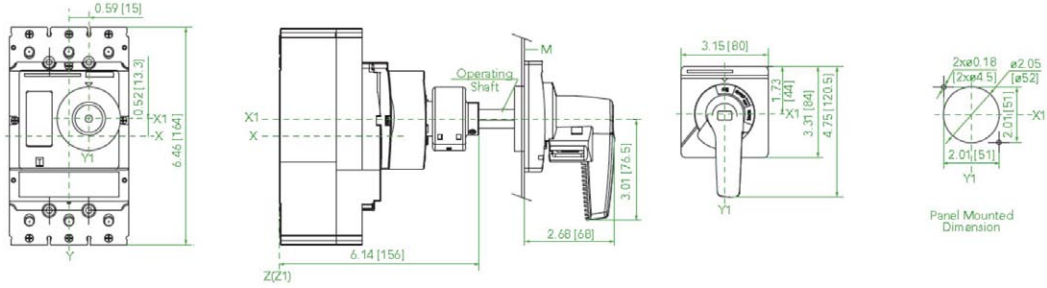


L Frame 3P 400 - 600A

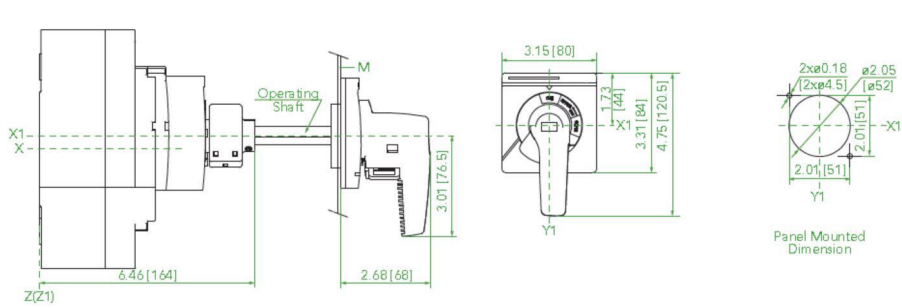


## Extended Rotary Operator Dimensions

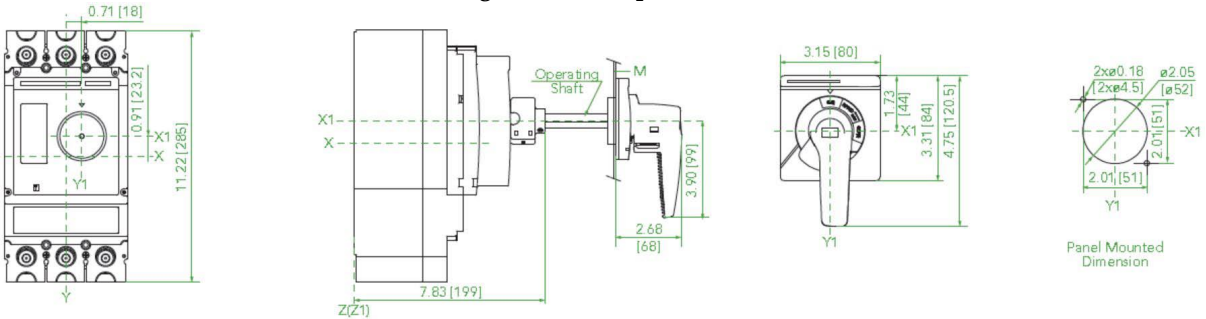
### E Frame Through the Door Operator XVDEE



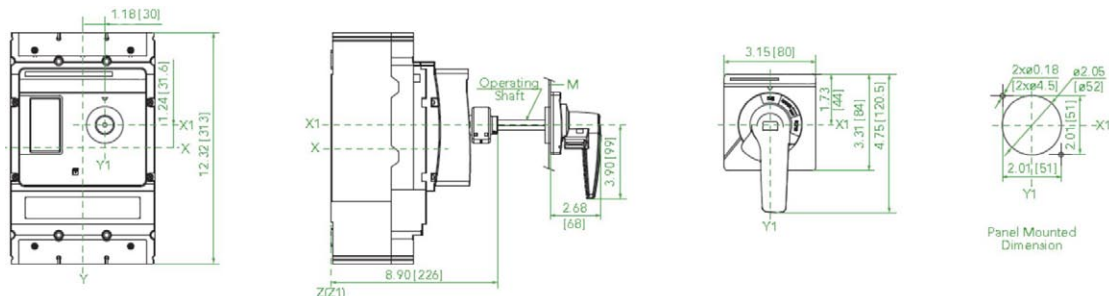
### H & J Frame Through the Door Operator XVDHJ



### D Frame Through the Door Operator XVDDD



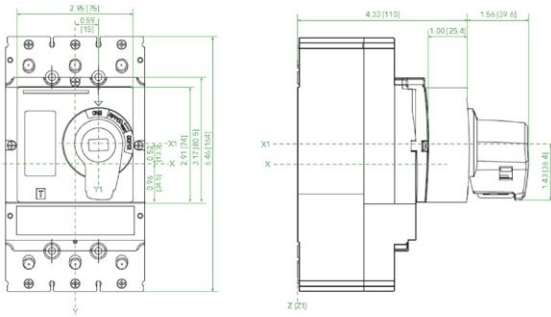
### L Frame Through the Door Operator XVDLL



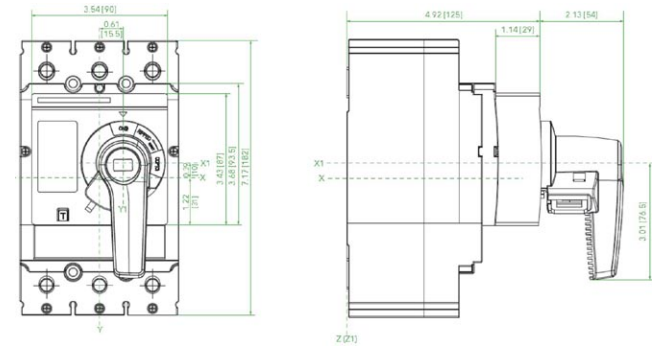


## Close Coupled Operator Dimensions

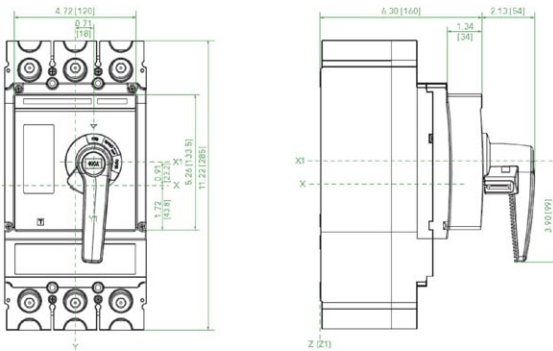
E Frame Close Coupled Operator XCCEE\_\_\_



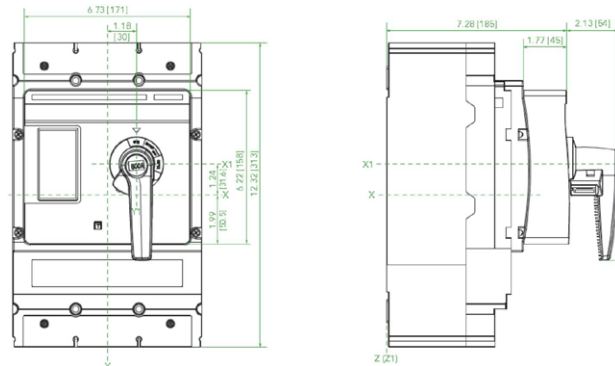
H & J Frame Close Coupled Operator XCCHJ\_\_\_



D Frame Close Coupled Operator XCCDD\_\_\_

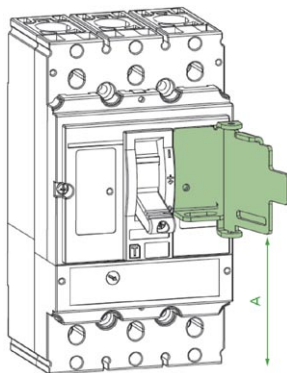


L Frame Close Coupled Operator XCCLL\_\_\_



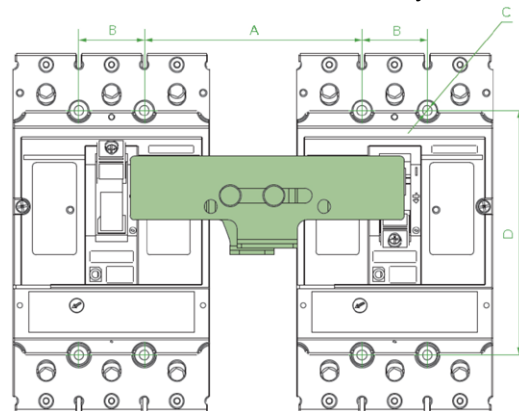
## Locking Accessory Dimensions

Padlock Assembly



Dim (inches)	A
XPLFEE	5.71
XPLFHJ	6.50
XPLFDD	8.46
XPLFLL	10.51

Mechanical Interlock Assembly



Dim (inches)	A	B	C (diam)	D
XMIXEE	3.94	1.18	0.18	4.41
XMIXHJ	4.53	1.38	0.22	4.92
XMIXDD	5.63	1.77	0.22	7.91
XMIXLL	8.03	2.56	0.26	9.25

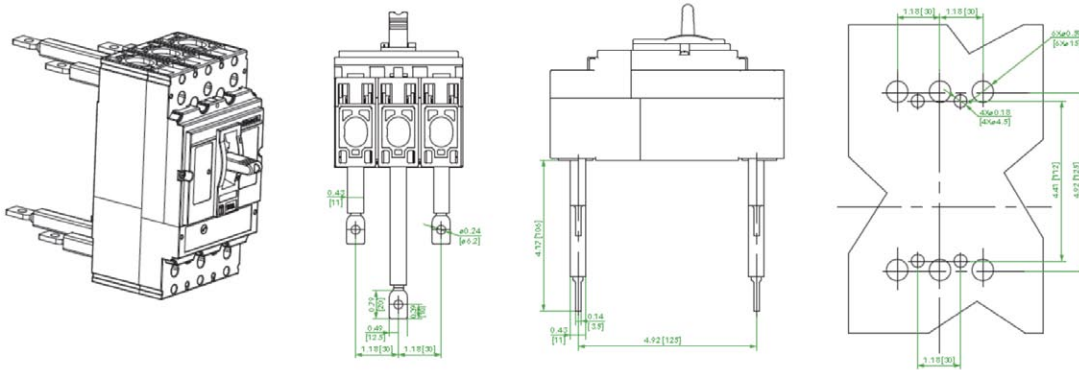




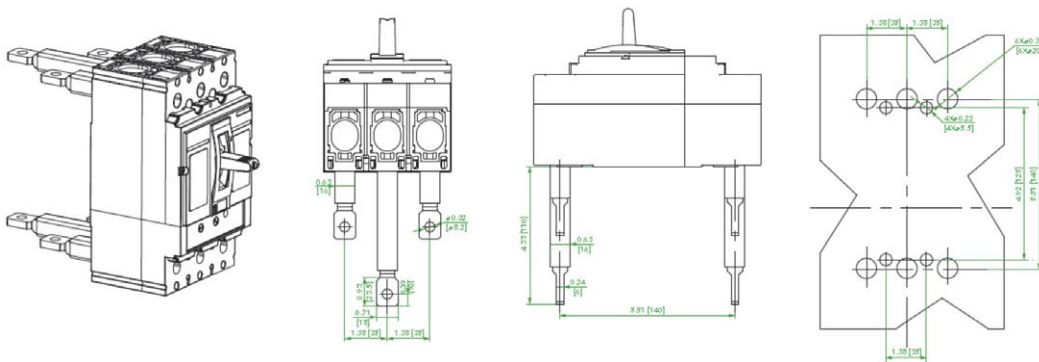


## Rear Connection Kit Dimensions

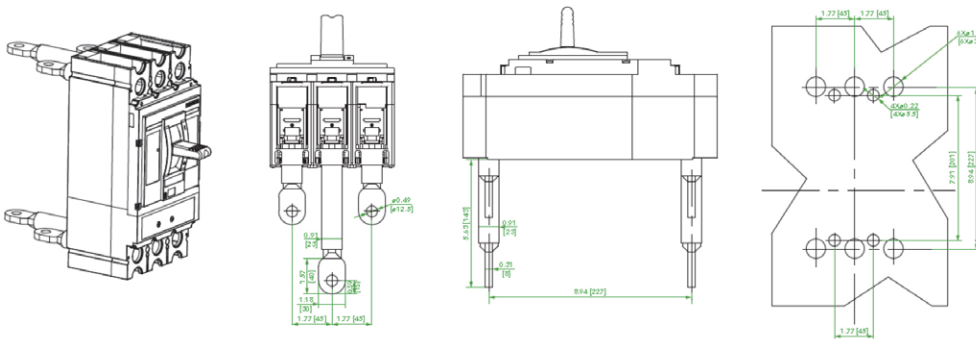
E Frame XRC1EE



H & J Frame XRC1HJ



D Frame XRC1DD



L Frame XRC1LL

