
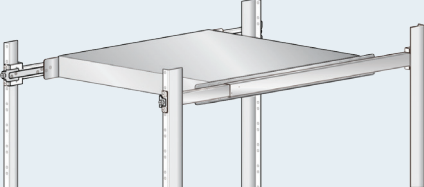









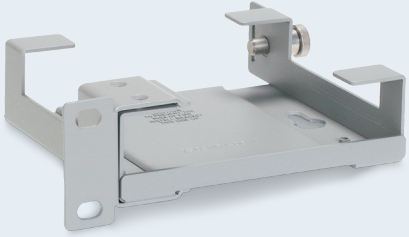
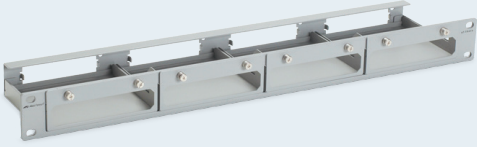
## BRACKET

PRODUCT	ORDER NAME	SUPPORTED DEVICES
	<b>AT-BRKT-J22</b>	FS980M Series, FS710/16, FS710/16E, FS710/24
	<b>AT-BRKT-J23</b>	x230-10GT, GS970M/10, GS910/5, GS910/8, GS910/8E, FS710/8, FS710/8E, GS920/8, GS920/16
	<b>AT-BRKT-J24</b>	x230-10GP, x230-18GP, x230-28GP, x230-18GT, x230-28GT, GS970M/10PS, GS970M/18PS, GS970M/28PS, GS970M/18, GS970M/28, AR4050S, AR3050S, AR2050V
	<b>AT-BRKT-J26</b>	TQ2450(EoS in EMEA)
	<b>AT-DMCWLMT-05</b> (pack of 5)	DMC100 series, DMC1000 series
	<b>AT-MMCWLMT-05</b> (pack of 5)	MMC200 series, MMC2000 series, MMC6005
	<b>AT-WLMT-010</b> (pack of 10)	MC100 series, MC1000 series, MC115XL, MC116XL, MC13, GS2002/SP, FS200 series

## RACKMOUNT

PRODUCT	ORDER NAME	SUPPORTED DEVICES
	<b>AT-RKMT-SL01</b>	x930 series, x510DP-52GTX, IX5-28GPX, DC2552XS/L3, x900 series(EoS)
	<b>AT-RKMT-J05</b>	x230-10GT, GS970M/10, GS920/16
	<b>AT-RKMT-J08</b>	GS910/8, GS910/8E, GS920/8, FS710/8, FS710/8E
	<b>AT-RKMT-J13</b>	x230-18GP, x230-18GT, GS970M/18PS, GS970M/18
	<b>AT-RKMT-J14</b>	x230-10GP, GS970M/10PS, AR4050S, AR3050S, AR2050V
	<b>AT-RKMT-J15</b>	XS900MX series, AR4050S, AR3050S
	<b>AT-RKMT-APL1</b>	UWC-60-APL

## DIN RAIL / OTHER

PRODUCT	ORDER NAME	SUPPORTED DEVICES
	<b>AT-DINRAIL1</b>	MC100 series, MC1000 series, MC115XL, MC116XL, MC13, FS200 series, GS2002/SP, PC232/POE, PC2002/POE
	<b>AT-DRMT-J02</b>	AR2010V
	<b>AT-TRAY1</b>	MC100 series, MC1000 series, MC115XL, MC116XL, MC13, GS2002/SP, FS200 series
	<b>AT-TRAY4</b>	