

TIRES • WHEELS • BRAKES

CONTENTS

B.F. Goodrich	271
Cleveland Wheels & Brakes	272
Goodyear.....	289
Scott Tailwheels	294
Specialty Tires of America	300

B.F. Goodrich

Grove 800 x 4 Disk Brake Conversion

- Applicability: PiperJ-3, J-4, J-5, PA-11, and PA-15/17
- Bigger caliper for PA-12, PA-14, PA-16, PA-18, and PA-20



Maintain your classic look! Use your existing wheels, tires, tubes, master cylinder and brake lines. Easy installation – all parts and special tools are included. For Goodrich wheels and brakes only.

Kits requiring FAA 8130-3 Forms must be special ordered from the factory. There is an additional **\$150.00** charge for this documentation.

Grove Brake Conversion..... 76002 **\$999.00**

B.F. Goodrich Replacement Brake Parts

- All parts listed below priced and sold individually

Bellanca Crusair (D2-250 Brake Assembly)

Shield, 6 required..... A72-29 **\$19.50**
 Spring Clip, 6 required..... B21-116 **\$47.43**

Bellanca Crusair (D2-524 Brake Assembly)

Shield, 6 required..... A72-29 **\$19.50**
 Spring Clip, 6 required..... B21-116 **\$47.43**

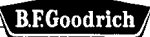
Navion

Shield, 7 required..... A72-29 **\$19.50**

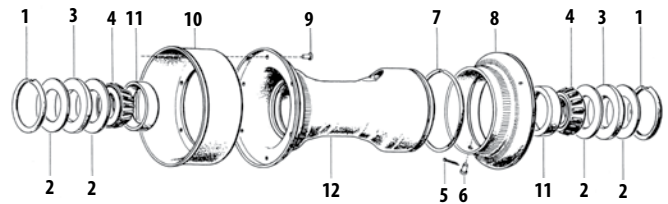
Piper PA-23 Apache

Block, 6 required..... B27-300 **\$11.96**
 Spring Clip, 6 required..... B21-169 **\$26.92**

8.00 x 4 Main Wheel Assembly



- Applicability: Pipers with 1¼ inch axles; Ecoupe serial numbers 1 to 812
- All parts below are priced and sold individually

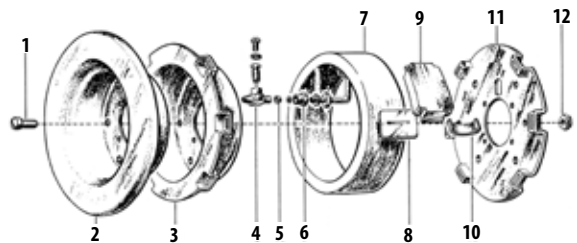


#	Description	Required	Part #	Price
	Wheel and Brake Drum Assembly.....		UD3-13A-1.....	\$1,895.30
1	Lock Ring	2	UA85-218.....	\$33.02
2	Felt Retainer Washer.....	4	UA56-4.....	\$9.23
3	Felt Grease Retainer.....	2	UB227-52.....	\$1.60
4	Bearing Cone	2	08125.....	\$49.98
5	Cotter Pin.....	1	AN380-2-2.....	\$0.04
6	Anchor Pin.....	1	A20-54.....	\$21.55
7	Side Lock Ring.....	1	UA85-118.....	\$22.00
8	Side Rim	1	B11-5.....	\$60.23
9	Flat Head Rivet.....	6	AN441-6-6P.....	\$0.74
10	Brake Drum.....	1	B13-4.....	\$260.48
11	Bearing Cup	2	08231.....	\$31.18
12	Wheel Base.....	1	UD10-12.....	\$1,202.23

8.00 x 4 Brake Assembly (D2-113S)



- Applicability: Pipers with 1¼ inch axles; Ecoupe serial numbers 1 to 812
- All parts below are priced and sold individually



#	Description	Required	Part #	Price
	Brake Assembly (D3-113)		D2-113S.....	N/A
1	Screw (AN501A10-6)	6	MS35266-61.....	\$0.38
2	Brake Inner Fairing (Dust Cover)	1	B51-72.....	\$107.93
3	Brake Frame.....	1	D12-101.....	\$28.13
4	Bleeder Tee Fitting, Nut, Washer	1	B57-239.....	\$121.13
5	Packing	1	A64-3.....	\$6.15
6	Nut.....	1	A63-159.....	N/A
7	Expander Tube Assembly	1	B22-43S.....	N/A
8	Expander Tube Shield.....	6	A72-30.....	\$29.54
9	Brake Block	6	B27-59-1.....	\$73.02
10	Retracting Spring.....	6	B21-35.....	\$11.18
11	Brake Frame Flange	1	D15-25.....	\$50.80
12	Nut (AN365-1032)	6	MS21044N3.....	\$0.24

Cleveland Wheels & Brakes

**Cleveland Wheels & Brakes
Aircraft Applicability Chart**

- 1) Find your aircraft in the chart below.
- 2) Go to the page for the applicable brake or wheel assembly.
- 3) Illustration pages will list all available parts for that brake or wheel.

Aircraft	Brake	Page	Wheel	Page
Aeronca, Bellanca, Champion				
7AC to 7EC, 7FC, 7HC.....	B-1.....	273	W-4.....	281
7ACA, 1971.....	B-2.....	274	W-2.....	280
7ECA, 7GCAA, 7GCBC, 7SRS, 1964 and later.....	B-3.....	274	W-5.....	282
8GCBC, S/N 1 and up.....	B-9.....	277	W-15.....	287
Cessna 199-04600 Kit				
120, 140, 170, 180, 182 (6.00 tires).....	B-5.....	275	W-13.....	286
150A, 150B, 1961-62, S/N 59119 to 59700.....	B-2.....	274	W-2.....	280
150C, 1963, S/N 59701 to 60087.....	B-2.....	274	W-1.....	280
150C.....	B-3.....	274	W-7.....	283
150D, 150E, 1964-65, S/N 60088 to 61532.....	B-2.....	274	W-2.....	280
150F, 150G, 150H, 150J, 1966, S/N 61533 and up.....	B-5.....	275	W-13.....	286
150K, to 1970, S/N 71129 to 72003.....	B-5.....	275	W-13.....	286
A150K, 1970, S/N 1 to 226.....	B-5.....	275	W-13.....	286
A150 Series, S/N 227 and up.....	B-6.....	276	W-14.....	286
F150 Series, S/N 530 and up.....	B-6.....	276	W-14.....	286
FA150 Series, S/N 1 and up.....	B-6.....	276	W-14.....	286
Cessna 199-06200 Kit				
180, 185, 206.....	B-11.....	278	W-8.....	283
Cessna 199-06100 Kit				
190, 195, 195A.....	B-13.....	279	W-17.....	288
Ercoupe, Forney 199-06900 Kit				
415-C, CD, D, E, G, Forney F1, S/N 813 and up.....	B-4.....	275	W-10.....	284
Ercoupe 199-07100 Kit				
415, S/N 113 to 812.....	B-10.....	278	W-12.....	285
Luscombe				
Mechanical Drum Type.....	B-1.....	273	W-4.....	281
Mooney				
M-10 Cadet, S/N 690001 and up.....	B-5.....	275	W-13.....	286
Navion				
199-05200 Kit (includes nosewheel), S/N A to H.....	B-12.....	279	W-16.....	287
199-05201 Kit (excludes nosewheel), S/N A to H.....	B-12.....	279	W-16.....	287
Piper 199-07100 Kit				
J-3 to PA-20.....	B-10.....	278	W-12.....	285
PA-18-150, PA-18A-150, , S/N 7609137 and up.....	B-10.....	278	W-12.....	285

Piper 199-23100 Kit				
J-3 to PA-22 with 1½" axles.....	B-10.....	278	W-9.....	284
PA-22.....	B-1.....	273	W-4.....	281
PA-22-108.....	B-3.....	274	W-5.....	282
PA-22 Series.....	B-3.....	274	W-5.....	282
PA-22 Series.....	B-10.....	278	-.....	-
PA-24-180, 250, S/N 1 to 3295.....	B-7.....	276	W-3.....	281
PA-24-180, 250, 260, S/N 3296 and up.....	B-10.....	278	-.....	-
PA-24-180, 250, S/N 3307 and up.....	B-10.....	278	W-6.....	282
PA-24-260, S/N 3307 and up.....	B-10.....	278	W-9.....	284
PA-24-400, S/N 130 and up.....	B-8.....	277	W-11.....	285
PA-25, S/N 1 to 1999.....	-.....	-	W-3.....	281
PA-25, S/N 2000 to 4171.....	-.....	-	W-7.....	283
PA-25, S/N 4172 and up.....	-.....	-	W-9.....	284
PA-25, S/N 1 to 2136.....	B-7.....	276	-.....	-
PA-25, S/N 2137 and up.....	B-10.....	278	-.....	-
PA-25, Starting in 1977.....	B-10.....	278	-.....	-

Stinson 199-08700 Kit				
108.....	B-5.....	275	W-13.....	286
108, Drum and Shoe Type.....	B-1.....	273	W-4.....	281

Replacement Brake Linings

Replace worn linings with new, approved linings from Univair. For installation and conditioning procedures, please contact Parker Aerospace at www.parker.com.



See our website for exact model applicability.

Non-Asbestos Organic Lining	Part #	Price
Cessna 150, 172, 177, 180, 185 (B30026).....	066-30026.....	\$25.82
Beech 33, Cessna 210C (066-00400).....	066-11100.....	\$15.30
Aeronca, Cessna, Piper (066-00200).....	066-10600.....	\$16.10
Cessna, Ercoupe, Mooney (066-03000).....	066-10500.....	\$16.44
Piper PA-38, Beech B19, C33, 24R, 77 (066-07100).....	066-11200.....	\$27.95

Metallic Linings	Part #	Price
Piper PA-24 (066-01900).....	066-06200.....	\$27.97
Cessna 190, 195, 195A.....	066-03300.....	\$22.18

Need help finding a part?

Call our toll-free sales number 1-888-433-5433! You will find our sales personnel knowledgeable, efficient, and courteous and our service unmatched in the industry. Contact us between 7:30 a.m. and 4:30 p.m. Mountain Time, Monday through Friday and give us the opportunity to serve you!

Free shipping on qualifying orders!

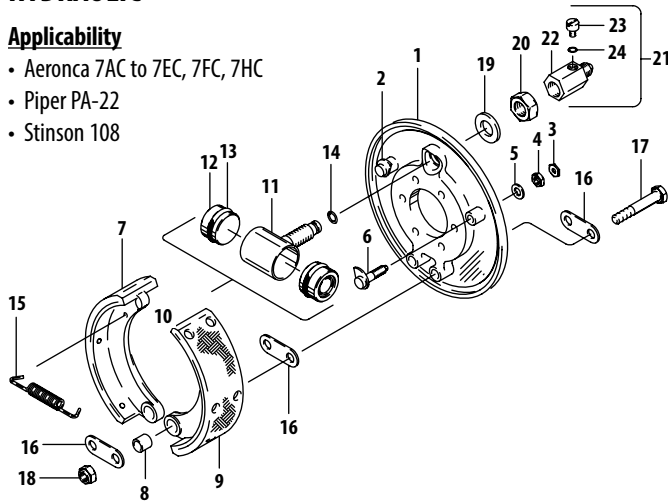
Minimum purchase amount required. Ship to lower 48 contiguous states only via ground or motor freight. Other conditions apply. See full details on page 3.

B-1 6.00-6 Hydraulic and Mechanical Drum Type Brake Assemblies

HYDRAULIC

Applicability

- Aeronca 7AC to 7EC, 7FC, 7HC
- Piper PA-22
- Stinson 108



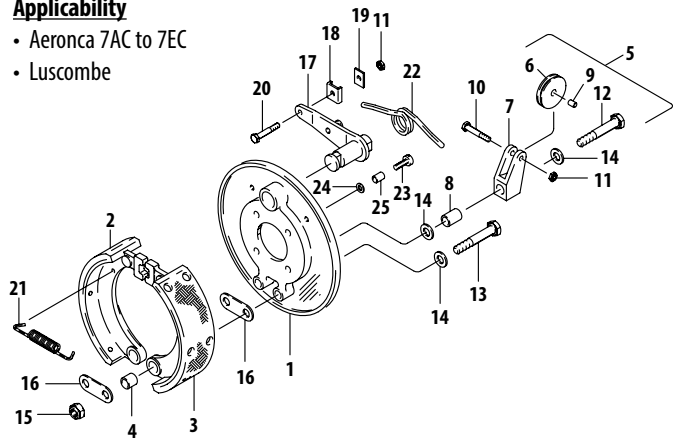
Hydraulic Brake Assembly (C2000)030-00200.....CALL

#	Description	Quantity per Assembly	Part #	Price
1	Torque Plate Assembly.....	1	075-01100	\$2,422.85
	Torque Plate.....	1	065-00600	CALL
2	Brake Adjuster Eccentric.....	1	097-00102	\$204.99
	Brake Adjuster Eccentric.....	1	096-00102	CALL
3	Nut.....	2	094-90100	\$4.24
4	Jam Nut (094-03000)	2	AN316-4	\$0.22
5	Lock Washer (095-15600).....	2	MS35333-40	\$0.06
6	Brake Adjuster Eccentric.....	1	097-00101	N/A
	Brake Adjuster Eccentric.....	1	096-00101	CALL
7	Shoe Assembly, Left.....	1	172-00102	\$4,221.81
	Lining, Includes Rivets	1	066-00504	\$85.05
8	Bushing	2	145-00200	\$343.44
	Rivet (MS16536-93).....	6	105-00300	\$1.45
9	Shoe Assembly, Right	1	172-00101	\$4,479.88
	Lining, Includes Rivets	1	066-00504	\$85.05
10	Cylinder Assembly.....	1	091-00300	\$4,075.99
11	Tube Assembly.....	1	167-00100	CALL
12	Piston Assembly.....	2	092-00100	\$592.10
	Brake Piston.....	2	062-00200	\$411.37
	Wear Plate	2	089-00100	CALL
13	O-Ring	2	MS28775-211	\$0.56
14	O-Ring (101-00500).....	1	MS28775-010	\$0.30
15	Spring.....	1	082-00300	\$78.20
16	Anchor Bolt Plate.....	3	093-00100	\$57.49
17	Bolt (103-20300).....	2	AN5-15A	\$0.54
18	Nut (AN365-524)	2	MS21044N5	\$0.40
19	Lock Washer (095-15700).....	1	AN936A816	\$1.62
20	Jam Nut	1	094-03700	\$5.10
21	Bleeder Assembly	1	087-00100	CALL
22	Bleeder Body	1	077-00100	\$906.07
23	Bleeder Screw.....	1	079-00100	\$236.51
24	O-Ring (101-00300).....	1	MS28775-008	\$0.48

MECHANICAL

Applicability

- Aeronca 7AC to 7EC
- Luscombe



Mechanical Brake Assembly (030-00300).....C7000CALL

#	Description	Quantity per Assembly	Part #	Price
1	Torque Plate.....	1	065-00800	CALL
2	Shoe Assembly, Left.....	1	172-00202	\$3,465.49
	Lining, With Rivets.....	1	066-00504	\$85.05
3	Shoe Assembly, Right	1	172-00201	\$3,258.33
	Lining, With Rivets.....	1	066-00504	\$85.05
4	Bushing	2	145-00300	\$226.25
	Rivet	6	105-00300	\$1.45
	Wear Plate	1	089-00200	\$79.70
5	Pulley Bracket Assembly.....	1	174-00100	\$464.00
6	Cable Pulley	1	179-00100	N/A
7	Pulley Bracket.....	1	173-00100	\$108.98
8	Bushing	1	145-00400	CALL
9	Bushing	1	145-00500	\$17.49
10	Bolt.....	1	AN3-7A	\$0.52
11	Nut (AN364-1032)	2	MS21083N3	\$0.22
12	Bolt.....	1	AN4-23A	\$1.00
13	Bolt.....	1	AN4-15A	\$0.44
14	Washer (AN960-416)	3	NAS1149F0463P	\$0.06
15	Nut (AN365-428)	2	MS21044N4	\$0.30
16	Anchor Bolt Plate.....	2	093-00200	\$57.49
17	Cam Assembly	1	181-00100	\$1,431.40
	Brake Cam.....	1	175-00100	CALL
	Brake Pin	1	177-00100	CALL
	Cam Lever	1	178-00100	CALL
18	Washer Clip.....	1	176-00200	N/A
19	Washer Clip.....	1	176-00100	CALL
20	Bolt.....	1	AN3-5A	\$0.16
21	Spring.....	1	082-00300	\$78.20
22	Spring.....	1	082-00400	\$51.57
23	Screw.....	1	AN526-1024-8	\$0.05
24	Washer.....	1	095-00200	CALL
25	Bushing	1	145-00600	CALL

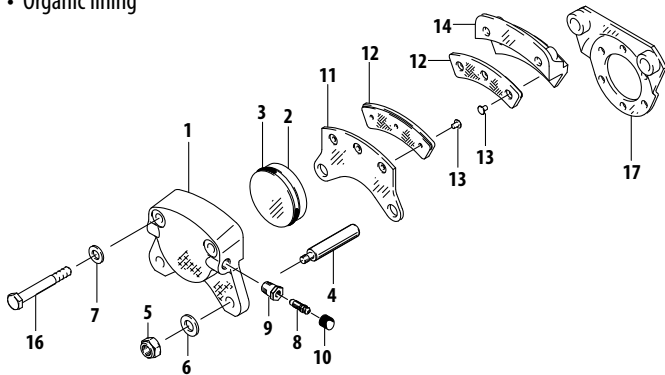
B-2 5 inch Brake Assembly

Applicability

- 1971 Aeronca 7ACA Champ
- 1961-62 Cessna 150A, 150B, serial numbers 59119 to 59700
- 1963 Cessna 150C, serial numbers 59701 to 60087
- 1964-65 Cessna 150D, 150E, serial numbers 60088 to 61532

Specifications

- External
- Single cylinder
- Single piston
- Organic lining



#	Description	Quantity per Assembly	Part #	Price
	Cleveland Brake Assembly		030-00900.....	\$805.77
1	Cylinder Assembly.....	1.....	091-00702.....	\$761.10
	Cylinder.....	1.....	061-00601.....	\$892.54
2	Piston Assembly.....	1.....	092-00200.....	\$91.73
	Piston.....	1.....	062-00300.....	\$196.80
3	O-Ring (101-02300).....	1.....	MS28775-218.....	\$1.00
4	Anchor Bolt.....	2.....	069-00400.....	\$56.42
5	Nut (094-10300).....	2.....	MS21044N4.....	\$0.30
6	Washer (AN960-416).....	2.....	NAS1149F0463P.....	\$0.06
7	Washer (AN960-416).....	2.....	NAS1149F0463P.....	\$0.06
8	Bleeder Screw.....	1.....	079-00300.....	\$19.43
9	Bleeder Seat.....	1.....	081-00100.....	\$37.60
10	Bleeder Cap.....	1.....	183-00100.....	\$5.65
11	Pressure Plate.....	1.....	063-00500.....	\$219.16
	Pressure Plate Assembly.....	1.....	073-00300.....	\$187.96
12	Brake Lining.....	2.....	066-10600.....	\$16.10
13	Rivet.....	6.....	105-00200.....	\$0.84
14	Back Plate.....	1.....	064-00500.....	\$199.14
	Back Plate Assembly.....	1.....	074-00200.....	\$270.43
16	Bolt (103-12100).....	2.....	AN4H15A.....	\$1.50
17	Torque Plate Assembly.....	1.....	075-00800.....	\$447.97

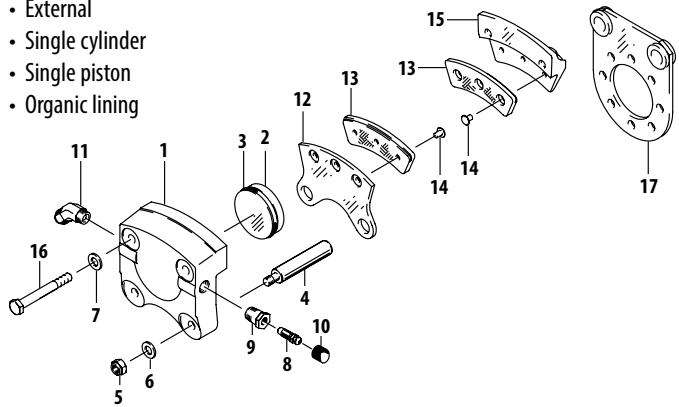
B-3 6 inch Brake Assemblies

Applicability

- A) Piper PA-22, PA-22-108
- B) Aeronca 7ECA, 7GCAA, 7GCBC, 7SRS, Citabria 1964 and later, Aeronca 8KCAB Decathlon, serial numbers 1 and up
- C) 1963 Cessna 150C, 1964-65 Cessna 150D, 150E

Specifications

- External
- Single cylinder
- Single piston
- Organic lining



#	Description	Quantity per Assembly			Part #	Price
		A	B	C		
A	Cleveland Brake Assembly	↓			030-01800.....	\$1,380.05
B	Cleveland Brake Assembly		↓		030-01901.....	\$2,182.17
C	Cleveland Brake Assembly			↓	030-04000.....	CALL
1	Cylinder Assembly.....	1.....			091-00701.....	CALL
	Cylinder Assembly.....	1	1		091-00702.....	\$761.10
	Cylinder.....	1	1	1	061-00601.....	\$892.54
2	Piston Assembly.....	1	1	1	092-00200.....	\$91.73
	Piston.....	1	1	1	062-00300.....	\$196.80
3	O-Ring (AN6227-23).....	1	1	1	MS28775-218.....	\$1.00
4	Anchor Bolt.....	2	2	2	069-00400.....	\$56.42
5	Nut.....	2	2	2	MS21044N4.....	\$0.30
6	Washer (AN960-416).....	2	2	2	NAS1149F0463P.....	\$0.06
7	Washer.....	2	2	2	NAS1149F0432P.....	\$0.04
8	Bleeder Screw.....	1	1	1	079-00300.....	\$19.43
9	Bleeder Seat.....	1	1	1	081-00200.....	\$35.99
10	Bleeder Cap.....	1	1	1	183-00100.....	\$5.65
11	Tube Fitting (AN822-4D).....	1			MS20822-4D.....	\$20.00
	Tube Fitting.....	1	1		MS20823-4D.....	\$5.40
12	Pressure Plate Assembly.....	1	1	1	073-00300.....	\$187.96
	Pressure Plate.....	1	1	1	063-00500.....	\$219.16
13	Lining.....	1	1	1	066-10600.....	\$16.10
14	Rivet.....	3	3	3	105-00200.....	\$0.84
15	Back Plate Assembly.....	1	1	1	074-00200.....	\$270.43
	Back Plate.....	1	1	1	064-00500.....	\$199.14
16	Bolt.....	2	2		AN4H15A.....	\$1.50
	Bolt.....	2			103-11500.....	\$24.89
17	Torque Plate Assembly.....	1			075-01600.....	\$467.52
	Torque Plate Assembly.....	1			075-04900.....	CALL
	Torque Plate Assembly.....	1			075-02500.....	\$1,358.67

Shop Online: www.univair.com

Order By Phone: 1-888-433-5433

Monday to Friday • 7:30 am to 4:30 pm MT



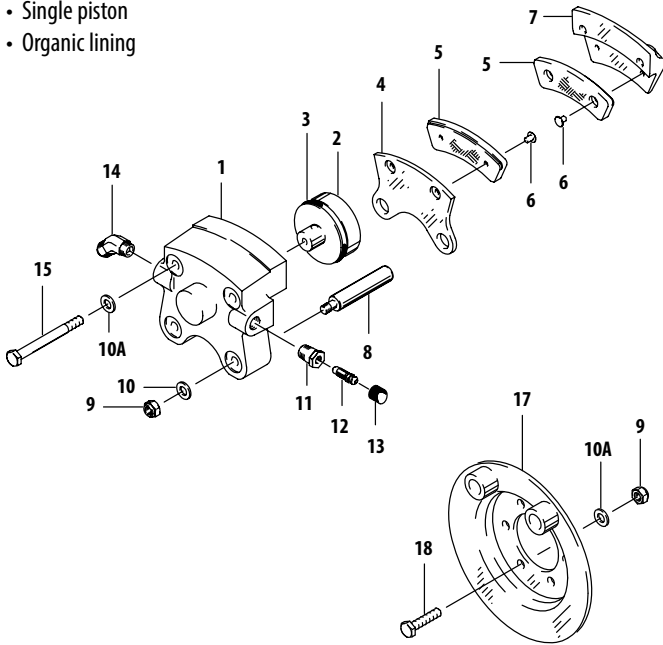
B-4 6 inch Brake Assembly

Applicability

- Ercoupe 415C, 415CD, 415D, 415E, 415G
- F1 Forney, serial numbers 813 and up

Specifications

- External
- Single cylinder
- Single piston
- Organic lining



#	Description	Quantity per Assembly	Part #	Price
	Cleveland Brake Assembly	030-03000	CALL	
1	Cylinder Assembly.....	1.....	091-08400	CALL
	Cylinder.....	1.....	061-01900	\$468.41
2	Piston Assembly.....	1.....	092-01700	\$125.81
	Piston.....	1.....	062-01600	\$101.90
3	O-Ring	1.....	MS28775-224	\$2.28
4	Pressure Plate Assembly	1.....	073-03600	CALL
	Pressure Plate	1.....	063-01200	\$120.83
5	Lining	1.....	066-10500	\$16.44
6	Rivet	2.....	105-00200	\$0.84
7	Back Plate Assembly	1.....	074-02900	\$275.97
	Back Plate.....	1.....	064-01500	\$168.17
8	Anchor Bolt.....	2.....	069-00400	\$56.42
9	Nut (AN365-428)	8.....	MS21044N4	\$0.30
10	Washer.....	4.....	NAS1149F0432P	\$0.04
10A	Washer (AN960-416)	6.....	NAS1149F0463P	\$0.06
11	Bleeder Seat	1.....	081-00100	\$37.60
12	Bleeder Screw.....	1.....	079-00300	\$19.43
13	Bleeder Cap.....	1.....	183-00100	\$5.65
14	Tube Fitting.....	1.....	MS20823-4D	\$5.40
15	Bolt.....	2.....	103-11600	\$6.44
17	Torque Plate Assembly.....	1.....	075-12100	\$554.78
18	Socket Head Screw.....	6.....	103-61100	CALL

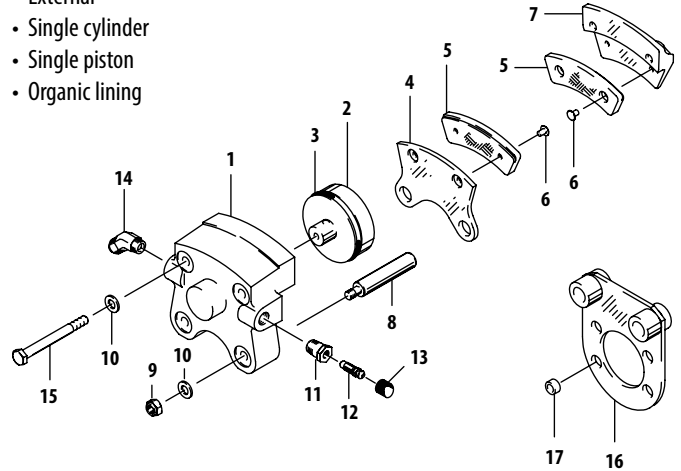
B-5 6 inch Brake Assemblies

Applicability

- A) Cessna 120, 140, 170, 180, 182 with 6.00-6 tires; 1966 Cessna 150F, 150G, 150H, 150J, serial numbers 61533 and up; to 1970 Cessna 150K, serial numbers 71129 to 72003; 1970 Cessna A150K Aerobat, serial numbers 1 to 226; Mooney M-10 Cadet, serial numbers 690001 and up
- B) Stinson 108

Specifications

- External
- Single cylinder
- Single piston
- Organic lining



#	Description	Quantity per Assembly		Part #	Price
		A	B		
A	Cleveland Brake Assembly	↓		030-06301	\$1,085.83
B	Cleveland Brake Assembly		↓	030-06315	\$1,771.29
1	Cylinder Assembly (091-03900).....	1.....	1.....	091-02200	\$915.84
	Cylinder Assembly.....	1.....	1.....	091-12200	CALL
	Cylinder.....	1.....	1.....	061-01900	\$468.41
2	Piston Assembly.....	1.....	1.....	092-01700	\$125.81
	Piston.....	1.....	1.....	062-01600	\$101.90
3	O-Ring	1.....	1.....	MS28775-224	\$2.28
4	Pressure Plate Assembly	1.....	1.....	073-01100	\$182.62
	Pressure Plate	1.....	1.....	063-01200	\$120.83
5	Lining	1.....	1.....	066-10500	\$16.44
6	Rivet	2.....	2.....	105-00200	\$0.84
7	Back Plate Assembly	1.....	1.....	074-01000	\$242.79
	Back Plate Assembly.....	1.....	1.....	074-02900	\$275.97
	Back Plate.....	1.....	1.....	064-01500	\$168.17
8	Anchor Bolt.....	2.....	2.....	069-00400	\$56.42
9	Nut (AN365-428)	2.....	2.....	MS21044N4	\$0.30
10	Washer.....	4.....	4.....	NAS1149F0432P	\$0.04
11	Bleeder Seat	1.....	1.....	081-00100	\$37.60
12	Bleeder Screw.....	1.....	1.....	079-00300	\$19.43
13	Bleeder Cap.....	1.....	1.....	183-00100	\$5.65
14	Tube Fitting.....	1.....	1.....	AN816-4D	\$5.00
15	Bolt.....	2.....	2.....	103-11600	\$6.44
16	Torque Plate Assembly.....	1.....	1.....	075-03700	\$315.29
	Torque Plate Assembly.....	1.....	1.....	075-07700	\$857.77
17	Bushing	2.....	2.....	145-01000	\$28.93

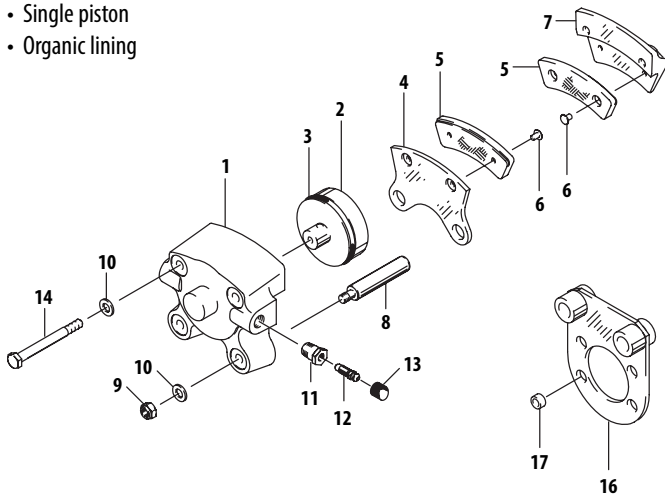
B-6 6 inch Brake Assembly

Applicability

- Cessna A150 Series Aerobat, serial numbers 227 and up
- Cessna F150 Series Commuter/Reims, serial numbers 530 and up
- Cessna FA150 Series Aerobat/Reims, serial numbers 1 and up

Specifications

- External
- Single cylinder
- Single piston
- Organic lining



#	Description	Quantity per Assembly	Part #	Price
	Cleveland Brake Assembly		030-07500	\$1,226.66
1	Cylinder Assembly.....	1	091-04400	\$2,242.62
	Cylinder.....	1	061-14100	CALL
2	Piston Assembly.....	1	092-07500	CALL
	Piston.....	1	062-08000	CALL
3	O-Ring (101-05200).....	1	MS28775-224	\$2.28
4	Pressure Plate	1	063-01200	\$120.83
	Pressure Plate Assembly	1	073-01100	\$182.62
5	Lining (066-03000).....	2	066-10500	\$16.44
6	Rivet	4	105-00200	\$0.84
7	Back Plate.....	1	064-01500	\$168.17
	Back Plate Assembly.....	1	074-01000	\$242.79
8	Anchor Bolt.....	2	069-02500	CALL
9	Nut (AN365-428)	2	MS21044N4	\$0.30
10	Washer (AN960-416L)	4	NAS1149F0432P	\$0.04
11	Bleeder Seat	1	081-00100	\$37.60
12	Bleeder Screw.....	1	079-00300	\$19.43
13	Bleeder Cap.....	1	183-00100	\$5.65
14	Bolt.....	2	103-11600	\$6.44
16	Torque Plate Assembly.....	1	075-03700	\$315.29
17	Bushing	2	145-01000	\$28.93

We Accept:



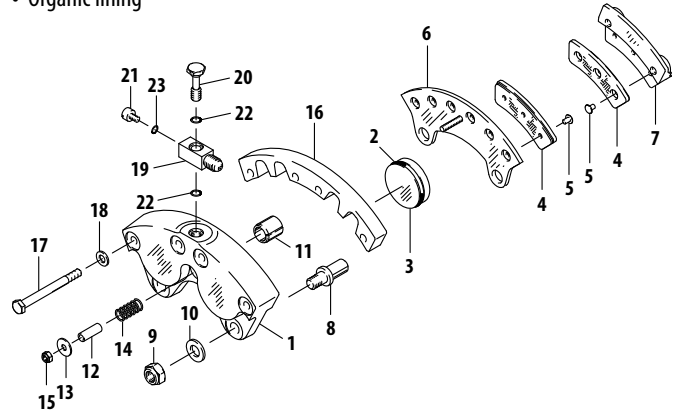
B-7 6 inch Brake Assembly

Applicability

- Piper PA-24-180, 250 Comanche, serial numbers 1 to 3295
- Piper PA-25 Pawnee C, serial numbers 1 to 2136

Specifications

- External
- Single cylinder
- Dual piston
- Organic lining



#	Description	Quantity per Assembly	Part #	Price
	Cleveland Brake Assembly		030-01200	CALL
1	Cylinder Assembly.....	1	091-00400	CALL
	Cylinder.....	1	061-00300	\$1,132.22
2	O-Ring (AN6227-23)	2	MS28775-218	\$1.00
3	Piston Assembly.....	2	092-00200	\$91.73
	Piston.....	2	062-00300	\$196.80
4	Lining	2	066-10600	\$16.10
5	Rivet	6	105-00200	\$0.84
6	Pressure Plate Assembly	1	073-00200	\$393.69
	Pressure Plate	1	184-00100	\$496.02
7	Back Plate Assembly.....	2	074-00200	\$270.43
	Back Plate.....	2	064-00500	\$199.14
8	Anchor Bolt.....	2	069-00200	\$81.64
9	Nut.....	2	MS21042-06	\$0.48
10	Washer.....	2	NAS1149F0632P	\$0.06
11	Retract Cylinder	1	071-00100	\$96.88
12	Spacer.....	1	067-00400	\$197.51
13	Washer.....	1	095-00200	CALL
14	Spring.....	1	082-00500	\$353.51
15	Nut (AN364-1032)	1	MS21083N3	\$0.22
16	Shim	1	068-00800	N/A
17	Bolt.....	4	AN4H15A	\$1.50
18	Washer.....	4	NAS1149F0432P	\$0.04
19	Bleeder Body Assembly	1	087-00200	CALL
	Bleeder Body	1	077-00200	\$223.92
20	Bleeder Screw	1	079-00200	\$2,317.26
21	Bleeder Screw	1	079-00100	\$236.51
22	O-Ring (AN6227-6).....	2	MS28775-011	\$0.30
23	O-Ring (AN6227-3).....	1	MS28775-008	\$0.48

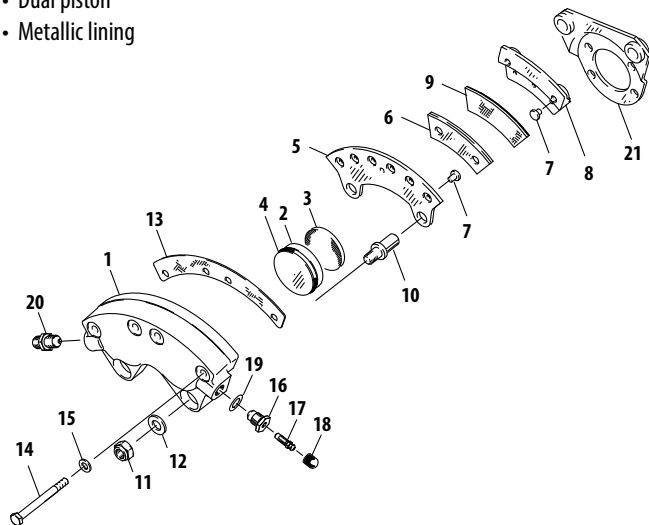
B-8 6 inch Brake Assembly

Applicability

- Britten-Norman Group BN-2B, BN-2T, 1979 and later

Specifications

- External
- Single cylinder
- Dual piston
- Metallic lining



#	Description	Quantity per Assembly	Part #	Price
	Cleveland Brake Assembly		030-02303	\$1,487.90
1	Cylinder Assembly.....	1.....	091-08600	CALL
	Cylinder.....	1.....	061-06500	\$1,211.72
2	Piston Assembly.....	2.....	092-00800	\$158.52
	Piston.....	2.....	062-00700	\$101.90
3	Insulator	2.....	088-00100	\$25.15
4	O-Ring	2.....	MS28775-222	\$1.06
5	Pressure Plate Assembly	1.....	073-03800	CALL
	Pressure Plate	1.....	063-00600	\$218.76
6	Lining	2.....	066-06500	\$31.35
7	Pin	4.....	177-00300	\$19.21
8	Back Plate Assembly.....	2.....	074-02300	CALL
	Back Plate.....	2.....	064-00500	\$199.14
9	Lining	2.....	066-06200	\$27.97
10	Anchor Bolt.....	2.....	069-00200	\$81.64
11	Nut.....	2.....	MS21042-06.....	\$0.48
12	Washer.....	2.....	NAS1149F0632P	\$0.06
13	Insulator Shim	1.....	068-01100	\$84.55
14	Bolt.....	4.....	AN4H16A.....	\$1.52
15	Washer.....	4.....	NAS1149F0432P	\$0.04
16	Bleeder Seat	1.....	081-00200	\$35.99
17	Bleeder Screw.....	1.....	079-00300	\$19.43
18	Bleeder Cap.....	1.....	183-00100	\$5.65
19	O-Ring (AN6227-7).....	2.....	MS28775-012	\$0.32
20	Tube Fitting.....	1.....	AN919-2D.....	\$9.90
21	Torque Plate (supplied by Airframe manufacturer).....	-	-	-

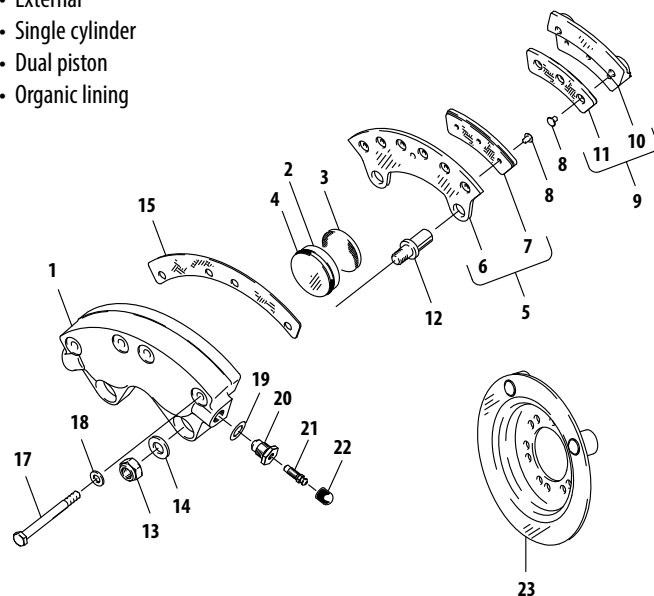
B-9 6 inch Brake Assembly

Applicability

- Aeronca 8GCBC Scout

Specifications

- External
- Single cylinder
- Dual piston
- Organic lining



#	Description	Quantity per Assembly	Part #	Price
	Cleveland Brake Assembly		030-03202	CALL
1	Cylinder Assembly.....	1.....	091-10200	CALL
	Cylinder.....	1.....	061-08300	CALL
2	Piston Assembly.....	2.....	092-00900	CALL
	Piston.....	2.....	062-00800	\$262.93
3	Insulator	2.....	088-00200	\$43.69
4	O-Ring (AN6227-23).....	2.....	MS28775-218	\$1.00
5	Pressure Plate Assembly	1.....	073-00400	\$324.57
6	Pressure Plate	1.....	063-00600	\$218.76
7	Lining	2.....	066-10600	\$16.10
8	Rivet	6.....	105-00200	\$0.84
9	Back Plate Assembly.....	2.....	074-00200	\$270.43
10	Back Plate.....	2.....	064-00500	\$199.14
11	Lining	2.....	066-10600	\$16.10
12	Anchor Bolt.....	2.....	069-00200	\$81.64
13	Nut.....	2.....	MS21042-06.....	\$0.48
14	Washer.....	2.....	NAS1149F0632P	\$0.06
15	Insulator Shim	1.....	068-01100	\$84.55
17	Bolt.....	4.....	103-12000	\$18.87
18	Washer.....	4.....	NAS1149F0432P	\$0.04
19	O-Ring (AN6227-7).....	1.....	MS28775-012	\$0.32
20	Bleeder Seat	1.....	081-00200	\$35.99
21	Bleeder Screw.....	1.....	079-00300	\$19.43
22	Bleeder Cap.....	1.....	183-00100	\$5.65
23	Torque Plate Assembly.....	1.....	075-02101	\$919.62

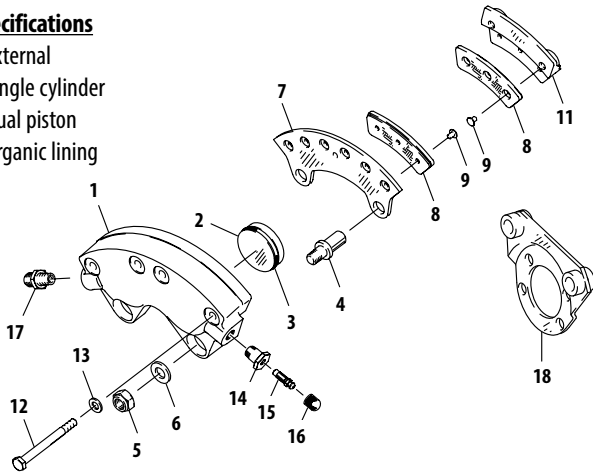
B-10 6 inch Brake Assembly

Applicability

- A) Piper J-3 to PA-22 with 1.5" axles; PA-24-180, 250, 260, S/N 3296 and up; PA-24-180, 250, S/N 3307 and up; PA-24-260, S/N 3307 and up; PA-25 C, S/N 2137 and up; PA-25 C, starting in 1977
- B) Ercoupe 415[1], S/N 113 to 812; Piper J-3 to PA-20; PA-18-150, S/N 7609137 and up; PA-18A-150, S/N 7609137 and up

Specifications

- External
- Single cylinder
- Dual piston
- Organic lining



Quantity per Assembly

#	Description	A	B	Part #	Price
A	Cleveland Brake Assembly	↓		030-04102*	\$1,520.26
B	Cleveland Brake Assembly		↓	030-06001	\$2,185.18
1	Cylinder Assembly (091-01600)	1		091-08800	\$2,084.54
	Cylinder Assembly (091-08900)	1		091-08901	\$2,660.14
	Cylinder (061-00700)	1		061-06600	\$1,258.87
	Cylinder (061-06700)	1		061-06701	\$1,042.77
2	Piston Assembly	2		092-00200	\$91.73
	Piston Assembly	2		092-00700	CALL
	Piston	2		062-00300	\$196.80
	Piston	2		062-00600	\$88.06
3	O-Ring	2		MS28775-218	\$1.00
	O-Ring (AN6227-27)	2		MS28775-222	\$1.06
4	Anchor Bolt	2	2	069-00200	\$81.64
5	Nut	2	2	MS21042-06	\$0.48
6	Washer	2	2	NAS1149F0632P	\$0.06
7	Pressure Plate Assembly	1		073-00400	\$324.57
	Pressure Plate Assembly	1		073-04100	CALL
	Pressure Plate	1	1	063-00600	\$218.76
8	Lining	2	2	066-10600	\$16.10
9	Rivet	6	6	105-00200	\$0.84
11	Back Plate Assembly	2		074-00200	\$270.43
	Back Plate Assembly	2		074-02700	CALL
	Back Plate	2	2	064-00500	\$199.14
12	Bolt	4	4	AN4H15A	\$1.50
13	Washer	4	4	NAS1149F0432P	\$0.04
14	Bleeder Seat	1	1	081-00100	\$37.60
15	Bleeder Screw	1	1	079-00300	\$19.43
16	Bleeder Cap	1	1	183-00100	\$5.65
17	Tube Fitting	1		AN816-4D	\$5.00
18	Torque Plate Assembly	1		075-12500	\$528.36

* 030-04102 supersedes 030-04000

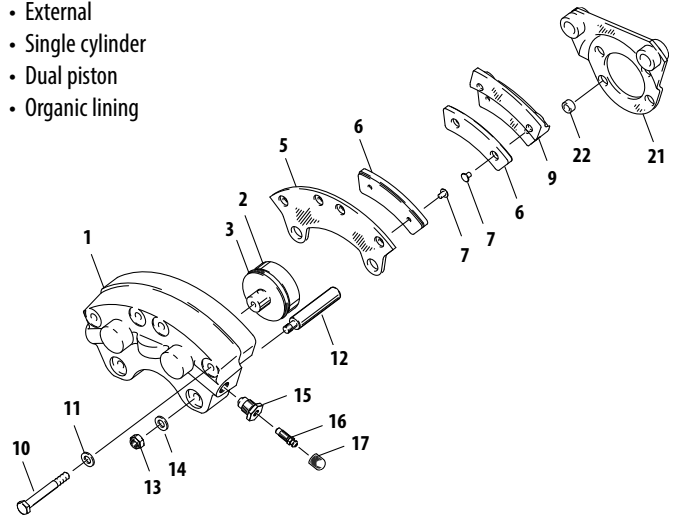
B-11 6 inch Brake Assembly

Applicability

- Cessna 180, 185, 206

Specifications

- External
- Single cylinder
- Dual piston
- Organic lining



Quantity per

#	Description	Assembly	Part #	Price
	Cleveland Brake Assembly		030-05200	\$1,520.58
1	Cylinder	1	061-01800	\$522.61
	Cylinder Assembly	1	091-02100	\$1,567.96
2	Piston	2	062-01500	\$84.51
	Piston Assembly	2	092-01600	\$115.74
3	O-Ring	2	MS28775-222	\$1.06
5	Pressure Plate Assembly	1	073-01000	\$320.15
	Pressure Plate	1	063-01100	\$79.50
6	Lining	2	066-10500	\$16.44
7	Rivet	4	105-00200	\$0.84
9	Back Plate Assembly	2	074-01000	\$242.79
	Back Plate	2	064-01500	\$168.17
10	Bolt	4	103-11800	\$7.28
11	Washer (AN960-416)	4	NAS1149F0463P	\$0.06
12	Anchor Bolt	2	069-00400	\$56.42
13	Nut (AN365-428)	2	MS21044N4	\$0.30
14	Washer	2	NAS1149F0432P	\$0.04
15	Bleeder Seat	1	081-00100	\$37.60
16	Bleeder Screw	1	079-00300	\$19.43
17	Bleeder Cap	1	183-00100	\$5.65
21	Torque Plate Assembly	1	075-01500	\$415.99
22	Bushing	2	145-01000	\$28.93

FREE SHIPPING
ON QUALIFYING ORDERS



See details on page 3

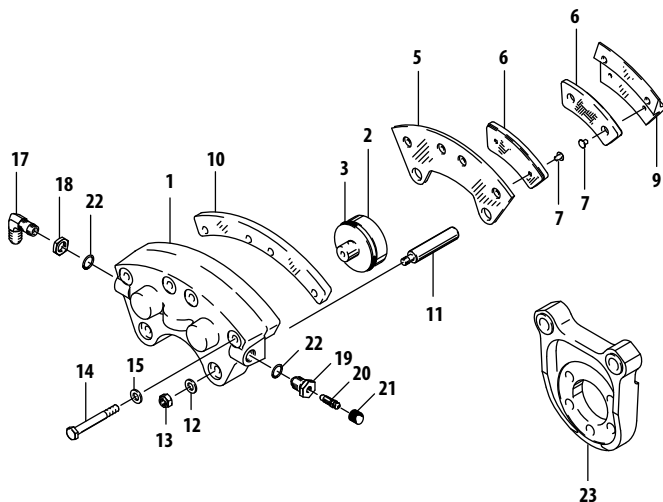
B-12 8 inch Brake Assembly

Applicability

- Navion, serial numbers A to H

Specifications

- External
- Single cylinder
- Dual piston
- Organic lining



#	Description	Quantity	Part #	Price
	Cleveland Brake Assembly		030-06602	CALL
1	Cylinder.....	1.....	061-02200.....	\$1,085.00
	Cylinder Assembly.....	1.....	091-03500.....	CALL
2	Piston.....	2.....	062-01500.....	\$84.51
	Piston Assembly.....	2.....	092-01600.....	\$115.74
3	O-Ring	2.....	MS28775-222.....	\$1.06
5	Pressure Plate Assembly	1.....	073-02100.....	\$630.27
	Pressure Plate	1.....	063-01400.....	\$281.63
6	Lining	2.....	066-11000.....	\$32.06
7	Rivet	4.....	105-00200.....	\$0.84
9	Back Plate Assembly.....	2.....	074-01700.....	\$422.70
	Back Plate.....	2.....	064-01700.....	\$263.15
10	Back Plate Shim.....	1.....	068-02500.....	\$402.57
11	Anchor Bolt.....	2.....	069-00400.....	\$56.42
12	Washer.....	2.....	NAS1149F0432P.....	\$0.04
13	Nut (AN365-428)	2.....	MS21044N4.....	\$0.30
14	Bolt.....	4.....	103-11800.....	\$7.28
15	Washer (AN960-416)	4.....	NAS1149F0463P.....	\$0.06
17	Tube Fitting.....	1.....	AN833-4D.....	\$11.44
18	Nut (094-90500).....	1.....	AN924-4D.....	\$2.14
19	Bleeder Seat	1.....	081-00200.....	\$35.99
20	Bleeder Screw.....	1.....	079-00300.....	\$19.43
21	Bleeder Cap.....	1.....	183-00100.....	\$5.65
22	O-Ring (AN6227-7).....	2.....	MS28775-012.....	\$0.32
23	Torque Plate Assembly.....	1.....	075-09800.....	\$1,471.88

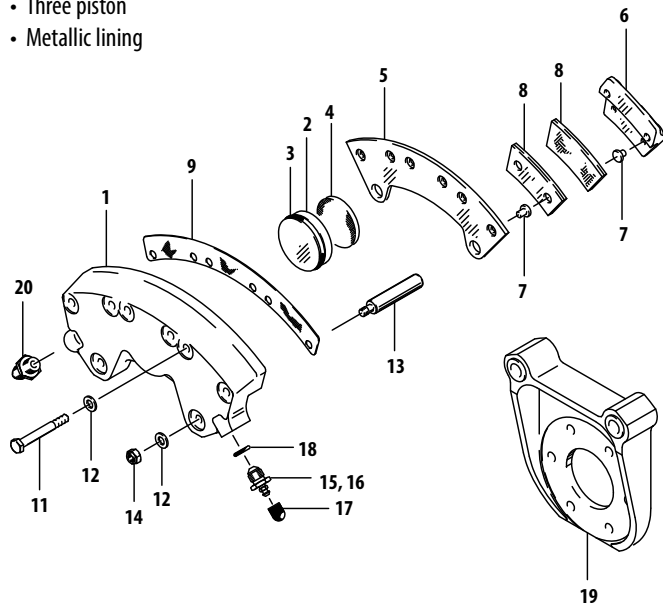
B-13 10 inch Brake Assembly

Applicability

- Cessna 190, 195, 195A

Specifications

- External
- Single cylinder
- Three piston
- Metallic lining



#	Description	Quantity	Part #	Price
	Cleveland Brake Assembly		030-02803	CALL
1	Cylinder.....	1.....	061-02600.....	\$821.42
	Cylinder Assembly.....	1.....	091-01003.....	\$2,188.96
2	Piston.....	3.....	062-00700.....	\$101.90
	Piston Assembly.....	3.....	092-00800.....	\$158.52
3	O-Ring	3.....	MS28775-222.....	\$1.06
4	Insulator	3.....	088-00100.....	\$25.15
5	Pressure Plate	1.....	063-00700.....	CALL
	Pressure Plate Assembly	1.....	073-00500.....	\$383.70
6	Back Plate.....	3.....	064-02700.....	CALL
	Back Plate Assembly.....	3.....	074-00500.....	\$669.40
7	Pin	6.....	177-00400.....	\$26.37
8	Lining	6.....	066-03300.....	\$22.18
9	Back Plate Shim	1.....	068-01600.....	\$130.07
11	Bolt.....	6.....	103-12000.....	\$18.87
12	Washer.....	8.....	NAS1149F0432P.....	\$0.04
13	Anchor Bolt.....	2.....	069-00400.....	\$56.42
14	Nut (AN365-428)	2.....	MS21044N4.....	\$0.30
15	Bleeder Seat	1.....	081-00200.....	\$35.99
16	Bleeder Screw	1.....	079-00300.....	\$19.43
17	Bleeder Cap.....	1.....	183-00100.....	\$5.65
18	O-Ring (AN6227-7).....	2.....	MS28775-012.....	\$0.32
19	Torque Plate Assembly.....	1.....	075-08900.....	\$2,341.18
20	Tube Fitting.....	1.....	AN815-4D.....	\$4.58

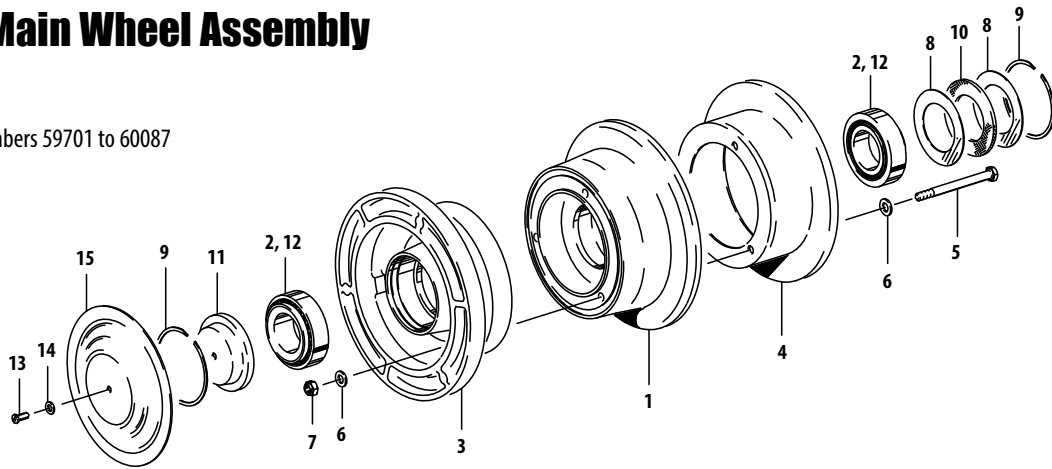
W-1 5.00-5 Main Wheel Assembly

Applicability

- 1963 Cessna 150C, serial numbers 59701 to 60087

Specifications

- External
- Tube type tire



#	Description	Quantity	Part #	Price
	Cleveland Wheel Assembly		040-01900	CALL
1	Inner Wheel Half	1	—	N/A
2	Bearing Cup	2	08231	\$31.18
3	Outer Wheel Half	1	—	N/A
4	Brake Disc	1	164-00400	\$258.13
5	Bolt	3	AN4-31A	\$0.92
6	Washer (AN960-416)	6	NAS1149F0463P	\$0.06
7	Nut (AN365-428)	3	MS21044N4	\$0.30

8	Grease Seal Ring	2	153-00800	\$16.36
9	Snap Ring	2	155-00200	\$24.06
10	Grease Seal Felt	1	154-00600	\$12.80
11	Hub Cap	1	158-00500	\$454.15
12	Bearing Cone	2	08125	\$49.98
13	Slotted Truss Head Screw	1	AN526-1024-8	\$0.05
14	Lock Washer	1	MS35333-39	\$0.06
15	Dust Shield	1	157-00500	\$138.39

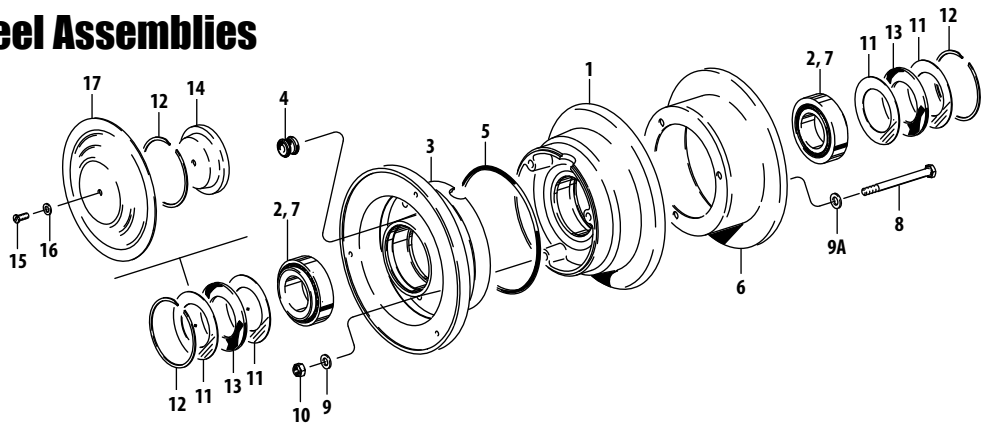
W-2 5.00-5 Main Wheel Assemblies

Applicability

- A) 1961-62 Cessna 150A, 150B, S/N 59119 to 59700
- B) 1964-65 Cessna 150D, 150E, S/N 60088 to 61532
- C) Aeronca 7ACA Champ, 1971 and later; Piper PA-38-112

Specifications

- External
- Tubeless and tube type tire



#	Description	A	B	C	Part #	Price
A	Cleveland Wheel Assembly*	↓			040-01200	CALL
B	Cleveland Wheel Assembly**		↓		040-07800	\$2,034.22
C	Cleveland Wheel Assembly**			↓	040-07802	\$1,839.36
1	Inner Wheel Half Assembly	1			161-00500	CALL
	Inner Wheel Half Assembly	1	1		161-03100	\$800.13
2	Bearing Cup	2	2	2	08231	\$31.18
3	Outer Wheel Half Assembly	1			162-00500	\$1,210.55
	Outer Wheel Half Assembly	1	1		162-02800	\$754.88
4	Grommet	1	1		MS35489-14	\$0.78
5	O-Ring	1			MS28775-244	\$5.28
6	Brake Disc	1			164-00400	\$258.13
	Brake Disc	1	1		164-01700	\$240.26
	Brake Disc (Chrome)	1	1		164-11700	\$418.70

7	Bearing Cone	2	2	2	08125	\$49.98
8	Bolt	3			AN4-31A	\$0.92
	Bolt	3	3		AN4-22A	\$0.48
9	Washer (AN960-416)	6	3	3	NAS1149F0463P	\$0.06
10	Nut (AN365-428)	3	3	3	MS21044N4	\$0.30
11	Grease Seal Ring	2	4	4	153-00800	\$16.36
12	Snap Ring	2	2	2	155-00200	\$24.06
13	Grease Seal Felt	1	2	2	154-00600	\$12.80
14	Hub Cap	1			158-00500	\$454.15
15	Screw	1			AN526-1024-8	\$0.05
16	Lock Washer	1			MS35333-39	\$0.06
17	Dust Shield	1			157-00500	\$138.39

* Use tubeless tires
** Use tube type tires

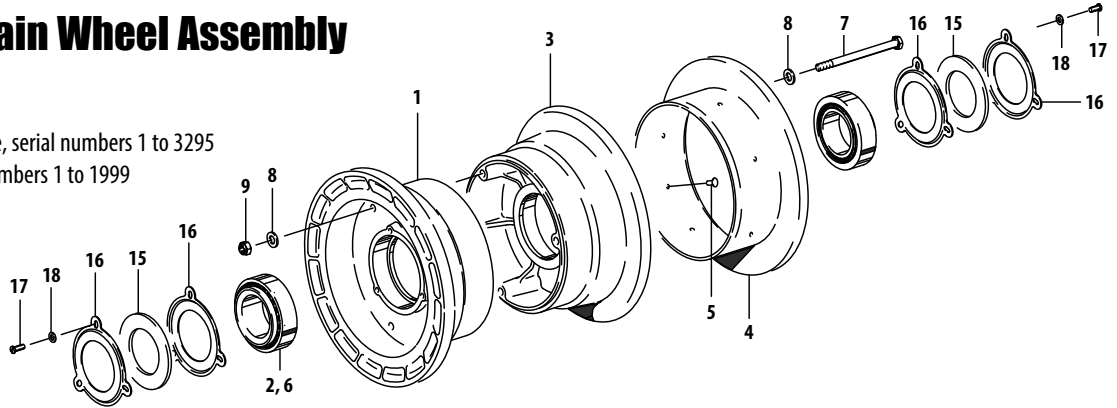
W-3 6.00-6 Main Wheel Assembly

Applicability

- Piper PA-24-108, 250 Comanche, serial numbers 1 to 3295
- Piper PA-25 Pawnee C, serial numbers 1 to 1999

Specifications

- External
- Tube type tire



#	Description	Quantity	Part #	Price
	Cleveland Main Wheel Assembly*		040-00500	\$7,095.24
1	Outer Wheel Half Assembly	1	162-00600	\$1,036.61
2	Bearing Cup	2	13836	\$36.98
3	Inner Wheel Half Assembly	1	161-00900	\$3,536.70
4	Brake Disc	1	159-00204	\$784.08
	Brake Disc with Rivets	1	159-00104	\$919.19
5	Rivet	8	105-00100	\$10.07

6	Bearing Cone	2	13889	\$79.98
7	Bolt	3	AN4-36A	\$1.00
8	Washer (AN960-416)	6	NAS1149F0463P	\$0.06
9	Nut (AN365-428)	3	MS21044N4	\$0.30
15	Grease Seal Felt	2	154-00400	\$27.87
16	Grease Seal Ring	4	153-00500	\$23.31
17	Screw	6	MS35265-45	\$0.36
18	Lock Washer	6	MS35333-38	\$0.04

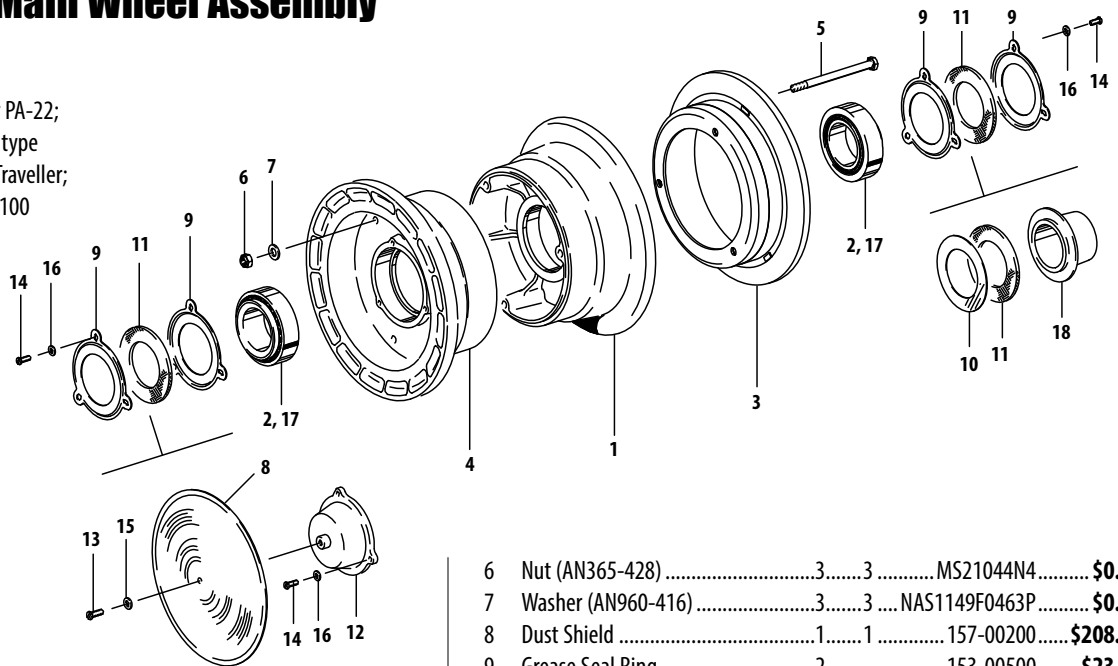
W-4 6.00-6 Main Wheel Assembly

Applicability

- A) Aeronca 7AC to 7EC; Piper PA-22; Stinson 108, drum and shoe type
- B) Aeronca 7AC to 7EC, 7GC Traveller; Taylorcraft F-19, Sportsman 100

Specifications

- External
- Tube type tire
- Hydraulic or mechanical



#	Description	A	B	Part #	Price
A	Hydraulic Main Wheel Assembly	↓		3040	CALL
B	Mechanical Main Wheel Assembly		↓	3050	N/A
1	Inner Wheel Half Assembly	1	1	161-01600	\$1,602.35
2	Bearing Cup	2	2	13836	\$36.98
3	Brake Drum Assembly	1		169-00101	CALL
	Brake Drum Assembly	1		169-00201	CALL
4	Outer Wheel Half Assembly	1	1	162-00600	\$1,036.61
5	Bolt	3	3	AN4-36A	\$1.00

6	Nut (AN365-428)	3	3	MS21044N4	\$0.30
7	Washer (AN960-416)	3	3	NAS1149F0463P	\$0.06
8	Dust Shield	1	1	157-00200	\$208.83
9	Grease Seal Ring	2		153-00500	\$23.31
10	Grease Seal Ring	1		153-00300	\$17.06
11	Grease Seal Felt	1		154-00400	\$27.87
	Grease Seal Felt	1		154-00500	\$23.22
12	Hub Cap	1	1	158-01000	\$497.68
13	Screw	1	1	AN526-1024-8	\$0.05
14	Screw	6	3	MS35265-45	\$0.36
15	Washer Lock	1	1	MS35333-39	\$0.06
16	Washer Lock (095-15100)	6	3	MS35333-38	\$0.04
17	Bearing Cone	2	2	13889	\$79.98
18	Inner Shoulder Spacer	1		067-00300	\$2,330.46

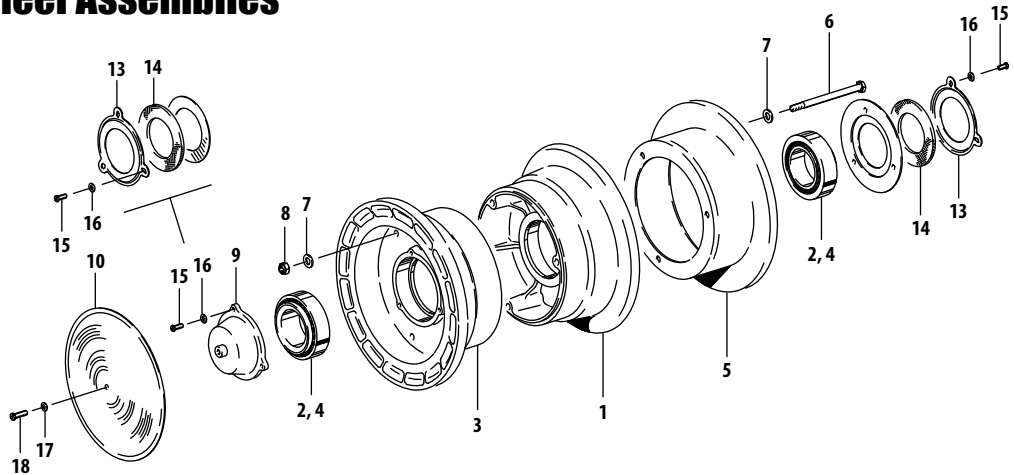
W-5 6.00-6 Main Wheel Assemblies

Applicability

- A) Piper PA-22-108 Colt, Piper PA-22 Series
- B) Aeronca 7ECA, 7GCAA, 7GCBC, 7SRS, 1964 and later; 7ACA, 1971; 8KCAB, serial numbers 1 and up

Specifications

- External
- Tube type tire



#	Description	A	B	Part #	Price
A	Cleveland Wheel Assembly	↓		040-02800	\$3,054.48
B	Cleveland Wheel Assembly		↓	040-02804	\$2,618.19
1	Inner Wheel Half Assembly	1	1	161-01600	\$1,602.35
2	Bearing Cup	2	2	13836	\$36.98
3	Outer Wheel Half Assembly	1	1	162-00600	\$1,036.61
4	Bearing Cone	2	2	13889	\$79.98
5	Brake Disc	1	1	164-00500	\$246.62
	Brake Disc, Chrome	1	1	164-10500	\$742.91
6	Bolt	3	3	AN4-36A	\$1.00

7	Washer (AN960-416)	3	3	NAS1149F0463P	\$0.06
8	Nut (AN365-428)	3	3	MS21044N4	\$0.30
9	Hub Cap	1		158-01000	\$497.68
10	Dust Shield	1		157-00200	\$208.83
13	Grease Seal Ring	2	4	153-00500	\$23.31
14	Grease Seal Felt	2		154-00500	\$23.22
	Grease Seal Felt	1		154-00400	\$27.87
15	Screw	6	6	MS35265-45	\$0.36
16	Lock Washer	6	6	MS35333-38	\$0.04
17	Lock Washer	1		MS35333-39	\$0.06
18	Screw	1		AN526-1024-8	\$0.05

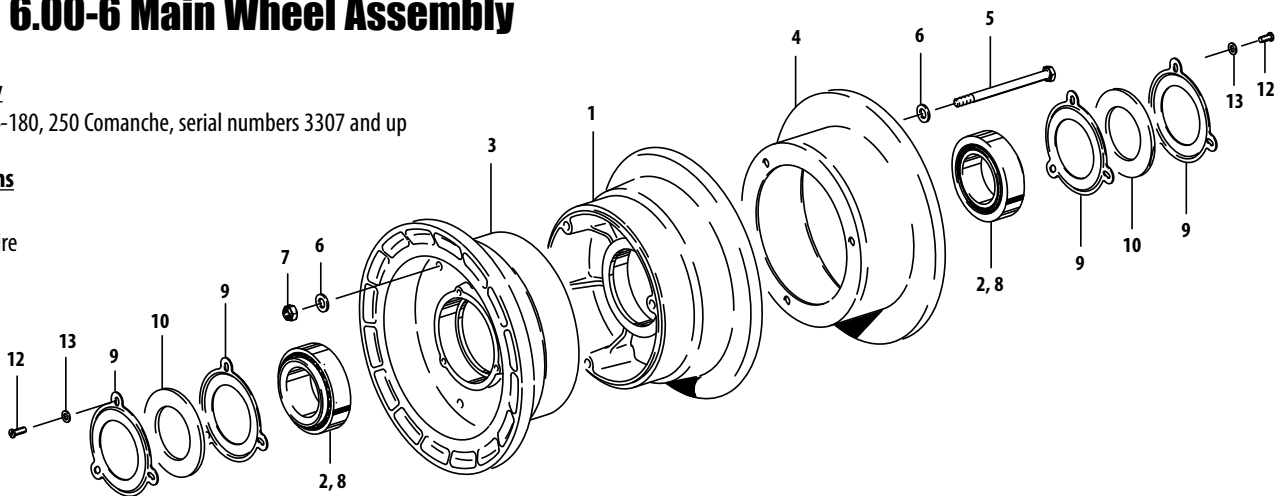
W-6 6.00-6 Main Wheel Assembly

Applicability

- Piper PA-24-180, 250 Comanche, serial numbers 3307 and up

Specifications

- External
- Tube type tire



#	Description	Quantity	Part #	Price
	Cleveland Wheel Assembly		040-05800	\$2,661.98
1	Inner Wheel Half Assembly	1	161-01600	\$1,602.35
2	Bearing Cup	2	13836	\$36.98
3	Outer Wheel Half Assembly	1	162-00600	\$1,036.61
4	Brake Disc	1	164-00900	\$289.90
	Brake Disc, Chrome	1	164-10900	\$434.97
5	Bolt	3	AN4-36A	\$1.00

6	Washer (AN960-416)	3		NAS1149F0463P	\$0.06
7	Nut (AN365-428)	3		MS21044N4	\$0.30
8	Bearing Cone	2		13889	\$79.98
9	Grease Seal Ring	4		153-00500	\$23.31
10	Grease Seal Felt	2		154-00400	\$27.87
12	Screw	6		MS35265-45	\$0.36
13	Lock Washer	6		MS35333-38	\$0.04

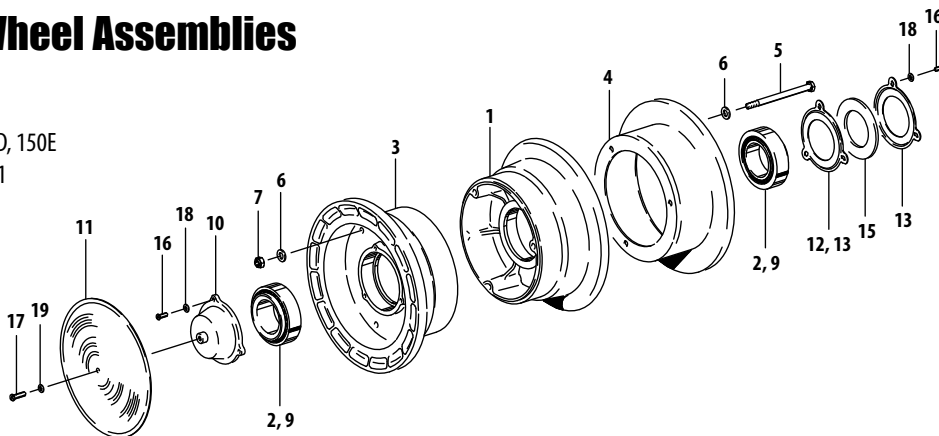
W-7 6.00-6 Main Wheel Assemblies

Applicability

- A) 1963 Cessna 150C; 1964-65 Cessna 150D, 150E
- B) Piper PA-25 Pawnee C, S/N 2000 to 4171

Specifications

- External
- Tube type tire



#	Description	A	B	Part #	Price
A	Cleveland Wheel Assembly	↓		040-05700	*
B	Cleveland Wheel Assembly		↓	040-06100	CALL
1	Inner Wheel Half Assembly	1		161-02500	CALL
	Inner Wheel Half Assembly	1		161-01600	\$1,602.35
2	Bearing Cup	2	2	13836	\$36.98
3	Outer Wheel Half Assembly	1		162-01000	CALL
	Outer Wheel Half Assembly	1		162-00600	\$1,036.61
4	Brake Disc	1		164-00500	\$246.62
	Brake Disc	1		164-01300	\$337.92
5	Bolt	3		AN4-40A	\$2.00
	Bolt	3		AN4-36A	\$1.00
6	Washer (AN960-416)	6	6	NAS1149F0463P	\$0.06

7	Nut (AN365-428)	3	3	MS21044N4	\$0.30
9	Bearing Cone	2	2	13889	\$79.98
10	Hub Cap	1		158-01000	\$497.68
11	Dust Shield	1		157-00300	\$320.80
	Dust Shield	1		157-00200	\$208.83
12	Grease Seal Plate	1		156-00100	CALL
13	Grease Seal Ring	1	2	153-00500	\$23.31
15	Grease Seal Felt	1	1	154-00400	\$27.87
16	Screw	6	6	MS35265-45	\$0.36
17	Screw	1	1	AN526-1024-8	\$0.05
18	Lock Washer	6	6	MS35333-38	\$0.04
19	Lock Washer	1	1	MS35333-39	\$0.06

* Part number 040-07900 supersedes 040-05700; see W-9 for parts and prices

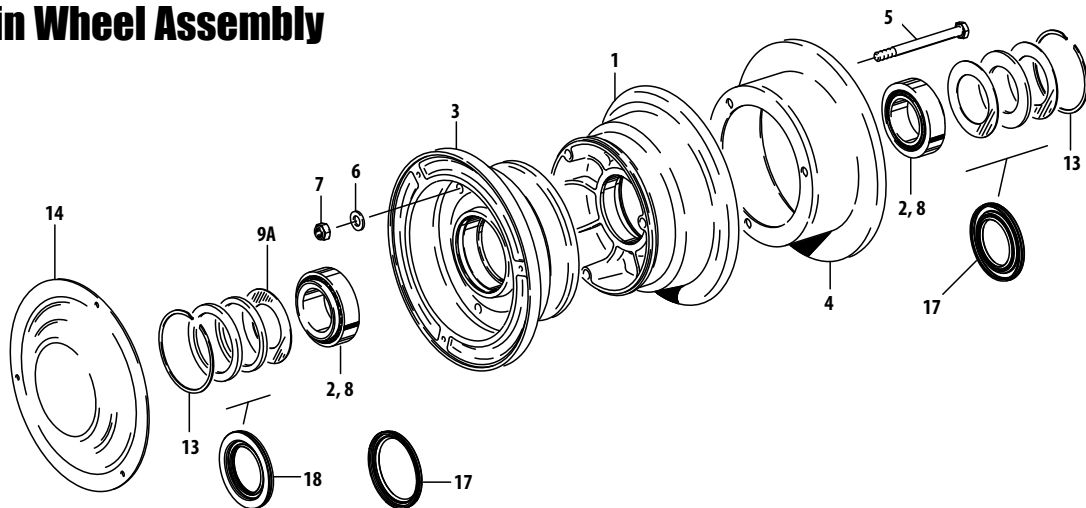
W-8 6.00-6 Main Wheel Assembly

Applicability

- Cessna 180, 185, 206

Specifications

- External
- Tube type tire



#	Description	Quantity	Part #	Price
	Cleveland Wheel Assembly		040-07504	\$1,210.14
1	Inner Wheel Half Assembly	1	161-03000	\$486.38
2	Bearing Cup	2	13836	\$36.98
3	Outer Wheel Half Assembly	1	162-02700	\$642.94
4	Brake Disc	1	164-03601	\$213.52
5	Bolt	3	AN5-35A	\$1.56
6	Washer	3	NAS1149F0532P	\$0.05

7	Nut (AN365-524)	3	3	MS21044N5	\$0.40
8	Bearing Cone	2	2	13889	\$79.98
9A	Grease Seal Ring	1		153-00300	\$17.06
13	Snap Ring	2		155-00200	\$24.06
14	Dust Shield	1		U1680-02	\$33.99
17	Molded Grease Seal	1		154-12000	\$53.57
18	Molded Grease Seal	1		154-12400	\$36.44

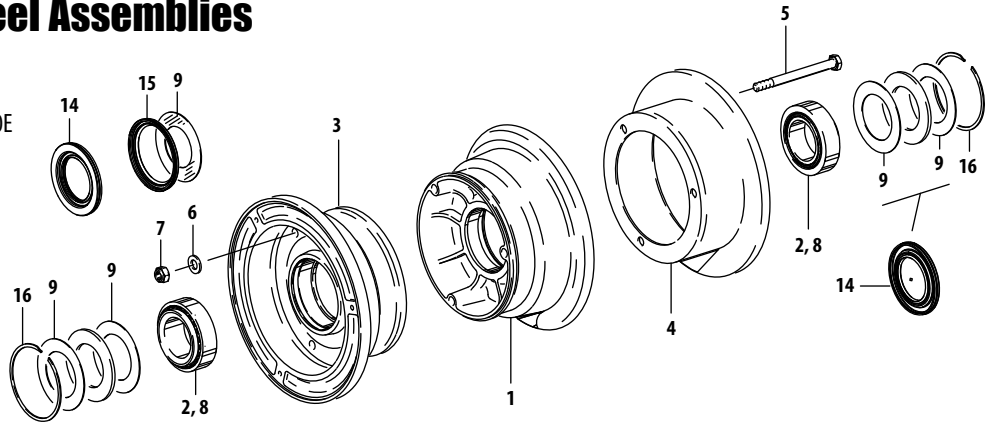
W-9 6.00-6 Main Wheel Assemblies

Applicability

- A) 1963 Cessna 150C, 1964-65 Cessna 150D, 150E
- B) Piper J-3 to PA-22 with 1.5" axles; PA-24-260 Comanche, serial numbers 3307 and up
- C) Piper PA-25 Pawnee C, serial numbers 4172 and up

Specifications

- External
- Tube type tire



#	Description	A	B	C	Part #	Price
A	Cleveland Wheel Assembly	↓			040-07900*	CALL
B	Cleveland Wheel Assembly		↓		040-08400	\$2,001.47
C	Cleveland Wheel Assembly			↓	040-08401	\$1,697.10
1	Inner Wheel Half Assembly	1		1	161-03000	\$486.38
	Inner Wheel Half Assembly		1		161-04700	CALL
2	Bearing Cup	2	2	2	13836	\$36.98
3	Outer Wheel Half Assembly	1	1	1	162-02700	\$642.94
4	Brake Disc	1			164-01600	\$296.76
	Brake Disc		1		164-01900	\$170.05
	Brake Disc			1	164-03300	\$223.40

5	Bolt	3	3	3	AN5-35A	\$1.56
6	Washer (AN960-516)	3	3	3	NAS1149F0563P	\$0.12
7	Nut (AN365-524)	3	3	3	MS21044N5	\$0.40
8	Bearing Cone	2	2	2	13889	\$79.98
9	Grease Seal Ring	1	1		153-00300	\$17.06
10	Grease Seal Ring	1	1		153-01500	\$35.22
14	Molded Grease Seal	1	2		154-12000	\$53.57
15	Molded Grease Seal	1			154-12400	\$36.44
16	Snap Ring	2	2	2	155-00100	\$14.71

* Supersedes part number 040-05700

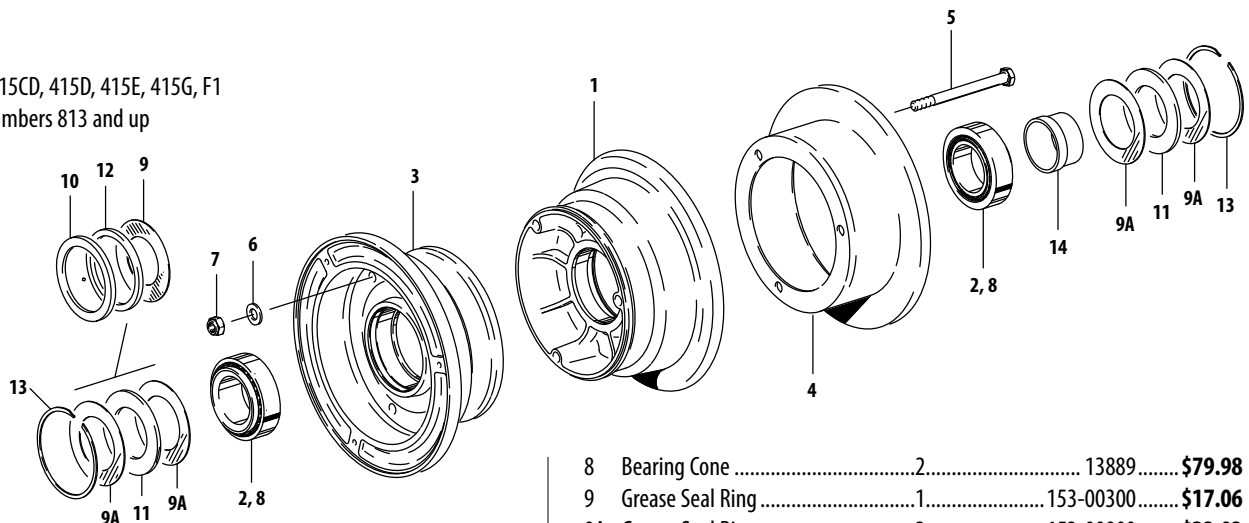
W-10 6.00-6 Main Wheel Assembly

Applicability

- Ercoupe 415C, 415CD, 415D, 415E, 415G, F1
- Forney, serial numbers 813 and up

Specifications

- External
- Tube type tire



#	Description	Quantity	Part #	Price
	Cleveland Wheel Assembly		040-04100	CALL
1	Inner Wheel Half Assembly	1	161-03000	\$486.38
2	Bearing Cup	2	13836	\$36.98
3	Outer Wheel Half Assembly	1	162-02700	\$642.94
4	Brake Disc	1	164-00300	\$286.59
5	Bolt	3	AN5-35A	\$1.56
6	Washer (AN960-516)	3	NAS1149F0563P	\$0.12
7	Nut (AN365-524)	3	MS21044N5	\$0.40

8	Bearing Cone	2	13889	\$79.98
9	Grease Seal Ring	1	153-00300	\$17.06
9A	Grease Seal Ring	2	153-00900	\$23.03
10	Grease Seal Ring	1	153-01500	\$35.22
11	Grease Seal Felt	1	154-00800	\$22.65
12	Grease Seal Felt	1	154-01300	\$13.07
13	Snap Ring	2	155-00100	\$14.71
14	Axle Spacer	1	067-03800	\$576.17
*	Dust Shield (157-00900)	1	U1680-02	\$33.99
*	Washer	3	MS35333-38	\$0.04
*	Screw	3	102-00600	\$7.55

* Not illustrated

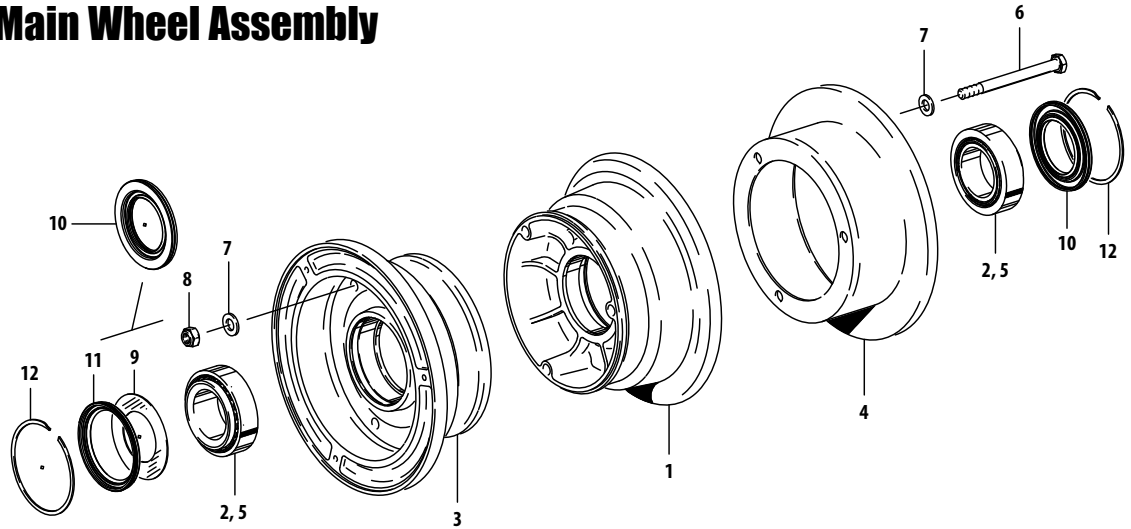
W-11 6.00-6 Main Wheel Assembly

Applicability

- Piper PA-24-400 Comanche, serial numbers 130 and up

Specifications

- External
- Tube type tire



#	Description	Quantity	Part #	Price
	Cleveland Wheel Assembly		040-09000	\$1,757.46
1	Inner Wheel Half Assembly.....	1	161-03000	\$486.38
2	Bearing Cup	2	13836	\$36.98
3	Outer Wheel Half Assembly	1	162-02700	\$642.94
4	Brake Disc	1	164-02201	\$240.13
5	Bearing Cone	2	13889	\$79.98

6	Bolt	3	AN5-36A	\$1.80
7	Washer (AN960-516)	6	NAS1149F0563P	\$0.12
8	Nut (AN365-524)	3	MS21044N5	\$0.40
9	Grease Seal Ring	2	153-00300	\$17.06
10	Molded Grease Seal	1	154-12000	\$53.57
11	Molded Grease Seal	1	154-12400	\$36.44
12	Snap Ring	2	155-00100	\$14.71

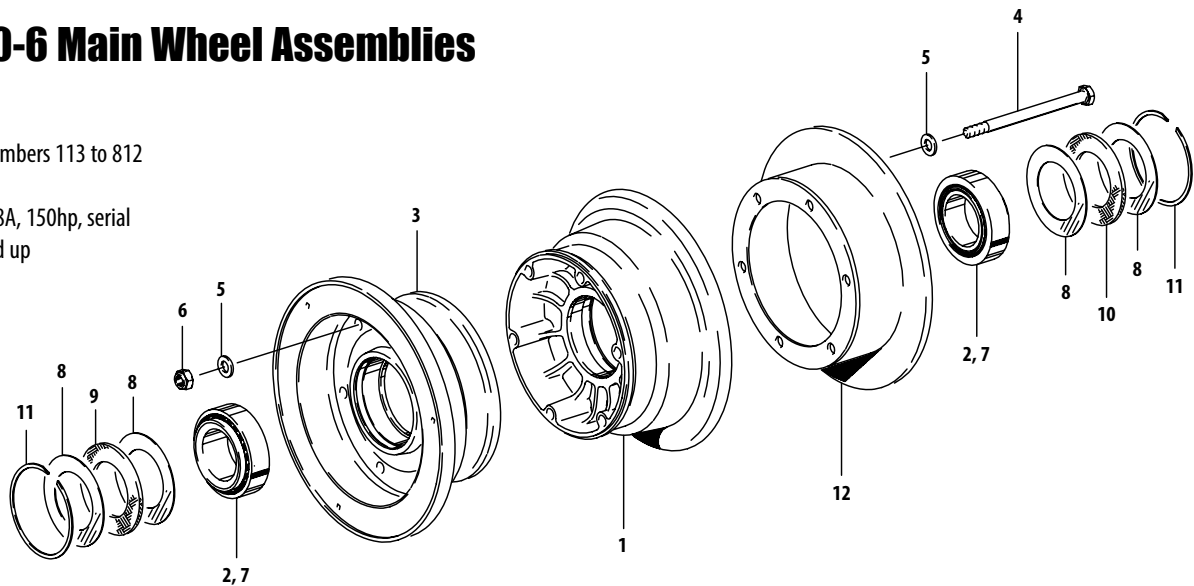
W-12 6.00-6 Main Wheel Assemblies

Applicability

- Ercoupe 415, serial numbers 113 to 812
- Piper J-3 to PA-20
- Piper PA-18 and PA-18A, 150hp, serial numbers 7609137 and up

Specifications

- External
- Tube type tire



#	Description	A	B	Part #	Price
A	Cleveland Wheel Assembly	↓		040-06000	\$2,101.73
B	Cleveland Wheel Assembly		↓	040-06001	CALL
1	Inner Wheel Half Assembly.....	1		161-07000	\$982.52
	Inner Wheel Half Assembly.....		1	161-07001	\$798.40
2	Bearing Cup	2	2	08231	\$31.18
3	Outer Wheel Half Assembly	1		162-06500	\$1,371.58
	Outer Wheel Half Assembly		1	162-06501	\$783.76
4	Bolt	6	6	AN4-36A	\$1.00

5	Washer	6	6	NAS1149F0432P	\$0.04
	Washer (AN960-416)		6	NAS1149F0463P	\$0.06
6	Nut (AN365-428)	6	6	MS21044N4	\$0.30
7	Bearing Cone	2	2	08125	\$49.98
8	Grease Seal Ring	4	4	153-00200	\$20.13
9	Grease Seal Felt.....	1	1	154-00200	\$20.13
10	Grease Seal Felt.....	1	1	154-02800	\$25.89
11	Snap Ring	2	2	155-00200	\$24.06
12	Brake Disc	1	1	164-06700	\$366.54

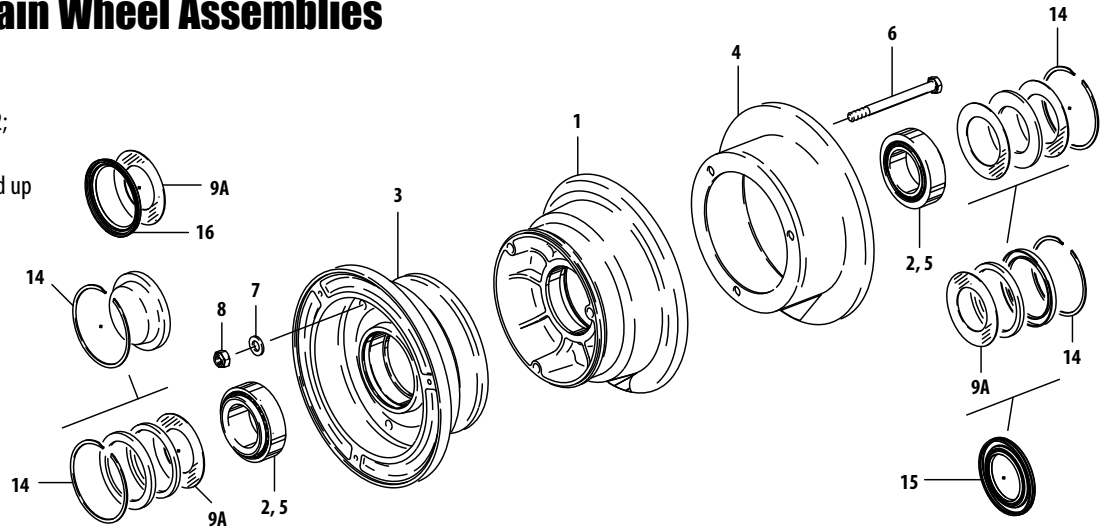
W-13 6.00-6 Main Wheel Assemblies

Applicability

- A) Cessna 120, 140, 170, 180, 182; Cessna 150 Series; Mooney M-10 Cadet, serial numbers 690001 and up
- B) Stinson 108

Specifications

- External
- Tube type tire



#	Description	A	B	Part #	Price
A	Cleveland Wheel Assembly	↓		040-09701	\$1,449.00
B	Cleveland Wheel Assembly		↓	040-09704	\$1,708.25
1	Inner Wheel Half Assembly	1	1	161-03000	\$486.38
2	Bearing Cup	2	2	13836	\$36.98
3	Outer Wheel Half Assembly	1	1	162-02700	\$642.94
4	Brake Disc	1	1	164-02601	\$185.93

5	Bearing Cone	2	2	13889	\$79.98
6	Bolt	3	3	AN5-35A	\$1.56
7	Washer (AN960-516)	3	3	NAS1149F0563P	\$0.12
8	Nut (AN365-524)	3	3	MS21044N5	\$0.40
9A	Grease Seal Ring	1	1	153-00300	\$17.06
14	Snap Ring	2	2	155-00100	\$14.71
15	Molded Grease Seal	1	1	154-12000	\$53.57
16	Molded Grease Seal	1	1	154-12400	\$36.44

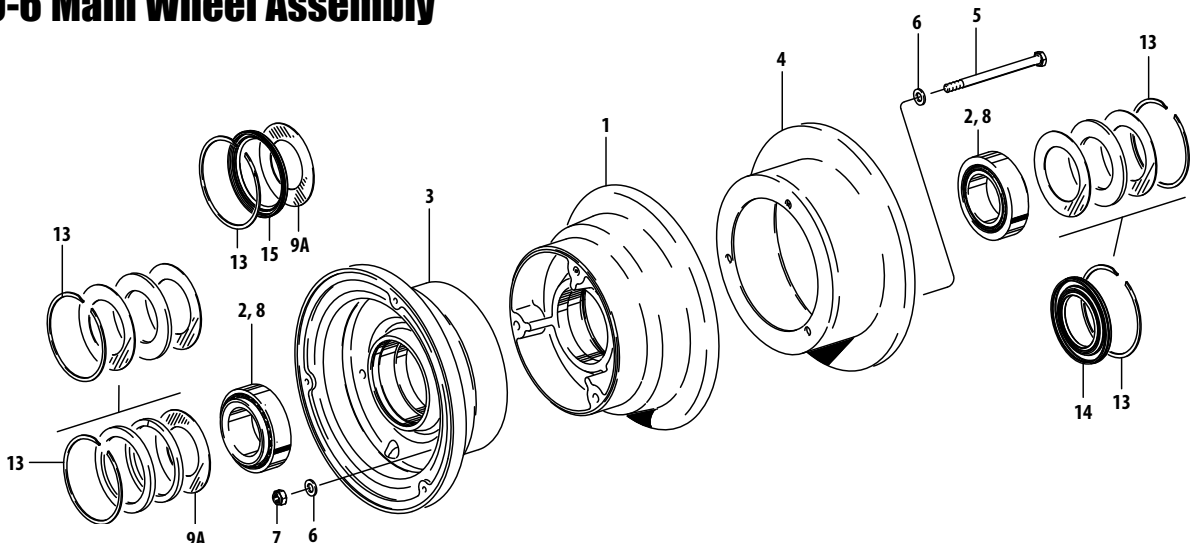
W-14 6.00-6 Main Wheel Assembly

Applicability

- Cessna A150 F150 and FA150 Series, select serial numbers

Specifications

- External
- Tube type tire



#	Description	Quantity	Part #	Price
	Cleveland Wheel Assembly		040-11300	\$1,192.79
1	Inner Wheel Half Assembly	1	161-04900	\$884.51
2	Bearing Cup	2	13836	\$36.98
3	Outer Wheel Half Assembly	1	162-04700	\$809.14
4	Brake Disc Assembly	1	164-04000	\$194.90
5	Bolt	3	AN4-36A	\$1.00

6	Washer (AN960-416)	6	NAS1149F0463P	\$0.06
7	Nut (AN365-428)	3	MS21044N4	\$0.30
8	Bearing Cone	2	13889	\$79.98
9A	Grease Seal Ring	1	153-00300	\$17.06
13	Snap Ring	2	155-00100	\$14.71
14	Molded Grease Seal	1	154-12000	\$53.57
15	Molded Grease Seal	1	154-12400	\$36.44

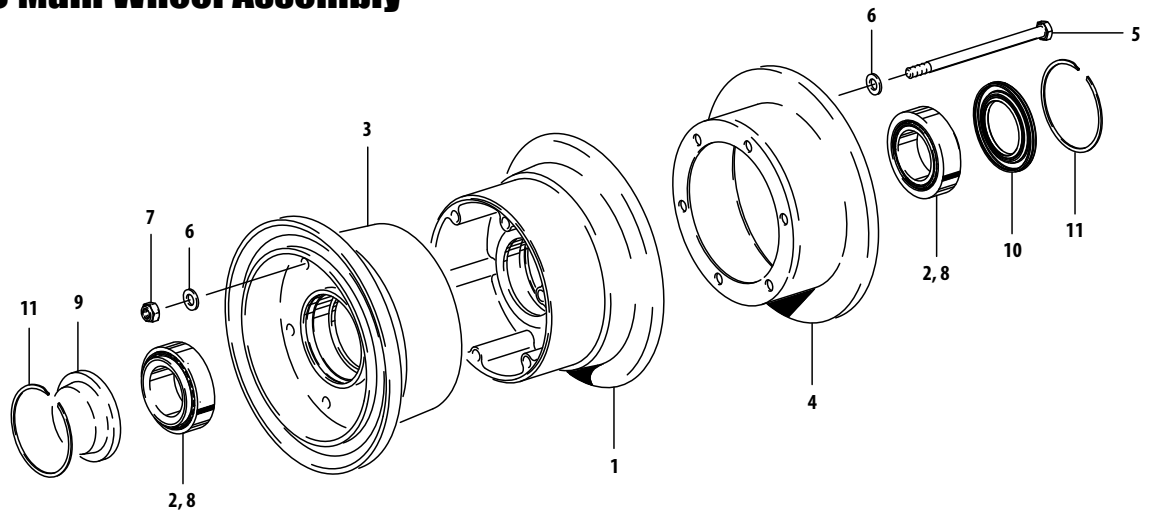
W-15 8.50-6 Main Wheel Assembly

Applicability

- Aeronca 8GCBC Scout

Specifications

- External
- Tube type tire



#	Description	Quantity	Part #	Price
	Cleveland Wheel Assembly		040-04700	\$4,713.30
1	Inner Wheel Half Assembly	1	161-02200	\$1,600.21
2	Bearing Cup	2	13836	\$36.98
3	Outer Wheel Half Assembly	1	162-02000	CALL
4	Brake Disc	1	164-01100	\$576.04
5	Bolt	6	AN5-50	\$10.50
6	Washer (AN960-516)	12	NAS1149F0563P	\$0.12
7	Nut (AN365-524)	6	MS21044N5	\$0.40
8	Bearing Cone	2	13889	\$79.98
9	Hub Cap	1	158-00300	\$99.16
10	Molded Grease Seal	1	154-12000	\$53.57
11	Snap Ring	2	155-00100	\$14.71

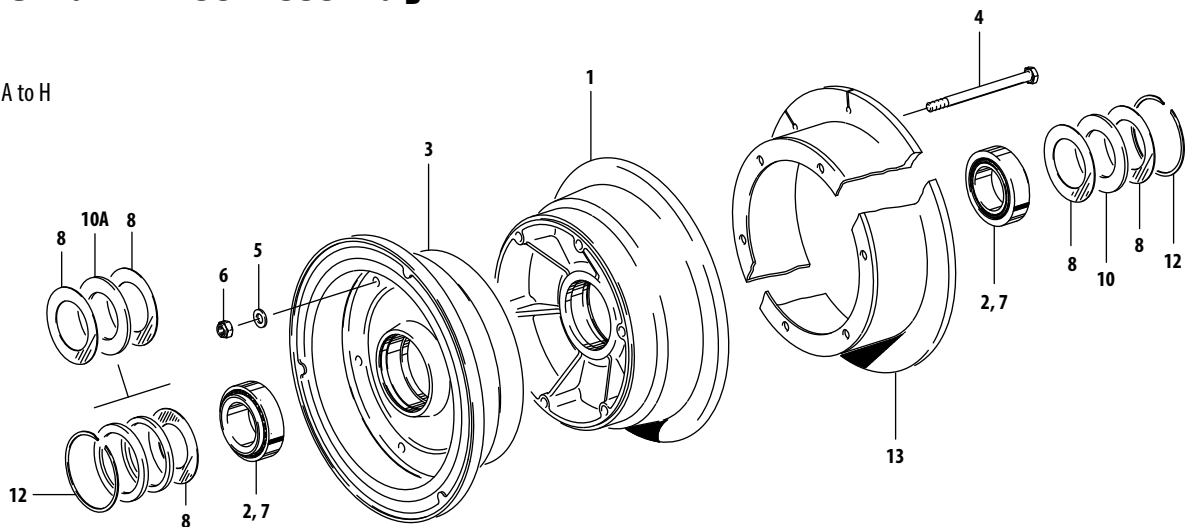
W-16 7.00-8 Main Wheel Assembly

Applicability

- Navion, serial numbers A to H

Specifications

- External
- Tube type tire



#	Description	Quantity	Part #	Price
	Cleveland Wheel Assembly		040-09804	CALL
1	Inner Wheel Half Assembly	1	161-02300	\$1,259.97
2	Bearing Cup	2	13836	\$36.98
3	Outer Wheel Half Assembly	1	162-04800	\$1,329.12
4	Bolt	6	AN5-35A	\$1.56
5	Washer (AN960-516)	6	NAS1149F0563P	\$0.12
6	Nut (AN365-524)	6	MS21044N5	\$0.40
7	Bearing Cone	2	13889	\$79.98
8	Grease Seal Ring	4	153-01600	\$33.76
10	Grease Seal Felt	1	154-00300	\$4.90
10A	Grease Seal Felt	1	154-01400	\$12.58
12	Snap Ring	2	155-00100	\$14.71
13	Brake Disc	1	164-02707	CALL

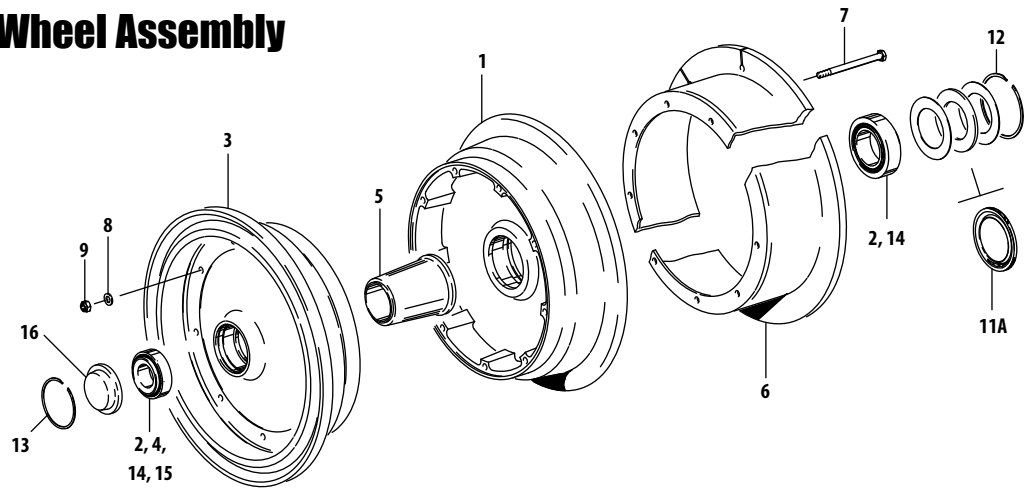
W-17 6.50-10 Main Wheel Assembly

Applicability

- Cessna 190, 195, 195A

Specifications

- External
- Tube type tire



#	Description	Quantity	Part #	Price
	Cleveland Wheel Assembly		040-04001	\$4,369.11
1	Inner Wheel Half Assembly	1	161-01901	\$415.81
2	Bearing Cup	1	214-01300	\$18.54
3	Outer Wheel Half Assembly	1	162-01700	\$1,847.93
4	Bearing Cup	1	214-00900	\$41.51
5	Spacer	1	067-00600	\$470.50
6	Brake Disc (164-00800)	1	164-00806	\$442.35
7	Bolt	9	AN4-32A	\$3.16

8	Washer (AN960-416)	9	NAS1149F0463P	\$0.06
9	Nut (AN365-428)	9	MS21044N4	\$0.30
11A	Molded Grease Seal	1	154-03000	\$84.06
12	Snap Ring	1	155-00100	\$14.71
13	Snap Ring	1	155-00600	\$53.73
14	Bearing Cone	1	214-01400	\$29.93
15	Bearing Cone	1	214-01000	\$118.11
16	Hub Cap	1	158-00800	\$133.38

Cleveland Conversion Kits

By popular demand, the Cleveland Wheels & Brakes line of conversion kits is constantly being expanded, and it's no secret why – Cleveland has the reputation for lower operating costs and improved braking performance.



Cleveland wheels and brakes are easy to install, easy to service, and replacement parts are easy on the wallet. Down time to change linings can be measured in minutes.

Cleveland is the world's largest manufacturer of wheels and brakes for general aviation. Univair stocks the most popular selling kits, all others are special order.

Aero Commander

500, 560, 680 Series	199-12200	\$15,837.52
681, 681B, 685, 690, 690A, 690B	199-08000	\$14,755.72

Beech

35, 36 series (6.00-6 tires, 7.00-6 tires)	199-04900	\$5,096.63
34, 35, 95, 55 series (6.50-8 tires)	199-05000	\$8,393.54
58P, 58TC, 60, A60, B60 (6.50-8 tires)	199-07300	\$6,299.48
19, 23, 24 series (6.00-6 tires)	199-12400	\$6,176.20

Cessna

120, 140, 170, 172, 175, 180, 182 (6.00-6 tires)	199-04600	\$3,081.46
180, 185, 206, 210 (6.00-6 tires)	199-06000	\$3,213.05
190, 195 (6.50-10 tires)	199-06100	\$8,786.14

180, 185, 206 (8.00-6 tires)	199-06200	\$3,618.32
310, 320 (6.50-10 tires)	199-06400	\$6,896.00
340, 401, 402, 411, 414 (6.50-10 tires)	199-07200	\$10,030.40
401, 402, 411, 414, 421 (6.50-10 tires)	199-07600	\$10,091.24
404	199-07800	\$16,602.50

De Havilland

DH-CI Chipmunk 21, 22, 22A	199-07900	\$6,037.06
----------------------------------	-----------------	-------------------

Ercoupe

Erco 415 series, Forney F-1, F-1A (6.00-6 tires)	199-06900	\$4,853.31
415 series, serial numbers 113 to 812	199-07100	\$3,996.91

Navion

A to H	199-05200	\$10,656.64
A to H (7.00-8, without nose wheel)	199-05201	\$9,582.03

Piper

J3 to PA-18-150 Cub (6.00-6, 7.00-6, 8.00-6 tires)	199-07100	\$3,996.91
Same as above except for aluminum construction	199-07101	\$3,747.37
Navajo PA31-425, Chieftain PA31-350	199-08300	\$11,503.40
J-3, PA-11, 12, 14, 16, 18, 20, 22/20	199-23100	\$3,711.33
PA-20, 22; STC approval included with kit	199-27600	\$8,635.91

Stinson

Stinson 108 series (7.00-6 tires)	199-08700	\$4,648.34
---	-----------------	-------------------

Goodyear

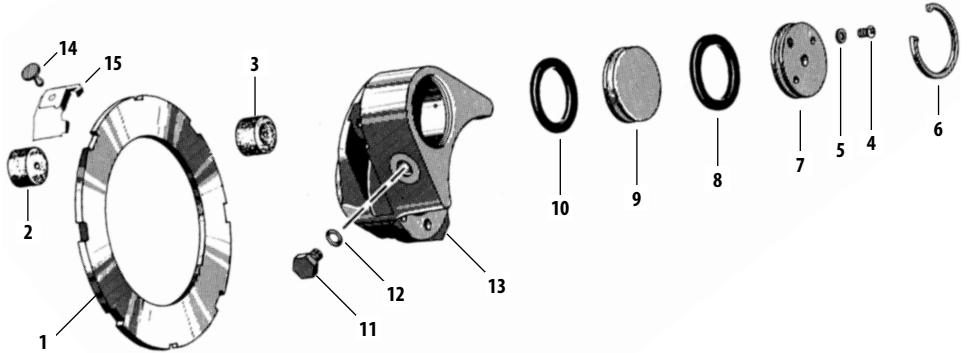
6.00-6 Brake Assembly #9520093

Applicability

- Stinson 108 series with 150/165hp Franklin engines, serial numbers 131 to 3994

Type

- Lock ring retained cylinder head brake
- Used with low flanged wheel



#	Description	Quantity	Part #	Price
	Goodyear Brake Assembly.....		9520093.....	N/A
1	Brake Disc.....	1.....	9531714.....	N/A
2	Anvil Lining.....	1.....	9511265.....	N/A
3	Piston Lining.....	1.....	9511264.....	N/A
4	Screw.....	1.....	954659.....	\$4.20
5	Bleeder Washer.....	1.....	511846-4.....	N/A
6	Retaining Ring.....	1.....	MS16625-1200.....	N/A
7	Cylinder Head.....	1.....	511971M.....	N/A

8	O-Ring Packing.....	1.....	MS28775-224.....	\$2.28
9	Piston.....	1.....	511970M.....	N/A
10	O-Ring Packing (AN6227-29).....	1.....	MS28775-326.....	\$2.14
11	Inlet Plug.....	1.....	9520448.....	N/A
12	O-Ring Packing.....	2.....	MS28778-4.....	\$1.82
13	Brake Housing.....	1.....	530913.....	N/A
14	Dot Fastener.....	4.....	955383.....	\$2.45
15	Disc Clip.....	4.....	9523482.....	\$60.00

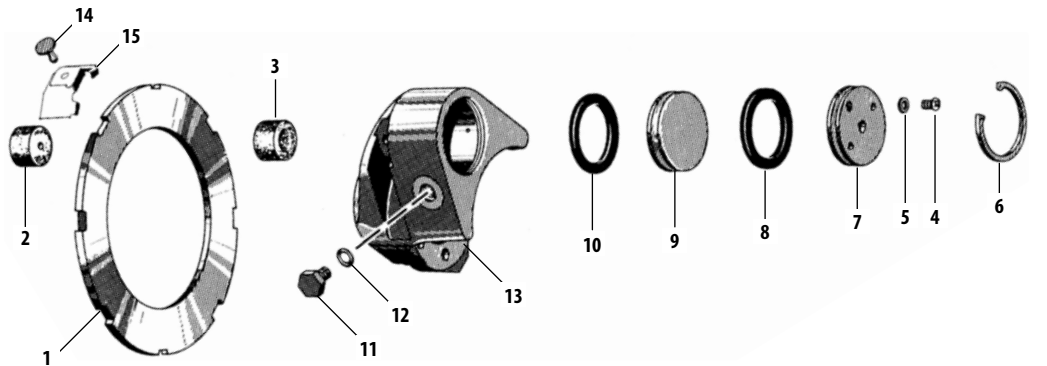
6.00-6 Brake Assembly #9520285

Applicability

- Ercoupe, Forney Aircoupe

Type

- Lock ring retained cylinder head brake



#	Description	Quantity	Part #	Price
	Complete Assembly.....		9520285.....	N/A
1	Brake Disc.....	1.....	9530294.....	N/A
2	Anvil and Piston Lining.....	1.....	9511276.....	N/A
3	Anvil and Piston Lining.....	1.....	9511276.....	N/A
4	Screw.....	1.....	954659.....	\$4.20
5	Bleeder Washer.....	1.....	511846-4.....	N/A
6	Retaining Ring.....	1.....	MS16625-1200.....	N/A
7	Cylinder Head.....	1.....	511971M.....	N/A

8	O-Ring.....	11.....	MS28775-224.....	\$2.28
9	Piston.....	1.....	511970M.....	N/A
10	O-Ring (AN6227-29).....	1.....	MS28775-326.....	\$2.14
11	Inlet Plug.....	1.....	9520448.....	N/A
12	O-Ring.....	2.....	MS28778-4.....	\$1.82
13	Brake Housing.....	1.....	9540021.....	N/A
14	Dot Fastener.....	4.....	955383.....	\$2.45
15	Disc Clip.....	4.....	9523482.....	\$60.00

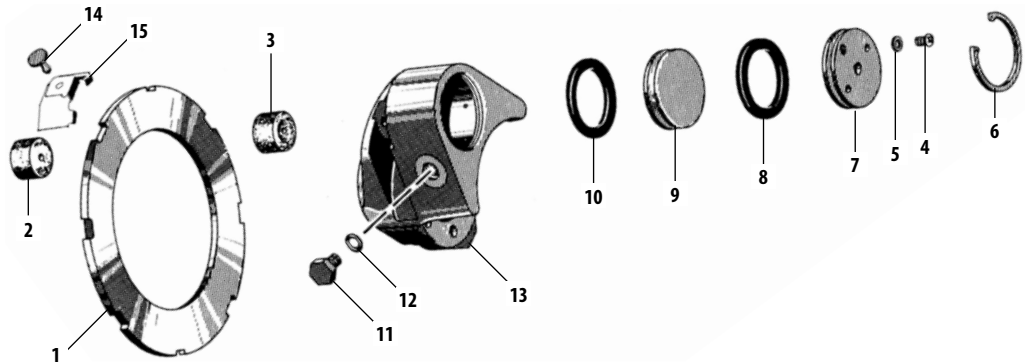
6.00-6 Brake Assembly #9520517

Applicability

- CallAir Crop Duster, Cessna 120 and 140, Globe Swift, Aeronca 7, 11 and 15, Bellanca Crusair, Columbia Skyraider, Luscombe Silvaire 8 and 8A, Sedan, Sedan II

Type

- Lock ring retained cylinder head brake



#	Description	Quantity	Part #	Price
	Complete Assembly		9520517	N/A
1	Brake Disc	1	9530286	\$168.36
2	Anvil and Piston Lining	1	5011073	\$255.75
3	Anvil and Piston Lining	1	5011073	\$255.75
4	Round Head Screw	1	AN515-10R5	\$0.07
5	Bleeder Washer	1	511846-4	N/A
6	Retaining Ring	1	MS16625-1200	N/A
7	Cylinder Head	1	511971M	N/A

8	Cylinder Head O-Ring Seal	1	MS28775-224	\$2.28
9	Piston	1	511970M	N/A
10	Piston O-Ring Seal (AN6227-29)	1	MS28775-326	\$2.14
11	Inlet Plug	1	9520448	N/A
12	Inlet Washer (O-Ring)	2	MS28778-4	\$1.82
13	Brake Housing	1	9530088	N/A
14	Dot Fastener	4	955383	\$2.45
15	Disc Clip	4	9523482	\$60.00
16	Inlet Plug	1	1604-73	N/A

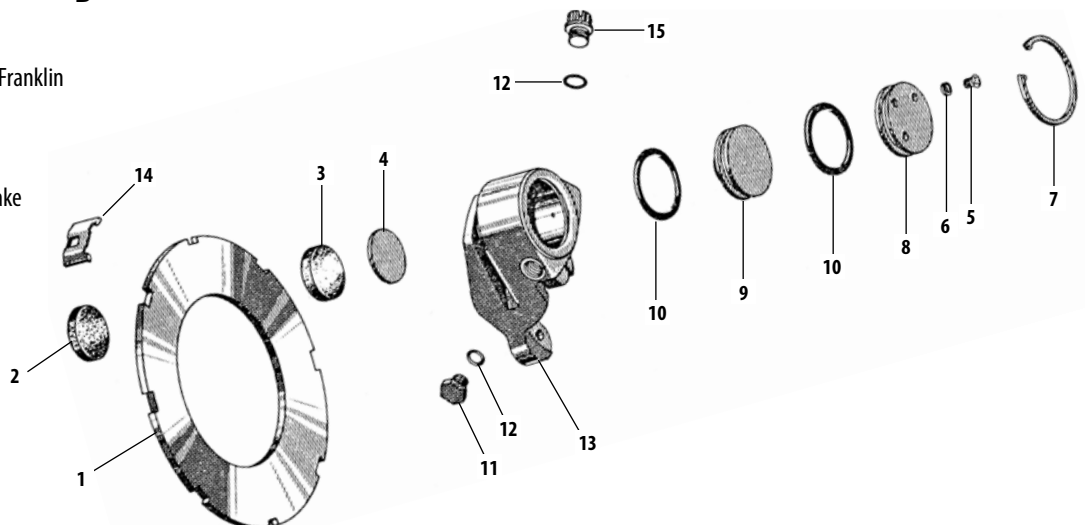
6.00-6 Brake Assembly #9520292

Applicability

- Stinson 108 series with 150/165hp Franklin engines (serial numbers 1 to 130)

Type

- Lock ring retained cylinder head brake
- Used with high flanged wheel



#	Description	Quantity	Part #	Price
	Brake Assembly		9520292	N/A
1	Brake Disc	1	9530291	N/A
2	Anvil Lining	1	9511254	N/A
3	Piston Lining	1	9511256	\$37.87
4	Pressure Plate	1	511602-1	N/A
5	Screw	1	954659	\$4.20
6	Bleeder Washer	1	511846-4	N/A

7	Retaining Ring	1	MS16625-1200	N/A
8	Cylinder Head	1	9510053	N/A
9	Piston	1	9510009	N/A
10	O-Ring (AN6227-29)	2	MS28775-326	\$2.14
11	Inlet Plug	1	9520448	N/A
12	O-Ring (AN6230-4)	2	MS28775-226	\$4.74
13	Brake Housing	1	530732M	N/A
14	Disc Clip	4	9520435	N/A
15	Inlet Plug	1	1604-73	N/A

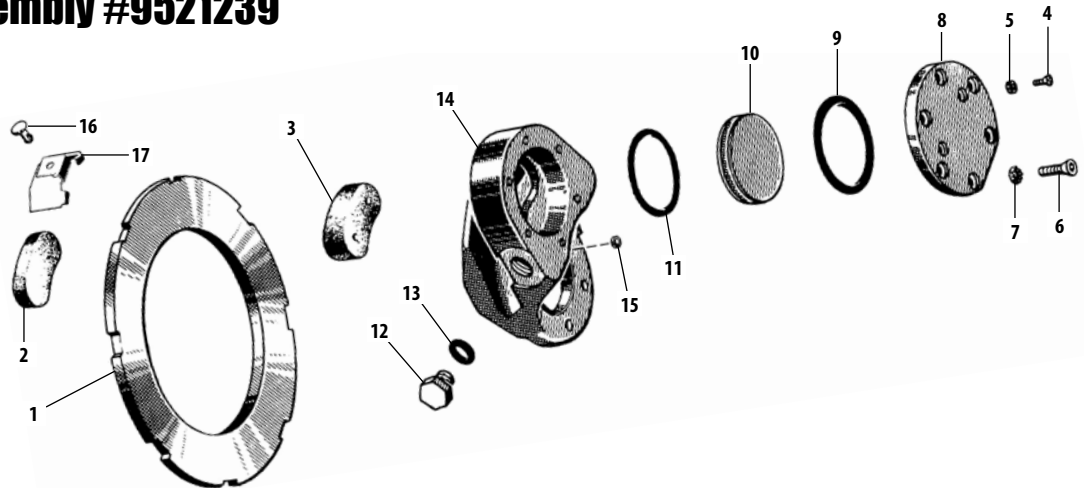
6.00-6 Brake Assembly #9521239

Applicability

- Aeronca 7, 11 and 15
- Stinson serial numbers 3995 and up
- Schweizer Glider

Type

- Bolted cylinder head brake



#	Description	Quantity	Part #	Price
	Brake Assembly		9521239	N/A
1	Brake Disc	1	9531714	N/A
2	Anvil Lining	1	9511271-2	CALL
3	Piston Lining	1	9511269-2	\$190.00
4	Flat Head Screw	2	AN505-8R5	\$0.72
5	Bleeder Screw Seal	2	9510957	N/A
6	Screw	6	955163	N/A
7	Lock Washer	6	MS35336-21	N/A
8	Cylinder Head	1	9510731	N/A

9	O-Ring Seal (AN6230-3)	1	MS28775-225	\$1.00
10	Piston	1	9510155	\$79.92
11	O-Ring Seal	1	MS28775-224	\$2.28
12	Inlet Plug	1	9520448	N/A
13	Inlet Gasket (AN6227-4)	2	MS28775-009	\$1.94
14	Brake Housing	1	9530409	N/A
15	Not used on this assembly			
16	Dot Fastener	4	955383	\$2.45
17	Disc Clip	4	9523482	\$60.00

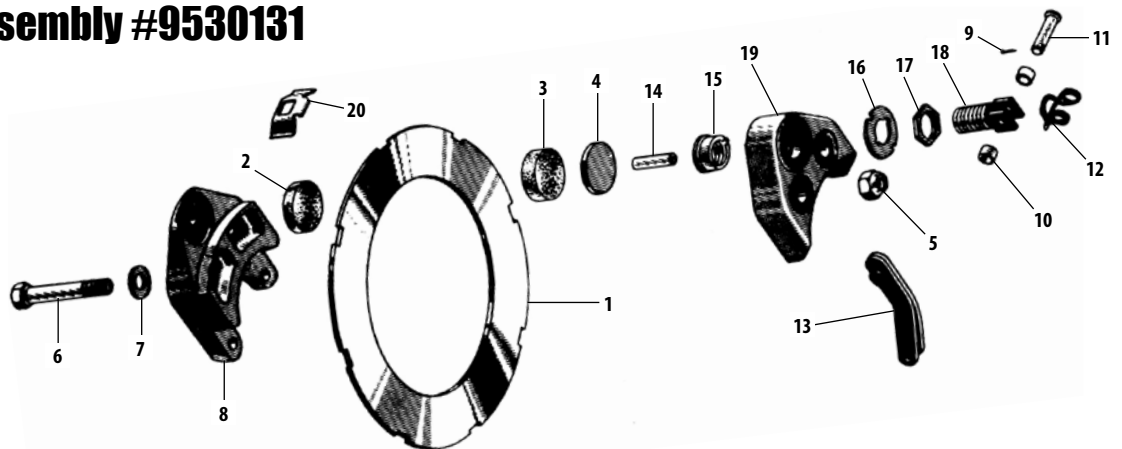
6.00-6 Brake Assembly #9530131

Applicability

- Luscombe Silvaire Model 8 and 8A, Sedan and Sedan II

Type

- Mechanical brake



#	Description	Quantity	Part #	Price
	Brake Assembly		9530131	N/A
1	Brake Disc	1	9530292	N/A
2	Anvil Lining	1	9511257-2	N/A
3	Piston Lining	1	9511258-2	N/A
4	Pressure Plate	1	951055	\$53.23
5	Self Locking Nut	2	MS21045-6	N/A
6	Hex Head Bolt	2	9520221	N/A
7	Washer	2	3954771	N/A
8	Housing Plate	1	511252A	N/A
9	Cotter Pin	1	AN380-2-2	\$0.04

10	Washer	2	NAS1149F0432P	\$0.04
11	Flat Head Pin	1	AN394-35	\$0.32
12	Break Release Spring	1	9510151	N/A
13	Lever	1	9510194	N/A
14	Brake Pushrod	1	510822	N/A
15	Adjusting Nut	1	510975	N/A
16	Washer	1	510976	N/A
17	Hex Lock Bushing Nut	1	510681	N/A
18	Pushrod Bushing	1	510706	N/A
19	Brake Housing	1	511251A	N/A
20	Disc Clip	4	9520435	N/A

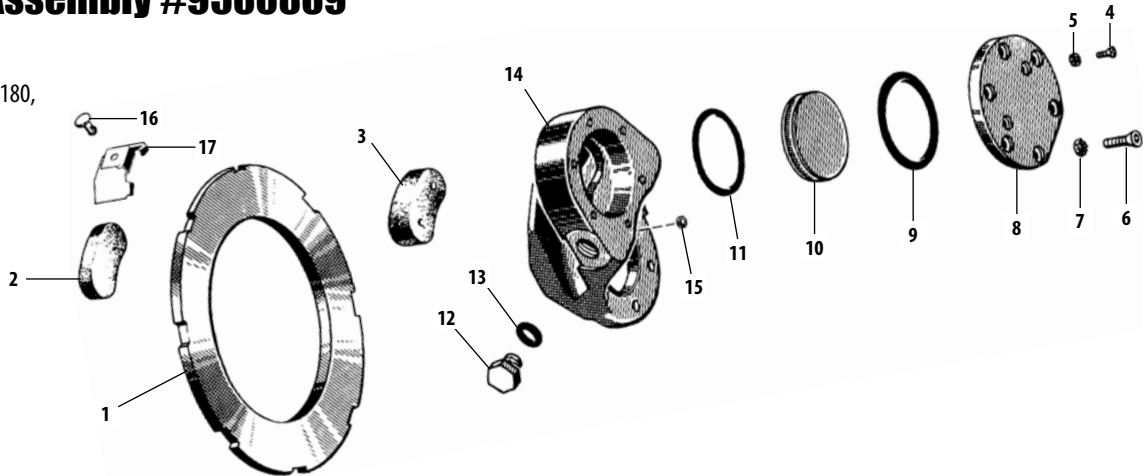
6.00-6 Brake Assembly #9530839

Applicability

- Cessna 170, 170B, 172, 175, 180, 182, Skylane, Omega BS12A

Type

- Bolted cylinder head brake



#	Description	Quantity	Part #	Price
	Brake Assembly		9530839	\$834.00
1	Brake Disc	1	9530287	\$297.64
1	Brake Disc	1	9531714	N/A
2	Anvil Lining.....	1	9511271-2	CALL
3	Piston Lining.....	1	9511269-2	\$190.00
4	Flat Head Screw	2	AN505-8R5	\$0.72
5	Bleeder Screw Seal	2	9510957	N/A
6	Flat Head Socket Screw.....	6	955163	N/A
7	Lock Washer.....	6	MS35336-21	N/A

8	Cylinder Head.....	1	9510731	N/A
9	O-Ring Seal (AN6230-3)	1	MS28775-225	\$1.00
10	Piston.....	1	9510155	\$79.92
11	O-Ring Seal.....	1	MS28775-224	\$2.28
12	Inlet Plug.....	1	9520448	N/A
13	O-Ring	2	MS28778-4	\$1.82
14	Brake Housing.....	1	9530841	N/A
15	Bushing	1	9521184	N/A
16	Dot Fastener	4	955383	\$2.45
17	Disc Clip.....	4	9523482	\$60.00

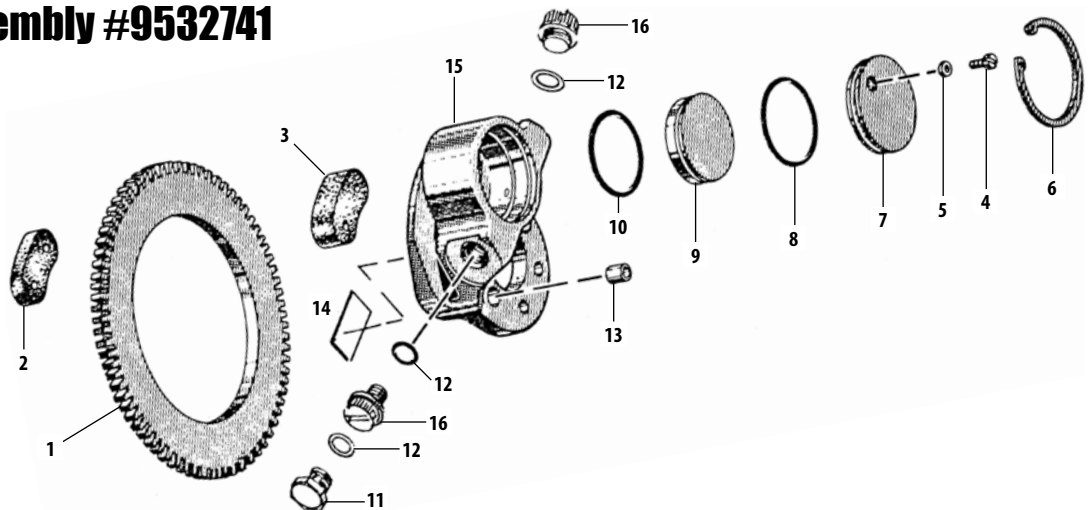
6.00-6 Brake Assembly #9532741

Applicability

- Luscombe Silvaire 8 and 8A, Sedan and Sedan II

Type

- Lock ring retained cylinder head brake



#	Description	Quantity	Part #	Price
	Brake Assembly		9532741	N/A
1	Brake Disc	1	9532751	N/A
2	Anvil Lining.....	1	9525232	N/A
3	Piston Lining.....	1	9511269	\$79.96
4	Bleeder Screw.....	1	AN502-10-6	N/A
5	Bleeder Washer.....	1	511846-4	N/A
6	Retaining Ring.....	1	MS16625-1212	N/A
7	Cylinder Head.....	1	9524343	\$398.06

8	O-Ring Seal (AN6230-3)	1	MS28775-225	\$1.00
9	Piston.....	1	9524223	\$16.25
10	O-Ring Seal (AN6232-2)	1	MS28775-224	\$2.28
11	Inlet Plug.....	1	9520448	N/A
12	O-Ring	3	MS28778-4	\$1.82
13	Mounting Bolt Bushing.....	4	9525231	N/A
14	Data Adhesive Plate.....	1	9525434	N/A
15	Brake Housing.....	1	9532752	N/A
16	Inlet Plug.....	2	1604-73	N/A

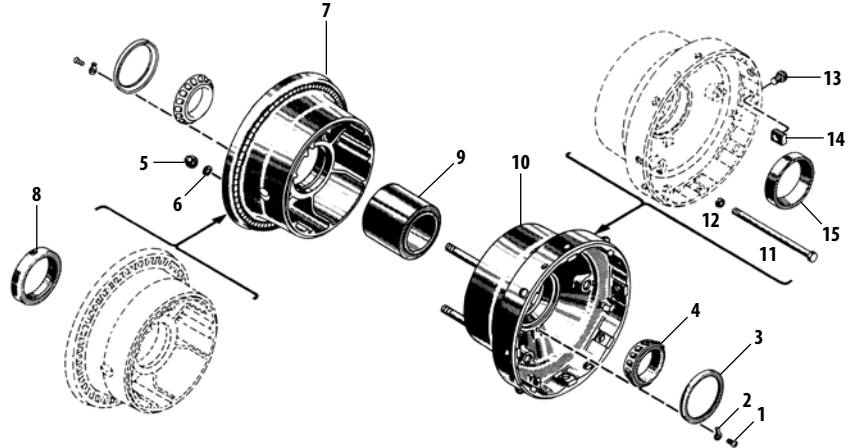
Wheel Assembly #511413S

Applicability

- 1946 Aeronca Champion and Chief with 6.00-6 tire
- Bellanca Cruisair with 7.00-6 tire (S/N 1 to 50)
- Cessna 120 and 140 with 6.00-6 tire (S/N 1 to 1200)
- Columbia Skyranger with 6.00-6 tire
- Funk B4, R4 with 6.00-6 tire
- Globe Swift with 6.00-6 tire (S/N 1 to 750)
- Luscombe 11A with 7.00-6 tire; 8 with 6.00-6 tire
- Stinson with 6.00-6 tire (S/N 1 to 130); 108 series with 150 Franklin engine
- Schweizer Glider with 6.00-6 tire

Type

- Tube type (high flange)
- Main wheel 6.00-6



#	Description	Quantity	Part #	Price
	Wheel Assembly		511413S	N/A
1	Screw	4	COML3952244	N/A
2	Locking Tab Type Washer	4	3028-06-00-0541	N/A
3	Bearing Closure Ring	2	951043	\$10.15
4	Bearing Cone	2	13889	\$79.98
5	Self-Locking Nut (AN365-428)	3	MS21044N4	\$0.30
6	Washer (AN960-416)	3	NAS1149F0463P	\$0.06
7	Outboard Wheel Subassembly	1	511430S	N/A

8	Bearing Cup	1	13830	\$31.65
9	Spacer	1	9521698	N/A
10	Inboard Wheel Subassembly	1	511475S	N/A
11	Bolt	3	9520202	N/A
12	Clip	3	C2311-012-27	N/A
13	Disc Drive Key Screw	8	9520657	N/A
14	Disc Drive Key	8	9520101	\$74.41
15	Bearing Cup	1	13830	\$31.65

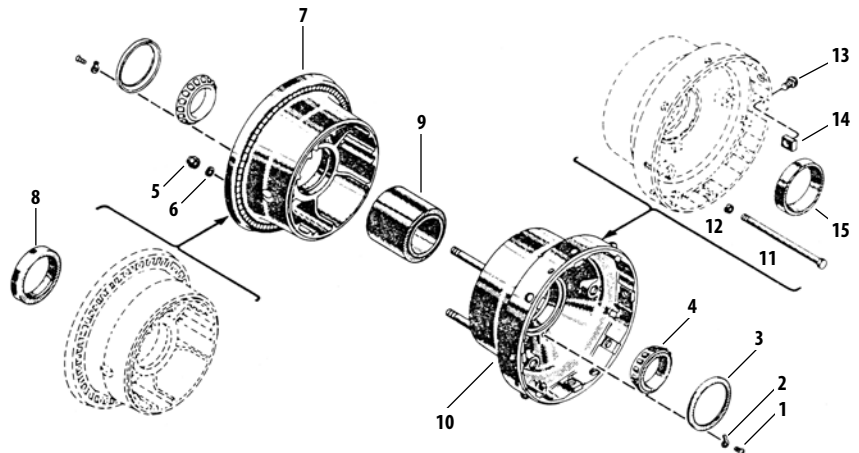
Wheel Assembly #511960S

Applicability

- Aeronca 15 with 7.00-6 tire
- CallAir Crop Duster with 8.50-6 tire
- Cessna 120 and 140 (S/N 1201 and up)
- Cessna 170, 172, 175, Skylane, 180 and 182 with 6.00-6 tire
- Forney Aircoupe with 6.00-6 tire
- Globe Swift with 6.00-6 tire (S/N 751 and up)
- Stinson with 6.00-6 tire (S/N 131 and up)
- Vertol Rescuer with 6.00-6 tire

Type

- Main wheel 6.00-6
- Tube type (low flange)



#	Description	Quantity	Part #	Price
	Wheel Assembly		511960S	N/A
1	Screw	4	COML3952244	N/A
2	Lock Tab Type Washer	4	3028-06-00-0541	N/A
3	Bearing Closure Ring	2	951043	\$10.15
4	Bearing Cone	2	13889	\$79.98
5	Self-Locking Nut	3	MS21045-4	\$1.58
6	Washer	3	NAS1149F0432P	\$0.04
7	Outboard Wheel Subassembly	1	511430S	N/A

8	Bearing Cup	1	13830	\$31.65
9	Spacer	1	9521698	N/A
10	Inboard Wheel Subassembly	1	511961S	N/A
11	Bolt	3	AN4-47A	\$5.97
12	Clip	3	C2311-012-27	N/A
13	Disc Drive Key Screw	8	9520657	N/A
14	Disc Drive Key	8	9520101	\$74.41
15	Bearing Cup	1	13830	\$31.65

TIRES • WHEELS • BRAKES

Goodyear Tire and Tube

Nylon Tire

- 8.00 x 4, 4-ply rib tread
- Used on all Pipers with Goodrich wheels and brakes

800X4X4..... \$593.12



Tube (Aero Classic)

- Supersedes part number 451-740

800X4..... \$272.42

Scott Tailwheels

Parking Brake Valve Assembly



- Scott type
- Applicability: Piper PA-18, PA-19, L-18C, L-21A, L-21B, PA-22; Air Tractor AT-300, AT-301, AT-302, AT-400, AT-400A, AT-401, AT-401A, AT-402, AT-402A, AT-501, AT-502, AT-502A, AT-502B; Raytheon 90, 100, 200, 2000; Piper/Aerostar PA-60-600, PA-60-601, PA-60-601P; Stinson 108



Parking Brake Valve Assembly..... U4500A-1 \$451.41

Spring Connector Kits

- Includes springs, chains and connector clips

For 2000 Series Hard Rubber Tailwheel..... U2151A-000..... \$80.82

For 3200 Series Pneumatic Tailwheel

For Piper U3239A-101..... \$82.97

For Cessna..... U3239A-103..... \$86.90

For 3200 Series Pneumatic Tailwheel, Piper PA-20..... U3239A-101..... \$82.97

Tailwheel Connector Link



- Applicability: Cessna 180 through 185
- Scott tailwheel attaching clip for chains

U2133A-000..... \$3.22



Replacement O-Rings

For Ercoupe Scott Master Cylinders

O-Ring.....MS28775-218..... \$1.00

O-Ring.....MS28775-012..... \$0.32

O-Ring.....MS28775-211..... \$0.56

For 4200 and 4500 Series Scott Valves

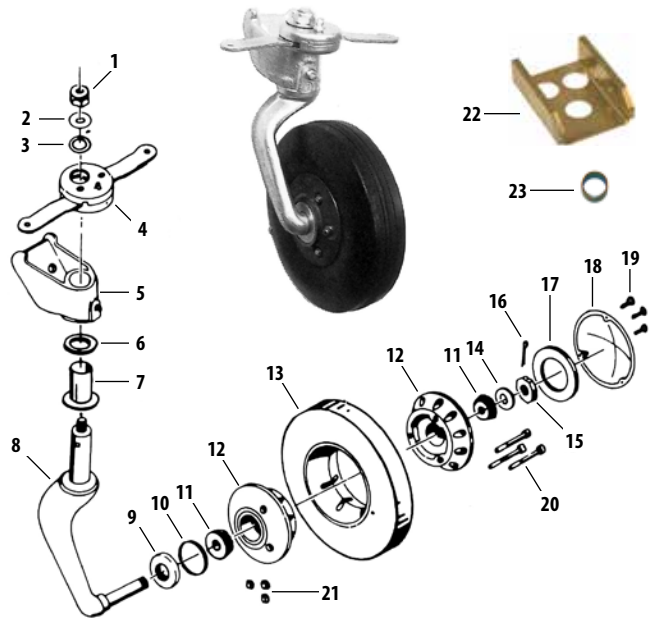
O-Ring, 3/4 inch O.D., 1/16 inch I.D.MS28775-113..... \$0.98

O-Ring, 3/8 inch O.D., 1/4 inch I.D.....MS28775-010..... \$0.30

Scott 2000 Tailwheel Component Parts



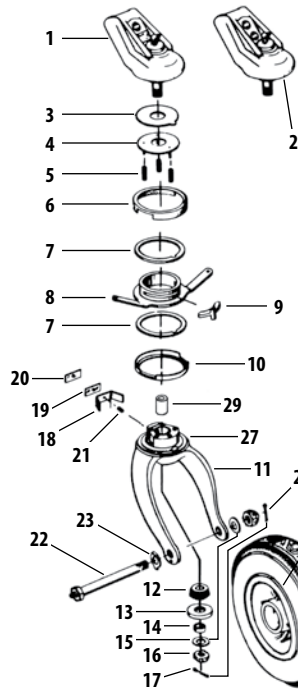
- Complete Scott 2000 tailwheel assemblies are not available
- Most replacement parts are available, see chart below



#	Description	Quantity Required		Part #	Price
		2000-00	2000-01		
1	Self-Locking Nut	1	1	MS21083N7.....	\$1.80
2	Washer.....	1	1	U2346A.....	\$20.05
3	Shim	As Req'd	As Req'd	U2085A.....	\$4.37
4	Arm Assembly.....	1	1	U1709A-000.....	\$520.97
5	Bracket Assembly* (includes #6 and #7).....	1	1	2077.....	\$350.48
6	Bushing Cap.....	1	1	1781.....	\$71.89
7	Bushing	1	1	U1800A.....	\$65.27
8	Fork.....	1	1	2078.....	N/A
9	Grease Retainer.....	1	1	U1863A-000.....	\$9.77
10	Grease Retainer Spacer	1	1	U1862A-000.....	\$11.19
11	Bearing Set	2	2	1883.....	\$99.94
12	Hub Kit (includes #20 and #21).....	1	1	U1967A-000.....	\$520.96
13	Solid Rubber Tire, 6.00 x 2	1	1	1879.....	\$99.15
14	Washer.....	1	1	NAS1149F0832P.....	\$0.09
15	Nut.....	1	1	AN320-8.....	\$2.44
16	Cotter Pin.....	1	1	MS24665-283.....	\$0.04
17	Hub Cap Assembly	1	1	1882.....	N/A
18					
19					
20	Screw.....	3	3	AN501-10-24.....	\$1.50
21	Nut (AN365-1032)	3	3	MS21044N3.....	\$0.24
22	Spacer Assembly.....	1	1	U1478A-000.....	\$86.25
23	Bushing	1	1	U1306A.....	\$33.98

* Standard bracket is for 1 1/2 inch leaf spring. If required for use with 1 1/4 inch leaf spring, use part U1478A-000 spacer (#22) and U1306A bushing (#23).

Scott 3200 Series Tailwheel and ABI-3200



The 3200 series is a lightweight 8" tailwheel assembly designed to provide positive steering control far beyond rudder travel, and to release easily and automatically to full swivel when aircraft is turned around. The swivel mechanism is sealed to keep out water, sand and mud. Grease fittings are provided for lubrication. Precision components provide years of trouble-free service under severe operating conditions. For wheel parts breakdown see diagram for part number 2600 on the right.

Quantity Required

#	Description	A	B	C	Part #	Price
A	Complete 3200 Assembly.....	↓			ABI-3200.....	\$1,862.00
B	2 Hole Bracket for PA-25.....		↓		ABI-3200-3.....	\$1,893.38
C	3200 Less Axle, Wheel, Tire, Tube.....			↓	3200-5.....	\$3,518.81
1	Bracket Assembly*.....	1	1		ABI-3216.....	\$434.72
2	Bracket Assembly.....	1			ABI-800613.....	\$550.81
3	Thrust Washer - FAA-PMA.....	1	1	1	U3207.....	\$7.28
4	Thrust Plate Assembly - FAA-PMA.....	1	1	1	U3234.....	\$56.65
5	Compression Spring - FAA-PMA.....	5	5	5	U3233.....	\$4.05
6	Upper Dust Cap - FAA-PMA.....	1	1	1	U3235A-002.....	\$32.67
7	Thrust Washer - FAA-PMA.....	2	2	2	U3206.....	\$17.00
8	Arm Assembly - FAA-PMA.....	1	1	1	U3214A-000.....	\$339.43
9	Pawl - FAA-PMA.....	1	1	1	U3219A.....	\$38.77
10	Lower Dust Cap - FAA-PMA.....	1	1	1	U3235A-001.....	\$33.98
11	Fork Assembly.....	1	1	1	ABI-3224K.....	\$387.00
12	Bearing Cone.....	1	1	1	A4050.....	\$75.96
13	Grease Retainer - FAA-PMA.....	1	1	1	U1863A-000.....	\$9.77
14	Spacer - FAA-PMA.....	1	1	1	U2504A-001.....	\$18.21
15	Washer.....	1	1	1	NAS1149F0863P.....	\$0.10
16	Shear Nut.....	2	2	2	AN320-8.....	\$2.44
17	Cotter Pin.....	1	1	1	MS24665-283.....	\$0.04
18	Spring - FAA-PMA.....	2	2	2	U3222.....	\$14.97
19	Spacer - FAA-PMA.....	1	1	1	U3258.....	\$2.87
20	Spacer - FAA-PMA.....	1	1	1	U3258-1.....	\$2.70
21	Pin - FAA-PMA.....	1	1	1	U3257.....	\$9.85
22	Axle Assembly - FAA-PMA.....	1	1	1	U3236A-000.....	\$55.97
23	Lock Washer - FAA-PMA.....	1	1	1	U3225A-000.....	\$7.28
24	Castle Nut.....	1	1	1	AN310-8.....	\$3.90
25	Hub Half.....	1	1	1	U2598A.....	\$160.02
26	4-ply Tire and Wheel Assembly.....	1	1	1	U2600-A-4.....	\$558.77
	6-ply Tire and Wheel Assembly.....	1	1	1	U2600-A-6.....	\$544.74
27	Pin.....	1	1	1	3226.....	\$13.97
28	Gasket - FAA-PMA.....	1	1	1	U2602.....	\$6.74
29	Bushing.....	1	1	1	U3205A.....	\$27.63

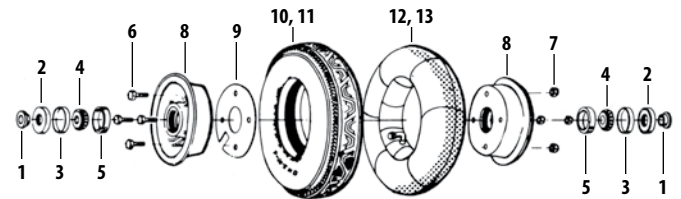
* Standard bracket is for 1 3/4 inch leaf spring.
 • If required for use with 1 1/2 inch leaf spring, use part number 3241-15 installation kit.
 • If required for use with 1 1/4 inch leaf spring, use part number 3243-1 installation kit.

2600 Wheel and Tire Assembly

The model 2600 is used on all Scott tailwheel applications where an 8" diameter tire is required. Available for general use, it is suggested for helicopters, liaison and primary training aircraft, and material handling devices where low weight and high strength are required. Due to the high volume production for 3200 series tailwheel assemblies, an attractive price is possible. Total weight of this assembly is only 3 lb 13 oz, including bearings. It can be supplied complete and assembled or as a hub only, unassembled, with gasket and bolts furnished.



- Cast aluminum hub, designed for extra heavy shock load absorption. One of its many uses is on tailwheel assemblies.
- Ribbed 4-ply tire with inner tube
- Timken bearing for 1/2 inch axle



#	Description	Quantity Required	Part #	Price
	Wheel and Tire Assembly - FAA-PMA.....		U2600-A-4.....	\$558.77
1	Spacer (3227).....	2	U3227A-000.....	\$32.55
2	Grease Retainer - FAA-PMA.....	2	U1863A-000.....	\$9.77
3	Spacer - FAA-PMA.....	2	U1862A-000.....	\$11.19
4	Bearing Cone.....	2	A4050*.....	\$75.96
5	Bearing Cup.....	2	A4138*.....	\$23.98
6	Bolt.....	4	AN4-7A.....	\$0.18
7	Self-locking Nut (AN365-428).....	4	MS21044N4.....	\$0.30
8	Hub.....	2	U2598A.....	\$160.02
9	Gasket - FAA-PMA.....	1	U2602.....	\$6.74
10	Tire, 8 inch.....	1	280250X4TAT.....	\$74.78
11	Tube, 8 inch.....	1	280X4U.....	\$37.69

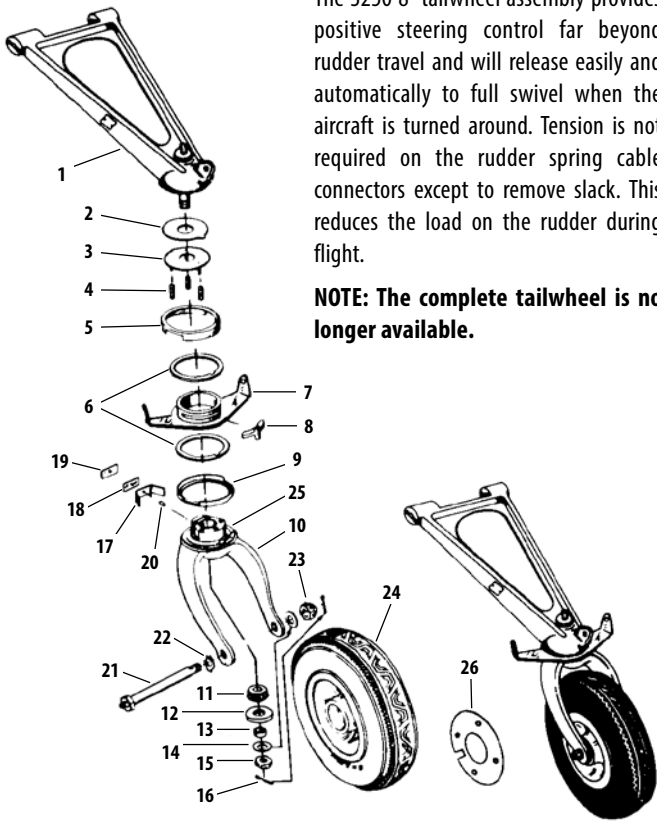
* A4050 and A4138 are sold together in the 1883 kit.

3200 Series Tailwheel Installation Kits



Description	Qty	Part #	Price Each
1 1/4 inch Installation Kit.....	1	3243-1.....	\$106.29
Contains: 1 1/4 inch Spacer - FAA-PMA.....	1	U3243-2.....	\$75.53
Spacer Bushing - FAA-PMA.....	1	U3241A-002.....	\$12.95
Eye Bolts.....	2	AN42B-6.....	\$11.10
1 1/2 inch Installation Kit.....	1	3241-1S.....	\$74.43
Contains: 1 1/2 inch Spacer - FAA-PMA.....	1	U3241A-003S.....	\$28.24
Spacer Bushing - FAA-PMA.....	1	U3241A-002.....	\$12.95
Eye Bolts.....	2	AN42B-6.....	\$11.10

Scott 3250 Series Tailwheel

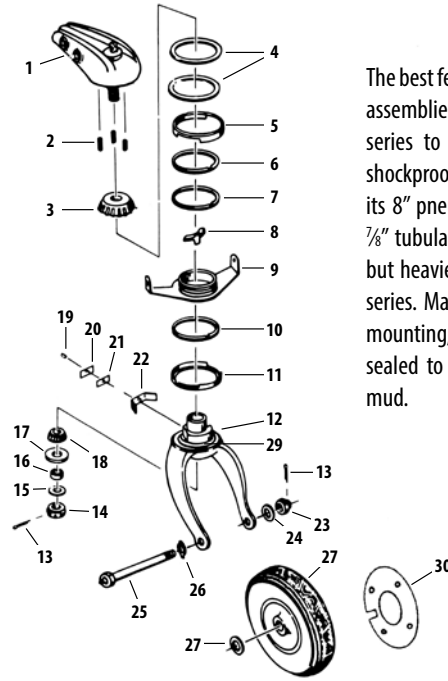


The 3250 8" tailwheel assembly provides positive steering control far beyond rudder travel and will release easily and automatically to full swivel when the aircraft is turned around. Tension is not required on the rudder spring cable connectors except to remove slack. This reduces the load on the rudder during flight.

NOTE: The complete tailwheel is no longer available.

#	Description	Quantity Required	Part #	Price
1	Drag Link Assembly	1	3250-1	N/A
2	Thrust Washer • FAA-PMA	1	U3207	\$7.28
3	Thrust Plate Assembly • FAA-PMA	1	U3234	\$56.65
4	Compression Spring • FAA-PMA	5	U3233	\$4.05
5	Upper Dust Cap	1	3256-2	\$31.66
6	Thrust Washer • FAA-PMA	2	U3206	\$17.00
7	Arm Assembly • FAA-PMA	1	U3214AT-000	\$396.99
8	Pawl	1	3219-1	N/A
9	Lower Dust Cap	1	3256-1	\$39.02
10	Fork Assembly	1	3224	\$778.36
11	Bearing Cone (13286)	1	A4050	\$75.96
12	Grease Retainer • FAA-PMA	1	U1863A-000	\$9.77
13	Spacer • FAA-PMA	1	U2504A-001	\$18.21
14	Washer	2	NAS1149F0863P	\$0.10
15	Shear Nut	1	AN320-8	\$2.44
16	Cotter Pin (AN380-3-3)	2	MS24665-283	\$0.04
17	Spring • FAA-PMA	1	U3222	\$14.97
18	Spacer • FAA-PMA	1	U3258	\$2.87
19	Spacer • FAA-PMA	1	U3258-1	\$2.70
20	Pin • FAA-PMA	1	U3257	\$9.85
21	Axle Assembly • FAA-PMA	1	U3236A-000	\$55.97
22	Lock Washer • FAA-PMA	1	U3225A-000	\$7.28
23	Castle Nut	1	AN310-8	\$3.90
24	4-ply Tire and Wheel Assembly • PMA	1	U2600-A-4	\$558.77
25	Pin	1	3226	\$13.97
26	Gasket • FAA-PMA	1	U2602	\$6.74

Scott 3400 Series Tailwheel

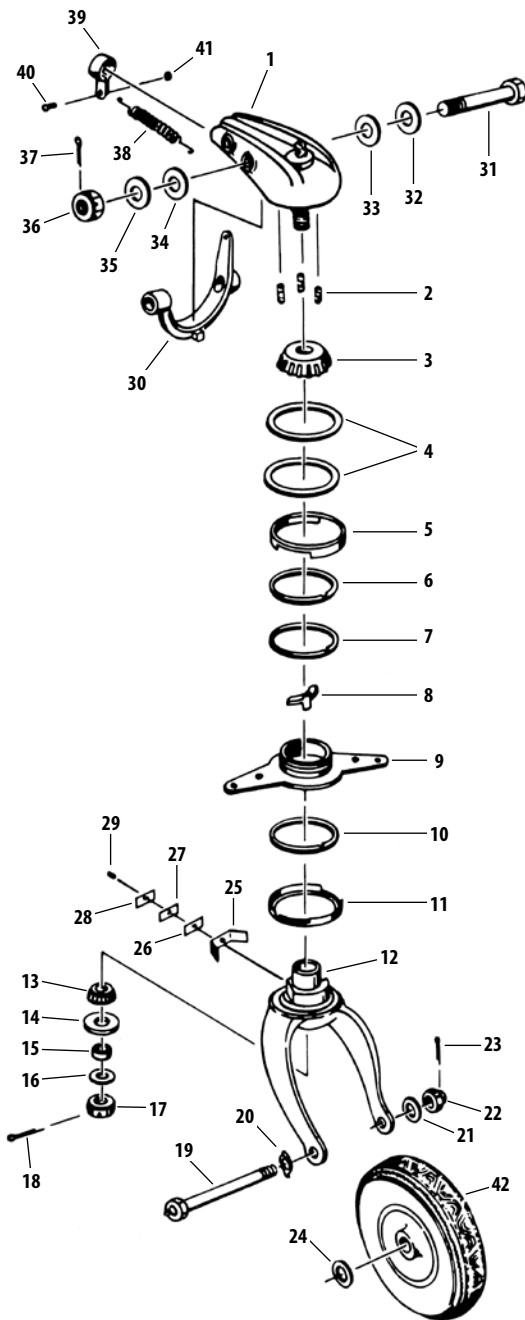


The best features of all Scott tailwheel assemblies are combined in the 3400 series to produce the finest, most shockproof tailwheel available. With its 8" pneumatic wheel mounted on 7/8" tubular tail spring, it is a similar but heavier duty version of the 3200 series. Manufactured for tube spring mounting, its swivel mechanism is sealed to keep out water, sand and mud.

#	Description	Quantity Required		Part #	Price
		3400	3400-1		
	Complete Tailwheel		↓	3400-1	\$5,766.49
	Tailwheel, Less Wheel	↓		3400	\$4,122.30
1	Bracket Assembly	1	1	3412	N/A
2	Compression Spring • FAA-PMA	A/R	A/R	U3233	\$4.05
3	Bearing Cone (13289)	1	1	08118	\$80.48
4	Spacer	A/R	A/R	3407	\$5.10
5	Upper Dust Cap	1	1	ABI-3411-01	\$39.13
6	Washer	1	1	3408	\$17.50
7	Washer	A/R	A/R	3408-1	\$7.04
8	Pawl • FAA-PMA	1	1	U3219A	\$38.77
9	Arm Assembly	1	1	3410-3	N/A
10	Washer	A/R	A/R	3408-2	\$19.25
11	Lower Dust Cap	1	1	3411-2	\$90.16
12	Fork Assembly	1	1	3413	\$2,106.46
13	Cotter Pin	2	2	MS24665-283	\$0.04
14	Shear Nut	1	1	AN320-8	\$2.44
15	Washer	A/R	A/R	NAS1149F0863P	\$0.10
16	Spacer • FAA-PMA	1	1	U2504A-001	\$18.21
17	Grease Retainer • FAA-PMA	1	1	U1863A-000	\$9.77
18	Bearing Cone (13286)	1	1	A4050	\$75.96
19	Pin • FAA-PMA	1	1	U3257	\$9.85
20	Spacer • FAA-PMA	1	1	U3258-1	\$2.70
21	Spacer • FAA-PMA	1	1	U3258	\$2.87
22	Spring • FAA-PMA	1	1	U3222	\$14.97
23	Castle Nut	1	1	AN310-8	\$3.90
24	Washer	A/R	A/R	NAS1149F0863P	\$0.10
25	Axle Assembly	1	1	U3236C-2	\$108.10
26	Lock Washer • FAA-PMA	1	1	U3225A-000	\$7.28
27	Washer	2		2832-5	N/A
28	4-ply Tire and Wheel Assembly	1	1	U2600-A-4	\$558.77
29	Pin	1	1	3226	\$13.97
30	Gasket • FAA-PMA	1	1	U2602	\$6.74

Scott 3425 Series Tailwheel

This steerable, full swivel assembly, equipped with your choice of an 8" or 10" wheel, provides that extra measure of rugged dependability that has distinguished Scott tailwheels for more than a quarter of a century. Built-in extra strength assures exceptional performance on utility aircraft intended for hard usage and rough terrain. This tailwheel is manufactured for tube spring mounting. The 3425 series come in versions for mounting on either the 1 5/16" or 1" tubular tail spring. The steering arms on this series of tailwheel are available in straight or bent upwards versions.



#	Description	Quantity Required						Part #	Price
		-1	-3	-5	-7	-13	-15		
	Tailwheel Assembly**	↓	—	—	—	—	—	3425-1	\$2,678.64
	Tailwheel Assembly**	—	↓	—	—	—	—	3425-3	\$7,751.92
	Tailwheel Assembly**	—	—	↓	—	—	—	3425-5	N/A
	Tailwheel Assembly**	—	—	—	↓	—	—	3425-7	N/A
	Tailwheel Assembly	—	—	—	—	↓	—	3425-13	\$5,684.53
	Tailwheel Assembly	—	—	—	—	—	↓	3425-15	N/A
	Tailwheel Assembly**	—	—	—	—	—	↓	3425-17	\$4,863.71
1	Bracket Assembly	1	1	1	1	—	—	3412-1	\$501.90
	Bracket Assembly	—	—	—	—	1	1	3412-2	\$1,472.63
2	Compression Spring *	*	*	*	*	3	3	U3233	\$4.05
3	Bearing Cone (13289)	1	1	1	1	1	1	08118	\$80.48
4	Spacer	*	*	*	*	*	*	3407	\$5.10
5	Upper Dust Cap	1	1	1	1	1	1	ABI-3411-07	\$38.53
6	Washer	1	1	1	1	1	1	3408	\$17.50
7	Washer	*	*	*	*	*	*	3408-2	\$19.25
8	Pawl	1	1	1	1	1	1	U3219A	\$38.77
9	Arm Assembly	1	1	1	1	1	1	ABI-3410-05	\$343.68
10	Washer	*	*	*	*	*	*	3479-1	\$9.95
11	Lower Dust Cap	1	1	1	1	1	1	3411-5	\$93.02
12	8" Fork Assembly	—	1	1	—	1	1	3413-1	\$2,401.78
	10" Fork Assembly	1	—	—	1	—	1	3423-3	\$4,364.52
13	Bearing Cone (13286)	1	1	1	1	1	1	A4050	\$75.96
14	Grease Retainer	1	1	1	1	1	1	U1863A-000	\$9.77
15	Spacer	1	1	1	1	1	1	U2504A-001	\$18.21
16	Washer	1	1	1	1	1	1	NAS1149F0863P	\$0.10
17	Aircraft Shear Nut	1	1	1	1	1	1	AN320-8	\$2.44
18	Cotter Pin	1	1	1	—	1	1	MS24665-283	\$0.04
19	Axle Assembly	1	1	1	—	1	1	U3236C-2	\$108.10
20	Lock Washer	1	1	1	—	1	1	U3225A-000	\$7.28
21	Washer (AN960-816L)	1	1	1	—	1	1	NAS1149F0832P	\$0.09
22	Castle Nut	1	1	1	—	1	1	18433	CALL
23	Cotter Pin	1	1	1	—	1	1	MS24665-283	\$0.04
24	Washer	—	2	2	—	2	2	2832-5	N/A
25	Spring	1	1	1	1	1	1	3432	\$87.32
26	Spacer	*	*	*	*	*	*	3433	\$18.07
27	Spacer	*	*	*	*	*	*	U3258	\$2.87
28	Spacer	*	*	*	*	*	*	U3258-1	\$2.70
29	Pin	1	1	1	1	1	1	U3257	\$9.85
30	Bell Crank	1	1	—	1	—	1	3426	\$822.06
31	Bolt	1	1	—	1	—	1	56365	CALL
32	Washer	1	1	1	1	1	1	18299	CALL
33	Bushing	1	1	—	1	—	1	3476	CALL
34	Bushing	1	1	—	1	—	1	3476	CALL
35	Washer	1	1	1	1	1	1	18300	CALL
36	Nut	1	1	1	1	1	1	56366	CALL
37	Cotter Pin	1	1	1	1	1	1	56367	CALL
38	Spring	1	1	—	1	—	1	3477	\$70.00
39	Clamp	1	1	—	1	—	1	3478	\$13.46
	Clamp	—	—	—	—	—	1	3478-1	\$196.96
40	Nut	1	1	—	1	—	—	18477	CALL
41	Screw	1	1	—	1	—	1	18556	CALL
42	8" Tire/Wheel Assy	—	1	1	—	1	—	U2600-A-4	\$558.77
	10" Tire/Wheel Assy	1	—	—	—	—	1	3245-1	\$1,345.38

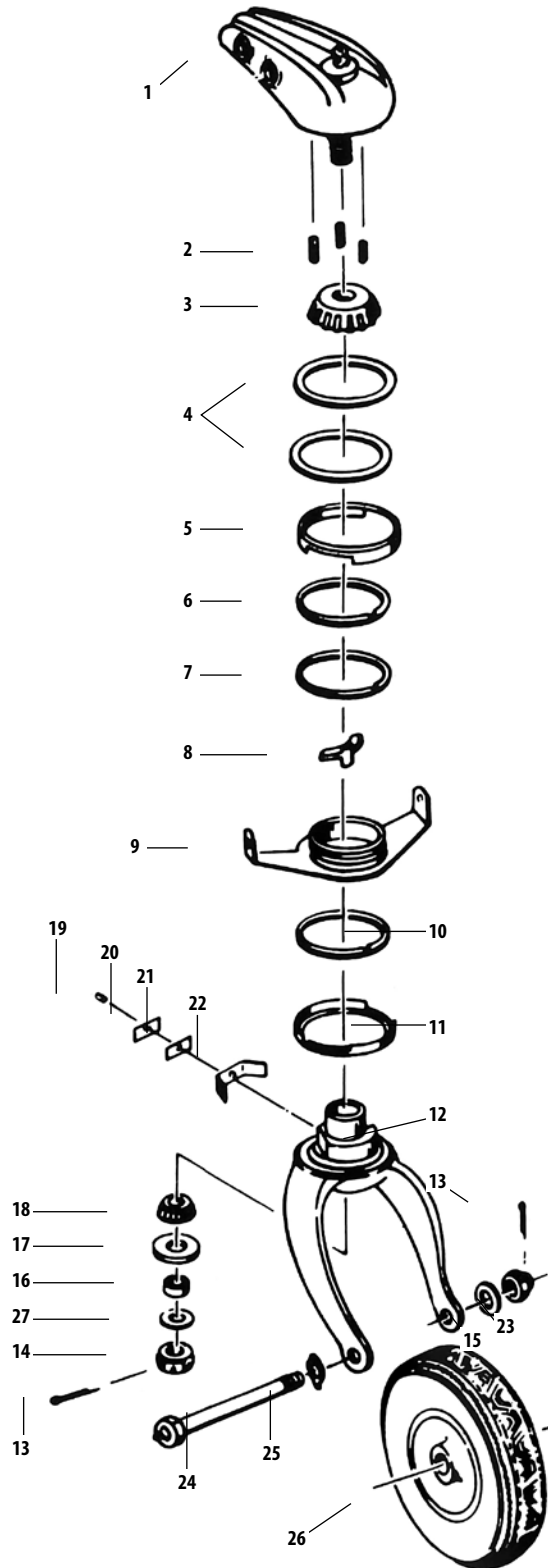
Items in bold are FAA-PMA approved

* As Required

** Assemblies 3425-1, -3, -5, -7, and -17 are manufactured for tube spring mounting.

Scott 3450 Series Tailwheel

Similar in design to the 3400 and 3425 series tailwheels, the 3450 series features a 10" pneumatic wheel and the same heavy-duty, shockproof construction. As such, it will withstand the most severe operating conditions while providing the same reliable, trouble-free performance. They are available in versions for the 1 5/8" or 1" tubular tail spring. The steering arms on this series of tailwheel are also available in straight or bent upwards versions.



#	Description	Quantity Required						Part #	Price
		-1	-3	-5	-7	-17	-23		
	Tailwheel Assembly**	↓	-	-	-	-	-	3450-1	\$1,559.70
	Tailwheel Assembly**	-	↓	-	-	-	-	3450-3	N/A
	Tailwheel Assembly**	-	-	↓	-	-	-	3450-5	N/A
	Tailwheel Assembly**	-	-	-	↓	-	-	3450-7	N/A
	Tailwheel Assembly**	-	-	-	-	↓	-	3450-17	\$6,491.56
	Tailwheel Assembly**	-	-	-	-	-	↓	3450-23	\$6,923.16
	Bracket Assembly	1	1	1	1	-	-	3412-1	\$501.90
	Bracket Assembly	-	-	-	-	1	-	3412-2	\$1,472.63
	Bracket Assembly	-	-	-	-	-	1	801355-02	\$2,601.34
2	Compression Spring	*	*	*	*	3	2	U3233	\$4.05
3	Bearing Cone (13289)	1	1	1	1	1	-	08118	\$80.48
4	Spacer	*	*	*	*	*	1	3407	\$5.10
5	Upper Dust Cap	1	1	1	1	1	-	ABI-3411-01	\$39.13
	Upper Dust Cap	-	-	-	-	-	1	3411-00	N/A
6	Washer	1	1	1	1	1	1	3408	\$17.50
7	Washer	*	*	*	*	*	*	3408-1	\$7.04
8	Pawl	1	1	1	1	1	1	U3219A	\$38.77
9	Arm Assembly	1	-	1	-	-	-	3410-3	N/A
	Arm Assembly	-	1	-	1	1	-	ABI-3410-05	\$343.68
	Arm Assembly	-	-	-	-	-	1	3410-7	N/A
10	Washer	*	*	*	*	*	*	3408-2	\$19.25
11	Lower Dust Cap	1	1	1	1	1	-	3411-2	\$90.16
12	Fork Assembly	1	1	1	1	1	1	3423-1	\$4,350.94
13	Cotter Pin	2	2	1	1	2	2	MS24665-283	\$0.04
14	Nut	1	1	1	1	1	1	AN320-8	\$2.44
15	Washer (AN960-816L)	1	1	-	-	1	1	NAS1149F0832P	\$0.09
16	Spacer	1	1	1	1	1	1	U2504A-001	\$18.21
17	Grease Retainer	1	1	1	1	1	1	U1863A-000	\$9.77
18	Bearing Cone (13286)	1	1	1	1	1	1	A4050	\$75.96
19	Pin	1	1	1	1	1	1	U3257	\$9.85
20	Spacer	*	*	*	*	*	*	3433	\$18.07
21	Spacer	*	*	*	*	*	*	3433-1	\$45.61
22	Spring	1	1	1	1	1	-	3432	\$87.32
23	Nut	1	1	-	-	1	1	AN310-8	\$3.90
24	Axle Assembly (3236C2)	1	1	-	-	1	1	U3236C-2	\$108.10
25	Lock Washer	1	1	-	-	1	1	U3225A-000	\$7.28
26	Tire and Wheel Assembly	1	1	-	-	1	1	3245-1	\$1,345.38
27	Washer	1	1	1	1	1	-	NAS1149F0863P	\$0.10

Items in bold are FAA-PMA approved

* As Required

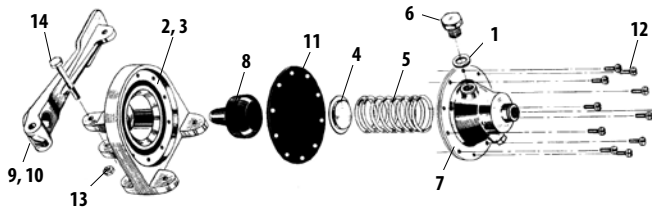
** Assemblies 3450-1, -3, -5, -7, and -17 are manufactured for tube spring mounting. Assembly 3450-23 is manufactured for leaf spring mounting.

Scott Brake Master Cylinder

FAA-PMA
APPROVED

Installed as standard equipment on Piper and other aircraft for many years, the Scott Brake Master Cylinder provides rugged and virtually trouble-free service with few wearing parts. One pair of master cylinders (left and right) is required on most aircraft. On the Piper Tri-Pacer, however, only the left master cylinder is required.

- Maximum Working Pressure: 350 lb
- Pedal Pressure: 100 lb
- Recommended Hydraulic Fluid: MIL-H-5606
- Weight as Shown: 21 ounces dry



#	Description	Quantity	Part #	Price
	Master Cylinder Assembly, Left		U1248A	\$1,355.04
	Master Cylinder Assembly, Right.....		U1260A	\$1,355.04
1	Vent Screw Gasket	1	U1159A	\$3.35
2	Bracket, Right Unit.....	1	U1220A	\$319.01
3	Bracket, Left Unit.....	1	U1232A	\$319.01
4	Diaphragm Pad.....	1	U2003-001	\$40.68
5	Spring.....	1	U1256A-000	\$18.39
6	Vent Screw.....	1	UB-1258	\$16.21
7	Compression Cover.....	1	U2728A	\$469.68
8	Piston.....	1	U1383A-000	\$69.61
9	Pedal, Right Unit.....	1	U1715A	\$235.45
10	Pedal, Left Unit.....	1	U1715A	\$235.45
11	Diaphragm (2844)	1	U750-384	\$43.81
12	Screw.....	10	MS35265-45	\$0.36
13	Nut.....	1	AC356-1032	\$0.68
14	Bolt.....	1	AN3-20A	\$0.22

Brake Master Cylinder With Integral Parking Brake

There are four variations of the Scott master cylinder, but their internal components are exactly the same. Below are commonly replaced items:

Piston Stem Seal	4014	\$18.00
Linear U-Cup Seal.....	18051	\$9.07
O-Ring (AN6227-11)	MS28775-113	\$0.98
Stinson Master Cylinder,		
Threads on Outside of Port	108-9010075	\$1,485.06
Threads on Inside of Port	4408E	\$786.82

Brake Reservoir

Aluminum reservoir mounts on the firewall in any position and measures 2¼ inches in diameter and 2½ inches high. Ports are ½ inch NPT.



Brake Reservoir	A315	\$69.30
-----------------------	------	---------

Miscellaneous Parts for Scott Tailwheels

Part #	Price	
Scott Brake Pedal Bushing	1494	\$3.80
Scott Seal	1803	\$3.95
Scott Wheel and Tire Assembly	1840	\$2,668.87
Scott Screw and Nut Set.....	1875	\$5.10
Scott Washer	2346	\$17.72
Scott Bracket Assembly.....	3216	\$350.00
Scott Nameplate	3434	\$2.52
Scott Clevis Fork.....	4008	\$93.79
Scott Stem Assembly	4205	\$20.02
Scott Valve Seat.....	4206	\$28.56
Scott Washer	4207	\$2.35
Scott Brake Arm Assembly	4208	\$93.40
Scott Reservoir Cap	4454	\$1,497.42
Scott Piston Assembly.....	4476	\$142.76
Scott Stem	4477	\$187.62
Scott Lug.....	4479	\$96.41
Scott Spring	4480	\$15.04
Scott Piston Return Nut.....	4481	\$44.40
Scott Lock Spring	4482	\$4.86
Scott Piston Stop.....	4483	\$94.58
Scott Brake Lock.....	4484	\$66.03
Scott Valve Seat.....	4511	\$54.03
Scott Bracket Assembly.....	800613	\$1,410.92
Brake Cylinder Arm	1715A-100	\$282.67
Scott Screw	33332-077	\$1.49
Scott Screw	33343-008	\$3.32
Scott Cage and Arm	3416-1	\$722.24
Scott Clevis Rod.....	4008-2	\$109.75
Scott Cylinder.....	4408C	\$1,184.96
Scott Reservoir Cap	4454-1	\$219.49
Scott Washer	4468-1	\$3.10
Scott Cylinder Assembly	4472B	\$516.93
Scott Reservoir	4473AL	\$90.92
ABI Tailwheel	ABI-3224A	\$1,750.00
Alaskan Bushwheel Steering Arm (Bent)	ABI-3410-03	\$346.00
Lower Dust Cap	ABI-3411-01	\$39.13
Upper Dust Cap	ABI-3411-02	\$41.80
Lower Dust Cap	ABI-3411-05	\$44.36
Alaskan Bushwheel Spring.....	ABI-3432	\$17.33
Tailwheel Spacer Doubler.....	U1478A-002	\$1.73
Tailwheel Hub Half.....	U1967-L	\$267.40
Tailwheel Hub Half.....	U1967-R	\$267.40
Felt Washer	U2035A	\$4.94
Chain.....	U3239A-015	\$10.36
Scott Tailwheel Spring Spacer	U3241A-003S	\$28.24
Valve Arm.....	U4208A	\$65.53
Arm Fitting.....	U4208A-3	\$33.66
Scott Valve	U4500S-A1	\$451.41
Valve Stem	U4505A	\$40.09

Shop Online: www.univair.com

Order By Phone: 1-888-433-5433

Monday to Friday • 7:30 am to 4:30 pm MT



Specialty Tires of America

Air Trac Tires

The Air Trac® tire is an excellent choice for single engine, piston aircraft. It is ideal for aircraft operated on grass strips while being perfectly usable on hard surfaces. All Air Tracs are nylon tube type tires.

Size	Ply Rating	Part #	Price
2.80/2.50-4	4-ply	280250X4TAT	\$74.78
10 x 3.50-4	4-ply	10X350X4TAT	\$89.88
5.00-5	4-ply	500X5T4AT	\$98.56
5.00-5	6-ply	500X5T6AT	\$98.56
6.00-6	4-ply	600X6T4AT	\$110.46
6.00-6	6-ply	600X6T6AT	\$117.26
6.00-6	8-ply	600X6T8AT	\$127.45
6.50-8	6-ply	650X8T6AT	\$252.00
6.50-8	8-ply	650X8T8AT	\$266.10
6.50-10	8-ply	650X10T8AT	\$301.34
6.50-10	10-ply	650X10T10AT	\$375.35
7.00-6	6-ply	700X6T6AT	\$212.41
7.00-6	8-ply	700X6T8AT	CALL
7.50-10	6-ply	750X10T6AT	\$625.74
8.00-6	4-ply	800X6T4AT	\$239.60
8.00-6	6-ply	800X6T6AT	\$243.90
8.50-6	6-ply	850X6T6AT	\$372.15
8.50-10	6-ply	850X10T6AT	\$468.75
8.50-10	8-ply	850X10T8AT	\$503.48
15 x 6.00-6	4-ply	15X6-6T4AT	\$172.69
15 x 6.00-6	6-ply	15X6-6T6AT	\$173.56

Aero Classic Tires

Aero Classic tires are great for a number of aircraft built outside of the United States. Designed specially for classic planes including warbirds, DC-3's and Beech 18's. Many sizes are available in both the historical diamond tread and the modern rib tread for work uses.

Nylon Tubeless Tires

Size	Ply Rating	Part #	Price
27" S.C. Diamond Tread	10-ply	AA227	\$1,173.65
27" Rib	10-ply	AA427	\$1,173.65
890 x 1250 S.C. Diamond Tread	6-ply	AA313	\$963.94
890 x 1250 Rib	6-ply	AA413	\$849.39
11.00 x 12	10-ply	AA487	\$1,119.02

Nylon Tube Type Tires

Size	Ply Rating	Part #	Price
380-150-5 (15 x 600-5)	6-ply	AA4AA	\$227.33
420 x 150 (600 x 6.5)	4-ply	AA4AB	\$366.55
7.00 x 8	6-ply	AA4AC	\$496.94
7.00 x 7.5	6-ply	AA4AD	\$687.27
800 x 260	4-ply	AA494	\$995.67
500 x 150	6-ply	AA444	\$532.98
400 x 150	6-ply	AA454	\$394.74
1700 x 16	12-ply	AA47A	\$3,769.42

Air Hawk Tires

These FAA approved tires deliver reliable, cost-effective performance under a wide variety of takeoff and landing conditions. Improved tread compounds and high strength casings offer added wear resistance and an extra measure of security, all at affordable prices. Air Hawk tires are nylon tube type tires.

Size	Ply Rating	Tire	Part #
5.00-5	4-ply	500X5T4AH	\$100.26
5.00-5	6-ply	500X5T6AH	\$101.97
6.00-6	4-ply	600X6T4AH	\$117.26
6.00-6	6-ply	600X6T6AH	\$122.35
6.00-6	8-ply	600X6T8AH	\$130.86
7.00-6	6-ply	700X6T6AH	\$215.81
7.00-6	8-ply	700X6T8AH	\$243.66
8.00-6	4-ply	800X6T4AH	\$243.00
8.00-6	6-ply	800X6T6AH	\$293.93
8.00-6	8-ply	800X6T8AH	\$296.58
6.50-8	6-ply	650X8T6AH	\$266.10
6.50-8	8-ply	650X8T8AH	\$271.39
6.50-10	6-ply	650X10T6AH	\$289.00
6.50-10	8-ply	650X10T8AH	\$294.29
6.50-10	10-ply	650X10T10AH	\$378.88
8.50-10	6-ply	850X10T6AH	\$491.67
8.50-10	8-ply	850X10T8AH	\$541.74
18 x 5.5	8-ply	18X5.5T8AH	\$267.86
22 x 8.0-8	6-ply	22X8-8T6AH	\$394.74
29 x 11.0-10	10-ply	29X11-10TAH	\$538.82

Super Hawk Tires

Designed to handle higher landing speeds and heavier loads, the Super Hawk offers advanced design and precision craftsmanship. The result is a premium belted aircraft tire that surpasses FAA specifications and matches the performance levels of far more expensive brands.



Size	Ply Rating	Tire Part #	Price
5.00-5	6-ply	500X5-6AJ1D4	\$227.33
6.00-6	6-ply	600X6-6AJ1E4	\$294.29

Tubes for Light Aircraft Tires

Our sales department can help you select the right tube for your tire type.

Size	Part #	Price
2.80-4	280X4U	\$37.69
29 x 11	29X11-10U	\$337.44
3.50/4.10-4	350410X4U	\$39.48
5.00-5	500X5U	\$110.77
6.00-6	600X6U	\$91.73
6.50/7.00-8	650700X8U	\$102.31
6.50-10	650X10U	\$102.31
7.00/8.00-6	700800X6U	\$96.92
7.50-10	750X10U	\$143.65
8.50-6	850X6U	\$184.87
8.50-10	850X10U	\$148.85
15 x 6.00-6	15X600X6U	\$93.32