



# R25

PRODUCT

CATALOG

 **UNITY**™



## OPTIC MOUNTS

FAST™ MICRO	6
FAST™ MICRO-S	8
FAST™ COMP SERIES	10
FAST™ OPTIC RISER	12
FAST™ ABSOLUTE RISER	14
FAST™ COG SERIES	15
FAST™ MRO	18
FAST™ FTC 30MM	20
FAST™ FTC OMNI	22
FAST™ LPVO	24

## WEAPONS ACCESSORIES

FAST™ MODULAR OFFSET ACCESSORY SUITE	28
FUSION™	30
VFG™   VERTICAL FORE GRIP FOR M-LOK®	32

## MODULAR ELECTRONIC SWITCHES

AXON™	36
AXON SL™	38
HOT BUTTON™	40
SPADE GRIP MOUNT™   HOT BUTTON™ MOUNT	42
TAPS™   TACTICAL AUGMENTED PRESSURE SWITCH	44

## HELMET ACCESSORIES

SPARK™   MULTI-FUNCTION EMERGENCY STROBE	48
MARK™   MODULAR ATTACH RAIL KIT	50
MARK™ OPS-CORE® AMP® COMMUNICATION HEADSET KIT	51
PLATFORM ADAPTER™   ADAPTER FOR OPS-CORE® AMP®	52
HELMET RAIL MOUNT KIT	
SARA™   SORDIN ARC RAIL ADAPTER	53
KNUCKL™   MODULAR ACCESSORY HELMET MOUNT	54
REMORA™   ACCESSORY MOUNT FOR 3M® PELTOR® ADAPTER	55

## FABRICATED SOLUTIONS

CLUTCH™   MODULAR CONCEALMENT BELT	58
COLD WEATHER LINER™   INTEGRATED HELMET INSULATION LAYER	59



UNITY  
MULTI-MOUNT

UNITY X

Defiant Kinetics  
St. George, UT  
www.defiant.com

# OPTIC MOUNTS

FAST™ is a series of optic mounting solutions that provides end users with a quicker sight picture than standard height mounts. FAST™ mounts create a 2.26" optical centerline from the rail, which allows for more rapid visual processing of the battlefield by ensuring an ergonomically correct heads-up posture. Further, they provide faster and easier dot/reticle acquisition while wearing night vision goggles, protective masks, plate carriers and other gear.

**When you need to move quickly, go FAST™.**



# FAST™

## MICRO

The mount that started it all. The FAST™ Micro mount features a built-in, fully adjustable, front and rear back-up iron sight. The front sight post can be removed, allowing the rear to be used with a standard front sight for a traditional sight radius. The FAST™ Micro mount is compatible with all micro footprint optics and the FAST™ QD (Quick Detach) Lever.

FAST™ is a series of optic mounting solutions that provides end users with a quicker sight picture than standard height mounts. FAST™ mounts create a 2.26" optical centerline from the rail, which allows for more rapid visual processing of the battlefield by ensuring an ergonomically correct heads-up posture. Further, they provide faster and easier dot/reticle acquisition while wearing night vision goggles, protective masks, plate carriers and other gear.

#### HEIGHT

2.26" TO OPTICAL  
CENTERLINE

#### INTERFACE

MICRO FOOTPRINT

#### RAIL MOUNT

2 CROSS BOLT RAIL GRABBER,  
FAST™ QD LEVER COMPATIBLE

#### WEIGHT

OZ: 3.0  
G: 85.0

#### MATERIAL

7075-T6 ALUMINUM

#### COATING

TYPE III HARDCOAT  
ANODIZED

#### DIMENSIONS (W X L X H)

IN: 1.30 X 2.08 X 2.01  
CM: 3.30 X 5.28 X 5.11

#### BUIS

FULLY  
ADJUSTABLE  
FRONT / REAR

#### PART NUMBERS

BLACK

FST-MICB

FDE

FST-MICF



NEW

FAST™

## MICRO-S



The FAST™ Micro-S is specifically designed for the Aimpoint® CompM5s, CompM5b and Duty RDS mini red dot sights. It puts these taller “micro” sights at the established FAST™ height of 2.26” and is fully compatible with the entire line of FAST™ magnifier mounts. The FAST™ Micro-S can also be fitted with the FAST™ QD (Quick Detach) Lever.

FAST™ is a series of optic mounting solutions that provides end users with a quicker sight picture than standard height mounts. FAST™ mounts create a 2.26” optical centerline from the rail, which allows for more rapid visual processing of the battlefield by ensuring an ergonomically correct heads-up posture. Further, they provide faster and easier dot/reticle acquisition while wearing night vision goggles, protective masks, plate carriers and other gear.

## HEIGHT

2.26" TO OPTICAL  
CENTERLINE

## COMPATIBILITY

AIMPOINT® COMPMS.  
AIMPOINT® COMPSB.  
AIMPOINT® DUTY RDS

## RAIL MOUNT

2 CROSS BOLT RAIL GRABBER.  
FAST™ QD LEVER COMPATIBLE

## WEIGHT

OZ: 2.3  
G: 65.2

## MATERIAL

7075-T6 ALUMINUM

## COATING

TYPE III HARDCOAT  
ANODIZED

DIMENSIONS  
(W X L X H)

IN: 1.25 X 2.08 X 1.55  
CM: 3.16 X 5.28 X 3.94

## PART NUMBERS

BLACK

FST-MISB

FDE

FST-MISF





# FAST™

## COMP SERIES

Developed as a solution for the DOD's standard issue M68 CCO, the FAST™ Comp Series is a drop-in replacement for all full-size Aimpoint® Comp series and PRO optics. The FAST™ Comp Series can also be fitted with the FAST™ QD (Quick Detach) Lever.

FAST™ is a series of optic mounting solutions that provides end users with a quicker sight picture than standard height mounts. FAST™ mounts create a 2.26" optical centerline from the rail, which allows for more rapid visual processing of the battlefield by ensuring an ergonomically correct heads-up posture. Further, they provide faster and easier dot/reticle acquisition while wearing night vision goggles, protective masks, plate carriers and other gear.

#### HEIGHT

2.26" TO OPTICAL  
CENTERLINE

#### COMPATIBILITY

AIMPOINT® COMP  
FOOTPRINT

#### RAIL MOUNT

2 CROSS BOLT RAIL GRABBER.  
FAST™ QD LEVER COMPATIBLE

#### WEIGHT

OZ: 3.9  
G: 110.6

#### MATERIAL

7075-T6 ALUMINUM

#### COATING

TYPE III HARDCOAT  
ANODIZED

#### DIMENSIONS (W X L X H)

IN: 1.20 X 3.12 X 1.58  
CM: 3.05 X 7.92 X 4.01

#### PART NUMBERS

BLACK

FST-COMB

FDE

FST-COMF



L20

L18

L16

L14

COMPACT W2201109  
Made in Sweden

UNITY  
OPTICS

PROPERTY  
OF U.S. GOVT.  
M4A1 CARBINE  
CAL. 5.56 NATO  
W02

# FAST™

## OPTIC RISER

The FAST™ Optic Riser creates a 2.26" optical centerline from the rail when paired with a lower 1/3 co-witness rail-mounted sight.

FAST™ is a series of optic mounting solutions that provides end users with a quicker sight picture than standard height mounts. FAST™ mounts create a 2.26" optical centerline from the rail, which allows for more rapid visual processing of the battlefield by ensuring an ergonomically correct heads-up posture. Further, they provide faster and easier dot/reticle acquisition while wearing night vision goggles, protective masks, plate carriers and other gear.



#### HEIGHT

2.26" TO OPTICAL  
CENTERLINE

#### INTERFACE

MIL-STD M1913

#### RAIL MOUNT

2 CROSS BOLT RAIL GRABBER

#### WEIGHT

OZ: 2.8  
G: 79.4

#### MATERIAL

7075-T6 ALUMINUM

#### COATING

TYPE III HARDCOAT  
ANODIZED

#### DIMENSIONS (W X L X H)

IN: 1.21 X 2.50 X 0.67  
CM: 3.07 X 6.35 X 1.70

#### PART NUMBERS

BLACK

FST-ORB

FDE

FST-ORF



NEW


 UNITY  
 FAST™

FAST™

## ABSOLUTE RISER

The FAST™ Absolute Riser creates a 2.26" optical centerline from the rail when paired with an absolute co-witness rail-mounted sight. The FAST™ Absolute Riser can also be fitted with the FAST™ QD (Quick Detach) Lever.

FAST™ is a series of optic mounting solutions that provides end users with a quicker sight picture than standard height mounts. FAST™ mounts create a 2.26" optical centerline from the rail, which allows for more rapid visual processing of the battlefield by ensuring an ergonomically correct heads-up posture. Further, they provide faster and easier dot/reticle acquisition while wearing night vision goggles, protective masks, plate carriers and other gear.

## HEIGHT

2.26" TO OPTICAL CENTERLINE

## INTERFACE

MIL-STD M1913

## RAIL MOUNT

2 CROSS BOLT RAIL GRABBER,  
FAST™ QD LEVER COMPATIBLE

## WEIGHT

OZ: 2.8  
G: 79.4

## MATERIAL

7075-T6 ALUMINUM

## COATING

TYPE III HARDCOAT  
ANODIZEDDIMENSIONS  
(W X L X H)IN: 1.21 X 3.50 X 0.90  
CM: 3.07 X 8.89 X 2.29

## PART NUMBERS

BLACK

FST-RAB

FDE

FST-RAF



**E**  
EOTECH

**UNITY**  
RED DOT SIGHT

DOWN

RIGHT



# FAST™

## COG SERIES

The FAST™ COG Series is designed for all Trijicon® VCOG and ACOG series optics, creating a 2.05" optical centerline from the rail. The multiple mounting holes provide optimal eye relief with an ACOG depending on the weapon platform.

FAST™ is a series of optic mounting solutions that provides end users with a quicker sight picture than standard height mounts, allowing for more rapid visual processing of the battlefield by ensuring an ergonomically correct heads-up posture. Further, they provide faster and easier dot/reticle acquisition while wearing night vision goggles, protective masks, plate carriers and other gear.

#### HEIGHT

2.05" TO OPTICAL  
CENTERLINE

#### COMPATIBILITY

TRIJICON® VCOG /  
ACOG FOOTPRINT

#### RAIL MOUNT

2 CROSS BOLT RAIL GRABBER

#### WEIGHT

OZ: 2.9  
G: 82.2

#### MATERIAL

7075-T6 ALUMINUM

#### COATING

TYPE III HARDCOAT  
ANODIZED

#### DIMENSIONS (W X L X H)

IN: 1.22 X 3.65 X 1.05  
CM: 3.10 X 9.27 X 2.67

#### PART NUMBERS

BLACK

FST-COGB

FDE

FST-COGF





# FAST™

## MRO

The FAST™ MRO (Miniature Rifle Optic) mount is designed for the Trijicon® MRO and Trijicon® MRO HD. It features a built-in, fully adjustable rear back-up iron sight that is compatible with a standard front sight for a traditional sight radius. It can be fitted with the FAST™ QD (Quick Detach) Lever and works with all FAST™ Flip-to-Center magnifier mounts.

FAST™ is a series of optic mounting solutions that provides end users with a quicker sight picture than standard height mounts. FAST™ mounts create a 2.26" optical centerline from the rail, which allows for more rapid visual processing of the battlefield by ensuring an ergonomically correct heads-up posture. Further, they provide faster and easier dot/reticle acquisition while wearing night vision goggles, protective masks, plate carriers and other gear.

#### HEIGHT

2.26" TO OPTICAL  
CENTERLINE

#### COMPATIBILITY

TRIJICON® MRO /  
MRO HD

#### RAIL MOUNT

2 CROSS BOLT RAIL GRABBER,  
FAST™ QD LEVER COMPATIBLE

#### WEIGHT

OZ: 3.2  
G: 90.7

#### MATERIAL

7075-T6 ALUMINUM

#### COATING

TYPE III HARDCOAT  
ANODIZED

#### DIMENSIONS (W X L X H)

IN: 1.20 X 2.08 X 1.81  
CM: 3.05 X 5.28 X 4.60

#### BUIS

FULLY  
ADJUSTABLE REAR

#### PART NUMBERS

BLACK

FST-MROB

FDE

FST-MROF



# FAST™

## FTC 30MM



The FAST™ FTC 30mm magnifier mount employs a simple force-to-overcome mechanism, stowing the magnifier below the optical sight plane and completely within the footprint of the weapon's receiver when not in use. UNITY™ Tactical's FTC (flip-to-center) technology eliminates the flip-to-side placement of legacy products so users receive all the benefits of magnification when required with no snag hazards or occlusion of sight pictures when stowed. The FAST™ FTC 30mm is compatible with most magnifiers with a 30mm body.

#### HEIGHT

2.26" TO OPTICAL  
CENTERLINE

#### COMPATIBILITY

MOST 30MM  
MAGNIFIERS

#### INTERFACE

30MM RING

#### RAIL MOUNT

FAST™ QD LEVER

#### WEIGHT

OZ: 4.59  
G: 130.0

#### MATERIAL

7075-T6 ALUMINUM

#### COATING

TYPE III HARDCOAT  
ANODIZED

#### MECHANISM

FORCE-TO-OVERCOME

#### DIMENSIONS (W X L X H)

IN: 2.65 X 1.45 X 3.20 (RAISED) OR 2.17 (STOWED)  
CM: 6.73 X 3.68 X 8.13 (RAISED) OR 5.51 (STOWED)

FAST™ is a series of optic mounting solutions that provides end users with a quicker sight picture than standard height mounts. FAST™ mounts create a 2.26" optical centerline from the rail, which allows for more rapid visual processing of the battlefield by ensuring an ergonomically correct heads-up posture. Further, they provide faster and easier dot/reticle acquisition while wearing night vision goggles, protective masks, plate carriers and other gear.

#### PART NUMBERS

BLACK

FET-MAP

FDE

FET-MAPF





# FAST™

## FTC OMNI

The FAST™ FTC OMNI magnifier mount employs a simple force-to-overcome mechanism, stowing the magnifier below the optical sight plane and completely within the footprint of the weapon's receiver when not in use. UNITY™ Tactical's FTC (flip-to-center) technology eliminates the flip-to-side placement of legacy products so users receive all the benefits of magnification when required with no snag hazards or occlusion of sight pictures when stowed. The FAST™ FTC OMNI works with a variety of popular magnifiers from various manufacturers.

### COMPATIBILITY

EOTECH® G30,  
G23, G33,  
G43, G45

VORTEX® VMX-3T,  
MICRO 3X

TRIJICON® 3X MAG-C

SIG SAUER®  
JULIET3X,  
JULIET4X,  
JULIET MICRO3X,  
JULIET MICRO5X

### HEIGHT

2.26" TO OPTICAL  
CENTERLINE

### RAIL MOUNT

FAST™ QD LEVER

### WEIGHT

OZ: 4.4  
G: 124.7

### MATERIAL

7075-T6 ALUMINUM

### COATING

TYPE III HARDCOAT  
ANODIZED

### MECHANISM

FORCE-TO-OVERCOME

### DIMENSIONS

(W X L X H)

IN: 2.66 X 2.25 X 3.42 (RAISED) OR 2.14 (STOWED)  
CM: 6.76 X 5.72 X 8.69 (RAISED) OR 5.44 (STOWED)

FAST™ is a series of optic mounting solutions that provides end users with a quicker sight picture than standard height mounts. FAST™ mounts create a 2.26" optical centerline from the rail, which allows for more rapid visual processing of the battlefield by ensuring an ergonomically correct heads-up posture. Further, they provide faster and easier dot/reticle acquisition while wearing night vision goggles, protective masks, plate carriers and other gear.

### PART NUMBERS

BLACK

FST-OMB

FDE

FST-OMF



# FAST™

## LPVO

Creating a 2.05" optical centerline from the rail, the FAST™ LPVO scope mount is the perfect solution for deploying low power variable optics on the modern battlefield. The increased height makes using LPVOs while wearing body armor much easier. It features a zero MOA angle and is available with either 30mm or 34mm rings. The modular base accepts a suite of optional offset accessory mounts for MRDS.

FAST™ is a series of optic mounting solutions that provides end users with a quicker sight picture than standard height mounts, allowing for more rapid visual processing of the battlefield by ensuring an ergonomically correct heads-up posture. Further, they provide faster and easier dot/reticle acquisition while wearing night vision goggles, protective masks, plate carriers and other gear.

#### HEIGHT

2.05" TO OPTICAL  
CENTERLINE

#### INTERFACE

30MM RING,  
34MM RING

#### RAIL MOUNT

3 CROSS BOLT RAIL GRABBER

#### WEIGHT

OZ: 7.4  
G: 209.8

#### MATERIAL

7075-T6 ALUMINUM

#### COATING

TYPE III HARDCOAT  
ANODIZED

#### DIMENSIONS (W X L X H)

IN: 1.20 X 5.40 X 3.14  
CM: 3.05 X 13.72 X 7.98

#### PART NUMBERS

30MM | BLACK

FST-S50205B

30MM | FDE

FST-S50205F

34MM | BLACK

FST-S54205B

34MM | FDE

FST-S54205F









# WEAPONS ACCESSORIES

They're called "weapons systems" for a reason. Your weapon must serve as a platform for other accessories you need to hit the target. UNITY™ weapons accessories bring efficiency to your system set-up to ensure effective operations on every mission.



# FAST™

## MODULAR OFFSET ACCESSORY SUITE

FAST™ Modular Offset Accessories afford several options to attach secondary/back-up optics and BUIS to compatible FAST™ mounts hosting primary-use optics. The FAST™ Offset Optic Base attaches directly to the FAST™ mount, providing a platform for attaching MRDS Adapter Plates.

Together with a FAST™ Offset Optic Adapter Plate, the FAST™ Offset Optic Base attaches any number of mini red dot sights directly to the scope mount at a 35 degree offset for faster transitions. When used with the FAST™ Offset Optic Adapter Plate, the mini red dot will have an optical centerline of 2.05" from the rail.

FAST™ Offset Optic Adapter Plates are available in footprint designs for popular mini red dot sights, including the Aimpoint® Micro, Aimpoint® ACRO, Trijicon® RMR/SRO, and Leupold® Delta Point Pro. Plates can mount in three positions on the FAST™ Offset Optic Base (forward cantilever, centered, rearward cantilever) for a customized fit.

### COMPATIBILITY

AIMPOINT® MICRO /  
ACRO FOOTPRINTS

LEUPOLD® DELTA POINT  
PRO FOOTPRINT

TRIJICON® RMR /  
SRO FOOTPRINTS

### INTERFACE

FAST™ MICRO, FAST™ MICRO-S, FAST™ COMP SERIES,  
FAST™ OPTIC RISER, FAST™ ABSOLUTE RISER,  
FAST™ COG SERIES, FAST™ MRO, FAST™ LPVO

### HEIGHT

2.05" TO OPTICAL  
CENTERLINE

### RAIL MOUNT

2 CROSS BOLT RAIL GRABBER

### MATERIAL

7075-T6 ALUMINUM

### PART NUMBERS

OPTIC BASE   BLACK	FST-S0BB	DELTA POINT PRO	FST-S0PD	AIMPOINT® ACRO	FST-S0PA
OPTIC BASE   FDE	FST-S0BF	MICRO	FST-S0PM	RMR/SRO	FST-S0PR





# FUSION™

## MODULAR ACCESSORY MOUNT SYSTEM

FUSION™ is a system of modular, multi-purpose components that provide end users flexibility in mounting accessories to weapon platforms. It offers complete control in attachment of lights, lasers, sights and other equipment to achieve complete integration, optimal placement, lightest weight and best economy of space. FUSION™ enables micro adjustment to the placement of accessories. It attaches all components on a single rail section, allowing for compact, repeatedly-familiar setups across multiple weapon platforms.

### PART NUMBERS

FOLDING FRONT SIGHT   BLACK	FUS-S1B	FOLDING FRONT SIGHT   FDE	FUS-S1F
FIXED FRONT SIGHT   BLACK	FUS-S2B	FIXED FRONT SIGHT   FDE	FUS-S2F
LIGHT WING   LEFT   BLACK	FUS-LWL B	LIGHT WING   LEFT   FDE	FUS-LWL F
LIGHT WING   RIGHT   BLACK	FUS-LWR B	LIGHT WING   RIGHT   FDE	FUS-LWR F
MICRO HUB   BLACK	FUS-MHB	MICRO HUB   FDE	FUS-MHF

### COMPATIBILITY

FUSION™ / SUREFIRE®  
SCOUT® FOOTPRINT

### INTERFACE

MIL-STD M1913

### MATERIAL

6061-T6 ALUMINUM



UNITY  
MILITARY / MARINE



LUMINA



# VFG™

VERTICAL  
FORE GRIP

## M-LOK®

Weighing just over one ounce, the VFG™ is lightweight, low profile and integrates directly to M-LOK® rails. Its 360 degree sloping sides provide increased grip ability from all angles. The VFG™ excels when used as a hand stop, but can also be employed as a straight vertical grip. Its unique shape creates a seamless grip flow from rail to VFG™. Comes standard with all mounting hardware required for M-LOK® hand guards.

#### INTERFACE

M-LOK®

#### WEIGHT

OZ: 1.1  
G: 31.2

#### MATERIAL

POLYMER

#### DIMENSIONS (W X L X H)

IN: 1.0 X 1.50 X 2.25  
CM: 2.54 X 3.81 X 5.715

#### PART NUMBERS

BLACK

MS-VFGB

FDE

MS-VFGF







R25

R27

R29

GLOCK  
GLOCK 26  
GLOCK



# MODULAR ELECTRONIC SWITCHES

Modular electronic switches yield ultimate efficiency for the operator. UNITY™ Tactical's industry-leading, hard-mounted switch technology allows you to run lights and lasers seamlessly with an ergonomically correct activation angle, making it easy to index under stress, while wearing PPE or facing extreme environmental conditions.

NEW

# AXON™

## THE WORLD'S PREMIER LINE OF SWITCHES



The pinnacle of remote switch design for weapon-mounted accessories, AXON™ provides complete control of lights and lasers in a single, compact and rugged housing. AXON™ is the direct result of operational feedback from professional end-users on our industry-leading switch technology. Lights and lasers can be fired from individual buttons with versions available for popular issued devices. Standard AXON™ models feature each button firing devices independently. SYNC models fire the laser independently, while the light button will fire both light and laser simultaneously. NGAL variants operate in a SYNC capacity, but offer a visible override feature for light and laser. Standard configuration is 7" cable length.

AXON™ mounts directly to M1913 Rail or M-LOK® (with optional M-LOK® Mounting Kit), while the Rail Clamps feature pass-throughs for zip ties. Its unique design provides tactile differentiation between the two buttons to eliminate confusion in dark, cold and high-stress situations. The light (angled) button features a switch that allows for both momentary and constant activation, while the laser button features a momentary-only button that supports the laser's double-click-for-constant feature.

### COMPATIBILITY

SUREFIRE®, NATO CRANE-SPEC PORT,  
NGAL (LA-23/PEO), OTHER  
VARIATIONS AVAILABLE UPON REQUEST

### RAIL MOUNT

MIL-STD M1913,  
M-LOK®

### WEIGHT

OZ: 1.6  
G: 45.5

### MATERIAL

HIGH-IMPACT  
POLYMER

### DIMENSIONS (W X L X H)

IN: 1.14 X 2.78 X 0.96  
CM: 2.95 X 6.86 X 2.44

### CABLE LENGTH

7" OR CUSTOM  
UPON REQUEST



■ PART NUMBERS | M1913



SUREFIRE® / CRANE LASER   7"   BLACK	AXN-SI7B	SUREFIRE® / DBAL LASER   SYNC   7"   BLACK	AXNS-SD7B
SUREFIRE® / CRANE LASER   7"   FDE	AXN-SI7F	SUREFIRE® / DBAL LASER   SYNC   7"   FDE	AXNS-SD7F
SUREFIRE® / CRANE LASER   SYNC   7"   BLACK	AXNS-SI7B	SUREFIRE® / NGAL LASER   SYNC   7"   BLACK	AXNS-SN7B
SUREFIRE® / CRANE LASER   SYNC   7"   FDE	AXNS-SI7F	SUREFIRE® / NGAL LASER   SYNC   7"   FDE	AXNS-SN7F

■ PART NUMBERS | M-LOK®



AXON™ M-LOK® MOUNTING KIT   BLACK	AXN-MB
AXON™ M-LOK® MOUNTING KIT   FDE	AXN-MF

NEW

# AXON™

SL

## A SINGLE 45-DEGREE ANGLED BUTTON FOR AN ERGONOMICALLY CORRECT ACTIVATION

AXON™ SL is the smaller, single button switch in the AXON™ family. It hard-mounts directly to an M1913 Rail. AXON™ SL features a 45-degree angled button face for an ergonomically correct activation angle, making it easy to index under stress, while wearing PPE or facing extreme environmental conditions.

Molded from high-impact polymer, AXON™ SL holds up to abuse in the field. The mechanical switch design allows weapon light models to fire in both momentary and constant-on modes in a familiar click tailcap design. Laser versions utilize a momentary only switch to facilitate use with the native double tap for constant feature found in most common lasers on the market. Dual-lead variants are SYNC, firing both light and laser simultaneously.

AXON™ SL is available in single-lead – SureFire®, Crane Laser, NGAL – and dual-lead – SureFire® / Crane and SureFire® / NGAL – variants with standard 7" cables.

## COMPATIBILITY

SUREFIRE®, NATO CRANE-SPEC PORT,  
NGAL (LA-23/PEQ), OTHER  
VARIATIONS AVAILABLE UPON REQUEST

## RAIL MOUNT

MIL-STD M1913

## WEIGHT

OZ: 1.0  
G: 28.3

## MATERIAL

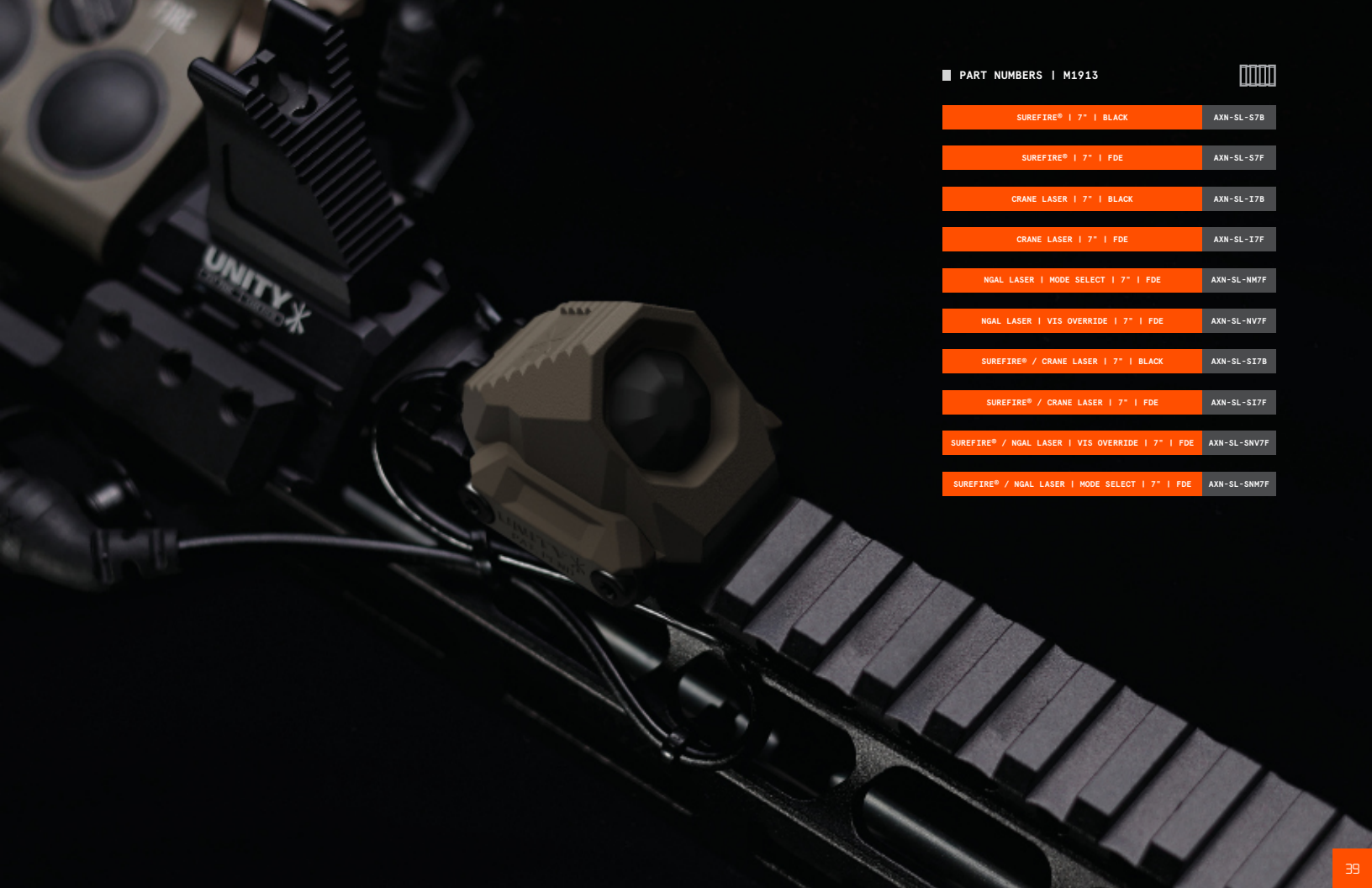
HIGH-IMPACT  
POLYMER

DIMENSIONS  
(W X L X H)

IN: 1.14 X 1.56 X 0.96  
CM: 2.95 X 3.95 X 2.44

## CABLE LENGTH

7" OR CUSTOM  
UPON REQUEST



■ PART NUMBERS | M1913



SUREFIRE®   7"   BLACK	AXN-SL-57B
SUREFIRE®   7"   FDE	AXN-SL-57F
CRANE LASER   7"   BLACK	AXN-SL-I7B
CRANE LASER   7"   FDE	AXN-SL-I7F
NGAL LASER   MODE SELECT   7"   FDE	AXN-SL-NM7F
NGAL LASER   VIS OVERRIDE   7"   FDE	AXN-SL-NV7F
SUREFIRE® / CRANE LASER   7"   BLACK	AXN-SL-S17B
SUREFIRE® / CRANE LASER   7"   FDE	AXN-SL-S17F
SUREFIRE® / NGAL LASER   VIS OVERRIDE   7"   FDE	AXN-SL-SNV7F
SUREFIRE® / NGAL LASER   MODE SELECT   7"   FDE	AXN-SL-SNM7F



# HB™

**HOT  
BUTTON**

## M1913 AND M-LOK® REMOTE ELECTRONIC SWITCH

Hot Button™ is a state of the art control device for weapon-mounted electronic accessories. Available in both MIL-STD M1913 Rail and M-LOK® configurations, Hot Button™ bolts directly to weapon hand guards for a stable and secure control point. It features a 45-degree angled button face for an ergonomically correct activation angle, making it easy to index under stress, while wearing PPE or facing extreme environmental conditions. The button can be activated in momentary and constant mode. Hot Button™ is available in three varieties for compatibility with SureFire®, Crane Laser and NGAL variants.

### COMPATIBILITY

SUREFIRE®, NATO  
CRANE-SPEC PORT,  
NGAL (LA-23/PEQ)

### RAIL MOUNT

MIL-STD  
M1913  
M-LOK®

### M1913 WEIGHT

OZ: 1.7  
G: 48.2

### M-LOK® WEIGHT

OZ: 1.4  
G: 39.7

### MATERIAL

6061-T6  
ALUMINUM

### COATING

TYPE III  
HARDCOAT  
ANODIZED

### M1913 DIMENSIONS (W X L X H)

IN: 1.20 X 1.28 X 0.95  
CM: 3.05 X 3.25 X 2.41

### M-LOK® DIMENSIONS (W X L X H)

IN: 0.85 X 2.10 X 0.87  
CM: 2.16 X 5.33 X 2.21

### CABLE LENGTH

SUREFIRE® /  
CRANE: 7"  
NGAL LASER: 6"

### PART NUMBERS



SUREFIRE® | 7" | BLACK

HBR-SB

SUREFIRE® | 7" | BLACK

HBM-SB

SUREFIRE® | 7" | FDE

HBR-SF

SUREFIRE® | 7" | FDE

HBM-SF

CRANE LASER | 7" | BLACK

HBR-IB

CRANE LASER | 7" | BLACK

HBM-IB

CRANE LASER | 7" | FDE

HBR-IF

CRANE LASER | 7" | FDE

HBM-IF

NGAL LASER | MODE SELECT | 6" | FDE

HBR-NFM

NGAL LASER | MODE SELECT | 6" | FDE

HBM-NFM

NGAL LASER | VIS OVERRIDE | 6" | FDE

HBR-NFV

NGAL LASER | VIS OVERRIDE | 6" | FDE

HBM-NFV







# SGM™

SPADE  
GRIP  
MOUNT

## HOT BUTTON™ MOUNT

Built specifically to mount to the spade grip of many crew served weapons (M2, M134, MK-19, etc.), the Spade Grip Mount™ is designed for integration of one or two HOT BUTTON™ switches. These switches can be configured to activate Lights, Lasers, Laser Range Finders (LRFs), Optics, IZLID® lasers and other devices upon request. The SGM is configured with a dual activation paddle that can be flipped up out of the way to activate the switches independently and also serves as a mechanical lockout. Custom cable lengths can be supplied with an MOQ. Constructed from 7075-T6 aluminum and Type III hardcoat anodized black, it is built durably for a long service life.

#### COMPATIBILITY

SUREFIRE® / CRANE LASER

NGAL, IZLID® · LASER RANGE  
FINDER

OTHER OPTICS / LASERS  
ON REQUEST

#### MATERIAL

7075-T6 ALUMINUM

#### COATING

TYPE III HARDCOAT ANODIZED

#### PART NUMBERS

BLACK

SGM-DPB



UNITY  
MADE IN GERMANY

UNITY  
MADE IN GERMANY



# TAPS™ TACTICAL AUGMENTED PRESSURE SWITCH

TAPS™ from UNITY™ Tactical and TNVC™ is a complete one-point control system for all weapon-mounted electronics. It provides low profile, dual-device control for various combinations of lights/lasers and lights/lights. TAPS™ mounts directly to any industry standard rail, including M1913 Rail, M-LOK® and KEYMOD. No third-party rail adapters are needed. It features two on-board buttons and two 9" accessory leads.

TAPS™ SYNC utilizes a patented double pole dome switch to fire both devices simultaneously on isolated circuits to protect your devices.

TAPS™ DBAL is designed specifically for the Steiner DBAL-A3 and A4 laser systems. TAPS™ NGAL is designed specifically for the L-3 Harris NGAL (LA-23 SAL). Both feature an automatic visible override as one button fires the laser according to the Mode Selector Switch. The other button fires both weapon light and visible laser simultaneously, regardless if the DBAL or NGAL is set to the infrared spectrum.

#### COMPATIBILITY

SUREFIRE®, NATO CRANE-SPEC PORT, DBAL-A3 & A4, NGAL (LA-23/PEO)

#### RAIL MOUNT

MIL-STD M1913, M-LOK®, KEYMOD

#### WEIGHT

OZ: 2.25  
G: 63.8

#### MATERIAL

POLYMER

#### DIMENSIONS (W X L X H)

IN: 0.94 X 4.73 X 0.44  
CM: 12.01 X 5.72 X 1.11

#### CABLE LENGTH

9"

#### PART NUMBERS

CRANE / CRANE   BLACK	TAPS-II9B	SYNC   VARIANT 1   BLACK / FDE	TAPE-SI9B / TAPE-SI9F	DBAL   BLACK	TAPS-SD9B
CRANE / CRANE   FDE	TAPS-II9F	SYNC   VARIANT 2   BLACK / FDE	TAPC-SI9B / TAPC-SI9F	DBAL   FDE	TAPS-SD9F
SUREFIRE® / CRANE   BLACK	TAPS-SI9B	SYNC   VARIANT 3   BLACK / FDE	TAPD-SI9B / TAPD-SI9F	NGAL   BLACK	TAPN-SN9B
SUREFIRE® / CRANE   FDE	TAPS-SI9F	SYNC   VARIANT 4   BLACK / FDE	TAPF-SI9B / TAPF-SI9F	NGAL   FDE	TAPN-SN9F







# HELMET ACCESSORIES

A helmet must protect while also serving as the foundation for the tools you need to operate effectively. From communications headsets to lights and cameras, these devices are typically made by different manufacturers, making them cumbersome to integrate with your helmet. UNITY™ Tactical helmet accessories take your helmet and integrate them with these mission-critical tools to produce a complete headborne system.



SPARK CAGE  
SOLD SEPARATELY

# SPARK™

## MULTI-FUNCTION EMERGENCY STROBE

SPARK™ is a tiny, disposable marking light designed to provide rapid visibility of personnel or objects. A completely sealed unit, SPARK™ is waterproof for function in a multitude of austere environments. It attaches to surfaces with a hook and loop backing. When paired with the SPARK™ CAGE, it can weave onto webbing or snap onto metal surfaces with magnets. Pressing the center of the silicone housing, SPARK™ will cycle through its output functions. The constant feature is good for low light training while the blink output acts as an emergency strobe beacon.

#### INTERFACE

HOOK AND LOOP /  
MAGNETIC (WITH CAGE)

#### OUTPUT

LED

#### WEIGHT

OZ: 0.75  
G: 21.3

#### MATERIAL

SILICONE

#### DIMENSIONS (W X L X H)

IN: 1.63 X 1.63 X 0.50  
CM: 4.13 X 4.13 X 1.27

#### BATTERY

NON-  
REPLACEABLE

#### RUNTIME

200+ HOURS (BLINK),  
20+ HOURS (CONSTANT)

#### FUNCTION

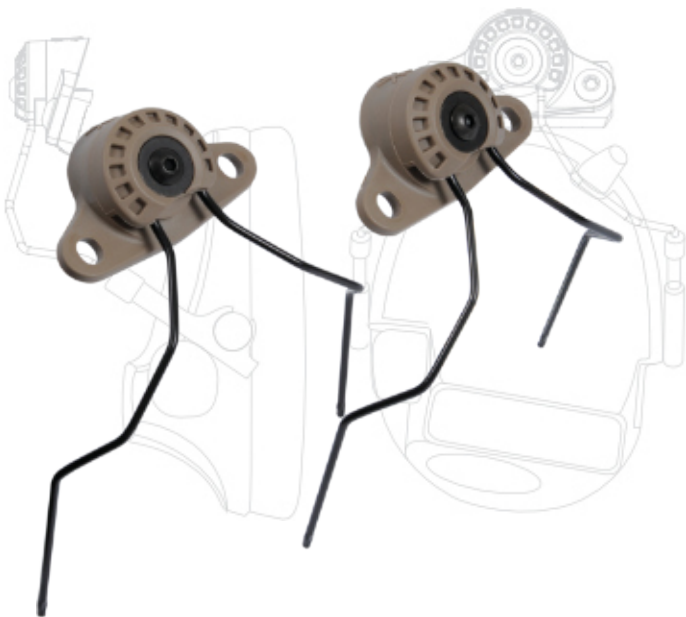
CONSTANT LOW,  
CONSTANT HIGH,  
BLINK, OFF

#### PART NUMBERS

CAGE	SPK-CG	INFRARED	SPK-IV1
BLUE	SPK-BV1	RED	SPK-RV1
GREEN	SPK-GV1	WHITE	SPK-WV1







# MARK™

**MODULAR  
ATTACH  
RAIL KIT**

MARK™ provides seamless integration of electronic hearing protection / communication headsets with headborne systems. Designed to reduce the overall profile of mounted communication headsets and improve the seal of the ear protection, MARK™ is the lowest profile headset helmet mount on the market. Rather than using a traditional pop-in/pop-out mechanism, MARK™ allows the ear cups to be pulled away from the ears and rotated backwards for stowage. Given the variance in head shapes and sizes, eliminating the pop-in/pop-out mechanism yields a tighter seal for the ear cups, resulting in a higher Noise Reduction Rating (NRR).

MARK™ is compatible with most major helmet rail types and popular electronic hearing protection. Adapts 3M® Peltor® Headsets (MSA/Sordin® with SARA™ system sold separately). MARK™ comes with all hardware for Ops-Core® ARC rails (and similar) and Team Wendy® EXFIL® rail systems. M-LOK® adapters are sold separately.

#### COMPATIBILITY

MANY POPULAR ELECTRONIC HEARING PROTECTION, INCLUDING 3M® PELTOR® AND SIMILAR

#### RAIL MOUNT

OPS-CORE® ARC, TEAM WENDY® EXFIL® RAIL 2.0, TEAM WENDY® EXFIL® RAIL 3.0, M-LOK®

#### WEIGHT

OZ: 1.5  
G: 42.5

#### MATERIAL

POLYMER

#### PART NUMBERS

BLACK

HLM-N2B

FDE

HLM-N2F

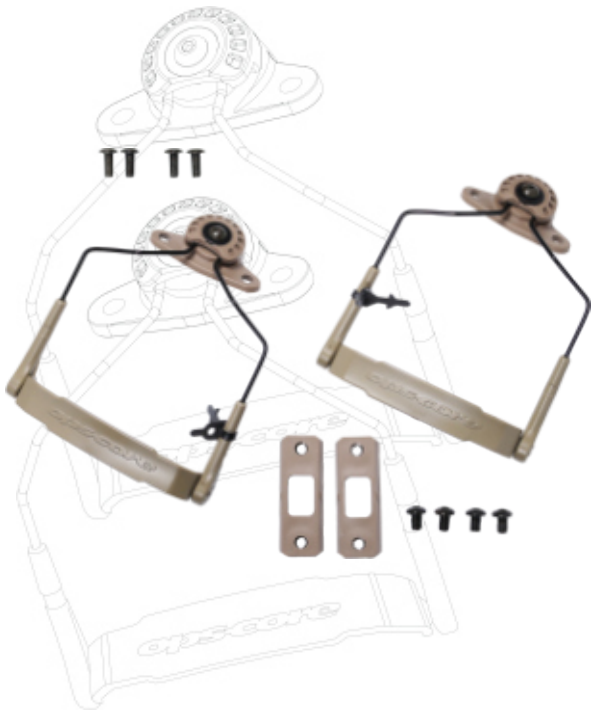
M-LOK HARDWARE

HLM-N2M

# MARK™

MODULAR  
ATTACH  
RAIL KIT

## OPS-CORE® AMP® COMMUNICATION HEADSET KIT



MARK™ provides seamless integration of the Ops-Core® AMP® Communication Headset with headborne systems. Rather than using a traditional pop-in/pop-out mechanism, MARK™ allows the ear cups to be pulled away from the ears and rotated backwards for stowage. Given the variance in head shapes and sizes, eliminating the pop-in/pop-out mechanism yields a tighter seal for the ear cups, resulting in a higher Noise Reduction Rating (NRR). The MARK™ Ops-Core® AMP® Communication Headset Kit is compatible with most major helmet rail types for attachment of the Ops-Core® AMP® Communication Headset. It specifically makes Ops-Core® AMP® headsets accessible for helmets without rear rails, such as the Crye Precision™ AirFrame™. It comes with all hardware for Ops-Core® ARC rails (and similar) and Team Wendy® EXFIL® rail systems. M-LOK® adapters are sold separately. Full kits come complete with OEM Ops-Core® AMP® Cradle Clamp assemblies, but can be purchased without them if the end user already has Ops-Core® AMP® Cradle Clamps.

**COMPATIBILITY**  
OPS-CORE® AMP®  
COMMUNICATION HEADSET

**RAIL MOUNT**  
OPS-CORE® ARC,  
TEAM WENDY® EXFIL® RAIL 2.0,  
TEAM WENDY® EXFIL® RAIL 3.0,  
M-LOK®

**WEIGHT**  
OZ: 2.0  
G: 56.6

**MATERIAL**  
POLYMER

**PART NUMBERS**

BLACK | WITHOUT OPS-CORE® CLAMPS      HLM-MAB

BLACK | WITH OPS-CORE® CLAMPS      HLM-MABK

FDE | WITHOUT OPS-CORE® CLAMPS      HLM-MAF

FDE | WITH OPS-CORE® CLAMPS      HLM-MAFK



## ADAPTER FOR OPS-CORE® AMP® HELMET RAIL MOUNT KIT

The Platform Adapter™ enables attachment of the Ops-Core® AMP® Helmet Rail Mount Kit to M-LOK® rails or the Team Wendy® EXFIL® Rail 2.0 and EXFIL® Rail 3.0 accessory rail systems. Once installed, headset functionality is exactly the same on MTEK™, Hard Head Veterans™ and Team Wendy® EXFIL® rails as on ARC-mounted configurations. Platform Adapter™ installs in minutes with a single screw. Injection-molded with reinforced polymer.

#### COMPATIBILITY

OPS-CORE® AMP® HELMET  
RAIL MOUNT

#### RAIL MOUNT

TEAM WENDY® EXFIL® RAIL 2.0,  
TEAM WENDY® EXFIL® RAIL 3.0,  
M-LOK®

#### MATERIAL

POLYMER

#### PART NUMBERS

TEAM WENDY® EXFIL® | BLACK

HLM-PLT

M-LOK® | BLACK

HLM-PLM

# SARA™

**SORDIN  
ARC RAIL  
ADAPTER**

SARA™ kits allow for integration of MSA/Sordin®-based electronic ear protection and communication headsets with helmet rails via MARK™ or 3M® Helmet Adapters. SARAs are held in place by the existing OEM studs in the MSA/Sordin® headset housing. SARAs accept both swaged and non-swaged wireforms. They are compatible with almost every helmet mount wireform on the market. Each kit comes with replacement ESS Studs, allowing both over-the-head and behind-the-head headsets to be converted.



#### INTERFACE

DERIVATIVES OF MSA /  
SORDIN® HEADSETS

#### WEIGHT

OZ: 0.40  
G: 11.3

#### MATERIAL

6061-T6 ALUMINUM

#### COATING

TYPE III HARDCOAT  
ANODIZED

#### PART NUMBERS

BLACK

HLM-SABB

FDE

HLM-SABF



# KNUCKL™

## MODULAR ACCESSORY HELMET MOUNT

KNUCKL™ is a modular accessory mount for modern tactical helmets. It offers tension-adjustable 3-axis articulation and the ability to mount up to two individual accessories. KNUCKL™ allows operators to place mission critical accessories on a single side of the helmet, in the same space as a single accessory directly mounted to the rail. It helps keep helmet-mounted gear from interfering with cheek weld. KNUCKL™ will attach to Ops-Core® ARC and Team Wendy® EXFIL® rails. It will accept direct-mounted SureFire® Scout® lights, Princeton Tec® MPLS, Contour® Cameras and UNITY™ FUSION™ accessories.

### COMPATIBILITY

FUSION™ COMPONENTS

PRINCETON TEC® MPLS  
SWITCH / POINT

CONTOUR 4K / ROAM3 / +2

WILCOX® RETRACTABLE LANYARD

MIL-STD M1913 RAIL  
ACCESSORIES

SUREFIRE® SCOUT® FOOTPRINT

### RAIL MOUNT

OPS-CORE® ARC,  
TEAM WENDY® EXFIL® RAIL 2.0,  
TEAM WENDY® EXFIL® RAIL 3.0

### MATERIAL

POLYMER

### PART NUMBERS

BLACK

KNU-FKB

FDE

KNU-FKF

# REMORA™

## ACCESSORY MOUNT FOR 3M® PELTOR® ADAPTER

The Remora™ for 3M® Peltor® adds tons of functionality to the factory ARC Adapter. Remora™ for 3M® Peltor® sandwiches between the Adapter Cap and Rail Adapter. It provides a universal mount platform that accepts M1913 Picatinny accessories, SureFire® Scout® footprint, and our patented FUSION™ system components. Due to the size of the OEM 3M® Peltor® ARC Adapter hub, rail space for other mission critical accessories is a limited. Remora™ for Peltor® creates economy of space for anyone using a factory headset rail mount. Remora™ for Peltor® will also work with third-party rail adapters.



#### COMPATIBILITY

MIL-STD M1913, FUSION™,  
SUREFIRE® SCOUT®

#### INTERFACE

3M® PELTOR® ADAPTERS

#### MATERIAL

POLYMER

#### PART NUMBERS

BLACK

HLM-REMP



UNITY



A grayscale photograph of a person in tactical gear, including a plaid shirt, a vest, and a rifle. The person is holding the rifle with both hands. The image is semi-transparent, serving as a background for the text.

## FABRICATED SOLUTIONS

When there's a gap for the end user, UNITY™ aims to fill it. We are best known for our industry-leading optic mounting solutions and modular electronic switches, but above all else, we are problem-solvers. The soft goods in this section present solutions to various "other" problems.



# CLUTCH™

## MODULAR CONCEALMENT BELT

CLUTCH™ is the ultimate solution for concealing mission critical gear in non-permissive environments. Designed to make everything from basic EDC gear to a full combat loadout disappear under civilian clothes, CLUTCH™ is a must-have system for anyone conducting low-vis or undercover operations. It can also be worn as a quickly-deployed overt belt for critical response situations, training, bug-out, home defense, etc. Constructed of a two-way stretch material, CLUTCH™ offers a custom fit that hugs tightly to the body and is lined with a non-slip material to keep your loadout in place. CLUTCH™ includes multiple VELCRO® portions for converting existing holsters and gear for use with the belt. A CLUTCH™ Accessory Kit is also available, comprised of several elastic inserts that securely hold a number of items, including weapon magazines, radios and more. Berry Compliant.

#### MATERIAL

520P DUAL STRETCH

#### SIZING

SMALL: 26-33"  
MEDIUM: 31-38"  
LARGE: 37-47"

#### PART NUMBERS

CLUTCH™ INSERT KIT			CL-A-KIT		
BLACK   SMALL	CL-BLT-B-S	GRAY   SMALL	CL-BLT-G-S	MULTICAM®   SMALL	CL-BLT-MC-S
BLACK   MEDIUM	CL-BLT-B-M	GRAY   MEDIUM	CL-BLT-G-M	MULTICAM®   MEDIUM	CL-BLT-MC-M
BLACK   LARGE	CL-BLT-B-L	GRAY   LARGE	CL-BLT-G-L	MULTICAM®   LARGE	CL-BLT-MC-L



## INTEGRATED HELMET INSULATION LAYER

The Cold Weather Liner installs in any helmet with hook and loop-attached suspension systems. By integrating directly into the helmet, the CWL™ creates a barrier against the elements with microfiber fleece that keeps the wearer's head warm. The material thickness creates minimal to no displacement of pads that would otherwise cause the helmet to ride improperly. This ensures correct shell coverage of the head, alignment of night vision goggles, and fitting of communications gear. Operator comfort is increased exponentially by providing more coverage to exposed areas under the helmet shell with dual-layer fleece while the same pads that normally contact the head will continue to do so with the CWL™ installed. Berry compliant.

### COMPATIBILITY

HELMETS WITH HOOK AND LOOP-ATTACHED SUSPENSION SYSTEMS

### MATERIAL

FLEECE (OTHER MATERIALS AVAILABLE ON REQUEST)

### SIZING


STRETCH FABRIC - ONE SIZE FITS MOST

### PART NUMBERS

BLACK	CWL-SB
COYOTE BROWN	CWL-SF
MULTICAM®	CWL-SM

**WE APPRECIATE THE PROFESSIONAL TEAMS  
AND UNITS IN MORE THAN 40 ALLIED NATIONS  
WORLDWIDE THAT PLACE THEIR TRUST IN UNITY™  
INTEGRATION SOLUTIONS**





Established in 2012, UNITY™ Tactical designs, develops and produces unique and innovative products for the military, law enforcement and civilian shooting communities in allied nations across the globe. Founded on innovation, UNITY™ seeks to improve the integration between warriors and their equipment, bringing advanced solutions that enhance their ability to win the fight on the modern battlefield. It also provides OEM manufacturing and consulting services for other brands both inside and outside of the defense and shooting sports verticals.



## ACCURACY

We strive to keep information in our catalog and on our website accurate and up-to-date; however, errors may occur that can sometimes result in inaccurate information being displayed. This includes, but is not limited to: product description, images, sizing information and availability. Additionally, we are constantly updating products based on user feedback from an evolving battlefield. Some product features may vary from what is displayed in the catalog. This catalog is meant to serve as a useful guide and commerce tool. UNITY™ is not responsible for any errors or discrepancies. Item designs are subject to change.

## WARRANTY

UNITY™ Tactical, LLC. Products will be replaced or serviced for any defects in material or workmanship under the following guidelines as set forth. Under the Magnuson-Moss Warranty Act. UNITY™ offers no express warranty on its product line; however, UNITY™ recognizes its responsibility and its commitment to customers through implied warranty.

Soft-Fabricated Items	One Year
Mechanical-Machined Items	Lifetime
Electrical-Powered Systems	One Year

## CONTACT

UNITYTactical.com

info@unitytactical.com

+1 337-223-2120

## CAGE

81C38

## DUNS

060009448

## PATENTS

UNITYTACTICAL.COM/PATENTS



UNITYTACTICAL.COM