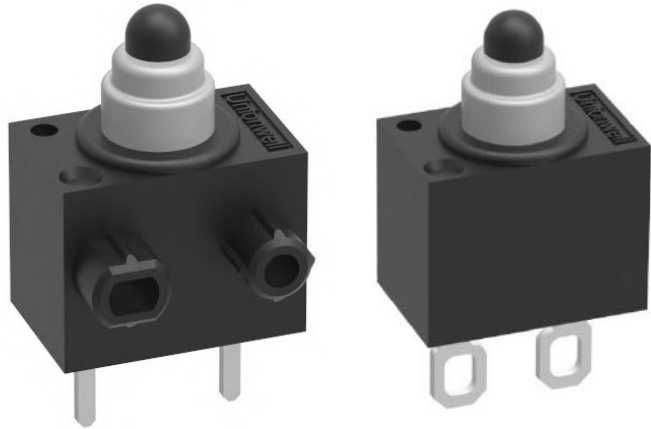


G304E Slide Mute Micro Switch



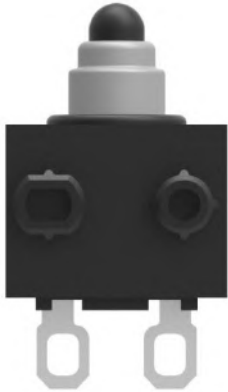
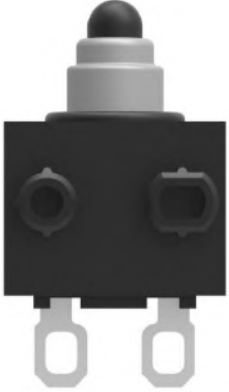
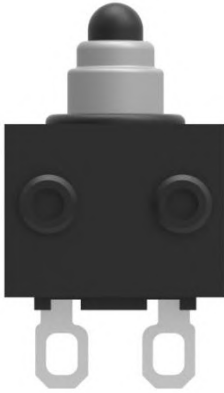

■ Features

- The G304E micro switch has an innovative structure that achieves high quality and competitive prices.
- Small compact size, high reliability, long life.
- Widely used in the auto control, industry control, etc.
- 11 Types of plastic covers and 6 kinds of terminals for customers.

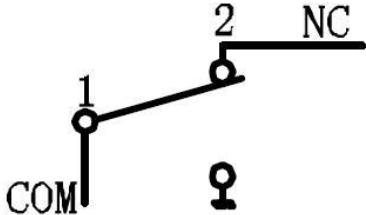
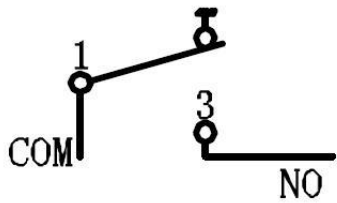
■ Parameters

Electrical Rating	G304E	0.1A 12VDC 5mA 10VDC
Operating Frequency	Electrical	10~30 Cycles/Minute 1~500mm/s
	Mechanical	120 Cycles/Minute
Contact Resistance (Initial value)		100mΩ Max.
Insulation Resistance		100MΩ Min.
Dielectric Strength		Between Terminals: AC 500V Between Terminals And Covers: AC 1000V
Operating Humidity		-40°C~+85°C
Service Life	Electrical Life	300,000 Cycles
	Mechanical Life	500,000 Cycles

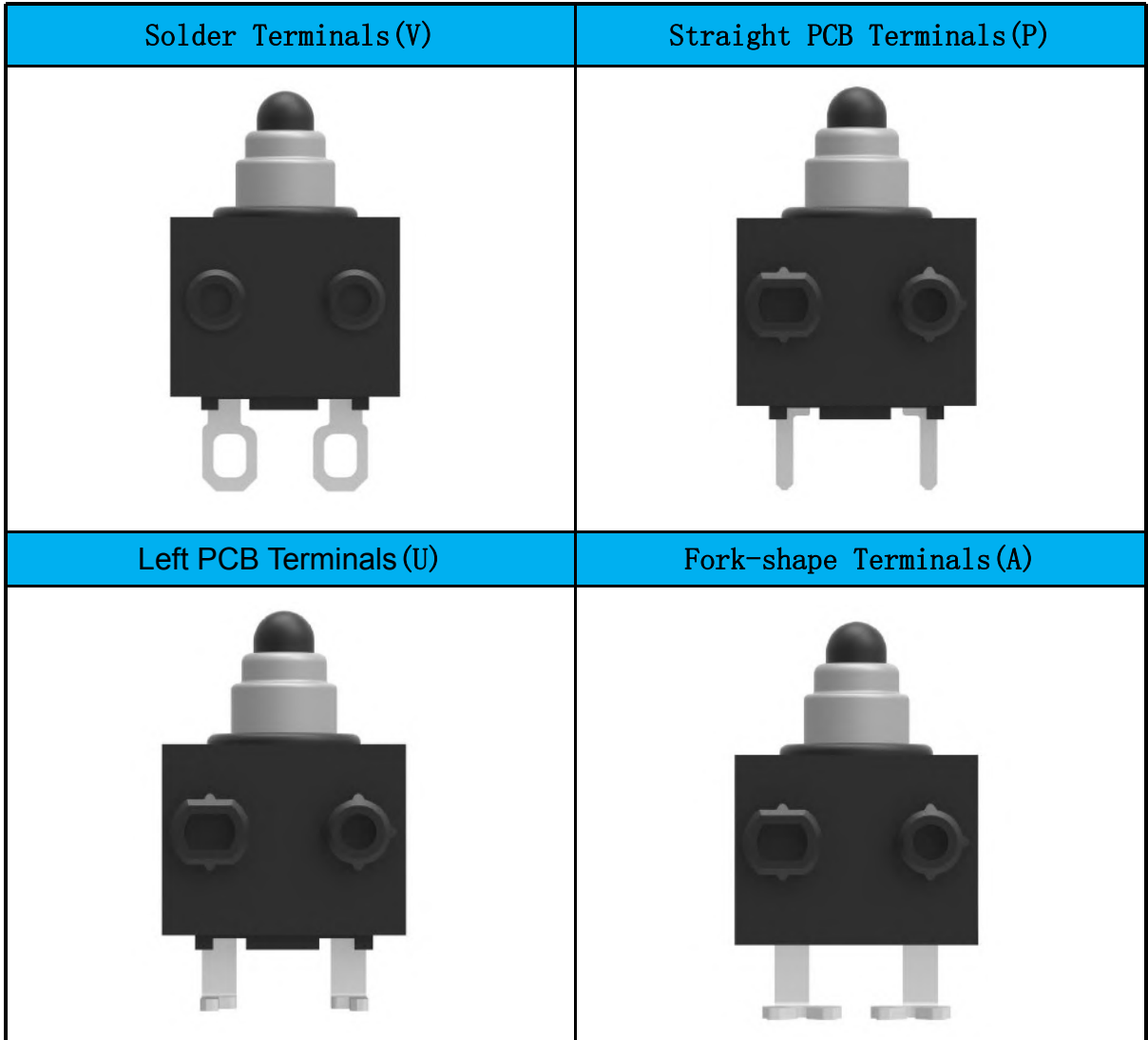
■ Post Type

<p>Φ2.6*2.0mm Posts Φ2.6*1.5mm Posts Φ2.6*1.0mm Posts</p>	<p>Φ2.6*2.0mm Reverse Post Φ2.6*1.5mm Reverse Post Φ2.6*1.0mm Reverse Post</p>
	
<p>Φ2.2*0.8mm Two Sides Posts</p>	<p>No Posts</p>
	

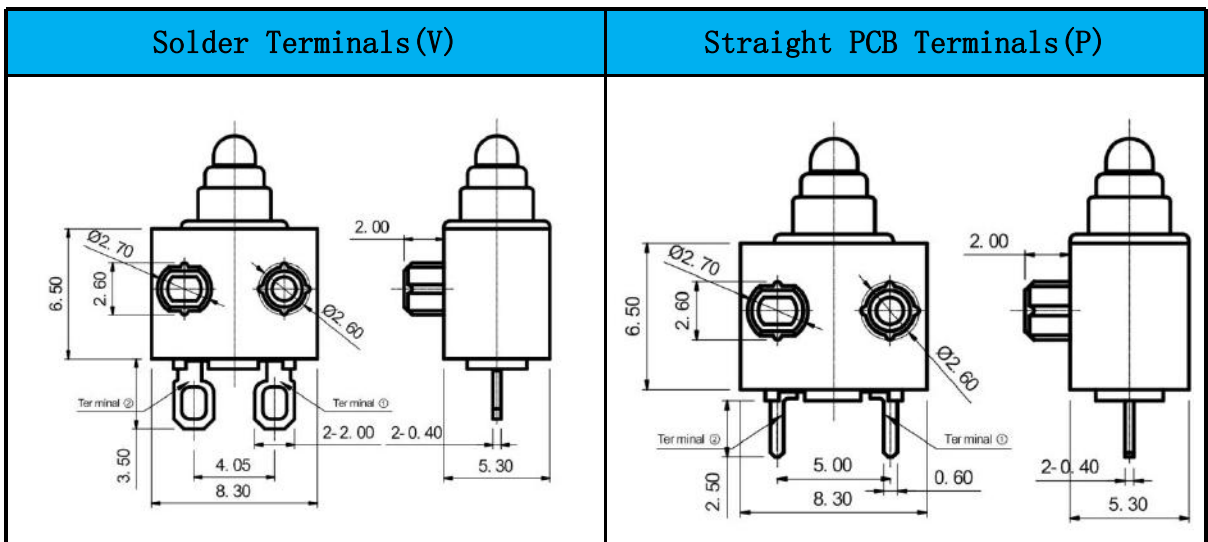
■ Circuit Code

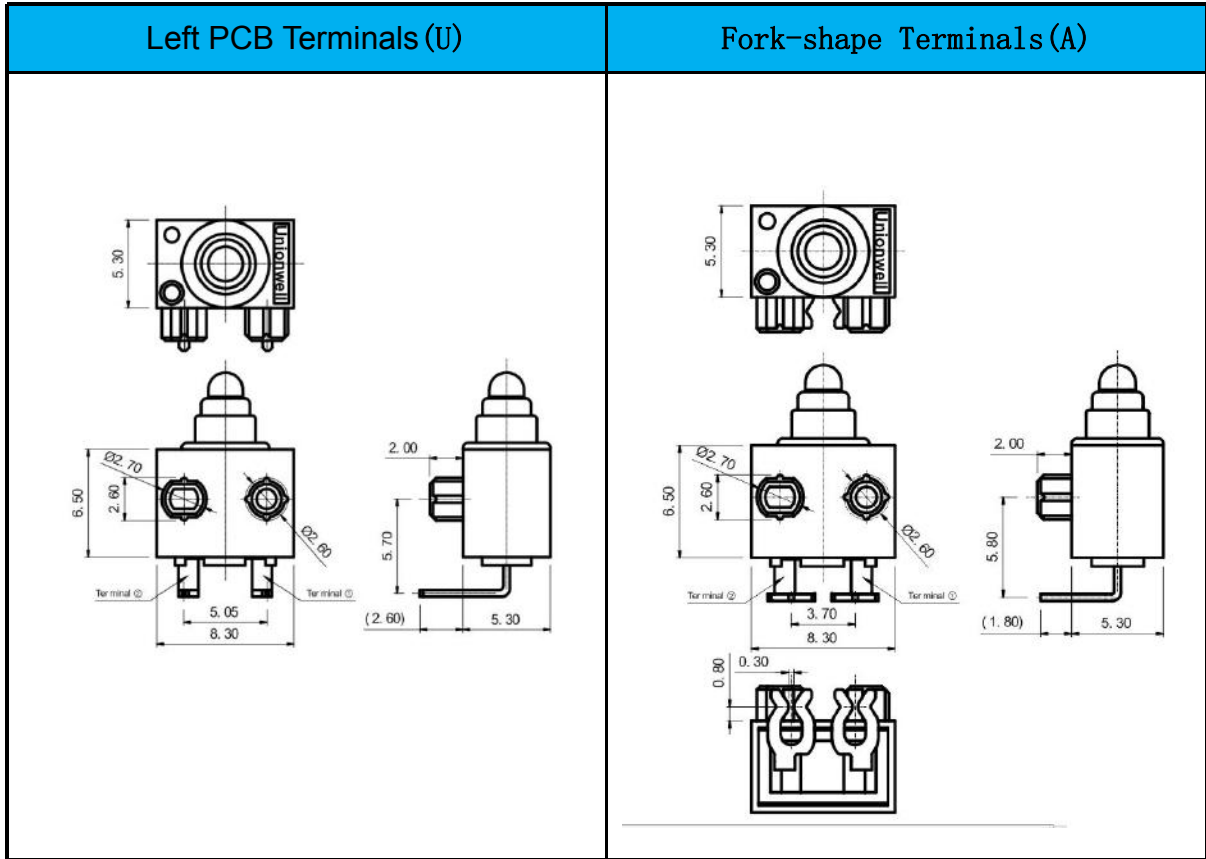
<p>A: SPST-NC</p>	<p>B: SPST-NO</p>
	

■ Terminals Type

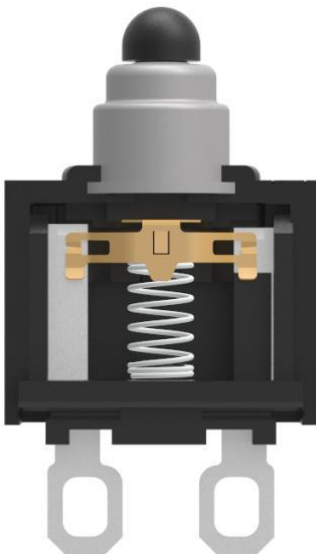


■ Terminals Dimensions





■ Structural Innovation Design Description



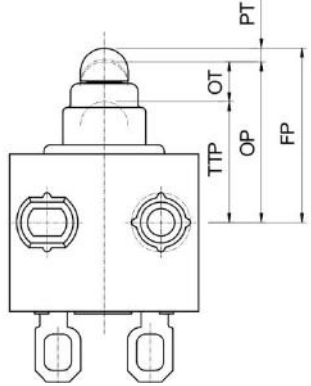
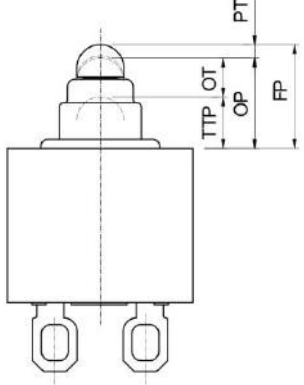
Features Description:

1. The spring is below the plunger, making the switch more stable and reliable during the conversion process.
2. Adopt the design of a slide terminal on both sides of the switch so that the switch is in a balanced state.
3. The sealing ring and the plastic cover adopt the hot riveting process to solve the problem of more glue and less glue in the switch. Especial for the poor waterproofing problem.
4. The slide terminal and the pin plunger are buckled together, and the structure is more reliable. Automated production is possible.

Ordering Instruction

G3	04E	150	U	00	E	39	H	G	A	280	E	T001	U
Switch Type	Electrical Rating	Operating Force At Pin Plunger (Max)	Terminal Style	Lever Type	Circuit Code	Shape And Posts	Posts Dimension	AWG Type (For Wire Type Only)	AWG Number (For Wire Type Only)	Wires Length	Type Of Wires Outline	Special Designator	Logo
G3 Series Micro Switch	04 0.1A 12VDC 5mA 10VDC	35 35gf Max. 150 150gf Max.	U Left PCB Terminals V Solder Terminals M Short Solder Terminals ... Other	0 0 No Lever Pin Plunger	E Slide Type SPST-NO F Slide Type SPST-NC	39 No Posts 40 Left Posts 41 Right Posts 42 Two Sides Posts 44 Revers Left Posts ... Other	G Standard Posts $\phi 2.60 \times 5.0$ mm G $\phi 2.6 \times 1.5$ mm Posts H $\phi 2.6 \times 2.0$ mm Posts I $\phi 2.6 \times 0.8$ mm Posts ... Other	No Molded Lead Wire G 24# H 26# ... Other	No Molded Lead Wire A UL100 7 F AVSS H UL133 2 G UL313 2 ... Other	300 300mm 280 280mm ... Other	E Wires Leads To Bottom B Molded Lead Wires On Left Sides (Opposite To LOGO Side) C Molded Lead Wires On Right Sides	T001 Special Code T002 Special Code ... Other	Unionwell

Operating Characteristics

Posts Type	Dimensions	Operating Characteristics																					
With Posts		<table border="1"> <thead> <tr> <th>OF Max. (gf)</th> <th>RF Min. (gf)</th> <th>PT Max. (mm)</th> <th>OT Min. (mm)</th> <th>DT Max. (mm)</th> <th>FP Max. (mm)</th> <th>OP (mm)</th> </tr> </thead> <tbody> <tr> <td>-150</td> <td>150</td> <td>30</td> <td>0.8</td> <td>1.5</td> <td>0.20</td> <td>7.9</td> </tr> <tr> <td colspan="7" style="text-align: right;">7.1 ± 0.30</td> </tr> </tbody> </table>	OF Max. (gf)	RF Min. (gf)	PT Max. (mm)	OT Min. (mm)	DT Max. (mm)	FP Max. (mm)	OP (mm)	-150	150	30	0.8	1.5	0.20	7.9	7.1 ± 0.30						
OF Max. (gf)	RF Min. (gf)	PT Max. (mm)	OT Min. (mm)	DT Max. (mm)	FP Max. (mm)	OP (mm)																	
-150	150	30	0.8	1.5	0.20	7.9																	
7.1 ± 0.30																							
No Posts		<table border="1"> <thead> <tr> <th>OF Max. (gf)</th> <th>RF Min. (gf)</th> <th>PT Max. (mm)</th> <th>OT Min. (mm)</th> <th>DT Max. (mm)</th> <th>FP Max. (mm)</th> <th>OP (mm)</th> </tr> </thead> <tbody> <tr> <td>-150</td> <td>150</td> <td>30</td> <td>0.8</td> <td>1.5</td> <td>0.20</td> <td>4.9</td> </tr> <tr> <td colspan="7" style="text-align: right;">4.1 ± 0.30</td> </tr> </tbody> </table>	OF Max. (gf)	RF Min. (gf)	PT Max. (mm)	OT Min. (mm)	DT Max. (mm)	FP Max. (mm)	OP (mm)	-150	150	30	0.8	1.5	0.20	4.9	4.1 ± 0.30						
OF Max. (gf)	RF Min. (gf)	PT Max. (mm)	OT Min. (mm)	DT Max. (mm)	FP Max. (mm)	OP (mm)																	
-150	150	30	0.8	1.5	0.20	4.9																	
4.1 ± 0.30																							

Unionwell

■ Application

G304E micro switch is widely applicable in various charging guns, car door lock switches, game machines, drone handles, etc.



G304E Series
Slide Mute Switch

