

UC-BX30-T

Crestron Flex Advanced Wall Mount Small Room Video Conference System for Microsoft Teams® Rooms



- *Front-of-room video conferencing solution for a Microsoft Teams® Rooms environment*
- *Present, call, conference, and collaborate using your own device's UC conference platform (BYOD) or the native Microsoft Teams Rooms platform*
- *Native Microsoft Teams Rooms touch screen UI provides a consistent user experience with simple operation and one-touch meeting joins*
- *Complete kit contains a 10.1 in. touch screen, Crestron® smart soundbar and camera, UC Bracket Assembly, and UC Presentation Transmitter— just add a display(s) and mount*
- *Easy to specify and install — no custom design, programming, or software installation required*
- *Optional integration with Crestron® control systems*
- *Direct connection option between UC Engine and touch screen for simple installation and configuration*
- *Network management and provisioning, system alerts, and the pairing of the touch screen to the system's UC Engine through the XiO Cloud® service*
- *Premium-level service with Crestron Flex Care (optional)*
- *Enterprise-grade security - connects and communicates securely over any enterprise or SMB network*

The Crestron Flex UC-BX30-T system provides a video conference room solution for use with the Microsoft Teams Rooms intelligent communications platform. It supports single or dual video displays¹ and features a 10.1 in. touch screen ([TS-1070-B-S](#)), UC Bracket Assembly (UC-BRKT-250-P-T-ASSY), UC Presentation Transmitter (UC-PR), and Crestron UC video conference smart soundbar & camera (UC-SB1-CAM-FLEX).

Native Microsoft Teams® Rooms Experience

The UC-BX30-T system brings the full Microsoft Teams Rooms UC experience to any meeting space in an enterprise or SMB

facility, whether implementing a cloud based Microsoft Teams Rooms deployment, on-premises Skype® for Business software, or a hybrid of the two.

Intuitive User Interface

With a large 10.1 in. (257 mm) capacitive touch screen display, the Crestron® tabletop touch screen ([TS-1070-B-S](#)) provides superior conferencing control in meeting rooms, huddle spaces, and executive offices. The touch screen also offers optional control of room lighting, shades, thermostats, and other equipment.²

Simplified Deployment

The UC Bracket Assembly (UC-BRKT-250-P-T-ASSY) provides preassembled components on one ready-to-mount bracket to simplify installation. The assembly can be mounted on a wall, or it can be attached to the rear of the display device. Crestron's direct connection method further simplifies installation with a single connection from the touch screen to the UC Bracket Assembly.³

High-Definition Video Conferencing with Impressive Audio

High-quality speakers, microphone, and digital signal processing deliver exceptional full-duplex speakerphone performance from the Crestron UC video conference soundbar and camera (UC-SB1-CAM-FLEX). The built-in conferencing camera captures the room in HD 1080p video resolution and with an ultra-wide 150° diagonal field of view.

Crestron Control System Integration

The UC-BX30-T can integrate with a Crestron control system to enable touch screen control of room lighting, motorized window shades, climate control, AV, and other amenities.²

Bring Your Own Device (BYOD)

Conference room visitors can connect their laptop to the Crestron Flex system to use their own UC conference platform. The UC Presentation Transmitter (UC-PR) switches to the connected laptop's UC platform and returns to the native Microsoft Teams Rooms platform when disconnected.

Enterprise-Grade Security

Crestron Flex is an enterprise-grade solution, engineered in partnership with Microsoft® to integrate seamlessly into any Microsoft Teams Rooms or Skype for Business software deployment. Crestron Flex is ideally equipped for mass deployment throughout any sized corporate, university, medical, military, or government facility.

Easy Provisioning and Device Management

The XiO Cloud service⁴ is an IoT cloud based provisioning service that enables installers and IT managers to easily deploy and manage thousands of devices. The XiO Cloud service allows for system alerts, network management and provisioning, and the pairing of a control device to the system's UC Engine. System updates are controlled by Windows® software update.

Visit www.crestron.com/xiocloud for additional information.

UC-BX30-T

Crestron Flex Advanced Wall Mount Small Room Video Conference System for Microsoft Teams® Rooms

Premium-Level Support

Crestron Flex Care is an optional subscription service that automatically renews annually, providing 24/7 live remote technical support, an extended five year warranty on Crestron® hardware, expedited advance replacements, and a discounted rate for on-site support.

Visit www.crestron.com/flexcare for additional information.

Dual Control Option

A TS- or TSW- series 7 in. or 10.1 in. touch screen may be added to the solution as an additional control point for the Microsoft Teams Rooms environment.^{2,3}

Deployment Resources

View the [Crestron Flex Pre-Deployment Checklist](#) to help plan your Crestron Flex installation.

Specifications

Included Components

TS-1070-B-S	10.1 in. (257 mm) tabletop touch screen, black
UC-BRKT-250-P-T-ASSY	UC Bracket Assembly for Microsoft Teams Rooms systems, comprised of: <ul style="list-style-type: none">• UC-ENGINE-P-T: UC Engine for Microsoft Teams video• ADPT-USB-ENET: USB-to-Ethernet Adapter• HD-CONV-USB-250: CAT5 to USB 3.0 converter for content ingest• Mounting hardware
UC-PR	UC Presentation Transmitter
UC-SB1-CAM-FLEX	UC Video Conference Smart Soundbar and Camera
CBL-4K-DP-HD-6	Active Converter Cable, DisplayPort™ to HDMI, 18 Gbps, 6 ft (1.8 m)
CBL-CAT5E-7	(2) Ethernet LAN cable for UC Engine, RJ45-to-RJ45, black, 7 ft (2.1 m)
CBL-HD-6	HDMI Interface Cable, 6 ft (1.8 m)
DM-CBL-ULTRA-PC-20	(2) Ethernet LAN cable, CAT6a, RJ45-to-RJ45, blue, 20 ft (6.1 m)

Tabletop Touch Screen

Touch Screen	10.1 in. (257 mm) diagonal capacitive multi-touch TFT active matrix color LCD, 1920 x 1200 pixels
UI	Microsoft Teams UI plus optional Crestron Smart Graphics® room control UI ²
Ethernet	100 Mbps, auto switching, auto negotiating, auto discovery, full/half duplex, TCP/IP, UDP/IP, CIP, DHCP, SSL, TLS, SSH, SFTP (SSH File Transfer Protocol), IEEE 802.1X, SNMP, IPv4 or IPv6, Active Directory® service authentication, HTTPS web browser setup, XiO Cloud® client, IEEE 802.3at compliant
Power over Ethernet	IEEE 802.3at Type 2 compliant PoE+ PD (Powered Device); Normally requests 15 W from an 802.3at Type 2 PSE with LLDP advanced power management; With room scheduling and USB enabled, requests 18 W from an 802.3at Type 2 PSE with LLDP; Requests 30 W (PoE+ Class 4) from an 802.3at Type 2 PSE without LLDP; Requests 15.4 W (PoE Class 0) from an 802.3af (or 802.3at Type 1) PSE
Power	Powered via PoE passthrough on the UC-PR
Construction	Plastic, smooth black finish, edge-to-edge glass with black surround
Dimensions	Height: 5.29 in. (134 mm) Width: 9.63 in. (245 mm) Depth: 4.67 in. (119 mm)
Weight	2.44 lb (1105 g)
Smart Soundbar and Camera	
Speakers	Stereo 2-way, 20 W per channel; 3 in. (76 mm) woofers; 3 x 4-3/8 in. (76 x 112 mm) passive radiators; 1 in. (25 mm) dome tweeters; 80 Hz to 20 kHz (±3 dB) frequency response; 91 dB SPL @ 1 m output level (both channels driven at full power)

UC-BX30-T

Crestron Flex Advanced Wall Mount Small Room Video Conference System for Microsoft Teams® Rooms

Microphone	Linear quad-element far-field adaptive beamforming microphone array; 15 ft (4.6 m) pickup range, ⁵ 180° horizontal and 180° vertical pickup angle; 20 Hz to 8 kHz frequency response	Mounting	Freestanding or surface wall mount at ear/face level (adhesive feet included, mounting bracket attached)
Audio DSP	Acoustic echo cancellation, dereverberation, automatic gain control, dynamic noise suppression, adaptive beamforming, speaker volume control, speaker EQ and limiting (fixed); Full-duplex IEEE 1329 Type 1 compliant	Dimensions	Height: 4.57 in. (116 mm), 4.64 in. (118 mm) with feet Width: 43.60 in. (1107 mm) Depth: 3.90 in. (99 mm)
Camera Optics	12 Megapixel 1/2.3 CMOS sensor, ultra wide angle six element aspherical glass lens, f/2.8 aperture	Weight	13.56 lb (6.2 kg)
Camera Field of View	150° diagonal, 120° horizontal, 90° vertical	UC Bracket Assembly	
Autozoom	Genius Framing automatic lossless digital zoom intelligently frames around people in the room	Mini PC	Intel Core® processor with Windows® 10 IOT Edition OS
Camera Noise Reduction	3D noise reduction, bias compensating spatio-temporal filtering, wide area chroma filtering, flicker elimination	UC Client	Microsoft Teams Rooms with Skype for Business software functionality
Camera Scaling	Real-time scaling, dewarping, and perspective correction	Management Client	XiO Cloud Service
Camera Resolution	HD 1080p @ 30 fps	Content Ingest	HDMI input via CAT5 to USB 3.0 converter (model HD-CONV-USB-250)
Analog Audio Input	2-Channel stereo via 3.5 mm TRS mini-phone jack, fixed level (bypasses DSP), 1 Vrms maximum per channel for full rated output, for in-room amplification of an external audio source	Display Output	Single or dual display support
Analog Audio Output	2-Channel stereo via 3.5 mm TRS mini-phone jack, fixed level, 1 Vrms maximum, feeds amplified audio content to an assistive listening system	Display Output Resolution	1080p
Status Bar	Multi-segment RGBY LED zero-center mutually-diverging linear bargraph	Power	90 W via external 100-240VAC, 50/60 Hz adapter (included)
Main Power	24 VDC via external 100-240 VAC, 50/60 Hz power pack, model PW-2420RU (included)	Construction	Metal mounting bracket, black, preassembled with UC-ENGINE-P-T and HD-CONV-USB-250
Enclosure	Lightly textured gunmetal black finish, plastic housing, perforated stainless steel grilles, die-cast aluminum rear cover, integral steel hinged mounting bracket	Mounting	Surface wall mount behind the display device, or attach to the rear of the display device via the bolts attaching the display to a VESA® compliant display mount; Bracket includes mounting holes on both side edges, spaced 100, 200, and 300 mm vertically, to allow for attachment to either side of the display mounting plate
		Dimensions	Height: 15.00 in. (381 mm) Width: 14.50 in. (368 mm) Depth: 1.72 in. (44 mm)
		UC Presentation Transmitter	
		Video Input Signal Types	HDMI, DisplayPort 1.2 via USB Type-C® port
		Video Output Signal Types	HDMI over CAT5
		Resolution	1080p
		Video Content Protection	HDCP 1.4 and HDCP 2.2

UC-BX30-T

Crestron Flex Advanced Wall Mount Small Room Video Conference System for Microsoft Teams® Rooms

Audio Input Signal Types	HDMI, DisplayPort 1.2 via USB Type-C port
Audio Output Signal Types	HDMI over CAT5
Communications	Ethernet: 100 Mbps, auto-switching, auto negotiating, auto-discovery HDMI over CAT5: HDCP, Ethernet HDMI: HDCP USB: USB 2.0 and USB 3.0
Connectors	LAN PoE: (1) 8-pin RJ-45 connector, female; ACC:(1) USB 3.0 Type B connector, female; For firmware loading only; USB A: (1) USB 2.0 Type A connector, female; USB B: (1) USB 2.0 Type B connector, female; USB-C: (1) USB 2.0 Type-C connector, female; HDMI IN: (1) HDMI Type A, female; To RX: (1) 8-pin RJ-45 connector, female; Power Jack: (1) DC power connector; LAN: (1) 8-pin RJ-45 connector, female; Ground: (1) 6-32 screw
Indicators	PWR: (1) Green LED, indicates operating power supplied via power supply Ethernet: (2) LEDs on To RX port; Green indicates Ethernet link status; Amber indicates Ethernet activity
Power Supply	24VDC, 3.75A, 100-240VAC, 90 W
Device Charging	Up to 60 W charging for devices connected via USB-C® port
Construction	Metal, black finish, integral mounting flanges; Vented top, front, bottom, and sides
Mounting	Surface mount for mounting under table; Attaches to a single rack rail
Dimensions	Height: 1.58 in. (40 mm) Width: 9.25 in. (235 mm) Depth: 8.20 in. (208 mm)

Models

UC-BX30-T

Crestron Flex Advanced Wall Mount Small Room Video Conference System for Microsoft Teams® Rooms

Available Accessories

For a list of available accessories, visit the [UC-BX30-T](#) product page.

Notes:

1. Display must support "Wake on Sync" and "Sleep on No Sync" functionality. Consult the display manufacturer's specifications or internal settings of the specific display.
2. Room control capability (lighting, shades, thermostats, etc.) requires additional equipment and commissioning to be provided by a Crestron authorized integrator and/or programmer. Additional costs may apply.
3. Only one control device may be connected via direct connection method.
4. The XiO Cloud service is a room based subscription service available separately.
5. Microphone pickup range may vary in rooms with highly reflective infrastructure (e.g., glass walls, metal furniture, open ceilings, etc.) or above average ambient noise.

This product may be purchased from select authorized Crestron dealers and distributors. To find a dealer or distributor, please contact the Crestron sales representative for your area. A list of sales representatives is available online at www.crestron.com/How-To-Buy/Find-a-Representative or by calling 855-263-8754.

This product is covered under the Crestron standard limited warranty. Refer to www.crestron.com/warranty for full details.

The specific patents that cover Crestron products are listed online at patents.crestron.com.

Certain Crestron products contain open source software. For specific information, please visit www.crestron.com/opensource.

Crestron, the Crestron logo, Smart Graphics, and XiO Cloud are either trademarks or registered trademarks of Crestron Electronics, Inc. in the United States and/or other countries. HDMI is either a trademark or registered trademark of HDMI Licensing LLC in the United States and/or other countries. Intel Core is either a trademark or registered trademark of Intel Corporation in the United States and/or other countries. Active Directory, Microsoft Teams, Skype, and Windows are either trademarks or registered trademarks of Microsoft Corporation in the United States and/or other countries. USB Type-C and USB-C are either trademarks or registered trademarks of USB Implementers Forum, Inc. in the United States and/or other countries. DisplayPort and VESA are either trademarks or registered trademarks of Video Electronics Standards Association in the United States and/or other countries. Other trademarks, registered trademarks, and trade names may be used in this document to refer to either the entities claiming the marks and names or their products. Crestron disclaims any proprietary interest in the marks and names of others. Crestron is not responsible for errors in typography or photography.

Specifications are subject to change without notice.

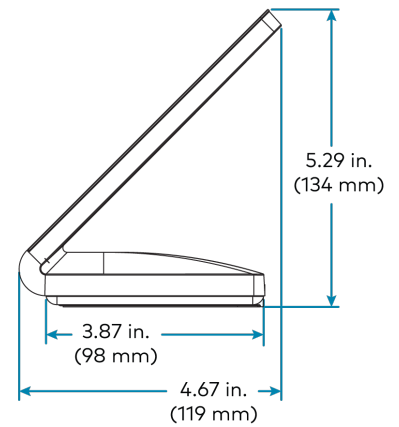
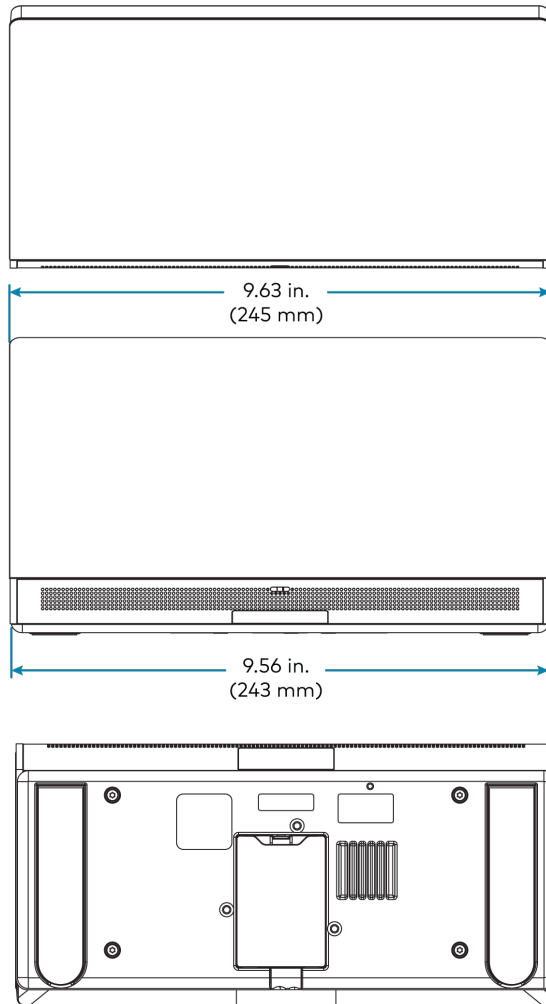
©2020 Crestron Electronics, Inc.

Rev 12/05/20

UC-BX30-T

Crestron Flex Advanced Wall Mount Small Room Video Conference System for Microsoft Teams® Rooms

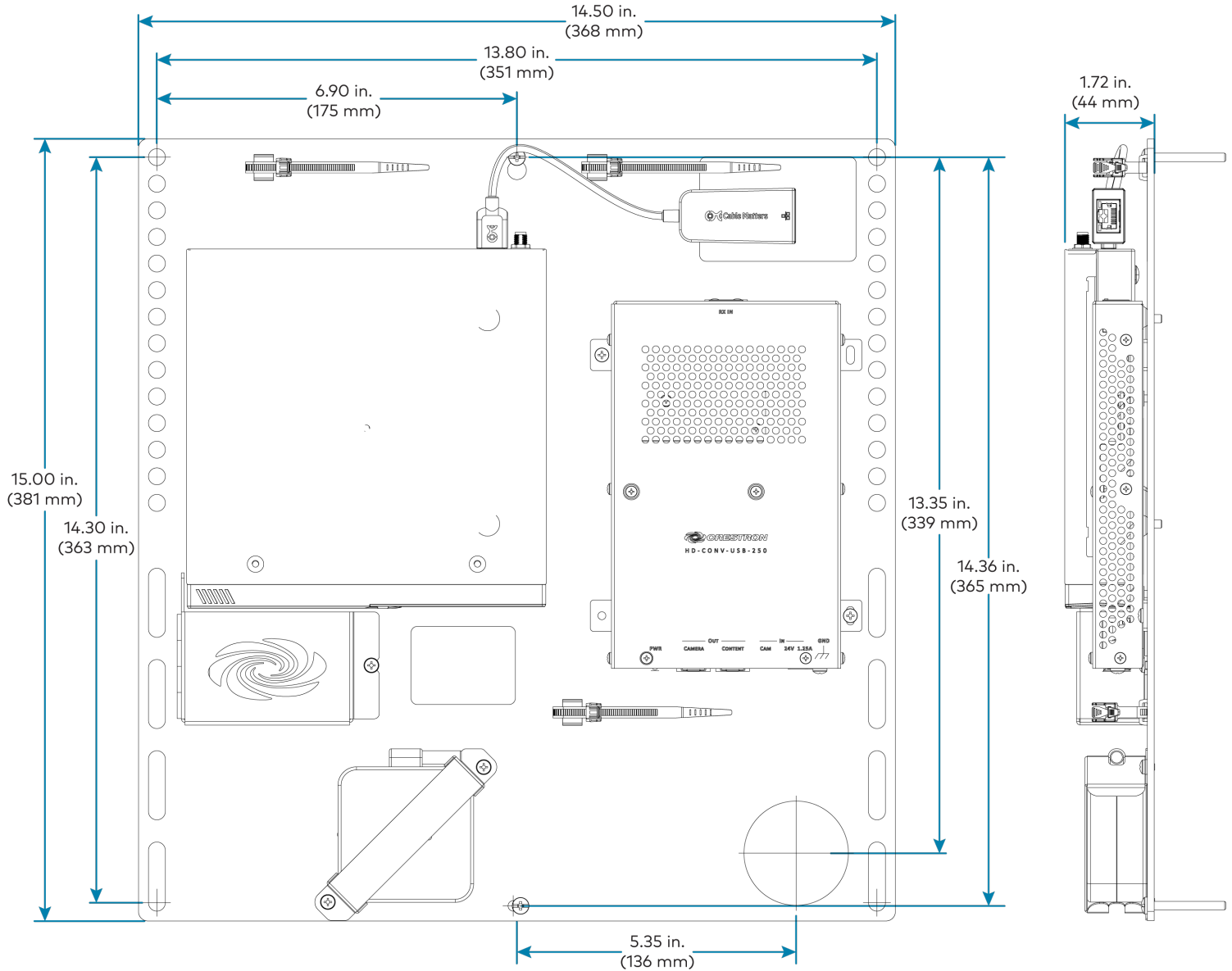
TS-1070-B-S



UC-BX30-T

Crestron Flex Advanced Wall Mount Small Room Video Conference System for Microsoft Teams® Rooms

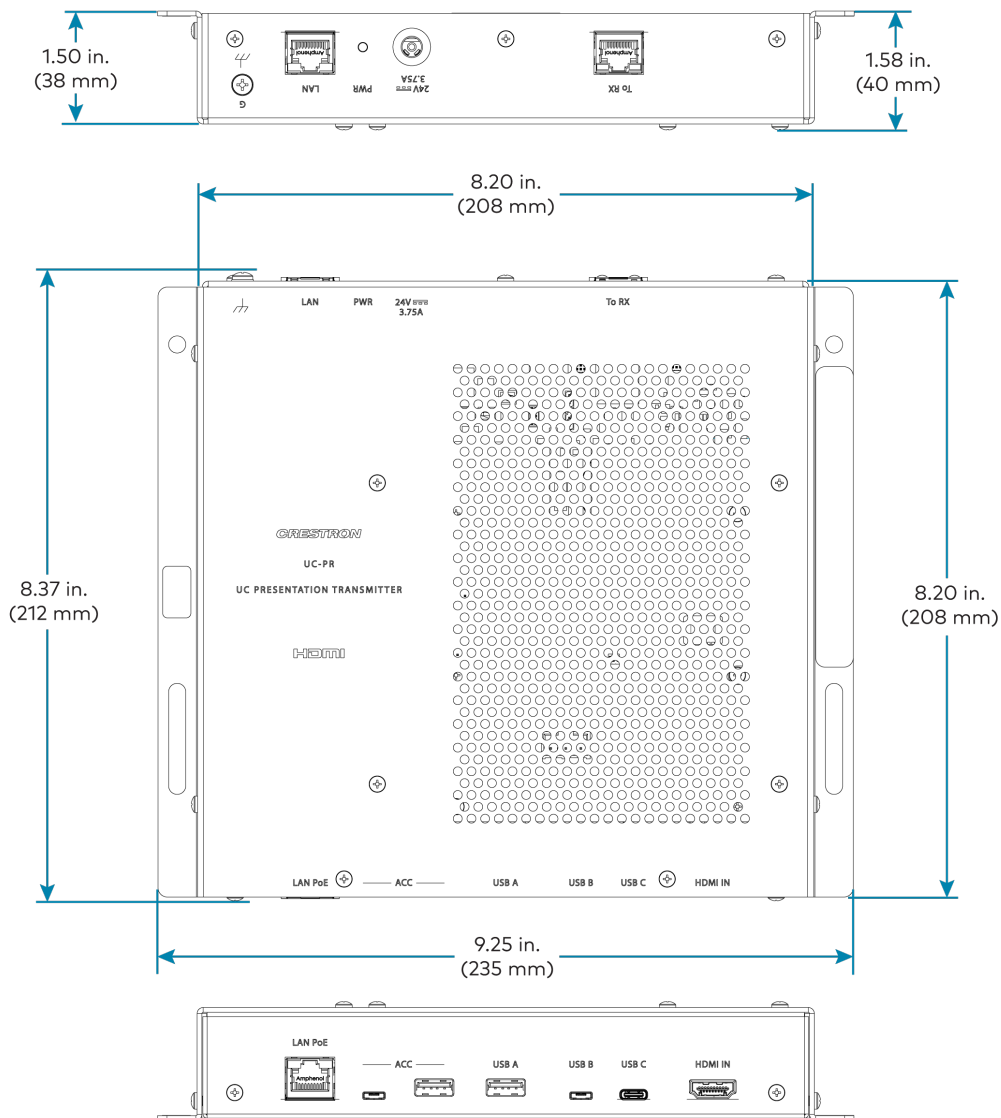
UC-BRKT-250-P-T-ASSY



UC-BX30-T

Crestron Flex Advanced Wall Mount Small Room Video Conference System for Microsoft Teams® Rooms

UC-PR



UC-BX30-T

Crestron Flex Advanced Wall Mount Small Room Video Conference System for Microsoft Teams® Rooms

UC-SB1-CAM-FLEX

