

# FR6822+QXFE

2RU 6800+ Frame, Q-SEE™ Compliant



The new FR6822+QXFE, featuring an integrated Ethernet resource card, is the next-generation platform in the best-selling 6800+™ modular core processing series. This frame is designed to offer broadcast facilities advanced baseline communication and control of their networks via a built-in Web server.

The FR6822+QXFE frames are capable of housing any mix of signal types, including HD-SDI, SDI, DVB-ASI, SMPTE-310M, single-mode and multi-mode fiber optics, AES/EBU (balanced and unbalanced), analog video and analog audio. There are 20 slots for single- or multi-slot modules, with mating back connectors providing superior density of up to 20 modules in a single 2RU frame.

Every shipment of the FR6822+QXFE frame includes an Ethernet resource (controller) card, an HTTP Web server for control, a single power supply source (ordered as either AC or 48 V DC) and a 30-day trial version of [CCS Navigator™](#) (Windows®-based network control application).

- 
- 
- Q-SEE.

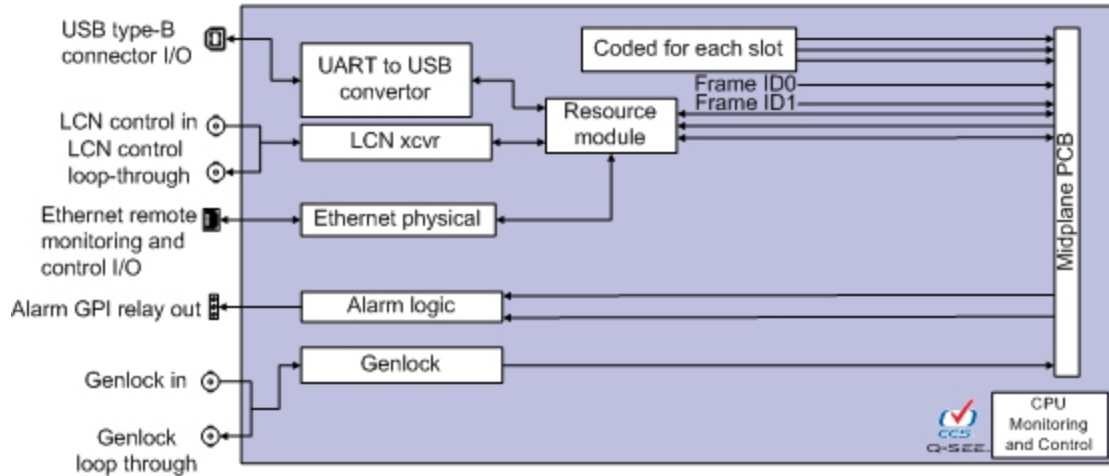
## FEATURES

- Direct Ethernet connectivity (10/100BT) to the frame, allowing reduced slot space and device control by SNMP third-party, HTTP Web browser and CCS™ applications
- Module communication via an internal high-speed data bus for thumbnail and enhanced alarm monitoring on Q-SEE™-compliant modules
- Capacity to hold up to 20 single-slot modules or equivalent, in any combination of module types
- Support for a wide array of input/output types, including analog video and audio, SDI, HD-SDI, AES

- audio (balanced and unbalanced), fiber optics, Ethernet, serial data and RF
- Hot-swappable front and back modules with front access
  - Backward-compatibility with all modules that operate on 6800+ QXF, XF and DM frames
  - Light weight for outside broadcast applications
  - Full Q-SEE support, including thumbnails, customizable alarms, waveform and vectorscope monitoring, and MPEG-4 streaming, for up to eight external inputs via the QSEE6800+HST module
  - Frame video genlock loop, high-performance passive loop-through
  - Support for two hot-swappable, redundant power supplies, each independently able to handle the complete frame power load (120 W); AC and DC power supplies can be mixed within one frame
  - Integral fan cooling with front to back primary airflow designed to support full load at 50° C ambient, with no thermal stacking limitations
  - A variety of control methods to suit every operational environment: card-edge, CCS Navigator™ (PC-based control over Ethernet), HTTP Web browser, or third-party control systems via published SNMP MIBs for 6800+ modules

## IMAGES/DIAGRAMS

### Block Diagram



## SPECIFICATIONS

Specifications and designs are subject to change without notice.

### FR6822+QXFE Frame:

Dimensions	Height: 3.5" (8.8 cm) Width: 19" (48.3 cm) Depth: 11.5" (29.2 cm) Weight: 9 lbs (4.08 kg), empty, 12 lbs (5.44 kg), with two power supplies
------------	--

### 6800+AC Power Supply:

Dimensions	Height: 3.35" (8.51 cm) Width: 1.45" (3.68 cm) Depth: 11.25" (28.58 cm) Weight: 1.9 lbs (0.85 kg)
Minimum Load	No load
Temperature Range	32°F (0°C) to 113°F (45°C)
Input Voltage	100 to 250 V AC (±10%)
Frequency	47 to 63 Hz
Input Current	2 A rms maximum at 90 V AC, 120 W output power 0.75 A rms maximum at 274 V AC, 120 W output power
Inrush Current (max peak)	25 A
Output Power	130 W (including fans)
EMC	Compliant with FCC part 15 Class A, EN 55103-1 and EN 55103-2
Safety	Meets UL 60950, CAN/CSA 22.2 No. 60950 and EN 60950

**6800+48V Power Supply:**

Dimensions	Height: 3.35" (8.51 cm) Width: 1.45" (3.68 cm) Depth: 11.25" (28.58 cm) Weight: 1.9 lbs (0.85 kg)
Operating Temperature Range	32°F (0°C) to 113°F (45°C) at full rated output
Inputs	-36 to -72 VDC
Output Power	130 W (including fans)
Protection	Inrush current limiting Input transient protection Short-circuit protection on all outputs Reverse input voltage protection Input fuse
EMC	Compliant with FCC part 15 Class A, EN 55103-1 and EN 55103-2
Safety	Meets UL 60950, CAN/CSA 22.2 No. 60950 and EN 60950

**6800+ETH:**

Power Dissipation	8.4 W
Ethernet	RJ-45, 10/100 Mb/s
Connectors	75 ohms, shunt terminated

## ORDERING INFORMATION

**Frames with AC PSU:**

FR6822+QXFE	Frame, 2RU, Ethernet resource card including HTTP protocol for communication, no back, all blanks with fan (includes one 6800+ AC power supply), Q-SEE compliant
FR6822+QXFE+S	Frame, 2RU, Ethernet resource card including HTTP and SNMP protocols for communication, no back, all blanks with fan (includes one 6800+ AC power supply), Q-SEE compliant
FR6822+F	Frame, 2RU, no back, all blanks with fan (includes one 6800+ AC power supply)

**Frames with DC PSU:**

FR6822+QXFE+48	Frame, 2RU, Ethernet resource card including HTTP protocol communication, no back, all blanks with fan (includes one 6800+ 48 V DC power supply), Q-SEE compliant
FR6822+QXFE+S48	Frame, 2RU, Ethernet resource card including HTTP and SNMP protocols for communication, no back, all blanks with fan (includes one 6800+ 48 V DC power supply), Q-SEE compliant

FR6822+F+48                      Frame, 2RU, no back, all blanks with fan (includes one 6800+ 48 V DC power supply)

**Options:**

6800+ETH                          Ethernet resource card for FR6822+F, CCS compliant

6800+ETHSNMP                  6800+ETH module with SNMP option enabled

6800+OPT+SNMP                  Software license-key upgrade to existing 6800+ETH to provide SNMP support

6800+AC                            AC power supply for FR6822+QXFE

6800+48V                          48 V DC power supply for FR6822+QXFE

**Note:**

All FR6822+QXFE frames come equipped with a single power supply (ordered as either AC or 48 V DC) and an Ethernet resource card with an HTTP Web server. The HTTP Web server allows any standard Web browser access directly to the frame for configuration and control.

**CONTACTS**

North America  
+1 800 231 9673

Caribbean and Latin America  
+1 786 437 1960

Europe, Middle East & Africa  
+44 (0) 118 964 8200

Asia, Pacific Rim  
+852 2776 0628