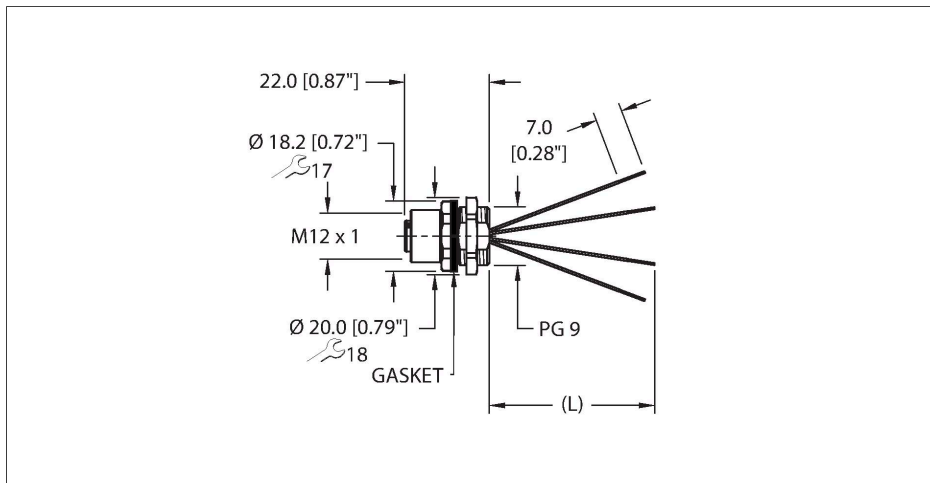


EFKBG-A4.400.8-1

Actuator and Sensor Receptacle – Front-mounted



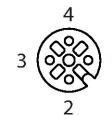
Features



- M12 female connector, straight, 5-pin
- M12 female connector, straight, 5-pin
- Conductor length: 1.0 m

Contact assignment

Connector A



Diagram



Technical data

Type	EFKBG-A4.400.8-1
Ident. no.	100012201
Replaces	FK 4.4-1/S613
Connector A	Female, M12 × 1, A-code
Design specification	acc. to IEC 61076-2-101
Number of pins	4
Contacts	Bronze, CuSn, Gold-plated
Contact carriers	Plastic, TPU, Black
Seal	O ring, FKM/FPM
Flange housing	Brass, CuZn, nickel-plated
Mounting type	front panel mounting
Screw-in thread seal	Seal, NBR
Screw-in thread	PG9
	BrassCuZnNickel-plated
Mechanical lifespan	> 100 Mating cycles
Pollution degree	3
Protection class	IP67, IP68, IP69K
	NEMA: 1, 3, 4, 6P, 12
Tightening torque (range)	0.4 ... 1.8 Nm (observe max. torque of mating connector!)
Stranded wires	
	4
Cable length	1 m (+ 50 mm or 4 % of the length/-0.0, depending on which value is larger)
Conductor material	?
Core insulation	PVC
Core cross-section	18 AWG [Similar to 0.75 mm ²]
Core colors	BN, WH, BU, BK

Technical data

Electrical properties at +20 °C	
	300 V _{DC} /250 V _{AC}
Current	5 A
Mechanical and chemical properties	
Stationary	-40 °C...+105 °C
Approval	
Approvals	UL 2238 CSA C22.2 No. 182.3 CE RoHS
Note	
	- We reserve the right to make technical modifications without prior notice.