

HYBRID AND ELECTRIC MOBILITY SOLUTIONS KITS

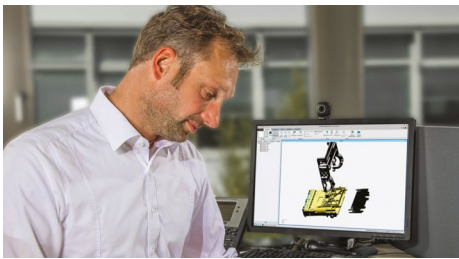
FOR INDUSTRIAL & COMMERCIAL TRANSPORTATION

TERMINALS AND CONNECTORS

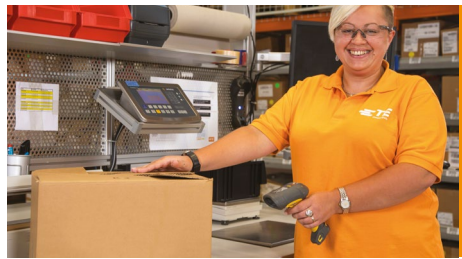




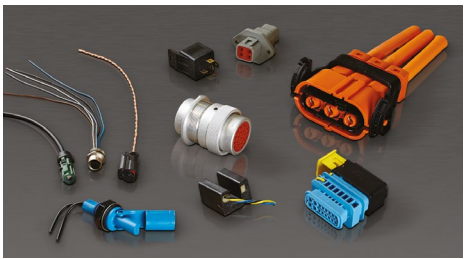
TE Connectivity (TE) Industrial & Commercial Transportation is a reliable provider of solutions for even the harshest environment. With a focus on employee expertise and durable products, we deliver the solutions and support our customers can count on.



**2,000+
Employees**



**10,000+
Customers**



**20,000+
Different Parts**

Years ago, tractors, construction equipment, trucks, and boats had simple electrical systems that might have included electrical starting and a basic lighting package. Today, ECUs, joysticks, fuel-efficient engines, LED lights, and CAN systems are standard equipment. The need to protect sensitive electrical systems from vibration, moisture, dust, dirt, salt, and airborne particles has never been greater. TE Industrial & Commercial Transportation is a leader in supporting today's increasingly complex and sophisticated equipment and applications.

Our comprehensive line of products includes an unparalleled portfolio of rugged sensors, terminals, connectors, relays, and hybrid electric mobility solutions. These solutions are designed to withstand the harshest environmental conditions and to help vehicles operate safer, cleaner, and smarter.

Our solutions adapt to virtually any **harsh environment application**, including:



Motors and Gearboxes



ABS/EBS Brake Units



Telematics Units



Sensors



Wire-To-Wire Coupling at the Chassis



Infotainment Applications

MARKETS WE SERVE



ON-HIGHWAY



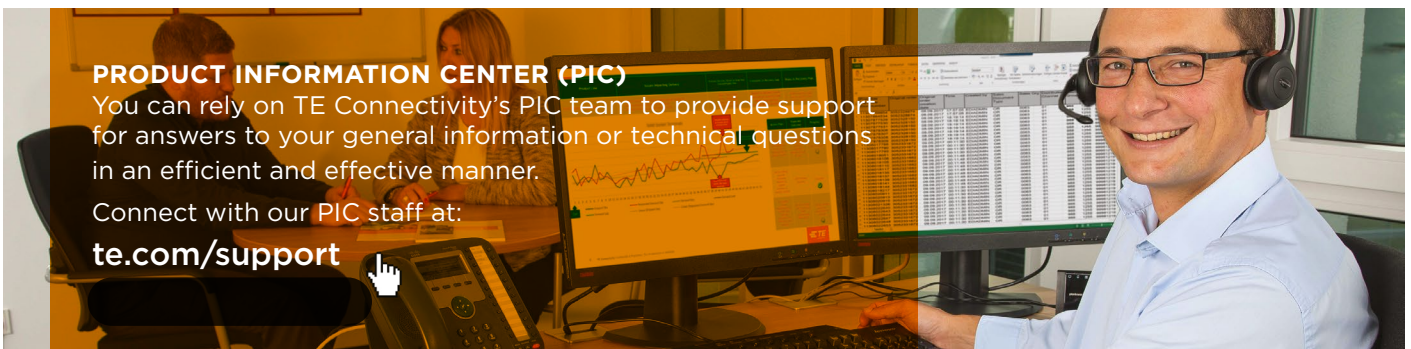
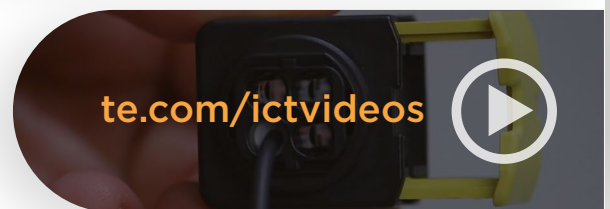
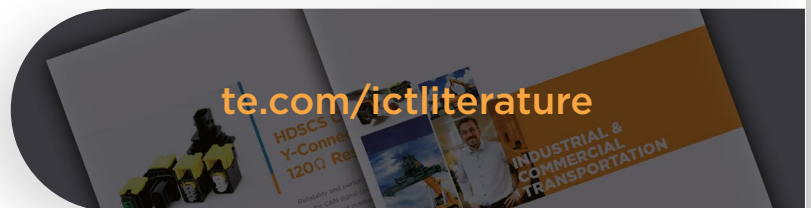
OFF-HIGHWAY



**RECREATIONAL
TRANSPORTATION**

ONLINE RESOURCES

To learn more about TE Connectivity Industrial & Commercial Transportation, its products, and their corresponding documents and videos, please check out the following pages on TE.com:



PRODUCT INFORMATION CENTER (PIC)

You can rely on TE Connectivity's PIC team to provide support for answers to your general information or technical questions in an efficient and effective manner.

Connect with our PIC staff at:

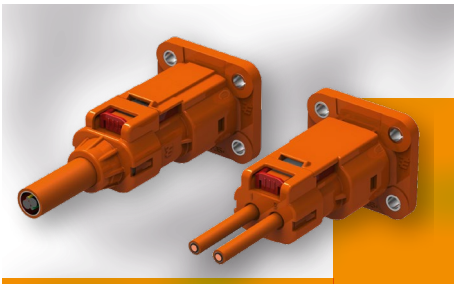
te.com/support



HYBRID AND ELECTRIC MOBILITY SOLUTIONS KITS - EASY TO ORDER SOLUTIONS

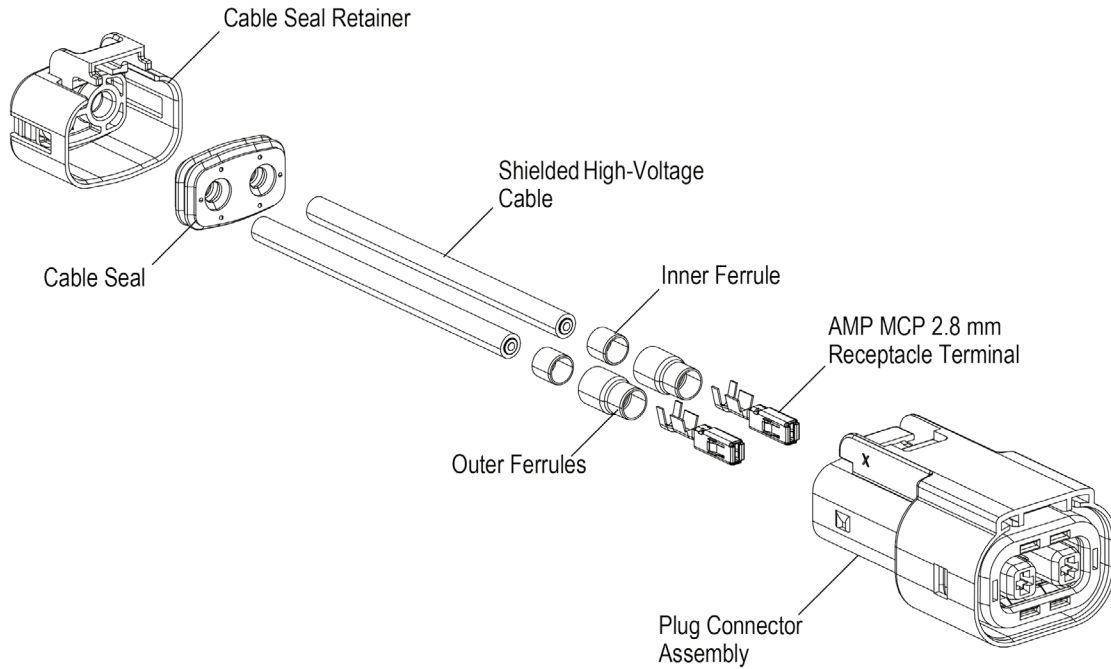
Our high voltage terminal and connector solutions have never been easier to order. We offer complete kits that contain all the parts that are needed to create an assembly. Kits are available for AMP+ HVA 280, AMP+ HVA 630, AMP+ HVP 800, AMP+ HVP 1100, and AMP+ IPT solutions.

1) AMP+ HVA 280 Kits	
a. 2 Position, 4mm ² Cable, Individually Shielded Cable, A Keying	.6
b. 2 Position, 4mm ² Cable, Individually Shielded Cable, B Keying	.7
c. 2 Position, 4mm ² Cable, Multicore Cable, Shunted HVIL, A Keying	.8
d. 2 Position, 4mm ² Cable, Multicore Cable, Shunted HVIL, B Keying	.9
e. 2 Position, 4mm ² Cable, Multicore Cable, Shunted HVIL, D Keying	.10
f. 2 Position, 4mm ² Cable, Multicore Cable, Shunted HVIL, E Keying	.11
g. 2 Position, 4mm ² Cable, Multicore Cable, Pass-thru HVIL, A Keying	.12
h. 2 Position, 4mm ² Cable, Multicore Cable, Pass-thru HVIL, B Keying	.13
i. 2 Position, 4mm ² Cable, Multicore Cable, Pass-thru HVIL, D Keying	.14
j. 2 Position, 4mm ² Cable, Multicore Cable, Pass-thru HVIL, E Keying	.15
k. 3 Position, 2.5mm ² Cable, A Keying	.16
l. 3 Position, 2.5mm ² Cable, B Keying	.17
2) AMP+ HVA 630 Kits	
a. 2 Position, 4mm ² Cable, A Keying	.18
b. 2 Position, 6mm ² Cable, A Keying	.19
c. 3 Position, 4mm ² Cable, A Keying	.20
d. 4 Position, 4mm ² Cable, A Keying	.21
e. 5 Position, 6mm ² Cable, A Keying	.22
3) AMP+ HVP 800 Kits	
a. 2 Position, 50mm ² Cable, 90°, A Keying	.23
b. 2 Position, 50mm ² Cable, 90°, B Keying	.24
c. 2 Position, 50mm ² Cable, 180°, A Keying	.25
d. 2 Position, 50mm ² Cable, 180°, B Keying	.26
e. 3 Position, 50mm ² Cable, 90°, A Keying	.27
f. 3 Position, 50mm ² Cable, 90°, B Keying	.28
g. 3 Position, 50mm ² Cable, 180°, A Keying	.29
h. 3 Position, 50mm ² Cable, 180°, B Keying	.30
4) AMP+ HVP 1100 Kits	
a. 1 Position, 70mm ² Cable, A Keying	.31
b. 1 Position, 70mm ² Cable, B Keying	.32
5) AMP+ IPT Shielded Ring Tongue Kits	
a. 1 Position, 70mm ² Cable	.33
b. 1 Position, 95mm ² Cable	.34
c. 1 Position, 120mm ² Cable	.35
d. 2 Position, 50mm ² Cable	.36
e. 3 Position, 50mm ² Cable	.37



AMP+ High Current Connectors and Headers

AMP+ HVA 280



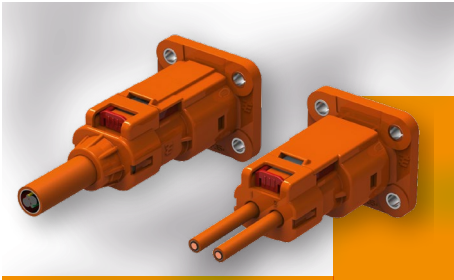
Connector Series

AMP+ HVA280

Positions	2
Cable Size	4 mm ²
Wire Type	Individually Shielded
HVIL	Present, Shunt Version
Key Coding	A
Validated Cables	Huber+Suhner 12582674 Leoni 76231175A
Application Specification	114-13259
Product Specification	108-2394
Mating Header PN	2103124-1

Bill of Materials

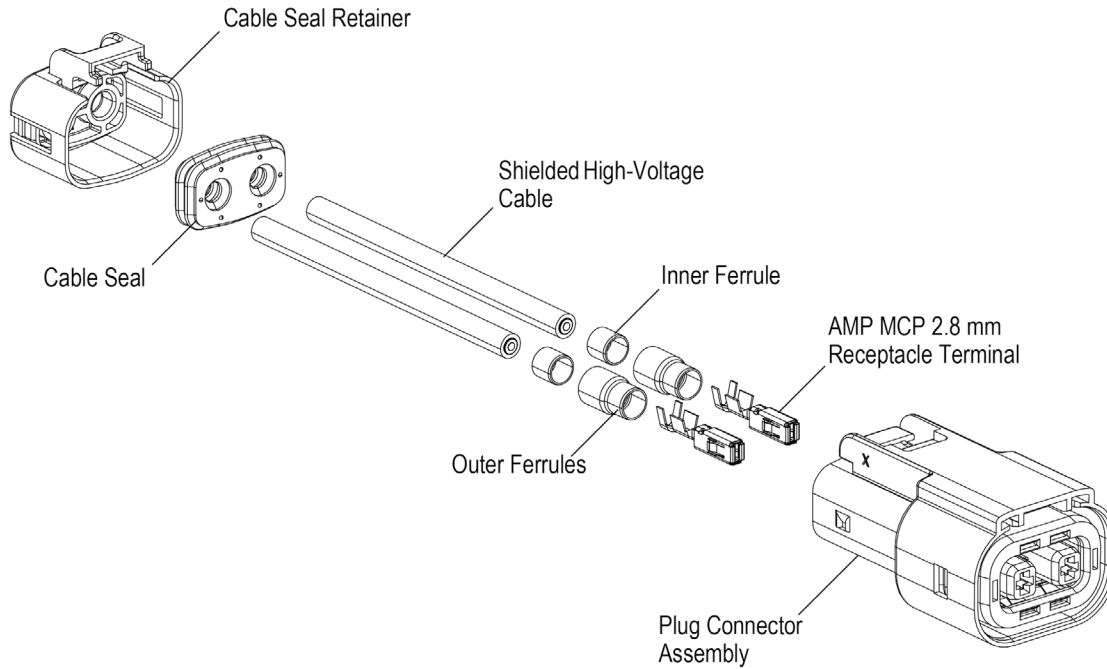
Part Number	Description	Quantity
4-2103177-1	Plug subassy, finger accessible with CPA, Key A	1
1587828-3	Ferrule, Inner	2
1587829-3	Ferrule, Outer	2
1587826-3	Seal, Cable	1
2103181-3	Cable seal retainer	1
1-968853-3	AMP MCP 2.8 Terminal Female, 4 mm ²	2



AMP+ High Current Connectors and Headers

AMP+ HVA 280

AMP+
HVA280



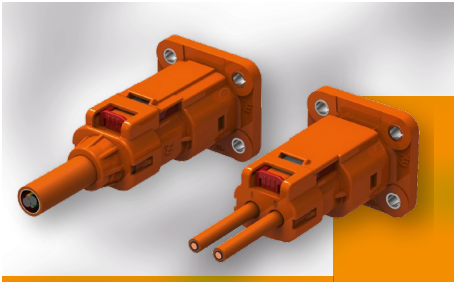
Connector Series

AMP+ HVA280

Bill of Materials

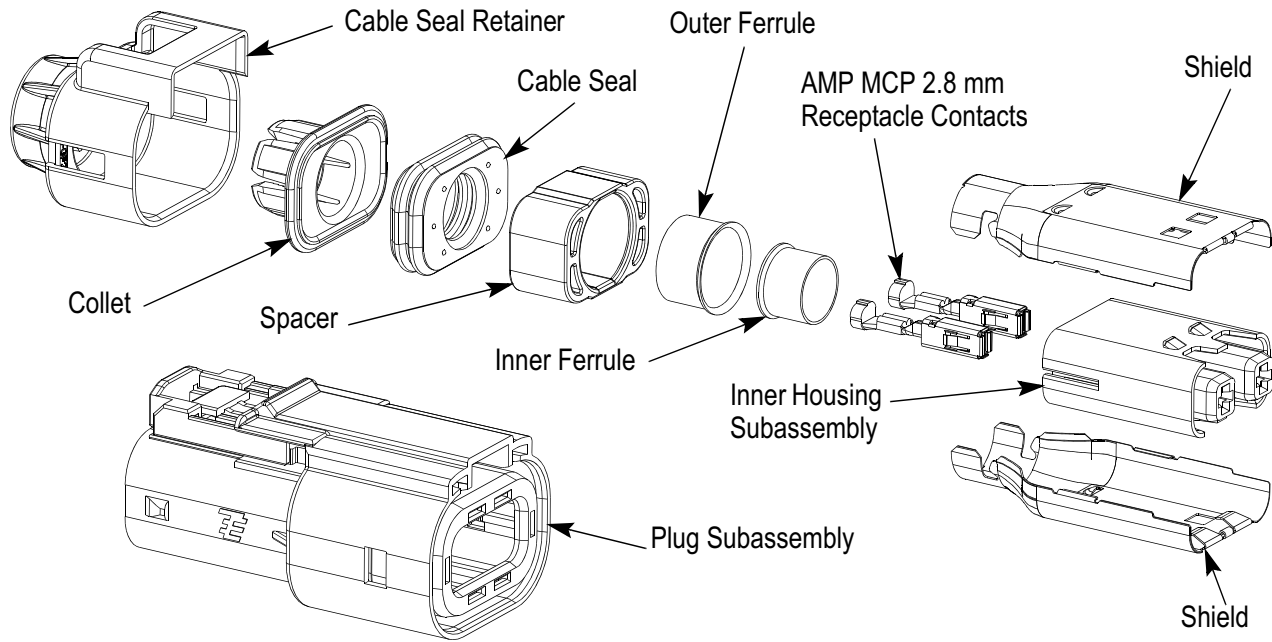
Positions	2
Cable Size	4 mm ²
Wire Type	Individually Shielded
HVIL	Present, Shunt Version
Key Coding	B
Validated Cables	Huber+Suhner 12582674 Leoni 76231175A
Application Specification	114-13259
Product Specification	108-2394
Mating Header PN	2103124-2

Part Number	Description	Quantity
4-2103177-2	Plug subassy, finger accesible with CPA, Key B	1
1587828-3	Ferrule, Inner	2
1587829-3	Ferrule, Outer	2
1587826-3	Seal, Cable	1
2103181-3	Cable seal retainer	1
1-968853-3	AMP MCP 2.8 Terminal Female, 4 mm ²	2



AMP+ High Current Connectors and Headers

AMP+ HVA 280



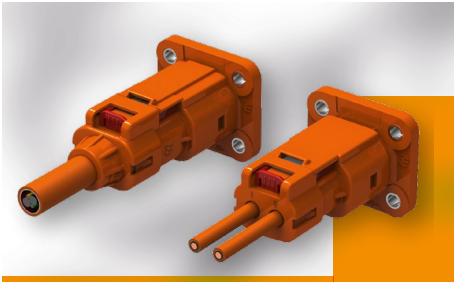
Connector Series

AMP+ HVA280

Positions	2
Cable Size	4 mm ²
Wire Type	Multicore
HVIL	Present, Shunt Version
Key Coding	A
Validated Cable	Coroplast 9-2641
Application Specification	114-13305
Product Specification	108-32020
Mating Header PN	2103124-1

Bill of Materials

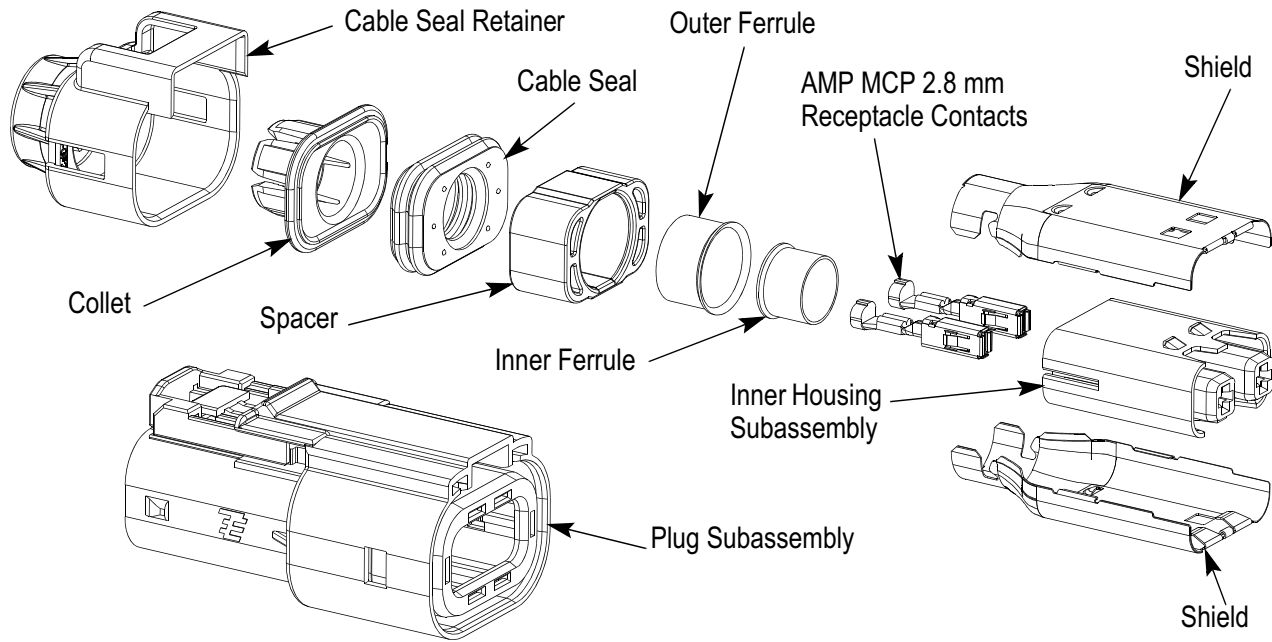
Part Number	Description	Quantity
4-2103015-1	Plug subassy, finger latch, with CPA, Key A	1
1587985-1	Inner Housing subassy, shunted	1
1-2103157-1	Shield	2
1587723-3	Inner Ferrule	1
1587724-3	Outer Ferrule	1
2103153-1	Spacer	1
2103154-1	Cable Seal	1
2103155-1	Collet	1
2103013-1	Cable Seal Retainer	1
1-968853-3	AMP MCP 2.8, 2.5 - 4.0 mm ²	2



AMP+ High Current Connectors and Headers

AMP+ HVA 280

AMP+
HVA280



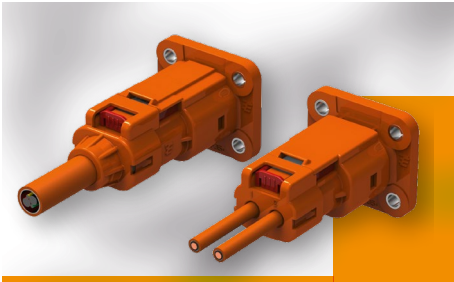
Connector Series

AMP+ HVA280

Bill of Materials

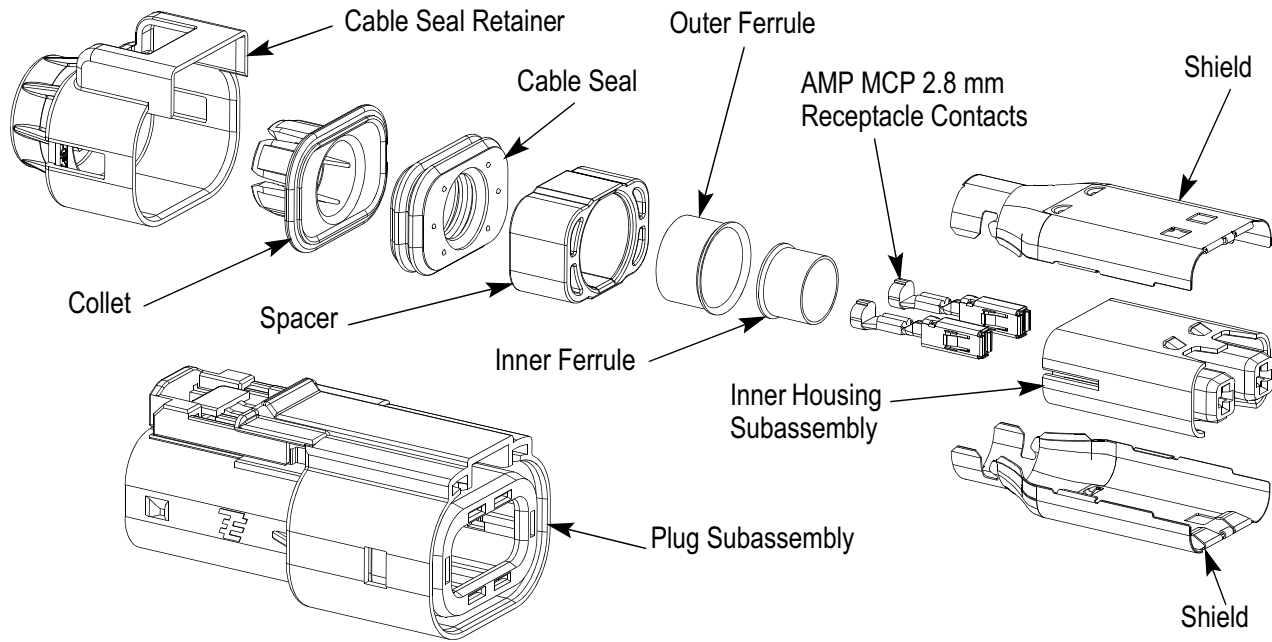
Positions	2
Cable Size	4 mm ²
Wire Type	Multicore
HVIL	Present, Shunt Version
Key Coding	B
Validated Cable	Coroplast 9-2641
Application Specification	114-13305
Product Specification	108-32020
Mating Header PN	2103124-2

Part Number	Description	Quantity
4-2103015-2	Plug subassy, finger latch, with CPA, Key B	1
1587985-1	Inner Housing subassy, shunted	1
1-2103157-1	Shield	2
1587723-3	Inner Ferrule	1
1587724-3	Outer Ferrule	1
2103153-1	Spacer	1
2103154-1	Cable Seal	1
2103155-1	Collet	1
2103013-1	Cable seal retainer	1
1-968853-3	AMP MCP 2.8, 2.5 - 4.0 mm ²	2



AMP+ High Current Connectors and Headers

AMP+ HVA 280



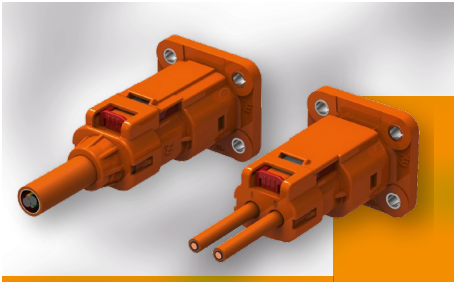
Connector Series

AMP+ HVA280

Positions	2
Cable Size	4 mm ²
Wire Type	Multicore
HVIL	Present, Shunt Version
Key Coding	D
Validated Cable	Coroplast 9-2641
Application Specification	114-13305
Product Specification	108-32020
Mating Header PN	2103124-4

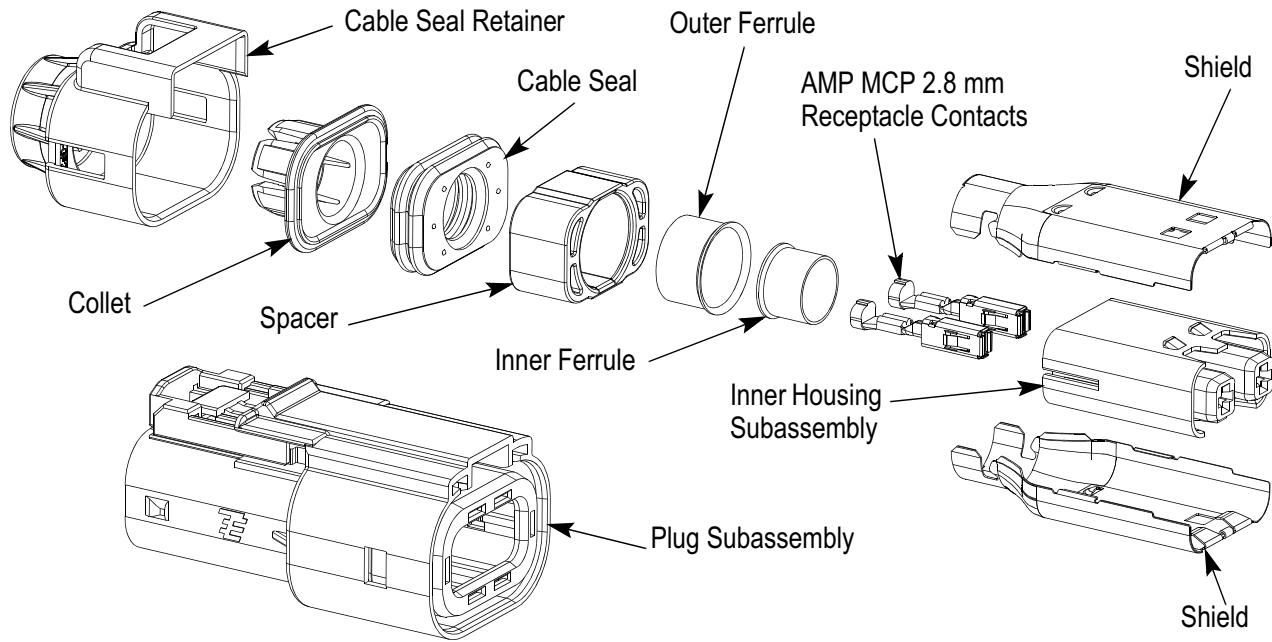
Bill of Materials

Part Number	Description	Quantity
4-2103015-4	Plug subassy, finger latch, with CPA, Key D	1
1587985-1	Inner Housing subassy, shunted	1
1-2103157-1	Shield	2
1587723-3	Inner Ferrule	1
1587724-3	Outer Ferrule	1
2103153-1	Spacer	1
2103154-1	Cable Seal	1
2103155-1	Collet	1
2103013-1	Cable seal retainer	1
1-968853-3	AMP MCP 2.8, 2.5- 4.0 mm ²	2



AMP+ High Current Connectors and Headers

AMP+ HVA 280

 AMP+
HVA280


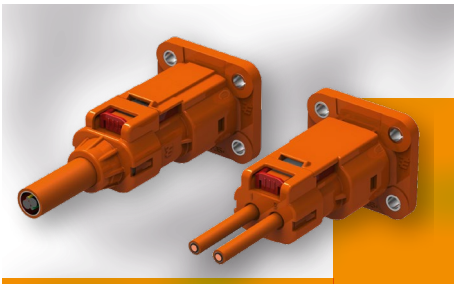
Connector Series

AMP+ HVA280

Bill of Materials

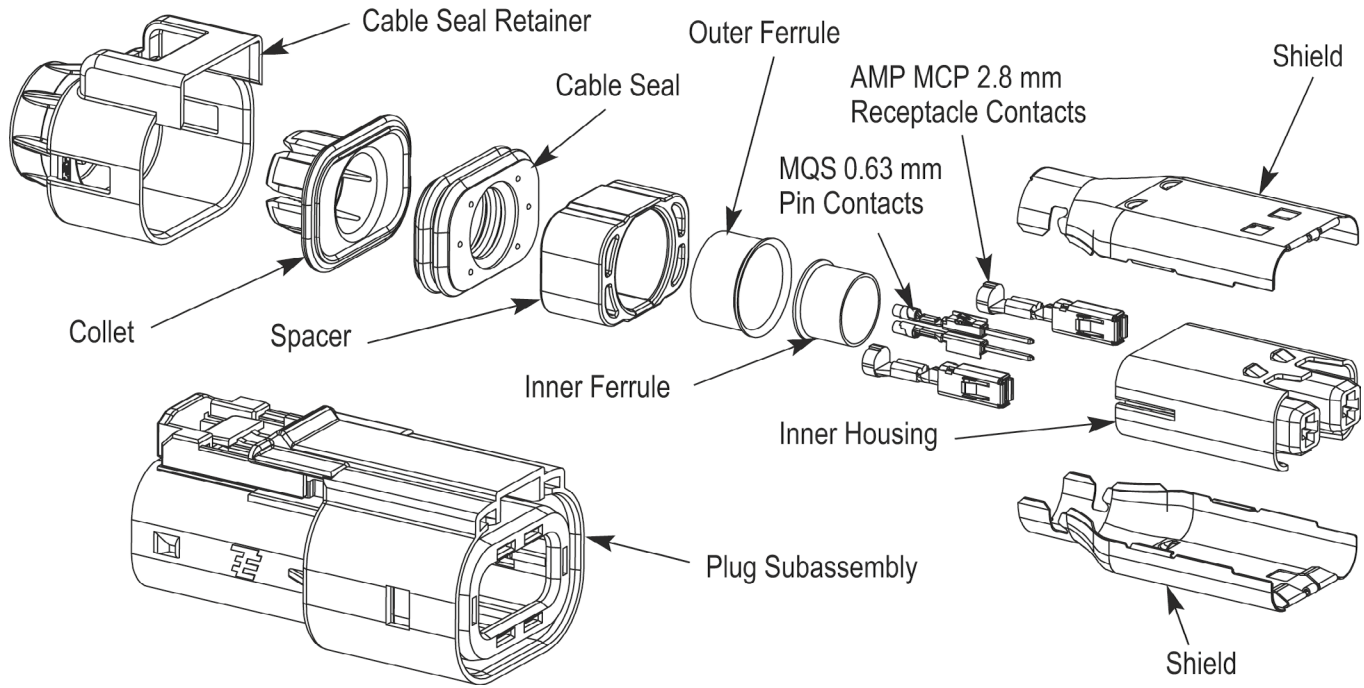
Positions	2
Cable Size	4 mm ²
Wire Type	Multicore
HVIL	Present, Shunt Version
Key Coding	E
Validated Cable	Coroplast 9-2641
Application Specification	114-13305
Product Specification	108-32020
Mating Header PN	2103124-5

Part Number	Description	Quantity
4-2103015-5	Plug subassy, finger latch, with CPA, Key E	1
1587985-1	Inner Housing subassy, shunted	1
1-2103157-1	Shield	2
1587723-3	Inner Ferrule	1
1587724-3	Outer Ferrule	1
2103153-1	Spacer	1
2103154-1	Cable Seal	1
2103155-1	Collet	1
2103013-1	Cable seal retainer	1
1-968853-3	AMP MCP 2.8, 2.5 - 4.0 mm ²	2



AMP+ High Current Connectors and Headers

AMP+ HVA 280



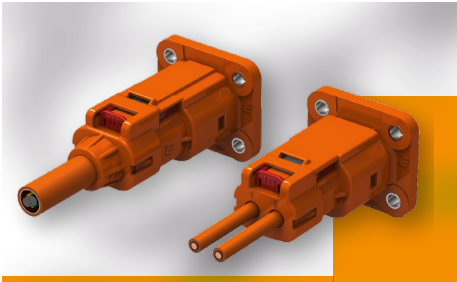
Connector Series

AMP+ HVA280

Positions	2
Cable Size	4 mm ²
Wire Type	Multicore
HVIL	Present, Pass-Through Version
Key Coding	A
Validated Cable	Kromberg & Schubert 64994093
Application Specification	114-13310
Product Specification	108-32020
Mating Header PN	2103124-1

Bill of Materials

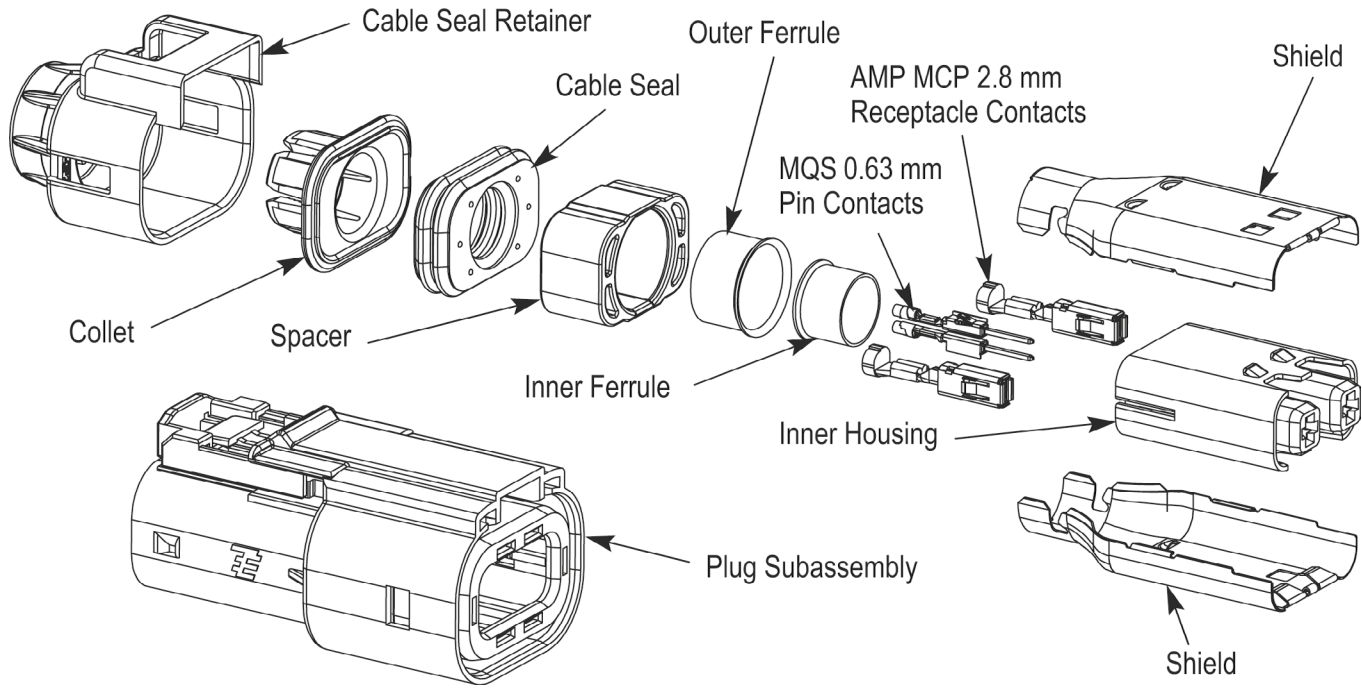
Part Number	Description	Quantity
4-2103015-1	Plug subassy, finger latch, with CPA, Key A	1
1587977-2	Inner housing, pass-through HVIL	1
5-963716-2	MQS terminal, .5-.75 mm ²	2
1-968853-3	AMP MCP 2.8, 2.5 - 4.0 mm ²	2
1-2103157-1	Shield	2
1587723-3	Inner Ferrule	1
1587724-3	Outer Ferrule	1
2103153-1	Spacer	1
2103154-1	Cable Seal	1
2103155-1	Collet	1
2103013-1	Cable seal retainer	1



AMP+ High Current Connectors and Headers

AMP+ HVA 280

AMP+
HVA280



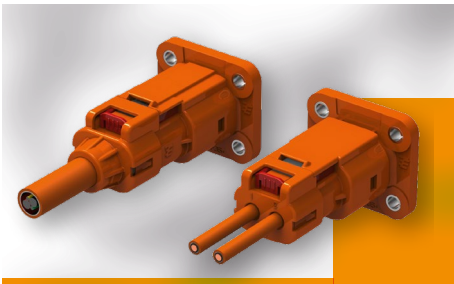
Connector Series

AMP+ HVA280

Positions	2
Cable Size	4 mm ²
Wire Type	Multicore
HVIL	Present, Pass-Through Version
Key Coding	B
Validated Cable	Kromberg & Schubert 64994093
Application Specification	114-13310
Product Specification	108-32020
Mating Header PN	2103124-2

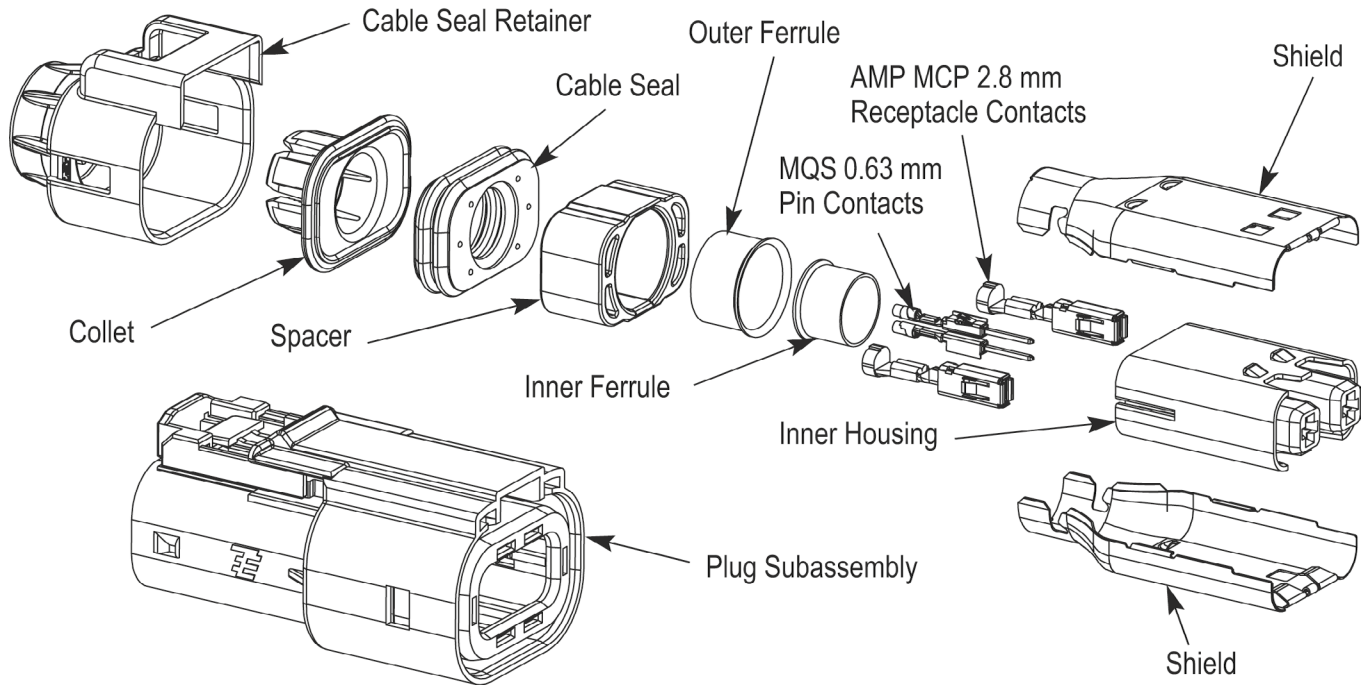
Bill of Materials

Part Number	Description	Quantity
4-2103015-2	Plug subassy, finger latch, with CPA, Key B	1
1587977-2	Inner housing, pass-through HVIL	1
5-963716-2	MQS terminal, .5 - .75 mm ²	2
1-968853-3	AMP MCP 2.8, 2.5 - 4.0 mm ²	2
1-2103157-1	Shield	2
1587723-3	Inner Ferrule	1
1587724-3	Outer Ferrule	1
2103153-1	Spacer	1
2103154-1	Cable Seal	1
2103155-1	Collet	1
2103013-1	Cable seal retainer	1



AMP+ High Current Connectors and Headers

AMP+ HVA 280



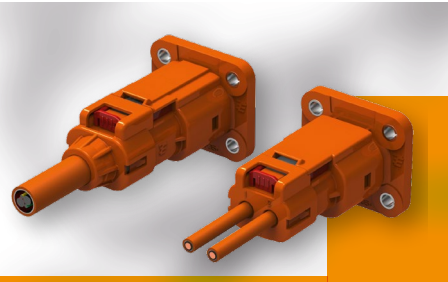
Connector Series

AMP+ HVA280

Positions	2
Cable Size	4 mm ²
Wire Type	Multicore
HVIL	Present, Pass-Through Version
Key Coding	D
Validated Cable	Kromberg & Schubert 64994093
Application Specification	114-13310
Product Specification	108-32020
Mating Header PN	2103124-4

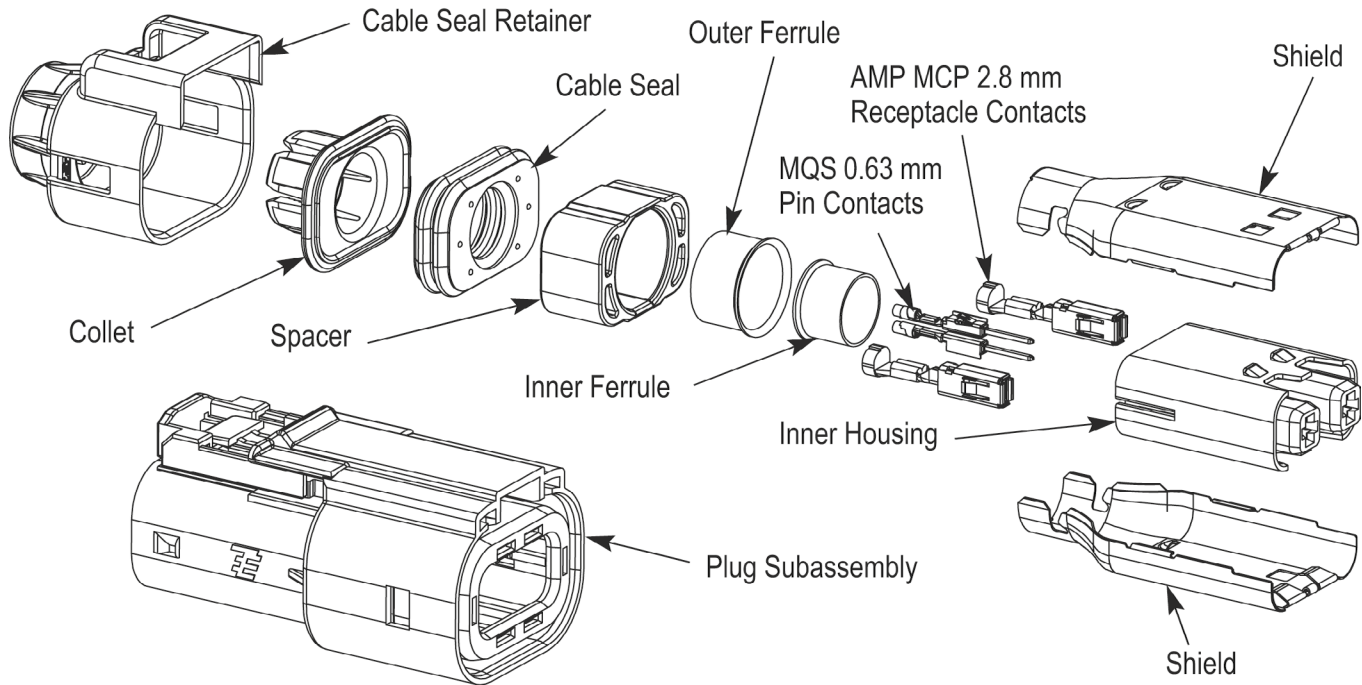
Bill of Materials

Part Number	Description	Quantity
4-2103015-4	Plug subassy, finger latch, with CPA, Key D	1
1587977-2	Inner housing, pass-through HVIL	1
5-963716-2	MQS terminal, .5-.75 mm ²	2
1-968853-3	AMP MCP 2.8, 2.5-4.0 mm ²	2
1-2103157-1	Shield	2
1587723-3	Inner Ferrule	1
1587724-3	Outer Ferrule	1
2103153-1	Spacer	1
2103154-1	Cable Seal	1
2103155-1	Collet	1
2103013-1	Cable seal retainer	1



AMP+ High Current Connectors and Headers

AMP+ HVA 280



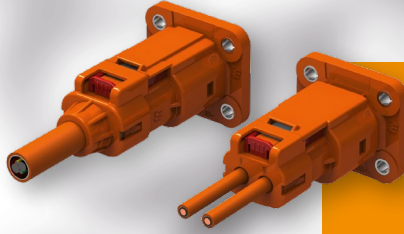
Connector Series

AMP+ HVA280

Positions	2
Cable Size	4 mm ²
Wire Type	Multicore
HVIL	Present, Pass-Through Version
Key Coding	E
Validated Cable	Kromberg & Schubert 64994093
Application Specification	114-13310
Product Specification	108-32020
Mating Header PN	2103124-5

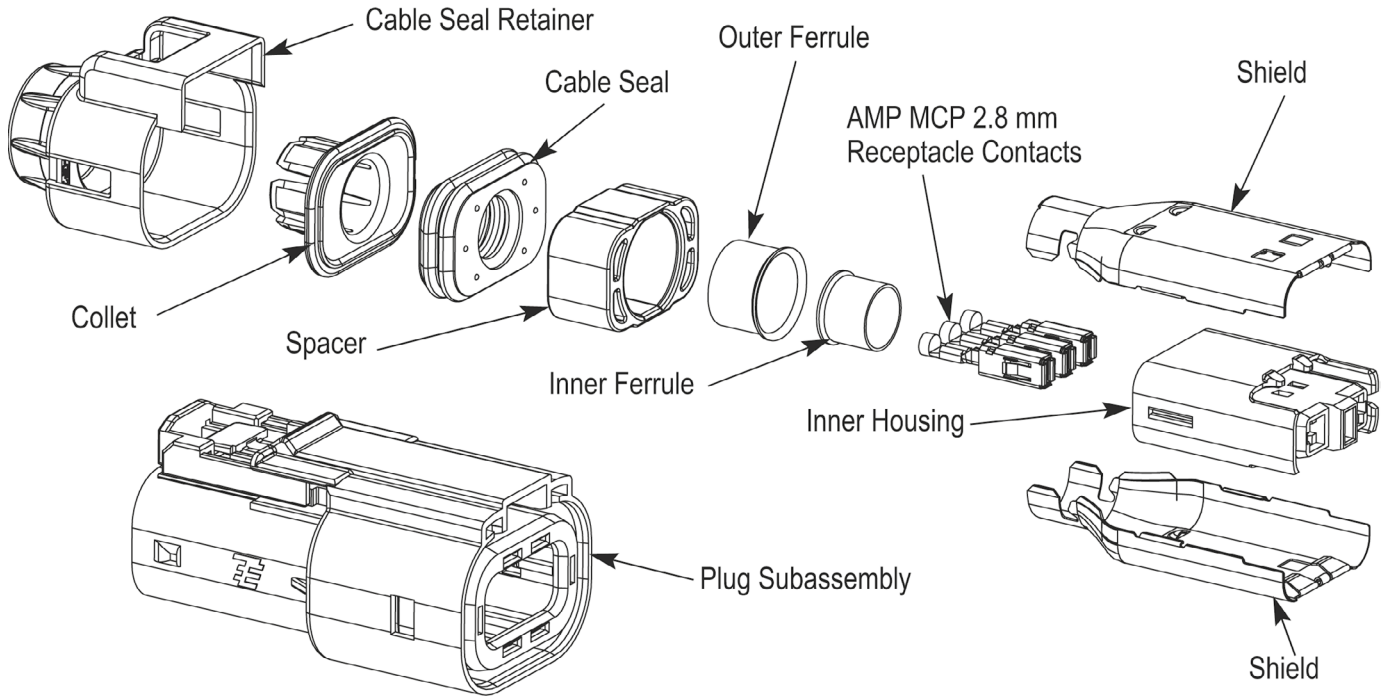
Bill of Materials

Part Number	Description	Quantity
4-2103015-5	Plug subassy, finger latch, with CPA, Key E	1
1587977-2	Inner housing, pass-through HVIL	1
5-963716-2	MQS terminal, .5-.75 mm ²	2
1-968853-3	AMP MCP 2.8, 2.5-4.0 mm ²	2
1-2103157-1	Shield	2
1587723-3	Inner Ferrule	1
1587724-3	Outer Ferrule	1
2103153-1	Spacer	1
2103154-1	Cable Seal	1
2103155-1	Collet	1
2103013-1	Cable seal retainer	1



AMP+ High Current Connectors and Headers

AMP+ HVA 280



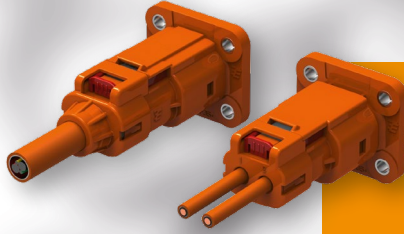
Connector Series

AMP+ HVA280

Positions	3
Cable Size	2.5 mm ²
Wire Type	Multicore
HVIL	Not present
Key Coding	A
Validated Cable	Coroplast 9-2641
Application Specification	114-32056
Product Specification	108-32020
Mating Header PN	
Outer Housing	2103247-1
Inner housing	2103321-1

Bill of Materials

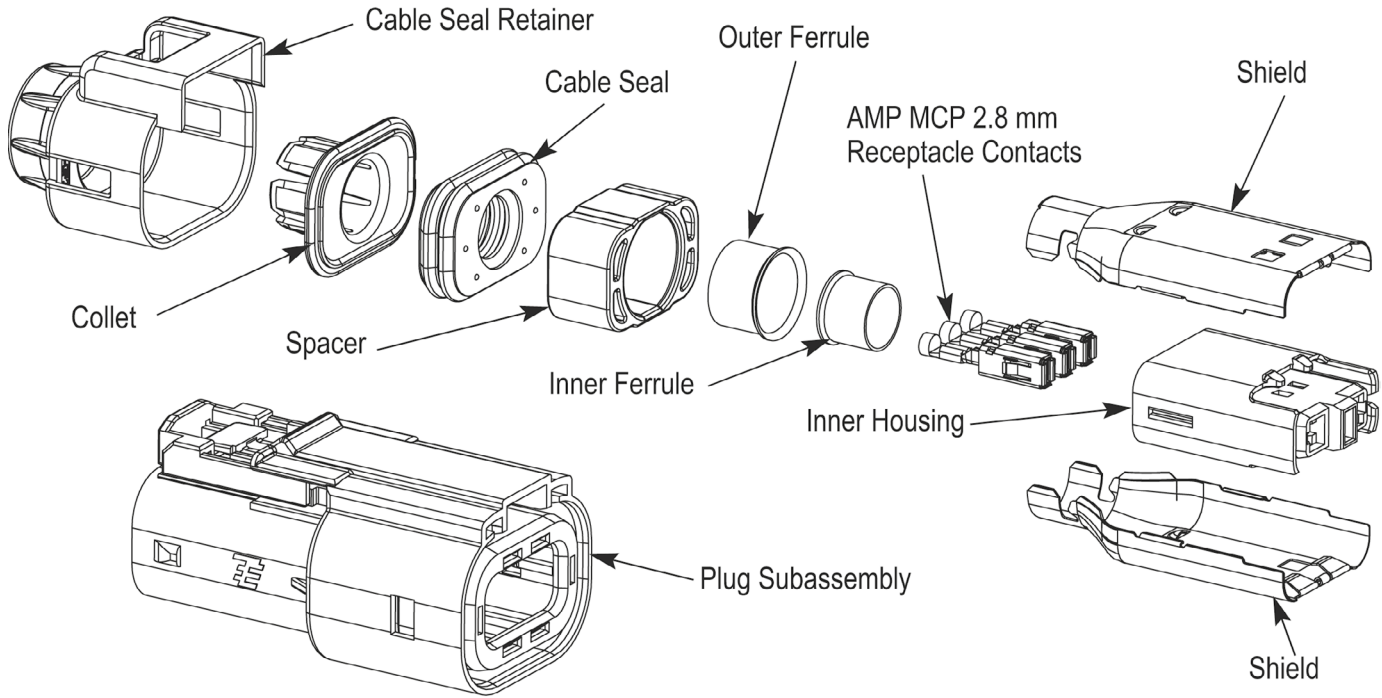
Part Number	Description	Quantity
4-2103015-1	Plug subassy, finger accessible with CPA, Key A	1
2103306-1	Inner Housing	1
1-2103157-2	Shield, Plug, Ag	2
1587723-2	Ferrule, Inner	1
1587724-2	Ferrule, Outer	1
2103153-1	Spacer	1
2103154-2	Cable Seal	1
2103155-2	Collet	1
2103013-2	Cable Seal Retainer	1
1-968851-3	AMP MCP 2.8 Terminal Female, Ag, >1.0-2.5 mm ²	3



AMP+ High Current Connectors and Headers

AMP+ HVA 280

AMP+
HVA280



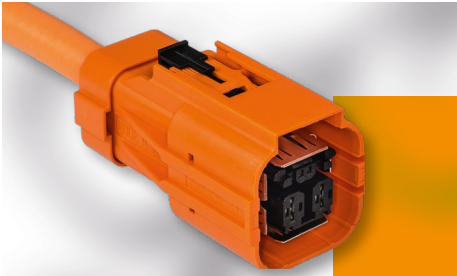
Connector Series

AMP+ HVA280

Bill of Materials

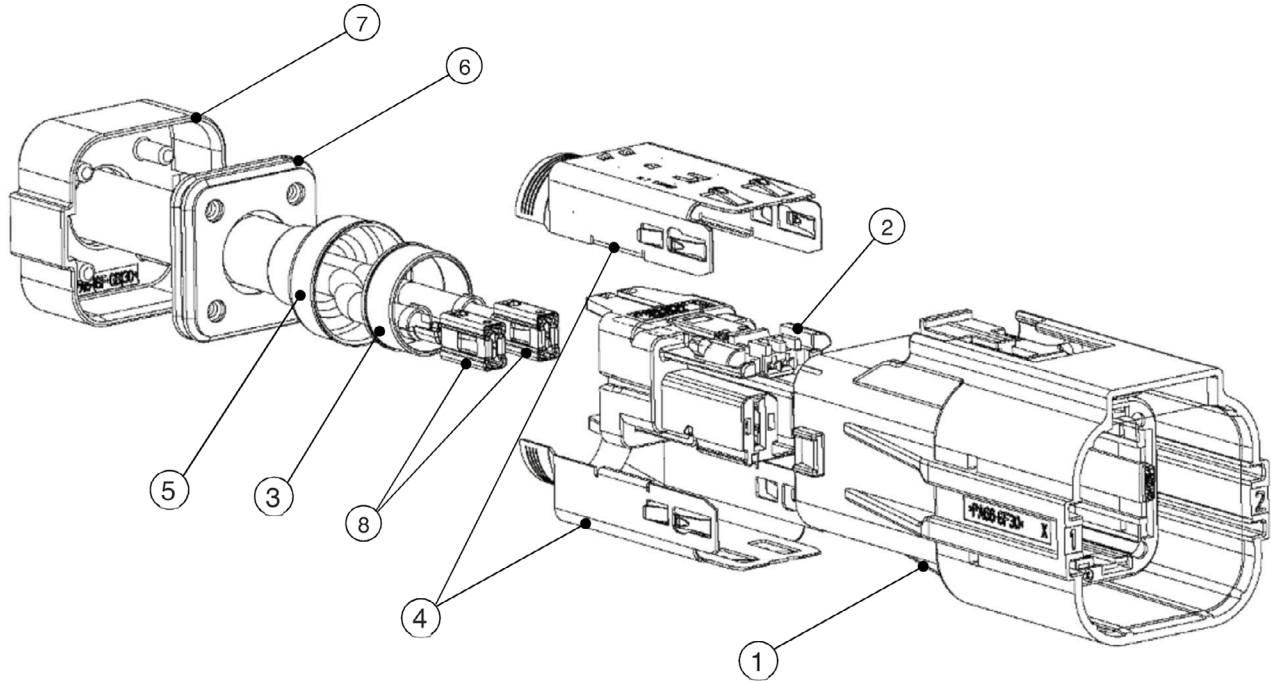
Positions	3
Cable Size	2.5 mm ²
Wire Type	Multicore
HVIL	Not present
Key Coding	B
Validated Cable	Coroplast 9-2641
Application Specification	114-32056
Product Specification	108-32020
Mating Header PN	
Outer Housing	2103247-2
Inner housing	2103321-2

Part Number	Description	Quantity
4-2103015-2	Plug subassy, finger accessible with CPA, Key B	1
2103306-1	Inner Housing	1
1-2103157-2	Shield, Plug, Ag	2
1587723-2	Ferrule, Inner	1
1587724-2	Ferrule, Outer	1
2103153-1	Spacer	1
2103154-2	Cable Seal	1
2103155-2	Collet	1
2103013-2	Cable Seal Retainer	1
1-968851-3	AMP MCP 2.8 Terminal Female, Ag, >1.0-2.5 mm ²	3



AMP+ High Current Connectors and Headers

AMP+ HVA 630



Connector Series

AMP+ HVA630

Positions	2
Cable Size	4 mm ²
Wire Type	Multicore
HVIL	Bridge in the connector
Key Coding	A
Validated Cable	Coroplast 9-2641
Application Specification	114-94100
Product Specification	108-94264
Mating Header PN	
90°	1-2141272-1
180°	2-2141272-1

Bill of Materials

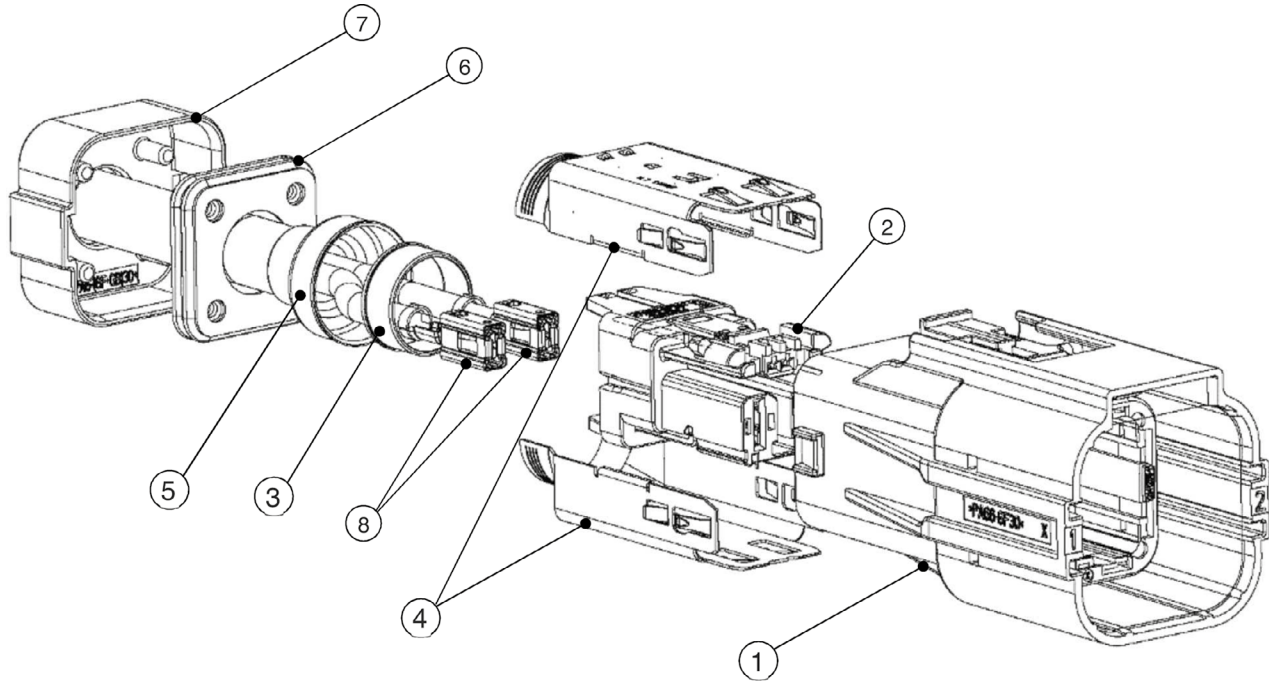
Item No	Part Number	Description	Quantity
①	2141256-1	Plug Housing Assy, Code A	1
②	2141259-1	Receptacle Housing Assy	1
③	2141261-1	Shield Crimp Ferrule, Inner	1
④	2141262-3	Shielding	2
⑤	2141263-3	Outer Crimp Ferrule	1
⑥	2141264-3	Cable Seal	1
⑦	2141265-3	Cover	1
⑧	2-1241408-3	AMP MCP 6.3/4.8 Contact	2



AMP+ High Current Connectors and Headers

AMP+ HVA 630

AMP+
HVA 630



Connector Series

AMP+ HVA630

Bill of Materials

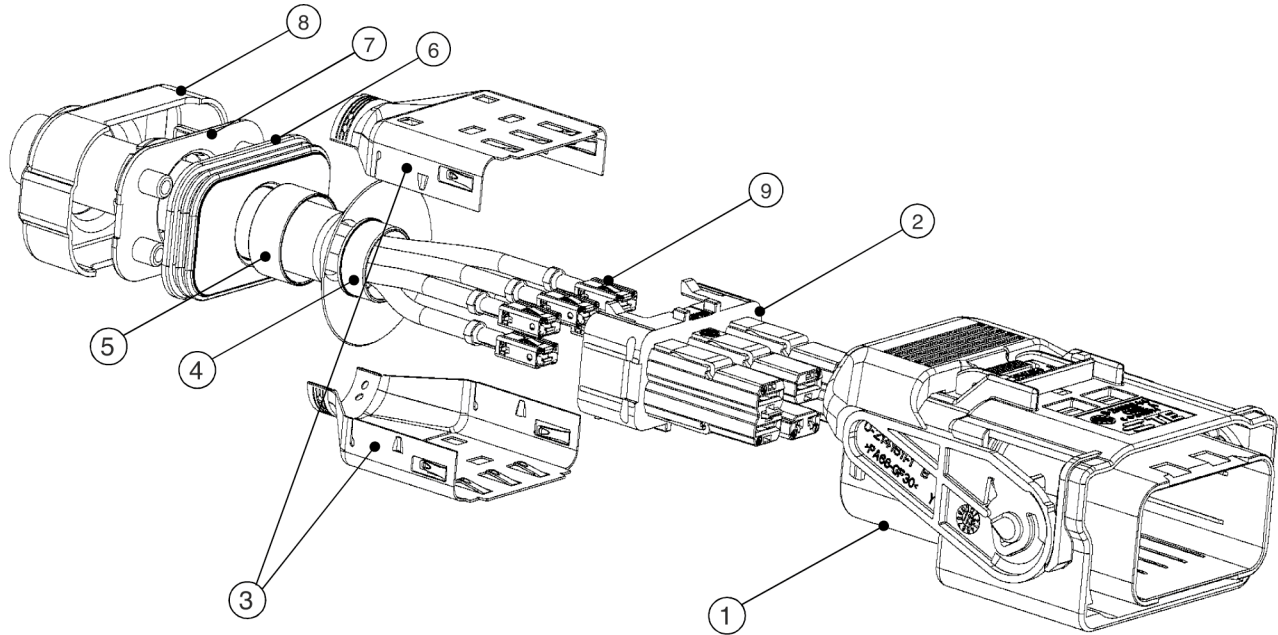
Positions	2
Cable Size	6 mm ²
Wire Type	Multicore
HVIL	Bridge in the connector
Key Coding	A
Validated Cable	Coroplast 9-2641
Application Specification	114-94100
Product Specification	108-94264
Mating Header PN	
90°	1-2141272-1
180°	2-2141272-1

Item No	Part Number	Description	Quantity
①	2141256-1	Plug Housing Assy, Code A	1
②	2141259-1	Receptacle Housing Assy	1
③	2141261-1	Shield Crimp Ferrule, Inner	1
④	2141262-3	Shielding	2
⑤	2141263-4	Outer Crimp Ferrule	1
⑥	2141264-4	Cable Seal	1
⑦	2141265-4	Cover	1
⑧	2-1241408-3	AMP MCP 6.3/4.8 Contact	2



AMP+ High Current Connectors and Headers

AMP+ HVA 630



Connector Series

AMP+ HVA630

Positions	3
Cable Size	4 mm ²
Wire Type	Multicore
HVIL	Bridge in the connector
Key Coding	A
Validated Cable	Coroplast 9-2641
Application Specification	114-94114
Product Specification	108-94235
Mating Header PN	
90°	2141269-1
180°	2236454-1

Bill of Materials

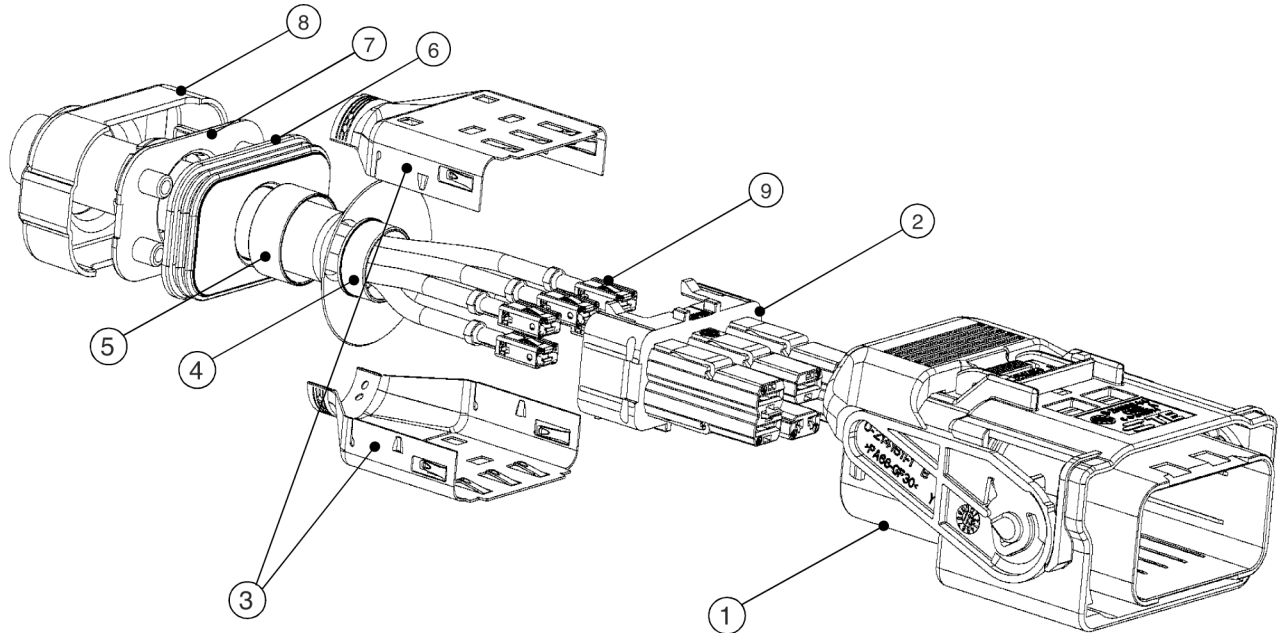
Item No	Part Number	Description	Quantity
①	2141608-4	Outer Housing Assy with CPA, Code A	1
②	2141630-1	Receptacle Housing Assy with HVIL	1
③	2141616-1	Shielding	2
④	2141261-1	Shield Crimp Ferrule, Inner	1
⑤	2141617-1	Outer Crimp Ferrule	1
⑥	2141612-3	Cable Seal	1
⑦	2141613-3	Carrier Cable Seal	1
⑧	2141614-3	Cover Cable Seal	1
⑨	2-1241408-3	AMP MCP 6.3/4.8 Contact	3



AMP+ High Current Connectors and Headers

AMP+ HVA 630

AMP+
HVA 630



Connector Series

AMP+ HVA630

Bill of Materials

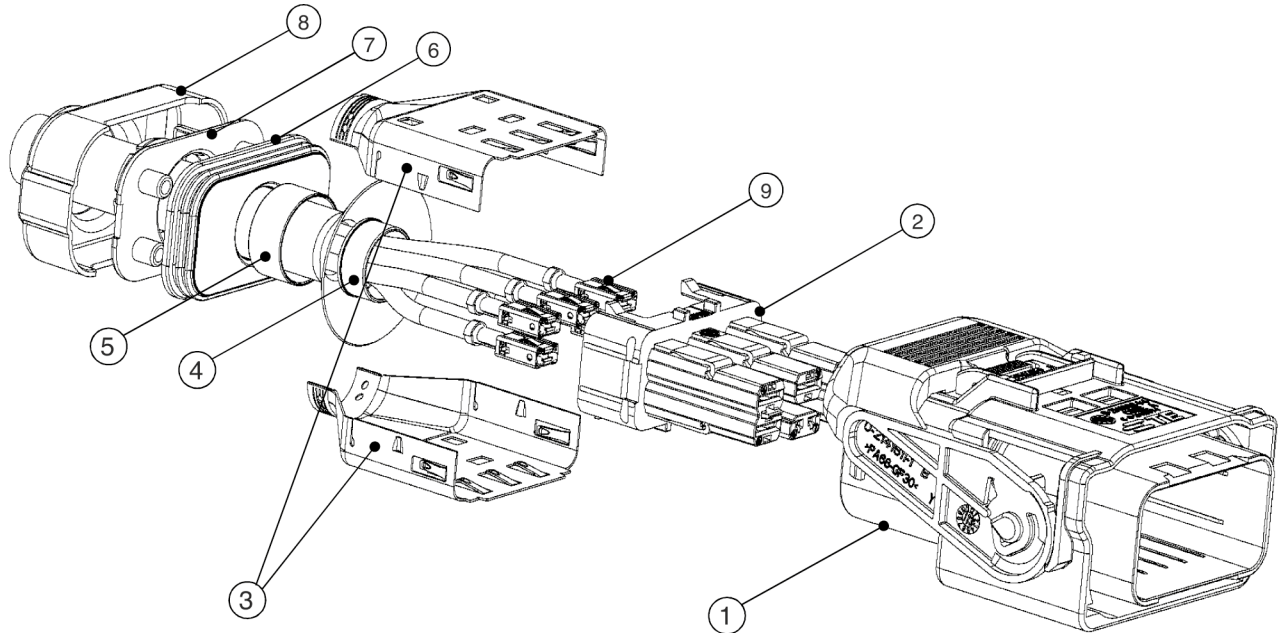
Positions	4
Cable Size	4 mm ²
Wire Type	Multicore
HVIL	Bridge in the connector
Key Coding	A
Validated Cable	Coroplast 9-2641
Application Specification	114-94114
Product Specification	108-94235
Mating Header PN	
90°	2141269-1
180°	2236454-1

Item No	Part Number	Description	Quantity
①	2141608-4	Outer Housing Assy with CPA, Code A	1
②	2141630-1	Receptacle Housing Assy with HVIL	1
③	2141616-1	Shielding	2
④	2141261-1	Shield Crimp Ferrule, Inner	1
⑤	2141617-1	Outer Crimp Ferrule	1
⑥	2141612-4	Cable Seal	1
⑦	2141613-4	Carrier Cable Seal	1
⑧	2141614-4	Cover Cable Seal	1
⑨	2-1241408-3	AMP MCP 6.3/4.8 Contact	4



AMP+ High Current Connectors and Headers

AMP+ HVA 630



Connector Series

AMP+ HVA630

Positions	5
Cable Size	6 mm ²
Wire Type	Multicore
HVIL	Bridge in the connector
Key Coding	A
Validated Cable	Coroplast 9-2641
Application Specification	114-94114
Product Specification	108-94235
Mating Header PN	
90°	2141269-1
180°	2236454-1

Bill of Materials

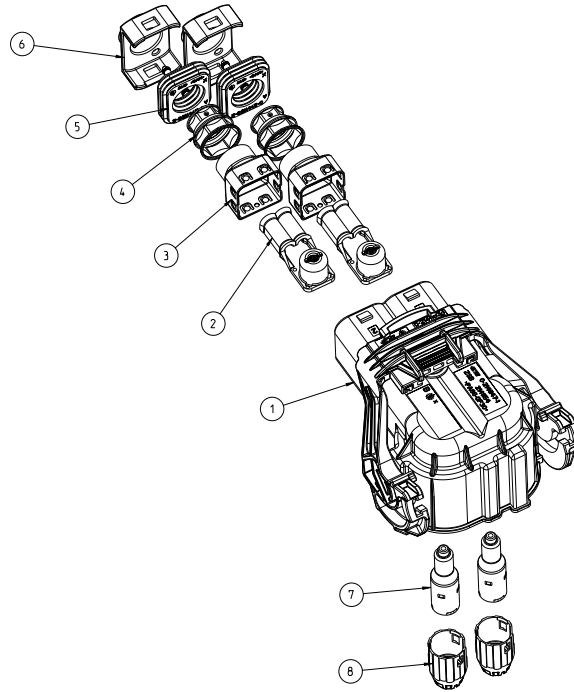
Item No	Part Number	Description	Quantity
①	2141608-4	Outer Housing Assy with CPA, Code A	1
②	2141630-1	Receptacle Housing Assy with HVIL	1
③	2141616-1	Shielding	2
④	2141261-1	Shield Crimp Ferrule, Inner	1
⑤	2141617-1	Outer Crimp Ferrule	1
⑥	2141612-5	Cable Seal	1
⑦	2141613-5	Carrier Cable Seal	1
⑧	2141614-5	Cover Cable Seal	1
⑨	2-1241408-3	AMP MCP 6.3/4.8 Contact	5



AMP+ High Current Connectors and Headers

AMP+ HVP800

AMP+
HVP800



Connector Series

AMP+ HVP800

Bill of Materials

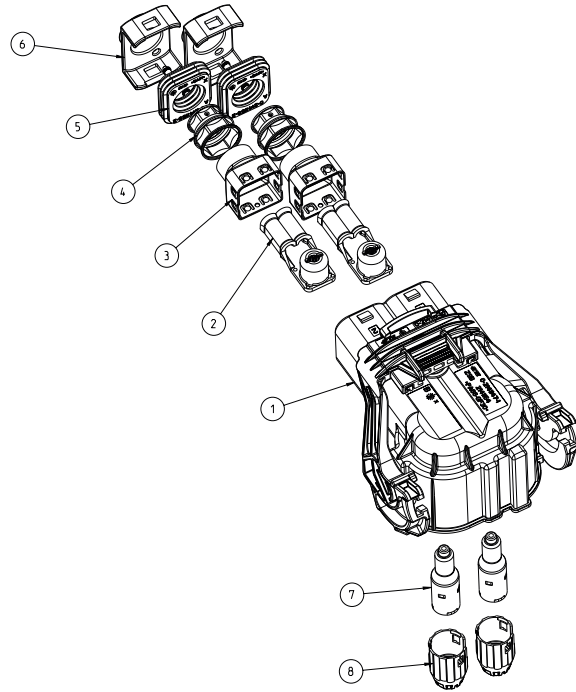
Positions	2
Cable Size	50 mm ²
Connector Orientation	90°
Wire Type	Individually Shielded
HVIL	Bridged in the connector
Key Coding	A
Validated Cable	Coroplast 9-2611
Application Specification	114-94052
Product Specification	108-94268
Mating Header PN	2141227-1

Item No	Part Number	Description	Quantity
①	1-2141154-1	2Pos, Rec Hsg 90° Assy, Key A	1
②	2141211-2	Deep drawn socket, 90°, Assy	2
③	9-2141158-2	Shielding Sleeve, 90°	2
④	9-2141157-1	Shield crimp ferrule, 90°	2
⑤	2141156-1	Single wire seal	2
⑥	2141155-1	Cover, seal	2
⑦	2141212-1	Deep drawn socket, Pin 90°, Assy	2
⑧	2141159-1	Finger Protection Cap	2



AMP+ High Current Connectors and Headers

AMP+ HVP800



Connector Series	AMP+ HVP800
Positions	2
Cable Size	50 mm ²
Connector Orientation	90°
Wire Type	Individually Shielded
HVIL	Bridged in the connector
Key Coding	B
Validated Cable	Coroplast 9-2611
Application Specification	114-94052
Product Specification	108-94268
Mating Header PN	2141227-2

Bill of Materials

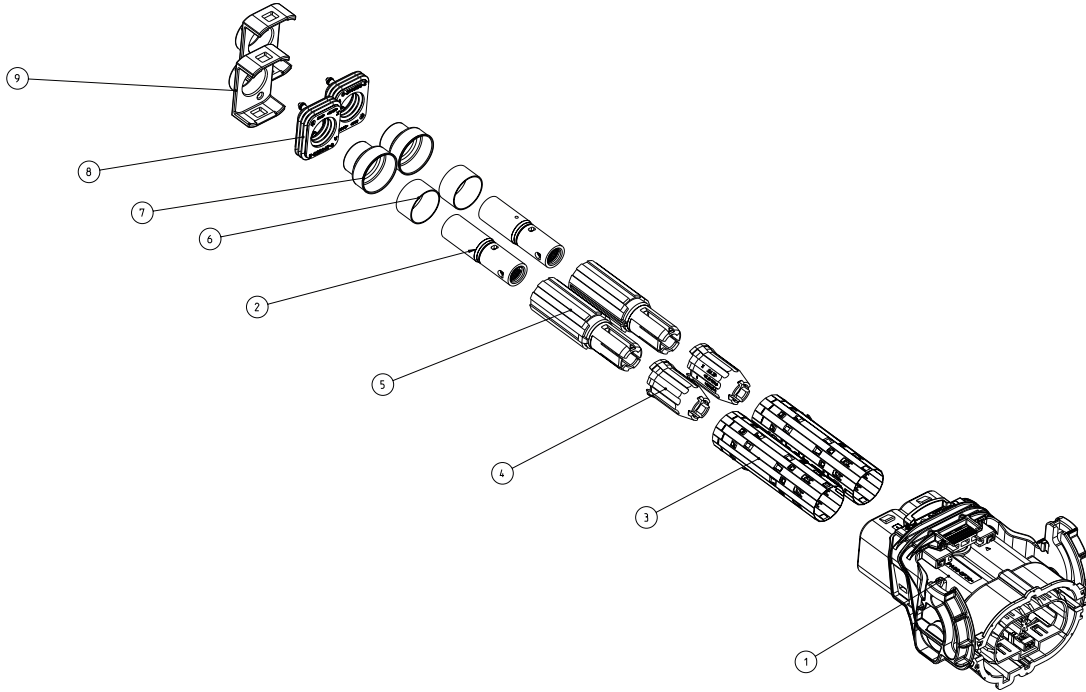
Item No	Part Number	Description	Quantity
①	1-2141154-2	2 Pos, Receptacle Housing 90°, Assembly, Key B	1
②	2141211-2	Deep drawn socket, 90°, Assembly	2
③	9-2141158-2	Shielding sleeve, 90°	2
④	9-2141157-1	Shield crimp ferrule, 90°	2
⑤	2141156-1	Single wire seal	2
⑥	2141155-1	Cover, seal	2
⑦	2141212-1	Deep drawn socket, Pin 90°, Assembly	2
⑧	2141159-1	Finger protection cap	2



AMP+ High Current Connectors and Headers

AMP+ HVP800

AMP+
HVP800



Connector Series **AMP+ HVP800**

Positions	2
Cable Size	50 mm ²
Connector Orientation	180°
Wire Type	Individually Shielded
HVIL	Bridged in the connector
Key Coding	A
Validated Cable	Coroplast 9-2611
Application Specification	114-94130
Product Specification	108-94297
Mating Header PN	2141227-1

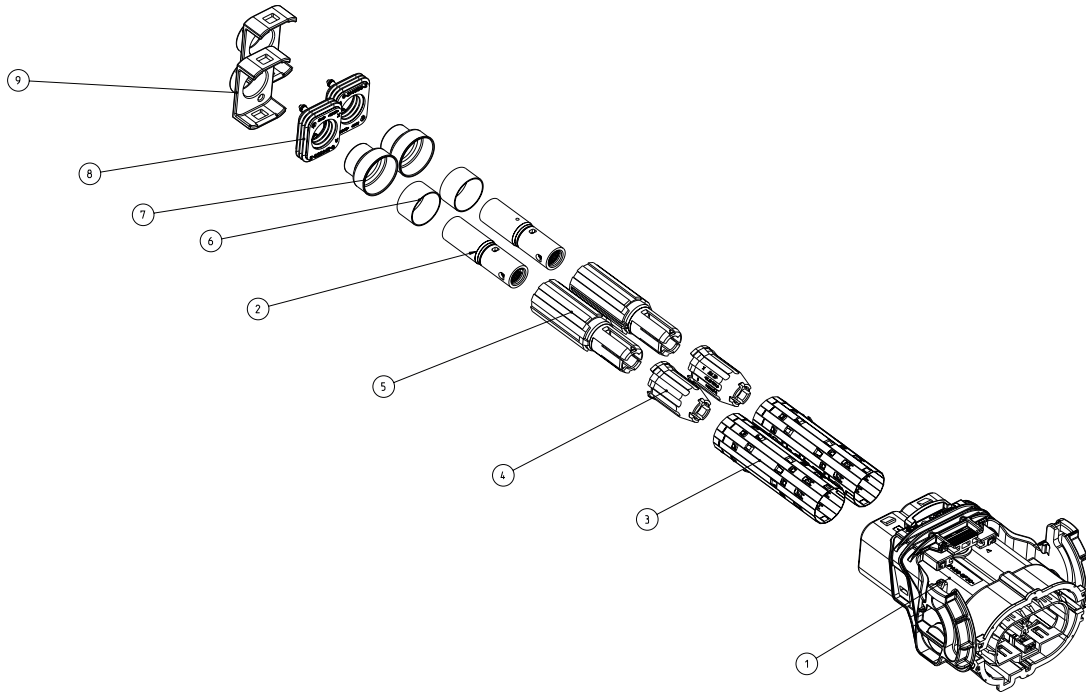
Bill of Materials

Item No	Part Number	Description	Quantity
①	1-2177053-1	2Pos, Rec Hsg 180° Assy, Key A	1
②	2177592-1	Turned contact, 50 mm ² , 180°, Assy	2
③	2177060-3	Shielding Sleeve, 180°	2
④	2177059-1	Finger Protection Cap, 180°	2
⑤	2177058-1	Insulation insert, 180°	2
⑥	2177061-1	Inner crimp ferrule, 180°	2
⑦	2177090-1	Shield crimp ferrule, 180°	2
⑧	2141156-1	Single wire seal	2
⑨	2141155-1	Cover, seal	2



AMP+ High Current Connectors and Headers

AMP+ HVP800



Connector Series **AMP+ HVP800**

Positions	2
Cable Size	50 mm ²
Connector Orientation	180°
Wire Type	Individually Shielded
HVIL	Bridged in the connector
Key Coding	B
Validated Cable	Coroplast 9-2611
Application Specification	114-94130
Product Specification	108-94297
Mating Header PN	2141227-2

Bill of Materials

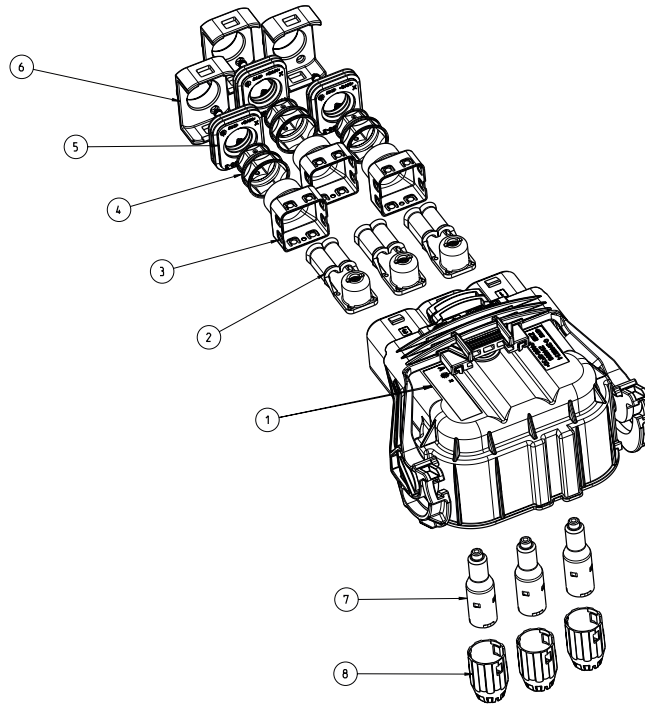
Item No	Part Number	Description	Quantity
①	1-2177053-3	2Pos, Rec Hsg 180° Assy, Key B	1
②	2177592-1	Turned contact, 50 mm ² , 180°, Assy	2
③	2177060-3	Shielding Sleeve, 180°	2
④	2177059-1	Finger Protection Cap, 180°	2
⑤	2177058-1	Insulation insert, 180°	2
⑥	2177061-1	Inner crimp ferrule, 180°	2
⑦	2177090-1	Shield crimp ferrule, 180°	2
⑧	2141156-1	Single wire seal	2
⑨	2141155-1	Cover, seal	2



AMP+ High Current Connectors and Headers

AMP+ HVP800

AMP+
HVP800



Connector Series	AMP+ HVP800
Positions	3
Cable Size	50 mm ²
Connector Orientation	90°
Wire Type	Individually Shielded
HVIL	Bridged in the connector
Key Coding	A
Validated Cable	Coroplast 9-2611
Application Specification	114-94052
Product Specification	108-94268
Mating Header PN	2141230-1

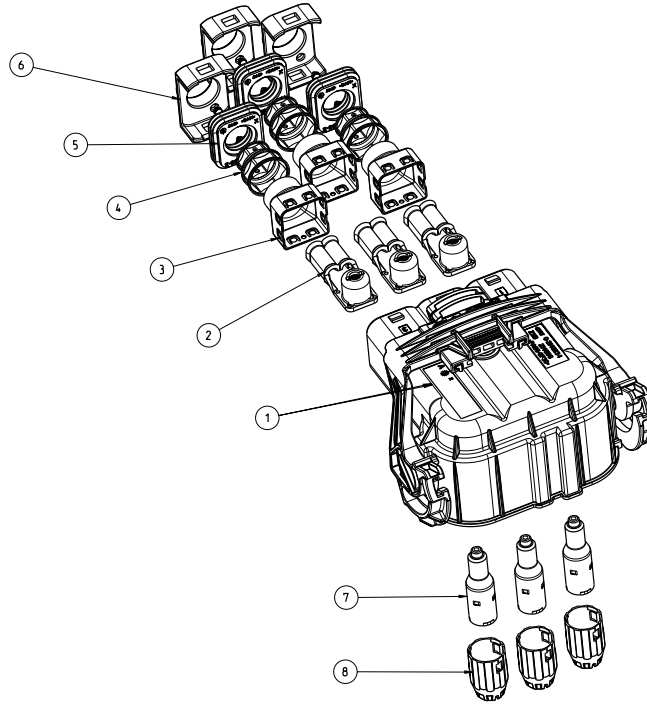
Bill of Materials

Item No	Part Number	Description	Quantity
①	1-2141166-1	3 Pos, Rec Hsg 90° Assy, Key A	1
②	2141211-2	Deep drawn socket, 90°, Assy	3
③	9-2141158-2	Shielding Sleeve, 90°	3
④	9-2141157-1	Shield crimp ferrule, 90°	3
⑤	2141156-1	Single wire seal	3
⑥	2141155-1	Cover, seal	3
⑦	2141212-1	Deep drawn socket, Pin 90°, Assy	3
⑧	2141159-1	Finger Protection Cap	3



AMP+ High Current Connectors and Headers

AMP+ HVP 800



Connector Series	AMP+ HVP800
Positions	3
Cable Size	50 mm ²
Connector Orientation	90°
Wire Type	Individually Shielded
HVIL	Bridged in the connector
Key Coding	B
Validated Cable	Coroplast 9-2611
Application Specification	114-94052
Product Specification	108-94268
Mating Header PN	2141230-2

Bill of Materials

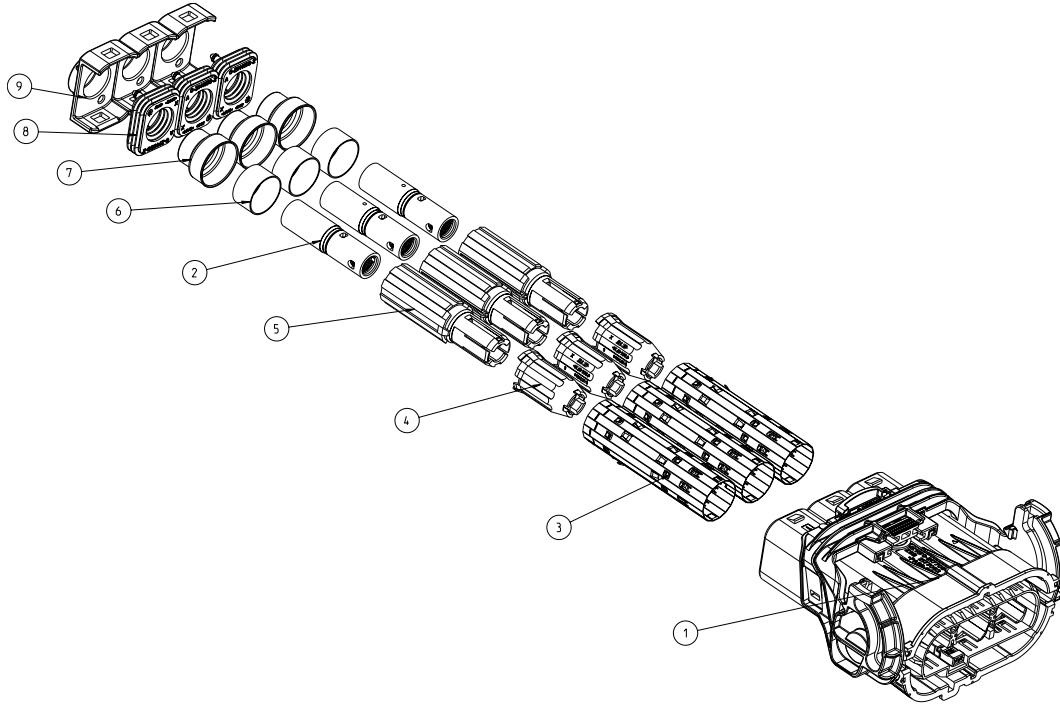
Item No	Part Number	Description	Quantity
①	1-2141166-2	3 Pos, Rec Hsg 90° Assy, Key B	1
②	2141211-2	Deep drawn socket, 90°, Assy	3
③	9-2141158-2	Shielding Sleeve, 90°	3
④	9-2141157-1	Shield crimp ferrule, 90°	3
⑤	2141156-1	Single wire seal	3
⑥	2141155-1	Cover, seal	3
⑦	2141212-1	Deep drawn socket, Pin 90°, Assy	3
⑧	2141159-1	Finger Protection Cap	3



AMP+ High Current Connectors and Headers

AMP+ HVP800

AMP+
HVP800



Connector Series	AMP+ HVP800
Positions	3
Cable Size	50 mm ²
Connector Orientation	180°
Wire Type	Individually Shielded
HVIL	Bridged in the connector
Key Coding	A
Validated Cable	Coroplast 9-2611
Application Specification	114-94130
Product Specification	108-94297
Mating Header PN	2141230-1

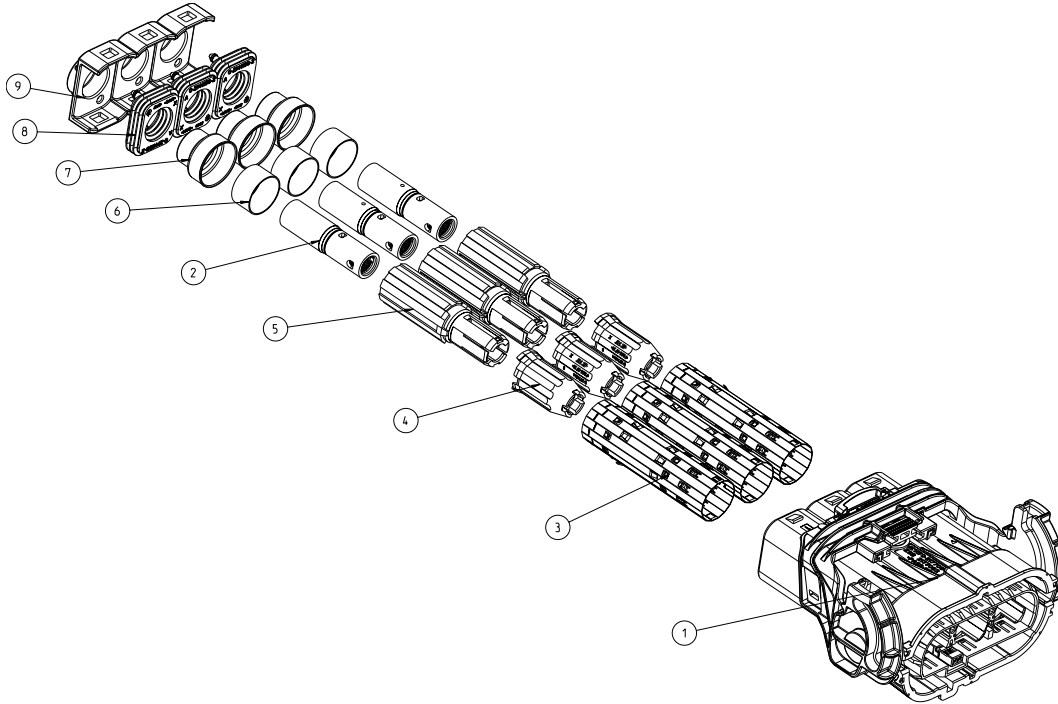
Bill of Materials

Item No	Part Number	Description	Quantity
①	1-2177063-1	3 Pos, Rec Hsg 180° Assy, Key A	1
②	2177592-1	Turned contact, 50 mm ² , 180°, Assy	3
③	2177060-3	Shielding Sleeve, 180°	3
④	2177059-1	Finger Protection Cap, 180°	3
⑤	2177058-1	Insulation insert, 180°	3
⑥	2177061-1	Inner crimp ferrule, 180°	3
⑦	2177090-1	Shield crimp ferrule, 180°	3
⑧	2141156-1	Single wire seal	3
⑨	2141155-1	Cover, seal	3



AMP+ High Current Connectors and Headers

AMP+ HVP800



Connector Series **AMP+ HVP800**

Positions	3
Cable Size	50 mm ²
Connector Orientation	180°
Wire Type	Individually Shielded
HVIL	Bridged in the connector
Key Coding	B
Validated Cable	Coroplast 9-2611
Application Specification	114-94130
Product Specification	108-94297
Mating Header PN	2141230-2

Bill of Materials

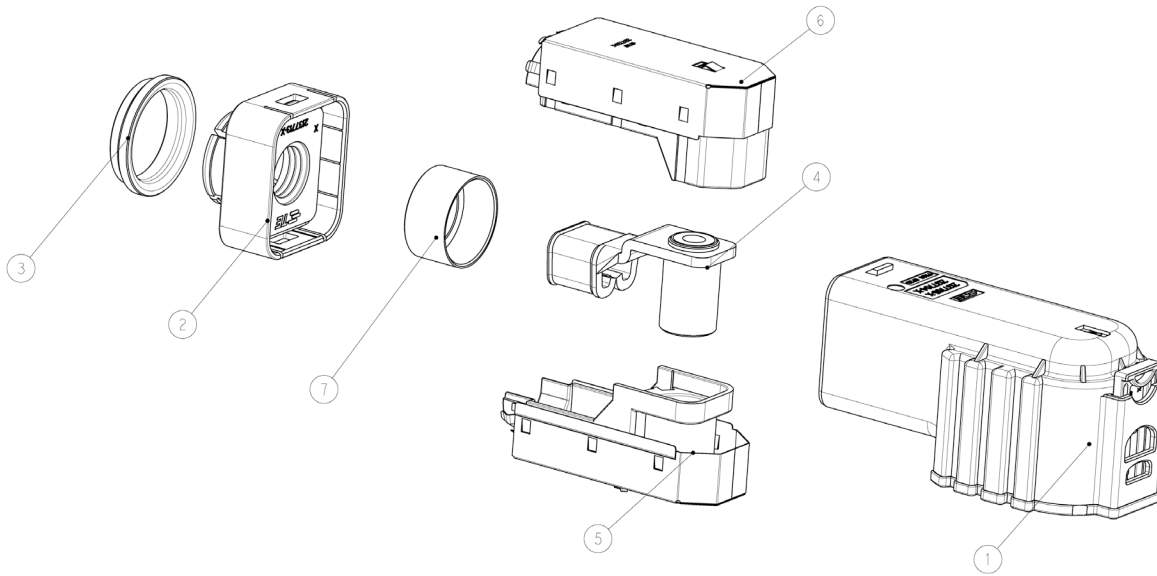
Item No	Part Number	Description	Quantity
①	1-2177063-3	3 Pos, Rec Hsg 180° Assy, Key B	1
②	2177592-1	Turned contact, 50 mm ² , 180°, Assy	3
③	2177060-3	Shielding Sleeve, 180°	3
④	2177059-1	Finger Protection Cap, 180°	3
⑤	2177058-1	Insulation insert, 180°	3
⑥	2177061-1	Inner crimp ferrule, 180°	3
⑦	2177090-1	Shield crimp ferrule, 180°	3
⑧	2141156-1	Single wire seal	3
⑨	2141155-1	Cover, seal	3



AMP+ High Current Connectors and Headers

AMP+ HVP1100

AMP+
HVP1100



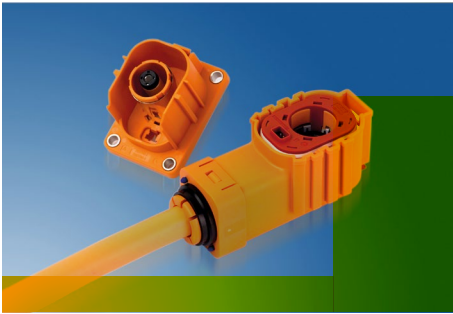
Connector Series

AMP+ HVP1100

Bill of Materials

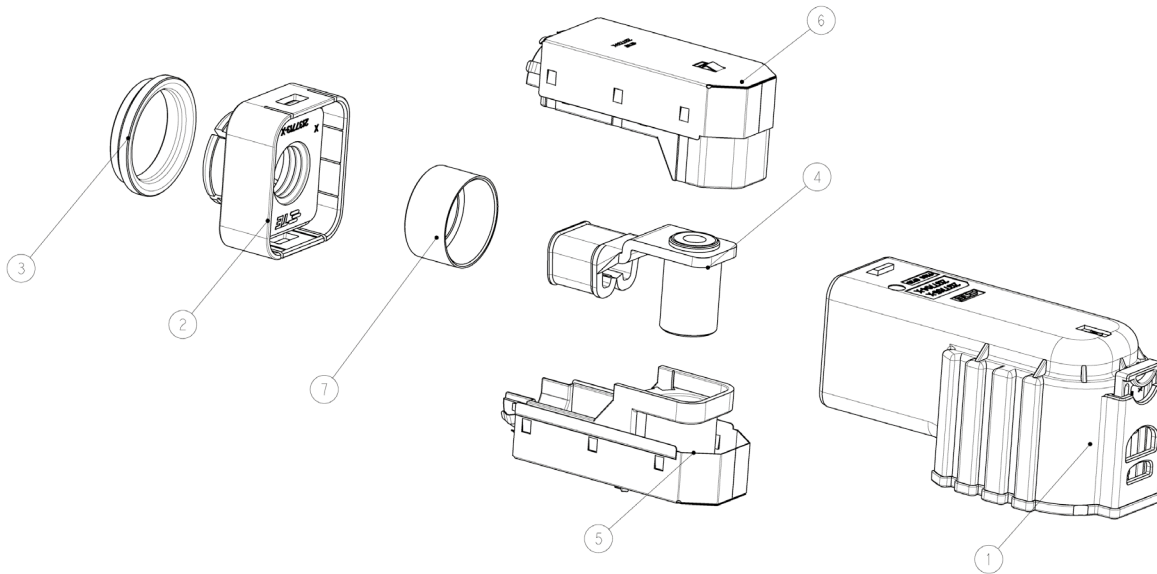
Positions	1
Cable Size	70 mm ²
Connector Orientation	90°
Wire Type	Individually Shielded
HVIL	Bridged in the connector
Key Coding	A
Validated cable	Huber+Suhner FLR41XC33X-1x70T150
Application Specification	114-101010
Product Specification	108-101010
Mating Header PN	2137740-1

Item No	Part Number	Description	Quantity
①	2137704-1	HVP1100 Plug Hsg Assy, 90°, Key A	1
②	2137711-3	Cable seal assy	1
③	2294653-1	Cable enforce ring	1
④	2137715-3	Terminal assy 90°, 11 mm	1
⑤	2137722-1	Lower insert assy	1
⑥	2137735-1	Upper insert assy	1
⑦	2294655-1	Shielding ferrule	1



AMP+ High Current Connectors and Headers

AMP+ HVP1100



Connector Series

AMP+ HVP1100

Positions	1
Cable Size	70 mm ²
Connector Orientation	90°
Wire Type	Individually Shielded
HVIL	Bridged in the connector
Key Coding	B
Validated cable	Huber+Suhner FLR41XC33X-1x70T150
Application Specification	114-101010
Product Specification	108-101010
Mating Header PN	2137740-2

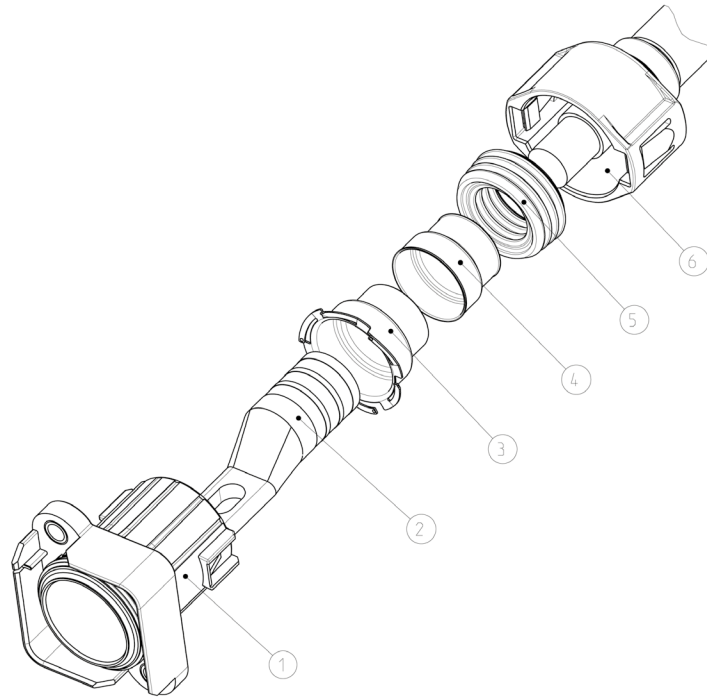
Bill of Materials

Item No	Part Number	Description	Quantity
①	2137704-2	HVP1100 Plug Hsg Assy, 90°, Key B	1
②	2137711-3	Cable seal assy	1
③	2294653-1	Cable enforce ring	1
④	2137715-3	Terminal assy 90°, 11 mm	1
⑤	2137722-1	Lower insert assy	1
⑥	2137735-1	Upper insert assy	1
⑦	2294655-1	Shielding ferrule	1



AMP+ High Current Connectors and Headers

AMP+ IPT



Connector Series

AMP+ IPT

Positions	1
Cable Size	70 mm ²
Wire Type	Individually Shielded
HVIL	Not present
Key Coding	A
Validated Cable	HEW-KABEL 50560 Gebauer & Griller 88910
Application Specification	114-18769
Product Specification	108-94026
Interface Specification	114-18737

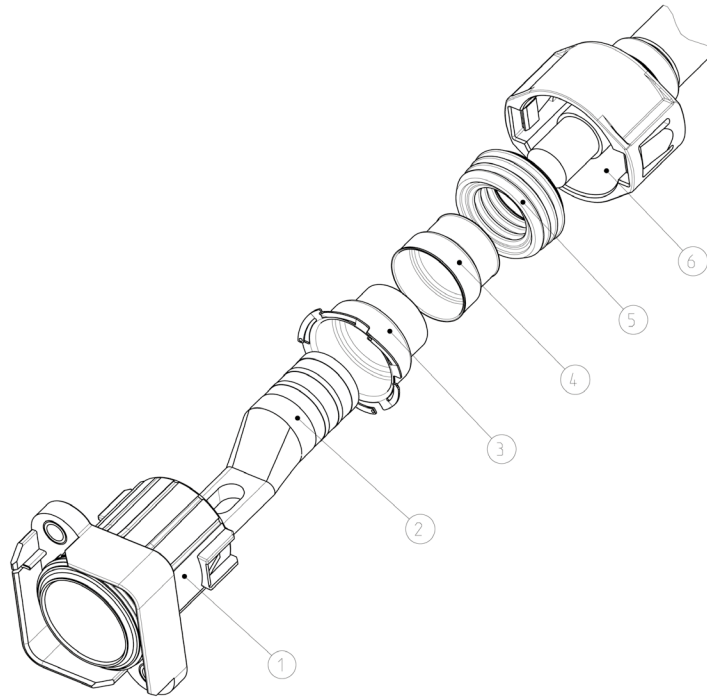
Bill of Materials

Item No	Part Number	Description	Quantity
①	1-1670816-1	1 Pos. Ring Tongue Housing Assembly, Key A	1
②	1670815-1	Ring Tongue	1
③	1670814-1	EMC Crimp Contact	1
④	1670813-2	EMC Crimp Sleeve	1
⑤	1670820-2	Single Wire Seal	1
⑥	1670821-2	Protection Cap	1



AMP+ High Current Connectors and Headers

AMP+ IPT



Connector Series

AMP+ IPT

Positions

1

Cable Size

95 mm²

Wire Type

Individually
Shielded

HVIL

Not present

Key Coding

A

Validated Cable

HEW-KABEL
45733

Gebauer & Griller
64995305

Application Specification

114-18769

Product Specification

108-94026

Interface Specification

114-18737

Bill of Materials

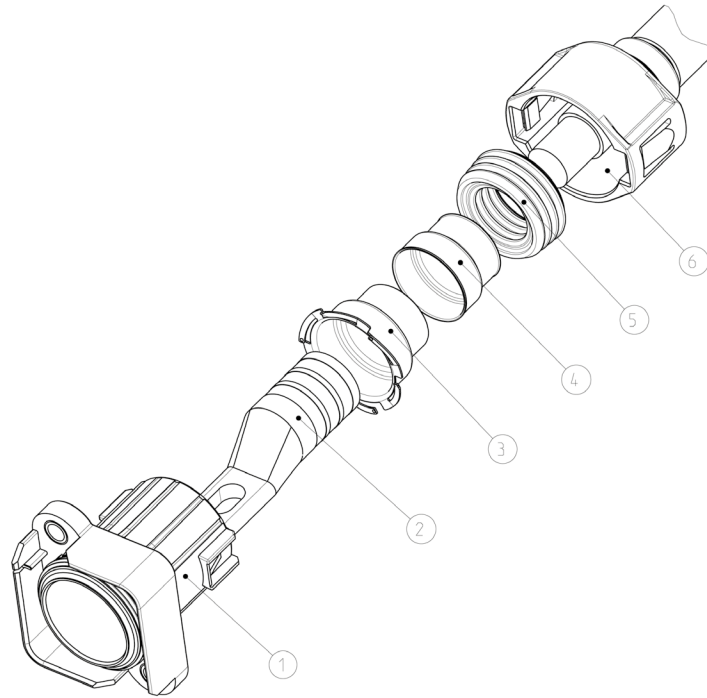
Item No	Part Number	Description	Quantity
①	1-1670816-1	1 Pos. Ring Tongue Housing Assembly, Key A	1
②	1670815-2	Ring Tongue	1
③	1670814-1	EMC Crimp Contact	1
④	1670813-1	EMC Crimp Sleeve	1
⑤	1670820-1	Single Wire Seal	1
⑥	1670821-1	Protection Cap	1



AMP+ High Current Connectors and Headers

AMP+ IPT

AMP+ IPT



Connector Series

AMP+ IPT

Positions	1
Cable Size	120 mm ²
Wire Type	Individually Shielded
HVIL	Not present
Key Coding	A
Validated Cable	HEW-KABEL 45734
Application Specification	114-18769
Product Specification	108-94026
Interface Specification	114-18737

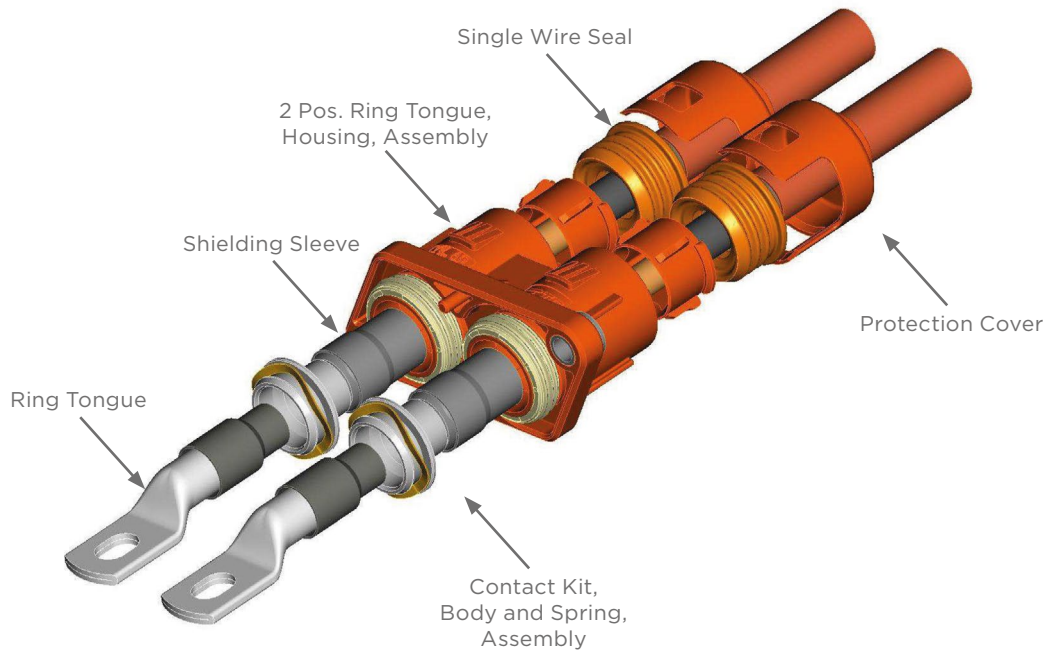
Bill of Materials

Item No	Part Number	Description	Quantity
①	1-1670816-1	1 Pos. Ring Tongue Housing Assembly, Key A	1
②	1670815-3	Ring Tongue	1
③	1670814-1	EMC Crimp Contact	1
④	1670813-1	EMC Crimp Sleeve	1
⑤	1670820-1	Single Wire Seal	1
⑥	1670821-1	Protection Cap	1



AMP+ High Current Connectors and Headers

AMP+ IPT



Connector Series	AMP+ IPT
Positions	2
Cable Size	50 mm ²
Wire Type	Individually Shielded
HVIL	Not present
Key Coding	N/A
Validated Cable	Coroplast 9-2611
Application Specification	114-94133
Product Specification	108-94293
Interface Specification	114-94132-2

Bill of Materials

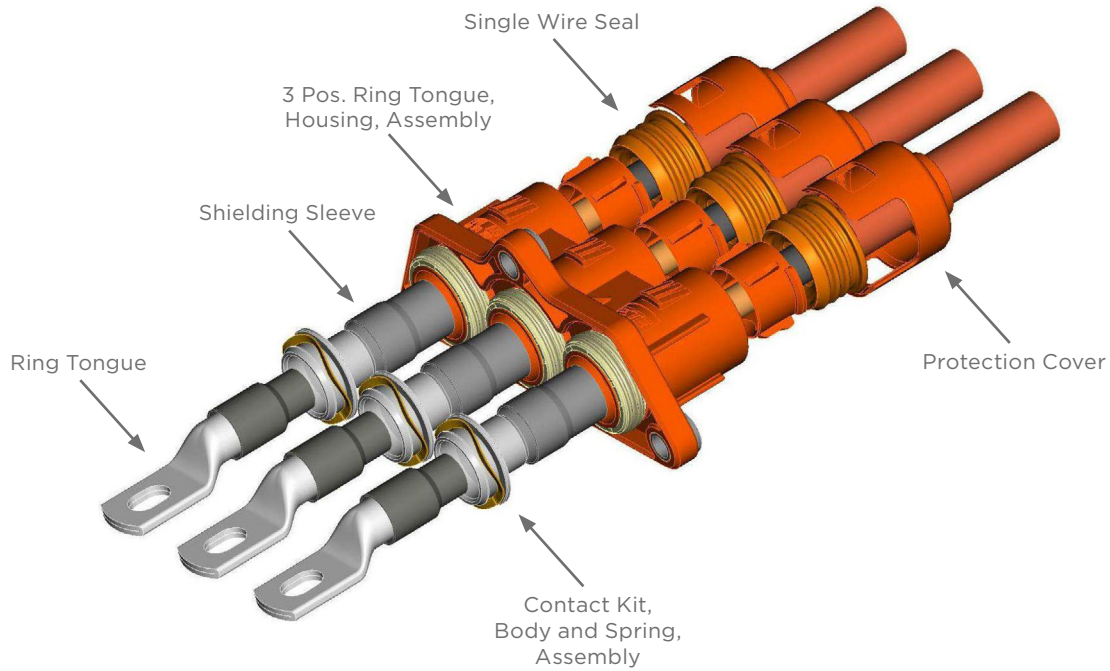
Part Number	Description	Quantity
2141784-2	2 Pos. Ring Tongue, Housing Assembly	1
1719826-7	Single Wire Seal	2
2141810-4	Shielding Sleeve	2
2141809-3	Contact Kit, Body and Spring, Assembly	2
1-1991225-7	Protective Cover	2
3-2177380-1	Ring Tongue	2



AMP+ High Current Connectors and Headers

AMP+ IPT

AMP+ IPT



Connector Series

AMP+ IPT

Bill of Materials

Positions	3
Cable Size	50 mm ²
Wire Type	Individually Shielded
HVIL	Not present
Key Coding	N/A
Validated Cable	Coroplast 9-2611
Application Specification	114-94133
Product Specification	108-94293
Interface Specification	114-94132-3

Part Number	Description	Quantity
2141783-2	3 Pos. Ring Tongue, Housing Assembly	1
1719826-7	Single Wire Seal	3
2141810-4	Shielding Sleeve	3
2141809-3	Contact Kit, Body and Spring, Assembly	3
1-1991225-7	Protective Cover	3
3-2177380-1	Ring Tongue	3

TE Connectivity is a \$13 billion global industrial technology leader creating a safer, sustainable, productive, and connected future. Our broad range of connectivity and sensor solutions, proven in the harshest environments, enable advancements in transportation, industrial applications, medical technology, energy, data communications, and the home. With nearly 80,000 employees, including more than 8,000 engineers, working alongside customers in approximately 150 countries, TE ensures that EVERY CONNECTION COUNTS.



te.com/ict

LET'S CONNECT

We make it easy to connect with our experts and are ready to provide all the support you need. For additional information or product assistance, please contact your field representative or our customer service department. Additional information is also available on the website te.com/ict.

TECHNICAL SUPPORT

te.com/support

United States..... +1 800 522 6752 China +86 400 820 6015 Germany+49 6151 607 1999
 Japan +86 044 844 8052

te.com

AMP+, AMP MCP, TE, TE Connectivity, TE connectivity (logo), and EVERY CONNECTION COUNTS are trademarks owned or licensed by the TE Connectivity Ltd. family of companies.
 Coroplast, Gebauer & Griller, HEW-KABEL, Huber+Suhner, Kromberg & Schubert, and Leoni are trademarks.
 Other product names, logos, and company names mentioned herein may be trademarks of their respective owners.

The information given herein, including drawings, illustrations and schematics which are intended for illustration purposes only, is believed to be reliable. However, TE Connectivity makes no warranties as to its accuracy or completeness and disclaims any liability in connection with its use. TE Connectivity's obligations shall only be as set forth in TE Connectivity's Standard Terms and Conditions of Sale for this product and in no case will TE Connectivity be liable for any incidental, indirect or consequential damages arising out of the sale, resale, use or misuse of the product. Users of TE Connectivity products should make their own evaluation to determine the suitability of each such product for the specific application.

© 2020 TE Connectivity Ltd. family of companies All Rights Reserved.

3-1773983-4 07-2020

TE Connectivity
 4849 Hempstead Station Drive
 Kettering, OH 45429
 USA
www.te.com

