



---

## GR10 Installation Guide

The Cisco Meraki GR10 is a dual-band enterprise class 802.11ac cloud-managed access point.

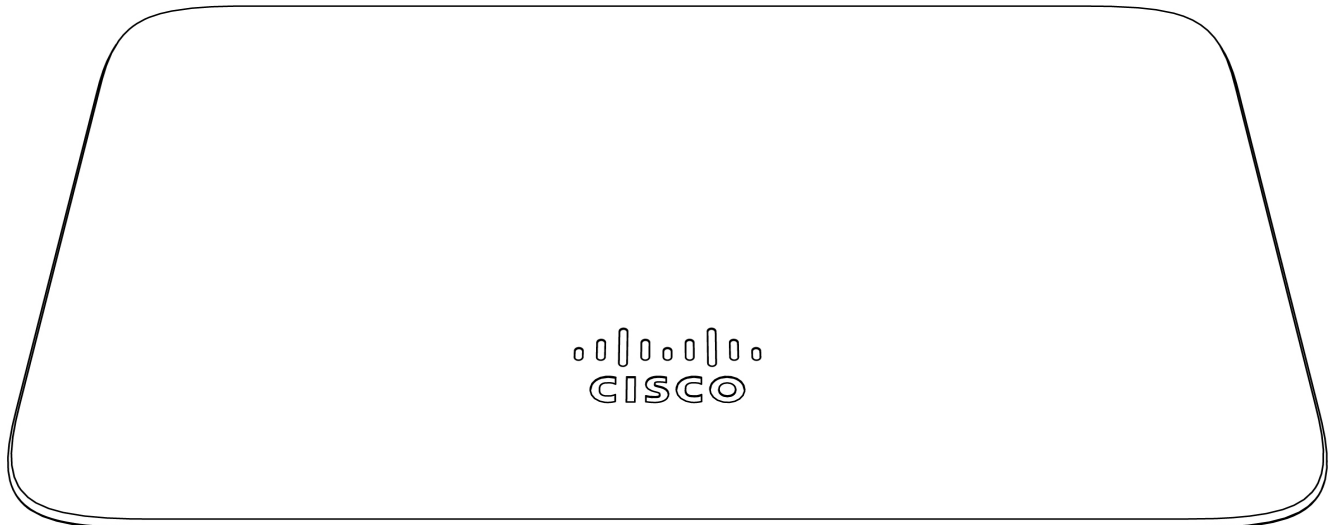
---

---

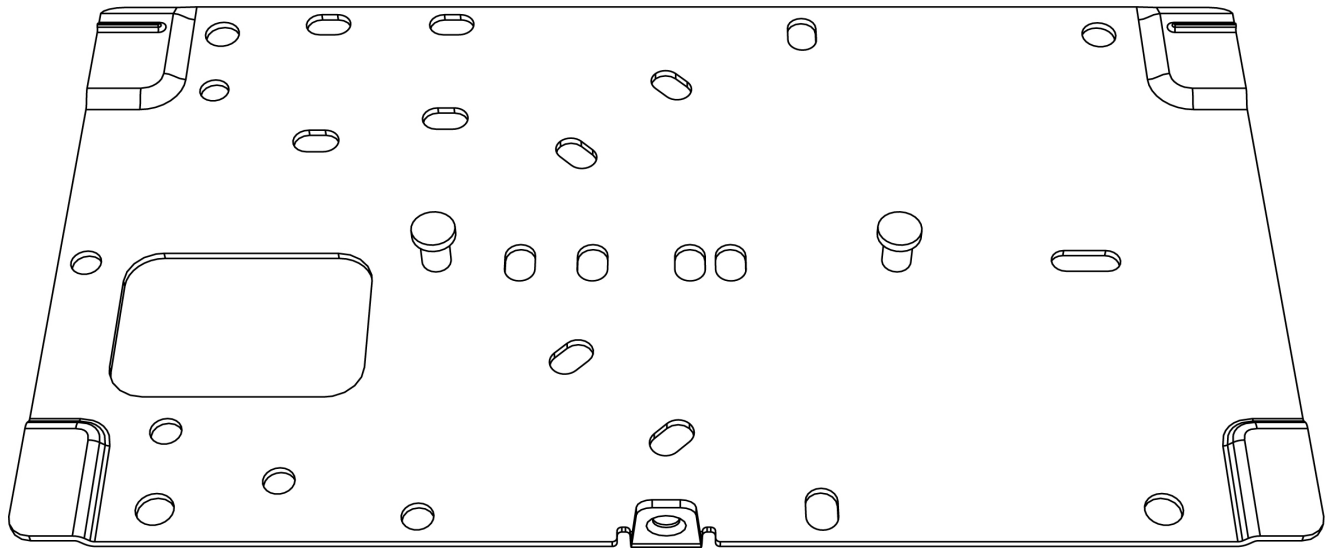
## Package Contents

The GR10 package contains the following:

- GR10 Cloud-Managed Access Point



- Mount plate



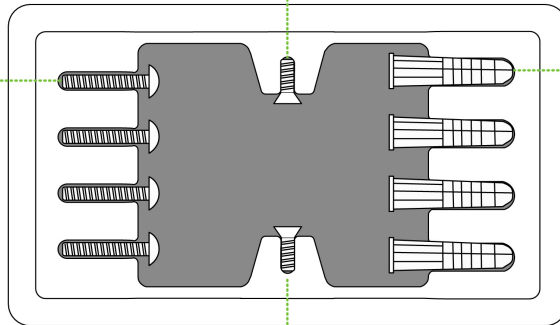
- Mount Kit

- Wall screws, wall screw anchors, and security screws

Mount plate security screw (Phillips)

Phillips head wall mounting screws

Mount plate security screw (Torx)

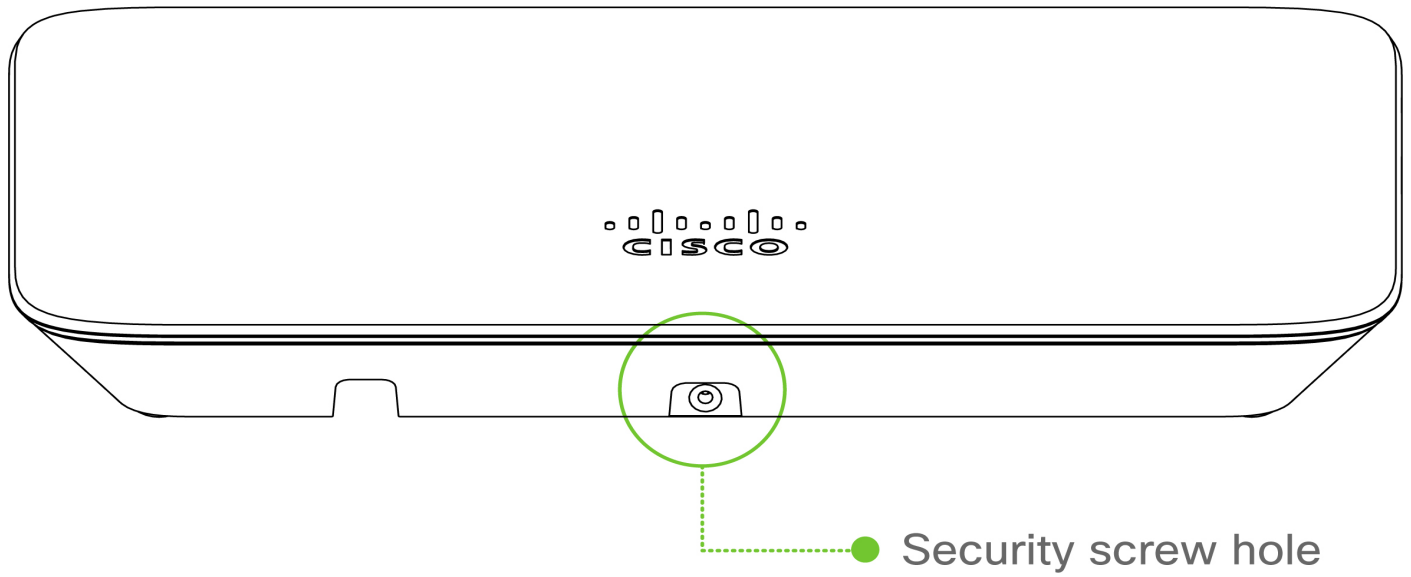


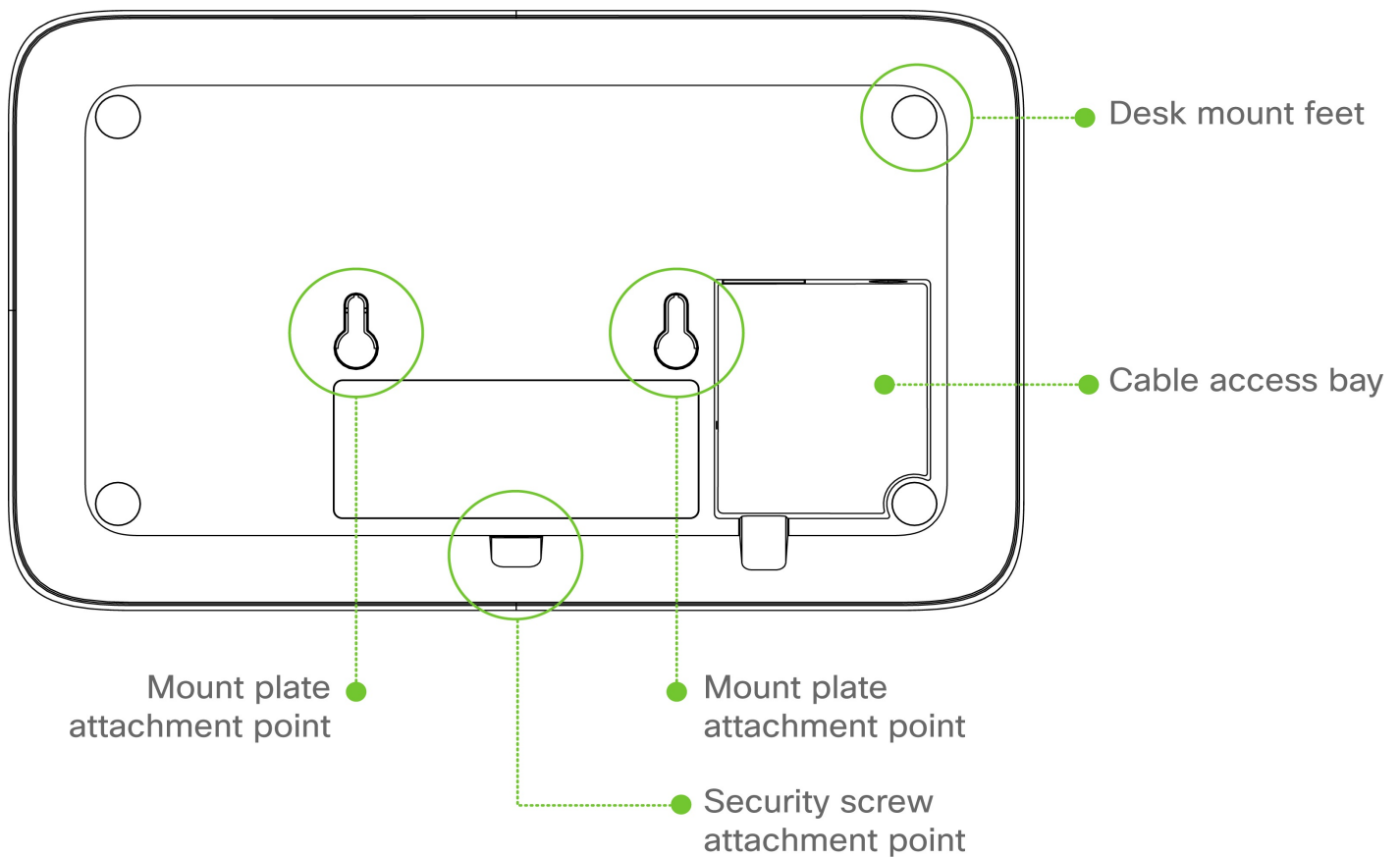
Wall screw anchors for masonry (brick, concrete)

---

## Understanding the GR10

Your Meraki GR10 has the following features:





The mount plate has the following features:

---

## Security Features

The GR10 features multiple options for physically securing the access point after installation:

1. **Security screw** – The accessory kit includes screws that can be used to secure the access point to the mount cradle. Engaging the security screw prevents accidental dislodging and theft.

---

## Ethernet Ports

The GR10 features a Gigabit Ethernet RJ45 port that accepts 802.3at and 802.3af power (labeled “Eth0, PoE”). This port should be used for uplink to your WAN connection.

---

## Power Source Options

The GR10 access point can be powered using either the Meraki AC Adapter, PoE Injector (both sold separately), or a third-party PoE switch.

---

## Factory Reset Button

If the button is pressed and held for at least five seconds and then released, the GR10 will reboot and be restored to its original factory settings by deleting all configuration information stored on the unit.

---

## LED Indicators and Run Dark Mode

Your GR10 is equipped with a multi-color LED light on the front of the unit to convey information about system functionality and performance:

- Orange - AP is booting (permanent Orange suggests hardware issue)
- Rainbow - AP is initializing/scanning
- Blinking Blue - AP is upgrading
- Green - AP in Gateway mode with no clients
- Blue - AP in Gateway mode with clients
- Blinking Orange - AP can't find uplink

The GR10 may be operated in "Run Dark" mode for additional security and to reduce the visibility of the access point. In this mode, the LED will not be illuminated. This mode may be enabled through Meraki dashboard.

---

## Pre-Install Preparation

You should complete the following steps before going on-site to perform an installation.

---

## Setup your Meraki Go Account

The following is a brief overview only of the steps required to add an GR10 to your network. For detailed instructions about creating, configuring and managing Meraki Go wireless networks, refer to the online documentation (<https://documentation.meraki.com/Go>).

1. Login to <https://account.meraki-go.com/go>. If this is your first time, create a new account.
  2. Once your account is created, be sure to install the Meraki Go app on your mobile device.
  3. Follow the in-app instructions to scan and add your new hardware to the Meraki Go account.
- 

## Check and Upgrade Firmware

To ensure your GR10 performs optimally immediately following installation, it is recommended that you facilitate a firmware upgrade prior to mounting your GR10.

1. Attach your GR10 to power and a wired Internet connection. See the "Power the GR10" section for details.
2. The GR10 will turn on and the LED will glow solid orange. If the unit does not require a firmware upgrade, the LED will turn either green (no clients associated) or blue (clients associated) within thirty seconds.

\* If the unit requires an upgrade, the LED will begin blinking orange until the upgrade is complete, at which point the LED will turn solid green or blue. You should allow at least a few minutes for the firmware upgrade to complete, depending on the speed of your internet connection.

---

## Check and Configure Firewall Settings

If a firewall is in place, it must allow outgoing connections on particular ports to particular IP addresses. The most current list of outbound ports and IP addresses

---

for your particular organization can be found [here](#).

---

## Assigning IP Addresses to GR10s

All gateway GR10s (GR10s with Ethernet connections to the LAN) must be assigned routable IP addresses. These IP addresses can be dynamically assigned via DHCP or statically assigned.

### Dynamic Assignment

When using DHCP, the DHCP server should be configured to assign a static IP address for each MAC address belonging to a Meraki AP. Other features of the wireless network, such as 802.1X authentication, may rely on the property that the APs have static IP addresses.

### Static Assignment

Static IPs are assigned using the local web server on each AP. The following procedure describes how to set the static IP:

1. Using a client machine (e.g., a laptop), connect to the AP wirelessly (by associating to any SSID broadcast by the AP) or over a wired connection.
2. If using a wired connection, connect the client machine to the GR10 either through a PoE switch or a PoE Injector. If using a PoE switch, plug an Ethernet cable into the GR10's Ethernet jack, and the other end into a PoE switch. Then connect the client machine over Ethernet cable to the PoE switch. If using a PoE Injector, connect the GR10 to the "PoE" port of the Injector, and the client machine to the "LAN" port.
3. Using a web browser on the client machine, access the AP's built-in web server by browsing to <http://my.meraki.com>. Alternatively, browse to <http://10.128.128.128>.
4. Click on the "Uplink Configuration" tab. Log in. The default login is the serial number (e.g. Qxxx-xxxx-xxxx), with no password (e.g., Q2DD-551C-ZYW3).
5. Configure the static IP address, net mask, gateway IP address and DNS servers that this AP will use on its wired connection.
6. If necessary, reconnect the AP to the LAN.

### Static IP via DHCP Reservations

Instead of associating to each Meraki AP individually to configure static IP addresses, an administrator can assign static IP addresses on the upstream DHCP server. Through "DHCP reservations," IP addresses are "reserved" for the MAC addresses of the Meraki APs. Please consult the documentation for the DHCP server to configure DHCP reservations.

---

## Collect Tools

You will need the following tools to perform an installation:



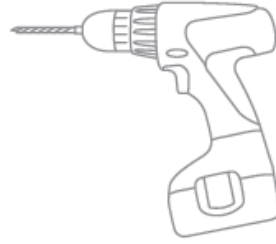
T8 Torx  
screwdriver



Phillips  
screwdriver



Hammer



Drill with 1/4"  
(6.3mm) bits

---

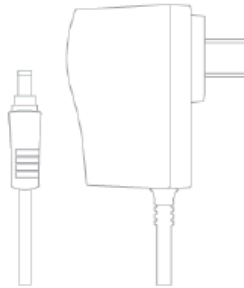
## Collect Additional Hardware for Installation

You will need the following hardware to perform an installation:



802.3at PoE power source (either PoE  
switch or Meraki 802.3at PoE Injector)

or



AC Adapter



Network cables with RJ45 connectors long  
enough for your particular mounting location

---

## Installation Instructions

---

### Choose Your Mounting Location

A good mounting location is important to getting the best performance out of your GR10 access point. Keep the following in mind:

1. The device should have unobstructed line of sight to most coverage areas. For example, if installing in an office
-

filled with workspaces divided by mid-height cubicle walls, installing on the ceiling or high on a wall would be ideal.

2. Power over Ethernet supports a maximum cable length of 300 ft (100 m).
3. If being used in a mesh deployment, the GR10 should have line of sight to at least two other Meraki devices. A Cisco Partner can help ensure that your AP placement is ideal.

---

## Mount the GR10

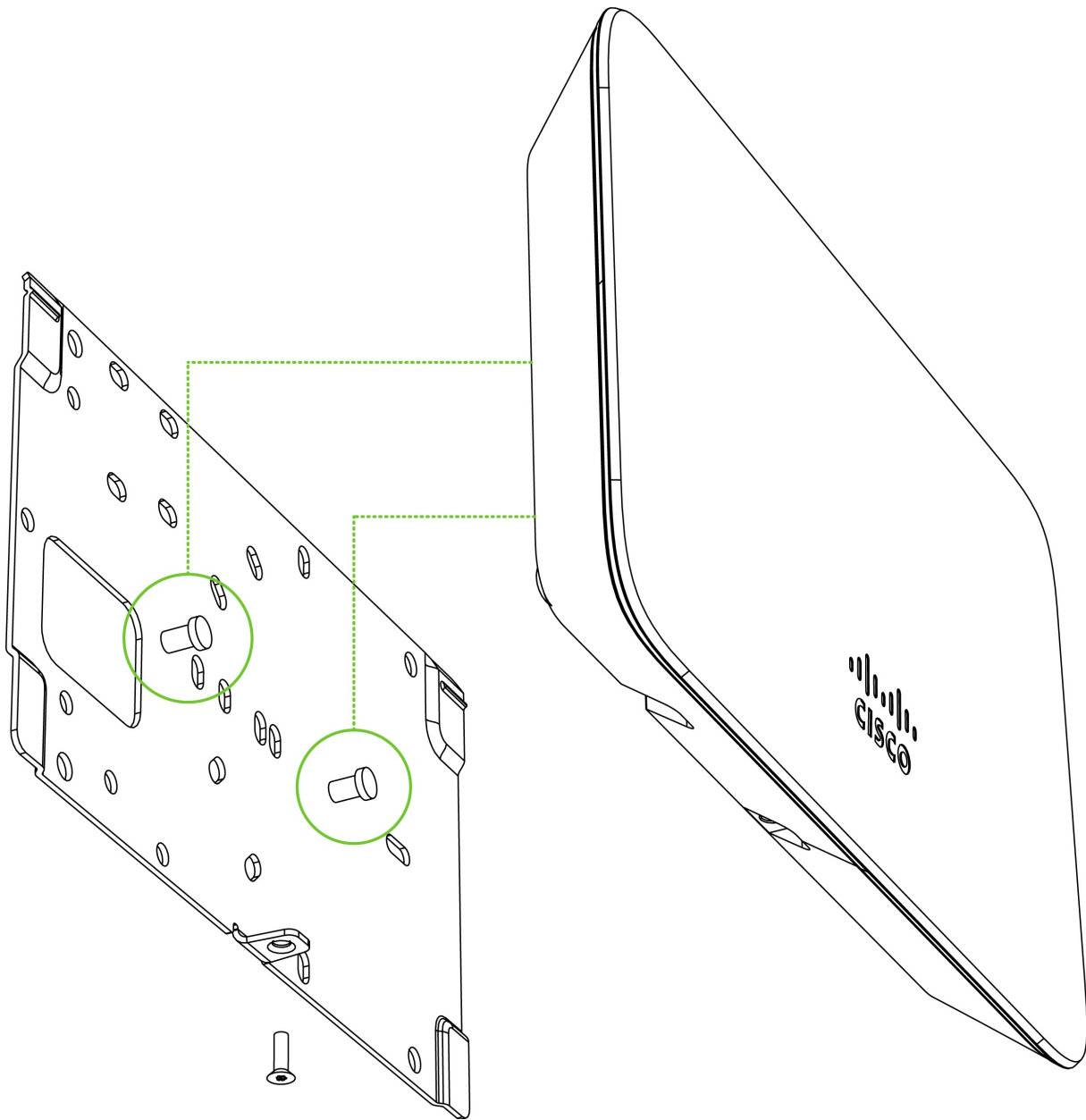
### Attach the GR10 to the Mount Cradle

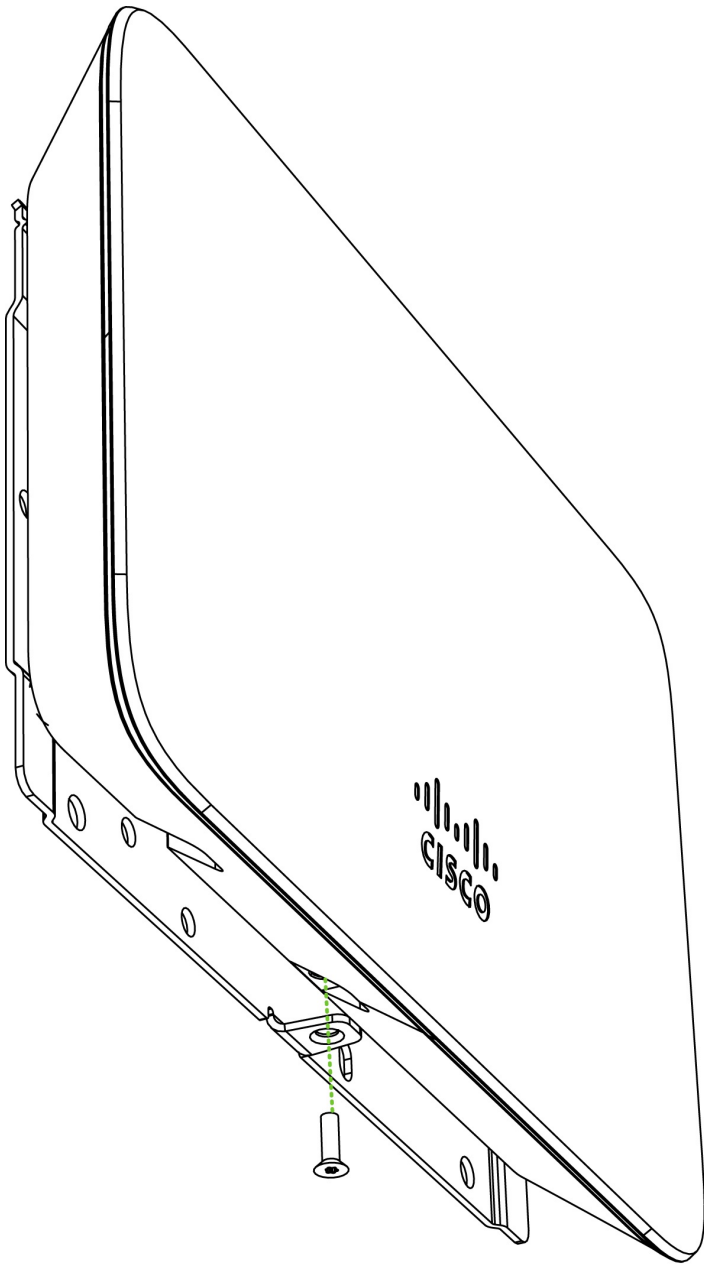
The GR10 attaches to the mount cradle with two tabs on the cradle that insert into the GR10, and is secured to the cradle using one screw.

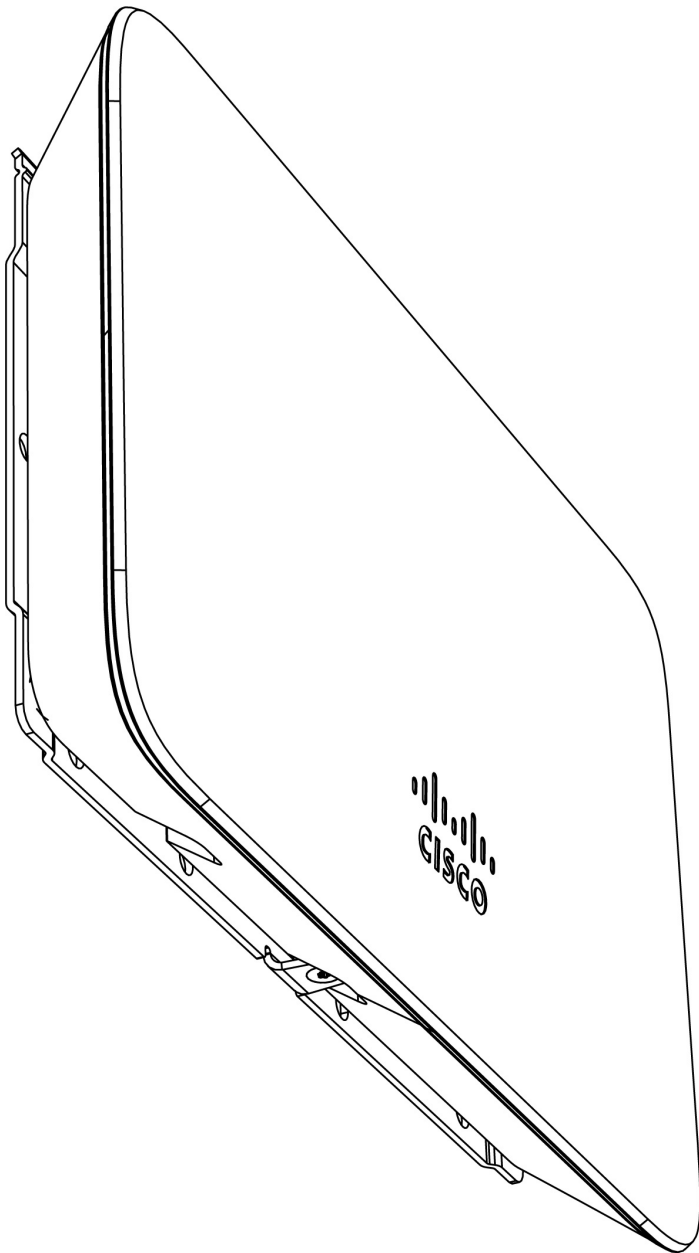
To attach the GR10 to the mount cradle properly, line up the top edge of the AP with the top tab of the mount cradle. Since the cradle is already mounted to the wall, guide the GR10 towards the top tab and insert the top tab into the GR10's slot.

Then adjust the GR10 to guide the GR10's bottom slot into the cradle's bottom tab until it clicks into place. Once in place, the GR10 should be secured to the cradle by using one of the included screws in the cradle's bottom tab.









To release the GR10 from the mount cradle, first remove the security screw that secures the GR10 to the cradle's bottom tab. While holding the GR10 with one hand, press the cradle's bottom tab upwards, releasing the GR10 from the bottom of the cradle. Then remove the GR10 from the cradle's top tab.

### Desk or Shelf Mount

The GR10 can be placed on a desk or shelf resting on the non-scratch rubber feet. The mount cradle is not necessary for a desk or shelf installation.

---

## Secure the GR10

Depending on your mounting environment, you may want to secure the GR10 to its mount location. Your GR10 can be secured in several ways. If the GR10 has been installed using the mount cradle, it should be secured via security screw (Torx security screws are included) and/or Kensington lock. If the mount cradle was not used, the GR10 can still be secured using a Kensington lock.

---

## Power the GR10

If mounting to an electrical junction box, feed the Ethernet cable through the cable access hole in the mount cradle. If mounting to a wall or ceiling, the Ethernet cable will feed from behind the GR10. The "[Power Source Options](#)" section of this document lists the different powering options and their unique characteristics.

---

## Verify Device Functionality and Test Network Coverage

1. Check LEDs
    - a. The Power LED should be solid green (or blue, if clients are connected). If it is flashing blue, the firmware is automatically upgrading and the LED should turn green when the upgrade is completed (normally within a few minutes). See the "[LED Indicators](#)" section for more details. .
    - b. Note: Your GR10 must have an active route to the Internet to check and upgrade its firmware.
  2. Verify access point connectivity
    - a. Use any 802.11 client device to connect to the GR10 and verify proper connectivity using the client's web browser.
  3. Check network coverage
  4. Confirm that you have good signal strength throughout your coverage area. You can use the signal strength meter on a laptop, smart phone, or other wireless device.
- 

## Troubleshooting

Reference the [MR Product Page](#) for additional information and troubleshooting tips.

---

## Regulatory

This equipment is for indoor use only and the PoE device is considered unlikely to connect to an Ethernet network with outside plant routing, including campus environments.

### FCC Compliance Statement

This device complies with part 15 of the FCC rules. Operation is subject to the following two conditions: (1) This device may not cause harmful interference, and (2) this device must accept any interference received, including interference that may cause undesired operation.

### FCC Interference Statement

This equipment has been tested and found to comply with the limits for a Class B digital device, pursuant to part 15 of the FCC Rules. These limits are designed to provide reasonable protection against harmful interference in a residential installation. This equipment generates, uses and can radiate radio frequency energy and, if not installed and used in accordance with the instructions, may cause harmful interference to radio communications. However, there is no guarantee that interference will not occur in a particular installation. If this equipment does cause harmful interference to radio or television reception, which can be determined by turning the equipment off and on, the user is encouraged to correct the interference by one of the following measures:

- Reorient or relocate the receiving antenna.
-

- Increase the separation between the equipment and receiver.
- Connect the equipment into an outlet on a circuit different from which the receiver is connected.
- Consult the dealer or an experienced radio/TV technician for help.

#### **FCC Caution**

Any changes or modifications not expressly approved by Meraki could void the user's authority to operate this equipment. This Transmitter must not be co-located or operation in conjunction with any other antenna or transmitter.

#### **FCC Radiation Exposure Statement**

This equipment complies with FCC radiation exposure limits set forth for an uncontrolled environment. This equipment should be installed and operated with minimum distance 20 cm between the radiator and your body. This transmitter must not be co-located or operating in conjunction with any other antenna or transmitter.

IEEE 802.11b or 802.11g operation of this product in the USA is firmware-limited to channels 1 through 11.

If the device is going to be operated in the 5.15 - 5.25 frequency range, then it is restricted to indoor environment only. This device meets all other requirements specified in Part 15E, Section 15.407 of the FCC Rules.

#### **Industry Canada Statement**

This device complies with RSS-247 of the Industry Canada Rules. Operation is subject to the following two conditions: (1) This device may not cause harmful interference, and (2) this device must accept any interference received, including interference that may cause undesired operation.

Ce dispositif est conforme à la norme CNR-247 d'Industrie Canada applicable aux appareils radio exempts de licence. Son fonctionnement est sujet aux deux conditions suivantes: (1) le dispositif ne doit pas produire de brouillage préjudiciable, et (2) ce dispositif doit accepter tout brouillage reçu, y compris un brouillage susceptible de provoquer un fonctionnement indésirable.

#### **Industry Canada Caution**

(i) the device for operation in the band 5150-5250 MHz is only for indoor use to reduce the potential for harmful interference to co-channel mobile satellite systems;

(ii) high-power radars are allocated as primary users (i.e. priority users) of the bands 5250-5350 MHz and 5650-5850 MHz and that these radars could cause interference and/or damage to LE-LAN devices.

#### **Avertissement:**

(i) les dispositifs fonctionnant dans la bande 5 150-5 250 MHz sont réservés uniquement pour une utilisation à l'intérieur afin de réduire les risques de brouillage préjudiciable aux systèmes de satellites mobiles utilisant les mêmes canaux;

(ii) De plus, les utilisateurs devraient aussi être avisés que les utilisateurs de radars de haute puissance sont désignés utilisateurs principaux (c.-à-d., qu'ils ont la priorité) pour les bandes 5 250-5 350 MHz et 5 650-5 850 MHz et que ces

radars pourraient causer du brouillage et/ou des dommages aux dispositifs LAN-EL.

#### **Industry Canada Radiation Exposure Statement**

This equipment complies with IC radiation exposure limits set forth for an uncontrolled environment. This equipment should be installed and operated with minimum distance 20 cm between the radiator & your body.

#### **Déclaration d'exposition aux radiations**

Cet équipement est conforme aux limites d'exposition aux rayonnements IC établies pour un environnement non contrôlé. Cet équipement doit être installé et utilisé avec un minimum de 20 cm de distance entre la source de rayonnement et votre corps.

#### **NCC Compliance Statement**

##### **低功率電波輻射性電機管理辦法**

第十二條 經型式認證合格之低功率射頻電機，非經許可，公司、商號或使用者均不得擅自變更頻率、加大功率或變更原設計之特性及功能。

第十四條 低功率射頻電機之使用不得影響飛航安全及干擾合法通信；經發現有干擾現象時，應立即停用，並改善至無干擾時方得繼續使用。

前項合法通信，指依電信法規定作業之無線電通信。

低功率射頻電機須忍受合法通信或工業、科學及醫療用電波輻射性電機設備之干擾。

電磁波曝露量MPE標準值 $1\text{mW}/\text{cm}^2$ ，本產品使用時建議應距離人體 20 cm。

1. 使用此產品時應避免影響附近雷達系統之操作。
2. 高增益指向性天線只得應用於固定式點對點系統。