



SERVICE PARTS LIST

for

SPLIT SYSTEMS

Generation 4 & 5

NOTE: For GEN 1, 2 & 3 Equipment,
Use Parts List T-346PL

T-299PL

REV. 08/2012



TABLE OF CONTENTS

INTRODUCTION	xiii
ORDERING INSTRUCTIONS	xiii
GENERAL NOTES	xiii
SECTION 1 - EVAPORATORS	1
SECTION 1.1 EM-1 EVAPORATORS	1
1.1.1 EVAPORATOR, EM-1, GEN 4, FREE BLOW	1
1.1.2 EVAPORATOR, EM-1, GEN 4 CHASSIS KIT WITH HEAT	3
1.1.3 SIDE MOUNT EVAPORATOR, EM-1 & 2, GEN 4	5
1.1.4 PLENUM & GRILL BOX FOR EVAPORATORS EM-1 & 2, GEN 4	6
1.1.5 EVAPORATOR, EM-1, GEN-V, FREE BLOW, REAR MOUNT	7
1.1.6 INSTALLATION COMPONENTS, EM-1, GEN V, REAR MOUNT	10
1.1.7 EVAPORATOR, EM-1, GEN-V, FREE BLOW, SIDE MOUNT	11
1.1.8 INSTALLATION COMPONENTS, EM-1, GEN-V, SIDE MOUNT	14
1.1.9 EM-1, GEN-V, 3 SPEED CHASSIS KITS 77-62512-00 THRU -07 (COMMON PARTS)	16
1.1.10 EM-1, GEN-V, 3 SPEED CHASSIS KIT 77-62512-00 (SPECIFIC PARTS LIST)	18
1.1.11 EM-1, GEN-V, 3 SPEED CHASSIS KIT 77-62512-01 (SPECIFIC PARTS LIST)	18
1.1.12 EM-1, GEN-V, 3 SPEED CHASSIS KIT 77-62512-05 (SPECIFIC PARTS LIST)	18
1.1.13 EM-1, GEN-V, 3 SPEED CHASSIS KIT 77-62512-06 (SPECIFIC PARTS LIST)	18
1.1.14 EM-1, GEN-V, 3 SPEED CHASSIS KIT 77-62512-07 (SPECIFIC PARTS LIST)	18
1.1.15 COVER ASSEMBLY, EM-1, GEN-V, 3 SPEED, REAR MOUNT	19
1.1.16 COVER ASSEMBLY, EM-1, GEN-V, 3 SPEED, SIDE MOUNT	20
SECTION 1.2 EM-2 EVAPORATORS	21
1.2.1 EVAPORATOR, EM-2, GEN 4, FREE BLOW	21
1.2.2 EVAPORATOR, EM-2 CHASSIS KIT WITH HEAT, GEN 4	22
1.2.3 EVAPORATOR, EM-2, REAR MOUNT, GEN V	24
1.2.4 EM-2, 3 SPEED CHASSIS KITS 77-62522-00 THRU -07 (COMMON PARTS)	27
1.2.5 EM-2, GEN-V, 3 SPEED CHASSIS KIT 77-62522-05 (SPECIFIC PARTS LIST)	29
1.2.6 EM-2, GEN-V, 3 SPEED CHASSIS KIT 77-62522-06 (SPECIFIC PARTS LIST)	29
1.2.7 EM-2, GEN-V, 3 SPEED CHASSIS KIT 77-62522-07 (SPECIFIC PARTS LIST)	29
1.2.8 COVER ASSEMBLY, EM-2, GEN-V, 3 SPEED, REAR MOUNT	30
1.2.9 COVER ASSEMBLY, EM-2, GEN-V, 3 SPEED, SIDE MOUNT	31
1.2.10 INSTALLATION COMPONENTS, EM-2, GEN V, REAR MOUNT	32
1.2.11 EVAPORATOR, EM-2, GEN V, SIDE MOUNT	33
1.2.12 INSTALLATION COMPONENTS, EM-2, GEN-V, SIDE MOUNT	36
SECTION 1.3 EM-3 EVAPORATORS	38
1.3.1 EVAPORATOR, EM-3, GEN 4, DUCTED, WITH PLENUM OR GRILL BOX	38
1.3.2 EVAPORATOR, EM-3, GEN 4, FREE BLOW	39
1.3.3 EM-3, 3 SPEED CHASSIS KITS 77-62532-00 THRU -07 (COMMON PARTS)	40
1.3.4 EVAPORATOR, EM-3, GEN-5, INSTALLATION COMPONENTS	42



TABLE OF CONTENTS

1.3.5 EM-3, GEN-5, COVER ASSEMBLY 43

SECTION 1.4 EM-6 EVAPORATORS 45

1.4.1 EVAPORATOR, EM-6, GEN 4, SIDE MOUNT, FREE BLOW 45

1.4.2 EVAPORATOR, EM-6, GEN 4, FREE BLOW 46

SECTION 1.5 EM-7 EVAPORATORS 47

1.5.1 EVAPORATOR, EM-7, GEN V, REAR MOUNT 47

1.5.2 EM-7, 3 SPEED CHASSIS KITS 77-62572-00 THRU -07 (COMMON PARTS) 51

1.5.2 EM-7, GEN-V, 3 SPEED CHASSIS KITS 77-62572-00 THRU -07 (COMMON PARTS) - Cont. 51

1.5.3 EM-7, GEN-V, 3 SPEED CHASSIS KIT 77-62572-00 (SPECIFIC PARTS LIST) 53

1.5.4 EM-7, GEN-V, 3 SPEED CHASSIS KIT 77-62572-01 (SPECIFIC PARTS LIST) 53

1.5.5 EM-7, GEN-V, 3 SPEED CHASSIS KIT 77-62572-05 (SPECIFIC PARTS LIST) 53

1.5.6 EM-7, GEN-V, 3 SPEED CHASSIS KIT 77-62572-06 (SPECIFIC PARTS LIST) 53

1.5.7 EM-7, GEN-V, 3 SPEED CHASSIS KIT 77-62572-07 (SPECIFIC PARTS LIST) 53

1.5.8 COVER ASSEMBLY, EM-7, GEN-V, REAR MOUNT 54

1.5.9 COVER ASSEMBLY, EM-7, GEN-V, SIDE MOUNT 55

1.5.10 INSTALLATION COMPONENTS, EM-7, GEN V, REAR MOUNT 56

1.5.11 EVAPORATOR, EM-7, GEN V, SIDE MOUNT 57

1.5.12 INSTALLATION COMPONENTS, EM-7, GEN-V, SIDE MOUNT 61

SECTION 1.6 EM-9 EVAPORATORS 63

1.6.1 EVAPORATOR, EM-9, GEN 4, SIDE MOUNT, DUCTED 63

SECTION 1.7 EM-14 EVAPORATORS 66

1.7.1 EVAPORATOR, EM-14, GEN 4 SERIES, FREE BLOW 66

1.7.2 EVAPORATOR, EM-14, GEN 4, SIDE MOUNT 68

SECTION 1.8 EM-17 EVAPORATORS 70

1.8.1 EVAPORATOR, EM-17, SINGLE LOOP, GEN 4 SERIES 70

1.8.2 EVAPORATOR, EM-17, DUAL LOOP, GEN 4 SERIES 71

1.8.3 EVAPORATOR, EM-17, DUAL LOOP, GEN 4 SERIES 72

1.8.4 EVAPORATOR, EM-17, CHASSIS KIT 77-62000-11: USED IN MODEL 77-62000-10 73

1.8.5 EVAPORATOR, EM-17, CHASSIS KIT 77-62000-31: USED IN MODEL 77-62000-30 76

1.8.5 EVAPORATOR, EM-17, CHASSIS KIT 77-62000-31: USED IN MODEL 77-62000-30 77

1.8.5 EVAPORATOR, EM-17, CHASSIS KIT 77-62000-31: USED IN MODEL 77-62000-30 78

SECTION 1.9 EM-23 EVAPORATORS 79

1.9.1 EVAPORATOR KIT, EM-23, HEAT/COOL (77-62725-00) 79

1.9.2 EVAPORATOR KIT, EM-23 - COOL ONLY (77-62204-00) 80

SECTION 1.10 IW-1 IN-WALL EVAPORATORS 81

1.10.1 EVAPORATOR, IW-1, (77-62081-11) 81

1.10.2 EVAPORATOR, IW-1, COMMON PARTS 84

12 VDC (77-00303-02), USED ON: (77-62160-00, -01,-02,-03,-04,-05,-06,-07,-12,-13,-14,-18,-20,-21,-24,-25,-27,-81 & -83) 84



TABLE OF CONTENTS

- 12 VDC (77-00303-03), USED ON: (77-62160-22 & -23) 84
- 24 VDC (77-00303-04), USED ON (77-62160-15,-16,-17 & -19) 84
- 1.10.5 EVAPORATOR HARNESS, IW-1 12VDC (22-62282-00) 90
- 1.10.6 EVAPORATOR HARNESS, IW-1 24VDC (22-62299-00) 90
- 1.10.7 EVAPORATOR HARNESS, IW-1 12VDC (22-62274-00) 91
- 1.10.8 EVAPORATOR, IW-1, BRACKETS (77-62160-00, -03 & -15) 92
- 1.10.9 EVAPORATOR, IW-1, BRACKETS (77-62160-01 & -19) 92
- 1.10.10 EVAPORATOR, IW-1, BRACKETS (77-62160-04, -06) 93
- 1.10.11 EVAPORATOR, IW-1, BRACKETS (77-62160-05, -07, -16, -17, -81, -83) 93
- 1.10.12 EVAPORATOR, IW-1, BRACKETS (77-62160-10, -11, -22, -23 & -26) 94
- 1.10.13 EVAPORATOR, IW-1, BRACKETS (77-62160-12, -13, -20 & -21) 94
- 1.10.14 EVAPORATOR, IW-1, BRACKETS (77-62160-14) 95
- 1.11 IW-2 IN-WALL EVAPORATORS 108
- 1.11.1 EVAPORATOR, IW-2 - 77-62134-00,-01,-02,-03,-04,-05,-06,-07,-08 & -12 COMMON PARTS 108
- 1.11.2 EVAPORATOR, IW-2 (77-62134-02) 110
- 1.11.3 EVAPORATOR, IW-2 (77-62134-03 & -04) 111
- 1.11.4 EVAPORATOR HARNESS, IW-2 12VDC (22-62282-00) 112
- 1.11.6 COVER ASSEMBLY, EVAPORATOR, IW-2 (77-62134-03, -04, -05 & -06) 115
- 1.11.7 COVER ASSEMBLY, EVAPORATOR, IW-2 (77-62134-07 & -08) 116
- 1.11.8 COVER ASSEMBLY, EVAPORATOR, IW-2 (77-62134-12) COMPONENTS SUPPLIED .
..... 116
- 1.11.9 AIR DEFLECTOR - COVER ASSEMBLY (ABS) 117
- 1.12 IW-4 IN-WALL EVAPORATORS 118
- 1.12.1 EVAPORATOR, IW-4 (77-62230-00 & -01) 118
- 1.12.2 EVAPORATOR HARNESS, IW-4 12VDC (22-62294-00) USED ON: (77-62230-00) .. 120
- 1.12.3 EVAPORATOR HARNESS, IW-4 12VDC (Y25-00006-00) USED ON: (77-62230-01) 120
- 1.12.4 COVER ASSEMBLY, IW-4 USED ON (77-62230-00) 121
- 1.12.5 COVER ASSEMBLY, IW-4 USED ON (77-62230-01) 122
- 1.13 IW-7 IN-WALL EVAPORATORS 123
- 1.13.1 EVAPORATOR, IW-7 (77-62131-00) 123
- 1.14 IW-10 IN-WALL EVAPORATORS 125
- 1.14.1 EVAPORATOR, Chassis Kit (77-62200-00), IW-10, USED ON: (77-62233-00,-01,-02, & -05)
..... 125
- 1.14.2 EVAPORATOR, Chassis Kit (77-62200-01 & -02), IW-10 USED ON: (77-62233-03 & -04): ..
..... 127
- 1.14.3 EVAPORATOR, Mounting Brackets, IW-10 USED ON: (77-62233-03 ONLY) 129
- 1.14.4 EVAPORATOR, Mounting Brackets, IW-10 USED ON: (77-62233-04 ONLY) 129
- 1.14.5 EVAPORATOR HARNESS, IW-10 12VDC (22-62297-00) 130
- 1.14.6 EVAPORATOR HARNESS, IW-10 12VDC (Y25-00000-00) 130
- 1.14.7 COVER ASSEMBLY, 79-62125-00 & -01, IW-10 USED ON (77-62233-00 & -01) 131

TABLE OF CONTENTS

1.14.8	COVER ASSEMBLY, 79-62125-02, -03 & -04, IW-10 USED ON (77-62233-03 & -04)	132
1.14.9	COVER ASSEMBLY, EVAPORATOR, IW-10 (77-62233-05)	132
1.15	IW-14 IN-WALL EVAPORATORS	133
1.15.1	EVAPORATOR, IW-14, (77-62080-00)	133
1.15.2	EVAPORATOR, IW-14, WITH LP SWITCH (77-62080-01)	135
SECTION 2 - CONDENSERS		138
SECTION 2.1 CM-2 CONDENSERS		138
2.1.1	CONDENSER, CM-2, GEN 4	138
2.1.2	CONDENSER, CM-2, MCHX, VENTURI ASSEMBLY	139
2.1.3	CONDENSER, CM-2, MCHX, VENTURI ASSEMBLY	140
2.1.4	CONDENSER, CM-2, MCHX, VENTURI ASSEMBLY	141
2.1.5	CONDENSER, CM-2, MCHX, VENTURI ASSEMBLY (24V)	142
2.1.6	CONDENSER, CM-2, MCHX, VENTURI ASSEMBLY (12V)	143
2.1.7	CM-2, CONDENSER GROUND/POWER HARNESS	143
2.1.8	CONDENSER COIL REPLACEMENT KIT, CM-2, MICRO-CHANNEL (MCHX)	144
2.1.9	CONDENSER, CM-2 SLIM LINE MCHX, VENTURI ASSEMBLY (12V) COMMON PARTS	145
2.1.10	CONDENSER, CM-2 SLIM LINE MCHX, VENTURI ASSEMBLY (24V) COMMON PARTS	146
2.1.11	CM-2, CONDENSER HARNESS 22-62273-00	147
2.1.12	CM-2, CONDENSER HARNESS 22-62260-00	147
2.1.13	CM-2, CONDENSER HARNESS 22-62206-00	148
2.1.14	CONDENSER COIL REPLACEMENT KIT, CM-2 , SLIM LINE MICRO-CHANNEL (MCHX)	149
2.1.15	CONDENSER, CM-2, MCHX, GRILL ASSEMBLY	150
2.1.16	CONDENSER, CM-2, MCHX, GRILL ASSEMBLY	150
2.1.17	CONDENSER, CM-2, MCHX, GRILL ASSEMBLY	151
2.1.18	CONDENSER, CM-2, MCHX, GRILL ASSEMBLY	151
2.1.19	CONDENSER, CM-2 , MCHX, GRILL ASSEMBLY	151
SECTION 2.2 CM-3 CONDENSERS		152
2.2.1	CONDENSER, CM-3, GEN 4	152
2.2.1	CONDENSER, CM-3, GEN 4	153
2.2.2	CONDENSER, CM-3, MCHX, VENTURI ASSEMBLY	154
2.2.3	CONDENSER, CM-3, MCHX, VENTURI ASSEMBLY	155
2.2.4	CONDENSER, CM-3, MCHX, VENTURI ASSEMBLY	156
2.2.5	CONDENSER, CM-3, MCHX, VENTURI ASSEMBLY	157
2.2.6	CONDENSER, CM-3, MCHX, VENTURI ASSEMBLY	158
2.2.7	CM-3, CONDENSER GROUND/POWER HARNESS	158
2.2.8	CONDENSER, CM-3, MCHX, REPLACEMENT CHASSIS (77-01277-50)	159
2.2.9	CONDENSER, CM-3 SLIM LINE MCHX, VENTURI ASSEMBLY (12V) COMMON PARTS	160

TABLE OF CONTENTS

2.2.10	CONDENSER, CM-3 SLIM LINE MCHX, VENTURI ASSEMBLY (24V) COMMON PARTS	161
2.2.11	CM-3, CONDENSER HARNESS 22-62205-00	162
2.2.12	CM-3, CONDENSER HARNESS 22-62258-00	162
2.2.13	CM-3, CONDENSER HARNESS 22-62272-00	163
2.2.14	CONDENSER COIL REPLACEMENT KIT, CM-3 SLIM LINE, MICRO-CHANNEL (MCHX)	164
2.2.15	CONDENSER, CM-3, MCHX, GRILL ASSEMBLY	165
2.2.15	CONDENSER, CM-3, MCHX, GRILL ASSEMBLY	165
2.2.15	CONDENSER, CM-3, MCHX, GRILL ASSEMBLY	166
2.2.16	CONDENSER, CM-3, MCHX, GRILL ASSEMBLY	166
2.2.17	CONDENSER, CM-3 , MCHX, GRILL ASSEMBLY	166
2.2.18	CONDENSER, STACKED, CM-2/CM-3	167
SECTION 2.3 CM-5 CONDENSER		168
2.3.1	CONDENSER, CM-5	168
2.3.2	CONDENSER, CM-5, FRONT and TOP VIEWS, 77-62001-00	170
2.3.3	CONDENSER, CM-5, BACK, SIDE and BOTTOM VIEWS, 77-62001-00	171
2.3.3	CONDENSER, CM-5, BACK, SIDE and BOTTOM VIEWS, 77-62001-00	172
2.3.4	CONDENSER, CM-5, HARNESS ASSEMBLY - 22-62012-00	173
2.3.5	CONDENSER, CM-5, SKIRT MOUNTED GRILL	173
2.3.6	LIQUID LINE ASSEMBLY, CM-5, CM-14, & C4RE, (REMOTE)	174
SECTION 2.4 CM-14 CONDENSER SERIES		176
2.4.1	CONDENSER, CM-14 STANDARD MODEL (77-62083-02, -04, -08 & -09)	176
2.4.2	CONDENSER, CM-14, GRILL, STANDARD MODEL, (77-62083-02 & -04)	178
2.4.2	CONDENSER, CM-14, GRILL, CHASSIS MOUNTED - (77-62083-08 & -09)	178
2.4.3	CM-14, CONDENSER GROUND/POWER HARNESS (FOR 77-62083-02, -04, -08, -09)	178
2.4.4	CONDENSER, CM-14 C4RE MODEL (77-62083-00)	179
2.4.4	CONDENSER, CM-14 C4RE, CHECK VALVE & TUBE ASSEMBLY	180
2.4.4	CONDENSER, CM-14 C4RE, DISCHARGE VALVE ASSEMBLY (BB)	181
2.4.4	CONDENSER, CM-14 C4RE, SUCTION VALVE ASSEMBLY (BB)	181
2.4.4	CONDENSER, CM-14 C4RE LOW AMBIENT THERMOSTAT SWITCH & BRACKET	181
2.4.5	CONDENSER, CM-15 (77-62175-00)	182
2.4.6	CONDENSER, CM-16 (77-62201-00)	183
2.4.7	CONDENSER, K410, 3 MOTOR, 12V (SPAIN) 02-94-10-101-00	184
2.4.7	CONDENSER, K410, 3 MOTOR, 12V (SPAIN) - Continued:	185
2.4.7	CONDENSER, K410, 3 MOTOR, 12V (SPAIN) - Continued:	186
2.4.8	CONDENSER, K410, 3 MOTOR, 12V (NORTH AMERICAN VERSION)	187
2.4.9	CONDENSER, K410 WINTERGUARD KIT (N/A VERSION) KIT # 76-62362-00 .	188
2.4.10	CONDENSER, K410 BRUSH GUARD KIT (NORTH AMERICAN VERSION) KIT #	188



TABLE OF CONTENTS

SECTION 2.5 CONDENSER, 68KR4-101 SERIES 189

INTRODUCTION 189

CONFIGURATION IDENTIFICATION 189

OPTION DESCRIPTION 189

 Skins Kit 189

 Refrigeration Kit 189

 Electrical Kit 189

 Frame Kit 189

2.5.1 CONDENSER, 68KR4-101 & 68KR4-102 SERIES, DECAL KIT 191

2.5.2 CONDENSER, 68KR4-101 & 68KR4-102 SERIES, SKINS KIT - OPTION 1 & 2 192

2.5.3 CONDENSER, 68KR4-101 SERIES, REFIGERATION KIT, DUAL LOOP - OPTION 1 ..
..... 193

2.5.4 CONDENSER, 68KR4-101 SERIES, REFRIGERANT KIT, SINGLE LOOP - OPTION 2 .
..... 196

2.5.5 CONDENSER, 68KR4-101 SERIES, REFIGERATION KIT, DUAL LOOP - OPTION 3 ..
..... 199

2.5.6 CONDENSER, 68KR4-102 SERIES, REFIGERATION KIT, DUAL LOOP - OPTION 4 ..
..... 201

2.5.7 CONDENSER, 68KR4-102 SERIES, REFRIGERANT KIT, SINGLE LOOP - OPTION 5 .
..... 204

2.5.8 CONDENSER, 68KR4-102 SERIES, REFIGERATION KIT, DUAL LOOP - OPTION 6 ..
..... 207

2.5.9 CONDENSER, 68KR4-101 SERIES, ELECTRICAL KIT - OPTION 1, 2, 3 & 4 209

OPTION 1 209

OPTION 2 209

OPTION 3 209

OPTION 4 209

2.5.10 CONDENSER, 68KR4-102 SERIES, ELECTRICAL KIT - OPTIONS 5 & 6 211

2.5.10 COMMON PARTS, 68KR4-102 SERIES, ELECTRICAL KIT 211

OPTION 5 211

OPTION 6 211

2.5.10 CONDENSER, 68KR4-102 SERIES HARNESS DETAIL, OPTIONS 5 & 6 212

2.5.11 68KR4-101 SERIES, FRAME KIT, DUAL LOOP - OPTION 1 213

2.5.12 CONDENSER, 68KR4-101 SERIES, FRAME KIT, SINGLE LOOP - OPTION 2 ... 214

2.5.13 68KR4-101 SERIES, FRAME KIT, DUAL LOOP, LESS FILTERS & VALVES - OPTION 3
..... 215

2.5.14 68KR4-102 SERIES, FRAME KIT, DUAL LOOP - OPTION 4 216

2.5.15 68KR4-102 SERIES, FRAME KIT, SINGLE LOOP - OPTION 5 217

2.5.16 68KR4-102 SERIES, FRAME KIT, DUAL LOOP (LESS FILTERS AND VALVES) OPTION 6
..... 218

2.5.17 KR4 FEED-THROUGH PLATE ASSEMBLY (81-62151-00) 219

2.5.18 KR4 BULKHEAD FEED-THROUGH ASSEMBLY (79-62105-00) 219

TABLE OF CONTENTS

SECTION 2.6 CONDENSER, 68KR2/3-101 SERIES	220
INTRODUCTION	220
CONFIGURATION IDENTIFICATION	220
OPTION DESCRIPTION	220
Cover Kit	220
Electrical Kit	220
SECTION 2.7 CONDENSER, 68KR3-101 SERIES	221
2.7.1 CONDENSER, 68KR3-101 SERIES - FRAME KIT	221
2.7.2 CONDENSER, 68KR3-101 SERIES - FRAME KIT WITH FEED-THRU PLATE ...	222
2.7.3 CONDENSER, 68KR3-101 SERIES - COVER KIT - 77-62171-01, -03, -04 & -06	224
2.7.4 CONDENSER, 68KR3-101 SERIES - ELECTRICAL KITS - (77-62172-01, -03, -05, -07) ...	225
.....	225
2.7.5 CONDENSER, 68KR3-101 SERIES - PACKAGE KITS - 77-62173-01, -03, -09, -12 & -14 ..	226
.....	226
2.7.6 CONDENSER, 68KR3-101 SERIES - PACKAGE KIT - 77-62173-05	226
2.7.7 CONDENSER, 68KR3-101 SERIES - PACKAGE KIT - 77-62173-06	226
2.7.8 CONDENSER, 68KR3-101 SERIES - PACKAGE KIT - 77-62173-07	227
SECTION 2.8 CONDENSER, 68KR2-101 SERIES	228
2.8.1 CONDENSER, 68KR2-101 SERIES - FRAME KIT	228
2.8.2 CONDENSER, 68KR2-101 SERIES - FRAME KIT WITH FEED-THRU PLATE ...	229
2.8.3 CONDENSER, 68KR2-101 SERIES - COVER KIT - 77-62171-00, -02 & -05	231
2.8.4 CONDENSER, 68KR2-101 SERIES - ELECTRICAL KIT - 77-62172-00, -02, -04 & -06	232
2.8.5 CONDENSER, 68KR2-101 SERIES - PACKAGE KIT - 77-62173-00, -02, -08, -011 & -13 ..	233
.....	233
2.8.6 CONDENSER, 68KR2-101 SERIES - PACKAGE KIT - 77-62173-04	233
2.8.7 Figure 3-1 WINTERGUARD KITS - KR2/3 - (76-62269-00 & -01)	234
2.8.8 Figure 3-2 BRUSH GUARD, CONDENSER, KR2/3 AND CM-7/11	235
2.8.9 FEED-THROUGH PLATE ASSEMBLIES - ROOFTOPS - (81-62138)	235
2.8.10 FEED-THROUGH PLATE ASSEMBLIES - ROOFTOPS - (81-62145)	236
2.8.11 FEED-THROUGH PLATE ASSEMBLIES - ROOFTOPS - (81-62156)	236
2.8.12 FEED-THROUGH PLATE ASSEMBLIES - ROOFTOPS - (AC031-029)	237
2.8.13 FEED-THROUGH PLATE ASSEMBLIES - ROOFTOPS - (AC031-082)	237
SECTION 3 - FITTINGS & HOSE	238
SECTION 3.1 FITTINGS	238
3.1.1 HOSE & FITTING - SIZE DETERMINATION	238
3.1.2 FITTING, A-6 COMPRESSOR, (GM STYLE)	239
3.1.3 FITTINGS - TM-31	240
3.1.4 FITTINGS - MISCELLANEOUS	240
3.1.5 FITTINGS, TEE	241
3.1.6 FITTING, SWIVEL UNIONS	241

TABLE OF CONTENTS

3.1.7	FITTING, FLARE TO O-RING	241
3.1.8	FITTING, TUBE-O, R134a	241
3.1.9	FITTING, ADAPTER AND CAP	242
3.1.10	FITTING, QUICK-CLICK, FEMALE, O-RING	242
3.1.11	FITTING, QUICK-CLICK, MALE, O-RING	243
3.1.12	FITTING, SUCTION (SPRINTER)	243
3.1.13	FITTING, QUICK-CLICK, FEMALE FLARE	244
3.1.14	FITTING, QUICK-CLICK, METRIC	244
3.1.15	FITTING, QUICK-CLICK, WITH ACCESS PORTS	245
3.1.16	FITTING, QUICK-CLICK, WITH ACCESS PORTS	245
3.1.17	FITTING, QUICK-CLICK, MALE INSERT O-RING	245
3.1.18	FITTING, QUICK-CLICK, SPLICERS	246
3.1.19	FITTING, QUICK-CLICK, 90, TXV, I.H.	246
3.1.20	FITTINGS - MISC.:	246
3.1.21	FITTINGS - BRONZE & BRASS - MISC.:	247
3.1.22	FITTING, HOSE BARB (40-01094)	247
3.1.23	FITTINGS - RE-USABLE - #16 NEWCLIMA HOSE	248
3.1.24	“O”-RINGS, HNBR	248
SECTION 3.2 COMPRESSOR FITTING KITS		249
3.2.1	INSTALLATION INSTRUCTIONS FOR COMPRESSORS WITH GM STYLE PORTS ON REAR	249
3.2.2	INSTALLATION INSTRUCTIONS FOR SANDEN, SELTEC OR A-6	249
3.2.3	FITTING KITS - SANDEN, SELTEC OR A-6 COMPRESSORS KITS ENDING WITH D OR -01	250
3.2.4	FITTING KITS - SANDEN, SELTEC OR A-6 COMPRESSORS KITS ENDING WITH E OR -02	250
3.2.5	FITTING KITS - SANDEN, SELTEC OR A-6 COMPRESSORS KITS ENDING WITH F OR -03	250
3.2.6	FITTING KITS - SANDEN, SELTEC OR A-6 COMPRESSORS KITS ENDING WITH G OR -04	250
3.2.7	FITTING KITS - SANDEN, SELTEC OR A-6 COMPRESSORS KITS ENDING WITH H OR -05	251
3.2.8	FITTING KITS - SANDEN, SELTEC OR A-6 COMPRESSORS KITS ENDING WITH I OR -06	251
SECTION 3.3 REFRIGERANT HOSE AND CLAMPS		252
3.3.1	REFRIGERANT HOSE - QUICK-CLICK	252
3.3.2	REFRIGERANT HOSE, NEWCLIMA	252
3.3.3	HOSE CLAMPS - QUICK-CLICK	252
3.3.4	REFRIGERANT HOSE, AEROQUIP (GH134-6 THRU -12)	253
3.3.5	HOSE CLAMPS - AEROQUIP EZ CLIP	253
3.3.6	REFRIGERANT HOSE ASSEMBLIES (NEWCLIMA) 58-62017	254



TABLE OF CONTENTS

3.3.7	REFRIGERANT HOSE ASSEMBLIES (NEWCLIMA #16) 58-62038	258
3.3.8	REFRIGERANT HOSE ASSEMBLIES (QUICK-CLICK - MANULI) 58-62045	260
SECTION 4	- COMPRESSORS	263
4.1	MOUNTING IDENTIFICATION	263
4.2	CLUTCH IDENTIFICATION	263
4.3	MANIFOLD IDENTIFICATION	264
4.4	SANDEN, SD-508, (R12)	265
4.5	SANDEN, SD-709, (R12)	265
4.6	SANDEN, SD-709 (R12 & R134a)	266
4.7	SANDEN, SD-510, (R12)	267
4.8	SD-510 SANDEN PARTS	267
4.9	SANDEN, SD-7H15, (R134a)	268
4.10	SANDEN SD-7H15 SHD, PARTS	269
4.11	SELTEC, TM-15, (R12)	269
4.12	SELTEC, TM-15, (R134a)	270
4.14	SELTEC, TM-16 & TM-16HS, (R134a)	271
4.16	SELTEC, TM-15/16 PARTS (Replaces DK-15 Diesel Kiki Parts)	273
4.17	SELTEC, TM-21HX, (R134a)	274
4.18	SELTEC, TM-26, (R12)	275
4.19	SELTEC, TM-26, (R134a)	275
4.20	SELTEC, TM-26 PARTS	275
4.21	SELTEC, TM-31, (R134a)	276
4.22	SELTEC, TM-31 PARTS	276
4.23	YORK COMPRESSORS & PARTS	277
4.24	YORK COMPRESSOR PARTS	277
4.25	ALMA, A-6, (R12)	278
4.26	ALMA, A-6, (R134a)	278
4.27	ALMA, A-6 PARTS	279
4.28	FORD, (R12)	279
4.29	OIL - COMPRESSOR	279
4.30	COMPRESSOR PLUG WITH DIODE UP-GRADE	280
4.31	SUCTION LINE ACCUMULATOR KITS - COMMON PARTS (98-62790)	281
4.32	SUCTION LINE ACCUMULATOR KIT - SINGLE EVAPORATOR #12 HOSE (76-62258-00)	282
4.33	SUCTION LINE ACCUMULATOR KIT - DUAL EVAPORATOR #12 HOSE (76-62258-01)	282
4.34	SUCTION LINE ACCUMULATOR KIT - SINGLE EVAPORATOR #16 & #12 HOSE (76-62258-02)	283
4.35	SUCTION LINE ACCUMULATOR KIT - DUAL EVAPORATOR #16 & #12 HOSE (76-62258-03)	283
SECTION 5	- ELECTRICAL	284
5.1	FUSE AND FUSE HOLDERS	284



TABLE OF CONTENTS

5.2	RELAY ASSEMBLIES	285
5.3	CONNECTOR ASSEMBLIES	285
5.4	RELAYS - SOLENOIDS	286
5.5	SWITCHES	286
5.6	ALTERNATOR, BATTERYLESS, 24VDC	287
5.7	SWITCH ASSEMBLIES - TEMPCON	288
5.8	SENSOR ASSEMBLY (KITS)	289
5.9	CIRCUIT BREAKER	289
5.10	PRESSURE SWITCHES	290
5.11	THERMOSTATS	290
5.12	DIODES-LIGHTS-RESISTORS	290
5.13	GAUGES-SENDERS	291
5.14	TERMINAL BOARDS	291
5.15	HARNESS, ELECTRICAL	292
5.16	CONNECTORS, ELECTRICAL	292
5.17	TIES, CABLE	292
5.18	KNOBS AND SWITCHPLATES	292
5.19	READING LIGHTS	292
5.20	FAN BLADES AND FAN ASSEMBLIES	293
5.21	MOTORS	293
5.22	BLOWER ASSEMBLIES	294
5.23	DRIVERS CONTROL PANEL (GEN 1 THROUGH GEN 4)	296
5.24	DRIVERS CONTROL PANEL GEN-5 (VARIABLE)	297
5.25	DRIVERS CONTROL PANEL, (TOTAL CONTROL)	298
5.26	DRIVERS CONTROL PANEL, (ENVIROMATE)	299
5.27	DRIVERS CONTROL PANEL, POWER PACKS	300
5.28	CONTROL PANEL - AC-340 THROUGH AC-866	301
5.29	CONTROL PANEL, STANDARD, GEN V	303
5.30	CONTROL PANEL, AC663	304
5.31	CONTROL PANEL, AC863, 12 VDC	305
5.32	CONTROL PANEL, AC863 - (2) CL	306
5.33	CONTROL PANEL, GSA	307
5.34	CONTROL PANEL, EM-3 GSA	308
5.35	CONTROL PANEL, AC553, 24VDC, GEN V	309
5.36	CONTROL PANEL, GSA TIE-IN	310
5.37	CONTROL PANEL, TOTAL CONTROL, GEN V (OPTIONAL)	311
5.38	CONTROL PANEL, EM WITH CM, 12VDC, GEN V	312
5.39	CONTROL PANEL, EM WITH CM, 24VDC, GEN V	313
5.40	PANEL ASSEMBLY, TOTAL CONTROL, EM-3, GEN 4	314



TABLE OF CONTENTS

5.41 CONTROL PANEL, EM-17 SPLIT, KR-4D, (24 VDC) 316
5.42 CONTROL PANEL, EM-17 & CM-5, (WITH HEAT) 318
5.43 CONTROL PANEL, EM-17 & CM-5 320
5.44 PANEL, CONTROL, 3-SPEED OPTION, (GEN 5) 322
5.45 PANEL ASSEMBLY, (GEN 5), EM-3, TOTAL CONTROL 323
5.46 PANEL ASSEMBLY, ELECTRICAL, EM-3 WITH (1) CM, 3-SPEED OPTION, (GEN 5) 325
5.47 CONTROL PANEL, GEN 5, TOTAL CONTROL 327
5.48 CONTROL PANEL, GEN 4, TOTAL CONTROL 328
5.49 PANEL ASSEMBLY, GEN 4, TOTAL CONTROL, EM-3 WITH (1) CM 330
5.50 CONTROL PANEL, EM-3, GEN V, VARIABLE SPEED 332
5.51 CONTROL PANEL, EM-3, GEN 5, THREE SPEED 333
5.52 CONTROL PANEL, THOMAS C2, (1) EM-1/2/7, (1) CM (056) 334
5.53 CONTROL PANEL, THOMAS C2, (1) EM-1/2/7, (1) CM WITH DASH AIR 336
5.54 CONTROL PANEL, THOMAS C2, (1) EM-3, (1) CM-3 (058) 338
5.55 CONTROL PANEL, THOMAS C2, (1) EM-3, (1) CM-3 (070) 340
5.56 CONTROL PANEL, THOMAS C2, (1) EM-1/2/7, KR-4 341
5.57 CONTROL PANEL, THOMAS C2, (1) EM-1/2/7, KR-4 WITH INDASH 343
5.58 CONTROL PANEL, THOMAS C2, (1) EM-1/2/7, (1) CM (079) 345
5.59 PANEL ASSEMBLY, THOMAS C2, (1) EM-1/2/7, (1) CM (081) 346
5.60 PANEL ASSEMBLY, THOMAS C2, (1) EM-1/2/7, (1) CM (082) 347
5.61 PANEL ASSEMBLY, THOMAS C2, (1) EM-1/2/7, KR-4 (083) 348
5.62 PANEL ASSEMBLY, THOMAS C2, (1) EM-1/2/7, KR-4, WITH IN-DASH (084) 349
5.63 PANEL ASSEMBLY, THOMAS C2, (1) EM-1/2/7, (1) CM (085) 350
SECTION 6 - ENGINE KIT PARTS 351
6.1 BUSHINGS - IDLERS - ECCENTRICS - FAN SPACERS 351
6.2 PULLEYS 352
6.3 PULLEYS 353
6.4 BELTS, POLY-V, 6 GROOVES, 0.840 WIDTH 354
6.5 BELTS, POLY-V, 8 GROOVES, 1.120 WIDTH 355
6.6 BELTS, POLY-V, 10 GROOVES, 1.380 WIDTH 356
6.7 V-BELT, SINGLE "A" GROOVE 357
6.8 V-BELT, SINGLE "B" GROOVE 359
6.9 V-BELT, 2 GROOVE, BANDED 359
6.9 V-BELT, 2 GROOVE, BANDED 359
6.10 HOSE, MISCELLANEOUS 360
6.11 INSULATION TUBE, (HEAT) 360
SECTION 7 - MISCELLANEOUS 361
7.1 HOSECOVERS AND ACCESSORIES 361
7.2 HOSECOVERS - 2 PIECE DESIGN 362



TABLE OF CONTENTS

7.3	HOSECOVERS - 1 PIECE DESIGN	362
7.4	HARDWARE KIT, EVAPORATOR MOUNTING TO CHANNELS, (REAR)	363
7.5	HARDWARE KIT, EVAPORATOR COVER MOUNTING, (REAR AND SIDE MOUNT)	363
7.6	CORNER DUCTING	364
7.7	DEFLECTORS	365
7.8	LOUVERS	366
7.9	REFRIGERATION COMPONENTS	367
7.10	THERMAL EXPANSION VALVE, BLOCK	368
7.11	SIGHTGLASSES	368
7.12	DRIERS	369
7.13	PLASTIC FITTINGS	370
7.14	INSULATED CLAMPS	371
7.15	STAUFF CLAMPS	371
7.16	HOSE CLAMPS	372
7.17	CONDENSATE VALVE & DRAIN HOSE	372
7.18	MISCELLANEOUS CLAMPS	373
7.19	RETURN AIR FILTERS	373
	INDEX	Index-1

INTRODUCTION

This parts list identifies service replacement parts for Mobile Climate Control Split System components. The air conditioning/heating system consists of a condenser module, evaporator module, electrical controls and engine compartment mounted compressor. To complete the system, the air conditioning and heating equipment interfaces with electrical cabling, engine cooling piping, duct work and other components.

Information is supplied throughout the manual in sections outlining the major components. These sections include; the Evaporator Section, Condenser Section, Power Packs & Auxiliary Drive Modules Section, Fitting & Hose Section, Compressor Section, Electrical Section, Mount Kit Section and Miscellaneous Section. Each section is divided to provide information on various sizes of equipment and where required, various generations of design. Identification of the various size equipment is identified by model designation while generation of design is identified by serial number.

ORDERING INSTRUCTIONS

All orders and inquiries for parts must include: Unit Serial Number, Part No., description of part as shown on list and quantity required. Parts can be ordered by going to the following website:

www.mcc-hvac.com

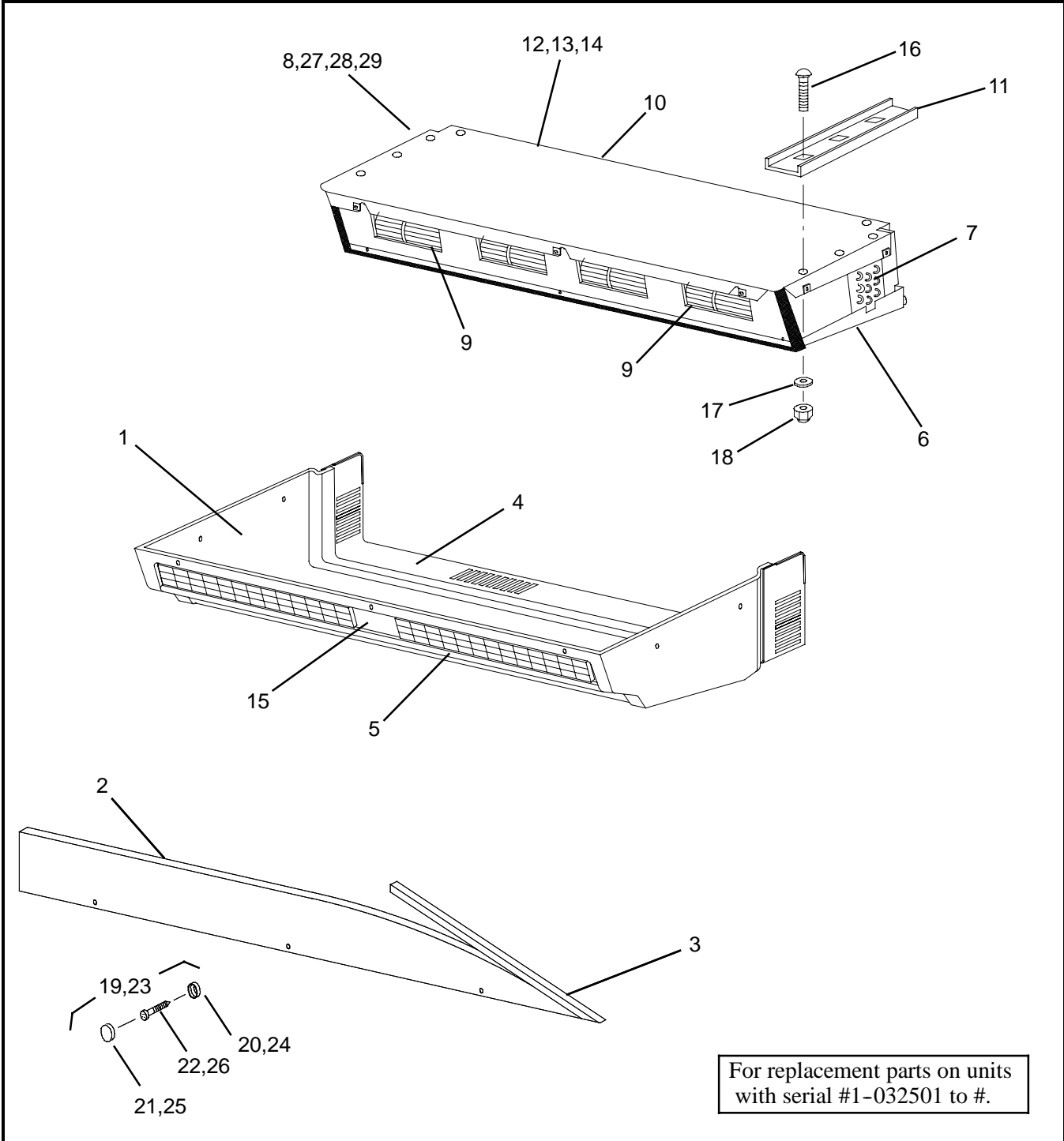
GENERAL NOTES

1. This catalog contains those items most commonly required for replacement purposes. If parts other than those cataloged are required, please provide the model number and serial number of the unit on which the parts are to be used and a complete description including references to items which are cataloged.
2. The replacement parts listed in this catalog are “Factory-Authorized Parts” and, as a result of “standardization,” may not be identical to the original part furnished on the equipment.
3. The following letter designations are used to classify parts throughout this list:
 - A/R = As Required,
 - H/C = Heat/Cool,
 - N/A = Not Available
 - N/S = Not Shown On Illustration
 - NSS = Not Sold Separately,
 - REF = For Reference Only

SECTION 1 - EVAPORATORS

SECTION 1.1 EM-1 EVAPORATORS

1.1.1 EVAPORATOR, EM-1, GEN 4, FREE BLOW

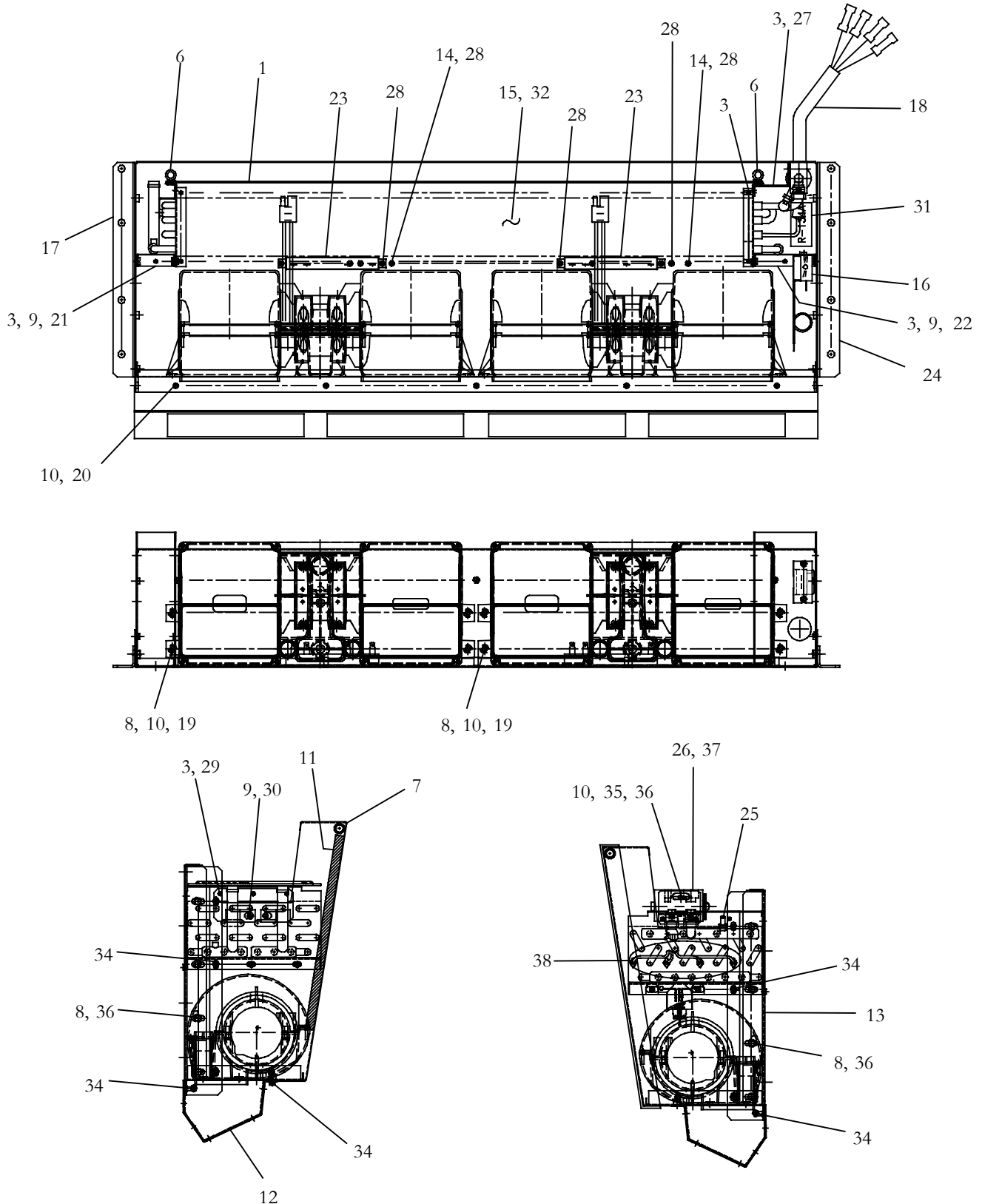




1.1.1 EVAPORATOR, EM-1, GEN 4, FREE BLOW - Continued:			
Item	Part Number	Description	Qty
1	79-62071-00	Cover Assembly, White	1
	79-62071-01	Cover Assembly, Gray	1
2	68-62576-01	Trim Strip, White/Gray	1
3	AC801-412F25	Flexible Trim, Black (25 Ft. Roll)	1
4	AC022-251	Grill, Return Air Inlet, Painted Black	1
5	AC401-320	Louver Assembly, (14 3/8 Inch X 3 3/8 Inch)	2
6	79-02383-00	Drain Pan Assembly, Includes:	1
7	AC022-708-S	Coil, Assembly, Without Heat (.006 Fins - 14 Per inch)	1
	08-62059-00	Coil, Assembly, With Low Pressure Switch Connection, With Heat	1
	08-62060-00	Coil, Assembly, With Low Pressure Switch Connection, Cool Only	1
8	14-00397-00	Thermal Expansion Valve	1
9	AC401-232	Blower Assembly, Dual, 12 Volt	2
	AC401-233	Blower Assembly, Dual, 24 Volt	2
10	AC801-405	Filter, Return Air, (35 X 7 1/4 Inch)	1
11	AC020-009	Channel, Mounting	2
12	AC201-501	Thermostat, Freeze-Up	1
13	76-62019-00	Resistor Kit, (1.8 Ohm, 4 Prong)	2
14	22-62125-00	Harness, Evaporator, GSA, 12 VDC	1
	22-62240-00	Harness, Evaporator, W/Low Pressure Switch, 12 VDC	1
	AC022-717	Harness, Evaporator, 24 VDC	1
15	56-0034	Emblem, MCC	1
16	34-01310-01	Bolt, Carriage Head, 3/8-16 X 4 Inch, Full Thread, GD-8, Zinc Plated	4
17	34-00588-13 Washer, Flat, 3/8 Inch, Zinc Plated	4
18	34-00361-13 Nut, Hex, Lock, 3/8-16, Zinc Plated	4
19	76-62103-00	Hardware Kit, Cover Mounting To Unit, Gray, Includes:	1
20	AC801-529 Washer, Snap Cap	8
21	AC801-532 Snap Cap, Gray	8
22	34-62046-00 Screw, Pan Head, Phillips, #10 X 5/8 Inch, AB, Black	8
23	76-62103-04	Hardware Kit, Cover Mounting To Unit, White, Includes:	1
24	AC801-529 Washer, Snap Cap	8
25	AC801-531 Snap Cap, White	8
26	34-62046-00 Screw, Pan Head, Phillips, #10 X 5/8 Inch, AB, Black	8
27	AC201-412	Switch, Low Pressure	1
28	AC801-202	O-Ring, 1/2 Inch, TXV	2
29	AC022-700	Bracket, TXV Support	1



1.1.2 EVAPORATOR, EM-1, GEN 4 CHASSIS KIT WITH HEAT

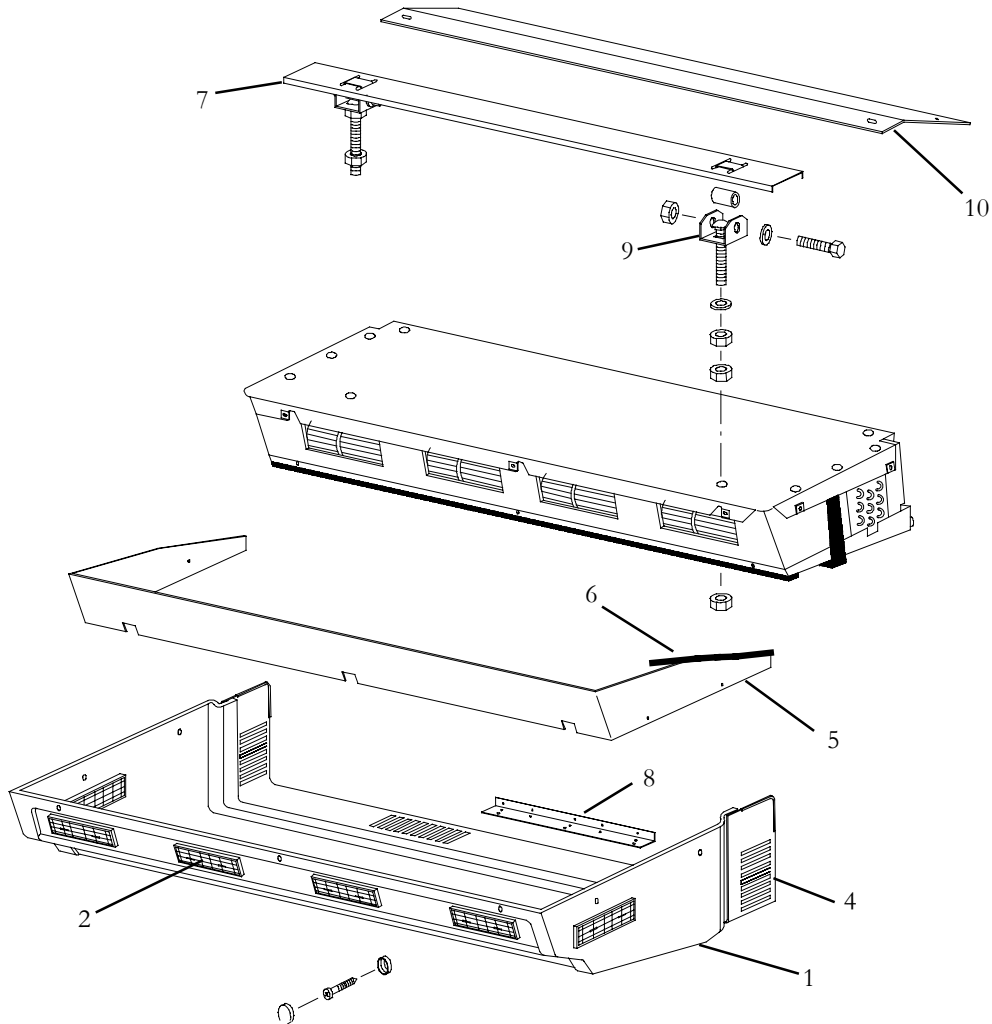




1.1.2 EVAPORATOR, EM-1, GEN 4 CHASSIS KIT WITH HEAT - Continued:			
Item	Part Number	Description	Qty
1	AC801-405	Filter, Return Air (.090 Thick x 8.00 x 35.38 Inches)	1
2	66U1-3882	Wire Tie, Self-Locking, 7.00 Inches, Black	4
3	AC701-401	Rivet, Pop, 3/16, Steel	11
4	42-62137-00	Insulation, Drain Pan	1
5	AC801-412F25	Gasket, Trimlock, Black (25 Ft. Roll)	1
6	42-00264-12F25	Seal, Trim/Bulb, 3/16 x 5/8 Inch Diameter, Black, 25 Feet Roll	1
7	86-62503-00	Drain Pan Assembly, Evaporator, Painted	1
8	34-62055-00	Screw, Hex Head, W/Split Lockwasher, 1/4-20 x .62 Inch Long, SST	16
9	34-62050-04	Screw, Phillips, W/External Tooth Lockwasher, #10-32 x 0.50 Inch Long	8
10	34-00361-61	Nut, Self-Locking, 1/4-20, Zinc	14
11	AC022-313	Baffle, Drain Pan, Foam	1
12	79-62112-00	Plenum Assembly, Painted	1
13	68-62213-00	Panel Assembly, Top	1
14	AC021-142	Angle, Bracket, Harness Stand-Off	2
15	08-62059-00	Coil Assembly, Evaporator/Heater, With Low Pressure Switch Connection	1
16	12-00685-00	Thermostat, Freeze-Up, Non-Adjustable	1
17	68-62211-00	Bracket, Unit Mounting, Painted	1
18	22-62266-00	Harness Assembly, Evaporator	1
19	54-00588-00	Fan & Motor Assembly, Evaporator, 12 VDC - Includes:	2
19.1	22-02338-04	...Holder, Fuse, 25 AMP	1
19.2	22-02336-05	...Fuse, 25 AMP	1
20	68-62208-00	Panel Assembly, Front, Painted	1
21	68-62209-00	Baffle Assembly, Roadside, Painted	1
22	68-62210-00	Baffle Assembly, Curbside, Painted	1
23	76-62019-00	Resistor Kit, (1.8 Ohm, 4 Prong)	2
24	68-62212-00	Bracket, Unit Mounting, Painted	1
25	AC201-412	Switch, Pressure, Low, Non-Adjustable	1
26	14-00397-00	Valve, Thermal Expansion, Block Type, R134a	1
27	AC022-700	Bracket, Support, TXV	1
28	34-62051-05	Screw, Pan Head, W/Lockwasher, #8-32 x 0.31 Inch Long, Zinc	7
29	AC022-701	Bracket Assembly, Coil Support	1
30	AC701-274	Clamp, Conduit, 3/8 Inch, Slotted Hole	2
31	62-62039-00	Label, Charge Only With R-134a	1
32	AC022-743-1	Gasket, Coil, Neoprene, Adhesive Backed	1
33	62-04062-01	Label, Warranty I.D.	1
34	34-00917-08	Screw, Hex Head, W/Captive Washer, #10-32 x .50 Inch Long, Zinc	13
35	34-00655-12	Screw, Cap Hex Head, 1/4-20 x 1.50 Inch Long, SST	1
36	34-00662-11	Washer, Flat, 1/4 Inch, SST	10
37	AC801-202	O-Ring, 1/2 Inch, HNBR	2
38	42-00032-00	Tape, Insulation, Pressite, 2.00 x 30.00 Feet Long	1



1.1.3 SIDE MOUNT EVAPORATOR, EM-1 & 2, GEN 4



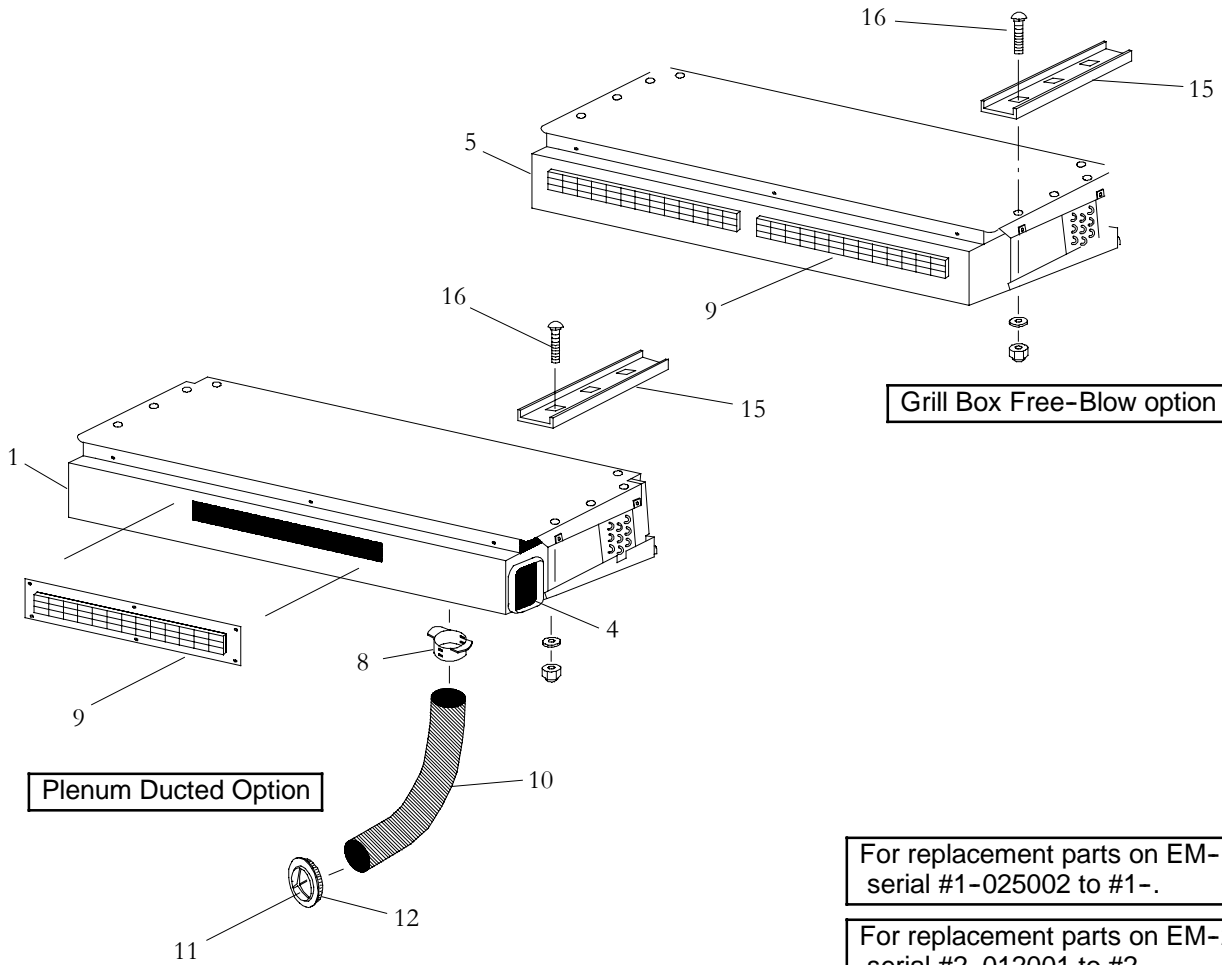
For replacement parts on EM-1 with serial #1-25002 to #1-

For replacement parts on EM-2 with serial #2-012001 to #2-

Item	Part Number	Description	Qty
1	79-62075-00	Cover Assembly, White	1
	79-62075-01	Cover Assembly, Gray	1
	N/A	Cover Assembly, Beige, (AC022-479-S)	1
2	AC401-308	Louver Assembly, With Bezel, (3 Inch X 7 Inch)	6
3	56-0034	Emblem, MCC	1
4	AC022-290P	Grill, Return Air, Painted	1
5	AC022-286-1	Trim Strip, White, (39-1/2 x 31/4 Inches)	1
	AC022-286-2	Trim Strip, Gray, (39-1/2 x 31/4 Inches)	1
6	AC801-412F25	Trim, Flexible, Black (25 Ft. Roll)	1
7	AC020-174	Weldment, Hanger	1
8	AC020-179	Angle, Support, Rear Screen	1
9	AC021-223	Hanger, Front	2
10	68-63875-00	Hanger, Rear	1



1.1.4 PLENUM & GRILL BOX FOR EVAPORATORS EM-1 & 2, GEN 4



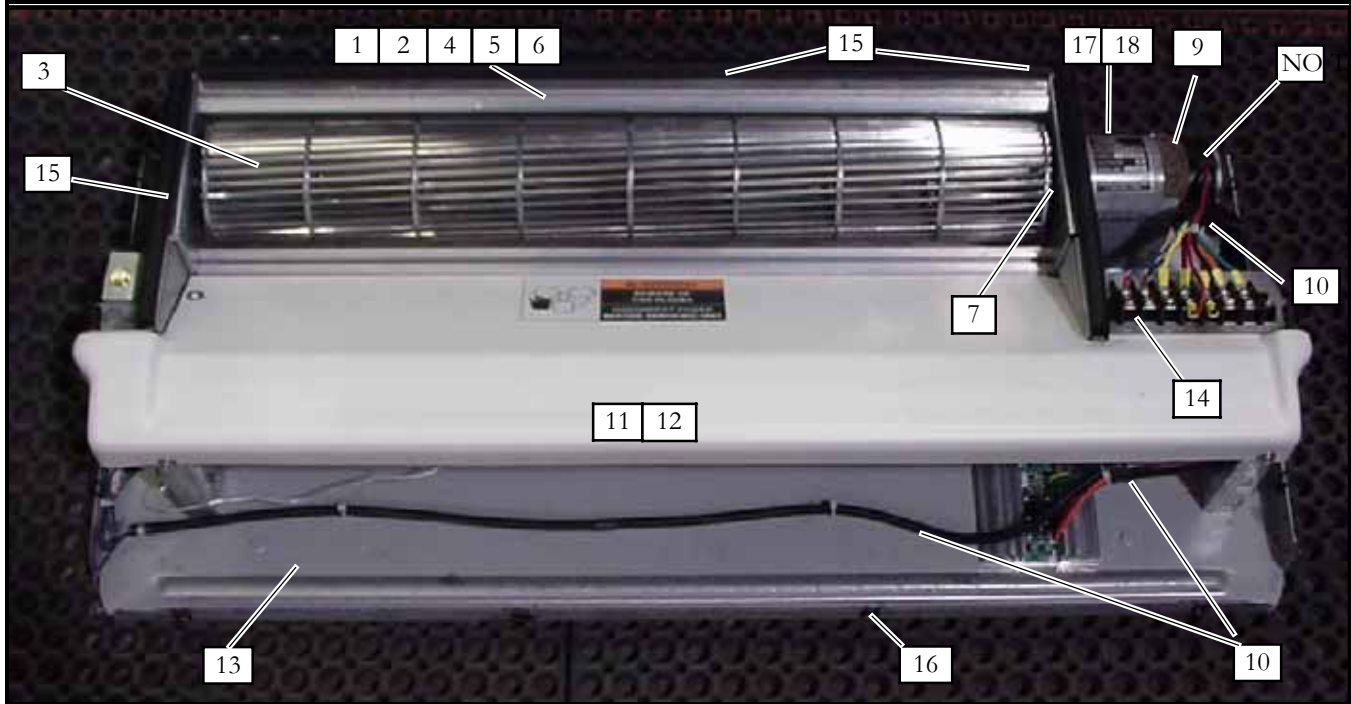
For replacement parts on EM-1 with serial #1-025002 to #1-.

For replacement parts on EM-2 with serial #2-012001 to #2-.

Item	Part Number	Description	Qty
1	AC022-298	Weldment, Plenum, EM-1	1
2	AC022-302	Bottom Panel, Plenum, EM-1	1
3	AC022-463	Angle, Plenum, EM-1/2	1
4	AC021-152	Block-Off Plate, EM-2	2
5	AC022-327P	Weldment, Grillbox, EM-1, (Painted)	1
6	AC022-331P	Grillbox Bottom, EM-1, (Painted)	1
7	AC022-464P	Plate, Louver, EM-1, (Painted)	1
8	AC401-307	Adapter, Hose, 2-1/2 Inch	2
9	AC401-320	Louver, 14-3/8 Inch X 3-3/8 Inch	2
10	AC301-205	Duct, Hose, 2-1/2 inch X foot	3
11	58-01386-00	Louver, Ball, 2-1/2 inch with Hose Back	2
12	AC401-306	Ring, Mounting, Louver Ball	2
13	AC801-400	Gasket, Foam, 1/8 inch X 54 inch X foot	1.5
14	AC801-414	Gasket, Foam, 3/8 inch X 1 inch X 25 Foot Roll	1
15	AC020-009	Channel, Mounting	2
16	34-01310-01	Bolt, Carriage Head, 3/8-16 X 4, Full Thread, GD-8, Zinc Plated	4



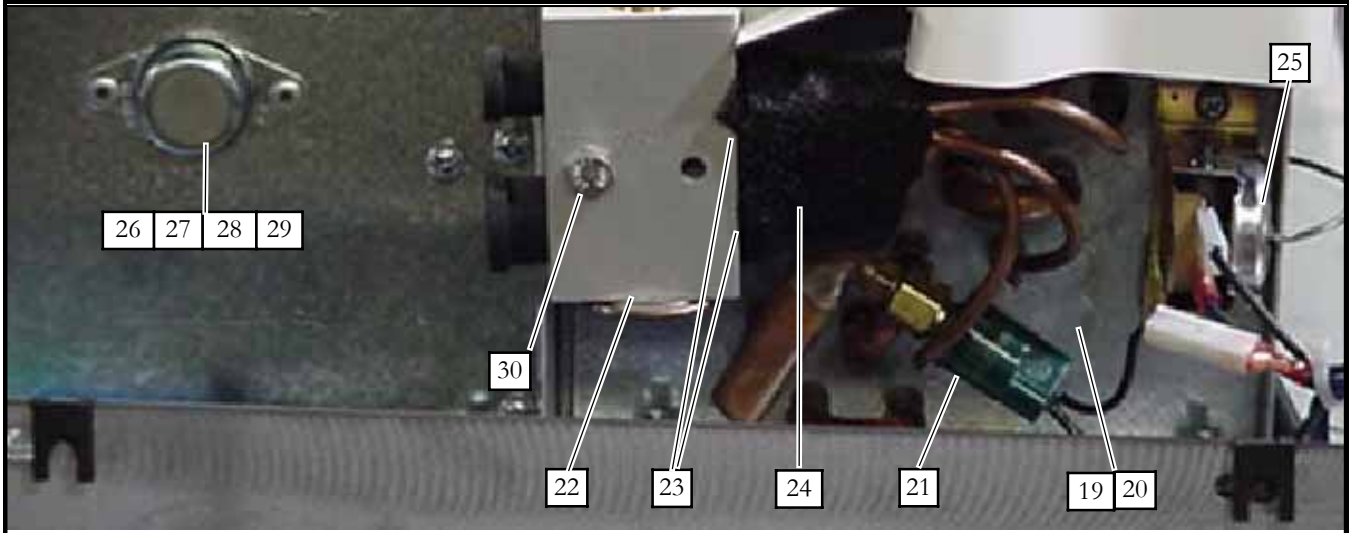
1.1.5 EVAPORATOR, EM-1, GEN-V, FREE BLOW, REAR MOUNT



Item	Part Number	Description	Qty
1	NSS	Blower Housing & Gasket Assembly, (79-62079-00) Includes:	1
2	NSSBlower Housing & Wheel Assembly, (38-00564-00) Includes:	1
3	38-00564-50Blower Wheel (Length: 29.12 Inches - 739.8 mm)	1
4	38-00564-60Blower Housing	1
5	42-62118-00Gasket, Mounting, Blower Housing, 1/8 Inch Thick Neoprene	2
6	42-62117-00Gasket, Blower Housing, 3/16 Inch Thick Neoprene	1
7	34-00482-05Set Screw, Cup Point, 1/4-28, SS	1
8	54-00653-00	Motor, Evaporator, EM-1, 12 VDC, (GEN-V)	1
	22-62328-00	Fuse, 40A (GenV 12VDC)	1
	54-00653-03	Motor, Evaporator, EM-1, 24 VDC, (GEN-V)	1
	22-62328-02	Fuse, 25A (GenV 24VDC)	1
9	42-62052-00	Gasket, Motor, (GenV)	1
10	22-62099-00	Harness Assembly, Evap., With Speed Control, (12-00533-00, NSS)	1
	22-62168-00	Harness Assembly, Evap., 3 Speed	1
	22-62168-01	Harness Assembly, Evap., 3 Speed, With Return Air Sensor	1
11	79-62106-00	Drain Pan Assembly, EM-1 - Includes:	1
11.1	42-62140-00Baffle, drain Pan, Foam	1
12	68-62711-00	Bracket Assembly, Drain Pan (W/O .440 Hole)	1
	68-62711-01	Bracket Assembly, Drain Pan (W/2 .440 Holes)	1
13	68-62722-00	Panel, Top, EM-1, (GenV)	1
14	22-62100-00	Terminal Block, 7 Position, With Stainless Steel Screws	1
15	58-62064-00F25	Trim Seal, 1/8 Inch Grip, (25 Foot Roll)	1
16	AC701-123	Tinnerman Clip, High Torque, #10AB	8
17	68-62725-00	Bracket, Motor Mounting	1
18	68-08087-00	Shim, Bracket, Motor Mounting (Located Under Motor Mounting Bracket)	1



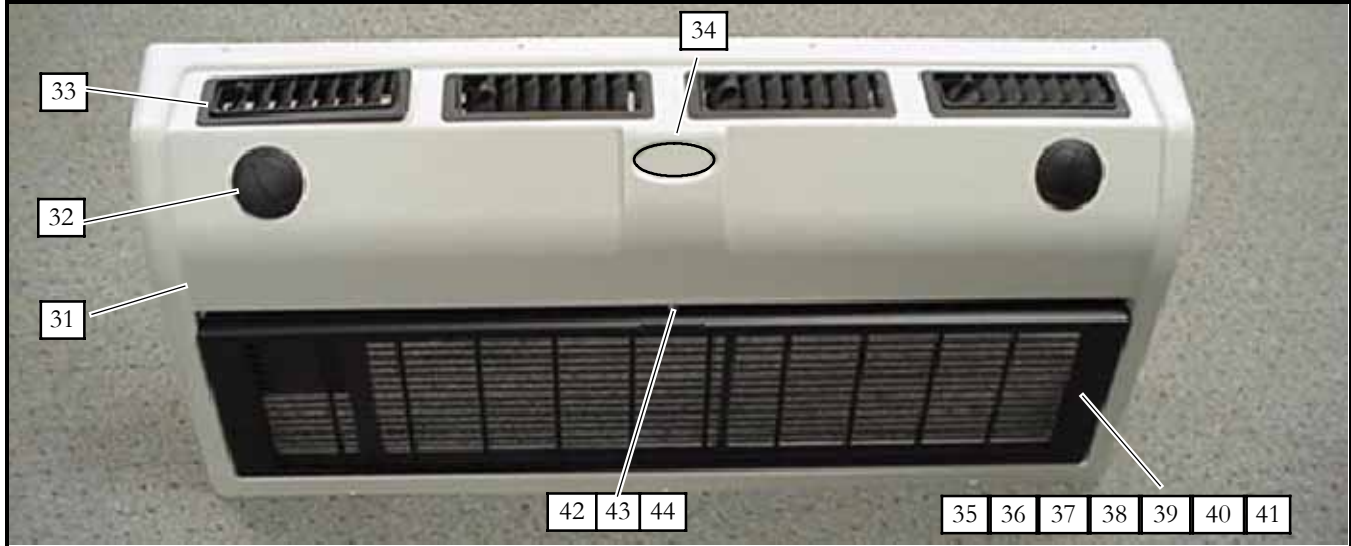
1.1.5 EVAPORATOR, EM-1, GEN-V, FREE BLOW, REAR MOUNT, - Continued



Item	Part Number	Description	Qty
19	79-02358-00	Coil Assembly, Includes:	1
20	08-62031-00Coil Assembly, EM-1	1
21	AC201-412Switch, Pressure, Low	1
22	14-00397-00Valve, Thermal Expansion, R134a	1
23	AC801-202O-Ring, 1/2 Inch	2
24	42-00032-00Tape, Insulation, Presstite, 2.00 Inch X 30 Feet Long	1
25	12-00685-00	Thermostat, Freeze, Non-Adjustable	1
26	76-62257-00	Bearing Housing & Boot Repair Kit - Includes:	1
27	NSSHousing, Bearing, Blower Wheel 38-00564-70	1
28	NSSBoot, Rubber, Blower Wheel 38-00564-71	1
29	AC701-401	Pop Rivet, 3/16, Steel	2
30	79-62086-01	Bracket Assembly, TXV	1



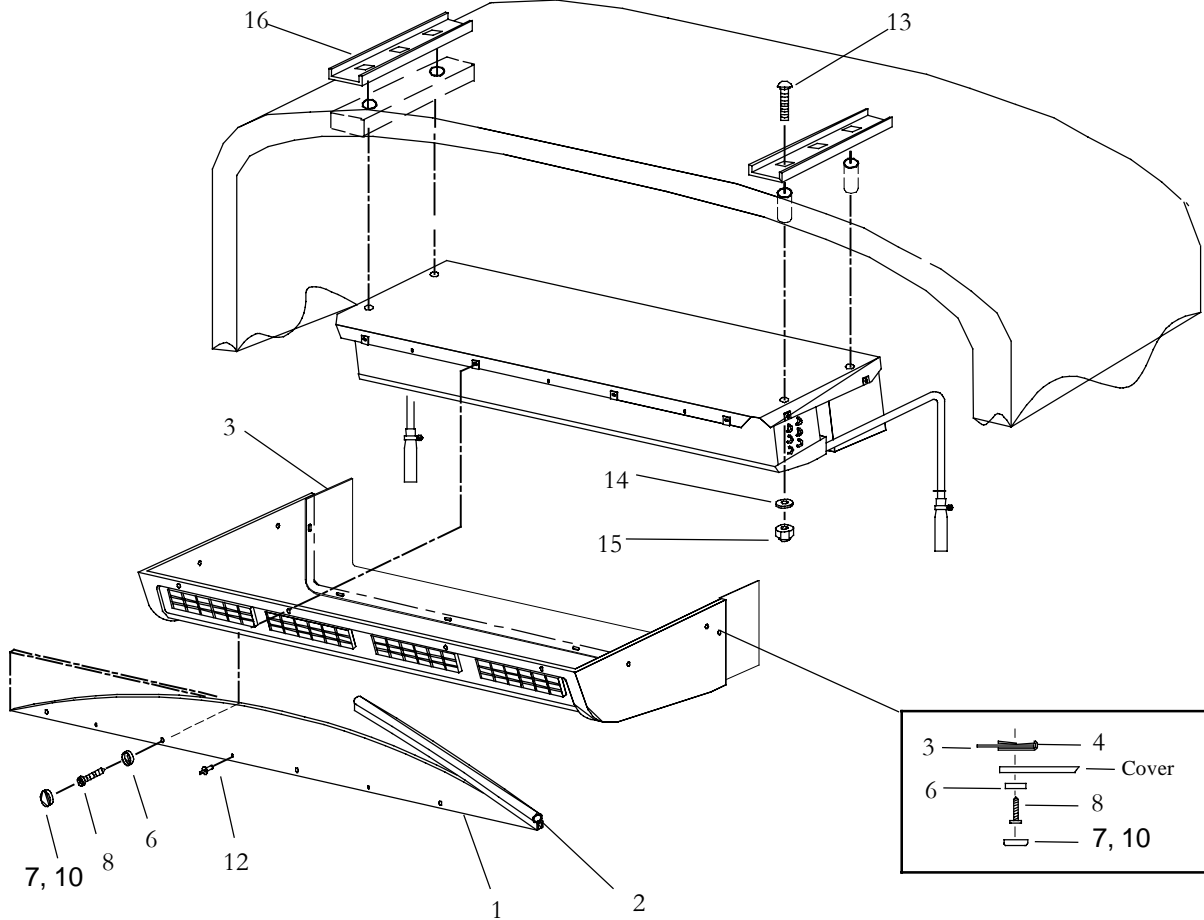
1.1.5 EVAPORATOR, EM-1, GEN-V, FREE BLOW, REAR MOUNT - Continued



Item	Part Number	Description	Qty
31	79-62035-01	Cover Assembly, Complete, Rear Mount, White	1
	79-62035-02	Cover Assembly, Complete, Rear Mount, Gray	1
32	58-01385-00	Louver, Evaporator, 3 Inch (Requires Retaining Ring 58-01385-01)	2
	58-01385-01	Ring, Retaining, Louver (Used With Louver 58-01385-00)	2
33	58-62042-00	Louver, Rectangle (8.0 X 3.0 Inches)	4
34	56-0034	Emblem, MCC	1
35	38-00573-01	Filter, Air, 36.5 X 9.0 Inches, EM-1, (GenV)	1
36	76-50128-00	Grill Kit, EM-1 - Includes: (Replaces Grill 68-62735-00 & Channel 68-62736-00)	1
37	68-63275-01 Grill, Evaporator, EM-1, GEN V, (Painted)	1
38	68-63276-01 Door, Filter, EM-1, Gen V, (Painted)	1
39	68-63277-01 Baffle, Cover, EM-1, Gen V	1
40	AC701-403 Rivet, Pop, 1/8 inch, Steel (Fasten Door to Grill)	2
41	AC701-400 Rivet, Pop, 3/16 inch, Steel (Faster Baffle & Grill to Cover)	7
N/S	98-50168-00 Instructions, Grill, Door & Baffle Installation	1
42	34-62019-00	Receptacle, 1/4 Turn	1
43	34-62020-00	Stud, 1/4 Turn, .25 Grip Range	1
44	34-06169-01	Washer, Retaining, .215 I. D.	1



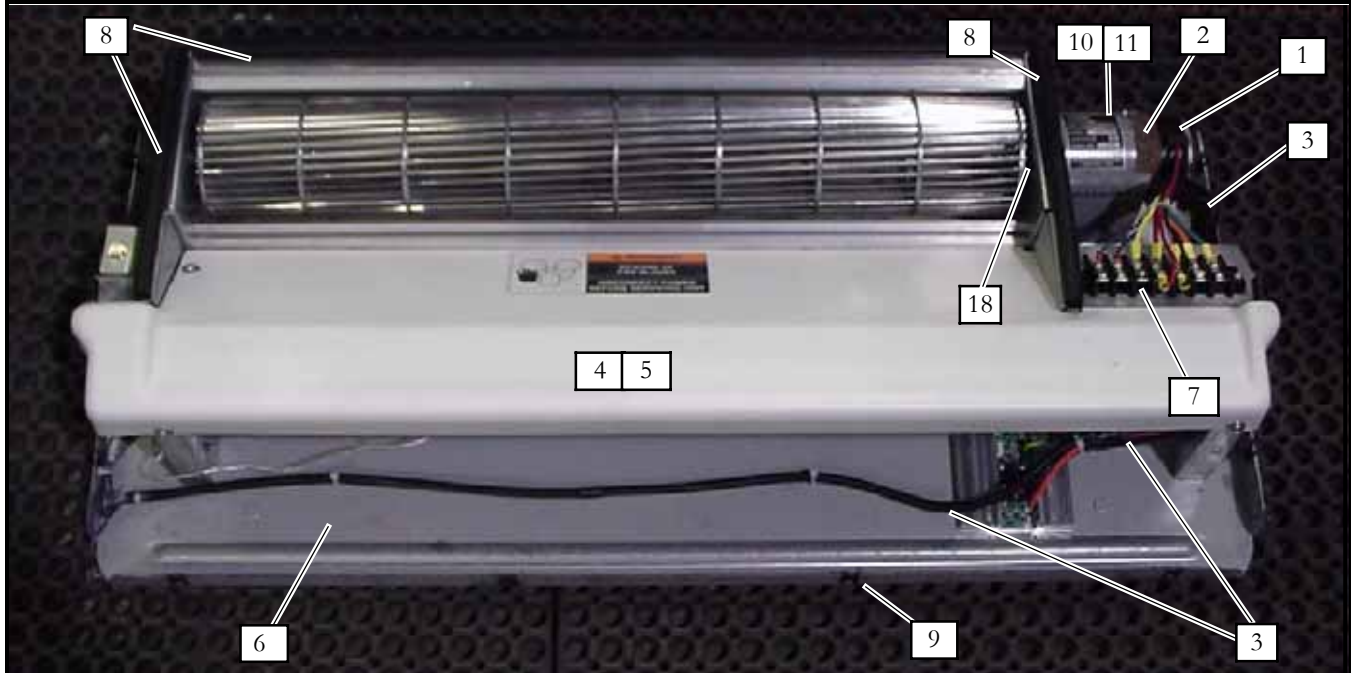
1.1.6 INSTALLATION COMPONENTS, EM-1, GEN V, REAR MOUNT



Item	Part Number	Description	Qty
1	68-62660-00	Trim Strip, Gray One Side & White Other Side, EM-1	1
2	AC801-412F25	Gasket, Trimlock, Black (25 Ft. Roll)	1
3	68-62662-00	Panel, Gray, Rear (Requires Additional Item #5)	1
	68-62662-01	Panel, White, Rear (Requires Additional Item #9)	1
4	AC701-123	Tinnerman Clip, Hi Torque, #10 AB	5
5	76-62103-00	Hardware Kit, Cover Mounting To Unit, Gray, Includes:	1
6	AC801-529 Washer, Snap Cap	8
7	AC801-532 Snap Cap, Gray	8
8	34-62046-00 Screw, Pan Head, Phillips, #10 X 5/8 Inch, AB, Black	8
9	76-62103-04	Hardware Kit, Cover Mounting To Unit, White, Includes:	1
10	AC801-531 Snap Cap, White	8
11	76-62103-01	Hardware Kit, Unit Mounting To Channels, Includes:	1
12	AC701-403 Rivet, Pop, 1/8-Steel	3
13	34-01310-01 Bolt, Carriage, 3/8-16 X 4 Inches, Full Thread, GD-8, Zinc Plated	4
14	34-00588-13 Washer, Flat, 3/8 Inch, Zinc Plated	4
15	34-00361-13 Nut, Hex, Lock, 3/8-16, Zinc Plated	4
16	AC020-009	Channel, Mounting, 3/16 X 30 Inches Long	2
	AC021-360	Channel, Mounting, 3/16 X 15.75 Inch, (Model 77-62112-80 & -82 Only)	2



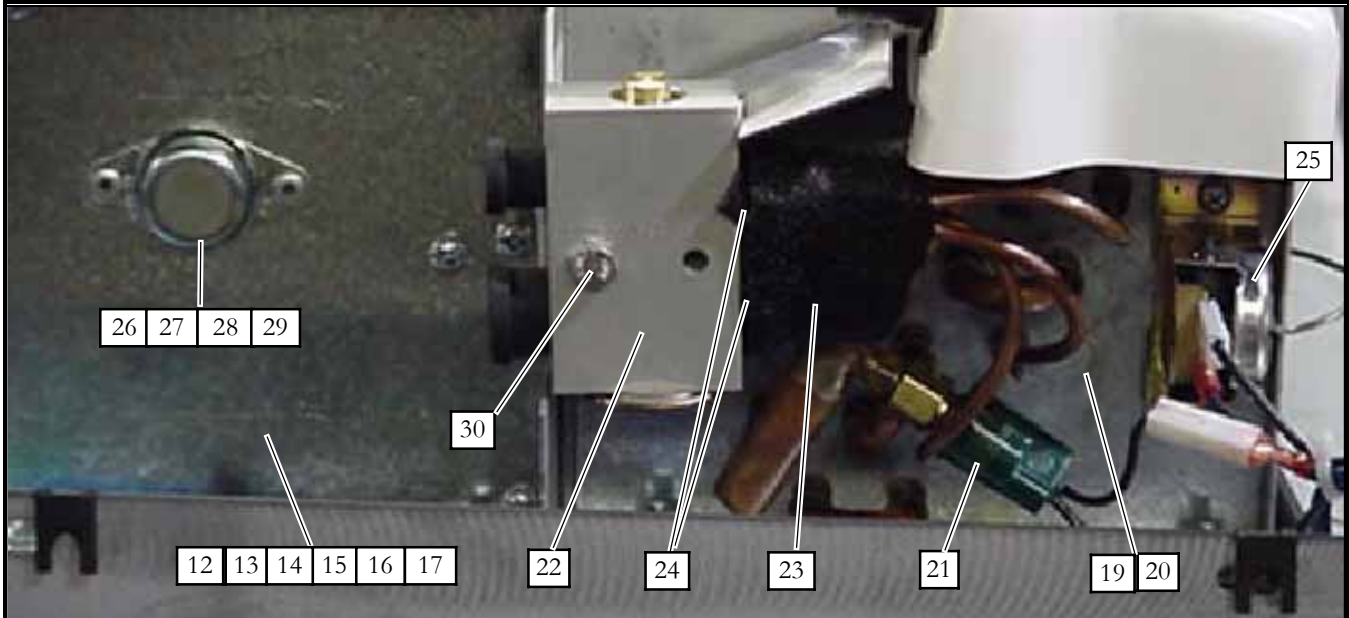
1.1.7 EVAPORATOR, EM-1, GEN-V, FREE BLOW, SIDE MOUNT



Item	Part Number	Description	Qty
1	54-00653-00	Motor, Evaporator, EM-1, 12 VDC, (GEN-V)	1
	22-62328-00Fuse, 40A (GenV 12VDC)	1
	54-00653-03	Motor, Evaporator, EM-1, 24 VDC, (GEN-V)	1
	22-62328-02Fuse, 25A (GenV 24VDC)	1
2	42-62052-00	Gasket, Motor, (GenV)	1
3	22-62099-00	Assembly, Harness, Evap., With Speed Control, (12-00533-00, NSS)	1
	22-62168-00	Harness Assembly, Evap., 3 Speed	1
	22-62168-01	Harness Assembly, Evap., 3 Speed, With Return Air Sensor	1
4	79-62106-00	Drain Pan Assembly, EM-1 - Includes:	1
4.1	42-62140-00Baffle, Drain Pan, Foam	1
5	68-62711-00	Bracket Assembly, Drain Pan (W/O .440 Hole)	1
	68-62711-01	Bracket Assembly, Drain Pan (W/2 .440 Holes)	1
6	68-62722-00	Panel, Top, EM-1, (GenV)	1
7	22-62100-01	Terminal Block, 7 Position, (50 Amp) Includes Stainless Steel Screws	1
8	58-62064-00F25	Trim Seal, 1/8 Inch Grip, (25 Foot Roll)	1
9	AC701-123	Tinnerman Clip, High Torque, #10AB	8
10	68-62725-00	Bracket, Motor Mounting	1
11	68-08087-00	Shim, Bracket, Motor Mounting (Located Under Mounting Bracket)	1



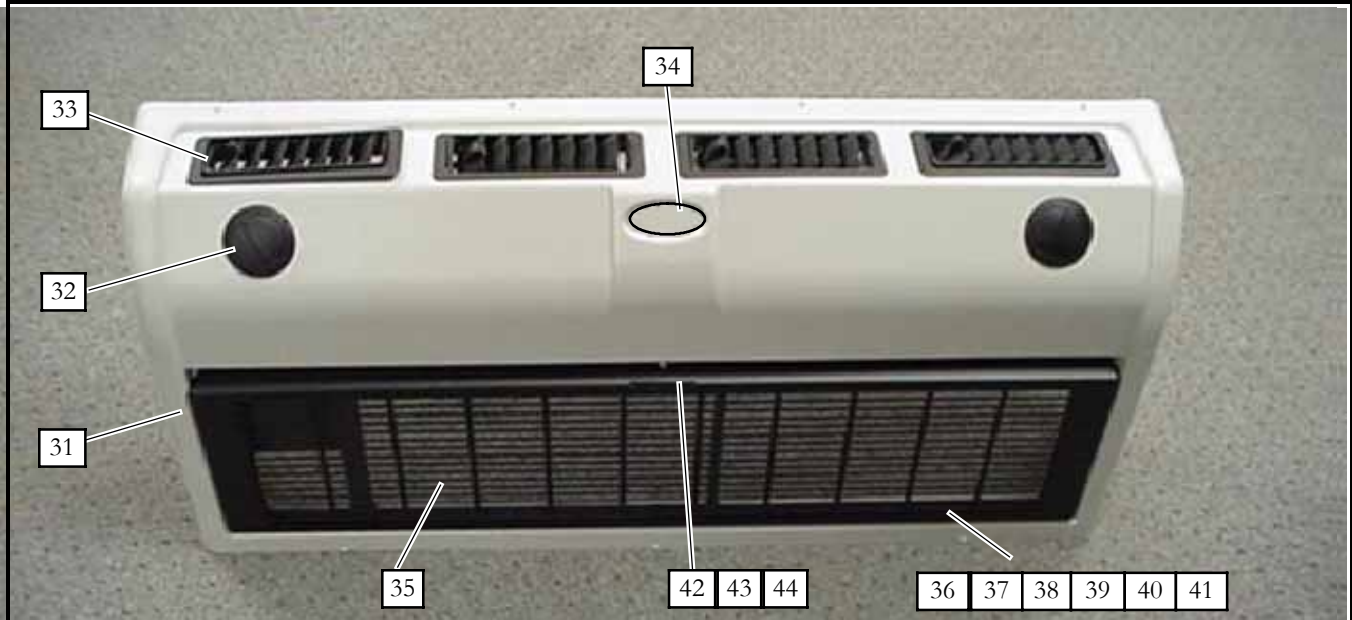
1.1.7 EVAPORATOR, EM-1, GEN-V, FREE BLOW, SIDE MOUNT - Continued:



Item	Part Number	Description	Qty
12	NSS	Blower Housing & Gasket Assembly, (79-62079-00) Includes:	1
13	NSSBlower Housing And Wheel Assembly (38-00564-00)	1
14	38-00564-50Blower Wheel (Length: 29.12 Inches - 739.8 mm)	1
15	38-00564-60Blower Housing	1
16	42-62118-00Gasket, Mounting, Blower Housing, 1/8 Inch Thick Neoprene	2
17	42-62117-00Gasket, Blower Housing, 3/16 Inch Thick Neoprene	1
18	34-00482-05Set Screw, Cup Point, 1/4-28, SS	1
19	79-02358-00	Coil Assembly, Includes:	1
20	08-62031-00Coil Assembly, EM-1	1
21	AC201-412Switch, Pressure, Low	1
22	14-00397-00Valve, Thermal Expansion, R134a	1
23	42-00032-00Tape, Insulation, Presstite, 2.00 Inch X 30 Feet Long	1
24	AC801-202O-Ring, 1/2 Inch	2
25	12-00685-00	Thermostat, Freeze, Non-Adjustable	1
26	76-62257-00	Bearing Housing & Boot Repair Kit - Includes:	1
27	NSSHousing, Bearing	1
28	NSSBoot, Rubber	1
29	AC701-401	Pop Rivet, 3/16 SD62BS, Steel	2
30	79-62086-01	Bracket Assembly, TXV	1



1.1.7 EVAPORATOR, EM-1, GEN V, SIDE MOUNT - Continued:

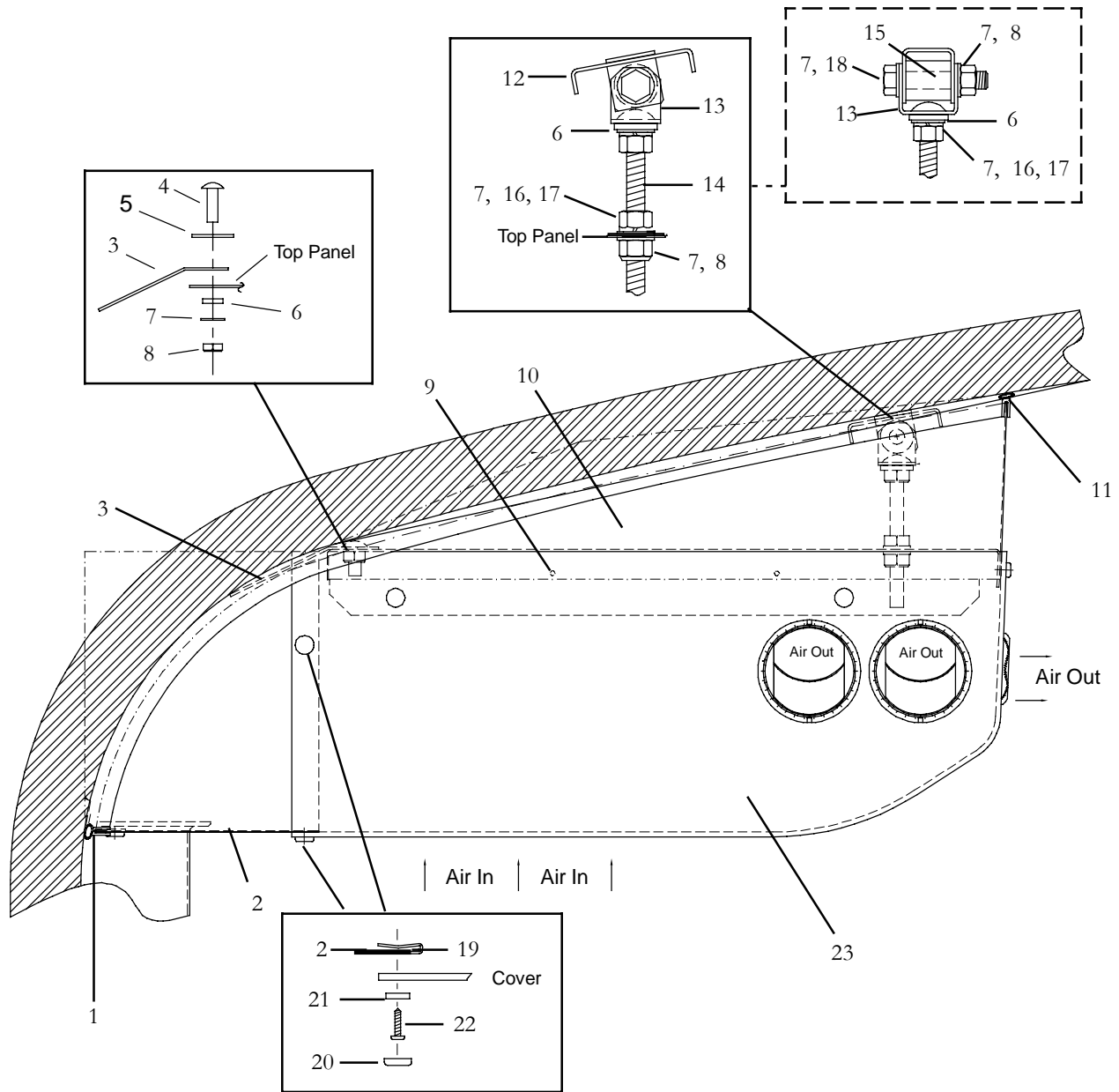


1.1.7 EVAPORATOR, EM-1, GEN V, SIDE MOUNT - Continued:

Item	Part Number	Description	Qty
31	79-62036-01	Cover Assembly, Complete, Side Mount, White	1
	79-62036-02	Cover Assembly, Complete, Side Mount, Gray	1
32	58-01385-00	Louver, Evaporator, 3 Inch (Requires Retaining Ring 58-01385-01)	6
	58-01385-01	Ring, Retaining, Louver (Used With Louver 58-01385-00)	6
33	58-62042-00	Louver, Rectangle (8.0 X 3.0 Inches)	4
34	56-0034	Emblem, MCC	1
35	38-00573-01	Filter, Air, EM-1, 36.5 X (Inches (GenV)	1
36	76-50128-00	Grill Kit, EM-1 - Includes: (Replaces Grill 68-62735-00 & Channel 68-62736-00)	1
37	68-63275-01 Grill, Evaporator, EM-1, GEN V, (Painted)	1
38	68-63276-01 Door, Filter, EM-1, Gen V, (Painted)	1
39	68-63277-01 Baffel, Cover, EM-1, Gen V	1
40	AC701-403 Rivet, Pop, 1/8 inch, Steel (Fasten Door to Grill)	2
41	AC701-400 Rivet, Pop, 3/16 inch, Steel (Faster Baffel & Grill to Cover)	7
N/S	98-50168-00 Instructions, Grill, Door & Baffel Installation	1
42	34-62019-00	Receptacle, 1/4 Turn	1
43	34-62020-00	Stud, 1/4 Turn, .25 Grip Range	1
44	34-06169-01	Washer, Retaining, .215 I. D.	1



1.1.8 INSTALLATION COMPONENTS, EM-1, GEN-V, SIDE MOUNT

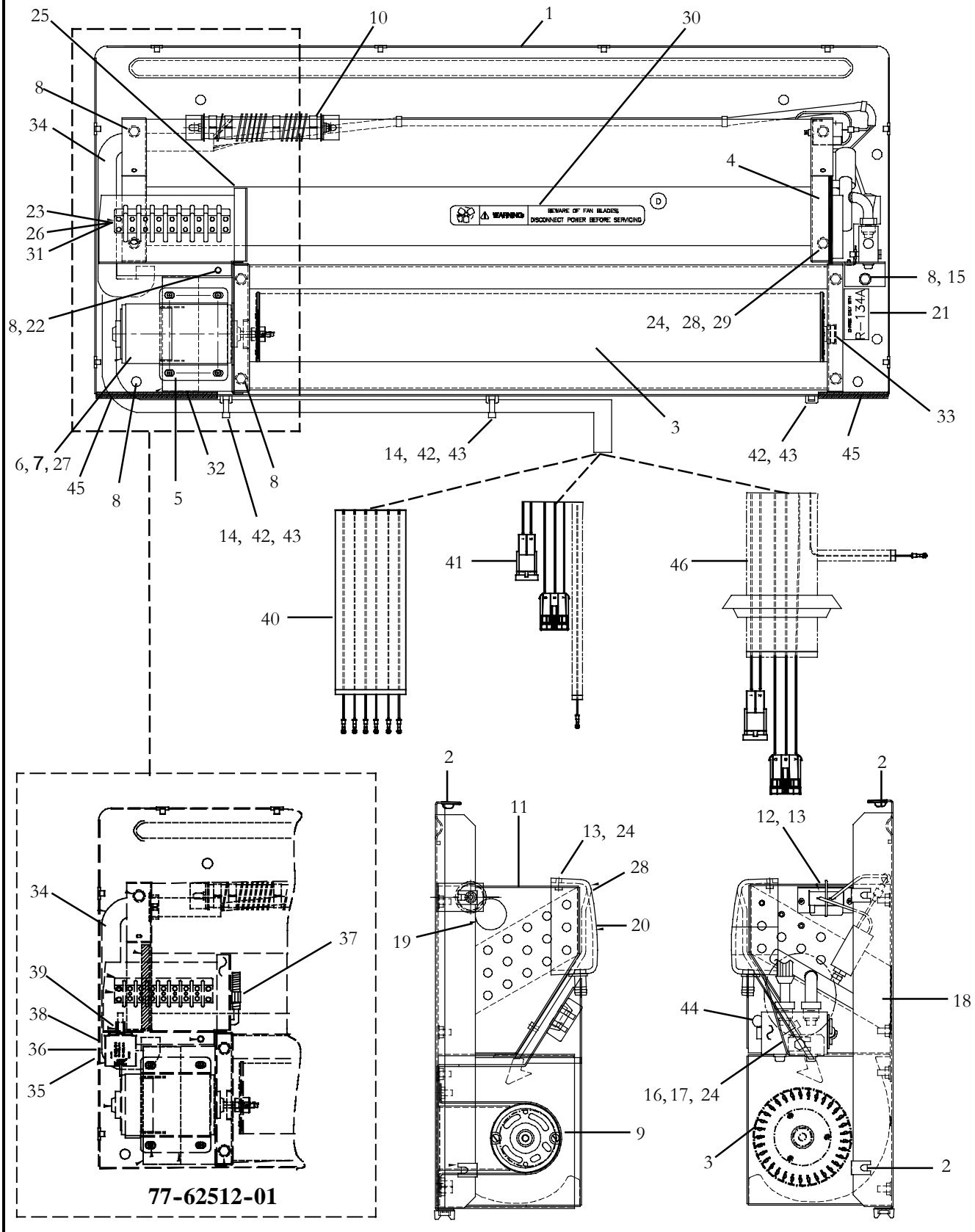


Item	Part Number	Description	Qty
1	AC020-179P	Support Angle	1
2	68-62662-00	Trim Strip, Rear, Gray	1
	68-62662-01	Trim Strip, Rear, White	1
3	68-63875-00	Rear Hanger, Side Mount	1
4	34-01310-00	Bolt, Carriage, Round Head, 3/8-16 X 1-1/4 Inch, Zinc plated	2
5	68-63874-00	Plate, Washer	2
6	AC601-602	Spacer, Steel, 7/8 OD X 1/2 ID X 1/8 Inch Long	2
7	34-00588-13	Washer, Flat, 3/8 Inch, Zinc Plated	8
8	34-00361-13	Nut, Hex, Lock, 3/8-16, Zinc Plated	6
9	AC701-403	Rivet, Pop, 1/8 Inch, Steel	4



1.1.8 INSTALLATION COMPONENTS, EM-1, GEN-V, SIDE MOUNT - Continued:			
Item	Part Number	Description	Qty
10	68-62734-00	Trim Strip, Side, Gray	1
	68-62734-01	Trim Strip, Side, White	1
11	AC801-412F25	Gasket, Trimlock, Black (25 Ft. Roll)	1
12	AC020-174	Bracket, Weld Assembly, Front Hanger	1
13	AC021-223	Bracket, Hanger, Front	2
14	34-01310-02	Bolt, Carriage, Round Head, 3/8-16 X 6 Inch, Zinc plated	2
15	AC601-616	Spacer, Steel, 7/8 OD X 1/2 ID X 1 Inch Long	2
16	34-00368-13	Washer, Split Lock, 3/8 Inch, Zinc Plated	6
17	34-00363-13	Nut, Hex, 3/8-16, Zinc Plated	4
18	17-40034-05	Bolt, Hex Head, 3/8-16 X 2 Inch, Zinc Plated, Grade 8	2
19	AC701-123	Tinnerman Clip, Hi Torque, #10 AB	8
20	AC801-531	Cap, Snap, White	8
	AC801-532	Cap, Snap, Gray	8
21	AC801-529	Washer, Snap Cap	8
22	34-62046-00	Screw, Pan Head Phillips, #10 X 5/8 Inch, AB, Black	8
23	79-62036-01	Cover Assembly, White, EM-1	1
	79-62036-02	Cover Assembly, Gray, EM-1	1

1.1.9 EM-1, GEN-V, 3 SPEED CHASSIS KITS 77-62512-00 THRU -07 (COMMON PARTS)





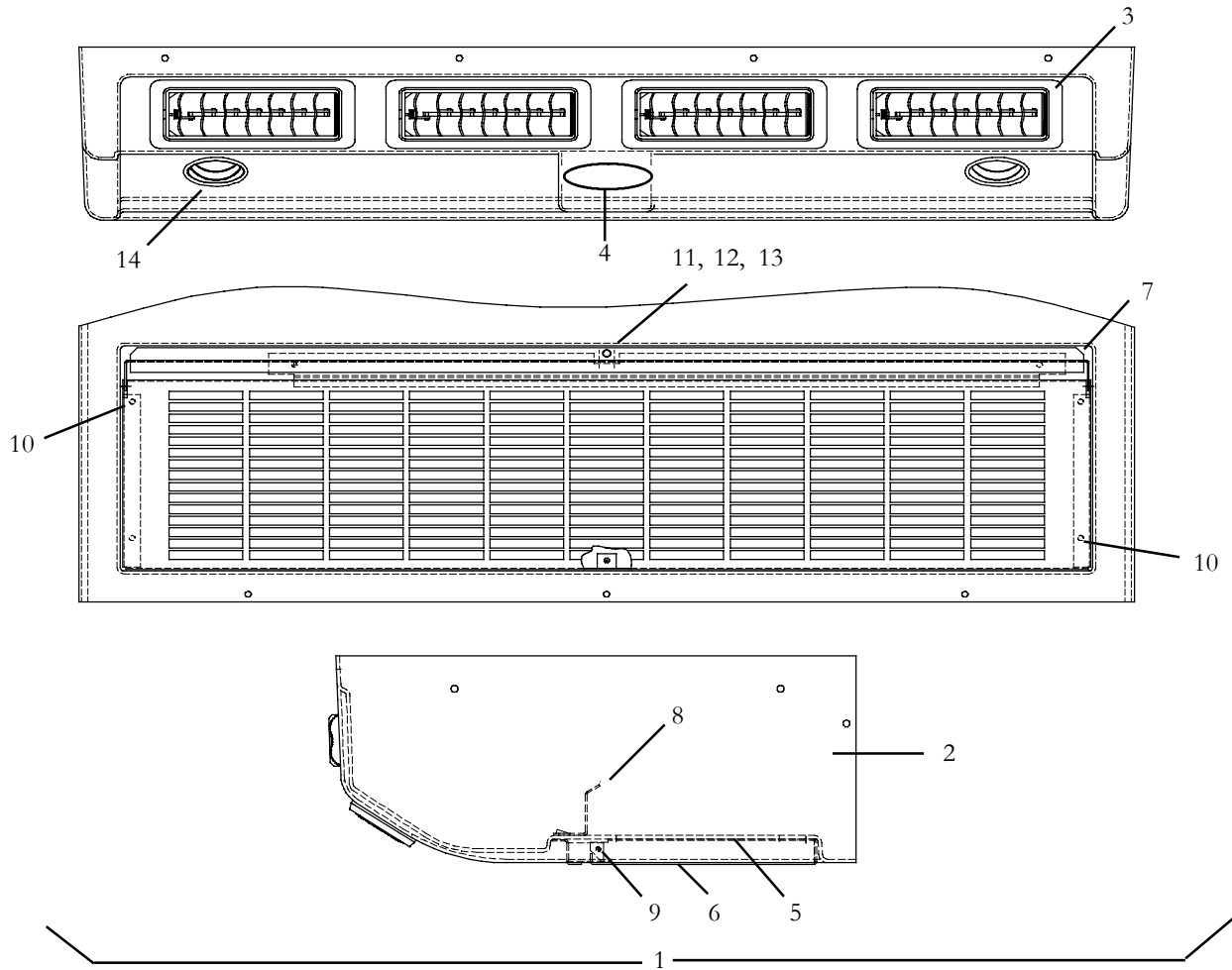
1.1.9 EM-1, GEN-V, 3 SPEED CHASSIS KITS 77-62512-00 THRU -07 (COMMON PARTS) - Cont:			
Item	Part Number	Description	Qty
1	68-62722-00	Panel Assembly, Top	1
2	AC701-123	Clip, Retaining, High Torque	10
3	NSS	Blower Housing & Gasket Assembly, (79-62079-00) Includes:	1
3.1	NSSBlower Housing & Wheel Assembly, (38-00564-00) Includes:	1
3.2	38-00564-50Blower Wheel (Length: 29.12 Inches - 739.8 mm)	1
3.3	38-00564-60Blower Housing	1
3.4	42-62118-00Gasket, Mounting, Blower Housing, 1/8 Inch Thick Neoprene	2
3.5	42-62117-00Gasket, Blower Housing, 3/16 Inch Thick Neoprene	1
3.6	34-00482-05Set Screw, Cup Point, 1/4-28, SST	1
4	AC801-401	Gasket, Foam, 3/16 x 3/8 x 50 Feet Roll	1
5	68-62725-00	Bracket, Motor Mounting	1
6	54-00653-00	Motor, Evaporator, EM-1, 12 VDC, (GEN-V)	1
7	22-62328-00Fuse, 40A	1
8	34-62018-00	Nut, Flanged, Serrated Lock, 1/4-20, Zinc Plated	16
9	68-62726-00	Strap, Motor Support	1
10	22-62169-00	Resistor, Fan Speed, 220 Watt, .820 OHM	1
11	79-02358-00	Coil Assembly, Includes:	1
11.1	08-62031-00Coil Assembly, EM-1	1
11.2	AC201-412Switch, Pressure, Low	1
11.3	14-00397-00Valve, Thermal Expansion, R134a	1
11.4	AC801-202O-Ring, 1/2 Inch	2
12	12-00685-00	Thermostat, Freeze, Non-Adjustable	1
13	34-62050-04	Screw, Pan Head With External Tooth Washer, #10-32 x 0.50 Inch Long	5
14	66U1-3882	Wire Tie, Self-Locking, 7.00 Inches, Black	A/R
15	79-62086-01	Bracket Assembly, TXV	1
16	34-00655-12	Screw, Hex Head, 1/4-20 x 1.50 Inch Long, SST	1
17	AC701-101	Nut, Speed, 'J' Type, 1/4-20	1
18	AC022-743-5	Gasket, Coil, Neoprene, Adhesive Backed	1
19	58-62065-00	Bushing, Plastic, 1.00 Inch I.D.	1
20	79-62106-00	Drain Pan Assembly, EM-1 - Includes:	1
20.1	42-62140-00Baffle, Drain Pan, Foam	1
21	62-62039-00	Label, CHARGE ONLY WITH R134a	1
22	68-62711-01	Bracket, Mounting, Terminal Strip	1
23	22-62100-01	Terminal Block, 7 Position, Without Screws	1
24	34-06212-12	Washer, Plain, 1/4, SST	5
25	58-62064-00F25	Trim Seal, 1/8 Inch Grip, (25 Foot Roll)	1
26	34-62023-00	Screw, Binder Head, Phillips/Slotted, #10-32 x 0.38 Inch Long	14
27	42-62052-00	Gasket, Motor, (GenV)	1
28	34-62057-03	Screw, Pan Head, #10-32 x 0.75 Inch Long	1
29	34-00372-09	Washer, Lock, External Tooth, #10	1
30	62-62045-00	Label, WARNING FAN BLADES	2
31	34-00733-05	Nut, Hex, Keps, #8-32, Zinc	2
32	68-08087-00	Spacer, Motor Mounting (Located Under Mounting Bracket)	1
33	76-62257-00	Bearing Housing & Boot Repair Kit - Includes:	1



1.1.9 EM-1, GEN-V, 3 SPEED CHASSIS KITS 77-62512-00 THRU -07 (COMMON PARTS) - Cont:			
Item	Part Number	Description	Qty
33.1	NSSHousing, Bearing, Blower Wheel	1
33.2	NSSBoot, Rubber, Blower Wheel	1
33.3	AC701-401	Pop Rivet, 3/16, Steel	2
1.1.10 EM-1, GEN-V, 3 SPEED CHASSIS KIT 77-62512-00 (SPECIFIC PARTS LIST)			
Item	Part Number	Description	Qty
34	22-62168-00	Wire Harness Assembly, Evaporator, 3 Speed	1
1.1.11 EM-1, GEN-V, 3 SPEED CHASSIS KIT 77-62512-01 (SPECIFIC PARTS LIST)			
Item	Part Number	Description	Qty
34	22-62168-01	Wire Harness Assembly, Evaporator, 3 Speed	1
35	AC201-500	Thermostat, Return Air Sensor	1
36	22-04065-00	Wire Assembly, Jumper	1
37	AC701-206	Clamp, Thermostat Coil	1
38	58-00858-00	Tubing, Split, Corrugated, 1/4 Inch I.D. x 25 Foot Long	1
39	AC202-307	Nut, Hex, Fan Speed Switch	1
1.1.12 EM-1, GEN-V, 3 SPEED CHASSIS KIT 77-62512-05 (SPECIFIC PARTS LIST)			
Item	Part Number	Description	Qty
34	22-62168-00	Wire Harness Assembly, Evaporator, 3 Speed	1
40	22-62261-00	Wire Harness, Evaporator	1
1.1.13 EM-1, GEN-V, 3 SPEED CHASSIS KIT 77-62512-06 (SPECIFIC PARTS LIST)			
Item	Part Number	Description	Qty
34	22-62168-00	Wire Harness Assembly, Evaporator, 3 Speed	1
41	22-62204-00	Wire Harness, Evaporator, TBB-C2	1
42	AC701-401	Rivet, Pop, 3/16 Steel	3
43	AC701-303	Tie, Cable Holder	3
44	58-00616-02	Plug, Hole, Nylon, 0.50 Diameter	1
45	AC801-412F25	Trim, Flexible, Black (25 Ft. Roll)	1
1.1.14 EM-1, GEN-V, 3 SPEED CHASSIS KIT 77-62512-07 (SPECIFIC PARTS LIST)			
Item	Part Number	Description	Qty
34	22-62168-00	Wire Harness Assembly, Evaporator, 3 Speed	1
46	22-62247-00	Wire Harness, Evaporator, TBB-C2	1
42	AC701-401	Rivet, Pop, 3/16 Stee	3
43	AC701-303	Tie, Cable Holder	3
44	58-00616-02	Plug, Hole, Nylon, 0.50 Diameter	1
45	AC801-412F25	Trim, Flexible, Black (25 Ft. Roll)	1



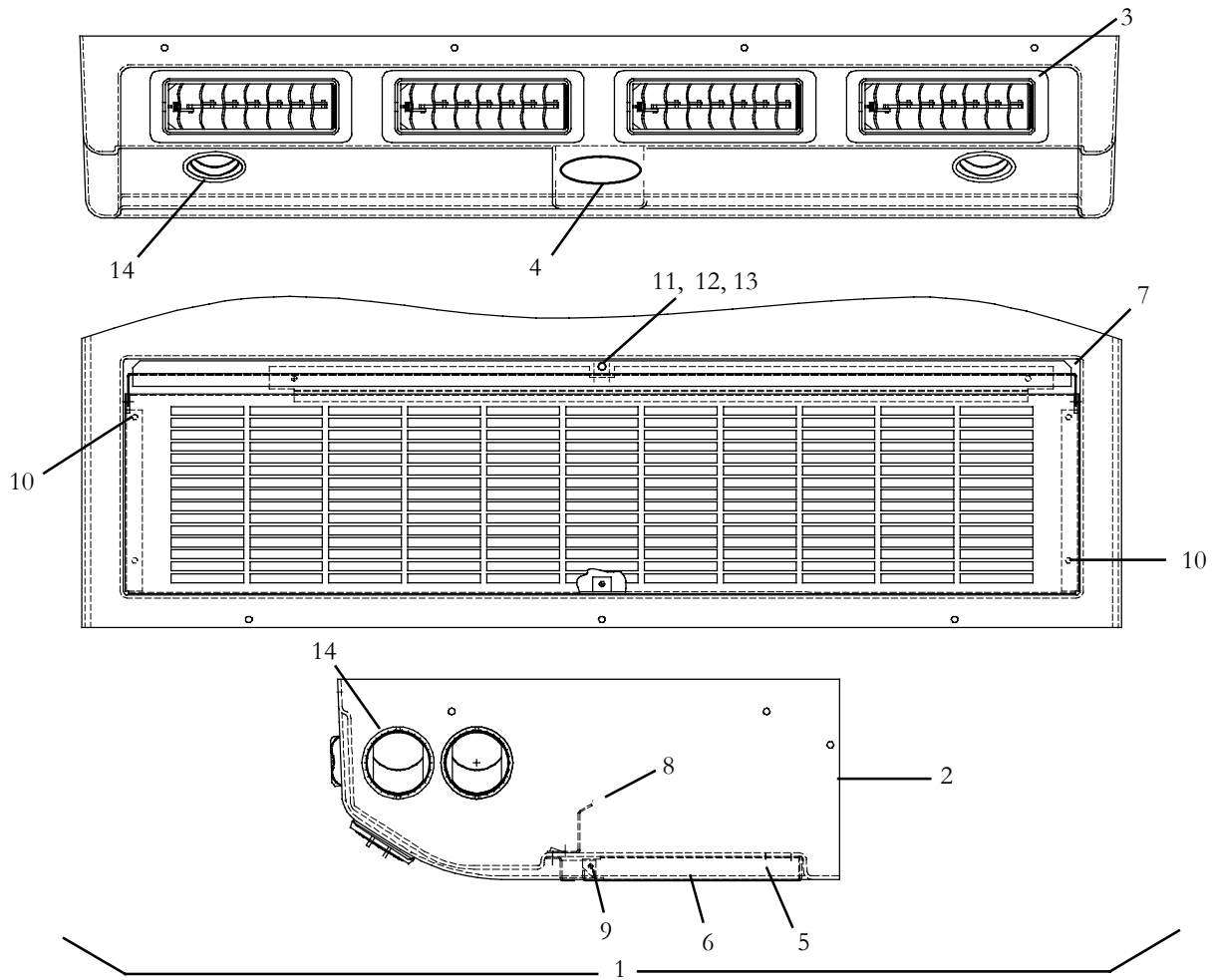
1.1.15 COVER ASSEMBLY, EM-1, GEN-V, 3 SPEED, REAR MOUNT



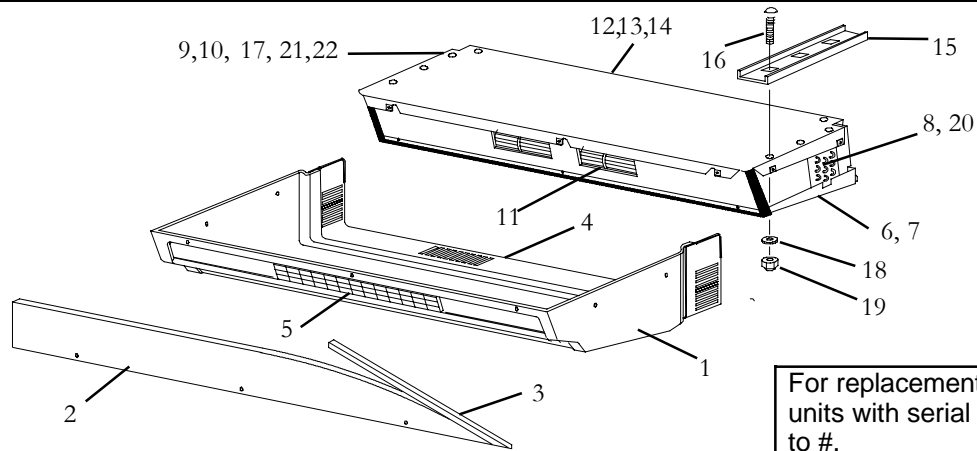
Item	Part Number	Description	Qty
1	79-62035-01	Cover Assembly, Complete, Rear Mount, White - Includes:	1
	79-62036-02	Cover Assembly, Complete, Rear Mount, Gray - Includes:	1
2	NSSCover Trimmed, EM-1 White	1
	NSSCover Trimmed, EM-1 Gray	1
3	58-62042-00Louver, Rectangle (8.0 X 3.0 Inches)	4
4	56-0034Emblem, MCC	1
5	38-00573-01Filter, Air, EM-1, 36.5 X 9 Inches (GenV)	1
6	68-63275-01Grill, Evaporator, EM-1, GEN V, (Painted)	1
7	68-63276-01Door, Filter, EM-1, Gen V, (Painted)	1
8	68-63277-01Baffel, Cover, EM-1, Gen V	1
9	AC701-403Rivet, Pop, 1/8 inch, Steel (Fasten Door to Grill)	2
10	AC701-400Rivet, Pop, 3/16 inch, Steel (Faster Baffel & Grill to Cover)	7
11	34-62019-00Receptacle, 1/4 Turn	1
12	34-62020-00Stud, 1/4 Turn, .25 Grip Range	1
13	34-06169-01Washer, Retaining, .215 I. D.	1
14	58-62077-00Louver, Adjustable, 3.00 Inch (Round)	2



1.1.16 COVER ASSEMBLY, EM-1, GEN-V, 3 SPEED, SIDE MOUNT

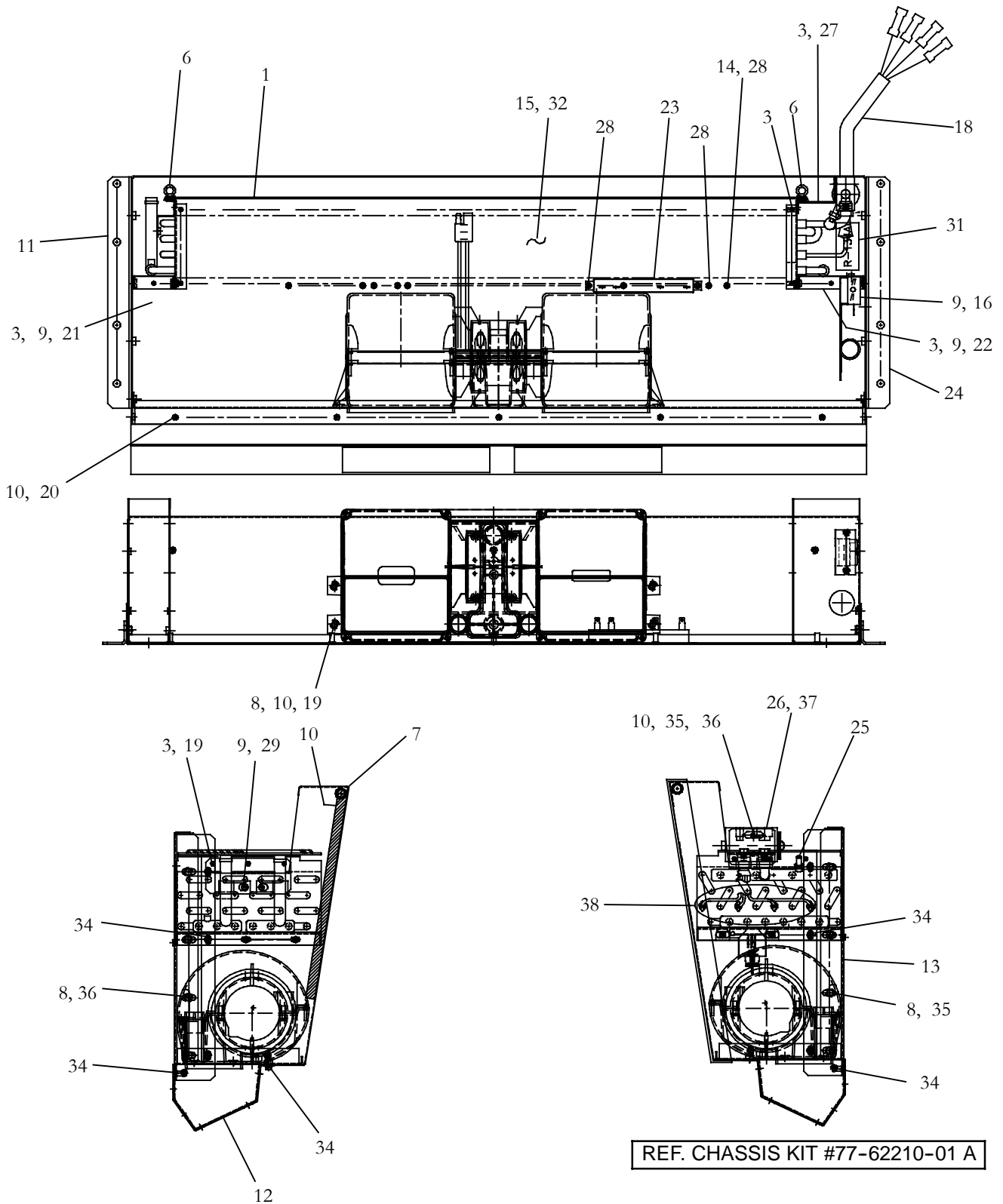


Item	Part Number	Description	Qty
1	79-62036-01	Cover Assembly, Complete, Side Mount, White - Includes:	1
	79-62036-02	Cover Assembly, Complete, Side Mount, Gray - Includes:	1
2	NSSCover Trimmed, EM-1 White	1
	NSSCover Trimmed, EM-1 Gray	1
3	58-62042-00Louver, Rectangle (8.0 X 3.0 Inches)	4
4	56-0034Emblem, MCC	1
5	38-00573-01Filter, Air, EM-1, 36.5 X 9 Inches (GenV)	1
6	68-63275-01Grill, Evaporator, EM-1, GEN V, (Painted)	1
7	68-63276-01Door, Filter, EM-1, Gen V, (Painted)	1
8	68-63277-01Baffel, Cover, EM-1, Gen V	1
9	AC701-403Rivet, Pop, 1/8 inch, Steel (Fasten Door to Grill)	2
10	AC701-400Rivet, Pop, 3/16 inch, Steel (Faster Baffel & Grill to Cover)	7
11	34-62019-00Receptacle, 1/4 Turn	1
12	34-62020-00Stud, 1/4 Turn, .25 Grip Range	1
13	34-06169-01Washer, Retaining, .215 I. D.	1
14	58-62077-00Louver, Adjustable, 3.00 Inch (Round)	6

SECTION 1.2 EM-2 EVAPORATORS
1.2.1 EVAPORATOR, EM-2, GEN 4, FREE BLOW


Item	Part Number	Description	Qty
1	79-62072-00	Cover Assembly, White	1
	79-62072-01	Cover Assembly, Gray	1
	N/A	Cover Assembly, Beige, (AC022-346-S)	1
2	68-62576-00	Trim Strip, Beige	1
	68-62576-01	Trim Strip, White/Gray	1
3	AC801-412F25	Flexible Trim, Black (25 Ft. Roll)	1
4	AC022-251	Grill, Air Inlet, Painted (Black)	1
5	AC401-320	Louver Assembly, Air Outlet, (3 3/8 Inch X 14 3/8 Inch)	1
6	79-02383-00	Drain Pan Assembly, (Foamed)	1
7	AC022-313	Baffle, Foam, EM-2 Drain Pan	1
8	AC022-708-S	Coil Assembly	1
	08-62059-00	Coil Assembly, With Heat, With Low Pressure Switch Connection	1
	08-62060-00	Coil Assembly, With Low Pressure Switch Connection	1
9	14-00397-00	Thermal Expansion Valve, R134a	1
10	AC201-501	Thermostat, Freeze-Up	1
11	AC401-232	Blower, Assembly, Dual, 12 Volt	1
	AC401-233	Blower, Assembly, Dual, 24 Volt	1
12	22-62126-00	Harness, Evaporator, GSA, 12 VDC	1
	22-62225-00	Harness, Evaporator, W/Low Pressure Switch, 12 VDC	1
	AC022-718	Harness, Evaporator, EM-2, 24 VDC	1
13	76-62019-00	Resistor Kit, (1.8 Ohm, 4 Prong)	1
14	AC801-451	Filter, Return Air, (35 X 7 1/4 Inch)	1
15	AC020-009	Channel, Mounting	2
16	34-01310-01	Bolt, Carriage, 3/8-16 X 4 Inch, Full Thread, GD-8, Zinc Plated	4
17	AC801-202	O-Ring, 1/2 Inch	2
18	34-00588-13	Washer, Flat, 3/8-16, Zinc Plated	4
19	34-00361-13	Nut, Hex, Lock, (Esna), 3/8-16, Zinc Plated	4
20	AC201-412	Switch, Low Pressure	1
21	AC801-202	O-Ring, 1/2 Inch, TXV	2
22	AC801-700	Bracket, TXV Support	1

1.2.2 EVAPORATOR, EM-2 CHASSIS KIT WITH HEAT, GEN 4





1.2.2 EVAPORATOR, EM-2 CHASSIS KIT WITH HEAT, GEN 4 - Continued:			
Item	Part Number	Description	Qty
1	AC801-405	Filter, Return Air (.090 Thick x 8.00 x 35.38 Inches)	1
2	66U1-3882	Wire Tie, Self-Locking, 7.00 Inches, Black	4
3	AC701-401	Rivet, Pop, 3/16, Steel	11
4	42-62137-00	Insulation, Drain Pan	1
5	AC801-412F25	Gasket, Trimlock, Black (25 Ft. Roll)	1
6	42-00264-12F25	Seal, Trim/Bulb, 3/16 x 5/8 Inch Diameter, Black, 25 Feet Roll	1
7	86-62503-00	Drain Pan Assembly, Evaporator, Painted	1
8	34-62055-00	Screw, Hex Head, W/Split Lockwasher, 1/4-20 x .62 Inch Long, SST	12
9	34-62050-04	Screw, Phillips, W/External Tooth Lockwasher, #10-32 x 0.50 Inch Long	8
10	34-00361-61	Nut, Self-Locking, 1/4-20, Zinc	10
11	AC022-313	Baffle, Drain Pan, Foam	1
12	79-62113-00	Plenum Assembly, Painted	1
13	68-62213-00	Panel Assembly, Top	1
14	AC021-142	Angle, Bracket, Harness Stand-Off	2
15	08-62059-00	Coil Assembly, Evaporator/Heater, With Low Pressure Switch Connection	1
16	12-00685-00	Thermostat, Freeze-Up, Non-Adjustable	1
17	68-62211-00	Bracket, Unit Mounting, Painted	1
18	22-62267-00	Harness Assembly, Evaporator	1
19	54-00588-00	Fan & Motor Assembly, Evaporator, 12 VDC - Includes:	1
19.1	22-02338-04	...Holder, Fuse, 25 AMP	1
19.2	22-02336-05	...Fuse, 25 AMP	1
20	68-62218-00	Panel Assembly, Front, Painted	1
21	68-62209-00	Baffle Assembly, Roadside, Painted	1
22	68-62210-00	Baffle Assembly, Curbside, Painted	1
23	76-62019-00	Resistor Kit, (1.8 Ohm, 4 Prong)	1
24	68-62212-00	Bracket, Unit Mounting, Painted	1
25	AC201-412	Switch, Pressure, Low	1
26	14-00397-00	Valve, Thermal Expansion, Block Type, R134a	1
27	AC022-700	Bracket, Support, TXV	1
28	34-62051-05	Screw, Pan Head, W/Lockwasher, #8-32 x 0.31 Inch Long, Zinc	4
29	AC022-701	Bracket Assembly, Coil Support	1
30	AC701-274	Clamp, Conduit, 3/8 Inch, Slotted Hole	2
31	62-62039-00	Label, Charge Only With R-134a	1
32	AC022-743-1	Gasket, Coil, Neoprene, Adhesive Backed	1
33	62-04062-01	Label, Warranty I.D.	1
34	34-00917-08	Screw, Hex Head, W/Captive Washer, #10-32 x .50 Inch Long, Zinc	13
35	34-00655-12	Screw, Cap Hex Head, 1/4-20 x 1.50 Inch Long, SST	1
36	34-00662-11	Washer, Flat, 1/4 Inch, SST	10
37	AC801-202	O-Ring, 1/2 Inch, HNBR	2
38	42-00032-00	Tape, Insulation, Pressite, 2.00 x 30.00 Feet Long	1



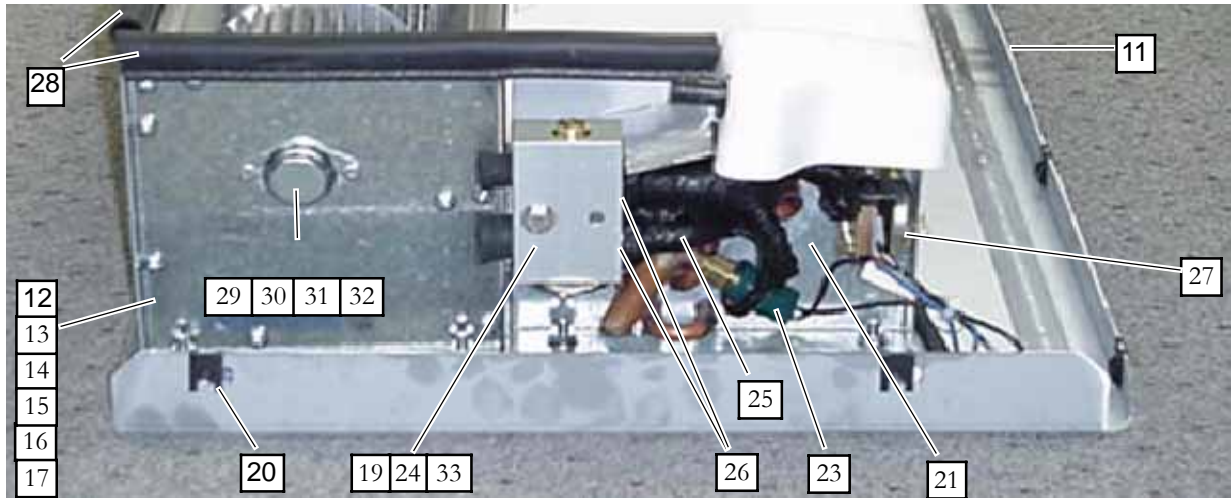
1.2.3 EVAPORATOR, EM-2, REAR MOUNT, GEN V



Item	Part Number	Description	Qty
1	68-62852-00	Top Panel, EM-2	1
2	22-62099-00	Harness Assembly, Evap., With Speed Control, (12-00533-00, NSS)	1
	22-62168-00	Harness Assembly, Evap., 3 Speed	1
3	AC701-123	Tinnerman Clip, High Torque, #10AB	8
4	79-62106-01	Drain Pan Assembly, EM-2 - Includes:	1
4.1	42-62140-01Baffle, Drain Pan, Foam	1
5	58-62064-00F25	Trim Seal, 1/8 Inch Grip, (25 Foot Roll)	1
6	68-62725-00	Bracket, Motor Mount	1
7	68-08087-00	Spacer, Motor Alignment	1



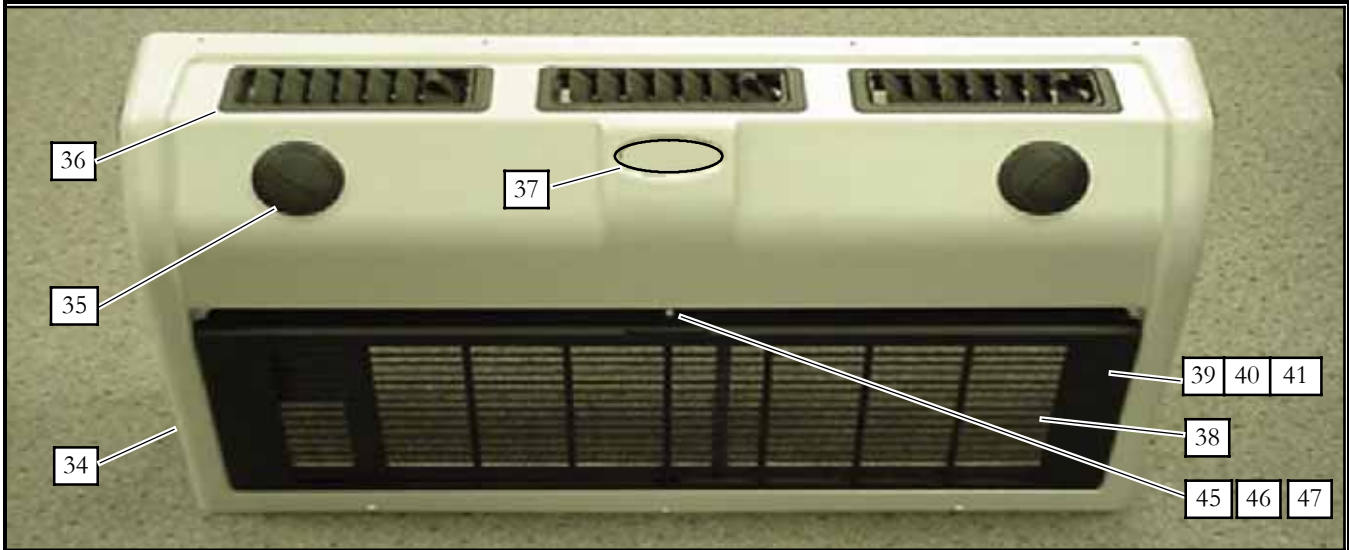
1.2.3 EVAPORATOR, EM-2, GEN V, REAR MOUNT - Continued:



Item	Part Number	Description	Qty
8	54-00653-01	Motor, Evaporator, EM-2, 12 VDC, (GEN V)	1
	22-62328-01Fuse, 30A, EM-2, 12 VDC, (GEN V)	1
	54-00653-04	Motor, Evaporator, EM-2, 24 VDC, (GEN V)	1
	22-62328-03Fuse, 20A, EM-2, 24 VDC, (GEN V)	1
9	22-62141-00	Terminal Block, 7 Position, (30 Amp)	1
10	42-62052-00	Gasket, Motor, (GEN V)	1
11	68-62852-00	Top Panel, EM-2	1
12	NSS	Blower Housing & Gasket Assembly (79-62079-01) - Includes:	1
13	NSSBlower Housing & Wheel Assembly (38-00564-01) - Includes:	1
14	38-00564-51Blower Wheel (Length: 21.90 Inches - 556.3 mm)	1
15	38-00564-61Blower Housing	1
16	42-62118-00Gasket, Mounting, Blower Housing, 1/8 Inch Neoprene	2
17	42-62117-01Gasket, Blower Housing, 3/16 Inch Neoprene	1
18	34-00482-05Set Screw, Cup Point, 1/4-28, SS	1
19	AC701-101	Tinnerman Clip, High Torque, 1/4-20	1
20	AC701-123	Tinnerman Clip, High Torque, #10AB	8
21	79-02358-01	Coil Assembly. Evaporator, EM-2 - Includes:	1
22	08-62031-01Coil Assembly. EM-2	1
23	AC201-412Switch, Low Pressure	1
24	14-00397-00Valve, Thermal Expansion	1
25	42-00032-00Tape, Insulation, Pressite, 2.00 Inch X 30 Feet Long	1
26	AC801-202O-Ring, 1/2 Inch	2
27	12-00685-00	Thermostat, Freeze-Up, Non Adjustable	1
28	58-62064-00F25	Trim Seal, 1/8 Inch Grip, (25 Foot Roll)	1
29	76-62257-00	Blower Housing & Boot Repair Kit - Includes:	1
30	NSSHousing, Bearing, Blower Wheel	1
31	NSSBoot, Rubber, Blower Wheel	1
32	AC701-401	Pop Rivet, 3/16, Steel	2
33	79-62086-01	Bracket Assembly, TXV	1



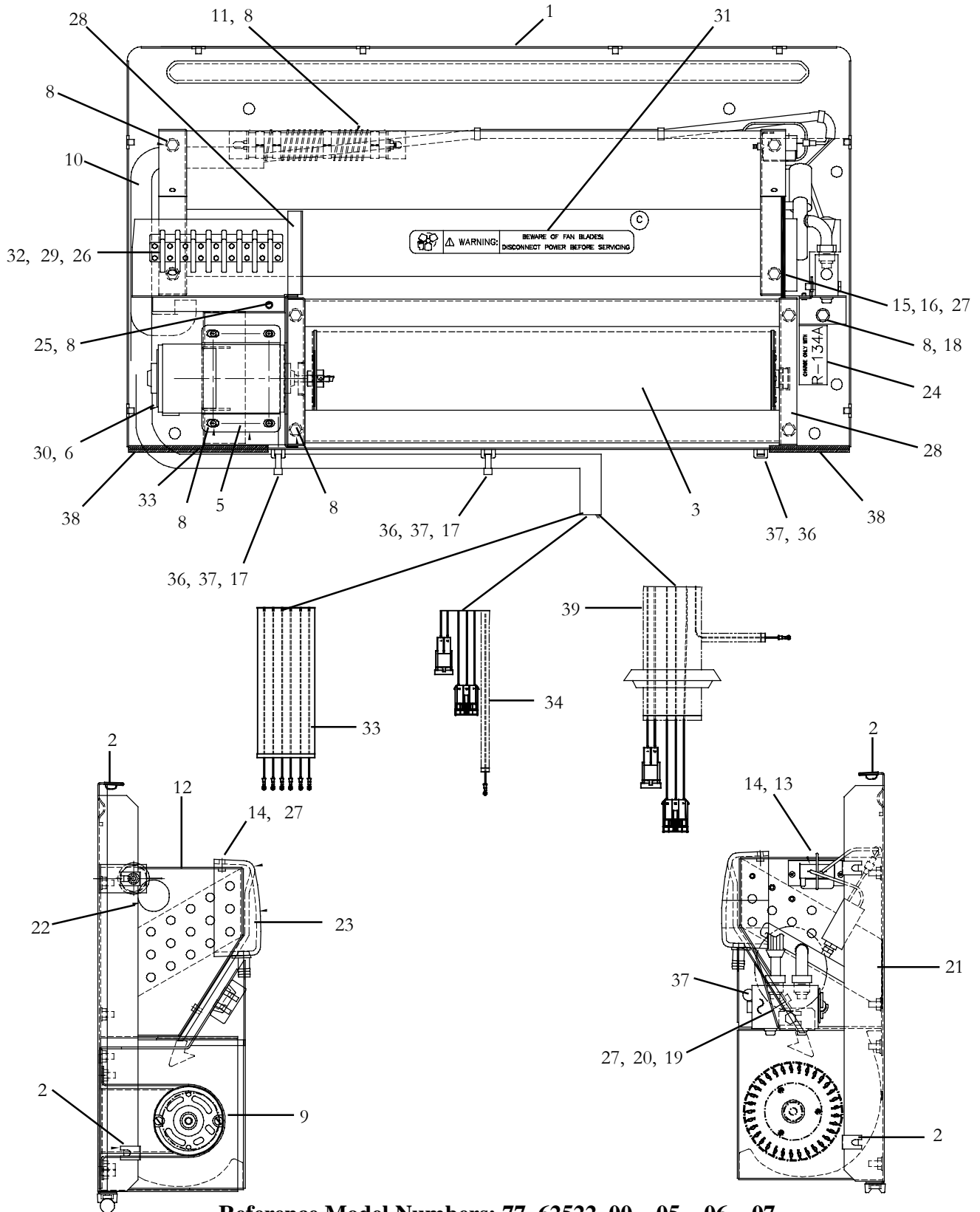
1.2.3 EVAPORATOR, EM-2, GEN V, REAR MOUNT - Cont.inued:



1.2.3 EVAPORATOR, EM-2, GEN V, REAR MOUNT - Cont.inued:

Item	Part Number	Description	Qty
34	79-62044-01	Cover Assembly, Complete, Rear Mount, White	1
	79-62044-02	Cover Assembly, Complete, Rear Mount, Gray	1
35	58-01385-00	Louver, Evaporator, 3 Inch (Requires Retaining Ring 58-01385-01)	2
	58-01385-01	Ring, Retaining, Louver (Used With Louver 58-01385-00)	2
36	58-62042-00	Louver, Rectangle (8.0 X 3.0 Inches)	3
37	56-0034	Emblem, MCC	1
38	38-00573-02	Filter, Air, EM-2, (GenV)	1
39	76-50129-00	Grill Kit, EM-2, Includes: (Replaces Grill 68-62868-00 & Channel 68-62869-00)	1
40	68-63275-02 Grill, Evaporator, EM-2, GEN V, (Painted)	1
41	68-63276-02 Doorl, Filter, EM-2, Gen V, (Painted)	1
42	68-63277-02 Baffle, Cover, EM-2, Gen V	1
43	AC701-403 Rivet, Pop, 1/8 Inch, Steel, (Fasten Door to Grill)	2
44	AC701-400 Rivet, Pop, 3/16 Inch, Steel, (Fasten Baffle & Grill to Cover))	7
N/S	98-50618-00 Instructions, Grill, Door & Baffle Installation	1
45	34-62019-00	Receptacle, 1/4 Turn	1
46	34-62020-00	Stud, 1/4 Turn, .25 Grip Range	1
47	34-06169-01	Washer, Retaining, .215 I. D.	1

1.2.4 EM-2, 3 SPEED CHASSIS KITS 77-62522-00 THRU -07 (COMMON PARTS)



Reference Model Numbers: 77-62522-00, -05, -06, -07



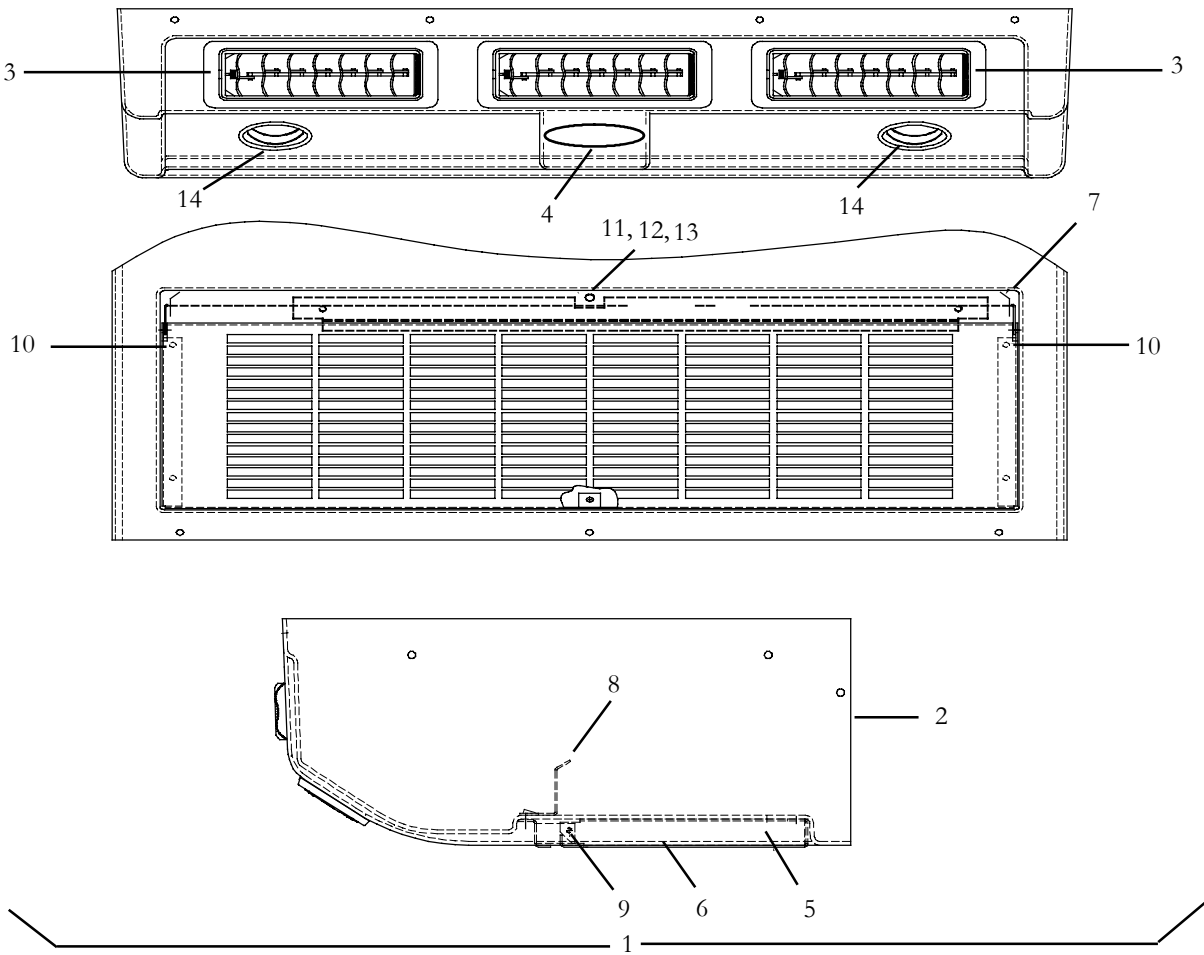
1.2.4 EM-2, GEN-V, 3 SPEED CHASSIS KITS 77-62522-00 THRU -07 (COMMON PARTS) - Continued:			
Item	Part Number	Description	Qty
1	68-62852-00	Panel Assembly, Top	1
2	AC701-123	Clip, Retaining, High Torque	8
3	NSS	Blower Housing & Gasket Assembly, (79-62079-01) Includes:	1
3.1	NSSBlower Housing & Wheel Assembly, (38-00564-01) Includes:	1
3.2	38-00564-51Blower Wheel (Length: 21.90 Inches)	1
3.3	38-00564-61Blower Housing	1
3.4	42-62118-00Gasket, Mounting, Blower Housing, 1/8 Inch Thick Neoprene	2
3.5	42-62117-01Gasket, Blower Housing, 3/16 Inch Thick Neoprene	1
3.6	34-00482-05Set Screw, Cup Point, 1/4-28, SST	1
4	AC801-401	Gasket, Foam, 3/16 x 3/8 x 50 Feet Roll	1
5	68-62725-00	Bracket, Motor Mounting	1
6	54-00653-01	Motor, Evaporator, EM-2, 12 VDC, (GEN-V)	1
	22-62328-01Fuse, 30A, EM-2, 12 VDC, (GEN-V)	1
7	34-62018-00	Nut, Flanged, Serrated Lock, 1/4-20, Zinc Plated	16
8	68-62726-00	Strap, Motor Support	1
9	22-62168-00	Wire Harness, Evaporator, 3 Speed (Gen V)	1
10	22-62169-00	Resistor, Fan Speed, 220 Watt, .820 OHM	1
11	79-02358-01	Coil Assembly, Includes:	1
11.1	08-62031-01Coil Assembly, EM-2	1
11.2	AC201-412Switch, Pressure, Low	1
11.3	14-00397-00Valve, Thermal Expansion, R134a	1
11.4	AC801-202O-Ring, 1/2 Inch	2
12	12-00685-00	Thermostat, Freeze Up, Non-Adjustable	1
13	34-62050-04	Screw, Pan Head With External Tooth Washer, #10-32 x 0.50 Inch Long	5
14	34-62057-03	Screw, Pan Head, #10-32 x 0.75 Inch Long	1
15	34-00372-09	Washer, Lock, External Tooth, #10	1
16	66U1-3882	Wire Tie, Self-Locking, 7.00 Inches, Black	A/R
17	79-62086-01	Bracket Assembly, TXV	1
18	34-00655-12	Screw, Hex Head, 1/4-20 x 1.50 Inch Long, SST	1
19	AC701-101	Nut, Speed, 'J' Type, 1/4-20	1
20	AC022-743-3	Gasket, Coil, Neoprene, Adhesive Backed	1
21	58-62065-00	Bushing, Plastic, 1.00 Inch I.D.	1
22	79-62106-01	Drain Pan Assembly, EM-2 - Includes:	1
22.1	42-62140-01Baffle, Drain Pan, Foam	1
23	62-62039-00	Label, CHARGE ONLY WITH R134a	1
24	68-62870-00	Bracket, Mounting, Terminal Strip	1
25	22-62141-01	Terminal Block, 7 Position, Without Screws	1
26	58-62064-00F25	Trim Seal, 1/8 Inch Grip, (25 Foot Roll)	1
27	34-62033-00	Screw, Binder Head, Phillips/Slotted, #10-32 x 0.38 Inch Long	14
28	42-62052-00	Gasket, Motor, (GenV)	1
29	62-62045-00	Label, WARNING FAN BLADES	2
30	34-00733-05	Nut, Hex, Keps, #8-32, Zinc	2
31	68-08087-00	Spacer, Motor Mounting (Located Under Mounting Bracket)	1
32	76-62257-00	Bearing Housing & Boot Repair Kit	1



1.2.5 EM-2, GEN-V, 3 SPEED CHASSIS KIT 77-62522-05 (SPECIFIC PARTS LIST)			
Item	Part Number	Description	Qty
33	22-62261-00	Wire Harness Assembly, Evaporator, 3 Speed	1
1.2.6 EM-2, GEN-V, 3 SPEED CHASSIS KIT 77-62522-06 (SPECIFIC PARTS LIST)			
Item	Part Number	Description	Qty
34	22-62204-00	Wire Harness Assembly, Evaporator, 3 Speed, TBB C2	1
35	AC701-401	Rivet, Pop, 3/16 Steel	3
36	AC701-303	Tie, Cable Holder	3
37	58-00616-02	Plug, Hole, Nylon, 0.50 Diameter	1
38	AC801-412F25	Trim, Flexible, Black (25 Ft. Roll)	1
1.2.7 EM-2, GEN-V, 3 SPEED CHASSIS KIT 77-62522-07 (SPECIFIC PARTS LIST)			
Item	Part Number	Description	Qty
39	22-62247-00	Wire Harness Assembly, Evaporator, 3 Speed, TBB C2	1
35	AC701-401	Rivet, Pop, 3/16 Steel	3
36	AC701-303	Tie, Cable Holder	3
37	58-00616-02	Plug, Hole, Nylon, 0.50 Diameter	1
38	AC801-412F25	Trim, Flexible, Black (25 Ft. Roll)	1



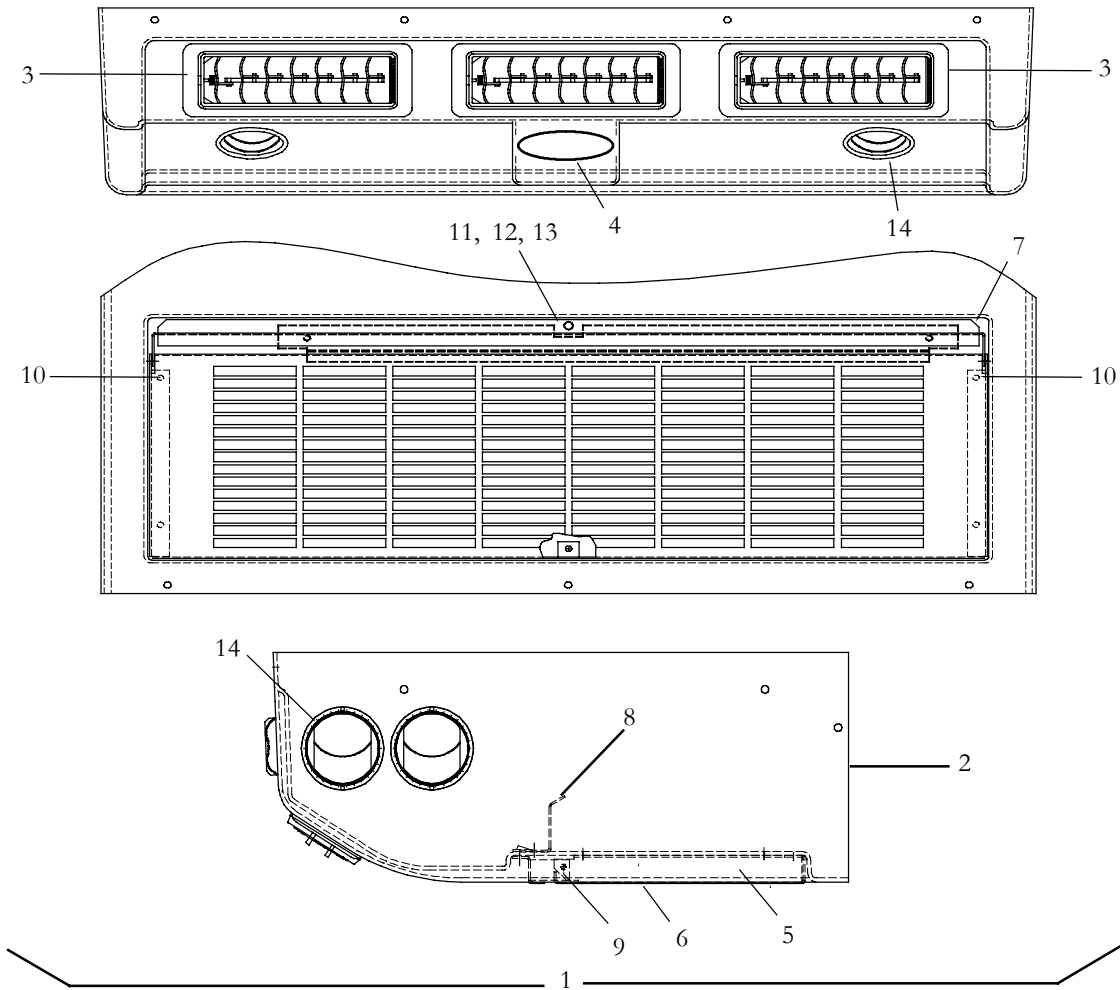
1.2.8 COVER ASSEMBLY, EM-2, GEN-V, 3 SPEED, REAR MOUNT



Item	Part Number	Description	Qty
1	79-62044-01	Cover Assembly, EM-2, Complete, Rear Mount, White - Includes:	1
	79-62044-02	Cover Assembly, EM-2, Complete, Rear Mount, Gray - Includes:	1
2	NSSCover Trimmed, EM-2 White	1
	NSSCover Trimmed, EM-2 Gray	1
3	58-62042-00Louver, Rectangle (8.0 X 3.0 Inches)	3
4	56-0034Emblem, MCC	1
5	38-00573-02Filter, Air, EM-2, GenV (27.92 X 9 Inches)	1
6	68-63275-02Grill, Evaporator, EM-2, GEN V, (Painted)	1
7	68-63276-02Door, Filter, EM-2, Gen V, (Painted)	1
8	68-63277-02Baffel, Cover, EM-2, Gen V	1
9	AC701-403Rivet, Pop, 1/8 inch, Steel (Fasten Door to Grill)	2
10	AC701-400Rivet, Pop, 3/16 inch, Steel (Faster Baffel & Grill to Cover)	7
11	34-62019-00Receptacle, 1/4 Turn	1
12	34-62020-00Stud, 1/4 Turn, .25 Grip Range	1
13	34-06169-01Washer, Retaining, .215 I. D.	1
14	58-62077-00Louver, Adjustable, 3.00 Inch (Round)	2



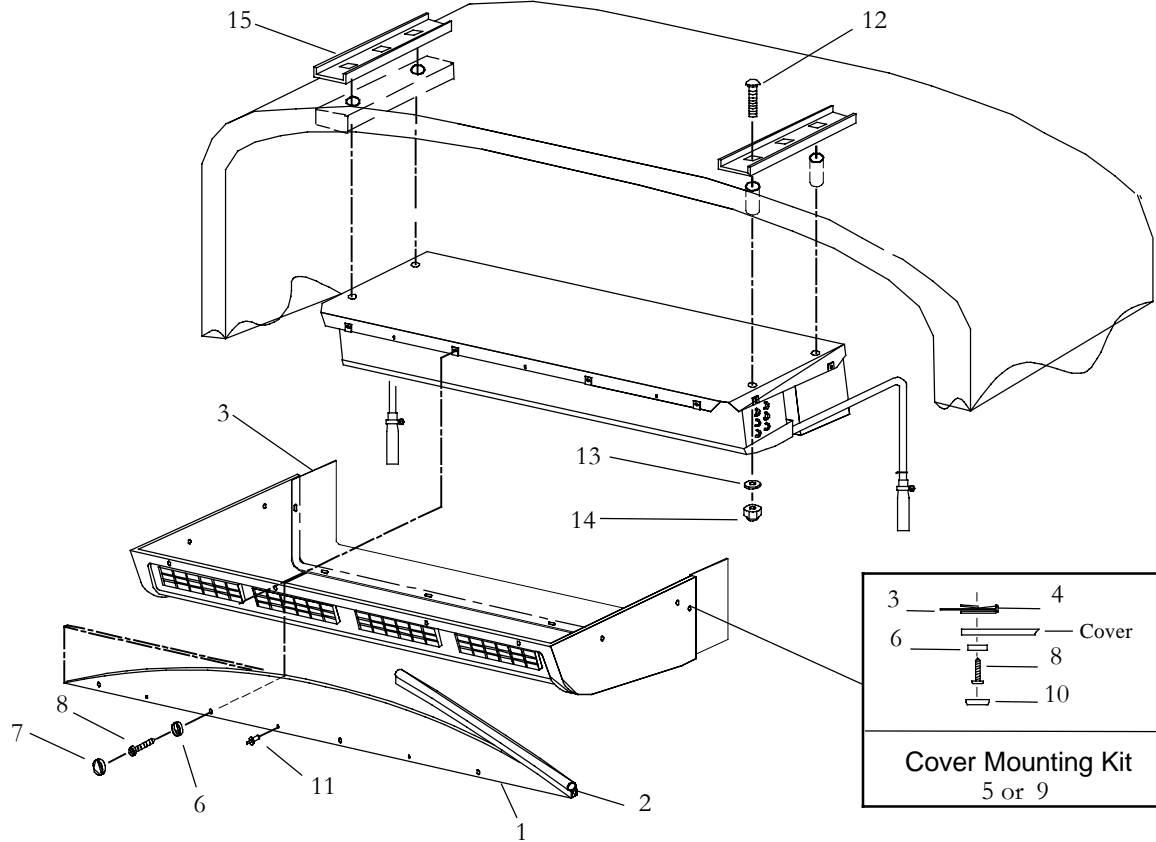
1.2.9 COVER ASSEMBLY, EM-2, GEN-V, 3 SPEED, SIDE MOUNT



Item	Part Number	Description	Qty
1	79-62045-01	Cover Assembly, EM-2, Complete, Side Mount, White - Includes:	1
	79-62045-02	Cover Assembly, EM-2, Complete, Side Mount, Gray - Includes:	1
2	NSSCover Trimmed, EM-2 White	1
	NSSCover Trimmed, EM-2 Gray	1
3	58-62042-00Louver, Rectangle (8.0 X 3.0 Inches)	3
4	56-0034Emblem, MCC	1
5	38-00573-02Filter, Air, EM-2, GenV (27.92 X 9 Inches)	1
6	68-63275-02Grill, Evaporator, EM-2, GEN V, (Painted)	1
7	68-63276-02Door, Filter, EM-2, Gen V, (Painted)	1
8	68-63277-02Baffel, Cover, EM-2, Gen V	1
9	AC701-403Rivet, Pop, 1/8 inch, Steel (Fasten Door to Grill)	2
10	AC701-400Rivet, Pop, 3/16 inch, Steel (Faster Baffel & Grill to Cover)	7
11	34-62019-00Receptacle, 1/4 Turn	1
12	34-62020-00Stud, 1/4 Turn, .25 Grip Range	1
13	34-06169-01Washer, Retaining, .215 I. D.	1
14	58-62077-00Louver, Adjustable, 3.00 Inch (Round)	6



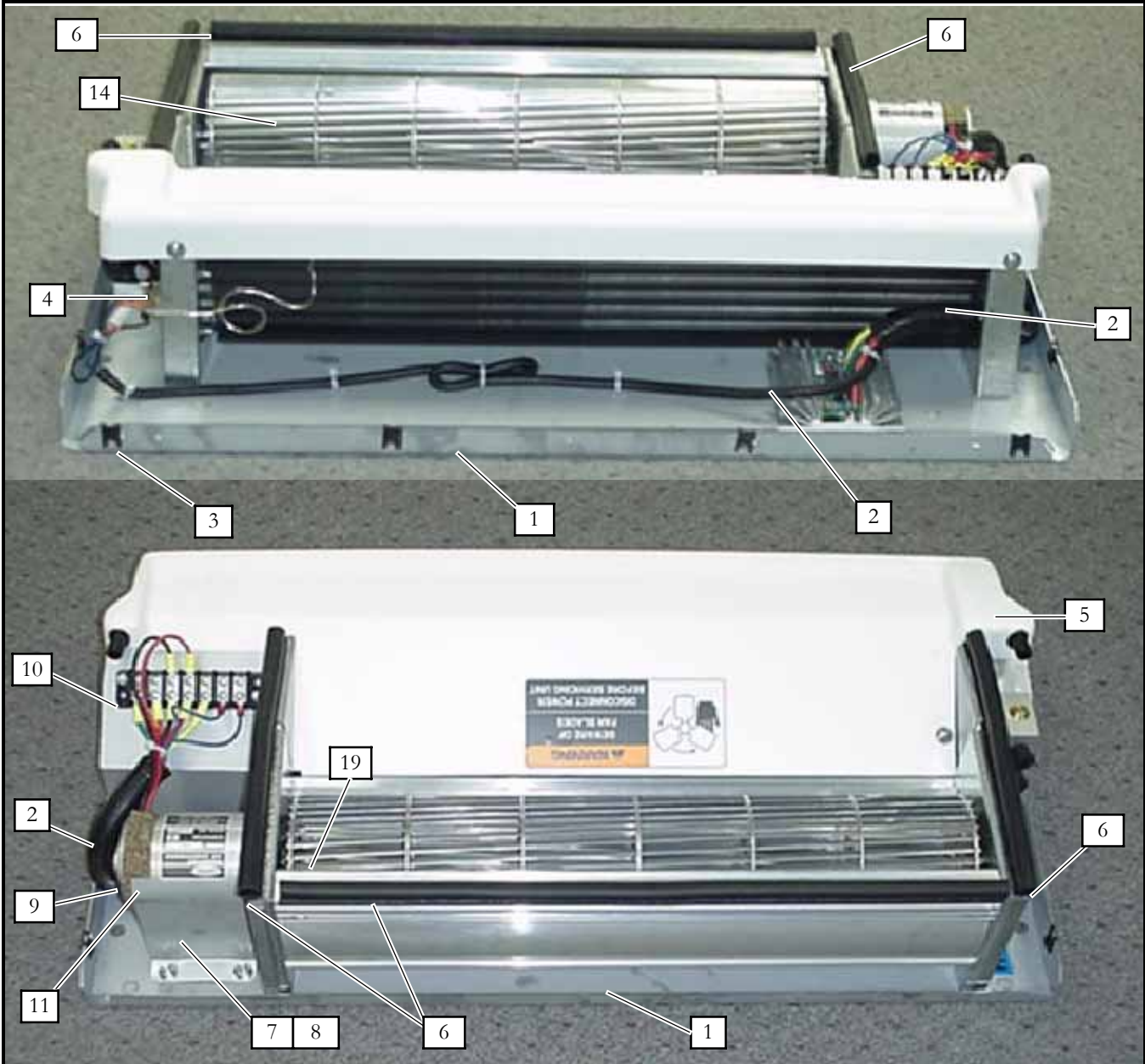
1.2.10 INSTALLATION COMPONENTS, EM-2, GEN V, REAR MOUNT



Item	Part Number	Description	Qty
1	68-62880-00	Strip, Trim, Gray One Side & White Other Side, EM-1	1
2	AC801-412F25	Gasket, Trimlock, Black (25 Ft. Roll)	1
3	68-62912-00	Panel, Gray, Rear (Requires Additional Item #5)	1
	68-62912-01	Panel, White, Rear (Requires Additional Item #9)	1
4	AC701-123	Tinnerman Clip, Hi Torque, #10 AB	5
5	76-62103-00	Hardware Kit, Cover Mounting To Unit, Gray, Includes:	1
6	AC801-529 Washer, Snap Cap	8
7	AC801-532 Snap Cap, Gray	8
8	34-62046-00 Screw, Pan Head, Phillips, #10 X 5/8 Inch, AB, Black	8
9	76-62103-04	Hardware Kit, Cover Mounting To Unit, White, Includes:	1
6	AC801-529 Washer, Snap Cap	8
10	AC801-531 Snap Cap, White	8
8	34-62046-00 Screw, Pan Head, Phillips, #10 X 5/8 Inch, AB, Black	8
N/S	76-62103-01	Hardware Kit, Unit Mounting To Channels, Includes:	1
11	AC701-403 Rivet, Pop, 1/8-Steel	3
12	34-01310-01 Bolt, Carriage, 3/8-16 X 4 Inches, Full Thread, GD-8, Zinc Plated	4
13	34-00588-13 Washer, Flat, 3/8 Inch, Zinc Plated	4
14	34-00361-13 Nut, Hex, Lock, 3/8-16, Zinc Plated	4
15	AC020-009	Channel, Mounting, 3/16 X 30 Inches Long	2
	AC021-360	Channel, Mounting, 3/16 X 15.75 Inch, (Model 77-62212-80 & -82 Only)	2



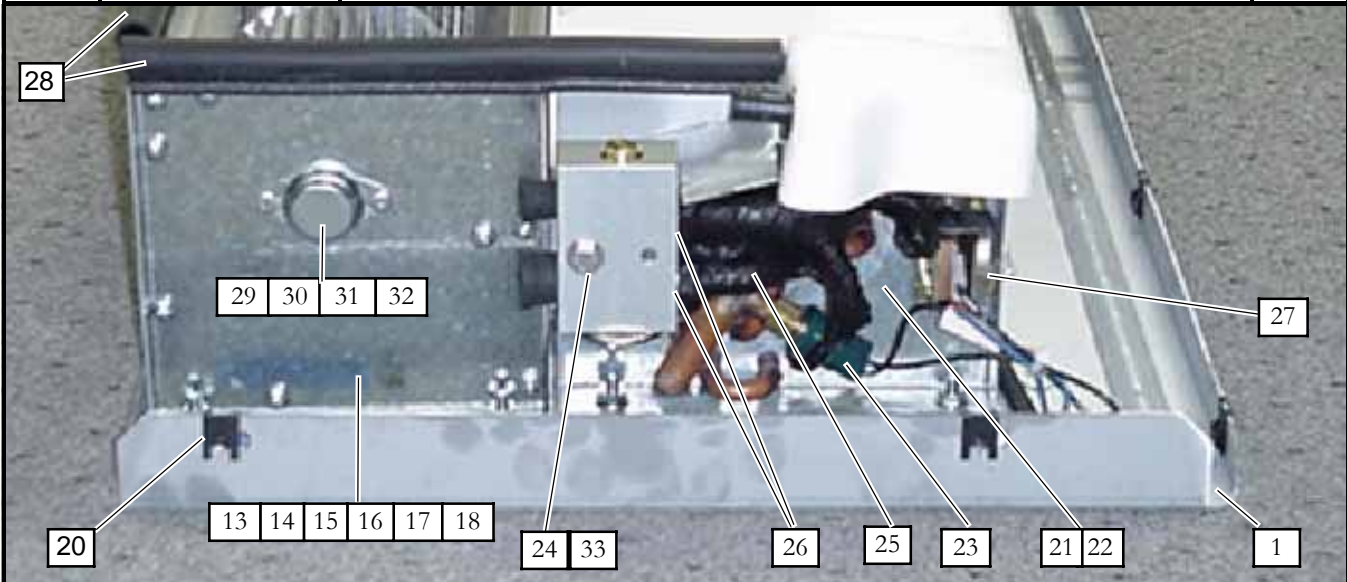
1.2.11 EVAPORATOR, EM-2, GEN V, SIDE MOUNT



Item	Part Number	Description	Qty
1	68-62852-00	Top Panel, EM-2	1
2	22-62099-00	Assembly, Harness, Evap., With Speed Control, (12-00533-00, NSS)	1
	22-62168-00	Assembly, Harness, Evap., 3 Speed	1
3	AC701-123	Tinnerman Clip, High Torque, #10AB	8
4	12-00685-00	Thermostat, Freeze-Up, Non-Adjustable	1
5	79-62106-01	Drain Pan Assembly, EM-2 - Includes:	1
5.1	42-62140-01Baffle, Drain Pan, Foam	1
6	58-62064-00F25	Trim Seal, 1/8 Inch Grip, (25 Foot Roll)	1
7	68-62725-00	Bracket, Motor Mount	1
8	68-08087-00	Spacer, Motor Alignment	1



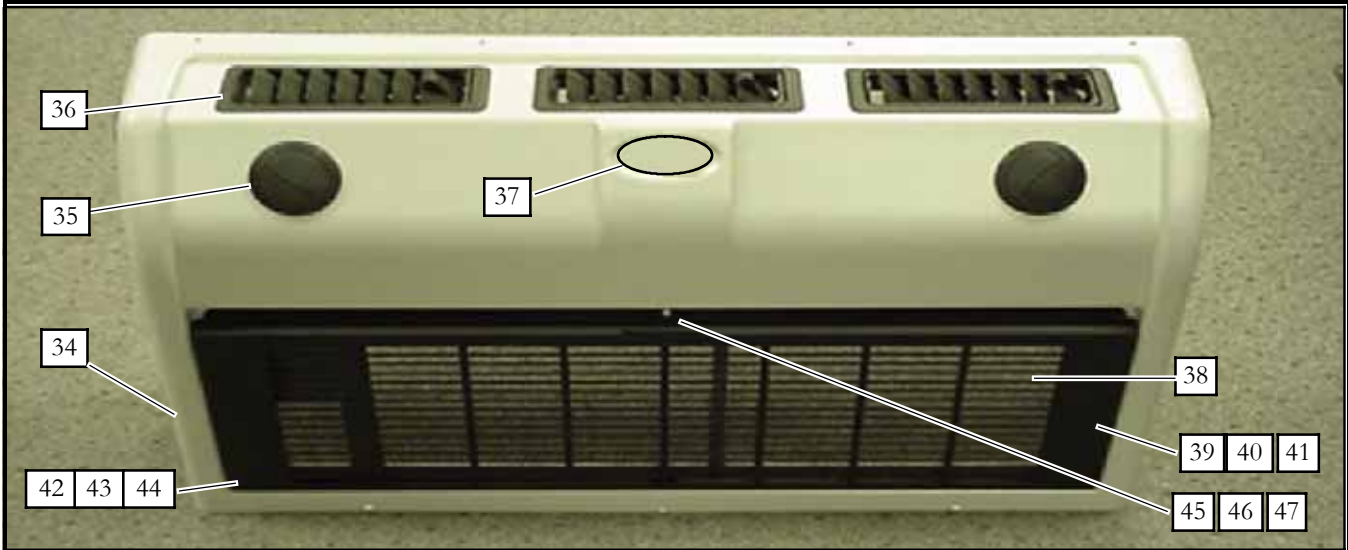
1.2.11 EVAPORATOR, EM-2, GEN V, SIDE MOUNT - Continued:			
9	54-00653-01	Motor, Evaporator, EM-2, 12 VDC, (GEN V)	1
	22-62328-01Fuse, 30A, EM-2, 12 VDC, (GEN V)	1
	54-00653-04	Motor, Evaporator, EM-2, 24 VDC, (GEN V)	1
	22-62328-03Fuse, 20A, EM-2, 24 VDC, (GEN V)	1
10	22-62141-00	Terminal Block, 7 Position, (30 Amp)	1
11	42-62052-00	Gasket, Motor, (GEN V)	1



Item	Part Number	Description	Qty
12	68-62852-00	Top Panel, EM-2	1
13	NSS	Blower Housing & Gasket Assembly, (79-62079-01) Includes:	1
14	NSSBlower Wheel & Wheel Assembly (38-00564-01) Includes:	1
15	38-00564-51Blower Wheel (Length: 21.90 Inches - 556.3 mm)	1
16	38-00564-61Blower Housing	1
17	42-62118-00Gasket, Mounting, Blower Housing, 1/8 Inch Thick Neoprene	2
18	42-62117-01Gasket, Blower Housing, 3/16 Inch Thick Neoprene	1
19	34-00482-05Set Screw, Cup Point, 1/4-28, SS	1
20	AC701-123	Tinnerman Clip, High Torque, #10AB	8
21	79-02358-01	Coil Assembly. Evaporator, EM-2 Includes:	1
22	08-62031-01Coil Assembly. EM-2	1
23	AC201-412Switch, Low Pressure	1
24	14-00397-00Block Valve, (Thermal Expansion)	1
25	42-00032-00Tape, Insulation, Presstite, 2.00 Inch X 30 Feet Long	1
26	AC801-202O-Ring, 1/2 Inch HNBR	2
27	12-00685-00	Thermostat, Freeze-Up, Non Adjustable	1
28	58-62064-00F25	Trim Seal, 1/8 Inch Grip, (25 Foot Roll)	1
29	76-62257-00	Bearing Housing & Boot Repair Kit - Includes:	1
30	NSSHousing, Bearing, Blower Wheel	1
31	NSSBoot, Rubber, Blower Wheel	1
32	AC701-401	Pop Rivet, 3/16, Steel	2
33	79-62086-01	Bracket Assembly, TXV	1



1.2.11 EVAPORATOR, EM-2, GEN V, SIDE MOUNT - Continued:

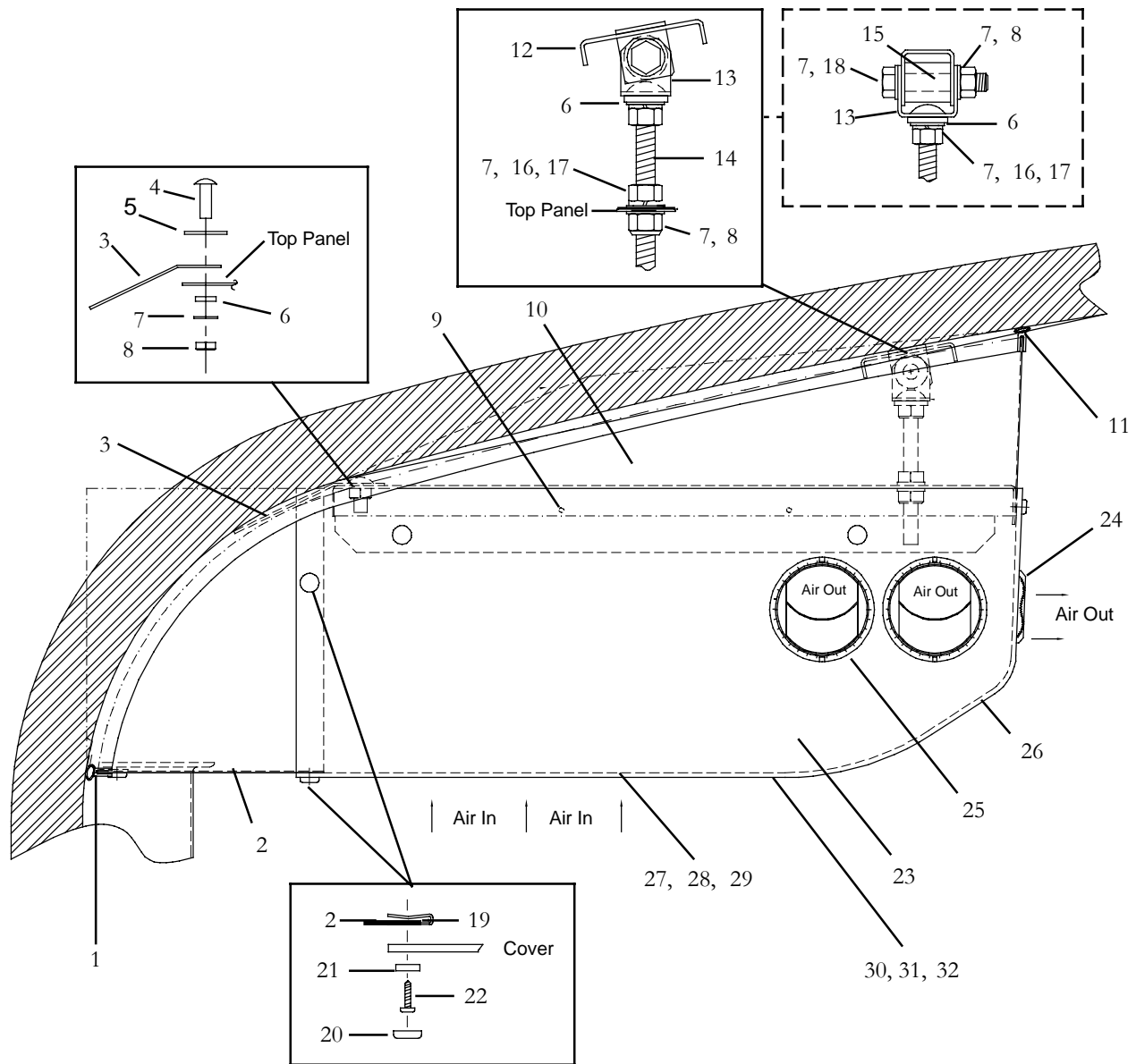


1.2.11 EVAPORATOR, EM-2, GEN V, SIDE MOUNT - Continued:

Item	Part Number	Description	Qty
34	79-62045-01	Cover Assembly, Complete, Side Mount, White	1
	79-62045-02	Cover Assembly, Complete, Side Mount, Gray	1
35	58-01385-00	Louver, Evaporator, 3 Inch (Requires Retaining Ring 58-01385-01)	6
	58-01385-01	Ring, Retaining, Louver (Used With Louver 58-01385-00)	6
36	58-62042-00	Louver, Rectangle (8.0 X 3.0 Inches)	3
37	56-0034	Emblem, MCC	1
38	38-00573-02	Filter, Air, EM-2, (GenV), 27.92 X9 Inches	1
39	76-50129-00	Grill Kit, EM-2, Includes: (Replaces Grill 68-62868-00 & Channel 68-62869-00)	1
40	68-63275-02 Grill, Evaporator, EM-2, GEN V, (Painted)	1
41	68-63276-02 Doorl, Filter, EM-2, Gen V, (Painted)	1
42	68-63277-02 Baffle, Cover, EM-2, Gen V	1
43	AC701-403 Rivet, Pop, 1/8 Inch, Steel, (Fasten Door to Grill)	2
44	AC701-400 Rivet, Pop, 3/16 Inch, Steel, (Fasten Baffle & Grill to Cover))	7
N/S	98-50618-00 Instructions, Grill, Door & Baffle Installation	1
45	34-62019-00	Receptacle, 1/4 Turn	1
46	34-62020-00	Stud, 1/4 Turn, .25 Grip Range	1
47	34-06169-01	Washer, Retaining, .215 I. D.	1



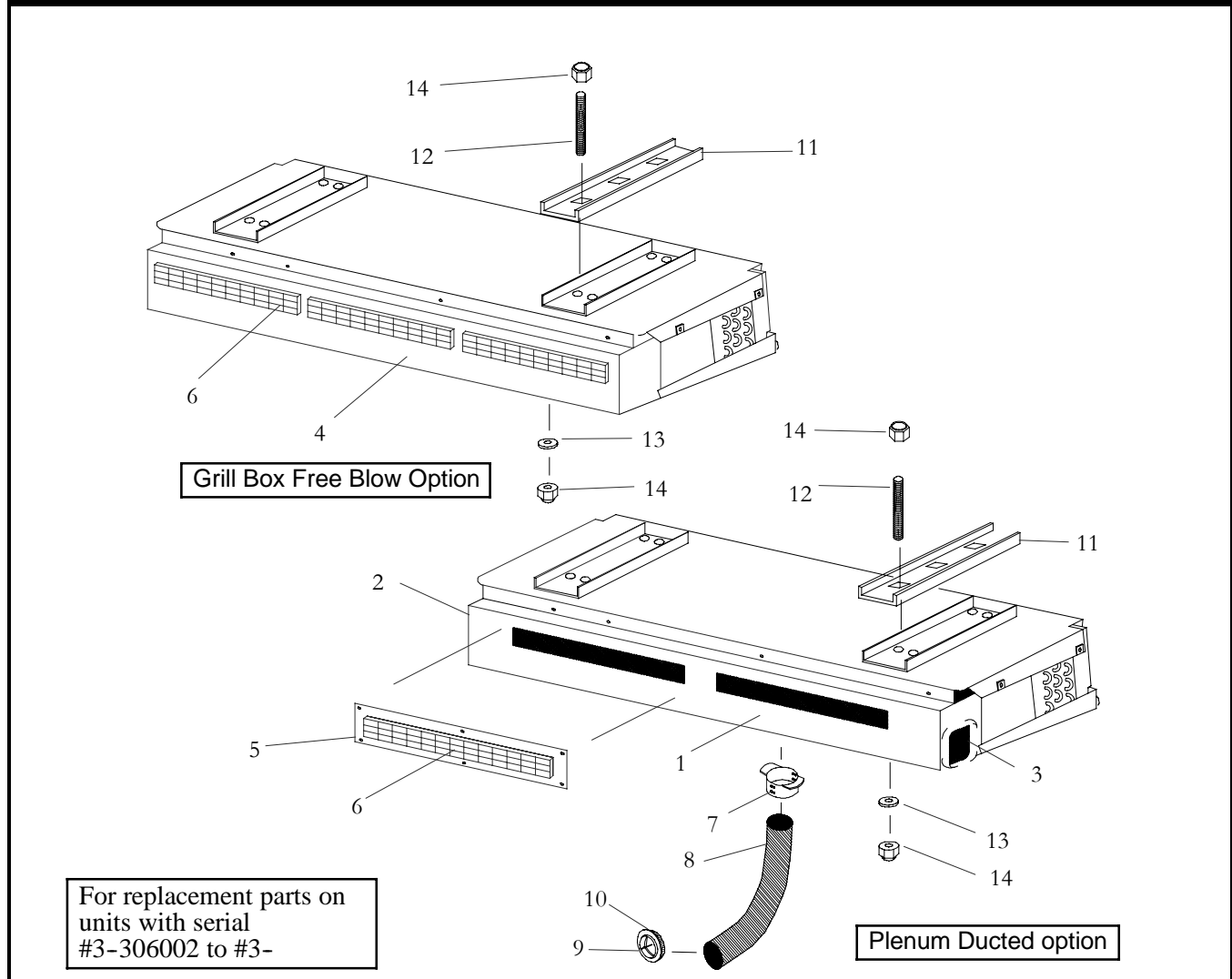
1.2.12 INSTALLATION COMPONENTS, EM-2, GEN-V, SIDE MOUNT



Item	Part Number	Description	Qty
1	AC020-179P	Support Angle	1
2	68-62912-00	Trim Strip, Rear, Gray	1
	68-62912-01	Trim Strip, Rear, White	1
3	68-63878-00	Rear Hanger, Side Mount	1
4	34-01310-00	Bolt, Carriage, Round Head, 3/8-16 X 1-1/4 Inch, Zinc plated	2
5	68-63874-00	Plate, Washer	2
6	AC601-602	Spacer, Steel, 7/8 OD X 1/2 ID X 1/8 InchLong	2
7	34-00588-13	Washer, Flat, 3/8 Inch, Zinc Plated	8
8	34-00361-13	Nut, Hex, Lock, 3/8-16, Zinc Plated	6
9	AC701-403	Rivet, Pop, 1/8 Inch, Steel	4



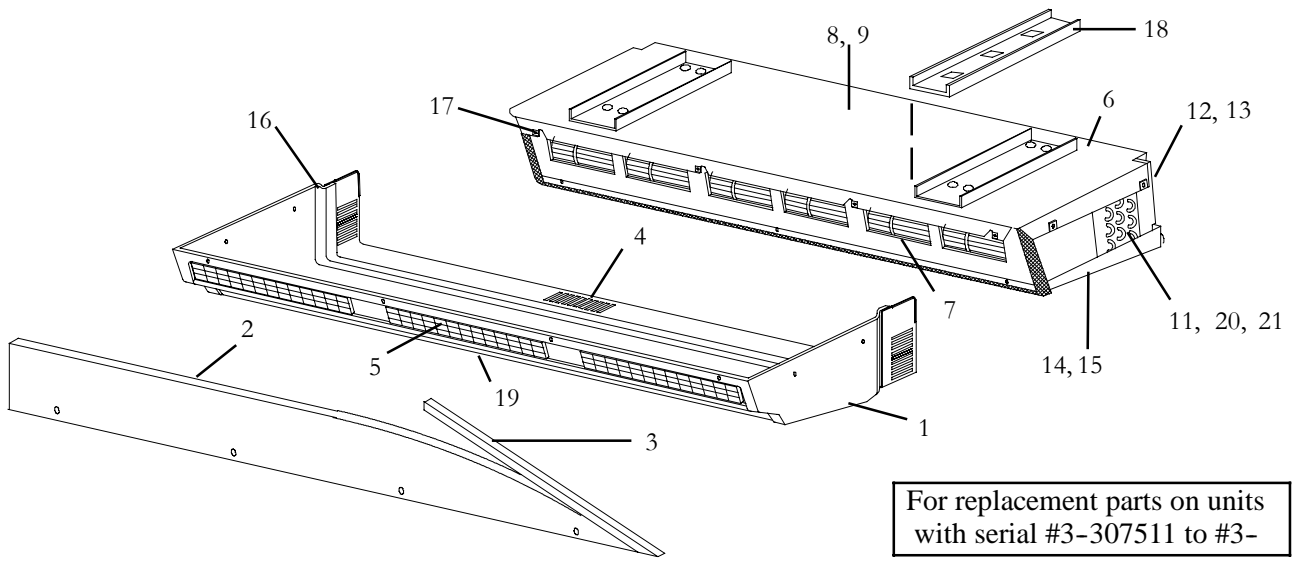
1.2.12 INSTALLATION COMPONENTS, EM-2, GEN-V, SIDE MOUNT - Continued:			
Item	Part Number	Description	Qty
10	68-62915-00	Trim Strip, Side, Gray	1
	68-62915-01	Trim Strip, Side, White	1
11	AC801-12F25	Gasket, Trimlock, Black (25 Ft. Roll)	1
12	86-62248-00	Bracket, Weld Assembly, Front Hanger	1
13	AC021-223	Bracket, Hanger, Front	2
14	34-01310-02	Bolt, Carriage, Round Head, 3/8-16 X 6 Inch, Zinc Plated, Full Thread	2
15	AC601-616	Spacer, Steel, 7/8 OD X 1/2 ID X 1 Inch Long	2
16	34-00368-13	Washer, Split Lock, 3/8 Inch, Zinc Plated	6
17	34-00363-13	Nut, Hex, 3/8-16, Zinc Plated	4
18	17-40034-05	Bolt, Hex Head, 3/8-16 X 2 Inch, Zinc Plated, Grade 8	2
19	AC701-123	Tinnerman Clip, Hi Torque, #10 AB	8
20	AC801-531	Cap, Snap, White	8
	AC801-532	Cap, Snap, Gray	8
21	AC801-529	Washer, Snap Cap	8
22	34-62046-00	Screw, Pan Head Phillips, #10 X 5/8 Inch, AB, Black	8
23	79-62045-01	Cover Assembly, White, EM-2	1
	79-62045-02	Cover Assembly, Gray, EM-2	1
24	58-62042-00	Louver, Rectangle (8.0 X 3.0 Inches)	3
25	58-01385-00	Louver, Evaporator, 3 Inch (Requires Retaining Ring 58-01385-01)	6
	58-01385-01	Ring, Retaining, Louver (Used With Louver 58-01385-00)	6
26	56-0034	Emblem, MCC	1
27	38-00573-02	Filter, Air, 36.5 X 9.0 Inches, EM-2, (GenV)	1
28	68-62868-00	Grill, Evaporator, EM-2, GEN V, (Painted)	1
29	68-62869-00	Channel, Filter, EM-2, GEN V, (Painted)	1
30	34-06169-01	Washer, Retaining	1
31	34-62020-00	Stud, 1/4 Turn, .25 Grip Range	1
32	34-62019-00	Receptacle, 1/4 turn	1

SECTION 1.3 EM-3 EVAPORATORS
1.3.1 EVAPORATOR, EM-3, GEN 4, DUCTED, WITH PLENUM OR GRILL BOX


Item	Part Number	Description	Qty
1	AC022-304	Plenum, Front	1
2	AC022-332	Weldment, Plenum, Left Side	1
3	AC022-333	Weldment, Plenum, Right Side	1
4	AC022-342P	Grill Box, Front, (Painted)	1
5	AC022-464P	Plate, Louver, (Painted)	1
6	AC401-320	Louver, (14-3/8 X 3-3/8 Inches)	A/R
7	AC401-307	Adapter, Hose, (2-1/2 Inch)	2
8	AC301-205	Hose, Duct, 2-1/2 Inch Diameter X Foot	3
9	58-01386-00	Ball, Louver, 2-1/2 Inch Diameter With Hose Back	2
10	AC401-306	Ring, Mounting, For Louver Ball	2
11	AC020-028	Channel, Mounting	2
12	34-00971-02	Threaded Rod, 3/8-16 X 3 Ft.	2
13	34-00588-13	Washer, Flat, 3/8 Inch, Zinc Plated	12
14	34-00361-13	Nut, Hex, Lock, (Esna), 3/8-16, Zinc Plated	12



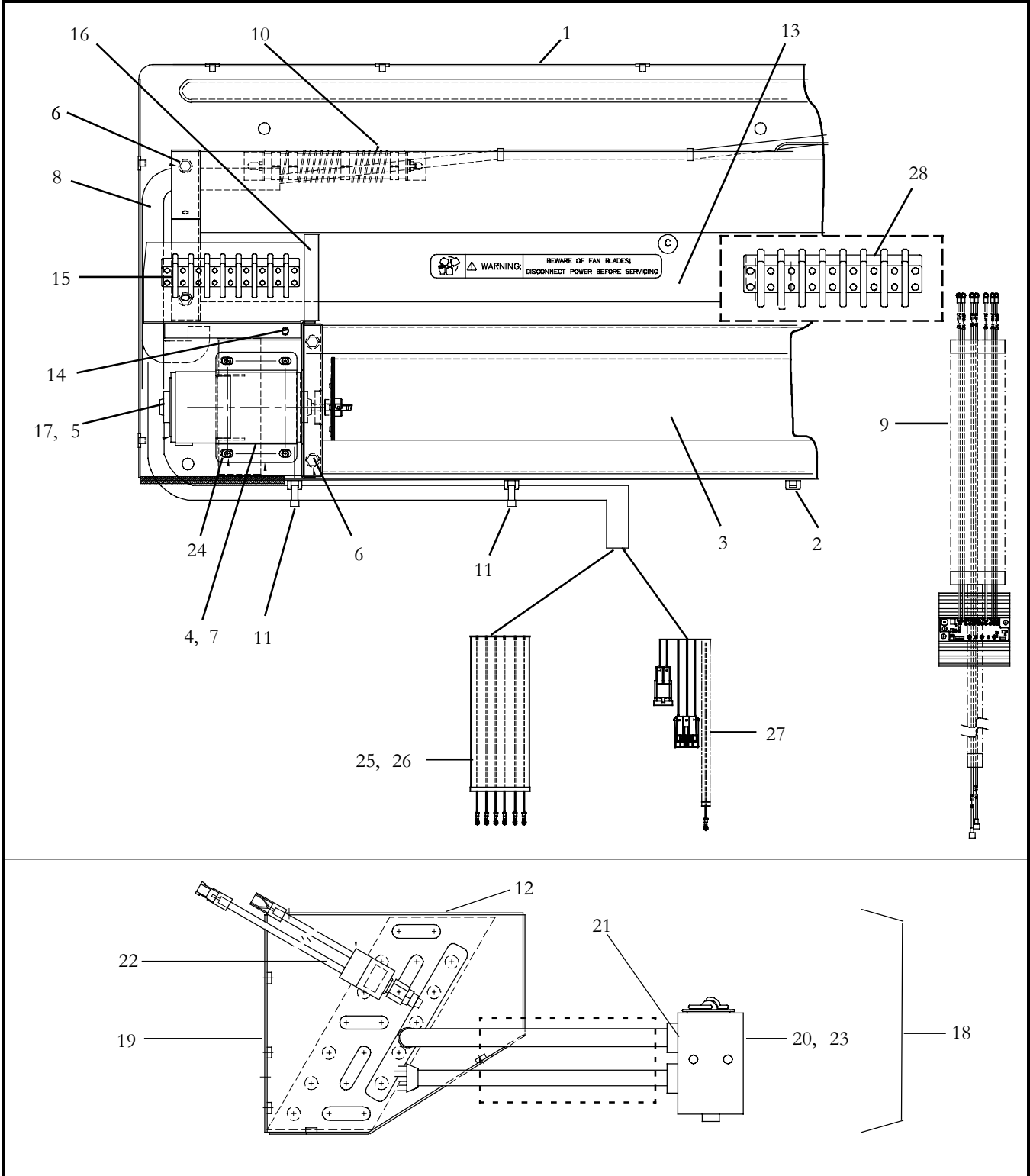
1.3.2 EVAPORATOR, EM-3, GEN 4, FREE BLOW



For replacement parts on units with serial #3-307511 to #3-

Item	Part Number	Description	Qty
1	79-62073-00	Assembly, Cover, White	1
	79-62073-01	Assembly, Cover, Gray	1
2	68-62577-01	Trim Strip, White/Gray	1
	68-62577-00	Trim Strip, Beige	1
3	AC801-412F25	Flexible Trim, Black (25 Ft. Roll)	1
4	AC022-252	Grill, Air Inlet, Painted, Black	1
5	AC401-320	Assembly, Louver, Air Outlet, (14-3/8 X 7-1/4 Inch)	2
6	38-00573-07	Filter, Return Air, (26.25 X 8 X 1/4 Inch)	2
7	AC401-232	Assembly, Blower, Dual, 12 VDC	3
	AC401-233	Assembly, Blower, Dual, 24 VDC	3
8	76-62019-00	Resistor Kit, (1.8 Ohm, 4 Prong)	3
9	22-62132-00	Harness, Unit, EM-3, GSA, 12 VDC	1
	22-62227-00	Harness, Unit, EM-3, With Low Pressure Switch, 12 VDC	1
	AC022-757	Harness, Unit, EM-3, 24 VDC	1
10	AC022-759	Assembly, Coil, R134a	1
	08-62067-00	Assembly, Coil, R134a, With Heat, With Low Pressure Switch Connection	1
	08-62068-00	Assembly, Coil, R134a, With Low Pressure Switch Connection	1
11	14-00397-00	Valve, Thermal Expansion, R134a	2
12	AC801-202	O-Ring, 1/2 Inch	4
13	AC201-501	Thermostat, Freeze-Up, Coil Insert	1
14	79-62127-00	Assembly, Drain Pan, (Foamed)	1
15	AC022-314	Baffle, Foam, EM_3 Drain Pan	1
16	AC801-414	Gasket, Foam, 3/8 X 1 Inch X 25 Foot Roll	1
17	AC701-123	Clip, Tinnerman, High-Torque, (#10AB)	14
18	AC020-028	Channel, Mounting	2
19	56-0034	Emblem, MCC	1
20	AC201-412	Switch, Low Pressure	1
21	68-63614-00	Bracket, TXV Support	1

1.3.3 EM-3, 3 SPEED CHASSIS KITS 77-62532-00 THRU -07 (COMMON PARTS)

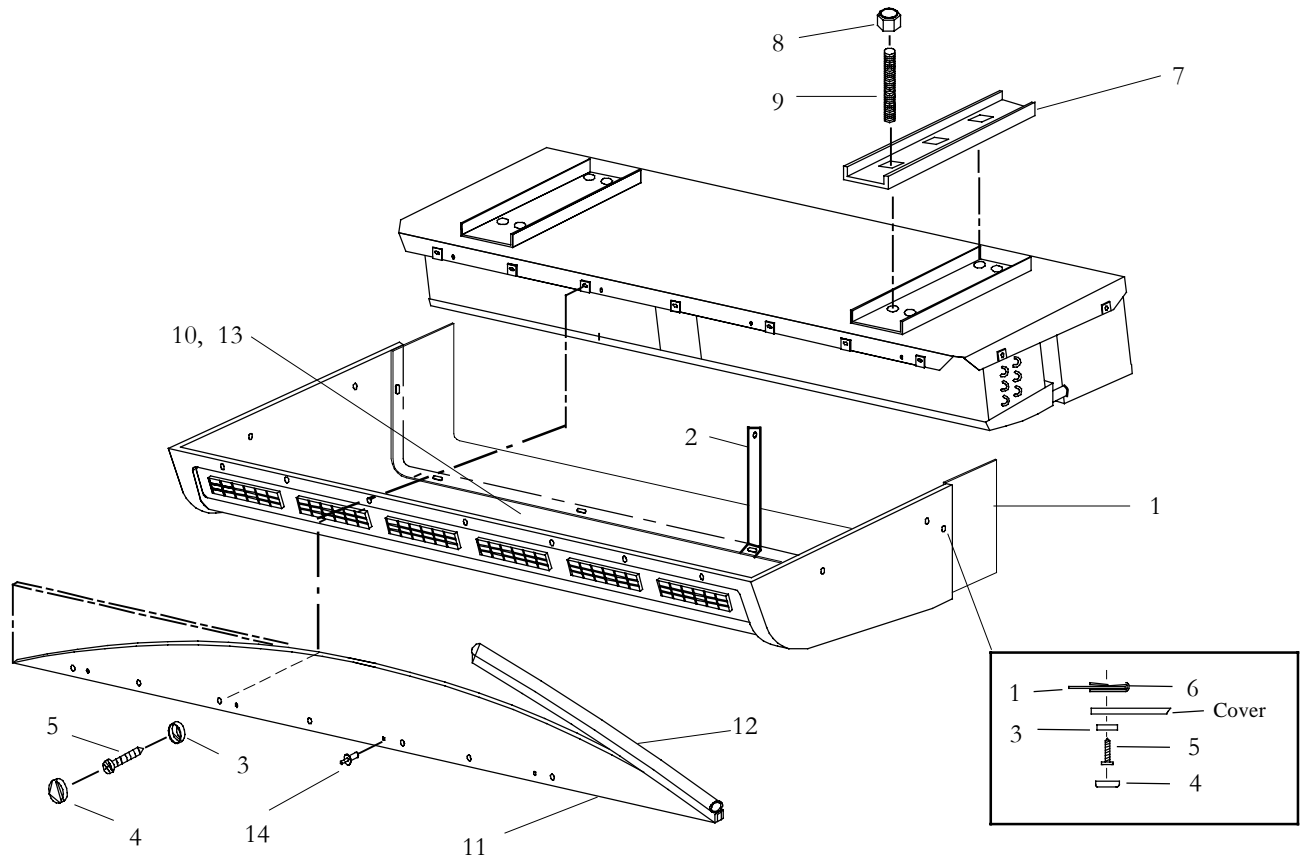




1.3.3 EM-3, 3 SPEED CHASSIS KITS 77-62532-00 THRU -07 COMMON PARTS - Continued:			
Item	Part Number	Description	Qty
1	86-62269-00	Panel Assembly, Top, EM-3	1
2	AC701-123	Clip, Retaining, Hi Torque	15
3	NSS	Blower Housing And Gasket Assembly (79-62079-03) - Includes:	2
3.1	NSS	...Blower Housing & Wheel Assembly (38-00564-03)	1
3.2	38-00564-53BlowerWheel (Length - 21.90 Inches - 556.3 mm)	1
3.3	38-00564-63Blower Housing	1
3.4	42-62118-00Gasket, Mounting, Blower Housing, 1/8 Inch Neoprene	2
3.5	42-62117-01Gasket, Blower Housing, 3/16 Inch Neoprene	1
3.6	34-00482-05Set Screw, Cup Point, 1/4-28, SS	1
4	68-62725-00	Bracket, Motor Mounting	2
5	54-00653-01	Motor, Evaporator, 12 VDC	2
	22-62328-01Fuse, 30A, 12VDC	2
	54-00653-04	Motor, Evaporator, 24VDC	2
	22-62328-03Fuse, 20A, 24VDC	2
6	34-62018-00	Nut, Flanged, Serrated Lock, 1/4-20, Zinc Plated	32
7	68-62726-00	Strap, Motor Support	2
8	22-62168-00	Wire Harness, Evaporator, 3 Speed	2
9	22-62099-00	Wire Harness, Evaporator, EM-3, With Speed Control (12-00533-00, NSS)	1
10	22-62169-00	Resistor, 220 W, .820 Ohm	2
N/S	12-00685-00	Thermostat, Freeze-Up, Non-Adjustable	2
11	66U1-3882	Wire Tie, Self Locking, 7.0 Inches, Black	12
12	AC022-743-2	Gasket, Coil, Neoprene, Adhesive Backed	2
N/S	58-62065-00	Bushing, Plastic 1.00 Inch I.D.	2
13	79-62107-00	Drain Pan Assembly, EM-3, Gen-V - Includes:	1
13.1	42-62140-01Baffle, Drain Pan, Foam	1
14	68-63881-00	Bracket Assembly, Mounting, Terminal Strip	1
15	22-62141-01	Terminal Block, 7 Position, Without Screws	1
16	58-62064-00F25	Trim Seal, 1/8 Inch Grip (25 Feet Roll)	1
17	42-62052-00	Gasket, Motor, (Gen-V)	2
18	79-62084-00	Coil Assembly, Evaporator, EM-3 Gen 5, Includes:	1
19	08-62037-00Coil Assembly	1
20	14-00397-00Valve, Thermal Expansion, Block, R134a	1
21	AC801-202O-Ring, 1/2 Inch	2
22	AC201-412Switch, Pressure, Low	1
23	42-00032-00Tape, Insulation, Presstite, 2 Inch X 30 Feet Long	1
24	68-08087-00	Spacer, Motor Mount	2
25	22-62164-00	Wire Harness, Evaporator, EM-3, Gen V, 3 Speed (56 Inches)	1
26	22-62261-00	Wire Harness, Evaporator, EM-3, Gen V, 3 Speed (47 Inches)	1
27	22-62204-00	Wire Harness, Evaporator, EM-3, Gen V, 3 Speed (TBBC2 Chassis)	1
N/S	76-62257-00	Blower Housing & Boot Repair Kit - Includes:	1
	NSSHousing, Bearing, Blower Wheel	1
	NSSBoot, Rubber, Blower Wheel	1
	AC701-401	Pop Rivet, 3/16, Steel	2
28	22-62100-01	Terminal Block, 7 Position, Without Screws	1



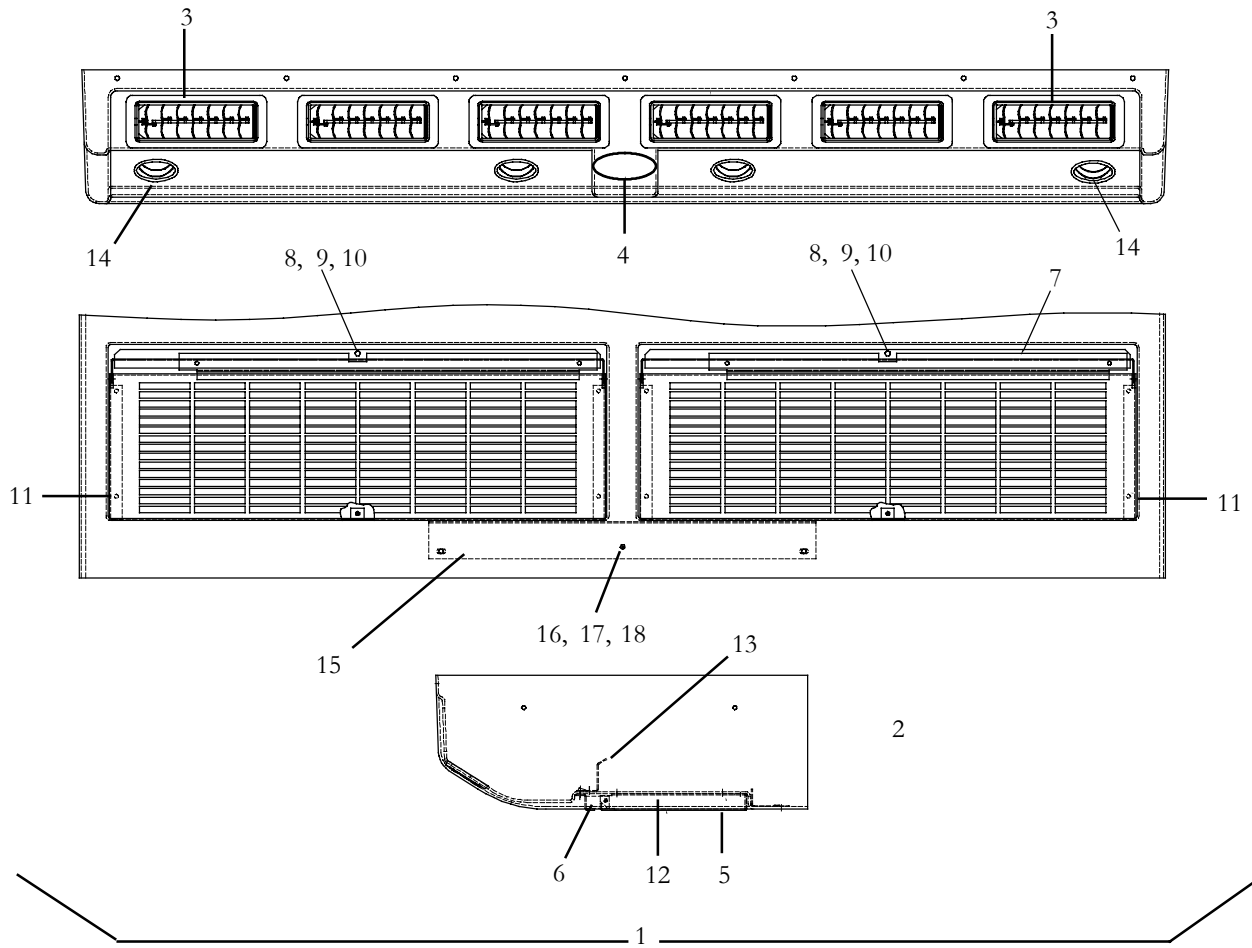
1.3.4 EVAPORATOR, EM-3, GEN-5, INSTALLATION COMPONENTS



Item	Part Number	Description	Qty
1	68-63000-00	Rear Panel, Gray	1
	68-63000-01	Rear Panel, White	1
2	68-62982-00	Angle, Support, Cover	2
3	AC801-529	Washer, Snap Cap	13
4	AC801-532	Snap Cap, Gray	13
	AC801-531	Snap Cap, White	13
5	34-62046-00	Screw, Pan Head, Phillips, #10 X 5/8 Inch, AB, Black	13
6	AC701-123	Clip, Tinnerman, High-Torque, (#10AB)	13
7	AC020-028	Channel, Mounting	2
8	34-00361-13	Nut, Hex, Lock, 3/8-16, Zinc Plated	12
9	34-50045-00	Rod, Threaded, 3/8-16 X 3 Feet, Zinc Plated	2
10	68-63708-00	Bracket, Front Cover Support	1
11	68-62999-00	Trim Strip, White/Gray	1
12	AC801-412F25	Flexible Trim, Black (25 Ft Roll)	1
13	AC801-401	Gasket, Foam, 3/16x 3/8 x 50 Feet Roll	1
14	AC701-403	Rivet, Pop. 1/8 Inch, Steel	A/R



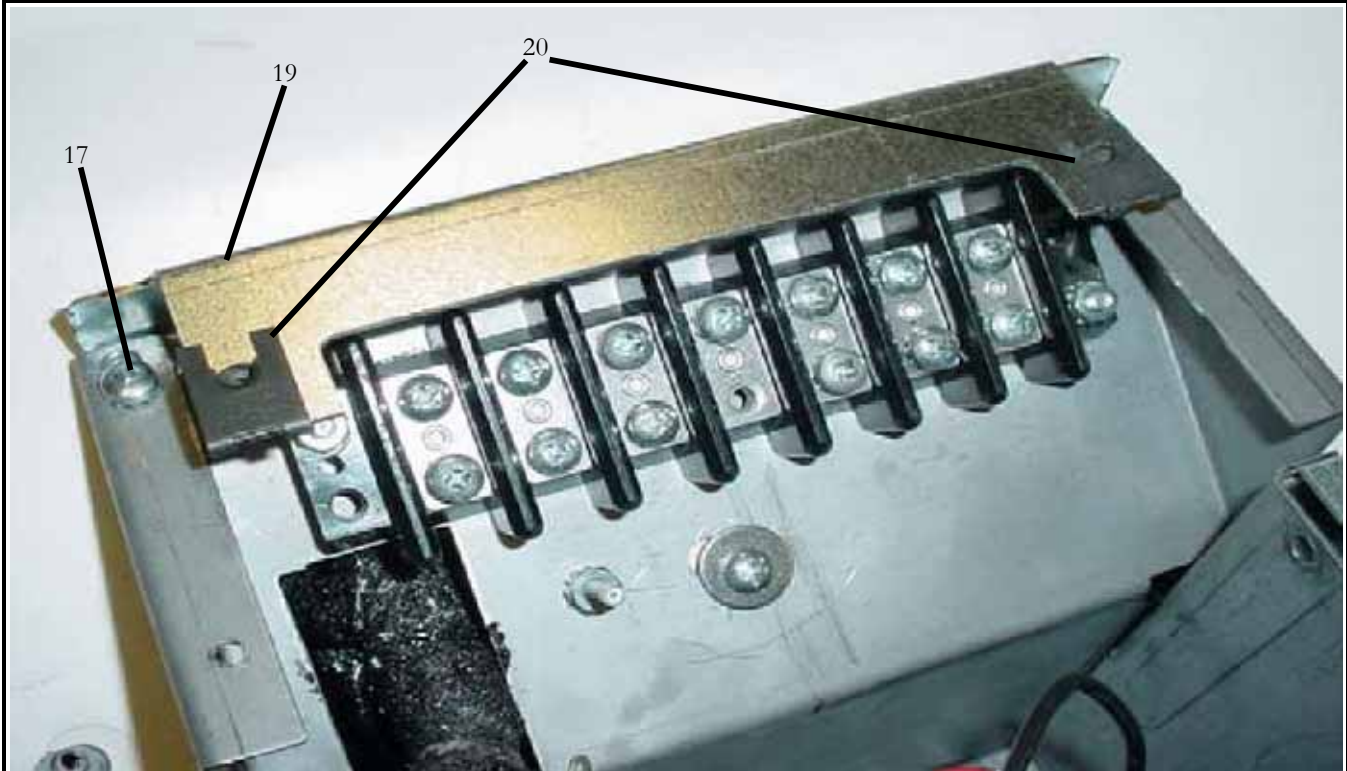
1.3.5 EM-3, GEN-5, COVER ASSEMBLY



Item	Part Number	Description	Qty
1	79-62065-01SV	Cover Assembly, EM-3, White - Includes:	1
	79-62065-02SV	Cover Assembly, EM-3, Gray - Includes:	1
2	NSSCover, Trimmed, EM-3, White	1
	NSSCover, Trimmed, EM-3, Gray	1
3	58-62042-00Louver, Rectangular, (8.00 x 3.00 Inches)	6
4	56-0034Label, MCC	1
5	68-63275-03Grill, Evaporator, EM-3, Gen-V, (Painted)	2
6	AC701-403Rivet, Pop, 1/8 Inch, Steel	4
7	68-63276-03Door, Filter, EM-3, Gen-V, (Painted)	2
8	34-06169-01Washer, Retaining, 0.215 I.D.	2
9	34-62020-00Stud, 1/4 Turn, .25 Grip Range	2
10	34-62019-00Receptacle, 1/4 Turn	2
11	AC701-400Rivet, Pop, 3/16 Inch, Steel	14
12	38-00573-04Filter, Air, (26.81 inch X 9.00 inch)	2
13	68-63277-02Baffle, Cover, EM-3, Gen-V	2
14	58-62077-00Louver, Adjustable, 3.00 Inches, (Round)	4
15	68-63717-00Bracket, Cover Support, Rear	1



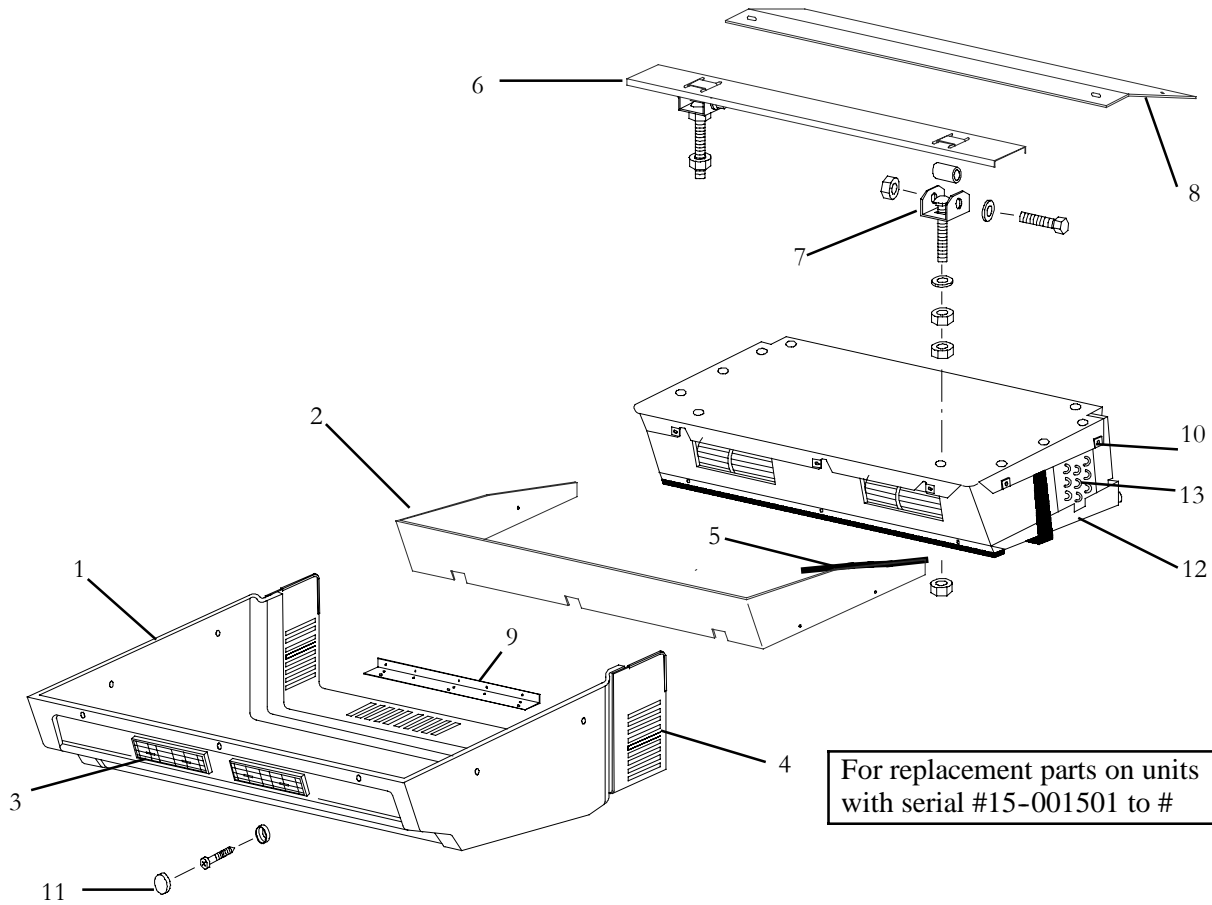
1.3.6 EM-3, GEN-5, COVER ASSEMBLY - Continued:			
Item	Part Number	Description	Qty
16	AC801-529Washer, Snap Cap	1
17	34-62050-04Screw, Pan Head W/External Tooth Washer, #10-32 x 0.50 Inch Long	3
18	AC801-531Snap Cap, White	1
	AC801-532Snap Cap, Gray	1
19	68-63708-00	Bracket, Cover Support, Front, EM-3	1
20	AC701-123	Nut, Speed Clip, #10-16	2





SECTION 1.4 EM-6 EVAPORATORS

1.4.1 EVAPORATOR, EM-6, GEN 4, SIDE MOUNT, FREE BLOW



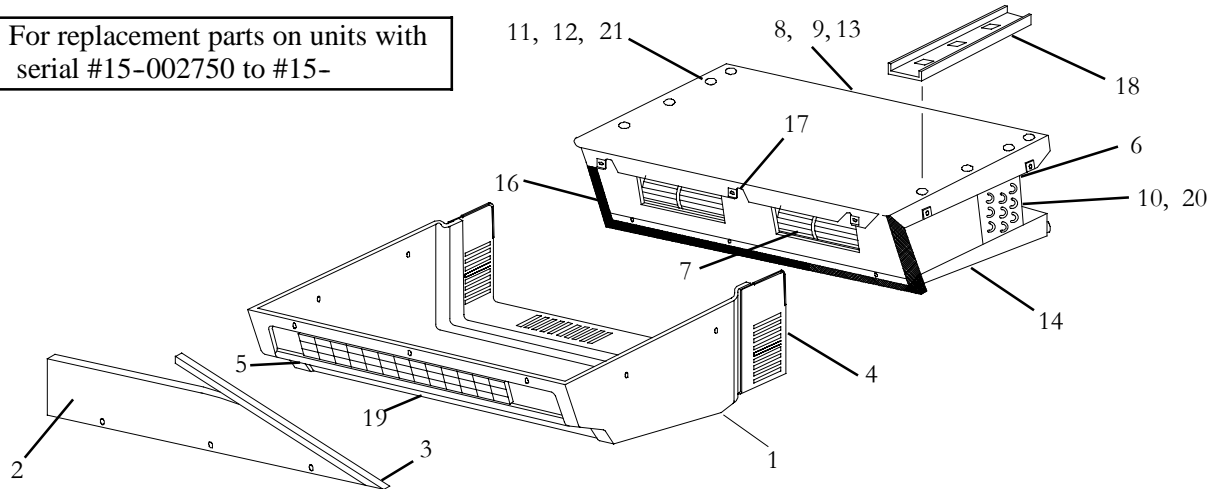
For replacement parts on units with serial #15-001501 to #

Item	Part Number	Description	Qty
1	79-62076-00	Cover Assembly, White	1
	79-62076-01	Cover Assembly, Gray	1
	N/A	Cover Assembly, Beige, (AC022-490-S)	1
2	AC022-293-1	Strip, Trim, White	1
	AC022-293-2	Strip, Trim, Gray	1
3	AC401-308	Assembly, Louver (7.0 X 3.0 Inches)	2
4	AC022-295P	Grill, Return Air, (Painted)	1
5	AC801-412F25	Trim, Flexible, Black (25 Ft. Roll)	1
6	AC021-278	Weldment, Hanger	1
7	AC021-223	Hanger, Front	2
8	AC022-297	Hanger, Rear	1
9	AC020-179P	Angle, Rear Screen Support	1
10	AC701-123	Clip, Tinnerman, High Torque, #10AB	10
11	AC801-530	Cap, Snap, Beige	7
	AC801-531	Cap, Snap, White	7
	AC801-532	Cap, Snap, Gray	7
12	79-62128-00	Drain Pan	1
13	AC022-773-S	Coil Assembly, 3 Row, W/O Heat (Includes TXV)	1



1.4.2 EVAPORATOR, EM-6, GEN 4, FREE BLOW

For replacement parts on units with serial #15-002750 to #15-

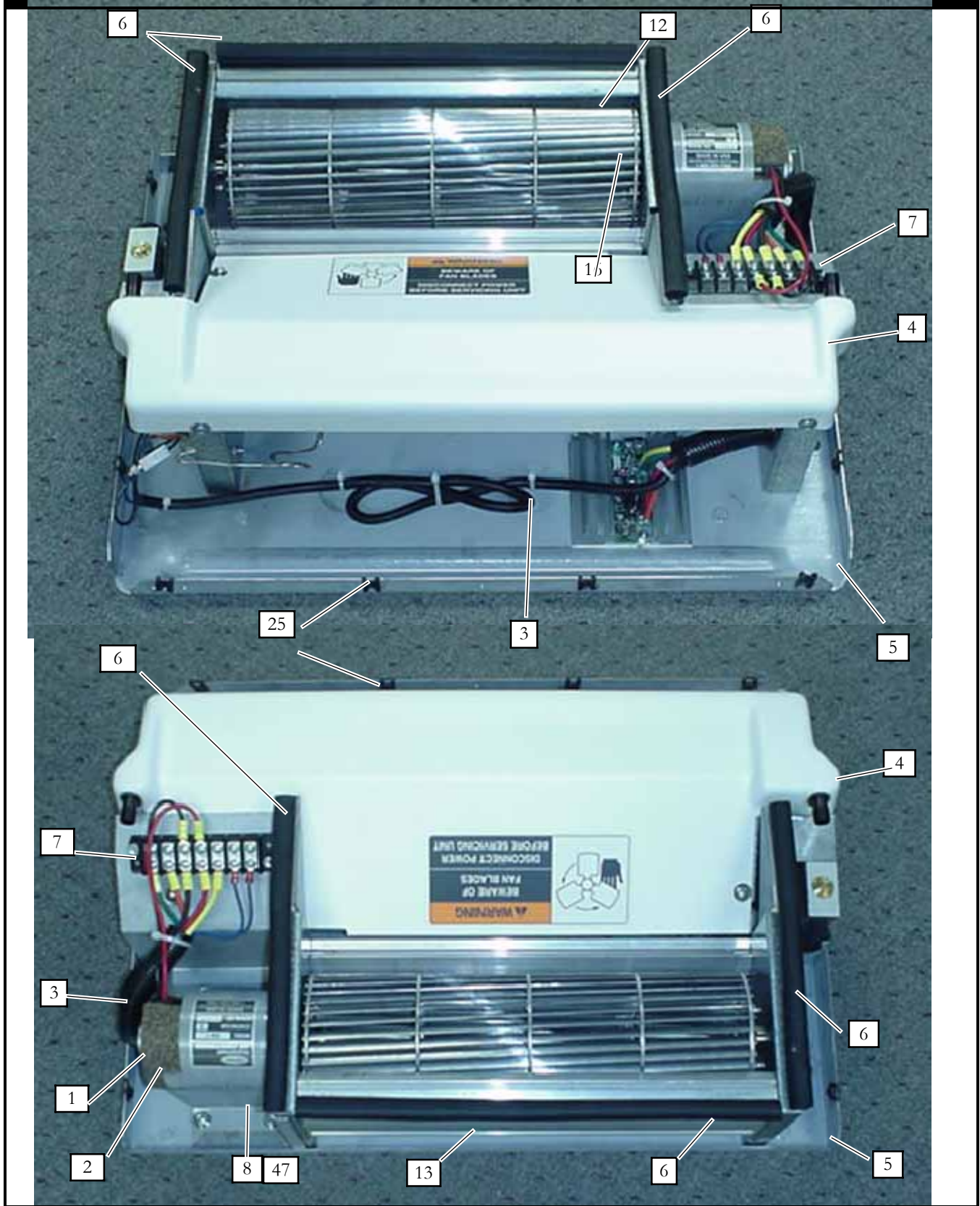


1.4.2 EVAPORATOR, EM-6, GEN 4, FREE BLOW - Continued:

Item	Part Number	Description	Qty
1	79-62074-00	Cover Assembly, White	1
	79-62074-01	Cover Assembly, Gray	1
	N/A	Cover Assembly, Beige (AC022-349-S)	1
2	68-62578-01	Trim Strip, White/Gray, (39-1/2 inch X 3-1/4 Inch)	1
	68-62578-00	Trim Strip, Beige, (39-1/2 inch X 3-1/4 inch)	1
3	AC801-412F25	Flexible Trim, Black (25 Ft. Roll)	1
4	AC022-253	Grill, Air Inlet, Black, (Painted)	1
5	AC401-320	Assembly, Louver, Air Outlet, (14-3/8 X 3-3/8 Inch)	1
6	AC801-462	Filter, Return Air (1/4 X 8.0 X 19.0 Inch)	1
7	AC401-232	Assembly, Blower, Dual, 12 VDC	1
	AC401-233	Assembly, Blower, Dual, 24 VDC	1
8	76-62019-00	Resistor Kit, (1.8 Ohm, 4 Prong)	1
9	22-62126-00	Harness, Unit, EM-6, GSA, 12 VDC	1
	22-62225-00	Harness, Unit, EM-6, With Low Pressure Switch, 12 VDC	1
	AC022-455	Harness, Unit, EM-6, 24 VDC	1
10	08-62061-00	Assembly, Coil, With Low Pressure Switch Connection	1
	08-62062-00	Assembly, Coil, With Heat, Coil, With Low Pressure Switch Connection	1
11	14-00397-00	Valve, Thermal Expansion	1
12	AC801-202	O-Ring, 1/2 Inch	2
13	AC201-501	Thermostat, Freeze-Up, Coil Insert	1
14	79-62128-00	Assembly, Drain Pan, (Foamed)	1
15	AC801-403	Gasket, Foam (1-1/4 X 1-1/4 inch X 25 Foot Roll)	1
16	AC801-414	Gasket, Foam, Soft (3/8 X 1 inch X 25 Foot Roll)	1
17	AC701-123	Clip, Tinnerman, High-Torque (#10AB)	11
18	AC020-009	Channel, Mounting	2
19	56-0034	Emblem, MCC	1
20	AC201-412	Switch, Low Pressure	1
21	AC022-700	Bracket, TXV Support	1

SECTION 1.5 EM-7 EVAPORATORS

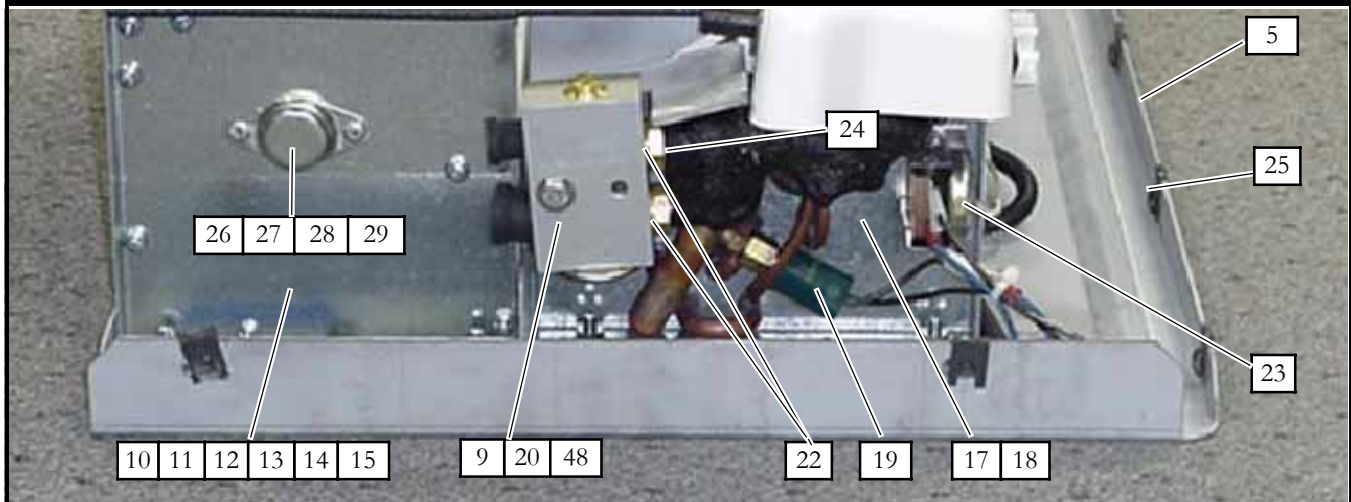
1.5.1 EVAPORATOR, EM-7, GEN V, REAR MOUNT





1.5.1 EVAPORATOR, EM-7, GEN V, REAR MOUNT - Continued:

Item	Part Number	Description	Qty
1	54-00653-02	Motor Evaporator, 12 VDC, GEN-V	1
	22-62328-02	Fuse, 25A, 12 VDC, GEN-V	1
	54-00653-05	Motor Evaporator, 24 VDC, GEN-V	1
	22-02336-24	Fuse, 15A, 24 VDC, GEN-V	1
2	42-62052-00	Gasket, Motor	1
3	22-62099-00	Assembly, Harness, Evap., With Speed Control, (12-00533-00, NSS)	1
	22-62168-00	Assembly, Harness, Evap., 3 Speed	1
4	79-62106-02	Drain Pan Assembly, PVC, Includes:	1
4.1	42-62140-02Baffle, Drain Pan, Foam	1
5	68-62758-00	Panel, Top	1
6	58-62064-00F25	Trim Seal, 1/8 Inch Grip, (25 Foot Roll)	1
7	22-62141-01	Terminal Block, 7 Position, (30 Amp)	1
8	68-62726-00	Strap, Motor, (GEN V)	1
9	AC701-101	Clip, Tinnerman, high Torque, (1/4-20)	1



Item	Part Number	Description	Qty
10	NSS	Blower Housing & Gasket Assembly (79-62079-02) - Includes:	1
11	NSSBlower Housing & Wheel Assembly (38-00564-02) - Includes:	1
12	38-00564-52Blower Wheel (Length: 14.61 Inches - 371.1 mm)	1
13	38-00564-62Blower Housing	1
14	42-62118-00Gasket, Mounting, Blower Housing, 1/8 Inch Thick Neoprene	2
15	42-62117-02Gasket, Blower Housing, 3/16 Inch Thick Neoprene	1
16	34-00482-05Set Screw, Cup Point, 1/4-28, SS	1
17	79-02358-02	Coil Assembly, Evaporator, EM-7 - Includes:	1
18	08-62031-02Coil Assembly	1
19	AC201-412Switch, Pressure, Low, Female	1
20	14-00397-00Valve, Thermal Expansion, R134a	1
21	42-00032-00Tape, Insulation, Pressite, 2.00 Inch X 30 Feet Long	1
22	AC801-202O-Ring, HNBR, (1/2 Inch)	2
23	12-00685-00	Thermostat, Freeze, Non-Adjustable	1
24	68-62710-00	Assembly, Bracket, TXV	1



1.5.1 EVAPORATOR, EM-7, GEN V, REAR MOUNT - Continued:

Item	Part Number	Description	Qty
25	AC701-123	Clip, Tinnerman, High Torque, (#10AB)	8
26	76-62257-00	Blower Housing & Boot Repair Kit - Includes:	1
27	NSSHousing, Bearing, Blower Wheel	1
28	NSSBoot, Rubber, Blower Wheel	1
29	AC701-401	Pop Rivet, 3/16, Steel	2

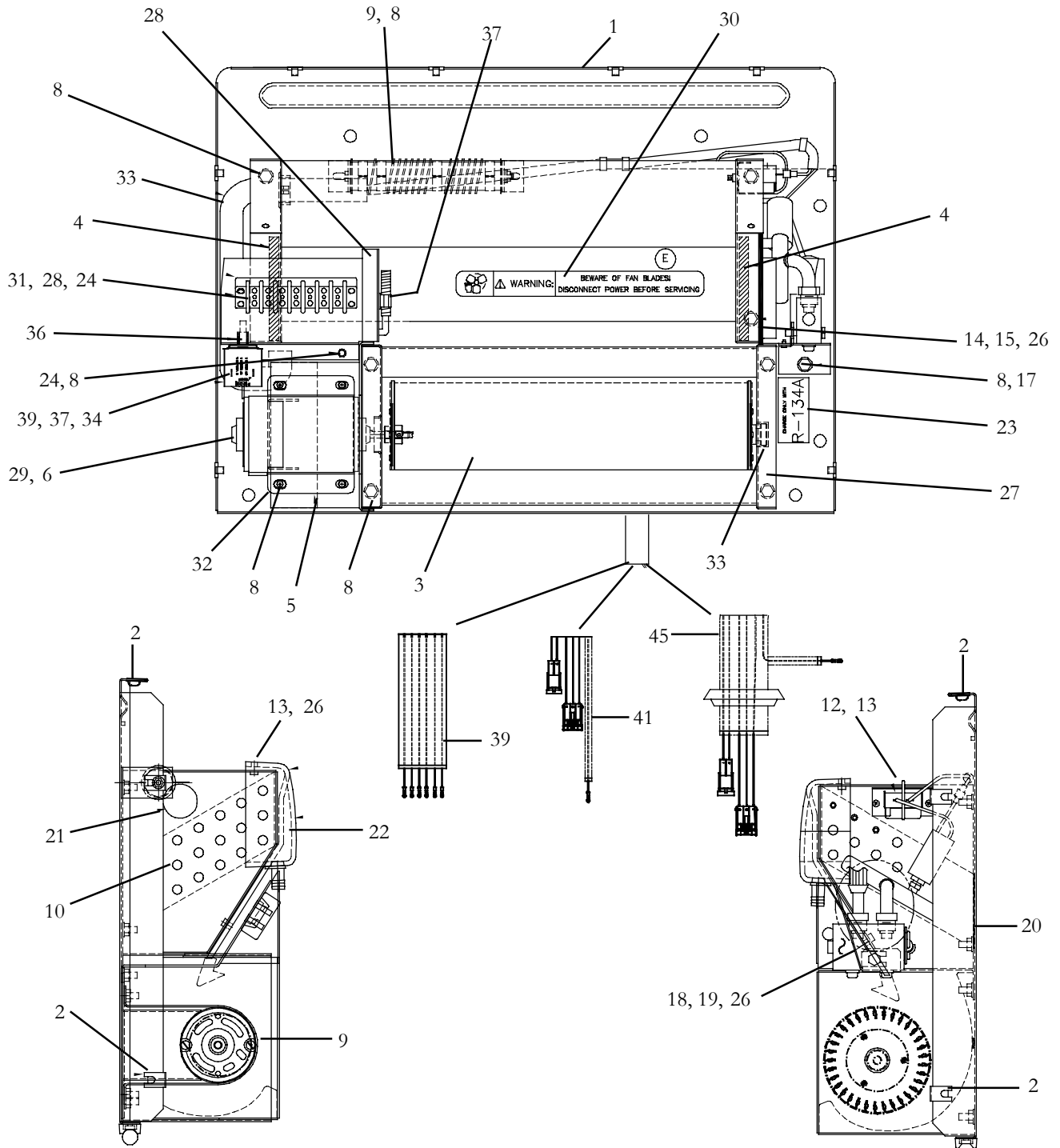


Item	Part Number	Description	Qty
30	79-62046-01	Cover Assembly, White, (Rear Mount)	1
	79-62046-02	Cover Assembly, Gray, (Rear Mount)	1
31	58-62042-00	Louver, Square, (GEN V) (8.0 X 3.0 Inches)	2
32	58-01385-00	Louver, Evaporator, 3 Inch (Requires Retaining Ring 58-01385-01)	2
	58-01385-01	Ring, Retaining, Louver (Used With Louver 58-01385-00)	2
33	68-62780-00	Trim Strip	1
34	AC020-009	Mounting Channel,	1
35	AC801-412F25	Gasket, Trim-Lock, Black (25 Ft. Roll)	1
36	56-0034	Emblem, MCC	1
37	76-50131-00	Grill Kit, EM-7, - Includes: (Replaces Grill 68-62782-00 & Channel 68-62783-00)	1
38	68-63275-07 Grill, Evaporator, EM-7, Gen V (Painted)	1
39	68-63276-07 Door, Filter, EM-7, Gen V (Painted)	1
40	68-63277-07 Baffle, Cover, EM-7, Gen V	1
41	AC701-403 Rivet, Pop, 1/8 Inch, Steel (Fasten Door to Grill)	2



1.5.1 EVAPORATOR, EM-7, GEN V, REAR MOUNT - Continued:			
Item	Part Number	Description	Qty
42	AC701-400 Rivet, Pop, 3/15 Inch, Steel (Fasten Baffle & Grill to Cover)	7
N/S	98-50618-00 Instructions, Grill, Door & Baffle Installation	1
43	38-00573-03	Filter, Air, EM-7	1
44	34-62019-00	Receptacle, 1/4 Turn	1
45	34-62020-00	Stud, 1/4 Turn, .25 Grip Range	1
46	34-06169-01	Washer, Retaining, .215 I. D.	1
47	68-08087-00	Spacer, Motor Alignment	1
48	79-62086-01	Bracket Assembly, TXV	1

1.5.2 EM-7, 3 SPEED CHASSIS KITS 77-62572-00 THRU -07 (COMMON PARTS)



1.5.2 EM-7, GEN-V, 3 SPEED CHASSIS KITS 77-62572-00 THRU -07 (COMMON PARTS) - Cont.

Item	Part Number	Description	Qty
1	68-62758-00	Panel Assembly, Top	1
2	AC701-123	Clip, Retaining, High Torque	8
3	NSS	Blower Housing & Gasket Assembly, (79-62079-01) Includes:	1
3.1	NSSBlower Housing & Wheel Assembly, (38-00564-01) Includes:	1

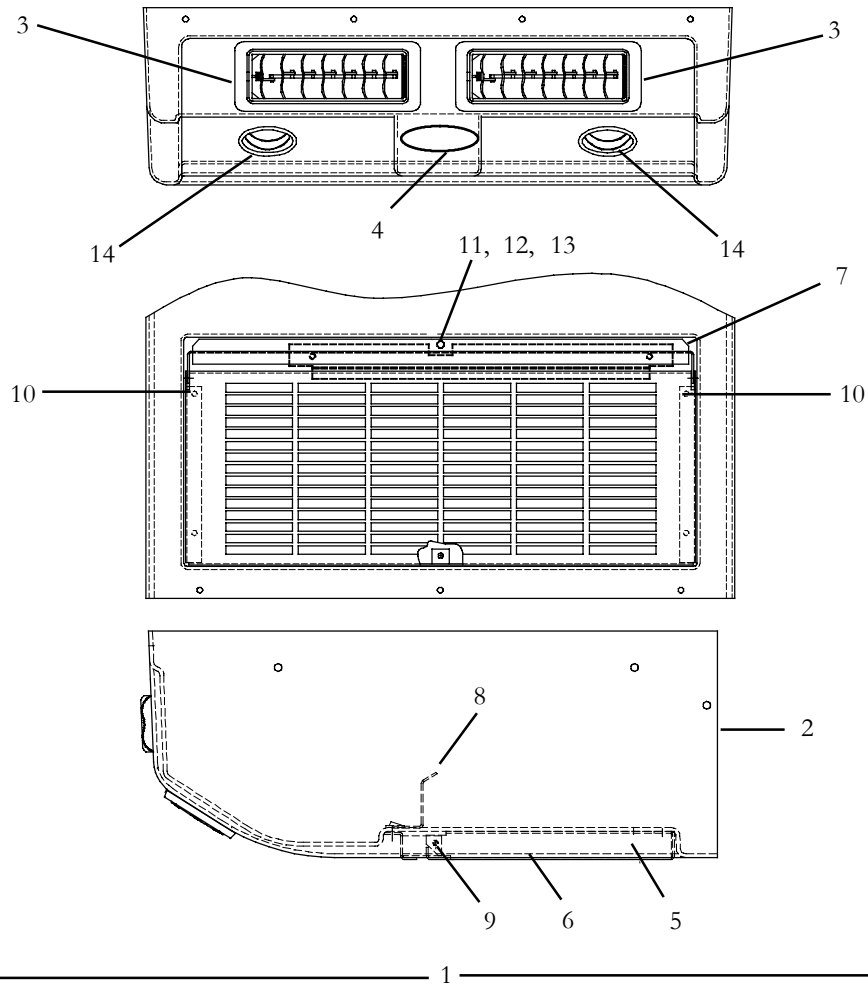


1.5.2 EM-7, GEN-V, 3 SPEED CHASSIS KITS 77-62572-00 THRU -07 (COMMON PARTS) - Cont.			
Item	Part Number	Description	Qty
3.2	38-00564-52Blower Wheel (Length: 29.12 Inches - 739.8 mm)	1
3.3	38-00564-62Blower Housing	1
3.4	42-62118-00Gasket, Mounting, Blower Housing, 1/8 Inch Thick Neoprene	2
3.5	42-62117-02Gasket, Blower Housing, 3/16 Inch Thick Neoprene	1
3.6	34-00482-05Set Screw, Cup Point, 1/4-28, SS	1
4	AC801-401	Gasket, Foam, 3/16 x 3/8 x 50 Feet Roll	1
5	68-62725-00	Bracket, Motor Mounting	1
6	54-00653-02	Motor, Evaporator, EM-7, 12 VDC, (GEN-V)	1
	22-62328-02Fuse, 25A, EM-7, 12 VDC, (GEN-V)	1
7	34-62018-00	Nut, Flanged, Serrated Lock, 1/4-20, Zinc Plated	16
8	68-62726-00	Strap, Motor Support	1
9	22-62169-00	Resistor, Fan Speed, 220 Watt, .820 OHM	1
10	79-02358-02	Coil Assembly, Includes:	1
10.1	08-62031-02Coil Assembly, EM-7	1
10.2	AC201-412Switch, Pressure, Low	1
10.3	14-00397-00Valve, Thermal Expansion, R134a	1
10.4	42-00032-00Tape, Insulation, Presstite, 2.00 Inch x 30 Feet Long	1
10.5	AC801-202O-Ring, 1/2 Inch	2
11	12-00685-00	Thermostat, Freeze Up, Non-Adjustable	1
12	34-62050-04	Screw, Pan Head With External Tooth Washer, #10-32 x 0.50 Inch Long	5
13	34-62057-03	Screw, Pan Head, #10-32 x 0.75 Inch Long	1
14	34-00372-09	Washer, Lock, External Tooth, #10	1
15	66U1-3882	Wire Tie, Self-Locking, 7.00 Inches, Black	A/R
16	79-62086-01	Bracket Assembly, TXV	1
17	34-00655-12	Screw, Hex Head, 1/4-20 x 1.50 Inch Long, SST	1
18	AC701-101	Nut, Speed, 'J' Type, 1/4-20	1
19	AC022-743-7	Gasket, Coil, Neoprene, Adhesive Backed	1
20	58-62065-00	Bushing, Plastic, 1.00 Inch I.D.	1
21	79-62106-02	Drain Pan Assembly, EM-7 - Includes:	1
21.1	42-62140-02Baffle, Drain Pan, Foam	1
22	62-62039-00	Label, CHARGE ONLY WITH R134a	1
23	68-62870-00	Bracket, Mounting, Terminal Strip	1
24	22-62141-01	Terminal Block, 7 Position, Without Screws	1
25	34-06212-12	Washer, Plain, 1/4, SST	5
26	58-62064-00F25	Trim Seal, 1/8 Inch Grip, (25 Foot Roll)	A/R
27	34-62033-00	Screw, Binder Head, Phillips/Slotted, #10-32 x 0.38 Inch Long	14
28	42-62052-00	Gasket, Motor, (GenV)	1
29	62-62045-00	Label, WARNING FAN BLADES	2
30	34-00733-05	Nut, Hex, Keps, #8-32, Zinc	2
31	68-08087-00	Spacer, Motor Mounting (Located Under Mounting Bracket)	1
32	76-62257-00	Bearing Housing & Boot Repair Kit - Includes:	1
32.1	NSSHousing, Bearing, Blower Wheel	1
32.2	NSSBoot, Rubber, Blower Wheel	1



1.5.3 EM-7, GEN-V, 3 SPEED CHASSIS KIT 77-62572-00 (SPECIFIC PARTS LIST)			
Item	Part Number	Description	Qty
33	22-62168-00	Wire Harness, Evaporator, 3 Speed (Gen V)	1
34	58-00616-02	Plug, Hole, Nylon, 0.50 Diameter	1
1.5.4 EM-7, GEN-V, 3 SPEED CHASSIS KIT 77-62572-01 (SPECIFIC PARTS LIST)			
Item	Part Number	Description	Qty
33A	22-62168-01	Wire Harness, Evaporator, 3 Speed	1
35	AC201-500	Thermostat, Return Air	1
36	AC202-307	Nut, Hex, Fan Speed Switch	1
37	22-04065-00	Wire Assembly, Jumper	1
38	AC701-206	Clamp, Thermostat Coil	1
39	58-00858-00	Tubing, Split, Corrugated, 1/4 Inch I.D. x 25 Feet Long	1
1.5.5 EM-7, GEN-V, 3 SPEED CHASSIS KIT 77-62572-05 (SPECIFIC PARTS LIST)			
Item	Part Number	Description	Qty
33	22-62168-00	Wire Harness, Evaporator, 3 Speed	1
40	22-62261-00	Wire Harness, Evaporator	1
34	58-00616-02	Plug, Hole, Nylon, 0.50 Diameter	1
1.5.6 EM-7, GEN-V, 3 SPEED CHASSIS KIT 77-62572-06 (SPECIFIC PARTS LIST)			
Item	Part Number	Description	Qty
33	22-62168-00	Wire Harness, Evaporator, 3 Speed	1
41	22-62204-00	Wire Harness, Evaporator, TBB C2	1
42	AC701-401	Rivet, Pop, 3/16 Steel	2
43	AC701-303	Tie, Cable Holder	2
34	58-00616-02	Plug, Hole, Nylon, 0.50 Diameter	1
44	AC801-412F25	Trim, Flexible, Black 25 Ft. Roll)	1
1.5.7 EM-7, GEN-V, 3 SPEED CHASSIS KIT 77-62572-07 (SPECIFIC PARTS LIST)			
Item	Part Number	Description	Qty
33	22-62168-00	Wire Harness, Evaporator, 3 Speed	1
45	22-62247-00	Wire Harness, Evaporator, TBB C2	1
42	AC701-401	Rivet, Pop, 3/16 Steel	2
43	AC701-303	Tie, Cable Holder	2
34	58-00616-02	Plug, Hole, Nylon, 0.50 Diameter	1
44	AC801-412F25	Trim, Flexible, Black (25 Ft. Roll)	1

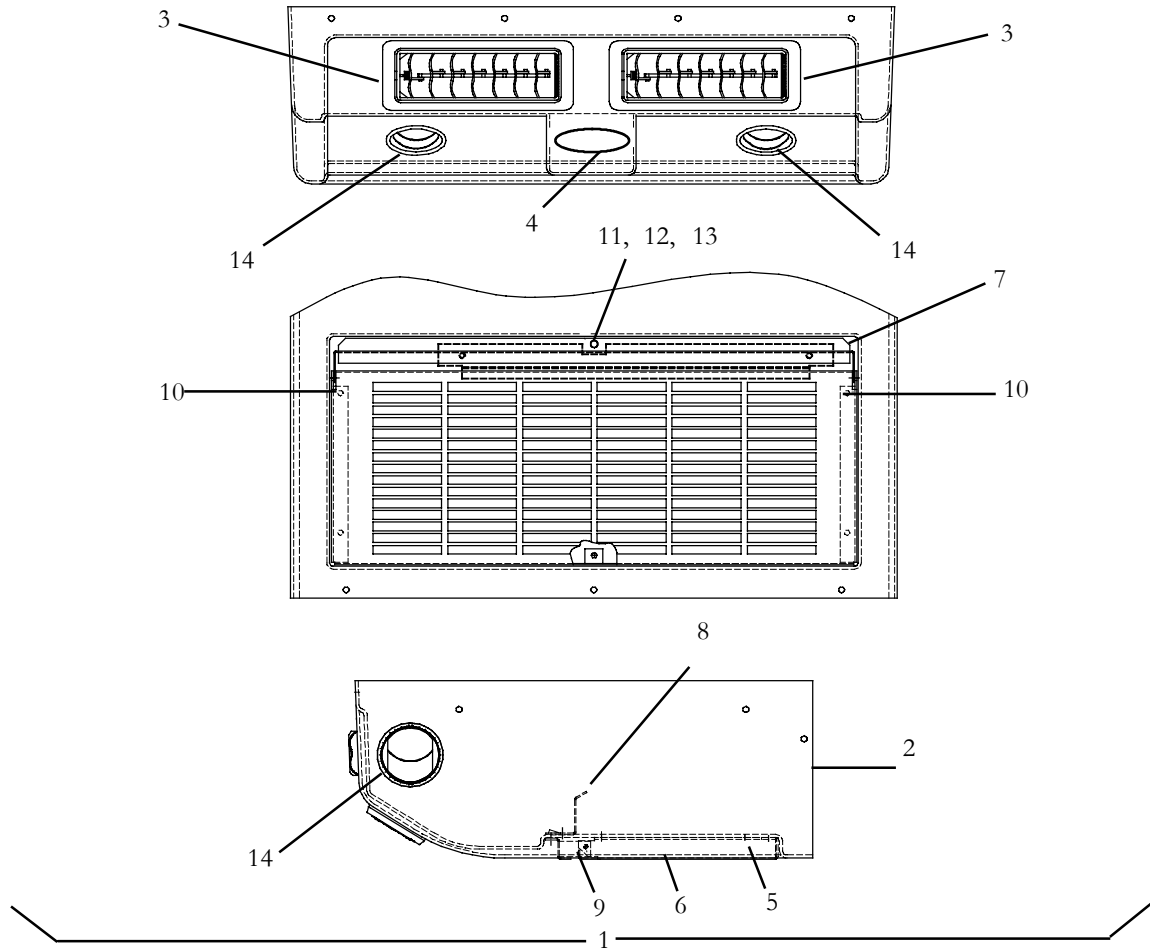
1.5.8 COVER ASSEMBLY, EM-7, GEN-V, REAR MOUNT



Item	Part Number	Description	Qty
1	79-62046-01	Cover Assembly, EM-7, Complete, Rear Mount, White - Includes:	1
	79-62044-02	Cover Assembly, EM-7, Complete, Rear Mount, Gray - Includes:	1
2	NSSCover Trimmed, EM-7 White	1
	NSSCover Trimmed, EM-7 Gray	1
3	58-62042-00Louver, Rectangle (8.0 X 3.0 Inches)	2
4	56-0034Emblem, MCC	1
5	38-00573-03Filter, Air, EM-7, GenV (20.65 X 9 Inches)	1
6	68-63275-07Grill, Evaporator, EM-7, GEN V, (Painted)	1
7	68-63276-07Door, Filter, EM-7, Gen V, (Painted)	1
8	68-63277-07Baffel, Cover, EM-7, Gen V	1
9	AC701-403Rivet, Pop, 1/8 inch, Steel (Fasten Door to Grill)	2
10	AC701-400Rivet, Pop, 3/16 inch, Steel (Faster Baffel & Grill to Cover)	7
11	34-62019-00Receptacle, 1/4 Turn	1
12	34-62020-00Stud, 1/4 Turn, .25 Grip Range	1
13	34-06169-01Washer, Retaining, .215 I. D.	1
14	58-62077-00Louver, Adjustable, 3.00 Inch (Round)	2



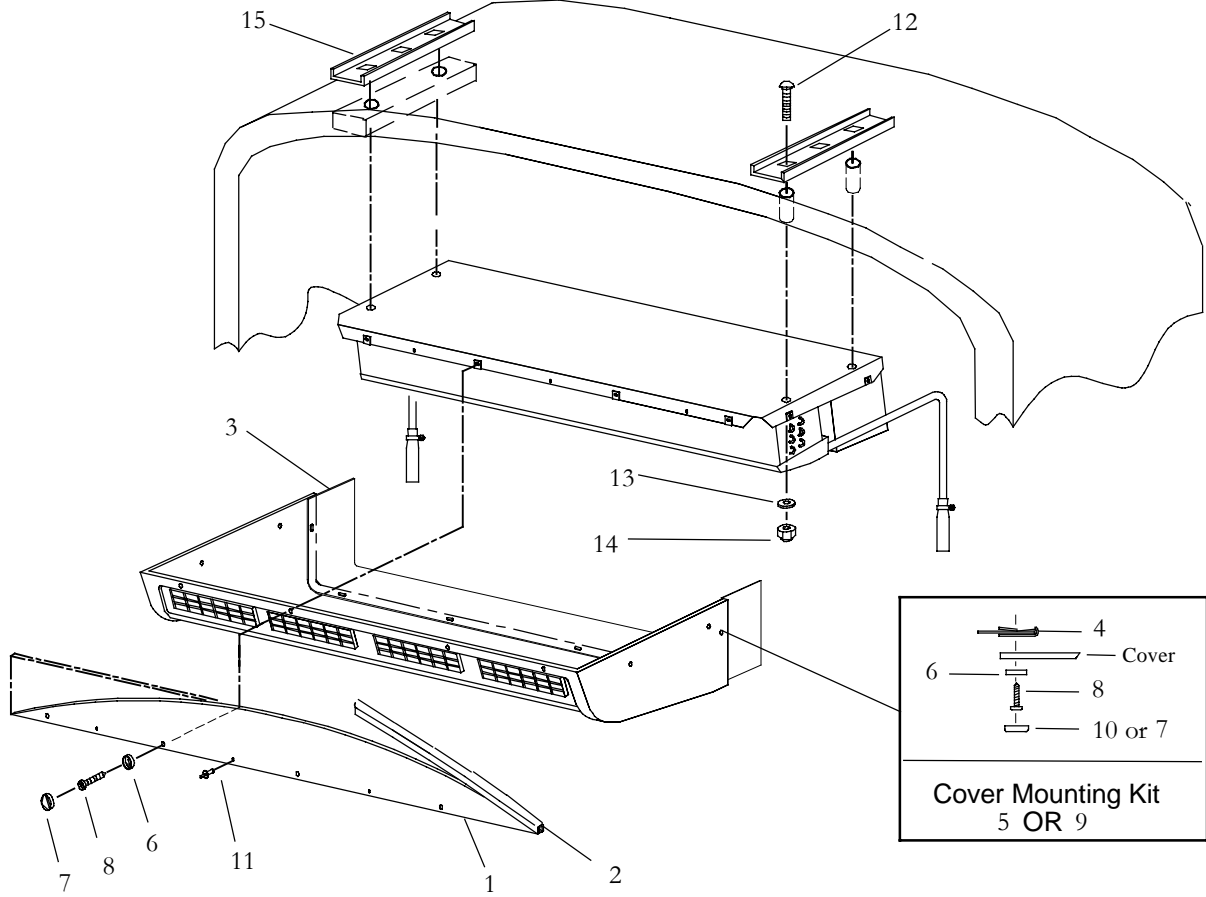
1.5.9 COVER ASSEMBLY, EM-7, GEN-V, SIDE MOUNT



Item	Part Number	Description	Qty
1	79-62047-01	Cover Assembly, EM-7, Complete, Side Mount, White - Includes:	1
	79-62047-02	Cover Assembly, EM-7, Complete, Side Mount, Gray - Includes:	1
2	NSSCover Trimmed, EM-7 White	1
	NSSCover Trimmed, EM-7 Gray	1
3	58-62042-00Louver, Rectangle (8.0 X 3.0 Inches)	2
4	56-0034Emblem, MCC	1
5	38-00573-03Filter, Air, EM-7, GenV (20.65 X 9 Inches)	1
6	68-63275-07Grill, Evaporator, EM-7, GEN V, (Painted)	1
7	68-63276-07Door, Filter, EM-7, Gen V, (Painted)	1
8	68-63277-07Baffel, Cover, EM-7, Gen V	1
9	AC701-403Rivet, Pop, 1/8 inch, Steel (Fasten Door to Grill)	2
10	AC701-400Rivet, Pop, 3/16 inch, Steel (Fasten Baffel & Grill to Cover)	7
11	34-62019-00Receptacle, 1/4 Turn	1
12	34-62020-00Stud, 1/4 Turn, .25 Grip Range	1
13	34-06169-01Washer, Retaining, .215 I. D.	1
14	58-62077-00Louver, Adjustable, 3.00 Inch (Round)	4

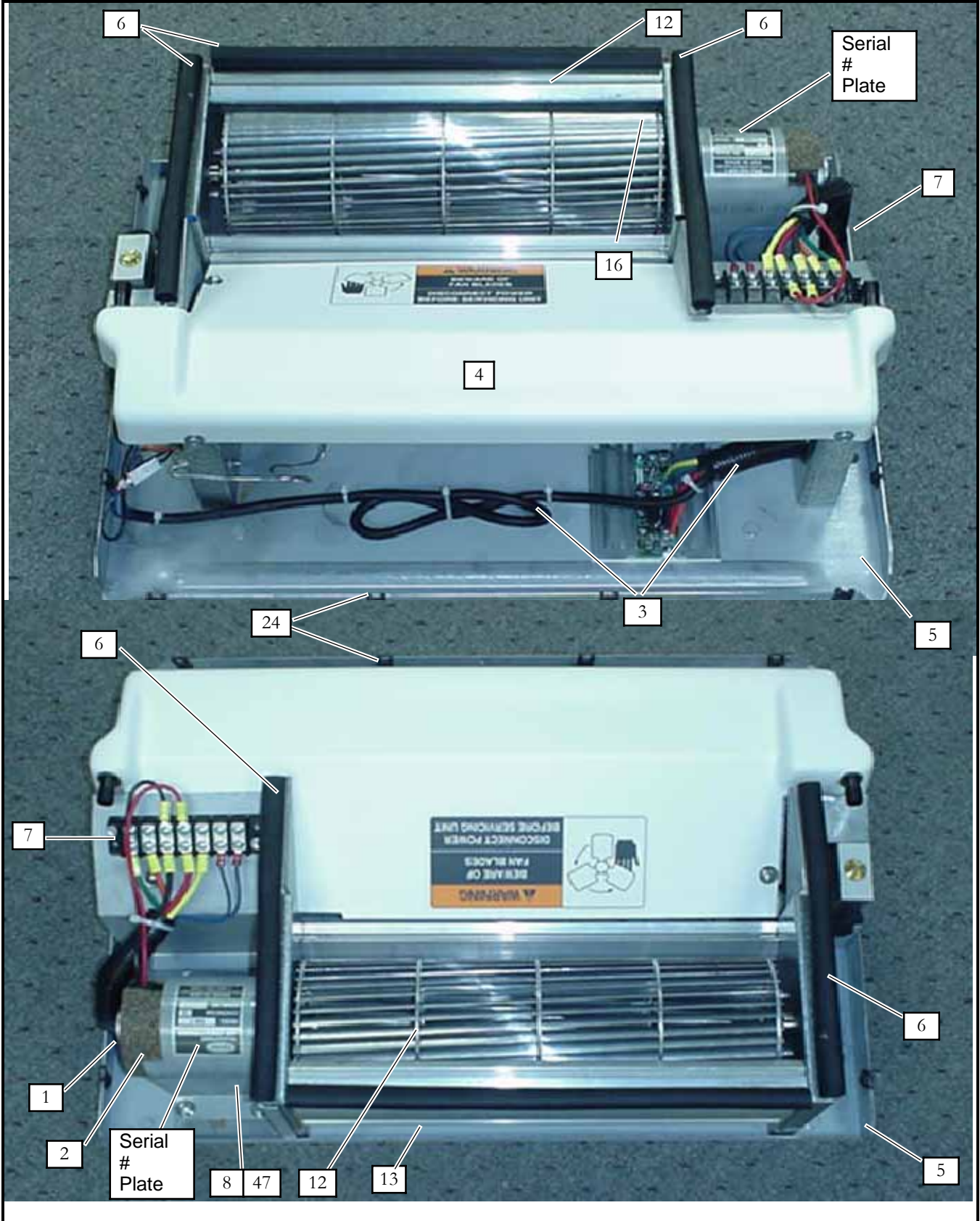


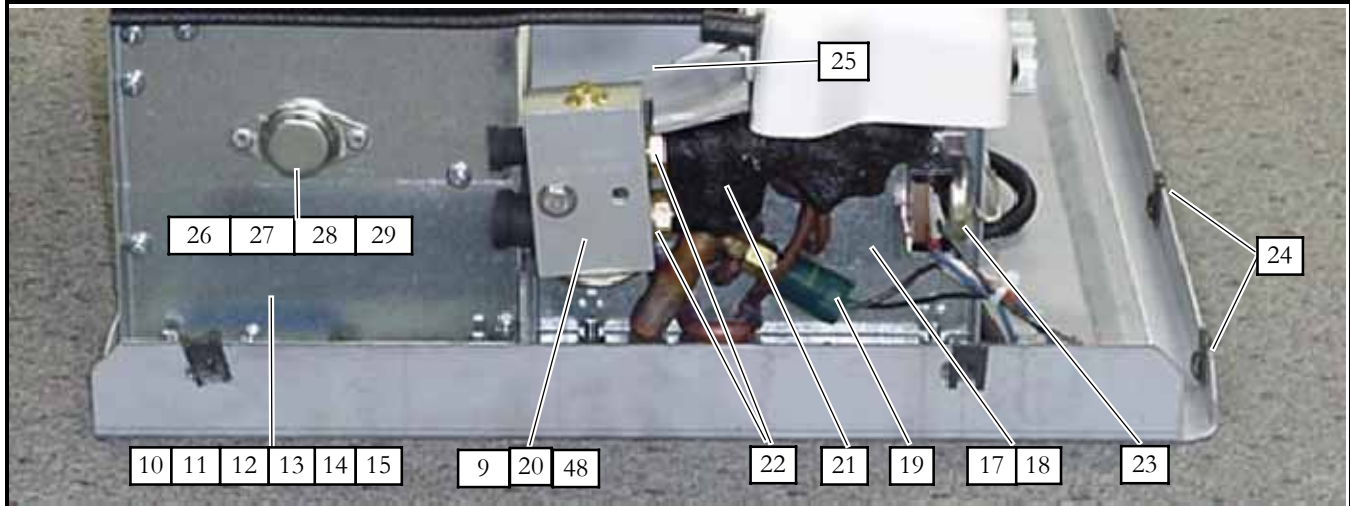
1.5.10 INSTALLATION COMPONENTS, EM-7, GEN V, REAR MOUNT



Item	Part Number	Description	Qty
1	68-62870-00	Trim Strip,, Gray One Side & White Other Side, EM-7	1
2	AC801-412F25	Gasket, Trimlock, Black (25 Ft. Roll)	1
3	68-62913-00	Panel, Gray, EM-7, Rear, (Requires Additional Item #5)	1
	68-62913-01	Panel, White, EM-7, Rear (Requires Additional Item #9)	1
4	AC701-123	Tinnerman Clip, Hi Torque, #10 AB	5
5	76-62103-00	Hardware Kit, Cover Mounting To Unit, Gray, Includes:	1
6	AC801-529 Washer, Snap Cap	8
7	AC801-532 Snap Cap, Gray	8
8	34-62046-00 Screw, Pan Head, Phillips, #10 X 5/8 Inch, AB, Black	8
9	76-62103-04	Hardware Kit, Cover Mounting To Unit, White, Includes:	1
10	AC801-531 Snap Cap, White	8
-	76-62103-01	Hardware Kit, Unit Mounting To Channels, Includes:	1
11	AC701-403 Rivet, Pop, 1/8-Steel	3
12	34-01310-01 Bolt, Carriage, 3/8-16 X 4 Inches, Full Thread, GD-8, Zinc Plated	4
13	34-00588-13 Washer, Flat, 3/8 Inch, Zinc Plated	4
14	34-00361-13 Nut, Hex, Lock, 3/8-16, Zinc Plated	4
15	AC020-009	Channel, Mounting, 3/16 X 30 Inches Long	2
	AC021-360	Channel, Mounting, 3/16 X 15.75 Inch, (Model 77-62712-80 & -82 Only)	2

1.5.11 EVAPORATOR, EM-7, GEN V, SIDE MOUNT



1.5.11 EVAPORATOR, EM-7, GEN V, SIDE MOUNT - Continued:


Item	Part Number	Description	Qty
1	54-00653-02	Motor Evaporator, GEN-V, 12 VDC	1
	22-62328-02	Fuse, 25A, GEN-V, 12 VDC	1
	54-00653-05	Motor Evaporator, GEN-V, 24 VDC	1
	22-02336-24	Fuse, 15A, GEN-V, 24 VDC	1
2	42-62052-00	Gasket, Motor	1
3	22-62099-00	Assembly, Harness, Evap., With Speed Control, (12-00533-00, NSS)	1
	22-62168-00	Assembly, Harness, Evap., 3 Speed	1
4	79-62106-02	Drain Pan Assembly, EM-7 - Includes:	1
4.1	42-62140-02Baffle, Drain Pan, Foam	1
5	68-62758-00	Panel, Top	1
6	58-62064-00F25	Seal, Trim, 1/8 Inch Grip, (25 Foot Roll)	1
7	22-62141-01	Terminal Block, 7 Position, (30 Amp)	1
8	68-62726-00	Strap, Motor, (GEN V)	1
9	AC701-101	Clip, Tinnerman, High Torque, 1/4-20	1
10	NSS	Blower Housing & Gasket Assembly (79-62079-02) - Includes:	1
11	NSS	Blower Housing & Wheel Assembly (38-00564-02) - Includes:	1
12	38-00564-52Blower Wheel, EM-7 (Length: 14.61 Inches - 371.1 mm)	1
13	38-00564-62Blower Housing (Length: 14.61 Inches - 371.1 mm)	1
14	42-62118-00Gasket, Mounting, Blower Housing, 1/8 Inch Thick Neoprene	2
15	42-62117-02Gasket, Blower Housing, 3/16 Inch Thick Neoprene	1
16	34-00482-05Set Screw, Cup Point, 1/4-28, SS	1
17	79-02358-02	Coil Assembly, EM-7, Includes:	1
18	08-62031-02Coil Assembly	1
19	AC201-412Switch, Pressure, Low, Female	1
20	14-00397-00Valve, Block, Thermal Expansion, R134a	1
21	42-00032-00Tape, Insulation, Presssite, 2.00 Inches X 30 Feet Long	1
22	AC801-202O-Ring, HNBR, (1/2 Inch)	2
23	12-00685-00	Thermostat, Freeze, Non-Adjustable	1
24	AC701-123	Clip, Tinnerman, High Torque, (#10AB)	8
25	68-62710-00	Assembly, Bracket, TXV	1



1.5.11 EVAPORATOR, EM-7, GEN V, SIDE MOUNT - Continued:

Item	Part Number	Description	Qty
26	76-62257-00	Bearing Housing & Boot Repair Kit - Includes:	1
27	NSSHousing, Bearing	1
28	NSSBoot, Rubber	1
29	AC701-401	Pop Rivet, 3/16 SD62BS, Steel	2



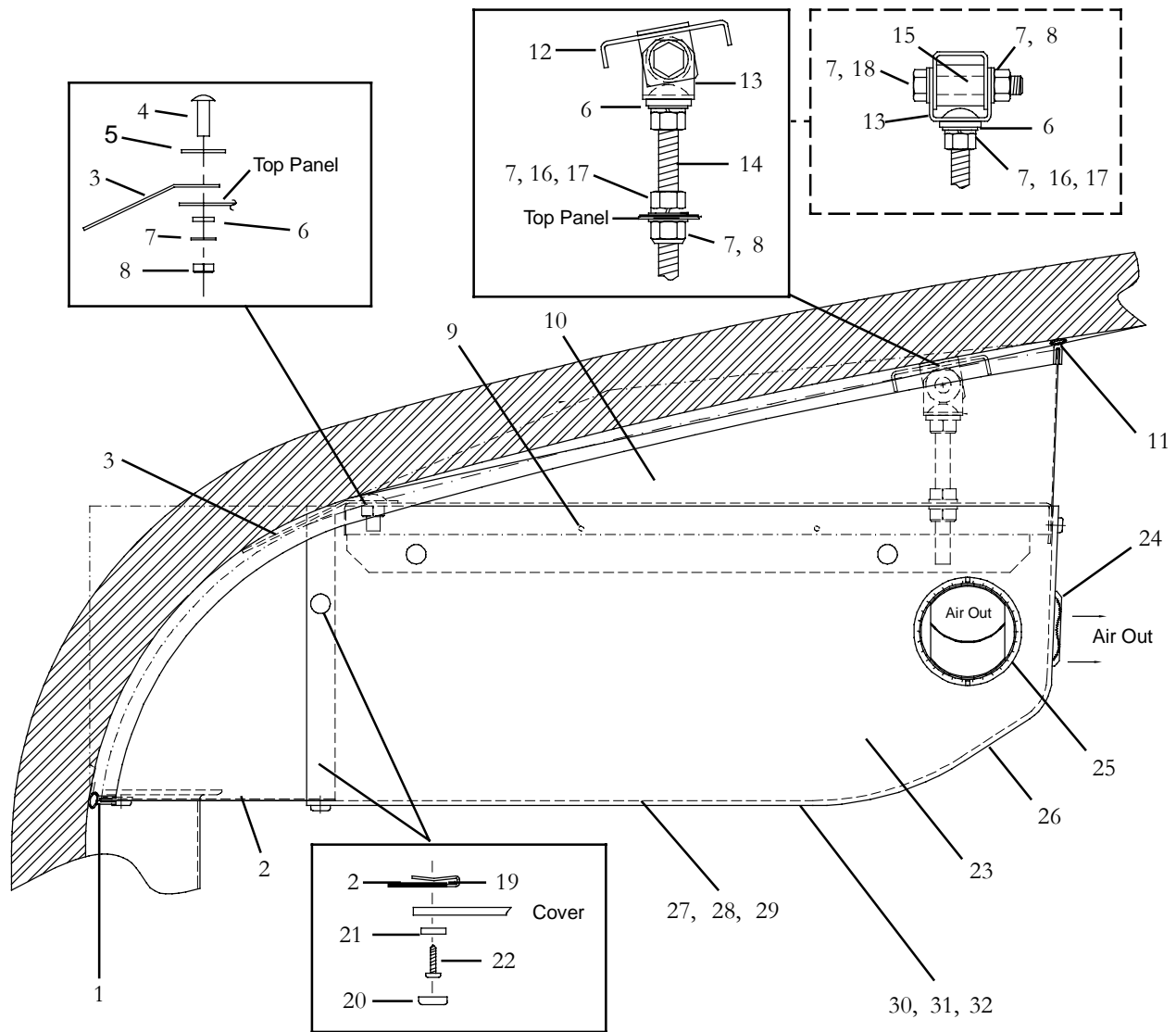
Item	Part Number	Description	Qty
30	79-62047-01	Cover Assembly, White, (Side Mount)	1
	79-62047-02	Cover Assembly, Gray, (Side Mount)	1
31	58-01385-00	Louver, Evaporator, 3 Inch (Requires Retaining Ring 58-01385-01)	4
	58-01385-01	Ring, Retaining, Louver (Used With Louver 58-01385-00)	4
32	58-62042-00	Louver, Rectangle, (GEN V) (8.0 X 3.0 Inches)	2
33	68-62780-00	Trim Strip	1
34	AC020-009	Mounting Channel,	1
35	AC801-412F25	Gasket, Trim-Lock, Black/Black X Foot	1
36	56-0034	Emblem, MCC	1
37	38-00573-03	Filter, Air, EM-7	1
38	76-50131-00	Grill Kit, EM-7, - Includes: (Replaces Grill 68-62782-00 & Channel 68-62783-00)	1
39	68-63275-07 Grill, Evaporator, EM-7, Gen V (Painted)	1
40	68-63276-07 Door, Filter, EM-7, Gen V (Painted)	1
41	68-63277-07 Baffle, Cover, EM-7, Gen V	1
42	AC701-403 Rivet, Pop, 1/8 Inch, Steel (Fasten Door to Grill)	2



1.5.11 EVAPORATOR, EM-7, GEN V, SIDE MOUNT - Continued:			
Item	Part Number	Description	Qty
43	AC701-400 Rivet, Pop, 3/15 Inch, Steel (Fasten Baffle & Grill to Cover)	7
N/S	98-50618-00 Instructions, Grill, Door & Baffle Installation	1
44	34-62019-00	Receptacle, 1/4 Turn	1
45	34-62020-00	Stud, 1/4 Turn, .25 Grip Range	1
46	34-06169-01	Washer, Retaining, .215 I. D.	1
47	68-08087-00	Spacer, Motor alignment	1
48	79-62086-01	Bracket Assembly (IXV)	1



1.5.12 INSTALLATION COMPONENTS, EM-7, GEN-V, SIDE MOUNT



Item	Part Number	Description	Qty
1	AC020-179P	Support Angle	1
2	68-62913-00	Trim Strip, Rear, Gray	1
	68-62913-01	Trim Strip, Rear, White	1
3	68-63877-00	Rear Hanger, Side Mount, EM7	1
4	34-01310-00	Bolt, Carriage, Round Head, 3/8-16 X 1-1/4 Inch, Zinc plated	2
5	68-63874-00	Plate, Washer	2
6	AC601-602	Spacer, Steel, 7/8 OD X 1/2 ID X 1/8 Inch Long	2
7	34-00588-13	Washer, Flat, 3/8 Inch, Zinc Plated	8
8	34-00361-13	Nut, Hex, Lock, 3/8-16, Zinc Plated	6
9	AC701-403	Rivet, Pop, 1/8 Inch, Steel	4
10	68-62914-00	Trim Strip, Side, Gray	1
	68-62914-01	Trim Strip, Side, White	1
11	AC801-412F25	Gasket, Trimlock, Black (25 Ft. Roll)	1

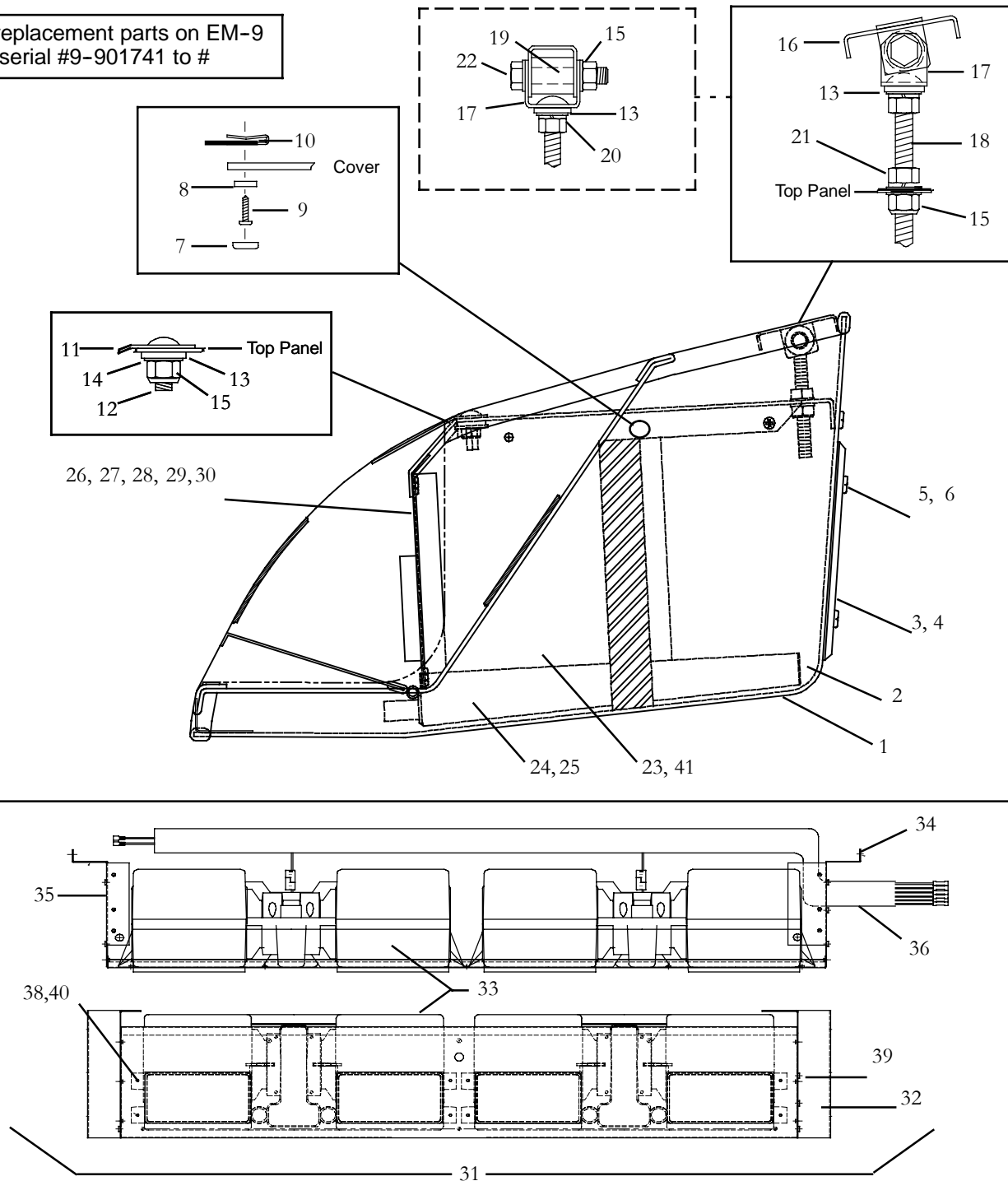


1.5.12 INSTALLATION COMPONENTS, EM-7, GEN-V, SIDE MOUNT - Continued:			
Item	Part Number	Description	Qty
12	86-62246-00	Bracket, Weld Assembly, Front Hanger	1
13	AC021-223	Bracket, Hanger, Front	2
14	34-01310-02	Bolt, Carriage, Round Head, 3/8-16 X 6 Inch, Zinc plated, Full Thread	1
15	AC601-616	Spacer, Steel, 7/8 OD X 1/2 ID X 1 Inch Long	2
16	34-00368-13	Washer, Split Lock, 3/8 Inch, Zinc Plated	6
17	34-00363-13	Nut, Hex, 3/8-16, Zinc Plated	4
18	17-40034-05	Bolt, Hex Head, 3/8-16 X 2 Inch, Zinc Plated, Grade 8	2
19	AC701-123	Tinnerman Clip, Hi Torque, #10 AB	8
20	AC801-531	Cap, Snap, White	8
	AC801-532	Cap, Snap, Gray	8
21	AC801-529	Washer, Snap Cap	8
22	34-62046-00	Screw, Pan Head Phillips, #10 X 5/8 Inch, AB, Black	8
23	79-62047-01	Assembly, Cover, White, EM-7	1
	79-62047-02	Assembly, Cover, Gray, EM-7	1
24	58-62042-00	Louver, Rectangle (8.0 X 3.0 Inches)	2
25	58-01385-00	Louver, Evaporator, 3 Inch (Requires Retaining Ring 58-01385-01)	4
	58-01385-01	Ring, Retaining, Louver (Used With Louver 58-01385-00)	4
26	56-0034	Emblem, MCC	1
27	38-00573-03	Filter, Air, 36.5 X 9.0 Inches, EM-7, (GenV)	1
28	68-62782-00	Grill, Evaporator, EM-7, GEN V, (Painted)	1
29	68-62783-00	Channel, Filter, EM-7, GEN V, (Painted)	1
30	34-06169-01	Washer, Retaining	1
31	34-62020-00	Stud, 1/4 Turn, .25 Grip Range	1
32	34-62019-00	Receptacle, 1/4 turn	1

SECTION 1.6 EM-9 EVAPORATORS

1.6.1 EVAPORATOR, EM-9, GEN 4, SIDE MOUNT, DUCTED

For replacement parts on EM-9 with serial #9-901741 to #



1.6.1 EVAPORATOR, EM-9, GEN 4, SIDE MOUNT, DUCTED - Continued:

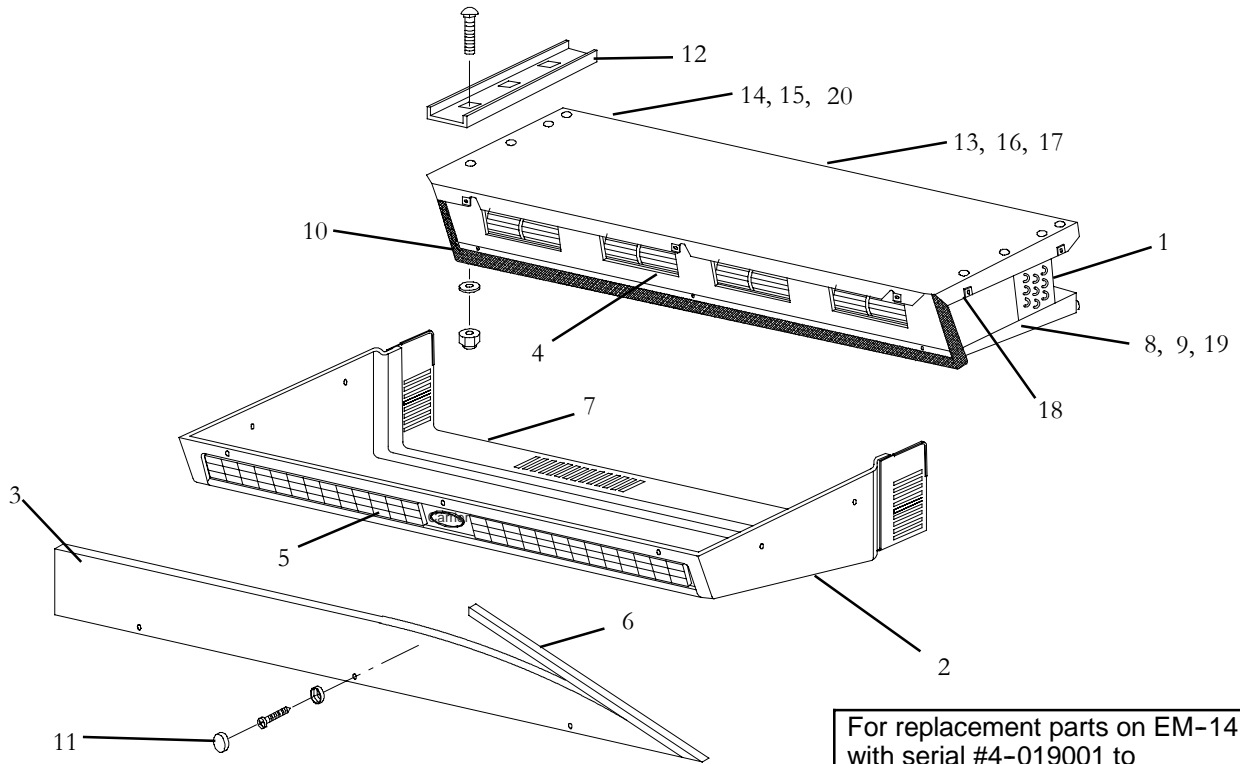
Item	Part Number	Description	Qty
1	N/A	Cover Assembly, White - Includes:	1
2	AC021-357Cover, White	1



1.6.1 EVAPORATOR, EM-9, GEN 4, SIDE MOUNT, DUCTED - Continued:			
Item	Part Number	Description	Qty
3	AC021-190-1Grill, Return Air, White	2
4	38-00558-00Filter, Air, Metal	2
5	AC701-106Tinnerman Clip, 1/4-20	8
6	AC801-307Screw, Nylon, Knurled Head, 1/4-20	8
1	AC021-366	Cover Assembly, Gray - Includes:	1
2	AC021-365Cover, Gray	1
3	AC021-190-2Grill, Return Air, Gray	2
4	38-00558-00Filter, Air, Metal	2
5	AC701-106Tinnerman Clip, 1/4-20	8
6	AC801-307Screw, Nylon, Knurled Head, 1/4-20	8
1	AC021-042	Cover Assembly, Beige - Includes:	1
2	AC021-189Cover, Beige	1
3	AC021-190Grill, Return Air, Beige	2
4	38-00558-00Filter, Air, Metal	2
5	AC701-106Tinnerman Clip, 1/4-20	8
6	AC801-307Screw, Nylon, Knurled Head, 1/4-20	8
7	AC801-531	Snap Cap, White	11
	AC801-532	Snap Cap, Gray	11
	AC801-530	Snap Cap, Beige	11
8	AC801-529	Washer, Snap Cap	11
9	34-62046-00	Screw, TF Pan Head, #10 X 5/8 Inch Long, AB, Black	11
10	AC701-123	Clip, Tinnerman, High Torque, 10 AB	14
11	AC021-188	Rear Hanger, Side Mount	1
12	34-01310-00	Bolt, Carriage, Round Head, 3/8-16 X 1-1/4 Inch, Zinc plated	2
13	AC601-602	Spacer, Steel, 7/8 OD X 1/2 ID X 1/8 Inch Long	4
14	34-00366-13	Washer, Flat, 3/8 Inch, Zinc Plated	8
15	34-00361-13	Nut, Hex, Lock, 3/8-16, Zinc Plated	6
16	AC020-174	Bracket, Weld Assembly, Front Hanger	1
17	AC021-223	Bracket, Hanger, Front	2
18	34-01310-02	Bolt, Carriage, Round Head, 3/8-16 X 6 Inch, Zinc plated	2
19	AC601-616	Spacer, Steel, 7/8 OD X 1/2 ID X 1 Inch Long	2
20	34-00368-13	Washer, Split Lock, 3/8 Inch, Zinc Plated	6
21	34-00363-13	Nut, Hex, 3/8-16, Zinc Plated	4
22	17-40034-05	Bolt, Hex Head, 3/8-16 X 2 Inch, Zinc Plated, Grade 8	2
23	08-62066-00	Coil, Evaporator, EM-9, 3 Row, Without Heat	1
	08-62065-00	Coil, Evaporator/Heater, EM-9, 3/1 Row, With Heat	1
24	79-02382-00	Drain Pan Assembly, Painted	1
25	AC801-416	Gasket, Foam, 1/8 X 12-3/4 X 300 Ft.	1
26	AC201-501	Thermostat, Freeze-Up	1
27	76-62019-00	Resistor Kit, (1.8 Ohm, 4 Prong)	2
28	14-00397-00	Valve, Thermal Expansion, Block	1
29	AC801-202	O-Ring, 1/2 Inch HNBR	2
30	AC021-195	Bracket, TXV	1
31	79-62005-00	Blower Mounting Assembly, 12 VDC, EM-9 - Includes:	1



1.6.1 EVAPORATOR, EM-9, GEN 4, SIDE MOUNT, DUCTED - Continued:			
Item	Part Number	Description	Qty
32	AC021-187Panel, Blower Mounting	1
33	AC401-232Blower Assembly, 12 VDC	2
34	AC021-182Blower Housing , Left	1
35	68-62237-00Blower Housing, Right Side	1
36	22-62226-00Wire, Harness, EM-9, With Low Pressure Switch	1
31	79-62005-01	Blower Mounting Assembly, 24 VDC, EM-9 - Includes:	1
32	AC021-187Panel, Blower Mounting	1
33	AC401-233Blower Assembly, 24 VDC	2
34	AC021-182Blower Housing , Left	1
35	68-62237-00Blower Housing, Right Side	1
36	22-62127-00Wire, Harness, EM-9, With Low Pressure Switch	1
31	79-62005-02	Blower Mounting Assembly, GSA, EM-9 - Includes:	1
32	AC021-187Panel, Blower Mounting	1
37	54-00588-00Fan & Motor Assembly, Evaporator (GSA) Includes:	2
37.1	22-02338-04Holder, Fuse, 25 Amp	1
37.2	22-02336-05Fuse, 25 Amp	1
34	AC021-182Blower Housing , Left	1
35	68-62237-00Blower Housing, Right Side	1
36	22-62127-00Wire, Harness, EM-9, GSA	1
38	34-00361-11	Nut , Lock, 1/4-20 ESNA	8
39	34-50057-00	Screw, Phillips W/Ext. Tooth Lock Washer, #10-32 X 1/2 Inch Long	6
40	34-50040-00	Bolt, Hex Head W/Split Lock Washer, 1/4-20 X 5/8	8
41	AC201-412	Switch, Low Pressure	1
42	22-62226-00	Wire Harness, Evaporator, EM-9	1

SECTION 1.7 EM-14 EVAPORATORS
1.7.1 EVAPORATOR, EM-14, GEN 4 SERIES, FREE BLOW


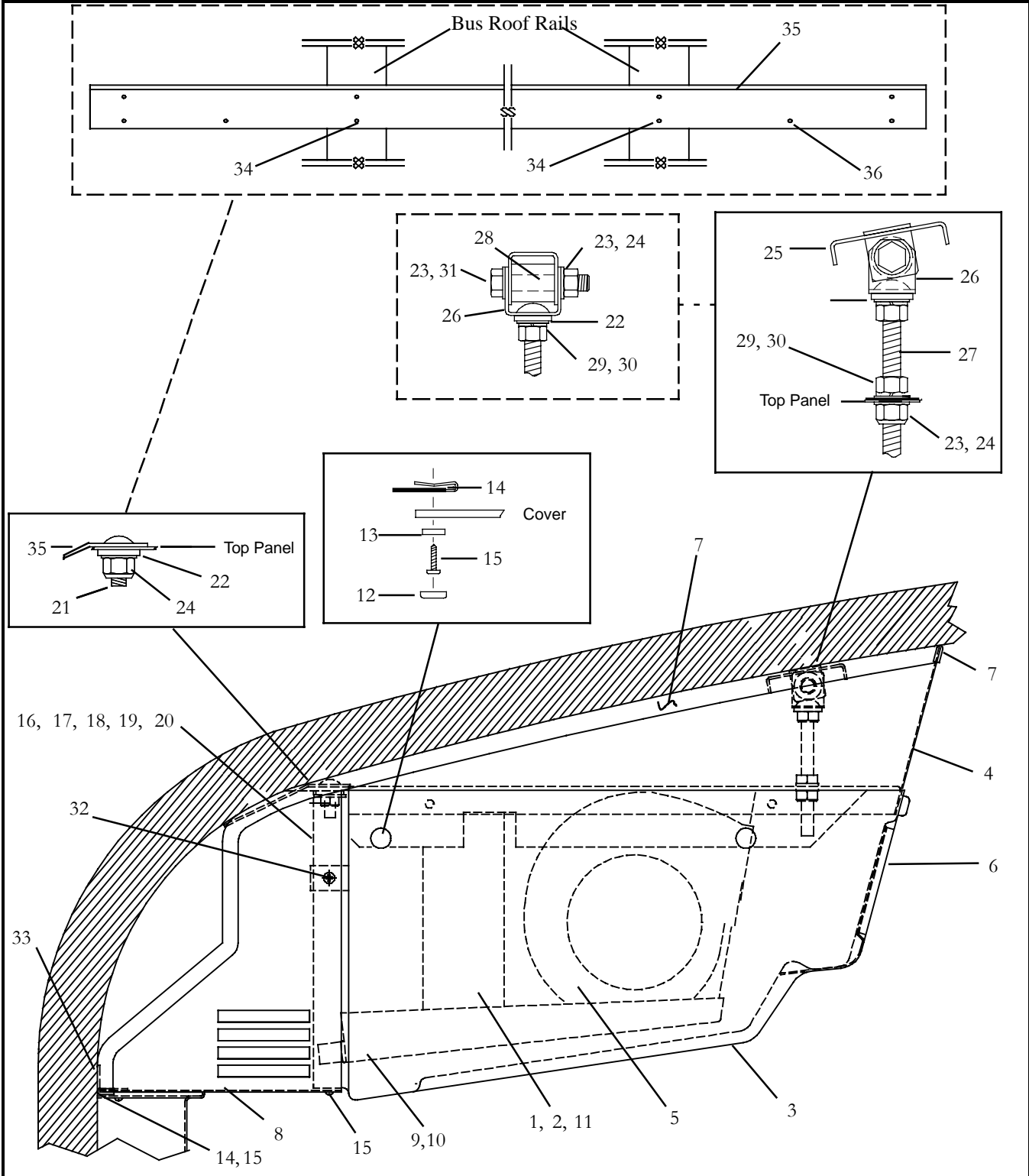
Item	Part Number	Description	Qty
1	08-62064-00	Coil Assembly, With Low Pressure Switch Connection	1
	08-62063-00	Coil Assembly, With Heat, With Low Pressure Switch Connection	1
2	79-62070-00	Cover Assembly, White	1
	79-62070-01	Cover Assembly, Gray	1
	N/A	Cover Assembly, Beige (AC022-350-S)	1
3	68-62579-01	Trim Strip, White/Gray	1
	68-62574-00	Trim Strip, Beige	1
4	AC401-203	Blower Assembly, 12 VDC	2
	AC401-204	Blower Assembly, 24 VDC	2
5	AC401-320	Louver, Assembly, (14-3/8 Inch X 3-3/8 Inch)	2
6	AC801-412F25	Trim, Flexible, Black (25 Ft. Roll)	1
7	AC022-254	Grill, Return Air, Painted	1
8	79-62129-00	Drain Pan, Assembly, (Foamed)	1
9	AC022-746	Baffle, Foam, EM-14 Drain Pan	1
10	AC801-403	Gasket, Foam, 1-1/4 Inch X 1-1/4 Inch X 25 Foot Roll	1
11	AC801-530	Cap, Snap, Beige	7
	AC801-531	Cap, Snap, White	7
	AC801-532	Cap, Snap, Gray	7
12	AC020-009	Channel, Mounting	2
13	AC201-501	Thermostat, Freeze-Up	1
14	14-00397-00	Valve, Thermal Expansion, R134a	1



1.7.1 EVAPORATOR, EM-14, GEN 4 SERIES, FREE BLOW - Continued:			
Item	Part Number	Description	Qty
15	AC801-202	O-Ring, 1/2 Inch	2
16	AC801-461	Filter, return Air, 28-1/2 X 5 Inches	1
17	22-62128-00	Harness, Unit, Em-14, GSA, (12/24 VDC)	1
	22-62223-00	Harness, Unit, Em-14, With Low Pressure Switch, (12/24 VDC)	1
18	AC701-123	Tinnerman Clip, Hi-Torque #10AB	7
19	AC201-412	Switch, Low Pressure	1
20	AC022-700	Bracket, TXV Support	1



1.7.2 EVAPORATOR, EM-14, GEN 4, SIDE MOUNT



Item	Part Number	Description	Qty
1	08-62064-00	Coil Assembly, With Low Pressure Switch Connection	1
	08-62063-00	Coil Assembly, With Heat, With Low Pressure Switch Connection	1

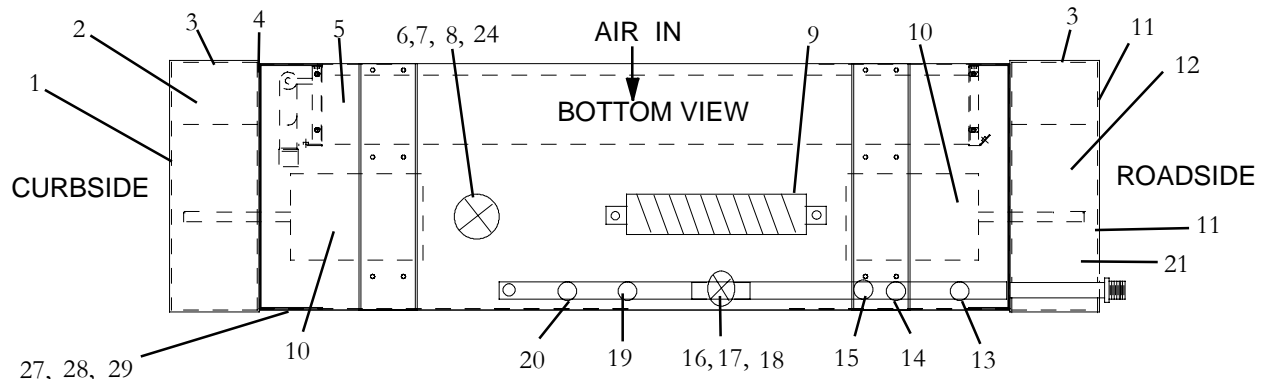


1.7.2 EVAPORATOR, EM-14, GEN 4, SIDE MOUN - Continued:			
2	AC201-412	Switch, Low Pressure	1
3	79-62070-00	Cover Assembly, White	1
	79-62070-01	Cover Assembly, Gray	1
	AC022-350-S	Cover Assembly, Beige	1
4	AC022-294	Trim Strip, Beige	1
	AC022-294-1	Trim Strip, White	1
	AC022-294-2	Trim Strip, Gray	1
5	AC401-203	Blower Assembly, 12 VDC	2
	AC401-204	Blower Assembly, 24 VDC	2
6	AC401-320	Louver Assembly, (14-3/8 Inch X 3-3/8 Inch)	2
7	AC801-412F25	Trimlock, Flexible, Black (25 Ft. Roll)	1
8	AC022-296P	Grill, Air Inlet, Painted	1
9	AC022-739-S	Drain Pan, Assembly, (Foamed)	1
10	AC022-746	Baffle, Foam, EM-14 Drain Pan	1
11	AC801-403	Gasket, Foam, 1-1/4 Inch X 1-1/4 Inch X 25 Foot Roll	1
12	AC801-530	Cap, Snap, Beige	7
	AC801-531	Cap, Snap, White	7
	AC801-532	Cap, Snap, Gray	7
13	AC801-529	Washer, Snap Cap	7
14	AC701-123	Clip, Tinnerman, High Torque, 10 AB	11
15	34-62046-00	Screw, TF Pan Head, #10 X 5/8 Inch Long, AB, Black	41
16	AC201-501	Thermostat, Freeze-Up	1
17	14-00397-00	Valve, Thermal Expansion, R134a	1
18	AC801-202	O-Ring, 1/2 Inch	2
19	AC801-461	Filter, return Air, 28-1/2 X 5 Inches	1
20	22-62128-00	Harness, Unit, Em-14, GSA (12/24 VDC)	1
	22-62223-00	Harness, Evaporator, (12/24 VDC) With Low Pressure Switch	1
21	34-01310-00	Bolt, Carriage, Round Head, 3/8-16 X 1-1/4 Inch, Zinc plated	2
22	AC601-602	Spacer, Steel, 7/8 OD X 1/2 ID X 1/8 Inch Long	4
23	34-00366-13	Washer, Flat, 3/8 Inch, Zinc Plated	8
24	34-00361-13	Nut, Hex, Lock, 3/8-16, Zinc Plated	6
25	AC021-226	Bracket, Weld Assembly, Front Hanger	1
26	AC021-223	Hanger Assembly, Front	2
27	34-01310-02	Bolt, Carriage, Round Head, 3/8-16 X 6 Inch, Zinc plated	2
28	AC601-616	Spacer, Steel, 7/8 OD X 1/2 ID X 1 Inch Long	2
29	34-00368-13	Washer, Split Lock, 3/8 Inch, Zinc Plated	6
30	34-00363-13	Nut, Hex, 3/8-16, Zinc Plated	4
31	17-40034-05	Bolt, Hex Head, 3/8-16 X 2 Inch, Zinc Plated, Grade 8	2
32	34-50060-00	Screw, Pan Head, Phillips, 1/4-20 X 1/2 Inch, AB, Black	2
33	AC020-179P	Angle, Rear, Screen Support, Painted Black	1
34	AC701-401	Rivet, Pop, 3/16 - Steel	20
35	AC022-308	Hanger Assembly, Rear	1
36	AC701-404	Rivet, Pop, 3/16 - Aluminum	60



SECTION 1.8 EM-17 EVAPORATORS

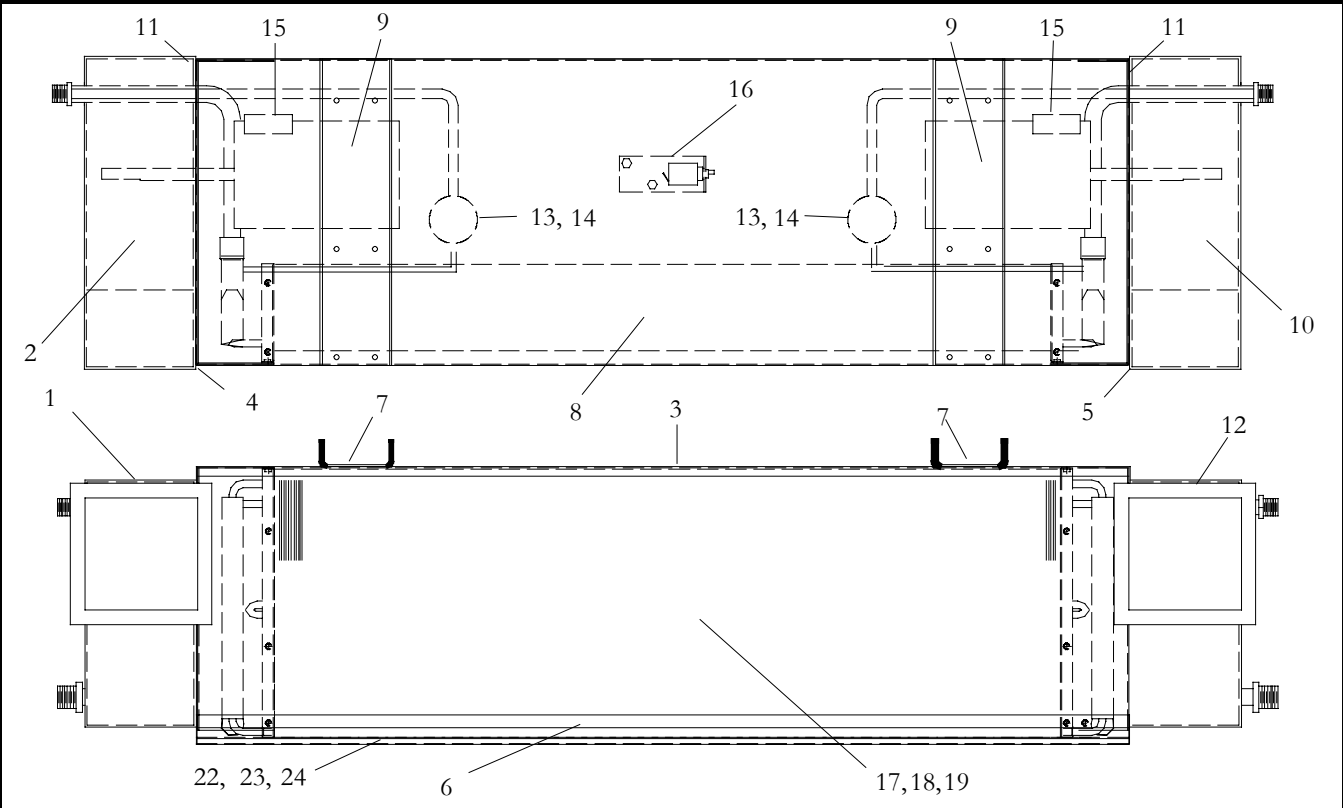
1.8.1 EVAPORATOR, EM-17, SINGLE LOOP, GEN 4 SERIES



Item	Part Number	Description	Qty
1	AC021-356	Housing, Blower, Insulated, (Curbside)	1
2	AC401-215	Blower Wheel, (Curbside)	1
3	AC401-217	Venturi Ring	2
4	68-62037-00	Panel, Rlght, (Curbside)	1
5	08-62006-00	Coil Assembly, Evaporator, Cool Only	1
	08-62023-00	Coil Assembly, Evaporator, With Heat	1
6	66U1-1214-5	Flange, Body, (TXV)	1
7	AC021-348P	Bracket, Mounting, TXV	1
8	14-01104-39	Valve, Thermal Expansion, R134a	1
9	22-01584-00	Resistor, With Bracket, (420 Watts)	1
10	AC501-122	Motor, Evaporator, (Lesson) - Includes:	2
N/S	22-50091-00Brush, Motor	2
N/S	04-50023-00Bearing, Motor	2
11	AC021-396	Housing, Blower, Insulated, (Roadside)	1
12	AC401-220	Blower Wheel, (Roadside)	1
13	12-00299-02	Switch, Pressure, UPS3	1
14	12-00299-18	Switch, Pressure, CFS1	1
15	12-00299-09	Switch, Pressure, CFS2	1
16	AC101-422	Valve, Solenoid, 5/8 Inch, Less Coil	1
17	22-50030-00	Coil, Solenoid, 24 VDC	1
18	14-50047-00	Repair Kit For Solenoid Valve AC101-422	1
19	12-00334-03	Switch, Pressure, UPS1. (R134a)	1
20	12-00334-02	Switch, Pressure, UPS2, (R134a)	1
21	68-62036-00	Panel, End, Driver Side	1
22	68-62070-00	Grille, Return Air	1
23	AC801-443	Filter, Return Air (41.5" X 12.5")	1
24	AC021-344	Equalizer Tube, TXV	1
25	40-00491-15	Fitting, ORS, #10 X 2.11 X 5/8 Tube	1
26	40-00491-01	Fitting, ORS, #20 X 1.70 X 1-1/8 Tube	1
27	86-62016-00	Drain Pan Assembly (Painted)	1
28	AC022-314	Baffle, Drain Pan	1
29	42-62016-00	Insulation, Drain Pan	1



1.8.2 EVAPORATOR, EM-17, DUAL LOOP, GEN 4 SERIES



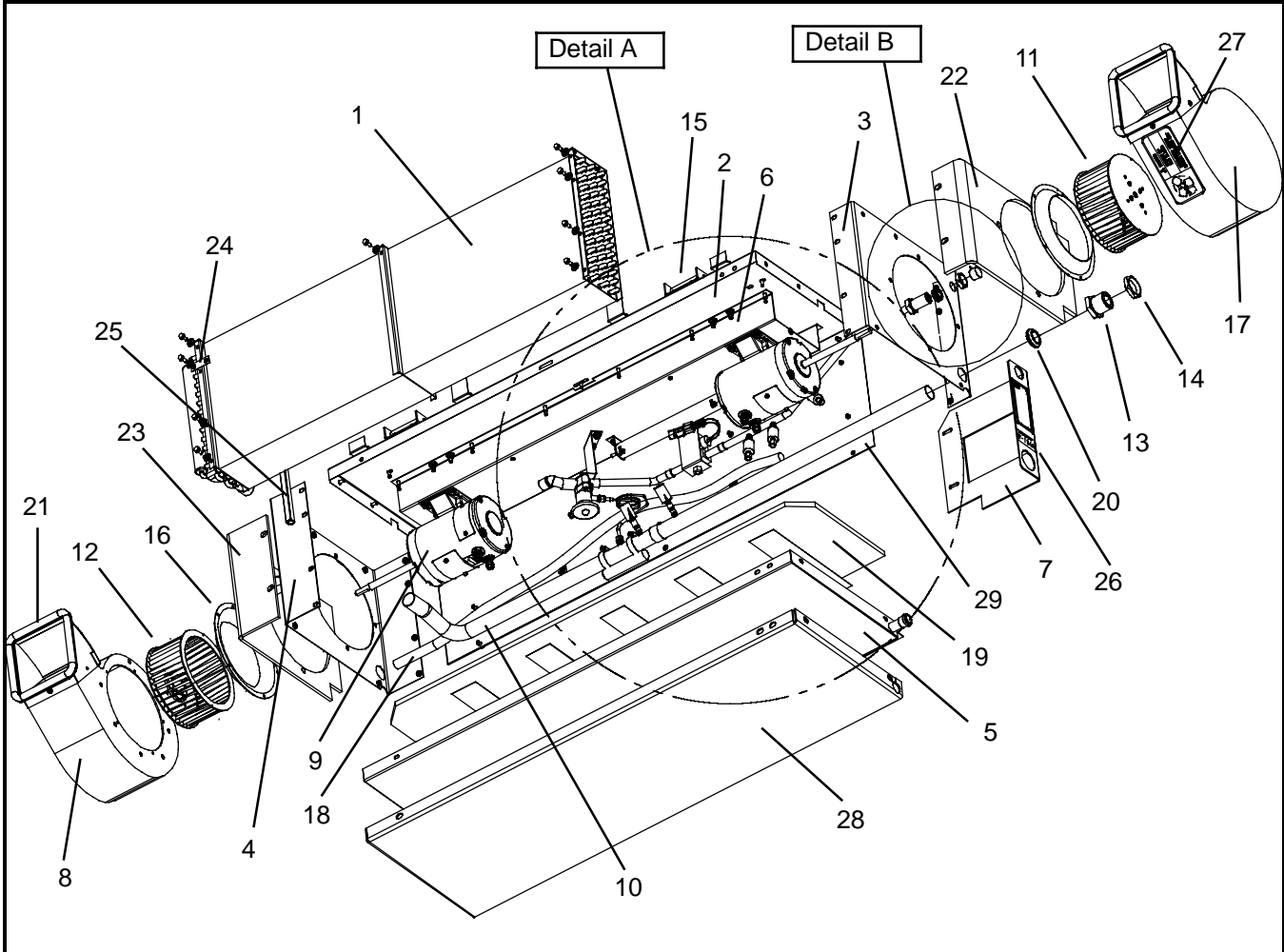
Item	Part Number	Description	Qty
1	AC021-396	Blower Housing, Right, (Curbside), Insulated	1
2	AC401-215	Blower Wheel, Right, (Curbside)	1
3	68-62049-00	Panel, Top, (Painted)	1
4	68-62497-00	Panel, Side, (Painted)	1
5	68-62498-00	Panel, Side, (Painted)	1
6	86-62016-00	Weldment, Drain Pan, (Painted)	1
7	68-62040-00	Bracket, Mounting, (Painted)	1
8	08-62012-00	Coil Assembly, Split	1
9	AC501-122	Motor, Evaporator, (Leeson) - Includes:	2
N/S	22-50091-00Brush, Motor	2
N/S	04-50023-00Bearing, Motor	2
10	AC401-220	Blower Wheel, (Drivers Side),	1
11	AC401-217	Venturi Ring	2
12	AC021-356	Blower Housing, Left, (Roadside), Insulated	1
13	66U1-1214-5	Flange Body, 1/2 ODF X 5/8 ODF, (TXV)	2
14	14-01104-37	Valve, Thermal Expansion, 2.5 Ton, No-MOP	2
15	12-00299-01	Switch, Pressure, Low	2
16	AC201-501	Thermostat, Freeze-Up, Dual Sensor	1
17	79-62019-00	Grill Assembly, Hinged	1
18	68-62411-00	Grill, Return Air	1
19	AC801-443	Filter, Return Air (41.5 X 12.5 Inches)	1
20	56-62123-00	Tube, Equalizer	1



1.8.3 EVAPORATOR, EM-17, DUAL LOOP, GEN 4 SERIES			
Item	Part Number	Description	Qty
21	56-62123-01	Tube, Equalizer	1
22	86-62016-00	Drain Pan Assembly (Painted)	1
23	AC022-314	Baffle, Drain Pan	1
24	42-62016-00	Insulation, Drain Pan	1



1.8.4 EVAPORATOR, EM-17, CHASSIS KIT 77-62000-11: USED IN MODEL 77-62000-10

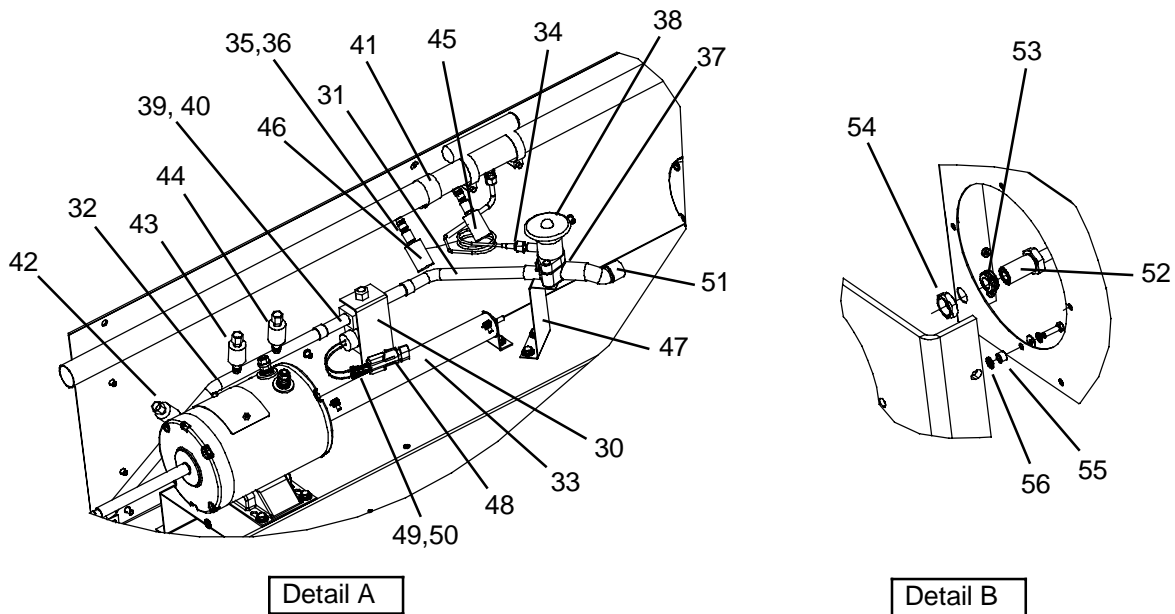


Item	Part Number	Description	Qty
1	08-62006-00	Coil, Evaporator	1
2	68-62049-00	Panel, Top	1
3	68-62037-00	Panel, Side	1
4	68-62036-00	Panel, Side	1
5	86-62016-00	Drain Pan Assembly, (Painted)	1
6	68-62040-00	Bracket, Mounting	1
7	68-62075-00	Bracket	1
8	AC021-396	Blower Housing, Curbside	1
9	AC501-122	Motor, Evaporator, (Leeson) - Includes:	2
N/S	22-50091-00Brush, Motor	2
N/S	04-50023-00Bearing, Motor	2
10	56-62009-00	Tube, Suction	1
11	AC401-215	Blower Wheel, Roadside	1
12	AC401-220	Blower Wheel, Curbside	1
13	40-00491-01	Fitting, 1-11/16 ORS	1
14	34-06088-01	Nut, Hex, 1-5/8-12 ORS	1
15	86-62028-00	Channel Assembly	2



1.8.4 EVAPORATOR, EM-17, CHASSIS KIT 77-62000-11 (Cont): USED IN MODEL 77-62000-10

Item	Part Number	Description	Qty
16	AC401-217	Venturi Ring	2
17	AC021-356	Blower Housing, Roadside	1
18	22-62035-00	Wire Harness	1
19	AC022-314	Baffle, Drain Pan	1
20	66-U---1--1571-27	Grommet	1
21	86-62031-00	Shroud Assembly	2
22	42-62026-00	Side Panel Insulation, Roadside	1
23	42-62003-00	Side Panel Insulation, Curbside	1
24	68RM45-162	Bracket	1
25	58-62064-01	Trim, Flexible	3 ft.
26	62-62039-00	Label, Chg Only w/134A	1
27	62-62029-00	Label, Warning Fan Blades	1
28	42-62016-00	Insulation, Drain Pan	1
29	42-62019-00	Insulation, Top Panel	1



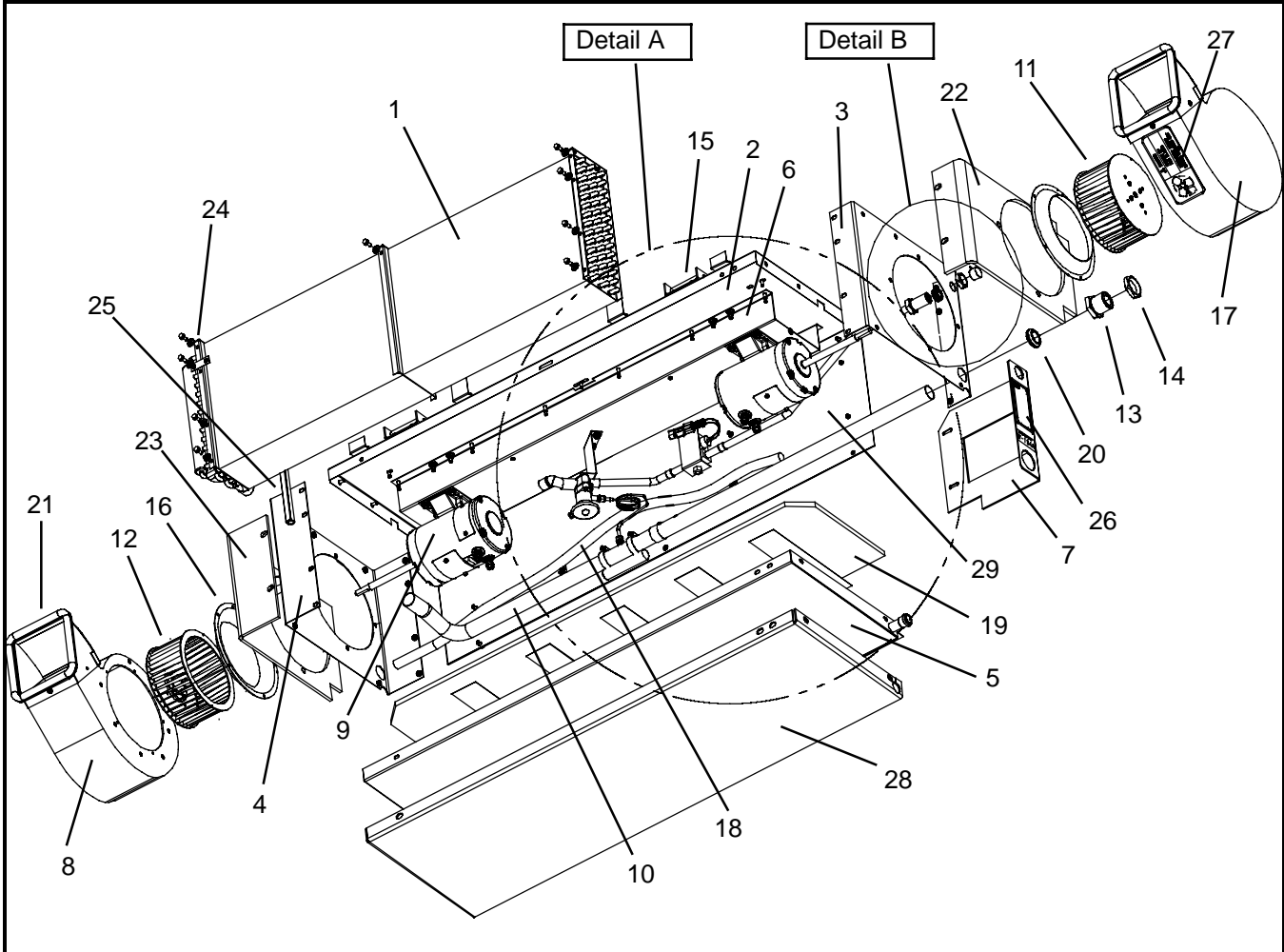
Item	Part Number	Description	Qty
30	68-62041-00	Bracket	1
31	56-62014-00	Tube, Liquid, 5/8 OD	2
32	56-62015-00	Tube, Liquid, 5/8 OD	1
33	22-01584-00	Resistor, w/Bracket	1
34	56-62134-00	Tube Assy, Equalizer	1
35	14-00351-00	Core, Schrader	5
36	40-01124-00	Valve Body	6
37	66-U---1--1214-5	Body, Flange TXV	1
38	14-01104-39	Valve, Expansion	1
39	AC101-422	Valve, Liquid Line Solenoid, (Less Coil)	1
40	22-50030-00	Coil, 24VDC	1



1.8.4 EVAPORATOR, EM-17, CHASSIS KIT 77-62000-11 (Cont): USED IN MODEL 77-62000-10			
Item	Part Number	Description	Qty
41	44-00337-12	Clamp, Cushioned, 1.125 ID (High Temp)	1
42	12-00299-02	Pressure Switch, CFS2	1
43	12-00299-18	Pressure Switch, CFS1	1
44	12-00299-09	Pressure Switch,UPS3	1
45	12-00334-02	Pressure Switch, UPS2	1
46	12-00334-03	Pressure Switch,UPS1	1
47	AC021-348	Bracket, TXV	1
48	22-02392-01	Connector, 2 Pin Weatherpac	1
49	22-02393-01	Terminal, Male (18-20 AWG)	2
50	22-02394-01	Seal, Cable	2
51	40-00075-07	Elbow, 45 Degree Street, 7/8 FTG x 7/8 C	1
52	40-00491-15	Fitting, 5/8 ODF x 1.00 ORS	1
53	58-00065-27	Grommet, .62 ID x .88 OD	1
54	34-06088-04	Nut, Hex, ORS 1-14	1
55	34-01320-00	Spacer, Alum.	5
56	34-01226-00	Washer, Retaining	5



1.8.5 EVAPORATOR, EM-17, CHASSIS KIT 77-62000-31: USED IN MODEL 77-62000-30

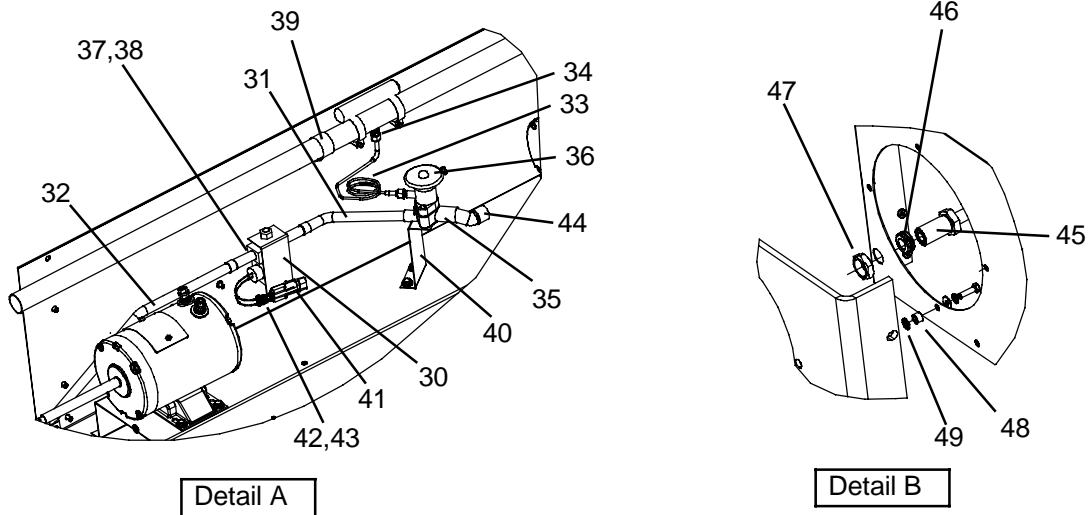


Item	Part Number	Description	Qty
1	08-62006-00	Coil, Evaporator	1
2	68-62049-00	Panel, Top	1
3	68-62037-00	Panel, Side	1
4	68-62036-00	Panel, Side	1
5	86-62016-00	Drain Pan Assembly, (Painted)	1
6	68-62040-00	Bracket, Mounting	1
7	68-62075-00	Bracket	1
8	AC021-396	Blower Housing, Curbside	1
9	AC501-122	Motor, Evaporator, (Leeson) - Includes:	2
N/S	22-50091-00Brush, Motor	2
N/S	04-50023-00Bearing, Motor	2
10	56-62009-01	Tube, Suction	1
11	AC401-215	Blower Wheel, Roadside	1
12	AC401-220	Blower Wheel, Curbside	1
13	40-00491-01	Fitting, 1-11/16 ORS	1
14	34-06088-01	Nut, Hex, 1-5/8-12 ORS	1
15	86-62028-00	Channel Assembly	2



1.8.5 EVAPORATOR, EM-17, CHASSIS KIT 77-62000-31: USED IN MODEL 77-62000-30

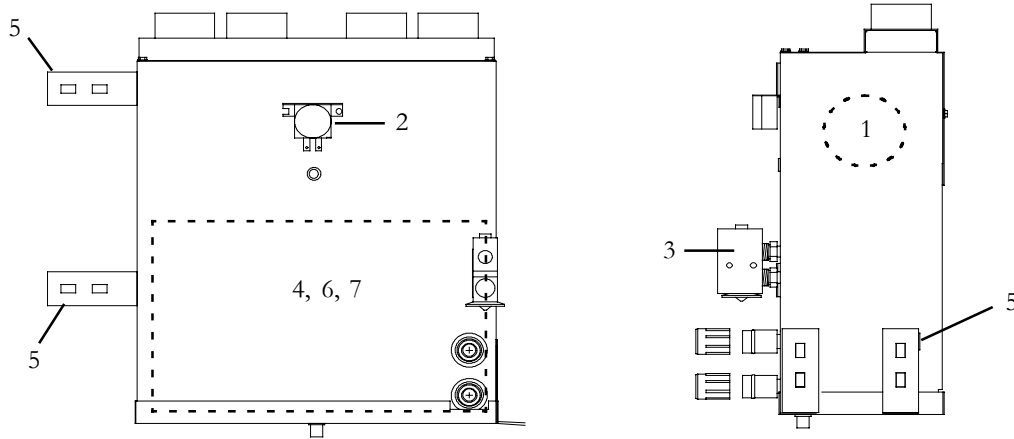
Item	Part Number	Description	Qty
16	AC401-217	Venturi Ring	2
17	AC021-356	Blower Housing, Roadside	1
18	22-62333-00	Wire Harness	1
19	AC022-314	Baffle, Drain Pan	1
20	66-U---1--1571-27	Grommet	1
21	86-62031-00	Shroud Assembly	2
22	42-62026-00	Side Panel Insulation, Roadside	1
23	42-62003-00	Side Panel Insulation, Curbside	1
24	68RM45-162	Bracket	1
25	58-62064-01	Trim, Flexible	3 ft.
26	62-62039-00	Label, Chg Only w/134A	1
27	62-62029-00	Label, Warning Fan Blades	1
28	42-62016-00	Insulation, Drain Pan	1
29	42-62019-00	Insulation, Top Panel	1



Item	Part Number	Description	Qty
30	68-62041-00	Bracket	1
31	56-62014-00	Tube, Liquid, 5/8 OD	2
32	56-62015-01	Tube, Liquid, 5/8 OD	1
33	56-62134-00	Tube Assy, Equalizer	1
34	40-01124-00	Valve Body	1
35	66-U---1--1214-5	Body, Flange TXV	1
36	14-01104-39	Valve, Expansion	1
37	AC101-422	Valve, Liquid Line Solenoid, (Less Coil)	1
38	22-50030-00	Coil, 24VDC	1
39	44-00337-12	Clamp, Cushioned, 1.125 ID (High Temp)	1
40	AC021-348	Bracket, TXV	1
41	22-02392-01	Connector, 2 Pin Weatherpac	1



1.8.5 EVAPORATOR, EM-17, CHASSIS KIT 77-62000-31: USED IN MODEL 77-62000-30			
Item	Part Number	Description	Qty
42	22-02393-01	Terminal, Male (18-20 AWG)	2
43	22-02394-01	Seal, Cable	2
44	40-00075-07	Elbow, 45 Degree Street, 7/8 FTG x 7/8 C	1
45	40-00491-15	Fitting, 5/8 ODF x 1.00 ORS	1
46	58-00065-27	Grommet, .62 ID x .88 OD	1
47	34-06088-04	Nut, Hex, ORS 1-14	1
48	34-01320-00	Spacer, Alum.	5
49	34-01226-00	Washer, Retaining	5

SECTION 1.9 EM-23 EVAPORATORS
1.9.1 EVAPORATOR KIT, EM-23, HEAT/COOL (77-62725-00)


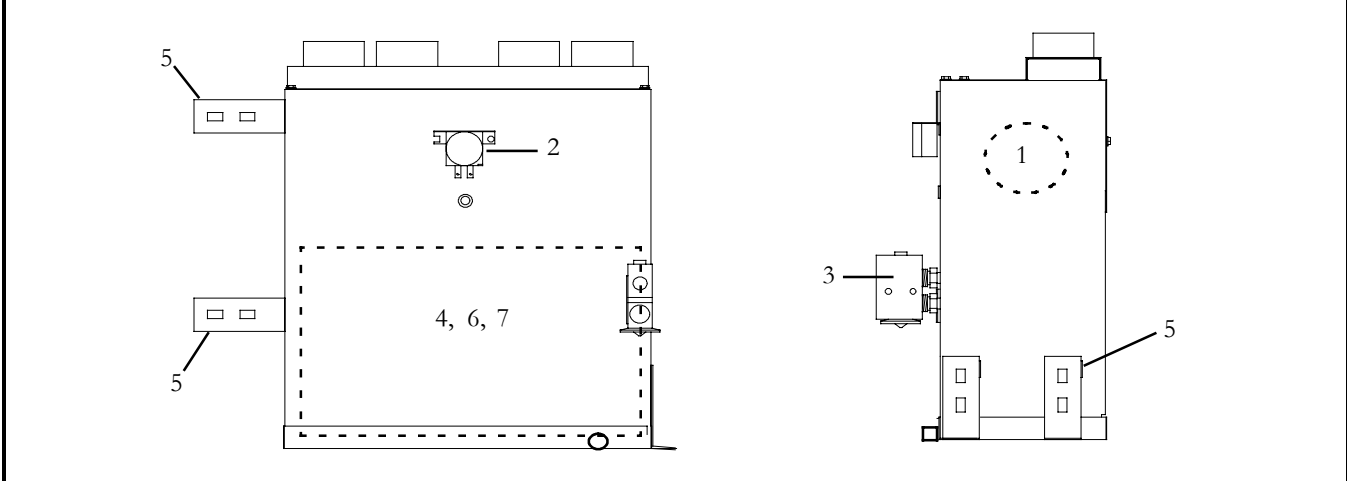
Item	Part Number	Description	Qty
1	54-50107-00	Blower & Motor Assembly, 12 VDC	1
2	12-50139-00	Switch, Freeze Thermostat	1
3	14-00397-00	Valve, Expansion, TXV, Block Type	1
4	08-50017-00	Coil Assembly, Cool/Heat, Evaporator	1
5	68-63659-00	Bracket, Mounting, EM-23	4
N/S	58-50119-00	Hose Assembly, Discharge, 10MM x 6.58	1
N/S	58-50120-00	Hose Assembly, Liquid Refrigerant, 8MM x 7.17	1
N/S	14-50098-00	Drier, Switch Port-Receiver	1
N/S	68-63660-00	Bracket, Mounting, Drier	1
N/S	12-50140-00	Switch, Hi/Low Pressure	1
N/S	58-50121-00	Hose Assembly, Liquid Refrigerant, 8MM x 3.00	1
N/S	58-50122-00	Hose Assembly, Suction, 5/16 x 25.25	1
6	68-50086-00	Grill, Filter Retaining, Evaporator	1
7	38-50032-00	Filter, Evaporator, (.44 Thick x 12.00 x 12.00 Inches)	1
N/S	77-62725-04	Control Head, IC, EM-23 Heat/Cool - Includes:	1
N/S	68-50087-00Plate, Switch/Louver	1
N/S	10-50067-00Switch, AC, Heat & Vent, 3 Position	1
N/S	10-50068-00Switch, Blower Speed Control, 4 Position	1
N/S	10-50069-00Relay, High Speed & Power	2
N/S	58-50118-00Knob, Hard, W/Set Screw	2
N/S	22-50341-00Harness, EM-23, Blower, Heater - A/C	1
N/S	77-62725-03	Kit, Parts, Installation - Includes:	1
N/S	AC801-412F25Gasket, Trimlock, Black (25 Ft. Roll)	1
N/S	42-00032-00Tape, Insulation, Presstite, 2.00 Inch X 30 Feet Long	1
N/S	58-00716-12Hose, Drain, Silicone, 1/2 Inch I.D. x 7.00 Inches Long	1
N/S	AC301-240Kazoo, Condensate Valve, 5/8 O.D.	1
N/S	44-00045-06Clamp, Worm, Drain Hose, 7/8	1
N/S	22-50342-00Coil, Solenoid Valve, 12 VDC	1
N/S	14-50097-00Valve, Solenoid, Water, 1/2 Inch NPT	1
N/S	AC201-105Breaker, Circuit, 20 Amp (Manual Reset)	2



1.9.1 EVAPORATOR KIT, EM-23, HEAT/COOL (77-62725-00) - Continued:

N/S	77-62725-02	Kit, Duct, IC - Includes:	1
N/S	58-50115-00Hose, 2-1/2 Inch Duct x 25 Feet Long	1
N/S	58-50116-00Louver, Rectangular	3
N/S	58-50117-00Louver Assembly, Vane, With 2-1/2 Inch Adapter	1

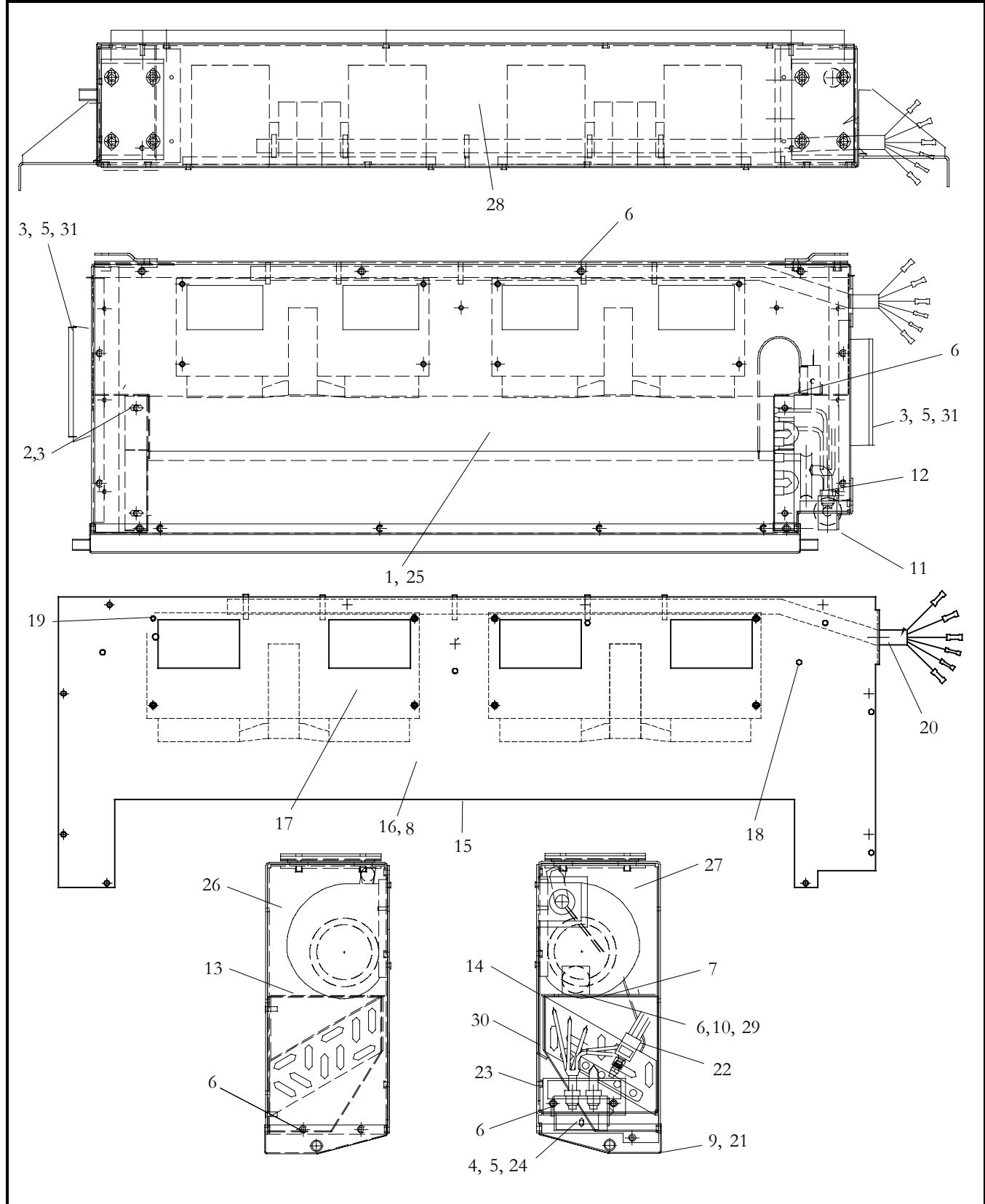
1.9.2 EVAPORATOR KIT, EM-23 - COOL ONLY (77-62204-00)



Item	Part Number	Description	Qty
1	54-50107-00	Blower & Motor Assembly, 12 VDC	1
2	12-50139-00	Switch, Freeze Thermostat	1
3	14-00397-00	Valve, Expansion, TXV, Block Type	1
4	08-50021-00	Coil Assembly, Cool Only, Evaporator	1
5	68-63659-00	Bracket, Mounting, EM-23	4
N/S	58-50119-00	Hose Assembly, Discharge, 10MM x 6.58	1
N/S	58-50120-00	Hose Assembly, Liquid Refrigerant, 8MM x 7.17	1
N/S	14-50098-00	Drier, Switch Port-Receiver	1
N/S	68-63660-00	Bracket, Mounting, Drier	1
N/S	12-50140-00	Switch, Hi/Low Pressure	1
N/S	58-50121-00	Hose Assembly, Liquid Refrigerant, 8MM x 3.00	1
N/S	58-50122-00	Hose Assembly, Suction, 5/16 x 25.25	1
6	68-50086-00	Grill, Filter Retaining, Evaporator	1
7	38-50032-00	Filter, Evaporator, (.44 Thick x 12.00 x 12.00 Inches)	1
N/S	77-62204-03	Kit, Parts, Installation - Includes:	1
N/S	AC801-412F25Gasket, Trimlock, Black (25 Ft. Roll)	1
N/S	42-00032-00Tape, Insulation, Presstite, 2.00 Inch X 30 Feet Long	1
N/S	58-00716-12Hose, Drain, Silicone, 1/2 Inch I.D. x 7.00 Inches Long	1
N/S	AC301-240Kazoo, Condensate Valve, 5/8 O.D.	1
N/S	44-00045-06Clamp, Worm, Drain Hose, 7/8	1
N/S	AC201-105Breaker, Circuit, 20 Amp (Manual Reset)	2
N/S	77-62204-02	Kit, Duct, IC - Includes:	1
N/S	58-50115-00Hose, 2-1/2 Inch Duct x 25 Feet Long	1
N/S	58-50117-00Louver Assembly, Vane, With 2-1/2 Inch adapter	4

SECTION 1.10 IW-1 IN-WALL EVAPORATORS

1.10.1 EVAPORATOR, IW-1, (77-62081-11)

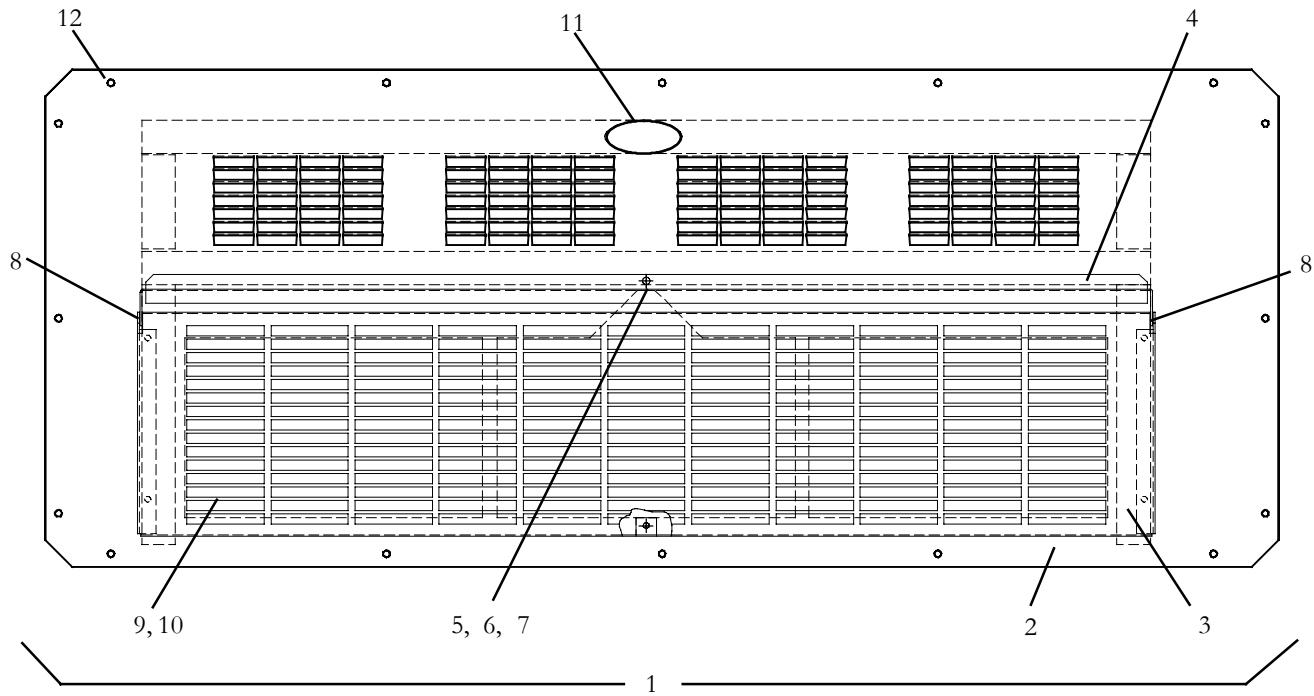




1.10.1 EVAPORATOR, IW-1, (77-62081-11) - Continued:			
Item	Part Number	Description	Qty
1	08-62031-00	Coil Assembly, EM-1, GEN V	1
2	AC701-101	Clip, Tinnerman, 1/4-20	4
3	34-62011-00	Screw, Hex Head, With Lock & Flat Washer, 1/4-20 X 1 Inch, SST	8
4	34-00667-61	Nut, Hex, Self-Locking, 1/4-20 SST	1
5	34-00662-11	Washer, Flat, 1/4 Inch, SST	10
6	34-00917-08	Screw, Hex Head, Captive Washer, 10-32 X 1/2 Inch Long	23
7	AC801-300	Bushing, Universal, 1 Inch	1
8	AC801-416	Gasket, Foam, 1/8 X 12-3/4 Inch, (300 Foot Roll)	1
9	AC022-746-1	Gasket, Drain Pan, .50 Thick X 5.50 33.25	1
10	12-00685-00	Thermostat, Freeze-Up, Non Adjustable	1
11	14-00397-00	Thermal Expansion Block Valve, (R134a)	1
12	AC801-202	O-Ring, 1/2 Inch HNBR (Package of 10)	1
13	68-62892-00	Baffle, Coil, Left	1
14	68-62893-00	Baffle, Coil, Right	1
15	79-62058-00	Panel Assembly, Evaporator, Includes:	1
16	68-62899-00 Panel, Evaporator, EM-1	1
17	AC040-074 Blower Assembly, 12 VDC	2
18	34-00733-00 Nut, Hex , W/Lockwasher, Keps, 10/32, Zinc Plated	2
19	34-50043-00 Screw, Phillips, W/Int. Tooth Lock Washer, #8-32 X 5/16 Lg.	8
20	AC022-744 Harness, Evaporator, EM-14, GEN 4, (12/24 VDC)	1
21	86-62243-00	Drain Pan Assembly	1
22	AC201-412	Switch, Pressure, Low	1
23	68-63025-00	Bracket, TXV	1
24	34-00655-12	Screw, Cap, Hex Head, 1/4-20 X 1-1/2 Inch SST	1
25	AC022-743-5	Gasket, Coil, 3 X 34.18 X .1 Inch	2
26	68-62896-00	Side, Left	1
27	68-62897-00	Side, Right	1
28	68-62898-00	Wrapper	1
29	22-62143-00	Wire Assembly	1
30	AC801-414	Gasket, 3/8 X 1 Inch, (25 Foot Roll)	1
31	68-63217-00	Bracket, Mounting	2



1.10.1 EVAPORATOR, IW-1 - GRILL ASSEMBLY (79-62056-00)



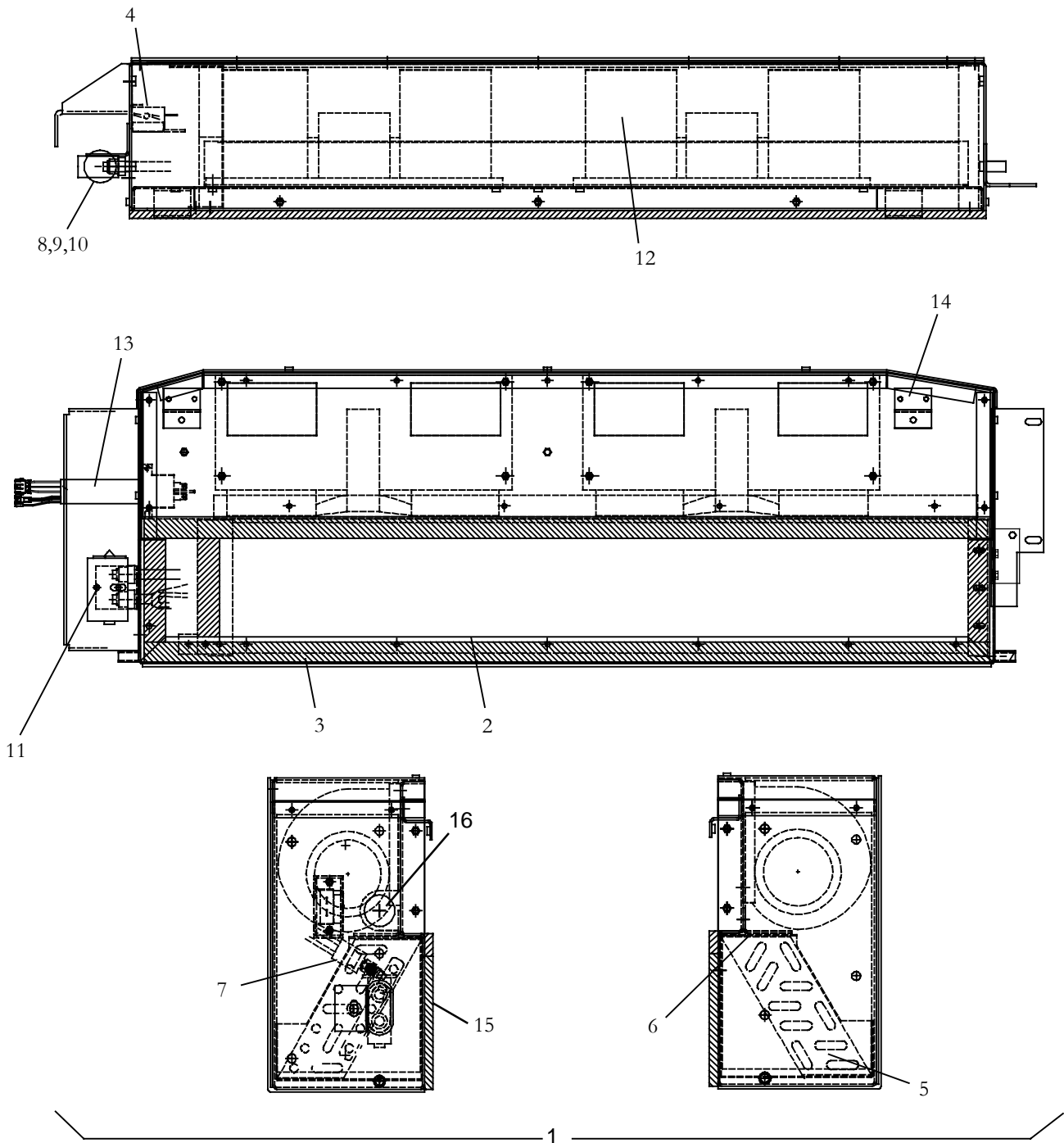
Item	Part Number	Description	Qty
1	79-62056-00	Grill Assembly IW-1, Includes:	1
2	68-62093-00Grill, EM-1 , (Painted	1
3	68-62735-00Grill, Evaporator, EM-1, Gen V, (Painted)	1
4	68-62736-00Channel, Filter, EM-1, Gen V, (Painted)	1
5	34-62019-00Receptacle, 1/4 Turn	1
6	34-62020-00Stud, 1/4 Turn, .25 Grip Range	1
7	34-06169-01Washer, Retaining, .215 I. D.	1
8	AC701-403Rivet, Pop, 1/8 AD43-H	2
9	38-00573-01Filter, Air, 36.50 X 9.00 X .12, EM-1	1
10	AC801-403Gasket, Foam, 1-1/4 X 1-1/4, (25 Foot Roll)	1
11	56-0034Label, Emblem	1
12	34-50042-00	Screw, Pan Head, Phillips, #10 X 1 Inch, TEK	16

1.10.2 EVAPORATOR, IW-1, COMMON PARTS

12 VDC (77-00303-02), USED ON: (77-62160-00, -01,-02,-03,-04,-05,-06,-07,-12,-13,-14,-18,-20,-21,-24,-25,-27,-81 & -83)

12 VDC (77-00303-03), USED ON: (77-62160-22 & -23)

24 VDC (77-00303-04), USED ON (77-62160-15,-16,-17 & -19)





1.10.2 EVAPORATOR ASSEMBLY, IW-1, COMMON PARTS

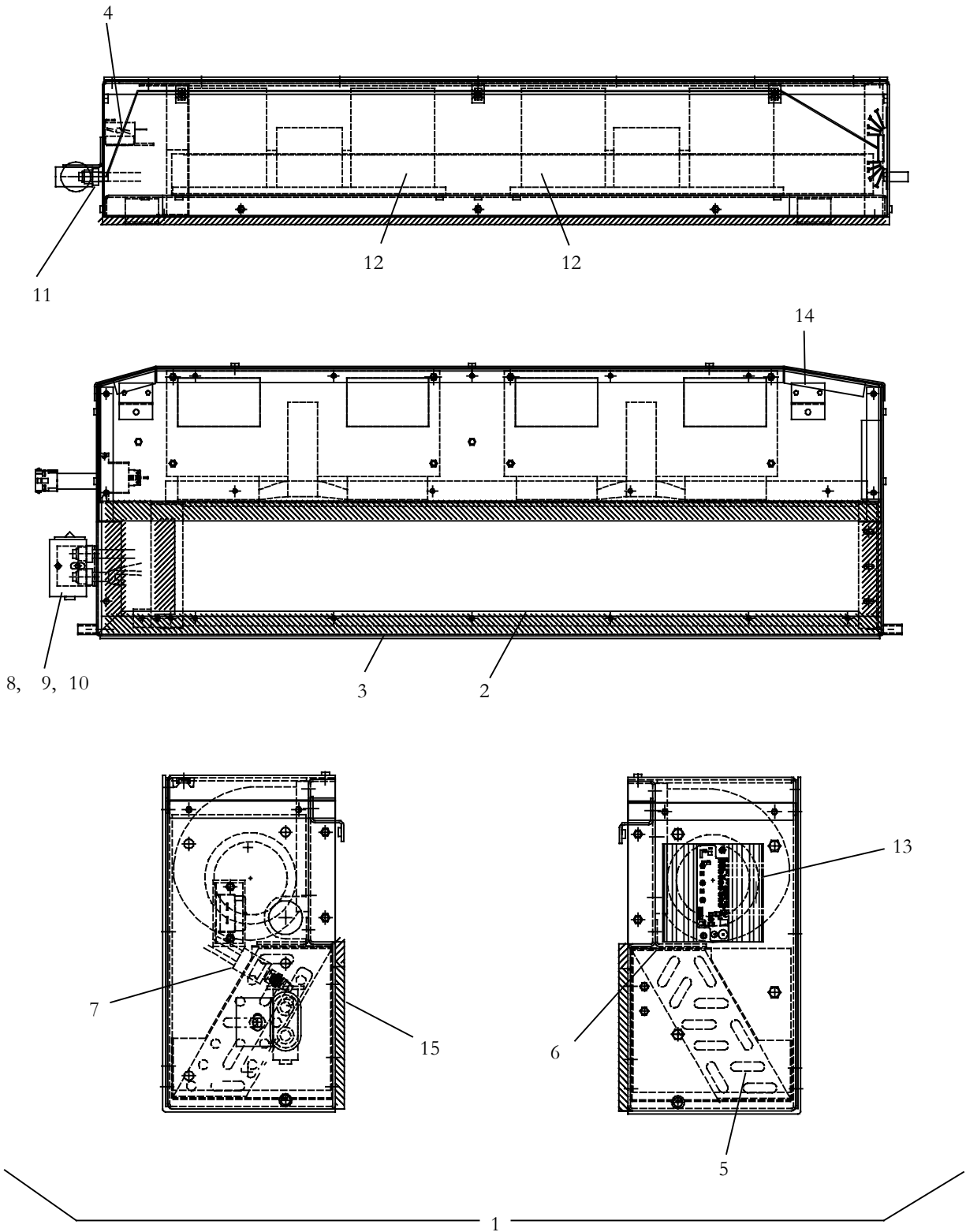
12 VDC (77-00303-02), USED ON: (77-62160-00,-01,-02,-03,-04,-05,-06,-07,-12,-13,-14,-18,-20,-21,-24,-25,-27,-81 & -83)

12 VDC (77-00303-03), USED ON: (77-62160-22 & 23)

24 VDC, USED ON (77-62160-15,-16,-17 & -19) - Continued:

Item	Part Number	Description	Qty
1	77-00303-02	...Evaporator Assy, IW-1 - 12 VDC Includes:	1
	77-00303-03	...Evaporator Assy, IW-1 - 12 VDC Includes: (excludes item #31)	1
	77-00303-04	...Evaporator Assy, IW-1 - 24 VDC Includes:	1
2	86-62460-00Drain Pan Assembly	1
3	AC022-313-1Baffle, Drain Pan	1
4	12-00685-00Thermostat, Freeze-Up, Non Adjustable	1
5	08-62056-00Coil Assembly, Evaporator, EM-1	1
6	AC022-743-5Gasket, Coil, .125 Inch Thick X 3 X 34.18	1
7	AC201-412Switch, Pressure, Low	1
8	AC801-202O-Ring, 1/2 Inch HNBR	2
9	14-00397-00Valve, Thermal Expansion, (R134a)	1
10	42-00032-00Tape, Insulation, Prestite	1
11	68-63410-00Bracket, TXV	1
12	AC401-202Fan & Motor Assembly, 12 VDC	2
	54-00546-03Fan & Motor Assembly, 24 VDC	2
13	22-62282-00Harness, Evaporator, EM/IW, (12VDC) - (See Section 1.10.5)	1
	22-62299-00Harness, Evaporator, EM/IW, (24 VDC) - (See Section 1.10.6)	1
14	68-63436-00Bracket	2
15	AC801-414Gasket, Foam, 3/8 X 1 Inch, (25 Foot Roll)	1
16	58-00661-07Bushing, 1.50 Diameter Hole	1

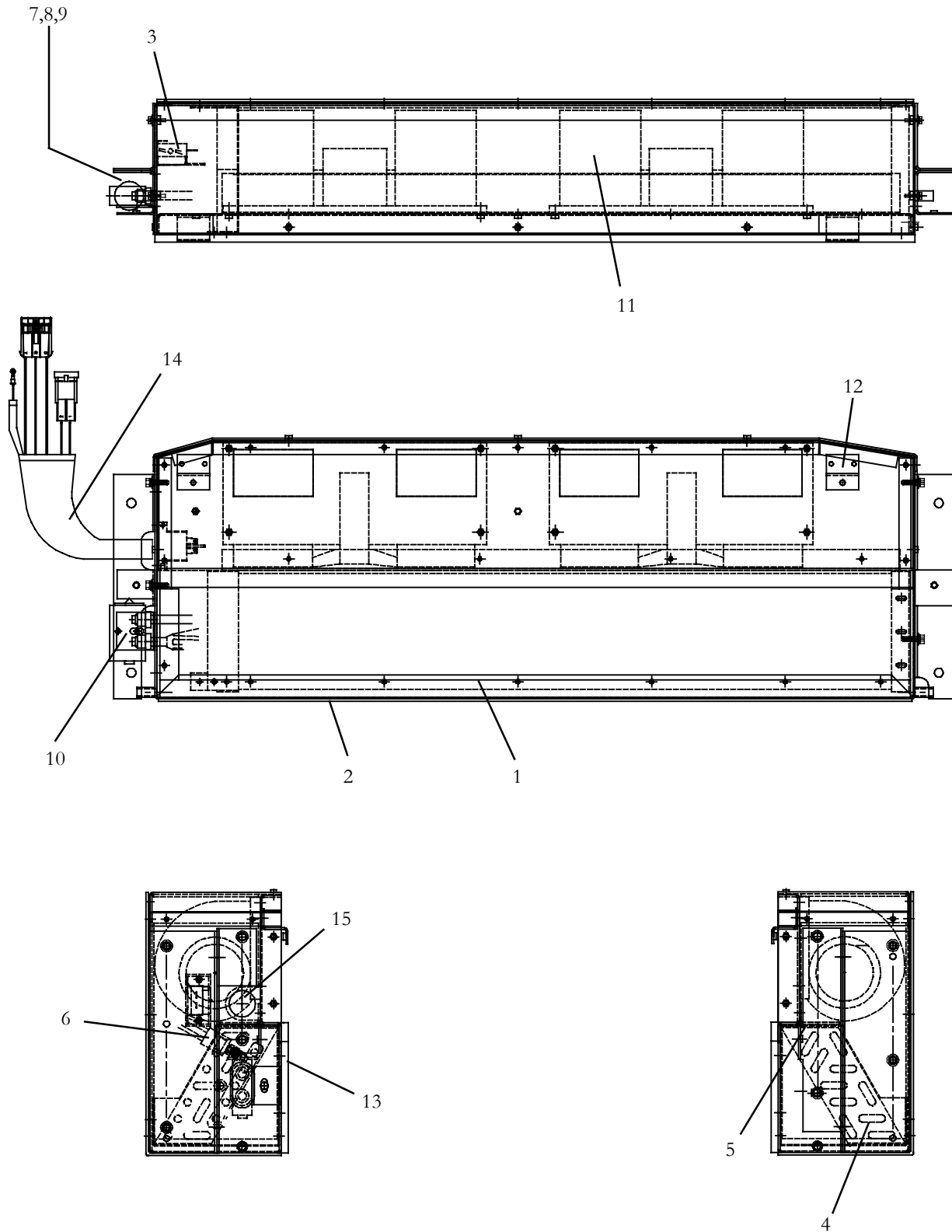
1.10.3 EVAPORATOR, IW-1, VARIABLE SPEED - (77-62160-09)





1.10.3 EVAPORATOR, IW-1, VARIABLE SPEED - (77-62160-09) - Continued:			
Item	Part Number	Description	Qty
1	77-00303-00	Evaporator Assembly, IW-1, Variable Speed - Includes:	1
2	86-62460-00Drain Pan Assembly	1
3	AC022-313-1Baffle, Drain Pan	1
4	12-00685-00Thermostat, Freeze-Up, Non Adjustable	1
5	08-62056-00Coil Assembly, Evaporator, EM-1	1
6	AC022-743-5Gasket, Coil, .125 Inch Thick X 3 X 34.18	1
7	AC201-412Switch, Pressure, Low	1
8	AC801-202O-Ring, 1/2 Inch HNBR	2
9	14-00397-00Valve, Thermal Expansion, (R134a)	1
10	42-00032-00Tape, Insulation, Presstite, 2.00 X 48.00 Inches Long	1
11	68-63410-00Bracket, TXV	1
12	AC401-202Blower Assembly, 12 VDC	2
13	22-62239-00Harness, Wiring, Variable Speed	1
14	68-63436-00Bracket	2
15	AC801-414Gasket, Foam, 3/8 X 1 Inch, (25 Foot Roll)	1

1.10.4 EVAPORATOR KIT, IW-1 (77-62160-10, -11 & -26)

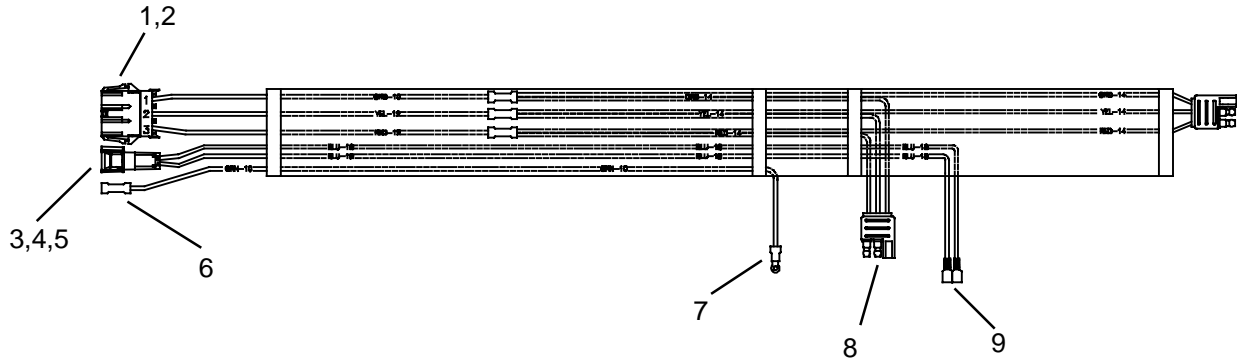




1.10.4 EVAPORATOR KIT, IW-1 (77-62160-10, -11 & -26) - Continued:			
Item	Part Number	Description	Qty
-	77-00303-01	...Evaporator Assembly, IW-1 - Includes:	1
1	86-62460-00Drain Pan Assembly	1
2	AC022-313-1Baffle, Drain Pan	1
3	12-00685-00Thermostat, Freeze-Up, Non Adjustable	1
4	08-62056-00Coil Assembly, Evaporator, EM-1	1
5	AC022-743-5Gasket, Coil, .125 Inch Thick X 3.00 X 34.18	1
6	AC201-412Switch, Pressure, Low	1
7	AC801-202O-Ring, 1/2 Inch HNBR	2
8	14-00397-00Valve, Thermal Expansion, (R134a)	1
9	42-00032-00Tape, Insulation, Presstite, 2.00 X 30.00 Feet Long	1
10	68-63410-00Bracket, TXV	1
11	AC401-202Blower Assembly, 12 VDC	2
12	68-63436-00 Bracket	2
13	AC801-414Gasket, Foam, 3/8 X 1 Inch, (25 Foot Roll)	1
14	22-62274-00Wire Harness, Evaporator, TBB C-2, (See Section 1.10.7)	1
15	58-00661-07Bushing, 1.50 DIA. Hole	1

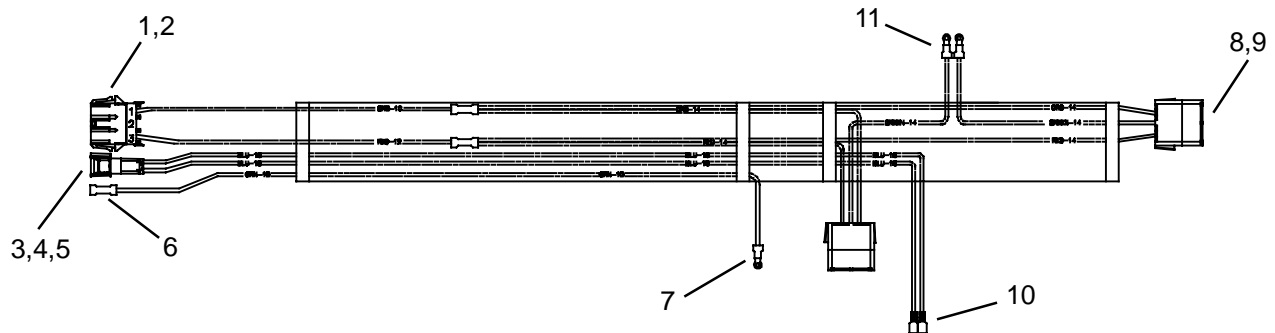


1.10.5 EVAPORATOR HARNESS, IW-1 12VDC (22-62282-00)



Item	Part Number	Description	Qty
1	22-50099-32	Connector, Plug Housing (3 position)	1
2	22-50099-32A	Terminal, Male, 10/12 AWG	3
3	22-50099-37	Connector, Male Unsealed	1
4	22-50099-37A	Terminal, Male, 16/18 AWG	2
5	22-50099-37D	Lock, Secondary	1
6	22-00066-03	Terminal, Butt Splice, 10/12 AWG	1
7	22-01140-02	Terminal, Ring #10, 10/12 AWG	1
8	22-62002-00	Connector, Electrical	2
9	22-01258-01	Terminal, Female Push-on, 18/22 AWG	2

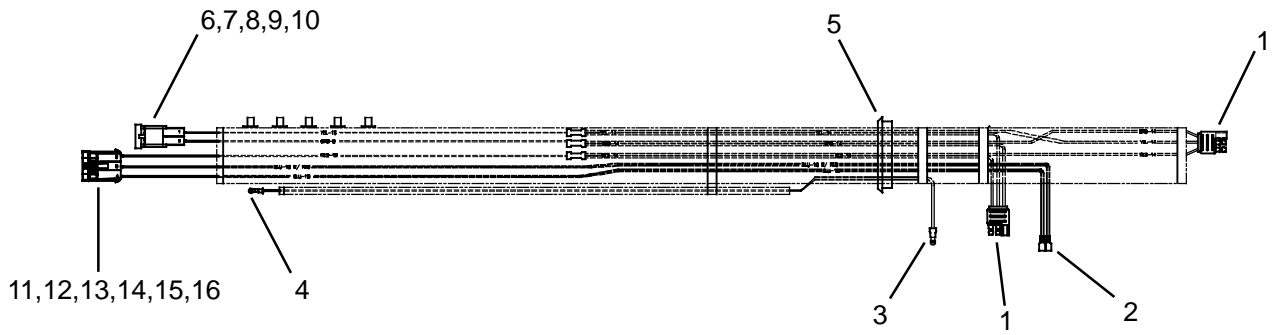
1.10.6 EVAPORATOR HARNESS, IW-1 24VDC (22-62299-00)



Item	Part Number	Description	Qty
1	22-50099-32	Connector, Plug Housing (3 position)	1
2	22-50099-32A	Terminal, Male, 10/12 AWG	3
3	22-50099-37	Connector, Male Unsealed	1
4	22-50099-37A	Terminal, Male, 16/18 AWG	2
5	22-50099-37D	Lock, Secondary	1
6	22-00066-03	Terminal, Butt Splice, 10/12 AWG	1
7	22-01140-02	Terminal, Ring #10, 10/12 AWG	1
8	22-60254-08	Receptacle Housing, (4 position)	2
9	22-60254-27	Terminal, Female, 14 AWG	6
10	22-01258-01	Terminal, Female Push-on, 18/22 AWG	2
11	22-01139-02	Terminal, Ring #10, 14/16 AWG	2



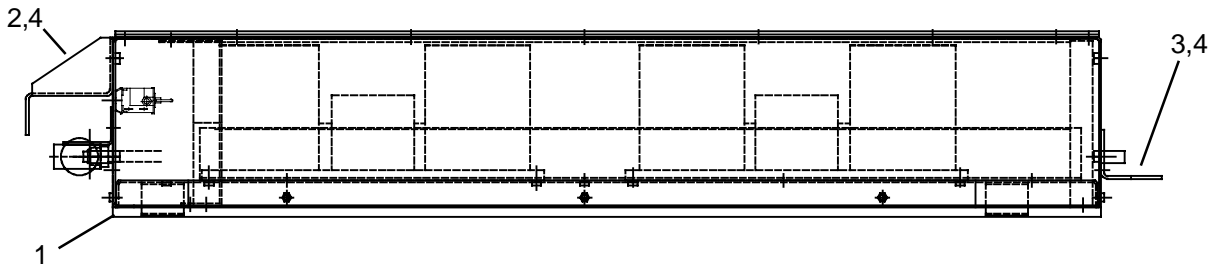
1.10.7 EVAPORATOR HARNESS, IW-1 12VDC (22-62274-00)



Item	Part Number	Description	Qty
1	22-62002-00	Connector, Plug (Motor)	2
2	22-01258-01	Terminal, Female Push-On, 18/22 AWG	2
3	22-00872-01	Terminal, Ring #10, 8 AWG	1
4	22-00872-03	Terminal, Ring 5/16 , 8 AWG	1
5	58-00661-07	Bushing	1
6	22-50098-67	Connector, Male, 2 position	1
7	22-50098-67B	Terminal, Male, 8 AWG	1
8	22-50098-67D	Cable Seal, 8 AWG	1
9	22-50098-67A	Terminal, Male, 10/12 AWG	1
10	22-50098-67C	Cable Seal, 10/12 AWG	1
11	22-50078-86	Connector, Male, 3 position	1
12	22-50078-49A	Terminal, Male, 18 AWG	2
13	22-50078-53C	Cable Seal, 18 AWG	2
14	22-50078-49C	Terminal, Male, 12 AWG	1
15	22-50078-53D	Cable Seal, 12 AWG	1
16	22-50078-86A	Lock, Secondary	1

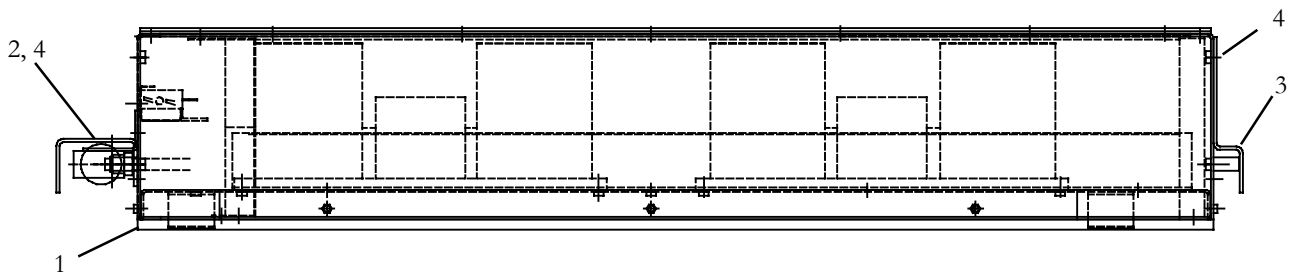


1.10.8 EVAPORATOR, IW-1, BRACKETS (77-62160-00, -03 & -15)



Item	Part Number	Description	Qty
-	77-62162-00	..Evaporator Assembly, IW-1, With Mounting Brackets,12VDC - Includes:	1
-	77-62162-06	..Evaporator Assembly, IW-1, With Mounting Brackets, 24VDC - Includes:	1
1	77-00303-02	...Evaporator Assy, IW-1, 12VDC Includes: (See Parts List Section 1.10.2)	1
	77-00303-04	...Evaporator Assy, IW-1, 24VDC Includes: (See Parts List Section 1.10.2)	1
2	68-63416-00Bracket, Hanger, Evaporator Mounting	1
3	68-63417-00Bracket, Hanger, Evaporator Mounting	1
4	34-62011-00Screw, Hex Head, SEMS, 1/4-20 X 1.00 Inch Long	4

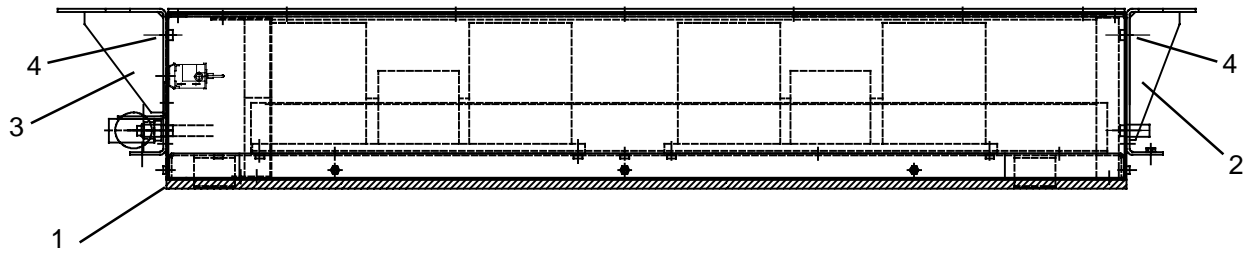
1.10.9 EVAPORATOR, IW-1, BRACKETS (77-62160-01 & -19)



Item	Part Number	Description	Qty
-	77-62162-01	..Evaporator Assembly, IW-1, With Mounting Brackets, 12VDC - Includes:	1
-	77-62162-08	..Evaporator Assembly, IW-1, With Mounting Brackets, 24VDC - Includes:	1
1	77-00303-02	...Evaporator Assy, IW-1, 12VDC - Includes: (See Parts List Section 1.10.2)	1
	77-00303-04	...Evaporator Assy, IW-1, 24VDC - Includes: (See Parts List Section 1.10.2)	1
2	68-63440-00Bracket, Hanger, Evaporator Mounting	1
3	68-63441-00Bracket, Hanger, Evaporator Mounting	1
4	34-62011-00Screw, Hex Head, SEMS, 1/4-20 X 1.00 Inch Long	4

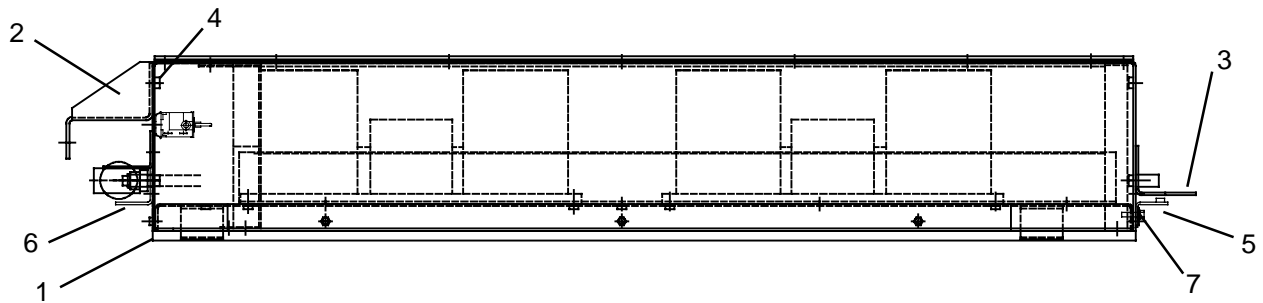


1.10.10 EVAPORATOR, IW-1, BRACKETS (77-62160-04, -06)



Item	Part Number	Description	Qty
-	77-62162-02	..Evaporator Assembly, IW-1, With Mounting Brackets, 12VDC - Includes:	1
1	77-00303-02	...Evaporator Assembly, IW-1 - Includes: (See Parts List Section 1.10.2)	1
2	86-62577-00Weld Assembly, IW-1	1
3	86-62437-00Weld Assembly, IW-1	1
4	34-62011-00Screw, Hex Head, SEMS, 1/4-20 X 1.00 Inch Long	8

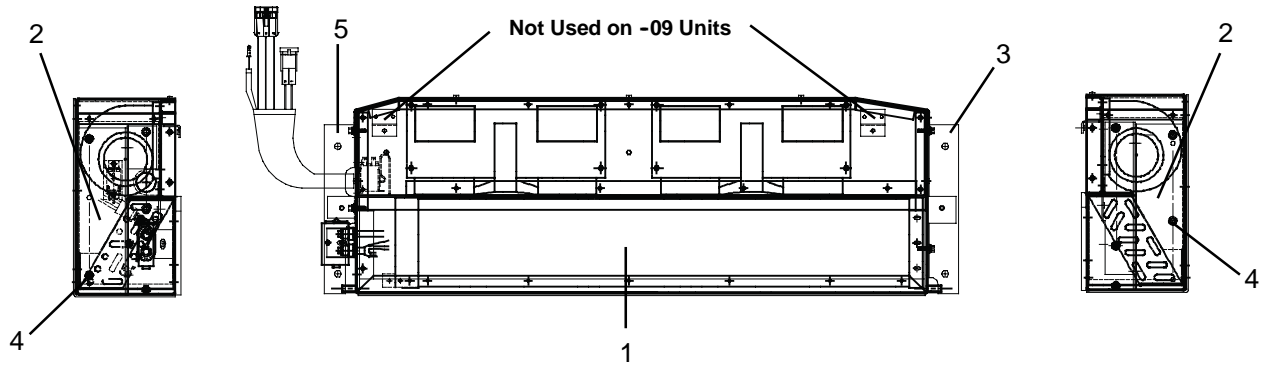
1.10.11 EVAPORATOR, IW-1, BRACKETS (77-62160-05, -07, -16, -17, -81, -83)



Item	Part Number	Description	Qty
-	77-62162-03	..Evaporator Assembly, IW-1, With Mounting Brackets, 12VDC - Includes:	1
-	77-62162-07	..Evaporator Assembly, IW-1, With Mounting Brackets, 24VDC - Includes:	1
1	77-00303-02	...Evaporator Assy, IW-1, 12VDC - Includes: (See Parts List Section 1.10.2)	1
	77-00303-04	...Evaporator Assy, IW-1, 24VDC - Includes: (See Parts List Section 1.10.2)	1
2	68-63416-00Bracket, Mounting	1
3	68-63417-00Bracket, Mounting	1
4	34-62011-00Screw, Hex Head, SEMS, 1/4-20 X 1.00 Inch Long	5
5	68-63645-00Bracket, Mounting	1
6	68-63646-00Bracket, Mounting	1
7	34-00917-12Screw, Hex WASHD, #10-32 x .75 SLTD	2

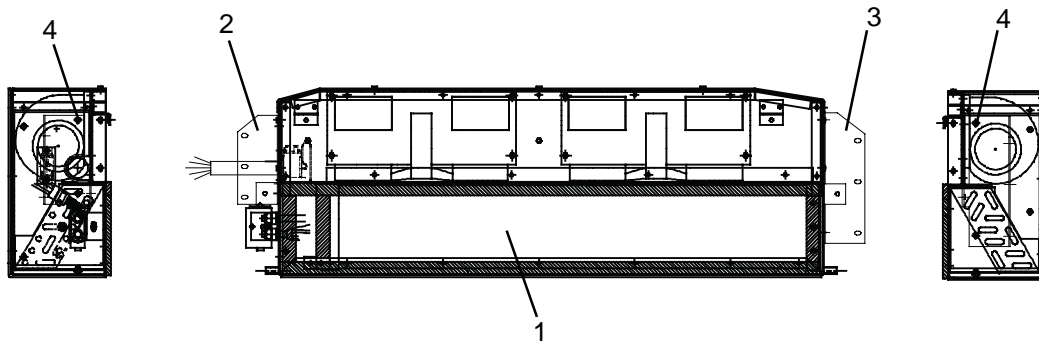


1.10.12 EVAPORATOR, IW-1, BRACKETS (77-62160-10, -11, -22, -23 & -26)



Item	Part Number	Description	Qty
-	77-62162-04	..Evaporator Assembly, IW-1, With Mounting Brackets, 12VDC - Includes:	1
-	77-62162-09	..Evaporator Assembly, IW-1, With Mounting Brackets, 12VDC - Includes:	1
1	77-00303-01	...Evaporator Assy, IW-1, 12VDC - Includes: (See Parts List Section 1.10.4)	1
	77-00303-03	...Evaporator Assy, IW-1, 12VDC - Includes: (See Parts List Section)	1
2	68-63756-00Bracket, Mounting	2
3	68-63757-00Bracket, Mounting	1
4	34-62011-00Screw, Hex Head, SEMS, 1/4-20 X 1.00 Inch Long	8
5	68-63758-00Bracket, Mounting	1

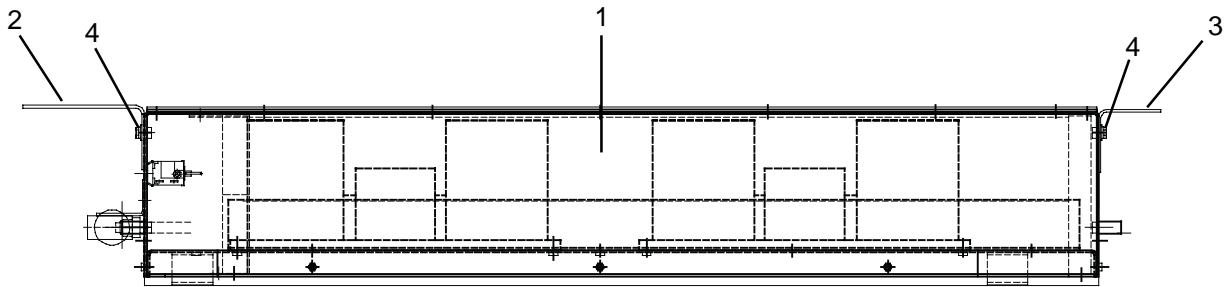
1.10.13 EVAPORATOR, IW-1, BRACKETS (77-62160-12, -13, -20 & -21)



Item	Part Number	Description	Qty
-	77-62162-05	..Evaporator Assembly, IW-1, With Mounting Brackets, 12VDC - Includes:	1
1	77-00303-02	...Evaporator Assy, IW-1, 12VDC - Includes: (See Parts List Section 1.10.2)	1
2	68-63763-00Bracket, Mounting	2
3	68-63764-00Bracket, Mounting	1
4	34-62011-00Screw, Hex Head, SEMS, 1/4-20 X 1.00 Inch Long	8



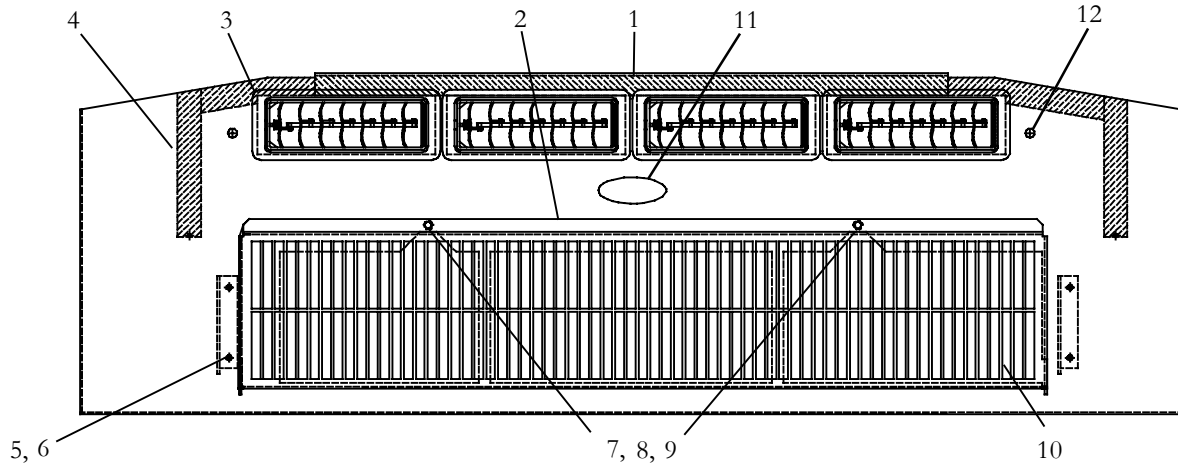
1.10.14 EVAPORATOR, IW-1, BRACKETS (77-62160-14)



Item	Part Number	Description	Qty
-	77-62162-10	..Evaporator Assembly, IW-1, With Mounting Brackets, 12VDC - Includes:	1
1	77-00303-02	...Evaporator Assy, IW-1, 12VDC - Includes: (See Parts List Section 1.10.2)	1
2	68-08216-00Bracket, Mounting	1
3	68-08217-00Bracket, Mounting	1
4	34-62011-00Screw, Hex Head, SEMS, 1/4-20 X 1.00 Inch Long	4



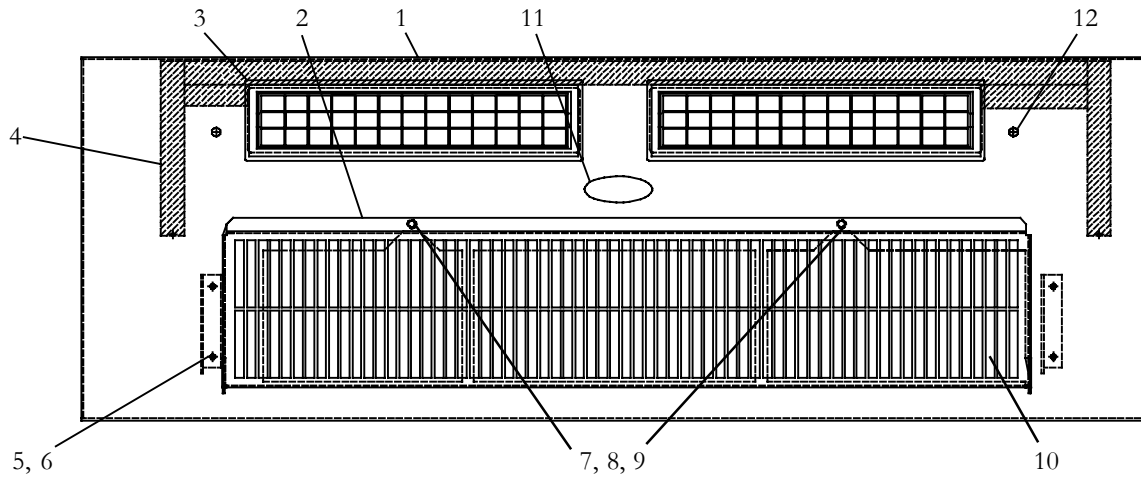
1.10.15 COVER ASSEMBLY, IW-1, LOUVER DIFFUSER - USE WITH 77-62160-00 & -09



Item	Part Number	Description	Qty
-	79-62088-00	Cover Assembly, IW-1, Louver Diffuser, Includes:	1
1	68-63393-00Panel, Painted	1
2	68-08182-01Grill, Painted	1
3	58-62042-00Diffuser, Air, Louver, Rectangular (8.0 X 3.0 Inches)	4
4	AC801-414Gasket, Foam, 3/8 X 1.00 Inch (25 Foot Roll)	1
5	68-63437-00Bracket,	2
6	34-01099-02Pop Rivet, 3/16, SST	4
7	34-62019-00Receptacle, 1/4 Turn	2
8	34-62020-00Stud, 1/4 Turn, .25 Grip Range	2
9	34-06169-01Washer, Retaining, .215 I. D.	2
10	38-00573-08Filter, Air, 34.00 X 6.40 X .25, (IW-1)	1
11	56-0034Decal, MCC	1
12	34-00917-12	Screw, Hex Head, W/Captive Washer, #10-32 X .75 Inch Long, Zinc	2



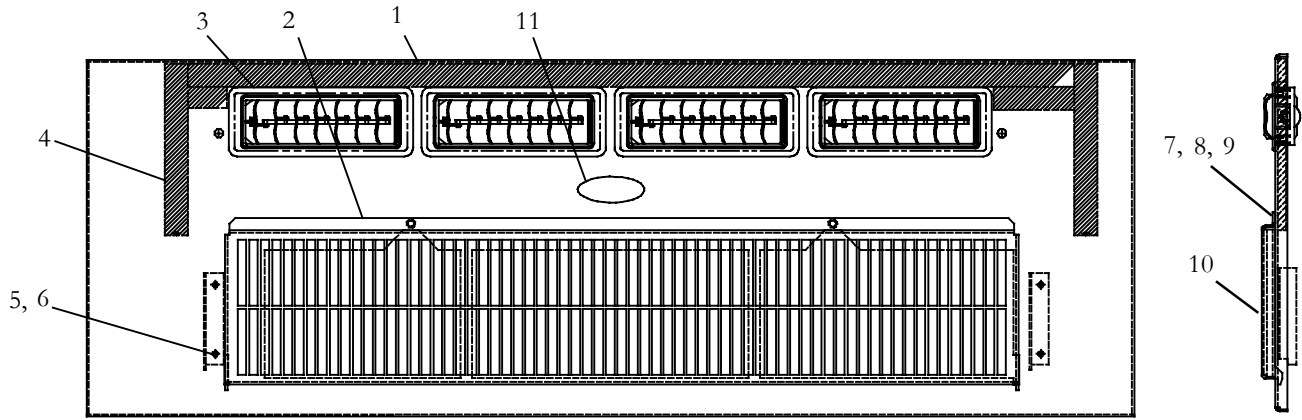
1.10.16 COVER ASSEMBLY, IW-1, FIXED DIFFUSER - USE WITH 77-62160-01



Item	Part Number	Description	Qty
	79-62088-01	Cover Assembly, Fixed Diffuser, IW-1, Includes:	1
1	68-63394-00Panel, Painted	1
2	68-08182-01Grill, Painted	1
3	AC401-320Diffuser, Air, Fixed, (Rectangular)	2
4	AC801-414Gasket, Foam, .38 X 1 Inch (25 Foot Roll)	1
5	68-63437-00 Bracket	2
6	34-01099-02Rivet, Pop, 3/16, SST	4
7	34-62019-00Receptacle, 1/4 Turn	2
8	34-62020-00Stud, 1/4 Turn, .25 Grip Range	2
9	34-06169-01Washer, Retaining, .215 I. D.	2
10	38-00573-08Filter, Air, 34.00 X 6.40 X .25 Inch	1
11	56-0034Decal, MCC	1
12	34-00917-08	Screw, Hex Head, W/Captive Washer, #10-32 X .50 Inch Long, Zinc	2



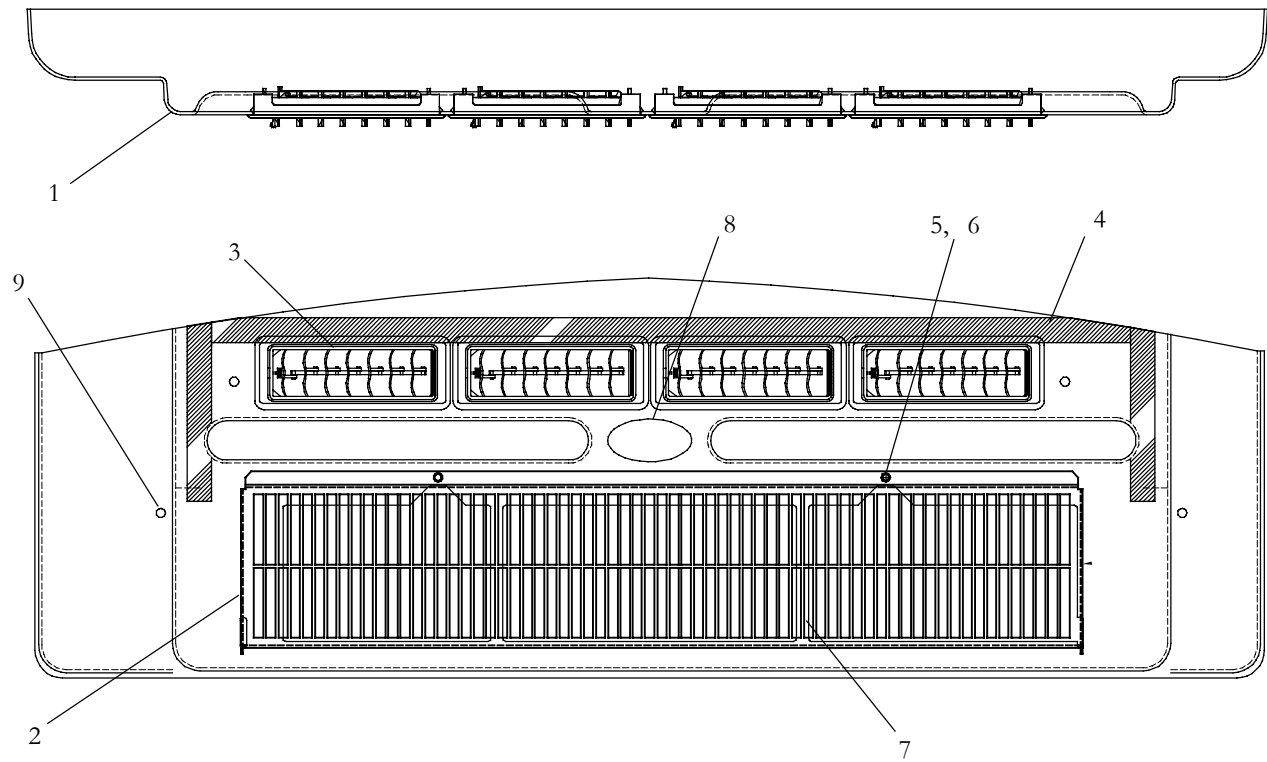
1.10.17 COVER ASSEMBLY, IW-1, LOUVER DIFFUSER - USE WITH 77-62160-01 & -19



Item	Part Number	Description	Qty
-	79-62088-02	Cover Assembly, IW-1 (Louver Diffuser) - Includes:	1
1	68-63704-00Panel, Painted	1
2	68-08182-01Grill, Painted	1
3	58-62042-00Diffuser, Air, Louver, Rectangular (8.0 X 3.0 Inches)	4
4	AC801-414Gasket, Foam, 3/8 X 1.00 Inch (25 Foot Roll)	1
5	68-63437-00Bracket,	2
6	34-01099-02Pop Rivet, 3/16, SST	4
7	34-62019-00Receptacle, 1/4 Turn	1
8	34-62020-00Stud, 1/4 Turn, .25 Grip Range	1
9	34-06169-01Washer, Retaining, .215 I. D.	1
10	38-00573-08Filter, Air, 34.00 X 6.40 X .25, (IW-1)	1
11	56-0034Decal, MCC	1



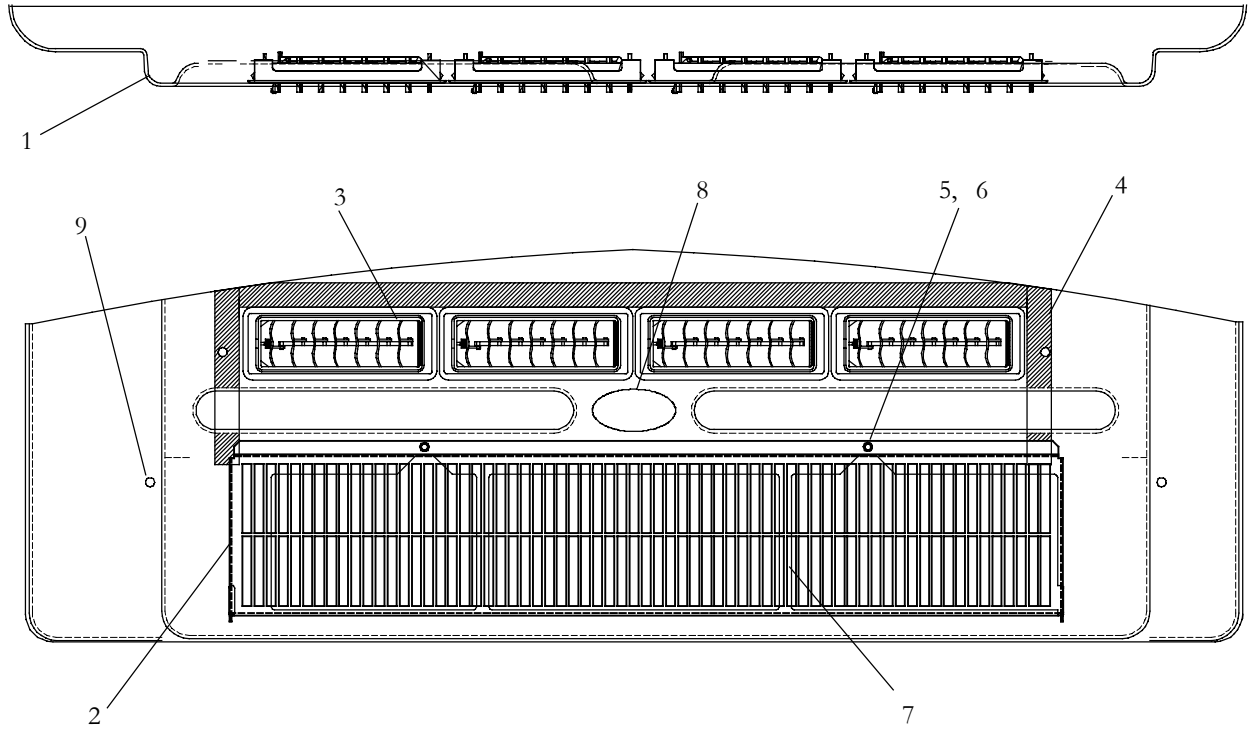
1.10.18 COVER ASSEMBLY, IW-1 - USE WITH 77-62160-04



Item	Part Number	Description	Qty
-	79-62096-00	Cover Assembly, IW-1, Grey (TBB FS65) - Includes: (-04)	1
-	79-62096-01	Cover Assembly, IW-1, White (TBB FS65) - Includes: (Ref. Only)	1
1	58-62156-02Cover, TBB Grey (4.18 Inch Deep)	1
	58-62156-03Cover, TBB White (4.18 Inch Deep)	1
2	68-08182-01Grill, Painted	1
3	58-62042-00Diffuser, Air, Adjustable, (Rectangular)	4
4	AC801-414Gasket, Foam, 3/8 X 1 Inch (25 Foot Roll)	1
5	34-01306-00Nut, Retaining, Chimney Type, 1/4-20	2
6	AC801-307Screw, Knurled Slotted Head, 1/4-20 x 0.75 Inch Long, Nylon	2
7	38-00573-08Filter, Air, 34.00 X 6.40 X .25 Inch	1
8	56-0034Decal, MCC	1
9	34-00917-12	Screw, Hex Head, With Captive Washer, #10-32 x .75 Inches Long, Zinc	4



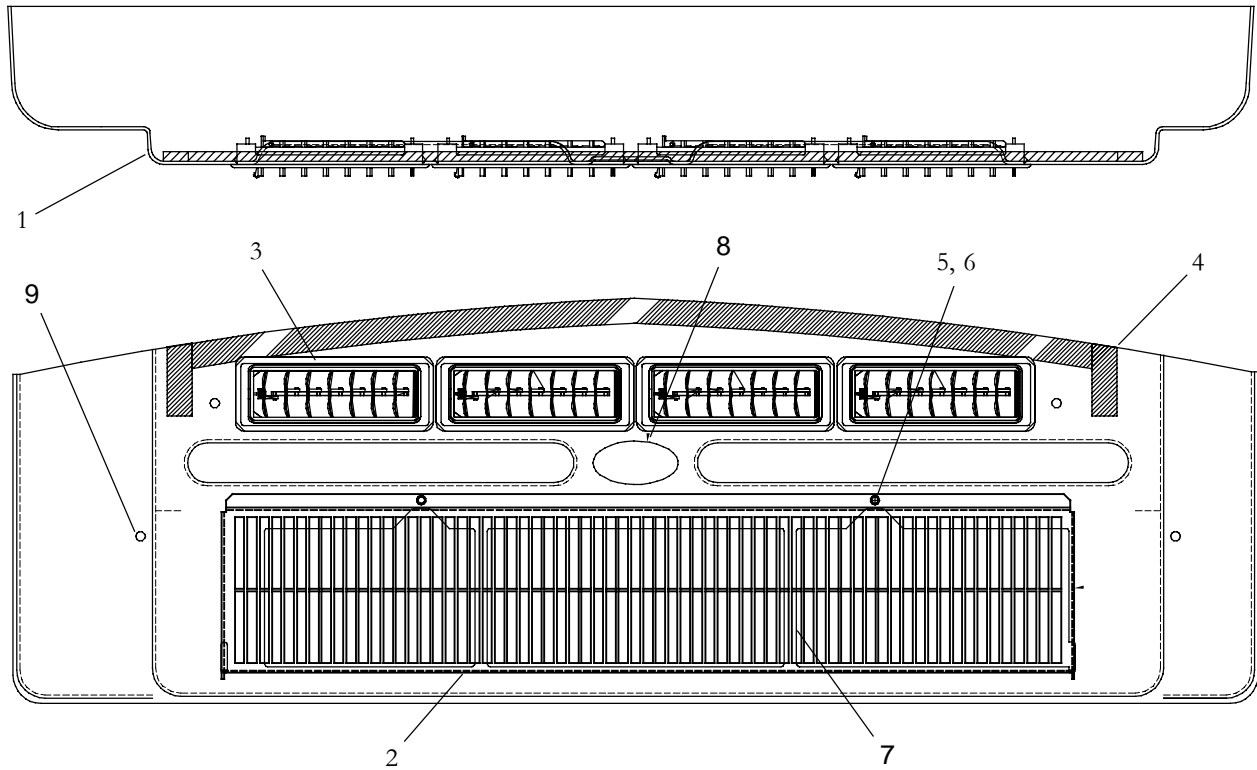
1.10.19 COVER ASSEMBLY, IW-1 - USE WITH 77-62160-06



Item	Part Number	Description	Qty
-	79-62096-02	Cover Assembly, IW-1, Grey (TBB FS65) C & D Type - Includes: (-06)	1
-	79-62096-03	Cover Assembly, IW-1, White (TBB FS65) C & D Type - Includes: (Ref. Only)	1
1	58-62156-04Cover, TBB Grey (3.13 Inch Deep)	1
	58-62156-05Cover, TBB White (3.13 Inch Deep)	1
2	68-08182-01Grill, Painted	1
3	58-62042-00Diffuser, Air, Adjustable (Rectangular)	4
4	AC801-414Gasket, Foam, 3/8 X 1 Inch (25 Foot Roll)	1
5	34-01306-00Nut, Retaining, Chimney Type, 1/4-20	2
6	AC801-307Screw, Knurled Slotted Head, 1/4-20 x 0.75 Inch Long, Nylon	2
7	38-00573-08Filter, Air, 34.00 X 6.40 X .25 Inch	1
8	56-0034Decal, MCC	1
9	34-00917-12	Screw, Hex Head, With Captive Washer, #10-32 x .75 Inches Long, Zinc	4



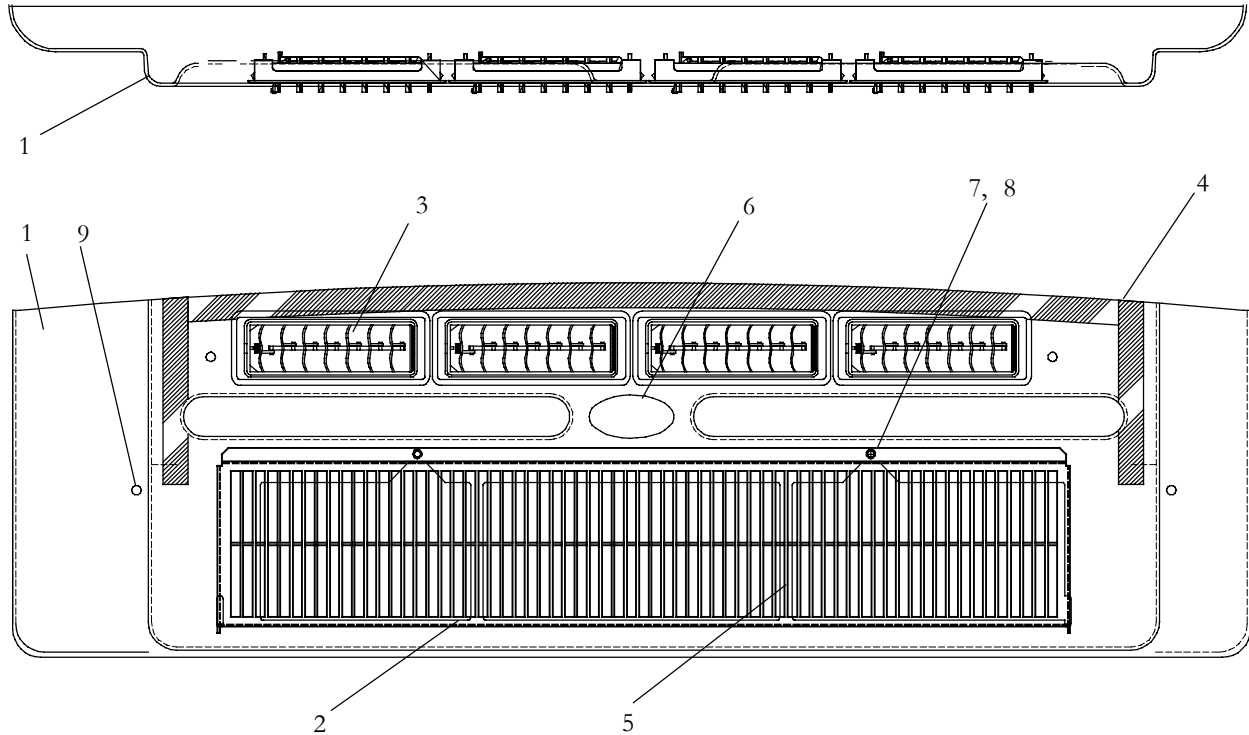
1.10.20 COVER ASSEMBLY, IW-1 - USE WITH 77-62160-05 , -07 , -16, -26 & -81



Item	Part Number	Description	Qty
-	79-62096-04	Cover Assy, IW-1, Grey (TBB FS65) C & D Type, Includes: (-07 & -26)	1
-	79-62097-01	Cover Assy, IW-1, White (TBB FS65) C & D Type, Includes: (-05,-16 & -81)	1
1	58-62156-00Cover, Grey (6.25 Inch Deep)	1
	58-62156-01Cover, White (6.25 Inch Deep)	1
2	68-08182-01Grill, Painted	1
3	58-62042-00Diffuser, Air, Adjustable (Rectangular)	4
4	AC801-414Gasket, Foam, 3/8 X 1 Inch (25 Foot Roll)	1
5	34-01306-00Nut, Retaining	2
6	AC801-307Screw, Knurled Slotted Head, 1/4 - 20 x 3/4	2
7	38-00573-08Filter, Air, 34.00 X 6.40 X .25 Inch	1
8	56-0034Decal, MCC	1
9	34-00917-12	Screw, Hex Head, With Captive Washer, #10-32 x .75 Inches Long, Zinc	4



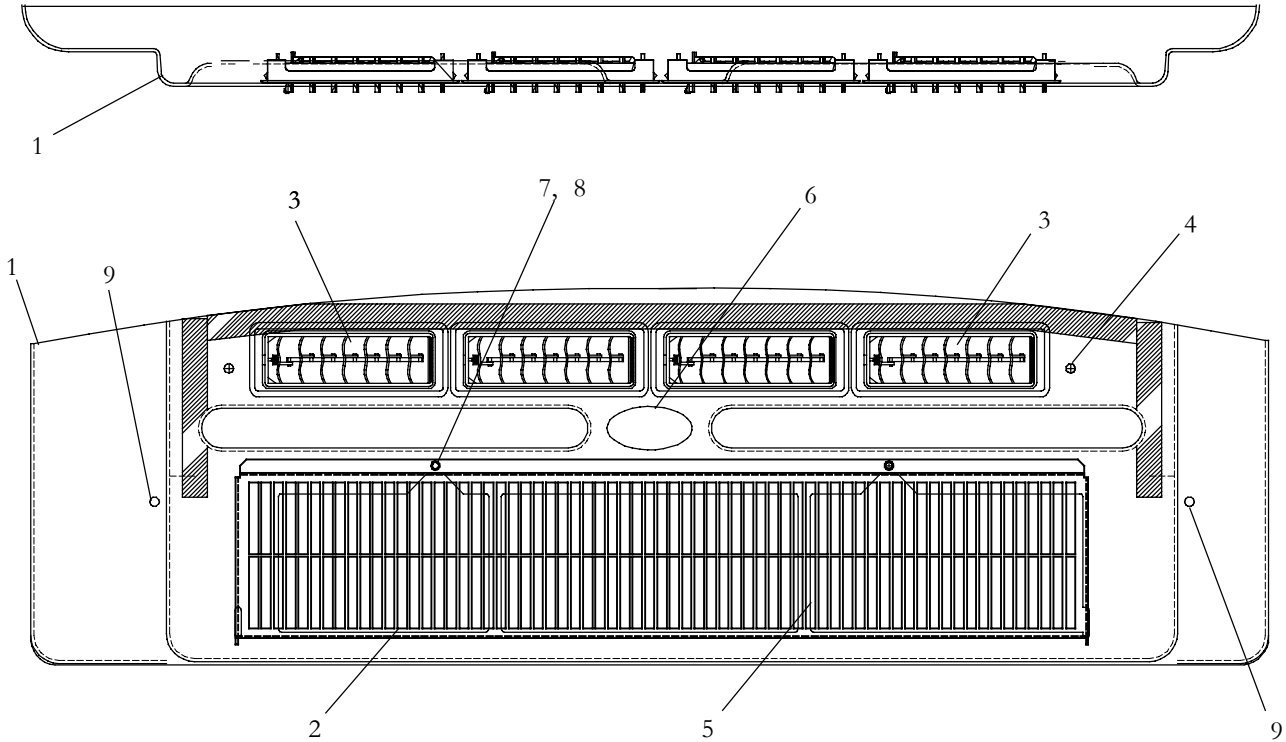
1.10.21 COVER ASSEMBLY, IW-1 - USE WITH 77-62160-10, -11, -14, -17 & -83



Item	Part Number	Description	Qty
-	79-62097-00	Cover Assembly, Evaporator, Gray - Includes: (-10, -14, -17 & -83)	1
-	79-62096-05	Cover Assembly, Evaporator, White - Includes: (-11)	1
1	58-62156-00Cover, Trimmed, Gray	1
	58-62156-07Cover, Trimmed, White	1
2	68-08182-01Grill, Painted	1
3	58-62042-00Diffuser, Air, Adjustable (Rectangular)	4
4	AC801-414Gasket, Foam, 3/8 X 1 Inch (25 Foot Roll)	1
5	38-00573-08Filter, Air, 34.00 X 6.40 X .25 Inch	1
6	56-0034Label, MCC	1
7	34-01306-00Nut, Retaining, Chimney Type, 1/4-20	2
8	AC801-307Screw, Knurled Slotted Head, 1/4-20 x 0.75 Inch Long, Nylon	2
9	34-00917-12	Screw, Hex Head, With Captive Washer, #10-32 x .75 Inches Long, Zinc	4



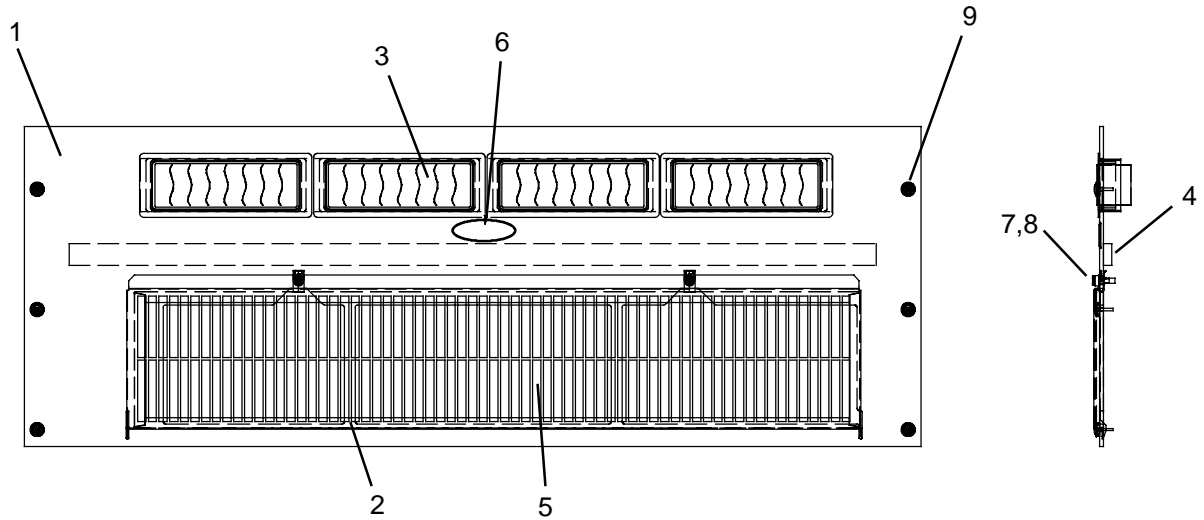
1.10.22 COVER ASSEMBLY, IW-1 - USE WITH 77-62160-12 & -13



Item	Part Number	Description	Qty
-	79-62096-06	Cover Assembly, Evaporator, Gray - Includes:	1
-	79-62096-07	Cover Assembly, Evaporator, White - Includes:	1
1	58-62156-08Cover, Trimmed, Gray	1
	58-62156-09Cover, Trimmed, White	1
2	68-08182-01Grill, Painted	1
3	58-62042-00Diffuser, Air, Adjustable (Rectangular)	4
4	AC801-414Gasket, Foam, 3/8 X 1 Inch (25 Foot Roll)	1
5	38-00573-08Filter, Air, 34.00 X 6.40 X .25 Inch	1
6	56-0034Label, MCC	1
7	34-01306-00Nut, Retaining, Chimney Type, 1/4-20	2
8	AC801-307Screw, Knurled Slotted Head, 1/4-20 x 0.75 Inch Long, Nylon	2
9	34-00917-12	Screw, Hex Head, With Captive Washer, #10-32 x .75 Inches Long, Zinc	4



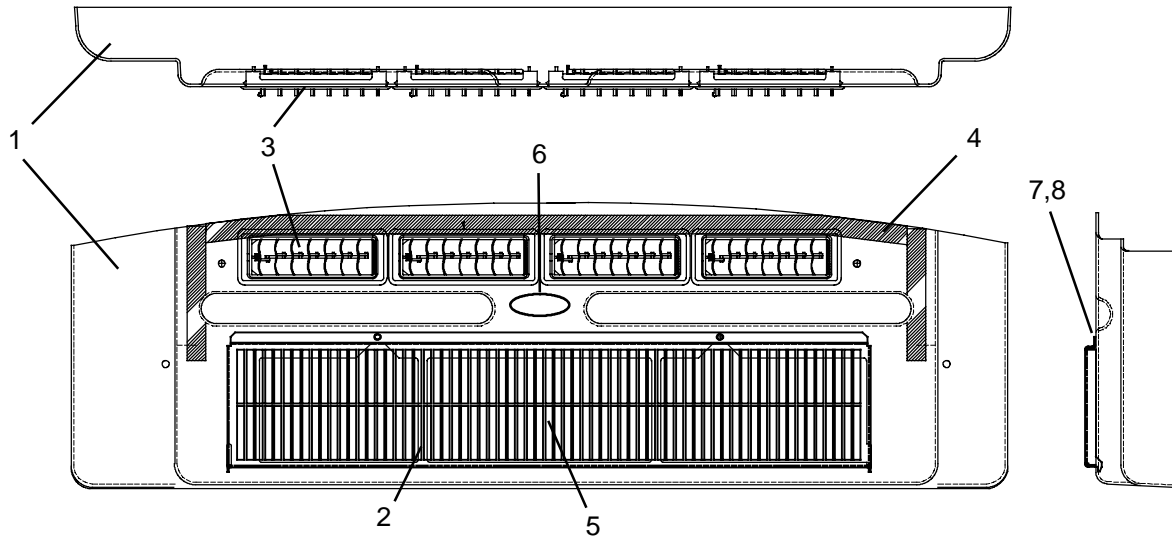
1.10.23 COVER ASSEMBLY, IW-1 - USE WITH MODELS 77-62160-22 & -23



Item	Part Number	Description	Qty
-	79-62118-00	Cover Assembly, Evaporator, Gray - Includes: (-22)	1
-	79-62118-01	Cover Assembly, Evaporator, White - Includes: (-23)	1
1	58-62208-00Cover, Flat ABS, Gray	1
	58-62208-01Cover, Flat ABS, White	1
2	68-08182-01Grill, Painted	1
3	58-62042-00Diffuser, Air, Adjustable (Rectangular)	4
4	AC801-414Gasket, Foam, 3/8 X 1 Inch (25 Foot Roll)	1
5	38-00573-08Filter, Air, 34.00 X 6.40 X .25 Inch	1
6	56-0034Label, MCC	1
7	34-01306-00Nut, Retaining, Chimney Type, 1/4-20	2
8	AC801-307Screw, Knurled Slotted Head, 1/4-20 x 0.75 Inch Long, Nylon	2
9	76-62103-05Install Kit, Hardware Multicover	1



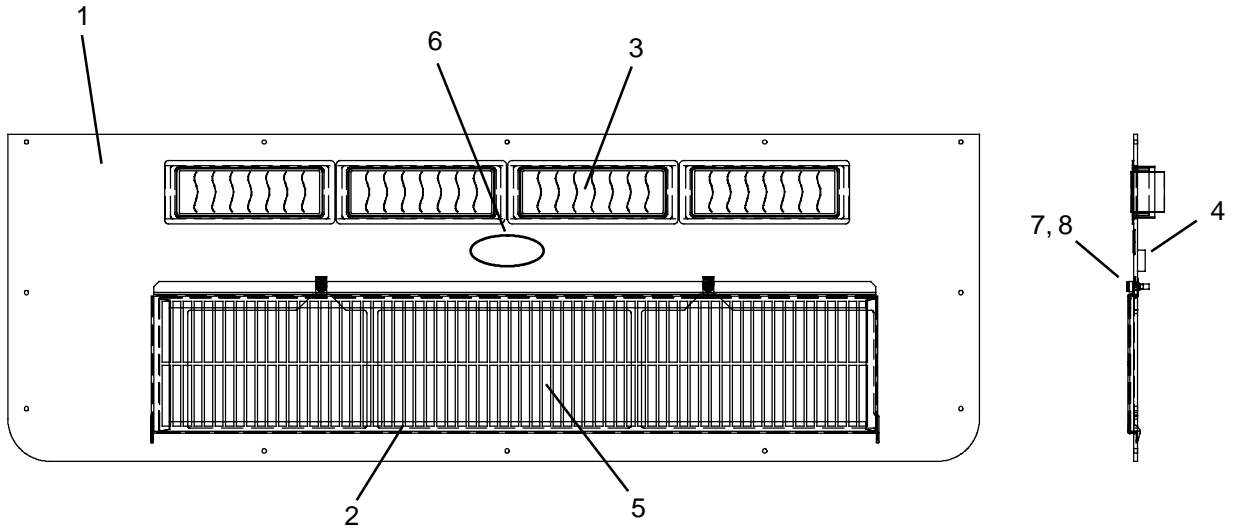
1.10.24 COVER ASSEMBLY, IW-1 - USE WITH MODELS 77-62160-20 & -21



Item	Part Number	Description	Qty
-	79-62096-08	Cover Assembly, Evaporator, Gray - Includes: (-21)	1
-	79-62096-09	Cover Assembly, Evaporator, White - Includes: (-20)	1
1	58-62156-10Cover, Gray	1
	58-62156-11Cover, White	1
2	68-08182-01Grill, Painted	1
3	58-62042-00Diffuser, Air, Adjustable (Rectangular)	4
4	AC801-414Gasket, Foam, 3/8 X 1 Inch (25 Foot Roll)	1
5	38-00573-08Filter, Air, 34.00 X 6.40 X .25 Inch	1
6	56-0034Label, MCC	1
7	34-01306-00Nut, Retaining, Chimney Type, 1/4-20	2
8	AC801-307Screw, Knurled Slotted Head, 1/4-20 x 0.75 Inch Long, Nylon	2



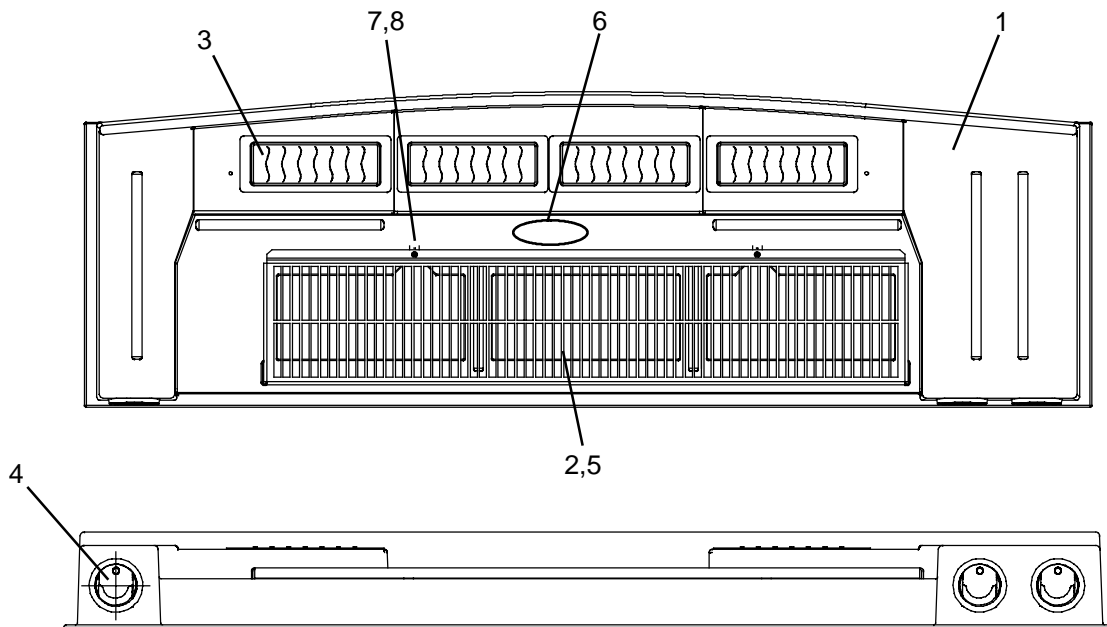
1.10.25 COVER ASSEMBLY, IW-1 - USE WITH MODELS 77-62160-24 & -25



Item	Part Number	Description	Qty
-	79-62118-02	Cover Assembly, Evaporator, Gray - Includes:	1
	79-62118-03	Cover Assembly, Evaporator, White - Includes:	1
1	58-62208-02Cover, Trimmed, Gray	1
	58-62208-03Cover, Trimmed, White	1
2	68-08182-01Grill, Painted	1
3	58-62042-00Diffuser, Air, Adjustable (Rectangular)	4
4	AC801-414Gasket, Foam, 3/8 X 1 Inch (25 Foot Roll)	1
5	38-00573-08Filter, Air, 34.00 X 6.40 X .25 Inch	1
6	56-0034Label, MCC	1
7	34-01306-00Nut, Retaining, Chimney Type, 1/4-20	2
8	AC801-307Screw, Knurled Slotted Head, 1/4-20 x 0.75 Inch Long, Nylon	2



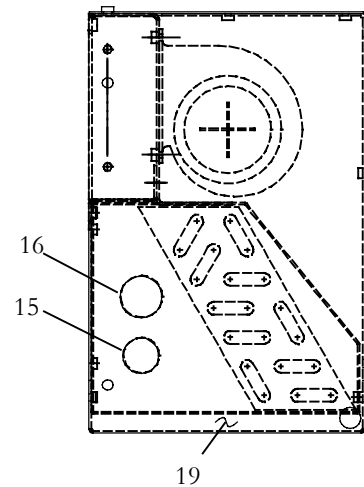
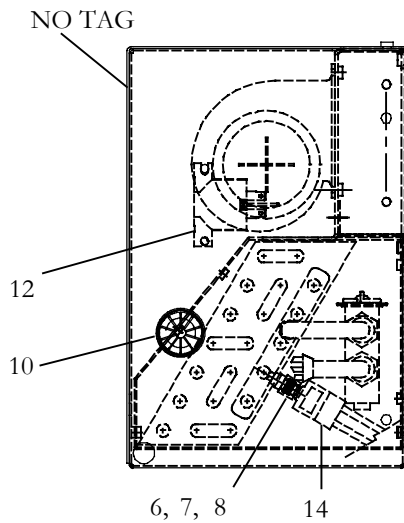
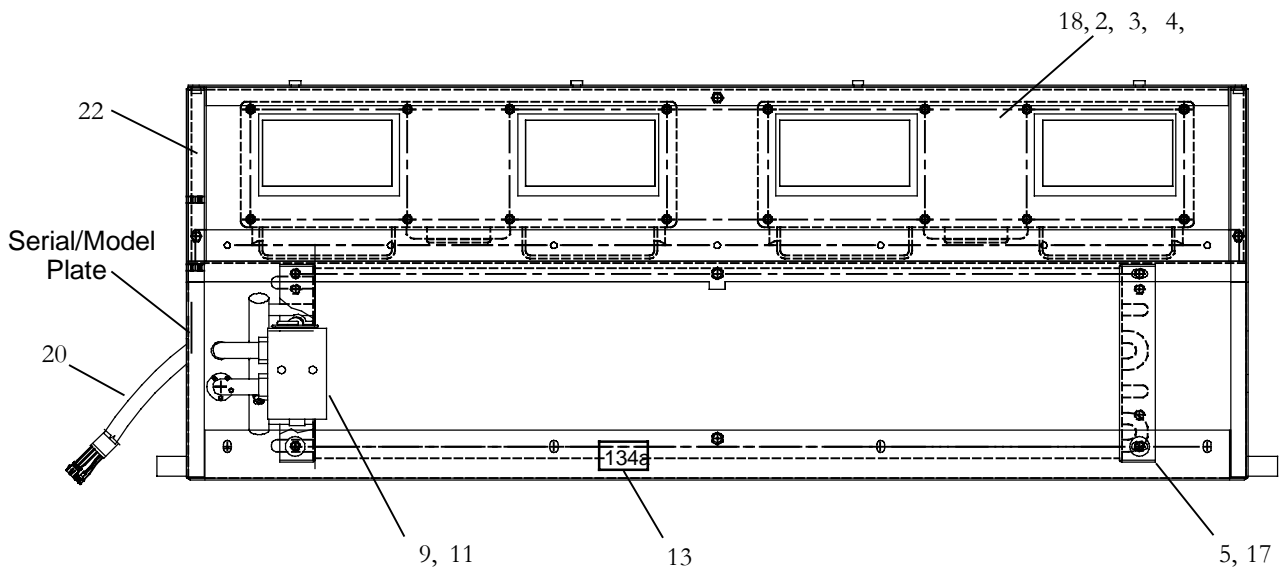
1.10.26 COVER ASSEMBLY, IW-1 - USE WITH 77-62160-18



Item	Part Number	Description	Qty
-	79-62114-00	Cover Assembly, Evaporator, Beige - Includes:	1
1	58-62200-00Cover, Trimmed, Beige	1
2	68-08182-01Grill, Painted	1
3	58-62042-00Diffuser, Air, Adjustable (Rectangular)	4
4	58-62077-00Diffuser, Air, Adjustable (Round)	3
5	38-00573-08Filter, Air, 34.00 X 6.40 X .25 Inch	1
6	56-0034Decal, MCC Emblem	1
7	34-01306-00Nut, Retaining, Chimney Type, 1/4-20	2
8	AC801-307Screw, Knurled Slotted Head, 1/4-20 x 0.75 Inch Long, Nylon	2

1.11 IW-2 IN-WALL EVAPORATORS

1.11.1 EVAPORATOR, IW-2 - 77-62134-00,-01,-02,-03,-04,-05,-06,-07,-08 & -12 COMMON PARTS



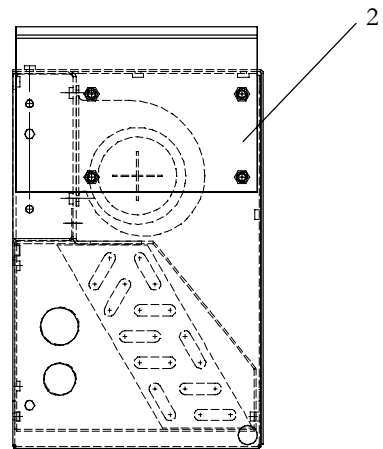
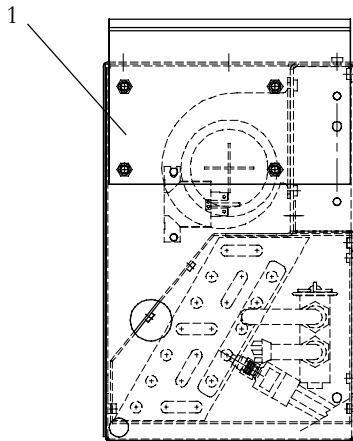
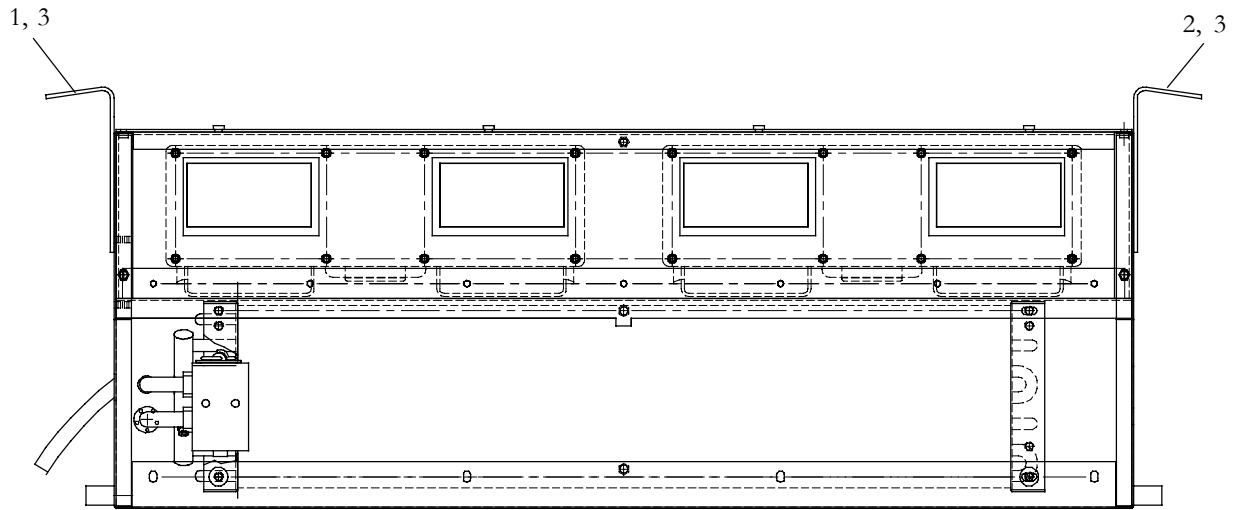
Item	Part Number	Description	Qty
NSS	77-00301-XX	Evaporator Chassis Assembly, IW-2 - Includes:	-
1	86-62343-00	...Panel Assembly, Bottom, IW-2	1
2	79-62083-00	...Panel Assembly, IW-2, Blower - Includes:	1
3	63-63240-00Panel Assembly, Blower	1
4	68-63241-00Bracket Assembly, Blower	1
5	08-62045-01	...Coil, Evaporator, IW-2 - Includes:	1
6	40-00124-00Body, Valve, Schrader, Brass, 1/4 SAE Flare - Includes:	1
7	14-00351-00Core, Access Valve (Nickel Plated)	1
8	DD19CA061Cap, Seal, Flare, 1/4 Inch	1
9	14-00397-00	...Valve, Thermal Expansion, (R134a)	1



1.11.1 EVAPORATOR, IW-2, 77-62134-00,-01-02,-03,-04,-05,-06,-07,-08 & -12 - COMMON PARTS Continued:			
Item	Part Number	Description	Qty
10	58-00661-06	...Bushing, Nylon, 1-3/8 Inch Hole	1
11	AC801-202	...O-Ring, 1/2 Inch HNBR (Package of 10)	2
12	12-00685-00	...Thermostat, Freeze-Up, Non Adjustable	1
13	62-62039-00	...Label, Charge Only With R134a	1
14	AC201-412	...Switch, Low Pressure	1
15	58-00065-26	...Grommet, 0.75 I.D. X 1.06 Hole, .06 Inch Groove	2
16	58-00065-83	...Grommet, 1.00 ID X 1.25 Hole, .06 Inch Groove	2
17	AC022-743-2	...Gasket, Coil, .125 Thick X 2.63 X 24.50	1
18	AC401-203	...Blower Assembly, 12 VDC	2
19	AC022-313-2	...Baffle, Drain Pan	1
20	22-62282-00	...Harness, Evaporator, (12 VDC) - (SEE SECTION 1.11.4)	1
21	42-00032-00	...Tape, Insulation, Presstite, 2.00 Inch X 30 Feet Long	1
22	AC801-414	...Gasket, Foam, 3/8 X 1 Inch, (25 Foot Roll)	1



1.11.2 EVAPORATOR, IW-2 (77-62134-02)



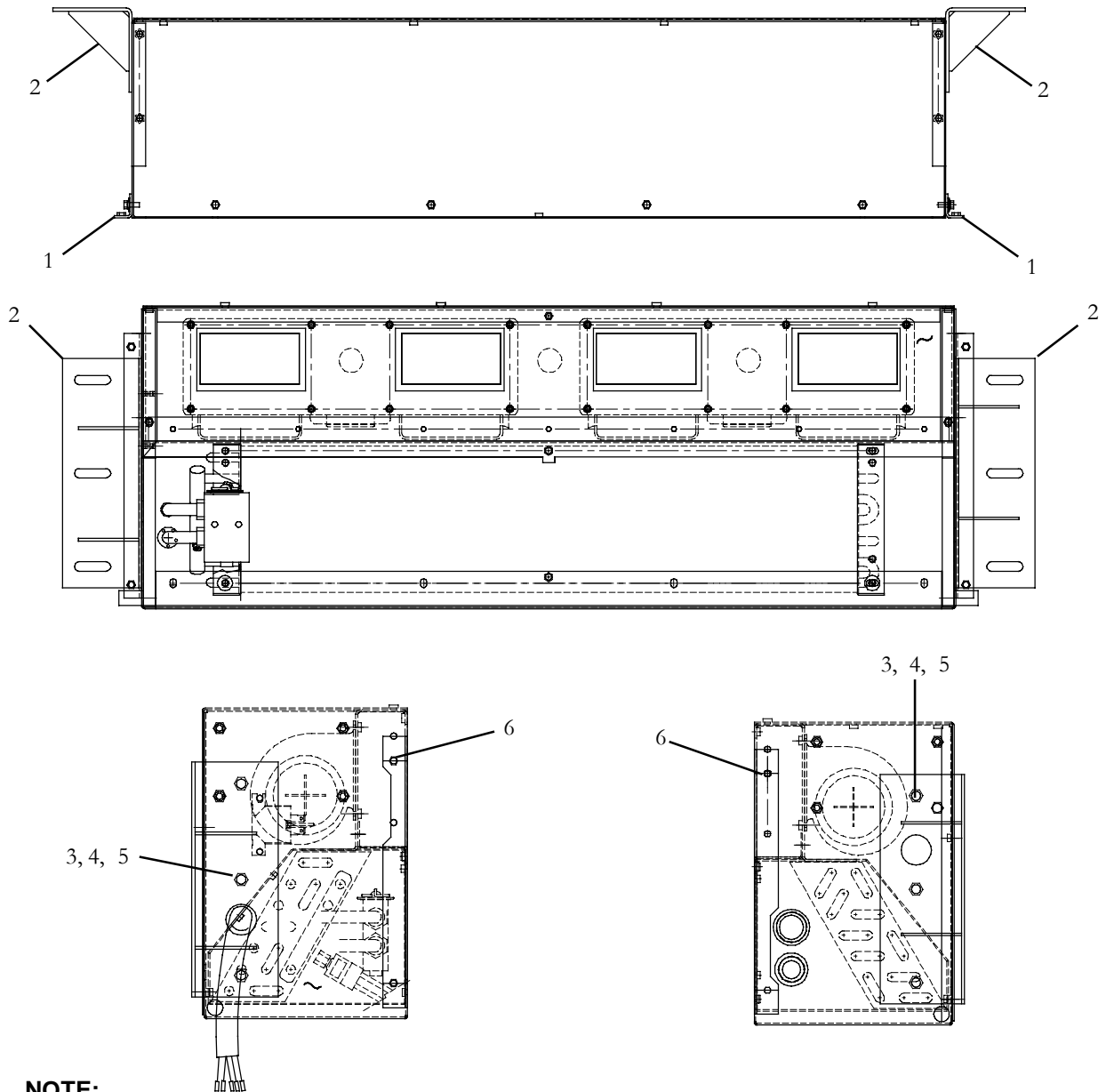
NOTE:

PARTS LIST FOR EVAPORATOR KIT 77-62134-02 IS THE SAME AS KIT 77-62134-00 EXCEPT ADDITIONS AS SHOWN.

Item	Part Number	Description	Qty
-	77-00301-01	Evaporator Chassis Assembly, IW-2 - Includes Parts in Section 1.11.1	-
1	68-63529-00	...Bracket, Evaporator Mounting	1
2	68-63529-01	...Bracket, Evaporator Mounting	1
3	34-06224-00	...Screw, Hex Head, With Captive Washer, 1/4-20 X .75 Inch Long, SST	8



1.11.3 EVAPORATOR, IW-2 (77-62134-03 & -04)



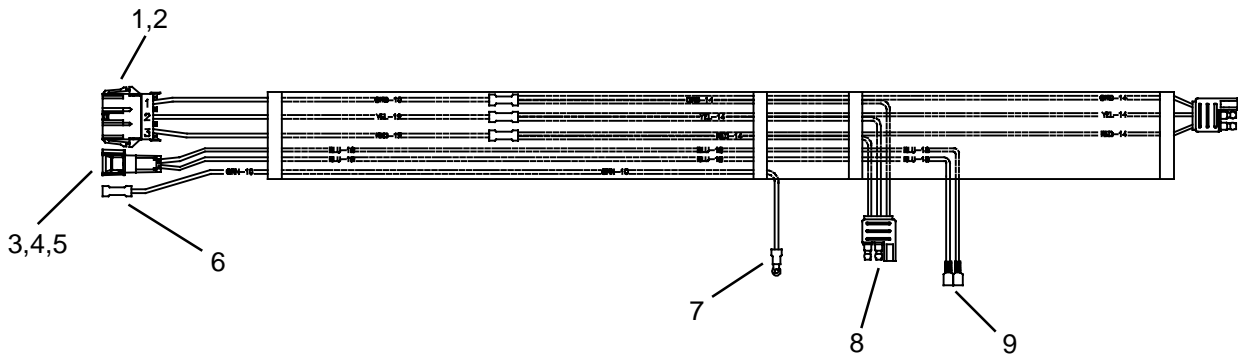
NOTE:

PARTS LIST FOR EVAPORATOR KIT 77-62134-03 & -04 IS THE SAME AS KIT 77-62134-00 EXCEPT FOR ADDITIONS AS SHOWN.

Item	Part Number	Description	Qty
-	77-00301-02	Evaporator Chassis Assembly, IW-2 - Includes Parts in Section 1.11.1	1
1	68-63617-00	...Angle Assembly, Cover, IW-2	2
2	86-62449-00	...Bracket Assembly, Evaporator Mounting, IW-2 TBB SRW	2
3	34-00792-06	...Bolt, Hex Head, 5/16-18 X .750 Inch Long, SST	6
4	34-00663-12	...Washer, Split Lock, 5/16, SST	6
5	34-00662-12	...Washer, Flat, 5/16, SST	6
6	34-00917-08	...Screw, Hex Head, With Captive Washer, 1/4-20 X .75 Inch Long, SST	4



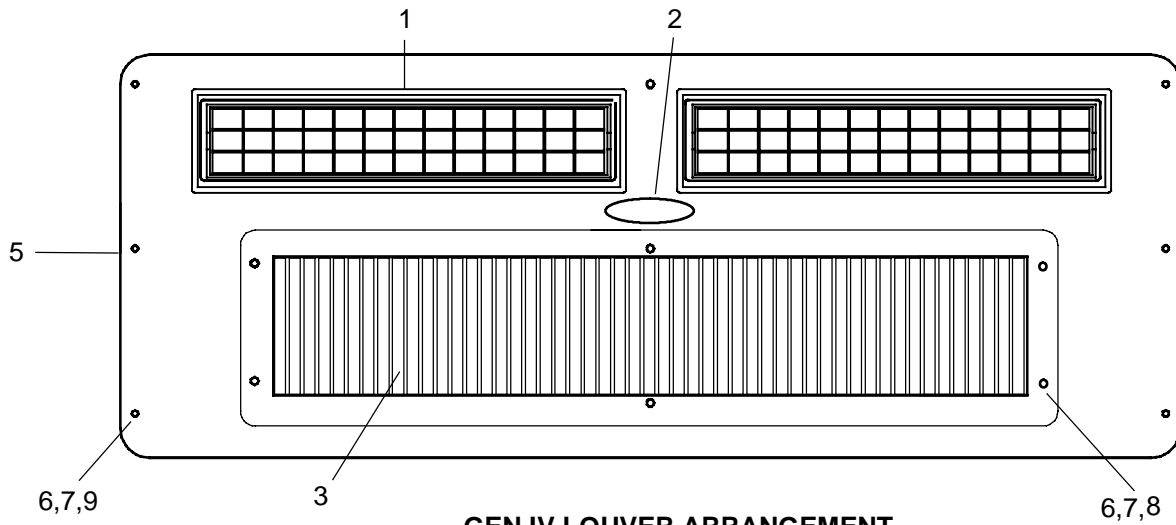
1.11.4 EVAPORATOR HARNESS, IW-2 12VDC (22-62282-00)



Item	Part Number	Description	Qty
1	22-50099-32	Connector, Plug Housing (3 position)	1
2	22-50099-32A	Terminal, Male, 10/12 AWG	3
3	22-50099-37	Connector, Male Unsealed	1
4	22-50099-37A	Terminal, Male, 16/18 AWG	2
5	22-50099-37D	Lock, Secondary	1
6	22-00066-03	Terminal, Butt Splice, 10/12 AWG	1
7	22-01140-02	Terminal, Ring #10, 10/12 AWG	1
8	22-62002-00	Connector, Electrical	2
9	22-01258-01	Terminal, Female Push-on, 18/22 AWG	2



1.11.5 EVAPORATOR, IW-2, 77-62134-00 & -01 (GEN IV)

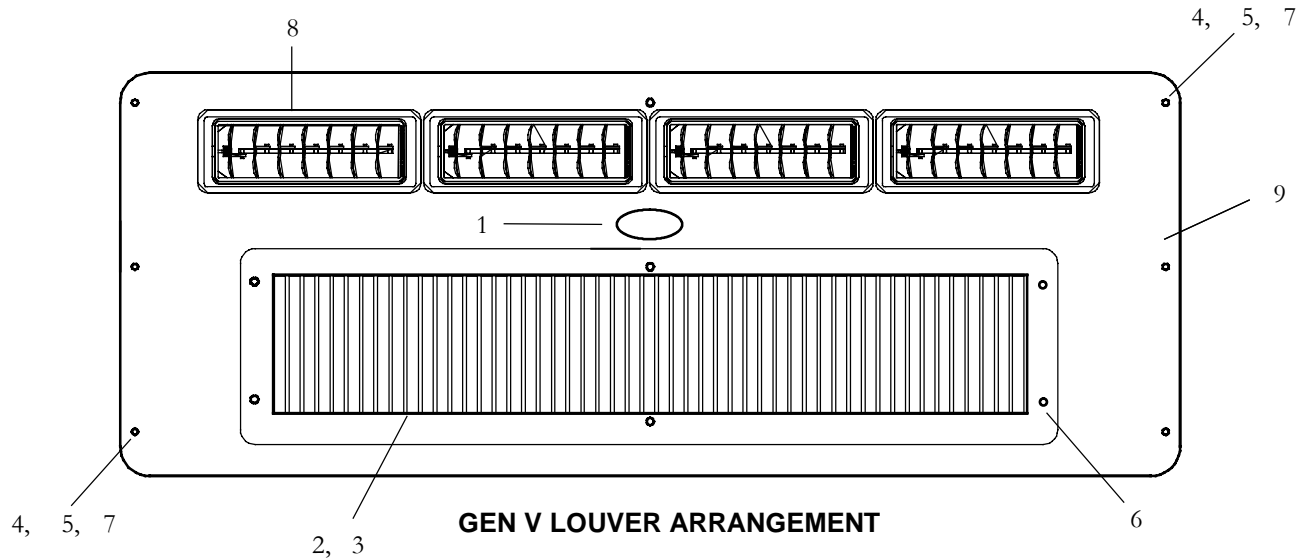


NOTE: ITEM 1 USED ON 77-62134-01 ONLY

Item	Part Number	Description	Qty
1	AC401-320	Diffuser, Air, Fixed	2
2	56-0034	Label, MCC	1
3	38-00573-06	Filter, Air, 26.30 X 5.75 X.25, IW-2, (Used On -00 Assembly Only))	1
4	68-07962-00	Grill, Painted, (Used On -00 Assembly Only)	1
5	68-07963-00	Cover, Painted (2 Louvers), (Used On -00 Assembly Only)	1
6	AC801-529	Washer, Snap Cap	13
7	AC801-531	Cap, Snap, White	13
8	34-62046-00	Screw, Pan Head, TF, #10-16 X .63 Inch Long	6
9	34-50059-00	Screw, Pan Head, #10-32 X .50 Inch Long, Zinc	7



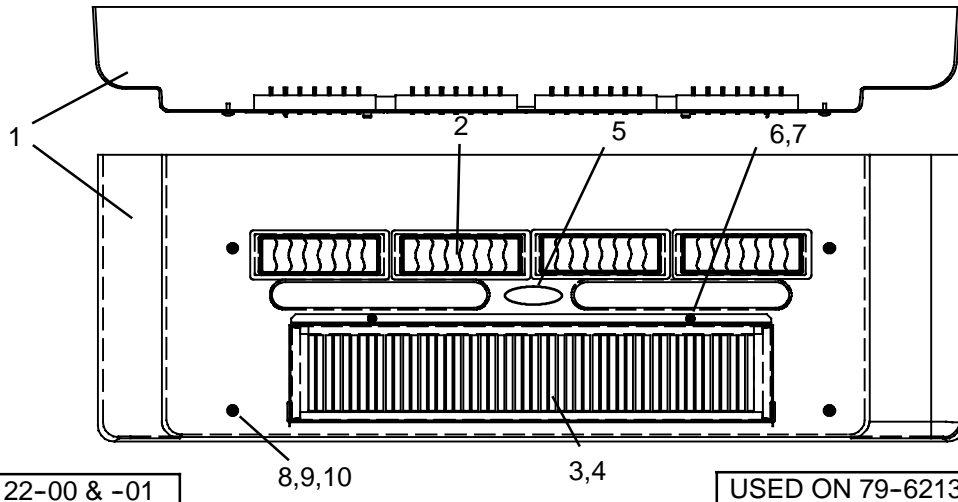
1.11.5 EVAPORATOR, IW-2, 77-62134-00 & -02



Item	Part Number	Description	Qty
1	56-0034	Label, MCC	1
2	38-00573-06	Filter, Air, IW-2 (26.3 in. X 5.75 in.)	1
3	68-07962-00	Grill, Painted	1
4	AC801-529	Washer, Snap Cap	13
5	AC801-531	Cap, Snap, White	13
6	34-62046-00	Screw, Pan Head, TF, #10-16 X .63 Inch Long	6
7	34-62057-01	Screw, Pan Head, #10-32 X .50 Inch Long, Zinc	7
8	58-62042-00	Diffuser, Air, Fixed (Rectangular, 3 x 7 Inches), (Used On -02 Assembly Only)	4
9	68-63703-00	Cover, Painted (4 Louvers)	1

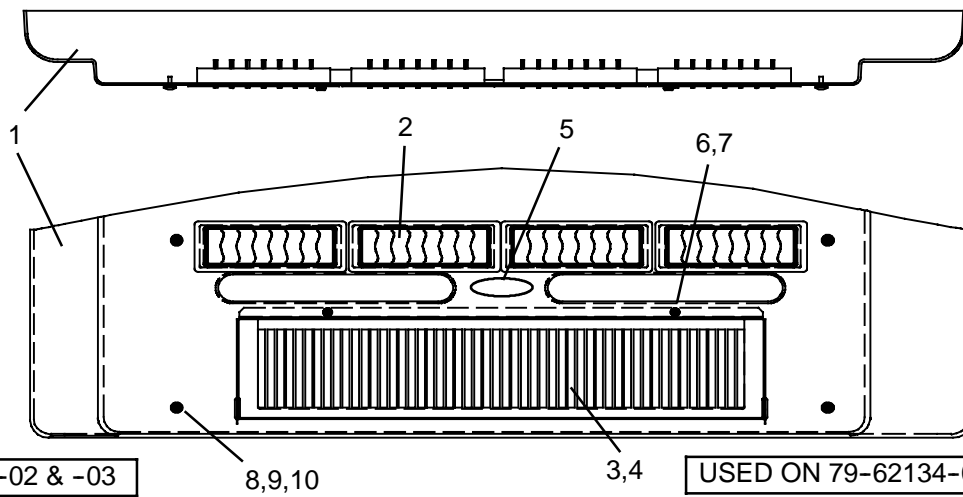


1.11.6 COVER ASSEMBLY, EVAPORATOR, IW-2 (77-62134-03, -04, -05 & -06)



79-62122-00 & -01

USED ON 79-62134-05 & -06



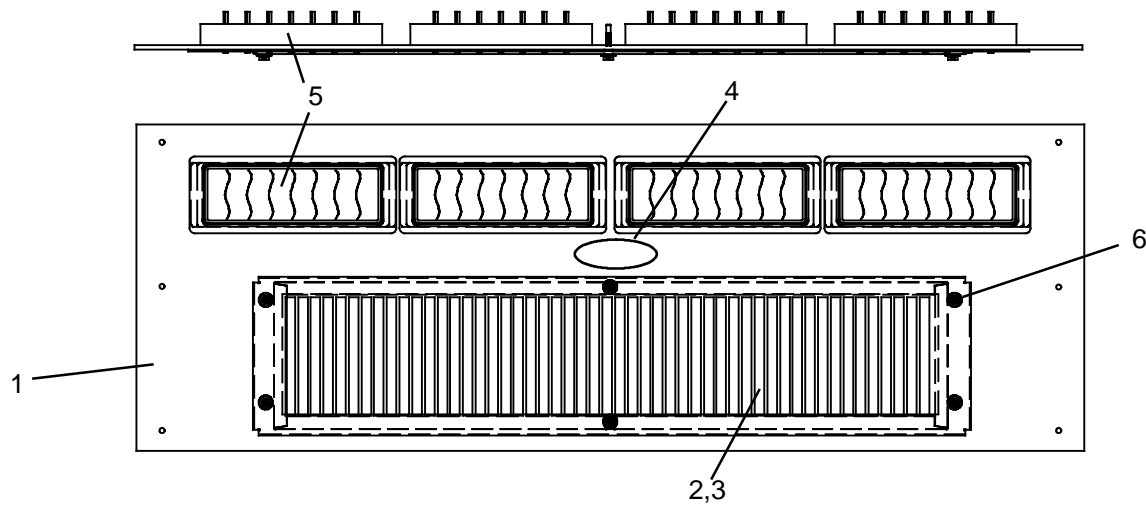
79-62122-02 & -03

USED ON 79-62134-03 & -04

Item	Part Number	Description	Qty
1	58-62203-00	Cover, Trimmed, IW-2, Gray (6.38 Inch Deep)	1
	58-62203-01	Cover, Trimmed, IW-2, White (6.38 Inch Deep)	1
	58-62203-02	Cover, Trimmed, IW-2, Gray, TBB SRW (4.40 Inch Deep)	1
	58-62203-03	Cover, Trimmed, IW-2, White, TBB SRW (4.40 Inch Deep)	1
2	58-62042-00	Diffuser, Air, Adjustable (Rectangular)	4
3	68-63754-00	Grille, Evaporator, IW-2	1
4	38-00573-10	Filter, Air, IW-2 (27.88 in. X 5.75 in.)	1
5	56-0034	Label, MCC	1
6	34-01306-00	Nut, Retaining, Tapped Hole-Chimney	2
7	AC801-307	Screw, ¼ - 20 Knurled Head	2
8	34-62054-04	Screw, MACH PNHD, #10-32 X ¾ LG	4
9	AC801-529-2	Washer, .25 Dia. Snap Cap	4
10	AC801-531	Cap, Snap, White, (77-62122-00 & -02)	4
	AC801-532	Cap, Snap, Gray, (77-62122-01 & -03)	4

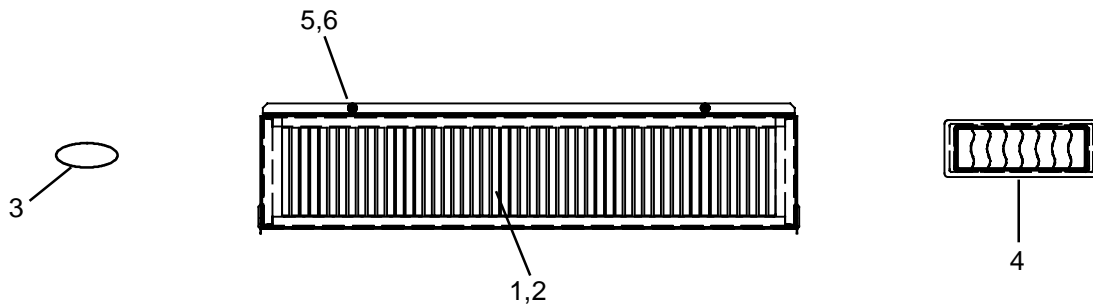


1.11.7 COVER ASSEMBLY, EVAPORATOR, IW-2 (77-62134-07 & -08)



Item	Part Number	Description	Qty
1	58-62206-00	Cover, White	1
	58-62206-01	Cover, Gray	1
2	68-63616-01	Grille, Evaporator, IW-2	1
3	38-00573-06	Filter, Air, IW-2 (26.3 in. X 5.75 in.)	1
4	56-0034	Label, MCC	1
5	58-62042-00	Diffuser, Air, Adjustable Rect.	4
6	34-00917-20	Screw, Hex Washhd, #10 -32 x 1.25	6

1.11.8 COVER ASSEMBLY, EVAPORATOR, IW-2 (77-62134-12) COMPONENTS SUPPLIED

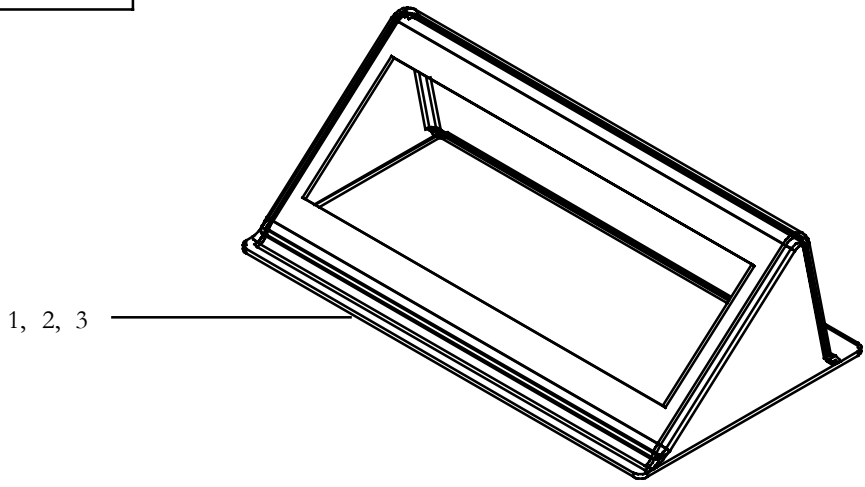


Item	Part Number	Description	Qty
1	68-63754-00	Grille, Evaporator, IW-2	1
2	38-00573-10	Filter, Air, IW-2 (27.88 in. X 5.75 in.)	1
3	56-0034	Label, MCC	1
4	58-62042-00	Diffuser, Air, Adjustable Rect.	4
5	34-01306-00	Nut, Retaining, Tapped Hole-Chimney	2
6	AC801-307	Screw, 1/4 - 20 Knurled Head	2
N/S	34-01317-00	Screw, Panhd, #10 -16 x .75 Black	6
N/S	AC801-414	Gasket, 3/8 x 1 in. soft	3 ln.ft.



1.11.9 AIR DEFLECTOR - COVER ASSEMBLY (ABS)

Reference Kits
76-62288-00 & 01



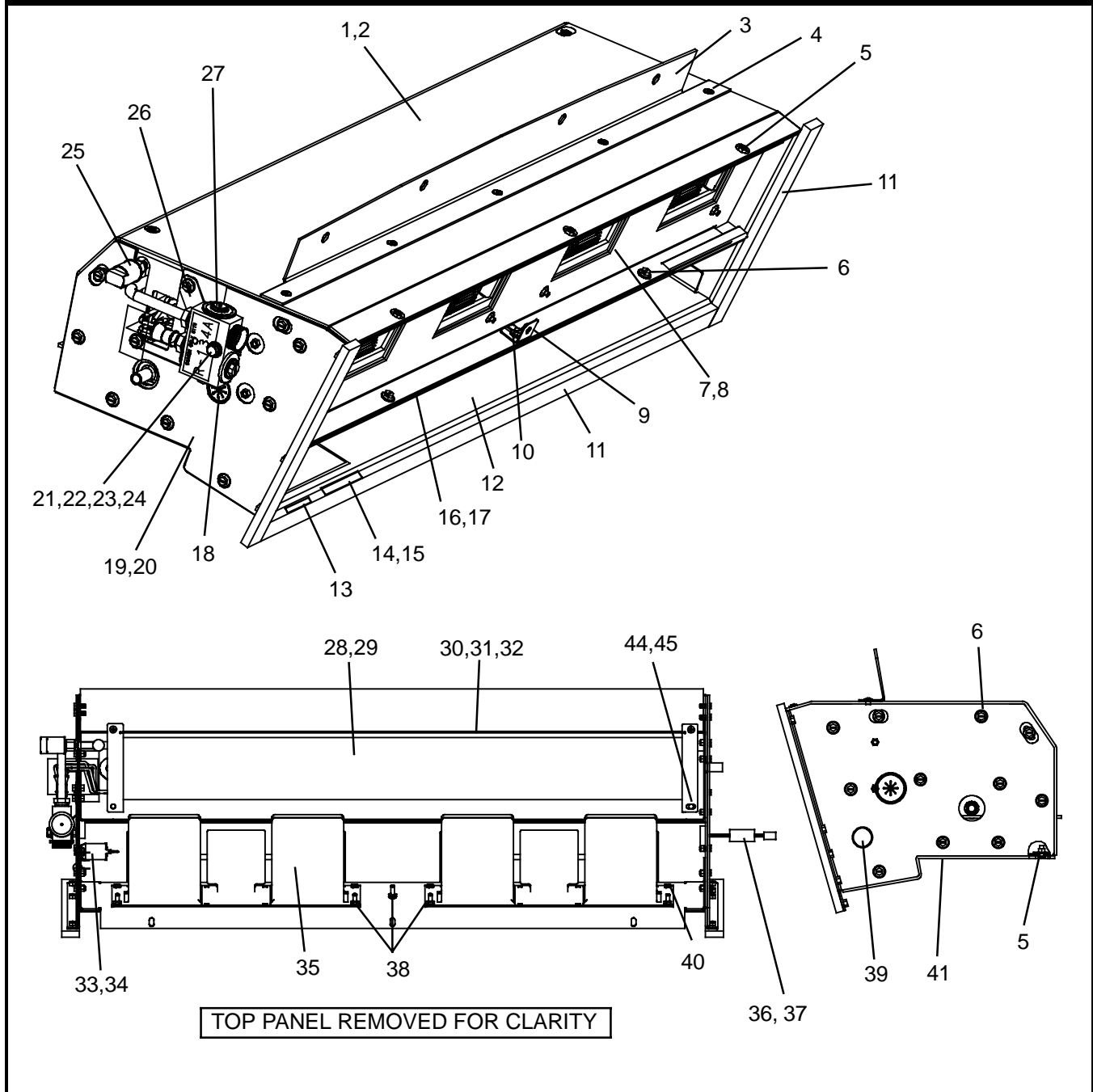
Can Be Used With All ABS IW Cover Assemblies

Item	Part Number	Description	Qty
1	58-62185-00	Deflector, Air Diverter, Gray	1
	58-62185-01	Deflector, Air Diverter, White	1
2	58-62189-00	Cap, Aluminum Tone (Kappet)	4
	58-62189-01	Cap, White (Kappet)	4
3	34-62068-00	Screw, #8-18 Self Threading	4
N/S	98-62896	Installation Instructions, Contact MCC Service Dept	1



1.12 IW-4 IN-WALL EVAPORATORS

1.12.1 EVAPORATOR, IW-4 (77-62230-00 & -01)



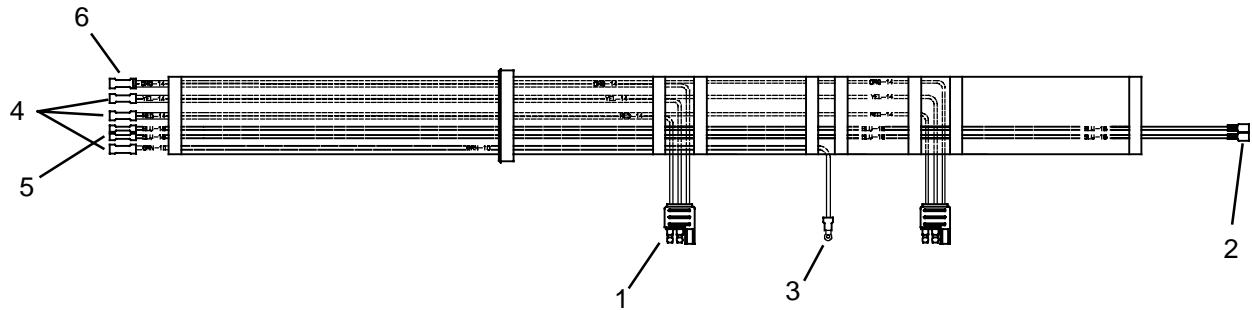
Item	Part Number	Description	Qty
-	77-62227-XX	Evaporator Chassis Assembly, IW-4 - Includes:	1
1	68-63787-00	...Panel Assembly, Top, IW-4	1
2	42-62145-00	...Insulation	1
3	Y24-00000-00	...Bracket, Mounting, IW-4	1
4	AC701-400	...Rivet, Blind	5
5	34-62054-02	...Screw, Mach PNHD, #10-32 x .50	5
6	34-00917-08	...Screw, HX HD, 10-32 x .50	27



1.12.1 EVAPORATOR, IW-4, (77-62230-00 & -01) - Continued:			
Item	Part Number	Description	Qty
7	68-63791-00	...Blower Mounting Assembly	1
8	42-62143-00	...Insulation, Blower Panel IW-4	1
9	68-63809-00	...Bracket, Mounting, Cover IW-4	1
10	34-00917-12	...Screw, HXHD, 10-32 x .75	1
11	AC801-415	...Trim, Flexible	5 ft.
12	68-63788-00	...Panel Assembly, Bottom	1
13	62-62039-00	...Label, Charge Type	1
14	62-04062-01	...Decal, Serial I.D.	1
15	62-04063-01	...Laminate	1
16	68-63792-00	...Panel Insert IW-4	1
17	42-01229-06	...Insulation	1
18	58-00661-04	...Bushing, 1.00 DIA Hole	1
19	68-63789-00	...Panel Assembly, TXV Side	1
20	42-62144-01	...Insulation, Side Panel IW-4	1
21	AC701-101	...Nut, Speed, "J" Type ¼-20	1
22	34-06212-12	...Washer, Plain, SST Deburred	1
23	34-00663-11	...Washer, Lock, SST	1
24	34-00665-12	...Screw, Cap HXHD, ¼-20 SST	1
25	AC201-412	...Pressure Switch, Low	1
26	68-63806-00	...Bracket, TXV Mounting	1
27	14-00397-00	...Valve, Expansion	1
28	08-62080-00	...Coil, Evaporator, IW-4	1
29	AC022-743-9	...Gasket, ⅛ THK	1
30	86-62557-00	...Weld Assembly, Drain Pan	1
31	AC022-313-4	...Baffle, Drain Pan	1
32	AC022-743-12	...Gasket, ⅛ THK	1
33	12-00685-00	...Thermostat, Freeze Up Non-Adjustable	1
34	34-62023-00	...Screw, Mach. 10-32, Binder Head Phil/Slot	2
35	AC401-203	...Fan & Motor Assembly, 12 VDC	2
36	22-62294-00	...Harness, Evaporator, (Used on 77-62230-00) (See Section 1.12.2)	1
	Y25-00006-00	...Harness, Evaporator, (Used on 77-62230-01) (See Section 1.12.3)	1
37	58-00079-02	...Sta-Strap, Cable Clamp	6
38	34-00733-00	...Nut, Hex & Lockwasher	5
39	Y39-00004-20	...Plug, Hole	1
40	34-62050-04	...Screw, MACH PNHD, #10-32 w/ EXT Tooth Washer	4
41	42-62147-00	...Insulation, Bottom Panel, IW-4	1
42	68-63790-00	...Panel, Side, Non-TXV, IW-4	1
43	42-62144-00	...Insulation, Side, IW-4	1
44	34-00795-09	...Nut, Self Locking, ⅝-18 UNF	2
45	34-06212-10	...Washer, Plain, SST De-burred	2

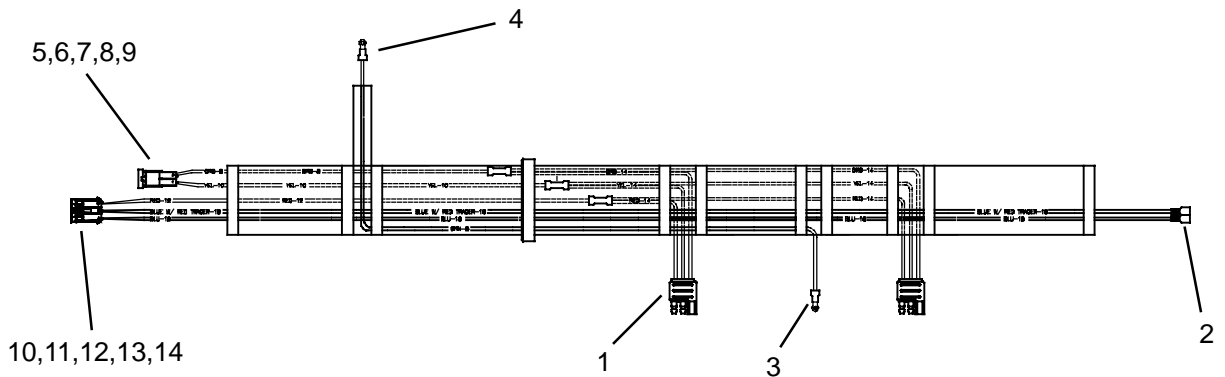


1.12.2 EVAPORATOR HARNESS, IW-4 12VDC (22-62294-00) USED ON: (77-62230-00)



Item	Part Number	Description	Qty
1	22-62002-00	Connector, Plug (Motor)	2
2	22-01258-01	Terminal, Female Push-On, 18/22 AWG	2
3	22-01140-02	Terminal, Ring #10, 12/10 AWG	1
4	22-00066-03	Terminal, Butt Splice, 12/10 AWG	3
5	22-00066-01	Terminal, Butt Splice, 22/18 AWG	2
6	22-62221-02	Terminal, Butt, Step Down 12/10 - 8 AWG	1

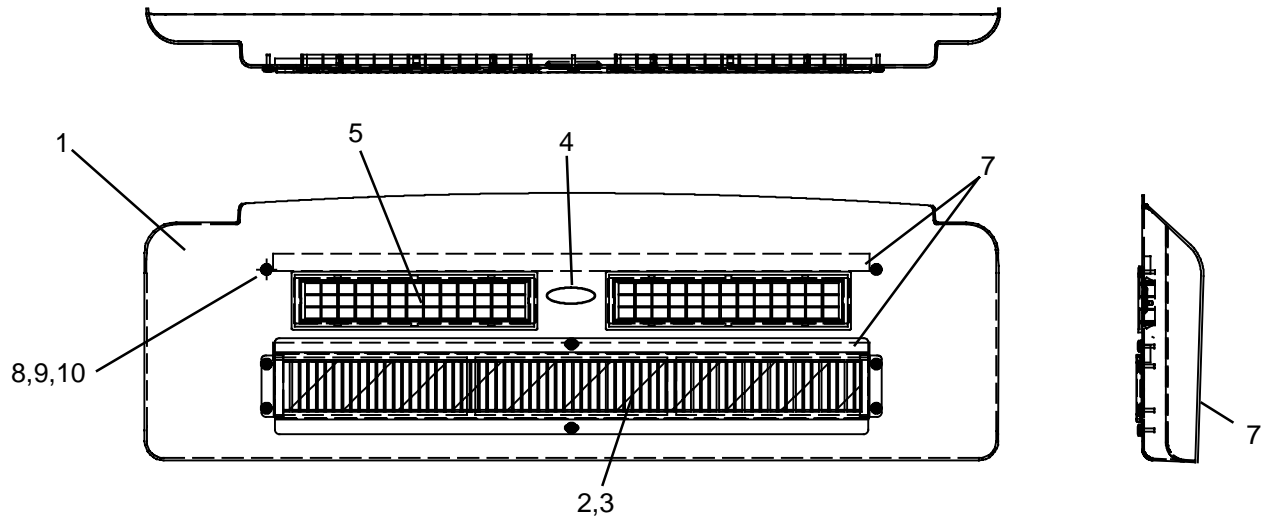
1.12.3 EVAPORATOR HARNESS, IW-4 12VDC (Y25-00006-00) USED ON: (77-62230-01)



Item	Part Number	Description	Qty
1	22-62002-00	Connector, Plug (Motor)	2
2	22-01258-01	Terminal, Female Push-On, 18/22 AWG	2
3	22-00872-01	Terminal, Ring #10, 8 AWG	1
4	22-00872-03	Terminal, Ring, 5/16, 8 AWG	1
5	22-50098-67	Connector, 2 Pin Male	1
6	22-50098-67A	Terminal, Male, 10 AWG	1
7	22-50098-67B	Terminal, Male, 7-9 AWG	1
8	22-50098-67C	Cable Seal, 10 AWG	1
9	22-50098-67D	Cable Seal, 7-9 AWG	1
10	22-50078-86	Connector, 3 Pin Male	1
11	22-50078-49A	Terminal, Male, 18 AWG	2
12	22-50078-49C	Terminal, Male, 12 AWG	1
13	22-50078-53C	Cable Seal, 18 AWG	2
14	22-50078-53D	Cable Seal, 12 AWG	1



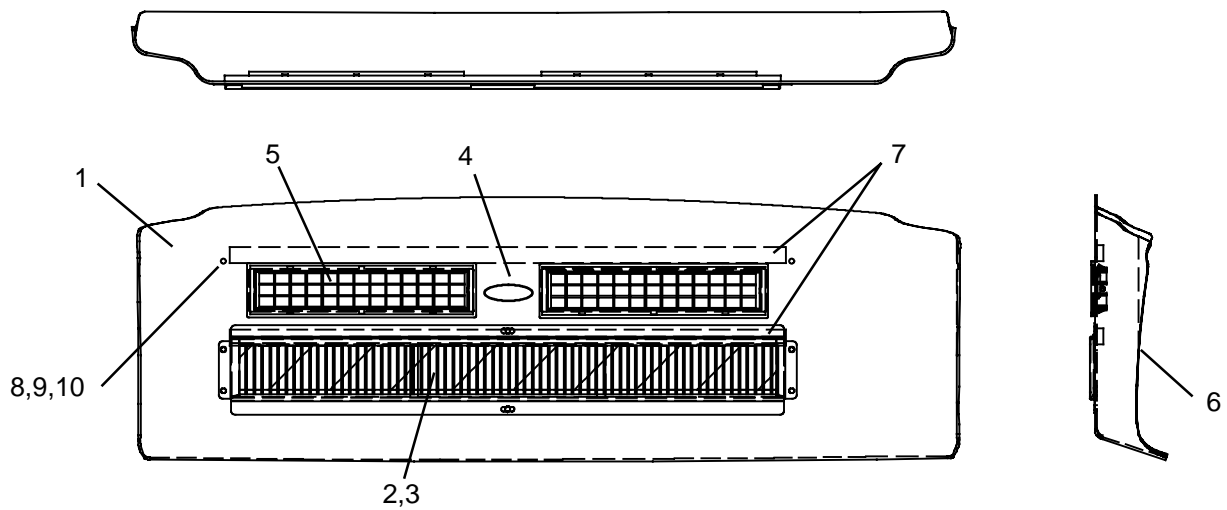
1.12.4 COVER ASSEMBLY, IW-4 USED ON (77-62230-00)



Item	Part Number	Description	Qty
-	79-62119-00	Cover Assembly, IW-4, TBB C2 Aftermarket, INCLUDES:	1
1	58-62156-12	...Cover, Dark Gray	1
2	68-63808-01	...Grill, Return Air, IW-4	1
3	38-00573-11	...Filter, Air	1
4	56-0034	...Emblem, MCC	1
5	58-62209-00	...Diffuser, Air	2
6	AC801-412	...Trim, Flexible	10.8 ft.
7	AC801-414	...Gasket	5.8 ft.
8	AC-801-529-2	...Washer, .25 DIA. Snap Cap	8
9	58-62217-04	...Cap, Snap, Dark Gray	8
10	34-62057-03	...Screw, MACH PNHD, #10-32 x .75 lg	8



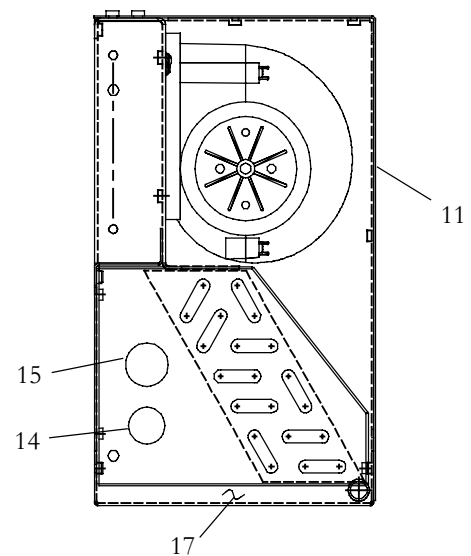
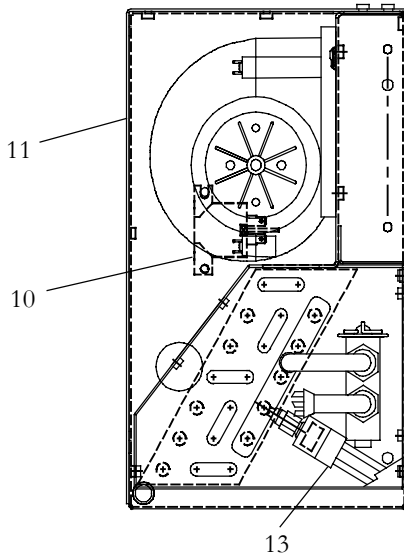
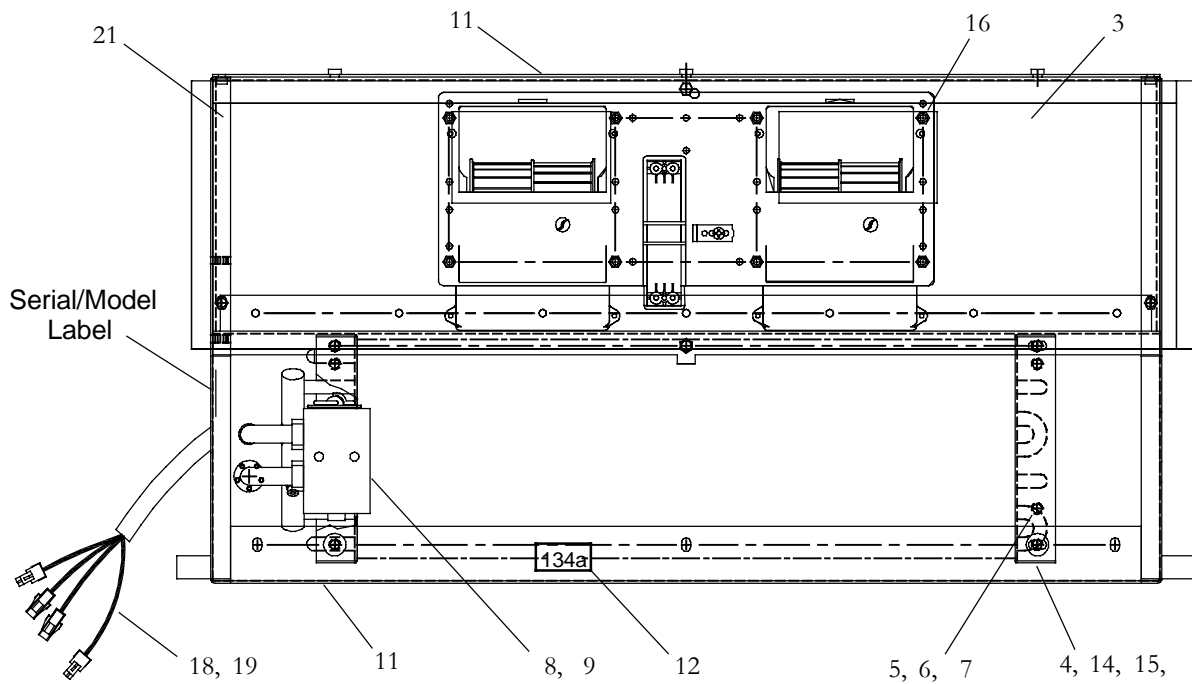
1.12.5 COVER ASSEMBLY, IW-4 USED ON (77-62230-01)



Item	Part Number	Description	Qty
-	79-62119-01	Cover Assembly, IW-4, TBB C2, OEM, INCLUDES:	1
1	Y28-00014-00	...Cover, Dark Gray	1
2	68-63808-01	...Grill, Return Air, IW-4	1
3	38-00573-11	...Filter, Air	1
4	56-0034	...Emblem, MCC	1
5	58-62209-00	...Diffuser, Air	2
6	AC801-412	...Trim, Flexible	10.8 ft.
7	AC801-414	...Gasket	5.8 ft.
8	AC-801-529-2	...Washer, .25 DIA. Snap Cap	8
9	58-62217-04	...Cap, Snap, Dark Gray	8
10	34-62057-03	...Screw, MACH PNHD, #10-32 x .75 lg	8

1.13 IW-7 IN-WALL EVAPORATORS

1.13.1 EVAPORATOR, IW-7 (77-62131-00)

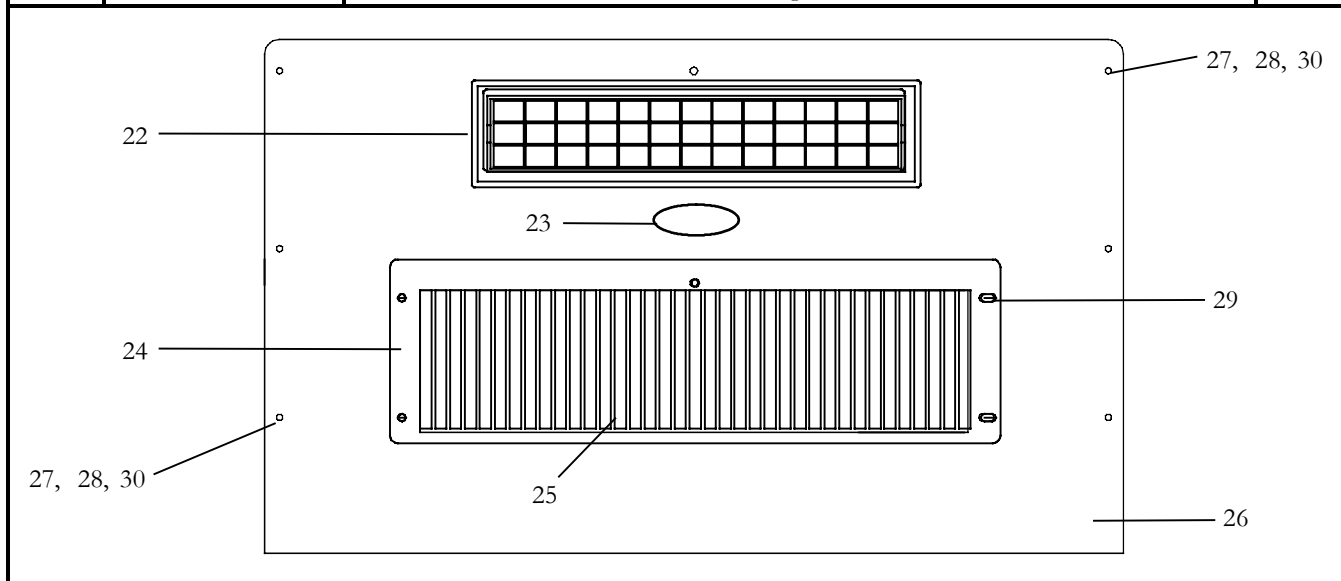


Item	Part Number	Description	Qty
1	77-62166-00	Evaporator Chassis Assembly, IW-7 - Includes:	1
2	86-62325-00	...Panel Assembly, Bottom, IW-7, (Welded)	1
3	79-62081-00	...Panel Assembly, Blower, IW-7 - Includes:	1



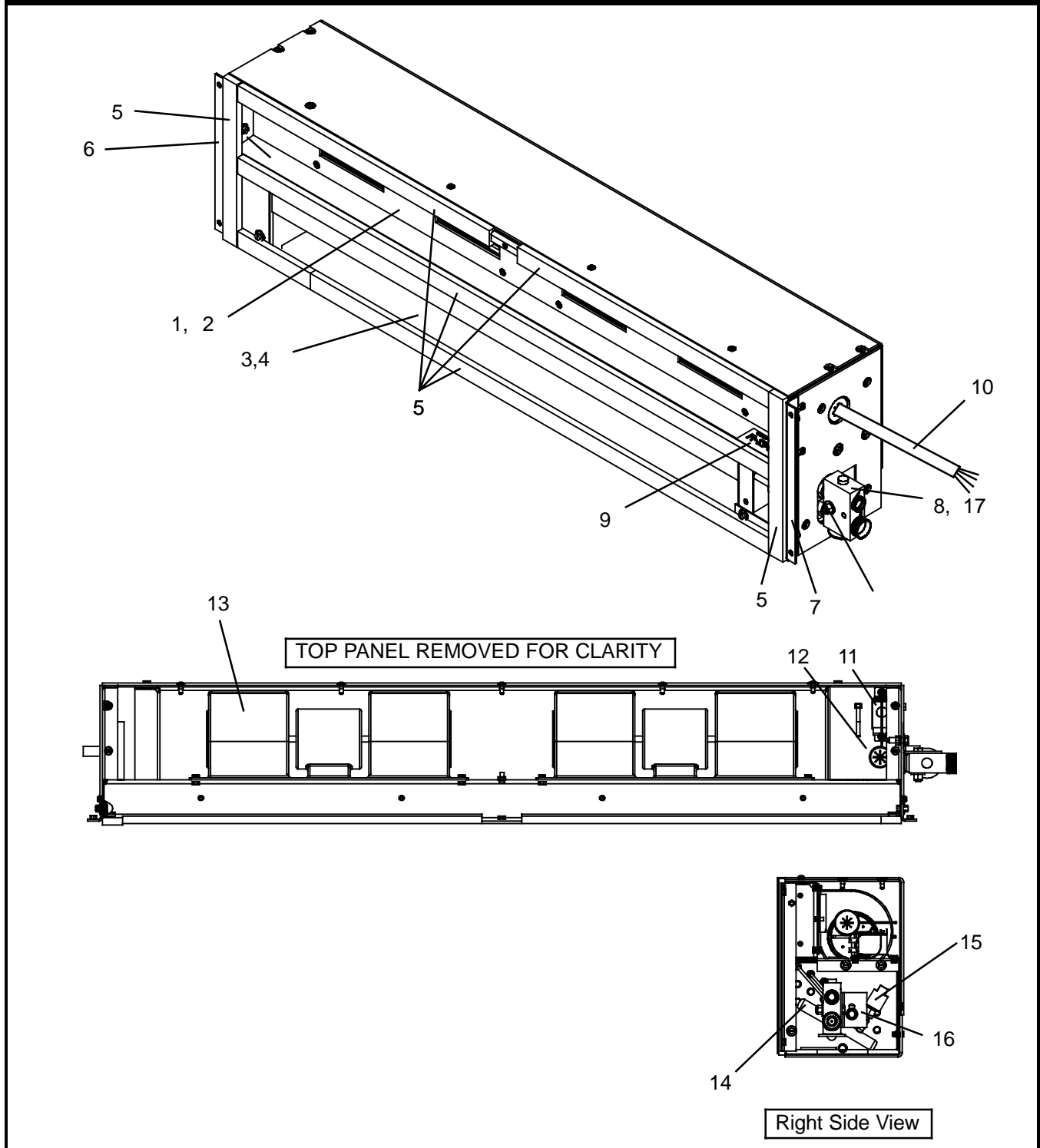
1.13.1 EVAPORATOR, IW-7, (77-62131-00) - Continued:

Item	Part Number	Description	Qty
4	08-62045-00	...Coil, Evaporator, IW-7 - Includes:	1
5	40-01124-00Body, Valve, Schrader, Brass, 1/4 SAE Flare - Includes:	1
6	14-00351-00Core, Access Valve, (Nickel Plated)	1
7	DD19CA061Cap, Seal, Flare, 1/4 Inch	1
8	14-00397-00	...Valve, Thermal Expansion Block, (R134a)	1
9	AC801-202	...O-Ring, 1/2 Inch HNBR	2
10	12-00547-00	...Thermostat, Freeze-Up, Non Adjustable	1
11	AC801-416	...Gasket, Foam, 1/8 X 12-3/4 Inch (25 Ft. Roll)	1
12	62-62039-00	...Label, R134a	1
13	AC201-412	...Switch, Low Pressure	1
14	58-00065-26	...Grommet, 3/4 Inch I.D.	2
15	58-00065-83	...Grommet, 1 Inch I.D.	2
16	54-00606-00	...Fan & Motor Assembly, Permanent Magnet, 12 VDC	1
17	AC022-313-3	...Baffle, Drain Pan	1
18	22-62175-00	...Harness, Evaporator, IW-7, Includes:	1
19	AC201-600Diode, 6 Amp, 250 Volt	1
20	42-00032-01	...Tape, Insulation, Pressstite, 2.00 X 48.00 Inches Long	1
21	AC801-414	...Gasket, Foam, 3/8 X 1.00 Inch, (25 Foot Roll)	1
22	AC401-320	Diffuser, Air, EM-1/2/3/6, GEN 3 (Used With OEM Supplied Grill Assy)	1
23	56-0034	Decal, MCC (Used With OEM Supplied Grill Assy)	1
24	38-00573-05	Filter, Air, IW-7, (5.5 X 19. Inches) (Used With OEM Supplied Grill Assy)	1
25	68-07964-00	Grill, Painted	1
26	68-07965-00	Cover, Painted	1
27	AC801-529	Washer, Snap Cap	12
28	AC801-531	Cap, Snap, White	12
29	34-62046-00	Screw, Pan Head, TF, #10-16 X .63 Inch Long	6
30	34-62057-01	Screw, Pan Head, #10-32 X .50 Inch Long, Zinc	6



1.14 IW-10 IN-WALL EVAPORATORS

1.14.1 EVAPORATOR, Chassis Kit (77-62200-00), IW-10, USED ON: (77-62233-00,-01,-02, & -05)

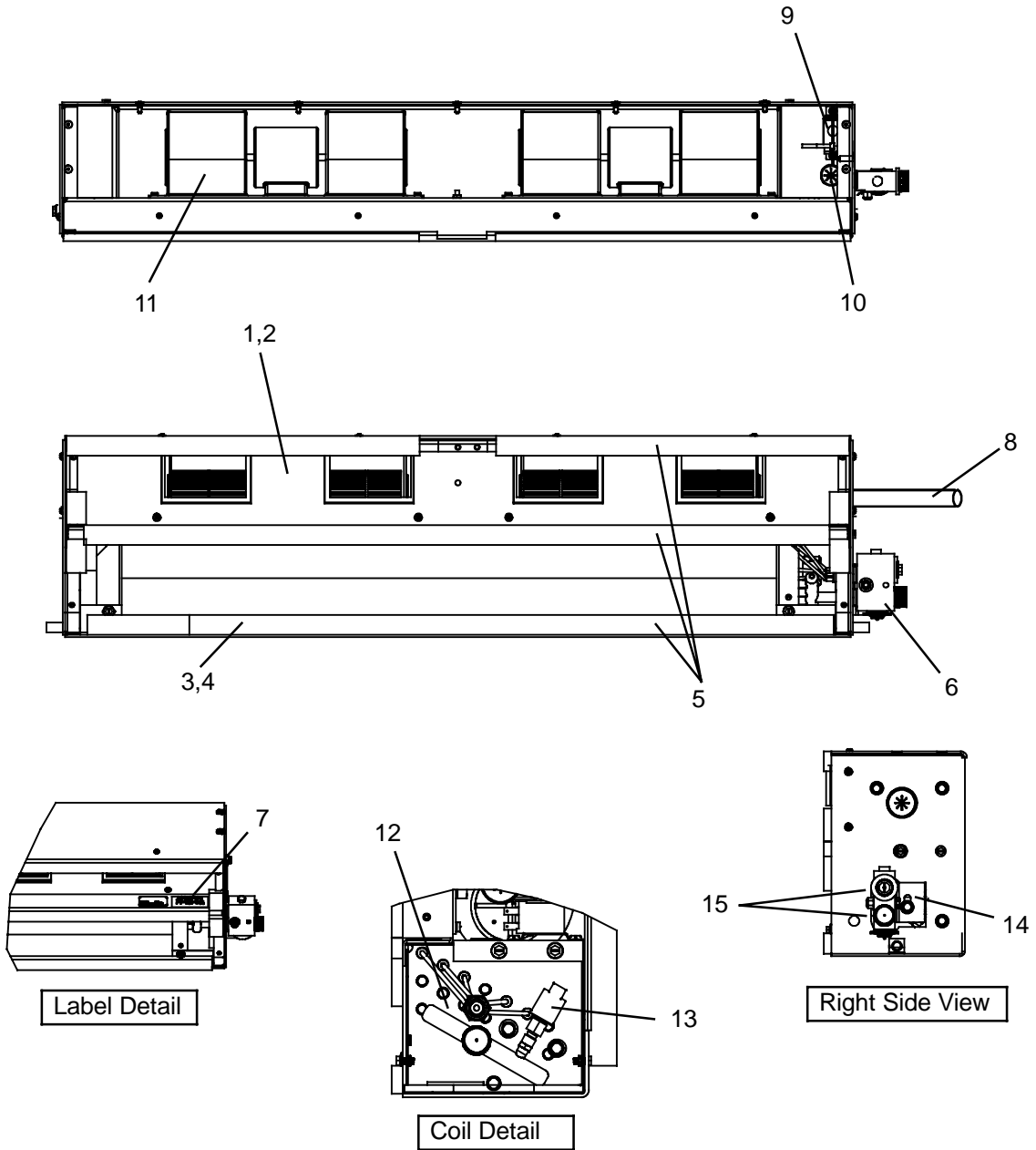




1.14.1 EVAPORATOR, Chassis Kit (77-62200-00), IW-10, USED ON: (77-62233-00,-01,-02, & -05) Continued:			
Item	Part Number	Description	Qty
-	77-62200-00	Evaporator Chassis Assembly, IW-10 - Includes:	1
1	68-63727-00	...Blower Panel Assembly	1
2	42-01266-00	...Insulation, Blower Panel Assembly	1
3	86-62509-00	...Weld Assembly, Bottom (Drain Pan w/Side Panels)	1
4	AC022-313-5	...Baffle, Drain Pan	1
5	AC801-414	...Gasket, 3/8 x 1 in. Soft	12 ft
6	68-08250-00	...Bracket, Mounting, LH	1
7	68-08211-00	...Bracket, Mounting, RH	1
8	14-00397-00	...Valve, Expansion (TXV)	1
9	62-62039-00	...Label, Charge Type	1
10	22-62297-00	...Harness, Evaporator	1
11	12-00685-00	...Thermostat, Freeze Up, Non-Adjustable	1
12	58-00661-04	...Bushing, 1.00 in. DIA. Hole	1
13	AC401-203	...Fan & Motor Assembly	2
14	08-62076-00	...Coil Assembly, Evaporator	1
15	AC201-412	...Pressure Switch, Low	1
16	68-63410-00	...Bracket, TXV Mounting	1
17	AC801-202	...O-Ring,	2

1.14.2 EVAPORATOR, Chassis Kit (77-62200-01 & -02), IW-10 USED ON: (77-62233-03 & -04):

COMMON PARTS:





1.14.2 EVAPORATOR, Chassis Kit (77-62200-01 & -02) , IW-10, USED ON: (77-62233-03 & -04)			COMMON
PARTS: CONTINUED:			
Item	Part Number	Description	Qty
-	77-62200-XX	Evaporator Chassis Assembly, IW-10 - Includes:	1
1	68-63883-00	...Blower Panel Assembly	1
2	42-01266-01	...Insulation, Blower Panel Assembly	1
3	86-62587-00	...Weld Assembly, Bottom (Drain Pan w/Side Panels)	1
4	AC022-313-5	...Baffle, Drain Pan	1
5	AC801-414	...Gasket, 3/8 x 1 in. Soft	12 ft
6	14-00397-00	...Valve, Expansion (TXV)	1
7	62-62039-00	...Label, Charge Type	1
8	22-62297-00	...Harness, Evaporator, (Used On 77-62233-03) See Section 1.14.5	1
	Y25-00000-00	...Harness, Evaporator, (Used On 77-62233-04) See Section 1.14.6	1
9	12-00685-00	...Thermostat, Freeze Up, Non-Adjustable	1
10	58-00661-04	...Bushing, 1.00 in. DIA. Hole	1
11	AC401-203	...Fan & Motor Assembly	2
12	08-62076-00	...Coil Assembly, Evaporator	1
13	AC201-412	...Pressure Switch, Low	1
14	68-63410-00	...Bracket, TXV Mounting	1
15	AC801-202	...O-Ring,	2

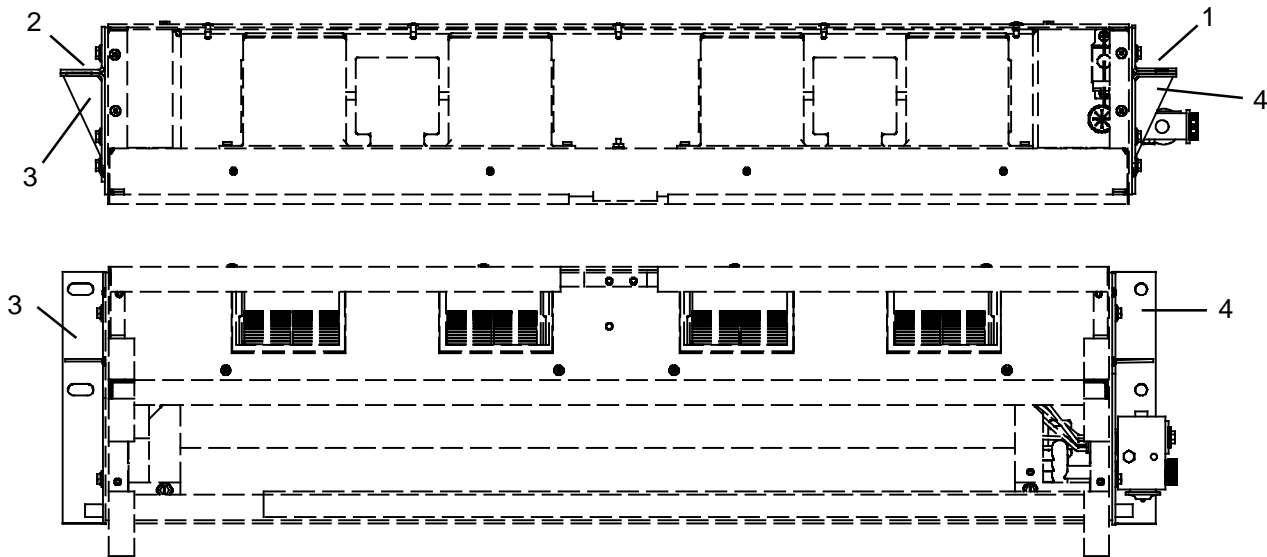


1.14.3 EVAPORATOR, Mounting Brackets, IW-10 USED ON: (77-62233-03 ONLY)



Item	Part Number	Description	Qty
1	86-62588-00	...Weld Assembly, Mounting, RH Side	1
2	86-62589-00	...Weld Assembly, Mounting, LH Side	1

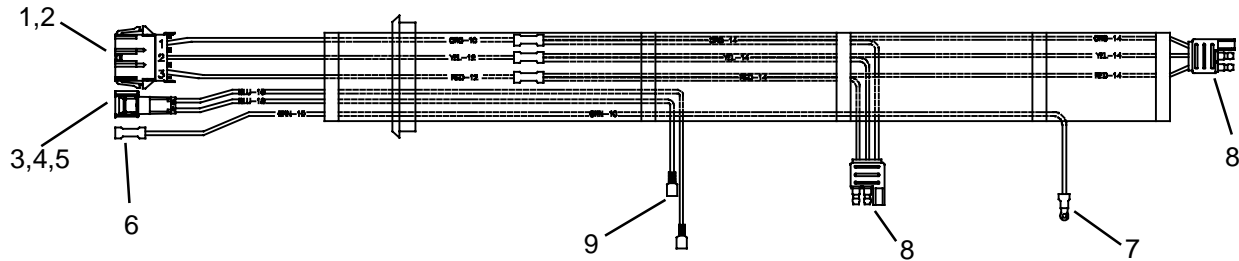
1.14.4 EVAPORATOR, Mounting Brackets, IW-10 USED ON: (77-62233-04 ONLY)



Item	Part Number	Description	Qty
1	Y24-00021-00	...Bracket, Mounting, RH Side	1
2	Y24-00022-00	...Bracket, Mounting, LH Side	1
3	Y24-00023-00	...Weld Assembly, Mounting, LH Side	1
4	Y24-00024-00	...Weld Assembly, Mounting, RH Side	1

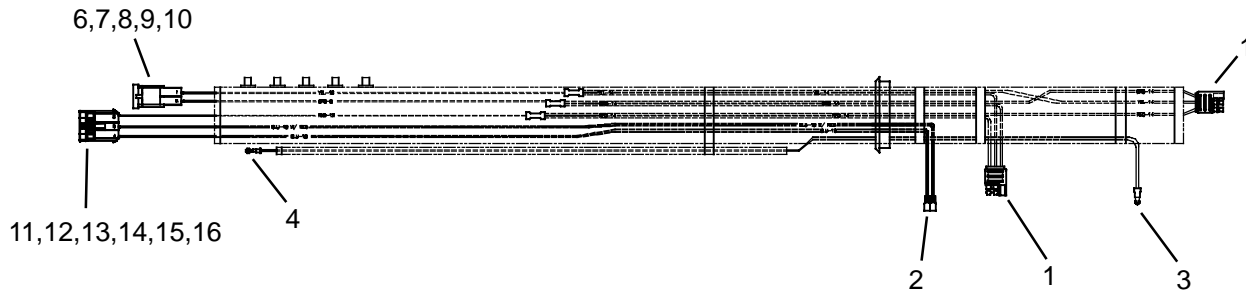


1.14.5 EVAPORATOR HARNESS, IW-10 12VDC (22-62297-00)



Item	Part Number	Description	Qty
1	22-50099-32	Connector, Plug Housing (3 position)	1
2	22-50099-32A	Terminal, Male, 10/12 AWG	3
3	22-50099-37	Connector, Male Unsealed	1
4	22-50099-37A	Terminal, Male, 16/18 AWG	2
5	22-50099-37D	Lock, Secondary	1
6	22-00066-03	Terminal, Butt Splice, 10/12 AWG	1
7	22-01140-02	Terminal, Ring #10, 10/12 AWG	1
8	22-62002-00	Connector, Electrical, Motor	2
9	22-01258-01	Terminal, Female Push-on, 18/22 AWG	2

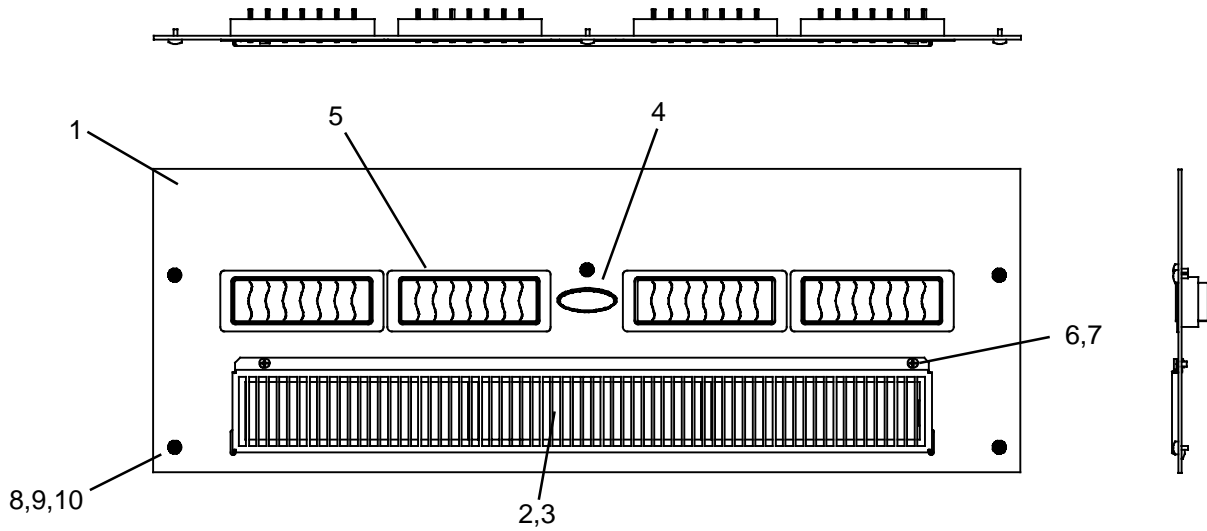
1.14.6 EVAPORATOR HARNESS, IW-10 12VDC (Y25-00000-00)



Item	Part Number	Description	Qty
1	22-62002-00	Connector, Plug (Motor)	2
2	22-01258-01	Terminal, Female Push-On, 18/22 AWG	2
3	22-00872-01	Terminal, Ring #10, 8 AWG	1
4	22-00872-03	Terminal, Ring 5/16, 8 AWG	1
5	58-00661-07	Bushing	1
6	22-50098-67	Connector, Male, 2 position	1
7	22-50098-67B	Terminal, Male, 8 AWG	1
8	22-50098-67D	Cable Seal, 8 AWG	1
9	22-50098-67A	Terminal, Male, 10/12 AWG	1
10	22-50098-67C	Cable Seal, 10/12 AWG	1
11	22-50078-86	Connector, Male, 3 position	1
12	22-50078-49A	Terminal, Male, 18 AWG	2
13	22-50078-53C	Cable Seal, 18 AWG	2
14	22-50078-49C	Terminal, Male, 12 AWG	1
15	22-50078-53D	Cable Seal, 12 AWG	1
16	22-50078-86A	Lock, Secondary	1



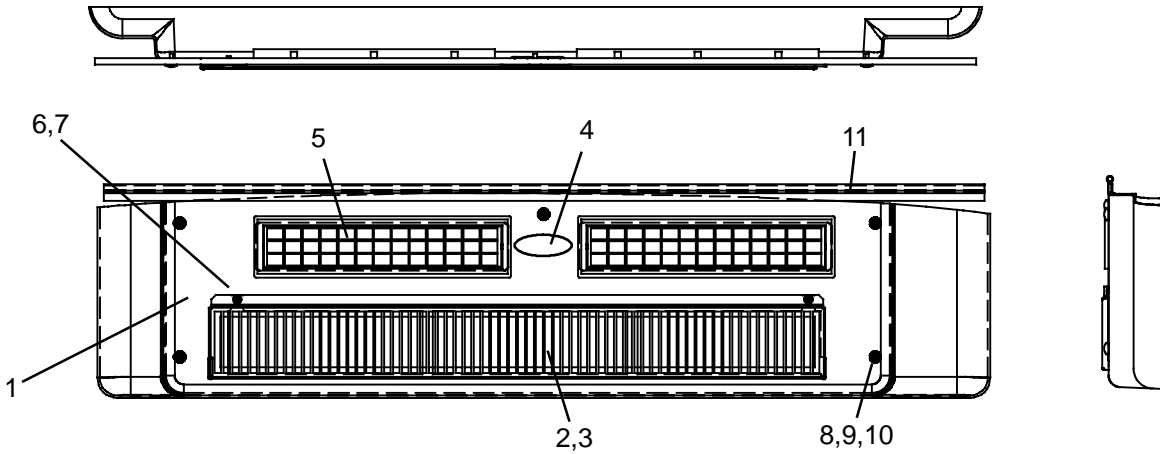
1.14.7 COVER ASSEMBLY, 79-62125-00 & -01, IW-10 USED ON (77-62233-00 & -01)



Item	Part Number	Description	Qty
-	79-62125-XX	Cover Assembly, IW-10, INCLUDES:	1
1	58-62188-00	...Cover, White, (Used On 77-62233-00)	1
	58-62188-01	...Cover, Light Gray, (Used On 77-62233-01)	1
2	68-63737-00	...Grill, Return Air, IW-10	1
3	38-00573-12	...Filter, Air	1
4	56-0034	...Emblem, MCC	1
5	58-62042-00	...Diffuser, Air, Adjustable Rectangle	4
6	AC701-106-2	...Nut, Speed 'U', 1/4 - 20 x .19 Grip	2
7	34-62047-00	...Screw, MACH PNHD, 1/4-20 x .5 lg (Black)	2
8	AC801-529-1	...Washer, .15 DIA. Snap Cap	5
9	AC801-531	...Cap, Snap, White	5
	AC801-532	...Cap, Snap, Gray	5
10	34-62050-04	...Screw, MACH PNHD, #10-32 x .5 lg w/Ex. Tooth	5

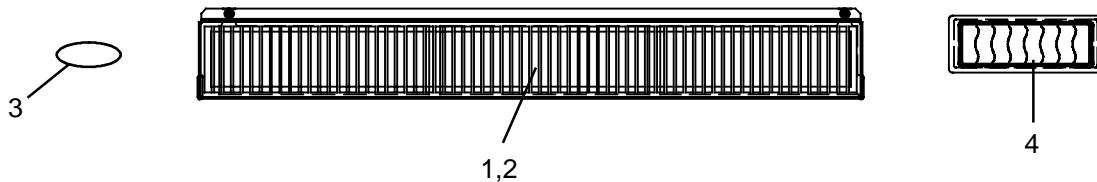


1.14.8 COVER ASSEMBLY, 79-62125-02, -03 & -04, IW-10 USED ON (77-62233-03 & -04)



Item	Part Number	Description	Qty
-	79-62125-XX	Cover Assembly, IW-10, INCLUDES:	1
1	58-62156-14	...Cover, White, Formed, (Used On 77-62233-02)	1
	58-62156-13	...Cover, Gray, Formed, TBB Aftermarket, (Used On 77-62233-03)	1
	58-62156-16	...Cover, Gray, Formed, TBB OEM, (Used On 77-62233-04)	1
2	68-63737-00	...Grill, Return Air, IW-10	1
3	38-00573-12	...Filter, Air	1
4	56-0034	...Emblem, MCC	1
5	58-62209-00	...Diffuser, Air, Adjustable Rectangle	2
6	AC701-106-2	...Nut, Speed 'U', ¼ - 20 x .19 Grip	2
7	34-62047-00	...Screw, MACH PNHD, ¼-20 x .5 lg (Black)	2
8	AC801-529-1	...Washer, .15 DIA. Snap Cap	5
9	AC801-531	...Cap, Snap, White	5
	AC801-532	...Cap, Snap, Gray	5
10	34-62050-04	...Screw, MACH PNHD, #10-32 x .5 lg w/Ex. Tooth	5
11	42-00264-63	...Seal, Trim, Black PVC/Neoprene	10 ft

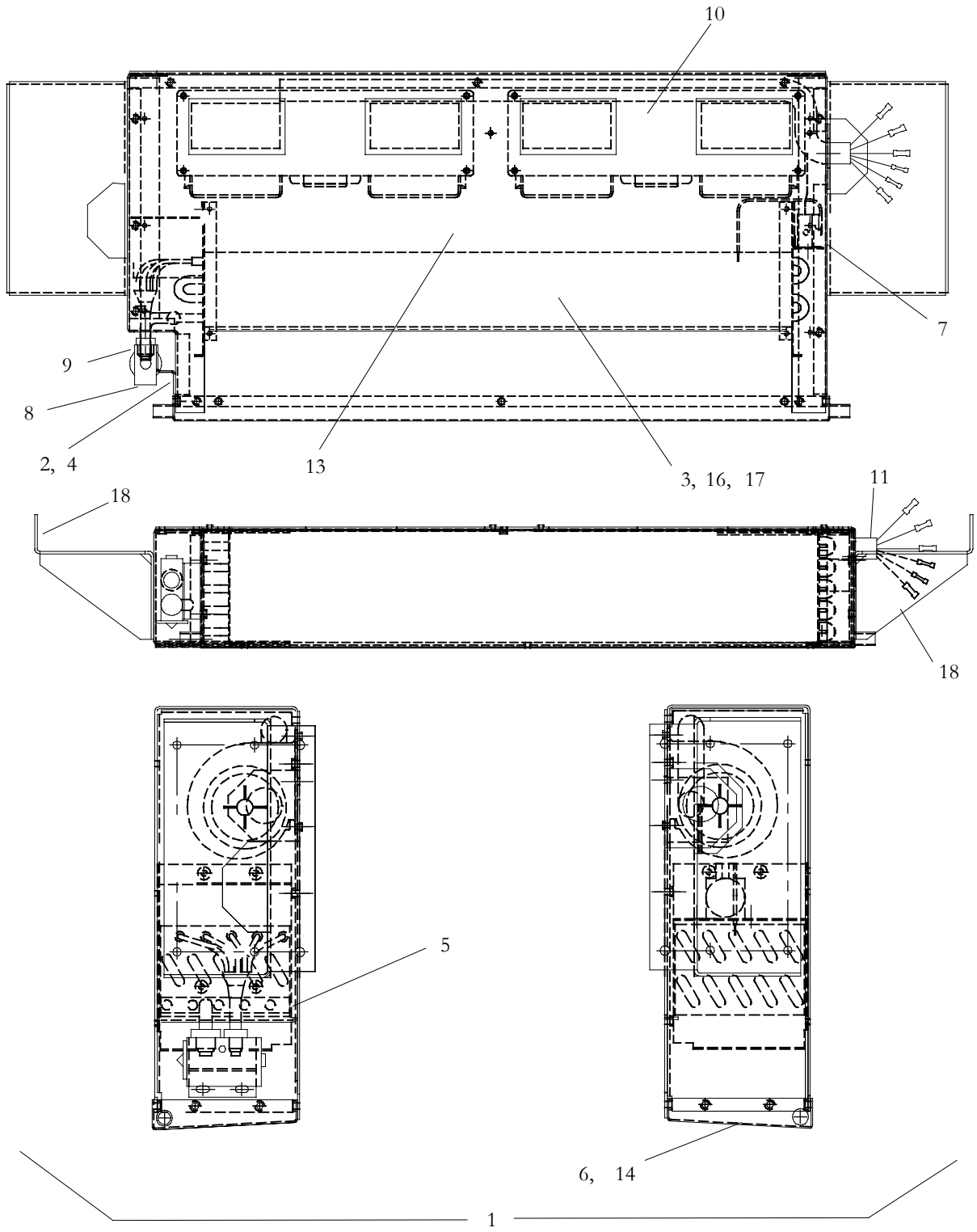
1.14.9 COVER ASSEMBLY, EVAPORATOR, IW-10 (77-62233-05) COMPONENTS SUPPLIED



Item	Part Number	Description	Qty
1	68-63737-00	Grille, Evaporator, IW-10	1
2	38-00573-12	Filter, Air, IW-2 (27.88 in. X 5.75 in.)	1
3	56-0034	Label, MCC	1
4	58-62042-00	Diffuser, Air, Adjustable Rect.	4
5	AC701-106-2	Nut, Speed 'U', ¼-20 x .19 Grip	2
6	34-62047-00	Screw, MACH PNHD, ¼ - 20 x 1 lg, Black	2
N/S	34-01317-00	Screw, TF PNHD, #10 - 16 x .75 lg, Black	6

1.15 IW-14 IN-WALL EVAPORATORS

1.15.1 EVAPORATOR, IW-14, (77-62080-00)

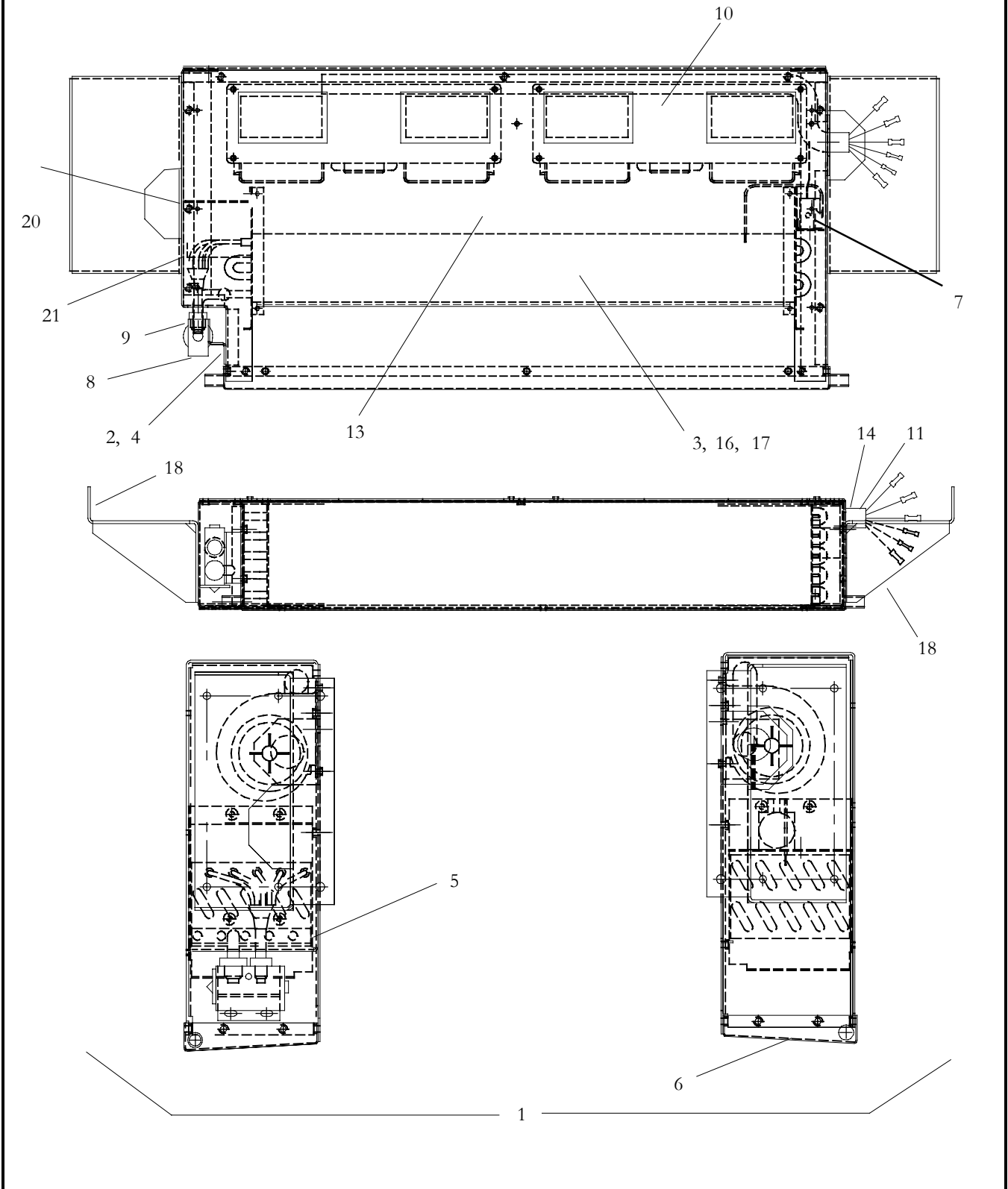




1.15.1 EVAPORATOR, IW-14, (77-62080-00) - Continued:			
Item	Part Number	Description	Qty
1	77-62080-11	Chassis Assembly, Evaporator, IW-14 - Includes: (Reference Only - NSS)	1
2	62-62039-00	...Label, R134a	1
3	08-62064-00	...Coil Assembly, 4 Row, W/O Reheat	1
4	68-63048-00	...Bracket, TXV	1
5	AC801-416	...Gasket, Foam, 1/8 X 12-3/4 Inch (300Ft. Roll)	1
6	AC022-746-1	...Gasket, Drain Pan, .50 Thick X 5.50 X 33.25	1
7	12-00685-00	...Thermostat, Freeze-Up, Non Adjustable	1
8	14-00397-00	...Valve, Thermal Expansion Block, (R134a)	1
9	AC801-202	...O-Ring, 1/2 Inch HNBR	2
10	AC401-203Blower Assembly, EM-14, 12 VDC	2
11	AC022-744Harness, Evaporator, EM-14, (12/24 VDC) - Includes:	1
12	22-62002-00Connector, Molded Plug With 60.00 Inch leads	2
13	68-62954-00Panel, Evaporator, EM-1	1
14	86-62262-00	...Panel Assembly, Drain Pan	1
15	42-00032-00	...Tape, Insulation, Presstite, 2.00 Inch X 30 Feet Long	1
16	AC801-414	...Gasket, Foam, 3/8 X 1 Inch X 25 Foot Roll	1
17	AC022-743	...Gasket, Foam, 0.12 Thick X 3.50 Wide X 26.25 Inches Long	1
18	68-63268-00	...Bracket, Mounting	2



1.15.2 EVAPORATOR, IW-14, WITH LP SWITCH (77-62080-01)

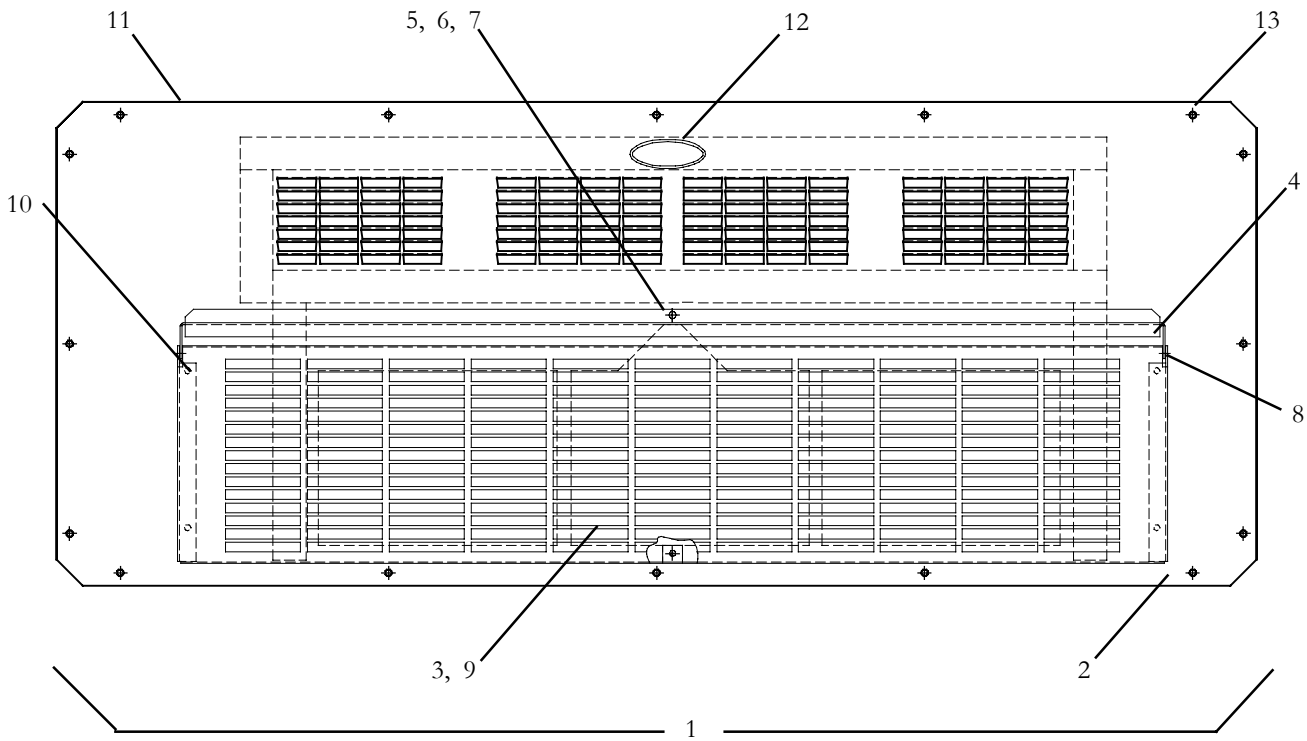




1.15.2 EVAPORATOR, IW-14, WITH LP SWITCH (77-62080-01) - Continued:			
Item	Part Number	Description	Qty
1	77-62080-12	Chassis Assembly, Evaporator, IW-14 - Includes: (Reference Only - NSS)	1
2	62-62039-00	...Label, R134a	1
3	08-62064-00	...Coil Assembly, 4 Row - Includes:	1
3.1	40-01124-00 Body, Valve, Schrader, Brass 1/4 SAE Flare - Includes	1
3.2	14-00351-00Core, Access Valve (Nickel Plated)	1
3.3	DD19CA061Cap, Seal, Flare, 1/4 Inch	1
4	68-63048-00	...Bracket, TXV	1
5	AC801-416	...Gasket, Foam, 1/8 X 12-3/4 Inch x 25 Feet Roll	1
6	AC022-746-1	...Gasket, Drain Pan, .50 Thick X 5.50 X 33.25	1
7	12-00685-00	...Thermostat, Freeze-Up, Non Adjustable	1
8	14-00397-00	...Valve, Thermal Expansion Block, (R134a)	1
9	AC801-202	...O-Ring, 1/2 Inch HNBR	2
10	AC401-203Blower Assembly, EM-14, 12 VDC	2
11	22-62240-01Harness, Evaporator, EM-14, (12/24 VDC) - Includes:	1
12	22-62002-00Connector, Molded Plug With 60.00 Inch leads	2
13	58-00661-06Bushing, Nylon, 1-3/8 Inch Hole	1
14	86-62497-00	...Drain Pan Assembly,	1
15	42-00032-00	...Tape, Insulation, Presssite, 2.00 Inch X 30 Feet Long	1
16	AC801-414	...Gasket, Foam, 3/8 X 1 Inch X 25 Foot Roll	1
17	AC022-743	...Gasket, Foam, 0.12 Thick X 3.50 Wide X 26.25 Inches Long	1
18	68-63268-00	...Bracket, Mounting	2
19	34-62055-00	...Screw, Hex Head, W/Split Lockwasher, 1/4-20 X .62 Inch Long.	8
20	58-00661-04	...Bushing, Nylon, 1-3/8 Inch Hole	1
21	AC201-412	...Switch, Low Pressure	1



1.15.3 GRILL ASSEMBLY, EVAPORATOR, IW-14, (77-62080-00 & -01)

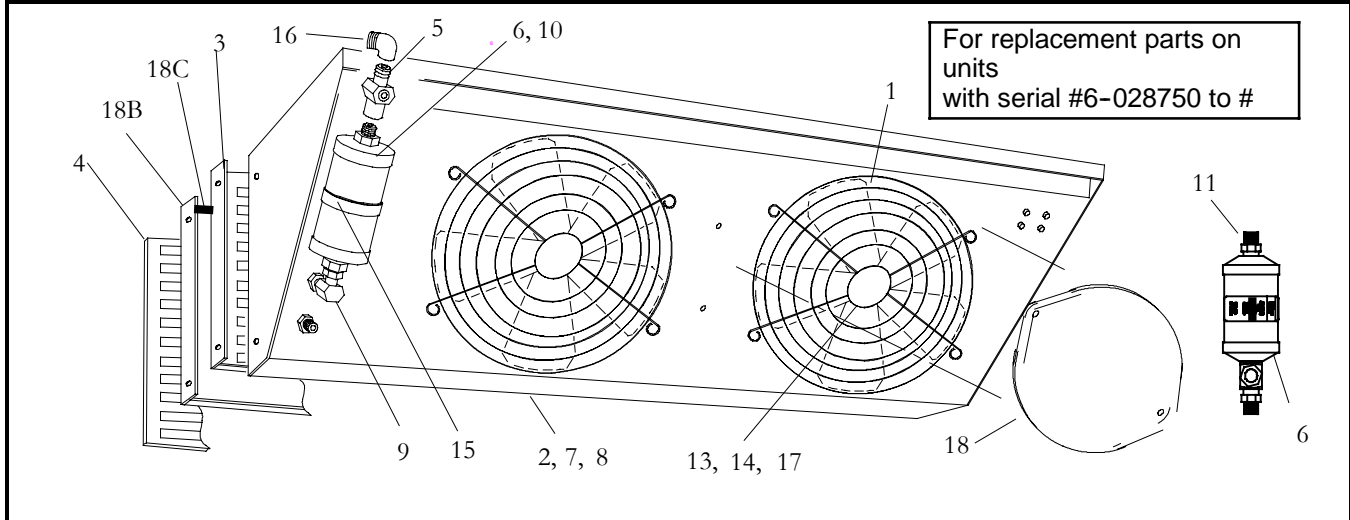


Item	Part Number	Description	Qty
1	79-62064-00	Grill Assembly IW-14, Includes:	1
2	68-62946-00Panel, Grill, EM-14, (Painted)	1
3	68-62735-01Grill, Evaporator, EM-1, GEN-5, (Painted)	1
4	68-62736-01Channel, Filter, EM-1, GEN-5, (Painted)	1
5	34-62019-00Receptacle, 1/4 Turn	1
6	34-62020-00Stud, 1/4 Turn, .25 Grip Range	1
7	34-06169-01Washer, Retaining, (Southco 82 Series)	1
8	AC701-403Rivet, Pop, 1/8 Dia. AD43H	2
9	38-00573-01Filter, Air, 36.5 X 9 X .12 Inch (EM-1 GEN 5)	1
10	AC701-400Rivet, Pop, 3/16 Dia. SD64BS	5
11	AC801-403Gasket, Foam, 1-1/4 X 1-1/4 Inch (25 Foot Roll)	1
12	56-0034 Decal, MCC	1
13	34-62045-36	Screw, Pan Head, Phillips, #10 X 1 Inch TEK	16

SECTION 2 - CONDENSERS

SECTION 2.1 CM-2 CONDENSERS

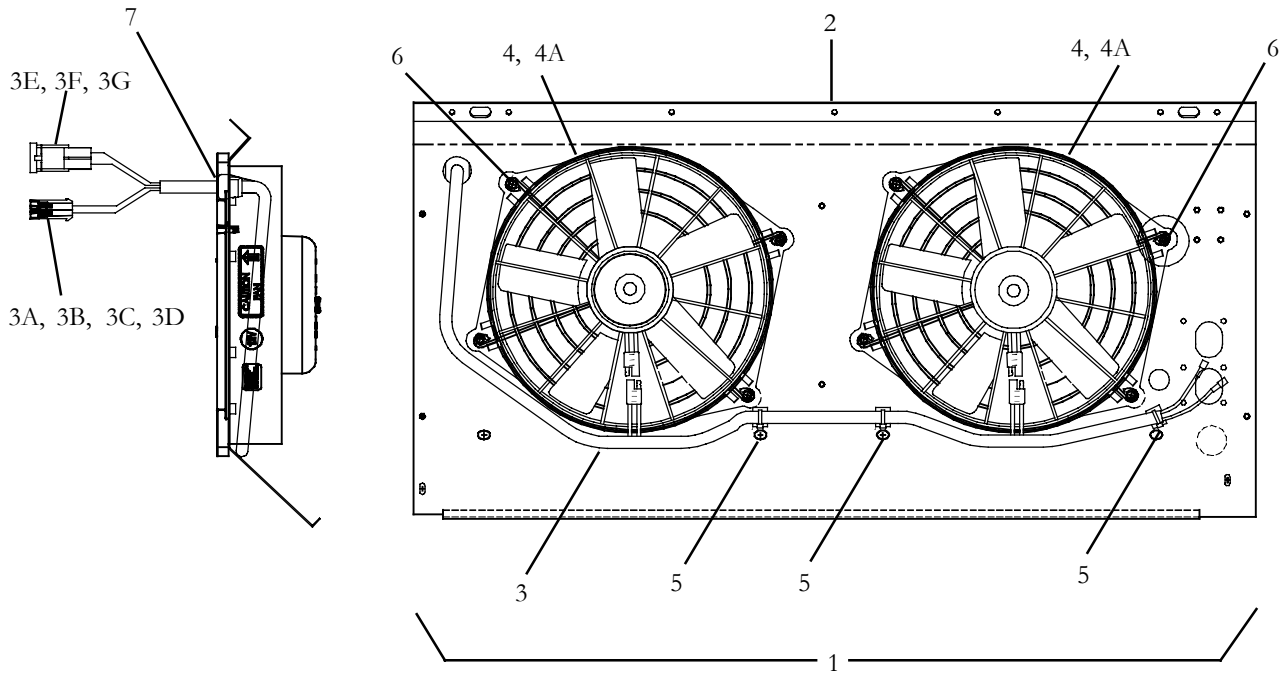
2.1.1 CONDENSER, CM-2, GEN 4



Item	Part Number	Description	Qty
1	AC030-234	Guard, Fan (Not used with 54-00618-01)	2
2	AC033-219	Coil Assembly, With Pressure Switches, (Before serial #6-050555)	1
	08-62035-00	Coil Assembly (Beginning serial #6-050555)	1
3	AC033-134P	Grill, Condenser Mounted	1
4	AC033-136	Grill, Bus Skirt Mounted	1
5	AC101-200	Sightglass	1
6	AC101-312	Filter Drier, 16 Cubic Inch, 1/2 Inch MFO (Before serial #6-050555)	1
	14-00288-00	Filter Drier/Sightglass Combination, (Beginning with serial #6-050555)	1
7	AC201-414	Switch, High Pressure	1
8	AC201-412	Switch, Low Pressure	1
9	AC301-441	Fitting, Swivel Union, 1/2 Inch Female Flare X 1/2 Inch Female Flare	1
	40-62036-00	Fitting, Swivel Union, 1/2 Inch Female O-Ring X 1/2 Inch Female O-Ring	1
10	AC801-220	O-Ring, 1/2 Inch MF-O, (Old)	2
11	AC801-202	O-Ring, 1/2 Inch HNBR, (New)	2
12	54-00618-01	Fan & Motor Asy., Vector, 12V, W/Fuse, 11 In. (No Repl. Motor) Includes:	2
12A	22-02336-25Fuse, 20 Amp	1
13	AC401-110	Assembly, Fan, 12 VDC - Includes:	2
	54-50080-00	...Motor, Fan, 12 VDC	1
	44-50024-00	...Clip, Fan Blade	1
14	CM205-197	Assembly, Fan, 24 VDC	2
15	AC701-269	Clamp, Worm Gear, (Filter Drier)	1
16	DD12CA201	Fitting, 90°, 1/2 Inch Male Flare X 1/2 Inch Female Flare	1
17	22-62123-00	Harness, Condenser, CM-2	1
18	AC033-146	Kit, Winterization, Consisting Of:	1
18A	AC033-145Cover, Fan, (Winterguard)	2
18B	AC033-142Cover, Coil, (Winterguard)	1
18C	AC801-412F25Gasket, Trim Seal, Black (25 Ft. Roll)	1



2.1.2 CONDENSER, CM-2, MCHX, VENTURI ASSEMBLY

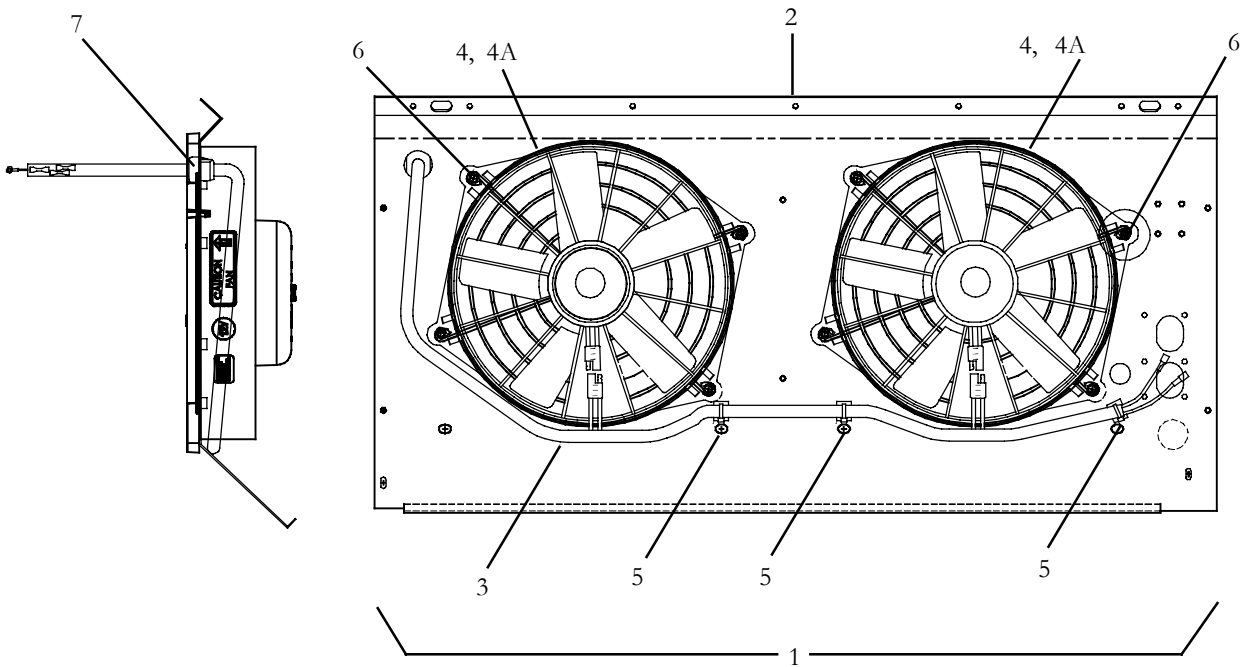


REFERENCE KIT 77-01286-00 A

Item	Part Number	Description	Qty
1	79-62021-04	Venturi Assembly, CM-2 12VDC - Includes:	1
2	68-62500-00	...Panel, Venturi. Painted Black	1
3	22-62206-00	...Harness, Connector, CM-2 - Includes:	1
3A	22-50078-72Connector, Male	1
3B	22-50078-46ATerminal, Male	2
3C	22-50078-50ASeal, Cable	2
3D	22-50078-72ALock, Secondary	1
3E	22-50098-67Connector, 2 Pin Black	1
3F	22-50098-67BTerminal, Male	2
3G	22-50098-67DSeal, Cable	2
4	54-00618-01	...Fan & Motor Assembly, Vector, 12V W/Fuse (No Repl. Motor) Includes:	2
4A	22-02336-25Fuse, 20 Amp	1
5	66U1-3882	...Wire Tie, Self-Locking, 7.00 Inches, Black	3
6	34-62011-00	...Screw, Hex Head, With Lock & Flat Washers, 1/4-20 x 1 Inch Long, SST	8
7	58-62019-00	...Bushing, Strain Relief	1



2.1.3 CONDENSER, CM-2, MCHX, VENTURI ASSEMBLY

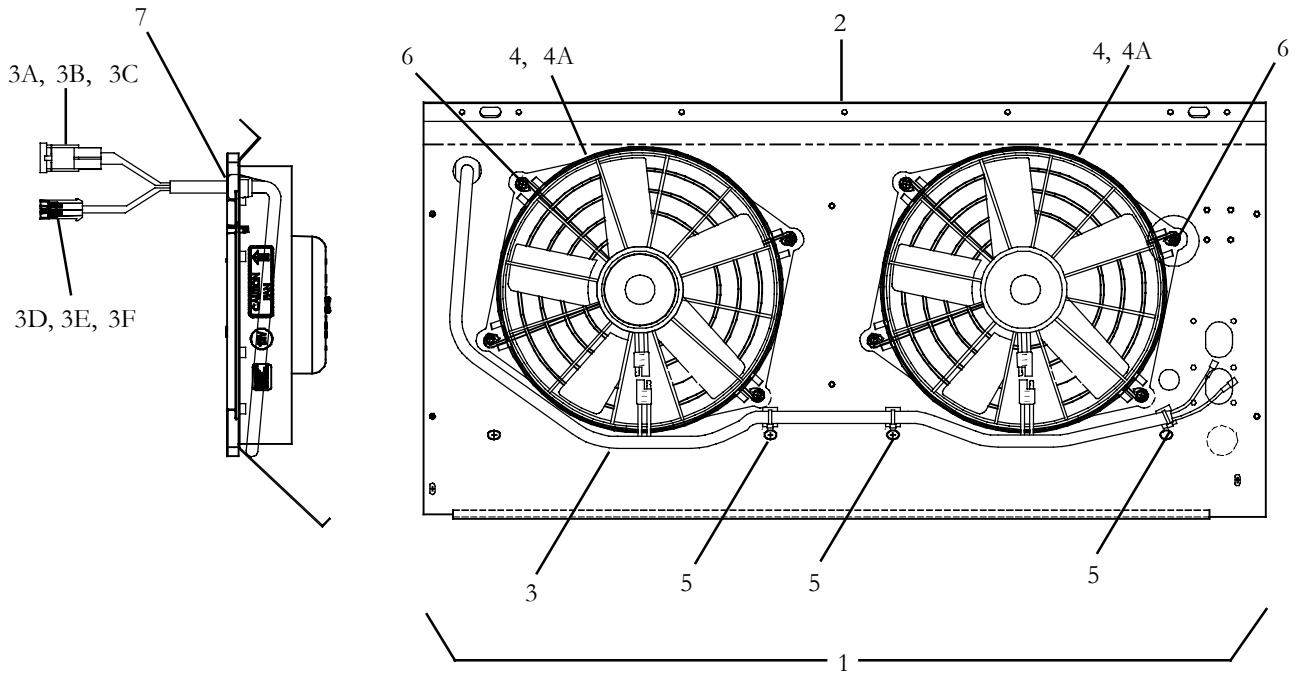


REFERENCE KIT 77-01286-01 A

Item	Part Number	Description	Qty
1	79-62021-00	Venturi Assembly, CM-2 12VDC - Includes:	1
2	68-62500-00	...Panel, Venturi. Painted Black	1
3	22-62123-00	...Harness, Condenser, CM-2	1
4	54-00618-01	...Fan & Motor Assembly, Vector, 12V, W/Fuse (No Repl. Motor) Includes:	2
4A	22-02336-25Fuse, 20 Amp	1
5	66U1-3882	...Wire Tie, Self-Locking, 7.00 Inches, Black	3
6	34-62011-00	...Screw, Hex Head, With Lock & Flat Washers, 1/4-20 x 1 Inch Long, SST	8
7	58-62019-00	...Bushing, Strain Relief	1



2.1.4 CONDENSER, CM-2, MCHX, VENTURI ASSEMBLY

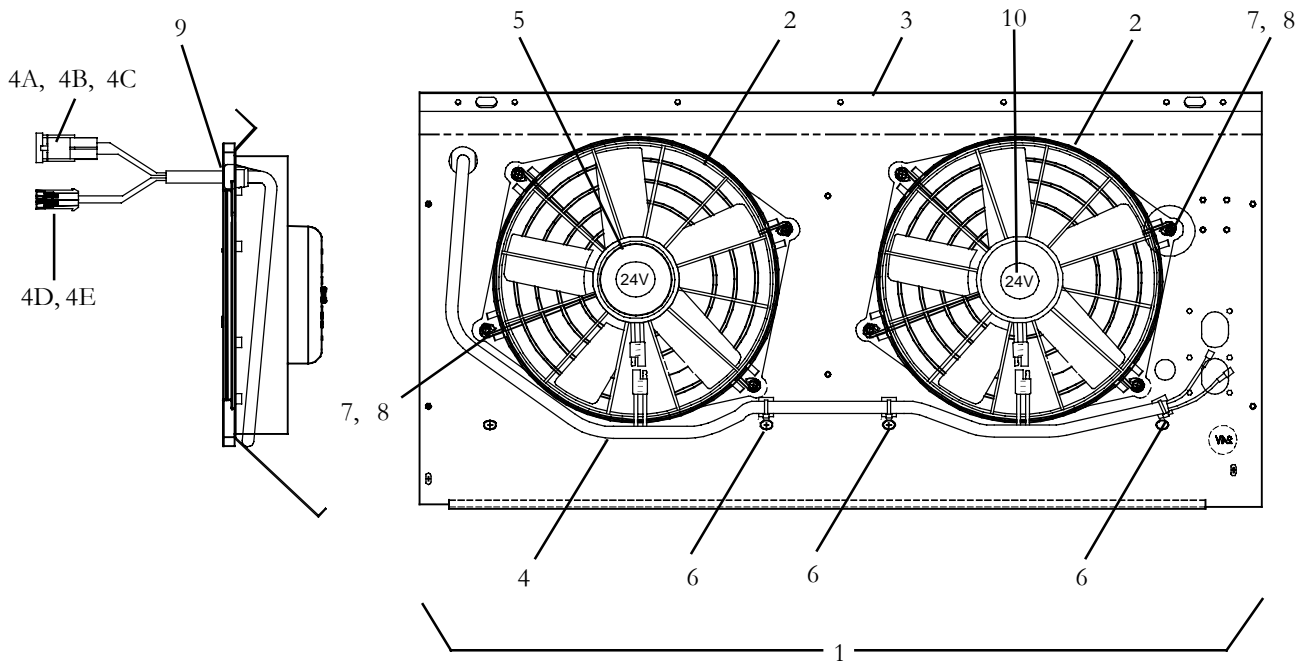


REFERENCE KIT 77-01286-03 D

Item	Part Number	Description	Qty
1	79-62021-06	Venturi Assembly, CM-2 12VDC - Includes:	1
2	68-62500-00	...Panel, Venturi. Painted Black	1
3	22-62260-00	...Harness, Condenser, CM-2 - Includes:	1
3A	22-02392-00Connector, Male, 2 Pin Black	1
3B	22-02393-01Terminal, Male, (18-20 AWG)	2
3C	22-02394-00Seal, Cable, Gray	2
3D	22-50078-40Connector, 2 Pin, Female, Black	1
3E	22-50098-67BTerminal, Female, (10 AWG)	2
3F	22-50098-67DSeal, Cable, Orange	2
4	54-00618-01	...Fan & Motor Assembly, Vector, 12V W/Fuse (No Repl. Motor) Includes:	2
4A	22-02336-25Fuse, 20 Amp	1
5	66U1-3882	...Wire Tie, Self-Locking, 7.00 Inches, Black	3
6	34-62011-00	...Screw, Hex Head, With Lock & Flat Washers, 1/4-20 x 1 Inch Long, SST	8
7	58-62019-00	...Bushing, Strain Relief	1



2.1.5 CONDENSER, CM-2, MCHX, VENTURI ASSEMBLY (24V)

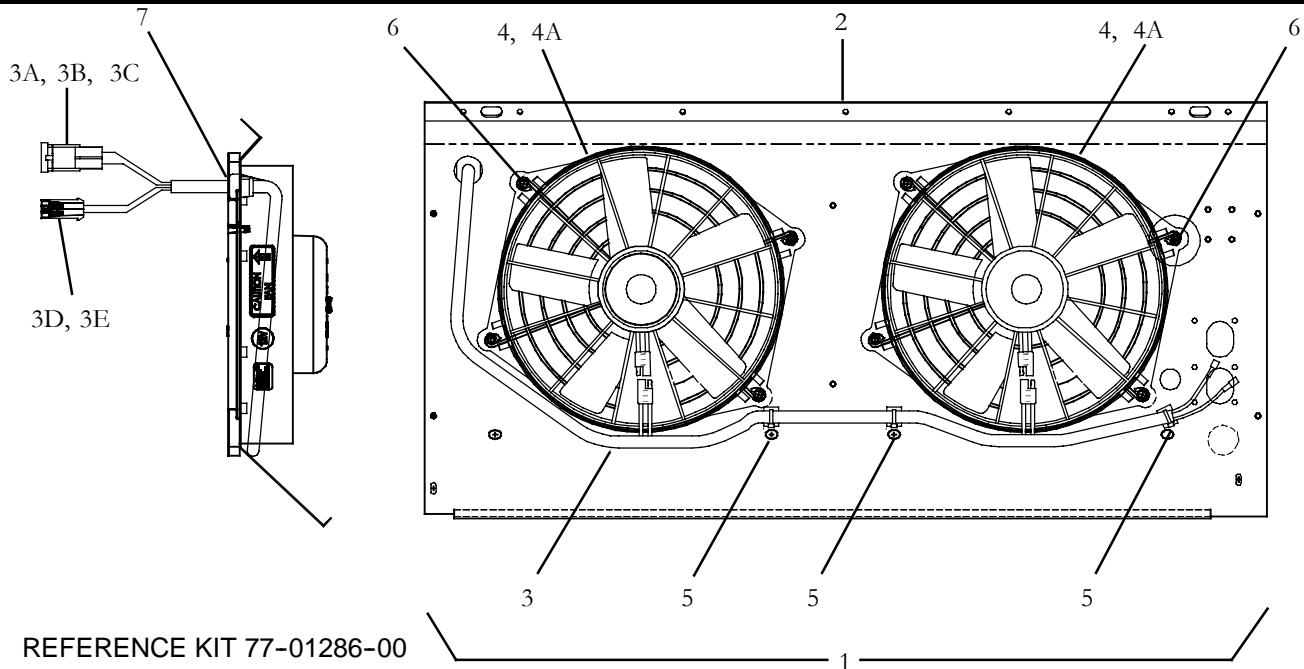


REFERENCE KIT 77-01286-60

Item	Part Number	Description	Qty
1	79-62021-07	Venturi Assembly, CM-2 24VDC - Includes:	1
2	AC030-234	...Guard, Fan, Condenser	2
3	68-62500-00	...Panel, Venturi. Painted Black	1
4	22-62273-00	...Harness, Condenser, CM-2 - Includes:	1
4A	22-02392-00Connector, 2 Pin, Black	1
4B	22-02393-01Terminal, Male, (18-20 AWG)	2
4C	22-02394-00Seal, Cable, Gray	2
4D	22-50371-00Connector, 2 Pin	1
4E	22-50372-00Terminal, Male (8 AWG)	2
5	54-00545-00	...Fan & Motor Assembly, 24V	2
6	66U1-3882	...Wire Tie, Self-Locking, 7.00 Inches, Black	3
7	34-62011-00	...Screw, Hex Head, With Lock & Flat Washers, 1/4-20 x 1 Inch Long, SST	8
8	34-00662-11	...Washer, Plain, 1/4, SST	8
9	58-62019-00	...Bushing, Strain Relief	1
10	62-62008-00	...Label, 24V	3

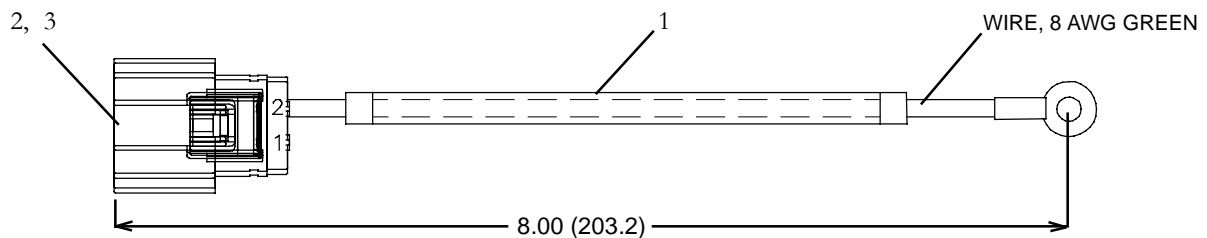


2.1.6 CONDENSER, CM-2, MCHX, VENTURI ASSEMBLY (12V)



Item	Part Number	Description	Qty
1	79-62021-08	Venturi Assembly, CM-2 12VDC - Includes:	1
2	68-62500-00	...Panel, Venturi. Painted Black	1
3	22-62273-00	...Harness, Condenser, CM-2 - Includes:	1
3A	22-02392-00Connector, Male, 2 Pin Black	1
3B	22-02393-01Terminal, Male, (18-20 AWG)	2
3C	22-02394-00Seal, Cable, Gray	2
3D	22-50371-00Connector, 2 Pin	1
3E	22-50372-00Terminal, Male, (10 AWG)	2
4	54-00618-01	...Fan & Motor Assembly, Vector, 12V, W/Fuse (No Repl. Motor) Includes:	2
4A	22-02336-25Fuse, 20 Amp	1
5	66U1-3882	...Wire Tie, Self-Locking, 7.00 Inches, Black	3
6	34-62011-00	...Screw, Hex Head, With Lock & Flat Washers, 1/4-20 x 1 Inch Long, SST	8
7	58-62019-00	...Bushing, Strain Relief	1

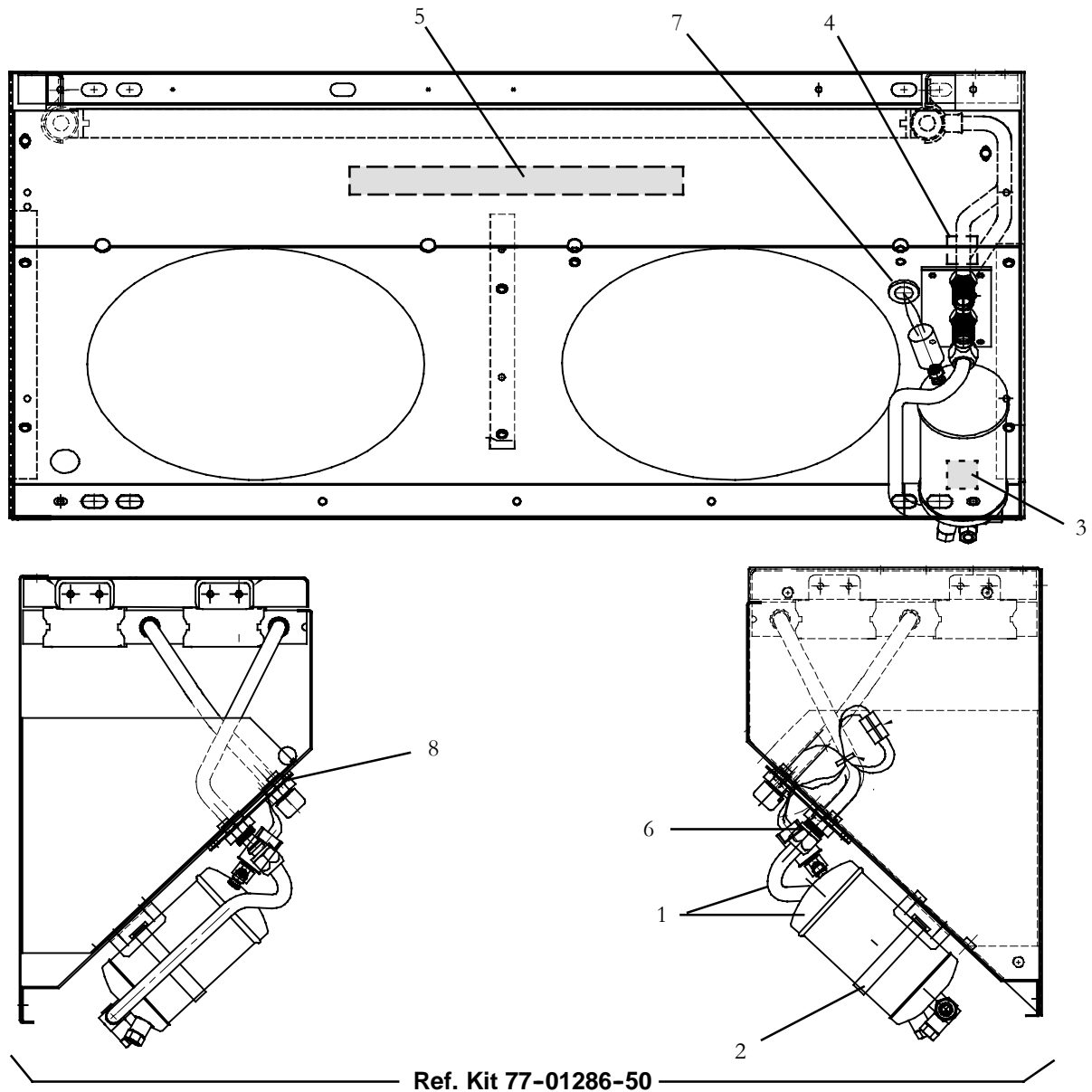
2.1.7 CM-2, CONDENSER GROUND/POWER HARNESS



Item	Part Number	Description	Qty
1	22-62277-00	Harness, Condenser - Includes:	1
2	22-50099-28	...Housing, Receptacle, 2 Pin, Black	1
3	22-50099-28A	...Terminal, Female (8 AWG)	1



2.1.8 CONDENSER COIL REPLACEMENT KIT, CM-2, MICRO-CHANNEL (MCHX)

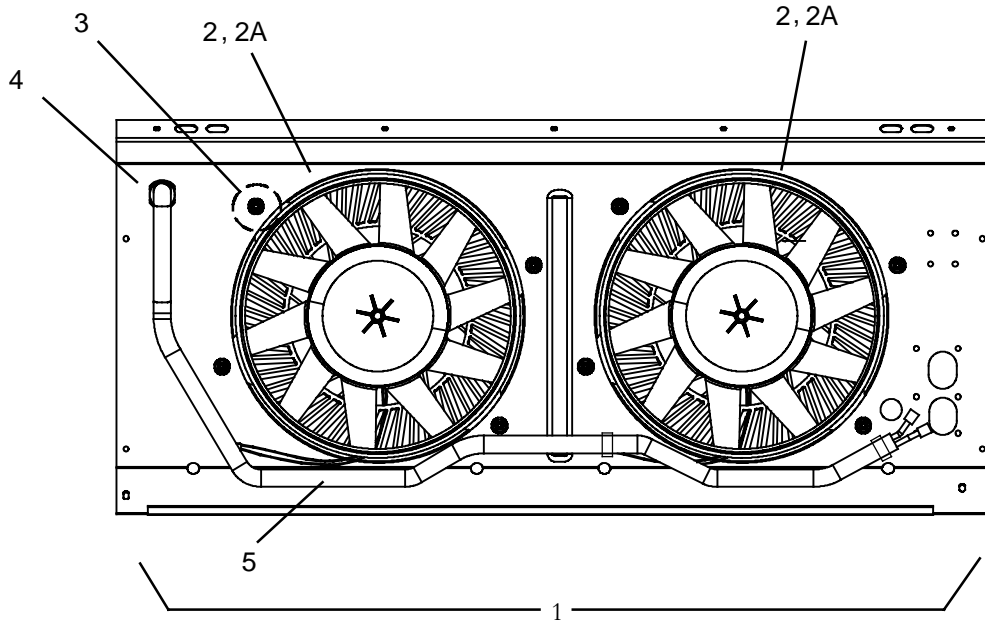


2.1.8 CONDENSER COIL REPLACEMENT KIT, CM-2, MICRO CHANNEL (MCHX) - Cont:

Item	Part Number	Description	Qty
-	77-01286-50	CM-2 Service Chassis Kit - Includes:	1
1	65-00193-00	...Receiver, With Filter Drier	1
2	44-00045-19	...Clamp, Hose, Worm Type, Range: 2.56-3.50 Inches	1
3	62-62042-15	...Label, "Liquid Out"	1
4	62-62042-14	...Label, "Hot Gas In"	1
5	62-62045-00	...Label, "Warning- Fan Blades"	1
6	AC201-414	...Switch, High Pressure, 400 - 300	1
7	58-04764-00	...Grommet, .25 ID x .84 Groove	1
8	34-06088-07	...Nut, Hex, Jam, 3/4-16	2



2.1.9 CONDENSER, CM-2 SLIM LINE MCHX, VENTURI ASSEMBLY (12V) COMMON PARTS



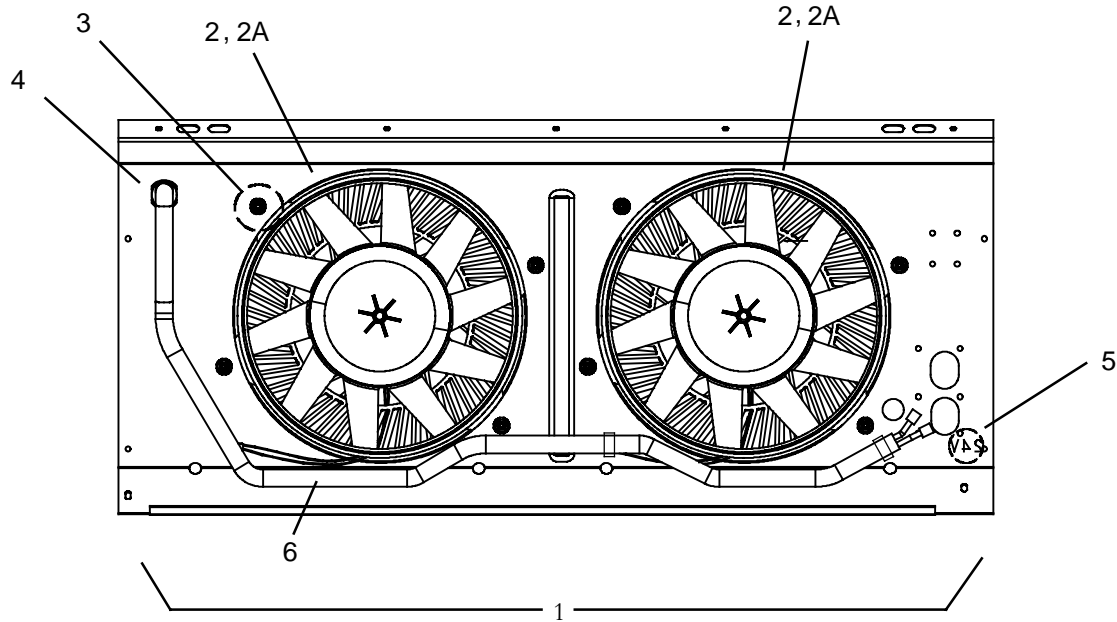
USED ON UNITS 77-00273-00, -11, -16, -20, -21, -22, -30 & -40

REFERENCE CHASSIS KITS 77-00249-00, 01, 02 & -03

Item	Part Number	Description	Qty
1	79-02377-XX	Venturi Assembly, CM-2 12VDC - Includes:	1
2	54-00618-01	...Fan & Motor Assembly, Vector, 12V, W/Fuse (No Repl. Motor) Includes:	2
2A	22-02336-25Fuse, 20 Amp	1
3	34-62011-00	...Bolt, Hex Head, With Lock & Flat Washers, 1/4-20 x 1 Inch Long, SST	8
4	58-62019-00	...Bushing, Strain Relief	1
5	22-62273-XX	Refer to Sections 2.1.11 thru 2.1.13 for proper harness	1



2.1.10 CONDENSER, CM-2 SLIM LINE MCHX, VENTURI ASSEMBLY (24V) COMMON PARTS



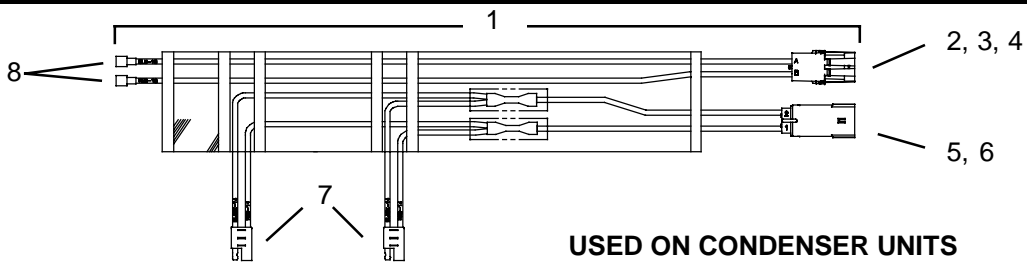
USED ON UNITS 77-00273-60, -61 & -62

REFERENCE CHASSIS KITS 77-00249-60

Item	Part Number	Description	Qty
1	79-02377-XX	Venturi Assembly, CM-2- 24VDC - Includes:	1
2	54-00618-02	...Fan & Motor Assembly, Vector, 24V, W/Fuse (No Repl. Motor) Includes:	2
2A	22-02336-26Fuse, 25 Amp	1
3	34-62011-00	...Bolt, Hex Head, With Lock & Flat Washers, 1/4-20 x 1 Inch Long, SST	8
4	58-62019-00	...Bushing, Strain Relief	1
5	62-62008-00	...Label, 24V Green/Black	1
6	22-62273-XX	Refer to Sections 2.1.11 thru 2.1.13 for proper harness	1



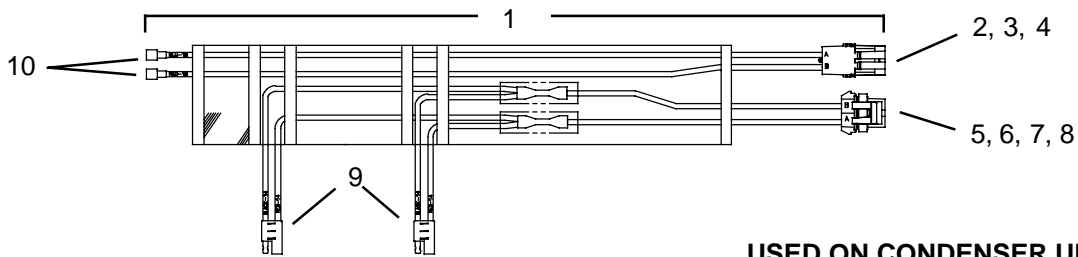
2.1.11 CM-2, CONDENSER HARNESS 22-62273-00



USED ON CONDENSER UNITS
77-00273-00, -11, -20, -30, -40, -60, -61 & -62

Item	Part Number	Description	Qty
1	22-62273-00	Harness, Condenser - Includes:	1
2	22-02392-00	...Connector, Male 2 Pin	1
3	22-02393-01	...Terminal, Male (18 AWG)	2
4	22-02394-00	...Cable Seal (18 AWG)	2
5	22-50099-27	...Housing, Plug, 2 Pin	1
6	22-50099-27A	...Terminal, Male (8 AWG)	2
7	AC201-905	...Condenser Motor Harness	2
8	22-01502-00	...Terminal, Male, Insulated Push On (18 AWG)	2

2.1.12 CM-2, CONDENSER HARNESS 22-62260-00

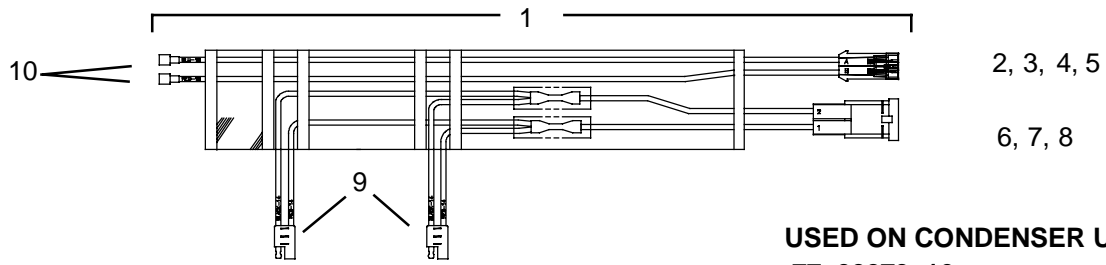


USED ON CONDENSER UNITS
77-00273-21 & -22

Item	Part Number	Description	Qty
1	22-62260-00	Harness, Condenser - Includes:	1
2	22-02392-00	...Connector, Male, 2 Pin	1
3	22-02393-01	...Terminal, Male (18 AWG)	2
4	22-02394-00	...Cable Seal (18 AWG)	2
5	22-50078-40	...Connector, Female, 2 Pin	1
6	22-50078-48G	...Terminal, Female (10 AWG)	2
7	22-50078-52E	...Cable Seal (10 AWG)	2
8	22-50078-39A	...Lock, Secondary	2
9	AC201-905	...Condenser Motor Harness	2
10	22-01502-00	...Terminal, Male Nylon, Insulated Push On (18 AWG)	2



2.1.13 CM-2, CONDENSER HARNESS 22-62206-00

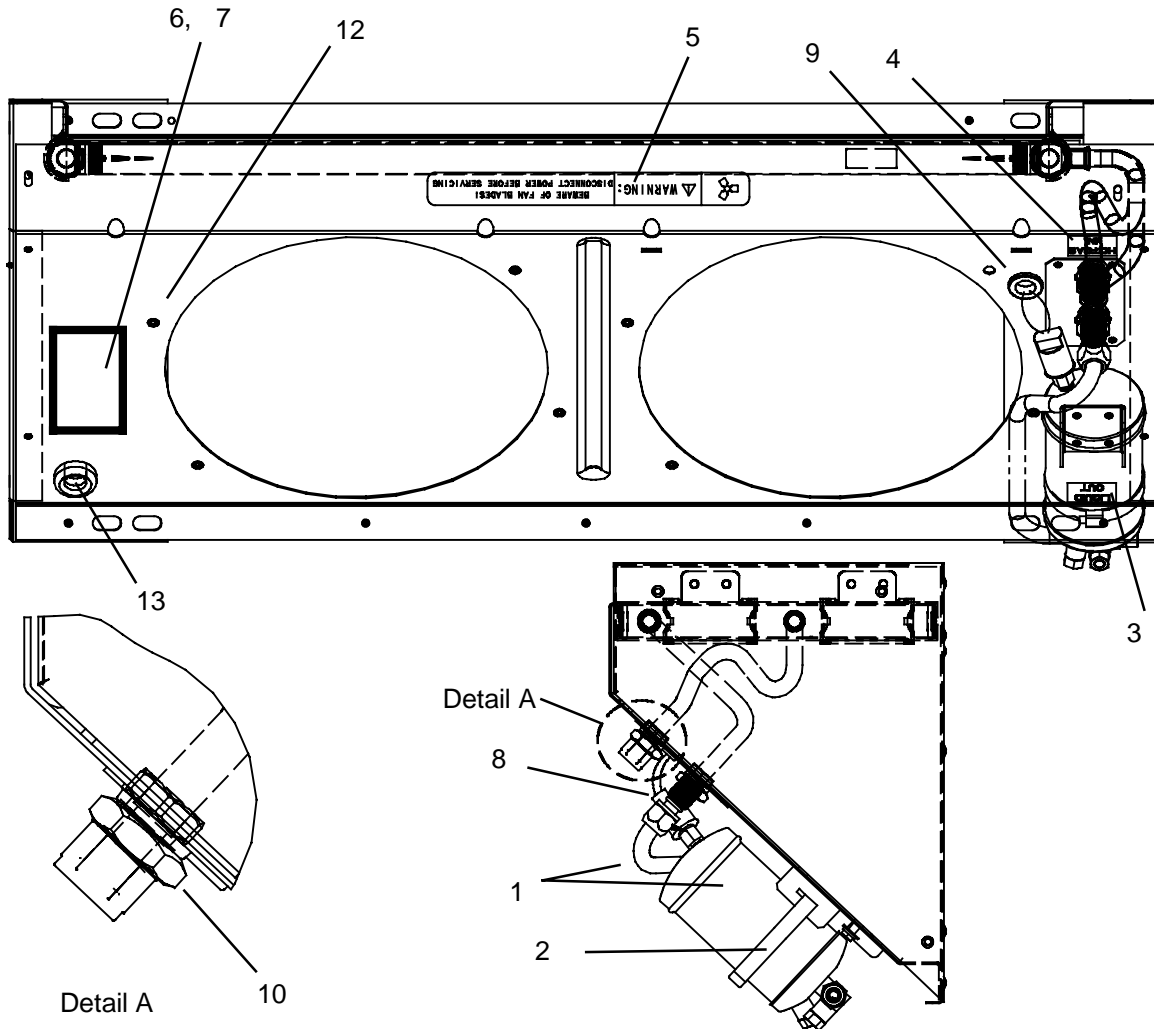


**USED ON CONDENSER UNITS
77-00273-16**

Item	Part Number	Description	Qty
1	22-62206-00	Harness, Condenser - Includes:	1
2	22-50078-72	...Connector, Male, 2 Pin	1
3	22-50078-46A	...Terminal, Male (18 AWG)	2
4	22-50078-50A	...Cable Seal (18 AWG)	2
5	22-50078-72A	...Lock, Secondary	2
6	22-50098-67	...Connector, Male, 2 Pin	1
7	22-50098-67B	...Terminal, Female (8 AWG)	2
8	22-50098-67D	...Cable Seal (8 AWG)	2
9	AC201-905	...Condenser Motor Harness	2
10	22-01502-00	...Terminal, Male Nylon, Insulated Push On (18 AWG)	2



2.1.14 CONDENSER COIL REPLACEMENT KIT, CM-2 , SLIM LINE MICRO-CHANNEL (MCHX)

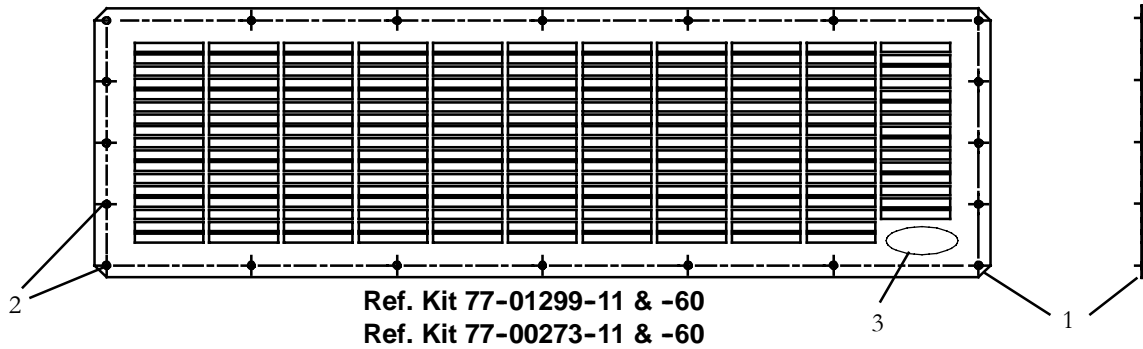


2.1.14 CONDENSER COIL REPLACEMENT KIT, CM-2 , SLIM LINE MICRO CHANNEL (MCHX) - Cont:

Item	Part Number	Description	Qty
-	77-00249-50	CM-2 Service Chassis Kit - Includes:	1
1	65-00193-00	...Receiver, With Filter Drier	1
2	44-00045-19	...Clamp, Hose, Worm Type, Range: 2.56-3.50 Inches	1
3	62-62042-15	...Label, "Liquid Out"	1
4	62-62042-14	...Label, "Hot Gas In"	1
5	62-62045-00	...Label, "Warning- Fan Blades"	1
6	62-04062-01	...Decal, Serial I.D.	1
7	62-04063-01	...Lamination, Serial I.D.	1
8	AC201-414	...Switch, High Pressure, 400 - 300	1
9	58-04764-00	...Grommet, .25 ID x .84 Groove	1
10	34-06088-07	...Nut, Hex, Jam, 3/4-16	2
11	58-00079-02	...Sta-Strap, 0-1.75" Dia. (Provided In Bag) (Not Shown)	4
12	34-62011-00	...1/4-20 X 1" (Provided In Bag)	8
13	58-62019-00	...Bushing, Strain Relief (Provided In Bag)	1

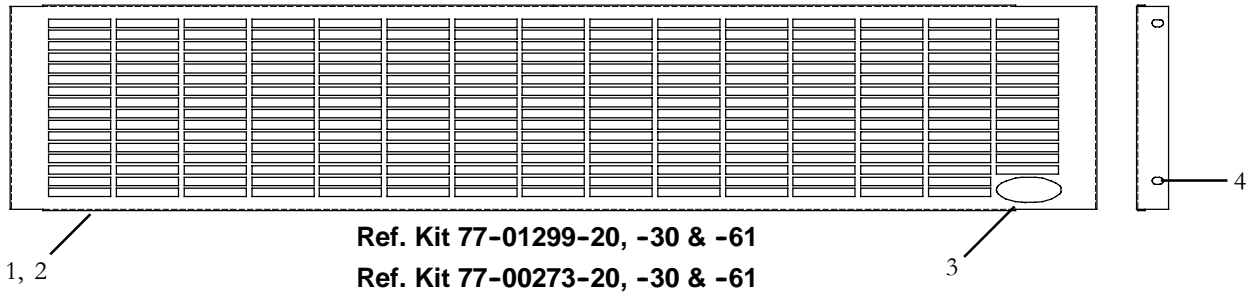


2.1.15 CONDENSER, CM-2, MCHX, GRILL ASSEMBLY



Item	Part Number	Description	Qty
1	68-08122-01	Grill, Skirt Mounted, 37.50 x 11.25 Inches (Black Smooth)	1
2	34-01317-00	Screw, Pan Head, Phillips, #10-16 x 0.75" TEK	20
3	56-0034	Decal, MCC Emblem	1

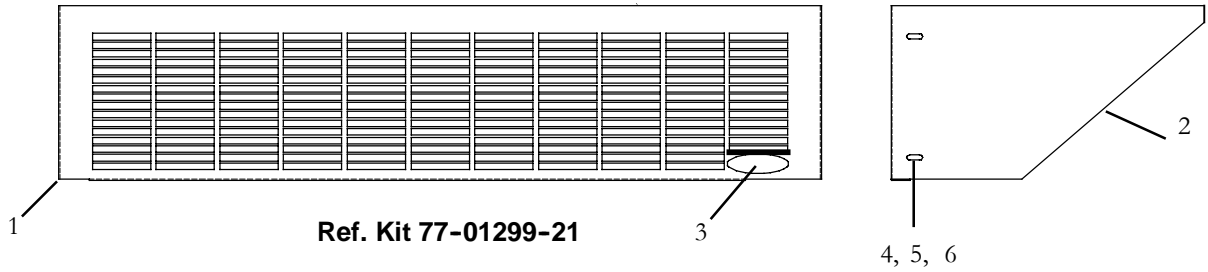
2.1.16 CONDENSER, CM-2, MCHX, GRILL ASSEMBLY



Item	Part Number	Description	Qty
1	79-62014-20	Grill Assembly, Condenser - Includes:	1
2	68-08124-00	...Grill, Condenser, Black Texture	1
3	56-0034	...Decal, MCC Emblem	1
4	34-62011-00	Bolt, Hex Head, SEMS, With Lock Washer, 1/4-20 x 1 Inch Long, SST	4



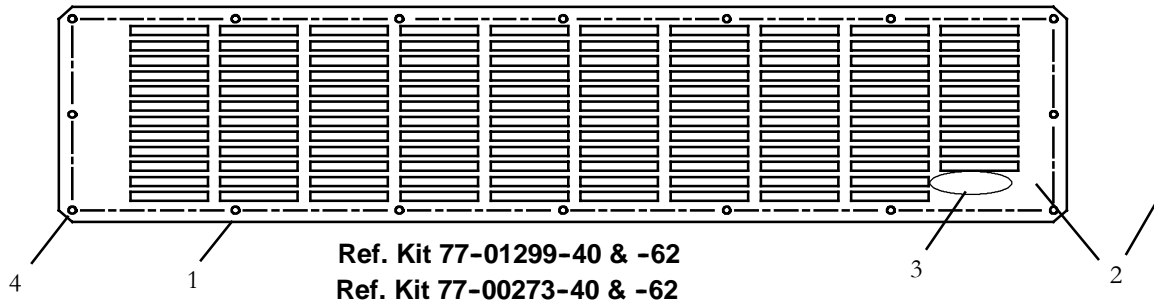
2.1.17 CONDENSER, CM-2, MCHX, GRILL ASSEMBLY



Ref. Kit 77-01299-21

Item	Part Number	Description	Qty
1	79-62014-21	Grill Assembly, Condenser - Includes:	1
2	68-62494-00	...Wrapper, Condenser, White	1
3	56-0034	...Decal, MCC Emblem	1
4	34-62011-00	Bolt, Hex Head, SEMS, With Lock Washer, 1/4-20 x 1 Inch Long, SST	4
5	AC801-414	Gasket, Foam, 3/8 x 1.00 x 25 Feet Long	1
6	AC033-144	Plate Assembly, Mounting, Painted	1

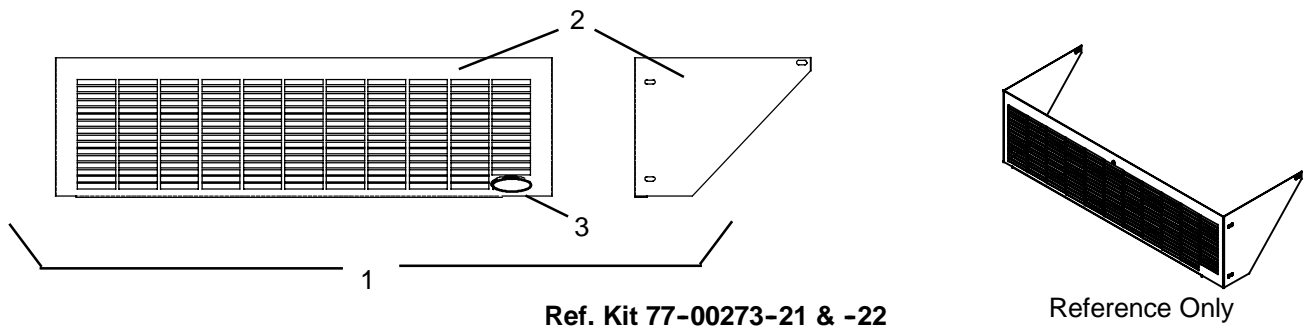
2.1.18 CONDENSER, CM-2, MCHX, GRILL ASSEMBLY



**Ref. Kit 77-01299-40 & -62
Ref. Kit 77-00273-40 & -62**

Item	Part Number	Description	Qty
1	79-62014-24	Grille Assembly, Condenser - Includes:	1
2	AC033-150	...Grille, Condenser, Painted	1
3	56-0034	...Decal, MCC Emblem	1
4	34-62045-00	Screw, Pan Head, Phillips, #10-16 x 0.75" TEK	16

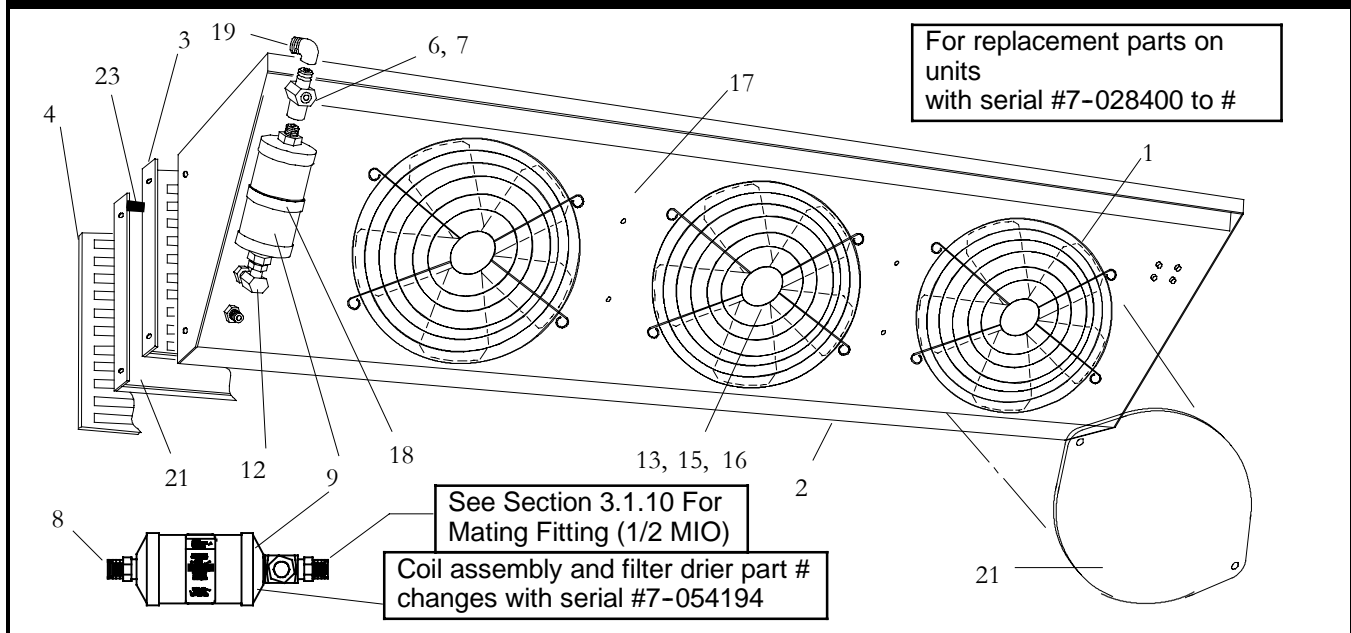
2.1.19 CONDENSER, CM-2, MCHX, GRILL ASSEMBLY



Ref. Kit 77-00273-21 & -22

Reference Only

Item	Part Number	Description	Qty
1	79-02392-00	Grille Assembly, Condenser - Includes:	1
2	68-08277-00	...Wrapper, Condenser, White	1
3	56-0034	...Decal, MCC Emblem	1

SECTION 2.2 CM-3 CONDENSERS
2.2.1 CONDENSER, CM-3, GEN 4


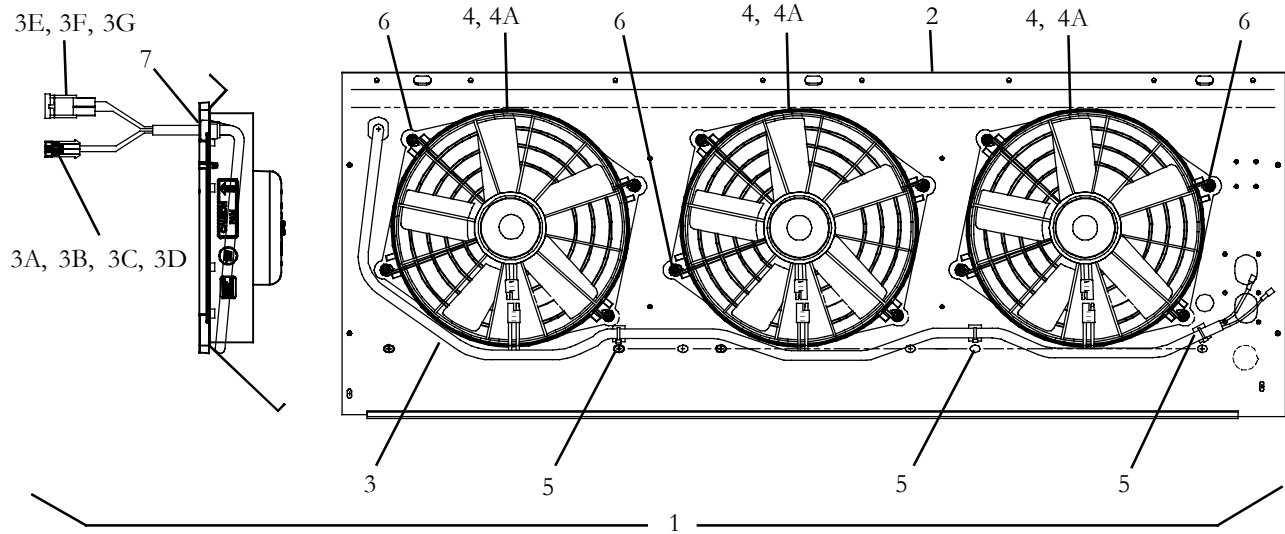
Item	Part Number	Description	Qty
1	AC030-234	Guard, Fan (Not used with 54-00618-01)	3
2	AC033-220	Coil Assembly, With Pressure Switches, (Before serial #7-054194)	1
	08-62035-01	Coil Assembly (Beginning w/serial #7-054194)	1
3	AC033-133P	Grill, Condenser Mounted, Black	1
	68-15461-00	Grill, Condenser Mounted, Black (MCHX)	1
4	AC033-135	Grill, Bus Skirt Mounted	1
5	AC033-144	Assembly, Tab, (Used with Condenser Mounted Grill)	1
6	AC101-200	Sightglass	1
7	AC801-220	O-Ring, 1/2 Inch MF-O, (Old)	2
8	AC801-202	O-Ring, 1/2 Inch HNBR, (New)	2
9	AC101-312	Filter Drier, 16 Cubic Inch, 1/2 Inch MFL-O, (Before serial #7-054194)	1
	14-00288-00	Filter Drier/Sightglass Combination, (Beginning with serial #7-054194)	1
10	AC201-414	Switch, High Pressure	1
11	AC201-412	Switch, Low Pressure	1
12	AC301-441	Fitting, Swivel Union, 1/2 Inch Female Flare X 1/2 Inch Female Flare (Old)	1
	40-62036-00	Fitting, Swivel Union, 1/2 Inch Female O-Ring X 1/2 Inch Female O-Ring	1
13	54-00618-01	Fan & Motor Assy, Vector, 12V W/Fuse, (No Repl. Motor) Includes:	3
	AC401-110	Assembly, Fan, 12 VDC - Includes:	3
13A	22-02336-25	...Fuse, 20 Amp	1
14	54-50080-00	...Motor, Fan, 12 VDC	1
	44-50024-00	...Clip, Fan Blade	1
15	CM205-197	Assembly, Fan, 24 VDC	3
16	22-62124-00	Harness, Condenser, CM-3	1
17	68-62501-00	Panel Assembly, Venturi	1
18	AC701-269	Clamp, Worm Gear, (Filter Drier)	1
19	DD12CA201	Fitting, 90°, 1/2 Inch Male Flare X 1/2 Inch Female Flare, (Brass)	1



2.2.1 CONDENSER, CM-3, GEN 4			
Item	Part Number	Description	Qty
20	AC033-147	Kit, Winterization, Consisting Of:	1
21	AC033-145Cover, Fan, (Winterguard)	3
22	AC033-143Cover, Coil, (Winterguard)	1
23	AC801-412F25Gasket, Trim Seal, Black (25 Ft. Roll)	1



2.2.2 CONDENSER, CM-3, MCHX, VENTURI ASSEMBLY

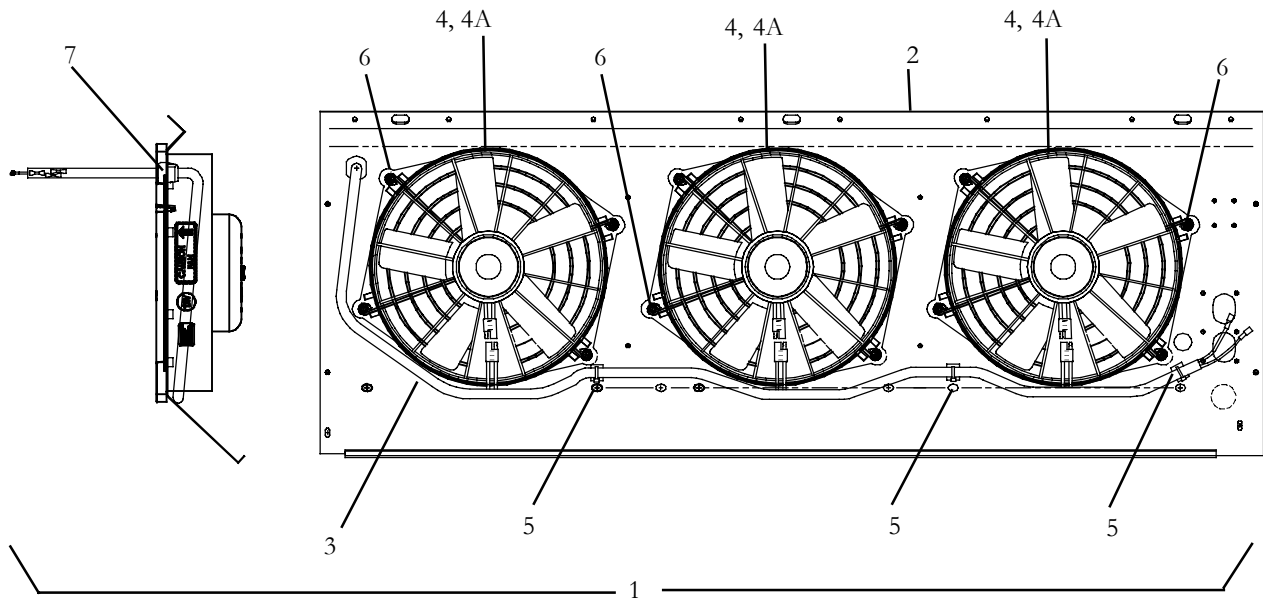


REFERENCE CHASSIS KIT 77-01277-00 C

Item	Part Number	Description	Qty
1	79-62022-04	Venturi Assembly, CM-3 12VDC - Includes:	1
2	68-62501-00	...Panel, Venturi. Painted Black	1
3	22-62205-00	...Harness, Connector, CM-3 - Includes:	1
3A	22-50078-72Connector, Male	1
3B	22-50078-46ATerminal, Male	2
3C	22-50078-50ASeal, Cable	2
3D	22-50078-72ALock, Secondary	1
3E	22-50098-67Connector, 2 Pin Black	1
3F	22-50098-67BTerminal, Male	2
3G	22-50098-67DSeal, Cable	2
4	54-00618-01	...Fan & Motor Assembly, Vector, 12V W/Fuse (No Repl. Motor) Includes:	3
4A	22-02336-25Fuse, 20 Amp	1
5	66U1-3882	...Wire Tie, Self-Locking, 7.00 Inches, Black	3
6	34-62011-00	...Screw, Hex Head, With Lock & Flat Washers, 1/4-20 x 1 Inch Long, SST	12
7	58-62019-00	...Bushing, Strain Relief	1



2.2.3 CONDENSER, CM-3, MCHX, VENTURI ASSEMBLY

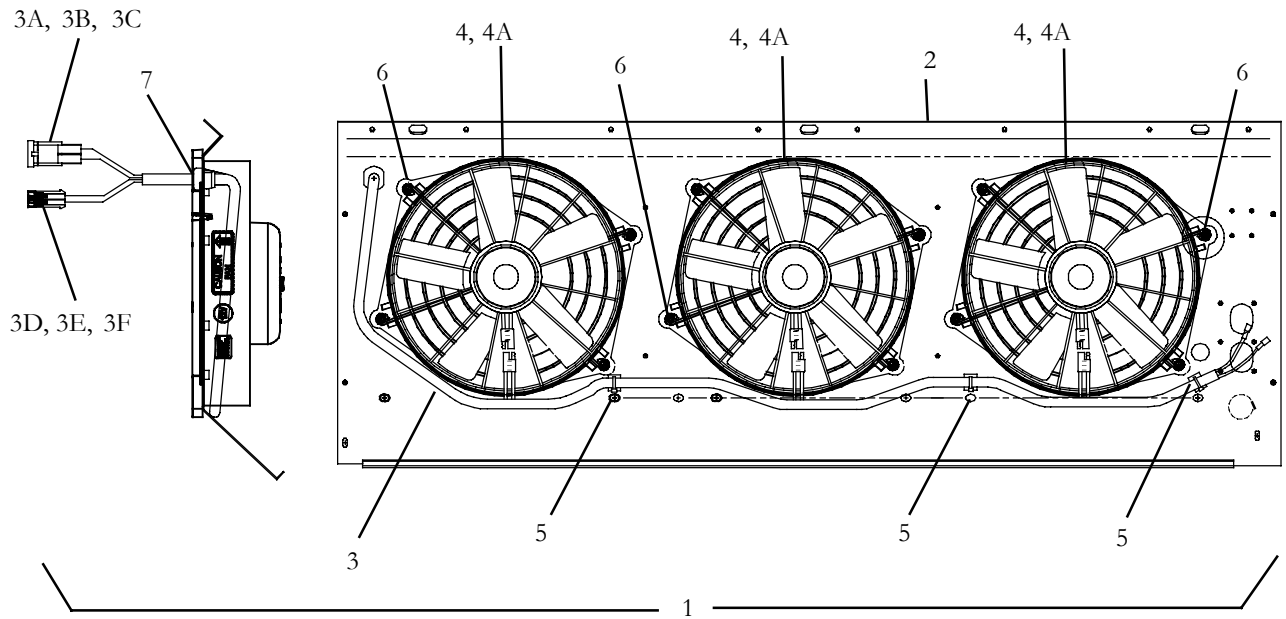


REFERENCE CHASSIS KIT 77-01277-01

Item	Part Number	Description	Qty
1	79-62022-00	Venturi Assembly, CM-3 12VDC - Includes:	1
2	68-62501-00	...Panel, Venturi. Painted Black	1
3	22-62124-00	...Harness, Connector, CM-3	1
4	54-00618-01	...Fan & Motor Assembly, Vector, 12V W/Fuse (No Repl. Motor) Includes:	3
4A	22-02336-25Fuse, 20 Amp	1
5	66U1-3882	...Wire Tie, Self-Locking, 7.00 Inches, Black	3
6	34-62011-00	...Screw, Hex Head, With Lock & Flat Washers, 1/4-20 x 1 Inch Long, SST	12
7	58-62019-00	...Bushing, Strain Relief	1



2.2.4 CONDENSER, CM-3, MCHX, VENTURI ASSEMBLY

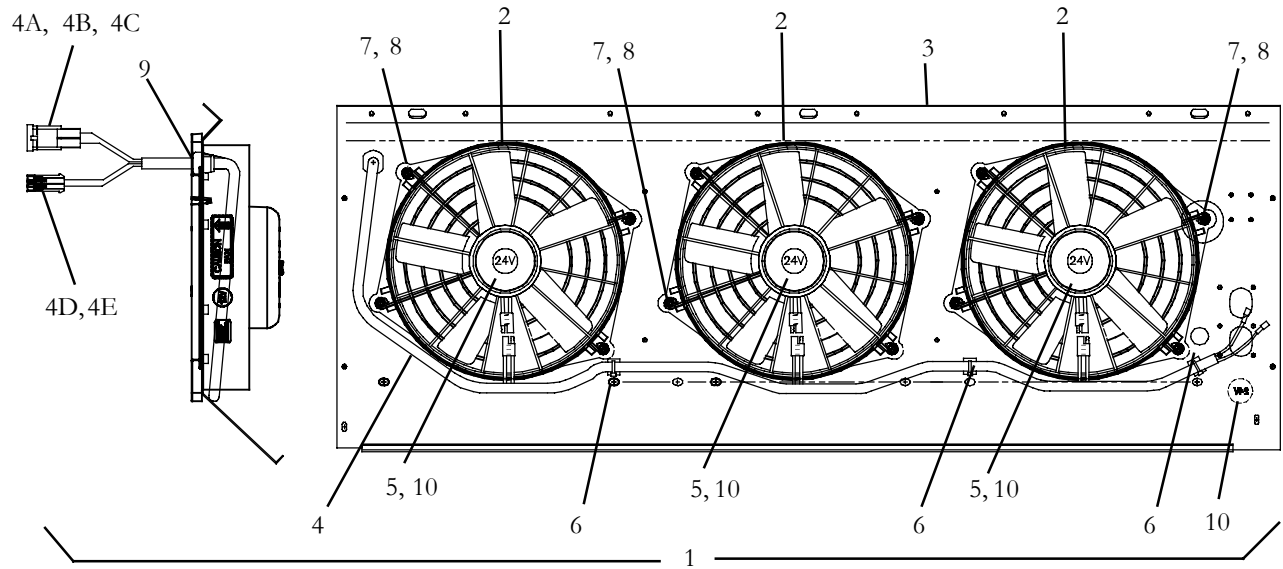


REFERENCE CHASSIS KIT 77-01277-04

Item	Part Number	Description	Qty
1	79-62022-07	Venturi Assembly, CM-3 12VDC - Includes:	1
2	68-62501-00	...Panel, Venturi. Painted Black	1
3	22-62258-00	...Harness, Connector, CM-3 - Includes:	1
3A	22-02392-00Connector, Male, 2 Pin Black	1
3B	22-02393-01Terminal, Male, (18-20 AWG)	2
3C	22-02394-00Seal, Cable, Gray	2
3D	22-50078-40Connector, 2 Pin, Female, Black	1
3E	22-50078-48GTerminal, Female, (10 AWG)	2
3F	22-50078-52ESeal, Cable, Orange	2
4	54-00618-01	...Fan & Motor Assembly, Vector, 12V/Fuse (No Repl. Motor) Includes:	3
4A	22-02336-25Fuse, 20 Amp	1
5	66U1-3882	...Wire Tie, Self-Locking, 7.00 Inches, Black	3
6	34-62011-00	...Screw, Hex Head, With Lock & Flat Washers, 1/4-20 x 1 Inch Long, SST	12
7	58-62019-00	...Bushing, Strain Relief	1



2.2.5 CONDENSER, CM-3, MCHX, VENTURI ASSEMBLY

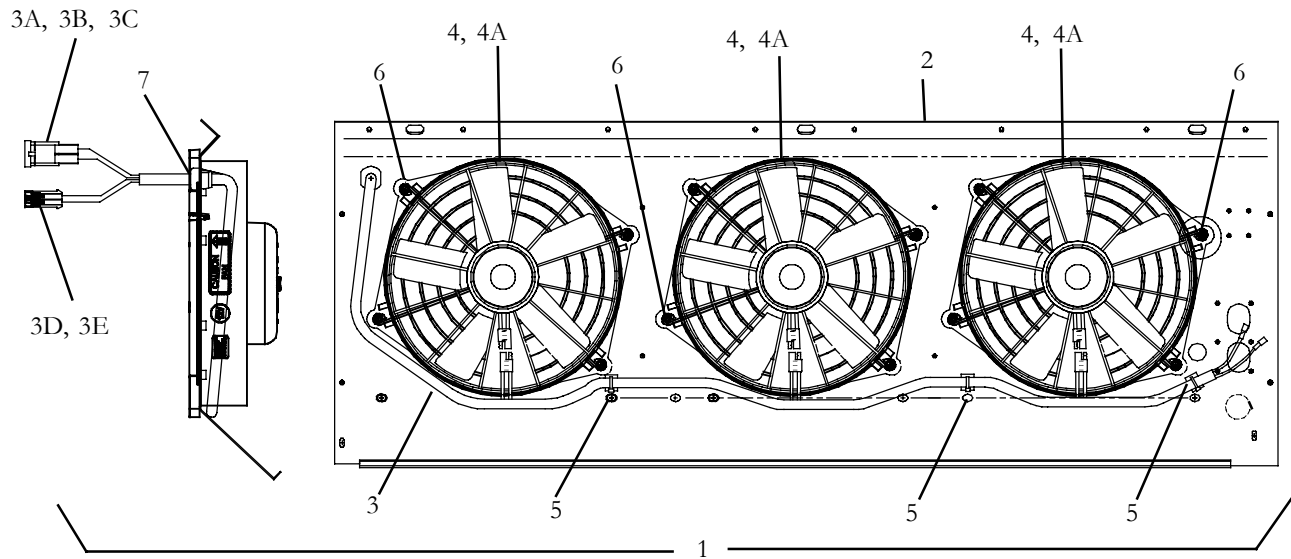


REFERENCE CHASSIS KIT 77-01277-60 F

Item	Part Number	Description	Qty
1	79-62022-08	Venturi Assembly, CM-3 24VDC - Includes:	1
2	AC030-234	...Guard, Fan, Condenser	3
3	68-62501-00	...Panel, Venturi. Painted Black	1
4	22-62272-00	...Harness, Connector, CM-3 - Includes:	1
4A	22-02392-00Connector, 2 Pin, Black	1
4B	22-02393-01Terminal, Male, (18-20 AWG)	2
4C	22-02394-00Seal, Cable, Gray	2
4D	22-50371-00Connector, 2 Pin	1
4E	22-50372-00Terminal, Male (8 AWG)	2
5	54-00545-00	...Fan & Motor Assembly, 24V	3
6	66U1-3882	...Wire Tie, Self-Locking, 7.00 Inches, Black	3
7	34-62011-00	...Screw, Hex Head, With Lock & Flat Washers, 1/4-20 x 1 Inch Long, SST	12
8	34-00662-11	...Washer, Plain, 1/4, SST	12
9	58-62019-00	...Bushing, Strain Relief	1
10	62-62008-00	...Label, 24V	4



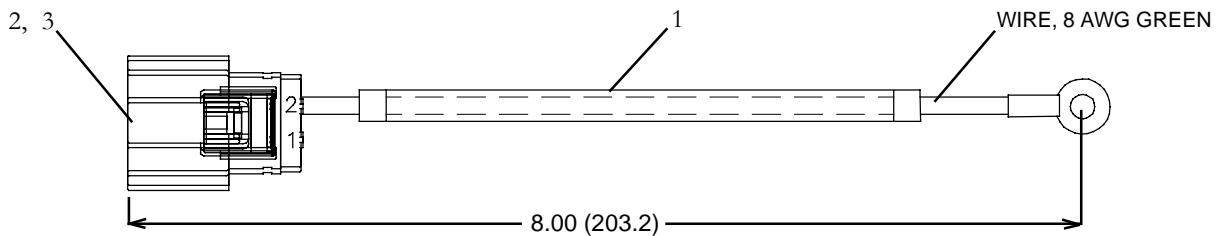
2.2.6 CONDENSER, CM-3, MCHX, VENTURI ASSEMBLY



REFERENCE CHASSIS KIT 77-01277-05 F

Item	Part Number	Description	Qty
1	79-62022-09	Venturi Assembly, CM-3 12VDC - Includes:	1
2	68-62501-00	...Panel, Venturi. Painted Black	1
3	22-62272-00	...Harness, Connector, CM-3 - Includes:	1
3A	22-02392-00Connector, 2 Pin, Black	1
3B	22-02393-01Terminal, Male, (18-20 AWG)	2
3C	22-02394-00Seal, Cable, Gray	2
3D	22-50371-00Connector, 2 Pin	1
3E	22-50372-00Terminal, Male, (8 AWG)	2
4	54-00618-01	...Fan & Motor Assembly, Vector, 12V W/Fuse (No Repl. Motor) Includes:	3
4A	22-02336-25Fuse, 20 Amp	1
5	66U1-3882	...Wire Tie, Self-Locking, 7.00 Inches, Black	3
6	34-62011-00	...Screw, Hex Head, With Lock & Flat Washers, 1/4-20 x 1 Inch Long, SST	12
7	58-62019-00	...Bushing, Strain Relief	1

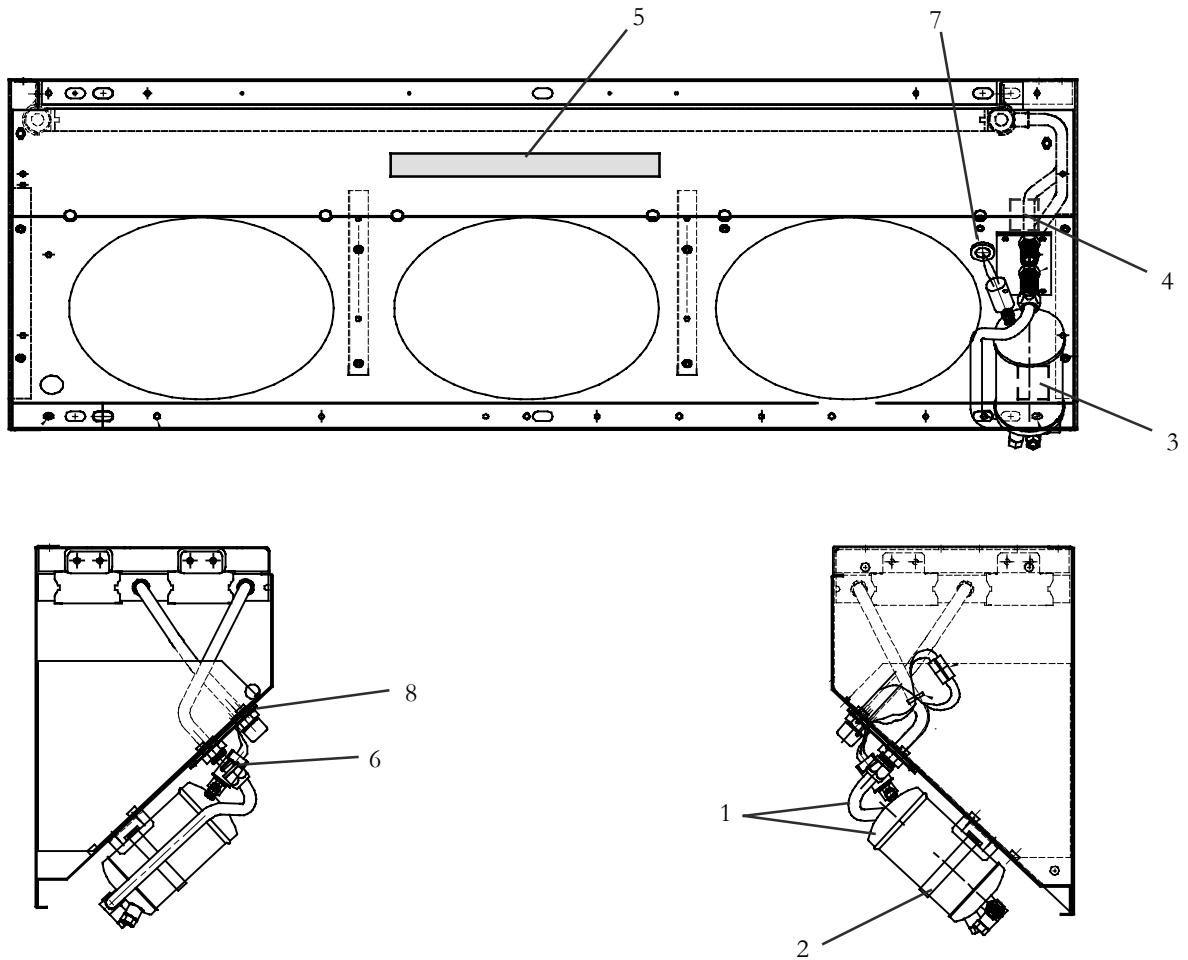
2.2.7 CM-3, CONDENSER GROUND/POWER HARNESS



Item	Part Number	Description	Qty
1	22-62277-00	Harness, Condenser - Includes:	1
2	22-50099-28	...Housing, Receptacle, 2 Pin, Black	1
3	22-50099-28A	...Terminal, Female (8 AWG)	1



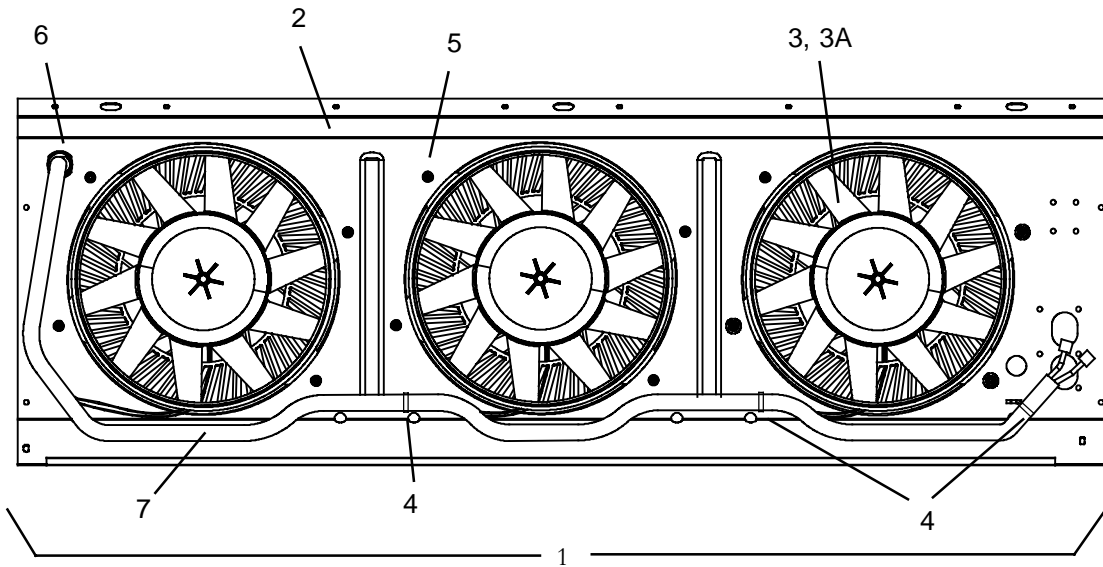
2.2.8 CONDENSER, CM-3, MCHX, REPLACEMENT CHASSIS (77-01277-50)



Item	Part Number	Description	Qty
-	77-01277-50	CM-3 Service Chassis Kit - Includes:	1
1	65-00193-00	...Receiver, With Filter Drier	1
2	44-00045-19	...Clamp, Hose, Worm Type, Range: 2.56-3.50 Inches	1
3	62-62042-15	...Label, "Liquid Out"	1
4	62-62042-14	...Label, "Hot Gas In"	1
5	62-62045-00	...Label, "Warning- Fan Blades"	1
6	AC201-414	...Switch, High Pressure, 400 - 300	1
7	58-04764-00	...Grommet, .25 ID x .84 Groove	1
8	34-06088-07	...Nut, Hex, Jam, 3/4-16	2



2.2.9 CONDENSER, CM-3 SLIM LINE MCHX, VENTURI ASSEMBLY (12V) COMMON PARTS



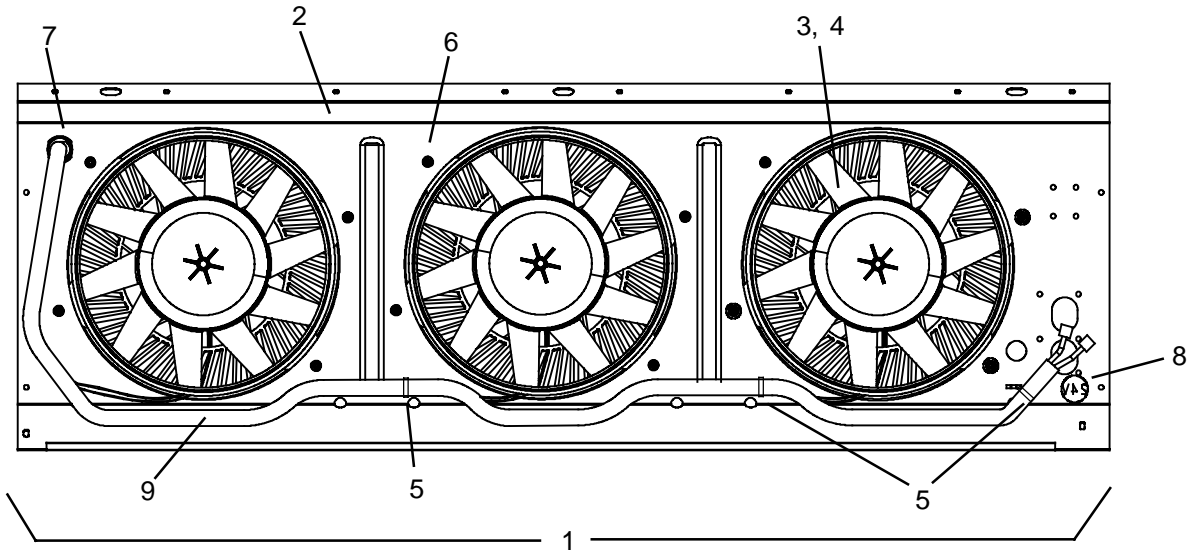
USED ON UNITS 77-00274-00, -11, -16, -20, -21, -22, -30 & -40

REFERENCE CHASSIS KITS 77-00250-00, 01, 02 & -03

Item	Part Number	Description	Qty
1	79-02379-XX	Venturi Assembly, CM-3 12VDC - Includes:	1
2	68-08144-00	...Panel, Venturi. Painted Black	1
3	54-00618-01	...Fan & Motor Assembly, Vector, 12V, W/Fuse (No Repl. Motor) Includes:	3
3A	22-02336-25Fuse, 20 Amp	1
4	58-00079-02	...Sta-Strap, 0-1.75" Dia. Cable	3
5	34-62011-00	...Bolt, Hex Head, With Lock & Flat Washers, 1/4-20 x 1 Inch Long, SST	12
6	58-62019-00	...Bushing, Strain Relief	1
7	22-62273-XX	Refer to Sections 2.2.11 thru 2.2.13 for proper harness	1



2.2.10 CONDENSER, CM-3 SLIM LINE MCHX, VENTURI ASSEMBLY (24V) COMMON PARTS



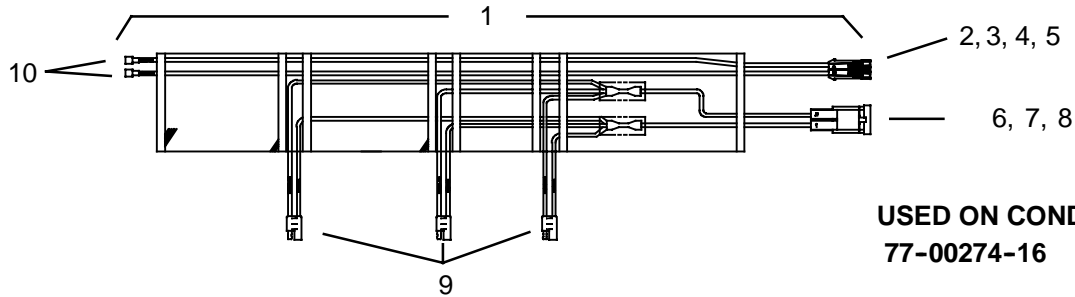
USED ON UNITS 77-00274-60, -61 & -62

REFERENCE CHASSIS KITS 77-00250-60

Item	Part Number	Description	Qty
1	79-02379-XX	Venturi Assembly, CM-3-24VDC - Includes:	1
2	68-08144-00	...Panel, Venturi. Painted Black	1
3	54-00618-02	...Fan & Motor Assembly, Vector, 24V, W/Fuse (No Repl. Motor) Includes:	3
4	22-02336-26Fuse, 25 Amp	1
5	58-00079-02	...Sta-Strap, 0-1.75" Dia. Cable	3
6	34-62011-00	...Bolt, Hex Head, With Lock & Flat Washers, 1/4-20 x 1 Inch Long, SST	12
7	58-62019-00	...Bushing, Strain Relief	1
8	62-62008-00	...Label, 24V	1
9	22-62273-XX	Refer to Sections 2.2.11 thru 2.2.13 for proper harness	1



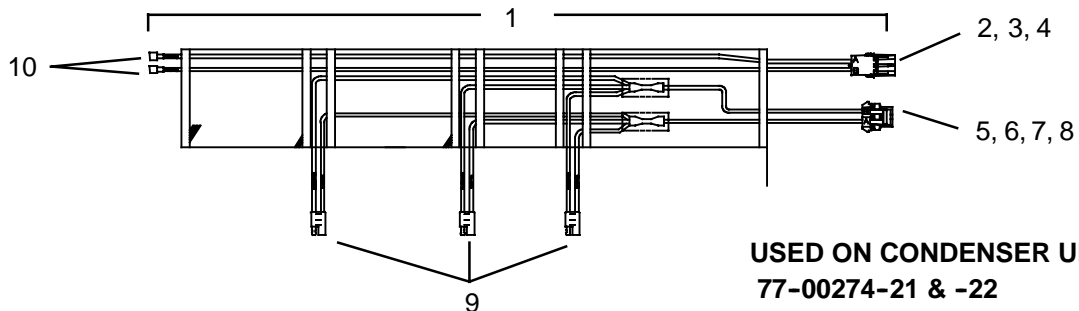
2.2.11 CM-3, CONDENSER HARNESS 22-62205-00



**USED ON CONDENSER UNITS
77-00274-16**

Item	Part Number	Description	Qty
1	22-62205-00	Harness, Condenser - Includes:	1
2	22-50078-72	...Connector, Male, 2 Pin	1
3	22-50078-46A	...Terminal, Male (18 AWG)	2
4	22-50078-50A	...Cable Seal (18 AWG)	2
5	22-50078-72A	...Lock, Secondary	2
6	22-50098-67	...Connector, Male, 2 Pin	1
7	22-50098-67B	...Terminal, Female (8 AWG)	2
8	22-50098-67D	...Cable Seal (8 AWG)	2
9	AC201-905	...Condenser Motor Harness	3
10	22-01502-00	...Terminal, Male Nylon, Insulated Push On (18 AWG)	2

2.2.12 CM-3, CONDENSER HARNESS 22-62258-00

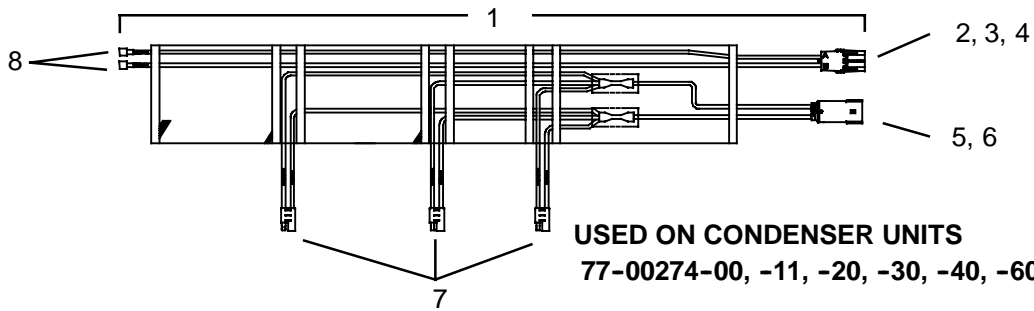


**USED ON CONDENSER UNITS
77-00274-21 & -22**

Item	Part Number	Description	Qty
1	22-62258-00	Harness, Condenser - Includes:	1
2	22-02392-00	...Connector, Male, 2 Pin	1
3	22-02393-01	...Terminal, Male (18 AWG)	2
4	22-02394-00	...Cable Seal (18 AWG)	2
5	22-50078-40	...Connector, Female, 2 Pin	1
6	22-50078-48G	...Terminal, Female (10 AWG)	2
7	22-50078-52E	...Cable Seal (10 AWG)	2
8	22-50078-39A	...Lock, Secondary	2
9	AC201-905	...Condenser Motor Harness	3
10	22-01502-00	...Terminal, Male Nylon, Insulated Push On (18 AWG)	2



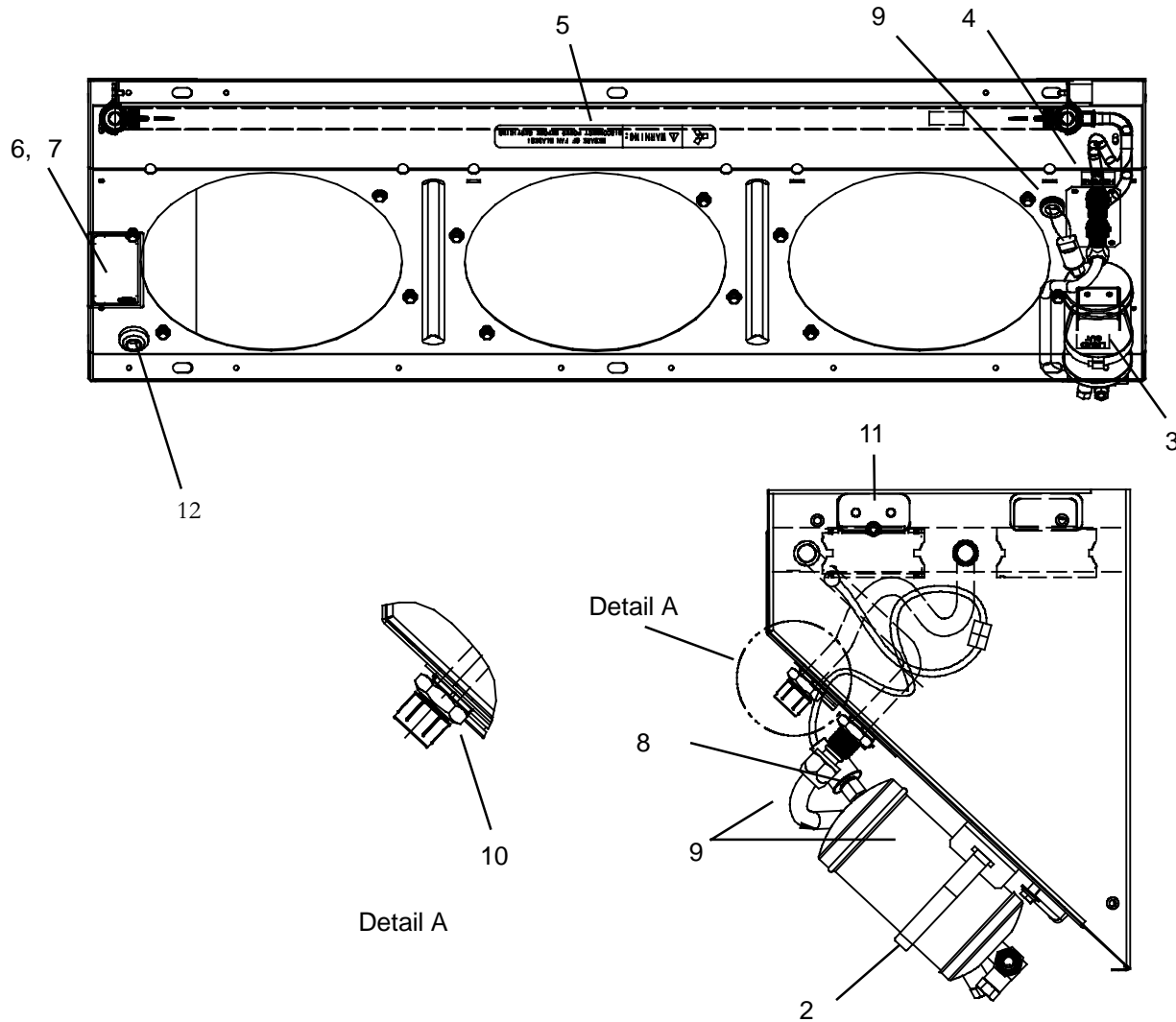
2.2.13 CM-3, CONDENSER HARNESS 22-62272-00



Item	Part Number	Description	Qty
1	22-62272-00	Harness, Condenser - Includes:	1
2	22-02392-00	...Connector, Male 2 Pin	1
3	22-02393-01	...Terminal, Male (18 AWG)	2
4	22-02394-00	...Cable Seal (18 AWG)	2
5	22-50099-27	...Housing, Plug, 2 Pin	1
6	22-50099-27A	...Terminal, Male (8 AWG)	2
7	AC201-905	...Condenser Motor Harness	3
8	22-01502-00	...Terminal, Male, Insulated Push On (18 AWG)	2



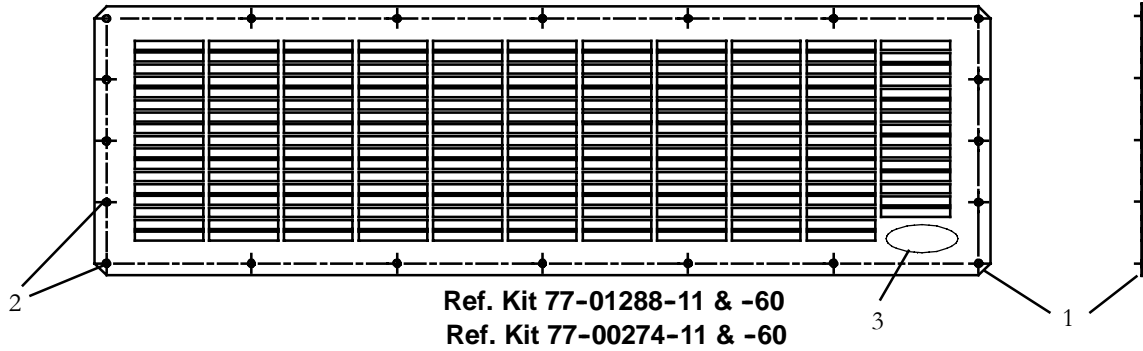
2.2.14 CONDENSER COIL REPLACEMENT KIT, CM-3 SLIM LINE, MICRO-CHANNEL (MCHX)



Item	Part Number	Description	Qty
-	77-00250-50	CM-3 Service Chassis Kit - Includes:	1
1	65-00193-00	...Receiver, With Filter Drier	1
2	44-00045-19	...Clamp, Hose, Worm Type, Range: 2.56-3.50 Inches	1
3	62-62042-15	...Label, "Liquid Out"	1
4	62-62042-14	...Label, "Hot Gas In"	1
5	62-62045-00	...Label, "Warning- Fan Blades"	1
6	62-04062-01	...Decal, Serial I.D.	1
7	62-04063-01	...Lamination, Serial I.D.	1
8	AC201-414	...Switch, High Pressure, 400 - 300	1
9	58-04764-00	...Grommet, .25 ID x .84 Groove	1
10	34-06088-07	...Nut, Hex, Jam, 3/4-16	2
11	58-04026-75	...Protector, Mylar, Coil Mounting	4
12	58-62019-00	... Bushing, Strain Relief	1

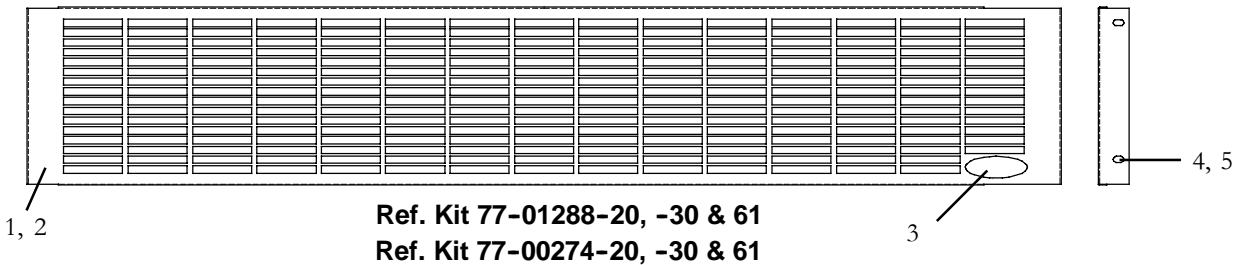


2.2.15 CONDENSER, CM-3, MCHX, GRILL ASSEMBLY



Item	Part Number	Description	Qty
1	68-08121-01	Grill, Skirt Mounted, (Black Smooth)	1
2	34-01371-00	Screw, Pan Head, Phillips, #10-16 x 0.75" TEK	24
3	56-0034	Decal, MCC Emblem	1

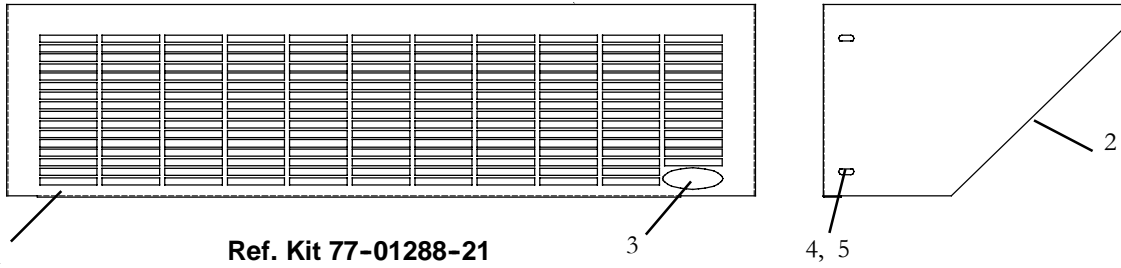
2.2.15 CONDENSER, CM-3, MCHX, GRILL ASSEMBLY



Item	Part Number	Description	Qty
1	79-62014-30	Grill Assembly, Condenser - Includes:	1
2	68-08123-00	...Grill, Condenser, Black Tecture	1
3	56-0034	...Decal, MCC Emblem	1
4	AC033-144	Plate Assembly, Mounting, Painted	1
5	34-62011-00	Bolt, Hex Head, SEMS, With Lock Washer, 1/4-20 x 1 Inch Long, SST	5



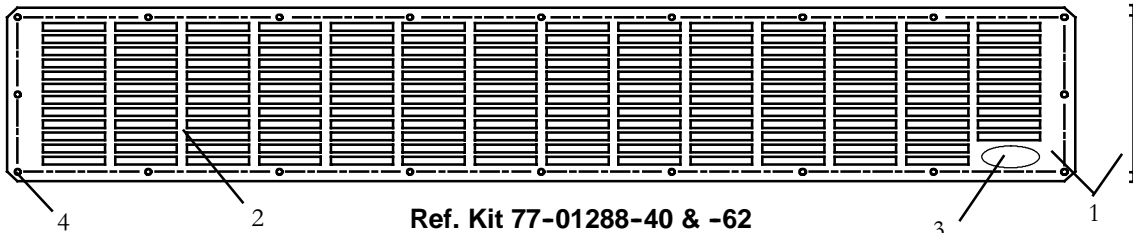
2.2.15 CONDENSER, CM-3, MCHX, GRILL ASSEMBLY



Ref. Kit 77-01288-21

Item	Part Number	Description	Qty
1	79-62014-35	Grill Assembly, Condenser - Includes:	1
2	68-62495-00	...Wrapper, Condenser, White	1
3	56-0034	...Decal, MCC Emblem	1
4	AC033-144	Plate Assembly, Mounting, Painted	1
5	34-62011-00	Bolt, Hex Head, SEMS, With Lock Washer, 1/4-20 x 1 Inch Long, SST	7

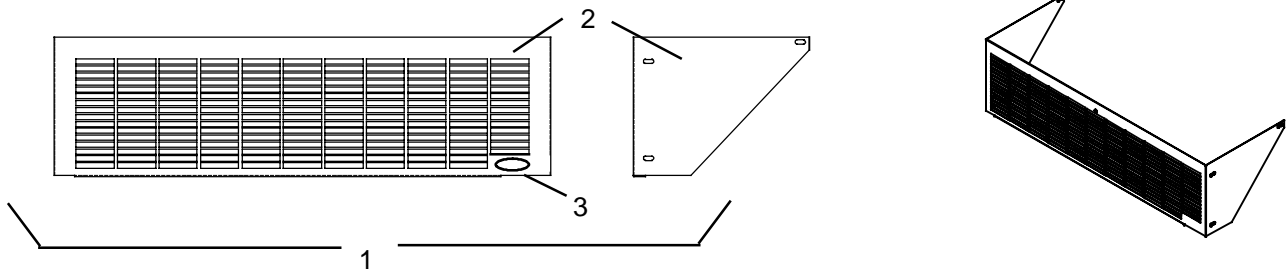
2.2.16 CONDENSER, CM-3, MCHX, GRILL ASSEMBLY



Ref. Kit 77-01288-40 & -62
Ref. Kit 77-00274-40 & -62

Item	Part Number	Description	Qty
1	79-62014-34	Grill Assembly, Condenser - Includes	1
2	AC033-051	...Grill, Black, Textured	1
3	56-0034	...Decal, MCC Emblem	1
4	34-62045-00	Screw, Pan Head, Phillips, #10-16 x 0.75" TEK	20

2.2.17 CONDENSER, CM-3, MCHX, GRILL ASSEMBLY



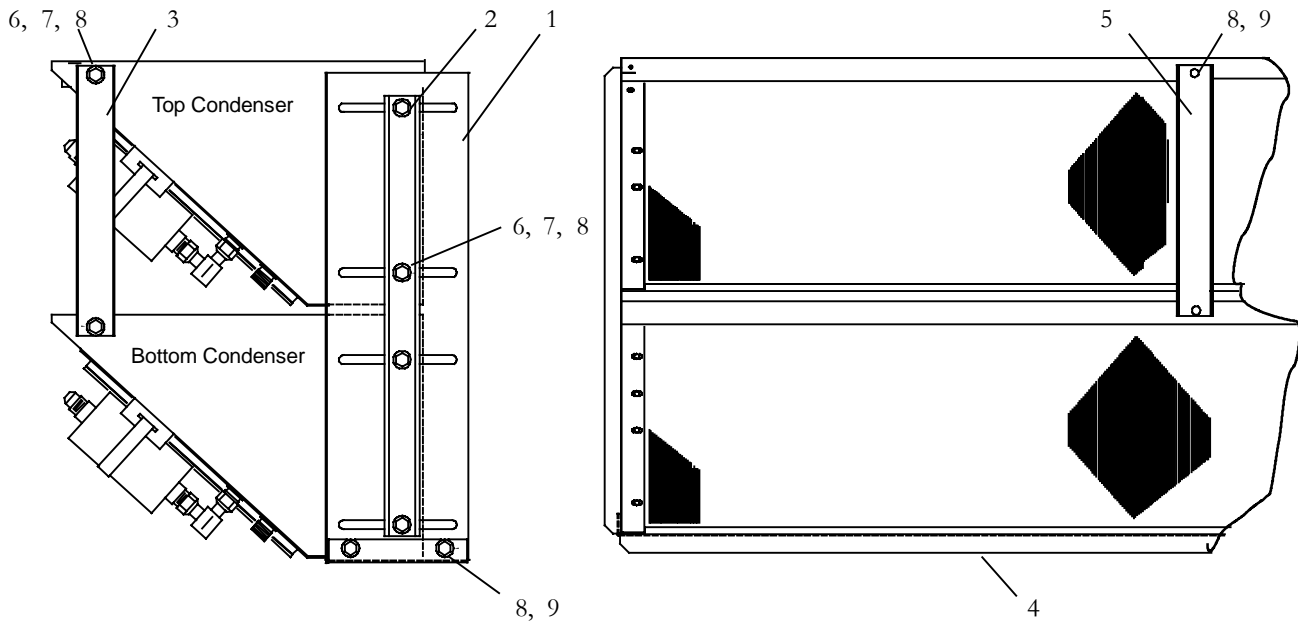
Ref. Kit 77-00274-21 & -22

Reference Only

Item	Part Number	Description	Qty
1	79-02392-01	Grille Assembly, Condenser - Includes:	1
2	68-08277-00	...Wrapper, Condenser, White	1
3	56-0034	...Decal, MCC Emblem	1



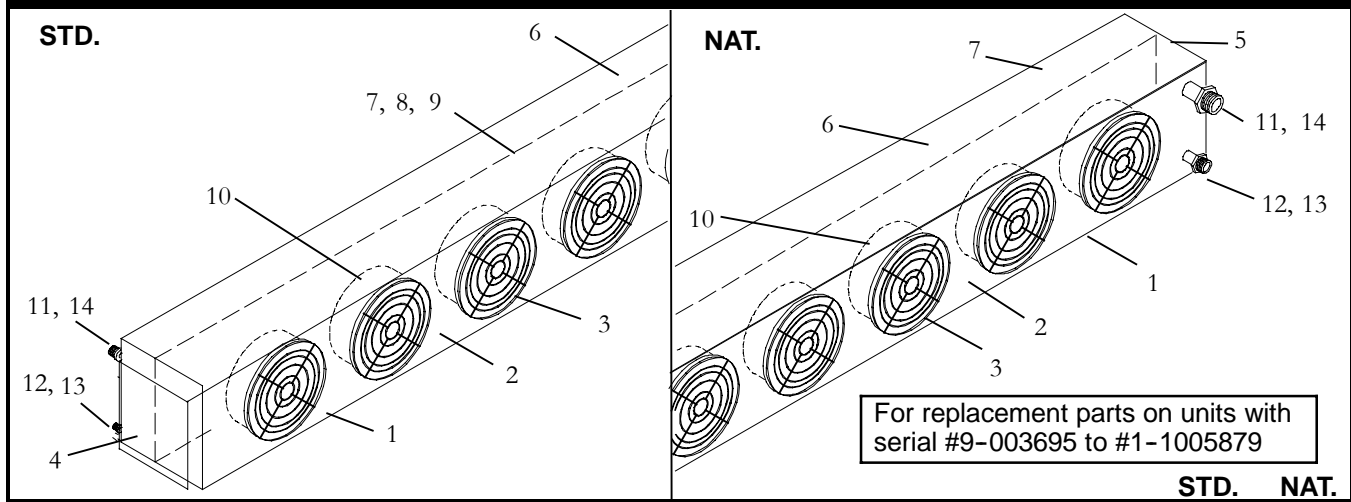
2.2.18 CONDENSER, STACKED, CM-2/CM-3



AC033-162 - KIT, CM-2 STACKED WITH BOTTOM SKIRTING
 AC033-163 - KIT, CM-3 STACKED WITH BOTTOM SKIRTING

2.2.19 CONDENSER, STACKED, CM-2/CM-3 - Continued:

Item	Part Number	Description	Qty
1	AC033-154	Bracket, Air Inlet, Stacked Condenser, Painted	2
2	AC033-158	Stiffner, Air Inlet, Stacked Condenser, Painted	2
3	AC033-155	Bracket, Air Outlet, Stacked Condenser, Painted	2
4	AC033-156	Plate, Block-Off, Stacked Condenser, Painted, 3 Fan Only	1
	AC033-157	Plate, Block-Off, Stacked Condenser, Painted, 2 Fan Only	1
5	AC033-160	Bracket, Front, Painted, (3 Fan Only)	1
6	34-00309-08	Bolt, Hex Head, 1/4-20 X 1 Inch, Grade 5	12
7	34-06212-12	Washer, Flat, 1/4 Inch, SST, (CM-3 Stacked)	18
		Washer, Flat, 1/4 Inch, SST, (CM-2 Stacked)	16
8	34-00663-11	Washer, Split Lock, 1/4 Inch, SST	12
9	34-00361-11	Nut, Hex, Lock, (ESNA), 1/4-20, Plated, (CM-3 Stacked)	6
		Nut, Hex, Lock, (ESNA), 1/4-20, Plated, (CM-2 Stacked)	4
N/S	AC033-164	Instructions, Installation Drawing	1

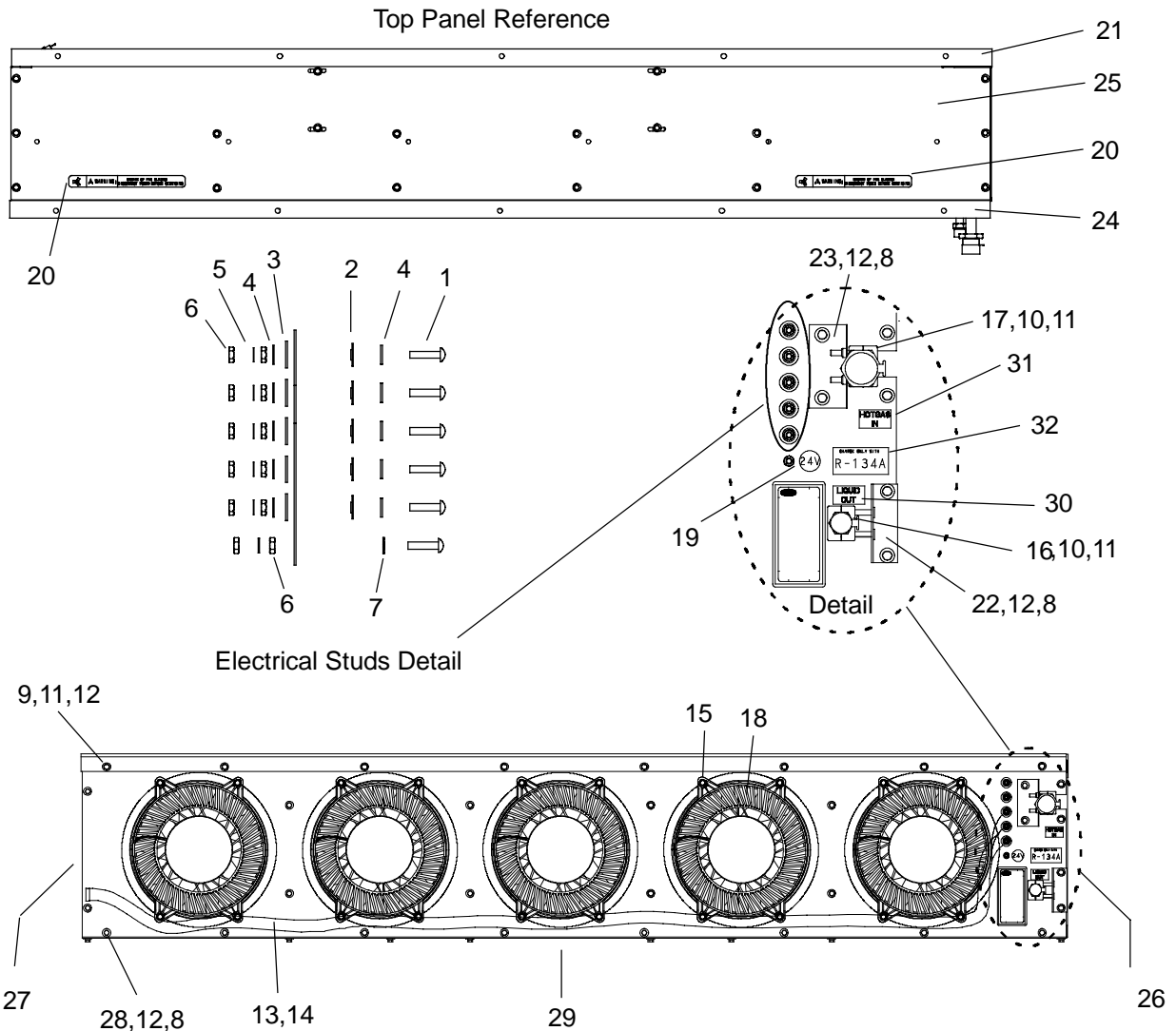
SECTION 2.3 CM-5 CONDENSER
2.3.1 CONDENSER, CM-5


			STD.	NAT.
Item	Part Number	Description	Qty	Qty
N/S	AC030-231	Baffle	4	3
N/S	AC030-335	Baffle, Solenoid Mount	NA	1
1	AC030-232P	Panel, Bottom	1	1
2	AC030-233P	Panel, Front	1	NA
	AC030-333P	Panel, Front, (NAT)	NA	1
3	AC030-234	Guard, Fan	5	5
4	AC030-235	Panel, Left Side	1	NA
	AC030-334	Panel, Left Side, (NAT)	NA	1
5	AC030-236	Panel, Right Side	1	NA
	AC030-332	Panel, Right Side, (NAT)	NA	1
6	AC030-237	Panel, Top	1	1
N/S	AC030-240	Bracket, Discharge Tube	1	NA
	AC030-337	Bracket, Discharge Tube, (NAT)	NA	1
7	AC030-340	Coil Assembly	NA	1
	81-62062-00	Coil Assembly - Includes:	1	NA
8	08-62005-00	...Coil	1	NA
9	14-00029-07	...Check Valve	1	NA
N/S	AC030-247	Bracket, Liquid Tube	1	NA
	AC030-336	Bracket, Liquid Tube, (NAT)	NA	1
N/S	22-02336-06	Fuse, 15 AMP	5	5
N/S	22-50078-23	Cover, Fuse	5	5
N/S	22-50078-22	Holder, Fuse	5	5
N/S	22-50078-49L	Terminal, Fuse	10	10
10	AC030-313	Assembly, Fan, 12 VDC	5	NA
	AC030-314	Assembly, Fan, 24 VDC	5	NA
	AC030-315	Assembly, Fan, 24 VDC, (2-Speeds)	5	5
N/S	10-00300-00	Solenoid, (Normally Open)	NA	1
N/S	12-00299-11	Switch, Pressure-CFS/R134a	NA	1
N/S	12-01132-00	Switch, Temperature (LATH)	1	NA
11	40-00491-00	Fitting, ORS, (Discharge)	1	1



2.3.1 CONDENSER, CM-5 - Continued:				
Item	Part Number	Description	Qty	Qty
12	40-00491-09	Fitting, ORS, (Liquid)	1	1
N/S	AC201-615	Resistor, .25 OHM, With Mounting Brackets	N/A	1
13	42-00243-00	O-Ring, ORS, #16	1	1
14	42-00243-03	O-Ring, ORS, #10	1	1

2.3.2 CONDENSER, CM-5, FRONT and TOP VIEWS, 77-62001-00



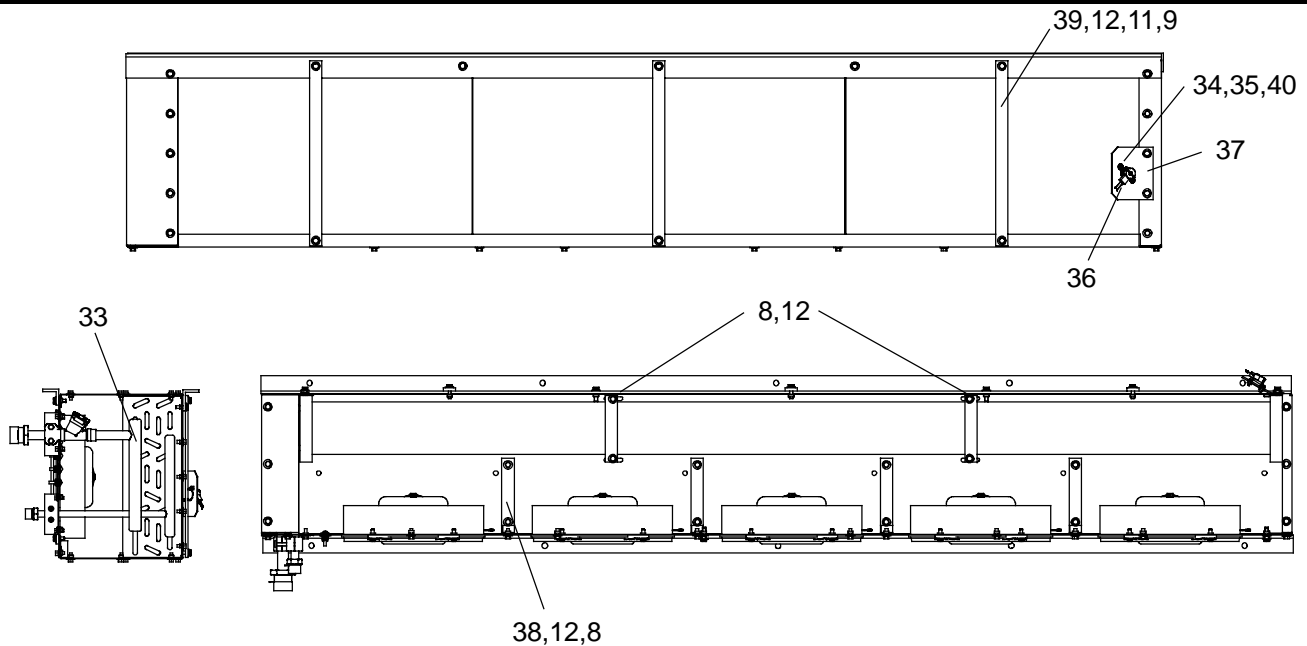
Item	Part Number	Description	Qty
1	34-62070-05	Screw, Machine RDHD, Brass, ¼ -20 Slotted	6
2	AC801-303	Bushing, Fans, Nylon	5
3	AC801-305	Bushing, Washer, Fans, Nylon	5
4	34-00974-11	Washer, Plain 1/4	10
5	34-00938-11	Washer, Lock, ¼ Int. tooth	12
6	34-00879-01	Nut, Jam, Brass ¼ - 20	12
7	34-00372-11	Washer, Lock, ¼ Ext. tooth	1
8	34-62055-00	Screw, Capt Washer, ¼-20 x 5/8 in.	69
9	34-00300-08	Screw, Cap HXHD, ¼-20 x 1 in.	18
10	34-00655-16	Screw, Cap HXHD, ¼-20 x 2 in.	4
11	34-00663-11	Washer, Lock, ¼ Spring	22
12	34-00662-11	Washer, Plain, ¼ medium .050 Thk.	91
13	58-00079-02	Sta-Strap, 0-1.75 Dia. Cable	15



2.3.2 CONDENSER, CM-5, FRONT and TOP VIEWS, 77-62001-00 - Continued:

Item	Part Number	Description	Qty
14	22-62012-00	Wire Harness, CM5	1
15	34-62011-00	Bolt, Hex, 1/4 - 20 x 1 in.	20
16	44-00285-82	Clamp, Tube, 5/8 in. O.D.	1
17	44-00285-83	Clamp, Tube, 7/8 in. O.D.	1
18	54-00618-02	Fan and Motor, 11 in. Vector, 24V W/Fuse	5
19	62-62008-00	Label, 24V Green/ Black	1
20	62-62045-00	Label, Warning, Fan Blades	2
21	68-62100-00	Angle, Mounting	1
22	AC030-336	Bracket, Tube	1
23	68-62102-00	Bracket, Tube	1
24	68-62099-00	Angle, Mounting	1
25	68-62097-00	Panel Assembly, Top	1
26	68-62096-00	Panel Assembly, Side	1
27	68-62095-00	Panel Assembly, Side	1
28	68-62094-00	Panel, Venturi	1
29	68-62093-00	Panel Assembly, Bottom	1
30	62-62042-15	Label, "Liquid Out"	1
31	62-62042-14	Label, "Hot Gas In"	1
32	62-62039-00	Label, "Charge Only W/ R-134A"	1

2.3.3 CONDENSER, CM-5, BACK, SIDE and BOTTOM VIEWS, 77-62001-00



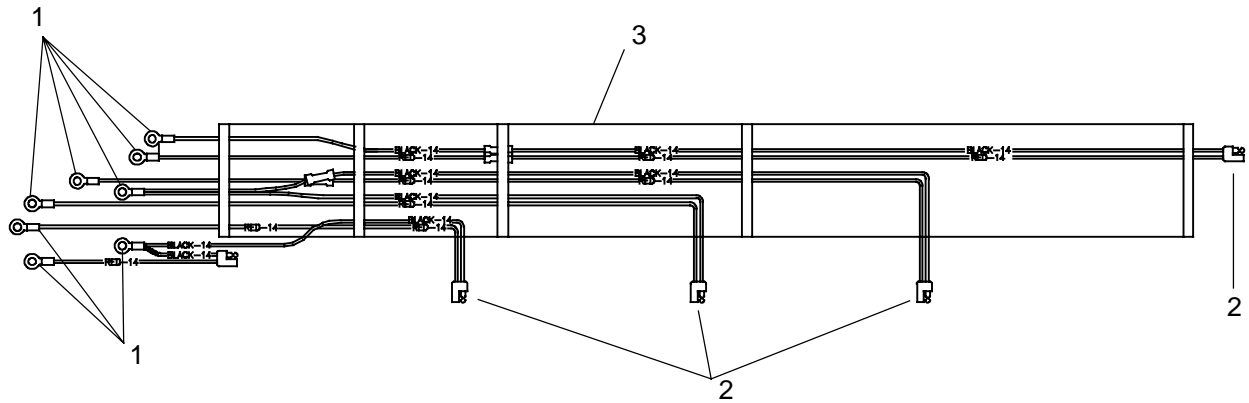
Item	Part Number	Description	Qty
33	81-62062-00	Coil Assembly - Includes:	1
	08-62005-00Coil	1
	14-00029-07Discharge Check Valve	1



2.3.3 CONDENSER, CM-5, BACK, SIDE and BOTTOM VIEWS, 77-62001-00			
34	34-00662-08	Washer, Plain #8 Med. .050 Thk.	2
35	34-00663-08	Washer, Lock, #8 Spring	2
36	12-01132-00	Switch, Temperature	1
37	68-62147-00	Bracket, Switch	1
38	68-62092-00	Baffle Assembly	4
39	68-62098-00	Plate, Mounting	3
40	34-06264-04	Screw, Cap HXHD, #8 - 32 x .50 in.	2



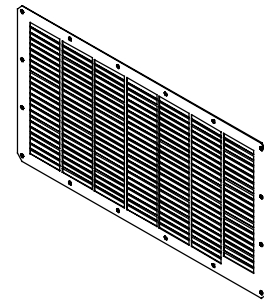
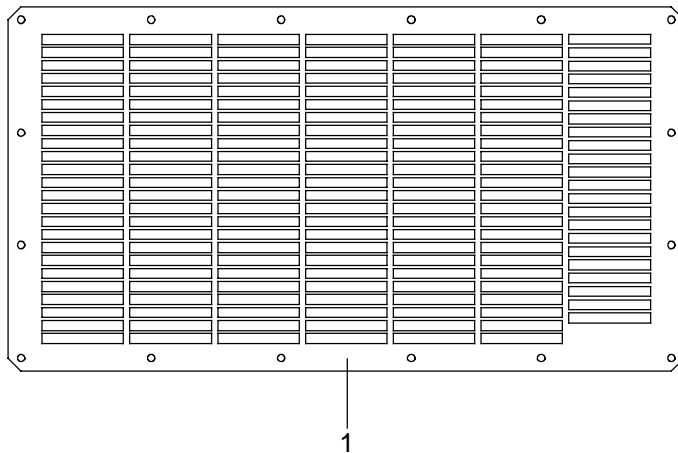
2.3.4 CONDENSER, CM-5, HARNESS ASSEMBLY - 22-62012-00



Used with CM5 Part # 77-62001-00

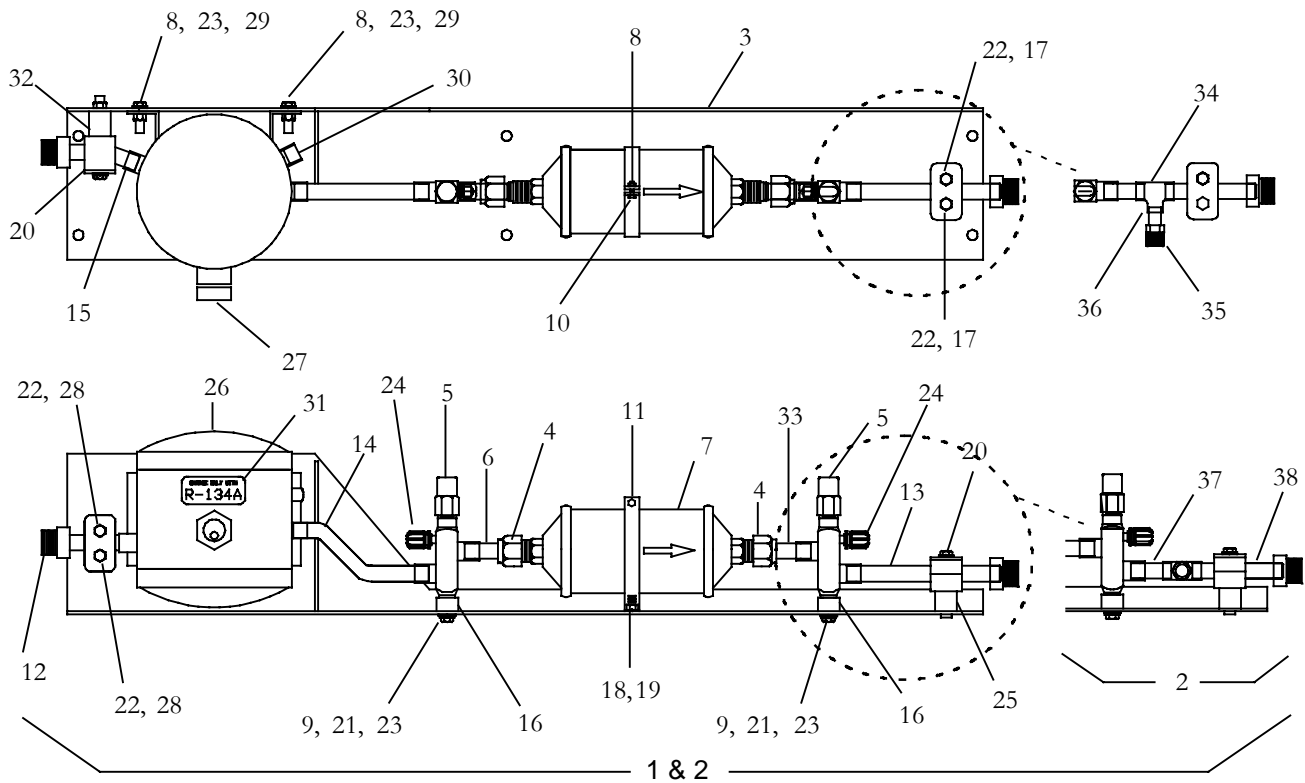
Item	Part Number	Description	Qty
1	22-01502-01	Terminal, Ring 1/4	8
2	22-01139-03	Connector, Male, Push On	4
3	58-00850-00	Split Loom, 1 in., Black	1

2.3.5 CONDENSER, CM-5, SKIRT MOUNTED GRILL



Reference Only

Item	Part Number	Description	Qty
1	68-62071-00	Grill, Condenser, SKT Mounted, 26 in. X 14 in.	3

2.3.6 LIQUID LINE ASSEMBLY, CM-5, CM-14, & C4RE, (REMOTE)


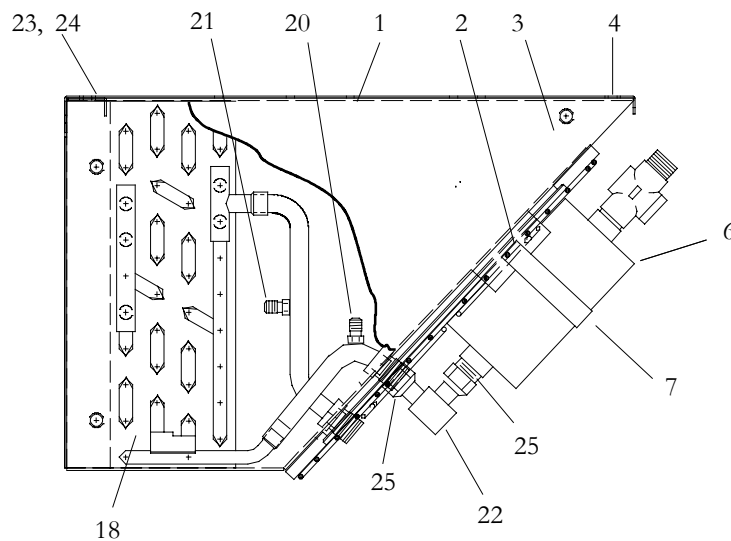
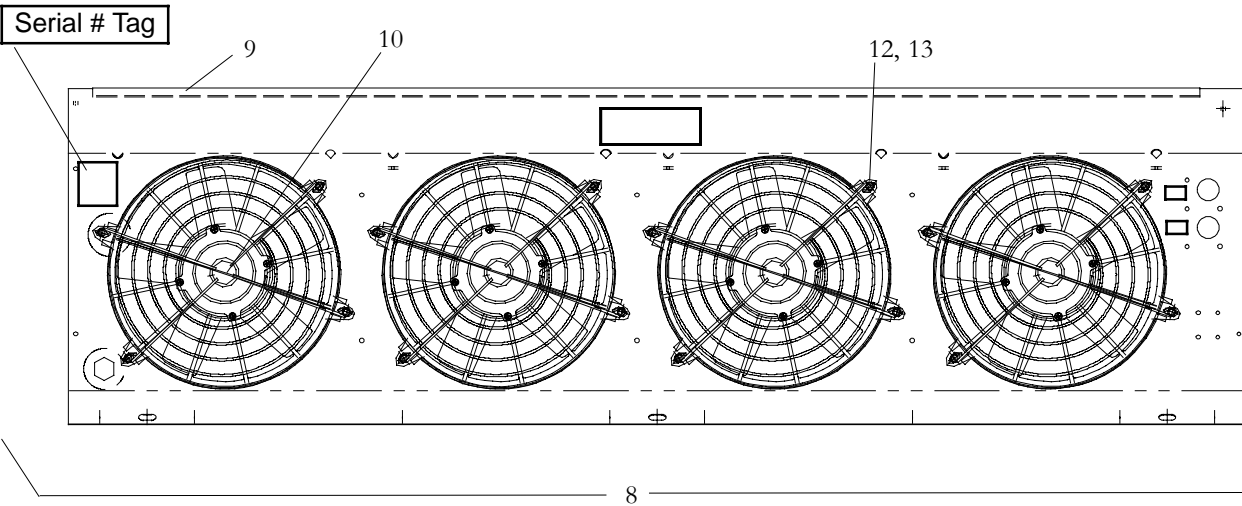
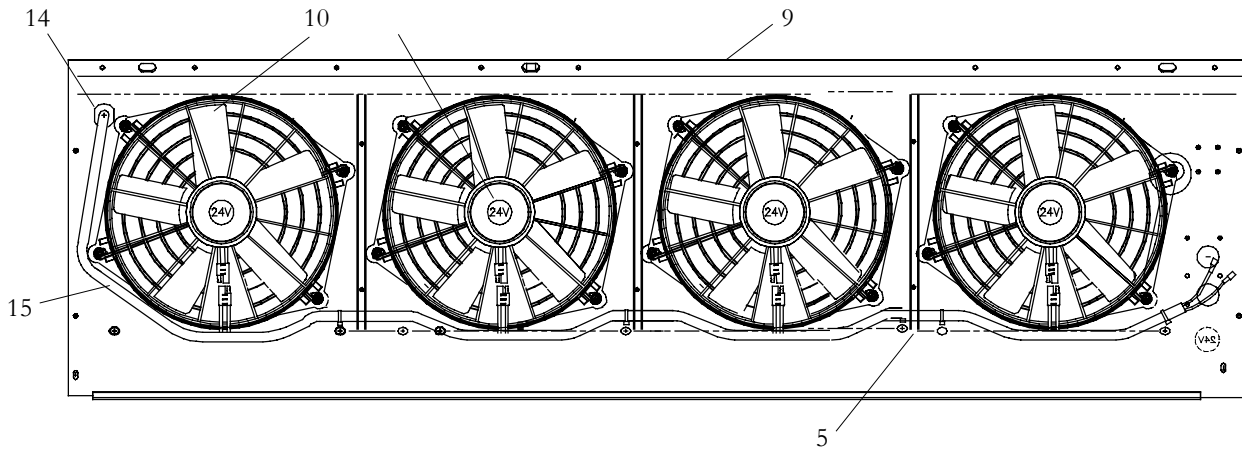
Item	Part Number	Description	Qty
1	81-62003-00	Liquid Line Assembly (Used With CM-5 & CM-14)	1
2	81-62003-01	Liquid Line Assembly (Used With C4RE Only)	1
3	86-62024-00	Bracket Assembly Painted	1
4	40-00097-10	Nut, Flare, 5/8 Short	2
5	40-00501-05	Valve, King	2
6	68RT10-1462	Tube, Flared, 5/8 OD X .040W Copper	1
7	14-00200-00	Filter Drier, 41 Cubic Inch	1
8	34-00666-12	Nut, Lock, 5/16-18	5
9	34-00368-12	Washer, Lock, 5/16 Spring, Plated	2
10	34-00792-12	Bolt, Machine, Hex Head, 5/16-18 X 1-1/2 Inch Long, SST	1
11	AC701-243	Clamp, Conduit, 3 Inch, SST	1
12	40-00491-09	Fitting, 5/8 ODF x 1.00 ORS	2
13	56-00143-36	Tube, Copper, 5/8 OD X .040W (Used With Item #1 Only)	1
14	56-62010-00	Tube, Copper, 5/8 OD X .040W	1
15	56-62011-00	Tube, Copper, 5/8 OD X .040W	1
16	AC601-609	Spacer, 7/8 X 1/2 X 9/16 Inch	2
17	34-00655-22	Bolt, Machine, Hex Head, 1/4-20 X 2-3/4 Inch Long	2
18	34-00361-11	Nut, Lock, 1/4-20 ESNA	1
19	34-06212-12	Washer, Flat, 1/4 Inch, SST	1
20	44-00285-82	Clamp, Tube, 5/8 OD	2
21	34-00677-10	Bolt, Machine, Hex Head, 5/16-24 X 1-1/4 Inch Long, Grade 8	2
22	34-00663-11	Washer, Lock, 1/4 Inch Nominal, Spring	4



2.3.6 LIQUID LINE ASSEMBLY, CM-5 AND CM-14, (REMOTE) - Continued			
Item	Part Number	Description	Qty
23	34-06212-13	Washer, Flat, 5/16 Inch Nominal	6
24	40-00501-50	Cap, King Valve, Service Part	2
25	AC601-615	Spacer, 7/8 X 1/2 X 15/16 Inch	2
26	65-01035-01	Receiver Assembly	1
27	AC101-203	Sightglass, Moisture Indicator, 7/8-14	1
28	34-00655-24	Bolt, Machine, Hex Head, 1/4-20 X 3 Inch Long, SST	2
29	34-00792-08	Bolt, Hex Head, 5/16-18 X 1 Inch, SST	4
30	14-01032-01	Plug, Fusible, 3/8 MPT	1
31	62-62039-00	Label, Charge With R-134a, (CM5 & CM-14)	1
	AC901-535	Label, R-134a, (C4RE)	1
32	AC601-618	Spacer, 7/8 X 1/2 X 1-1/8 Inch	2
33	68RM35-1122	Tube, Liquid, 5/8 OD X .040W Copper	1
34	40-00169-33	Tee, Reducing, 5/8 X 5/8 X 1/2 , (C4RE Only)	1
35	40-62032-02	Nut, Swivel Fitting, #8 MIO X 1/2 Tube, (C4RE Only)	1
36	56-00142-24	Tube, Copper, 1/2 OD x .035W X 1.38 Inch Long, (C4RE Only)	1
37	56-00143-75	Tube, Copper, 5/8 OD x .040W, (C4RE Only)	1
38	56-00143-47	Tube, Copper, 5/8 OD x .040W, (C4RE Only)	1

SECTION 2.4 CM-14 CONDENSER SERIES

2.4.1 CONDENSER, CM-14 STANDARD MODEL (77-62083-02, -04, -08 & -09)

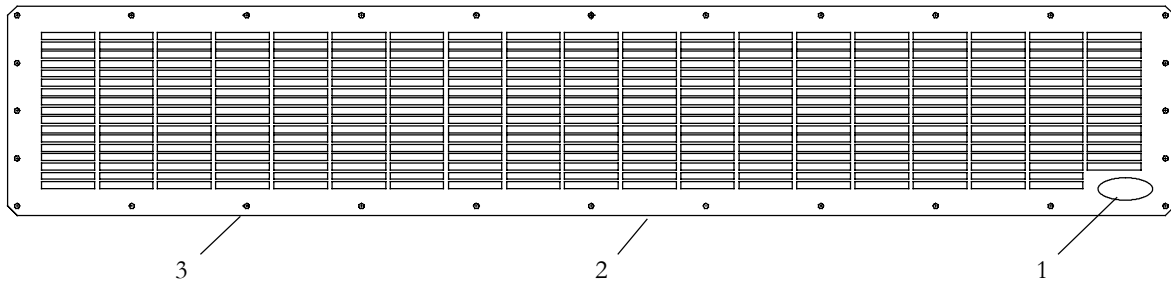




2.4.1 CONDENSER, CM-14 STANDARD MODEL (77-62083-02, -04, -08 & -09) - Continued :			
Item	Part Number	Description	Qty
1	86-62265-00	Panel Assembly, Top, 4 Fan, (Painted)	1
2	AC033-115	Channel, Filter Drier Mounting, (Painted)	1
3	AC033-203	Panel, Left Side, (Painted)	1
4	AC033-204	Panel, Right Side, (Painted)	1
5	AC033-211	Plate, Baffle, (Painted)	3
6	14-00288-00	Filter Drier/Sight Glass Assembly	1
7	AC701-269	Clamp, 2-1/16 Inch to 3 Inch	1
8	79-62063-03	Venturi Assembly, CM-14 Condenser, (Standard 12 VDC) - Includes:	1
9	68-62970-00	...Panel, Venturi, 4 Fan, (Painted)	1
10	54-00618-01	...Fan & Motor Assembly, Vector, 12V W/Fuse, (No Repl. Motor) Includes:	4
10A	22-02336-25Fuse, 20 Amp	1
11	66U1-3882	...Wire Tie, Self-Locking, 7.00 Inches, Black	A/R
12	34-62011-00	...Bolt, Hex Head, W/Lock Washer, 1/4-20 X 1 Inch, SST	16
13	34-00662-11	...Washer, Flat, 1/4 Inch, SST	8
14	58-62019-00	...Bushing, Strain Relief	1
15	22-62275-00	...Harness Assembly, Staged Fans, Standard 12 VDC - Includes:	1
15A	22-02392-00Connector, 2 Pin, Black	1
15B	22-02393-01Terminal, Male (18-20 AWG)	2
15C	22-02394-00Seal, Cable, Gray	2
15D	22-50371-00Connector, 2 Pin	1
15E	22-50372-00Terminal, Male (8 AWG)	2
8	79-62063-04	Venturi Assembly, CM-14 Condenser, Standard 24 VDC - Includes:	1
16	AC030-234	...Guard, Fan, Condenser	4
9	68-62970-00	...Panel, Venturi, 4 Fan, (Painted)	1
17	54-00545-00	...Fan & Motor Assembly, 24 VDC	4
11	66U1-3882	...Wire Tie, Self-Locking, 7.00 Inches, Black	A/R
12	34-62011-00	...Bolt, Hex Head, W/Lock Washer, 1/4-20 X 1 Inch, SST	16
13	34-00662-11	...Washer, Flat, 1/4 Inch, SST	8
14	58-62019-00	...Bushing, Strain Relief	1
15	22-62275-00	...Harness Assembly, Staged Fans, CM-14, Standard, 24V - Includes:	1
15A	22-02392-00Connector, 2 Pin, Black	1
15B	22-02393-01Terminal, Male (18-20 AWG)	2
15C	22-02394-00Seal, Cable, Gray	2
15D	22-50371-00Connector, 2 Pin	1
15E	22-50372-00Terminal, Male (8 AWG)	2
18	81-62105-00	Coil Assembly, Condenser, CM-14 With Pressure Switches - Includes:	1
19	08-62036-00	...Coil Assembly, Condenser (CM-14)	1
20	AC201-414	...Switch, Pressure, High	1
21	AC201-412	...Switch, Pressure, Low	1
22	40-62036-00	Fitting, 90 Degree, 1/2 Inch F.O.R. X 1/2 Inch F.O.R.	1
23	AC701-400	Pop Rivet, 3/16 Inch Steel, (SD64BS)	10
24	AC701-401	Pop Rivet, 3/16 Inch Steel, (SD62BS)	48
25	AC801-202	O-Ring, 1/2 Inch, HNBR	4

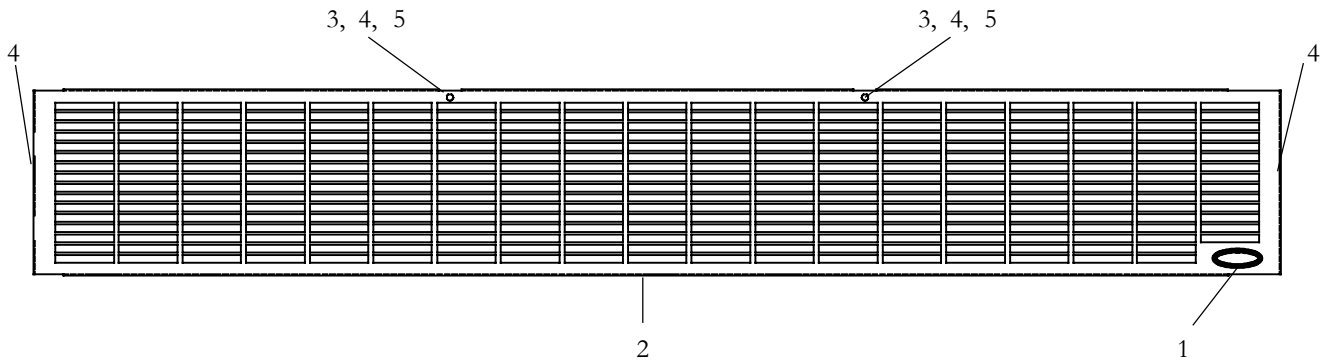


2.4.2 CONDENSER, CM-14, GRILL, STANDARD MODEL, (77-62083-02 & -04)



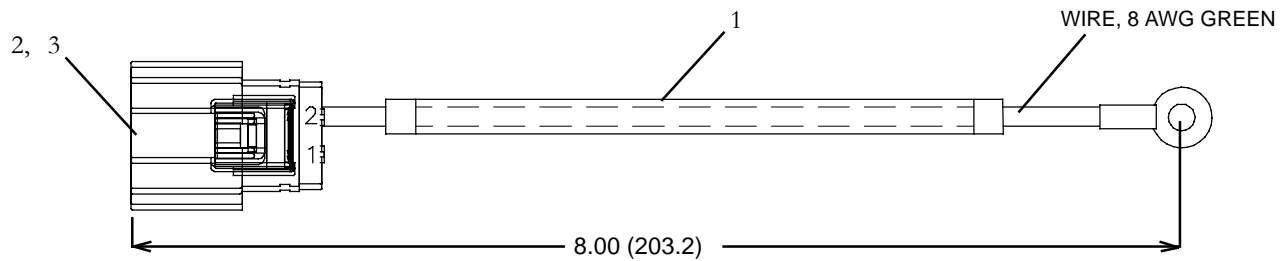
1	56-0034	Emblem, MCC	1
2	68-63265-00	Grill, Skirt Mounted, CM-14	1
3	34-62045-00	Screw, Pan Head Phillips, #10 X 3/4 Inch Long, TEK SST.	28

2.4.2 CONDENSER, CM-14, GRILL, CHASSIS MOUNTED - (77-62083-08 & -09)



1	56-0034	Emblem, MCC	1
2	68-63566-00	Grill, Condenser, Chassis Mounted, Painted	1
3	AC033-144	Plate, Mounting, Painted	2
4	34-62011-00	Bolt, Hex Head, Sems, W/Lock Washer, 1/2-20 X 1 Inch, SST	6
5	AC701-401	Pop Rivet, 3/16 Inch Steel	2

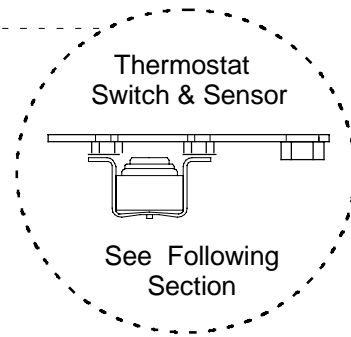
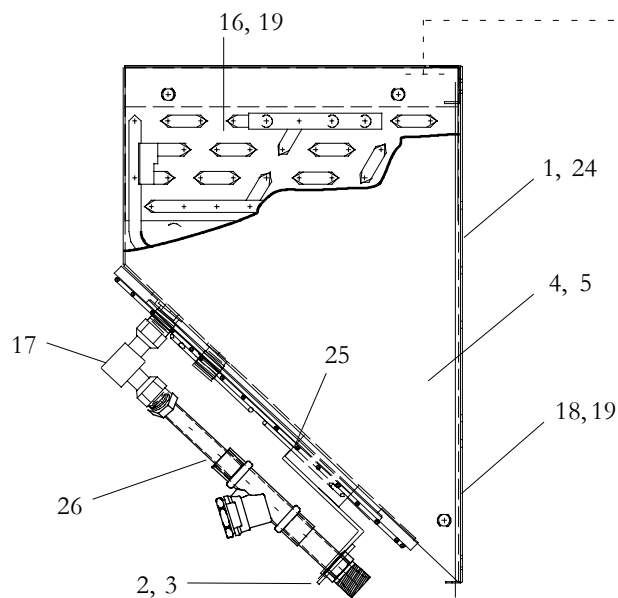
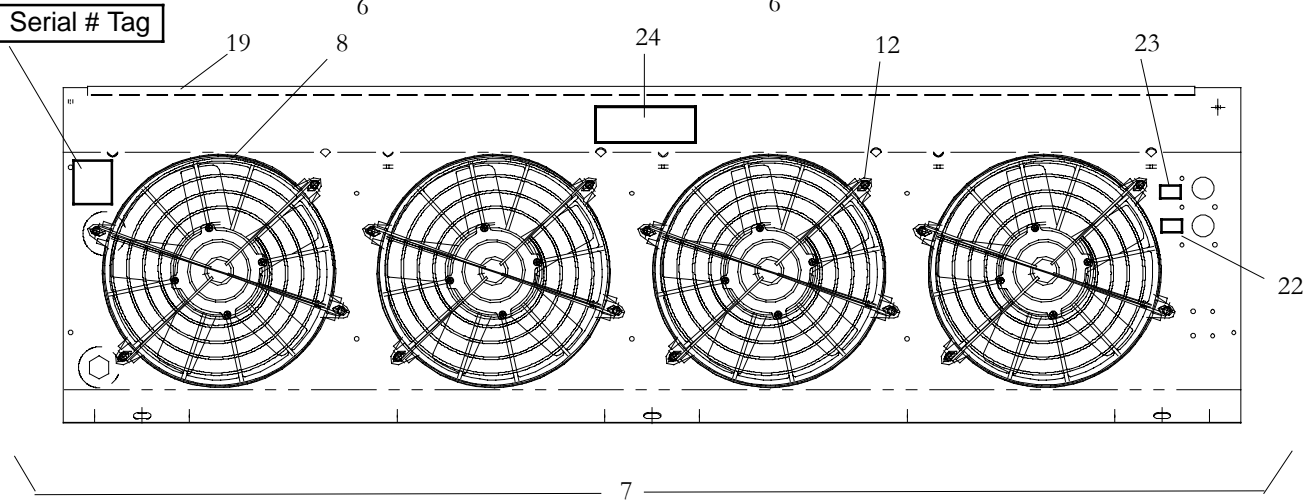
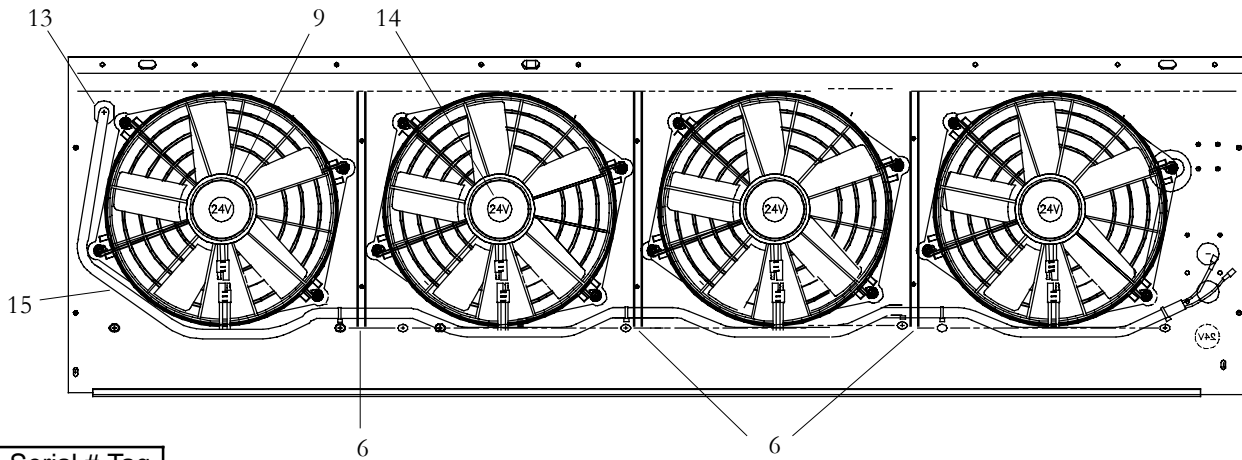
2.4.3 CM-14, CONDENSER GROUND/POWER HARNESS (FOR 77-62083-02, -04, -08, -09)



Item	Part Number	Description	Qty
1	22-62277-00	Harness, Condenser - Includes:	1
2	22-50099-28	...Housing, Receptacle, 2 Pin, Black	1
3	22-50099-28A	...Terminal, Female (8 AWG)	1



2.4.4 CONDENSER, CM-14 C4RE MODEL (77-62083-00)

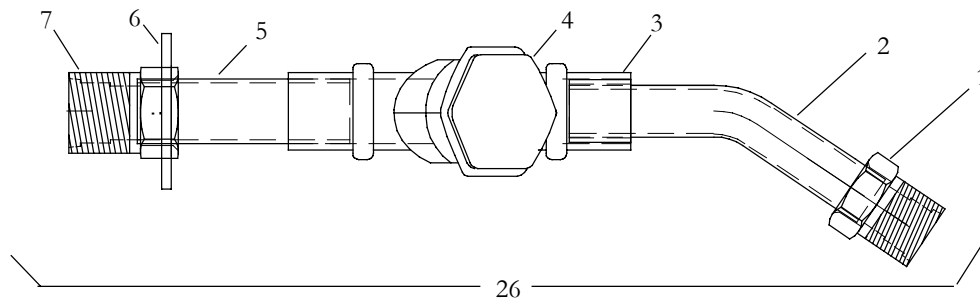




2.4.4 CONDENSER, CM-14 C4RE MODEL (77-62083-00) - Continued :

Item	Part Number	Description	Qty
1	86-62265-00	Panel Assembly, Top, 4 Fan, (Painted)	1
2	68-63107-00	Bracket, Check Valve	1
3	34-00733-00	Nut, Hex, Lock, Keps, #10-32, Zinc Plated	2
4	AC033-203P	Panel, Left Side, (Painted)	1
5	AC033-204P	Panel, Right Side, (Painted)	1
6	AC033-211P	Plate, Baffle, (Painted)	3
7	79-62063-00	Venturi Assembly, CM-14 Condenser, C4RE 24V - Includes:	1
8	AC030-234Guard, Fan, Condenser	4
9	68-62970-00Panel, Venturi, 4 Fan, (Painted)	1
10	54-00545-00Fan & Motor Assembly, 24 VDC	4
11	34-62011-00Bolt, Hex Head, W/Lock Washer, 1/4-20 X 1 Inch, SST	16
12	34-00662-11Washer, Flat, 1/4 Inch, SST	8
13	58-62019-00Bushing, Strain Relief	1
14	62-62008-00Label, 24V, 1 Inch Diameter, (Green & Black)	4
15	22-62163-00Harness Assembly, Staged Fans, CM-14, C4RE	1
16	08-62036-00	Assembly, Coil, CM-14	1
17	40-62036-00	Fitting, 90 Degree, 1/2 Inch F.O.R. X 1/2 Inch F.O.R.	1
18	AC701-400	Pop Rivet, 3/16 Inch Steel, (SD64BS)	10
19	AC701-401	Pop Rivet, 3/16 Inch Steel, (SD62BS)	48
20	AC801-202	O-Ring, 1/2 Inch, HNBR	2
21	62-62042-15	Label, Liquid Out	1
22	62-62042-14	Label, Hot Gas In	1
23	62-62029-00	Label, Warning Fan Blades	1
24	56-0034	Emblem, MCC	1
25	34-62050-04	Bolt, Pan Head, Phillips/Slotted, 10/32 X 1/2 Inch Long	2

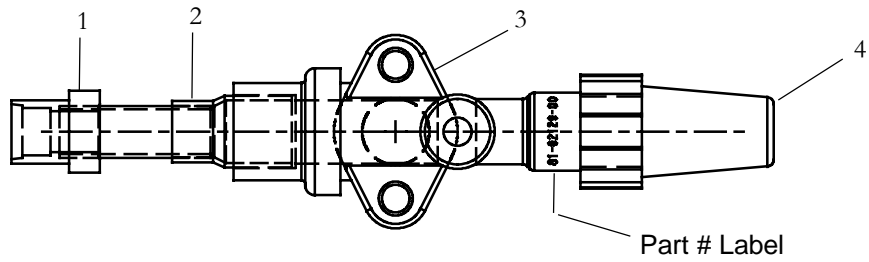
2.4.4 CONDENSER, CM-14 C4RE, CHECK VALVE & TUBE ASSEMBLY



26	81-62122-00	Check Valve & Tube Assembly - Includes:	1
1	40-62032-02Nut, Swivel, #8 MIO X 1/2 ODF.	1
2	56-62250-00Tube, Discharge, Bent, Copper, 1/2 Inch O.D.	1
3	40-00201-04Bushing, Flush, 5/8 ODM X 1/2 ODF	1
4	14-00029-04Valve, Check, 5/8 ODF	1
5	56-00143-78Tube, Straight, Copper, 5/8 O.D. X 2.06 Inches Long	1
6	68-62492-02Plate, Swivel Nut, Brass	1
7	40-62032-01Nut, Swivel Fitting, #10 MIO X 5/8 ODF	1

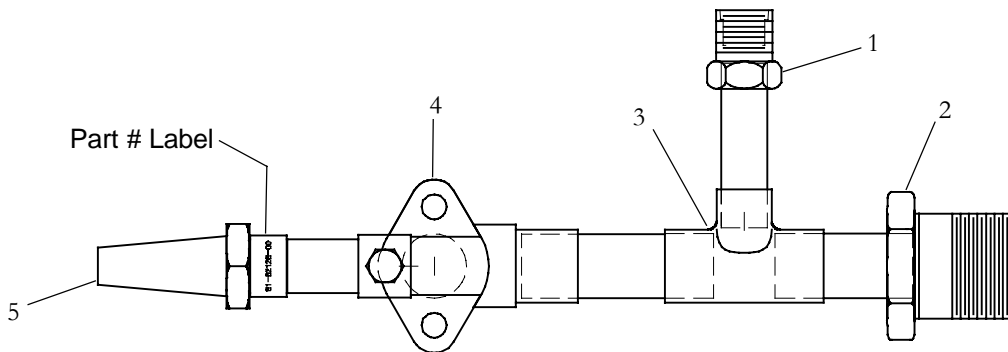


2.4.4 CONDENSER, CM-14 C4RE, DISCHARGE VALVE ASSEMBLY (BB)



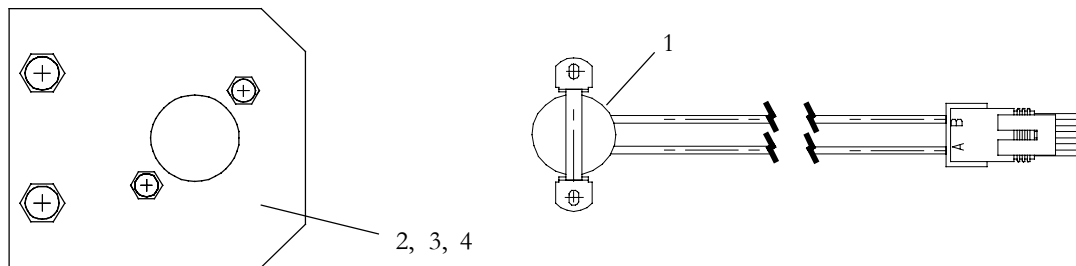
-	81-62129-00	Discharge Valve Assembly - Includes:	1
1	40-62032-01Nut, Swivel Fitting, #10 MIO X 5/8 ODF	1
2	40-00490-12Reducer, Copper	1
3	14-01042-08Valve, Compressor Shut-Off, (For 7/8 Tubing)	1
4	17-10812-01Cap, Valve, Plastic	1

2.4.4 CONDENSER, CM-14 C4RE, SUCTION VALVE ASSEMBLY (BB)



-	81-62128-00	Suction Valve Assembly - Includes:	1
1	40-62032-01Nut, Swivel Fitting, #10 MIO X 5/8 ODF	1
2	40-00491-18Fitting, ORS, Brass, 1-11/16-12 Thread (For 7/8 Tubing)	1
3	40-00169-13Tee, Reducing, Copper (7/8 X 7/8 X 5/8)	1
4	EN07AA284Valve, Compressor Shut-Off (For 7/8 Tubing)	1
5	17-10812-01Cap, Valve, Plastic	1

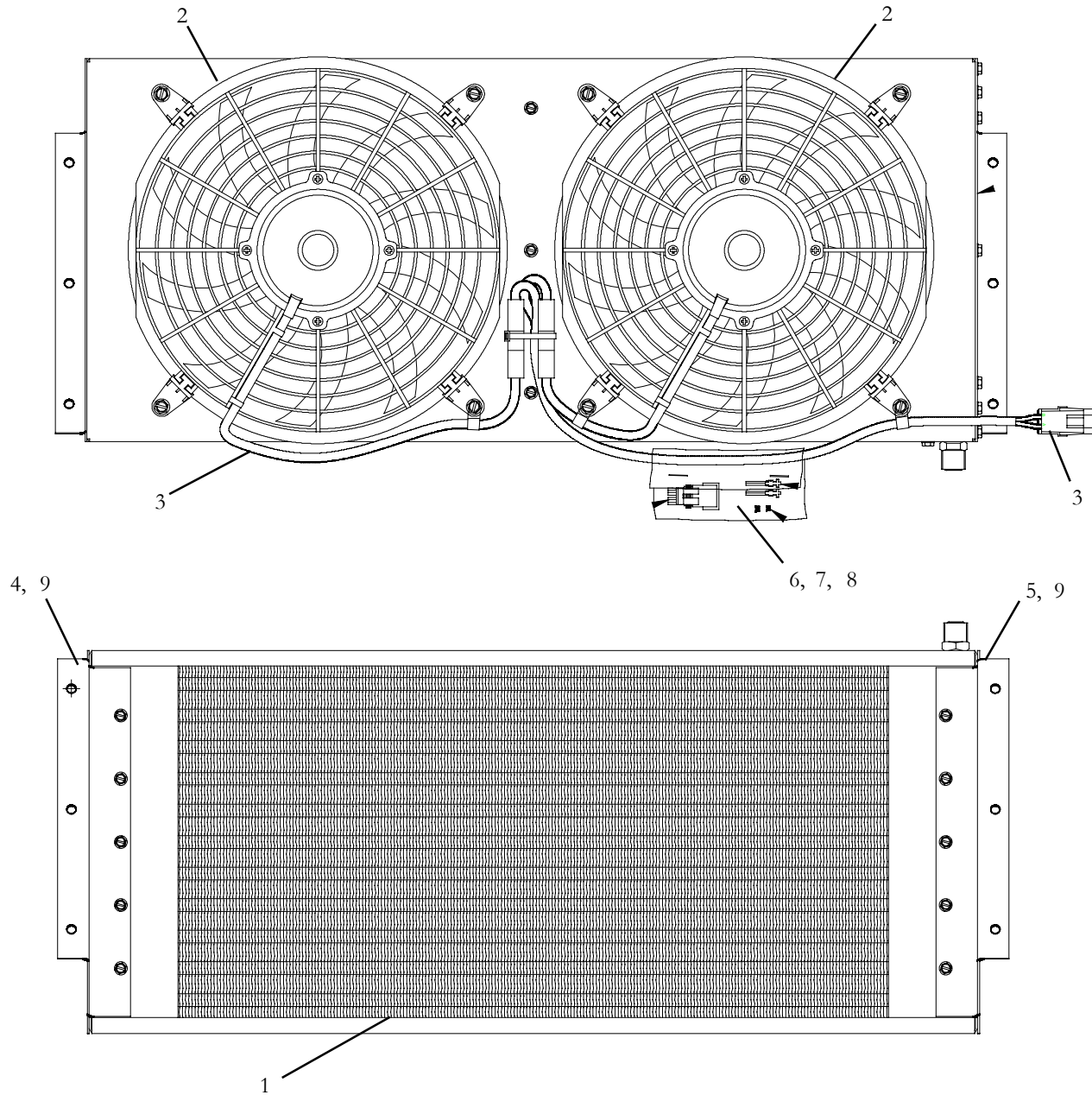
2.4.4 CONDENSER, CM-14 C4RE LOW AMBIENT THERMOSTAT SWITCH & BRACKET



1	10-00317-01	Switch, Thermostat, Low Ambient (C4RE Only)	1
2	68-63104-00	Bracket, LATH Sensor, (C4RE Only)	1
3	66U1-5371	Bolt, Hex Head, Slotted, #8/32 X 1/2 Inch Long - SST	2
4	34-62011-00	Bolt, Hex Head, SEMS, W/Lock Washer, 1/4-20 X 1 Inch, SST	2



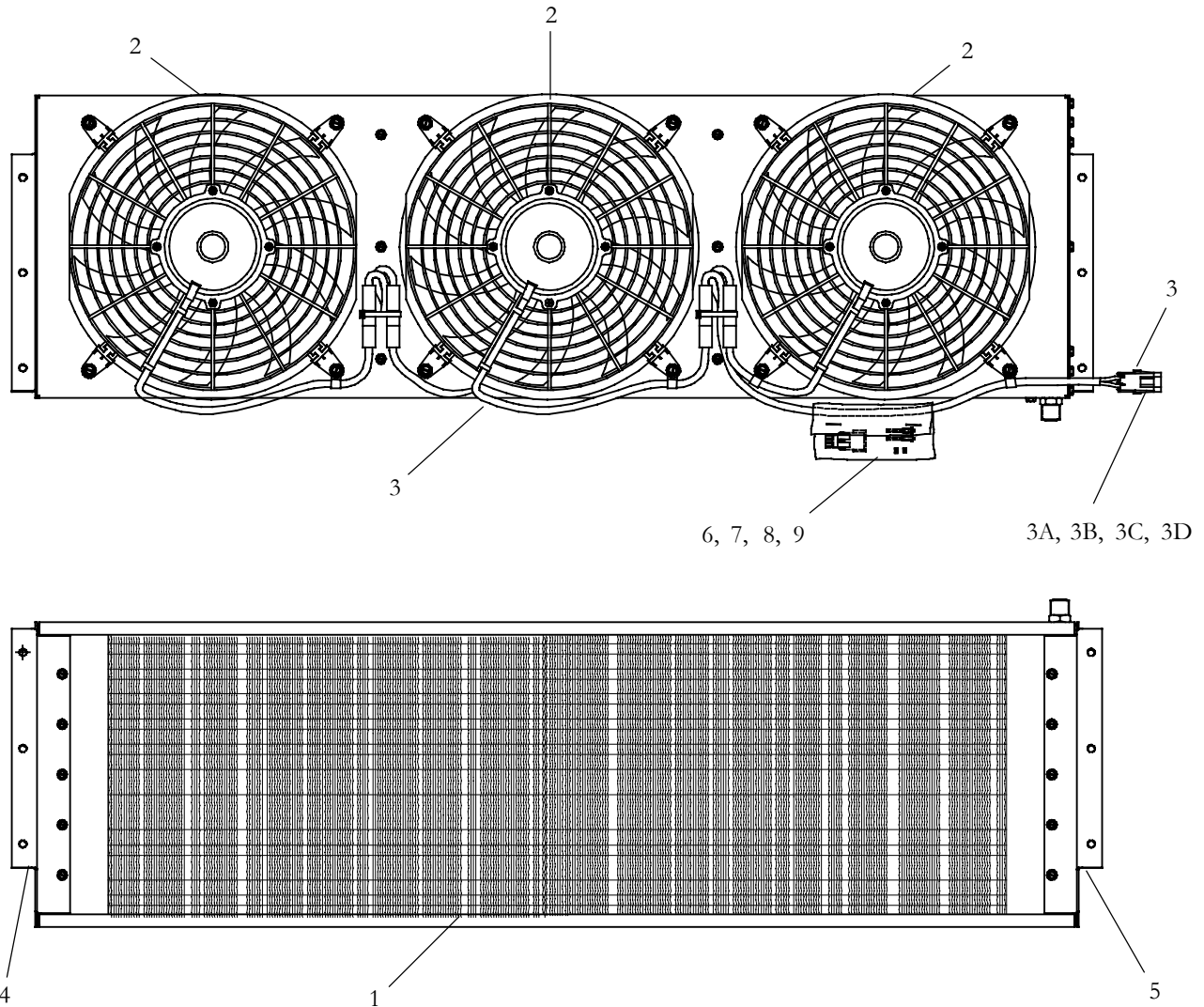
2.4.5 CONDENSER, CM-15 (77-62175-00)



Item	Part Number	Description	Qty
1	08-50018-00	Coil Assembly, Two Fan Condenser	1
2	54-50108-00	Fan & Motor Assembly, Condenser, 12 VDC	2
3	22-50343-00	Harness, Two Fan Condenser	1
4	68-50088-00	Bracket, Condenser, RS	1
5	68-50089-00	Bracket, Condenser, LS	1
6	22-01585-00SK	Connector, Male, 2 Pin, Black	1
7	22-50078-58H	Terminal, Female (12 AWG)	2
8	22-02394-01	Seal, Cable, Blue	2
9	86-62475-00	Bracket, Mounting, Condenser	2



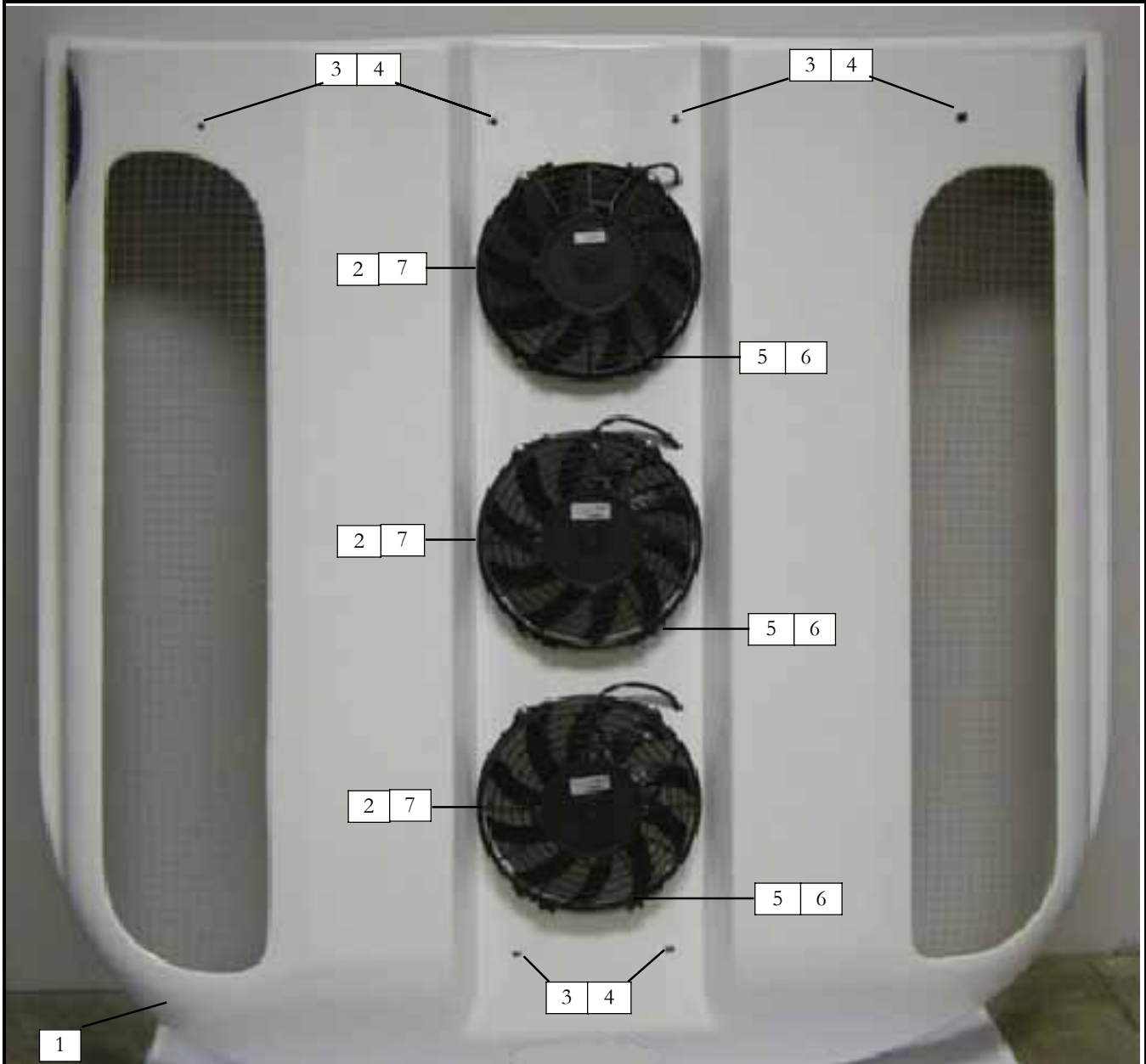
2.4.6 CONDENSER, CM-16 (77-62201-00)



Item	Part Number	Description	Qty
1	08-50020-00	Coil Assembly, Three Fan Condenser	1
2	54-50108-00	Fan & Motor Assembly, Condenser, 12 VDC	3
3	22-50358-00	Harness, Three Fan Condenser - Includes:	1
3A	22-50078-01	...Connector, Male, 2 Pin, Black	1
3B	22-50078-47B	...Terminal, Male (12-14 AWG)	2
3C	22-02394-00	...Seal, Cable, Gray	2
3D	22-50078-01A	...Lock, Secondary	1
4	68-50088-00	Bracket, Condenser, RS	1
5	68-50089-00	Bracket, Condenser, LS	1
6	22-50078-02	Connector, Female, 2 Pin, Black	1
7	22-50078-47E	Terminal, Female (12-14 AWG)	2
8	22-02394-00	Seal, Cable, Gray	2
9	22-50078-01A	Lock, Secondary	1



2.4.7 CONDENSER, K410, 3 MOTOR, 12V (SPAIN) 02-94-10-101-00



Item	Part Number	Description	Qty
1	SES132236	Cover, Condenser, K410	1
2	SES130027	Fan & Motor Assembly, Condenser, 12 VDC	3
3	SES131292	Screw, Cover, M6, x 20MM	6
4	SES232006/N	Washer, Cover, Nylon	6
5	SES201035	Screw, 5M x 20MM	12
6	SES131318	Nut, M5	12
7	SES261045	Spade, Terminal, Male	6
8	SES132235	Housing, Condenser, K410	1
9	SES141420	Seal, Bulb, 1.3M (30 Feet Roll)	1
10	SES 226013/1	Nut, Caged, M6	6



2.4.7 CONDENSER, K410, 3 MOTOR, 12V (SPAIN) - Continued:



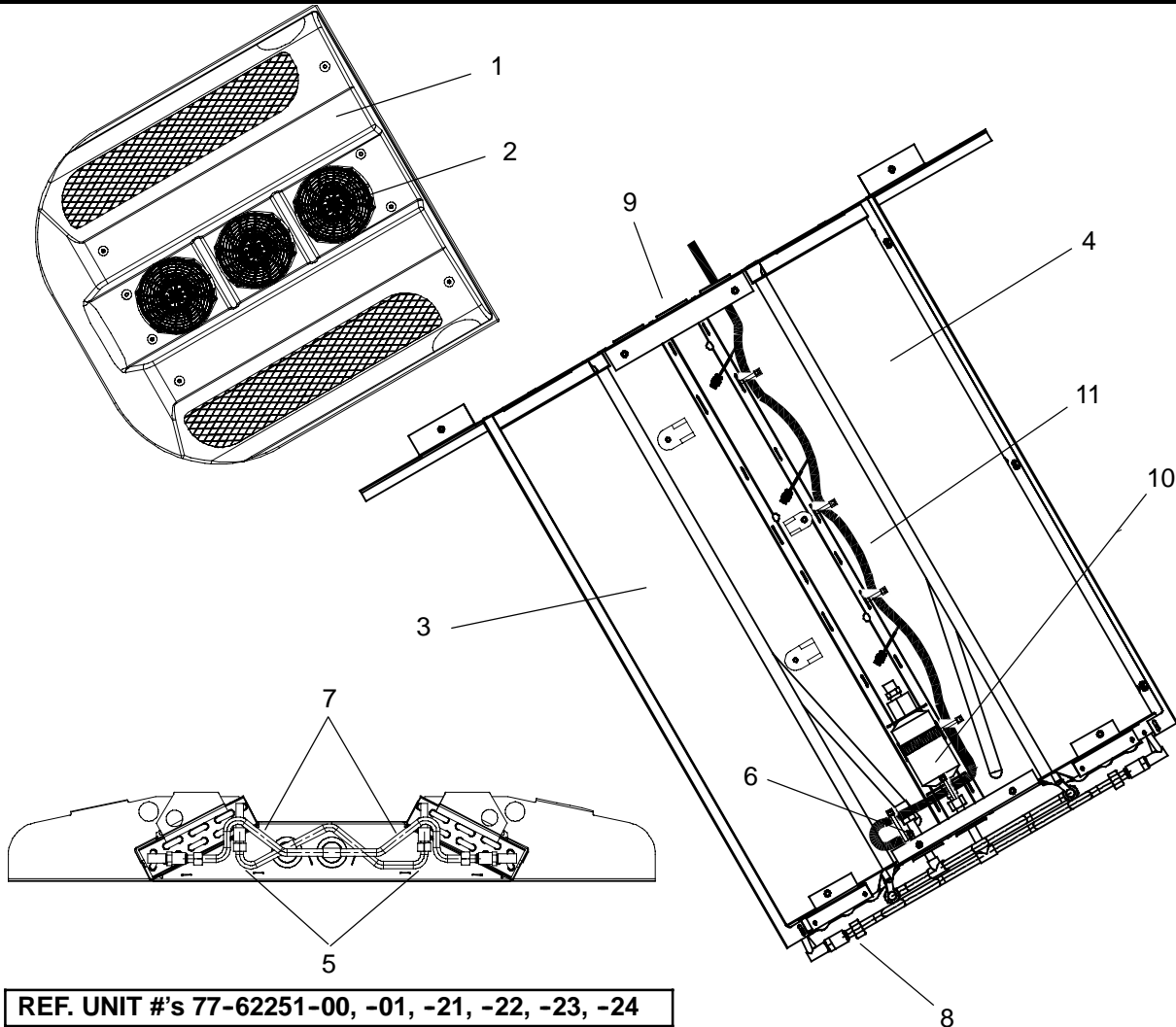
Item	Part Number	Description	Qty
11	SES132205	Coil Assembly, Condenser, K410, Complete	1
12	SES172643	Receiver Tank/Tube Assembly	1
13	SES172644	Tube, Discharge Line	1
14	SES171087	Valve, Safety, 3/8	1
15	22-62303-00	Harness Assembly, Electrical	1
16	SES181104	Switch, High Pressure	1
17	SES248014	Clamp, Hose, 50/70S	1
18	66U1-3882	Wire Tie, Self-Locking, 7.00 Inches, Black	10
19	SES217020	Screw, Self-Taping, 4.8 x13MM	10

2.4.7 CONDENSER, K410, 3 MOTOR, 12V (SPAIN) - Continued:





2.4.8 CONDENSER, K410, 3 MOTOR, 12V (NORTH AMERICAN VERSION)

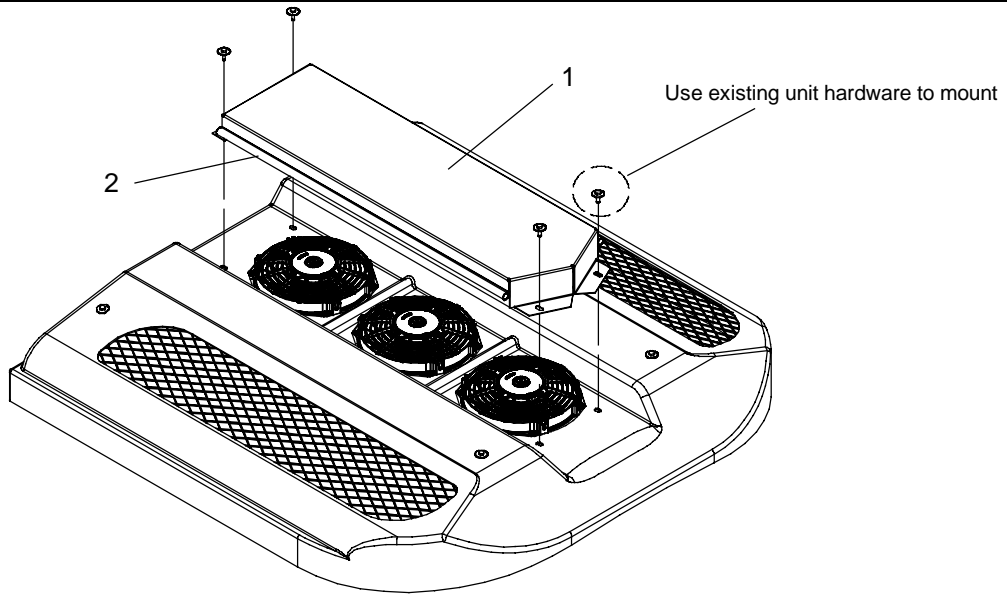


REF. UNIT #'s 77-62251-00, -01, -21, -22, -23, -24

Item	Part Number	Description	Qty
1	79-62136-00	Cover Assembly, NA 7071MM (Used w/ units 77-62251-00,-21,-23,-24)	1
	79-62136-01	Cover Assembly, NA 3000MM (Used w/ units 77-62251-01, -22)	
2	54-00643-00	Condenser Fan Assembly	3
3	08-62081-00	Condenser Coil Assembly, Curbside	1
4	08-62081-01	Condenser Coil Assembly, Roadside	1
5	81-62169-00	Tube Assembly, Hot Gas In	1
6	AC201-414	Pressure switch, High (400-300 psig)	1
7	81-62170-00	Tube Assembly, Liquid Out	1
8	AC801-202	O-Ring, (1/2" HN BR)	5
9	58-62223-00	Grommet	5
10	14-00288-00	Filter Drier, (16 cu.in. w/Sightglass)	1
11	22-62312-00	Wire Harness	1



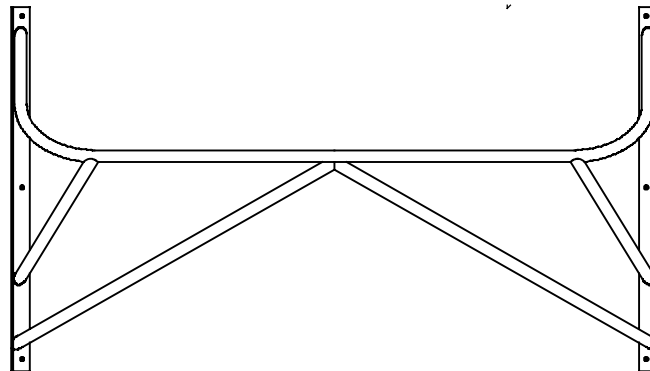
2.4.9 CONDENSER, K410 WINTERGUARD KIT (NORTH AMERICAN VERSION) KIT # 76-62362-00



FOR UNIT #'s 77-62251-XX (ALL N.A. VERSIONS)

Item	Part Number	Description	Qty
1	68-63885-00	Cover	1
2	58-62064-01	Trim, Flexible, 1/16 in. Grip (5.42 LN. FT.)	1

2.4.10 CONDENSER, K410 BRUSH GUARD KIT (NORTH AMERICAN VERSION) KIT #



Item	Part Number	Description	Qty
1	86-62565-00	Weld Assembly, Branch Guard	1



SECTION 2.5 CONDENSER, 68KR4-101 SERIES

INTRODUCTION

The Mobile Climate Control model 68KR4 series condensers are of lightweight frame construction, designed to be installed on the vehicle roof.

CONFIGURATION IDENTIFICATION

Unit identification information is provided on a plate located inside the condenser. The plate provides the unit model number, the unit serial number and the unit parts identification number (PID). The model number identifies the overall unit configuration while the PID provides information on specific optional equipment and differences in detailed parts. This section provides a description of and a tabular listing of unit model numbers and PID numbers to assist the reader in identifying the equipment supplied and any required service parts.

OPTION DESCRIPTION

Various options may be factory or field equipped to the base unit. These options are listed in the tables and described in the following subparagraphs.

Skins Kit

The top cover is designed to allow for different mounting arrangements on high roof radius or low roof radius configurations.

Refrigeration Kit

The unit may be fitted with a single or dual loop refrigeration system

Electrical Kit

The unit may be fitted with 12 or 24 volt fan motors.

Frame Kit

The condenser may be fitted with one of two different base assemblies. The assemblies differ dependent on single or dual loop refrigerant system configuration.

OPTION LEGEND

1	Top Cover - Small Radius for High Roof
2	Top Cover - Large Radius for Low Roof
1	Dual Loop
2	Single Loop
3	Dual Loop - Less Filters & Valves
4	Dual Loop
5	Single Loop
6	Dual Loop - Less Filters & Valves
1	24 VDC W/PM Motors
2	12 VDC W/PM Motors
3	24 VDC W/PM Motors W/Fuse
4	12 VDC W/PM Motors W/Fuse
5	24 VDC W/PM Motors W/Fuse
6	12 VDC W/PM Motors W/Fuse
1	Dual Loop - Bottom
2	Single Loop - Bottom
3	Dual Loop - Less Filters & Valves
4	Dual Loop - Bottom
5	Single Loop - Bottom
6	Dual Loop - Less Filters & Valves

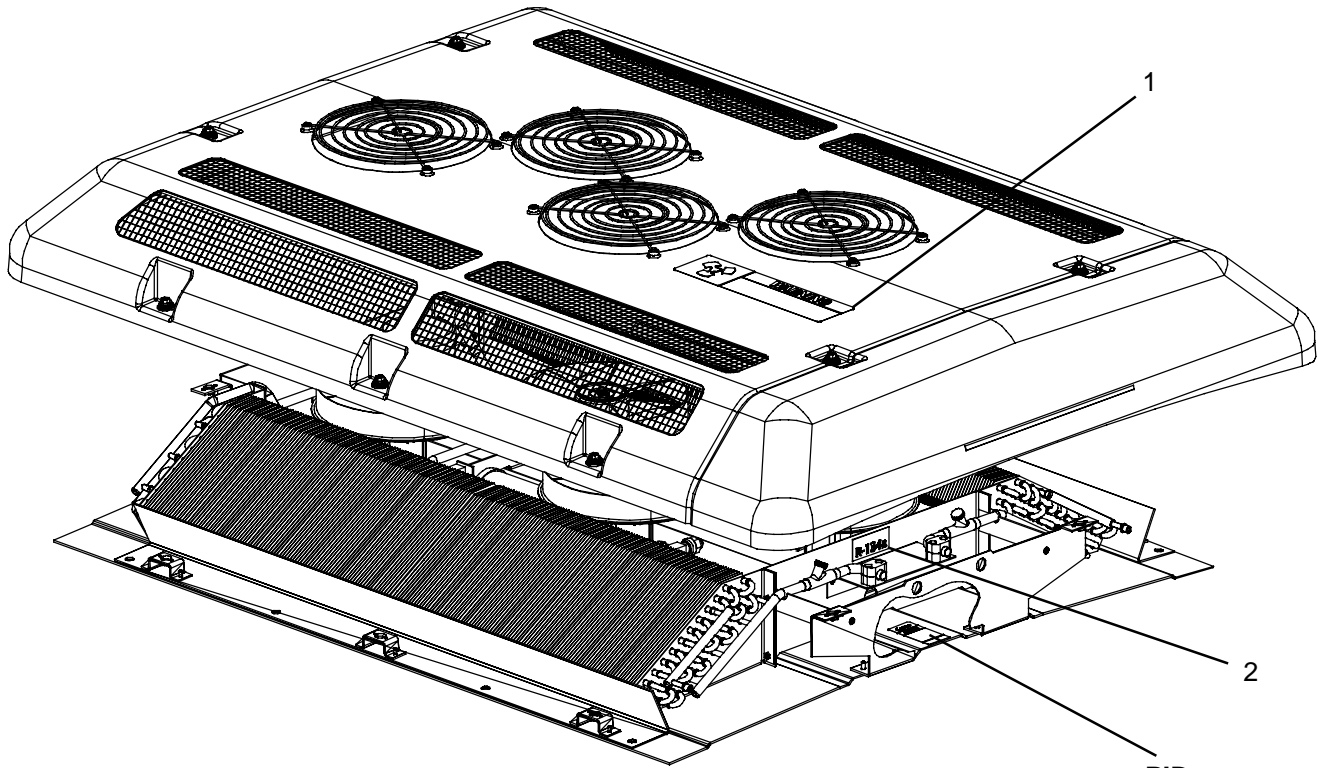


OPTION TABLE

MODEL 68KR4	PID Condenser KR4C	Skins Kit	Refrigeration Kit	Electrical Kit	Frame Kit
-101	00030	1	1	3	1
-101-1	00031	2	1	1	1
-101-2	00032	1	1	4	1
-101-3	00033	2	1	2	1
-101-4	00034	1	2	3	2
-101-5	00035	2	2	1	2
-101-6	00036	1	2	2	2
-101-7	00037	2	2	2	2
-101-8	00038	1	3	4	3
-101-9	00039	N/A	1	4	1
-102	00040	1	4	5	4
-102-1	00041	2	4	5	4
-102-2	00042	1	4	6	4
-102-3	00043	2	4	6	4
-102-4	00044	1	5	5	5
-102-5	00045	2	5	5	5
-102-6	00046	2	4	6	4
-102-8	00048	1	6	6	6
-102-9	00049	N/A	4	6	4
-102-10	N/A	2	4	6	4



2.5.1 CONDENSER, 68KR4-101 & 68KR4-102 SERIES, DECAL KIT



Reference Kit # 77-62111-XX

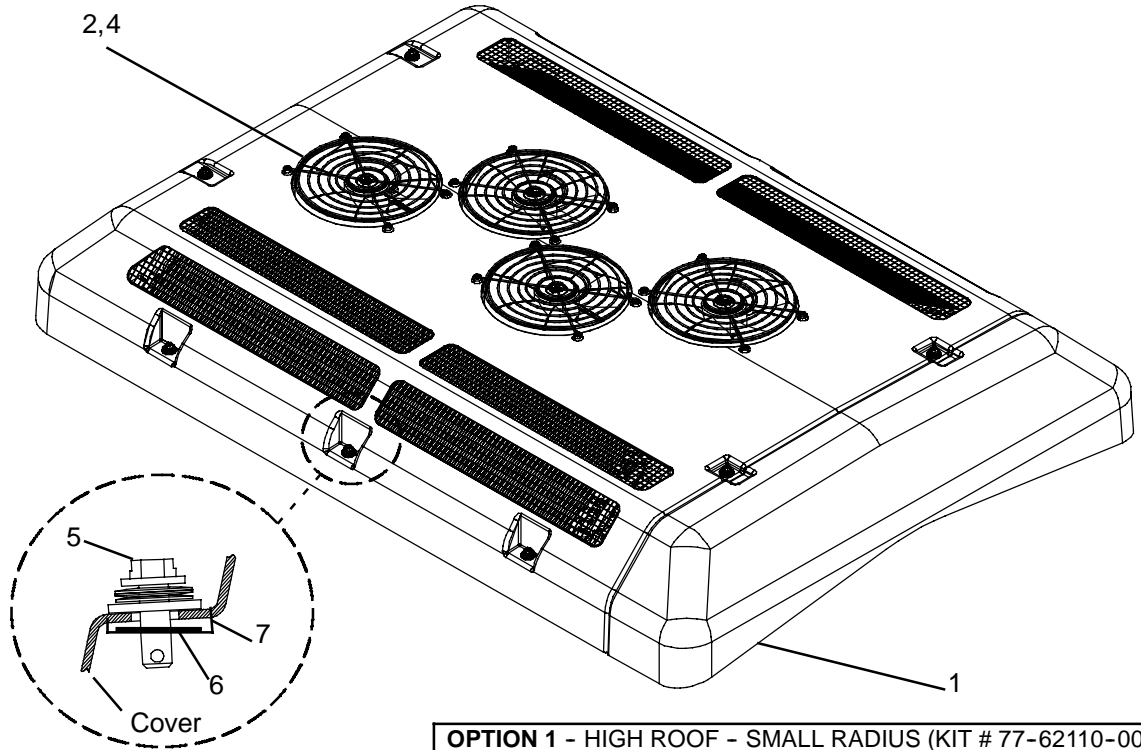
Used on ALL Models Except KR4-101-9 & KR4-102-9

PID
Serial/Model-
Number Plate

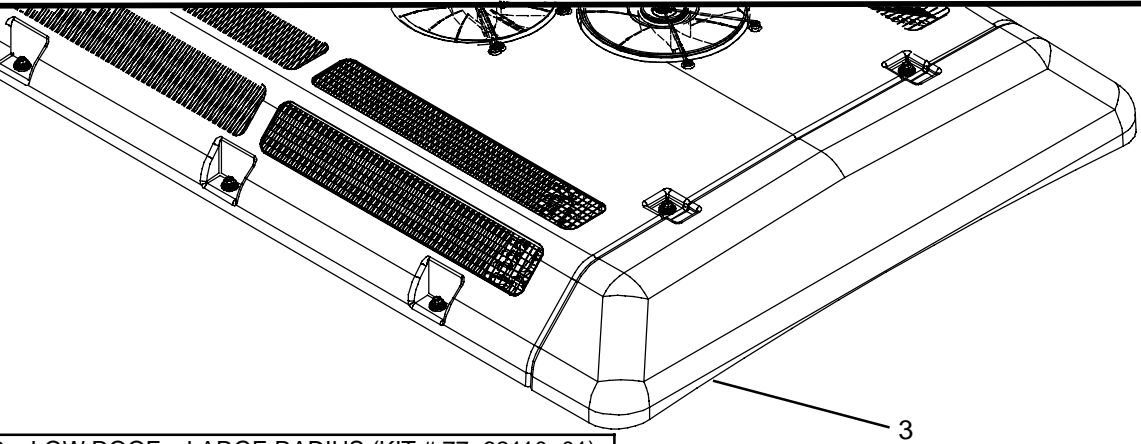
Item	Part Number	Description	Qty
1	62-62045-00	Label, Warning, Fan Blades & Power Disconnect	1
2	62-62039-00	Label, "Charge Only With R134a"	1



2.5.2 CONDENSER, 68KR4-101 & 68KR4-102 SERIES, SKINS KIT - OPTION 1 & 2



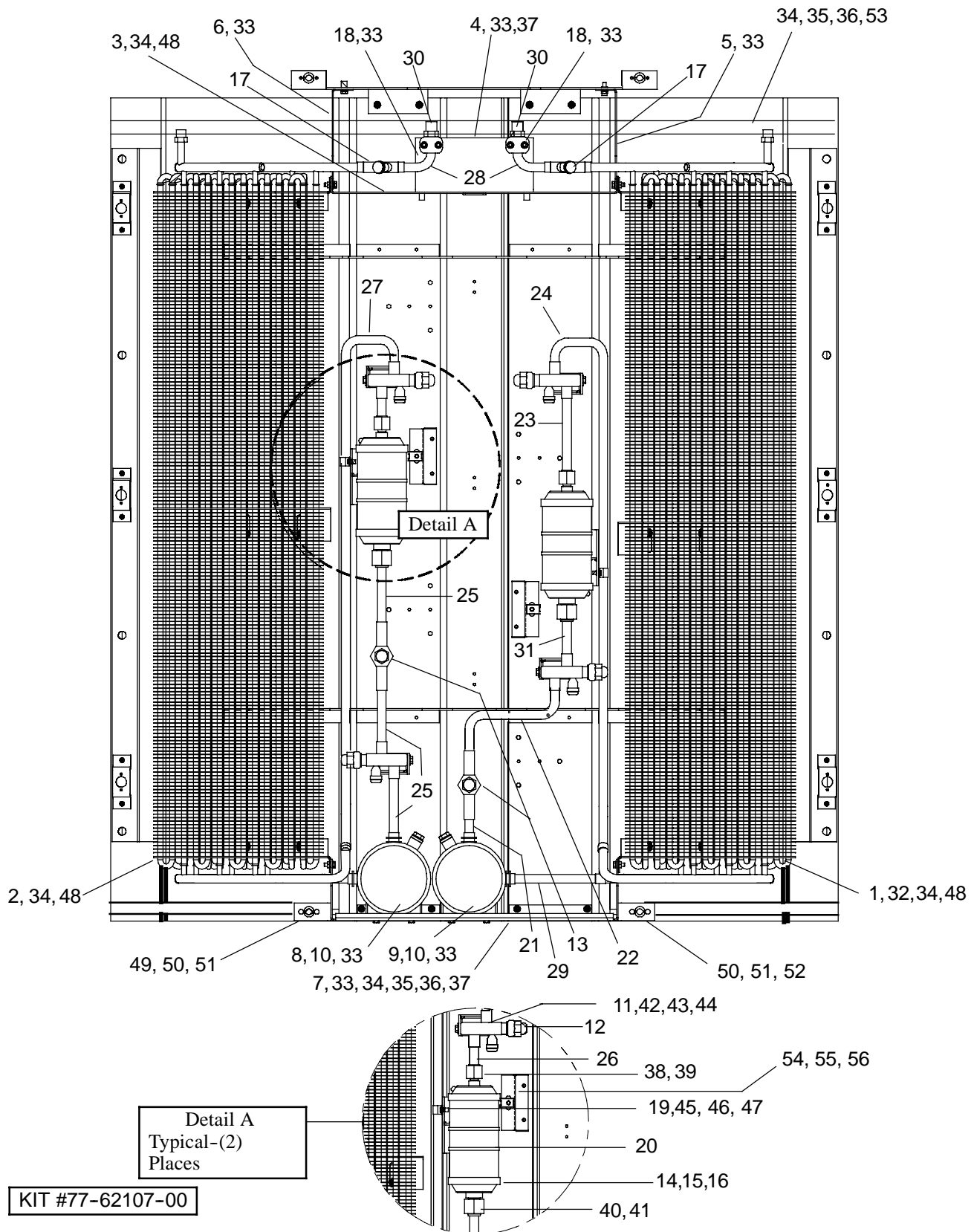
OPTION 1 - HIGH ROOF - SMALL RADIUS (KIT # 77-62110-00)



OPTION 2 - LOW ROOF - LARGE RADIUS (KIT # 77-62110-01)

Item	Part Number	Description	Qty
OPTION 1			
1	58-62040-00	Cover, Top, Condenser, KR4, High Roof Radius, With End Cap - Includes:	1
2	73-62003-00Grill, Cover	4
OPTION 2			
3	58-62040-02	Cover, Top, Condenser, KR4, Low Roof Radius, With End Cap - Includes:	1
4	73-62003-00Grill, Cover	4
COMMON PARTS			
5	34-62015-00	Stud, Captive, 1/4 Turn Camloc (91F)	10
6	34-67025-00	Washer, Special, Retaining	10
7	68-63648-00	Plate, Reinforcing, Cover	10

2.5.3 CONDENSER, 68KR4-101 SERIES, REFRIGERATION KIT, DUAL LOOP - OPTION 1



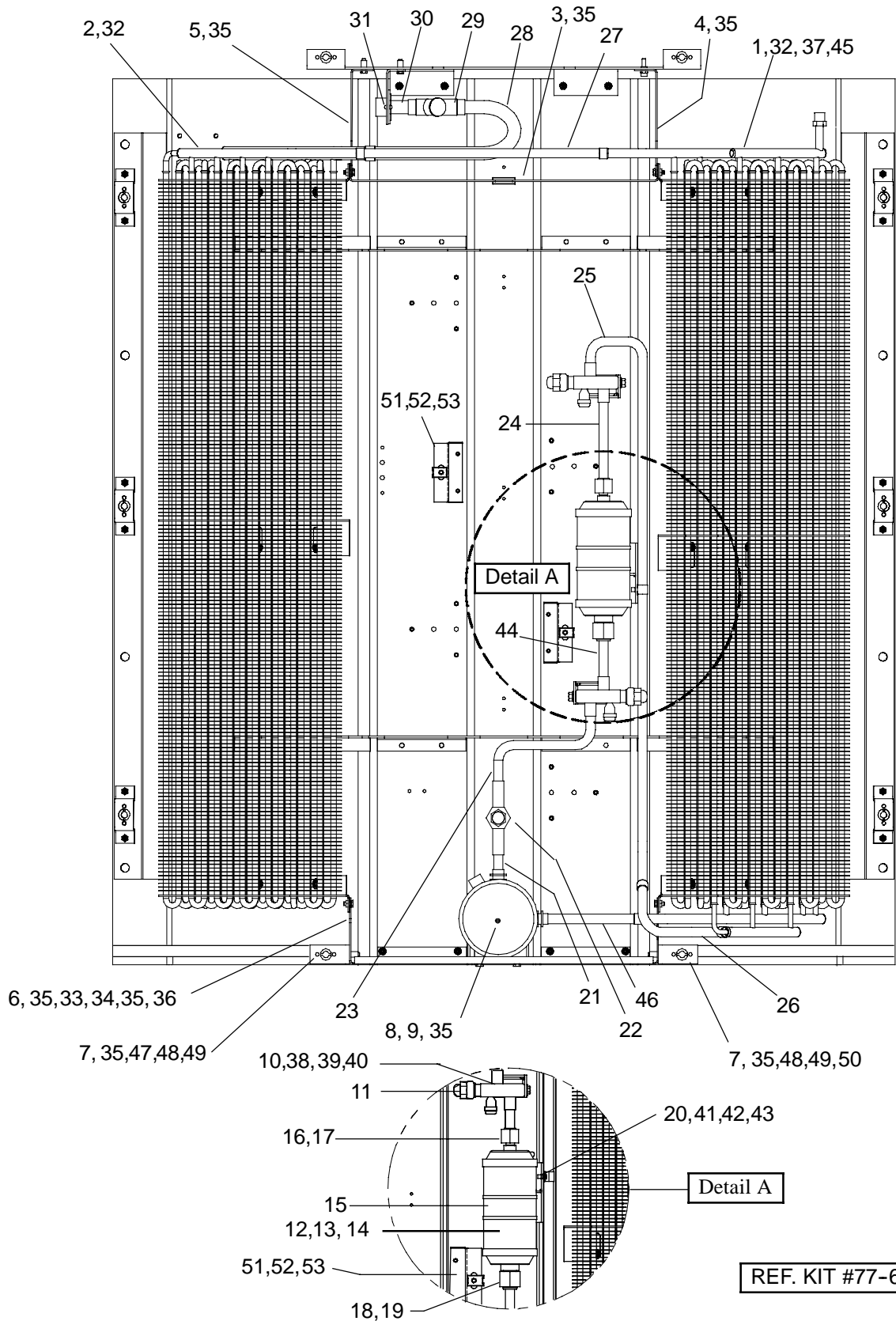


2.5.3 CONDENSER, 68KR4-101 SERIES, REFRIGERANT KIT DUAL LOOP - OPTION 1 - Continued:			
Item	Part Number	Description	Qty
1	08-62038-00	Coil, Condenser, Dual Loop	1
2	08-62038-01	Coil, Condenser, Dual Loop	1
3	68-63079-00	Bracket, Support Coil	1
4	68-62718-00	Bracket, Mounting, Tube Clamp	1
5	68-63084-00	Bracket, Mounting	1
6	68-63084-01	Bracket, Mounting	1
7	68-63158-00	Bracket, Support	1
8	65-62003-00	Receiver Assembly, Inlet Right, 5 Inch O.D.	1
9	65-62003-01	Receiver Assembly, Inlet Left, 5 Inch O.D.	1
10	14-01032-01	Plug, Fusible, 3/8 MPIT	2
11	40-00501-05	Valve, King, Brass, 5/8 ODF	4
12	40-00501-50Cap, King Valve, Service Part	4
13	14-00026-04	Indicator, Liquid & Moisture, 5/8 ODF	2
14	14-00320-00	Filter Drier, 3/4 ORS Inlet X 5/8 Inch ORS Outlet - Includes:	2
15	42-00243-11O-Ring, .739 ID X .070 Thick	1
16	42-00243-03O-Ring, .614 ID X .070 Thick	1
17	14-00029-04	Valve, Check, 5/8 ODF	2
18	44-00285-81	Clamp, Tube, Saddle, 5/8 Inch (With Cover Plate)	2
19	34-00373-07	Clamp, Tube, 0.625 Dia. Cushion	2
20	44-00045-20	Clamp, Hose, Worm Type (3.063 - 4.00 Inches)	4
21	56-00143-89	Tube, Straight, Copper, 5/8 OD X .040W X 2.19 Inches Long	1
22	56-62239-00	Tube, Discharge, Bent, 5/8 OD X .040W Copper	1
23	56-00143-24	Tube, Straight, Copper, 5/8 OD X .040W X 6.00 Inches Long	1
24	56-62240-00	Tube, Liquid, Bent, 5/8 OD X .040W Copper	1
25	56-00143-73	Tube, Straight, Copper, 5/8 OD X .040W X 4.88 Inches Long	3
26	56-00143-75	Tube, Straight, Copper, 5/8 OD X .040W X 1.62 Inches Long	1
27	56-62240-01	Tube, Liquid, Bent, 5/8 OD X .040W Copper	1
28	56-62231-00	Tube, Liquid, Bent, 5/8 OD X .040W Copper	2
29	56-62241-00	Tube, Liquid, Straight, 5/8 OD X .040W Copper	1
30	40-62032-01	Nut, Swivel Fitting, Male Insert O-Ring, 7/8-14 X 5/8 ODF	2
31	56-00143-25	Tube, Straight, Copper, 5/8 OD X .040W X 3.00 Inches Long	1
32	AC801-414	Gasket, Foam, 3/8 X 1.00 Inch X 25 Foot Roll	1
33	34-01266-20	Screw, Hex Head SEMS, Slotted, M6 X 20MM Long	28
34	34-00946-06	Nut, Hex, M6 X 1.00, Steel	31
35	34-00944-06	Washer, Plain, M6	19
36	34-00945-06	Washer, Lock, Split, M6	19
37	34-06051-104	Rivnut, M6 X 1.0, Grip Range: .028-.165	10
38	34-06121-03	Nut, Hex, ORS Braze (1-14 Threads)	2
39	40-00503-03	Collar, Tube - 5/8 ORS, Brass	2
40	34-06121-04	Nut, Hex, ORS Braze (1-3/16-12 Threads)	2
41	40-00503-04	Collar, Tube - 5/8 ORS, Nickel Plated Steel	2
42	34-00303-04	Screw, Cap, Hex Head, 5/16-24 X 1/2 Inch Long	4
43	34-00588-12	Washer, Plain, 5/16, SAE	4
44	34-00368-12	Washer, Lock, Split, 5/16, Steel	4



2.5.3 CONDENSER, 68KR4-101 SERIES, REFRIGERANT KIT DUAL LOOP - OPTION 1 - Continued			
Item	Part Number	Description	Qty
45	34-01197-16	Screw, Cap, Hex Head, M4 X 16MM Long, SST	2
46	34-01151-04	Washer, Flat, M4, SST	2
47	34-01146-04	Washer, Lock, Split, M4, SST	2
48	34-60002-06	Washer, Bellville, M6 (Conical Spring Steel)	12
49	86-62524-00	Bracket, Support	1
50	34-62016-00	Plate, Locking	2
51	34-00928-09	Rivet, Blind, .156 Dia., Grip Range: .126-.250, SST	4
52	86-62524-01	Bracket, Front Support	1
53	68-63671-00	Bracket, Support	1
54	68-63682-00	Bracket, Support	2
55	AC701-402	Rivet, Blind, .187 Dia., Grip Range: .251-.375	4
56	AC701-101	Nut, Speed, "J" Type, 1/4-20	2

2.5.4 CONDENSER, 68KR4-101 SERIES, REFRIGERANT KIT, SINGLE LOOP - OPTION 2



REF. KIT #77-62129-00

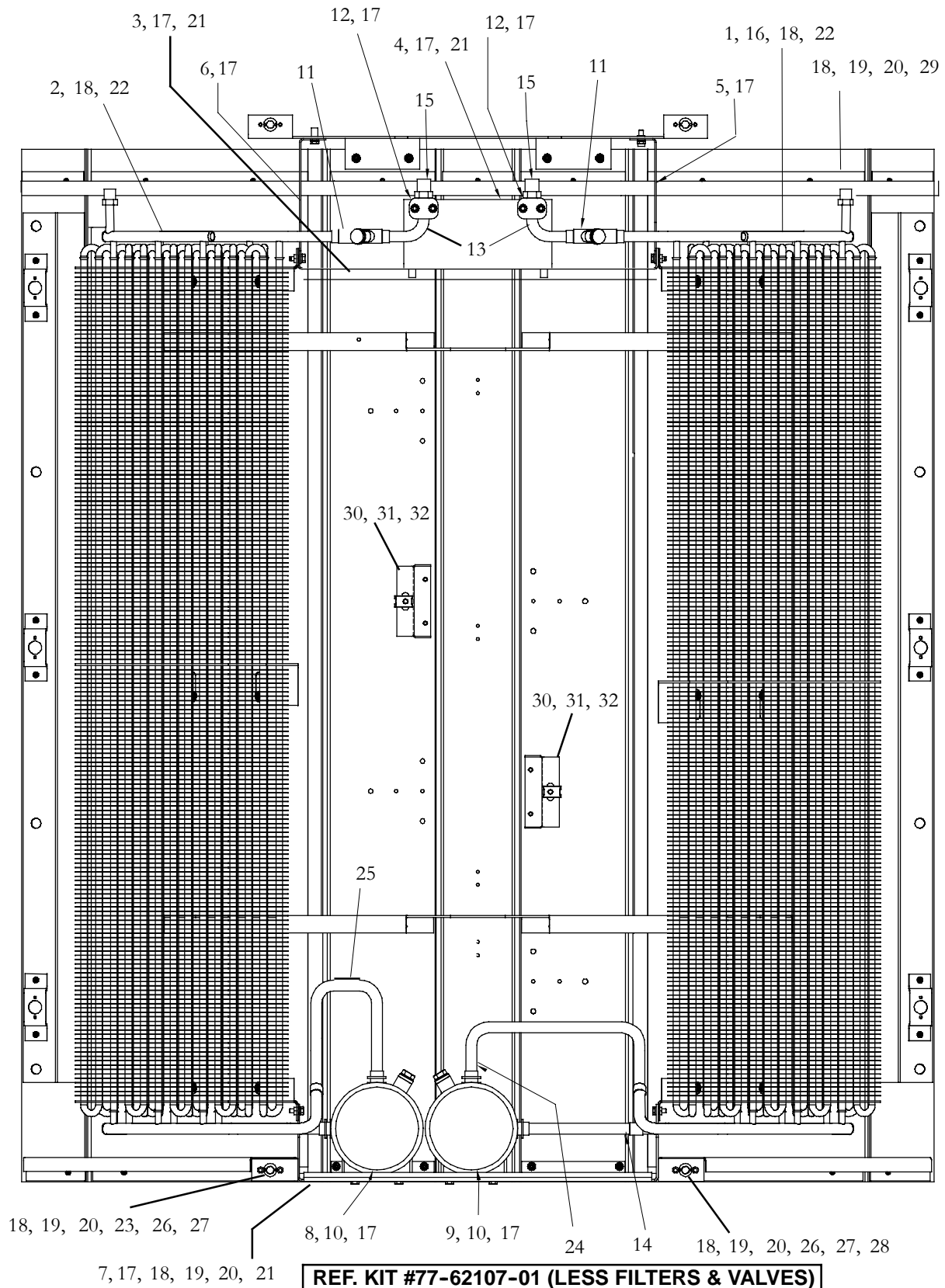


2.5.4 CONDENSER, 68KR4-101 SERIES, REFRIGERANT KIT, SINGLE LOOP - OPTION 2 - Continued:			
Item	Part Number	Description	Qty
1	08-62046-00	Coil Assembly, Condenser, Single Loop	1
2	08-62046-01	Coil Assembly, Condenser, Single Loop	1
3	68-63079-00	Bracket, Coil Support	1
4	68-63084-00	Bracket, Mounting	1
5	68-63084-01	Bracket, Mounting	1
6	68-63299-00	Bracket, Support	1
7	86-62524-00	Bracket, Front, Support	1
8	65-62003-01	Receiver Assembly, Inlet Left, 5 Inch OD	1
9	14-01032-01	Plug, Fusible, Safety, 3/8 NPTF	1
10	40-00501-05	Valve, King, Brass, 5/8 ODF	2
11	40-00501-50Cap, King Valve, Service Part	2
12	14-00320-00	Filter Drier, 3/4 ORS Inlet X 5/8 ORS Outlet (41 Cu. In.) - Includes:	1
13	42-00243-11	...O-Ring, .739 ID X .070 Thick	1
14	42-00243-03	...O-Ring, .614 ID X .070 Thick	1
15	44-00045-20	Clamp, Hose, Worm Type, (3.063 - 4.00 Inches)	2
16	34-06121-04	Nut, Hex, ORS Braze (1-3/16-12 Threads) 16,17	1
17	40-00503-04	Collar, Tube, 5/8 ORS, Nickel Plated Steel	1
18	34-06121-03	Nut, Hex, ORS Braze (1-14 Threads)	1
19	40-00503-03	Collar, Tube - 5/8 ORS, Brass	1
20	34-00373-07	Clamp, Tube, 0.625 Dia. Cushioned	1
21	56-00143-89	Tube, Straight, Copper, 5/8 OD x .040W x 2.19 Inches Long	1
22	14-00026-04	Indicator, Liquid & Moisture, 5/8 ODF	1
23	56-62239-00	Tube, Discharge, Bent, 5/8 OD x .040W Copper	1
24	56-00143-24	Tube, Straight, Copper, 5/8 OD x .040 x 6.00 Inches Long	1
25	56-62240-00	Tube, Liquid, Bent, 5/8 OD x .040W Copper	1
26	56-62252-00	Tube, Liquid, Bent, 5/8 OD x .040W Copper	1
27	56-00145-87	Tube, Straight, Copper, 7/8 OD x .045W x 16.81 Inches Long	1
28	56-62253-00	Tube, Liquid, Bent, 7/8 OD x .045W Copper	1
29	14-00029-09	Valve, Check, 7/8 ODF	1
30	56-00145-26	Tube, Straight, Copper, 7/8 OD x .045W x 2.50 Inches Long	1
31	40-00491-00	Fitting, ORS, 7/8 x 1 3/16-12, Brass	1
32	34-00946-06	Nut, Hex, M6 X 1.00, Steel	22
33	34-00944-06	Washer, Plain, M6	10
34	34-00945-06	Washer, Lock, Split, M6	10
35	34-01266-20	Screw, Hex Head, SEMS, Slotted, M6 X 20MM Long	18
36	34-06051-104	Rivnut, M6 X 1.0, Grip Range	4
37	AC801-414	Gasket, Foam, .375 X 1.00 X 25 Foot Roll	1
38	34-00303-04	Screw, Cap, Hex Head, 5/16-24 X .50 Long	2
39	34-00588-12	Washer, Plain, 5/16 SAE, (.065 Thick)	2
40	34-00368-12	Washer, Lock, 5/16 Spring	2
41	34-01197-16	Screw, Cap, Hex Head, M4 X 16MM Long, SST	1
42	34-01151-04	Washer, Flat, M4, SST	1
43	34-01146-04	Washer, Lock, Split, M4, SST	1
44	56-00143-25	Tube, Straight, Copper, 5/8 OD x .040W x 3.00 Inches Long	1
45	34-60095-46	Washer, Lock, M6 X 18MM OD	12



2.5.4 CONDENSER, 68KR4-101 SERIES, REFRIGERANT KIT, SINGLE LOOP - OPTION 2 - Continued:			
Item	Part Number	Description	Qty
46	56-62241-00	Tube, Liquid, Straight, 5/8 OD X .040W Copper	1
47	34-06088-00	Nut, Hex, 1-7/16-12, Brass	1
48	34-62016-00	Plate, Locking	2
49	34-00928-09	Rivet, Blind, .156 Dia., Grip Range: .126-.250, SST	4
50	86-62524-01	Bracket, Front, Support	1
51	68-63682-00	Bracket, Support	2
52	AC701-402	Rivet, Blind, .187 Dia., Grip Range: .251-.375	4
53	AC701-101	Nut, Speed, 'J' Type, 1/4-20	2

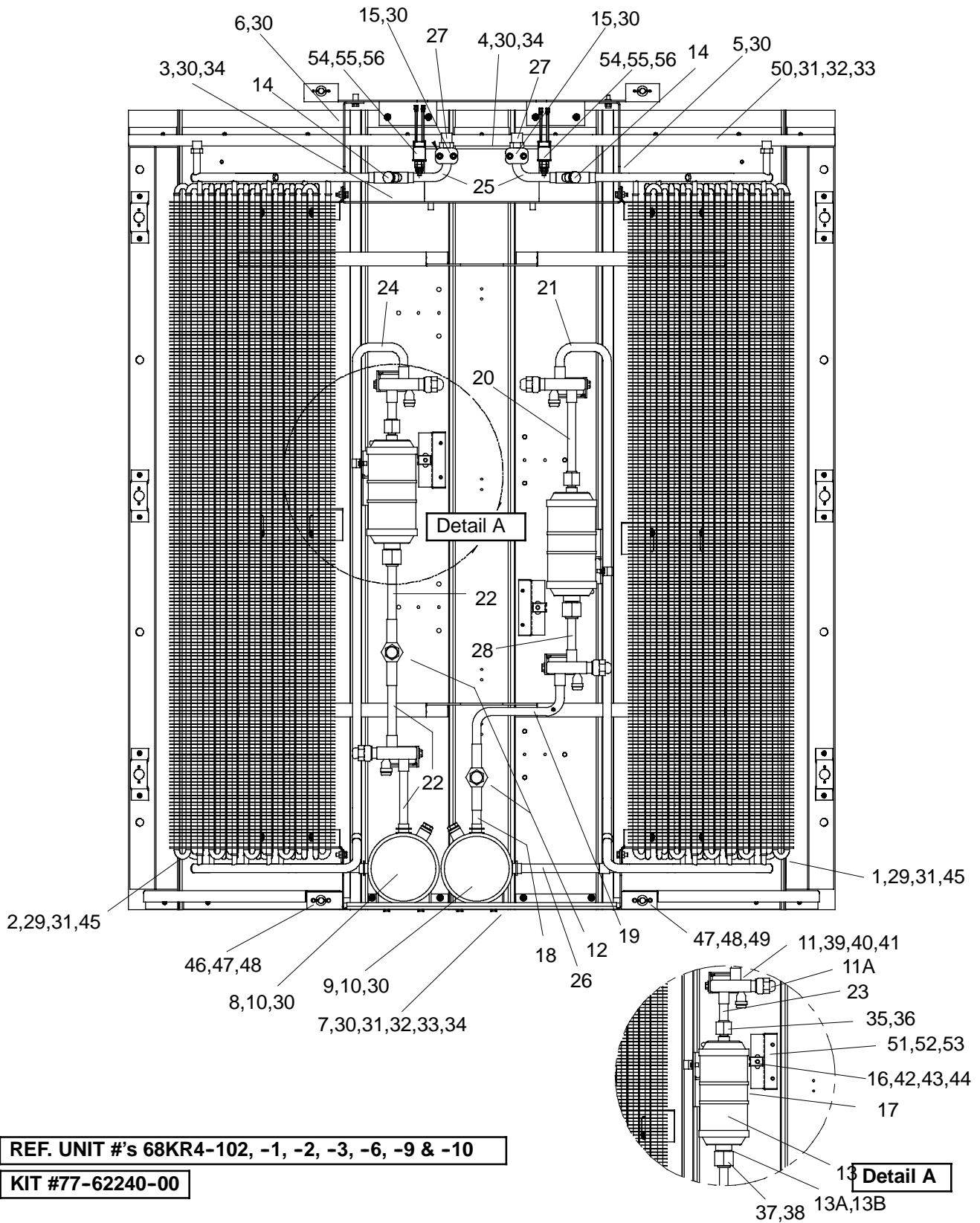
2.5.5 CONDENSER, 68KR4-101 SERIES, REFRIGERATION KIT, DUAL LOOP - OPTION 3





2.5.5 CONDENSER, 68KR4-101 SERIES, REFRIGERANT KIT DUAL LOOP - OPTION 3 - Continued:			
Item	Part Number	Description	Qty
1	08-62038-00	Coil, Condenser, Dual Loop, R.H.	1
2	08-62038-01	Coil, Condenser, Dual Loop, L.H.	1
3	68-63079-00	Bracket, Support Coil	1
4	68-62718-00	Bracket, Mounting, Tube Clamp	1
5	68-63084-00	Bracket, Mounting	1
6	68-63084-01	Bracket, Mounting	1
7	68-63158-00	Bracket, Support	1
8	65-62003-00	Receiver Assembly, Inlet Right, 5 Inch O.D.	1
9	65-62003-01	Receiver Assembly, Inlet Left, 5 Inch O.D.	1
10	14-01032-01	Plug, Fusible, 3/8 MPST	2
11	14-00029-04	Valve, Check, 5/8 ODF	2
12	44-00285-81	Clamp, Tube, Saddle, 5/8 Inch (With Cover Plate)	2
13	56-62231-00	Tube, Liquid, Bent, 5/8 OD X .040W Copper	2
14	56-62241-00	Tube, Liquid, Straight, 5/8 OD X .040W Copper	1
15	40-62032-01	Nut, Swivel Fitting, Male Insert O-Ring, 7/8-14 X 5/8 ODF	2
16	AC801-414	Gasket, Foam, 3/8 X 1.00 Inch X 25 Foot Roll	1
17	34-01266-20	Screw, Hex Head SEMS, Slotted, M6 X 20MM Long	28
18	34-00946-06	Nut, Hex, M6 X 1.00, Steel	31
19	34-00944-06	Washer, Plain, M6	19
20	34-00945-06	Washer, Lock, Split, M6	19
21	34-06051-104	Rivnut, M6 X 1.0, Grip Range: .028-.165	10
22	34-60002-06	Washer, Bellville, M6 (Conical Spring Steel)	12
23	86-62524-00	Bracket, Front, Support	1
24	56-62308-00	Tube, Bent, 5/8 OD x .040W Copper	1
25	56-62309-00	Tube, Bent, 5/8 OD x .040W Copper	1
26	34-62016-00	Plate, Locking	2
27	34-00928-09	Rivet, Blind, .156 Dia., Grip Range: .126-.250, SST	4
28	86-62524-01	Bracket, Front Support	1
29	68-63671-00	Bracket, Support	1
30	68-63682-00	Bracket, Support	2
31	AC701-402	Rivet, Blind, .187 Dia., Grip Range: .251-.375	4
32	AC701-101	Nut, Speed, "J" Type, 1/4-20	2

2.5.6 CONDENSER, 68KR4-102 SERIES, REFRIGERATION KIT, DUAL LOOP - OPTION 4



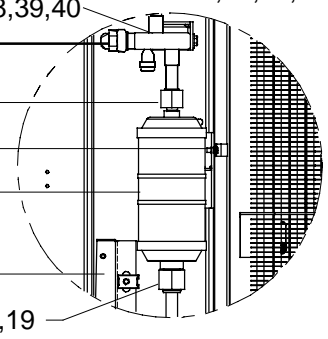
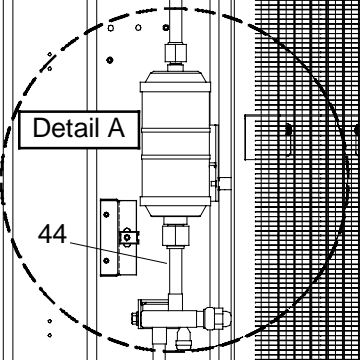
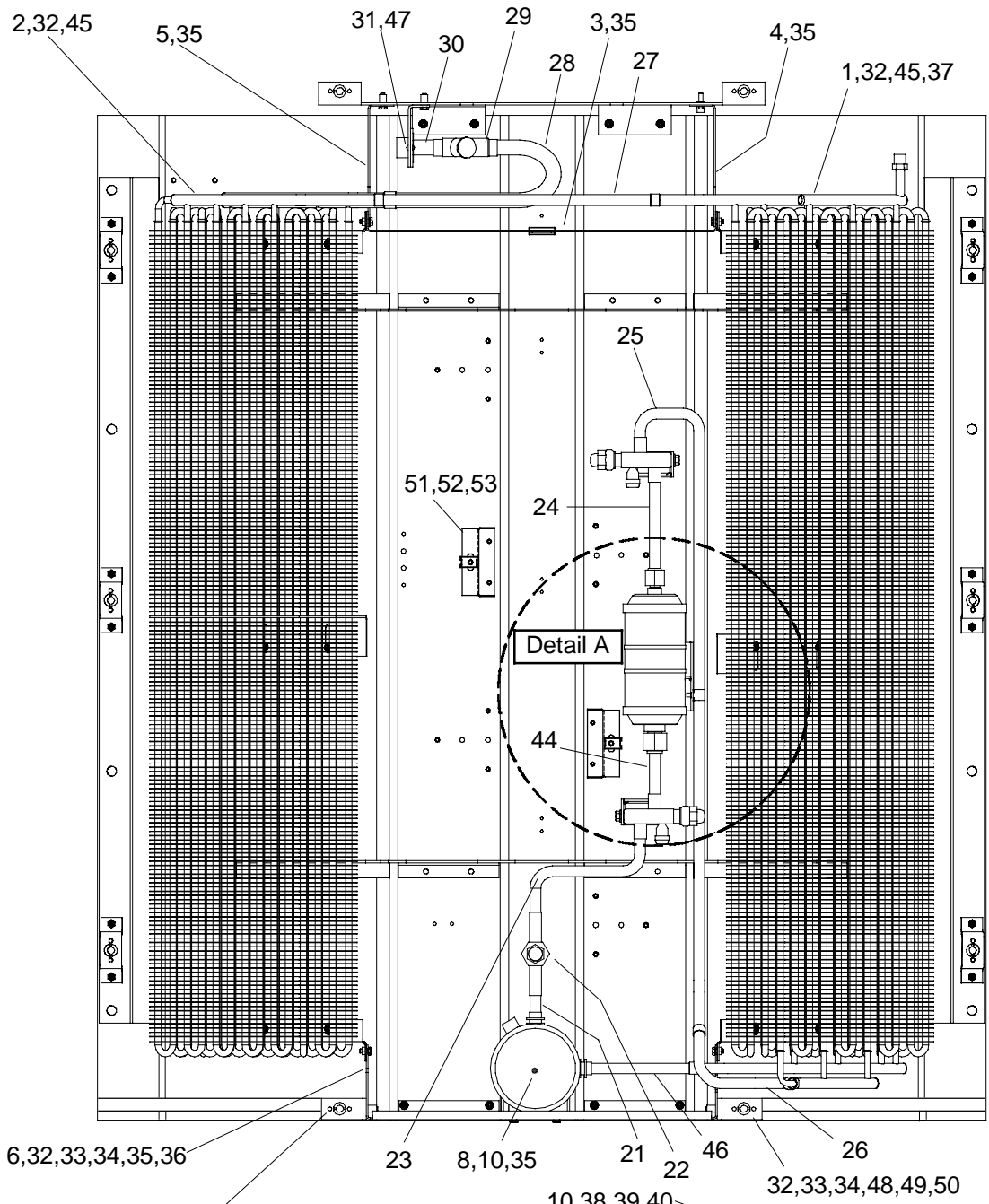


2.5.6 CONDENSER, 68KR4-102 SERIES, REFRIGERANT KIT DUAL LOOP - OPTION 4 - Continued:			
Item	Part Number	Description	Qty
1	08-62038-00	Coil, Condenser, Dual Loop, R.H.	1
2	08-62038-01	Coil, Condenser, Dual Loop, L.H.	1
3	68-63079-00	Bracket, Support Coil	1
4	68-62718-01	Bracket, Mounting, Tube Clamp	1
5	68-63084-00	Bracket, Mounting	1
6	68-63084-01	Bracket, Mounting	1
7	68-63158-00	Bracket, Support	1
8	65-62003-00	Receiver Assembly, Inlet Right, 5 Inch O.D.	1
9	65-62003-01	Receiver Assembly, Inlet Left, 5 Inch O.D.	1
10	14-01032-01	Plug, Fusible, 3/8 MPST	2
11	40-00501-05	Valve, King, Brass, 5/8 ODF	4
11A	40-00501-50Cap, King Valve, Service Part	4
12	14-00026-04	Indicator, Liquid & Moisture, 5/8 ODF	2
13	14-00320-00	Filter Drier, 3/4 ORS Inlet X 5/8 Inch ORS Outlet - Includes:	2
13A	42-00243-11O-Ring, .739 ID X .070 Thick	1
13B	42-00243-03O-Ring, .614 ID X .070 Thick	1
14	14-00029-04	Valve, Check, 5/8 ODF	2
15	44-00285-81	Clamp, Tube, Saddle, 5/8 Inch (With Cover Plate)	2
16	34-00373-07	Clamp, Tube, 0.625 Dia. Cushion	2
17	44-00045-20	Clamp, Hose, Worm Type (3.063 - 4.00 Inches)	4
18	56-00143-89	Tube, Straight, Copper, 5/8 OD X .040W X 2.19 Inches Long	1
19	56-62239-00	Tube, Discharge, Bent, 5/8 OD X .040W Copper	1
20	56-00143-24	Tube, Straight, Copper, 5/8 OD X .040W X 6.00 Inches Long	1
21	56-62240-00	Tube, Liquid, Bent, 5/8 OD X .040W Copper	1
22	56-00143-73	Tube, Straight, Copper, 5/8 OD X .040W X 4.88 Inches Long	3
23	56-00143-75	Tube, Straight, Copper, 5/8 OD X .040W X 1.62 Inches Long	1
24	56-62240-01	Tube, Liquid, Bent, 5/8 OD X .040W Copper	1
25	56-62231-00	Tube, Liquid, Bent, 5/8 OD X .040W Copper	2
26	56-62241-00	Tube, Liquid, Straight, 5/8 OD X .040W Copper	1
27	40-62032-01	Nut, Swivel Fitting, Male Insert O-Ring, 7/8-14 X 5/8 ODF	2
28	56-00143-25	Tube, Straight, Copper, 5/8 OD X .040W X 3.00 Inches Long	1
29	AC801-414	Gasket, Foam, 3/8 X 1.00 Inch X 25 Foot Roll	1
30	34-01266-20	Screw, Hex Head SEMS, Slotted, M6 X 20MM Long	28
31	34-00946-06	Nut, Hex, M6 X 1.00, Steel	31
32	34-00944-06	Washer, Plain, M6	19
33	34-00945-06	Washer, Lock, Split, M6	19
34	34-06051-104	Rivnut, M6 X 1.0, Grip Range: .028-.165	10
35	34-06121-03	Nut, Hex, ORS Braze (1-14 Threads)	2
36	40-00503-03	Collar, Tube - 5/8 ORS, Brass 37,38	2
37	34-06121-04	Nut, Hex, ORS Braze (1-3/16-12 Threads)	2
38	40-00503-04	Collar, Tube - 5/8 ORS, Nickel Plated Steel	2
39	34-00303-04	Screw, Cap, Hex Head, 5/16-24 X 1/2 Inch Long	4
40	34-00588-12	Washer, Plain, 5/16, SAE	4
41	34-00368-12	Washer, Lock, Split, 5/16, Steel	4



2.5.6 CONDENSER, 68KR4-102 SERIES, REFRIGERANT KIT DUAL LOOP - OPTION 4 - Continued			
Item	Part Number	Description	Qty
42	34-01197-16	Screw, Cap, Hex Head, M4 X 16MM Long, SST	2
43	34-01151-04	Washer, Flat, M4, SST	2
44	34-01146-04	Washer, Lock, Split, M4, SST	2
45	34-60002-06	Washer, Bellville, M6 (Conical Spring Steel)	12
46	86-62558-00	Bracket, Support	1
47	34-62016-00	Plate, Locking	2
48	34-00928-09	Rivet, Blind, .156 Dia., Grip Range: .126-.250, SST	4
49	86-62558-01	Bracket, Front Support	1
50	68-63798-00	Bracket, Support	1
51	68-63682-00	Bracket, Support	2
52	AC701-402	Rivet, Blind, .187 Dia., Grip Range: .251-.375	4
53	AC701-101	Nut, Speed, "J" Type, 1/4-20	2
54	40-01124-00	Valve Body	2
55	14-00351-00	Core, Schrader	2
56	12-00299-23	Switch, High Pressure	2

2.5.7 CONDENSER, 68KR4-102 SERIES, REFRIGERANT KIT, SINGLE LOOP - OPTION 5



REF. UNIT #'s 68KR4-102-4 & -5
REF. KIT #77-62241-00



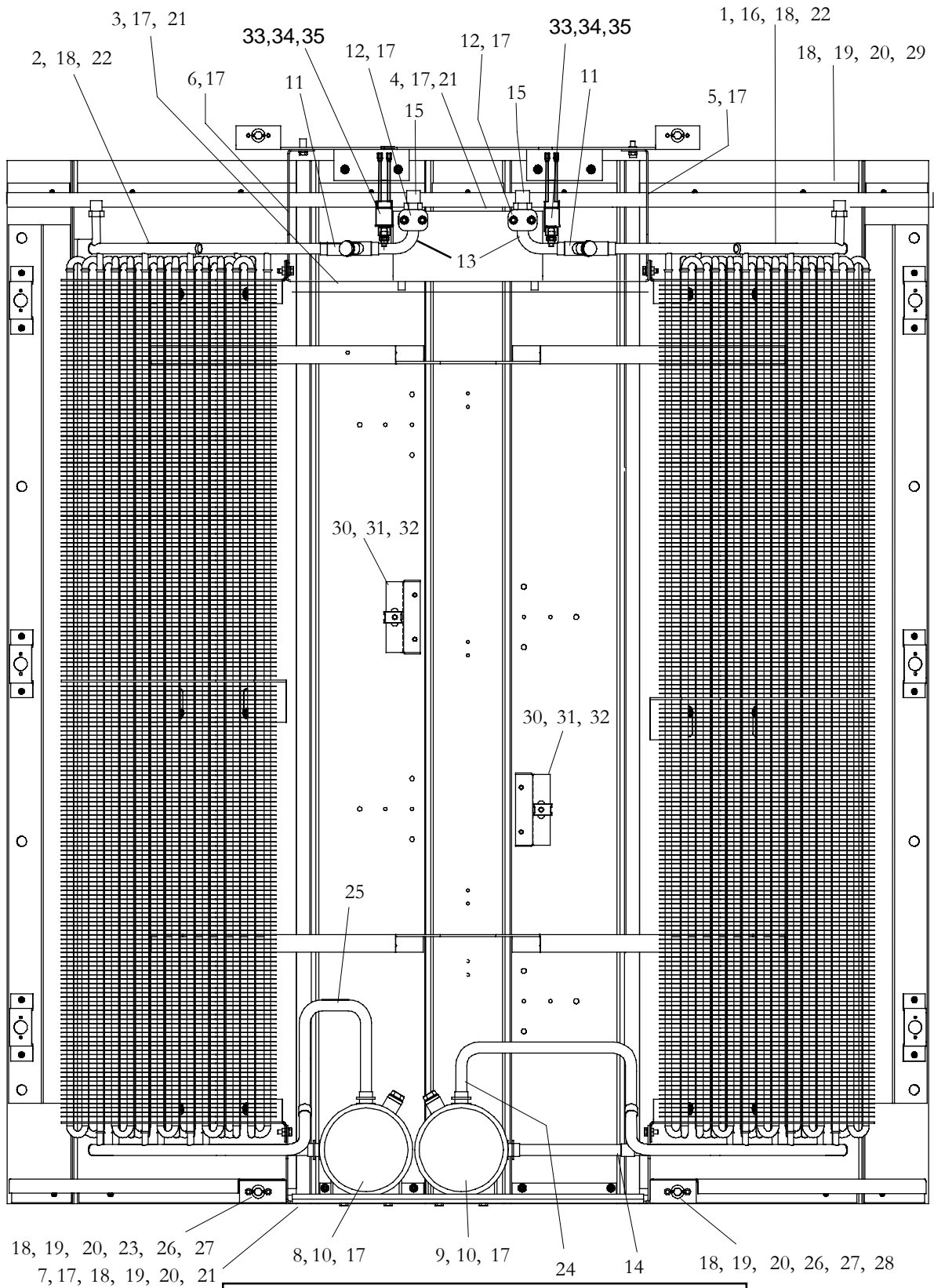
2.5.7 CONDENSER, 68KR4-102 SERIES, REFRIGERANT KIT, SINGLE LOOP - OPTION 5 - Continued:			
Item	Part Number	Description	Qty
1	08-62046-00	Coil Assembly, Condenser, Single Loop	1
2	08-62046-01	Coil Assembly, Condenser, Single Loop	1
3	68-63079-00	Bracket, Coil Support	1
4	68-63084-00	Bracket, Mounting	1
5	68-63084-01	Bracket, Mounting	1
6	68-63299-00	Bracket, Support	1
7	86-62558-00	Bracket, Front, Support	1
8	65-62003-01	Receiver Assembly, Inlet Left, 5 Inch OD	1
9	14-01032-01	Plug, Fusible, Safety, 3/8 NPTF	1
10	40-00501-05	Valve, King, Brass, 5/8 ODF	2
11	40-00501-50Cap, King Valve, Service Part	2
12	14-00320-00	Filter Drier, 3/4 ORS Inlet X 5/8 ORS Outlet (41 Cu. In.) - Includes:	1
13	42-00243-11	...O-Ring, .739 ID X .070 Thick	1
14	42-00243-03	...O-Ring, .614 ID X .070 Thick	1
15	44-00045-20	Clamp, Hose, Worm Type, (3.063 - 4.00 Inches)	2
16	34-06121-04	Nut, Hex, ORS Braze (1-3/16-12 Threads)	1
17	40-00503-04	Collar, Tube, 5/8 ORS, Nickel Plated Steel	1
18	34-06121-03	Nut, Hex, ORS Braze (1-14 Threads)	1
19	40-00503-03	Collar, Tube - 5/8 ORS, Brass	1
20	34-00373-07	Clamp, Tube, 0.625 Dia. Cushioned	1
21	56-00143-89	Tube, Straight, Copper, 5/8 OD x .040W x 2.19 Inches Long	1
22	14-00026-04	Indicator, Liquid & Moisture, 5/8 ODF	1
23	56-62239-00	Tube, Discharge, Bent, 5/8 OD x .040W Copper	1
24	56-00143-24	Tube, Straight, Copper, 5/8 OD x .040 x 6.00 Inches Long	1
25	56-62240-00	Tube, Liquid, Bent, 5/8 OD x .040W Copper	1
26	56-62252-00	Tube, Liquid, Bent, 5/8 OD x .040W Copper	1
27	56-00145-87	Tube, Straight, Copper, 7/8 OD x .045W x 16.81 Inches Long	1
28	56-62253-00	Tube, Liquid, Bent, 7/8 OD x .045W Copper	1
29	14-00029-09	Valve, Check, 7/8 ODF	1
30	56-00145-26	Tube, Straight, Copper, 7/8 OD x .045W x 2.50 Inches Long	1
31	40-00491-00	Fitting, ORS, 7/8 x 1 3/16-12, Brass	1
32	34-00946-06	Nut, Hex, M6 X 1.00, Steel	22
33	34-00944-06	Washer, Plain, M6	10
34	34-00945-06	Washer, Lock, Split, M6	10
35	34-01266-20	Screw, Hex Head, SEMS, Slotted, M6 X 20MM Long	18
36	34-06051-104	Rivnut, M6 X 1.0, Grip Range	4
37	AC801-414	Gasket, Foam, .375 X 1.00 X 25 Foot Roll	1
38	34-00303-04	Screw, Cap, Hex Head, 5/16-24 X .50 Long	2
39	34-00588-12	Washer, Plain, 5/16 SAE, (.065 Thick)	2
40	34-00368-12	Washer, Lock, 5/16 Spring	2
41	34-01197-16	Screw, Cap, Hex Head, M4 X 16MM Long, SST	1
42	34-01151-04	Washer, Flat, M4, SST	1
43	34-01146-04	Washer, Lock, Split, M4, SST	1
44	56-00143-25	Tube, Straight, Copper, 5/8 OD x .040W x 3.00 Inches Long	1
45	34-60095-46	Washer, Lock, M6 X 18MM OD	12



2.5.7 CONDENSER, 68KR4-102 SERIES, REFRIGERANT KIT, SINGLE LOOP - OPTION 5 - Continued:			
Item	Part Number	Description	Qty
46	56-62241-00	Tube, Liquid, Straight, 5/8 OD X .040W Copper	1
47	34-06088-00	Nut, Hex, 1-7/16-12, Brass	1
48	34-62016-00	Plate, Locking	2
49	34-00928-09	Rivet, Blind, .156 Dia., Grip Range: .126-.250, SST	4
50	86-62558-01	Bracket, Front, Support	1
51	68-63682-00	Bracket, Support	2
52	AC701-402	Rivet, Blind, .187 Dia., Grip Range: .251-.375	4
53	AC701-101	Nut, Speed, 'J' Type, 1/4-20	2



2.5.8 CONDENSER, 68KR4-102 SERIES, REFRIGERATION KIT, DUAL LOOP - OPTION 6



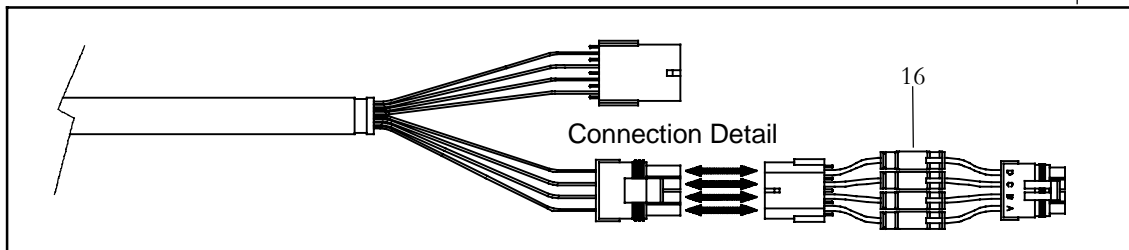
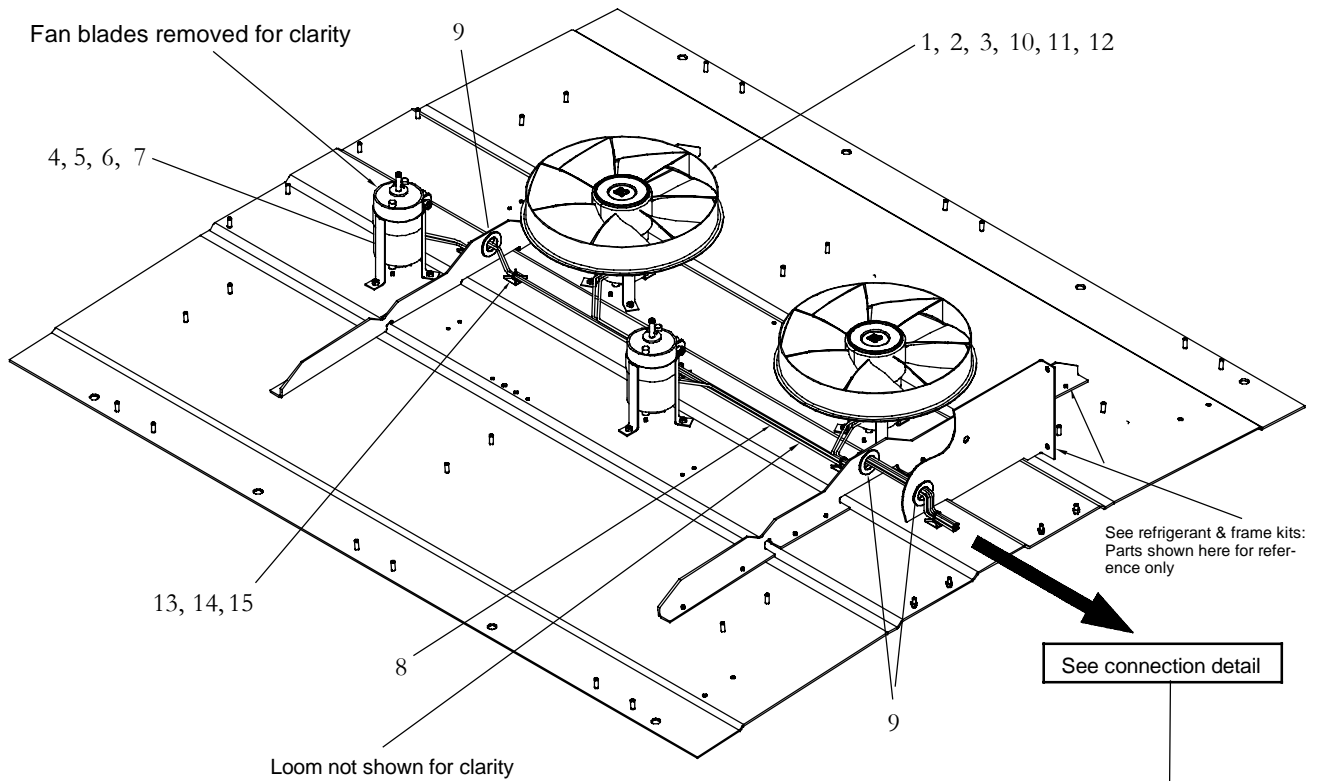
REF. KIT #77-62107-01 (LESS FILTERS & VALVES)



2.5.8 CONDENSER, 68KR4-102 SERIES, REFRIGERANT KIT DUAL LOOP - OPTION 6 - Continued:			
Item	Part Number	Description	Qty
1	08-62038-00	Coil, Condenser, Dual Loop, R.H.	1
2	08-62038-01	Coil, Condenser, Dual Loop, L.H.	1
3	68-63079-00	Bracket, Support Coil	1
4	68-62718-01	Bracket, Mounting, Tube Clamp	1
5	68-63084-00	Bracket, Mounting	1
6	68-63084-01	Bracket, Mounting	1
7	68-63158-00	Bracket, Support	1
8	65-62003-00	Receiver Assembly, Inlet Right, 5 Inch O.D.	1
9	65-62003-01	Receiver Assembly, Inlet Left, 5 Inch O.D.	1
10	14-01032-01	Plug, Fusible, 3/8 MPST	2
11	14-00029-04	Valve, Check, 5/8 ODF	2
12	44-00285-81	Clamp, Tube, Saddle, 5/8 Inch (With Cover Plate)	2
13	56-62231-01	Tube, Liquid, Bent, 5/8 OD X .040W Copper	2
14	56-62241-00	Tube, Liquid, Straight, 5/8 OD X .040W Copper	1
15	40-62032-01	Nut, Swivel Fitting, Male Insert O-Ring, 7/8-14 X 5/8 ODF	2
16	AC801-414	Gasket, Foam, 3/8 X 1.00 Inch X 25 Foot Roll	1
17	34-01266-20	Screw, Hex Head SEMS, Slotted, M6 X 20MM Long	28
18	34-00946-06	Nut, Hex, M6 X 1.00, Steel	31
19	34-00944-06	Washer, Plain, M6	19
20	34-00945-06	Washer, Lock, Split, M6	19
21	34-06051-104	Rivnut, M6 X 1.0, Grip Range: .028-.165	10
22	34-60002-06	Washer, Bellville, M6 (Conical Spring Steel)	12
23	86-62558-00	Bracket, Front, Support	1
24	56-62308-00	Tube, Bent, 5/8 OD x .040W Copper	1
25	56-62309-00	Tube, Bent, 5/8 OD x .040W Copper	1
26	34-62016-00	Plate, Locking	2
27	34-00928-09	Rivet, Blind, .156 Dia., Grip Range: .126-.250, SST	4
28	86-62558-01	Bracket, Front Support	1
29	68-63798-00	Bracket, Support	1
30	68-63682-00	Bracket, Support	2
31	AC701-402	Rivet, Blind, .187 Dia., Grip Range: .251-.375	4
32	AC701-101	Nut, Speed, "J" Type, 1/4-20	2
33	40-01124-00	Valve Body	2
34	14-00351-00	Core, Schrader	2
35	12-00299-23	Pressure Switch, High	2



2.5.9 CONDENSER, 68KR4-101 SERIES, ELECTRICAL KIT - OPTION 1, 2, 3 & 4



KIT #77-62109-00 (24VDC)
KIT #77-62109-01 (12VDC)

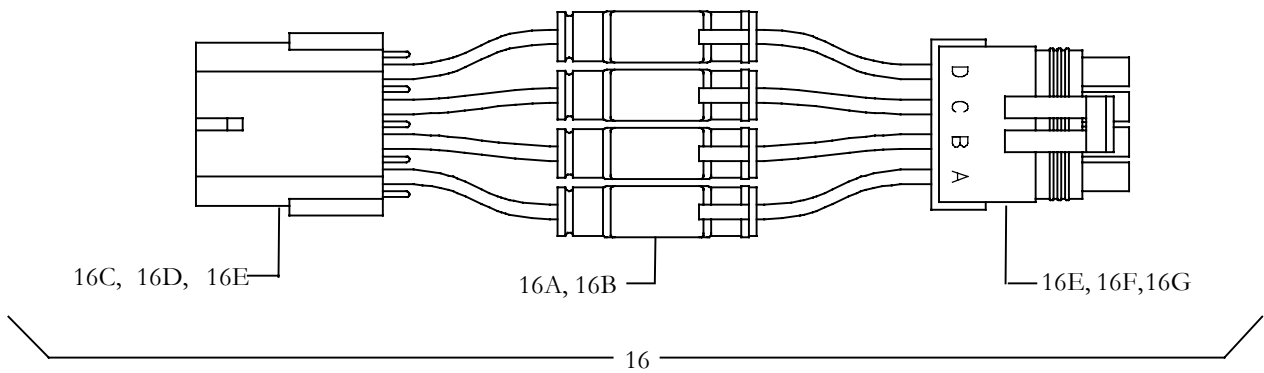
KIT #77-62109-02 (24VDC W/FUSE)
KIT #77-62109-03 (12VDC W/FUSE)

Item	Part Number	Description	Qty
OPTION 1			
1	54-00583-00	Motor, 24 VDC	4
OPTION 2			
1	54-00583-01	Motor, 12 VDC	4
OPTION 3			
1	54-00583-00	Motor, 24 VDC	4
16	22-62243-01	Fuse Assembly, 10 Amp, 24VDC	1
OPTION 4			
1	54-00583-01	Motor, 12 VDC	4
16	22-62243-00	Fuse Assembly, 15 Amp, 12VDC	1



2.5.9 COMMON PARTS, 68KR4-101 SERIES, ELECTRICAL KIT - OPTION 1 THRU 4 - Continued:

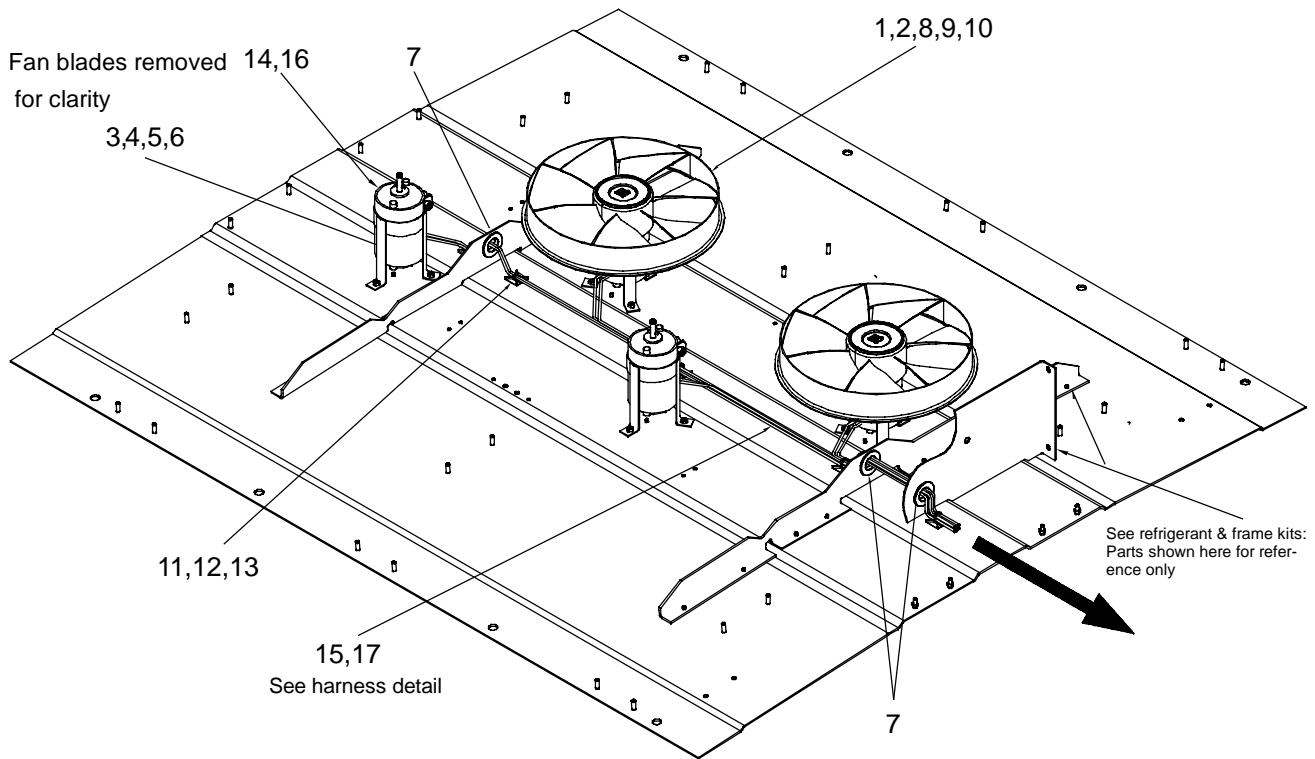
Item	Part Number	Description	Qty
2	38-00566-00	Fan, Condenser	4
3	34-62017-00	Clip, Retaining, Condenser Fan	4
4	86-62216-01	Motor Mount, 3 Inch	4
5	34-00944-08Washer, Plain, M8	1
6	34-00945-08Washer, Split Lock, M8	1
7	34-01241-30Screw, Cap, Hex Heaf, M8 x 30 MM Long, GR 10.9	1
8	22-62153-00	Wire Harness, KR4, DC Motors	1
9	58-00065-51	Grommet, 7/8 I.D.	3
10	22-01585-00	Connector, Male, 2 Pin Weatherpack	4
11	22-02393-01	Terminal, Male, 18-20 AWG	8
12	22-02394-01	Seal, Cable	8
13	66U1-3882	Wire Tie, Self-Locking, 7 Inches, Black	5
14	58-00079-02	Sta-Strap, 0-1.75 Inch Diameter Cable	5
15	34-00928-09	Rivet, Blind, .156 Diameter	10



Item	Part Number	Description	Qty
16	22-62243-00	Fuse Assembly, 15 Amp, 12VDC - Includes:	1
16A	22-02336-24Fuse, 15 Amps, Blue	4
16B	22-02338-03Holder, Fuse	4
16C	22-02392-03Connector, Female, , 4 Pin, Black	1
16D	22-01566-00Terminal, Female (14-16 AWG)	4
16E	22-02394-00Seal, Cable, Gray (.11-.14 Cable OD)	8
16F	22-01585-04Connector, Male, 4 Pin, Black	1
16G	22-02393-00Terminal, Male (14-16 AWG)	4
16	22-62243-01	Fuse Assembly, 10 Amp, 24VDC - Includes:	1
16A	22-02336-23Fuse, 10 Amps, Red	4
16B	22-02338-03Holder, Fuse	4
16C	22-02392-03Connector, Female, , 4 Pin, Black	1
16D	22-01566-00Terminal, Female (14-16 AWG)	4
16E	22-02394-00Seal, Cable, Gray (.11-.14 Cable OD)	8
16F	22-01585-04Connector, Male, 4 Pin, Black	1
16G	22-02393-00Terminal, Male (14-16 AWG)	4
N/S	02-00067-01	Sealant, Caulking, Black (10.3 Ounce Tube)	1



2.5.10 CONDENSER, 68KR4-102 SERIES, ELECTRICAL KIT - OPTIONS 5 & 6



OPTION 5: KIT #77-62109-02 (24VDC) Used On Models 68KR4-102, -1, -4 & -5

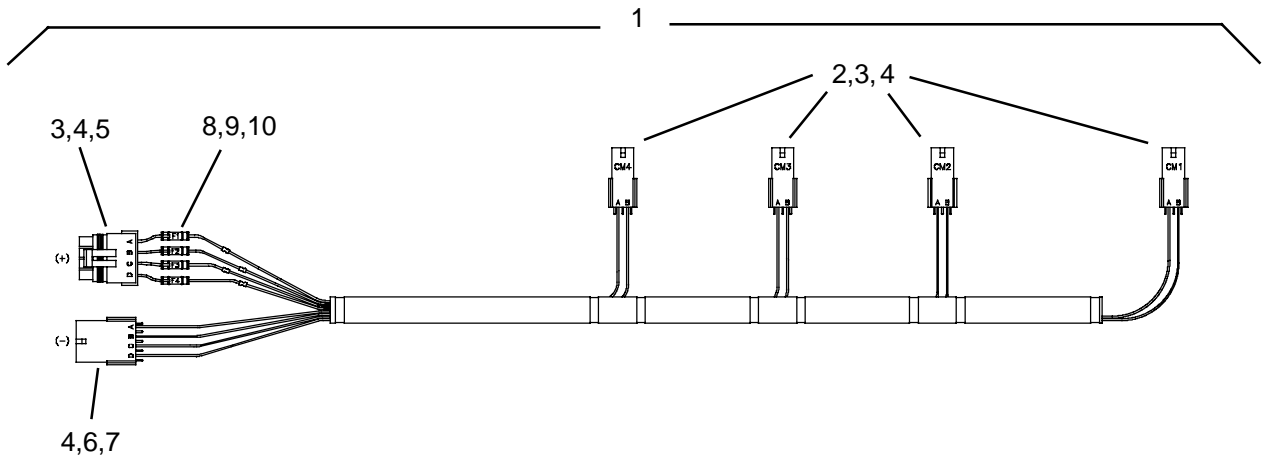
OPTION 6: KIT #77-62109-03 (12VDC) Used On Models 68KR4-102-2, -3, -6, -8, -9 & -10

2.5.10 COMMON PARTS, 68KR4-102 SERIES, ELECTRICAL KIT

Item	Part Number	Description	Qty
1	38-00566-00	Fan, Condenser	4
2	34-62017-00	Clip, Retaining, Condenser Fan	4
3	86-62216-01	Motor Mount, 3 Inch (Includes items 5,6 &7)	4
4	34-00944-06Washer, Flat, M6	1
5	34-00945-06Washer, Spring Lock, M6	1
6	34-00946-06Screw, Hex Head, M6 x 1.00	1
7	58-00065-51	Grommet, 7/8 I.D.	3
8	22-01585-00	Connector, Male, 2 Pin Weatherpack	4
9	22-02393-01	Terminal, Male, 18-20 AWG	8
10	22-02394-01	Seal, Cable	8
11	58-04246-00	Ty-Rap Base, Mounting Tab	5
12	58-00079-02	Sta-Strap, 0-1.75 Inch Diameter Cable	5
13	34-00928-09	Rivet, Blind, .156 Dia. .126-.250	10
OPTION 5			
14	54-00583-00	Motor, 24 VDC	4
15	22-62351-01	Wire Harness, 24 VDC Motors	1
OPTION 6			
16	54-00583-01	Motor, 12 VDC	4
17	22-62351-00	Wire Harness, 12 VDC Motors	1



2.5.10 CONDENSER, 68KR4-102 SERIES HARNESS DETAIL, OPTIONS 5 & 6



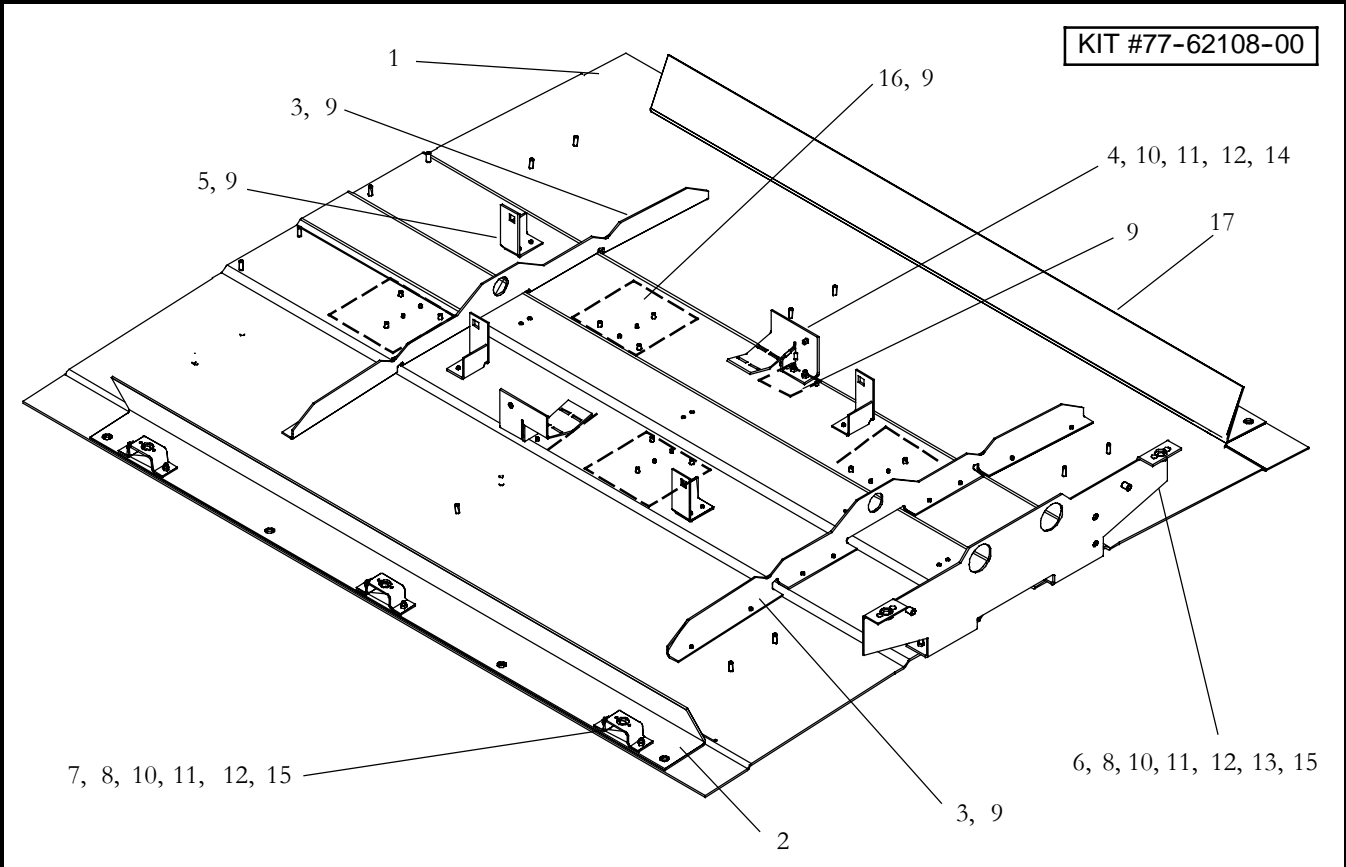
Harness: 22-62351-00 (24VDC) Used On Models 68KR4-102, -1, -4 & -5

Harness: 22-62351-01 (12VDC) Used On Models 68KR4-102-2, -3, -6, -8, -9 & -10

Item	Part Number	Description	Qty
1	22-62351-00	Harness, Wire, 24 VDC	1
	22-02351-01	Harness, Wire, 12 VDC	1
2	22-02392-00	Connector, Female, Weatherpac (2 position)	4
3	22-01566-00	Terminal, Female (14-16 gauge)	12
4	22-02394-00	Seal, Cable (Gray)	16
5	22-01585-04	Connector, Weatherpac (4 position)	1
6	22-02393-00	Terminal, Male (14-16 gauge)	4
7	22-02392-03	Connector, Weatherpac (4 position)	1
8	22-02338-03	Holder, Fuse	4
9	22-02336-24	Fuse, 15 A (24 VDC)	4
10	22-02336-25	Fuse, 20 A (12 VDC)	4



2.5.11 68KR4-101 SERIES, FRAME KIT, DUAL LOOP - OPTION 1

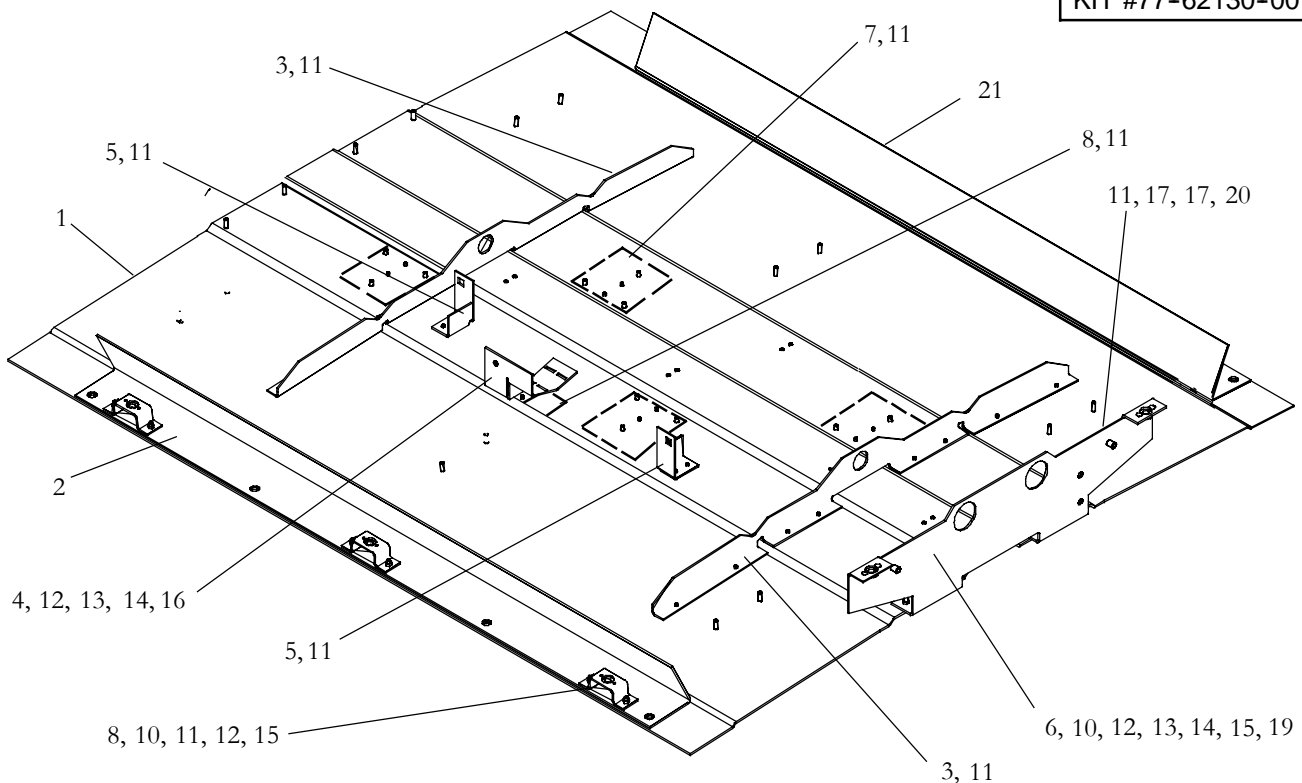


Item	Part Number	Description	Qty
1	68-63694-00	Plate Assembly	1
2	68-63760-00	Angle, Support	1
3	68-63699-00	Bracket	2
4	86-62320-00	Bracket Assembly, Filter Drier	2
5	86-62300-00	Bracket Assembly, King Valve	4
6	68-63076-00	Bracket	1
7	68-63214-00	Bracket, Mounting	6
8	34-62016-00	Plate, Locking	8
9	34-62021-00	Rivet, 3/16 Inch	36
10	34-00946-06	Nut, Hex, M6 X 1.00	20
11	34-00944-06	Washer, Flat, M6	20
12	34-00945-06	Washer, Lock, M6 Spring	20
13	34-06051-104	Rivnut, M6	2
14	34-06051-101	Rivnut, M4 X 0.7	2
15	34-00928-09	Rivet, Blind, .156 Diameter	16
16	68-62765-00	Plate, Mounting	4
17	68-63760-01	Angle, Support	1



2.5.12 CONDENSER, 68KR4-101 SERIES, FRAME KIT, SINGLE LOOP - OPTION 2

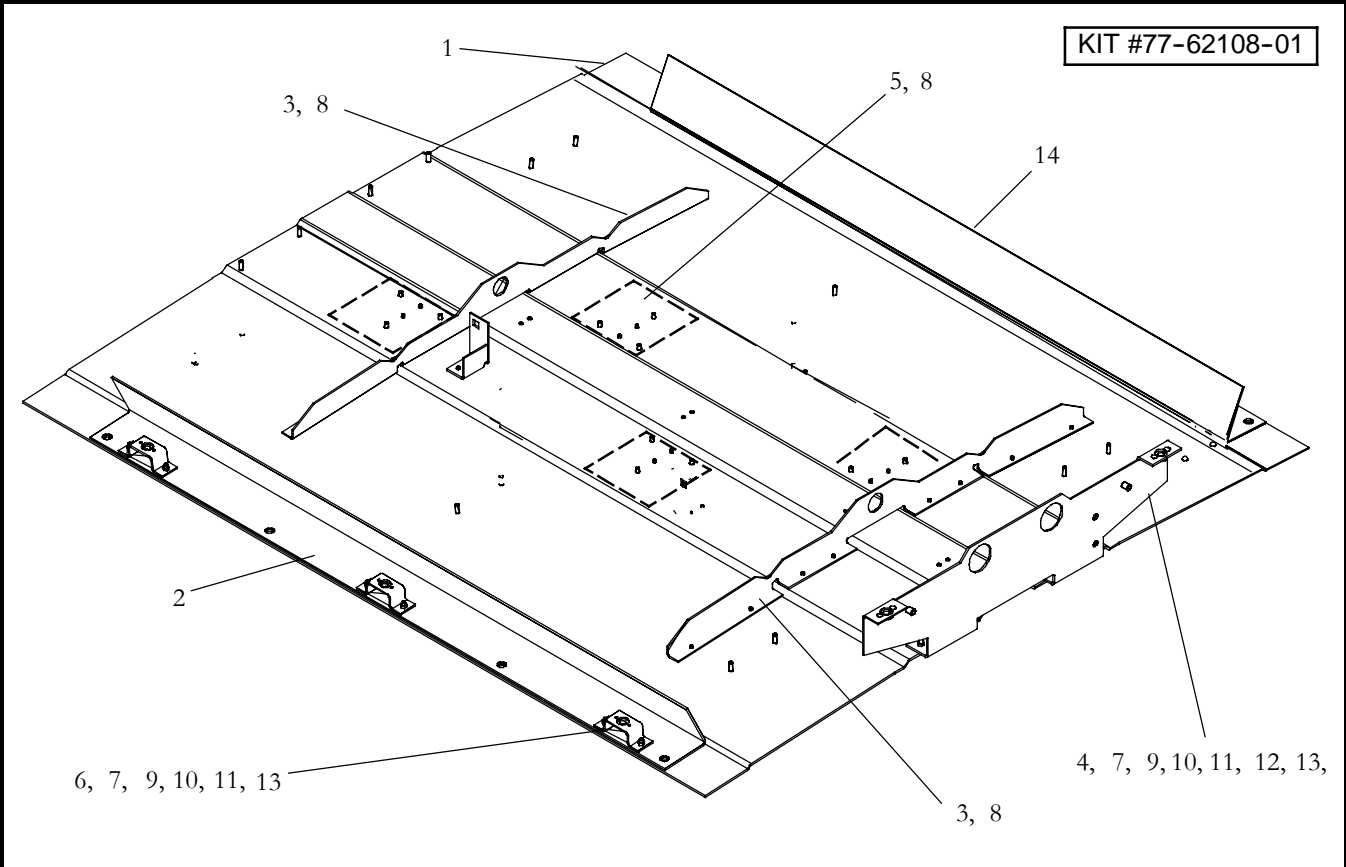
KIT #77-62130-00



Item	Part Number	Description	Qty
1	68-63694-00	Plate Assembly	1
2	68-63760-00	Angle, Support	1
3	68-63699-00	Bracket, Support	2
4	86-62320-00	Bracket Assembly, Filter Drier	1
5	86-62300-00	Bracket Assembly, King Valve	2
6	68-63076-00	Bracket, Support	1
7	68-62765-00	Plate, Mounting	4
8	68-63113-00	Plate, Mounting	1
9	68-63214-00	Bracket, Mounting, Cover	6
10	34-62016-00	Receptacle, Locking Plate	8
11	34-62021-00	Rivet, Blind, Dome Head, 3/16 Inch Dia., Grip Range: .126-.250	32
12	34-00946-06	Nut, Hex, M6 X 1.00	18
13	34-00944-06	Washer, Flat, M6	18
14	34-00945-06	Washer, Split Lock, M6	18
15	34-06051-104	Rivnut, M6 X 1.0, Grip Range: .028-.165	4
16	34-06051-101	Rivnut, M4 X 0.7, Grip Range: .080-.130	1
17	68-63166-00	Bracket, Support	1
18	68-63167-00	Plate, Mounting	1
19	34-00928-09	Rivet, Blind, .156 Dia., Grip Range: .126-.250, SST	16
20	34-01266-20	Screw, Hex Head, Slotted, Sems, M6 X 20MM	2
21	68-63760-01	Angle, Support	1



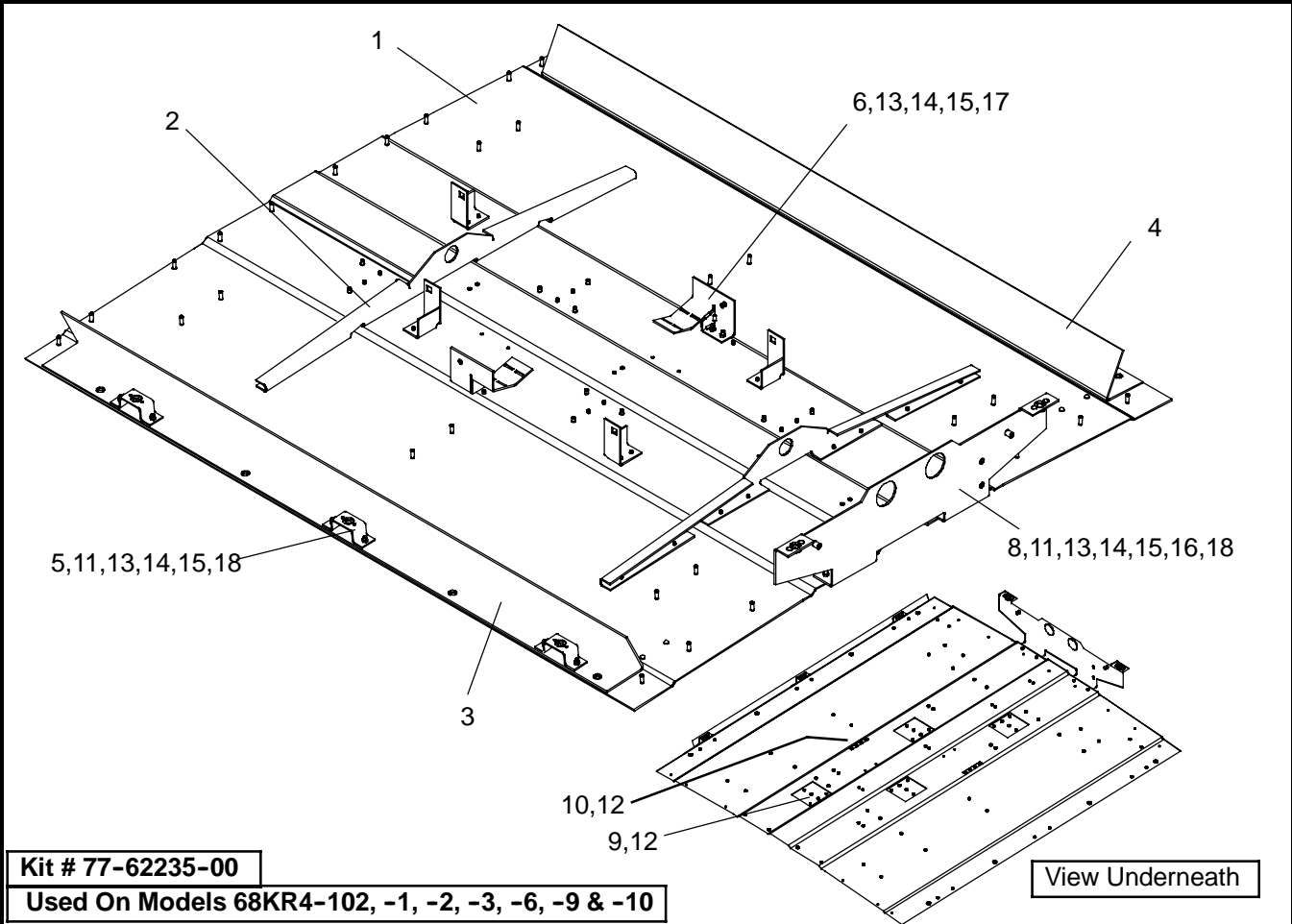
2.5.13 68KR4-101 SERIES, FRAME KIT, DUAL LOOP, LESS FILTERS & VALVES - OPTION 3



Item	Part Number	Description	Qty
1	68-63694-00	Plate Assembly	1
2	68-63760-00	Angle, Support	1
3	68-63699-00	Bracket, Support	2
4	86-63076-00	Bracket, Support	1
5	68-62765-00	Plate, Mounting	4
6	68-63214-00	Bracket, Mounting, Cover	6
7	34-62016-00	Receptacle, Locking Plate	8
8	34-62021-00	Rivet, Blind, Dome Head, 3/16Dia., Grip Range: .126-.250	26
9	34-00946-06	Nut, Hex, M6 X 1.00	16
10	34-00944-06	Washer, Flat, M6	16
11	34-00945-06	Washer, Split Lock, M6	16
12	34-06051-104	Rivnut, M6 x 1.0, Grip Range: .028-.165	2
13	34-00928-09	Rivet, Blind, .156 Dia., Grip Range: .126-.250	16
14	68-63760-01	Angle, Support	1



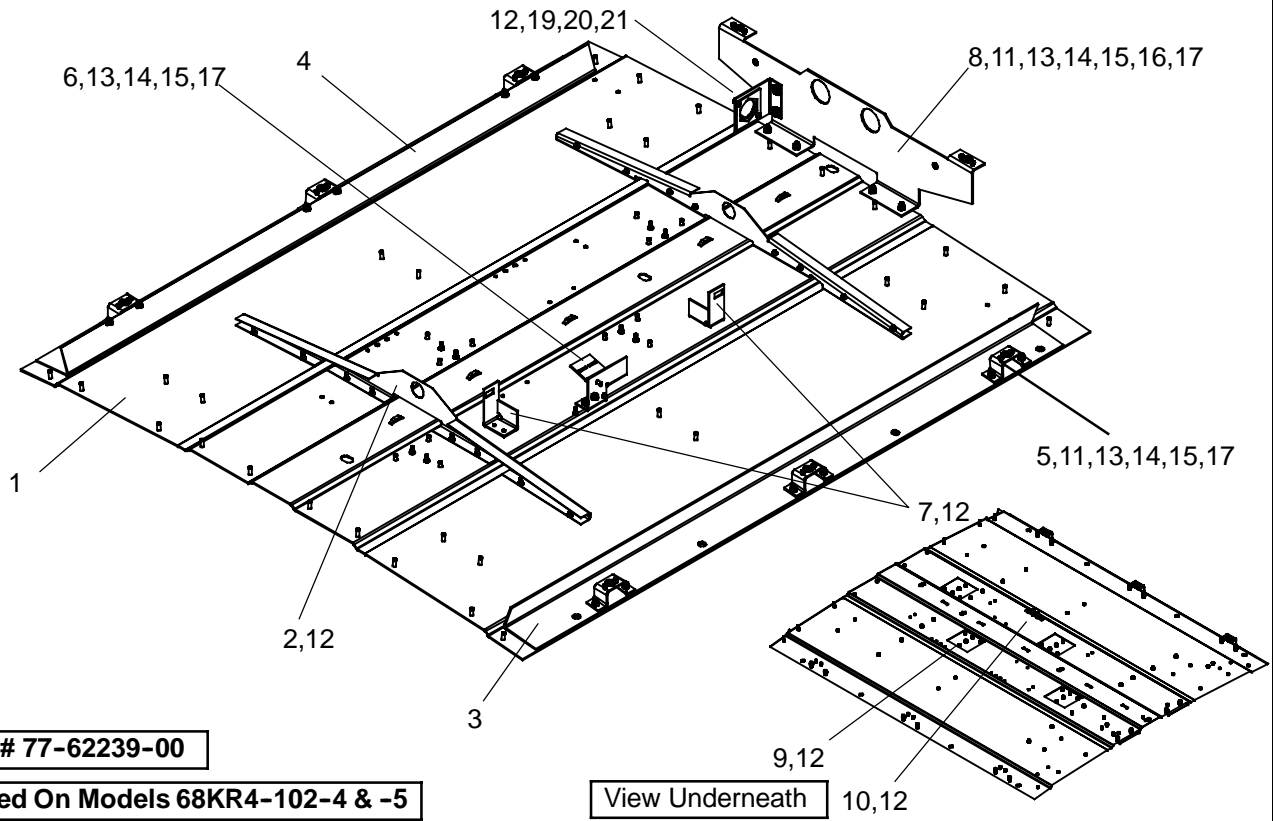
2.5.14 68KR4-102 SERIES, FRAME KIT, DUAL LOOP - OPTION 4



Item	Part Number	Description	Qty
1	68-63799-00	Base Plate	1
2	68-63699-00	Bracket	2
3	68-63796-00	Angle, Support	1
4	68-63796-01	Angle, Support	1
5	68-63797-00	Bracket, Mounting	6
6	86-62320-00	Weld Assembly, Bracket (Filter Drier)	2
7	86-62300-00	Weld Assembly, Bracket (King Valve)	4
8	68-63076-01	Bracket, Support	1
9	68-62765-00	Plate, Mounting	4
10	68-63113-00	Plate, Mounting	2
11	34-62016-00	Plate, Locking	8
12	34-00928-13	Rivet, Blind, .187 Diameter	36
13	34-00946-06	Nut, Hex, M6 X 1.00	20
14	34-00944-06	Washer, Flat, M6	20
15	34-00945-06	Washer, Lock, M6 Spring	20
16	34-06051-104	Rivnut, M6	2
17	34-06051-101	Rivnut, M4 X 0.7	2
18	34-00928-09	Rivet, Blind, .156 Diameter	16



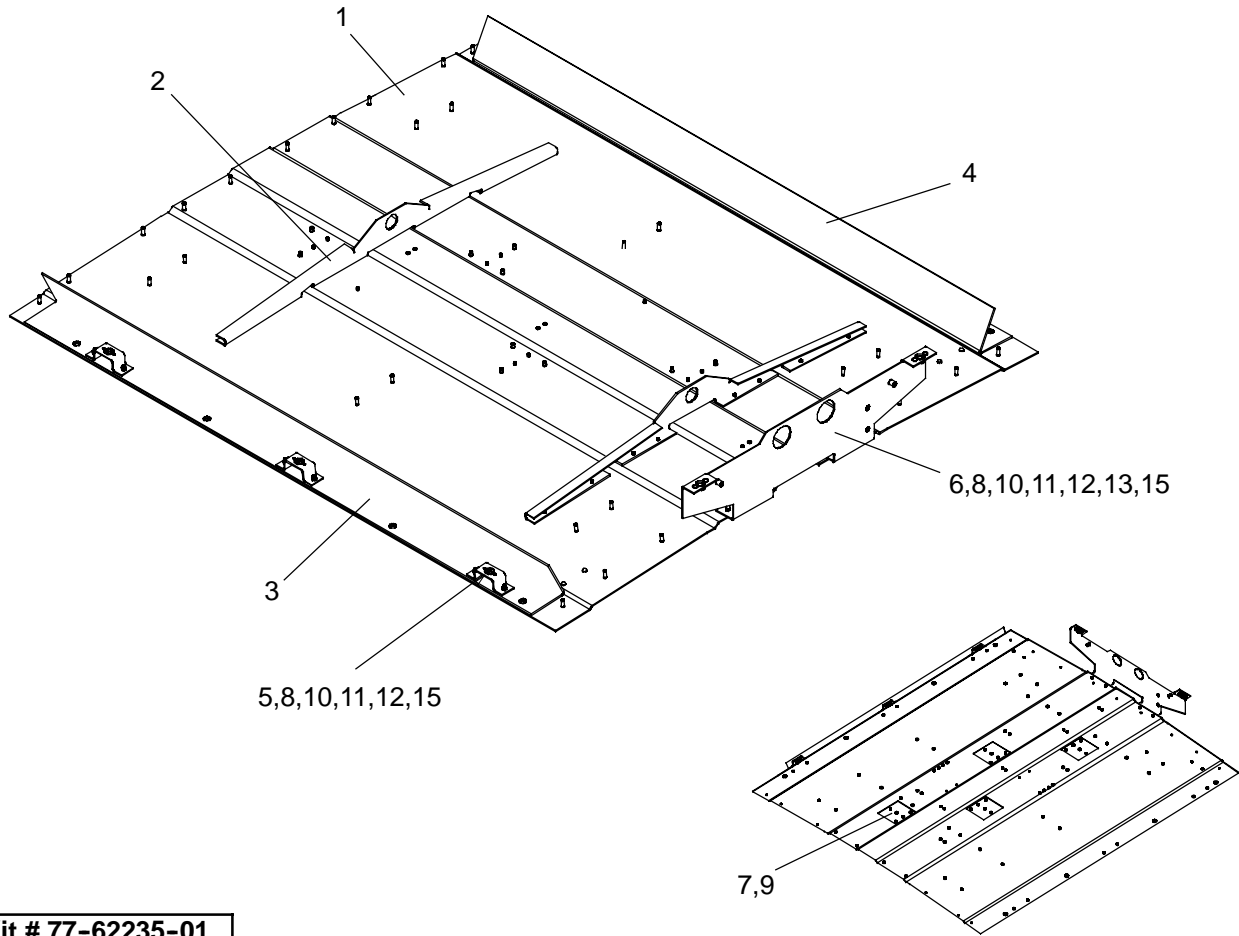
2.5.15 68KR4-102 SERIES, FRAME KIT, SINGLE LOOP - OPTION 5



Item	Part Number	Description	Qty
1	68-63799-00	Base Plate	1
2	68-63699-00	Bracket	2
3	68-63796-00	Angle, Support	1
4	68-63796-01	Angle, Support	1
5	68-63797-00	Bracket, Mounting	6
6	86-62320-00	Weld Assembly, Bracket (Filter Drier)	1
7	86-62300-00	Weld Assembly, Bracket (King Valve)	2
8	68-63076-01	Bracket, Support	1
9	68-62765-00	Plate, Mounting	4
10	68-63113-00	Plate, Mounting	1
11	34-62016-00	Plate, Locking	8
12	34-00928-13	Rivet, Blind, .187 Diameter	32
13	34-00946-06	Nut, Hex, M6 X 1.00	18
14	34-00944-06	Washer, Flat, M6	18
15	34-00945-06	Washer, Lock, M6 Spring	18
16	34-06051-104	Rivnut, M6	4
17	34-06051-101	Rivnut, M4 X 0.7	1
18	34-00928-09	Rivet, Blind, .156 Diameter	16
19	68-63166-00	Bracket	1
20	68-63166-01	Bracket	1
21	34-01266-20	Screw, Hex Head, M6 x 20 MM	2



2.5.16 68KR4-102 SERIES, FRAME KIT, DUAL LOOP (LESS FILTERS AND VALVES) OPTION 6



Kit # 77-62235-01

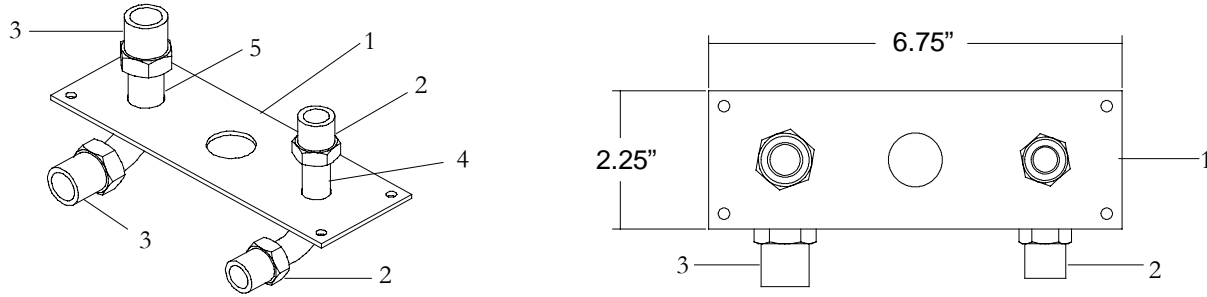
Used On Model 68KR4-102-8

View Underneath

Item	Part Number	Description	Qty
1	68-63799-00	Base Plate	1
2	68-63699-00	Bracket	2
3	68-63796-00	Angle, Support	1
4	68-63796-01	Angle, Support	1
5	68-63797-00	Bracket, Mounting	6
6	68-63076-01	Bracket, Support	1
7	68-62765-00	Plate, Mounting	4
8	34-62016-00	Plate, Locking	8
9	34-00928-13	Rivet, Blind, .187 Diameter	24
10	34-00946-06	Nut, Hex, M6 X 1.00	16
11	34-00944-06	Washer, Flat, M6	16
12	34-00945-06	Washer, Lock, M6 Spring	16
13	34-06051-104	Rivnut, M6	2
14	34-06051-101	Rivnut, M4 X 0.7	2
15	34-00928-09	Rivet, Blind, .156 Diameter	16

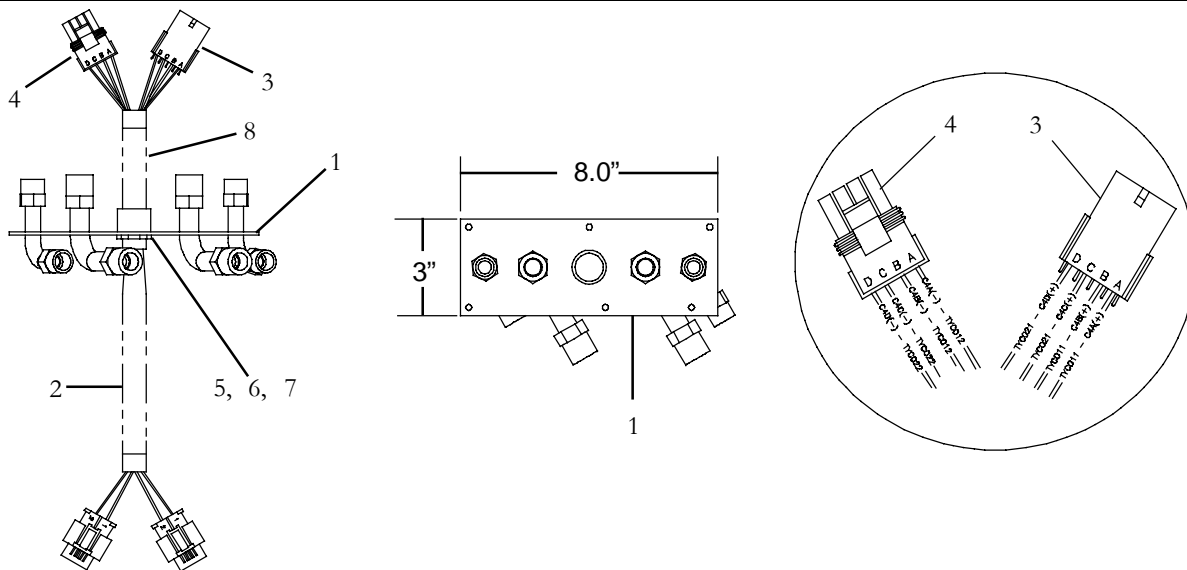


2.5.17 KR4 FEED-THROUGH PLATE ASSEMBLY (81-62151-00)



Item	Part Number	Description	Qty
1	68-63691-00	Plate Assembly (6.75 x 2.25 Inches)	1
2	40-62032-02	Nut, 3/4-16 UNF x 1/2 OD	2
3	40-62032-01	Nut, 7/8-14 UNF x 5/8 OD	2
4	56-62037-01	Tube, 1/2 OD	1
5	56-62311-00	Tube, 5/8 OD	1

2.5.18 KR4 BULKHEAD FEED-THROUGH ASSEMBLY (79-62105-00)



Item	Part Number	Description	Qty
1	81-62147-00	Plate Assembly, Feed-Through Bulkhead, KR4 (8 x 3 Inches)	1
2	22-62249-00	Harness, Interface, KR4 - Includes:	1
2A	22-50098-71Connector, Female, 2 Pin, Black	2
2B	22-02393-00Terminal, Male (14-16 AWG)	4
2C	22-01566-00Terminal, Female (14-16 AWG)	4
2D	22-02394-00Seal, Cable, Gray (.11-.14 Cable OD)	8
3	22-02392-03	Connector, Female, 4 Pin, Black	1
4	22-01585-04	Connector, Male, 4 Pin, Black	1
5	58-62172-00	Adapter, Male Terminal, 1/2. Gray	1
6	22-00118-02	Nut, Lock, 1/2 Inch, Conduit	1
7	AC801-203	O-Ring	1
8	58-00849-11	Tubing, Split, Corrugated, 5/8 Inch x 7.50 Feet Long	1

SECTION 2.6 CONDENSER, 68KR2/3-101 SERIES

OPTION TABLE

INTRODUCTION

The Mobile Climate Control model 68KR2/3 series condensers are of lightweight frame construction, designed to be installed on the vehicle roof.

CONFIGURATION IDENTIFICATION

Unit identification information is provided on a plate located inside the condenser. The plate provides the unit model number, the unit serial number and the unit parts identification number (PID). The model number identifies the overall unit configuration while the PID provides information on specific optional equipment and differences in detailed parts.

This section provides a description of and a tabular listing of unit model numbers and PID numbers to assist the reader in identifying the equipment supplied and any required service parts.

OPTION DESCRIPTION

Various options may be factory or field equipped to the base unit. These options are listed in the tables and described in the following subparagraphs.

Cover Kit

The top cover is designed to allow for different mounting arrangements on high roof radius, low roof radius and flat roof configurations.

Electrical Kit

The unit may be fitted with 12 or 24 volt fan motors, or with, or without in-line fuse assemblies.

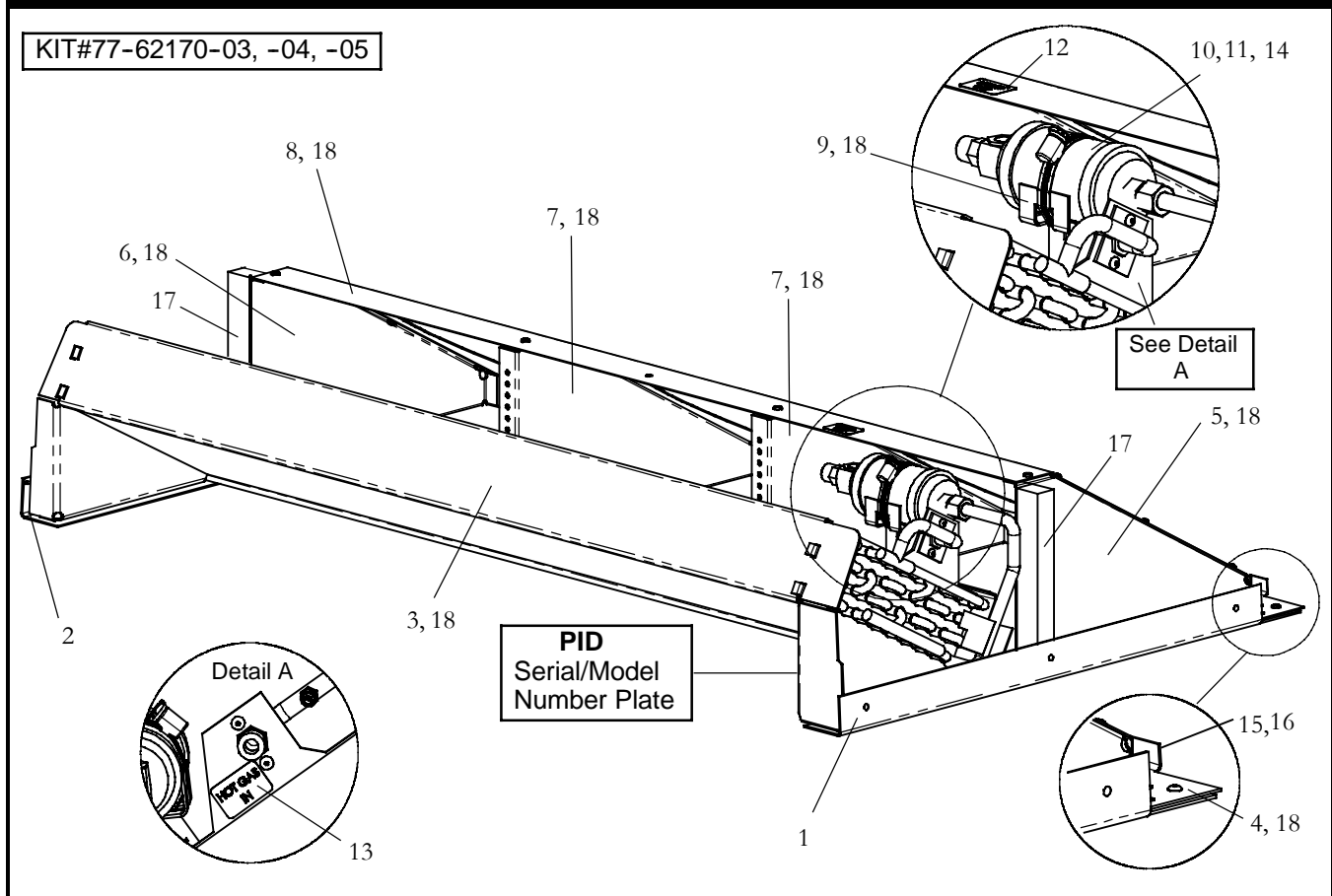
OPTION LEGEND

1	Top Cover - KR2 Flat Roof Radius
2	Top Cover - KR2 High Roof Radius
1	Top Cover - KR3 Flat Roof Radius
2	Top Cover - KR3 High Roof Radius
3	Top Cover - KR3 Intermediate Roof Radius
1	12 VDC W/PM Motors
2	24 VDC W/PM Motors
3	12 VDC W/PM Motors & In-Line Fuses
4	24 VDC W/PM Motors & In-Line Fuses

MODEL 68KR2	PID Condenser KR2	Cover Kit	Electrical Kit
-101	00073	1	1
-101-1	00075	1	2
-101-2	00076	2	1
-101-3	00077	2	1
-101-4	00103	1	3
-101-5	00104	1	4
-101-6	00105	2	3
-101-7	00106	2	4
-101-8	00107	1	1
-101-9	00108	1	3
-101-10	00109	1	1
-101-11	00110	1	1
-101-12	00111	1	3

OPTION TABLE

MODEL 68KR3	PID Condenser KR3	Cover Kit	Electrical Kit
-101	00074	1	1
-101-1	00078	1	2
-101-2	00079	2	1
-101-3	00080	2	2
-101-4	00107	3	1
-101-5	00108	3	2
-101-6	00099	1	3
-101-7	00100	1	4
-101-8	00101	2	3
-101-9	00102	2	4
-101-10	00109	3	3
-101-11	00110	3	4
-101-12	00111	1	1
-101-13	00112	1	3
-101-14	00113	1	1
-101-15	00114	1	3
-101-16	00115	1	1
-101-17	00116	1	1
-101-18	00117	1	3

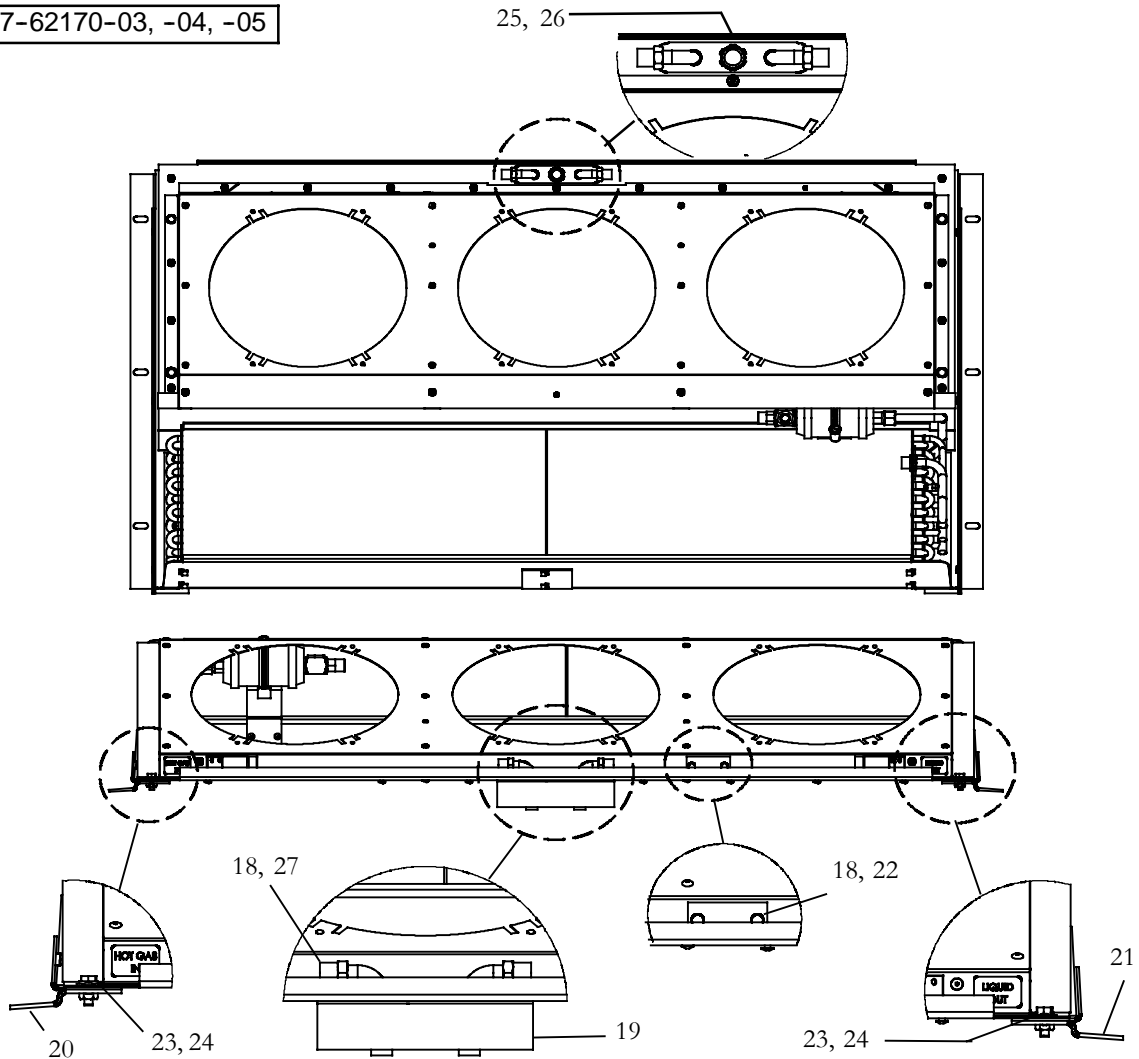
SECTION 2.7 CONDENSER, 68KR3-101 SERIES
2.7.1 CONDENSER, 68KR3-101 SERIES - FRAME KIT


Item	Part Number	Description	Qty
1	67-62004-00	Bracket Assembly, Interface Control, Painted, KR2/3	1
2	67-62004-01	Bracket Assembly, Interface Control, Painted, KR2/3	1
3	08-62057-01	Coil Assembly, Condenser, KR3	1
4	68-63689-01	Pan, Painted, KR3	1
	68-63689-02	Pan, Painted, KR3 (-05 Only)	1
5	68-63509-00	Bracket, Painted, KR2/3	1
6	68-63509-01	Bracket, Painted, KR2/3	1
7	67-62006-00	Bracket Assembly, Interface Control, Painted, KR2/3	2
8	67-62005-01	Panel Assembly, Interface Control, Painted, KR3	1
9	68-63486-00	Bracket, Mounting, Filter Drier, Painted, KR2/3	1
10	14-00288-00	Filter Drier, Sight Glass, 1/2 Inch M.O.R. (16 Cubic Inch)	1
11	AC701-269	Clamp, Filter Drier, Worm Type, Range: 2.06 to 3.00	1
12	62-62042-15	Label, "Liquid Out"	1
13	62-62042-14	Label, "Hot Gas In"	1
14	AC801-202	O-Ring, 1/2 Inch, HNBR	1
15	68-63605-00	Bracket, Mounting	2
16	AC801-412F25	Gasket, Trimlok, Black (25 Ft. Roll)	1
17	42-00221-22	Gasket, Foam, 1.00 Thick x .38 Wide x 8.03 Long, Adhesive Backed	2
18	34-00928-14	Rivet, Blind, .187 Diameter, Grip Range: .251-.375	A/R



2.7.2 CONDENSER, 68KR3-101 SERIES - FRAME KIT WITH FEED-THRU PLATE

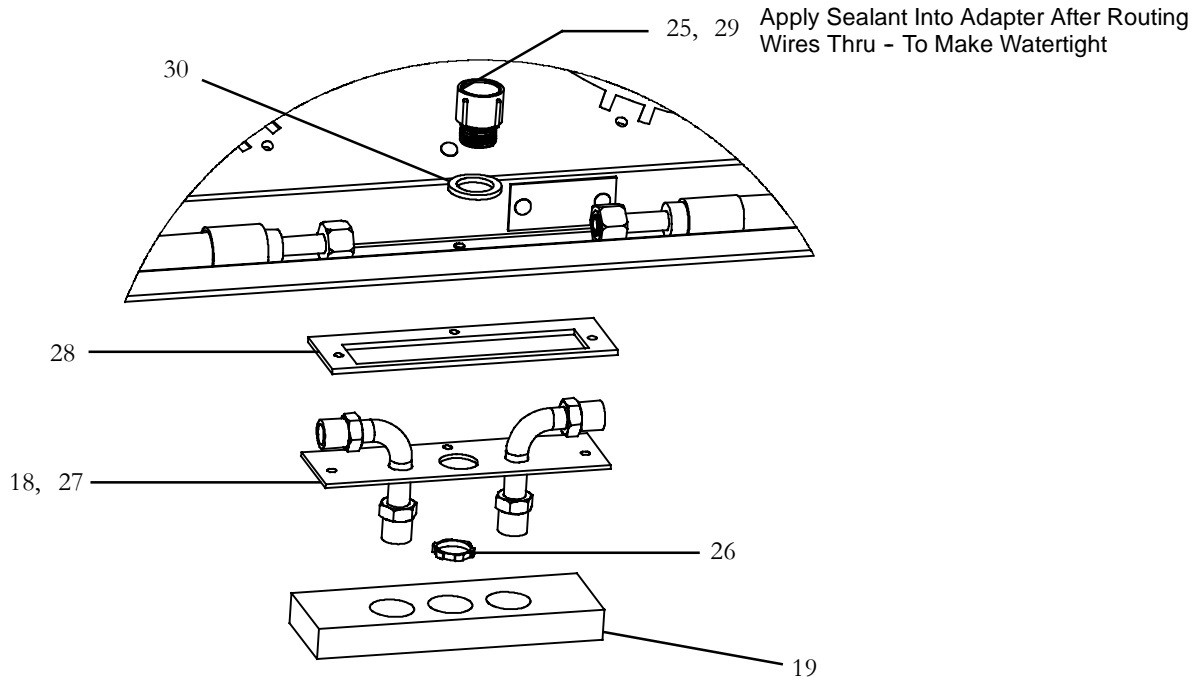
KIT#77-62170-03, -04, -05



Item	Part Number	Description	Qty
19	42-62127-00	Insulation, Foam, Feed-Thru Plate Assembly	1
	42-62127-01	Insulation, Foam, Feed-Thru Plate Assembly (-04 Kit Only)	1
	42-62127-03	Insulation, Foam, Feed-Thru Plate Assembly (-05 Kit Only)	1
20	67-62007-04	Bracket, Unit Mounting	1
	67-62009-00	Bracket, Unit Mounting (-05 Kit Only)	1
21	67-62007-05	Bracket, Unit Mounting	1
	67-62009-01	Bracket, Unit Mounting (-05 Kit Only)	1
22	68-63656-00	Plate, Block-Off, Panel Assembly	1
23	34-00300-06	Screw, Cap, Hex Head, 1/4-20 x 0.75 Inches Long, Zinc	6
24	34-00368-11	Washer, Splitlock, 1/4 Inch, Zinc	6
25	58-62172-00	Adapter, Terminal, Male, 1/2 Gray	1
26	22-00118-02	Nut, Lock, 1/2 Inch Conduit	1
27	81-62145-00	Plate Assembly, Connection, Feed-Thru	1
	81-62145-01	Plate Assembly, Connection, Feed-Thru (-04 & -05 Kit)	1



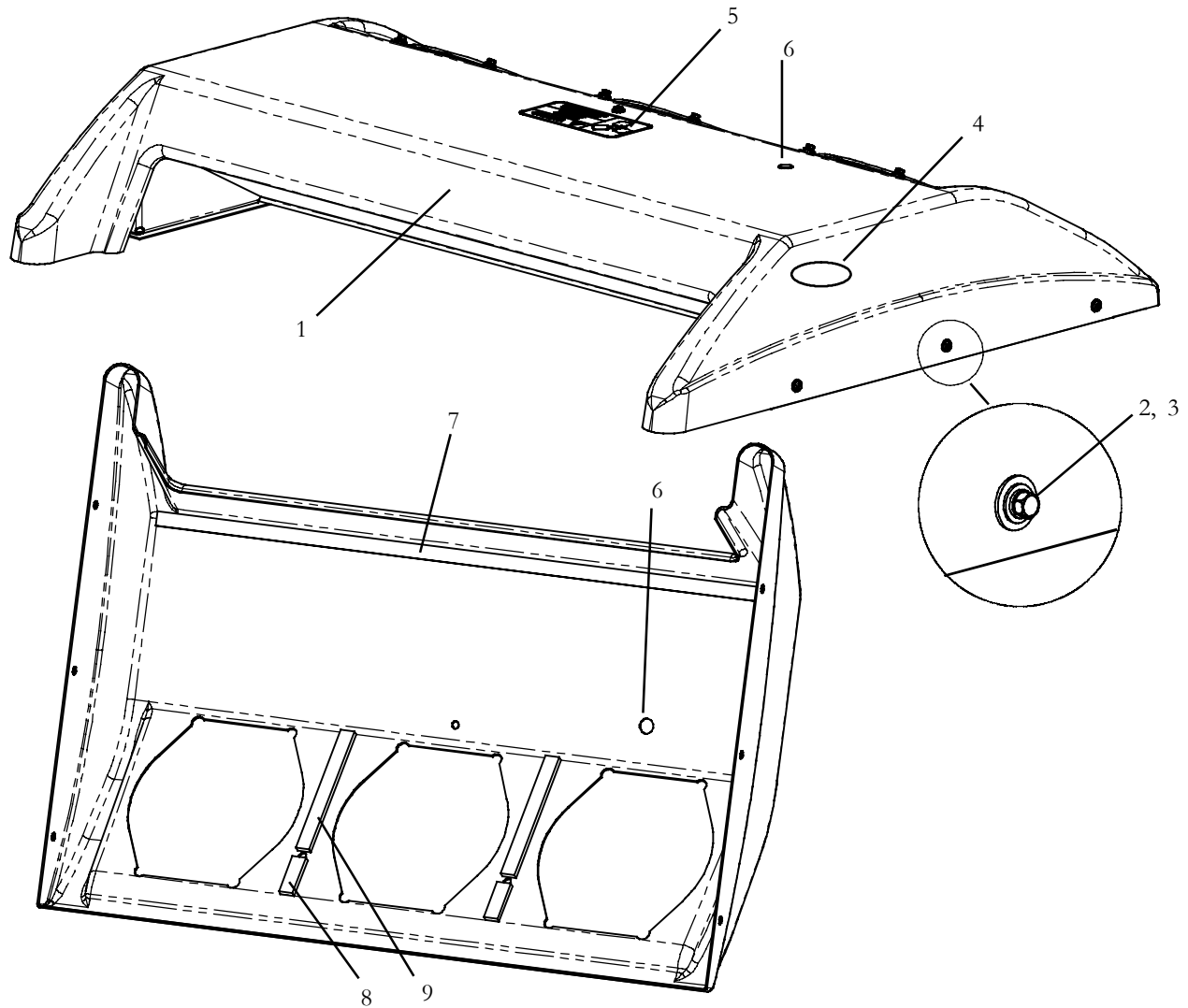
2.7.2 CONDENSER, 68KR3-101 SERIES - FRAME KIT WITH FEED-THRU PLATE - Continued:



Item	Part Number	Description	Qty
28	42-62141-00	Gasket, Neoprene, Feed-thru Assembly	1
29	02-62001-01	Sealant, Adhesive Caulk, White (10.3 Ounce Tube)	1
30	34-01268-01	Washer, Sealing, 1/2 Inch, NPT	1
N/S	58-62025-14	Hose Assembly, Ref., #8, 1/2 F.O.R. Straight x 1/2 F.O.R. Straight	1
N/S	58-62025-15	Hose Assembly, Ref., #10, 1/2 F.O.R. 90 Degree x 1/2 F.O.R. Straight	1



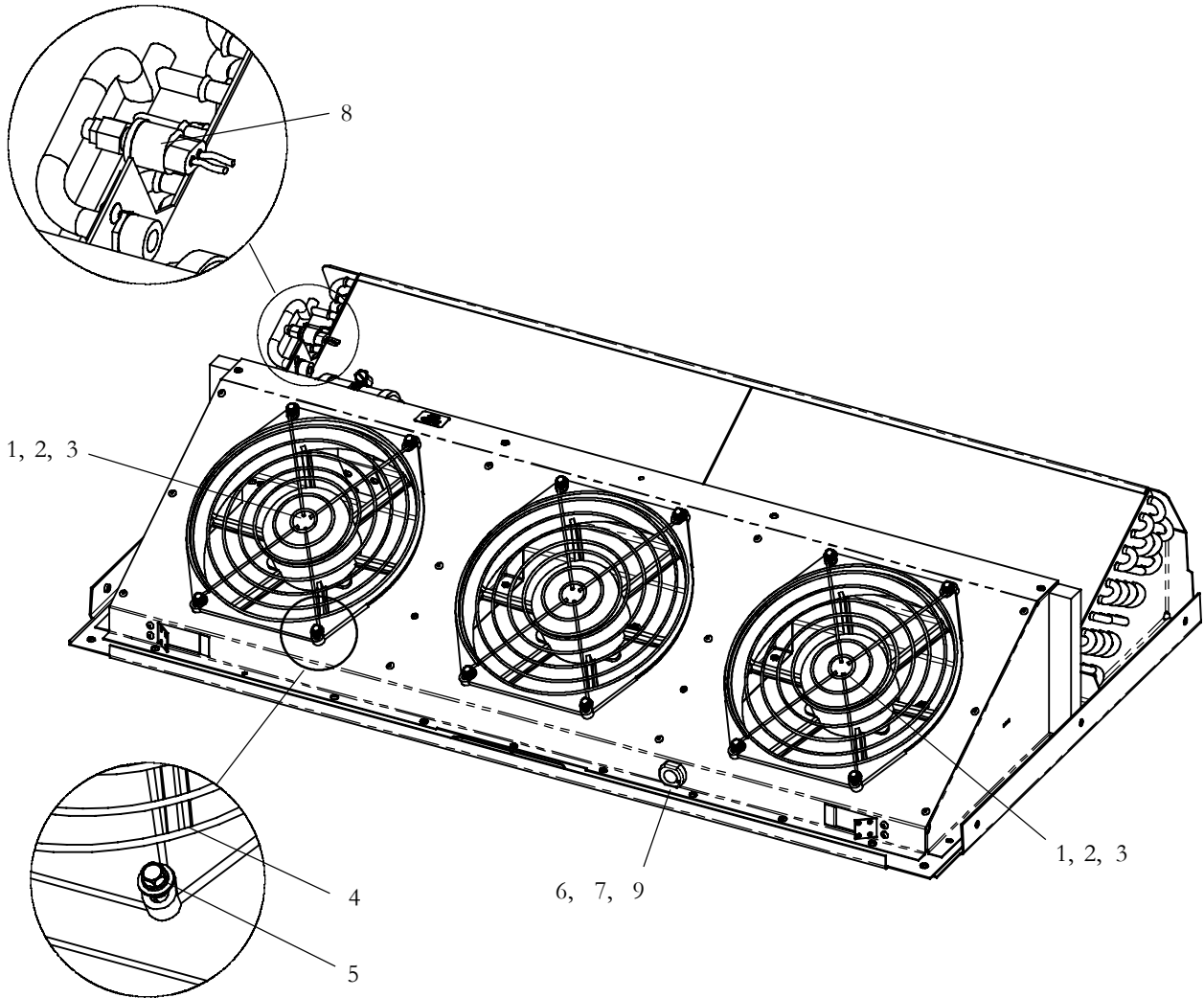
2.7.3 CONDENSER, 68KR3-101 SERIES - COVER KIT - 77-62171-01, -03, -04 & -06



Item	Part Number	Description	Qty
1	58-62164-00	Cover, Condenser, KR3, Flat (77-62171-01)	1
	58-62164-01	Cover, Condenser, KR3, 196.85 Radius (77-62171-03)	1
	58-62164-02	Cover, Condenser, KR3, 275.59 Radius (77-62171-04)	1
	58-62127-01	Cover, Condenser, KR3, Standard (Flat) Radius (77-62171-06)	1
2	34-62011-00	Screw, Hex Head, Sems, W/Lock Washer 1/4-20 X 1.00 Inch Long, SST	9
3	34-00829-11	Washer, Flat, 1/4 Inch, SST	9
4	56-0034	Decal, MCC	2
5	62-62045-00	Label, Warning, Fan Blades & Disconnect Power	1
6	AC801-342	Plug, Clear, 1.00 Inch Diameter Hole	1
7	42-00221-18	Gasket, Foam, 1.00 Thick x .38 Wide x 46.50 Long, Adhesive Backed	1
8	42-00221-21	Gasket, Foam, 1.00 Thick x .38 Wide x 2.80 Long, Adhesive Backed	2
9	42-00221-20	Gasket, Foam, 1.00 Thick x .38 Wide x 9.32 Long, Adhesive Backed	2



2.7.4 CONDENSER, 68KR3-101 SERIES - ELECTRICAL KITS - (77-62172-01, -03, -05, -07)



Item	Part Number	Description	Qty
1	54-00618-01	Fan & Motor Assembly, Vector, 12V (No Replacement Motor)	3
	AC401-110	Fan & Motor Assembly, 12 VDC - Includes:	3
2	54-50080-00Motor, Fan 12 VDC	1
2A	22-02336-25Fuse, 20 Amp	1
3	44-50024-00Clip, Fan Blade	1
1	54-00545-00	Fan & Motor Assembly, 24 VDC	3
4	AC030-234	Guard, Fan, Condenser	3
5	34-62011-00	Bolt, Hex Head, Sems, With Lock Washer, 1/4-20 X 1 Inch, SST	12
6	22-62236-00	Harness Assembly, (KR-3)	1
7	66U1-3882	Wire Tie, Self-Locking, 7 Inch, Black	9
8	AC201-414	Switch, Pressure, 1/4 Inch Female Flare (400-300 PSIG)	1
9	58-62019-00	Bushing, Harness, Strain Relief	1

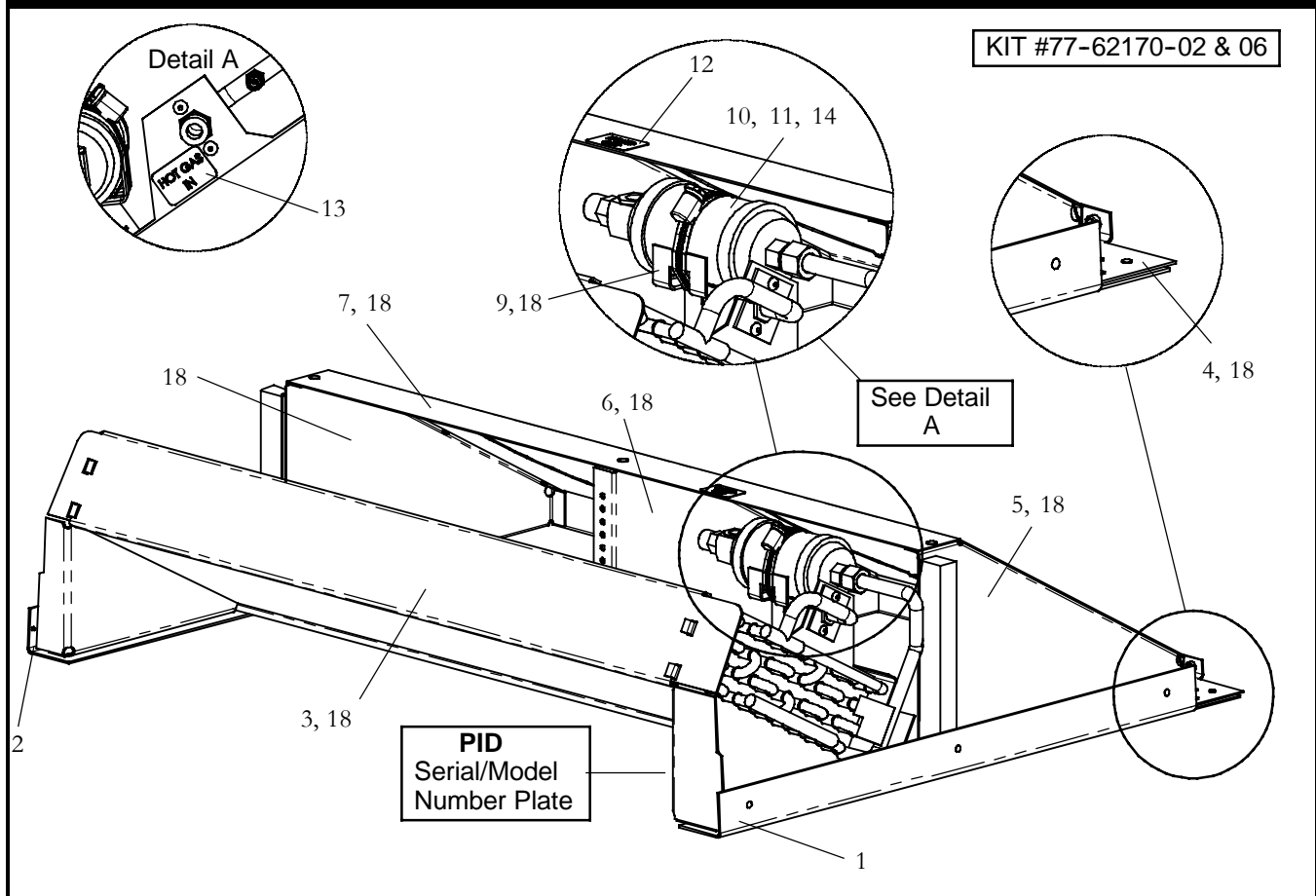
2.7.5 CONDENSER, 68KR3-101 SERIES - PACKAGE KITS - 77-62173-01, -03, -09, -12 & -14			
Item	Part Number	Description	Qty
N/S	58-62025-08	Hose Assembly, Ref., #8, 1/2 F.O.R. Straight x 1/2 F.O.R. 90 Degree, KR3	1
N/S	58-62025-09	Hose Assembly, Ref., #10, 1/2 F.O.R. 90 Degree x 1/2 F.O.R. 90 Degree, KR3	1
N/S	81-62138-00	Plate Assembly, Connections, Feed-Thru, Radius Roof (See Sec. 2.8.9)	1
N/S	81-62138-01	Plate Assembly, Connections, Feed-Thru, Flat Roof (See Sec. 2.8.9)	1
N/S	81-62138-02	Plate Assembly, Connections, Feed-Thru, Flat Roof (See Sec. 2.8.9)	1
N/S	81-62156-00	Plate Assembly, Connections, Feed-Thru, Flat Roof (-12 ONLY) (See Sec. 2.8.11)	1
N/S	67-62007-00	Bracket, Unit Mounting	1
N/S	67-62007-01	Bracket, Unit Mounting	1
N/S	34-00300-08	Screw, Cap, Hex Head, 1/4-20 x 1.00 Inch Long, Zinc	6
N/S	34-00588-11	Washer, PLain, 1/4, SAE, .065 Thick	6
N/S	34-00368-11	Washer, Split Lock, 1/4 Inch, Zinc	6
N/S	64-01213-00	Tape, Gummed, Reinforced, 3.00 Inches Wide x The Foot	4
N/S	02-62001-01	Sealant, Adhesive Caulk, White (10.3 Ounce Tube)	1
N/S	34-01295-18	Rivet, Pop, 3/16, Aluminum	4
N/S	22-01451-00	Butt Splice, Insulated, Red (#16-22 AWG)	2
N/S	AC202-207	Tubing, Heat Shrink, 3/4 Inch I.D. W/Adhesive (Range: #1-8 AWG)	3
N/S	22-01292-03	Butt Splice, Non-Insulated (#8 AWG)	1
N/S	40-62017-00	Fitting, "Y", #8 Hose x #8 x #8 Hose, Quick-Click (-14 Only)	1
N/S	34-60019-03	Clamp, Quick-Click, #8 Hose (-14 Only)	3
2.7.6 CONDENSER, 68KR3-101 SERIES - PACKAGE KIT - 77-62173-05			
Item	Part Number	Description	Qty
N/S	58-62025-14	Hose Assembly, Ref., #8, 1/2 F.O.R. Straight x 1/2 F.O.R. Straight, KR3	1
N/S	58-62025-15	Hose Assembly, Ref., #10, 1/2 F.O.R. 90 Degree x 1/2 F.O.R. Straight, KR3	1
N/S	67-62007-00	Bracket, Unit Mounting	1
N/S	67-62007-01	Bracket, Unit Mounting	1
N/S	34-00300-08	Screw, Cap, Hex Head, 1/4-20 x 1.00 Inch Long, Zinc	6
N/S	34-00588-11	Washer, PLain, 1/4, SAE, .065 Thick	6
N/S	34-00368-11	Washer, Split Lock, 1/4 Inch, Zinc	6
N/S	64-01213-00	Tape, Gummed, Reinforced, 3.00 Inches Wide x The Foot	4
N/S	02-62001-01	Sealant, Adhesive Caulk, White (10.3 Ounce Tube)	1
N/S	34-01295-18	Rivet, Pop, 3/16, Aluminum	4
N/S	22-01451-00	Butt Splice, Insulated, Red (16-22 AWG)	2
N/S	AC202-207	Tubing, Heat Shrink, 3/4 Inch I.D. W/Adhesive (Range: #1-8 AWG)	3
N/S	22-01292-03	Butt Splice, Non-Insulated (#8 AWG)	1
2.7.7 CONDENSER, 68KR3-101 SERIES - PACKAGE KIT - 77-62173-06			
Item	Part Number	Description	Qty
N/S	64-01213-00	Tape, Gummed, Reinforced, 3.00 Inches Wide x The Foot	4
N/S	02-62001-01	Sealant, Adhesive Caulk, White (10.3 Ounce Tube)	1
N/S	22-01451-00	Butt Splice, Insulated, Red (16-22 AWG)	2
N/S	AC202-207	Tubing, Heat Shrink, 3/4 Inch I.D. W/Adhesive (Range: #1-8 AWG)	3
N/S	22-01292-03	Butt Splice, Non-Insulated (#8 AWG)	1



2.7.8 CONDENSER, 68KR3-101 SERIES - PACKAGE KIT - 77-62173-07			
Item	Part Number	Description	Qty
N/S	64-01213-00	Tape, Gummed, Reinforced, 3.00 Inches Wide x The Foot	4
N/S	02-62001-01	Sealant, Adhesive Caulk, White (10.3 Ounce Tube)	1
N/S	22-01451-00	Butt Splice, Insulated, Red (16-22 AWG)	2
2.7.8 CONDENSER, 68KR3-101 SERIES - PACKAGE KIT - 77-62173-07 - Continued			
Item	Part Number	Description	Qty
N/S	AC202-207	Tubing, Heat Shrink, 3/4 Inch I.D. W/Adhesive (Range: #1-8 AWG)	3
N/S	22-01292-03	Butt Splice, Non-Insulated (#8 AWG)	1

SECTION 2.8 CONDENSER, 68KR2-101 SERIES

2.8.1 CONDENSER, 68KR2-101 SERIES - FRAME KIT

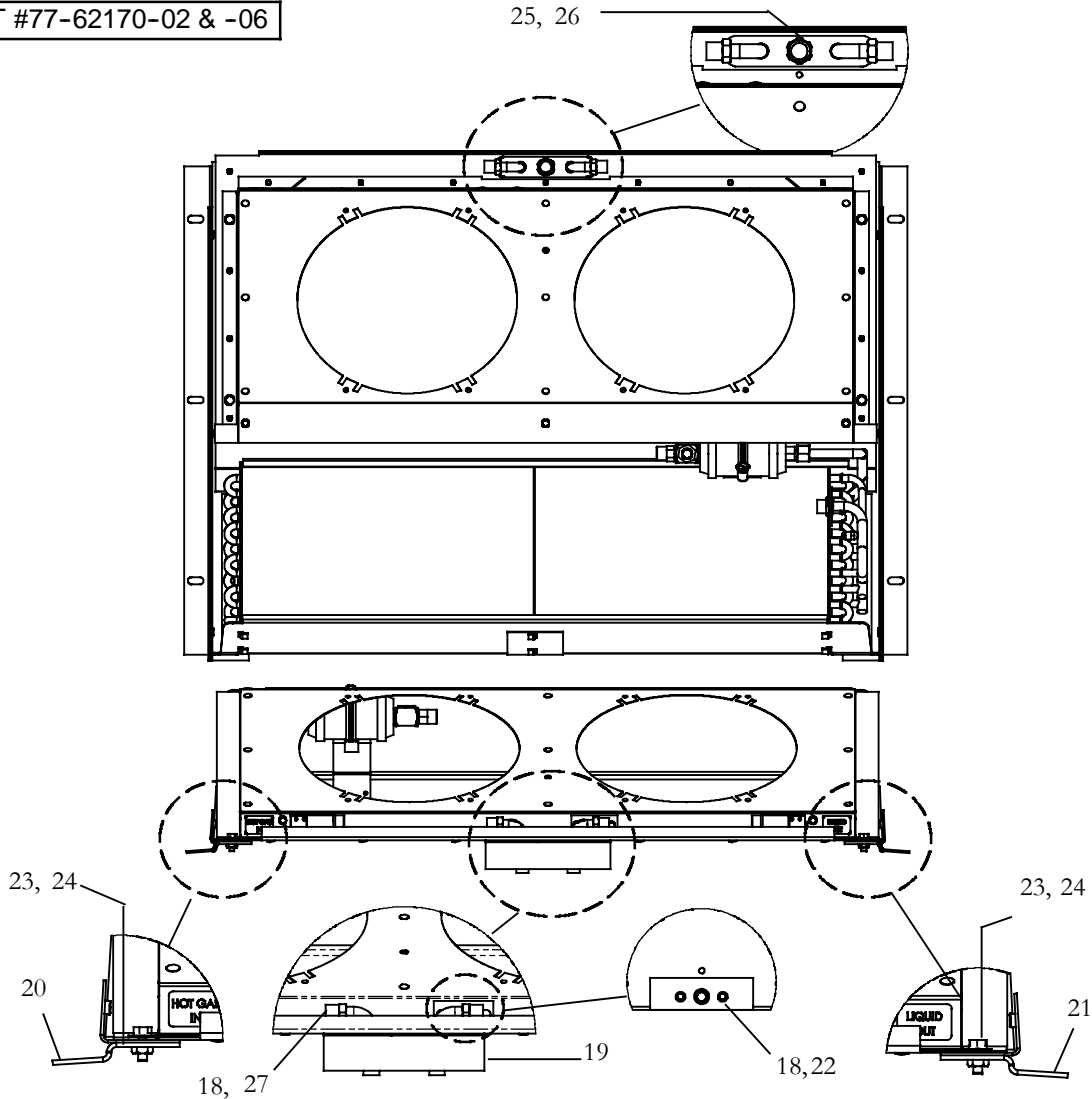


Item	Part Number	Description	Qty
1	67-62004-00	Bracket Assembly, Interface Control, Painted, KR2	1
2	68-62004-01	Bracket Assembly, Interface Control, Painted, KR2	1
3	08-62057-00	Coil Assembly, Condenser, KR2	1
4	68-63689-00	Pan, Painted, KR2	1
5	68-63509-00	Bracket, Painted, KR2/3	1
6	68-63509-01	Bracket, Painted, KR2/3	1
7	67-62006-00	Bracket Assembly, Interface Control, Painted, KR2	1
8	67-62005-00	Panel Assembly, Interface Control, Painted, KR2	1
9	68-63486-00	Bracket, Mounting, Filter Drier, Painted, KR2	1
10	14-00288-00	Filter Drier, W/Sight Glass, 1/2 Inch M.O.R. (16 Cubic Inch)	1
11	AC701-269	Clamp, Filter Drier, Worm Type, Range: 2.06 to 3.00 Inch,	1
12	62-62042-15	Label, "Liquid Out"	1
13	62-62042-14	Label, "Hot Gas In"	1
14	AC801-202	O-Ring, 1/2 Inch, HNBR	1
15	68-63605-00	Bracket, Mountiong	2
16	AC801-412F25	Gasket, Trimlock, Black (25 Ft. Roll)	1
17	42-00221-22	Gasket, Foam, 1.00 Thick x .38 Wide x 8.03 Long, Adhesive Backed	2
18	34-00928-14	Rivet, Blind, .187 Diameter, Grip Range: .251-.375	A/R



2.8.2 CONDENSER, 68KR2-101 SERIES - FRAME KIT WITH FEED-THRU PLATE

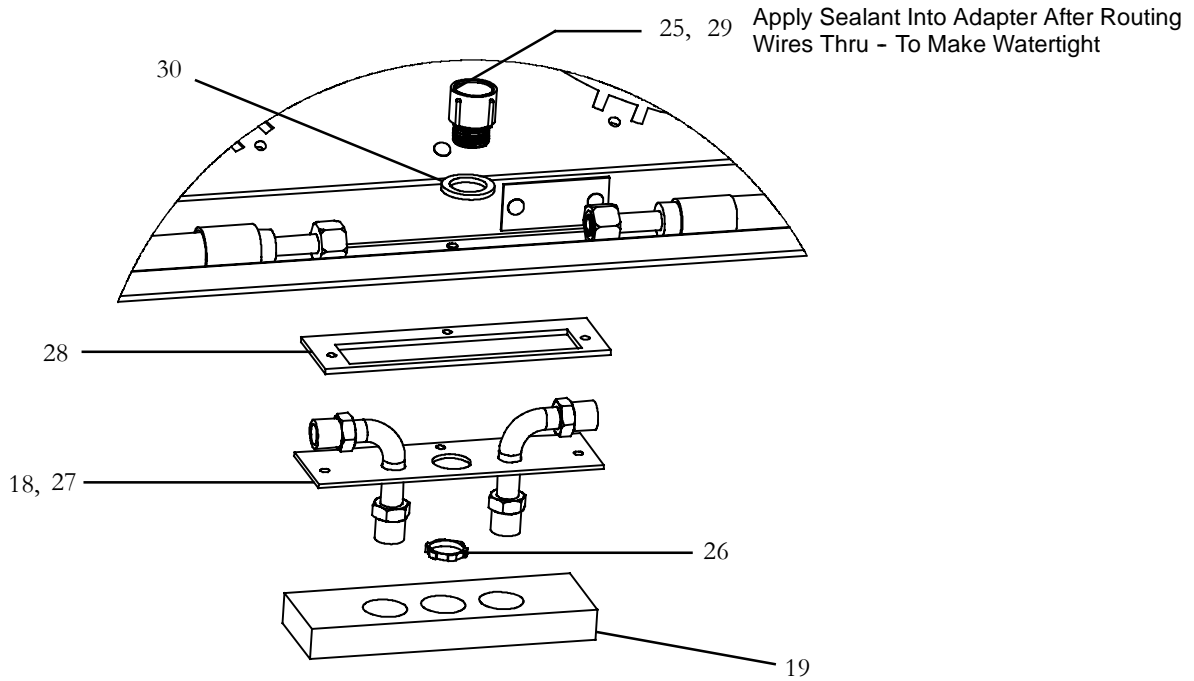
KIT #77-62170-02 & -06



Item	Part Number	Description	Qty
19	42-62127-00	Insulation, Foam, Feed-Thru Plate Assembly	1
	42-62127-01	Insulation, Foam, Feed-Thru Plate Assembly (-06 Kit Only)	1
20	67-62007-04	Bracket, Unit Mounting	1
	67-62008-00	Bracket, Unit Mounting (-06 Kit Only)	1
21	67-62007-05	Bracket, Unit Mounting	1
	67-62008-01	Bracket, Unit Mounting (-06 Kit Only)	1
22	68-63656-00	Plate, Block-Off, Panel Assembly	1
23	34-00300-06	Screw, Cap, Hex Head, 1/4-20 x 0.75 Inches Long, Zinc	6
24	34-00368-11	Washer, Splitlock, 1/4 Inch, Zinc	6
25	58-62172-00	Adapter, Terminal, Male, 1/2 Gray	1
26	22-00118-02	Nut, Lock, 1/2 Inch Conduit	1
27	81-62145-00	Plate Assembly, Connection, Feed-Thru	1



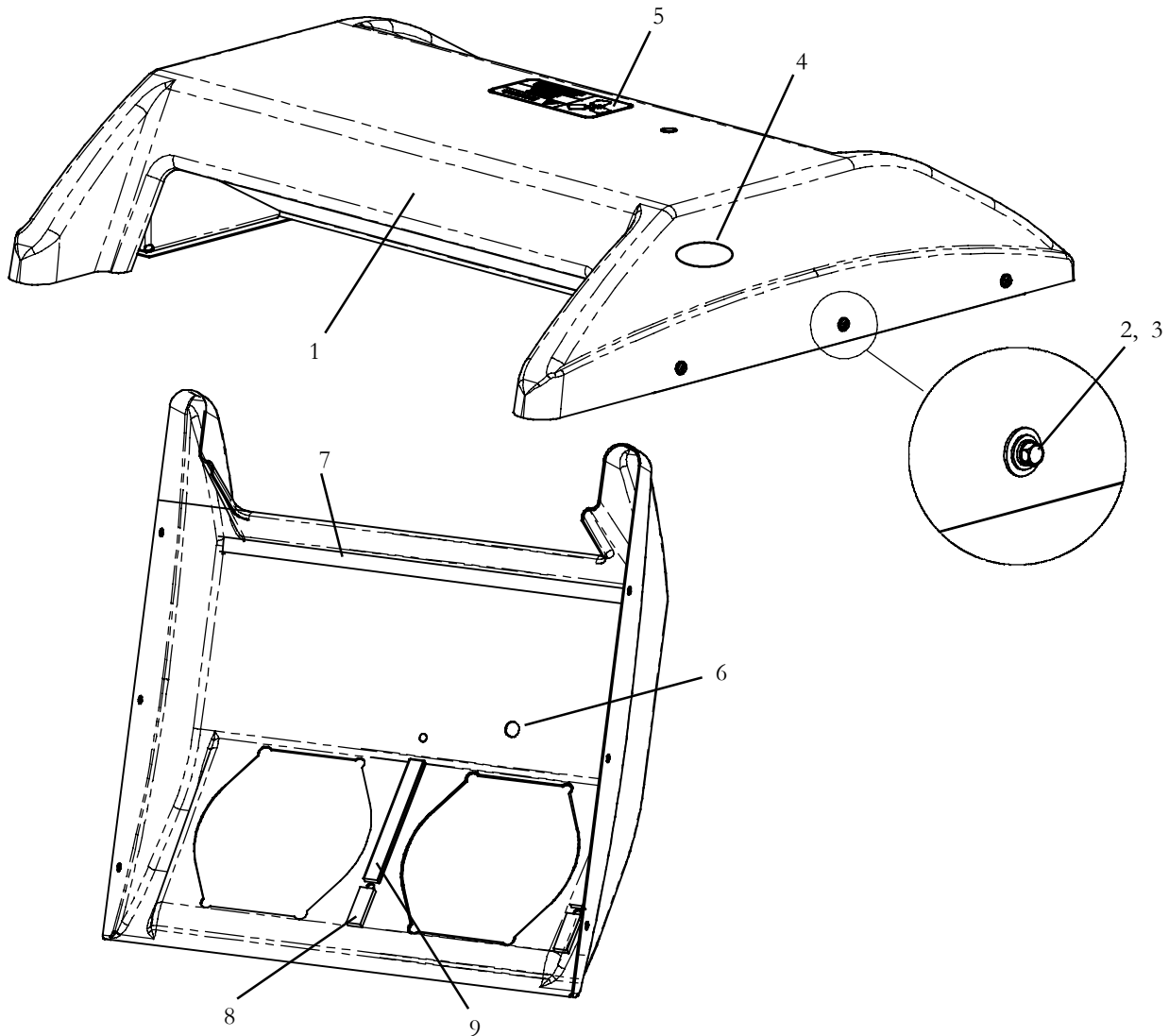
2.8.2 CONDENSER, 68KR2-101 SERIES - FRAME KIT WITH FEED-THRU PLATE - Continued:



Item	Part Number	Description	Qty
28	42-62141-00	Gasket, Neoprene, Feed-thru Assembly	1
29	02-62001-01	Sealant, Adhesive Caulk, White (10.3 Ounce Tube)	1
30	34-01268-01	Washer, Sealing, 1/2 Inch, NPT	1
N/S	58-62025-12	Hose Assembly, Ref., #8, 1/2 F.O.R. Straight x 1/2 F.O.R. Straight	1
N/S	58-62025-13	Hose Assembly, Ref., #10, 1/2 F.O.R. 90 Degree x 1/2 F.O.R. Straight	1



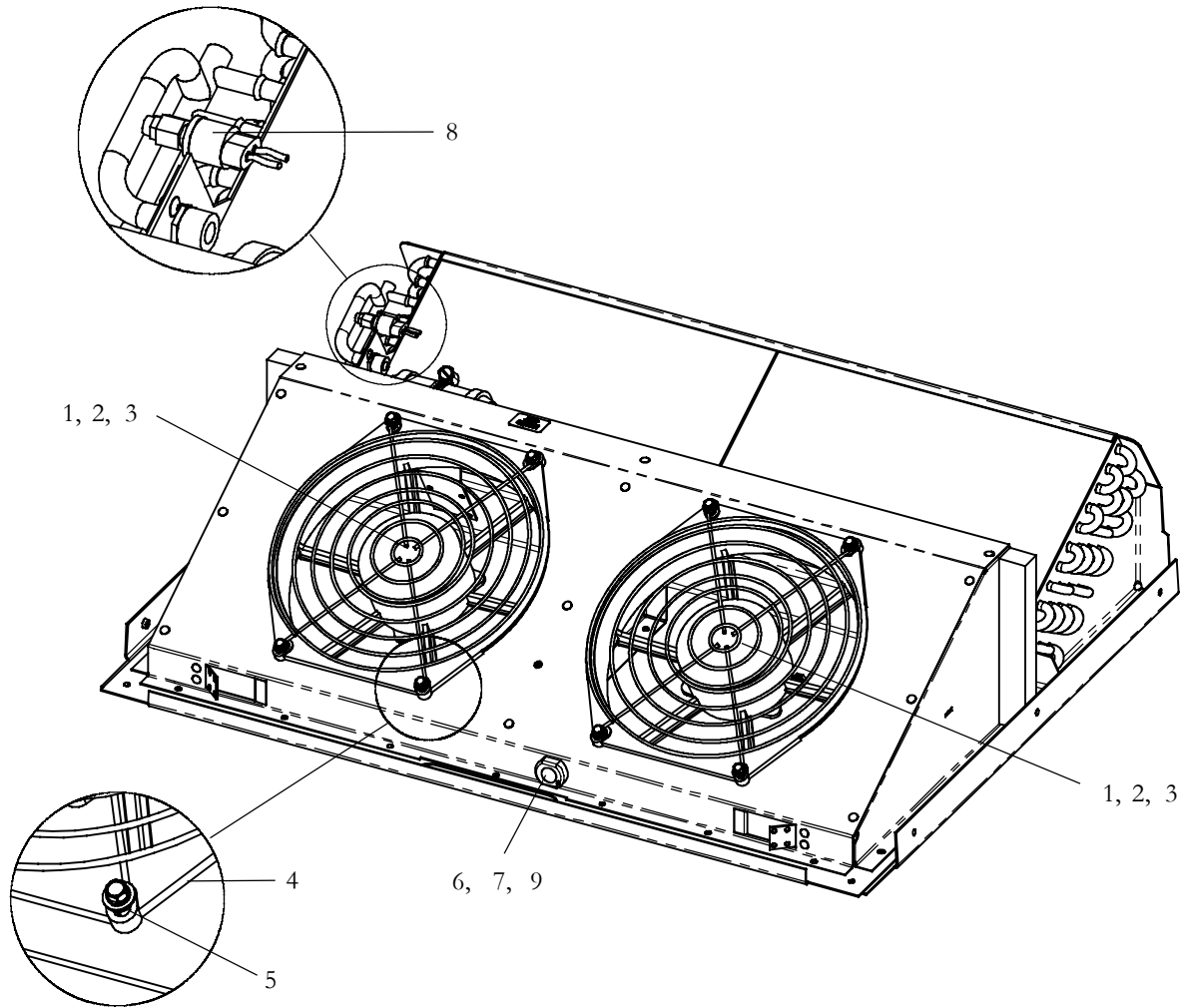
2.8.3 CONDENSER, 68KR2-101 SERIES - COVER KIT - 77-62171-00, -02 & -05



Item	Part Number	Description	Qty
1	58-62163-00	Cover, KR2, Flat (77-62171-00)	1
	58-62163-01	Cover, KR2, Radius (77-62171-02)	1
	58-62127-00	Cover, KR2, Standard (Flat) Radius (77-62171-05)	1
2	34-62011-00	Screw, Hex Head, Sems, W/Lock Washer, 1/4-20 X 1.00 Inch Long, SST	7
3	34-00829-11	Washer, Plain, 1/4 Inch, SST	7
4	56-0034	Decal, MCC	2
5	62-62045-00	Label, Warning, Fan Blades & Disconnect Power	1
6	AC801-342	Plug, Clear, 1.00 Inch Diameter Hole	1
7	42-00221-19	Gasket, Foam, 1.00 Thick x .38 Wide x 34.25 Long, Adhesive Backed	1
8	42-00221-21	Gasket, Foam, 1.00 Thick x .38 Wide x 2.80 Long, Adhesive Backed	2
9	42-00221-20	Gasket, Foam, 1.00 Thick x .38 Wide x 9.32 Long, Adhesive Backed	2



2.8.4 CONDENSER, 68KR2-101 SERIES - ELECTRICAL KIT - 77-62172-00, -02, -04 & -06



Item	Part Number	Description	Qty
1	54-00618-01	Fan & Motor Assembly, Vector, 12V, With Fuse (No Replacement Motor)	2
	AC401-110	Fan & Motor Assembly, 12 VDC, Includes:	2
2	54-50080-00Motor, Fan, 12 VDC	1
2A	22-02336-25Fuse, 20 Amp	1
3	44-50024-00Clip, Fan Blade	1
1	54-00545-00	Fan & Motor Assembly, 24 VDC	2
4	AC030-234	Guard, Fan, Condenser	2
5	34-62011-00	Bolt, Hex Head, Sems, W/Lock Washer, 1/4-20 X 1 Inch Long, SST	8
6	22-62235-00	Harness Assembly (KR-2)	1
7	66U1-3882	Wire Tie, Self-Locking, 7 Inch, Black	6
8	AC201-414	Switch, Pressure, 1/4 Inch Female Flare, (400-300 PSIG)	1
9	58-62019-00	Bushing, Harness, Strain Relief	1

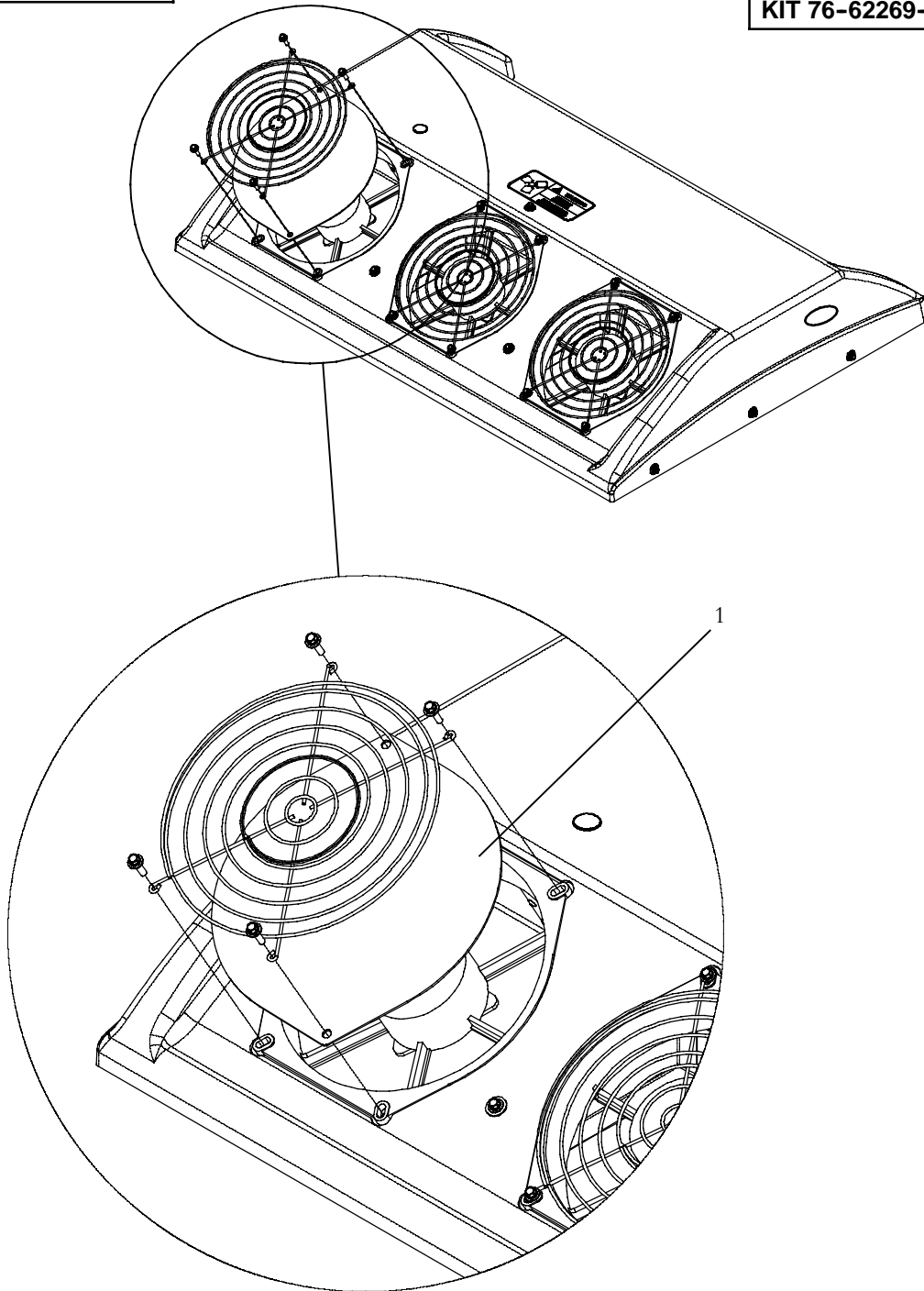


2.8.5 CONDENSER, 68KR2-101 SERIES - PACKAGE KIT - 77-62173-00, -02, -08, -011 & -13			
Item	Part Number	Description	Qty
N/S	58-62025-10	Hose Assembly, Ref., #8, 1/2 F.O.R. Straight x 1/2 F.O.R. 90 Degree, KR2	1
N/S	58-62025-11	Hose Assembly, Ref., #10, 1/2 F.O.R. 90 Degree x 1/2 F.O.R. 90 Degree, KR2	1
N/S	81-62138-00	Plate Assembly, Connections, Feed-Thru, Radius Roof (See Sec. 2.8.9)	1
N/S	81-62138-01	Plate Assembly, Connections, Feed-Thru, Flat Roof (See Sec. 2.8.9)	1
N/S	81-62156-00	Plate Assembly, Connections, Feed-Thru, Flat Roof (-11 Only) (See Sec. 2.8.11)	1
N/S	67-62007-02	Bracket, Unit Mounting	1
N/S	67-62007-03	Bracket, Unit Mounting	1
N/S	34-00300-08	Screw, Cap, Hex Head, 1/4-20 x 1.00 Inch Long, Zinc	6
N/S	34-00588-11	Washer, Plain, 1/4, SAE, .065 Thick	6
N/S	34-00368-11	Washer, Split Lock, 1/4 Inch, Zinc	6
N/S	64-01213-00	Tape, Gummed, Reinforced, 3.00 Inches Wide x The Foot	4
N/S	02-62001-01	Sealant, Adhesive Caulk, White (10.3 Ounce Tube)	1
N/S	34-01295-18	Rivet, Pop, 3/16, Aluminum	4
N/S	22-01451-00	Butt Splice, Insulated, Red (16-22 AWG)	2
N/S	AC202-207	Tubing, Heat Shrink, 3/4 Inch I.D. W/Adhesive (Range: #1-8 AWG)	3
N/S	22-01292-03	Butt Splice, Non-Insulated (#8 AWG)	1
N/S	40-62017-00	Fitting, "Y", #8 Hose x #8 Hose x #8 Hose, Quick-Click (-13 Only)	1
N/S	34-60019-03	Clamp, Quick-Click, #8 Hose (-13 Only)	3
2.8.6 CONDENSER, 68KR2-101 SERIES - PACKAGE KIT - 77-62173-04			
Item	Part Number	Description	Qty
N/S	64-01213-00	Tape, Gummed, Reinforced, 3.00 Inches Wide x The Foot	4
N/S	02-62001-01	Sealant, Adhesive Caulk, White (10.3 Ounce Tube)	1
N/S	22-01451-00	Butt Splice, Insulated, Red (16-22 AWG)	2
N/S	AC202-207	Tubing, Heat Shrink, 3/4 Inch I.D. W/Adhesive (Range: #1-8 AWG)	3
N/S	22-01292-03	Butt Splice, Non-Insulated (#8 AWG)	1

2.8.7 Figure 3-1 WINTERGUARD KITS - KR2/3 - (76-62269-00 & -01)

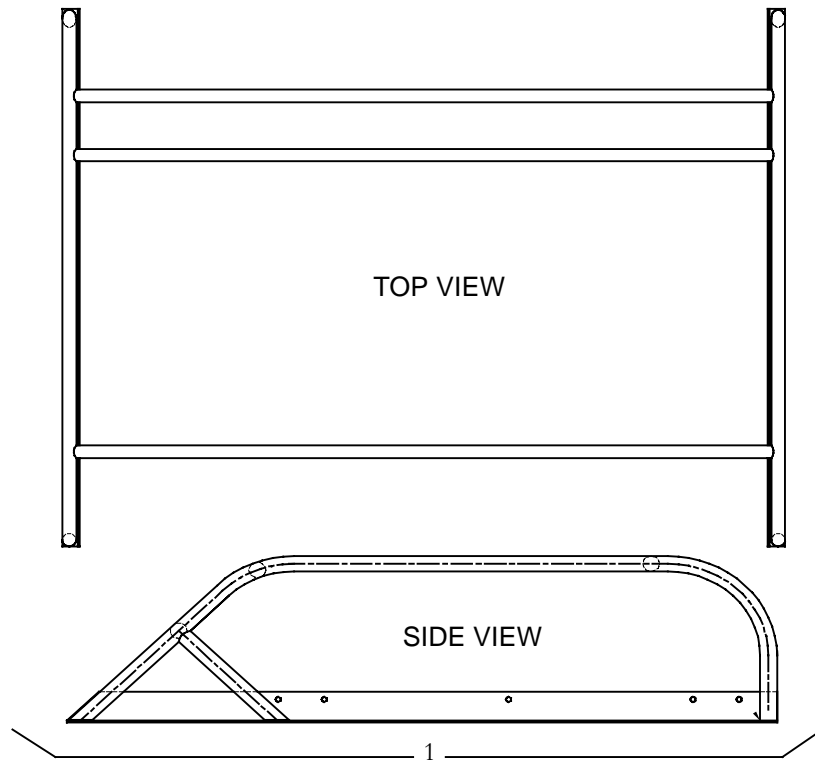
INSTALLATION DRAWING

KIT 76-62269-00 KR2
KIT 76-62269-01 KR3



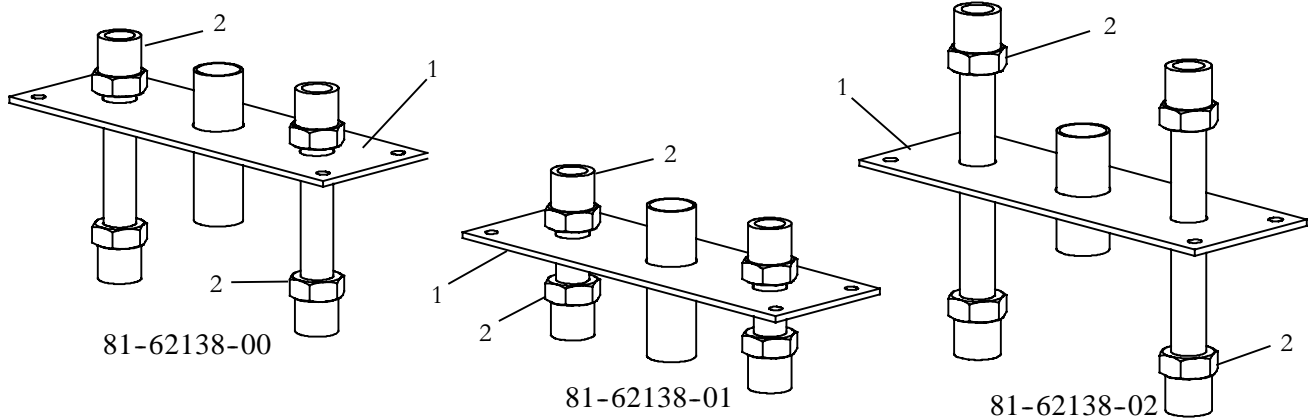
Item	Part Number	Description	Qty
1	AC033-145	Winterguard Cover, KR2/KR3	2 / 3

2.8.8 Figure 3-2 BRUSH GUARD, CONDENSER, KR2/3 AND CM-7/11



Item	Part Number	Description	Qty
1	86-62150-00	Brush Guard, KR3 & CM-7 (49.68 Inch Wide)	1
	86-62150-01	Brush Guard, KR2 & CM-11 (37.43 Inch Wide)	1

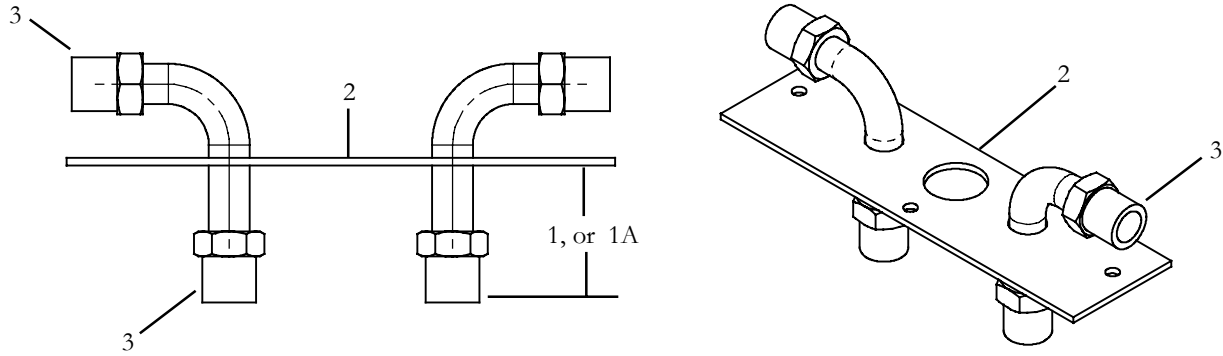
2.8.9 FEED-THROUGH PLATE ASSEMBLIES - ROOFTOPS - (81-62138)



Item	Part Number	Description	Qty
1	68-63602-00	Plate, Brass	1
2	40-62032-02	Nut, 3/4-16 x1/2 OD	4

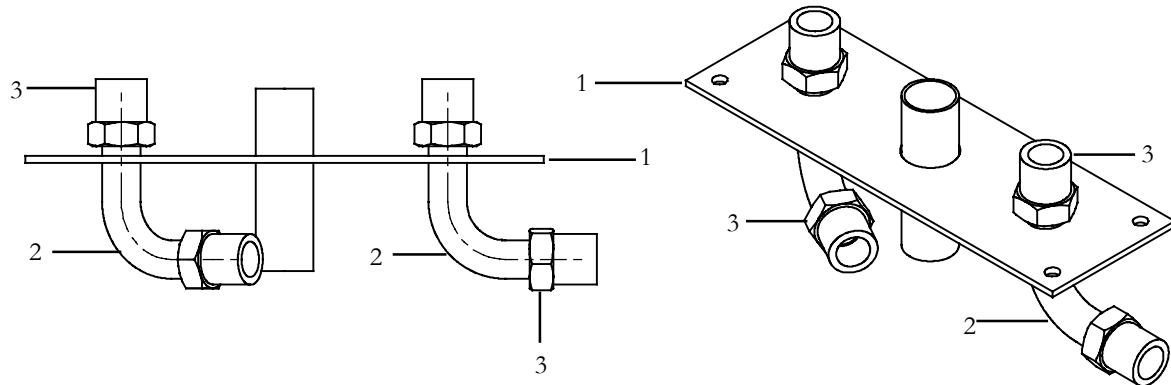


2.8.10 FEED-THROUGH PLATE ASSEMBLIES - ROOFTOPS - (81-62145)



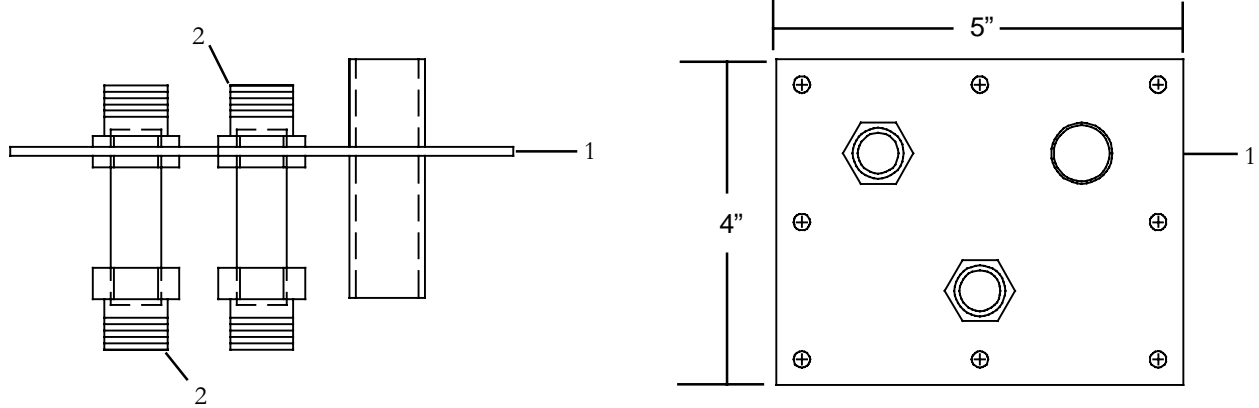
Item	Part Number	Description	Qty
1	56-62307-01	Tube, KR2/3 Feed Thru, 1.69 Inch (81-62145-00)	2
1A	56-62307-02	Tube, KR2/3 Feed Thru, 3.75 Inch (81-62145-01)	2
2	68-63655-00	Plate, Brass, 6.75 x 1.88 Inches	1
3	40-62032-02	Nut, 3/4-16 x1/2 OD	4

2.8.11 FEED-THROUGH PLATE ASSEMBLIES - ROOFTOPS - (81-62156)



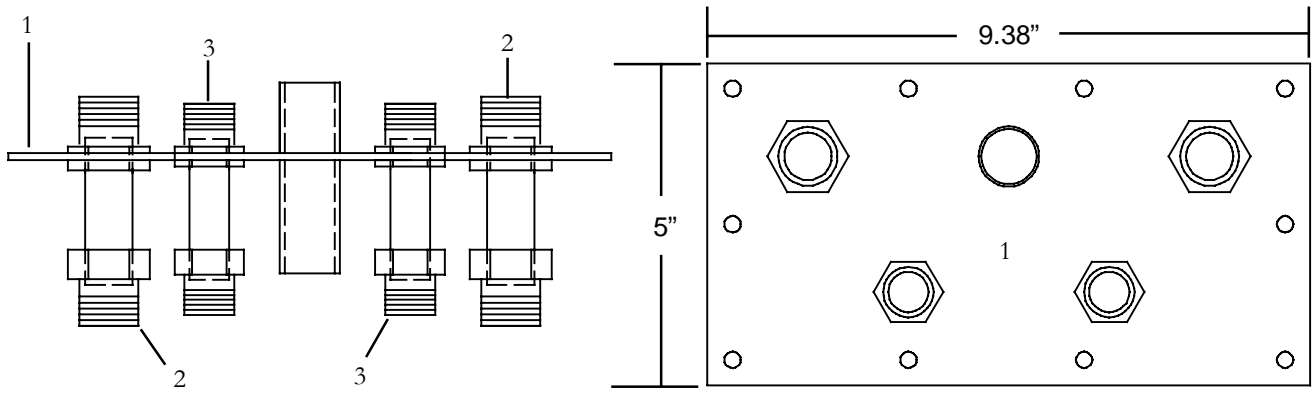
Item	Part Number	Description	Qty
1	68-63602-00	Plate, Feed Thru (6.75 x 2.25 Inch)	1
2	56-62307-03	Tube, KR2/3 Feed Thru	2
3	40-62032-02	Nut, 3/4-16 x1/2 OD	4

2.8.12 FEED-THROUGH PLATE ASSEMBLIES - ROOFTOPS - (AC031-029)



Item	Part Number	Description	Qty
1	AC031-028	Plate, Brass, 5 x 4 Inches	1
2	40-62032-02	Fitting, Brass, 1/2 Inch M.I.O-Ring	4

2.8.13 FEED-THROUGH PLATE ASSEMBLIES - ROOFTOPS - (AC031-082)



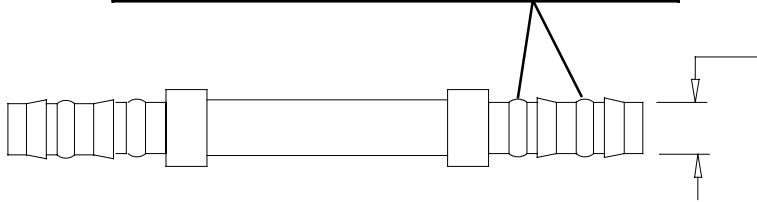
Item	Part Number	Description	Qty
1	AC031-083	Plate, Brass, 9.38 x 5 Inches	1
2	40-62032-01	Nut, 7/8-14 UNF x 5/8 OD	4
3	40-62032-02	Nut, 3/4-16 UNF x 1/2 OD	4

SECTION 3 - FITTINGS & HOSE

SECTION 3.1 FITTINGS

3.1.1 HOSE & FITTING - SIZE DETERMINATION

The Seal Rings Are Not A Replaceable Item
On Quick-Click Type Fittings



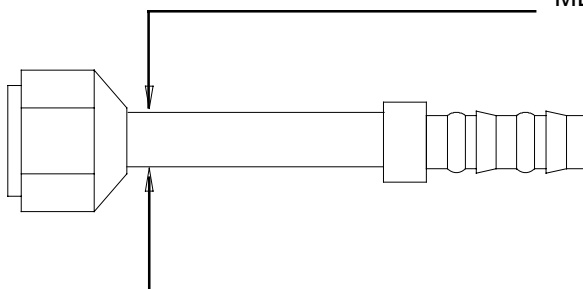
TO DETERMINE HOSE SIZE

MEASURE OUTER DIAMETER AT END OF FITTING, (NOT BARBS) TO DETERMINE HOSE SIZE (SEE CHART)

TUBE O.D.	HOSE SIZE
5/16" (7.93MM)	6
13/32" (10.5MM)	8
1/2" (12.7MM)	10
5/8" (16.1MM)	12
7/8 " (22.22 MM)	16

TO DETERMINE FITTING SIZE

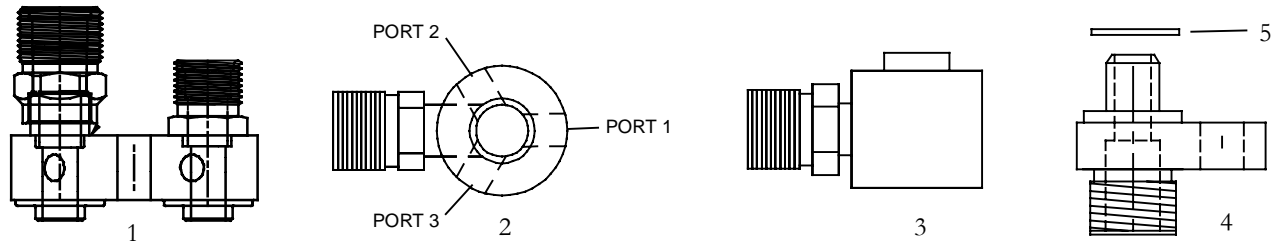
MEASURE OUTER DIAMETER JUST BEHIND NUT TO DETERMINE FITTING SIZE (SEE CHART)



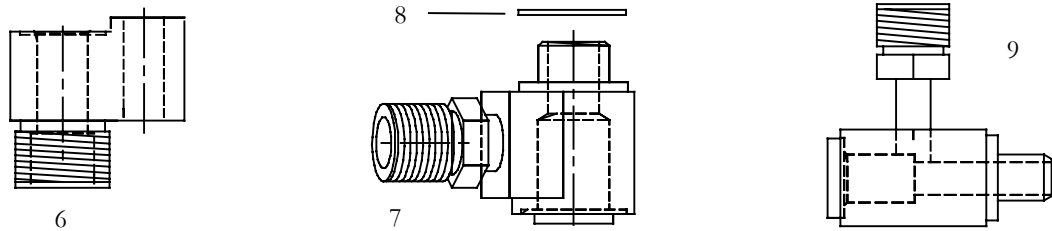
TUBE O.D.	FITTING SIZE	THREAD SIZE
3/8"	6	5/8-18
1/2"	8	3/4-16
5/8"	10	7/8-14
3/4"	12	1 - 1/16-14



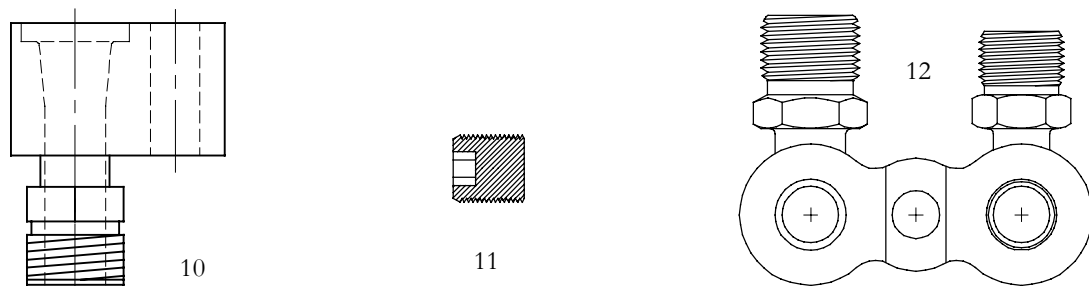
3.1.2 FITTING, A-6 COMPRESSOR, (GM STYLE)



Item	Part Number	Description
1	40-62069-01	Fitting, Block, A-6 Style, #10 & #12 M.I.O-Ring (Steel)
	40-62057-02	Fitting, Block, GM Style, #10 M.I.O X #10 M.I.O X #12 M.I.O-Ring, (Steel)
	40-62057-03	Fitting, Block, GM Style, #10 M.I.O X #10 M.I.O. X #12 M.I.O.(Tapped Ports/Steel)
2	40-62033-03	Fitting, Block, GM Style, #8 M.I.O. With Ports #1 & #2, (Steel)
	40-62033-04	Fitting, Block, GM Style, #10 M.I.O. With Ports #1 & #3, (Steel)
	40-62033-05	Fitting, Block, GM Style, #12 M.I.O. With Ports #1 & #3, (Steel)
3	40-62008-03	Fitting, Block, GM Style, #8 M.I.O., (Steel)
	40-62008-04	Fitting, Block, GM Style, #10 M.I.O., (Steel)
	40-62008-05	Fitting, Block, GM Style, #12 M.I.O., (Steel)

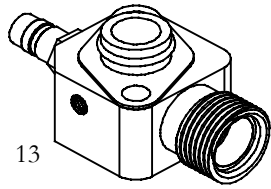


4	40-62119-00	Fitting, Block, GM Style, Liquid, #6 M.I.O.
5	58-62121-00	Seal, 2003 GM Fitting Block, .44 I.D.
6	40-62120-00	Fitting, Block, GM Style, Discharge, #10 M.I.O.
7	40-62078-00	Fitting, Block, GM Style, Suction, #10 M.I.O.
8	58-62121-00	Seal, 2003 GM Fitting Block, .44 I.D.
	58-62121-01	Seal, 2003 GM Fitting Block, .68 I.D.
9	40-62079-00	Fitting, Block, GM Style, Liquid, #6 M.I.O.
10	40-62082-00	Fitting, Block Style, 04 Ford Tie-In, #8 M.I.O.
11	40-62083-00	Plug, Pipe, 1/8 Inch MPT With C' Sunk Hex Head, Brass
12	40-62114-00	Fitting, Block, GM Style, #8 M.I.O. (Alum)

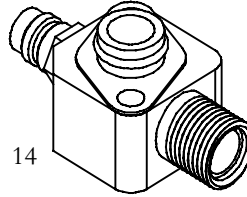




3.1.3 FITTINGS - TM-31



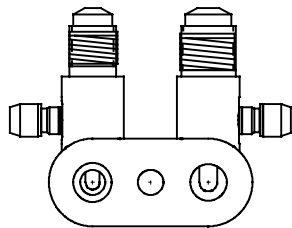
13



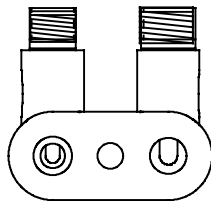
14

13	40-62068-00	Fitting, Manifold, Compressor, Suction, (TM-31)
14	40-62068-01	Fitting, Manifold, Compressor, Discharge, (TM-31)

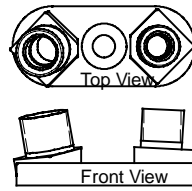
3.1.4 FITTINGS - MISCELLANEOUS



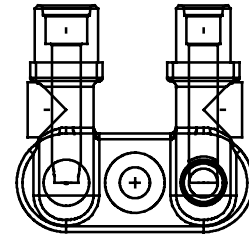
15



16

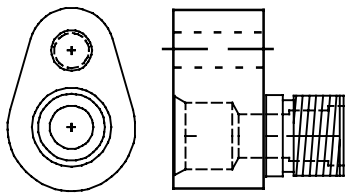


17

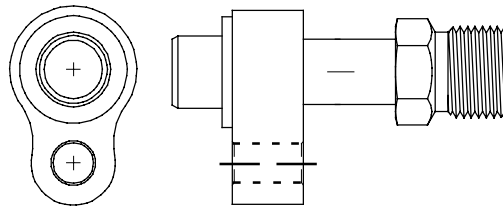


18

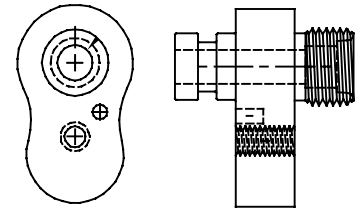
15	106-1922	Fitting, Block, Vertical, 3/4 X 7/8 Flare, With Ports
16	106-1922-1	Fitting, Block, Vertical, 3/4 X 7/8 "O" Ring
17	40-50031-00	Fitting, Block, Horizontal, 3/4 X 7/8 "O" Ring
18	40-62113-00	Fitting, Manifold, 3/4 X 7/8 Female "O" Ring (VOR UP)
19	40-62113-01	Fitting, Manifold, 3/4 X 7/8 Female "O" Ring (VOR DOWN)



20

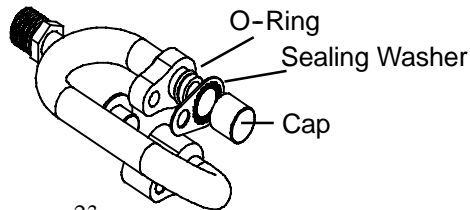


21

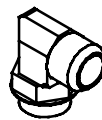


22

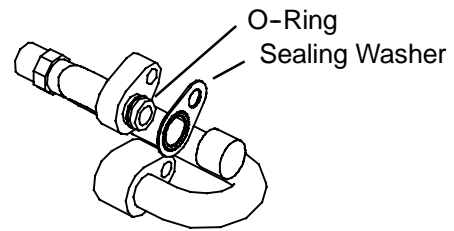
20	40-62090-00	Fitting, Block, 07 Ford Discharge x #8 MIO
21	40-62092-00	Fitting, Block, Peanut Block To #10 MIO
22	40-62100-00	Fitting, Block, Peanut, M6 x #6 MIO



23



24

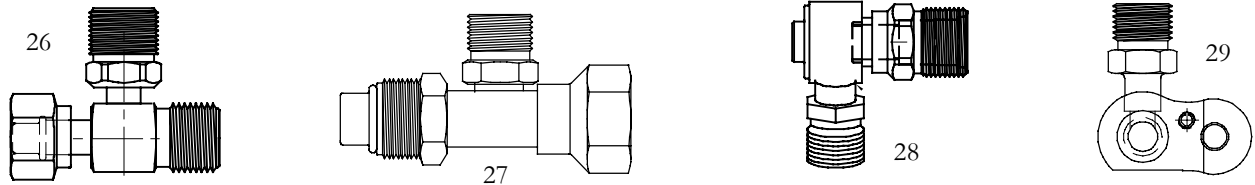


25

23	40-62091-00	Fitting, Block, 07 Ford Suction x #10 MIO
24	40-62118-00	Fitting, 90Deg. 37 Deg. JIC Male, Str. Thd. Male
25	40-62091-00	Fitting, Block, 09 Ford Suction x #10 MIO

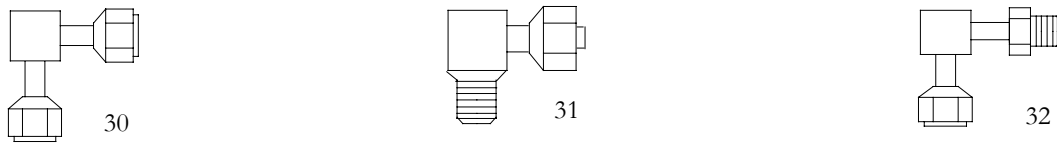


3.1.5 FITTINGS, TEE



Item	Part Number	Description
26	40-62019-00	Fitting, Tee, #6 M.I.O-Ring X #6 F.O-Ring X #8 M.I.O-Ring
	40-62019-01	Fitting, Tee, #8 F.O-Ring X #8 M.I.O-Ring X #8 M.I.O-Ring
	40-62019-02	Fitting, Tee, #12 F.O-Ring X #12 M.I.O-Ring X #12 M.I.O-Ring
	40-62019-03	Fitting, Tee, #12 F.O-Ring X #12 M.I.O-Ring X #10 M.I.O-Ring
	40-62019-04	Fitting, Tee, #10 F.O-Ring X #10 M.I.O-Ring X #10 M.I.O-Ring
27	40-62043-00	Fitting, Tee, #12 M.O-Ring (Swivel Nut) X #12 F.I.O-Ring X #10 F.I.O-Ring
28	40-62058-00	Block, Fitting, #10 M.I.O-Ring X #10 M.I.O-Ring X #12 M.I.O-Ring
29	40-62070-00	Block, Fitting, (Liquid) #6 M.I.O-Ring, (For 2003 Sprinter)
	40-62071-00	Block, Fitting, (Suction) #10 M.I.O-Ring, (For 2003 Sprinter)

3.1.6 FITTING, SWIVEL UNIONS



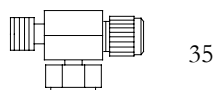
Item	Part Number	Description
30	AC301-441	Fitting, 90°, 1/2 Inch Female Flare X 1/2 inch Female Flare
31	AC302-450	Fitting, 90°, 5/8 Inch Male Flare X 1/2 inch Female O-Ring
32	N/A	Fitting, 90°, 1/2 Inch Female Flare X 5/8 inch Male Flare (AC302-451)
	AC301-452	Fitting, 90°, 1/2 Inch Female Flare X 1/2 inch Male Flare
	AC301-453	Fitting, 90°, 5/8 Inch Female Flare X 5/8 inch Male Flare

3.1.7 FITTING, FLARE TO O-RING



Item	Part Number	Description
33	AC301-459	Fitting, Straight, 3/8 Inch Male O-Ring X 3/8 inch Male Flare
34	AC301-460	Fitting, 90°, 5/8 Inch Male O-Ring X 5/8 inch Female Flare

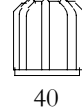
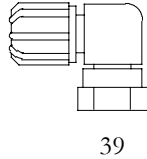
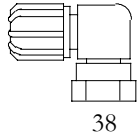
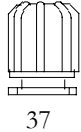
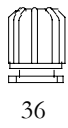
3.1.8 FITTING, TUBE-O, R134a



Item	Part Number	Description
35	AC302-453	Fitting, Tube-O X 1/2 Inch O-Ring with Access (R134a)
	AC302-454	Fitting, Tube-O X 5/8 Inch O-Ring with Access (R134a)

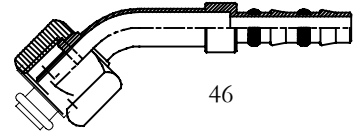
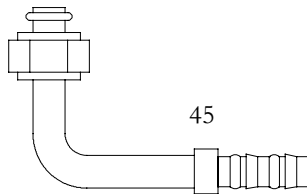
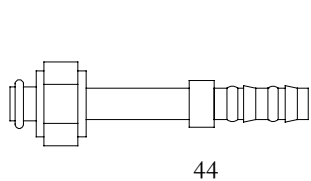


3.1.9 FITTING, ADAPTER AND CAP



Item	Part Number	Description
36	40-60042-01	Fitting, Brass, Straight, (High-Side Tap R-12 to R-134a)
37	40-00529-00	Fitting, Brass, Straight, (Low-Side Tap R-12 to R-134a)
38	AC302-441	Fitting, Brass, 90°, (High-Side Tap R-12 to R-134a) (40-62116-00)
39	AC302-440	Fitting, Brass, 90°, (Low-Side Tap R-12 to R-134a) (40-62117-00)
N/S	AC302-458	Retrofit Kit-Service Ports
40	40-00520-02	Fitting, Cap, Low-Side (R134a - M8 X1) Red or Black
41	40-00520-03	Fitting, Cap, High-Side (R134a - M10 X1) Blue or Black
42	58-60230-00	Fitting, Cap, High-Side, M8 X1 (R134a - Quick-Click)
43	58-60231-00	Fitting, Cap, Low-Side, M8 X1 (R134a - Quick-Click)

3.1.10 FITTING, QUICK-CLICK, FEMALE, O-RING

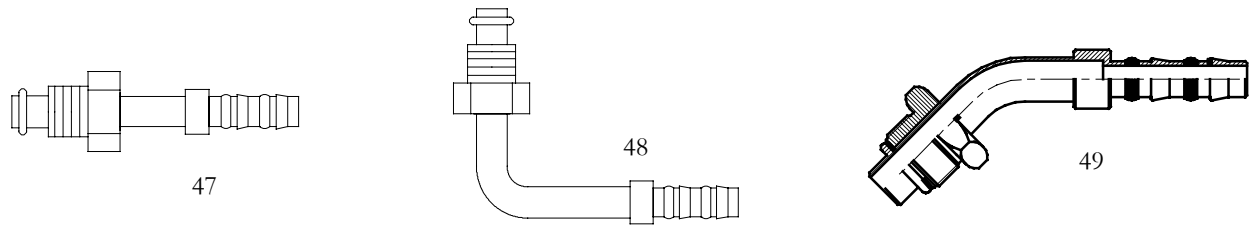


Item	Part Number	Description
44	40-60060-02	Fitting, Straight, 3/8 Inch Female O-Ring X #6 Hose
	40-60060-08	Fitting, Straight, 3/8 Inch Female O-Ring X #8 Hose
	40-60060-03	Fitting, Straight, 1/2 Inch Female O-Ring X #8 Hose
	40-60060-06	Fitting, Straight, 1/2 Inch Female O-Ring X #10 Hose
	40-60060-04	Fitting, Straight, 5/8 Inch Female O-Ring X #10 Hose
	40-60060-07	Fitting, Straight, 5/8 Inch Female O-Ring X #12 Hose
	40-60060-05	Fitting, Straight, 3/4 Inch Female O-Ring X #12 Hose
45	40-60061-02	Fitting, 90°, 3/8 Inch Female O-Ring X #6 Hose
	40-60061-08	Fitting, 90°, 3/8 Inch Female O-Ring X #8 Hose
	40-60061-03	Fitting, 90°, 1/2 Inch Female O-Ring X #8 Hose
	40-60061-06	Fitting, 90°, 1/2 Inch Female O-Ring X #10 Hose
	40-60061-04	Fitting, 90°, 5/8 Inch Female O-Ring X #10 Hose
	40-60061-07	Fitting, 90°, 5/8 Inch Female O-Ring X #12 Hose
	40-60061-05	Fitting, 90°, 3/4 Inch Female O-Ring X #12 Hose
46	40-60050-02	Fitting, 45°, 3/8 Inch Female O-Ring X #6 Hose
	40-60050-03	Fitting, 45°, 1/2 Inch Female O-Ring X #8 Hose
	40-60050-06	Fitting, 45°, 1/2 Inch Female O-Ring X #10 Hose
	40-60050-04	Fitting, 45°, 5/8 Inch Female O-Ring X #10 Hose
	40-60050-07	Fitting, 45°, 5/8 Inch Female O-Ring X #12 Hose
	40-60050-05	Fitting, 45°, 3/4 Inch Female O-Ring X #12 Hose

NOTE: QUICK-CLICK FITTING SEAL RINGS ARE NOT A REPLACEABLE ITEM



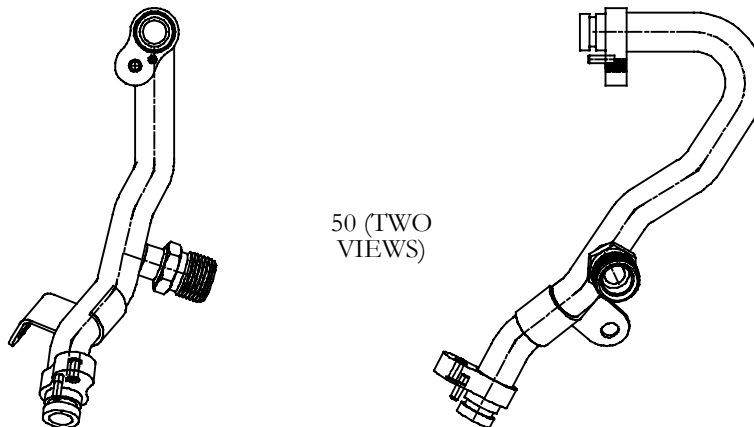
3.1.11 FITTING, QUICK-CLICK, MALE, O-RING



Item	Part Number	Description
47	40-60051-02	Fitting, Straight, 3/8 Inch Male O-Ring X #6 Hose
	40-60051-03	Fitting, Straight, 1/2 Inch Male O-Ring X #8 Hose
	40-60051-04	Fitting, Straight, 5/8 Inch Male O-Ring X #10 Hose
	40-60051-07	Fitting, Straight, 5/8 Inch Male O-Ring X #12 Hose
	40-60051-08	Fitting, Straight, 3/8 Inch Male O-Ring X #8 Hose
48	40-60083-02	Fitting, 90°, 3/8 Inch Male O-Ring X #6 Hose
	40-60083-03	Fitting, 90°, 1/2 Inch Male O-Ring X #8 Hose
	40-60083-04	Fitting, 90°, 5/8 Inch Male O-Ring X #10 Hose
	40-60083-07	Fitting, 90°, 5/8 Inch Male O-Ring X #12 Hose
	40-60083-08	Fitting, 90°, 3/8 Inch Male O-Ring X #8 Hose
49	40-60084-02	Fitting, 45°, 3/8 Inch Male O-Ring X #6 Hose
	40-60084-03	Fitting, 45°, 1/2 Inch Male O-Ring X #8 Hose
	40-60084-04	Fitting, 45°, 5/8 Inch Male O-Ring X #10 Hose
49	40-60084-05	Fitting, 45°, 5/8 Inch Male O-Ring X #12 Hose
	40-60084-06	Fitting, 45°, 3/8 Inch Male O-Ring X #8 Hose
	40-60084-07	Fitting, 45°, 3/4 Inch Male O-Ring X #12 Hose

NOTE: QUICK-CLICK FITTING SEAL RINGS ARE NOT A REPLACEABLE ITEM

3.1.12 FITTING, SUCTION (SPRINTER)

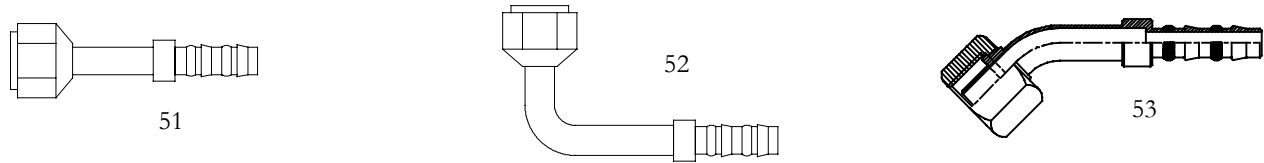


50 (TWO VIEWS)

Item	Part Number	Description
50	40-62099-00	Fitting, Suction (Sprinter)

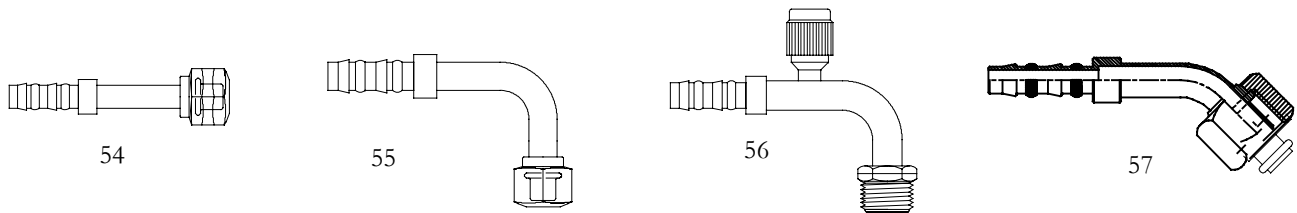


3.1.13 FITTING, QUICK-CLICK, FEMALE FLARE



51	40-60078-02	Fitting, Straight, 3/8 Inch Female Flare X #6 Hose
	40-60078-03	Fitting, Straight, 1/2 Inch Female Flare X #8 Hose
	40-60078-04	Fitting, Straight, 5/8 Inch Female Flare X #10 Hose
	40-60078-05	Fitting, Straight, 3/4 Inch Female Flare X #12 Hose
	40-60078-06	Fitting, Straight, 1/2 Inch Female Flare X #10 Hose
	40-60078-07	Fitting, Straight, 5/8 Inch Female Flare X #12 Hose
	52	40-60079-02
40-60079-03		Fitting, 90°, 1/2 Inch Female Flare X #8 Hose
40-60079-04		Fitting, 90°, 5/8 Inch Female Flare X #10 Hose
40-60079-05		Fitting, 90°, 3/4 Inch Female Flare X #12 Hose
40-60079-06		Fitting, 90°, 1/2 Inch Female Flare X #10 Hose
40-60079-07		Fitting, 90°, 5/8 Inch Female Flare X #12 Hose
53		40-60080-02
	40-60080-03	Fitting, 45°, 1/2 Inch Female Flare X #8 Hose
	40-60080-04	Fitting, 45°, 5/8 Inch Female Flare X #10 Hose
	40-60080-05	Fitting, 45°, 3/4 Inch Female Flare X #12 Hose
	40-60080-06	Fitting, 45°, 1/2 Inch Female Flare X #10 Hose
	40-60080-07	Fitting, 45°, 5/8 Inch Female Flare X #12 Hose

3.1.14 FITTING, QUICK-CLICK, METRIC

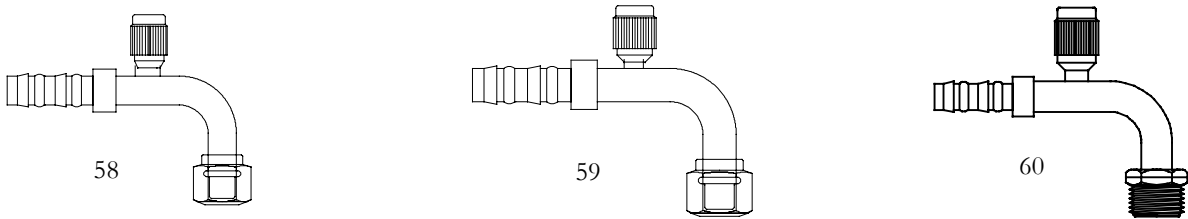


54	40-62021-01	Fitting, Straight, 20 mm Female O-Ring X #8 Hose
	40-62021-00	Fitting, Straight, 27 mm Female O-Ring X #12 Hose
55	40-62026-00	Fitting, 90°, 20 mm Female O-Ring X #8 Hose
56	40-62016-00	Fitting, 90°, 20 mm M. I. O-Ring X #10 Hose (R134a High Side Access)
57	40-62045-00	Fitting, 45°, 27 mm Female O-Ring X #12 Hose

NOTE: QUICK-CLICK FITTING SEAL RINGS ARE NOT A REPLACEABLE ITEM

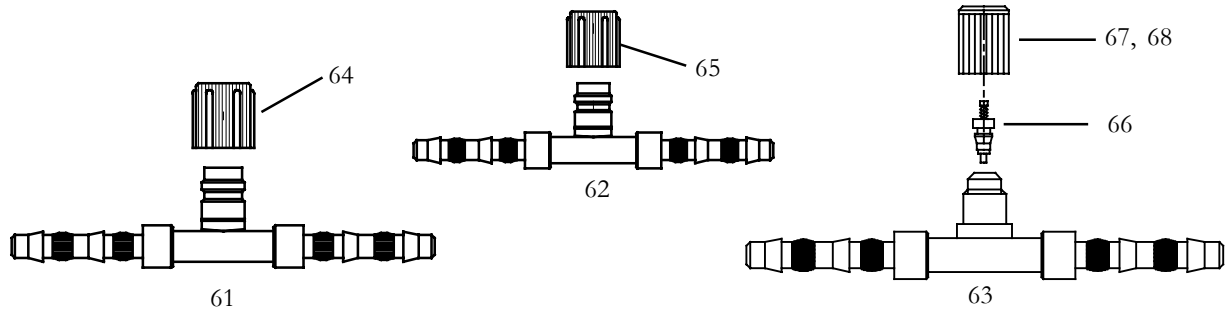


3.1.15 FITTING, QUICK-CLICK, WITH ACCESS PORTS



Item	Part Number	Description
58	40-62022-00	Fitting, 90°, 1/2 Inch Female O-Ring X #10 Hose, With High Side Access R134a
59	40-62023-00	Fitting, 90°, 5/8 Inch Female O-Ring X #12 Hose, With Low Side Access R134a
60	40-62016-00	Fitting, 90°, 20 MM Male Insert O-Ring X #10 Hose, With High Side Access R134a

3.1.16 FITTING, QUICK-CLICK, WITH ACCESS PORTS



Item	Part Number	Description
61	40-60059-02	Fitting, Straight, #6 X #6 Hose with R134a Access Valve, (High Side)
	40-60059-03	Fitting, Straight, #8 X #8 Hose with R134a Access Valve, (High Side)
	40-60059-04	Fitting, Straight, #10 X #10 Hose with R134a Access Valve, (High Side)
62	40-60058-04	Fitting, Straight, #10 X #10 Hose with R134a Access Valve, (Low Side)
	40-60058-05	Fitting, Straight, #12 X #12 Hose with R134a Access Valve, (Low Side)
63	40-60081-02	Fitting, Straight, #6 X #6 Hose, With 1/4 Flare Schrader Fitting
	40-60081-03	Fitting, Straight, #8 X #8 Hose, With 1/4 Flare Schrader Fitting
	40-60081-04	Fitting, Straight, #10 X #10 Hose, With 1/4 Flare Schrader Fitting
	40-60081-05	Fitting, Straight, #12 X #12 Hose, With 1/4 Flare Schrader Fitting
64	58-60230-00	Cap, Plastic, For Schrader Service Port, R-134a, (High Side)
65	58-60231-00	Cap, Plastic, For Schrader Service Port, R-134a, (Low Side)
66	14-00351-00	Core, Access (Nickel Plated)
67	58-60232-00	Cap, Plastic, For Schrader Service Port, Size 4 (1/4)
68	DD19CA061	Cap, Brass, For Schrader Service Port, Size 4 (1/4)

3.1.17 FITTING, QUICK-CLICK, MALE INSERT O-RING

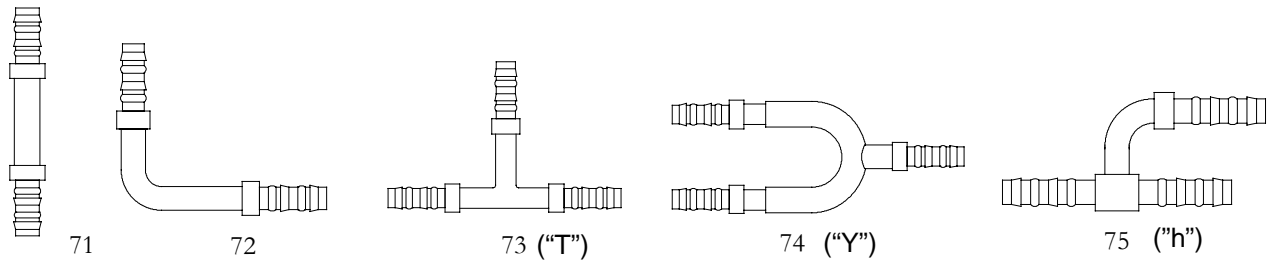


69	40-62020-00	Fitting, 90°, 3/8 inch Male Insert O-Ring X #8 Hose
70	40-62020-01	Fitting, 90°, 1/2 inch Male Insert O-Ring X #10 Hose

NOTE: QUICK-CLICK FITTING SEAL RINGS ARE NOT A REPLACEABLE ITEM



3.1.18 FITTING, QUICK-CLICK, SPLICERS



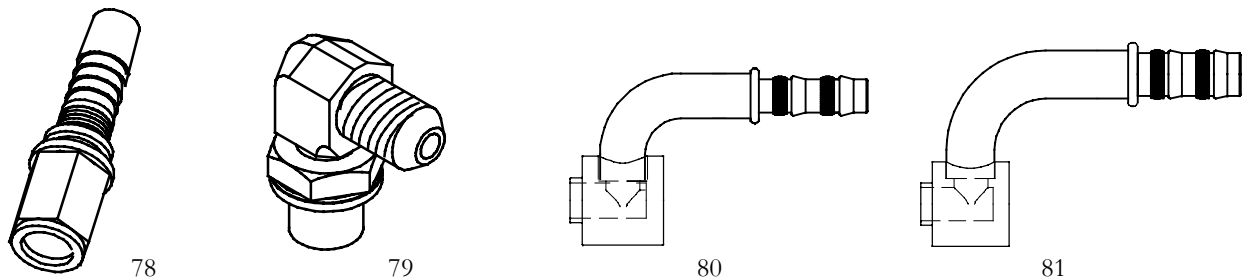
71	40-60086-03	Fitting, Straight, #8 Hose X #8 Hose
	40-60086-04	Fitting, Straight, #10 Hose X #10 Hose
	40-60086-05	Fitting, Straight, #12 Hose X #12 Hose
72	40-60137-03	Fitting, 90°, #8 Hose X #8 Hose
	40-60137-04	Fitting, 90°, #10 Hose X #10 Hose
	40-60137-05	Fitting, 90°, #12 Hose X #12 Hose
73	40-62012-00	Fitting, "T", #8 Hose X #8 Hose X #8 Hose
	40-62012-01	Fitting, "T", #12 Hose X #12 Hose #12 Hose
	40-62012-02	Fitting, "T", #10 Hose X #10 Hose X #10 Hose
74	40-62017-00	Fitting, "Y", #8 Hose X #8 Hose X #8 Hose
	40-62017-01	Fitting, "Y" #12 Hose X #12 Hose X #12 Hose
75	40-62027-01	Fitting, "h", #8 Hose X #8 Hose X #8 Hose
	40-62027-00	Fitting, "h", #12 Hose X #12 Hose #12 Hose

3.1.19 FITTING, QUICK-CLICK, 90, TXV, I.H.



76	40-62025-00	Fitting, 90°, #6 TXV X #8 Hose
77	40-62025-01	Fitting, 90°, #10 TXV X #12 Hose

3.1.20 FITTINGS - MISC.:

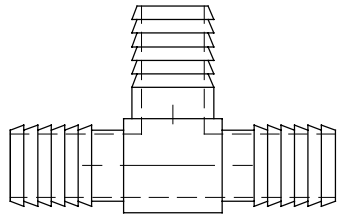


Item	Part Number	Description
78	40-62086-00	Fitting, Hose, #6 Hose x 37 Degree JIC Female
79	40-62087-00	Fitting, O-Ring, 90 Degree, JIC Male x Male M2 ORS
80	40-62088-00	Fitting, 90 Degree, GM BLock To #10 Quick-Click Hose
81	40-62089-00	Fitting, 90 Degree, GM BLock To #12 Quick-Click Hose

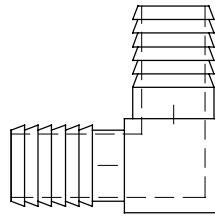
NOTE: QUICK-CLICK FITTING SEAL RINGS ARE NOT A REPLACEABLE ITEM



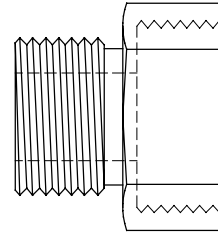
3.1.21 FITTINGS - BRONZE & BRASS - MISC.:



82



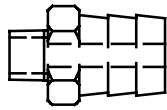
83



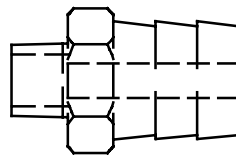
84

Item	Part Number	Description
82	40-62095-00	Fitting, Hose, Tee, Bronze, 1 Inch Heater Hose
83	40-62096-00	Fitting, Hose, Elbow, Bronze, 1 Inch Heater Hose
84	40-62075-00	Fitting, Reducing, 24 Female ORS x 20 Male ORS

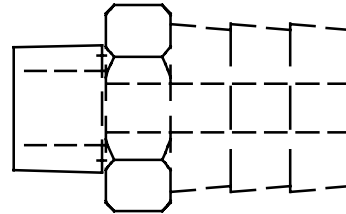
3.1.22 FITTING, HOSE BARB (40-01094)



85



94

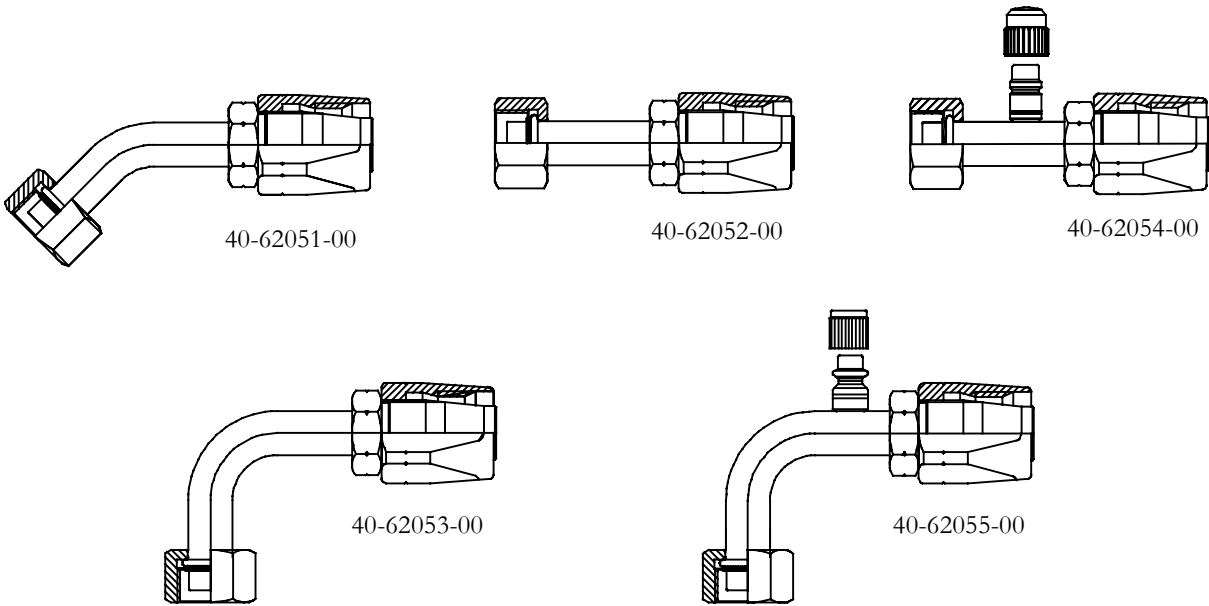


104

Item	Part Number	Description
85	40-01094-01	Fitting, Hose, Barb, 3/16 x 1/8 MPT
86	40-01094-02	Fitting, Hose, Barb, 1/4 x 1/8 MPT
87	40-01094-03	Fitting, Hose, Barb, 1/4 x 1/4 MPT
88	40-01094-04	Fitting, Hose, Barb, 1/4 x 3/8 MPT
89	40-01094-05	Fitting, Hose, Barb, 5/16 x 1/8 MPT
90	40-01094-06	Fitting, Hose, Barb, 5/16 x 1/4 MPT
91	40-01094-07	Fitting, Hose, Barb, 3/8 x 1/8 MPT
92	40-01094-08	Fitting, Hose, Barb, 3/8 x 1/4 MPT
93	40-01094-09	Fitting, Hose, Barb, 3/8 x 3/8 MPT
94	40-01094-10	Fitting, Hose, Barb, 1/2 x 1/4 MPT
95	40-01094-11	Fitting, Hose, Barb, 1/2 x 3/8 MPT
96	40-01094-12	Fitting, Hose, Barb, 1/2 x 1/2 MPT
97	40-01094-13	Fitting, Hose, Barb, 1/2 x 3/4 MPT
98	40-01094-14	Fitting, Hose, Barb, 5/8 x 3/8 MPT
99	40-01094-15	Fitting, Hose, Barb, 5/8 x 1/2 MPT
100	40-01094-16	Fitting, Hose, Barb, 3/4 x 1/2 MPT
101	40-01094-17	Fitting, Hose, Barb, 3/4 x 3/4 MPT
102	40-01094-18	Fitting, Hose, Barb, 1/8 x 1/8 MPT
103	40-01094-19	Fitting, Hose, Barb, 5/8 x 1/8 MPT
104	40-01094-20	Fitting, Hose, Barb, 1 x 3/4 MPT

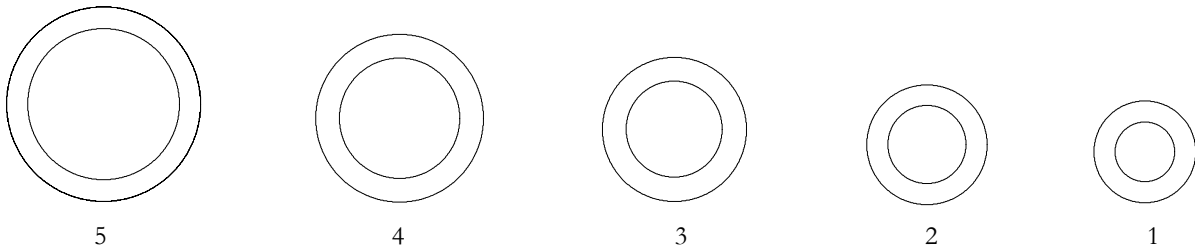


3.1.23 FITTINGS - RE-USABLE - #16 NEWCLIMA HOSE



Item	Part Number	Description
105	40-62051-00	Fitting, 45 Degree, #12 F.O.R. X #16 Newclima Hose (Re-Usable)
106	40-62052-00	Fitting, Straight, #12 F.O.R. X #16 Newclima Hose (Re-Usable)
107	40-62053-00	Fitting, 90 Degree #12 F.O.R. X #16 Newclima Hose (Re-Usable)
108	40-62054-00	Fitting, Straight, #12 F.O.R. X #16 Newclima Hose, W/R134a Low Side Access
109	40-62055-00	Fitting, 90 Degree #12 F.O.R. X #16 Newclima Hose, W/R134a Low Side Access

3.1.24 "O"-RINGS, HNBR



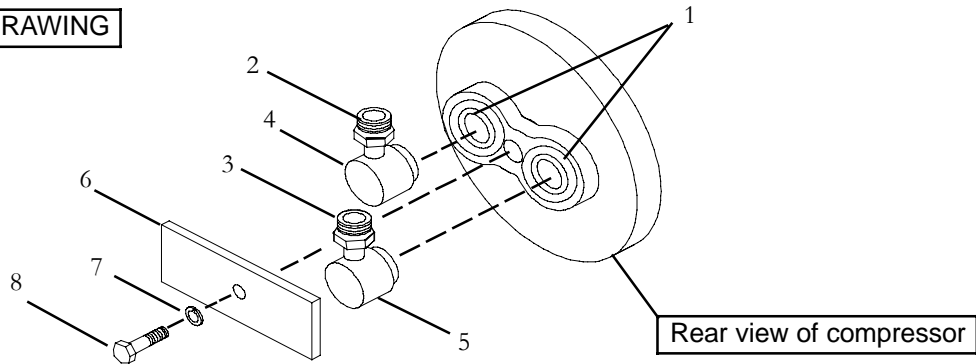
Item	Part Number	Description
1	AC801-201	O-Ring, Inch, HNBR, .301 I.D.
2	AC801-202	O-Ring, 1/2 Inch, HNBR, .426 I.D.
3	AC801-203	O-Ring, 5/8 Inch, HNBR, .551 I.D.
4	AC801-207	O-Ring, HNBR, .556 I.D.
5	AC801-217	O-Ring, HNBR, .676 I.D.
6	AC801-222	O-Ring, HNBR, Seltec/Sanden Manifold
7	42-00243-21	O-Ring, HNBR, A-6 Replacement, .796 I.D.



SECTION 3.2 COMPRESSOR FITTING KITS

3.2.1 INSTALLATION INSTRUCTIONS FOR COMPRESSORS WITH GM STYLE PORTS ON REAR

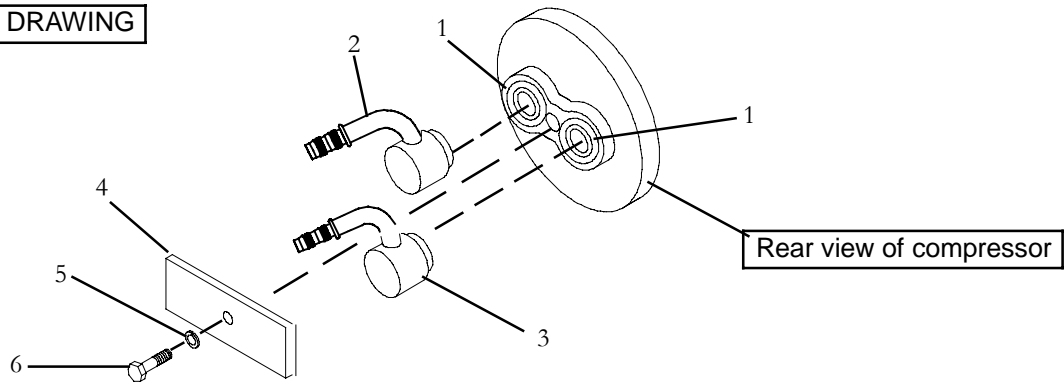
INSTALLATION DRAWING



Item	Part Number	Description
1	AC801-222	O-Ring, HNBR, Seltec/Sanden Manifold
	42-00243-21	O-Ring, HNBR, A-6 Replacement, .796 I.D.
2	AC801-202	O-Ring, 1/2 Inch, HNBR, .426 I.D.
3	AC801-203	O-Ring, 5/8 Inch, HNBR, .551 I.D.
4	40-62008-03	Fitting, Block, GM, 90 X #8 M.I.O.
	40-62008-04	Fitting, Block, GM, 90 X #10 M.I.O.
	40-62008-05	Fitting, Block, GM, 90 X #12 M.I.O.
6	68-62139-00	Plate, Fitting Lock
7	34-00945-10	Washer, Split Lock, 10MM
8	34-62036-50	Bolt, Hex Head, 10MM-1.50P X 50MM Grade 10.9 (A-6 Only)
	34-62036-55	Bolt, Hex Head, 10MM-1.50P X 55MM Grade 10.9 (Seltec & Sanden Only)

3.2.2 INSTALLATION INSTRUCTIONS FOR SANDEN, SELTEC OR A-6

INSTALLATION DRAWING



Item	Part Number	Description
1	AC801-222	O-Ring, HNBR, Seltec/Sanden Manifold
	42-00243-21	O-Ring, HNBR, A-6 Replacement, .796 I.D.
2	40-62089-00	Fitting, Block, GM, 90 Degree X #12 Quick-Click Hose
3	40-62088-00	Fitting, Block, GM, 90 Degree X #10 Quick-Click Hose
4	68-62139-00	Plate, Fitting Lock
5	34-00945-10	Washer, Split Lock, 10MM
6	34-62036-50	Bolt, Hex Head, 10MM-1.50P X 50MM Grade 10.9



3.2.3 FITTING KITS - SANDEN, SELTEC OR A-6 COMPRESSORS KITS ENDING WITH D OR -01		
1	AC301-419	Fitting, 90 Degree, 1/2 Inch Female O-Ring X #10 Beadlock Hose
2	AC302-432	Fitting, 90 Degree, 5/8 Inch Female O-Ring X #12 Beadlock Hose
3	AC302-436	Fitting, Straight, With Access #12 X #12 Beadlock Hose
4	AC302-437	Fitting, Straight, With Access #10 X #10 Beadlock Hose
5	40-62008-03	Fitting, Block, GM, 90 X #8 M.I.O.
6	40-62008-04	Fitting, Block, GM, 90 X #10 M.I.O.
7	68-62139-00	Plate, Fitting Lock
8	34-62036-50	Bolt, Hex Head, 10MM-1.50P X 50MM Grade 10.9 (A-6 Only)
	34-62036-55	Bolt, Hex Head, 10MM-1.50P X 55MM Grade 10.9 (Seltec & Sanden Only)
9	34-00945-10	Washer, Split Lock, 10MM
3.2.4 FITTING KITS - SANDEN, SELTEC OR A-6 COMPRESSORS KITS ENDING WITH E OR -02		
1	AC302-494	Fitting, 90 Degree, 1/2 Inch Female O-Ring X #10 Beadlock Hose W/Access
2	AC302-495	Fitting, 90 Degree, 5/8 Inch Female O-Ring X #12 Beadlock Hose W/Access
3	40-62008-03	Fitting, Block, GM, 90 X #8 M.I.O.
4	40-62008-04	Fitting, Block, GM, 90 X #10 M.I.O.
5	68-62139-00	Plate, Fitting Lock
6	34-62036-50	Bolt, Hex Head, 10MM-1.50P X 50MM Grade 10.9 (A-6 Only)
	34-62036-55	Bolt, Hex Head, 10MM-1.50P X 55MM Grade 10.9 (Seltec & Sanden Only)
7	34-00945-10	Washer, Split Lock, 10MM
3.2.5 FITTING KITS - SANDEN, SELTEC OR A-6 COMPRESSORS KITS ENDING WITH F OR -03		
Item	Part Number	Description
1	AC301-447	Fitting, Straight, 1/2 Inch Female O-Ring X #10 Beadlock Hose
2	AC302-459	Fitting, Straight, 5/8 Inch Female O-Ring X #12 Beadlock Hose
3	AC302-436	Fitting, Straight, With Access #12 X #12 Beadlock Hose
4	AC302-437	Fitting, Straight, With Access #10 X #10 Beadlock Hose
5	40-62008-03	Fitting, Block, GM, 90 X #8 M.I.O.
6	40-62008-04	Fitting, Block, GM, 90 X #10 M.I.O.
7	68-62139-00	Plate, Fitting Lock
8	34-62036-50	Bolt, Hex Head, 10MM-1.50P X 50MM Grade 10.9 (A-6 Only)
	34-62036-55	Bolt, Hex Head, 10MM-1.50P X 55MM Grade 10.9 (Seltec & Sanden Only)
9	34-00945-10	Washer, Split Lock, 10MM
3.2.6 FITTING KITS - SANDEN, SELTEC OR A-6 COMPRESSORS KITS ENDING WITH G OR -04		
1	40-60061-06	Fitting, 90 Degree, 1/2 Inch Female O-Ring X #10 Quick Click Hose
2	40-60061-07	Fitting, 90 Degree, 5/8 Inch Female O-Ring X #12 Quick Click Hose
3	40-62008-03	Fitting, Block, GM, 90 X #8 M.I.O.
4	40-62008-04	Fitting, Block, GM, 90 X #10 M.I.O.
5	68-62139-00	Plate, Fitting Lock
6	34-62036-50	Bolt, Hex Head, 10MM-1.50P X 50MM Grade 10.9 (A-6 Only)
	34-62036-55	Bolt, Hex Head, 10MM-1.50P X 55MM Grade 10.9 (Seltec & Sanden Only)
7	34-00945-10	Washer, Split Lock, 10MM
8	40-60058-05	Fitting, Splicer With Access, #12 X #12 Quick Click Hose
9	40-60059-04	Fitting, Splicer With Access, #10 X #10 Quick Click Hose
10	34-60019-04	Clamp, Module 10
11	34-60019-05	Clamp, Module 12

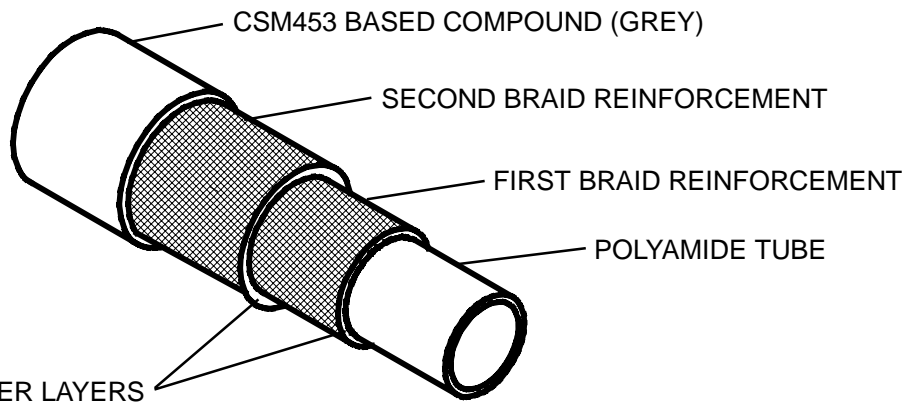


3.2.7 FITTING KITS - SANDEN, SELTEC OR A-6 COMPRESSORS KITS ENDING WITH H OR -05		
1	40-62008-03	Fitting, Block, GM, 90 X #8 M.I.O.
2	40-62008-04	Fitting, Block, GM, 90 X #10 M.I.O.
3	68-62139-00	Plate, Fitting Lock
4	34-62036-50	Bolt, Hex Head, 10MM-1.50P X 50MM Grade 10.9 (A-6 Only)
	34-62036-55	Bolt, Hex Head, 10MM-1.50P X 55MM Grade 10.9 (Seltec & Sanden Only)
5	34-00945-10	Washer, Split Lock, 10MM
6	40-62022-00	Fitting, 90 Degree, 1/2 Inch Female O-Ring X #10 Quick Click Hose W/Access
7	40-62023-00	Fitting, 90 Degree, 5/8 Inch Female O-Ring X #12 Quick Click Hose W/Access
8	34-60019-04	Clamp, Module 10
9	34-60019-05	Clamp, Module 12
3.2.8 FITTING KITS - SANDEN, SELTEC OR A-6 COMPRESSORS KITS ENDING WITH I OR -06		
1	40-60060-06	Fitting, Straight, 1/2 Inch Female O-Ring X #10 Quick Click Hose
2	40-60060-07	Fitting, Straight, 5/8 Inch Female O-Ring X #12 Quick Click Hose
3	40-60058-05	Fitting, Splicer With Access, #12 X #12 Quick Click Hose
4	40-60059-04	Fitting, Splicer With Access, #10 X #10 Quick Click Hose
5	40-62008-03	Fitting, Block, GM, 90 X #8 M.I.O.
6	40-62008-04	Fitting, Block, GM, 90 X #10 M.I.O.
7	68-62139-00	Plate, Fitting Lock
8	34-62036-50	Bolt, Hex Head, 10MM-1.50P X 50MM Grade 10.9 (A-6 Only)
	34-62036-55	Bolt, Hex Head, 10MM-1.50P X 55MM Grade 10.9 (Seltec & Sanden Only)
9	34-00945-10	Washer, Split Lock, 10MM
10	34-60019-04	Clamp, Module 10
11	34-60019-05	Clamp, Module 12



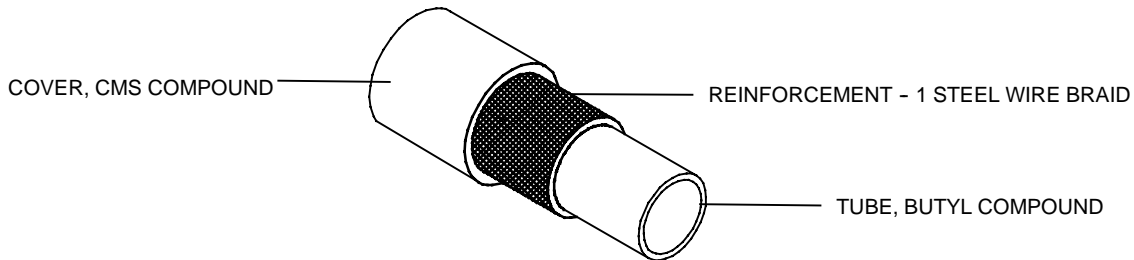
SECTION 3.3 REFRIGERANT HOSE AND CLAMPS

3.3.1 REFRIGERANT HOSE - QUICK-CLICK



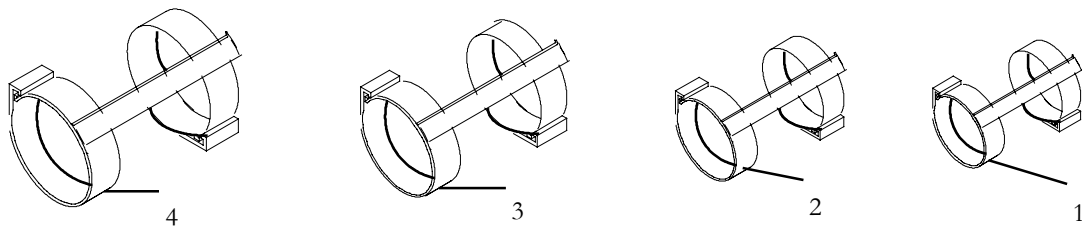
1	58-60115-02F50	Hose, Ecofrigo, #6, 5/16 Inch (8 MM ID X 16 MM OD), 50 Foot Length
2	58-60115-03F50	Hose, Ecofrigo, #8, 13/32 Inch (10.5MM ID X 18.8MM OD), 50 Foot Length
3	58-60115-04F50	Hose, Ecofrigo, #10, 1/2 Inch (12.7MM ID X 21.5MM OD), 50 Foot Length
4	58-60115-05F50	Hose, Ecofrigo, #12, 5/8 Inch (16.1MM ID X 24.1MM OD), 50 Foot Length

3.3.2 REFRIGERANT HOSE, NEWCLIMA



1	58-60502-01F60	Newclima Hose, #4 x 60 Foot Spool (4.8 MM I.D X 13 MM O. D.)
2	58-60502-02F60	Newclima Hose, #6 x 60 Foot Spool (8.0 MM I.D X 17.2 MM O. D.)
3	58-60502-03F60	Newclima Hose, #8 x 60 Foot Spool (10.5 MM I.D X 19.3 MM O. D.)
4	58-60502-04F60	Newclima Hose, #10 x 60 Foot Spool (12.7 MM I.D X 23.4 MM O. D.)
5	58-60502-05F60	Newclima Hose, #12 x 60 Foot Spool (16.0 MM I.D X 27.3 MM O. D.)
6	58-60502-06F60	Newclima Hose, #16 x 60 Foot Spool 22.0 MM I.D X 31.2 MM O. D.)
7	58-60502-07F60	Newclima Hose, #20 x 60 Foot Spool (28.0 MM I.D X 38.0 MM O. D.)
8	58-60502-08F60	Newclima Hose, #24 x 60 Foot Spool (35.0 MM I.D X 44.5 MM O. D.)

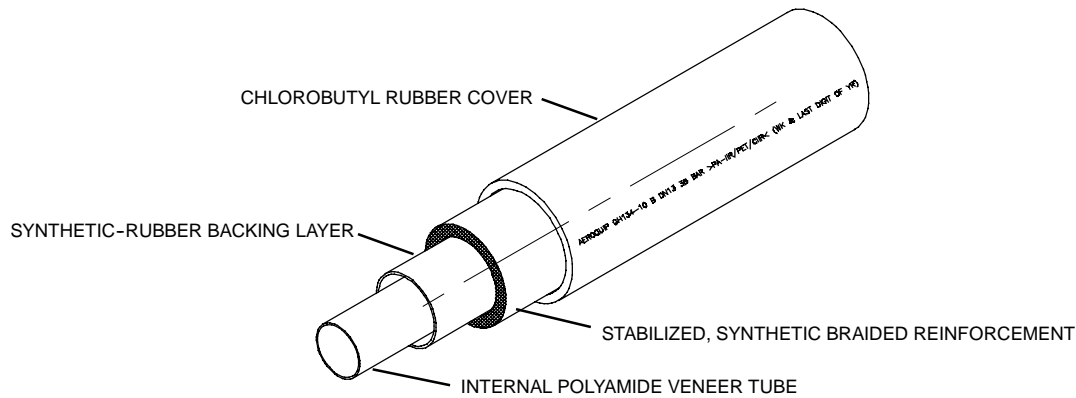
3.3.3 HOSE CLAMPS - QUICK-CLICK



1	34-60019-02	Clamp, Quick-Click, #6
2	34-60019-03	Clamp, Quick-Click, #8
3	34-60019-04	Clamp, Quick-Click, #10
4	34-60019-05	Clamp, Quick-Click, #12

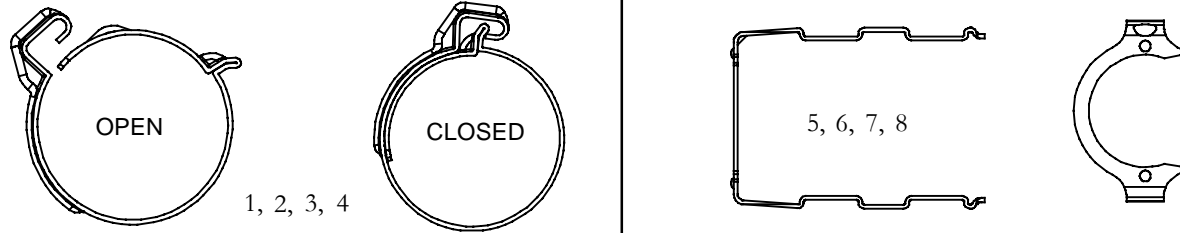


3.3.4 REFRIGERANT HOSE, AEROQUIP (GH134-6 THRU -12)



1	58-64105-00F50	Aeroquip Hose, (5/16) #6 x 50 Foot Spool (8.1 MM I.D X 15.2 MM O. D.)
2	58-64105-01F50	Aeroquip Hose, (13/32) #8 x 50 Foot Spool (10.7 MM I.D X 18.2 MM O. D.)
3	58-64105-02F50	Aeroquip Hose, (1/2) #10 x 50 Foot Spool (13.2 MM I.D X 20.3 MM O. D.)
4	58-64105-03F50	Aeroquip Hose, (5/8) #12 x 50 Foot Spool (16.3 MM I.D X 25.1 MM O. D.)

3.3.5 HOSE CLAMPS - AEROQUIP EZ CLIP



1	44-64009-00	Clamp, EZ Clip, #6 (CLIC 86 N 150)
2	44-64009-01	Clamp, EZ Clip, #8 (CLIC 86 N 175)
3	44-64009-02	Clamp, EZ Clip, #10 (CLIC 86 N 200)
4	44-64009-03	Clamp, EZ Clip, #12 (CLIC 86 N 245)
5	44-64008-00	Clamp, Cage, EZ Clip, #6
6	44-64008-01	Clamp, Cage, EZ Clip, #8
7	44-64008-02	Clamp, Cage, EZ Clip, #10
8	44-64008-03	Clamp, Cage, EZ Clip, #12



3.3.6 REFRIGERANT HOSE ASSEMBLIES (NEWCLIMA) 58-62017

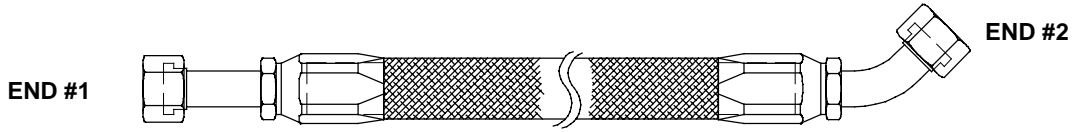


FIG. #1

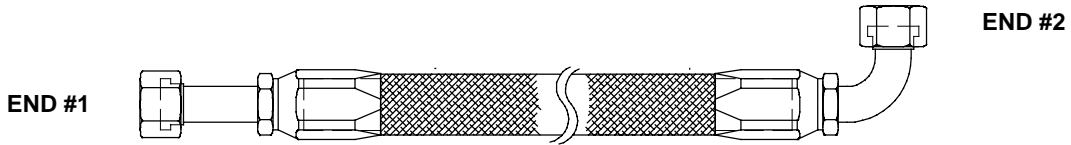


FIG. #2



FIG. #3

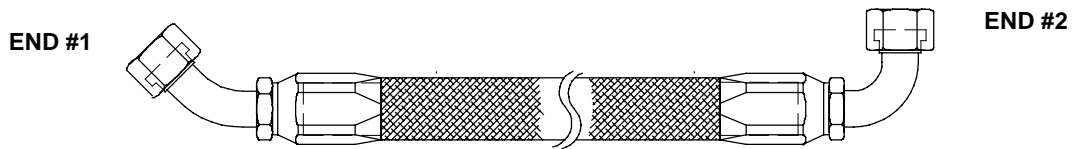


FIG. #4

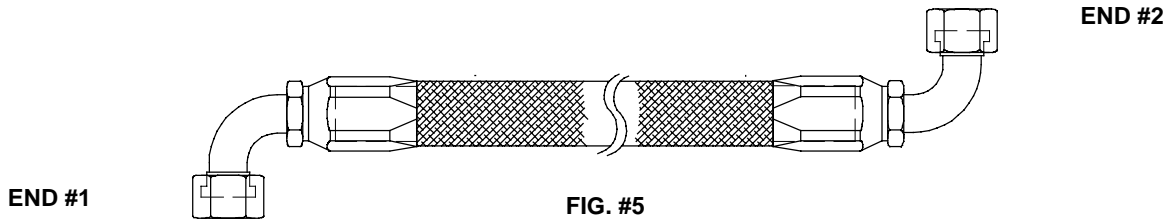


FIG. #5

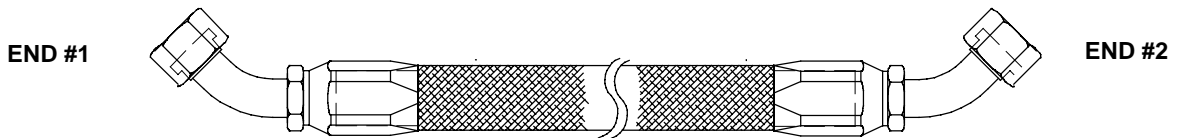


FIG. #6

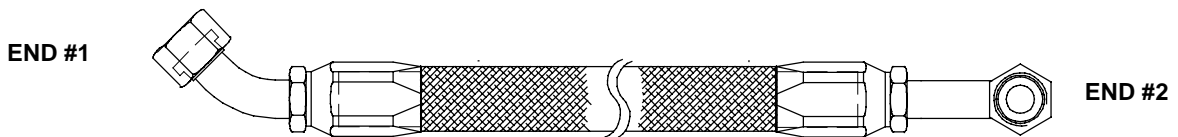
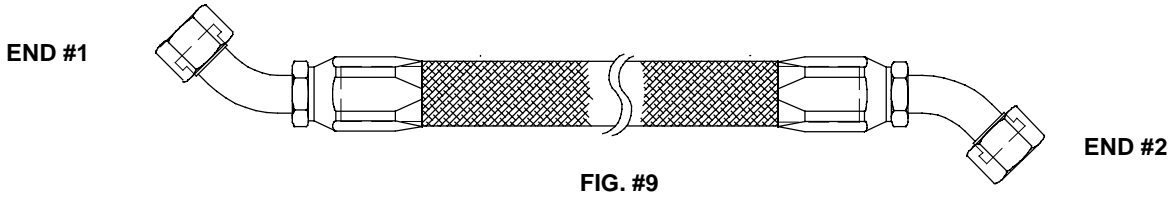
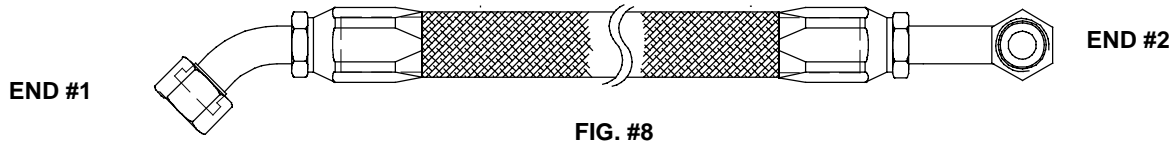


FIG. #7



3.3.6 REFRIGERANT HOSE ASSEMBLIES (NEWCLIMA) 58-62017 - Continued:



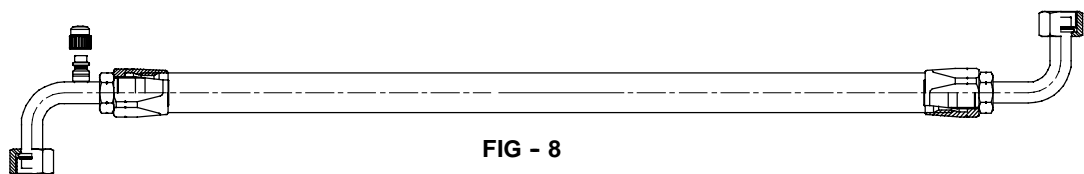
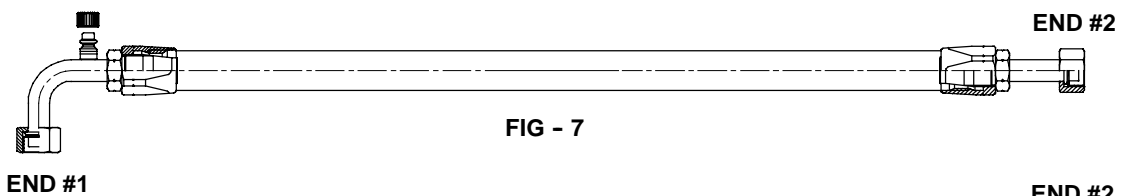
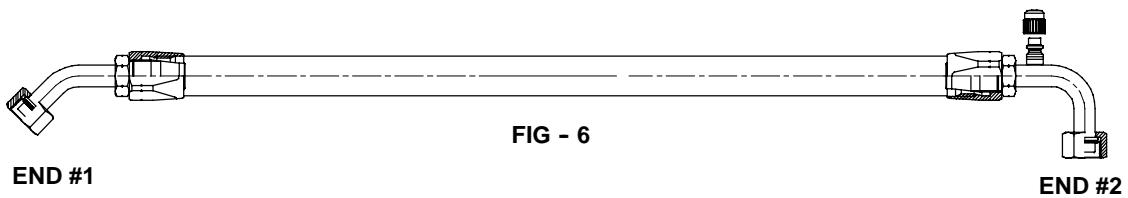
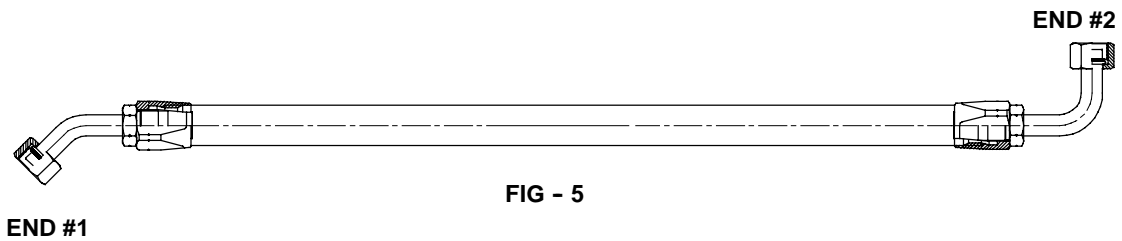
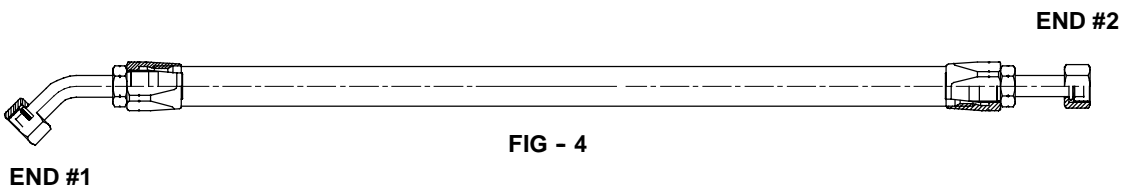
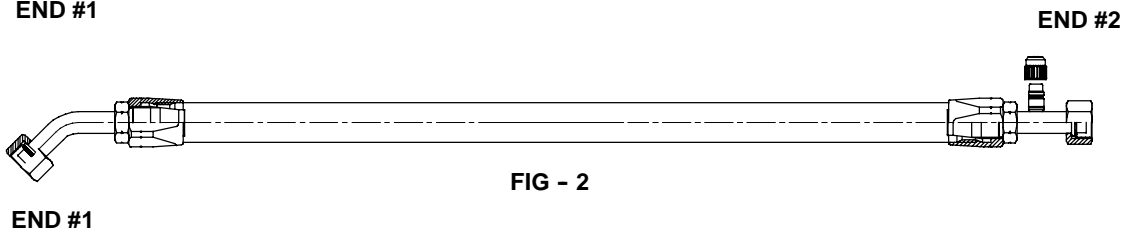
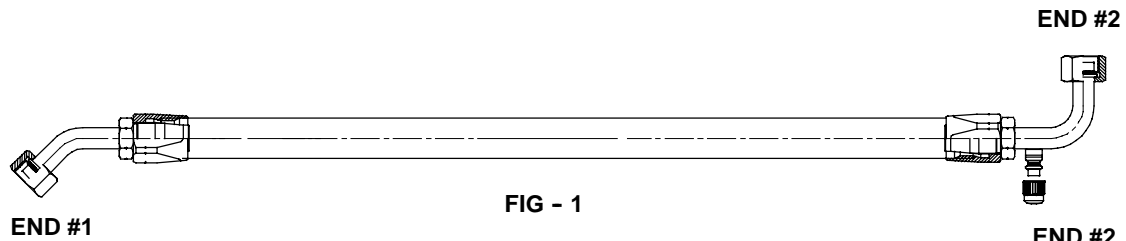
DASH NO.	END #1 FITTING DESCRIPTION	END #2 FITTING DESCRIPTION	HOSE DESCRIPTION	LENGT H INCHES	FIG. NO.
-00	ORS Straight 1-11/16-12 Thread 40-60011-07	ORS 90 Degree 1-11/16-12 Thread 40-60021-07	NEWCLIMA #20 58-60502-07	57.50	FIG.-2
-01	ORS Straight 1-7/16-12 Thread 40-60011-06	ORS Straight 1-7/16-12 Thread 40-60011-06	NEWCLIMA #16 58-60502-06	50.00	FIG.-3
-02	ORS Straight 1-11/16-12 Thread 40-60011-07	ORS 90 Degree 1-11/16-12 Thread 40-60021-07	NEWCLIMA #20 58-60502-07	90.00	FIG.-2
-03	ORS Straight 1-7/16-12 Thread 40-60011-06	ORS 45 Degree 1-7/16-12 Thread 40-60022-06	NEWCLIMA #16 58-60502-07	288.00	FIG.-1
-04	ORS Straight 1-7/16-12 Thread 40-60011-06	ORS 45 Degree 1-7/16-12 Thread 40-60022-06	NEWCLIMA #16 58-60502-06	31.00	FIG.-1
-05	ORS Straight 1-11/16-12 Thread 40-60011-07	ORS 45 Degree 1-11/16-12 Thread 40-60022-07	NEWCLIMA #20 58-60502-07	27.00	FIG.-1
-06	ORS Straight 1-11/16-12 Thread 40-60011-07	ORS 90 Degree 1-11/16-12 Thread 40-60021-07	NEWCLIMA #20 58-60502-07	33.00	FIG.-2
-07	ORS Straight 1-11/16-12 Thread 40-60011-07	ORS 90 Degree 1-11/16-12 Thread 40-60021-07	NEWCLIMA #20 58-60502-07	72.00	FIG.-2
-08	ORS Straight 1-7/16-12 Thread 40-60011-06	ORS 90 Degree 1-7/16-12 Thread 40-60021-06	NEWCLIMA #16 58-60502-06	384.00	FIG.-2
-09	ORS Straight 1-7/16-12 Thread 40-60011-06	ORS 90 Degree 1-7/16-12 Thread 40-60021-06	NEWCLIMA #16 58-60502-06	37.00	FIG.-2
-10	ORS Straight 1-11/16-12 Thread 40-60011-07	ORS 45 Degree 1-11/16-12 Thread 40-60022-07	NEWCLIMA #20 58-60502-07	33.00	FIG.-1



3.3.6 REFRIGERANT HOSE ASSEMBLIES (NEWCLIMA) 58-62017 - Continued:					
DASH NO.	END #1 FITTING DESCRIPTION	END #2 FITTING DESCRIPTION	HOSE DESCRIPTION	LENGT H INCHES	FIG. NO.
-11	ORS Straight 1-14 Thread 40-60011-04	ORS 45 Degree 1-14 Thread 40-60022-04	NEWCLIMA #10 58-60502-04	60.00	FIG.-1
-12	ORS Straight 1-14 Thread 40-60011-04	ORS 45 Degree 1-14 Thread 40-60022-04	NEWCLIMA #10 58-60502-04	276.00	FIG.-1
-13	ORS Straight 1-7/16-12 Thread 40-60011-06	ORS 90 Degree 1-7/16-12 Thread 40-60021-06	NEWCLIMA #16 58-60502-06	38.00	FIG.-2
-14	ORS Straight 1-11/16-12 Thread 40-60011-07	ORS 90 Degree 1-11/16-12 Thread 40-60021-07	NEWCLIMA #20 58-60502-07	36.00	FIG.-2
-15	ORS Straight 1-11/16-12 Thread 40-60011-07	ORS 45 Degree 1-11/16-12 Thread 40-60022-07	NEWCLIMA #20 58-60502-07	35.00	FIG.-1
-16	ORS Straight 1-7/16-12 Thread 40-60011-06	ORS 90 Degree 1-7/16-12 Thread 40-60021-06	NEWCLIMA #16 58-60502-06	63.00	FIG.-2
-17	ORS Straight 2-12 Thread 40-60011-08	ORS 45 DEgree 2-12 Thread 40-60022-08	NEWCLIMA #24 58-60502-08	35.00	FIG.-1
-18	ORS Straight 1-7/16-12 Thread 40-60011-06	ORS 90 DEgree 1-7/16-12 Thread 40-60021-06	NEWCLIMA #16 58-60502-06	170.00	FIG.-2
-19	ORS Straight 1-14 Thread 40-60011-04	ORS 90 Degree 1-14 Thread 40-60021-04	NEWCLIMA #10 58-60502-04	74.00	FIG.-2
-20	ORS 90 Degree 1-14 Thread 40-60021-04	ORS 45 Degree 1-14 Thread 40-60022-04	NEWCLIMA #10 58-60502-04	22.00	FIG.-4
-21	ORS 90 Degree 1-7/16-12 Thread 40-60021-06	ORS 90 Degree 1-7/16-12 Thread 40-60021-06	NEWCLIMA #16 58-60502-06	33.00	FIG.-5
-22	ORS 45 Degree 1-11/16-12 Thread 40-60022-07	ORS 45 Degree 1-11/16-12 Thread 40-60022-07	NEWCLIMA #20 58-60502-07	26.00	FIG.-6
-23	ORS 90 Degree 1-11/16-12 Thread 40-60021-07	ORS 90 Degree 1-11/16-12 Thread 40-60021-07	NEWCLIMA #20 58-60502-07	105.00	FIG.-5
-24	ORS Straight 1-11/16-12 Thread 40-60011-07	ORS 90 Degree 1-11/16-12 Thread 40-60021-07	NEWCLIMA #20 58-60502-07	30.00	FIG.-2
-25	ORS 45 Degree 1-11/16-12 Thread 40-60022-07	ORS 90 Degree 1-11/16-12 Thread 40-60021-07	NEWCLIMA #20 58-60502-07	35.00	FIG.-7
-26	ORS 45 Degree 1-7/16-12 Thread 40-60022-06	ORS 90 Degree 1-7/16-12 Thread 40-60021-06	NEWCLIMA #16 58-60502-06	35.00	FIG.-8
-27	ORS Straight 1-7/16-12 Thread 40-60011-06	ORS 90 Degree 1-7/16-12 Thread 40-60021-06	NEWCLIMA #16 58-60502-06	54.00	FIG.-2

3.3.6 REFRIGERANT HOSE ASSEMBLIES (NEWCLIMA) 58-62017 - Continued:					
DASH NO.	END #1 FITTING DESCRIPTION	END #2 FITTING DESCRIPTION	HOSE DESCRIPTION	LENGT H INCHES	FIG. NO.
-28	ORS Straight 1-11/16-12 Thread 40-60011-07	ORS 90 Degree 1-11/16-12 Thread 40-60021-07	NEWCLIMA #20 58-60502-07	44.00	FIG.-2
-29	ORS Straight 1-11/16-12 Thread 40-60011-07	ORS 90 Degree 1-11/16-12 Thread 40-60021-07	NEWCLIMA #20 58-60502-07	40.00	FIG.-2
-30	ORS Straight 2-12 Thread 40-60011-08	ORS 45 Degree 2-12 Thread 40-60022-08	NEWCLIMA #24 58-60502-08	31.00	FIG.-1
-31	ORS Straight 2-12 Thread 40-60011-08	ORS 45 Degree 2-12 Thread 40-60022-08	NEWCLIMA #24 58-60502-08	41.00	FIG.-1
-32	ORS Straight 1-11/16-12 Thread 40-60011-07	ORS Straight 1-11/16-12 Thread 40-60011-07	NEWCLIMA #20 58-60502-07	30.00	FIG.-3
-33	ORS 45 Degree 2-12 Thread 40-60022-08	ORS 45 Degree 2-12 Thread 40-60022-08	NEWCLIMA #24 58-60502-08	38.00	FIG.-9
-34	ORS Straight 1-7/16-12 Thread 40-60011-06	ORS 90 Degree 1-7/16-12 Thread 40-60021-06	NEWCLIMA #16 58-60502-06	59.00	FIG.-2
-35	ORS Straight 1-11/16-12 Thread 40-60011-07	ORS 45 Degree 1-11/16-12 Thread 40-60022-07	NEWCLIMA #20 58-60502-07	33.00	FIG.-1
-36	ORS Straight 1-7/16-12 Thread 40-60011-06	ORS 90 Degree 1-7/16-12 Thread 40-60021-06	NEWCLIMA #16 58-60502-06	46.00	FIG.-2
-37	ORS Straight 1-7/16-12 Thread 40-60011-06	ORS 45 Degree 1-7/16-12 Thread 40-60022-06	NEWCLIMA #16 58-60502-06	312.00	FIG.-1
-38	ORS Straight 1-11/16-12 Thread 40-60011-07	ORS 90 Degree 1-11/16-12 Thread 40-60021-07	NEWCLIMA #20 58-60502-07	132.00	FIG.-2
-39	ORS Straight 1-14 Thread 40-60011-04	ORS 90 Degree 1-14 Thread 40-60021-04	NEWCLIMA #10 58-60502-04	312.00	FIG.-2
-40	ORS Straight 1-7/16-12 Thread 40-60011-06	ORS 45 Degree 1-7/16-12 Thread 40-60022-06	NEWCLIMA #16 58-60502-06	34.00	FIG.-1
-41	ORS Straight 1-11/16-12 Thread 40-60011-07	ORS 45 Degree 1-11/16-12 Thread 40-60022-07	NEWCLIMA #20 58-60502-07	40.00	FIG.-1
-42	ORS Straight 1-7/16-12 Thread 40-60011-06	ORS 45 Degree 1-7/16-12 Thread 40-60022-06	NEWCLIMA #16 58-60502-06	35.50	FIG.-1
-43	ORS Straight 1-7/16-12 Thread 40-60011-06	ORS 90 Degree 1-7/16-12 Thread 40-60021-06	NEWCLIMA #16 58-60502-06	55.50	FIG.-2
-44	ORS Straight 1-11/16-12 Thread 40-60011-07	ORS Straight 1-1/16-12 Thread 40-60011-07	NEWCLIMA #20 58-60502-07	36.00	FIG.-3

3.3.7 REFRIGERANT HOSE ASSEMBLIES (NEWCLIMA #16) 58-62038





3.3.7 REFRIGERANT HOSE ASSEMBLIES (NEWCLIMA #16) 58-62038 - Continued:					
DASH NO.	END #1 FITTING DESCRIPTION	END #2 FITTING DESCRIPTION	HOSE DESCRIPTION	LENGT H INCHES	FIG. NO.
-00	#12 F.O. Ring, 45 1-1/16-14 Thread 40-62051-00	#12 F.O. Ring, 90, W/ACC 1-1/16-14 Thread 40-62055-00	NEWCLIMA #16 58-60502-06	313.0	FIG.-1
-01	#12 F.O. Ring, 45 1-1/16-14 Thread 40-62051-00	#12 F.O. Ring, Str. W/ACC 1-1/16-14 Thread 40-62054-00	NEWCLIMA #16 58-60502-06	313.0	FIG.-2
-05	#12 F.O. Ring, 45 1-1/16-14 Thread 40-62051-00	#12 F.O. Ring, 90, W/ACC 1-1/16-14 Thread 40-62055-00	NEWCLIMA #16 58-60502-06	411.0	FIG.-1
-06	#12 F.O. Ring, 45 1-1/16-14 Thread 40-62051-00	#12 F.O. Ring, Str. W/ACC 1-1/16-14 Thread 40-62054-00	NEWCLIMA #16 58-60502-06	359.0	FIG.-2
-07	#12 F.O. Ring, 45 1-1/16-14 Thread 40-62051-00	#12 F.O. Ring, Straight 1-1/16-14 Thread 40-62052-00	NEWCLIMA #16 58-60502-06	84.0	FIG.-4
-08	#12 F.O. Ring, 45 1-1/16-14 Thread 40-62051-00	#12 F.O. Ring, 90 1-1/16-14 Thread 40-62053-00	NEWCLIMA #16 58-60502-06	96.0	FIG.-5
-09	#12 F.O. Ring, 45 1-1/16-14 Thread 40-62051-00	#12 F.O. Ring, Str. W/ACC 1-1/16-14 Thread 40-62054-00	NEWCLIMA #16 58-60502-06	411.0	FIG.-2
-10	#12 F.O. Ring, 45 1-1/16-14 Thread 40-62051-00	#12 F.O. Ring, 90, W/ACC 1-1/16-14 Thread 40-62055-00	NEWCLIMA #16 58-60502-06	312.0	FIG.-6
-11	#12 F.O. Ring, 90, W/ACC 1-1/16-14 Thread 40-62055-00	#12 F.O. Ring, Straight 1-1/16-14 Thread 40-62052-00	NEWCLIMA #16 58-60502-06	53.5	FIG.-7
-12	#12 F.O. Ring, 90, W/ACC 1-1/16-14 Thread 40-62055-00	#12 F.O. Ring, Straight 1-1/16-14 Thread 40-62052-00	NEWCLIMA #16 58-60502-06	60.0	FIG.-7
-13	#12 F.O. Ring, 90, W/ACC 1-1/16-14 Thread 40-62055-00	#12 F.O. Ring, 90 1-1/16-14 Thread 40-62053-00	NEWCLIMA #16 58-60502-06	600.0	FIG.-8
-14	#12 F.O. Ring, 45 1-1/16-14 Thread 40-62051-00	#12 F.O. Ring, 90, W/ACC 1-1/16-14 Thread 40-62055-00	NEWCLIMA #16 58-60502-06	264.0	FIG.-1
-15	#12 F.O. Ring, 45 1-1/16-14 Thread 40-62051-00	#12 F.O. Ring, 90, W/ACC 1-1/16-14 Thread 40-62055-00	NEWCLIMA #16 58-60502-06	54.0	FIG.-6



3.3.8 REFRIGERANT HOSE ASSEMBLIES (QUICK-CLICK - MANULI) 58-62045

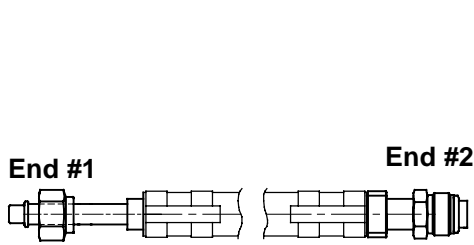


Fig #2

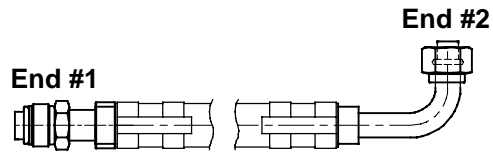


Fig #1

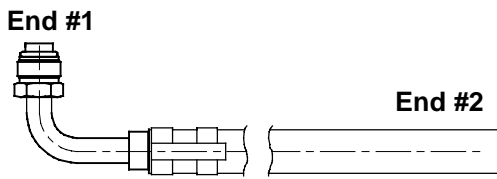


Fig #4

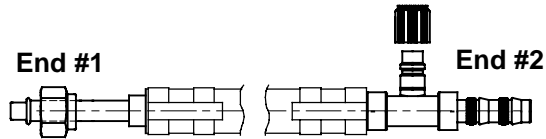


Fig #3

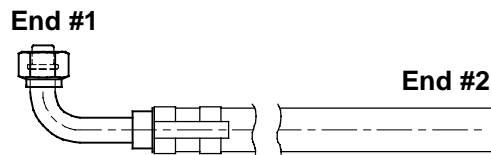


Fig #5

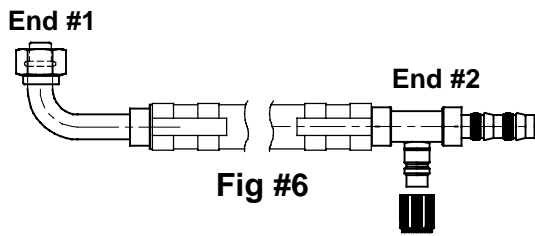


Fig #6

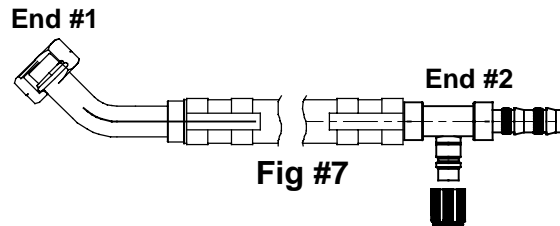


Fig #7

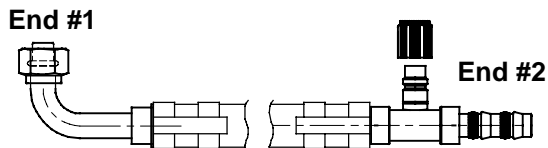


Fig #8

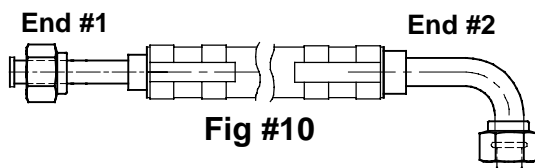


Fig #10

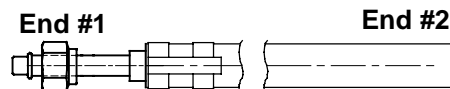


Fig #9



3.3.8 REFRIGERANT HOSE ASSEMBLIES (QUICK-CLICK - MANULI) 58-62045 - Continued:					
DASH NO.	END #1 FITTING DESCRIPTION	END #2 FITTING DESCRIPTION	HOSE DESCRIPTION	LENGT H INCHES	FIG. NO.
-00	#6 Straight, M.O-Ring 40-60051-08	#8 90 Degree F.O-Ring 40-60061-03	Ecofriogo #8 58-60115-03	52.43	FIG.-1
-01	#8 Straight F.O-Ring 40-60060-06	#10 Straight M.O-Ring	Ecofriogo #10 58-60115-04	53.41	FIG.-2
-02	#6 Straight M.O-Ring 40-60051-08	#8 90 Degree F.O.Ring 40-60061-03	Ecofriogo #8 58-60115-03	83.43	FIG.-1
-03	#8 Straight F.O-Ring 40-60060-06	#10 Straight M.O-Ring	Ecofriogo #10 58-60115-04	84.41	FIG.-2
-04	#10 Straight F.O-Ring X #12 Hose 40-60060-07	#12 Access Splice 40-60058-05	Ecofriogo #12 58-60115-05	29.00	FIG.-3
-05	#8 Straight F.O-Ring X #10 Hose 40-60060-06	#10 Access Splice 40-60059-04	Ecofriogo #10 58-60115-04	27.00	FIG.-3
-06	#6 90 Degree M. O-Ring X #8 Hose 40-60083-08	NONE	Ecofriogo #8 58-60115-03	399.00	FIG.-4
-07	#10 90 Degree M.O-Ring X #12 Hose 40-60083-07	NONE	Ecofriogo #12 58-60115-05	543.00	FIG.-4
-08	#8 90 Degree F.O-Ring X #10 Hose 40-60061-06	NONE	Ecofriogo #10 58-60115-04	279.00	FIG.-5
-09	#10 90 Degree F.O-Ring X #12 Hose 40-60061-07	#12 Access Splice 40-60058-05	Ecofriogo #12 58-60115-05	29.00	FIG.-6
-10	#8 90 Degree F.O-Ring X #10 Hose 40-60061-06	#10 Access Splice 40-60059-04	Ecofriogo #10 58-60115-04	27.00	FIG.-6
-15	#10 90 Degree F.O-Ring X #12 Hose 40-60061-07	#12 Splice W/Access 40-60058-05	Ecofriogo #12 58-60115-05	26.84	FIG.-6
-16	#10 90 Degree F.O-Ring X #12 Hose 40-60061-07	#12 Splice W/Access 40-60058-05	Ecofriogo #12 58-60115-05	11.00	FIG.-6
-17	#8 90 Degree F.O-Ring X #10 Hose 40-60061-06	#10 Access Splice 40-60059-04	Ecofriogo #10 58-60115-04	11.00	FIG.-6
-18	#10 45 Degree F.O-Ring X #12 Hose 40-60050-07	#12 Splice W/Access 40-60058-05	Ecofriogo #12 58-60115-05	16.75	FIG.-7
-19	#8 45 Degree F.O. Ring X #10 Hose 40-60050-06	#10 Splice W/Access 40-60059-04	Ecofriogo #10 58-60115-04	15.75	FIG.-7
-20	#10 90 Degree F.O-Ring X #12 Hose 40-60061-07	#12 Splice W/Access 40-60058-05	Ecofriogo #12 58-60115-05	18.00	FIG.-8
-21	#8 90 Degree F.O-Ring X #10 Hose 40-60061-06	#10 Splice W/Access 40-60059-04	Ecofriogo #10 58-60115-04	17.25	FIG.-8

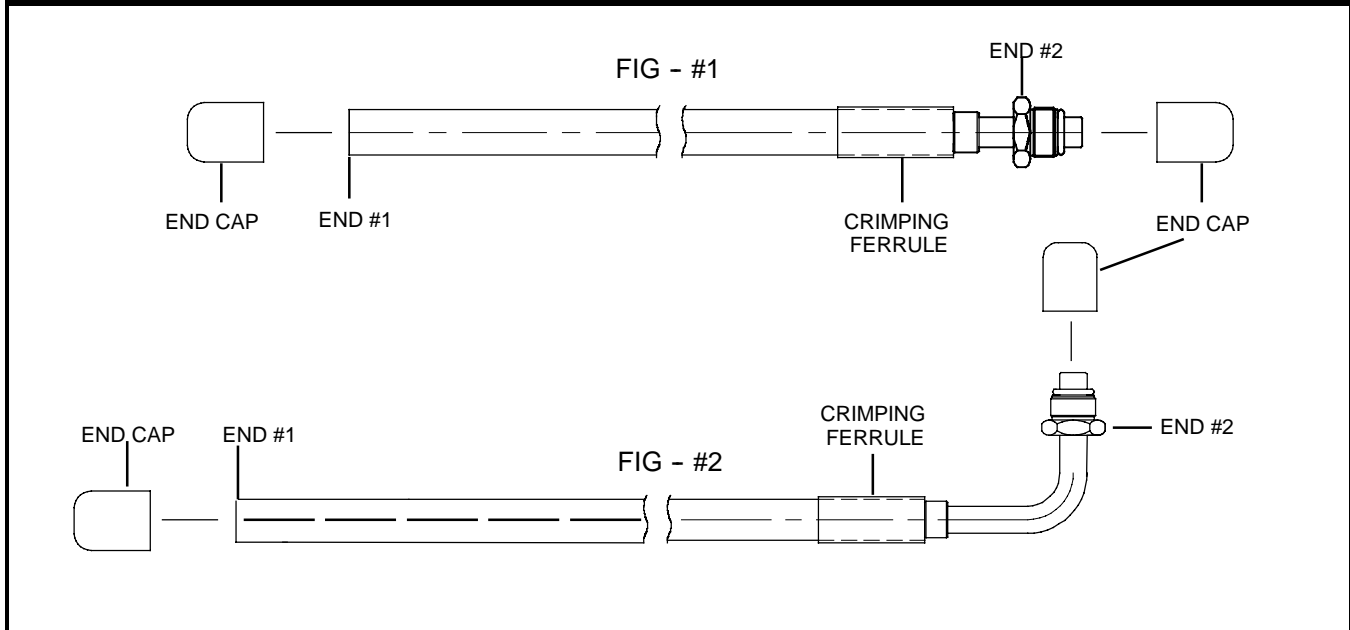


3.3.8 REFRIGERANT HOSE ASSEMBLIES (QUICK-CLICK - MANULI) 58-62045 - Continued:

DASH NO.	END #1 FITTING DESCRIPTION	END #2 FITTING DESCRIPTION	HOSE DESCRIPTION	LENGT H INCHES	FIG. NO.
-22	#10 Straight F.O-Ring X #12 Hose 40-60060-07	NONE	Ecofriogo #12 58-60115-05	65.00	FIG.-9
-23	#8 Straight F.O-Ring X #10 Hose 40-60060-06	NONE	Ecofriogo #10 58-60115-04	65.00	FIG.-9
-24	#8 Straight ORS X #8 Hose 40-60047-03	#6 90 Degree F.O-Ring X #8 Hose 40-60061-08	Ecofriogo #8 58-60115-03	63.00	FIG.-10

3.3.9 REFRIGERANT HOSE ASSEMBLIES (QUICK-CLICK - MANULI) 58-62197

DASH NO.	END #1 FITTING DESCRIPTION	END #2 FITTING DESCRIPTION	CRIMPING FERRULE	HOSE DESCRIPTION	LENGT H INCHES	FIG. NO.
-00	NONE	Fitting, Str., 3/8 M.O.R. 5/8-18 UNF-2A Thread	Ferrule (15.0) ID #8	Manuli #8 O.D. = .72 (18.2) 58-60502-03	168.00 (4267.2)	FIG.-1
-01	NONE	Fitting, Str., 5/8 M.O.R. 7/8-18 UNS-2A Thread	Ferrule (20.5) ID #12	Manuli #12 O.D. = .99 (25.2) 58-60502-05	168.00 (4267.2)	FIG.-1
-02	NONE	Fitting, 90 Deg. 3/8 M.O.R. 5/8-18 UNF-2A Thread	Ferrule (15.0) ID #8	Manuli #8 O.D. = .72 (18.2) 58-60502-03	192.00 (4876.8)	FIG.-2
-03	NONE	Fitting, 90 Deg., 5/8 M.O.R. 7/8-18 UNS-2A Thread	Ferrule (20.5) ID #12	Manuli #12 O.D. = .99 (25.2) 58-60502-05	192.00 (4876.8)	FIG.-2

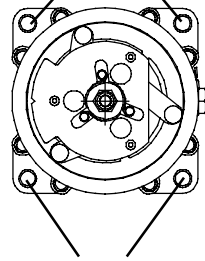


SECTION 4 - COMPRESSORS

COMPRESSOR IDENTIFICATION

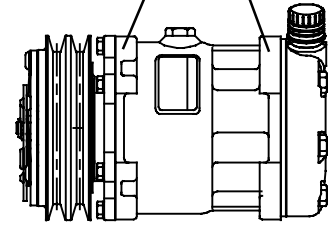
4.1 MOUNTING IDENTIFICATION

Mounting Holes



Mounting Holes

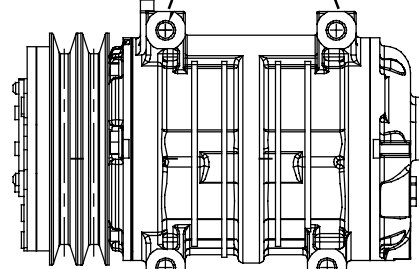
Mounting Holes



(Side View Reference Only)

EAR MOUNT VERSION

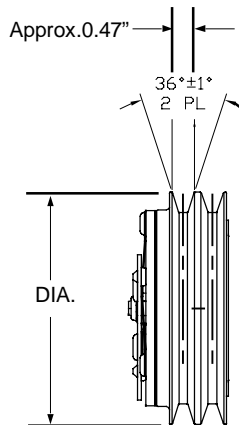
Mounting Holes



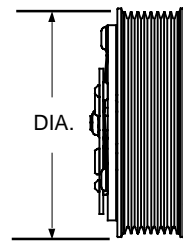
Mounting Holes

DIRECT MOUNT VERSION

4.2 CLUTCH IDENTIFICATION



2 A Groove Pulley



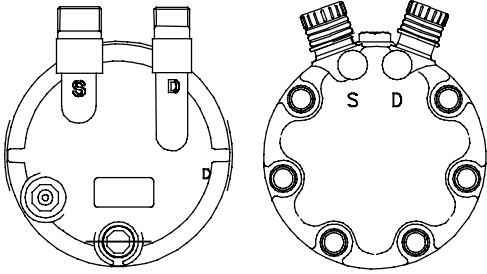
Poly- V Groove Pulley
6,8 & 10 Groove

NOTE: Clutch assembly kits are specific to pulley diameter and clutch coil voltage of 12 VDC or 24 VDC

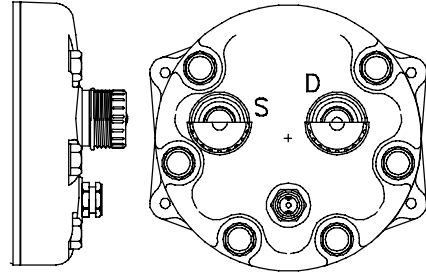


COMPRESSOR IDENTIFICATION

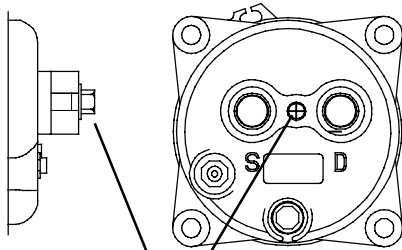
4.3 MANIFOLD IDENTIFICATION



Vertical O-Ring Fittings

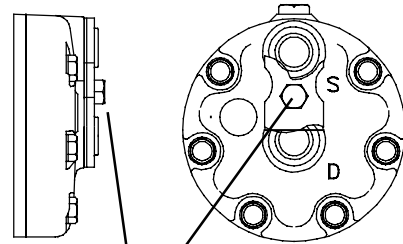


Horizontal O-Ring Fittings



GM Pad Mount Fittings

(Fittings are secured by a Manifold with Single Bolt in the Center)





4.4 SANDEN, SD-508, (R12)



Part Number	Description
AC501-249A	Compressor, SD-508, 12 VDC, (7) Gr. Poly-V, Ear Mount., Horizontal Tube-O (9570)
N/A	Compressor, SD-508, 12 VDC, (1) "B" Gr., Horizontal O-Ring (9590) AC501-229A

4.5 SANDEN, SD-709, (R12)



N/A	Compressor, SD-709, (2) "A" Gr., 12 VDC, Horizontal Tube-O, (7402) AC501-224A
N/A	Compressor, SD-709, (2) "A" Gr., 12 VDC, Vertical O-Ring, (7409) AC501-225A
N/A	Compressor, SD-709 (2) "A" Gr., 24 VDC, Vertical O-Ring AC501-262A
AC501-226A	Compressor, SD-709, (6) Gr. Poly-V, Direct Mt, Vertical O-Ring, (7416)
N/A	Compressor, SD-709, (6) Gr. Poly-V, 12 VDC, Direct Mt, Horizontal Tube-O AC501-230A
AC501-252A	Compressor, SD-709, (6) Gr. Poly-V, 12 VDC, Ear Mount, Vertical Tube-O (7427)
N/A	Compressor, SD-709, (8) Gr. Poly-V, Direct Mt, Horizontal O-Ring (7730) AC501-263A
*AC501-280A	Compressor, SD-709, (8) Gr. Poly-V, 12 VDC, Direct Mt., H.O-Ring, (S/S to AC501-298A) *Note: SD709 Compressors Have Been Replaced By SD-7H15 Compressors With 134a

THE LETTER "A" OR "B" AT END OF THE PART # (EX. AC501-224A) MEANS THAT THE COMPRESSOR IS SUPPLIED WITH FITTINGS AND O-RINGS



4.6 SANDEN, SD-709 (R12 & R134a)



AC501-259A	Compressor, SD-709, (6) Gr. Poly-V, 12 VDC, Ear Mount, Horizontal Tube-O
AC501-239	Field Coil, Clutch, 12 VDC, SD-709 and SD-7H15
AC501-236	Field Coil, Clutch, 24 VDC, SD-709 and SD-7H15
AC501-234	Head, Cylinder, With Gasket, Vertical O-Ring, SD-709
AC501-256	Head, Cylinder, With Gasket, Horizontal Tube-O, SD-709
AC501-261	Head, Cylinder, With Gasket, Vertical Tube-O, SD-709
AC501-269	Gasket, Cylinder Head, SD-709
AC501-246	Clutch Assembly, (2) "A" Groove, 12 VDC, SD-709
AC501-247	Clutch Assembly, (6) Groove, 12 VDC, Poly-V, SD-709
AC501-257	Kit, Seal, SD-709 (R-22)



THE LETTER "A" OR "B" AT END OF THE PART # (EX. AC501-224A) MEANS THAT THE COMPRESSOR IS SUPPLIED WITH FITTINGS AND O-RINGS



4.7 SANDEN, SD-510, (R12)	
17-31270-00	Compressor, SD-510, 12 VDC, (2) "A" Gr., Ear Mount, Vertical Flow, (9103) (501-200A)
AC501-215	Compressor, SD-510, 24 VDC, (2) "A" Groove, Vertical Flow, (9105)
AC501-216	Compressor, SD-510, 12 VDC, (2) "A" Gr., Horizontal Tube-O, (9125) (S/S To AC501-270A)
AC501-248	Compressor, SD-510, 12 VDC, (2) "A" Gr., Vertical O-Ring, (9137)
AC501-223A	Compressor, SD-510, 12 VDC, (7) Gr., Ear Mount, Vertical O-Ring, (9663) With Fittings



4.8 SD-510 SANDEN PARTS	
AC501-206	Field Coil, Clutch, 12 VDC, SD-510,
AC501-232	Field Coil, Clutch, 24 VDC, SD-510
AC501-212	Head, Cylinder, With Gasket, SD-510, Vertical Flow
AC501-207	Clutch Assembly, (2) "A" Gr., 12 VDC, SD-510, 132 MM

THE LETTER "A" OR "B" AT END OF THE PART # (EX. AC501-224A) MEANS THAT THE COMPRESSOR IS SUPPLIED WITH FITTINGS AND O-RINGS



4.9 SANDEN, SD-7H15, (R134a)



AC501-282A	Compressor, SD-7H15, (2) "A" Gr.132mm, Direct Mt., Vert. O-Ring, 12 VDC, (4626) W/Fittings
AC501-289A	Compressor, SD-7H15, (8) Gr. Poly-V, 12 VDC, Ear Mount H.Tube-O, (7822), W/90 Deg. Ftg
N/A	Compressor, SD-7H15, (8) Gr. Poly-V, H.Tube-O, (7822), Straight Fitting, 12 VDC AC501-289B
AC501-298A	Compressor, SD-7H15, (8) Gr. Poly-V, 119mm, 12 VDC, Direct Mt, Hor. O-Ring, W/Ftgs (4666)
AC501-298	Compressor, SD-7H15, (8) Gr. Poly-V, 119mm, Direct Mt, Hor. O-Ring, 12 VDC
18-00093-00	Compressor, SD-7H15-SHD, (2) "A" Grv.125mm, 12VDC, Ear Mount, 3/4 In. X 7/8 In. Vert. O-Ring
18-00093-01	Compressor, SD-7H15-SHD, (2) "A" Grv. 125mm,12 VDC, Ear Mount, GM Pad Fitting, (4708)
18-00093-02	Compressor, SD-7H15-SHD, (8) Gr. Poly-V, 12 VDC, Ear Mount, 3/4 In. X 7/8 In. Vert. O-Ring, (4711)
18-00093-03	Compressor, SD-7H15-SHD, (8) Gr. Poly-V, 12VDC, Ear Mount, GM Pad Fitting, (4707)
18-00093-04	Compressor, SD-7H15-SHD, (8) Gr. Poly-V, 12VDC, Direct Mount, 1 In.-14 Horiz. Tube O-Ring, (4776)
18-00093-08	Compressor, SD-7H15-SHD, (2) "A" Grv. 125mm, 12VDC, Ear Mount, 3/4 In. X 7/8 In. Vert. O-Ring, (4445)
18-00093-14	Compressor, SD-7H15-SHD, (2) "A" Grv. 125 mm,12 VDC, Direct Mount, GM Pad Fitting, (4419)
18-00093-15	Compressor, SD-7H15-SHD, (2) "A" Grv. 125 mm,12 VDC, Ear Mount, GM Pad Fittings W/Connections
18-00093-16	Compressor, SD7H15 EHC, 10 Grv., Poly-V123 mm, 12VDC, Direct Mount, GM Pad Fitting (4034)



THE LETTER "A" OR "B" AT END OF THE PART # (EX. AC501-224A) MEANS THAT THE COMPRESSOR IS SUPPLIED WITH FITTINGS AND O-RINGS



4.10 SANDEN SD-7H15 SHD, PARTS

AC501-285	Head, Cylinder, With Gasket, Horizontal O-Ring, SD-7H15
AC501-286	Head, Cylinder, With Gasket, Vertical O-Ring, SD-7H15



AC501-284	Clutch, Assembly, (2) "A" Groove, SD-7H15, 132 mm, 12VDC, (Includes Coil)
AC501-283	Clutch, Assembly, (8) Groove Poly-V, 119mm, SD-7H15/SD709, (Without Coil)
50-50077-00	Clutch Assembly, 12 VDC, (2) "A" Groove, 125 mm, W/Diode & Connector
50-50078-00	Coil Assembly, 12 VDC, 125 mm, SD715-SHD

4.11 SELTEC, TM-15, (R12)



AC501-270A	Compressor, TM-15, (2) "A" Gr.,12 VDC, Horizontal Tube-O
AC501-271A	Compressor, TM-15, (2) "A" Gr., 12 VDC, Ear Mount, Vertical O-Ring, With Fittings
N/A	Compressor, TM-15, (6) Gr. Poly-V, 12 VDC, Direct Mount, Vertical O-Ring, (AC501-272A)
AC501-273A	Compressor, TM-15, (8) Gr. Poly-V, 12 VDC, Ear Mount, Vertical O-Ring, With Fittings

THE LETTER "A" OR "B" AT END OF THE PART # (EX. AC501-224A) MEANS THAT THE COMPRESSOR IS SUPPLIED WITH FITTINGS AND O-RINGS



4.12 SELTEC, TM-15, (R134a)



AC501-266A	Compressor, TM-15, (2) "A" Grv., 12 VDC, Ear Mount, Horizontal Tube-O, With Fittings
AC501-266	Compressor, TM-15, (2) "A" Grv., 12 VDC, Ear Mount, Horizontal Tube-O
AC501-267A	Compressor, TM-15, (2) "A" Grv., (125mm), 12 VDC, Ear Mount, Vertical O-Ring, With Fittings



AC501-275A	Compressor, TM-15, (2) "A" Grv., 24 VDC, Ear Mount, Vertical O-Ring, With Fittings
AC501-268A	Compressor, TM-15, (6) Grv. Poly-V, 12 VDC, Direct Mt., Vertical O-Ring, With Fittings
N/A	Compressor, TM-15, (7) Grv., Poly-V, 12 VDC, Vertical Tube-O, 90 Ftg. (AC501-260A)
N/A	Compressor, TM-15, (7) Grv., Poly-V, 12 VDC, Vertical Tube-O, Str. Ftg. (AC501-260B)



AC502-208A	Compressor, TM-15, (8) Grv. Poly-V, 12 VDC, Ear Mount, Horizontal Tube-O W/Ftg.
AC502-209A	Compressor, TM-15, (8) Grv. Poly-V, 12 VDC, Ear Mount, Vertical Tube-O W/Ftg



4.13 SELTEC, TM-15, (R134a) - Continued:



AC502-215A Compressor, TM-15, (2) "A" Grv., 125 mm, 12 VDC, Ear Mount, (Without Manifold - Without Fittings)

4.14 SELTEC, TM-16 & TM-16HS, (R134a)



AC502-210 Compressor, TM-16, (8) Grv., Poly-V, 12 VDC, Ear Mount, Vertical O-Ring, Monolithic Head, (Superseded to 18-00093-05)



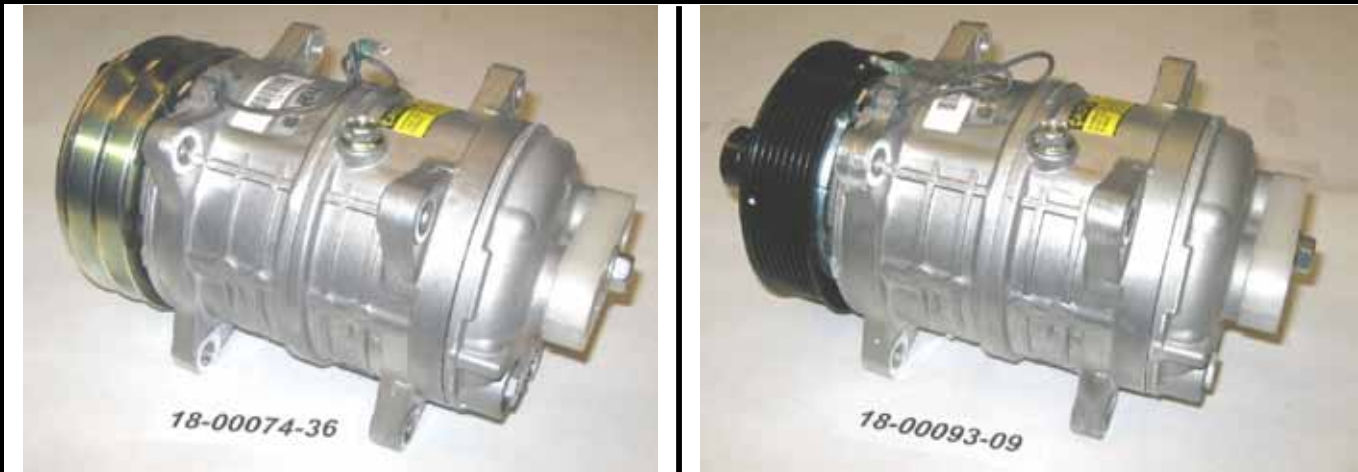
AC502-220 Compressor, TM-16, (2) "A" Grv., 12 VDC, Ear Mount, Vert.O-Ring, Monolithic Head (125MM), (Superseded to 18-00093-07)



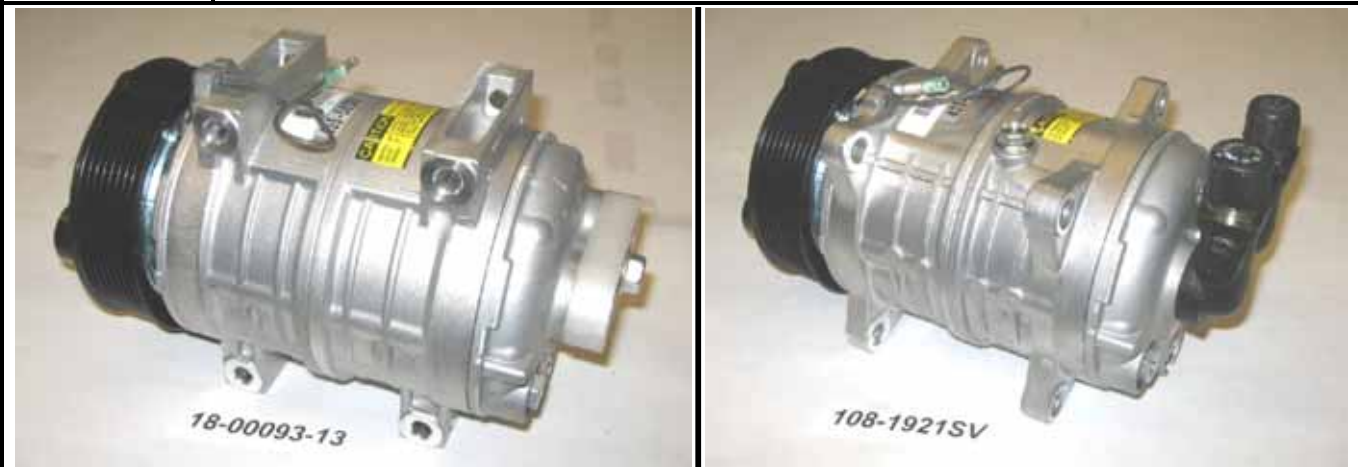
18-00074-35 Compressor, TM-16, (8) Grv., Poly-V, 12 VDC, Ear Mount, Pad Fittings, Monolithic Head, (Superseded to 18-00093-09)



4.15 SELTEC, TM-16 & TM-16HS, (R134a) - Continued:



18-00074-36	Compressor, TM-16HS (2) "A" Gr., 12 VDC, Ear Mount, Pad Fittings, Monolithic Head, (Superseded to 18-00093-11)
18-00093-06	Compressor, TM-16HS (8) Grv., Poly-V, 24 VDC, Ear Mount, 3/4" O-Ring & 7/8" O-Ring (V.O.R. Head)
18-00093-07	Compressor, TM-16HS (2) "A" Grv., 12 VDC, Ear Mount, 3/4" O-Ring & 7/8" O-Ring (V.O.R. Head)
18-00093-09	Compressor, TM-16HS (8) Grv., Poly-V, (123 mm), 12 VDC, Ear Mount, GM Pad Fittings Monolithic Head
18-00093-10	Compressor, TM-16HS (8) Grv., Poly-V, (123 mm), 24 VDC, Ear Mount, GM Pad Fittings Monolithic Head
18-00093-11	Compressor, TM-16HS (2) "A" Grv., (125mm), 12 VDC, Ear Mount, GM Pad Fittings, Monolithic Head
18-00093-12	Compressor, TM-16HS (2) "A" Grv., (125 mm), 24 VDC, Ear Mount, GM Pad Fittings Monolithic Head



18-00093-13	Compressor, TM-16HS (8) Grv., Poly-V, (123mm), 12 VDC, Direct Mount, GM Pad Fittings
18-00093-17	Compressor, TM-16HS (6) Grv., Poly-V, 12 VDC, Ear Mount, Vertical "O"-Ring, 3/4"-7/8" Pad Fitting
108-1921SV	Compressor, TM-16, (8) Grv., Poly-V, 12 VDC, Vertical "O" Ring, With Oil POE (2) 22CC Cans



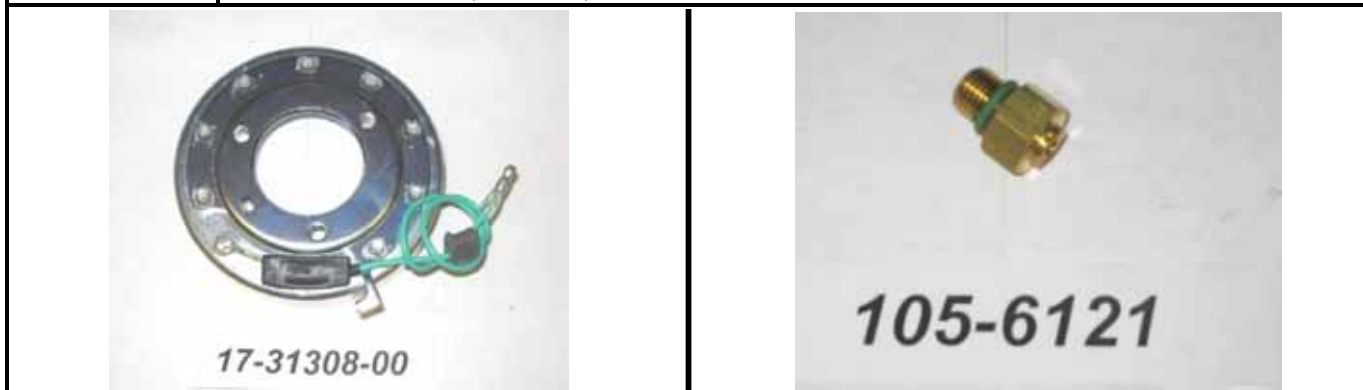
4.16 SELTEC, TM-15/16 PARTS (Replaces DK-15 Diesel Kiki Parts)



AC501-291	Clutch, Assembly, TM-15/16, (8) Gr. Poly-V, 12 VDC (Splined Shaft)
AC501-292	Clutch, Assembly, TM-15, (2) "A" Gr., (125mm) 12 VDC
50-60135-00	Clutch, Assembly, TM-15/16, (2) "A" Gr., (135mm) 12 VDC
50-60136-00	Clutch, Assembly, TM-15/16, (2) "A" Gr., (135mm) 24 VDC
50-60234-00	Clutch, Assembly, TM-15/16, (6) Grv. Poly-V, 12 VDC
50-60235-00	Clutch, Assembly, TM-15/16, (6) Grv. Poly-V, 24 VDC
42-60023-00	O-Rings For Bolt On Manifold, TM-08 Thru TM-16 (S/S to AC801-222)



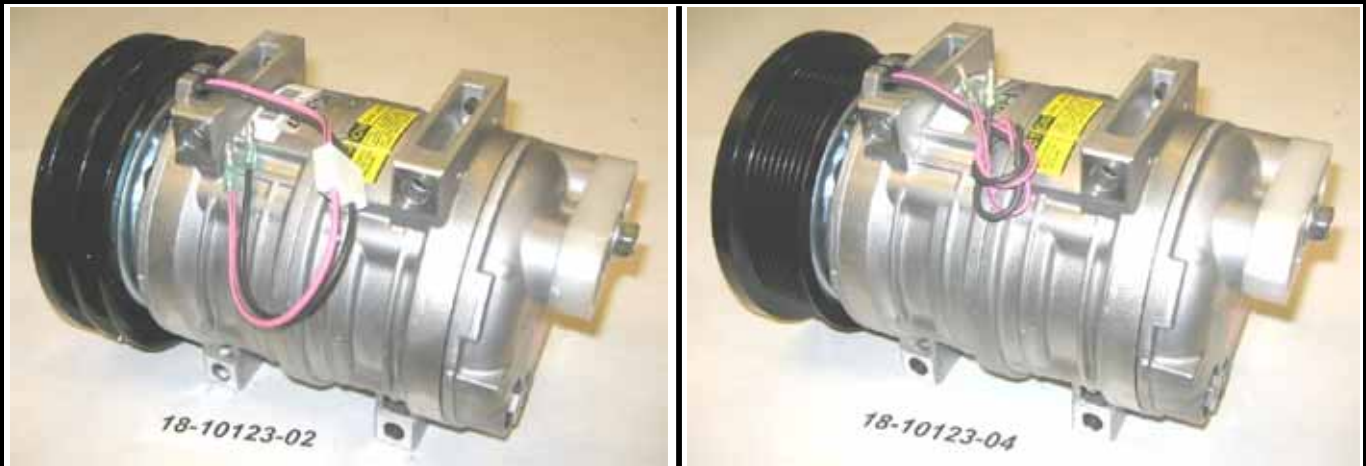
17-31252-00	Clutch, Variable, AB Groove, 12 VDC (159MM)
17-31254-00	Shaft Seal
17-31307-00	Coil, Clutch, 12 VDC, (TM-15/16) 4 Inch O.D.



17-31308-00	Coil, Clutch, 24 VDC, (TM-15/16)
105-6121	Valve, Pressure Relief, (500 PSI)



4.17 SELTEC, TM-21HX, (R134a)



18-10123-02	Compressor, TM-21-HX, (2) "A" Grv., 12 VDC, (145MM), Direct Mount, GM Pad Fitting
18-10123-03	Compressor, TM-21-HX, (2) "A" Grv., 24 VDC, (145MM), GM Direct Mount, Pad Fitting
18-10123-04	Compressor, TM-21-HX, (8) Grv., Poly-V, 12 VDC, (137MM), Direct Mount, GM Pad Fitting
18-10123-05	Compressor, TM-21-HX, (8) Grv., Poly-V, 24 VDC, (137MM), Direct Mount, GM Pad Fitting
18-10123-06	Compressor, TM-21-HX, 6 Grv., Poly-V, 12VDC, (137mm), Direct Mount, GM Pad Fitting
18-10123-07	Compressor, TM-21-HX, 10 Grv., Poly-V, (141MM),12VDC, Direct Mount, GM Pad Fitting
18-10123-08	Compressor, TM-21-HX, 8 Grv., Poly-V, (137MM),12VDC, Direct Mount, GM Pad Fitting
18-10123-09	Compressor, TM-21-HX, (2) A Grv., (145MM),12VDC, Direct Mount, GM Pad Fitting
18-10123-10	Compressor, TM-21-HX, 10 Grv., Poly-V, (135MM),12VDC, Direct Mount, GM Pad Fitting
50-50074-00	Clutch, 12 VDC, Poly-V 8-Groove, 141 MM
50-50075-00	Clutch, 12 VDC, 2 A Groove, 145 MM
50-50076-00	Coil, Clutch, 12VDC
17-31309-00	Coil, Clutch, 24 VDC
17-31310-00	Shaft Seal Kit



4.18 SELTEC, TM-26, (R12)	
AC501-218	Compressor, TM-26, (2) "A" Gr., 12 VDC, Horiz. Flow - (Supersedes to 17-31244-00 (TM-31))
AC501-218A	Compressor, TM-26, (2) "A" Gr., 12 VDC, Horiz. Flow - (Supersedes to 17-31244-00 (TM-31))
AC501-240A	Compressor, TM-26, (2) "B" Gr., 12 VDC, Horiz. Flow - (Supersedes to 17-31246-00 (TM-31))
AC501-217A	Compressor, TM-26, (2) "B" Gr., 24 VDC, Horiz. Flow - (Supersedes to 17-31247-00(TM-31))
THE LETTER "A" OR "B" AT END OF THE PART # (EX. AC501-224A) MEANS THAT THE COMPRESSOR IS SUPPLIED WITH FITTINGS AND O-RINGS	

4.19 SELTEC, TM-26, (R134a)	
AC501-277A	Compressor, TM-26, (2) "A" Gr., 12 VDC, Horizontal O-Ring (Supersedes to 17-31244-00)
AC501-277B	Compressor, TM-26, (2) "A" Gr., 12 VDC, Horizontal O-Ring, (Str. Ftgs.) (Supersedes to 17-31244-00)
N/A	Compressor, TM-26, (2) "A" Gr., 24 VDC, Horizontal Flow (AC501-279A)
N/A	Compressor, TM-26, (2) "B" Gr., 24 VDC, Horizontal Flow, (Str. Ftgs) (AC502-205A)
AC502-213A	Compressor, TM-26, (8) Gr. Poly-V, 12 VDC, Horizontal O-Ring (Supersedes to 17-31248-00)
N/A	Compressor, TM-26, (2) "B" Gr., 12 VDC, Horizontal Flow (AC502-217A)
THE LETTER "A" OR "B" AT END OF THE PART # (EX. AC501-224A) MEANS THAT THE COMPRESSOR IS SUPPLIED WITH FITTINGS AND O-RINGS AS A KIT	

4.20 SELTEC, TM-26 PARTS

N/A	Field Coil, Clutch, TM-26, 12 VDC (AC501-219)
N/A	Field Coil, Clutch, TM-26, 24 VDC (AC501-220)
N/A	Clutch, Assembly, TM-26, (6) Gr. Poly-V, 12 VDC (AC501-238)
AC501-221	Pulley, Clutch, (2) "A" Groove, With (Armature) Plate
N/A	Pulley, Clutch, (2) "B" Groove, With (Armature) Plate (AC501-222)
AC501-253	Shaft Seal,Kit, Carbon Type
N/A	Pipe Plug, Pressure Switch Ports, (1/8-28) (AC301-817)
AC051-1173	Clutch, Assembly, (8) Gr. Poly-V, With (Armature) Plate, (No Coil)



4.21 SELTEC, TM-31, (R134a)



17-31244-00	Compressor, TM-31, (2) "A" Gr., 12 VDC, Direct Mount, Horizontal O-Ring
17-31245-00	Compressor, TM-31, (2) "A" Gr., 24 VDC, Direct Mount, Horizontal O-Ring
17-31246-00	Compressor, TM-31, (2) "B" Gr., 12 VDC, Direct Mount, Horizontal O-Ring,
N/A	Compressor, TM-31, (2) "B" Gr., 24 VDC, Direct Mount, Horizontal O-Ring (17-31247-00),
17-31248-00	Compressor, TM-31, (8) Gr. Poly-V, 12 VDC, Direct Mount, Horizontal O-Ring,
17-31249-00	Compressor, TM-31, (8) Gr. Poly-V, 24 VDC, Direct Mount, Horizontal O-Ring

4.22 SELTEC, TM-31 PARTS

17-31253-00	Clutch Assembly, TM-31, (2) "A" Gr., 158mm, 5 Eye, 12 VDC
17-31260-00	Clutch Assembly, TM-31, (2) "B" Gr., 158mm, 5 Eye, 12 VDC,



N/A	Seal, Shaft, TM-31 (17-31261-00)
17-31262-00	Clutch Assembly, TM-31, (8) Gr. Poly-V, 158mm, 5 Eye, 12 VDC
17-31263-00	Clutch Assembly, TM-31, (8) Gr. Poly-V, 158mm, 5 Eye, 24 VDC
N/A	Coil, Clutch, TM-31, 12 VDC (17-31264-00)
N/A	Coil, Clutch, TM-31, 24 VDC (17-31265-00)
N/A	Clutch Assembly, TM-31, (2) "A" Gr., 158mm, 5 Eye, 24 VDC (17-31266-00)
17-31267-00	Clutch Assembly, TM-31, (2) "B" Gr., 158mm, 5 Eye, 24 VDC



4.23 YORK COMPRESSORS & PARTS



AC501-201A



50-50002-00



17-31200-03

AC501-201A	Compressor, York, EF-210, (2) "A" Gr.,12 VDC, Horizontal Flow
AC501-241	Compressor, York, SC-206RM, (2) "A" Gr.,12 VDC, Horizontal Flow
AC501-242	Compressor, York, SC-206RM, (6) Gr. Poly-V, 12 VDC, Horizontal Flow
17-31200-01	Compressor, 10.3 CID, (Less Service Valves) Can Be Used For Standby Or Road. Setup For Use With Flanged Valves (210)
17-31200-02	Compressor, 8.7 CID, (Less Service Valves) Can Be Used For Road Only Setup For Use With Roto-Lock Valves (208)
17-31200-03	Compressor, 6.11 CID, (Less Service Valves) Can Be Used For Road Only Setup For Use With Roto-Lock Valves (210)
18-60002-03SV	Compressor, 10.3 CID, (Less Service Valves) Can Be Used For Standby Or Road. Setup For Use With Roto-Lock Valves (210)
50-50002-00	Clutch Assembly, (7 Inch OD Pulley) TRC, TRE, TRS, (Road Application Only)

THE LETTER "A" OR "B" AT END OF THE PART # (EX. AC501-224A) MEANS THAT THE COMPRESSOR IS SUPPLIED WITH FITTINGS AND O-RINGS

4.24 YORK COMPRESSOR PARTS



50-50001-00



17-31207-00



17-31202-00

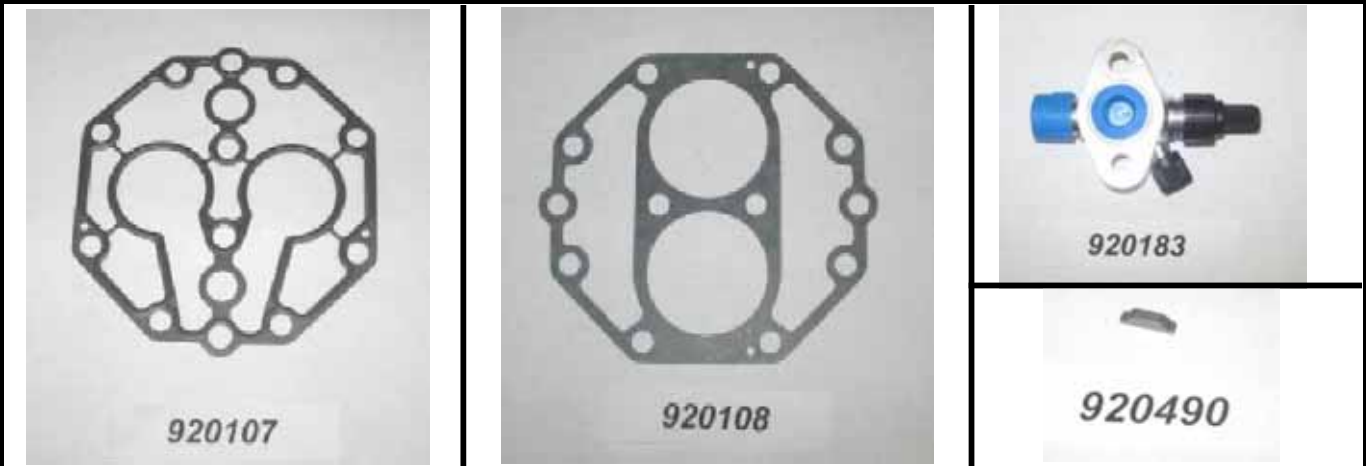


17-31203-00

50-50001-00	Clutch Assembly, (6 Inch OD Pulley)
17-31207-00	Shaft Seal Assembly, EF-210, SC-206, SC-209, SC-210
AC501-209	Gasket, Valve Plate, EF-210
17-31205-00	Teflon Ring, (For Use With Rotolock Valves)
17-21003-00	Gasket, Service Valves, (For Use With Old Style Flanged Valves)
42-01159-00	O-Rings, (For Use With New Style Flanged Valves)
17-31202-00	Suction Service Valve (Rotolock)
920088	Suction Service Valve, (Flanged)
17-31203-00	Discharge Service Valve, (Rotolock)



4.24 YORK COMPRESSOR PARTS - Continued:



920183	Discharge Service Valve, (Flanged)
920107	Cylinder Head Gasket
920108	Valve Plate Gasket
920490	Key, Shaft

4.25 ALMA, A-6, (R12)

N/A	Compressor, A-6, (1) "A" Gr.,12 VDC (AC501-233A)
N/A	Compressor, A-6, (2) "A" Gr.,12 VDC(AC501-244A)
N/A	Compressor, A-6, (2) "A" Gr., 24 VDC (AC501-254A)
N/A	Compressor, A-6, (1) "B" Gr., 24 VDC (AC501-264A)

THE LETTER "A" OR "B" AT END OF THE PART # (EX. AC501-224A) MEANS THAT THE COMPRESSOR IS SUPPLIED WITH FITTINGS AND O-RINGS

4.26 ALMA, A-6, (R134a)



AC502-203	Compressor, A-6, (2) "A" Gr., 12 VDC
AC502-204	Compressor, A-6, (2) "A" Gr., 24 VDC
AC502-216	Compressor, A-6, (1) "A" Gr., 12 VDC
18-00073-00	Compressor, A-6, 6 Groove Poly-V, 12 VDC
18-00073-01	Compressor, A-6, 8 Groove Poly-V, 12 VDC



4.27 ALMA, A-6 PARTS



50-50061-00	6 Groove Poly-V Pulley & Bearing, 5.5 Inch O.D.
50-50062-00	Clutch Armature (Driver) & Key
50-50063-00	12 Volt Coil
50-50066-00	5 Inch Pulley & Bearing, With 1 "A" Groove
50-50067-00	24 Volt Coil
50-50069-00	Pulley, Clutch, 8 Groove Poly-V, 4.81 Inch OD, W/Bearings and Retainer



50-50070-00	Clutch Assembly, 8 Groove Poly-V, 12 VDC, 4.81 Inch O.D.
50-50072-00	Clutch Assembly, 6 Groove Poly-V, 12 VDC, 5.5 Inch O.D.

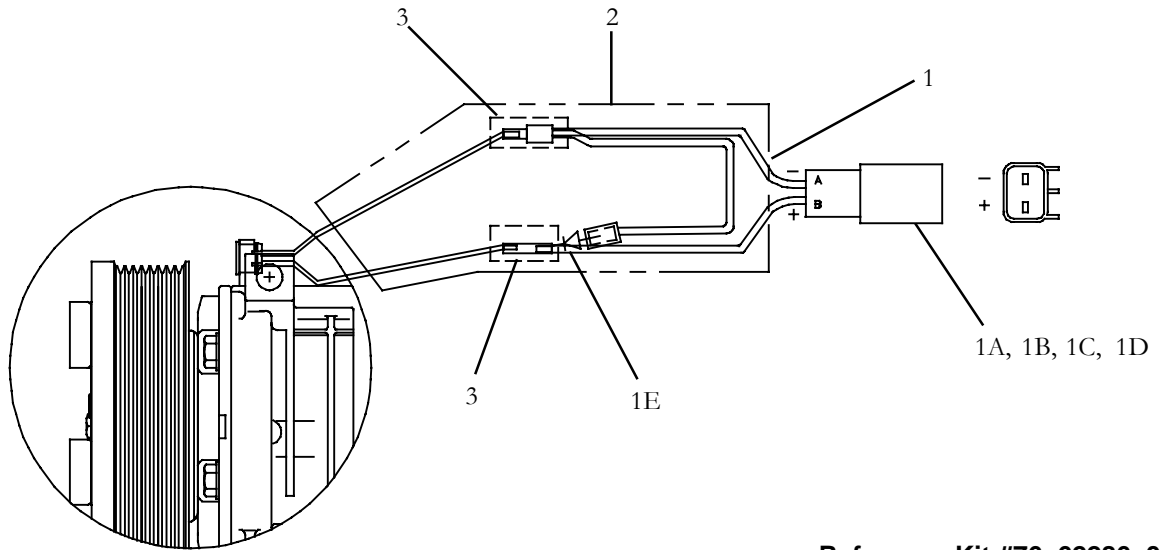
4.28 FORD, (R12)

N/A	Compressor, Ford, FS-6 Take-Off, 12 VDC (AC501-235)
N/A	Compressor, Ford, 5.9L., 6BT, (8) Gr. Poly-V, 12 VDC, With Fittings (AC502-214A)
N/A	Clutch, (8) Gr., Poly-V, Ford, 5.9L., 6BT (AC502-212)

4.29 OIL - COMPRESSOR

46-50004-00	ISO 150 PAG For Alma Products A6 Compressors Using R-134a (250CC Metal Can)
46-50006-00	ISO 50 PAG For Seltec TM-15, 16, 21 & 31 and Sanden SD7 (1Quart Metal Can)
46-50006-01	ISO 50 PAG For Seltec TM-15, 16, 21 & 31 and Sanden SD7 (1Gallon Metal Can)
46-50008-04	ISO Grade 68, POE W/R134a (8 OZ. Metal Can)
46-50008-05	ISO Grade 68, POE W/R134a (Pack of 12 - 8 OZ. Metal Cans)

4.30 COMPRESSOR PLUG WITH DIODE UP-GRADE

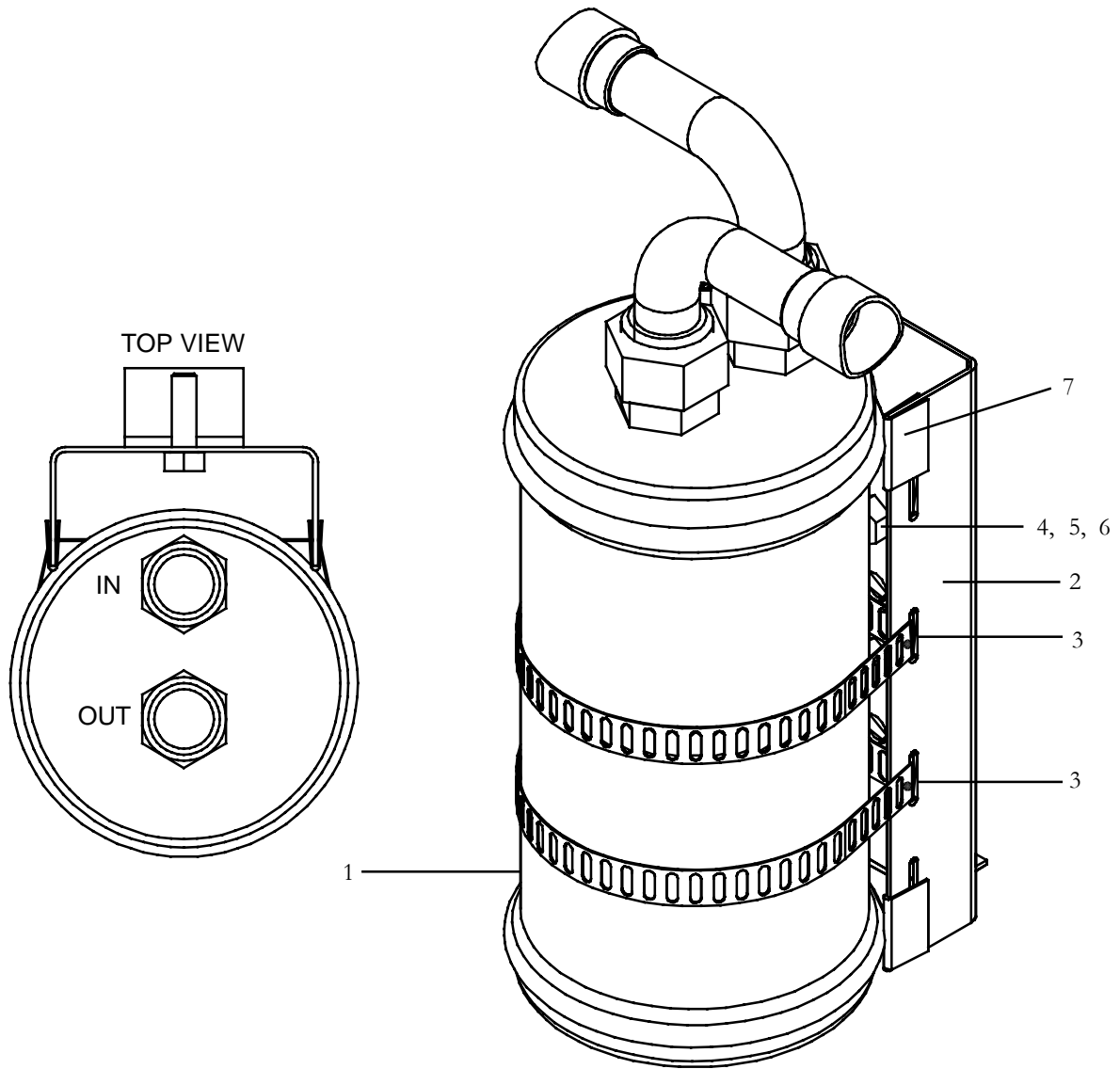


Reference Kit #76-62286-01

Item	Part Number	Description	Qty
1	22-62255-00	Harness, Compressor Plug, With Diode - Includes:	2
1A	22-50078-01	...Connector, Male, 2 Pin, Black	1
1B	22-50078-47B	...Terminal, Male, (14-16 AWG)	2
1C	22-02394-02	...Seal, Cable, Green	2
1D	22-50078-01A	...Lock, Secondary	1
1E	AC201-600	...Diode, In-Line, 6 Amps	1
2	58-00848-00	Tubing, Split, Corrugated, 1/2 Inch ID x 25.00 Feet Long	1
3	22-01327-00	Tubing, Heat Shrink, 1/4 Inch x 6.00 Inches Long	1
N/S	98-62903	Installation Diagram, Compressor Plug Up-Grade	1

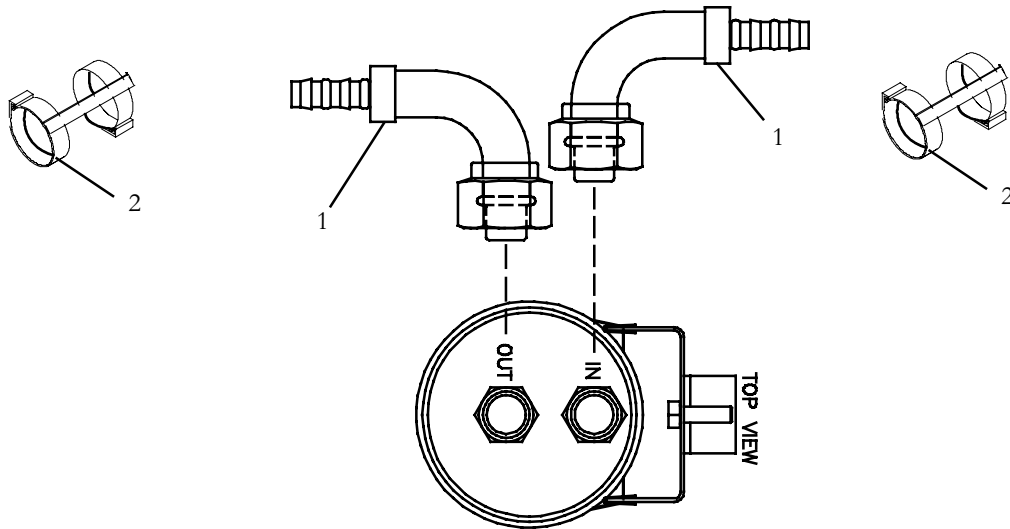


4.31 SUCTION LINE ACCUMULATOR KITS - COMMON PARTS (98-62790)



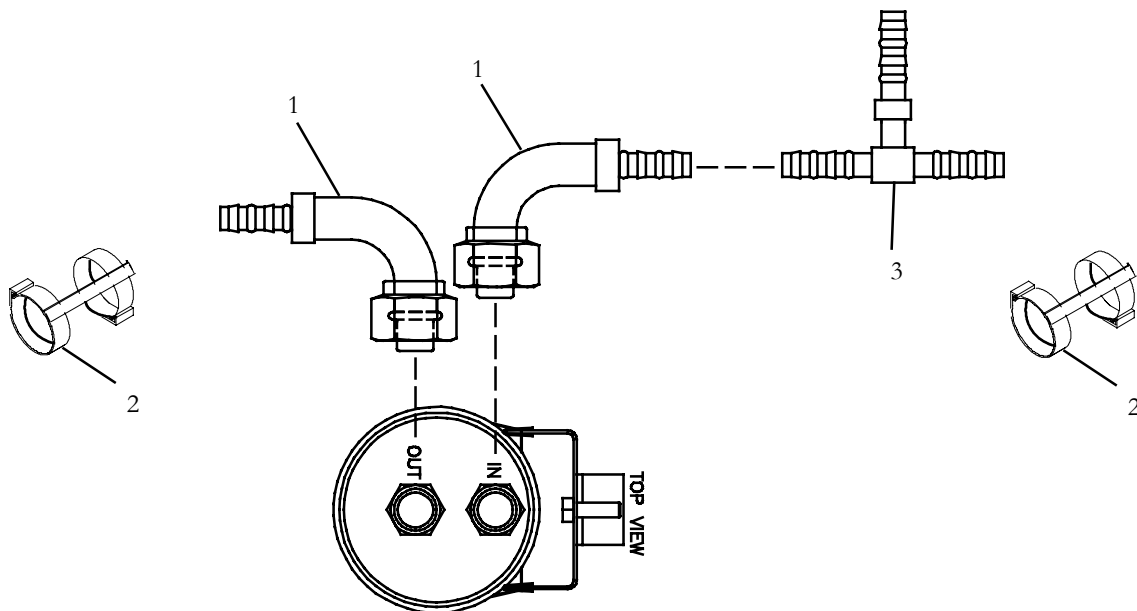
Item	Part Number	Description	Qty
1	65-62004-00	Accumulator, Suction Line	1
2	68-63588-00	Bracket, Accumulator, Painted	1
3	44-00045-30	Clamp, Accumulator	2
4	34-00615-08	Screw, Cap, Hex Head, 5/16-18 X 1.00 Inch Long, Grade 8	2
5	34-00588-12	Washer, Plain, 5/16	4
6	34-00361-12	Nut, Self Locking, 5/16-18	2
7	AC801-412F25	Gasket, Trimlock, Black (25 Ft. Roll)	1

4.32 SUCTION LINE ACCUMULATOR KIT - SINGLE EVAPORATOR #12 HOSE (76-62258-00)



Item	Part Number	Description	Qty
1	40-60061-05	Fitting, Hose, 90 Degree, #12	2
2	34-60019-05	Clamp, Hose, #12	2

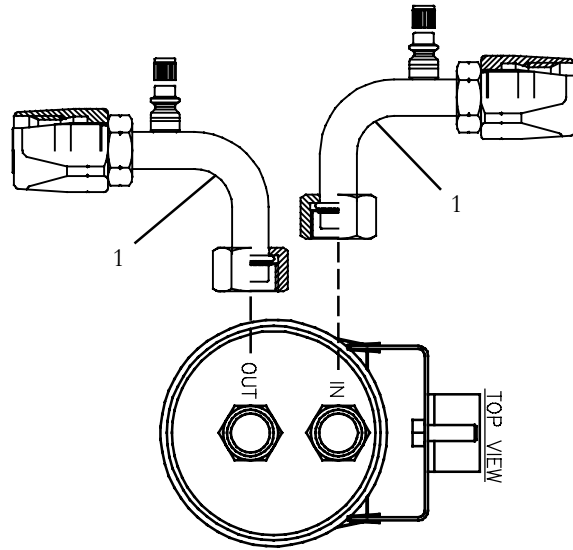
4.33 SUCTION LINE ACCUMULATOR KIT - DUAL EVAPORATOR #12 HOSE (76-62258-01)



Item	Part Number	Description	Qty
1	40-60061-05	Fitting, Hose, 90 Degree, #12	2
2	34-60019-05	Clamp, Hose, #12	5
3	40-62012-01	Fitting, Tee, Hose, #12	1

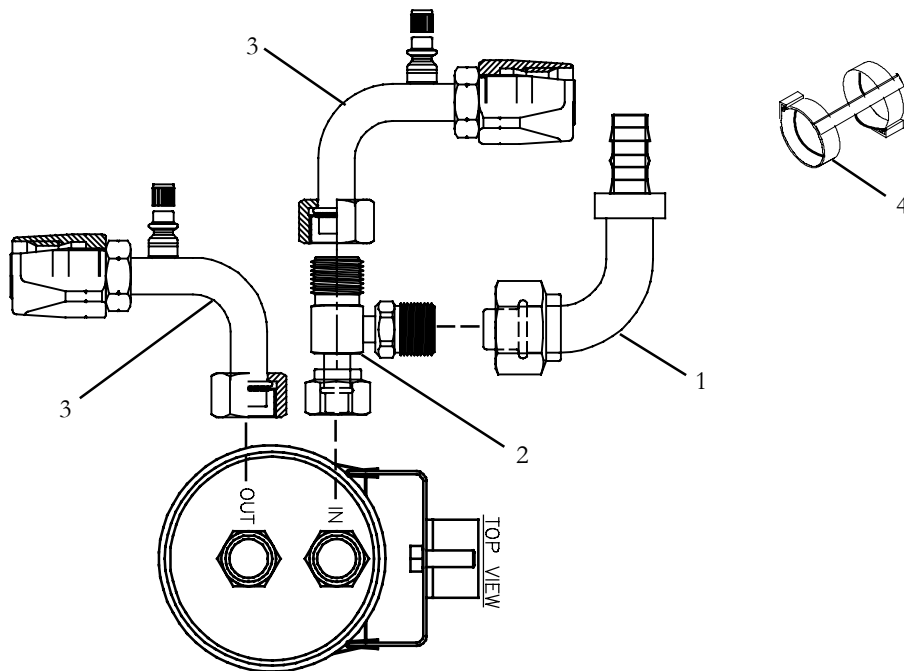


4.34 SUCTION LINE ACCUMULATOR KIT - SINGLE EVAPORATOR #16 & #12 HOSE (76-62258-02)



Item	Part Number	Description	Qty
1	40-62055-00	Fitting, Hose, 90 Degree, #12 F.O.R. X #16 Hose, W/R-134a Low Side Access	1

4.35 SUCTION LINE ACCUMULATOR KIT - DUAL EVAPORATOR #16 & #12 HOSE (76-62258-03)



Item	Part Number	Description	Qty
1	40-60061-05	Fitting, Hose, 90 Degree, #12	1
2	40-62019-02	Fitting, Tee, #12 F.O.R. X #12 M.I.O. X #12 M.I.O.	1
3	40-62055-00	Fitting, Hose, 90 Degree, #12 F.O.R. X #16 Hose, W/R-134a Low Side Access	2
4	34-60019-05	Clamp, Hose, #12	1

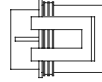


SECTION 5 - ELECTRICAL

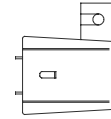
5.1 FUSE AND FUSE HOLDERS



AC201-114



AC201-125

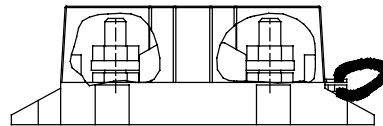


AC201-124

Part Number	Description
AC201-104	Fuse, 3AG, 2AMP, 250 VDC
AC201-115	Fuse, 20 AMP, Type AGC, 32 VDC, (Use With AC201-114)
AC201-116	Fuse, 30 AMP, Type AGC, 32 VDC, (Use With AC201-114)
22-02336-06	Fuse, 15 AMP, ATC, (Use With AC201-124)
22-02336-00	Fuse, 30 AMP, ATC, (Use With AC201-124)
22-50078-23	Fuse Cover, (Use With AC201-125)
22-50078-22	Fuse Holder, ATC, (Use With AC201-124)
AC201-103	Fuse Holder, Panel Mount
AC201-114	Fuse Holder, In line,Crimp, (30 AMP Maximum)
22-50078-49L	Terminal, Fuse, (Use With AC201-125)

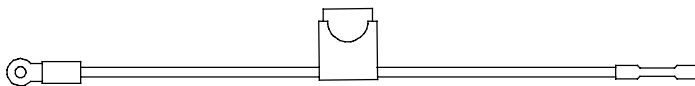


22-02336-15 or 31

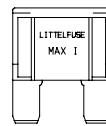


22-02898-00

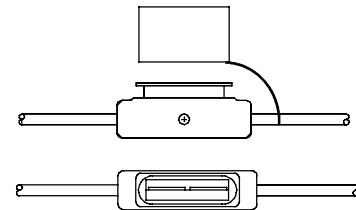
22-62119-00	Assembly, Fuse Holder, 10 AMP
22-62119-01	Assembly, Fuse Holder, 15 AMP
22-62119-02	Assembly, Fuse Holder, 20 AMP
22-02336-04	Fuse, 10 AMP
22-02336-06	Fuse, 14 AMP
22-02336-01	Fuse, 20 AMP
22-62110-00	Fuse Holder, With Cover, (In-Line Maxi Type)
22-02898-00	Fuse Holder, With Cover
22-02336-15	Fuse, 150 AMP
22-02336-31	Fuse, 100 AMP
22-02336-17	Fuse, 60 AMP



22-62119



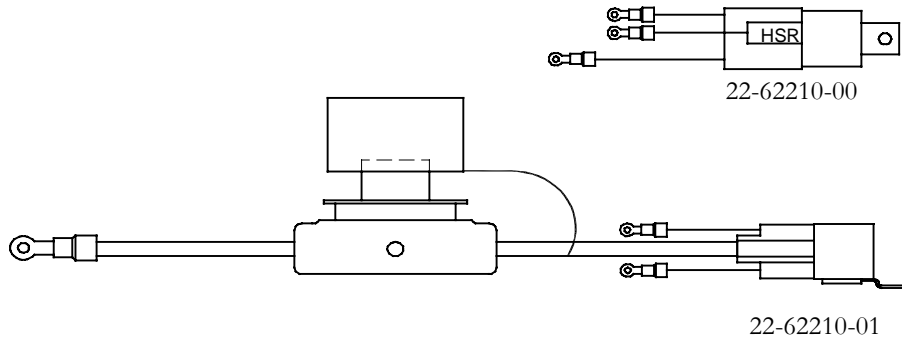
22-02336-17



22-62110-00

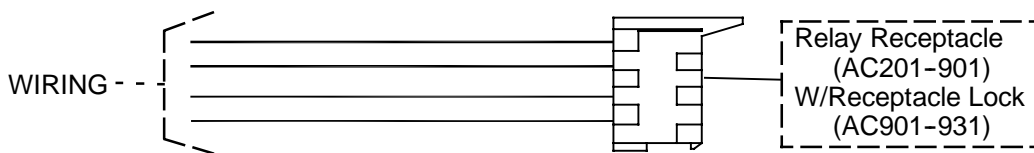


5.2 RELAY ASSEMBLIES



Part Number	Description
22-62210-00	Relay/Connector Assembly, (HSR), With Wiring - Includes:
10-00328-00	...Relay, 70 Amp (12VDC)
22-62210-02	...Connector/Wiring Assembly - Includes:
22-50078-18Connector, Relay
AC901-513	...Label, HSR (High Speed Relay)
22-62210-01	Relay/Connector Assembly, With Wiring & Fuse- Includes:
10-00328-00	...Relay, 70 Amp (12VDC)
22-62210-03	...Connector/Wiring/Fuse Holder Assembly - Includes:
22-50078-18Connector, Relay
22-62110-00Fuse Holder, With Cover
22-02336-17	...Fuse, 60 Amp
AC901-513	...Label, HSR (High Speed Relay)
22-62210-04	Relay/Connector Assembly, (CR), With Wiring, - Includes:
10-00328-07	...Relay, 70 Amp (12VDC)

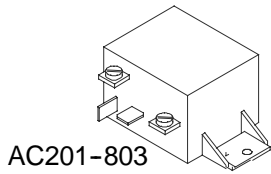
5.3 CONNECTOR ASSEMBLIES



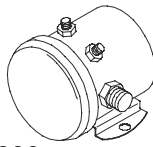
Part Number	Description
AC201-922	Connector Assembly, High Speed Relay
22-62238-00	Connector Assembly, Medium Speed Relay
22-62238-01	Connector Assembly, Low Speed Relay
22-62238-02	Connector Assembly, Clutch Relay
22-62238-03	Connector Assembly, Condenser Relay



5.4 RELAYS - SOLENOIDS



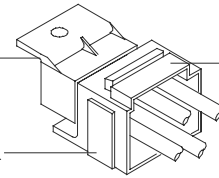
AC201-803



AC201-800

10-00286-00
RELAY

AC201-901
CONNECTOR

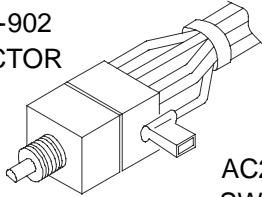


AC201-931
LOCK

Part Number	Description
AC201-800	Contactora, Solenoid, 12 VDC, 70 AMP (With Nuts & Washers)
AC201-801	Relay, 5 Prong, 12 VDC, 30 AMP
AC201-803	Contactora, Solenoid, 24 VDC, 50 AMP
AC201-804	Relay, 5 Prong, 24 VDC, 30 AMP
AC201-805	Solenoid, Choke, 12VDC
AC201-812	Contactora, Relay, 12 VDC, 20/30 AMP
10-00286-00	Relay, 4 Prong, 12 VDC, 40 AMP, With Bracket (Siemens)
10-00286-03	Relay, 5 Prong, 12 VDC, 30 AMP, With Bracket (Siemens or Bosch)
10-00286-08	Relay, 5 Prong, 24 VDC, 20 AMP, With Bracket (Bosch)
10-00286-09	Relay, 5 Prong, 24 VDC, 40 AMP, No Bracket (Siemens)
10-00286-12	Relay, 5 Prong, 24 VDC, 40 AMP, No Bracket (Bosch)
10-00286-14	Relay, 5 Prong, 12 VDC, 50 AMP, With Bracket (Bosch)
10-00286-15	Relay, 5 Prong, 12 VDC, 40 AMP, With Bracket (Tyco)

5.5 SWITCHES

AC201-902
CONNECTOR



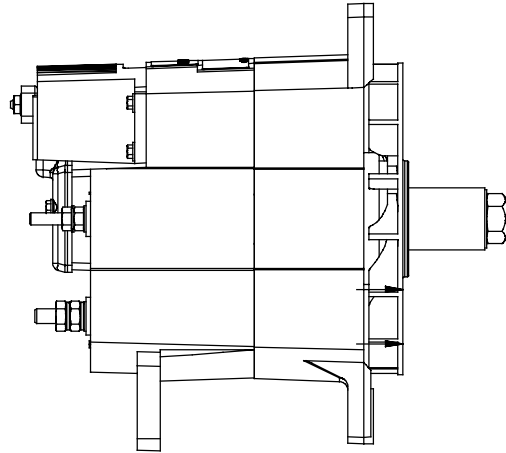
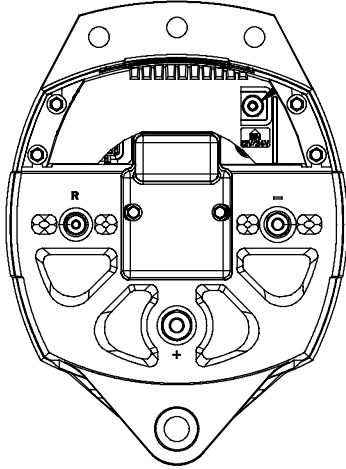
AC201-305
SWITCH

NOTE:
USE AC201-902 CONNECTOR
WITH AC201-305

Part Number	Description
AC201-301	Switch, Toggle, DPDT, (ON-OFF-ON)
AC201-302	Switch, Toggle, SPDT, (ON-OFF-ON)
AC201-303	Switch, Toggle, SPST, (OFF-ON)
AC201-304	Switch, Toggle, SPST, (ON-OFF)
AC201-306	Switch, Toggle, SPDT, (ON-OFF-ON)
AC201-310	Switch, Toggle, DPDT, (ON-OFF)
AC201-305	Switch, Rotary, Heavy Duty, (Double Nuts)
AC201-315	Switch, Starter Lockout, (DM Series)
AC201-308	Nut, Hex, High Shoulder



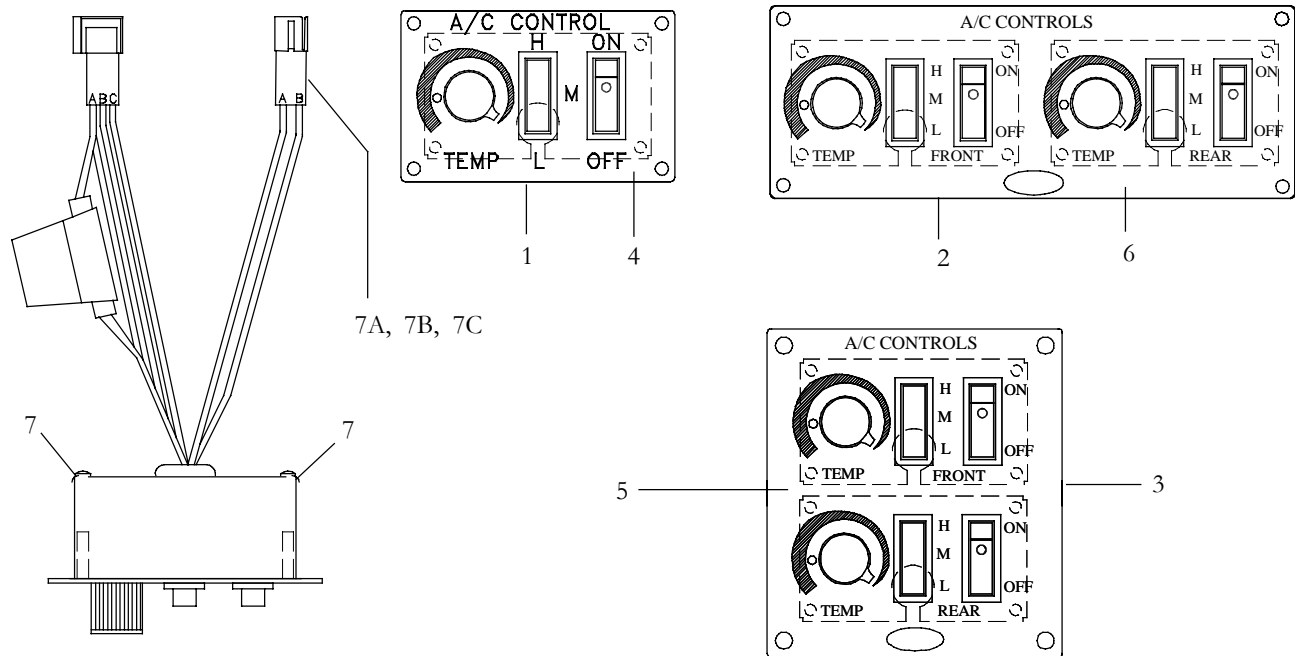
5.6 ALTERNATOR, BATTERYLESS, 24VDC



Part Number	Description
30-62004-00	Alternator, 24 VDC Batteryless



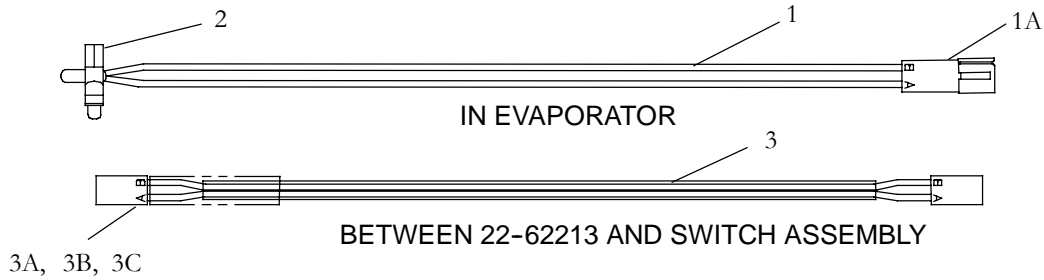
5.7 SWITCH ASSEMBLIES - TEMPCON



Item	Part Number	Description	Qty
1	22-62212-00	Switch Assembly, Tempcon, (Single)	1
2	22-62212-01	Switch Assembly, Tempcon, (Dual, Horizontal)	1
3	22-62212-02	Switch Assembly, Tempcon, (Dual, Vertical)	1
4	68-63540-00	Plate, Face (4 x 2.50)	1
5	68-63644-00	Plate, Face (4.38 x 4.88)	1
6	68-63644-01	Plate, Face (7.50 x 2.75)	1
7	68-63547-00	Cover, Back	2
7A	22-50099-33	Connector	1
7B	22-50099-33A	Terminal	1
7C	22-50099-33B	"TPA"	1

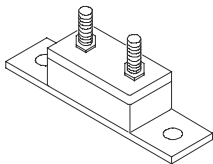


5.8 SENSOR ASSEMBLY (KITS)



Part Number		Description	
N/S	22-62217-00	Kit, Sensor Control, Tempcon - Includes:	1
1	22-62213-00	...Sensor Assembly, Tempcon (13 Inch)	1
1A	22-50099-33	...Connector	1
N/S	68-63559-00	...Bracket, Sensor	1
N/S	58-00065-48	...Grommet, .25 ID x .44 OD	1
N/S	98-62677-00	...Installation Drawing	1
N/S	AC701-300	...Wire Tie, 6 Inch white	1
1	22-62213-01	Sensor Assembly, Tempcon (46 Inch)	1
2	58-62155-00	Clip, Standoff Lock	1
3	22-62214-30	Cable Assembly, Shielded, Tempcon, Florida Control (360 Inches)	1
	22-62214-58	Cable Assembly, Shielded, Tempcon, Florida Control (696 Inches)	1
	22-62214-68	Cable Assembly, Shielded, Tempcon, Florida Control (816 Inches)	1
3A	22-50099-34	Connector	1
3B	22-50099-34B	Terminal	1
3C	22-50099-34C	'TPA'	1



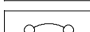
5.9 CIRCUIT BREAKER



CIRCUIT BREAKER COLOR CODE

- 20 AMP - YELLOW DOT
- 30 AMP - GREEN DOT
- 40 AMP - RED DOT
- 50 AMP - WHITE DOT

CIRCUIT BREAKER IDENTIFICATION

-  TYPE III - MANUAL RESET-RESETS WHEN EXTERNAL BUTTON IS PUSHED.
-  TYPE II - RESETS WHEN OVERCURRENT IS CORRECTED OR REMOVED.
-  TYPE I - AUTOMATIC RESET CYCLES CONTINUOUSLY.

Part Number	Description
AC201-109	Circuit Breaker, 0.5 AMP, Manual Reset
AC201-110	Circuit Breaker, 6 AMP, Manual Reset
AC201-121	Circuit Breaker, 20 Amp, Type I
AC201-100	Circuit Breaker, 20 Amp, Type II
AC201-105	Circuit Breaker, 20 AMP, Manual Reset, Type III
AC201-113	Circuit Breaker, 20 Amp, Thermal Reset, (Panel Mount)
AC201-101	Circuit Breaker, 30 Amp, Type II
AC201-106	Circuit Breaker, 30 AMP, Manual Reset, Type III
AC201-119	Circuit Breaker, 40 Amp, Type I
AC201-112	Circuit Breaker, 40 AMP, Manual Reset, Type III
AC201-102	Circuit Breaker, 50 Amp, Type II
AC201-107	Circuit Breaker, 50 AMP, Manual Reset, Type III
AC201-122	Circuit Breaker, 50 Amp, Heavy Duty



5.10 PRESSURE SWITCHES



AC201-400



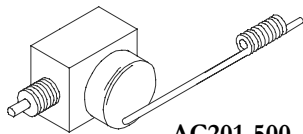
AC201-402



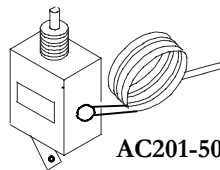
AC201-404

Part Number	Description
AC201-400	Switch, High, Female, 350-250 PSI, (GEN-I & GEN-II)
AC201-408	Switch, High, Female, 400-300 PSI
AC201-414	Switch, High, Female, 400-300 PSI, (GEN III & GEN 4)
AC201-413	Switch, High, Female, 425-325 PSI
AC201-401	Switch, Low, Female, Female O-Ring, GEN I
AC201-404	Switch, Low, Female, 10-25 PSI, (GEN I & GEN II)
AC201-412	Switch, Low, Female, 10-25 PSI, (GEN III & GEN 4)
AC201-409	Switch, Low, Female, 40-80 PSI
AC201-410	Switch, Low, Female, 60 PSI
AC201-402	Switch, Low, Male, (Receiver Drier)
AC201-403	Switch, Oil Pressure, (DM Series)

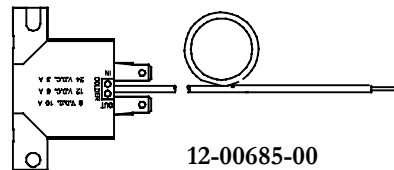
5.11 THERMOSTATS



AC201-500



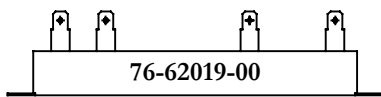
AC201-501



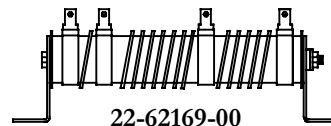
12-00685-00

AC201-500	Thermostat, Air, (With 2 Nuts)
AC201-501	Thermostat, Coil, Insert, (With 2 Nuts)
22-62007-00	Temperature Selector Assembly
12-00685-00	Thermostat, Non-Adjustable, Gen 5

5.12 DIODES-LIGHTS-RESISTORS



76-62019-00



22-62169-00

Part Number	Description
AC201-606	Buzzer, Mini, 12VDC
AC201-600	Diode, In line, 6 AMP
AC201-603	Bulb, Lamp
AC201-602	Lamp holder
AC201-604	Lens, Red
AC201-601	Light, LED, Red, 12 VDC
AC201-616	Light, LED, Red, 24 VDC
AC201-605	Light, Service
AC201-609	Resistor, 1.6 OHM, 3 Post
AC201-610	Resistor, 2.5 OHM, (For AC401-200 Blower Assembly)
AC201-623	Resistor, 1 OHM, With Bracket, (For AC401-205 Blower Assembly)
76-62019-00	Resistor, Kit, 1.8 OHM, 4 Post, GEN 4 Evaporators, (AC201-611)
22-62169-00	Resistor, 0.815 OHM, 220 Watt, 4 Post, Gen V Evaporators, (3 Speed)



5.13 GAUGES-SENDERS	
AC201-700	Hour meter, Round
AC201-701	Voltmeter, Round
AC201-702	Gauge, Oil Pressure, Round (Cummins)
AC201-708	Gauge, Oil Pressure, Round, (Florida Specs.-Cummins)
AC201-709	Gauge, Oil Pressure, Round, (Kubota)
AC201-706	Gauge, Temperature Switch, Round, (Diesel Engine) (Includes: 3/8 Inch NPT Adapter)
AC201-707	Gauge, Temperature Switch, Round, (Gas Engine)
AC201-703	Sender, Oil Pressure, (Florida Specs.-Cummins)

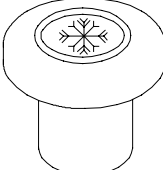
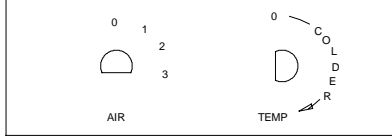
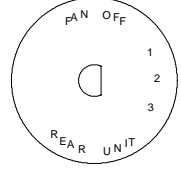
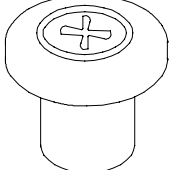
5.14 TERMINAL BOARDS	
22-02897-00	Terminal Board, 3 Position, 300 VDC, 30 Amp
22-02897-01	Terminal Board, 4 Position, 300 VDC, 30 Amp
22-02897-02	Terminal Board, 5 Position, 300 VDC, 30 Amp
22-02897-03	Terminal Board, 6 Position, 300 VDC, 30 Amp
22-02897-04	Terminal Board, 7 Position, 300 VDC, 30 Amp
22-02897-05	Terminal Board, 8 Position, 300 VDC, 30 Amp
22-02897-06	Terminal Board, 9 Position, 300 VDC, 30 Amp
22-02897-07	Terminal Board, 10 Position, 300 VDC, 30 Amp
22-02897-08	Terminal Board, 11 Position, 300 VDC, 30 Amp
22-02897-09	Terminal Board, 12 Position, 300 VDC, 30 Amp
22-02897-10	Terminal Board, 13 Position, 300 VDC, 30 Amp
22-02897-11	Terminal Board, 14 Position, 300 VDC, 30 Amp
22-02897-12	Terminal Board, 15 Position, 300 VDC, 30 Amp
22-02897-13	Terminal Board, 16 Position, 300 VDC, 30 Amp



5.15 HARNESS, ELECTRICAL	
AC201-904	Harness, With Connectors, EM-14, (GEN I)
AC201-905	Harness, Condenser Motor
AC201-910	Harness, Condenser, Black Jacket, (Gen IV)
AC201-921	Harness, Evaporator, Gray X Ft.
AC201-930	Harness, Evaporator, Blue X Ft.
22-62101-00	Cable, Evaporator, Gen 5 - GSA, Orange Jacket
22-62102-00	Cable, Evaporator, Gen 5 - GSA, White Jacket, (EM-3)
22-62103-00	Cable, Condenser, Gen 5 - GSA, Red Jacket

5.16 CONNECTORS, ELECTRICAL	
AC201-901	Connector, Relay Socket, (Use With AC201-931)
AC201-902	Harness With Connector, Fan Speed Switch, (Use With AC201-305)
AC201-928	Stud, Feed-Thru, (DM Series)
AC201-931	Lock, Packard, (Use With AC201-901)
10-50052-00	Block, Junction, Stud-Type, 3/8-16, Black
10-50052-01	Block, Junction, Stud-Type, 3/8-16, Red

5.17 TIES, CABLE	
AC701-300	Tie, Cable, 6 inch, White
AC701-301	Tie, Cable, 15 inch, White
AC701-303	Tie, Cable, Mount

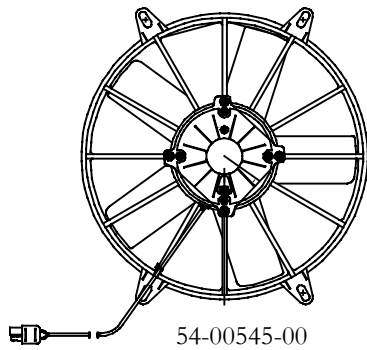
5.18 KNOBS AND SWITCHPLATES			
			
AC202-303	AC202-301	AC202-302	AC202-300

Part Number	Description
AC202-305	Cover, Dressing Nut
AC202-300	Knob, Fan, Rubber
AC202-304	Knob, Pointer, Black, With White Line, (EM-21)
AC202-303	Knob, Snowflake, Rubber
AC202-307	Nut, Hex, Fan Speed Switch
AC202-306	Guard, Switch
AC202-301	Plate, Switch, Rectangular
AC202-302	Plate, Switch, Round, (Rear Fans)
58-62152-00	Plate, Switch, Thermostat

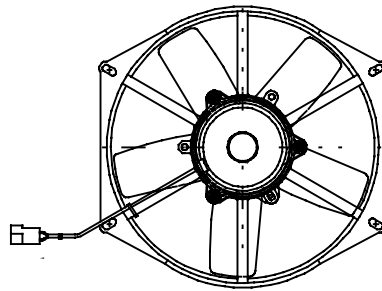
5.19 READING LIGHTS	
22-62054-00	Reading Light, Dual Bulb, 12 VDC, (Gray)



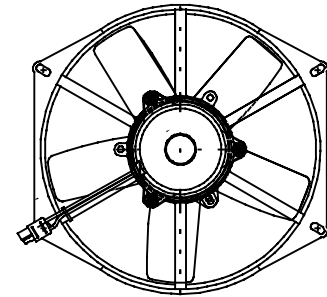
5.20 FAN BLADES AND FAN ASSEMBLIES



54-00545-00

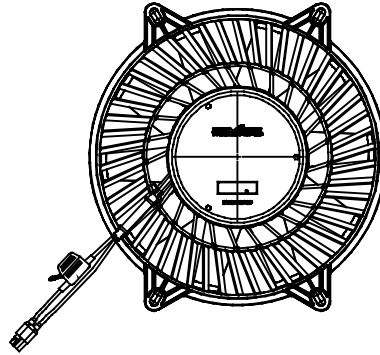
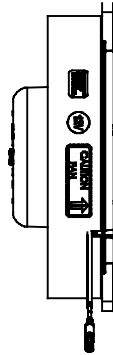


54-00545-01



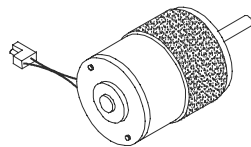
54-00545-02

AC401-100	Blade, Fan, 10 inch, 35, Condenser
N/A	Blade, Fan, 14 inch, Plastic, (Power Pak DM-1 & DM-2) (AC401-102)
AC401-110	Assembly, Fan, Condenser, 11 inch, 12 VDC, (GEN III And GEN 4) Includes:
54-50080-00Motor, Fan, 12 VDC
44-50024-00Clip, Fan Blade
AC401-112	Blade, Fan, Condenser, (CM-8 And CM-13)
CM205-197	Assembly, Fan, Condenser, 11 inch, 24 VDC, (GEN III And GEN 4)
54-00545-00	Assembly, Fan, Condenser, 11 inch, 24 VDC, (SPAL)
54-00618-01	Fan & Motor Assembly, Vector, 12V With 20 Amp Fuse (No Replacement Motor) Includes:
22-02336-25	Fuse, 20 Amp



54-00618-01

5.21 MOTORS

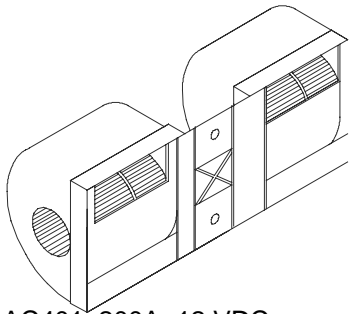


AC501-102 (12 VDC)
AC501-103A, (24 VDC)

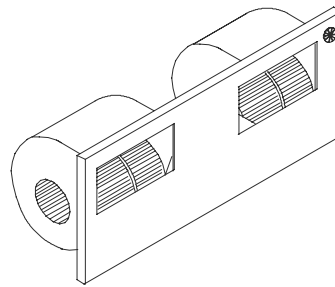
AC501-102A	Motor, Condenser, 12 VDC, 2-1/2 Diameter With Gasket
AC501-103A	Motor, Condenser, 24 VDC, 2-1/2 Diameter With gasket
AC501-122	Motor, Evaporator, 12 VDC, (EM-10 & EM-17) - Includes:
22-50091-00Brush, Motor
04-50023-00Bearing, Motor
AC501-123	Motor, Evaporator, 12 VDC, (CM-6 And CM-13)
54-50080-00	Motor, Condenser, (Replacement for AC401-110)



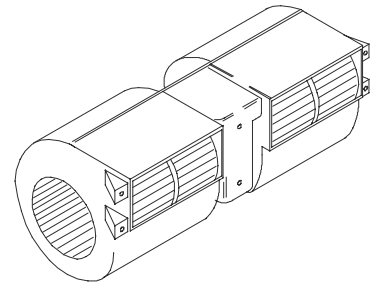
5.22 BLOWER ASSEMBLIES



AC401-200A, 12 VDC
AC401-201A, 24 VDC



54-00546-03

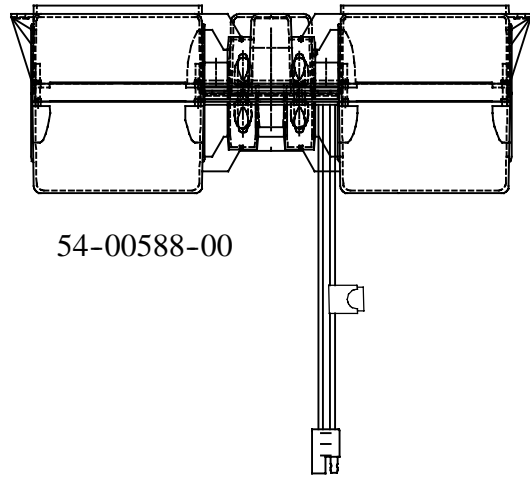
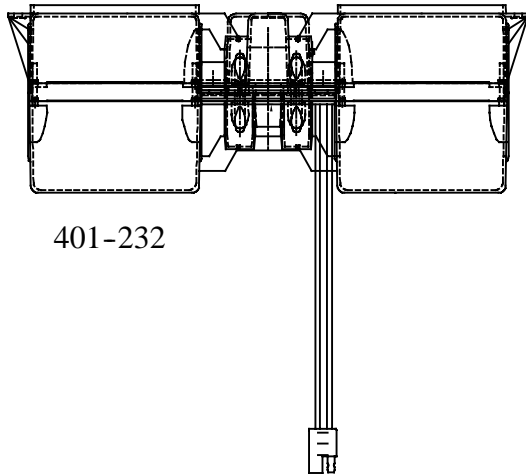
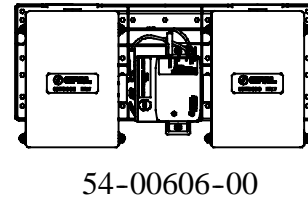
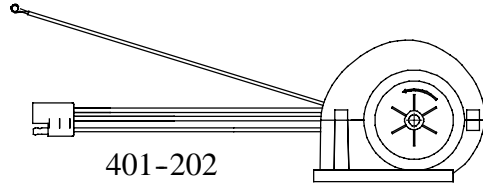
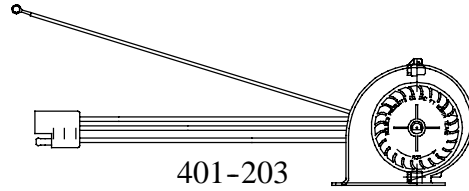
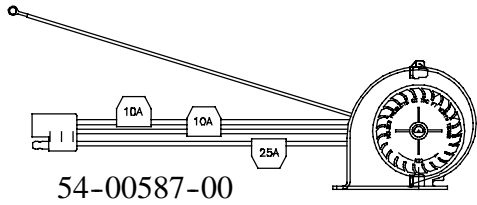


AC401-209A, 12 VDC
AC401-210A, 24 VDC

Part Number	Description
AC401-200A	Assembly, Blower, Dual, 12 VDC, GEN I Replacement Kit
N/A	Assembly, Blower, Dual, 24 VDC, GEN I Replacement Kit (AC401-201A)
AC401-204	Assembly, Blower, Dual, 24 VDC, GEN II, (EM-14)
54-00546-03	Assembly, Blower, Dual, 24 VDC, (EM-21 / EM-22 / EM-30)
AC401-209A	Assembly, Blower, Dual, 12 VDC, GEN II, (EM-1 / EM-2 / EM-3 / EM-6)
AC401-210A	Assembly, Blower, Dual, 24 VDC, GEN II, (EM-1 / EM-2 / EM-3 / EM-6)
AC401-214	Clip, Mounting, Use With 401-200
AC401-215	Blower Wheel, (EM-10)
AC401-216	Blower Housing, (EM-10)
AC401-217	Venturi Ring, (EM-10)
AC401-218	Assembly, Blower, Dual, 12 VDC, (EM-30)
AC401-219	Blower Housing, EM-10, Driver's Side
AC401-220	Blower Wheel, EM-10, Driver's Side
AC401-221	Assembly, Blower, Dual, 12 VDC, GEN III, (EM-1 / EM-2 / EM-3 / EM-6)
AC401-222	Assembly, Blower, Dual, 12 VDC, GEN III, (EM-1 / EM-2 / EM-3 / EM-6)
AC401-228	Assembly, Blower, Dual, 12 VDC, GEN III, (EM-14)
AC401-229	Assembly, Blower, Dual, 24 VDC, GEN III, (EM-14)
AC040-074	Assembly, Blower, Dual, 12 VDC, (EM-21) (Also Replacement Number AC401-202)
AC040-075	Assembly, Blower, Dual, 24 VDC, (EM-21) (Superseded by CM205-004RO)
AC401-202	Assembly, Blower, Dual, 12 VDC, (IW-1)



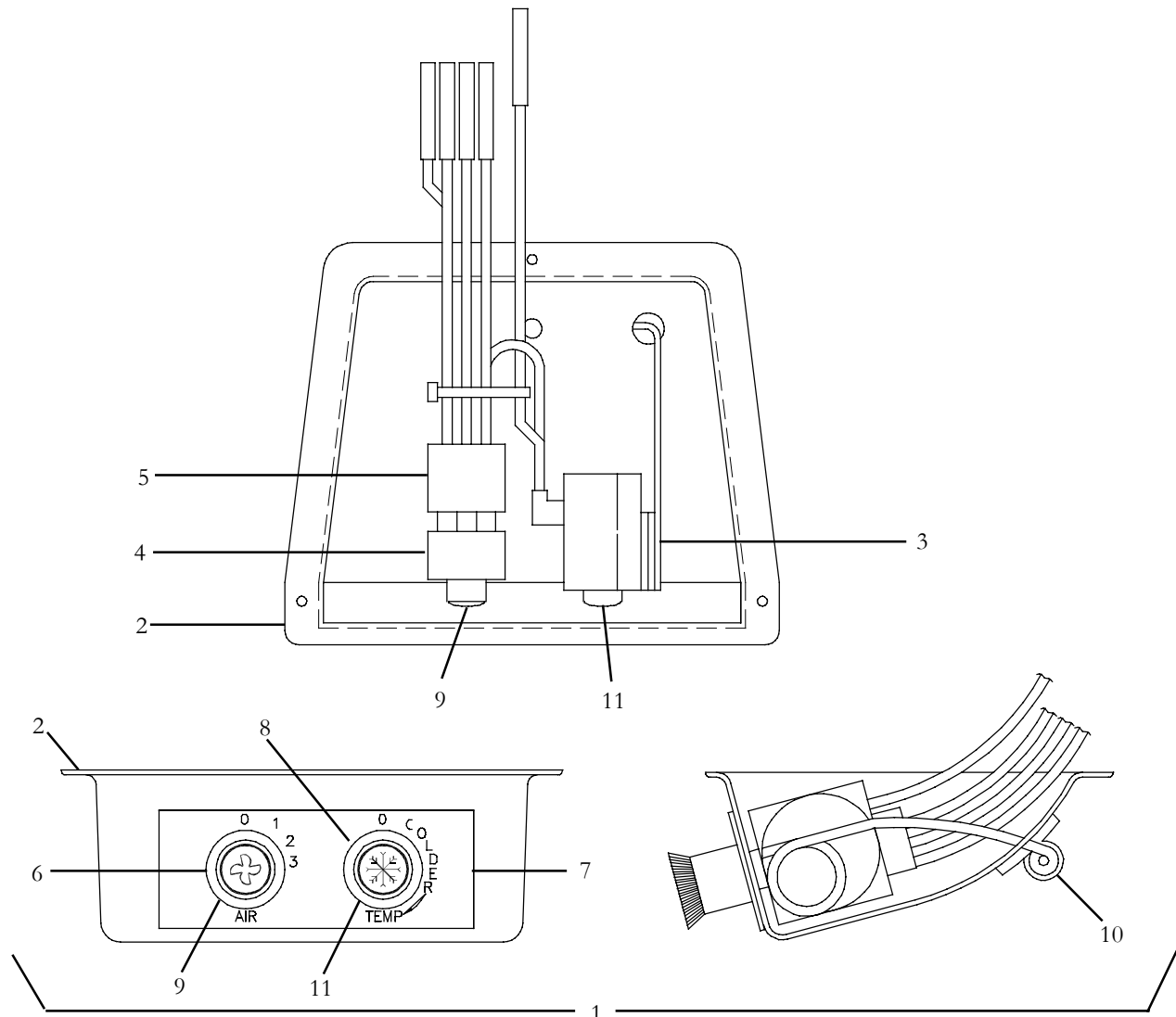
5.22 BLOWER ASSEMBLIES - Continued



Part Number	Description
AC040-074	Fan & Motor Assembly, 12 VDC, EM-21, EM-22 & !W-1
AC401-203	Fan & Motor Assembly, 12 VDC, GEN II, EM-14
AC401-232	Fan & Motor Assembly, 12 VDC, GEN 4, (EM-1 / EM-2 / EM-3 / EM-6)
AC401-233	Fan & Motor Assembly, 24 VDC, GEN 4, (EM-1 / EM-2 / EM-3 / EM-6)
54-00587-00	Fan & Motor Assembly, 12 VDC, Fused, Gen 4, GSA, (EM-14)
54-00588-00	Fan & Motor Assembly, 12 VDC, Fused, Gen 4, GSA
54-00606-00	Fan & Motor Assembly, 12 VDC, Permanent Magnet, IW-7



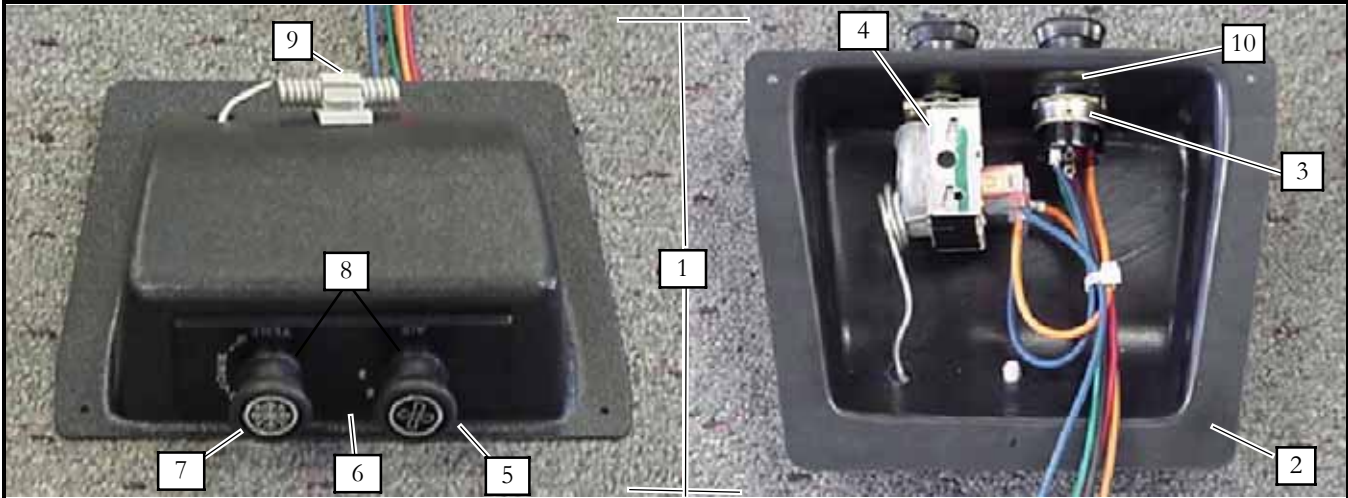
5.23 DRIVERS CONTROL PANEL (GEN 1 THROUGH GEN 4)



Item	Part Number	Description	Qty
1	AC010-006	Assembly, Drivers Control Panel, Includes:	1
2	AC010-204Housing, Control Panel, Black, (Cover)	1
3	AC201-500Thermostat, With Double Nut	1
4	AC201-305Switch, Fan Speed	1
5	AC201-902Harness, With 5 Position Connector, (Fan Speed Switch)	1
6	AC202-300Knob, Fan	1
7	AC202-301Nameplate, plastic, Black	1
8	AC202-303Knob, Snowflake	1
9	AC202-305Nut, Cover, Dressing	2
10	AC701-206Clamp, Thermostat Coil	1
11	AC202-307Nut, Hex, 7/16-28 Thread	2
12	77-62135-00	Kit, Drivers Control Panel, (Items 3 through 11)	1



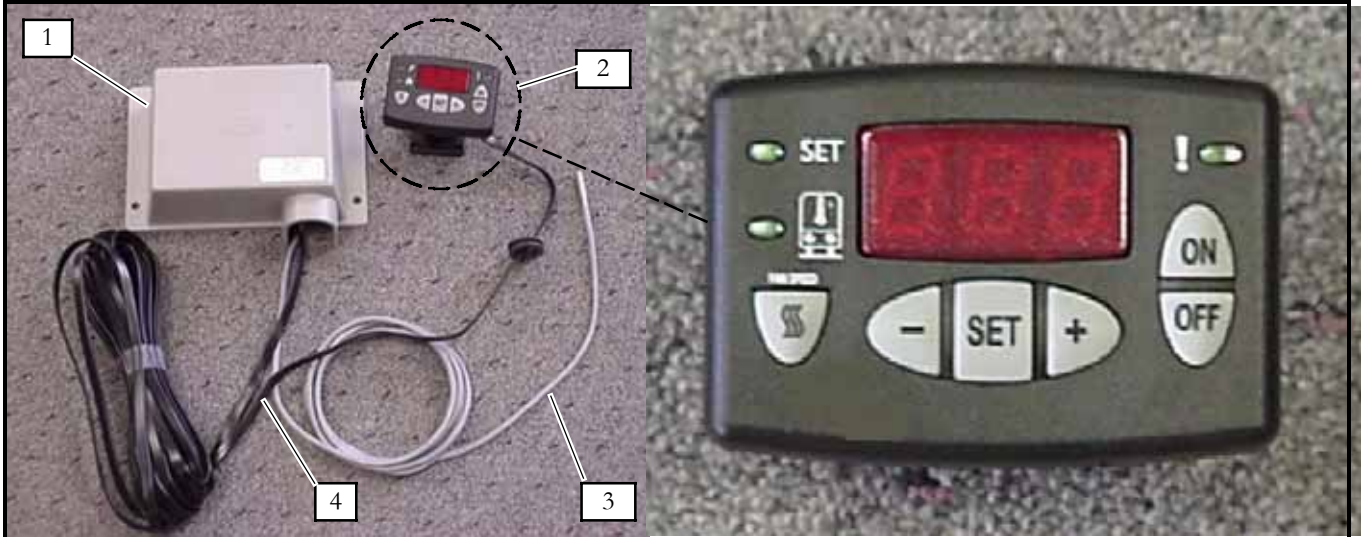
5.24 DRIVERS CONTROL PANEL GEN-5 (VARIABLE)



Item	Part Number	Description	Qty
1	91-62016-00	Assembly, Drivers Control Panel, Consisting Of:	1
2	AC010-204Housing, Control Panel, Black	1
3	22-62131-00Switch, Fan Speed	1
4	AC201-500Thermostat, Control With Double Nut	1
5	AC202-300Knob, Fan	1
6	AC202-301Switchplate, Control Panel, Plastic, Black	1
7	AC202-303Knob, Snowflake	1
8	AC302-305Nut, Cover	2
9	AC701-206Clamp, Thermostat Coil	1
10	AC202-307 Nut, Hex, (Fan Speed Switch)	2



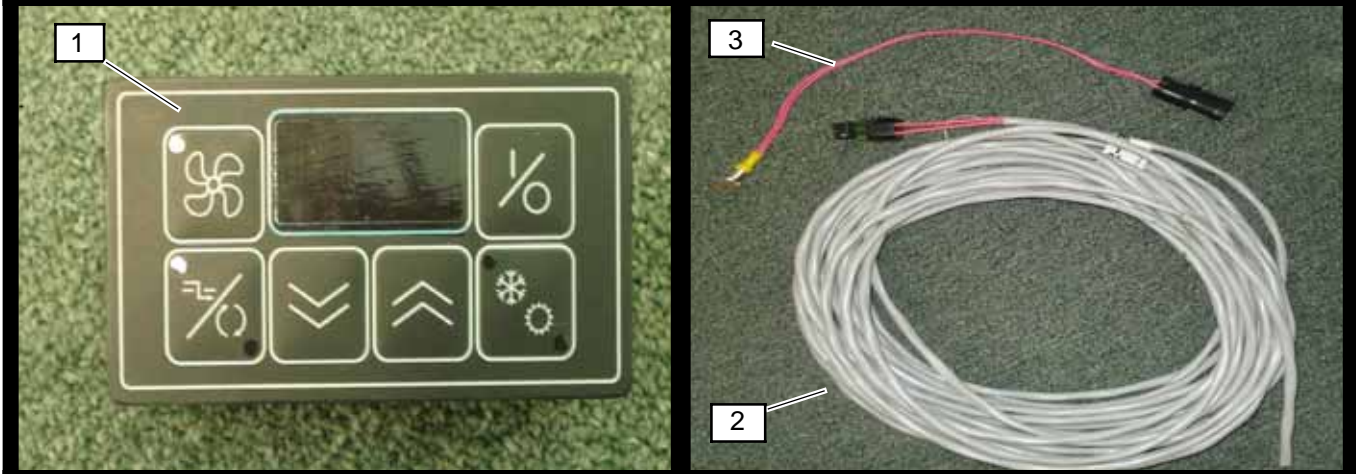
5.25 DRIVERS CONTROL PANEL, (TOTAL CONTROL)



Item	Part Number	Description	Qty
1	12-00567-00	Module, Logic	1
2	12-00570-00	Cab Command	1
3	12-00512-02	Sensor, Thermistor, (50 Ft.)	1
	12-00512-00	Sensor, Thermistor, (6.9 Ft.)	1
4	22-60551-07	Cable, Cab Command, (52 Ft.)	1
	22-60551-06	Cable, Cab Command, (32 Ft.)	1
	22-60168-04	Cable, Cab Command, (32 Ft.)	1
	22-60168-03	Cable, Cab Command, (15 Ft.)	1
N/S	76-62139-00	Sensor Kit, Replacement, Includes:	1
	12-00512-08 Sensor, Thermistor (5 Ft.)	1
	22-01451-00 Butt Splice Connector, Insulated, (16-22 AWG)	2



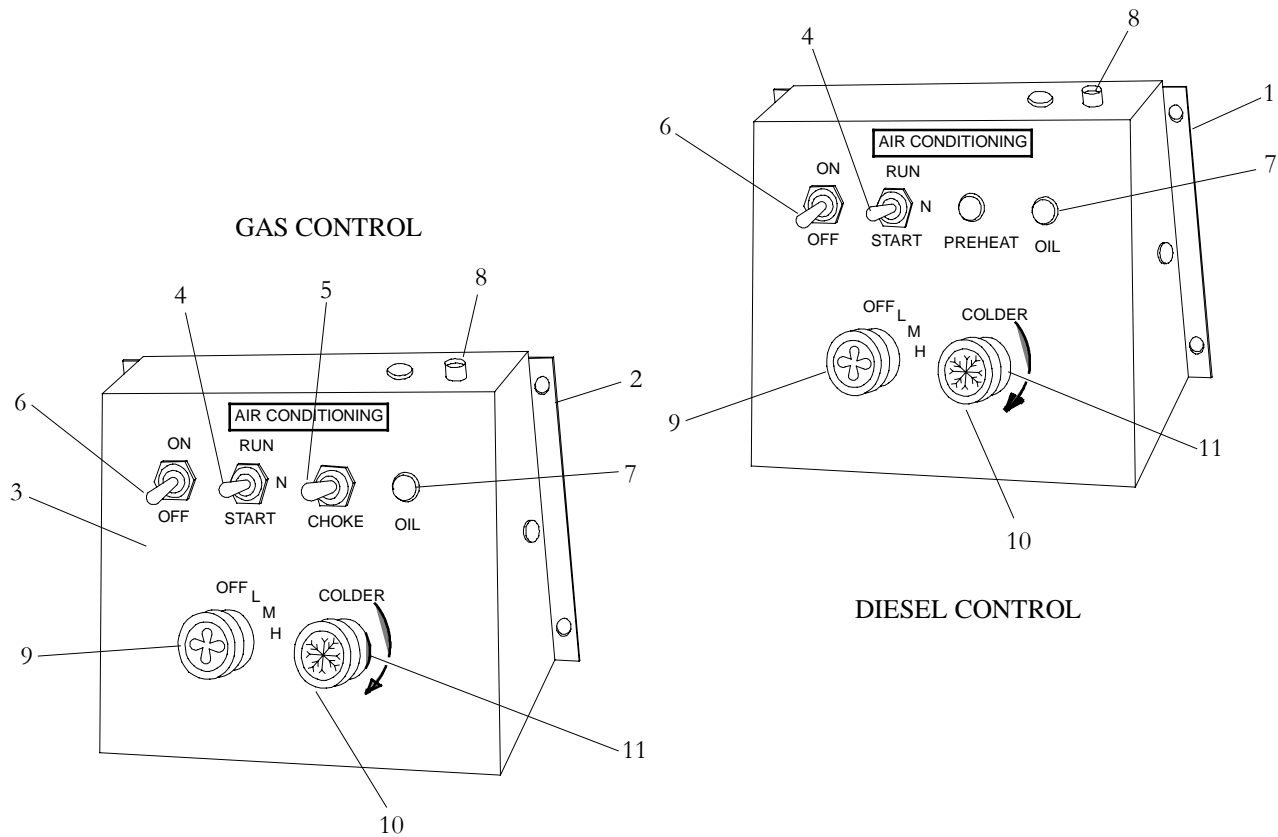
5.26 DRIVERS CONTROL PANEL, (EnviroMATE)



Item	Part Number	Description	Qty
1	12-00672-00	Display, EnviroMATE, Small Bus, Zone 1	1
	12-00672-01	Display, EnviroMATE, EM-17	1
	12-00672-02	Display, EnviroMATE, Rooftop, Brushless Motors	1
	12-00672-03	Display, EnviroMATE, Small Bus, 2 Zone, GSA Qualified	1
2	22-62290-00	Cable Assembly, Thermistor/Sensor (55 ft.)	1
	22-62290-01	Cable Assembly, Thermistor/Sensor (30 ft.)	1
	22-62290-02	Cable Assembly, Thermistor/Sensor (20 ft.)	1
	22-62290-03	Cable Assembly, Thermistor/Sensor (10 ft.)	1
	22-62290-10	Cable Assembly, Thermistor/Sensor (4 ft.), TBB C2	1
3	12-00305-07	Sensor, Thermistor w/connector, (12")	1
N/S	22-62289-00	Bulk Cable, Harness, No Connectors	1



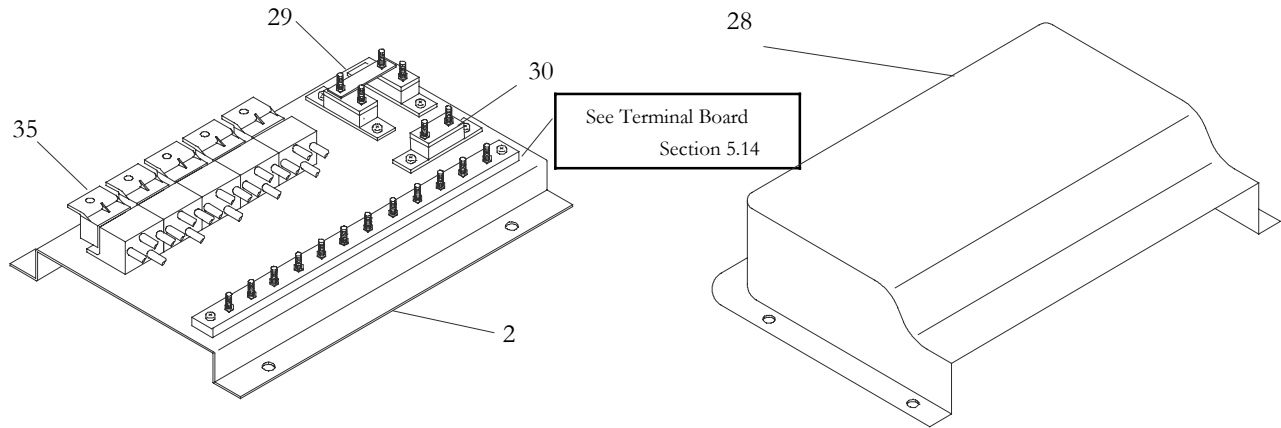
5.27 DRIVERS CONTROL PANEL, POWER PACKS



Item	Part Number	Description	Qty
1	AC063-032	Weldment, Drivers Control, (Diesel)	1
2	AC061-198	Weldment, Drivers control, (Gas)	1
3	AC060-208	Nameplate (Gas)	1
N/S	AC201-108	Resistor, 40 Ohm, 2 Amp, (Gas/Diesel)	1
4	AC201-302	Switch, Toggle, SPDT, (ON-OFF-MOM), (Gas/Diesel)	1
5	AC201-303	Switch, Toggle, SPST, (OFF-MOM), (Gas)	1
6	AC201-304	Switch, Toggle, SPST, (ON-OFF), (Gas/Diesel)	1
N/S	AC201-305	Switch, Fan Speed, (Gas/Diesel)	1
N/S	AC201-500	Thermostat, Air, (Gas/Diesel)	1
7	AC201-601	Light, LED, Red, (Gas/Diesel)	1
8	AC201-607	Lampholder, (Gas/Diesel)	1
N/S	AC201-608	Lamp, Bulb, (Gas/Diesel)	1
N/S	AC201-912	Harness, With 9 Circuit Connector, (Gas/Diesel)	1
N/S	AC201-918	Harness, With 3 Circuit Connector, (Gas/Diesel)	1
9	AC202-300	Knob, Fan, Rubber, (Gas/Diesel)	1
10	AC202-303	Knob, Snowflake, Rubber, (Gas/Diesel)	1
11	AC202-305	Nut, Cover, (Gas/Diesel)	2
N/S	AC701-206	Clamp, thermostat, (Gas/Diesel)	1
N/S	AC801-511	Plug, For 7/16 inch Hole, (Gas)	2



5.28 CONTROL PANEL - AC-340 THROUGH AC-866



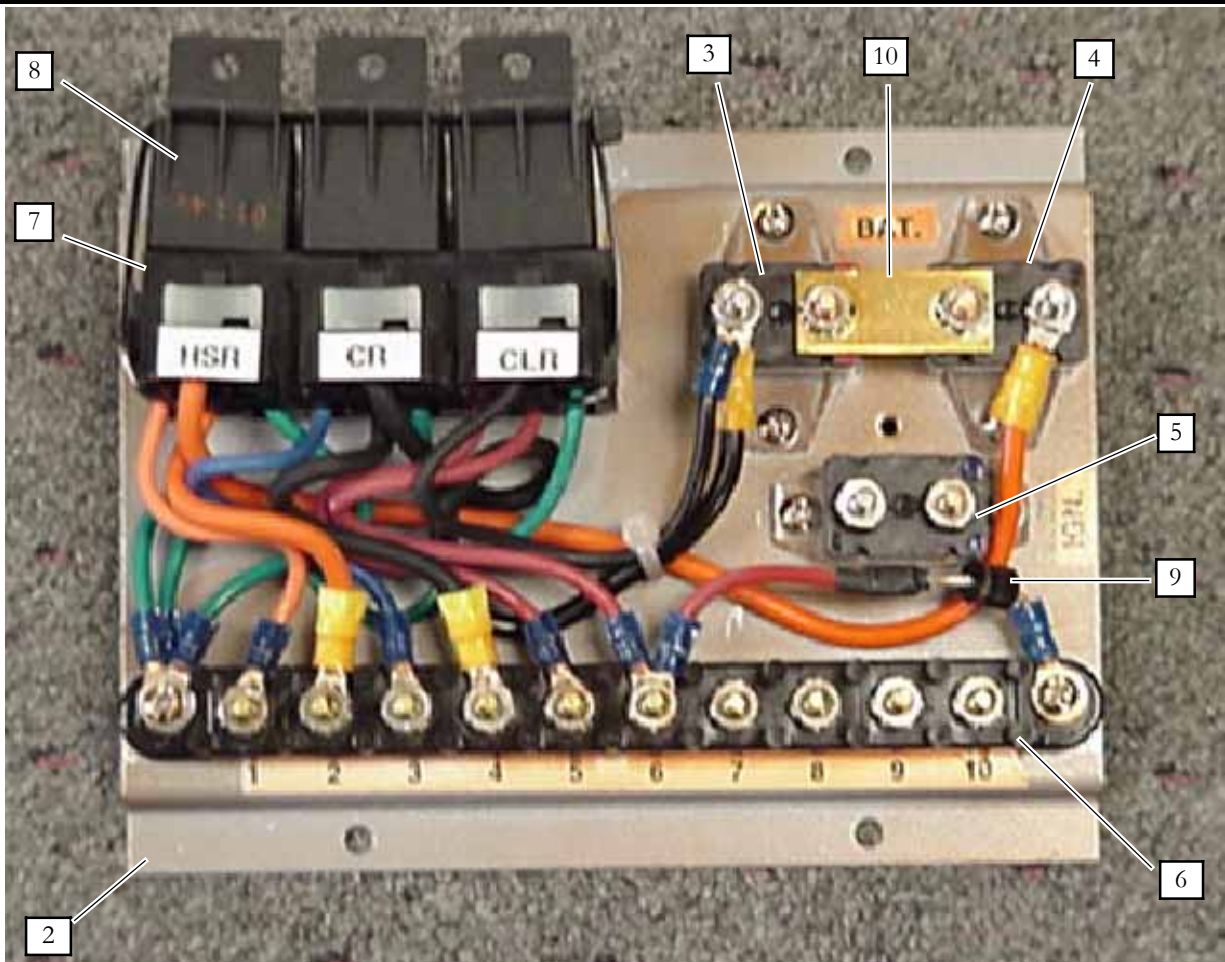
Item	Part Number	Description	Qty
1	AC010-218	Channel, Mounting, Electrical Components, (AC-340 To Ac-663)	A/R
2	AC021-155	Channel, Mounting, Electrical Components, (AC-862 & AC-863)	A/R
3	AC010-223	Assembly, Electrical Panel, #2, AC-552, AC-553, With CLR	A/R
4	AC010-292	Assembly, Electrical Panel, #2, AC-552, AC-553, With CLR, (24 VDC)	A/R
5	AC010-225	Assembly, Electrical Panel, #4, AC-442, AC-444, With CLR	A/R
6	AC010-296	Assembly, Electrical Panel, #4, AC-552, AC-553, With CLR, (24 VDC)	A/R
7	AC010-227	Assembly, Electrical Panel, #6, AC-340, With CLR	A/R
8	AC010-229	Assembly, Electrical Panel, #8, AC-862, AC-863, With CLR	A/R
9	AC010-332	Assembly, Electrical Panel, #8, AC-862, AC-863, With CLR, (24 VDC)	A/R
10	AC010-236	Assembly, Electrical Panel, #9, AC-663, With CLR	A/R
11	AC010-298	Assembly, Electrical Panel, #9, AC-663, With CLR, (24 VDC)	A/R
12	AC010-260	Assembly, Electrical Panel, #11, AC-552, AC-553, With CLR & MSR	A/R
13	AC010-262	Assembly, Electrical Panel, #12, AC-643, With CLR	A/R
14	AC010-312	Assembly, Electrical Panel, AC-866	A/R
15	AC010-378	Assembly, Electrical Panel, AC-862, AC-863, With 2 CLR	A/R
16	AC010-479	Assembly, Electrical Panel, AC-862, AC-863, With 2 CLR & LSR	A/R
17	AC010-560	Assembly, Electrical Panel, GEN 4, #2, AC-552, AC-553, With CLR	A/R
18	AC010-561	Assembly, Electrical Panel, GEN 4, #4, AC-442, AC-444, With CLR	A/R
19	AC010-562	Assembly, Electrical Panel, GEN 4, #2, AC-552/553, With CLR, (24 VDC)	A/R
20	AC010-563	Assembly, Electrical Panel, GEN 4, #6, AC-340, With CLR	A/R
21	AC010-564	Assembly, Electrical Panel, GEN 4, #12, AC-643, With CLR	A/R
22	AC010-565	Assembly, Electrical Panel, GEN 4, #11, AC-552/553, With CLR & MSR	A/R
23	AC010-566	Assembly, Electrical Panel, GEN 4, AC-662, AC-663, With CLR	A/R
24	AC010-567	Assembly, Electrical Panel, GEN 4, AC-662, AC-663, With CLR, (24VDC)	A/R
25	AC010-568	Assembly, Electrical Panel, GEN 4, AC-862, AC-863, With CLR	A/R
26	AC010-569	Assembly, Electrical Panel, GEN 4, AC-862/863, With CLR, (24 VDC)	A/R
27	AC010-570	Assembly, Electrical Panel, GEN 4, AC-862/863, With 2 CLR	A/R
28	AC011-083	Cover, Electrical Panel	A/R
29	AC021-156	Buss Bar, Brass	A/R
30	AC201-100	Circuit Breaker, 20 AMP, (Type II)	A/R



5.28 CONTROL PANEL - AC-340 THROUGH AC-866 - Continued:			
Item	Part Number	Description	Qty
31	AC201-105	Circuit Breaker, 20 AMP, Manual	A/R
32	AC201-106	Circuit Breaker, 30 AMP, Manual	A/R
33	AC201-112	Circuit Breaker, 40 AMP, Manual	A/R
34	AC201-107	Circuit Breaker, 50 AMP, Manual	A/R
35	10-00286-14	Relay, 4 Prong, 12 VDC, 40 AMP	A/R
36	10-00301-00	Relay, 5 Prong, 24 VDC, 10/20 AMP	A/R
37	10-00328-00	Relay, 4 Prong, 12 VDC, 70 AMP	A/R
38	AC201-922	Connector, High Speed Relay	A/R
39	AC201-923	Connector, Condenser Relay	A/R
40	AC201-924	Connector, Clutch Relay	A/R
41	AC201-926	Connector, Medium Speed Relay	A/R



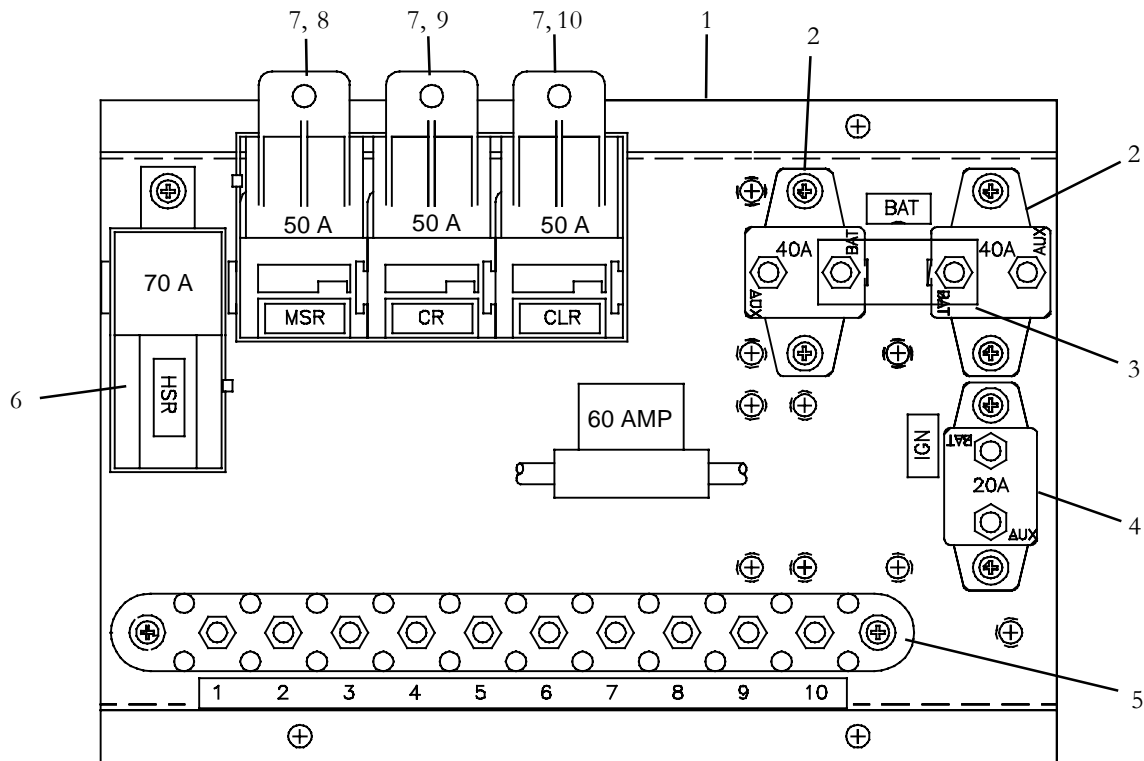
5.29 CONTROL PANEL, STANDARD, GEN V



Item	Part Number	Description	Qty
1	91-62015-00	Panel Assembly, Electrical, 12 VDC, (GenV) Shown Above, Includes:	1
2	AC010-218Channel, Mounting, Electrical Components	1
3	AC201-112Breaker, Circuit, 40 Amp	1
4	AC201-107Breaker, Circuit, 50 Amp	1
5	22-50245-00Breaker, Circuit, 10 Amp	1
6	22-02897-07Board, Terminal, 10 position	1
7	AC201-922Connector, /Lock Assembly, Relay, With Wiring (HSR) - Includes:	1
7A	AC201-901Connector, Relay	1
7B	AC201-931Lock, Connector, Relay	1
7	22-62238-02Connector, /Lock Assembly, Relay, With Wiring (CLR) - Includes:	1
7A	AC201-901Connector, Relay	1
7B	AC201-931Lock, Connector, Relay	1
7	22-62238-03Connector, /Lock Assembly, Relay, With Wiring (CR) - Includes:	1
7A	AC201-901Connector, Relay	1
7B	AC201-931Lock, Connector, Relay	1
8	10-00286-14Relay, 50 Amp, 12 VDC	3
9	AC201-600Diode, 6 Amp, 200 VDC	1
10	AC021-156Buss Bar	1



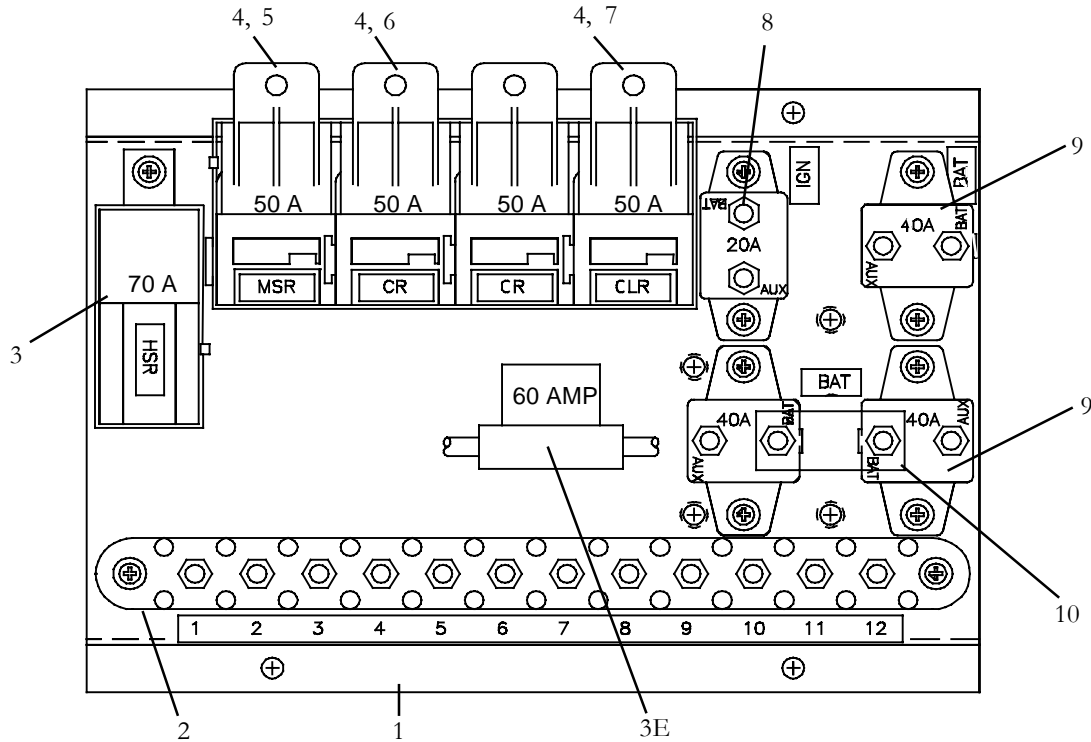
5.30 CONTROL PANEL, AC663



Item	Part Number	Description	Qty
-	91-62017-00	Panel Assembly, Electrical, AC663, 12 VDC, (Shown Above), Includes:	1
1	AC021-155	...Channel, Mounting, Electrical Components	1
2	AC201-112	...Breaker, Circuit, 40 Amp	2
3	AC021-156	... BussBar	1
4	AC201-100	...Breaker, Circuit, 20 Amp	1
5	22-02897-07	...Board, Terminal, 10 Position	1
6	22-62210-01	...Relay/Connector Assembly, With Wiring & Fuse - Includes:	1
6A	10-00328-00Relay, 70 Amp, 12 VDC	1
6B	22-62210-03Connector/Wiring/Fuse Holder Assembly - Includes:	1
6C	22-50078-18Connector, Relay	1
6D	22-62110-00Holder, Fuse, Inline, With Cover	1
6E	22-02336-17Fuse, 60 Amp	1
6F	AC901-513Label, HSR (High Speed Relay)	1
7	10-00286-14	...Relay, 50 Amp, 12 VDC	3
8	22-62238-00	...Connector/Lock Assembly, Relay, With Wiring (MSR) - Includes:	1
8A	AC201-901Connector, Relay	1
8B	AC201-931Lock, Connector, Relay	1
9	22-62238-02	...Connector/Lock Assembly, Relay, With Wiring (CLR) - Includes:	1
9A	AC201-901Connector, Relay	1
9B	AC201-931Lock, Connector, Relay	1
10	22-62238-03	...Connector/Lock Assembly, Relay, With Wiring (CR) - Includes:	1
10A	AC201-901Connector, Relay	1
10B	AC201-931Lock, Connector, Relay	1



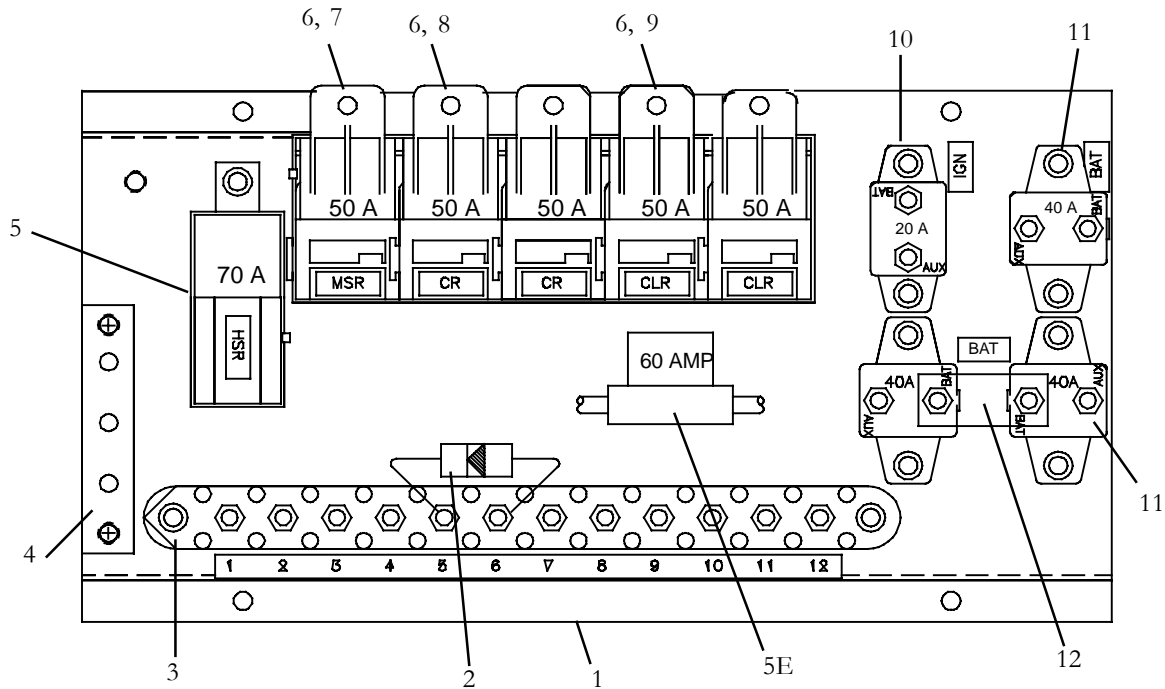
5.31 CONTROL PANEL, AC863, 12 VDC



Item	Part Number	Description	Qty
-	91-62018-00	Panel Assembly, Electrical, AC863, 12 VDC, (Shown Above), Includes:	1
1	AC021-155	...Channel, Mounting, Electrical Components	1
2	AC201-927	...Board, Terminal, 12 position	1
3	22-62210-01	...Relay/Connector Assembly, With Wiring & Fuse - Includes:	1
3A	10-00328-00Relay, 70 Amp, 12 VDC	1
3B	22-62210-03Connector/Wiring/Fuse Holder Assembly - Includes:	1
3C	22-50078-18Connector, Relay	1
3D	22-62110-00Holder, Fuse, INline, With Cover	1
3E	22-02336-17Fuse, 60 Amp	1
3F	AC901-513Label, HSR (High Speed Relay)	1
4	10-00286-14	...Relay, 50 Amp, 12 VDC	4
5	22-62238-00	...Connector/Lock Assembly, Relay, With Wiring (MSR) - Includes:	1
5A	AC201-901Connector, Relay	1
5B	AC201-931Lock, Connector, Relay	1
6	22-62238-02	...Connector/Lock Assembly, Relay, With Wiring (CLR) - Includes:	2
6A	AC201-901Connector, Relay	1
6B	AC201-931Lock, Connector, Relay	1
7	22-62238-03	...Connector/Lock Assembly, Relay, With Wiring (CR) - Includes:	1
7A	AC201-901Connector, Relay	1
7B	AC201-931Lock, Connector, Relay	1
8	AC201-100	...Breaker, Circuit, 20 Amp	1
9	AC201-112	...Breaker, Circuit, 40 Amp	3
10	AC021-156	...Bar, Buss	1



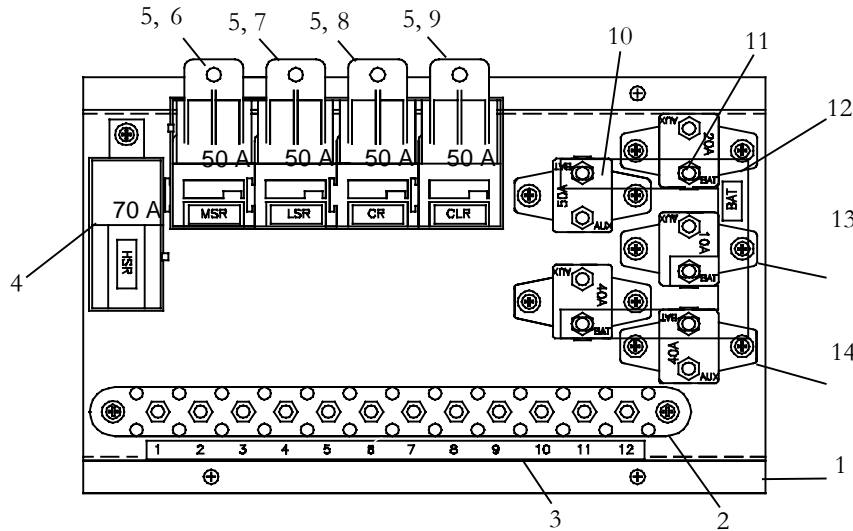
5.32 CONTROL PANEL, AC863 - (2) CL



Item	Part Number	Description	Qty
-	91-62019-00	Panel Assembly, Electrical, AC863, 12 VDC, (Shown Above), Includes:	1
1	AC021-270	...Channel, Mounting, Electrical Components	1
2	AC201-600	...Diode, 6 Amp, 200 VDC	1
3	22-02897-09	...Board, Terminal, 12 position	1
4	22-02897-00	...Board, Terminal, 3 position	1
5	22-62210-01	...Relay/Connector Assembly, With Wiring & Fuse - Includes:	1
5A	10-00328-00Relay, 70 Amp, 12 VDC	1
5B	22-62210-03Connector/Wiring/Fuse Holder Assembly - Includes:	1
5C	22-50078-18Connector, Relay	1
5D	22-62110-00Holder, Fuse, INline, With Cover	1
5E	22-02336-17Fuse, 60 Amp	1
5F	AC901-513Label, HSR (High Speed Relay)	1
6	10-00286-14	...Relay, 50 Amp, 12 VDC	5
7	22-62238-00	...Connector/Lock Assembly, Relay, With Wiring (MSR) - Includes:	1
7A	AC201-901Connector, Relay	1
7B	AC201-931Lock, Connector, Relay	1
8	22-62238-02	...Connector/Lock Assembly, Relay, With Wiring (CLR) - Includes:	2
8A	AC201-901Connector, Relay	1
8B	AC201-931Lock, Connector, Relay	1
9	22-62238-03	...Connector/Lock Assembly, Relay, With Wiring (CR) - Includes:	2
9A	AC201-901Connector, Relay	1
9B	AC201-931Lock, Connector, Relay	1
10	AC201-100	...Breaker, Circuit, 20 Amp	1
11	AC201-112	...Breaker, Circuit, 40 Amp	3
12	AC021-156	...Buss Bar	1



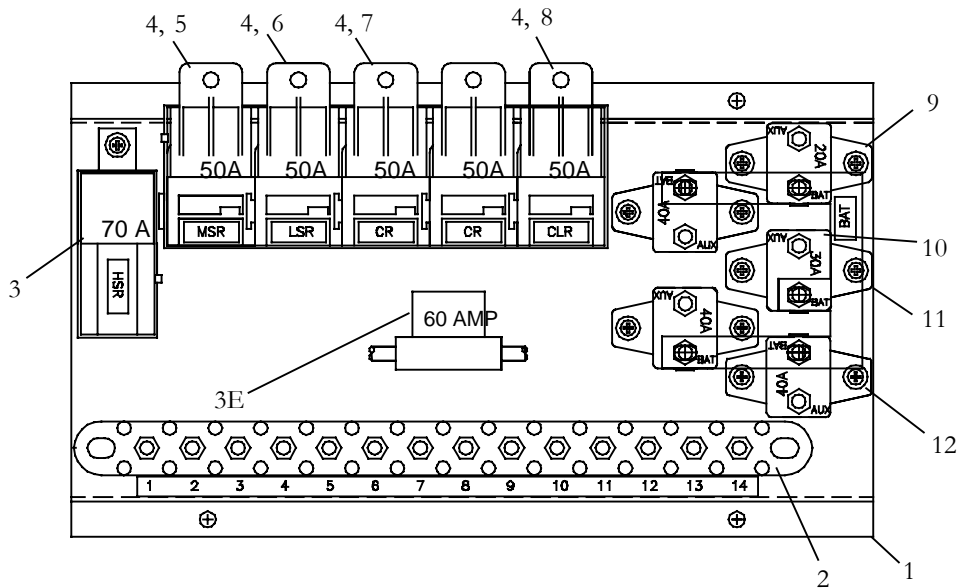
5.33 CONTROL PANEL, GSA



Item	Part Number	Description	Qty
-	91-62022-00	Panel Assembly, Electrical, GSA, 12 VDC, (Shown Above), Includes:	1
1	68-62828-00	...Channel, Mounting, Electrical Components	1
2	22-02897-09	...Board, Terminal, 12 position	1
3	AC901-517	...Label, Terminal Board, 12 Position	1
4	22-62210-01	...Relay/Connector Assembly, With Wiring & Fuse - Includes:	1
4A	10-00328-00Relay, 70 Amp, 12 VDC	1
4B	22-62210-03Connector/Wiring/Fuse Holder Assembly - Includes:	1
4C	22-50078-18Connector, Relay	1
4D	22-62110-00Holder, Fuse, Inline, With Cover	1
4E	22-02336-17Fuse, 60 Amp	1
4F	AC901-513Label, HSR (High Speed Relay)	1
5	10-00286-14	...Relay, 50 Amp, 12 VDC	5
6	22-62238-00	...Connector/Lock Assembly, Relay, With Wiring (MSR) - Includes:	1
6A	AC201-901Connector, Relay	1
6B	AC201-931Lock, Connector, Relay	1
7	22-62238-01	...Connector/Lock Assembly, Relay, With Wiring (LSR) - Includes:	1
7A	AC201-901Connector, Relay	1
7B	AC201-931Lock, Connector, Relay	1
8	22-62238-02	...Connector/Lock Assembly, Relay, With Wiring (CLR) - Includes:	1
8A	AC201-901Connector, Relay	1
8B	AC201-931Lock, Connector, Relay	1
9	22-62238-03	...Connector/Lock Assembly, Relay, With Wiring (CR) - Includes:	1
9A	AC201-901Connector, Relay	1
9B	AC201-931Lock, Connector, Relay	1
10	AC201-107	...Breaker, Circuit, 50 Amp, Manual Reset	1
11	AC201-105	...Breaker, Circuit, 20 Amp, Manual Reset	1
12	68-62860-00	...Buss Bar	1
13	AC201-105-1	...Breaker, Circuit, 10 Amp, Manual Reset	1
14	AC201-112	...Breaker, Circuit, 40 Amp, Manual Reset	2



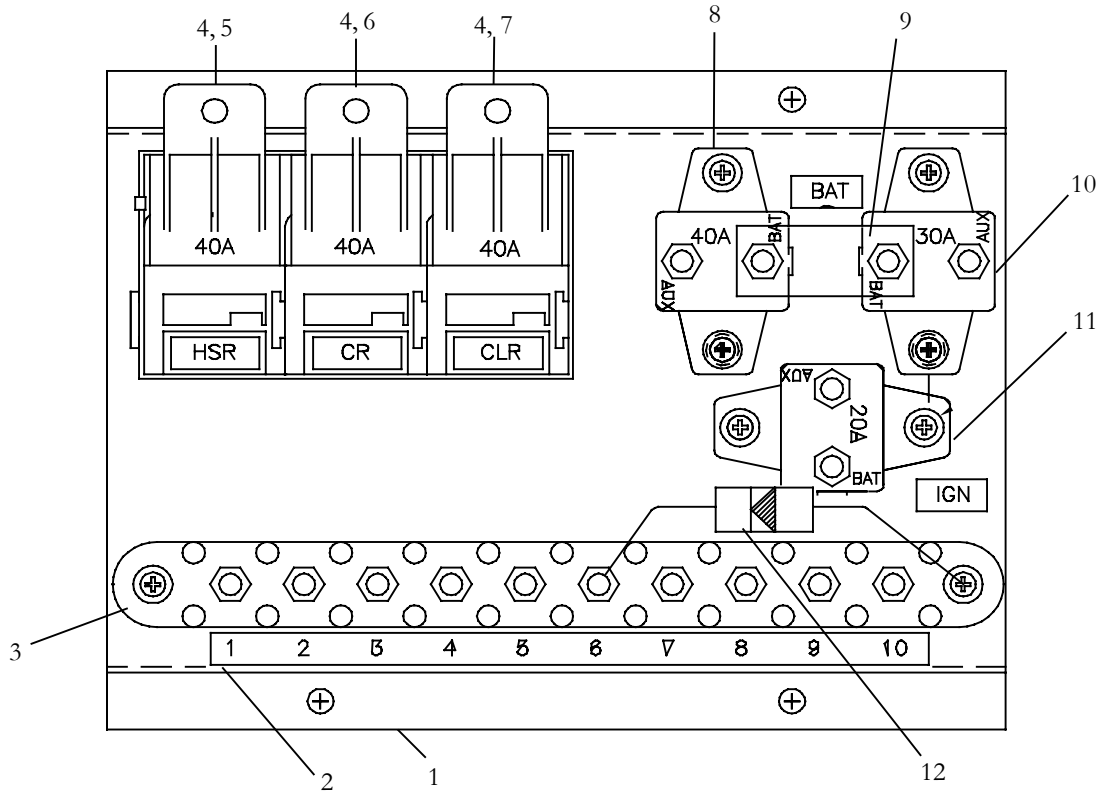
5.34 CONTROL PANEL, EM-3 GSA



Item	Part Number	Description	Qty
-	91-62023-00	Panel Assembly, Electrical, EM-3, GSA 12 VDC, (Above), Includes:	1
1	68-62850-00	...Channel, Mounting, Electrical Components	1
2	22-01344-11	...Board, Terminal, 14 position	1
3	22-62210-01	...Relay/Connector Assembly, With Wiring & Fuse - Includes:	1
3A	10-00328-00Relay, 70 Amp, 12 VDC	1
3B	22-62210-03Connector/Wiring/Fuse Holder Assembly - Includes:	1
3C	22-50078-18Connector, Relay	1
3D	22-62110-00Holder, Fuse, Inline, With Cover	1
3E	22-02336-17Fuse, 60 Amp	1
3F	AC901-513Label, HSR (High Speed Relay)	1
4	10-00286-14	...Relay, 50 Amp, 12 VDC	5
5	22-62238-00	...Connector/Lock Assembly, Relay, With Wiring (MSR) - Includes:	1
5A	AC201-901Connector, Relay	1
5B	AC201-931Lock, Connector, Relay	1
6	22-62238-01	...Connector/Lock Assembly, Relay, With Wiring (LSR) - Includes:	1
6A	AC201-901Connector, Relay	1
6B	AC201-931Lock, Connector, Relay	1
7	22-62238-02	...Connector/Lock Assembly, Relay, With Wiring (CLR) - Includes:	2
7A	AC201-901Connector, Relay	1
7B	AC201-931Lock, Connector, Relay	1
8	22-62238-03	...Connector/Lock Assembly, Relay, With Wiring (CR) - Includes:	1
8A	AC201-901Connector, Relay	1
8B	AC201-931Lock, Connector, Relay	1
9	AC201-105	...Breaker, Circuit, 20 Amp, Manual Reset	1
10	68-62860-00	...Buss Bar	1
11	AC201-106	...Breaker, Circuit, 30 Amp, Manual Reset	1
12	AC201-112	...Breaker, Circuit, 40 Amp, Manual Reset	3



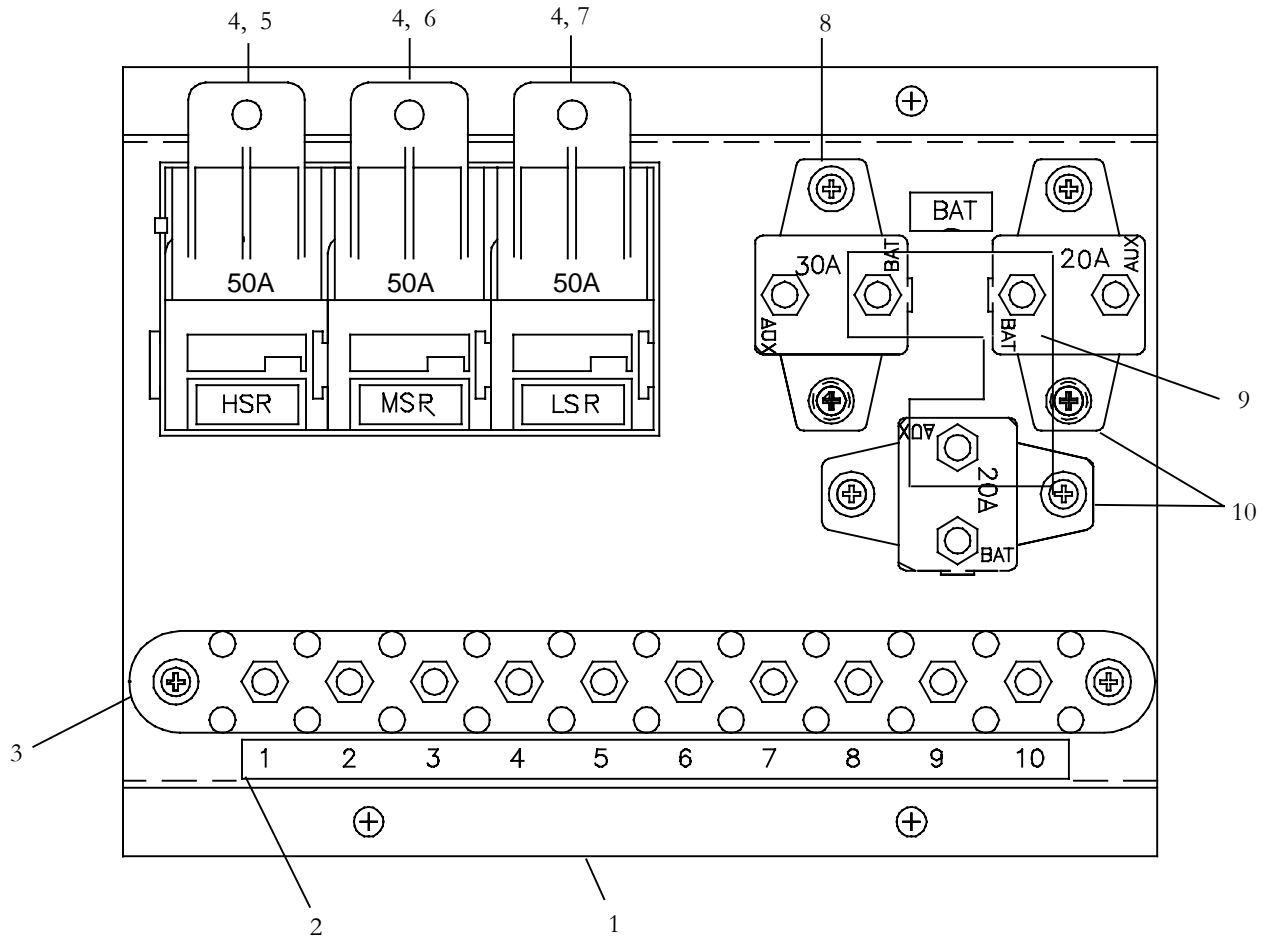
5.35 CONTROL PANEL, AC553, 24VDC, GEN V



Item	Part Number	Description	Qty
-	91-62025-00	Panel Assembly, Electrical, AC553, 24 VDC, (Shown Above) Includes:	1
1	AC010-218Channel, Mounting, Electrical Components	1
2	AC901-514Label, Terminal Board, 10 Position	1
3	22-02897-07Board, Terminal, 10 position	1
4	10-00286-09Relay, 40 Amp, 12 VDC	3
5	AC201-922Connector/Lock Assembly, Relay, With Wiring (HSR) - Includes:	1
5A	AC201-901Connector, Relay	1
5B	AC201-931Lock, Connector, Relay	1
6	22-62238-02Connector/Lock Assembly, Relay, With Wiring (CLR) - Includes:	1
6A	AC201-901Connector, Relay	1
6B	AC201-931Lock, Connector, Relay	1
7	22-62238-03Connector/Lock Assembly, Relay, With Wiring (CR) - Includes:	1
7A	AC201-901Connector, Relay	1
7B	AC201-931Lock, Connector, Relay	1
8	AC201-112Breaker, Circuit, 40 Amp, Manual Reset	1
9	AC021-156 Buss, Bar	1
10	AC201-106Breaker, Circuit, 30 Amp, Manual Reset	1
11	AC201-105Breaker, Circuit, 20 Amp, Manual Reset	1
12	AC201-600Diode, 6 Amp, 200 VDC	1



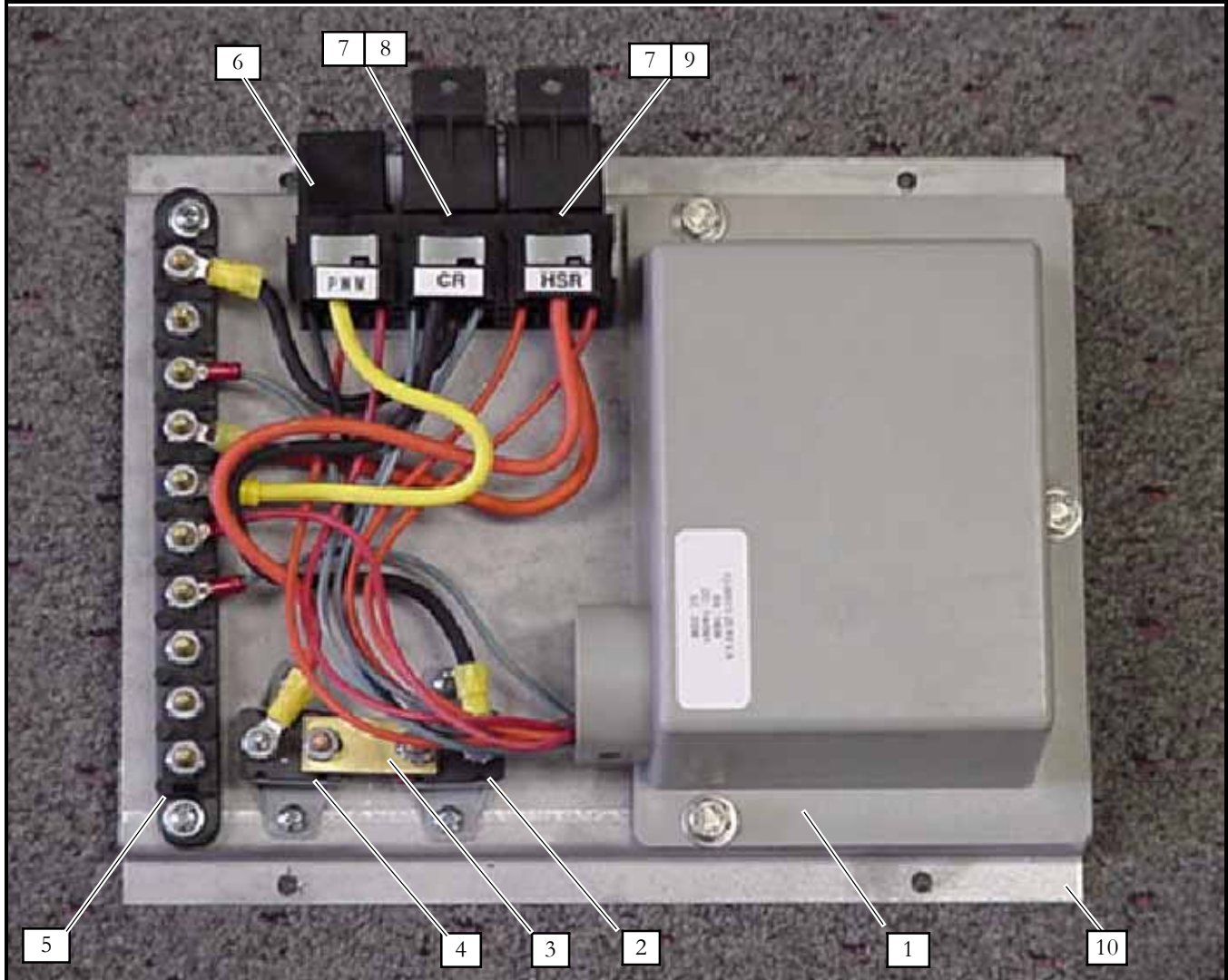
5.36 CONTROL PANEL, GSA TIE-IN



Item	Part Number	Description	Qty
-	91-62027-00	Panel Assembly, Electrical, GSA Tie-In, 12 VDC, (Above), Includes:	1
1	AC010-218Channel, Mounting, Electrical Components	1
2	AC901-514Label, Terminal Board, 10 Position	1
3	22-02897-07Board, Terminal, 10 position	1
4	10-00286-14Relay, 50 Amp, 12 VDC	3
5	AC201-922Connector/Lock Assembly, Relay, With Wiring (HSR) - Includes:	1
5A	AC201-901Connector, Relay	1
5B	AC201-931Lock, Connector, Relay	1
6	22-62238-00Connector/Lock Assembly, Relay, With Wiring (MSR) - Includes:	1
6A	AC201-901Connector, Relay	1
6B	AC201-931Lock, Connector, Relay	1
7	22-62238-01Connector/Lock Assembly, Relay, With Wiring (LSR) - Includes:	1
7A	AC201-901Connector, Relay	1
7B	AC201-931Lock, Connector, Relay	1
8	AC201-106Breaker, Circuit, 30 Amp, Manual Reset	1
9	68-62908-00Buss Bar	1
10	AC201-105Breaker, Circuit, 20 Amp, Manual Reset	2



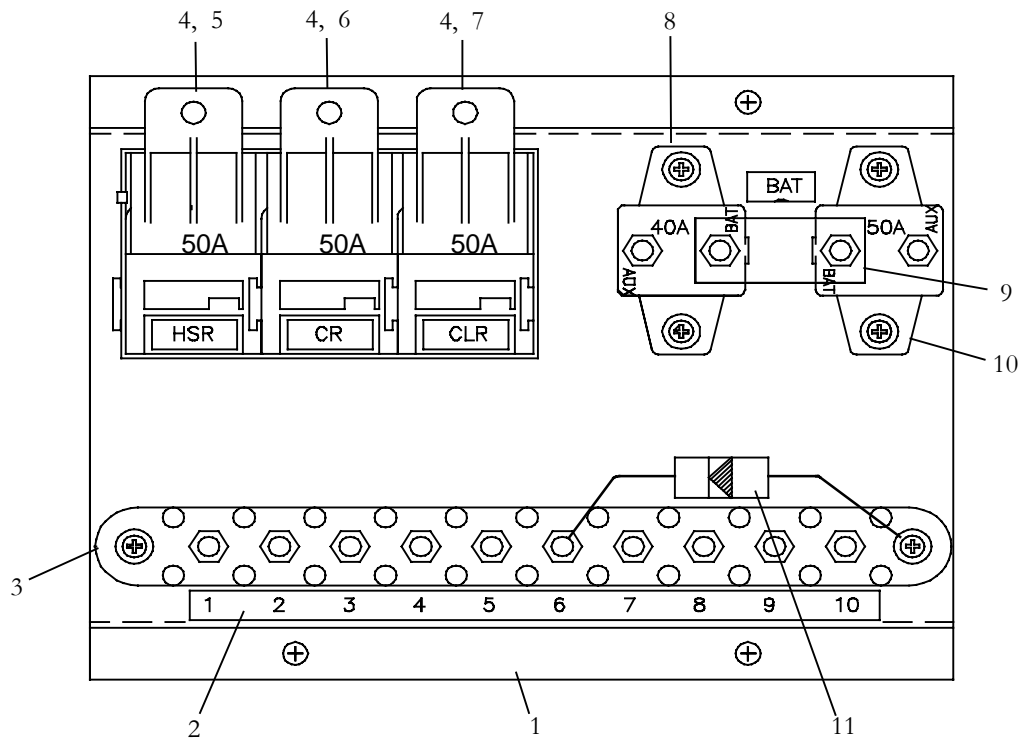
5.37 CONTROL PANEL, TOTAL CONTROL, GEN V (OPTIONAL)



Item	Part Number	Description	Qty
-	91-62028-00	Assembly Panel, Total Control, EM-1, (GenV) Shown Above, Includes:	1
1	12-00567-00Module, Logic	1
2	AC201-112Breaker, Circuit, 40 Amp,	1
3	AC021-156 Buss Bar	1
4	AC201-107Breaker, Circuit, 50 Amp	1
5	22-02897-07Board, Terminal, 10 position	1
6	10-00444-00Relay, Filter, PWM, (Pulse With Modulation)	1
7	AC201-806Relay, 30 Amp, (Condenser & High Speed)	2
8	AC201-922Connector/Lock Assembly, Relay, With Wiring (HSR) - Includes:	1
8A	AC201-901Connector, Relay	1
8B	AC201-931Lock, Connector, Relay	1
9	22-62238-02Connector/Lock Assembly, Relay, With Wiring (CLR) - Includes:	1
9A	AC201-901Connector, Relay	1
9B	AC201-931Lock, Connector, Relay	1
10	68-62923-00Channel, Mounting, Control Panel	1



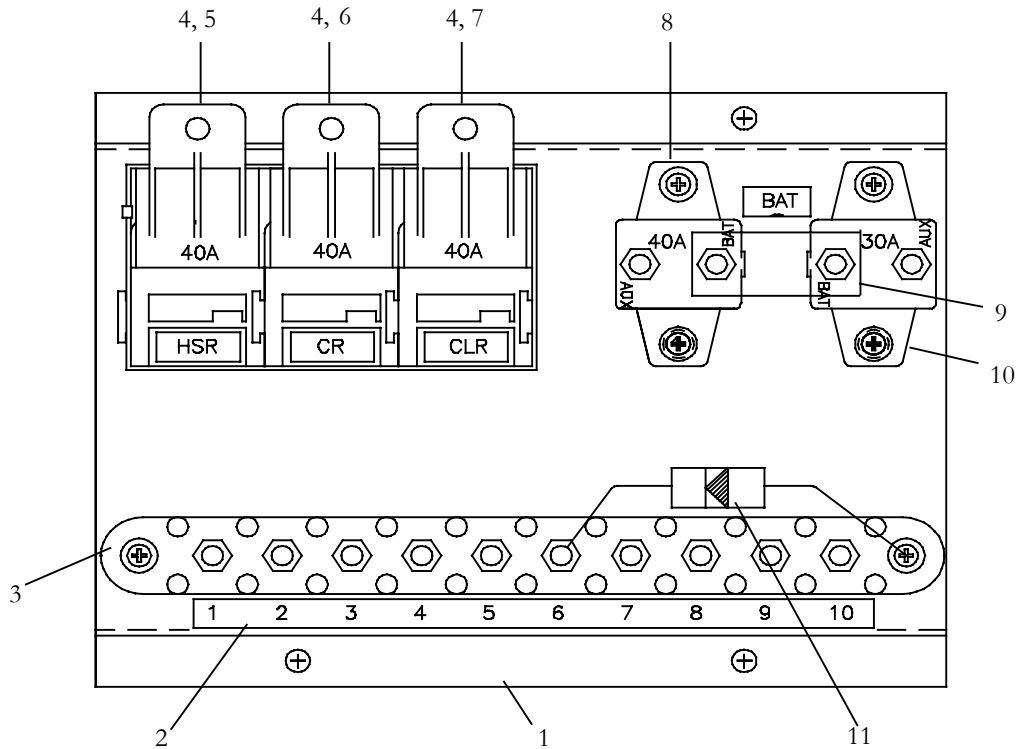
5.38 CONTROL PANEL, EM WITH CM, 12VDC, GEN V



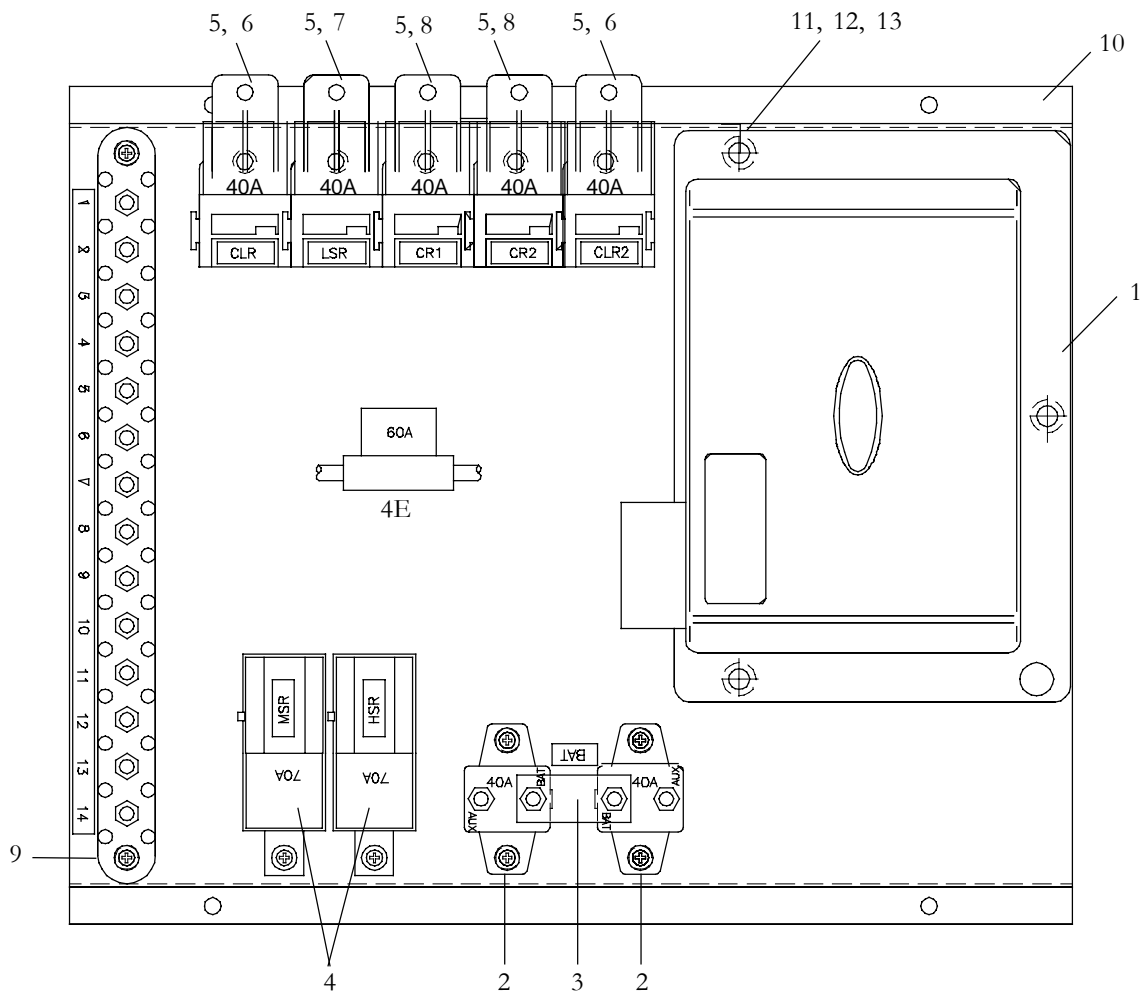
Item	Part Number	Description	Qty
-	91-62030-00	Panel Assy., Electrical, EM With CM, GEN V, 12 VDC, (Above). Includes:	1
1	AC010-218Channel, Mounting, Electrical Components	1
2	AC901-514Label, Terminal Board, 10 Position	1
3	22-02897-07Board, Terminal, 10 position	1
4	10-00286-14Relay, 50 Amp, 12 VDC	3
5	AC201-922Connector/Lock Assembly, Relay, With Wiring (HSR) - Includes:	1
5A	AC201-901Connector, Relay	1
5B	AC201-931Lock, Connector, Relay	1
6	22-62238-02Connector/Lock Assembly, Relay, With Wiring (CLR) - Includes:	1
6A	AC201-901Connector, Relay	1
6B	AC201-931Lock, Connector, Relay	1
7	22-62238-03Connector/Lock Assembly, Relay, With Wiring (CR) - Includes:	1
7A	AC201-901Connector, Relay	1
7B	AC201-931Lock, Connector, Relay	1
8	AC201-112Breaker, Circuit, 40 Amp, Manual Reset	1
9	AC021-156Buss Bar	1
10	AC201-107Breaker, Circuit, 50 Amp, Manual Reset	1
11	AC201-600Diode, 6 Amp, 200 VDC	1



5.39 CONTROL PANEL, EM WITH CM, 24VDC, GEN V



Item	Part Number	Description	Qty
-	91-62031-00	Panel Assembly, Electrical, EM With CM, 24 VDC, (Above), Includes:	1
1	AC010-218Channel, Mounting, Electrical Components	1
2	AC901-514Label, Terminal Board, 10 Position	1
3	22-02897-07Board, Terminal, 10 position	1
4	10-00286-09Relay, 40 Amp, 24 VDC	3
5	AC201-922Connector/Lock Assembly, Relay, With Wiring (HSR) - Includes:	1
5A	AC201-901Connector, Relay	1
5B	AC201-931Lock, Connector, Relay	1
6	22-62238-02Connector/Lock Assembly, Relay, With Wiring (CLR) - Includes:	1
6A	AC201-901Connector, Relay	1
6B	AC201-931Lock, Connector, Relay	1
7	22-62238-03Connector/Lock Assembly, Relay, With Wiring (CR) - Includes:	1
7A	AC201-901Connector, Relay	1
7B	AC201-931Lock, Connector, Relay	1
8	AC201-112Breaker, Circuit, 40 Amp, Manual Reset	1
9	AC021-156Buss, Bar	1
10	AC201-106Breaker, Circuit, 30 Amp, Manual Reset	1
11	AC201-600Diode, 6 Amp, 200 VDC	1

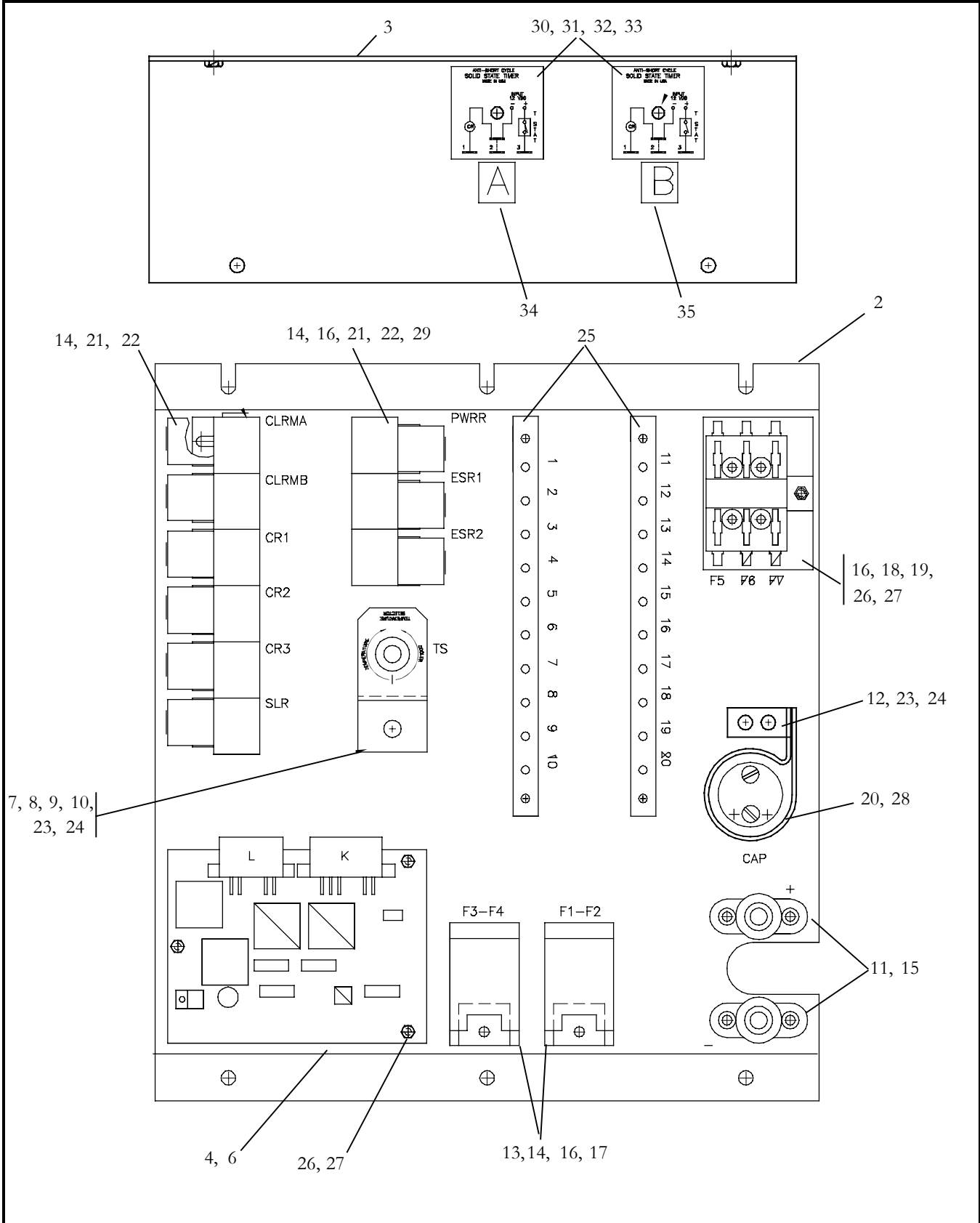
5.40 PANEL ASSEMBLY, TOTAL CONTROL, EM-3, GEN 4


Item	Part Number	Description	Qty
-	91-62032-00	Panel Assembly, Total Control, EM-1, (GenV) Shown Above, Includes:	1
1	12-00567-00	...Module, Logic	1
2	AC201-112	...Breaker, Circuit, 40 Amp, Manual Reset	2
3	AC021-156	...Buss Bar	1
4	22-62210-01	...Relay/Connector Assembly, With Wiring & Fuse - Includes:	1
4A	10-00328-00Relay, 70 Amp, 12 VDC	1
4B	22-62210-03Connector/Wiring/Fuse Holder Assembly - Includes:	1
4C	22-50078-18Connector, Relay	1
4D	22-62110-00Holder, Fuse, Inline, With Cover	1
4E	22-02336-17Fuse, 60 Amp	1
4F	AC901-513Label, HSR (High Speed Relay)	1
5	AC201-806	...Relay, 40 Amp, 12 VDC	5
6	22-62238-02	...Connector/Lock Assembly, Relay, With Wiring (CLR) - Includes:	2
6A	AC201-901Connector, Relay	1



5.40 CONTROL ELECTRICAL PANEL, TOTAL CONTROL, EM-3, (GEN 4) - Continued:			
Item	Part Number	Description	Qty
6B	AC201-931Lock, Connector, Relay	1
7	22-62238-01	...Connector/Lock Assembly, Relay, With Wiring (LSR) - Includes:	1
7A	AC201-901Connector, Relay	1
7B	AC201-931Lock, Connector, Relay	1
8	22-62238-02	...Connector/Lock Assembly, Relay, With Wiring (CLR) - Includes:	2
8A	AC201-901Connector, Relay	1
8B	AC201-931Lock, Connector, Relay	1
9	22-02897-11	...Board, Terminal, 14 Position	1
10	68-62969-00	...Channel, Mounting, Electrical Panel	1
11	34-00655-06	...Bolt, Hex Head, 1/4-20 X 3/4 Inch	3
12	34-00663-11	...Washer, Split Lock, 1/4 Inch	3
13	34-00662-11	...Washer, Flat, 1/4 Inch	3

5.41 CONTROL PANEL, EM-17 SPLIT, KR-4D, (24 VDC)

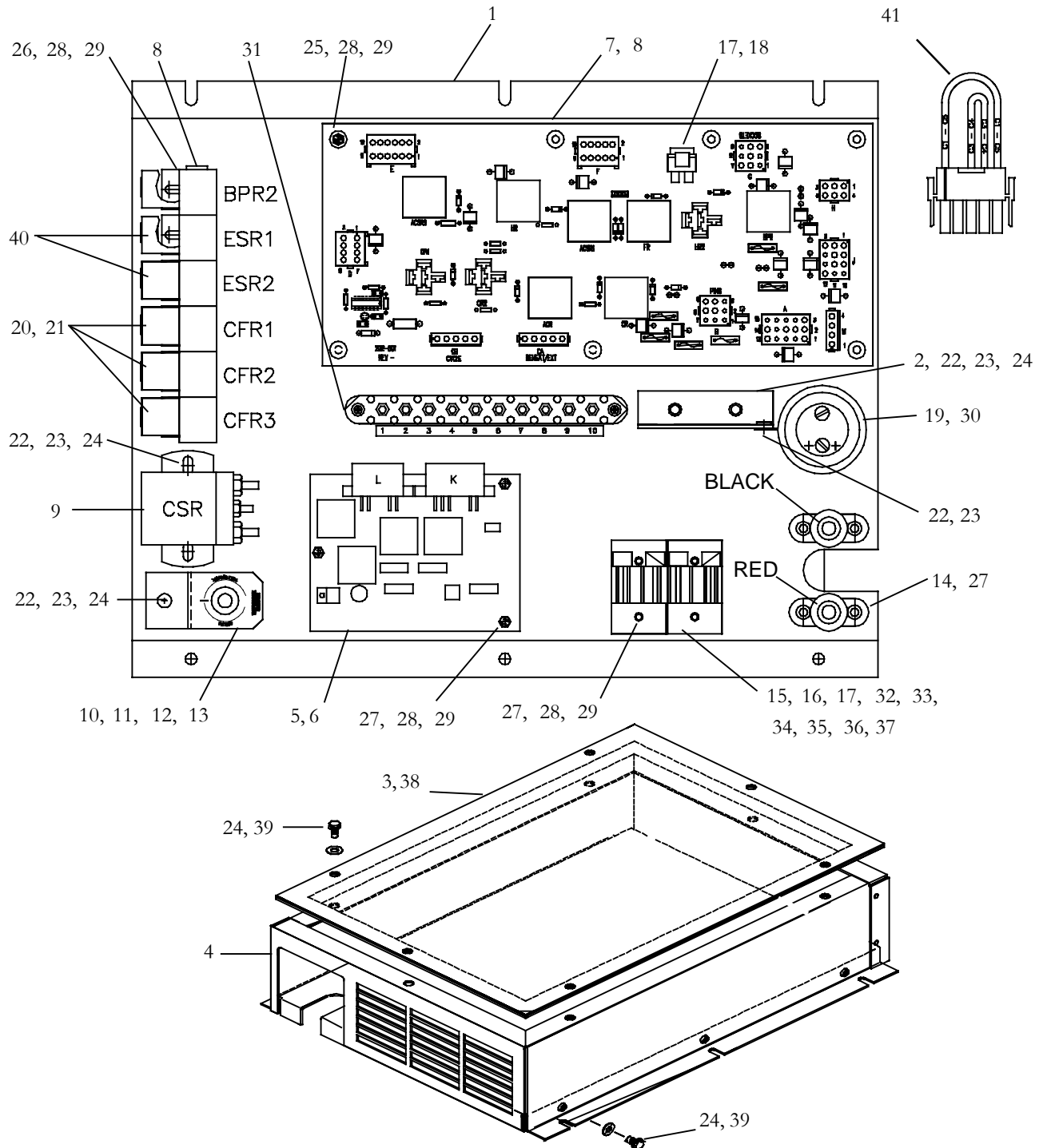




5.41 CONTROL PANEL, EM-17 SPLIT, KR-4D, (24 VDC) - Continued:			
Item	Part Number	Description	Qty
1	91-62035-00	Assembly Panel, EM-17 Split, KR-4D, (24 VDC) - (Above), Includes:	1
2	68-62292-00Panel, Control, EM-17 Split, (Painted)	1
N/S	68-62293-00Panel, Cover, EM-17 Electrical Panel, (Painted)	1
3	68-62294-00Bracket, Electrical Panel, EM-17, (Painted)	1
4	12-00657-00Controller, Temp-4 Relay, W/O Box - Includes:	1
5	10-00286-09Relay, SPDT, 40Amp, 24V	4
6	AC201-508Return Air Probe	1
7	68RM55-1031Label, Temperature selector	1
8	10-00311-00Temperature Selector	1
9	10-00312-00Knob, Temperature Selector	1
10	68RM35-1098PPlate, Switch, New Flyer, (Painted)	1
11	22-50098-91AStud-Type, Junction Block, (3/8-16)	2
12	68-62297-00Bracket, Capacitor, (Painted)	1
13	22-01828-00Fuse Holder (For 22-02336-16)	4
14	66U1-5371Screw, Hex head Slotted, #08-32 X 1/2 Inch, Stainless Steel	11
15	34-06132-02Screw, pan Head, Phillips, #08-32 X 1/2 Inch, Plated	4
16	34-00662-08Washer, Flat, #08 Stainless Steel	18
17	22-02336-16Fuse, 40 Amp, (Use With Fuse Holder 22-01828-00)	4
18	22-01827-01Fuse Holder, 6 PC. Common Ground, (For AC201-123)	1
19	22-02336-06Fuse, 15 Amp, (ATC)	3
20	AC201-634Capacitor, 50 VDC, 18,000 Micro F.	1
21	AC201-901Connector, Relay Socket	10
22	AC201-931Lock, Packard Connector	10
23	34-00655-04Bolt, Hex Head, 1/4-20 X 1/2 Inch, Stainless Steel	14
24	34-00663-11Washer, Split-Lock, 1/4 Inch, Stainless Steel	14
25	22-02897-07Terminal Board, 10 Position	2
26	66U1-5371-12Screw, Hex Head, Slotted, #08-32 X 1 Inch, Stainless Steel	7
27	34-00663-08Washer, Split-Lock, #8 Stainless Steel	7
28	AC701-228Clamp, Insulated, 1-7/8 Inch	1
29	10-00286-03Relay, 12 VDC, 30 Amp	3
30	10-00436-01Lockout, Timer, 24 VDC	2
31	34-00662-11Washer, Flat, 1/4 Inch, Stainless Steel	4
32	34-00655-10Bolt, Hex Head, 1/4-20 X 1-1/4 Inch, Stainless Steel	2
33	34-00361-11Nut, Hex, Lock, (ESNA), 1/4-20 Stainless Steel	2
34	62-62030-00Label, A	1
35	62-62030-01Label, B	1
N/S	AC701-300Tyrap, 6 Inch, White	30



5.42 CONTROL PANEL, EM-17 & CM-5, (WITH HEAT)



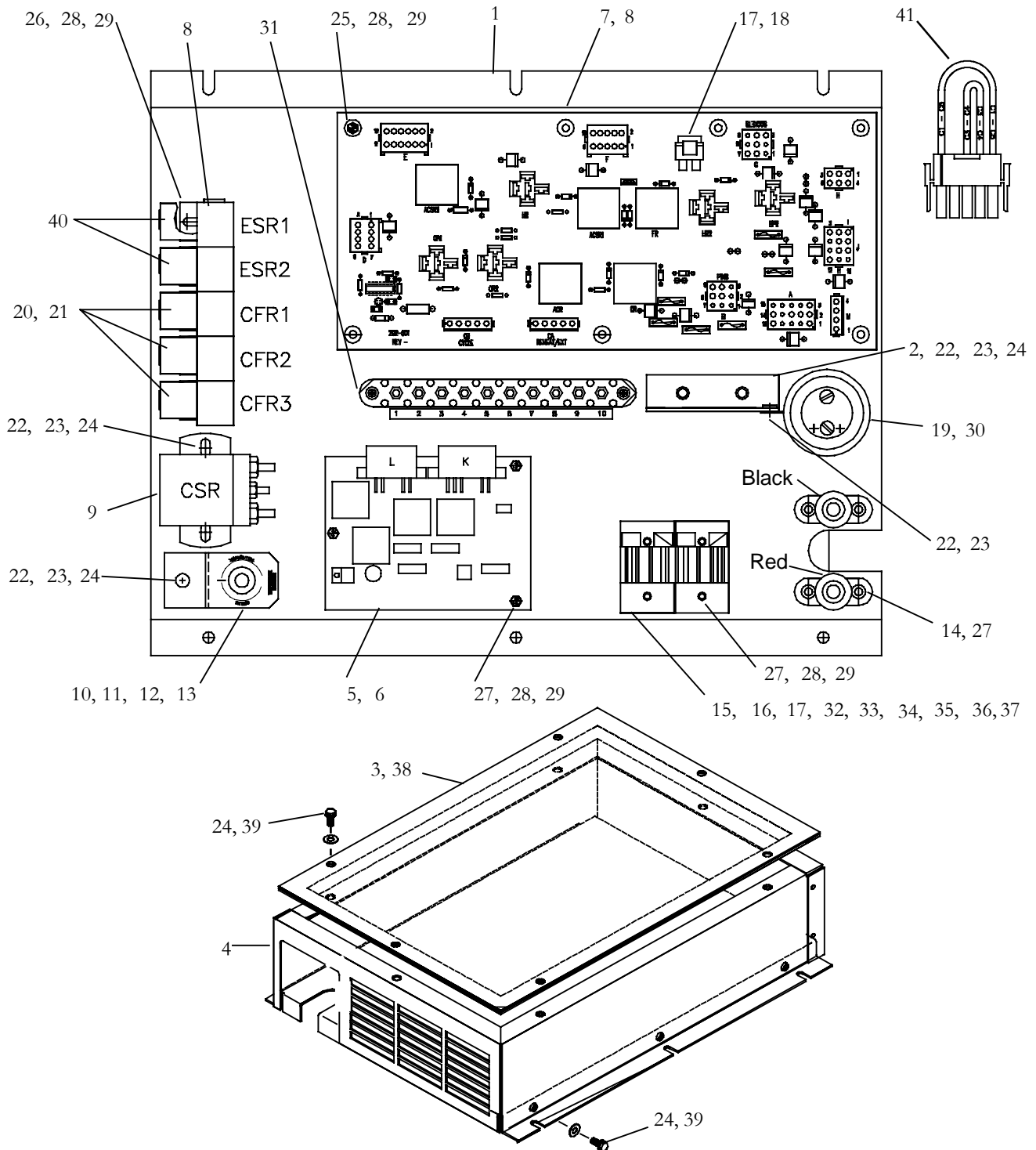
Item	Part Number	Description	Qty
-	91-62011-01	Assembly, Panel, EM-17 With CM-5, (With Heat), Above, Includes:	1
1	68-62088-00Panel, Control, EM-17, (Painted)	1
2	68-62417-00Bracket, Electrical Panel, EM-17, (Painted)	1
3	68-62569-00Plate, EM-17 Control Box	1
4	79-62027-00Assembly, Panel, EM-17 Control Box, (Painted)	1



5.42 CONTROL PANEL, EM-17 & CM-5, (WITH HEAT) - Continued:			
Item	Part Number	Description	Qty
5	12-00657-00Controller, Temp-4 Relay, W/O Box - Includes:	1
5A	10-00286-09Relay, Single Pole, Double Throw, (24 VDC)	4
6	AC201-508Return Air Probe	1
7	AC202-501Relay Board, Fused	1
8	10-00286-09Relay, Single Pole, Double Throw, (24 VDC)	13
9	10-00300-02Solenoid, Normally Open (N.O.), 28 VDC	1
10	68RM55-1031Label, Temperature selector	1
11	10-00311-00Temperature Selector	1
12	10-00312-00Knob, Temperature Selector	1
13	68RM35-1098PPlate, Switch, New Flyer, (Painted)	1
14	10-50052-00Junction Block, Stud-Type, (3/8-16) Black	1
	10-50052-01Junction Block, Stud-Type, (3/8-16) Red	1
15	22-02336-16Fuse, 40 Amp, (Use With Fuse Holder 22-01828)	2
16	22-02336-17Fuse, 60 Amp, (Use With Fuse Holder 22-01828)	1
17	22-02336-06Fuse, 15 Amp, (ATC)	6
18	22-01449-00Clip, Fuse	1
19	AC201-634Capacitor, 50 VDC, 18,000 Micro F.	1
20	AC201-901Connector, Relay Socket	4
21	AC201-931Lock, Packard Connector	4
22	34-00655-04Bolt, Hex Head, 1/4-20 X 1/2 Inch, Stainless Steel	6
23	34-00663-11Washer, Split-Lock, 1/4 Inch, Stainless Steel	6
24	34-00662-11Washer, Flat, 1/4 Inch, Stainless Steel	18
25	66U1-5371-12Screw, Hex Head, Slotted, #08-32 X 1 Inch, Stainless Steel	10
26	66U1-5371Screw, Hex Head, Slotted, #08-32 X 1/2 Inch, Stainless Steel	6
27	AC54AB102Screw, pan Head, Phillips, #08-32 X 1/2 Inch, Plated	8
28	34-00663-08Washer, Split-Lock, #8 Stainless Steel	20
29	34-00662-08Washer, Flat, #08 Stainless Steel	20
30	AC701-228Clamp, Insulated, 1-7/8 Inch	1
31	22-02897-07Terminal Board, 10 Position	1
32	22-62036-00Fuse Holder, 7 Position	1
33	22-62037-00Maxifuse Holder, 4 Position	1
34	22-62038-00Mounting Bracket, (Fuse Holder)	2
35	22-62039-01Secondary Lock, (22-62036-00)	12
36	22-62039-02Secondary Lock, (22-62037-00)	6
37	22-62040-00Locking Wedge, (Fuse Holder)	2
38	42-62021-00Gasket, Plate, EM-17 Control Box	1
39	34-50040-00Bolt, Hex With Split Lock washer, 1/4-20 X 5/8 Inch, Stainless Steel	12
N/S	AC701-300Tyrap, 6 Inch, White	30
40	22-62216-00Connector/Lock Assembly, RElay, With Wiring (ESR) - Includes:	2
40A	AC201-901Connector, Relay	1
40B	AC201-931Lock, Connector, Relay	1
41	AC202-502	Connector, Reheat/Cycle, Jumper	1



5.43 CONTROL PANEL, EM-17 & CM-5



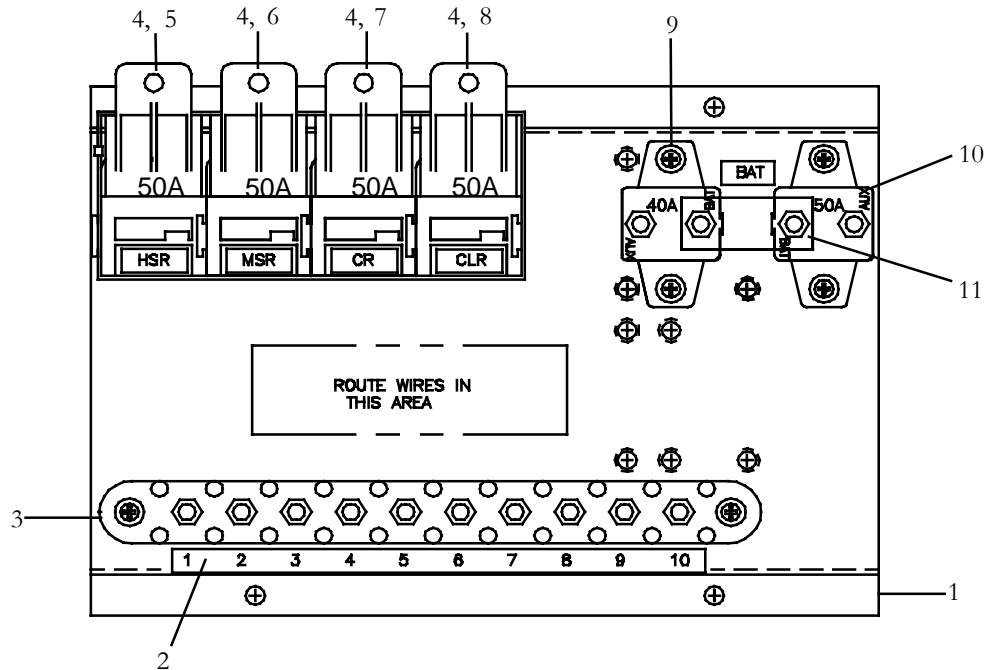
Item	Part Number	Description	Qty
-	91-62011-00	Assembly, Panel, EM-17 With CM-5, Shown Above, Includes:	1
1	68-62088-00Panel, Control, EM-17, (Painted)	1
2	68-62417-00Bracket, Electrical Panel, EM-17, (Painted)	1
3	68-62569-00PLate, EM-17 Control Box	1



5.43 CONTROL PANEL, EM-17 & CM-5 - Continued:			
Item	Part Number	Description	Qty
4	79-62027-00Assembly, Panel, EM-17 Control Box, (Painted)	1
5	12-00657-00Controller, Temp-4 Relay, W/O Box - Includes:	1
5A	10-00286-09Relay, Single Pole, Double Throw, (24 VDC)	4
6	AC201-508Return Air Probe	1
7	AC202-501Relay Board, Fused	1
8	10-00286-09Relay, Single Pole, Double Throw, (24 VDC)	10
9	10-00300-02Solenoid, Normally Open (N.O.), 28 VDC	1
10	68RM55-1031Label, Temperature selector	1
11	10-00311-00Temperature Selector	1
12	10-00312-00Knob, Temperature Selector	1
13	68RM35-1098PPlate, Switch, New Flyer, (Painted)	1
14	10-50052-00Junction Block, Stud-Type, (3/8-16) Black	1
	10-50052-01Junction Block, Stud-Type, (3/8-16) Red	1
15	22-02336-16Fuse, 40 Amp, (Use With Fuse Holder 22-01828)	2
16	22-02336-17Fuse, 60 Amp, (Use With Fuse Holder 22-01828)	1
17	22-02336-06Fuse, 15 Amp, (ATC)	6
18	22-01449-00Clip, Fuse	1
19	AC201-634Capacitor, 50 VDC, 18,000 Micro F.	1
20	AC201-901Connector, Relay Socket	3
21	AC201-931Lock, Packard Connector	3
22	34-00655-04Bolt, Hex Head, 1/4-20 X 1/2 Inch, Stainless Steel	6
23	34-00663-11Washer, Split-Lock, 1/4 Inch, Stainless Steel	6
24	34-00662-11Washer, Flat, 1/4 Inch, Stainless Steel	18
25	66U1-5371-12Screw, Hex Head, Slotted, #08-32 X 1 Inch, Stainless Steel	10
26	66U1-5371Screw, Hex Head, Slotted, #08-32 X 1/2 Inch, Stainless Steel	5
27	AC54AB102Screw, pan Head, Phillips, #08-32 X 1/2 Inch, Plated	8
28	34-00663-08Washer, Split-Lock, #8 Stainless Steel	19
29	34-00662-08Washer, Flat, #08 Stainless Steel	19
30	AC701-228Clamp, Insulated, 1-7/8 Inch	1
31	22-02897-07Terminal Board, 10 Position	1
32	22-62036-00Fuse Holder, 7 Position	1
33	22-62037-00Maxifuse Holder, 4 Position	1
34	22-62038-00Mounting Bracket, (Fuse Holder)	2
35	22-62039-01Secondary Lock, (22-62036-00)	12
36	22-62039-02Secondary Lock, (22-62037-00)	6
37	22-62040-00Locking Wedge, (Fuse Holder)	2
38	42-62021-00Gasket, Plate, EM-17 Control Box	1
39	34-50040-00Bolt, Hex With Split Lock washer, 1/4-20 X 5/8 Inch, Stainless Steel	12
N/S	AC701-300Tyrap, 6 Inch, White	30
40	22-62216-00Connector/Lock Assembly, Relay, With Wiring (ESR) - Includes:	2
40A	AC201-901Connector, Relay	1
40B	AC201-931Lock, Connector, Relay	1
41	AC202-502	Connector, Reheat/Cycle, Jumper	1



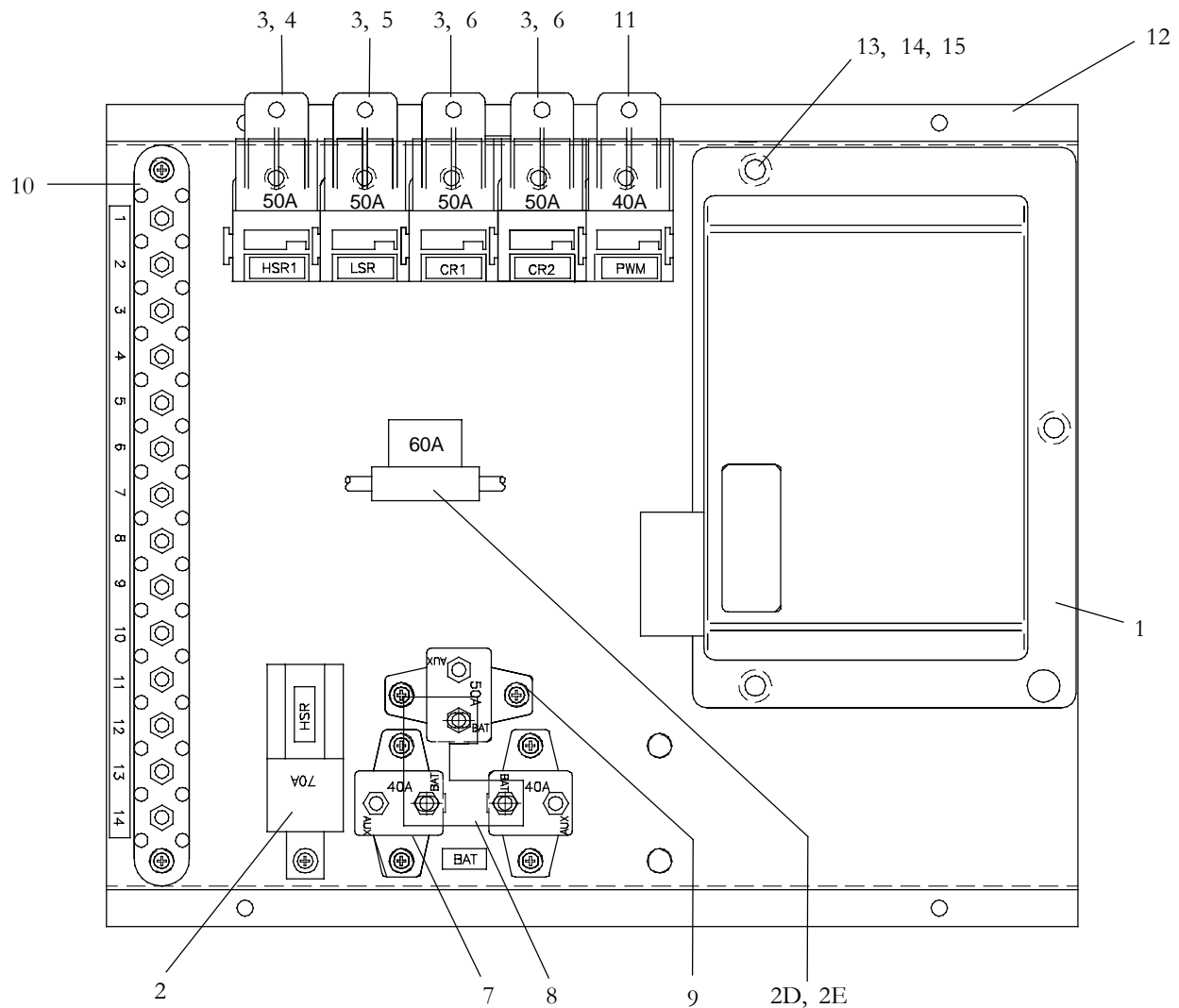
5.44 PANEL, CONTROL, 3-SPEED OPTION, (GEN 5)



Item	Part Number	Description	Qty
-	91-62040-00	Panel Assembly, Electrical, 3-Speed Option, Gen V, - Includes:	1
1	AC021-155Channel, Mounting, Electrical Components	1
2	AC901-514Label, Terminal Board, 10 Position	1
3	22-02897-07Board, Terminal, 10 Position	1
4	10-00286-14Relay, 50 Amp, 12 VDC	4
5	AC201-922Connector/Lock Assembly, Relay, With Wiring (HSR) - Includes:	1
5A	AC201-901Connector, Relay	1
5B	AC201-931Lock, Connector, Relay	1
6	22-62238-00Connector/Lock Assembly, Relay, With Wiring (MSR) - Includes:	2
6A	AC201-901Connector, Relay	1
6B	AC201-931Lock, Connector, Relay	1
7	22-62238-02Connector/Lock Assembly, Relay, With Wiring (CLR) - Includes:	2
7A	AC201-901Lock, Connector, Relay	1
7B	AC201-931Lock, Connector, Relay	1
8	22-62238-03Connector/Lock Assembly, Relay, With Wiring (CR) - Includes:	2
8A	AC201-901Lock, Connector, Relay	1
8B	AC201-931Lock, Connector, Relay	1
9	AC201-112Breaker, Circuit, 40 Amp, Manual Reset	1
10	AC201-107Breaker, Circuit, 50 Amp, Manual Reset	1
11	AC021-156Buss Bar	1



5.45 PANEL ASSEMBLY, (GEN 5), EM-3, TOTAL CONTROL

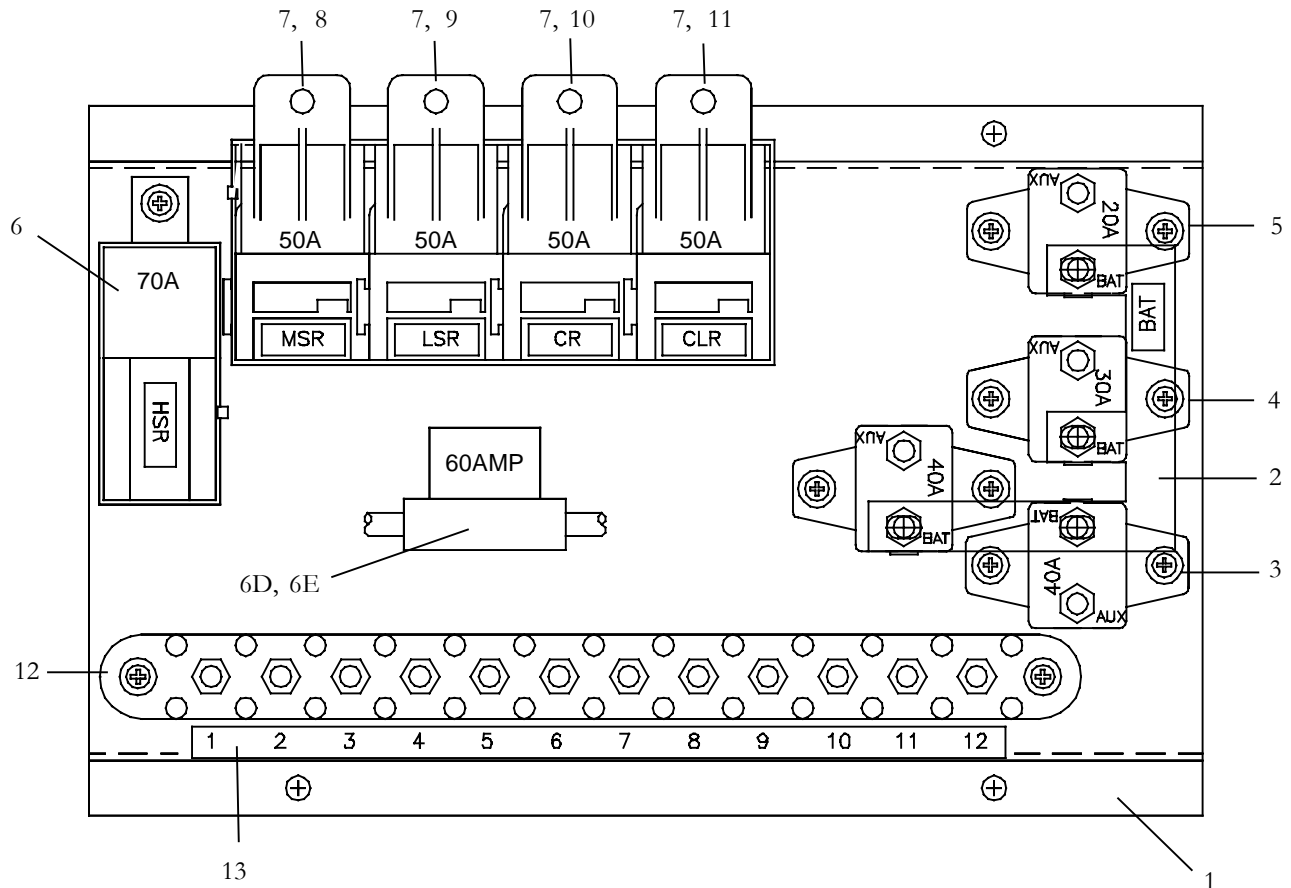


Item	Part Number	Description	Qty
-	91-62041-00	Panel Assembly, Total Control, EM-3, (GenV) Shown Above, Includes:	1
1	12-00567-00	...Module, Logic	1
2	22-62210-01	...Relay/Connector Assembly, With Wiring & Fuse - Includes:	1
2A	10-00328-00Relay, 70 Amp, 12 VDC	1
2B	22-62210-03Connector/Wiring/Fuse Holder Assembly - Includes:	1
2C	22-50078-18Connector, Relay	1
2D	22-62110-00Holder, Fuse, Inline, With Cover	1
2E	22-02336-17Fuse, 60 AMP	1
2F	AC901-513Label, HSR (High Speed Relay)	1
3	10-00286-14	...Relay, 50 Amp	4
4	AC201-922	...Connector/Lock Assembly, Relay, With Wiring (HSR) - Includes:	1
4A	AC201-901Connector, Relay	1
4B	AC201-931Lock, Connector, Relay	1



5.45 PANEL ASSEMBLY, (GEN 5), EM-3, TOTAL CONTROL - Continued:			
Item	Part Number	Description	Qty
5	22-62238-01	...Connector/Lock Assembly, Relay, With Wiring (LSR) - Includes:	2
5A	AC201-901Connector, Relay	1
5B	AC201-931Lock, Connector, Relay	1
6	22-62238-02	...Connector/Lock Assembly, Relay, With Wiring (CLR) - Includes:	2
6A	AC201-931Lock, Connector, Relay	1
6B	AC201-931Lock, Connector, Relay	1
7	AC201-112	...Breaker, Circuit, 40 Amp, Manual Reset	2
8	68-62908-00	...Buss Bar	1
9	AC201-107	...Breaker, Circuit, 50 Amp, Manual Reset	1
10	22-02897-11	...Board, Terminal, 14 Position	1
11	10-00444-00	...Relay, Filter, PWM	1
12	68-62969-00	...Channel, Mounting, Electrical Panel	1
13	34-00655-06	...Bolt, Hex Head, 1/4-20 X 3/4 Inch	3
14	34-00663-11	...Washer, Split Lock, 1/4 Inch	3
15	34-00662-11	...Washer, Flat, 1/4 Inch	3

5.46 PANEL ASSEMBLY, ELECTRICAL, EM-3 WITH (1) CM, 3-SPEED OPTION, (GEN 5)



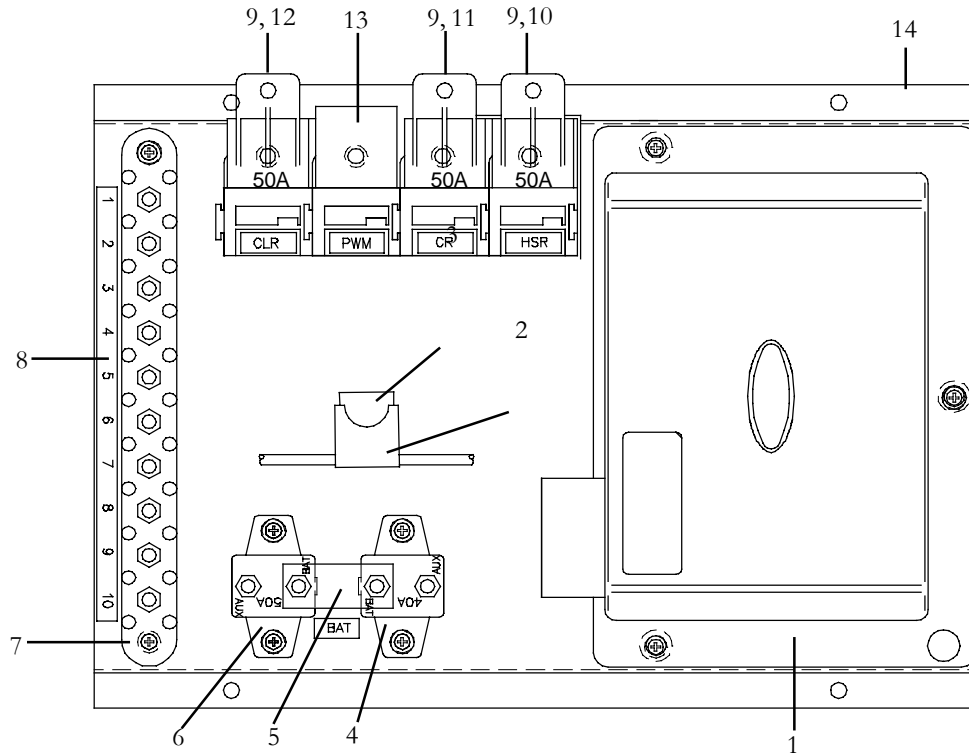
Item	Part Number	Description	Qty
-	91-62046-00	Panel Assembly, Electrical, EM-3 With (1) CM, GenV - Includes:	1
1	68-62828-00	...Channel, Mounting, Electrical Panel	1
2	68-62860-01	...Buss Bar	1
3	AC201-112	...Breaker, Circuit, 40 Amp, Manual Reset	2
4	AC201-106	...Breaker, Circuit, 30 Amp, Manual Reset	1
5	AC201-105	...Breaker, Circuit, 20 Amp, Manual Reset	1
6	22-62210-01	...Relay/Connector Assembly, With Wiring & Fuse - Includes:	1
6A	10-00328-00Relay, 70 Amp, 12 VDC	1
6B	22-62210-03Connector/Wiring/Fuse Holder Assembly - Includes:	1
6C	22-50078-18Connector, Relay	1
6D	22-62110-00Holder,Fuse, In-Line With Cover	1
6E	22-02336-17Fuse, 60 AMP	1
6F	AC901-513Label, HSR, (High Speed Relay)	1
7	10-00286-14	...Relay, 50 Amp, 12 VDC	4
8	22-62238-00	...Connector/Lock Assembly, Relay, With Wiring (MSR) - Includes:	1
8A	AC201-901Connector, Relay	1
8B	AC201-931Lock, Connector, Relay	1
9	22-62238-01	...Connector/Lock Assembly, Relay, With Wiring (LSR) - Includes:	1



5.46 PANEL ASSEMBLY, ELECTRICAL, EM-3 WITH (1) CM, 3-SPEED OPTION, (GEN 5)			
Item	Part Number	Description	Qty
9A	AC201-901Connector, Relay	1
9B	AC201-931Lock, Connector, Relay	1
10	22-62238-02	...Connector/Lock Assembly, Relay, With Wiring (CLR) - Includes:	1
10A	AC201-901Connector, Relay	1
10B	AC201-931Lock, Connector, Relay	1
11	22-62238-03	...Connector/Lock Assembly, Relay, With Wiring (CR) - Includes:	1
11A	AC201-901Connector, Relay	1
11B	AC201-931Lock, Connector, Relay	1
12	22-02897-09	...Board, Terminal, 12 Position	1
13	AC901-517	...Label, Terminal Board, 12 Position	1



5.47 CONTROL PANEL, GEN 5, TOTAL CONTROL

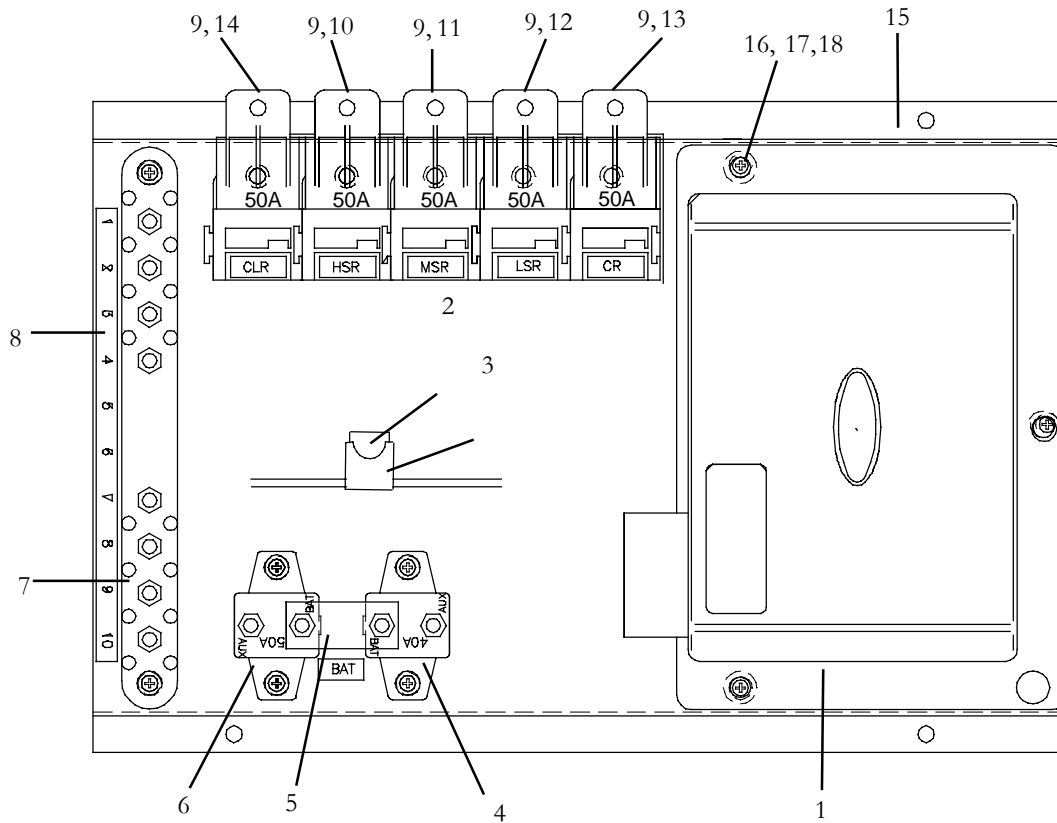


5.47 CONTROL PANEL, GEN 5, TOTAL CONTROL - Continued:

Item	Part Number	Description	Qty
-	91-62047-00	Panel Assembly, Total Control, EM-1, (GenV) Shown Above, Includes:	1
1	12-00567-00Module, Logic	1
2	22-02338-02Fuse Holder, With Fuse (Includes Item 3)	1
3	22-02336-04Fuse, 5 AMP	1
4	AC201-112Breaker, Circuit, 40 Amp, Manual Reset	1
5	AC021-156Buss Bar	1
6	AC201-107Breaker, Circuit, 50 Amp, Manual Reset	1
7	22-02897-07Board, Terminal, 10 Position	1
8	AC901-514Label, Terminal Board, 10 Position	1
9	10-00286-14Relay, 50 Amp	3
10	AC201-922Connector/Lock Assembly, Relay, With Wiring (HSR) - Includes:	1
10A	AC201-901Connector, Relay	1
10B	AC201-931Lock, Connector, Relay	1
11	22-62238-02Connector/Lock Assembly, Relay, With Wiring (CLR) - Includes:	1
11A	AC201-901Connector, Relay	1
11B	AC201-931Lock, Connector, Relay	1
12	22-62238-03Connector/Lock Assembly, Relay, With Wiring (CR) - Includes:	1
12A	AC201-901Connector, Relay	1
12B	AC201-931Lock, Connector, Relay	1
13	10-00444-00Relay, Filter, PWM	1
14	68-62968-00Channel, Mounting, Electrical Panel	1



5.48 CONTROL PANEL, GEN 4, TOTAL CONTROL



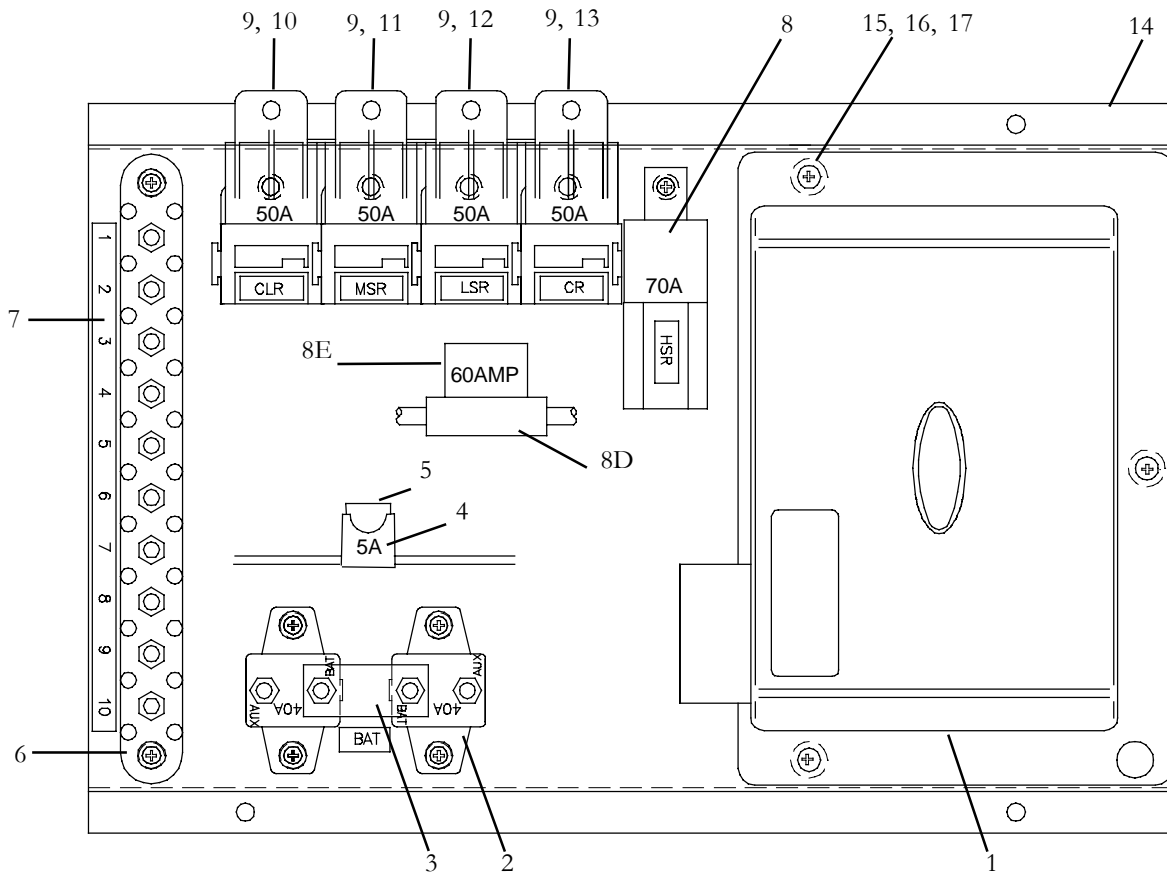
Item	Part Number	Description	Qty
-	91-62048-00	Panel Assembly, Total Control, Gen 4, Shown Above, Includes:	1
1	12-00567-00Module, Logic	1
2	22-02338-02Fuse Holder, With Fuse, (Includes Item 3)	1
3	22-02336-02Fuse, 5 Amp	1
4	AC201-112Breaker, Circuit, 40 Amp, Manual Reset	1
5	AC021-156Buss Bar	1
6	AC201-107Breaker, Circuit, 50 Amp, Manual Reset	1
7	22-02897-07Board, Terminal, 10 Position	1
8	AC901-514Label, Terminal Board, 10 Position	1
9	10-00286-14Relay, 50 Amp	5
10	AC201-922Connector/Lock Assembly, Relay, With Wiring (HSR) - Includes:	1
10A	AC201-901Connector, Relay	1
10B	AC201-931Lock, Connector, Relay	1
11	22-62238-00Connector/Lock Assembly, Relay, With Wiring (MSR) - Includes:	1
11A	AC201-901Connector, Relay	1
11B	AC201-931Lock, Connector, Relay	1
12	22-62238-01Connector/Lock Assembly, Relay, With Wiring (LSR) - Includes:	1
12A	AC201-901Connector, Relay	1
12B	AC201-931Lock, Connector, Relay	1



5.48 CONTROL PANEL, GEN 4, TOTAL CONTROL - Continued:			
Item	Part Number	Description	Qty
13	22-62238-02Connector/Lock Assembly, Relay, With Wiring (CLR) - Includes:	1
13A	AC201-901Connector, Relay	1
13B	AC201-931Lock, Connector, Relay	1
14	22-62238-03Connector/Lock Assembly, Relay, With Wiring (CR) - Includes:	1
14A	AC201-901Connector, Relay	1
14B	AC201-931Lock, Connector, Relay	1
15	68-63262-00Channel, Mounting, Electrical Panel	1
16	34-00655-06Bolt, Hex Head, 1/4-20 X 3/4 Inch	3
17	34-00663-11Washer, Split Lock, 1/4 Inch	3
18	34-00662-11Washer, Flat, 1/4 Inch	3



5.49 PANEL ASSEMBLY, GEN 4, TOTAL CONTROL, EM-3 WITH (1) CM



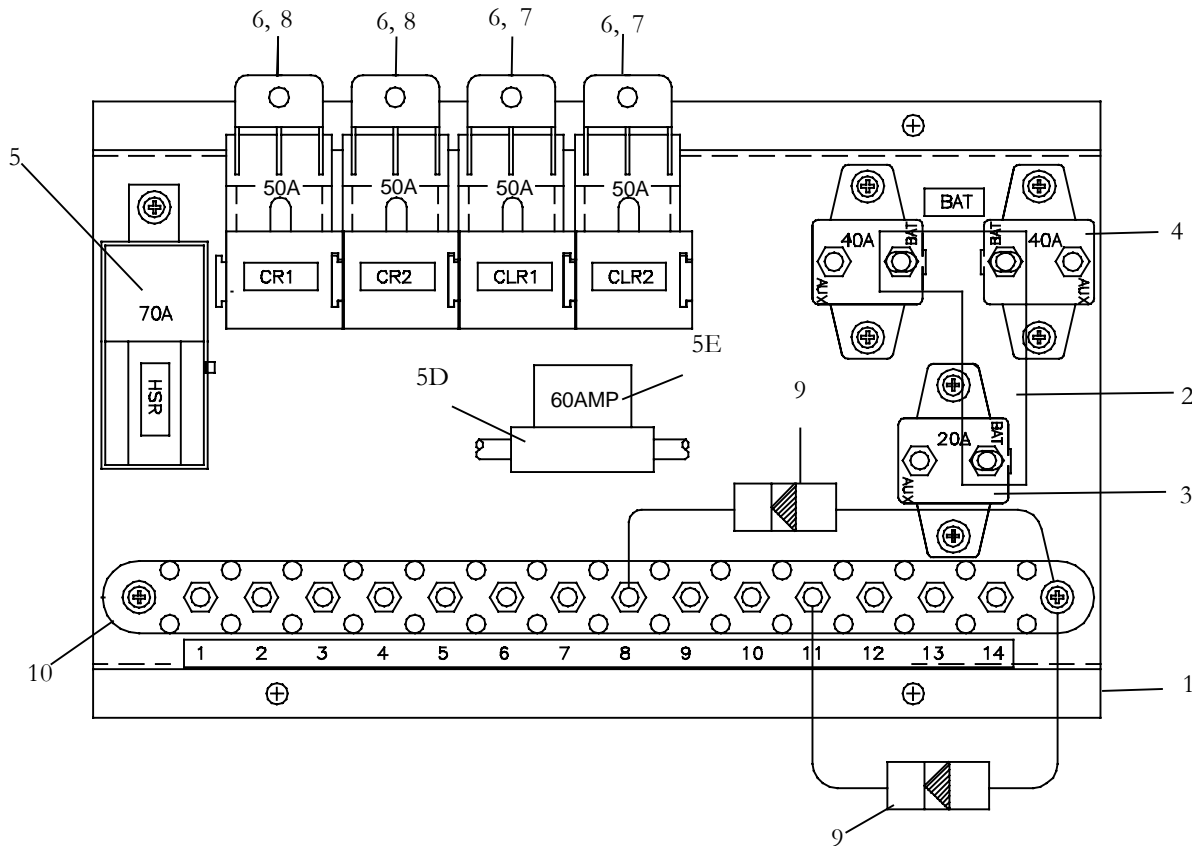
Item	Part Number	Description	Qty
-	91-62049-00	Panel Assembly, GEN 4, Total Control, EM-3 With (1) CM - Includes:	1
1	12-00567-00	...Module, Logic	1
2	AC201-112	...Breaker, Circuit, 40 Amp, Manual Reset	2
3	AC021-156	...Buss Bar	1
4	22-02338-02	...Fuse Holder, With Fuse (Includes Item 5)	1
5	22-02336-04	...Fuse, 5 Amp	1
6	22-02897-07	...Board, Terminal, 10 Position	1
7	AC901-514	...Label, Terminal Board, 10 Position	1
8	22-62210-01	...Relay/Connector Assembly, With Wiring & Fuse - Includes:	1
8A	10-00328-00Relay, 70 Amp, 12 VDC	1
8B	22-62210-03Connector/Wiring/Fuse Holder Assembly - Includes:	1
8C	22-50078-18Connector, Relay	1
8D	22-62110-00Holder,Fuse, In-Line With Cover	1
8E	22-02336-17Fuse, 60 AMP	1
8F	AC901-513Label, HSR, (High Speed Relay)	1
9	10-00286-14	...Relay, 50 Amp, 12 VDC	4
10	22-62238-03	...Connector/Lock Assembly, Relay, With Wiring (CR) - Includes:	1
10A	AC201-901Connector, Relay	1
10B	AC201-931Lock, Connector, Relay	1



5.49 CONTROL PANEL, GEN 4, TOTAL CONTROL, EM-3 WITH 1 CM - Continued:			
Item	Part Number	Description	Qty
11	22-62238-00	...Connector/Lock Assembly, Relay, With Wiring (MSR) - Includes:	1
11A	AC201-901Connector, Relay	1
11B	AC201-931Lock, Connector, Relay	1
12	22-62238-01	...Connector/Lock Assembly, Relay, With Wiring (LSR) - Includes:	1
12A	AC201-901Connector, Relay	1
12B	AC201-931Lock, Connector, Relay	1
13	22-62238-02	...Connector/Lock Assembly, Relay, With Wiring (CLR) - Includes:	1
13A	AC201-931Lock, Connector, Relay	1
13B	AC201-901Connector, Relay	4
14	68-63262-00	...Channel, Mounting, Electrical Panel	1
15	34-00655-06	...Bolt, Hex Head, 1/4-20 X 3/4 Inch	3
16	34-00663-11	...Washer, Split Lock, 1/4 Inch	3
17	34-00662-11	...Washer, Flat, 1/4 Inch	3

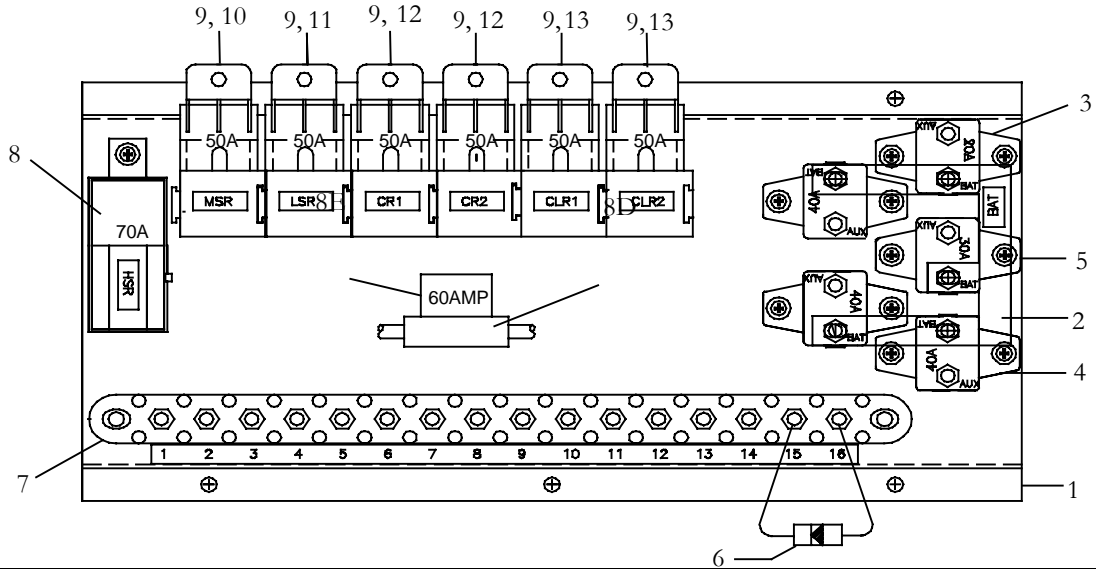


5.50 CONTROL PANEL, EM-3, GEN V, VARIABLE SPEED



Item	Part Number	Description	Qty
-	91-62051-00	Panel Assembly, EM-3, (GenV) Shown Above, Includes:	1
1	68-63304-00	...Channel, Mounting, Electrical Panel	1
2	68-63129-00	...Buss Bar	1
3	AC201-105	...Breaker, Circuit, 20 Amp, Manual Reset	1
4	AC201-112	...Breaker, Circuit, 40 Amp, Manual Reset	2
5	22-62210-01	...Relay/Connector Assembly, With Wiring & Fuse - Includes:	1
5A	10-00328-00Relay, 70 Amp, 12 VDC	1
5B	22-62210-03Connector/Wiring/Fuse Holder Assembly - Includes:	1
5C	22-50078-18Connector, Relay	1
5D	22-62110-00Holder,Fuse, In-Line With Cover	1
5E	22-02336-17Fuse, 60 AMP	1
5F	AC901-513Label, HSR, (High Speed Relay)	1
6	10-00286-14	...Relay, 50 Amp	4
7	22-62238-03	...Connector/Lock Assembly, Relay, With Wiring (CR) - Includes:	2
7A	AC201-901Connector, Relay	1
7B	AC201-931Lock, Connector, Relay	1
8	22-62238-02	...Connector/Lock Assembly, Relay, With Wiring (CLR) - Includes:	2
8A	AC201-931Lock, Connector, Relay	1
8B	AC201-901Connector, Relay	1
9	AC201-600	...Diode, In-Line, 6 Amp	2
10	22-02897-11	...Junction Block (14) , #10-32 Studs	1

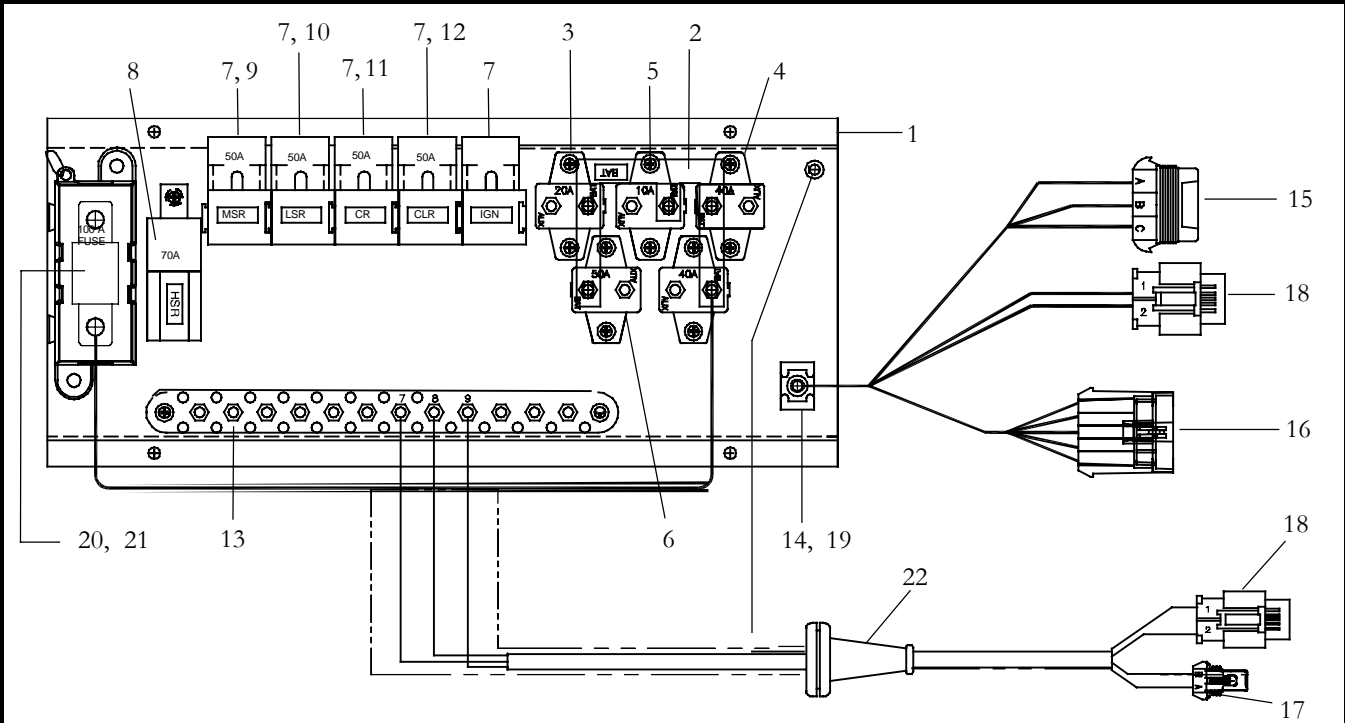
5.51 CONTROL PANEL, EM-3, GEN 5, THREE SPEED



Item	Part Number	Description	Qty
-	91-62052-00	Panel Assembly, EM-3, (GenV) Shown Above, Includes:	1
1	68-63308-00	...Channel, Mounting, Electrical Panel	1
2	68-62860-00	...Buss Bar, Brass	1
3	AC201-105	...Breaker, Circuit, 20 Amp, Manual Reset	1
4	AC201-112	...Breaker, Circuit, 40 Amp, Manual Reset	3
5	AC201-106	...Breaker, Circuit, 30 Amp, Manual Reset	1
6	AC201-600	...Diode, In-Line, 6 Amp	1
7	22-02897-13	...Terminal Block (16) , #10-32 Studs	1
8	22-62210-01	...Relay/Connector Assembly, With Wiring & Fuse - Includes:	1
8A	10-00328-00Relay, 70 Amp, 12 VDC	1
8B	22-62210-03Connector/Wiring/Fuse Holder Assembly - Includes:	1
8C	22-50078-18Connector, Relay	1
8D	22-62110-00Holder,Fuse, In-Line With Cover	1
8E	22-02336-17Fuse, 60 AMP	1
8F	AC901-513Label, HSR, (High Speed Relay)	1
9	10-00286-14	...Relay, 50 Amp, 12 VDC	6
10	22-62238-00	...Connector/Lock Assembly, Relay, With Wiring (MSR) - Includes:	1
10A	AC201-901Connector, Relay	1
10B	AC201-931Lock, Connector, Relay	1
11	22-62238-01	...Connector/Lock Assembly, Relay, With Wiring (LSR) - Includes:	1
11A	AC201-901Connector, Relay	1
11B	AC201-931Lock, Connector, Relay	1
12	22-62238-02	...Connector/Lock Assembly, Relay, With Wiring (CLR) - Includes:	2
12A	AC201-931Lock, Connector, Relay	1
12B	AC201-901Connector, Relay	1
13	22-62238-03	...Connector/Lock Assembly, Relay, With Wiring (CR) - Includes:	2
13A	AC201-901Connector, Relay	1
13B	AC201-931Lock, Connector, Relay	1



5.52 CONTROL PANEL, THOMAS C2, (1) EM-1/2/7, (1) CM (056)



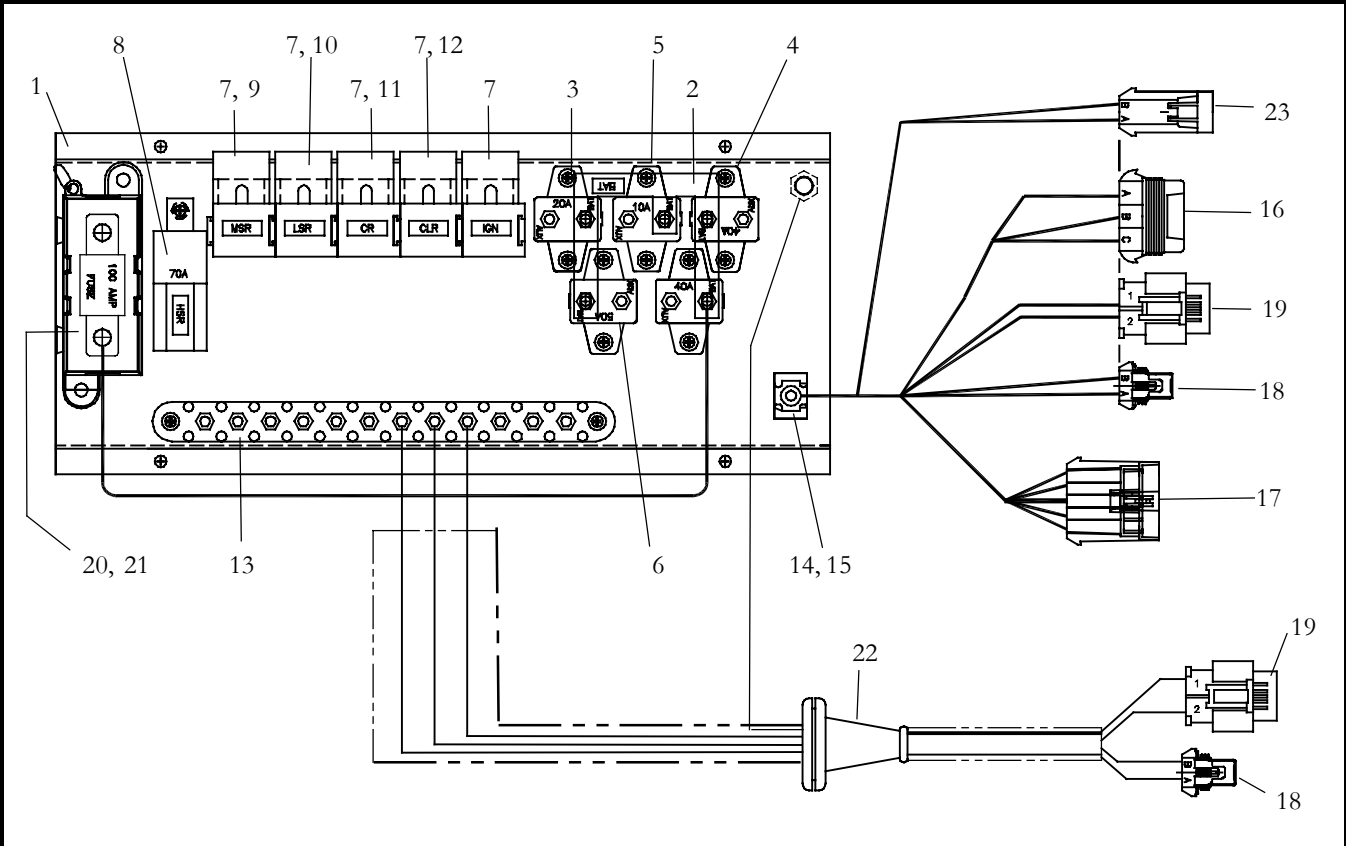
Item	Part Number	Description	Qty
-	91-62056-00	Panel Assembly, Total Control, EM-1, (GenV) Shown Above, Includes:	1
1	68-63473-00	...Panel Assembly, Electrical	1
2	68-62860-00	...Buss Bar, Brass	1
3	AC201-105	...Breaker, Circuit, 20 Amp, Manual Reset	1
4	AC201-112	...Breaker, Circuit, 40 Amp, Manual Reset	2
5	AC201-105-1	...Breaker, Circuit, 10 Amp, Manual Reset	1
6	AC201-107	...Breaker, Circuit, 50 Amp, Manual Reset	1
7	10-00286-14	...Relay, 50 Amp, 12 VDC	5
7A	AC201-901Connector, Relay, Ignition	1
7B	AC201-931Lock, Connector, Relay, Ignition	1
8	22-62210-00	...Relay/Connector Assembly, With Wiring - Includes:	1
8A	10-00328-00Relay, 70 Amp, 12 VDC	1
8B	22-62210-02Connector/Wiring Assembly - Includes:	1
8C	22-50078-18Connector, Relay	1
8D	AC901-513Label, HSR (High Speed Relay)	1
9	22-62238-00	...Connector/Lock Assembly, Relay, With Wiring (MSR) - Includes:	1
9A	AC201-901Connector, Relay	1
9B	AC201-931Lock, Connector, Relay	1
10	22-62238-01	...Connector/Lock Assembly, Relay, With Wiring (LSR) - Includes:	1
10A	AC201-901Connector, Relay	1
10B	AC201-931Lock, Connector, Relay	1
11	22-62238-02	...Connector/Lock Assembly, Relay, With Wiring (CLR) - Includes:	1
11A	AC201-931Lock, Connector, Relay	1
11B	AC201-901Connector, Relay	1
12	22-62238-03	...Connector/Lock Assembly, Relay, With Wiring (CR) - Includes:	1



5.52 CONTROL PANEL, THOMAS C2, (1) EM-1/2/7, (1) CM - Continued:			
Item	Part Number	Description	Qty
12A	AC201-901Connector, Relay	1
12B	AC201-931Lock, Connector, Relay	1
13	22-02897-09	...Terminal Block , 12 Positions	1
14	AC701-303	...Wire Tie, Cable Mount	1
15	22-50078-87	...Connector, Female, 3 Pin, Black	1
16	22-50078-45	...Connector, Male, 10 Pin, Black	1
17	22-50078-73	...Connector, Female, 2 Pin, Black	1
18	22-50098-71	...Connector, Female, 2 Pin, Black	2
19	AC701-300	...Wire Tie, Self-Locking, 6 Inches	1
20	22-02898-00	...Holder, Fuse, With Cover	1
21	22-02336-31	...Fuse, 100 Amp	1
22	58-62153-00	...Grommet, Cord Guard	1



5.53 CONTROL PANEL, THOMAS C2, (1) EM-1/2/7, (1) CM WITH DASH AIR



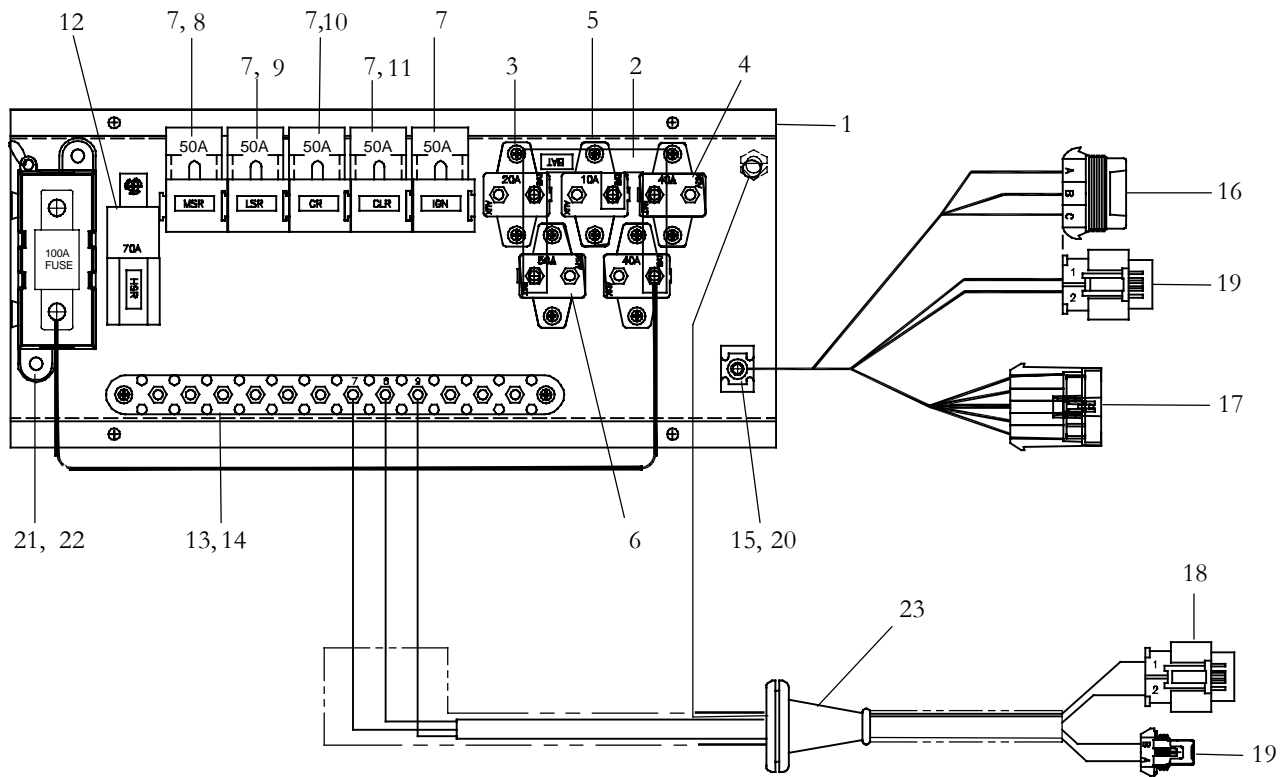
Item	Part Number	Description	Qty
-	91-62057-00	Panel Assembly, Total Control, EM-1, (GenV) Shown Above, Includes:	1
1	68-63473-00	...Panel Assembly, Electrical	1
2	68-62860-00	...Buss Bar, Brass	1
3	AC201-105	...Breaker, Circuit, 20 Amp, Manual Reset	1
4	AC201-112	...Breaker, Circuit, 40 Amp, Manual Reset	2
5	AC201-105-1	...Breaker, Circuit, 10 Amp, Manual Reset	1
6	AC201-107	...Breaker, Circuit, 50 Amp, Manual Reset	1
7	10-00286-14	...Relay, 50 Amp, 12 VDC	5
7A	AC201-901Connector, Relay, Ignition	5
7B	AC201-931Lock, Connector, Ignition	5
8	22-62210-00	...Relay/Connector Assembly, With Wiring - Includes:	1
8A	10-00328-00Relay, 70 Amp, 12 VDC	1
8B	22-62210-02Connector/Wiring Assembly - includes	1
8C	22-50078-18Connector, Relay	1
8D	AC901-513Label, HSR (High Speed Relay)	1
9	22-62238-00	...Connector/Lock Assembly, Relay, With Wiring (MSR) - Includes:	1
9A	AC201-901Connector, Relay	1
9B	AC201-931Lock, Connector, Relay	1
10	22-62238-01	...Connector/Lock Assembly, Relay, With Wiring (LSR) - Includes:	1
10A	AC201-901Lock, Connector, Relay	1
10B	AC201-931Lock, Connector, Relay	1



5.53 CONTROL PANEL, THOMAS C2, (1) EM-1/2/7, (1) CM WITH DASH AIR - Continued:			
Item	Part Number	Description	Qty
11	22-62238-02	...Connector/Lock Assembly, Relay, With Wiring (CLR) - Includes:	1
11A	AC201-931Lock, Connector, Relay	1
11B	AC201-901Connector, Relay	1
12	22-62238-03	...Connector/Lock Assembly, Relay, With Wiring (CR) - Includes:	1
12A	AC201-901Connector, Relay	1
12B	AC201-931Lock, Connector, Relay	1
13	22-02897-09	...Terminal Block, 12 Positions	1
14	AC701-303	...Wire Tie, Cable Mount	1
15	AC701-300	...Wire Tie, Self-Locking, 6 Inches	1
16	22-50078-87	...Connector, Female, 3 Pin, Black	1
17	22-50078-45	...Connector, Male, 10 Pin, Black	1
18	22-50078-73	...Connector, Female, 2 Pin, Black	2
19	22-50098-71	...Connector, Female, 2 Pin, Black	2
20	22-02898-00	...Holder, Fuse, With Cover	1
21	22-02336-31	...Fuse, 100 Amp	1
22	58-62153-00	...Grommet, Cord Guard	1
23	22-50078-72	...Connector, Male	1



5.54 CONTROL PANEL, THOMAS C2, (1) EM-3, (1) CM-3 (058)



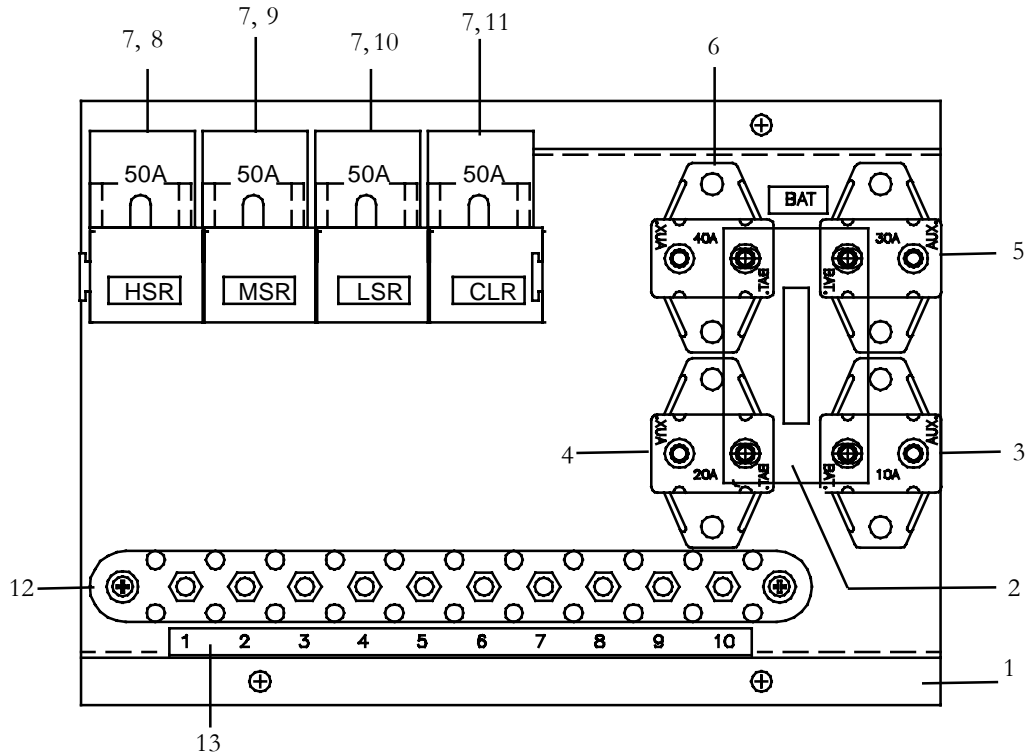
Item	Part Number	Description	Qty
-	91-62058-00	Panel Assembly, Total Control, EM-1, (GenV) Shown Above, Includes:	1
1	68-63473-00	...Panel Assembly, Electrical	1
2	68-62860-00	...Buss Bar, Brass	1
3	AC201-105	...Breaker, Circuit, 20 Amp, Manual Reset	1
4	AC201-112	...Breaker, Circuit, 40 Amp, Manual Reset	2
5	AC201-105-1	...Breaker, Circuit, 10 Amp, Manual Reset	1
6	AC201-107	...Breaker, Circuit, 50 Amp, Manual Reset	1
7	10-00286-14	...Relay, 50 Amp, 12 VDC	5
7A	AC201-901Connector, Relay, Ignition	1
7B	AC201-931Lock, Connector, Relay, Ignition	1
7C	AC901-513Label, HSR (High Speed Relay)	1
8	22-62238-00	...Connector/Lock Assembly, Relay, With Wiring (MSR) - Includes:	1
8A	AC201-901Connector, Relay	1
8B	AC201-931Lock, Connector, Relay	1
9	22-62238-01	...Connector/Lock Assembly, Relay, With Wiring (LSR) - Includes:	1
9A	AC201-901Connector, Relay	1
9B	AC201-931Lock, Connector, Relay	1
10	22-62238-02	...Connector/Lock Assembly, Relay, With Wiring (CLR) - Includes:	1
10A	AC201-901Connector, Relay	1
10B	AC201-931Lock, Connector, Relay	1
11	22-62238-03	...Connector/Lock Assembly, Relay, With Wiring (CR) - Includes:	1



5.54 CONTROL PANEL, THOMAS C2, (1) EM-3, (1) CM-3(058) - Continued:			
Item	Part Number	Description	Qty
11A	AC201-901Connector, Relay	1
11B	AC201-931Lock, Connector, Relay	1
12	22-62210-00	...Relay/Connector Assembly, With Wiring - Includes:	1
12A	10-00328-00Relay, 70 Amp, 12 VDC	1
12B	22-62210-02Connector/Wiring Assembly - includes	1
12C	22-50078-18Connector, Relay	1
12D	AC901-513Label, HSR (High Speed Relay)	1
13	22-02897-09	Terminal Block , (12) 10-32 Studs	1
14	AC901-517	Label, Terminal Block	1
15	AC701-303	Wire Tie, Cable Mount	1
16	22-50078-87	Connector, Female, 3 Pin, Black	1
17	22-50078-45	Connector, Male, 10 Pin, Black	1
18	22-50078-73	Connector, Female, 2 Pin, Black	1
19	22-50098-71	Connector, Female, 2 Pin, Black	2
20	AC701-300	Wire Tie, Self-Locking, 6 Inches	1
21	22-02898-00	Holder, Fuse, With Cover	1
22	22-02336-31	Fuse, 100 Amp	1
23	58-62153-00	Grommet, Cord Guard	1



5.55 CONTROL PANEL, THOMAS C2, (1) EM-3, (1) CM-3 (070)

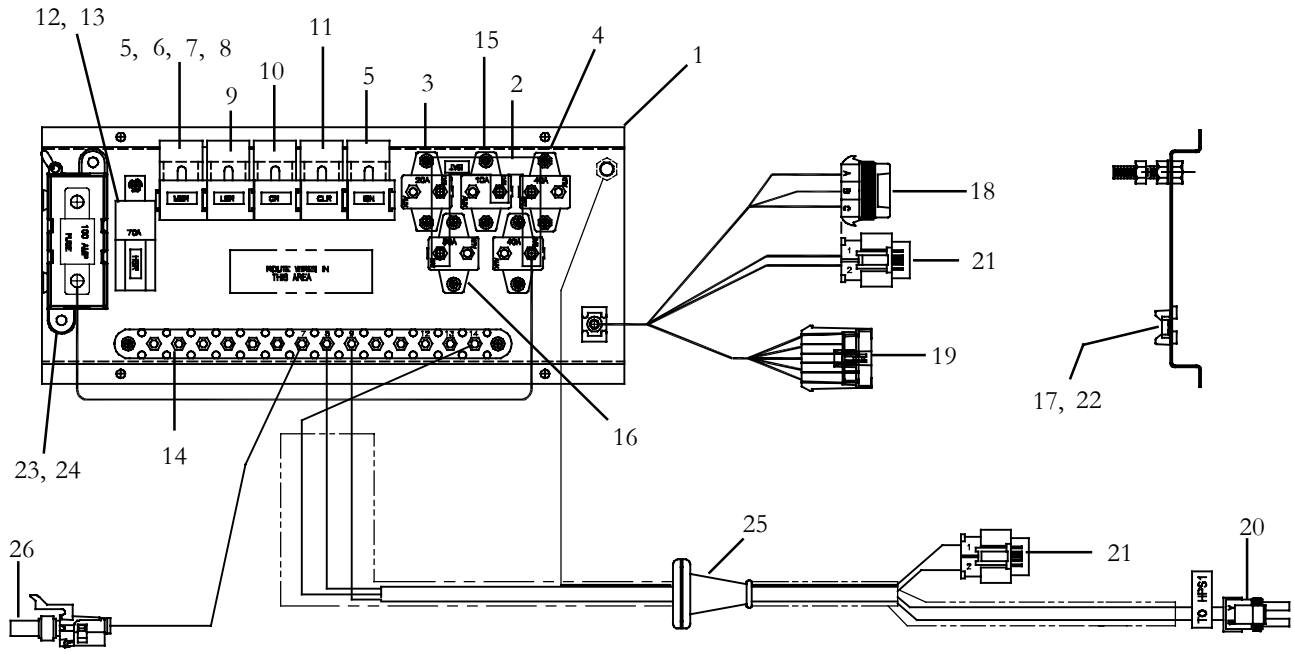


5.55 CONTROL PANEL, THOMAS C2, (1) EM-3, (1) CM-3 (070) - Continued:

Item	Part Number	Description	Qty
-	91-62070-00	Panel Assembly, Electrical, EM-3, 3-Speed, GenV - Includes:	1
1	AC021-155Channel Assembly, Mounting, Electrical Components	1
2	68-63625-00Buss Bar, Brass	1
3	AC201-105-1Breaker, Circuit, 10 Amp, Manual Reset	1
4	AC201-105Breaker, Circuit, 20 Amp, Manual Reset	1
5	AC201-106Breaker, Circuit, 30 Amp, Manual Reset	1
6	AC201-112Breaker, Circuit, 40 Amp, Manual Reset	1
7	10-00286-14Relay, 50 Amp, 12 VDC	4
8	AC201-922Connector/Lock Assembly, Relay, With Wiring (HSR) - Includes:	1
8A	AC201-901Connector, Relay	1
8B	AC201-931Lock, Connector, Relay	1
9	22-62238-00Connector/Lock Assembly, Relay, With Wiring (MSR) - Includes:	1
9A	AC201-901Connector, Relay	1
9B	AC201-931Lock, Connector, Relay	1
10	22-62238-01Connector/Lock Assembly, Relay, With Wiring (LSR) - Includes:	1
10A	AC201-901Connector, Relay	1
10B	AC201-931Lock, Connector, Relay	1
11	22-62238-03Connector/Lock Assembly, Relay, With Wiring (CR) - Includes:	1
11A	AC201-901Connector, Relay	1
11B	AC201-931Lock, Connector, Relay	1
12	22-02897-07Junction Block, With (10) 10-32 Studs	1
13	22-02897-07Label, Terminal Block, 10 Position	1



5.56 CONTROL PANEL, THOMAS C2, (1) EM-1/2/7, KR-4

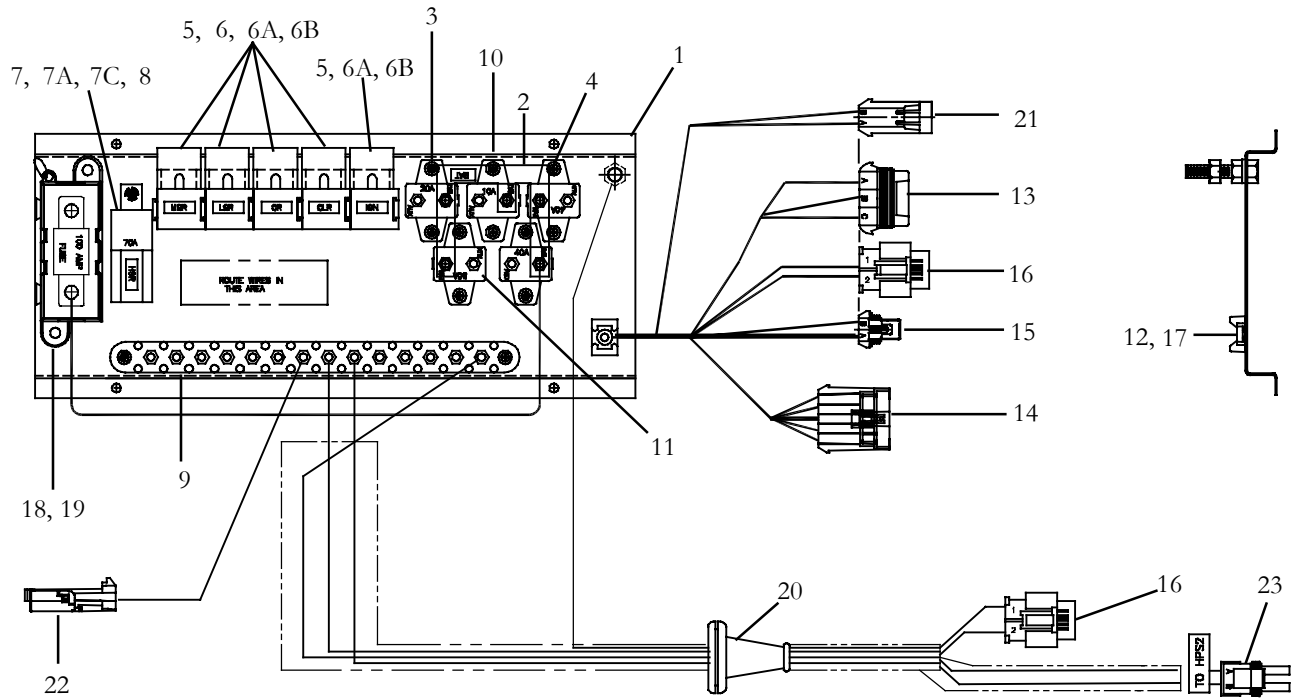


Item	Part Number	Description	Qty
-	91-62075-00	Panel Assembly, Electrical, EM-1/2/7, KR-4 - Includes:	1
1	68-63473-00	...Panel Assembly, Electrical	1
2	68-62860-00	...Buss Bar, Brass	1
3	AC201-105	...Breaker, Circuit, 20 Amp, Manual Reset	1
4	AC201-112	...Breaker, Circuit, 40 Amp, Manual Reset	2
5	10-00286-14	...Relay, 50 Amp, 12 VDC	5
6	AC201-901	...Connector, Relay	1
7	22-62238-00	...Connector/Lock Assembly, Relay, With Wiring (MSR) - Includes:	1
6	AC201-901Connector, Relay	1
8	AC201-931Lock, Connector, Relay	1
9	22-62238-01	...Connector/Lock Assembly, Relay, With Wiring (LSR) - Includes:	1
6	AC201-901Connector, Relay	1
8	AC201-931Lock, Connector, Relay	1
10	22-62238-02	...Connector/Lock Assembly, Relay, With Wiring (CLR) - Includes:	1
6	AC201-901Connector, Relay	1
8	AC201-931Lock, Connector, Relay	1
11	22-62238-03	...Connector/Lock Assembly, Relay, With Wiring (CR) - Includes:	1
6	AC201-901Connector, Relay	1
8	AC201-931Lock, Connector, Relay	1
12	22-62210-00	...Relay/Connector Assembly, With Wiring - Includes:	1
12A	10-00328-00Relay, 70 Amp, 12 VDC	1
12B	22-62210-02Connector/Wiring Assembly - Includes	1
12C	22-50078-18Connector, Relay	1
12D	AC901-513Label, HSR (High Speed Relay)	1



5.56 CONTROL PANEL, THOMAS C2, (1) EM-1/2/7, KR-4 - Continued:			
Item	Part Number	Description	Qty
13	22-50078-18	...Connector, Relay	1
14	22-02897-11	...Terminal Block, 14 Positions; #10-32UNF-2A Stud	1
15	AC201-105-1	...Breaker, Circuit, 10 Amp, Manual Reset	1
16	AC201-107	...Breaker, Circuit, 50 Amp, Manual Reset	1
17	AC701-303	...Wire Tie, Cable Mount	1
18	22-50078-87	...Connector, Female, 3 Pin, Black	1
19	22-50078-45	...Connector, Male, 10 Pin, Black	1
20	22-01585-00	...Connector, Male, 2 Pin, Black	1
21	22-50098-71	...Connector, Female, 2 Pin, Black	2
22	66U1-3882	...Wire Tie, Self-Locking, 7 Inches	1
23	22-02898-00	...Holder, Fuse, With Cover	1
24	22-02336-31	...Fuse, 100 Amp	1
25	58-62153-00	...Grommet, Cord Guard	1
26	22-50078-63	...Connector, Female, 1 Way, Black	1

5.57 CONTROL PANEL, THOMAS C2, (1) EM-1/2/7, KR-4 WITH INDASH



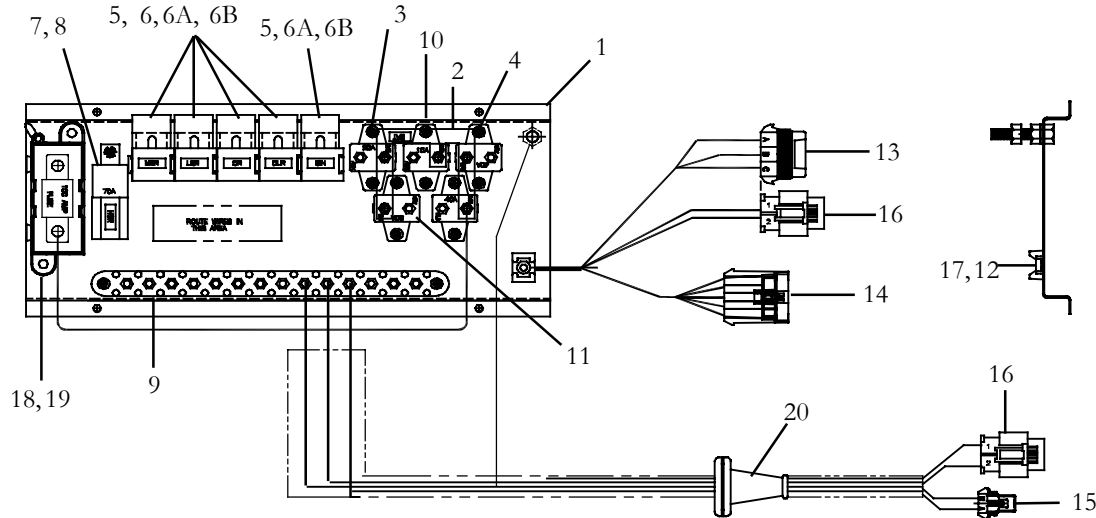
Item	Part Number	Description	Qty
-	91-62076-00	Panel Assembly, Electrical, EM-1/2/7, KR-4 With Indash - Includes:	1
1	68-63473-00	...Panel Assembly, Electrical	1
2	68-62860-00	...Buss Bar, Brass	1
3	AC201-105	...Breaker, Circuit, 20 Amp, Manual Reset	1
4	AC201-112	...Breaker, Circuit, 40 Amp, Manual Reset	2
5	10-00286-14	...Relay, 50 Amp, 12 VDC	5
6	22-62238-00	...Connector/Lock Assembly, Relay, With Wiring (MSR) - Includes:	1
	22-62238-01	...Connector/Lock Assembly, Relay, With Wiring (LSR) - Includes:	1
	22-62238-02	...Connector/Lock Assembly, Relay, With Wiring (CLR) - Includes:	1
	22-62238-03	...Connector/Lock Assembly, Relay, With Wiring (CR) - Includes:	1
6A	AC201-901Connector, Relay	1
6B	AC201-931Lock, Connector, Relay	1
7	22-62210-00	...Relay/Connector Assembly, With Wiring - Includes:	1
7A	10-00328-00Relay, 70 Amp, 12 VDC	1
7B	22-62210-02Connector/Wiring Assembly - Includes	1
7C	22-50078-18Connector, Relay	1
7D	AC901-513Label, HSR (High Speed Relay)	1
8	22-50078-18	...Connector, Relay	1
9	22-02897-11	...Terminal Block, 14 Positions; #10-32UNF-2A Stud	1
10	AC201-105-1	...Breaker, Circuit, 10 Amp, Manual Reset	1
11	AC201-107	...Breaker, Circuit, 50 Amp, Manual Reset	1
12	AC701-303	...Wire Tie, Cable Mount	1
13	22-50078-87	...Connector, Female, 3 Pin, Black	1



5.57 CONTROL PANEL, THOMAS C2, (1) EM-1/2/7, KR-4 WITH INDASH - Continued:			
Item	Part Number	Description	Qty
14	22-50078-45	...Connector, Male, 10 Pin, Black	1
15	22-50078-73	...Connector, Female, 2 Position, Black	1
16	22-50098-71	...Connector, Female, 2 Pin, Black	2
17	66U1-3882	...Wire Tie, Self-Locking, 7 Inches	1
18	22-02898-00	...Holder, Fuse, With Cover	1
19	22-02336-31	...Fuse, 100 Amp	1
20	58-62153-00	...Grommet, Cord Guard	1
21	22-50078-72	...Connector, Male, 2 Position, Black	1
22	22-50078-64	...Connector, Male, 1 Position, Black	1
23	22-01585-00	...Connector, Male, 2 Pin, Black	1



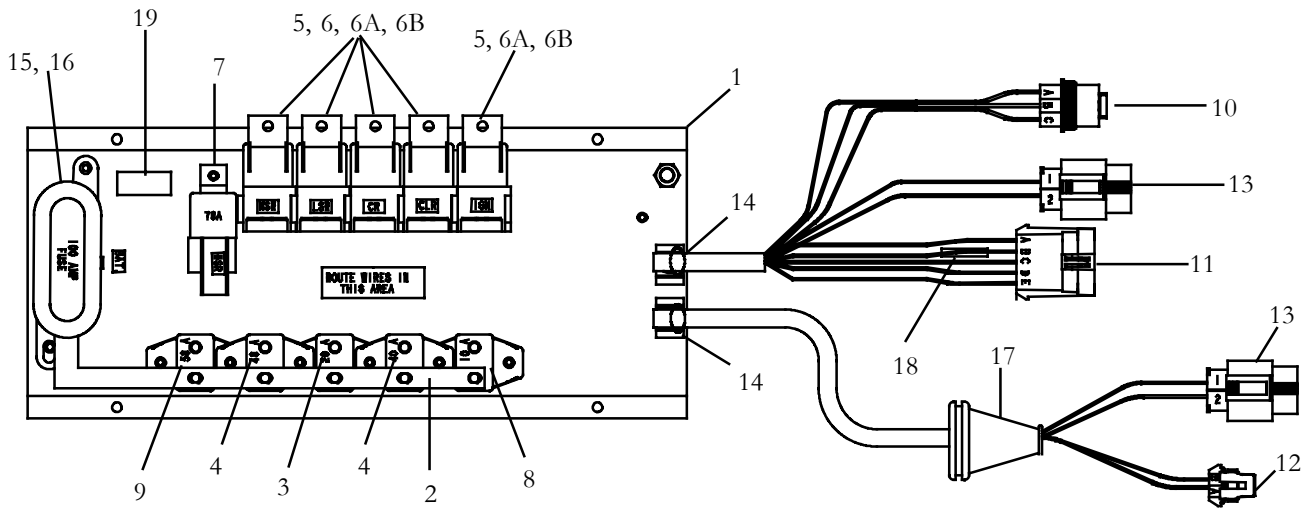
5.58 CONTROL PANEL, THOMAS C2, (1) EM-1/2/7, (1) CM (079)



Item	Part Number	Description	Qty
-	91-62079-00	Panel Assembly, Electrical, EM-1/2/7, KR-4 With Indash - Includes:	1
1	68-63473-00	...Panel Assembly, Electrical	1
2	68-62860-00	...Buss Bar, Brass	1
3	AC201-105	...Breaker, Circuit, 20 Amp, Manual Reset	1
4	AC201-112	...Breaker, Circuit, 40 Amp, Manual Reset	2
5	10-00286-14	...Relay, 50 Amp, 12 VDC	5
6	22-62238-00	...Connector/Lock Assembly, Relay, With Wiring (MSR) - Includes:	1
	22-62238-01	...Connector/Lock Assembly, Relay, With Wiring (LSR) - Includes:	1
	22-62238-02	...Connector/Lock Assembly, Relay, With Wiring (CLR) - Includes:	1
	22-62238-03	...Connector/Lock Assembly, Relay, With Wiring (CR) - Includes:	1
6A	AC201-901Connector, Relay	1
6B	AC201-931Lock, Connector, Relay	1
7	22-62210-00	...Relay/Connector Assembly, With Wiring - Includes:	1
7A	10-00328-00Relay, 70 Amp, 12 VDC	1
7B	22-62210-02Connector/Wiring Assembly - Includes	1
7C	22-50078-18Connector, Relay	1
7D	AC901-513Label, HSR (High Speed relay)	1
8	22-50078-18	...Connector, Relay	1
9	22-02897-09	...Terminal Block, 12 Positions; #10-32UNF-2A Stud	1
10	AC201-105-1	...Breaker, Circuit, 10 Amp, Manual Reset	1
11	AC201-107	...Breaker, Circuit, 50 Amp, Manual Reset	1
12	AC701-303	...Wire Tie, Cable Mount	1
13	22-50078-87	...Connector, Female, 3 Pin, Black	1
14	22-50078-45	...Connector, Male, 10 Pin, Black	1
15	22-50078-73	...Connector, Female, 2 Position, Black	1
16	22-50098-71	...Connector, Female, 2 Pin, Black	2
17	66U1-3882	...Wire Tie, Self-Locking, 7 Inches	1
18	22-02898-00	...Holder, Fuse, With Cover	1
19	22-02336-31	...Fuse, 100 Amp	1
20	58-62153-00	...Grommet, Cord Guard	1



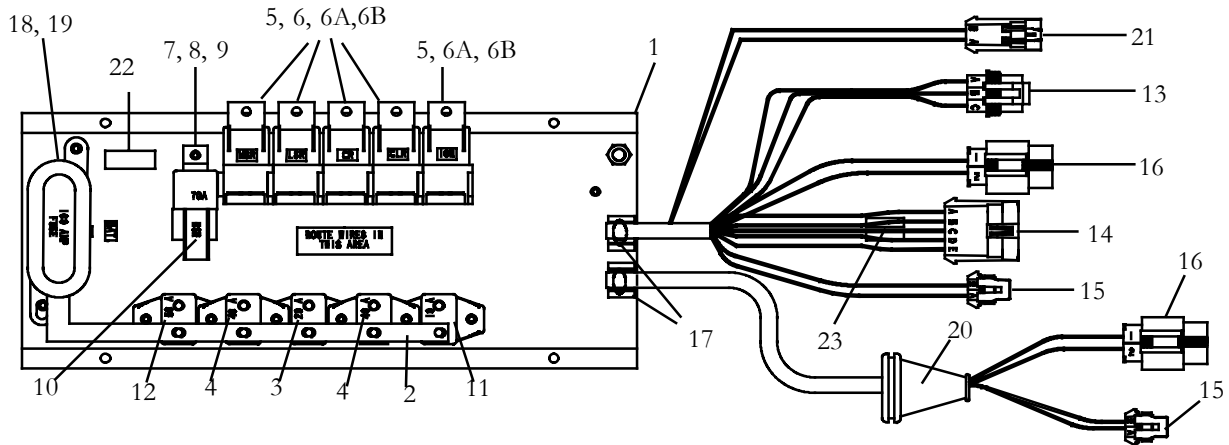
5.59 PANEL ASSEMBLY, THOMAS C2, (1) EM-1/2/7, (1) CM (081)



Item	Part Number	Description	Qty
-	91-62081-00	Panel Assembly, Electrical, EM-1/2/7, CM-1 - Includes:	1
1	67-62019-00	...Panel Assembly, Electrical	1
2	68-63723-00	...Buss Bar, Steel	1
3	AC201-105	...Breaker, Circuit, 20 Amp, Manual Reset	1
4	AC201-112	...Breaker, Circuit, 40 Amp, Manual Reset	2
5	10-00286-03	...Relay, 30 Amp, 12 VDC	5
6	22-62238-00	...Connector/Lock Assembly, Relay, With Wiring (MSR) - Includes:	1
	22-62238-01	...Connector/Lock Assembly, Relay, With Wiring (LSR) - Includes:	1
	22-62238-02	...Connector/Lock Assembly, Relay, With Wiring (CLR) - Includes:	1
	22-62238-03	...Connector/Lock Assembly, Relay, With Wiring (CR) - Includes:	1
6A	AC201-901Connector, Relay	1
6B	AC201-931Lock, Connector, Relay	1
7	22-62210-00	...Relay/Connector Assembly, With Wiring - Includes:	1
7A	10-00328-00Relay, 70 Amp, 12 VDC	1
7B	22-62210-02Connector/Wiring Assembly - Includes:	1
7C	22-50078-18Connector, Relay	1
7D	AC901-513Label, HSR (High Speed Relay)	1
8	AC201-105-1	...Breaker, Circuit, 10 Amp, Manual Reset	1
9	AC201-107	...Breaker, Circuit, 50 Amp, Manual Reset	1
10	22-50078-87	...Connector, Female, 3 Pin, Black	1
11	22-50078-45	...Connector, Male, 10 Pin, Black	1
12	22-50078-73	...Connector, Female, 2 Position, Black	1
13	22-50098-71	...Connector, Female, 2 Pin, Black	2
14	66U1-3882	...Wire Tie, Self-Locking, 7 Inches	2
15	22-62256-00	...Holder, Fuse, 150 Amp, With Cover	1
16	22-02336-31	...Fuse, 100 Amp	1
17	58-62153-00	...Grommet, Cord Guard	1
N/S	AC701-303	...Wire Tie, Cable Mount	2
18	AC201-600	...Diode, In-Line, 6 AMP	1
19	62-62068-00	...Label, Identification, Customer Part Number	1



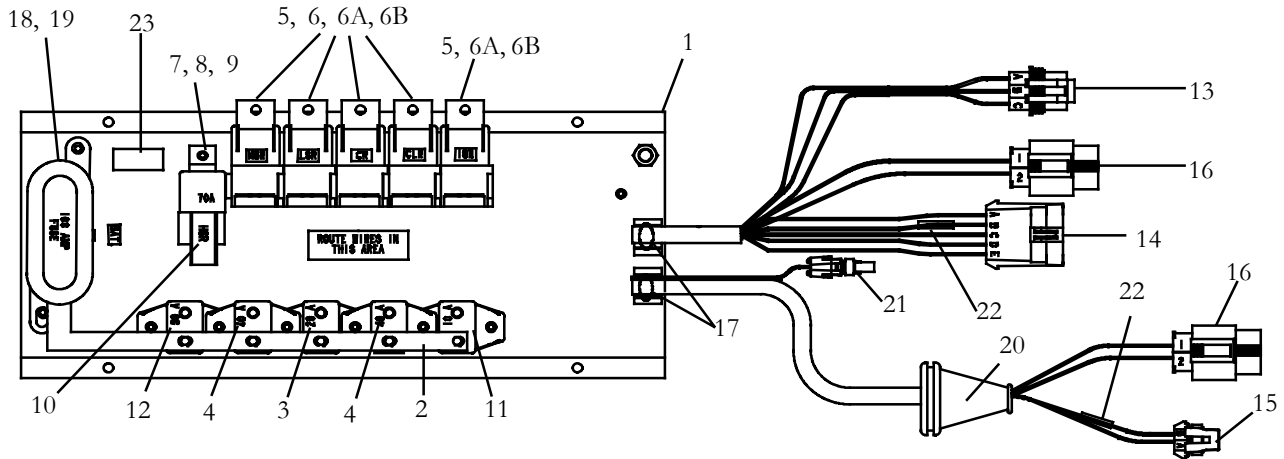
5.60 PANEL ASSEMBLY, THOMAS C2, (1) EM-1/2/7, (1) CM (082)



Item	Part Number	Description	Qty
-	91-62082-00	Panel Assembly, Electrical, EM-1/2/7, CM-1 - Includes:	1
1	67-62019-00	...Panel Assembly, Electrical	1
2	68-63723-00	...Buss Bar, Steel	1
3	AC201-105	...Breaker, Circuit, 20 Amp, Manual Reset	1
4	AC201-112	...Breaker, Circuit, 40 Amp, Manual Reset	2
5	10-00286-03	...Relay, 30 Amp, 12 VDC	5
6	22-62238-00	...Connector/Lock Assembly, Relay, With Wiring (MSR) - Includes:	1
	22-62238-01	...Connector/Lock Assembly, Relay, With Wiring (LSR) - Includes:	1
	22-62238-02	...Connector/Lock Assembly, Relay, With Wiring (CLR) - Includes:	1
	22-62238-03	...Connector/Lock Assembly, Relay, With Wiring (CR) - Includes:	1
6A	AC201-901Connector, Relay	1
6B	AC201-931Lock, Connector, Relay	1
7	22-62210-00	...Relay/Connector Assembly, With Wiring - Includes:	1
8	10-00328-00Relay, 70 Amp, 12 VDC	1
9	22-62210-02Connector/Wiring Assembly - Includes	1
9A	22-50078-18Connector, Relay	1
10	AC901-513Label, HSR (High Speed Relay)	1
11	AC201-105-1	...Breaker, Circuit, 10 Amp, Manual Reset	1
12	AC201-107	...Breaker, Circuit, 50 Amp, Manual Reset	1
13	22-50078-87	...Connector, Female, 3 Pin, Black	1
14	22-50078-45	...Connector, Male, 10 Pin, Black	1
15	22-50078-73	...Connector, Female, 2 Position, Black	1
16	22-50098-71	...Connector, Female, 2 Pin, Black	2
17	66U1-3882	...Wire Tie, Self-Locking, 7 Inches	2
18	22-62256-00	...Holder, Fuse, 150 Amp, With Cover	1
19	22-02336-31	...Fuse, 100 Amp	1
20	58-62153-00	...Grommet, Cord Guard	1
21	22-50078-72	...Connector, Male, 2 Position, Black	1
N/S	AC701-303	...Wire Tie, Cable Mount	2
22	62-62068-01	...Label, Identification, Customer Part Number	1
23	AC201-600	...Diode, In-Line, 6 AMP	2



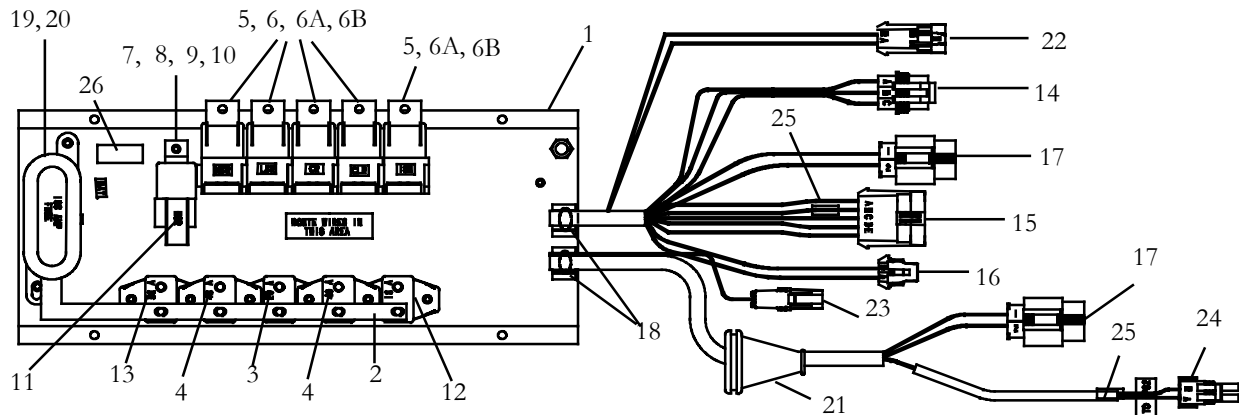
5.61 PANEL ASSEMBLY, THOMAS C2, (1) EM-1/2/7, KR-4 (083)



Item	Part Number	Description	Qty
-	91-62083-00	Panel Assembly, Electrical, EM-1/2/7, KR-4 - Includes:	1
1	67-62019-00	...Panel Assembly, Electrical	1
2	68-63723-00	...Buss Bar, Steel	1
3	AC201-105	...Breaker, Circuit, 20 Amp, Manual Reset	1
4	AC201-112	...Breaker, Circuit, 40 Amp, Manual Reset	2
5	10-00286-03	...Relay, 30 Amp, 12 VDC	5
6	22-62238-00	...Connector/Lock Assembly, Relay, With Wiring (MSR) - Includes:	1
	22-62238-01	...Connector/Lock Assembly, Relay, With Wiring (LSR) - Includes:	1
	22-62238-02	...Connector/Lock Assembly, Relay, With Wiring (CLR) - Includes:	1
	22-62238-03	...Connector/Lock Assembly, Relay, With Wiring (CR) - Includes:	1
6A	AC201-901Connector, Relay	1
6B	AC201-931Lock, Connector, Relay	1
7	22-62210-00	...Relay/Connector Assembly, With Wiring - Includes:	1
8	10-00328-00Relay, 70 Amp, 12 VDC	1
8A	22-62210-02Connector/Wiring Assembly - Includes	1
9	22-50078-18Connector, Relay	1
10	AC901-513Label, HSR (High Speed Relay)	1
11	AC201-105-1	...Breaker, Circuit, 10 Amp, Manual Reset	1
12	AC201-107	...Breaker, Circuit, 50 Amp, Manual Reset	1
13	22-50078-87	...Connector, Female, 3 Pin, Black	1
14	22-50078-45	...Connector, Male, 10 Pin, Black	1
15	22-01585-02	...Connector, Female, 2 Position, Black	1
16	22-50098-71	...Connector, Female, 2 Pin, Black	2
17	66U1-3882	...Wire Tie, Self-Locking, 7 Inches	2
18	22-62256-00	...Holder, Fuse, 150 Amp, With Cover	1
19	22-02336-31	...Fuse, 100 Amp	1
20	58-62153-00	...Grommet, Cord Guard	1
21	22-50078-63	...Connector, Female, 1 Position, Black	2
N/S	AC701-303	...Wire Tie, Cable Mount	2
22	AC201-600	...Diode, In-Line, 6 AMP	2
23	62-62068-02	...Label, Identification, Customer Part Number	1



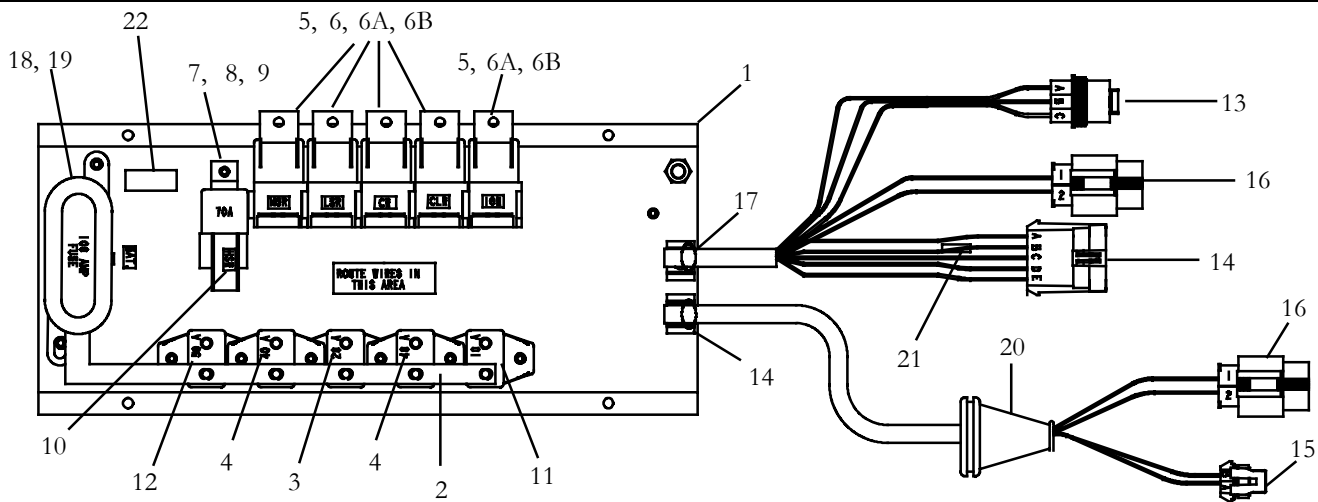
5.62 PANEL ASSEMBLY, THOMAS C2, (1) EM-1/2/7, KR-4, WITH IN-DASH (084)



Item	Part Number	Description	Qty
-	91-62084-00	Panel Assembly, Electrical, EM-1/2/7, KR-4 With In-Dash - Includes:	1
1	67-62019-00	...Panel Assembly, Electrical	1
2	68-63723-00	...Buss Bar, Steel	1
3	AC201-105	...Breaker, Circuit, 20 Amp, Manual Reset	1
4	AC201-112	...Breaker, Circuit, 40 Amp, Manual Reset	2
5	10-00286-03	...Relay, 30 Amp, 12 VDC	5
6	22-62238-00	...Connector/Lock Assembly, Relay, With Wiring (MSR) - Includes:	1
	22-62238-02	...Connector/Lock Assembly, Relay, With Wiring (CLR) - Includes:	1
	22-62238-01	...Connector/Lock Assembly, Relay, With Wiring (LSR) - Includes:	1
	22-62238-03	...Connector/Lock Assembly, Relay, With Wiring (CR) - Includes:	1
6A	AC201-901Connector, Relay	1
6B	AC201-931Lock, Connector, Relay	1
7	22-62210-00	...Relay/Connector Assembly, With Wiring - Includes:	1
8	10-00328-00Relay, 70 Amp, 12 VDC	1
9	22-62210-02Connector/Wiring Assembly - Includes:	1
10	22-50078-18Connector, Relay	1
11	AC901-513Label, HSR (High Speed Relay)	1
12	AC201-105-1	...Breaker, Circuit, 10 Amp, Manual Reset	1
13	AC201-107	...Breaker, Circuit, 50 Amp, Manual Reset	1
14	22-50078-87	...Connector, Female, 3 Pin, Black	1
15	22-50078-45	...Connector, Male, 10 Pin, Black	1
16	22-50078-73	...Connector, Female, 2 Position, Black	1
17	22-50098-71	...Connector, Female, 2 Pin, Black	2
18	66U1-3882	...Wire Tie, Self-Locking, 7 Inches	2
19	22-62256-00	...Holder, Fuse, 150 Amp, With Cover	1
20	22-02336-31	...Fuse, 100 Amp	1
21	58-62153-00	...Grommet, Cord Guard	1
22	22-50078-72	...Connector, Male, 2 Position, Black	1
23	22-50078-64	...Connector, Male, 1 Position, Black	1
24	22-01585-02	...Connector, Male, 2 Pin, Medium Gray	1
25	AC201-600	...Diode, In-Line, 6 AMP	3
26	62-62068-03	...Label, Identification, Customer Part Number	1



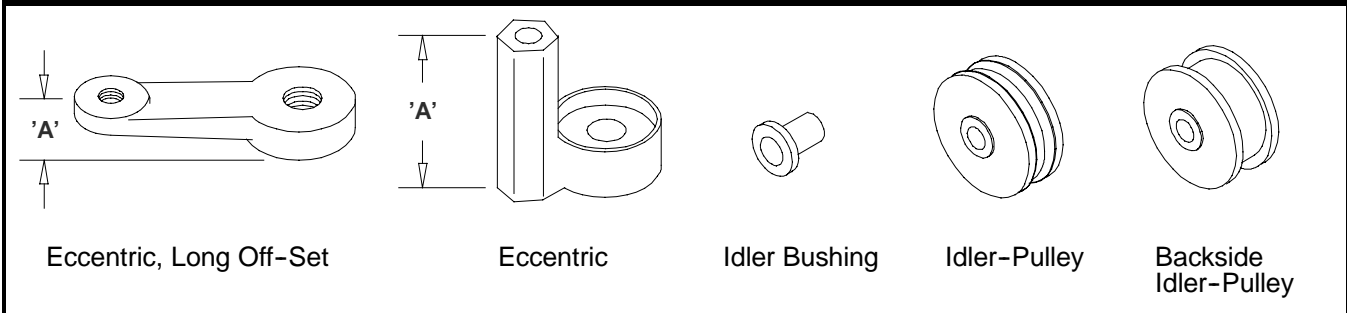
5.63 PANEL ASSEMBLY, THOMAS C2, (1) EM-1/2/7, (1) CM (085)



Item	Part Number	Description	Qty
-	91-62085-00	Panel Assembly, Electrical, EM-1/2/7, CM - Includes:	1
1	67-62019-00	...Panel Assembly, Electrical	1
2	68-63723-00	...Buss Bar, Steel	1
3	AC201-105	...Breaker, Circuit, 20 Amp, Manual Reset	1
4	AC201-112	...Breaker, Circuit, 40 Amp, Manual Reset	2
5	10-00286-03	...Relay, 30 Amp, 12 VDC	5
6	22-62238-00	...Connector/Lock Assembly, Relay, With Wiring (MSR) - Includes:	1
	22-62238-01	...Connector/Lock Assembly, Relay, With Wiring (LSR) - Includes:	1
	22-62238-02	...Connector/Lock Assembly, Relay, With Wiring (CLR) - Includes:	1
	22-62238-03	...Connector/Lock Assembly, Relay, With Wiring (CR) - Includes:	1
6A	AC201-901Connector, Relay	1
6B	AC201-931Lock, Connector, Relay	1
7	22-62210-00	...Relay/Connector Assembly, With Wiring - Includes:	1
8	10-00328-00Relay, 70 Amp, 12 VDC	1
9	22-62210-02Connector/Wiring Assembly - Includes:	1
9A	22-50078-18Connector, Relay	1
10	AC901-513Label, HSR (High Speed Relay)	1
11	AC201-105-1	...Breaker, Circuit, 10 Amp, Manual Reset	1
12	AC201-107	...Breaker, Circuit, 50 Amp, Manual Reset	1
13	22-50078-87	...Connector, Female, 3 Pin, Black	1
14	22-50078-45	...Connector, Male, 10 Pin, Black	1
15	22-50078-73	...Connector, Female, 2 Position, Black	1
16	22-50098-71	...Connector, Female, 2 Pin, Black	2
17	66U1-3882	...Wire Tie, Self-Locking, 7 Inches	2
18	22-62256-00	...Holder, Fuse, 150 Amp, With Cover	1
19	22-02336-31	...Fuse, 100 Amp	1
20	58-62153-00	...Grommet, Cord Guard	1
N/S	AC701-303	...Wire Tie, Cable Mount	2
21	AC201-600	...Diode, In-Line, 6 AMP	1
22	62-62068-03	...Label, Identification, Customer Part Number	1

SECTION 6 - ENGINE KIT PARTS

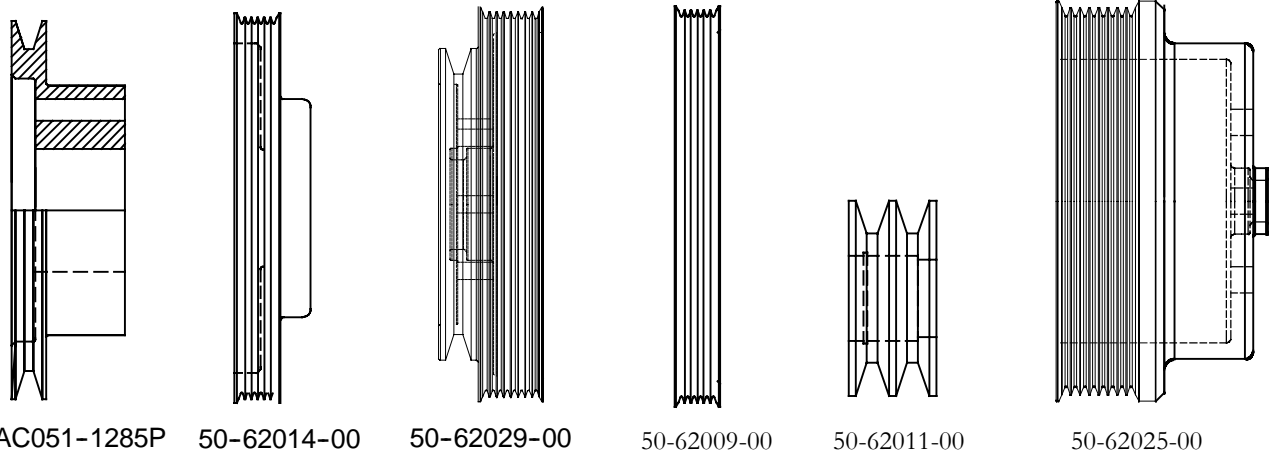
6.1 BUSHINGS - IDLERS - ECCENTRICS - FAN SPACERS



Part Number	Description
AC601-525	Eccentric, "A" Dimension, 3/4 inch, Long Offset
AC601-505	Eccentric, "A" Dimension, 1-1/8 inch
AC601-522	Eccentric, "A" Dimension, 1-3/16 inch, Long Offset
AC601-527	Eccentric, "A" Dimension, 1-1/4 inch, Center Hole Tapped
AC601-537	Eccentric, "A" Dimension, 1-1/4 inch, Thru Center Hole
AC601-502	Eccentric, "A" Dimension, 1-1/2 inch
AC601-515	Eccentric, "A" Dimension, 1-9/16 inch (No Longer Available)
AC601-506	Eccentric, "A" Dimension, 1-5/8 inch
AC601-509	Eccentric, "A" Dimension, 1-3/4 inch
AC601-510	Eccentric, "A" Dimension, 1-7/8 inch
AC601-511	Eccentric, "A" Dimension, 2 inch
AC601-525	Eccentric, "A" Dimension 3/4 Inch, Long Off-Set, (Drilled Thru) (AC601-525-1)
AC601-534	Eccentric, Spacer, 1 inch
AC601-519	Bushing, Idler, 3/8 inch Bolt
AC601-508	Bushing, Idler, 7/16 inch Bolt
AC601-520	Bushing, Idler, 1/2 inch Bolt
48-62013-00	Bushing, Idler, 8MM Bolt
AC601-545	Bushing, Idler, Double Bearing, 10mm
AC601-535	Bushing, Compressor Ear, (Direct Mount)
AC601-500	Idler, Kit, Single Groove, 3-3/4 inch Diameter
N/A	Idler, Kit, Double Groove, 3-3/4 inch Diameter AC601-501
AC601-542	Idler, Pulley, Backside, 2-7/8 inch Diameter
AC601-528	Idler, Pulley, Backside, Single, 3-1/4 inch Diameter
AC051-586	Idler, Pulley, Backside, Dual, 3-5/8 inch Diameter
AC601-538	Idler, Pulley, Single, "A" Groove, 3-3/4 inch Diameter
50-62051-00	Idler, Pulley, Poly V, 6-Groove, Single, 3-1/4 inch Diameter
AC601-539	Spacer, Fan, 3/4 inch, 4 Holes, (2-1/2 inch Bore Center)
AC601-540	Spacer, Fan, 1 inch, 4 Holes, (2-1/2 inch Bore Center)
AC601-541	Spacer, Fan, 5/8 inch, 6BT With Electric Clutch
AC601-548	Spacer, Fan, 1 inch, 6CTA, 8.3 Cummins
AC601-524	Bolt, Shoulder, Single Bearing Idler
AC601-523	Arm, Adjusting, Straight
AC601-518	Water, Engine Outlet, (460 Add-On)
AC601-547	Manifold Assembly, Ford, 7.3 Liter, (Seltec)



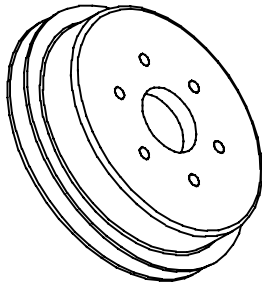
6.2 PULLEYS



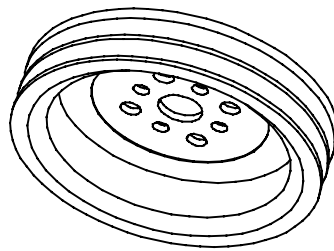
Part Number	Description
AC601-328	Pulley, Crank, Single "A" Groove, (Cummins 6BT)
AC601-336	Pulley, Crank, Dual "B" Groove, (Cummins 6BT)
AC601-327	Pulley, Water Pump, Single "A" Groove, (Cummins 6BT & 6CT)
AC601-342	Pulley, Crank, Single Groove, (Dodge 360)
AC051-886P	Pulley, Crank, Dual "A" Groove, (CAT 3116)
AC051-212	Pulley, Crank, Single "A" Groove, (Chevy 350)
AC051-1114P	Pulley, Crank, Dual "A" Groove, Add-On, (DT 408 & 466)
AC051-1285P	Pulley, Crank, Single "A" Groove, Add-On, (97 Ford 6.8L)
AC051-409	Pulley, Crank, Single "A" Groove, Add-On, (Ford 7.3L)
AC051-1176P	Pulley, Crank, Formed Steel, Add-On, (95/97 Ford 7.3)
AC051-1116P	Pulley, Crank, Dual "A" Groove, Add-On, (94 I.H. T444E)
AC051-1111P	Pulley, Water Pump, Backside, Add-On, (I.H. 444E)
AC051-1112P	Pulley, Water Pump, Backside, (I.H. 444E)
AC053-098-1	Pulley, Crank, Dual "B" Groove, (CAT 3116-ADM)
AC053-011P	Pulley, Crank, Pulley, Crank, Dual 5V Groove, (CAT 3108)
AC053-450-1P	Pulley, Crank, Dual "B" Groove, (6CT/ISC W/ADM)
AC053-062P	Pulley, Crank, Dual "B" Groove, (Cummins 6CT/ISC W/ADM)
50-62002-00	Pulley, Crank, 6 BTA, 2 B-Grooves
50-62003-00	Pulley, Dual, Water Pump, Navistar, T444E
50-62005-00	Pulley, Crank, 94-97 T444E Conventional
50-62006-00	Pulley, Crank, Cummins, 6BT - 6BTA
50-62007-00	Pulley, Add-On, 97 Ford, 6.8L - V10
50-62009-00	Pulley, Add-On Fan Idler, Cat 3126
50-62009-02	Pulley, Fan Idler, Add-On, 2002 Cat 3126
50-62011-00	Pulley, Idler, 2 B-Grooves
50-62012-00	Pulley, Crank, Poly-V6, IH, DT466/530
50-62014-00	Pulley, Crank, 6 Groove Poly-V, T444E I.H.
50-62017-00	Pulley, Backside Idler
50-62025-00	Pulley, Poly-V, 8 Groove, Fan Hub, Add-On, Cat 3126



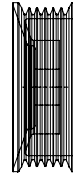
6.3 PULLEYS



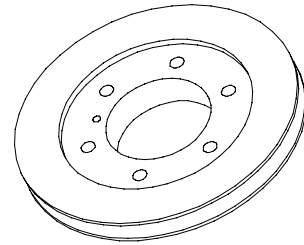
50-62031-00



50-62041-00

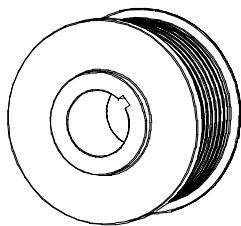


50-62051-00

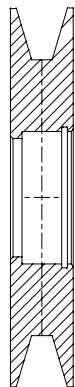


50-62054-00

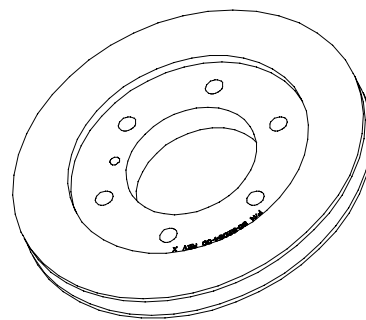
Part Number	Description
50-62029-00	Pulley, Fan Hub Add-On, 8 Groove Poly-V & "A" Groove, Painted Black, (Mercedes)
50-62031-00	Pulley, Cat 3126 & C7, VGR
50-62032-00	Pulley, Crank, Add-On, 466, V-Belt
50-62040-00	Pulley, Crank, Add-On, ISB02, 2 B-Grooves
50-62041-00	Pulley, 2 A-Grooves, 7.00" Dia.
50-62045-00	Pulley, Idler, Backside, 4.5" OD X 1.75"
50-62048-00	Pulley, Crank, Add-On, 04 Ford, 6.0L, 6 Groove Poly-V
50-62049-00	Pulley, Backside Idler, Stamped Steel (Goodyear)
50-62051-00	Pulley, Idler, Poly-V, 6 Groove
50-62054-00	Pulley, Crank, Add-On, B-Groove
50-62056-00	Pulley, Pentex, Alternator, 8-Groove, Penntex



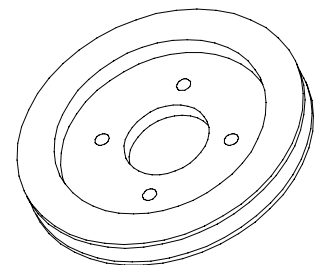
50-62056-00



50-62057-00



50-62064-00

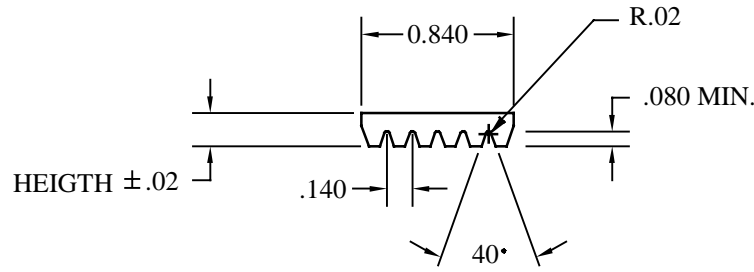


50-62066-00

50-62057-00	Pulley, Idler, 4.5" OD X 0.75", B-Groove
50-62059-00	Pulley, Water Pump, 6 Groove, Add-On
50-62064-00	Pulley, Crank, 05 ICRE 300, 1 A-Groove
50-62066-00	Pulley, Engine, 05 CE200, 365
50-62069-00	Pulley, Idler, Backside, Stamped Steel (Dayco)
50-62070-00	Pulley, Idler, Backside, 6.00" OD X 1.75"
50-62072-00	Pulley, Idler, Dual, A-Groove
50-62073-00	Pulley, Idler, Backside, Stamped Steel (Ford)



6.4 BELTS, POLY-V, 6 GROOVES, 0.840 WIDTH

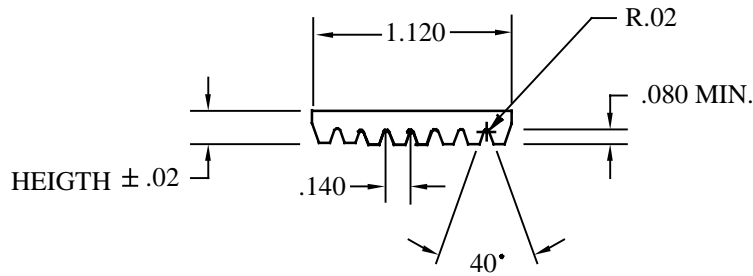


Part Number	Description	Length (Inches)
50-62000-00	BELT, POLY-V, 6 GROOVE	66.00
50-62000-01	BELT, POLY-V, 6 GROOVE	99.50
50-62000-03	BELT, POLY-V, 6 GROOVE	102.00
50-62000-07	BELT, POLY-V, 6 GROOVE	49.50
50-62000-08	BELT, POLY-V, 6 GROOVE	48.50
50-62000-09	BELT, POLY-V, 6 GROOVE	64.00
50-62000-10	BELT, POLY-V, 6 GROOVE	55.30
50-62000-11	BELT, POLY-V, 6 GROOVE	98.00
50-62000-12	BELT, POLY-V, 6 GROOVE	59.00
50-62000-16	BELT, POLY-V, 6 GROOVE	54.80
50-62000-17	BELT, POLY-V, 6 GROOVE	120.00
50-62000-18	BELT, POLY-V, 6 GROOVE	91.60
50-62000-19	BELT, POLY-V, 6 GROOVE	57.00
50-62000-20	BELT, POLY-V, 6 GROOVE	63.00
50-62000-22	BELT, POLY-V, 6 GROOVE	128.00
50-62000-24	BELT, POLY-V, 6 GROOVE	107.50
50-62000-25	BELT, POLY-V, 6 GROOVE	74.50
50-62000-26	BELT, POLY-V, 6 GROOVE	113.00
50-62000-27	BELT, POLY-V, 6 GROOVE	72.00
50-62000-28	BELT, POLY-V, 6 GROOVE	52.00
50-62000-51	BELT, POLY-V, 6 GROOVE	69.40
50-62000-57	BELT, POLY-V, 6 GROOVE	75.50
50-62000-60	BELT, POLY-V, 6 GROOVE	52.80
50-62000-61	BELT, POLY-V, 6 GROOVE	139.60
50-62000-62	BELT, POLY-V, 6 GROOVE	118.00
50-62000-63	BELT, POLY-V, 6 GROOVE	126.50
50-62000-68	BELT, POLY-V, 6 GROOVE	59.40
50-62000-78	BELT, POLY-V, 6 GROOVE	123.00
50-62000-79	BELT, POLY-V, 6 GROOVE	54.00
50-62000-80	BELT, POLY-V, 6 GROOVE	54.50
50-62000-81	BELT, POLY-V, 6 GROOVE	55.50
50-62000-84	BELT, POLY-V, 6 GROOVE	43.50
50-62000-85	BELT, POLY-V, 6 GROOVE	142.00
50-62000-86	BELT, POLY-V, 6 GROOVE	124.50
50-62000-87	BELT, POLY-V, 6 GROOVE	77.00
50-62000-91	BELT, POLY-V, 6 GROOVE	57.80



6.4 BELTS, POLY-V, 6 GROOVES, 0.840 WIDTH - Continued:		
Part Number	Description	Length (Inches)
50-62000-92	BELT, POLY-V, 6 GROOVE	55.90
50-62000-93	BELT, POLY-V, 6 GROOVE	123.70
50-62000-95	BELT, POLY-V, 6 GROOVE	136.00
50-62000-96	BELT, POLY-V, 6 GROOVE	55.00
50-62000-97	BELT, POLY-V, 6 GROOVE	60.50
AC601-446	BELT, POLY-V, 6 GROOVE	67.50
AC601-451	BELT, POLY-V, 6 GROOVE	73.50
AC601-452	BELT, POLY-V, 6 GROOVE	88.30
AC601-458	BELT, POLY-V, 6 GROOVE	72.60
AC601-461	BELT, POLY-V, 6 GROOVE	70.60
AC601-494	BELT, POLY-V, 6 GROOVE	86.60
AC602-407	BELT, POLY-V, 6 GROOVE	91.60
AC602-413	BELT, POLY-V, 6 GROOVE	72.00
AC602-418	BELT, POLY-V, 6 GROOVE	52.80
AC602-420	BELT, POLY-V, 6 GROOVE	96.10
AC602-425	BELT, POLY-V, 6 GROOVE	87.10
AC602-426	BELT, POLY-V, 6 GROOVE	76.90
AC602-427	BELT, POLY-V, 6 GROOVE	103.10
AC602-448	BELT, POLY-V, 6 GROOVE	81.10
AC602-451	BELT, POLY-V, 6 GROOVE	83.70
AC602-454	BELT, POLY-V, 6 GROOVE	110.60

6.5 BELTS, POLY-V, 8 GROOVES, 1.120 WIDTH

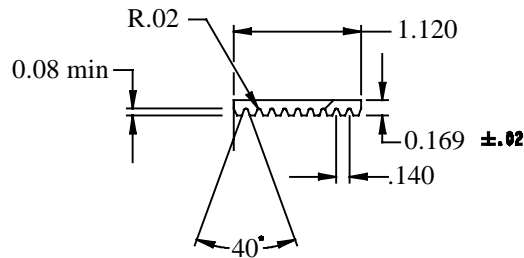


Part Number	Description	Length (Inches)
50-62000-02	BELT, POLY-V, 8 GROOVE	90.00
50-62000-04	BELT, POLY-V, 8 GROOVE	72.80
50-62000-05	BELT, POLY-V, 8 GROOVE	138.30
50-62000-06	BELT, POLY-V, 8 GROOVE	58.00
50-62000-13	BELT, POLY-V, 8 GROOVE	60.50
50-62000-14	BELT, POLY-V, 8 GROOVE	60.00
50-62000-15	BELT, POLY-V, 8 GROOVE	121.00
50-62000-21	BELT, POLY-V, 8 GROOVE	81.00
50-62000-23	BELT, POLY-V, 8 GROOVE	91.00
50-62000-29	BELT, POLY-V, 8 GROOVE	112.50
50-62000-39	BELT, POLY-V, 8 GROOVE	104.50
50-62000-58	BELT, POLY-V, 8 GROOVE	149.00



6.5 BELTS, POLY-V, 8 GROOVES, 1.120 WIDTH - Continued:		
Part Number	Description	Length (Inches)
50-62000-59	BELT, POLY-V, 8 GROOVE	95.00
50-62000-64	BELT, POLY-V, 8 GROOVE	59.00
50-62000-65	BELT, POLY-V, 8 GROOVE	52.00
50-62000-66	BELT, POLY-V, 8 GROOVE	131.30
50-62000-67	BELT, POLY-V, 8 GROOVE	125.30
50-62000-69	BELT, POLY-V, 8 GROOVE	107.50
50-62000-70	BELT, POLY-V, 8 GROOVE	95.20
50-62000-71	BELT, POLY-V, 8 GROOVE	82.00
50-62000-72	BELT, POLY-V, 8 GROOVE	85.50
50-62000-73	BELT, POLY-V, 8 GROOVE	83.00
50-62000-74	BELT, POLY-V, 8 GROOVE	103.50
50-62000-75	BELT, POLY-V, 8 GROOVE	55.20
50-62000-76	BELT, POLY-V, 8 GROOVE	56.60
50-62000-77	BELT, POLY-V, 8 GROOVE	105.50
50-62000-82	BELT, POLY-V, 8 GROOVE	79.00
50-62000-83	BELT, POLY-V, 8 GROOVE	77.00
50-62000-88	BELT, POLY-V, 8 GROOVE	99.00
50-62000-89	BELT, POLY-V, 8 GROOVE	100.00
50-62000-90	BELT, POLY-V, 8 GROOVE	142.00
50-62000-94	BELT, POLY-V, 8 GROOVE	84.50
AC602-421	BELT, POLY-V, 8 GROOVE	46.50
AC602-424	BELT, POLY-V, 8 GROOVE	48.70
AC602-429	BELT, POLY-V, 8 GROOVE	123.00
AC602-435	BELT, POLY-V, 8 GROOVE	120.20
AC602-437	BELT, POLY-V, 8 GROOVE	101.80
AC602-445	BELT, POLY-V, 8 GROOVE	126.50
AC602-446	BELT, POLY-V, 8 GROOVE	100.70
AC602-452	BELT, POLY-V, 8 GROOVE	127.50

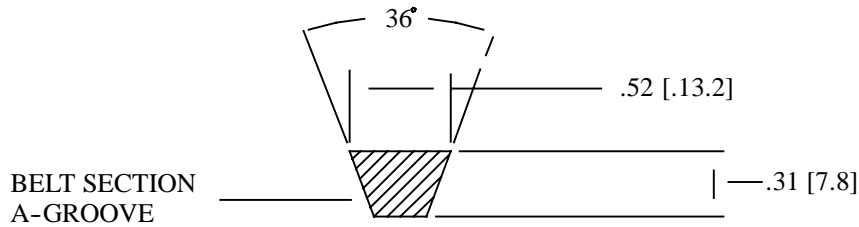
6.6 BELTS, POLY-V, 10 GROOVES, 1.380 WIDTH



Part Number	Description	Length (Inches)
50-62075-00	BELT, POLY-V, 10 GROOVE	103.00
50-62075-01	BELT, POLY-V, 10 GROOVE	87.50
50-62000-02	BELT, POLY-V, 10 GROOVE	105.00



6.7 V-BELT, SINGLE "A" GROOVE



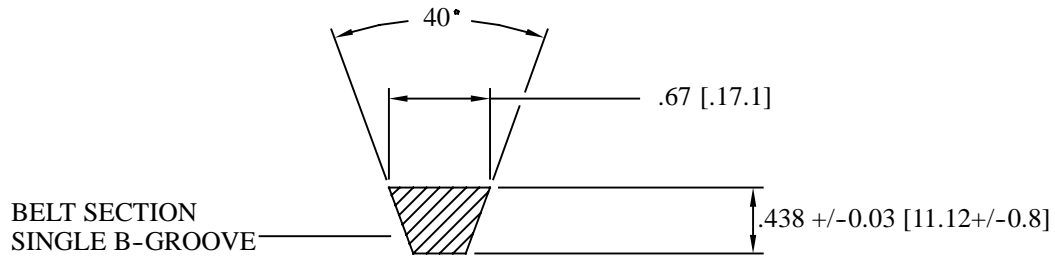
Part Number	Description	Length (Inches)
50-62019-00	V-BELT, SINGLE "A" GROOVE	75.00
50-62019-01	V-BELT, SINGLE "A" GROOVE	27.40
50-62019-02	V-BELT, SINGLE "A" GROOVE	28.40
50-62019-03	V-BELT, SINGLE "A" GROOVE	31.40
50-62019-06	V-BELT, SINGLE "A" GROOVE	34.40
50-62019-08	V-BELT, SINGLE "A" GROOVE	35.90
50-62019-09	V-BELT, SINGLE "A" GROOVE	36.40
50-62019-10	V-BELT, SINGLE "A" GROOVE	37.40
50-62019-19	V-BELT, SINGLE "A" GROOVE	45.40
50-62019-21	V-BELT, SINGLE "A" GROOVE	46.00
50-62019-23	V-BELT, SINGLE "A" GROOVE	46.40
50-62019-25	V-BELT, SINGLE "A" GROOVE	48.40
50-62019-29	V-BELT, SINGLE "A" GROOVE	52.40
50-62019-30	V-BELT, SINGLE "A" GROOVE	75.00
50-62019-31	V-BELT, SINGLE "A" GROOVE	53.40
50-62019-32	V-BELT, SINGLE "A" GROOVE	54.40
50-62019-33	V-BELT, SINGLE "A" GROOVE	55.40
50-62019-34	V-BELT, SINGLE "A" GROOVE	55.90
50-62019-35	V-BELT, SINGLE "A" GROOVE	56.40
50-62019-36	V-BELT, SINGLE "A" GROOVE	57.40
50-62019-39	V-BELT, SINGLE "A" GROOVE	60.40
50-62019-40	V-BELT, SINGLE "A" GROOVE	60.90
50-62019-41	V-BELT, SINGLE "A" GROOVE	61.40
50-62019-43	V-BELT, SINGLE "A" GROOVE	63.40
50-62019-44	V-BELT, SINGLE "A" GROOVE	64.40
50-62019-45	V-BELT, SINGLE "A" GROOVE	65.40
50-62019-46	V-BELT, SINGLE "A" GROOVE	66.40
50-62019-49	V-BELT, SINGLE "A" GROOVE	69.40
50-62019-50	V-BELT, SINGLE "A" GROOVE	70.40
50-62019-54	V-BELT, SINGLE "A" GROOVE	76.00
50-62019-55	V-BELT, SINGLE "A" GROOVE	76.90
50-62019-56	V-BELT, SINGLE "A" GROOVE	77.40
50-62019-58	V-BELT, SINGLE "A" GROOVE	81.40
50-62019-62	V-BELT, SINGLE "A" GROOVE	54.80
50-62019-63	V-BELT, SINGLE "A" GROOVE	57.00
50-62019-64	V-BELT, SINGLE "A" GROOVE	66.50
50-62019-65	V-BELT, SINGLE "A" GROOVE	72.50



6.7 V-BELT, SINGLE "A" GROOVE - Continued:		
Part Number	Description	Length (Inches)
50-62019-66	V-BELT, SINGLE "A" GROOVE	75.50
50-62019-67	V-BELT, SINGLE "A" GROOVE	86.00
50-62019-68	V-BELT, SINGLE "A" GROOVE	88.00
50-62019-69	V-BELT, SINGLE "A" GROOVE	79.00
AC601-405	V-BELT, SINGLE "A" GROOVE	68.40
AC601-410	V-BELT, SINGLE "A" GROOVE	47.00
AC601-413	V-BELT, SINGLE "A" GROOVE	77.90
AC601-414	V-BELT, SINGLE "A" GROOVE	67.40
AC601-423	V-BELT, SINGLE "A" GROOVE	32.90
AC601-427	V-BELT, SINGLE "A" GROOVE	59.40
AC601-429	V-BELT, SINGLE "A" GROOVE	33.40
AC601-462	V-BELT, SINGLE "A" GROOVE	46.90
AC601-463	V-BELT, SINGLE "A" GROOVE	62.40
AC601-465	V-BELT, SINGLE "A" GROOVE	73.40
AC601-467	V-BELT, SINGLE "A" GROOVE	49.40
AC601-468	V-BELT, SINGLE "A" GROOVE	45.90
AC601-469	V-BELT, SINGLE "A" GROOVE	41.90
AC601-470	V-BELT, SINGLE "A" GROOVE	44.00
AC601-473	V-BELT, SINGLE "A" GROOVE	35.40
AC601-474	V-BELT, SINGLE "A" GROOVE	72.40
AC601-480	V-BELT, SINGLE "A" GROOVE	47.90
AC601-484	V-BELT, SINGLE "A" GROOVE	58.40
AC601-490	V-BELT, SINGLE "A" GROOVE	43.40
AC601-491	V-BELT, SINGLE "A" GROOVE	51.40
AC601-492	V-BELT, SINGLE "A" GROOVE	50.40
AC601-499	V-BELT, SINGLE "A" GROOVE	40.40
AC602-402	V-BELT, SINGLE "A" GROOVE	40.90
AC602-419	V-BELT, SINGLE "A" GROOVE	71.40
AC602-422	V-BELT, SINGLE "A" GROOVE	44.90
AC602-432	V-BELT, SINGLE "A" GROOVE	39.90
AC602-443	V-BELT, SINGLE "A" GROOVE	42.90
AC602-444	V-BELT, SINGLE "A" GROOVE	43.90
AC602-449	V-BELT, SINGLE "A" GROOVE	45.00

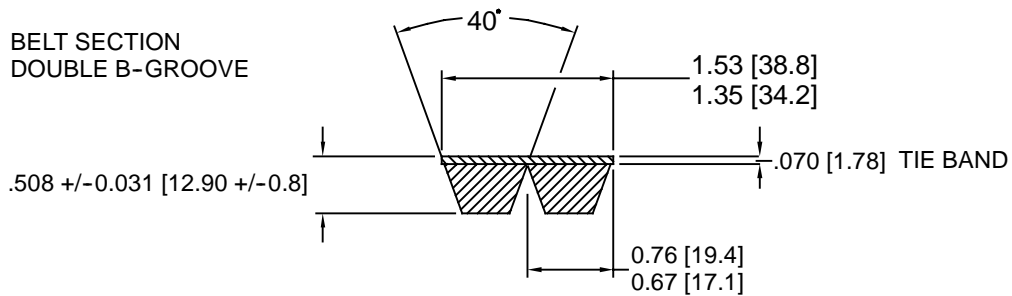


6.8 V-BELT, SINGLE "B" GROOVE



Part Number	Description	Length (Inches)
50-62010-15	V-BELT, SINGLE "B" GROOVE	55.90
50-62010-16	V-BELT, SINGLE "B" GROOVE	69.90
50-62010-17	V-BELT, SINGLE "B" GROOVE	92.90
50-62010-19	V-BELT, SINGLE "B" GROOVE	90.90
AC602-434	V-BELT, SINGLE "B" GROOVE	44.90

6.9 V-BELT, 2 GROOVE, BANDED



50-62010-00	V-BELT, BANDED, 2 RIB, COG	102.90
-------------	----------------------------	--------

6.9 V-BELT, 2 GROOVE, BANDED

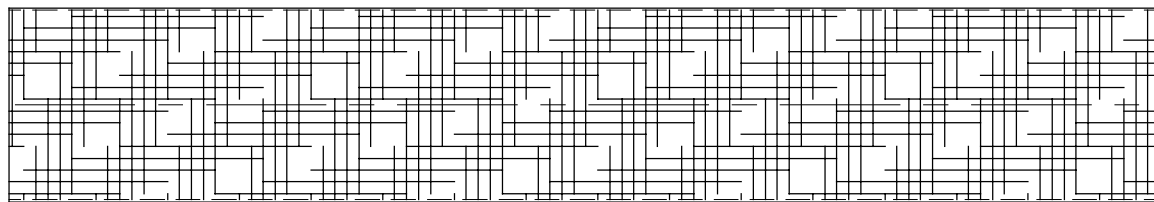
Part Number	Description	Length (Inches)
50-62010-01	V-BELT, BANDED, 2 RIB	92.90
50-62010-09	V-BELT, BANDED, 2 RIB	99.90
50-62010-10	V-BELT, BANDED, 2 RIB	82.90
50-62010-11	V-BELT, BANDED, 2 RIB	73.90
50-62010-13	V-BELT, BANDED, 2 RIB	76.90
50-62010-14	V-BELT, BANDED, 2 RIB	101.90
50-62010-20	V-BELT, BANDED, 2 RIB	102.90
AC602-400	V-BELT, BANDED, 2 RIB	83.90
AC602-405	V-BELT, BANDED, 2 RIB	89.90
AC602-409	V-BELT, BANDED, 2 RIB	80.90
AC602-417	V-BELT, BANDED, 2 RIB	87.90
AC602-423	V-BELT, BANDED, 2 RIB	95.90
AC602-433	V-BELT, BANDED, 2 RIB	85.90
AC602-441	V-BELT, BANDED, 2 RIB	97.90



6.10 HOSE, MISCELLANEOUS

Part Number	Description
AC301-215	Hose, Air Cleaner, 2 inch ID X FT.
AC301-206	Hose, Duct, 2 Inch ID X 6 Foot (Section)
AC301-205	Hose, Duct, 2-1/2 Inch ID X 6 Foot (Section)
AC301-222	Hose, Duct, Flexible Metal, 5 Inch ID (I.H. 7.3L Skat)
AC301-201	Hose, Fuel, 1/4 Inch ID X Foot
AC301-210	Hose, Fuel, 3/16 Inch X Foot
AC301-209	Hose, Fuel, 5/16 Inch X Foot
AC301-218	Hose, Heater, 5/8 Inch ID X Foot
AC301-224	Hose, Heater, 3/4 Inch ID X Foot
AC301-214	Hose, Heater, 1 Inch ID X Foot
AC301-233	Hose, Radiator, 3/4 Inch 90 Degree
AC301-243	Hose, Radiator, 1 Inch 90 Degree
AC301-216	Hose, Radiator, 1-1/4 Inch ID
AC301-217	Hose, Radiator, 1-3/8 Inch ID
AC301-202	Hose, Radiator, 1-1/2 Inch ID
AC301-208	Hose, Radiator, 1-1/2 Inch ID
AC301-235	Hose, Radiator, 1-1/2 Inch ID X Foot
AC301-220	Hose, Radiator, 1-1/2 Inch ID
AC301-211	Hose, Radiator, 1-3/4 Inch ID
AC301-242	Hose, Radiator, 2 Inch ID X 3-1/2 Inch
AC301-221	Hose, Radiator, 2 Inch ID X 3 Foot
AC301-241	Hose, Radiator, 2-1/4 Inch ID X 4 Inches
AC301-223	Hose, Radiator
AC301-228	Hose, Radiator
AC301-219	Hose, Radiator, 88 Ford 460, Add-On
AC301-238	Hose, Silicone, 5/8 Inch ID X Foot
AC301-227	Hose, Silicone, 3/4 Inch ID X Foot
AC301-230	Tubing, Air Brake PFT, 1/4 Inch OD X Foot
AC301-231	Tubing, Air Brake PFT, 3/8 Inch OD X Foot
AC301-229	Tubing, Air Brake PFT, 1/2 Inch OD X Foot

6.11 INSULATION TUBE, (HEAT)

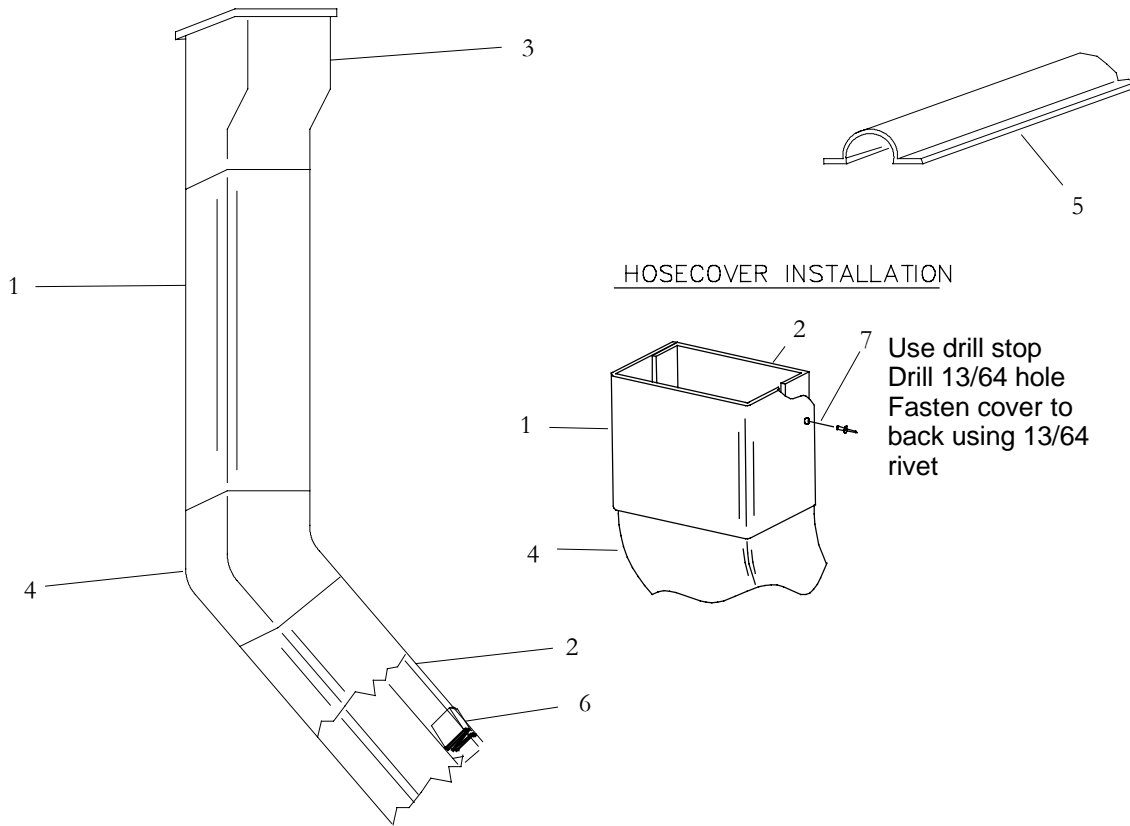


For protecting refrigerant hose in engine compartment or any other high heat areas

58-62062-00	Tube, Insulation, (Fyrejacket), 2 Inch I.D X 24 Inch, Fiberglass With Silicone Rubber
58-62062-01	Tube, Insulation, (Fyrejacket), 2 Inch I.D X 48 Inch
58-62062-02	Tube, Insulation, (Fyrejacket), 2 Inch I.D X 72 Inch
58-62062-10	Tube, Insulation, (Fyrejacket), 2 Inch I.D X 1200 Inch
58-62030-00	Tube, Insulation, 2 Inch I.D X 24 Inches, Fiberglass With Aluminum Foil

SECTION 7 - MISCELLANEOUS

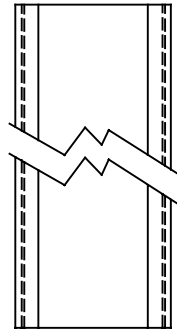
7.1 HOSECOVERS AND ACCESSORIES



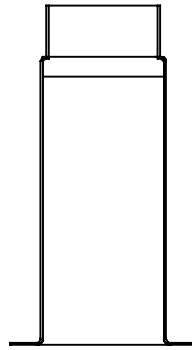
Item	Part Number	Description
1	N/A	Hosecover, Vinyl Coated, 36 inch, (Beige AC010-007)
	AC010-007-1	Hosecover, Vinyl Coated, 36 inch, (White)
	AC010-007-2	Hosecover, Vinyl Coated, 36 inch, (Gray)
	N/A	Hosecover, Vinyl Coated, 47 inch, (Beige AC011-030)
	N/A	Hosecover, Vinyl Coated, 47 inch, (White AC011-030-1)
	N/A	Hosecover, Vinyl Coated, 47 inch, (Gray AC011-030-2)
2	AC010-008	Hosecover, Back, 36 inch
	AC011-031	Hosecover, Back, 47 inch
3	N/A	Hosecover, Transition, (Beige AC011-032)
	AC011-032-1	Hosecover, Transition, (White)
	AC011-032-2	Hosecover, Transition, (Gray)
4	N/A	Hosecover, Elbow. 60°, (Beige AC011-049)
	AC011-049-1	Hosecover, Elbow. 60°, (White)
	AC011-049-2	Hosecover, Elbow. 60°. (Gray)
5	N/A	Hosecover, Drain Line, 48 inch, (Beige AC011-077)
	N/A	Hosecover, Drain Line, 48 inch, (White AC011-077-1)
	N/A	Hosecover, Drain Line, 48 inch, (Gray AC011-077-2)
6	AC701-103	Clip, Tinnerman, S-Type, (Hosecover)
7	AC701-401	Rivet, Pop, Steel, (SD62BS)



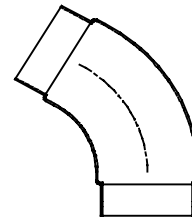
7.2 HOSECOVERS - 2 PIECE DESIGN



1



2



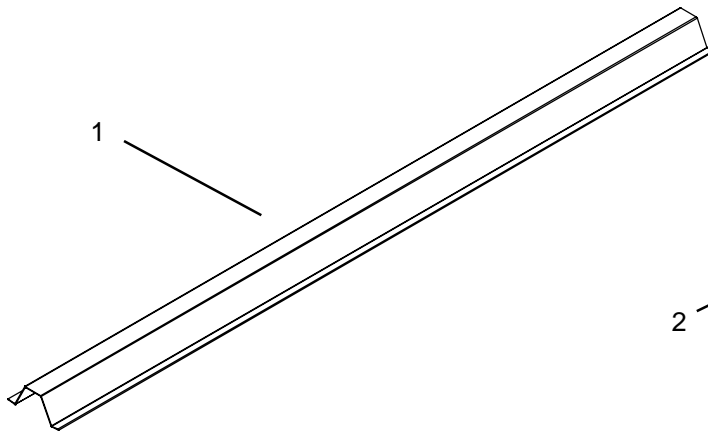
3



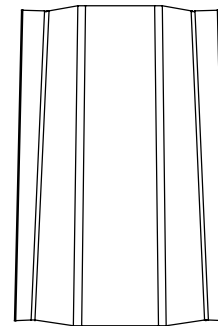
TOP VIEW

Item	Part Number	Description
1	58-01384-00	Hosecover, 2 Piece, Gray, 36 in.
	58-01384-01	Hosecover, 2 Piece, White, 36 in.
	58-01384-02	Hosecover, 2 Piece, Gray, 48 in.
	58-01384-03	Hosecover, 2 Piece, White, 48 in.
2	58-01383-00	Hosecover, Transition, Gray
	58-01383-01	Hosecover, Transition, White
	58-62184-00	Hosecover, Transition, Gray
	58-62191-00	Hosecover, Transition, ABS, Gray
3	58-01382-00	Corner Cover, 60 Degree Elbow, Gray
	58-01382-01	Corner Cover, 60 Degree Elbow, White

7.3 HOSECOVERS - 1 PIECE DESIGN



1

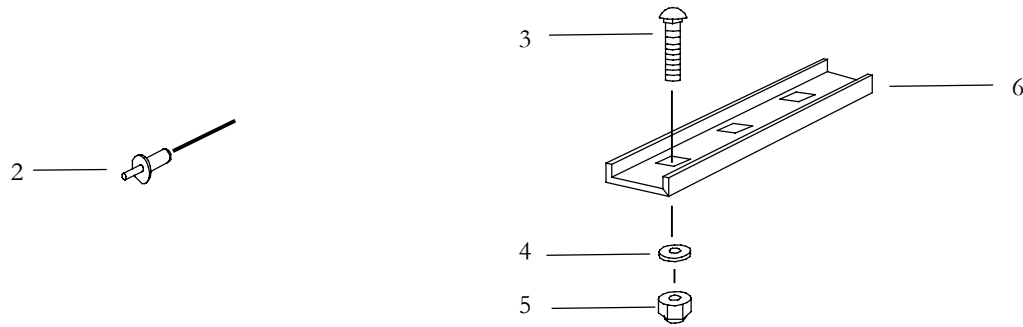


2

Item	Part Number	Description	
1	58-62204-00	Hose Cover, Gray, 52.00" LG	1
2	58-62205-00	Hose Cover, Transition, Gray, 7.00" LG	1

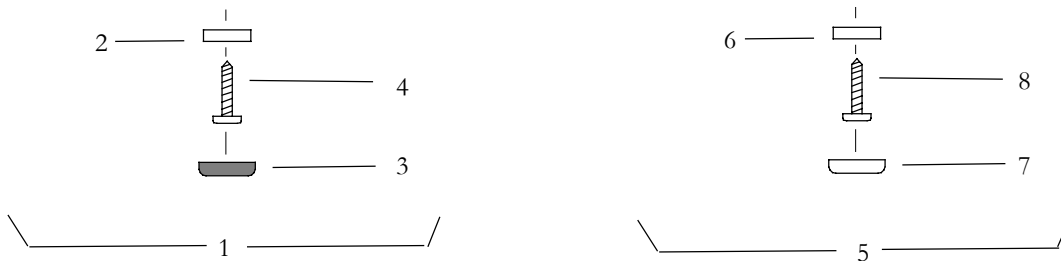


7.4 HARDWARE KIT, EVAPORATOR MOUNTING TO CHANNELS, (REAR)



Item	Part Number	Description	
1	76-62103-01	Hardware Kit, Unit Mounting To Channels, Includes:	1
2	AC701-403 Rivet, Pop, 1/8-Steel	3
3	34-01310-01 Bolt, Carriage, Round Head, 3/8-16 X 4 Inches, Zinc plated	4
4	34-00588-13 Washer, Flat, 3/8 Inch, Zinc Plated	4
5	34-00361-13 Nut, Hex, Lock, 3/8-16, Zinc Plated	4
6	AC020-009	Channel, Mounting, 3/16 X 30 Inches Long	2
	AC021-360	Channel, Mounting, 3/16 X 15.75 Inch, (Model 77-62112-80 & -82 Only)	2

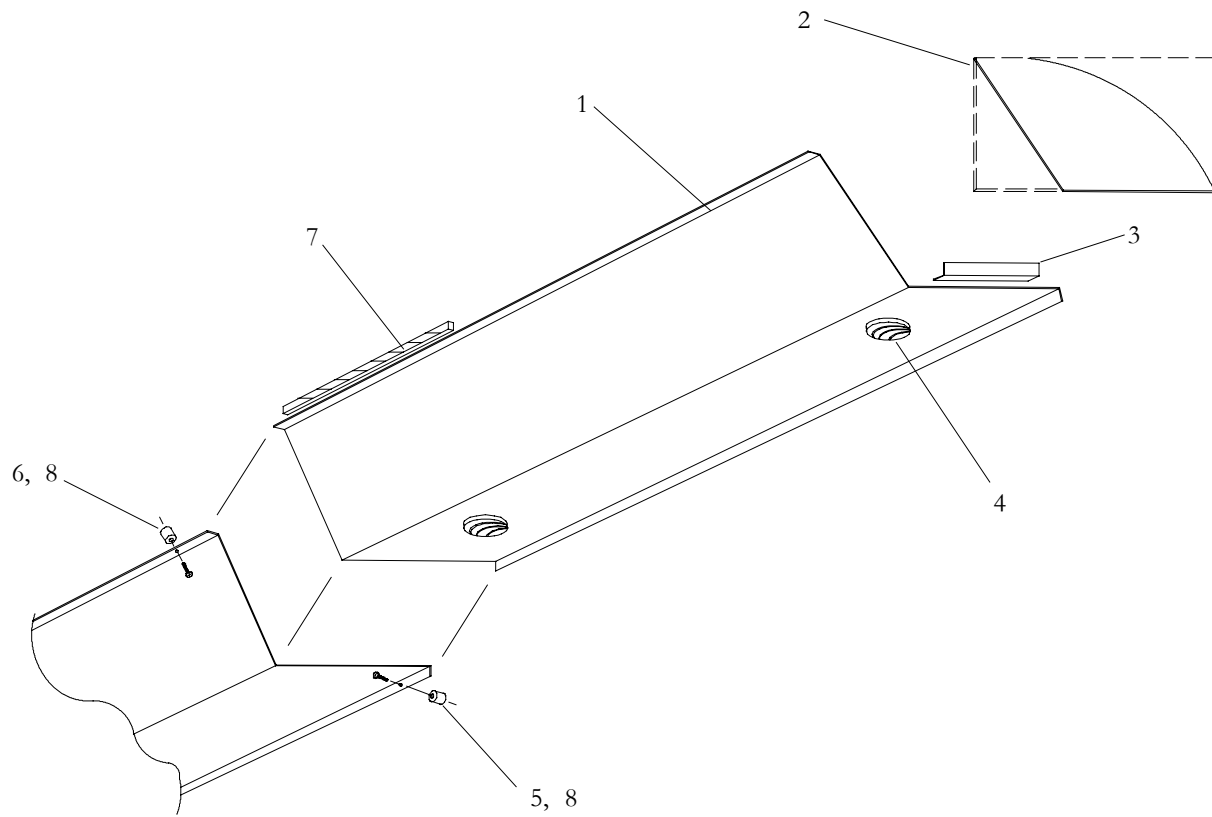
7.5 HARDWARE KIT, EVAPORATOR COVER MOUNTING, (REAR AND SIDE MOUNT)



Item	Part Number	Description	
1	76-62103-00	Hardware Kit, Cover Mounting To Unit, Gray, Includes:	1
2	AC801-529 Washer, Snap Cap	8
3	AC801-532 Snap Cap, Gray	8
4	34-62046-00 Screw, Pan Head, Phillips, #10 X 5/8 Inch, AB, Black	8
5	76-62103-04	Hardware Kit, Cover Mounting To Unit, White, Includes:	1
6	AC801-529 Washer, Snap Cap	8
7	AC801-531 Snap Cap, White	8
8	34-50044-00 Screw, Pan Head, Phillips, #10 X 5/8 Inch, AB, Black	8



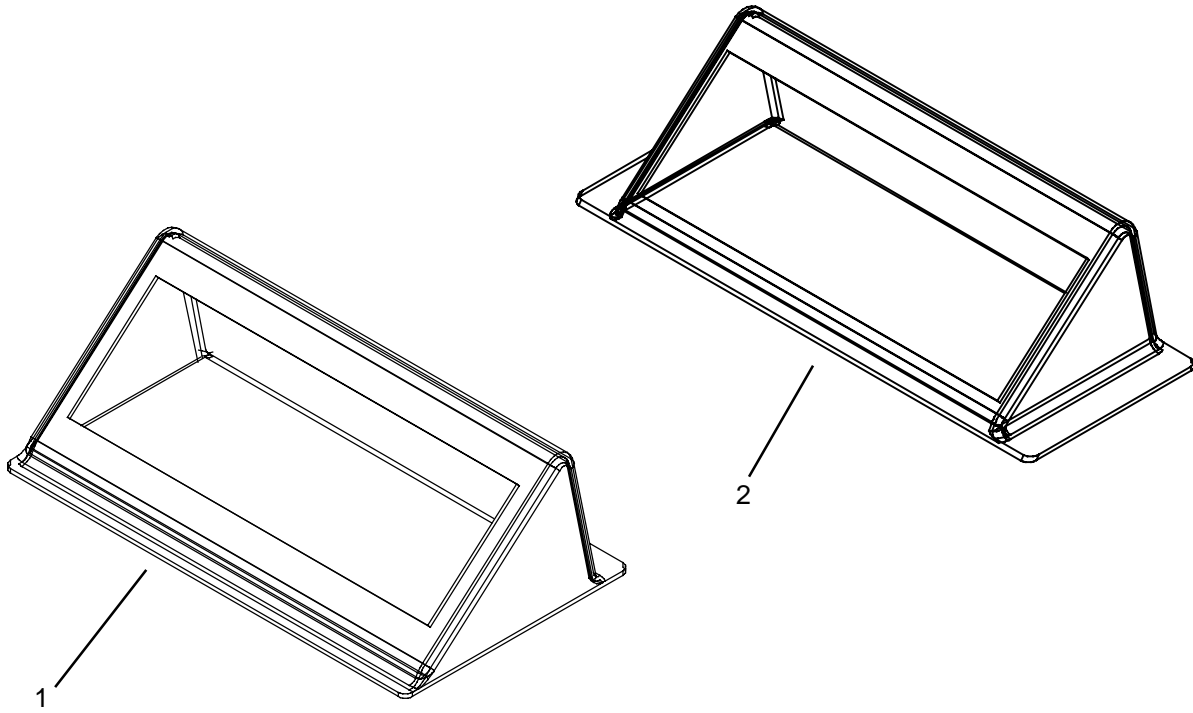
7.6 CORNER DUCTING



Item	Part Number	Description
1	AC011-001	Duct Section, Vinyl Coated Metal, Beige, (6 Foot Section)
	AC011-001-2	Duct Section, Vinyl Coated Metal, Gray, (6 Foot Section)
2	AC011-006	Air Block, End Cap, Vinyl Coated Metal, Beige
	AC011-006-2	Air Block, End Cap, Vinyl Coated Metal, Gray
3	AC011-018	Angle, End Cap Mounting
4	AC401-301	Grill, 3 Inch, Round, (Four Style)
5	AC801-309	Spacer, Nylon, Bottom, 1/4 Inch, (Transit Style)
6	AC801-310	Spacer, Nylon, Top, 3/8 Inch, (Transit Style)
7	AC801-401	Gasket, Foam, 3/16 Inch X 3/8 Inch X Foot
8	34-50046-00	Screw, Pan Head Phillips, #10 X 3/4 Inch, Self Drilling, SST



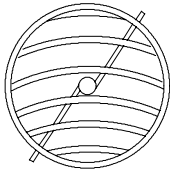
7.7 DEFLECTORS



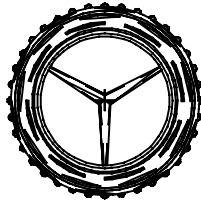
Item	Part Number	Description	
1	58-62185-00	Deflector, Gray, 8.50" x 4.75", ABS	1
	58-62185-01	Deflector, White, 8.50" x 4.75", ABS	1
2	58-01398-00	Deflector, Lt. Gray, 9.56" x 3.57", ABS	1
	58-01398-01	Deflector, White, 9.56" x 3.57", ABS	1



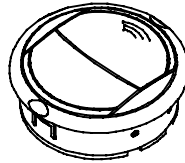
7.8 LOUVERS



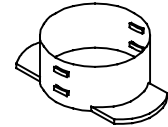
AC401-300



58-01379-00

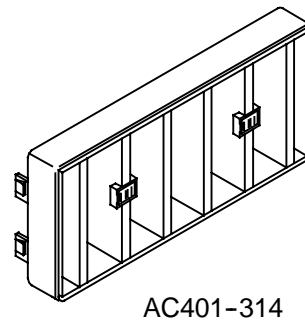
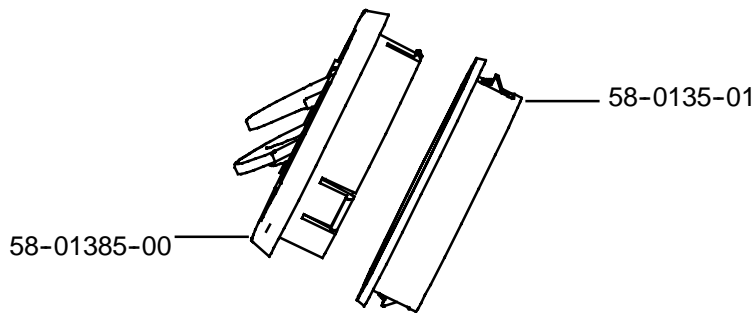


58-62077-00



AC401-307

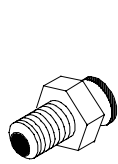
Part Number	Description
AC401-300	Grill, Round, 2 inch
AC401-301	Grill, Round, 3 inch
AC401-302	Louver, With Bezel - Black, 2 Inch X 1-1/2 Inch
58-01386-00	Ball Louver - 2-1/2 Inch Black, With Hose Back
AC401-306	Mounting Ring, Black - 2-1/4 Inch I.D.
AC401-307	Hose Adapter - 2-1/2 Inch
AC401-308	Louver, With Bezel - Black, 3 Inch X 7 Inch
AC401-309	Louver, Ball, 2 inch
AC401-310	Hose Connector - 2 Inch X 2-1/2 Inch
58-01379-00	Ball Louver, 2 Inch Black (Triple Vane) With 2.5 Inch Hose Adapter & Lock Ring
AC401-312	Louver Assembly With 2-1/2 Adapter, (401-313)
AC401-313	Louver Cover, (401-312)
AC401-314	Louver With Bezel - Black, 3-1/4 Inch X 7-3/4 Inch
AC401-315	Louver, With Bezel, Black, 1-1/2 inch X 4-3/4 inch
AC401-320	Louver, EM-1-2-3-6-14 (Gen III & GEN 4)
AC401-322	Adapter, Hose, 2 inch
AC401-323	Adapter, Hose, 3 inch
58-62077-00	Louver, Round, 2-1/2 Inch
58-01385-00	Louver, 3" (Requires 1 Ring 58-01385-01)
58-01385-01	Ring, Louver, Used With 58-01385-00



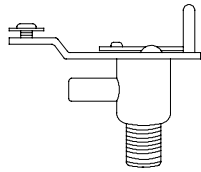
AC401-314



7.9 REFRIGERATION COMPONENTS



Valve, Air Vent



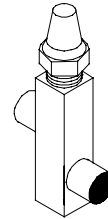
Valve - Heat Control



Core - Access Valve



Valve Body



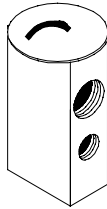
Shut-Off Valve

Part Number	Description
40-00081-00	Valve, Air Vent, 1/8 Inch MPT, Brass
AC101-408	Valve, Discharge, 5/8I Inch OD Tube
AC101-405	Valve, Drain Cock, 1/8 Inch MPT
AC101-406	Valve, Drain Cock, 1/4 Inch MPT
AC101-403	Valve, Water Service, Hand Operated
AC101-400	Valve, Heat Control, Cable Operated, (EM-21)
AC101-412	Valve, Refrigerant, 1/2 Inch Flare X 1/2 Inch Flare
AC101-415	Valve, Refrigerant, Angle, 1/2 Inch Flare X 1/2 Inch Flare
AC101-429	Valve, Shutoff, 1/2 Inch Flare X 1/2 Inch Flare
AC101-430	Valve, Shutoff, 1/2 Inch Female Flare X 1/2 Inch Male Flare O-Ring
AC101-428	Valve, Shutoff, 1/2 Inch Female Flare O-Ring X 1/2 Inch Male O-Ring
AC101-441	Valve, Shutoff, 5/8 inch Female O-Ring X 5/8 Inch Male O-Ring
EP32UZ232	Valve, Shutoff, 5/8 Inch Solder
AC101-404	Valve, Solenoid, 12 VDC, Refrigerant
AC101-401	Valve, Solenoid, 12 VDC, Water Service
AC101-407	Valve, Suction, 7/8 Inch OD Tube
AC101-425	Valve, 4-Way, Toggle, (Pivot Base)
AC101-426	Regulator, With Gauge, (Use with AC101-427)
AC101-427	Bracket, Regulator, (Use with AC101-426)
40-00190-00	Valve Body, 1/4 Inch MFL X 1/8 Inch MPT
17-13010-00	Fitting Access, 1/8 Inch MPT X 1/4 Inch Flare, With Schrader, Brass - Includes:
DD19CA061	...Cap, Seal, Flare, 1/4 Inch, Brass
14-00351-00	...Core, Access Valve (Nickel Plated)

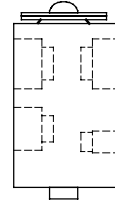


7.10 THERMAL EXPANSION VALVE, BLOCK

R-12
VALVE

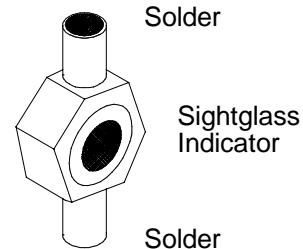
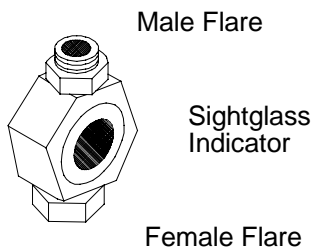


R-134A
VALVE
14-00301



N/A	Thermal Expansion Valve, Block, R12 (AC101-100)
AC040-076	Thermal Expansion Valve, Block, R12, (EM-21)
AC101-103	Thermal Expansion Valve, Block, R22
14-00301-03	Thermal Expansion Valve, Block, R134a (GEN III, GEN 4 & GEN 5)
AC040-103	Thermal Expansion Valve, Block, R134a, (EM-21)
AC101-101	Thermal Expansion Valve, 3/8 Inch Flare X 1/2 Inch Flare
AC101-102	Thermal Expansion Valve, 3/8 Inch O-Ring X 1/2 Inch O-Ring
AC101-108	Thermal Expansion Valve, 4 Ton, Externally Equalized, R12 / R134a

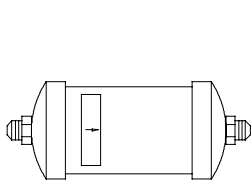
7.11 SIGHTGLASSES



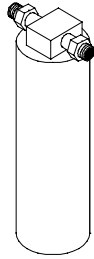
Part Number	Description
AC101-200	Sightglass Indicator. 1/2 Inch Male Flare X 1/2 Inch Female Flare (GEN 4) Includes:
P806-B2-8Gasket, Flare, 1/2 SAE, Copper
AMI1SS3	Sightglass Indicator. 3/8 Inch Solder X 3/8 Inch Solder (AC101-201)
KM43AG301	Sightglass Indicator. 5/8 Inch Solder X 5/8 Inch Solder
AC101-202	Sightglass, Bullseye, 7/8-14 Thread (GEN III)
AC101-203	Sightglass, Moisture Indicator, 7/8-14 Thread (GEN 4 - GEN-V)



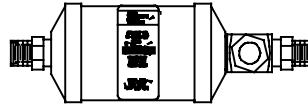
7.12 DRIERS



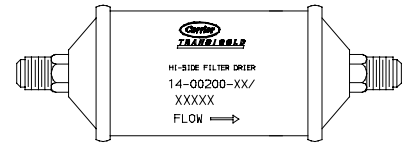
1, 2



5



11



12

Item	Part Number	Description
1	AC101-303	Filter Drier, 16 Cubic Inch, 1/2 Inch Flare
2	AC101-312	Filter Drier, 16 Cubic Inch, 1/2 Inch Flare-O, (GEN 4)
3	N/A	Receiver Drier, 3/8 Inch Flare (AC101-301)
4	AC101-302	Receiver Drier, 3/8 Inch O-Ring, With Low Pressure Switch
5	AC101-311	Receiver Drier, 3/8 Inch Male O-Ring X 3/8 Inch Male O-Ring
6	AC101-304	Receiver Drier, Push-On, #8 Hose
7	AC101-305	Receiver Drier, Push-On, #6 Hose
8	AC101-307	Receiver Tank, (RF Series)
9	AC101-310	Receiver, Vertical, (CM-8)
10	AC101-306	Filter, Suction, 5/8 Inch Flare
11	14-00288-00	Filter Drier/Sightglass, 16 Cubic Inch, 1/2 Inch MO-R, (With Moisture Indicator)
12	14-00200-00	Filter Drier, 41 Cubic Inch, 5/8 Inch Flare
13	14-00320-00	Filter Drier, 41 Cubic Inch, 3/4 ORS (IN) X 5/8 ORS (OUT)



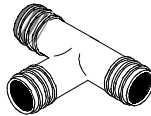
7.13 PLASTIC FITTINGS



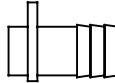
NYLON SPLICER



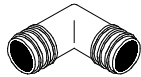
MPT TO BARB



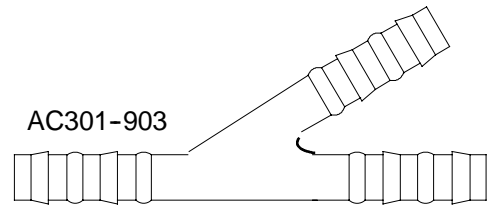
PLASTIC DRAIN TEE



Drain Pan Nipple



PLASTIC DRAIN ELBOW

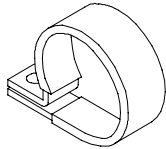


“Y” DRAIN LINE CONNECTION

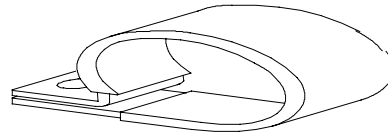
AC301-900	Fitting, Plastic, Drain Elbow, 90°, 1/2 Inch OD
AC301-901	Fitting, Plastic, Drain Tee, 1/2 Inch OD
AC301-902	Fitting, Plastic, Drain Tube, Straight, 1/2 Inch OD, Anti-Slip
AC301-903	Fitting, Plastic, Heater, “Y”, 5/8 OD or 3/4 Inch OD
N/A	Fitting, Plastic, Drain Tube, 90°, 1/2 inch OD, (EM-14) (AC301-904)
AC301-905	Elbow, Nylon, 90°, 1/4 Inch MPT, X 1/2 Inch Hose
AC301-907	Fitting, Plastic, Drain Tee, 5/8 Inch OD, (GEN III & GEN 4)
AC301-908	Fitting, Nylon, Drain Elbow, 90°, 5/8 Inch OD, (GEN III & GEN 4)
AC301-908-5	Fitting, Nylon, Drain Elbow, 90°, 1 Inch OD, (Blue Bird)
40-00541-00	Fitting, Hose, Plastic, 1 Inch MPT X 1 Inch “Barb”, (Black)
40-00541-01	Fitting, Hose, Plastic, 3/4 Inch MPT X 1 Inch “Barb”, (Black)
40-00541-02	Fitting, Hose, Plastic, 3/4 Inch MPT X 1 Inch “Barb”, (White)
58-62142-02	Fitting, Splicer, Nylon, 1/2 Inch OD
58-62142-03	Fitting, Splicer, Nylon, 5/8 Inch OD
58-01380-00	Fitting, Hose, Nylon “Y”, 5/8-3/4 Inch, Barbed (Black)
58-62159-00	Tube, Plastic, Drain Pans, GEN 5
58-50123-00	Fitting “Y” Connector, 1/2 “ OD Nylon Hose Barb



7.14 INSULATED CLAMPS



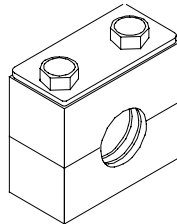
INSULATED CLAMP



INSULATED CLAMP - DOUBLE HOSE

Part Number	Description
34-00373-51	Clamp, Insulated, 1/4 Inch ID, Black
34-00373-53	Clamp, Insulated, 3/8 Inch ID, Black
34-00373-05	Clamp, Insulated, 1/2 Inch ID, Black
AC701-201	Clamp, Insulated, 5/8 Inch ID, Adel
44-00337-08	Clamp, Insulated, 3/4 Inch ID, Adel (AC701-221)
AC701-222	Clamp, Insulated, 7/8 Inch ID, Adel
44-00337-11	Clamp, Insulated, 1 Inch ID, Adel (AC701-223)
AC701-224	Clamp, Insulated, 1-1/8 Inch ID, Adel
AC701-245	Clamp, Insulated, 1-1/4 Inch ID, Black
AC701-230	Clamp, Insulated, 1-1/2 Inch ID, Black
AC701-263	Clamp, Insulated, Heavy Duty, 1-1/2 Inch ID, Black
AC701-246	Clamp, Insulated, 1-3/8 Inch ID, Black
AC701-227	Clamp, Insulated, 1-3/4 Inch ID, Black
34-00373-27	Clamp, Insulated, 1-7/8 Inch ID, Black
AC701-233	Clamp, Insulated, Double, 5/8 Inch OD, Tube
AC701-226	Clamp, Insulated, Double Hose, Black

7.15 STAUFF CLAMPS

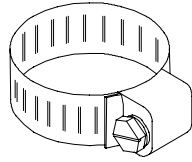


STAUFF CLAMP

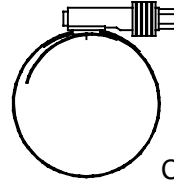
AC701-248	Clamp, Stauff, 5/8 Inch OD Tube
AC701-242	Clamp, Stauff, 3/4 Inch OD Tube
44-00285-72	Clamp, Stauff, 7/8 Inch OD Tube
AC701-241	Clamp, Stauff, 1-1/8 Inch OD Tube
AC701-240	Clamp, Stauff, 1-3/8 Inch OD Tube
AC701-254	Clamp, Stauff, 1-3/8 Inch OD Tube, High Temperature



7.16 HOSE CLAMPS



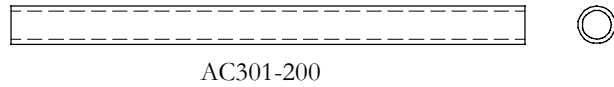
HOSE CLAMP



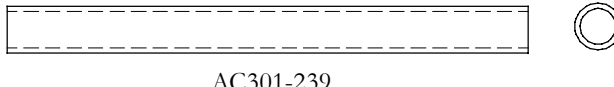
44-62003-00 THRU -03
CLAMP, CONSTANT TORQUE

Part Number	Description
AC701-205	Clamp, Drain Hose
AC701-207	Clamp, #16 Hose
AC701-211	Clamp, Hose, Mini, 7/32 Inch to 5/8 Inch Diameter
AC701-234	Clamp, Hose, 1/2 Inch to 1-1/4 Inch Diameter
AC701-229	Clamp, Hose, 1-1/8 Inch to 3 Inch Diameter
AC701-210	Clamp, Hose, 1-5/16 Inch to 2-1/4 Inch Diameter
AC701-247	Clamp, Hose
AC701-269	Clamp, Hose, 2-1/16 Inch to 3 Inch, Stainless Steel,, (GEN III / GEN 4)
44-62003-00	Clamp, Constant Torque (Effective Range: 2.75 - 3.62)
44-62003-01	Clamp, Constant Torque (Effective Range: 3.25 - 4.13)
44-62003-02	Clamp, Constant Torque (Effective Range: 1.75 - 2.63)
44-62003-03	Clamp, Constant Torque (Effective Range: 2.25 - 3.13)

7.17 CONDENSATE VALVE & DRAIN HOSE



AC301-200



AC301-239



AC301-204

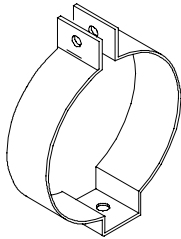


AC301-240

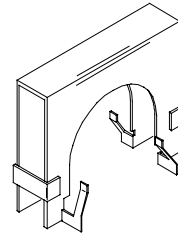
Part Number	Description
AC301-204	Hose, Condensate Valve, 1 Inch X 3 inch Long, GEN I, GEN II & GEN 5 (Kazoo)
AC301-240	Hose, Condensate Valve, 1-1/4 Inch X 3 inch Long, GEN III & GEN 4 (Kazoo)
AC301-200	Hose, Drain, 1/2 Inch ID X 50 Feet Long, (GEN I, GEN II & GEN 5)
AC301-239	Hose, Drain, 5/8 Inch ID X Foot, (GEN III & GEN 4)



7.18 MISCELLANEOUS CLAMPS



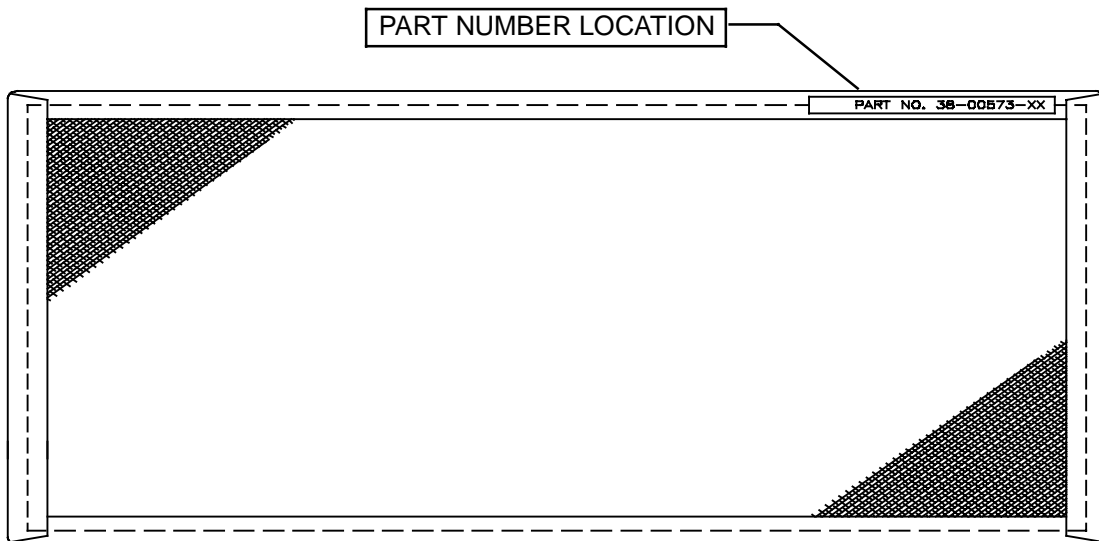
Filter Drier Mounting Clamp



Spring-Lock Clip

N/A	Clip, Spring-Lock, #8 (AC701-251)
N/A	Clip, Spring-Lock, #10 (AC701-252)
N/A	Clip, Spring-Lock, #12 (AC701-253)
AC701-235	Clamp, Lock, #6 to #12 Hose
AC701-243	Clamp, Conduit, 3 Inch, Stainless Steel
AC701-208	Clamp, Filter Drier Mounting, (GEN I & II)
AC701-212	Clamp, Muffler, 1-1/2 Inch
AC701-231	Clamp, One Hole Strap, 2 Inch ID, (CM-9)
AC701-274	Clamp, Slotted, 3/8 Inch Conduit, (GEN III & GEN 4)
AC701-206	Clamp, Thermostat Coil
AC701-237	Connector, Romex, 1/2 Inch

7.19 RETURN AIR FILTERS



Part Number	Description
38-00573-00	Filter, Return Air, EM-22, 13.82 x 8.00 Inches (351.0 x 203.2 MM)
38-00573-01	Filter, Return Air, EM-1, 36.50 x 9.00 Inches (927.1 x 228.6 MM)
38-00573-02	Filter, Return Air, EM-2, 27.92 x 9.00 Inches (709.2 x 228.6 MM)
38-00573-03	Filter, Return Air, EM-7, 20.65 x 9.00 Inches (524.5 x 228.6 MM)
38-00573-04	Filter, Return Air, EM-3, 26.81 x 9.00 Inches (681.0 x 228.6 MM)
38-00573-05	Filter, Return Air, IW-7, 19.00 x 5.50 Inches (482.6 x 139.7 MM)
38-00573-06	Filter, Return Air, IW-2, 26.30.82 x 5.75 Inches (668.0 x 146.1 MM)
38-00573-07	Filter, Return Air, EM-3 Gen 4, 26.25 x 8.00 Inches (666.8 x 203.2 MM)



7.19 RETURN AIR FILTERS (Continued)	
38-00573-08	Filter, Return Air, IW-1, 34.00 x 6.40 Inches (863.6.0 x 162.6 MM)
38-00573-09	Filter, Return Air, ESS, 18.20 x 8.00 Inches (462.3 x 203.2 MM)
AC801-405	Filter, Return Air, EM-1 (G4), 35.00 x 7.25 Inches (889 x 184.2 MM)
AC801-452	Filter, Return Air, EM-3 (G4), 26.25 x 8.25 Inches (666.8 x 209.6 MM)
AC801-462	Filter, Return Air, EM6 (G4), 19.00 x 8.00 Inches (482.6 x 203.2 MM)
AC801-461	Filter, Return Air, EM-14 (G4), 28.50 x 5.00 Inches (723.9 x 127 MM)
AC801-443	Filter, Return Air, EM17 (G4), 41.50 x 12.5 Inches (1054.1 x 317.5 MM)
38-00558-00	Filter, Return Air, EM9 (G4), 18.25 x 6.50 Inches (463.6 x 165.1 MM)



INDEX

PART NO. PAGE NO.

0

02-00067-01 . 213

02-62001-01 . 226, 229, 230, 233, 236

04-50023-00 . 71, 72, 74, 77, 296

08-50017-00 . 80

08-50018-00 . 185

08-50020-00 . 186

08-50021-00 . 81

08-62005-00 . 170, 173

08-62006-00 . 71, 74, 77

08-62012-00 . 72

08-62023-00 . 71

08-62031-00 . 8, 12, 17, 84

08-62031-01 . 25, 28, 34

08-62031-02 . 49, 53, 59

08-62035-00 . 140

08-62035-01 . 154

08-62036-00 . 180, 183

08-62037-00 . 41

08-62038-00 . 197, 203, 205, 211

08-62038-01 . 197, 203, 205, 211

08-62045-00 . 126

08-62045-01 . 110

08-62046-00 . 200, 208

08-62046-01 . 200, 208

08-62056-00 . 87, 89, 91

08-62057-00 . 231

08-62057-01 . 224

08-62059-00 . 2, 4, 21, 23

08-62060-00 . 2, 21

08-62061-00 . 46

08-62062-00 . 46

08-62063-00 . 67, 69

08-62064-00 . 67, 69, 136, 138

PART NO. PAGE NO.

08-62065-00 . 65

08-62066-00 . 65

08-62067-00 . 39

08-62068-00 . 39

08-62076-00 . 128, 130

08-62080-00 . 121

08-62081-00 . 190

08-62081-01 . 190

1

10-00286-00 . 289

10-00286-03 . 289, 320, 349, 350, 351, 352, 353

10-00286-08 . 289

10-00286-09 . 289, 312, 316, 320, 322, 324

10-00286-12 . 289

10-00286-14 . 289, 305, 306, 307, 308, 309, 310, 311, 313, 315, 325, 326, 328, 330, 331, 333, 335, 336, 337, 339, 341, 343, 344, 346, 348

10-00300-00 . 170

10-00300-02 . 322, 324

10-00301-00 . 305

10-00311-00 . 320, 322, 324

10-00312-00 . 320, 322, 324

10-00317-01 . 184

10-00328-00 . 288, 305, 307, 308, 309, 310, 311, 317, 326, 328, 333, 335, 336, 337, 339, 342, 344, 346, 348, 349, 350, 351, 352, 353

10-00328-07 . 288

10-00436-01 . 320

10-00444-00 . 314, 327, 330

10-50052-00 . 295, 322, 324

10-50052-01 . 295, 322, 324

10-50067-00 . 80

10-50068-00 . 80

10-50069-00 . 80



INDEX

PART NO.	PAGE NO.	PART NO.	PAGE NO.
105-6121	276	14-00200-00 .	176, 372
106-1922	243	14-00288-00 .	140, 154, 190, 224, 231, 372
106-1922-1 . .	243	14-00301-03 .	91, 371
108-1921SV . .	275	14-00320-00 .	197, 200, 205, 208, 372
12-00299-01 .	72	14-00351-00 .	75, 110, 126, 138, 206, 211, 248, 370
12-00299-02 .	71, 76	14-00397-00 .	2, 4, 8, 12, 17, 21, 23, 25, 28, 34, 39, 41, 46, 49, 53, 59, 65, 67, 70, 80, 81, 84, 87, 89, 110, 121, 126, 128, 130, 136, 138
12-00299-09 .	71, 76	14-01032-01 .	177, 197, 200, 203, 205, 208, 211
12-00299-11 .	170	14-01042-08 .	184
12-00299-18 .	71, 76	14-01104-37 .	72
12-00299-23 .	206, 211	14-01104-39 .	71, 75, 78
12-00305-07 .	302	14-50047-00 .	71
12-00334-02 .	71, 76	14-50097-00 .	80
12-00334-03 .	71, 76	14-50098-00 .	80, 81
12-00512-00 .	301	17-10812-01 .	184
12-00512-02 .	301	17-13010-00 .	370
12-00512-08 .	301	17-21003-00 .	280
12-00533-00 .	7, 24, 59	17-31200-01 .	280
12-00547-00 .	126	17-31200-02 .	280
12-00567-00 .	301, 314, 317, 326, 330, 331, 333	17-31200-03 .	280
12-00570-00 .	301	17-31202-00 .	280
12-00657-00 .	320, 322, 324	17-31203-00 .	280
12-00672-00 .	302	17-31205-00 .	280
12-00672-01 .	302	17-31207-00 .	280
12-00672-02 .	302	17-31244-00 .	278, 279
12-00672-03 .	302	17-31245-00 .	279
12-00685-00 .	4, 8, 12, 17, 23, 25, 28, 33, 34, 41, 49, 53, 59, 84, 87, 89, 91, 111, 121, 128, 130, 136, 138, 293	17-31246-00 .	279
12-01132-00 .	170, 174	17-31247-00 .	279
12-50139-00 .	80, 81	17-31248-00 .	278, 279
12-50140-00 .	80, 81	17-31249-00 .	279
14-00026-04 .	197, 200, 205, 208	17-31252-00 .	276
14-00029-04 .	183, 197, 203, 205, 211	17-31253-00 .	279
14-00029-07 .	170, 173	17-31254-00 .	276
14-00029-09 .	200, 208		

INDEX

PART NO.	PAGE NO.	PART NO.	PAGE NO.
22-02897-10	. 294	22-02338-03	. 213, 215
22-02897-11	. 294, 318, 327, 335, 345, 346	22-02338-04	. 4, 23, 66
22-02897-12	. 294	22-02351-01	. 215
22-02897-13	. 294, 336	22-02392-00	. 143, 144, 145, 149, 158, 159, 160, 164, 165, 180, 215
22-01344-11	. 311	22-02392-01	. 76, 78
22-01449-00	. 322, 324	22-02392-03	. 213, 215, 222
22-01451-00	. 229, 230, 236, 301	22-02393-00	. 213, 215, 222
22-01502-00	. 149, 150, 164, 165	22-02393-01	. 76, 79, 143, 144, 145, 149, 158, 159, 160, 164, 165, 180, 213, 214
22-01566-00	. 213, 215, 222	22-02394-00	. 143, 144, 145, 149, 158, 159, 160, 164, 165, 180, 186, 213, 215, 222
22-01584-00	. 71, 75	22-02394-01	. 76, 79, 185, 213, 214
22-01585-00	. 213, 214, 345, 347	22-02394-02	. 283
22-01585-02	. 185, 351, 352	22-02898-00	. 287, 338, 340, 342, 345, 347, 348
22-01585-04	. 213, 215, 222	22-04065-00	. 18, 54
22-01827-01	. 320	22-50030-00	. 71, 75, 78
22-01828-00	. 320	22-50078-01	. 186, 283
22-02336-00	. 287	22-50078-01A	. 186, 283
22-02336-01	. 287	22-50078-02	. 186
22-02336-02	. 331	22-50078-18	. 288, 307, 308, 309, 310, 311, 317, 326, 328, 333, 335, 336, 337, 339, 342, 344, 345, 346, 348, 349, 350, 351, 352, 353
22-02336-04	. 287, 330, 333	22-50078-22	. 170, 287
22-02336-05	. 4, 23, 66	22-50078-23	. 170, 287
22-02336-06	. 170, 287, 320, 322, 324	22-50078-39A	. 149, 164
22-02336-15	. 287	22-50078-40	. 143, 149, 158, 164
22-02336-16	. 320, 322, 324	22-50078-45	. 338, 340, 342, 345, 347, 348, 349, 350, 351, 352, 353
22-02336-17	. 287, 288, 307, 308, 309, 310, 311, 317, 322, 324, 326, 328, 333, 335, 336	22-50078-46A	. 141, 150, 156, 164
22-02336-23	. 213	22-50078-47B	. 186, 283
22-02336-24	. 59, 213, 215	22-50078-47E	. 186
22-02336-25	. 140, 141, 142, 143, 145, 147, 154, 156, 157, 158, 160, 162, 180, 215, 228, 235, 296	22-50078-48G	. 149, 158, 164
22-02336-26	. 148, 163	22-50078-49A	. 93, 122, 132
22-02336-31	. 287, 338, 340, 342, 345, 347, 348, 349, 350, 351, 352, 353	22-50078-49C	. 93, 122, 132
22-02338-02	. 330, 331, 333	22-50078-49L	. 170, 287



INDEX

PART NO.	PAGE NO.	PART NO.	PAGE NO.
22-50078-50A	141, 150, 156, 164	22-50099-33B	291
22-50078-52E	149, 158, 164	22-50099-34	292
22-50078-53C	93, 122, 132	22-50099-34B	292
22-50078-53D	93, 122, 132	22-50099-34C	292
22-50078-58H	185	22-50099-37	92, 114, 132
22-50078-63	345, 347, 351	22-50099-37A	92, 114, 132
22-50078-64	347, 352	22-50099-37D	92, 114, 132
22-50078-72	150, 156, 164, 340, 350, 352	22-50245-00	306
22-50078-72A	141, 150, 156, 164	22-50341-00	80
22-50078-73	338, 340, 342, 347, 348, 349, 350, 352, 353	22-50342-00	80
22-50078-86	93, 122, 132	22-50343-00	185
22-50078-86A	93, 132	22-50358-00	186
22-50078-87	338, 340, 342, 345, 346, 348, 349, 350, 351, 352, 353	22-50371-00	144, 145, 159, 160, 180
22-50079-72	141	22-50372-00	144, 145, 159, 160, 180
22-50091-00	71, 72, 74, 77, 296	22-60168-03	301
22-50098-67	93, 122, 132, 141, 150, 156, 164	22-60168-04	301
22-50098-67A	93, 122, 132	22-60254-08	92
22-50098-67B	93, 122, 132, 141, 143, 150, 156, 164	22-60254-27	92
22-50098-67C	93, 122, 132	22-60551-06	301
22-50098-67D	93, 122, 132, 141, 143, 150, 156, 164	22-60551-07	301
22-50098-71	222, 338, 340, 342, 345, 347, 348, 349, 350, 351, 352, 353	22-62002-00	92, 93, 114, 122, 132, 136, 138
22-50098-91A	320	22-62007-00	293
22-50099-27	149, 165	22-62012-00	173
22-50099-27A	149, 165	22-62035-00	75
22-50099-28	145, 160, 181	22-62036-00	322, 324
22-50099-28A	145, 160, 181	22-62037-00	322, 324
22-50099-32	92, 114, 132	22-62038-00	322, 324
22-50099-32A	92, 114, 132	22-62039-01	322, 324
22-50099-33	291, 292	22-62039-02	322, 324
22-50099-33A	291	22-62040-00	322, 324
		22-62052-00	235
		22-62053-00	228
		22-62054-00	295
		22-62099-00	7, 11, 24, 33, 41, 49, 59
		22-62100-00	7, 11



INDEX

PART NO.	PAGE NO.	PART NO.	PAGE NO.
22-62100-01	. 17, 41	22-62210-03	. 307, 308, 309, 310, 311, 317, 326, 328, 333, 335, 336
22-62101-00	. 295	22-62210-04	. 288
22-62102-00	. 295	22-62212-00	. 291
22-62103-00	. 295	22-62212-01	. 291
22-62110-00	. 287, 288, 307, 308, 309, 310, 311, 317, 326, 328, 333, 335, 336	22-62212-02	. 291
22-62119-00	. 287	22-62213-00	. 292
22-62119-01	. 287	22-62213-01	. 292
22-62119-02	. 287	22-62214-30	. 292
22-62123-00	. 140, 142	22-62214-58	. 292
22-62124-00	. 154, 157	22-62214-68	. 292
22-62125-00	. 2	22-62216-00	. 322, 324
22-62126-00	. 21, 46	22-62217-00	. 292
22-62127-00	. 66	22-62221-02	. 122
22-62128-00	. 68, 70	22-62223-00	. 68, 70
22-62131-00	. 300	22-62225-00	. 21, 46
22-62132-00	. 39	22-62226-00	. 66
22-62141-00	. 25, 34	22-62227-00	. 39
22-62141-01	. 28, 41, 49, 53, 59	22-62238-00	. 288, 307, 308, 309, 310, 311, 313, 328, 331, 334, 336, 337, 339, 341, 343, 344, 346, 348, 349, 350, 351, 352, 353
22-62143-00	. 84	22-62238-01	. 288, 310, 311, 313, 318, 327, 328, 331, 334, 336, 337, 339, 341, 343, 344, 346, 348, 349, 350, 351, 352, 353
22-62153-00	. 213	22-62238-02	. 288, 306, 307, 308, 309, 310, 311, 312, 314, 315, 316, 317, 318, 325, 327, 329, 330, 332, 334, 335, 336, 337, 340, 341, 344, 346, 348, 349, 350, 351, 352, 353
22-62163-00	. 183	22-62238-03	. 288, 306, 307, 308, 309, 310, 311, 312, 315, 316, 325, 329, 330, 332, 333, 335, 336, 337, 340, 341, 343, 344, 346, 348, 349, 350, 351, 352, 353
22-62164-00	. 41	22-62240-00	. 2, 89
22-62168-00	. 7, 11, 18, 24, 28, 33, 41, 49, 54, 59	22-62240-01	. 138
22-62168-01	. 7, 11, 54	22-62243-00	. 212, 213
22-62169-00	. 17, 28, 41, 53, 293	22-62243-01	. 212, 213
22-62175-00	. 126		
22-62204-00	. 18, 29, 41, 54		
22-62205-00	. 156, 164		
22-62206-00	. 141, 150		
22-62210-00	. 288, 337, 339, 342, 344, 346, 348, 349, 350, 351, 352, 353		
22-62210-01	. 288, 307, 308, 309, 310, 311, 317, 326, 328, 333, 335, 336		
22-62210-02	. 288, 344, 346, 348, 349, 350, 351, 352, 353		

INDEX

PART NO.	PAGE NO.	PART NO.	PAGE NO.
22-62247-00	. 18, 29, 54	3	
22-62249-00	. 222	34-00300-06	. 225, 232
22-62255-00	. 283	34-00300-08	. 172, 229, 236
22-62256-00	. 349, 350, 351, 352, 353	34-00303-04	. 197, 200, 205, 208
22-62258-00	. 158, 159, 164	34-00309-08	. 169
22-62260-00	. 143, 149	34-00361-11	. 66, 169, 176, 320
22-62261-00	. 18, 29, 41, 54	34-00361-12	. 284
22-62266-00	. 4	34-00361-13	. 2, 10, 14, 21, 32, 36, 38, 42, 57, 62, 65, 70, 366
22-62267-00	. 23	34-00361-61	. 4, 23
22-62272-00	. 160, 165	34-00363-13	. 15, 37, 63, 65, 70
22-62273-00	. 144, 145, 149	34-00366-13	. 65, 70
22-62274-00	. 91	34-00368-11	. 225, 229, 232, 236
22-62275-00	. 180	34-00368-12	. 176, 197, 200, 205, 208
22-62277-00	. 145, 160, 181	34-00368-13	. 15, 37, 63, 65, 70
22-62282-00	. 87, 111	34-00372-09	. 17, 28, 53
22-62289-00	. 302	34-00372-11	. 172
22-62290-00	. 302	34-00373-05	. 374
22-62290-01	. 302	34-00373-07	. 197, 200, 205, 208
22-62290-02	. 302	34-00373-27	. 374
22-62290-03	. 302	34-00373-51	. 374
22-62290-10	. 302	34-00373-53	. 374
22-62294-00	. 121	34-00482-05	. 7, 12, 17, 25, 28, 34, 41, 49, 53, 59
22-62297-00	. 128, 130	34-00588-11	. 229, 236
22-62299-00	. 87	34-00588-12	. 197, 200, 205, 208, 284
22-62303-00	. 188	34-00588-13	. 2, 10, 14, 21, 32, 36, 38, 57, 62, 366
22-62312-00	. 190	34-00615-08	. 284
22-62328-00	. 7, 11, 17	34-00655-04	. 320, 322, 324
22-62328-01	. 25, 28, 41	34-00655-06	. 318, 327, 332, 334
22-62328-02	. 7, 11, 53, 59	34-00655-10	. 320
22-62328-03	. 41	34-00655-12	. 4, 17, 23, 28, 53, 84
22-62333-00	. 78	34-00655-16	. 172
22-62351-00	. 214, 215	34-00655-22	. 176
22-62351-01	. 214	34-00655-24	. 177



INDEX

PART NO.	PAGE NO.	PART NO.	PAGE NO.
34-00662-08	. 174, 320, 322, 324	34-00946-06	. 197, 200, 203, 205, 208, 211, 214, 216, 217, 218, 219, 220, 221
34-00662-11	. 4, 23, 84, 144, 159, 172, 180, 183, 318, 320, 322, 324, 327, 332, 334	34-00971-02	. 38
34-00662-12	. 113	34-00974-11	. 172
34-00663-08	. 174, 320, 322, 324	34-01099-02	. 98, 99, 100
34-00663-11	. 121, 169, 172, 176, 318, 320, 322, 324, 327, 332, 334	34-01146-04	. 198, 200, 206, 208
34-00663-12	. 113	34-01151-04	. 198, 200, 206, 208
34-00665-12	. 121	34-01197-16	. 198, 200, 206, 208
34-00666-12	. 176	34-01226-00	. 76, 79
34-00667-61	. 84	34-01241-30	. 213
34-00677-10	. 176	34-01266-20	. 197, 200, 203, 205, 208, 211, 217, 220
34-00733-00	. 84, 121, 183	34-01268-01	. 226, 233
34-00733-05	. 17, 28, 53	34-01295-18	. 229, 236
34-00792-06	. 113	34-01306-00	. 101, 102, 103, 104, 105, 106, 107, 108, 109, 117, 118
34-00792-08	. 177	34-01310-00	. 14, 36, 62, 65, 70
34-00792-12	. 176	34-01310-01	. 2, 6, 10, 21, 32, 57
34-00795-09	. 121	34-01310-02	. 15, 37, 63, 65, 70
34-00879-01	. 172	34-01317-00	. 118, 134, 152
34-00917-08	. 4, 23, 84, 99, 113, 120	34-01320-00	. 76, 79
34-00917-12	. 95, 98, 101, 102, 103, 104, 105, 121	34-01371-00	. 167
34-00917-20	. 118	34-06051-101	. 216, 217, 219, 220, 221
34-00928-09	. 198, 201, 203, 206, 209, 211, 213, 214, 216, 217, 218, 219, 220, 221	34-06051-104	. 197, 200, 203, 205, 208, 211, 216, 217, 218, 219, 220, 221
34-00928-13	. 219, 220, 221	34-06088-00	. 201, 209
34-00928-14	. 231	34-06088-01	. 74, 77
34-00938-11	. 172	34-06088-04	. 76, 79
34-00944-06	. 197, 200, 203, 205, 208, 211, 214, 216, 217, 218, 219, 220, 221	34-06088-07	. 146, 151, 161, 166
34-00944-08	. 213	34-06121-03	. 197, 200, 205, 208
34-00945-06	. 197, 200, 203, 205, 208, 211, 214, 216, 217, 218, 219, 220, 221	34-06121-04	. 197, 200, 205, 208
34-00945-08	. 213	34-06132-02	. 320
34-00945-10	. 252, 253, 254	34-06169-01	. 9, 13, 19, 20, 26, 30, 31, 35, 37, 43, 51, 55, 56, 61, 63, 85, 98, 99, 100, 139
		34-06212-10	. 121
		34-06212-12	. 17, 53, 121, 169, 176

INDEX

PART NO.	PAGE NO.	PART NO.	PAGE NO.
34-06212-13	. 177	34-62023-00	. 17, 121
34-06224-00	. 112	34-62033-00	. 28, 53
34-06264-04	. 174	34-62036-50	. 252, 253, 254
34-50040-00	. 66, 322, 324	34-62036-55	. 252, 253, 254
34-50042-00	. 85	34-62045-00	. 153, 168, 181
34-50043-00	. 84	34-62045-36	. 139
34-50044-00	. 366	34-62046-00	. 2, 10, 15, 32, 37, 42, 57, 63, 65, 70, 115, 116, 126, 366
34-50045-00	. 42	34-62047-00	. 133, 134
34-50046-00	. 367	34-62047-01	. 234
34-50057-00	. 66	34-62050-04	. 4, 17, 23, 28, 44, 53, 121, 133, 134, 183
34-50059-00	. 115	34-62051-05	. 4, 23
34-50060-00	. 70	34-62054-02	. 120
34-50068-00	. 366	34-62054-04	. 117
34-60002-06	. 198, 203, 206, 211	34-62055-00	. 4, 23, 138, 172
34-60019-02	. 255	34-62057-01	. 116, 126
34-60019-03	. 229, 236, 255	34-62057-03	. 17, 28, 53, 123, 124
34-60019-04	. 253, 254, 255	34-62068-00	. 119
34-60019-05	. 253, 254, 255, 285, 286	34-62070-05	. 172
34-60095-46	. 200, 208	34-67025-00	. 195
34-62011-00	. 84, 94, 95, 96, 97, 141, 142, 143, 144, 145, 147, 148, 151, 152, 153, 156, 157, 158, 159, 160, 162, 163, 167, 168, 173, 180, 181, 183, 184, 227, 228, 235	34-00829-11	. 227, 234
34-62015-00	. 195	38-00558-00	. 65, 377
34-62016-00	. 198, 201, 203, 206, 209, 211, 216, 217, 218, 219, 220, 221	38-00564-00	. 7, 17
34-62017-00	. 213, 214	38-00564-01	. 25, 34
34-62018-00	. 17, 28, 41, 53	38-00564-02	. 59
34-62019-00	. 9, 13, 19, 20, 26, 30, 31, 35, 37, 43, 51, 55, 56, 61, 63, 85, 98, 99, 100, 139	38-00564-03	. 41
34-62020-00	. 9, 13, 19, 20, 26, 30, 31, 35, 37, 43, 51, 55, 56, 61, 63, 85, 98, 99, 100, 139	38-00564-50	. 7, 12, 17
34-62021-00	. 216, 217, 218	38-00564-51	. 25, 28, 34
34-62021-01	. 224	38-00564-52	. 49, 53, 59
		38-00564-60	. 7, 12, 17
		38-00564-61	. 25, 28, 34
		38-00564-62	. 49, 59
		38-00564-63	. 41
		38-00564-70	. 8
		38-00564-71	. 8



INDEX

PART NO.	PAGE NO.	PART NO.	PAGE NO.
38-00566-00	. 213, 214	40-00501-50	. 177, 197, 200, 205, 208
38-00573-00	. 376	40-00503-03	. 197, 200, 205, 208
38-00573-01	. 9, 13, 19, 20, 85, 101, 139, 376	40-00503-04	. 197, 200, 205, 208
38-00573-02	. 26, 30, 31, 35, 37, 55, 56, 376	40-00520-02	. 245
38-00573-03	. 51, 60, 63, 376	40-00520-03	. 245
38-00573-04	. 43, 376	40-00529-00	. 245
38-00573-05	. 126, 376	40-00541-00	. 373
38-00573-06	. 115, 116, 118, 376	40-00541-01	. 373
38-00573-07	. 39, 376	40-00541-02	. 373
38-00573-08	. 98, 99, 100, 102, 103, 104, 105, 106, 107, 108, 109, 377	40-01094-01	. 250
38-00573-09	. 377	40-01094-02	. 250
38-00573-10	. 117, 118	40-01094-03	. 250
38-00573-11	. 123, 124	40-01094-04	. 250
38-00573-12	. 133, 134	40-01094-05	. 250
38-50032-00	. 80, 81	40-01094-06	. 250
4		40-01094-07	. 250
40-00075-07	. 76, 79	40-01094-08	. 250
40-00081-00	. 370	40-01094-09	. 250
40-00097-10	. 176	40-01094-10	. 250
40-00124-00	. 110	40-01094-11	. 250
40-00169-13	. 184	40-01094-12	. 250
40-00169-33	. 177	40-01094-13	. 250
40-00190-00	. 370	40-01094-14	. 250
40-00201-04	. 183	40-01094-15	. 250
40-00243-21	. 252	40-01094-16	. 250
40-00490-12	. 184	40-01094-17	. 250
40-00491-00	. 170, 200, 208	40-01094-18	. 250
40-00491-01	. 71, 74, 77	40-01094-19	. 250
40-00491-09	. 171, 176	40-01094-20	. 250
40-00491-15	. 71, 76, 79	40-01124-00	. 75, 78, 126, 138, 206, 211
40-00491-18	. 184	40-50031-00	. 243
40-00501-05	. 176, 197, 200, 205, 208	40-60042-01	. 245
		40-60050-02	. 245
		40-60050-03	. 245
		40-60050-04	. 245

INDEX

PART NO.	PAGE NO.	PART NO.	PAGE NO.
40-60050-05	. 245	40-60079-04	. 247
40-60050-06	. 245	40-60079-05	. 247
40-60050-07	. 245	40-60079-06	. 247
40-60051-02	. 246	40-60079-07	. 247
40-60051-03	. 246	40-60080-02	. 247
40-60051-04	. 246	40-60080-03	. 247
40-60051-07	. 246	40-60080-04	. 247
40-60058-04	. 248	40-60080-05	. 247
40-60058-05	. 248, 253, 254	40-60080-06	. 247
40-60059-02	. 248	40-60080-07	. 247
40-60059-03	. 248	40-60081-02	. 248
40-60059-04	. 248, 253, 254	40-60081-03	. 248
40-60060-02	. 245	40-60081-04	. 248
40-60060-03	. 245	40-60081-05	. 248
40-60060-04	. 245	40-60083-02	. 246
40-60060-05	. 245	40-60083-03	. 246
40-60060-06	. 245, 254	40-60083-04	. 246
40-60060-07	. 245, 254	40-60083-07	. 246
40-60060-08	. 245	40-60083-08	. 246
40-60061-02	. 245	40-60084-02	. 246
40-60061-03	. 245	40-60084-03	. 246
40-60061-04	. 245	40-60084-04	. 246
40-60061-05	. 245, 285, 286	40-60084-05	. 246
40-60061-06	. 245, 253	40-60084-06	. 246
40-60061-07	. 245, 253	40-60084-07	. 246
40-60061-08	. 245	40-60086-03	. 249
40-60078-02	. 247	40-60086-04	. 249
40-60078-03	. 247	40-60086-05	. 249
40-60078-04	. 247	40-60137-03	. 249
40-60078-05	. 247	40-60137-04	. 249
40-60078-06	. 247	40-60137-05	. 249
40-60078-07	. 247	40-62008-03	. 242, 252, 253, 254
40-60079-02	. 247	40-62008-04	. 242, 252, 253, 254
40-60079-03	. 247	40-62008-05	. 242, 252
		40-62012-00	. 249



INDEX

PART NO.	PAGE NO.	PART NO.	PAGE NO.
40-62012-01	. 249, 285	40-62057-02	. 242
40-62012-02	. 249	40-62057-03	. 242
40-62016-00	. 247, 248	40-62058-00	. 244
40-62017-00	. 229, 236, 249	40-62068-00	. 243
40-62017-01	. 249	40-62068-01	. 243
40-62019-00	. 244	40-62069-01	. 242
40-62019-01	. 244	40-62070-00	. 244
40-62019-02	. 244, 286	40-62071-00	. 244
40-62019-03	. 244	40-62075-00	. 250
40-62019-04	. 244	40-62078-00	. 242
40-62020-00	. 248	40-62079-00	. 242
40-62020-01	. 248	40-62082-00	. 242
40-62021-00	. 247	40-62083-00	. 242
40-62021-01	. 247	40-62086-00	. 249
40-62022-00	. 248, 254	40-62087-00	. 249
40-62023-00	. 248, 254	40-62088-00	. 249, 252
40-62025-00	. 249	40-62089-00	. 249, 252
40-62025-01	. 249	40-62090-00	. 243
40-62026-00	. 247	40-62091-00	. 243
40-62027-00	. 249	40-62092-00	. 243
40-62027-01	. 249	40-62095-00	. 250
40-62032-01	. 183, 184, 197, 203, 205, 211, 222, 240	40-62096-00	. 250
40-62032-02	. 177, 183, 222, 238, 239, 240	40-62099-00	. 246
40-62033-03	. 242	40-62100-00	. 243
40-62033-04	. 242	40-62113-00	. 243
40-62033-05	. 242	40-62113-01	. 243
40-62036-00	. 140, 154, 180, 183	40-62114-00	. 242
40-62043-00	. 244	40-62116-00	. 245
40-62045-00	. 247	40-62117-00	. 245
40-62051-00	. 251	40-62118-00	. 243
40-62052-00	. 251	40-62119-00	. 242
40-62053-00	. 251	40-62120-00	. 242
40-62054-00	. 251	42-00032-00	. 4, 8, 12, 23, 25, 34, 41, 49, 53, 59, 80, 81, 87, 111, 136, 138
40-62055-00	. 251, 286	42-00032-01	. 89, 91, 126
		42-00221-18	. 227

INDEX

PART NO.	PAGE NO.	PART NO.	PAGE NO.
42-00221-19	. 234	42-62144-01	. 121
42-00221-20	. 227, 234	42-62145-00	. 120
42-00221-21	. 227, 234	42-62147-00	. 121
42-00221-22	. 224, 231	44-00045-06	. 80, 81
42-00243-00	. 171	44-00045-19	. 146, 151, 161, 166
42-00243-03	. 171	44-00045-20	. 197, 200, 205, 208
42-00243-11	. 197, 200, 205, 208	44-00045-30	. 284
42-00243-15	. 197, 200, 205, 208	44-00285-72	. 374
42-00243-21	. 251	44-00285-81	. 197, 203, 205, 211
42-00264-12F25 4, 23		44-00285-82	. 173, 176
42-00264-63	. 134	44-00285-83	. 173
42-01159-00	. 280	44-00337-08	. 374
42-01229-06	. 121	44-00337-11	. 374
42-01266-00	. 128	44-00337-12	. 76, 78
42-01266-01	. 130	44-50024-00	. 140, 154, 228, 235, 296
42-62003-00	. 75, 78	44-62003-00	. 375
42-62016-00	. 71, 73, 75, 78	44-62003-01	. 375
42-62019-00	. 75, 78	44-62003-02	. 375
42-62021-00	. 322, 324	44-62003-03	. 375
42-62026-00	. 75, 78	44-64008-00	. 256
42-62052-00	. 7, 11, 17, 25, 28, 34, 41, 49, 53, 59	44-64008-01	. 256
42-62117-00	. 7, 12, 17	44-64008-02	. 256
42-62117-01	. 25, 28, 34, 41	44-64008-03	. 256
42-62117-02	. 49, 53, 59	44-64009-00	. 256
42-62118-00	. 7, 12, 17, 25, 28, 34, 41, 49, 53, 59	44-64009-01	. 256
42-62127-00	. 225, 232	44-64009-02	. 256
42-62127-03	. 225	44-64009-03	. 256
42-62137-00	. 4, 23	46-50004-00	. 282
42-62140-00	. 7, 11, 17	46-50006-00	. 282
42-62140-01	. 24, 28, 33, 41, 49	46-50006-01	. 282
42-62140-02	. 53, 59	46-50008-04	. 282
42-62141-00	. 226, 233	46-50008-05	. 282
42-62143-00	. 121	48-62013-00	. 354
42-62144-00	. 121		
		5	
		50-50001-00	. 280

INDEX

PART NO.	PAGE NO.	PART NO.	PAGE NO.
50-50002-00	. 280	50-62000-16	. 357
50-50061-00	. 282	50-62000-17	. 357
50-50062-00	. 282	50-62000-18	. 357
50-50063-00	. 282	50-62000-19	. 357
50-50066-00	. 282	50-62000-20	. 357
50-50067-00	. 282	50-62000-21	. 358
50-50069-00	. 282	50-62000-22	. 357
50-50070-00	. 282	50-62000-23	. 358
50-50072-00	. 282	50-62000-24	. 357
50-50074-00	. 277	50-62000-25	. 357
50-50075-00	. 277	50-62000-26	. 357
50-50076-00	. 277	50-62000-27	. 357
50-50077-00	. 272	50-62000-28	. 357
50-50078-00	. 272	50-62000-29	. 358
50-60135-00	. 276	50-62000-39	. 358
50-60136-00	. 276	50-62000-51	. 357
50-60234-00	. 276	50-62000-57	. 357
50-60235-00	. 276	50-62000-58	. 358
50-62000-00	. 357	50-62000-59	. 359
50-62000-01	. 357	50-62000-60	. 357
50-62000-02	. 358	50-62000-61	. 357
50-62000-03	. 357	50-62000-62	. 357
50-62000-04	. 358	50-62000-63	. 357
50-62000-05	. 358	50-62000-64	. 359
50-62000-06	. 358	50-62000-65	. 359
50-62000-07	. 357	50-62000-66	. 359
50-62000-08	. 357	50-62000-67	. 359
50-62000-09	. 357	50-62000-68	. 357
50-62000-10	. 357	50-62000-69	. 359
50-62000-11	. 357	50-62000-70	. 359
50-62000-12	. 357	50-62000-71	. 359
50-62000-13	. 358	50-62000-72	. 359
50-62000-14	. 358	50-62000-73	. 359
50-62000-15	. 358	50-62000-74	. 359
		50-62000-75	. 359

INDEX

PART NO.	PAGE NO.	PART NO.	PAGE NO.
50-62000-76	. 359	50-62010-13	. 362
50-62000-77	. 359	50-62010-14	. 362
50-62000-78	. 357	50-62010-15	. 362
50-62000-79	. 357	50-62010-16	. 362
50-62000-80	. 357	50-62010-17	. 362
50-62000-81	. 357	50-62010-19	. 362
50-62000-82	. 359	50-62010-20	. 362
50-62000-83	. 359	50-62011-00	. 355
50-62000-84	. 357	50-62012-00	. 355
50-62000-85	. 357	50-62014-00	. 355
50-62000-86	. 357	50-62017-00	. 355
50-62000-87	. 357	50-62019-00	. 360
50-62000-88	. 359	50-62019-01	. 360
50-62000-89	. 359	50-62019-02	. 360
50-62000-90	. 359	50-62019-03	. 360
50-62000-91	. 357	50-62019-06	. 360
50-62000-92	. 358	50-62019-08	. 360
50-62000-93	. 358	50-62019-09	. 360
50-62000-94	. 359	50-62019-10	. 360
50-62000-95	. 358	50-62019-19	. 360
50-62000-96	. 358	50-62019-21	. 360
50-62000-97	. 358	50-62019-23	. 360
50-62002-00	. 355	50-62019-25	. 360
50-62003-00	. 355	50-62019-29	. 360
50-62005-00	. 355	50-62019-30	. 360
50-62006-00	. 355	50-62019-31	. 360
50-62007-00	. 355	50-62019-32	. 360
50-62009-00	. 355	50-62019-33	. 360
50-62009-02	. 355	50-62019-34	. 360
50-62010-00	. 362	50-62019-35	. 360
50-62010-01	. 362	50-62019-36	. 360
50-62010-09	. 362	50-62019-39	. 360
50-62010-10	. 362	50-62019-40	. 360
50-62010-11	. 362	50-62019-41	. 360
		50-62019-43	. 360

INDEX

PART NO.	PAGE NO.	PART NO.	PAGE NO.
50-62019-44	. 360	50-62070-00	. 356
50-62019-45	. 360	50-62072-00	. 356
50-62019-46	. 360	50-62073-00	. 356
50-62019-49	. 360	54-00545-00	. 144, 159, 180, 183, 228, 235, 296
50-62019-50	. 360	54-00546-03	. 87, 297
50-62019-54	. 360	54-00583-00	. 212, 214
50-62019-55	. 360	54-00583-01	. 212, 214
50-62019-56	. 360	54-00587-00	. 298
50-62019-58	. 360	54-00588-00	. 4, 23, 66, 298
50-62019-62	. 360	54-00606-00	. 126, 298
50-62019-63	. 360	54-00618-01	. 140, 141, 142, 143, 145, 147, 154, 156, 157, 158, 160, 162, 180, 228, 235, 296
50-62019-64	. 360	54-00618-02	. 148, 163, 173
50-62019-65	. 360	54-00643-00	. 190
50-62019-66	. 361	54-00653-00	. 7, 11, 17
50-62019-67	. 361	54-00653-01	. 25, 28, 41
50-62019-68	. 361	54-00653-02	. 53, 59
50-62019-69	. 361	54-00653-03	. 7, 11
50-62025-00	. 355	54-00653-04	. 25, 41
50-62029-00	. 356	54-00653-05	. 59
50-62031-00	. 356	54-50080-00	. 140, 154, 228, 235, 296
50-62032-00	. 356	54-50107-00	. 80, 81
50-62040-00	. 356	54-50108-00	. 185, 186
50-62041-00	. 356	56-00142-24	. 177
50-62045-00	. 356	56-00143-24	. 197, 200, 205, 208
50-62048-00	. 356	56-00143-25	. 197, 200, 205, 208
50-62049-00	. 356	56-00143-36	. 176
50-62051-00	. 354, 356	56-00143-47	. 177
50-62054-00	. 356	56-00143-73	. 197, 205
50-62056-00	. 356	56-00143-75	. 177, 197, 205
50-62057-00	. 356	56-00143-78	. 183
50-62059-00	. 356	56-00143-89	. 197, 200, 203, 205, 208, 211
50-62064-00	. 356	56-00145-24	. 200, 208
50-62066-00	. 356	56-00145-87	. 200, 208
50-62069-00	. 356		



INDEX

PART NO.	PAGE NO.	PART NO.	PAGE NO.
56-0034	2, 5, 9, 13, 19, 20, 26, 30, 31, 35, 37, 39, 43, 46, 50, 55, 56, 60, 63, 85, 98, 99, 100, 101, 102, 103, 104, 105, 106, 107, 108, 109, 115, 116, 117, 118, 123, 124, 126, 133, 134, 139, 152, 153, 167, 168, 181, 183, 227, 234	58-00065-51 .	213, 214
56-62009-00 .	74	58-00065-83 .	111, 126
56-62009-01 .	77	58-00079-02 .	121, 151, 162, 163, 172, 213, 214
56-62010-00 .	176	58-00616-02 .	18, 29, 54
56-62011-00 .	176	58-00661-04 .	121, 128, 130, 138
56-62014-00 .	75, 78	58-00661-06 .	111, 138
56-62015-00 .	75	58-00661-07 .	87, 93, 132
56-62015-01 .	78	58-00716-12 .	80, 81
56-62037-01 .	222	58-00848-00 .	283
56-62123-00 .	72	58-00849-11 .	222
56-62123-01 .	73	58-00858-00 .	18, 54
56-62134-00 .	75, 78	58-01379-00 .	369
56-62231-00 .	197, 205	58-01380-00 .	373
56-62231-01 .	211	58-01382-00 .	365
56-62239-00 .	197, 200, 205, 208	58-01382-01 .	365
56-62240-00 .	197, 200, 203, 205, 208	58-01383-00 .	365
56-62240-01 .	197, 205	58-01383-01 .	365
56-62241-00 .	197, 201, 205, 209	58-01384-00 .	365
56-62250-00 .	183	58-01384-01 .	365
56-62252-00 .	200, 208	58-01385-00 .	9, 13, 26, 35, 37, 50, 60, 63, 369
56-62253-00 .	200, 208	58-01385-01 .	9, 13, 26, 35, 37, 50, 60, 63, 369
56-62307-01 .	239	58-01386-00 .	6, 38, 369
56-62307-02 .	239	58-04026-75 .	166
56-62307-03 .	239	58-04246-00 .	214
56-62308-00 .	203, 211	58-04764-00 .	146, 151, 161, 166
56-62309-00 .	203, 211	58-50115-00 .	81
56-62311-00 .	222	58-50116-00 .	81
58-00065-26 .	111, 126	58-50117-00 .	81
58-00065-27 .	76, 79	58-50118-00 .	80
58-00065-48 .	292	58-50119-00 .	80, 81
		58-50120-00 .	80, 81
		58-50121-00 .	80, 81
		58-50122-00 .	80, 81
		58-50123-00 .	373
		58-60115-02F50	255



INDEX

PART NO.	PAGE NO.	PART NO.	PAGE NO.
58-60115-03F50	255	58-62062-02	. 363
58-60115-04F50	255	58-62062-10	. 363
58-60230-00	. 245	58-62064-00F25	7, 11, 17, 24, 25, 28, 33, 34, 41, 49, 53, 59
58-60231-00	. 245	58-62064-01	. 75, 78, 191
58-60232-00	. 248	58-62065-00	. 17, 28, 41, 53
58-60502-01F60	255	58-62077-00	. 19, 20, 30, 31, 43, 55, 56, 109, 369
58-60502-02F60	255	58-62121-00	. 242
58-60502-03F60	255	58-62121-01	. 242
58-60502-04F60	255	58-62127-00	. 234
58-60502-05F60	255	58-62127-01	. 227
58-60502-06F60	255	58-62142-02	. 373
58-60502-07F60	255	58-62142-03	. 373
58-60502-08F60	255	58-62150-00	. 234
58-62017	257	58-62152-00	. 295
58-62019-00	. 141, 142, 143, 144, 145, 147, 148, 151, 156, 157, 158, 159, 160, 162, 163, 166, 180, 183, 228, 235	58-62153-00	. 338, 340, 342, 345, 347, 348, 349, 350, 351, 352, 353
58-62025-08	. 229	58-62155-00	. 292
58-62025-09	. 229	58-62156-00	. 103, 104
58-62025-10	. 236	58-62156-01	. 103
58-62025-11	. 236	58-62156-02	. 101
58-62025-12	. 233	58-62156-03	. 101
58-62025-13	. 233	58-62156-04	. 102
58-62025-14	. 226, 229	58-62156-05	. 102
58-62025-15	. 226, 229	58-62156-07	. 104
58-62030-00	. 363	58-62156-08	. 105
58-62038	261	58-62156-09	. 105
58-62040-00	. 195	58-62156-10	. 107
58-62040-02	. 195	58-62156-11	. 107
58-62042-00	. 9, 13, 19, 20, 26, 30, 31, 35, 37, 43, 50, 55, 56, 60, 63, 98, 100, 101, 102, 103, 104, 105, 106, 107, 108, 109, 116, 117, 118, 133, 134	58-62156-12	. 123
58-62045	263	58-62156-13	. 134
58-62062-00	. 363	58-62156-14	. 134
58-62062-01	. 363	58-62156-16	. 134
		58-62159-00	. 373
		58-62164-00	. 227
		58-62164-01	. 227

INDEX

PART NO.	PAGE NO.	PART NO.	PAGE NO.
58-62164-02	. 227		
58-62172-00	. 222, 225, 232		
58-62184-00	. 365		
58-62185-00	. 119		
58-62185-01	. 119		
58-62188-00	. 133		
58-62188-01	. 133		
58-62189-00	. 119		
58-62189-01	. 119		
58-62191-00	. 365		
58-62197	265		
58-62200-00	. 109		
58-62203-00	. 117		
58-62203-01	. 117		
58-62203-02	. 117		
58-62203-03	. 117		
58-62204-00	. 365		
58-62205-00	. 365		
58-62206-00	. 118		
58-62206-01	. 118		
58-62208-00	. 106		
58-62208-01	. 106		
58-62208-02	. 108		
58-62208-03	. 108		
58-62209-00	. 123, 124, 134		
58-62217-04	. 123, 124		
58-62223-00	. 190		
58-64105-00F50	256		
58-64105-01F50	256		
58-64105-02F50	256		
58-64105-03F50	256		
58-60230-00	. 248		
58-60231-00	. 248		
		6	
		62-04062-01	. 4, 23, 121, 151, 166
		62-04063-01	. 121, 151, 166
		62-62008-00	. 144, 148, 159, 163, 173, 183
		62-62029-00	. 75, 78, 183, 234
		62-62030-00	. 320
		62-62030-01	. 320
		62-62039-00	. 4, 17, 23, 28, 53, 75, 78, 111, 121, 126, 128, 130, 136, 138, 173, 177, 194
		62-62042-14	. 146, 151, 161, 166, 173, 183, 224, 231
		62-62042-15	. 146, 151, 161, 166, 173, 183, 224, 231
		62-62045-00	. 17, 28, 53, 146, 151, 161, 166, 173, 194, 227
		62-62068-00	. 349
		62-62068-01	. 350
		62-62068-02	. 351
		62-62068-03	. 352, 353
		63-63240-00	. 110
		64-01213-00	. 229, 230, 236
		65-00193-00	. 146, 151, 161, 166
		65-01035-01	. 177
		65-62003-00	. 197, 203, 205, 211
		65-62003-01	. 197, 200, 203, 205, 208, 211
		65-62004-00	. 284
		66-U---1--1214-5	75, 78
		66-U---1--1571-27	75, 78
		66U1-1214-5	. 71, 72
		66U1-3882 . . .	4, 17, 23, 28, 41, 53, 141, 142, 143, 144, 145, 156, 157, 158, 159, 160, 180, 188, 213, 228, 235, 345, 347, 348, 349, 350, 351, 352, 353
		66U1-5371 . . .	184, 320, 322, 324
		66U1-5371-12	320, 322, 324



INDEX

PART NO.	PAGE NO.	PART NO.	PAGE NO.
67-62007-00	. 229	68-62070-00	. 71
67-62007-01	. 229	68-62075-00	. 74, 77
67-62007-02	. 236	68-62088-00	. 321, 323
67-62007-03	. 236	68-62092-00	. 174
67-62007-04	. 225, 232	68-62093-00	. 85, 173
67-62007-05	. 225, 232	68-62094-00	. 173
67-62008-00	. 232	68-62095-00	. 173
67-62008-01	. 232	68-62096-00	. 173
67-62019-00	. 349, 350, 351, 352, 353	68-62097-00	. 173
68-07962-00	. 115, 116	68-62098-00	. 174
68-07963-00	. 115	68-62099-00	. 173
68-07964-00	. 126	68-62100-00	. 173
68-07965-00	. 126	68-62102-00	. 173
68-08087-00	. 7, 11, 17, 24, 28, 33, 41, 51, 53, 61	68-62139-00	. 252, 253, 254
68-08121-01	. 167	68-62147-00	. 174
68-08122-01	. 152	68-62208-00	. 4
68-08124-00	. 152, 167	68-62209-00	. 4, 23
68-08144-00	. 162, 163	68-62210-00	. 4, 23
68-08182-01	. 98, 99, 100, 101, 102, 103, 104, 105, 106, 107, 108, 109	68-62211-00	. 4, 23
68-08211-00	. 128	68-62212-00	. 4, 23
68-08216-00	. 97	68-62213-00	. 4, 23
68-08217-00	. 97	68-62218-00	. 23
68-08250-00	. 128	68-62237-00	. 66
68-08277-00	. 153, 168	68-62292-00	. 320
68-15461-00	. 154	68-62293-00	. 320
68-50086-00	. 80, 81	68-62294-00	. 320
68-50087-00	. 80	68-62297-00	. 320
68-50088-00	. 185, 186	68-62411-00	. 72
68-50089-00	. 185, 186	68-62417-00	. 321, 323
68-62036-00	. 71, 74, 77	68-62492-02	. 183
68-62037-00	. 71, 74, 77	68-62494-00	. 153, 168
68-62040-00	. 72, 74, 77	68-62497-00	. 72
68-62041-00	. 75, 78	68-62498-00	. 72
68-62049-00	. 72, 74, 77	68-62500-00	. 141, 142, 143, 144, 145
		68-62501-00	. 154, 156, 157, 158, 159, 160



INDEX

PART NO.	PAGE NO.	PART NO.	PAGE NO.
68-62569-00	. 321, 323	68-62852-00	. 24, 25, 28, 33, 34
68-62574-00	. 67	68-62860-00	. 310, 311, 336, 337, 339, 341, 344, 346, 348
68-62576-00	. 21	68-62860-01	. 328
68-62576-01	. 2, 21	68-62868-00	. 26, 35, 37
68-62577-00	. 39	68-62869-00	. 26, 35, 37
68-62577-01	. 39	68-62870-00	. 28, 53, 57
68-62578-00	. 46	68-62880-00	. 32
68-62578-01	. 46	68-62892-00	. 84
68-62579-01	. 67	68-62893-00	. 84
68-62660-00	. 10	68-62896-00	. 84
68-62662-00	. 10, 14	68-62897-00	. 84
68-62662-01	. 10, 14	68-62898-00	. 84
68-62710-00	. 49, 59	68-62899-00	. 84
68-62711-01	. 7, 17	68-62908-00	. 313, 327
68-62718-00	. 197, 203	68-62912-00	. 32, 36
68-62718-01	. 205, 211	68-62912-01	. 32, 36
68-62722-00	. 11, 17	68-62913-00	. 57, 62
68-62725-00	. 7, 11, 17, 24, 28, 33, 41, 53	68-62913-01	. 57, 62
68-62726-00	. 17, 28, 41, 49, 53, 59	68-62914-00	. 62
68-62734-00	. 15	68-62914-01	. 62
68-62734-01	. 15	68-62915-00	. 37
68-62735-00	. 85	68-62915-01	. 37
68-62735-00	. 9, 13	68-62923-00	. 314
68-62735-01	. 139	68-62946-00	. 139
68-62736-00	. 9, 13, 85	68-62954-00	. 136
68-62736-01	. 139	68-62968-00	. 330
68-62758-00	. 49, 52, 59	68-62969-00	. 318, 327
68-62765-00	. 216, 217, 218, 219, 220, 221	68-62970-00	. 180, 183
68-62780-00	. 50, 60	68-62982-00	. 42
68-62782-00	. 60, 63	68-62999-00	. 42
68-62782-00	. 50	68-63000-00	. 42
68-62783-00	. 50, 60, 63	68-63000-01	. 42
68-62828-00	. 310, 328	68-63025-00	. 84
68-62850-00	. 311	68-63048-00	. 136, 138
		68-63076-00	. 216, 217

INDEX

PART NO.	PAGE NO.	PART NO.	PAGE NO.
68-63076-01	. 219, 220, 221	68-63394-00	. 99
68-63079-00	. 197, 200, 203, 205, 208, 211	68-63410-00	. 87, 89, 91, 128, 130
68-63084-00	. 197, 200, 203, 205, 208, 211	68-63416-00	. 94, 95
68-63084-01	. 197, 200, 203, 205, 208, 211	68-63417-00	. 94, 95
68-63104-00	. 184	68-63436-00	. 87, 89, 91
68-63107-00	. 183	68-63437-00	. 98, 99, 100
68-63113-00	. 217, 219, 220	68-63440-00	. 94
68-63129-00	. 335	68-63441-00	. 94
68-63158-00	. 197, 203, 205, 211	68-63473-00	. 337, 339, 341, 344, 346, 348
68-63166-00	. 217, 220	68-63486-00	. 224, 231
68-63166-01	. 220	68-63507-00	. 224, 231
68-63167-00	. 217	68-63507-01	. 224, 231
68-63214-00	. 216, 217, 218	68-63508-00	. 231
68-63217-00	. 84	68-63508-01	. 224
68-63218-00	. 218	68-63509-00	. 224, 231
68-63241-00	. 110	68-63509-01	. 224
68-63262-00	. 332, 334	68-63510-00	. 224, 231
68-63265-00	. 181	68-63529-00	. 112
68-63268-00	. 136, 138	68-63529-01	. 112
68-63275-01	. 9, 13, 19, 20	68-63540-00	. 291
68-63275-02	. 26, 30, 31, 35, 55, 56	68-63547-00	. 291
68-63275-03	. 43	68-63559-00	. 292
68-63275-07	. 50, 60	68-63566-00	. 181
68-63276-01	. 9, 13, 19, 20	68-63588-00	. 284
68-63276-02	. 26, 30, 31, 35, 55, 56	68-63602-00	. 238, 239
68-63276-03	. 43	68-63605-00	. 224, 231
68-63276-07	. 50, 60	68-63614-00	. 39
68-63277-01	. 9, 13, 19, 20	68-63616-01	. 118
68-63277-02	. 26, 30, 31, 35, 43, 55, 56	68-63617-00	. 113
68-63277-07	. 50, 60	68-63625-00	. 343
68-63299-00	. 200, 208	68-63644-00	. 291
68-63304-00	. 335	68-63644-01	. 291
68-63308-00	. 336	68-63645-00	. 95
68-63393-00	. 98	68-63646-00	. 95
		68-63648-00	. 195



INDEX

PART NO.	PAGE NO.
68-63655-00	. 239
68-63656-00	. 225, 232
68-63659-00	. 80, 81
68-63660-00	. 80, 81
68-63671-00	. 198, 203
68-63682-00	. 198, 201, 203, 206, 209, 211
68-63689-00	. 231
68-63689-01	. 224
68-63689-02	. 224
68-63691-00	. 222
68-63699-00	. 218, 219, 220, 221
68-63703-00	. 116
68-63704-00	. 100
68-63708-00	. 42, 44
68-63717-00	. 43
68-63723-00	. 349, 350, 351, 352, 353
68-63727-00	. 128
68-63737-00	. 133, 134
68-63754-00	. 117, 118
68-63756-00	. 96
68-63757-00	. 96
68-63758-00	. 96
68-63760-00	. 216, 217
68-63760-01	. 216, 217, 218
68-63763-00	. 96
68-63764-00	. 96
68-63787-00	. 120
68-63788-00	. 121
68-63789-00	. 121
68-63790-00	. 121
68-63791-00	. 121
68-63792-00	. 121
68-63796-00	. 219, 220, 221
68-63796-01	. 219, 220, 221

PART NO.	PAGE NO.
68-63797-00	. 219, 220, 221
68-63798-00	. 206, 211
68-63799-00	. 219, 220, 221
68-63806-00	. 121
68-63808-01	. 123, 124
68-63809-00	. 121
68-63874-00	. 14, 36, 62
68-63875-00	. 5, 14
68-63877-00	. 62
68-63878-00	. 36
68-63881-00	. 41
68-63883-00	. 130
68-63885-00	. 191
68-62711-00	. 7, 11
68-62711-01	. 11
68-63694-00	. 216, 217, 218
68-63699-00	. 216, 217
68RM35-1098P	320, 322, 324
68RM35-1122	177
68RM45-162	. 75, 78
68RM55-1031	320, 322, 324
68RT10-1462	. 176

7

73-62003-00	. 195
76-50128-00	. 9, 13
76-50129-00	. 26, 35
76-50131-00	. 50, 60
76-62019-00	. 2, 4, 21, 23, 39, 46, 65, 293
76-62103-00	. 2, 10, 32, 57, 366
76-62103-01	. 10, 32, 57, 366
76-62103-04	. 2, 10, 32, 57, 366
76-62103-05	. 106
76-62139-00	. 301
76-62257-00	. 8, 12, 17, 25, 28, 34, 41, 50, 53, 60



INDEX

PART NO.	PAGE NO.	PART NO.	PAGE NO.
76-62258-00	. 285	77-62171-05	. 234
76-62258-01	. 285	77-62171-06	. 227
76-62258-02	. 286	77-62200-00	. 128
76-62258-03	. 286	77-62204-02	. 81
77-00249-50	. 151	77-62204-03	. 81
77-00250-50	. 166	77-62725-02	. 81
77-00301-00	. 110	77-62725-03	. 80
77-00301-01	. 112	77-62725-04	. 80
77-00301-02	. 113	77-62161-02	. 87, 94, 95
77-00303-01	. 96	79-02358-00	. 8, 12, 17
77-00303-02	. 94, 96, 97	79-02358-01	. 25, 28, 34
77-00303-03	. 87, 96	79-02358-02	. 49, 53, 59
77-00303-04	. 94, 95	79-02382-00	. 65
77-01277-50	. 161	79-02383-00	. 2, 21
77-01286-50	. 146	79-02392-00	. 153
77-62080-11	. 136, 138	79-02392-01	. 168
77-62135-00	. 299	79-62005-00	. 65
77-62161-01	. 89	79-62005-01	. 66
77-62161-03	. 91	79-62005-02	. 66
77-62162-00	. 94, 95	79-62014-20	. 152
77-62162-03	. 95	79-62014-21	. 153
77-62162-04	. 96	79-62014-24	. 153
77-62162-05	. 96	79-62014-30	. 167
77-62162-06	. 94	79-62014-34	. 168
77-62162-07	. 95	79-62014-35	. 168
77-62162-08	. 94	79-62019-00	. 72
77-62162-09	. 96	79-62021-00	. 142
77-62162-10	. 97	79-62021-04	. 141
77-62166-00	. 125	79-62021-06	. 143
77-62171-00	. 234	79-62021-07	. 144
77-62171-01	. 227	79-62021-08	. 145
77-62171-02	. 234	79-62022-00	. 157
77-62171-03	. 227	79-62022-04	. 156
77-62171-04	. 227	79-62022-07	. 158
		79-62022-08	. 159

INDEX

PART NO.	PAGE NO.	PART NO.	PAGE NO.
79-62022-09	. 160	79-62076-00	. 45
79-62027-00	. 321, 324	79-62076-01	. 45
79-62035-01	. 9, 19	79-62079-00	. 7, 12, 17
79-62035-02	. 9	79-62079-01	. 25, 34
79-62036-01	. 13, 15, 20	79-62079-02	. 49, 59
79-62036-02	. 13, 15, 19, 20	79-62081-00	. 125
79-62044-01	. 26, 30, 55, 56	79-62083-00	. 110
79-62044-02	. 26, 30, 55, 56	79-62084-00	. 41
79-62045-01	. 31, 35, 37	79-62086-01	. 8, 12, 17, 25, 28, 34, 51, 53, 61
79-62045-02	. 31, 35, 37	79-62088-00	. 98
79-62046-01	. 50	79-62088-01	. 99
79-62046-02	. 50	79-62088-02	. 100
79-62047-01	. 60, 63	79-62094-00	. 7
79-62047-02	. 60, 63	79-62096-00	. 101
79-62056-00	. 85	79-62096-01	. 101
79-62058-00	. 84	79-62096-02	. 102
79-62063-00	. 183	79-62096-03	. 102
79-62063-03	. 180	79-62096-04	. 103
79-62063-04	. 180	79-62096-05	. 104
79-62064-00	. 139	79-62096-06	. 105
79-62065-01SV	43	79-62096-07	. 105
79-62065-02SV	43	79-62096-08	. 107
79-62070-00	. 67, 70	79-62096-09	. 107
79-62070-01	. 67, 70	79-62097-00	. 104
79-62071-00	. 2	79-62097-01	. 103
79-62071-01	. 2	79-62105-00	. 222
79-62072-00	. 21	79-62106-00	. 7, 11, 17
79-62072-01	. 21	79-62106-01	. 24, 28, 33
79-62073-00	. 39	79-62106-02	. 49, 53, 59
79-62073-01	. 39	79-62107-00	. 41
79-62074-00	. 46	79-62112-00	. 4
79-62074-01	. 46	79-62113-00	. 23
79-62075-00	. 5	79-62114-00	. 109
79-62075-01	. 5	79-62118-00	. 106
		79-62118-01	. 106

INDEX

PART NO.	PAGE NO.	PART NO.	PAGE NO.
79-62118-02	. 108	86-62243-00	. 84
79-62118-03	. 108	86-62246-00	. 63
79-62119-00	. 123	86-62248-00	. 37
79-62119-01	. 124	86-62262-00	. 136
79-62127-00	. 39	86-62265-00	. 180, 183
79-62128-00	. 45, 46	86-62269-00	. 41
79-62129-00	. 67	86-62300-00	. 216, 217, 219, 220
79-62136-00	. 190	86-62320-00	. 216, 217, 219, 220
79-62136-01	. 190	86-62325-00	. 125
8			
81-62003-00	. 176	86-62343-00	. 110
81-62003-01	. 176	86-62437-00	. 95
81-62062-00	. 170, 173	86-62449-00	. 113
81-62105-00	. 180	86-62460-00	. 87, 89, 91
81-62122-00	. 183	86-62475-00	. 185
81-62128-00	. 184	86-62484-00	. 198, 203
81-62129-00	. 184	86-62484-01	. 198, 203
81-62138-00	. 229, 236, 238	86-62497-00	. 138
81-62138-01	. 229, 236, 238	86-62503-00	. 4, 23
81-62138-02	. 229	86-62509-00	. 128
81-62145-00	. 225, 232	86-62524-00	. 200
81-62147-00	. 222	86-62524-01	. 201
81-62151-00	. 222	86-62557-00	. 121
81-62156-00	. 229, 236	86-62558-00	. 206, 208, 211
81-62169-00	. 190	86-62558-01	. 206, 209, 211
81-62170-00	. 190	86-62565-00	. 191
86-62016-00	. 71, 72, 73, 74, 77	86-62577-00	. 95
86-62024-00	. 176	86-62587-00	. 130
86-62028-00	. 74, 77	86-62588-00	. 131
86-62031-00	. 75, 78	86-62589-00	. 131
86-62150-00	. 238	86-63076-00	. 218
86-62150-01	. 238	9	
86-62216-01	. 213, 214	91-62011-00	. 323
		91-62011-01	. 321

INDEX

PART NO.	PAGE NO.
91-62015-00	306
91-62016-00	300
91-62017-00	307
91-62018-00	308
91-62019-00	309
91-62022-00	310
91-62023-00	311
91-62025-00	312
91-62027-00	313
91-62028-00	314
91-62030-00	315
91-62031-00	316
91-62032-00	317
91-62035-00	320
91-62040-00	325
91-62041-00	326
91-62046-00	328
91-62047-00	330
91-62048-00	331
91-62049-00	333
91-62051-00	335
91-62052-00	336
91-62056-00	337
91-62057-00	339
91-62058-00	341
91-62070-00	343
91-62075-00	344
91-62076-00	346
91-62079-00	348
91-62081-00	349
91-62082-00	350
91-62083-00	351
91-62084-00	352
91-62085-00	353

PART NO.	PAGE NO.
920088	280
920107	281
920108	281
920183	281
920490	281
98-50168-00	9, 13
98-50618-00	26, 35, 51, 61
98-62677-00	292
98-62790	284
98-62903	283

A

A021-155	343
AC-801-529-2	123, 124
AC010-006	299
AC010-007-1	364
AC010-007-2	364
AC010-008	364
AC010-204	299, 300
AC010-218	304, 306, 312, 313, 315, 316
AC010-223	304
AC010-225	304
AC010-227	304
AC010-229	304
AC010-236	304
AC010-260	304
AC010-262	304
AC010-292	304
AC010-296	304
AC010-298	304
AC010-312	304
AC010-332	304
AC010-378	304
AC010-479	304
AC010-560	304

INDEX

PART NO.	PAGE NO.	PART NO.	PAGE NO.
AC010-561	.. 304	AC020-179P	.. 14, 36, 45, 62, 70
AC010-562	.. 304	AC021-042	.. 65
AC010-563	.. 304	AC021-142	.. 4, 23
AC010-564	.. 304	AC021-152	.. 6
AC010-565	.. 304	AC021-155	.. 304, 307, 308, 325
AC010-566	.. 304	AC021-156	.. 304, 306, 307, 308, 309, 312, 314, 315, 316, 317, 325, 330, 331, 333
AC010-567	.. 304	AC021-182	.. 66
AC010-568	.. 304	AC021-187	.. 66
AC010-569	.. 304	AC021-188	.. 65
AC010-570	.. 304	AC021-189	.. 65
AC010-007	.. 364	AC021-190	.. 65
AC011-001	.. 367	AC021-190-1	.. 65
AC011-001-2	.. 367	AC021-190-2	.. 65
AC011-006	.. 367	AC021-195	.. 65
AC011-006-2	.. 367	AC021-223	.. 5, 15, 37, 45, 63, 65, 70
AC011-018	.. 367	AC021-226	.. 70
AC011-030-1	.. 364	AC021-270	.. 309
AC011-030-2	.. 364	AC021-278	.. 45
AC011-031	.. 364	AC021-344	.. 71
AC011-032	.. 364	AC021-348	.. 76, 78
AC011-032-1	.. 364	AC021-348P	.. 71
AC011-032-2	.. 364	AC021-356	.. 71, 72, 75, 78
AC011-049	.. 364	AC021-357	.. 64
AC011-049-2	.. 364	AC021-360	.. 10, 32, 57, 366
AC011-077	.. 364	AC021-365	.. 65
AC011-077-1	.. 364	AC021-366	.. 65
AC011-077-2	.. 364	AC021-396	.. 71, 72, 74, 77
AC011-083	.. 304	AC022-251	.. 2, 21
AC011-030	.. 364	AC022-252	.. 39
AC011-049	.. 364	AC022-253	.. 46
AC020-009	.. 2, 6, 10, 21, 32, 46, 50, 57, 60, 67, 366	AC022-254	.. 67
AC020-028	.. 38, 39, 42	AC022-286-1	.. 5
AC020-174	.. 5, 15, 65	AC022-286-2	.. 5
AC020-179	.. 5	AC022-290P	.. 5
		AC022-293-1	.. 45



INDEX

PART NO.	PAGE NO.	PART NO.	PAGE NO.
AC022-293-2 .	45	AC022-708-S .	2, 21
AC022-294 . .	70	AC022-717 . .	2
AC022-294-1 .	70	AC022-718 . .	21
AC022-294-2 .	70	AC022-739-S .	70
AC022-295P .	45	AC022-743 . .	136, 138
AC022-296P .	70	AC022-743-1 .	4, 23
AC022-297 . .	45	AC022-743-12	121
AC022-298 . .	6	AC022-743-2 .	41, 111
AC022-302 . .	6	AC022-743-3 .	28
AC022-304 . .	38	AC022-743-5 .	17, 84, 87, 89, 91
AC022-308 . .	70	AC022-743-7 .	53
AC022-313 . .	4, 21, 23	AC022-743-9 .	121
AC022-313-1 .	87, 89, 91	AC022-744 . .	84, 136
AC022-313-2 .	111	AC022-746 . .	67, 70
AC022-313-3 .	126	AC022-746-1 .	84, 136, 138
AC022-313-4 .	121	AC022-759 . .	39
AC022-313-5 .	128, 130	AC022-773-S .	45
AC022-314 . .	39, 71, 73, 75, 78	AC030-231 . .	170
AC022-327P .	6	AC030-232P .	170
AC022-331P .	6	AC030-233P .	170
AC022-332 . .	38	AC030-234 . .	140, 144, 154, 159, 170, 180, 183, 228, 235
AC022-333 . .	38	AC030-235 . .	170
AC022-342P .	38	AC030-236 . .	170
AC022-346-S .	21	AC030-237 . .	170
AC022-349-S .	46	AC030-240 . .	170
AC022-350-S .	67, 70	AC030-247 . .	170
AC022-454 . .	39	AC030-313 . .	170
AC022-455 . .	46	AC030-314 . .	170
AC022-463 . .	6	AC030-315 . .	170
AC022-464P .	6, 38	AC030-332 . .	170
AC022-479-S .	5	AC030-333P .	170
AC022-490-S .	45	AC030-334 . .	170
AC022-700 . .	2, 4, 23, 46, 68	AC030-335 . .	170
AC022-701 . .	4, 23	AC030-336 . .	170, 173
		AC030-337 . .	170



INDEX

PART NO.	PAGE NO.	PART NO.	PAGE NO.
AC030-340	.. 170	AC040-075	.. 297
AC031-028	.. 240	AC040-076	.. 371
AC031-083	.. 240	AC040-103	.. 371
AC033-051	.. 168	AC051-1111P	355
AC033-115	.. 180	AC051-1112P	355
AC033-133P	.. 154	AC051-1114P	355
AC033-134P	.. 140	AC051-1116P	355
AC033-142	.. 140	AC051-1173	.. 278
AC033-143	.. 155	AC051-1176P	355
AC033-144	.. 153, 154, 167, 168, 181	AC051-1285P	355
AC033-145	.. 140, 155, 237	AC051-212	.. 355
AC033-146	.. 140	AC051-409	.. 355
AC033-147	.. 155	AC051-586	.. 354
AC033-150	.. 153	AC051-886P	.. 355
AC033-154	.. 169	AC053-011P	.. 355
AC033-155	.. 169	AC053-062P	.. 355
AC033-156	.. 169	AC053-098-1	.. 355
AC033-157	.. 169	AC053-450-1P	355
AC033-158	.. 169	AC060-208	.. 303
AC033-160	.. 169	AC061-198	.. 303
AC033-162	.. 169	AC063-032	.. 303
AC033-163	.. 169	AC101-100	.. 371
AC033-164	.. 169	AC101-101	.. 371
AC033-203	.. 180	AC101-102	.. 371
AC033-203P	.. 183	AC101-103	.. 371
AC033-204	.. 180	AC101-108	.. 371
AC033-204P	.. 183	AC101-200	.. 140, 154, 371
AC033-211	.. 180	AC101-202	.. 371
AC033-211P	.. 180, 183	AC101-203	.. 177, 371
AC033-219	.. 140	AC101-301	.. 372
AC033-220	.. 154	AC101-302	.. 372
AC033-135	.. 154	AC101-303	.. 372
AC033-136	.. 140	AC101-304	.. 372
AC040-074	.. 84, 297, 298	AC101-305	.. 372
		AC101-306	.. 372



INDEX

PART NO.	PAGE NO.	PART NO.	PAGE NO.
AC101-307	.. 372	AC201-107	.. 292, 305, 306, 310, 314, 315, 325, 327, 330, 331, 337, 339, 341, 345, 346, 348, 349, 350, 351, 352, 353
AC101-310	.. 372	AC201-108	.. 303
AC101-311	.. 372	AC201-109	.. 292
AC101-312	.. 140, 154, 372	AC201-110	.. 292
AC101-400	.. 370	AC201-112	.. 292, 305, 306, 307, 308, 309, 310, 311, 312, 314, 315, 316, 317, 325, 327, 328, 330, 331, 333, 335, 336, 337, 339, 341, 343, 344, 346, 348, 349, 350, 351, 352, 353
AC101-401	.. 370	AC201-113	.. 292
AC101-403	.. 370	AC201-114	.. 287
AC101-404	.. 370	AC201-115	.. 287
AC101-405	.. 370	AC201-116	.. 287
AC101-406	.. 370	AC201-119	.. 292
AC101-407	.. 370	AC201-121	.. 292
AC101-408	.. 370	AC201-122	.. 292
AC101-412	.. 370	AC201-301	.. 289
AC101-415	.. 370	AC201-302	.. 289, 303
AC101-422	.. 71, 75, 78	AC201-303	.. 289, 303
AC101-425	.. 370	AC201-304	.. 289, 303
AC101-426	.. 370	AC201-305	.. 289, 299, 303
AC101-427	.. 370	AC201-306	.. 289
AC101-428	.. 370	AC201-308	.. 289
AC101-429	.. 370	AC201-310	.. 289
AC101-430	.. 370	AC201-315	.. 289
AC101-441	.. 370	AC201-400	.. 293
AC201-100	.. 292, 304, 307, 308, 309	AC201-401	.. 293
AC201-101	.. 292	AC201-402	.. 293
AC201-102	.. 292	AC201-403	.. 293
AC201-103	.. 287	AC201-404	.. 293
AC201-104	.. 287	AC201-408	.. 293
AC201-105	.. 80, 81, 292, 305, 310, 311, 312, 313, 328, 335, 336, 337, 339, 341, 343, 344, 346, 348, 349, 350, 351, 352, 353	AC201-409	.. 293
AC201-105-1	.. 310, 337, 339, 341, 343, 345, 346, 348, 349, 350, 351, 352, 353	AC201-410	.. 293
AC201-106	.. 292, 305, 311, 312, 313, 316, 328, 336		



INDEX

PART NO.	PAGE NO.	PART NO.	PAGE NO.
AC201-412	.. 2, 4, 8, 12, 17, 21, 23, 25, 28, 34, 39, 41, 46, 49, 53, 59, 66, 68, 70, 84, 87, 89, 91, 111, 121, 126, 128, 130, 138, 140, 154, 180, 293	AC201-800	.. 289
AC201-413	.. 293	AC201-801	.. 289
AC201-414	.. 140, 146, 151, 154, 161, 166, 180, 190, 228, 235, 293	AC201-803	.. 289
AC201-500	.. 18, 54, 293, 299, 300, 303	AC201-804	.. 289
AC201-501	.. 2, 21, 39, 46, 65, 67, 70, 72, 293	AC201-805	.. 289
AC201-508	.. 320, 322, 324	AC201-806	.. 314, 317
AC201-600	.. 126, 283, 293, 306, 309, 312, 315, 316, 335, 336, 349, 350, 351, 352, 353	AC201-812	.. 289
AC201-601	.. 293, 303	AC201-901	.. 295, 306, 307, 308, 309, 310, 311, 312, 313, 314, 315, 316, 317, 318, 320, 322, 324, 325, 326, 327, 328, 329, 330, 331, 332, 333, 334, 335, 336, 337, 338, 339, 340, 341, 342, 343, 344, 346, 348, 349, 350, 351, 352, 353
AC201-602	.. 293	AC201-902	.. 295, 299
AC201-603	.. 293	AC201-904	.. 295
AC201-604	.. 293	AC201-905	.. 149, 150, 164, 165, 295
AC201-605	.. 293	AC201-910	.. 295
AC201-606	.. 293	AC201-912	.. 303
AC201-607	.. 303	AC201-918	.. 303
AC201-608	.. 303	AC201-921	.. 295
AC201-609	.. 293	AC201-922	.. 288, 305, 306, 312, 313, 314, 315, 316, 325, 326, 330, 331, 343
AC201-610	.. 293	AC201-923	.. 305
AC201-611	.. 293	AC201-924	.. 305
AC201-615	.. 171	AC201-926	.. 305
AC201-616	.. 293	AC201-927	.. 308
AC201-623	.. 293	AC201-928	.. 295
AC201-634	.. 320, 322, 324	AC201-930	.. 295
AC201-700	.. 294	AC201-931	.. 295, 306, 307, 308, 309, 310, 311, 312, 313, 314, 315, 316, 318, 320, 322, 324, 325, 326, 327, 328, 329, 330, 331, 332, 333, 334, 335, 336, 337, 338, 339, 340, 341, 342, 343, 344, 346, 348, 349, 350, 351, 352, 353
AC201-701	.. 294	AC202-207	.. 229, 230, 236
AC201-702	.. 294	AC202-300	.. 295, 299, 300, 303
AC201-703	.. 294	AC202-301	.. 295, 299, 300
AC201-706	.. 294		
AC201-707	.. 294		
AC201-708	.. 294		
AC201-709	.. 294		



INDEX

PART NO.	PAGE NO.	PART NO.	PAGE NO.
AC202-302	.. 295	AC301-233	.. 363
AC202-303	.. 295, 299, 300, 303	AC301-235	.. 363
AC202-304	.. 295	AC301-238	.. 363
AC202-305	.. 295, 299, 303	AC301-239	.. 375
AC202-306	.. 295	AC301-240	.. 80, 81, 375
AC202-307	.. 18, 54, 295, 299, 300	AC301-241	.. 363
AC202-501	.. 322, 324	AC301-242	.. 363
AC202-502	.. 322, 324	AC301-243	.. 363
AC301-200	.. 375	AC301-419	.. 253
AC301-201	.. 363	AC301-441	.. 140, 154, 244
AC301-202	.. 363	AC301-447	.. 253
AC301-204	.. 375	AC301-452	.. 244
AC301-205	.. 6, 38, 363	AC301-453	.. 244
AC301-206	.. 363	AC301-459	.. 244
AC301-208	.. 363	AC301-460	.. 244
AC301-209	.. 363	AC301-817	.. 278
AC301-210	.. 363	AC301-900	.. 373
AC301-211	.. 363	AC301-901	.. 373
AC301-214	.. 363	AC301-902	.. 373
AC301-215	.. 363	AC301-903	.. 373
AC301-216	.. 363	AC301-904	.. 373
AC301-217	.. 363	AC301-905	.. 373
AC301-218	.. 363	AC301-907	.. 373
AC301-219	.. 363	AC301-908	.. 373
AC301-220	.. 363	AC301-908-5	.. 373
AC301-221	.. 363	AC302-305	.. 300
AC301-222	.. 363	AC302-432	.. 253
AC301-223	.. 363	AC302-436	.. 253
AC301-224	.. 363	AC302-437	.. 253
AC301-227	.. 363	AC302-440	.. 245
AC301-228	.. 363	AC302-441	.. 245
AC301-229	.. 363	AC302-450	.. 244
AC301-230	.. 363	AC302-451	.. 244
AC301-231	.. 363	AC302-453	.. 244
		AC302-454	.. 244



INDEX

PART NO.	PAGE NO.	PART NO.	PAGE NO.
AC302-458	.. 245	AC401-309	.. 369
AC302-459	.. 253	AC401-310	.. 369
AC302-494	.. 253	AC401-312	.. 369
AC302-495	.. 253	AC401-313	.. 369
AC401-100	.. 296	AC401-314	.. 369
AC401-102	.. 296	AC401-315	.. 369
AC401-110	.. 140, 154, 228, 235, 296	AC401-320	.. 2, 6, 21, 38, 39, 46, 67, 70, 99, 115, 126, 369
AC401-112	.. 296	AC401-322	.. 369
AC401-200A	.. 297	AC401-323	.. 369
AC401-201A	.. 297	AC501-102A	.. 296
AC401-202	.. 87, 89, 91, 297	AC501-103A	.. 296
AC401-203	.. 67, 70, 111, 121, 128, 130, 136, 138, 298	AC501-122	.. 71, 72, 74, 77, 296
AC401-204	.. 67, 70, 297	AC501-123	.. 296
AC401-209A	.. 297	AC501-201A	.. 280
AC401-210A	.. 297	AC501-206	.. 270
AC401-214	.. 297	AC501-207	.. 270
AC401-215	.. 71, 72, 74, 77, 297	AC501-209	.. 280
AC401-216	.. 297	AC501-212	.. 270
AC401-217	.. 71, 72, 75, 78, 297	AC501-215	.. 270
AC401-218	.. 297	AC501-216A	.. 270
AC401-219	.. 297	AC501-217A	.. 278
AC401-220	.. 71, 72, 74, 77, 297	AC501-218	.. 278
AC401-221	.. 297	AC501-218A	.. 278
AC401-222	.. 297	AC501-219	.. 278
AC401-228	.. 297	AC501-220	.. 278
AC401-229	.. 297	AC501-221	.. 278
AC401-232	.. 2, 21, 39, 46, 66, 298	AC501-222	.. 278
AC401-233	.. 2, 21, 39, 46, 66, 298	AC501-223A	.. 270
AC401-300	.. 369	AC501-224A	.. 268
AC401-301	.. 367, 369	AC501-225A	.. 268
AC401-302	.. 369	AC501-226A	.. 268
AC401-306	.. 6, 38, 369	AC501-229A	.. 268
AC401-307	.. 6, 38, 369	AC501-230A	.. 268
AC401-308	.. 5, 45, 369	AC501-232	.. 270
		AC501-233A	.. 281

INDEX

PART NO.	PAGE NO.	PART NO.	PAGE NO.
AC501-234 . .	269	AC501-275A .	273
AC501-235 . .	282	AC501-277A .	278
AC501-236 . .	269	AC501-277B .	278
AC501-238 . .	278	AC501-279A .	278
AC501-239 . .	269	AC501-282A .	271
AC501-240A .	278	AC501-283 . .	272
AC501-241 . .	280	AC501-284 . .	272
AC501-242 . .	280	AC501-285 . .	272
AC501-244A .	281	AC501-286 . .	272
AC501-246 . .	269	AC501-289A .	271
AC501-247 . .	269	AC501-289B .	271
AC501-248A .	270	AC501-291 . .	276
AC501-249A .	268	AC501-292 . .	276
AC501-252A .	268	AC501-298 . .	271
AC501-253 . .	278	AC501-298A .	268, 271
AC501-254A .	281	AC501-280A .	268
AC501-256 . .	269	AC502-203 . .	281
AC501-257 . .	269	AC502-204 . .	281
AC501-259A .	269	AC502-205A .	278
AC501-260A .	273	AC502-208A .	273
AC501-260B .	273	AC502-209A .	273
AC501-261 . .	269	AC502-210 . .	274
AC501-262A .	268	AC502-212 . .	282
AC501-263A .	268	AC502-213A .	278
AC501-264A .	281	AC502-215A .	274
AC501-266 . .	273	AC502-216 . .	281
AC501-266A .	273	AC502-217A .	278
AC501-267A .	273	AC502-220 . .	274
AC501-268A .	273	AC54AB102 .	322, 324
AC501-269 . .	269	AC601-327 . .	355
AC501-270A .	272	AC601-328 . .	355
AC501-271A .	272	AC601-336 . .	355
AC501-272A .	272	AC601-342 . .	355
AC501-273A .	272	AC601-405 . .	361
		AC601-410 . .	361

INDEX

PART NO.	PAGE NO.	PART NO.	PAGE NO.
AC601-413	.. 361	AC601-511	.. 354
AC601-414	.. 361	AC601-515	.. 354
AC601-423	.. 361	AC601-518	.. 354
AC601-427	.. 361	AC601-519	.. 354
AC601-429	.. 361	AC601-520	.. 354
AC601-446	.. 358	AC601-522	.. 354
AC601-451	.. 358	AC601-523	.. 354
AC601-452	.. 358	AC601-524	.. 354
AC601-458	.. 358	AC601-525	.. 354
AC601-461	.. 358	AC601-527	.. 354
AC601-462	.. 361	AC601-528	.. 354
AC601-463	.. 361	AC601-534	.. 354
AC601-465	.. 361	AC601-535	.. 354
AC601-467	.. 361	AC601-537	.. 354
AC601-468	.. 361	AC601-538	.. 354
AC601-469	.. 361	AC601-539	.. 354
AC601-470	.. 361	AC601-540	.. 354
AC601-473	.. 361	AC601-541	.. 354
AC601-474	.. 361	AC601-542	.. 354
AC601-480	.. 361	AC601-545	.. 354
AC601-484	.. 361	AC601-547	.. 354
AC601-490	.. 361	AC601-548	.. 354
AC601-491	.. 361	AC601-602	.. 14, 36, 62, 65, 70
AC601-492	.. 361	AC601-609	.. 176
AC601-494	.. 358	AC601-615	.. 177
AC601-499	.. 361	AC601-616	.. 15, 37, 63, 65, 70
AC601-500	.. 354	AC601-618	.. 177
AC601-501	.. 354	AC602-400	.. 362
AC601-502	.. 354	AC602-402	.. 361
AC601-505	.. 354	AC602-405	.. 362
AC601-506	.. 354	AC602-407	.. 358
AC601-508	.. 354	AC602-409	.. 362
AC601-509	.. 354	AC602-413	.. 358
AC601-510	.. 354	AC602-417	.. 362
		AC602-418	.. 358

INDEX

PART NO.	PAGE NO.	PART NO.	PAGE NO.
AC602-419	.. 361	AC701-206	.. 18, 54, 299, 300, 303, 376
AC602-420	.. 358	AC701-207	.. 375
AC602-421	.. 359	AC701-208	.. 376
AC602-422	.. 361	AC701-210	.. 375
AC602-423	.. 362	AC701-211	.. 375
AC602-424	.. 359	AC701-212	.. 376
AC602-425	.. 358	AC701-221	.. 374
AC602-426	.. 358	AC701-222	.. 374
AC602-427	.. 358	AC701-224	.. 374
AC602-429	.. 359	AC701-226	.. 374
AC602-432	.. 361	AC701-227	.. 374
AC602-433	.. 362	AC701-228	.. 320, 322, 324
AC602-434	.. 362	AC701-229	.. 375
AC602-435	.. 359	AC701-230	.. 374
AC602-437	.. 359	AC701-231	.. 376
AC602-44	... 361	AC701-233	.. 374
AC602-441	.. 362	AC701-234	.. 375
AC602-444	.. 361	AC701-235	.. 376
AC602-445	.. 359	AC701-237	.. 376
AC602-446	.. 359	AC701-240	.. 374
AC602-448	.. 358	AC701-241	.. 374
AC602-449	.. 361	AC701-242	.. 374
AC602-451	.. 358	AC701-243	.. 176, 376
AC602-452	.. 359	AC701-245	.. 374
AC602-454	.. 358	AC701-246	.. 374
AC701-101	.. 17, 25, 28, 49, 53, 59, 84, 121, 198, 201, 203, 206, 209, 211	AC701-247	.. 375
AC701-103	.. 364	AC701-248	.. 374
AC701-106	.. 65	AC701-251	.. 376
AC701-106-2	.. 133, 134	AC701-252	.. 376
AC701-123	.. 7, 10, 11, 15, 17, 24, 25, 28, 32, 33, 34, 37, 39, 41, 42, 44, 45, 46, 50, 52, 57, 59, 63, 65, 68, 70	AC701-253	.. 376
AC701-201	.. 374	AC701-254	.. 374
AC701-205	.. 375	AC701-263	.. 374
		AC701-269	.. 140, 154, 180, 224, 231, 375
		AC701-274	.. 4, 23, 376
		AC701-300	.. 292, 295, 320, 322, 324, 338, 340, 342



INDEX

PART NO.	PAGE NO.	PART NO.	PAGE NO.
AC701-301	.. 295	AC801-412	.. 123, 124
AC701-303	.. 18, 29, 54, 295, 338, 340, 342, 345, 346, 348, 349, 350, 351, 353	AC801-412F25	2, 4, 5, 10, 15, 18, 21, 23, 29, 32, 39, 42, 45, 46, 50, 54, 57, 60, 62, 67, 70, 80, 81, 140, 155, 224, 231, 284
AC701-400	.. 9, 13, 19, 20, 26, 30, 31, 35, 43, 51, 55, 56, 61, 120, 139, 180, 183	AC801-414	.. 6, 39, 46, 84, 87, 89, 91, 98, 99, 100, 101, 102, 103, 104, 105, 106, 107, 108, 111, 118, 123, 124, 126, 128, 130, 136, 138, 153, 197, 200, 203, 205, 208, 211
AC701-401	.. 4, 8, 12, 18, 23, 25, 29, 34, 41, 50, 54, 60, 70, 180, 181, 183, 364	AC801-415	.. 121
AC701-402	.. 198, 201, 203, 206, 209, 211	AC801-416	.. 65, 84, 126, 136, 138
AC701-403	.. 9, 10, 13, 14, 19, 20, 26, 30, 31, 32, 35, 36, 42, 43, 50, 55, 56, 57, 60, 62, 85, 139, 366	AC801-443	.. 71, 72, 377
AC701-404	.. 70	AC801-451	.. 21
AC801-12F25	37	AC801-452	.. 377
AC801-201	.. 251	AC801-461	.. 68, 70, 377
AC801-202	.. 2, 4, 8, 12, 17, 21, 23, 25, 28, 34, 39, 41, 46, 49, 53, 59, 65, 68, 70, 84, 87, 89, 91, 111, 126, 128, 130, 136, 138, 140, 154, 180, 183, 190, 224, 231, 251, 252	AC801-462	.. 46, 377
AC801-203	.. 222, 251, 252	AC801-511	.. 303
AC801-207	.. 251	AC801-529	.. 2, 10, 15, 32, 37, 42, 44, 57, 63, 65, 70, 115, 116, 126, 366
AC801-217	.. 251	AC801-529-1	.. 133, 134
AC801-220	.. 140, 154	AC801-529-2	.. 117
AC801-222	.. 251, 252	AC801-530	.. 45, 65, 67, 70
AC801-300	.. 84	AC801-531	.. 2, 10, 15, 32, 37, 42, 44, 45, 57, 63, 65, 67, 70, 115, 116, 117, 126, 133, 134, 366
AC801-303	.. 172	AC801-532	.. 2, 10, 15, 32, 37, 42, 44, 45, 57, 63, 65, 67, 70, 117, 133, 134, 366
AC801-305	.. 172	AC801-700	.. 21
AC801-307	.. 65, 101, 102, 103, 104, 105, 106, 107, 108, 109, 117, 118	AC901-513	.. 288, 307, 308, 309, 310, 311, 317, 326, 328, 333, 335, 336, 337, 339, 341, 342, 344, 346, 348, 349, 350, 351, 352, 353
AC801-309	.. 367	AC901-514	.. 312, 313, 315, 316, 325, 330, 331, 333
AC801-310	.. 367	AC901-517	.. 310, 329, 342
AC801-342	.. 227, 234	AC901-535	.. 177
AC801-400	.. 6	AMI1SS3	.. 371
AC801-401	.. 17, 28, 42, 53, 367		
AC801-403	.. 46, 67, 70, 85, 139		
AC801-405	.. 2, 4, 23, 377		



INDEX

PART NO. PAGE NO.

C

CM205-004RO 297
CM205-197 .. 140, 154, 296

D

DD12CA201 . 140, 154
DD19CA061 . 110, 126, 138, 248, 370

E

EN07AA284 . 184
EP32UZ232 . 370

K

KM43AG301 371

P

P806-B2-8 ... 371

S

SES 226013/1 187
SES130027 .. 187
SES131292 .. 187
SES131318 .. 187

PART NO. PAGE NO.

SES132205 .. 188
SES132235 .. 187
SES132236 .. 187
SES141420 .. 187
SES171087 .. 188
SES172643 .. 188
SES172644 .. 188
SES181104 .. 188
SES201035 .. 187
SES217020 .. 188
SES232006/N 187
SES248014 .. 188
SES261045 .. 187

Y


Y24-00000-00 120
Y24-00021-00 131
Y24-00022-00 131
Y24-00023-00 131
Y24-00024-00 131
Y25-00000-00 130
Y25-00006-00 121
Y28-00014-00 124
Y39-00004-20 121

Every driver deserves the best possible vehicle climate with MCC products

MCC provides exceptional performance in mobile climate comfort.



www.mcc-hvac.com

Member of MCC Group  Certified ISO 9001 and ISO 1 4001.
Specifications subject to change without notice. MCC is a registered trademark.