



Product Catalog

Split System Air Conditioners Odyssey™

Cooling Condenser — 5 to 20.9 Tons — 50 Hz
Air Handler — 4.6 to 20.9 Tons — 50 Hz



May 2017

SS-PRC029M-EN





Introduction



Trane's reputation for providing quality comfort solutions continues with the development of the next generation Light Commercial Odyssey Split Systems.

With wide network availability, flexible applications, installation ease, built-in reliability and easy servicing, Odyssey will meet any number of customer applications. Add to that Trane's outstanding customer service and you have the formula to make Odyssey the clear choice for continued customer satisfaction.

Wide network availability

A broad distribution network provides owners, maintenance personnel, contractors, etc., the means to get their hands on equipment when they need it. Whether it's an emergency replacement or a new construction project in its infancy stages, Odyssey products meet an array of needs at the right time and right price.

Flexible applications

No matter what the application, Odyssey provides the solution. A broad array of models and tonnages are available with single or dual compressors, single or dual circuits and numerous accessories. Condensing units can be installed on the ground or on a rooftop along with extended piping runs, while air handlers can be free discharge on the ground or horizontally suspended with long duct runs from a ceiling. Should application challenges arise, Odyssey delivers.

Easy to install

Small footprints and low weights combined with factory installed components like TXVs, filter driers, etc., reduce installation time and cost. Colored and numbered wiring and factory tested units make Odyssey the right choice.

Built-in reliability

Keeping in mind that productivity only occurs when equipment is operational, Trane has taken the steps to ensure that Odyssey is up and running. Early indicators such as phase/reversal monitors and loss of charge protection provide diagnostics which prevent failure and provide years of worry-free service and operation.

Easy to service

When preventive maintenance or service is required, technicians will find efficient access to both air handlers and condensers. Panels provide complete, easy access coupled with standardized cabinets in which all components are located in proximity. Odyssey's improved design results in minimum service times and costs.

With these capabilities, Odyssey provides customers high efficiency and superior performance for the best all-around value in the market today.



Copyright

This document and the information in it are the property of Trane, and may not be used or reproduced in whole or in part without written permission. Trane reserves the right to revise this publication at any time, and to make changes to its content without obligation to notify any person of such revision or change.

Trademarks

All trademarks referenced in this document are the trademarks of their respective owners.

Revision History

- General Data updated for AHRI certification information.
- Minor running edits included.
- Mechanical Specifications General information includes additional AHRI certification information.



Table of Contents

Features	6
Split System Overview	6
Other Features.....	6
Standard and Optional Features.....	7
Standard and Optional Controls.....	9
Accessories.....	12
Cooling Condenser	12
Air Handler.....	13
Electric Heaters.....	14
Application Considerations	15
Clearance Requirements	15
180° Blower Rotation.....	15
Low Ambient Cooling	15
Selection Procedure	17
Cooling Capacity.....	17
Heating Capacity.....	17
Air Delivery	18
Model Number Description	19
Cooling Condenser	19
Air Handler.....	20
General Data.....	21
Performance Data	26
Controls	102
ReliaTel.....	102
Electromechanical	103
Electrical Data	104
Cooling Condenser	104
Air Handler (Standard)	105
Jobsite Connections	107
Electromechanical Controls.....	107
ReliaTel Controls	107

Dimensional Data.....	109
Cooling Condenser	109
Air Handler.....	117
Accessories	124
Weights.....	131
Cooling Condenser	131
Air Handler.....	132
Accessories	134
Mechanical Specifications	135
Condensing Units.....	135
Air Handlers.....	138



Features

Split System Overview

Unlike typical split systems on the market, Odyssey offers easy servicing, built-in reliability, ease of installation and outstanding customer service. And because today's owners are very cost-conscious when it comes to service and maintenance, the Odyssey Split System was designed with direct input from service contractors. This valuable information helped to design a product that would get the service person off the job quicker and save the owner money.

Flexible Applications

Odyssey offers outstanding standard features enhanced by a variety of factory and field installed options, multiple control options, rigorously tested proven designs and superior product and technical support. Because of this, Odyssey offers ultimate flexibility. Units are built to order in our standard "shortest in the industry" ship cycle time. Odyssey is available with single, dual and manifolded compressor options. Single compressor outdoor units feature a single refrigeration circuitry, lowering job installation costs by requiring only one set of refrigerant lines.

Equally important, Odyssey offers single refrigerant circuit/capacity unloading models. The unloading units feature dual manifolded scroll compressors with two stages of capacity modulation and a single refrigeration circuit. Dual compressor/dual circuit models give true stand-by protection - if one compressor fails, the second will automatically start-up. Also, the first compressor can be serviced without shutting down the unit since the refrigerant circuits are independent. Dual compressor models also save on energy costs. During light load conditions, only one compressor will operate to save energy.

Unmatched Product Support

One of our finest assets, Trane Sales Representatives are a support group that can assist you with:

- Product
- Application
- Service
- Training
- Special Applications
- Specifications
- Computer Programs and much more

Rigorous Testing

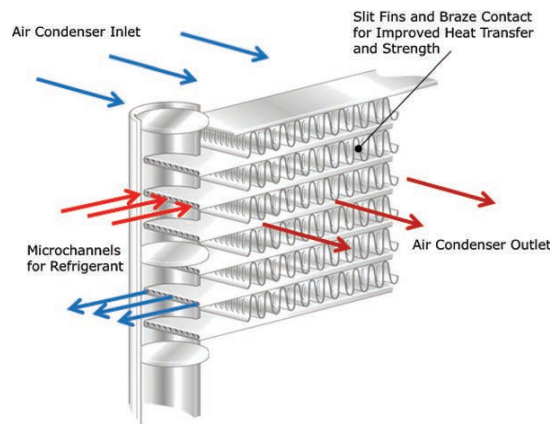
Our units are rigorously rain tested to ensure water integrity. Actual shipping tests are performed to determine packaging requirements. Units are test shipped around the country to determine the best packaging. Factory shake and drop tests are used as part of the package design process to help assure that the unit arrives at the job site in top condition. Rigging tests include lifting a unit into the air and letting it drop one foot, assuring that the lifting lugs and rails hold up under stress. A 100% coil leak test is performed at the factory. The condenser coils are leak tested at 660 psig and evaporators to 450 psig. All parts are inspected at the point of final assembly. Sub-standard parts are identified and rejected immediately. Every unit receives a 100% unit run test before leaving the production line to ensure it lives up to rigorous Trane requirements.

Other Features

Microchannel Condenser Coil

Microchannel condensing coils are all-aluminum coils with fully-brazed construction. This design reduces risk of leaks and provides increased coil rigidity — making them more rugged on the jobsite. Their flat streamlined tubes with small ports and metallurgical tube-to-fin bond allow for exceptional heat transfer. Microchannel all-aluminum construction provides several additional benefits:

- Light weight (simplifies coil handling)
- Easy to recycle
- Minimize galvanic corrosion



Standard and Optional Features

Figure 1. Compressors

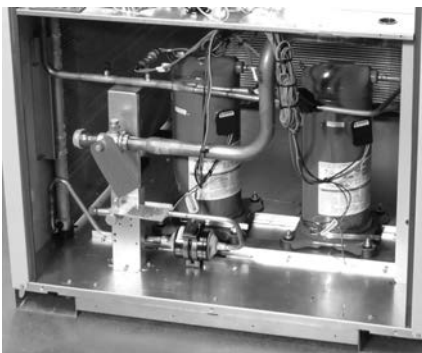


Figure 2. Belt drive motor

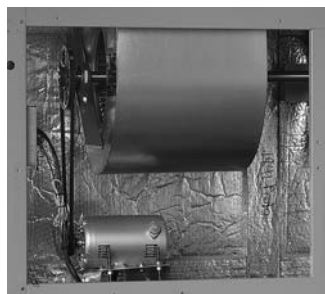


Figure 3. Easy access to terminal board



Airflow Distribution — Odyssey can replace an older machine with old ductwork and, in many cases, improve the comfort through better air distribution.

Anti-Short Cycle Timer — Provides a 3 minute minimum "ON" time and 3 minute "OFF" time for compressors to enhance compressor reliability by assuring proper oil return.

Belt Drive Motors — For additional static requirements, Odyssey Split Systems offer standard belt drive motors to meet and exceed a wide range of airflow needs.

Colored And Numbered Wiring — Save time and money tracing wires and diagnosing the unit.

Compressors — Odyssey Split Systems contain the best compressor technology available to achieve the highest possible performance. Dual compressors perform very well under part load cooling conditions and system back-up applications. Dual compressors are available on 4.6-20.9 ton models and allow for efficient cooling utilizing 2-stages of compressor operation.

Complete Coat™ Microchannel Condenser Coil — This cathodic, epoxy-type electro-disposition coating is formulated for high edge builds and provides excellent resistance and durability in potentially corrosive environments due to alkalis, acids, alcohols, petroleum, seawater, salty air, etc. Available for Microchannel units only.

Convertible Units — The air handlers ship in a horizontal configuration. They can be easily converted to vertical by simply repositioning the drain pan. Units come complete with duct



Features

flanges so the contractor doesn't have to field fabricate them. These duct flanges are a time and cost saver.

Crankcase Heaters — These band heaters provide improved compressor reliability by warming the oil to prevent migration during off-cycles or low ambient conditions.

Dual Sloped Drain Pans— Every Odyssey unit has a non-corrosive, removable, double sloped drain pan that's easy to clean and reversible to allow installation of drain trap in two positions on either side of the unit.

Easy Access Low Voltage Terminal Board — Odyssey's Low Voltage Terminal Board is external to the line voltage electrical cabinet. It is extremely easy to locate and attach the thermostat wire and test operation of all unit functions. This is another cost and time saving installation feature.

Electric Heaters — Electric heat modules are available in a variety of voltages and capacities.

Foil Faced Insulation — All internal air handler surfaces have cleanable foil-faced insulation. All edges are either captured or sealed to ensure insulation fibers do not get into the airstream.

Hail/Vandal Guards — These coil guards shall be either factory or field installed for condenser coil protection. This feature protects the condenser coil from vandalism and/or hail damage. When ordered factory installed, it also adds additional shipping protection.

High/Low Static Motor — Available on many models, this high static motor accessory extends the capability of the standard unit.

High Pressure Control — All units include High Pressure Control as standard.

Low Ambient — Provides ability to cool space when outdoor ambient is below 50°F. Choice of fan on/off or modulating control.

Low Ambient Cooling — All Odyssey microprocessor units have cooling capabilities down to 0° F as standard. Electromechanical models have cooling capabilities to 50°F as built, or to 0°F by adding an optional low ambient kit.

Low Voltage Connections — The wiring of the low voltage connections to the unit and the zone sensors is as simple as 1-1, 2-2, and 3-3. This simplified system makes it easy for the installer to wire.

Phase Monitor/Reversal Protection — Phase monitor shall provide 100% protection for motors and compressors against problems caused by phase loss, phase imbalance, and phase reversal. Phase monitors are equipped with an LED that provides an ON or FAULT indicator.

Quick-Access Panels — Remove a few screws for access to the standardized internal components and wiring.

Single Point Power — A single electrical connection powers the unit.

Single Side Service — Single side service is standard on all units.

Standardized Components — Components are placed in the same location on all Odyssey units. Because of these standardized components throughout the Odyssey line, contractors/owners can stock fewer parts.

Thermal Expansion Valve with Bypass Check Valves — This feature is standard on all indoor units.

Unit Cabinet — The compact cabinet takes up less room and is less costly to ship. It's cabinet design also ensures water integrity.

Table 1. Odyssey features – standard and optional

	Standard Features	Options ^(a)	
		Factory Installed	Field Installed
1-year Limited Parts Warranty	X		
5-year Limited Compressor Warranty	X		
Anti-Short Cycle Timer	X		
Belt Drive Motors	X		
Colored and Numbered Wiring	X		

Table 1. Odyssey features – standard and optional (continued)

	Standard Features	Options ^(a)	
		Factory Installed	Field Installed
Complete Coat™ Microchannel Condenser Coil		X	
Compressor Discharge Temperature Limit (DTL)	X		
Convertible Airflow	X		
Crankcase Heaters	X		
Easy Access Low Voltage Terminal Board (LTB)	X		
Electric Heaters			X
Filters	X		
Foil-Faced and Edge Captured Insulation	X		
Hail/Vandal Guards		X	X
High Pressure Control	X		
High Static Motor Kit ^(b)			X
Hot Gas Bypass			X
IAQ Dual Sloped and Removable Drain Pans	X		
Liquid Line Refrigerant Drier	X		
Low Ambient Cooling			X
Low Ambient Cooling to 50°F on Electromechanical Models	X		
Low Pressure Control	X		
Low Static Motor Kit ^(b)			X
Low Voltage Circuit Protection	X		
Phase Loss/Reversal Monitor	X		
Quick Access Panels	X		
Scroll Compressors	X		
Single Point Power	X		
Single Side Service	X		
Standardized Components	X		
Thermal Expansion Valve	X		
Vibration Isolators			X

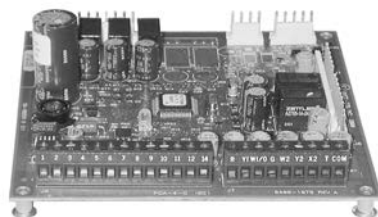
^(a) Refer to model number description for option availability or contact Product Support.

^(b) Available on standard units only. See Accessories chapter for more information.

Standard and Optional Controls

ReliaTel™ Controls

Figure 4. ReliaTel board



ReliaTel controls provide unit control for heating, cooling, and ventilating, utilizing input from sensors that measure outdoor and indoor temperature. ReliaTel also provides outputs for building automation systems and expanded diagnostics. Quality and reliability are enhanced through ReliaTel control and logic:

- Prevents the unit from short cycling, considerably improving compressor life.

- Ensures the compressor will run for a specific amount of time which allows oil to return for better lubrication, enhancing the reliability of the compressor.
- Reduces the number of components required to operate the unit, reducing possibilities for component failure.

ReliaTel Makes Installing and Servicing Easy

ReliaTel eliminates the need for field-installed, anti-short cycle timer and time delay relays. The wiring of the low voltage connections to the unit and the zone sensors is as easy as 1-1, 2-2, and 3-3. This simplified system makes wiring easier for the installer.

ReliaTel Makes Testing Easy

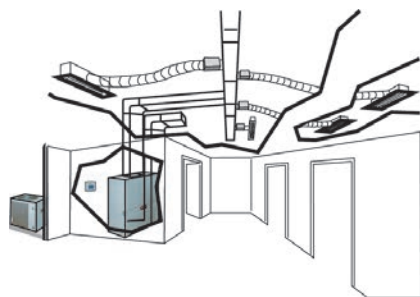
ReliaTel requires no special tools to run the unit through its paces. Simply place a jumper between Test 1 and Test 2 terminals on the Low Voltage Terminal Board and the unit will walk through its operational steps automatically. The unit automatically returns control to the zone sensor after stepping through the test mode a single time, even if the jumper is left on the unit. As long as the unit has power and the "system on" LED is lit, ReliaTel is operational. The light indicates that the controls are functioning properly. ReliaTel features expanded diagnostic capabilities when utilized with Trane Integrated Comfort™ Systems. Some zone sensor options have central control panel lights which indicate the mode the unit is in and possible diagnostic information (dirty filters for example).

ReliaTel Has Other Benefits

- The ReliaTel built-in anti-shortcycle timer, time delay relay and minimum "on" time control functions are factory tested to assure proper operation.
- ReliaTel softens electrical "spikes" by staging on fans, compressors and heaters.
- Intelligent Fallback is a benefit to the building occupant. If a component goes astray, the unit will continue to operate at predetermined temperature setpoint.
- Intelligent Anticipation is a standard feature. It functions continuously as ReliaTel and zone sensor(s) work together in harmony to provide much tighter comfort control than conventional electromechanical thermostats.
- The ReliaTel design is standardized across the board, ensuring a lower cost to owners.

Additional Controls

VariTrac® Building Automation System — When Trane's changeover VAV System for light commercial applications is coupled with the unit, it provides the latest in technological advances for comfort management systems and can allow thermostat control in every zone served by VariTrac.



Trane Communication Interface (TCI) — This module, when applied with ReliaTel, easily interfaces with the Trane Integrated Comfort System™.

Frostat™ — This control utilizes a capillary bulb embedded in the face of the evaporator coil which monitors coil temperature to inhibit evaporator icing and protect the compressor. Recommended for applications with low leaving air temperatures, low airflow and/or high latent load applications.

LonTalk® Communications Interface — The LonTalk communications interface allows the unit to communicate as a Tracer™ LCI-V device or directly with generic LonTalk Network Building Automation System Controls.

BACnet® Communication Interface (BCI) — The BACnet Communication Interface allows the unit to communicate directly with a generic open protocol BACnet MS/TP Network Building Automation Control System.

Electromechanical — For the simpler job that does not require a building automation system, or expanded diagnostics capabilities, Odyssey offers electromechanical controls. This 24-volt control includes the control transformer and contactor pressure lugs for power wiring.

Zone Sensors/Thermostats— Available in wireless, programmable, automatic and manual styles.

Table 2. Odyssey control options – standard and optional

	Standard Features	Options ^(a)	
		Factory Installed	Field Installed
BACnet Communication Interface (BCI)			X
Froststat - Evaporator Defrost Control (EDC)	X		
LonTalk Communications Interface (LCI)		X	X
ReliaTel Microprocessor Controls	X	X	
Electromechanical Controls		X	
Thermostat			X
Trane Communications Interface (TCI)			X
Wireless Zone Sensor			X
Zone Sensor			X

^(a) Refer to model number description for option availability or contact Product Support.



Accessories

Cooling Condenser

Table 3. TTA Accessories

Model	Used With
Coil (Hail/Vandal) Guard	
BAYGARD058A	TTA061G/H, TTA076G/H
BAYGARD059A	TTA101G/H/J
BAYGARD060A	TTA126H
BAYGARD061A	TTA156H/J, TTA201H/J
BAYGARD062A	TTA251J
Universal Hot Gas Bypass Kit	
BAYHGBP010B	All models
Rubber Isolators	
BAYISLT004A (blue)	TTA061G/H, TTA076G/H
BAYISLT005A (black)	TTA101G/H/J
BAYISLT009A (red)	TTA126H, TTA156H/J
BAYISLT010A (green)	TTA201H/J, TTA251J
Steel Spring Isolators	
BAYISLT023A (red)	TTA061G/H, TTA076G, TTA076H, TTA101G
BAYISLT024A (black)	TTA101H/J, TTA126H, TTA156H/J
BAYISLT025A (yellow)	TTA201H/J, TTA251J
Low Ambient — On/Off Fan Control (External mount, small cabinets)^(a) (b) (c)	
BAYLOAMU01B (External Mount, small cabinets) ^(d)	TTA061, TTA076
BAYLOAMU02B (Internal mount, large cabinets)	TTA101, TTA126, TTA156, TTA201, TTA251
Head Pressure Control^(b)	
BAYLOAM435A, 50Hz	TTA061G, TTA076G, TTA156J
BAYLOAM436A, 50Hz	TTA101, TTA126, TTA156, TTA201, TTA251
BAYLOAM437A, 50Hz	TTA061G, TTA076G, TTA156J
Transducer Kit for Head Pressure Control (BAYLOAM435, 436, 437)	
BAYLOTR001A ^(e)	TTA101H/J, TTA126H
Trane Communication (3/4 Communications Interface)^(f)	
BAYICSI003A	All Models
LonTalk Communications Interface^(f)	
BAYLTCI002B	All Models

^(a) Cycles fan on/off, (no modulating).

^(b) Quantity of 1 required for each fan (2 total for TTA156-251).

^(c) ReliaTel™ requires onboard EDC function to be disabled when BAYLOAM is used, remove OA sensor from terminal J8-1&2

^(d) Kit mounts external to the outdoor unit and operates by sensing ambient and liquid line temperatures.

^(e) BAYLOTR001 required when modulating BAYLOAM kits used with units that have 2 compressors and 1 condenser fan.

^(f) BAYWRKT003 must also be installed when using BAYICSI003 or the BAYLTCI002 on the 13–16.7T Split System Heat Pump units

Air Handler

Table 4. TWE Accessories

Model	Used With
Base (Subbase)	
BAYBASE009A	TWE051
BAYBASE0010A	TWE073E, TWE076D/E
BAYBASE0011A	TWE101D/E
BAYBASE0012A	TWE126E, TWE156E
BAYBASE0013A	TWE201E, TWE251E
Drip Kit	
BAYDRKT006B	TWE051
BAYDRKT007B	TWE073E, TWE076D/E
BAYDRKT008B	TWE101D/E
BAYDRKT009B	TWE126E, TWE156E
BAYDRKT010B	TWE201E, TWE251E
High Static Motor Kits^(a)	
BAYHSMT105B — 1.0HP (50Hz) with Motor Sheave, Fan Sheave and Belt	TWE051
BAYHSMT108B — 1.5HP (50Hz) with Motor Sheave, Fan Sheave and Belt	TWE073, TWE076
BAYHSMT110B — 2.0HP (50Hz) with Motor Sheave, Fan Sheave and Belt	TWE073, TWE076
BAYHSMT112B — 2.0HP (50Hz) with Motor Sheave, Fan Sheave and Belt	TWE101
BAYHSMT114B — 2.0HP (50Hz) with Motor Sheave, Fan Sheave and Belt	TWE126
BAYHSMT117B — 3.0HP (50Hz) with Motor Sheave, Fan Sheave and Belt	TWE126
BAYHSMT120B — 3.0HP (50Hz) with Motor Sheave and Fan Sheave (Stock Belt used)	TWE156
BAYHSMT122B — 5.0 HP (50Hz) with Motor Sheave, Fan Sheave and Belt	TWE201
Rubber Isolators^{(b) (c) (d)}	
BAYISLT004A (Floor — Blue)	TWE051, TWE073, TWE076, TWE101
BAYISLT009A (Floor — Red) ^(e)	TWE126, TWE156
BAYISLT010A (Floor — Green) ^{(e)(b)}	TWE201, TWE251
BAYISLT012B (Suspended —Red/Green)	TWE126, TWE156
BAYISLT013B (Suspended —Red/Green) ^(d)	TWE051
BAYISLT014A (Suspended — Green) ^(d)	TWE073, TWE076
BAYISLT015B (Suspended — Green/Black) ^(d)	TWE101
BAYISLT016B (Suspended —Red/Green)	TWE201, TWE251
Steel Spring Isolators^(c)	
BAYISLT019A (Floor — Red) ^{(e)(b)}	TWE051, TWE073, TWE076, TWE101
BAYISLT021A (Floor — Black) ^{(e)(b)}	TWE126, TWE156
BAYISLT032A (Floor — Black/Yellow) ^{(e)(b)}	TWE201, TWE251
BAYISLT028A (Suspended — Tan)	TWE051
BAYISLT029A (Suspended — Red)	TWE073, TWE076, TWE101
BAYISLT030A (Suspended — Black)	TWE126, TWE156
BAYISLT031B (Suspended — Black/Yellow)	TWE201, TWE251
Low Static Drive Kit^(a)	
BAYLSMT001B	TWE201
Plenum^(f)	
BAYPLNM015B (Discharge Plenum & Grille) ^(f)	TWE051
BAYPLNM016B (Discharge Plenum & Grille) ^(f)	TWE073, TWE076
BAYPLNM017B (Discharge Plenum & Grille) ^(f)	TWE101
BAYPLNM018B (Discharge Plenum/Hydronic Coil Plenum & Grille) ^(f)	TWE126, TWE156
BAYPLNM019B (Discharge Plenum/Hydronic Coil Plenum & Grille) ^(f)	TWE201, TWE251
BAYPLNM020B (Hydronic Coil Discharge Plenum & Grille) ^(f)	TWE051
BAYPLNM021B (Hydronic Coil Discharge Plenum & Grille) ^(f)	TWE073, TWE076



Accessories

Table 4. TWE Accessories (continued)

Model	Used With
BAYPLNM022B (Hydronic Coil Discharge Plenum & Grille) ^(f)	TWE101
BAYPLNM030A (Electric Heat Discharge Plenum & Grille) ^(f)	TWE051
BAYPLNM031A (Electric Heat Discharge Plenum & Grille) ^(f)	TWE073, TWE076
BAYPLNM032A (Electric Heat Discharge Plenum & Grille) ^(f)	TWE101
BAYPLNM033A (Electric Heat Discharge Plenum & Grille) ^(f)	TWE126, TWE156
BAYPLNM034A (Electric Heat Discharge Plenum & Grille) ^(f)	TWE201, TWE251
Return Air Grille	
BAYGRLE001A	TWE051
BAYGRLE002A	TWE073, TWE076
BAYGRLE003A	TWE101
BAYGRLE004A	TWE126, TWE156
BAYGRLE005A	TWE201, TWE251
BAYTFMR013B - 75VA transformer (380*415V/50hz)	TWE076, TWE101, TWE073
Water Kits	
BAYWATRO22A (Steam Coil Enclosure) ^(f)	TWE051
BAYWATRO23A (Steam Coil Enclosure) ^(f)	TWE073, TWE076
BAYWATRO24A (Steam Coil Enclosure) ^(f)	TWE101
BAYWATRO25A (Steam Coil Enclosure) ^(f)	TWE126, TWE156
BAYWATRO26A (Steam Coil Enclosure) ^(f)	TWE201, TWE251
BAYWATRO27A (Hot Water Coil Enclosure) ^(f)	TWE051
BAYWATRO28A (Hot Water Coil Enclosure) ^(f)	TWE073, TWE076
BAYWATRO29A (Hot Water Coil Enclosure) ^(f)	TWE101
BAYWATRO30A (Hot Water Coil Enclosure) ^(f)	TWE126, TWE156
BAYWATRO31A (Hot Water Coil Enclosure) ^(f)	TWE201, TWE251
Wire Kit – 180° Blower Discharge Reversal Kit^(g)	
BAYWRKT002B	TWE051, TWE073, TWE076, TWE101

(a) Used on standard air handlers only.

(b) Requires use of subbase accessory.

(c) In units with steam or hot water coils applied vertically or horizontally, check IOM for proper Isolator Kit selection.

(d) Do not use if blower will operate less than 600 RPM.

(e) When the air handler is in the vertical position and close proximity trapping of condensate is required, use of subbase is required.

(f) When installed horizontally, plenum/water coil must be self-supported.

(g) Cannot be used on TWE126–201, due to motor mount location.

Electric Heaters

Table 5. Electric heaters

Model	Used With
4.6–8.33 Ton Electric Heater Selection	
BAYHTRL405A — 5.00 kW Heater 460/3 Phase	TWE051, TWE073, TWE076, TWE101
BAYHTRL410A — 9.96 kW Heater 460/3 Phase	TWE051, TWE073, TWE076, TWE101
BAYHTRL415A — 14.96 kW Heater 460/3 Phase	TWE051, TWE073, TWE076, TWE101
BAYHTRL425A — 24.92 kW Heater 460/3 Phase	TWE051, TWE073, TWE076, TWE101
BAYHTRL435A — 34.88 kW Heater 460/3 Phase	TWE051, TWE073, TWE076, TWE101
10.4–20.9 Ton Electric Heater Selection	
BAYHTRM410A — 10.0 kW Heater 460/3 Phase	TWE126, TWE156, TWE201, TWE251
BAYHTRM420A — 19.92 kW Heater 460/3 Phase	TWE126, TWE156, TWE201, TWE251
BAYHTRM430A — 29.92 kW Heater 460/3 Phase	TWE126, TWE156, TWE201, TWE251
BAYHTRM450A — 49.84 kW Heater 460/3 Phase	TWE126, TWE156, TWE201, TWE251



Application Considerations

Application of this product should be within the cataloged airflow and performance considerations.

Clearance Requirements

The recommended clearances identified with unit dimensions should be maintained to assure adequate serviceability, maximum capacity and peak operating efficiency. Actual clearances which appear inadequate should be reviewed with the local representative.

180° Blower Rotation

The 4.6, 6.25, and 8.33 ton standard air handler blower section can be rotated 180° to change the discharge pattern. This modification must be done in the field and requires an additional kit. See unit installation guide.

Low Ambient Cooling

As manufactured, electromechanical units can operate to 50°F in the cooling mode of operation. An accessory head pressure control will allow operation to 0°F outdoor ambient. When using these units with control systems such as bypass changeover Variable Air Volume, make sure to consider the requirement for a head pressure control to allow low ambient cooling.

Figure 5. Typical split system application

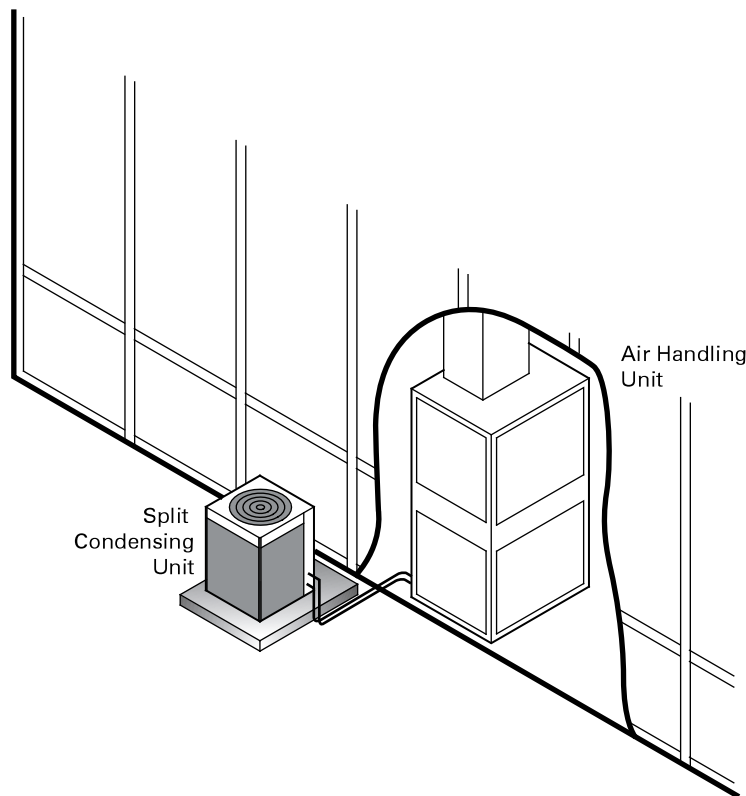


Figure 6. Typical horizontal air handler application

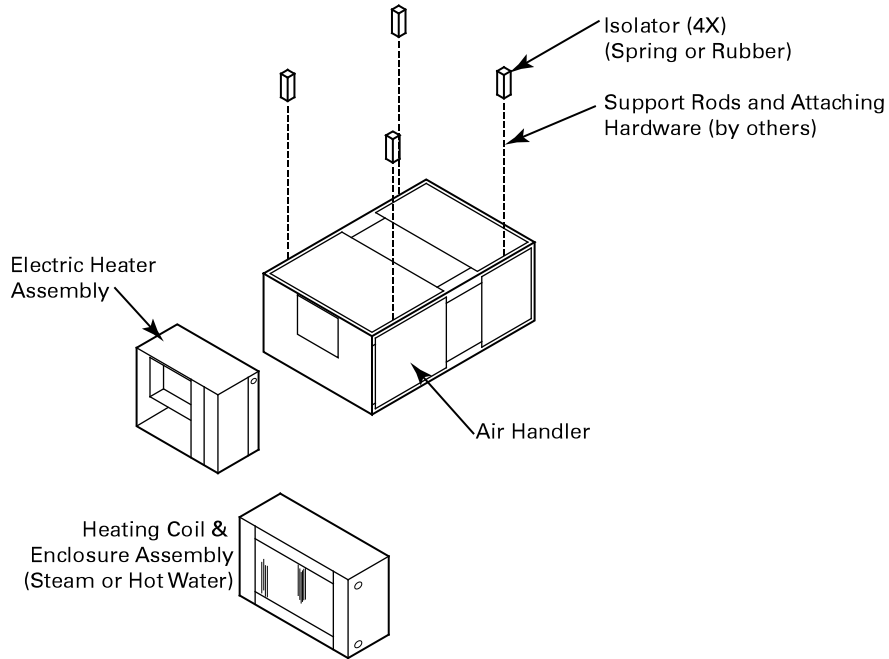
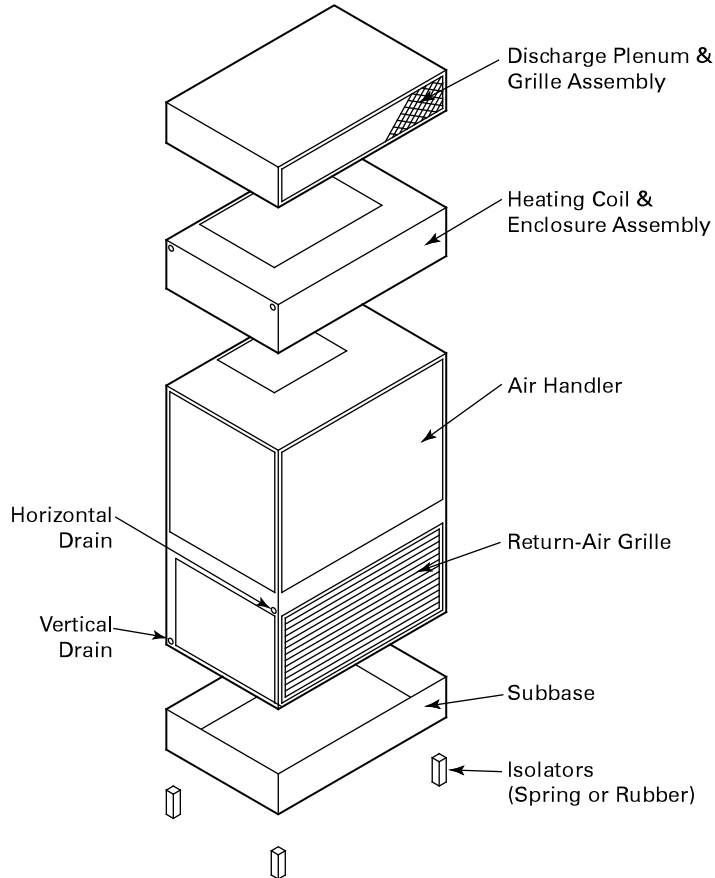


Figure 7. Typical vertical air handler application





Selection Procedure

Cooling Capacity

1. Calculate the building's total and sensible cooling loads at design conditions, using standardized calculation methods.
2. Size the equipment using the gross cooling capacity tables that begin with [Table 15, p. 30](#). Match the cooling loads at design conditions. For example, if the following specifies the building cooling requirements:
Electrical Characteristics: 415/50/3
Summer Design Conditions: Entering Evap Coil—80°F DB/67°F WB (27°C DB/19°C WB),
Outdoor Ambient—95°F (35°C)
Total Cooling Load: 75 MBh (22 kW)
Sensible Cooling Load: 53 MBh (15.5 kW)
Airflow: 2500 cfm (4248 m³/h)
External Static Pressure: 0.77 inches of water gauge (192 Pa)
3. Use [Table 15, p. 30](#) to determine that TTA076G with TWE076D has a gross cooling capacity of 81.9 MBh (24 kW) and 62.8 MBh (18.4 kW) sensible capacity at 95°F DB (35°C) ambient and 2500 cfm (4248 m³/h) with 80°F DB/67° F WB (27°C DB/19°C WB) air entering the evaporator.
4. To find the net cooling capacities, fan motor heat must be subtracted. Determine the total unit static pressure:
External Static Duct System: .84 in. (210 Pa)
Standard Filter: 0.10 in. (25 Pa)
Supplementary Electric Heat: .16 in. (57 Pa)
Total Static Pressure: 1.10 in. (274 Pa)

Notes:

- *The Evaporator Fan Performance Table has included the effect of a 1 in. (249 Pa) filter already. Therefore, the actual Total Static Pressure is 1.10 - 0.10 = 1.00 in. (274 - 25 = 249 Pa) With 2500 cfm (4248 m³/h) and 1.00 inches (249 Pa), [Table 12, p. 27](#) shows 1.51 Bhp (ultra high static drive kit required).*
- *This formula can be used to calculate Fan Motor Heat:*
$$3.15 \times \text{Bhp} = \text{MBh}$$
$$3.15 \times 1.51 = 4.75 \text{ MBh}$$
$$\text{Net Total Cooling Capacity} = 81.9 \text{ MBh} - 4.75 \text{ MBh} = 77.15 \text{ MBh (22.6 kW)}$$
$$\text{Net Sensible Cooling Capacity} = 62.8 \text{ MBh} - 4.75 \text{ MBh} = 58.05 \text{ MBh (17.0 kW)}$$

Heating Capacity

1. Calculate the building heating load using the Trane calculation form or any other standard accepted method.
2. Size the equipment using [Table 105, p. 101](#) to match the heating loads at design conditions. For example, if the following specifies the building heating requirements:
Total Heating Load: 97.0 MBh (28.4 kW)
Airflow: 2500 cfm (4248 m³/h)
Supplementary Electric Heaters
3. Use [Table 105, p. 101](#) to determine that the 34.88 kW heater has a capacity of 119,045 Btuh.
4. From [Table 110, p. 106](#), the 34.88 kW heater at 460V indicates the heater model is BAYHTRL435A.



Selection Procedure

Air Delivery

1. The external static pressure drop through the air distribution system is .84 inches of water gauge, use [Table 104, p. 101](#) to determine that the static pressure drop through the electric heater is 0.16 inches of water (.84 + .16 = 1.00 in.).
2. Enter [Table 87, p. 84](#) for TWE076D at 2500 cfm (4248 m³/h) and 1.00 (249 Pa) static pressure. The high static motor at 987 RPM gives the desired airflow.



Model Number Description

Cooling Condenser

TTA	201	J	D	00	*	*
1 2 3	4 5 6	7	8	9 10	11	12

Note: When ordering replacement parts or requesting service, be sure to refer to the specific model number, serial number, and DL number (if applicable) stamped on the unit nameplate.

DIGITS 1 - 3: Product Type

TTA = Split System Cooling

DIGITS 4 - 6: Nominal Gross Cooling Capacity (MBh)

061 = 5 Tons (50Hz)

076 = 6.25 Tons (50Hz)

101 = 8.33 Tons (50Hz)

126 = 10.4 Tons (50Hz)

156 = 13.0 Tons (50Hz)

201 = 16.7 Tons (50Hz)

251 = 20.9 Tons (50Hz)

DIGIT 7: Major Development Sequence

G = Single Compressor, Single Circuit, Microchannel

H = Dual Compressor, Dual Circuit, Microchannel

J = Dual Compressor, Single Circuit (Manifold Scroll Compressors), Microchannel

DIGIT 8: Electrical Characteristics

D = 380-415/50/3

DIGITS 9 - 10: Factory Installed Options

00 = Packed Stock

0S = Coated Coil

OR = ReliaTel, no LCI Board

OT = ReliaTel, no LCI Board with Coated Coil

OU = ReliaTel, with LCI Board

OW = ReliaTel, with LCI Board and Coated Coil

H0 = Hail Guard with Packed Stock

HS = Hail Guard with Coated Coil

HR = Hail Guard with ReliaTel, no LCI Board

HT = Hail Guard with ReliaTel, no LCI Board with Coated Coil

HU = Hail Guard with ReliaTel, with LCI Board

HW = Hail Guard with ReliaTel, with LCI Board and Coated Coil

DIGITS 11: Minor Design Sequence

* = Current Design Sequence¹

DIGITS 12: Service Digit

* = Current Design Sequence¹

¹. * = sequential alpha character



Model Number Description

Air Handler

TWE	201	E	D	00	*	*
1 2 3	4 5 6	7	8	9 10	11	12

Note: When ordering replacement parts or requesting service, be sure to refer to the specific model number, serial number, and DL number (if applicable) stamped on the unit nameplate.

DIGITS 1 - 3: Product Type

TWE = Split System Heat Pump/Cooling Air Handler

DIGITS 4 - 6: Nominal Gross Cooling Capacity (MBh)

- 051 = 4.6 Tons (50 Hz)
- 073 = 6 Tons (50 Hz)
- 076 = 6.25 Tons (50 Hz)
- 101 = 8.33 Tons (50 Hz)
- 126 = 10.4 Tons (50 Hz)
- 156 = 13.0 Tons (50 Hz)
- 201 = 16.7 Tons (50 Hz)
- 251 = 20.9 Tons (50 Hz)

DIGIT 7: Major Development Sequence

- D = Single Refrigeration Circuit
- E = Dual Refrigeration Circuit

DIGIT 8: Electrical Characteristics

D = 380-415/50/3

DIGITS 9 - 10: Factory Installed Options

00 = Packed Stock (Standard)

DIGITS 11: Minor Design Sequence

* = Current Design Sequence²

DIGITS 12: Service Digit

* = Current Design Sequence²

² * = sequential alpha character



General Data

Table 6. General data for 5 - 6.25 ton (TTA061G-TTA076H) condensing units, 50 Hz

	5 Tons	5 Tons	6.25 Tons	6.25 Tons
	Single Compressor TTA061G	Dual Compressor TTA061H	Single Compressor TTA076G	Dual Compressor TTA076H
Cooling Performance - Gross Cooling Capacity, Btu (kW)				
Matched Air Handler	TWE076D	TWE073E	TWE076D	TWE076E
AHRI Rated Airflow CFM (m ³ /hr)	2000 (3398)	2000 (3398)	2500 (4248)	2500 (4248)
Gross Cooling Capacity - System	69,000 (20.21)	67,000 (19.64)	81,000 (23.74)	83,000 (24.31)
Condensing Unit Only ^(a)	61,000 (17.86)	61,000 (17.86)	75,000 (21.96)	75,000 (21.96)
AHRI Net Cooling Capacity ^(b)	68,000 (19.92)	66,000 (19.34)	79,000 (23.12)	81,000 (23.72)
Efficiency				
Matched Air Handler (EER) ^(b)	11.20	11.20	11.60	11.20
Condensing Unit Only (EER) ^(a)	13.30	13.30	12.90	12.90
System Power/Condensing Unit Power (kW)	6.0 / 4.6	5.9 / 4.6	6.8 / 5.8	7.2 / 5.8
Compressor				
Type	Scroll	Scroll	Scroll	Scroll
No.	1	2	1	2
System Data				
No. Refrigerant Circuits ^(c)	1	2	1	2
Suction Line (mm) OD ^(c)	1 1/8 (28.58)	7/8 (22.23)	1 3/8 (34.90)	1 1/8 (28.58)
Liquid Line (mm) OD ^(c)	1/2 (12.70)	1/2 (12.70)	1/2 (12.70)	1/2 (12.70)
Outdoor Coil				
Type	MCHE	MCHE	MCHE	MCHE
Tube Size OD/Coil Width MCHE (in.)	0.81 (20.6)	0.81 (20.6)	0.81 (20.6)	0.81 (20.6)
Face Area, sq ft (m ²)	18.5 (1.7)	17.4 (1.6)	18.5 (1.7)	17.4 (1.6)
Rows/FPI (Fins per inch)	1/23	1/23	1/23	1/23
Outdoor Fan				
Type	Propeller	Propeller	Propeller	Propeller
No. Used	1	1	1	1
No. Used/Diameter - in. (mm)	26 (660.4)	26 (660.4)	26 (660.4)	26 (660.4)
Drive Type	Direct	Direct	Direct	Direct
No. Speeds	1	1	1	1
CFM (m ³ /h)	4,200 (7,136)	4,200 (7,136)	4,200 (7,136)	4,200 (7,136)
No. Motor	1	1	1	1
Motor HP (kW)	0.33 (0.25)	0.33 (0.25)	0.33 (0.25)	0.33 (0.25)
Motor RPM	925	925	925	925
Refrigerant Charge (Field Supplied)				
lbs (kg) of R-410A	10 (4.5)	7.0 / 7.0 (3.2 / 3.2)	9.7 (4.4)	7.3 / 7.3 (3.3 / 3.3)
Shipping Dimensions				
HxWxD - in. (mm)	45" x 45" x 38" (1143 x 1143 x 965)	45" x 45" x 38" (1143 x 1143 x 965)	45" x 45" x 38" (1143 x 1143 x 965)	45" x 45" x 38" (1143 x 1143 x 965)

^(a) Condensing units are tested in accordance with AHRI Standard 365.

^(b) Units are AHRI Certified to AHRI Standard 340-360 (I-P)-2007. Rating conditions are 95°F outdoor air temperature, 80°F entering dry bulb, 67°F entering wet bulb with 25ft of interconnecting refrigerant piping with minimum external static pressure as determined by rating standard.

^(c) Refer to refrigerant piping applications manual for line sizing and line length.



General Data

Table 7. General data for 8.33 - 10.4 ton (TTA101G-TTA126H) condensing units, 50 Hz

	8.33 Tons	8.33 Tons	8.33 Tons	10.4 Tons
	Single Compressor TTA101G	Dual Compressor TTA101H	Manifolded Compressor TTA101J	Dual Compressor TTA126H
Cooling Performance - Gross Cooling Capacity, Btu (kW)				
Matched Air Handler	TWE101D	TWE101E	TWE101D	TWE126E
AHRI Rated Airflow CFM (m ³ /hr)	3333 (5663)	3333 (5663)	3350 (5692)	4200 (7136)
Gross Cooling Capacity - System	107,000 (31.36)	104,000 (30.45)	105,000 (30.77)	127,000 (37.22)
Condensing Unit Only ^(a)	94,000 (27.57)	91,000 (26.64)	96,000 (28.13)	119,000 (34.87)
AHRI Net Cooling Capacity ^(b)	104,000 (30.55)	101,000 (29.57)	102,000 (29.89)	125,000 (36.50)
Efficiency				
Matched Air Handler (EER) ^(b)	12.00	11.20	12.70	11.50
Condensing Unit Only (EER) ^(a)	13.10	12.70	13.30	12.30
System Power/Condensing Unit Power (kW)	8.7 / 7.2	9.0 / 7.2	8.0 / 7.7	10.8 / 10.5
Compressor				
Type	Scroll	Scroll	Manifolded Scrolls	Scroll
No.	1	2	2	2
System Data				
No. Refrigerant Circuits ^(c)	1	2	1	2
Suction Line (mm) OD ^(c)	1 3/8 (34.90)	1 1/8 (28.58)	1 3/8 (34.90)	1 1/8 (28.58)
Liquid Line (mm) OD ^(c)	1/2 (12.70)	1/2 (12.70)	1/2 (12.70)	1/2 (12.70)
Outdoor Coil				
Type	MCHE	MCHE	MCHE	MCHE
Tube Size OD/Coil Width MCHE (in.)	0.81 (20.6)	0.81 (20.6)	0.81 (20.6)	1.0 (25.4)
Face Area, sq ft (m ²)	23.8 (2.2)	22.7 (2.1)	23.8 (2.2)	27.0 (2.5)
Rows/FPI (Fins per inch)	1/23	1/23	1/23	1/23
Outdoor Fan				
Type	Propeller	Propeller	Propeller	Propeller
No. Used	1	1	1	1
No. Used/Diameter - in. (mm)	28 (711.2)	28 (711.2)	28 (711.2)	28 (711.2)
Drive Type	Direct	Direct	Direct	Direct
No. Speeds	1	1	1	1
CFM (m ³ /h)	6,340 (10,772)	6,340 (10,772)	6,340 (10,772)	6,340 (10,772)
No. Motor	1	1	1	1
Motor HP (kW)	0.75 (0.56)	0.75 (0.56)	0.75 (0.56)	0.75 (0.56)
Motor RPM	925	925	925	925
Refrigerant Charge (Field Supplied)				
lbs (kg) of R-410A	13.6 (6.2)	7.7 / 7.6 (3.5 / 3.4)	13.1 (6.0)	9.8 / 9.8 (4.4 / 4.4)
Shipping Dimensions				
HxWxD - in. (mm)	45" x 55" x 42" (1143 x 1397 x 1067)	45" x 55" x 42" (1143 x 1397 x 1067)	45" x 55" x 42" (1143 x 1397 x 1067)	52.1" x 55" x 42" (1323 x 1397 x 1067)

^(a) Condensing units are tested in accordance with AHRI Standard 365.

^(b) Units are AHRI Certified to AHRI Standard 340-360 (I-P)-2007. Rating conditions are 95°F outdoor air temperature, 80°F entering dry bulb, 67°F entering wet bulb with 25ft of interconnecting refrigerant piping with minimum external static pressure as determined by rating standard.

^(c) Refer to refrigerant piping applications manual for line sizing and line length.

Table 8. General data for 13 - 20.9 ton (TTA156H-TTA251J) condensing units, 50 Hz

	13 Tons	13 Tons	16.7 Tons	16.7 Tons	20.9 Tons
	Dual Compressor TTA156H	Manifolded Compressor TTA156J	Dual Compressor TTA201H	Manifolded Compressor TTA201J	Manifolded Compressor TTA251J
Cooling Performance - Gross Cooling Capacity, Btu (kW)					
Matched Air Handler	TWE156E	TWE156E	TWE201E	TWE201E	TWE251E
AHRI Rated Airflow CFM (m ³ /hr)	5000 (8495)	5000 (8495)	6000 (10194)	6000 (10194)	7500 (12742)
Gross Cooling Capacity - System	163,000 (47.79)	165,000 (48.36)	222,000 (65.06)	226,000 (66.23)	260,000 (76.20)
Condensing Unit Only ^(a)	150,000 (43.96) ^(b)	153,000 (44.84) ^(b)	225,000 (65.94) ^(b)	223,000 (65.35) ^(b)	250,000 (73.27) ^(b)
AHRI Net Cooling Capacity ^(c)	158,000 (46.27)	160,000 (46.89)	217,000 (63.47)	220,000 (64.47)	252,000 (73.91) ^(d)
Efficiency					
Matched Air Handler (EER) ^(c)	12.00	12.50	11.20	11.30	10.5 ^(d)
Condensing Unit Only (EER) ^(a)	13.4 ^(b)	13.7 ^(b)	12.7 ^(b)	12.6 ^(b)	12 ^(b)
System Power/Condensing Unit Power (kW)	13.2 / 11.8	13.6 / 11.7	19.3 / 17.7	19.5 / 17.7	24.0 / 20.8
Compressor					
Type	Scroll	Manifolded Scrolls	Scroll	Manifolded Scrolls	Manifolded Scrolls
No.	2	2	2	2	2
System Data					
No. Refrigerant Circuits ^(e)	2	1	2	1	1
Suction Line (mm) OD ^(e)	1 3/8 (34.90)	1 5/8 (41.28)	1 3/8 (34.90)	1 5/8 (41.28)	2 1/8 (53.98)
Liquid Line (mm) OD ^(e)	1/2 (12.70)	1/2 (12.70)	1/2 (12.70)	5/8 (15.88)	5/8 (15.88)
Outdoor Coil					
Type	MCHE	MCHE	MCHE	MCHE	MCHE
Tube Size OD/Coil Width MCHE (in.)	0.81 (20.6)	0.81 (20.6)	0.81 (20.6)	0.81 (20.6)	1.0 (25.4)
Face Area, sq ft (m ²)	44.3 (4.1)	44.3 (4.1)	44.3 (4.1)	44.3 (4.1)	51.3 (4.8)
Rows/FPI (Fins per inch)	1/23	1/23	1/23	1/23	1/23
Outdoor Fan					
Type	Propeller	Propeller	Propeller	Propeller	Propeller
No. Used	2	2	2	2	2
No. Used/Diameter - in. (mm)	28 (711.2)	26 (660.4)	28 (711.2)	28 (711.2)	28 (711.2)
Drive Type	Direct	Direct	Direct	Direct	Direct
No. Speeds	1	1	1	1	1
CFM (m ³ /h)	12,600 (21,408)	8,595 (14,603)	12,600 (21,408)	12,600 (21,408)	12,600 (21,408)
No. Motor	2	2	2	2	2
Motor HP (kW)	0.75 (0.56)	0.33 (0.25)	0.75 (0.56)	0.75 (0.56)	0.75 (0.56)
Motor RPM	925	925	925	925	925
Refrigerant Charge (Field Supplied)					
lbs (kg) of R-410A	11.5 / 11.5 (5.2 / 5.2)	21.3 (9.66)	11.6 / 12.0 (5.3 / 5.4)	23.8 (10.8)	29.8 (13.5)
Shipping Dimensions					
HxWxD - in. (mm)	51.1" x 96" x 48" (1298 x 2438 x 1219)	51.1" x 96" x 48" (1298 x 2438 x 1219)	51.1" x 96" x 48" (1298 x 2438 x 1219)	51.1" x 96" x 48" (1298 x 2438 x 1219)	57.1" x 96" x 48" (1450 x 2438 x 1219)

^(a) Condensing units are tested in accordance with AHRI Standard 365.

^(b) Condensing units are AHRI Certified to AHRI Standard 365.

^(c) Units are AHRI Certified to AHRI Standard 340-360 (I-P)-2007. Rating conditions are 95°F outdoor air temperature, 80°F entering dry bulb, 67°F entering wet bulb with 25ft of interconnecting refrigerant piping with minimum external static pressure as determined by rating standard.

^(d) Units are tested in accordance with AHRI Standard 340-360.

^(e) Refer to refrigerant piping applications manual for line sizing and line length.



General Data

Table 9. General data for 4.6 - 6.25 ton (TWE051D - TWE076E) air handler, 50 Hz

	4.6 Tons Single Circuit TWE051D	6 Tons Dual Circuit TWE073E	6.25 Tons Single Circuit TWE076D	6.25 Tons Dual Circuit TWE076E
System Data				
No. Refrigerant Circuits	1	2	1	2
Suction Line Connection, in. (mm) OD	1 1/8 (28.58)	1 1/8 (25.60)	1 3/8 (34.90)	1 1/8 (25.60)
Liquid Line Connection, in. (mm) OD	1/2 (12.70)	1/2 (12.70)	1/2 (12.70)	1/2 (12.70)
Indoor Coil				
Type	Lanced/Intertwined	Lanced/Intertwined	Lanced/Intertwined	Lanced/Intertwined
Tube Size, in. (mm)	3/8 (9.50)	3/8 (9.50)	3/8 (9.50)	3/8 (9.50)
Face Area, sq. ft. (m ²)	5.0 (0.46)	8.1 (0.75)	8.1 (0.75)	8.1 (0.75)
Rows/FPI	4/14	4/14	4/14	4/14
Refrigerant Control	Expansion Valve	Expansion Valve	Expansion Valve	Expansion Valve
Drain Connection Size, in. (mm)	1.0 (25.40) PVC	1.0 (25.40) PVC	1.0 (25.40) PVC	1.0 (25.40) PVC
Indoor Fan				
Type	Centrifugal	Centrifugal	Centrifugal	Centrifugal
No. Used/Diameter x Width, in. (mm)	1/12 x 12 (304.8 x 304.8)	1/15 x 15 (381.0 x 381.0)	1/15 x 15 (381.0 x 381.0)	1/15 x 15 (381.0 x 381.0)
Drive Type/No. Speeds	Belt/Adjustable	Belt/Adjustable	Belt/Adjustable	Belt/Adjustable
CFM (m ³ /h) (Nominal)	2,000 (3,398)	2,000 (3,398)	2,500 (4,248)	2,500 (4,248)
No. Motors	1	1	1	1
Motor HP - Standard/Oversized (kw)	0.75/1.0 (0.56/0.75)	1.5/2.0/3.0 (1.10/1.50/2.2.)	1.5/2.0/3.0 (1.10/1.50/2.2.)	1.5/2.0/3.0 (1.10/1.50/2.2.)
Motor RPM	1450	1450	1450	1450
Motor Frame Size	56	56H	56H	56H
Filters				
Type/Furnished	Throwaway/Yes	Throwaway/Yes	Throwaway/Yes	Throwaway/Yes
(No.)/Size Recommended	(1) 16 x 20 x 1; (1) 20 x 20 x 1	(3) 16 X 25 X 1	(3) 16 X 25 X 1	(3) 16 X 25 X 1
Shipping Dimensions				
HxWxD - in. (mm)	55.1" x 27.5" x 43.5" (1399.5 x 698.5 x 1104.9)	61.2" x 30.5" x 53" (1554.5 x 774.7 x 1346.2)	61.2" x 30.5" x 53" (1554.5 x 774.7 x 1346.2)	61.2" x 30.5" x 53" (1554.5 x 774.7 x 1346.2)

Table 10. General data for 8.33 - 20.9 ton (TWE101D - TWE251E) air handler, 50 Hz

	8.33 Tons		10.4 Tons		13 Tons		16.7 Tons		20.9	
	Single Circuit TWE101D	Dual Circuit TWE101E	Dual Circuit TWE126E	Dual Circuit TWE156E	Dual Circuit TWE201E	Dual Circuit TWE251E				
System Data										
No. Refrigerant Circuits	1	2	2	2	2	2				
Suction Line Connection, in. (mm) OD	1 3/8 (34.90)	1 1/8 (25.60)	1 3/8 (34.90)	1 3/8 (34.90)	1 3/8 (34.90)	2 1/8 (53.98)				
Liquid Line Connection, in. (mm) OD	1/2 (12.70)	1/2 (12.70)	1/2 (12.70)	1/2 (12.70)	1/2 (12.70)	5/8 (15.88)				
Indoor Coil										
Type	Lanced/Intertwined	Lanced/Intertwined	Lanced/Intertwined	Lanced/Intertwined	Lanced/Intertwined	Lanced/Face Split				
Tube Size, in. (mm)	3/8 (9.50)	3/8 (9.50)	3/8 (9.50)	3/8 (9.50)	3/8 (9.50)	3/8 (9.50)				
Face Area, sq. ft. (m ²)	11.2 (1.04)	11.2 (1.04)	16.3 (1.51)	16.3 (1.51)	21.7 (2.01)	21.7 (2.01)				
Rows/FPI	4/14	4/14	4/14	4/14	3/14	4/14				
Refrigerant Control	Expansion Valve	Expansion Valve	Expansion Valve	Expansion Valve	Expansion Valve	Expansion Valve				
Drain Connection Size, in. (mm)	1.0 (25.40) PVC	1.0 (25.40) PVC	1.0 (25.40) PVC	1.0 (25.40) PVC	1.0 (25.40) PVC	1.0 (25.40) PVC				
Indoor Fan										
Type	Centrifugal	Centrifugal	Centrifugal	Centrifugal	Centrifugal	Centrifugal				
No. Used/Diameter x Width, in. (mm)	1/15 x 15 (381.0 x 381.0)	1/15 x 15 (381.0 x 381.0)	2/15 x 15 (381.0 x 381.0)	2/15 x 15 (381.0 x 381.0)	2/15 x 15 (381.0 x 381.0)	2/15 x 15 (381.0 x 381.0)				
Drive Type/No. Speeds	Belt/Adjustable 3,350 (5,692)	Belt/Adjustable 3,350 (5,692)	Belt/Adjustable 4,200 (7,136)	Belt/Adjustable 4,200 (7,136)	Belt/Adjustable 5,000 (8,495)	Belt/Adjustable 6,675 (11,341)				
CFM (m ³ /h) (Nominal)	1	1	1	1	1	1				
No. Motors	2.0 (1.50)	2.0/3.0 (1.50/2.20)	2.0/3.0/5.0 (1.50/2.20/3.70)	2.0/3.0/5.0 (1.50/2.20/3.70)	3.0/5.0/7.5 (2.20/3.70)	3.0/5.0/7.5 (2.20/3.70)				
Motor HP - Standard/Oversized (kw)	1500	1500	1500	1,450/1,500	1,500/2,930	1,500/2,930				
Motor RPM	56HZ	56HZ	56HZ	56HZ	184T	184T				
Motor Frame Size										
Filters										
Type/Furnished	Throwaway/Yes	Throwaway/Yes	Throwaway/Yes	Throwaway/Yes	Throwaway/Yes	Throwaway/Yes				
(No.)/Size Recommended	(4) 16 X 25 X 1	(4) 16 X 25 X 1	(8) 15 X 20 X 2	(8) 15 X 20 X 2	(8) 15 X 20 X 2	(4) 16 X 25 X 2; (4) 16 X 20 X 2				
Shipping Dimensions										
HxWxD - in. (mm)	61.2" x 30.5" x 69" (1554.5 x 774.7 x 1752.6)	61.2" x 30.5" x 69" (1554.5 x 774.7 x 1752.6)	76.3" x 33.8" x 85" (1938 x 850.9 x 2159)	76.3" x 33.8" x 85" (1938 x 850.9 x 2159)	76.3" x 33.8" x 85" (1938 x 850.9 x 2159)	79.1" x 35.8" x 95" (2009.1 x 909.3 x 2413)				



Performance Data

Table 11. Gross cooling capacities (MBH) TTA061G condensing unit with TWE076D air handler (IP)

CFM	Ent DB (°F)	Ambient Temperature (°F)						Ambient Temperature (°F)						Ambient Temperature (°F)					
		85						95						105					
		Entering Wet Bulb (°F)						Entering Wet Bulb (°F)						Entering Wet Bulb (°F)					
		61		67		73		61		67		73		61		67		73	
		MBH	SHC	MBH	SHC	MBH	SHC	MBH	SHC	MBH	SHC	MBH	SHC	MBH	SHC	MBH	SHC	MBH	SHC
1800	75	64.6	54.6	70.8	41.9	77.2	28.4	62.0	53.4	67.7	40.7	74.1	27.3	58.8	51.9	64.9	39.5	70.8	26.1
	80	65.2	54.2	71.0	52.2	76.9	38.7	63.0	63.0	68.0	50.9	73.9	37.6	60.6	60.6	65.0	49.6	70.5	36.5
	85	68.6	68.6	71.5	62.1	76.8	49.1	66.3	66.3	68.3	60.8	73.6	48.0	63.8	63.8	65.4	59.6	70.4	46.8
	90	71.9	71.9	72.4	70.2	76.5	59.2	69.4	69.4	69.4	69.4	73.4	58.1	66.9	66.9	66.9	66.9	70.1	56.8
2000	75	65.8	57.9	71.9	43.8	78.1	28.8	62.6	56.4	68.9	42.6	74.9	27.7	59.7	55.1	65.8	41.4	71.5	26.6
	80	67.4	67.4	72.1	55.1	77.8	40.3	65.1	65.1	69.0	53.9	74.7	39.2	62.6	62.6	66.0	52.5	71.3	38.1
	85	70.9	70.9	72.6	66.1	77.7	51.9	68.4	68.4	69.2	64.9	74.5	50.7	65.8	65.8	66.6	63.6	71.1	49.4
	90	74.1	74.1	74.1	74.1	77.3	62.9	71.5	71.5	71.5	71.5	74.1	61.8	68.8	68.8	68.8	68.8	70.8	60.5
2200	75	66.9	61.1	72.7	45.7	78.8	29.3	64.2	59.8	69.7	44.5	75.6	28.2	61.3	58.5	66.5	43.2	72.0	27.0
	80	69.3	69.3	72.8	58.0	78.5	41.9	66.8	66.8	69.8	56.7	75.3	40.8	64.2	64.2	66.7	55.3	71.9	39.7
	85	72.7	72.7	73.5	70.1	78.4	54.5	70.2	70.2	70.6	68.9	75.2	53.3	67.4	67.4	67.6	67.6	71.6	52.0
	90	75.9	75.9	75.9	75.9	77.9	66.7	73.3	73.3	73.3	73.3	74.7	65.5	70.4	70.4	70.4	70.4	71.3	64.3
2400	75	67.9	64.3	73.4	47.6	79.4	29.7	65.1	63.1	70.3	46.2	76.2	28.6	62.3	61.7	67.1	44.9	72.7	27.5
	80	70.9	70.9	73.6	60.9	79.1	43.5	68.3	68.3	70.6	59.6	75.9	42.4	65.6	65.6	68.1	58.2	72.4	41.4
	85	74.3	74.3	75.1	73.9	79.0	57.0	71.7	71.7	72.1	69.8	75.8	55.9	68.8	68.8	68.8	68.8	72.1	54.6
	90	77.5	77.5	77.5	77.5	79.2	69.6	74.7	74.7	74.7	74.7	75.2	69.2	71.7	71.7	71.7	71.7	71.8	68.0
CFM	Ent DB (°F)	Ambient Temperature (°F)						Ambient Temperature (°F)											
		115						125											
		Entering Wet Bulb (°F)						Entering Wet Bulb (°F)											
		61		67		73		61		67		73							
		MBH	SHC	MBH	SHC	MBH	SHC	MBH	SHC	MBH	SHC	MBH	SHC						
1800	75	56.3	50.7	61.7	38.2	67.2	24.9	53.3	49.3	58.2	36.8	63.4	23.5						
	80	58.1	58.1	61.9	48.2	66.9	35.3	55.4	55.4	58.4	46.8	63.1	33.9						
	85	61.1	61.1	62.3	58.2	66.9	45.6	58.3	58.3	59.0	56.8	63.1	44.1						
	90	64.1	64.1	64.1	64.1	66.6	55.5	61.0	61.0	61.0	61.0	62.7	54.1						
2000	75	57.4	53.9	62.5	40.1	67.9	25.3	54.3	52.5	58.9	38.6	63.8	24.0						
	80	59.9	59.9	62.8	51.1	67.8	36.9	57.0	57.0	59.3	49.6	63.7	35.6						
	85	63.0	63.0	64.4	62.0	67.6	48.1	59.9	59.9	59.9	59.9	63.6	46.7						
	90	65.9	65.9	65.9	65.9	67.2	59.2	62.6	62.6	62.6	62.6	63.3	57.8						
2200	75	58.3	57.1	63.1	41.8	68.5	25.8	55.3	55.3	59.5	40.3	64.2	24.4						
	80	61.4	61.4	63.7	53.9	68.3	38.5	58.3	58.3	59.9	52.5	64.2	37.2						
	85	64.5	64.5	64.5	64.5	68.2	50.7	61.3	61.3	61.3	61.3	64.3	49.3						
	90	67.3	67.3	67.3	67.3	67.7	63.0	63.9	63.9	63.9	63.9	64.5	61.5						
2400	75	59.4	59.4	63.6	43.5	69.0	26.2	56.4	56.4	60.0	42.0	64.9	24.9						
	80	62.7	62.7	64.3	56.8	68.8	40.1	59.5	59.5	60.5	55.3	64.6	38.8						
	85	65.8	65.8	65.8	65.8	68.7	53.3	62.4	62.4	62.4	62.4	64.7	51.8						
	90	68.5	68.5	68.5	68.5	68.1	66.7	65.0	65.0	65.0	65.0	65.7	65.7						

Notes:

1. All capacities shown are gross and have not considered indoor fan heat. To obtain net cooling, subtract indoor fan heat.
2. MBH = Total Gross Capacity, SHC = Sensible Heat Capacity

Table 12. Gross cooling capacities (kW) TTA061G condensing unit with TWE076D air handler (SI)

Airflow m ³ /hr	Ent DB (°C)	Ambient Temperature (°C)						Ambient Temperature (°C)						Ambient Temperature (°C)					
		30						35						40					
		Entering Wet Bulb (°C)						Entering Wet Bulb (°C)						Entering Wet Bulb (°C)					
		16		19		22		16		19		22		16		19		22	
		kW	SHC	kW	SHC	kW	SHC	kW	SHC	kW	SHC	kW	SHC	kW	SHC	kW	SHC	kW	SHC
3058	24	18.9	16.0	20.8	12.3	22.6	8.3	18.2	15.6	19.9	11.9	21.7	8.0	17.2	15.2	19.0	11.6	20.7	7.6
	27	19.1	15.9	20.8	15.3	22.5	11.4	18.5	18.5	19.9	14.9	21.6	11.0	17.8	17.8	19.1	14.5	20.7	10.7
	30	20.1	20.1	21.0	18.2	22.5	14.4	19.4	19.4	20.0	17.8	21.6	14.1	18.7	18.7	19.2	17.5	20.6	13.7
	33	21.1	21.1	21.2	20.6	22.4	17.4	20.4	20.4	20.3	20.3	21.5	17.0	19.6	19.6	19.6	19.6	20.5	16.7
3398	24	19.3	17.0	21.1	12.8	22.9	8.4	18.3	16.5	20.2	12.5	22.0	8.1	17.5	16.1	19.3	12.1	21.0	7.8
	27	19.8	19.8	21.1	16.1	22.8	11.8	19.1	19.1	20.2	15.8	21.9	11.5	18.3	18.3	19.3	15.4	20.9	11.2
	30	20.8	20.8	21.3	19.4	22.8	15.2	20.0	20.0	20.3	19.0	21.8	14.9	19.3	19.3	19.5	18.6	20.8	14.5
	33	21.7	21.7	21.7	21.7	22.6	18.4	21.0	21.0	21.0	21.0	21.7	18.1	20.2	20.2	20.2	20.2	20.7	17.7
3738	24	19.6	17.9	21.3	13.4	23.1	8.6	18.8	17.5	20.4	13.0	22.2	8.3	18.0	17.1	19.5	12.7	21.1	7.9
	27	20.3	20.3	21.3	17.0	23.0	12.3	19.6	19.6	20.5	16.6	22.1	12.0	18.8	18.8	19.5	16.2	21.1	11.6
	30	21.3	21.3	21.5	20.5	23.0	16.0	20.6	20.6	20.7	20.2	22.0	15.6	19.8	19.8	19.8	19.8	21.0	15.2
	33	22.3	22.3	22.3	22.2	22.8	19.5	21.5	21.5	21.5	21.5	21.9	19.2	20.6	20.6	20.6	20.6	20.9	18.8
4078	24	19.9	18.9	21.5	13.9	23.3	8.7	19.1	18.5	20.6	13.6	22.3	8.4	18.3	18.1	19.7	13.2	21.3	8.0
	27	20.8	20.8	21.6	17.8	23.2	12.8	20.0	20.0	20.7	17.5	22.2	12.4	19.2	19.2	20.0	17.0	21.2	12.1
	30	21.8	21.8	22.0	21.7	23.2	16.7	21.0	21.0	21.1	20.5	22.2	16.4	20.2	20.2	20.2	20.2	21.1	16.0
	33	22.7	22.7	22.7	22.7	23.2	20.4	21.9	21.9	21.9	21.9	22.0	20.3	21.0	21.0	21.0	21.0	21.0	19.9
Airflow m ³ /hr	Ent DB (°C)	Ambient Temperature (°C)						Ambient Temperature (°C)											
		45						52											
		Entering Wet Bulb (°C)						Entering Wet Bulb (°C)											
		16		19		22		16		19		22							
		kW	SHC	kW	SHC	kW	SHC	kW	SHC	kW	SHC	kW	SHC						
3058	24	16.5	14.9	18.1	11.2	19.7	7.3	15.6	14.4	17.1	10.8	18.6	6.9						
	27	17.0	17.0	18.1	14.1	19.6	10.3	16.2	16.2	17.1	13.7	18.5	9.9						
	30	17.9	17.9	18.3	17.1	19.6	13.4	17.1	17.1	17.3	16.6	18.5	12.9						
	33	18.8	18.8	18.8	18.8	19.5	16.3	17.9	17.9	17.9	17.9	18.4	15.9						
3398	24	16.8	15.8	18.3	11.7	19.9	7.4	15.9	15.4	17.2	11.3	18.7	7.0						
	27	17.5	17.5	18.4	15.0	19.9	10.8	16.7	16.7	17.4	14.5	18.7	10.4						
	30	18.5	18.5	18.9	18.2	19.8	14.1	17.6	17.6	17.6	17.6	18.6	13.7						
	33	19.3	19.3	19.3	19.3	19.7	17.4	18.3	18.3	18.3	18.3	18.5	16.9						
3738	24	17.1	16.7	18.5	12.3	20.1	7.6	16.2	16.2	17.4	11.8	18.8	7.2						
	27	18.0	18.0	18.7	15.8	20.0	11.3	17.1	17.1	17.6	15.4	18.8	10.9						
	30	18.9	18.9	18.9	18.9	20.0	14.9	18.0	18.0	18.0	18.0	18.8	14.4						
	33	19.7	19.7	19.7	19.7	19.8	18.5	18.7	18.7	18.7	18.7	18.9	18.0						
4078	24	17.4	17.4	18.6	12.7	20.2	7.7	16.5	16.5	17.6	12.3	19.0	7.3						
	27	18.4	18.4	18.8	16.6	20.2	11.7	17.4	17.4	17.7	16.2	18.9	11.4						
	30	19.3	19.3	19.3	19.3	20.1	15.6	18.3	18.3	18.3	18.3	19.0	15.2						
	33	20.1	20.1	20.1	20.1	20.0	19.5	19.0	19.0	19.1	19.1	19.3	19.3						

Notes:

- All capacities shown are gross and have not considered indoor fan heat. To obtain net cooling, subtract indoor fan heat.
- kW = Total Gross Capacity, SHC = Sensible Heat Capacity,



Performance Data

Table 13. Gross cooling capacities (MBH) TTA061H condensing unit with TWE073E air handler (IP)

CFM	Ent DB (°F)	Ambient Temperature (°F)						Ambient Temperature (°F)						Ambient Temperature (°F)					
		85						95						105					
		Entering Wet Bulb (°F)						Entering Wet Bulb (°F)						Entering Wet Bulb (°F)					
		61		67		73		61		67		73		61		67		73	
		MBH	SHC	MBH	SHC	MBH	SHC	MBH	SHC	MBH	SHC	MBH	SHC	MBH	SHC	MBH	SHC	MBH	SHC
1800	75	62.1	54.0	69.4	41.5	77.5	28.5	59.1	52.6	65.9	40.1	73.7	27.1	55.6	51.0	62.4	38.8	69.9	25.8
	80	63.3	63.3	69.3	52.0	77.3	39.1	60.7	60.7	65.8	50.6	73.6	37.7	58.1	58.1	62.3	49.2	69.7	36.4
	85	67.0	67.0	69.0	62.1	77.2	49.6	64.4	64.4	65.6	60.7	73.4	48.3	61.6	61.6	62.1	59.3	69.3	46.9
	90	70.9	70.9	71.0	71.0	77.1	60.1	68.1	68.1	68.3	68.3	73.4	58.7	65.2	65.2	65.4	65.4	69.4	57.3
2000	75	63.4	57.4	70.6	43.5	78.7	29.1	59.6	55.9	67.0	42.1	74.8	27.7	56.5	54.6	63.4	40.7	70.8	26.3
	80	65.5	65.5	70.5	55.1	78.3	40.7	62.9	62.9	67.0	53.7	74.7	39.5	60.1	60.1	63.4	52.2	70.8	38.1
	85	69.5	69.5	70.2	66.3	78.4	52.5	66.7	66.7	66.7	64.8	74.5	51.2	63.8	63.8	63.1	63.1	70.5	49.8
	90	73.5	73.5	73.7	73.7	78.2	64.0	70.6	70.6	70.8	70.8	74.7	62.8	67.7	67.7	67.8	67.8	70.5	61.3
2200	75	64.5	60.8	71.6	45.5	79.4	29.5	61.4	59.4	67.9	44.1	75.7	28.2	58.0	56.3	64.2	42.7	71.6	26.9
	80	67.5	67.5	71.6	58.2	79.3	42.4	64.7	64.7	68.0	56.8	75.6	41.2	61.8	61.8	64.4	55.3	71.6	39.9
	85	71.7	71.7	71.2	70.3	79.0	55.2	68.8	68.8	67.6	67.6	75.1	53.9	65.7	65.7	63.9	63.9	71.4	52.6
	90	75.9	75.9	76.1	76.1	79.3	68.0	72.8	72.8	73.0	73.0	75.3	66.6	69.5	69.5	69.6	69.6	71.9	65.4
2400	75	65.6	64.2	72.4	47.5	80.2	30.0	62.3	62.3	68.6	46.0	76.4	28.7	59.4	59.4	64.8	44.5	71.9	27.3
	80	69.3	69.3	72.2	61.2	80.1	44.1	66.4	66.4	68.6	59.7	76.1	42.8	63.3	63.3	65.2	58.3	72.3	41.6
	85	73.6	73.6	72.1	72.1	79.9	57.8	70.6	70.6	68.4	68.4	75.9	56.7	67.4	67.4	64.6	64.6	72.1	55.3
	90	78.0	78.0	78.1	78.1	80.3	72.0	74.8	74.8	74.9	74.9	76.4	70.6	71.5	71.5	71.7	71.7	72.6	69.3
CFM	Ent DB (°F)	Ambient Temperature (°F)						Ambient Temperature (°F)											
		115						125											
		Entering Wet Bulb (°F)						Entering Wet Bulb (°F)											
		61		67		73		61		67		73							
		MBH	SHC	MBH	SHC	MBH	SHC	MBH	SHC	MBH	SHC	MBH	SHC						
1800	75	52.5	49.6	59.0	37.4	65.8	24.4	50.2	48.6	55.9	36.2	62.2	23.2						
	80	55.5	55.5	58.9	47.7	65.7	35.0	53.1	53.1	55.7	46.5	62.1	33.8						
	85	58.9	58.9	58.7	57.9	65.6	45.6	56.4	56.4	55.5	55.5	61.9	44.3						
	90	62.4	62.4	62.5	62.5	65.6	55.9	59.7	59.7	59.8	59.8	62.1	54.6						
2000	75	54.1	53.0	59.9	39.4	66.6	24.9	51.4	50.8	56.6	38.1	62.9	23.7						
	80	57.3	57.3	60.0	50.8	66.6	36.7	54.8	54.8	56.6	49.5	62.9	35.5						
	85	60.9	60.9	59.6	59.6	66.4	48.3	58.2	58.2	56.3	56.3	62.7	47.0						
	90	64.5	64.5	64.6	64.6	66.7	59.9	61.6	61.6	61.7	61.7	63.0	58.6						
2200	75	55.3	55.3	60.6	41.4	67.4	25.4	52.7	52.7	57.3	39.9	63.6	24.2						
	80	58.9	58.9	60.5	53.8	67.3	38.4	56.2	56.2	56.9	52.7	63.5	37.2						
	85	62.7	62.7	60.3	60.3	67.1	51.1	59.8	59.8	56.9	56.9	63.3	49.6						
	90	66.3	66.3	66.4	66.4	67.4	63.8	63.3	63.3	63.3	63.3	63.9	61.6						
2400	75	56.5	56.5	61.2	43.1	67.9	25.9	53.9	53.9	57.8	41.8	64.0	24.7						
	80	60.4	60.4	61.3	56.9	67.9	40.1	57.5	57.5	57.7	55.4	64.0	38.8						
	85	64.2	64.2	60.9	60.9	67.7	53.8	61.1	61.1	57.5	57.5	63.8	52.2						
	90	67.9	67.9	68.0	68.0	68.6	66.7	64.7	64.7	64.7	64.7	64.8	64.8						

Notes:

1. All capacities shown are gross and have not considered indoor fan heat. To obtain net cooling, subtract indoor fan heat.
2. MBH = Total Gross Capacity, SHC = Sensible Heat Capacity

Table 14. Gross cooling capacities (kW) TTA061H condensing unit with TWE073E air handler (SI)

Air-flow m ³ / hr	Ent DB (°C)	Ambient Temperature (°C)						Ambient Temperature (°C)						Ambient Temperature (°C)					
		30						35						40					
		Entering Wet Bulb (°C)						Entering Wet Bulb (°C)						Entering Wet Bulb (°C)					
		16		19		22		16		19		22		16		19		22	
		kW	SHC	kW	SHC	kW	SHC	kW	SHC	kW	SHC	kW	SHC	kW	SHC	kW	SHC	kW	SHC
3058	24	18.2	15.8	20.3	12.2	22.7	8.3	17.3	15.4	19.3	11.8	21.6	8.0	16.3	15.0	18.3	11.4	20.5	7.6
	27	18.5	18.5	20.3	15.2	22.6	11.4	17.8	17.8	19.3	14.8	21.6	11.1	17.0	17.0	18.3	14.4	20.4	10.7
	30	19.6	19.6	20.2	18.2	22.6	14.5	18.9	18.9	19.2	17.8	21.5	14.1	18.1	18.1	18.2	17.4	20.3	13.7
	33	20.8	20.8	20.8	20.8	22.6	17.6	19.9	19.9	20.0	20.0	21.5	17.2	19.1	19.1	19.1	19.1	20.3	16.8
3398	24	18.6	16.8	20.7	12.8	23.1	8.5	17.4	16.4	19.6	12.3	21.9	8.1	16.6	16.0	18.6	11.9	20.8	7.7
	27	19.2	19.2	20.7	16.1	22.9	11.9	18.4	18.4	19.6	15.7	21.9	11.6	17.6	17.6	18.6	15.3	20.7	11.2
	30	20.4	20.4	20.6	19.4	23.0	15.4	19.5	19.5	19.5	19.0	21.8	15.0	18.7	18.7	18.5	18.5	20.7	14.6
	33	21.5	21.5	21.6	21.6	22.9	18.8	20.7	20.7	20.7	20.7	21.9	18.4	19.8	19.8	19.9	19.9	20.7	17.9
3738	24	18.9	17.8	21.0	13.3	23.3	8.6	18.0	17.4	19.9	12.9	22.2	8.3	17.0	16.5	18.8	12.5	21.0	7.9
	27	19.8	19.8	21.0	17.1	23.2	12.4	19.0	19.0	19.9	16.6	22.2	12.1	18.1	18.1	18.9	16.2	21.0	11.7
	30	21.0	21.0	20.9	20.6	23.2	16.2	20.1	20.1	19.8	19.8	22.0	15.8	19.2	19.2	18.7	18.7	20.9	15.4
	33	22.2	22.2	22.3	22.3	23.2	19.9	21.3	21.3	21.4	21.4	22.1	19.5	20.4	20.4	20.4	20.4	21.1	19.1
4078	24	19.2	18.8	21.2	13.9	23.5	8.8	18.3	18.3	20.1	13.5	22.4	8.4	17.4	17.4	19.0	13.0	21.1	8.0
	27	20.3	20.3	21.2	17.9	23.5	12.9	19.4	19.4	20.1	17.5	22.3	12.5	18.6	18.6	19.1	17.1	21.2	12.2
	30	21.6	21.6	21.1	21.1	23.4	16.9	20.7	20.7	20.0	20.0	22.2	16.6	19.8	19.8	18.9	18.9	21.1	16.2
	33	22.9	22.9	22.9	22.9	23.5	21.1	21.9	21.9	22.0	22.0	22.4	20.7	21.0	21.0	21.0	21.0	21.3	20.3
Air-flow m ³ / hr	Ent DB (°C)	Ambient Temperature (°C)						Ambient Temperature (°C)											
		45						52											
		Entering Wet Bulb (°C)						Entering Wet Bulb (°C)											
		16		19		22		16		19		22							
		kW	SHC	kW	SHC	kW	SHC	kW	SHC	kW	SHC	kW	SHC						
3058	24	15.4	14.5	17.3	11.0	19.3	7.2	14.7	14.2	16.4	10.6	18.2	6.8						
	27	16.3	16.3	17.2	14.0	19.3	10.3	15.5	15.5	16.3	13.6	18.2	9.9						
	30	17.3	17.3	17.2	17.0	19.2	13.4	16.5	16.5	16.3	16.3	18.1	13.0						
	33	18.3	18.3	18.3	18.3	19.2	16.4	17.5	17.5	17.5	17.5	18.2	16.0						
3398	24	15.8	15.5	17.6	11.5	19.5	7.3	15.1	14.9	16.6	11.2	18.4	6.9						
	27	16.8	16.8	17.6	14.9	19.5	10.8	16.0	16.0	16.6	14.5	18.4	10.4						
	30	17.9	17.9	17.5	17.5	19.4	14.2	17.1	17.1	16.5	16.5	18.4	13.8						
	33	18.9	18.9	18.9	18.9	19.5	17.5	18.1	18.1	18.1	18.1	18.5	17.2						
3738	24	16.2	16.2	17.8	12.1	19.7	7.5	15.4	15.4	16.8	11.7	18.6	7.1						
	27	17.3	17.3	17.7	15.8	19.7	11.3	16.5	16.5	16.7	15.4	18.6	10.9						
	30	18.4	18.4	17.7	17.7	19.7	15.0	17.5	17.5	16.7	16.7	18.5	14.5						
	33	19.4	19.4	19.5	19.5	19.7	18.7	18.5	18.5	18.6	18.6	18.7	18.1						
4078	24	16.6	16.6	17.9	12.6	19.9	7.6	15.8	15.8	16.9	12.2	18.7	7.2						
	27	17.7	17.7	18.0	16.7	19.9	11.8	16.9	16.9	16.9	16.2	18.8	11.4						
	30	18.8	18.8	17.8	17.8	19.8	15.8	17.9	17.9	16.8	16.8	18.7	15.3						
	33	19.9	19.9	19.9	19.9	20.1	19.5	18.9	18.9	19.0	19.0	19.0	19.0						

Notes:

1. All capacities shown are gross and have not considered indoor fan heat. To obtain net cooling, subtract indoor fan heat.
2. kW = Total Gross Capacity, SHC = Sensible Heat Capacity,



Performance Data

Table 15. Gross cooling capacities (MBH) TTA076G condensing unit with TWE076D air handler (IP)

CFM	Ent DB (°F)	Ambient Temperature (°F)						Ambient Temperature (°F)						Ambient Temperature (°F)					
		85						95						105					
		Entering Wet Bulb (°F)						Entering Wet Bulb (°F)						Entering Wet Bulb (°F)					
		61		67		73		61		67		73		61		67		73	
		MBH	SHC	MBH	SHC	MBH	SHC	MBH	SHC	MBH	SHC	MBH	SHC	MBH	SHC	MBH	SHC	MBH	SHC
2250	75	76.0	64.1	83.1	49.3	90.4	33.5	72.9	62.6	79.7	47.9	86.8	32.2	69.7	61.1	76.1	46.5	83.0	30.9
	80	77.1	76.2	83.1	61.2	90.2	45.6	74.1	74.1	79.8	59.7	86.6	44.3	71.3	71.3	76.2	58.2	82.8	43.0
	85	80.7	80.7	83.5	72.9	90.0	57.7	77.9	77.9	80.2	71.5	86.5	56.4	75.0	75.0	76.7	70.0	82.7	55.1
	90	84.4	84.4	84.7	84.7	90.1	69.4	81.6	81.6	81.7	81.7	86.6	68.1	78.6	78.6	78.7	78.7	82.8	66.6
2500	75	77.5	67.8	84.2	51.5	91.5	34.0	74.3	66.3	80.8	50.1	87.8	32.8	71.0	64.7	77.2	48.7	83.9	31.4
	80	79.2	79.2	84.4	64.5	91.2	47.5	76.4	76.4	81.0	63.1	87.6	46.2	73.5	73.5	77.3	61.5	83.7	44.9
	85	83.2	83.2	84.9	77.6	91.1	60.8	80.3	80.3	81.6	76.2	87.5	59.4	77.2	77.2	78.1	74.7	83.6	58.3
	90	87.0	87.0	87.1	87.1	91.2	73.7	84.0	84.0	84.1	84.1	87.6	72.4	80.8	80.8	80.9	80.9	83.8	70.9
2750	75	78.7	71.5	85.2	53.7	92.3	34.6	75.5	70.0	81.7	52.3	88.6	33.3	72.1	68.4	78.0	50.9	84.6	31.9
	80	81.3	81.3	85.4	67.8	92.1	49.3	78.4	78.4	81.9	66.3	88.4	48.1	75.3	75.3	78.3	64.8	84.4	46.7
	85	85.3	85.3	86.2	82.2	91.9	64.1	82.3	82.3	82.9	80.8	88.3	62.4	79.1	79.1	79.4	79.3	84.3	60.9
	90	89.1	89.1	89.2	89.2	92.2	78.0	86.0	86.0	86.1	86.1	88.5	76.6	82.7	82.7	82.8	82.8	84.7	75.2
3000	75	79.8	75.1	86.0	55.8	93.0	35.1	76.5	73.6	82.4	54.5	89.3	33.8	73.2	72.0	78.7	53.0	85.2	32.5
	80	83.0	83.0	86.3	71.1	92.7	51.2	80.0	80.0	82.8	69.6	89.0	49.9	76.9	76.9	79.1	68.0	85.0	48.5
	85	87.1	87.1	87.4	86.8	92.6	66.6	84.0	84.0	84.1	84.1	88.9	65.3	80.7	80.7	80.8	80.8	85.0	63.8
	90	90.8	90.8	90.9	90.9	93.0	82.2	87.6	87.6	87.7	87.7	89.3	80.8	84.2	84.2	84.3	84.3	85.4	79.4
CFM	Ent DB (°F)	Ambient Temperature (°F)						Ambient Temperature (°F)											
		115						125											
		Entering Wet Bulb (°F)						Entering Wet Bulb (°F)											
		61		67		73		61		67		73							
		MBH	SHC	MBH	SHC	MBH	SHC	MBH	SHC	MBH	SHC	MBH	SHC						
2250	75	66.3	59.4	72.4	45.0	78.9	29.4	63.0	57.8	68.4	43.4	74.4	27.9						
	80	68.3	68.3	72.5	56.6	78.7	41.5	65.2	65.2	68.5	54.9	74.2	40.0						
	85	71.9	71.9	73.0	68.4	78.6	53.6	68.5	68.5	69.1	66.7	74.1	52.1						
	90	75.3	75.3	75.4	75.4	78.7	65.1	71.7	71.7	71.8	71.8	74.2	63.4						
2500	75	67.5	63.1	73.3	47.2	79.7	30.0	64.0	61.4	69.2	45.6	75.1	28.4						
	80	70.3	70.3	73.5	59.9	79.5	43.4	67.0	67.0	69.4	58.2	74.9	41.8						
	85	73.9	73.9	74.4	73.1	79.4	56.4	70.3	70.3	70.5	70.5	74.8	54.7						
	90	77.4	77.4	77.5	77.5	79.6	69.3	73.5	73.5	73.6	73.6	75.1	67.6						
2750	75	68.6	66.7	74.1	49.4	80.3	30.5	65.0	65.0	69.8	47.3	75.7	28.9						
	80	72.0	72.0	74.4	63.2	80.1	45.3	68.5	68.5	70.2	61.4	75.5	43.7						
	85	75.6	75.6	75.7	75.7	80.1	59.3	71.9	71.9	72.0	72.0	75.4	57.6						
	90	79.0	79.0	79.1	79.1	80.4	73.6	75.0	75.0	75.1	75.1	75.8	71.8						
3000	75	69.6	69.6	74.7	51.5	80.9	31.0	66.2	66.2	70.4	49.2	76.2	29.5						
	80	73.5	73.5	75.2	66.4	80.7	47.1	69.8	69.8	70.9	64.6	75.9	45.6						
	85	77.1	77.1	77.2	77.2	80.7	62.2	73.2	73.2	73.2	73.2	76.0	60.5						
	90	80.4	80.4	80.5	80.5	81.2	77.8	76.2	76.2	76.3	76.3	76.6	76.0						

Notes:

- All capacities shown are gross and have not considered indoor fan heat. To obtain net cooling, subtract indoor fan heat.
- MBH = Total Gross Capacity, SHC = Sensible Heat Capacity

Table 16. Gross cooling capacities (kW) TTA076G condensing unit with TWE076D air handler (SI)

Airflow m ³ /hr	Ent DB (°C)	Ambient Temperature (°C)						Ambient Temperature (°C)						Ambient Temperature (°C)					
		30						35						40					
		Entering Wet Bulb (°C)						Entering Wet Bulb (°C)						Entering Wet Bulb (°C)					
		16		19		22		16		19		22		16		19		22	
		kW	SHC	kW	SHC	kW	SHC	kW	SHC	kW	SHC	kW	SHC	kW	SHC	kW	SHC	kW	SHC
3823	24	22.3	18.8	24.4	14.4	26.5	9.8	21.4	18.4	23.4	14.0	25.4	9.4	20.4	17.9	22.3	13.6	24.3	9.0
	27	22.6	22.3	24.4	17.9	26.4	13.4	21.7	21.7	23.4	17.5	25.4	13.0	20.9	20.9	22.3	17.1	24.3	12.6
	30	23.6	23.6	24.5	21.4	26.4	16.9	22.8	22.8	23.5	21.0	25.3	16.5	22.0	22.0	22.5	20.5	24.2	16.1
	33	24.7	24.7	24.8	24.8	26.4	20.4	23.9	23.9	24.0	24.0	25.4	20.0	23.0	23.0	23.1	23.1	24.3	19.5
4248	24	22.7	19.9	24.7	15.1	26.8	10.0	21.8	19.4	23.7	14.7	25.7	9.6	20.8	19.0	22.6	14.3	24.6	9.2
	27	23.2	23.2	24.7	18.9	26.7	13.9	22.4	22.4	23.7	18.5	25.7	13.5	21.5	21.5	22.7	18.0	24.5	13.1
	30	24.4	24.4	24.9	22.7	26.7	17.8	23.5	23.5	23.9	22.3	25.6	17.4	22.6	22.6	22.9	21.9	24.5	17.1
	33	25.5	25.5	25.5	25.5	26.7	21.6	24.6	24.6	24.7	24.7	25.7	21.2	23.7	23.7	23.7	23.7	24.6	20.8
4672	24	23.1	21.0	25.0	15.7	27.1	10.1	22.1	20.5	23.9	15.3	26.0	9.8	21.1	20.0	22.9	14.9	24.8	9.4
	27	23.8	23.8	25.0	19.9	27.0	14.5	23.0	23.0	24.0	19.4	25.9	14.1	22.1	22.1	22.9	19.0	24.7	13.7
	30	25.0	25.0	25.3	24.1	26.9	18.8	24.1	24.1	24.3	23.7	25.9	18.3	23.2	23.2	23.3	23.2	24.7	17.8
	33	26.1	26.1	26.1	26.1	27.0	22.9	25.2	25.2	25.2	25.2	25.9	22.5	24.2	24.2	24.3	24.3	24.8	22.0
5097	24	23.4	22.0	25.2	16.4	27.3	10.3	22.4	21.6	24.2	16.0	26.2	9.9	21.4	21.1	23.1	15.5	25.0	9.5
	27	24.3	24.3	25.3	20.8	27.2	15.0	23.5	23.5	24.3	20.4	26.1	14.6	22.5	22.5	23.2	19.9	24.9	14.2
	30	25.5	25.5	25.6	25.5	27.2	19.5	24.6	24.6	24.7	24.7	26.1	19.1	23.6	23.6	23.7	23.7	24.9	18.7
	33	26.6	26.6	26.6	26.6	27.2	24.1	25.7	25.7	25.7	25.7	26.2	23.7	24.7	24.7	24.7	24.7	25.0	23.3
Airflow m ³ /hr	Ent DB (°C)	Ambient Temperature (°C)						Ambient Temperature (°C)											
		45						52											
		Entering Wet Bulb (°C)						Entering Wet Bulb (°C)											
		16		19		22		16		19		22							
		kW	SHC	kW	SHC	kW	SHC	kW	SHC	kW	SHC	kW	SHC						
3823	24	19.4	17.4	21.2	13.2	23.1	8.6	18.5	16.9	20.0	12.7	21.8	8.2						
	27	20.0	20.0	21.2	16.6	23.1	12.2	19.1	19.1	20.1	16.1	21.8	11.7						
	30	21.1	21.1	21.4	20.0	23.0	15.7	20.1	20.1	20.3	19.5	21.7	15.3						
	33	22.1	22.1	22.1	22.1	23.1	19.1	21.0	21.0	21.0	21.0	21.8	18.6						
4248	24	19.8	18.5	21.5	13.8	23.4	8.8	18.8	18.0	20.3	13.4	22.0	8.3						
	27	20.6	20.6	21.5	17.6	23.3	12.7	19.6	19.6	20.4	17.1	22.0	12.3						
	30	21.7	21.7	21.8	21.4	23.3	16.5	20.6	20.6	20.7	20.7	21.9	16.0						
	33	22.7	22.7	22.7	22.7	23.3	20.3	21.5	21.5	21.6	21.6	22.0	19.8						
4672	24	20.1	19.6	21.7	14.5	23.5	8.9	19.1	19.1	20.5	13.9	22.2	8.5						
	27	21.1	21.1	21.8	18.5	23.5	13.3	20.1	20.1	20.6	18.0	22.1	12.8						
	30	22.2	22.2	22.2	22.2	23.5	17.4	21.1	21.1	21.1	21.1	22.1	16.9						
	33	23.2	23.2	23.2	23.2	23.6	21.6	22.0	22.0	22.0	22.0	22.2	21.1						
5097	24	20.4	20.4	21.9	15.1	23.7	9.1	19.4	19.4	20.6	14.4	22.3	8.6						
	27	21.5	21.5	22.0	19.5	23.6	13.8	20.4	20.4	20.8	18.9	22.3	13.4						
	30	22.6	22.6	22.6	22.6	23.6	18.2	21.4	21.4	21.5	21.5	22.3	17.7						
	33	23.6	23.6	23.6	23.6	23.8	22.8	22.3	22.3	22.4	22.4	22.4	22.3						

Notes:

1. All capacities shown are gross and have not considered indoor fan heat. To obtain net cooling, subtract indoor fan heat.
2. kW = Total Gross Capacity, SHC = Sensible Heat Capacity,



Performance Data

Table 17. Gross cooling capacities (MBH) TTA076G condensing unit with TWE101D air handler (IP)

CFM	Ent DB (°F)	Ambient Temperature (°F)						Ambient Temperature (°F)						Ambient Temperature (°F)					
		85						95						105					
		Entering Wet Bulb (°F)						Entering Wet Bulb (°F)						Entering Wet Bulb (°F)					
		61		67		73		61		67		73		61		67		73	
		MBH	SHC	MBH	SHC	MBH	SHC	MBH	SHC	MBH	SHC	MBH	SHC	MBH	SHC	MBH	SHC	MBH	SHC
2550	75	78.3	68.7	85.1	52.1	92.1	34.3	75.1	67.2	81.7	50.7	88.7	33.1	71.8	65.6	78.1	49.3	84.9	31.8
	80	80.0	80.0	85.1	65.2	91.8	47.9	77.3	77.3	81.8	63.8	88.4	46.7	74.3	74.3	78.3	62.3	84.7	45.4
	85	83.9	83.9	85.6	78.5	91.6	61.5	81.1	81.1	82.3	77.1	88.2	60.3	78.1	78.1	78.9	75.6	84.5	59.0
	90	87.5	87.5	87.6	87.6	91.6	74.4	84.7	84.7	84.8	84.8	88.2	73.1	81.6	81.6	81.8	81.8	84.6	71.8
2850	75	79.7	73.1	86.1	54.7	93.1	34.9	76.5	71.5	82.7	53.3	89.6	33.8	73.1	69.9	79.1	51.9	85.8	32.5
	80	82.4	82.4	86.3	69.1	92.7	50.1	79.6	79.6	82.9	67.7	89.2	48.9	76.5	76.5	79.4	66.2	85.5	47.6
	85	86.3	86.3	87.0	84.0	92.5	64.8	83.4	83.4	83.8	82.6	89.1	63.5	80.3	80.3	80.4	80.4	85.4	62.2
	90	89.9	89.9	90.0	90.0	92.6	79.5	87.0	87.0	87.1	87.1	89.2	78.2	83.8	83.8	83.9	83.9	85.6	76.9
3150	75	81.0	77.4	87.0	57.3	93.9	35.6	77.8	75.9	83.6	55.9	90.4	34.4	74.4	74.3	79.9	54.5	86.5	33.1
	80	84.4	84.4	87.3	73.0	93.5	52.3	81.5	81.5	83.9	71.6	90.0	51.1	78.3	78.3	80.3	70.1	86.2	49.9
	85	88.3	88.3	88.4	88.4	93.3	68.3	85.3	85.3	85.4	85.4	89.8	67.0	82.1	82.1	82.2	82.2	86.1	65.6
	90	91.8	91.8	91.9	91.9	93.7	84.6	88.8	88.8	88.9	88.9	90.1	83.3	85.5	85.5	85.6	85.6	86.4	81.9
3450	75	82.1	81.7	87.8	59.8	94.6	36.2	79.0	79.0	84.3	57.8	91.1	35.1	75.8	75.8	80.6	56.3	87.1	33.8
	80	86.1	86.1	88.1	76.9	94.1	54.5	83.1	83.1	84.7	75.5	90.6	53.3	79.8	79.8	81.1	74.0	86.8	52.1
	85	89.9	89.9	90.0	90.0	93.9	71.8	86.9	86.9	87.0	87.0	90.4	70.5	83.6	83.6	83.7	83.7	86.7	69.1
	90	93.5	93.5	93.7	93.7	94.7	89.7	90.3	90.3	90.4	90.4	90.9	88.3	86.9	86.9	87.0	87.0	87.2	86.9
CFM	Ent DB (°F)	Ambient Temperature (°F)						Ambient Temperature (°F)											
		115						125											
		Entering Wet Bulb (°F)						Entering Wet Bulb (°F)											
		61		67		73		61		67		73							
		MBH	SHC	MBH	SHC	MBH	SHC	MBH	SHC	MBH	SHC	MBH	SHC						
2550	75	68.3	63.9	74.3	47.8	80.8	30.4	65.2	62.4	70.3	46.3	76.3	28.9						
	80	71.2	71.2	74.5	60.7	80.6	44.0	68.0	68.0	70.5	59.0	76.1	42.5						
	85	74.8	74.8	75.2	74.0	80.5	57.1	71.3	71.3	71.4	71.4	76.0	55.5						
	90	78.3	78.3	78.4	78.4	80.6	70.3	74.5	74.5	74.6	74.6	76.2	68.6						
2850	75	69.6	68.3	75.2	50.4	81.7	31.1	66.4	66.4	71.1	48.3	77.1	29.6						
	80	73.2	73.2	75.5	64.6	81.4	46.3	69.7	69.7	71.4	62.9	76.8	44.7						
	85	76.9	76.9	77.0	77.0	81.3	60.6	73.2	73.2	73.3	73.3	76.8	58.9						
	90	80.3	80.3	80.4	80.4	81.5	75.3	76.3	76.3	76.4	76.4	77.1	73.7						
3150	75	71.0	71.0	76.0	52.4	82.3	31.7	67.7	67.7	71.7	50.6	77.7	30.2						
	80	74.9	74.9	76.4	68.5	82.0	48.5	71.2	71.2	72.2	66.7	77.4	47.0						
	85	78.6	78.6	78.7	78.7	81.9	64.1	74.7	74.7	74.8	74.8	77.4	62.4						
	90	81.9	81.9	81.9	81.9	82.4	80.4	77.8	77.8	77.9	77.9	78.0	78.0						
3450	75	72.4	72.4	76.6	54.6	82.9	32.4	68.9	68.9	72.3	52.9	78.2	30.9						
	80	76.3	76.3	77.2	72.3	82.5	50.7	72.5	72.5	73.0	70.5	77.9	49.2						
	85	80.0	80.0	80.0	80.0	82.5	67.5	75.9	75.9	76.0	76.0	77.9	65.8						
	90	83.2	83.2	83.2	83.2	83.3	83.3	79.0	79.0	79.0	79.0	79.1	79.1						

Notes:

1. All capacities shown are gross and have not considered indoor fan heat. To obtain net cooling, subtract indoor fan heat.
2. MBH = Total Gross Capacity, SHC = Sensible Heat Capacity

Table 18. Gross cooling capacities (kW) TTA076G condensing unit with TWE101D air handler (SI)

Airflow m ³ /hr	Ent DB (°C)	Ambient Temperature (°C)						Ambient Temperature (°C)						Ambient Temperature (°C)					
		30						35						40					
		Entering Wet Bulb (°C)						Entering Wet Bulb (°C)						Entering Wet Bulb (°C)					
		16		19		22		16		19		22		16		19		22	
		kW	SHC	kW	SHC	kW	SHC	kW	SHC	kW	SHC	kW	SHC	kW	SHC	kW	SHC	kW	SHC
4332	24	22.9	20.1	24.9	15.3	27.0	10.1	22.0	19.7	23.9	14.9	26.0	9.7	21.0	19.2	22.9	14.5	24.9	9.3
	27	23.5	23.5	24.9	19.1	26.9	14.0	22.6	22.6	24.0	18.7	25.9	13.7	21.8	21.8	22.9	18.3	24.8	13.3
	30	24.6	24.6	25.1	23.0	26.8	18.0	23.8	23.8	24.1	22.6	25.8	17.7	22.9	22.9	23.1	22.2	24.8	17.3
	33	25.7	25.7	25.7	25.7	26.8	21.8	24.8	24.8	24.9	24.9	25.9	21.4	23.9	23.9	24.0	24.0	24.8	21.0
4842	24	23.4	21.4	25.2	16.0	27.3	10.2	22.4	21.0	24.3	15.6	26.3	9.9	21.4	20.5	23.2	15.2	25.1	9.5
	27	24.2	24.2	25.3	20.3	27.2	14.7	23.3	23.3	24.3	19.9	26.2	14.3	22.4	22.4	23.3	19.4	25.1	14.0
	30	25.3	25.3	25.5	24.6	27.1	19.0	24.4	24.4	24.6	24.2	26.1	18.6	23.5	23.5	23.6	23.6	25.0	18.2
	33	26.3	26.3	26.4	26.4	27.1	23.3	25.5	25.5	25.5	25.5	26.2	22.9	24.6	24.6	24.6	24.6	25.1	22.5
5352	24	23.7	22.7	25.5	16.8	27.5	10.4	22.8	22.2	24.5	16.4	26.5	10.1	21.8	21.8	23.4	16.0	25.4	9.7
	27	24.7	24.7	25.6	21.4	27.4	15.3	23.9	23.9	24.6	21.0	26.4	15.0	23.0	23.0	23.5	20.6	25.3	14.6
	30	25.9	25.9	25.9	25.9	27.3	20.0	25.0	25.0	25.0	25.0	26.3	19.6	24.1	24.1	24.1	24.1	25.2	19.2
	33	26.9	26.9	26.9	26.9	27.5	24.8	26.0	26.0	26.1	26.1	26.4	24.4	25.1	25.1	25.1	25.1	25.3	24.0
5862	24	24.1	23.9	25.7	17.5	27.7	10.6	23.1	23.1	24.7	16.9	26.7	10.3	22.2	22.2	23.6	16.5	25.5	9.9
	27	25.2	25.2	25.8	22.5	27.6	16.0	24.3	24.3	24.8	22.1	26.5	15.6	23.4	23.4	23.8	21.7	25.4	15.3
	30	26.3	26.3	26.4	26.4	27.5	21.0	25.5	25.5	25.5	25.5	26.5	20.7	24.5	24.5	24.5	24.5	25.4	20.2
	33	27.4	27.4	27.5	27.5	27.8	26.3	26.5	26.5	26.5	26.5	26.6	25.9	25.5	25.5	25.5	25.5	25.6	25.5
Airflow m ³ /hr	Ent DB (°C)	Ambient Temperature (°C)						Ambient Temperature (°C)											
		45						52											
		Entering Wet Bulb (°C)						Entering Wet Bulb (°C)											
		16		19		22		16		19		22							
		kW	SHC	kW	SHC	kW	SHC	kW	SHC	kW	SHC	kW	SHC						
4332	24	20.0	18.7	21.8	14.0	23.7	8.9	19.1	18.3	20.6	13.6	22.4	8.5						
	27	20.9	20.9	21.8	17.8	23.6	12.9	19.9	19.9	20.7	17.3	22.3	12.5						
	30	21.9	21.9	22.0	21.7	23.6	16.7	20.9	20.9	20.9	20.9	22.3	16.3						
	33	22.9	22.9	23.0	23.0	23.6	20.6	21.8	21.8	21.9	21.9	22.3	20.1						
4842	24	20.4	20.0	22.0	14.8	23.9	9.1	19.5	19.5	20.8	14.2	22.6	8.7						
	27	21.5	21.5	22.1	18.9	23.8	13.6	20.4	20.4	20.9	18.4	22.5	13.1						
	30	22.5	22.5	22.6	22.6	23.8	17.8	21.4	21.4	21.5	21.5	22.5	17.3						
	33	23.5	23.5	23.6	23.6	23.9	22.1	22.4	22.4	22.4	22.4	22.6	21.6						
5352	24	20.8	20.8	22.3	15.3	24.1	9.3	19.8	19.8	21.0	14.8	22.8	8.9						
	27	22.0	22.0	22.4	20.1	24.0	14.2	20.9	20.9	21.2	19.6	22.7	13.8						
	30	23.0	23.0	23.1	23.1	24.0	18.8	21.9	21.9	21.9	21.9	22.7	18.3						
	33	24.0	24.0	24.0	24.0	24.1	23.6	22.8	22.8	22.8	22.8	22.9	22.9						
5862	24	21.2	21.2	22.4	16.0	24.3	9.5	20.2	20.2	21.2	15.5	22.9	9.0						
	27	22.4	22.4	22.6	21.2	24.2	14.9	21.3	21.3	21.4	20.7	22.8	14.4						
	30	23.4	23.4	23.5	23.5	24.2	19.8	22.3	22.3	22.3	22.3	22.8	19.3						
	33	24.4	24.4	24.4	24.4	24.4	24.4	23.1	23.1	23.2	23.2	23.2	23.2						

Notes:

- All capacities shown are gross and have not considered indoor fan heat. To obtain net cooling, subtract indoor fan heat.
- kW = Total Gross Capacity, SHC = Sensible Heat Capacity



Performance Data

Table 19. Gross cooling capacities (MBH) TTA076H condensing unit with TWE076E air handler (IP)

CFM	Ent DB (°F)	Ambient Temperature (°F)						Ambient Temperature (°F)						Ambient Temperature (°F)					
		85						95						105					
		Entering Wet Bulb (°F)						Entering Wet Bulb (°F)						Entering Wet Bulb (°F)					
		61		67		73		61		67		73		61		67		73	
		MBH	SHC	MBH	SHC	MBH	SHC	MBH	SHC	MBH	SHC	MBH	SHC	MBH	SHC	MBH	SHC	MBH	SHC
2250	75	78.3	67.8	85.8	51.5	93.2	34.3	74.4	66.0	81.6	49.9	88.7	32.7	70.9	64.4	77.3	48.1	84.0	31.1
	80	79.9	79.9	86.0	64.7	93.0	47.5	76.8	76.8	81.8	63.0	88.6	46.0	73.4	73.4	77.5	61.2	83.9	44.4
	85	84.2	84.2	86.3	77.4	92.9	60.7	80.8	80.8	82.2	75.7	88.4	59.2	77.2	77.2	77.9	73.9	83.7	57.6
	90	88.3	88.3	88.4	88.4	93.1	73.8	84.7	84.7	84.9	84.9	88.7	72.2	81.0	81.0	81.1	81.1	84.0	70.6
2500	75	79.7	72.0	86.9	53.9	94.1	34.8	76.1	70.4	82.7	52.2	89.5	33.2	72.2	68.6	78.2	50.5	84.7	31.6
	80	82.4	82.4	87.2	68.4	93.9	49.5	79.0	79.0	83.0	66.8	89.3	48.0	75.5	75.5	78.6	65.0	84.6	46.4
	85	86.7	86.7	87.7	82.4	93.7	64.2	83.2	83.2	83.6	80.7	89.2	62.6	79.4	79.4	80.5	76.3	84.4	60.9
	90	90.7	90.7	90.9	90.9	94.2	76.7	87.0	87.0	87.1	87.1	89.6	77.1	83.0	83.0	83.1	83.1	84.8	75.4
2750	75	81.0	76.2	87.8	56.3	94.4	35.3	77.3	74.5	83.5	54.6	90.1	33.8	73.4	72.8	79.0	52.9	85.3	32.1
	80	84.5	84.5	88.2	72.2	94.6	51.5	81.0	81.0	83.9	70.5	89.9	50.0	77.2	77.2	79.5	68.7	85.1	48.3
	85	88.8	88.8	90.3	85.1	94.8	65.4	85.1	85.1	86.1	86.1	89.7	65.8	81.1	81.1	81.6	80.3	84.9	64.2
	90	92.7	92.7	92.8	92.8	95.0	83.5	88.7	88.7	88.8	88.8	90.8	78.3	84.5	84.5	84.6	84.6	85.5	80.2
3000	75	82.2	80.4	88.5	58.6	95.2	35.8	78.2	78.2	84.2	56.9	90.6	34.3	74.6	74.6	79.6	55.1	85.6	32.6
	80	86.3	86.3	89.1	75.9	95.0	53.5	82.6	82.6	84.7	74.2	90.4	51.9	78.7	78.7	80.3	72.5	85.5	50.3
	85	90.6	90.6	91.5	88.1	94.9	70.7	86.7	86.7	87.4	87.4	90.2	69.1	82.6	82.6	82.6	82.6	85.3	67.6
	90	94.9	94.9	94.9	94.9	96.1	88.5	90.1	90.1	90.1	90.1	91.1	86.7	85.7	85.7	85.8	85.8	86.6	84.1
CFM	Ent DB (°F)	Ambient Temperature (°F)						Ambient Temperature (°F)											
		115						125											
		Entering Wet Bulb (°F)						Entering Wet Bulb (°F)											
		61		67		73		61		67		73							
		MBH	SHC	MBH	SHC	MBH	SHC	MBH	SHC	MBH	SHC	MBH	SHC						
2250	75	66.5	62.4	72.8	46.4	79.0	29.4	62.8	60.8	68.1	44.6	73.7	27.6						
	80	69.8	69.8	73.1	59.5	78.9	42.7	66.0	66.0	68.4	57.6	73.5	40.8						
	85	73.5	73.5	73.7	72.1	78.7	55.8	69.4	69.4	69.9	67.8	73.3	53.9						
	90	76.9	76.9	77.0	77.0	79.1	68.8	72.4	72.4	72.5	72.5	73.4	66.9						
2500	75	68.1	66.8	73.6	48.8	79.7	29.9	64.0	64.0	68.8	46.9	74.2	28.1						
	80	71.7	71.7	73.8	63.0	79.5	44.7	67.7	67.7	69.0	61.2	74.0	42.9						
	85	75.3	75.3	75.7	73.3	79.3	59.2	71.0	71.0	71.0	71.0	73.8	57.3						
	90	78.6	78.6	78.7	78.7	79.8	73.6	73.9	73.9	73.9	73.9	74.4	71.7						
2750	75	69.4	69.4	74.2	51.1	80.2	30.5	65.4	65.4	69.4	49.2	74.6	28.7						
	80	73.3	73.3	74.8	66.9	80.0	46.7	69.0	69.0	69.6	65.0	74.4	44.9						
	85	76.9	76.9	76.9	76.9	79.7	62.4	72.3	72.3	72.3	72.3	74.2	60.5						
	90	80.0	80.0	80.0	80.0	80.4	78.4	74.9	74.9	75.0	75.0	75.0	75.0						
3000	75	70.7	70.7	74.8	53.3	80.6	31.0	66.6	66.6	69.8	51.4	75.0	29.2						
	80	74.6	74.6	75.4	69.1	80.3	48.7	70.2	70.2	70.6	68.7	74.7	46.8						
	85	78.2	78.2	78.2	78.2	80.1	65.7	73.3	73.3	73.3	73.3	74.5	63.8						
	90	80.9	80.9	81.0	81.0	81.1	81.1	75.7	75.7	75.7	75.7	75.7	75.7						

Notes:

1. All capacities shown are gross and have not considered indoor fan heat. To obtain net cooling, subtract indoor fan heat.
2. MBH = Total Gross Capacity, SHC = Sensible Heat Capacity

Table 20. Gross cooling capacities (kW) TTA076H condensing unit with TWE076E air handler (SI)

Airflow m ³ /hr	Ent DB (°C)	Ambient Temperature (°C)						Ambient Temperature (°C)						Ambient Temperature (°C)					
		30						35						40					
		Entering Wet Bulb (°C)						Entering Wet Bulb (°C)						Entering Wet Bulb (°C)					
		16		19		22		16		19		22		16		19		22	
		kW	SHC	kW	SHC	kW	SHC	kW	SHC	kW	SHC	kW	SHC	kW	SHC	kW	SHC	kW	SHC
3823	24	23.0	19.9	25.1	15.1	27.3	10.0	21.8	19.3	23.9	14.6	26.0	9.6	20.8	18.9	22.7	14.1	24.6	9.1
	27	23.4	23.4	25.2	18.9	27.3	13.9	22.5	22.5	24.0	18.5	26.0	13.5	21.5	21.5	22.7	17.9	24.6	13.0
	30	24.7	24.7	25.3	22.7	27.2	17.8	23.7	23.7	24.1	22.2	25.9	17.3	22.6	22.6	22.8	21.7	24.5	16.9
	33	25.9	25.9	25.9	25.9	27.3	21.6	24.8	24.8	24.9	24.9	26.0	21.2	23.7	23.7	23.8	23.8	24.6	20.7
4248	24	23.4	21.1	25.5	15.8	27.6	10.2	22.3	20.6	24.2	15.3	26.2	9.7	21.1	20.1	22.9	14.8	24.8	9.3
	27	24.2	24.2	25.5	20.1	27.5	14.5	23.2	23.2	24.3	19.6	26.2	14.1	22.1	22.1	23.0	19.1	24.8	13.6
	30	25.4	25.4	25.7	24.2	27.5	18.8	24.4	24.4	24.5	23.7	26.1	18.3	23.3	23.3	23.6	22.4	24.7	17.9
	33	26.6	26.6	26.6	26.6	27.6	22.5	25.5	25.5	25.5	25.5	26.3	22.6	24.3	24.3	24.3	24.3	24.9	22.1
4672	24	23.7	22.3	25.7	16.5	27.7	10.3	22.6	21.8	24.5	16.0	26.4	9.9	21.5	21.3	23.1	15.5	25.0	9.4
	27	24.8	24.8	25.8	21.2	27.7	15.1	23.7	23.7	24.6	20.7	26.4	14.6	22.6	22.6	23.3	20.1	24.9	14.2
	30	26.0	26.0	26.5	24.9	27.8	19.2	24.9	24.9	25.2	25.2	26.3	19.3	23.8	23.8	23.9	23.5	24.9	18.8
	33	27.2	27.2	27.2	27.2	27.9	24.5	26.0	26.0	26.0	26.0	26.6	22.9	24.8	24.8	24.8	24.8	25.1	23.5
5097	24	24.1	23.6	25.9	17.2	27.9	10.5	22.9	22.9	24.7	16.7	26.6	10.0	21.9	21.9	23.3	16.2	25.1	9.6
	27	25.3	25.3	26.1	22.3	27.9	15.7	24.2	24.2	24.8	21.8	26.5	15.2	23.1	23.1	23.5	21.2	25.1	14.8
	30	26.5	26.5	26.8	25.8	27.8	20.7	25.4	25.4	25.6	25.6	26.4	20.2	24.2	24.2	24.2	24.2	25.0	19.8
	33	27.8	27.8	27.8	27.8	28.2	25.9	26.4	26.4	26.4	26.4	26.7	25.4	25.1	25.1	25.1	25.1	25.4	24.6
Airflow m ³ /hr	Ent DB (°C)	Ambient Temperature (°C)						Ambient Temperature (°C)											
		45						52											
		Entering Wet Bulb (°C)						Entering Wet Bulb (°C)											
		16		19		22		16		19		22							
		kW	SHC	kW	SHC	kW	SHC	kW	SHC	kW	SHC	kW	SHC						
3823	24	19.5	18.3	21.3	13.6	23.2	8.6	18.4	17.8	20.0	13.1	21.6	8.1						
	27	20.5	20.5	21.4	17.4	23.1	12.5	19.3	19.3	20.0	16.9	21.5	12.0						
	30	21.5	21.5	21.6	21.1	23.1	16.4	20.3	20.3	20.5	19.9	21.5	15.8						
	33	22.5	22.5	22.6	22.6	23.2	20.2	21.2	21.2	21.2	21.2	21.5	19.6						
4248	24	20.0	19.6	21.6	14.3	23.3	8.8	18.8	18.8	20.2	13.8	21.8	8.2						
	27	21.0	21.0	21.6	18.5	23.3	13.1	19.8	19.8	20.2	17.9	21.7	12.6						
	30	22.1	22.1	22.2	21.5	23.2	17.3	20.8	20.8	20.8	20.8	21.6	16.8						
	33	23.0	23.0	23.1	23.1	23.4	21.6	21.6	21.6	21.7	21.7	21.8	21.0						
4672	24	20.3	20.3	21.8	15.0	23.5	8.9	19.2	19.2	20.3	14.4	21.9	8.4						
	27	21.5	21.5	21.9	19.6	23.4	13.7	20.2	20.2	20.4	19.0	21.8	13.1						
	30	22.5	22.5	22.5	22.5	23.4	18.3	21.2	21.2	21.2	21.2	21.7	17.7						
	33	23.4	23.4	23.5	23.5	23.6	23.0	22.0	22.0	22.0	22.0	22.0	22.0						
5097	24	20.7	20.7	21.9	15.6	23.6	9.1	19.5	19.5	20.5	15.1	22.0	8.6						
	27	21.9	21.9	22.1	20.3	23.5	14.3	20.6	20.6	20.7	20.1	21.9	13.7						
	30	22.9	22.9	22.9	22.9	23.5	19.3	21.5	21.5	21.5	21.5	21.8	18.7						
	33	23.7	23.7	23.7	23.7	23.8	23.8	22.2	22.2	22.2	22.2	22.2	22.2						

Notes:

- All capacities shown are gross and have not considered indoor fan heat. To obtain net cooling, subtract indoor fan heat.
- kW = Total Gross Capacity, SHC = Sensible Heat Capacity,



Performance Data

Table 21. Gross cooling capacities (MBH) TTA101G condensing unit with TWE101D air handler (IP)

CFM	Ent DB (°F)	Ambient Temperature (°F)						Ambient Temperature (°F)						Ambient Temperature (°F)					
		85						95						105					
		Entering Wet Bulb (°F)						Entering Wet Bulb (°F)						Entering Wet Bulb (°F)					
		61		67		73		61		67		73		61		67		73	
		MBH	SHC	MBH	SHC	MBH	SHC	MBH	SHC	MBH	SHC	MBH	SHC	MBH	SHC	MBH	SHC	MBH	SHC
3025	75	100.4	87.1	110.3	66.0	118.1	43.5	96.2	85.2	105.7	64.2	112.5	41.5	91.8	83.2	100.7	62.2	107.0	39.6
	80	101.8	101.8	110.3	82.9	118.1	60.4	98.1	98.1	105.7	81.0	112.5	58.5	94.3	94.3	100.8	79.1	106.9	56.5
	85	107.1	107.1	110.7	99.8	118.1	77.4	103.4	103.4	106.1	97.6	112.5	75.4	99.3	99.3	101.3	95.6	106.8	73.4
	90	112.0	112.0	112.1	112.1	118.2	94.2	108.1	108.1	108.2	108.2	112.6	92.3	103.7	103.7	103.8	103.8	106.8	90.3
3350	75	102.1	92.4	111.6	69.0	119.3	44.1	97.9	90.1	106.9	67.1	113.5	42.1	93.3	88.1	101.8	65.2	107.5	40.1
	80	104.7	104.7	111.6	87.6	119.3	62.9	101.0	101.0	107.0	85.8	113.4	60.9	97.0	97.0	101.9	83.8	107.5	58.9
	85	110.1	110.1	112.2	105.9	119.3	81.7	106.1	106.1	107.6	104.0	113.4	79.7	101.9	101.9	102.7	102.0	107.4	77.6
	90	114.6	114.6	114.7	114.7	119.5	100.4	110.3	110.3	110.4	110.4	113.6	98.4	105.6	105.6	105.7	105.7	107.5	96.3
3675	75	103.7	97.2	112.7	71.9	120.3	44.8	99.3	95.2	107.9	70.0	114.2	42.8	94.7	93.2	102.7	68.0	108.1	40.7
	80	107.3	107.3	112.7	92.3	120.3	65.4	103.4	103.4	108.0	90.5	114.2	63.4	99.2	99.2	102.9	88.5	108.0	61.3
	85	112.5	112.5	113.5	112.3	120.3	86.0	108.3	108.3	108.8	108.8	114.1	83.9	103.8	103.8	103.9	103.9	107.9	81.9
	90	116.5	116.5	116.6	116.6	120.5	106.5	111.8	111.8	111.9	111.9	114.4	104.5	106.7	106.7	106.7	106.7	108.1	101.7
4000	75	105.0	102.3	113.5	74.7	121.1	45.5	100.6	100.3	108.6	72.9	114.8	43.4	96.0	96.0	103.4	70.9	108.5	41.3
	80	109.4	109.4	113.6	97.0	121.1	67.9	105.4	105.4	108.8	95.2	114.8	65.9	101.0	101.0	103.6	92.7	108.4	63.8
	85	114.3	114.3	114.6	114.6	121.0	90.3	110.0	110.0	110.0	110.0	114.8	88.2	105.2	105.2	105.2	105.2	108.3	86.1
	90	118.6	118.6	118.7	118.7	121.4	112.0	113.5	113.5	113.5	113.5	115.2	109.8	107.9	107.9	108.0	108.0	108.7	107.6
CFM	Ent DB (°F)	Ambient Temperature (°F)						Ambient Temperature (°F)											
		115						125											
		Entering Wet Bulb (°F)						Entering Wet Bulb (°F)											
		61		67		73		61		67		73							
		MBH	SHC	MBH	SHC	MBH	SHC	MBH	SHC	MBH	SHC	MBH	SHC						
3025	75	87.3	80.9	95.4	60.2	100.9	37.5	82.8	78.9	89.6	57.9	94.2	35.3						
	80	90.2	90.2	95.5	77.0	100.8	54.5	85.9	85.9	89.7	74.8	94.0	52.2						
	85	94.9	94.9	96.1	93.5	100.6	71.3	90.0	90.0	90.4	90.4	93.8	69.0						
	90	98.8	98.8	98.9	98.9	100.5	88.1	93.2	93.2	93.2	93.2	93.6	85.8						
3350	75	88.6	86.0	96.4	63.1	101.1	38.0	84.0	83.9	90.4	60.8	94.3	35.7						
	80	92.6	92.6	96.5	81.7	101.0	56.8	87.8	87.8	90.6	79.5	94.0	54.4						
	85	97.1	97.1	97.4	97.4	100.9	75.5	91.8	91.8	91.9	91.9	93.8	73.1						
	90	100.2	100.2	100.2	100.2	101.0	93.6	93.7	93.7	93.6	93.6	93.8	91.0						
3675	75	89.9	89.9	97.1	65.9	101.5	38.6	85.2	85.2	91.1	63.7	94.3	36.2						
	80	94.6	94.6	97.3	86.4	101.4	59.2	89.5	89.5	91.3	83.6	94.1	56.8						
	85	98.7	98.7	98.8	98.8	101.3	79.7	93.0	93.0	93.0	93.0	93.9	77.3						
	90	100.8	100.8	100.9	100.9	101.4	99.4	93.9	93.9	93.9	93.9	93.8	93.8						
4000	75	91.2	91.2	97.8	68.8	101.8	39.1	86.5	86.5	91.6	66.5	94.5	36.8						
	80	96.2	96.2	98.0	90.5	101.6	61.6	90.8	90.8	91.9	88.1	94.2	59.2						
	85	99.8	99.8	99.8	99.8	101.5	83.9	93.6	93.6	93.6	93.6	94.0	81.5						
	90	101.5	101.5	101.6	101.6	101.6	101.6	93.8	93.8	93.8	93.8	93.7	93.7						

Notes:

1. All capacities shown are gross and have not considered indoor fan heat. To obtain net cooling, subtract indoor fan heat.
2. MBH = Total Gross Capacity, SHC = Sensible Heat Capacity

Table 22. Gross cooling capacities (kW) TTA101G condensing unit with TWE101D air handler (SI)

Airflow m ³ /hr	Ent DB (°C)	Ambient Temperature (°C)						Ambient Temperature (°C)						Ambient Temperature (°C)					
		30						35						40					
		Entering Wet Bulb (°C)						Entering Wet Bulb (°C)						Entering Wet Bulb (°C)					
		16		19		22		16		19		22		16		19		22	
		kW	SHC	kW	SHC	kW	SHC	kW	SHC	kW	SHC	kW	SHC	kW	SHC	kW	SHC	kW	SHC
5148	24	29.4	25.5	32.3	19.4	34.6	12.7	28.2	25.0	31.0	18.8	33.0	12.2	26.9	24.4	29.5	18.2	31.4	11.6
	27	29.8	29.8	32.3	24.3	34.6	17.7	28.7	28.7	31.0	23.7	33.0	17.1	27.6	27.6	29.5	23.2	31.3	16.6
	30	31.4	31.4	32.4	29.2	34.6	22.7	30.3	30.3	31.1	28.6	33.0	22.1	29.1	29.1	29.7	28.0	31.3	21.5
	33	32.8	32.8	32.9	32.9	34.6	27.6	31.7	31.7	31.7	31.7	33.0	27.0	30.4	30.4	30.4	30.4	31.3	26.5
5692	24	29.9	27.1	32.7	20.2	35.0	12.9	28.7	26.4	31.3	19.7	33.3	12.3	27.4	25.8	29.8	19.1	31.5	11.8
	27	30.7	30.7	32.7	25.7	35.0	18.4	29.6	29.6	31.3	25.1	33.2	17.9	28.4	28.4	29.9	24.6	31.5	17.3
	30	32.3	32.3	32.9	31.0	35.0	23.9	31.1	31.1	31.5	30.5	33.2	23.3	29.9	29.9	30.1	29.9	31.5	22.8
	33	33.6	33.6	33.6	33.6	35.0	29.4	32.3	32.3	32.4	32.4	33.3	28.8	31.0	31.0	31.0	31.0	31.5	28.2
6252	24	30.4	28.5	33.0	21.1	35.3	13.1	29.1	27.9	31.6	20.5	33.5	12.5	27.8	27.3	30.1	19.9	31.7	11.9
	27	31.4	31.4	33.0	27.1	35.3	19.2	30.3	30.3	31.6	26.5	33.5	18.6	29.1	29.1	30.1	25.9	31.6	18.0
	30	33.0	33.0	33.3	32.9	35.2	25.2	31.7	31.7	31.9	31.9	33.5	24.6	30.4	30.4	30.5	30.5	31.6	24.0
	33	34.1	34.1	34.2	34.2	35.3	31.2	32.8	32.8	32.8	32.8	33.5	30.6	31.3	31.3	31.3	31.3	31.7	29.8
6796	24	30.8	30.0	33.3	21.9	35.5	13.3	29.5	29.4	31.8	21.4	33.7	12.7	28.1	28.1	30.3	20.8	31.8	12.1
	27	32.1	32.1	33.3	28.4	35.5	19.9	30.9	30.9	31.9	27.9	33.6	19.3	29.6	29.6	30.4	27.2	31.8	18.7
	30	33.5	33.5	33.6	33.6	35.5	26.5	32.2	32.2	32.2	32.2	33.6	25.9	30.8	30.8	30.8	30.8	31.7	25.2
	33	34.8	34.8	34.8	34.8	35.6	32.8	33.3	33.3	33.3	33.3	33.7	32.2	31.6	31.6	31.7	31.7	31.8	31.5
Airflow m ³ /hr	Ent DB (°C)	Ambient Temperature (°C)						Ambient Temperature (°C)											
		45						52											
		Entering Wet Bulb (°C)						Entering Wet Bulb (°C)											
		16		19		22		16		19		22							
		kW	SHC	kW	SHC	kW	SHC	kW	SHC	kW	SHC	kW	SHC						
5148	24	25.6	23.7	28.0	17.6	29.6	11.0	24.3	23.1	26.3	17.0	27.6	10.3						
	27	26.4	26.4	28.0	22.6	29.5	16.0	25.2	25.2	26.3	21.9	27.6	15.3						
	30	27.8	27.8	28.2	27.4	29.5	20.9	26.4	26.4	26.5	26.5	27.5	20.2						
	33	29.0	29.0	29.0	29.0	29.5	25.8	27.3	27.3	27.3	27.3	27.4	25.2						
5692	24	26.0	25.2	28.2	18.5	29.6	11.1	24.6	24.6	26.5	17.8	27.6	10.5						
	27	27.1	27.1	28.3	24.0	29.6	16.6	25.7	25.7	26.5	23.3	27.5	16.0						
	30	28.5	28.5	28.5	28.5	29.6	22.1	26.9	26.9	26.9	26.9	27.5	21.4						
	33	29.4	29.4	29.4	29.4	29.6	27.4	27.5	27.5	27.4	27.4	27.5	26.7						
6252	24	26.3	26.3	28.5	19.3	29.7	11.3	25.0	25.0	26.7	18.7	27.6	10.6						
	27	27.7	27.7	28.5	25.3	29.7	17.3	26.2	26.2	26.8	24.5	27.6	16.6						
	30	28.9	28.9	29.0	29.0	29.7	23.4	27.2	27.2	27.3	27.3	27.5	22.7						
	33	29.6	29.6	29.6	29.6	29.7	29.1	27.5	27.5	27.5	27.5	27.5	27.5						
6796	24	26.7	26.7	28.7	20.2	29.8	11.5	25.3	25.3	26.8	19.5	27.7	10.8						
	27	28.2	28.2	28.7	26.5	29.8	18.0	26.6	26.6	26.9	25.8	27.6	17.3						
	30	29.3	29.3	29.3	29.3	29.7	24.6	27.4	27.4	27.4	27.4	27.5	23.9						
	33	29.7	29.7	29.8	29.8	29.8	29.8	27.5	27.5	27.5	27.5	27.5	27.5						

Notes:

- All capacities shown are gross and have not considered indoor fan heat. To obtain net cooling, subtract indoor fan heat.
- kW = Total Gross Capacity, SHC = Sensible Heat Capacity



Performance Data

Table 23. Gross cooling capacities (MBH) TTA101H condensing unit with TWE101E air handler (IP)

CFM	Ent DB (°F)	Ambient Temperature (°F)						Ambient Temperature (°F)						Ambient Temperature (°F)					
		85						95						105					
		Entering Wet Bulb (°F)						Entering Wet Bulb (°F)						Entering Wet Bulb (°F)					
		61		67		73		61		67		73		61		67		73	
		MBH	SHC	MBH	SHC	MBH	SHC	MBH	SHC	MBH	SHC	MBH	SHC	MBH	SHC	MBH	SHC	MBH	SHC
3025	75	98.1	85.4	106.9	64.9	116.1	42.9	93.3	83.1	102.2	63.0	111.1	41.2	89.3	81.2	97.5	61.1	106.1	39.4
	80	100.3	100.3	107.0	81.4	114.9	59.5	96.5	96.5	102.6	79.4	111.0	58.1	92.6	92.6	97.9	77.4	106.0	56.4
	85	105.5	105.5	107.5	97.5	114.7	76.3	101.6	101.6	103.2	95.5	110.8	74.9	97.7	97.7	98.8	93.5	105.8	73.0
	90	110.4	110.4	110.6	110.6	115.2	92.7	106.4	106.4	106.6	106.6	110.1	90.8	102.4	102.4	102.5	102.5	106.3	89.3
3350	75	99.8	90.4	108.2	67.8	116.2	43.2	94.9	88.2	103.5	65.9	112.2	41.9	90.9	86.2	98.6	63.9	107.1	40.1
	80	103.2	103.2	108.7	85.9	116.1	62.0	99.3	99.3	104.0	83.9	112.0	60.6	95.2	95.2	99.2	81.9	107.0	58.9
	85	108.4	108.4	109.5	103.6	115.9	80.4	104.4	104.4	104.9	101.6	111.4	78.4	100.3	100.3	100.3	100.3	106.8	77.0
	90	113.3	113.3	113.4	113.4	116.6	98.5	109.1	109.1	109.2	109.2	111.3	96.6	104.9	104.9	105.0	105.0	106.3	94.7
3675	75	101.3	95.4	109.3	70.6	117.2	43.9	96.9	93.3	104.5	68.6	113.1	42.6	92.4	91.2	99.6	66.6	107.9	40.8
	80	105.6	105.6	109.9	90.3	117.1	64.5	101.6	101.6	105.1	88.4	111.7	62.7	97.4	97.4	100.3	86.4	107.8	61.4
	85	110.9	110.9	111.0	109.1	117.0	84.4	106.7	106.7	107.1	107.1	111.5	82.4	102.4	102.4	102.6	100.7	107.5	81.0
	90	114.8	114.8	114.8	114.8	118.0	104.5	110.3	110.3	110.4	110.4	112.5	102.4	106.9	106.9	107.0	107.0	107.8	100.8
4000	75	102.5	100.1	110.2	73.3	118.1	44.6	98.1	98.1	105.3	71.3	113.5	43.3	93.9	93.9	100.4	69.3	108.6	41.6
	80	107.7	107.7	110.9	94.8	117.9	67.1	103.5	103.5	106.1	92.8	112.4	65.2	99.3	99.3	101.3	90.8	108.4	63.7
	85	112.9	112.9	112.9	112.9	117.7	88.3	108.6	108.6	109.3	107.9	112.2	86.3	104.2	104.2	104.2	104.2	108.1	84.9
	90	117.1	117.1	117.3	117.3	119.3	110.3	112.3	112.3	112.4	112.4	113.5	108.2	108.5	108.5	108.6	108.6	109.2	106.6
CFM	Ent DB (°F)	Ambient Temperature (°F)						Ambient Temperature (°F)											
		115						125											
		Entering Wet Bulb (°F)						Entering Wet Bulb (°F)											
		61		67		73		61		67		73							
		MBH	SHC	MBH	SHC	MBH	SHC	MBH	SHC	MBH	SHC	MBH	SHC						
3025	75	84.4	78.9	92.2	59.0	100.7	37.6	79.6	79.6	86.3	56.6	94.6	35.5						
	80	88.4	88.4	92.8	75.3	100.6	54.5	83.5	83.5	87.0	72.9	94.5	52.5						
	85	93.3	93.3	93.3	93.3	100.5	71.0	88.4	88.4	88.4	88.4	94.4	68.8						
	90	97.9	97.9	98.0	98.0	101.0	87.4	92.8	92.8	92.9	92.9	95.0	85.1						
3350	75	86.0	83.9	93.3	61.8	101.6	38.3	80.6	80.6	87.3	59.3	95.4	36.2						
	80	90.8	90.8	94.0	79.8	101.5	57.1	85.8	85.8	87.8	77.2	95.3	55.0						
	85	95.8	95.8	95.8	95.8	101.3	75.0	90.6	90.6	90.6	90.6	95.1	72.8						
	90	100.2	100.2	100.3	100.3	102.1	93.1	94.9	94.9	95.0	95.0	96.1	90.9						
3675	75	87.6	87.6	94.2	64.4	102.3	39.0	82.5	82.5	88.1	62.0	96.1	36.9						
	80	92.9	92.9	94.7	84.0	102.3	59.5	87.7	87.7	88.1	81.5	96.0	57.3						
	85	97.8	97.8	97.8	97.8	102.0	79.0	92.5	92.5	92.5	92.5	95.8	76.7						
	90	102.1	102.1	102.2	102.2	103.0	98.9	96.6	96.6	96.7	96.7	96.8	96.8						
4000	75	89.3	89.3	95.0	67.1	102.9	39.7	84.1	84.1	88.8	64.6	96.7	37.6						
	80	94.6	94.6	95.5	88.4	102.9	61.8	89.3	89.3	90.1	86.1	96.6	59.5						
	85	99.4	99.4	99.4	99.4	102.5	82.9	94.0	94.0	94.0	94.0	96.3	80.6						
	90	103.6	103.6	103.7	103.7	103.7	103.7	98.0	98.0	98.1	98.1	98.1	98.1						

Notes:

- All capacities shown are gross and have not considered indoor fan heat. To obtain net cooling, subtract indoor fan heat.
- MBH = Total Gross Capacity, SHC = Sensible Heat Capacity

Table 24. Gross cooling capacities (kW) TTA101H condensing unit with TWE101E air handler (SI)

Airflow m ³ /hr	Ent DB (°C)	Ambient Temperature (°C)						Ambient Temperature (°C)						Ambient Temperature (°C)					
		30						35						40					
		Entering Wet Bulb (°C)						Entering Wet Bulb (°C)						Entering Wet Bulb (°C)					
		16		19		22		16		19		22		16		19		22	
		kW	SHC	kW	SHC	kW	SHC	kW	SHC	kW	SHC	kW	SHC	kW	SHC	kW	SHC	kW	SHC
5148	24	28.7	25.0	31.3	19.0	34.0	12.6	27.3	24.4	30.0	18.5	32.6	12.1	26.2	23.8	28.6	17.9	31.1	11.6
	27	29.4	29.4	31.4	23.8	33.7	17.4	28.3	28.3	30.1	23.3	32.5	17.0	27.2	27.2	28.7	22.7	31.1	16.5
	30	30.9	30.9	31.5	28.6	33.6	22.4	29.8	29.8	30.2	28.0	32.5	21.9	28.6	28.6	29.0	27.4	31.0	21.4
	33	32.4	32.4	32.4	32.4	33.8	27.2	31.2	31.2	31.2	31.2	32.3	26.6	30.0	30.0	30.0	30.0	31.2	26.2
5692	24	29.2	26.5	31.7	19.9	34.1	12.7	27.8	25.8	30.3	19.3	32.9	12.3	26.6	25.3	28.9	18.7	31.4	11.8
	27	30.2	30.2	31.9	25.2	34.0	18.2	29.1	29.1	30.5	24.6	32.8	17.8	27.9	27.9	29.1	24.0	31.4	17.3
	30	31.8	31.8	32.1	30.4	34.0	23.5	30.6	30.6	30.7	29.8	32.6	23.0	29.4	29.4	29.4	29.4	31.3	22.6
	33	33.2	33.2	33.2	33.2	34.2	28.9	32.0	32.0	32.0	32.0	32.6	28.3	30.7	30.7	30.8	30.8	31.2	27.8
6252	24	29.7	27.9	32.0	20.7	34.3	12.9	28.4	27.3	30.6	20.1	33.1	12.5	27.1	26.7	29.2	19.5	31.6	12.0
	27	30.9	30.9	32.2	26.5	34.3	18.9	29.8	29.8	30.8	25.9	32.7	18.4	28.6	28.6	29.4	25.3	31.6	18.0
	30	32.5	32.5	32.5	32.0	34.3	24.7	31.3	31.3	31.4	31.4	32.7	24.1	30.0	30.0	30.1	29.5	31.5	23.7
	33	33.6	33.6	33.6	33.6	34.6	30.6	32.3	32.3	32.4	32.4	33.0	30.0	31.3	31.3	31.4	31.4	31.6	29.5
6796	24	30.0	29.3	32.3	21.5	34.6	13.1	28.7	28.7	30.9	20.9	33.3	12.7	27.5	27.5	29.4	20.3	31.8	12.2
	27	31.6	31.6	32.5	27.8	34.6	19.7	30.3	30.3	31.1	27.2	32.9	19.1	29.1	29.1	29.7	26.6	31.8	18.7
	30	33.1	33.1	33.1	33.1	34.5	25.9	31.8	31.8	32.0	31.6	32.9	25.3	30.5	30.5	30.5	30.5	31.7	24.9
	33	34.3	34.3	34.4	34.4	35.0	32.3	32.9	32.9	32.9	32.9	33.3	31.7	31.8	31.8	31.8	31.8	32.0	31.2
Airflow m ³ /hr	Ent DB (°C)	Ambient Temperature (°C)						Ambient Temperature (°C)											
		45						52											
		Entering Wet Bulb (°C)						Entering Wet Bulb (°C)											
		16		19		22		16		19		22							
		kW	SHC	kW	SHC	kW	SHC	kW	SHC	kW	SHC	kW	SHC						
5148	24	24.7	23.1	27.0	17.3	29.5	11.0	23.3	23.3	25.3	16.6	27.7	10.4						
	27	25.9	25.9	27.2	22.1	29.5	16.0	24.5	24.5	25.5	21.4	27.7	15.4						
	30	27.4	27.4	27.4	27.3	29.5	20.8	25.9	25.9	25.9	25.9	27.7	20.2						
	33	28.7	28.7	28.7	28.7	29.6	25.6	27.2	27.2	27.2	27.2	27.8	25.0						
5692	24	25.2	24.6	27.3	18.1	29.8	11.2	23.6	23.6	25.6	17.4	28.0	10.6						
	27	26.6	26.6	27.5	23.4	29.7	16.7	25.1	25.1	25.7	22.6	27.9	16.1						
	30	28.1	28.1	28.1	28.1	29.7	22.0	26.6	26.6	26.6	26.6	27.9	21.3						
	33	29.4	29.4	29.4	29.4	29.9	27.3	27.8	27.8	27.9	27.9	28.2	26.6						
6252	24	25.7	25.7	27.6	18.9	30.0	11.4	24.2	24.2	25.8	18.2	28.2	10.8						
	27	27.2	27.2	27.7	24.6	30.0	17.4	25.7	25.7	25.8	23.9	28.1	16.8						
	30	28.7	28.7	28.7	28.7	29.9	23.1	27.1	27.1	27.1	27.1	28.1	22.5						
	33	29.9	29.9	30.0	30.0	30.2	29.0	28.3	28.3	28.3	28.3	28.4	28.4						
6796	24	26.2	26.2	27.8	19.7	30.2	11.6	24.6	24.6	26.0	18.9	28.3	11.0						
	27	27.7	27.7	28.0	25.9	30.2	18.1	26.2	26.2	26.4	25.2	28.3	17.4						
	30	29.1	29.1	29.1	29.1	30.0	24.3	27.5	27.5	27.5	27.5	28.2	23.6						
	33	30.4	30.4	30.4	30.4	30.4	30.4	28.7	28.7	28.7	28.7	28.8	28.8						

Notes:

- All capacities shown are gross and have not considered indoor fan heat. To obtain net cooling, subtract indoor fan heat.
- kW = Total Gross Capacity, SHC = Sensible Heat Capacity



Performance Data

Table 25. Gross cooling capacities (MBH) one compressor - TTA101J condensing unit with TWE101D air handler (IP)

CFM	Ent DB (°F)	Ambient Temperature (°F)						Ambient Temperature (°F)						Ambient Temperature (°F)					
		85						95						105					
		Entering Wet Bulb (°F)						Entering Wet Bulb (°F)						Entering Wet Bulb (°F)					
		61		67		73		61		67		73		61		67		73	
		MBH	SHC	MBH	SHC	MBH	SHC	MBH	SHC	MBH	SHC	MBH	SHC	MBH	SHC	MBH	SHC	MBH	SHC
3025	75	59.3	59.3	62.4	47.0	68.0	26.8	57.1	57.1	59.6	45.9	64.8	25.8	55.1	55.1	57.3	45.0	62.2	25.0
	80	62.6	62.6	62.6	62.6	67.8	43.6	60.0	60.0	60.1	60.1	64.5	42.5	57.8	57.8	57.9	57.9	61.7	41.6
	85	65.8	65.8	66.3	66.3	67.6	59.4	63.0	63.0	63.2	63.2	64.4	58.2	60.6	60.6	60.7	60.7	61.6	57.2
	90	65.8	65.8	66.7	66.7	66.8	66.8	66.0	66.0	66.1	66.1	66.2	66.2	63.3	63.3	63.4	63.4	63.6	63.6
3350	75	60.5	60.5	62.9	49.7	68.4	27.5	58.1	58.1	60.1	48.6	65.3	26.6	56.0	56.0	57.7	47.6	62.6	25.7
	80	63.8	63.8	63.8	63.8	68.3	46.1	61.1	61.1	61.2	61.2	64.9	45.0	58.8	58.8	58.8	58.8	62.1	43.1
	85	67.1	67.1	67.3	67.3	68.2	63.5	64.2	64.2	64.3	64.3	64.9	62.3	61.7	61.7	61.8	61.8	62.1	61.3
	90	70.3	70.3	70.4	70.4	72.1	72.1	67.1	67.1	67.2	67.2	67.4	67.4	64.3	64.3	64.5	64.5	64.6	64.6
3675	75	61.4	61.4	63.4	52.4	69.0	28.3	58.9	58.9	60.5	51.2	65.7	27.3	56.8	56.8	58.0	50.2	62.9	26.4
	80	64.8	64.8	64.9	64.9	68.6	48.6	62.1	62.1	62.1	62.1	65.3	46.4	59.6	59.6	59.7	59.7	62.4	45.3
	85	68.2	68.2	68.5	68.5	68.8	67.6	65.1	65.1	65.2	65.2	65.2	65.2	62.5	62.5	62.6	62.6	62.6	62.6
	90	71.4	71.4	71.5	71.5	72.4	72.4	68.1	68.1	68.2	68.2	68.3	68.3	65.2	65.2	65.2	65.2	65.4	65.4
4000	75	62.3	62.3	63.8	55.0	69.2	29.0	59.7	59.7	60.8	53.8	66.0	28.1	57.5	57.5	58.3	52.8	63.1	27.2
	80	65.7	65.7	65.8	65.8	69.0	49.9	62.9	62.9	62.9	62.9	65.6	48.6	60.4	60.4	60.4	60.4	62.7	47.5
	85	69.1	69.1	69.2	69.2	69.5	69.5	66.0	66.0	66.1	66.1	66.2	66.2	63.3	63.3	63.4	63.4	63.5	63.5
	90	72.4	72.4	72.4	72.4	72.6	72.6	68.9	68.9	69.0	69.0	69.1	69.1	65.9	65.9	66.0	66.0	66.0	66.0
CFM	Ent DB (°F)	Ambient Temperature (°F)						Ambient Temperature (°F)											
		115						125											
		Entering Wet Bulb (°F)						Entering Wet Bulb (°F)											
		61		67		73		61		67		73							
		MBH	SHC	MBH	SHC	MBH	SHC	MBH	SHC	MBH	SHC	MBH	SHC						
3025	75	53.1	53.1	55.0	44.0	59.6	24.2	50.8	50.8	52.5	43.0	56.7	23.2						
	80	55.7	55.7	55.7	55.7	59.1	40.7	53.5	53.5	53.5	53.5	56.4	38.9						
	85	58.3	58.3	58.4	58.4	58.9	56.2	55.8	55.8	55.9	55.9	56.2	55.2						
	90	60.8	60.8	60.9	60.9	61.0	61.0	58.1	58.1	58.2	58.2	58.3	54.3						
3350	75	53.9	53.9	55.4	46.6	59.8	24.9	51.7	51.7	52.8	45.6	56.8	23.9						
	80	56.6	56.6	56.6	56.6	59.4	42.1	54.3	54.3	54.3	54.3	56.7	41.0						
	85	59.2	59.2	59.3	59.3	59.5	59.5	56.7	56.7	56.8	56.8	57.0	57.0						
	90	61.7	61.7	61.7	61.7	61.9	61.9	58.9	58.9	59.0	59.0	59.1	59.1						
3675	75	54.7	54.7	55.7	49.2	60.0	25.6	52.4	52.4	53.2	48.2	58.2	25.1						
	80	57.3	57.3	57.4	57.4	59.7	44.3	55.1	55.1	55.2	55.2	56.9	43.2						
	85	60.0	60.0	60.1	60.1	60.2	60.2	57.4	57.4	57.4	57.4	57.7	57.7						
	90	62.4	62.4	62.5	62.5	62.6	62.6	59.6	59.6	59.7	59.7	59.7	59.7						
4000	75	55.3	55.3	56.0	51.8	60.1	26.3	53.0	53.0	53.5	50.8	58.3	17.8						
	80	58.0	58.0	58.0	58.0	60.0	46.5	55.5	55.5	55.6	55.6	57.2	45.4						
	85	60.7	60.7	60.7	60.7	60.9	60.9	58.0	58.0	58.1	58.1	58.2	58.2						
	90	63.0	63.0	63.1	63.1	63.2	63.2	60.1	60.1	60.2	60.2	60.3	60.3						

Notes:

1. All capacities shown are gross and have not considered indoor fan heat. To obtain net cooling, subtract indoor fan heat.
2. MBH = Total Gross Capacity, SHC = Sensible Heat Capacity

Table 26. Gross cooling capacities (kW) one compressor - TTA101J condensing unit with TWE101D air handler (SI)

Airflow m ³ /hr	Ent DB (°C)	Ambient Temperature (°C)						Ambient Temperature (°C)						Ambient Temperature (°C)					
		30						35						40					
		Entering Wet Bulb (°C)						Entering Wet Bulb (°C)						Entering Wet Bulb (°C)					
		16		19		22		16		19		22		16		19		22	
		kW	SHC	kW	SHC	kW	SHC	kW	SHC	kW	SHC	kW	SHC	kW	SHC	kW	SHC	kW	SHC
5148	24	17.4	17.4	18.3	13.8	19.9	7.9	16.7	16.7	17.5	13.5	19.0	7.6	16.1	16.1	16.8	13.2	18.2	7.3
	27	18.3	18.3	18.4	18.4	19.9	12.8	17.6	17.6	17.6	17.6	18.9	12.4	16.9	16.9	17.0	17.0	18.1	12.2
	30	19.3	19.3	19.4	19.4	19.8	17.4	18.5	18.5	18.5	18.5	18.9	17.1	17.8	17.8	17.8	17.8	18.0	16.8
	33	19.3	19.3	19.5	19.5	19.6	19.6	19.3	19.3	19.4	19.4	19.4	19.4	18.5	18.5	18.6	18.6	18.6	18.6
5692	24	17.7	17.7	18.4	14.6	20.1	8.1	17.0	17.0	17.6	14.2	19.1	7.8	16.4	16.4	16.9	13.9	18.3	7.5
	27	18.7	18.7	18.7	18.7	20.0	13.5	17.9	17.9	17.9	17.9	19.0	13.2	17.2	17.2	17.2	17.2	18.2	12.6
	30	19.7	19.7	19.7	19.7	20.0	18.6	18.8	18.8	18.8	18.8	19.0	18.3	18.1	18.1	18.1	18.1	18.2	18.0
	33	20.6	20.6	20.6	20.6	21.1	21.1	19.7	19.7	19.7	19.7	19.7	19.7	18.8	18.8	18.9	18.9	18.9	18.9
6252	24	18.0	18.0	18.6	15.4	20.2	8.3	17.3	17.3	17.7	15.0	19.3	8.0	16.6	16.6	17.0	14.7	18.4	7.7
	27	19.0	19.0	19.0	19.0	20.1	14.2	18.2	18.2	18.2	18.2	19.1	13.6	17.5	17.5	17.5	17.5	18.3	13.3
	30	20.0	20.0	20.1	20.1	20.2	19.8	19.1	19.1	19.1	19.1	19.1	19.1	18.3	18.3	18.3	18.3	18.3	18.3
	33	20.9	20.9	20.9	20.9	21.2	21.2	20.0	20.0	20.0	20.0	20.0	20.0	19.1	19.1	19.1	19.1	19.2	19.2
6796	24	18.2	18.2	18.7	16.1	20.3	8.5	17.5	17.5	17.8	15.8	19.3	8.2	16.8	16.8	17.1	15.5	18.5	8.0
	27	19.3	19.3	19.3	19.3	20.2	14.6	18.4	18.4	18.4	18.4	19.2	14.2	17.7	17.7	17.7	17.7	18.4	13.9
	30	20.3	20.3	20.3	20.3	20.4	20.4	19.3	19.3	19.4	19.4	19.4	19.4	18.5	18.5	18.6	18.6	18.6	18.6
	33	21.2	21.2	21.2	21.2	21.3	21.3	20.2	20.2	20.2	20.2	20.2	20.2	19.3	19.3	19.3	19.3	19.4	19.4
Airflow m ³ /hr	Ent DB (°C)	Ambient Temperature (°C)						Ambient Temperature (°C)											
		45						52											
		Entering Wet Bulb (°C)						Entering Wet Bulb (°C)											
		16		19		22		16		19		22							
		kW	SHC	kW	SHC	kW	SHC	kW	SHC	kW	SHC	kW	SHC						
5148	24	15.6	15.6	16.1	12.9	17.5	7.1	14.9	14.9	15.4	12.6	16.6	6.8						
	27	16.3	16.3	16.3	16.3	17.3	11.9	15.7	15.7	15.7	15.7	16.5	11.4						
	30	17.1	17.1	17.1	17.1	17.3	16.5	16.4	16.4	16.4	16.4	16.5	16.2						
	33	17.8	17.8	17.8	17.8	17.9	17.9	17.0	17.0	17.1	17.1	17.1	15.9						
5692	24	15.8	15.8	16.2	13.7	17.5	7.3	15.1	15.1	15.5	13.4	16.6	7.0						
	27	16.6	16.6	16.6	16.6	17.4	12.3	15.9	15.9	15.9	15.9	16.6	12.0						
	30	17.3	17.3	17.4	17.4	17.4	17.4	16.6	16.6	16.6	16.6	16.7	16.7						
	33	18.1	18.1	18.1	18.1	18.1	18.1	17.3	17.3	17.3	17.3	17.3	17.3						
6252	24	16.0	16.0	16.3	14.4	17.6	7.5	15.3	15.3	15.6	14.1	17.1	7.3						
	27	16.8	16.8	16.8	16.8	17.5	13.0	16.1	16.1	16.2	16.2	16.7	12.7						
	30	17.6	17.6	17.6	17.6	17.7	17.7	16.8	16.8	16.8	16.8	16.9	16.9						
	33	18.3	18.3	18.3	18.3	18.3	18.3	17.5	17.5	17.5	17.5	17.5	17.5						
6796	24	16.2	16.2	16.4	15.2	17.6	7.7	15.5	15.5	15.7	14.9	17.1	5.2						
	27	17.0	17.0	17.0	17.0	17.6	13.6	16.3	16.3	16.3	16.3	16.8	13.3						
	30	17.8	17.8	17.8	17.8	17.8	17.8	17.0	17.0	17.0	17.0	17.1	17.1						
	33	18.5	18.5	18.5	18.5	18.5	18.5	17.6	17.6	17.6	17.6	17.7	17.7						

Notes:

- All capacities shown are gross and have not considered indoor fan heat. To obtain net cooling, subtract indoor fan heat.
- kW = Total Gross Capacity, SHC = Sensible Heat Capacity



Performance Data

Table 27. Gross cooling capacities (MBH) both compressors - TTA101J condensing unit with TWE101D air handler (IP)

CFM	Ent DB (°F)	Ambient Temperature (°F)						Ambient Temperature (°F)						Ambient Temperature (°F)					
		85						95						105					
		Entering Wet Bulb (°F)						Entering Wet Bulb (°F)						Entering Wet Bulb (°F)					
		61		67		73		61		67		73		61		67		73	
		MBH	SHC	MBH	SHC	MBH	SHC	MBH	SHC	MBH	SHC	MBH	SHC	MBH	SHC	MBH	SHC	MBH	SHC
3025	75	98.8	85.7	108.4	65.2	117.5	43.2	94.8	83.9	104.1	63.4	112.8	41.5	90.7	81.9	99.6	61.7	108.2	39.9
	80	99.9	99.9	107.9	81.6	117.0	60.0	96.5	96.5	103.6	79.8	112.3	58.3	93.0	93.0	99.2	77.9	107.7	56.7
	85	104.8	104.8	107.5	96.6	116.6	76.7	101.3	101.3	103.2	94.7	111.8	75.0	97.7	97.7	98.8	92.9	107.2	73.4
	90	109.5	109.5	109.6	108.0	116.1	91.9	105.8	105.8	106.0	104.5	111.3	90.0	102.1	102.1	102.2	100.9	106.7	88.3
3350	75	100.5	90.8	109.8	68.1	118.8	43.9	96.4	88.9	105.4	66.4	113.9	42.2	92.2	87.0	100.9	64.6	109.2	40.6
	80	102.9	102.9	109.4	86.2	118.4	62.5	99.3	99.3	105.0	84.3	113.1	61.6	95.6	95.6	100.5	82.5	108.7	59.2
	85	107.8	107.8	108.9	102.4	117.9	81.0	104.1	104.1	104.5	100.5	112.9	79.3	100.3	100.3	100.4	97.6	108.1	77.3
	90	112.4	112.4	112.4	108.4	117.5	97.3	108.5	108.5	108.7	106.7	112.3	95.4	104.7	104.7	104.7	103.2	107.6	93.6
3675	75	102.0	95.8	110.9	71.0	120.0	44.7	97.9	93.9	106.4	69.3	114.8	42.9	93.6	92.0	101.9	67.6	110.1	41.3
	80	105.4	105.4	110.6	90.7	119.6	65.1	101.7	101.7	106.1	88.8	114.3	63.3	97.9	97.9	101.6	87.0	109.4	61.6
	85	110.3	110.3	110.3	107.3	119.1	85.1	106.4	106.4	106.5	103.4	113.8	83.1	102.5	102.5	102.8	100.5	108.9	81.4
	90	114.9	114.9	115.0	110.4	118.7	102.7	110.7	110.7	110.7	108.0	113.3	100.7	106.7	106.7	106.9	105.4	108.3	98.9
4000	75	103.3	100.8	111.8	73.9	120.9	45.4	98.6	98.6	107.3	72.2	115.3	45.0	94.7	94.7	102.7	70.5	110.8	42.0
	80	107.5	107.5	111.6	95.2	120.6	67.6	103.7	103.7	107.1	93.3	115.1	65.8	99.8	99.8	102.6	91.5	110.1	64.1
	85	112.4	112.4	112.5	110.1	120.1	89.2	108.4	108.4	108.5	106.8	114.7	87.2	104.4	104.4	104.5	104.5	109.6	84.5
	90	117.2	117.2	117.2	113.3	119.6	108.0	112.7	112.7	112.7	112.7	114.1	106.0	107.6	107.6	107.7	106.4	108.9	104.1
CFM	Ent DB (°F)	Ambient Temperature (°F)						Ambient Temperature (°F)											
		115						125											
		Entering Wet Bulb (°F)						Entering Wet Bulb (°F)											
		61		67		73		61		67		73							
		MBH	SHC	MBH	SHC	MBH	SHC	MBH	SHC	MBH	SHC	MBH	SHC	MBH	SHC	MBH	SHC	MBH	SHC
3025	75	86.1	79.8	94.8	59.8	103.2	38.2	81.0	77.4	89.3	57.6	97.4	36.2						
	80	89.0	89.0	94.5	75.9	102.7	54.9	84.6	84.6	89.0	73.7	96.9	52.9						
	85	93.7	93.7	94.0	90.8	102.2	71.6	89.1	89.1	89.1	86.9	96.4	69.3						
	90	98.0	98.0	98.0	98.0	101.7	86.4	93.3	93.3	93.4	93.4	95.9	84.3						
3350	75	87.6	84.8	96.0	62.7	104.2	38.9	82.1	82.1	90.3	60.6	98.3	36.9						
	80	91.5	91.5	95.7	80.5	103.6	57.4	86.9	86.9	90.1	78.2	97.8	55.5						
	85	96.2	96.2	96.2	93.7	103.1	75.5	91.4	91.4	91.4	91.0	97.3	73.4						
	90	100.4	100.4	100.5	99.0	102.5	91.8	95.5	95.5	95.6	95.6	96.7	89.7						
3675	75	88.7	88.7	96.9	65.7	105.0	39.6	84.0	84.0	91.2	63.5	99.0	37.7						
	80	93.7	93.7	96.7	85.0	104.4	59.9	88.9	88.9	91.1	82.7	98.5	58.0						
	85	98.3	98.3	98.8	96.9	103.8	79.5	93.3	93.3	93.6	93.6	97.9	77.4						
	90	102.3	102.3	102.3	100.6	103.1	97.0	97.2	97.2	97.3	97.3	97.4	94.5						
4000	75	90.5	90.5	97.7	68.6	105.7	40.3	85.7	85.7	91.9	66.4	99.6	38.4						
	80	95.5	95.5	97.6	89.5	105.0	62.4	90.5	90.5	92.0	87.2	99.0	60.5						
	85	100.0	100.0	100.5	99.7	104.4	83.5	94.9	94.9	95.1	95.1	98.5	81.4						
	90	103.8	103.8	103.9	103.9	103.9	102.1	98.6	98.6	98.7	98.7	98.9	97.2						

Notes:

1. All capacities shown are gross and have not considered indoor fan heat. To obtain net cooling, subtract indoor fan heat.
2. MBH = Total Gross Capacity, SHC = Sensible Heat Capacity

Table 28. Gross cooling capacities (kW) both compressors - TTA101J condensing unit with TWE101D air handler (SI)

Airflow m ³ /hr	Ent DB (°C)	Ambient Temperature (°C)						Ambient Temperature (°C)						Ambient Temperature (°C)					
		30						35						40					
		Entering Wet Bulb (°C)						Entering Wet Bulb (°C)						Entering Wet Bulb (°C)					
		16		19		22		16		19		22		16		19		22	
		kW	SHC	kW	SHC	kW	SHC	kW	SHC	kW	SHC	kW	SHC	kW	SHC	kW	SHC	kW	SHC
5148	24	28.9	25.1	31.8	19.1	34.4	12.7	27.8	24.6	30.5	18.6	33.0	12.2	26.6	24.0	29.2	18.1	31.7	11.7
	27	29.3	29.3	31.6	23.9	34.3	17.6	28.3	28.3	30.4	23.4	32.9	17.1	27.2	27.2	29.1	22.8	31.6	16.6
	30	30.7	30.7	31.5	28.3	34.2	22.5	29.7	29.7	30.2	27.8	32.8	22.0	28.6	28.6	28.9	27.2	31.4	21.5
	33	32.1	32.1	32.1	31.7	34.0	26.9	31.0	31.0	31.0	30.6	32.6	26.4	29.9	29.9	29.9	29.6	31.3	25.9
5692	24	29.4	26.6	32.2	20.0	34.8	12.9	28.3	26.1	30.9	19.5	33.4	12.4	27.0	25.5	29.6	18.9	32.0	11.9
	27	30.1	30.1	32.0	25.2	34.7	18.3	29.1	29.1	30.8	24.7	33.1	18.0	28.0	28.0	29.5	24.2	31.8	17.3
	30	31.6	31.6	31.9	30.0	34.6	23.7	30.5	30.5	30.6	29.5	33.1	23.2	29.4	29.4	29.4	28.6	31.7	22.7
	33	32.9	32.9	32.9	31.8	34.4	28.5	31.8	31.8	31.8	31.3	32.9	28.0	30.7	30.7	30.7	30.2	31.5	27.4
6252	24	29.9	28.1	32.5	20.8	35.2	13.1	28.7	27.5	31.2	20.3	33.6	12.6	27.4	26.9	29.8	19.8	32.2	12.1
	27	30.9	30.9	32.4	26.6	35.0	19.1	29.8	29.8	31.1	26.0	33.5	18.5	28.7	28.7	29.8	25.5	32.1	18.1
	30	32.3	32.3	32.3	31.4	34.9	24.9	31.2	31.2	31.2	30.3	33.3	24.4	30.0	30.0	30.1	29.5	31.9	23.8
	33	33.7	33.7	33.7	32.4	34.8	30.1	32.4	32.4	32.4	31.6	33.2	29.5	31.3	31.3	31.3	30.9	31.7	29.0
6796	24	30.3	29.5	32.8	21.7	35.4	13.3	28.9	28.9	31.4	21.2	33.8	13.2	27.8	27.8	30.1	20.6	32.5	12.3
	27	31.5	31.5	32.7	27.9	35.3	19.8	30.4	30.4	31.4	27.3	33.7	19.3	29.2	29.2	30.1	26.8	32.3	18.8
	30	32.9	32.9	33.0	32.3	35.2	26.1	31.8	31.8	31.8	31.3	33.6	25.6	30.6	30.6	30.6	30.6	32.1	24.7
	33	34.3	34.3	34.4	33.2	35.1	31.6	33.0	33.0	33.0	33.0	33.4	31.1	31.5	31.5	31.6	31.2	31.9	30.5
Airflow m ³ /hr	Ent DB (°C)	Ambient Temperature (°C)						Ambient Temperature (°C)											
		45						52											
		Entering Wet Bulb (°C)						Entering Wet Bulb (°C)											
		16		19		22		16		19		22							
		kW	SHC	kW	SHC	kW	SHC	kW	SHC	kW	SHC	kW	SHC						
5148	24	25.2	23.4	27.8	17.5	30.2	11.2	23.7	22.7	26.2	16.9	28.5	10.6						
	27	26.1	26.1	27.7	22.2	30.1	16.1	24.8	24.8	26.1	21.6	28.4	15.5						
	30	27.4	27.4	27.5	26.6	29.9	21.0	26.1	26.1	26.1	25.5	28.2	20.3						
	33	28.7	28.7	28.7	28.7	29.8	25.3	27.3	27.3	27.4	27.4	28.1	24.7						
5692	24	25.7	24.9	28.1	18.4	30.5	11.4	24.1	24.1	26.5	17.7	28.8	10.8						
	27	26.8	26.8	28.0	23.6	30.4	16.8	25.5	25.5	26.4	22.9	28.6	16.3						
	30	28.2	28.2	28.2	27.5	30.2	22.1	26.8	26.8	26.8	26.7	28.5	21.5						
	33	29.4	29.4	29.4	29.0	30.0	26.9	28.0	28.0	28.0	28.0	28.3	26.3						
6252	24	26.0	26.0	28.4	19.2	30.8	11.6	24.6	24.6	26.7	18.6	29.0	11.0						
	27	27.4	27.4	28.3	24.9	30.6	17.6	26.0	26.0	26.7	24.2	28.9	17.0						
	30	28.8	28.8	29.0	28.4	30.4	23.3	27.3	27.3	27.4	27.4	28.7	22.7						
	33	30.0	30.0	30.0	29.5	30.2	28.4	28.5	28.5	28.5	28.5	28.5	27.7						
6796	24	26.5	26.5	28.6	20.1	31.0	11.8	25.1	25.1	26.9	19.5	29.2	11.2						
	27	28.0	28.0	28.6	26.2	30.8	18.3	26.5	26.5	27.0	25.5	29.0	17.7						
	30	29.3	29.3	29.4	29.2	30.6	24.5	27.8	27.8	27.9	27.9	28.9	23.8						
	33	30.4	30.4	30.4	30.4	30.5	29.9	28.9	28.9	28.9	28.9	29.0	28.5						

Notes:

- All capacities shown are gross and have not considered indoor fan heat. To obtain net cooling, subtract indoor fan heat.
- kW = Total Gross Capacity, SHC = Sensible Heat Capacity



Performance Data

Table 29. Gross cooling capacities (MBH) TTA126H condensing unit with TWE126E air handler (IP)

CFM	Ent DB (°F)	Ambient Temperature (°F)						Ambient Temperature (°F)						Ambient Temperature (°F)					
		85						95						105					
		Entering Wet Bulb (°F)						Entering Wet Bulb (°F)						Entering Wet Bulb (°F)					
		61		67		73		61		67		73		61		67		73	
		MBH	SHC	MBH	SHC	MBH	SHC	MBH	SHC	MBH	SHC	MBH	SHC	MBH	SHC	MBH	SHC	MBH	SHC
3750	75	120.3	105.1	131.3	79.2	141.6	52.1	114.7	102.6	125.5	76.8	135.0	49.8	108.8	99.9	119.1	74.3	128.1	47.4
	80	120.9	120.9	131.2	99.6	141.4	72.7	115.8	115.8	125.3	97.2	134.7	70.4	110.5	110.5	119.0	94.7	127.9	68.0
	85	125.9	125.9	131.0	119.9	141.1	93.2	121.1	121.1	125.2	117.6	134.5	90.9	116.0	116.0	118.9	115.1	127.7	88.5
	90	131.3	131.3	132.0	131.4	140.9	113.6	126.4	126.4	126.6	126.6	134.3	111.3	121.0	121.0	121.0	121.0	127.4	108.9
4200	75	122.3	112.1	133.1	83.2	143.3	53.1	116.6	109.7	127.1	80.8	136.4	50.7	110.6	107.0	120.6	78.3	129.2	48.3
	80	123.9	123.9	132.9	106.0	143.0	76.1	118.8	118.8	126.9	103.7	136.2	73.8	113.7	113.7	120.4	101.2	129.0	71.4
	85	129.5	129.5	132.9	128.8	142.8	99.1	124.6	124.6	127.0	125.4	135.9	96.8	119.1	119.1	120.6	119.8	128.8	94.3
	90	134.9	134.9	135.0	135.0	142.5	122.0	129.7	129.7	129.8	129.8	135.7	119.6	124.1	124.1	124.2	124.2	128.5	117.2
4650	75	123.9	119.2	134.5	87.1	144.6	54.0	118.2	115.9	128.4	84.8	137.6	51.7	112.1	111.3	121.8	82.3	130.2	49.2
	80	126.8	126.8	134.3	112.4	144.3	79.5	121.8	121.8	128.2	110.1	137.4	77.2	116.4	116.4	121.6	107.6	130.0	74.8
	85	132.5	132.5	134.4	133.6	144.1	105.0	127.3	127.3	128.5	128.5	137.1	102.6	121.7	121.7	122.3	122.3	129.7	100.2
	90	137.8	137.8	137.9	137.9	143.8	130.3	132.3	132.3	132.4	132.4	136.8	128.0	126.4	126.4	126.5	126.5	129.6	125.6
5100	75	125.4	124.1	135.6	91.0	145.8	55.0	119.7	119.7	129.4	88.7	138.6	52.6	113.6	113.6	122.7	86.2	131.1	50.2
	80	129.4	129.4	135.4	118.8	145.4	83.0	124.2	124.2	129.2	116.4	138.3	80.6	118.6	118.6	122.6	114.0	130.8	78.2
	85	135.0	135.0	135.9	135.9	145.1	110.8	129.6	129.6	130.1	130.1	138.0	108.5	123.8	123.8	123.9	123.9	130.5	106.1
	90	140.4	140.4	140.5	140.5	144.9	138.7	134.6	134.6	134.7	134.7	137.9	135.4	128.4	128.4	128.4	128.4	130.5	128.7
CFM	Ent DB (°F)	Ambient Temperature (°F)						Ambient Temperature (°F)											
		115						125											
		Entering Wet Bulb (°F)						Entering Wet Bulb (°F)											
		61		67		73		61		67		73							
		MBH	SHC	MBH	SHC	MBH	SHC	MBH	SHC	MBH	SHC	MBH	SHC						
3750	75	102.5	97.2	112.3	71.7	120.7	44.9	96.0	93.5	104.8	68.8	112.6	42.2						
	80	105.1	105.1	112.1	92.1	120.6	65.5	99.2	99.2	104.6	89.2	112.5	62.8						
	85	110.3	110.3	112.2	110.2	120.4	86.0	104.1	104.1	105.0	103.6	112.3	83.3						
	90	115.2	115.2	115.3	115.3	120.1	106.4	108.6	108.6	108.7	108.7	112.0	103.7						
4200	75	104.2	102.5	113.6	75.7	121.7	45.8	97.5	97.1	105.9	72.8	113.5	43.1						
	80	108.0	108.0	113.5	98.5	121.5	68.9	101.8	101.8	105.8	95.6	113.3	66.2						
	85	113.2	113.2	113.9	113.4	121.3	91.8	106.6	106.6	106.8	106.8	113.1	89.1						
	90	117.9	117.9	117.9	117.9	121.1	114.7	110.9	110.9	111.0	111.0	112.9	110.2						
4650	75	105.7	105.7	114.7	79.6	122.5	46.7	99.1	99.1	106.9	76.7	114.2	44.0						
	80	110.5	110.5	114.5	104.9	122.3	72.2	103.9	103.9	106.7	102.0	114.0	69.5						
	85	115.5	115.5	115.7	115.7	122.0	97.7	108.7	108.7	108.7	108.7	113.7	95.0						
	90	119.9	119.9	120.0	120.0	121.9	118.9	112.7	112.7	112.7	112.7	113.6	112.2						
5100	75	107.3	107.3	115.5	83.5	123.2	47.6	100.5	100.5	107.6	80.7	114.8	44.9						
	80	112.5	112.5	115.4	111.3	122.9	75.6	105.7	105.7	107.6	105.2	114.5	72.9						
	85	117.4	117.4	117.4	117.4	122.6	103.5	110.3	110.3	110.4	110.4	114.2	100.8						
	90	121.5	121.5	121.6	121.6	122.7	122.3	114.0	114.0	114.0	114.0	114.3	114.3						

Notes:

1. All capacities shown are gross and have not considered indoor fan heat. To obtain net cooling, subtract indoor fan heat.
2. MBH = Total Gross Capacity, SHC = Sensible Heat Capacity

Table 30. Gross cooling capacities (kW) TTA126H condensing unit with TWE126E air handler (SI)

Airflow m ³ /hr	Ent DB (°C)	Ambient Temperature (°C)						Ambient Temperature (°C)						Ambient Temperature (°C)					
		30						35						40					
		Entering Wet Bulb (°C)						Entering Wet Bulb (°C)						Entering Wet Bulb (°C)					
		16		19		22		16		19		22		16		19		22	
		kW	SHC	kW	SHC	kW	SHC	kW	SHC	kW	SHC	kW	SHC	kW	SHC	kW	SHC	kW	SHC
6371	24	35.3	30.8	38.5	23.2	41.5	15.3	33.6	30.1	36.8	22.5	39.6	14.6	31.9	29.3	34.9	21.8	37.5	13.9
	27	35.4	35.4	38.5	29.2	41.4	21.3	34.0	34.0	36.7	28.5	39.5	20.6	32.4	32.4	34.9	27.8	37.5	19.9
	30	36.9	36.9	38.4	35.1	41.4	27.3	35.5	35.5	36.7	34.5	39.4	26.6	34.0	34.0	34.9	33.7	37.4	25.9
	33	38.5	38.5	38.7	38.5	41.3	33.3	37.1	37.1	37.1	37.1	39.4	32.6	35.5	35.5	35.5	35.5	37.4	31.9
7136	24	35.8	32.9	39.0	24.4	42.0	15.5	34.2	32.1	37.2	23.7	40.0	14.9	32.4	31.4	35.3	23.0	37.9	14.2
	27	36.3	36.3	39.0	31.1	41.9	22.3	34.8	34.8	37.2	30.4	39.9	21.6	33.3	33.3	35.3	29.6	37.8	20.9
	30	38.0	38.0	38.9	37.7	41.8	29.0	36.5	36.5	37.2	36.8	39.8	28.4	34.9	34.9	35.4	35.1	37.7	27.6
	33	39.5	39.5	39.6	39.6	41.8	35.7	38.0	38.0	38.0	38.0	39.8	35.1	36.4	36.4	36.4	36.4	37.7	34.4
7900	24	36.3	34.9	39.4	25.5	42.4	15.8	34.7	34.0	37.6	24.8	40.3	15.1	32.9	32.6	35.7	24.1	38.2	14.4
	27	37.2	37.2	39.4	33.0	42.3	23.3	35.7	35.7	37.6	32.3	40.3	22.6	34.1	34.1	35.6	31.5	38.1	21.9
	30	38.8	38.8	39.4	39.2	42.2	30.8	37.3	37.3	37.7	37.7	40.2	30.1	35.7	35.7	35.8	35.8	38.0	29.4
	33	40.4	40.4	40.4	40.4	42.1	38.2	38.8	38.8	38.8	38.8	40.1	37.5	37.0	37.0	37.1	37.1	38.0	36.8
8665	24	36.8	36.4	39.7	26.7	42.7	16.1	35.1	35.1	37.9	26.0	40.6	15.4	33.3	33.3	36.0	25.3	38.4	14.7
	27	37.9	37.9	39.7	34.8	42.6	24.3	36.4	36.4	37.9	34.1	40.5	23.6	34.7	34.7	35.9	33.4	38.3	22.9
	30	39.6	39.6	39.8	39.8	42.5	32.5	38.0	38.0	38.1	38.1	40.5	31.8	36.3	36.3	36.3	36.3	38.3	31.1
	33	41.2	41.2	41.2	41.2	42.5	40.6	39.4	39.4	39.5	39.5	40.4	39.7	37.6	37.6	37.6	37.6	38.3	37.7
Airflow m ³ /hr	Ent DB (°C)	Ambient Temperature (°C)						Ambient Temperature (°C)											
		45						52											
		Entering Wet Bulb (°C)						Entering Wet Bulb (°C)											
		16		19		22		16		19		22							
		kW	SHC	kW	SHC	kW	SHC	kW	SHC	kW	SHC	kW	SHC						
6371	24	30.0	28.5	32.9	21.0	35.4	13.2	28.1	27.4	30.7	20.2	33.0	12.4						
	27	30.8	30.8	32.9	27.0	35.3	19.2	29.1	29.1	30.7	26.1	33.0	18.4						
	30	32.3	32.3	32.9	32.3	35.3	25.2	30.5	30.5	30.8	30.4	32.9	24.4						
	33	33.8	33.8	33.8	33.8	35.2	31.2	31.8	31.8	31.8	31.8	32.8	30.4						
7136	24	30.5	30.0	33.3	22.2	35.7	13.4	28.6	28.5	31.1	21.3	33.3	12.6						
	27	31.7	31.7	33.3	28.9	35.6	20.2	29.8	29.8	31.0	28.0	33.2	19.4						
	30	33.2	33.2	33.4	33.2	35.6	26.9	31.3	31.3	31.3	31.3	33.1	26.1						
	33	34.5	34.5	34.6	34.6	35.5	33.6	32.5	32.5	32.5	32.5	33.1	32.3						
7900	24	31.0	31.0	33.6	23.3	35.9	13.7	29.0	29.0	31.3	22.5	33.5	12.9						
	27	32.4	32.4	33.6	30.7	35.8	21.2	30.5	30.5	31.3	29.9	33.4	20.4						
	30	33.9	33.9	33.9	33.9	35.8	28.6	31.8	31.8	31.9	31.9	33.3	27.8						
	33	35.2	35.2	35.2	35.2	35.7	34.8	33.0	33.0	33.0	33.0	33.3	32.9						
8665	24	31.4	31.4	33.9	24.5	36.1	14.0	29.5	29.5	31.5	23.6	33.6	13.2						
	27	33.0	33.0	33.8	32.6	36.0	22.2	31.0	31.0	31.5	30.8	33.6	21.4						
	30	34.4	34.4	34.4	34.4	35.9	30.3	32.3	32.3	32.3	32.3	33.5	29.5						
	33	35.6	35.6	35.6	35.6	35.9	35.9	33.4	33.4	33.4	33.4	33.5	33.5						

Notes:

- All capacities shown are gross and have not considered indoor fan heat. To obtain net cooling, subtract indoor fan heat.
- kW = Total Gross Capacity, SHC = Sensible Heat Capacity



Performance Data

Table 31. Gross cooling capacities (MBH) TTA156H condensing unit with TWE156E air handler (IP)

CFM	Ent DB (°F)	Ambient Temperature (°F)						Ambient Temperature (°F)						Ambient Temperature (°F)					
		85						95						105					
		Entering Wet Bulb (°F)						Entering Wet Bulb (°F)						Entering Wet Bulb (°F)					
		61		67		73		61		67		73		61		67		73	
		MBH	SHC	MBH	SHC	MBH	SHC	MBH	SHC	MBH	SHC	MBH	SHC	MBH	SHC	MBH	SHC	MBH	SHC
4500	75	152.2	129.1	167.7	98.8	182.3	66.8	145.9	126.2	160.9	96.0	175.3	64.3	139.0	123.1	153.5	93.1	167.5	61.6
	80	153.4	153.0	167.5	123.1	182.0	91.3	147.4	147.4	160.7	120.3	175.0	88.8	141.1	141.1	153.3	117.3	167.1	86.1
	85	159.9	159.9	167.5	147.3	181.8	115.7	154.5	154.5	160.8	144.6	174.7	113.2	148.6	148.6	153.6	141.7	166.9	110.5
	90	167.6	167.6	168.9	168.9	181.5	140.0	162.0	162.0	162.8	162.8	174.4	137.5	156.0	156.0	156.2	156.2	166.6	134.8
5000	75	155.0	137.1	170.2	103.3	184.4	67.8	148.5	134.2	163.2	100.5	177.2	65.3	141.5	131.1	155.7	97.5	169.3	62.6
	80	157.1	157.1	170.0	130.2	184.0	95.1	151.3	151.3	163.0	127.5	176.9	92.6	145.4	145.4	155.4	124.5	168.9	89.8
	85	164.9	164.9	170.3	157.3	183.7	122.2	159.3	159.3	163.5	154.6	176.6	119.7	153.1	153.1	156.1	150.8	168.6	116.9
	90	172.6	172.6	172.9	172.9	183.5	149.2	166.8	166.8	167.1	167.1	176.3	146.7	160.5	160.5	160.7	160.7	168.5	144.0
5500	75	157.4	145.0	172.2	107.7	186.1	68.9	150.8	142.1	165.1	105.0	178.7	66.4	143.7	138.1	157.4	102.0	170.7	63.6
	80	161.1	161.1	171.9	137.4	185.8	98.8	155.3	155.3	164.9	134.6	178.4	96.3	149.1	149.1	157.2	131.7	170.3	93.6
	85	169.2	169.2	172.6	166.3	185.5	128.7	163.3	163.3	165.8	163.5	178.1	126.1	156.9	156.9	158.4	158.4	170.0	123.4
	90	176.8	176.8	177.0	177.0	185.4	158.5	170.8	170.8	171.0	171.0	178.0	155.9	164.2	164.2	164.4	164.4	170.0	153.2
6000	75	159.5	151.9	173.8	112.1	187.6	69.9	152.8	148.9	166.7	109.4	180.0	67.4	145.7	145.7	158.9	106.4	171.9	64.6
	80	164.6	164.6	173.6	144.5	187.3	102.6	158.7	158.7	166.5	141.7	179.6	100.0	152.3	152.3	158.8	138.8	171.5	97.3
	85	172.7	172.7	174.8	174.8	187.0	135.2	166.7	166.7	167.9	167.9	179.2	132.6	160.1	160.1	160.6	160.6	171.1	129.9
	90	180.3	180.3	180.5	180.5	187.1	167.7	174.1	174.1	174.3	174.3	179.4	165.1	167.3	167.3	167.5	167.5	171.3	162.5
CFM	Ent DB (°F)	Ambient Temperature (°F)						Ambient Temperature (°F)											
		115						125											
		Entering Wet Bulb (°F)						Entering Wet Bulb (°F)											
		61		67		73		61		67		73							
		MBH	SHC	MBH	SHC	MBH	SHC	MBH	SHC	MBH	SHC	MBH	SHC						
4500	75	131.9	119.9	145.6	89.9	158.9	58.6	124.4	116.6	137.1	86.6	149.6	55.4						
	80	134.9	134.9	145.4	114.2	158.6	83.1	128.5	128.5	136.9	110.9	149.3	79.9						
	85	142.3	142.3	145.8	138.6	158.3	107.5	135.5	135.5	137.6	134.4	149.0	104.3						
	90	149.4	149.4	149.6	149.6	158.1	131.8	142.2	142.2	142.4	142.4	148.9	128.6						
5000	75	134.2	127.1	147.5	94.4	160.6	59.6	126.6	123.6	138.8	91.0	151.0	56.4						
	80	139.0	139.0	147.3	121.4	160.2	86.9	132.1	132.1	138.7	118.0	150.7	83.6						
	85	146.4	146.4	148.3	147.5	159.9	114.0	139.2	139.2	140.0	140.0	150.4	110.7						
	90	153.6	153.6	153.7	153.7	159.9	141.1	145.9	145.9	146.1	146.1	150.4	137.9						
5500	75	136.3	134.7	149.1	98.8	161.9	60.7	128.6	128.6	140.2	95.5	152.2	57.5						
	80	142.4	142.4	149.0	128.5	161.5	90.6	135.2	135.2	140.3	125.2	151.8	87.4						
	85	149.9	149.9	150.6	150.6	161.2	120.4	142.4	142.4	142.5	142.5	151.5	117.2						
	90	157.0	157.0	157.1	157.1	161.3	150.3	148.9	148.9	149.1	149.1	151.8	145.8						
6000	75	138.2	138.2	150.4	103.2	162.9	61.7	130.5	130.5	141.4	99.8	153.1	58.5						
	80	145.4	145.4	150.5	135.7	162.6	94.4	137.9	137.9	141.6	132.4	152.8	91.2						
	85	152.9	152.9	153.0	153.0	162.2	126.9	145.0	145.0	145.1	145.1	152.4	123.7						
	90	159.8	159.8	159.9	159.9	162.6	158.1	151.4	151.4	151.5	151.5	153.0	153.0						

Notes:

1. All capacities shown are gross and have not considered indoor fan heat. To obtain net cooling, subtract indoor fan heat.
2. MBH = Total Gross Capacity, SHC = Sensible Heat Capacity

Table 32. Gross cooling capacities (kW) TTA156H condensing unit with TWE156E air handler (SI)

Airflow m ³ /hr	Ent DB (°C)	Ambient Temperature (°C)						Ambient Temperature (°C)						Ambient Temperature (°C)					
		30						35						40					
		Entering Wet Bulb (°C)						Entering Wet Bulb (°C)						Entering Wet Bulb (°C)					
		16		19		22		16		19		22		16		19		22	
		kW	SHC	kW	SHC	kW	SHC	kW	SHC	kW	SHC	kW	SHC	kW	SHC	kW	SHC	kW	SHC
7646	24	44.6	37.8	49.2	29.0	53.4	19.6	42.8	37.0	47.2	28.1	51.4	18.9	40.7	36.1	45.0	27.3	49.1	18.0
	27	45.0	44.9	49.1	36.1	53.4	26.8	43.2	43.2	47.1	35.3	51.3	26.0	41.3	41.3	44.9	34.4	49.0	25.2
	30	46.9	46.9	49.1	43.2	53.3	33.9	45.3	45.3	47.1	42.4	51.2	33.2	43.6	43.6	45.0	41.5	48.9	32.4
	33	49.1	49.1	49.5	49.5	53.2	41.0	47.5	47.5	47.7	47.7	51.1	40.3	45.7	45.7	45.8	45.8	48.8	39.5
8495	24	45.4	40.2	49.9	30.3	54.0	19.9	43.5	39.3	47.8	29.5	51.9	19.2	41.5	38.4	45.6	28.6	49.6	18.3
	27	46.0	46.0	49.8	38.2	53.9	27.9	44.4	44.4	47.8	37.4	51.8	27.1	42.6	42.6	45.6	36.5	49.5	26.3
	30	48.3	48.3	49.9	46.1	53.9	35.8	46.7	46.7	47.9	45.3	51.7	35.1	44.9	44.9	45.8	44.2	49.4	34.3
	33	50.6	50.6	50.7	50.7	53.8	43.7	48.9	48.9	49.0	49.0	51.7	43.0	47.0	47.0	47.1	47.1	49.4	42.2
9345	24	46.1	42.5	50.5	31.6	54.5	20.2	44.2	41.6	48.4	30.8	52.4	19.4	42.1	40.5	46.1	29.9	50.0	18.6
	27	47.2	47.2	50.4	40.3	54.4	29.0	45.5	45.5	48.3	39.5	52.3	28.2	43.7	43.7	46.1	38.6	49.9	27.4
	30	49.6	49.6	50.6	48.7	54.4	37.7	47.9	47.9	48.6	47.9	52.2	37.0	46.0	46.0	46.4	46.4	49.8	36.2
	33	51.8	51.8	51.9	51.9	54.3	46.4	50.1	50.1	50.1	50.1	52.2	45.7	48.1	48.1	48.2	48.2	49.8	44.9
10194	24	46.7	44.5	51.0	32.9	55.0	20.5	44.8	43.6	48.9	32.1	52.8	19.7	42.7	42.7	46.6	31.2	50.4	18.9
	27	48.3	48.3	50.9	42.3	54.9	30.1	46.5	46.5	48.8	41.5	52.6	29.3	44.6	44.6	46.5	40.7	50.3	28.5
	30	50.6	50.6	51.2	51.2	54.8	39.6	48.9	48.9	49.2	49.2	52.5	38.9	46.9	46.9	47.1	47.1	50.2	38.1
	33	52.8	52.8	52.9	52.9	54.8	49.2	51.0	51.0	51.1	51.1	52.6	48.4	49.0	49.0	49.1	49.1	50.2	47.6
Airflow m ³ /hr	Ent DB (°C)	Ambient Temperature (°C)						Ambient Temperature (°C)											
		45						52											
		Entering Wet Bulb (°C)						Entering Wet Bulb (°C)											
		16		19		22		16		19		22							
		kW	SHC	kW	SHC	kW	SHC	kW	SHC	kW	SHC	kW	SHC						
7646	24	38.6	35.2	42.7	26.4	46.6	17.2	36.5	34.2	40.2	25.4	43.8	16.2						
	27	39.5	39.5	42.6	33.5	46.5	24.4	37.7	37.7	40.1	32.5	43.7	23.4						
	30	41.7	41.7	42.7	40.6	46.4	31.5	39.7	39.7	40.3	39.4	43.7	30.6						
	33	43.8	43.8	43.8	43.8	46.3	38.6	41.7	41.7	41.7	41.7	43.6	37.7						
8495	24	39.3	37.2	43.2	27.7	47.1	17.5	37.1	36.2	40.7	26.7	44.3	16.5						
	27	40.7	40.7	43.2	35.6	47.0	25.5	38.7	38.7	40.7	34.6	44.2	24.5						
	30	42.9	42.9	43.5	43.2	46.9	33.4	40.8	40.8	41.0	41.0	44.1	32.5						
	33	45.0	45.0	45.1	45.1	46.9	41.3	42.8	42.8	42.8	42.8	44.1	40.4						
9345	24	39.9	39.5	43.7	29.0	47.4	17.8	37.7	37.7	41.1	28.0	44.6	16.8						
	27	41.7	41.7	43.7	37.7	47.3	26.6	39.6	39.6	41.1	36.7	44.5	25.6						
	30	43.9	43.9	44.1	44.1	47.2	35.3	41.7	41.7	41.8	41.8	44.4	34.4						
	33	46.0	46.0	46.0	46.0	47.3	44.0	43.6	43.6	43.7	43.7	44.5	42.7						
10194	24	40.5	40.5	44.1	30.3	47.8	18.1	38.3	38.3	41.4	29.3	44.9	17.1						
	27	42.6	42.6	44.1	39.8	47.6	27.7	40.4	40.4	41.5	38.8	44.8	26.7						
	30	44.8	44.8	44.8	44.8	47.5	37.2	42.5	42.5	42.5	42.5	44.7	36.3						
	33	46.8	46.8	46.9	46.9	47.6	46.3	44.4	44.4	44.4	44.4	44.8	44.8						

Notes:

- All capacities shown are gross and have not considered indoor fan heat. To obtain net cooling, subtract indoor fan heat.
- kW = Total Gross Capacity, SHC = Sensible Heat Capacity



Performance Data

Table 33. Gross cooling capacities (MBH) TTA156H condensing unit with TWE201E air handler (IP)

CFM	Ent DB (°F)	Ambient Temperature (°F)						Ambient Temperature (°F)						Ambient Temperature (°F)					
		85						95						105					
		Entering Wet Bulb (°F)						Entering Wet Bulb (°F)						Entering Wet Bulb (°F)					
		61		67		73		61		67		73		61		67		73	
		MBH	SHC	MBH	SHC	MBH	SHC	MBH	SHC	MBH	SHC	MBH	SHC	MBH	SHC	MBH	SHC	MBH	SHC
5350	75	153.5	141.4	169.3	105.6	183.9	67.9	146.9	138.5	162.3	102.9	176.6	65.4	139.9	135.5	154.7	99.9	168.6	62.7
	80	155.6	155.6	169.0	134.5	183.5	97.2	149.8	149.8	162.0	131.8	176.3	94.7	143.9	143.9	154.5	128.9	168.2	92.0
	85	163.5	163.5	168.9	163.4	183.2	126.3	157.8	157.8	162.1	160.7	175.9	123.8	151.7	151.7	154.7	154.7	167.9	121.1
	90	171.3	171.3	171.6	171.6	182.9	155.3	165.5	165.5	165.7	165.7	175.6	152.8	159.2	159.2	159.4	159.4	167.6	150.1
5600	75	154.5	145.4	170.3	107.8	184.7	68.5	147.9	142.5	163.2	105.1	177.4	66.0	140.9	139.5	155.6	102.2	169.3	63.2
	80	157.2	157.2	170.0	138.1	184.3	99.1	151.7	151.7	162.9	135.4	177.0	96.6	145.6	145.6	155.3	132.5	168.9	93.9
	85	165.5	165.5	170.0	168.4	184.0	129.6	159.7	159.7	163.1	163.1	176.7	127.1	153.5	153.5	155.7	155.7	168.6	124.3
	90	173.3	173.3	173.5	173.5	183.7	159.9	167.4	167.4	167.6	167.6	176.3	157.4	161.0	161.0	161.1	161.1	168.3	154.7
5850	75	155.5	149.3	171.2	110.1	185.4	69.0	148.9	146.4	164.1	107.3	178.0	66.5	141.9	141.9	156.4	104.4	169.9	63.8
	80	159.0	159.0	170.9	141.7	185.0	101.0	153.4	153.4	163.8	139.0	177.7	98.5	147.3	147.2	156.1	136.0	169.5	95.8
	85	167.3	167.3	171.0	171.0	184.7	132.8	161.5	161.5	164.1	164.1	177.3	130.3	155.1	155.1	156.7	156.7	169.2	127.6
	90	175.1	175.1	175.3	175.3	184.4	164.5	169.1	169.1	169.3	169.3	177.0	162.0	162.6	162.6	162.7	162.7	168.9	159.3
6100	75	156.5	153.2	172.0	112.3	186.1	69.5	149.9	149.9	164.8	109.6	178.6	67.0	142.8	142.8	157.1	106.6	170.5	64.3
	80	160.8	160.8	171.7	145.3	185.7	102.9	155.0	155.0	164.5	142.6	178.3	100.4	148.8	148.8	156.8	139.6	170.1	97.7
	85	169.0	169.0	172.0	172.0	185.4	136.1	163.1	163.1	165.1	165.1	177.9	133.6	156.7	156.7	157.7	157.7	169.8	130.9
	90	176.8	176.8	177.0	177.0	185.0	169.1	170.7	170.7	170.9	170.9	177.6	166.7	164.1	164.1	164.2	164.2	169.5	164.0
CFM	Ent DB (°F)	Ambient Temperature (°F)						Ambient Temperature (°F)											
		115						125											
		Entering Wet Bulb (°F)						Entering Wet Bulb (°F)											
		61		67		73		61		67		73							
		MBH	SHC	MBH	SHC	MBH	SHC	MBH	SHC	MBH	SHC	MBH	SHC						
5350	75	132.7	132.4	146.6	96.8	159.9	59.8	125.2	125.2	137.9	93.5	150.3	56.6						
	80	137.6	137.6	146.3	125.7	159.5	89.0	130.8	130.8	137.6	122.5	149.9	85.8						
	85	145.1	145.1	146.9	146.9	159.1	118.1	137.9	137.9	138.6	138.6	149.5	114.9						
	90	152.3	152.3	152.4	152.4	158.8	147.1	144.7	144.7	144.8	144.8	149.3	144.0						
5600	75	133.6	133.6	147.4	99.0	160.5	60.3	126.1	126.1	138.6	95.8	150.8	57.1						
	80	139.2	139.2	147.1	129.3	160.1	90.9	132.3	132.3	138.3	126.0	150.4	87.7						
	85	146.7	146.7	147.9	147.9	159.7	121.4	139.4	139.4	139.7	139.7	150.1	118.2						
	90	153.9	153.9	154.0	154.0	159.5	151.8	146.1	146.1	146.2	146.2	149.9	148.6						
5850	75	134.5	134.5	148.1	101.3	161.0	60.8	126.9	126.9	139.2	98.0	151.3	57.6						
	80	140.7	140.7	147.8	132.9	160.7	92.8	133.6	133.6	138.9	129.6	150.9	89.6						
	85	148.2	148.2	148.9	148.9	160.3	124.7	140.8	140.8	140.9	140.9	150.6	121.5						
	90	155.4	155.4	155.5	155.5	160.1	156.4	147.4	147.4	147.5	147.5	150.5	150.5						
6100	75	135.4	135.4	148.7	103.5	161.6	61.4	127.8	127.8	139.8	100.2	151.8	58.2						
	80	142.1	142.1	148.4	136.5	161.2	94.7	134.9	134.9	139.5	133.2	151.4	91.5						
	85	149.6	149.6	149.9	149.9	160.8	127.9	142.0	142.0	142.0	142.0	151.0	124.7						
	90	156.7	156.7	156.8	156.8	160.7	160.4	148.6	148.6	148.7	148.7	151.0	151.0						

Notes:

1. All capacities shown are gross and have not considered indoor fan heat. To obtain net cooling, subtract indoor fan heat.
2. MBH = Total Gross Capacity, SHC = Sensible Heat Capacity

Table 34. Gross cooling capacities (kW) TTA156H condensing unit with TWE201E air handler (SI)

Airflow m ³ /hr	Ent DB (°C)	Ambient Temperature (°C)						Ambient Temperature (°C)						Ambient Temperature (°C)					
		30						35						40					
		Entering Wet Bulb (°C)						Entering Wet Bulb (°C)						Entering Wet Bulb (°C)					
		16		19		22		16		19		22		16		19		22	
		kW	SHC	kW	SHC	kW	SHC	kW	SHC	kW	SHC	kW	SHC	kW	SHC	kW	SHC	kW	SHC
9090	24	45.0	41.5	49.6	30.9	53.9	19.9	43.1	40.6	47.6	30.1	51.8	19.2	41.0	39.7	45.4	29.3	49.4	18.4
	27	45.6	45.6	49.5	39.4	53.8	28.5	43.9	43.9	47.5	38.6	51.7	27.8	42.2	42.2	45.3	37.8	49.3	27.0
	30	47.9	47.9	49.5	47.9	53.7	37.0	46.3	46.3	47.5	47.1	51.6	36.3	44.5	44.5	45.3	45.3	49.2	35.5
	33	50.2	50.2	50.3	50.3	53.6	45.5	48.5	48.5	48.6	48.6	51.5	44.8	46.7	46.7	46.7	46.7	49.1	44.0
9514	24	45.3	42.6	49.9	31.6	54.1	20.1	43.4	41.8	47.8	30.8	52.0	19.3	41.3	40.9	45.6	29.9	49.6	18.5
	27	46.1	46.1	49.8	40.5	54.0	29.0	44.5	44.5	47.8	39.7	51.9	28.3	42.7	42.7	45.5	38.8	49.5	27.5
	30	48.5	48.5	49.8	49.4	53.9	38.0	46.8	46.8	47.8	47.8	51.8	37.2	45.0	45.0	45.6	45.6	49.4	36.4
	33	50.8	50.8	50.8	50.8	53.8	46.9	49.1	49.1	49.1	49.1	51.7	46.1	47.2	47.2	47.2	47.2	49.3	45.3
9939	24	45.6	43.8	50.2	32.3	54.3	20.2	43.6	42.9	48.1	31.5	52.2	19.5	41.6	41.6	45.8	30.6	49.8	18.7
	27	46.6	46.6	50.1	41.5	54.2	29.6	45.0	45.0	48.0	40.7	52.1	28.9	43.2	43.2	45.7	39.9	49.7	28.1
	30	49.0	49.0	50.1	50.1	54.1	38.9	47.3	47.3	48.1	48.1	52.0	38.2	45.5	45.5	45.9	45.9	49.6	37.4
	33	51.3	51.3	51.4	51.4	54.0	48.2	49.6	49.6	49.6	49.6	51.9	47.5	47.6	47.6	47.7	47.7	49.5	46.7
10364	24	45.9	44.9	50.4	32.9	54.5	20.4	43.9	43.9	48.3	32.1	52.4	19.6	41.8	41.8	46.0	31.2	50.0	18.8
	27	47.1	47.1	50.3	42.6	54.4	30.1	45.4	45.4	48.2	41.8	52.3	29.4	43.6	43.6	45.9	40.9	49.9	28.6
	30	49.5	49.5	50.4	50.4	54.3	39.9	47.8	47.8	48.4	48.4	52.1	39.1	45.9	45.9	46.2	46.2	49.8	38.4
	33	51.8	51.8	51.9	51.9	54.2	49.6	50.0	50.0	50.1	50.1	52.0	48.8	48.1	48.1	48.1	48.1	49.7	48.1
Airflow m ³ /hr	Ent DB (°C)	Ambient Temperature (°C)						Ambient Temperature (°C)											
		45						52											
		Entering Wet Bulb (°C)						Entering Wet Bulb (°C)											
		16		19		22		16		19		22							
		kW	SHC	kW	SHC	kW	SHC	kW	SHC	kW	SHC	kW	SHC						
9090	24	38.9	38.8	43.0	28.4	46.9	17.5	36.7	36.7	40.4	27.4	44.0	16.6						
	27	40.3	40.3	42.9	36.9	46.7	26.1	38.3	38.3	40.3	35.9	43.9	25.2						
	30	42.5	42.5	43.0	43.0	46.6	34.6	40.4	40.4	40.6	40.6	43.8	33.7						
	33	44.6	44.6	44.7	44.7	46.5	43.1	42.4	42.4	42.4	42.4	43.8	42.2						
9514	24	39.2	39.2	43.2	29.0	47.0	17.7	36.9	36.9	40.6	28.1	44.2	16.7						
	27	40.8	40.8	43.1	37.9	46.9	26.6	38.8	38.8	40.5	36.9	44.1	25.7						
	30	43.0	43.0	43.3	43.3	46.8	35.6	40.9	40.9	40.9	40.9	44.0	34.6						
	33	45.1	45.1	45.1	45.1	46.7	44.5	42.8	42.8	42.9	42.9	43.9	43.6						
9939	24	39.4	39.4	43.4	29.7	47.2	17.8	37.2	37.2	40.8	28.7	44.3	16.9						
	27	41.2	41.2	43.3	39.0	47.1	27.2	39.2	39.2	40.7	38.0	44.2	26.3						
	30	43.4	43.4	43.6	43.6	47.0	36.5	41.3	41.3	41.3	41.3	44.1	35.6						
	33	45.5	45.5	45.6	45.6	46.9	45.8	43.2	43.2	43.2	43.2	44.1	44.1						
10364	24	39.7	39.7	43.6	30.3	47.3	18.0	37.5	37.5	41.0	29.4	44.5	17.0						
	27	41.6	41.6	43.5	40.0	47.2	27.8	39.5	39.5	40.9	39.0	44.4	26.8						
	30	43.9	43.9	43.9	43.9	47.1	37.5	41.6	41.6	41.6	41.6	44.3	36.6						
	33	45.9	45.9	46.0	46.0	47.1	47.0	43.6	43.6	43.6	43.6	44.3	44.3						

Notes:

1. All capacities shown are gross and have not considered indoor fan heat. To obtain net cooling, subtract indoor fan heat.
2. kW = Total Gross Capacity, SHC = Sensible Heat Capacity



Performance Data

Table 35. Gross cooling capacities (MBH) one compressor - TTA156J condensing unit with TWE156E air handler (IP)

CFM	Ent DB (°F)	Ambient Temperature (°F)						Ambient Temperature (°F)						Ambient Temperature (°F)					
		85						95						105					
		Entering Wet Bulb (°F)						Entering Wet Bulb (°F)						Entering Wet Bulb (°F)					
		61		67		73		61		67		73		61		67		73	
		MBH	SHC	MBH	SHC	MBH	SHC	MBH	SHC	MBH	SHC	MBH	SHC	MBH	SHC	MBH	SHC	MBH	SHC
4500	75	93.5	93.5	98.7	73.7	106.8	41.7	89.9	89.9	94.6	72.3	102.7	40.4	85.9	85.9	90.0	70.6	97.8	38.9
	80	98.6	98.6	99.3	98.1	106.6	67.2	95.0	95.0	95.1	95.1	102.1	65.8	91.0	91.0	91.1	91.1	97.5	64.3
	85	103.3	103.3	98.5	98.5	106.9	91.8	99.7	99.7	94.5	94.5	102.1	90.2	95.6	95.6	89.9	89.9	97.6	88.6
	90	108.9	108.9	98.4	98.4	106.7	106.7	104.6	104.6	94.4	94.4	101.8	101.8	100.0	100.0	89.9	89.9	97.1	97.1
5000	75	95.3	95.3	99.4	78.2	107.6	42.9	91.6	91.6	95.3	76.8	103.4	41.6	87.5	87.5	90.7	75.1	98.6	40.1
	80	100.3	100.3	100.4	100.4	107.4	71.2	96.7	96.7	96.8	96.8	102.7	69.7	92.6	92.6	92.7	92.7	98.0	68.2
	85	105.4	105.4	99.1	99.1	107.9	98.3	101.3	101.3	95.1	95.1	103.0	96.6	97.2	97.2	90.5	90.5	98.2	95.0
	90	111.2	111.2	99.0	99.0	107.5	107.5	106.7	106.7	95.0	95.0	102.5	102.5	101.9	101.9	90.5	90.5	97.5	97.5
5500	75	96.7	96.7	100.0	81.6	108.4	44.0	93.1	93.1	96.0	80.0	104.1	42.7	88.9	88.9	91.3	78.2	99.1	41.2
	80	101.7	101.7	101.8	101.8	108.1	75.1	98.1	98.1	98.2	98.2	103.2	73.6	93.9	93.9	94.0	94.0	98.5	72.1
	85	107.2	107.2	99.7	99.7	108.8	104.8	102.8	102.8	95.6	95.6	103.0	103.0	98.4	98.4	91.0	91.0	98.5	98.5
	90	113.1	113.1	99.5	99.5	108.1	108.1	108.5	108.5	95.5	95.5	103.1	103.1	103.5	103.5	90.9	90.9	97.8	97.8
6000	75	98.0	98.0	100.6	85.8	109.1	45.1	94.3	94.3	96.5	84.2	104.7	43.8	90.0	90.0	91.8	82.4	99.6	42.2
	80	102.9	102.9	103.0	103.0	108.6	79.1	99.3	99.3	99.3	99.3	103.6	77.5	95.0	95.0	95.1	95.1	98.9	76.1
	85	108.8	108.8	100.1	100.1	108.9	108.9	104.3	104.3	96.0	96.0	104.4	104.4	99.4	99.4	91.4	91.4	99.5	99.5
	90	114.8	114.8	99.9	99.9	108.6	108.6	110.0	110.0	95.9	95.9	103.5	103.5	104.8	104.8	91.3	91.3	98.0	98.0
CFM	Ent DB (°F)	Ambient Temperature (°F)						Ambient Temperature (°F)											
		115						125											
		Entering Wet Bulb (°F)						Entering Wet Bulb (°F)											
		61		67		73		61		67		73							
		MBH	SHC	MBH	SHC	MBH	SHC	MBH	SHC	MBH	SHC	MBH	SHC						
4500	75	81.6	81.6	85.0	68.8	92.5	37.3	76.9	76.9	79.6	65.7	86.4	35.4						
	80	86.6	86.6	86.6	86.6	92.3	62.7	81.7	81.7	81.7	81.7	86.6	60.9						
	85	91.1	91.1	84.9	84.9	92.5	86.8	86.1	86.1	79.5	79.5	86.9	84.8						
	90	95.1	95.1	84.9	84.9	92.0	92.0	89.9	89.9	79.5	79.5	86.2	86.2						
5000	75	83.1	83.1	85.7	72.1	93.1	38.4	78.3	78.3	80.2	69.9	86.9	36.6						
	80	88.1	88.1	88.1	88.1	92.9	66.6	83.1	83.1	83.1	83.1	87.0	64.8						
	85	92.6	92.6	85.5	85.5	92.7	92.7	87.4	87.4	80.0	80.0	87.5	87.5						
	90	96.6	96.6	85.4	85.4	92.4	92.4	91.1	91.1	79.9	79.9	86.6	86.6						
5500	75	84.4	84.4	86.2	76.2	93.5	39.5	79.4	79.4	80.7	74.0	87.2	37.6						
	80	89.3	89.3	89.4	89.4	93.5	70.9	84.2	84.2	84.2	84.2	87.4	68.8						
	85	93.7	93.7	85.9	85.9	93.8	93.8	88.4	88.4	80.4	80.4	88.5	88.5						
	90	98.0	98.0	85.9	85.9	92.7	92.7	92.0	92.0	80.3	80.3	86.9	86.9						
6000	75	85.4	85.4	86.7	80.4	93.9	40.5	80.4	80.4	81.2	78.2	87.4	38.6						
	80	90.4	90.4	90.4	90.4	93.7	72.6	85.1	85.1	85.2	85.2	87.8	70.5						
	85	94.7	94.7	86.3	86.3	94.8	94.8	89.3	89.3	80.7	80.7	89.4	89.4						
	90	99.2	99.2	86.2	86.2	93.0	93.0	93.0	93.0	80.6	80.6	87.1	87.1						

Notes:

1. All capacities shown are gross and have not considered indoor fan heat. To obtain net cooling, subtract indoor fan heat.
2. MBH = Total Gross Capacity, SHC = Sensible Heat Capacity

Table 36. Gross cooling capacities (kW) one compressor - TTA156J condensing unit with TWE156E air handler (SI)

Airflow m ³ /hr	Ent DB (°C)	Ambient Temperature (°C)						Ambient Temperature (°C)						Ambient Temperature (°C)					
		30						35						40					
		Entering Wet Bulb (°C)						Entering Wet Bulb (°C)						Entering Wet Bulb (°C)					
		16		19		22		16		19		22		16		19		22	
		kW	SHC	kW	SHC	kW	SHC	kW	SHC	kW	SHC	kW	SHC	kW	SHC	kW	SHC	kW	SHC
7646	24	27.4	27.4	28.9	21.6	31.3	12.2	26.3	26.3	27.7	21.2	30.1	11.8	25.2	25.2	26.4	20.7	28.7	11.4
	27	28.9	28.9	29.1	28.8	31.2	19.7	27.8	27.8	27.9	27.9	29.9	19.3	26.7	26.7	26.7	26.7	28.6	18.8
	30	30.3	30.3	28.9	28.9	31.3	26.9	29.2	29.2	27.7	27.7	29.9	26.4	28.0	28.0	26.4	26.4	28.6	26.0
	33	31.9	31.9	28.8	28.8	31.3	31.3	30.7	30.7	27.7	27.7	29.8	29.8	29.3	29.3	26.3	26.3	28.4	28.4
8495	24	27.9	27.9	29.1	22.9	31.5	12.6	26.8	26.8	27.9	22.5	30.3	12.2	25.7	25.7	26.6	22.0	28.9	11.7
	27	29.4	29.4	29.4	29.4	31.5	20.8	28.3	28.3	28.4	28.4	30.1	20.4	27.1	27.1	27.2	27.2	28.7	20.0
	30	30.9	30.9	29.0	29.0	31.6	28.8	29.7	29.7	27.9	27.9	30.2	28.3	28.5	28.5	26.5	26.5	28.8	27.8
	33	32.6	32.6	29.0	29.0	31.5	31.5	31.3	31.3	27.8	27.8	30.0	30.0	29.8	29.8	26.5	26.5	28.6	28.6
9345	24	28.3	28.3	29.3	23.9	31.8	12.9	27.3	27.3	28.1	23.5	30.5	12.5	26.0	26.0	26.8	22.9	29.0	12.1
	27	29.8	29.8	29.8	29.8	31.7	22.0	28.7	28.7	28.8	28.8	30.2	21.6	27.5	27.5	27.5	27.5	28.9	21.1
	30	31.4	31.4	29.2	29.2	31.9	30.7	30.1	30.1	28.0	28.0	30.2	30.2	28.8	28.8	26.7	26.7	28.9	28.9
	33	33.1	33.1	29.2	29.2	31.7	31.7	31.8	31.8	28.0	28.0	30.2	30.2	30.3	30.3	26.6	26.6	28.7	28.7
10194	24	28.7	28.7	29.5	25.2	32.0	13.2	27.6	27.6	28.3	24.7	30.7	12.8	26.4	26.4	26.9	24.1	29.2	12.4
	27	30.2	30.2	30.2	30.2	31.8	23.2	29.1	29.1	29.1	29.1	30.3	22.7	27.8	27.8	27.9	27.9	29.0	22.3
	30	31.9	31.9	29.3	29.3	31.9	31.9	30.6	30.6	28.1	28.1	30.6	30.6	29.1	29.1	26.8	26.8	29.2	29.2
	33	33.6	33.6	29.3	29.3	31.8	31.8	32.2	32.2	28.1	28.1	30.3	30.3	30.7	30.7	26.7	26.7	28.7	28.7
Airflow m ³ /hr	Ent DB (°C)	Ambient Temperature (°C)						Ambient Temperature (°C)											
		45						52											
		Entering Wet Bulb (°C)						Entering Wet Bulb (°C)											
		16		19		22		16		19		22							
		kW	SHC	kW	SHC	kW	SHC	kW	SHC	kW	SHC	kW	SHC						
7646	24	23.9	23.9	24.9	20.2	27.1	10.9	22.5	22.5	23.3	19.3	25.3	10.4						
	27	25.4	25.4	25.4	25.4	27.1	18.4	23.9	23.9	24.0	24.0	25.4	17.8						
	30	26.7	26.7	24.9	24.9	27.1	25.4	25.2	25.2	23.3	23.3	25.5	24.9						
	33	27.9	27.9	24.9	24.9	26.9	26.9	26.3	26.3	23.3	23.3	25.3	25.3						
8495	24	24.3	24.3	25.1	21.1	27.3	11.3	22.9	22.9	23.5	20.5	25.5	10.7						
	27	25.8	25.8	25.8	25.8	27.2	19.5	24.3	24.3	24.3	24.3	25.5	19.0						
	30	27.1	27.1	25.0	25.0	27.2	27.2	25.6	25.6	23.4	23.4	25.6	25.6						
	33	28.3	28.3	25.0	25.0	27.1	27.1	26.7	26.7	23.4	23.4	25.4	25.4						
9345	24	24.7	24.7	25.3	22.3	27.4	11.6	23.3	23.3	23.6	21.7	25.5	11.0						
	27	26.2	26.2	26.2	26.2	27.4	20.8	24.7	24.7	24.7	24.7	25.6	20.1						
	30	27.5	27.5	25.2	25.2	27.5	27.5	25.9	25.9	23.5	23.5	25.9	25.9						
	33	28.7	28.7	25.2	25.2	27.2	27.2	27.0	27.0	23.5	23.5	25.5	25.5						
10194	24	25.0	25.0	25.4	23.6	27.5	11.9	23.5	23.5	23.8	22.9	25.6	11.3						
	27	26.5	26.5	26.5	26.5	27.4	21.3	24.9	24.9	25.0	25.0	25.7	20.7						
	30	27.8	27.8	25.3	25.3	27.8	27.8	26.2	26.2	23.6	23.6	26.2	26.2						
	33	29.1	29.1	25.3	25.3	27.2	27.2	27.3	27.3	23.6	23.6	25.5	25.5						

Notes:

1. All capacities shown are gross and have not considered indoor fan heat. To obtain net cooling, subtract indoor fan heat.
2. kW = Total Gross Capacity, SHC = Sensible Heat Capacity



Performance Data

Table 37. Gross cooling capacities (MBH) both compressors - TTA156J condensing unit with TWE156E air handler (IP)

CFM	Ent DB (°F)	Ambient Temperature (°F)						Ambient Temperature (°F)						Ambient Temperature (°F)					
		85						95						105					
		Entering Wet Bulb (°F)						Entering Wet Bulb (°F)						Entering Wet Bulb (°F)					
		61		67		73		61		67		73		61		67		73	
		MBH	SHC	MBH	SHC	MBH	SHC	MBH	SHC	MBH	SHC	MBH	SHC	MBH	SHC	MBH	SHC	MBH	SHC
4500	75	155.0	132.6	169.5	100.8	183.3	67.4	147.8	129.2	161.8	97.8	175.2	64.5	140.3	125.7	153.6	94.5	166.4	61.5
	80	156.0	156.0	169.6	126.2	183.3	93.0	149.9	149.9	161.8	123.1	175.2	90.1	143.5	143.5	153.6	119.7	166.4	87.1
	85	163.8	163.8	169.6	147.8	183.3	118.4	157.6	157.6	162.0	144.6	175.2	115.6	150.9	150.9	153.8	141.2	166.4	112.5
	90	171.4	171.4	169.7	169.7	183.3	140.7	165.0	165.0	162.1	162.1	175.2	137.7	158.1	158.1	153.9	153.9	166.4	134.5
5000	75	157.6	140.5	171.7	105.4	185.3	68.4	150.3	137.1	163.9	102.3	177.0	65.6	142.6	133.6	155.5	99.1	168.1	62.5
	80	160.6	160.6	171.7	133.4	185.2	96.8	154.3	154.3	163.9	130.2	177.0	94.0	147.5	147.5	155.6	126.8	168.0	90.9
	85	168.5	168.5	171.8	156.6	185.2	125.1	162.0	162.0	164.0	153.3	176.9	122.3	155.0	155.0	155.6	149.9	168.0	119.2
	90	176.1	176.1	171.9	171.9	185.2	148.8	169.4	169.4	164.1	164.1	176.9	145.8	162.2	162.2	155.7	155.7	168.0	142.5
5500	75	159.8	148.4	173.5	110.0	186.8	69.4	152.5	145.0	165.5	106.9	178.4	66.6	144.7	141.4	157.0	103.6	169.4	63.6
	80	164.5	164.5	173.6	140.5	186.8	100.7	157.9	157.9	165.7	137.3	178.4	97.9	150.9	150.9	157.2	133.9	169.3	94.8
	85	172.4	172.4	173.6	165.1	186.7	131.8	165.7	165.7	165.7	161.8	178.3	129.0	158.4	158.4	157.2	157.2	169.2	126.0
	90	180.0	180.0	173.6	173.6	186.6	156.7	173.1	173.1	165.7	165.7	178.3	153.7	165.5	165.5	157.2	157.2	169.2	150.4
6000	75	161.8	156.2	175.0	114.5	188.1	70.4	152.9	152.9	166.9	111.4	179.6	67.6	145.8	145.8	158.3	108.2	170.5	64.6
	80	167.8	167.8	175.2	147.6	188.0	104.6	161.0	161.0	167.2	144.4	179.5	101.7	153.8	153.8	158.7	141.0	170.4	98.7
	85	175.8	175.8	175.1	173.4	187.9	138.5	168.9	168.9	167.0	167.0	179.4	135.7	161.3	161.3	158.4	158.4	170.3	132.7
	90	183.3	183.3	175.1	175.1	187.8	164.4	176.2	176.2	167.0	167.0	179.4	161.4	168.3	168.3	158.4	158.4	170.2	158.2
CFM	Ent DB (°F)	Ambient Temperature (°F)						Ambient Temperature (°F)											
		115						125											
		Entering Wet Bulb (°F)						Entering Wet Bulb (°F)											
		61		67		73		61		67		73							
		MBH	SHC	MBH	SHC	MBH	SHC	MBH	SHC	MBH	SHC	MBH	SHC						
4500	75	132.5	122.1	144.9	91.1	156.9	58.2	124.3	118.4	135.5	87.5	146.4	54.7						
	80	136.7	136.7	145.0	116.2	156.9	83.8	129.2	129.2	135.6	112.3	146.5	80.2						
	85	143.8	143.8	145.1	137.6	156.9	109.3	135.9	135.9	135.7	133.7	146.5	105.7						
	90	150.6	150.6	145.2	145.2	157.0	131.0	142.2	142.2	135.7	135.7	146.5	127.2						
5000	75	134.7	130.0	146.6	95.7	158.4	59.3	125.5	125.5	136.9	92.0	147.7	55.7						
	80	140.3	140.3	146.8	123.3	158.3	87.7	132.5	132.5	137.2	119.4	147.7	84.1						
	85	147.5	147.5	146.7	146.3	158.3	116.0	139.2	139.2	137.1	137.1	147.6	112.0						
	90	154.3	154.3	146.8	146.8	158.3	139.1	145.4	145.4	137.1	137.1	147.6	135.2						
5500	75	135.9	135.9	147.9	100.2	159.5	60.3	128.2	128.2	138.1	96.5	148.7	56.8						
	80	143.4	143.4	148.3	130.3	159.5	91.6	135.2	135.2	138.5	126.4	148.6	88.0						
	85	150.6	150.6	148.1	148.1	159.4	122.7	141.8	141.8	138.2	138.2	148.6	118.3						
	90	157.3	157.3	148.1	148.1	159.4	146.9	148.0	148.0	138.2	138.2	148.5	143.1						
6000	75	138.5	138.5	149.1	104.7	160.5	61.4	130.4	130.4	139.0	101.0	149.5	57.8						
	80	146.0	146.0	149.6	137.4	160.4	95.5	137.5	137.5	139.7	133.4	149.4	91.9						
	85	153.2	153.2	149.2	149.2	160.4	128.5	144.1	144.1	139.1	139.1	149.5	124.7						
	90	159.8	159.8	149.2	149.2	160.2	154.7	150.1	150.1	139.1	139.1	149.2	149.2						

Notes:

- All capacities shown are gross and have not considered indoor fan heat. To obtain net cooling, subtract indoor fan heat.
- MBH = Total Gross Capacity, SHC = Sensible Heat Capacity

Table 38. Gross cooling capacities (kW) both compressors - TTA156J condensing unit with TWE156E air handler (SI)

Airflow m ³ /hr	Ent DB (°C)	Ambient Temperature (°C)						Ambient Temperature (°C)						Ambient Temperature (°C)					
		30						35						40					
		Entering Wet Bulb (°C)						Entering Wet Bulb (°C)						Entering Wet Bulb (°C)					
		16		19		22		16		19		22		16		19		22	
		kW	SHC	kW	SHC	kW	SHC	kW	SHC	kW	SHC	kW	SHC	kW	SHC	kW	SHC	kW	SHC
7646	24	45.4	38.8	49.7	29.5	53.7	19.7	43.3	37.9	47.4	28.6	51.3	18.9	41.1	36.8	45.0	27.7	48.8	18.0
	27	45.7	45.7	49.7	37.0	53.7	27.2	43.9	43.9	47.4	36.1	51.3	26.4	42.0	42.0	45.0	35.1	48.8	25.5
	30	48.0	48.0	49.7	43.3	53.7	34.7	46.2	46.2	47.5	42.4	51.3	33.9	44.2	44.2	45.1	41.4	48.8	33.0
	33	50.2	50.2	49.7	49.7	53.7	41.2	48.3	48.3	47.5	47.5	51.3	40.4	46.3	46.3	45.1	45.1	48.8	39.4
8495	24	46.2	41.2	50.3	30.9	54.3	20.0	44.0	40.2	48.0	30.0	51.9	19.2	41.8	39.1	45.6	29.0	49.2	18.3
	27	47.0	47.0	50.3	39.1	54.3	28.4	45.2	45.2	48.0	38.2	51.8	27.5	43.2	43.2	45.6	37.2	49.2	26.6
	30	49.4	49.4	50.3	45.9	54.3	36.7	47.5	47.5	48.1	44.9	51.8	35.8	45.4	45.4	45.6	43.9	49.2	34.9
	33	51.6	51.6	50.4	50.4	54.3	43.6	49.6	49.6	48.1	48.1	51.8	42.7	47.5	47.5	45.6	45.6	49.2	41.8
9345	24	46.8	43.5	50.8	32.2	54.7	20.3	44.7	42.5	48.5	31.3	52.3	19.5	42.4	41.4	46.0	30.4	49.6	18.6
	27	48.2	48.2	50.9	41.2	54.7	29.5	46.3	46.3	48.5	40.2	52.3	28.7	44.2	44.2	46.1	39.2	49.6	27.8
	30	50.5	50.5	50.9	48.4	54.7	38.6	48.6	48.6	48.5	47.4	52.2	37.8	46.4	46.4	46.0	46.0	49.6	36.9
	33	52.7	52.7	50.9	50.9	54.7	45.9	50.7	50.7	48.6	48.6	52.2	45.0	48.5	48.5	46.1	46.1	49.6	44.1
10194	24	47.4	45.8	51.3	33.5	55.1	20.6	44.8	44.8	48.9	32.6	52.6	19.8	42.7	42.7	46.4	31.7	49.9	18.9
	27	49.2	49.2	51.3	43.2	55.1	30.6	47.2	47.2	49.0	42.3	52.6	29.8	45.1	45.1	46.5	41.3	49.9	28.9
	30	51.5	51.5	51.3	50.8	55.1	40.6	49.5	49.5	48.9	48.9	52.6	39.8	47.3	47.3	46.4	46.4	49.9	38.9
	33	53.7	53.7	51.3	51.3	55.0	48.2	51.6	51.6	48.9	48.9	52.6	47.3	49.3	49.3	46.4	46.4	49.9	46.3
Airflow m ³ /hr	Ent DB (°C)	Ambient Temperature (°C)						Ambient Temperature (°C)											
		45						52											
		Entering Wet Bulb (°C)						Entering Wet Bulb (°C)											
		16		19		22		16		19		22							
		kW	SHC	kW	SHC	kW	SHC	kW	SHC	kW	SHC	kW	SHC						
7646	24	38.8	35.8	42.5	26.7	46.0	17.1	36.4	34.7	39.7	25.6	42.9	16.0						
	27	40.0	40.0	42.5	34.0	46.0	24.6	37.9	37.9	39.7	32.9	42.9	23.5						
	30	42.1	42.1	42.5	40.3	46.0	32.0	39.8	39.8	39.7	39.2	42.9	31.0						
	33	44.1	44.1	42.5	42.5	46.0	38.4	41.7	41.7	39.8	39.8	42.9	37.3						
8495	24	39.5	38.1	42.9	28.0	46.4	17.4	36.8	36.8	40.1	27.0	43.3	16.3						
	27	41.1	41.1	43.0	36.1	46.4	25.7	38.8	38.8	40.2	35.0	43.3	24.7						
	30	43.2	43.2	43.0	42.9	46.4	34.0	40.8	40.8	40.2	40.2	43.3	32.8						
	33	45.2	45.2	43.0	43.0	46.4	40.7	42.6	42.6	40.2	40.2	43.2	39.6						
9345	24	39.8	39.8	43.3	29.4	46.7	17.7	37.5	37.5	40.5	28.3	43.6	16.6						
	27	42.0	42.0	43.4	38.2	46.7	26.8	39.6	39.6	40.6	37.0	43.5	25.8						
	30	44.1	44.1	43.4	43.4	46.7	36.0	41.6	41.6	40.5	40.5	43.5	34.7						
	33	46.1	46.1	43.4	43.4	46.7	43.1	43.4	43.4	40.5	40.5	43.5	41.9						
10194	24	40.6	40.6	43.7	30.7	47.0	18.0	38.2	38.2	40.7	29.6	43.8	16.9						
	27	42.8	42.8	43.8	40.2	47.0	28.0	40.3	40.3	40.9	39.1	43.8	26.9						
	30	44.9	44.9	43.7	43.7	47.0	37.7	42.2	42.2	40.8	40.8	43.8	36.5						
	33	46.8	46.8	43.7	43.7	46.9	45.3	44.0	44.0	40.8	40.8	43.7	43.7						

Notes:

1. All capacities shown are gross and have not considered indoor fan heat. To obtain net cooling, subtract indoor fan heat.
2. kW = Total Gross Capacity, SHC = Sensible Heat Capacity



Performance Data

Table 39. Gross cooling capacities (MBH) TTA201H condensing unit with TWE201E air handler (IP)

CFM	Ent DB (°F)	Ambient Temperature (°F)						Ambient Temperature (°F)						Ambient Temperature (°F)					
		85						95						105					
		Entering Wet Bulb (°F)						Entering Wet Bulb (°F)						Entering Wet Bulb (°F)					
		61		67		73		61		67		73		61		67		73	
		MBH	SHC	MBH	SHC	MBH	SHC	MBH	SHC	MBH	SHC	MBH	SHC	MBH	SHC	MBH	SHC	MBH	SHC
5320	75	205.4	163.7	226.2	128.0	242.7	88.9	196.7	159.6	215.8	123.6	228.6	83.7	187.0	155.1	204.1	118.8	214.8	78.8
	80	206.0	192.2	226.2	156.4	242.6	117.6	197.5	188.2	215.8	152.0	228.5	112.4	188.1	183.8	204.1	147.2	214.8	107.5
	85	210.1	210.1	226.2	184.8	242.6	146.2	202.2	202.2	215.8	180.4	228.5	141.1	193.8	193.8	204.2	175.6	214.8	136.1
	90	219.5	219.5	227.1	213.3	242.6	174.7	211.5	211.5	216.9	208.7	228.5	169.6	202.3	202.3	205.4	204.1	214.8	164.6
6000	75	210.0	174.5	230.3	134.0	244.9	89.8	200.8	170.3	219.3	129.5	231.8	85.1	190.7	165.7	206.9	124.5	217.4	80.0
	80	211.4	206.9	230.3	166.1	244.9	122.2	202.4	202.4	219.2	161.6	231.8	117.5	192.6	192.6	206.8	156.6	217.3	112.4
	85	217.6	217.6	230.5	198.1	244.8	154.4	209.5	209.5	219.5	193.6	231.7	149.8	200.2	200.2	207.2	188.6	217.3	144.7
	90	227.7	227.7	232.0	229.9	244.8	186.6	218.7	218.7	221.2	221.2	231.7	181.9	208.1	208.1	209.3	209.3	217.3	176.9
6680	75	213.9	185.2	233.5	139.9	248.1	91.2	204.3	180.9	221.9	135.3	234.4	86.5	193.7	176.2	208.9	130.2	219.4	81.3
	80	216.0	216.0	233.5	175.6	248.0	127.3	206.9	206.9	221.9	171.0	234.3	122.5	196.9	196.9	208.9	165.9	219.3	117.4
	85	224.4	224.4	233.9	211.3	247.9	163.2	215.5	215.5	222.4	206.7	234.3	158.5	205.2	205.2	209.5	201.7	219.2	153.3
	90	234.2	234.2	236.2	236.2	248.0	199.0	224.1	224.1	225.1	225.1	234.4	194.3	210.9	210.9	211.1	211.1	219.4	189.1
7350	75	217.1	195.6	236.0	145.6	250.6	92.6	207.1	191.2	223.9	140.9	236.4	87.8	196.3	186.4	210.4	135.7	220.9	82.6
	80	220.3	220.3	236.0	184.9	250.5	132.3	211.1	211.1	223.9	180.2	236.3	127.5	200.8	200.8	210.3	175.0	220.8	122.3
	85	229.9	229.9	236.7	224.3	250.4	171.8	220.2	220.2	224.7	219.6	236.3	167.0	208.9	208.9	209.6	209.6	220.8	161.8
	90	239.2	239.2	240.1	240.1	250.6	211.2	226.8	226.8	226.8	226.8	236.5	206.4	213.6	213.6	213.8	213.8	221.0	201.2
8030	75	219.9	206.1	238.0	151.4	252.7	94.0	209.7	201.7	225.5	146.6	238.1	89.1	198.5	196.8	211.5	141.3	222.1	83.8
	80	224.6	224.6	238.0	194.3	252.6	137.4	214.9	214.9	225.5	189.5	238.0	132.5	204.3	204.3	211.5	184.2	222.0	127.2
	85	234.4	234.4	239.0	236.5	252.5	180.6	224.0	224.0	224.8	224.8	238.0	175.7	210.3	210.3	210.1	210.1	222.0	170.4
	90	242.0	242.0	242.1	242.1	252.8	223.7	229.7	229.7	229.9	229.9	238.3	218.8	217.2	217.2	217.3	217.3	222.5	213.6
CFM	Ent DB (°F)	Ambient Temperature (°F)						Ambient Temperature (°F)											
		115						125											
		Entering Wet Bulb (°F)						Entering Wet Bulb (°F)											
		61		67		73		61		67		73							
		MBH	SHC	MBH	SHC	MBH	SHC	MBH	SHC	MBH	SHC	MBH	SHC						
5320	75	176.6	150.3	191.3	113.6	199.8	73.4	166.2	145.6	175.8	107.4	184.1	68.0						
	80	178.1	177.8	191.3	142.0	199.8	102.2	167.9	167.9	175.8	135.8	184.0	96.7						
	85	184.4	184.4	191.5	170.4	199.7	130.8	174.3	174.3	176.2	164.3	184.0	125.3						
	90	191.5	191.5	190.7	190.7	199.8	159.3	178.1	178.1	178.5	178.5	184.0	153.8						
6000	75	179.8	160.8	193.3	119.2	201.7	74.6	168.9	156.0	177.5	113.0	185.3	69.1						
	80	182.3	182.3	193.3	151.2	201.6	107.0	172.0	172.0	177.5	145.1	185.2	101.5						
	85	189.6	189.6	191.7	182.5	201.6	139.3	176.1	176.1	178.2	174.8	185.2	133.7						
	90	194.4	194.4	194.6	194.6	201.7	171.5	180.3	180.3	180.4	180.4	185.3	165.9						
6680	75	182.4	171.2	194.7	124.7	203.1	75.8	171.1	166.3	178.8	118.6	186.1	70.2						
	80	186.3	186.3	194.6	160.4	203.0	111.9	175.4	175.4	178.7	154.3	186.0	106.3						
	85	191.5	191.5	193.8	192.5	203.0	147.8	177.4	177.4	178.2	178.2	186.0	142.2						
	90	197.0	197.0	197.2	197.2	203.1	183.7	183.4	183.3	183.4	183.4	186.2	178.0						
7350	75	184.7	181.4	194.3	129.6	204.1	77.0	172.9	172.9	177.9	123.5	186.7	71.3						
	80	189.7	189.7	194.3	168.9	204.0	116.7	175.6	175.6	178.1	162.8	186.6	111.0						
	85	194.6	194.6	194.2	194.2	204.0	156.2	180.1	180.1	180.2	180.2	186.6	150.5						
	90	200.3	200.3	200.4	200.4	204.3	195.7	185.5	185.5	185.5	185.5	186.9	186.5						
8030	75	186.6	186.6	195.3	135.2	204.9	78.2	174.6	174.6	178.9	129.2	187.2	72.5						
	80	192.4	192.4	193.8	177.6	204.9	121.6	177.8	177.8	179.2	172.2	187.1	115.9						
	85	196.0	196.0	196.3	196.3	204.8	164.8	182.3	182.3	182.3	182.3	187.0	159.0						
	90	202.9	202.9	203.0	203.0	205.3	205.3	186.9	186.9	186.9	186.9	187.4	187.4						

Notes:

- All capacities shown are gross and have not considered indoor fan heat. To obtain net cooling, subtract indoor fan heat.
- MBH = Total Gross Capacity, SHC = Sensible Heat Capacity

Table 40. Gross cooling capacities (kW) TTA201H condensing unit with TWE201E air handler (SI)

Airflow m ³ /hr	Ent DB (°C)	Ambient Temperature (°C)						Ambient Temperature (°C)						Ambient Temperature (°C)					
		30						35						40					
		Entering Wet Bulb (°C)						Entering Wet Bulb (°C)						Entering Wet Bulb (°C)					
		16		19		22		16		19		22		16		19		22	
		kW	SHC	kW	SHC	kW	SHC	kW	SHC	kW	SHC	kW	SHC	kW	SHC	kW	SHC	kW	SHC
9039	24	60.2	48.0	66.3	37.5	71.1	26.1	57.6	46.8	63.2	36.2	67.0	24.5	54.8	45.5	59.8	34.8	63.0	23.1
	27	60.4	56.3	66.3	45.8	71.1	34.5	57.9	55.2	63.2	44.6	67.0	33.0	55.1	53.9	59.8	43.1	63.0	31.5
	30	61.6	61.6	66.3	54.1	71.1	42.9	59.3	59.3	63.3	52.9	67.0	41.3	56.8	56.8	59.9	51.5	62.9	39.9
	33	64.3	64.3	66.6	62.5	71.1	51.2	62.0	62.0	63.6	61.2	67.0	49.7	59.3	59.3	60.2	59.8	62.9	48.2
10194	24	61.6	51.1	67.5	39.3	71.8	26.3	58.9	49.9	64.3	38.0	67.9	24.9	55.9	48.6	60.6	36.5	63.7	23.5
	27	61.9	60.6	67.5	48.7	71.8	35.8	59.3	59.3	64.3	47.4	67.9	34.4	56.5	56.5	60.6	45.9	63.7	33.0
	30	63.8	63.8	67.6	58.1	71.7	45.3	61.4	61.4	64.3	56.7	67.9	43.9	58.7	58.7	60.7	55.3	63.7	42.4
	33	66.7	66.7	68.0	67.4	71.8	54.7	64.1	64.1	64.8	64.8	67.9	53.3	61.0	61.0	61.3	61.3	63.7	51.8
11349	24	62.7	54.3	68.4	41.0	72.7	26.7	59.9	53.0	65.0	39.6	68.7	25.3	56.8	51.6	61.2	38.2	64.3	23.8
	27	63.3	63.3	68.4	51.5	72.7	37.3	60.6	60.6	65.0	50.1	68.7	35.9	57.7	57.7	61.2	48.6	64.3	34.4
	30	65.8	65.8	68.5	61.9	72.7	47.8	63.1	63.1	65.2	60.6	68.7	46.4	60.1	60.1	61.4	59.1	64.3	44.9
	33	68.6	68.6	69.2	69.2	72.7	58.3	65.7	65.7	66.0	66.0	68.7	56.9	61.8	61.8	61.9	61.9	64.3	55.4
12488	24	63.6	57.3	69.2	42.7	73.4	27.1	60.7	56.0	65.6	41.3	69.3	25.7	57.5	54.6	61.7	39.8	64.7	24.2
	27	64.6	64.6	69.2	54.2	73.4	38.8	61.9	61.9	65.6	52.8	69.3	37.4	58.9	58.9	61.6	51.3	64.7	35.8
	30	67.4	67.4	69.4	65.7	73.4	50.4	64.5	64.5	65.9	64.4	69.2	48.9	61.2	61.2	61.4	61.4	64.7	47.4
	33	70.1	70.1	70.4	70.4	73.4	61.9	66.5	66.5	66.5	66.5	69.3	60.5	62.6	62.6	62.7	62.7	64.8	59.0
13643	24	64.4	60.4	69.8	44.4	74.1	27.6	61.5	59.1	66.1	43.0	69.8	26.1	58.2	57.7	62.0	41.4	65.1	24.6
	27	65.8	65.8	69.7	56.9	74.0	40.3	63.0	63.0	66.1	55.5	69.7	38.8	59.9	59.9	62.0	54.0	65.1	37.3
	30	68.7	68.7	70.1	69.3	74.0	52.9	65.6	65.6	65.9	65.9	69.7	51.5	61.6	61.6	61.6	61.6	65.1	49.9
	33	70.9	70.9	70.9	70.9	74.1	65.6	67.3	67.3	67.4	67.4	69.8	64.1	63.6	63.6	63.7	63.7	65.2	62.6
Airflow m ³ /hr	Ent DB (°C)	Ambient Temperature (°C)						Ambient Temperature (°C)											
		45						52											
		Entering Wet Bulb (°C)						Entering Wet Bulb (°C)											
		16		19		22		16		19		22							
		kW	SHC	kW	SHC	kW	SHC	kW	SHC	kW	SHC	kW	SHC						
9039	24	51.8	44.1	56.1	33.3	58.6	21.5	48.7	42.7	51.5	31.5	53.9	19.9						
	27	52.2	52.1	56.1	41.6	58.6	29.9	49.2	49.2	51.5	39.8	53.9	28.3						
	30	54.0	54.0	56.1	49.9	58.5	38.3	51.1	51.1	51.6	48.1	53.9	36.7						
	33	56.1	56.1	55.9	55.9	58.5	46.7	52.2	52.2	52.3	52.3	53.9	45.1						
10194	24	52.7	47.1	56.7	34.9	59.1	21.9	49.5	45.7	52.0	33.1	54.3	20.2						
	27	53.4	53.4	56.6	44.3	59.1	31.4	50.4	50.4	52.0	42.5	54.3	29.7						
	30	55.6	55.6	56.2	53.5	59.1	40.8	51.6	51.6	52.2	51.2	54.3	39.2						
	33	57.0	57.0	57.0	57.0	59.1	50.3	52.8	52.8	52.9	52.9	54.3	48.6						
11349	24	53.5	50.2	57.1	36.5	59.5	22.2	50.1	48.7	52.4	34.8	54.5	20.6						
	27	54.6	54.6	57.0	47.0	59.5	32.8	51.4	51.4	52.4	45.2	54.5	31.1						
	30	56.1	56.1	56.8	56.4	59.5	43.3	52.0	52.0	52.2	52.2	54.5	41.7						
	33	57.7	57.7	57.8	57.8	59.5	53.8	53.7	53.7	53.8	53.8	54.6	52.2						
12488	24	54.1	53.2	56.9	38.0	59.8	22.6	50.7	50.7	52.1	36.2	54.7	20.9						
	27	55.6	55.6	56.9	49.5	59.8	34.2	51.5	51.5	52.2	47.7	54.7	32.5						
	30	57.0	57.0	56.9	56.9	59.8	45.8	52.8	52.8	52.8	52.8	54.7	44.1						
	33	58.7	58.7	58.7	58.7	59.9	57.4	54.4	54.4	54.4	54.4	54.8	54.7						
13643	24	54.7	54.7	57.3	39.6	60.1	22.9	51.2	51.2	52.4	37.9	54.9	21.2						
	27	56.4	56.4	56.8	52.1	60.0	35.6	52.1	52.1	52.5	50.5	54.8	34.0						
	30	57.4	57.4	57.5	57.5	60.0	48.3	53.4	53.4	53.4	53.4	54.8	46.6						
	33	59.5	59.5	59.5	59.5	60.2	60.2	54.8	54.8	54.8	54.8	54.9	54.9						

Notes:

- All capacities shown are gross and have not considered indoor fan heat. To obtain net cooling, subtract indoor fan heat.
- kW = Total Gross Capacity, SHC = Sensible Heat Capacity



Performance Data

Table 41. Gross cooling capacities (MBH) one compressor - TTA201J condensing unit with TWE201E air handler (IP)

CFM	Ent DB (°F)	Ambient Temperature (°F)						Ambient Temperature (°F)						Ambient Temperature (°F)					
		85						95						105					
		Entering Wet Bulb (°F)						Entering Wet Bulb (°F)						Entering Wet Bulb (°F)					
		61		67		73		61		67		73		61		67		73	
		MBH	SHC	MBH	SHC	MBH	SHC	MBH	SHC	MBH	SHC	MBH	SHC	MBH	SHC	MBH	SHC	MBH	SHC
5320	75	126.7	126.7	137.9	94.0	147.2	56.5	122.0	122.0	132.1	91.8	140.4	54.4	116.6	116.6	125.4	89.3	132.3	51.8
	80	133.5	133.5	137.9	120.8	149.0	86.1	128.6	128.6	132.2	118.3	141.8	83.7	123.0	123.0	125.7	115.5	133.9	81.1
	85	139.7	139.7	137.7	137.7	149.6	113.6	134.2	134.2	131.9	131.9	142.3	110.8	128.0	128.0	125.4	125.4	134.3	107.8
	90	146.8	146.8	137.9	137.9	149.8	135.2	140.7	140.7	131.6	131.6	142.5	132.4	133.9	133.9	125.2	125.2	134.6	128.8
6000	75	129.9	129.9	139.2	98.0	148.3	58.0	125.0	125.0	133.4	95.5	141.1	55.7	119.4	119.4	126.6	92.5	132.7	53.1
	80	136.5	136.5	139.3	129.5	150.5	91.3	131.4	131.4	133.4	127.0	143.1	88.9	125.4	125.4	126.8	124.1	135.0	86.3
	85	143.3	143.3	139.3	139.3	151.1	121.6	137.4	137.4	132.9	132.9	143.6	118.8	130.8	130.8	126.2	126.2	135.4	115.6
	90	150.4	150.4	139.4	139.4	151.2	144.7	143.9	143.9	133.0	133.0	143.7	141.8	136.5	136.5	126.1	126.1	135.4	135.4
6680	75	132.5	132.5	140.3	103.0	149.0	59.3	127.4	127.4	134.3	100.4	141.5	57.0	121.6	121.6	127.5	97.3	133.0	54.3
	80	138.8	138.8	141.0	137.6	151.7	96.6	133.4	133.4	133.4	133.4	144.1	94.2	127.2	127.2	127.3	127.3	135.9	91.5
	85	146.3	146.3	140.5	140.5	152.2	129.6	140.0	140.0	134.0	134.0	144.7	126.6	133.0	133.0	126.8	126.8	136.3	123.4
	90	153.3	153.3	140.6	140.6	152.4	152.4	146.4	146.4	134.0	134.0	144.6	144.6	138.4	138.4	126.8	126.8	136.1	136.1
7350	75	134.5	134.5	141.1	107.8	149.6	60.5	129.3	129.3	135.1	105.1	141.9	58.1	123.3	123.3	128.2	101.9	133.1	55.4
	80	141.1	141.1	141.2	141.2	152.6	101.7	135.2	135.2	135.3	135.3	145.0	99.3	128.6	128.6	128.7	128.7	136.6	95.3
	85	148.7	148.7	141.6	141.6	153.2	137.4	142.2	142.2	134.8	134.8	145.5	134.4	134.8	134.8	127.5	127.5	137.0	130.9
	90	155.6	155.6	141.6	141.6	153.2	153.2	148.2	148.2	134.9	134.9	145.3	145.3	139.8	139.8	127.5	127.5	136.6	136.6
8030	75	136.3	136.3	141.8	119.5	150.0	61.6	130.9	130.9	135.8	109.9	142.1	59.1	124.8	124.8	128.8	106.6	138.8	56.5
	80	143.2	143.2	143.3	143.3	153.4	107.0	137.0	137.0	137.1	137.1	145.7	103.0	130.1	130.1	130.2	130.2	137.2	100.2
	85	150.8	150.8	142.4	142.4	154.1	145.3	144.0	144.0	135.6	135.6	146.3	142.2	136.3	136.3	128.1	128.1	138.1	134.9
	90	157.4	157.4	142.5	142.5	153.9	153.9	149.7	149.7	135.6	135.6	145.9	145.9	140.8	140.8	128.0	128.0	137.1	137.1
CFM	Ent DB (°F)	Ambient Temperature (°F)						Ambient Temperature (°F)											
		115						125											
		Entering Wet Bulb (°F)						Entering Wet Bulb (°F)											
		61		67		73		61		67		73							
		MBH	SHC	MBH	SHC	MBH	SHC	MBH	SHC	MBH	SHC	MBH	SHC						
5320	75	110.5	110.5	117.9	86.6	123.0	49.6	103.9	103.9	109.9	80.7	113.6	46.0						
	80	116.5	116.5	118.3	112.4	125.3	78.3	109.4	109.4	109.4	109.4	116.2	75.4						
	85	121.0	121.0	117.9	117.9	125.6	104.4	113.2	113.2	109.8	109.8	116.1	100.7						
	90	126.0	126.0	117.7	117.7	125.5	125.5	117.1	117.1	109.6	109.6	115.9	115.9						
6000	75	113.0	113.0	119.0	89.1	123.1	51.5	106.0	106.0	110.7	85.3	113.8	47.1						
	80	118.6	118.6	118.7	118.7	126.2	83.5	111.1	111.1	111.1	111.1	116.9	80.6						
	85	123.3	123.3	118.6	118.6	126.4	112.1	115.0	115.0	110.4	110.4	116.8	108.2						
	90	127.9	127.9	118.4	118.4	126.2	126.2	118.2	118.2	110.1	110.1	116.3	116.3						
6680	75	114.9	114.9	119.8	93.8	123.2	52.7	107.7	107.7	111.4	89.8	113.9	48.3						
	80	120.1	120.1	120.2	120.2	126.9	87.6	112.3	112.3	112.4	112.4	117.4	84.5						
	85	125.1	125.1	119.1	119.1	127.1	119.7	116.3	116.3	110.8	110.8	117.3	115.6						
	90	129.2	129.2	118.9	118.9	126.7	126.7	118.8	118.8	110.4	110.4	116.7	116.7						
7350	75	116.5	116.5	120.4	98.2	123.3	53.9	109.0	109.0	112.0	94.1	114.0	50.1						
	80	121.2	121.2	121.3	121.3	127.5	92.4	113.2	113.2	113.3	113.3	117.9	89.2						
	85	126.5	126.5	119.4	119.4	127.3	124.9	117.3	117.3	111.0	111.0	117.3	117.3						
	90	130.0	130.0	119.3	119.3	127.1	127.1	118.9	118.9	110.8	110.8	116.9	116.9						
8030	75	117.7	117.7	120.9	102.7	126.7	58.5	110.1	110.1	112.5	98.3	117.8	52.3						
	80	122.5	122.5	122.5	122.5	128.0	97.2	114.1	114.1	114.1	114.1	118.3	94.0						
	85	127.6	127.6	119.9	119.9	127.6	127.6	118.1	118.1	111.3	111.3	118.1	118.1						
	90	130.5	130.5	119.8	119.8	127.4	127.4	119.1	119.1	111.0	111.0	117.1	117.1						

Notes:

- All capacities shown are gross and have not considered indoor fan heat. To obtain net cooling, subtract indoor fan heat.
- MBH = Total Gross Capacity, SHC = Sensible Heat Capacity

Table 42. Gross cooling capacities (kW) one compressor - TTA201J condensing unit with TWE201E air handler (SI)

Airflow m ³ /hr	Ent DB (°C)	Ambient Temperature (°C)						Ambient Temperature (°C)						Ambient Temperature (°C)					
		30						35						40					
		Entering Wet Bulb (°C)						Entering Wet Bulb (°C)						Entering Wet Bulb (°C)					
		16		19		22		16		19		22		16		19		22	
		kW	SHC	kW	SHC	kW	SHC	kW	SHC	kW	SHC	kW	SHC	kW	SHC	kW	SHC	kW	SHC
9039	24	37.1	37.1	40.4	27.6	43.1	16.6	35.8	35.8	38.7	26.9	41.1	15.9	34.2	34.2	36.8	26.2	38.8	15.2
	27	39.1	39.1	40.4	35.4	43.7	25.2	37.7	37.7	38.8	34.7	41.6	24.5	36.0	36.0	36.8	33.9	39.2	23.8
	30	40.9	40.9	40.4	40.4	43.8	33.3	39.3	39.3	38.7	38.7	41.7	32.5	37.5	37.5	36.7	36.7	39.4	31.6
	33	43.0	43.0	40.4	40.4	43.9	39.6	41.3	41.3	38.6	38.6	41.8	38.8	39.2	39.2	36.7	36.7	39.4	37.8
10194	24	38.1	38.1	40.8	28.7	43.5	17.0	36.6	36.6	39.1	28.0	41.3	16.3	35.0	35.0	37.1	27.1	38.9	15.6
	27	40.0	40.0	40.8	38.0	44.1	26.8	38.5	38.5	39.1	37.2	41.9	26.1	36.8	36.8	37.2	36.4	39.6	25.3
	30	42.0	42.0	40.8	40.8	44.3	35.6	40.3	40.3	39.0	39.0	42.1	34.8	38.3	38.3	37.0	37.0	39.7	33.9
	33	44.1	44.1	40.9	40.9	44.3	42.4	42.2	42.2	39.0	39.0	42.1	41.6	40.0	40.0	36.9	36.9	39.7	39.7
11349	24	38.8	38.8	41.1	30.2	43.7	17.4	37.3	37.3	39.4	29.4	41.5	16.7	35.6	35.6	37.4	28.5	39.0	15.9
	27	40.7	40.7	41.3	40.3	44.4	28.3	39.1	39.1	39.1	39.1	42.2	27.6	37.3	37.3	37.3	37.3	39.8	26.8
	30	42.9	42.9	41.2	41.2	44.6	38.0	41.0	41.0	39.3	39.3	42.4	37.1	39.0	39.0	37.2	37.2	39.9	36.2
	33	44.9	44.9	41.2	41.2	44.7	44.7	42.9	42.9	39.3	39.3	42.4	42.4	40.6	40.6	37.1	37.1	39.9	39.9
12488	24	39.4	39.4	41.4	31.6	43.8	17.7	37.9	37.9	39.6	30.8	41.6	17.0	36.1	36.1	37.6	29.9	39.0	16.2
	27	41.4	41.4	41.4	41.4	44.7	29.8	39.6	39.6	39.7	39.6	42.5	29.1	37.7	37.7	37.7	37.7	40.0	27.9
	30	43.6	43.6	41.5	41.5	44.9	40.3	41.7	41.7	39.5	39.5	42.7	39.4	39.5	39.5	37.4	37.4	40.2	38.4
	33	45.6	45.6	41.5	41.5	44.9	44.9	43.4	43.4	39.5	39.5	42.6	42.6	41.0	41.0	37.4	37.4	40.0	40.0
13643	24	39.9	39.9	41.6	35.0	44.0	18.0	38.4	38.4	39.8	32.2	41.7	17.3	36.6	36.6	37.7	31.2	40.7	16.6
	27	42.0	42.0	42.0	42.0	45.0	31.4	40.2	40.2	40.2	40.2	42.7	30.2	38.1	38.1	38.2	38.2	40.2	29.4
	30	44.2	44.2	41.7	41.7	45.2	42.6	42.2	42.2	39.7	39.7	42.9	41.7	39.9	39.9	37.5	37.5	40.5	39.5
	33	46.1	46.1	41.8	41.8	45.1	45.1	43.9	43.9	39.7	39.7	42.8	42.8	41.3	41.3	37.5	37.5	40.2	40.2
Airflow m ³ /hr	Ent DB (°C)	Ambient Temperature (°C)						Ambient Temperature (°C)											
		45						52											
		Entering Wet Bulb (°C)						Entering Wet Bulb (°C)											
		16		19		22		16		19		22							
		kW	SHC	kW	SHC	kW	SHC	kW	SHC	kW	SHC	kW	SHC						
9039	24	32.4	32.4	34.6	25.4	36.1	14.5	30.4	30.4	32.2	23.7	33.3	13.5						
	27	34.1	34.1	34.7	32.9	36.7	23.0	32.1	32.1	32.1	32.1	34.0	22.1						
	30	35.5	35.5	34.6	34.6	36.8	30.6	33.2	33.2	32.2	32.2	34.0	29.5						
	33	36.9	36.9	34.5	34.5	36.8	36.8	34.3	34.3	32.1	32.1	34.0	34.0						
10194	24	33.1	33.1	34.9	26.1	36.1	15.1	31.1	31.1	32.5	25.0	33.3	13.8						
	27	34.8	34.8	34.8	34.8	37.0	24.5	32.6	32.6	32.6	32.6	34.3	23.6						
	30	36.1	36.1	34.8	34.8	37.1	32.8	33.7	33.7	32.4	32.4	34.2	31.7						
	33	37.5	37.5	34.7	34.7	37.0	37.0	34.6	34.6	32.3	32.3	34.1	34.1						
11349	24	33.7	33.7	35.1	27.5	36.1	15.5	31.6	31.6	32.7	26.3	33.4	14.2						
	27	35.2	35.2	35.2	35.2	37.2	25.7	32.9	32.9	32.9	32.9	34.4	24.8						
	30	36.7	36.7	34.9	34.9	37.3	35.1	34.1	34.1	32.5	32.5	34.4	33.9						
	33	37.9	37.9	34.9	34.9	37.1	37.1	34.8	34.8	32.4	32.4	34.2	34.2						
12488	24	34.1	34.1	35.3	28.8	36.1	15.8	31.9	31.9	32.8	27.6	33.4	14.7						
	27	35.5	35.5	35.5	35.5	37.4	27.1	33.2	33.2	33.2	33.2	34.6	26.2						
	30	37.1	37.1	35.0	35.0	37.3	36.6	34.4	34.4	32.5	32.5	34.4	34.4						
	33	38.1	38.1	35.0	35.0	37.2	37.2	34.8	34.8	32.5	32.5	34.3	34.3						
13643	24	34.5	34.5	35.4	30.1	37.1	17.2	32.3	32.3	33.0	28.8	34.5	15.3						
	27	35.9	35.9	35.9	35.9	37.5	28.5	33.4	33.4	33.5	33.5	34.7	27.5						
	30	37.4	37.4	35.1	35.1	37.4	37.4	34.6	34.6	32.6	32.6	34.6	34.6						
	33	38.2	38.2	35.1	35.1	37.3	37.3	34.9	34.9	32.5	32.5	34.3	34.3						

Notes:

- All capacities shown are gross and have not considered indoor fan heat. To obtain net cooling, subtract indoor fan heat.
- kW = Total Gross Capacity, SHC = Sensible Heat Capacity



Performance Data

Table 43. Gross cooling capacities (MBH) both compressors - TTA201J condensing unit with TWE201E air handler (IP)

CFM	Ent DB (°F)	Ambient Temperature (°F)						Ambient Temperature (°F)						Ambient Temperature (°F)					
		85						95						105					
		Entering Wet Bulb (°F)						Entering Wet Bulb (°F)						Entering Wet Bulb (°F)					
		61		67		73		61		67		73		61		67		73	
		MBH	SHC	MBH	SHC	MBH	SHC	MBH	SHC	MBH	SHC	MBH	SHC	MBH	SHC	MBH	SHC	MBH	SHC
5320	75	203.4	164.5	223.4	127.6	239.1	86.7	194.2	160.2	213.0	123.3	226.3	82.8	184.2	155.5	201.4	118.5	212.5	77.8
	80	203.1	192.9	223.0	156.7	239.1	115.5	194.1	189.1	212.7	152.4	226.0	112.2	180.9	180.9	201.1	147.6	212.2	107.3
	85	205.9	205.9	222.6	173.5	238.7	144.7	198.3	198.3	212.3	168.8	225.6	141.5	189.8	189.8	200.7	163.7	211.8	136.6
	90	215.3	215.3	222.5	197.7	238.7	161.9	207.2	207.2	212.1	193.0	225.3	158.9	198.0	198.0	200.5	187.9	211.4	153.7
6000	75	207.8	175.4	227.1	133.7	242.5	88.8	198.3	171.0	216.3	129.3	229.4	84.2	187.8	166.1	204.1	124.4	214.8	79.1
	80	203.6	203.6	226.8	166.5	242.1	122.1	195.9	195.9	215.9	162.1	229.0	117.4	187.2	187.2	203.8	157.3	214.5	112.3
	85	213.5	213.5	226.4	182.9	241.8	155.1	205.3	205.3	215.6	178.1	228.6	150.4	196.0	196.0	203.4	172.9	214.1	145.4
	90	222.7	222.7	226.2	209.6	241.3	172.8	213.8	213.8	215.3	204.9	228.2	167.7	203.6	203.6	203.1	199.6	213.7	162.2
6680	75	211.5	186.1	229.9	139.7	245.5	90.3	201.7	181.5	218.7	135.2	231.7	85.5	190.7	176.6	206.0	130.3	216.5	80.0
	80	209.9	209.9	229.5	176.3	245.1	127.3	201.7	201.7	218.3	171.7	231.3	122.5	192.4	192.4	205.7	166.6	216.1	117.4
	85	219.7	219.7	229.3	191.8	244.7	164.1	210.9	210.9	218.0	186.9	231.0	159.4	200.8	200.8	205.4	181.6	215.8	154.2
	90	228.4	228.4	229.0	221.0	244.3	181.2	218.7	218.7	217.7	216.1	230.6	176.0	207.3	207.3	205.0	205.0	215.4	170.4
7350	75	214.5	196.4	232.1	145.5	247.8	91.5	204.3	191.8	220.5	141.0	233.5	86.4	193.1	187.8	207.5	136.0	217.8	80.8
	80	215.1	215.1	231.7	185.5	247.4	132.4	206.4	206.4	220.1	180.8	233.1	127.6	196.6	196.6	207.1	175.6	217.4	122.3
	85	224.7	224.7	231.4	200.1	247.1	173.0	215.3	215.3	219.8	195.2	232.8	168.1	204.4	204.4	206.7	189.8	217.0	162.8
	90	232.7	232.7	231.1	231.1	246.7	189.1	222.1	222.1	219.4	219.4	232.4	183.8	209.5	209.5	206.4	206.4	216.7	178.1
8030	75	217.0	206.8	233.8	151.3	249.7	92.4	206.6	202.2	221.9	146.8	235.0	87.2	193.9	193.9	208.6	141.8	218.7	81.6
	80	219.6	219.6	233.4	194.7	249.3	137.6	210.4	210.4	221.5	190.0	234.6	132.7	200.1	200.1	208.2	184.8	218.4	127.3
	85	228.7	228.7	233.0	208.2	249.0	181.9	218.7	218.7	221.1	203.3	234.2	177.0	207.1	207.1	207.7	197.8	218.0	171.6
	90	236.1	236.1	232.7	232.7	248.6	196.9	225.0	225.0	220.7	220.7	233.8	191.5	212.4	212.4	207.3	207.3	217.6	185.6
CFM	Ent DB (°F)	Ambient Temperature (°F)						Ambient Temperature (°F)											
		115						125											
		Entering Wet Bulb (°F)						Entering Wet Bulb (°F)											
		61		67		73		61		67		73							
		MBH	SHC	MBH	SHC	MBH	SHC	MBH	SHC	MBH	SHC	MBH	SHC						
5320	75	173.6	150.5	188.9	113.5	197.5	72.5	163.1	145.6	176.1	108.4	181.6	67.0						
	80	172.3	172.3	188.6	142.6	197.2	102.0	163.5	163.5	175.7	137.5	181.2	96.5						
	85	180.5	180.5	188.3	158.3	196.8	131.3	170.7	170.7	175.4	152.8	180.9	125.8						
	90	187.7	187.7	188.0	182.5	196.4	148.0	176.3	176.3	175.1	175.1	180.5	142.1						
6000	75	176.8	161.0	191.0	119.3	199.0	73.5	164.3	160.8	177.6	114.1	182.3	67.6						
	80	177.9	177.9	190.7	152.0	198.7	106.9	168.2	168.2	177.3	146.6	181.9	101.3						
	85	185.7	185.7	190.4	167.3	198.3	140.0	174.8	174.8	176.9	161.7	181.5	134.3						
	90	191.8	191.8	190.0	190.0	197.9	156.4	178.5	178.5	176.5	176.5	181.1	150.2						
6680	75	177.2	171.0	192.5	125.1	200.0	74.2	164.4	164.4	178.6	119.8	182.6	68.2						
	80	182.4	182.4	192.2	161.1	199.7	111.8	171.9	171.9	178.2	155.6	182.2	106.1						
	85	189.6	189.6	191.8	175.9	199.3	148.6	177.4	177.4	177.8	170.2	181.8	134.8						
	90	193.9	193.9	191.4	191.4	198.9	164.3	179.6	179.6	177.4	177.4	181.3	158.0						
7350	75	177.6	177.6	193.6	130.7	200.7	74.9	167.6	167.6	179.3	125.4	182.7	68.8						
	80	185.9	185.9	193.3	169.2	200.3	116.7	174.6	174.6	178.8	164.5	182.3	110.8						
	85	192.2	192.2	192.7	184.0	199.9	157.2	178.7	178.7	178.3	178.2	181.9	143.2						
	90	196.1	196.1	192.3	192.3	199.5	171.9	181.0	181.0	177.8	177.8	181.3	159.1						
8030	75	180.9	180.9	194.3	136.4	201.2	75.6	170.3	170.3	179.7	131.0	182.7	71.9						
	80	188.7	188.7	193.9	179.2	200.8	121.6	176.6	176.6	179.2	173.5	182.3	118.7						
	85	193.8	193.8	193.4	192.0	200.4	165.0	179.0	179.0	178.6	178.6	181.9	159.8						
	90	198.2	198.2	192.9	192.9	199.8	179.3	181.3	181.3	178.1	178.1	181.4	167.2						

Notes:

- All capacities shown are gross and have not considered indoor fan heat. To obtain net cooling, subtract indoor fan heat.
- MBH = Total Gross Capacity, SHC = Sensible Heat Capacity

Table 44. Gross cooling capacities (kW) both compressors - TTA201J condensing unit with TWE201E air handler (SI)

Airflow m ³ /hr	Ent DB (°C)	Ambient Temperature (°C)						Ambient Temperature (°C)						Ambient Temperature (°C)					
		30						35						40					
		Entering Wet Bulb (°C)						Entering Wet Bulb (°C)						Entering Wet Bulb (°C)					
		16		19		22		16		19		22		16		19		22	
		kW	SHC	kW	SHC	kW	SHC	kW	SHC	kW	SHC	kW	SHC	kW	SHC	kW	SHC	kW	SHC
9039	24	59.6	48.2	65.5	37.4	70.1	25.4	56.9	47.0	62.4	36.1	66.3	24.3	54.0	45.6	59.0	34.7	62.3	22.8
	27	59.5	56.5	65.4	45.9	70.1	33.8	56.9	55.4	62.3	44.7	66.2	32.9	53.0	53.0	58.9	43.3	62.2	31.4
	30	60.3	60.3	65.3	50.8	70.0	42.4	58.1	58.1	62.2	49.5	66.1	41.5	55.6	55.6	58.8	48.0	62.1	40.0
	33	63.1	63.1	65.2	57.9	70.0	47.5	60.7	60.7	62.2	56.6	66.0	46.6	58.0	58.0	58.8	55.1	62.0	45.1
10194	24	60.9	51.4	66.6	39.2	71.1	26.0	58.1	50.1	63.4	37.9	67.2	24.7	55.0	48.7	59.8	36.5	63.0	23.2
	27	59.7	59.7	66.5	48.8	71.0	35.8	57.4	57.4	63.3	47.5	67.1	34.4	54.9	54.9	59.7	46.1	62.9	32.9
	30	62.6	62.6	66.4	53.6	70.9	45.5	60.2	60.2	63.2	52.2	67.0	44.1	57.4	57.4	59.6	50.7	62.7	42.6
	33	65.3	65.3	66.3	61.4	70.7	50.6	62.7	62.7	63.1	60.0	66.9	49.2	59.7	59.7	59.5	58.5	62.6	47.6
11349	24	62.0	54.5	67.4	40.9	71.9	26.5	59.1	53.2	64.1	39.6	67.9	25.1	55.9	51.7	60.4	38.2	63.5	23.5
	27	61.5	61.5	67.3	51.7	71.8	37.3	59.1	59.1	64.0	50.3	67.8	35.9	56.4	56.4	60.3	48.8	63.3	34.4
	30	64.4	64.4	67.2	56.2	71.7	48.1	61.8	61.8	63.9	54.8	67.7	46.7	58.9	58.9	60.2	53.2	63.2	45.2
	33	67.0	67.0	67.1	64.8	71.6	53.1	64.1	64.1	63.8	63.3	67.6	51.6	60.8	60.8	60.1	60.1	63.1	49.9
12488	24	62.9	57.6	68.0	42.6	72.6	26.8	59.9	56.2	64.6	41.3	68.4	25.3	56.6	55.0	60.8	39.9	63.8	23.7
	27	63.0	63.0	67.9	54.4	72.5	38.8	60.5	60.5	64.5	53.0	68.3	37.4	57.6	57.6	60.7	51.5	63.7	35.9
	30	65.8	65.8	67.8	58.6	72.4	50.7	63.1	63.1	64.4	57.2	68.2	49.3	59.9	59.9	60.6	55.6	63.6	47.7
	33	68.2	68.2	67.7	67.7	72.3	55.4	65.1	65.1	64.3	64.3	68.1	53.9	61.4	61.4	60.5	60.5	63.5	52.2
13643	24	63.6	60.6	68.5	44.4	73.2	27.1	60.5	59.3	65.0	43.0	68.9	25.6	56.8	56.8	61.1	41.5	64.1	23.9
	27	64.3	64.3	68.4	57.1	73.1	40.3	61.7	61.7	64.9	55.7	68.8	38.9	58.6	58.6	61.0	54.2	64.0	37.3
	30	67.0	67.0	68.3	61.0	73.0	53.3	64.1	64.1	64.8	59.6	68.6	51.9	60.7	60.7	60.9	58.0	63.9	50.3
	33	69.2	69.2	68.2	68.2	72.9	57.7	65.9	65.9	64.7	64.7	68.5	56.1	62.3	62.3	60.8	60.8	63.8	54.4
Airflow m ³ /hr	Ent DB (°C)	Ambient Temperature (°C)						Ambient Temperature (°C)											
		45						52											
		Entering Wet Bulb (°C)						Entering Wet Bulb (°C)											
		16		19		22		16		19		22							
		kW	SHC	kW	SHC	kW	SHC	kW	SHC	kW	SHC	kW	SHC						
9039	24	50.9	44.1	55.4	33.3	57.9	21.3	47.8	42.7	51.6	31.8	53.2	19.6						
	27	50.5	50.5	55.3	41.8	57.8	29.9	47.9	47.9	51.5	40.3	53.1	28.3						
	30	52.9	52.9	55.2	46.4	57.7	38.5	50.0	50.0	51.4	44.8	53.0	36.9						
	33	55.0	55.0	55.1	53.5	57.6	43.4	51.7	51.7	51.3	51.3	52.9	41.6						
10194	24	51.8	47.2	56.0	35.0	58.3	21.5	48.1	47.1	52.1	33.4	53.4	19.8						
	27	52.1	52.1	55.9	44.5	58.2	31.3	49.3	49.3	52.0	43.0	53.3	29.7						
	30	54.4	54.4	55.8	49.0	58.1	41.0	51.2	51.2	51.8	47.4	53.2	39.4						
	33	56.2	56.2	55.7	55.7	58.0	45.8	52.3	52.3	51.7	51.7	53.1	44.0						
11349	24	51.9	50.1	56.4	36.7	58.6	21.8	48.2	48.2	52.3	35.1	53.5	20.0						
	27	53.5	53.5	56.3	47.2	58.5	32.8	50.4	50.4	52.2	45.6	53.4	31.1						
	30	55.6	55.6	56.2	51.6	58.4	43.6	52.0	52.0	52.1	49.9	53.3	39.5						
	33	56.8	56.8	56.1	56.1	58.3	48.2	52.6	52.6	52.0	52.0	53.1	46.3						
12488	24	52.1	52.1	56.7	38.3	58.8	22.0	49.1	49.1	52.5	36.7	53.5	20.2						
	27	54.5	54.5	56.7	49.6	58.7	34.2	51.2	51.2	52.4	48.2	53.4	32.5						
	30	56.3	56.3	56.5	53.9	58.6	46.1	52.4	52.4	52.3	52.2	53.3	42.0						
	33	57.5	57.5	56.4	56.4	58.5	50.4	53.0	53.0	52.1	52.1	53.1	46.6						
13643	24	53.0	53.0	57.0	40.0	59.0	22.1	49.9	49.9	52.7	38.4	53.6	21.1						
	27	55.3	55.3	56.8	52.5	58.8	35.6	51.8	51.8	52.5	50.8	53.4	34.8						
	30	56.8	56.8	56.7	56.3	58.7	48.4	52.5	52.5	52.3	52.3	53.3	46.8						
	33	58.1	58.1	56.5	56.5	58.6	52.5	53.1	53.1	52.2	52.2	53.2	49.0						

Notes:

- All capacities shown are gross and have not considered indoor fan heat. To obtain net cooling, subtract indoor fan heat.
- kW = Total Gross Capacity, SHC = Sensible Heat Capacity



Performance Data

Table 45. Gross cooling capacities (MBH) one compressor - TTA251J condensing unit with TWE251E air handler (IP)

CFM	Ent DB (°F)	Ambient Temperature (°F)						Ambient Temperature (°F)						Ambient Temperature (°F)					
		85						95						105					
		Entering Wet Bulb (°F)						Entering Wet Bulb (°F)						Entering Wet Bulb (°F)					
		61		67		73		61		67		73		61		67		73	
		MBH	SHC	MBH	SHC	MBH	SHC	MBH	SHC	MBH	SHC	MBH	SHC	MBH	SHC	MBH	SHC	MBH	SHC
6650	75	148.4	148.4	163.6	114.0	180.3	68.4	142.4	142.4	156.4	111.3	172.4	65.7	136.1	136.1	148.2	108.2	163.4	62.8
	80	156.8	156.8	163.0	150.3	179.5	105.0	151.0	151.0	155.9	147.6	171.6	102.4	144.4	144.4	147.9	143.8	162.6	99.5
	85	165.8	165.8	165.9	165.9	178.8	141.6	159.7	159.7	159.8	159.8	170.8	138.9	152.7	152.7	152.9	152.9	161.9	136.0
	90	174.5	174.5	174.7	174.7	178.6	177.1	168.1	168.1	168.2	168.2	170.8	170.8	160.7	160.7	160.8	160.8	162.2	162.2
7500	75	151.9	151.9	165.7	121.6	182.1	70.2	146.3	146.3	158.3	118.9	174.0	67.6	139.8	139.8	150.0	115.8	164.9	64.6
	80	161.3	161.3	165.4	161.7	181.3	111.6	155.2	155.2	158.1	158.1	173.2	109.0	148.3	148.3	150.0	150.0	164.1	106.0
	85	170.5	170.5	170.6	170.6	180.5	152.8	164.0	164.0	164.2	164.2	172.4	150.2	156.7	156.7	156.9	156.9	163.4	147.3
	90	179.1	179.1	179.3	179.3	180.8	180.8	172.3	172.3	172.4	172.4	173.1	173.1	164.5	164.5	164.6	164.6	164.6	164.6
8350	75	155.6	155.6	167.4	129.3	183.5	72.1	149.6	149.6	159.8	126.5	175.3	69.4	142.7	142.7	151.4	123.4	166.1	66.5
	80	165.1	165.1	165.2	165.2	182.7	118.2	158.7	158.7	158.8	158.8	174.5	115.5	151.5	151.5	151.6	151.6	165.3	112.6
	85	174.3	174.3	174.5	174.5	181.9	164.1	167.6	167.6	167.7	167.7	173.7	161.5	160.0	160.0	160.1	160.1	164.6	158.6
	90	182.7	182.7	182.8	182.8	183.0	183.0	175.4	175.4	175.5	175.5	175.5	175.5	167.2	167.2	167.3	167.3	167.4	167.4
9200	75	158.6	158.6	168.8	136.8	184.6	73.9	152.4	152.4	161.1	134.1	176.3	71.3	145.3	145.3	152.5	131.0	167.0	68.3
	80	168.3	168.3	168.4	168.4	183.8	124.7	161.7	161.7	161.8	161.8	175.5	122.1	154.2	154.2	154.3	154.3	166.2	119.1
	85	177.5	177.5	177.6	177.6	183.0	175.4	170.6	170.6	170.7	170.7	174.8	172.8	162.7	162.7	162.8	162.8	162.9	162.9
	90	185.3	185.3	185.4	185.4	185.4	185.4	177.7	177.7	177.8	177.8	177.8	177.8	169.1	169.1	169.1	169.1	169.1	169.1
10050	75	161.2	161.2	170.0	144.4	185.5	75.7	154.8	154.8	162.2	141.6	177.2	73.1	147.5	147.5	153.5	138.5	167.8	70.1
	80	171.0	171.0	171.1	171.1	184.7	131.3	164.2	164.2	164.3	164.3	176.3	128.6	156.5	156.5	156.6	156.6	166.9	125.7
	85	180.2	180.2	180.3	180.3	180.4	180.4	173.0	173.0	173.1	173.1	173.1	173.1	164.8	164.8	164.9	164.9	165.0	165.0
	90	187.1	187.1	187.2	187.2	187.2	187.2	179.2	179.2	179.2	179.2	179.2	179.2	170.0	170.0	170.0	170.0	170.0	170.0
CFM	Ent DB (°F)	Ambient Temperature (°F)						Ambient Temperature (°F)											
		115						125											
		Entering Wet Bulb (°F)						Entering Wet Bulb (°F)											
		61		67		73		61		67		73							
		MBH	SHC	MBH	SHC	MBH	SHC	MBH	SHC	MBH	SHC	MBH	SHC						
6650	75	129.5	129.5	139.6	105.0	153.7	59.6	123.4	123.4	131.4	102.0	143.9	56.5						
	80	137.3	137.3	139.4	139.4	152.9	96.3	130.4	130.4	131.5	131.5	143.1	93.1						
	85	145.1	145.1	145.3	145.3	152.2	132.8	137.4	137.4	137.5	137.5	142.4	129.7						
	90	152.5	152.5	152.7	152.7	153.0	153.0	144.0	144.0	144.0	144.0	144.1	144.1						
7500	75	132.7	132.7	141.1	112.6	155.0	61.5	126.2	126.2	132.7	109.6	145.0	58.3						
	80	140.7	140.7	140.9	140.9	154.2	102.9	133.4	133.4	133.5	133.5	144.2	99.7						
	85	148.7	148.7	148.8	148.8	153.6	144.1	140.5	140.5	140.6	140.6	143.6	141.0						
	90	155.7	155.7	155.8	155.8	155.9	155.9	146.4	146.4	146.4	146.4	146.5	146.5						
8350	75	135.5	135.5	142.3	120.2	156.0	63.3	128.5	128.5	133.7	117.1	145.9	60.1						
	80	143.7	143.7	143.7	143.7	155.2	109.4	135.8	135.8	135.8	135.8	145.0	106.2						
	85	151.6	151.6	151.7	151.7	154.7	154.0	143.0	143.0	143.0	143.0	143.1	143.1						
	90	157.9	157.9	157.9	157.9	158.0	158.0	147.7	147.7	147.6	147.6	147.6	147.6						
9200	75	137.7	137.7	143.3	127.7	156.8	65.1	130.5	130.5	134.5	124.6	146.5	61.9						
	80	146.1	146.1	146.2	146.2	156.0	116.0	137.9	137.9	138.0	138.0	145.7	112.7						
	85	153.9	153.9	154.0	154.0	154.1	154.1	144.9	144.9	144.9	144.9	145.0	145.0						
	90	159.0	159.0	159.0	159.0	159.0	159.0	148.6	148.6	147.9	147.9	148.7	148.7						
10050	75	139.7	139.7	144.2	135.2	157.5	66.9	132.2	132.2	135.2	132.1	147.0	63.7						
	80	148.2	148.2	148.3	148.3	156.7	122.5	139.7	139.7	139.8	139.8	146.2	119.3						
	85	155.8	155.8	155.8	155.8	155.9	155.9	146.3	146.3	146.3	146.3	146.4	146.4						
	90	159.2	159.2	159.1	159.1	159.0	159.0	149.6	149.6	149.6	149.6	149.6	149.6						

Notes:

- All capacities shown are gross and have not considered indoor fan heat. To obtain net cooling, subtract indoor fan heat.
- MBH = Total Gross Capacity, SHC = Sensible Heat Capacity

Table 46. Gross cooling capacities (kW) one compressor - TTA251J condensing unit with TWE251E air handler (SI)

Airflow m ³ /hr	Ent DB (°C)	Ambient Temperature (°C)						Ambient Temperature (°C)						Ambient Temperature (°C)					
		30						35						40					
		Entering Wet Bulb (°C)						Entering Wet Bulb (°C)						Entering Wet Bulb (°C)					
		16		19		22		16		19		22		16		19		22	
		kW	SHC	kW	SHC	kW	SHC	kW	SHC	kW	SHC	kW	SHC	kW	SHC	kW	SHC	kW	SHC
11298	24	43.5	43.5	47.9	33.4	52.8	20.0	41.7	41.7	45.8	32.6	50.5	19.3	39.9	39.9	43.4	31.7	47.9	18.4
	27	46.0	46.0	47.8	44.0	52.6	30.8	44.3	44.3	45.7	43.3	50.3	30.0	42.3	42.3	43.4	42.1	47.7	29.1
	30	48.6	48.6	48.6	48.6	52.4	41.5	46.8	46.8	46.8	46.8	50.1	40.7	44.8	44.8	44.8	44.8	47.5	39.9
	33	51.1	51.1	51.2	51.2	52.3	51.9	49.3	49.3	49.3	49.3	50.1	50.1	47.1	47.1	47.1	47.1	47.5	47.5
12742	24	44.5	44.5	48.6	35.7	53.4	20.6	42.9	42.9	46.4	34.8	51.0	19.8	41.0	41.0	44.0	34.0	48.3	18.9
	27	47.3	47.3	48.5	47.4	53.1	32.7	45.5	45.5	46.3	46.3	50.8	31.9	43.5	43.5	44.0	44.0	48.1	31.1
	30	50.0	50.0	50.0	50.0	52.9	44.8	48.1	48.1	48.1	48.1	50.5	44.0	45.9	45.9	46.0	46.0	47.9	43.2
	33	52.5	52.5	52.5	52.5	53.0	53.0	50.5	50.5	50.5	50.5	50.7	50.7	48.2	48.2	48.2	48.2	48.3	48.3
14187	24	45.6	45.6	49.1	37.9	53.8	21.1	43.8	43.8	46.8	37.1	51.4	20.3	41.8	41.8	44.4	36.2	48.7	19.5
	27	48.4	48.4	48.4	48.4	53.5	34.6	46.5	46.5	46.5	46.5	51.1	33.9	44.4	44.4	44.4	44.4	48.4	33.0
	30	51.1	51.1	51.1	51.1	53.3	48.1	49.1	49.1	49.2	49.2	50.9	47.3	46.9	46.9	46.9	46.9	48.2	46.5
	33	53.5	53.5	53.6	53.6	53.6	53.6	51.4	51.4	51.4	51.4	51.4	51.4	49.0	49.0	49.0	49.0	49.1	49.1
15631	24	46.5	46.5	49.5	40.1	54.1	21.7	44.7	44.7	47.2	39.3	51.7	20.9	42.6	42.6	44.7	38.4	48.9	20.0
	27	49.3	49.3	49.3	49.3	53.9	36.6	47.4	47.4	47.4	47.4	51.4	35.8	45.2	45.2	45.2	45.2	48.7	34.9
	30	52.0	52.0	52.1	52.1	53.6	51.4	50.0	50.0	50.0	50.0	51.2	50.6	47.7	47.7	47.7	47.7	47.7	47.7
	33	54.3	54.3	54.3	54.3	54.3	54.3	52.1	52.1	52.1	52.1	52.1	52.1	49.5	49.5	49.6	49.6	49.6	49.6
17075	24	47.3	47.3	49.8	42.3	54.4	22.2	45.4	45.4	47.5	41.5	51.9	21.4	43.2	43.2	45.0	40.6	49.2	20.6
	27	50.1	50.1	50.1	50.1	54.1	38.5	48.1	48.1	48.2	48.2	51.7	37.7	45.9	45.9	45.9	45.9	48.9	36.8
	30	52.8	52.8	52.8	52.8	52.9	52.9	50.7	50.7	50.7	50.7	50.7	50.7	48.3	48.3	48.3	48.3	48.4	48.4
	33	54.8	54.8	54.9	54.9	54.9	54.9	52.5	52.5	52.5	52.5	52.5	52.5	49.8	49.8	49.8	49.8	49.8	49.8
Airflow m ³ /hr	Ent DB (°C)	Ambient Temperature (°C)						Ambient Temperature (°C)											
		45						52											
		Entering Wet Bulb (°C)						Entering Wet Bulb (°C)											
		16		19		22		16		19		22							
		kW	SHC	kW	SHC	kW	SHC	kW	SHC	kW	SHC	kW	SHC						
11298	24	37.9	37.9	40.9	30.8	45.0	17.5	36.2	36.2	38.5	29.9	42.2	16.5						
	27	40.2	40.2	40.9	40.9	44.8	28.2	38.2	38.2	38.5	38.5	41.9	27.3						
	30	42.5	42.5	42.6	42.6	44.6	38.9	40.3	40.3	40.3	40.3	41.7	38.0						
	33	44.7	44.7	44.7	44.7	44.8	44.8	42.2	42.2	42.2	42.2	42.2	42.2						
12742	24	38.9	38.9	41.3	33.0	45.4	18.0	37.0	37.0	38.9	32.1	42.5	17.1						
	27	41.2	41.2	41.3	41.3	45.2	30.1	39.1	39.1	39.1	39.1	42.3	29.2						
	30	43.6	43.6	43.6	43.6	45.0	42.2	41.2	41.2	41.2	41.2	42.1	41.3						
	33	45.6	45.6	45.7	45.7	45.7	45.7	42.9	42.9	42.9	42.9	42.9	42.9						
14187	24	39.7	39.7	41.7	35.2	45.7	18.6	37.7	37.7	39.2	34.3	42.8	17.6						
	27	42.1	42.1	42.1	42.1	45.5	32.1	39.8	39.8	39.8	39.8	42.5	31.1						
	30	44.4	44.4	44.5	44.5	45.3	45.1	41.9	41.9	41.9	41.9	41.9	41.9						
	33	46.3	46.3	46.3	46.3	46.3	46.3	43.3	43.3	43.3	43.3	43.3	43.3						
15631	24	40.4	40.4	42.0	37.4	46.0	19.1	38.2	38.2	39.4	36.5	42.9	18.1						
	27	42.8	42.8	42.8	42.8	45.7	34.0	40.4	40.4	40.4	40.4	42.7	33.0						
	30	45.1	45.1	45.1	45.1	45.2	45.2	42.5	42.5	42.5	42.5	42.5	42.5						
	33	46.6	46.6	46.6	46.6	46.6	46.6	43.6	43.6	43.4	43.4	43.6	43.6						
17075	24	40.9	40.9	42.3	39.6	46.2	19.6	38.7	38.7	39.6	38.7	43.1	18.7						
	27	43.4	43.4	43.5	43.5	45.9	35.9	40.9	40.9	41.0	41.0	42.9	35.0						
	30	45.7	45.7	45.7	45.7	45.7	45.7	42.9	42.9	42.9	42.9	42.9	42.9						
	33	46.7	46.7	46.6	46.6	46.6	46.6	43.8	43.8	43.8	43.8	43.8	43.8						

Notes:

- All capacities shown are gross and have not considered indoor fan heat. To obtain net cooling, subtract indoor fan heat.
- kW = Total Gross Capacity, SHC = Sensible Heat Capacity



Performance Data

Table 47. Gross cooling capacities (MBH) both compressors - TTA251J condensing unit with TWE251E air handler (IP)

CFM	Ent DB (°F)	Ambient Temperature (°F)						Ambient Temperature (°F)						Ambient Temperature (°F)					
		85						95						105					
		Entering Wet Bulb (°F)						Entering Wet Bulb (°F)						Entering Wet Bulb (°F)					
		61		67		73		61		67		73		61		67		73	
		MBH	SHC	MBH	SHC	MBH	SHC	MBH	SHC	MBH	SHC	MBH	SHC	MBH	SHC	MBH	SHC	MBH	SHC
6650	75	244.2	201.3	269.5	155.6	290.4	106.1	233.4	196.3	257.2	150.5	276.0	100.9	221.7	190.9	243.8	145.0	259.9	95.1
	80	244.0	237.6	268.7	192.0	289.6	143.0	233.5	232.7	256.5	186.9	275.2	137.7	222.1	222.1	243.0	181.4	259.1	132.0
	85	249.6	249.6	268.0	228.3	288.8	179.6	240.7	240.7	255.8	223.2	274.5	174.4	230.6	230.6	242.3	217.7	258.3	168.6
	90	261.4	261.4	268.0	264.7	288.1	216.1	251.8	251.8	256.1	256.1	273.7	210.9	241.0	241.0	243.1	243.1	257.5	205.1
7500	75	249.6	215.2	274.2	163.4	293.0	107.4	238.3	210.1	261.4	158.2	278.0	102.1	226.0	204.6	247.4	152.6	261.0	96.2
	80	250.0	250.0	273.5	204.5	292.2	149.0	239.2	239.2	260.7	199.3	277.2	143.7	227.6	227.6	246.6	193.8	260.2	137.8
	85	259.1	259.1	272.8	245.5	291.4	190.4	249.2	249.2	260.0	240.3	276.4	185.1	238.3	238.3	246.1	234.8	259.4	179.2
	90	270.6	270.6	273.6	273.6	290.6	231.6	260.1	260.1	261.4	261.4	275.6	226.3	248.2	248.2	248.2	248.2	258.5	220.3
8350	75	253.9	228.9	277.9	171.1	294.9	108.7	242.2	223.7	264.7	165.8	279.3	103.3	229.5	218.1	250.2	160.2	262.1	97.5
	80	255.4	255.4	277.2	216.9	294.1	155.0	244.5	244.5	263.9	211.6	278.5	149.7	233.2	233.2	249.4	206.0	261.3	143.8
	85	266.7	266.7	276.5	262.5	293.3	201.1	256.2	256.2	263.4	257.4	277.7	195.8	244.4	244.4	249.1	249.1	260.4	189.9
	90	277.9	277.9	278.5	278.5	292.5	247.1	266.5	266.5	266.3	266.3	276.9	241.7	253.4	253.4	253.5	253.5	259.5	235.8
9200	75	257.5	242.5	280.8	178.6	297.1	110.4	245.5	237.2	267.2	173.3	281.0	104.9	232.6	231.6	252.3	167.6	263.2	98.9
	80	260.5	260.5	280.1	229.1	296.3	161.4	250.5	250.5	266.5	223.8	280.1	155.9	239.0	239.0	251.6	218.1	262.3	150.0
	85	273.0	273.0	279.7	279.5	295.5	212.3	261.8	261.8	266.3	266.3	279.3	206.8	249.3	249.3	251.7	251.7	261.5	200.8
	90	283.6	283.6	283.4	283.4	294.8	262.9	271.2	271.2	271.4	271.4	278.5	257.4	256.8	256.8	256.8	256.8	260.8	251.5
10050	75	260.6	256.0	283.2	186.1	299.1	112.1	248.5	248.5	269.3	180.8	282.5	106.5	235.3	235.3	254.0	175.0	264.2	100.5
	80	266.3	266.3	282.4	241.3	298.3	167.9	255.4	255.4	268.5	236.0	281.6	162.3	243.4	243.4	253.2	230.2	263.4	156.3
	85	278.2	278.2	282.4	282.4	297.4	223.5	266.4	266.4	268.8	268.8	280.8	217.9	253.0	253.0	253.8	253.8	262.5	211.9
	90	287.8	287.8	288.0	288.0	296.6	278.8	274.5	274.5	274.5	274.5	280.1	273.3	258.5	258.5	258.4	258.4	261.9	261.9
CFM	Ent DB (°F)	Ambient Temperature (°F)						Ambient Temperature (°F)											
		115						125											
		Entering Wet Bulb (°F)						Entering Wet Bulb (°F)											
		61		67		73		61		67		73							
		MBH	SHC	MBH	SHC	MBH	SHC	MBH	SHC	MBH	SHC	MBH	SHC						
6650	75	210.0	185.6	229.7	139.4	242.5	89.0	200.5	181.3	216.4	134.0	224.9	82.9						
	80	210.8	210.8	229.0	175.8	241.7	125.8	201.7	201.7	215.6	170.5	224.1	119.7						
	85	220.1	220.1	228.4	212.1	240.9	162.5	209.7	209.7	215.1	206.8	223.2	156.4						
	90	229.3	229.3	229.7	229.7	240.0	199.0	217.4	217.4	217.3	217.3	222.2	192.8						
7500	75	213.5	199.1	232.7	146.9	242.9	90.0	203.3	194.6	218.7	141.4	224.8	83.9						
	80	216.3	216.3	232.0	188.0	242.0	131.5	206.8	206.8	217.9	182.5	223.9	125.4						
	85	226.7	226.7	231.6	229.1	241.2	172.9	215.2	215.2	217.7	217.7	223.0	166.8						
	90	235.0	235.0	235.2	235.2	240.3	214.1	221.1	221.1	221.2	221.2	222.0	208.0						
8350	75	216.7	212.6	235.0	154.3	243.6	91.3	205.7	205.7	220.4	148.8	224.8	85.0						
	80	222.3	222.3	234.2	200.1	242.7	137.6	211.3	211.3	219.6	194.5	224.0	131.4						
	85	231.8	231.8	234.2	234.2	241.8	183.7	219.0	219.0	219.7	219.7	223.0	177.4						
	90	238.6	238.6	238.7	238.7	241.0	229.6	222.3	222.3	222.2	222.2	222.0	221.7						
9200	75	219.5	219.5	236.7	161.7	244.2	92.7	207.7	207.7	221.6	156.1	224.9	86.4						
	80	226.9	226.9	235.9	212.2	243.4	143.8	215.0	215.0	220.8	206.5	224.0	137.4						
	85	235.6	235.6	236.3	236.3	242.5	194.6	221.6	221.6	221.4	221.4	223.0	188.2						
	90	240.1	240.1	240.0	240.0	241.7	241.7	221.9	221.9	222.1	222.1	221.8	221.8						
10050	75	222.0	222.0	238.0	169.1	244.7	94.2	209.7	209.7	222.6	163.3	224.9	87.8						
	80	230.6	230.6	237.2	224.2	243.9	150.0	217.9	217.9	221.7	218.5	223.9	143.6						
	85	238.4	238.4	238.4	238.4	242.9	205.5	222.9	222.9	222.8	222.8	222.8	199.0						
	90	241.1	241.1	241.1	241.1	242.1	242.1	221.8	221.8	221.6	221.6	221.0	221.0						

Notes:

1. All capacities shown are gross and have not considered indoor fan heat. To obtain net cooling, subtract indoor fan heat.
2. MBH = Total Gross Capacity, SHC = Sensible Heat Capacity

Table 48. Gross cooling capacities (kW) both compressors - TTA251J condensing unit with TWE251E air handler (SI)

Airflow m ³ /hr	Ent DB (°C)	Ambient Temperature (°C)						Ambient Temperature (°C)						Ambient Temperature (°C)					
		30						35						40					
		Entering Wet Bulb (°C)						Entering Wet Bulb (°C)						Entering Wet Bulb (°C)					
		16		19		22		16		19		22		16		19		22	
		kW	SHC	kW	SHC	kW	SHC	kW	SHC	kW	SHC	kW	SHC	kW	SHC	kW	SHC	kW	SHC
11298	24	71.6	59.0	79.0	45.6	85.1	31.1	68.4	57.5	75.4	44.1	80.9	29.6	65.0	55.9	71.4	42.5	76.2	27.9
	27	71.5	69.6	78.8	56.3	84.9	41.9	68.4	68.2	75.2	54.8	80.7	40.4	65.1	65.1	71.2	53.2	75.9	38.7
	30	73.1	73.1	78.6	66.9	84.7	52.6	70.5	70.5	75.0	65.4	80.4	51.1	67.6	67.6	71.0	63.8	75.7	49.4
	33	76.6	76.6	78.6	77.6	84.4	63.3	73.8	73.8	75.1	75.1	80.2	61.8	70.6	70.6	71.3	71.3	75.5	60.1
12742	24	73.1	63.1	80.4	47.9	85.9	31.5	69.8	61.6	76.6	46.4	81.5	29.9	66.2	60.0	72.5	44.7	76.5	28.2
	27	73.3	73.3	80.2	59.9	85.6	43.7	70.1	70.1	76.4	58.4	81.2	42.1	66.7	66.7	72.3	56.8	76.3	40.4
	30	75.9	75.9	80.0	71.9	85.4	55.8	73.0	73.0	76.2	70.4	81.0	54.2	69.8	69.8	72.1	68.8	76.0	52.5
	33	79.3	79.3	80.2	80.2	85.2	67.9	76.2	76.2	76.6	76.6	80.8	66.3	72.7	72.7	72.7	72.7	75.8	64.6
14187	24	74.4	67.1	81.5	50.1	86.4	31.9	71.0	65.6	77.6	48.6	81.9	30.3	67.3	63.9	73.3	46.9	76.8	28.6
	27	74.8	74.8	81.2	63.6	86.2	45.4	71.6	71.6	77.4	62.0	81.6	43.9	68.3	68.3	73.1	60.4	76.6	42.1
	30	78.2	78.2	81.0	76.9	85.9	59.0	75.1	75.1	77.2	75.4	81.4	57.4	71.6	71.6	73.0	73.0	76.3	55.7
	33	81.5	81.5	81.6	81.6	85.7	72.4	78.1	78.1	78.0	78.0	81.1	70.8	74.3	74.3	74.3	74.3	76.1	69.1
15631	24	75.5	71.1	82.3	52.4	87.1	32.3	71.9	69.5	78.3	50.8	82.3	30.7	68.2	67.9	73.9	49.1	77.1	29.0
	27	76.3	76.3	82.1	67.2	86.8	47.3	73.4	73.4	78.1	65.6	82.1	45.7	70.0	70.0	73.7	63.9	76.9	44.0
	30	80.0	80.0	82.0	81.9	86.6	62.2	76.7	76.7	78.1	78.1	81.9	60.6	73.1	73.1	73.8	73.8	76.6	58.9
	33	83.1	83.1	83.0	83.0	86.4	77.1	79.5	79.5	79.5	79.5	81.6	75.4	75.3	75.3	75.3	75.3	76.4	73.7
17075	24	76.4	75.0	83.0	54.5	87.7	32.8	72.8	72.8	78.9	53.0	82.8	31.2	69.0	69.0	74.4	51.3	77.4	29.5
	27	78.1	78.1	82.8	70.7	87.4	49.2	74.9	74.9	78.7	69.2	82.5	47.6	71.3	71.3	74.2	67.5	77.2	45.8
	30	81.5	81.5	82.8	82.8	87.2	65.5	78.1	78.1	78.8	78.8	82.3	63.9	74.2	74.2	74.4	74.4	76.9	62.1
	33	84.4	84.4	84.4	84.4	86.9	81.7	80.4	80.4	80.5	80.5	82.1	80.1	75.8	75.8	75.7	75.7	76.7	76.7
Airflow m ³ /hr	Ent DB (°C)	Ambient Temperature (°C)						Ambient Temperature (°C)											
		45						52											
		Entering Wet Bulb (°C)						Entering Wet Bulb (°C)											
		16		19		22		16		19		22							
		kW	SHC	kW	SHC	kW	SHC	kW	SHC	kW	SHC	kW	SHC						
11298	24	61.5	54.4	67.3	40.8	71.1	26.1	58.8	53.1	63.4	39.3	65.9	24.3						
	27	61.8	61.8	67.1	51.5	70.8	36.9	59.1	59.1	63.2	50.0	65.7	35.1						
	30	64.5	64.5	66.9	62.2	70.6	47.6	61.5	61.5	63.0	60.6	65.4	45.8						
	33	67.2	67.2	67.3	67.3	70.3	58.3	63.7	63.7	63.7	63.7	65.1	56.5						
12742	24	62.6	58.3	68.2	43.0	71.2	26.4	59.6	57.0	64.1	41.4	65.9	24.6						
	27	63.4	63.4	68.0	55.1	70.9	38.6	60.6	60.6	63.9	53.5	65.6	36.8						
	30	66.4	66.4	67.9	67.1	70.7	50.7	63.1	63.1	63.8	63.8	65.4	48.9						
	33	68.9	68.9	68.9	68.9	70.4	62.8	64.8	64.8	64.8	64.8	65.1	60.9						
14187	24	63.5	62.3	68.9	45.2	71.4	26.7	60.3	60.3	64.6	43.6	65.9	24.9						
	27	65.2	65.2	68.6	58.7	71.1	40.3	61.9	61.9	64.4	57.0	65.6	38.5						
	30	67.9	67.9	68.6	68.6	70.9	53.8	64.2	64.2	64.4	64.4	65.3	52.0						
	33	69.9	69.9	69.9	69.9	70.6	67.3	65.2	65.1	65.1	65.1	65.1	65.0						
15631	24	64.3	64.3	69.4	47.4	71.6	27.2	60.9	60.9	65.0	45.7	65.9	25.3						
	27	66.5	66.5	69.1	62.2	71.3	42.1	63.0	63.0	64.7	60.5	65.7	40.3						
	30	69.1	69.1	69.3	69.3	71.1	57.0	64.9	64.9	64.9	64.9	65.4	55.2						
	33	70.4	70.4	70.3	70.3	70.8	70.8	65.0	65.0	65.1	65.1	65.0	65.0						
17075	24	65.1	65.1	69.8	49.6	71.7	27.6	61.5	61.5	65.2	47.9	65.9	25.7						
	27	67.6	67.6	69.5	65.7	71.5	44.0	63.9	63.9	65.0	64.0	65.6	42.1						
	30	69.9	69.9	69.9	69.9	71.2	60.2	65.3	65.3	65.3	65.3	65.3	58.3						
	33	70.7	70.7	70.7	70.7	71.0	71.0	65.0	65.0	65.0	65.0	64.8	64.8						

Notes:

- All capacities shown are gross and have not considered indoor fan heat. To obtain net cooling, subtract indoor fan heat.
- kW = Total Gross Capacity, SHC = Sensible Heat Capacity



Performance Data

Table 49. Gross cooling capacities (MBH) TTA061G condensing unit only (IP)

Outdoor Temp (°F)		Suction Temperature (°F)					
		30	35	40	45	50	55
65	Head Press (psig)	242.3	247.3	252.6	258.1	263.6	269.1
	Capacity (Btuh/1000)	55.0	60.7	66.8	73.4	80.2	87.3
	Unit Power (kW)	3.0	3.1	3.1	3.2	3.2	3.3
75	Head Press (psig)	279.2	284.5	290.0	295.6	301.3	306.8
	Capacity (Btuh/1000)	52.0	57.4	63.2	69.4	75.8	82.4
	Unit Power (kW)	3.4	3.5	3.5	3.6	3.6	3.7
85	Head Press (psig)	319.7	325.2	330.9	336.7	342.5	348.1
	Capacity (Btuh/1000)	48.9	54.0	59.5	65.2	71.3	77.4
	Unit Power (kW)	3.9	4.0	4.0	4.1	4.1	4.2
95	Head Press (psig)	364.0	369.7	375.6	381.5	387.3	392.9
	Capacity (Btuh/1000)	45.6	50.4	55.6	61.0	66.6	72.3
	Unit Power (kW)	4.4	4.5	4.5	4.6	4.6	4.7
105	Head Press (psig)	412.2	418.1	424.0	430.0	435.8	441.4
	Capacity (Btuh/1000)	42.1	46.7	51.5	56.6	61.8	67.1
	Unit Power (kW)	5.0	5.1	5.1	5.2	5.2	5.3
115	Head Press (psig)	464.3	470.3	476.3	482.2	487.9	493.4
	Capacity (Btuh/1000)	38.6	42.9	47.4	52.1	56.9	61.7
	Unit Power (kW)	5.7	5.8	5.8	5.9	5.9	6.0
125	Head Press (psig)	520.5	526.2	532.1	537.8	543.2	548.3
	Capacity (Btuh/1000)	34.9	39.0	43.2	47.5	51.9	56.1
	Unit Power (kW)	6.5	6.6	6.6	6.6	6.7	6.7

Note: Performance data calculated at 15°F subcooling and 15°F superheat and does not include capacity loss due to refrigerant lines.

Table 50. Gross cooling capacities (kW) TTA061G condensing unit only (SI)

Outdoor Temp (°C)		Suction Temperature (°C)					
		-1.1	1.7	4.4	7.2	10	12.8
18.3	Head Press (kPa)	1670.6	1705.4	1741.8	1779.4	1817.5	1855.3
	Capacity (kW)	16.1	17.8	19.6	21.5	23.5	25.6
	Unit Power (kW)	3.0	3.1	3.1	3.2	3.2	3.3
23.9	Head Press (kPa)	1925.0	1961.4	1999.3	2038.1	2077.2	2115.6
	Capacity (kW)	15.2	16.8	18.5	20.3	22.2	24.2
	Unit Power (kW)	3.4	3.5	3.5	3.6	3.6	3.7
29.4	Head Press (kPa)	2204.4	2242.3	2281.5	2321.3	2361.2	2400.0
	Capacity (kW)	14.3	15.8	17.4	19.1	20.9	22.7
	Unit Power (kW)	3.9	4.0	4.0	4.1	4.1	4.2
35	Head Press (kPa)	2509.8	2549.1	2589.4	2630.1	2670.3	2709.2
	Capacity (kW)	13.4	14.8	16.3	17.9	19.5	21.2
	Unit Power (kW)	4.4	4.5	4.5	4.6	4.6	4.7
40.6	Head Press (kPa)	2842.0	2882.4	2923.6	2964.7	3005.0	3043.4
	Capacity (kW)	12.4	13.7	15.1	16.6	18.1	19.7
	Unit Power (kW)	5.0	5.1	5.1	5.2	5.2	5.3
46.1	Head Press (kPa)	3201.4	3242.3	3283.7	3324.6	3364.3	3401.7
	Capacity (kW)	11.3	12.6	13.9	15.3	16.7	18.1
	Unit Power (kW)	5.7	5.8	5.8	5.9	5.9	6.0
51.7	Head Press (kPa)	3588.5	3628.3	3668.4	3707.7	3745.4	3780.5
	Capacity (kW)	10.2	11.4	12.7	13.9	15.2	16.5
	Unit Power (kW)	6.5	6.6	6.6	6.6	6.7	6.7

Note: Performance data calculated at 8.3°C subcooling and 8.3°C superheat and does not include capacity loss due to refrigerant lines.

Table 51. Gross cooling capacities (MBH) TTA061H condensing unit only (IP)

Outdoor Temp (°F)		Suction Temperature (°F)					
		30	35	40	45	50	55
65	Head Press (psig)	261.3	267.1	272.8	278.2	283.2	287.4
	Capacity (Btuh/1000)	54.8	60.7	67.0	73.9	81.4	89.5
	Unit Power (kW)	3.1	3.2	3.2	3.2	3.2	3.2
75	Head Press (psig)	300.9	307.3	313.6	319.6	325.1	329.8
	Capacity (Btuh/1000)	51.7	57.4	63.3	69.9	76.9	84.6
	Unit Power (kW)	3.5	3.5	3.6	3.6	3.6	3.6
85	Head Press (psig)	343.9	351.0	358.1	364.8	370.9	376.1
	Capacity (Btuh/1000)	48.2	53.6	59.3	65.5	72.2	79.4
	Unit Power (kW)	4.0	4.0	4.0	4.1	4.1	4.1
95	Head Press (psig)	390.6	398.4	406.2	413.7	420.5	426.3
	Capacity (Btuh/1000)	44.5	49.6	55.1	61.0	67.3	74.2
	Unit Power (kW)	4.5	4.5	4.6	4.6	4.6	4.7
105	Head Press (psig)	441.0	449.6	458.1	466.3	473.7	480.0
	Capacity (Btuh/1000)	40.7	45.6	50.9	56.6	62.6	69.2
	Unit Power (kW)	5.0	5.1	5.1	5.2	5.2	5.3
115	Head Press (psig)	498.0	504.5	513.4	522.0	529.8	536.3
	Capacity (Btuh/1000)	36.9	41.8	46.9	52.4	58.3	64.6
	Unit Power (kW)	5.7	5.7	5.7	5.8	5.8	5.9
125	Head Press (psig)	582.3	584.1	583.9	582.6	587.8	594.3
	Capacity (Btuh/1000)	33.6	38.5	43.6	48.8	54.4	60.4
	Unit Power (kW)	6.6	6.6	6.6	6.5	6.5	6.5

Note: Performance data calculated at 15°F subcooling and 15°F superheat and does not include capacity loss due to refrigerant lines.

Table 52. Gross cooling capacities (kW) TTA061H condensing unit only (SI)

Outdoor Temp (°C)		Suction Temperature (°C)					
		-1.1	1.7	4.4	7.2	10	12.8
18.3	Head Press (kPa)	1778.2	1801.8	1841.6	1880.8	1918.1	1952.4
	Capacity (kW)	15.1	16.1	17.8	19.6	21.7	23.9
	Unit Power (kW)	3.1	3.1	3.2	3.2	3.2	3.2
23.9	Head Press (kPa)	2048.2	2074.5	2118.8	2162.3	2203.9	2241.8
	Capacity (kW)	14.2	15.1	16.8	18.6	20.5	22.5
	Unit Power (kW)	3.5	3.5	3.5	3.6	3.6	3.6
29.4	Head Press (kPa)	2342.1	2371.2	2420.2	2468.7	2515.1	2557.4
	Capacity (kW)	13.2	14.1	15.7	17.4	19.2	21.2
	Unit Power (kW)	3.9	4.0	4.0	4.0	4.1	4.1
35	Head Press (kPa)	2660.8	2693.0	2747.1	2800.8	2852.3	2899.4
	Capacity (kW)	12.2	13.0	14.5	16.1	17.9	19.7
	Unit Power (kW)	4.4	4.5	4.5	4.6	4.6	4.6
40.6	Head Press (kPa)	3005.6	3040.7	3099.9	3158.5	3214.7	3266.0
	Capacity (kW)	11.1	11.9	13.4	14.9	16.6	18.4
	Unit Power (kW)	5.0	5.0	5.1	5.1	5.2	5.2
46.1	Head Press (kPa)	3421.6	3433.5	3478.1	3540.0	3599.1	3652.7
	Capacity (kW)	10.0	10.8	12.2	13.7	15.4	17.1
	Unit Power (kW)	5.7	5.7	5.7	5.7	5.8	5.8
51.7	Head Press (kPa)	4006.1	4014.7	4026.9	4025.7	4016.9	4052.8
	Capacity (kW)	9.0	9.9	11.3	12.8	14.3	15.9
	Unit Power (kW)	6.6	6.6	6.6	6.6	6.5	6.5

Note: Performance data calculated at 8.3°C subcooling and 8.3°C superheat and does not include capacity loss due to refrigerant lines.



Performance Data

Table 53. Gross cooling capacities (MBH) TTA076G condensing unit only (IP)

Outdoor Temp (°F)		Suction Temperature (°F)					
		30	35	40	45	50	55
65	Head Press (psig)	261.2	267.8	274.8	282.0	289.3	296.6
	Capacity (Btuh/1000)	68.7	75.4	82.5	90.0	97.8	105.8
	Unit Power (kW)	3.9	4.1	4.2	4.3	4.4	4.6
75	Head Press (psig)	299.1	306.2	313.5	321.0	328.5	336.0
	Capacity (Btuh/1000)	65.0	71.4	78.2	85.3	92.7	100.2
	Unit Power (kW)	4.4	4.5	4.6	4.7	4.9	5.0
85	Head Press (psig)	340.5	347.9	355.5	363.2	371.0	378.6
	Capacity (Btuh/1000)	60.9	67.0	73.5	80.3	87.2	94.3
	Unit Power (kW)	4.9	5.0	5.1	5.2	5.4	5.5
95	Head Press (psig)	385.5	393.2	401.0	408.9	416.8	424.5
	Capacity (Btuh/1000)	56.7	62.5	68.6	75.0	81.6	88.1
	Unit Power (kW)	5.5	5.6	5.7	5.8	5.9	6.1
105	Head Press (psig)	434.3	442.2	450.1	458.1	466.0	473.6
	Capacity (Btuh/1000)	52.4	57.9	63.7	69.7	75.8	81.8
	Unit Power (kW)	6.1	6.2	6.3	6.4	6.6	6.7
115	Head Press (psig)	486.9	494.8	502.7	510.6	518.3	525.6
	Capacity (Btuh/1000)	48.2	53.3	58.7	64.3	69.9	75.4
	Unit Power (kW)	6.8	6.9	7.0	7.2	7.3	7.4
125	Head Press (psig)	543.4	550.7	558.3	565.7	572.9	579.6
	Capacity (Btuh/1000)	44.0	48.7	53.6	58.7	63.7	68.5
	Unit Power (kW)	7.6	7.7	7.8	7.9	8.0	8.1

Note: Performance data calculated at 15°F subcooling and 15°F superheat and does not include capacity loss due to refrigerant lines.

Table 54. Gross cooling capacities (kW) TTA076G condensing unit only (SI)

Outdoor Temp (°C)		Suction Temperature (°C)					
		-1.1	1.7	4.4	7.2	10	12.8
18.3	Head Press (kPa)	1800.7	1846.7	1894.8	1944.5	1994.8	2045.1
	Capacity (kW)	20.1	22.1	24.2	26.4	28.7	31.0
	Unit Power (kW)	3.9	4.1	4.2	4.3	4.4	4.6
23.9	Head Press (kPa)	2062.3	2110.9	2161.3	2213.0	2265.2	2316.7
	Capacity (kW)	19.0	20.9	22.9	25.0	27.2	29.4
	Unit Power (kW)	4.4	4.5	4.6	4.7	4.9	5.0
29.4	Head Press (kPa)	2347.6	2398.5	2450.9	2504.4	2557.9	2610.4
	Capacity (kW)	17.9	19.6	21.5	23.5	25.6	27.6
	Unit Power (kW)	4.9	5.0	5.1	5.2	5.4	5.5
35	Head Press (kPa)	2657.9	2710.7	2764.9	2819.5	2873.8	2926.7
	Capacity (kW)	16.6	18.3	20.1	22.0	23.9	25.8
	Unit Power (kW)	5.5	5.6	5.7	5.8	5.9	6.1
40.6	Head Press (kPa)	2994.4	3048.5	3103.6	3158.7	3212.9	3265.2
	Capacity (kW)	15.4	17.0	18.7	20.4	22.2	24.0
	Unit Power (kW)	6.1	6.2	6.3	6.4	6.6	6.7
46.1	Head Press (kPa)	3357.2	3411.5	3466.2	3520.4	3573.4	3623.8
	Capacity (kW)	14.1	15.6	17.2	18.8	20.5	22.1
	Unit Power (kW)	6.8	6.9	7.0	7.2	7.3	7.4
51.7	Head Press (kPa)	3746.7	3797.1	3849.3	3900.6	3950.0	3996.4
	Capacity (kW)	12.9	14.3	15.7	17.2	18.7	20.1
	Unit Power (kW)	7.6	7.7	7.8	7.9	8.0	8.1

Note: Performance data calculated at 8.3°C subcooling and 8.3°C superheat and does not include capacity loss due to refrigerant lines.

Table 55. Gross cooling capacities (MBH) TTA076H condensing unit only (IP)

Outdoor Temp (°F)		Suction Temperature (°F)					
		30	35	40	45	50	55
65	Head Press (psig)	263.6	267.2	270.8	275.6	282.7	280.5
	Capacity (Btuh/1000)	67.0	74.8	82.6	91.0	99.8	107.2
	Unit Power (kW)	4.0	4.1	4.1	4.1	4.1	4.1
75	Head Press (psig)	302.9	306.8	310.2	313.9	313.8	318.3
	Capacity (Btuh/1000)	63.1	70.3	77.9	85.9	93.4	101.0
	Unit Power (kW)	4.6	4.6	4.6	4.6	4.5	4.5
85	Head Press (psig)	345.9	350.0	353.4	356.3	355.2	359.7
	Capacity (Btuh/1000)	58.8	65.7	73.0	80.5	87.5	94.6
	Unit Power (kW)	5.2	5.2	5.2	5.2	5.1	5.1
95	Head Press (psig)	376.7	397.2	400.7	403.3	400.2	404.6
	Capacity (Btuh/1000)	54.6	60.9	67.9	75.0	81.5	88.1
	Unit Power (kW)	5.6	5.9	5.8	5.8	5.7	5.7
105	Head Press (psig)	427.0	448.3	451.9	454.4	449.1	453.3
	Capacity (Btuh/1000)	50.0	56.0	62.7	69.4	75.5	81.6
	Unit Power (kW)	6.4	6.7	6.6	6.6	6.4	6.4
115	Head Press (psig)	481.5	485.5	506.7	496.1	501.5	505.7
	Capacity (Btuh/1000)	45.4	51.2	57.5	63.3	69.4	75.0
	Unit Power (kW)	7.3	7.3	7.5	7.3	7.3	7.2
125	Head Press (psig)	540.1	543.9	547.3	551.9	557.1	561.1
	Capacity (Btuh/1000)	40.8	46.3	51.9	57.6	63.1	68.2
	Unit Power (kW)	8.4	8.3	8.3	8.2	8.2	8.2

Note: Performance data calculated at 15°F subcooling and 15°F superheat and does not include capacity loss due to refrigerant lines.

Table 56. Gross cooling capacities (kW) TTA076H condensing unit only (SI)

Outdoor Temp (°C)		Suction Temperature (°C)					
		-1.1	1.7	4.4	7.2	10	12.8
18.3	Head Press (kPa)	1817.7	1842.3	1867.0	1900.0	1949.5	1934.0
	Capacity (kW)	19.6	21.9	24.2	26.7	29.3	31.4
	Unit Power (kW)	4.0	4.1	4.1	4.1	4.1	4.1
23.9	Head Press (kPa)	2088.1	2115.2	2138.7	2164.0	2163.8	2194.8
	Capacity (kW)	18.5	20.6	22.8	25.2	27.4	29.6
	Unit Power (kW)	4.6	4.6	4.6	4.6	4.5	4.5
29.4	Head Press (kPa)	2385.1	2413.5	2436.8	2456.5	2449.0	2479.8
	Capacity (kW)	17.2	19.3	21.4	23.6	25.7	27.7
	Unit Power (kW)	5.2	5.2	5.2	5.2	5.1	5.1
35	Head Press (kPa)	2597.5	2738.4	2762.6	2780.8	2759.5	2789.9
	Capacity (kW)	16.0	17.9	19.9	22.0	23.9	25.8
	Unit Power (kW)	5.6	5.9	5.8	5.8	5.7	5.7
40.6	Head Press (kPa)	2944.0	3091.0	3115.8	3133.2	3096.1	3125.7
	Capacity (kW)	14.7	16.4	18.4	20.4	22.1	23.9
	Unit Power (kW)	6.4	6.7	6.6	6.6	6.4	6.4
46.1	Head Press (kPa)	3319.9	3347.1	3493.8	3420.8	3457.8	3486.8
	Capacity (kW)	13.3	15.0	16.9	18.6	20.3	22.0
	Unit Power (kW)	7.3	7.3	7.5	7.3	7.3	7.2
51.7	Head Press (kPa)	3723.7	3750.2	3773.6	3805.5	3841.3	3868.4
	Capacity (kW)	12.0	13.6	15.2	16.9	18.5	20.0
	Unit Power (kW)	8.4	8.3	8.3	8.2	8.2	8.2

Note: Performance data calculated at 8.3°C subcooling and 8.3°C superheat and does not include capacity loss due to refrigerant lines.



Performance Data

Table 57. Gross cooling capacities (MBH) TTA101G condensing unit only (IP)

Outdoor Temp (°F)		Suction Temperature (°F)					
		30	35	40	45	50	55
65	Head Press (psig)	270.6	272.4	273.9	274.9	279.4	284.8
	Capacity (Btuh/1000)	84.1	92.7	102.0	111.8	122.2	133.0
	Unit Power (kW)	5.3	5.3	5.3	5.3	5.4	5.5
75	Head Press (psig)	312.3	313.4	314.2	314.4	317.8	322.9
	Capacity (Btuh/1000)	79.7	88.0	96.8	106.1	115.8	125.9
	Unit Power (kW)	5.9	5.9	5.9	5.9	5.9	6.0
85	Head Press (psig)	358.7	359.0	358.7	358.1	360.0	364.5
	Capacity (Btuh/1000)	75.1	83.0	91.4	100.2	109.2	118.6
	Unit Power (kW)	6.6	6.5	6.5	6.5	6.5	6.6
95	Head Press (psig)	410.4	409.4	407.8	405.9	405.9	409.8
	Capacity (Btuh/1000)	70.2	77.7	85.7	94.0	102.4	111.1
	Unit Power (kW)	7.3	7.3	7.2	7.2	7.2	7.2
105	Head Press (psig)	467.8	464.8	461.5	458.0	455.5	458.6
	Capacity (Btuh/1000)	65.1	72.2	79.8	87.7	95.5	103.4
	Unit Power (kW)	8.1	8.1	8.0	7.9	7.9	7.9
115	Head Press (psig)	530.7	525.0	519.5	514.1	508.9	510.5
	Capacity (Btuh/1000)	60.2	67.0	74.1	81.4	88.5	95.6
	Unit Power (kW)	9.1	9.0	8.9	8.8	8.7	8.7
125	Head Press (psig)	598.0	589.4	581.3	573.8	566.8	565.0
	Capacity (Btuh/1000)	55.9	62.2	68.7	75.2	81.4	87.3
	Unit Power (kW)	10.1	10.0	9.8	9.7	9.6	9.5

Note: Performance data calculated at 15°F subcooling and 15°F superheat and does not include capacity loss due to refrigerant lines.

Table 58. Gross cooling capacities (kW) TTA101G condensing unit only (SI)

Outdoor Temp (°C)		Suction Temperature (°C)					
		-1.1	1.7	4.4	7.2	10	12.8
18.3	Head Press (kPa)	1865.9	1878.4	1888.2	1895.1	1926.1	1963.8
	Capacity (kW)	24.6	27.2	29.9	32.8	35.8	39.0
	Unit Power (kW)	5.3	5.3	5.3	5.3	5.4	5.5
23.9	Head Press (kPa)	2152.9	2161.1	2166.1	2167.9	2191.3	2226.0
	Capacity (kW)	23.4	25.8	28.4	31.1	33.9	36.9
	Unit Power (kW)	5.9	5.9	5.9	5.9	5.9	6.0
29.4	Head Press (kPa)	2473.1	2475.0	2473.5	2468.7	2482.1	2513.2
	Capacity (kW)	22.0	24.3	26.8	29.4	32.0	34.8
	Unit Power (kW)	6.6	6.5	6.5	6.5	6.5	6.6
35	Head Press (kPa)	2829.7	2822.4	2811.9	2798.7	2798.7	2825.3
	Capacity (kW)	20.6	22.8	25.1	27.5	30.0	32.6
	Unit Power (kW)	7.3	7.3	7.2	7.2	7.2	7.2
40.6	Head Press (kPa)	3225.1	3204.4	3182.0	3157.8	3140.6	3161.7
	Capacity (kW)	19.1	21.2	23.4	25.7	28.0	30.3
	Unit Power (kW)	8.1	8.1	8.0	7.9	7.9	7.9
46.1	Head Press (kPa)	3658.9	3620.0	3581.9	3544.8	3508.8	3520.1
	Capacity (kW)	17.6	19.6	21.7	23.9	25.9	28.0
	Unit Power (kW)	9.1	9.0	8.9	8.8	8.7	8.7
51.7	Head Press (kPa)	4123.1	4063.6	4008.1	3956.2	3907.8	3895.5
	Capacity (kW)	16.4	18.2	20.1	22.0	23.9	25.6
	Unit Power (kW)	10.1	10.0	9.8	9.7	9.6	9.5

Note: Performance data calculated at 8.3°C subcooling and 8.3°C superheat and does not include capacity loss due to refrigerant lines.

Table 59. Gross cooling capacities (MBH) TTA101H condensing unit only (IP)

Outdoor Temp (°F)		Suction Temperature (°F)					
		30	35	40	45	50	55
65	Head Press (psig)	255.7	260.9	266.2	271.3	276.3	280.9
	Capacity (Btuh/1000)	84.7	93.2	102.3	111.8	121.8	132.1
	Unit Power (kW)	4.9	5.0	5.0	5.1	5.1	5.2
75	Head Press (psig)	292.2	297.5	302.9	308.1	313.0	317.4
	Capacity (Btuh/1000)	79.0	87.0	95.4	104.3	113.5	123.3
	Unit Power (kW)	5.5	5.6	5.6	5.7	5.7	5.7
85	Head Press (psig)	332.7	338.2	343.6	348.8	353.7	358.0
	Capacity (Btuh/1000)	73.8	81.3	89.2	97.5	106.3	115.4
	Unit Power (kW)	6.3	6.3	6.3	6.4	6.4	6.4
95	Head Press (psig)	376.8	382.5	388.1	393.4	398.2	402.5
	Capacity (Btuh/1000)	68.5	75.6	83.1	91.0	99.5	107.9
	Unit Power (kW)	7.1	7.1	7.1	7.2	7.2	7.2
105	Head Press (psig)	424.2	430.2	435.7	441.3	446.2	450.5
	Capacity (Btuh/1000)	62.7	69.6	77.1	84.6	92.6	100.5
	Unit Power (kW)	7.9	8.0	8.0	8.0	8.0	8.0
115	Head Press (psig)	474.6	480.8	486.8	492.2	497.2	501.5
	Capacity (Btuh/1000)	56.3	63.0	70.1	77.7	85.3	92.7
	Unit Power (kW)	8.8	8.8	8.9	8.9	8.9	8.9
125	Head Press (psig)	527.9	534.2	540.1	545.6	550.6	555.0
	Capacity (Btuh/1000)	49.1	55.7	62.7	70.0	77.2	84.1
	Unit Power (kW)	9.7	9.7	9.8	9.8	9.8	9.8

Note: Performance data calculated at 15°F subcooling and 15°F superheat and does not include capacity loss due to refrigerant lines.

Table 60. Gross cooling capacities (kW) TTA101H condensing unit only (SI)

Outdoor Temp (°C)		Suction Temperature (°C)					
		-1.1	1.7	4.4	7.2	10	12.8
18.3	Head Press (kPa)	1762.9	1799.0	1835.2	1870.8	1905.0	1936.5
	Capacity (kW)	24.8	27.3	30.0	32.8	35.7	38.7
	Unit Power (kW)	4.9	5.0	5.0	5.1	5.1	5.2
23.9	Head Press (kPa)	2014.8	2051.5	2088.2	2124.0	2158.1	2188.6
	Capacity (kW)	23.2	25.5	28.0	30.6	33.3	36.1
	Unit Power (kW)	5.5	5.6	5.6	5.7	5.7	5.7
29.4	Head Press (kPa)	2293.8	2331.5	2368.8	2405.1	2438.9	2468.6
	Capacity (kW)	21.6	23.8	26.1	28.6	31.1	33.8
	Unit Power (kW)	6.3	6.3	6.3	6.4	6.4	6.4
35	Head Press (kPa)	2597.9	2637.1	2675.7	2712.6	2745.6	2775.0
	Capacity (kW)	20.1	22.2	24.4	26.7	29.1	31.6
	Unit Power (kW)	7.1	7.1	7.1	7.2	7.2	7.2
40.6	Head Press (kPa)	2924.7	2965.8	3004.4	3042.9	3076.4	3105.9
	Capacity (kW)	18.4	20.4	22.6	24.8	27.1	29.4
	Unit Power (kW)	7.9	8.0	8.0	8.0	8.0	8.0
46.1	Head Press (kPa)	3272.0	3315.0	3356.3	3393.9	3427.9	3457.8
	Capacity (kW)	16.5	18.5	20.5	22.8	25.0	27.2
	Unit Power (kW)	8.8	8.8	8.9	8.9	8.9	8.9
51.7	Head Press (kPa)	3640.0	3682.9	3724.1	3762.0	3796.5	3826.7
	Capacity (kW)	14.4	16.3	18.4	20.5	22.6	24.7
	Unit Power (kW)	9.7	9.7	9.8	9.8	9.8	9.8

Note: Performance data calculated at 8.3°C subcooling and 8.3°C superheat and does not include capacity loss due to refrigerant lines.



Performance Data

Table 61. Gross cooling capacities (MBH) one compressor - TTA101J condensing unit only (IP)

Outdoor Temp (°F)		Suction Temperature (°F)					
		30	35	40	45	50	55
65	Head Press (psig)	220.1	222.8	225.7	228.7	231.7	234.7
	Capacity (Btuh/1000)	45.9	50.8	56.1	61.7	67.7	74.0
	Unit Power (kW)	2.6	2.6	2.6	2.6	2.6	2.7
75	Head Press (psig)	254.3	257.0	259.9	262.8	265.8	268.7
	Capacity (Btuh/1000)	42.3	46.8	51.6	56.8	62.2	68.0
	Unit Power (kW)	2.8	2.8	2.8	2.8	2.8	2.9
85	Head Press (psig)	292.7	295.4	298.2	301.1	304.1	307.0
	Capacity (Btuh/1000)	39.3	43.5	47.9	52.6	57.7	63.0
	Unit Power (kW)	3.1	3.1	3.1	3.1	3.1	3.1
95	Head Press (psig)	335.2	338.0	340.8	343.7	346.6	349.5
	Capacity (Btuh/1000)	36.6	40.4	44.6	49.0	53.7	58.6
	Unit Power (kW)	3.5	3.5	3.5	3.5	3.5	3.5
105	Head Press (psig)	381.9	384.8	387.7	390.6	393.5	396.4
	Capacity (Btuh/1000)	33.7	37.4	41.4	45.5	49.9	54.4
	Unit Power (kW)	3.9	3.9	3.9	3.9	3.9	3.9
115	Head Press (psig)	432.8	435.7	438.7	441.7	444.6	447.5
	Capacity (Btuh/1000)	30.6	34.2	38.0	42.0	46.1	50.2
	Unit Power (kW)	4.3	4.3	4.3	4.3	4.3	4.3
125	Head Press (psig)	487.8	490.8	493.8	496.8	499.7	502.6
	Capacity (Btuh/1000)	27.1	30.6	34.2	38.1	41.9	45.7
	Unit Power (kW)	4.8	4.8	4.8	4.8	4.8	4.7

Note: Performance data calculated at 15°F subcooling and 15°F superheat and does not include capacity loss due to refrigerant lines.

Table 62. Gross cooling capacities (kW) one compressor - TTA101J condensing unit only (SI)

Outdoor Temp (°C)		Suction Temperature (°C)					
		-1.1	1.7	4.4	7.2	10	12.8
18.3	Head Press (kPa)	1517.3	1536.3	1556.1	1576.5	1597.4	1618.4
	Capacity (kW)	13.5	14.9	16.4	18.1	19.8	21.7
	Unit Power (kW)	2.6	2.6	2.6	2.6	2.6	2.7
23.9	Head Press (kPa)	1753.5	1772.2	1791.8	1811.9	1832.4	1853.0
	Capacity (kW)	12.4	13.7	15.1	16.6	18.2	19.9
	Unit Power (kW)	2.8	2.8	2.8	2.8	2.8	2.9
29.4	Head Press (kPa)	2018.0	2036.8	2056.2	2076.2	2096.4	2116.5
	Capacity (kW)	11.5	12.7	14.0	15.4	16.9	18.5
	Unit Power (kW)	3.1	3.1	3.1	3.1	3.1	3.1
35	Head Press (kPa)	2311.2	2330.3	2349.9	2369.8	2389.9	2409.8
	Capacity (kW)	10.7	11.8	13.1	14.4	15.7	17.2
	Unit Power (kW)	3.5	3.5	3.5	3.5	3.5	3.5
40.6	Head Press (kPa)	2633.2	2652.8	2672.8	2693.0	2713.1	2732.9
	Capacity (kW)	9.9	11.0	12.1	13.3	14.6	15.9
	Unit Power (kW)	3.9	3.9	3.9	3.9	3.9	3.9
46.1	Head Press (kPa)	2983.9	3004.1	3024.6	3045.2	3065.5	3085.3
	Capacity (kW)	9.0	10.0	11.1	12.3	13.5	14.7
	Unit Power (kW)	4.3	4.3	4.3	4.3	4.3	4.3
51.7	Head Press (kPa)	3363.3	3383.8	3404.5	3425.3	3445.6	3465.6
	Capacity (kW)	7.9	9.0	10.0	11.2	12.3	13.4
	Unit Power (kW)	4.8	4.8	4.8	4.8	4.8	4.7

Note: Performance data calculated at 8.3°C subcooling and 8.3°C superheat and does not include capacity loss due to refrigerant lines.

Table 63. Gross cooling capacities (MBH) both compressors - TTA101J condensing unit only (IP)

Outdoor Temp (°F)		Suction Temperature (°F)					
		30	35	40	45	50	55
65	Head Press (psig)	255.5	261.8	268.4	275.0	281.6	287.9
	Capacity (Btuh/1000)	88.7	97.7	107.3	117.4	128.0	139.0
	Unit Power (kW)	4.9	5.0	5.1	5.1	5.2	5.3
75	Head Press (psig)	292.1	298.5	305.2	311.9	318.4	324.6
	Capacity (Btuh/1000)	82.8	91.3	100.3	109.8	119.7	130.0
	Unit Power (kW)	5.5	5.6	5.7	5.7	5.8	5.9
85	Head Press (psig)	332.9	339.4	346.2	353.0	359.5	365.6
	Capacity (Btuh/1000)	77.4	85.4	93.9	102.8	112.1	121.7
	Unit Power (kW)	6.2	6.3	6.4	6.4	6.5	6.5
95	Head Press (psig)	378.3	384.1	391.2	398.1	404.6	410.6
	Capacity (Btuh/1000)	71.9	79.5	87.6	96.0	104.8	113.7
	Unit Power (kW)	7.0	7.1	7.2	7.2	7.3	7.3
105	Head Press (psig)	427.4	432.3	439.6	446.7	453.3	459.2
	Capacity (Btuh/1000)	65.8	73.2	81.0	89.1	97.4	105.7
	Unit Power (kW)	7.9	7.9	8.0	8.1	8.1	8.1
115	Head Press (psig)	479.7	484.5	491.0	498.3	504.9	510.7
	Capacity (Btuh/1000)	59.1	66.4	73.9	81.7	89.7	97.4
	Unit Power (kW)	8.8	8.8	8.9	8.9	9.0	9.0
125	Head Press (psig)	535.1	539.9	544.7	552.0	558.6	564.2
	Capacity (Btuh/1000)	51.5	58.8	66.1	73.6	81.1	88.2
	Unit Power (kW)	9.7	9.7	9.8	9.8	9.9	9.9

Note: Performance data calculated at 15°F subcooling and 15°F superheat and does not include capacity loss due to refrigerant lines.

Table 64. Gross cooling capacities (kW) both compressors - TTA101J condensing unit only (SI)

Outdoor Temp (°C)		Suction Temperature (°C)					
		-1.1	1.7	4.4	7.2	10	12.8
18.3	Head Press (kPa)	1761.8	1805.3	1850.4	1896.2	1941.7	1985.1
	Capacity (kW)	26.0	28.6	31.4	34.4	37.5	40.8
	Unit Power (kW)	4.9	5.0	5.1	5.1	5.2	5.3
23.9	Head Press (kPa)	2013.8	2058.3	2104.2	2150.3	2195.6	2238.1
	Capacity (kW)	24.3	26.8	29.4	32.2	35.1	38.1
	Unit Power (kW)	5.5	5.6	5.7	5.7	5.8	5.9
29.4	Head Press (kPa)	2295.6	2340.1	2387.0	2433.7	2478.8	2520.5
	Capacity (kW)	22.7	25.0	27.5	30.1	32.9	35.7
	Unit Power (kW)	6.2	6.3	6.4	6.4	6.5	6.5
35	Head Press (kPa)	2608.5	2648.5	2696.9	2744.6	2789.8	2830.8
	Capacity (kW)	21.1	23.3	25.7	28.1	30.7	33.3
	Unit Power (kW)	7.0	7.1	7.2	7.2	7.3	7.3
40.6	Head Press (kPa)	2946.9	2980.8	3031.1	3079.9	3125.5	3165.9
	Capacity (kW)	19.3	21.5	23.7	26.1	28.6	31.0
	Unit Power (kW)	7.9	7.9	8.0	8.1	8.1	8.1
46.1	Head Press (kPa)	3307.5	3340.8	3385.5	3435.4	3481.2	3521.1
	Capacity (kW)	17.3	19.4	21.7	23.9	26.3	28.5
	Unit Power (kW)	8.8	8.8	8.9	8.9	9.0	9.0
51.7	Head Press (kPa)	3689.1	3722.5	3755.5	3805.7	3851.1	3889.9
	Capacity (kW)	15.1	17.2	19.4	21.6	23.8	25.9
	Unit Power (kW)	9.7	9.7	9.8	9.8	9.9	9.9

Note: Performance data calculated at 8.3°C subcooling and 8.3°C superheat and does not include capacity loss due to refrigerant lines.



Performance Data

Table 65. Gross cooling capacities (MBH) TTA126H condensing unit only (IP)

Outdoor Temp (°F)		Suction Temperature (°F)					
		30	35	40	45	50	55
65	Head Press (psig)	271.6	278.8	286.4	294.2	302.0	309.5
	Capacity (Btuh/1000)	109.1	119.7	131.0	143.1	155.5	167.9
	Unit Power (kW)	6.7	6.9	7.0	7.2	7.3	7.5
75	Head Press (psig)	310.9	318.5	326.4	334.5	342.5	350.1
	Capacity (Btuh/1000)	103.1	113.1	124.1	135.4	147.0	158.6
	Unit Power (kW)	7.4	7.6	7.7	7.9	8.1	8.2
85	Head Press (psig)	354.0	361.7	369.9	378.2	386.4	394.1
	Capacity (Btuh/1000)	96.6	106.3	116.7	127.4	138.3	149.0
	Unit Power (kW)	8.3	8.4	8.6	8.7	8.9	9.0
95	Head Press (psig)	403.3	408.4	416.9	425.5	433.8	441.4
	Capacity (Btuh/1000)	89.8	99.2	109.0	119.0	129.3	139.3
	Unit Power (kW)	9.2	9.3	9.5	9.7	9.8	10.0
105	Head Press (psig)	457.3	461.7	467.4	476.1	484.3	491.8
	Capacity (Btuh/1000)	82.8	91.8	101.1	110.6	120.1	129.4
	Unit Power (kW)	10.3	10.4	10.5	10.7	10.8	11.0
115	Head Press (psig)	517.2	520.3	524.1	529.6	537.5	544.7
	Capacity (Btuh/1000)	75.6	84.3	93.1	101.9	110.7	119.2
	Unit Power (kW)	11.5	11.6	11.7	11.8	12.0	12.1
125	Head Press (psig)	576.5	583.3	586.9	589.5	592.6	598.9
	Capacity (Btuh/1000)	68.4	76.6	84.9	93.0	100.7	108.3
	Unit Power (kW)	12.7	12.8	12.9	13.0	13.1	13.2

Note: Performance data calculated at 15°F subcooling and 15°F superheat and does not include capacity loss due to refrigerant lines.

Table 66. Gross cooling capacities (kW) TTA126H condensing unit only (SI)

Outdoor Temp (°C)		Suction Temperature (°C)					
		-1.1	1.7	4.4	7.2	10	12.8
18.3	Head Press (kPa)	1872.7	1922.5	1974.7	2028.3	2082.1	2134.1
	Capacity (kW)	32.0	35.1	38.4	41.9	45.6	49.2
	Unit Power (kW)	6.7	6.9	7.0	7.2	7.3	7.5
23.9	Head Press (kPa)	2143.6	2196.1	2250.5	2306.1	2361.3	2414.0
	Capacity (kW)	30.2	33.2	36.4	39.7	43.1	46.5
	Unit Power (kW)	7.4	7.6	7.7	7.9	8.1	8.2
29.4	Head Press (kPa)	2441.1	2493.7	2550.4	2607.9	2664.3	2717.3
	Capacity (kW)	28.3	31.2	34.2	37.3	40.5	43.7
	Unit Power (kW)	8.3	8.4	8.6	8.7	8.9	9.0
35	Head Press (kPa)	2780.7	2815.9	2874.7	2933.6	2990.7	3043.5
	Capacity (kW)	26.3	29.1	31.9	34.9	37.9	40.8
	Unit Power (kW)	9.2	9.3	9.5	9.7	9.8	10.0
40.6	Head Press (kPa)	3153.2	3183.2	3222.7	3282.2	3339.2	3390.9
	Capacity (kW)	24.3	26.9	29.6	32.4	35.2	37.9
	Unit Power (kW)	10.3	10.4	10.5	10.7	10.8	11.0
46.1	Head Press (kPa)	3566.3	3587.4	3613.6	3651.2	3706.2	3755.3
	Capacity (kW)	22.2	24.7	27.3	29.9	32.5	34.9
	Unit Power (kW)	11.5	11.6	11.7	11.8	12.0	12.1
51.7	Head Press (kPa)	3974.9	4021.7	4046.6	4064.8	4085.6	4129.4
	Capacity (kW)	20.1	22.5	24.9	27.3	29.5	31.7
	Unit Power (kW)	12.7	12.8	12.9	13.0	13.1	13.2

Note: Performance data calculated at 8.3°C subcooling and 8.3°C superheat and does not include capacity loss due to refrigerant lines.

Table 67. Gross cooling capacities (MBH) TTA156H condensing unit only (IP)

Outdoor Temp (°F)		Suction Temperature (°F)					
		30	35	40	45	50	55
65	Head Press (psig)	241.5	246.4	251.6	257.1	262.8	268.7
	Capacity (Btuh/1000)	134.7	148.0	162.3	177.6	194.0	211.4
	Unit Power (kW)	7.8	8.0	8.2	8.4	8.6	8.9
75	Head Press (psig)	278.3	283.4	288.9	294.7	300.7	306.7
	Capacity (Btuh/1000)	127.7	140.6	154.4	169.2	185.0	201.7
	Unit Power (kW)	8.7	8.8	9.0	9.2	9.4	9.7
85	Head Press (psig)	318.6	324.1	329.8	335.9	342.1	348.5
	Capacity (Btuh/1000)	120.1	132.5	145.7	159.9	175.1	191.7
	Unit Power (kW)	9.6	9.8	9.9	10.1	10.4	10.6
95	Head Press (psig)	363.7	368.5	374.5	380.8	387.1	393.4
	Capacity (Btuh/1000)	112.0	123.8	136.5	150.0	164.4	179.6
	Unit Power (kW)	10.7	10.8	11.0	11.2	11.4	11.6
105	Head Press (psig)	413.3	417.3	423.1	429.5	435.9	442.2
	Capacity (Btuh/1000)	103.6	114.9	126.9	139.8	153.4	167.8
	Unit Power (kW)	11.9	12.1	12.2	12.4	12.6	12.8
115	Head Press (psig)	467.9	471.7	475.8	482.2	488.5	494.6
	Capacity (Btuh/1000)	95.3	105.9	117.3	129.5	142.3	155.7
	Unit Power (kW)	13.4	13.5	13.6	13.7	13.9	14.1
125	Head Press (psig)	527.9	531.1	534.4	538.5	544.5	550.2
	Capacity (Btuh/1000)	87.2	97.2	107.9	119.2	130.9	143.2
	Unit Power (kW)	15.1	15.1	15.2	15.3	15.4	15.6

Note: Performance data calculated at 15°F subcooling and 15°F superheat and does not include capacity loss due to refrigerant lines.

Table 68. Gross cooling capacities (kW) TTA156H condensing unit only (SI)

Outdoor Temp (°C)		Suction Temperature (°C)					
		-1.1	1.7	4.4	7.2	10	12.8
18.3	Head Press (kPa)	1665.3	1698.9	1734.7	1772.6	1812.0	1852.4
	Capacity (kW)	39.5	43.4	47.6	52.1	56.9	62.0
	Unit Power (kW)	7.8	8.0	8.2	8.4	8.6	8.9
23.9	Head Press (kPa)	1918.6	1954.3	1992.2	2032.0	2073.2	2114.8
	Capacity (kW)	37.4	41.2	45.3	49.6	54.2	59.1
	Unit Power (kW)	8.7	8.8	9.0	9.2	9.4	9.7
29.4	Head Press (kPa)	2196.8	2234.4	2274.2	2315.8	2358.4	2402.7
	Capacity (kW)	35.2	38.8	42.7	46.9	51.3	56.2
	Unit Power (kW)	9.6	9.8	9.9	10.1	10.4	10.6
35	Head Press (kPa)	2507.5	2540.7	2582.2	2625.2	2668.9	2712.2
	Capacity (kW)	32.8	36.3	40.0	44.0	48.2	52.6
	Unit Power (kW)	10.7	10.8	11.0	11.2	11.4	11.6
40.6	Head Press (kPa)	2849.8	2877.2	2917.4	2961.4	3005.7	3048.8
	Capacity (kW)	30.4	33.7	37.2	41.0	45.0	49.2
	Unit Power (kW)	11.9	12.1	12.2	12.4	12.6	12.8
46.1	Head Press (kPa)	3225.8	3252.1	3280.4	3324.5	3368.3	3410.3
	Capacity (kW)	27.9	31.0	34.4	37.9	41.7	45.6
	Unit Power (kW)	13.4	13.5	13.6	13.7	13.9	14.1
51.7	Head Press (kPa)	3639.7	3661.6	3684.7	3712.7	3754.4	3793.7
	Capacity (kW)	25.6	28.5	31.6	34.9	38.4	42.0
	Unit Power (kW)	15.1	15.1	15.2	15.3	15.4	15.6

Note: Performance data calculated at 8.3°C subcooling and 8.3°C superheat and does not include capacity loss due to refrigerant lines.



Performance Data

Table 69. Gross cooling capacities (MBH) one compressor - TTA156J condensing unit only (IP)

Outdoor Temp (°F)		Suction Temperature (°F)					
		30	35	40	45	50	55
65	Head Press (psig)	227.1	230.3	233.7	237.3	241.2	245.3
	Capacity (Btuh/1000)	70.4	77.3	84.6	92.5	100.9	109.9
	Unit Power (kW)	3.8	3.9	4.0	4.1	4.2	4.3
75	Head Press (psig)	263.0	266.4	270.1	274.0	278.1	282.4
	Capacity (Btuh/1000)	66.8	73.5	80.6	88.3	96.4	105.2
	Unit Power (kW)	4.3	4.3	4.4	4.5	4.6	4.7
85	Head Press (psig)	302.7	306.3	310.1	314.2	318.5	323.0
	Capacity (Btuh/1000)	62.9	69.3	76.2	83.5	91.4	100.0
	Unit Power (kW)	4.7	4.8	4.9	5.0	5.1	5.2
95	Head Press (psig)	346.2	350.0	354.0	358.2	362.7	367.3
	Capacity (Btuh/1000)	58.7	64.8	71.4	78.4	86.1	94.2
	Unit Power (kW)	5.3	5.4	5.4	5.5	5.6	5.7
105	Head Press (psig)	394.0	397.8	401.9	406.3	410.8	415.4
	Capacity (Btuh/1000)	54.3	60.1	66.3	73.1	80.4	88.1
	Unit Power (kW)	5.9	6.0	6.0	6.1	6.2	6.3
115	Head Press (psig)	446.4	450.1	454.2	458.4	462.9	467.5
	Capacity (Btuh/1000)	49.8	55.3	61.3	67.7	74.6	81.8
	Unit Power (kW)	6.6	6.7	6.7	6.8	6.9	7.0
125	Head Press (psig)	502.5	507.1	510.8	514.9	519.1	523.4
	Capacity (Btuh/1000)	45.3	50.5	56.1	62.1	68.5	75.2
	Unit Power (kW)	7.4	7.5	7.5	7.6	7.7	7.7

Note: Performance data calculated at 15°F subcooling and 15°F superheat and does not include capacity loss due to refrigerant lines.

Table 70. Gross cooling capacities (kW) one compressor - TTA156J condensing unit only (SI)

Outdoor Temp (°C)		Suction Temperature (°C)					
		-1.1	1.7	4.4	7.2	10	12.8
18.3	Head Press (kPa)	1565.7	1587.6	1611.2	1636.4	1663.1	1691.3
	Capacity (kW)	20.6	22.6	24.8	27.1	29.6	32.2
	Unit Power (kW)	3.8	3.9	4.0	4.1	4.2	4.3
23.9	Head Press (kPa)	1813.6	1837.1	1862.3	1889.2	1917.6	1947.2
	Capacity (kW)	19.6	21.5	23.6	25.9	28.3	30.8
	Unit Power (kW)	4.3	4.3	4.4	4.5	4.6	4.7
29.4	Head Press (kPa)	2086.8	2111.6	2138.2	2166.5	2196.3	2227.1
	Capacity (kW)	18.4	20.3	22.3	24.5	26.8	29.3
	Unit Power (kW)	4.7	4.8	4.9	5.0	5.1	5.2
35	Head Press (kPa)	2387.1	2412.9	2440.6	2470.0	2500.7	2532.4
	Capacity (kW)	17.2	19.0	20.9	23.0	25.2	27.6
	Unit Power (kW)	5.3	5.4	5.4	5.5	5.6	5.7
40.6	Head Press (kPa)	2716.7	2742.9	2771.2	2801.1	2832.3	2864.3
	Capacity (kW)	15.9	17.6	19.4	21.4	23.6	25.8
	Unit Power (kW)	5.9	6.0	6.0	6.1	6.2	6.3
46.1	Head Press (kPa)	3077.9	3103.4	3131.3	3160.9	3191.8	3223.4
	Capacity (kW)	14.6	16.2	18.0	19.8	21.8	24.0
	Unit Power (kW)	6.6	6.7	6.7	6.8	6.9	7.0
51.7	Head Press (kPa)	3464.9	3496.6	3522.1	3549.9	3579.0	3608.7
	Capacity (kW)	13.3	14.8	16.4	18.2	20.1	22.0
	Unit Power (kW)	7.4	7.5	7.5	7.6	7.7	7.7

Note: Performance data calculated at 8.3°C subcooling and 8.3°C superheat and does not include capacity loss due to refrigerant lines.

Table 71. Gross cooling capacities (MBH) both compressors - TTA156J condensing unit only (IP)

Outdoor Temp (°F)		Suction Temperature (°F)					
		30	35	40	45	50	55
65	Head Press (psig)	269.9	276.4	284.5	293.0	302.0	311.3
	Capacity (Btuh/1000)	139.4	153.1	167.7	183.2	199.6	216.7
	Unit Power (kW)	7.5	7.7	8.0	8.2	8.5	8.8
75	Head Press (psig)	309.2	315.3	323.7	332.7	342.0	351.5
	Capacity (Btuh/1000)	131.8	144.9	158.9	173.7	189.3	205.6
	Unit Power (kW)	8.4	8.6	8.8	9.1	9.4	9.7
85	Head Press (psig)	352.3	358.5	366.4	375.7	385.3	395.0
	Capacity (Btuh/1000)	123.6	136.1	149.4	163.5	178.4	193.7
	Unit Power (kW)	9.4	9.6	9.8	10.1	10.3	10.6
95	Head Press (psig)	399.5	405.8	412.7	422.2	432.0	441.7
	Capacity (Btuh/1000)	115.1	127.0	139.6	153.0	167.0	181.5
	Unit Power (kW)	10.5	10.7	10.9	11.2	11.4	11.7
105	Head Press (psig)	451.1	457.4	463.8	472.2	481.9	491.4
	Capacity (Btuh/1000)	106.6	118.0	129.9	142.4	155.7	169.2
	Unit Power (kW)	11.8	12.0	12.2	12.4	12.7	13.0
115	Head Press (psig)	507.3	513.2	519.3	525.6	534.6	543.7
	Capacity (Btuh/1000)	98.4	109.2	120.4	131.9	144.2	156.6
	Unit Power (kW)	13.3	13.5	13.6	13.8	14.0	14.3
125	Head Press (psig)	568.4	573.3	578.6	584.2	589.8	597.4
	Capacity (Btuh/1000)	90.8	100.8	111.2	121.7	132.2	143.1
	Unit Power (kW)	15.0	15.1	15.2	15.4	15.5	15.7

Note: Performance data calculated at 15°F subcooling and 15°F superheat and does not include capacity loss due to refrigerant lines.

Table 72. Gross cooling capacities (kW) both compressors - TTA156J condensing unit only (SI)

Outdoor Temp (°C)		Suction Temperature (°C)					
		-1.1	1.7	4.4	7.2	10	12.8
18.3	Head Press (kPa)	1860.6	1905.4	1961.3	2020.5	2082.5	2146.2
	Capacity (kW)	40.9	44.9	49.1	53.7	58.5	63.5
	Unit Power (kW)	7.5	7.7	8.0	8.2	8.5	8.8
23.9	Head Press (kPa)	2131.8	2173.8	2232.1	2294.0	2358.2	2423.7
	Capacity (kW)	38.6	42.5	46.6	50.9	55.5	60.2
	Unit Power (kW)	8.4	8.6	8.8	9.1	9.4	9.7
29.4	Head Press (kPa)	2429.1	2471.7	2526.3	2590.6	2656.7	2723.3
	Capacity (kW)	36.2	39.9	43.8	47.9	52.3	56.8
	Unit Power (kW)	9.4	9.6	9.8	10.1	10.3	10.6
35	Head Press (kPa)	2754.5	2798.1	2845.2	2911.1	2978.4	3045.3
	Capacity (kW)	33.7	37.2	40.9	44.8	49.0	53.2
	Unit Power (kW)	10.5	10.7	10.9	11.2	11.4	11.7
40.6	Head Press (kPa)	3110.0	3153.4	3197.8	3255.4	3322.6	3388.4
	Capacity (kW)	31.2	34.6	38.1	41.7	45.6	49.6
	Unit Power (kW)	11.8	12.0	12.2	12.4	12.7	13.0
46.1	Head Press (kPa)	3497.5	3538.3	3580.6	3623.9	3686.1	3748.9
	Capacity (kW)	28.8	32.0	35.3	38.7	42.3	45.9
	Unit Power (kW)	13.3	13.5	13.6	13.8	14.0	14.3
51.7	Head Press (kPa)	3918.7	3952.7	3989.4	4027.7	4066.3	4118.9
	Capacity (kW)	26.6	29.5	32.6	35.7	38.8	41.9
	Unit Power (kW)	15.0	15.1	15.2	15.4	15.5	15.7

Note: Performance data calculated at 8.3°C subcooling and 8.3°C superheat and does not include capacity loss due to refrigerant lines.



Performance Data

Table 73. Gross cooling capacities (MBH) TTA201H condensing unit only (IP)

Outdoor Temp (°F)		Suction Temperature (°F)					
		30	35	40	45	50	55
65	Head Press (psig)	261.8	268.8	275.7	281.6	285.8	287.7
	Capacity (Btuh/1000)	204.8	226.2	248.5	271.4	293.7	312.9
	Unit Power (kW)	12.8	13.0	13.3	13.6	13.8	14.0
75	Head Press (psig)	300.1	307.4	314.2	320.0	323.8	325.3
	Capacity (Btuh/1000)	194.5	214.7	235.8	257.1	277.5	294.3
	Unit Power (kW)	13.9	14.2	14.5	14.8	15.1	15.2
85	Head Press (psig)	341.9	349.3	356.1	361.6	365.0	365.9
	Capacity (Btuh/1000)	183.2	202.1	221.8	241.6	260.1	274.5
	Unit Power (kW)	15.3	15.6	15.9	16.2	16.4	16.6
95	Head Press (psig)	388.2	394.6	401.2	406.3	409.2	409.5
	Capacity (Btuh/1000)	171.0	188.6	206.8	225.0	241.7	253.7
	Unit Power (kW)	16.9	17.1	17.4	17.7	17.9	18.0
105	Head Press (psig)	438.8	443.3	449.6	454.2	456.5	456.2
	Capacity (Btuh/1000)	158.1	174.5	191.3	207.9	222.7	232.2
	Unit Power (kW)	18.6	18.8	19.1	19.4	19.6	19.6
115	Head Press (psig)	493.7	495.4	501.2	505.2	506.7	505.9
	Capacity (Btuh/1000)	145.4	160.4	175.7	190.7	203.4	210.6
	Unit Power (kW)	20.6	20.7	20.9	21.1	21.3	21.4
125	Head Press (psig)	553.5	552.9	556.2	559.4	560.1	559.2
	Capacity (Btuh/1000)	134.0	147.6	160.9	174.0	184.5	189.8
	Unit Power (kW)	22.7	22.7	22.8	23.0	23.1	23.2

Note: Performance data calculated at 15°F subcooling and 15°F superheat and does not include capacity loss due to refrigerant lines.

Table 74. Gross cooling capacities (kW) TTA201H condensing unit only (SI)

Outdoor Temp (°C)		Suction Temperature (°C)					
		-1.1	1.7	4.4	7.2	10	12.8
18.3	Head Press (kPa)	1804.8	1853.6	1900.6	1941.4	1970.4	1983.3
	Capacity (kW)	60.0	66.3	72.8	79.5	86.1	91.7
	Unit Power (kW)	12.8	13.0	13.3	13.6	13.8	14.0
23.9	Head Press (kPa)	2069.0	2119.2	2166.6	2206.3	2232.8	2242.6
	Capacity (kW)	57.0	62.9	69.1	75.3	81.3	86.3
	Unit Power (kW)	13.9	14.2	14.5	14.8	15.1	15.2
29.4	Head Press (kPa)	2357.1	2408.2	2455.1	2493.1	2516.6	2522.7
	Capacity (kW)	53.7	59.2	65.0	70.8	76.2	80.4
	Unit Power (kW)	15.3	15.6	15.9	16.2	16.4	16.6
35	Head Press (kPa)	2676.5	2720.5	2766.2	2801.6	2821.4	2823.6
	Capacity (kW)	50.1	55.3	60.6	65.9	70.8	74.3
	Unit Power (kW)	16.9	17.1	17.4	17.7	17.9	18.0
40.6	Head Press (kPa)	3025.6	3056.2	3099.7	3131.6	3147.2	3145.2
	Capacity (kW)	46.3	51.1	56.1	60.9	65.3	68.0
	Unit Power (kW)	18.6	18.8	19.1	19.4	19.6	19.6
46.1	Head Press (kPa)	3404.0	3415.6	3455.8	3483.1	3493.8	3488.2
	Capacity (kW)	42.6	47.0	51.5	55.9	59.6	61.7
	Unit Power (kW)	20.6	20.7	20.9	21.1	21.3	21.4
51.7	Head Press (kPa)	3816.1	3812.3	3834.9	3856.7	3861.4	3855.2
	Capacity (kW)	39.3	43.2	47.1	51.0	54.1	55.6
	Unit Power (kW)	22.7	22.7	22.8	23.0	23.1	23.2

Note: Performance data calculated at 8.3°C subcooling and 8.3°C superheat and does not include capacity loss due to refrigerant lines.

Table 75. Gross cooling capacities (MBH) one compressor - TTA201J condensing unit only (IP)

Outdoor Temp (°F)		Suction Temperature (°F)					
		30	35	40	45	50	55
65	Head Press (psig)	220.0	223.2	226.5	229.7	232.8	235.4
	Capacity (Btuh/1000)	101.4	112.2	123.7	136.0	148.8	162.1
	Unit Power (kW)	6.3	6.4	6.5	6.5	6.6	6.7
75	Head Press (psig)	255.6	259.0	262.4	265.7	268.8	271.3
	Capacity (Btuh/1000)	96.8	107.1	118.2	129.9	142.1	154.7
	Unit Power (kW)	6.8	6.8	6.9	7.0	7.1	7.2
85	Head Press (psig)	294.9	298.4	301.9	305.3	308.3	310.8
	Capacity (Btuh/1000)	91.6	101.5	112.0	123.1	134.7	146.4
	Unit Power (kW)	7.3	7.4	7.5	7.6	7.7	7.8
95	Head Press (psig)	338.0	341.6	345.2	348.6	351.5	353.8
	Capacity (Btuh/1000)	86.0	95.3	105.2	115.7	126.4	137.2
	Unit Power (kW)	8.0	8.1	8.2	8.3	8.4	8.4
105	Head Press (psig)	385.2	388.8	392.4	395.7	398.5	400.6
	Capacity (Btuh/1000)	79.9	88.6	97.9	107.6	117.5	127.3
	Unit Power (kW)	8.7	8.8	8.9	9.0	9.1	9.2
115	Head Press (psig)	436.7	440.2	443.6	446.8	449.3	451.1
	Capacity (Btuh/1000)	73.3	81.4	90.0	98.9	108.0	116.6
	Unit Power (kW)	9.6	9.7	9.8	9.9	10.0	10.0
125	Head Press (psig)	492.5	495.9	499.1	501.9	504.1	505.6
	Capacity (Btuh/1000)	66.5	74.0	81.9	90.0	98.1	105.2
	Unit Power (kW)	10.5	10.6	10.7	10.8	10.9	10.9

Note: Performance data calculated at 15°F subcooling and 15°F superheat and does not include capacity loss due to refrigerant lines.

Table 76. Gross cooling capacities (kW) one compressor - TTA201J condensing unit only (SI)

Outdoor Temp (°C)		Suction Temperature (°C)					
		-1.1	1.7	4.4	7.2	10	12.8
18.3	Head Press (kPa)	1517.1	1539.1	1561.7	1584.0	1605.1	1622.9
	Capacity (kW)	29.7	32.9	36.3	39.8	43.6	47.5
	Unit Power (kW)	6.3	6.4	6.5	6.5	6.6	6.7
23.9	Head Press (kPa)	1762.3	1785.5	1809.1	1832.1	1853.4	1870.9
	Capacity (kW)	28.4	31.4	34.6	38.1	41.6	45.3
	Unit Power (kW)	6.8	6.8	6.9	7.0	7.1	7.2
29.4	Head Press (kPa)	2033.1	2057.2	2081.5	2104.9	2126.0	2142.9
	Capacity (kW)	26.9	29.8	32.8	36.1	39.5	42.9
	Unit Power (kW)	7.3	7.4	7.5	7.6	7.7	7.8
35	Head Press (kPa)	2330.5	2355.4	2379.9	2403.2	2423.8	2439.6
	Capacity (kW)	25.2	27.9	30.8	33.9	37.1	40.2
	Unit Power (kW)	8.0	8.1	8.2	8.3	8.4	8.4
40.6	Head Press (kPa)	2656.0	2681.0	2705.4	2728.1	2747.6	2761.9
	Capacity (kW)	23.4	26.0	28.7	31.5	34.4	37.3
	Unit Power (kW)	8.7	8.8	8.9	9.0	9.1	9.2
46.1	Head Press (kPa)	3010.7	3035.3	3058.8	3080.3	3098.0	3110.4
	Capacity (kW)	21.5	23.9	26.4	29.0	31.7	34.2
	Unit Power (kW)	9.6	9.7	9.8	9.9	10.0	10.0
51.7	Head Press (kPa)	3396.0	3419.3	3441.1	3460.4	3475.7	3485.7
	Capacity (kW)	19.5	21.7	24.0	26.4	28.7	30.8
	Unit Power (kW)	10.5	10.6	10.7	10.8	10.9	10.9

Note: Performance data calculated at 8.3°C subcooling and 8.3°C superheat and does not include capacity loss due to refrigerant lines.



Performance Data

Table 77. Gross cooling capacities (MBH) both compressors - TTA201J condensing unit only (IP)

Outdoor Temp (°F)		Suction Temperature (°F)					
		30	35	40	45	50	55
65	Head Press (psig)	278.3	280.6	285.1	292.5	298.2	300.4
	Capacity (Btuh/1000)	202.9	223.9	245.8	268.8	291.7	312.0
	Unit Power (kW)	12.9	13.1	13.3	13.6	13.8	13.9
75	Head Press (psig)	319.3	321.1	324.5	331.8	337.0	338.5
	Capacity (Btuh/1000)	192.6	212.6	233.2	254.7	275.9	294.0
	Unit Power (kW)	14.1	14.3	14.5	14.8	15.0	15.2
85	Head Press (psig)	364.2	365.4	367.1	374.2	378.9	379.5
	Capacity (Btuh/1000)	181.1	200.1	219.4	239.4	258.8	274.6
	Unit Power (kW)	15.6	15.7	15.8	16.2	16.4	16.5
95	Head Press (psig)	413.3	413.5	413.2	419.7	423.7	423.4
	Capacity (Btuh/1000)	168.8	186.7	204.6	223.0	240.8	254.3
	Unit Power (kW)	17.2	17.3	17.4	17.7	17.9	18.0
105	Head Press (psig)	466.6	465.5	464.0	468.3	471.5	470.2
	Capacity (Btuh/1000)	156.1	172.9	189.6	206.4	222.3	233.3
	Unit Power (kW)	19.0	19.1	19.1	19.3	19.5	19.5
115	Head Press (psig)	524.6	521.6	518.7	520.0	522.1	519.7
	Capacity (Btuh/1000)	144.4	159.8	174.9	189.8	203.7	211.9
	Unit Power (kW)	21.0	21.0	21.0	21.1	21.2	21.2
125	Head Press (psig)	588.0	582.7	577.8	574.7	575.6	571.9
	Capacity (Btuh/1000)	135.4	148.9	161.9	174.0	185.5	190.8
	Unit Power (kW)	23.3	23.1	23.0	23.0	23.0	23.0

Note: Performance data calculated at 15°F subcooling and 15°F superheat and does not include capacity loss due to refrigerant lines.

Table 78. Gross cooling capacities (kW) both compressors - TTA201J condensing unit only (SI)

Outdoor Temp (°C)		Suction Temperature (°C)					
		-1.1	1.7	4.4	7.2	10	12.8
18.3	Head Press (kPa)	1918.7	1934.9	1965.7	2016.7	2055.8	2070.9
	Capacity (kW)	59.5	65.6	72.0	78.8	85.5	91.4
	Unit Power (kW)	12.9	13.1	13.3	13.6	13.8	13.9
23.9	Head Press (kPa)	2201.2	2214.1	2237.2	2287.5	2323.8	2333.8
	Capacity (kW)	56.4	62.3	68.3	74.7	80.9	86.2
	Unit Power (kW)	14.1	14.3	14.5	14.8	15.0	15.2
29.4	Head Press (kPa)	2511.0	2519.2	2531.2	2580.1	2612.4	2616.8
	Capacity (kW)	53.1	58.7	64.3	70.2	75.9	80.5
	Unit Power (kW)	15.6	15.7	15.8	16.2	16.4	16.5
35	Head Press (kPa)	2849.4	2850.7	2849.1	2894.1	2921.5	2919.5
	Capacity (kW)	49.5	54.7	60.0	65.4	70.6	74.5
	Unit Power (kW)	17.2	17.3	17.4	17.7	17.9	18.0
40.6	Head Press (kPa)	3217.1	3209.2	3199.4	3229.0	3250.6	3241.7
	Capacity (kW)	45.7	50.7	55.6	60.5	65.1	68.4
	Unit Power (kW)	19.0	19.1	19.1	19.3	19.5	19.5
46.1	Head Press (kPa)	3616.7	3596.4	3576.0	3585.0	3599.6	3583.2
	Capacity (kW)	42.3	46.8	51.3	55.6	59.7	62.1
	Unit Power (kW)	21.0	21.0	21.0	21.1	21.2	21.2
51.7	Head Press (kPa)	4053.9	4017.3	3983.5	3962.5	3968.9	3943.4
	Capacity (kW)	39.7	43.6	47.5	51.0	54.4	55.9
	Unit Power (kW)	23.3	23.1	23.0	23.0	23.0	23.0

Note: Performance data calculated at 8.3°C subcooling and 8.3°C superheat and does not include capacity loss due to refrigerant lines.

Table 79. Gross cooling capacities (MBH) one compressor - TTA251J condensing unit only (IP)

Outdoor Temp (°F)		Suction Temperature (°F)					
		30	35	40	45	50	55
65	Head Press (psig)	233.3	236.1	238.7	242.3	246.7	250.8
	Capacity (Btuh/1000)	112.0	123.5	135.7	148.6	162.4	176.9
	Unit Power (kW)	6.9	7.0	7.0	7.1	7.1	7.2
75	Head Press (psig)	270.3	273.2	275.9	279.3	283.9	288.0
	Capacity (Btuh/1000)	107.3	118.4	130.1	142.5	155.8	169.7
	Unit Power (kW)	7.5	7.5	7.6	7.7	7.7	7.8
85	Head Press (psig)	311.1	314.0	316.7	320.0	324.6	328.6
	Capacity (Btuh/1000)	101.9	112.5	123.7	135.7	148.3	161.4
	Unit Power (kW)	8.1	8.2	8.3	8.3	8.4	8.5
95	Head Press (psig)	356.0	358.9	361.5	364.4	368.9	372.7
	Capacity (Btuh/1000)	95.9	105.9	116.6	127.9	139.8	152.1
	Unit Power (kW)	8.9	8.9	9.0	9.1	9.2	9.3
105	Head Press (psig)	405.3	408.0	410.4	412.6	417.0	420.5
	Capacity (Btuh/1000)	89.1	98.6	108.7	119.4	130.5	141.9
	Unit Power (kW)	9.7	9.8	9.9	10.0	10.1	10.2
115	Head Press (psig)	459.2	461.6	463.6	465.1	469.0	472.0
	Capacity (Btuh/1000)	82.0	90.9	100.3	110.2	120.6	131.2
	Unit Power (kW)	10.7	10.8	10.9	11.0	11.1	11.2
125	Head Press (psig)	518.4	520.1	521.5	522.3	524.8	527.1
	Capacity (Btuh/1000)	74.7	83.0	91.8	101.0	110.5	120.1
	Unit Power (kW)	11.8	11.9	12.0	12.0	12.1	12.2

Note: Performance data calculated at 15°F subcooling and 15°F superheat and does not include capacity loss due to refrigerant lines.

Table 80. Gross cooling capacities (kW) both compressors - TTA251J condensing unit only (SI)

Outdoor Temp (°C)		Suction Temperature (°C)					
		-1.1	1.7	4.4	7.2	10	12.8
18.3	Head Press (kPa)	1608.6	1627.6	1645.8	1670.3	1700.8	1729.2
	Capacity (kW)	32.8	36.2	39.8	43.6	47.6	51.8
	Unit Power (kW)	6.9	7.0	7.0	7.1	7.1	7.2
23.9	Head Press (kPa)	1863.8	1883.4	1902.0	1925.9	1957.2	1985.5
	Capacity (kW)	31.4	34.7	38.1	41.8	45.7	49.7
	Unit Power (kW)	7.5	7.5	7.6	7.7	7.7	7.8
29.4	Head Press (kPa)	2145.3	2165.3	2183.8	2206.3	2237.9	2265.4
	Capacity (kW)	29.9	33.0	36.3	39.8	43.5	47.3
	Unit Power (kW)	8.1	8.2	8.3	8.3	8.4	8.5
35	Head Press (kPa)	2454.8	2474.5	2492.4	2512.4	2543.7	2569.8
	Capacity (kW)	28.1	31.0	34.2	37.5	41.0	44.6
	Unit Power (kW)	8.9	8.9	9.0	9.1	9.2	9.3
40.6	Head Press (kPa)	2794.3	2812.9	2829.3	2845.1	2875.4	2899.2
	Capacity (kW)	26.1	28.9	31.9	35.0	38.2	41.6
	Unit Power (kW)	9.7	9.8	9.9	10.0	10.1	10.2
46.1	Head Press (kPa)	3166.2	3182.4	3196.2	3206.7	3233.5	3254.0
	Capacity (kW)	24.0	26.6	29.4	32.3	35.3	38.4
	Unit Power (kW)	10.7	10.8	10.9	11.0	11.1	11.2
51.7	Head Press (kPa)	3574.6	3586.1	3595.3	3601.3	3618.4	3634.5
	Capacity (kW)	21.9	24.3	26.9	29.6	32.4	35.2
	Unit Power (kW)	11.8	11.9	12.0	12.0	12.1	12.2

Note: Performance data calculated at 8.3°C subcooling and 8.3°C superheat and does not include capacity loss due to refrigerant lines.



Performance Data

Table 81. Gross cooling capacities (MBH) both compressors - TTA251J condensing unit only (IP)

Outdoor Temp (°F)		Suction Temperature (°F)					
		30	35	40	45	50	55
65	Head Press (psig)	319.8	322.2	323.6	323.9	325.0	328.9
	Capacity (Btuh/1000)	226.4	249.6	273.9	298.6	322.7	347.7
	Unit Power (kW)	15.4	15.5	15.6	15.7	15.7	15.9
75	Head Press (psig)	366.2	367.5	367.8	368.5	369.0	369.5
	Capacity (Btuh/1000)	214.6	236.9	260.1	283.6	306.4	329.4
	Unit Power (kW)	17.0	17.1	17.2	17.2	17.2	17.4
85	Head Press (psig)	410.2	412.8	413.6	415.8	417.0	417.1
	Capacity (Btuh/1000)	201.6	222.8	244.8	267.1	288.6	309.6
	Unit Power (kW)	18.9	18.9	18.9	18.9	18.9	19.0
95	Head Press (psig)	458.6	458.9	463.6	467.5	470.5	472.7
	Capacity (Btuh/1000)	188.5	208.5	229.2	250.0	270.0	289.0
	Unit Power (kW)	20.7	20.8	20.8	20.9	20.9	21.0
105	Head Press (psig)	507.6	510.2	516.9	522.6	527.6	531.9
	Capacity (Btuh/1000)	177.6	196.2	215.2	234.1	251.8	268.3
	Unit Power (kW)	22.6	22.6	22.8	22.9	23.1	23.2
115	Head Press (psig)	559.1	565.5	574.0	581.4	587.9	593.8
	Capacity (Btuh/1000)	172.0	188.5	204.9	220.9	235.5	248.1
	Unit Power (kW)	24.5	24.7	24.8	24.9	25.0	25.1
125	Head Press (psig)	613.4	626.1	637.4	646.9	654.7	661.3
	Capacity (Btuh/1000)	176.1	189.6	202.2	213.5	223.0	229.4
	Unit Power (kW)	26.5	26.6	26.8	26.9	27.1	27.3

Note: Performance data calculated at 15°F subcooling and 15°F superheat and does not include capacity loss due to refrigerant lines.

Table 82. Gross cooling capacities (kW) both compressors - TTA251J condensing unit only (SI)

Outdoor Temp (°C)		Suction Temperature (°C)					
		-1.1	1.7	4.4	7.2	10	12.8
18.3	Head Press (kPa)	2205.0	2221.3	2231.1	2233.5	2240.8	2267.7
	Capacity (kW)	66.3	73.2	80.3	87.5	94.6	101.9
	Unit Power (kW)	15.4	15.5	15.6	15.7	15.7	15.9
23.9	Head Press (kPa)	2524.6	2533.9	2536.1	2540.7	2544.2	2547.4
	Capacity (kW)	62.9	69.4	76.2	83.1	89.8	96.5
	Unit Power (kW)	17.0	17.1	17.2	17.2	17.2	17.4
29.4	Head Press (kPa)	2828.4	2846.3	2851.8	2867.1	2875.2	2876.1
	Capacity (kW)	59.1	65.3	71.7	78.3	84.6	90.7
	Unit Power (kW)	18.9	18.9	18.9	18.9	18.9	19.0
35	Head Press (kPa)	3162.0	3163.9	3196.4	3223.4	3244.1	3258.9
	Capacity (kW)	55.2	61.1	67.2	73.3	79.1	84.7
	Unit Power (kW)	20.7	20.8	20.8	20.9	20.9	21.0
40.6	Head Press (kPa)	3500.0	3518.0	3564.0	3603.4	3637.4	3667.1
	Capacity (kW)	52.1	57.5	63.1	68.6	73.8	78.6
	Unit Power (kW)	22.6	22.6	22.8	22.9	23.1	23.2
46.1	Head Press (kPa)	3854.7	3899.2	3957.7	4008.6	4053.7	4094.3
	Capacity (kW)	50.4	55.2	60.1	64.7	69.0	72.7
	Unit Power (kW)	24.5	24.7	24.8	24.9	25.0	25.1
51.7	Head Press (kPa)	4229.3	4317.1	4394.8	4460.3	4514.2	4559.7
	Capacity (kW)	51.6	55.6	59.2	62.6	65.4	67.2
	Unit Power (kW)	26.5	26.6	26.8	26.9	27.1	27.3

Note: Performance data calculated at 8.3°C subcooling and 8.3°C superheat and does not include capacity loss due to refrigerant lines.

Table 83. Evaporator fan performance — TWE051D — air handler (IP)

External Static Pressure (Inches of Water Gauge)																						
0.10"		0.20"		0.30"		0.40"		0.50"		0.60"		0.70"		0.80"		0.90"		1.00"		1.10"		
CFM	RPM	BHP	RPM	BHP	RPM	BHP	RPM	BHP	RPM	BHP	RPM	BHP	RPM	BHP	RPM	BHP	RPM	BHP	RPM	BHP	RPM	BHP
0.5 HP Standard Motor											1 HP High Static Motor											
1400	612	0.20	674	0.24	731	0.29	786	0.34	840	0.39	891	0.45	941	0.51	989	0.58	1034	0.65	1077	0.72	1117	0.78
1500	647	0.24	705	0.29	760	0.34	812	0.39	863	0.44	912	0.50	960	0.56	1006	0.63	1051	0.70	1094	0.77	—	—
1600	683	0.28	738	0.33	790	0.38	840	0.44	888	0.50	936	0.56	980	0.62	1025	0.69	1070	0.76	1111	0.83	—	—
1700	719	0.33	771	0.38	821	0.44	869	0.50	914	0.56	959	0.62	1003	0.68	1047	0.75	1089	0.82	—	—	—	—
1800	756	0.39	804	0.44	853	0.50	898	0.56	942	0.62	985	0.69	1028	0.75	1068	0.82	1109	0.89	—	—	—	—
1900	792	0.45	838	0.51	884	0.57	928	0.63	971	0.69	1012	0.76	1052	0.83	1092	0.90	—	—	—	—	—	—
2000	829	0.52	873	0.58	917	0.64	959	0.71	1000	0.77	1040	0.84	1079	0.91	1117	0.98	—	—	—	—	—	—
2100	866	0.60	908	0.66	950	0.72	991	0.79	1030	0.86	1069	0.93	1106	1.00	1144	1.08	—	—	—	—	—	—

Notes:

1. Data includes pressure drop due to wet coil and 1" filter.
2. Fan motor heat (MBh) = 3.15 x BHP.
3. Factory supplied motors, in commercial equipment, are definite purpose motors, specifically designed and tested to operate reliably and continuously at all cataloged conditions. Using the full horsepower range of our fan motors as shown in our tabular data will not result in nuisance tripping or premature motor failure. Our product's warranty will not be affected.

Important: See fan motor values in [Table 99, p. 96](#) - [Table 102, p. 99](#).

Table 84. Evaporator fan performance — TWE051D — air handler (SI)

External Static Pressure (Inches of Water Gauge)																						
25		50		75		100		125		150		174		199		224		249		274		
m ³ /hr	RPM	kW	RPM	kW	RPM	kW	RPM	kW	RPM	kW	RPM	kW	RPM	kW	RPM	kW	RPM	kW	RPM	kW	RPM	kW
0.38 kW Standard Motor											.75 kW High Static Motor											
2379	612	0.15	674	0.18	731	0.22	786	0.25	840	0.29	891	0.34	941	0.38	989	0.43	1034	0.48	1077	0.53	1117	0.58
2549	647	0.18	705	0.21	760	0.25	812	0.29	863	0.33	912	0.37	960	0.42	1006	0.47	1051	0.52	1094	0.58	—	—
2719	683	0.21	738	0.25	790	0.29	840	0.33	888	0.37	936	0.42	980	0.46	1025	0.51	1070	0.57	1111	0.62	—	—
2889	719	0.25	771	0.29	821	0.33	869	0.37	914	0.41	959	0.46	1003	0.51	1047	0.56	1089	0.61	—	—	—	—
3059	756	0.29	804	0.33	853	0.37	898	0.42	942	0.46	985	0.51	1028	0.56	1068	0.61	1109	0.66	—	—	—	—
3228	792	0.34	838	0.38	884	0.42	928	0.47	971	0.52	1012	0.57	1052	0.62	1092	0.67	—	—	—	—	—	—
3398	829	0.39	873	0.43	917	0.48	959	0.53	1000	0.58	1040	0.63	1079	0.68	1117	0.73	—	—	—	—	—	—
3568	866	0.45	908	0.49	950	0.54	991	0.59	1030	0.64	1069	0.69	1106	0.75	1144	0.80	—	—	—	—	—	—

Notes:

1. Data includes pressure drop due to wet coil and 1" filter.
2. Fan motor heat (kW) = 3.15 x kW.
3. Factory supplied motors, in commercial equipment, are definite purpose motors, specifically designed and tested to operate reliably and continuously at all cataloged conditions. Using the full horsepower range of our fan motors as shown in our tabular data will not result in nuisance tripping or premature motor failure. Our product's warranty will not be affected.

Important: See fan motor values in [Table 99, p. 96](#) - [Table 102, p. 99](#).



Performance Data

Table 85. Evaporator fan performance — TWE073E — air handler (IP)

External Static Pressure (Inches of Water Gauge)																						
0.10"		0.20"		0.30"		0.40"		0.50"		0.60"		0.70"		0.80"		0.90"		1.00"		1.10"		
CFM	RPM	BHP	RPM	BHP	RPM	BHP	RPM	BHP	RPM	BHP	RPM	BHP	RPM	BHP	RPM	BHP	RPM	BHP	RPM	BHP	RPM	BHP
										1 HP Standard Motor						1.5 HP High Static Motor						
1600	—	—	—	—	550	0.33	629	0.39	695	0.46	747	0.52	807	0.72	854	0.77	887	0.80	906	0.81	912	0.82
1700	—	—	—	—	559	0.35	634	0.43	697	0.48	751	0.61	809	0.75	857	0.81	894	0.84	920	0.87	985	1.07
1800	—	—	—	—	569	0.38	640	0.46	701	0.53	756	0.64	813	0.77	861	0.85	901	0.90	952	1.07	991	1.14
1900	—	—	—	—	578	0.41	647	0.50	707	0.58	761	0.68	817	0.81	866	0.90	912	1.01	957	1.13	996	1.21
2000	—	—	522	0.34	590	0.45	654	0.52	711	1	768	0.73	821	0.84	870	0.95	917	1.06	962	1.20	1002	1.27
2100	—	—	534	0.38	599	0.48	662	0.59	719	0.67	774	0.77	826	0.88	875	1.00	921	1.11	968	1.27	1007	1.35
2200	474	0.30	547	0.43	610	0.52	671	0.64	727	0.72	781	0.82	832	0.93	881	1.06	926	1.17	973	1.33	1013	1.42
2300	489	0.35	560	0.47	621	0.56	680	0.69	736	0.77	788	0.87	838	0.98	886	1.12	932	1.23	979	1.40	1018	1.50
2400	505	0.41	573	0.52	632	0.61	690	0.74	745	0.83	796	0.93	844	1.04	893	1.18	937	1.30	969	1.47	1023	1.57
External Static Pressure (Inches of Water Gauge)																						
1.20"		1.30"		1.40"		1.50"		1.60"		1.70"												
CFM	RPM	BHP	RPM	BHP	RPM	BHP	RPM	BHP	RPM	BHP	RPM	BHP										
2 HP Ultra High Static Motor																						
1600	1018	1.09	1060	1.21	1094	1.29	—	—	—	—	—	—										
1700	1024	1.16	1065	1.28	1099	1.37	—	—	—	—	—	—										
1800	1029	1.24	1070	1.35	1105	1.45	—	—	—	—	—	—										
1900	1035	1.31	1075	1.42	1110	1.53	—	—	—	—	—	—										
2000	1040	1.38	1080	1.50	1116	1.61	—	—	—	—	—	—										
2100	1046	1.46	1085	1.58	1122	1.69	—	—	—	—	—	—										
2200	1052	1.54	1090	1.66	—	—	—	—	—	—	—	—										
2300	1057	1.62	1095	1.74	—	—	—	—	—	—	—	—										
2400	1063	1.70	1101	1.82	—	—	—	—	—	—	—	—										

Notes:

1. Data includes pressure drop due to wet coil and 1" filter.
2. Fan motor heat (MBh) = 3.15 x BHP.
3. Factory supplied motors, in commercial equipment, are definite purpose motors, specifically designed and tested to operate reliably and continuously at all cataloged conditions. Using the full horsepower range of our fan motors as shown in our tabular data will not result in nuisance tripping or premature motor failure. Our product's warranty will not be affected.

Important: See fan motor values in [Table 99, p. 96](#) - [Table 102, p. 99](#).

Table 86. Evaporator fan performance — TWE073E — air handler (SI)

External Static Pressure (Pascals)																								
		25		50		75		100		125		150		174		199		224		249		274		
m ³ /hr		RPM	kW	RPM	kW	RPM	kW	RPM	kW	RPM	kW	RPM	kW	RPM	kW	RPM	kW	RPM	kW	RPM	kW	RPM	kW	
						.75 kW Standard Motor						1.12 kW High Static Motor						1.5 kW Ultra High Static Motor						
2718	—	—	—	—	—	550	0.25	629	0.29	695	0.34	747	0.39	807	0.54	854	0.58	887	0.60	906	0.61	912	0.61	
2888	—	—	—	—	—	559	0.26	634	0.32	697	0.36	751	0.45	809	0.56	857	0.61	894	0.62	920	0.65	985	0.80	
3058	—	—	—	—	—	569	0.29	640	0.34	701	0.39	756	0.48	813	0.58	861	0.64	901	0.67	952	0.80	991	0.85	
3228	—	—	—	—	—	578	0.31	647	0.37	707	0.43	761	0.51	817	0.60	866	0.67	912	0.75	957	0.84	996	0.90	
3398	—	—	522	0.26	590	0.34	654	0.39	711	0.46	768	0.54	821	0.63	870	0.71	917	0.79	962	0.89	1002	0.95		
3568	—	—	534	0.29	599	0.36	662	0.44	719	0.50	774	0.57	826	0.66	875	0.75	921	0.83	968	0.94	1007	1.01		
3738	474	0.22	547	0.32	610	0.39	671	0.47	727	0.54	781	0.61	832	0.69	881	0.79	926	0.87	973	1.00	1013	1.06		
3908	489	0.26	560	0.35	621	0.42	680	0.51	736	0.58	788	0.65	838	0.73	886	0.83	932	0.92	979	1.05	1018	1.12		
4078	505	0.30	573	0.39	632	0.46	690	0.55	745	0.62	796	0.69	844	0.78	893	0.88	937	0.97	969	1.10	1023	1.17		

External Static Pressure (Pascals)

		299		324		349	
m ³ /hr		RPM	kW	RPM	kW	RPM	kW
1.5 kW Ultra High Static Motor							
2718	1018	0.81	1060	0.90	1094	0.96	
2888	1024	0.87	1065	0.95	1099	1.02	
3058	1029	0.92	1070	1.00	1105	1.08	
3228	1035	0.98	1075	1.06	1110	1.14	
3398	1040	1.03	1080	1.12	1116	1.20	
3568	1046	1.09	1085	1.18	1122	1.26	
3738	1052	1.15	1090	1.24	—	—	
3908	1057	1.21	1095	1.30	—	—	
4078	1063	1.27	1101	1.36	—	—	

Notes:

1. Data includes pressure drop due to wet coil and 1" filter.
2. Fan motor heat (kW) = 3.15 x kW.
3. Factory supplied motors, in commercial equipment, are definite purpose motors, specifically designed and tested to operate reliably and continuously at all cataloged conditions. Using the full horsepower range of our fan motors as shown in our tabular data will not result in nuisance tripping or premature motor failure. Our product's warranty will not be affected.

Important: See fan motor values in [Table 99, p. 96](#) - [Table 102, p. 99](#).



Performance Data

Table 87. Evaporator fan performance — TWE076D — air handler (IP)

External Static Pressure (Inches of Water Gauge)																							
		0.10"		0.20"		0.30"		0.40"		0.50"		0.60"		0.70"		0.80"		0.90"		1.00"		1.10"	
CFM	RPM	BHP	RPM	BHP	RPM	BHP	RPM	BHP	RPM	BHP	RPM	BHP	RPM	BHP	RPM	BHP	RPM	BHP	RPM	BHP	RPM	BHP	
		1 HP Standard Motor						1.5 HP High Static Motor						2 HP Ultra High Static Motor									
2000	—	—	522	0.34	590	0.44	654	0.52	711	0.62	768	0.73	821	0.84	870	0.95	916	1.06	959	1.16	1001	1.27	
2125	—	—	537	0.39	604	0.48	664	0.58	721	0.68	775	0.78	828	0.90	877	1.01	923	1.13	966	1.25	1009	1.36	
2250	481	0.33	553	0.44	617	0.53	675	0.64	731	0.74	784	0.84	834	0.96	884	1.09	929	1.21	973	1.33	1016	1.46	
2375	501	0.39	569	0.49	631	0.59	688	0.70	742	0.81	794	0.91	842	1.03	891	1.16	937	1.29	981	1.42	1022	1.55	
2500	521	0.47	585	0.55	646	0.65	701	0.77	754	0.89	804	0.99	852	1.11	898	1.23	944	1.37	987	1.51	1028	1.64	
2625	540	0.53	602	0.61	661	0.72	715	0.84	767	0.97	816	1.08	862	1.19	908	1.32	950	1.45	994	1.60	1036	1.74	
2750	559	0.60	619	0.66	677	0.80	729	0.91	780	1.05	827	1.17	872	1.29	916	1.41	960	1.55	1001	1.69	1043	1.84	
2875	579	0.67	636	0.72	692	0.88	744	1.00	793	1.13	840	1.27	885	1.40	928	1.52	969	1.65	1009	1.79	1049	1.94	
3000	599	0.74	654	0.79	709	0.96	760	1.09	807	1.22	852	1.36	896	1.51	939	1.63	980	1.76	1019	1.90	1057	2.05	
External Static Pressure (Inches of Water Gauge)																							
		1.20"		1.30"		1.40"		1.50"		1.60"		1.70"											
CFM	RPM	BHP	RPM	BHP	RPM	BHP	RPM	BHP	RPM	BHP	RPM	BHP	RPM	BHP									
		2 HP Ultra High Static Motor																					
2000	1040	1.38	1080	1.50	1116	1.61	—	—	—	—	—	—	—	—	—	—	—	—	—	—	—	—	
2125	1048	1.48	1085	1.59	1123	1.71	—	—	—	—	—	—	—	—	—	—	—	—	—	—	—	—	
2250	1054	1.58	1093	1.70	—	—	—	—	—	—	—	—	—	—	—	—	—	—	—	—	—	—	
2375	1062	1.68	1099	1.80	—	—	—	—	—	—	—	—	—	—	—	—	—	—	—	—	—	—	
2500	1068	1.78	1107	1.92	—	—	—	—	—	—	—	—	—	—	—	—	—	—	—	—	—	—	
2625	1075	1.88	1113	2.02	—	—	—	—	—	—	—	—	—	—	—	—	—	—	—	—	—	—	
2750	1083	1.99	—	—	—	—	—	—	—	—	—	—	—	—	—	—	—	—	—	—	—	—	
2875	1090	2.10	—	—	—	—	—	—	—	—	—	—	—	—	—	—	—	—	—	—	—	—	
3000	1097	2.21	—	—	—	—	—	—	—	—	—	—	—	—	—	—	—	—	—	—	—	—	

Notes:

1. Data includes pressure drop due to wet coil and 1" filter.
2. Fan motor heat (MBh) = 3.15 x BHP.
3. Factory supplied motors, in commercial equipment, are definite purpose motors, specifically designed and tested to operate reliably and continuously at all cataloged conditions. Using the full horsepower range of our fan motors as shown in our tabular data will not result in nuisance tripping or premature motor failure. Our product's warranty will not be affected.

Important: See fan motor values in [Table 99, p. 96](#) - [Table 102, p. 99](#).

Table 88. Evaporator fan performance — TWE076D — air handler (SI)

External Static Pressure (Inches of Water Gauge)																								
		25		50		75		100		125		150		174		199		224		249		274		
m ³ /hr		RPM	kW	RPM	kW	RPM	kW	RPM	kW	RPM	kW	RPM	kW	RPM	kW	RPM	kW	RPM	kW	RPM	kW	RPM	kW	
		.75 kW Standard Motor						1.12 kW High Static Motor						1.5 kW Ultra High Static Motor										
3398	—	0.18	522	0.25	590	0.33	654	0.39	711	0.46	768	0.54	821	0.62	870	0.71	916	0.79	959	0.87	1001	0.95		
3611	—	0.21	537	0.29	604	0.36	664	0.43	721	0.50	775	0.58	828	0.67	877	0.76	923	0.84	966	0.93	1009	1.02		
3823	481	0.24	553	0.32	617	0.40	675	0.48	731	0.55	784	0.63	834	0.72	884	0.81	929	0.90	973	0.99	1016	1.09		
4036	501	0.29	569	0.36	631	0.44	688	0.53	742	0.60	794	0.68	842	0.77	891	0.87	937	0.96	981	1.06	1022	1.15		
4248	521	0.35	585	0.41	646	0.49	701	0.57	754	0.66	804	0.74	852	0.83	898	0.92	944	1.02	987	1.12	1028	1.22		
4460	540	0.40	602	0.46	661	0.54	715	0.62	767	0.72	816	0.81	862	0.89	908	0.99	950	1.08	994	1.19	1036	1.30		
4673	559	0.45	619	0.50	677	0.59	729	0.68	780	0.78	827	0.88	872	0.96	916	1.05	960	1.15	1001	1.26	1043	1.37		
4885	579	0.50	636	0.54	692	0.65	744	0.74	793	0.84	840	0.95	885	1.04	928	1.13	969	1.23	1009	1.33	1049	1.45		
5098	599	0.55	654	0.59	709	0.72	760	0.81	807	0.91	852	1.02	896	1.12	939	1.22	980	1.32	1019	1.42	1057	1.53		
External Static Pressure (Inches of Water Gauge)																								
		299		324		349																		
m ³ /hr		RPM	kW	RPM	kW	RPM	kW																	
		1.5 kW Ultra High Static Motor																						
3398	1040	1.03	1080	1.12	1116	1.20																		
3611	1048	1.10	1085	1.19	1123	1.28																		
3823	1054	1.18	1093	1.27	—	—																		
4036	1062	1.25	1099	1.35	—	—																		
4248	1068	1.33	1107	1.43	—	—																		
4460	1075	1.40	1113	1.51	—	—																		
4673	1083	1.49	—	—	—	—																		
4885	1090	1.57	—	—	—	—																		
5098	1097	1.65	—	—	—	—																		

Notes:

1. Data includes pressure drop due to wet coil and 1" filter.
2. Fan motor heat (kW) = 3.15 x kW.
3. Factory supplied motors, in commercial equipment, are definite purpose motors, specifically designed and tested to operate reliably and continuously at all cataloged conditions. Using the full horsepower range of our fan motors as shown in our tabular data will not result in nuisance tripping or premature motor failure. Our product's warranty will not be affected.

Important: See fan motor values in [Table 99, p. 96](#) - [Table 102, p. 99](#).



Performance Data

Table 89. Evaporator fan performance — TWE101D,E — air handler (IP)

External Static Pressure (Inches of Water Gauge)																						
0.10"		0.20"		0.30"		0.40"		0.50"		0.60"		0.70"		0.80"		0.90"		1.00"		1.10"		
CFM	RPM	BHP	RPM	BHP	RPM	BHP	RPM	BHP	RPM	BHP	RPM	BHP	RPM	BHP	RPM	BHP	RPM	BHP	RPM	BHP	RPM	BHP
1.5 HP Standard Motor											2 HP High Static Motor											
2600	—	—	—	—	523	0.53	563	0.61	601	0.69	638	0.75	673	0.83	707	0.91	739	0.99	772	1.08	802	1.17
2775	—	—	499	0.55	541	0.62	580	0.69	617	0.78	653	0.86	687	0.93	719	1.01	750	1.09	782	1.18	812	1.27
2950	—	—	519	0.63	560	0.71	598	0.79	634	0.87	668	0.96	701	1.05	732	1.12	763	1.21	793	1.30	822	1.39
3125	499	0.70	540	0.71	579	0.82	616	0.90	651	0.98	684	1.08	716	1.17	747	1.26	777	1.34	805	1.42	834	1.52
3300	522	0.81	561	0.81	600	0.94	635	1.02	669	1.10	701	1.20	731	1.30	762	1.40	791	1.49	819	1.57	847	1.66
3475	545	0.93	582	0.93	620	1.07	654	1.15	687	1.24	718	1.33	748	1.43	777	1.54	806	1.65	834	1.74	860	1.83
3650	568	1.05	604	1.09	640	1.18	674	1.30	706	1.39	736	1.48	766	1.58	794	1.69	821	1.81	848	1.91	874	2.01
3825	592	1.19	628	1.27	661	1.30	694	1.46	725	1.55	754	1.65	783	1.75	810	1.85	838	1.98	864	2.09	890	2.20
4000	615	1.34	652	1.47	682	1.45	714	1.63	745	1.73	774	1.83	801	1.93	829	2.04	855	2.16	880	2.28	—	—
External Static Pressure (Inches of Water Gauge)																						
1.20"		1.30"		1.40"		1.50"		1.60"		1.70"		1.80"		1.90"								
CFM	RPM	BHP	RPM	BHP	RPM	BHP	RPM	BHP	RPM	BHP	RPM	BHP	RPM	BHP	RPM	BHP						
2 HP High Static Motor w/ Field Supplied Sheave & Belt																						
2600	832	1.25	860	1.34	887	1.43	914	1.52	939	1.6	964	1.69	988	1.77	1011	1.86						
2775	841	1.37	870	1.46	897	1.56	923	1.65	949	1.74	973	1.83	997	1.93	1020	2.02						
2950	851	1.49	879	1.59	906	1.69	932	1.79	958	1.89	983	1.99	1006	2.08	1030	2.18						
3125	861	1.61	889	1.72	916	1.82	943	1.93	967	2.04	992	2.14	1016	2.25	1040	2.36						
3300	873	1.76	900	1.86	926	1.97	951	2.08	977	2.19	1002	2.31	—	—	—	—						
3475	886	1.92	912	2.02	938	2.13	962	2.24	—	—	—	—	—	—	—	—						
3650	900	2.10	926	2.20	950	2.31	—	—	—	—	—	—	—	—	—	—						
3825	—	—	—	—	—	—	—	—	—	—	—	—	—	—	—	—						
4000	—	—	—	—	—	—	—	—	—	—	—	—	—	—	—	—						

Notes:

1. Data includes pressure drop due to wet coil and 1" filter.
2. Fan motor heat (MBh) = 3.15 x BHP.
3. Factory supplied motors, in commercial equipment, are definite purpose motors, specifically designed and tested to operate reliably and continuously at all cataloged conditions. Using the full horsepower range of our fan motors as shown in our tabular data will not result in nuisance tripping or premature motor failure. Our product's warranty will not be affected.

Important: See fan motor values in Table 99, p. 96 - Table 102, p. 99.

Table 90. Evaporator fan performance – TWE101D,E – air handler (SI)

External Static Pressure (Inches of Water Gauge)																						
25		50		75		100		125		150		174		199		224		249		274		
m ³ /hr	RPM	kW	RPM	kW	RPM	kW	RPM	kW	RPM	kW	RPM	kW	RPM	kW	RPM	kW	RPM	kW	RPM	kW		
1.12 kW Standard Motor											1.12 kW High Static Motor											
4418	—	—	—	—	523	0.40	563	0.45	601	0.51	638	0.56	673	0.62	707	0.68	739	0.74	772	0.80	802	0.87
4715	—	—	499	0.41	541	0.46	580	0.52	617	0.58	653	0.64	687	0.69	719	0.75	750	0.81	782	0.88	812	0.95
5013	—	—	519	0.47	560	0.53	598	0.59	634	0.65	668	0.72	701	0.78	732	0.84	763	0.90	793	0.97	822	1.03
5310	499	0.52	540	0.53	579	0.61	616	0.67	651	0.73	684	0.80	716	0.88	747	0.94	777	1.00	805	1.06	834	1.13
5607	522	0.60	561	0.60	600	0.70	635	0.76	669	0.82	701	0.89	731	0.97	762	1.04	791	1.11	819	1.17	847	1.24
5905	545	0.69	582	0.70	620	0.80	654	0.86	687	0.92	718	0.99	748	1.07	777	1.15	806	1.23	834	1.30	860	1.36
6202	568	0.79	604	0.81	640	0.88	674	0.97	706	1.03	736	1.10	766	1.18	794	1.26	821	1.35	848	1.43	874	1.50
6499	592	0.89	628	0.95	661	0.97	694	1.09	725	1.16	754	1.23	783	1.30	810	1.38	838	1.47	864	1.56	890	1.64
6797	615	1.00	652	1.10	682	1.08	714	1.22	745	1.29	774	1.36	801	1.44	829	1.52	855	1.61	880	1.70	905	1.79
External Static Pressure (Inches of Water Gauge)																						
299		324		349		374		398		423		448		473								
m ³ /hr	RPM	kW	RPM	kW	RPM	kW	RPM	kW	RPM	kW	RPM	kW	RPM	kW								
1.12 kW High Static Motor w/ Field Supplied Sheave & Belt																						
4418	832	0.93	860	1.00	887	1.06	914	1.13	939	1.19	964	1.26	988	1.32	1011	1.39						
4715	841	1.02	870	1.09	897	1.16	923	1.23	949	1.30	973	1.37	997	1.44	1020	1.50						
5013	851	1.11	879	1.18	906	1.26	932	1.33	958	1.41	983	1.48	1006	1.55	1030	1.63						
5310	861	1.20	889	1.28	916	1.36	943	1.44	967	1.52	992	1.60	1016	1.68	1040	1.76						
5607	873	1.31	900	1.39	926	1.47	951	1.55	977	1.63	1002	1.72	—	—	—	—						
5905	886	1.43	912	1.51	938	1.59	962	1.67	986	1.75	—	—	—	—	—	—						
6202	900	1.57	926	1.64	950	1.72	975	1.81	998	1.89	—	—	—	—	—	—						
6499	915	1.72	939	1.79	963	1.87	987	1.95	1010	2.04	—	—	—	—	—	—						
6797	929	1.88	953	1.96	977	2.03	1000	2.11	1023	2.20	—	—	—	—	—	—						

Notes:

1. Data includes pressure drop due to wet coil and 1" filter.
2. Fan motor heat (kW) = 3.15 x kW.
3. Factory supplied motors, in commercial equipment, are definite purpose motors, specifically designed and tested to operate reliably and continuously at all cataloged conditions. Using the full horsepower range of our fan motors as shown in our tabular data will not result in nuisance tripping or premature motor failure. Our product's warranty will not be affected.

Important: See fan motor values in [Table 99, p. 96](#) - [Table 102, p. 99](#).



Performance Data

Table 91. Evaporator fan performance – TWE126E – air handler (IP)

External Static Pressure (Inches of Water Gauge)																						
0.10"		0.20"		0.30"		0.40"		0.50"		0.60"		0.70"		0.80"		0.90"		1.00"		1.10"		
CFM	RPM	BHP	RPM	BHP	RPM	BHP	RPM	BHP	RPM	BHP	RPM	BHP	RPM	BHP	RPM	BHP	RPM	BHP	RPM	BHP	RPM	BHP
										1.5 HP Standard Motor w/ Field Supplied Sheave & Belt						2 HP High Static Motor						
1.5 HP Standard Motor																						
3200	—	—	—	—	515	0.51	565	0.63	601	0.71	638	0.81	678	0.93	718	1.06	759	1.21	794	1.35	826	1.49
3400	—	—	472	0.46	528	0.57	578	0.69	617	0.80	650	0.89	686	1.00	724	1.13	762	1.27	800	1.42	834	1.57
3600	—	—	486	0.51	541	0.63	590	0.76	633	0.89	666	0.98	697	1.08	732	1.20	767	1.34	804	1.49	840	1.65
3800	—	—	500	0.57	554	0.70	601	0.82	646	0.97	682	1.09	712	1.19	742	1.29	776	1.43	810	1.57	843	1.72
4000	—	—	515	0.64	567	0.78	614	0.91	658	1.05	698	1.20	728	1.31	756	1.41	786	1.53	817	1.66	849	1.82
4200	477	0.58	531	0.71	581	0.85	627	1.00	669	1.13	710	1.29	744	1.43	772	1.55	799	1.65	827	1.78	858	1.93
4400	494	0.65	546	0.79	595	0.94	640	1.09	682	1.23	722	1.39	758	1.55	789	1.69	814	1.80	840	1.92	867	2.05
4600	513	0.73	563	0.87	609	1.03	653	1.19	695	1.34	732	1.48	771	1.66	804	1.83	831	1.96	856	2.08	880	2.20
4800	531	0.82	579	0.96	624	1.13	667	1.29	707	1.45	745	1.60	783	1.77	817	1.96	847	2.12	872	2.25	896	2.37
External Static Pressure (Inches of Water Gauge)																						
1.20"		1.30"		1.40"		1.50"		1.60"		1.70"												
CFM	RPM	BHP	RPM	BHP	RPM	BHP	RPM	BHP	RPM	BHP	RPM	BHP										
2 HP High Static Motor				3 HP Ultra High Static Motor																		
3200	857	1.63	887	1.78	916	1.93	943	2.08	970	2.23	996	2.39										
3400	865	1.72	895	1.88	924	2.03	952	2.19	978	2.35	1003	2.50										
3600	873	1.81	903	1.97	931	2.13	959	2.29	986	2.46	1012	2.62										
3800	877	1.89	912	2.08	940	2.24	967	2.41	994	2.58	—	—										
4000	882	1.98	915	2.16	947	2.34	976	2.53	1002	2.70	—	—										
4200	888	2.08	919	2.25	950	2.44	980	2.63	1010	2.82	—	—										
4400	896	2.20	925	2.37	955	2.55	985	2.73	1013	2.92	—	—										
4600	906	2.34	934	2.50	961	2.67	989	2.85	—	—	—	—										
4800	918	2.50	944	2.65	970	2.81	996	2.98	—	—	—	—										

Notes:

1. Data includes pressure drop due to wet coil and 1" filter.
2. Fan motor heat (MBh) = 3.15 x BHP.
3. Factory supplied motors, in commercial equipment, are definite purpose motors, specifically designed and tested to operate reliably and continuously at all cataloged conditions. Using the full horsepower range of our fan motors as shown in our tabular data will not result in nuisance tripping or premature motor failure. Our product's warranty will not be affected.

Important: See fan motor values in [Table 99, p. 96](#) - [Table 102, p. 99](#).

Table 92. Evaporator fan performance — TWE126E — air handler (SI)

External Static Pressure (Inches of Water Gauge)																						
25		50		75		100		125		150		174		199		224		249		274		
m ³ /hr	RPM	kW	RPM	kW	RPM	kW	RPM	kW	RPM	kW	RPM	kW	RPM	kW	RPM	kW	RPM	kW	RPM	kW	RPM	kW
1.12 kW Standard Motor											1.12 kW Standard Motor w/ Field Supplied Sheave & Belt					1.49 kW High Static Motor						
5437	—	—	—	—	515	0.38	565	0.47	601	0.53	638	0.60	678	0.69	718	0.79	759	0.90	794	1.01	826	1.11
5777	—	—	472	0.34	528	0.42	578	0.52	617	0.60	650	0.66	686	0.74	724	0.84	762	0.94	800	1.06	834	1.17
6117	—	—	486	0.38	541	0.47	590	0.56	633	0.66	666	0.73	697	0.81	732	0.90	767	1.00	804	1.11	840	1.23
6457	—	—	500	0.43	554	0.52	601	0.61	646	0.72	682	0.81	712	0.89	742	0.97	776	1.06	810	1.17	843	1.29
6797	—	—	515	0.48	567	0.58	614	0.68	658	0.78	698	0.89	728	0.98	756	1.05	786	1.14	817	1.24	849	1.35
7137	477	0.43	531	0.53	581	0.64	627	0.74	669	0.84	710	0.96	744	1.07	772	1.15	799	1.23	827	1.33	858	1.44
7476	494	0.48	546	0.59	595	0.70	640	0.81	682	0.92	722	1.03	758	1.16	789	1.26	814	1.34	840	1.43	867	1.53
7816	513	0.54	563	0.65	609	0.77	653	0.88	695	1.00	732	1.10	771	1.24	804	1.36	831	1.46	856	1.55	880	1.64
8156	531	0.61	579	0.72	624	0.84	667	0.96	707	1.08	745	1.19	783	1.32	817	1.46	847	1.58	872	1.68	896	1.77
External Static Pressure (Inches of Water Gauge)																						
299		324		349		374		398		423												
m ³ /hr	RPM	kW	RPM	kW	RPM	kW	RPM	kW	RPM	kW	RPM	kW										
1.49 kW High Static Motor				2.24 kW Ultra High Static Motor																		
5437	857	1.22	887	1.33	916	1.44	943	1.55	970	1.66	996	1.78										
5777	865	1.29	895	1.40	924	1.51	952	1.63	978	1.75	1003	1.87										
6117	873	1.35	903	1.47	931	1.59	959	1.71	986	1.83	1012	1.96										
6457	877	1.41	912	1.55	940	1.67	967	1.80	994	1.92	—	—										
6797	882	1.48	915	1.61	947	1.75	976	1.88	1002	2.01	—	—										
7137	888	1.55	919	1.68	950	1.82	980	1.96	1010	2.11	—	—										
7476	896	1.64	925	1.76	955	1.90	985	2.04	1013	2.18	—	—										
7816	906	1.74	934	1.86	961	1.99	989	2.12	—	—	—	—										
8156	918	1.86	944	1.97	970	2.10	996	2.22	—	—	—	—										

Notes:

1. Data includes pressure drop due to wet coil and 1" filter.
2. Fan motor heat (kW) = 3.15 x kW.
3. Factory supplied motors, in commercial equipment, are definite purpose motors, specifically designed and tested to operate reliably and continuously at all cataloged conditions. Using the full horsepower range of our fan motors as shown in our tabular data will not result in nuisance tripping or premature motor failure. Our product's warranty will not be affected.

Important: See fan motor values in [Table 99, p. 96](#) - [Table 102, p. 99](#).



Performance Data

Table 93. Evaporator fan performance – TWE156E – air handler (IP)

External Static Pressure (Inches of Water Gauge)																							
0.10"		0.20"		0.30"		0.40"		0.50"		0.60"		0.70"		0.80"		0.90"		1.00"		1.10"			
CFM	RPM	BHP	RPM	BHP	RPM	BHP	RPM	BHP	RPM	BHP	RPM	BHP	RPM	BHP	RPM	BHP	RPM	BHP	RPM	BHP	RPM	BHP	
2 HP Standard Motor w/ Field Supplied Sheave & Belt											1.5 HP Standard Motor w/ Field Supplied Sheave & Belt						2 HP High Static Motor						
4000	428	0.5	482	0.62	531	0.72	576	0.84	621	0.98	663	1.11	701	1.25	737	1.38	771	1.51	803	1.64	833	1.77	
4250	448	0.58	499	0.71	546	0.82	590	0.94	633	1.08	674	1.22	712	1.37	748	1.51	782	1.65	814	1.79	845	1.93	
4500	468	0.68	517	0.81	563	0.93	605	1.05	646	1.19	686	1.34	724	1.50	760	1.65	793	1.80	825	1.95	855	2.09	
4750	488	0.78	535	0.91	579	1.06	621	1.18	660	1.32	698	1.46	735	1.63	772	1.79	805	1.95	837	2.11	867	2.27	
5000	509	0.90	554	1.03	596	1.19	637	1.32	675	1.46	712	1.61	748	1.77	783	1.94	817	2.11	848	2.28	878	2.44	
5250	530	1.02	573	1.16	614	1.32	653	1.47	691	1.61	726	1.76	760	1.92	795	2.10	828	2.28	859	2.45	890	2.64	
5500	551	1.16	593	1.31	632	1.47	670	1.64	706	1.78	741	1.93	774	2.09	807	2.26	840	2.46	871	2.64	902	2.83	
5750	572	1.32	612	1.47	651	1.63	687	1.81	722	1.97	757	2.12	789	2.28	821	2.45	852	2.64	883	2.84	912	3.03	
6000	593	1.48	632	1.64	670	1.81	705	1.99	739	2.17	772	2.32	804	2.48	835	2.66	865	2.84	895	3.04	924	3.24	
External Static Pressure (Inches of Water Gauge)																							
1.20"		1.30"		1.40"		1.50"		1.60"		1.70"													
CFM	RPM	BHP	RPM	BHP	RPM	BHP	RPM	BHP	RPM	BHP	RPM	BHP											
2 HP High Static Motor						3 HP Ultra High Static Motor																	
4000	863	1.9	891	2.03	919	2.15	944	2.28	970	2.40	994	2.53											
4250	874	2.07	902	2.20	928	2.33	955	2.47	981	2.61	1004	2.74											
4500	884	2.24	913	2.38	939	2.53	966	2.68	991	2.82	1015	2.96											
4750	895	2.42	924	2.58	951	2.74	977	2.88	1002	3.04	—	—											
5000	907	2.61	934	2.77	962	2.94	—	—	—	—	—	—											
5250	918	2.81	946	2.98	973	3.16	—	—	—	—	—	—											
5500	931	3.02	958	3.20	—	—	—	—	—	—	—	—											
5750	941	3.23	—	—	—	—	—	—	—	—	—	—											
6000	—	—	—	—	—	—	—	—	—	—	—	—											

Notes:

1. Data includes pressure drop due to wet coil and 1" filter.
2. Fan motor heat (MBh) = 3.15 x BHP.
3. Factory supplied motors, in commercial equipment, are definite purpose motors, specifically designed and tested to operate reliably and continuously at all cataloged conditions. Using the full horsepower range of our fan motors as shown in our tabular data will not result in nuisance tripping or premature motor failure. Our product's warranty will not be affected.

Important: See fan motor values in [Table 99, p. 96](#) - [Table 102, p. 99](#).

Table 94. Evaporator fan performance — TWE156E — air handler (SI)

External Static Pressure (Inches of Water Gauge)																						
25		50		75		100		125		150		174		199		224		249		274		
m ³ /hr	RPM	kW	RPM	kW	RPM	kW	RPM	kW	RPM	kW	RPM	kW	RPM	kW	RPM	kW	RPM	kW	RPM	kW	RPM	kW
1.49 kW Standard Motor w/ Field Supplied Sheave & Belt						1.49 kW Standard Motor						2.24 kW High Static Motor										
6797	428	0.37	482	0.46	531	0.54	576	0.63	621	0.73	663	0.83	701	0.93	737	1.03	771	1.13	803	1.22	833	1.32
7222	448	0.43	499	0.53	546	0.61	590	0.70	633	0.80	674	0.91	712	1.02	748	1.13	782	1.23	814	1.33	845	1.44
7646	468	0.50	517	0.60	563	0.70	605	0.79	646	0.89	686	1.00	724	1.12	760	1.23	793	1.34	825	1.45	855	1.56
8071	488	0.58	535	0.68	579	0.79	621	0.88	660	0.98	698	1.09	735	1.21	772	1.34	805	1.46	837	1.57	867	1.69
8496	509	0.67	554	0.77	596	0.88	637	0.99	675	1.09	712	1.20	748	1.32	783	1.45	817	1.58	848	1.70	878	1.82
8921	530	0.76	573	0.87	614	0.99	653	1.10	691	1.20	726	1.31	760	1.43	795	1.57	828	1.70	859	1.83	890	1.97
9346	551	0.87	593	0.97	632	1.10	670	1.22	706	1.33	741	1.44	774	1.56	807	1.69	840	1.83	871	1.97	902	2.11
9770	572	0.98	612	1.09	651	1.22	687	1.35	722	1.47	757	1.58	789	1.70	821	1.83	852	1.97	883	2.11	912	2.26
10195	593	1.11	632	1.22	670	1.35	705	1.49	739	1.61	772	1.73	804	1.85	835	1.98	865	2.12	895	2.27	924	2.42
External Static Pressure (Inches of Water Gauge)																						
299		324		349		374		398		423												
m ³ /hr	RPM	kW	RPM	kW	RPM	kW	RPM	kW	RPM	kW	RPM	kW										
2.24 kW High Static Motor w/ Field Supplied Sheave & Belt																						
6797	863	1.42	891	1.51	919	1.61	944	1.70	970	1.79	994	1.88										
7222	874	1.54	902	1.64	928	1.74	955	1.84	981	1.95	1004	2.04										
7646	884	1.67	913	1.78	939	1.88	966	2.00	991	2.10	1015	2.21										
8071	895	1.80	924	1.92	951	2.04	977	2.15	1002	2.26	—	—										
8496	907	1.95	934	2.07	962	2.19	—	—	—	—	—	—										
8921	918	2.09	946	2.22	973	2.35	—	—	—	—	—	—										
9346	931	2.25	958	2.39	—	—	—	—	—	—	—	—										
9770	941	2.41	—	—	—	—	—	—	—	—	—	—										
10195	—	—	—	—	—	—	—	—	—	—	—	—										

Notes:

1. Data includes pressure drop due to wet coil and 1" filter.
2. Fan motor heat (kW) = 3.15 x kW.
3. Factory supplied motors, in commercial equipment, are definite purpose motors, specifically designed and tested to operate reliably and continuously at all cataloged conditions. Using the full horsepower range of our fan motors as shown in our tabular data will not result in nuisance tripping or premature motor failure. Our product's warranty will not be affected.

Important: See fan motor values in [Table 99, p. 96](#) - [Table 102, p. 99](#).



Performance Data

Table 95. Evaporator fan performance – TWE201E – air handler (IP)

External Static Pressure (Inches of Water Gauge)																																		
		0.10"		0.20"		0.30"		0.40"		0.50"		0.60"		0.70"		0.80"		0.90"		1.00"		1.10"												
CFM	RPM	BHP	RPM	BHP	RPM	BHP	RPM	BHP	RPM	BHP	RPM	BHP	RPM	BHP	RPM	BHP	RPM	BHP	RPM	BHP	RPM	BHP	RPM	BHP										
																						2 HP Low Static Motor			3 HP Standard Motor					3 HP Standard Motor w/ Field Supplied Sheave & Belt				
5200	—	—	531	0.83	580	0.96	627	1.09	666	1.21	707	1.37	748	1.54	787	1.71	825	1.88	864	2.06	902	2.24	940	2.42	978	2.60								
5525	—	—	551	0.96	599	1.10	644	1.23	684	1.37	722	1.51	760	1.68	799	1.87	834	2.04	872	2.23	909	2.42	947	2.60	985	2.78								
5850	—	—	572	1.10	619	1.25	662	1.39	703	1.54	738	1.68	774	1.84	810	2.02	846	2.22	880	2.40	916	2.60	952	2.78	988	2.96								
6175	543	1.11	593	1.26	638	1.42	680	1.57	720	1.72	757	1.87	790	2.02	824	2.20	859	2.40	893	2.61	926	2.81	959	3.00	991	3.19								
6500	566	1.28	614	1.43	659	1.61	699	1.77	737	1.92	775	2.08	807	2.24	839	2.40	871	2.59	904	2.80	936	3.02	968	3.20	1000	3.38								
6825	590	1.47	636	1.62	679	1.80	718	1.98	755	2.14	792	2.31	826	2.48	857	2.64	886	2.81	918	3.02	950	3.25	982	3.45	1014	3.63								
7150	614	1.67	658	1.83	700	2.02	738	2.21	774	2.38	809	2.55	844	2.73	875	2.90	903	3.07	932	3.26	962	3.47	991	3.66	1020	3.84								
7475	638	1.89	680	2.06	720	2.25	758	2.45	794	2.63	827	2.81	861	2.99	893	3.18	921	3.36	949	3.54	976	3.73	1003	3.91	1030	4.09								
7800	662	2.13	702	2.31	742	2.50	779	2.71	814	2.91	846	3.09	879	3.28	910	3.48	940	3.67	967	3.86	993	4.04	1020	4.22	1047	4.40								
External Static Pressure (Inches of Water Gauge)																																		
		1.20"		1.30"		1.40"		1.50"		1.60"		1.70"		1.80"		1.90"																		
CFM	RPM	BHP	RPM	BHP	RPM	BHP	RPM	BHP	RPM	BHP	RPM	BHP	RPM	BHP	RPM	BHP																		
3 HP Standard Motor w/ Field Supplied Sheave & Belt			5 HP Ultra High Static Motor						5 HP Ultra High Static Motor w/ Field Supplied Sheave & Belt																									
5200	937	2.42	972	2.59	1004	2.77	1036	2.95	1066	3.12	1095	3.29	1125	3.46	1152	3.63																		
5525	943	2.60	978	2.80	1012	2.99	1042	3.17	1072	3.35	1102	3.54	1132	3.73	1159	3.91																		
5850	951	2.80	984	3.00	1018	3.21	1050	3.41	1080	3.60	1109	3.80	1138	4.00	1166	4.19																		
6175	958	3.00	992	3.22	1024	3.43	1056	3.64	1086	3.86	1115	4.06	1143	4.27	—	—																		
6500	967	3.22	998	3.44	1030	3.65	1063	3.89	1093	4.11	1122	4.33	1151	4.56	—	—																		
6825	980	3.47	1010	3.69	1039	3.90	1069	4.13	1098	4.36	1129	4.61	1158	4.85	—	—																		
7150	991	3.70	1021	3.94	1051	4.18	1078	4.41	1107	4.65	1135	4.88	1165	5.14	—	—																		
7475	1005	3.97	1034	4.21	1062	4.46	1090	4.71	1117	4.94	1144	5.19	—	—	—	—																		
7800	1019	4.24	1047	4.49	1074	4.74	1102	5.01	1128	5.25	1154	5.51	—	—	—	—																		

Notes:

1. Data includes pressure drop due to wet coil and 1" filter.
2. Fan motor heat (MBh) = 3.15 x BHP.
3. Factory supplied motors, in commercial equipment, are definite purpose motors, specifically designed and tested to operate reliably and continuously at all cataloged conditions. Using the full horsepower range of our fan motors as shown in our tabular data will not result in nuisance tripping or premature motor failure. Our product's warranty will not be affected.

Important: See fan motor values in Table 99, p. 96 - Table 102, p. 99.

Table 96. Evaporator fan performance — TWE201E — air handler (SI)

External Static Pressure (Inches of Water Gauge)																									
25		50		75		100		125		150		174		199		224		249		274					
m ³ /hr	RPM	kW	RPM	kW	RPM	kW	RPM	kW	RPM	kW	RPM	kW	RPM	kW	RPM	kW	RPM	kW	RPM	kW	RPM	kW			
																		1.49 kW Low Static Motor		2.24 kW Standard Motor				2.24 kW Standard Motor w/ Field Supplied Sheave & Belt	
8836	—	—	531	0.62	580	0.71	627	0.81	666	0.90	707	1.02	748	1.15	787	1.27	825	1.40	864	1.54	902	1.67			
9388	—	—	551	0.72	599	0.82	644	0.92	684	1.02	722	1.12	760	1.25	799	1.39	834	1.52	872	1.66	909	1.80			
9940	—	—	572	0.82	619	0.94	662	1.04	703	1.15	738	1.25	774	1.37	810	1.51	846	1.65	880	1.79	916	1.94			
10493	543	0.83	593	0.94	638	1.06	680	1.17	720	1.29	757	1.40	790	1.51	824	1.64	859	1.79	893	1.94	926	2.09			
11045	566	0.95	614	1.07	659	1.20	699	1.32	737	1.43	775	1.55	807	1.67	839	1.79	871	1.93	904	2.09	936	2.25			
11597	590	1.09	636	1.21	679	1.34	718	1.48	755	1.59	792	1.72	826	1.85	857	1.97	886	2.09	918	2.25	950	2.42			
12149	614	1.25	658	1.37	700	1.50	738	1.65	774	1.77	809	1.90	844	2.03	875	2.16	903	2.29	932	2.43	962	2.59			
12702	638	1.41	680	1.54	720	1.68	758	1.83	794	1.96	827	2.09	861	2.23	893	2.37	921	2.51	949	2.64	976	2.79			
13254	662	1.59	702	1.72	742	1.86	779	2.02	814	2.17	846	2.31	879	2.45	910	2.59	940	2.74	967	2.88	993	3.02			
External Static Pressure (Inches of Water Gauge)																									
299		324		349		374		398		423		448													
m ³ /hr	RPM	kW	RPM	kW	RPM	kW	RPM	kW	RPM	kW	RPM	kW	RPM	kW											
				3.73 kW Ultra High Static Motor		3.73 kW Ultra High Static Motor w/ Field Supplied Sheave & Belt																			
8836	937	1.80	972	1.94	1004	2.07	1036	2.20	1066	2.33	1095	2.45	1125	2.58											
9388	943	1.94	978	2.09	1012	2.23	1042	2.36	1072	2.50	1102	2.64	1132	2.78											
9940	951	2.09	984	2.24	1018	2.39	1050	2.54	1080	2.69	1109	2.83	—	—											
10493	958	2.24	992	2.40	1024	2.56	1056	2.72	1086	2.88	1115	3.03	—	—											
11045	967	2.40	998	2.56	1030	2.73	1063	2.90	1093	3.07	1122	3.23	—	—											
11597	980	2.59	1010	2.75	1039	2.91	1069	3.08	1098	3.26	1129	3.44	—	—											
12149	991	2.76	1021	2.94	1051	3.12	1078	3.29	1107	3.47	—	—	—	—											
12702	1005	2.96	1034	3.14	1062	3.32	1090	3.51	1117	3.69	—	—	—	—											
13254	1019	3.17	1047	3.35	1074	3.54	1102	3.74	1128	3.92	—	—	—	—											

Notes:

1. Data includes pressure drop due to wet coil and 1" filter.
2. Fan motor heat (kW) = 3.15 x kW.
3. Factory supplied motors, in commercial equipment, are definite purpose motors, specifically designed and tested to operate reliably and continuously at all cataloged conditions. Using the full horsepower range of our fan motors as shown in our tabular data will not result in nuisance tripping or premature motor failure. Our product's warranty will not be affected.

Important: See fan motor values in [Table 99, p. 96](#) - [Table 102, p. 99](#).



Performance Data

Table 97. Evaporator fan performance – TWE251E – air handler (IP)

External Static Pressure (Inches of Water Gauge)																							
		0.10"		0.20"		0.30"		0.40"		0.50"		0.60"		0.70"		0.80"		0.90"		1.00"		1.10"	
CFM	RPM	BHP	RPM	BHP	RPM	BHP	RPM	BHP	RPM	BHP	RPM	BHP	RPM	BHP	RPM	BHP	RPM	BHP	RPM	BHP	RPM	BHP	
5 HP Standard Motor & Low Static Drive Field Installed Sheaves											5 HP Standard Motor & Drive												
6500	—	—	—	—	618	1.50	657	1.71	693	1.95	735	2.25	774	2.56	806	2.83	835	3.09	864	3.32	894	3.55	
7000	—	—	610	1.56	648	1.77	685	2.00	719	2.23	754	2.49	793	2.83	830	3.17	860	3.46	887	3.73	914	4.00	
7500	604	1.64	642	1.86	679	2.08	714	2.31	748	2.55	779	2.81	812	3.11	848	3.46	883	3.83	913	4.16	939	4.45	
8000	639	1.96	676	2.19	710	2.42	743	2.67	776	2.92	807	3.18	836	3.46	868	3.79	902	4.17	935	4.57	965	4.93	
8500	674	2.33	709	2.57	742	2.81	774	3.07	804	3.33	835	3.60	863	3.88	890	4.17	920	4.53	953	4.93	985	5.35	
9000	709	2.73	743	2.98	775	3.24	805	3.51	834	3.78	863	4.06	891	4.35	918	4.65	944	4.97	972	5.34	—	—	
9500	745	3.18	777	3.44	808	3.72	837	4.00	865	4.28	892	4.57	920	4.88	946	5.18	971	5.50	—	—	—	—	
10000	780	3.68	812	3.95	841	4.25	869	4.53	896	4.83	922	5.13	949	5.45	—	—	—	—	—	—	—	—	
10500	816	4.23	846	4.52	875	4.82	902	5.13	927	5.43	953	5.74	—	—	—	—	—	—	—	—	—	—	
External Static Pressure (Inches of Water Gauge)																							
		1.20"		1.30"		1.40"		1.50"		1.60"		1.70"		1.80"		1.90"							
CFM	RPM	BHP	RPM	BHP	RPM	BHP	RPM	BHP	RPM	BHP	RPM	BHP	RPM	BHP	RPM	BHP	RPM	BHP					
5 HP Standard Motor & High Static Drive Field Installed Sheaves																							
6500	923	3.78	952	4.03	982	4.28	1012	4.55	1042	4.82	1071	5.09	1099	5.37	1129	5.67							
7000	941	4.24	969	4.49	997	4.75	1023	5.01	1051	5.29	1079	5.57	—	—	—	—							
7500	964	4.74	989	5.01	1015	5.28	1041	5.55	—	—	—	—	—	—	—	—							
8000	990	5.25	1013	5.55	—	—	—	—	—	—	—	—	—	—	—	—							
8500	—	—	—	—	—	—	—	—	—	—	—	—	—	—	—	—							
9000	—	—	—	—	—	—	—	—	—	—	—	—	—	—	—	—							
9500	—	—	—	—	—	—	—	—	—	—	—	—	—	—	—	—							
10000	—	—	—	—	—	—	—	—	—	—	—	—	—	—	—	—							
10500	—	—	—	—	—	—	—	—	—	—	—	—	—	—	—	—							

Notes:

1. Data includes pressure drop due to wet coil and 1" filter.
2. Fan motor heat (MBh) = 3.15 x BHP.
3. Factory supplied motors, in commercial equipment, are definite purpose motors, specifically designed and tested to operate reliably and continuously at all cataloged conditions. Using the full horsepower range of our fan motors as shown in our tabular data will not result in nuisance tripping or premature motor failure. Our product's warranty will not be affected.

Important: See fan motor values in [Table 99, p. 96 - Table 102, p. 99](#).

Table 98. Evaporator fan performance — TWE251E — air handler (SI)

External Static Pressure (Inches of Water Gauge)																						
25		50		75		100		125		150		174		199		224		249		274		
m ³ /hr	RPM	kW	RPM	kW	RPM	kW	RPM	kW	RPM	kW	RPM	kW	RPM	kW	RPM	kW	RPM	kW	RPM	kW		
				3.73 kW Standard Motor w/ Low Static Drive Field Installed Sheaves								3.73 kW Standard Motor & Drive										
11044	—	—	—	—	618	1.12	657	1.28	693	1.45	735	1.68	774	1.91	806	2.11	835	2.30	864	2.47	894	2.65
11893	—	—	610	1.17	648	1.32	685	1.49	719	1.66	754	1.86	793	2.11	830	2.36	860	2.58	887	2.78	914	2.98
12742	604	1.23	642	1.39	679	1.55	714	1.72	748	1.90	779	2.09	812	2.32	848	2.58	883	2.86	913	3.10	939	3.32
13592	639	1.47	676	1.64	710	1.81	743	1.99	776	2.18	807	2.37	836	2.58	868	2.82	902	3.11	935	3.40	965	3.68
14441	674	1.74	709	1.91	742	2.10	774	2.29	804	2.48	835	2.68	863	2.89	890	3.11	920	3.38	953	3.68	985	3.99
15291	709	2.04	743	2.22	775	2.42	805	2.61	834	2.82	863	3.03	891	3.24	918	3.47	944	3.71	972	3.98	—	—
16140	745	2.37	777	2.57	808	2.78	837	2.98	865	3.19	892	3.41	920	3.64	946	3.86	971	4.10	—	—	—	—
16990	780	2.75	812	2.95	841	3.17	869	3.38	896	3.60	922	3.83	949	4.06	—	—	—	—	—	—	—	—
17840	816	3.16	846	3.37	875	3.60	902	3.82	927	4.05	953	4.28	—	—	—	—	—	—	—	—	—	—
External Static Pressure (Inches of Water Gauge)																						
299		324		349		374		398		423		448		473								
m ³ /hr	RPM	kW	RPM	kW	RPM	kW	RPM	kW	RPM	kW	RPM	kW	RPM	kW	RPM	kW						
3.73 kW Standard Motor w/ High Static Drive Field Installed Sheaves																						
11044	923	2.82	952	3.00	982	3.19	1012	3.39	1042	3.59	1071	3.80	1099	4.00	1129	4.22						
11893	941	3.16	969	3.35	997	3.54	1023	3.73	1051	3.94	1079	4.15	—	—	—	—						
12742	964	3.54	989	3.73	1015	3.94	1041	4.14	—	—	—	—	—	—	—	—						
13592	990	3.91	1013	4.14	—	—	—	—	—	—	—	—	—	—	—	—						
14441	—	—	—	—	—	—	—	—	—	—	—	—	—	—	—	—						
15291	—	—	—	—	—	—	—	—	—	—	—	—	—	—	—	—						
16140	—	—	—	—	—	—	—	—	—	—	—	—	—	—	—	—						
16990	—	—	—	—	—	—	—	—	—	—	—	—	—	—	—	—						
17840	—	—	—	—	—	—	—	—	—	—	—	—	—	—	—	—						

Notes:

1. Data includes pressure drop due to wet coil and 1" filter.
2. Fan motor heat (kW) = 3.15 x kW.
3. Factory supplied motors, in commercial equipment, are definite purpose motors, specifically designed and tested to operate reliably and continuously at all cataloged conditions. Using the full horsepower range of our fan motors as shown in our tabular data will not result in nuisance tripping or premature motor failure. Our product's warranty will not be affected.

Important: See fan motor values in [Table 99, p. 96](#) - [Table 102, p. 99](#).



Performance Data

Table 99. Low static fan motors - standard air handlers

Model	Motor	Motor Sheave Turns Open	Nominal RPM	Required Field Supplied Components		
				Motor Sheave	Blower Sheave	Belt
TWE156	Standard Motor with Field Supplied Components 2 HP (1.5 kW)	0	541	Variable Pitch (2.4 - 3.4 Inch Pitch Diameter), 0.875 Inch Bore, Single Groove, Browning 1VL40	Fixed Pitch (9.5 Inch Pitch Diameter), 1.4375 Inch Bore, Single Groove, Browning BK105	Browning AX59
		1	511			
		2	464			
		3	417			
		4	370			
5	391					
TWE201	Low Static Motor 2 HP (1.5 kW)	0	712	N/A	N/A	N/A
		1	677			
		2	641			
		3	605			
		4	569			
5	533					
TWE251	Standard Motor with Field Supplied Components 5 HP (3.75 kW)	1	780	Variable Pitch (3.1 - 4.1 Inch Pitch Diameter), 1.125 Inch Bore, Single Groove, Browning 1VL44	Fixed Pitch (15.4 Inch Pitch Diameter), 1.4375 Inch Bore, Single Groove, Browning BK160	Browning BX70
		2	742			
		3	704			
		4	666			
		5	628			
		6	590			

Table 100. Standard fan motors - standard air handlers

Model	Motor	Motor Sheave Turns Open	Nominal RPM	Required Field Supplied Components		
				Motor Sheave	Blower Sheave	Belt
TWE051	Standard Motor .5 HP (.38 kW)	0	892	N/A	N/A	N/A
		1	833			
		2	773			
		3	714			
		4	654			
5	595					
TWE073	Standard Motor 1 HP (.75 kW)	0	706	N/A	N/A	N/A
		1	659			
		2	612			
		3	565			
		4	518			
5	471					
TWE076	Standard Motor 1 HP (.75 kW)	0	706	N/A	N/A	N/A
		1	659			
		2	612			
		3	565			
		4	518			
5	471					
TWE101	Standard Motor 1.5 HP (1.13 kW)	0	682	N/A	N/A	N/A
		1	644			
		2	606			
		3	568			
		4	530			
5	492					

Table 100. Standard fan motors - standard air handlers (continued)

TWE126	Standard Motor 1.5 HP (1.13 kW)	0	640	N/A	N/A	N/A
		1	604			
		2	569			
		3	533			
		4	498			
		5	462			
TWE156	Standard Motor 2 HP (1.5 kW)	0	704	N/A	N/A	N/A
		1	676			
		2	648			
		3	620			
		4	592			
		5	565			
		6	537			
TWE201	Standard Motor 3 HP (2.25 kW)	0	805	N/A	N/A	N/A
		1	777			
		2	749			
		3	721			
		4	693			
		5	665			
		6	637			
TWE251	Standard Motor 5 HP (3.75 kW)	1	896	N/A	N/A	N/A
		2	853			
		3	809			
		4	765			
		5	722			
		6	678			

Table 101. High static fan motors - standard air handlers

Model	Motor	Motor Sheave Turns Open	Nominal RPM	Required Field Supplied Components		
				Motor Sheave	Blower Sheave	Belt
TWE051	High Static Motor 1 HP (.75kW)	0	1122	N/A	N/A	N/A
		1	1066			
		2	1010			
		3	954			
		4	898			
		5	842			
TWE073	High Static Motor 1.5 HP (1.13 kW)	0	912	N/A	N/A	N/A
		1	866			
		2	820			
		3	775			
		4	729			
		5	683			
TWE076	High Static Motor 1.5 HP (1.13 kW)	0	912	N/A	N/A	N/A
		1	866			
		2	820			
		3	775			
		4	729			
		5	683			



Performance Data

Table 101. High static fan motors - standard air handlers (continued)

Model	Motor	Motor Sheave Turns Open	Nominal RPM	Required Field Supplied Components		
				Motor Sheave	Blower Sheave	Belt
TWE101	High Static Motor 2 HP (1.5 kW)	0	810	N/A	N/A	N/A
		1	769			
		2	729			
		3	688			
		4	648			
5	607					
TWE101	High Static Motor with Field Supplied Components 2 HP (1.5 kW)	0	941	Variable Pitch (2.8 - 3.8 Inch Pitch Diameter), 0.875 Inch Bore, Single Groove, Browning 1VP44	Fixed Pitch (6.0 Inch Pitch Diameter), 1.0 Inch Bore, Single Groove, Browning AK64	Browning A50
		1	894			
		2	847			
		3	800			
		4	753			
5	706					
TWE126	Standard Motor with Field Supplied Components 1.5 HP (1.13 kW)	0	761	Variable Pitch (2.4 - 3.4 Inch Pitch Diameter), 0.875 Inch Bore, Single Groove, Browning 1VL40	Fixed Pitch (6.7 Inch Pitch Diameter), 1.4375 Inch Bore, Single Groove, Browning AK71	Browning A55
		1	718			
		2	671			
		3	624			
		4	577			
5	549					
TWE126	High Static Motor 2 HP (1.5 kW)	0	912	N/A	N/A	N/A
		1	866			
		2	825			
		3	785			
		4	744			
5	683					
TWE156	High Static Motor 3 HP (2.25 kW)	0	853	N/A	N/A	N/A
		1	824			
		2	794			
		3	765			
		4	735			
		5	705			
6	676					
TWE156	High Static Motor with Field Supplied Components 3 HP (2.25 kW)	0	1014	Variable Pitch (3.4 - 4.4 Inch Pitch Diameter), 1.125 Inch Bore, Single Groove, Browning 1VP50	Fixed Pitch (6.6 Inch Pitch Diameter), 1.4375 Inch Bore, Single Groove, Browning BK72	Browning BX58
		1	979			
		2	932			
		3	885			
		4	838			
		5	803			
6	803					
TWE201	Standard Motor with Field Supplied Components 3 HP (2.25 kW)	0	909	Variable Pitch (2.8 - 3.8 Inch Pitch Diameter), 1.125 Inch Bore, Single Groove, Browning 1VP50	Fixed Pitch (10.4 Inch Pitch Diameter), 1.4375 Inch Bore, Single Groove, Browning BK80	Browning BX62
		1	878			
		2	846			
		3	815			
		4	783			
		5	751			
6	720					
TWE251	Standard Motor with Field Supplied Components 5 HP (3.75 kW)	—	—	Variable Pitch (3.1 - 4.1 Inch Pitch Diameter), 1.125 Inch Bore, Single Groove, Browning 1VP50	Fixed Pitch (10.4 Inch Pitch Diameter), 1.4375 Inch Bore, Single Groove, Browning BK110	Browning BX62
		1	1155			
		2	1099			
		3	1042			
		4	986			
		5	930			
6	873					

Table 102. Ultra high static fan motors - standard air handlers

Model	Motor	Motor Sheave Turns Open	Nominal RPM	Required Field Supplied Components		
				Motor Sheave	Blower Sheave	Belt
TWE073	Ultra High Static Motor 2 HP (1.5 kW)	0	1122	N/A	N/A	N/A
		1	1034			
		2	946			
		3	859			
		4	771			
		5	683			
—	—					
TWE076	Ultra High Static Motor 2 HP (1.5 kW)	0	1122	N/A	N/A	N/A
		1	1034			
		2	946			
		3	859			
		4	771			
		5	683			
—	—					
TWE126	Ultra High Static Motor 3 HP (2.25 kW)	0	1014	N/A	N/A	N/A
		1	979			
		2	944			
		3	909			
		4	874			
		5	838			
6	803					
TWE201	Ultra High Static Motor 5 HP (3.75 kW)	0	1078	N/A	N/A	N/A
		1	1036			
		2	993			
		3	950			
		4	907			
		5	864			
6	822					
TWE201	Ultra High Static Motor with Field Supplied Components 5 HP (3.75 kW)	0	1096	Variable Pitch (2.8 - 3.8 Inch Pitch Diameter), 1.125 Inch Bore, Single Groove, Browning 1VP44	Fixed Pitch (10.4 Inch Pitch Diameter), 1.4375 Inch Bore, Single Groove, Browning BK110	Browning BX62
		1	1067			
		2	1036			
		3	1004			
		4	973			
		5	941			
6	926					

Table 103. Discharge plenum and grille assembly throw distance – air handler – ft (m)

Unit Model No.	CFM	m ³ /h	Louver angle Deflection Position (ft)				Louver angle Deflection Position (m)			
			Straight	20°	40°	55°	Straight	20°	40°	55°
TWE051	1800	3060	46	37	29	22	14.0	11.3	8.8	6.7
	2000	3395	48	43	33	24	14.6	13.1	10.1	7.3
	2200	3737	51	50	36	25	15.5	15.2	11.0	7.6
	2400	4074	44	58	41	28	13.4	17.7	12.5	8.5
TWE073	1800	3061	47	34	28	24	14.0	10.3	8.3	8.0
	2000	3400	49	37	30	26	14.7	11.2	9.0	8.3
	2200	3739	50	40	32	28	15.3	12.2	9.8	8.5
	2400	4078	52	43	35	29	15.9	13.1	10.6	8.8
TWE076	2250	3823	51	41	33	28	15.4	12.4	10.0	8.6
	2500	4249	53	45	36	30	16.2	13.6	10.9	9.0
	2750	4671	56	49	39	31	16.9	14.9	11.9	9.4
	3000	5098	58	53	42	32	17.7	16.2	12.8	9.9
TWE101	3025	5139	57	44	36	32	17.4	13.4	10.8	9.6
	3350	5692	60	48	39	32	18.3	14.7	12.0	9.7
	3675	6245	63	52	43	33	19.3	16.0	13.2	10.0
	4000	6795	67	57	47	35	20.3	17.3	14.4	10.5



Performance Data

Table 103. Discharge plenum and grille assembly throw distance – air handler – ft (m) (continued)

TWE126	3750	6370	44	27	25	38	13.4	8.1	7.5	11.7
	4200	7137	45	31	28	48	13.7	9.5	8.5	14.5
	4650	7902	47	36	31	57	14.3	10.9	9.5	17.4
	5100	8666	50	40	34	67	15.2	12.3	10.5	20.5
TWE156	4500	7644	46	34	30	22	14.1	10.5	9.2	6.6
	5000	8497	49	39	34	25	14.9	12.0	10.3	7.6
	5500	9346	53	45	37	28	16.2	13.6	11.4	8.5
	6000	10195	58	50	41	31	17.7	15.1	12.5	9.3
TWE201	6000	10195	53	43	36	28	16.0	13.1	10.9	8.6
	6680	11348	57	48	40	31	17.5	14.5	12.1	9.4
	7350	12488	62	52	44	33	18.8	16.0	13.3	10.0
	8030	13645	65	57	47	35	19.8	17.4	14.5	10.5
TWE251	7500	12742	62	52	44	33	18.8	16.0	13.3	10.0
	8350	14187	67	59	49	36	20.4	18.0	14.9	11.0
	9200	15631	73	65	54	40	22.3	19.8	16.5	12.2
	10050	17075	78	70	59	43	23.8	21.3	18.0	13.1

Note: Throw distance values are based on a terminal velocity of 75 fpm (0.38 m/s). Throw distance values at other terminal velocities may be established by multiplying throw distances in table above by throw factor as follows: for 50 FPM (0.25 m/s) terminal velocity, multiply by 1.50 throw factor; for 100 FPM (0.51 m/s) terminal velocity, multiply by 0.75 throw factor; for 150 FPM (0.76 m/s) terminal velocity, multiply by 0.50 throw factor.

Table 104. Static pressure drop through accessories (inches if water column) — air handler

Unit Model No.	CFM	m ³ /h	Return Grille		Discharge Plenum & Grille(b)		Electric Heaters (kW)							
			in. wc Pascal		in. wc Pascal		5-10		15-20		25-30		35-50	
			in. wc	Pascal	in. wc	Pascal	in. wc	Pascal	in. wc	Pascal	in. wc	Pascal	in. wc	Pascal
TWE051	1400	2379	0.09	23.60	0.16	41.10	0.06	16.20	0.05	13.70	0.09	23.60	—	—
	1700	2889	0.14	34.90	0.24	60.60	0.09	23.90	0.08	20.20	0.14	34.90	—	—
	2000	3398	0.18	45.70	0.33	83.80	0.13	33.00	0.13	33.00	0.19	48.30	—	—
TWE073	1600	2718	0.03	9.51	0.11	28.91	0.03	7.47	0.03	7.47	0.06	14.94	0.06	14.94
	2000	3398	0.04	14.70	0.18	45.20	0.30	7.47	0.05	12.45	0.08	19.93	0.10	24.91
	2400	4078	0.06	21.11	0.26	65.07	0.04	9.96	0.70	17.44	0.11	27.40	0.15	37.36
TWE076	2000	3398	0.06	14.70	0.18	45.20	0.03	6.80	0.05	13.50	0.08	19.20	0.10	26.00
	2500	4248	0.09	22.90	0.28	70.60	0.04	10.60	0.08	21.20	0.12	30.00	0.16	40.60
	3000	5098	0.13	33.00	0.40	101.60	0.06	15.20	0.12	30.50	0.17	43.20	0.23	58.40
TWE101	2600	4418	0.05	11.70	0.28	72.10	0.04	10.10	0.09	21.80	0.13	31.90	0.17	43.60
	3300	5607	0.70	18.90	0.46	116.20	0.06	16.20	0.14	35.10	0.20	51.30	0.28	70.20
	4000	6797	0.11	27.80	0.67	170.70	0.09	23.80	0.20	51.60	0.30	75.40	0.41	103.20
TWE126	3200	5436	0.04	10.20	0.10	25.60	0.01	2.50	0.02	5.00	0.03	7.50	0.04	10.00
	4000	6797	0.06	15.90	0.16	39.90	0.02	5.00	0.03	7.50	0.04	10.00	0.06	15.00
	4800	8156	0.09	22.90	0.23	57.50	0.03	7.50	0.03	7.50	0.06	15.00	0.08	20.00
TWE156	4000	6797	0.70	16.90	0.15	38.40	0.02	3.80	0.03	6.80	0.05	13.50	0.08	19.20
	5000	8496	0.10	26.50	0.24	60.00	0.04	10.60	0.04	10.60	0.08	21.20	0.12	30.00
	6000	10195	0.15	38.10	0.34	86.40	0.06	15.20	0.06	15.20	0.12	30.50	0.17	43.20
TWE201	5200	8836	0.70	18.40	0.30	73.80	0.04	10.60	0.04	10.60	0.08	21.10	0.13	31.70
	6650	11300	0.12	30.20	0.46	114.90	0.70	17.30	0.70	17.30	0.14	34.50	0.21	51.80
	7800	13254	0.16	41.50	0.63	156.10	0.10	23.80	0.10	23.80	0.19	47.50	0.29	71.30
TWE251	7500	12742	0.15	37.70	0.58	144.60	0.09	21.80	0.09	21.80	0.18	44.10	0.26	65.90
	8350	14187	0.18	45.60	0.72	178.60	0.11	27.10	0.11	27.10	0.22	54.00	0.33	81.10
	9200	15631	0.22	53.60	0.87	216.80	0.13	32.40	0.13	32.40	0.26	64.50	0.39	96.90

Notes:

1. Return air filter ESP included in Fan Performance Table data.
2. On discharge plenum and grille - at louver opening angle of 42°F (5.5°C). For ESP at other angle openings, see accessory installation instruction.

Table 105. Auxiliary electric heat capacity — air handler

Unit Model No.	Total kW	No. of Stages	Stage 1		Stage 2		Total	
			kW Input	Btu Output	kW Input	Btu Output	kW Input	Btu Output
TWE051, 073, 076, 101DD/ED	5.00	1	5.00	17,065	—	—	5.00	17,065
	9.96	1	9.96	33,993	—	—	9.96	33,993
	14.96	1	14.96	51,058	—	—	14.96	51,058
	24.92	2	14.96	51,058	9.96	33,993	24.92	85,051
TWE073, 076, 101DD/ED	34.88	2	19.92	67,987	14.96	51,058	34.88	119,045
TWE126, 156, 201, 251ED	10.00	1	10.00	34,130	—	—	10.00	34,130
	19.92	1	19.92	67,987	—	—	19.92	67,987
	29.92	2	19.92	67,987	10.00	34,130	29.92	102,117
	49.84	2	29.92	102,117	19.92	67,987	49.84	170,104

Note: Heaters are rated at 240V, 480V and 600V. For other than rated voltage, capacity = (Voltage/Related Voltage)² x Rated Capacity

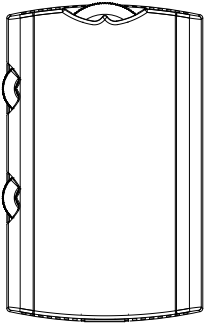


Controls

ReliaTel

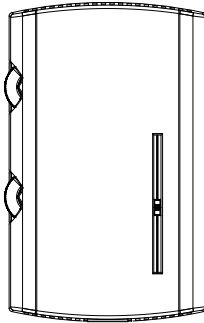
Zone Sensors are the building occupant's comfort control devices. Zone sensors are required for SZVAV applications. The following zone sensor options are available for units with ReliaTel control.

Manual Changeover (BAYSENS106*)



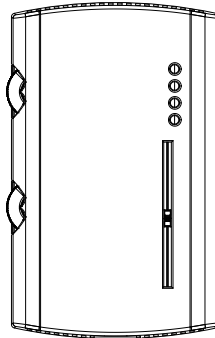
Heat, Cool or Off System Switch. Fan Auto or Off Switch. One temperature setpoint lever.

Manual/Automatic Changeover (BAYSENS108*)



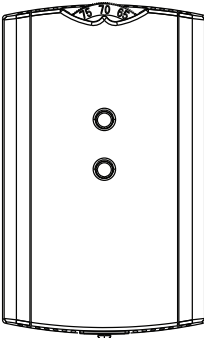
Auto, Heat, Cool or Off System Switch. Fan Auto or Off Switch. Two temperature setpoint levers.

Manual/Automatic Changeover (BAYSENS110*)



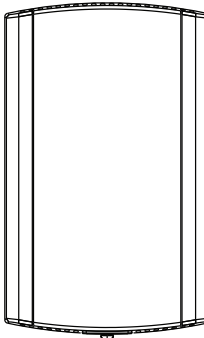
Auto, Heat, Cool or Off System Switch. Fan Auto or Off Switch. Two temperature setpoint levers. Status Indication LED lights, System On, Heat, Cool, or Service.

Integrated Comfort™ System (BAYSENS074*)



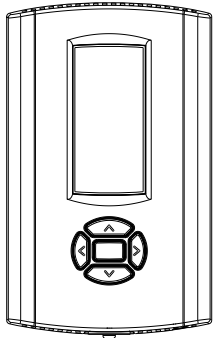
Sensor(s) available with optional temperature adjustment and override buttons to provide central control through a Trane Integrated Comfort™ system.

Remote Sensor (BAYSENS077*)



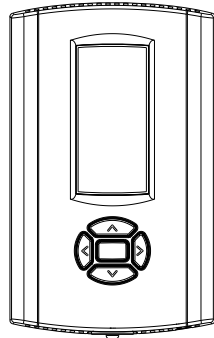
Sensor(s) available for all zone sensors to provide remote sensing capabilities.

Wireless Zone Sensor (BAYSENS050*)



LCD display that provides heat, cool, auto or off. Includes two temperature setpoints and a lockable setting with °F or °C indicators.

Programmable Night Setback (BAYSENS119*)

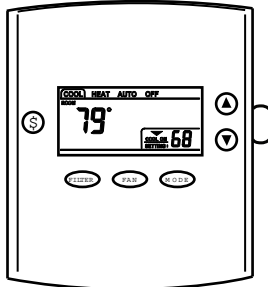


Auto or manual changeover with seven-day programming. Keyboard selection of Heat, Cool, Fan, Auto, EM Heat or On. All sensors have System On, Heat, Cool, Service LED/ indicators as standard. Night Setback Sensors have one (1) Occupied, one (1) Un-occupied, and one (1) Override program per day.

Electromechanical

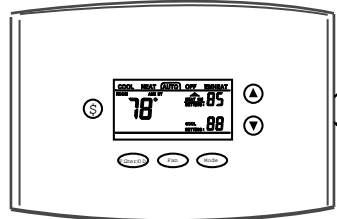
Non-Programmable Thermostats

TCONT200* (1H/1C)**



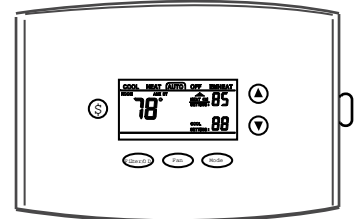
Auto-changeover Backlit Display & Keys Filter Reminder Keypad Lock

TCONT401* (2H/1C)**



Auto-changeover Backlit Display & Keys Filter Reminder Keypad Lock
Outdoor Temp Sensor Available

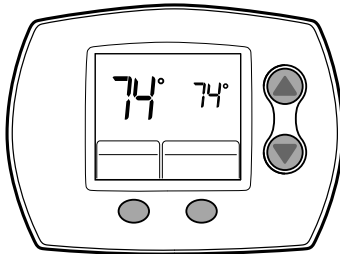
TCONT402* (3H/2C)**



Auto-changeover Backlit Display & Keys Filter Reminder Keypad Lock
Outdoor Temp Sensor Included

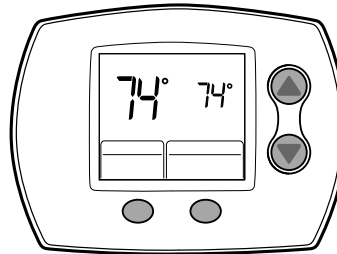
Programmable Thermostats

TCONT600* (1H/1C)**



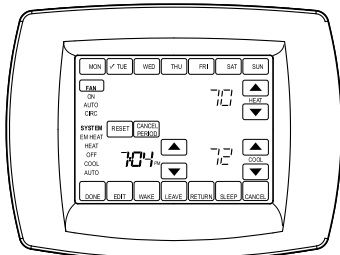
5/2 or 5/1/1 Programming Actual and Setpoint temps displayed simultaneously

TCONT602* (2H/2C)**



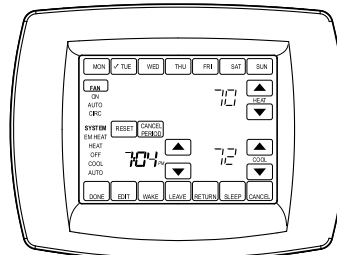
5/2 or 5/1/1 Programming Actual and Setpoint temps displayed simultaneously

TCONT800* (1H/1C)**



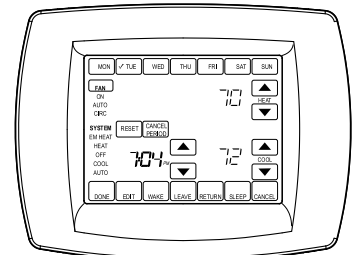
Interactive touchscreen Large display Real time clock

TCONT802* (3H/2C)**



Interactive touchscreen Large display Real time clock

TCONT803* (3H/2C)**



Interactive touchscreen Large display Real time clock Built-in humidity sensor

Notes:

- All thermostats may be used with ReliaTel units.
- Thermostats may be used with ReliaTel-equipped Cooling units, but only when matched with Standard Air Handlers (SZVAV Air Handlers excluded).



Electrical Data

Cooling Condenser

Table 106. Electrical characteristics — compressor and condenser fan motors — 50 Hz

Tons	Unit Model Number	Compressor Motor					Condenser Fan Motor				
		No.	Volts	Phas- e	Amps		No.	Volts	Phas- e	Amps	
					RLA (Ea.)	LRA (Ea.)				RLA (Ea.)	LRA (Ea.)
5	TTA061GD	1	380-415-50	3	8.9	67.1	1	380-415-50	1	1.6	3.8
	TTA061HD	2	380-415-50	3	5.4	38	1	380-415-50	1	1.6	3.8
6.25	TTA076GD	1	380-415-50	3	12.5	101	1	380-415-50	1	1.6	3.8
	TTA076HD	2	380-415-50	3	6.7	43	1	380-415-50	1	1.6	3.8
8.33	TTA101GD	1	380-415-50	3	19	142	1	380-415-50	1	1.9	5.8
	TTA101HD	2	380-415-50	3	8	51.5	1	380-415-50	1	1.9	5.8
	TTA101JD	2	380-415-50	3	7.8	52	1	380-415-50	1	1.9	5.8
10.4	TTA126HD	2	380-415-50	3	10.6	74	1	380-415-50	1	1.9	5.8
13	TTA156HD	2	380-415-50	3	12.2	101	2	380-415-50	1	1.9	5.8
	TTA156JD	2	380-415-50	3	12.5	101	2	380-415-50	1	1.6	3.8
16.7	TTA201HD	2	380-415-50	3	18.6	142	2	380-415-50	1	1.9	5.8
	TTA201JD	2	380-415-50	3	18.6	142	2	380-415-50	1	1.9	5.8
20.9	TTA251JD	2	380-415-50	3	19.2	147	2	380-415-50	1	1.9	5.8

Note: Electrical characteristics reflect nameplate values and are calculated in accordance with UL specifications.

Table 107. Unit wiring — condensing units — 50 Hz

Tons	Unit Model Number	Unit Operating Voltage	Maximum Circuit Ampacity	Maximum Fuse Size or Maximum Circuit Breaker
5	TTA061GD	380/415	12.7	20
	TTA061HD	380/415	14	15
6.25	TTA076GD	380/415	17.3	25
	TTA076HD	380/415	16.7	20
8.33	TTA101GD	380/415	25.7	40
	TTA101HD	380/415	19.9	25
	TTA101JD	380/415	20	25
10.4	TTA126HD	380/415	26	35
13	TTA156HD	380/415	32	40
	TTA156JD	380/415	32	40
16.7	TTA201HD	380/415	46	60
	TTA201JD	380/415	46	60
20.9	TTA251JD	380/415	48	60

Note: HACR type circuit breaker per NEC

Air Handler (Standard)

Table 108. Electrical characteristics — standard motor — 50 Hz air handler

Tons	Unit Model Number	Standard Evaporator Fan Motor				
		No.	Volts	Phase	Amps	
					FLA	LRA
4.6	TWE051DD	1	380	3	1.4	8.0
		1	415	3	1.0	8.4
6	TWE073ED	1	380	3	3.1	17.0
		1	415	3	3.2	16.8
6.25	TWE076DD, ED	1	380	3	3.1	17.0
		1	415	3	3.2	16.8
8.33	TWE101DD, ED	1	380	3	3.4	17.3
		1	415	3	3.2	19.0
10.4	TWE126ED	1	380	3	3.2	35.0
		1	415	3	3.1	35.0
13	TWE156ED	1	380	3	4.0	33.1
		1	415	3	4.0	36.1
16.7	TWE201ED	1	380	3	8.0	43.2
		1	415	3	8.0	48.6
20.9	TWE251ED	1	380	3	7.5	71.0
		1	415	3	7.2	77.0

Table 109. Unit wiring — air handler — 50 Hz

Tons	Unit Model Number	Minimum Unit Operating Voltage Range	Maximum Fuse Circuit Ampacity	Size or Maximum Circuit Breaker
4.6	TWE051DD	380/415	4	15
6	TWE073ED	380/415	5	15
6.25	TWE076DD, ED	380/415	5	15
8.33	TWE101DD, ED	380/415	5	15
10.4	TWE126ED	380/415	5	15
13	TWE156ED	380/415	6	15
16.7	TWE201ED	380/415	10	15
20.9	TWE251ED	380/415	10	15



Electrical Data

Table 110. Unit wiring with electric heat (single point connection) — air handlers

Heater Model No.	Heater kW Rating	To Use with Unit	Control Stages	Minimum Circuit Ampacity	Maximum Fuse Breaker Size
BAYHTRL405*	5	TWE051DD	1	13	15
BAYHTRL410*	9.96		1	22	25
BAYHTRL415*	14.96		1	31	35
BAYHTRL425*	24.92		2	49	50
BAYHTRL405*	5	TWE073ED	1	14	15
BAYHTRL410*	9.96		1	23	25
BAYHTRL415*	14.96		1	32	35
BAYHTRL425*	24.92		2	50	50
BAYHTRL435*	34.88		2	68	70
BAYHTRL405*	5	TWE076DD, ED	1	14	15
BAYHTRL410*	9.96		1	23	25
BAYHTRL415*	14.96		1	32	35
BAYHTRL425*	24.92		2	50	50
BAYHTRL435*	34.88		2	68	70
BAYHTRL405*	5	TWE101DD, ED	1	14	15
BAYHTRL410*	9.96		1	23	25
BAYHTRL415*	14.96		1	32	35
BAYHTRL425*	24.92		2	50	50
BAYHTRL435*	34.88		2	68	70
BAYHTRM410*	10	TWE126ED	1	19	20
BAYHTRM420*	19.92		1	41	45
BAYHTRM430*	29.92		2	59	60
BAYHTRM450*	49.84		2	94	100
BAYHTRM410*	10	TWE156ED	1	23	25
BAYHTRM420*	19.92		1	41	45
BAYHTRM430*	29.92		2	59	60
BAYHTRM450*	49.84		2	95	100
BAYHTRM410*	10	TWE201ED	1	29	30
BAYHTRM420*	19.92		1	46	50
BAYHTRM430*	29.92		2	65	70
BAYHTRM450*	49.84		2	100	100
BAYHTRM410*	10	TWE251ED	1	29	30
BAYHTRM420*	19.92		1	46	50
BAYHTRM430*	29.92		2	65	70
BAYHTRM450*	49.84		2	100	100

Notes:

1. Field wire must be rated at least 167°F (75°C).
2. Field wire must be rated at least 194°F (90°C).
3. Heater kW ratings are at 400v for 3 phase, 400v air handlers.
4. For other than rated voltage, capacity = (voltage/rated voltage)² x rated capacity and kW = (voltage/rated voltage)² rated kW.
5. Any power supply and circuits must be wired and protected in accordance with local codes.
6. MCA and Maximum Fuse Size is based on 400V.



Jobsite Connections

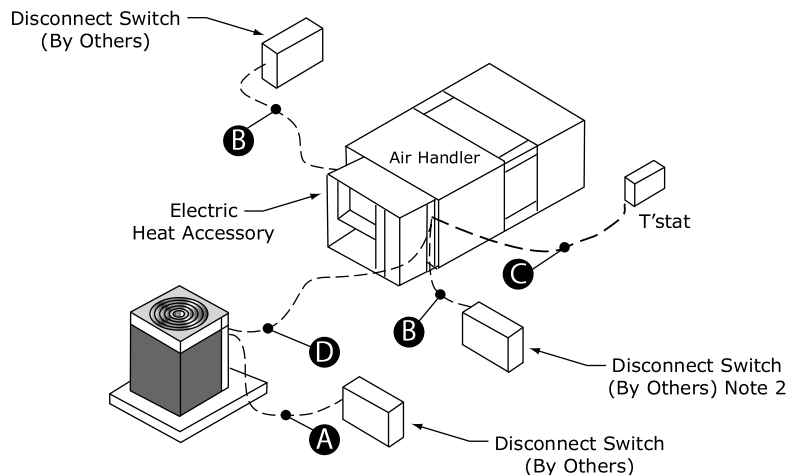
Electromechanical Controls

Wiring shown with dashed lines is to be furnished and installed by the customer. All customer supplied wiring must be copper only and must conform to NEC and local electrical codes. Codes may require line of sight between disconnect switch and unit.

Note: When electric heater accessory is used, single point power entry or dual point power entry is field optional. Single point power entry option is through electric heater only.

Important: For the EDC switch to be functional and thereby facilitate reliable unit operation, make the EDC connections from the indoor to the outdoor control boxes.

Figure 8. Electromechanical jobsite connections



- A. 3 power wires, line voltage for 3 phase, (2 power wires for single phase)
- B. 3 power wires, line voltage for 3 phase, (2 power wires for single phase)
- C. Cooling only thermostat: 3 to 7 wires depending on stages of electric heat
- D. 3 to 7 wires depending on type of outdoor unit(s)

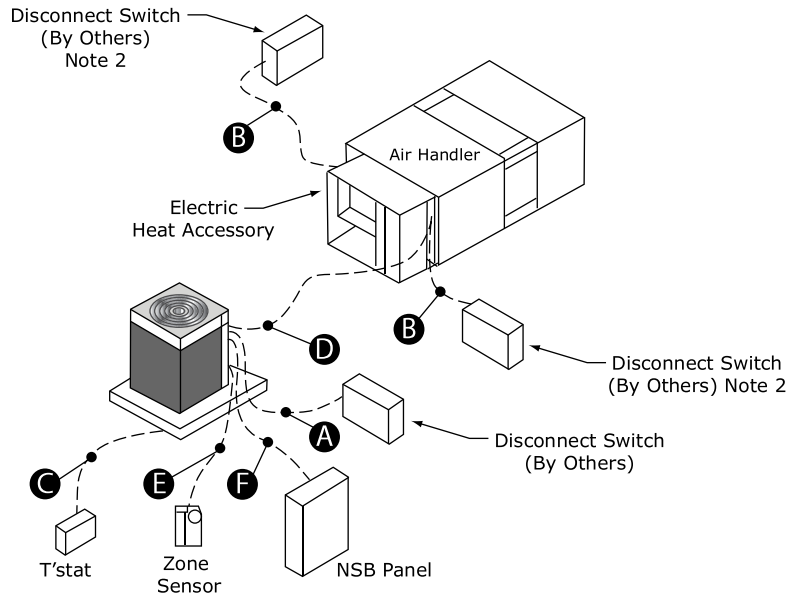
ReliaTel Controls

Wiring shown with dashed lines is to be furnished and installed by the customer. All customer supplied wiring must be copper only and must conform to NEC and local electrical codes. Codes may require line of sight between disconnect switch and unit.

Notes:

1. When electric heater accessory is used, single point power entry or dual point power entry is field optional. Single point power entry option is through electric heater only.
2. ***Choose only one of the following; Thermostat, Zone Sensor, or NSB Panel.

Important: For the EDC switch to be functional and thereby facilitate reliable unit operation, make the EDC connections from the indoor to the outdoor control boxes.

Figure 9. ReliaTel jobsite connections


- A. 3 power wires, line voltage for 3 phase, (2 power wires for single phase)
- B. 3 power wires, line voltage for 3 phase, (2 power wires for single phase)
- C. Cooling only thermostat: 3 to 7 wires depending on stages of electric heat
- D. 3 to 7 wires depending on type of outdoor unit(s)
- E. Zone Sensor: 4 to 10 wires depending on zone sensor model^(a)
- F. Night Setback Panel: 7 wires

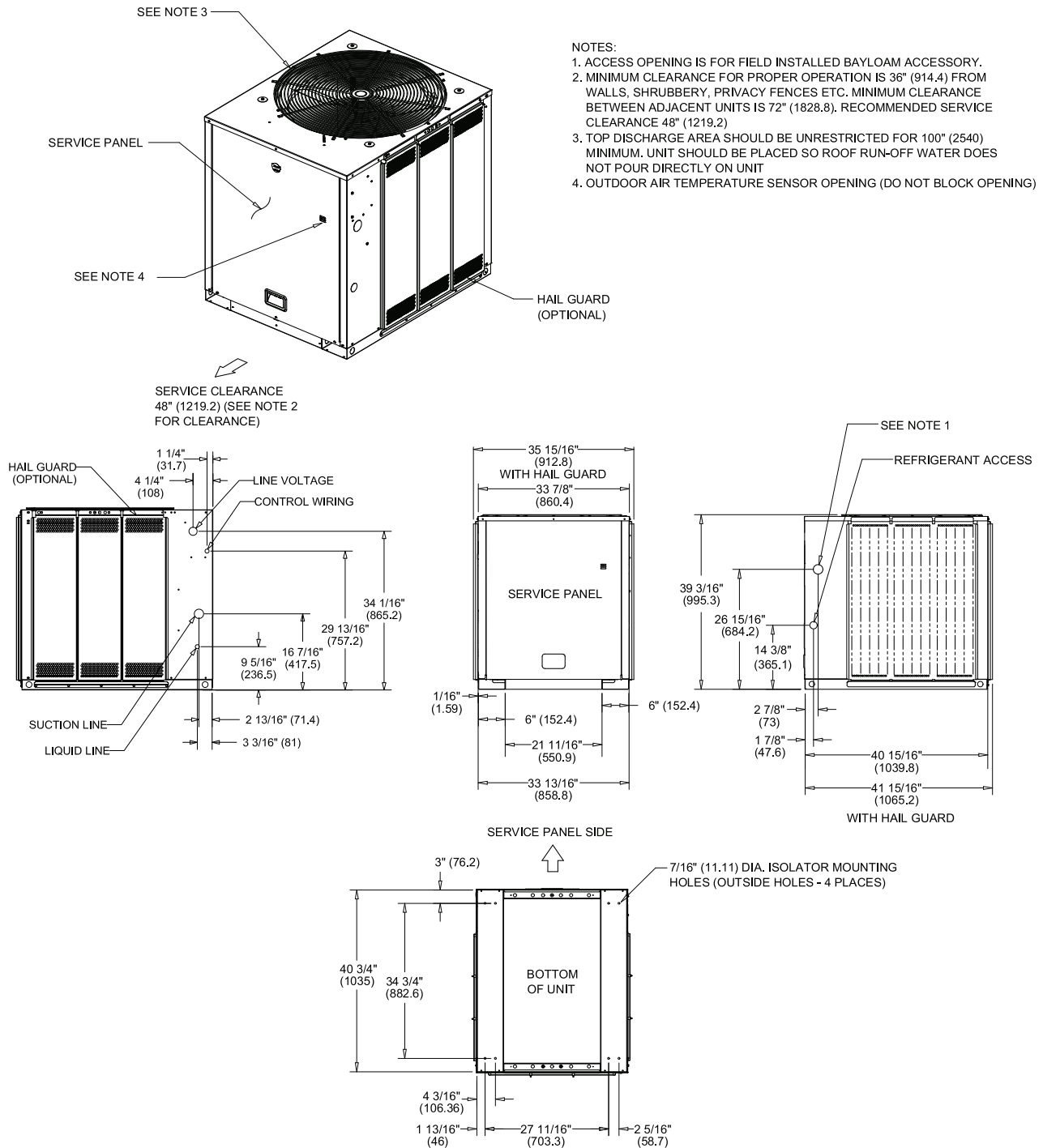
^(a) For SZVAV air handlers: 4 additional wires are required (2 of which require twisted pair or shielded wire) in order to make connections between ReliaTel boards in the condenser and air handler.



Dimensional Data

Cooling Condenser

Figure 10. 5-6.25 ton condensing unit, single compressor, microchannel



Dimensional Data

Figure 11. 5, 6.25 ton condensing unit, dual compressor, microchannel

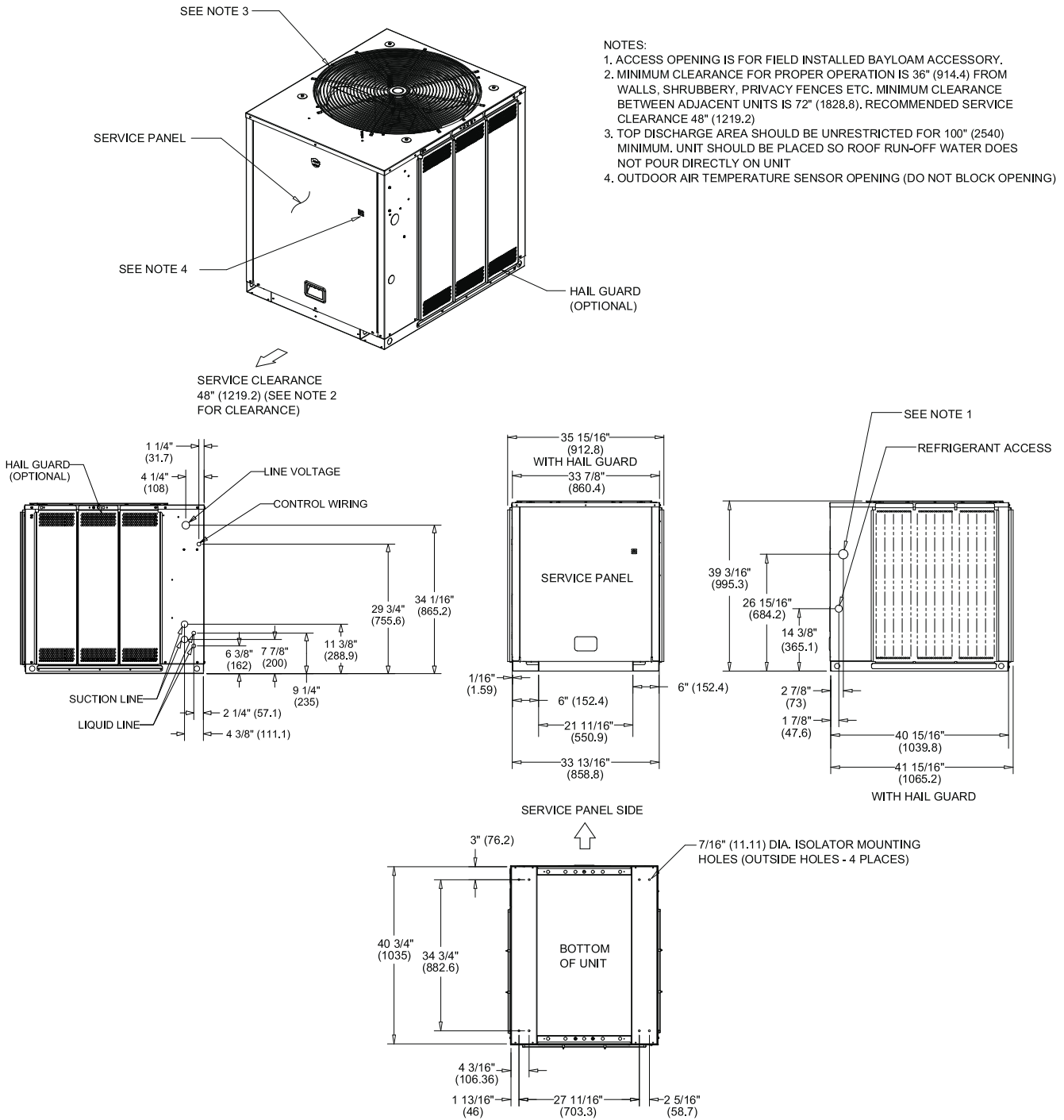
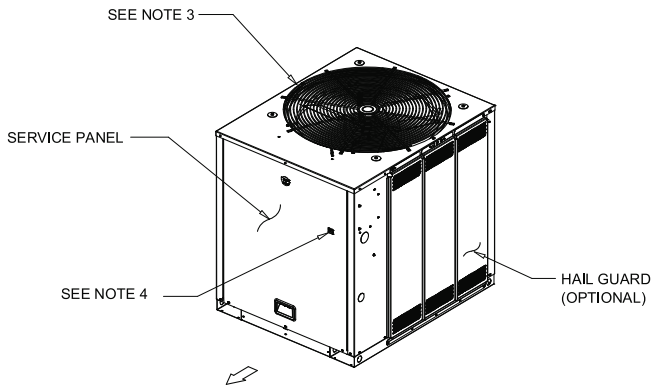


Figure 12. 8.33 ton condensing unit, single and manifolded compressor. microchannel



- NOTES:
1. ACCESS OPENING IS FOR FIELD INSTALLED BAYLOAM ACCESSORY.
 2. MINIMUM CLEARANCE FOR PROPER OPERATION IS 36" (914.4) FROM WALLS, SHRUBBERY, PRIVACY FENCES ETC. MINIMUM CLEARANCE BETWEEN ADJACENT UNITS IS 72" (1828.8). RECOMMENDED SERVICE CLEARANCE 48" (1219.2)
 3. TOP DISCHARGE AREA SHOULD BE UNRESTRICTED FOR 100" (2540) MINIMUM. UNIT SHOULD BE PLACED SO ROOF RUN-OFF WATER DOES NOT POUR DIRECTLY ON UNIT
 4. OUTDOOR AIR TEMPERATURE SENSOR OPENING (DO NOT BLOCK OPENING)

SERVICE CLEARANCE
48" (1219.2) (SEE NOTE 2
FOR CLEARANCE

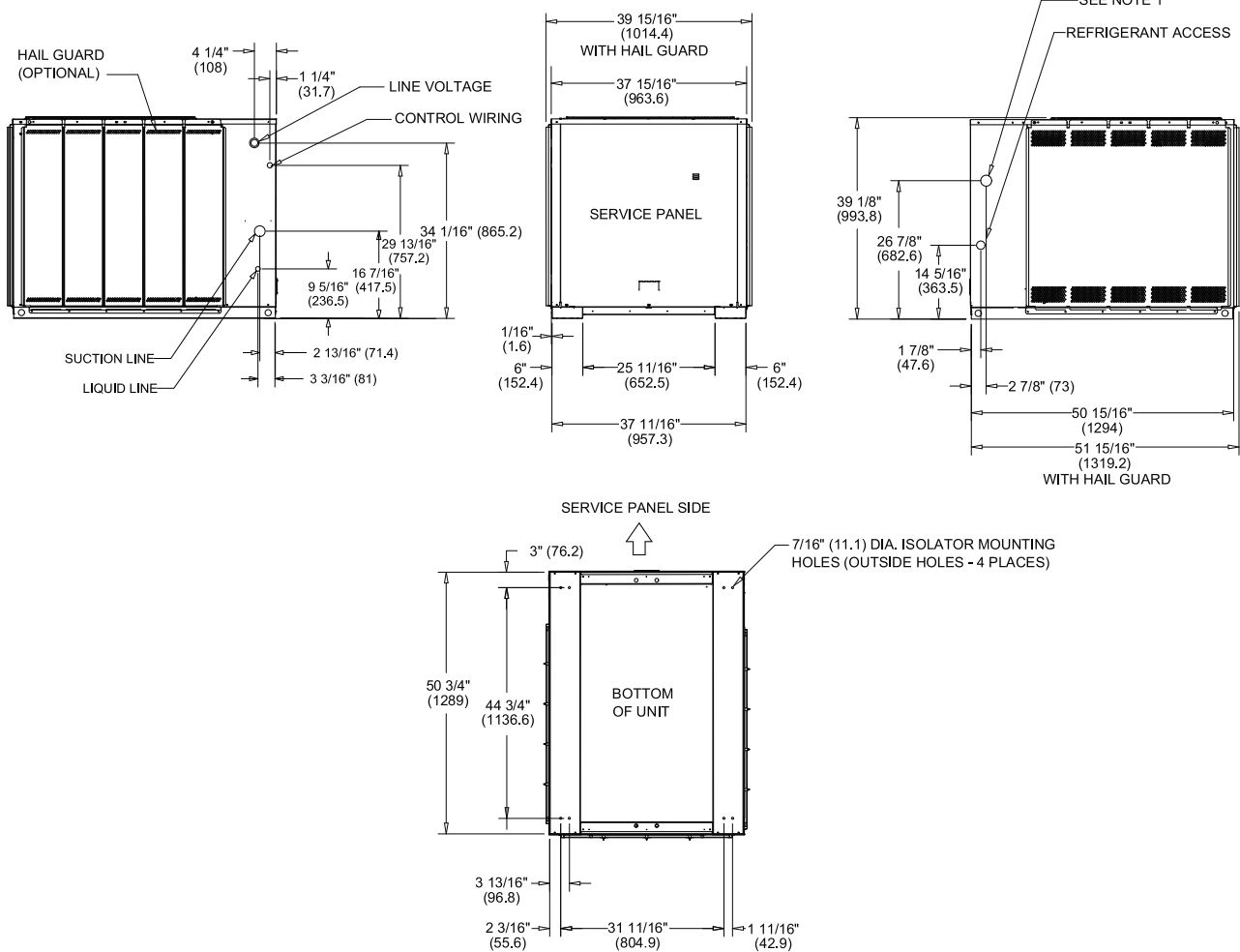


Figure 13. 8.33 ton condensing unit, dual compressor, microchannel

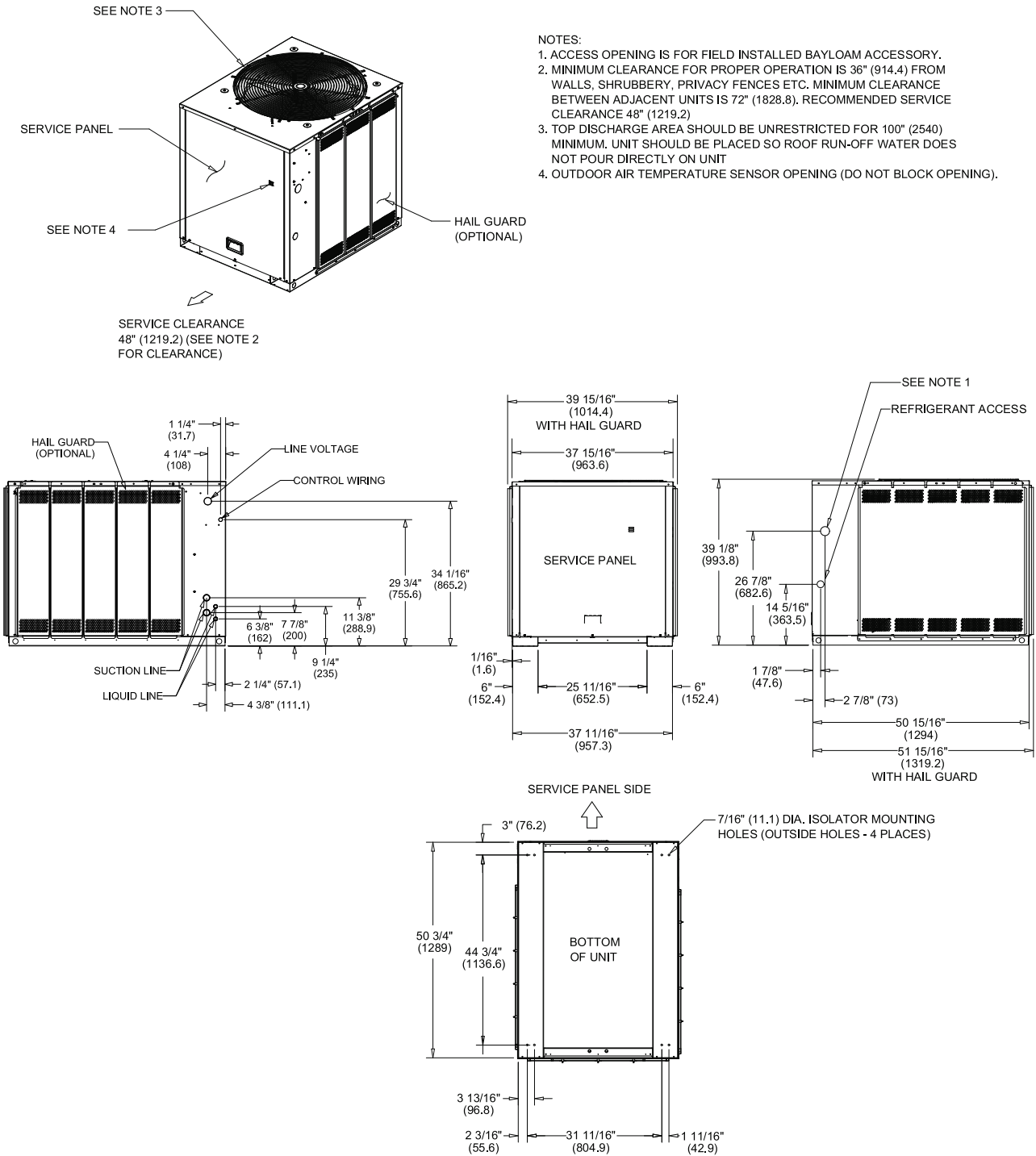
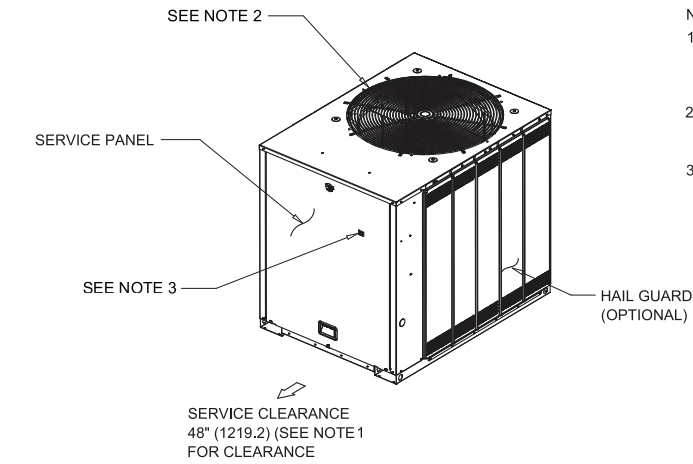
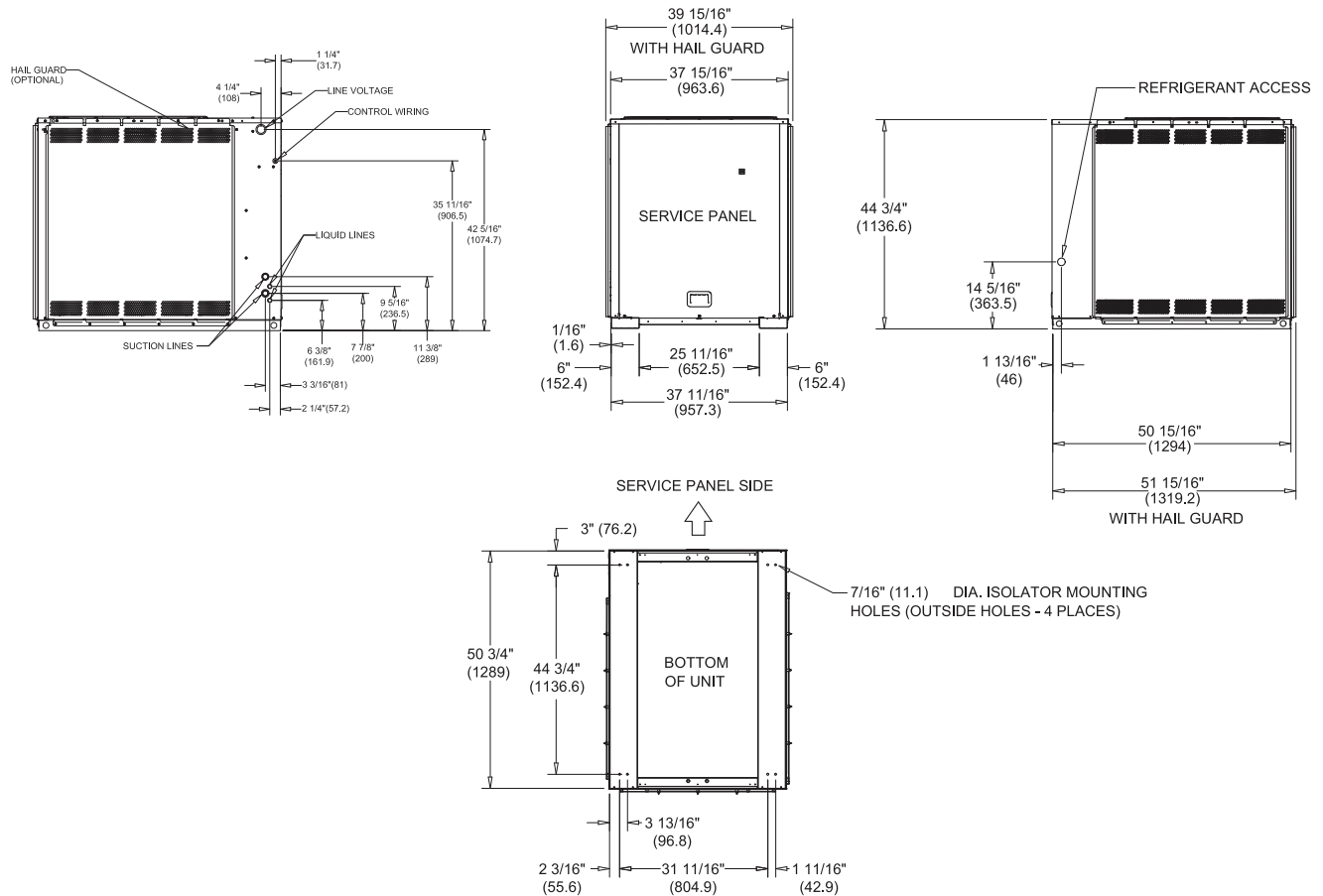


Figure 14. 10.4 ton condensing unit, dual compressor, microchannel



NOTES:

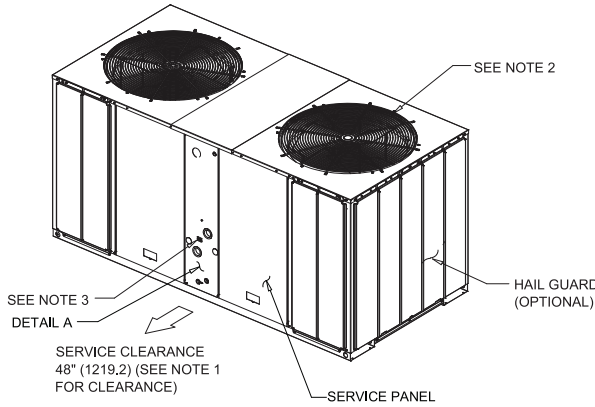
1. MINIMUM CLEARANCE FOR PROPER OPERATION IS 36" (914.4) FROM WALLS, SHRUBBERY, PRIVACY FENCES ETC. MINIMUM CLEARANCE BETWEEN ADJACENT UNITS IS 72" (1828.8). RECOMMENDED SERVICE CLEARANCE 48" (1219.2)
2. TOP DISCHARGE AREA SHOULD BE UNRESTRICTED FOR 100" (2540) MINIMUM. UNIT SHOULD BE PLACED SO ROOF RUN-OFF WATER DOES NOT POUR DIRECTLY ON UNIT
3. OUTDOOR AIR TEMPERATURE SENSOR OPENING (DO NOT BLOCK OPENING).



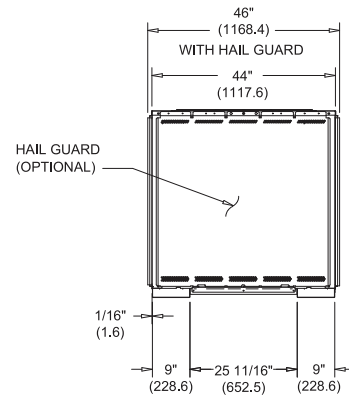
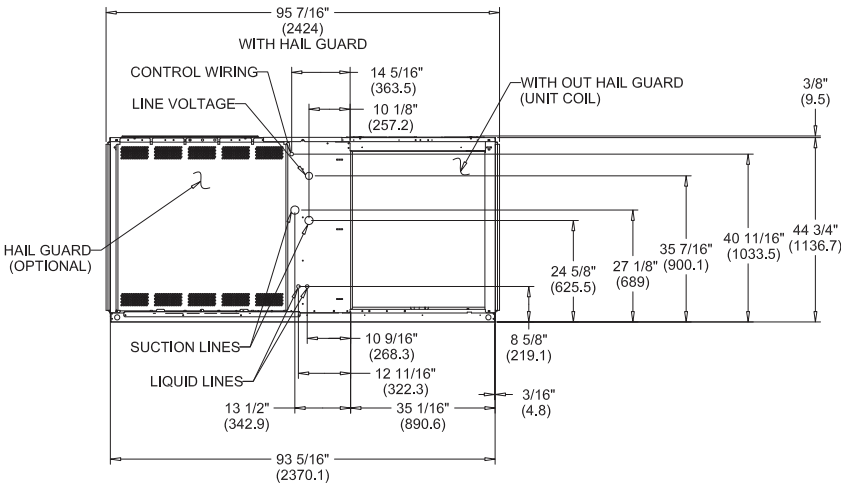


Dimensional Data

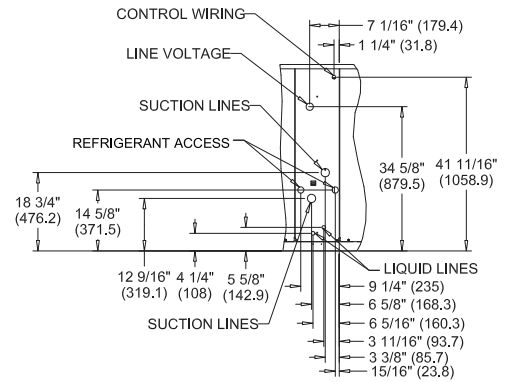
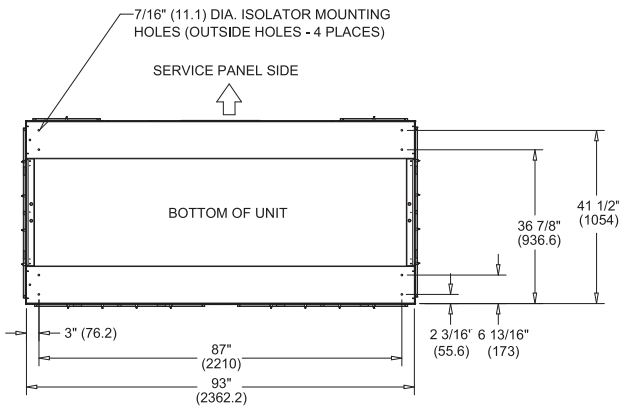
Figure 15. 13-16.7 ton condensing unit, dual compressor, microchannel



- NOTES:
1. MINIMUM CLEARANCE FOR PROPER OPERATION IS 36" (914.4) FROM WALLS, SHRUBBERY, PRIVACY FENCES ETC. MINIMUM CLEARANCE BETWEEN ADJACENT UNITS IS 72" (1828.8). RECOMMENDED SERVICE CLEARANCE 48" (1219.2)
 2. TOP DISCHARGE AREA SHOULD BE UNRESTRICTED FOR 100" (2540) MINIMUM. UNIT SHOULD BE PLACED SO ROOF RUN-OFF WATER DOES NOT POUR DIRECTLY ON UNIT
 3. OUTDOOR AIR TEMPERATURE SENSOR OPENING (DO NOT BLOCK OPENING)

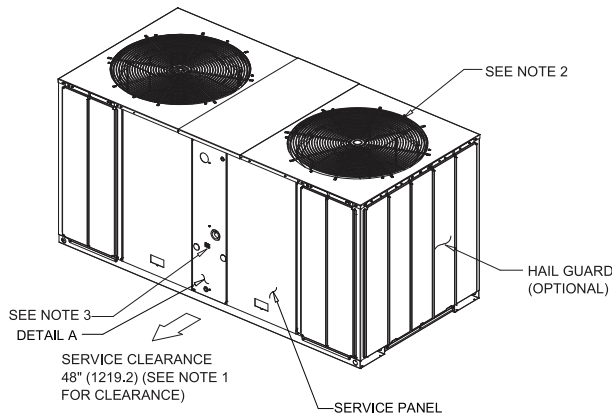


**OPTIONAL REAR ACCESS
DIMENSIONAL DETAIL**

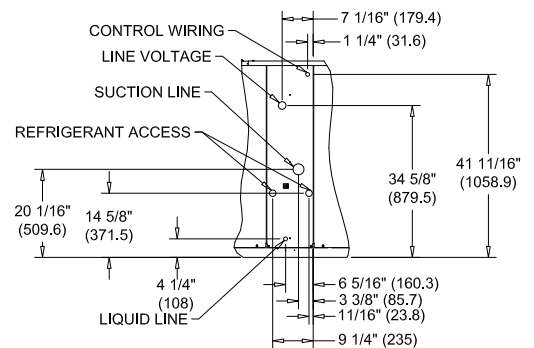
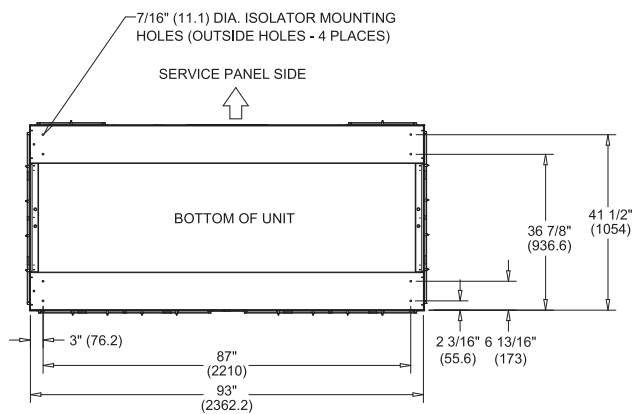
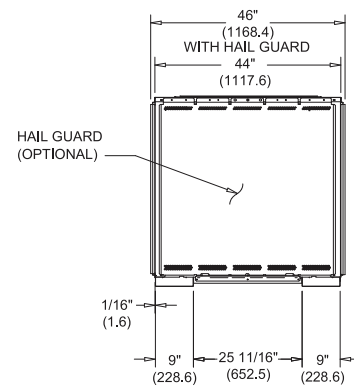
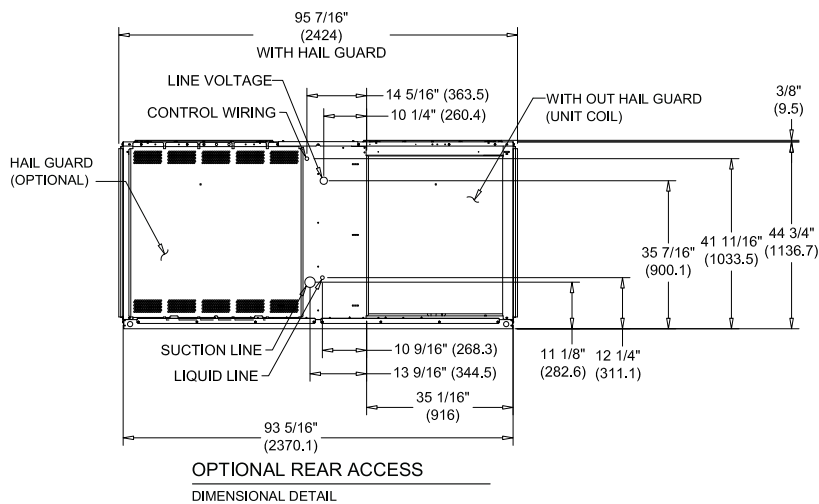


**FRONT DETAIL A
DIMENSIONAL DETAIL**

Figure 16. 13-16.7 condensing unit, manifolded compressor, microchannel

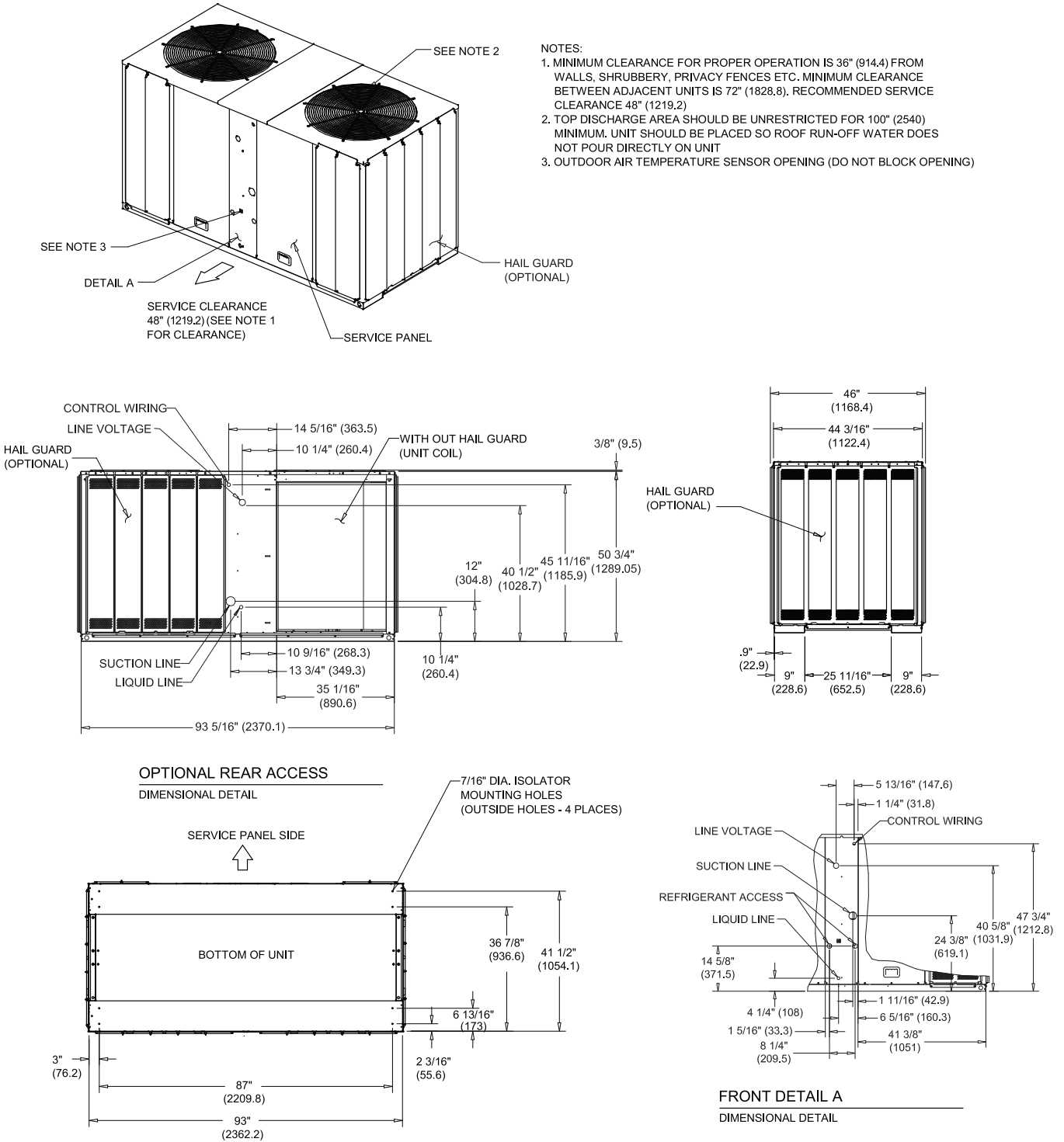


- NOTES:
1. MINIMUM CLEARANCE FOR PROPER OPERATION IS 36" (914.4) FROM WALLS, SHRUBBERY, PRIVACY FENCES ETC. MINIMUM CLEARANCE BETWEEN ADJACENT UNITS IS 72" (1828.8). RECOMMENDED SERVICE CLEARANCE 48" (1219.2)
 2. TOP DISCHARGE AREA SHOULD BE UNRESTRICTED FOR 100" (2540) MINIMUM. UNIT SHOULD BE PLACED SO ROOF RUN-OFF WATER DOES NOT POUR DIRECTLY ON UNIT
 3. OUTDOOR AIR TEMPERATURE SENSOR OPENING (DO NOT BLOCK OPENING)



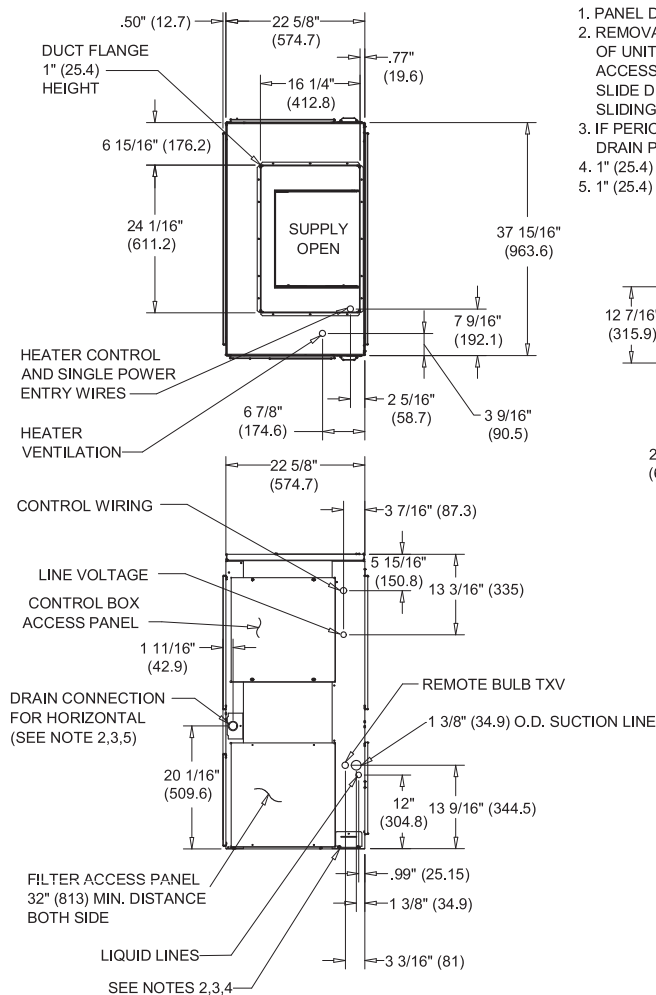
Dimensional Data

Figure 17. 20.9 ton condensing unit, manifolded compressor, microchannel



Air Handler

Figure 18. 4.6 ton air handler, single circuit



NOTES:

1. PANEL DEPTH 1/2" (12.7) (TYP. ALL PANELS).
2. REMOVABLE DRAIN PAN AND ATTACHED DRAIN CONNECTION MAY BE INSTALLED ON END OF UNIT IN EITHER THE VERTICAL OR HORIZONTAL CONFIGURATION, PLASTIC DRAIN PAN ACCESS PLATE ON THE END OF UNIT OPPOSITE DRAIN CONNECTION MUST BE REMOVED TO SLIDE DRAIN PAN OUT OF UNIT FOR CLEANING. ACCESS PLATE MUST BE RE-INSTALLED AFTER SLIDING DRAIN PAN BACK INTO UNIT.
3. IF PERIODIC DRAIN PAN CLEANING IS REQUIRED, ALLOW ROOM FOR PARTIAL REMOVAL OF DRAIN PAN CONNECTION AT END OF UNIT.
4. 1" (25.4) FEMALE SCHED. 40 (10.2) PVC PIPE DRAIN CONNECTION VERTICAL CONFIGURATION.
5. 1" (25.4) FEMALE SCHED. 40 (10.2) PVC PIPE DRAIN CONNECTION HORIZONTAL CONFIGURATION.

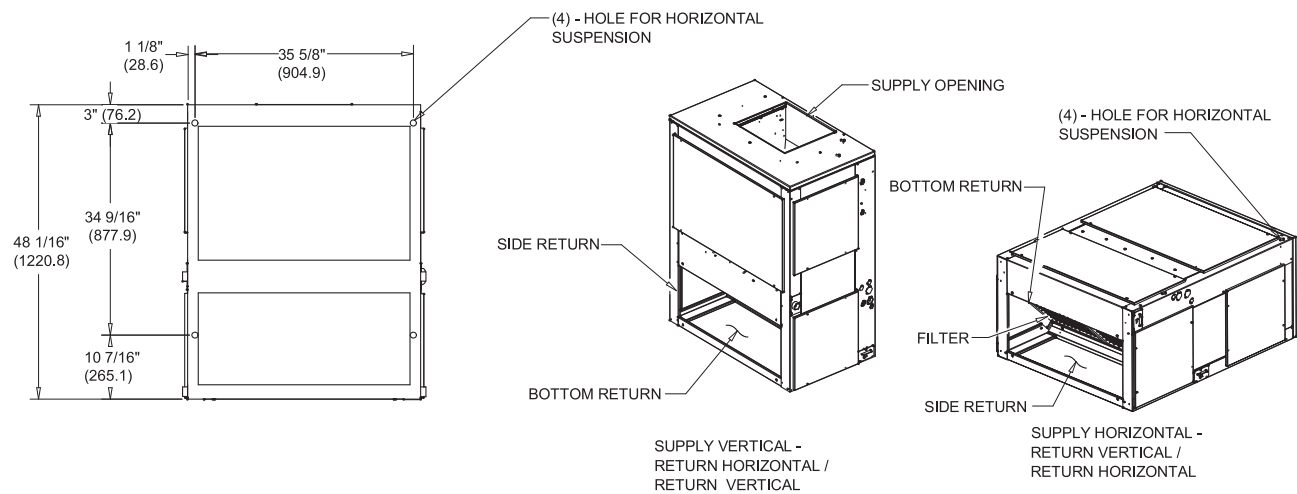
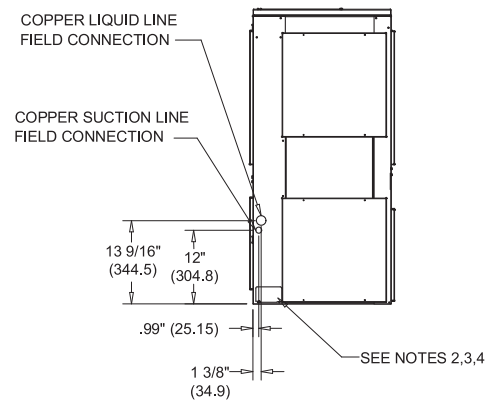
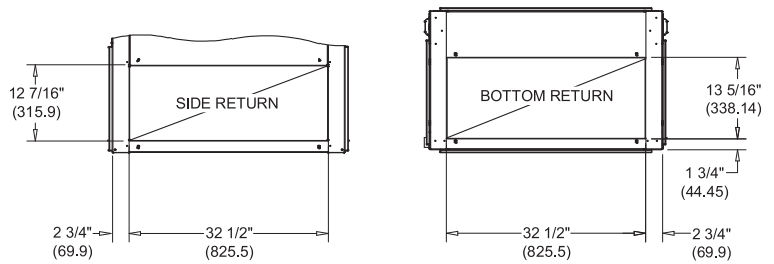
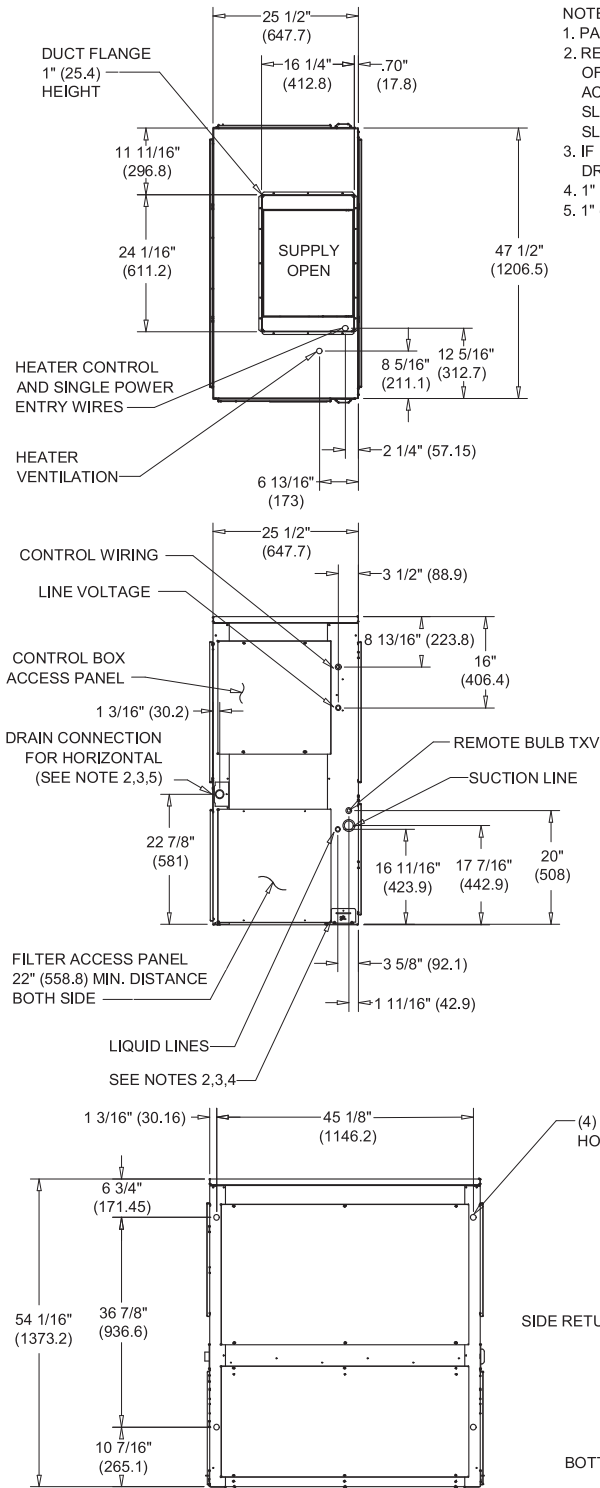


Figure 19. 6, 6.25 ton air handler, single circuit



NOTES:

1. PANEL DEPTH 1/2" (12.7) (TYP. ALL PANELS).
2. REMOVABLE DRAIN PAN AND ATTACHED DRAIN CONNECTION MAY BE INSTALLED ON END OF UNIT IN EITHER THE VERTICAL OR HORIZONTAL CONFIGURATION, PLASTIC DRAIN PAN ACCESS PLATE ON THE END OF UNIT OPPOSITE DRAIN CONNECTION MUST BE REMOVED TO SLIDE DRAIN PAN OUT OF UNIT FOR CLEANING. ACCESS PLATE MUST BE RE-INSTALLED AFTER SLIDING DRAIN PAN BACK INTO UNIT.
3. IF PERIODIC DRAIN PAN CLEANING IS REQUIRED, ALLOW ROOM FOR PARTIAL REMOVAL OF DRAIN PAN CONNECTION AT END OF UNIT.
4. 1" (25.4) FEMALE SCHED. 40 (10.2) PVC PIPE DRAIN CONNECTION VERTICAL CONFIGURATION.
5. 1" (25.4) FEMALE SCHED. 40 (10.2) PVC PIPE DRAIN CONNECTION HORIZONTAL CONFIGURATION.

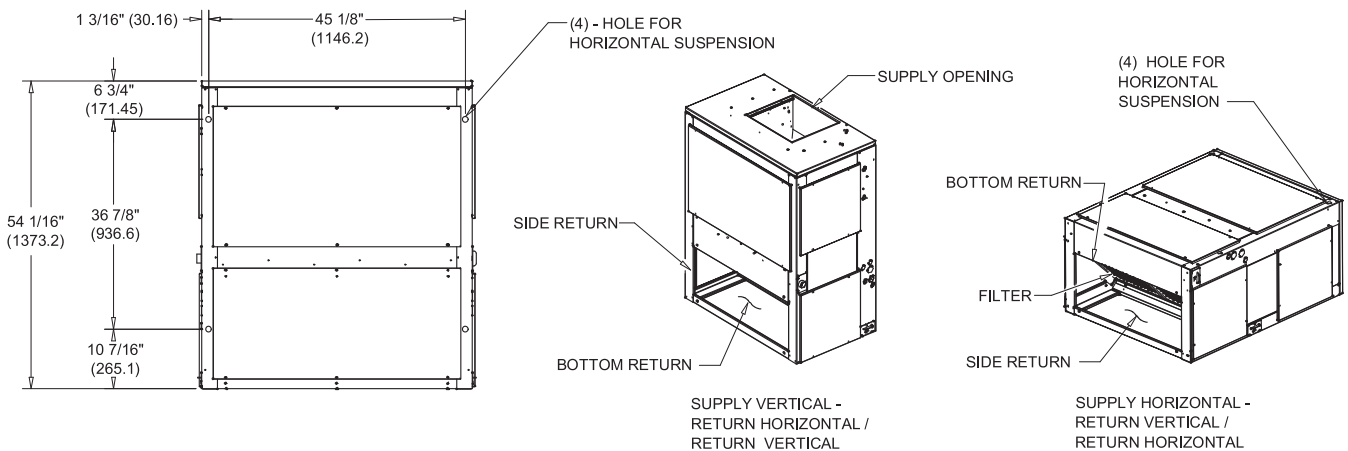
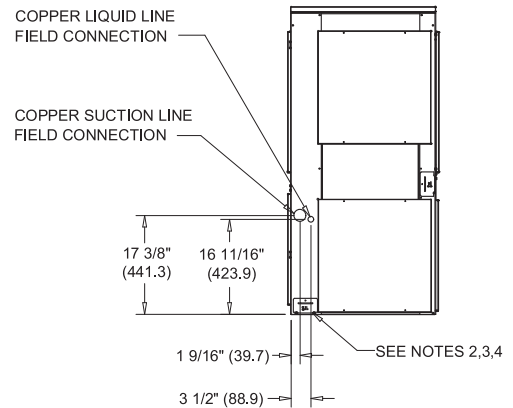
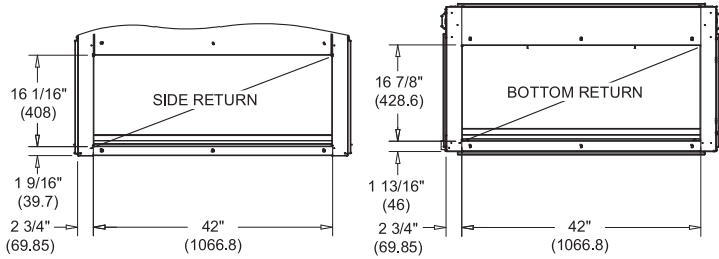
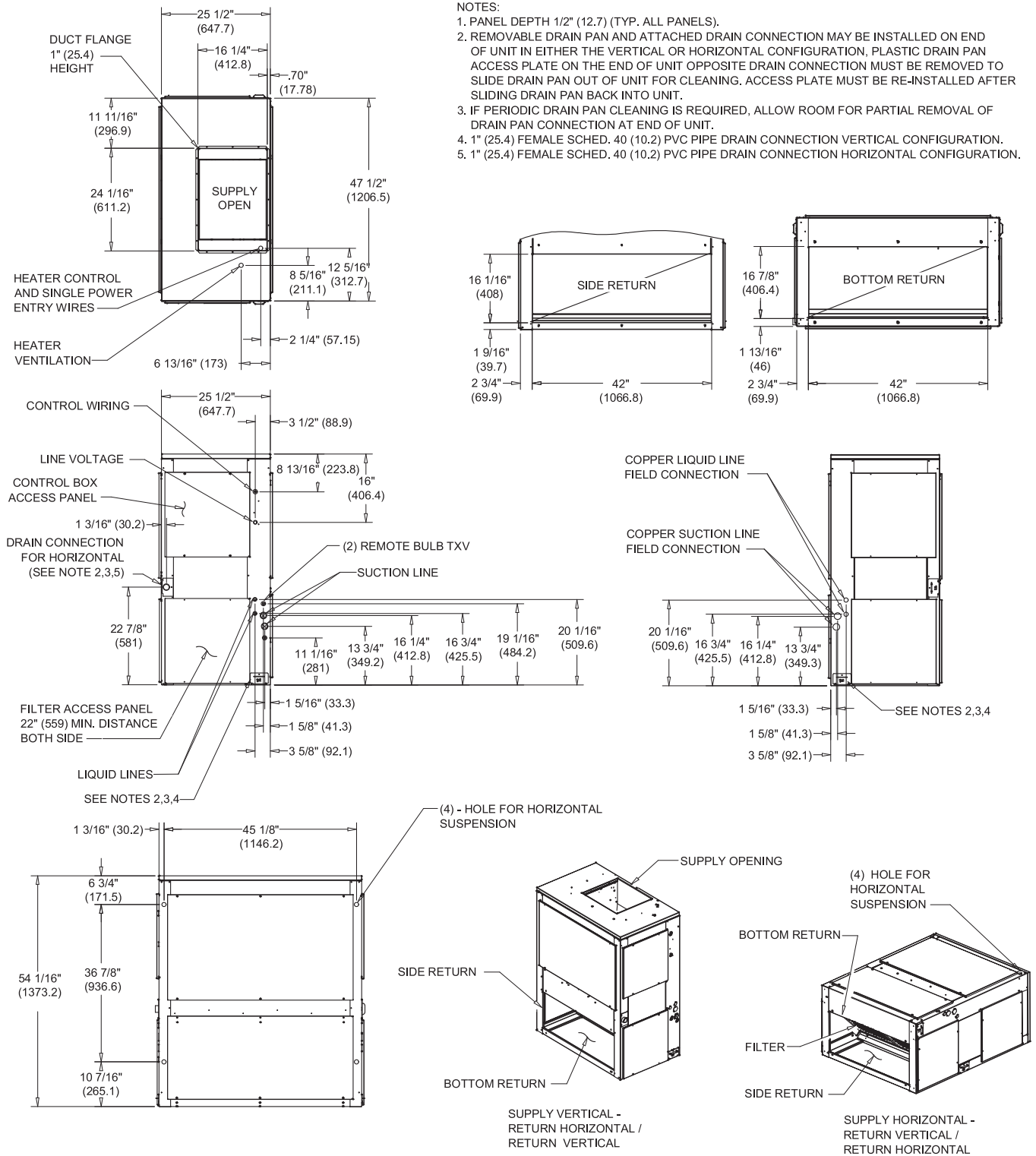


Figure 20. 6–6.25 ton air handler, dual circuit


Dimensional Data

Figure 21. 8.33 ton air handler, single circuit

NOTES:

1. PANEL DEPTH 1/2" (12.7) (TYP. ALL PANELS).
2. REMOVABLE DRAIN PAN AND ATTACHED DRAIN CONNECTION MAY BE INSTALLED ON END OF UNIT IN EITHER THE VERTICAL OR HORIZONTAL CONFIGURATION, PLASTIC DRAIN PAN ACCESS PLATE ON THE END OF UNIT OPPOSITE DRAIN CONNECTION MUST BE REMOVED TO SLIDE DRAIN PAN OUT OF UNIT FOR CLEANING. ACCESS PLATE MUST BE RE-INSTALLED AFTER SLIDING DRAIN PAN BACK INTO UNIT.
3. IF PERIODIC DRAIN PAN CLEANING IS REQUIRED, ALLOW ROOM FOR PARTIAL REMOVAL OF DRAIN PAN CONNECTION AT END OF UNIT.
4. 1" (25.4) FEMALE SCHED. 40 (10.2) PVC PIPE DRAIN CONNECTION VERTICAL CONFIGURATION.
5. 1" (25.4) FEMALE SCHED. 40 (10.2) PVC PIPE DRAIN CONNECTION HORIZONTAL CONFIGURATION.

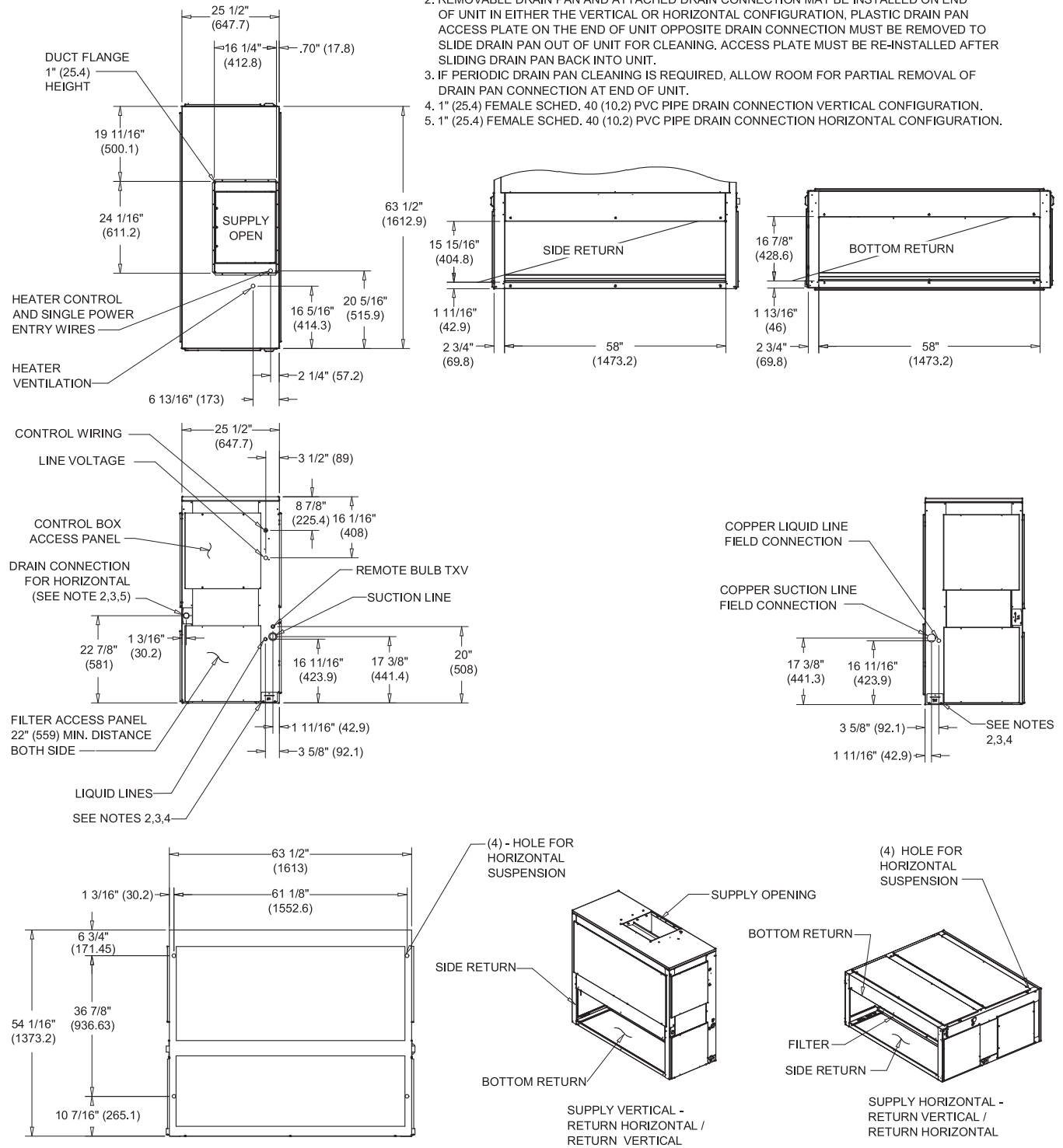


Figure 22. 8.33 ton air handler, dual circuit

NOTES:

1. PANEL DEPTH 1/2" (12.7) (TYP. ALL PANELS).
2. REMOVABLE DRAIN PAN AND ATTACHED DRAIN CONNECTION MAY BE INSTALLED ON END OF UNIT IN EITHER THE VERTICAL OR HORIZONTAL CONFIGURATION, PLASTIC DRAIN PAN ACCESS PLATE ON THE END OF UNIT OPPOSITE DRAIN CONNECTION MUST BE REMOVED TO SLIDE DRAIN PAN OUT OF UNIT FOR CLEANING. ACCESS PLATE MUST BE RE-INSTALLED AFTER SLIDING DRAIN PAN BACK INTO UNIT.
3. IF PERIODIC DRAIN PAN CLEANING IS REQUIRED, ALLOW ROOM FOR PARTIAL REMOVAL OF DRAIN PAN CONNECTION AT END OF UNIT.
4. 1" (25.4) FEMALE SCHED. 40 (10.2) PVC PIPE DRAIN CONNECTION VERTICAL CONFIGURATION.
5. 1" (25.4) FEMALE SCHED. 40 (10.2) PVC PIPE DRAIN CONNECTION HORIZONTAL CONFIGURATION.

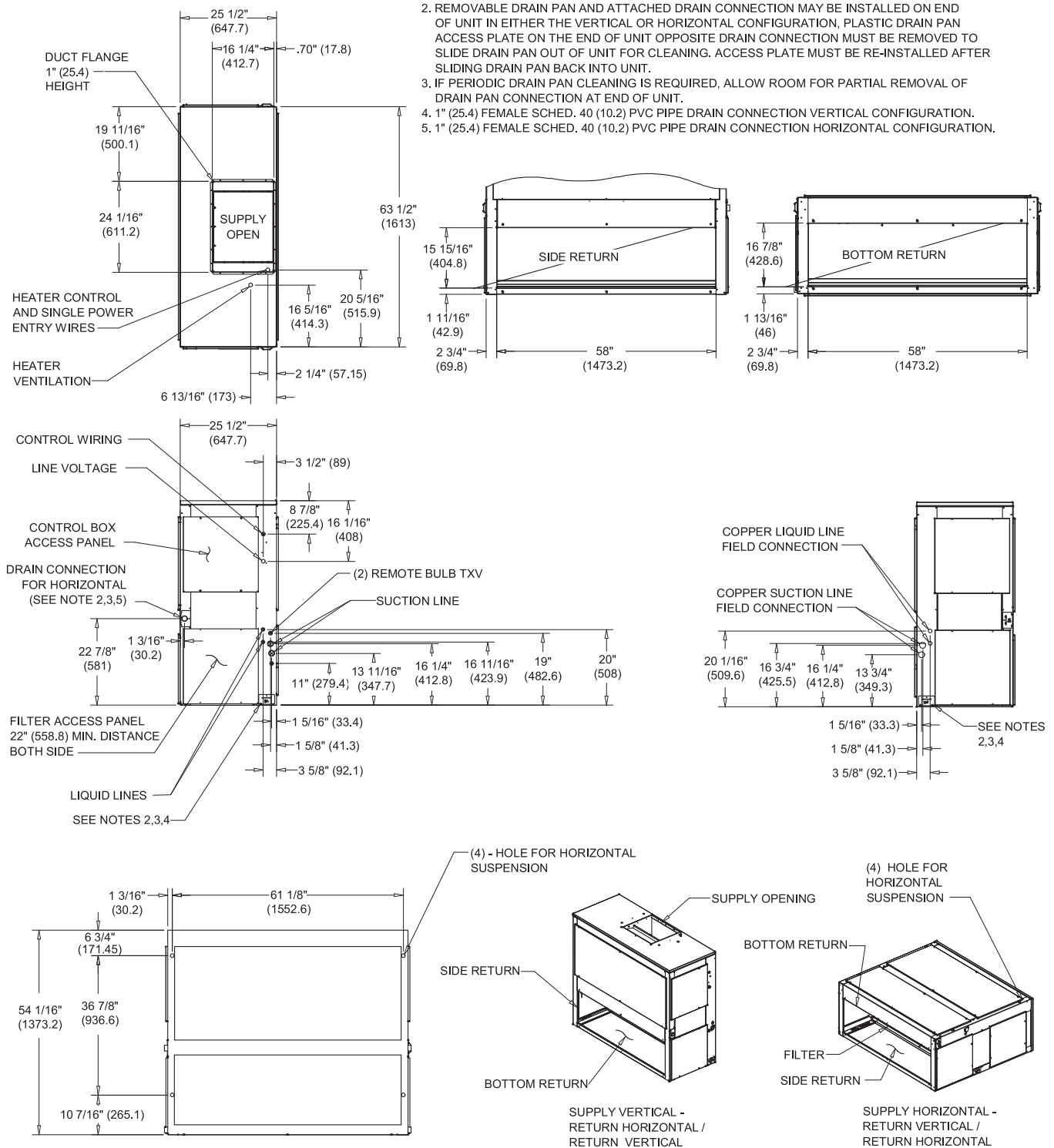
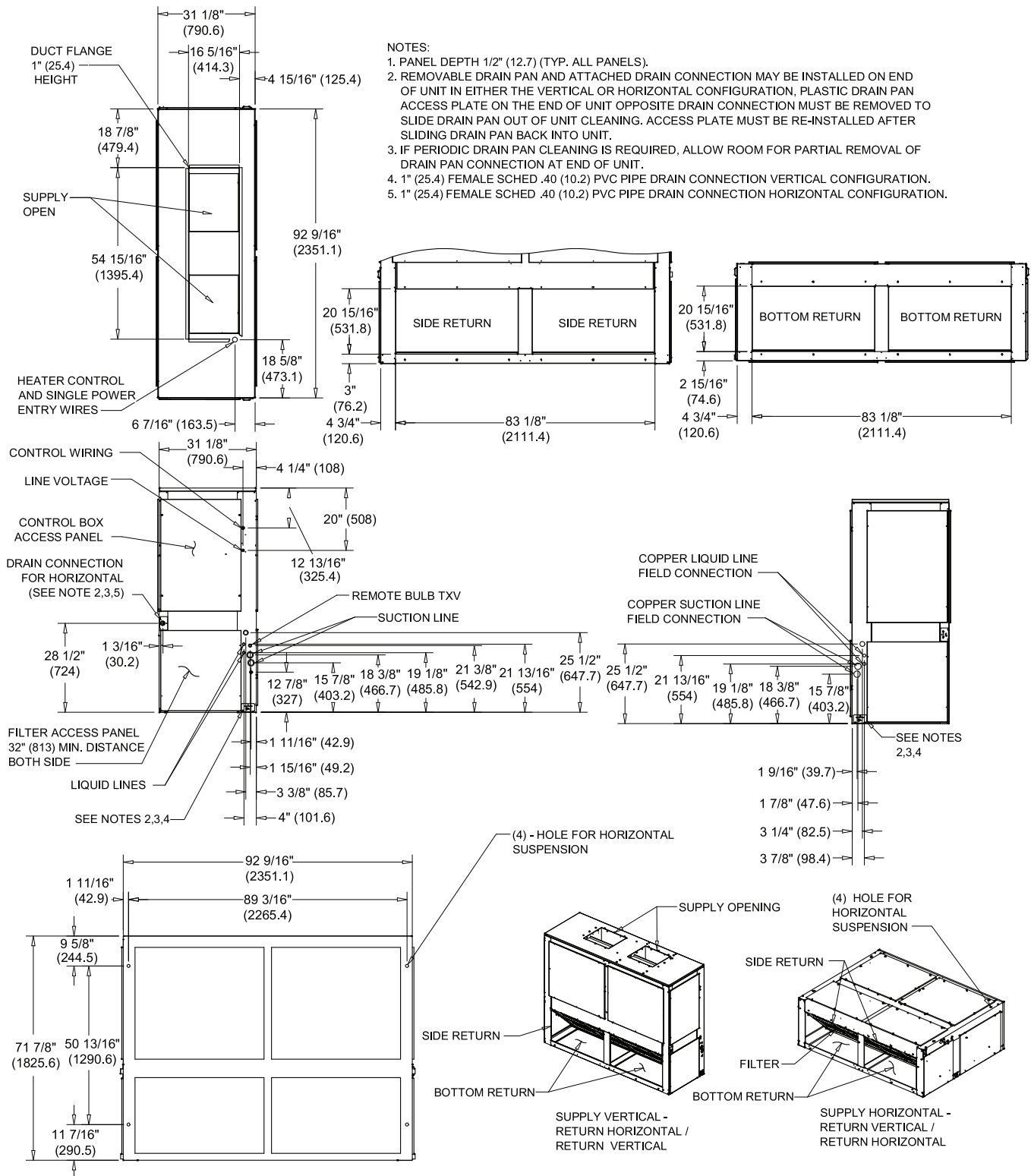
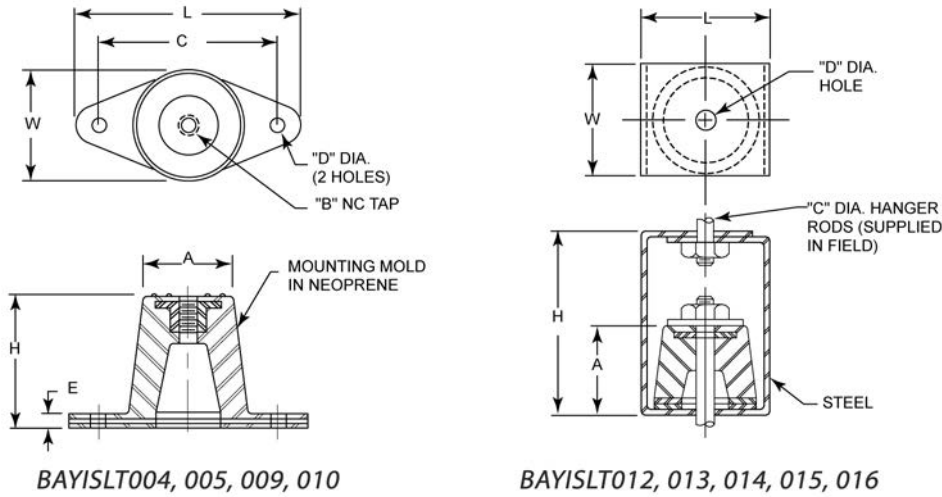


Figure 24. 16.7, 20.9 ton air handler, dual circuit



Accessories

Figure 25. Rubber isolator accessory dimensions



BAYISLT004, 005, 009, 010

BAYISLT012, 013, 014, 015, 016

Table 111. Rubber isolator accessory dimensions

Model No.	L	W	H	A	B	C	D	E
BAYISLT004	3-1/8 (79.375)	1-3/4 (44.45)	1-1/4 (31.75)	1-1/4 (31.75)	3/8 (9.525)	2-3/8 (60.325)	3/8 (9.525)	1/4 (6.35)
BAYISLT005	3-7/8 (98.425)	2-3/8 (60.325)	1-3/4 (44.45)	1-3/4 (44.45)	3/8 (9.525)	3 (76.2)	3/8 (9.525)	1/4 (6.35)
BAYISLT009	3-7/8 (98.425)	2-3/8 (60.325)	1-3/4 (44.45)	1-3/4 (44.45)	3/8 (9.525)	3 (76.2)	3/8 (9.525)	1/4 (6.35)
BAYISLT010	3-7/8 (98.425)	2-3/8 (60.325)	1-3/4 (44.45)	1-3/4 (44.45)	3/8 (9.525)	3 (76.2)	3/8 (9.525)	1/4 (6.35)
BAYISLT013	2-1/4 (57.15)	2 (50.8)	3 (76.2)	1-3/8 (34.925)	3/4 (19.05)	3/8 (9.525)	1/2 (12.7)	—
BAYISLT014	2-1/4 (57.15)	2 (50.8)	3 (76.2)	1-3/8 (34.925)	3/4 (19.05)	3/8 (9.525)	1/2 (12.7)	—
BAYISLT015	2-1/4 (57.15)	2 (50.8)	3 (76.2)	1-3/8 (34.925)	3/4 (19.05)	3/8 (9.525)	1/2 (12.7)	—
BAYISLT012	3 (76.2)	2-1/4 (57.15)	4-1/2 (114.3)	1-7/8 (47.625)	1/4 (6.35)	5/8 (15.875)	3/4 (19.05)	—
BAYISLT015 ^(a)	3 (76.2)	2-1/4 (57.15)	4-1/2 (114.3)	1-7/8 (47.625)	1/4 (6.35)	5/8 (15.875)	3/4 (19.05)	—
BAYISLT016	3 (76.2)	2-1/4 (57.15)	4-1/2 (114.3)	1-7/8 (47.625)	1/4 (6.35)	5/8 (15.875)	3/4 (19.05)	—

Note: BAYISLT015 contains a quantity 2 of the 2-1/4 x 2 x 3 isolators and quantity of 3 of the 3 x 2-1/4 x 4-1/2 isolators.

Figure 26. Spring isolator accessory dimensions – inches (millimeters)

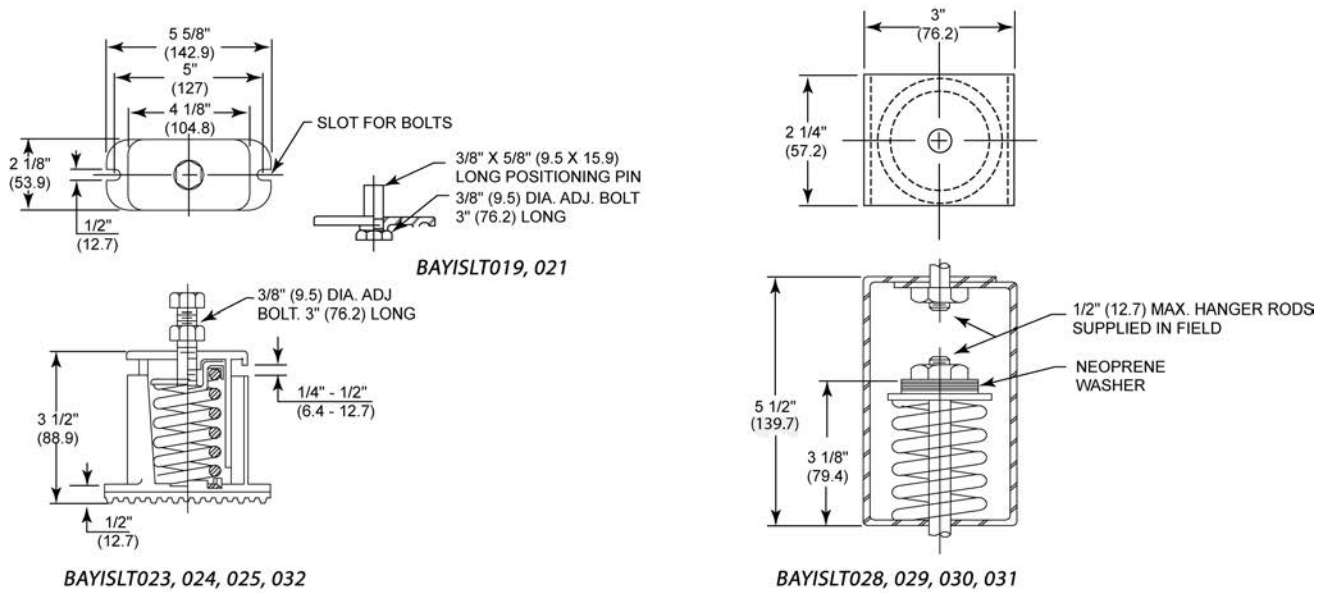
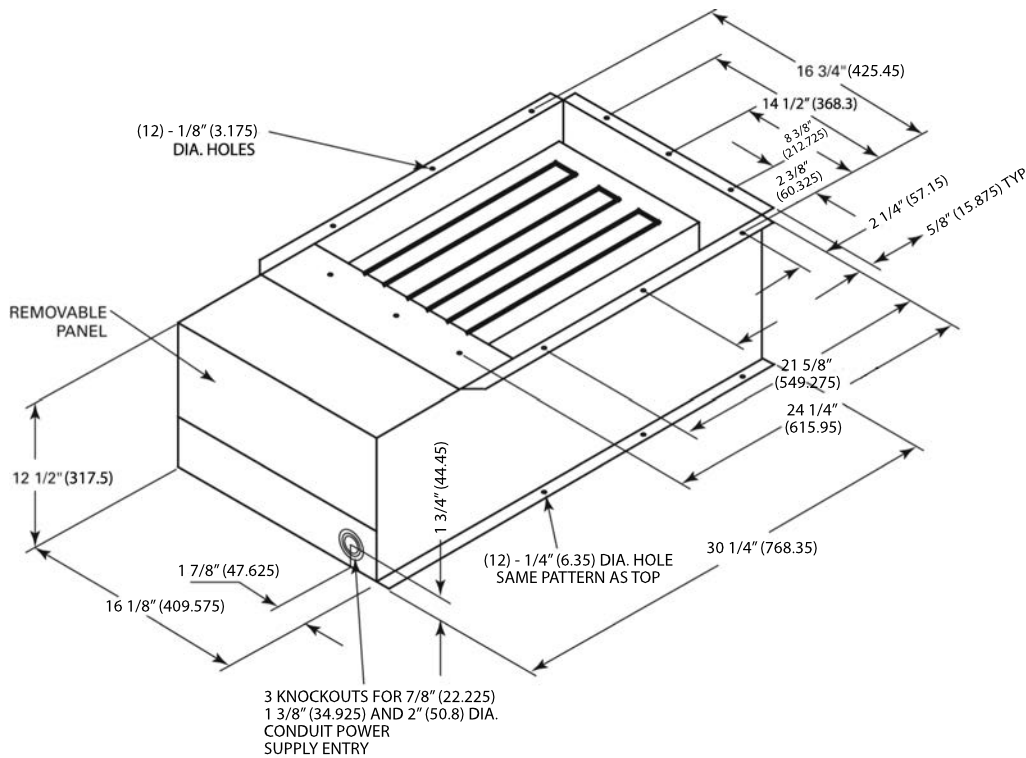


Figure 27. Electric heater accessory for 4.6-8.3 ton air handlers – inches (millimeters)





Dimensional Data

Figure 28. Electric heater accessory for 10.4-20.9 ton air handlers – inches (millimeters)

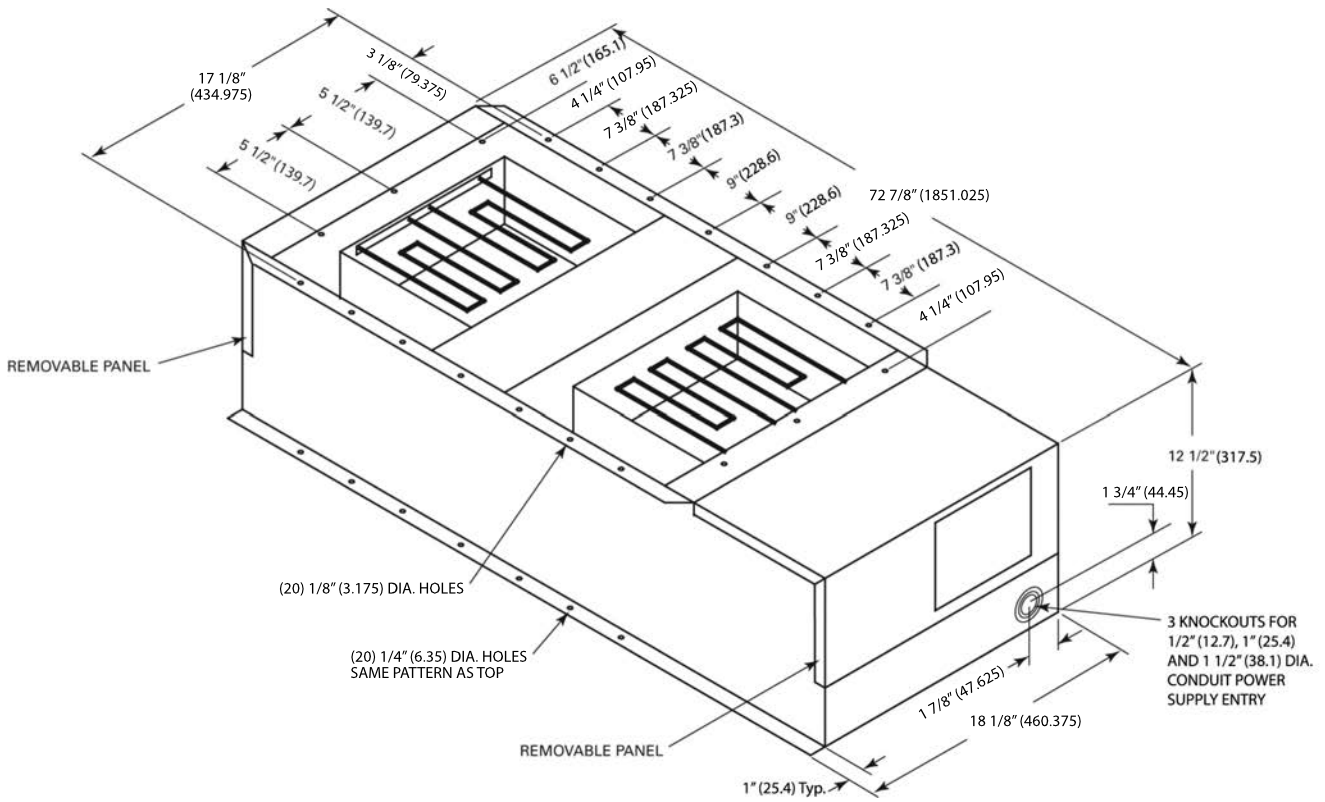
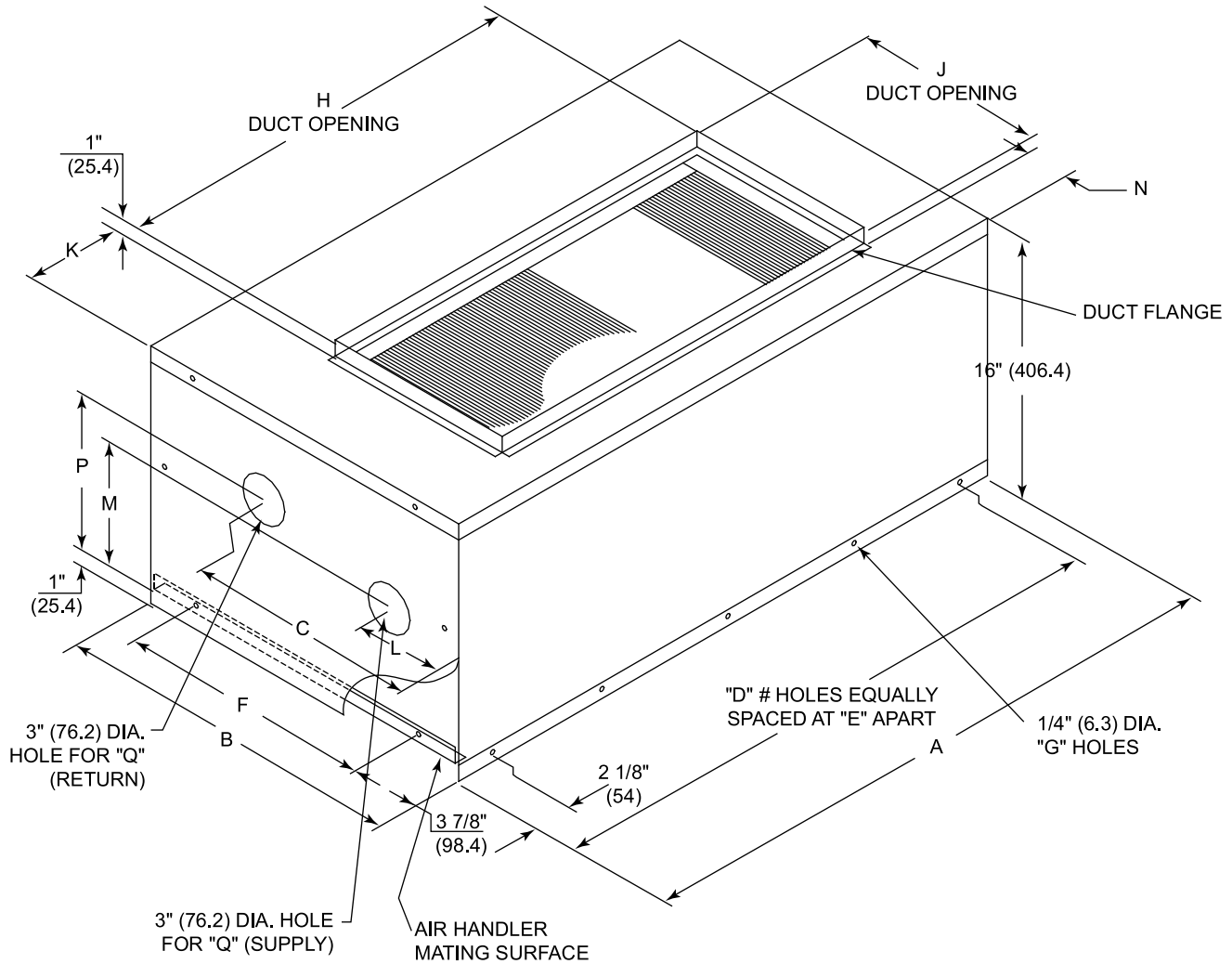


Figure 29. Hot water coil accessory – inches (millimeters)

Table 112. Hot water coil accessory – inches (millimeters)

Model No.	A	B	C	D	E	F	G	H
BAYWATR027	38.14 (969)	22.74 (576)	13.74 (349)	5 (127)	9 (229)	13.65 (347)	16 (406)	26 (660)
BAYWATR028	47.74 (1213)	25.74 (654)	15.95 (405)	5 (127)	10.84 (275)	17.17 (436)	16 (406)	30 (762)
BAYWATR029	63.84 (1621)	25.74 (654)	15.95 (405)	6 (152)	11.84 (301)	17.16 (436)	18 (457)	36 (914)
BAYWATR030	79.74 (2025)	29.18 (741)	14.36 (365)	8 (203)	10.85 (276)	19.67 (500)	22 (559)	51 (1295)
BAYWATR031	92.74 (2356)	31.24 (793)	16.48 (419)	8 (203)	10.85 (276)	19.67 (500)	22 (559)	64 (1626)
Model No.	J	K	L	M	N	P	Q	
BAYWATR027	12 (305)	6 (152)	4.94 (125)	7.79 (198)	2.88 (73)	10.24 (260)	2 NPT (51) NPTI	
BAYWATR028	18 (457)	8.88 (225)	8.45 (215)	10.27 (261)	2.88 (73)	7.77 (197)	2.5 NPTI (64) NPTI	
BAYWATR029	18 (457)	13.88 (352)	8.45 (215)	10.03 (255)	2.88 (73)	7.58 (192)	2.5 NPTI (64) NPTI	
BAYWATR030	18 (457)	14.25 (362)	6.86 (174)	9.91 (252)	1.88 (48)	7.41 (188)	2.5 NPTI (64) NPTI	
BAYWATR031	18 (457)	14.25 (362)	8.98 (228)	9.88 (251)	3.75 (95)	7.38 (187)	2.5 NPTI (64) NPTI	

Note: Hot Water Coil Dimensions - inches (millimeters)

Dimensional Data

Figure 30. Steam coil accessory – inches (millimeters)

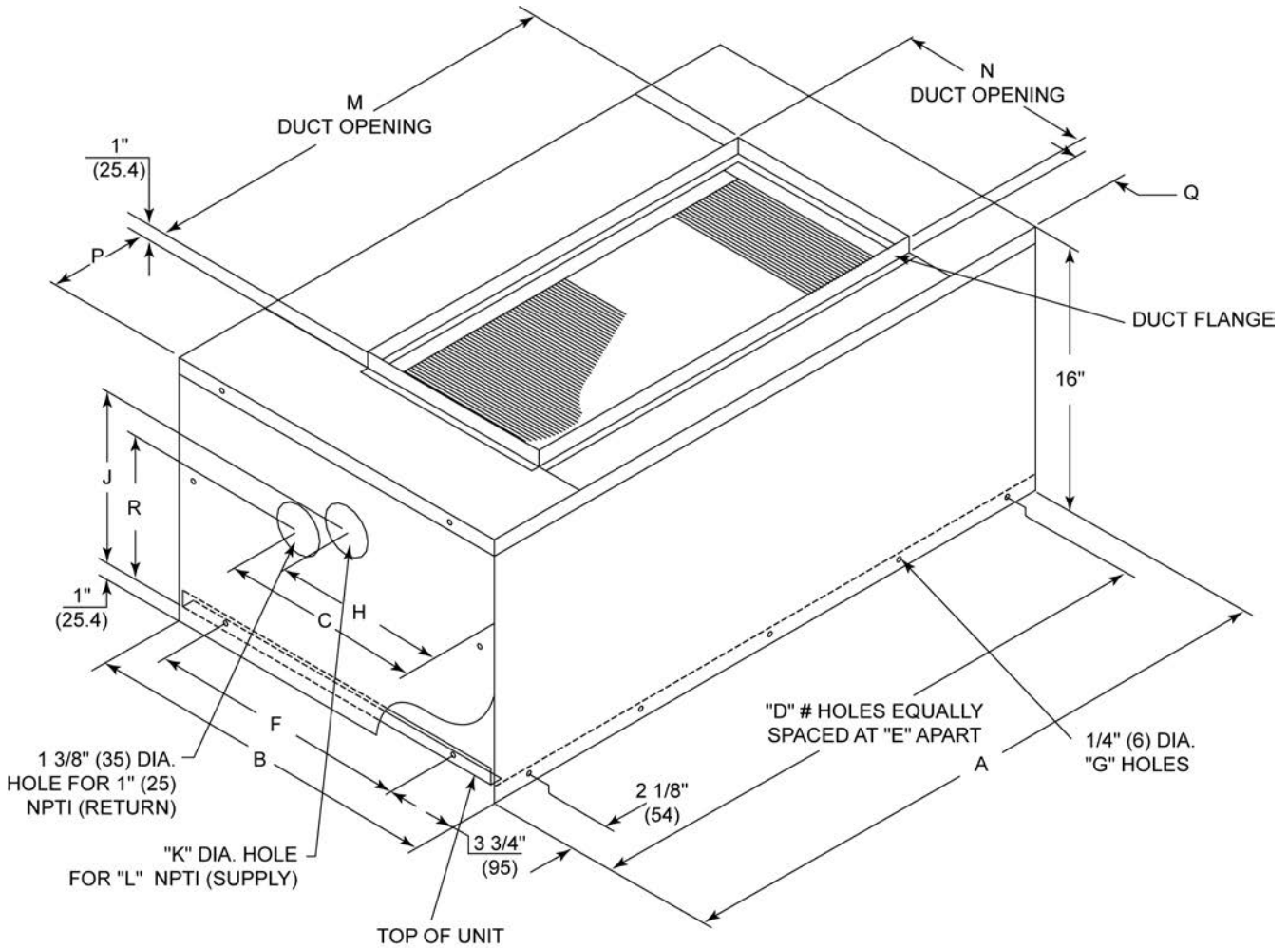
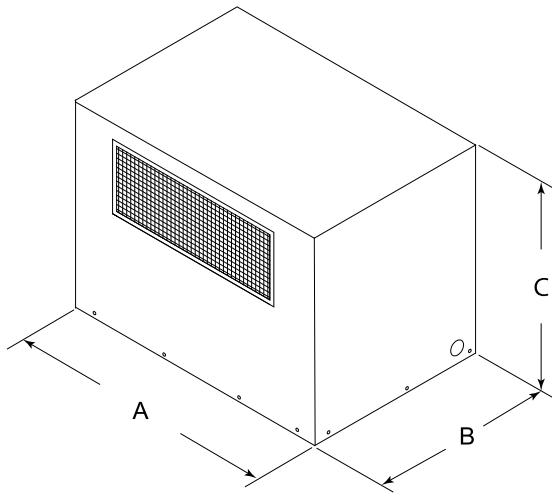


Table 113. Steam coil accessory – inches (millimeters)

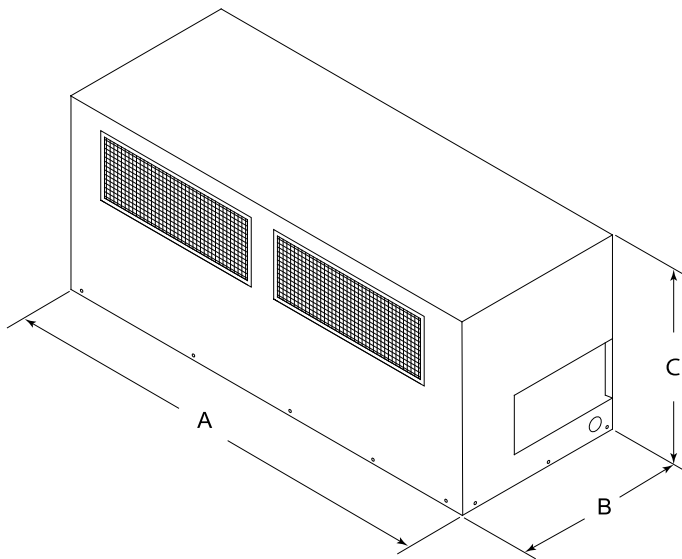
Model No.	A	B	C	D	E	F	G	H	J	K
BAYWATR022	38.14 (969)	22.74 (577)	14.32 (364)	5 (127)	9 (229)	13.67 (347)	16 (406)	10.88 (276)	11.17 (284)	2 (51)
BAYWATR023	47.74 (1212)	25.74 (654)	20.14 (511)	5 (127)	10.84 (275)	17.17 (436)	16 (406)	10.88 (276)	11.17 (284)	2 (51)
BAYWATR024	63.84 (1621)	25.74 (654)	20.14 (511)	6 (152)	11.87 (301)	17.16 (436)	18 (457)	13.70 (348)	10.57 (268)	2.5 (64)
BAYWATR025	79.74 (2025)	29.18 (741)	18.55 (471)	8 (203)	10.85 (275)	19.67 (500)	22 (559)	12.11 (308)	10.05 (255)	2.5 (64)
BAYWATR026	92.74 (2355)	31.24 (793)	20.67 (525)	8 (203)	10.85 (275)	19.67 (500)	22 (559)	14.23 (361)	10.01 (254)	2.5 (64)
Model No.	L	M	N	P	Q	R				
BAYWATR022	1.5 (38)	26 (660)	12 (305)	6 (152)	2.87 (73)	9.95 (253)				
BAYWATR023	2 (51)	30 (762)	18 (457)	8.87 (225)	2.87 (73)	9.95 (253)				
BAYWATR024	2 (51)	36 (914)	18 (457)	13.87 (352)	2.87 (73)	9.13 (232)				
BAYWATR025	2 (51)	51 (1295)	18 (457)	14.12 (359)	1.87 (48)	8.61 (219)				
BAYWATR026	2 (51)	64 (1626)	18 (457)	14.12 (359)	3.75 (95)	8.58 (218)				

Figure 31. Discharge plenum and grille accessory

Table 114. Discharge plenum and grille dimensions – no heat – inches (millimeters)

Unit	Model No. ^(a)	A	B	C
TWE051	BAYPLNM015	37.94 (963.6)	21.94 (557.2)	28 (711.2)
TWE073, TWE076	BAYPLNM016	47.5 (1206.5)	24.99 (634.7)	28 (711.2)
TWE101	BAYPLNM017	63.5 (1612.9)	24.99 (634.7)	28 (711.2)
TWE126, TWE156	BAYPLNM018 ^(b)	79.5 (2019.3)	27.63 (701.8)	22 (558.8)
TWE201, TWE251	BAYPLNM019 ^(b)	92.5 (2349.5)	30.43 (772.9)	24 (609.6)
TWE051	BAYPLNM020	37.91 (962.9)	21.91 (556.5)	14.75 (374.65)
TWE076	BAYPLNM021	47.5 (1206.5)	24.99 (634.7)	14.75 (374.65)
TWE126	BAYPLNM022	63.5 (1612.9)	24.99 (634.7)	14.75 (374.65)

^(a) When installed horizontally, plenum/water coil must be self-supported.

^(b) For use with hydronic heat or no heat.

Figure 32. Discharge plenum and grille accessory


Dimensional Data

Table 115. Discharge plenum and grille dimensions – inches (millimeters) – (for use with electric heat)

Tons	Model No.	A	B	C
TWE051	BAYPLNM030	38.07 (967)	22.69 (576.3)	29.05 (738)
TWE073, TWE076	BAYPLNM031	47.86 (1216)	25.69 (652.5)	29.05 (738)
TWE101	BAYPLNM032	63.86 (1622)	25.69 (652.5)	29.05 (738)
TWE126, TWE156	BAYPLNM033	80.14 (2036)	29.10 (739.1)	35.11 (892)
TWE201, TWE251	BAYPLNM034	92.96 (2361)	31.10 (789.9)	35.05 (890)

Figure 33. Subbase accessory – inches (millimeters)

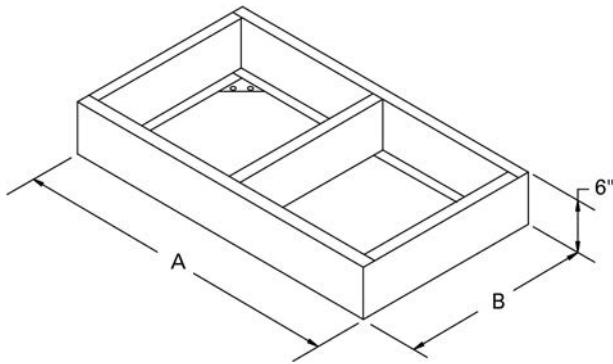


Table 116. Subbase dimensions – inches (millimeters)

Tons	Model No.	A	B
TWE051	BAYBASE009	38 (965.2)	22.63 (574.8)
TWE073, TWE076	BAYBASE010	47.5 (1206.5)	25.51 (648.0)
TWE101	BAYBASE011	63.5 (1612.9)	25.52 (648.2)
TWE126, TWE156	BAYBASE012	79.5 (2019.3)	29.04 (737.6)
TWE201, TWE251	BAYBASE013	92.5 (2349.5)	31.14 (791.0)



Weights

Cooling Condenser

Table 117. TTA unit and corner weights – lbs (50 Hz)

Tons	Model No.	Shipping Max (kg)	Net Max (kg)	Corner Weights			
				1	2	3	4
5	TTA061G	141	110	31	33	16	30
	TTA061H	158	128	41	38	25	24
6.25	TTA076G	145	115	32	34	17	31
	TTA076H	174	144	45	42	29	28
8.33	TTA101G	189	155	52	40	27	35
	TTA101H	194	160	50	46	32	31
	TTA101J	215	189	50	76	39	24
10.4	TTA126H	233	207	58	67	35	48
13	TTA156H	340	294	89	103	55	48
	TTA156J	340	294	89	103	55	48
16.7	TTA201H	410	346	108	99	68	71
	TTA201J	410	346	108	99	68	71
20.9	TTA251J	440	389	131	109	98	50

Figure 34. TTA061, 076, 101

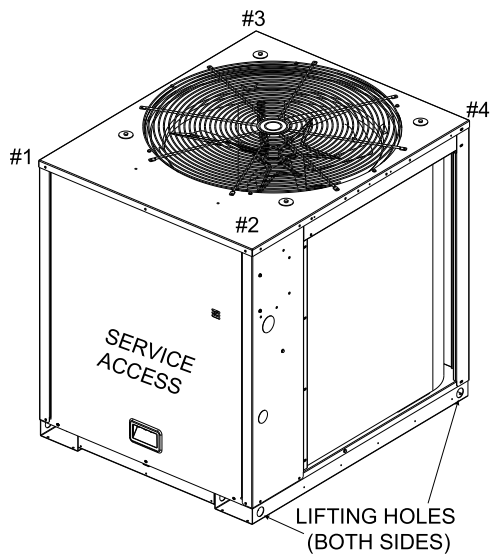
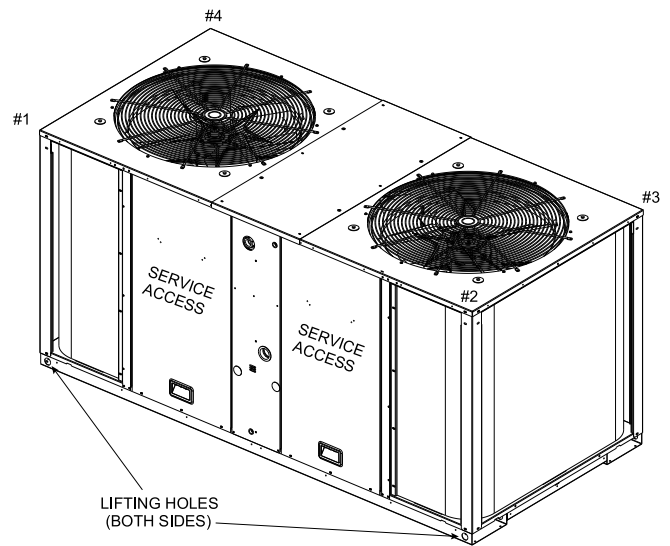


Figure 35. TTA156, 201, 251





Weights

Air Handler

Table 118. Standard air handler (TWE) – unit and corner weights - (50 Hz)

1	2	3	4	1	2	3	4				
4.6	TWE051D	285	232	55	71	51	55	54	67	50	61
6	TWE073E	385	323	67	99	75	82	56	92	87	88
6.25	TWE076D/E	385	323	67	99	75	82	56	92	87	88
8.33	TWE101D/E	441	393	77	121	110	85	79	118	77	119
10.4	TWE126E	753	676	168	192	181	135	196	164	145	171
13	TWE156E	752	675	167	192	181	135	196	163	145	171
16.7	TWE201E	912	818	258	168	161	231	256	181	146	235
20.9	TWE251E	993	899	211	229	184	275	272	176	228	223

Figure 36. Vertical – TWE051, 073, 076, 101

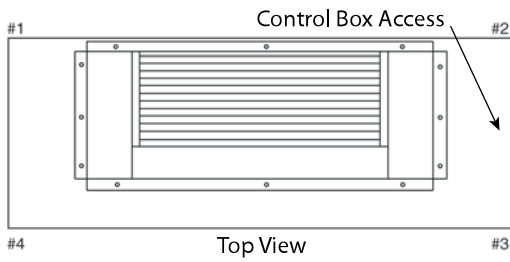


Figure 37. Vertical – TWE126, 156, 201, 251

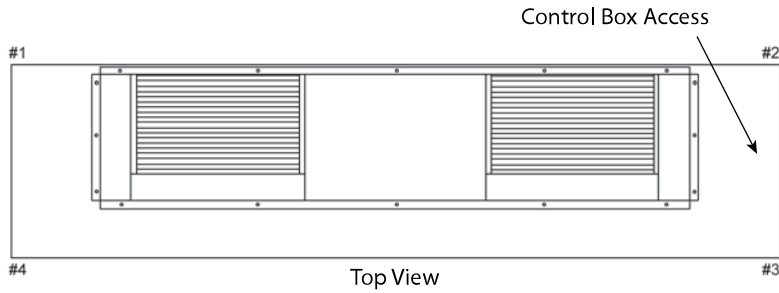


Figure 38. Horizontal – TWE051, 073, 076, 101

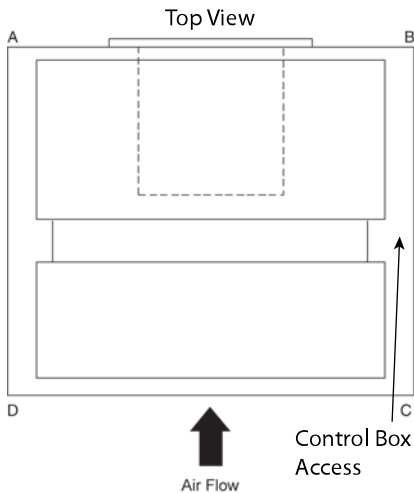
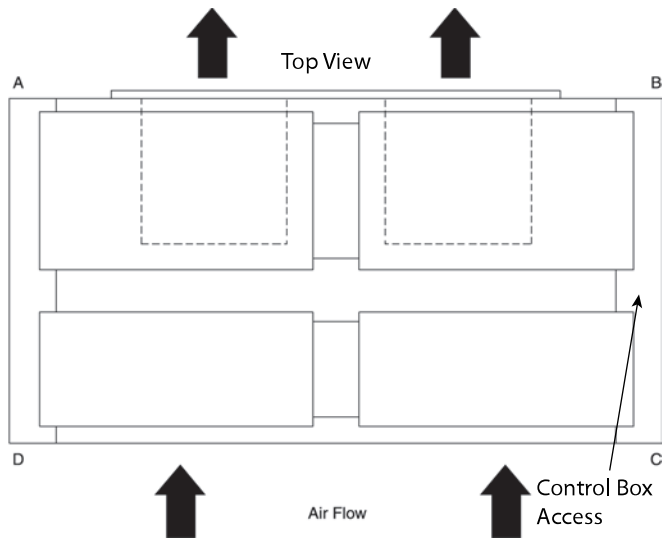


Figure 39. Horizontal — TWE126, 156, 201, 251





Weights

Accessories

Table 119. Accessory weights (net lbs.)

Unit Used with Tons	Hot Water Coil	Steam Coil	Discharge Plenum and Grille with Hydronic Heat	Discharge Plenum and Grille without Heat	Discharge Plenum and Grille with Electric Heat	Return Air Grille	Electric Heat Min/Max	Subbase	Oversized Motor
5	86	94	63	58	115	3	32/43	14.4	31
6.25	116	131	78	73	160	5	27/45	19.4	48
8.33	165	148	97	92	195	7	27/45	23.5	50
10.4	211	234	—	230	235	10	79/100	28.4	80
13	211	234	—	230	235	10	79/100	28.4	80
16.7	242	261	—	145	265	12	79/100	31.7	88
20.9	242	261	—	145	265	12	79/100	31.7	—
Unit Used with Tons	RIS Isolator Floor Mount	RIS Isolator Suspended Mount	Steel Spring Isolator Floor Mount	Steel Spring Isolator Suspended Mount	Hail Guard	Control Transformer	Sensors	Modulating Low Ambient	On/Off Low Ambient
5	2	9	12	6	21	—	—	—	—
6.25	2	6	12	6	21	—	—	—	—
8.33	2	7	12	6	28	—	—	—	—
10.4	2	7	12	6	33	—	—	—	—
13	2	7	12	6	55	—	—	—	—
16.7	2	9	12	6	55	—	—	—	—
20.9	2	9	12	6	71	—	—	—	—



Mechanical Specifications

Condensing Units

Standard Options

General

- Weatherproofed steel mounting/lifting rails
- Hermetic scroll compressors
- Microchannel condenser coils
- Fans and motors
- Standard operating range 50-125°F (min. 0°F with low ambient accessory)
- Nitrogen holding charge
- Capacities and efficiencies for split systems are rated within the scope of the Air-Conditioning, Heating, & Refrigeration Institute (AHRI) certification program and display the AHRI Standard 340-360 (I-P) mark. This standard applies to units between 65,000 and 250,000 btu/hr.
- Capacities and efficiencies for split system cooling condensers are rated within the scope of the Air-Conditioning, Heating, & Refrigeration Institute (AHRI) certification program and display the AHRI Standard 365 (I-P) mark. This standard applies to cooling units between 135,000 and 250,000 btu/hr.

Casing

- Zinc coated, heavy gauge, galvanized steel
- Weather resistant baked enamel finish
- Meets ASTM B117, 672 hour salt spray test
- Removable single side maintenance access panels
- Lifting handles in maintenance access panels
- Unit base provisions for forklift and/or crane lifting

Refrigeration System - Single Compressor (TTA061G, TTA076G, TTA101G)

- Single refrigeration circuit with integral subcooling circuit
- Single direct drive hermetic scroll compressor
- Suction gas-cooled motor w/ \pm 10% voltage utilization range of unit nameplate voltage
- Crankcase heater
- Internal temperature and current sensitive motor overloads
- No compressor suction and/or discharge valves (reduced vibration/sound)
- Factory installed liquid line filter drier
- Phase loss/reverse rotation monitor
- Liquid line service valve (with gauge port)
- Suction line service valve (with gauge port)
- External high pressure cutout device
- External low pressure cutout device
- Evaporator defrost control
- Loss of charge protection (discharge temperature limit)

Refrigeration System - Dual Compressor (TTA061H, TTA076H, TTA101H, TTA126H, TTA156H, TTA201H)

- Two (2) separate and independent refrigerant circuits
- Each refrigeration circuit equipped with integral subcooling circuit
- Front or rear refrigerant line connections (TTA156H/201H)
- Two (2) direct drive hermetic scroll compressor
- Suction gas-cooled motors w/ \pm 10% voltage utilization range of unit nameplate voltage
- Crankcase Heaters
- Internal temperature and current sensitive motor overloads
- Factory installed liquid line filter driers



Mechanical Specifications

- Phase loss/reverse rotation monitor
- Liquid line service valves (with gauge port)
- Suction line service valves (with gauge port)
- No compressor suction and/or discharge valves (reduced vibration/sound)
- External high pressure cutout devices
- External low pressure cutout devices
- Evaporator defrost control
- Loss of charge protection (discharge temperature limit)

Refrigeration System - Dual Manifolder Compressors (TTA101J, TTA156J, TTA201J, TTA251J)

- Single refrigerant circuit with integral subcooling circuit
- Two (2) direct drive hermetic scroll compressor
- Suction gas-cooled motors w/ $\pm 10\%$ voltage utilization range of unit nameplate voltage
- Crankcase Heaters
- Internal temperature and current sensitive motor overloads
- No compressor suction and/or discharge valves (reduced vibration/sound)
- Factory installed liquid line filter drier
- Phase loss/reverse rotation monitor
- Liquid line service valve (with gauge port)
- Suction line service valve (with gauge port)
- External high pressure cutout devices
- External low pressure cutout devices
- Evaporator defrost control
- Loss of charge protection (discharge line thermostats)
- Front or rear refrigerant line connections (TTA156J/201J/251J only)

Condenser Coil (Microchannel)

- Microchannel coils burst tested by the manufacturer
- Coils shall be leak tested to ensure the pressure integrity
- Factory pressure and leak tested to 660 psig
- Perforated steel hail guards available (factory installed option or field installed accessory)

Condenser Fan

- 26" or 28" propeller fan(s)
- Direct drive
- Statically and dynamically balanced

Condenser Motor(s)

- Permanently lubricated totally enclosed or open construction
- Built-in current and thermal overloads
- Ball or sleeve bearing type

Controls

- Choice of electromechanical or microprocessor
- Completely internally wired
- Numbered and colored wires
- Contactor pressure lugs or terminal block
- Unit external mounting location for disconnect device
- Single point power entry
- Front or rear electrical connections (TTA156H/J, 201H/J, 251J only)

Factory Installed Options

Hail Guards

- Condenser coil protection from hail, vandals, etc.

- Perforated, painted galvanized steel
- Factory or field installed

Complete Coat™ Microchannel Condenser Coil

- Available on Microchannel units only
- Cathodic, epoxy-type, electro-disposition coating formulated for high edge build
- Coating provides excellent resistance and durability to corrosive effects of alkalies, acids, alcohols, petroleum, seawater, salty air and other corrosive environments

LonTalk Communication Interface

- Factory or field installed
- Communications board
- Allows unit communication as a Tracer™ LCI-R device
- Allows unit communication with generic LonTalk® Network building automation controls

Controls: Electro-Mechanical

- 24V control circuit
- Control transformer
- Thermostat compatible
- Anti-Short Cycle Timer

Controls: Microprocessor

- Centralized processor
- Indoor and outdoor temperature sensors drive algorithms, making decisions for all heating, cooling, and ventilation
- Integrated anti-short cycle timer
- Integrated time delay between compressors

Field Installed Options**Low Ambient (Fan ON/OFF)**

- Provides unit cooling operation to outdoor ambient of 0°F
- Low cost solution
- Liquid line temperature controls condenser fan operation
- 1 kit per condenser fan required

Low Ambient (Modulating)

- Provides unit cooling operation to outdoor ambient of 0°F
- “Wave-chopper”
- Discharge line pressure controls condenser fan operation
- 1 kit per condenser fan required

Vibration Isolators

- Neoprene-in-shear or spring flex choice
- Reduce vibration transmission to building structures, equipment, and adjacent spaces
- Reduce noise transmission to building structures, equipment, and adjacent spaces

Hot Gas Bypass

- Provides capacity modulation solution

Zone Sensor

- Interfaces with microprocessor units
- Manual or automatic programmable
- System malfunction lights
- Remote sensor options
- Wireless option



Mechanical Specifications

Thermostat

- 1H/1C available
- 2H/1C available
- Manual or automatic changeover available
- Programmable and non-programmable solutions available

LonTalk Communication Interface

- Factory or field installed
- Communications board
- Allows unit communication as a Tracer™ LCI-R device
- Allows unit communication with generic LonTalk® Network building automation controls

BACnet Communication Interface

- Communicates directly with a generic open protocol BACnet MS/TP Network building automation system control

Air Handlers

Standard Options

General

- Completely factory assembled
- Convertible for horizontal or vertical configuration
- Convertible for cooling only or heat pump application
- Convertible for left or right external connections (refrigerant and/or electrical)
- Convertible for front or bottom air return
- Nitrogen holding charge

Casing

- Zinc coated, heavy gauge, galvanized steel
- Weather resistant baked enamel finish
- Access panels with captive screws
- Completely insulated with foil faced, cleanable, fire retardant, permanent, odorless glass fiber material
- Captured or sealed insulation edges
- Electrical connection bushings or plugs
- Refrigerant connection bushings or plugs
- Withstand elevated internal static pressure

Refrigeration System

- Single or dual circuit
- Distributor(s)
- Thermal expansion valves (TXVs)

Evaporator Coil

- 3/8" internally enhanced copper tube mechanically bonded to lanced aluminum plate fins
- Factory pressure and leak tested to 449 psig.
- Draw-through airflow
- Dual circuits are interlaced/intertwined
- Double sloped, removable, cleanable, composite drain pan
- Four drain pan positions

Indoor Fan

- Double inlet, double width, forward curved, centrifugal type fan
- Dual fans on 10.4 – 20.9 ton air handlers
- Adjustable belt drive

- Permanently lubricated bearings

Indoor Motor

- Adjustable motor sheaves (standard units)
- Thermal overload protection
- Permanently lubricated bearings
- Meet energy policy of 1992 (EPACT)
- Optional oversized motors for high static applications

Controls

- Completely internally wired
- Numbered and colored wires
- Magnetic indoor fan contactor
- Low voltage terminal strip
- Single point power entry
- Evaporator defrost control

Filters

- Access from side coil panels
- Filters slide on rack
- One inch (1"), throwaway filters on 4.6 - 8.3 ton units
- Filter rack convertible to two inch (2") capability on 4.6 - 8.33 ton units
- Two inch (2"), throwaway filters on 10.4 - 20.9 ton units

Field Installed Options**Electric Heaters**

- Heavy duty nickel chromium elements
- Installs directly on fan discharge
- One or two stage control (dependent upon capacity)
- Single point power entry
- Terminal strip connections
- 460V Heaters
 - Internally wye connected
 - Automatic line break high limit controls
- 230V Heaters
 - Internally delta connected
 - Automatic reset of high limit controls through pilot duty with secondary backup fuse links

Hydronic Heat Coils

- One row steam
- Two row hot water
- Installs directly on fan discharge
- Heavy gauge sheet metal casing matches air handler
- Convertible for horizontal or vertical configurations

Discharge Plenums and Grilles

- Vertical, free discharge applications
- Heavy gauge sheet metal casing matches air handler
- Satin-finished, 4-way adjustable louver grilles

Return Air Grilles

- Vertical, free discharge applications
- Satin-finished, non-adjustable louver grilles
- Replaces front lower access panel



Mechanical Specifications

Mounting Sub-Base

- Vertical floor mount configuration requirement
- Heavy gauge sheet metal casing matches air handler
- Provides additional clearance for condensate drain trapping
- Required when isolators are used

Vibration Isolators

- Neoprene-in-shear or spring flex choice
- Floor or suspended applications
- Reduce vibration transmission to building structures, equipment, and adjacent spaces
- Reduce noise transmission to building structures, equipment, and adjacent spaces

Oversize Motors

- High static applications
- Motor, sheaves, belt included



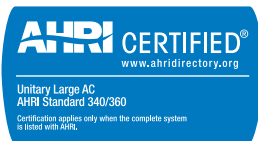
Notes



Ingersoll Rand (NYSE: IR) advances the quality of life by creating comfortable, sustainable and efficient environments. Our people and our family of brands — including Club Car®, Ingersoll Rand®, Thermo King® and Trane® — work together to enhance the quality and comfort of air in homes and buildings; transport and protect food and perishables; and increase industrial productivity and efficiency. We are a global business committed to a world of sustainable progress and enduring results.



ingersollrand.com



The AHRI Certified mark indicates Ingersoll Rand participation in the AHRI Certification program. For verification of individual certified products, go to www.ahridirectory.org.

Ingersoll Rand has a policy of continuous product and product data improvements and reserves the right to change design and specifications without notice.

We are committed to using environmentally conscious print practices.