



Product Catalog

Split System Air Conditioners Odyssey™ with Symbio™ Controls

Cooling Condenser, 5 to 20.9 Tons, 50 Hz

Air Handler, 4.6 to 20.9 Tons, 50 Hz





Introduction



Odyssey™ Split Systems offer a wide range of options, allowing you to easily match unit tonnage with the right load requirements.

When a project calls for the convenience and cost efficiency of a unitary product, where a rooftop unit isn't right, Odyssey may be the answer. It provides heating and cooling in a split configuration that's unique in its versatility while staying true to our standards for efficiency and reliability. And with the Symbio® digital controller on board, Odyssey introduces smart building capabilities that take service, comfort and sustainability beyond the expected.

With wide network availability, flexible applications, installation ease, built-in reliability and easy servicing, Odyssey will meet any number of customer applications. Add to that Trane's outstanding customer service and you have the formula to make Odyssey the clear choice for continued customer satisfaction.

Wide Network Availability

A broad distribution network provides owners, maintenance personnel, contractors, etc., the means to get their hands on equipment when they need it. Whether it's an emergency replacement or a new construction project in its infancy stages, Odyssey products meet an array of needs at the right time and right price.

Flexible Applications

No matter what the application, Odyssey provides the solution. A broad array of models and tonnages are available with single or dual compressors, single or dual circuits and numerous accessories. Condensing units can be installed on the ground or on a rooftop along with extended piping runs, while air handlers can be free discharge on the ground or horizontally suspended with long duct runs from a ceiling. Should application challenges arise, Odyssey delivers.

Easy to Install

Small footprints and low weights combined with factory installed components like TXVs, filter driers, etc., reduce installation time and cost. Colored connectors and wiring, as well as factory-tested units make Odyssey the right choice.

Built-in Reliability

Keeping in mind that productivity only occurs when equipment is operational, Trane has taken the steps to ensure that Odyssey is up and running. Early indicators such as phase/reversal monitors and loss of charge protection provide diagnostics which prevent failure and provide years of worry-free service and operation.

Easy to Service

When preventive maintenance or service is required, technicians will find efficient access to both air handlers and condensers. Panels provide complete, easy access coupled with standardized cabinets in which all components are located in proximity. Odyssey's improved design results in minimum service times and costs.

With these capabilities, Odyssey provides customers high efficiency and superior performance for the best all-around value in the market today.

Copyright

This document and the information in it are the property of Trane, and may not be used or reproduced in whole or in part without written permission. Trane reserves the right to revise this publication at any time, and to make changes to its content without obligation to notify any person of such revision or change.

Trademarks

All trademarks referenced in this document are the trademarks of their respective owners.

Revision History

- Updated Coil Guard information in Features, Accessories, Model Number Description and Mechanical Specifications chapters.
- General Data, Performance Data and Electrical Data chapters are updated.
- Capacity curves added in Performance Data chapter.
- Symbio™ jobsite connections are updated with new note and Warning.
- Hail Guard information is updated in Dimensional Data chapter.
- Minor edits.



Table of Contents

Features	6
Split System Overview.....	6
Other Features	6
Standard and Optional Features	7
Standard Controls	10
Additional Controls	11
Accessories	12
Cooling Condenser	12
Air Handler.....	13
Electric Heaters	14
Application Considerations	16
Clearance Requirements	16
180° Blower Rotation.....	16
Low Ambient Cooling.....	16
Selection Procedure	18
Cooling Capacity	18
Heating Capacity	18
Air Delivery	19
Model Number Description	20
Cooling Condenser	20
Air Handler.....	21
General Data	22
Performance Data	27
Gross Cooling Capacities	27
Fan Performance	95
Zone Controls	116
Zone Sensors	116
Conventional Thermostats	116
Electrical Data	117
Cooling Condenser	117
Air Handler.....	118
Jobsite Connections	120
Symbio™ Controls	120

Dimensional Data	122
Cooling Condenser	122
Air Handler	130
Accessories	136
Weights	143
Cooling Condenser	143
Air Handler	144
Mechanical Specifications	147
Condensing Units	147
Air Handlers	150



Features

Split System Overview

Unlike typical split systems on the market, Odyssey offers easy servicing, built-in reliability, ease of installation and outstanding customer service. And because today's owners are very cost-conscious when it comes to service and maintenance, the Odyssey Split System was designed with direct input from service contractors. This valuable information helped to design a product that would get the service person off the job quicker and save the owner money.

Flexible Applications

Odyssey offers outstanding standard features enhanced by a variety of factory and field installed options, multiple control options, rigorously tested proven designs and superior product and technical support. Because of this, Odyssey offers ultimate flexibility. Units are built to order in our standard "shortest in the industry" ship cycle time. Odyssey is available with single, dual and manifolded compressor options. Single compressor outdoor units feature a single refrigeration circuitry, lowering job installation costs by requiring only one set of refrigerant lines.

Equally important, Odyssey offers single refrigerant circuit/capacity unloading models. The unloading units feature dual manifolded scroll compressors with two stages of capacity modulation and a single refrigeration circuit. Dual compressor/dual circuit models give true stand-by protection - if one compressor fails, the second will automatically start-up. Also, the first compressor can be serviced without shutting down the unit since the refrigerant circuits are independent. Dual compressor models also save on energy costs. During light load conditions, only one compressor will operate to save energy.

Unmatched Product Support

One of our finest assets, Trane Sales Representatives are a support group that can assist you with:

- Product
- Application
- Service
- Training
- Special Applications
- Specifications
- Computer Programs and much more

Rigorous Testing

Our units are rigorously rain tested to ensure water integrity. Actual shipping tests are performed to determine packaging requirements. Units are test shipped around the country to determine the best packaging. Factory shake and drop tests are used as part of the package design process to help assure that the unit arrives at the job site in top condition. Rigging tests include lifting a unit into the air and letting it drop one foot, assuring that the lifting lugs and rails hold up under stress. A 100% coil leak test is performed at the factory. The condenser coils are leak tested at 660 psig and evaporators to 450 psig. All parts are inspected at the point of final assembly. Sub-standard parts are identified and rejected immediately. Every unit receives a 100% unit run test before leaving the production line to ensure it lives up to rigorous Trane requirements.

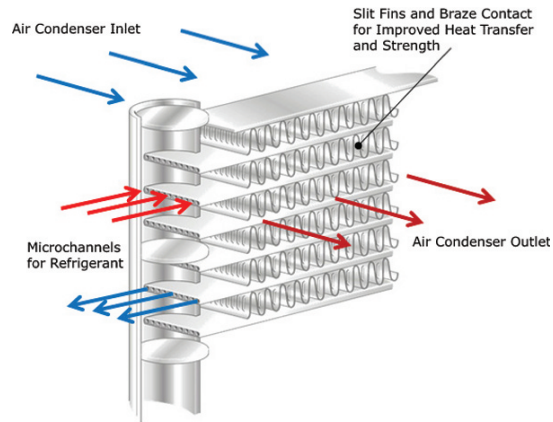
Other Features

Microchannel Condenser Coil

Microchannel condensing coils are all-aluminum coils with fully-brazed construction. This design reduces risk of leaks and provides increased coil rigidity — making them more rugged on the jobsite. Their flat streamlined tubes with small ports and metallurgical tube-to-fin bond allow for exceptional heat transfer. Microchannel all-aluminum construction provides several additional benefits:

- Light weight (simplifies coil handling)

- Easy to recycle
- Minimize galvanic corrosion



Standard and Optional Features

Figure 1. Compressors

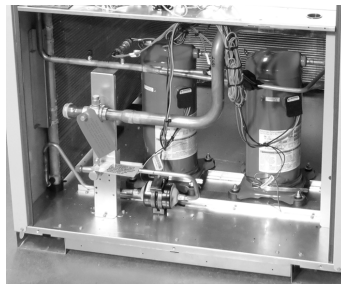
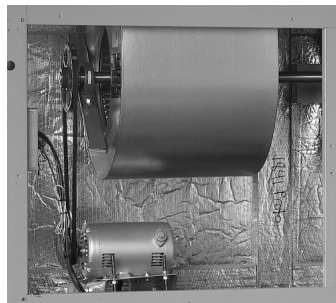


Figure 2. Belt drive motor



Airflow Distribution — Odyssey can replace an older machine with old ductwork and, in many cases, improve the comfort through better air distribution.

Anti-Short Cycle Timing — The Symbio™ 700 controller provides a 3 minute minimum “ON” time and 3 minute “OFF” time for compressors to enhance compressor reliability by assuring proper oil return.

Belt Drive Motors — For additional static requirements, Odyssey Split Systems offer standard belt drive motors to meet and exceed a wide range of airflow needs.

Coil Guards — Coil Guards are standard with all condensers. This feature protects the condenser coil from vandalism and/or hail damage. When ordered factory installed, it also adds additional shipping protection.

Colored Connectors and Wiring — Interconnecting wiring between components is standardized using colored and keyed connectors and colored wires, helping to save time and money tracing wires and diagnosing the unit.

Compressors — Odyssey Split Systems contain the best compressor technology available to achieve the highest possible performance. Dual compressors perform very well under part load cooling conditions and system back- up applications. Dual compressors are available on 4.6-20.9 ton models and allow for efficient cooling utilizing 2-stages of compressor operation.

Complete Coat™ Microchannel Condenser Coil — This cathodic, epoxy-type electro-disposition coating is formulated for high edge builds and provides excellent resistance and durability in potentially corrosive environments due to alkalis, acids, alcohols, petroleum, seawater, salty air, etc. Available for Microchannel units only.



Convertible Units — The air handlers ship in a horizontal configuration. They can be easily converted to vertical by simply repositioning the drain pan.

Crankcase Heaters — These band heaters provide improved compressor reliability by warming the oil to prevent migration during off-cycles or low ambient conditions.

Dual Sloped Drain Pans— Every Odyssey unit has a non-corrosive, removable, double sloped drain pan that's easy to clean and reversible to allow installation of drain trap in two positions on either side of the unit.

Duct flanges — An optional field installed kit that can save time and money.

Easy Access Low Voltage Connections — Thermostat and other low voltage control wiring connections are made directly to the Symbio 700 and other boards in the system. Screw-type pressure connectors are detachable from the boards for easy connection of control wires – saving cost and time.

Electric Heaters — Electric heat modules are available in a variety of voltages and capacities.

Foil Faced Insulation — All internal air handler surfaces have cleanable foil-faced insulation. All edges are either captured or sealed to ensure insulation fibers do not get into the airstream.

High Static Motor — Available on many models, this high static motor accessory extends the capability of the standard unit.

High and Low Voltage Control Panel — High voltage components and connections are isolated from low voltage and covered with a sheet metal panel. This allows setup and test parameters at the Symbio™ 700 display and the VFD keypad display to be safely viewed and adjusted in the low voltage section of the control panel.

High Pressure Control — All units include High Pressure Control as standard.

Low Ambient Cooling — All Odyssey units have cooling capabilities down to 0°F as standard. At temperatures below 50°F, some reduction in cooling capacity can be expected. When the optional Low Ambient Accessory kit is field installed, the full capacity of the unit is available down to 0°F.

Low Voltage Connections — Low voltage wiring connects directly to the control boards in the unit via detachable connectors. This makes it easy for the installer to attach the wires and then snap the connectors into place.

Phase Monitor/Reversal Protection — Phase monitor shall provide 100% protection for motors and compressors against problems caused by phase loss, phase imbalance, and phase reversal. Phase monitors are equipped with an LED that provides an ON or FAULT indicator.

Quick-Access Panels — Remove a few screws for access to the standardized internal components and wiring.

Single Point Power — A single electrical connection powers the unit.

Single Side Service — Single side service is standard on all units.

Standardized Components — Components are placed in the same location on all Odyssey units. Because of these standardized components throughout the Odyssey line, contractors/owners can stock fewer parts.

Symbio™ 700 — Standard on Odyssey condensers, the Symbio™ 700 controller provides exceptional machine control with a focus on system reliability and application flexibility. The Symbio controller provides direct access to the Symbio Service and Installation mobile application for easy setup and troubleshooting with no special tools. A wide range of system integration options (Non-communicating, BACnet®, LonTalk®, etc.) provide options to meet the needs of your application.

Thermal Expansion Valve with Bypass Check Valves — This feature is standard on all indoor units.

Unit Cabinet — The compact cabinet takes up less room and is less costly to ship. The design also ensures water integrity.

Table 1. Odyssey features – standard and optional

	Standard Features	Options ^(a)	
		Factory Installed	Field Installed
1-year Limited Parts Warranty	X		
5-year Limited Compressor Warranty	X		
Belt Drive Motors	X		
Coil Guards	X		
Colored Connectors and Wiring	X		
Complete Coat™ Microchannel Condenser Coil		X	
Compressor Discharge Temperature Limit (DTL)	X		
Convertible Airflow	X		
Crankcase Heaters	X		
Easy Access Low Voltage Connections	X		
Electric Heaters			X
Filters	X		
Filters – 2" MERV 13			X
Foil-Faced and Edge Captured Insulation	X		
High Pressure Control	X		
High Static Motor Kit ^(b)			X
Hot Gas Bypass			X
IAQ Dual Sloped and Removable Drain Pans	X		
Low Ambient Cooling			X
Liquid Line Refrigerant Drier	X		
Low Pressure Control	X		
Low Static Motor Kit ^(b)			X
Low Voltage Circuit Protection	X		
Phase Loss/Reversal Monitor	X		
Quick Access Panels	X		
Scroll Compressors	X		
Single Point Power	X		
Single Side Service	X		
Standardized Components	X		
Symbio™ Controls	X		
Thermal Expansion Valve	X		
Vibration Isolators			X

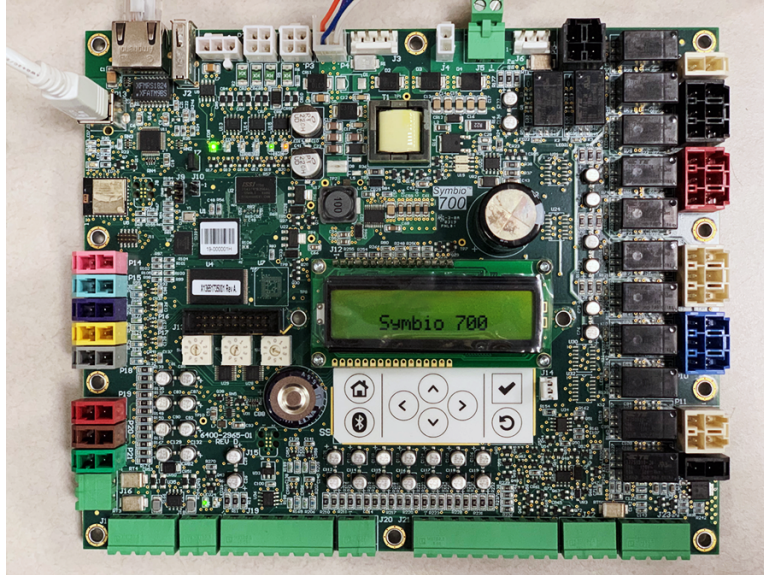
^(a) Refer to model number description for option availability or contact Product Support.

^(b) Available on constant volume units only. See Accessories chapter for more information.

Standard Controls

Symbio™ 700 Controls

Figure 3. Symbio 700 board



Symbio 700 controls provide unit control for heating, cooling, and ventilating, utilizing input from sensors that measure outdoor and indoor temperature. Symbio also provides outputs for building automation systems and expanded diagnostics. Quality and reliability are enhanced through Symbio control and logic:

- Prevents the unit from short cycling, considerably improving compressor life.
- Ensures the compressor will run for a specific amount of time which allows oil to return for better lubrication, enhancing the reliability of the compressor.
- Reduces the number of components required to operate the unit, reducing possibilities for component failure.

Installation and Service

The Symbio™ 700 control platform provides a user-friendly, onboard interface that makes setup and continued operation easy – or users can take advantage of the Symbio™ Service and Installation Mobile App for setup, troubleshooting, and operation. Both the Symbio onboard user interface and mobile app simplify troubleshooting by displaying active alarms. Symbio eliminates the need for field-installed, anti-short cycle timer and time delay relays. The wiring of the low voltage connections to the unit and zone sensors is simple, making installation easy.

Testing

Symbio™ 700 requires no special tools to run the unit through its paces. Simply navigate to the ‘Service’ section of the user interface or the ‘Utilities’ section of the Symbio™ Service and Installation Mobile App and enter the test section. Here the unit can be placed in the desired operating condition for a pre-determined amount of time supporting troubleshooting efforts in the field. The Symbio 700 will return to normal control when the user exits test mode or when the pre-determined, user-selected Service Test time has expired.

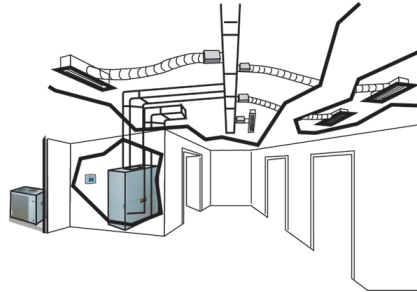
Other Benefits

- Symbio™ 700 built-in anti-shortcycle timer, time delay relay and minimum “on” time control functions are factory tested to assure proper operation.
- Symbio 700 softens electrical “spikes” by staging on fans, compressors and heaters.
- Intelligent Fallback is a benefit to the building occupant. If a component goes astray, the unit will continue to operate at predetermined temperature setpoint.

- Intelligent Anticipation is a standard feature. It functions continuously as Symbio 700 and zone sensor(s) work together in harmony to provide much tighter comfort control than conventional electromechanical thermostats.
- The Symbio 700 design is standardized across the board, ensuring a lower cost to owners.

Additional Controls

VariTrac® Building Automation System — When Trane’s changeover VAV System for light commercial applications is coupled with the unit, it provides the latest in technological advances for comfort management systems and can allow thermostat control in every zone served by VariTrac.



Froststat™ — This control (a standard feature on all air handlers) utilizes a capillary bulb embedded in the face of the evaporator coil which monitors coil temperature to inhibit evaporator icing and protect the compressor. Useful for applications with low leaving air temperatures, low airflow and/or high latent load applications.

LonTalk® Communications Interface — The LonTalk communications interface allows the unit to communicate as a Tracer LON® device or directly with generic LonTalk Network Building Automation System Controls.

BACnet® Communication Interface (BCI) — The BACnet Communication Interface allows the unit to communicate directly with a generic open protocol BACnet MS/TP or IP Network Building Automation Control System.

Zone Sensors/Thermostats— Available in programmable, automatic and manual styles.

Table 2. Odyssey control options – standard and optional

	Standard Features	Options ^(a)	
		Factory Installed	Field Installed
BACnet® Communication Interface (BCI)		X	
Froststat™ - Evaporator Defrost Control (EDC)	X		
LonTalk® Communications Interface (LCI)		X	
Symbio™ 700 Microprocessor Controls	X		
Thermostat			X
Zone Sensor			X

^(a) Refer to model number description for option availability or contact Product Support.



Accessories

Cooling Condenser

Table 3. TTA accessories

Model	Used With
Universal Hot Gas Bypass Kit	
BAYHGBP010*	All models
Rubber Isolators	
BAYISLT004* (blue)	TTA060, TTA076
BAYISLT005* (black)	TTA101
BAYISLT009* (red)	TTA126, TTA156
BAYISLT010* (green)	TTA201, TTA251
Steel Spring Isolators	
BAYISLT023* (red)	TTA060, TTA076, TTA101*DA
BAYISLT024* (black)	TTA101*DC/D, TTA126, TTA156
BAYISLT025* (yellow)	TTA201, TTA251
Service Valve Kit	
BAYVALV001*	TTA0604*A, TTA0764*A, TTA1014*A/C
BAYVALV003*	TTA0604*D, TTA0764*D, TTA1014*D
BAYVALV004*	TTA1264*D
BAYVALV005*	TTA1564*D, TTA2014*D
BAYVALV007*	TTA1654*C, TTA2014*C
BAYVALV008*	TTA2514*C
Low Ambient — On/Off Fan Control^{(a) (b)}	
BAYLOAMS10* (External Mount, small cabinets) ^(c)	TTA060, TTA076, TTA101, TTA126
BAYLOAMS20* (Internal mount, large cabinets)	TTA156, TTA201, TTA251
Transducer Kit for Head Pressure Control (BAYLOAM435, 436, 437)	
BAYLOTR001* ^(d)	TTA060**D, TTA076**D, TTA101**D, TTA126**D
LonTalk Communications Interface^(e)	
BAYLTCI005*	All Models
Expansion Module Kit	
BAYMODU002* (XM30)	All Models
BAYMODU004* (XM32)	All Models

(a) Cycles fan on/off (no modulating).

(b) When BAYLOAM is used, the Evaporator Defrost Control (EDC) must be disabled in the Symbio 700 controller configuration.

(c) Kit mounts external to the outdoor unit and operates by sensing ambient temperature and discharge pressure.

(d) BAYLOTR001* required when BAYLOAMS10* kits are used with units that have 2 compressors (dual circuit) and 1 condenser fan.

(e) Field installed LonTalk interface requires installation of Symbio control board with Advanced Diagnostics (not included).

Air Handler

Table 4. TWE Accessories

Model	Used With
Base (Subbase)	
BAYBASE009*	TWE051
BAYBASE0010*	TWE072, TWE076
BAYBASE0011*	TWE101
BAYBASE0012*	TWE126, TWE156
BAYBASE0013*	TWE201, TWE251
Drip Kit	
BAYDRKT006*	TWE051
BAYDRKT007*	TWE072, TWE076
BAYDRKT008*	TWE101
BAYDRKT009*	TWE126, TWE156
BAYDRKT010*	TWE201, TWE251
Duct Flange Kit	
BAYDUCT010*	TWE051, TWE060, TWE072, TWE076, TWE090, TWE101, TWE120
BAYDUCT020*	TWE126, TWE150, TWE156, TWE180, TWE201, TWE240, TWE251, TWE300
Filters – 2" MERV 13	
BAYFILT001*	TWE051
BAYFILT002*	TWE072, TWE076
BAYFILT003*	TWE101
BAYFILT004*	TWE126, TWE156
BAYFILT005*	TWE201, TWE251
Rubber Isolators^{(a) (b) (c)}	
BAYISLT004* (Floor — Blue)	TWE051, TWE072, TWE076, TWE101
BAYISLT009* (Floor — Red) ^(d)	TWE126, TWE156
BAYISLT010* (Floor — Green) ^{(d)(a)}	TWE201, TWE251
BAYISLT012* (Suspended — Red/Green)	TWE126, TWE156
BAYISLT013* (Suspended — Red/Green) ^(c)	TWE051
BAYISLT014* (Suspended — Green) ^(c)	TWE072, TWE076
BAYISLT015* (Suspended — Green/Black) ^(c)	TWE101
BAYISLT016* (Suspended — Red/Green)	TWE201, TWE251
Steel Spring Isolators^(b)	
BAYISLT019* (Floor — Red) ^{(d)(a)}	TWE051, TWE072, TWE076, TWE101
BAYISLT021* (Floor — Black) ^{(d)(a)}	TWE126, TWE156
BAYISLT032* (Floor — Black/Yellow) ^{(d)(a)}	TWE201, TWE251
BAYISLT028* (Suspended — Tan)	TWE051
BAYISLT029* (Suspended — Red)	TWE072, TWE076, TWE101
BAYISLT030* (Suspended — Black)	TWE126, TWE156
BAYISLT031* (Suspended — Black/Yellow)	TWE201, TWE251
Plenum^(e)	
BAYPLNM015* (Discharge Plenum & Grille) ^(e)	TWE051
BAYPLNM016* (Discharge Plenum & Grille) ^(e)	TWE072, TWE076
BAYPLNM017* (Discharge Plenum & Grille) ^(e)	TWE101
BAYPLNM018* (Discharge Plenum/Hydronic Coil Plenum & Grille) ^(e)	TWE126, TWE156
BAYPLNM019* (Discharge Plenum/Hydronic Coil Plenum & Grille) ^(e)	TWE201, TWE251
BAYPLNM020* (Hydronic Coil Discharge Plenum & Grille) ^(e)	TWE051
BAYPLNM021* (Hydronic Coil Discharge Plenum & Grille) ^(e)	TWE072, TWE076
BAYPLNM022* (Hydronic Coil Discharge Plenum & Grille) ^(e)	TWE101
BAYPLNM030* (Electric Heat Discharge Plenum & Grille) ^(e)	TWE051



Accessories

Table 4. TWE Accessories (continued)

Model	Used With
BAYPLNM031* (Electric Heat Discharge Plenum & Grille) ^(e)	TWE072, TWE076
BAYPLNM032* (Electric Heat Discharge Plenum & Grille) ^(e)	TWE101
BAYPLNM033* (Electric Heat Discharge Plenum & Grille) ^(e)	TWE126, TWE156
BAYPLNM034* (Electric Heat Discharge Plenum & Grille) ^(e)	TWE201, TWE251
Return Air Grille	
BAYGRLE001*	TWE051
BAYGRLE002*	TWE072, TWE076
BAYGRLE003*	TWE101
BAYGRLE004*	TWE126, TWE156
BAYGRLE005*	TWE201, TWE251
Symbio™ Options Module Kit	
BAYMODU001*	All TWE units with Digit 15 = 1 and Electric heater installed
Transformer	
BAYTFMR021* - 100 VA Transformer (400 V)	All TWE072 – TWE251 ,380-415V Hz unit
Water Kits	
BAYWATR022* (Steam Coil Enclosure) ^(e)	TWE051
BAYWATR023* (Steam Coil Enclosure) ^(e)	TWE072, TWE076
BAYWATR024* (Steam Coil Enclosure) ^(e)	TWE101
BAYWATR025* (Steam Coil Enclosure) ^(e)	TWE126, TWE156
BAYWATR026* (Steam Coil Enclosure) ^(e)	TWE201, TWE251
BAYWATR027* (Hot Water Coil Enclosure) ^(e)	TWE051
BAYWATR028* (Hot Water Coil Enclosure) ^(e)	TWE072, TWE076
BAYWATR029* (Hot Water Coil Enclosure) ^(e)	TWE101
BAYWATR030* (Hot Water Coil Enclosure) ^(e)	TWE126, TWE156
BAYWATR031* (Hot Water Coil Enclosure) ^(e)	TWE201, TWE251
Wire Kit — 180° Blower Discharge Reversal Kit^(f)	
BAYWRKT002*	TWE051, TWE072, TWE076, TWE101

(a) Requires use of subbase accessory.

(b) In units with steam or hot water coils applied vertically or horizontally, check IOM for proper Isolator Kit selection.

(c) Do not use if blower will operate less than 600 RPM.

(d) When the air handler is in the vertical position and close proximity trapping of condensate is required, use of subbase is required.

(e) When installed horizontally, plenum/water coil must be self-supported. When adding vibration isolators, see Isolator Installation Guide (ACC-SVN92*-EN) for isolator and location matrix.

(f) Cannot be used on TWE126–201, due to motor mount location.

Note: See HUB case DOC-209462 for high-static and low-static drive kits (available only for constant volume air handlers).

Electric Heaters

Table 5. Electric heaters

Model	Used With
4.6–8.33 Ton Electric Heater Selection	
BAYHTRN405* — 3.13/3.74 kW Heater 380/415 / 3 Phase	TWE051, TWE072*D, TWE076, TWE101
BAYHTRR410* — 6.25/7.46 kW Heater 380/415 / 3 Phase	TWE051, TWE072*D, TWE076, TWE101
BAYHTRR415* — 9.37/11.17 kW Heater 380/415 / 3 Phase	TWE051, TWE072*D, TWE076, TWE101
BAYHTRN425* — 15.63/18.64 kW Heater 380/415 / 3 Phase	TWE051, TWE072*D, TWE076, TWE101
BAYHTRN435* — 21.86/26.08 kW Heater 380/415 / 3 Phase	TWE101
10.4–20.9 Ton Electric Heater Selection	
BAYHTRP410* — 6.25/7.46 kW Heater 380/415 / 3 Phase	TWE126, TWE156, TWE201, TWE251
BAYHTRP420* — 12.50/14.92 kW Heater 380/415 / 3 Phase	TWE126, TWE156, TWE201, TWE251
BAYHTRP430* — 18.76/22.38 kW Heater 380/415 / 3 Phase	TWE126, TWE156, TWE201, TWE251

Table 5. Electric heaters (continued)

Model	Used With
BAYHTRP450* — 31.26/37.29 kW Heater 380/415 / 3 Phase	TWE126, TWE156, TWE201, TWE251



Application Considerations

Application of this product should be within the cataloged airflow and performance considerations.

Clearance Requirements

The recommended clearances identified with unit dimensions should be maintained to assure adequate serviceability, maximum capacity and peak operating efficiency. Actual clearances which appear inadequate should be reviewed with the local representative.

180° Blower Rotation

The 4.6, 6.25, and 8.33 ton standard air handler blower section can be rotated 180° to change the discharge pattern. This modification must be done in the field and requires an additional kit. See unit installation guide.

Low Ambient Cooling

As manufactured, all Odyssey units have cooling capabilities down to 0°F. At temperatures below 50°F, some reduction in cooling capacity can be expected. When the optional Low Ambient Accessory kit is installed, the full capacity of the unit is available down to 0°F. When using these units with control systems such as bypass changeover Variable Air Volume, make sure to consider the requirement for a head pressure control to allow low ambient cooling.

Figure 4. Typical split system application

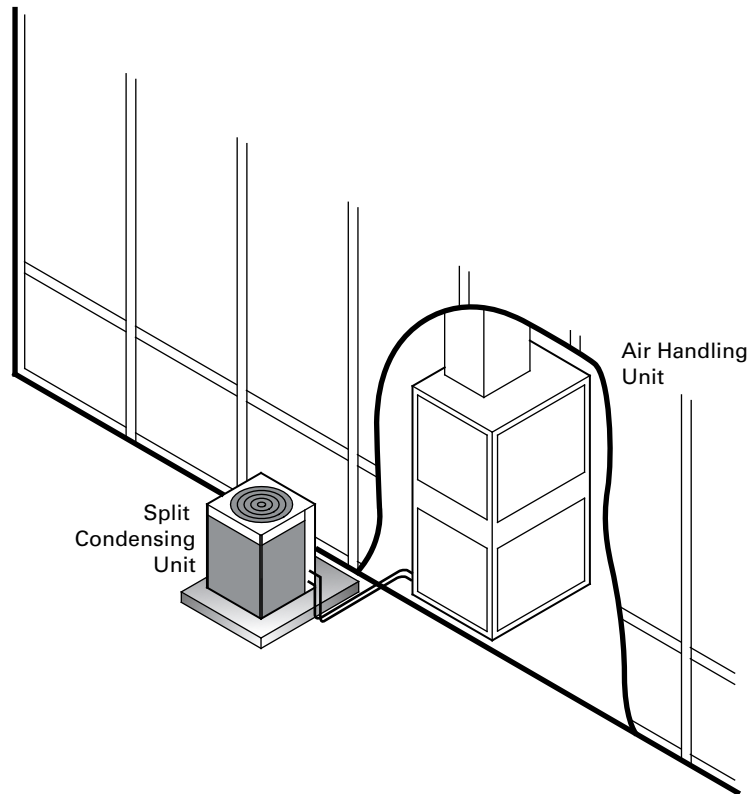


Figure 5. Typical horizontal air handler application

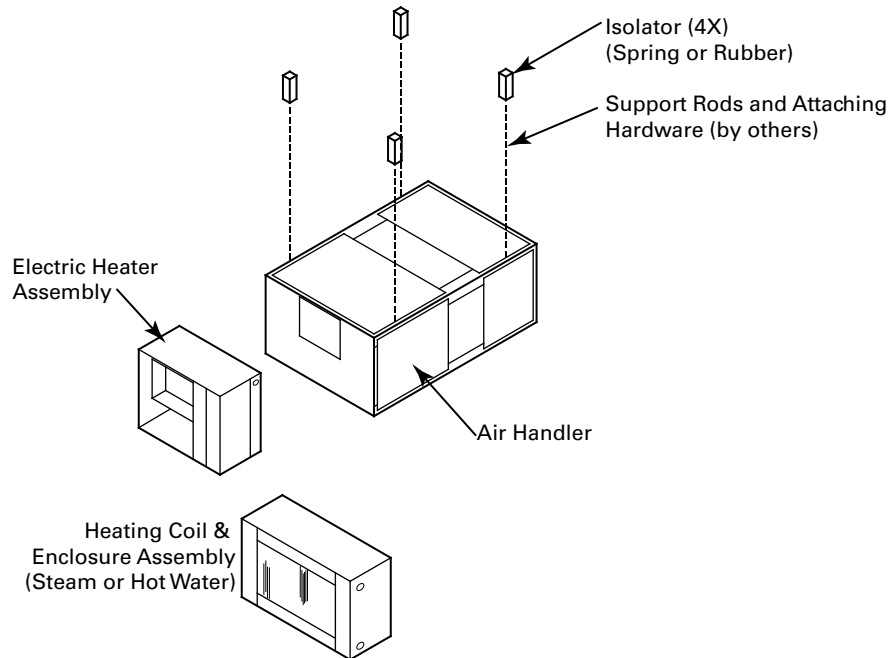
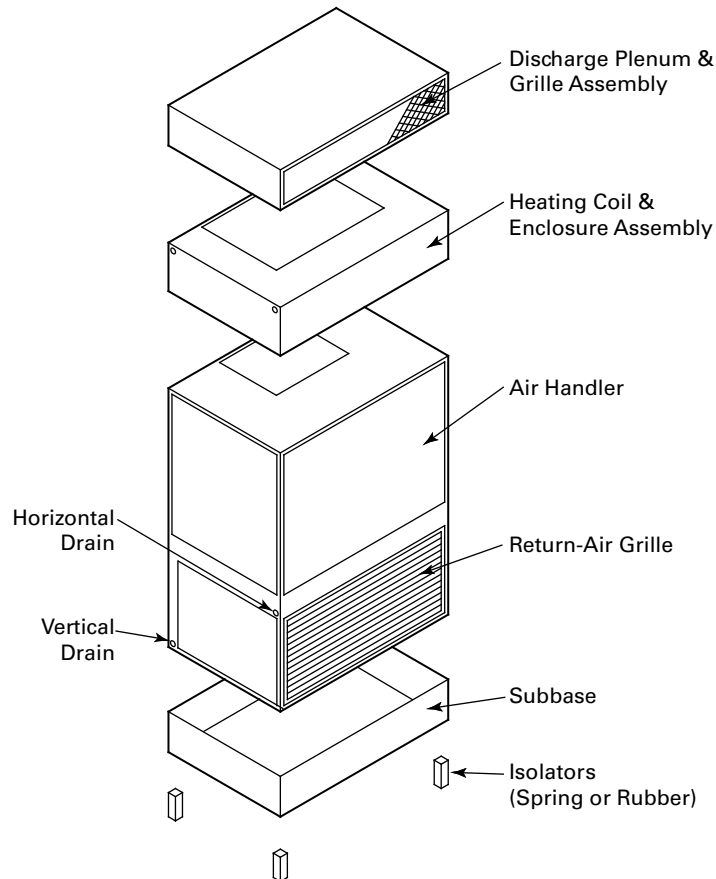


Figure 6. Typical vertical air handler application





Selection Procedure

Cooling Capacity

1. Calculate the building's total and sensible cooling loads at design conditions, using standardized calculation methods.
2. Size the equipment using the gross cooling capacity tables. Match the cooling loads at design conditions. For example, if the following specifies the building cooling requirements:
Electrical Characteristics: 415/50/3
Summer Design Conditions: Entering Evap Coil—80°F DB/67°F WB (27°C DB/19°C WB), Outdoor Ambient—95°F (35°C)
Total Cooling Load: 75 MBh (22 kW)
Sensible Cooling Load: 53 MBh (15.5 kW)
Airflow: 2500 cfm (4248 m³/h)
External Static Pressure: 0.77 inches of water gauge (192 Pa)
3. Use to determine that TTA0764DA with TWE0764DA has a gross cooling capacity of 82.0 MBh (24.0 kW) and 63.2 MBh (18.5 kW) sensible capacity at 95°F DB (35°C) ambient and 2500 cfm (4248 m³/h) with 80°F DB/67° F WB (27°C DB/19°C WB) air entering the evaporator.
4. To find the net cooling capacities, fan motor heat must be subtracted. Determine the total unit static pressure:
External Static Duct System: 0.84 in. (210 Pa)
Standard Filter: 0.10 in. (25 Pa)
Supplementary Electric Heat: 0.16 in. (57 Pa)
Total Static Pressure: 1.10 in. (274 Pa)

Notes:

- *The Evaporator Fan Performance Table has included the effect of a 1 in. (249 Pa) filter already. Therefore, the actual Total Static Pressure is 1.10 - 0.10 = 1.00 in. (274 - 25 = 249 Pa) . With 2500 cfm (4248 m³/h) and 1.00 inches (249 Pa), Table 83, p. 99 shows 1.51 Bhp (ultra high static drive kit required).*
- *This formula can be used to calculate Fan Motor Heat:*
 $3.15 \times \text{Bhp} = \text{MBh}$
 $3.15 \times 1.51 = 4.75 \text{ MBh}$
 $\text{Net Total Cooling Capacity} = 82.0 \text{ MBh} - 4.75 \text{ MBh} = 77.25 \text{ MBh} (22.6 \text{ kW})$
 $\text{Net Sensible Cooling Capacity} = 63.2 \text{ MBh} - 4.75 \text{ MBh} = 58.45 \text{ MBh} (17.1 \text{ kW})$

Heating Capacity

1. Calculate the building heating load using the Trane calculation form or any other standard accepted method.
2. Size the equipment using Table 100, p. 114 to match the heating loads at design conditions. For example, if the following specifies the building heating requirements:
Total Heating Load: 97.0 MBh (28.4 kW)
Airflow: 2500 cfm (4248 m³/h)
Supplementary Electric Heaters
3. Use to determine that the 34.88 kW heater has a capacity of 119,045 Btuh.
4. From , the 34.88 kW heater at 460V indicates the heater model is BAYHTRN435A.

Air Delivery

1. The external static pressure drop through the air distribution system is 0.84 inches of water gauge, use [Table 100, p. 114](#) to determine that the static pressure drop through the electric heater is 0.16 inches of water ($0.84 + 0.16 = 1.00$ in.).
2. Enter [Table 83, p. 99](#) for TWE0764DA at 2500 cfm (4248 m³/h) and 1.00 (249 Pa) static pressure. The high static motor at 987 RPM gives the desired airflow.



Model Number Description

Cooling Condenser

Digit 1, 2, 3— Unit Function

TTA = Split System Cooling

Digit 4, 5, 6 — Tonnage

060 = 5 Tons (50Hz)
076 = 6.25 Tons (50Hz)
101 = 8.33 Tons (50Hz)
126 = 10.4 Tons (50Hz)
156 = 13.0 Tons (50Hz)
201 = 16.7 Tons (50Hz)
251 = 20.9 Tons (50Hz)

Digit 7 — Refrigerant

4 = R-410A

Digit 8 — Voltage

D = 380–415 Vac- 3 PH (50Hz)

Digit 9 — Refrigeration Circuit/Stage

A = 1 Compressor/1 Line/1 Stage (Single)
C = 2 Compressors/1 Line/2 Stage (Manifold)
D = 2 Compressors/2 Line/2 Stage (Dual)

Digit 10 — Major Design Sequence

B = Rev B

Digit 11 — Minor Design Sequence

A = Rev A

Digit 12, 13 — Service Digits

**

Digit 14 — Efficiency Generation

A = Generation A

Digit 15 — Controls

S = Symbio™

Digit 16 — None

0 = None

Digit 17 — Coil Protection

1 = Standard Coil w/ Coil Guard
5 = Complete Coat Condenser Coil with Coil Guard (MCHE)

Digit 18, 19, 20 — None

0 = None

Digit 21 — Communications Options

0 = No Option
1 = Advanced Diagnostics and BACnet® BAS
2 = Advanced Diagnostics and LonTalk® Communications Interface (LCI)

Digit 22 to 40 — None

0 = None

Air Handler

Digit 1, 2, 3 — Unit Function

TWE = Air Handler

Digit 4, 5, 6 — Tonnage

051 = 4.6 Tons (50Hz)
072 = 6 Tons (50Hz)
076 = 6.25 Tons (50Hz)
101 = 8.33 Tons (50Hz)
126 = 10.4 Tons (50Hz)
156 = 13.0 Tons (50Hz)
201 = 16.7 Tons (50Hz)
251 = 20.9 Tons (50Hz)

Digit 7 — Refrigerant

4 = R-410A

Digit 8 — Voltage

D = 380–415 Vac - 3 PH (50 Hz)

Digit 9 — Refrigeration Circuit/Stage

A = Single Circuit
B = Dual Circuit

Digit 10 — Major Design Sequence

B = Rev B

Digit 11 — Minor Design Sequence

A = Rev A

Digit 12, 13 — Service Digits

**

Digit 14 — Efficiency Generation

A = Generation A

Digit 15 — Controls

1 = Constant Volume

Digit 16 — Indoor Fan Sizes

0 = Standard Motor

Digit 17 to 40 — None

0 = None



General Data

Table 6. General data for 5 - 6.25 ton (TTA0604DA*-TTA0764DD*) condensing units, 50 Hz

	5 Tons Single Compressor TTA0604DA*	5 Tons Dual Compressor TTA0604DD*	6.25 Tons Single Compressor TTA0764DA*	6.25 Tons Dual Compressor TTA0764DD*
Cooling Performance - Gross Cooling Capacity, Btu (kW)				
Matched Air Handler	TWE0764DA*	TWE0724DB*	TWE0764DA*	TWE0764DB*
AHRI Rated Airflow CFM (m ³ /hr)	2,000 (3,398)	2,000 (3,398)	2,500 (4,248)	2,500 (4,248)
Gross Cooling Capacity - System	66,000 (19.3)	63,000 (18.5)	83,000 (24.3)	81,000 (23.7)
Condensing Unit Only	60,000 (17.6)	54,000 (15.8)	76,000 (22.3)	76,000 (22.3)
AHRI Net Cooling Capacity	65,000 (19.0)	61,000 (17.9)	81,000 (23.7)	79,000 (23.2)
Efficiency				
Matched Air Handler (EER)	11.8	11.8	11.8	12.2
Condensing Unit Only (EER)	13.8	11.9	12.6	13.0
System Power/Condensing Unit Power (kW)	4.5 / 4.1	4.9 / 4.2	6.5 / 5.8	6.4 / 5.7
Compressor				
Type	Scroll	Scroll	Scroll	Scroll
No.	1	2	1	2
System Data				
No. Refrigerant Circuits ^(a)	1	2	1	2
Suction Line Connection (mm) OD ^(a)	1 1/8 (28.58)	7/8 (22.23)	1 3/8 (34.90)	1 1/8 (28.58)
Liquid Line Connection (mm) OD ^(a)	1/2 (12.70)	1/2 (12.70)	1/2 (12.70)	1/2 (12.70)
Outdoor Coil				
Type	MCHE	MCHE	MCHE	MCHE
Tube Size OD/Coil Width MCHE (in.)	0.81 (20.6)	0.81 (20.6)	0.81 (20.6)	0.81 (20.6)
Face Area, sq ft (m ²)	18.5 (1.7)	17.4 (1.6)	18.5 (1.7)	17.4 (1.6)
Rows/FPI (Fins per inch)	1/23	1/23	1/23	1/23
Outdoor Fan				
Type	Propeller	Propeller	Propeller	Propeller
No. Used	1	1	1	1
Diameter - in. (mm)	26 (660.4)	26 (660.4)	26 (660.4)	26 (660.4)
Drive Type	Direct	Direct	Direct	Direct
No. Speeds	1	1	1	1
CFM (m ³ /h)	4,800 (8,155)	4,800 (8,155)	4,800 (8,155)	4,800 (8,155)
No. Motor	1	1	1	1
Motor HP (kW)	0.33 (0.25)	0.33 (0.25)	0.33 (0.25)	0.33 (0.25)
Motor RPM	925	925	925	925
Refrigerant Charge (Field Supplied)				
lbs (kg) of R-410A	10 (4.5)	7.0 / 7.0 (3.2 / 3.2)	10.4 (4.7)	7.2 / 7.5 (3.3 / 3.4)
Shipping Dimensions				
HxWxD - in. (mm)	45" x 45" x 38" (1143 x 1143 x 965)	45" x 45" x 38" (1143 x 1143 x 965)	45" x 45" x 38" (1143 x 1143 x 965)	45" x 45" x 38" (1143 x 1143 x 965)

^(a) Refer to refrigerant piping applications manual for line sizing and line length.

Table 7. General data for 8.33 - 10.4 ton (TTA1014DA*-TTA1264DD*) condensing units, 50 Hz

	8.33 Tons	8.33 Tons	10.4 Tons
	Dual Compressor TTA1014DD*	Manifolded Compressor TTA1014DC*	Dual Compressor TTA1264DD*
Cooling Performance - Gross Cooling Capacity, Btu (kW)			
Matched Air Handler	TWE1014DB*	TWE1014DA*	TWE1264DB*
AHRI Rated Airflow CFM (m ³ /hr)	3,333 (5,663)	3,333 (5,663)	4,200 (7,136)
Gross Cooling Capacity - System	103,000 (30.2)	104,000 (30.5)	133,000 (39.0)
Condensing Unit Only	92,000 (27.0)	94,000 (27.5)	122,000 (35.8)
AHRI Net Cooling Capacity	100,000 (29.3)	102,000 (29.9)	130,000 (38.1)
Efficiency			
Matched Air Handler (EER)	12.2	12.2	11.4
Condensing Unit Only (EER)	12.9	12.8	11.2
System Power/Condensing Unit Power (kW)	7.5 / 6.7	7.7 / 6.9	10.7 / 9.7
Compressor			
Type	Scroll	Manifolded Scrolls	Scroll
No.	2	2	2
System Data			
No. Refrigerant Circuits ^(a)	2	1	2
Suction Line Connection (mm) OD ^(a)	1 1/8 (28.58)	1 3/8 (34.90)	1 1/8 (28.58)
Liquid Line Connection (mm) OD ^(a)	1/2 (12.70)	1/2 (12.70)	1/2 (12.70)
Outdoor Coil			
Type	MCHE	MCHE	MCHE
Tube Size OD/Coil Width MCHE (in.)	0.81 (20.6)	0.81 (20.6)	1.0 (25.4)
Face Area, sq ft (m ²)	22.7 (2.1)	23.8 (2.2)	27.0 (2.5)
Rows/FPI (Fins per inch)	1/23	1/23	1/23
Outdoor Fan			
Type	Propeller	Propeller	Propeller
No. Used	1	1	1
Diameter - in. (mm)	28 (711.2)	28 (711.2)	28 (711.2)
Drive Type	Direct	Direct	Direct
No. Speeds	1	1	1
CFM (m ³ /h)	7,300 (12,403)	7,300 (12,403)	7,300 (12,403)
No. Motor	1	1	1
Motor HP (kW)	0.75 (0.56)	0.75 (0.56)	0.75 (0.56)
Motor RPM	950	950	950
Refrigerant Charge (Field Supplied)			
lbs (kg) of R-410A	8.0 / 8.2 (3.6 / 3.7)	13.1 (5.9)	10.5 / 10.5 (4.8 / 4.8)
Shipping Dimensions			
HxWxD - in. (mm)	45" x 55" x 42" (1143 x 1397 x 1067)	45" x 55" x 42" (1143 x 1397 x 1067)	52.1" x 55" x 42" (1323 x 1397 x 1067)

^(a) Refer to refrigerant piping applications manual for line sizing and line length.



General Data

Table 8. General data for 13 - 20.9 ton (TTA1564DD*-TTA2514DC*) condensing units, 50 Hz

	13 Tons	13 Tons	16.7 Tons	16.7 Tons	20.9 Tons
	Dual Compressor TTA1564DD*	Manifolded Compressor TTA1564DC*	Dual Compressor TTA2014DD*	Manifolded Compressor TTA2014DC*	Manifolded Compressor TTA2514DC*
Cooling Performance - Gross Cooling Capacity, Btu (kW)					
Matched Air Handler	TWE1564DB*	TWE1564DB*	TWE2014DB*	TWE2014DB*	TWE2514DB*
AHRI Rated Airflow CFM (m ³ /hr)	5,000 (8,495)	5,000 (8,495)	6,667 (11,327)	6,667 (11,327)	8,333 (14,158)
Gross Cooling Capacity - System	169,000 (49.5)	164,000 (48.1)	215,000 (63.0)	225,000 (65.9)	266,000 (78.0)
Condensing Unit Only	158,000 (46.3)	150,000 (44.0)	212,000 (62.1)	222,000 (65.1)	262,000 (76.8)
AHRI Net Cooling Capacity	165,000 (48.4)	160,000 (46.9)	210,000 (61.5)	219,000 (64.2)	257,000 (75.3)
Efficiency					
Matched Air Handler (EER)	12.3	12.0	11.4	11.2	10.7
Condensing Unit Only (EER)	13.2	13.1	13.0	12.7	12.0
System Power/Condensing Unit Power (kW)	12.8 / 11.5	11.9 / 10.4	17.2 / 15.6	18.5 / 16.8	23.4 / 20.5
Compressor					
Type	Scroll	Manifolded Scrolls	Scroll	Manifolded Scrolls	Manifolded Scrolls
No.	2	2	2	2	2
System Data					
No. Refrigerant Circuits ^(a)	2	1	2	1	1
Suction Line Connection (mm) OD ^(a)	1 3/8 (34.90)	1 5/8 (41.28)	1 3/8 (34.90)	1 5/8 (41.28)	2 1/8 (53.98)
Liquid Line Connection (mm) OD ^(a)	1/2 (12.70)	5/8 (15.88)	1/2 (12.70)	5/8 (15.88)	5/8 (15.88)
Outdoor Coil					
Type	MCHE	MCHE	MCHE	MCHE	MCHE
Tube Size OD/Coil Width MCHE (in.)	0.81 (20.6)	0.81 (20.6)	0.81 (20.6)	0.81 (20.6)	1.0 (25.4)
Face Area, sq ft (m ²)	44.3 (4.1)	44.3 (4.1)	44.3 (4.1)	44.3 (4.1)	51.3 (4.8)
Rows/FPI (Fins per inch)	1/23	1/23	1/23	1/23	1/23
Outdoor Fan					
Type	Propeller	Propeller	Propeller	Propeller	Propeller
No. Used	2	2	2	2	2
Diameter - in. (mm)	28 (711.2)	28 (711.2)	28 (711.2)	28 (711.2)	28 (711.2)
Drive Type	Direct	Direct	Direct	Direct	Direct
No. Speeds	1	1	1	1	1
CFM (m ³ /h)	14,100 (23,956)	14,100 (23,956)	14,100 (23,956)	14,100 (23,956)	14,100 (23,956)
No. Motor	2	2	2	2	2
Motor HP (kW)	0.75 (0.56)	0.75 (0.56)	0.75 (0.56)	0.75 (0.56)	0.75 (0.56)
Motor RPM	950	950	950	950	950
Refrigerant Charge (Field Supplied)					
lbs (kg) of R-410A	11.5 / 12.0 (5.2 / 5.4)	22.6 (10.2)	11.2 / 11.3 (5.1 / 5.1)	24.1 (10.9)	30.5 (13.8)
Shipping Dimensions					
HxWxD - in. (mm)	51.1" x 96" x 48" (1298 x 2438 x 1219)	51.1" x 96" x 48" (1298 x 2438 x 1219)	51.1" x 96" x 48" (1298 x 2438 x 1219)	51.1" x 96" x 48" (1298 x 2438 x 1219)	57.1" x 96" x 48" (1450 x 2438 x 1219)

^(a) Refer to refrigerant piping applications manual for line sizing and line length.

Table 9. General data for 4.6 - 6.25 ton (TWE0514DA* - TWE0764DB*) air handler, 50 Hz

	4.6 Tons	6 Tons	6.25 Tons	6.25 Tons
	Single Circuit	Dual Circuit	Single Circuit	Dual Circuit
	TWE0514DA*	TWE0724DB*	TWE0764DA*	TWE0764DB*
System Data				
No. Refrigerant Circuits	1	2	1	2
Suction Line Connection, in. (mm) OD	1 1/8 (28.58)	1 1/8 (25.60)	1 3/8 (34.90)	1 1/8 (25.60)
Liquid Line Connection, in. (mm) OD	1/2 (12.70)	1/2 (12.70)	1/2 (12.70)	1/2 (12.70)
Indoor Coil				
Type	Lanced/Intertwined	Lanced/Intertwined	Lanced/Intertwined	Lanced/Intertwined
Tube Size, in. (mm)	3/8 (9.50)	3/8 (9.50)	3/8 (9.50)	3/8 (9.50)
Face Area, sq. ft. (m ²)	5.0 (0.46)	8.1 (0.75)	8.1 (0.75)	8.1 (0.75)
Rows/FPI	4/14	4/14	4/14	4/14
Refrigerant Control	Expansion Valve	Expansion Valve	Expansion Valve	Expansion Valve
Drain Connection Size, in. (mm)	1.0 (25.40) PVC	1.0 (25.40) PVC	1.0 (25.40) PVC	1.0 (25.40) PVC
Indoor Fan				
Type	Centrifugal	Centrifugal	Centrifugal	Centrifugal
No. Used/Diameter x Width, in. (mm)	1/12 x 12 (304.8 x 304.8)	1/15 x 15 (381.0 x 381.0)	1/15 x 15 (381.0 x 381.0)	1/15 x 15 (381.0 x 381.0)
Drive Type/No. Speeds	Belt/Adjustable	Belt/Adjustable	Belt/Adjustable	Belt/Adjustable
CFM (m ³ /h) (Nominal)	1,700 (2,889)	2,000 (3,398)	2,500 (4,248)	2,500 (4,248)
No. Motors	1	1	1	1
Motor HP - Standard/Oversized (kw)	0.75/1.0 (0.56/0.75)	1.5/2.0/3.0 (1.10/1.50/2.2)	1.5/2.0/3.0 (1.10/1.50/2.2)	1.5/2.0/3.0 (1.10/1.50/2.2)
Motor RPM	1450	1450	1450	1450
Motor Frame Size	56	56H	56H	56H
Filters				
Type/Furnished	Throwaway/Yes	Throwaway/Yes	Throwaway/Yes	Throwaway/Yes
(No.)/Size Recommended	(1) 16 x 20 x 1; (1) 20 x 20 x 1	(3) 16 X 25 X 1	(3) 16 X 25 X 1	(3) 16 X 25 X 1
MERV 13 (No.)/Size Recommended	(1) 16 x 20 x 2 (1) 20 x 20 x 2	(3) 16 x 25 x 2	(3) 16 x 25 x 2	(3) 16 x 25 x 2
Shipping Dimensions				
HxWxD - in. (mm)	55.1" x 27.5" x 43.5" (1399.5 x 698.5 x 1104.9)	61.2" x 30.5" x 53" (1554.5 x 774.7 x 1346.2)	61.2" x 30.5" x 53" (1554.5 x 774.7 x 1346.2)	61.2" x 30.5" x 53" (1554.5 x 774.7 x 1346.2)

Table 10. General data for 8.33 - 20.9 ton (TWE1014DA* - TWE2514DB*) air handler, 50 Hz

	8.33 Tons	8.33 Tons	10.4 Tons	13 Tons	16.7 Tons	20.9
	Single Circuit TWE1014DA*	Dual Circuit TWE1014DB*	Dual Circuit TWE1264DB*	Dual Circuit TWE1564DB*	Dual Circuit TWE2014DB*	Dual Circuit TWE2514DB*
System Data						
No. Refrigerant Circuits	1	2	2	2	2	2
Suction Line Connection, in. (mm) OD	1 3/8 (34.90)	1 1/8 (25.60)	1 3/8 (34.90)	1 3/8 (34.90)	1 3/8 (34.90)	1 3/8 (34.90)
Liquid Line Connection, in. (mm) OD	1/2 (12.70)	1/2 (12.70)	1/2 (12.70)	1/2 (12.70)	5/8 (15.88)	5/8 (15.88)
Indoor Coil						
Type	Lanced/Intertwined	Lanced/Intertwined	Lanced/Intertwined	Lanced/Intertwined	Lanced/Intertwined	Lanced/Face Split
Tube Size, in. (mm)	3/8 (9.50)	3/8 (9.50)	3/8 (9.50)	3/8 (9.50)	3/8 (9.50)	3/8 (9.50)
Face Area, sq. ft. (m ²)	11.2 (1.04)	11.2 (1.04)	16.3 (1.51)	16.3 (1.51)	21.7 (2.01)	21.7 (2.01)
Rows/FPI	4/14	4/14	4/14	4/14	3/14	4/14
Refrigerant Control	Expansion Valve	Expansion Valve	Expansion Valve	Expansion Valve	Expansion Valve	Expansion Valve
Drain Connection Size, in. (mm)	1.0 (25.40) PVC	1.0 (25.40) PVC	1.0 (25.40) PVC	1.0 (25.40) PVC	1.0 (25.40) PVC	1.0 (25.40) PVC
Indoor Fan						
Type	Centrifugal	Centrifugal	Centrifugal	Centrifugal	Centrifugal	Centrifugal
No. Used/Diameter x Width, in. (mm)	1/15 x 15 (381.0 x 381.0)	1/15 x 15 (381.0 x 381.0)	2/15 x 15 (381.0 x 381.0)	2/15 x 15 (381.0 x 381.0)	2/15 x 15 (381.0 x 381.0)	2/15 x 15 (381.0 x 381.0)
Drive Type/No. Speeds	Belt/Adjustable	Belt/Adjustable	Belt/Adjustable	Belt/Adjustable	Belt/Adjustable	Belt/Adjustable
CFM (m ³ /h) (Nominal)	3,350 (5,692)	3,350 (5,692)	4,200 (7,136)	5,000 (8,496)	6,675 (11,341)	8,350 (14,186)
No. Motors	1	1	1	1	1	1
Motor HP - Standard/Oversized (kw)	2.0/3.0 (1.50/2.20)	2.0/3.0 (1.50/2.20)	2.0/3.0/5.0 (1.50/2.20/3.70)	3.0/5.0 (2.20/3.70)	3.0/5.0/7.5 (2.20/3.70/5.60)	7.5 (5.60)
Motor RPM	1500	1500	1500	1,450/1,500	1,500/2,930	2930
Motor Frame Size	56HZ	56HZ	145T	56HZ	184T	184T
Filters						
Type/Furnished	Throwaway/Yes	Throwaway/Yes	Throwaway/Yes	Throwaway/Yes	Throwaway/Yes	Throwaway/Yes
(No.)/Size Recommended	(4) 16 X 25 X 1	(4) 16 X 25 X 1	(8) 15 X 20 X 2	(8) 15 X 20 X 2	(4) 16 X 25 X 2; (4) 16 X 20 X 2	(4) 16 X 25 X 2; (4) 16 X 20 X 2
MERV 13 (No.)/Size Recommended	(4) 16 x 25 x 2	(4) 16 x 25 x 2	(8) 15 x 20 x 2	(8) 15 x 20 x 2	(4) 16 x 25 x 2 (4) 16 x 20 x 2	(4) 16 x 25 x 2 (4) 16 x 20 x 2
Shipping Dimensions						
HxWxD - in. (mm)	61.2" x 30.5" x 69" (1554.5 x 774.7 x 1752.6)	61.2" x 30.5" x 69" (1554.5 x 774.7 x 1752.6)	76.3" x 33.8" x 85" (1938 x 850.9 x 2159)	76.3" x 33.8" x 85" (1938 x 850.9 x 2159)	79.1" x 35.8" x 95" (2009.1 x 909.3 x 2413)	79.1" x 35.8" x 95" (2009.1 x 909.3 x 2413)



Performance Data

Gross Cooling Capacities

Table 11. Gross cooling capacities (MBH) TTA0604DA condensing unit with TWE0764DA air handler (IP)

CFM	Ent DB (°F)	Ambient Temperature (°F)						Ambient Temperature (°F)						Ambient Temperature (°F)					
		85						95						105					
		Entering Wet Bulb (°F)						Entering Wet Bulb (°F)						Entering Wet Bulb (°F)					
		61		67		73		61		67		73		61		67		73	
		MBH	SHC	MBH	SHC	MBH	SHC	MBH	SHC	MBH	SHC	MBH	SHC	MBH	SHC	MBH	SHC	MBH	SHC
1800	75	61.8	52.1	68.0	40.1	74.1	27.2	59.3	50.9	65.3	39.0	71.3	26.2	56.7	49.6	62.3	37.8	68.2	25.1
	80	62.3	61.8	67.9	49.7	73.9	37.1	60.0	60.0	65.2	48.5	71.0	36.1	57.7	57.7	62.3	47.3	67.9	35.0
	85	65.2	65.2	68.0	59.3	73.7	46.9	63.1	63.1	65.3	58.1	70.8	45.8	60.8	60.8	62.5	56.9	67.7	44.6
	90	68.5	68.5	68.5	68.5	73.5	56.4	66.1	66.1	66.2	66.2	70.6	55.3	63.7	63.7	63.8	63.8	67.6	54.1
2000	75	63.0	55.2	69.0	42.0	75.0	27.7	60.5	54.0	66.2	40.9	72.1	26.7	57.8	52.7	63.2	39.7	68.9	25.6
	80	64.1	64.1	69.0	52.5	74.8	38.7	62.0	62.0	66.2	51.3	71.8	37.7	59.6	59.6	63.3	50.1	68.7	36.6
	85	67.4	67.4	69.1	63.2	74.5	49.4	65.1	65.1	66.4	62.0	71.6	48.3	62.7	62.7	63.6	60.8	68.4	47.1
	90	70.5	70.5	70.6	70.6	74.4	60.0	68.1	68.1	68.2	68.2	71.5	58.9	65.6	65.6	65.7	65.7	68.4	57.7
2200	75	64.0	58.3	69.9	43.7	75.8	28.1	61.5	57.0	67.1	42.5	72.8	27.1	58.7	55.7	64.0	41.2	69.6	26.0
	80	65.9	65.9	69.8	55.3	75.5	40.2	63.7	63.7	67.1	54.1	72.5	39.2	61.2	61.2	64.1	52.8	69.3	38.1
	85	69.2	69.2	70.1	67.1	75.2	51.8	66.8	66.8	67.4	65.9	72.3	50.7	64.3	64.3	64.5	64.5	69.1	49.5
	90	72.2	72.2	72.3	72.3	75.1	63.5	69.8	69.8	69.9	69.9	72.2	62.4	67.1	67.1	67.2	67.2	69.0	61.2
2400	75	65.0	61.3	70.6	45.3	76.4	28.5	62.3	60.1	67.7	44.1	73.4	27.5	59.6	58.8	64.7	42.8	70.1	26.5
	80	67.5	67.5	70.6	58.0	76.1	41.8	65.1	65.1	67.8	56.8	73.1	40.8	62.6	62.6	64.7	55.6	69.9	39.7
	85	70.7	70.7	71.1	70.9	75.8	54.3	68.3	68.3	68.4	68.4	72.8	53.1	65.6	65.6	65.7	65.7	69.6	51.9
	90	73.7	73.7	73.8	73.8	75.9	67.1	71.1	71.1	71.2	71.2	72.7	66.0	68.4	68.4	68.5	68.5	69.6	64.8
CFM	Ent DB (°F)	Ambient Temperature (°F)						Ambient Temperature (°F)											
		115						125											
		Entering Wet Bulb (°F)						Entering Wet Bulb (°F)											
		61		67		73		61		67		73							
		MBH	SHC	MBH	SHC	MBH	SHC	MBH	SHC	MBH	SHC	MBH	SHC						
1800	75	53.9	48.2	59.1	36.6	64.9	24.0	50.8	46.8	55.8	35.1	61.2	22.7						
	80	55.3	55.3	59.3	46.0	64.6	33.9	52.6	52.6	55.9	44.5	60.9	32.6						
	85	58.3	58.3	59.4	55.6	64.4	43.3	55.5	55.5	56.2	54.2	60.8	42.0						
	90	61.1	61.1	61.2	61.2	64.3	52.9	58.2	58.2	58.3	58.3	60.7	51.5						
2000	75	54.9	51.3	60.1	38.2	65.6	24.4	51.8	49.8	56.6	36.7	61.8	23.2						
	80	57.1	57.1	60.1	48.7	65.3	35.4	54.3	54.3	56.7	47.3	61.5	34.2						
	85	60.1	60.1	60.5	59.5	65.1	45.8	57.2	57.2	57.3	57.3	61.4	44.4						
	90	62.9	62.9	63.0	63.0	65.0	56.4	59.8	59.8	59.9	59.9	61.4	55.1						
2200	75	55.8	54.4	60.8	39.8	66.2	24.9	52.7	52.7	57.3	38.4	62.3	23.6						
	80	58.5	58.5	60.9	51.5	65.9	37.0	55.6	55.6	57.4	50.0	62.0	35.7						
	85	61.5	61.5	61.6	61.6	65.7	48.2	58.5	58.5	58.6	58.6	62.0	46.8						
	90	64.3	64.3	64.4	64.4	65.7	60.0	61.1	61.1	61.2	61.2	62.0	58.6						
2400	75	56.7	56.7	61.4	41.5	66.6	25.3	53.7	53.7	57.8	40.0	62.8	24.1						
	80	59.8	59.8	61.5	54.2	66.4	38.6	56.8	56.8	58.0	52.8	62.5	37.3						
	85	62.8	62.8	62.9	62.9	66.1	50.7	59.7	59.7	59.7	59.7	62.4	49.3						
	90	65.4	65.4	65.5	65.5	66.2	63.5	62.2	62.2	62.2	62.2	62.5	62.1						

Notes:

1. All capacities shown are gross and have not considered indoor fan heat. To obtain net cooling, subtract indoor fan heat.
2. MBH = Total Gross Capacity, SHC = Sensible Heat Capacity



Performance Data

Table 12. Gross cooling capacities (kW) TTA0604DA condensing unit with TWE0764DA air handler (SI)

Airflow (m ³ /hr)	Ent DB (° C)	Ambient Temperature (°C)						Ambient Temperature (°C)						Ambient Temperature (°C)					
		29						35						41					
		Entering Wet Bulb (°C)						Entering Wet Bulb (°C)						Entering Wet Bulb (°C)					
		16		19		23		16		19		23		16		19		23	
		kW	SHC	kW	SHC	kW	SHC	kW	SHC	kW	SHC	kW	SHC	kW	SHC	kW	SHC	kW	SHC
3058	24	18.1	15.3	19.9	11.8	21.7	8.0	17.4	14.9	19.1	11.4	20.9	7.7	16.6	14.5	18.3	11.1	20.0	7.4
	27	18.3	18.1	19.9	14.6	21.7	10.9	17.6	17.6	19.1	14.2	20.8	10.6	16.9	16.9	18.3	13.9	19.9	10.3
	29	19.1	19.1	19.9	17.4	21.6	13.7	18.5	18.5	19.1	17.0	20.7	13.4	17.8	17.8	18.3	16.7	19.8	13.1
	32	20.1	20.1	20.1	20.1	21.5	16.5	19.4	19.4	19.4	19.4	20.7	16.2	18.7	18.7	18.7	18.7	19.8	15.9
3398	24	18.5	16.2	20.2	12.3	22.0	8.1	17.7	15.8	19.4	12.0	21.1	7.8	16.9	15.4	18.5	11.6	20.2	7.5
	27	18.8	18.8	20.2	15.4	21.9	11.3	18.2	18.2	19.4	15.0	21.1	11.0	17.5	17.5	18.5	14.7	20.1	10.7
	29	19.8	19.8	20.3	18.5	21.8	14.5	19.1	19.1	19.5	18.2	21.0	14.1	18.4	18.4	18.6	17.8	20.1	13.8
	32	20.7	20.7	20.7	20.7	21.8	17.6	20.0	20.0	20.0	20.0	21.0	17.3	19.2	19.2	19.3	19.3	20.0	16.9
3738	24	18.8	17.1	20.5	12.8	22.2	8.2	18.0	16.7	19.7	12.5	21.3	7.9	17.2	16.3	18.8	12.1	20.4	7.6
	27	19.3	19.3	20.5	16.2	22.1	11.8	18.7	18.7	19.7	15.9	21.3	11.5	17.9	17.9	18.8	15.5	20.3	11.2
	29	20.3	20.3	20.6	19.7	22.0	15.2	19.6	19.6	19.8	19.3	21.2	14.9	18.8	18.8	18.9	18.9	20.2	14.5
	32	21.2	21.2	21.2	21.2	22.0	18.6	20.5	20.5	20.5	20.5	21.2	18.3	19.7	19.7	19.7	19.7	20.2	17.9
4078	24	19.0	18.0	20.7	13.3	22.4	8.4	18.3	17.6	19.9	12.9	21.5	8.1	17.5	17.2	19.0	12.6	20.6	7.8
	27	19.8	19.8	20.7	17.0	22.3	12.2	19.1	19.1	19.9	16.7	21.4	12.0	18.3	18.3	19.0	16.3	20.5	11.6
	29	20.7	20.7	20.8	20.8	22.2	15.9	20.0	20.0	20.0	20.0	21.3	15.6	19.2	19.2	19.3	19.3	20.4	15.2
	32	21.6	21.6	21.6	21.6	22.2	19.7	20.9	20.9	20.9	20.9	21.3	19.3	20.0	20.0	20.1	20.1	20.4	19.0
Airflow (m ³ /hr)	Ent DB (° C)	Ambient Temperature (°C)						Ambient Temperature (°C)											
		46						52											
		Entering Wet Bulb (°C)						Entering Wet Bulb (°C)											
		16		19		23		16		19		23							
		kW	SHC	kW	SHC	kW	SHC	kW	SHC	kW	SHC	kW	SHC						
3058	24	15.8	14.1	17.3	10.7	19.0	7.0	14.9	13.7	16.4	10.3	17.9	6.7						
	27	16.2	16.2	17.4	13.5	18.9	9.9	15.4	15.4	16.4	13.1	17.8	9.6						
	29	17.1	17.1	17.4	16.3	18.9	12.7	16.3	16.3	16.5	15.9	17.8	12.3						
	32	17.9	17.9	17.9	17.9	18.8	15.5	17.1	17.1	17.1	17.1	17.8	15.1						
3398	24	16.1	15.0	17.6	11.2	19.2	7.2	15.2	14.6	16.6	10.8	18.1	6.8						
	27	16.7	16.7	17.6	14.3	19.1	10.4	15.9	15.9	16.6	13.9	18.0	10.0						
	29	17.6	17.6	17.7	17.4	19.1	13.4	16.8	16.8	16.8	16.8	18.0	13.0						
	32	18.4	18.4	18.4	18.4	19.1	16.5	17.5	17.5	17.6	17.6	18.0	16.1						
3738	24	16.4	15.9	17.8	11.7	19.4	7.3	15.4	15.4	16.8	11.2	18.3	6.9						
	27	17.2	17.2	17.8	15.1	19.3	10.8	16.3	16.3	16.8	14.7	18.2	10.5						
	29	18.0	18.0	18.1	18.1	19.2	14.1	17.2	17.2	17.2	17.2	18.2	13.7						
	32	18.8	18.8	18.9	18.9	19.2	17.6	17.9	17.9	17.9	17.9	18.2	17.2						
4078	24	16.6	16.6	18.0	12.2	19.5	7.4	15.7	15.7	16.9	11.7	18.4	7.1						
	27	17.5	17.5	18.0	15.9	19.4	11.3	16.6	16.6	17.0	15.5	18.3	10.9						
	29	18.4	18.4	18.4	18.4	19.4	14.8	17.5	17.5	17.5	17.5	18.3	14.4						
	32	19.2	19.2	19.2	19.2	19.4	18.6	18.2	18.2	18.2	18.2	18.3	18.2						

Notes:

1. All capacities shown are gross and have not considered indoor fan heat. To obtain net cooling, subtract indoor fan heat.
2. kW = Total Gross Capacity, SHC = Sensible Heat Capacity,

Table 13. Gross cooling capacities (MBH) TTA0604DD condensing unit with TWE0724DB air handler (IP)

CFM	Ent DB (°F)	Ambient Temperature (°F)						Ambient Temperature (°F)						Ambient Temperature (°F)					
		85						95						105					
		Entering Wet Bulb (°F)						Entering Wet Bulb (°F)						Entering Wet Bulb (°F)					
		61		67		73		61		67		73		61		67		73	
		MBH	SHC	MBH	SHC	MBH	SHC	MBH	SHC	MBH	SHC	MBH	SHC	MBH	SHC	MBH	SHC	MBH	SHC
1800	75	58.5	50.8	65.4	39.2	73.5	27.0	55.6	49.4	62.0	37.8	69.9	25.7	52.5	48.0	58.5	36.4	66.0	24.4
	80	59.5	59.5	65.4	48.9	73.2	37.0	57.1	57.1	62.1	47.5	69.6	35.7	54.5	54.5	58.7	46.1	65.7	34.4
	85	63.1	63.1	65.6	58.7	73.0	46.9	60.6	60.6	62.4	57.4	69.5	45.6	57.9	57.9	59.1	55.9	65.7	44.2
	90	66.9	66.9	66.9	66.9	73.1	56.6	64.2	64.2	64.3	64.3	69.6	55.3	61.4	61.4	61.5	61.5	65.8	53.9
2000	75	59.7	54.0	66.5	41.1	74.7	27.6	56.7	52.6	63.1	39.7	71.0	26.3	53.6	51.2	59.6	38.3	67.0	24.9
	80	61.7	61.7	66.6	51.9	74.4	38.7	59.1	59.1	63.3	50.5	70.7	37.4	56.4	56.4	59.8	49.0	66.7	36.0
	85	65.5	65.5	67.1	62.8	74.3	49.6	62.8	62.8	63.8	61.5	70.6	48.3	60.0	60.0	60.4	59.9	66.8	46.8
	90	69.4	69.4	69.5	69.5	74.5	60.5	66.6	66.6	66.8	66.8	70.9	59.1	63.7	63.7	63.8	63.8	67.0	57.7
2200	75	60.8	57.2	67.5	42.9	75.7	28.1	57.8	55.8	64.1	41.5	71.9	26.8	54.6	54.0	60.4	40.0	67.8	25.4
	80	63.6	63.6	67.7	54.8	75.4	40.3	60.9	60.9	64.3	53.4	71.6	39.0	58.0	58.0	60.7	51.9	67.5	37.6
	85	67.6	67.6	68.4	66.9	75.4	52.3	64.8	64.8	65.2	65.2	71.6	50.9	61.8	61.8	61.9	61.9	67.7	49.5
	90	71.6	71.6	71.8	71.8	75.7	64.2	68.8	68.8	68.9	68.9	72.0	62.9	65.7	65.7	65.8	65.8	68.1	61.5
2400	75	61.9	60.4	68.4	44.7	76.5	28.6	58.8	58.6	64.9	43.3	72.6	27.3	55.8	55.8	61.1	41.8	68.5	25.9
	80	65.3	65.3	68.7	57.7	76.2	41.9	62.5	62.5	65.2	56.3	72.4	40.6	59.5	59.5	61.5	54.8	68.3	39.1
	85	69.4	69.4	69.7	69.7	76.3	54.9	66.6	66.6	66.7	66.7	72.5	53.5	63.5	63.5	63.6	63.6	68.5	52.1
	90	73.7	73.7	73.8	73.8	76.7	68.0	70.7	70.7	70.8	70.8	73.0	66.7	67.5	67.5	67.6	67.6	69.1	65.3
CFM	Ent DB (°F)	Ambient Temperature (°F)						Ambient Temperature (°F)											
		115						125											
		Entering Wet Bulb (°F)						Entering Wet Bulb (°F)											
		61		67		73		61		67		73							
		MBH	SHC	MBH	SHC	MBH	SHC	MBH	SHC	MBH	SHC	MBH	SHC						
1800	75	49.4	46.6	55.0	35.0	61.9	23.0	44.6	44.6	51.1	33.4	57.7	21.6						
	80	51.8	51.8	55.1	44.6	61.6	33.0	48.5	48.5	51.5	43.1	57.4	31.5						
	85	55.1	55.1	55.6	54.5	61.7	42.7	52.1	52.1	52.4	51.7	57.6	41.2						
	90	58.5	58.5	58.6	58.6	61.9	52.5	55.4	55.4	55.5	55.5	57.9	51.0						
2000	75	50.4	49.4	55.9	36.7	62.8	23.5	47.0	47.0	52.0	35.2	58.4	22.1						
	80	53.5	53.5	56.1	47.5	62.5	34.6	50.4	50.4	52.4	46.0	58.3	33.0						
	85	57.0	57.0	57.2	57.1	62.7	45.3	53.9	53.9	54.0	54.0	58.5	43.8						
	90	60.6	60.6	60.7	60.7	63.0	56.3	57.4	57.4	57.5	57.5	58.9	54.8						
2200	75	51.6	51.5	56.6	38.5	63.4	24.0	48.5	48.5	52.7	36.9	59.0	22.5						
	80	55.0	55.0	57.0	50.4	63.3	36.1	51.9	51.9	53.2	48.9	59.0	34.5						
	85	58.7	58.7	58.8	58.8	63.6	48.0	55.4	55.4	55.5	55.5	59.3	46.4						
	90	62.5	62.5	62.6	62.6	64.0	60.0	59.1	59.1	59.2	59.2	59.9	58.5						
2400	75	52.7	52.7	57.3	40.2	64.0	24.5	49.3	49.3	53.3	38.6	59.4	23.0						
	80	56.4	56.4	57.7	53.3	64.0	37.6	53.2	53.2	53.9	51.7	59.6	36.0						
	85	60.2	60.2	60.3	60.3	64.3	50.6	56.8	56.8	56.9	56.9	60.0	49.0						
	90	64.1	64.1	64.2	64.2	65.0	63.8	60.6	60.6	60.7	60.7	61.0	60.5						

Notes:

1. All capacities shown are gross and have not considered indoor fan heat. To obtain net cooling, subtract indoor fan heat.
2. MBH = Total Gross Capacity, SHC = Sensible Heat Capacity



Performance Data

Table 14. Gross cooling capacities (kW) TTA0604DD condensing unit with TWE0724DB air handler (SI)

Air-flow (m ³ /hr)	Ent DB (°C)	Ambient Temperature (°C)						Ambient Temperature (°C)						Ambient Temperature (°C)					
		29						35						41					
		Entering Wet Bulb (°C)						Entering Wet Bulb (°C)						Entering Wet Bulb (°C)					
		16		19		23		16		19		23		16		19		23	
		kW	SHC	kW	SHC	kW	SHC	kW	SHC	kW	SHC	kW	SHC	kW	SHC	kW	SHC	kW	SHC
3058	24	17.1	14.9	19.2	11.5	21.5	7.9	16.3	14.5	18.2	11.1	20.5	7.5	15.4	14.1	17.2	10.7	19.3	7.1
	27	17.4	17.4	19.2	14.3	21.5	10.8	16.7	16.7	18.2	13.9	20.4	10.5	16.0	16.0	17.2	13.5	19.3	10.1
	29	18.5	18.5	19.2	17.2	21.4	13.7	17.8	17.8	18.3	16.8	20.4	13.4	17.0	17.0	17.3	16.4	19.2	12.9
	32	19.6	19.6	19.6	19.6	21.4	16.6	18.8	18.8	18.9	18.9	20.4	16.2	18.0	18.0	18.0	18.0	19.3	15.8
3398	24	17.5	15.8	19.5	12.0	21.9	8.1	16.6	15.4	18.5	11.6	20.8	7.7	15.7	15.0	17.5	11.2	19.6	7.3
	27	18.1	18.1	19.5	15.2	21.8	11.3	17.3	17.3	18.5	14.8	20.7	11.0	16.5	16.5	17.5	14.4	19.5	10.6
	29	19.2	19.2	19.7	18.4	21.8	14.5	18.4	18.4	18.7	18.0	20.7	14.1	17.6	17.6	17.7	17.6	19.6	13.7
	32	20.3	20.3	20.4	20.4	21.8	17.7	19.5	19.5	19.6	19.6	20.8	17.3	18.7	18.7	18.7	18.7	19.7	16.9
3738	24	17.8	16.8	19.8	12.6	22.2	8.2	16.9	16.4	18.8	12.2	21.1	7.9	16.0	15.8	17.7	11.7	19.9	7.5
	27	18.6	18.6	19.8	16.1	22.1	11.8	17.9	17.9	18.8	15.6	21.0	11.4	17.0	17.0	17.8	15.2	19.8	11.0
	29	19.8	19.8	20.0	19.6	22.1	15.3	19.0	19.0	19.1	19.1	21.0	14.9	18.1	18.1	18.2	18.2	19.8	14.5
	32	21.0	21.0	21.0	21.0	22.2	18.8	20.2	20.2	20.2	20.2	21.1	18.4	19.3	19.3	19.3	19.3	20.0	18.0
4078	24	18.1	17.7	20.1	13.1	22.4	8.4	17.2	17.2	19.0	12.7	21.3	8.0	16.3	16.3	17.9	12.2	20.1	7.6
	27	19.1	19.1	20.1	16.9	22.3	12.3	18.3	18.3	19.1	16.5	21.2	11.9	17.4	17.4	18.0	16.1	20.0	11.5
	29	20.4	20.4	20.4	20.4	22.4	16.1	19.5	19.5	19.5	19.5	21.3	15.7	18.6	18.6	18.6	18.6	20.1	15.3
	32	21.6	21.6	21.6	21.6	22.5	19.9	20.7	20.7	20.8	20.8	21.4	19.5	19.8	19.8	19.8	19.8	20.2	19.1
Air-flow (m ³ /hr)	Ent DB (°C)	Ambient Temperature (°C)						Ambient Temperature (°C)											
		46						52											
		Entering Wet Bulb (°C)						Entering Wet Bulb (°C)											
		16		19		23		16		19		23							
		kW	SHC	kW	SHC	kW	SHC	kW	SHC	kW	SHC	kW	SHC	kW	SHC	kW	SHC	kW	SHC
3058	24	14.5	13.6	16.1	10.3	18.2	6.7	13.1	13.1	15.0	9.8	16.9	6.3						
	27	15.2	15.2	16.2	13.1	18.1	9.7	14.2	14.2	15.1	12.6	16.8	9.2						
	29	16.1	16.1	16.3	16.0	18.1	12.5	15.3	15.3	15.4	15.2	16.9	12.1						
	32	17.1	17.1	17.2	17.2	18.1	15.4	16.2	16.2	16.3	16.3	17.0	14.9						
3398	24	14.8	14.5	16.4	10.8	18.4	6.9	13.8	13.8	15.2	10.3	17.1	6.5						
	27	15.7	15.7	16.4	13.9	18.3	10.1	14.8	14.8	15.4	13.5	17.1	9.7						
	29	16.7	16.7	16.8	16.7	18.4	13.3	15.8	15.8	15.8	15.8	17.2	12.8						
	32	17.8	17.8	17.8	17.8	18.5	16.5	16.8	16.8	16.8	16.8	17.3	16.1						
3738	24	15.1	15.1	16.6	11.3	18.6	7.0	14.2	14.2	15.5	10.8	17.3	6.6						
	27	16.1	16.1	16.7	14.8	18.6	10.6	15.2	15.2	15.6	14.3	17.3	10.1						
	29	17.2	17.2	17.2	17.2	18.6	14.1	16.2	16.2	16.3	16.3	17.4	13.6						
	32	18.3	18.3	18.3	18.3	18.8	17.6	17.3	17.3	17.3	17.3	17.6	17.2						
4078	24	15.5	15.5	16.8	11.8	18.8	7.2	14.5	14.5	15.6	11.3	17.4	6.7						
	27	16.5	16.5	16.9	15.6	18.8	11.0	15.6	15.6	15.8	15.2	17.5	10.5						
	29	17.6	17.6	17.7	17.7	18.8	14.8	16.6	16.6	16.7	16.7	17.6	14.4						
	32	18.8	18.8	18.8	18.8	19.1	18.7	17.8	17.8	17.8	17.8	17.9	17.7						

Notes:

1. All capacities shown are gross and have not considered indoor fan heat. To obtain net cooling, subtract indoor fan heat.
2. kW = Total Gross Capacity, SHC = Sensible Heat Capacity,

Table 15. Gross cooling capacities (MBH) TTA0764DA condensing unit with TWE0764DA air handler (IP)

CFM	Ent DB (° F)	Ambient Temperature (°F)						Ambient Temperature (°F)						Ambient Temperature (°F)					
		85						95						105					
		Entering Wet Bulb (°F)						Entering Wet Bulb (°F)						Entering Wet Bulb (°F)					
		61		67		73		61		67		73		61		67		73	
		MBH	SHC	MBH	SHC	MBH	SHC	MBH	SHC	MBH	SHC	MBH	SHC	MBH	SHC	MBH	SHC	MBH	SHC
2250	75	78.7	65.8	86.3	50.5	93.4	34.1	74.7	63.8	81.9	48.7	88.7	32.4	70.4	61.7	77.2	46.8	83.8	30.6
	80	79.6	78.1	86.3	62.8	93.3	46.6	75.7	75.7	82.0	60.9	88.7	44.9	71.9	71.9	77.4	58.9	83.8	43.2
	85	83.0	83.0	86.6	74.9	93.3	59.1	79.5	79.5	82.3	73.0	88.7	57.3	75.8	75.8	77.8	71.0	83.8	55.4
	90	87.4	87.2	87.4	87.2	93.3	71.1	83.3	83.3	83.4	83.4	88.7	69.3	79.4	79.4	79.5	79.5	83.8	67.4
2500	75	80.2	69.7	87.5	52.8	94.4	34.6	76.1	67.7	83.0	51.0	89.7	32.9	71.7	65.6	78.2	49.1	84.7	31.2
	80	81.5	81.5	87.6	66.3	94.4	48.5	77.9	77.9	83.1	64.4	89.6	46.8	74.1	74.1	78.5	62.4	84.6	45.1
	85	85.6	85.6	88.0	79.7	94.3	62.2	81.9	81.9	83.6	77.9	89.6	60.4	78.0	78.0	79.0	75.9	84.6	58.5
	90	89.4	89.4	89.6	89.6	94.4	75.6	85.6	85.6	85.7	85.7	89.6	73.8	81.6	81.6	81.7	81.7	84.7	71.9
2750	75	81.5	73.6	88.5	55.1	95.2	35.1	77.2	71.6	83.9	53.2	90.4	33.4	72.8	69.5	79.1	51.3	85.4	31.7
	80	83.7	83.7	88.6	69.7	95.2	50.4	79.9	79.9	84.1	67.8	90.4	48.7	76.0	76.0	79.4	65.8	85.3	47.0
	85	87.7	87.7	89.1	84.6	95.2	65.3	83.9	83.9	84.7	82.7	90.3	63.4	79.8	79.8	80.2	80.2	85.2	61.5
	90	91.5	91.5	91.6	91.6	95.5	80.1	87.5	87.5	87.6	87.6	90.4	78.2	83.3	83.3	83.4	83.4	85.4	76.3
3000	75	82.6	77.4	89.4	57.2	96.0	35.6	78.3	75.4	84.7	55.2	91.1	33.9	73.8	73.3	79.9	53.2	86.0	32.2
	80	85.5	85.5	89.5	73.1	95.9	52.3	81.6	81.6	84.9	71.2	91.0	50.6	77.5	77.5	80.1	69.2	86.0	48.9
	85	89.5	89.5	90.2	89.4	96.0	68.4	85.6	85.6	85.8	85.8	90.9	66.5	81.3	81.3	81.4	81.4	85.8	64.6
	90	93.2	93.2	93.3	93.3	96.5	84.6	89.1	89.1	89.2	89.2	91.1	82.7	84.7	84.7	84.8	84.8	86.0	80.7
CFM	Ent DB (° F)	Ambient Temperature (°F)						Ambient Temperature (°F)											
		115						125											
		Entering Wet Bulb (°F)						Entering Wet Bulb (°F)											
		61		67		73		61		67		73							
		MBH	SHC	MBH	SHC	MBH	SHC	MBH	SHC	MBH	SHC	MBH	SHC						
2250	75	65.9	59.6	72.3	44.8	78.6	28.8	61.2	57.4	67.0	42.8	73.1	26.9						
	80	68.0	68.0	72.5	56.8	78.6	41.3	63.9	63.9	67.4	54.6	73.0	39.4						
	85	71.8	71.8	73.1	69.0	78.6	53.5	67.5	67.5	68.0	66.8	73.0	51.3						
	90	75.3	75.3	75.4	75.4	78.7	65.5	70.8	70.8	70.9	70.9	73.2	63.4						
2500	75	67.1	63.5	73.2	47.1	79.4	29.3	62.3	61.2	68.0	44.7	73.7	27.4						
	80	70.1	70.0	73.5	60.3	79.4	43.3	65.7	65.7	68.3	58.1	73.7	41.3						
	85	73.8	73.8	74.2	73.8	79.3	56.5	69.3	69.3	69.4	69.4	73.7	54.4						
	90	77.2	77.2	77.3	77.3	79.5	69.9	72.5	72.5	72.5	72.5	73.9	67.8						
2750	75	68.2	67.3	74.1	49.0	80.0	29.9	63.4	63.4	68.7	46.8	74.3	28.0						
	80	71.8	71.8	74.4	63.7	80.0	45.2	67.2	67.2	69.1	61.5	74.3	43.3						
	85	75.5	75.5	75.5	75.5	79.9	59.5	70.7	70.7	70.8	70.8	74.2	57.4						
	90	78.7	78.7	78.8	78.8	80.1	74.3	73.8	73.8	73.8	73.8	74.5	72.2						
3000	75	69.2	69.2	74.7	51.1	80.6	30.4	64.7	64.7	69.2	48.8	74.8	28.5						
	80	73.2	73.2	75.1	67.1	80.5	47.1	68.5	68.5	69.7	64.9	74.7	45.2						
	85	76.8	76.8	76.9	76.9	80.4	62.6	71.9	71.9	72.0	72.0	74.6	60.5						
	90	79.9	79.9	80.0	80.0	80.6	78.7	74.8	74.8	74.8	74.8	75.0	75.0						

Notes:

1. All capacities shown are gross and have not considered indoor fan heat. To obtain net cooling, subtract indoor fan heat.
2. MBH = Total Gross Capacity, SHC = Sensible Heat Capacity



Performance Data

Table 16. Gross cooling capacities (kW) TTA0764DA condensing unit with TWE0764DA air handler (SI)

Airflow (m ³ /hr)	Ent DB (° C)	Ambient Temperature (°C)						Ambient Temperature (°C)						Ambient Temperature (°C)					
		29						35						41					
		Entering Wet Bulb (°C)						Entering Wet Bulb (°C)						Entering Wet Bulb (°C)					
		16		19		23		16		19		23		16		19		23	
		kW	SHC	kW	SHC	kW	SHC	kW	SHC	kW	SHC	kW	SHC	kW	SHC	kW	SHC	kW	SHC
3823	24	23.1	19.3	25.3	14.8	27.4	10.0	21.9	18.7	24.0	14.3	26.0	9.5	20.6	18.1	22.6	13.7	24.6	9.0
	27	23.3	22.9	25.3	18.4	27.4	13.7	22.2	22.2	24.0	17.8	26.0	13.2	21.1	21.1	22.7	17.3	24.6	12.7
	29	24.3	24.3	25.4	21.9	27.3	17.3	23.3	23.3	24.1	21.4	26.0	16.8	22.2	22.2	22.8	20.8	24.6	16.2
	32	25.6	25.6	25.6	25.6	27.3	20.8	24.4	24.4	24.4	24.4	26.0	20.3	23.3	23.3	23.3	23.3	24.6	19.8
4248	24	23.5	20.4	25.6	15.5	27.7	10.1	22.3	19.8	24.3	14.9	26.3	9.6	21.0	19.2	22.9	14.4	24.8	9.1
	27	23.9	23.9	25.7	19.4	27.7	14.2	22.8	22.8	24.4	18.9	26.3	13.7	21.7	21.7	23.0	18.3	24.8	13.2
	29	25.1	25.1	25.8	23.4	27.6	18.2	24.0	24.0	24.5	22.8	26.2	17.7	22.9	22.9	23.2	22.2	24.8	17.1
	32	26.2	26.2	26.2	26.2	27.7	22.1	25.1	25.1	25.1	25.1	26.3	21.6	23.9	23.9	23.9	23.9	24.8	21.1
4672	24	23.9	21.6	25.9	16.1	27.9	10.3	22.6	21.0	24.6	15.6	26.5	9.8	21.3	20.4	23.2	15.0	25.0	9.3
	27	24.5	24.5	26.0	20.4	27.9	14.8	23.4	23.4	24.6	19.9	26.5	14.3	22.3	22.3	23.3	19.3	25.0	13.8
	29	25.7	25.7	26.1	24.8	27.9	19.1	24.6	24.6	24.8	24.2	26.5	18.6	23.4	23.4	23.5	23.5	25.0	18.0
	32	26.8	26.8	26.9	26.9	28.0	23.5	25.7	25.7	25.7	25.7	26.5	22.9	24.4	24.4	24.4	24.4	25.0	22.4
5097	24	24.2	22.7	26.2	16.8	28.1	10.4	22.9	22.1	24.8	16.2	26.7	9.9	21.6	21.5	23.4	15.6	25.2	9.4
	27	25.1	25.1	26.2	21.4	28.1	15.3	23.9	23.9	24.9	20.9	26.7	14.8	22.7	22.7	23.5	20.3	25.2	14.3
	29	26.2	26.2	26.4	26.2	28.1	20.1	25.1	25.1	25.1	25.1	26.6	19.5	23.8	23.8	23.9	23.9	25.1	18.9
	32	27.3	27.3	27.4	27.4	28.3	24.8	26.1	26.1	26.1	26.1	26.7	24.2	24.8	24.8	24.8	24.8	25.2	23.7
Airflow (m ³ /hr)	Ent DB (° C)	Ambient Temperature (°C)						Ambient Temperature (°C)											
		46						52											
		Entering Wet Bulb (°C)						Entering Wet Bulb (°C)											
		16		19		23		16		19		23							
		kW	SHC	kW	SHC	kW	SHC	kW	SHC	kW	SHC	kW	SHC	kW	SHC	kW	SHC	kW	SHC
3823	24	19.3	17.5	21.2	13.1	23.0	8.4	17.9	16.8	19.6	12.5	21.4	7.9						
	27	19.9	19.9	21.3	16.7	23.0	12.1	18.7	18.7	19.8	16.0	21.4	11.5						
	29	21.0	21.0	21.4	20.2	23.0	15.7	19.8	19.8	19.9	19.6	21.4	15.0						
	32	22.1	22.1	22.1	22.1	23.1	19.2	20.7	20.7	20.8	20.8	21.5	18.6						
4248	24	19.7	18.6	21.4	13.8	23.3	8.6	18.3	17.9	19.9	13.1	21.6	8.0						
	27	20.5	20.5	21.6	17.7	23.3	12.7	19.3	19.3	20.0	17.0	21.6	12.1						
	29	21.6	21.6	21.8	21.6	23.2	16.6	20.3	20.3	20.3	20.3	21.6	15.9						
	32	22.6	22.6	22.6	22.6	23.3	20.5	21.2	21.2	21.3	21.3	21.7	19.9						
4672	24	20.0	19.7	21.7	14.4	23.5	8.8	18.6	18.6	20.1	13.7	21.8	8.2						
	27	21.0	21.0	21.8	18.7	23.4	13.2	19.7	19.7	20.2	18.0	21.8	12.7						
	29	22.1	22.1	22.1	22.1	23.4	17.5	20.7	20.7	20.8	20.8	21.7	16.8						
	32	23.1	23.1	23.1	23.1	23.5	21.8	21.6	21.6	21.6	21.6	21.8	21.2						
5097	24	20.3	20.3	21.9	15.0	23.6	8.9	19.0	19.0	20.3	14.3	21.9	8.4						
	27	21.5	21.5	22.0	19.7	23.6	13.8	20.1	20.1	20.4	19.0	21.9	13.2						
	29	22.5	22.5	22.5	22.5	23.5	18.3	21.1	21.1	21.1	21.1	21.9	17.7						
	32	23.4	23.4	23.4	23.4	23.6	23.1	21.9	21.9	21.9	21.9	22.0	22.0						

Notes:

1. All capacities shown are gross and have not considered indoor fan heat. To obtain net cooling, subtract indoor fan heat.
2. kW = Total Gross Capacity, SHC = Sensible Heat Capacity,

Table 17. Gross cooling capacities (MBH) TTA0764DA condensing unit with TWE1014DA air handler (IP)

CFM	Ent DB (° F)	Ambient Temperature (°F)						Ambient Temperature (°F)						Ambient Temperature (°F)							
		85						95						105							
		Entering Wet Bulb (°F)						Entering Wet Bulb (°F)						Entering Wet Bulb (°F)							
		61		67		73		61		67		73		61		67		73			
		MBH	SHC	MBH	SHC	MBH	SHC	MBH	SHC	MBH	SHC	MBH	SHC	MBH	SHC	MBH	SHC	MBH	SHC	MBH	SHC
2250	75	80.1	66.6	87.4	51.4	94.4	34.8	76.0	64.6	83.1	49.7	90.0	33.3	71.7	62.5	78.5	47.8	85.4	31.6		
	80	80.8	78.8	87.5	63.4	94.4	47.4	76.9	76.9	83.3	61.6	90.0	45.8	73.1	73.1	78.8	59.6	85.3	44.2		
	85	84.1	84.1	87.7	75.5	94.3	59.6	80.7	80.7	83.6	73.7	89.9	57.9	77.0	77.0	79.2	71.8	85.3	56.1		
	90	88.3	87.7	88.3	87.7	94.3	71.6	84.4	84.4	84.5	84.5	89.8	69.9	80.7	80.7	80.8	80.8	85.2	68.1		
2500	75	81.5	70.4	88.7	53.6	95.5	35.3	77.4	68.4	84.3	51.9	91.1	33.8	73.0	66.3	79.7	49.8	86.3	32.2		
	80	82.7	82.7	88.7	66.8	95.5	49.3	79.2	79.2	84.5	65.0	91.0	47.8	75.4	75.4	79.9	63.0	86.3	46.2		
	85	86.6	86.6	89.0	80.2	95.4	62.7	83.1	83.1	84.8	78.5	90.8	60.9	79.3	79.3	80.4	76.6	86.1	59.1		
	90	90.3	90.3	90.4	90.4	95.6	76.1	86.7	86.7	86.8	86.8	90.7	74.2	82.8	82.8	82.9	82.9	86.0	72.4		
2750	75	82.8	74.2	89.7	55.7	96.5	35.9	78.6	72.2	85.3	53.8	92.0	34.4	74.2	70.1	80.6	51.8	87.2	32.8		
	80	84.8	84.8	89.7	70.2	96.4	51.3	81.2	81.2	85.4	68.4	91.9	49.8	77.3	77.3	80.8	66.4	87.1	48.2		
	85	88.7	88.7	90.1	85.0	96.5	65.7	85.1	85.1	85.9	83.2	91.6	63.9	81.1	81.1	81.5	81.3	86.8	62.1		
	90	92.3	92.3	92.4	92.4	96.8	80.6	88.6	88.6	88.7	88.7	91.6	78.6	84.5	84.5	84.6	84.6	86.7	76.8		
3000	75	83.8	78.0	90.6	57.7	97.3	36.5	79.6	76.0	86.1	55.8	92.7	35.0	75.2	73.9	81.4	53.8	87.9	33.4		
	80	86.6	86.6	90.5	73.5	97.3	53.2	82.9	82.9	86.2	71.7	92.7	51.7	78.9	78.9	81.6	69.8	87.8	50.2		
	85	90.4	90.4	91.0	89.7	97.3	68.8	86.7	86.7	86.9	86.9	92.1	66.8	82.6	82.6	82.7	82.7	87.3	65.0		
	90	94.3	94.3	94.4	94.4	97.8	85.1	90.1	90.1	90.2	90.2	92.5	83.1	85.9	85.9	86.0	86.0	87.3	81.1		
	Ent DB (° F)	Ambient Temperature (°F)						Ambient Temperature (°F)													
		115						125													
		Entering Wet Bulb (°F)						Entering Wet Bulb (°F)													
		61		67		73		61		67		73									
CFM		MBH	SHC	MBH	SHC	MBH	SHC	MBH	SHC	MBH	SHC	MBH	SHC	MBH	SHC	MBH	SHC	MBH	SHC	MBH	SHC
2250	75	67.1	60.3	73.7	45.6	80.3	29.9	62.5	58.1	68.4	43.3	74.7	28.0								
	80	69.2	69.2	74.0	57.6	80.3	42.5	65.1	65.1	68.9	55.3	74.7	40.6								
	85	73.1	73.1	74.5	69.7	80.3	54.2	68.8	68.8	69.5	67.6	74.9	52.1								
	90	76.6	76.6	76.8	76.8	80.3	66.2	72.3	72.3	72.4	72.4	75.0	64.2								
2500	75	68.4	64.1	74.7	47.6	81.2	30.5	63.6	61.9	69.4	45.3	75.4	28.6								
	80	71.4	71.4	75.1	61.0	81.1	44.5	67.0	67.0	69.9	58.7	75.4	42.6								
	85	75.2	75.2	75.7	74.6	81.1	57.2	70.7	70.7	70.8	70.8	75.6	55.1								
	90	78.6	78.6	78.7	78.7	81.1	70.6	74.0	74.0	74.1	74.1	75.7	68.5								
2750	75	69.5	67.9	75.6	49.6	81.9	31.1	64.7	64.7	70.2	47.3	76.0	29.2								
	80	73.1	73.1	75.9	64.3	81.9	46.5	68.6	68.6	70.7	62.1	76.0	44.6								
	85	76.9	76.9	77.0	77.0	81.7	60.1	72.3	72.3	72.4	72.4	76.2	58.0								
	90	80.2	80.2	80.3	80.3	81.7	74.9	75.4	75.4	75.5	75.5	76.3	72.9								
3000	75	70.6	70.6	76.3	51.6	82.5	31.7	66.0	66.0	70.8	49.2	76.5	29.8								
	80	74.6	74.6	76.6	67.7	82.6	49.1	70.0	70.0	71.3	65.4	76.5	46.5								
	85	78.3	78.3	78.4	78.4	82.2	63.1	73.6	73.6	73.6	73.6	76.6	61.0								
	90	81.4	81.4	81.5	81.5	82.2	79.2	76.5	76.5	76.6	76.6	76.8	76.8								

Notes:

1. All capacities shown are gross and have not considered indoor fan heat. To obtain net cooling, subtract indoor fan heat.
2. MBH = Total Gross Capacity, SHC = Sensible Heat Capacity



Performance Data

Table 18. Gross cooling capacities (kW) TTA0764DA condensing unit with TWE1014DA air handler (SI)

Airflow (m ³ /hr)	Ent DB (° C)	Ambient Temperature (°C)						Ambient Temperature (°C)						Ambient Temperature (°C)					
		29						35						41					
		Entering Wet Bulb (°C)						Entering Wet Bulb (°C)						Entering Wet Bulb (°C)					
		16		19		23		16		19		23		16		19		23	
		kW	SHC	kW	SHC	kW	SHC	kW	SHC	kW	SHC	kW	SHC	kW	SHC	kW	SHC	kW	SHC
3823	24	23.5	19.5	25.6	15.1	27.7	10.2	22.3	18.9	24.4	14.6	26.4	9.7	21.0	18.3	23.0	14.0	25.0	9.3
	27	23.7	23.1	25.6	18.6	27.7	13.9	22.5	22.5	24.4	18.0	26.4	13.4	21.4	21.4	23.1	17.5	25.0	13.0
	29	24.6	24.6	25.7	22.1	27.6	17.5	23.7	23.7	24.5	21.6	26.4	17.0	22.6	22.6	23.2	21.0	25.0	16.4
	32	25.9	25.7	25.9	25.7	27.6	21.0	24.7	24.7	24.8	24.8	26.3	20.5	23.6	23.6	23.7	23.7	25.0	20.0
4248	24	23.9	20.6	26.0	15.7	28.0	10.4	22.7	20.1	24.7	15.2	26.7	9.9	21.4	19.4	23.4	14.6	25.3	9.4
	27	24.2	24.2	26.0	19.6	28.0	14.5	23.2	23.2	24.8	19.0	26.7	14.0	22.1	22.1	23.4	18.5	25.3	13.5
	29	25.4	25.4	26.1	23.5	28.0	18.4	24.4	24.4	24.9	23.0	26.6	17.8	23.2	23.2	23.6	22.4	25.2	17.3
	32	26.5	26.5	26.5	26.5	28.0	22.3	25.4	25.4	25.4	25.4	26.6	21.8	24.3	24.3	24.3	24.3	25.2	21.2
4672	24	24.3	21.7	26.3	16.3	28.3	10.5	23.0	21.2	25.0	15.8	27.0	10.1	21.7	20.6	23.6	15.2	25.5	9.6
	27	24.8	24.8	26.3	20.6	28.3	15.0	23.8	23.8	25.0	20.0	26.9	14.6	22.7	22.7	23.7	19.5	25.5	14.1
	29	26.0	26.0	26.4	24.9	28.3	19.3	24.9	24.9	25.2	24.4	26.8	18.7	23.8	23.8	23.9	23.8	25.4	18.2
	32	27.0	27.0	27.1	27.1	28.4	23.6	26.0	26.0	26.0	26.0	26.9	23.0	24.8	24.8	24.8	24.8	25.4	22.5
5097	24	24.6	22.8	26.5	16.9	28.5	10.7	23.3	22.3	25.2	16.3	27.2	10.2	22.0	21.7	23.9	15.8	25.8	9.8
	27	25.4	25.4	26.5	21.5	28.5	15.6	24.3	24.3	25.3	21.0	27.2	15.2	23.1	23.1	23.9	20.4	25.7	14.7
	29	26.5	26.5	26.7	26.3	28.5	20.2	25.4	25.4	25.5	25.5	27.0	19.6	24.2	24.2	24.2	24.2	25.6	19.1
	32	27.6	27.6	27.7	27.7	28.7	24.9	26.4	26.4	26.4	26.4	27.1	24.4	25.2	25.2	25.2	25.2	25.6	23.8
Airflow (m ³ /hr)	Ent DB (° C)	Ambient Temperature (°C)						Ambient Temperature (°C)											
		46						52											
		Entering Wet Bulb (°C)						Entering Wet Bulb (°C)											
		16		19		23		16		19		23							
		kW	SHC	kW	SHC	kW	SHC	kW	SHC	kW	SHC	kW	SHC						
3823	24	19.7	17.7	21.6	13.4	23.5	8.8	18.3	17.0	20.0	12.7	21.9	8.2						
	27	20.3	20.3	21.7	16.9	23.5	12.4	19.1	19.1	20.2	16.2	21.9	11.9						
	29	21.4	21.4	21.8	20.4	23.5	15.9	20.2	20.2	20.4	19.8	22.0	15.3						
	32	22.5	22.5	22.5	22.5	23.5	19.4	21.2	21.2	21.2	21.2	22.0	18.8						
4248	24	20.0	18.8	21.9	14.0	23.8	8.9	18.6	18.1	20.3	13.3	22.1	8.4						
	27	20.9	20.9	22.0	17.9	23.8	13.0	19.6	19.6	20.5	17.2	22.1	12.5						
	29	22.0	22.0	22.2	21.8	23.8	16.8	20.7	20.7	20.8	20.8	22.2	16.1						
	32	23.0	23.0	23.1	23.1	23.8	20.7	21.7	21.7	21.7	21.7	22.2	20.1						
4672	24	20.4	19.9	22.2	14.5	24.0	9.1	19.0	19.0	20.6	13.9	22.3	8.6						
	27	21.4	21.4	22.3	18.9	24.0	13.6	20.1	20.1	20.7	18.2	22.3	13.1						
	29	22.5	22.5	22.6	22.6	23.9	17.6	21.2	21.2	21.2	21.2	22.3	17.0						
	32	23.5	23.5	23.5	23.5	23.9	22.0	22.1	22.1	22.1	22.1	22.4	21.4						
5097	24	20.7	20.7	22.4	15.1	24.2	9.3	19.3	19.3	20.8	14.4	22.4	8.7						
	27	21.9	21.9	22.5	19.8	24.2	14.4	20.5	20.5	20.9	19.2	22.4	13.6						
	29	22.9	22.9	23.0	23.0	24.1	18.5	21.6	21.6	21.6	21.6	22.5	17.9						
	32	23.9	23.9	23.9	23.9	24.1	23.2	22.4	22.4	22.4	22.4	22.5	22.5						

Notes:

1. All capacities shown are gross and have not considered indoor fan heat. To obtain net cooling, subtract indoor fan heat.
2. kW = Total Gross Capacity, SHC = Sensible Heat Capacity

Table 19. Gross cooling capacities (MBH) TTA0764DD condensing unit with TWE0764DB air handler (IP)

CFM	Ent DB (° F)	Ambient Temperature (°F)						Ambient Temperature (°F)						Ambient Temperature (°F)					
		85						95						105					
		Entering Wet Bulb (°F)						Entering Wet Bulb (°F)						Entering Wet Bulb (°F)					
		61		67		73		61		67		73		61		67		73	
		MBH	SHC	MBH	SHC	MBH	SHC	MBH	SHC	MBH	SHC	MBH	SHC	MBH	SHC	MBH	SHC	MBH	SHC
2250	75	77.6	65.8	84.6	50.0	91.4	33.5	73.8	64.0	80.4	48.3	86.6	31.8	69.7	62.2	76.0	46.5	81.6	30.0
	80	78.2	76.9	84.4	62.4	91.2	46.0	74.6	74.6	80.2	60.7	86.4	44.3	71.2	71.2	75.8	58.9	81.4	42.5
	85	81.6	81.6	84.5	74.7	91.0	58.5	78.2	78.2	80.3	73.0	86.2	56.7	74.6	74.6	76.0	71.2	81.1	55.0
	90	85.2	84.6	85.2	84.6	91.8	71.2	82.6	82.6	82.7	82.7	86.1	69.1	77.6	77.6	77.7	77.7	81.1	67.3
2500	75	78.9	69.8	85.6	52.2	93.4	34.3	75.0	68.0	81.3	50.5	87.5	32.3	70.9	66.2	76.8	48.8	82.3	30.5
	80	80.2	80.2	85.4	65.9	92.2	47.9	76.8	76.8	81.2	64.2	87.2	46.2	73.2	73.2	76.7	62.4	82.1	44.4
	85	83.9	83.9	85.6	79.6	92.0	61.8	80.3	80.3	81.4	77.9	87.0	60.0	76.5	76.5	77.0	75.5	81.9	58.2
	90	87.3	87.3	87.4	87.4	92.9	75.8	83.5	83.5	83.6	83.6	87.0	73.7	79.4	79.4	79.5	79.5	81.9	71.9
2750	75	80.0	73.7	86.4	54.4	93.2	34.5	76.1	71.9	82.1	52.7	88.2	32.8	71.9	70.1	77.5	51.0	82.9	31.0
	80	82.2	82.2	86.3	69.5	93.0	49.8	78.6	78.6	81.9	67.7	87.9	48.1	74.8	74.8	77.4	65.9	82.7	46.3
	85	85.7	85.7	86.7	84.6	93.8	65.4	82.0	82.0	82.4	80.6	87.7	63.3	77.9	77.9	79.5	78.8	82.5	61.5
	90	89.4	89.4	90.3	90.3	92.8	80.1	85.3	85.3	85.4	85.4	87.8	78.3	81.0	81.0	81.1	81.1	82.6	76.6
3000	75	81.0	77.6	87.1	56.6	94.0	35.0	77.0	75.8	82.6	54.9	88.7	33.3	72.9	72.0	78.0	53.1	83.4	31.5
	80	83.8	83.8	87.1	73.0	93.7	51.7	80.1	80.1	82.6	71.2	88.5	50.0	76.1	76.1	78.0	69.5	83.2	48.2
	85	87.4	87.4	87.9	86.9	93.5	68.3	83.4	83.4	83.6	83.6	88.3	66.5	79.2	79.2	79.3	79.3	83.0	64.7
	90	91.2	91.2	91.3	91.3	93.8	84.8	86.9	86.9	87.0	87.0	88.4	83.0	82.4	82.4	82.4	82.4	83.2	81.2
CFM	Ent DB (° F)	Ambient Temperature (°F)						Ambient Temperature (°F)											
		115						125											
		Entering Wet Bulb (°F)						Entering Wet Bulb (°F)											
		61		67		73		61		67		73							
		MBH	SHC	MBH	SHC	MBH	SHC	MBH	SHC	MBH	SHC	MBH	SHC						
2250	75	65.5	60.3	71.4	44.7	76.3	28.2	61.0	58.2	66.4	42.8	70.7	26.3						
	80	67.5	67.5	71.3	57.0	76.1	40.7	63.5	63.5	66.3	55.1	70.5	38.8						
	85	70.7	70.7	71.5	69.4	75.9	53.2	66.5	66.5	66.7	65.3	70.3	51.2						
	90	73.4	73.4	73.5	73.5	75.9	65.5	68.8	68.8	68.9	68.9	70.3	63.5						
2500	75	66.6	64.2	72.1	46.9	76.9	28.7	62.0	60.8	67.0	45.0	71.2	26.8						
	80	69.3	69.3	72.0	60.6	76.7	42.6	65.1	65.1	67.0	58.6	71.0	40.7						
	85	72.4	72.4	72.5	71.7	76.5	56.4	67.9	67.9	67.9	67.9	70.8	54.4						
	90	75.0	75.0	75.1	75.1	76.6	70.1	70.1	70.1	70.1	70.1	70.8	66.8						
2750	75	67.6	66.5	72.7	49.1	77.4	29.2	63.2	63.2	67.6	47.1	71.5	27.3						
	80	70.8	70.8	72.6	64.1	77.2	44.5	66.4	66.4	67.6	62.1	71.3	42.6						
	85	73.6	73.6	73.7	73.7	77.1	59.6	68.9	68.9	68.9	68.9	71.2	57.6						
	90	76.4	76.4	76.4	76.4	77.2	74.7	71.2	71.2	71.2	71.2	71.5	69.7						
3000	75	68.7	68.7	73.1	51.2	77.8	29.7	64.3	64.3	68.0	49.3	71.8	27.8						
	80	72.0	72.0	73.2	67.6	77.6	46.4	67.4	67.4	68.1	65.7	71.6	44.4						
	85	74.7	74.7	74.8	74.8	77.5	62.8	69.7	69.7	69.8	69.8	71.5	60.8						
	90	77.5	77.5	77.5	77.5	77.9	76.3	72.0	72.0	72.0	72.0	72.0	72.0						

Notes:

1. All capacities shown are gross and have not considered indoor fan heat. To obtain net cooling, subtract indoor fan heat.
2. MBH = Total Gross Capacity, SHC = Sensible Heat Capacity



Performance Data

Table 20. Gross cooling capacities (kW) TTA0764DD condensing unit with TWE0764DB air handler (SI)

Airflow (m ³ /hr)	Ent DB (° C)	Ambient Temperature (°C)						Ambient Temperature (°C)						Ambient Temperature (°C)					
		29						35						41					
		Entering Wet Bulb (°C)						Entering Wet Bulb (°C)						Entering Wet Bulb (°C)					
		16		19		23		16		19		23		16		19		23	
		kW	SHC	kW	SHC	kW	SHC	kW	SHC	kW	SHC	kW	SHC	kW	SHC	kW	SHC		
3823	24	22.7	19.3	24.8	14.7	26.8	9.8	21.6	18.8	23.6	14.2	25.4	9.3	20.4	18.2	22.3	13.6	23.9	8.8
	27	22.9	22.5	24.7	18.3	26.7	13.5	21.9	21.9	23.5	17.8	25.3	13.0	20.9	20.9	22.2	17.3	23.8	12.5
	29	23.9	23.9	24.8	21.9	26.7	17.1	22.9	22.9	23.5	21.4	25.3	16.6	21.9	21.9	22.3	20.9	23.8	16.1
	32	25.0	24.8	25.0	24.8	26.9	20.9	24.2	24.2	24.2	24.2	25.2	20.2	22.7	22.7	22.8	22.8	23.8	19.7
4248	24	23.1	20.4	25.1	15.3	27.4	10.1	22.0	19.9	23.8	14.8	25.6	9.5	20.8	19.4	22.5	14.3	24.1	8.9
	27	23.5	23.5	25.0	19.3	27.0	14.0	22.5	22.5	23.8	18.8	25.6	13.5	21.4	21.4	22.5	18.3	24.1	13.0
	29	24.6	24.6	25.1	23.3	27.0	18.1	23.5	23.5	23.9	22.8	25.5	17.6	22.4	22.4	22.6	22.1	24.0	17.1
	32	25.6	25.6	25.6	25.6	27.2	22.2	24.5	24.5	24.5	24.5	25.5	21.6	23.3	23.3	23.3	23.3	24.0	21.1
4672	24	23.5	21.6	25.3	15.9	27.3	10.1	22.3	21.1	24.0	15.4	25.8	9.6	21.1	20.5	22.7	14.9	24.3	9.1
	27	24.1	24.1	25.3	20.4	27.3	14.6	23.0	23.0	24.0	19.9	25.8	14.1	21.9	21.9	22.7	19.3	24.2	13.6
	29	25.1	25.1	25.4	24.8	27.5	19.2	24.0	24.0	24.1	23.6	25.7	18.5	22.8	22.8	23.3	23.1	24.2	18.0
	32	26.2	26.2	26.5	26.5	27.2	23.5	25.0	25.0	25.0	25.0	25.7	23.0	23.7	23.7	23.8	23.8	24.2	22.4
5097	24	23.8	22.8	25.5	16.6	27.5	10.3	22.6	22.2	24.2	16.1	26.0	9.8	21.4	21.1	22.9	15.6	24.5	9.2
	27	24.6	24.6	25.5	21.4	27.5	15.2	23.5	23.5	24.2	20.9	25.9	14.7	22.3	22.3	22.9	20.4	24.4	14.1
	29	25.6	25.6	25.8	25.5	27.4	20.0	24.4	24.4	24.5	24.5	25.9	19.5	23.2	23.2	23.2	23.2	24.3	19.0
	32	26.7	26.7	26.7	26.7	27.5	24.9	25.5	25.5	25.5	25.5	25.9	24.3	24.1	24.1	24.2	24.2	24.4	23.8
Airflow (m ³ /hr)	Ent DB (° C)	Ambient Temperature (°C)						Ambient Temperature (°C)											
		46						52											
		Entering Wet Bulb (°C)						Entering Wet Bulb (°C)											
		16		19		23		16		19		23							
		kW	SHC	kW	SHC	kW	SHC	kW	SHC	kW	SHC	kW	SHC	kW	SHC	kW	SHC		
3823	24	19.2	17.7	20.9	13.1	22.4	8.3	17.9	17.1	19.5	12.5	20.7	7.7						
	27	19.8	19.8	20.9	16.7	22.3	11.9	18.6	18.6	19.4	16.1	20.7	11.4						
	29	20.7	20.7	20.9	20.3	22.3	15.6	19.5	19.5	19.5	19.1	20.6	15.0						
	32	21.5	21.5	21.5	21.5	22.2	19.2	20.2	20.2	20.2	20.2	20.6	18.6						
4248	24	19.5	18.8	21.1	13.8	22.5	8.4	18.2	17.8	19.7	13.2	20.9	7.8						
	27	20.3	20.3	21.1	17.8	22.5	12.5	19.1	19.1	19.6	17.2	20.8	11.9						
	29	21.2	21.2	21.2	21.0	22.4	16.5	19.9	19.9	19.9	19.9	20.7	15.9						
	32	22.0	22.0	22.0	22.0	22.5	20.5	20.5	20.5	20.6	20.6	20.8	19.6						
4672	24	19.8	19.5	21.3	14.4	22.7	8.6	18.5	18.5	19.8	13.8	21.0	8.0						
	27	20.7	20.7	21.3	18.8	22.6	13.0	19.5	19.5	19.8	18.2	20.9	12.5						
	29	21.6	21.6	21.6	21.6	22.6	17.5	20.2	20.2	20.2	20.2	20.9	16.9						
	32	22.4	22.4	22.4	22.4	22.6	21.9	20.9	20.9	20.9	20.9	21.0	20.4						
5097	24	20.1	20.1	21.4	15.0	22.8	8.7	18.9	18.9	19.9	14.4	21.1	8.1						
	27	21.1	21.1	21.4	19.8	22.8	13.6	19.8	19.8	19.9	19.2	21.0	13.0						
	29	21.9	21.9	21.9	21.9	22.7	18.4	20.4	20.4	20.4	20.4	21.0	17.8						
	32	22.7	22.7	22.7	22.7	22.8	22.4	21.1	21.1	21.1	21.1	21.1	21.1						

Notes:

1. All capacities shown are gross and have not considered indoor fan heat. To obtain net cooling, subtract indoor fan heat.
2. kW = Total Gross Capacity, SHC = Sensible Heat Capacity,

Table 21. Gross cooling capacities (MBH) TTA1014DD condensing unit with TWE1014DB air handler (IP)

CFM	Ent DB (° F)	Ambient Temperature (°F)						Ambient Temperature (°F)						Ambient Temperature (°F)					
		85						95						105					
		Entering Wet Bulb (°F)						Entering Wet Bulb (°F)						Entering Wet Bulb (°F)					
		61		67		73		61		67		73		61		67		73	
		MBH	SHC	MBH	SHC	MBH	SHC	MBH	SHC	MBH	SHC	MBH	SHC	MBH	SHC	MBH	SHC	MBH	SHC
3000	75	96.0	84.3	106.2	64.0	116.2	42.7	91.5	82.2	101.5	62.1	111.2	41.0	87.0	80.2	96.4	60.2	105.9	39.1
	80	97.5	97.5	106.0	80.4	115.9	59.3	93.8	93.8	101.2	78.5	110.9	57.6	89.9	89.9	96.2	76.6	105.6	55.7
	85	102.8	102.8	106.2	96.8	115.7	75.9	99.1	99.1	101.6	95.0	110.7	74.1	95.0	95.0	96.7	93.0	105.4	72.3
	90	108.2	108.2	108.2	108.2	115.5	92.3	104.2	104.2	104.3	104.3	110.6	90.6	100.0	100.0	100.2	100.2	105.3	88.7
3333	75	97.7	89.6	107.8	67.1	117.5	43.4	93.2	87.6	102.9	65.2	112.4	41.7	88.6	85.6	97.8	63.2	107.0	39.8
	80	100.6	100.6	107.6	85.3	117.2	61.9	96.8	96.8	102.7	83.4	112.1	60.2	92.7	92.7	97.6	81.4	106.7	58.3
	85	106.1	106.1	108.1	103.6	117.0	80.3	102.2	102.2	103.4	101.7	111.9	78.6	97.9	97.9	98.5	98.5	106.5	76.7
	90	111.4	111.4	111.5	111.5	116.9	98.5	107.3	107.3	107.4	107.4	111.9	96.8	102.9	102.9	103.1	103.1	106.5	94.9
3667	75	99.3	94.9	109.0	70.1	118.6	44.1	94.8	92.9	104.1	68.2	113.3	42.4	90.1	90.1	98.8	66.2	107.9	40.6
	80	103.3	103.3	108.9	90.1	118.4	64.5	99.3	99.3	104.0	88.2	113.1	62.7	95.1	95.1	98.8	86.2	107.6	60.9
	85	108.9	108.9	109.7	109.3	118.1	84.7	104.8	104.8	105.1	104.9	112.8	82.9	100.4	100.4	100.5	100.5	107.3	81.1
	90	114.1	114.1	114.2	114.2	118.2	104.8	109.8	109.8	110.0	110.0	112.9	103.0	105.3	105.3	105.4	105.4	107.6	101.1
4000	75	100.7	100.2	110.1	73.1	119.6	44.9	96.2	96.2	105.1	71.2	114.1	43.1	91.7	91.7	99.7	69.2	108.6	41.3
	80	105.7	105.7	110.0	94.9	119.3	67.1	101.5	101.5	105.1	93.0	113.8	65.3	97.1	97.1	99.9	91.0	108.3	63.4
	85	111.2	111.2	111.4	111.4	119.0	89.1	107.0	107.0	107.1	107.1	113.6	87.2	102.4	102.4	102.3	102.3	108.1	85.4
	90	116.3	116.3	116.5	116.5	119.4	111.0	111.9	111.9	112.1	112.1	113.9	109.1	107.3	107.3	107.4	107.4	108.5	106.9
CFM	Ent DB (° F)	Ambient Temperature (°F)						Ambient Temperature (°F)											
		115						125											
		Entering Wet Bulb (°F)						Entering Wet Bulb (°F)											
		61		67		73		61		67		73							
		MBH	SHC	MBH	SHC	MBH	SHC	MBH	SHC	MBH	SHC	MBH	SHC						
3000	75	82.2	78.1	91.1	58.1	100.2	37.2	77.1	74.8	85.3	55.9	94.0	35.1						
	80	85.7	85.7	90.9	74.4	99.9	53.8	81.2	81.2	85.2	72.2	93.7	51.7						
	85	90.7	90.7	91.5	90.9	99.6	70.4	86.0	86.0	86.2	86.2	93.4	68.2						
	90	95.5	95.5	95.7	95.7	99.6	86.7	90.6	90.6	90.7	90.7	93.5	84.6						
3333	75	83.8	83.4	92.3	61.1	101.2	37.9	78.7	78.7	86.3	58.9	94.9	35.8						
	80	88.3	88.3	92.2	79.3	100.9	56.4	83.6	83.6	86.4	77.0	94.6	54.3						
	85	93.4	93.4	93.5	93.5	100.7	74.7	88.4	88.4	88.5	88.5	94.3	72.6						
	90	98.2	98.2	98.3	98.3	100.8	93.0	93.0	93.0	93.1	93.1	94.6	90.8						
3667	75	85.3	85.3	93.2	64.1	102.0	38.6	80.5	80.5	87.2	61.9	95.6	36.5						
	80	90.5	90.5	93.3	84.1	101.7	59.0	85.6	85.6	87.4	81.9	95.3	56.9						
	85	95.6	95.6	95.8	95.8	101.5	79.1	90.5	90.5	90.6	90.6	95.1	76.9						
	90	100.4	100.4	100.5	100.5	101.8	99.2	95.0	95.0	95.1	95.1	95.6	93.9						
4000	75	87.1	87.1	94.1	67.1	102.7	39.3	82.2	82.2	87.9	64.8	96.2	37.3						
	80	92.4	92.4	94.3	88.9	102.4	61.5	87.3	87.3	88.3	86.7	95.9	59.4						
	85	97.5	97.5	97.6	97.6	102.2	83.4	92.2	92.2	91.9	91.9	95.8	81.3						
	90	102.2	102.2	102.3	102.3	102.8	102.7	96.6	96.6	96.7	96.7	96.7	96.7						

Notes:

- All capacities shown are gross and have not considered indoor fan heat. To obtain net cooling, subtract indoor fan heat.
- MBH = Total Gross Capacity, SHC = Sensible Heat Capacity



Performance Data

Table 22. Gross cooling capacities (kW) TTA1014DD condensing unit with TWE1014DB air handler (SI)

Airflow (m ³ /hr)	Ent DB (° C)	Ambient Temperature (°C)						Ambient Temperature (°C)						Ambient Temperature (°C)					
		29						35						41					
		Entering Wet Bulb (°C)						Entering Wet Bulb (°C)						Entering Wet Bulb (°C)					
		16		19		23		16		19		23		16		19		23	
		kW	SHC	kW	SHC	kW	SHC	kW	SHC	kW	SHC	kW	SHC	kW	SHC	kW	SHC	kW	SHC
5097	24	28.1	24.7	31.1	18.8	34.0	12.5	26.8	24.1	29.7	18.2	32.6	12.0	25.5	23.5	28.3	17.6	31.0	11.5
	27	28.6	28.6	31.1	23.6	34.0	17.4	27.5	27.5	29.7	23.0	32.5	16.9	26.4	26.4	28.2	22.4	31.0	16.3
	29	30.1	30.1	31.1	28.4	33.9	22.2	29.0	29.0	29.8	27.8	32.4	21.7	27.8	27.8	28.3	27.3	30.9	21.2
	32	31.7	31.7	31.7	31.7	33.9	27.1	30.5	30.5	30.6	30.6	32.4	26.5	29.3	29.3	29.4	29.4	30.9	26.0
5663	24	28.6	26.3	31.6	19.7	34.4	12.7	27.3	25.7	30.2	19.1	32.9	12.2	26.0	25.1	28.7	18.5	31.4	11.7
	27	29.5	29.5	31.5	25.0	34.4	18.1	28.4	28.4	30.1	24.4	32.9	17.6	27.2	27.2	28.6	23.9	31.3	17.1
	29	31.1	31.1	31.7	30.4	34.3	23.5	29.9	29.9	30.3	29.8	32.8	23.0	28.7	28.7	28.9	28.9	31.2	22.5
	32	32.6	32.6	32.7	32.7	34.3	28.9	31.4	31.4	31.5	31.5	32.8	28.4	30.2	30.2	30.2	30.2	31.2	27.8
6230	24	29.1	27.8	32.0	20.5	34.8	12.9	27.8	27.2	30.5	20.0	33.2	12.4	26.4	26.4	29.0	19.4	31.6	11.9
	27	30.3	30.3	31.9	26.4	34.7	18.9	29.1	29.1	30.5	25.9	33.1	18.4	27.9	27.9	29.0	25.3	31.5	17.8
	29	31.9	31.9	32.2	32.0	34.6	24.8	30.7	30.7	30.8	30.7	33.1	24.3	29.4	29.4	29.5	29.5	31.5	23.8
	32	33.4	33.4	33.5	33.5	34.6	30.7	32.2	32.2	32.2	32.2	33.1	30.2	30.9	30.9	30.9	30.9	31.5	29.6
6796	24	29.5	29.4	32.3	21.4	35.0	13.2	28.2	28.2	30.8	20.9	33.4	12.6	26.9	26.9	29.2	20.3	31.8	12.1
	27	31.0	31.0	32.2	27.8	35.0	19.7	29.8	29.8	30.8	27.3	33.4	19.1	28.5	28.5	29.3	26.7	31.7	18.6
	29	32.6	32.6	32.7	32.7	34.9	26.1	31.4	31.4	31.4	31.4	33.3	25.6	30.0	30.0	30.0	30.0	31.7	25.0
	32	34.1	34.1	34.1	34.1	35.0	32.5	32.8	32.8	32.8	32.8	33.4	32.0	31.4	31.4	31.5	31.5	31.8	31.3
Airflow (m ³ /hr)	Ent DB (° C)	Ambient Temperature (°C)						Ambient Temperature (°C)											
		46						52											
		Entering Wet Bulb (°C)						Entering Wet Bulb (°C)											
		16		19		23		16		19		23							
		kW	SHC	kW	SHC	kW	SHC	kW	SHC	kW	SHC	kW	SHC						
5097	24	24.1	22.9	26.7	17.0	29.4	10.9	22.6	21.9	25.0	16.4	27.5	10.3						
	27	25.1	25.1	26.6	21.8	29.3	15.8	23.8	23.8	25.0	21.2	27.5	15.2						
	29	26.6	26.6	26.8	26.7	29.2	20.6	25.2	25.2	25.3	25.3	27.4	20.0						
	32	28.0	28.0	28.0	28.0	29.2	25.4	26.5	26.5	26.6	26.6	27.4	24.8						
5663	24	24.5	24.4	27.0	17.9	29.7	11.1	23.1	23.1	25.3	17.3	27.8	10.5						
	27	25.9	25.9	27.0	23.2	29.6	16.5	24.5	24.5	25.3	22.6	27.7	15.9						
	29	27.4	27.4	27.4	27.4	29.5	21.9	25.9	25.9	25.9	25.9	27.7	21.3						
	32	28.8	28.8	28.8	28.8	29.5	27.2	27.3	27.3	27.3	27.3	27.7	26.6						
6230	24	25.0	25.0	27.3	18.8	29.9	11.3	23.6	23.6	25.6	18.1	28.0	10.7						
	27	26.5	26.5	27.3	24.6	29.8	17.3	25.1	25.1	25.6	24.0	27.9	16.7						
	29	28.0	28.0	28.1	28.1	29.7	23.2	26.5	26.5	26.5	26.5	27.9	22.5						
	32	29.4	29.4	29.5	29.5	29.8	29.1	27.8	27.8	27.9	27.9	28.0	27.5						
6796	24	25.5	25.5	27.6	19.7	30.1	11.5	24.1	24.1	25.8	19.0	28.2	10.9						
	27	27.1	27.1	27.6	26.1	30.0	18.0	25.6	25.6	25.9	25.4	28.1	17.4						
	29	28.6	28.6	28.6	28.6	29.9	24.4	27.0	27.0	26.9	26.9	28.1	23.8						
	32	29.9	29.9	30.0	30.0	30.1	30.1	28.3	28.3	28.3	28.3	28.4	28.4						

Notes:

1. All capacities shown are gross and have not considered indoor fan heat. To obtain net cooling, subtract indoor fan heat.
2. kW = Total Gross Capacity, SHC = Sensible Heat Capacity

Table 23. Gross cooling capacities (MBH) one compressor - TTA1014DC condensing unit with TWE1014DA air handler (IP)

CFM	Ent DB (°F)	Ambient Temperature (°F)						Ambient Temperature (°F)						Ambient Temperature (°F)					
		85						95						105					
		Entering Wet Bulb (°F)						Entering Wet Bulb (°F)						Entering Wet Bulb (°F)					
		61		67		73		61		67		73		61		67		73	
		MBH	SHC	MBH	SHC	MBH	SHC	MBH	SHC	MBH	SHC	MBH	SHC	MBH	SHC	MBH	SHC	MBH	SHC
3000	75	59.6	59.6	63.3	46.6	69.1	27.1	57.2	57.2	60.4	45.4	65.7	26.0	55.1	55.1	57.9	44.3	62.6	25.1
	80	63.2	63.2	63.7	62.7	68.5	43.6	60.7	60.7	60.9	60.9	65.1	42.5	58.5	58.5	58.6	58.6	62.0	41.5
	85	66.6	66.6	66.7	66.7	68.9	58.7	64.0	64.0	64.1	64.1	65.9	57.6	61.7	61.7	61.8	61.8	63.2	56.6
	90	69.9	69.9	69.9	69.9	70.0	70.0	67.1	67.1	67.1	67.1	67.2	67.2	64.7	64.7	64.7	64.7	64.8	64.8
3333	75	60.9	60.9	63.9	49.3	69.5	27.8	58.5	58.5	61.0	48.1	66.0	26.7	56.3	56.3	58.5	47.0	62.8	25.8
	80	64.6	64.6	64.7	64.7	68.9	46.1	62.0	62.0	62.1	62.1	65.3	45.0	59.7	59.7	59.8	59.8	62.2	44.1
	85	68.0	68.0	68.1	68.1	69.5	62.9	65.3	65.3	65.4	65.4	66.5	61.7	63.0	63.0	63.0	63.0	63.8	60.7
	90	71.3	71.3	71.4	71.4	71.4	71.4	68.3	68.3	68.4	68.4	68.4	68.4	65.8	65.8	65.8	65.8	65.9	65.9
3667	75	62.0	62.0	64.4	52.0	69.7	28.5	59.5	59.5	61.5	50.8	66.2	27.4	57.3	57.3	58.9	49.7	63.0	26.4
	80	65.7	65.7	65.8	65.8	69.1	48.7	63.1	63.1	63.1	63.1	65.5	47.6	60.7	60.7	60.8	60.8	62.3	46.6
	85	69.2	69.2	69.2	69.2	70.1	67.0	66.4	66.4	66.4	66.4	67.0	65.9	64.0	64.0	64.0	64.0	64.3	64.3
	90	72.6	72.6	72.6	72.6	72.7	72.7	69.5	69.5	69.5	69.5	69.6	69.6	66.8	66.8	66.8	66.8	66.9	66.9
4000	75	63.0	63.0	64.9	54.7	69.9	29.2	60.4	60.4	62.0	53.5	66.3	28.1	58.1	58.1	59.3	52.3	63.1	27.1
	80	66.7	66.7	66.8	66.8	69.3	51.2	64.0	64.0	64.1	64.1	65.6	50.1	61.6	61.6	61.6	61.6	62.4	49.1
	85	70.1	70.1	70.2	70.2	70.6	70.6	67.3	67.3	67.3	67.3	67.4	67.4	64.8	64.8	64.8	64.8	64.9	64.9
	90	73.7	73.7	73.7	73.7	73.8	73.8	70.4	70.4	70.5	70.5	70.5	70.5	67.6	67.6	67.7	67.7	67.7	67.7
CFM	Ent DB (°F)	Ambient Temperature (°F)						Ambient Temperature (°F)											
		115						125											
		Entering Wet Bulb (°F)						Entering Wet Bulb (°F)											
		61		67		73		61		67		73							
		MBH	SHC	MBH	SHC	MBH	SHC	MBH	SHC	MBH	SHC	MBH	SHC						
3000	75	53.0	53.0	55.4	43.3	59.6	24.1	50.6	50.6	52.7	42.1	56.3	23.1						
	80	56.3	56.3	56.3	56.3	59.0	40.6	53.9	53.9	53.9	53.9	55.6	39.5						
	85	59.5	59.5	59.5	59.5	60.7	55.7	57.1	57.1	57.1	57.1	57.9	54.6						
	90	62.4	62.4	62.5	62.5	62.5	62.5	60.0	60.0	60.0	60.0	60.1	60.1						
3333	75	54.1	54.1	55.9	45.9	59.8	24.8	51.6	51.6	53.2	44.7	56.4	23.8						
	80	57.4	57.4	57.5	57.5	59.1	43.1	55.0	55.0	55.0	55.0	55.7	42.1						
	85	60.7	60.7	60.7	60.7	61.3	59.8	58.2	58.2	58.2	58.2	58.5	58.5						
	90	63.5	63.5	63.5	63.5	63.6	63.6	61.0	61.0	61.1	61.1	61.1	61.1						
3667	75	55.0	55.0	56.3	48.6	59.9	25.5	52.5	52.5	53.6	47.4	56.4	24.4						
	80	58.4	58.4	58.5	58.5	59.2	45.6	55.9	55.9	55.9	55.9	55.7	44.6						
	85	61.6	61.6	61.7	61.7	61.8	61.8	59.1	59.1	59.2	59.2	59.2	59.2						
	90	64.4	64.4	64.4	64.4	64.4	64.4	61.8	61.8	61.9	61.9	61.9	61.9						
4000	75	55.8	55.8	56.7	51.2	59.9	26.1	53.2	53.2	54.0	50.0	56.5	25.1						
	80	59.2	59.2	59.3	59.3	59.3	48.2	56.7	56.7	56.7	56.7	55.7	47.1						
	85	62.4	62.4	62.5	62.5	62.5	62.5	59.9	59.9	59.9	59.9	60.0	60.0						
	90	65.1	65.1	65.1	65.1	65.1	65.1	62.5	62.5	62.5	62.5	54.2	54.2						

Notes:

1. All capacities shown are gross and have not considered indoor fan heat. To obtain net cooling, subtract indoor fan heat.
2. MBH = Total Gross Capacity, SHC = Sensible Heat Capacity



Performance Data

Table 24. Gross cooling capacities (kW) one compressor - TTA1014DC condensing unit with TWE1014DA air handler (SI)

Airflow (m ³ /hr)	Ent DB (°C)	Ambient Temperature (°C)						Ambient Temperature (°C)						Ambient Temperature (°C)					
		29						35						41					
		Entering Wet Bulb (°C)						Entering Wet Bulb (°C)						Entering Wet Bulb (°C)					
		16		19		23		16		19		23		16		19		23	
		kW	SHC	kW	SHC	kW	SHC	kW	SHC	kW	SHC	kW	SHC	kW	SHC	kW	SHC		
5097	24	17.5	17.5	18.5	13.7	20.3	7.9	16.8	16.8	17.7	13.3	19.3	7.6	16.2	16.2	17.0	13.0	18.4	7.3
	27	18.5	18.5	18.7	18.4	20.1	12.8	17.8	17.8	17.9	12.5	19.1	12.5	17.1	17.1	17.2	17.2	18.2	12.2
	29	19.5	19.5	19.6	19.5	20.2	17.2	18.8	18.8	18.8	18.8	19.3	16.9	18.1	18.1	18.1	18.1	18.5	16.6
	32	20.5	20.5	20.5	20.5	20.5	20.5	19.7	19.7	19.7	19.7	19.7	19.7	19.0	19.0	19.0	19.0	19.0	19.0
5663	24	17.8	17.8	18.7	14.4	20.4	8.2	17.1	17.1	17.9	14.1	19.3	7.8	16.5	16.5	17.1	13.8	18.4	7.5
	27	18.9	18.9	19.0	19.0	20.2	13.5	18.2	18.2	18.2	18.2	19.1	13.2	17.5	17.5	17.5	17.5	18.2	12.9
	29	19.9	19.9	20.0	20.0	20.4	18.4	19.1	19.1	19.2	19.2	19.5	18.1	18.5	18.5	18.5	18.5	18.7	17.8
	32	20.9	20.9	20.9	20.9	20.9	20.9	20.0	20.0	20.0	20.0	20.1	20.1	19.3	19.3	19.3	19.3	19.3	19.3
6230	24	18.2	18.2	18.9	15.2	20.4	8.4	17.4	17.4	18.0	14.9	19.4	8.0	16.8	16.8	17.3	14.6	18.5	7.7
	27	19.3	19.3	19.3	19.3	20.2	14.3	18.5	18.5	18.5	18.5	19.2	13.9	17.8	17.8	17.8	17.8	18.3	13.7
	29	20.3	20.3	20.3	20.3	20.5	19.6	19.5	19.5	19.5	19.5	19.6	19.3	18.7	18.7	18.8	18.8	18.9	18.9
	32	21.3	21.3	21.3	21.3	21.3	21.3	20.4	20.4	20.4	20.4	20.4	20.4	19.6	19.6	19.6	19.6	19.6	19.6
6796	24	18.5	18.5	19.0	16.0	20.5	8.6	17.7	17.7	18.2	15.7	19.4	8.2	17.0	17.0	17.4	15.3	18.5	7.9
	27	19.6	19.6	19.6	19.6	20.3	15.0	18.8	18.8	18.8	18.8	19.2	14.7	18.1	18.1	18.1	18.1	18.3	14.4
	29	20.5	20.5	20.6	20.6	20.7	20.7	19.7	19.7	19.7	19.7	19.7	19.7	19.0	19.0	19.0	19.0	19.0	19.0
	32	21.6	21.6	21.6	21.6	21.6	21.6	20.6	20.6	20.7	20.7	20.7	20.7	19.8	19.8	19.8	19.8	19.8	19.8
Airflow (m ³ /hr)	Ent DB (°C)	Ambient Temperature (°C)						Ambient Temperature (°C)											
		46						52											
		Entering Wet Bulb (°C)						Entering Wet Bulb (°C)											
		16		19		23		16		19		23							
		kW	SHC	kW	SHC	kW	SHC	kW	SHC	kW	SHC	kW	SHC						
5097	24	15.5	15.5	16.2	12.7	17.5	7.1	14.8	14.8	15.4	12.3	16.5	6.8						
	27	16.5	16.5	16.5	16.5	17.3	11.9	15.8	15.8	15.8	15.8	16.3	11.6						
	29	17.4	17.4	17.4	17.4	17.8	16.3	16.7	16.7	16.7	16.7	17.0	16.0						
	32	18.3	18.3	18.3	18.3	18.3	18.3	17.6	17.6	17.6	17.6	17.6	17.6						
5663	24	15.9	15.9	16.4	13.5	17.5	7.3	15.1	15.1	15.6	13.1	16.5	7.0						
	27	16.8	16.8	16.8	16.8	17.3	12.6	16.1	16.1	16.1	16.1	16.3	12.3						
	29	17.8	17.8	17.8	17.8	18.0	17.5	17.1	17.1	17.1	17.1	17.2	17.2						
	32	18.6	18.6	18.6	18.6	18.6	18.6	17.9	17.9	17.9	17.9	17.9	17.9						
6230	24	16.1	16.1	16.5	14.2	17.5	7.5	15.4	15.4	15.7	13.9	16.5	7.2						
	27	17.1	17.1	17.1	17.1	17.3	13.4	16.4	16.4	16.4	16.4	16.3	13.1						
	29	18.1	18.1	18.1	18.1	18.1	18.1	17.3	17.3	17.3	17.3	17.3	17.3						
	32	18.9	18.9	18.9	18.9	18.9	18.9	18.1	18.1	18.1	18.1	18.1	18.1						
6796	24	16.3	16.3	16.6	15.0	17.6	7.7	15.6	15.6	15.8	14.6	16.5	7.4						
	27	17.4	17.4	17.4	17.4	17.4	14.1	16.6	16.6	16.6	16.6	16.3	13.8						
	29	18.3	18.3	18.3	18.3	18.3	18.3	17.6	17.6	17.6	17.6	17.6	17.6						
	32	19.1	19.1	19.1	19.1	19.1	19.1	18.3	18.3	18.3	18.3	15.9	15.9						

Notes:

1. All capacities shown are gross and have not considered indoor fan heat. To obtain net cooling, subtract indoor fan heat.
2. kW = Total Gross Capacity, SHC = Sensible Heat Capacity

Table 25. Gross cooling capacities (MBH) both compressors - TTA1014DC condensing unit with TWE1014DA air handler (IP)

CFM	Ent DB (°F)	Ambient Temperature (°F)						Ambient Temperature (°F)						Ambient Temperature (°F)					
		85						95						105					
		Entering Wet Bulb (°F)						Entering Wet Bulb (°F)						Entering Wet Bulb (°F)					
		61		67		73		61		67		73		61		67		73	
		MBH	SHC	MBH	SHC	MBH	SHC	MBH	SHC	MBH	SHC	MBH	SHC	MBH	SHC	MBH	SHC	MBH	SHC
3000	75	98.0	84.4	107.7	64.6	117.0	43.0	94.1	82.5	103.4	62.8	112.4	41.4	90.0	80.5	99.0	61.1	107.9	39.8
	80	98.9	98.9	107.4	80.4	116.5	59.5	95.4	95.4	103.1	78.6	112.0	57.9	92.0	92.0	98.8	76.7	107.4	56.3
	85	103.7	103.7	107.4	96.3	116.1	75.6	100.3	100.3	103.2	94.5	111.5	73.9	96.7	96.7	99.0	92.7	106.9	72.2
	90	108.6	108.6	108.6	108.6	115.7	91.5	104.8	104.8	105.0	105.0	111.1	89.7	101.2	101.2	101.4	101.4	106.5	87.9
3333	75	99.8	89.5	109.2	67.6	118.4	43.8	95.8	87.6	104.8	65.7	113.6	42.1	91.7	85.7	100.4	63.9	109.0	40.5
	80	101.9	101.9	108.9	85.0	117.9	62.1	98.4	98.4	104.6	83.2	113.1	60.5	94.8	94.8	100.2	81.3	108.5	58.9
	85	106.8	106.8	109.1	102.7	117.5	79.8	103.2	103.2	104.8	100.9	112.6	78.0	99.6	99.6	100.6	99.1	108.0	76.2
	90	111.5	111.5	111.6	111.6	117.4	97.5	107.7	107.7	107.8	107.8	112.2	96.2	103.9	103.9	104.0	104.0	107.7	93.8
3667	75	101.4	94.6	110.4	70.3	119.7	44.5	97.3	92.7	106.0	68.5	114.6	42.8	93.1	90.8	101.3	67.1	109.9	41.2
	80	104.5	104.5	110.2	89.5	119.1	64.7	100.9	100.9	105.8	87.7	114.1	63.0	97.1	97.1	101.4	85.9	109.4	61.4
	85	109.4	109.4	110.6	109.2	118.8	84.0	105.7	105.7	106.3	106.3	113.6	82.0	101.9	101.9	102.1	102.1	108.8	80.3
	90	114.0	114.0	114.1	114.1	118.7	103.5	110.0	110.0	110.1	110.1	113.5	101.5	106.1	106.1	106.2	106.2	108.6	99.7
4000	75	102.7	99.7	111.5	73.1	120.7	45.3	98.7	97.8	107.0	71.2	115.5	43.5	94.5	94.5	102.5	69.3	110.7	42.0
	80	106.7	106.7	111.2	94.1	120.1	67.3	103.0	103.0	106.8	92.2	115.0	65.6	99.2	99.2	102.3	90.4	110.2	64.0
	85	111.6	111.6	112.0	112.0	119.9	88.1	107.7	107.7	107.8	107.8	114.5	86.1	103.8	103.8	103.9	103.9	109.5	84.3
	90	116.4	116.4	116.5	116.5	120.0	109.5	112.0	112.0	112.1	112.1	114.6	107.5	107.9	107.9	108.0	108.0	109.5	105.6
CFM	Ent DB (°F)	Ambient Temperature (°F)						Ambient Temperature (°F)											
		115						125											
		Entering Wet Bulb (°F)						Entering Wet Bulb (°F)											
		61		67		73		61		67		73							
		MBH	SHC	MBH	SHC	MBH	SHC	MBH	SHC	MBH	SHC	MBH	SHC						
3000	75	85.4	78.4	94.1	59.1	103.0	38.1	80.2	75.9	88.3	56.9	97.4	36.2						
	80	88.1	88.1	94.0	74.7	102.5	54.6	83.6	83.6	88.6	72.4	96.8	52.7						
	85	92.8	92.8	94.3	90.7	102.1	70.3	88.3	88.3	89.1	88.4	96.5	68.2						
	90	97.2	97.2	97.4	97.4	101.7	86.1	92.6	92.6	92.8	92.8	96.2	84.0						
3333	75	87.0	83.5	95.5	61.8	104.1	38.9	81.8	81.0	89.9	59.4	98.4	36.9						
	80	90.8	90.8	95.4	79.3	103.6	57.2	86.1	86.1	89.9	77.0	97.8	55.3						
	85	95.5	95.5	96.0	96.0	103.1	74.4	90.8	90.8	90.9	90.9	97.4	72.2						
	90	99.8	99.8	99.9	99.9	102.8	92.0	95.0	95.0	95.1	95.1	97.2	89.9						
3667	75	88.5	88.5	96.6	64.5	105.0	39.6	83.3	83.3	90.9	62.2	99.2	37.7						
	80	93.0	93.0	96.5	83.8	104.4	59.8	88.3	88.3	91.0	81.5	98.7	57.2						
	85	97.7	97.7	97.8	97.8	103.9	78.4	92.9	92.9	93.0	93.0	98.1	76.3						
	90	101.8	101.8	101.9	101.9	103.6	97.9	96.9	96.9	97.0	97.0	98.0	95.8						
4000	75	89.9	89.9	97.5	67.3	105.7	40.3	85.0	85.0	91.8	64.9	99.9	38.4						
	80	94.9	94.9	97.5	88.4	105.2	61.6	90.1	90.1	91.9	86.1	99.3	60.5						
	85	99.6	99.6	99.6	99.6	104.5	82.4	94.6	94.6	94.7	94.7	98.7	80.3						
	90	103.5	103.5	103.6	103.6	104.4	103.7	98.4	98.4	98.5	98.5	98.8	98.8						

Notes:

1. All capacities shown are gross and have not considered indoor fan heat. To obtain net cooling, subtract indoor fan heat.
2. MBH = Total Gross Capacity, SHC = Sensible Heat Capacity



Performance Data

Table 26. Gross cooling capacities (kW) both compressors - TTA1014DC condensing unit with TWE1014DA air handler (SI)

Airflow (m ³ /hr)	Ent DB (°C)	Ambient Temperature (°C)						Ambient Temperature (°C)						Ambient Temperature (°C)					
		29						35						41					
		Entering Wet Bulb (°C)						Entering Wet Bulb (°C)						Entering Wet Bulb (°C)					
		16		19		23		16		19		23		16		19		23	
		kW	SHC	kW	SHC	kW	SHC	kW	SHC	kW	SHC	kW	SHC	kW	SHC	kW	SHC		
5097	24	28.8	24.8	31.6	19.0	34.3	12.6	27.6	24.3	30.3	18.5	33.0	12.1	26.4	23.7	29.0	18.0	31.6	11.7
	27	29.1	29.1	31.5	23.7	34.2	17.5	28.0	28.0	30.3	23.1	32.8	17.0	27.0	27.0	29.0	22.6	31.5	16.6
	29	30.5	30.5	31.5	28.4	34.0	22.3	29.5	29.5	30.3	27.8	32.7	21.7	28.4	28.4	29.0	27.3	31.4	21.2
	32	31.9	31.9	31.9	31.9	34.0	26.9	30.8	30.8	30.8	30.8	32.6	26.4	29.7	29.7	29.8	29.8	31.3	25.9
5663	24	29.3	26.3	32.0	19.9	34.7	12.8	28.1	25.8	30.7	19.3	33.3	12.4	26.9	25.2	29.4	18.8	32.0	11.9
	27	29.9	29.9	31.9	25.0	34.6	18.2	28.9	28.9	30.7	24.4	33.2	17.8	27.8	27.8	29.4	23.9	31.8	17.3
	29	31.4	31.4	32.0	30.2	34.5	23.5	30.3	30.3	30.8	29.7	33.0	22.9	29.2	29.2	29.5	29.1	31.7	22.4
	32	32.7	32.7	32.8	32.8	34.4	28.7	31.6	31.6	31.6	31.6	32.9	28.2	30.5	30.5	30.5	30.5	31.6	27.6
6230	24	29.7	27.8	32.4	20.7	35.1	13.1	28.5	27.2	31.1	20.2	33.6	12.6	27.3	26.6	29.7	19.7	32.2	12.1
	27	30.6	30.6	32.3	26.3	34.9	19.0	29.6	29.6	31.0	25.7	33.5	18.5	28.5	28.5	29.7	25.2	32.1	18.0
	29	32.1	32.1	32.4	32.0	34.8	24.6	31.0	31.0	31.2	31.2	33.3	24.1	29.9	29.9	29.9	29.9	31.9	23.5
	32	33.4	33.4	33.5	33.5	34.8	30.4	32.3	32.3	32.3	32.3	33.3	29.8	31.1	31.1	31.1	31.1	31.8	29.3
6796	24	30.1	29.2	32.6	21.6	35.4	13.3	28.9	28.7	31.3	21.1	33.8	12.8	27.7	27.7	30.0	20.5	32.5	12.3
	27	31.3	31.3	32.6	27.6	35.2	19.7	30.2	30.2	31.3	27.0	33.7	19.2	29.1	29.1	30.0	26.5	32.3	18.8
	29	32.7	32.7	32.8	32.8	35.1	25.8	31.6	31.6	31.6	31.6	33.6	25.2	30.4	30.4	30.5	30.5	32.1	24.7
	32	34.1	34.1	34.2	34.2	35.2	32.1	32.8	32.8	32.9	32.9	33.6	31.5	31.6	31.6	31.6	31.6	32.1	31.0

Airflow (m ³ /hr)	Ent DB (°C)	Ambient Temperature (°C)						Ambient Temperature (°C)					
		46						52					
		Entering Wet Bulb (°C)						Entering Wet Bulb (°C)					
		16		19		23		16		19		23	
		kW	SHC	kW	SHC	kW	SHC	kW	SHC	kW	SHC	kW	SHC
5097	24	25.1	23.1	27.6	17.4	30.2	11.2	23.5	22.4	25.9	16.8	28.6	10.6
	27	25.9	25.9	27.6	22.0	30.1	16.1	24.6	24.6	26.0	21.3	28.4	15.5
	29	27.3	27.3	27.7	26.7	29.9	20.7	25.9	25.9	26.1	26.1	28.3	20.1
	32	28.6	28.6	28.6	28.6	29.8	25.4	27.2	27.2	27.2	27.2	28.2	24.8
5663	24	25.5	24.5	27.9	18.3	30.5	11.4	24.0	23.8	26.2	17.6	28.8	10.8
	27	26.6	26.6	28.0	23.3	30.4	16.8	25.3	25.3	26.4	22.6	28.7	16.2
	29	28.0	28.0	28.2	28.2	30.2	21.9	26.7	26.7	26.7	26.7	28.6	21.2
	32	29.3	29.3	29.3	29.3	30.1	27.0	27.9	27.9	27.9	27.9	28.5	26.4
6230	24	25.9	25.9	28.2	19.1	30.8	11.6	24.4	24.4	26.5	18.5	29.1	11.1
	27	27.3	27.3	28.3	24.6	30.6	17.5	25.9	25.9	26.7	23.9	28.9	17.0
	29	28.7	28.7	28.7	28.7	30.4	23.0	27.2	27.2	27.3	27.3	28.8	22.4
	32	29.9	29.9	29.9	29.9	30.4	28.7	28.4	28.4	28.4	28.4	28.7	28.1
6796	24	26.4	26.4	28.5	20.0	31.0	11.8	24.9	24.9	26.7	19.3	29.3	11.3
	27	27.8	27.8	28.6	25.9	30.8	18.3	26.4	26.4	26.9	25.2	29.1	17.7
	29	29.2	29.2	29.2	29.2	30.6	24.2	27.7	27.7	27.8	27.8	28.9	23.5
	32	30.3	30.3	30.3	30.3	30.6	30.4	28.8	28.8	28.9	28.9	29.0	29.0

Notes:

1. All capacities shown are gross and have not considered indoor fan heat. To obtain net cooling, subtract indoor fan heat.
2. kW = Total Gross Capacity, SHC = Sensible Heat Capacity

Table 27. Gross cooling capacities (MBH) TTA1264DD condensing unit with TWE1264DB air handler (IP)

CFM	Ent DB (°F)	Ambient Temperature (°F)						Ambient Temperature (°F)						Ambient Temperature (°F)					
		85						95						105					
		Entering Wet Bulb (°F)						Entering Wet Bulb (°F)						Entering Wet Bulb (°F)					
		61		67		73		61		67		73		61		67		73	
		MBH	SHC	MBH	SHC	MBH	SHC	MBH	SHC	MBH	SHC	MBH	SHC	MBH	SHC	MBH	SHC	MBH	SHC
3750	75	125.6	107.7	137.8	82.0	148.3	54.4	119.7	105.1	131.5	79.4	141.5	52.1	113.3	102.2	124.5	76.7	134.1	49.5
	80	126.8	126.3	137.5	102.5	148.0	75.2	121.6	121.6	131.2	99.9	141.2	72.8	116.2	116.2	124.2	97.1	133.8	70.2
	85	132.9	132.9	137.6	122.8	147.7	95.8	127.8	127.8	131.4	120.3	140.9	93.4	122.2	122.2	124.6	117.5	133.5	90.9
	90	139.1	139.1	139.1	139.1	147.4	116.3	133.6	133.6	133.8	133.8	140.7	113.9	127.7	127.7	127.9	127.9	133.3	111.3
4200	75	128.0	114.9	139.7	86.0	150.0	55.4	122.0	112.2	133.2	83.4	142.8	52.9	115.5	109.3	126.1	80.7	135.2	50.3
	80	130.8	130.8	139.4	108.9	149.7	78.6	125.7	125.7	133.0	106.3	142.5	76.1	119.9	119.9	125.9	103.5	134.9	73.6
	85	137.2	137.2	139.8	131.8	149.4	101.7	131.8	131.8	133.5	129.3	142.2	99.3	125.8	125.8	126.7	123.0	134.6	96.7
	90	143.0	143.0	143.1	143.1	149.2	124.6	137.3	137.3	137.5	137.5	142.1	122.1	131.1	131.1	131.2	131.2	134.5	119.5
4650	75	130.1	122.0	141.2	90.0	151.3	56.3	124.0	119.3	134.6	87.4	143.9	53.8	117.4	113.9	127.4	84.7	136.0	51.2
	80	134.4	134.4	141.0	115.3	151.0	82.0	129.0	129.0	134.5	112.7	143.6	79.5	123.0	123.0	127.3	109.9	135.8	76.9
	85	140.6	140.6	141.7	137.3	150.7	107.6	135.0	135.0	135.5	135.3	143.2	105.0	128.7	128.7	128.9	128.9	135.4	102.4
	90	146.1	146.1	146.3	146.3	150.7	132.9	140.2	140.2	140.3	140.3	143.3	130.4	133.6	133.6	133.7	133.7	135.5	127.7
5100	75	131.9	129.1	142.5	93.9	152.5	57.2	125.8	123.1	135.8	91.4	144.8	54.7	119.4	119.0	128.4	88.6	136.7	52.0
	80	137.3	137.3	142.3	121.6	152.2	85.4	131.7	131.7	135.7	119.1	144.5	82.9	125.5	125.5	128.5	116.3	136.4	80.3
	85	143.4	143.4	143.5	143.5	151.8	113.4	137.5	137.5	137.7	137.7	144.2	110.8	131.0	131.0	131.1	131.1	136.1	108.1
	90	148.9	148.9	149.0	149.0	152.2	141.3	142.5	142.5	142.6	142.6	143.8	138.3	135.5	135.5	135.6	135.6	136.2	133.9
CFM	Ent DB (°F)	Ambient Temperature (°F)						Ambient Temperature (°F)											
		115						125											
		Entering Wet Bulb (°F)						Entering Wet Bulb (°F)											
		61		67		73		61		67		73							
		MBH	SHC	MBH	SHC	MBH	SHC	MBH	SHC	MBH	SHC	MBH	SHC						
3750	75	106.3	99.0	116.8	73.7	125.9	46.7	98.6	94.3	108.2	70.4	116.8	43.6						
	80	110.1	110.1	116.6	94.1	125.6	67.4	103.3	103.3	108.1	90.7	116.5	64.3						
	85	115.9	115.9	117.1	112.2	125.3	88.0	108.7	108.7	108.9	108.9	116.2	84.9						
	90	121.1	121.1	121.2	121.2	125.2	108.4	113.5	113.5	113.6	113.6	116.1	105.3						
4200	75	108.3	104.3	118.2	77.7	126.8	47.5	100.9	99.4	109.5	74.4	117.6	44.5						
	80	113.5	113.5	118.1	100.5	126.6	70.8	106.3	106.3	109.5	97.1	117.3	67.7						
	85	119.1	119.1	119.4	118.6	126.2	93.8	111.6	111.6	111.7	111.7	117.0	90.6						
	90	124.0	124.0	124.1	124.1	126.2	116.6	116.0	116.0	116.1	116.1	117.0	110.7						
4650	75	110.5	109.4	119.4	81.6	127.6	48.4	103.0	103.0	110.5	78.3	118.2	45.3						
	80	116.3	116.3	119.4	106.9	127.3	74.1	108.8	108.8	110.7	103.5	117.9	71.1						
	85	121.7	121.7	121.8	121.8	127.0	99.5	113.8	113.8	113.9	113.9	117.6	96.4						
	90	126.1	126.1	126.2	126.2	127.0	121.2	117.7	117.7	117.8	117.8	117.9	115.7						
5100	75	112.5	112.5	120.3	85.5	128.2	49.2	105.1	105.1	111.3	82.1	118.7	46.2						
	80	118.5	118.5	120.5	113.2	127.9	77.5	110.8	110.8	111.7	107.1	118.4	74.4						
	85	123.7	123.7	123.8	123.8	127.5	105.2	115.5	115.5	115.6	115.6	118.1	102.1						
	90	127.7	127.7	127.8	127.8	128.1	126.5	118.9	118.9	118.9	118.9	118.9	118.9						

Notes:

- All capacities shown are gross and have not considered indoor fan heat. To obtain net cooling, subtract indoor fan heat.
- MBH = Total Gross Capacity, SHC = Sensible Heat Capacity



Performance Data

Table 28. Gross cooling capacities (kW) TTA1264DD condensing unit with TWE1264DB air handler (SI)

Airflow (m ³ /hr)	Ent DB (° C)	Ambient Temperature (°C)						Ambient Temperature (°C)						Ambient Temperature (°C)					
		29						35						41					
		Entering Wet Bulb (°C)						Entering Wet Bulb (°C)						Entering Wet Bulb (°C)					
		16		19		23		16		19		23		16		19		23	
		kW	SHC	kW	SHC	kW	SHC	kW	SHC	kW	SHC	kW	SHC	kW	SHC	kW	SHC	kW	SHC
6371	24	36.8	31.6	40.4	24.0	43.5	16.0	35.1	30.8	38.5	23.3	41.5	15.3	33.2	29.9	36.5	22.5	39.3	14.5
	27	37.2	37.0	40.3	30.0	43.4	22.0	35.6	35.6	38.4	29.3	41.4	21.3	34.0	34.0	36.4	28.5	39.2	20.6
	29	39.0	39.0	40.3	36.0	43.3	28.1	37.5	37.5	38.5	35.3	41.3	27.4	35.8	35.8	36.5	34.4	39.1	26.6
	32	40.8	40.8	40.8	40.8	43.2	34.1	39.2	39.2	39.2	39.2	41.2	33.4	37.4	37.4	37.5	37.5	39.1	32.6
7136	24	37.5	33.7	41.0	25.2	44.0	16.2	35.8	32.9	39.1	24.5	41.8	15.5	33.8	32.0	37.0	23.6	39.6	14.7
	27	38.3	38.3	40.9	31.9	43.9	23.0	36.8	36.8	39.0	31.2	41.8	22.3	35.1	35.1	36.9	30.3	39.5	21.6
	29	40.2	40.2	41.0	38.6	43.8	29.8	38.6	38.6	39.1	37.9	41.7	29.1	36.9	36.9	37.1	36.1	39.5	28.3
	32	41.9	41.9	42.0	42.0	43.7	36.5	40.3	40.3	40.3	40.3	41.6	35.8	38.4	38.4	38.4	38.4	39.4	35.0
7900	24	38.1	35.8	41.4	26.4	44.4	16.5	36.3	35.0	39.5	25.6	42.2	15.8	34.4	33.4	37.3	24.8	39.9	15.0
	27	39.4	39.4	41.3	33.8	44.3	24.0	37.8	37.8	39.4	33.0	42.1	23.3	36.0	36.0	37.3	32.2	39.8	22.5
	29	41.2	41.2	41.5	40.2	44.2	31.5	39.6	39.6	39.7	39.7	42.0	30.8	37.7	37.7	37.8	37.8	39.7	30.0
	32	42.8	42.8	42.9	42.9	44.2	39.0	41.1	41.1	41.1	41.1	42.0	38.2	39.1	39.1	39.2	39.2	39.7	37.4
8665	24	38.6	37.8	41.8	27.5	44.7	16.8	36.9	36.1	39.8	26.8	42.4	16.0	35.0	34.9	37.6	26.0	40.1	15.2
	27	40.2	40.2	41.7	35.6	44.6	25.0	38.6	38.6	39.8	34.9	42.4	24.3	36.8	36.8	37.6	34.1	40.0	23.5
	29	42.0	42.0	42.1	42.1	44.5	33.2	40.3	40.3	40.3	40.3	42.3	32.5	38.4	38.4	38.4	38.4	39.9	31.7
	32	43.6	43.6	43.7	43.7	44.6	41.4	41.8	41.8	41.8	41.8	42.1	40.5	39.7	39.7	39.7	39.7	39.9	39.3
Airflow (m ³ /hr)	Ent DB (° C)	Ambient Temperature (°C)						Ambient Temperature (°C)						Ambient Temperature (°C)					
		46						52						52					
		Entering Wet Bulb (°C)						Entering Wet Bulb (°C)						Entering Wet Bulb (°C)					
		16		19		23		16		19		23		16		19		23	
		kW	SHC	kW	SHC	kW	SHC	kW	SHC	kW	SHC	kW	SHC	kW	SHC	kW	SHC	kW	SHC
6371	24	31.2	29.0	34.2	21.6	36.9	13.7	28.9	27.6	31.7	20.6	34.2	12.8						
	27	32.3	32.3	34.2	27.6	36.8	19.8	30.3	30.3	31.7	26.6	34.1	18.9						
	29	34.0	34.0	34.3	32.9	36.7	25.8	31.9	31.9	31.9	31.9	34.0	24.9						
	32	35.5	35.5	35.5	35.5	36.7	31.8	33.3	33.3	33.3	33.3	34.0	30.9						
7136	24	31.7	30.6	34.7	22.8	37.2	13.9	29.6	29.1	32.1	21.8	34.5	13.0						
	27	33.3	33.3	34.6	29.5	37.1	20.7	31.2	31.2	32.1	28.5	34.4	19.8						
	29	34.9	34.9	35.0	34.8	37.0	27.5	32.7	32.7	32.7	32.7	34.3	26.6						
	32	36.3	36.3	36.4	36.4	37.0	34.2	34.0	34.0	34.0	34.0	34.3	32.4						
7900	24	32.4	32.1	35.0	23.9	37.4	14.2	30.2	30.2	32.4	22.9	34.6	13.3						
	27	34.1	34.1	35.0	31.3	37.3	21.7	31.9	31.9	32.4	30.3	34.6	20.8						
	29	35.7	35.7	35.7	35.7	37.2	29.2	33.4	33.4	33.4	33.4	34.5	28.2						
	32	37.0	37.0	37.0	37.0	37.2	35.5	34.5	34.5	34.5	34.5	34.6	33.9						
8665	24	33.0	33.0	35.3	25.1	37.6	14.4	30.8	30.8	32.6	24.1	34.8	13.5						
	27	34.7	34.7	35.3	33.2	37.5	22.7	32.5	32.5	32.7	31.4	34.7	21.8						
	29	36.3	36.3	36.3	36.3	37.4	30.8	33.9	33.9	33.9	33.9	34.6	29.9						
	32	37.4	37.4	37.4	37.4	37.5	37.1	34.8	34.8	34.8	34.8	34.9	34.9						

Notes:

1. All capacities shown are gross and have not considered indoor fan heat. To obtain net cooling, subtract indoor fan heat.
2. kW = Total Gross Capacity, SHC = Sensible Heat Capacity

Table 29. Gross cooling capacities (MBH) TTA1564DD condensing unit with TWE1564DB air handler (IP)

CFM	Ent DB (°F)	Ambient Temperature (°F)						Ambient Temperature (°F)						Ambient Temperature (°F)					
		85						95						105					
		Entering Wet Bulb (°F)						Entering Wet Bulb (°F)						Entering Wet Bulb (°F)					
		61		67		73		61		67		73		61		67		73	
		MBH	SHC	MBH	SHC	MBH	SHC	MBH	SHC	MBH	SHC	MBH	SHC	MBH	SHC	MBH	SHC	MBH	SHC
4500	75	156.2	131.4	174.2	101.7	192.7	70.3	148.8	127.9	166.3	98.4	184.3	67.2	140.9	124.1	157.7	94.8	175.2	63.9
	80	157.2	153.6	173.7	126.2	192.2	95.2	150.6	149.2	165.9	122.8	183.8	92.1	143.5	143.5	157.3	119.2	174.7	88.7
	85	164.8	164.8	173.8	150.5	191.6	119.9	158.7	158.7	166.1	147.2	183.3	116.8	152.1	152.1	157.7	143.7	174.2	113.5
	90	175.0	171.2	175.0	171.2	191.2	144.4	167.4	167.4	168.1	167.0	182.9	141.2	160.6	160.6	160.9	160.9	174.0	137.8
5000	75	159.5	139.5	177.3	106.4	195.6	71.6	152.0	136.0	169.2	103.1	187.0	68.5	143.9	132.2	160.3	99.6	177.7	65.1
	80	161.7	161.7	176.9	133.6	195.1	99.2	155.4	155.4	168.8	130.2	186.5	96.1	148.6	148.6	160.1	126.6	177.1	92.8
	85	170.8	170.8	177.2	160.7	194.5	126.7	164.4	164.4	169.4	157.4	185.9	123.6	157.5	157.5	160.9	153.9	176.6	120.3
	90	179.8	179.8	180.1	180.1	194.2	153.8	173.3	173.3	173.6	173.6	185.8	150.7	166.3	166.3	166.5	166.5	176.6	147.3
5500	75	162.3	147.6	179.8	111.1	198.0	72.8	154.7	144.0	171.5	107.8	189.2	69.7	146.5	140.2	162.4	104.2	179.7	66.3
	80	166.6	166.6	179.5	140.9	197.4	103.2	160.1	160.1	171.3	137.5	188.7	100.1	153.0	153.0	162.4	133.9	179.1	96.7
	85	176.0	176.0	180.2	170.9	196.9	133.4	169.4	169.4	172.3	167.6	188.1	130.3	162.1	162.1	163.8	162.7	178.8	126.8
	90	185.2	185.2	185.5	185.5	196.8	163.2	178.4	178.4	178.7	178.7	188.2	160.1	171.1	171.1	171.3	171.3	178.9	156.7
6000	75	164.9	155.5	181.9	115.7	200.1	74.0	157.1	152.0	173.5	112.4	191.0	70.8	148.8	148.2	164.3	108.7	181.3	67.5
	80	170.9	170.9	181.6	148.1	199.5	107.2	164.2	164.2	173.4	144.7	190.5	104.0	156.9	156.9	164.4	141.1	180.8	100.7
	85	180.5	180.5	182.9	180.5	199.0	140.0	173.6	173.6	174.9	174.1	190.1	136.8	166.2	166.2	166.6	166.6	180.5	133.3
	90	189.8	189.8	190.1	190.1	199.1	172.7	182.8	182.8	183.1	183.1	190.3	169.4	175.2	175.2	175.4	175.4	180.9	166.0
CFM	Ent DB (°F)	Ambient Temperature (°F)						Ambient Temperature (°F)											
		115						125											
		Entering Wet Bulb (°F)						Entering Wet Bulb (°F)											
		61		67		73		61		67		73							
		MBH	SHC	MBH	SHC	MBH	SHC	MBH	SHC	MBH	SHC	MBH	SHC						
4500	75	132.4	120.1	148.4	91.1	165.4	60.4	125.6	118.6	138.2	87.0	154.5	56.5						
	80	136.5	136.5	148.2	115.4	164.8	85.2	130.0	130.0	138.0	111.2	154.1	81.4						
	85	144.9	144.9	148.8	139.9	164.3	109.9	137.0	137.0	139.2	135.9	153.8	106.0						
	90	153.3	153.3	153.6	153.6	164.3	134.3	145.3	145.3	145.5	145.5	153.9	130.4						
5000	75	135.2	128.2	150.7	95.8	167.6	61.6	128.9	127.2	140.2	91.5	156.5	57.8						
	80	141.2	141.2	150.7	122.7	167.1	89.2	134.7	134.7	140.5	118.6	156.0	85.4						
	85	150.0	150.0	151.9	150.1	166.7	116.5	141.7	141.7	142.3	141.5	155.9	112.6						
	90	158.6	158.6	158.8	158.8	166.9	143.7	150.1	150.1	150.4	150.4	156.2	139.8						
5500	75	137.7	136.2	152.8	100.3	169.4	62.8	130.0	130.0	142.2	96.0	158.1	58.9						
	80	145.4	145.4	152.9	130.0	168.9	93.2	136.9	136.9	142.6	125.8	157.6	89.4						
	85	154.3	154.3	154.9	154.6	168.7	123.1	145.8	145.8	145.5	145.5	157.6	119.2						
	90	163.1	163.1	163.3	163.3	169.0	153.1	154.3	154.3	154.5	154.5	158.2	149.2						
6000	75	140.1	139.9	154.5	104.7	170.9	64.0	132.9	132.9	143.8	100.5	159.4	60.1						
	80	148.9	148.9	154.8	137.2	170.3	97.1	140.3	140.3	144.4	133.0	158.9	93.3						
	85	158.1	158.1	158.3	158.3	170.3	129.7	149.2	149.2	149.3	149.3	159.1	125.7						
	90	166.9	166.9	167.1	167.1	170.9	162.4	157.8	157.8	158.0	158.0	159.6	153.6						

Notes:

1. All capacities shown are gross and have not considered indoor fan heat. To obtain net cooling, subtract indoor fan heat.
2. MBH = Total Gross Capacity, SHC = Sensible Heat Capacity



Performance Data

Table 30. Gross cooling capacities (kW) TTA1564DD condensing unit with TWE1564DB air handler (SI)

Airflow (m ³ /hr)	Ent DB (° C)	Ambient Temperature (°C)						Ambient Temperature (°C)						Ambient Temperature (°C)					
		29						35						41					
		Entering Wet Bulb (°C)						Entering Wet Bulb (°C)						Entering Wet Bulb (°C)					
		16		19		23		16		19		23		16		19		23	
		kW	SHC	kW	SHC	kW	SHC	kW	SHC	kW	SHC	kW	SHC	kW	SHC	kW	SHC	kW	SHC
7646	24	45.8	38.5	51.1	29.8	56.5	20.6	43.6	37.5	48.7	28.8	54.0	19.7	41.3	36.4	46.2	27.8	51.4	18.7
	27	46.1	45.0	50.9	37.0	56.3	27.9	44.1	43.7	48.6	36.0	53.9	27.0	42.1	42.1	46.1	34.9	51.2	26.0
	29	48.3	48.3	50.9	44.1	56.2	35.1	46.5	46.5	48.7	43.1	53.7	34.2	44.6	44.6	46.2	42.1	51.0	33.3
	32	51.3	50.2	51.3	50.2	56.0	42.3	49.1	49.1	49.3	48.9	53.6	41.4	47.1	47.1	47.2	47.2	51.0	40.4
8495	24	46.7	40.9	52.0	31.2	57.3	21.0	44.5	39.9	49.6	30.2	54.8	20.1	42.2	38.7	47.0	29.2	52.1	19.1
	27	47.4	47.4	51.8	39.2	57.2	29.1	45.5	45.5	49.5	38.2	54.7	28.2	43.5	43.5	46.9	37.1	51.9	27.2
	29	50.1	50.1	51.9	47.1	57.0	37.1	48.2	48.2	49.6	46.1	54.5	36.2	46.2	46.2	47.2	45.1	51.8	35.2
	32	52.7	52.7	52.8	52.8	56.9	45.1	50.8	50.8	50.9	50.9	54.4	44.2	48.7	48.7	48.8	48.8	51.8	43.2
9345	24	47.6	43.2	52.7	32.6	58.0	21.3	45.3	42.2	50.3	31.6	55.5	20.4	42.9	41.1	47.6	30.5	52.7	19.4
	27	48.8	48.8	52.6	41.3	57.9	30.2	46.9	46.9	50.2	40.3	55.3	29.3	44.8	44.8	47.6	39.2	52.5	28.4
	29	51.6	51.6	52.8	50.1	57.7	39.1	49.6	49.6	50.5	49.1	55.2	38.2	47.5	47.5	48.0	47.7	52.4	37.1
	32	54.3	54.3	54.4	54.4	57.7	47.8	52.3	52.3	52.4	52.4	55.2	46.9	50.1	50.1	50.2	50.2	52.4	45.9
10194	24	48.3	45.6	53.3	33.9	58.7	21.7	46.0	44.5	50.8	32.9	56.0	20.8	43.6	43.4	48.2	31.8	53.1	19.8
	27	50.1	50.1	53.2	43.4	58.5	31.4	48.1	48.1	50.8	42.4	55.8	30.5	46.0	46.0	48.2	41.4	53.0	29.5
	29	52.9	52.9	53.6	52.9	58.3	41.0	50.9	50.9	51.3	51.0	55.7	40.1	48.7	48.7	48.8	48.8	52.9	39.1
	32	55.6	55.6	55.7	55.7	58.4	50.6	53.6	53.6	53.7	53.7	55.8	49.7	51.3	51.3	51.4	51.4	53.0	48.7
Airflow (m ³ /hr)	Ent DB (° C)	Ambient Temperature (°C)						Ambient Temperature (°C)											
		46						52											
		Entering Wet Bulb (°C)						Entering Wet Bulb (°C)											
		16		19		23		16		19		23							
		kW	SHC	kW	SHC	kW	SHC	kW	SHC	kW	SHC	kW	SHC						
7646	24	38.8	35.2	43.5	26.7	48.5	17.7	36.8	34.8	40.5	25.5	45.3	16.6						
	27	40.0	40.0	43.4	33.8	48.3	25.0	38.1	38.1	40.5	32.6	45.1	23.9						
	29	42.5	42.5	43.6	41.0	48.2	32.2	40.1	40.1	40.8	39.8	45.1	31.1						
	32	44.9	44.9	45.0	45.0	48.2	39.4	42.6	42.6	42.7	42.7	45.1	38.2						
8495	24	39.6	37.6	44.2	28.1	49.1	18.1	37.8	37.3	41.1	26.8	45.9	16.9						
	27	41.4	41.4	44.2	36.0	49.0	26.2	39.5	39.5	41.2	34.7	45.7	25.0						
	29	43.9	43.9	44.5	44.0	48.9	34.2	41.5	41.5	41.7	41.5	45.7	33.0						
	32	46.5	46.5	46.6	46.6	48.9	42.1	44.0	44.0	44.1	44.1	45.8	41.0						
9345	24	40.4	39.9	44.8	29.4	49.7	18.4	38.1	38.1	41.7	28.1	46.3	17.3						
	27	42.6	42.6	44.8	38.1	49.5	27.3	40.1	40.1	41.8	36.9	46.2	26.2						
	29	45.2	45.2	45.4	45.3	49.4	36.1	42.7	42.7	42.6	42.6	46.2	34.9						
	32	47.8	47.8	47.9	47.9	49.5	44.9	45.2	45.2	45.3	45.3	46.4	43.7						
10194	24	41.1	41.0	45.3	30.7	50.1	18.7	38.9	38.9	42.2	29.4	46.7	17.6						
	27	43.7	43.7	45.4	40.2	49.9	28.5	41.1	41.1	42.3	39.0	46.6	27.3						
	29	46.3	46.3	46.4	46.4	49.9	38.0	43.7	43.7	43.8	43.8	46.6	36.8						
	32	48.9	48.9	49.0	49.0	50.1	47.6	46.2	46.2	46.3	46.3	46.8	45.0						

Notes:

1. All capacities shown are gross and have not considered indoor fan heat. To obtain net cooling, subtract indoor fan heat.
2. kW = Total Gross Capacity, SHC = Sensible Heat Capacity

Table 31. Gross cooling capacities (MBH) TTA1564DD condensing unit with TWE2014DB air handler (IP)

CFM	Ent DB (°F)	Ambient Temperature (°F)						Ambient Temperature (°F)						Ambient Temperature (°F)					
		85						95						105					
		Entering Wet Bulb (°F)						Entering Wet Bulb (°F)						Entering Wet Bulb (°F)					
		61		67		73		61		67		73		61		67		73	
		MBH	SHC	MBH	SHC	MBH	SHC	MBH	SHC	MBH	SHC	MBH	SHC	MBH	SHC	MBH	SHC	MBH	SHC
4500	75	154.4	130.7	171.6	101.0	188.0	69.0	147.4	127.4	164.1	98.0	180.1	66.2	139.8	123.9	155.9	94.7	171.5	63.2
	80	155.0	151.1	171.1	125.4	187.5	93.8	148.6	147.4	163.6	122.3	179.6	91.1	141.8	141.8	155.6	118.9	171.0	88.0
	85	161.9	161.9	170.9	149.4	187.0	118.6	156.1	156.1	163.5	146.2	179.1	115.8	149.8	149.8	155.7	142.9	170.5	112.7
	90	171.9	168.2	171.9	168.2	186.5	142.8	164.2	164.2	165.2	164.7	178.7	139.8	157.8	157.8	158.0	158.0	170.2	136.7
5000	75	157.4	138.6	174.4	105.7	190.4	70.1	150.2	135.3	166.7	102.7	182.3	67.3	142.6	131.8	158.3	99.4	173.6	64.3
	80	159.4	159.3	174.0	132.6	189.9	97.8	152.9	152.9	166.4	129.4	181.8	95.0	146.5	146.5	158.1	126.0	173.1	92.0
	85	167.4	167.4	173.9	159.3	189.3	125.2	161.3	161.3	166.5	156.2	181.3	122.3	154.8	154.8	158.4	152.9	172.6	119.1
	90	175.7	175.7	176.2	176.2	188.9	151.9	169.4	169.4	169.7	169.7	180.9	148.9	162.7	162.7	162.9	162.9	172.2	145.7
5500	75	160.0	146.5	176.7	110.3	192.3	71.2	152.7	143.1	168.8	107.3	184.2	68.4	144.9	139.6	160.3	103.9	175.2	65.4
	80	163.4	163.4	176.4	139.7	191.8	101.6	157.2	157.2	168.6	136.5	183.6	98.8	150.5	150.5	160.1	133.1	174.7	95.8
	85	172.1	172.1	176.5	169.2	191.3	131.6	165.8	165.8	169.0	166.1	183.1	128.6	158.9	158.9	160.9	160.9	174.3	125.4
	90	180.3	180.3	180.5	180.5	190.8	160.9	173.8	173.8	174.1	174.1	182.7	158.0	166.8	166.8	167.0	167.0	173.9	154.8
6000	75	162.3	154.3	178.6	114.8	193.9	72.3	154.9	150.9	170.6	111.7	185.7	69.5	147.1	146.5	162.0	108.2	176.6	66.5
	80	167.4	167.4	178.3	146.7	193.4	105.5	161.0	161.0	170.4	143.5	185.1	102.7	154.1	154.1	161.8	140.1	176.1	99.7
	85	176.1	176.1	178.8	178.3	192.9	137.9	169.6	169.6	171.2	171.2	184.6	134.9	162.5	162.5	162.8	162.8	175.6	131.7
	90	184.2	184.2	184.4	184.4	192.3	169.9	177.5	177.5	177.7	177.7	184.2	167.0	170.2	170.2	170.4	170.4	175.3	163.8
CFM	Ent DB (°F)	Ambient Temperature (°F)						Ambient Temperature (°F)											
		115						125											
		Entering Wet Bulb (°F)						Entering Wet Bulb (°F)											
		61		67		73		61		67		73							
		MBH	SHC	MBH	SHC	MBH	SHC	MBH	SHC	MBH	SHC	MBH	SHC						
4500	75	132.0	120.2	147.2	91.3	162.2	59.9	123.7	116.4	137.7	87.6	152.1	56.5						
	80	135.2	135.2	147.0	115.3	161.7	84.8	128.2	128.2	137.7	111.5	151.6	81.4						
	85	143.1	143.1	147.2	139.4	161.2	109.4	135.8	135.8	138.2	135.7	151.2	105.7						
	90	150.7	150.7	151.0	151.0	160.9	133.3	143.1	143.1	143.3	143.3	150.9	129.6						
5000	75	134.5	128.1	149.3	95.9	164.1	61.1	126.1	124.2	139.7	92.1	153.7	57.6						
	80	139.6	139.6	149.2	122.4	163.6	88.7	132.2	132.2	139.7	118.5	153.2	85.3						
	85	147.6	147.6	149.9	148.6	163.1	115.7	139.9	139.9	141.0	139.1	152.8	111.9						
	90	155.3	155.3	155.5	155.5	162.8	142.3	147.2	147.2	147.4	147.4	152.6	138.6						
5500	75	136.8	135.5	151.2	100.3	165.6	62.2	128.4	126.5	141.4	96.4	155.0	58.7						
	80	143.4	143.4	151.1	129.4	165.1	92.6	135.6	135.6	141.4	125.5	154.5	89.1						
	85	151.5	151.5	152.5	151.5	164.6	122.0	143.4	143.4	143.7	143.7	154.2	118.2						
	90	159.1	159.1	159.2	159.2	162.9	150.6	150.6	150.6	150.7	150.7	154.1	147.7						
6000	75	138.9	138.9	152.7	104.5	166.8	63.3	130.7	130.7	142.9	100.6	156.1	59.8						
	80	146.6	146.6	152.7	136.4	166.3	96.4	138.6	138.6	142.9	132.5	155.7	92.8						
	85	154.8	154.8	153.7	153.7	165.9	128.2	146.3	146.3	146.5	146.5	155.2	124.4						
	90	162.2	162.2	162.3	162.3	164.8	157.4	153.3	153.3	153.4	153.4	155.3	154.6						

Notes:

1. All capacities shown are gross and have not considered indoor fan heat. To obtain net cooling, subtract indoor fan heat.
2. MBH = Total Gross Capacity, SHC = Sensible Heat Capacity



Performance Data

Table 32. Gross cooling capacities (kW) TTA1564DD condensing unit with TWE2014DB air handler (SI)

Airflow (m ³ /hr)	Ent DB (° C)	Ambient Temperature (°C)						Ambient Temperature (°C)						Ambient Temperature (°C)					
		29						35						41					
		Entering Wet Bulb (°C)						Entering Wet Bulb (°C)						Entering Wet Bulb (°C)					
		16		19		23		16		19		23		16		19		23	
		kW	SHC	kW	SHC	kW	SHC	kW	SHC	kW	SHC	kW	SHC	kW	SHC	kW	SHC	kW	SHC
7646	24	45.2	38.3	50.3	29.6	55.1	20.2	43.2	37.3	48.1	28.7	52.8	19.4	41.0	36.3	45.7	27.8	50.3	18.5
	27	45.4	44.3	50.1	36.8	54.9	27.5	43.6	43.2	48.0	35.8	52.6	26.7	41.6	41.6	45.6	34.8	50.1	25.8
	29	47.5	47.5	50.1	43.8	54.8	34.8	45.8	45.8	47.9	42.9	52.5	33.9	43.9	43.9	45.6	41.9	50.0	33.0
	32	50.4	49.3	50.4	49.3	54.7	41.8	48.1	48.1	48.4	48.3	52.4	41.0	46.2	46.2	46.3	46.3	49.9	40.1
8495	24	46.1	40.6	51.1	31.0	55.8	20.5	44.0	39.6	48.9	30.1	53.4	19.7	41.8	38.6	46.4	29.1	50.9	18.8
	27	46.7	46.7	51.0	38.9	55.6	28.6	44.8	44.8	48.8	37.9	53.3	27.8	42.9	42.9	46.3	36.9	50.7	27.0
	29	49.1	49.1	51.0	46.7	55.5	36.7	47.3	47.3	48.8	45.8	53.1	35.8	45.4	45.4	46.4	44.8	50.6	34.9
	32	51.5	51.5	51.6	51.6	55.4	44.5	49.7	49.7	49.7	49.7	53.0	43.6	47.7	47.7	47.7	47.7	50.5	42.7
9345	24	46.9	42.9	51.8	32.3	56.4	20.9	44.7	41.9	49.5	31.4	54.0	20.1	42.5	40.9	47.0	30.4	51.4	19.2
	27	47.9	47.9	51.7	40.9	56.2	29.8	46.1	46.1	49.4	40.0	53.8	29.0	44.1	44.1	46.9	39.0	51.2	28.1
	29	50.4	50.4	51.7	49.6	56.1	38.6	48.6	48.6	49.5	48.7	53.7	37.7	46.6	46.6	47.1	47.1	51.1	36.8
	32	52.8	52.8	52.9	52.9	55.9	47.2	50.9	50.9	51.0	51.0	53.5	46.3	48.9	48.9	48.9	48.9	51.0	45.4
10194	24	47.6	45.2	52.3	33.6	56.8	21.2	45.4	44.2	50.0	32.7	54.4	20.4	43.1	42.9	47.5	31.7	51.8	19.5
	27	49.0	49.0	52.3	43.0	56.7	30.9	47.2	47.2	49.9	42.1	54.3	30.1	45.1	45.1	47.4	41.1	51.6	29.2
	29	51.6	51.6	52.4	52.3	56.5	40.4	49.7	49.7	50.2	50.2	54.1	39.5	47.6	47.6	47.7	47.7	51.5	38.6
	32	54.0	54.0	54.1	54.1	56.4	49.8	52.0	52.0	52.1	52.1	54.0	48.9	49.9	49.9	49.9	49.9	51.4	48.0
Airflow (m ³ /hr)	Ent DB (° C)	Ambient Temperature (°C)						Ambient Temperature (°C)											
		46						52											
		Entering Wet Bulb (°C)						Entering Wet Bulb (°C)											
		16		19		23		16		19		23							
		kW	SHC	kW	SHC	kW	SHC	kW	SHC	kW	SHC	kW	SHC						
7646	24	38.7	35.2	43.1	26.8	47.5	17.6	36.3	34.1	40.4	25.7	44.6	16.6						
	27	39.6	39.6	43.1	33.8	47.4	24.9	37.6	37.6	40.4	32.7	44.4	23.8						
	29	41.9	41.9	43.1	40.9	47.3	32.1	39.8	39.8	40.5	39.8	44.3	31.0						
	32	44.2	44.2	44.2	44.2	47.2	39.1	41.9	41.9	42.0	42.0	44.2	38.0						
8495	24	39.4	37.5	43.8	28.1	48.1	17.9	37.0	36.4	40.9	27.0	45.0	16.9						
	27	40.9	40.9	43.7	35.9	47.9	26.0	38.7	38.7	41.0	34.7	44.9	25.0						
	29	43.3	43.3	43.9	43.6	47.8	33.9	41.0	41.0	41.3	40.8	44.8	32.8						
	32	45.5	45.5	45.6	45.6	47.7	41.7	43.1	43.1	43.2	43.2	44.7	40.6						
9345	24	40.1	39.7	44.3	29.4	48.5	18.2	37.6	37.1	41.5	28.2	45.4	17.2						
	27	42.0	42.0	44.3	37.9	48.4	27.1	39.7	39.7	41.4	36.8	45.3	26.1						
	29	44.4	44.4	44.7	44.4	48.3	35.7	42.0	42.0	42.1	42.1	45.2	34.6						
	32	46.6	46.6	46.7	46.7	47.8	44.1	44.1	44.1	44.2	44.2	45.2	43.3						
10194	24	40.7	40.7	44.8	30.6	48.9	18.5	38.3	38.3	41.9	29.5	45.8	17.5						
	27	43.0	43.0	44.7	40.0	48.7	28.3	40.6	40.6	41.9	38.8	45.6	27.2						
	29	45.4	45.4	45.0	45.0	48.6	37.6	42.9	42.9	42.9	42.9	45.5	36.5						
	32	47.5	47.5	47.6	47.6	48.3	46.1	44.9	44.9	45.0	45.0	45.5	45.3						

Notes:

1. All capacities shown are gross and have not considered indoor fan heat. To obtain net cooling, subtract indoor fan heat.
2. kW = Total Gross Capacity, SHC = Sensible Heat Capacity

Table 33. Gross cooling capacities (MBH) one compressor - TTA1564DC condensing unit with TWE1564DB air handler (IP)

CFM	Ent DB (°F)	Ambient Temperature (°F)						Ambient Temperature (°F)						Ambient Temperature (°F)					
		85						95						105					
		Entering Wet Bulb (°F)						Entering Wet Bulb (°F)						Entering Wet Bulb (°F)					
		61		67		73		61		67		73		61		67		73	
		MBH	SHC	MBH	SHC	MBH	SHC	MBH	SHC	MBH	SHC	MBH	SHC	MBH	SHC	MBH	SHC	MBH	SHC
4500	75	101.9	101.9	110.8	77.4	122.9	46.6	97.6	97.6	105.2	75.3	116.8	44.7	93.0	93.0	99.4	73.2	110.5	42.6
	80	108.7	108.7	111.4	102.2	122.8	71.7	104.1	104.1	106.0	100.2	116.8	69.7	99.3	99.3	100.4	98.0	110.4	67.7
	85	115.6	115.6	115.7	115.7	122.9	96.6	110.8	110.8	110.9	110.9	117.0	94.6	105.8	105.8	105.9	105.9	110.6	92.7
	90	122.6	122.6	122.6	122.6	124.0	121.6	117.5	117.5	117.7	117.7	118.3	118.3	112.3	112.3	108.6	108.6	112.6	112.6
5000	75	104.5	104.5	112.0	81.9	124.0	47.8	100.0	100.0	106.3	79.8	117.9	45.8	95.2	95.2	100.4	77.7	111.5	43.8
	80	111.5	111.5	113.0	109.5	124.0	75.6	106.8	106.8	106.9	106.9	117.8	73.7	101.7	101.7	101.9	101.9	111.4	71.6
	85	118.6	118.6	118.8	118.8	124.2	103.3	113.7	113.7	113.8	113.8	118.2	101.3	108.4	108.4	108.5	108.5	111.9	99.2
	90	125.6	125.6	125.7	125.7	126.0	126.0	120.5	120.5	120.6	120.6	120.8	120.8	115.1	115.1	109.5	109.5	115.4	115.4
5500	75	106.8	106.8	113.0	86.3	125.0	48.9	102.0	102.0	107.2	84.3	118.8	46.9	97.1	97.1	101.3	82.2	112.3	44.9
	80	114.0	114.0	114.1	114.1	124.9	79.5	109.0	109.0	109.1	109.1	118.7	77.6	103.8	103.8	103.9	103.9	112.2	75.5
	85	121.2	121.2	121.4	121.4	125.3	109.9	116.1	116.1	116.2	116.2	119.3	107.9	110.7	110.7	110.8	110.8	112.8	106.2
	90	128.2	128.2	128.3	128.3	128.5	128.5	123.0	123.0	123.1	123.1	123.2	123.2	117.4	117.4	109.8	109.8	117.6	117.6
6000	75	108.7	108.7	113.9	90.9	125.8	50.0	103.8	103.8	108.1	88.6	119.5	48.0	98.7	98.7	102.0	86.7	112.9	46.0
	80	116.1	116.1	116.2	116.2	125.7	83.4	111.0	111.0	111.1	111.1	119.4	81.5	105.6	105.6	105.7	105.7	112.9	79.4
	85	123.5	123.5	123.6	123.6	126.3	116.5	118.2	118.2	118.3	118.3	120.2	114.6	112.6	112.6	112.7	112.7	113.9	112.5
	90	130.4	130.4	124.8	124.8	130.6	130.6	125.0	125.0	125.1	125.1	124.5	124.5	119.3	119.3	109.9	109.9	112.9	112.9
CFM	Ent DB (°F)	Ambient Temperature (°F)						Ambient Temperature (°F)											
		115						125											
		Entering Wet Bulb (°F)						Entering Wet Bulb (°F)											
		61		67		73		61		67		73							
		MBH	SHC	MBH	SHC	MBH	SHC	MBH	SHC	MBH	SHC	MBH	SHC						
4500	75	88.2	88.2	93.4	71.0	103.9	40.5	82.9	82.9	87.0	68.7	96.8	38.3						
	80	94.2	94.2	94.6	94.6	103.8	65.6	88.8	88.8	88.9	88.9	96.8	63.4						
	85	100.5	100.5	100.6	100.6	104.1	90.6	94.8	94.8	94.9	94.9	97.3	88.2						
	90	106.8	106.8	101.6	101.6	107.1	107.1	100.8	100.8	93.8	93.8	101.1	101.1						
5000	75	90.2	90.2	94.3	75.5	104.7	41.6	84.7	84.7	87.8	73.2	97.6	39.4						
	80	96.5	96.5	96.6	96.6	104.7	69.5	90.8	90.8	90.9	90.9	97.5	67.3						
	85	102.9	102.9	103.0	103.0	105.3	97.1	97.0	97.0	97.1	97.1	98.4	94.8						
	90	109.4	109.4	102.0	102.0	109.6	109.6	103.2	103.2	93.9	93.9	103.4	103.4						
5500	75	91.9	91.9	95.1	80.0	105.4	42.7	86.3	86.3	88.7	77.4	98.2	40.5						
	80	98.4	98.4	98.4	98.4	105.4	73.4	92.5	92.5	92.6	92.6	98.2	71.2						
	85	105.0	105.0	105.1	105.1	106.1	104.1	98.8	98.8	98.9	98.9	99.4	99.4						
	90	111.5	111.5	102.1	102.1	111.7	111.7	105.1	105.1	105.2	105.2	105.3	105.3						
6000	75	93.4	93.4	95.7	84.5	106.0	43.8	87.6	87.6	89.2	82.2	98.8	41.6						
	80	100.0	100.0	100.1	100.1	106.0	77.3	94.0	94.0	94.1	94.1	98.7	75.1						
	85	106.7	106.7	106.8	106.8	107.0	107.0	100.4	100.4	100.5	100.5	100.6	100.6						
	90	113.3	113.3	102.1	102.1	106.0	106.0	106.8	106.8	106.9	106.9	107.0	107.0						

Notes:

1. All capacities shown are gross and have not considered indoor fan heat. To obtain net cooling, subtract indoor fan heat.
2. MBH = Total Gross Capacity, SHC = Sensible Heat Capacity



Performance Data

Table 34. Gross cooling capacities (kW) one compressor - TTA1564DC condensing unit with TWE1564DB air handler (SI)

Airflow (m ³ /hr)	Ent DB (°C)	Ambient Temperature (°C)						Ambient Temperature (°C)						Ambient Temperature (°C)					
		29						35						41					
		Entering Wet Bulb (°C)						Entering Wet Bulb (°C)						Entering Wet Bulb (°C)					
		16		19		23		16		19		23		16		19		23	
		kW	SHC	kW	SHC	kW	SHC	kW	SHC	kW	SHC	kW	SHC	kW	SHC	kW	SHC		
7646	24	29.9	29.9	32.5	22.7	36.0	13.7	28.6	28.6	30.8	22.1	34.2	13.1	27.3	27.3	29.1	21.5	32.4	12.5
	27	31.9	31.9	32.7	30.0	36.0	21.0	30.5	30.5	31.1	29.4	34.2	20.4	29.1	29.1	29.4	28.7	32.4	19.8
	29	33.9	33.9	33.9	33.9	36.0	28.3	32.5	32.5	32.5	32.5	34.3	27.7	31.0	31.0	31.0	31.0	32.4	27.2
	32	35.9	35.9	35.9	35.9	36.4	35.6	34.4	34.4	34.5	34.5	34.7	34.7	32.9	32.9	31.8	31.8	33.0	33.0
8495	24	30.6	30.6	32.8	24.0	36.4	14.0	29.3	29.3	31.2	23.4	34.6	13.4	27.9	27.9	29.4	22.8	32.7	12.8
	27	32.7	32.7	33.1	32.1	36.3	22.2	31.3	31.3	31.3	31.3	34.5	21.6	29.8	29.8	29.9	29.9	32.6	21.0
	29	34.8	34.8	34.8	34.8	36.4	30.3	33.3	33.3	33.3	33.3	34.6	29.7	31.8	31.8	31.8	31.8	32.8	29.1
	32	36.8	36.8	36.8	36.8	36.9	36.9	35.3	35.3	35.4	35.4	35.4	35.4	33.7	33.7	32.1	32.1	33.8	33.8
9345	24	31.3	31.3	33.1	25.3	36.6	14.3	29.9	29.9	31.4	24.7	34.8	13.8	28.5	28.5	29.7	24.1	32.9	13.2
	27	33.4	33.4	33.4	33.4	36.6	23.3	32.0	32.0	32.0	32.0	34.8	22.7	30.4	30.4	30.5	30.5	32.9	22.1
	29	35.5	35.5	35.6	35.6	36.7	32.2	34.0	34.0	34.1	34.1	35.0	31.6	32.4	32.4	32.5	32.5	33.0	31.1
	32	37.6	37.6	37.6	37.6	37.6	37.6	36.0	36.0	36.1	36.1	36.1	36.1	34.4	34.4	32.2	32.2	34.5	34.5
10194	24	31.9	31.9	33.4	26.6	36.9	14.6	30.4	30.4	31.7	26.0	35.0	14.1	28.9	28.9	29.9	25.4	33.1	13.5
	27	34.0	34.0	34.1	34.1	36.8	24.4	32.5	32.5	32.6	32.6	35.0	23.9	31.0	31.0	31.0	31.0	33.1	23.3
	29	36.2	36.2	36.2	36.2	37.0	34.1	34.6	34.6	34.7	34.7	35.2	33.6	33.0	33.0	33.0	33.0	33.4	33.0
	32	38.2	38.2	36.6	36.6	38.3	38.3	36.6	36.6	36.7	36.7	36.5	36.5	35.0	35.0	32.2	32.2	33.1	33.1
Airflow (m ³ /hr)	Ent DB (°C)	Ambient Temperature (°C)						Ambient Temperature (°C)											
		46						52											
		Entering Wet Bulb (°C)						Entering Wet Bulb (°C)											
		16		19		23		16		19		23							
		kW	SHC	kW	SHC	kW	SHC	kW	SHC	kW	SHC	kW	SHC						
7646	24	25.8	25.8	27.4	20.8	30.4	11.9	24.3	24.3	25.5	20.1	28.4	11.2						
	27	27.6	27.6	27.7	27.7	30.4	19.2	26.0	26.0	26.1	26.1	28.4	18.6						
	29	29.4	29.4	29.5	29.5	30.5	26.6	27.8	27.8	27.8	27.8	28.5	25.8						
	32	31.3	31.3	29.8	29.8	31.4	31.4	29.6	29.6	27.5	27.5	29.6	29.6						
8495	24	26.4	26.4	27.6	22.1	30.7	12.2	24.8	24.8	25.7	21.5	28.6	11.5						
	27	28.3	28.3	28.3	28.3	30.7	20.4	26.6	26.6	26.6	26.6	28.6	19.7						
	29	30.2	30.2	30.2	30.2	30.9	28.5	28.4	28.4	28.4	28.4	28.8	27.8						
	32	32.0	32.0	29.9	29.9	32.1	32.1	30.2	30.2	27.5	27.5	30.3	30.3						
9345	24	26.9	26.9	27.9	23.4	30.9	12.5	25.3	25.3	26.0	22.7	28.8	11.9						
	27	28.8	28.8	28.9	28.9	30.9	21.5	27.1	27.1	27.1	27.1	28.8	20.9						
	29	30.8	30.8	30.8	30.8	31.1	30.5	29.0	29.0	29.0	29.0	29.1	29.1						
	32	32.7	32.7	29.9	29.9	32.7	32.7	30.8	30.8	30.8	30.8	30.9	30.9						
10194	24	27.4	27.4	28.1	24.8	31.1	12.9	25.7	25.7	26.1	24.1	28.9	12.2						
	27	29.3	29.3	29.3	29.3	31.1	22.6	27.5	27.5	27.6	27.6	28.9	22.0						
	29	31.3	31.3	31.3	31.3	31.4	31.4	29.4	29.4	29.5	29.5	29.5	29.5						
	32	33.2	33.2	29.9	29.9	31.1	31.1	31.3	31.3	31.3	31.3	31.4	31.4						

Notes:

1. All capacities shown are gross and have not considered indoor fan heat. To obtain net cooling, subtract indoor fan heat.
2. kW = Total Gross Capacity, SHC = Sensible Heat Capacity

Table 35. Gross cooling capacities (MBH) TTA1564DC condensing unit with TWE1564DB air handler (IP)

CFM	Ent DB (°F)	Ambient Temperature (°F)						Ambient Temperature (°F)						Ambient Temperature (°F)					
		85						95						105					
		Entering Wet Bulb (°F)						Entering Wet Bulb (°F)						Entering Wet Bulb (°F)					
		61		67		73		61		67		73		61		67		73	
		MBH	SHC	MBH	SHC	MBH	SHC	MBH	SHC	MBH	SHC	MBH	SHC	MBH	SHC	MBH	SHC	MBH	SHC
4500	75	153.0	130.7	169.7	100.2	185.4	68.0	146.1	127.5	162.0	97.1	177.3	65.1	138.6	124.1	153.7	93.8	168.5	62.0
	80	154.8	154.8	169.6	125.0	185.4	93.0	148.3	148.3	161.9	121.9	177.2	90.2	142.0	142.0	153.7	118.6	168.5	87.1
	85	162.6	162.6	170.0	149.8	185.3	118.0	156.6	156.6	162.5	146.7	177.2	115.1	150.2	150.2	154.4	143.4	168.4	112.0
	90	171.9	171.9	171.9	171.9	185.2	142.8	164.9	164.9	165.2	165.2	177.1	140.0	158.2	158.2	158.5	158.5	168.4	136.9
5000	75	156.0	138.8	172.3	104.8	187.6	69.0	148.9	135.5	164.4	101.7	179.3	66.2	141.2	132.1	156.0	98.4	170.4	63.1
	80	159.3	159.3	172.3	132.4	187.5	96.9	153.1	153.1	164.4	129.3	179.2	94.0	146.6	146.6	155.9	126.0	170.3	91.0
	85	168.1	168.1	173.0	159.9	187.4	124.6	161.8	161.8	165.3	156.9	179.2	121.7	155.0	155.0	157.2	153.6	170.2	118.7
	90	176.6	176.6	176.9	176.9	187.5	152.2	170.1	170.1	170.4	170.4	179.3	149.4	163.1	163.1	163.3	163.3	170.5	146.3
5500	75	158.6	146.8	174.5	109.4	189.3	70.1	151.3	143.6	166.4	106.3	180.9	67.2	143.5	140.2	157.8	103.0	171.8	64.2
	80	163.7	163.7	174.4	139.7	189.2	100.7	157.4	157.4	166.4	136.6	180.8	97.8	150.5	150.5	157.9	133.3	171.7	94.8
	85	172.7	172.7	175.6	170.1	189.2	131.2	166.1	166.1	167.9	167.0	180.8	128.3	159.0	159.0	159.8	159.8	171.7	125.3
	90	181.2	181.2	181.4	181.4	189.3	161.5	174.4	174.4	174.6	174.6	181.1	158.7	167.0	167.0	167.2	167.2	172.1	155.6
6000	75	160.9	154.8	176.2	113.9	190.7	71.1	153.5	151.6	168.1	110.8	182.2	68.2	145.7	145.7	159.3	107.5	173.0	65.2
	80	167.6	167.6	176.3	146.9	190.6	104.5	161.0	161.0	168.2	143.8	182.1	101.6	153.9	153.9	159.6	140.5	172.9	98.6
	85	176.6	176.6	176.9	176.9	190.5	137.8	169.8	169.8	170.4	170.4	182.0	134.9	162.5	162.5	162.7	162.7	172.8	131.9
	90	185.0	185.0	185.2	185.2	190.9	170.8	178.0	178.0	178.2	178.2	182.5	167.9	170.3	170.3	170.5	170.5	173.5	164.9
CFM	Ent DB (°F)	Ambient Temperature (°F)						Ambient Temperature (°F)											
		115						125											
		Entering Wet Bulb (°F)						Entering Wet Bulb (°F)											
		61		67		73		61		67		73							
		MBH	SHC	MBH	SHC	MBH	SHC	MBH	SHC	MBH	SHC	MBH	SHC						
4500	75	130.7	120.5	144.9	90.3	159.1	58.8	122.1	116.7	135.3	86.6	148.8	55.3						
	80	135.2	135.2	144.8	115.1	159.1	83.8	127.8	127.8	135.4	111.4	148.8	80.3						
	85	143.2	143.2	145.9	140.0	159.0	108.8	135.5	135.5	136.7	136.4	148.7	105.3						
	90	151.0	151.0	151.2	151.2	159.2	133.7	143.0	143.0	143.2	143.2	149.0	130.1						
5000	75	132.9	128.8	146.9	94.9	160.8	59.9	124.3	124.3	137.1	91.2	150.3	56.4						
	80	139.4	139.4	147.0	122.5	160.8	87.7	131.6	131.6	137.3	118.7	150.2	84.2						
	85	147.6	147.6	148.6	148.6	160.7	115.4	139.5	139.5	139.7	139.7	150.2	111.9						
	90	155.4	155.4	155.6	155.6	161.1	143.0	147.0	147.0	147.2	147.2	150.7	139.5						
5500	75	135.3	135.3	148.6	99.5	162.1	60.9	126.8	126.8	138.6	95.7	151.5	57.4						
	80	143.1	143.1	148.8	129.7	162.1	91.6	134.9	134.9	139.0	126.0	151.4	88.1						
	85	151.3	151.3	151.5	151.5	162.0	122.1	142.9	142.9	143.1	143.1	151.4	118.5						
	90	159.1	159.1	159.3	159.3	162.6	152.3	150.2	150.2	149.0	149.0	152.2	148.8						
6000	75	137.6	137.6	150.0	104.0	163.2	62.0	129.5	129.5	139.8	100.2	152.4	58.5						
	80	146.2	146.2	150.4	137.0	163.1	95.4	137.8	137.8	140.4	133.5	152.4	91.9						
	85	154.5	154.5	154.7	154.7	163.1	128.6	145.7	145.7	145.9	145.9	152.4	125.2						
	90	162.0	162.0	161.1	161.1	164.0	161.7	152.8	152.8	151.3	151.3	153.5	153.5						

Notes:

1. All capacities shown are gross and have not considered indoor fan heat. To obtain net cooling, subtract indoor fan heat.
2. MBH = Total Gross Capacity, SHC = Sensible Heat Capacity



Performance Data

Table 36. Gross cooling capacities (kW) TTA1564DC condensing unit with TWE1564DB air handler (SI)

Airflow (m ³ /hr)	Ent DB (° C)	Ambient Temperature (°C)						Ambient Temperature (°C)						Ambient Temperature (°C)					
		29						35						41					
		Entering Wet Bulb (°C)						Entering Wet Bulb (°C)						Entering Wet Bulb (°C)					
		16		19		23		16		19		23		16		19		23	
		kW	SHC	kW	SHC	kW	SHC	kW	SHC	kW	SHC	kW	SHC	kW	SHC	kW	SHC	kW	SHC
7646	24	44.9	38.3	49.7	29.4	54.3	19.9	42.8	37.4	47.5	28.5	52.0	19.1	40.6	36.4	45.1	27.5	49.4	18.2
	27	45.4	45.4	49.7	36.6	54.3	27.3	43.5	43.5	47.5	35.7	51.9	26.4	41.6	41.6	45.0	34.8	49.4	25.5
	29	47.7	47.7	49.8	43.9	54.3	34.6	45.9	45.9	47.6	43.0	51.9	33.7	44.0	44.0	45.3	42.0	49.4	32.8
	32	50.4	50.4	50.4	50.4	54.3	41.9	48.3	48.3	48.4	48.4	51.9	41.0	46.4	46.4	46.4	46.4	49.4	40.1
8495	24	45.7	40.7	50.5	30.7	55.0	20.2	43.6	39.7	48.2	29.8	52.5	19.4	41.4	38.7	45.7	28.8	49.9	18.5
	27	46.7	46.7	50.5	38.8	55.0	28.4	44.9	44.9	48.2	37.9	52.5	27.6	43.0	43.0	45.7	36.9	49.9	26.7
	29	49.3	49.3	50.7	46.9	54.9	36.5	47.4	47.4	48.5	46.0	52.5	35.7	45.4	45.4	46.1	45.0	49.9	34.8
	32	51.8	51.8	51.8	51.8	54.9	44.6	49.9	49.9	49.9	49.9	52.5	43.8	47.8	47.8	47.9	47.9	50.0	42.9
9345	24	46.5	43.0	51.1	32.1	55.5	20.5	44.3	42.1	48.8	31.1	53.0	19.7	42.1	41.1	46.3	30.2	50.4	18.8
	27	48.0	48.0	51.1	40.9	55.5	29.5	46.1	46.1	48.8	40.0	53.0	28.7	44.1	44.1	46.3	39.1	50.3	27.8
	29	50.6	50.6	51.5	49.8	55.4	38.4	48.7	48.7	49.2	48.9	53.0	37.6	46.6	46.6	46.8	46.8	50.3	36.7
	32	53.1	53.1	53.2	53.2	55.5	47.3	51.1	51.1	51.2	51.2	53.1	46.5	49.0	49.0	49.0	49.0	50.4	45.6
10194	24	47.2	45.4	51.7	33.4	55.9	20.8	45.0	44.4	49.3	32.5	53.4	20.0	42.7	42.7	46.7	31.5	50.7	19.1
	27	49.1	49.1	51.7	43.1	55.9	30.6	47.2	47.2	49.3	42.1	53.4	29.8	45.1	45.1	46.8	41.2	50.7	28.9
	29	51.8	51.8	51.8	51.8	55.8	40.4	49.8	49.8	49.9	49.9	53.4	39.5	47.6	47.6	47.7	47.7	50.7	38.7
	32	54.2	54.2	54.3	54.3	55.9	50.1	52.2	52.2	52.2	52.2	53.5	49.2	49.9	49.9	50.0	50.0	50.8	48.3
Airflow (m ³ /hr)	Ent DB (° C)	Ambient Temperature (°C)						Ambient Temperature (°C)											
		46						52											
		Entering Wet Bulb (°C)						Entering Wet Bulb (°C)											
		16		19		23		16		19		23							
		kW	SHC	kW	SHC	kW	SHC	kW	SHC	kW	SHC	kW	SHC						
7646	24	38.3	35.3	42.5	26.5	46.6	17.2	35.8	34.2	39.7	25.4	43.6	16.2						
	27	39.6	39.6	42.4	33.7	46.6	24.6	37.5	37.5	39.7	32.7	43.6	23.5						
	29	42.0	42.0	42.7	41.0	46.6	31.9	39.7	39.7	40.1	40.0	43.6	30.9						
	32	44.2	44.2	44.3	44.3	46.7	39.2	41.9	41.9	42.0	42.0	43.7	38.1						
8495	24	39.0	37.7	43.1	27.8	47.1	17.5	36.4	36.4	40.2	26.7	44.0	16.5						
	27	40.9	40.9	43.1	35.9	47.1	25.7	38.6	38.6	40.2	34.8	44.0	24.7						
	29	43.3	43.3	43.5	43.5	47.1	33.8	40.9	40.9	40.9	40.9	44.0	32.8						
	32	45.6	45.6	45.6	45.6	47.2	41.9	43.1	43.1	43.1	43.1	44.2	40.9						
9345	24	39.7	39.7	43.5	29.2	47.5	17.9	37.2	37.2	40.6	28.1	44.4	16.8						
	27	41.9	41.9	43.6	38.0	47.5	26.8	39.5	39.5	40.7	36.9	44.4	25.8						
	29	44.4	44.4	44.4	44.4	47.5	35.8	41.9	41.9	41.9	41.9	44.4	34.7						
	32	46.6	46.6	46.7	46.7	47.7	44.6	44.0	44.0	43.7	43.7	44.6	43.6						
10194	24	40.3	40.3	44.0	30.5	47.8	18.2	38.0	38.0	41.0	29.4	44.7	17.1						
	27	42.8	42.8	44.1	40.1	47.8	28.0	40.4	40.4	41.1	39.1	44.7	26.9						
	29	45.3	45.3	45.3	45.3	47.8	37.7	42.7	42.7	42.8	42.8	44.7	36.7						
	32	47.5	47.5	47.2	47.2	48.1	47.4	44.8	44.8	44.4	44.4	45.0	45.0						

Notes:

1. All capacities shown are gross and have not considered indoor fan heat. To obtain net cooling, subtract indoor fan heat.
2. kW = Total Gross Capacity, SHC = Sensible Heat Capacity

Table 37. Gross cooling capacities (MBH) TTA2014DD condensing unit with TWE2014DB air handler (IP)

CFM	Ent DB (°F)	Ambient Temperature (°F)						Ambient Temperature (°F)						Ambient Temperature (°F)					
		85						95						105					
		Entering Wet Bulb (°F)						Entering Wet Bulb (°F)						Entering Wet Bulb (°F)					
		61		67		73		61		67		73		61		67		73	
		MBH	SHC	MBH	SHC	MBH	SHC	MBH	SHC	MBH	SHC	MBH	SHC	MBH	SHC	MBH	SHC	MBH	SHC
6000	75	200.9	171.2	221.4	131.1	240.6	88.3	193.1	167.5	212.7	127.7	231.0	85.0	184.7	163.5	203.4	124.0	220.7	81.4
	80	201.2	194.5	220.7	163.4	239.9	121.1	194.2	189.6	212.1	159.8	230.4	117.7	186.5	184.5	202.7	155.9	220.1	114.1
	85	209.2	209.2	220.4	194.9	239.4	153.7	202.5	202.5	211.8	191.3	229.8	150.4	195.1	195.1	202.5	187.4	219.5	146.8
	90	220.8	214.3	220.8	214.3	238.8	185.7	211.9	211.9	213.5	209.7	229.2	182.5	204.2	204.2	204.5	204.5	218.9	178.4
6667	75	204.5	181.5	224.7	137.2	243.6	89.8	196.5	177.8	215.8	133.7	233.6	86.4	187.8	173.8	206.2	130.0	223.0	82.7
	80	206.4	204.3	224.1	172.8	243.0	126.3	199.1	199.1	215.2	169.1	232.9	122.8	191.2	191.2	205.6	165.2	222.4	119.2
	85	215.6	215.6	223.8	207.9	242.3	162.5	208.5	208.5	215.0	204.2	232.3	159.0	200.8	200.8	205.5	198.5	221.7	155.2
	90	225.4	225.4	226.4	226.0	241.9	197.7	218.0	218.0	218.2	218.2	231.8	194.1	209.8	209.8	209.7	209.7	221.2	190.2
7333	75	207.6	191.7	227.4	143.2	246.2	91.3	199.3	187.9	218.3	139.6	235.8	87.8	190.5	183.9	208.4	135.9	224.8	84.1
	80	210.9	210.9	226.8	182.0	245.6	131.4	203.4	203.4	217.8	178.3	235.2	127.9	196.0	196.0	207.9	174.4	224.2	124.2
	85	221.1	221.1	226.7	218.9	244.9	171.1	213.6	213.6	217.7	212.1	234.5	167.4	205.5	205.5	208.2	204.7	223.6	163.4
	90	230.8	230.8	230.8	230.8	244.5	209.7	223.0	223.0	223.2	223.2	234.0	206.0	214.4	214.4	214.6	214.6	223.0	202.0
8000	75	210.2	201.8	229.6	149.1	248.4	92.8	201.8	196.3	220.3	145.6	237.7	89.2	192.8	189.4	210.2	141.7	226.5	85.5
	80	215.1	215.1	229.1	191.2	247.8	136.5	208.1	208.1	219.9	187.5	237.1	133.0	200.0	200.0	209.9	183.5	225.8	129.3
	85	225.7	225.7	229.3	225.3	247.1	179.5	218.0	218.0	220.2	214.8	236.4	175.7	209.5	209.5	210.9	209.0	225.2	171.7
	90	235.4	235.4	235.6	235.6	246.7	221.7	227.2	227.2	227.4	227.4	236.0	217.9	218.2	218.2	218.4	218.4	224.7	213.9
CFM	Ent DB (°F)	Ambient Temperature (°F)						Ambient Temperature (°F)											
		115						125											
		Entering Wet Bulb (°F)						Entering Wet Bulb (°F)											
		61		67		73		61		67		73							
		MBH	SHC	MBH	SHC	MBH	SHC	MBH	SHC	MBH	SHC	MBH	SHC						
6000	75	175.5	159.3	193.1	119.9	209.4	77.5	165.4	154.7	181.8	115.5	196.9	73.2						
	80	178.2	178.2	192.5	151.7	208.7	110.2	169.2	169.2	181.3	147.1	196.2	105.9						
	85	187.0	187.0	192.4	183.2	208.0	142.8	177.9	177.9	181.3	175.8	195.5	138.2						
	90	195.6	195.6	195.8	195.8	207.5	174.2	185.9	185.9	186.1	186.1	194.9	169.6						
6667	75	178.4	169.5	195.6	125.9	211.4	78.8	168.1	163.3	184.0	121.5	198.6	74.5						
	80	183.1	183.1	195.1	160.9	210.7	115.2	174.0	174.0	183.5	156.2	197.9	111.0						
	85	192.2	192.2	195.2	190.7	210.1	151.0	182.5	182.5	184.1	179.5	197.2	146.4						
	90	200.7	200.7	200.9	200.9	209.5	186.0	190.4	190.4	190.5	190.5	196.6	181.3						
7333	75	180.9	176.6	197.6	131.8	213.0	80.2	170.4	165.6	185.7	127.1	200.0	75.9						
	80	187.4	187.4	197.2	170.0	212.3	120.3	177.9	177.9	185.4	165.3	199.3	116.0						
	85	196.5	196.5	198.0	194.6	211.7	159.2	186.4	186.4	187.0	187.0	198.6	154.5						
	90	204.8	204.8	204.9	204.9	211.1	197.8	193.9	193.9	194.1	194.1	198.0	190.3						
8000	75	183.1	178.8	199.3	137.4	214.3	81.5	173.0	172.1	187.3	132.6	201.1	77.2						
	80	191.1	191.1	198.9	179.1	213.7	125.3	181.2	181.2	186.9	174.4	200.4	121.0						
	85	200.1	200.1	200.7	200.7	213.0	167.4	189.6	189.6	189.5	189.5	199.7	162.7						
	90	208.2	208.2	208.3	208.3	212.5	205.4	196.8	196.8	196.9	196.9	199.2	191.3						

Notes:

1. All capacities shown are gross and have not considered indoor fan heat. To obtain net cooling, subtract indoor fan heat.
2. MBH = Total Gross Capacity, SHC = Sensible Heat Capacity



Performance Data

Table 38. Gross cooling capacities (kW) TTA2014DD condensing unit with TWE2014DB air handler (SI)

Airflow (m ³ /hr)	Ent DB (° C)	Ambient Temperature (°C)						Ambient Temperature (°C)						Ambient Temperature (°C)					
		29						35						41					
		Entering Wet Bulb (°C)						Entering Wet Bulb (°C)						Entering Wet Bulb (°C)					
		16		19		23		16		19		23		16		19		23	
		kW	SHC	kW	SHC	kW	SHC	kW	SHC	kW	SHC	kW	SHC	kW	SHC	kW	SHC	kW	SHC
10194	24	58.9	50.2	64.9	38.4	70.5	25.9	56.6	49.1	62.3	37.4	67.7	24.9	54.1	47.9	59.6	36.3	64.7	23.8
	27	59.0	57.0	64.7	47.9	70.3	35.5	56.9	55.6	62.2	46.8	67.5	34.5	54.7	54.1	59.4	45.7	64.5	33.5
	29	61.3	61.3	64.6	57.1	70.1	45.1	59.3	59.3	62.1	56.1	67.3	44.1	57.2	57.2	59.3	54.9	64.3	43.0
	32	64.7	62.8	64.7	62.8	70.0	54.4	62.1	62.1	62.6	61.5	67.2	53.5	59.8	59.8	59.9	59.9	64.2	52.3
11327	24	59.9	53.2	65.8	40.2	71.4	26.3	57.6	52.1	63.2	39.2	68.4	25.3	55.0	50.9	60.4	38.1	65.4	24.2
	27	60.5	59.9	65.7	50.6	71.2	37.0	58.3	58.3	63.1	49.6	68.3	36.0	56.0	56.0	60.3	48.4	65.2	34.9
	29	63.2	63.2	65.6	60.9	71.0	47.6	61.1	61.1	63.0	59.9	68.1	46.6	58.8	58.8	60.2	58.2	65.0	45.5
	32	66.1	66.1	66.3	66.2	70.9	58.0	63.9	63.9	64.0	64.0	67.9	56.9	61.5	61.5	61.4	61.4	64.8	55.7
12459	24	60.8	56.2	66.6	42.0	72.2	26.8	58.4	55.1	64.0	40.9	69.1	25.7	55.8	53.9	61.1	39.8	65.9	24.6
	27	61.8	61.8	66.5	53.4	72.0	38.5	59.6	59.6	63.8	52.3	68.9	37.5	57.4	57.4	60.9	51.1	65.7	36.4
	29	64.8	64.8	66.4	64.2	71.8	50.1	62.6	62.6	63.8	62.2	68.7	49.1	60.2	60.2	61.0	60.0	65.5	47.9
	32	67.6	67.6	67.7	67.7	71.6	61.5	65.3	65.3	65.4	65.4	68.6	60.4	62.8	62.8	62.9	62.9	65.3	59.2
13592	24	61.6	59.2	67.3	43.7	72.8	27.2	59.2	57.5	64.6	42.7	69.7	26.1	56.5	55.5	61.6	41.5	66.4	25.1
	27	63.1	63.1	67.2	56.0	72.6	40.0	61.0	61.0	64.4	55.0	69.5	39.0	58.6	58.6	61.5	53.8	66.2	37.9
	29	66.2	66.2	67.2	66.0	72.4	52.6	63.9	63.9	64.5	63.0	69.3	51.5	61.4	61.4	61.8	61.2	66.0	50.3
	32	69.0	69.0	69.0	69.0	72.3	65.0	66.6	66.6	66.6	66.6	69.2	63.9	64.0	64.0	64.0	64.0	65.9	62.7
Airflow (m ³ /hr)	Ent DB (° C)	Ambient Temperature (°C)						Ambient Temperature (°C)											
		46						52											
		Entering Wet Bulb (°C)						Entering Wet Bulb (°C)											
		16		19		23		16		19		23							
		kW	SHC	kW	SHC	kW	SHC	kW	SHC	kW	SHC	kW	SHC						
10194	24	51.4	46.7	56.6	35.1	61.4	22.7	48.5	45.3	53.3	33.9	57.7	21.4						
	27	52.2	52.2	56.4	44.5	61.2	32.3	49.6	49.6	53.1	43.1	57.5	31.0						
	29	54.8	54.8	56.4	53.7	61.0	41.8	52.1	52.1	53.1	51.5	57.3	40.5						
	32	57.3	57.3	57.4	57.4	60.8	51.0	54.5	54.5	54.5	54.5	57.1	49.7						
11327	24	52.3	49.7	57.3	36.9	62.0	23.1	49.3	47.9	53.9	35.6	58.2	21.8						
	27	53.7	53.7	57.2	47.2	61.8	33.8	51.0	51.0	53.8	45.8	58.0	32.5						
	29	56.3	56.3	57.2	55.9	61.6	44.3	53.5	53.5	54.0	52.6	57.8	42.9						
	32	58.8	58.8	58.9	58.9	61.4	54.5	55.8	55.8	55.8	55.8	57.6	53.1						
12459	24	53.0	51.8	57.9	38.6	62.4	23.5	49.9	48.5	54.4	37.2	58.6	22.2						
	27	54.9	54.9	57.8	49.8	62.2	35.2	52.1	52.1	54.3	48.4	58.4	34.0						
	29	57.6	57.6	58.0	57.0	62.0	46.7	54.6	54.6	54.8	54.8	58.2	45.3						
	32	60.0	60.0	60.1	60.1	61.9	58.0	56.8	56.8	56.9	56.9	58.0	55.8						
13592	24	53.7	52.4	58.4	40.3	62.8	23.9	50.7	50.4	54.9	38.9	58.9	22.6						
	27	56.0	56.0	58.3	52.5	62.6	36.7	53.1	53.1	54.8	51.1	58.7	35.5						
	29	58.6	58.6	58.8	58.8	62.4	49.1	55.6	55.6	55.5	55.5	58.5	47.7						
	32	61.0	61.0	61.0	61.0	62.3	60.2	57.7	57.7	57.7	57.7	58.4	56.1						

Notes:

1. All capacities shown are gross and have not considered indoor fan heat. To obtain net cooling, subtract indoor fan heat.
2. kW = Total Gross Capacity, SHC = Sensible Heat Capacity

Table 39. Gross cooling capacities (MBH) one compressor - TTA2014DC condensing unit with TWE2014DB air handler (IP)

CFM	Ent DB (°F)	Ambient Temperature (°F)						Ambient Temperature (°F)						Ambient Temperature (°F)					
		85						95						105					
		Entering Wet Bulb (°F)						Entering Wet Bulb (°F)						Entering Wet Bulb (°F)					
		61		67		73		61		67		73		61		67		73	
		MBH	SHC	MBH	SHC	MBH	SHC	MBH	SHC	MBH	SHC	MBH	SHC	MBH	SHC	MBH	SHC	MBH	SHC
6000	75	131.7	131.7	144.2	101.7	158.1	60.3	126.5	126.5	137.5	99.2	150.9	57.9	120.6	120.6	129.9	96.4	142.9	55.3
	80	140.2	140.2	144.8	133.8	158.0	93.6	134.7	134.7	138.2	131.2	150.9	91.2	128.5	128.5	130.9	128.3	142.8	88.6
	85	148.6	148.6	148.8	148.8	158.0	125.9	142.9	142.9	143.1	143.1	150.9	123.4	136.4	136.4	136.6	136.6	142.9	120.7
	90	156.5	156.5	156.5	156.5	158.5	158.5	150.3	150.3	150.4	150.4	151.6	151.6	143.4	143.4	137.4	137.4	143.9	143.9
6667	75	134.9	134.9	145.9	107.1	159.2	61.7	129.5	129.5	138.9	105.2	152.0	59.3	123.3	123.3	131.1	102.4	143.8	56.7
	80	143.6	143.6	146.6	143.2	159.1	98.7	138.0	138.0	140.0	140.0	151.9	96.3	131.5	131.5	132.6	132.6	143.8	93.8
	85	152.1	152.1	152.2	152.2	159.0	134.3	146.2	146.2	146.3	146.3	151.9	131.9	139.4	139.4	139.5	139.5	143.8	129.1
	90	159.2	159.2	159.3	159.3	159.9	159.9	152.8	152.8	147.4	147.4	153.0	153.0	145.5	145.5	138.3	138.3	145.5	145.5
7333	75	137.6	137.6	147.2	112.8	160.1	63.0	132.0	132.0	140.0	111.1	152.8	60.7	125.7	125.7	132.1	108.3	144.6	58.1
	80	146.6	146.6	148.2	148.2	160.0	103.8	140.7	140.7	140.8	140.8	152.7	101.4	134.0	134.0	134.1	134.1	144.5	98.9
	85	154.9	154.9	155.0	155.0	159.8	142.8	148.7	148.7	148.8	148.8	152.6	140.3	141.7	141.7	141.8	141.8	144.6	137.6
	90	161.1	161.1	161.1	161.1	161.1	161.1	154.3	154.3	154.4	154.4	154.4	154.4	146.5	146.5	138.8	138.8	146.4	146.4
8000	75	140.0	140.0	148.0	119.5	160.8	64.4	134.3	134.3	141.0	117.0	153.4	62.1	127.7	127.7	133.0	114.2	145.2	59.5
	80	149.1	149.1	149.8	149.8	160.7	108.8	143.0	143.0	143.1	143.1	153.4	106.5	136.1	136.1	136.2	136.2	145.1	104.0
	85	157.1	157.1	157.2	157.2	160.5	151.2	150.8	150.8	150.8	150.8	153.3	148.7	143.5	143.5	143.6	143.6	145.2	145.2
	90	162.4	162.4	162.5	162.5	162.6	162.6	155.3	155.3	155.3	155.3	155.4	155.4	147.1	147.1	147.1	147.1	147.1	147.1
CFM	Ent DB (°F)	Ambient Temperature (°F)						Ambient Temperature (°F)											
		115						125											
		Entering Wet Bulb (°F)						Entering Wet Bulb (°F)											
		61		67		73		61		67		73							
		MBH	SHC	MBH	SHC	MBH	SHC	MBH	SHC	MBH	SHC	MBH	SHC						
6000	75	114.0	114.0	121.6	93.4	133.9	52.5	107.0	107.0	113.3	89.4	124.5	49.4						
	80	121.7	121.7	122.9	122.9	133.9	85.8	114.3	114.3	114.4	114.4	124.5	82.1						
	85	129.2	129.2	129.3	129.3	134.1	117.7	121.4	121.4	121.5	121.5	124.7	114.5						
	90	135.5	135.5	127.8	127.8	135.6	135.6	126.7	126.7	126.8	126.8	126.8	126.8						
6667	75	116.5	116.5	123.0	98.3	134.8	53.9	109.3	109.3	113.8	96.2	125.2	50.9						
	80	124.3	124.3	124.4	124.4	134.7	90.9	116.7	116.7	116.8	116.8	125.1	87.9						
	85	131.8	131.8	131.9	131.9	134.9	126.1	123.7	123.7	123.7	123.7	125.5	122.9						
	90	136.9	136.9	128.3	128.3	136.9	136.9	127.2	127.2	117.8	117.8	127.1	127.1						
7333	75	118.6	118.6	123.5	105.2	135.5	55.3	111.2	111.2	114.6	102.1	125.8	52.3						
	80	126.6	126.6	126.7	126.7	135.4	96.0	118.7	118.7	118.8	118.8	125.7	93.0						
	85	133.8	133.8	133.9	133.9	135.6	134.5	125.3	125.3	125.4	125.4	125.4	125.4						
	90	137.2	137.2	137.2	137.2	137.1	137.1	126.9	126.9	126.9	126.9	126.9	126.9						
8000	75	120.5	120.5	124.3	111.1	136.0	56.7	112.8	112.8	115.2	107.9	126.3	53.7						
	80	128.5	128.5	128.6	128.6	135.9	101.1	120.4	120.4	120.5	120.5	126.2	98.1						
	85	135.3	135.3	135.4	135.4	135.4	135.4	126.5	126.5	126.5	126.5	126.6	126.6						
	90	137.8	137.8	137.8	137.8	137.8	137.8	127.2	127.2	127.2	127.2	127.1	127.1						

Notes:

1. All capacities shown are gross and have not considered indoor fan heat. To obtain net cooling, subtract indoor fan heat.
2. MBH = Total Gross Capacity, SHC = Sensible Heat Capacity



Performance Data

Table 40. Gross cooling capacities (kW) one compressor - TTA2014DC condensing unit with TWE2014DB air handler (SI)

Airflow (m ³ /hr)	Ent DB (°C)	Ambient Temperature (°C)						Ambient Temperature (°C)						Ambient Temperature (°C)					
		29						35						41					
		Entering Wet Bulb (°C)						Entering Wet Bulb (°C)						Entering Wet Bulb (°C)					
		16		19		23		16		19		23		16		19		23	
	kW	SHC	kW	SHC	kW	SHC	kW	SHC	kW	SHC	kW	SHC	kW	SHC	kW	SHC	kW	SHC	
10194	24	38.6	38.6	42.3	29.8	46.3	17.7	37.1	37.1	40.3	29.1	44.2	17.0	35.3	35.3	38.1	28.3	41.9	16.2
	27	41.1	41.1	42.4	39.2	46.3	27.4	39.5	39.5	40.5	38.5	44.2	26.7	37.7	37.7	38.4	37.6	41.9	26.0
	29	43.6	43.6	43.6	43.6	46.3	36.9	41.9	41.9	41.9	41.9	44.2	36.2	40.0	40.0	40.0	40.0	41.9	35.4
	32	45.9	45.9	45.9	45.9	46.5	46.4	44.0	44.0	44.1	44.1	44.4	44.4	42.0	42.0	40.3	40.3	42.2	42.2
11327	24	39.5	39.5	42.7	31.4	46.7	18.1	37.9	37.9	40.7	30.8	44.5	17.4	36.1	36.1	38.4	30.0	42.2	16.6
	27	42.1	42.1	43.0	42.0	46.6	28.9	40.4	40.4	41.0	41.0	44.5	28.2	38.5	38.5	38.9	38.9	42.1	27.5
	29	44.6	44.6	44.6	44.6	46.6	39.4	42.8	42.8	42.9	42.9	44.5	38.6	40.9	40.9	40.9	40.9	42.2	37.8
	32	46.7	46.7	46.7	46.7	46.9	46.9	44.8	44.8	43.2	43.2	44.8	44.8	42.6	42.6	40.5	40.5	42.7	42.7
12459	24	40.3	40.3	43.1	33.1	46.9	18.5	38.7	38.7	41.0	32.6	44.8	17.8	36.8	36.8	38.7	31.7	42.4	17.0
	27	43.0	43.0	43.4	43.4	46.9	30.4	41.2	41.2	41.3	41.3	44.8	29.7	39.3	39.3	39.3	39.3	42.4	29.0
	29	45.4	45.4	45.4	45.4	46.8	41.8	43.6	43.6	43.6	43.6	44.7	41.1	41.5	41.5	41.6	41.6	42.4	40.3
	32	47.2	47.2	47.2	47.2	47.2	47.2	45.2	45.2	45.2	45.2	45.2	45.2	42.9	42.9	40.7	40.7	42.9	42.9
13592	24	41.0	41.0	43.4	35.0	47.1	18.9	39.4	39.4	41.3	34.3	45.0	18.2	37.4	37.4	39.0	33.5	42.6	17.4
	27	43.7	43.7	43.9	43.9	47.1	31.9	41.9	41.9	41.9	41.9	44.9	31.2	39.9	39.9	39.9	39.9	42.5	30.5
	29	46.0	46.0	46.1	46.1	47.0	44.3	44.2	44.2	44.2	44.2	44.9	43.6	42.1	42.1	42.1	42.1	42.5	42.5
	32	47.6	47.6	47.6	47.6	47.7	47.7	45.5	45.5	45.5	45.5	45.5	45.5	43.1	43.1	43.1	43.1	43.1	43.1
Airflow (m ³ /hr)	Ent DB (°C)	Ambient Temperature (°C)						Ambient Temperature (°C)											
		46						52											
		Entering Wet Bulb (°C)						Entering Wet Bulb (°C)											
		16		19		23		16		19		23							
	kW	SHC	kW	SHC	kW	SHC	kW	SHC	kW	SHC	kW	SHC							
10194	24	33.4	33.4	35.6	27.4	39.2	15.4	31.4	31.4	33.2	26.2	36.5	14.5						
	27	35.7	35.7	36.0	36.0	39.2	25.1	33.5	33.5	33.5	33.5	36.5	24.1						
	29	37.9	37.9	37.9	37.9	39.3	34.5	35.6	35.6	35.6	35.6	36.6	33.5						
	32	39.7	39.7	37.5	37.5	39.7	39.7	37.1	37.1	37.2	37.2	37.2	37.2						
11327	24	34.1	34.1	36.1	28.8	39.5	15.8	32.0	32.0	33.4	28.2	36.7	14.9						
	27	36.4	36.4	36.5	36.5	39.5	26.6	34.2	34.2	34.2	34.2	36.7	25.8						
	29	38.6	38.6	38.7	38.7	39.5	37.0	36.2	36.2	36.3	36.3	36.8	36.0						
	32	40.1	40.1	37.6	37.6	40.1	40.1	37.3	37.3	34.5	34.5	37.2	37.2						
12459	24	34.8	34.8	36.2	30.8	39.7	16.2	32.6	32.6	33.6	29.9	36.9	15.3						
	27	37.1	37.1	37.1	37.1	39.7	28.1	34.8	34.8	34.8	34.8	36.9	27.3						
	29	39.2	39.2	39.2	39.2	39.7	39.4	36.7	36.7	36.7	36.7	36.8	36.8						
	32	40.2	40.2	40.2	40.2	40.2	40.2	37.2	37.2	37.2	37.2	37.2	37.2						
13592	24	35.3	35.3	36.4	32.6	39.9	16.6	33.1	33.1	33.8	31.6	37.0	15.7						
	27	37.7	37.7	37.7	37.7	39.8	29.6	35.3	35.3	35.3	35.3	37.0	28.8						
	29	39.7	39.7	39.7	39.7	39.7	39.7	37.1	37.1	37.1	37.1	37.1	37.1						
	32	40.4	40.4	40.4	40.4	40.4	40.4	37.3	37.3	37.3	37.3	37.3	37.3						

Notes:

1. All capacities shown are gross and have not considered indoor fan heat. To obtain net cooling, subtract indoor fan heat.
2. kW = Total Gross Capacity, SHC = Sensible Heat Capacity

Table 41. Gross cooling capacities (MBH) both compressors - TTA2014DC condensing unit with TWE2014DB air handler (IP)

CFM	Ent DB (°F)	Ambient Temperature (°F)						Ambient Temperature (°F)						Ambient Temperature (°F)					
		85						95						105					
		Entering Wet Bulb (°F)						Entering Wet Bulb (°F)						Entering Wet Bulb (°F)					
		61		67		73		61		67		73		61		67		73	
		MBH	SHC	MBH	SHC	MBH	SHC	MBH	SHC	MBH	SHC	MBH	SHC	MBH	SHC	MBH	SHC	MBH	SHC
6000	75	212.6	177.6	232.9	136.1	248.8	91.1	203.2	173.1	222.2	131.7	235.6	86.4	192.7	168.2	210.1	126.8	221.1	81.3
	80	213.4	209.9	232.8	169.0	248.7	124.4	204.4	204.4	222.1	164.6	235.5	119.7	194.3	194.3	210.0	159.7	221.0	114.6
	85	220.3	220.3	232.8	201.3	248.6	157.6	212.2	212.2	222.1	196.8	235.5	152.9	202.9	202.9	210.0	191.8	221.0	147.8
	90	233.6	233.6	233.6	233.6	248.5	190.5	221.4	221.4	223.3	223.3	235.4	185.6	211.1	211.1	211.6	211.6	220.9	180.3
6667	75	216.5	188.1	235.8	141.9	251.8	92.6	206.8	183.6	224.7	137.5	238.1	87.8	195.8	178.5	212.2	132.6	223.0	82.6
	80	218.0	218.0	235.7	178.5	251.7	129.6	208.8	208.8	224.6	173.9	238.0	124.8	198.9	198.9	212.1	168.8	222.9	119.6
	85	226.9	226.9	235.7	214.2	251.7	166.4	218.1	218.1	224.6	209.6	238.0	161.6	208.0	208.0	212.2	204.5	222.9	156.4
	90	236.1	236.1	237.3	237.3	251.6	202.6	226.4	226.4	226.7	226.7	237.9	197.7	214.9	214.9	215.0	215.0	222.9	192.2
7333	75	219.7	198.5	238.0	147.7	254.4	94.0	209.7	193.9	226.6	143.2	240.1	89.1	198.4	188.8	213.7	138.3	224.5	83.9
	80	222.3	222.3	238.0	187.7	254.3	134.7	213.3	213.3	226.6	183.0	240.1	129.8	203.4	203.4	213.7	177.8	224.4	124.6
	85	232.2	232.2	237.9	226.9	254.2	175.2	222.8	222.8	226.7	222.3	239.9	170.3	211.9	211.9	213.9	213.9	224.3	164.8
	90	240.5	240.5	240.7	240.7	254.2	214.8	229.9	229.9	230.0	230.0	240.0	209.7	217.4	217.4	217.5	217.5	224.3	204.1
8000	75	222.4	208.7	239.8	153.4	256.4	95.4	212.1	204.1	228.1	148.9	241.8	90.5	200.7	199.0	214.9	143.9	225.6	85.1
	80	226.7	226.7	239.7	196.7	256.3	139.8	217.6	217.6	228.0	192.1	241.7	134.9	207.1	207.1	214.8	186.8	225.6	129.5
	85	236.3	236.3	239.8	239.7	256.2	183.9	226.3	226.3	228.3	228.3	241.6	178.7	214.5	214.5	215.3	215.3	225.5	173.1
	90	244.3	244.3	244.6	244.6	256.3	226.9	233.3	233.3	233.5	233.5	241.6	221.7	220.6	220.6	220.7	220.7	225.4	216.0
CFM	Ent DB (°F)	Ambient Temperature (°F)						Ambient Temperature (°F)											
		115						125											
		Entering Wet Bulb (°F)						Entering Wet Bulb (°F)											
		61		67		73		61		67		73							
		MBH	SHC	MBH	SHC	MBH	SHC	MBH	SHC	MBH	SHC	MBH	SHC						
6000	75	181.3	162.9	197.0	121.7	205.5	75.9	169.7	157.6	183.5	116.4	188.9	70.3						
	80	183.8	183.8	196.9	154.4	205.4	109.2	173.7	173.7	183.5	148.9	188.9	103.6						
	85	192.5	192.5	197.0	186.4	205.3	142.4	181.4	181.4	183.7	180.9	188.9	136.6						
	90	199.2	199.2	199.4	199.4	205.3	174.6	185.8	185.8	185.8	185.8	188.7	168.6						
6667	75	184.1	173.2	198.7	127.3	206.7	77.1	172.3	167.9	184.7	122.0	189.5	71.3						
	80	188.6	188.6	198.6	163.4	206.7	114.1	177.9	177.9	184.6	157.8	189.5	108.4						
	85	196.7	196.7	198.9	198.9	206.6	150.7	184.4	184.4	185.0	185.0	189.4	144.6						
	90	201.4	201.4	201.4	201.4	206.5	186.4	187.0	187.0	187.0	187.0	189.2	180.2						
7333	75	186.5	183.4	199.8	133.0	207.6	78.2	174.5	174.5	185.6	127.6	189.8	72.4						
	80	192.6	192.6	199.7	172.3	207.5	119.0	181.1	181.1	185.4	166.6	189.8	113.1						
	85	199.5	199.5	200.2	200.2	207.5	158.9	185.8	185.8	185.8	185.8	189.6	152.6						
	90	203.8	203.8	204.0	204.0	207.4	198.2	188.8	188.8	188.8	188.8	189.3	189.3						
8000	75	188.7	188.7	200.7	138.6	208.2	79.4	176.5	176.5	186.1	133.2	190.0	73.5						
	80	195.6	195.6	200.5	181.2	208.2	123.8	183.3	183.3	185.8	175.4	189.9	117.9						
	85	201.1	201.1	201.1	201.1	208.1	167.0	186.5	186.5	186.5	186.5	189.7	160.6						
	90	206.2	206.2	206.3	206.3	208.0	208.0	189.4	189.4	189.4	189.4	189.2	189.2						

Notes:

1. All capacities shown are gross and have not considered indoor fan heat. To obtain net cooling, subtract indoor fan heat.
2. MBH = Total Gross Capacity, SHC = Sensible Heat Capacity



Performance Data

Table 42. Gross cooling capacities (kW) both compressors - TTA2014DC condensing unit with TWE2014DB air handler (SI)

Airflow (m ³ /hr)	Ent DB (°C)	Ambient Temperature (°C)						Ambient Temperature (°C)						Ambient Temperature (°C)					
		29						35						41					
		Entering Wet Bulb (°C)						Entering Wet Bulb (°C)						Entering Wet Bulb (°C)					
		16		19		23		16		19		23		16		19		23	
		kW	SHC	kW	SHC	kW	SHC	kW	SHC	kW	SHC	kW	SHC	kW	SHC	kW	SHC		
10194	24	62.3	52.0	68.2	39.9	72.9	26.7	59.6	50.7	65.1	38.6	69.0	25.3	56.5	49.3	61.6	37.2	64.8	23.8
	27	62.5	61.5	68.2	49.5	72.9	36.5	59.9	59.9	65.1	48.3	69.0	35.1	57.0	57.0	61.5	46.8	64.8	33.6
	29	64.6	64.6	68.2	59.0	72.9	46.2	62.2	62.2	65.1	57.7	69.0	44.8	59.5	59.5	61.6	56.2	64.8	43.3
	32	68.5	68.5	68.5	68.5	72.8	55.8	64.9	64.9	65.4	65.4	69.0	54.4	61.9	61.9	62.0	62.0	64.7	52.8
11327	24	63.5	55.1	69.1	41.6	73.8	27.1	60.6	53.8	65.9	40.3	69.8	25.7	57.4	52.3	62.2	38.9	65.4	24.2
	27	63.9	63.9	69.1	52.3	73.8	38.0	61.2	61.2	65.8	51.0	69.8	36.6	58.3	58.3	62.2	49.5	65.3	35.1
	29	66.5	66.5	69.1	62.8	73.8	48.8	63.9	63.9	65.8	61.4	69.7	47.4	61.0	61.0	62.2	59.9	65.3	45.8
	32	69.2	69.2	69.5	69.5	73.7	59.4	66.4	66.4	66.4	66.4	69.7	57.9	63.0	63.0	63.0	63.0	65.3	56.3
12459	24	64.4	58.2	69.8	43.3	74.5	27.5	61.5	56.8	66.4	42.0	70.4	26.1	58.1	55.3	62.6	40.5	65.8	24.6
	27	65.1	65.1	69.7	55.0	74.5	39.5	62.5	62.5	66.4	53.6	70.4	38.1	59.6	59.6	62.6	52.1	65.8	36.5
	29	68.0	68.0	69.7	66.5	74.5	51.4	65.3	65.3	66.4	65.2	70.3	49.9	62.1	62.1	62.7	62.7	65.7	48.3
	32	70.5	70.5	70.5	70.5	74.5	62.9	67.4	67.4	67.4	67.4	70.3	61.5	63.7	63.7	63.8	63.8	65.7	59.8
13592	24	65.2	61.2	70.3	45.0	75.2	28.0	62.2	59.8	66.8	43.6	70.9	26.5	58.8	58.3	63.0	42.2	66.1	24.9
	27	66.4	66.4	70.3	57.7	75.1	41.0	63.8	63.8	66.8	56.3	70.8	39.5	60.7	60.7	62.9	54.7	66.1	38.0
	29	69.3	69.3	70.3	70.2	75.1	53.9	66.3	66.3	66.9	66.9	70.8	52.4	62.9	62.9	63.1	63.1	66.1	50.7
	32	71.6	71.6	71.7	71.7	75.1	66.5	68.4	68.4	68.4	68.4	70.8	65.0	64.6	64.6	64.7	64.7	66.1	63.3
Airflow (m ³ /hr)	Ent DB (°C)	Ambient Temperature (°C)						Ambient Temperature (°C)											
		46						52											
		Entering Wet Bulb (°C)						Entering Wet Bulb (°C)											
		16		19		23		16		19		23							
		kW	SHC	kW	SHC	kW	SHC	kW	SHC	kW	SHC	kW	SHC						
10194	24	53.1	47.8	57.7	35.7	60.2	22.2	49.7	46.2	53.8	34.1	55.4	20.6						
	27	53.9	53.9	57.7	45.2	60.2	32.0	50.9	50.9	53.8	43.6	55.4	30.4						
	29	56.4	56.4	57.7	54.6	60.2	41.7	53.2	53.2	53.8	53.0	55.3	40.0						
	32	58.4	58.4	58.4	58.4	60.2	51.2	54.5	54.5	54.5	54.5	55.3	49.4						
11327	24	53.9	50.8	58.2	37.3	60.6	22.6	50.5	49.2	54.1	35.8	55.5	20.9						
	27	55.3	55.3	58.2	47.9	60.6	33.4	52.1	52.1	54.1	46.2	55.5	31.8						
	29	57.6	57.6	58.3	58.3	60.5	44.2	54.0	54.0	54.2	54.2	55.5	42.4						
	32	59.0	59.0	59.0	59.0	60.5	54.6	54.8	54.8	54.8	54.8	55.4	52.8						
12459	24	54.7	53.8	58.6	39.0	60.8	22.9	51.2	51.2	54.4	37.4	55.6	21.2						
	27	56.4	56.4	58.5	50.5	60.8	34.9	53.1	53.1	54.3	48.8	55.6	33.2						
	29	58.5	58.5	58.7	58.7	60.8	46.6	54.5	54.5	54.5	54.5	55.6	44.7						
	32	59.7	59.7	59.8	59.8	60.8	58.1	55.3	55.3	55.3	55.3	55.5	55.5						
13592	24	55.3	55.3	58.8	40.6	61.0	23.3	51.7	51.7	54.5	39.0	55.7	21.5						
	27	57.3	57.3	58.8	53.1	61.0	36.3	53.7	53.7	54.5	51.4	55.7	34.6						
	29	58.9	58.9	58.9	58.9	61.0	48.9	54.6	54.6	54.6	54.6	55.6	47.1						
	32	60.4	60.4	60.5	60.5	61.0	61.0	55.5	55.5	55.5	55.5	55.4	55.4						

Notes:

1. All capacities shown are gross and have not considered indoor fan heat. To obtain net cooling, subtract indoor fan heat.
2. kW = Total Gross Capacity, SHC = Sensible Heat Capacity

Table 43. Gross cooling capacities (MBH) one compressor - TTA2514DC condensing unit with TWE2514DB air handler (IP)

CFM	Ent DB (°F)	Ambient Temperature (°F)						Ambient Temperature (°F)						Ambient Temperature (°F)					
		85						95						105					
		Entering Wet Bulb (°F)						Entering Wet Bulb (°F)						Entering Wet Bulb (°F)					
		61		67		73		61		67		73		61		67		73	
		MBH	SHC	MBH	SHC	MBH	SHC	MBH	SHC	MBH	SHC	MBH	SHC	MBH	SHC	MBH	SHC	MBH	SHC
7500	75	152.5	152.5	166.2	121.5	183.8	70.8	146.8	146.8	158.7	119.2	175.7	68.2	140.1	140.1	150.5	115.5	166.5	65.2
	80	161.9	161.9	166.0	161.9	182.9	112.3	155.9	155.9	158.8	158.8	174.8	109.6	148.9	148.9	150.7	150.7	165.6	106.7
	85	171.4	171.4	171.6	171.6	182.3	152.6	165.1	165.1	165.2	165.2	174.2	149.8	157.8	157.8	157.9	157.9	165.0	146.7
	90	180.9	180.9	180.9	180.9	182.7	182.7	174.0	174.0	174.2	174.2	175.0	175.0	166.4	166.4	166.5	166.5	166.6	166.6
8333	75	156.1	156.1	168.0	128.8	185.4	72.7	150.1	150.1	160.5	125.9	177.1	70.0	143.2	143.2	151.7	123.6	167.8	67.1
	80	165.8	165.8	168.1	168.1	184.5	118.8	159.4	159.4	159.6	159.6	176.3	116.2	152.2	152.2	152.3	152.3	166.9	113.2
	85	175.5	175.5	175.6	175.6	183.8	163.4	168.8	168.8	169.0	169.0	175.6	160.6	161.2	161.2	161.4	161.4	166.5	157.5
	90	184.7	184.7	184.8	184.8	185.1	185.1	177.7	177.7	177.8	177.8	177.8	177.8	169.6	169.6	169.7	169.7	168.1	168.1
9167	75	159.1	159.1	169.3	136.9	186.6	74.5	152.9	152.9	161.6	134.1	178.3	71.9	145.8	145.8	152.8	131.0	168.9	68.9
	80	169.0	169.0	169.2	169.2	185.8	125.3	162.5	162.5	162.6	162.6	177.4	122.6	155.0	155.0	155.1	155.1	168.0	119.6
	85	178.9	178.9	179.0	179.0	185.1	174.2	172.0	172.0	172.1	172.1	176.9	171.4	164.2	164.2	164.3	164.3	167.7	167.7
	90	187.8	187.8	187.9	187.9	188.0	188.0	180.5	180.5	180.5	180.5	179.2	179.2	172.0	172.0	172.1	172.1	170.3	170.3
10000	75	161.8	161.8	170.5	144.4	187.7	76.4	155.4	155.4	162.7	141.6	179.3	73.7	148.1	148.1	154.2	136.9	169.8	70.7
	80	171.9	171.9	172.0	172.0	186.8	131.7	165.2	165.2	165.3	165.3	178.4	129.1	157.5	157.5	157.6	157.6	168.9	126.1
	85	181.8	181.8	181.9	181.9	186.3	184.9	174.7	174.7	174.8	174.8	174.9	174.9	166.6	166.6	166.7	166.7	166.8	166.8
	90	190.1	190.1	190.2	190.2	190.3	190.3	182.5	182.5	182.5	182.5	181.2	181.2	173.6	173.6	173.7	173.7	173.7	173.7
CFM	Ent DB (°F)	Ambient Temperature (°F)						Ambient Temperature (°F)											
		115						125											
		Entering Wet Bulb (°F)						Entering Wet Bulb (°F)											
		61		67		73		61		67		73							
		MBH	SHC	MBH	SHC	MBH	SHC	MBH	SHC	MBH	SHC	MBH	SHC						
7500	75	132.6	132.6	141.3	111.9	156.4	62.0	125.2	125.2	132.1	108.4	146.1	58.7						
	80	141.2	141.2	141.3	141.3	155.5	103.4	133.3	133.3	133.4	133.4	145.2	100.1						
	85	149.7	149.7	149.8	149.8	155.1	143.3	141.3	141.3	141.4	141.4	145.0	139.9						
	90	157.8	157.8	157.9	157.9	158.0	158.0	148.7	148.7	148.8	148.8	148.9	148.9						
8333	75	135.4	135.4	142.3	120.2	157.6	63.8	127.7	127.7	132.8	116.8	147.1	60.5						
	80	144.2	144.2	144.3	144.3	156.7	109.9	136.0	136.0	136.1	136.1	146.2	106.6						
	85	152.8	152.8	152.9	152.9	156.5	154.1	144.1	144.1	144.2	144.2	144.3	144.3						
	90	160.6	160.6	160.6	160.6	158.5	158.5	150.9	150.9	150.9	150.9	151.0	151.0						
9167	75	137.8	137.8	143.3	127.6	158.5	65.6	129.9	129.9	133.7	124.2	147.9	62.3						
	80	146.8	146.8	146.9	146.9	157.6	116.4	138.3	138.3	138.4	138.4	147.0	113.1						
	85	155.5	155.5	155.6	155.6	155.7	155.7	146.4	146.4	146.5	146.5	146.6	146.6						
	90	162.4	162.4	162.5	162.5	162.5	162.5	152.2	152.2	152.3	152.3	152.3	152.3						
10000	75	140.0	140.0	144.2	135.0	159.3	67.5	131.7	131.7	134.4	131.6	148.6	64.1						
	80	149.0	149.0	149.1	149.1	158.4	122.9	140.3	140.3	140.3	140.3	147.7	119.5						
	85	157.7	157.7	157.7	157.7	157.8	157.8	148.3	148.3	148.4	148.4	148.4	148.4						
	90	163.5	163.5	163.5	163.5	163.4	163.4	153.5	153.5	153.6	153.6	153.6	153.6						

Notes:

1. All capacities shown are gross and have not considered indoor fan heat. To obtain net cooling, subtract indoor fan heat.
2. MBH = Total Gross Capacity, SHC = Sensible Heat Capacity



Performance Data

Table 44. Gross cooling capacities (kW) one compressor - TTA2514DC condensing unit with TWE2514DB air handler (SI)

Airflow (m ³ /hr)	Ent DB (°C)	Ambient Temperature (°C)						Ambient Temperature (°C)						Ambient Temperature (°C)					
		29						35						41					
		Entering Wet Bulb (°C)						Entering Wet Bulb (°C)						Entering Wet Bulb (°C)					
		16		19		23		16		19		23		16		19		23	
	kW	SHC	kW	SHC	kW	SHC	kW	SHC	kW	SHC	kW	SHC	kW	SHC	kW	SHC	kW	SHC	
12743	24	44.7	44.7	48.7	35.6	53.9	20.8	43.0	43.0	46.5	34.9	51.5	20.0	41.1	41.1	44.1	33.8	48.8	19.1
	27	47.5	47.5	48.7	47.4	53.6	32.9	45.7	45.7	46.5	46.5	51.2	32.1	43.6	43.6	44.2	44.2	48.5	31.3
	29	50.2	50.2	50.3	50.3	53.4	44.7	48.4	48.4	48.4	48.4	51.1	43.9	46.2	46.2	46.3	46.3	48.4	43.0
	32	53.0	53.0	53.0	53.0	53.6	53.6	51.0	51.0	51.1	51.1	51.3	51.3	48.8	48.8	48.8	48.8	48.8	48.8
14158	24	45.7	45.7	49.2	37.7	54.3	21.3	44.0	44.0	47.0	36.9	51.9	20.5	42.0	42.0	44.5	36.2	49.2	19.7
	27	48.6	48.6	49.3	49.3	54.1	34.8	46.7	46.7	46.8	46.8	51.7	34.0	44.6	44.6	44.6	44.6	48.9	33.2
	29	51.4	51.4	51.5	51.5	53.9	47.9	49.5	49.5	49.5	49.5	51.5	47.1	47.3	47.3	47.3	47.3	48.8	46.2
	32	54.1	54.1	54.2	54.2	54.3	54.3	52.1	52.1	52.1	52.1	52.1	52.1	49.7	49.7	49.7	49.7	49.3	49.3
15574	24	46.6	46.6	49.6	40.1	54.7	21.8	44.8	44.8	47.3	39.3	52.3	21.1	42.7	42.7	44.8	38.4	49.5	20.2
	27	49.5	49.5	49.6	49.6	54.4	36.7	47.6	47.6	47.7	47.7	52.0	35.9	45.4	45.4	45.5	45.5	49.2	35.1
	29	52.4	52.4	52.5	52.5	54.3	51.0	50.4	50.4	50.4	50.4	51.9	50.2	48.1	48.1	48.1	48.1	49.1	49.1
	32	55.0	55.0	55.1	55.1	55.1	55.1	52.9	52.9	52.9	52.9	52.5	52.5	50.4	50.4	50.4	50.4	49.9	49.9
16990	24	47.4	47.4	50.0	42.3	55.0	22.4	45.5	45.5	47.7	41.5	52.5	21.6	43.4	43.4	45.2	40.1	49.8	20.7
	27	50.4	50.4	50.4	50.4	54.7	38.6	48.4	48.4	48.4	48.4	52.3	37.8	46.1	46.1	46.2	46.2	49.5	37.0
	29	53.3	53.3	53.3	53.3	54.6	54.2	51.2	51.2	51.2	51.2	51.3	51.3	48.8	48.8	48.9	48.9	48.9	48.9
	32	55.7	55.7	55.7	55.7	55.8	55.8	53.5	53.5	53.5	53.5	53.1	53.1	50.9	50.9	50.9	50.9	50.9	50.9
Airflow (m ³ /hr)	Ent DB (°C)	Ambient Temperature (°C)						Ambient Temperature (°C)											
		46						52											
		Entering Wet Bulb (°C)						Entering Wet Bulb (°C)											
		16		19		23		16		19		23							
	kW	SHC	kW	SHC	kW	SHC	kW	SHC	kW	SHC	kW	SHC							
12743	24	38.9	38.9	41.4	32.8	45.8	18.2	36.7	36.7	38.7	31.8	42.8	17.2						
	27	41.4	41.4	41.4	41.4	45.6	30.3	39.1	39.1	39.1	39.1	42.6	29.4						
	29	43.9	43.9	43.9	43.9	45.5	42.0	41.4	41.4	41.4	41.4	42.5	41.0						
	32	46.2	46.2	46.3	46.3	46.3	46.3	43.6	43.6	43.6	43.6	43.6	43.6						
14158	24	39.7	39.7	41.7	35.2	46.2	18.7	37.4	37.4	38.9	34.2	43.1	17.7						
	27	42.3	42.3	42.3	42.3	45.9	32.2	39.9	39.9	39.9	39.9	42.8	31.2						
	29	44.8	44.8	44.8	44.8	45.9	45.2	42.2	42.2	42.3	42.3	42.3	42.3						
	32	47.1	47.1	47.1	47.1	46.5	46.5	44.2	44.2	44.2	44.2	44.2	44.2						
15574	24	40.4	40.4	42.0	37.4	46.5	19.2	38.1	38.1	39.2	36.4	43.3	18.3						
	27	43.0	43.0	43.0	43.0	46.2	34.1	40.5	40.5	40.6	40.6	43.1	33.1						
	29	45.6	45.6	45.6	45.6	45.6	45.6	42.9	42.9	42.9	42.9	43.0	43.0						
	32	47.6	47.6	47.6	47.6	47.6	47.6	44.6	44.6	44.6	44.6	44.6	44.6						
16990	24	41.0	41.0	42.2	39.6	46.7	19.8	38.6	38.6	39.4	38.6	43.5	18.8						
	27	43.7	43.7	43.7	43.7	46.4	36.0	41.1	41.1	41.1	41.1	43.3	35.0						
	29	46.2	46.2	46.2	46.2	46.3	46.3	43.5	43.5	43.5	43.5	43.5	43.5						
	32	47.9	47.9	47.9	47.9	47.9	47.9	45.0	45.0	45.0	45.0	45.0	45.0						

Notes:

1. All capacities shown are gross and have not considered indoor fan heat. To obtain net cooling, subtract indoor fan heat.
2. kW = Total Gross Capacity, SHC = Sensible Heat Capacity

Table 45. Gross cooling capacities (MBH) both compressors - TTA2514DC condensing unit with TWE2514DB air handler (IP)

CFM	Ent DB (°F)	Ambient Temperature (°F)						Ambient Temperature (°F)						Ambient Temperature (°F)					
		85						95						105					
		Entering Wet Bulb (°F)						Entering Wet Bulb (°F)						Entering Wet Bulb (°F)					
		61		67		73		61		67		73		61		67		73	
		MBH	SHC	MBH	SHC	MBH	SHC	MBH	SHC	MBH	SHC	MBH	SHC	MBH	SHC	MBH	SHC	MBH	SHC
7500	75	249.2	214.3	275.9	163.9	297.8	109.1	238.2	209.2	263.5	158.9	283.4	104.0	226.0	203.6	249.7	153.4	267.4	98.4
	80	249.3	249.3	275.1	204.9	297.1	150.6	238.9	238.9	262.5	199.8	282.7	145.5	227.6	227.6	248.8	194.1	266.6	139.9
	85	259.0	259.0	274.4	245.0	296.3	191.9	249.7	249.7	262.0	239.9	281.9	186.8	239.1	239.1	248.3	234.2	265.8	181.2
	90	274.9	274.9	274.9	274.9	295.5	232.6	261.6	261.6	263.2	263.2	281.1	227.3	250.3	250.3	250.6	250.6	265.0	221.5
8333	75	253.8	227.6	280.1	171.6	300.2	110.5	242.4	222.4	267.2	166.6	285.2	105.4	229.8	216.6	253.0	161.0	268.6	99.6
	80	255.1	255.1	279.2	216.9	299.4	156.7	244.6	244.6	266.4	211.7	284.5	151.5	234.0	234.0	252.2	206.0	267.8	145.8
	85	267.2	267.2	278.7	261.5	298.6	202.6	257.2	257.2	265.8	256.3	283.8	197.5	246.0	246.0	251.7	250.6	267.1	191.5
	90	279.6	279.6	280.5	280.5	297.9	247.5	268.9	268.9	269.0	269.0	282.9	242.1	256.7	256.7	256.9	256.9	266.1	236.1
9167	75	257.8	240.7	283.5	179.2	301.8	111.9	246.0	235.4	270.2	174.1	286.4	106.7	233.0	229.6	255.7	168.5	269.2	100.9
	80	260.7	260.7	282.6	228.8	301.0	162.7	251.0	251.0	269.5	223.5	285.6	157.4	239.8	239.8	254.9	217.7	268.4	151.6
	85	274.1	274.1	282.0	277.9	300.3	213.1	263.5	263.5	268.9	268.9	284.9	207.7	251.6	251.6	254.8	254.8	267.7	201.6
	90	286.1	286.1	286.4	286.4	299.4	262.3	274.6	274.6	274.8	274.8	283.9	256.8	261.3	261.3	260.4	260.4	266.5	250.6
10000	75	261.1	253.7	286.2	186.7	302.9	113.2	249.0	248.4	272.7	181.5	287.1	107.9	235.7	235.7	257.8	175.9	269.4	102.1
	80	266.8	266.8	285.4	240.6	302.1	168.6	256.4	256.4	271.9	235.2	286.3	163.3	244.8	244.8	257.1	229.3	268.6	157.5
	85	279.9	279.9	284.9	284.9	301.4	223.3	268.8	268.8	271.8	271.8	285.6	217.8	256.2	256.2	257.5	257.5	267.8	211.6
	90	291.2	291.2	291.4	291.4	300.3	277.0	278.8	278.8	279.0	279.0	284.4	271.4	264.4	264.4	264.5	264.5	266.6	265.2
CFM	Ent DB (°F)	Ambient Temperature (°F)						Ambient Temperature (°F)											
		115						125											
		Entering Wet Bulb (°F)						Entering Wet Bulb (°F)											
		61		67		73		61		67		73							
		MBH	SHC	MBH	SHC	MBH	SHC	MBH	SHC	MBH	SHC	MBH	SHC						
7500	75	213.4	197.8	235.2	147.7	250.1	92.4	202.5	192.9	221.4	142.3	232.8	86.6						
	80	216.6	216.6	234.4	188.2	249.3	133.9	207.2	207.2	220.6	182.7	232.0	128.0						
	85	227.8	227.8	233.9	228.3	248.7	175.2	216.7	216.7	220.3	220.3	231.4	169.1						
	90	238.0	238.0	238.3	238.3	247.7	215.2	225.5	225.5	225.7	225.7	230.1	209.0						
8333	75	216.7	210.8	238.1	155.2	250.6	93.6	205.4	205.4	223.8	149.8	232.6	87.6						
	80	222.7	222.7	237.3	200.0	249.8	139.7	212.3	212.3	223.0	194.3	231.8	133.7						
	85	233.9	233.9	237.2	237.2	249.2	185.2	221.9	221.9	223.3	223.3	231.0	178.8						
	90	243.1	243.1	243.3	243.3	248.0	229.7	229.0	229.0	229.0	229.0	229.5	223.2						
9167	75	219.6	219.6	240.3	162.6	250.7	94.7	208.1	208.1	225.6	157.1	232.0	88.6						
	80	227.9	227.9	239.6	211.6	249.9	145.5	216.4	216.4	224.9	205.8	231.1	139.3						
	85	238.7	238.7	240.0	240.0	249.1	195.1	225.8	225.8	225.9	225.9	230.1	188.5						
	90	246.4	246.4	246.4	246.4	247.7	244.1	230.0	230.0	229.9	229.9	228.8	228.8						
10000	75	222.3	222.3	242.1	170.0	250.7	96.0	210.6	210.6	227.1	164.4	231.8	89.9						
	80	232.3	232.3	241.4	223.2	249.9	151.4	220.2	220.2	226.4	217.3	231.0	145.3						
	85	242.5	242.5	242.6	242.6	249.0	205.1	228.5	228.5	228.6	228.6	229.9	198.6						
	90	247.8	247.8	247.8	247.8	247.9	247.9	228.9	228.9	228.8	228.8	228.4	228.4						

Notes:

1. All capacities shown are gross and have not considered indoor fan heat. To obtain net cooling, subtract indoor fan heat.
2. MBH = Total Gross Capacity, SHC = Sensible Heat Capacity



Performance Data

Table 46. Gross cooling capacities (kW) both compressors - TTA2514DC condensing unit with TWE2514DB air handler (SI)

Airflow (m ³ /hr)	Ent DB (°C)	Ambient Temperature (°C)						Ambient Temperature (°C)						Ambient Temperature (°C)					
		29						35						41					
		Entering Wet Bulb (°C)						Entering Wet Bulb (°C)						Entering Wet Bulb (°C)					
		16		19		23		16		19		23		16		19		23	
		kW	SHC	kW	SHC	kW	SHC	kW	SHC	kW	SHC	kW	SHC	kW	SHC	kW	SHC		
12743	24	73.0	62.8	80.9	48.0	87.3	32.0	69.8	61.3	77.2	46.6	83.1	30.5	66.2	59.7	73.2	45.0	78.4	28.8
	27	73.1	73.1	80.6	60.1	87.1	44.1	70.0	70.0	76.9	58.5	82.8	42.6	66.7	66.7	72.9	56.9	78.1	41.0
	29	75.9	75.9	80.4	71.8	86.8	56.2	73.2	73.2	76.8	70.3	82.6	54.7	70.1	70.1	72.8	68.6	77.9	53.1
	32	80.6	80.6	80.6	80.6	86.6	68.2	76.7	76.7	77.1	77.1	82.4	66.6	73.4	73.4	73.4	73.4	77.7	64.9
14158	24	74.4	66.7	82.1	50.3	88.0	32.4	71.1	65.2	78.3	48.8	83.6	30.9	67.3	63.5	74.2	47.2	78.7	29.2
	27	74.8	74.8	81.8	63.6	87.8	45.9	71.7	71.7	78.1	62.0	83.4	44.4	68.6	68.6	73.9	60.4	78.5	42.7
	29	78.3	78.3	81.7	76.6	87.5	59.4	75.4	75.4	77.9	75.1	83.2	57.9	72.1	72.1	73.8	73.4	78.3	56.1
	32	81.9	81.9	82.2	82.2	87.3	72.5	78.8	78.8	78.8	78.8	82.9	70.9	75.2	75.2	75.3	75.3	78.0	69.2
15574	24	75.5	70.6	83.1	52.5	88.5	32.8	72.1	69.0	79.2	51.0	83.9	31.3	68.3	67.3	74.9	49.4	78.9	29.6
	27	76.4	76.4	82.8	67.1	88.2	47.7	73.6	73.6	79.0	65.5	83.7	46.1	70.3	70.3	74.7	63.8	78.7	44.4
	29	80.3	80.3	82.7	81.4	88.0	62.5	77.2	77.2	78.8	78.8	83.5	60.9	73.7	73.7	74.7	74.7	78.4	59.1
	32	83.9	83.9	83.9	83.9	87.7	76.9	80.5	80.5	80.5	80.5	83.2	75.2	76.6	76.6	76.3	76.3	78.1	73.5
16990	24	76.5	74.4	83.9	54.7	88.8	33.2	73.0	72.8	79.9	53.2	84.1	31.6	69.1	69.1	75.6	51.5	79.0	29.9
	27	78.2	78.2	83.7	70.5	88.5	49.4	75.2	75.2	79.7	68.9	83.9	47.9	71.7	71.7	75.3	67.2	78.7	46.2
	29	82.0	82.0	83.5	83.5	88.3	65.5	78.8	78.8	79.7	79.7	83.7	63.8	75.1	75.1	75.5	75.5	78.5	62.0
	32	85.4	85.4	85.4	85.4	88.0	81.2	81.7	81.7	81.8	81.8	83.4	79.5	77.5	77.5	77.5	77.5	78.1	77.7
Airflow (m ³ /hr)	Ent DB (°C)	Ambient Temperature (°C)						Ambient Temperature (°C)											
		46						52											
		Entering Wet Bulb (°C)						Entering Wet Bulb (°C)											
		16		19		23		16		19		23							
		kW	SHC	kW	SHC	kW	SHC	kW	SHC	kW	SHC	kW	SHC						
12743	24	62.5	58.0	68.9	43.3	73.3	27.1	59.4	56.5	64.9	41.7	68.2	25.4						
	27	63.5	63.5	68.7	55.2	73.1	39.2	60.7	60.7	64.7	53.5	68.0	37.5						
	29	66.8	66.8	68.5	66.9	72.9	51.4	63.5	63.5	64.6	64.6	67.8	49.5						
	32	69.8	69.8	69.8	69.8	72.6	63.1	66.1	66.1	66.1	66.1	67.4	61.2						
14158	24	63.5	61.8	69.8	45.5	73.5	27.4	60.2	60.2	65.6	43.9	68.2	25.7						
	27	65.3	65.3	69.6	58.6	73.2	40.9	62.2	62.2	65.4	56.9	67.9	39.2						
	29	68.5	68.5	69.5	69.5	73.0	54.3	65.0	65.0	65.4	65.4	67.7	52.4						
	32	71.3	71.3	71.3	71.3	72.7	67.3	67.1	67.1	67.1	67.1	67.3	65.4						
15574	24	64.4	64.4	70.4	47.7	73.5	27.8	61.0	61.0	66.1	46.0	68.0	26.0						
	27	66.8	66.8	70.2	62.0	73.2	42.6	63.4	63.4	65.9	60.3	67.7	40.8						
	29	70.0	70.0	70.3	70.3	73.0	57.2	66.2	66.2	66.2	66.2	67.4	55.2						
	32	72.2	72.2	72.2	72.2	72.6	71.5	67.4	67.4	67.4	67.4	67.1	67.1						
16990	24	65.1	65.1	71.0	49.8	73.5	28.1	61.7	61.7	66.6	48.2	67.9	26.3						
	27	68.1	68.1	70.8	65.4	73.2	44.4	64.5	64.5	66.3	63.7	67.7	42.6						
	29	71.1	71.1	71.1	71.1	73.0	60.1	67.0	67.0	67.0	67.0	67.4	58.2						
	32	72.6	72.6	72.6	72.6	72.6	72.6	67.1	67.1	67.1	67.1	66.9	66.9						

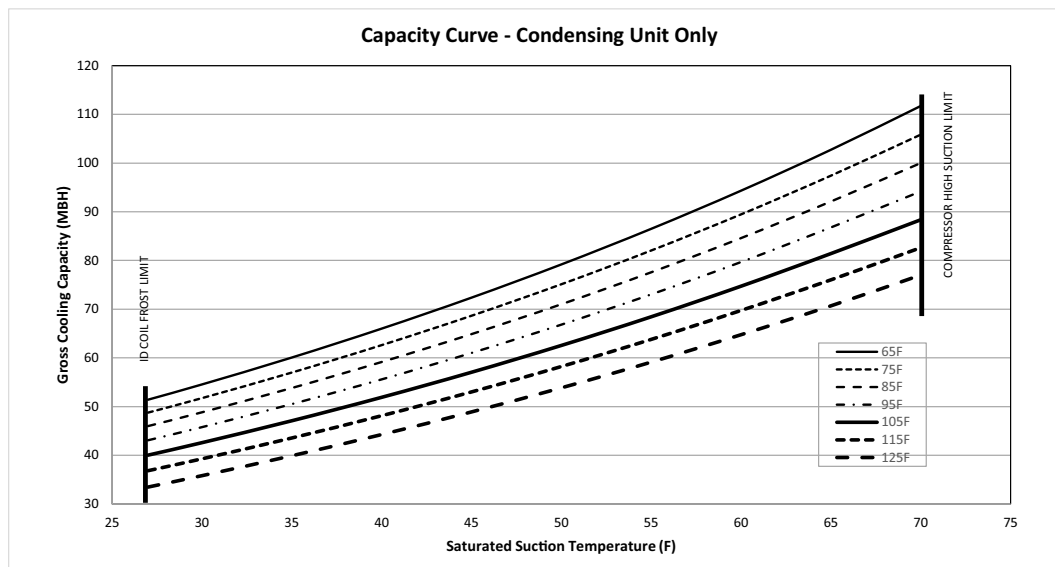
Notes:

1. All capacities shown are gross and have not considered indoor fan heat. To obtain net cooling, subtract indoor fan heat.
2. kW = Total Gross Capacity, SHC = Sensible Heat Capacity

Table 47. Gross cooling capacities (MBH) TTA0604DA condensing unit only (IP)

Outdoor Temp (°F)		Saturated Suction Temperature (°F)					
		30	35	40	45	50	55
65	Head Press (psig)	238.4	242.7	247.1	251.6	256.1	260.6
	Capacity (Btuh/1000)	54.5	60.1	66.0	72.4	79.2	86.5
	Unit Power (kW)	3.9	3.9	4.0	4.0	4.1	4.1
75	Head Press (psig)	274.8	279.2	283.7	288.4	293.0	297.6
	Capacity (Btuh/1000)	51.7	57.0	62.6	68.6	75.1	82.0
	Unit Power (kW)	4.4	4.4	4.5	4.6	4.6	4.7
85	Head Press (psig)	314.8	319.3	324.0	328.7	333.4	338.1
	Capacity (Btuh/1000)	48.8	53.8	59.1	64.9	71.0	77.6
	Unit Power (kW)	5.0	5.0	5.1	5.2	5.2	5.3
95	Head Press (psig)	358.5	363.2	368.0	372.8	377.6	382.2
	Capacity (Btuh/1000)	45.8	50.5	55.6	61.0	66.8	73.0
	Unit Power (kW)	5.7	5.7	5.8	5.8	5.9	6.0
105	Head Press (psig)	406.2	411.0	415.9	420.7	425.5	430.2
	Capacity (Btuh/1000)	42.6	47.1	51.9	57.0	62.5	68.4
	Unit Power (kW)	6.5	6.5	6.5	6.6	6.6	6.7
115	Head Press (psig)	458.0	462.8	467.7	472.5	477.2	481.8
	Capacity (Btuh/1000)	39.3	43.5	48.1	53.0	58.2	63.8
	Unit Power (kW)	7.4	7.4	7.4	7.5	7.5	7.6
125	Head Press (psig)	514.4	518.9	523.4	528.0	532.5	536.8
	Capacity (Btuh/1000)	35.8	39.9	44.2	48.9	53.8	59.1
	Unit Power (kW)	8.4	8.4	8.4	8.5	8.5	8.5

Note: Performance data calculated at 15°F subcooling and 15°F superheat and does not include capacity loss due to refrigerant lines.

Figure 7. TTA0604DA capacity curve (IP)




Performance Data

Table 48. Gross cooling capacities (kW) TTA0604DA condensing unit only (SI)

Outdoor Temp (°C)		Saturated Suction Temperature (°C)					
		-1.1	1.7	4.4	7.2	10.0	12.8
18.3	Head Press (kPa)	1643.7	1673.0	1703.4	1734.4	1765.6	1796.6
	Capacity (kW)	16.0	17.6	19.3	21.2	23.2	25.3
	Unit Power (kW)	3.9	3.9	4.0	4.0	4.1	4.1
23.9	Head Press (kPa)	1894.5	1925.0	1956.3	1988.2	2020.1	2051.6
	Capacity (kW)	15.2	16.7	18.4	20.1	22.0	24.0
	Unit Power (kW)	4.4	4.4	4.5	4.6	4.6	4.7
29.4	Head Press (kPa)	2170.2	2201.8	2234.0	2266.6	2299.0	2330.9
	Capacity (kW)	14.3	15.8	17.3	19.0	20.8	22.7
	Unit Power (kW)	5.0	5.0	5.1	5.2	5.2	5.3
35.0	Head Press (kPa)	2472.0	2504.5	2537.5	2570.6	2603.4	2635.4
	Capacity (kW)	13.4	14.8	16.3	17.9	19.6	21.4
	Unit Power (kW)	5.7	5.7	5.8	5.8	5.9	6.0
40.6	Head Press (kPa)	2800.8	2834.0	2867.5	2900.9	2933.8	2965.9
	Capacity (kW)	12.5	13.8	15.2	16.7	18.3	20.1
	Unit Power (kW)	6.5	6.5	6.5	6.6	6.6	6.7
46.1	Head Press (kPa)	3157.5	3190.9	3224.4	3257.6	3290.2	3321.7
	Capacity (kW)	11.5	12.8	14.1	15.5	17.1	18.7
	Unit Power (kW)	7.4	7.4	7.4	7.5	7.5	7.6
51.7	Head Press (kPa)	3547.0	3577.5	3609.0	3640.2	3671.1	3700.9
	Capacity (kW)	10.5	11.7	13.0	14.3	15.8	17.3
	Unit Power (kW)	8.4	8.4	8.4	8.5	8.5	8.5

Note: Performance data calculated at 8.3°C subcooling and 8.3°C superheat and does not include capacity loss due to refrigerant lines.

Figure 8. TTA0604DA capacity curve (SI)

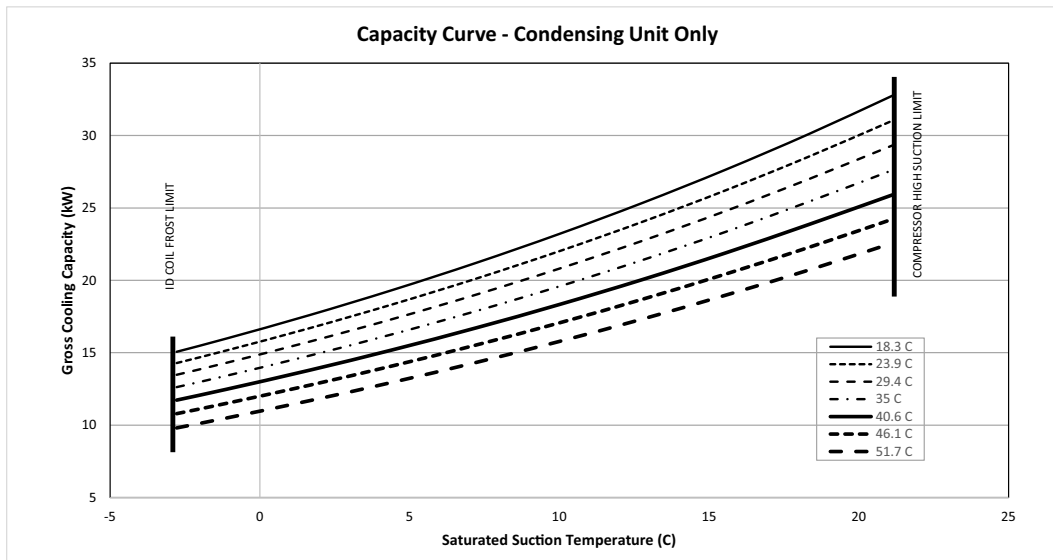


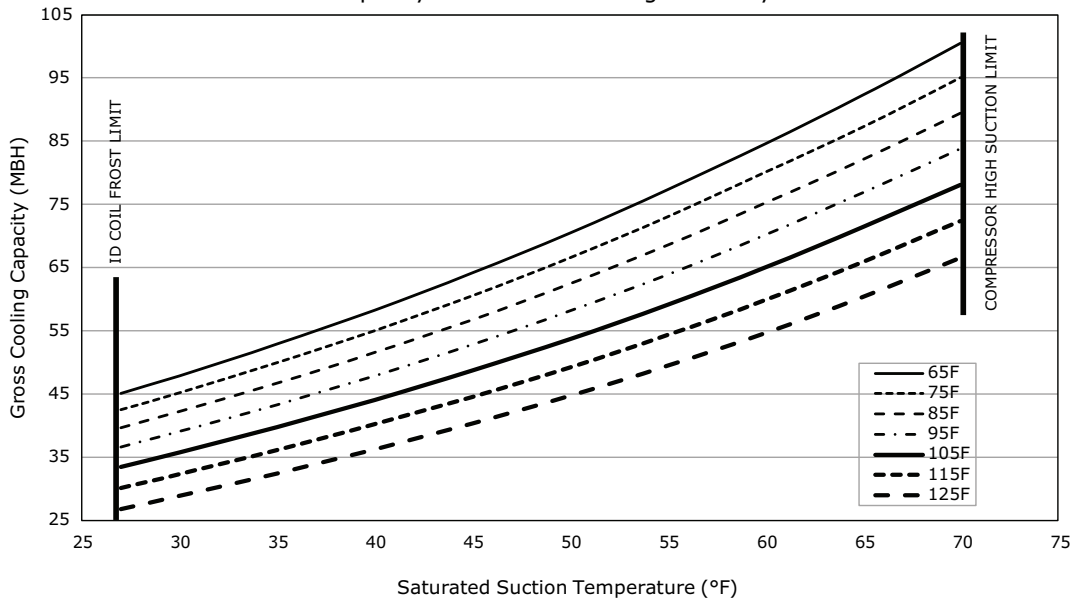
Table 49. Gross cooling capacities (MBH) TTA0604DD condensing unit only (IP)

Outdoor Temp (°F)		Saturated Suction Temperature (°F)					
		30	35	40	45	50	55
65	Head Press (psig)	247.3	250.9	254.4	257.7	260.9	263.9
	Capacity (Btuh/1000)	47.9	52.9	58.3	64.2	70.5	77.4
	Unit Power (kW)	4.2	4.2	4.2	4.1	4.1	4.1
75	Head Press (psig)	287.0	291.0	294.8	298.4	301.7	304.7
	Capacity (Btuh/1000)	45.3	50.0	55.1	60.6	66.6	73.1
	Unit Power (kW)	4.7	4.7	4.7	4.7	4.7	4.7
85	Head Press (psig)	330.4	335.0	339.3	343.2	346.7	349.6
	Capacity (Btuh/1000)	42.3	46.8	51.6	56.8	62.5	68.6
	Unit Power (kW)	5.3	5.3	5.4	5.3	5.3	5.3
95	Head Press (psig)	377.8	383.0	387.9	392.4	396.1	399.2
	Capacity (Btuh/1000)	39.1	43.4	47.9	52.8	58.2	63.9
	Unit Power (kW)	6.0	6.1	6.1	6.1	6.1	6.1
105	Head Press (psig)	429.2	435.2	440.9	446.0	450.3	453.6
	Capacity (Btuh/1000)	35.8	39.8	44.1	48.7	53.7	59.1
	Unit Power (kW)	6.8	6.9	6.9	6.9	6.9	6.9
115	Head Press (psig)	485.4	491.9	498.3	504.2	509.2	512.8
	Capacity (Btuh/1000)	32.4	36.2	40.3	44.6	49.3	54.3
	Unit Power (kW)	7.7	7.7	7.8	7.8	7.8	7.8
125	Head Press (psig)	546.2	554.9	561.1	567.2	572.7	576.8
	Capacity (Btuh/1000)	28.9	32.5	36.3	40.4	44.8	49.5
	Unit Power (kW)	8.6	8.7	8.8	8.8	8.8	8.9

Note: Performance data calculated at 15°F subcooling and 15°F superheat and does not include capacity loss due to refrigerant lines.

Figure 9. TTA0604DD capacity curve (IP)

Capacity Curve - Condensing Unit Only





Performance Data

Table 50. Gross cooling capacities (kW) TTA0604DD condensing unit only (SI)

Outdoor Temp (°C)		Saturated Suction Temperature (°C)					
		-1.1	1.7	4.4	7.2	10.0	12.8
18.3	Head Press (kPa)	1705.2	1729.8	1753.9	1777.1	1798.9	1819.4
	Capacity (kW)	14.1	15.5	17.1	18.8	20.7	22.7
	Unit Power (kW)	4.2	4.2	4.2	4.1	4.1	4.1
23.9	Head Press (kPa)	1978.7	2006.2	2032.7	2057.4	2080.2	2100.5
	Capacity (kW)	13.3	14.6	16.1	17.8	19.5	21.4
	Unit Power (kW)	4.7	4.7	4.7	4.7	4.7	4.7
29.4	Head Press (kPa)	2278.2	2309.5	2339.1	2366.3	2390.3	2410.7
	Capacity (kW)	12.4	13.7	15.1	16.7	18.3	20.1
	Unit Power (kW)	5.3	5.3	5.4	5.3	5.3	5.3
35.0	Head Press (kPa)	2604.6	2640.7	2674.7	2705.3	2731.2	2752.3
	Capacity (kW)	11.5	12.7	14.0	15.5	17.0	18.7
	Unit Power (kW)	6.0	6.1	6.1	6.1	6.1	6.1
40.6	Head Press (kPa)	2959.1	3000.7	3039.9	3075.3	3104.9	3127.3
	Capacity (kW)	10.5	11.7	12.9	14.3	15.7	17.3
	Unit Power (kW)	6.8	6.9	6.9	6.9	6.9	6.9
46.1	Head Press (kPa)	3346.9	3391.7	3435.6	3476.4	3510.6	3535.9
	Capacity (kW)	9.5	10.6	11.8	13.1	14.4	15.9
	Unit Power (kW)	7.7	7.7	7.8	7.8	7.8	7.8
51.7	Head Press (kPa)	3766.0	3825.9	3868.4	3911.0	3948.7	3977.2
	Capacity (kW)	8.5	9.5	10.6	11.8	13.1	14.5
	Unit Power (kW)	8.6	8.7	8.8	8.8	8.8	8.9

Note: Performance data calculated at 8.3°C subcooling and 8.3°C superheat and does not include capacity loss due to refrigerant lines.

Figure 10. TTA0604DD capacity curve (SI)

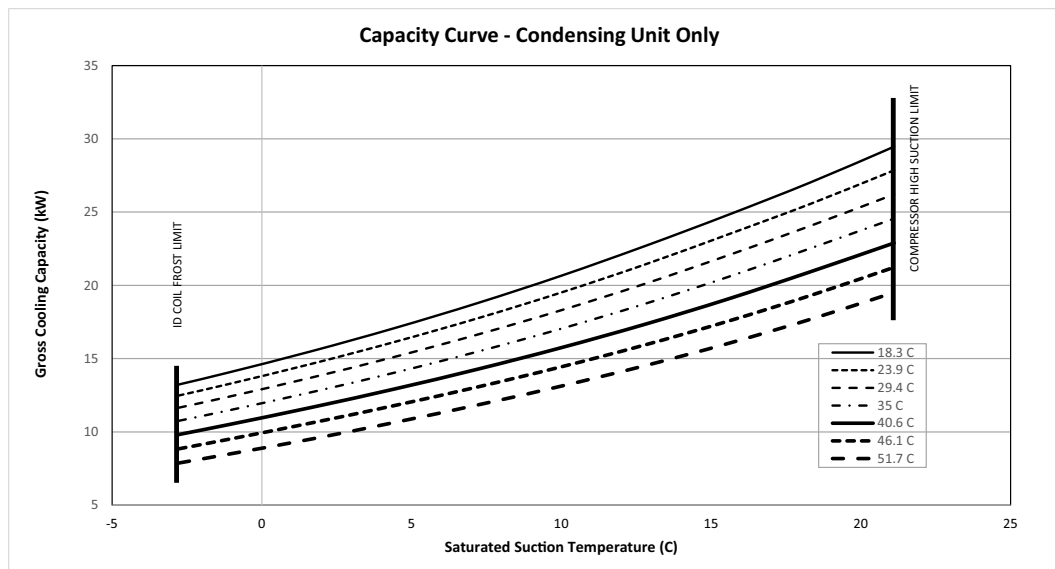
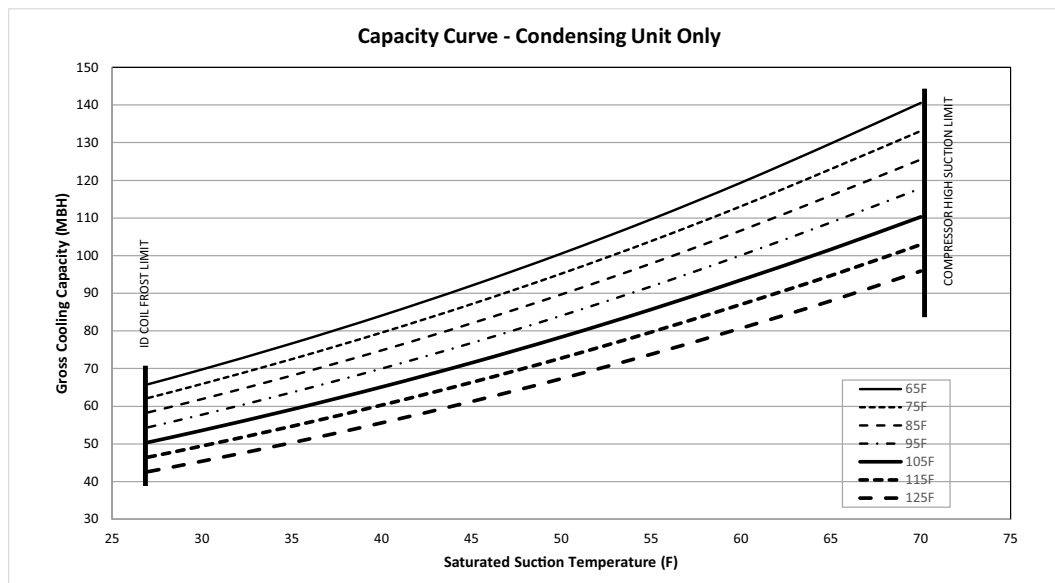


Table 51. Gross cooling capacities (MBH) TTA0764DA condensing unit only (IP)

Outdoor Temp (°F)		Saturated Suction Temperature (°F)					
		30	35	40	45	50	55
65	Head Press (psig)	257.2	263.0	268.9	274.8	280.7	286.5
	Capacity (Btuh/1000)	69.8	76.7	84.1	92.0	100.5	109.6
	Unit Power (kW)	4.2	4.2	4.3	4.3	4.4	4.5
75	Head Press (psig)	294.0	300.0	306.0	312.0	318.0	323.9
	Capacity (Btuh/1000)	65.9	72.5	79.6	87.1	95.2	103.9
	Unit Power (kW)	4.7	4.7	4.8	4.8	4.9	5.0
85	Head Press (psig)	334.2	340.3	346.5	352.6	358.6	364.5
	Capacity (Btuh/1000)	61.9	68.1	74.8	82.0	89.7	97.9
	Unit Power (kW)	5.2	5.3	5.3	5.4	5.5	5.5
95	Head Press (psig)	378.1	384.3	390.5	396.6	402.7	408.5
	Capacity (Btuh/1000)	57.8	63.7	70.0	76.8	84.1	91.8
	Unit Power (kW)	5.8	5.9	6.0	6.0	6.1	6.2
105	Head Press (psig)	425.9	432.1	438.3	444.4	450.3	456.1
	Capacity (Btuh/1000)	53.6	59.1	65.1	71.5	78.4	85.7
	Unit Power (kW)	6.5	6.6	6.7	6.7	6.8	6.9
115	Head Press (psig)	477.7	483.8	489.8	495.7	501.5	507.0
	Capacity (Btuh/1000)	49.4	54.7	60.3	66.3	72.8	79.7
	Unit Power (kW)	7.3	7.4	7.4	7.5	7.6	7.6
125	Head Press (psig)	533.5	539.2	544.9	550.4	555.7	560.8
	Capacity (Btuh/1000)	45.4	50.3	55.6	61.2	67.3	73.8
	Unit Power (kW)	8.1	8.2	8.3	8.3	8.4	8.5

Note: Performance data calculated at 15°F subcooling and 15°F superheat and does not include capacity loss due to refrigerant lines.

Figure 11. TTA0764DA capacity curve (IP)




Performance Data

Table 52. Gross cooling capacities (kW) TTA0764DA condensing unit only (SI)

Outdoor Temp (°C)		Saturated Suction Temperature (°C)					
		-1.1	1.7	4.4	7.2	10.0	12.8
18.3	Head Press (kPa)	1773.6	1813.5	1854.2	1895.0	1935.6	1975.6
	Capacity (kW)	20.4	22.5	24.6	27.0	29.5	32.1
	Unit Power (kW)	4.2	4.2	4.3	4.3	4.4	4.5
23.9	Head Press (kPa)	2027.2	2068.3	2109.9	2151.5	2192.7	2233.1
	Capacity (kW)	19.3	21.2	23.3	25.5	27.9	30.4
	Unit Power (kW)	4.7	4.7	4.8	4.8	4.9	5.0
29.4	Head Press (kPa)	2304.5	2346.5	2388.8	2431.0	2472.5	2513.1
	Capacity (kW)	18.1	20.0	21.9	24.0	26.3	28.7
	Unit Power (kW)	5.2	5.3	5.3	5.4	5.5	5.5
35.0	Head Press (kPa)	2607.1	2649.7	2692.5	2734.8	2776.3	2816.8
	Capacity (kW)	16.9	18.7	20.5	22.5	24.6	26.9
	Unit Power (kW)	5.8	5.9	6.0	6.0	6.1	6.2
40.6	Head Press (kPa)	2936.5	2979.2	3021.8	3063.8	3104.9	3144.7
	Capacity (kW)	15.7	17.3	19.1	21.0	23.0	25.1
	Unit Power (kW)	6.5	6.6	6.7	6.7	6.8	6.9
46.1	Head Press (kPa)	3293.4	3335.4	3377.1	3417.9	3457.7	3496.0
	Capacity (kW)	14.5	16.0	17.7	19.4	21.3	23.4
	Unit Power (kW)	7.3	7.4	7.4	7.5	7.6	7.6
51.7	Head Press (kPa)	3678.1	3717.7	3756.7	3794.8	3831.6	3866.4
	Capacity (kW)	13.3	14.7	16.3	18.0	19.7	21.6
	Unit Power (kW)	8.1	8.2	8.3	8.3	8.4	8.5

Note: Performance data calculated at 8.3°C subcooling and 8.3°C superheat and does not include capacity loss due to refrigerant lines.

Figure 12. TTA0764DA capacity curve (SI)

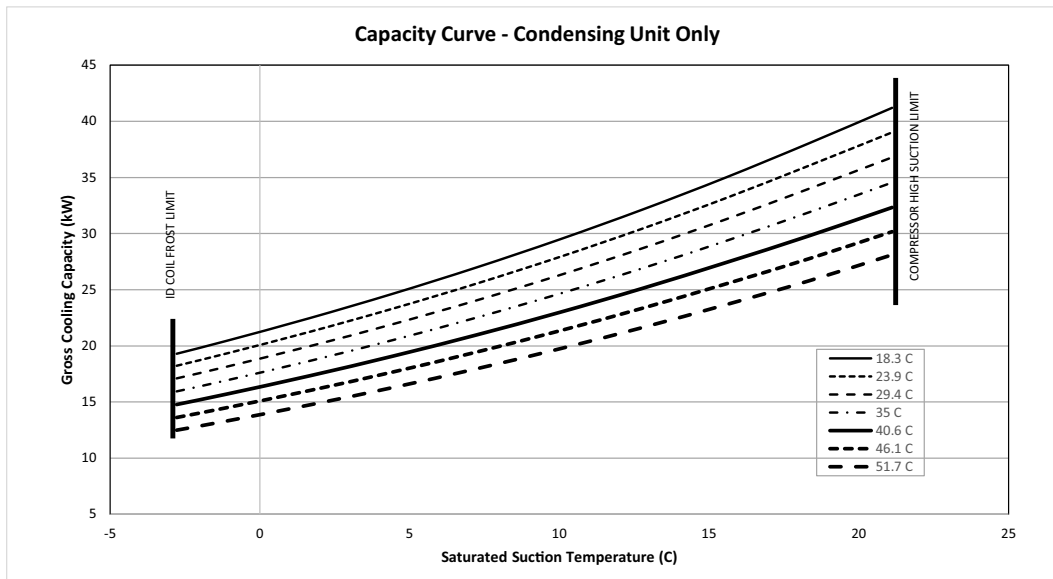
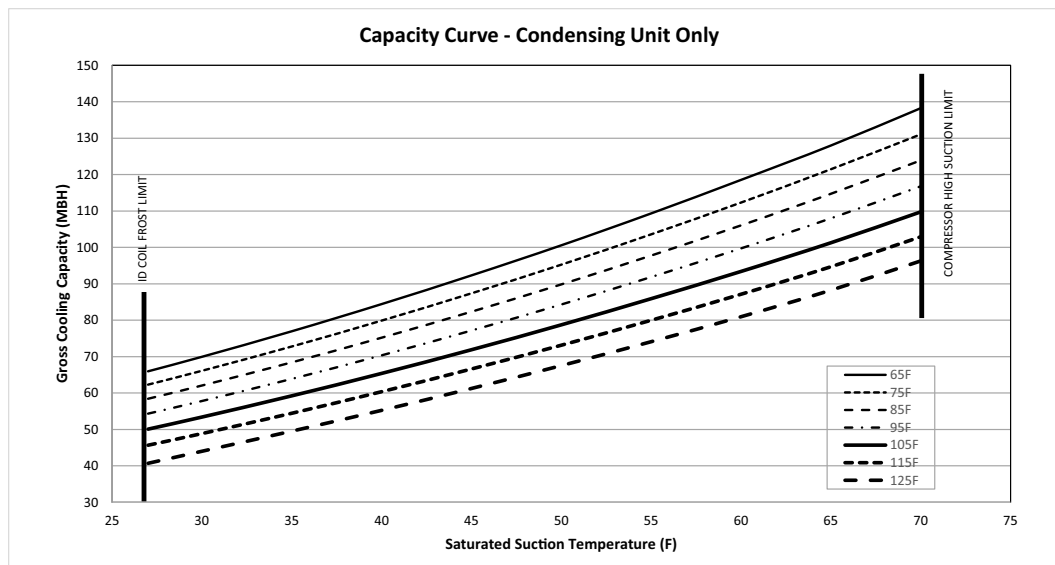


Table 53. Gross cooling capacities (MBH) TTA0764DD condensing unit only (IP)

Outdoor Temp (°F)		Saturated Suction Temperature (°F)					
		30	35	40	45	50	55
65	Head Press (psig)	260.3	264.8	269.0	273.5	278.6	283.2
	Capacity (Btuh/1000)	70.0	77.0	84.4	92.3	100.6	109.3
	Unit Power (kW)	4.2	4.2	4.2	4.3	4.3	4.3
75	Head Press (psig)	298.0	302.8	307.0	311.7	316.7	321.1
	Capacity (Btuh/1000)	66.1	72.8	79.9	87.4	95.3	103.6
	Unit Power (kW)	4.6	4.7	4.7	4.7	4.8	4.8
85	Head Press (psig)	339.2	344.2	348.6	353.3	358.2	362.6
	Capacity (Btuh/1000)	62.1	68.4	75.2	82.3	89.8	97.8
	Unit Power (kW)	5.2	5.2	5.2	5.2	5.3	5.3
95	Head Press (psig)	384.2	389.3	393.8	398.5	403.4	407.7
	Capacity (Btuh/1000)	57.8	63.9	70.4	77.2	84.3	91.9
	Unit Power (kW)	5.8	5.8	5.8	5.8	5.9	5.9
105	Head Press (psig)	433.0	438.0	442.8	447.6	452.2	456.4
	Capacity (Btuh/1000)	53.4	59.2	65.4	71.9	78.7	85.9
	Unit Power (kW)	6.5	6.5	6.5	6.5	6.6	6.6
115	Head Press (psig)	485.9	491.0	495.5	499.9	504.4	508.5
	Capacity (Btuh/1000)	48.9	54.5	60.4	66.6	73.1	80.0
	Unit Power (kW)	7.3	7.3	7.3	7.3	7.4	7.3
125	Head Press (psig)	546.0	548.7	552.6	556.2	560.0	563.5
	Capacity (Btuh/1000)	44.0	49.5	55.3	61.3	67.5	74.1
	Unit Power (kW)	8.3	8.3	8.3	8.3	8.3	8.2

Note: Performance data calculated at 15°F subcooling and 15°F superheat and does not include capacity loss due to refrigerant lines.

Figure 13. TTA0764DD capacity curve (IP)




Performance Data

Table 54. Gross cooling capacities (kW) TTA0764DD condensing unit only (SI)

Outdoor Temp (°C)		Saturated Suction Temperature (°C)					
		-1.1	1.7	4.4	7.2	10.0	12.8
18.3	Head Press (kPa)	1794.8	1825.9	1854.6	1885.7	1921.1	1952.3
	Capacity (kW)	20.5	22.6	24.7	27.1	29.5	32.0
	Unit Power (kW)	4.2	4.2	4.2	4.3	4.3	4.3
23.9	Head Press (kPa)	2054.5	2087.5	2116.6	2148.8	2183.4	2214.2
	Capacity (kW)	19.4	21.3	23.4	25.6	27.9	30.4
	Unit Power (kW)	4.6	4.7	4.7	4.7	4.8	4.8
29.4	Head Press (kPa)	2338.6	2372.9	2403.3	2435.8	2469.8	2500.3
	Capacity (kW)	18.2	20.1	22.0	24.1	26.3	28.7
	Unit Power (kW)	5.2	5.2	5.2	5.2	5.3	5.3
35.0	Head Press (kPa)	2648.9	2684.2	2715.3	2747.4	2781.2	2810.8
	Capacity (kW)	16.9	18.7	20.6	22.6	24.7	26.9
	Unit Power (kW)	5.8	5.8	5.8	5.8	5.9	5.9
40.6	Head Press (kPa)	2985.2	3019.8	3053.2	3085.9	3117.6	3146.8
	Capacity (kW)	15.7	17.4	19.2	21.1	23.1	25.2
	Unit Power (kW)	6.5	6.5	6.5	6.5	6.6	6.6
46.1	Head Press (kPa)	3350.1	3385.7	3416.5	3446.7	3478.0	3505.8
	Capacity (kW)	14.3	16.0	17.7	19.5	21.4	23.4
	Unit Power (kW)	7.3	7.3	7.3	7.3	7.4	7.3
51.7	Head Press (kPa)	3764.6	3783.3	3810.1	3835.2	3861.1	3884.9
	Capacity (kW)	12.9	14.5	16.2	18.0	19.8	21.7
	Unit Power (kW)	8.3	8.3	8.3	8.3	8.3	8.2

Note: Performance data calculated at 8.3°C subcooling and 8.3°C superheat and does not include capacity loss due to refrigerant lines.

Figure 14. TTA0764DD capacity curve (SI)

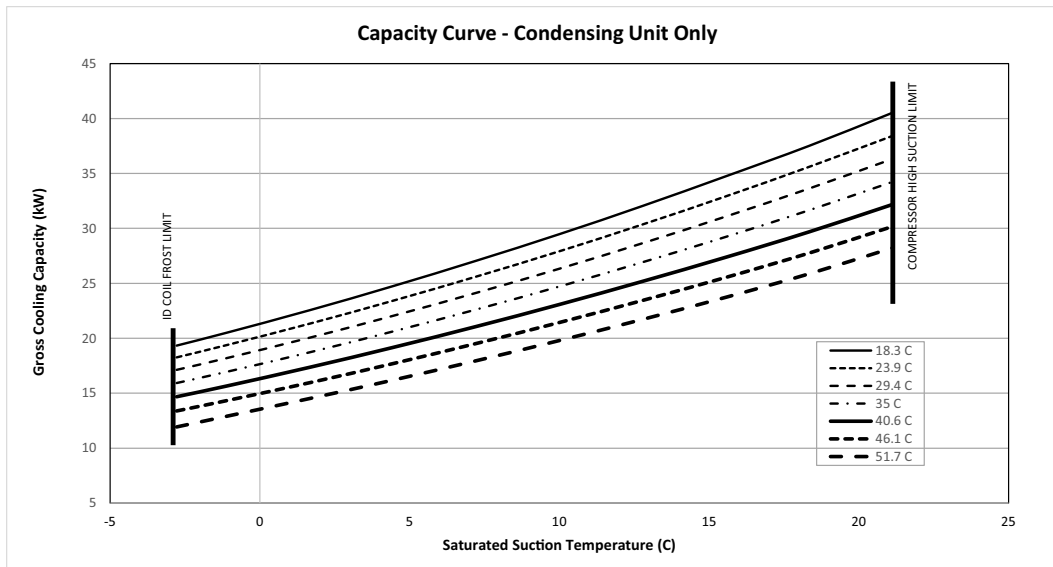
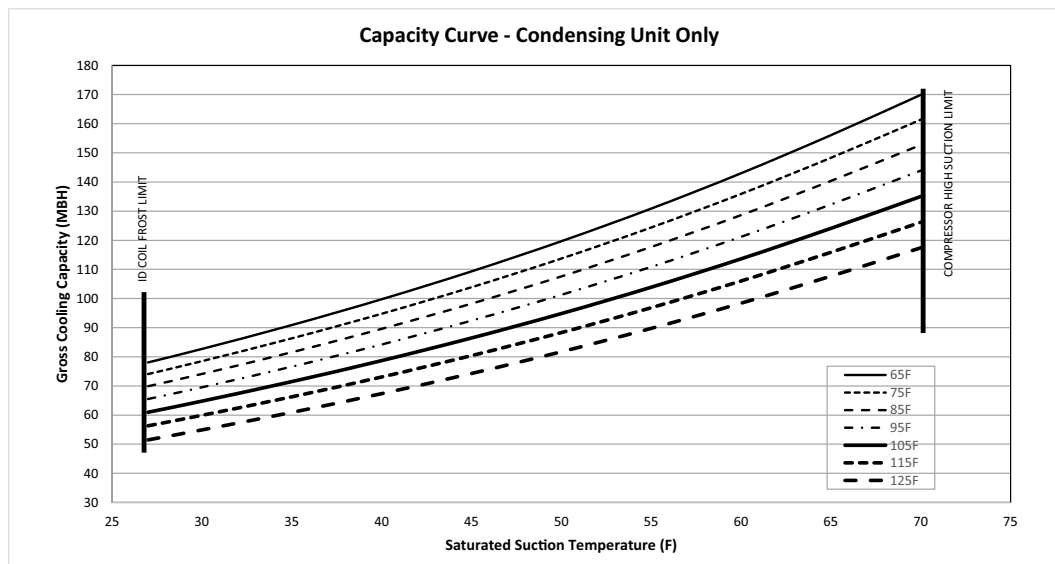


Table 55. Gross cooling capacities (MBH) TTA1014DD condensing unit only (IP)

Outdoor Temp (°F)		Saturated Suction Temperature (°F)					
		30	35	40	45	50	55
65	Head Press (psig)	248.7	252.9	257.0	260.9	264.6	268.1
	Capacity (Btuh/1000)	82.7	90.9	99.7	109.3	119.7	130.9
	Unit Power (kW)	5.2	5.2	5.3	5.3	5.3	5.3
75	Head Press (psig)	286.0	290.3	294.6	298.7	302.5	305.9
	Capacity (Btuh/1000)	78.5	86.3	94.8	103.9	113.7	124.4
	Unit Power (kW)	5.8	5.8	5.8	5.8	5.8	5.8
85	Head Press (psig)	326.9	331.5	335.9	340.1	344.0	347.3
	Capacity (Btuh/1000)	74.1	81.6	89.6	98.2	107.6	117.7
	Unit Power (kW)	6.4	6.4	6.4	6.4	6.4	6.4
95	Head Press (psig)	371.7	376.5	381.1	385.4	389.1	392.4
	Capacity (Btuh/1000)	69.5	76.6	84.2	92.4	101.3	110.9
	Unit Power (kW)	7.1	7.1	7.1	7.1	7.1	7.1
105	Head Press (psig)	420.6	425.6	430.3	434.5	438.1	441.3
	Capacity (Btuh/1000)	64.8	71.5	78.7	86.5	94.8	103.9
	Unit Power (kW)	7.8	7.9	7.9	7.9	7.9	7.9
115	Head Press (psig)	473.8	478.8	483.4	487.5	491.1	494.1
	Capacity (Btuh/1000)	59.9	66.3	73.1	80.4	88.3	96.8
	Unit Power (kW)	8.7	8.7	8.7	8.8	8.8	8.8
125	Head Press (psig)	532.0	536.6	540.8	544.5	547.7	550.3
	Capacity (Btuh/1000)	54.9	60.9	67.4	74.3	81.7	89.8
	Unit Power (kW)	9.7	9.7	9.7	9.7	9.7	9.7

Note: Performance data calculated at 15°F subcooling and 15°F superheat and does not include capacity loss due to refrigerant lines.

Figure 15. TTA1014DD capacity curve (IP)




Performance Data

Table 56. Gross cooling capacities (kW) TTA1014DD condensing unit only (SI)

Outdoor Temp (°C)		Saturated Suction Temperature (°C)					
		-1.1	1.7	4.4	7.2	10.0	12.8
18.3	Head Press (kPa)	1714.8	1743.5	1771.7	1798.9	1824.6	1848.4
	Capacity (kW)	24.2	26.6	29.2	32.0	35.1	38.4
	Unit Power (kW)	5.2	5.2	5.3	5.3	5.3	5.3
23.9	Head Press (kPa)	1971.7	2001.9	2031.4	2059.5	2085.7	2109.2
	Capacity (kW)	23.0	25.3	27.8	30.4	33.3	36.5
	Unit Power (kW)	5.8	5.8	5.8	5.8	5.8	5.8
29.4	Head Press (kPa)	2254.0	2285.6	2316.2	2345.2	2371.5	2394.5
	Capacity (kW)	21.7	23.9	26.3	28.8	31.5	34.5
	Unit Power (kW)	6.4	6.4	6.4	6.4	6.4	6.4
35.0	Head Press (kPa)	2563.0	2595.9	2627.6	2657.2	2682.8	2705.4
	Capacity (kW)	20.4	22.5	24.7	27.1	29.7	32.5
	Unit Power (kW)	7.1	7.1	7.1	7.1	7.1	7.1
40.6	Head Press (kPa)	2900.2	2934.2	2966.6	2995.6	3020.9	3042.9
	Capacity (kW)	19.0	21.0	23.1	25.3	27.8	30.4
	Unit Power (kW)	7.8	7.9	7.9	7.9	7.9	7.9
46.1	Head Press (kPa)	3266.7	3301.1	3333.2	3361.4	3385.8	3406.6
	Capacity (kW)	17.6	19.4	21.4	23.6	25.9	28.4
	Unit Power (kW)	8.7	8.7	8.7	8.8	8.8	8.8
51.7	Head Press (kPa)	3668.0	3699.4	3728.4	3754.3	3776.3	3794.5
	Capacity (kW)	16.1	17.9	19.7	21.8	24.0	26.3
	Unit Power (kW)	9.7	9.7	9.7	9.7	9.7	9.7

Note: Performance data calculated at 8.3°C subcooling and 8.3°C superheat and does not include capacity loss due to refrigerant lines.

Figure 16. TTA1014DD capacity curve (SI)

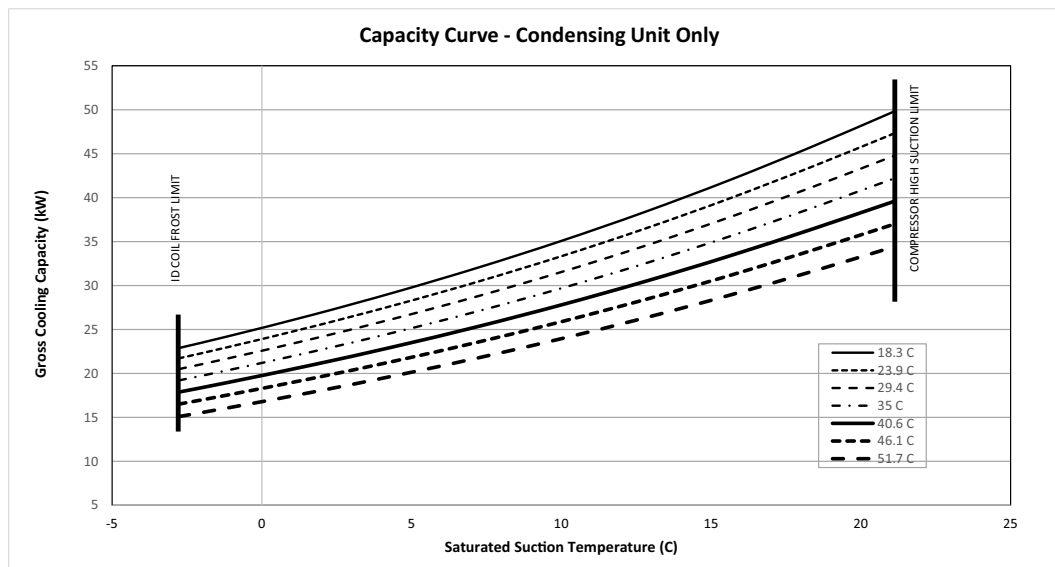
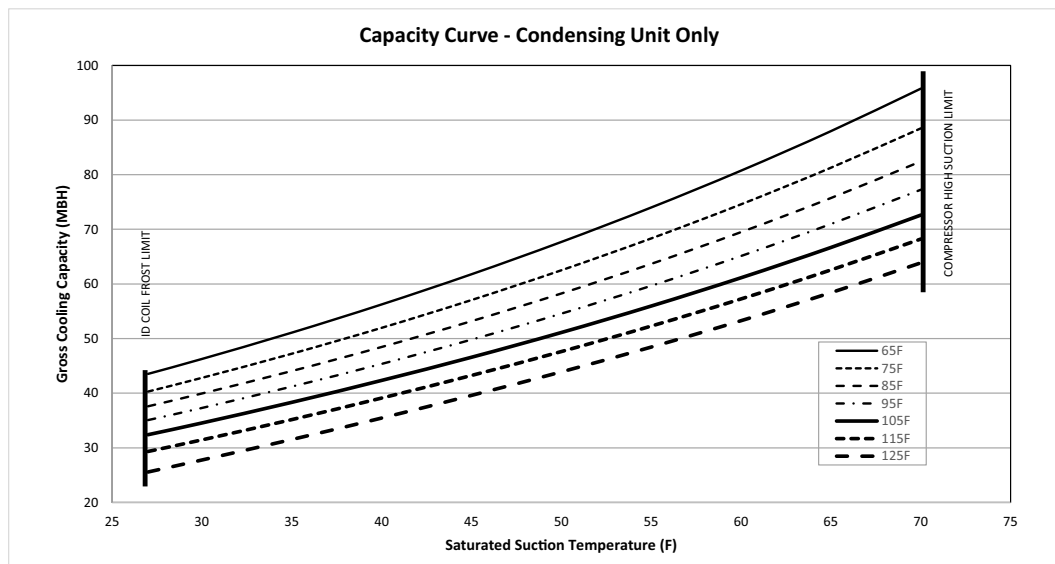


Table 57. Gross cooling capacities (MBH) one compressor - TTA1014DC condensing unit only (IP)

Outdoor Temp (°F)		Saturated Suction Temperature (°F)					
		30	35	40	45	50	55
65	Head Press (psig)	221.4	224.3	227.4	230.7	234.1	237.7
	Capacity (Btuh/1000)	46.3	51.1	56.3	61.8	67.7	74.0
	Unit Power (kW)	2.6	2.6	2.7	2.7	2.7	2.7
75	Head Press (psig)	255.9	258.9	262.0	265.3	268.7	272.2
	Capacity (Btuh/1000)	42.8	47.2	52.0	57.1	62.5	68.3
	Unit Power (kW)	2.9	2.9	2.9	2.9	2.9	3.0
85	Head Press (psig)	295.0	297.7	300.9	304.2	307.7	311.1
	Capacity (Btuh/1000)	40.0	44.1	48.5	53.2	58.3	63.7
	Unit Power (kW)	3.2	3.2	3.2	3.2	3.2	3.3
95	Head Press (psig)	338.7	340.9	344.1	347.5	351.0	354.4
	Capacity (Btuh/1000)	37.3	41.2	45.4	49.8	54.6	59.7
	Unit Power (kW)	3.6	3.6	3.6	3.6	3.6	3.6
105	Head Press (psig)	387.1	389.1	391.8	395.3	398.8	402.3
	Capacity (Btuh/1000)	34.6	38.3	42.3	46.6	51.1	56.0
	Unit Power (kW)	4.1	4.1	4.1	4.1	4.1	4.1
115	Head Press (psig)	440.2	442.2	444.3	447.4	451.0	454.5
	Capacity (Btuh/1000)	31.5	35.2	39.1	43.2	47.6	52.3
	Unit Power (kW)	4.6	4.6	4.6	4.6	4.5	4.5
125	Head Press (psig)	499.3	500.6	502.3	504.2	507.5	511.0
	Capacity (Btuh/1000)	27.8	31.5	35.5	39.6	43.9	48.4
	Unit Power (kW)	5.1	5.1	5.1	5.1	5.1	5.0

Note: Performance data calculated at 15°F subcooling and 15°F superheat and does not include capacity loss due to refrigerant lines.

Figure 17. TTA1014DC one compressor - capacity curve (IP)




Performance Data

Table 58. Gross cooling capacities (kW) one compressor - TTA1014DC condensing unit only (SI)

Outdoor Temp (°C)		Saturated Suction Temperature (°C)					
		-1.1	1.7	4.4	7.2	10.0	12.8
18.3	Head Press (kPa)	1526.2	1546.5	1568.0	1590.8	1614.4	1638.6
	Capacity (kW)	13.6	15.0	16.5	18.1	19.8	21.7
	Unit Power (kW)	2.6	2.6	2.7	2.7	2.7	2.7
23.9	Head Press (kPa)	1764.7	1785.0	1806.7	1829.4	1852.9	1876.9
	Capacity (kW)	12.5	13.8	15.2	16.7	18.3	20.0
	Unit Power (kW)	2.9	2.9	2.9	2.9	2.9	3.0
29.4	Head Press (kPa)	2033.9	2052.7	2074.6	2097.6	2121.2	2145.0
	Capacity (kW)	11.7	12.9	14.2	15.6	17.1	18.7
	Unit Power (kW)	3.2	3.2	3.2	3.2	3.2	3.3
35	Head Press (kPa)	2335.6	2350.3	2372.7	2396.1	2419.9	2443.7
	Capacity (kW)	10.9	12.1	13.3	14.6	16.0	17.5
	Unit Power (kW)	3.6	3.6	3.6	3.6	3.6	3.6
40.6	Head Press (kPa)	2668.9	2683.0	2701.1	2725.2	2749.6	2773.4
	Capacity (kW)	10.1	11.2	12.4	13.7	15.0	16.4
	Unit Power (kW)	4.1	4.1	4.1	4.1	4.1	4.1
46.1	Head Press (kPa)	3035.0	3049.1	3063.3	3084.7	3109.7	3133.8
	Capacity (kW)	9.2	10.3	11.5	12.7	14.0	15.3
	Unit Power (kW)	4.6	4.6	4.6	4.6	4.5	4.5
51.7	Head Press (kPa)	3442.5	3451.4	3463.6	3476.1	3498.8	3522.9
	Capacity (kW)	8.1	9.2	10.4	11.6	12.9	14.2
	Unit Power (kW)	5.1	5.1	5.1	5.1	5.1	5.0

Note: Performance data calculated at 8.3°C subcooling and 8.3°C superheat and does not include capacity loss due to refrigerant lines.

Figure 18. TTA1014DC - one compressor - capacity curve (SI)

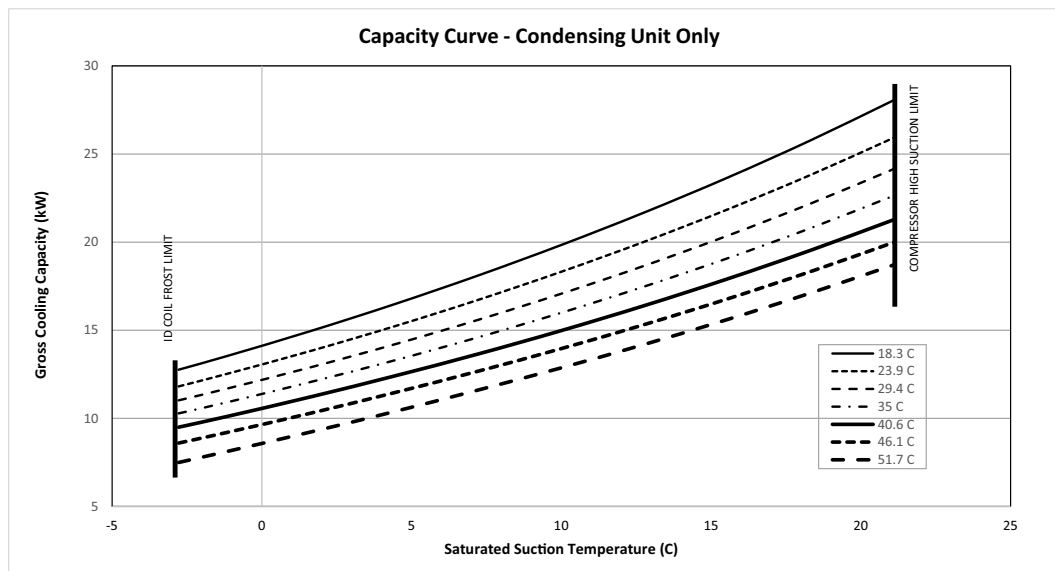
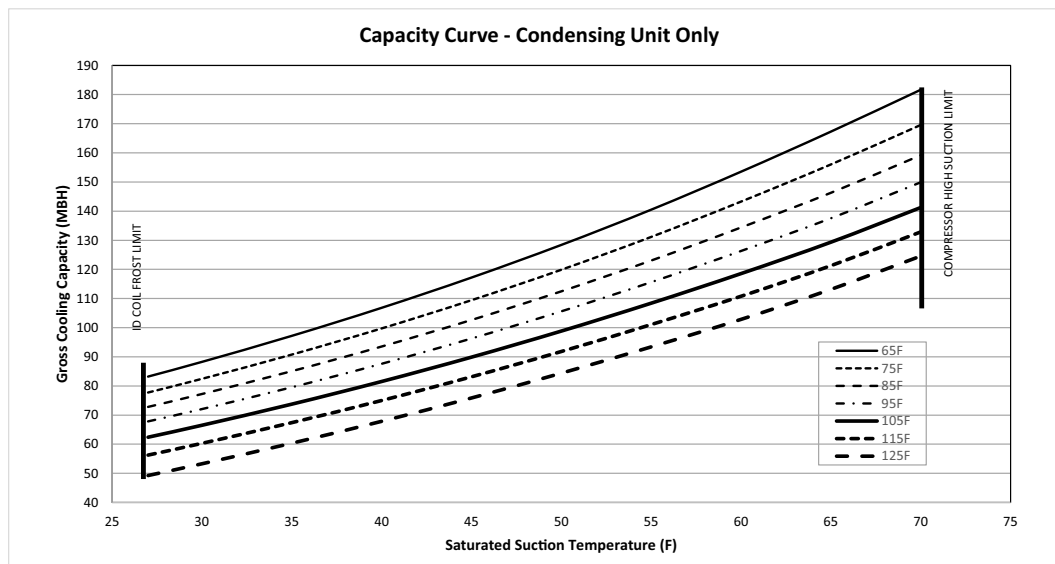


Table 59. Gross cooling capacities (MBH) both compressors - TTA1014DC condensing unit only (IP)

Outdoor Temp (°F)		Saturated Suction Temperature (°F)					
		30	35	40	45	50	55
65	Head Press (psig)	249.9	255.0	260.1	265.1	270.1	274.9
	Capacity (Btuh/1000)	88.3	97.2	106.8	117.2	128.4	140.5
	Unit Power (kW)	5.1	5.1	5.2	5.2	5.3	5.3
75	Head Press (psig)	285.6	290.7	295.8	300.8	305.6	310.2
	Capacity (Btuh/1000)	82.4	90.8	99.7	109.4	119.9	131.1
	Unit Power (kW)	5.7	5.7	5.8	5.8	5.9	5.9
85	Head Press (psig)	325.4	330.5	335.6	340.6	345.3	349.8
	Capacity (Btuh/1000)	77.2	85.1	93.5	102.6	112.5	123.0
	Unit Power (kW)	6.4	6.5	6.5	6.5	6.6	6.6
95	Head Press (psig)	369.0	374.3	379.5	384.5	389.2	393.7
	Capacity (Btuh/1000)	72.1	79.5	87.6	96.3	105.6	115.6
	Unit Power (kW)	7.2	7.3	7.3	7.3	7.4	7.4
105	Head Press (psig)	416.2	421.7	427.0	432.1	436.9	441.4
	Capacity (Btuh/1000)	66.5	73.7	81.5	89.9	98.8	108.4
	Unit Power (kW)	8.1	8.2	8.2	8.2	8.3	8.3
115	Head Press (psig)	466.5	472.3	477.8	483.1	488.0	492.5
	Capacity (Btuh/1000)	60.3	67.4	75.0	83.1	91.8	101.1
	Unit Power (kW)	9.1	9.1	9.2	9.2	9.2	9.2
125	Head Press (psig)	520.1	526.0	531.6	536.9	541.8	546.3
	Capacity (Btuh/1000)	53.3	60.3	67.9	75.9	84.4	93.4
	Unit Power (kW)	10.0	10.1	10.1	10.1	10.2	10.1

Note: Performance data calculated at 15°F subcooling and 15°F superheat and does not include capacity loss due to refrigerant lines.

Figure 19. TTA1014DC - both compressors - capacity curve (IP)





Performance Data

Table 60. Gross cooling capacities (kW) both compressors - TTA1014DC condensing unit only (SI)

Outdoor Temp (°C)		Saturated Suction Temperature (°C)					
		-1.1	1.7	4.4	7.2	10.0	12.8
18.3	Head Press (kPa)	1723.0	1758.1	1793.3	1828.1	1862.1	1895.1
	Capacity (kW)	25.9	28.5	31.3	34.3	37.6	41.2
	Unit Power (kW)	5.1	5.1	5.2	5.2	5.3	5.3
23.9	Head Press (kPa)	1969.1	2004.3	2039.3	2073.6	2106.9	2138.8
	Capacity (kW)	24.2	26.6	29.2	32.1	35.1	38.4
	Unit Power (kW)	5.7	5.7	5.8	5.8	5.9	5.9
29.4	Head Press (kPa)	2243.4	2278.9	2314.1	2348.2	2381.0	2412.1
	Capacity (kW)	22.6	24.9	27.4	30.1	33.0	36.1
	Unit Power (kW)	6.4	6.5	6.5	6.5	6.6	6.6
35	Head Press (kPa)	2544.2	2580.7	2616.4	2650.8	2683.4	2714.2
	Capacity (kW)	21.1	23.3	25.7	28.2	31.0	33.9
	Unit Power (kW)	7.2	7.3	7.3	7.3	7.4	7.4
40.6	Head Press (kPa)	2869.3	2907.3	2944.2	2979.3	3012.3	3043.2
	Capacity (kW)	19.5	21.6	23.9	26.3	29.0	31.8
	Unit Power (kW)	8.1	8.2	8.2	8.2	8.3	8.3
46.1	Head Press (kPa)	3216.5	3256.2	3294.5	3330.6	3364.4	3395.8
	Capacity (kW)	17.7	19.8	22.0	24.4	26.9	29.6
	Unit Power (kW)	9.1	9.1	9.2	9.2	9.2	9.2
51.7	Head Press (kPa)	3586.0	3626.3	3665.0	3701.5	3735.5	3766.7
	Capacity (kW)	15.6	17.7	19.9	22.2	24.7	27.4
	Unit Power (kW)	10.0	10.1	10.1	10.1	10.2	10.1

Note: Performance data calculated at 8.3°C subcooling and 8.3°C superheat and does not include capacity loss due to refrigerant lines.

Figure 20. TTA1014DC - both compressors - capacity curve (SI)

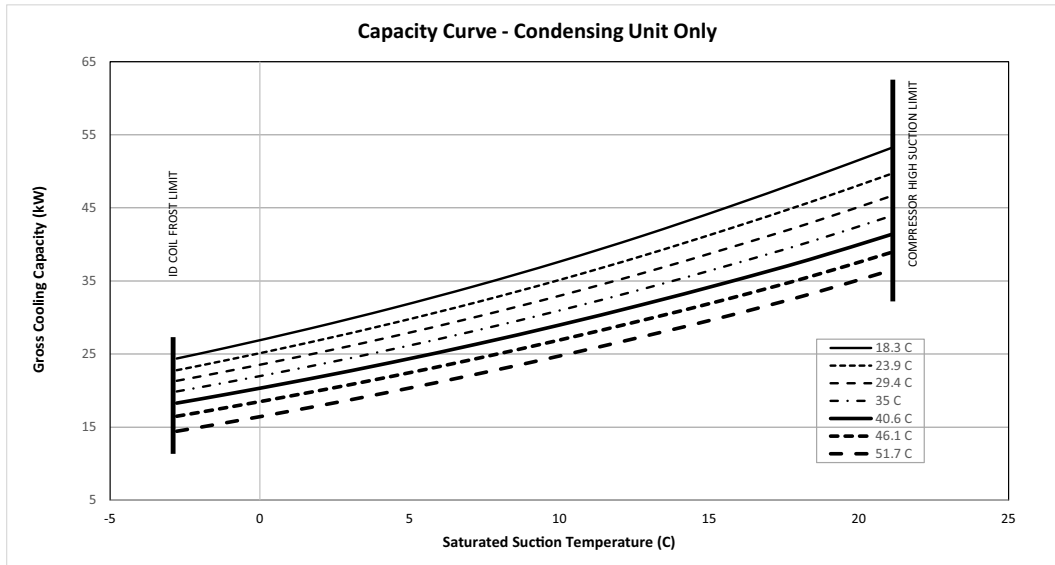
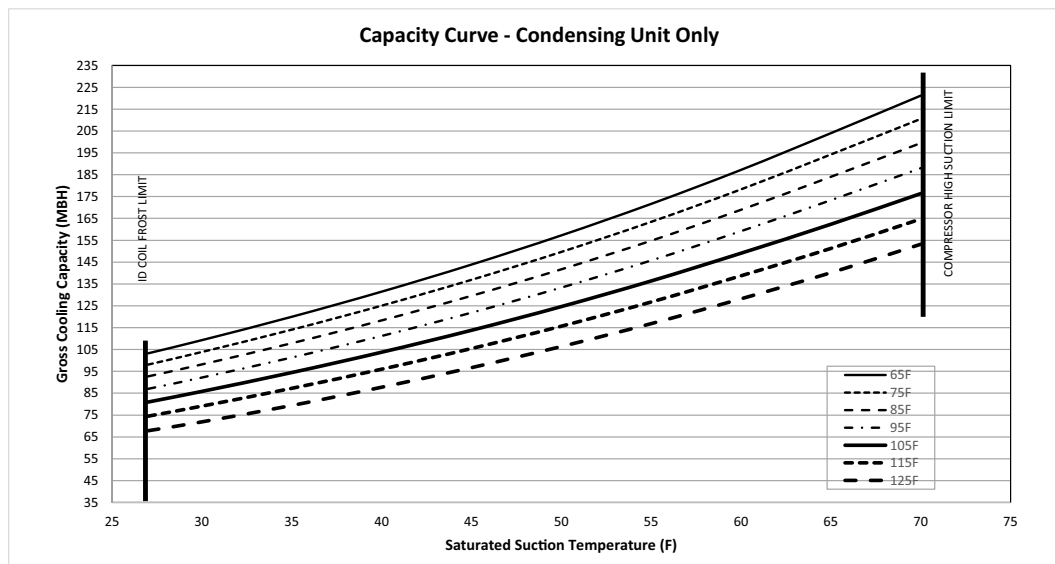


Table 61. Gross cooling capacities (MBH) TTA1264DD condensing unit only (IP)

Outdoor Temp (°F)		Saturated Suction Temperature (°F)					
		30	35	40	45	50	55
65	Head Press (psig)	261.0	266.5	272.0	277.5	282.7	287.5
	Capacity (Btuh/1000)	109.3	120.0	131.5	143.9	157.2	171.7
	Unit Power (kW)	7.6	7.7	7.8	8.0	8.1	8.3
75	Head Press (psig)	299.3	305.0	310.7	316.2	321.5	326.4
	Capacity (Btuh/1000)	103.9	114.1	125.1	136.9	149.7	163.4
	Unit Power (kW)	8.5	8.6	8.7	8.8	8.9	9.1
85	Head Press (psig)	341.2	347.0	352.7	358.4	363.7	368.5
	Capacity (Btuh/1000)	98.2	107.9	118.3	129.6	141.7	154.8
	Unit Power (kW)	9.4	9.6	9.7	9.8	9.9	10.0
95	Head Press (psig)	386.9	392.6	398.4	404.0	409.2	413.9
	Capacity (Btuh/1000)	92.2	101.3	111.2	121.9	133.3	145.8
	Unit Power (kW)	10.5	10.7	10.8	10.9	11.0	11.1
105	Head Press (psig)	436.3	442.0	447.6	453.0	458.0	462.6
	Capacity (Btuh/1000)	85.8	94.5	103.8	113.8	124.6	136.4
	Unit Power (kW)	11.8	11.9	12.0	12.1	12.2	12.3
115	Head Press (psig)	490.3	495.3	500.4	505.4	510.0	514.2
	Capacity (Btuh/1000)	79.1	87.2	96.0	105.4	115.7	126.7
	Unit Power (kW)	13.2	13.3	13.4	13.5	13.6	13.7
125	Head Press (psig)	549.3	554.5	557.8	561.5	565.2	568.4
	Capacity (Btuh/1000)	71.9	79.4	87.7	96.7	106.4	116.8
	Unit Power (kW)	14.7	14.9	15.0	15.0	15.1	15.2

Note: Performance data calculated at 15°F subcooling and 15°F superheat and does not include capacity loss due to refrigerant lines.

Figure 21. TTA1264DD capacity curve (IP)




Performance Data

Table 62. Gross cooling capacities (kW) TTA1264DD condensing unit only (SI)

Outdoor Temp (°C)		Saturated Suction Temperature (°C)					
		-1.1	1.7	4.4	7.2	10	12.8
18.3	Head Press (kPa)	1799.4	1837.2	1875.7	1913.3	1949.3	1982.6
	Capacity (kW)	32.0	35.2	38.5	42.2	46.1	50.3
	Unit Power (kW)	7.6	7.7	7.8	8.0	8.1	8.3
23.9	Head Press (kPa)	2063.5	2102.7	2141.9	2180.3	2216.8	2250.3
	Capacity (kW)	30.4	33.4	36.7	40.1	43.9	47.9
	Unit Power (kW)	8.5	8.6	8.7	8.8	8.9	9.1
29.4	Head Press (kPa)	2352.7	2392.4	2432.1	2470.8	2507.4	2540.7
	Capacity (kW)	28.8	31.6	34.7	38.0	41.5	45.4
	Unit Power (kW)	9.4	9.6	9.7	9.8	9.9	10.0
35.0	Head Press (kPa)	2667.4	2707.2	2746.8	2785.2	2821.3	2853.9
	Capacity (kW)	27.0	29.7	32.6	35.7	39.1	42.7
	Unit Power (kW)	10.5	10.7	10.8	10.9	11.0	11.1
40.6	Head Press (kPa)	3008.2	3047.3	3086.0	3123.3	3158.1	3189.4
	Capacity (kW)	25.2	27.7	30.4	33.4	36.5	40.0
	Unit Power (kW)	11.8	11.9	12.0	12.1	12.2	12.3
46.1	Head Press (kPa)	3380.3	3414.9	3450.2	3484.5	3516.5	3545.1
	Capacity (kW)	23.2	25.6	28.1	30.9	33.9	37.1
	Unit Power (kW)	13.2	13.3	13.4	13.5	13.6	13.7
51.7	Head Press (kPa)	3787.6	3823.0	3845.8	3871.6	3896.7	3919.3
	Capacity (kW)	21.1	23.3	25.7	28.3	31.2	34.2
	Unit Power (kW)	14.7	14.9	15.0	15.0	15.1	15.2

Note: Performance data calculated at 8.3°C subcooling and 8.3°C superheat and does not include capacity loss due to refrigerant lines.

Figure 22. TTA1264DD capacity curve (SI)

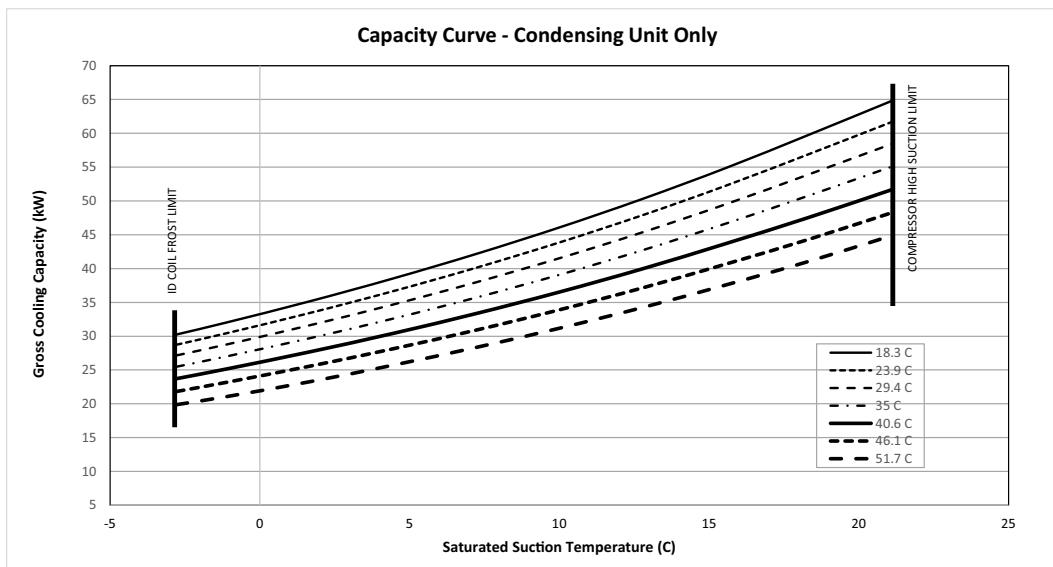
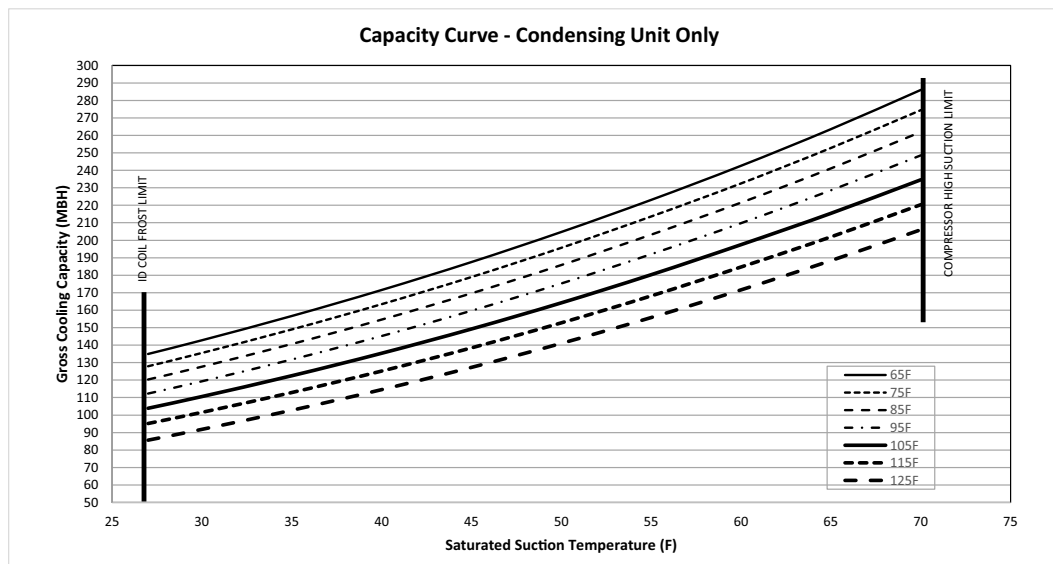


Table 63. Gross cooling capacities (MBH) TTA1564DD condensing unit only (IP)

Outdoor Temp (°F)		Saturated Suction Temperature (°F)					
		30	35	40	45	50	55
65	Head Press (psig)	239.7	242.8	246.0	249.2	252.4	256.1
	Capacity (Btuh/1000)	142.8	156.7	171.5	187.5	204.7	223.1
	Unit Power (kW)	8.5	8.6	8.8	9.0	9.2	9.4
75	Head Press (psig)	276.9	280.1	283.4	286.6	289.8	293.2
	Capacity (Btuh/1000)	135.5	149.0	163.4	179.0	195.7	213.6
	Unit Power (kW)	9.4	9.5	9.7	9.9	10.0	10.2
85	Head Press (psig)	318.0	321.3	324.6	327.8	331.0	334.1
	Capacity (Btuh/1000)	127.7	140.6	154.6	169.7	185.8	203.2
	Unit Power (kW)	10.4	10.6	10.7	10.8	11.0	11.2
95	Head Press (psig)	363.5	366.7	369.9	373.1	376.2	379.1
	Capacity (Btuh/1000)	119.3	131.8	145.2	159.7	175.3	192.0
	Unit Power (kW)	11.6	11.7	11.8	12.0	12.1	12.3
105	Head Press (psig)	414.0	417.0	420.0	422.9	425.7	428.4
	Capacity (Btuh/1000)	110.6	122.5	135.4	149.2	164.2	180.3
	Unit Power (kW)	12.9	13.0	13.1	13.3	13.4	13.5
115	Head Press (psig)	470.8	473.2	475.6	477.9	480.1	482.2
	Capacity (Btuh/1000)	101.6	112.9	125.2	138.4	152.8	168.2
	Unit Power (kW)	14.5	14.6	14.7	14.8	14.9	15.0
125	Head Press (psig)	538.2	538.0	538.3	539.0	539.9	540.9
	Capacity (Btuh/1000)	91.8	102.8	114.5	127.3	141.0	155.8
	Unit Power (kW)	16.5	16.5	16.5	16.5	16.5	16.6

Note: Performance data calculated at 15°F subcooling and 15°F superheat and does not include capacity loss due to refrigerant lines.

Figure 23. TTA1564DD capacity curves (IP)




Performance Data

Table 64. Gross cooling capacities (kW) TTA1564DD condensing unit only (SI)

Outdoor Temp (°C)		Saturated Suction Temperature (°C)					
		-1.1	1.7	4.4	7.2	10	12.8
18.3	Head Press (kPa)	1652.6	1674.2	1696.1	1718.1	1739.9	1765.5
	Capacity (kW)	41.8	45.9	50.3	55.0	60.0	65.4
	Unit Power (kW)	8.5	8.6	8.8	9.0	9.2	9.4
23.9	Head Press (kPa)	1908.9	1931.3	1953.8	1976.3	1998.4	2021.4
	Capacity (kW)	39.7	43.7	47.9	52.5	57.4	62.6
	Unit Power (kW)	9.4	9.5	9.7	9.9	10.0	10.2
29.4	Head Press (kPa)	2192.3	2215.0	2237.8	2260.3	2282.2	2303.6
	Capacity (kW)	37.4	41.2	45.3	49.7	54.5	59.6
	Unit Power (kW)	10.4	10.6	10.7	10.8	11.0	11.2
35.0	Head Press (kPa)	2505.9	2528.4	2550.6	2572.5	2593.7	2614.1
	Capacity (kW)	35.0	38.6	42.6	46.8	51.4	56.3
	Unit Power (kW)	11.6	11.7	11.8	12.0	12.1	12.3
40.6	Head Press (kPa)	2854.4	2875.3	2895.9	2915.9	2935.3	2953.8
	Capacity (kW)	32.4	35.9	39.7	43.7	48.1	52.8
	Unit Power (kW)	12.9	13.0	13.1	13.3	13.4	13.5
46.1	Head Press (kPa)	3246.1	3262.5	3278.8	3294.7	3310.0	3324.8
	Capacity (kW)	29.8	33.1	36.7	40.6	44.8	49.3
	Unit Power (kW)	14.5	14.6	14.7	14.8	14.9	15.0
51.7	Head Press (kPa)	3710.6	3709.1	3711.7	3716.5	3722.5	3729.2
	Capacity (kW)	26.9	30.1	33.6	37.3	41.3	45.7
	Unit Power (kW)	16.5	16.5	16.5	16.5	16.5	16.6

Note: Performance data calculated at 8.3°C subcooling and 8.3°C superheat and does not include capacity loss due to refrigerant lines.

Figure 24. TTA1564DD capacity curves (SI)

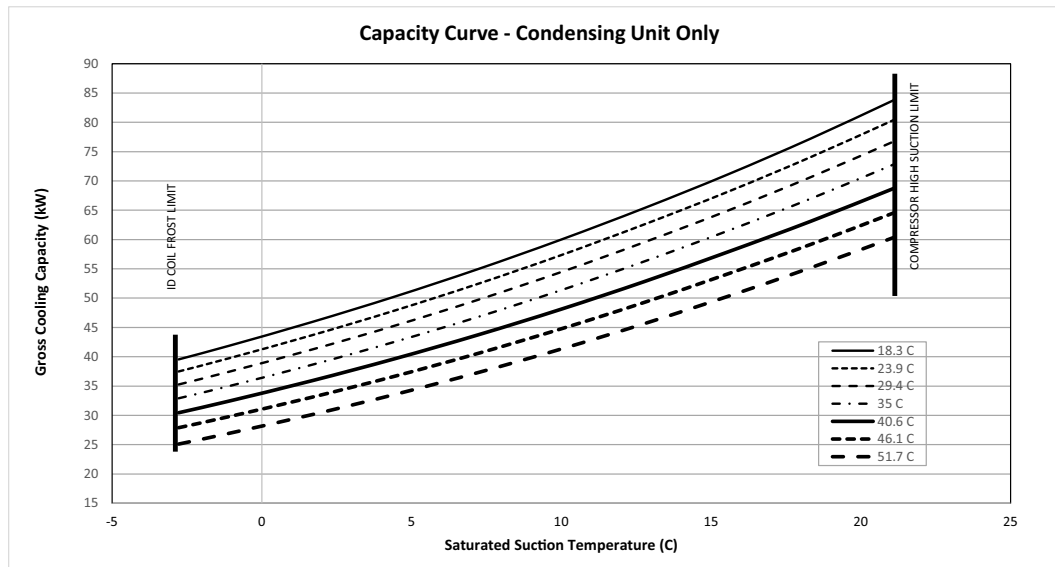
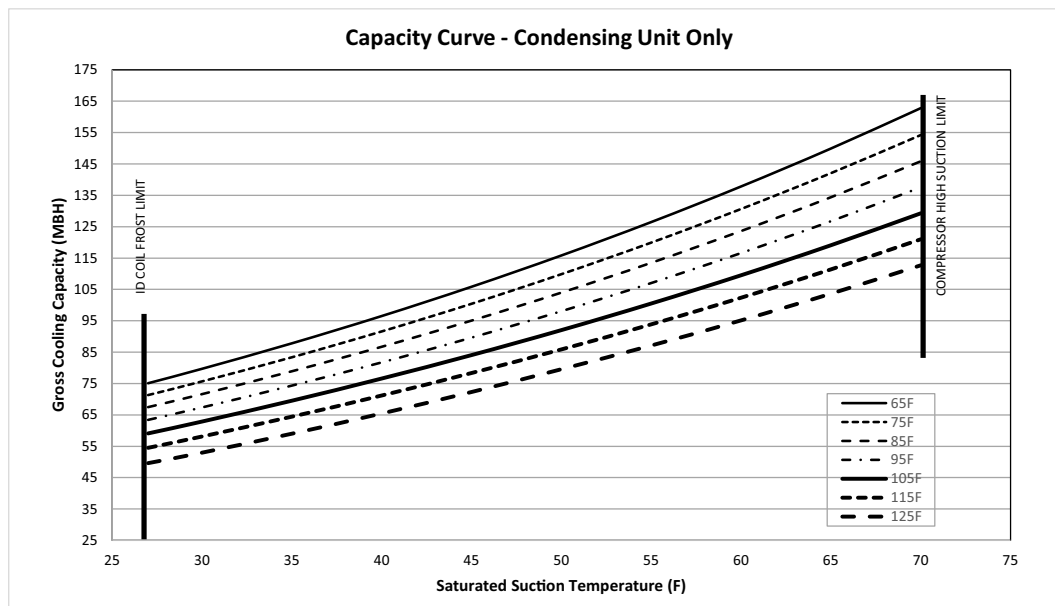


Table 65. Gross cooling capacities (MBH) one compressor - TTA1564DC condensing unit only (IP)

Outdoor Temp (°F)		Saturated Suction Temperature (°F)					
		30	35	40	45	50	55
65	Head Press (psig)	217.1	219.4	222.0	224.8	227.7	230.8
	Capacity (Btuh/1000)	79.7	87.8	96.5	105.8	115.8	126.5
	Unit Power (kW)	4.9	4.9	4.9	4.9	4.9	4.8
75	Head Press (psig)	252.3	254.8	257.5	260.5	263.5	266.7
	Capacity (Btuh/1000)	75.7	83.4	91.6	100.4	109.9	119.9
	Unit Power (kW)	5.4	5.5	5.5	5.5	5.5	5.4
85	Head Press (psig)	291.4	294.0	296.8	299.8	303.0	306.3
	Capacity (Btuh/1000)	71.6	78.9	86.7	95.1	104.0	113.5
	Unit Power (kW)	6.0	6.0	6.0	6.0	6.1	6.1
95	Head Press (psig)	335.0	337.3	340.2	343.3	346.6	350.0
	Capacity (Btuh/1000)	67.4	74.3	81.7	89.6	98.1	107.0
	Unit Power (kW)	6.5	6.6	6.6	6.6	6.7	6.7
105	Head Press (psig)	383.7	385.6	387.9	391.2	394.5	398.0
	Capacity (Btuh/1000)	62.9	69.5	76.6	84.1	92.0	100.5
	Unit Power (kW)	7.2	7.2	7.2	7.3	7.3	7.4
115	Head Press (psig)	437.6	439.4	441.2	443.5	446.9	450.3
	Capacity (Btuh/1000)	58.1	64.4	71.2	78.3	85.9	93.9
	Unit Power (kW)	7.9	7.9	8.0	8.0	8.1	8.1
125	Head Press (psig)	498.6	499.7	500.8	502.3	504.0	507.2
	Capacity (Btuh/1000)	52.9	59.0	65.4	72.3	79.6	87.1
	Unit Power (kW)	8.7	8.8	8.8	8.8	8.9	8.9

Note: Performance data calculated at 15°F subcooling and 15°F superheat and does not include capacity loss due to refrigerant lines.

Figure 25. TTA1564DC - one compressor - capacity curve (IP)




Performance Data

Table 66. Gross cooling capacities (kW) one compressor - TTA1564DC condensing unit only (SI)

Outdoor Temp (°C)		Saturated Suction Temperature (°C)					
		-1.1	1.7	4.4	7.2	10.0	12.8
18.3	Head Press (kPa)	1496.6	1513.0	1530.8	1549.9	1570.2	1591.5
	Capacity (kW)	23.4	25.7	28.3	31.0	33.9	37.1
	Unit Power (kW)	4.9	4.9	4.9	4.9	4.9	4.8
23.9	Head Press (kPa)	1739.6	1756.8	1775.5	1795.9	1816.6	1838.7
	Capacity (kW)	22.2	24.4	26.8	29.4	32.2	35.1
	Unit Power (kW)	5.4	5.5	5.5	5.5	5.5	5.4
29.4	Head Press (kPa)	2009.1	2027.1	2046.6	2067.3	2089.2	2112.1
	Capacity (kW)	21.0	23.1	25.4	27.9	30.5	33.3
	Unit Power (kW)	6.0	6.0	6.0	6.0	6.1	6.1
35	Head Press (kPa)	2309.7	2325.6	2345.8	2367.2	2389.8	2413.3
	Capacity (kW)	19.7	21.8	24.0	26.3	28.7	31.4
	Unit Power (kW)	6.5	6.6	6.6	6.6	6.7	6.7
40.6	Head Press (kPa)	2645.3	2658.5	2674.8	2696.9	2720.0	2743.8
	Capacity (kW)	18.4	20.4	22.4	24.6	27.0	29.5
	Unit Power (kW)	7.2	7.2	7.2	7.3	7.3	7.4
46.1	Head Press (kPa)	3017.3	3029.2	3042.2	3057.6	3081.1	3105.0
	Capacity (kW)	17.0	18.9	20.9	23.0	25.2	27.5
	Unit Power (kW)	7.9	7.9	8.0	8.0	8.1	8.1
51.7	Head Press (kPa)	3438.0	3445.1	3453.2	3463.4	3474.7	3497.1
	Capacity (kW)	15.5	17.3	19.2	21.2	23.3	25.5
	Unit Power (kW)	8.7	8.8	8.8	8.8	8.9	8.9

Note: Performance data calculated at 8.3°C subcooling and 8.3°C superheat and does not include capacity loss due to refrigerant lines.

Figure 26. TTA1564DC - one compressor - capacity curve (SI)

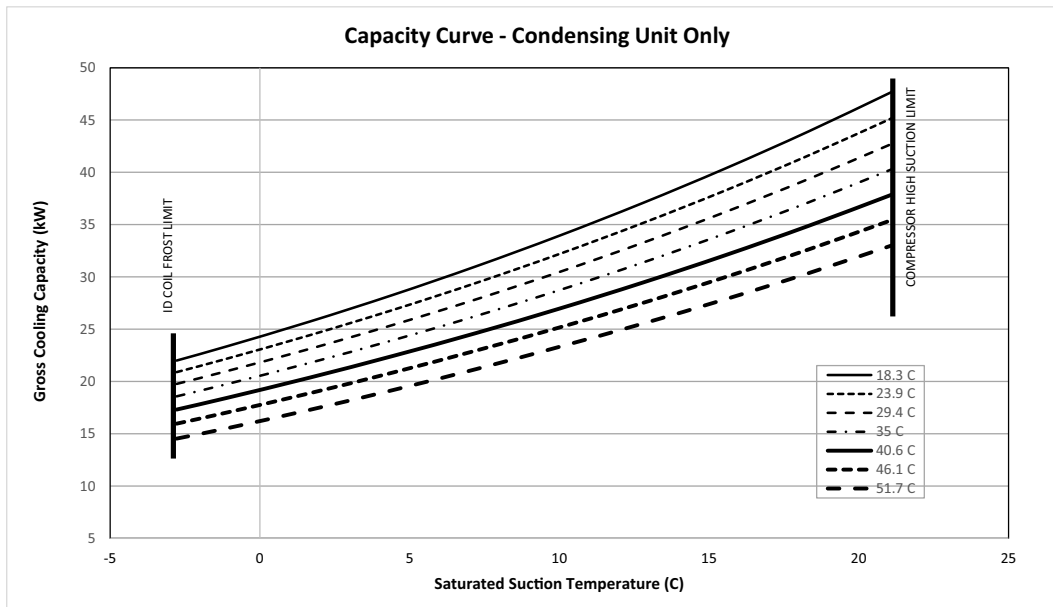
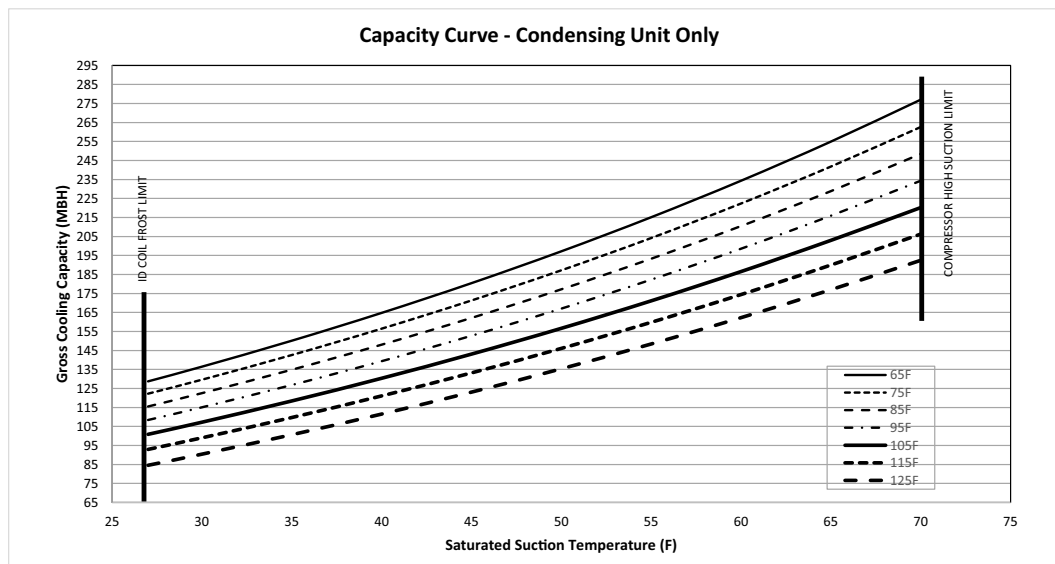


Table 67. Gross cooling capacities (MBH) both compressors - TTA1564DC condensing unit only (IP)

Outdoor Temp (°F)		Saturated Suction Temperature (°F)					
		30	35	40	45	50	55
65	Head Press (psig)	235.5	239.5	243.7	248.0	252.3	256.4
	Capacity (Btuh/1000)	136.5	150.1	164.8	180.4	197.2	215.1
	Unit Power (kW)	8.2	8.3	8.4	8.5	8.5	8.6
75	Head Press (psig)	271.6	275.8	280.1	284.4	288.7	292.9
	Capacity (Btuh/1000)	129.6	142.6	156.5	171.3	187.2	204.2
	Unit Power (kW)	9.1	9.2	9.3	9.4	9.5	9.5
85	Head Press (psig)	311.4	315.7	320.1	324.5	328.8	332.9
	Capacity (Btuh/1000)	122.5	134.9	148.0	162.1	177.2	193.3
	Unit Power (kW)	10.0	10.2	10.3	10.4	10.5	10.5
95	Head Press (psig)	355.0	359.4	363.9	368.4	372.7	376.8
	Capacity (Btuh/1000)	115.1	126.8	139.4	152.7	167.0	182.3
	Unit Power (kW)	11.1	11.2	11.3	11.5	11.6	11.6
105	Head Press (psig)	402.6	407.1	411.7	416.2	420.5	424.5
	Capacity (Btuh/1000)	107.2	118.4	130.4	143.1	156.7	171.1
	Unit Power (kW)	12.3	12.4	12.5	12.6	12.7	12.8
115	Head Press (psig)	454.3	458.9	463.5	467.9	472.1	476.0
	Capacity (Btuh/1000)	99.0	109.7	121.1	133.2	146.1	159.8
	Unit Power (kW)	13.6	13.7	13.8	14.0	14.1	14.2
125	Head Press (psig)	510.5	514.9	519.3	523.5	527.5	531.1
	Capacity (Btuh/1000)	90.4	100.7	111.5	123.1	135.4	148.4
	Unit Power (kW)	15.0	15.2	15.3	15.4	15.5	15.6

Note: Performance data calculated at 15°F subcooling and 15°F superheat and does not include capacity loss due to refrigerant lines.

Figure 27. TTA1564DC - both compressors - capacity curve (IP)




Performance Data

Table 68. Gross cooling capacities (kW) both compressors - TTA1564DC condensing unit only (SI)

Outdoor Temp (°C)		Saturated Suction Temperature (°C)					
		-1.1	1.7	4.4	7.2	10.0	12.8
18.3	Head Press (kPa)	1623.7	1651.6	1680.5	1710.0	1739.3	1767.7
	Capacity (kW)	40.0	44.0	48.3	52.9	57.8	63.0
	Unit Power (kW)	8.2	8.3	8.4	8.5	8.5	8.6
23.9	Head Press (kPa)	1872.5	1901.4	1931.1	1961.1	1990.7	2019.1
	Capacity (kW)	38.0	41.8	45.9	50.2	54.9	59.8
	Unit Power (kW)	9.1	9.2	9.3	9.4	9.5	9.5
29.4	Head Press (kPa)	2146.7	2176.6	2207.0	2237.5	2267.3	2295.6
	Capacity (kW)	35.9	39.5	43.4	47.5	51.9	56.6
	Unit Power (kW)	10.0	10.2	10.3	10.4	10.5	10.5
35.0	Head Press (kPa)	2447.4	2478.1	2509.2	2540.0	2569.8	2597.8
	Capacity (kW)	33.7	37.2	40.8	44.8	49.0	53.4
	Unit Power (kW)	11.1	11.2	11.3	11.5	11.6	11.6
40.6	Head Press (kPa)	2775.6	2807.1	2838.6	2869.5	2899.1	2926.6
	Capacity (kW)	31.4	34.7	38.2	41.9	45.9	50.1
	Unit Power (kW)	12.3	12.4	12.5	12.6	12.7	12.8
46.1	Head Press (kPa)	3132.1	3163.9	3195.5	3226.1	3255.1	3281.7
	Capacity (kW)	29.0	32.2	35.5	39.0	42.8	46.8
	Unit Power (kW)	13.6	13.7	13.8	14.0	14.1	14.2
51.7	Head Press (kPa)	3520.0	3550.4	3580.6	3609.6	3636.8	3661.5
	Capacity (kW)	26.5	29.5	32.7	36.1	39.7	43.5
	Unit Power (kW)	15.0	15.2	15.3	15.4	15.5	15.6

Note: Performance data calculated at 8.3°C subcooling and 8.3°C superheat and does not include capacity loss due to refrigerant lines.

Figure 28. TTA156DC - both compressors - capacity curve (SI)

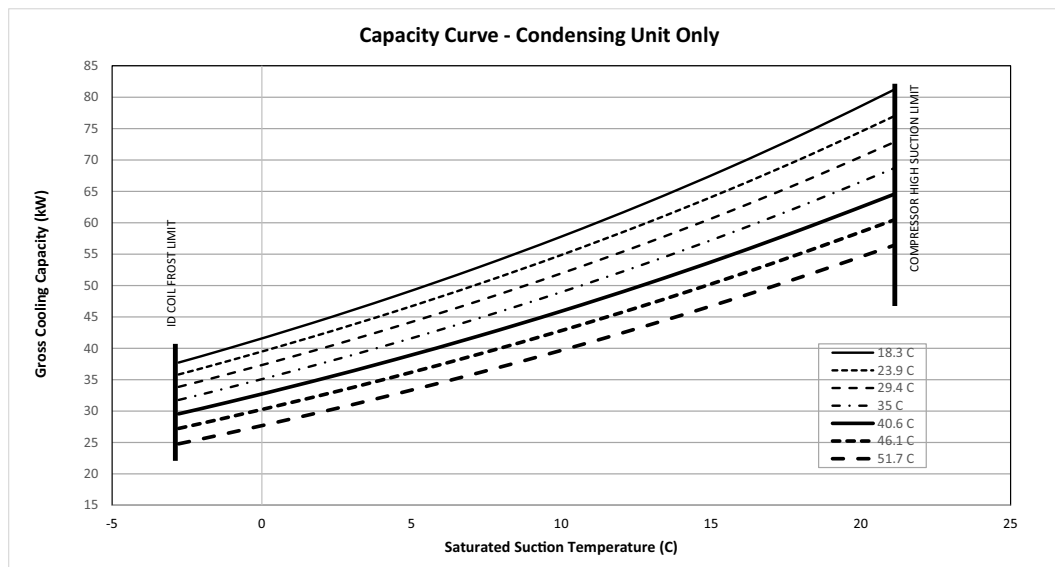
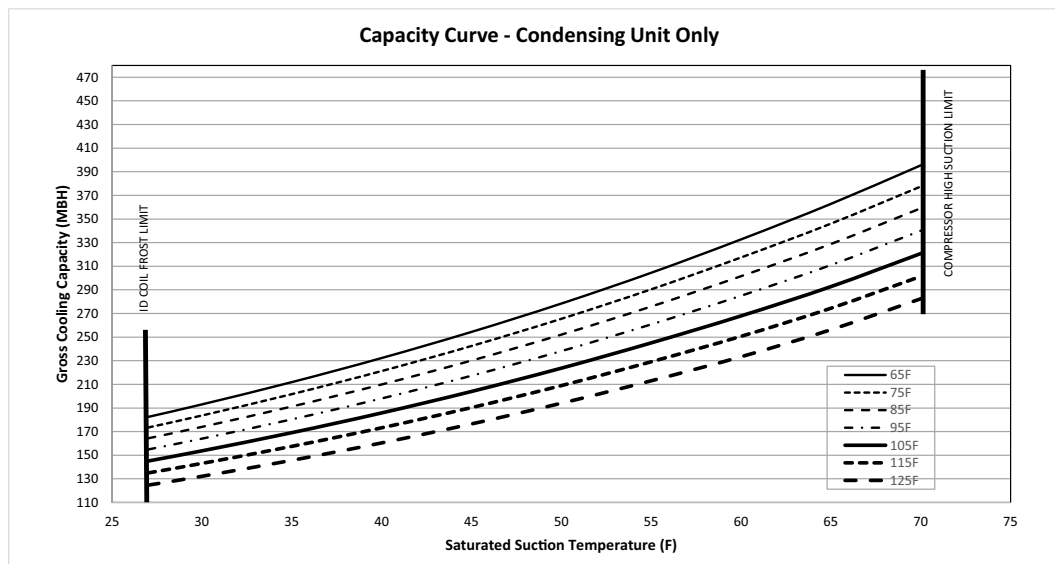


Table 69. Gross cooling capacities (MBH) TTA2014DD condensing unit only (IP)

Outdoor Temp (°F)		Saturated Suction Temperature (°F)					
		30	35	40	45	50	55
65	Head Press (psig)	255.8	261.1	266.5	271.9	277.1	282.2
	Capacity (Btuh/1000)	193.0	211.9	232.3	254.4	278.4	304.5
	Unit Power (kW)	11.7	12.0	12.3	12.6	13.0	13.3
75	Head Press (psig)	292.8	298.3	303.8	309.3	314.6	319.7
	Capacity (Btuh/1000)	183.6	201.7	221.3	242.5	265.5	290.4
	Unit Power (kW)	12.8	13.1	13.4	13.7	14.0	14.3
85	Head Press (psig)	333.6	339.2	344.7	350.2	355.5	360.6
	Capacity (Btuh/1000)	174.0	191.2	209.9	230.1	252.1	275.9
	Unit Power (kW)	14.1	14.4	14.6	14.9	15.2	15.4
95	Head Press (psig)	378.1	383.7	389.3	394.7	400.0	405.0
	Capacity (Btuh/1000)	164.0	180.4	198.1	217.3	238.2	260.8
	Unit Power (kW)	15.6	15.8	16.1	16.3	16.5	16.7
105	Head Press (psig)	426.5	432.1	437.6	442.9	448.1	453.0
	Capacity (Btuh/1000)	153.7	169.1	185.8	204.0	223.7	245.1
	Unit Power (kW)	17.2	17.5	17.7	17.9	18.1	18.3
115	Head Press (psig)	478.8	484.2	489.5	494.7	499.6	504.3
	Capacity (Btuh/1000)	143.1	157.5	173.2	190.3	208.9	229.1
	Unit Power (kW)	19.0	19.3	19.5	19.7	19.9	20.0
125	Head Press (psig)	534.9	539.9	544.8	549.5	553.9	558.3
	Capacity (Btuh/1000)	132.2	145.7	160.4	176.5	194.0	213.0
	Unit Power (kW)	21.0	21.2	21.5	21.7	21.8	22.0

Note: Performance data calculated at 15°F subcooling and 15°F superheat and does not include capacity loss due to refrigerant lines.

Figure 29. TTA2014DD capacity curves (IP)





Performance Data

Table 70. Gross cooling capacities (kW) TTA2014DD condensing unit only (SI)

Outdoor Temp (°C)		Saturated Suction Temperature (°C)					
		-1.1	1.7	4.4	7.2	10.0	12.8
18.3	Head Press (kPa)	1763.5	1800.4	1837.5	1874.4	1910.5	1945.7
	Capacity (kW)	56.6	62.1	68.1	74.6	81.6	89.2
	Unit Power (kW)	11.7	12.0	12.3	12.6	13.0	13.3
23.9	Head Press (kPa)	2019.0	2057.0	2095.0	2132.4	2168.9	2204.2
	Capacity (kW)	53.8	59.1	64.8	71.1	77.8	85.1
	Unit Power (kW)	12.8	13.1	13.4	13.7	14.0	14.3
29.4	Head Press (kPa)	2299.8	2338.4	2376.9	2414.6	2451.1	2486.2
	Capacity (kW)	51.0	56.0	61.5	67.4	73.9	80.9
	Unit Power (kW)	14.1	14.4	14.6	14.9	15.2	15.4
35.0	Head Press (kPa)	2606.8	2645.7	2684.2	2721.7	2757.9	2792.5
	Capacity (kW)	48.1	52.9	58.0	63.7	69.8	76.4
	Unit Power (kW)	15.6	15.8	16.1	16.3	16.5	16.7
40.6	Head Press (kPa)	2940.7	2979.2	3017.1	3054.0	3089.4	3123.0
	Capacity (kW)	45.0	49.6	54.5	59.8	65.6	71.8
	Unit Power (kW)	17.2	17.5	17.7	17.9	18.1	18.3
46.1	Head Press (kPa)	3301.4	3338.7	3375.2	3410.5	3444.4	3477.0
	Capacity (kW)	41.9	46.2	50.8	55.8	61.2	67.1
	Unit Power (kW)	19.0	19.3	19.5	19.7	19.9	20.0
51.7	Head Press (kPa)	3688.0	3722.5	3756.1	3788.4	3819.2	3849.6
	Capacity (kW)	38.7	42.7	47.0	51.7	56.9	62.4
	Unit Power (kW)	21.0	21.2	21.5	21.7	21.8	22.0

Note: Performance data calculated at 8.3°C subcooling and 8.3°C superheat and does not include capacity loss due to refrigerant lines.

Figure 30. TTA2014DD capacity curves (SI)

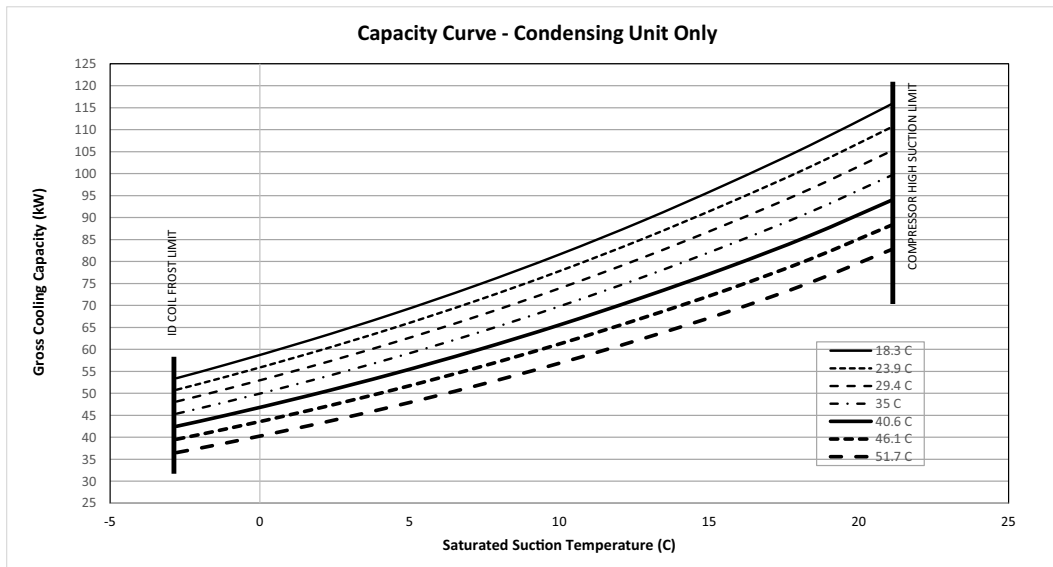
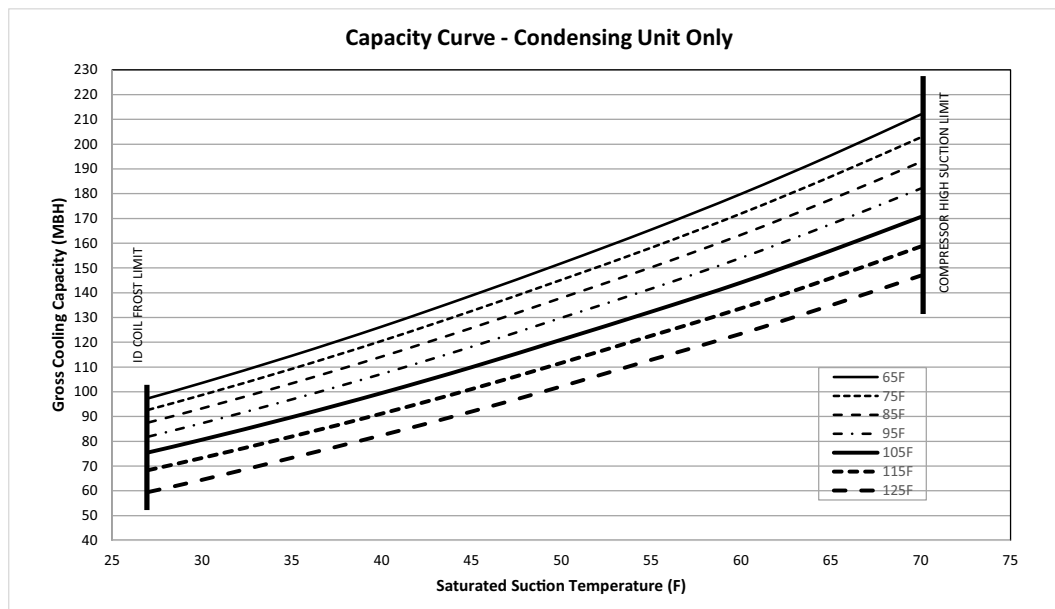


Table 71. Gross cooling capacities (MBH) one compressor - TTA2014DC condensing unit only (IP)

Outdoor Temp (°F)		Saturated Suction Temperature (°F)					
		30	35	40	45	50	55
65	Head Press (psig)	234.8	236.5	238.1	239.3	242.2	246.0
	Capacity (Btuh/1000)	103.6	114.5	126.3	138.8	151.9	165.5
	Unit Power (kW)	6.5	6.6	6.6	6.7	6.7	6.8
75	Head Press (psig)	273.2	274.8	276.3	277.3	279.4	283.2
	Capacity (Btuh/1000)	98.7	109.2	120.5	132.6	145.2	158.2
	Unit Power (kW)	7.0	7.1	7.2	7.2	7.3	7.4
85	Head Press (psig)	316.0	317.5	318.6	319.3	320.2	324.0
	Capacity (Btuh/1000)	93.3	103.4	114.2	125.7	137.9	150.2
	Unit Power (kW)	7.7	7.8	7.8	7.9	7.9	8.0
95	Head Press (psig)	363.8	364.8	365.5	365.7	365.3	368.6
	Capacity (Btuh/1000)	87.3	96.9	107.2	118.2	129.9	141.6
	Unit Power (kW)	8.5	8.5	8.6	8.6	8.7	8.8
105	Head Press (psig)	417.6	417.7	417.5	416.8	415.6	417.0
	Capacity (Btuh/1000)	80.6	89.7	99.5	109.9	121.0	132.3
	Unit Power (kW)	9.4	9.5	9.5	9.5	9.5	9.6
115	Head Press (psig)	479.5	477.6	475.6	473.4	470.8	469.4
	Capacity (Btuh/1000)	73.3	81.9	91.2	101.1	111.6	122.6
	Unit Power (kW)	10.5	10.5	10.5	10.5	10.5	10.5
125	Head Press (psig)	535.1	533.9	532.0	529.7	524.5	524.2
	Capacity (Btuh/1000)	64.4	73.3	82.4	92.0	102.1	112.9
	Unit Power (kW)	12.1	11.8	11.7	11.7	11.6	11.5

Note: Performance data calculated at 15°F subcooling and 15°F superheat and does not include capacity loss due to refrigerant lines.

Figure 31. TTA2014DC - one compressor - capacity curve (IP)





Performance Data

Table 72. Gross cooling capacities (kW) one compressor - TTA2014DC condensing unit only (SI)

Outdoor Temp (°C)		Saturated Suction Temperature (°C)					
		-1.1	1.7	4.4	7.2	10.0	12.8
18.3	Head Press (kPa)	1618.7	1630.9	1641.5	1650.2	1670.1	1696.0
	Capacity (kW)	30.4	33.6	37.0	40.7	44.5	48.5
	Unit Power (kW)	6.5	6.6	6.6	6.7	6.7	6.8
23.9	Head Press (kPa)	1883.6	1895.0	1904.7	1912.0	1926.2	1952.7
	Capacity (kW)	28.9	32.0	35.3	38.9	42.6	46.4
	Unit Power (kW)	7.0	7.1	7.2	7.2	7.3	7.4
29.4	Head Press (kPa)	2178.9	2188.8	2196.6	2201.6	2207.5	2234.1
	Capacity (kW)	27.3	30.3	33.5	36.8	40.4	44.0
	Unit Power (kW)	7.7	7.8	7.8	7.9	7.9	8.0
35	Head Press (kPa)	2508.6	2515.5	2519.9	2521.2	2519.0	2541.3
	Capacity (kW)	25.6	28.4	31.4	34.6	38.1	41.5
	Unit Power (kW)	8.5	8.5	8.6	8.6	8.7	8.8
40.6	Head Press (kPa)	2878.9	2879.9	2878.4	2873.8	2865.4	2875.3
	Capacity (kW)	23.6	26.3	29.2	32.2	35.5	38.8
	Unit Power (kW)	9.4	9.5	9.5	9.5	9.5	9.6
46.1	Head Press (kPa)	3305.8	3292.6	3279.5	3264.2	3245.9	3236.7
	Capacity (kW)	21.5	24.0	26.7	29.6	32.7	35.9
	Unit Power (kW)	10.5	10.5	10.5	10.5	10.5	10.5
51.7	Head Press (kPa)	3689.4	3681.0	3668.3	3652.0	3616.2	3614.2
	Capacity (kW)	18.9	21.5	24.2	27.0	29.9	33.1
	Unit Power (kW)	12.1	11.8	11.7	11.7	11.6	11.5

Note: Performance data calculated at 8.3°C subcooling and 8.3°C superheat and does not include capacity loss due to refrigerant lines.

Figure 32. TTA2014DC - one compressor - capacity curve (SI)

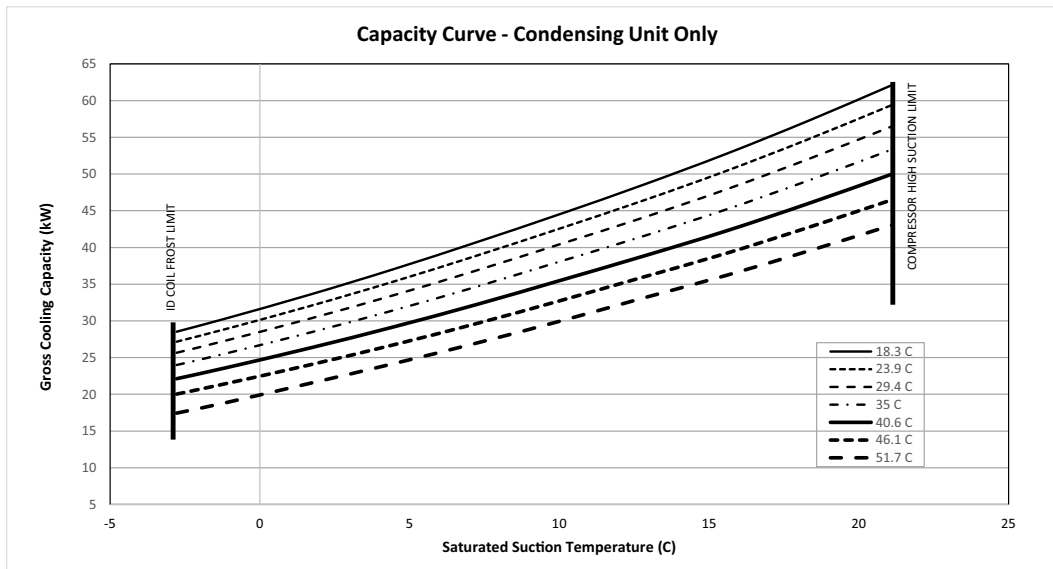
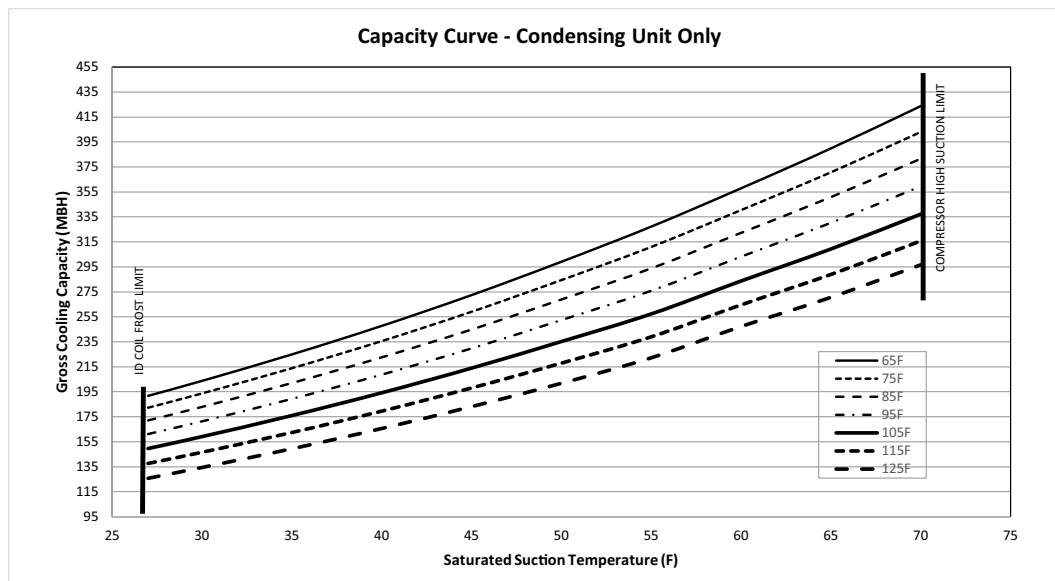


Table 73. Gross cooling capacities (MBH) both compressors - TTA2014DC condensing unit only (IP)

Outdoor Temp (°F)		Saturated Suction Temperature (°F)					
		30	35	40	45	50	55
65	Head Press (psig)	262.7	268.5	273.6	277.4	279.7	283.2
	Capacity (Btuh/1000)	203.7	224.9	247.7	272.4	299.1	327.2
	Unit Power (kW)	12.7	13.0	13.2	13.4	13.5	13.7
75	Head Press (psig)	300.5	306.5	311.5	315.1	317.1	321.0
	Capacity (Btuh/1000)	193.7	213.8	235.6	259.0	284.4	311.0
	Unit Power (kW)	13.9	14.1	14.4	14.6	14.7	14.9
85	Head Press (psig)	341.8	347.8	352.6	356.0	357.7	362.1
	Capacity (Btuh/1000)	182.9	202.0	222.6	244.8	268.9	293.8
	Unit Power (kW)	15.2	15.5	15.8	16.0	16.1	16.3
95	Head Press (psig)	386.6	392.4	397.1	400.1	401.5	406.4
	Capacity (Btuh/1000)	171.3	189.3	208.7	229.7	252.4	275.9
	Unit Power (kW)	16.7	17.0	17.3	17.5	17.6	17.9
105	Head Press (psig)	434.9	440.5	444.8	447.5	448.6	453.7
	Capacity (Btuh/1000)	159.1	176.0	194.2	213.9	235.2	257.3
	Unit Power (kW)	18.4	18.7	19.0	19.2	19.3	19.5
115	Head Press (psig)	486.9	492.1	495.9	498.1	499.2	503.7
	Capacity (Btuh/1000)	146.6	162.4	179.5	198.0	217.9	239.0
	Unit Power (kW)	20.3	20.6	20.8	21.0	21.1	21.3
125	Head Press (psig)	543.2	547.7	550.8	552.2	553.1	556.3
	Capacity (Btuh/1000)	134.4	149.4	165.6	183.1	201.8	222.2
	Unit Power (kW)	22.4	22.6	22.8	22.9	23.0	23.2

Note: Performance data calculated at 15°F subcooling and 15°F superheat and does not include capacity loss due to refrigerant lines.

Figure 33. TTA2014DC - both compressors - capacity curve (IP)





Performance Data

Table 74. Gross cooling capacities (kW) both compressors - TTA2014DC condensing unit only (SI)

Outdoor Temp (°C)		Saturated Suction Temperature (°C)					
		-1.1	1.7	4.4	7.2	10.0	12.8
18.3	Head Press (kPa)	1811.0	1851.6	1886.6	1912.8	1928.3	1952.3
	Capacity (kW)	59.7	65.9	72.6	79.8	87.7	95.9
	Unit Power (kW)	12.7	13.0	13.2	13.4	13.5	13.7
23.9	Head Press (kPa)	2072.1	2113.1	2147.7	2172.6	2186.5	2213.1
	Capacity (kW)	56.8	62.7	69.0	75.9	83.4	91.1
	Unit Power (kW)	13.9	14.1	14.4	14.6	14.7	14.9
29.4	Head Press (kPa)	2356.8	2397.7	2431.3	2454.6	2466.6	2496.4
	Capacity (kW)	53.6	59.2	65.2	71.8	78.8	86.1
	Unit Power (kW)	15.2	15.5	15.8	16.0	16.1	16.3
35	Head Press (kPa)	2665.6	2705.7	2737.7	2758.9	2768.6	2802.2
	Capacity (kW)	50.2	55.5	61.2	67.3	74.0	80.8
	Unit Power (kW)	16.7	17.0	17.3	17.5	17.6	17.9
40.6	Head Press (kPa)	2998.7	3037.3	3066.9	3085.3	3092.8	3128.1
	Capacity (kW)	46.6	51.6	56.9	62.7	68.9	75.4
	Unit Power (kW)	18.4	18.7	19.0	19.2	19.3	19.5
46.1	Head Press (kPa)	3357.4	3393.1	3419.3	3434.2	3441.9	3472.9
	Capacity (kW)	43.0	47.6	52.6	58.0	63.9	70.0
	Unit Power (kW)	20.3	20.6	20.8	21.0	21.1	21.3
51.7	Head Press (kPa)	3745.0	3776.2	3797.3	3807.3	3813.5	3835.2
	Capacity (kW)	39.4	43.8	48.5	53.7	59.1	65.1
	Unit Power (kW)	22.4	22.6	22.8	22.9	23.0	23.2

Note: Performance data calculated at 8.3°C subcooling and 8.3°C superheat and does not include capacity loss due to refrigerant lines.

Figure 34. TTA2014DC - both compressors - capacity curve (SI)

Capacity Curve - Condensing Unit Only

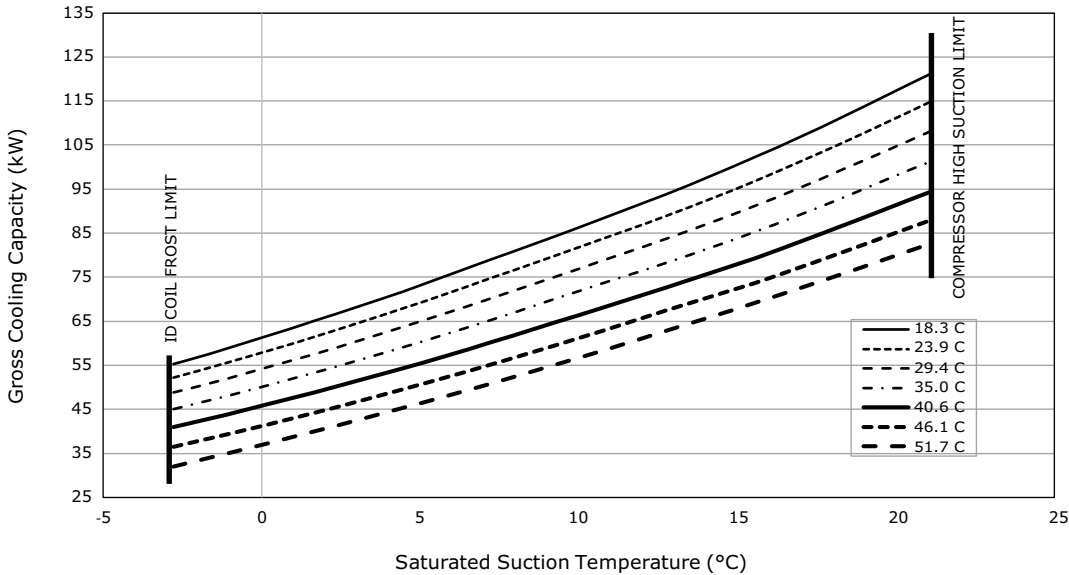
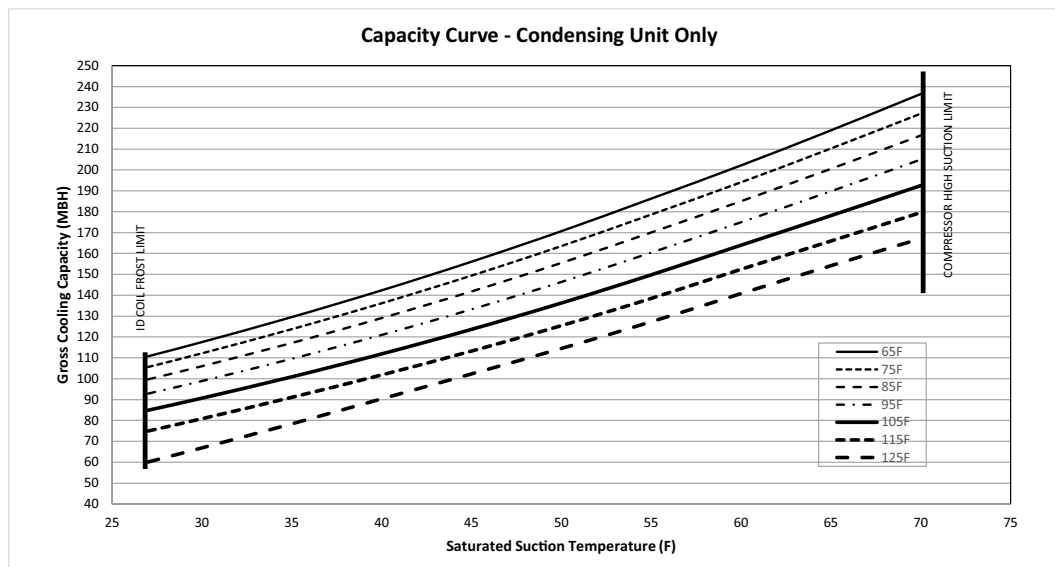


Table 75. Gross cooling capacities (MBH) one compressor - TTA2514DC condensing unit only (IP)

Outdoor Temp (°F)		Saturated Suction Temperature (°F)					
		30	35	40	45	50	55
65	Head Press (psig)	249.0	250.9	252.6	254.0	254.8	254.9
	Capacity (Btuh/1000)	117.6	129.5	142.4	156.1	170.7	186.3
	Unit Power (kW)	7.9	8.0	8.0	8.1	8.1	8.1
75	Head Press (psig)	289.7	291.4	292.9	293.9	294.3	293.9
	Capacity (Btuh/1000)	112.2	123.7	136.2	149.4	163.6	178.7
	Unit Power (kW)	8.6	8.7	8.7	8.8	8.8	8.8
85	Head Press (psig)	335.3	336.6	337.6	338.0	337.8	336.9
	Capacity (Btuh/1000)	106.0	117.1	129.1	141.8	155.5	170.1
	Unit Power (kW)	9.5	9.6	9.6	9.7	9.7	9.7
95	Head Press (psig)	386.7	387.2	387.3	386.9	385.8	383.9
	Capacity (Btuh/1000)	98.9	109.5	121.0	133.2	146.4	160.4
	Unit Power (kW)	10.5	10.6	10.6	10.7	10.7	10.7
105	Head Press (psig)	446.0	444.7	443.2	441.2	438.7	435.4
	Capacity (Btuh/1000)	90.7	100.9	111.9	123.6	136.3	149.8
	Unit Power (kW)	11.8	11.8	11.8	11.8	11.8	11.8
115	Head Press (psig)	505.5	503.4	500.8	497.9	494.3	489.9
	Capacity (Btuh/1000)	80.8	91.1	101.8	113.2	125.4	138.5
	Unit Power (kW)	13.4	13.3	13.2	13.1	13.1	13.0
125	Head Press (psig)	572.9	569.2	564.8	560.1	554.9	549.0
	Capacity (Btuh/1000)	66.9	78.4	90.4	102.3	114.5	127.3
	Unit Power (kW)	16.2	15.6	15.1	14.8	14.5	14.3

Note: Performance data calculated at 15°F subcooling and 15°F superheat and does not include capacity loss due to refrigerant lines.

Figure 35. TTA2514DC - one compressor - capacity curves (IP)




Performance Data

Table 76. Gross cooling capacities (kW) one compressors - TTA2514DC condensing unit only (SI)

Outdoor Temp (°C)		Saturated Suction Temperature (°C)					
		-1.1	1.7	4.4	7.2	10.0	12.8
18.3	Head Press (kPa)	1717.0	1730.2	1741.8	1751.0	1756.7	1757.6
	Capacity (kW)	34.5	38.0	41.7	45.7	50.0	54.6
	Unit Power (kW)	7.9	8.0	8.0	8.1	8.1	8.1
23.9	Head Press (kPa)	1997.3	2009.2	2019.2	2026.2	2029.0	2026.7
	Capacity (kW)	32.9	36.3	39.9	43.8	47.9	52.4
	Unit Power (kW)	8.6	8.7	8.7	8.8	8.8	8.8
29.4	Head Press (kPa)	2311.7	2320.7	2327.5	2330.6	2329.4	2322.5
	Capacity (kW)	31.1	34.3	37.8	41.6	45.6	49.8
	Unit Power (kW)	9.5	9.6	9.6	9.7	9.7	9.7
35	Head Press (kPa)	2666.5	2669.9	2670.5	2667.6	2660.1	2646.9
	Capacity (kW)	29.0	32.1	35.5	39.0	42.9	47.0
	Unit Power (kW)	10.5	10.6	10.6	10.7	10.7	10.7
40.6	Head Press (kPa)	3075.3	3066.0	3055.4	3042.2	3024.7	3001.9
	Capacity (kW)	26.6	29.6	32.8	36.2	39.9	43.9
	Unit Power (kW)	11.8	11.8	11.8	11.8	11.8	11.8
46.1	Head Press (kPa)	3485.0	3471.1	3453.2	3432.7	3408.3	3377.9
	Capacity (kW)	23.7	26.7	29.8	33.2	36.8	40.6
	Unit Power (kW)	13.4	13.3	13.2	13.1	13.1	13.0
51.7	Head Press (kPa)	3950.3	3924.5	3893.9	3861.7	3826.2	3785.0
	Capacity (kW)	19.6	23.0	26.5	30.0	33.6	37.3
	Unit Power (kW)	16.2	15.6	15.1	14.8	14.5	14.3

Note: Performance data calculated at 8.3°C subcooling and 8.3°C superheat and does not include capacity loss due to refrigerant lines.

Figure 36. TTA2514DC - one compressor - capacity curves (SI)

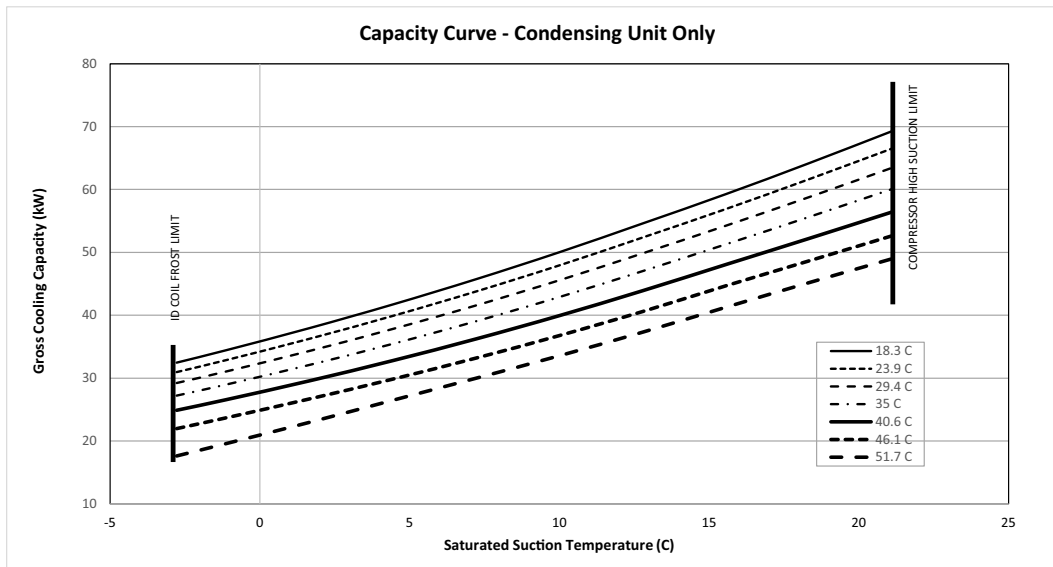
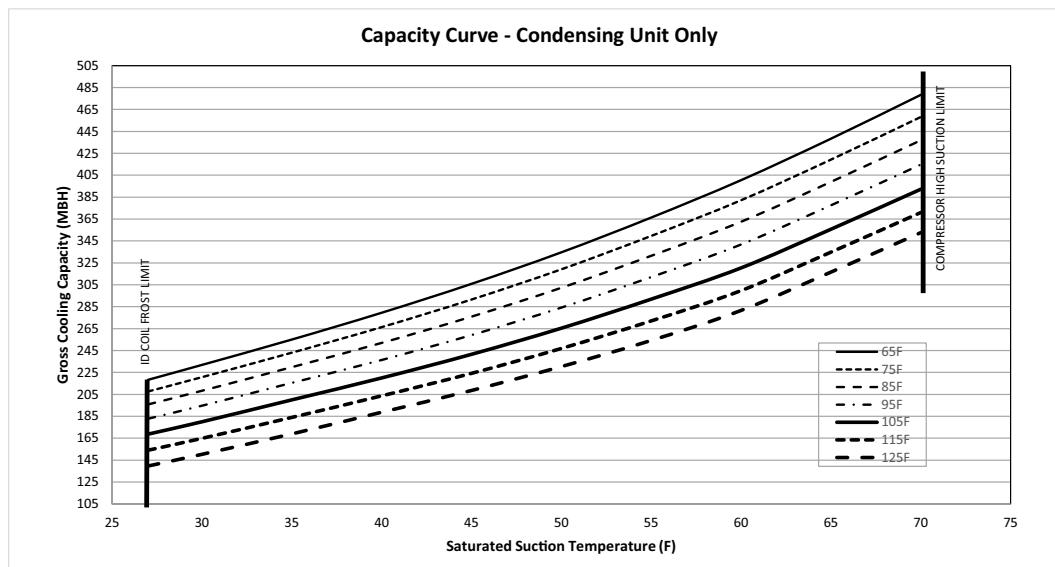


Table 77. Gross cooling capacities (MBH) both compressors - TTA2514DC condensing unit only (IP)

Outdoor Temp (°F)		Saturated Suction Temperature (°F)					
		30	35	40	45	50	55
65	Head Press (psig)	276.4	283.0	290.4	296.5	300.5	301.3
	Capacity (Btuh/1000)	231.9	255.0	279.5	305.9	334.6	366.4
	Unit Power (kW)	15.7	16.0	16.3	16.6	16.8	16.9
75	Head Press (psig)	316.6	322.3	329.7	335.6	339.1	339.4
	Capacity (Btuh/1000)	220.7	243.0	266.4	291.6	319.1	349.6
	Unit Power (kW)	17.2	17.5	17.9	18.2	18.4	18.4
85	Head Press (psig)	360.5	365.0	372.2	377.8	380.8	380.5
	Capacity (Btuh/1000)	208.3	229.8	252.0	275.9	302.3	331.5
	Unit Power (kW)	19.0	19.2	19.6	19.9	20.1	20.2
95	Head Press (psig)	408.3	411.0	418.0	423.1	425.5	424.5
	Capacity (Btuh/1000)	194.7	215.5	236.4	259.1	284.2	312.1
	Unit Power (kW)	21.0	21.2	21.5	21.8	22.0	22.0
105	Head Press (psig)	460.4	461.5	467.0	471.5	473.1	471.4
	Capacity (Btuh/1000)	180.0	200.0	220.0	241.6	265.4	291.9
	Unit Power (kW)	23.2	23.3	23.6	23.9	24.1	24.1
115	Head Press (psig)	517.7	517.0	519.3	523.1	523.8	521.4
	Capacity (Btuh/1000)	164.9	184.0	203.6	224.2	246.9	272.0
	Unit Power (kW)	25.7	25.7	25.9	26.1	26.3	26.2
125	Head Press (psig)	583.1	578.6	575.4	578.1	577.7	574.6
	Capacity (Btuh/1000)	150.3	168.9	188.7	208.6	230.4	254.2
	Unit Power (kW)	28.5	28.4	28.3	28.5	28.6	28.5

Note: Performance data calculated at 15°F subcooling and 15°F superheat and does not include capacity loss due to refrigerant lines.

Figure 37. TTA2514DC - both compressors - capacity curves (IP)




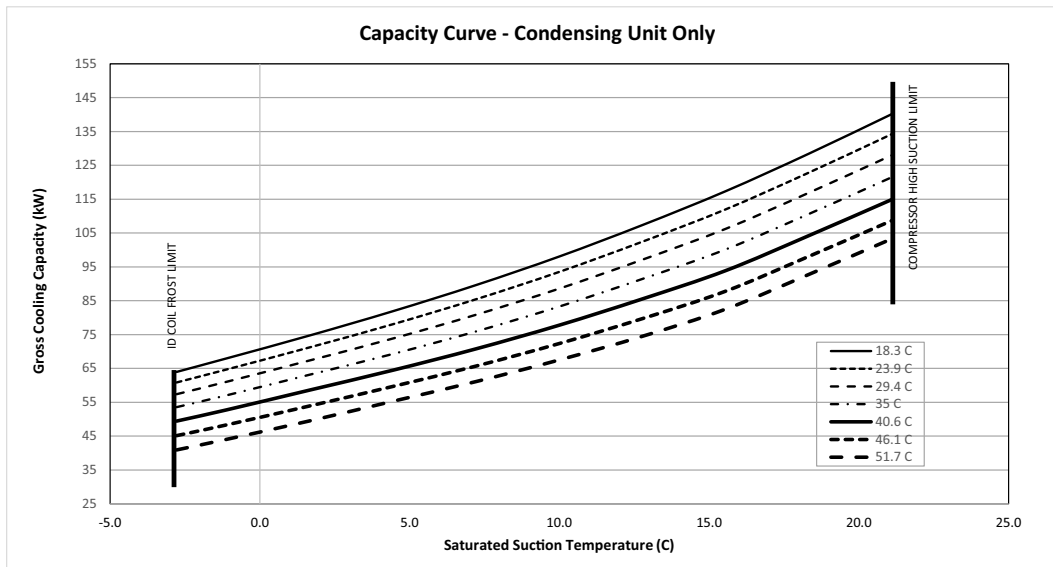
Performance Data

Table 78. Gross cooling capacities (kW) both compressors - TTA2514DC condensing unit only (SI)

Outdoor Temp (°C)		Saturated Suction Temperature (°C)					
		-1.1	1.7	4.4	7.2	10.0	12.8
18.3	Head Press (kPa)	1905.9	1951.4	2002.0	2044.6	2071.6	2077.2
	Capacity (kW)	68.0	74.7	81.9	89.6	98.1	107.4
	Unit Power (kW)	15.7	16.0	16.3	16.6	16.8	16.9
23.9	Head Press (kPa)	2182.7	2222.3	2273.0	2314.0	2338.1	2340.0
	Capacity (kW)	64.7	71.2	78.1	85.4	93.5	102.5
	Unit Power (kW)	17.2	17.5	17.9	18.2	18.4	18.4
29.4	Head Press (kPa)	2485.5	2516.3	2566.2	2605.0	2625.4	2623.1
	Capacity (kW)	61.0	67.4	73.8	80.9	88.6	97.1
	Unit Power (kW)	19.0	19.2	19.6	19.9	20.1	20.2
35	Head Press (kPa)	2815.4	2833.6	2881.9	2917.4	2933.5	2926.7
	Capacity (kW)	57.0	63.2	69.3	75.9	83.3	91.5
	Unit Power (kW)	21.0	21.2	21.5	21.8	22.0	22.0
40.6	Head Press (kPa)	3174.5	3181.7	3219.8	3251.1	3262.1	3250.3
	Capacity (kW)	52.8	58.6	64.5	70.8	77.8	85.5
	Unit Power (kW)	23.2	23.3	23.6	23.9	24.1	24.1
46.1	Head Press (kPa)	3569.2	3564.4	3580.5	3606.5	3611.5	3594.6
	Capacity (kW)	48.3	53.9	59.7	65.7	72.4	79.7
	Unit Power (kW)	25.7	25.7	25.9	26.1	26.3	26.2
51.7	Head Press (kPa)	4020.2	3989.6	3967.1	3985.7	3983.0	3961.8
	Capacity (kW)	44.0	49.5	55.3	61.1	67.5	74.5
	Unit Power (kW)	28.5	28.4	28.3	28.5	28.6	28.5

Note: Performance data calculated at 8.3°C subcooling and 8.3°C superheat and does not include capacity loss due to refrigerant lines.

Figure 38. TTA2514DC - both compressors - capacity curves (SI)



Fan Performance

Table 79. Evaporator fan performance — TWE051 — air handler (IP)

External Static Pressure (in H ₂ O)														
	0.1		0.2		0.3		0.4		0.5		0.6		0.7	
CFM	RPM	BHP	RPM	BHP	RPM	BHP	RPM	BHP	RPM	BHP	RPM	BHP	RPM	BHP
3/4 HP Standard Motor														
1400	612	0.20	674	0.24	731	0.29	786	0.34	840	0.40	891	0.45	940	0.52
1500	648	0.24	705	0.28	761	0.34	813	0.39	863	0.44	912	0.50	960	0.57
1600	683	0.28	737	0.33	791	0.39	840	0.44	888	0.50	935	0.56	981	0.62
1700	720	0.34	770	0.38	820	0.44	869	0.50	915	0.56	959	0.62	1004	0.68
1800	756	0.39	804	0.44	852	0.50	898	0.56	943	0.62	985	0.69	1028	0.75
1900	790	0.45	838	0.50	884	0.56	928	0.63	970	0.69	1012	0.76	1053	0.83
2000	830	0.53	871	0.57	917	0.64	960	0.71	1000	0.77	1040	0.84	1079	0.91
2100	868	0.61	908	0.66	950	0.72	991	0.79	1031	0.86	1068	0.93	1106	1.00
External Static Pressure (in H₂O)														
	0.8		0.9		1		1.1		1.2		1.3		1.4	
CFM	RPM	BHP	RPM	BHP	RPM	BHP	RPM	BHP	RPM	BHP	RPM	BHP	RPM	BHP
1.5 HP High Static Motor														
1400	988	0.58	1035	0.65	1077	0.72	1117	0.78	1155	0.84	-	-	-	-
1500	1006	0.63	1051	0.70	1094	0.78	1136	0.85	-	-	-	-	-	-
1600	1025	0.69	1069	0.76	1111	0.84	1152	0.91	-	-	-	-	-	-
1700	1046	0.75	1088	0.82	1129	0.90	1169	0.98	-	-	-	-	-	-
1800	1069	0.82	1110	0.89	1149	0.97	-	-	-	-	-	-	-	-
1900	1092	0.90	1132	0.97	1170	1.05	-	-	-	-	-	-	-	-
2000	1117	0.98	1155	1.06	-	-	-	-	-	-	-	-	-	-
2100	1143	1.07	1180	1.15	-	-	-	-	-	-	-	-	-	-

Notes:

1. Data includes pressure drop due to wet coil and 1" filter.
2. Fan motor heat (MBh) = 3.15 x BHP.
3. Factory supplied motors, in commercial equipment, are definite purpose motors, specifically designed and tested to operate reliably and continuously at all cataloged conditions. Using the full horsepower range of our fan motors as shown in our tabular data will not result in nuisance tripping or premature motor failure. Our product's warranty will not be affected.



Performance Data

Table 80. Evaporator fan performance — TWE051 — air handler (SI)

External Static Pressure (in H ₂ O)														
	25		50		75		100		125		149		174	
m ³ /hr	RPM	kW	RPM	kW	RPM	kW	RPM	kW	RPM	kW	RPM	kW	RPM	kW
3/4 hp standard motor														
2379	612	0.15	674	0.18	731	0.22	786	0.25	840	0.30	891	0.34	940	0.39
2549	648	0.18	705	0.21	761	0.25	813	0.29	863	0.33	912	0.37	960	0.42
2719	683	0.21	737	0.25	791	0.29	840	0.33	888	0.37	935	0.42	981	0.46
2889	720	0.25	770	0.29	820	0.33	869	0.37	915	0.41	959	0.46	1004	0.51
3059	756	0.29	804	0.33	852	0.37	898	0.42	943	0.46	985	0.51	1028	0.56
3228	790	0.34	838	0.38	884	0.42	928	0.47	970	0.52	1012	0.57	1053	0.62
3398	830	0.39	871	0.43	917	0.48	960	0.53	1000	0.58	1040	0.63	1079	0.68
3568	868	0.45	908	0.49	950	0.54	991	0.59	1031	0.64	1068	0.69	1106	0.75
External Static Pressure (in H₂O)														
	199		224		249		274		299		324		349	
m ³ /hr	RPM	kW	RPM	kW	RPM	kW	RPM	kW	RPM	kW	RPM	kW	RPM	kW
1.5hp high static motor														
2379	988	0.43	1035	0.49	1077	0.54	1117	0.58	1155	0.63	-	-	-	-
2549	1006	0.47	1051	0.52	1094	0.58	1136	0.64	-	-	-	-	-	-
2719	1025	0.51	1069	0.57	1111	0.62	1152	0.68	-	-	-	-	-	-
2889	1046	0.56	1088	0.61	1129	0.67	1169	0.73	-	-	-	-	-	-
3059	1069	0.61	1110	0.67	1149	0.72	-	-	-	-	-	-	-	-
3228	1092	0.67	1132	0.73	1170	0.78	-	-	-	-	-	-	-	-
3398	1117	0.73	1155	0.79	-	-	-	-	-	-	-	-	-	-
3568	1143	0.80	1180	0.86	-	-	-	-	-	-	-	-	-	-

Notes:

1. Data includes pressure drop due to wet coil and 1" filter.
2. Fan motor heat (kW) = 1.238 x kW.
3. Factory supplied motors, in commercial equipment, are definite purpose motors, specifically designed and tested to operate reliably and continuously at all cataloged conditions. Using the full horsepower range of our fan motors as shown in our tabular data will not result in nuisance tripping or premature motor failure. Our product's warranty will not be affected.

Table 81. Evaporator fan performance — TWE072 — air handler (IP)

External Static Pressure (in H ₂ O)																					
		0.10"		0.20"		0.30"		0.40"		0.50"		0.60"		0.70"		0.80"		0.90"		1.00"	
CFM	RPM	BHP	RPM	BHP	RPM	BHP	RPM	BHP	RPM	BHP	RPM	BHP	RPM	BHP	RPM	BHP	RPM	BHP	RPM	BHP	
											1.5 HP Standard Motor										
											2 High Static Motor										
1600	—	—	476	0.21	544	0.28	605	0.36	659	0.45	708	0.53	752	0.61	793	0.70	831	0.78	866	0.87	
1700	—	—	488	0.23	554	0.31	614	0.39	668	0.48	717	0.57	762	0.66	803	0.75	841	0.83	877	0.92	
1800	—	—	501	0.26	564	0.34	623	0.42	677	0.51	726	0.60	771	0.70	813	0.79	851	0.89	888	0.98	
1900	—	—	515	0.29	575	0.37	633	0.45	686	0.55	735	0.64	781	0.74	822	0.84	861	0.94	898	1.04	
2000	—	—	530	0.32	587	0.40	643	0.49	696	0.58	744	0.68	790	0.79	831	0.89	871	0.99	907	1.10	
2100	483	0.28	546	0.36	600	0.43	654	0.53	706	0.62	754	0.73	799	0.83	841	0.94	880	1.05	917	1.16	
2200	499	0.31	562	0.39	613	0.47	665	0.57	716	0.67	763	0.77	808	0.88	850	0.99	889	1.11	926	1.22	
2300	515	0.34	578	0.44	627	0.52	677	0.61	726	0.71	773	0.82	817	0.93	859	1.05	898	1.16	936	1.28	
2400	532	0.38	594	0.48	642	0.56	689	0.66	737	0.76	783	0.87	826	0.98	868	1.10	907	1.22	945	1.35	
External Static Pressure (in H₂O)																					
		1.10"		1.20"		1.30"		1.40"		1.50"		1.60"		1.70"		1.80"		1.90"		2.00"	
CFM	RPM	BHP	RPM	BHP	RPM	BHP	RPM	BHP	RPM	BHP	RPM	BHP	RPM	BHP	RPM	BHP	RPM	BHP	RPM	BHP	
3 HP Ultra High Static Motor																					
1600	898	0.95	929	1.03	958	1.11	986	1.19	1013	1.27	1039	1.35	1064	1.43	1089	1.51	1113	1.60	1137	1.68	
1700	911	1.01	942	1.10	971	1.19	999	1.27	1026	1.35	1052	1.44	1078	1.52	1102	1.61	1126	1.70	—	—	
1800	922	1.08	954	1.17	984	1.27	1013	1.36	1040	1.45	1066	1.53	1091	1.62	1116	1.71	1140	1.80	—	—	
1900	932	1.14	965	1.24	996	1.34	1025	1.44	1054	1.54	1080	1.63	1105	1.73	1129	1.82	—	—	—	—	
2000	942	1.21	975	1.31	1006	1.42	1036	1.52	1065	1.63	1092	1.73	1118	1.83	1143	1.93	—	—	—	—	
2100	952	1.27	985	1.38	1017	1.49	1047	1.60	1076	1.71	1104	1.82	1130	1.93	—	—	—	—	—	—	
2200	962	1.34	995	1.45	1027	1.57	1057	1.69	1087	1.80	1114	1.92	1141	2.03	—	—	—	—	—	—	
2300	971	1.40	1005	1.52	1037	1.65	1067	1.77	1097	1.89	1125	2.01	—	—	—	—	—	—	—	—	
2400	980	1.47	1014	1.60	1046	1.72	1077	1.85	1107	1.98	1135	2.10	—	—	—	—	—	—	—	—	

Notes:

1. Data includes pressure drop due to wet coil and 1" filter.
2. Fan motor heat (MBh) = 3.15 x BHP.
3. Factory supplied motors, in commercial equipment, are definite purpose motors, specifically designed and tested to operate reliably and continuously at all cataloged conditions. Using the full horsepower range of our fan motors as shown in our tabular data will not result in nuisance tripping or premature motor failure. Our product's warranty will not be affected.



Performance Data

Table 82. Evaporator fan performance — TWE072 — air handler (SI)

External Static Pressure (Pascals)																				
m ³ /hr	25		50		75		100		125		150		174		199		224		249	
	RPM	kW	RPM	kW	RPM	kW	RPM	kW	RPM	kW	RPM	kW	RPM	kW	RPM	kW	RPM	kW	RPM	kW
1.5 HP Standard Motor											2 HP High Static Motor									
2718	-	-	476	0.16	544	0.21	605	0.27	659	0.33	708	0.40	752	0.46	793	0.52	831	0.58	866	0.65
2888	-	-	488	0.17	554	0.23	614	0.29	668	0.36	717	0.42	762	0.49	803	0.56	841	0.62	877	0.69
3058	-	-	501	0.19	564	0.25	623	0.31	677	0.38	726	0.45	771	0.52	813	0.59	851	0.66	888	0.73
3228	-	-	515	0.22	575	0.27	633	0.34	686	0.41	735	0.48	781	0.55	822	0.63	861	0.70	898	0.78
3398	-	-	530	0.24	587	0.30	643	0.36	696	0.44	744	0.51	790	0.59	831	0.66	871	0.74	907	0.82
3568	483	0.21	546	0.27	600	0.32	654	0.39	706	0.47	754	0.54	799	0.62	841	0.70	880	0.78	917	0.87
3738	499	0.23	562	0.29	613	0.35	665	0.42	716	0.50	763	0.58	808	0.66	850	0.74	889	0.82	926	0.91
3908	515	0.26	578	0.33	627	0.39	677	0.45	726	0.53	773	0.61	817	0.69	859	0.78	898	0.87	936	0.96
4078	532	0.28	594	0.36	642	0.42	689	0.49	737	0.57	783	0.65	826	0.73	868	0.82	907	0.91	945	1.00
External Static Pressure (Pascals)																				
m ³ /hr	274		299		324		349		374		399		423		448		473		498	
	RPM	kW	RPM	kW	RPM	kW	RPM	kW	RPM	kW	RPM	kW	RPM	kW	RPM	kW	RPM	kW	RPM	kW
3HP Ultra High Static Motor																				
2718	898	0.71	929	0.77	958	0.82	986	0.88	1013	0.94	1039	1.01	1064	1.07	1089	1.13	1113	1.19	1137	1.25
2888	911	0.76	942	0.82	971	0.88	999	0.95	1026	1.01	1052	1.07	1078	1.14	1102	1.20	1126	1.27	-	-
3058	922	0.80	954	0.87	984	0.94	1013	1.01	1040	1.08	1066	1.14	1091	1.21	1116	1.28	1140	1.35	-	-
3228	932	0.85	965	0.93	996	1.00	1025	1.07	1054	1.15	1080	1.22	1105	1.29	1129	1.36	-	-	-	-
3398	942	0.90	975	0.98	1006	1.06	1036	1.13	1065	1.21	1092	1.29	1118	1.37	1143	1.44	-	-	-	-
3568	952	0.95	985	1.03	1017	1.11	1047	1.20	1076	1.28	1104	1.36	1130	1.44	-	-	-	-	-	-
3738	962	1.00	995	1.08	1027	1.17	1057	1.26	1087	1.34	1114	1.43	1141	1.51	-	-	-	-	-	-
3908	971	1.05	1005	1.14	1037	1.23	1067	1.32	1097	1.41	1125	1.50	-	-	-	-	-	-	-	-
4078	980	1.10	1014	1.19	1046	1.29	1077	1.38	1107	1.47	1135	1.57	-	-	-	-	-	-	-	-

Notes:

1. Data includes pressure drop due to wet coil and 1" filter.
2. Fan motor heat (kW) = 1.238 x kW.
3. Factory supplied motors, in commercial equipment, are definite purpose motors, specifically designed and tested to operate reliably and continuously at all cataloged conditions. Using the full horsepower range of our fan motors as shown in our tabular data will not result in nuisance tripping or premature motor failure. Our product's warranty will not be affected.

Table 83. Evaporator fan performance — TWE076 — air handler (IP)

External Static Pressure (Inches of Water Gauge)																					
		0.10"		0.20"		0.30"		0.40"		0.50"		0.60"		0.70"		0.80"		0.90"		1.00"	
CFM	RPM	BHP	RPM	BHP	RPM	BHP	RPM	BHP	RPM	BHP	RPM	BHP	RPM	BHP	RPM	BHP	RPM	BHP	RPM	BHP	
1.5 HP Standard Motor										2 HP High Static Motor											
2000	468	0.25	530	0.32	587	0.40	643	0.49	696	0.58	744	0.68	790	0.79	831	0.89	871	0.99	907	1.10	
2125	487	0.28	550	0.37	603	0.44	657	0.54	708	0.63	756	0.74	801	0.84	843	0.95	882	1.06	919	1.18	
2250	507	0.33	569	0.41	620	0.49	671	0.59	721	0.69	768	0.79	812	0.91	854	1.02	894	1.13	931	1.25	
2375	528	0.37	589	0.47	638	0.55	686	0.64	734	0.75	780	0.86	824	0.97	866	1.09	905	1.21	942	1.33	
2500	550	0.42	610	0.53	658	0.62	702	0.71	749	0.81	793	0.93	836	1.04	877	1.16	916	1.29	954	1.41	
2625	572	0.48	631	0.59	677	0.68	720	0.78	764	0.88	807	1.00	849	1.12	889	1.24	928	1.37	965	1.50	
2750	595	0.55	650	0.66	697	0.76	738	0.86	779	0.96	821	1.08	862	1.20	902	1.33	940	1.46	977	1.59	
2875	619	0.62	668	0.73	717	0.84	757	0.94	796	1.04	836	1.16	876	1.28	915	1.41	952	1.55	988	1.69	
3000	643	0.70	688	0.80	737	0.92	777	1.03	814	1.14	852	1.25	891	1.38	928	1.51	965	1.65	1001	1.79	
External Static Pressure (Inches of Water Gauge)																					
		1.10"		1.20"		1.30"		1.40"		1.50"		1.60"		1.70"		1.80"		1.90"		2.00"	
CFM	RPM	BHP	RPM	BHP	RPM	BHP	RPM	BHP	RPM	BHP	RPM	BHP	RPM	BHP	RPM	BHP	RPM	BHP	RPM	BHP	
3 HP Ultra High Static Motor																					
2000	942	1.21	975	1.31	1006	1.42	1036	1.52	1065	1.63	1092	1.73	1118	1.83	-	-	-	-	-	-	
2125	954	1.29	988	1.40	1019	1.51	1050	1.62	1079	1.73	1106	1.85	1133	1.96	-	-	-	-	-	-	
2250	966	1.37	1000	1.49	1032	1.61	1062	1.73	1092	1.84	1120	1.96	-	-	-	-	-	-	-	-	
2375	978	1.45	1011	1.58	1044	1.70	1075	1.83	1104	1.95	1133	2.08	-	-	-	-	-	-	-	-	
2500	989	1.54	1023	1.67	1055	1.80	1087	1.94	1116	2.07	-	-	-	-	-	-	-	-	-	-	
2625	1000	1.63	1034	1.77	1067	1.90	1098	2.04	1128	2.18	-	-	-	-	-	-	-	-	-	-	
2750	1012	1.73	1046	1.87	1078	2.01	1110	2.15	1140	2.30	-	-	-	-	-	-	-	-	-	-	
2875	1023	1.83	1057	1.97	1090	2.12	1121	2.26	-	-	-	-	-	-	-	-	-	-	-	-	
3000	1035	1.93	1069	2.08	1101	2.23	-	-	-	-	-	-	-	-	-	-	-	-	-	-	

Notes:

1. Data includes pressure drop due to wet coil and 1" filter.
2. Fan motor heat (MBh) = 3.15 x BHP.
3. Factory supplied motors, in commercial equipment, are definite purpose motors, specifically designed and tested to operate reliably and continuously at all cataloged conditions. Using the full horsepower range of our fan motors as shown in our tabular data will not result in nuisance tripping or premature motor failure. Our product's warranty will not be affected.



Performance Data

Table 84. Evaporator fan performance — TWE076 — air handler (SI)

External Static Pressure (Pascals)																				
m ³ /hr	25		50		75		100		125		150		174		199		224		249	
	RPM	kW	RPM	kW	RPM	kW	RPM	kW	RPM	kW	RPM	kW	RPM	kW	RPM	kW	RPM	kW	RPM	kW
1.5 HP Standard Motor										2 HP High Static Motor										
3398	468	0.18	530	0.24	587	0.30	643	0.36	696	0.44	744	0.51	790	0.59	831	0.66	871	0.74	907	0.82
3611	487	0.21	550	0.27	603	0.33	657	0.40	708	0.47	756	0.55	801	0.63	843	0.71	882	0.79	919	0.88
3823	507	0.24	569	0.31	620	0.37	671	0.44	721	0.51	768	0.59	812	0.68	854	0.76	894	0.85	931	0.93
4036	528	0.28	589	0.35	638	0.41	686	0.48	734	0.56	780	0.64	824	0.72	866	0.81	905	0.90	942	0.99
4248	550	0.32	610	0.39	658	0.46	702	0.53	749	0.61	793	0.69	836	0.78	877	0.87	916	0.96	954	1.05
4460	572	0.36	631	0.44	677	0.51	720	0.58	764	0.66	807	0.74	849	0.83	889	0.93	928	1.02	965	1.12
4673	595	0.41	650	0.49	697	0.57	738	0.64	779	0.71	821	0.80	862	0.89	902	0.99	940	1.09	977	1.19
4885	619	0.46	668	0.54	717	0.63	757	0.70	796	0.78	836	0.86	876	0.96	915	1.05	952	1.16	988	1.26
5097	643	0.52	688	0.60	737	0.69	777	0.77	814	0.85	852	0.93	891	1.03	928	1.13	965	1.23	1001	1.33
External Static Pressure (Pascals)																				
m ³ /hr	274		299		324		349		374		399		423		448		473		498	
	RPM	kW	RPM	kW	RPM	kW	RPM	kW	RPM	kW	RPM	kW	RPM	kW	RPM	kW	RPM	kW	RPM	kW
3 HP Ultra High Static Motor																				
3398	942	0.90	975	0.98	1006	1.06	1036	1.13	1065	1.21	1092	1.29	1118	1.37	-	-	-	-	-	-
3611	954	0.96	988	1.04	1019	1.13	1050	1.21	1079	1.29	1106	1.38	1133	1.46	-	-	-	-	-	-
3823	966	1.02	1000	1.11	1032	1.20	1062	1.29	1092	1.38	1120	1.46	-	-	-	-	-	-	-	-
4036	978	1.08	1011	1.18	1044	1.27	1075	1.36	1104	1.46	1133	1.55	-	-	-	-	-	-	-	-
4248	989	1.15	1023	1.25	1055	1.34	1087	1.44	1116	1.54	-	-	-	-	-	-	-	-	-	-
4460	1000	1.22	1034	1.32	1067	1.42	1098	1.52	1128	1.63	-	-	-	-	-	-	-	-	-	-
4673	1012	1.29	1046	1.39	1078	1.50	1110	1.60	1140	1.71	-	-	-	-	-	-	-	-	-	-
4885	1023	1.36	1057	1.47	1090	1.58	1121	1.69	-	-	-	-	-	-	-	-	-	-	-	-
5097	1035	1.44	1069	1.55	1101	1.66	-	-	-	-	-	-	-	-	-	-	-	-	-	-

Notes:

1. Data includes pressure drop due to wet coil and 1" filter.
2. Fan motor heat (kW) = 1.238 x kW.
3. Factory supplied motors, in commercial equipment, are definite purpose motors, specifically designed and tested to operate reliably and continuously at all cataloged conditions. Using the full horsepower range of our fan motors as shown in our tabular data will not result in nuisance tripping or premature motor failure. Our product's warranty will not be affected.

Table 85. Evaporator fan performance — TWE101 — air handler (IP)

External Static Pressure (Inches of Water Gauge)																					
		0.10"		0.20"		0.30"		0.40"		0.50"		0.60"		0.70"		0.80"		0.90"		1.00"	
CFM	RPM	BHP	RPM	BHP	RPM	BHP	RPM	BHP	RPM	BHP	RPM	BHP	RPM	BHP	RPM	BHP	RPM	BHP	RPM	BHP	
2 HP Standard Motor										3 HP High Static Motor											
2600	482	0.35	535	0.43	581	0.51	624	0.59	666	0.69	707	0.78	747	0.89	786	0.99	822	1.10	856	1.20	
2775	506	0.41	558	0.50	602	0.59	644	0.67	684	0.76	723	0.86	761	0.97	799	1.08	835	1.19	869	1.31	
2950	533	0.48	581	0.57	624	0.67	664	0.76	702	0.85	740	0.96	776	1.06	812	1.18	848	1.29	882	1.41	
3125	559	0.56	605	0.66	647	0.76	685	0.86	722	0.95	758	1.06	793	1.17	827	1.28	861	1.40	895	1.53	
3300	585	0.65	629	0.75	670	0.86	707	0.96	743	1.06	777	1.17	811	1.28	844	1.40	876	1.52	908	1.64	
3475	613	0.76	654	0.85	694	0.96	730	1.07	764	1.18	797	1.29	829	1.40	861	1.52	893	1.65	923	1.78	
3650	639	0.87	677	0.95	717	1.08	753	1.19	786	1.31	818	1.42	849	1.54	880	1.66	910	1.78	940	1.92	
3825	668	1.00	702	1.08	741	1.21	776	1.33	808	1.45	839	1.57	870	1.69	899	1.81	928	1.93	957	2.07	
4000	695	1.14	728	1.21	765	1.34	799	1.47	831	1.60	861	1.72	890	1.85	919	1.98	947	2.10	975	2.24	
External Static Pressure (Inches of Water Gauge)																					
		1.10"		1.20"		1.30"		1.40"		1.50"		1.60"		1.70"		1.80"		1.90"		2.00"	
CFM	RPM	BHP	RPM	BHP	RPM	BHP	RPM	BHP	RPM	BHP	RPM	BHP	RPM	BHP	RPM	BHP	RPM	BHP	RPM	BHP	
3 HP High Static Motor with Field Supplied Sheave																					
2600	889	1.31	920	1.42	950	1.52	979	1.63	1007	1.74	1034	1.85	1061	1.96	-	-	-	-	-	-	
2775	901	1.42	933	1.53	963	1.65	992	1.76	1019	1.87	1047	1.99	1073	2.11	-	-	-	-	-	-	
2950	914	1.53	945	1.65	975	1.77	1004	1.89	1032	2.01	1059	2.14	-	-	-	-	-	-	-	-	
3125	927	1.65	958	1.78	988	1.91	1017	2.03	1044	2.16	1071	2.29	-	-	-	-	-	-	-	-	
3300	940	1.78	971	1.91	1001	2.04	1029	2.18	1057	2.31	-	-	-	-	-	-	-	-	-	-	
3475	954	1.91	984	2.05	1013	2.19	1042	2.33	-	-	-	-	-	-	-	-	-	-	-	-	
3650	969	2.05	998	2.19	1027	2.34	-	-	-	-	-	-	-	-	-	-	-	-	-	-	
3825	985	2.21	1013	2.35	-	-	-	-	-	-	-	-	-	-	-	-	-	-	-	-	
4000	1002	2.38	-	-	-	-	-	-	-	-	-	-	-	-	-	-	-	-	-	-	

Notes:

1. Data includes pressure drop due to wet coil and 1" filter.
2. Fan motor heat (MBh) = 3.15 x BHP.
3. Factory supplied motors, in commercial equipment, are definite purpose motors, specifically designed and tested to operate reliably and continuously at all cataloged conditions. Using the full horsepower range of our fan motors as shown in our tabular data will not result in nuisance tripping or premature motor failure. Our product's warranty will not be affected.



Performance Data

Table 86. Evaporator fan performance — TWE101 — air handler (SI)

External Static Pressure (Pascals)																					
		25		50		75		100		125		150		174		199		224		249	
m ³ /hr	RPM	kW	RPM	kW	RPM	kW	RPM	kW	RPM	kW	RPM	kW	RPM	kW	RPM	kW	RPM	kW	RPM	kW	
2 HP Standard Motor										3 HP High Static Motor											
4418	482	0.26	535	0.32	581	0.38	624	0.44	666	0.51	707	0.58	747	0.66	786	0.74	822	0.82	856	0.90	
4715	506	0.30	558	0.37	602	0.44	644	0.50	684	0.57	723	0.64	761	0.72	799	0.81	835	0.89	869	0.97	
5012	533	0.36	581	0.43	624	0.50	664	0.57	702	0.64	740	0.71	776	0.79	812	0.88	848	0.96	882	1.05	
5310	559	0.42	605	0.49	647	0.56	685	0.64	722	0.71	758	0.79	793	0.87	827	0.95	861	1.04	895	1.14	
5607	585	0.49	629	0.56	670	0.64	707	0.71	743	0.79	777	0.87	811	0.95	844	1.04	876	1.13	908	1.23	
5904	613	0.57	654	0.63	694	0.72	730	0.80	764	0.88	797	0.96	829	1.05	861	1.13	893	1.23	923	1.32	
6202	639	0.65	677	0.71	717	0.80	753	0.89	786	0.98	818	1.06	849	1.15	880	1.24	910	1.33	940	1.43	
6499	668	0.75	702	0.80	741	0.90	776	0.99	808	1.08	839	1.17	870	1.26	899	1.35	928	1.44	957	1.54	
6796	695	0.85	728	0.91	765	1.00	799	1.09	831	1.19	861	1.29	890	1.38	919	1.47	947	1.57	975	1.67	
External Static Pressure (Pascals)																					
		274		299		324		349		374		398		423		448		473		498	
m ³ /hr	RPM	kW	RPM	kW	RPM	kW	RPM	kW	RPM	kW	RPM	kW	RPM	kW	RPM	kW	RPM	kW	RPM	kW	
3Hp High Static Motor with Field Supplied Sheave																					
4418	889	0.98	920	1.06	950	1.14	979	1.22	1007	1.30	1034	1.38	1061	1.46	-	-	-	-	-	-	
4715	901	1.06	933	1.14	963	1.23	992	1.31	1019	1.40	1047	1.48	1073	1.57	-	-	-	-	-	-	
5012	914	1.14	945	1.23	975	1.32	1004	1.41	1032	1.50	1059	1.59	-	-	-	-	-	-	-	-	
5310	927	1.23	958	1.33	988	1.42	1017	1.52	1044	1.61	1071	1.71	-	-	-	-	-	-	-	-	
5607	940	1.33	971	1.42	1001	1.52	1029	1.62	1057	1.72	-	-	-	-	-	-	-	-	-	-	
5904	954	1.42	984	1.53	1013	1.63	1042	1.74	-	-	-	-	-	-	-	-	-	-	-	-	
6202	969	1.53	998	1.64	1027	1.74	-	-	-	-	-	-	-	-	-	-	-	-	-	-	
6499	985	1.65	1013	1.75	-	-	-	-	-	-	-	-	-	-	-	-	-	-	-	-	
6796	1002	1.77	-	-	-	-	-	-	-	-	-	-	-	-	-	-	-	-	-	-	

Notes:

1. Data includes pressure drop due to wet coil and 1" filter.
2. Fan motor heat (kW) = 1.238 x kW.
3. Factory supplied motors, in commercial equipment, are definite purpose motors, specifically designed and tested to operate reliably and continuously at all cataloged conditions. Using the full horsepower range of our fan motors as shown in our tabular data will not result in nuisance tripping or premature motor failure. Our product's warranty will not be affected.

Table 87. Evaporator fan performance —TWE126 — air handler (IP)

External Static Pressure (Inches of Water Gauge)																					
		0.10"		0.20"		0.30"		0.40"		0.50"		0.60"		0.70"		0.80"		0.90"		1.00"	
CFM	RPM	BHP	RPM	BHP	RPM	BHP	RPM	BHP	RPM	BHP	RPM	BHP	RPM	BHP	RPM	BHP	RPM	BHP	RPM	BHP	
																			3 HP High Static Motor		
2 HP Standard Motor									2hp std motor with field supplied sheave												
3200	—	—	472	0.43	529	0.54	580	0.65	626	0.76	670	0.88	711	0.99	749	1.11	785	1.23	818	1.35	
3400	—	—	486	0.49	542	0.60	592	0.71	637	0.83	680	0.95	721	1.08	759	1.20	795	1.33	829	1.46	
3600	440	0.44	501	0.55	556	0.67	605	0.79	650	0.91	691	1.04	731	1.17	769	1.30	805	1.44	839	1.57	
3800	457	0.50	517	0.62	570	0.74	618	0.87	662	1.00	703	1.13	741	1.26	779	1.40	815	1.54	849	1.68	
4000	474	0.57	532	0.69	584	0.82	631	0.96	674	1.09	715	1.23	753	1.36	789	1.51	825	1.65	859	1.80	
4200	492	0.64	548	0.78	598	0.91	645	1.05	687	1.19	727	1.33	765	1.47	800	1.62	835	1.77	869	1.93	
4400	510	0.73	564	0.87	613	1.01	659	1.15	701	1.29	740	1.44	777	1.59	812	1.74	846	1.90	879	2.06	
4600	528	0.82	580	0.96	628	1.11	673	1.26	714	1.41	753	1.56	790	1.72	824	1.88	858	2.03	889	2.19	
4800	548	0.92	597	1.07	643	1.22	687	1.37	728	1.53	766	1.69	802	1.85	837	2.01	870	2.18	901	2.34	
External Static Pressure (Inches of Water Gauge)																					
		1.10"		1.20"		1.30"		1.40"		1.50"		1.60"		1.70"		1.80"		1.90"		2.00"	
CFM	RPM	BHP	RPM	BHP	RPM	BHP	RPM	BHP	RPM	BHP	RPM	BHP	RPM	BHP	RPM	BHP	RPM	BHP	RPM	BHP	
3 HP High Static Motor									5 HP Ultra High Static Motor												
3200	850	1.47	879	1.59	907	1.71	934	1.82	960	1.93	985	2.04	1008	2.15	1031	2.26	1053	2.36	—	—	
3400	860	1.59	890	1.71	919	1.84	946	1.97	973	2.09	997	2.21	1021	2.32	1045	2.44	—	—	—	—	
3600	871	1.70	901	1.84	930	1.97	958	2.11	984	2.24	1010	2.37	1034	2.50	1058	2.63	—	—	—	—	
3800	881	1.83	912	1.97	941	2.11	969	2.25	996	2.39	1021	2.53	1046	2.68	—	—	—	—	—	—	
4000	891	1.95	922	2.10	951	2.25	979	2.40	1006	2.55	1032	2.70	1057	2.85	—	—	—	—	—	—	
4200	901	2.08	932	2.24	961	2.40	990	2.55	1017	2.71	1043	2.87	—	—	—	—	—	—	—	—	
4400	911	2.22	942	2.38	971	2.55	1000	2.71	1027	2.88	1053	3.04	—	—	—	—	—	—	—	—	
4600	921	2.36	951	2.53	981	2.70	1010	2.87	1037	3.05	—	—	—	—	—	—	—	—	—	—	
4800	931	2.51	961	2.69	991	2.86	1020	3.04	1047	3.22	—	—	—	—	—	—	—	—	—	—	

Notes:

1. Data includes pressure drop due to wet coil and 2" filter.
2. Fan motor heat (MBh) = 3.15 x BHP.
3. Factory supplied motors, in commercial equipment, are definite purpose motors, specifically designed and tested to operate reliably and continuously at all cataloged conditions. Using the full horsepower range of our fan motors as shown in our tabular data will not result in nuisance tripping or premature motor failure. Our product's warranty will not be affected.



Performance Data

Table 88. Evaporator fan performance — TWE126 — air handler (SI)

External Static Pressure (Pascal)																						
m ³ /hr	25		50		75		100		125		149		174		199		224		249		274	
	RPM	kW	RPM	kW	RPM	kW	RPM	kW	RPM	kW	RPM	kW	RPM	kW	RPM	kW	RPM	kW	RPM	kW	RPM	kW
2hp standard motor											2hp std motor with field supplied sheave						3hp High Static Motor					
5437	—	—	472	0.32	529	0.40	580	0.48	626	0.56	670	0.65	711	0.74	749	0.83	785	0.92	818	1.01	850	1.10
5777	—	—	486	0.36	542	0.45	592	0.53	637	0.62	680	0.71	721	0.80	759	0.90	795	0.99	829	1.09	860	1.18
6116	440	0.33	501	0.41	556	0.50	605	0.59	650	0.68	691	0.77	731	0.87	769	0.97	805	1.07	839	1.17	871	1.27
6456	457	0.37	517	0.46	570	0.55	618	0.65	662	0.74	703	0.84	741	0.94	779	1.04	815	1.15	849	1.26	881	1.36
6796	474	0.42	532	0.52	584	0.61	631	0.71	674	0.81	715	0.91	753	1.02	789	1.12	825	1.23	859	1.34	891	1.46
7136	492	0.48	548	0.58	598	0.68	645	0.78	687	0.89	727	0.99	765	1.10	800	1.21	835	1.32	869	1.44	901	1.55
7476	510	0.54	564	0.65	613	0.75	659	0.86	701	0.96	740	1.08	777	1.19	812	1.30	846	1.41	879	1.53	911	1.65
7815	528	0.61	580	0.72	628	0.83	673	0.94	714	1.05	753	1.16	790	1.28	824	1.40	858	1.52	889	1.64	921	1.76
8155	548	0.69	597	0.79	643	0.91	687	1.02	728	1.14	766	1.26	802	1.38	837	1.50	870	1.62	901	1.75	931	1.87
External Static Pressure (Pascal)																						
m ³ /hr	299		324		349		374		399		423		448		473		498					
	RPM	kW	RPM	kW	RPM	kW	RPM	kW	RPM	kW	RPM	kW	RPM	kW	RPM	kW	RPM	kW				
3hp High Static Motor										5hp Ultra High Static Motor												
5437	879	1.19	907	1.27	934	1.36	960	1.44	985	1.52	1008	1.60	1031	1.68	1053	1.76	—	—				
5777	890	1.28	919	1.37	946	1.47	973	1.56	997	1.65	1021	1.73	1045	1.82	—	—						
6116	901	1.37	930	1.47	958	1.57	984	1.67	1010	1.77	1034	1.87	1058	1.96	—	—						
6456	912	1.47	941	1.57	969	1.68	996	1.78	1021	1.89	1046	1.99	—	—	—	—						
6796	922	1.57	951	1.68	979	1.79	1006	1.90	1032	2.01	1057	2.12	—	—	—	—						
7136	932	1.67	961	1.79	990	1.90	1017	2.02	1043	2.14	—	—	—	—	—	—						
7476	942	1.78	971	1.90	1000	2.02	1027	2.14	1053	2.27	—	—	—	—	—	—						
7815	951	1.89	981	2.02	1010	2.14	1037	2.27	—	—	—	—	—	—	—	—						
8155	961	2.00	991	2.14	1020	2.27	1047	2.40	—	—	—	—	—	—	—	—						

Notes:

1. Data includes pressure drop due to wet coil and 2" filter.
2. Fan motor heat (kW) = 1.238 x kW.
3. Factory supplied motors, in commercial equipment, are definite purpose motors, specifically designed and tested to operate reliably and continuously at all cataloged conditions. Using the full horsepower range of our fan motors as shown in our tabular data will not result in nuisance tripping or premature motor failure. Our product's warranty will not be affected.

Table 89. Evaporator fan performance —TWE156 — air handler (IP)

External Static Pressure (Inches of Water Gauge)																					
		0.10"		0.20"		0.30"		0.40"		0.50"		0.60"		0.70"		0.80"		0.90"		1.00"	
CFM	RPM	BHP	RPM	BHP	RPM	BHP	RPM	BHP	RPM	BHP	RPM	BHP	RPM	BHP	RPM	BHP	RPM	BHP	RPM	BHP	
3 HP Standard Motor												3 HP Standard Motor with Field Sheave						5HP High Static Motor			
4000	—	—	532	0.69	584	0.82	631	0.96	674	1.09	715	1.23	753	1.36	789	1.51	825	1.65	859	1.80	
4250	—	—	552	0.80	602	0.93	648	1.07	691	1.21	730	1.36	768	1.50	803	1.65	837	1.80	871	1.96	
4500	—	—	572	0.91	620	1.05	666	1.20	707	1.35	747	1.50	783	1.65	818	1.81	852	1.96	884	2.12	
4750	542	0.89	593	1.04	640	1.19	683	1.34	725	1.50	763	1.66	799	1.82	834	1.98	867	2.14	898	2.31	
5000	565	1.02	614	1.18	659	1.34	702	1.49	742	1.66	780	1.82	815	1.99	849	2.16	882	2.33	913	2.50	
5250	590	1.18	635	1.33	679	1.50	721	1.67	760	1.83	797	2.00	832	2.18	866	2.35	897	2.53	928	2.71	
5500	613	1.33	657	1.50	700	1.67	740	1.84	778	2.02	815	2.20	849	2.38	882	2.56	913	2.75	944	2.93	
5750	637	1.51	679	1.67	721	1.86	759	2.04	797	2.22	833	2.41	866	2.59	899	2.78	930	2.98	960	3.17	
6000	662	1.70	702	1.88	741	2.06	779	2.25	816	2.44	851	2.63	884	2.83	916	3.03	947	3.22	976	3.42	
External Static Pressure (Inches of Water Gauge)																					
		1.10"		1.20"		1.30"		1.40"		1.50"		1.60"		1.70"		1.80"		1.90"		2.00"	
CFM	RPM	BHP	RPM	BHP	RPM	BHP	RPM	BHP	RPM	BHP	RPM	BHP	RPM	BHP	RPM	BHP	RPM	BHP	RPM	BHP	
5HP High Static Motor		5 HP High Static Motor with Field Sheave																			
4000	891	1.95	922	2.10	951	2.25	979	2.40	1006	2.55	1032	2.70	1057	2.85	1081	3.00	—	—	—	—	
4250	903	2.12	934	2.28	964	2.43	992	2.59	1019	2.75	1046	2.91	1071	3.07	1095	3.23	—	—	—	—	
4500	916	2.29	947	2.46	976	2.62	1005	2.79	1032	2.96	1058	3.13	1084	3.30	—	—	—	—	—	—	
4750	928	2.47	959	2.65	989	2.82	1017	3.00	1044	3.18	1071	3.35	1097	3.53	—	—	—	—	—	—	
5000	943	2.68	972	2.85	1001	3.03	1029	3.22	1057	3.40	1083	3.59	—	—	—	—	—	—	—	—	
5250	958	2.89	987	3.07	1014	3.26	1042	3.45	1069	3.64	1096	3.84	—	—	—	—	—	—	—	—	
5500	973	3.12	1001	3.31	1029	3.50	1056	3.69	1082	3.89	—	—	—	—	—	—	—	—	—	—	
5750	989	3.37	1017	3.56	1044	3.76	1070	3.96	1096	4.16	—	—	—	—	—	—	—	—	—	—	
6000	1005	3.63	1032	3.83	1059	4.04	1085	4.24	—	—	—	—	—	—	—	—	—	—	—	—	

Notes:

1. Data includes pressure drop due to wet coil and 2" filter.
2. Fan motor heat (MBh) = 3.15 x BHP.
3. Factory supplied motors, in commercial equipment, are definite purpose motors, specifically designed and tested to operate reliably and continuously at all cataloged conditions. Using the full horsepower range of our fan motors as shown in our tabular data will not result in nuisance tripping or premature motor failure. Our product's warranty will not be affected.



Performance Data

Table 90. Evaporator fan performance — TWE156 — air handler (SI)

		External Static Pressure (Pascals)																			
		25		50		75		100		125		150		174		199		224		249	
m ³ /hr		RPM	kW	RPM	kW	RPM	kW	RPM	kW	RPM	kW	RPM	kW	RPM	kW	RPM	kW	RPM	kW	RPM	kW
		3 HP Standard Motor										3 HP Standard Motor with Field Sheave						5HP High Static Motor			
6796	—	—	532	0.52	584	0.61	631	0.71	674	0.81	715	0.91	753	1.02	789	1.12	825	1.23	859	1.34	
7221	—	—	552	0.60	602	0.70	648	0.80	691	0.90	730	1.01	768	1.12	803	1.23	837	1.34	871	1.46	
7646	—	—	572	0.68	620	0.79	666	0.90	707	1.01	747	1.12	783	1.23	818	1.35	852	1.46	884	1.58	
8070	542	0.67	593	0.77	640	0.89	683	1.00	725	1.12	763	1.23	799	1.35	834	1.48	867	1.60	898	1.72	
8495	565	0.76	614	0.88	659	1.00	702	1.11	742	1.24	780	1.36	815	1.48	849	1.61	882	1.74	913	1.87	
8920	590	0.88	635	0.99	679	1.12	721	1.24	760	1.37	797	1.49	832	1.63	866	1.76	897	1.89	928	2.02	
9345	613	0.99	657	1.12	700	1.25	740	1.37	778	1.51	815	1.64	849	1.77	882	1.91	913	2.05	944	2.19	
9769	637	1.12	679	1.25	721	1.39	759	1.52	797	1.66	833	1.80	866	1.93	899	2.08	930	2.22	960	2.36	
10194	662	1.27	702	1.40	741	1.53	779	1.67	816	1.82	851	1.96	884	2.11	916	2.26	947	2.40	976	2.55	
		External Static Pressure (Pascals)																			
		274		299		324		349		374		398		423		448		473		498	
m ³ /hr		RPM	kW	RPM	kW	RPM	kW	RPM	kW	RPM	kW	RPM	kW	RPM	kW	RPM	kW	RPM	kW	RPM	kW
		5HP High Static Motor with Field Sheave																			
6796	891	1.46	922	1.57	951	1.68	979	1.79	1006	1.90	1032	2.01	1057	2.12	1081	2.23	—	—	—	—	
7221	903	1.58	934	1.70	964	1.81	992	1.93	1019	2.05	1046	2.17	1071	2.29	1095	2.41	—	—	—	—	
7646	916	1.71	947	1.83	976	1.96	1005	2.08	1032	2.21	1058	2.33	1084	2.46	—	—	—	—	—	—	
8070	928	1.84	959	1.97	989	2.11	1017	2.24	1044	2.37	1071	2.50	1097	2.63	—	—	—	—	—	—	
8495	943	2.00	972	2.13	1001	2.26	1029	2.40	1057	2.54	1083	2.68	—	—	—	—	—	—	—	—	
8920	958	2.16	987	2.29	1014	2.43	1042	2.57	1069	2.71	1096	2.86	—	—	—	—	—	—	—	—	
9345	973	2.33	1001	2.47	1029	2.61	1056	2.76	1082	2.90	—	—	—	—	—	—	—	—	—	—	
9769	989	2.51	1017	2.66	1044	2.80	1070	2.95	1096	3.10	—	—	—	—	—	—	—	—	—	—	
10194	1005	2.70	1032	2.86	1059	3.01	1085	3.16	—	—	—	—	—	—	—	—	—	—	—	—	

Notes:

1. Data includes pressure drop due to wet coil and 2" filter.
2. Fan motor heat (kW) = 1.238 x kW.
3. Factory supplied motors, in commercial equipment, are definite purpose motors, specifically designed and tested to operate reliably and continuously at all cataloged conditions. Using the full horsepower range of our fan motors as shown in our tabular data will not result in nuisance tripping or premature motor failure. Our product's warranty will not be affected.

Table 91. Evaporator fan performance —TWE201 — air handler (IP)

External Static Pressure (in H ₂ O)																		
	0.10"		0.20"		0.30"		0.40"		0.50"		0.60"		0.70"		0.80"		0.90"	
CFM	RPM	BHP	RPM	BHP	RPM	BHP	RPM	BHP	RPM	BHP	RPM	BHP	RPM	BHP	RPM	BHP	RPM	BHP
3 HP Low Static Motor											5 HP Standard Motor							
5200	519	0.88	563	0.99	603	1.10	640	1.22	676	1.34	711	1.46	745	1.59	776	1.72	806	1.84
5525	546	1.04	588	1.16	626	1.27	663	1.40	697	1.52	731	1.65	763	1.79	794	1.92	824	2.06
5850	572	1.21	613	1.34	650	1.47	685	1.59	718	1.73	750	1.86	782	2.00	812	2.14	842	2.29
6175	600	1.41	638	1.54	674	1.68	708	1.82	741	1.95	772	2.09	802	2.23	831	2.38	860	2.53
6500	629	1.64	664	1.77	699	1.91	731	2.05	763	2.20	793	2.34	822	2.49	851	2.64	879	2.80
6825	654	1.86	690	2.02	724	2.17	756	2.32	786	2.47	816	2.62	844	2.77	871	2.93	898	3.09
7150	684	2.14	718	2.30	749	2.45	780	2.60	810	2.76	838	2.92	865	3.07	892	3.24	918	3.40
7475	710	2.42	743	2.59	775	2.76	804	2.92	833	3.08	861	3.24	888	3.40	914	3.57	939	3.74
7800	741	2.76	770	2.91	801	3.09	830	3.26	857	3.42	884	3.59	911	3.76	936	3.94	960	4.11
External Static Pressure (in H ₂ O)																		
	1.00"		1.10"		1.20"		1.30"		1.40"		1.50"		1.60"		1.70"		1.80"	
CFM	RPM	BHP	RPM	BHP	RPM	BHP	RPM	BHP	RPM	BHP	RPM	BHP	RPM	BHP	RPM	BHP	RPM	BHP
5 HP Standard Motor						5 HP Standard Motor with Field Sheave						7.5 HP High Static Motor						
5200	835	1.96	867	2.10	896	2.24	921	2.37	944	2.50	967	2.62	989	2.74	1010	2.87	1031	2.99
5525	852	2.19	879	2.31	909	2.46	937	2.61	963	2.75	986	2.89	1007	3.02	1029	3.15	1050	3.29
5850	870	2.43	896	2.57	922	2.70	949	2.84	977	3.00	1003	3.16	1026	3.31	1047	3.45	1068	3.59
6175	888	2.69	914	2.84	940	2.98	965	3.12	989	3.27	1016	3.43	1042	3.60	1065	3.76	1087	3.92
6500	906	2.96	932	3.12	958	3.28	982	3.44	1006	3.58	1029	3.73	1054	3.89	1079	4.07	1103	4.25
6825	925	3.25	951	3.42	976	3.59	1000	3.76	1024	3.93	1046	4.08	1069	4.24	1091	4.39	1115	4.58
7150	944	3.58	970	3.75	994	3.92	1018	4.10	1042	4.28	1064	4.45	1086	4.62	1108	4.78	1129	4.94
7475	964	3.92	989	4.09	1013	4.28	1037	4.46	1060	4.65	1082	4.84	1104	5.02	1126	5.20	1146	5.36
7800	985	4.29	1008	4.47	1032	4.66	1056	4.85	1078	5.04	1100	5.23	1122	5.43	1143	5.62	—	—
External Static Pressure (in H ₂ O)																		
	1.90"		2.00"		2.10"		2.20"		2.30"		2.40"							
CFM	RPM	BHP	RPM	BHP	RPM	BHP	RPM	BHP	RPM	BHP	RPM	BHP						
7.5 HP High Static Motor							7.5HP High Static Motor with Field Sheave											
5200	1052	3.12	1071	3.24	1091	3.36	1110	3.48	1128	3.60	1147	3.72						
5525	1070	3.42	1090	3.55	1109	3.68	1128	3.81	1146	3.94	1164	4.07						
5850	1088	3.73	1108	3.88	1127	4.01	1146	4.15	1164	4.29	1182	4.43						
6175	1107	4.07	1126	4.22	1145	4.37	1164	4.52	1182	4.66	—	—						
6500	1125	4.42	1145	4.58	1164	4.74	1183	4.90	—	—	—	—						
6825	1139	4.76	1161	4.95	1182	5.13	—	—	—	—	—	—						
7150	1150	5.11	1174	5.30	1196	5.51	—	—	—	—	—	—						
7475	1167	5.53	1187	5.70	—	—	—	—	—	—	—	—						
7800	—	—	—	—	—	—	—	—	—	—	—	—						

Notes:

1. Data includes pressure drop due to wet coil and 2" filter.
2. Fan motor heat (MBh) = 3.15 x BHP.
3. Factory supplied motors, in commercial equipment, are definite purpose motors, specifically designed and tested to operate reliably and continuously at all cataloged conditions. Using the full horsepower range of our fan motors as shown in our tabular data will not result in nuisance tripping or premature motor failure. Our product's warranty will not be affected.



Performance Data

Table 92. Evaporator fan performance —TWE201 — air handler (SI)

External Static Pressure (Pascals)																		
	25		50		75		100		125		150		174		199		224	
m ³ /hr	RPM	kW	RPM	kW	RPM	kW	RPM	kW	RPM	kW	RPM	kW	RPM	kW	RPM	kW	RPM	kW
3 HP Low Static Motor									5 HP Standard Motor									
8835	519	0.65	563	0.74	603	0.82	640	0.91	676	1.00	711	1.09	745	1.19	776	1.28	806	1.37
9387	546	0.77	588	0.86	626	0.95	663	1.04	697	1.13	731	1.23	763	1.33	794	1.43	824	1.54
9939	572	0.90	613	1.00	650	1.09	685	1.19	718	1.29	750	1.39	782	1.49	812	1.60	842	1.71
10491	600	1.05	638	1.15	674	1.26	708	1.35	741	1.45	772	1.56	802	1.67	831	1.78	860	1.89
11044	629	1.22	664	1.32	699	1.43	731	1.53	763	1.64	793	1.74	822	1.86	851	1.97	879	2.09
11596	654	1.39	690	1.51	724	1.62	756	1.73	786	1.84	816	1.95	844	2.07	871	2.18	898	2.30
12148	684	1.60	718	1.72	749	1.83	780	1.94	810	2.06	838	2.18	865	2.29	892	2.42	918	2.54
12700	710	1.80	743	1.93	775	2.05	804	2.17	833	2.30	861	2.42	888	2.54	914	2.66	939	2.79
13252	741	2.06	770	2.17	801	2.30	830	2.43	857	2.55	884	2.68	911	2.81	936	2.94	960	3.06
External Static Pressure (Pascals)																		
	249		274		299		324		349		374		398		423		448	
m ³ /hr	RPM	kW	RPM	kW	RPM	kW	RPM	kW	RPM	kW	RPM	kW	RPM	kW	RPM	kW	RPM	kW
5 HP Standard Motor					5 HP Standard Motor with Field Sheave					7.5 HP High Static Motor								
8835	835	1.46	867	1.57	896	1.67	921	1.77	944	1.86	967	1.96	989	2.05	1010	2.14	1031	2.23
9387	852	1.63	879	1.72	909	1.83	937	1.94	963	2.05	986	2.15	1007	2.25	1029	2.35	1050	2.45
9939	870	1.81	896	1.91	922	2.01	949	2.12	977	2.24	1003	2.36	1026	2.47	1047	2.58	1068	2.68
10491	888	2.01	914	2.12	940	2.22	965	2.33	989	2.44	1016	2.56	1042	2.69	1065	2.81	1087	2.92
11044	906	2.21	932	2.33	958	2.45	982	2.56	1006	2.67	1029	2.78	1054	2.90	1079	3.04	1103	3.17
11596	925	2.43	951	2.55	976	2.68	1000	2.81	1024	2.93	1046	3.05	1069	3.16	1091	3.28	1115	3.41
12148	944	2.67	970	2.80	994	2.92	1018	3.06	1042	3.19	1064	3.32	1086	3.44	1108	3.56	1129	3.68
12700	964	2.92	989	3.05	1013	3.19	1037	3.33	1060	3.47	1082	3.61	1104	3.74	1126	3.87	1146	4.00
13252	985	3.20	1008	3.33	1032	3.47	1056	3.61	1078	3.76	1100	3.90	1122	4.05	1143	4.19	—	—
External Static Pressure (Pascals)																		
	473		498		523		548		573		598							
m ³ /hr	RPM	kW	RPM	kW	RPM	kW	RPM	kW	RPM	kW	RPM	kW						
7.5 HP High Static Motor							7.5 HP High Static Motor with Field Sheave											
8835	1052	2.32	1071	2.41	1091	2.51	1110	2.60	1128	2.69	1147	2.78						
9387	1070	2.55	1090	2.65	1109	2.74	1128	2.84	1146	2.94	1164	3.03						
9939	1088	2.78	1108	2.89	1127	2.99	1146	3.10	1164	3.20	1182	3.30						
10491	1107	3.04	1126	3.15	1145	3.26	1164	3.37	1182	3.48	—	—						
11044	1125	3.30	1145	3.42	1164	3.54	1183	3.65	—	—	—	—						
11596	1139	3.55	1161	3.69	1182	3.82	—	—	—	—	—	—						
12148	1150	3.81	1174	3.96	1196	4.11	—	—	—	—	—	—						
12700	1167	4.13	1187	4.25	—	—	—	—	—	—	—	—						
13252	—	—	—	—	—	—	—	—	—	—	—	—						

Notes:

1. Data includes pressure drop due to wet coil and 2" filter.
2. Fan motor heat (kW) = 1.238 x kW.
3. Factory supplied motors, in commercial equipment, are definite purpose motors, specifically designed and tested to operate reliably and continuously at all cataloged conditions. Using the full horsepower range of our fan motors as shown in our tabular data will not result in nuisance tripping or premature motor failure. Our product's warranty will not be affected.

Table 93. Evaporator fan performance —TWE251 — air handler (IP)

External Static Pressure (Inches of Water Gauge)																							
		0.10"		0.20"		0.30"		0.40"		0.50"		0.60"		0.70"		0.80"		0.90"		1.00"		1.10"	
CFM	RPM	BHP	RPM	BHP	RPM	BHP	RPM	BHP	RPM	BHP	RPM	BHP	RPM	BHP	RPM	BHP	RPM	BHP	RPM	BHP	RPM	BHP	
																						7.5 HP standard motor and high static sheave	
7.5 HP standard motor and low static motor											7.5 HP standard motor												
6500	646	1.70	684	1.85	717	1.99	750	2.13	781	2.28	811	2.43	840	2.58	868	2.74	896	2.90	923	3.06	949	3.23	
7000	692	2.11	725	2.26	757	2.41	789	2.57	818	2.73	846	2.88	874	3.04	901	3.21	928	3.37	954	3.55	979	3.72	
7500	734	2.55	767	2.73	798	2.90	828	3.06	856	3.23	884	3.39	910	3.56	936	3.73	961	3.91	986	4.10	1010	4.27	
8000	781	3.09	811	3.27	840	3.44	868	3.63	895	3.80	921	3.97	947	4.15	972	4.33	996	4.52	1019	4.70	1043	4.89	
8500	827	3.69	855	3.87	882	4.05	909	4.25	935	4.43	960	4.62	985	4.81	1008	4.99	1032	5.19	1054	5.38	1076	5.58	
9000	869	4.31	899	4.57	925	4.75	951	4.95	974	5.13	999	5.34	1023	5.54	1046	5.73	—	—	—	—	—	—	
9500	918	5.11	940	5.27	967	5.50	992	5.73	—	—	—	—	—	—	—	—	—	—	—	—	—	—	
External Static Pressure (Inches of Water Gauge)																							
		1.20"		1.30"		1.40"		1.50"		1.60"		1.70"		1.80"		1.90"		2.00"		2.10"			
CFM	RPM	BHP	RPM	BHP	RPM	BHP	RPM	BHP	RPM	BHP	RPM	BHP	RPM	BHP	RPM	BHP	RPM	BHP	RPM	BHP			
																						7.5 HP standard motor and high static sheave	
6500	974	3.39	998	3.54	1022	3.69	1046	3.84	1071	4.02	1096	4.20	1119	4.37	1140	4.54	1159	4.70	1178	4.86	—	—	
7000	1004	3.90	1028	4.08	1051	4.24	1073	4.41	1095	4.56	1117	4.72	1141	4.91	1164	5.10	1187	5.30	1207	5.48	—	—	
7500	1035	4.46	1058	4.65	1081	4.84	1103	5.03	1124	5.21	1145	5.38	1166	5.55	1186	5.72	—	—	—	—	—	—	
8000	1066	5.09	1089	5.28	1111	5.48	1133	5.69	—	—	—	—	—	—	—	—	—	—	—	—	—	—	
8500	—	—	—	—	—	—	—	—	—	—	—	—	—	—	—	—	—	—	—	—	—	—	
9000	—	—	—	—	—	—	—	—	—	—	—	—	—	—	—	—	—	—	—	—	—	—	
9500	—	—	—	—	—	—	—	—	—	—	—	—	—	—	—	—	—	—	—	—	—	—	

Notes:

1. Data includes pressure drop due to wet coil and 2" filter.
2. Fan motor heat (MBh) = 3.15 x BHP.
3. Factory supplied motors, in commercial equipment, are definite purpose motors, specifically designed and tested to operate reliably and continuously at all cataloged conditions. Using the full horsepower range of our fan motors as shown in our tabular data will not result in nuisance tripping or premature motor failure. Our product's warranty will not be affected.



Performance Data

Table 94. Evaporator fan performance — TWE251 — air handler (SI)

External Static Pressure (Pascals)																						
m ³ /hr	25		50		75		100		125		149		174		199		224		249		274	
	RPM	kW	RPM	kW	RPM	kW	RPM	kW	RPM	kW	RPM	kW	RPM	kW	RPM	kW	RPM	kW	RPM	kW	RPM	kW
	7.5 HP standard motor and low static motor										7.5 HP standard motor										7.5 HP standard motor and high static sheave	
11044	646	1.27	684	1.38	717	1.49	750	1.59	781	1.70	811	1.81	840	1.93	868	2.04	896	2.16	923	2.29	949	2.41
11893	692	1.58	725	1.68	757	1.80	789	1.92	818	2.03	846	2.15	874	2.27	901	2.39	928	2.52	954	2.65	979	2.78
12743	734	1.90	767	2.03	798	2.16	828	2.28	856	2.41	884	2.53	910	2.65	936	2.78	961	2.92	986	3.05	1010	3.19
13592	781	2.31	811	2.44	840	2.57	868	2.71	895	2.83	921	2.96	947	3.09	972	3.23	996	3.37	1019	3.50	1043	3.65
14442	827	2.75	855	2.89	882	3.02	909	3.17	935	3.30	960	3.44	985	3.59	1008	3.72	1032	3.87	1054	4.01	1076	4.16
15291	869	3.21	899	3.41	925	3.54	951	3.69	974	3.82	999	3.98	1023	4.13	1046	4.27	—	—	—	—	—	—
16141	918	3.81	940	3.93	967	4.10	992	4.27	—	—	—	—	—	—	—	—	—	—	—	—	—	—
External Static Pressure (Pascals)																						
m ³ /hr	299		324		349		374		399		423		448		473		498		523			
	RPM	kW	RPM	kW	RPM	kW	RPM	kW	RPM	kW	RPM	kW	RPM	kW	RPM	kW	RPM	kW	RPM	kW		
	7.5 HP standard motor and high static sheave																					
11044	974	2.52	998	2.64	1022	2.75	1046	2.86	1071	3.00	1096	3.13	1119	3.26	1140	3.38	1159	3.50	1178	3.62		
11893	1004	2.91	1028	3.04	1051	3.17	1073	3.29	1095	3.40	1117	3.52	1141	3.66	1164	3.81	1187	3.95	1207	4.09		
12743	1035	3.33	1058	3.46	1081	3.61	1103	3.75	1124	3.88	1145	4.01	1166	4.14	1186	4.27	—	—	—	—		
13592	1066	3.79	1089	3.94	1111	4.08	1133	4.24	—	—	—	—	—	—	—	—	—	—	—			
14442	—	—	—	—	—	—	—	—	—	—	—	—	—	—	—	—	—	—	—			
15291	—	—	—	—	—	—	—	—	—	—	—	—	—	—	—	—	—	—	—			
16141	—	—	—	—	—	—	—	—	—	—	—	—	—	—	—	—	—	—	—			

Notes:

1. Data includes pressure drop due to wet coil and 2" filter.
2. Fan motor heat (kW) = 1.238 x kW.
3. Factory supplied motors, in commercial equipment, are definite purpose motors, specifically designed and tested to operate reliably and continuously at all cataloged conditions. Using the full horsepower range of our fan motors as shown in our tabular data will not result in nuisance tripping or premature motor failure. Our product's warranty will not be affected.

Table 95. Low static fan motors - constant volume air handlers

Model	Motor	Motor Sheave Turns Open	Nominal RPM	Required Field Supplied Components		
				Motor Sheave	Blower Sheave	Belt
TWE201	Low Static Motor 2 HP (.15 kW)	0	712	N/A	N/A	N/A
		1	677			
		2	641			
		3	605			
		4	569			
5	533					

Table 96. Standard fan motors - constant volume air handlers

Model	Motor	Motor Sheave Turns Open	Nominal RPM	Required Field Supplied Components		
				Motor Sheave	Blower Sheave	Belt
TWE051	Standard Motor .5 HP (.38 kW)	0	892	N/A	N/A	N/A
		1	833			
		2	773			
		3	714			
		4	654			
5	595					
TWE072	Standard Motor 1 HP (.75 kW)	0	706	N/A	N/A	N/A
		1	659			
		2	612			
		3	565			
		4	518			
5	471					

Table 96. Standard fan motors - constant volume air handlers (continued)

Model	Motor	Motor Sheave Turns Open	Nominal RPM	Required Field Supplied Components		
				Motor Sheave	Blower Sheave	Belt
TWE076	Standard Motor 1 HP (.75 kW)	0	706	N/A	N/A	N/A
		1	659			
		2	612			
		3	565			
		4	518			
5	471					
TWE101	Standard Motor 1.5 HP (1.13 kW)	0	682	N/A	N/A	N/A
		1	644			
		2	606			
		3	568			
		4	530			
5	492					
TWE126	Standard Motor 1.5 HP (1.13 kW)	0	640	N/A	N/A	N/A
		1	604			
		2	569			
		3	533			
		4	498			
5	462					
TWE126	Standard Motor with Field Supplied Components 1.5 HP (1.13 kW) (high static)	0	761	Variable Pitch (2.4 - 3.4 Inch Pitch Diameter), 0.875 Inch Bore, Single Groove, Browning 1VL40	Fixed Pitch (6.7 Inch Pitch Diameter), 1.4375 Inch Bore, Single Groove, Browning AK71	Browning A55
		1	718			
		2	671			
		3	624			
		4	577			
5	549					
TWE156	Standard Motor 2 HP (1.49 kW)	0	704	N/A	N/A	N/A
		1	676			
		2	648			
		3	620			
		4	592			
		5	565			
6	537					
TWE156	Standard Motor with Field Supplied Components 2 HP (1.49 kW) (high static)	0	809	Variable Pitch (3.2 - 4.2 Inch Pitch Diameter), 0.875 Inch Bore, Single Groove, Browning 1VL44	Fixed Pitch (7.4 Inch Pitch Diameter), 1.4375 Inch Bore, Single Groove, Browning BK80	Browning BX58
		1	770			
		2	732			
		3	693			
		4	655			
5	616					
TWE201	Standard Motor 3.5 HP (2.61 kW)	0	814	N/A	N/A	N/A
		1	780			
		2	746			
		3	713			
		4	679			
5	645					
TWE201	Standard Motor with Field Supplied Components 3.5 HP (2.61 kW) (high static)	0	720	Variable Pitch (2.5 - 3.5 Inch Pitch Diameter), 1.125 Inch Bore, Single Groove, Browning 1VP34	Fixed Pitch (9.9 Inch Pitch Diameter), 1.4375 Inch Bore, Single Groove, Browning BK105	Browning BX59
		1	777			
		2	835			
		3	892			
		4	950			
5						
TWE251	Standard Motor with Field Supplied Components 5 HP (3.73 kW) (low static)	1	800	Variable Pitch (3.2 - 4.2 Inch Pitch Diameter), 1.125 Inch Bore, Single Groove, Browning 1VP44	Fixed Pitch (15.4 Inch Pitch Diameter), 1.4375 Inch Bore, Single Groove, Browning BK160	Browning BX70
		2	762			
		3	724			
		4	686			
		5	647			
6	609					
TWE251	Standard Motor 5 HP (3.73 kW)	1	896	N/A	N/A	N/A
		2	853			
		3	809			
		4	765			
		5	722			



Performance Data

Table 96. Standard fan motors - constant volume air handlers (continued)

Model	Motor	Motor Sheave Turns Open	Nominal RPM	Required Field Supplied Components		
				Motor Sheave	Blower Sheave	Belt
		6	678			
TWE251	Standard Motor with Field Supplied Components 5 HP (3.73 kW) (high static)	1 2 3 4 5 6	1182 1138 1094 1050 1007 963	Variable Pitch (4.4 - 5.4 Inch Pitch Diameter), 1.125 Inch Bore, Single Groove, Browning 1VP56	Fixed Pitch (13.4 Inch Pitch Diameter), 1.4375 Inch Bore, Single Groove, Browning BK140	Browning BX68

Table 97. High static fan motors - constant volume air handlers

Model	Motor	Motor Sheave Turns Open	Nominal RPM	Required Field Supplied Components		
				Motor Sheave	Blower Sheave	Belt
TWE051	High Static Motor 1 HP (.75kW)	0 1 2 3 4 5	1122 1066 1010 954 898 842	N/A	N/A	N/A
TWE072	High Static Motor 1.5 HP (1.13 kW)	0 1 2 3 4 5	912 866 820 775 729 683	N/A	N/A	N/A
TWE076	High Static Motor 1.5 HP (1.13 kW)	0 1 2 3 4 5	912 866 820 775 729 683	N/A	N/A	N/A
TWE101	High Static Motor 2 HP (1.5 kW)	0 1 2 3 4 5	810 769 729 688 648 607	N/A	N/A	N/A
TWE101	High Static Motor with Field Supplied Components 2 HP (1.5 kW)	0 1 2 3 4 5	855 903 950 998 1045 1093	Variable Pitch (3.6 - 4.6 Inch Pitch Diameter), 0.875 Inch Bore, Single Groove, Browning 1VP50	Fixed Pitch (6.0 Inch Pitch Diameter), 1.0 Inch Bore, Single Groove, Browning AK64	Browning A51
TWE126	High Static Motor 2 HP (1.5 kW)	0 1 2 3 4 5	912 866 825 785 744 683	N/A	N/A	N/A
TWE156	High Static Motor 3.5 HP (2.6 kW)	0 1 2 3 4 5 6	853 824 794 765 735 705 676	N/A	N/A	N/A

Table 97. High static fan motors - constant volume air handlers (continued)

Model	Motor	Motor Sheave Turns Open	Nominal RPM	Required Field Supplied Components		
				Motor Sheave	Blower Sheave	Belt
TWE156	High Static Motor with Field Supplied Components 3.5 HP (2.6 kW)	0	846	Variable Pitch (3.8 - 4.8 Inch Pitch Diameter), 1.125 Inch Bore, Single Groove, Browning 1VP50	Fixed Pitch (6.4 Inch Pitch Diameter), 1.4375 Inch Bore, Single Groove, Browning BK70	Browning BX58
		1	891			
		2	935			
		3	980			
		4	1024			
5	1069					
TWE201	High Static Motor 5 HP (3.75 kW)	0	1078	N/A	N/A	N/A
		1	1036			
		2	993			
		3	950			
		4	907			
		5	864			
6	822					
TWE201	High Static Motor with Field Supplied Components 5 HP (3.75 kW)	0	1096	Variable Pitch (2.8 - 3.8 Inch Pitch Diameter), 1.125 Inch Bore, Single Groove, Browning 1VP44	Fixed Pitch (10.4 Inch Pitch Diameter), 1.4375 Inch Bore, Single Groove, Browning BK110	Browning BX62
		1	1067			
		2	1036			
		3	1004			
		4	973			
		5	941			
6	926					

Table 98. Ultra high static fan motors - constant volume air handlers

Model	Motor	Motor Sheave Turns Open	Nominal RPM	Required Field Supplied Components		
				Motor Sheave	Blower Sheave	Belt
TWE072	Ultra High Static Motor 2 HP (1.5 kW)	0	855	N/A	N/A	N/A
		1	912			
		2	969			
		3	1026			
		4	1083			
		5	1140			
—	—					
TWE076	Ultra High Static Motor 2 HP (1.5 kW)	0	855	N/A	N/A	N/A
		1	912			
		2	969			
		3	1026			
		4	1083			
		5	1140			
—	—					
TWE126	Ultra High Static Motor 3.5 HP (2.6 kW)	0	846	N/A	N/A	N/A
		1	891			
		2	935			
		3	980			
		4	1024			
		5	1069			
6						

Table 99. Discharge plenum and grille assembly throw distance — air handler — ft (m)

Unit Model No.	CFM	m ³ /h	Louver angle Deflection Position (ft)				Louver angle Deflection Position (m)			
			Straight	20°	40°	55°	Straight	20°	40°	55°
TWE051	1800	3060	46	37	29	22	14.0	11.3	8.8	6.7
	2000	3395	48	43	33	24	14.6	13.1	10.1	7.3
	2200	3737	51	50	36	25	15.5	15.2	11.0	7.6
	2400	4074	44	58	41	28	13.4	17.7	12.5	8.5
TWE072	1800	3061	47	34	28	24	14.0	10.3	8.3	8.0
	2000	3400	49	37	30	26	14.7	11.2	9.0	8.3



Performance Data

Table 99. Discharge plenum and grille assembly throw distance — air handler — ft (m) (continued)

Unit Model No.	CFM	m ³ /h	Louver angle Deflection Position (ft)				Louver angle Deflection Position (m)			
			Straight	20°	40°	55°	Straight	20°	40°	55°
	2200	3739	50	40	32	28	15.3	12.2	9.8	8.5
	2400	4078	52	43	35	29	15.9	13.1	10.6	8.8
TWE076	2250	3823	51	41	33	28	15.4	12.4	10.0	8.6
	2500	4249	53	45	36	30	16.2	13.6	10.9	9.0
	2750	4671	56	49	39	31	16.9	14.9	11.9	9.4
	3000	5098	58	53	42	32	17.7	16.2	12.8	9.9
TWE101	3025	5139	57	44	36	32	17.4	13.4	10.8	9.6
	3350	5692	60	48	39	32	18.3	14.7	12.0	9.7
	3675	6245	63	52	43	33	19.3	16.0	13.2	10.0
	4000	6795	67	57	47	35	20.3	17.3	14.4	10.5
TWE126	3750	6370	44	27	25	38	13.4	8.1	7.5	11.7
	4200	7137	45	31	28	48	13.7	9.5	8.5	14.5
	4650	7902	47	36	31	57	14.3	10.9	9.5	17.4
	5100	8666	50	40	34	67	15.2	12.3	10.5	20.5
TWE156	4500	7644	46	34	30	22	14.1	10.5	9.2	6.6
	5000	8497	49	39	34	25	14.9	12.0	10.3	7.6
	5500	9346	53	45	37	28	16.2	13.6	11.4	8.5
	6000	10195	58	50	41	31	17.7	15.1	12.5	9.3
TWE201	6000	10195	53	43	36	28	16.0	13.1	10.9	8.6
	6680	11348	57	48	40	31	17.5	14.5	12.1	9.4
	7350	12488	62	52	44	33	18.8	16.0	13.3	10.0
	8030	13645	65	57	47	35	19.8	17.4	14.5	10.5
TWE251	7500	12742	62	52	44	33	18.8	16.0	13.3	10.0
	8350	14187	67	59	49	36	20.4	18.0	14.9	11.0
	9200	15631	73	65	54	40	22.3	19.8	16.5	12.2
	10050	17075	78	70	59	43	23.8	21.3	18.0	13.1

Note: Throw distance values are based on a terminal velocity of 75 fpm (0.38 m/s).

Throw distance values at other terminal velocities may be established by multiplying throw distances in table above by throw factor as follows:
 for 50 FPM (0.25 m/s) terminal velocity, multiply by 1.50 throw factor;
 for 100 FPM (0.51 m/s) terminal velocity, multiply by 0.75 throw factor;
 for 150 FPM (0.76 m/s) terminal velocity, multiply by 0.50 throw factor.

Table 100. Static pressure drop through accessories (inches of water column) — air handler

Unit Model No.	CFM	m ³ /h	Return Grille		2" MERV 13 Filter	Discharge Plenum & Grille (b)		Electric Heaters (kW)							
			in. wc	Pascal		in. wc	Pascal	5-10		15-20		25-30		35-50	
								in. wc	Pascal	in. wc	Pascal	in. wc	Pascal	in. wc	Pascal
TWE051	1400	2379	0.09	23.60	0.19	0.16	41.10	0.06	16.20	0.05	13.70	0.09	23.60	—	—
	1700	2889	0.14	34.90	0.24	0.24	60.60	0.09	23.90	0.08	20.20	0.14	34.90	—	—
	2000	3398	0.18	45.70	0.29	0.33	83.80	0.13	33.00	0.13	33.00	0.19	48.30	—	—
TWE072	1600	2718	0.03	9.51	0.12	0.11	28.91	0.03	7.47	0.03	7.47	0.06	14.94	0.06	14.94
	2000	3398	0.04	14.70	0.15	0.18	45.20	0.03	7.47	0.05	12.45	0.08	19.93	0.10	24.91
	2400	4078	0.06	21.11	0.19	0.26	65.07	0.04	9.96	0.07	17.44	0.11	27.40	0.15	37.36
TWE076	2000	3398	0.06	14.70	0.15	0.18	45.20	0.03	6.80	0.05	13.50	0.08	19.20	0.10	26.00
	2500	4248	0.09	22.90	0.20	0.28	70.60	0.04	10.60	0.08	21.20	0.12	30.00	0.16	40.60
	3000	5098	0.13	33.00	0.25	0.40	101.60	0.06	15.20	0.12	30.50	0.17	43.20	0.23	58.40
TWE101	2600	4418	0.05	11.70	0.15	0.28	72.10	0.04	10.10	0.09	21.80	0.13	31.90	0.17	43.60
	3300	5607	0.07	18.90	0.20	0.46	116.20	0.06	16.20	0.14	35.10	0.20	51.30	0.28	70.20
	4000	6797	0.11	27.80	0.25	0.67	170.70	0.09	23.80	0.20	51.60	0.30	75.40	0.41	103.20
TWE126	3200	5436	0.04	10.20	0.12	0.10	25.60	0.01	2.50	0.02	5.00	0.03	7.50	0.04	10.00
	4000	6797	0.06	15.90	0.15	0.16	39.90	0.02	5.00	0.03	7.50	0.04	10.00	0.06	15.00
	4800	8156	0.09	22.90	0.19	0.23	57.50	0.03	7.50	0.03	7.50	0.06	15.00	0.08	20.00

Table 100. Static pressure drop through accessories (inches of water column) — air handler (continued)

Unit Model No.	CFM	m ³ /h	Return Grille		2" MERV 13 Filter	Discharge Plenum & Grille (b)		Electric Heaters (kW)							
			in. wc	Pascal		in. wc	Pascal	5-10		15-20		25-30		35-50	
								in. wc	Pascal	in. wc	Pascal	in. wc	Pascal	in. wc	Pascal
TWE156	4000	6797	0.07	16.90	0.15	0.15	38.40	0.02	3.80	0.03	6.80	0.05	13.50	0.08	19.20
	5000	8496	0.10	26.50	0.20	0.24	60.00	0.04	10.60	0.04	10.60	0.08	21.20	0.12	30.00
	6000	10195	0.15	38.10	0.25	0.34	86.40	0.06	15.20	0.06	15.20	0.12	30.50	0.17	43.20
TWE201	5200	8836	0.07	18.40	0.17	0.30	73.80	0.04	10.60	0.04	10.60	0.08	21.10	0.13	31.70
	6650	11300	0.12	30.20	0.23	0.46	114.90	0.07	17.30	0.07	17.30	0.14	34.50	0.21	51.80
	7800	13254	0.16	41.50	0.28	0.63	156.10	0.10	23.80	0.10	23.80	0.19	47.50	0.29	71.30
TWE251	7500	12742	0.15	37.70	0.27	0.58	144.60	0.09	21.80	0.09	21.80	0.18	44.10	0.26	65.90
	8350	14187	0.18	45.60	0.30	0.72	178.60	0.11	27.10	0.11	27.10	0.22	54.00	0.33	81.10
	9200	15631	0.22	53.60	0.34	0.87	216.80	0.13	32.40	0.13	32.40	0.26	64.50	0.39	96.90

Notes:

1. Return air filter ESP included in Fan Performance Table data.
2. On discharge plenum and grille - at louver opening angle of 42 degrees. For ESP at other angle openings, see accessory installation instruction.

Table 101. Auxiliary electric heat capacity — air handler

Unit Model No.	Total kW	No. of Stages	Stage 1		Stage 2		Total	
			kW Input	Btu Output	kW Input	Btu Output	kW Input	Btu Output
TWE0514DA, 0724DB, 0764DA/B, 1014DA/B	5.00	1	5.00	17,065	—	—	5.00	17,065
	9.96	1	9.96	33,993	—	—	9.96	33,993
	14.96	1	14.96	51,058	—	—	14.96	51,058
	24.92	2	14.96	51,058	9.96	33993	24.92	85,051
TWE0724DB, 0764DA/B, 1014DA/B	34.88	2	19.92	67,987	14.96	51058	34.88	119,045
TWE1264DB, 1564DB, 2014DB, 2514DB	10.00	1	10.00	34,130	—	—	10.00	34,130
	19.92	1	19.92	67,987	—	—	19.92	67,987
	29.92	2	19.92	67,987	10.00	34130	29.92	102,117
	49.84	2	29.92	102,117	19.92	67987	49.84	170,104

Note: Heaters are rated at 240V, 480V and 600V. For other than rated voltage, capacity = (Voltage/Related Voltage)^(a) x Rated Capacity

(a)



Zone Controls

Zone Sensors

Zone Sensors are the building occupant's comfort control devices. Zone sensors are required for SZVAV applications. The following zone sensor options are available for units with Symbio 700 control.

Manual Changeover	Heat, Cool or Off System Switch. Fan Auto or Off Switch. One temperature setpoint lever.
Manual/Automatic Changeover	Auto, Heat, Cool or Off System Switch. Fan Auto or Off Switch. Two temperature setpoint levers.
Manual/Automatic Changeover	Auto, Heat, Cool or Off System Switch. Fan Auto or Off Switch. Two temperature setpoint levers.
Integrated Comfort™ System	Sensor(s) available with optional temperature adjustment and override buttons to provide central control through a Trane Integrated Comfort™ system.
Remote Sensor	Sensor(s) available for all zone sensors to provide remote sensing capabilities.

Conventional Thermostats

Note: All thermostats may be used with Symbio 700 units.

Non-Programmable Thermostats	
TCONT102* (1H/1C) Common terminal not required	Auto-changeover Backlit Display and Keys Filter Reminder Keypad Lock
TCONT103* (2H/1C) Common terminal required	Auto-changeover Backlit Display & Keys Filter Reminder Keypad Lock Outdoor Temp Sensor Available
TCONT402* (3H/2C) Common terminal required	Auto-changeover Backlit Display & Keys Filter Reminder Keypad Lock Outdoor Temp Sensor Included
Programmable Thermostats	
TCONT202* (1H/1C) Common terminal preferred, not required	5/2 or 5/1/1 Programming Actual and Setpoint temps displayed simultaneously
TCONT203* (4H/2C) Common terminal preferred, not required	5/2 or 5/1/1 Programming Actual and Setpoint temps displayed simultaneously
TCONT302* (4H/2C) Common terminal preferred, not required	Interactive touchscreen Large display Real time clock
TCONT303* (4H/2C) Humidity Sensor Common terminal preferred, not required	Interactive touchscreen Large display Real time clock Built-in humidity sensor



Electrical Data

Cooling Condenser

Table 102. Electrical characteristics — compressor and condenser fan motors — 50 Hz

Tons	Unit Model Number	Compressor Motors						Condenser Fan Motor				
		Volts	Phase	Compressor 1		Compressor 2		No.	Volts	Phase	Amps	
				RLA (Amps)	LRA (Amps)	RLA (Amps)	LRA (Amps)				FLA (Ea.)	LRA (Ea.)
5	TTA0604DA	380/415	3	8.0	67.0	N/A	N/A	1	380/415	3	1.2	4.2
	TTA0604DD	380/415	3	5.4	38.0	5.4	38.0	1	380/415	3	1.2	4.2
6.25	TTA0764DA	380/415	3	12.0	94.0	N/A	N/A	1	380/415	3	1.2	4.2
	TTA0764DD	380/415	3	6.1	43.0	6.1	43.0	1	380/415	3	1.2	4.2
8.33	TTA1014DD	380/415	3	7.2	52.0	7.2	52.0	1	380/415	3	2.3	9.5
	TTA1014DC	380/415	3	7.8	52.0	7.8	52.0	1	380/415	3	2.3	9.5
10.4	TTA1264DD	380/415	3	9.9	69.0	9.9	69.0	1	380/415	3	2.3	9.5
13	TTA1564DD	380/415	3	12.2	101.0	12.2	101.0	2	380/415	3	2.3	9.5
	TTA1564DC	380/415	3	13.0	101.0	10.6	74.0	2	380/415	3	2.3	9.5
16.7	TTA2014DD	380/415	3	16.5	140.0	14.8	130.0	2	380/415	3	2.3	9.5
	TTA2014DC	380/415	3	18.6	142.0	18.6	142.0	2	380/415	3	2.3	9.5
20.9	TTA2514DC	380/415	4	19.2	147.0	19.2	147.0	2	380/415	3	2.3	9.5

Note: Electrical characteristics reflect nameplate values and are calculated in accordance with UL specifications.

Table 103. Unit wiring — condensing units — 50 Hz

Tons	Unit Model Number	Volts	Minimum Circuit Ampacity	Maximum Fuse or Circuit Breaker Size
5	TTA0604DA	380/415	11	15
	TTA0604DD	380/415	13	15
6.25	TTA0764DA	380/415	16	25
	TTA0764DD	380/415	15	20
8.33	TTA1014DD	380/415	19	25
	TTA1014DC	380/415	20	25
10.4	TTA1264DD	380/415	25	30
13	TTA1564DD	380/415	32	40
	TTA1564DC	380/415	31	40
16.7	TTA2014DD	380/415	40	50
	TTA2014DC	380/415	46	60
20.9	TTA2514DC	380/415	48	60



Electrical Data

Air Handler

Table 104. Electrical characteristics — standard motor — 50 Hz air handler

Tons	Unit Model Number	Standard Evaporator Fan Motor							
		No.	Volts	Phase	HP	Amps		MCA	MOP
						FLA	LRA		
4.6	TWE0514DA	1	380-415	3	0.50	2.0	7.0	3	15
6	TWE0724DB	1	380-415	3	1.50	2.8	17.0	4	15
6.25	TWE0764DA, B	1	380-415	3	1.50	2.8	17.0	4	15
8.33	TWE1014DA, B	1	380-415	3	1.50	3.5	26.2	4	15
10.4	TWE1264DB	1	380-415	3	1.50	3.5	26.2	4	15
13	TWE1564DB	1	380-415	3	2.00	4.6	38.0	6	15
16.7	TWE2014DB	1	380-415	3	3.00	6.9	48.0	9	15
20.9	TWE2514DB	1	380-415	3	5.00	8.3	60.0	10	15

Table 105. Unit wiring with electric heat (single point connection) — air handlers

Ton	Used With	Heater Model No.	Heater kW Rating	Unit Power Supply	Control Stages	Min Circuit Ampacity	Max Fuse or Circuit Breaker Size
4.6	TWE0514DA	BAYHTRN405*	3.13	380/3/50	1	8	15
		BAYHTRR410*	6.25	380/3/50	1	14	15
		BAYHTRR415*	9.37	380/3/50	1	20	25
		BAYHTRN425*	15.63	380/3/50	2	32	35
		BAYHTRN405*	3.74	415/3/50	1	9	15
		BAYHTRR410*	7.46	415/3/50	1	15	20
		BAYHTRR415*	11.17	415/3/50	1	22	25
		BAYHTRN425*	18.64	415/3/50	2	35	35
6	TWE0724DB	BAYHTRN405*	3.13	380/3/50	1	9	15
		BAYHTRR410*	6.25	380/3/50	1	15	20
		BAYHTRR415*	9.37	380/3/50	1	21	25
		BAYHTRN425*	15.63	380/3/50	2	33	35
		BAYHTRN405*	3.74	415/3/50	1	10	15
		BAYHTRR410*	7.46	415/3/50	1	16	20
		BAYHTRR415*	11.17	415/3/50	1	23	25
		BAYHTRN425*	18.64	415/3/50	2	36	40
6.25	TWE0764DA, B	BAYHTRN405*	3.13	380/3/50	1	9	15
		BAYHTRR410*	6.25	380/3/50	1	15	20
		BAYHTRR415*	9.37	380/3/50	1	21	25
		BAYHTRN425*	15.63	380/3/50	2	33	35
		BAYHTRN405*	3.74	415/3/50	1	10	15
		BAYHTRR410*	7.46	415/3/50	1	16	20
		BAYHTRR415*	11.17	415/3/50	1	23	25
		BAYHTRN425*	18.64	415/3/50	2	36	40
8.33	TWE1014DA, B	BAYHTRN405*	3.13	380/3/50	1	10	15
		BAYHTRR410*	6.25	380/3/50	1	16	20
		BAYHTRR415*	9.37	380/3/50	1	22	25

Table 105. Unit wiring with electric heat (single point connection) — air handlers (continued)

Ton	Used With	Heater Model No.	Heater kW Rating	Unit Power Supply	Control Stages	Min Circuit Ampacity	Max Fuse or Circuit Breaker Size
		BAYHTRN425*	15.63	380/3/50	2	34	35
		BAYHTRN435*	21.86	380/3/50	2	46	50
		BAYHTRN405*	3.74	415/3/50	1	11	15
		BAYHTRR410*	7.46	415/3/50	1	17	20
		BAYHTRR415*	11.17	415/3/50	1	24	25
		BAYHTRN425*	18.64	415/3/50	2	37	40
		BAYHTRN435*	26.08	415/3/50	2	50	50
10.4	TWE1264DB	BAYHTRP410*	6.25	380/3/50	1	16	20
		BAYHTRP420*	12.5	380/3/50	1	28	30
		BAYHTRP430*	18.76	380/3/50	2	40	45
		BAYHTRP450*	31.26	380/3/50	2	64	70
		BAYHTRP410*	7.46	415/3/50	1	17	20
		BAYHTRP420*	14.92	415/3/50	1	30	35
		BAYHTRP430*	22.38	415/3/50	2	43	45
13	TWE1564DB	BAYHTRP410*	6.25	380/3/50	1	18	20
		BAYHTRP420*	12.5	380/3/50	1	30	30
		BAYHTRP430*	18.76	380/3/50	2	41	45
		BAYHTRP450*	31.26	380/3/50	2	65	70
		BAYHTRP410*	7.46	415/3/50	1	19	20
		BAYHTRP420*	14.92	415/3/50	1	32	35
		BAYHTRP430*	22.38	415/3/50	2	45	45
16.7	TWE2014DB	BAYHTRP410*	6.25	380/3/50	1	21	25
		BAYHTRP420*	12.5	380/3/50	1	32	35
		BAYHTRP430*	18.76	380/3/50	2	44	45
		BAYHTRP450*	31.26	380/3/50	2	68	70
		BAYHTRP410*	7.46	415/3/50	1	22	25
		BAYHTRP420*	14.92	415/3/50	1	35	35
		BAYHTRP430*	22.38	415/3/50	2	48	50
20.9	TWE2514DB	BAYHTRP410*	6.25	380/3/50	1	22	25
		BAYHTRP420*	12.5	380/3/50	1	34	35
		BAYHTRP430*	18.76	380/3/50	2	46	50
		BAYHTRP450*	31.26	380/3/50	2	70	70
		BAYHTRP410*	7.46	415/3/50	1	23	25
		BAYHTRP420*	14.92	415/3/50	1	36	40
		BAYHTRP430*	22.38	415/3/50	2	49	50
		BAYHTRP450*	37.29	415/3/50	2	75	80

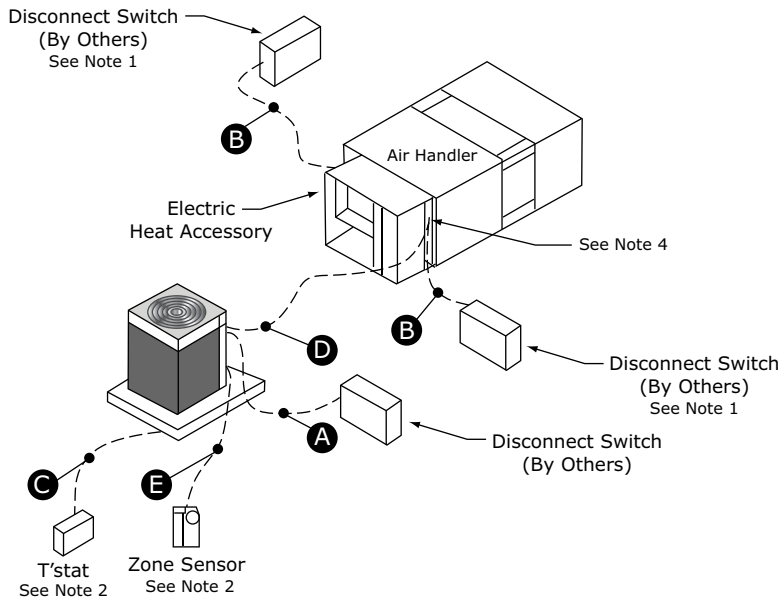


Jobsite Connections

Symbio™ Controls

Wiring shown with dashed lines is to be furnished and installed by the customer. All customer supplied wiring must be copper only and must conform to NEC and local electrical codes. Codes may require line of sight between disconnect switch and unit.

Figure 39. Symbio™ jobsite connections



Power Wires

- A. 3 wires, line voltage for 3 phase, 1 grounding wire**
- B. 3 wires, line voltage for 3 phase, (2 wires for single phase) 1 grounding wire**

Control Wires

- C. Cooling only (or Cooling with Heat) thermostat: 4 to 7 wires depending on stages of cooling and electric heat
- D. Wiring between indoor and outdoor unit: 5 to 11 wires depending on unit control options*
- E. Zone Sensor: 4 to 7 wires depending on zone sensor model*

Communication signal wires require shielded twisted pairs.

Use factory-supplied 165 ft. length of Comlink cable with a PVC jacket, 18/1 PR, stranded shield, 25 PF/FT plenum rated for the field communication signal wiring.

Notes:

1. When electric heater accessory is used, single point power entry or dual point power entry is field optional. Single point power entry option is through electric heater only.
2. *Choose only one of the following; Thermostat, Mechanical Zone Sensor, Programmable Zone Sensor Panel or BAS Zone Sensor.
3. **

⚠ WARNING

Electrical Shock Hazard!

Failure to follow instructions below could result in death or serious injury.

Properly connect the system's oversized protective earthing (grounding) terminal.

4. Once power wire connections are complete inside the air handler control box, seal the sheet metal entry points of the control box by using parts (neoprene gasket, grommet, and plug) shipped along with the air handler unit package.

Important: For the EDC switch to be functional and thereby facilitate reliable unit operation, make the EDC connections from the indoor to the outdoor control boxes.

Table 106. Recommended thermostat wire size

Wire Size	Maximum Wire Length
(Gauge)	Physical distance between Unit & T'stat
22	30 Feet
20	50 Feet
18	75 Feet
16	125 Feet
14	200 Feet

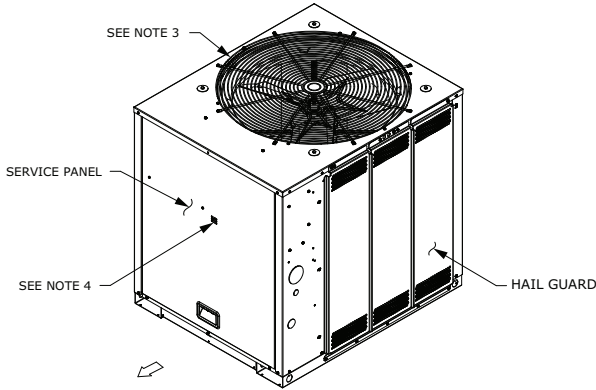
Table 107. Zone sensor module wiring

Distance from Unit to Control	Recommended Wire Size
0-150 feet (0-45.7 m)	22 gauge (0.33 mm ²)
151-240 feet (46-73.1 m)	20 gauge (0.50 mm ²)
241-305 feet (73.5-117.3 m)	18 gauge (0.75 mm ²)
386-610 feet (117.7-185.9 m)	16 gauge (1.31 mm ²)
611-970 feet (186.2-295.7 m)	14 gauge (2.08 mm ²)

Dimensional Data

Cooling Condenser

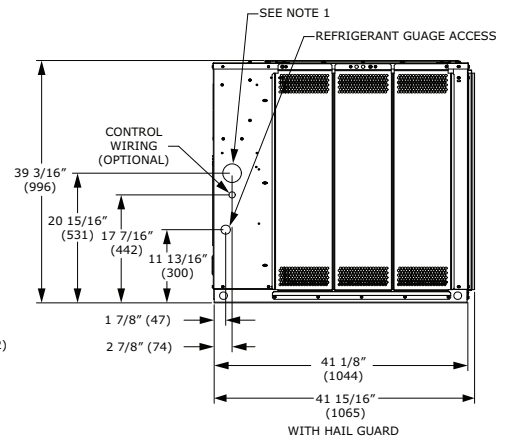
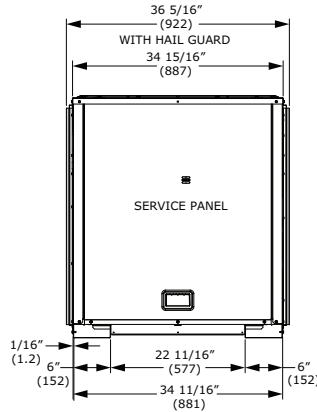
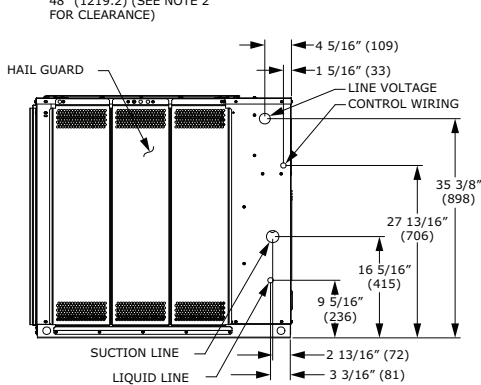
Figure 40. 5, 6.25 ton condensing, single compressor – in (mm)



NOTES:

1. ACCESS OPENING IS FOR FIELD INSTALLED BAYLOAM ACCESSORY.
2. MINIMUM CLEARANCE FOR PROPER OPERATION IS 36" (914.4) FROM WALLS, SHRUBBERY, PRIVACY FENCES ETC. MINIMUM CLEARANCE BETWEEN ADJACENT UNITS IS 72" (1828.8). RECOMMENDED SERVICE CLEARANCE 48" (1219.2)
3. TOP DISCHARGE AREA SHOULD BE UNRESTRICTED FOR 100" (2540) MINIMUM. UNIT SHOULD BE PLACED SO ROOF RUN-OFF WATER OR FALLING SNOW FROM ROOF DOES NOT POUR/FALL DIRECTLY ON UNIT
4. OUTDOOR AIR TEMPERATURE SENSOR OPENING (DO NOT BLOCK OPENING)

SERVICE CLEARANCE
48" (1219.2) (SEE NOTE 2
FOR CLEARANCE)



SERVICE PANEL SIDE

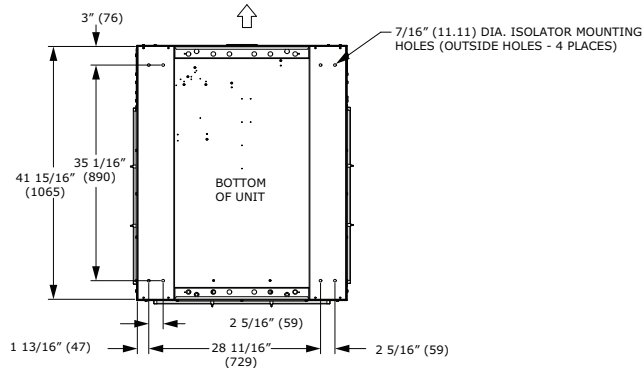


Figure 41. 5, 6.25 ton condensing, dual compressor – in (mm)

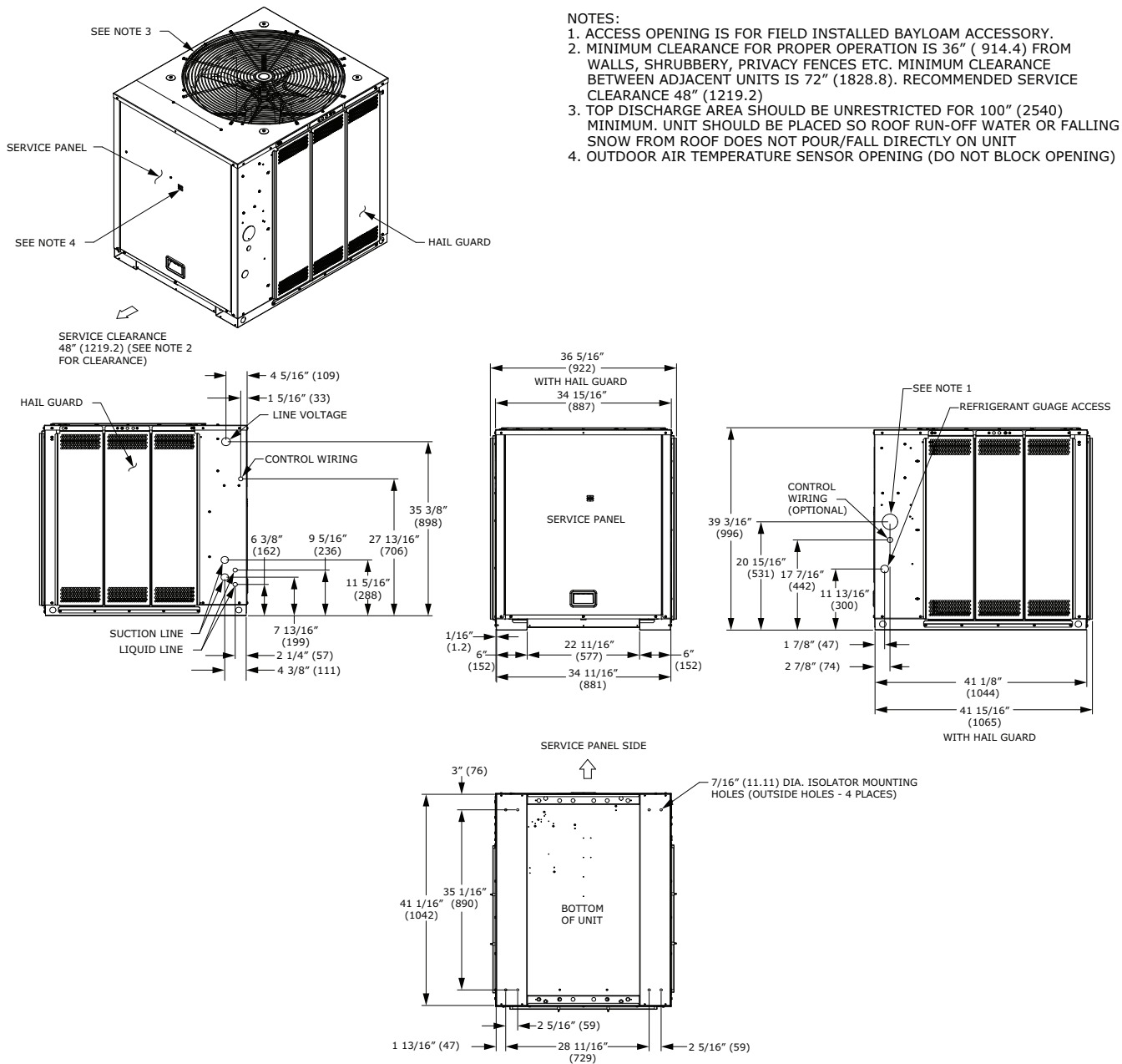


Figure 42. 8.33 ton condensing, manifolded compressor – in (mm)

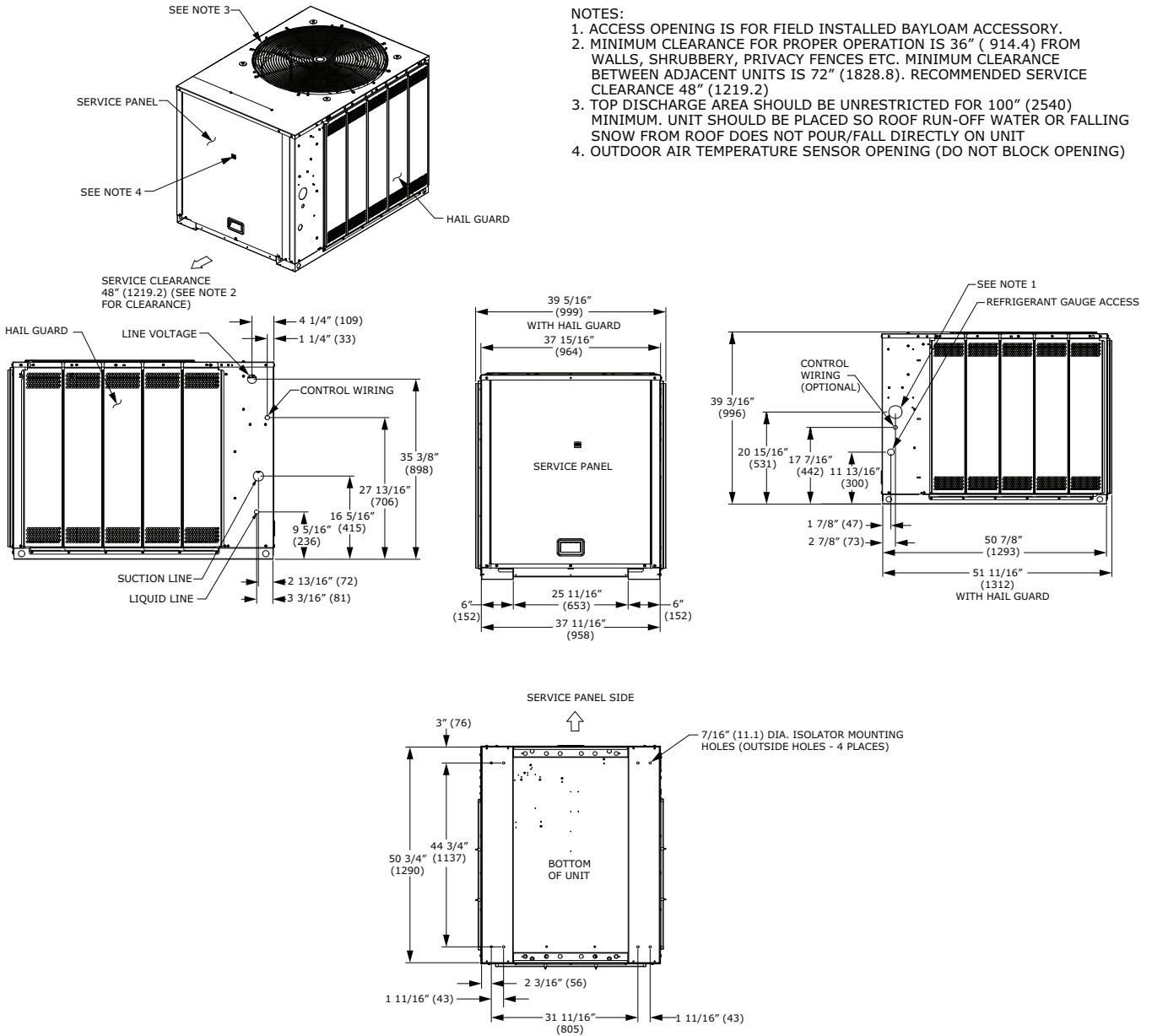
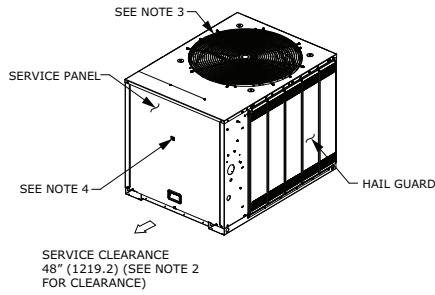
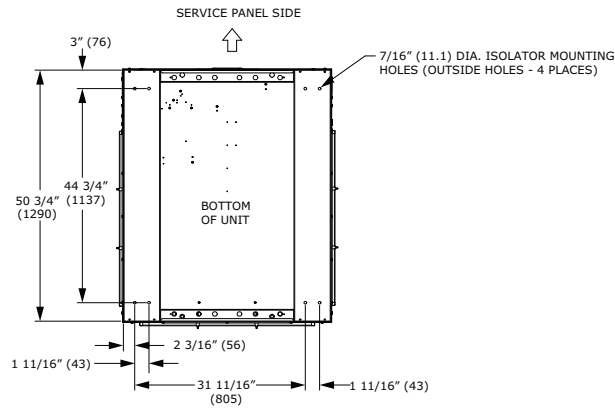
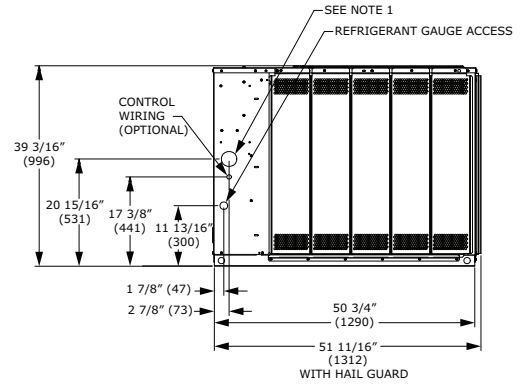
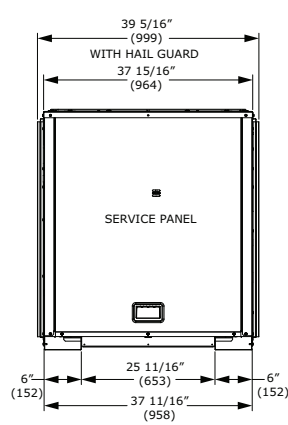
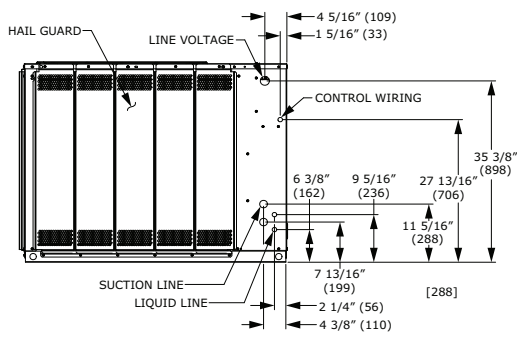


Figure 43. 8.33 ton condensing, dual compressor – in (mm)



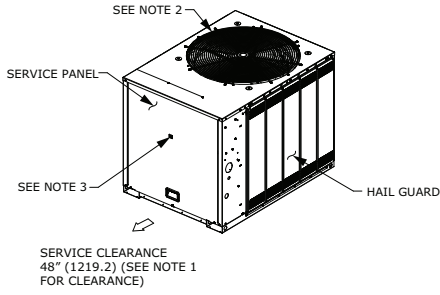
NOTES:

1. ACCESS OPENING IS FOR FIELD INSTALLED BAYLOAM ACCESSORY.
2. MINIMUM CLEARANCE FOR PROPER OPERATION IS 36" (914.4) FROM WALLS, SHRUBBERY, PRIVACY FENCES ETC. MINIMUM CLEARANCE BETWEEN ADJACENT UNITS IS 72" (1828.8). RECOMMENDED SERVICE CLEARANCE 48" (1219.2)
3. TOP DISCHARGE AREA SHOULD BE UNRESTRICTED FOR 100" (2540) MINIMUM. UNIT SHOULD BE PLACED SO ROOF RUN-OFF WATER OR FALLING SNOW FROM ROOF DOES NOT POUR/FALL DIRECTLY ON UNIT
4. OUTDOOR AIR TEMPERATURE SENSOR OPENING (DO NOT BLOCK OPENING)



Dimensional Data

Figure 44. 10.4 ton condensing, dual compressor – in (mm)



NOTES:

1. MINIMUM CLEARANCE FOR PROPER OPERATION IS 36" (914.4) FROM WALLS, SHRUBBERY, PRIVACY FENCES ETC. MINIMUM CLEARANCE BETWEEN ADJACENT UNITS IS 72" (1828.8). RECOMMENDED SERVICE CLEARANCE 48" (1219.2)
2. TOP DISCHARGE AREA SHOULD BE UNRESTRICTED FOR 100" (2540) MINIMUM. UNIT SHOULD BE PLACED SO ROOF RUN-OFF WATER OR FALLING SNOW FROM ROOF DOES NOT POUR/FALL DIRECTLY ON UNIT
3. OUTDOOR AIR TEMPERATURE SENSOR OPENING (DO NOT BLOCK OPENING)

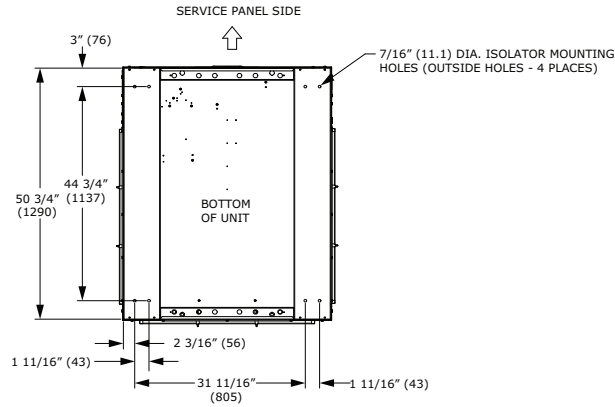
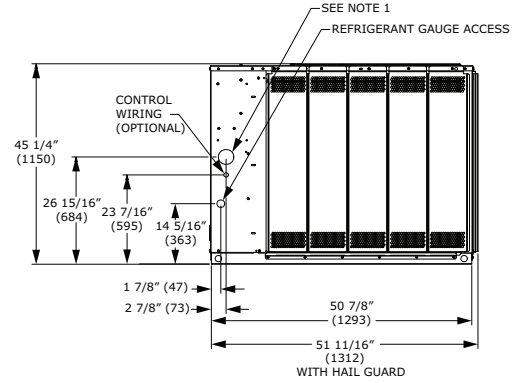
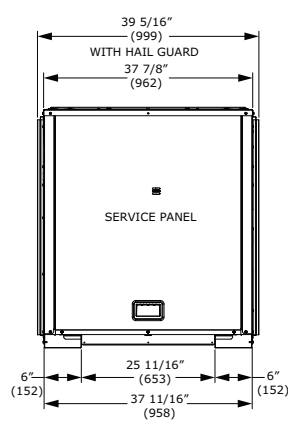
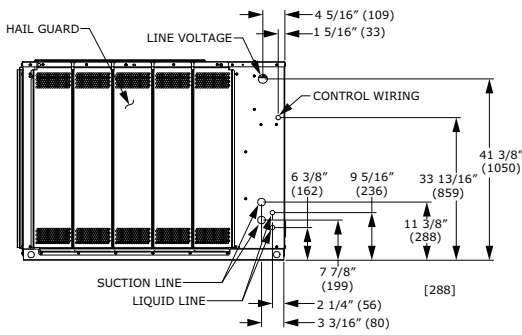
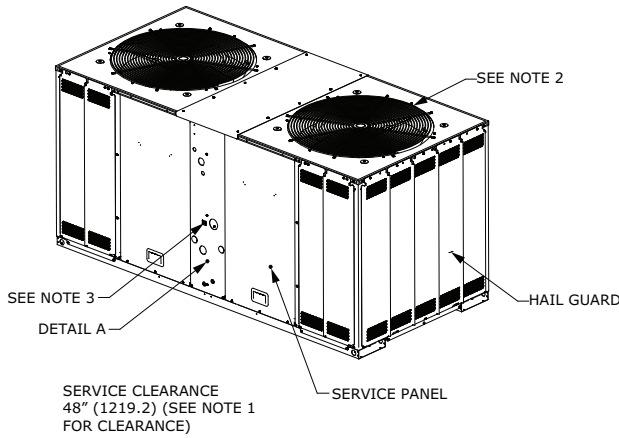
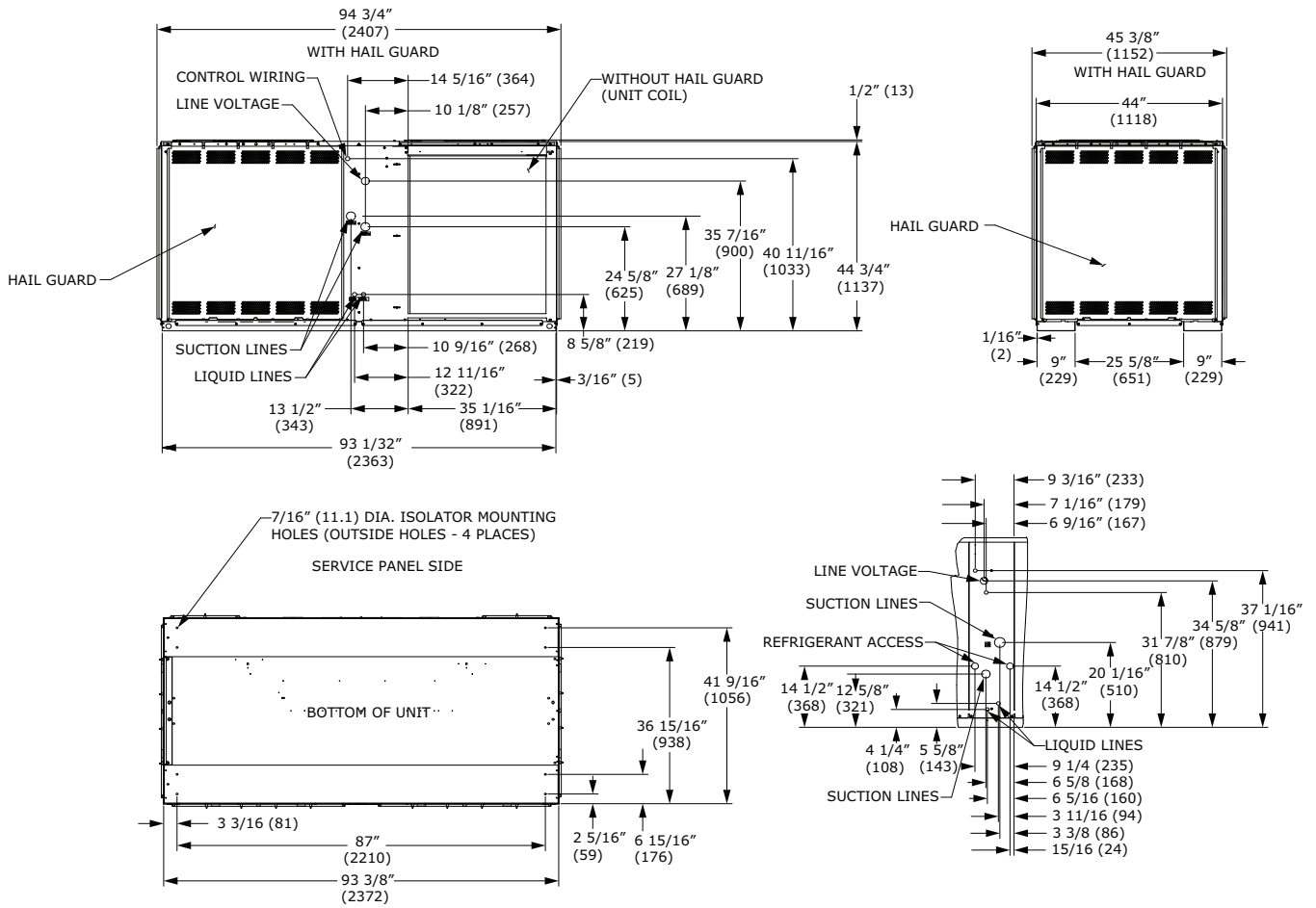


Figure 45. 13, 16.7 ton condensing, dual compressor – in (mm)



NOTES:

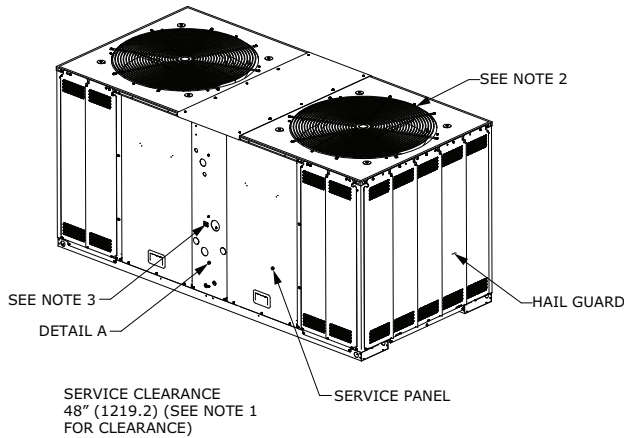
1. MINIMUM CLEARANCE FOR PROPER OPERATION IS 36" (914.4) FROM WALLS, SHRUBBERY, PRIVACY FENCES ETC. MINIMUM CLEARANCE BETWEEN ADJACENT UNITS IS 72" (1828.8). RECOMMENDED SERVICE CLEARANCE 48" (1219.2)
2. TOP DISCHARGE AREA SHOULD BE UNRESTRICTED FOR 100" (2540) MINIMUM. UNIT SHOULD BE PLACED SO ROOF RUN-OFF WATER OR FALLING SNOW FROM ROOF DOES NOT POUR/FALL DIRECTLY ON UNIT
3. OUTDOOR AIR TEMPERATURE SENSOR OPENING (DO NOT BLOCK OPENING)





Dimensional Data

Figure 46. 13, 16.7 ton condensing, manifolded compressor – in (mm)



NOTES:

1. MINIMUM CLEARANCE FOR PROPER OPERATION IS 36" (914.4) FROM WALLS, SHRUBBERY, PRIVACY FENCES ETC. MINIMUM CLEARANCE BETWEEN ADJACENT UNITS IS 72" (1828.8). RECOMMENDED SERVICE CLEARANCE 48" (1219.2)
2. TOP DISCHARGE AREA SHOULD BE UNRESTRICTED FOR 100" (2540) MINIMUM. UNIT SHOULD BE PLACED SO ROOF RUN-OFF WATER OR FALLING SNOW FROM ROOF DOES NOT POUR/FALL DIRECTLY ON UNIT
3. OUTDOOR AIR TEMPERATURE SENSOR OPENING (DO NOT BLOCK OPENING)

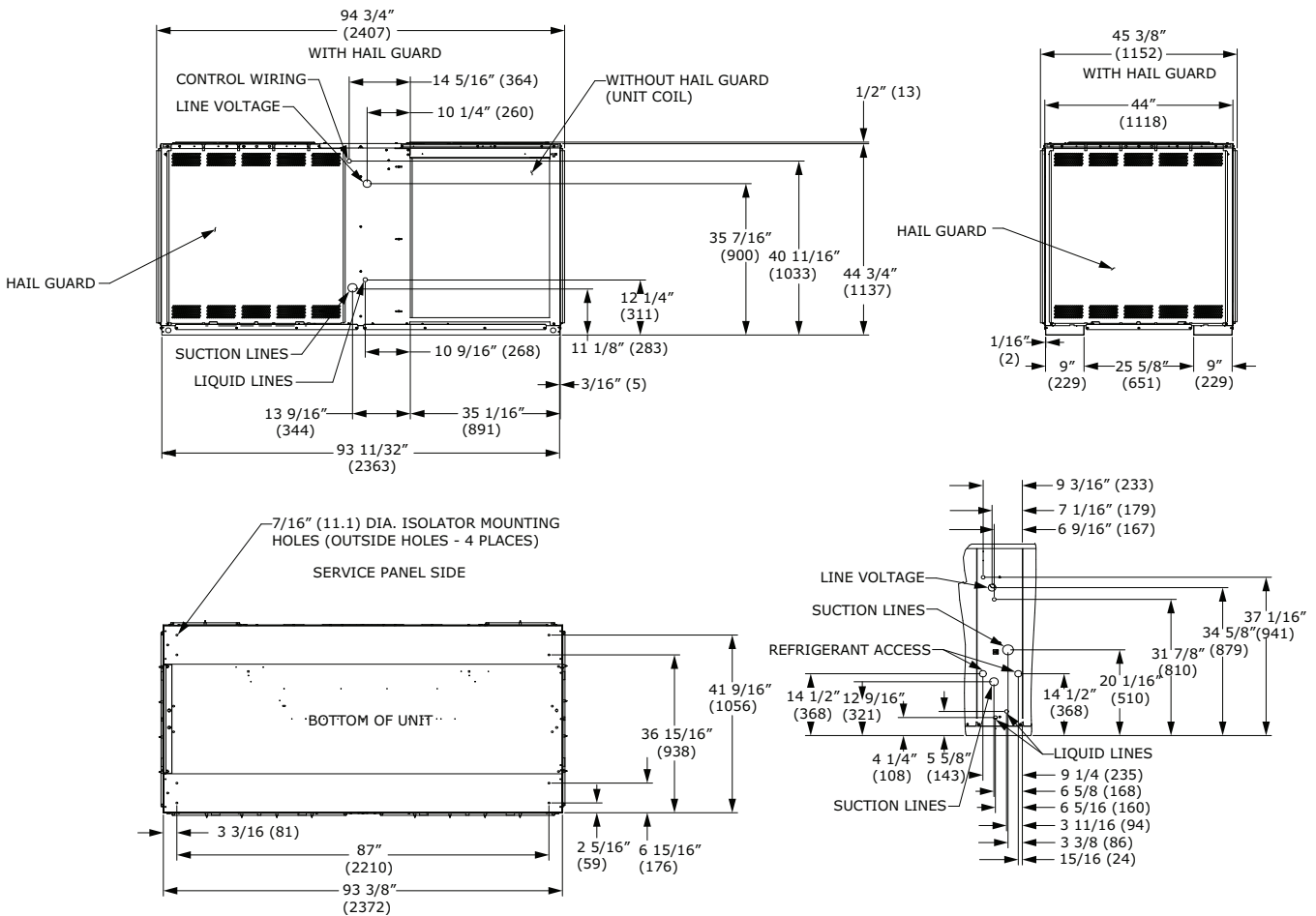
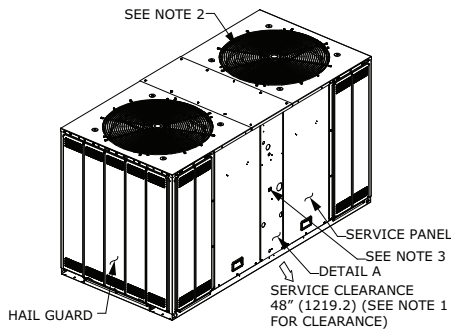
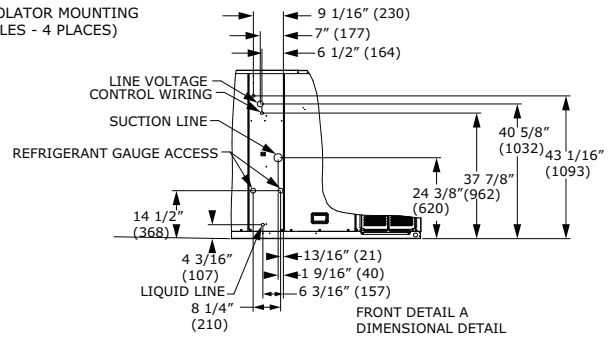
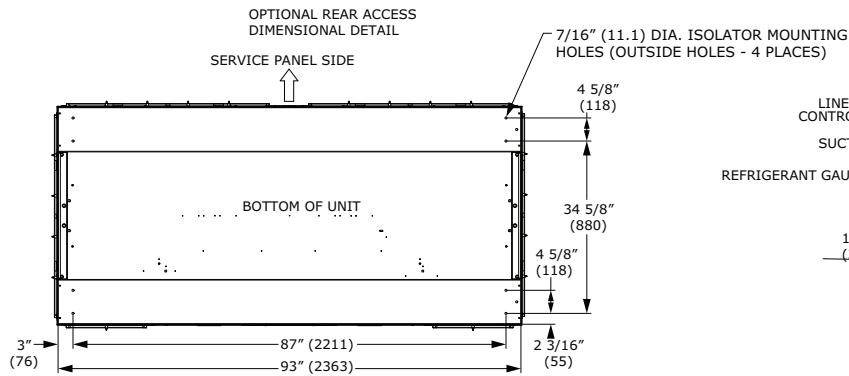
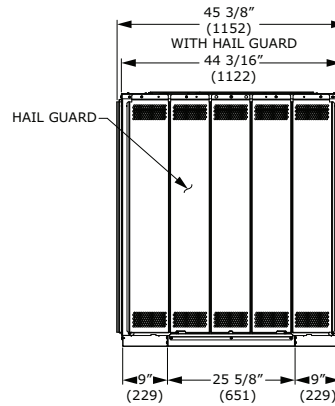
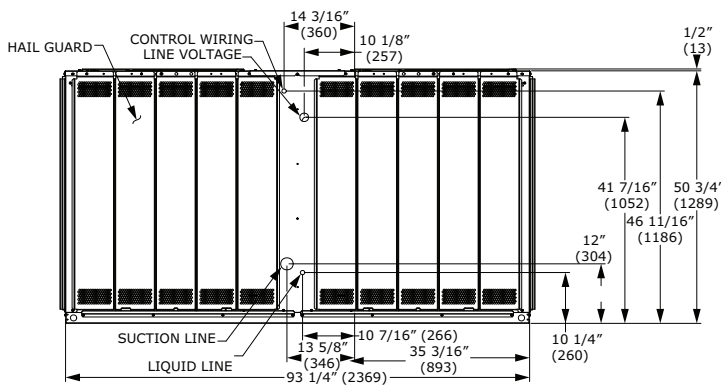


Figure 47. 20.9 ton condensing, manifolded compressor – in (mm)



NOTES:

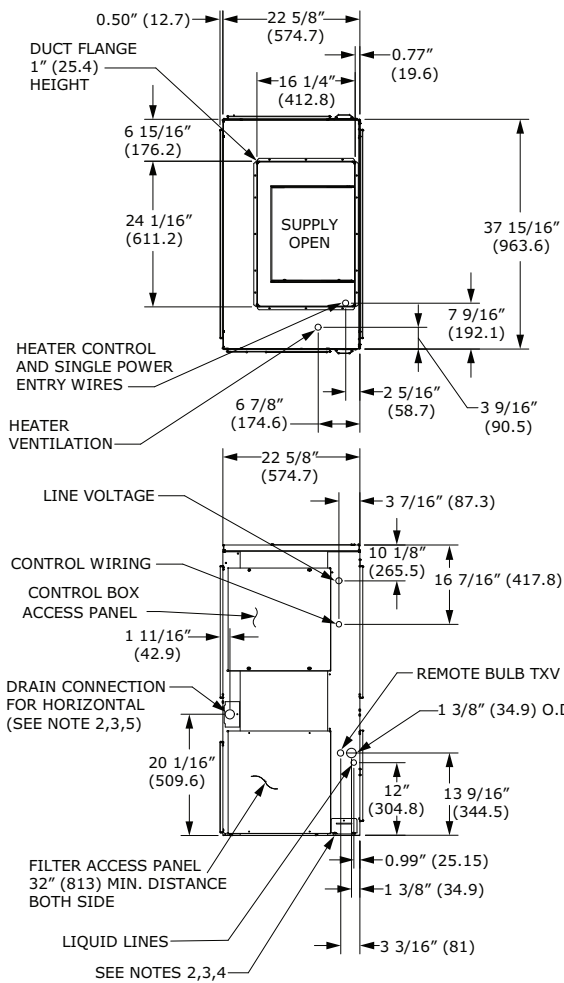
1. MINIMUM CLEARANCE FOR PROPER OPERATION IS 36" (914.4) FROM WALLS, SHRUBBERY, PRIVACY FENCES ETC. MINIMUM CLEARANCE BETWEEN ADJACENT UNITS IS 72" (1828.8). RECOMMENDED SERVICE CLEARANCE 48" (1219.2)
2. TOP DISCHARGE AREA SHOULD BE UNRESTRICTED FOR 100" (2540) MINIMUM. UNIT SHOULD BE PLACED SO ROOF RUN-OFF WATER OR FALLING SNOW FROM ROOF DOES NOT POUR/FALL DIRECTLY ON UNIT
3. OUTDOOR AIR TEMPERATURE SENSOR OPENING (DO NOT BLOCK OPENING)



Air Handler

Figure 48. 4.6 ton air handler, single circuit – in. (mm)

Note: Duct flange is a field-installed accessory.



NOTES:

1. PANEL DEPTH 1/2" (12.7) (TYP. ALL PANELS).
2. REMOVABLE DRAIN PAN AND ATTACHED DRAIN CONNECTION MAY BE INSTALLED ON END OF UNIT IN EITHER THE VERTICAL OR HORIZONTAL CONFIGURATION, PLASTIC DRAIN PAN ACCESS PLATE ON THE END OF UNIT OPPOSITE DRAIN CONNECTION MUST BE REMOVED TO SLIDE DRAIN PAN OUT OF UNIT FOR CLEANING. ACCESS PLATE MUST BE RE-INSTALLED AFTER SLIDING DRAIN PAN BACK INTO UNIT.
3. IF PERIODIC DRAIN PAN CLEANING IS REQUIRED, ALLOW ROOM FOR PARTIAL REMOVAL OF DRAIN PAN CONNECTION AT END OF UNIT.
4. 1" (25.4) FEMALE SCHED. 40 (10.2) PVC PIPE DRAIN CONNECTION VERTICAL CONFIGURATION.
5. 1" (25.4) FEMALE SCHED. 40 (10.2) PVC PIPE DRAIN CONNECTION HORIZONTAL CONFIGURATION.

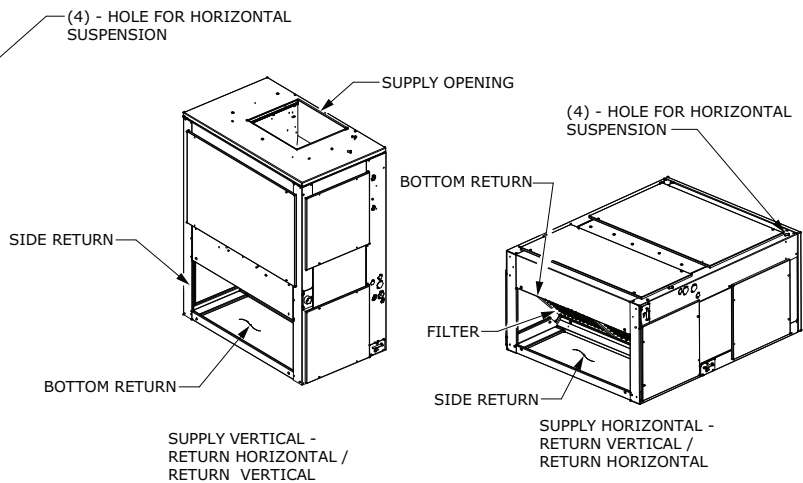
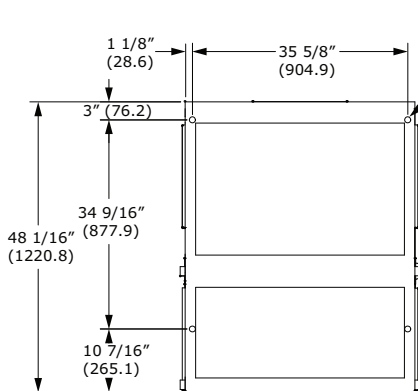
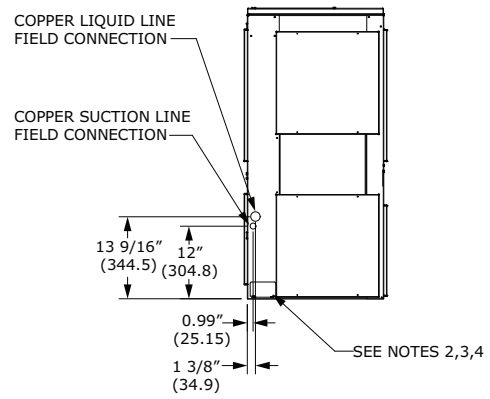
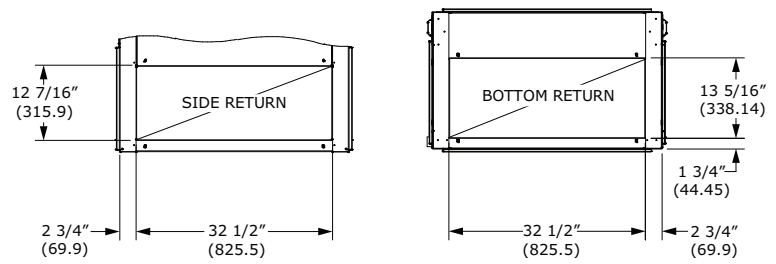
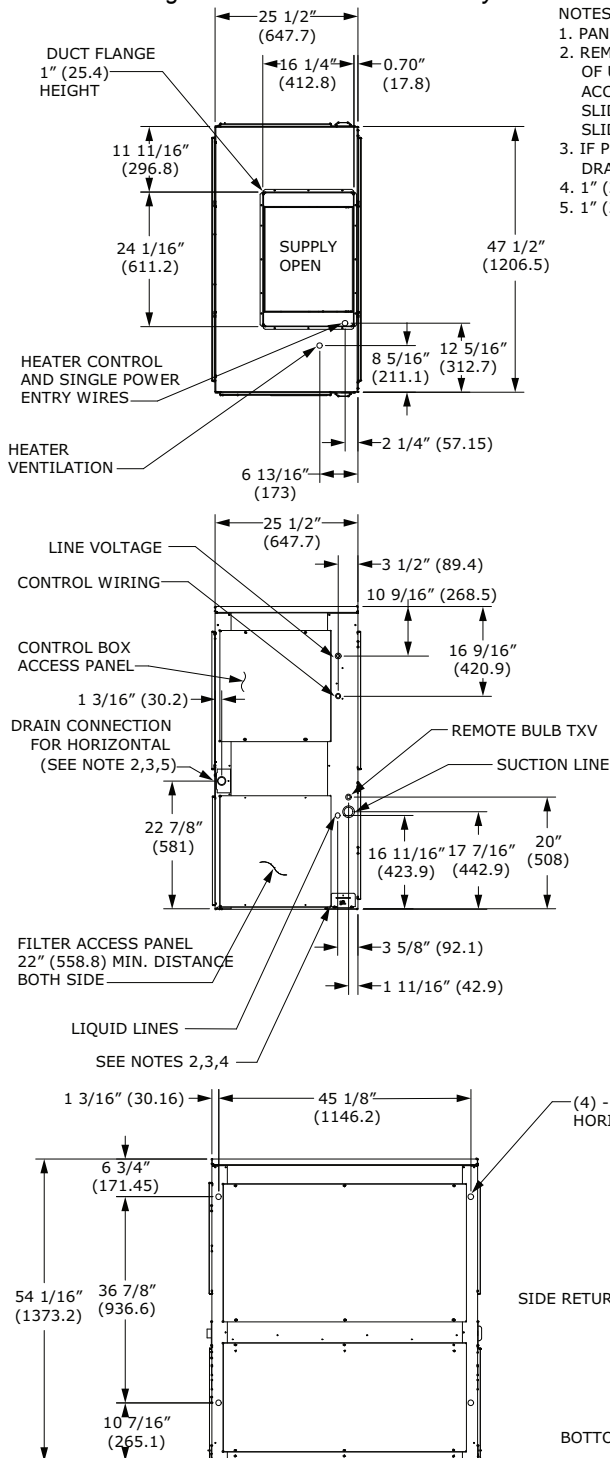


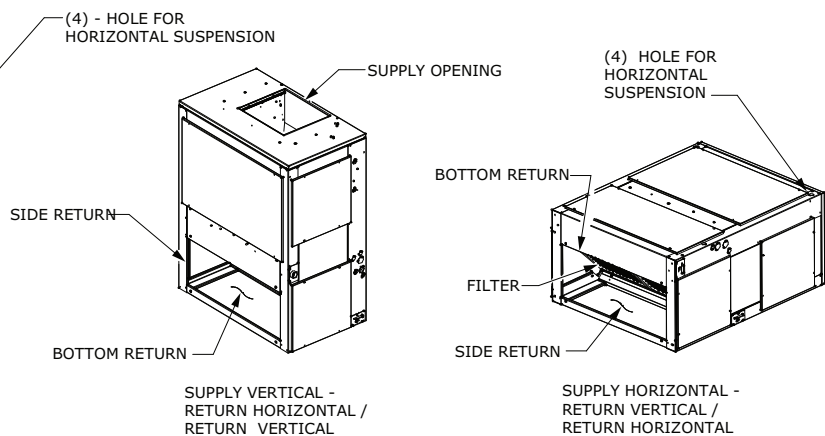
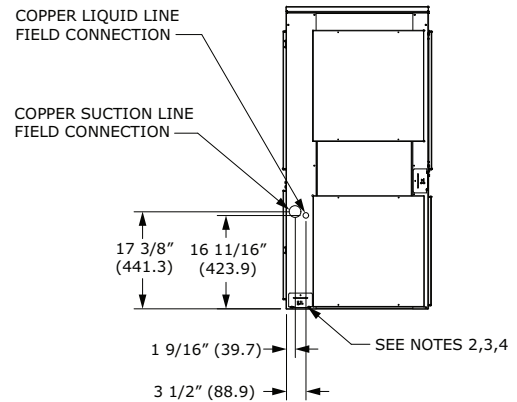
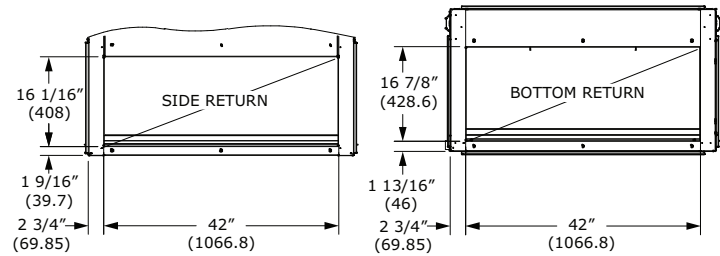
Figure 49. 6.25 ton air handler, single circuit – in. (mm)

Note: Duct flange is a field-installed accessory.



NOTES:

1. PANEL DEPTH 1/2" (12.7) (TYP. ALL PANELS).
2. REMOVABLE DRAIN PAN AND ATTACHED DRAIN CONNECTION MAY BE INSTALLED ON END OF UNIT IN EITHER THE VERTICAL OR HORIZONTAL CONFIGURATION, PLASTIC DRAIN PAN ACCESS PLATE ON THE END OF UNIT OPPOSITE DRAIN CONNECTION MUST BE REMOVED TO SLIDE DRAIN PAN OUT OF UNIT FOR CLEANING. ACCESS PLATE MUST BE RE-INSTALLED AFTER SLIDING DRAIN PAN BACK INTO UNIT.
3. IF PERIODIC DRAIN PAN CLEANING IS REQUIRED, ALLOW ROOM FOR PARTIAL REMOVAL OF DRAIN PAN CONNECTION AT END OF UNIT.
4. 1" (25.4) FEMALE SCHED. 40 (10.2) PVC PIPE DRAIN CONNECTION VERTICAL CONFIGURATION.
5. 1" (25.4) FEMALE SCHED. 40 (10.2) PVC PIPE DRAIN CONNECTION HORIZONTAL CONFIGURATION.



Dimensional Data

Figure 50. 8.33 ton air handler, single circuit – in. (mm)

Note: Duct flange is a field-installed accessory.

NOTES:

1. PANEL DEPTH 1/2" (12.7) (TYP. ALL PANELS).
2. REMOVABLE DRAIN PAN AND ATTACHED DRAIN CONNECTION MAY BE INSTALLED ON END OF UNIT IN EITHER THE VERTICAL OR HORIZONTAL CONFIGURATION, PLASTIC DRAIN PAN ACCESS PLATE ON THE END OF UNIT OPPOSITE DRAIN CONNECTION MUST BE REMOVED TO SLIDE DRAIN PAN OUT OF UNIT FOR CLEANING. ACCESS PLATE MUST BE RE-INSTALLED AFTER SLIDING DRAIN PAN BACK INTO UNIT.
3. IF PERIODIC DRAIN PAN CLEANING IS REQUIRED, ALLOW ROOM FOR PARTIAL REMOVAL OF DRAIN PAN CONNECTION AT END OF UNIT.
4. 1" (25.4) FEMALE SCHED. 40 (10.2) PVC PIPE DRAIN CONNECTION VERTICAL CONFIGURATION.
5. 1" (25.4) FEMALE SCHED. 40 (10.2) PVC PIPE DRAIN CONNECTION HORIZONTAL CONFIGURATION.

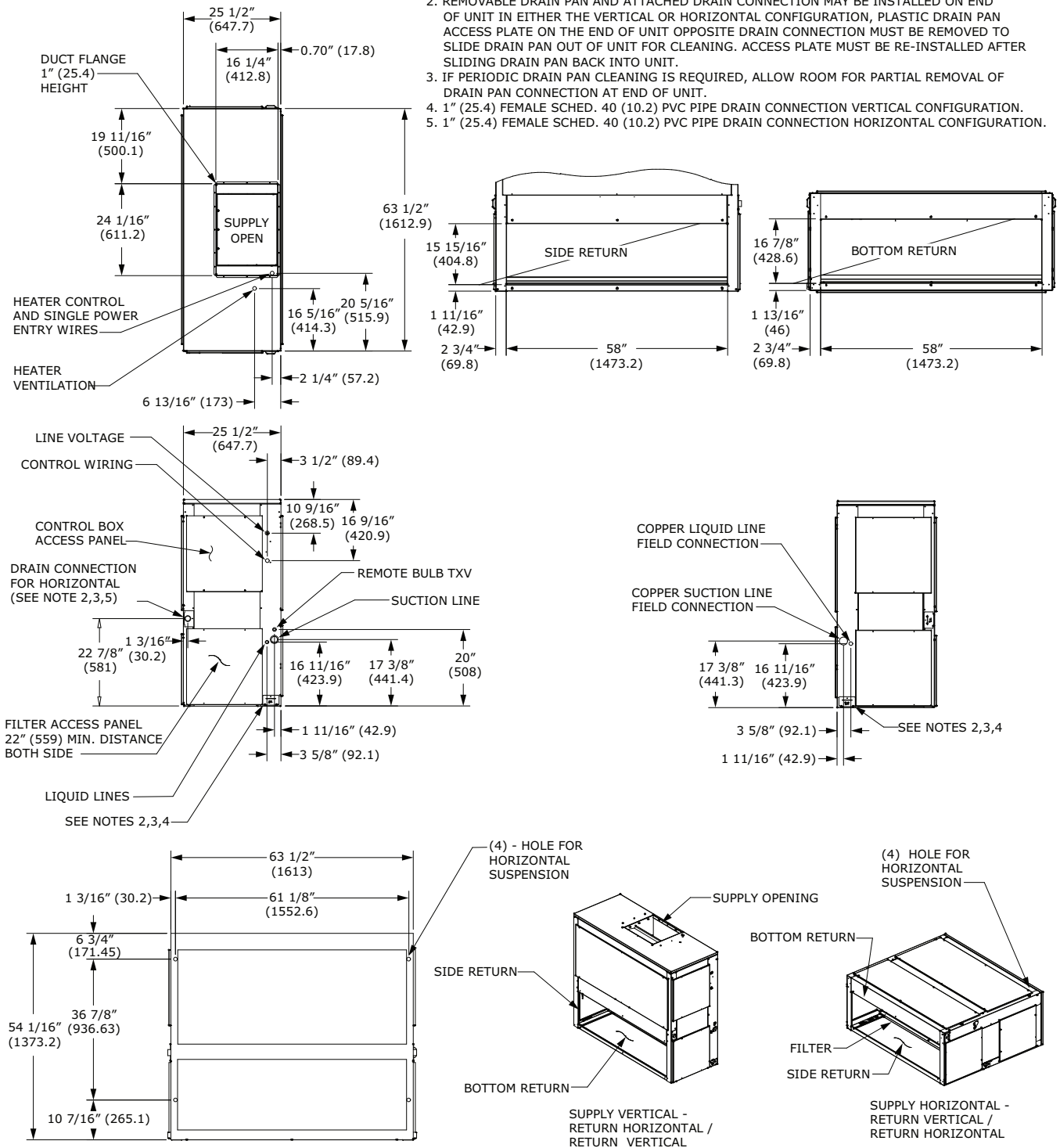
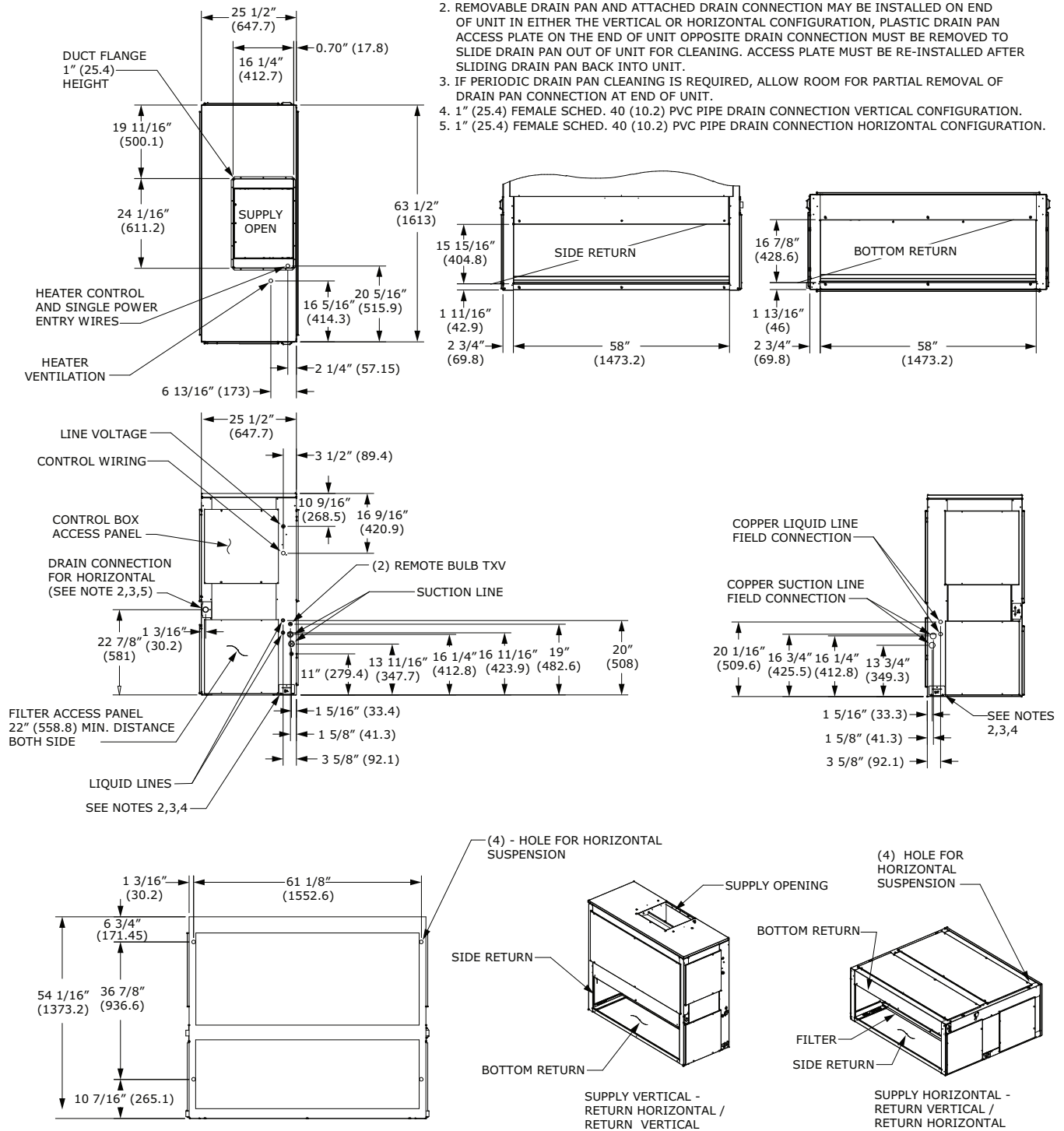


Figure 51. 8.33 ton air handler, dual circuit – in. (mm)

Note: Duct flange is a field-installed accessory.

NOTES:

1. PANEL DEPTH 1/2" (12.7) (TYP. ALL PANELS).
2. REMOVABLE DRAIN PAN AND ATTACHED DRAIN CONNECTION MAY BE INSTALLED ON END OF UNIT IN EITHER THE VERTICAL OR HORIZONTAL CONFIGURATION, PLASTIC DRAIN PAN ACCESS PLATE ON THE END OF UNIT OPPOSITE DRAIN CONNECTION MUST BE REMOVED TO SLIDE DRAIN PAN OUT OF UNIT FOR CLEANING. ACCESS PLATE MUST BE RE-INSTALLED AFTER SLIDING DRAIN PAN BACK INTO UNIT.
3. IF PERIODIC DRAIN PAN CLEANING IS REQUIRED, ALLOW ROOM FOR PARTIAL REMOVAL OF DRAIN PAN CONNECTION AT END OF UNIT.
4. 1" (25.4) FEMALE SCHED. 40 (10.2) PVC PIPE DRAIN CONNECTION VERTICAL CONFIGURATION.
5. 1" (25.4) FEMALE SCHED. 40 (10.2) PVC PIPE DRAIN CONNECTION HORIZONTAL CONFIGURATION.



Dimensional Data

Figure 52. 10.4, 13 ton air handler, dual circuit – in. (mm)

Note: Duct flange is a field-installed accessory.

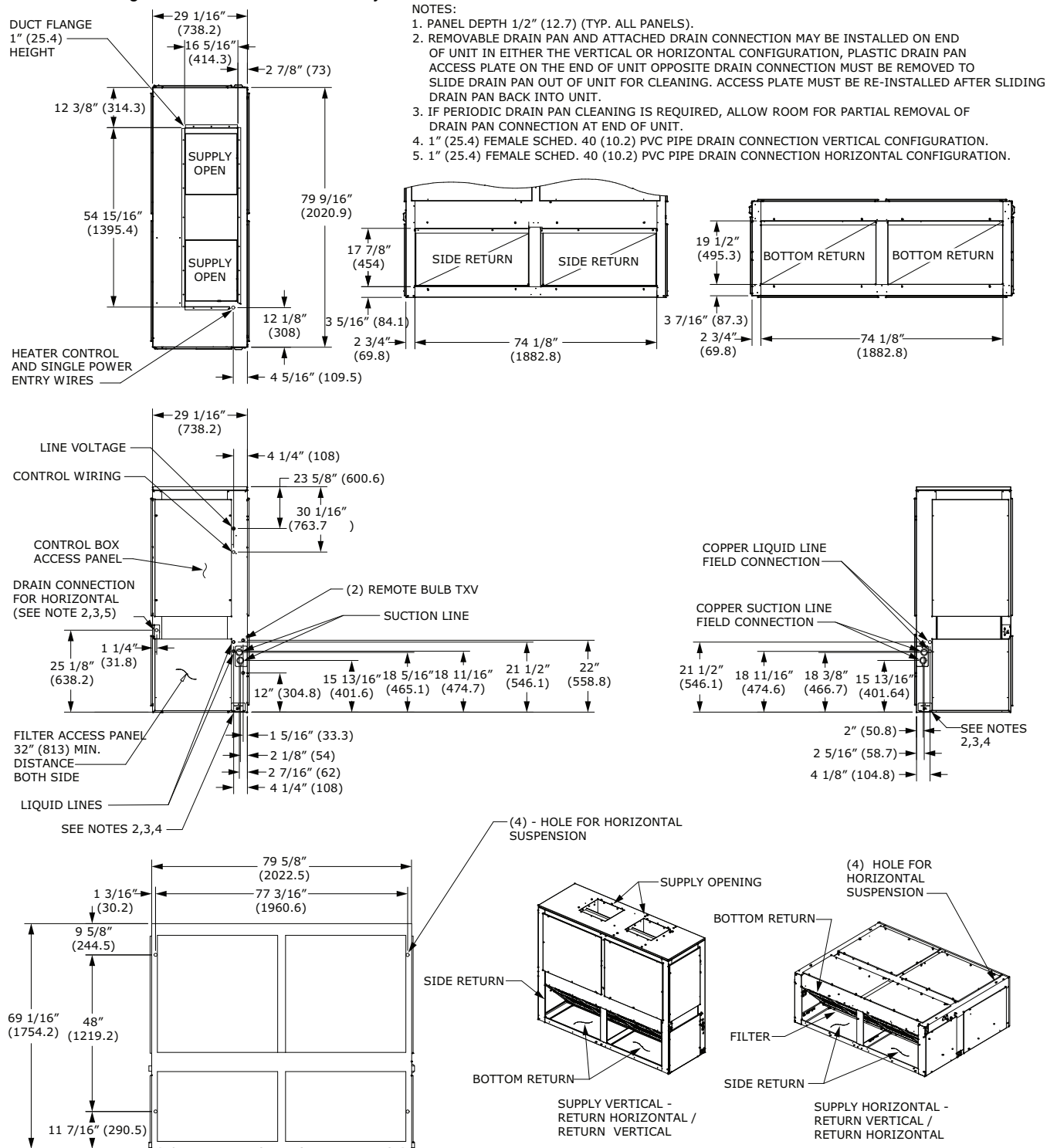
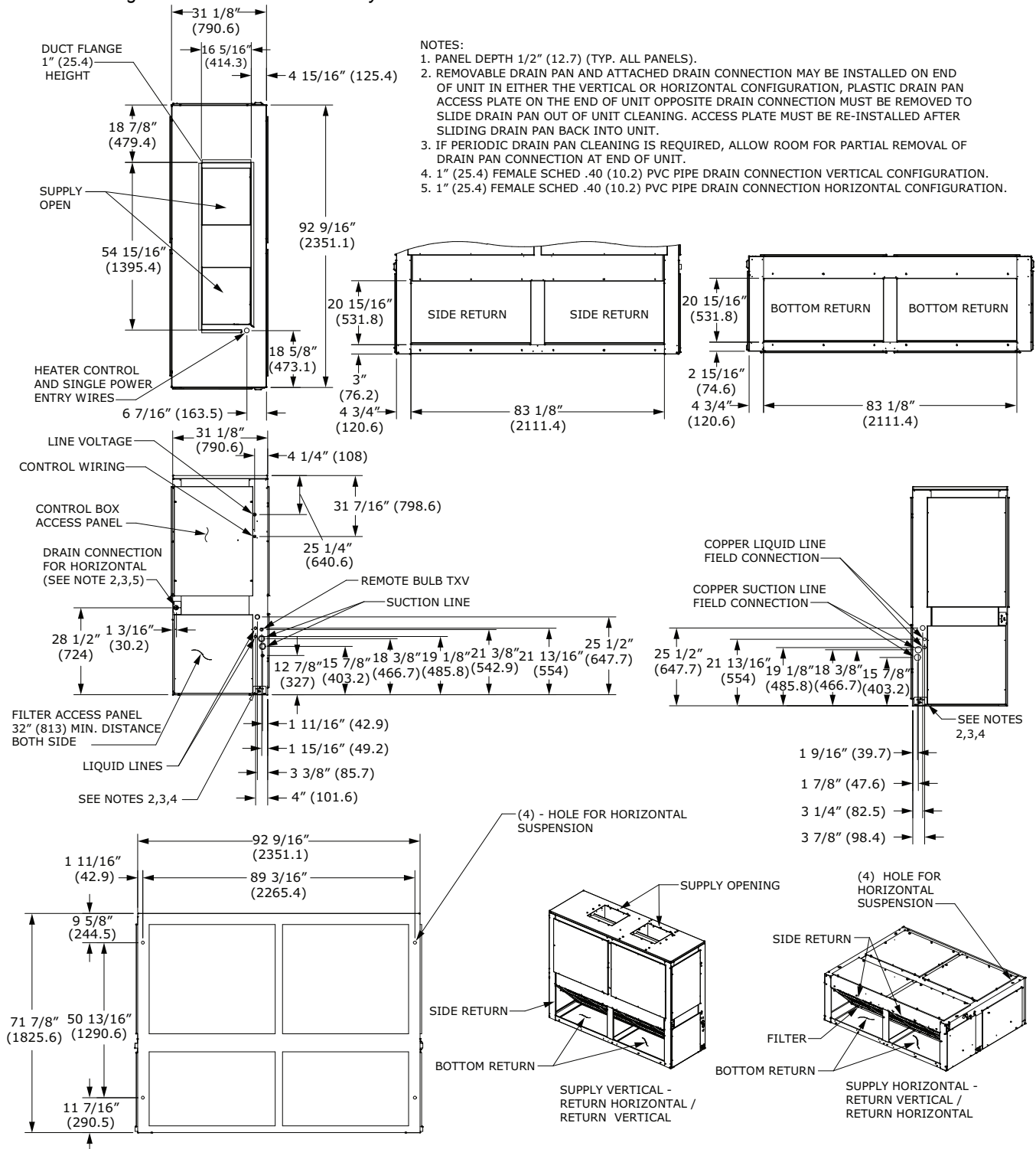


Figure 53. 16.7, 20.9 ton air handler, dual circuit – in. (mm)

Note: Duct flange is a field-installed accessory.



Accessories

Figure 54. Rubber isolator accessory dimensions

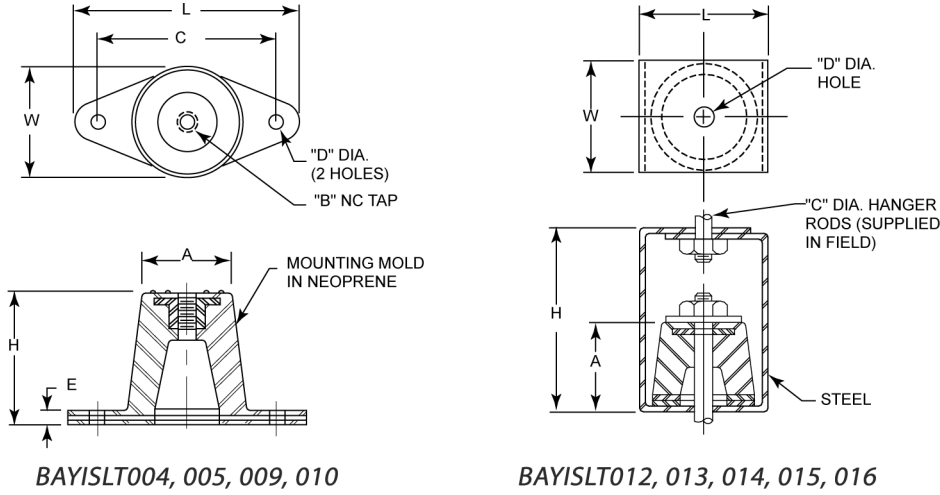


Table 108. Rubber isolator accessory dimensions – in (mm)

Model No.	L	W	H	A	B	C	D	E
BAYISLT004	3-1/8 (79.375)	1-3/4 (44.45)	1-1/4 (31.75)	1-1/4 (31.75)	3/8 (9.525)	2-3/8 (60.325)	3/8 (9.525)	1/4 (6.35)
BAYISLT005	3-7/8 (98.425)	2-3/8 (60.325)	1-3/4 (44.45)	1-3/4 (44.45)	3/8 (9.525)	3 (76.2)	3/8 (9.525)	1/4 (6.35)
BAYISLT009	3-7/8 (98.425)	2-3/8 (60.325)	1-3/4 (44.45)	1-3/4 (44.45)	3/8 (9.525)	3 (76.2)	3/8 (9.525)	1/4 (6.35)
BAYISLT010	3-7/8 (98.425)	2-3/8 (60.325)	1-3/4 (44.45)	1-3/4 (44.45)	3/8 (9.525)	3 (76.2)	3/8 (9.525)	1/4 (6.35)
BAYISLT013	2-1/4 (57.15)	2 (50.8)	3 (76.2)	1-3/8 (34.925)	3/4 (19.05)	3/8 (9.525)	1/2 (12.7)	—
BAYISLT014	2-1/4 (57.15)	2 (50.8)	3 (76.2)	1-3/8 (34.925)	3/4 (19.05)	3/8 (9.525)	1/2 (12.7)	—
BAYISLT015	2-1/4 (57.15)	2 (50.8)	3 (76.2)	1-3/8 (34.925)	3/4 (19.05)	3/8 (9.525)	1/2 (12.7)	—
BAYISLT012	3 (76.2)	2-1/4 (57.15)	4-1/2 (114.3)	1-7/8 (47.625)	1/4 (6.35)	5/8 (15.875)	3/4 (19.05)	—
BAYISLT015 ^(a)	3 (76.2)	2-1/4 (57.15)	4-1/2 (114.3)	1-7/8 (47.625)	1/4 (6.35)	5/8 (15.875)	3/4 (19.05)	—
BAYISLT016	3 (76.2)	2-1/4 (57.15)	4-1/2 (114.3)	1-7/8 (47.625)	1/4 (6.35)	5/8 (15.875)	3/4 (19.05)	—

Note: BAYISLT015 contains a quantity 2 of the 2-1/4 x 2 x 3 isolators and quantity of 3 of the 3 x 2-1/4 x 4-1/2 isolators.

Figure 55. Spring isolator accessory dimensions – in (mm)

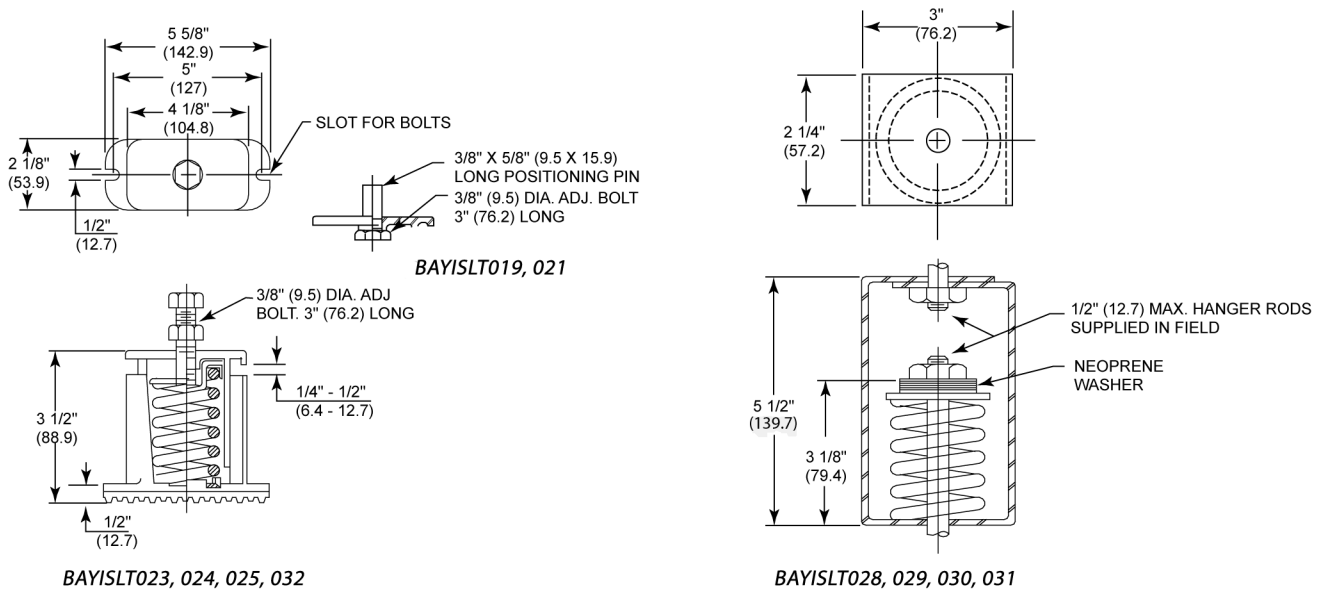
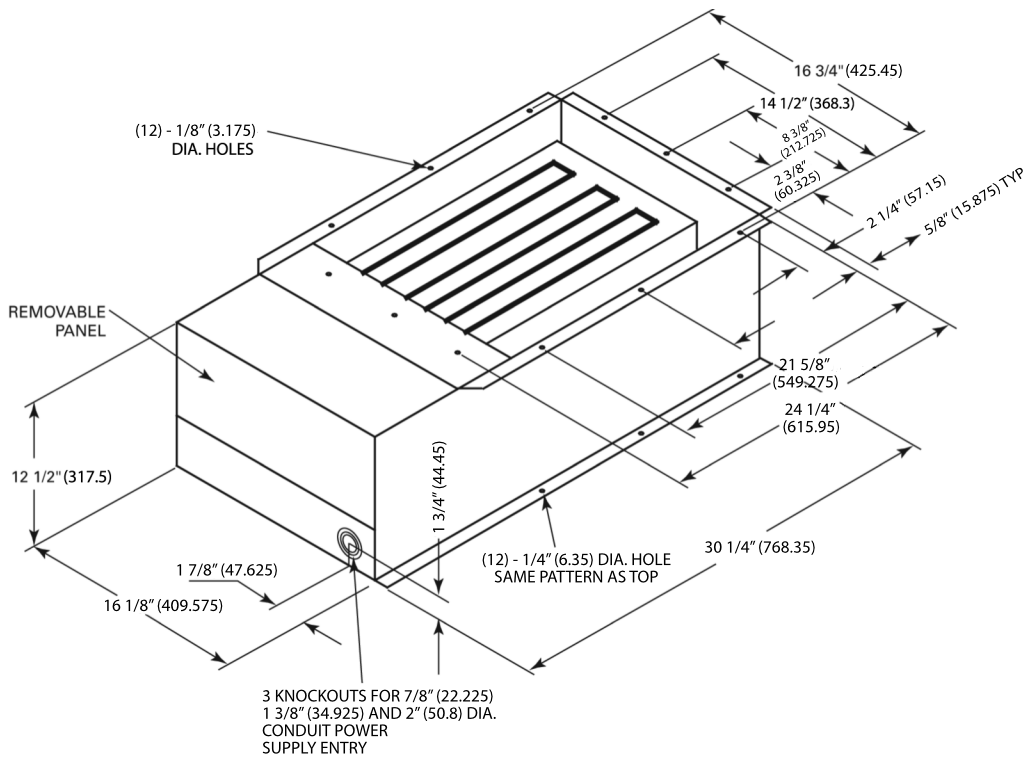


Figure 56. Electric heater accessory for 4.6-8.3 ton air handlers – in (mm)





Dimensional Data

Figure 57. Electric heater accessory for 10.4-20.9 ton air handlers – in (mm)

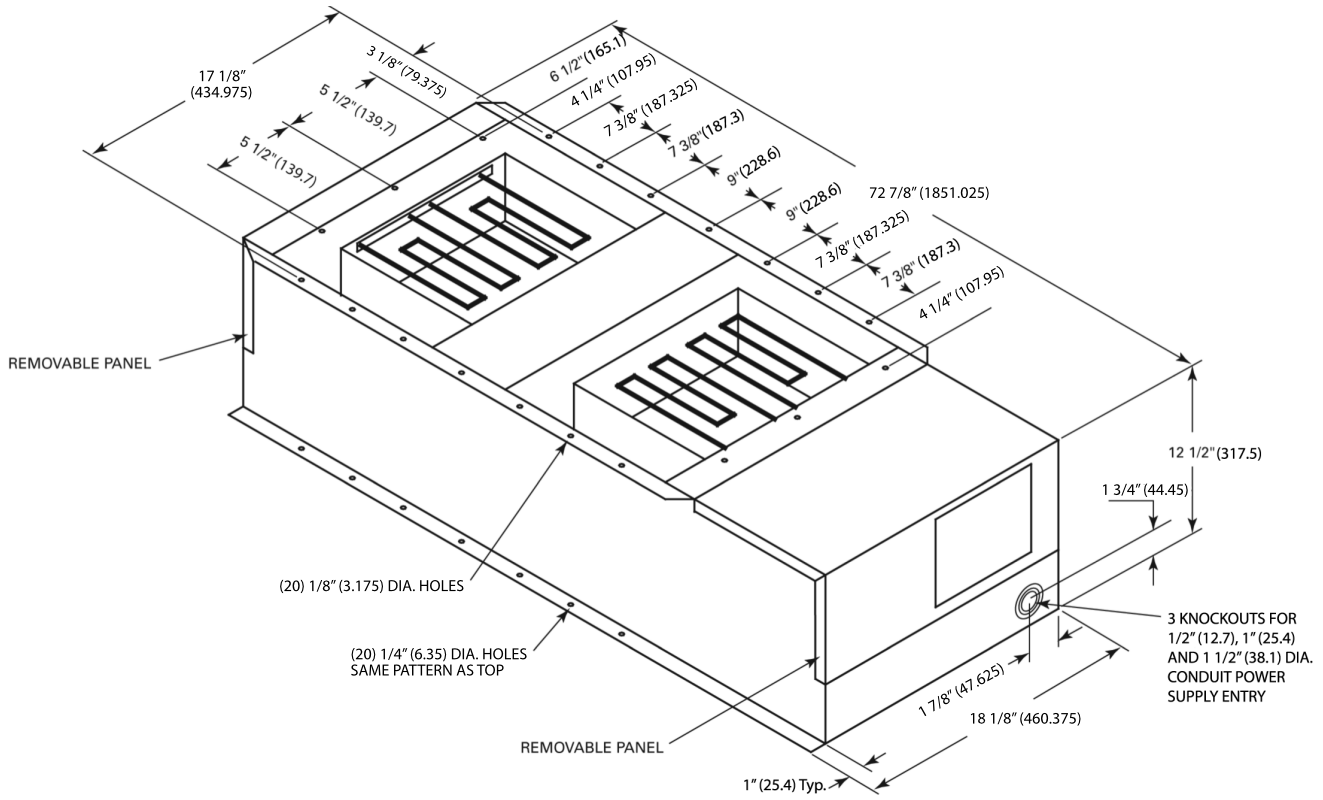
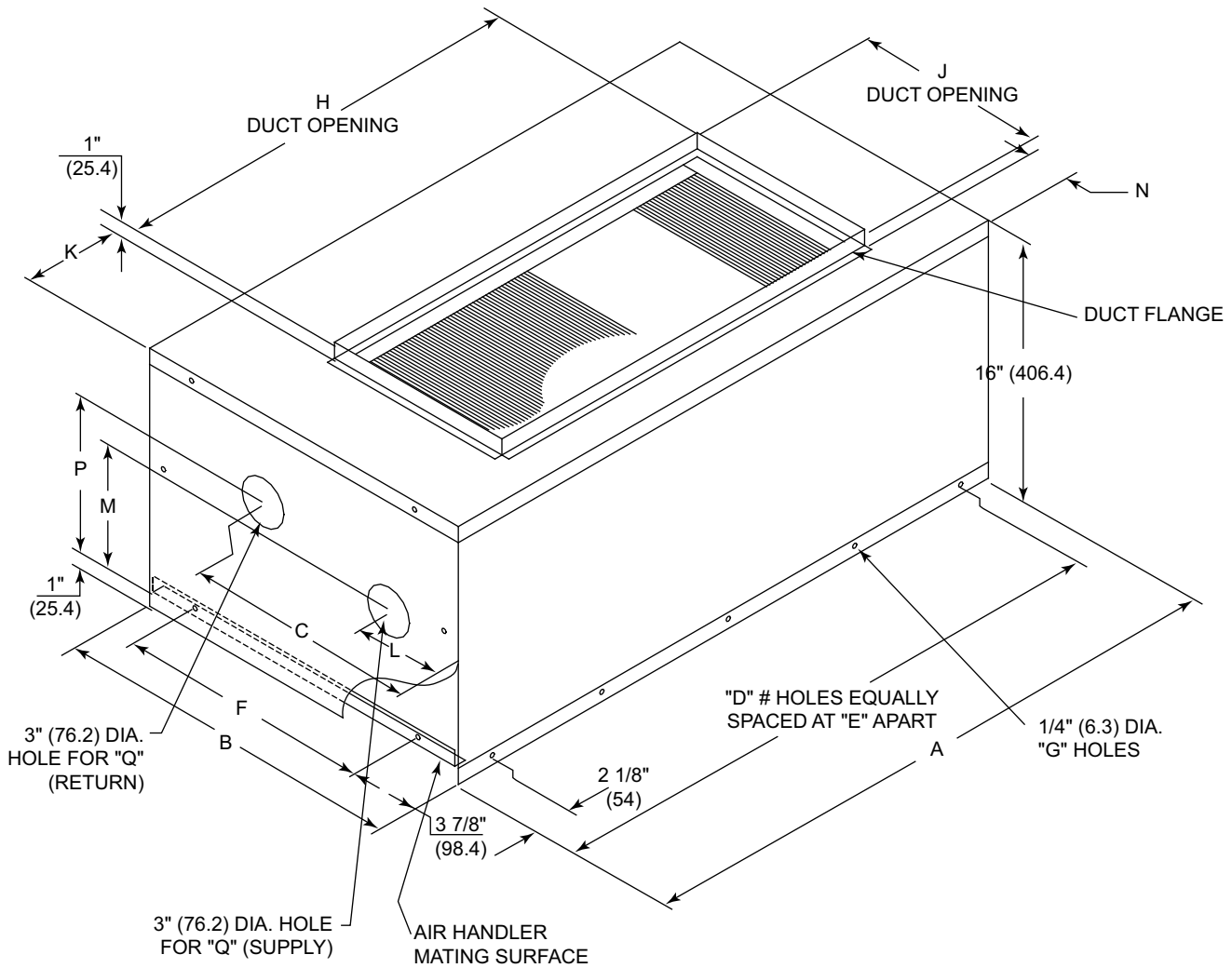


Figure 58. Hot water coil accessory – in (mm)


Note: Duct flange available as kit. See accessories chapter for details.

Table 109. Hot water coil accessory – in (mm)

Model No.	A	B	C	D	E	F	G	H
BAYWATR027	38.14 (969)	22.74 (576)	13.74 (349)	5 (127)	9 (229)	13.65 (347)	16 (406)	26 (660)
BAYWATR028	47.74 (1213)	25.74 (654)	15.95 (405)	5 (127)	10.84 (275)	17.17 (436)	16 (406)	30 (762)
BAYWATR029	63.84 (1621)	25.74 (654)	15.95 (405)	6 (152)	11.84 (301)	17.16 (436)	18 (457)	36 (914)
BAYWATR030	79.74 (2025)	29.18 (741)	14.36 (365)	8 (203)	10.85 (276)	19.67 (500)	22 (559)	51 (1295)
BAYWATR031	92.74 (2356)	31.24 (793)	16.48 (419)	8 (203)	10.85 (276)	19.67 (500)	22 (559)	64 (1626)
Model No.	J	K	L	M	N	P	Q	
BAYWATR027	12 (305)	6 (152)	4.94 (125)	7.79 (198)	2.88 (73)	10.24 (260)	2 NPT (51) NPTI	
BAYWATR028	18 (457)	8.88 (225)	8.45 (215)	10.27 (261)	2.88 (73)	7.77 (197)	2.5 NPTI (64) NPTI	
BAYWATR029	18 (457)	13.88 (352)	8.45 (215)	10.03 (255)	2.88 (73)	7.58 (192)	2.5 NPTI (64) NPTI	
BAYWATR030	18 (457)	14.25 (362)	6.86 (174)	9.91 (252)	1.88 (48)	7.41 (188)	2.5 NPTI (64) NPTI	

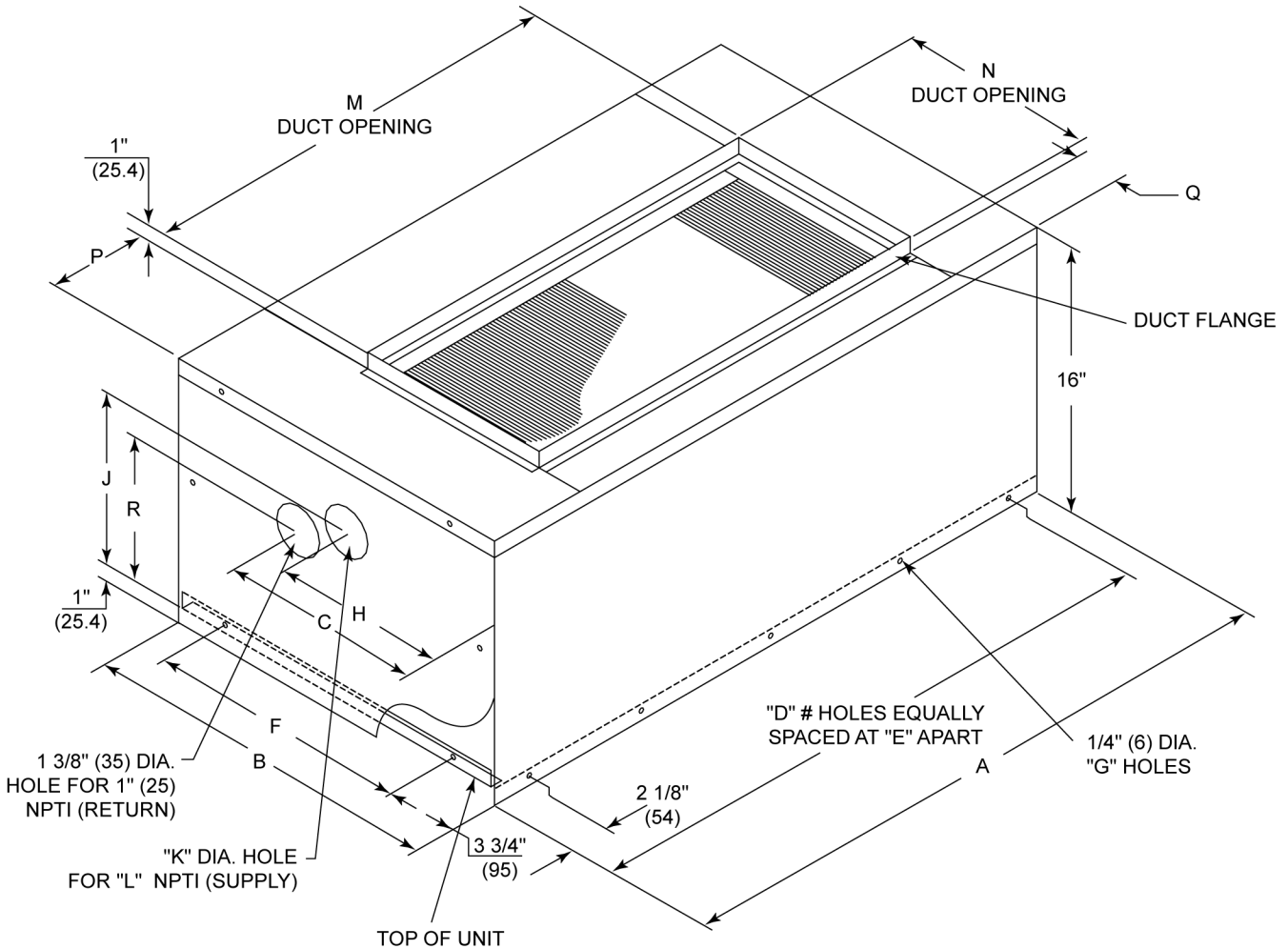
Dimensional Data

Table 109. Hot water coil accessory – in (mm) (continued)

Model No.	J	K	L	M	N	P	Q
BAYWATR031	18 (457)	14.25 (362)	8.98 (228)	9.88 (251)	3.75 (95)	7.38 (187)	2.5 NPTI (64) NPTI

Note: Hot Water Coil Dimensions - inches (millimeters)

Figure 59. Steam coil accessory – in (mm)



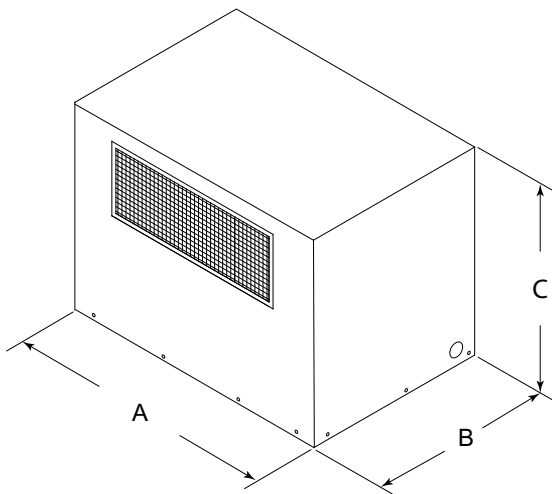
Note: Duct flange available as kit. See accessories chapter for details.

Table 110. Steam coil accessory – in (mm)

Model No.	A	B	C	D	E	F	G	H	J	K
BAYWATR022	38.14 (969)	22.74 (577)	14.32 (364)	5 (127)	9 (229)	13.67 (347)	16 (406)	10.88 (276)	11.17 (284)	2 (51)
BAYWATR023	47.74 (1212)	25.74 (654)	20.14 (511)	5 (127)	10.84 (275)	17.17 (436)	16 (406)	10.88 (276)	11.17 (284)	2 (51)
BAYWATR024	63.84 (1621)	25.74 (654)	20.14 (511)	6 (152)	11.87 (301)	17.16 (436)	18 (457)	13.70 (348)	10.57 (268)	2.5 (64)
BAYWATR025	79.74 (2025)	29.18 (741)	18.55 (471)	8 (203)	10.85 (275)	19.67 (500)	22 (559)	12.11 (308)	10.05 (255)	2.5 (64)
BAYWATR026	92.74 (2355)	31.24 (793)	20.67 (525)	8 (203)	10.85 (275)	19.67 (500)	22 (559)	14.23 (361)	10.01 (254)	2.5 (64)

Table 110. Steam coil accessory – in (mm) (continued)

Model No.	L	M	N	P	Q	R
BAYWATR022	1.5 (38)	26 (660)	12 (305)	6 (152)	2.87 (73)	9.95 (253)
BAYWATR023	2 (51)	30 (762)	18 (457)	8.87 (225)	2.87 (73)	9.95 (253)
BAYWATR024	2 (51)	36 (914)	18 (457)	13.87 (352)	2.87 (73)	9.13 (232)
BAYWATR025	2 (51)	51 (1295)	18 (457)	14.12 (359)	1.87 (48)	8.61 (219)
BAYWATR026	2 (51)	64 (1626)	18 (457)	14.12 (359)	3.75 (95)	8.58 (218)

Figure 60. Discharge plenum and grille accessory

Table 111. Discharge plenum and grille dimensions – no heat – in (mm)

Unit	Model No. ^(a)	A	B	C
TWE051	BAYPLNM015	37.94 (963.6)	21.94 (557.2)	28 (711.2)
TWE072, TWE076	BAYPLNM016	47.5 (1206.5)	24.99 (634.7)	28 (711.2)
TWE101	BAYPLNM017	63.5 (1612.9)	24.99 (634.7)	28 (711.2)
TWE126, TWE156	BAYPLNM018 ^(b)	79.5 (2019.3)	27.63 (701.8)	22 (558.8)
TWE201, TWE251	BAYPLNM019 ^(b)	92.5 (2349.5)	30.43 (772.9)	24 (609.6)
TWE051	BAYPLNM020	37.91 (962.9)	21.91 (556.5)	14.75 (374.65)
TWE076	BAYPLNM021	47.5 (1206.5)	24.99 (634.7)	14.75 (374.65)
TWE126	BAYPLNM022	63.5 (1612.9)	24.99 (634.7)	14.75 (374.65)

^(a) When installed horizontally, plenum/water coil must be self-supported.

^(b) For use with hydronic heat or no heat.

Figure 61. Discharge plenum and grille accessory

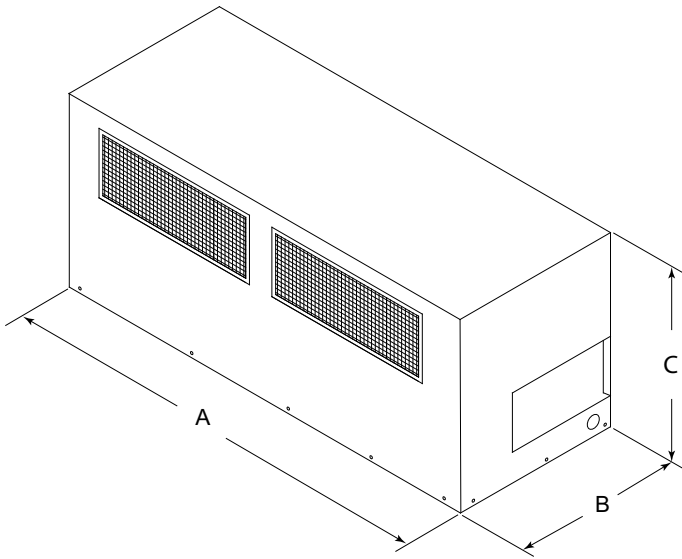


Table 112. Discharge plenum and grille dimensions (for use with electric heat) – in (mm)

Tons	Model No.	A	B	C
TWE051	BAYPLNM030	38.07 (967)	22.69 (576.3)	29.05 (738)
TWE072, TWE076	BAYPLNM031	47.86 (1216)	25.69 (652.5)	29.05 (738)
TWE101	BAYPLNM032	63.86 (1622)	25.69 (652.5)	29.05 (738)
TWE126, TWE156	BAYPLNM033	80.14 (2036)	29.10 (739.1)	35.11 (892)
TWE201, TWE251	BAYPLNM034	92.96 (2361)	31.10 (789.9)	35.05 (890)

Figure 62. Subbase accessory – in (mm)

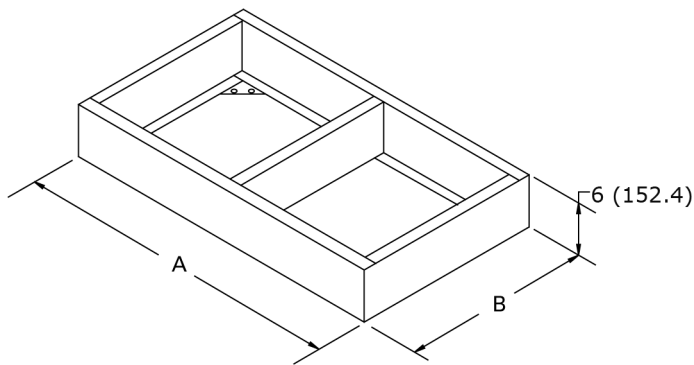


Table 113. Subbase dimensions – in (mm)

Tons	Model No.	A	B
TWE051	BAYBASE009	38 (965.2)	22.63 (574.8)
TWE072, TWE076	BAYBASE010	47.5 (1206.5)	25.51 (648.0)
TWE101	BAYBASE011	63.5 (1612.9)	25.52 (648.2)
TWE126, TWE156	BAYBASE012	79.5 (2019.3)	29.04 (737.6)
TWE201, TWE251	BAYBASE013	92.5 (2349.5)	31.14 (791.0)



Weights

Cooling Condenser

Table 114. TTA R-410A unit and corner weights — kg (50 Hz)

Tons	Model No.	Shipping Max (kg)	Net Max (kg)	Corner Weights			
				1	2	3	4
5	TTA0604DA	146	129	38	40	25	26
	TTA0604DD	154	137	43	40	28	26
6.25	TTA0764DA	155	138	39	43	27	29
	TTA0764DD	170	153	48	45	31	29
8.33	TTA1014DD	196	175	51	50	37	37
	TTA1014DC	214	193	57	57	39	40
10.4	TTA1264DD	227	206	61	63	41	41
13	TTA1564DD	363	317	87	88	71	71
	TTA1564DC	365	319	87	87	73	72
16.7	TTA2014DD	394	348	128	36	144	40
	TTA2014DC	398	352	100	100	76	76
20.9	TTA2514DC	457	411	117	118	88	88

Figure 63. TTA060, 076, 101

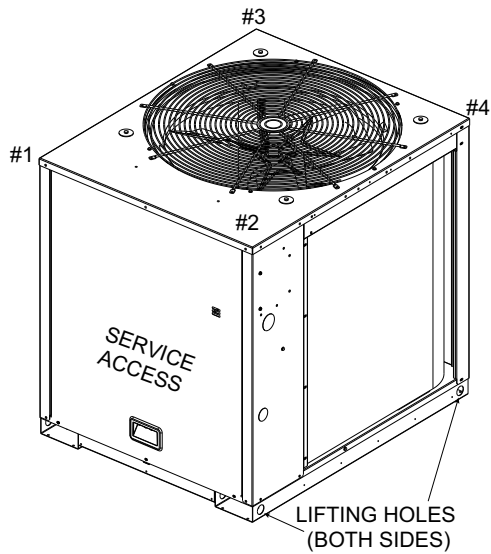
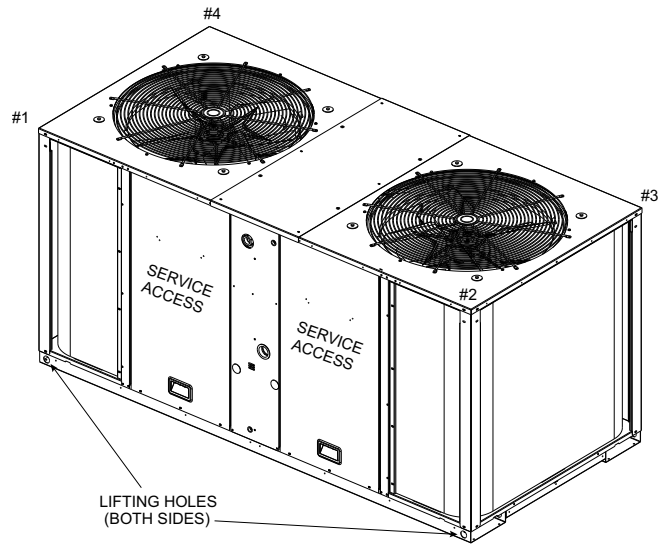


Figure 64. TTA156, 201, 251





Weights

Air Handler

Table 115. Constant volume air handler (TWE) — unit and corner weights - (50 Hz)

Tons	Model Number	Shipping Max (lbs)	Net Max (lbs)	Corner Weights - Vertical				Corner Weights - Horizontal			
				1	2	3	4	1	2	3	4
4.6	TWE0514DA	285	232	55	71	51	55	54	67	50	61
6	TWE0724DB	385	323	67	99	75	82	56	92	87	88
6.25	TWE0764DA/B	385	323	67	99	75	82	56	92	87	88
8.33	TWE1014DA/B	441	393	77	121	110	85	79	118	77	119
10.4	TWE1264DB	753	676	168	192	181	135	196	164	145	171
13	TWE1564DB	752	675	167	192	181	135	196	163	145	171
16.7	TWE2014DB	912	818	258	168	161	231	256	181	146	235
20.9	TWE2514DB	993	899	211	229	184	275	272	176	228	223

Figure 65. Vertical — TWE051, 072, 076, 101

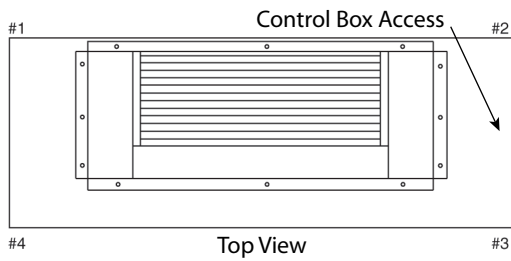


Figure 66. Vertical — TWE126, 156, 201, 251

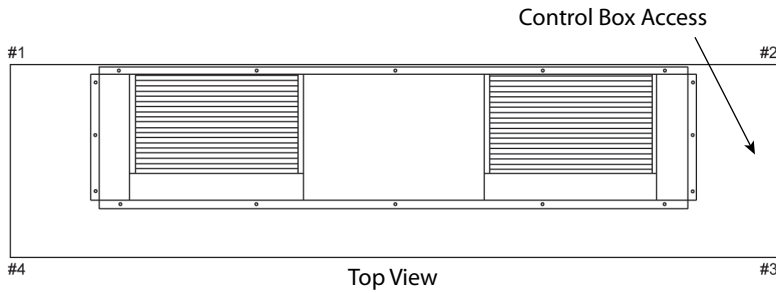


Figure 67. Horizontal — TWE051, 072, 076, 101

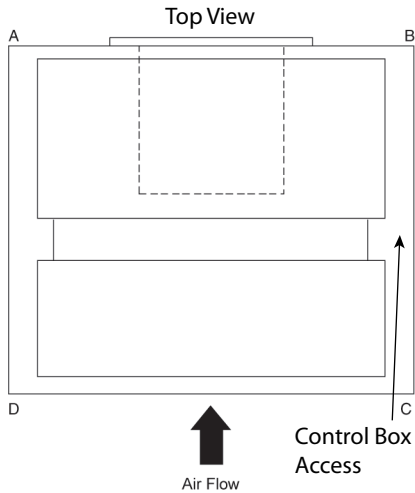
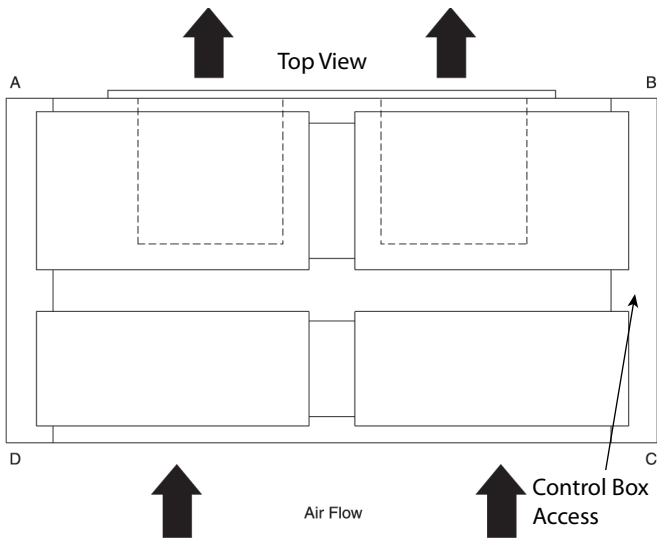


Figure 68. Horizontal — TWE126, 156, 201, 251





Weights

Accessories

Table 116. Accessory weights (net lbs.)

Unit Used w/ Tons	Hot Water Coil	Steam Coil	Discharge Plenum and Grille with Hydronic Heat	Discharge Plenum and Grille without Heat	Discharge Plenum and Grille with Electric Heat	Return Air Grille	Electric Heat Min/Max	Subbase	Oversized Motor	RIS Isolator Floor Mount
5	86	94	63	58	115	3	32/43	14.4	31	2
6.25	116	131	78	73	160	5	27/45	19.4	48	2
8.33	165	148	97	92	195	7	27/45	23.5	50	2
10.4	211	234	—	230	235	10	79/100	28.4	80	2
13	211	234	—	230	235	10	79/100	28.4	80	2
16.7	242	261	—	145	265	12	79/100	31.7	88	2
20.9	242	261	—	145	265	12	79/100	31.7	—	2

RIS Isolator Suspended Mount	Steel Spring Isolator Floor Mount	Steel Spring Isolator Suspended Mount	Hail Guard	Control Transformer	Sensors	Expansion Module	Low Ambient	Service Valve
9	12	6	21	4	—	13	13	5
6	12	6	21	4	—	13	13	5
7	12	6	28	4	—	13	13	5
7	12	6	33	4	—	13	13	5
7	12	6	55	4	—	2	2	5
9	12	6	55	4	—	2	2	5
9	12	6	71	4	—	2	2	5



Mechanical Specifications

Condensing Units

Standard Features

General

- Weatherproofed steel mounting/lifting rails
- Hermetic scroll compressors
- Microchannel condenser coils
- Fans and motors
- Standard operating range 50-125°F (min. 0°F with low ambient accessory)
- Nitrogen holding charge
- Capacities and efficiencies for split systems are rated within the scope of the Air-Conditioning, Heating, & Refrigeration Institute (AHRI) certification program and display the AHRI Standard 340-360 (I-P) mark. This standard applies to units between 65,000 and 250,000 btu/hr.
- Capacities and efficiencies for split system cooling condensers are rated within the scope of the Air-Conditioning, Heating, & Refrigeration Institute (AHRI) certification program and display the AHRI Standard 365 (I-P) mark. This standard applies to cooling units between 135,000 and 250,000 btu/hr.

Casing

- Zinc coated, heavy gauge, galvanized steel
- Weather resistant baked enamel finish
- Meets ASTM B117, 672 hour salt spray test
- Removable single side maintenance access panels
- Lifting handles in maintenance access panels
- Unit base provisions for forklift and/or crane lifting

Refrigeration System - Single Compressor (TTA0604DA, TTA0764DA, TTA1014DA)

- Single refrigeration circuit with integral subcooling circuit
- Single direct drive hermetic scroll compressor
- Suction gas-cooled motor w/ $\pm 10\%$ voltage utilization range of unit nameplate voltage
- Crankcase heater
- Internal temperature and current sensitive motor overloads
- No compressor suction and/or discharge valves (reduced vibration/sound)
- Factory installed liquid line filter drier
- Phase loss/reverse rotation monitor
- External high pressure cutout device
- External low pressure cutout device
- Evaporator defrost control
- Loss of charge protection (discharge temperature limit)

Refrigeration System - Dual Compressor (TTA0604DD, TTA0764DD, TTA1014DD, TTA1264DD, TTA1564DD, TTA2014DD)

- Two (2) separate and independent refrigerant circuits
- Each refrigeration circuit equipped with integral subcooling circuit
- Front or rear refrigerant line connections (TTA156**D/201**D)
- Two (2) direct drive hermetic scroll compressor
- Suction gas-cooled motors w/ $\pm 10\%$ voltage utilization range of unit nameplate voltage
- Crankcase Heaters
- Internal temperature and current sensitive motor overloads
- Factory installed liquid line filter driers
- Phase loss/reverse rotation monitor
- No compressor suction and/or discharge valves (reduced vibration/sound)



Mechanical Specifications

- External high pressure cutout devices
- External low pressure cutout devices
- Evaporator defrost control
- Loss of charge protection (discharge temperature limits)

Refrigeration System - Dual Manifolder Compressors (TTA1014DC, TTA1564DC, TTA2014DC, TTA2514DC)

- Single refrigerant circuit with integral subcooling circuit
- Two (2) direct drive hermetic scroll compressor
- Suction gas-cooled motors w/ $\pm 10\%$ voltage utilization range of unit nameplate voltage
- Crankcase Heaters
- Internal temperature and current sensitive motor overloads
- No compressor suction and/or discharge valves (reduced vibration/sound)
- Factory installed liquid line filter drier
- Phase loss/reverse rotation monitor
- External high pressure cutout devices
- External low pressure cutout devices
- Evaporator defrost control
- Loss of charge protection (discharge line thermostats)
- Front or rear refrigerant line connections (TTA1564DC/2014DC/2514DC only)

Condenser Coil (Microchannel)

- Microchannel coils burst tested by the manufacturer
- Coils shall be leak tested to ensure the pressure integrity
- Factory pressure and leak tested to 660 psig
- Perforated steel hail guards available (factory installed option or field installed accessory)

Condenser Fan

- 26" or 28" propeller fan(s)
- Direct drive
- Statically and dynamically balanced

Condenser Motor(s)

- Permanently lubricated totally enclosed or open construction
- Built-in current and thermal overloads
- Ball or sleeve bearing type

Controls

- Centralized microprocessor
- Indoor and outdoor temperature sensors drive algorithms, making decisions for all heating, cooling, and ventilation
- Integrated anti-short cycle timer
- Integrated time delay between compressors
- Completely internally wired
- Colored and keyed connectors and colored wires
- Contactor pressure lugs or terminal block
- Unit external mounting location for disconnect device
- Single point power entry
- Front or rear electrical connections (TTA1564DC/D, 2014DC/D, 2514DC only)

Coil Guards

- Condenser coil protection from hail, vandals, etc.
- Perforated, painted galvanized steel
- Factory or field installed

Factory Installed Options

Complete Coat™ Microchannel Condenser Coil

- Available on Microchannel units only
- Cathodic, epoxy-type, electro-disposition coating formulated for high edge build
- Coating provides excellent resistance and durability to corrosive effects of alkalis, acids, alcohols, petroleum, seawater, salty air and other corrosive environments

BACnet Communication Options

- BACnet MS/TP -BACnet IP
- Allows unit communication with Trane or generic BACnet building automation controls

Advanced Diagnostics and LonTalk Communication Interface

- Factory or field installed
- Allows unit communication as a Tracer Lon® device
- Allows unit communication with generic LonTalk® Network building automation controls

Field Installed Options

Low Ambient (Fan ON/OFF)

- Provides unit cooling operation to outdoor ambient of 0°F
- Low cost solution
- Discharge pressure controls condenser fan operation

Service Valves

- Liquid line service valve (with gauge port)
- Suction line service valve (with gauge port)

Vibration Isolators

- Neoprene-in-shear or spring flex choice
- Reduce vibration transmission to building structures, equipment, and adjacent spaces
- Reduce noise transmission to building structures, equipment, and adjacent spaces

Hot Gas Bypass

- Provides capacity modulation solution

Zone Sensor

- Interfaces with microprocessor units
- Manual or automatic programmable
- System malfunction lights
- Remote sensor options

Thermostat

- 1H/1C available
- 2H/1C available
- Manual or automatic changeover available
- Programmable and non-programmable solutions available

LonTalk Communication Interface

- Factory or field installed
- Allows unit communication as a Tracer Lon® device
- Allows unit communication with generic LonTalk® Network building automation controls



Air Handlers

Standard Features

General

- Completely factory assembled
- Convertible for horizontal or vertical configuration
- Convertible for cooling only or heat pump application
- Convertible for left or right external connections (refrigerant and/or electrical)
- Convertible for front or bottom air return
- Nitrogen holding charge

Casing

- Zinc coated, heavy gauge, galvanized steel
- Weather resistant baked enamel finish
- Access panels with captive screws
- Completely insulated with foil faced, cleanable, fire retardant, permanent, odorless glass fiber material
- Captured or sealed insulation edges
- Electrical connection bushings or plugs
- Refrigerant connection bushings or plugs
- Withstand elevated internal static pressure

Refrigeration System

- Single or dual circuit
- Distributor(s)
- Thermal expansion valves (TXVs)

Evaporator Coil

- 3/8" internally enhanced copper tube mechanically bonded to lanced aluminum plate fins
- Factory pressure and leak tested to 449 psig.
- Draw-through airflow
- Dual circuits are interlaced/intertwined
- Double sloped, removable, cleanable, composite drain pan
- Four drain pan positions

Indoor Fan

- Double inlet, double width, forward curved, centrifugal type fan
- Dual fans on 10.4 – 20.9 ton air handlers
- Adjustable belt drive
- Permanently lubricated bearings

Indoor Motor

- Adjustable motor sheaves (constant volume units)
- Thermal overload protection
- Permanently lubricated bearings
- Meet energy policy of 1992 (EPACT)
- Optional oversized motors for high static applications

Controls

- Completely internally wired
- Colored and keyed connectors, colored wires
- Magnetic indoor fan contactor
- Detachable low voltage connectors
- Single point power entry
- Evaporator defrost control

Filters

- Access from side coil panels
- Filters slide on rack
- One inch (1"), throwaway filters on 4.6 - 8.33 ton units
- Filter rack convertible to two inch (2") capability on 4.6 - 8.33 ton units
- Two inch (2"), throwaway filters on 10.4 - 16.7 ton units

Field Installed Options**Electric Heaters**

- Heavy duty nickel chromium elements
- Installs directly on fan discharge
- One or two stage control (dependent upon capacity)
- Single point power entry
- Terminal strip connections
- Heaters
 - Internally wye connected
 - Automatic line break high limit controls with secondary single action disc limits

Hydronic Heat Coils

- One row steam
- Two row hot water
- Installs directly on fan discharge
- Heavy gauge sheet metal casing matches air handler
- Convertible for horizontal or vertical configurations

Discharge Plenums and Grilles

- Vertical, free discharge applications
- Heavy gauge sheet metal casing matches air handler
- Satin-finished, 4-way adjustable louver grilles

Return Air Grilles

- Vertical, free discharge applications
- Satin-finished, non-adjustable louver grilles
- Replaces front lower access panel

Mounting Sub-Base

- Vertical floor mount configuration requirement
- Heavy gauge sheet metal casing matches air handler
- Provides additional clearance for condensate drain trapping
- Required when isolators are used

Vibration Isolators

- Neoprene-in-shear or spring flex choice
- Floor or suspended applications
- Reduce vibration transmission to building structures, equipment, and adjacent spaces
- Reduce noise transmission to building structures, equipment, and adjacent spaces

Oversize Motors

- High static applications
- Motor, sheaves, belt included

Filters

- 2 inch, MERV 13 high efficiency filters

Trane - by Trane Technologies (NYSE: TT), a global innovator - creates comfortable, energy efficient indoor environments for commercial and residential applications. For more information, please visit trane.com or tranetechnologies.com.

Trane has a policy of continuous product and product data improvements and reserves the right to change design and specifications without notice. We are committed to using environmentally conscious print practices.