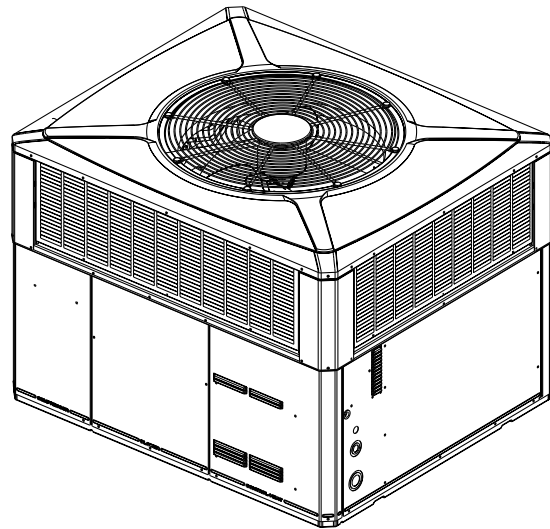




Product Data

Single Packaged Cooling/Electric Heat 13.4 SEER Convertible, 2 – 5 Ton

4TCC4024E1000A
4TCC4030E1000A
4TCC4036E1000A
4TCC4042E1000A
4TCC4048E1000A
4TCC4060E1000A



Note: "Graphics in this document are for representation only. Actual model may differ in appearance."



SAFETY SECTION

Important — This document contains a wiring diagram, a parts list, and service information. This is customer property and is to remain with this unit. Please return to service information pack upon completion of work.

⚠ WARNING

HAZARDOUS VOLTAGE!

Failure to follow this Warning could result in property damage, severe personal injury, or death.

Disconnect all electric power, including remote disconnects before servicing. Follow proper lockout/tagout procedures to ensure the power cannot be inadvertently energized.

⚠ WARNING

SAFETY AND ELECTRICAL HAZARD!

Failure to follow this Warning could result in property damage, severe personal injury, or death.

These servicing instructions are for use by qualified personnel only. To reduce the risk of electrical shock, do not perform any servicing other than that contained in these operating instructions unless you are qualified to do so.

⚠ CAUTION

GROUNDING REQUIRED!

Failure to inspect or use proper service tools may result in equipment damage or personal injury.

Reconnect all grounding devices. All parts of this product that are capable of conducting electrical current are grounded. If grounding wires, screws, straps, clips, nuts, or washers used to complete a path to ground are removed for service, they must be returned to their original position and properly fastened.

⚠ WARNING

UNIT CONTAINS R-410A REFRIGERANT!

Failure to use proper service tools may result in equipment damage or personal injury. R-410A operating pressure exceeds the limit of R-22. Proper service equipment is required. Service using only R-410A Refrigerant and approved POE compressor oil.

⚠ WARNING

SAFETY HAZARD!

Operating the unit without the access panels properly installed may result in severe personal injury or death.

Do not operate the unit without the evaporator fan access panel or evaporator coil access panel in place.

⚠ WARNING

WARNING!

This product can expose you to chemicals including lead, which are known to the State of California to cause cancer and birth defects or other reproductive harm. For more information go to www.P65Warnings.ca.gov.

Important: Wear appropriate gloves, arm sleeve protectors and eye protection when servicing or maintaining this equipment.

Important: Air filters and media wheels or plates shall meet the test requirements in UL 900.



Table of Contents

Single Packaged Cooling/Electric Heat System.....	4
Optional Equipment Listing.....	5
Product Specification	7
Supplementary Electric Heaters	9
Indoor Fan Performance (230v)	11
Wiring Diagrams.....	15
Full Perimeter Roof Mounting Curb.....	21
Optional Equipment — Economizer.....	23
Optional Equipment — Outside Air Damper	24
Optional Equipment — Filter Rack	25
Outline Drawings	26
Mechanical Specifications	28



Single Packaged Cooling/Electric Heat System

Introducing the new Trane Single Cooling/Electric Heat System

Single Packaged Cooling Systems are easy and versatile to install.

Because cooling and air handling functions are all contained in a single cabinet, Trane packaged air conditioners are easy to install and service. It can be flush mounted beside your home at ground level or placed on the roof for horizontal or downflow installation. When connected to an optional Trane thermostat control, and air distribution ducts, you have a highly efficient, total home comfort system.

Single Packaged Cooling Systems are unmatched in quality and reliability.

All major components on these products, including the compressor, have been designed and manufactured for maximum service. Every compressor is designed and manufactured to exacting specifications. Each design is life tested in extreme environments to ensure reliable and long lasting operation in normal applications. Each compressor has internal motor protection for added reliability.



Optional Equipment Listing

* = T, W, or Y	
Hinged Filter Access Door (4*CC4024-036)	BAYCCDOR1A []
Hinged Filter Access Door (4*CC4042-060)	BAYCCDOR2A []
Roof Curb Full Perimeter (4*CC024-036)	BAYCURB050A []
Roof Curb Full Perimeter (4*CC042-060)	BAYCURB051A []
Roof Curb Utility Extension Kit (BAYCURB050A)	BAYUTIL101B []
Roof Curb Utility Extension Kit (BAYCURB051A)	BAYUTIL101B []
0-25% Manual Fresh Air Damper (4*CC4024-36) ^(a)	BAYOSAH001A []
0-25% Manual Fresh Air Damper (4*CC4042-60) ^(a)	BAYOSAH002A []
Motorized Fresh Air Damper (4*CC4024-036) ^(a)	BAYDMPR101A []
Motorized Fresh Air Damper (4*CC4042-060) ^(a)	BAYDMPR102A []
16" Round Duct Adapter (2 per box) (4*CC4024-036) ^(b)	BAYSQRD001A []
18" Round Duct Adapter (2 per box) (4*CC4024-060) ^(b)	BAYSQRD002A []
0-100% Mod Economizer w/Baro. Relief (4*CC4024-036) ^{(a)(c)(d)}	BAYECON101B []
0-100% Mod Economizer w/Baro. Relief (4*CC4042-060) ^{(a)(d)}	BAYECON102B []
0-100% Horizontal Economizer (4*CC4024-36) ^(a)	BAYECON200B []
0-100% Horizontal Economizer (4*CC4042-60) ^(a)	BAYECON201B []
Enthalpy Control for Economizer (ALL-BAYECON)	BAYEENTH001A []
Remote Potentiometer (ALL-BAYECON)	BAYSTAT023 []
1"-2" Filter Frame (4*CC4024-036) (18 x 25 filter not included)	BAYFLTR101C []
1"-2" Filter Frame (4*CC4042-060) (two 18 x 20 filters not included)	BAYFLTR201C []
Head Pressure Control (Low Ambient Cool) (208/240v) Kit	BAYLOAM105A []
Quick Start Kit (4WCC4, 4TCC4)	BAYQSTK300A []
Quick Start Kit (4YCC4)	BAYQSTK301A []
Crankcase Heater Scroll (4*CC4024-036) (230v)	BAYCCHT103A []
Crankcase Heater Scroll (4*CC4042-060) (230v)	BAYCCHT102A []
Crankcase Heater Scroll (4*CC4024-036) (230v)	BAYCCHT301A []
Crankcase Heater Scroll (4*CC4042-060) (230v)	BAYCCHT302A []
Adapter Curb (4*CC4024-36) to BAYCURB030, 38	BAYADAP050A []
Adapter Curb (4*CC4024-36) to BAYCURB033	BAYADAP051A []
Adapter Curb (4*CC4042-60) to BAYCURB030, 38	BAYADAP052A []
Adapter Curb (4*CC4042-60) to BAYCURB033	BAYADAP053A []
Adapter Curb (4*CC4042-60) to BAYCURB034	BAYADAP054A []
12" Duct Shroud Covers Horizontal (4*CC4024-060)	BAYCOVR112A []
18" Duct Shroud Covers Horizontal (4*CC4024-060)	BAYCOVR118A []
Extreme Condition Mounting Kit — All BAYCURB & BAYADAP	BAYEXMK001A []
Extreme Condition Mounting Kit — All BAYUTIL	BAYEXMK002B []
Extreme Condition Mounting Kit — All Slab Mounts	BAYEXMK003B []
Lifting Lug Kit	BAYLIFT002B []
LP Conversion Kit (All 115K Models)	BAYLPKT100A []
LP Conversion Kit (All 60K and 90K Models)	BAYLPKT101A []
LP Conversion Kit (All 70K Models)	BAYLPKT102A []



Optional Equipment Listing

SUPPLEMENTARY HEATERS (1 PHASE) * = T or W Only (Does not apply to Gas/Electric dual fuel models)	
3.76/5.0 KW Heater (208/240V 1 PH) (4*CC4024-060)	BAYHTRV105G []
6.0/8.0 KW Heater (208/240V 1 PH) (4*CC4024-060)	BAYHTRV108G []
7.50/10.0 KW Heater (208/240V 1 PH) (4*CC4024-060)	BAYHTRV110G []
11.27/15.0 KW Heater (208/240V 1 PH) (4*CC4030-060)	BAYHTRV115G []
15.0/20.0 KW Heater (208/240V 1 PH) (4*CC4048-060)	BAYHTRV120G []
18.78/25.0 KW Heater (208/240V 1 PH) (4*CC40060)	BAYHTRV125G []
Single Power Entry Kit ^(e)	BAYSPEK060G []
Single Power Entry Kit ^(e)	BAYSPEK062G []
Single Power Entry Kit ^(e)	BAYSPEK063G []

- (a) Must use internal filter frame when economizer or fresh air kit is used.
- (b) It is the responsibility of the installing dealer to properly size the ductwork for each specific application.
- (c) Dry bulb control standard with economizer.
- (d) Downflow only.
- (e) Must be selected per unit and heater model.



Product Specification

MODEL	4TCC4024	4TCC4030	4TCC4036	4TCC4042	4TCC4048	4TCC4060
RATED Volts/Ph/Hz	208-230/1/60					
Performance Cooling BTUH ^(a)	23200	28000	36400	39500	46000	57000
Indoor Airflow (CFM)	785	880	1215	1450	1625	1770
Power Input (KW)	1.94	2.21	3.17	3.53	4.2	4.98
EER2/SEER2 (BTU/Watt-Hr.) ^(b)	11.00 / 13.40				10.80 / 13.40	11.00 / 13.40
Sound Power Rating [dB (A)] ^(c)	66.6	70	69.3	74.6	72.5	73.1
POWER CONN. — V / Ph/Hz	208-230/1/60					
Min. Brch. Cir. Ampacity ^(d)	16.7	20.8	26.2	28.3	31.8	39.1
Fuse Size — Max. (amps)	25	30	40	45	50	60
Fuse Size — Recmd. (amps)	25	30	40	45	50	60
COMPRESSOR	SCROLL					
Volts/Ph/Hz	208-230/1/60					
R.L. Amps — L.R. Amps	10.9 / 62.9	12.8 / 67.8	15.4 / 83.9	16.7 / 109.0	19.6 / 130.0	24.4 / 144.2
OUTDOOR COIL — TYPE	SPINE-FIN					
Rows/F.P.I	2 / 24					
Face Area (sq. ft.)	13.32	13.32	15.49	15.63	20.54	22.99
Tube Size (in.)	3/8					
INDOOR COIL — TYPE	MCHE					PLATE FIN
Rows/F.P.I	2 / 16					4 / 15
Face Area (sq. ft.)	2.7			3.9		5.0
Tube Size (in.)	0.81		1.0	0.81		3/8
Refrigeration Control	EXPANSION VALVE					
Drain Conn. Size (in.)	3/4 FEMALE NPT					
OUTDOOR FAN — TYPE	PROPELLER					
DIA. (IN.)	23.4			28.25		
DRIVE/NO. SPEEDS	DIRECT / 1					
CFM @ 0.0 in. w.g. ^(e)	2350	2800	3080	3400	3400	4800
Motor — HP/R.P.M	1 / 12 / 810	1 / 6 / 825	1 / 5 / 825	1 / 4 / 825	1 / 4 / 825	1 / 3 / 825
Volts/Ph/Hz	208-230/1/60					
F.L. Amps/L.R Amps	0.54 / 0.82	0.85 / 1.65	1.1 / 2.0	1.51 / 3.07	1.51 / 3.07	1.7 / 3.5
INDOOR FAN — TYPE	CONSTANT TORQUE ECM					
Dia. x Width (in.)	10.62 X 10.62					
Drive/No. Speeds	DIRECT / 4					
CFM @ 0.0 in. w.g. ^(f)	SEE FAN PERF TABLE					
Motor — HP/R.P.M.	1/3 / 1050	1/2 / 1050	3/4 / 1050	3/4 / 1050	3/4 / 1050	1 / 1050



Product Specification

Volts/Ph/Hz	208-230/1/60					
F.L. Amps	2.6	4.1	5.8	6	6	6.9
FILTER / FURNISHED	NO					
Type Recommended	THROWAWAY					
Recmd. Face Area (sq. ft) (g)	4.0			5.3		
REFRIGERANT	R-410A					
Charge (lbs.)	5.4	7.38	7.2	7.3	7.5	9.65
CHARGING SPECIFICATIONS						
Subcooling	10°	8°	11°	10°	10°	11°
DIMENSIONS	H X D X W	H X D X W	H X D X W	H X D X W	H X D X W	H X D X W
Crated (in.)	46 X 45 X 52	48 X 45 X 52	48 X 45 X 52	46 X 47 X 52	50 X 47 X 62	50 X 47 X 62
WEIGHT						
Shipping (lbs.) / Net (lbs.)	432 / 358	451 / 377	453 / 379	561 / 457	557 / 453	586 / 482

(a) Rated in accordance with AHRI Standard 210/240.

(b) Rated in accordance with D.O.E. test procedure.

(c) Sound Power values are not adjusted for AHRI 270-95 tonal corrections.

(d) Calculated in accordance with currently prevailing Nat'l Electrical Code.

(e) Standard Air — Dry Coil — Outdoor.

(f) Standard Air — Dry Coil — Indoor

(g) Filters must be installed in return air stream. Square footages listed are based on 300 f.p.m. face velocity. If permanent filters are used size per manufacturer's recommendation with a clean resistance of 0.05" W.C.



Supplementary Electric Heaters

UNIT MODEL	ELECTRIC HEATER MODEL	RATED VOLT-AGE	PHASE	AMPS	HEATER CAPACITY		NO. OF STAGES	KW/STAGE		MCA	MAX. FUSE OR HACR CKT BKR SIZE ^(a)	CANADA ONLY MAX. CKT BKR SIZE ^(b)
					KW	BTUH		1	2			
&TCC&018-060#1 &WCC&018-060#1 &TCY&024-060#1 &WCY&024-060#1 &WCZ&024-060#1	BAYHTRV105	208/ 240	1	18/ 21	3.76/ 5.0	12800/ 17100	1	3.76/ 5.0	—	23/ 26	25/30	25/30
&TCC&018-060#1 &WCC&018-060#1 &TCY&024-060#1 &WCY&024-060#1 &WCZ&024-060#1	BAYHTRV108	208/ 240	1	29/ 33	6.0/ 8.0	20500/ 27300	1	6.0/ 8.0	—	36/ 41	40/45	40/45
&TCC&024-060#1 &WCC&024-060#1 &TCY&024-060#1 &WCY&024-060#1 &WCZ&024-060#1	BAYHTRV110	208/ 240	1	36/ 42	7.5/ 10.0	25600/ 34100	1	7.5/ 10.0	—	45/ 52	45/60	45/60
&TCC&030-060#1 &WCC&030-060#1 &TCY&030-060#1 &WCY&030-060#1 &WCZ&036-060#1	BAYHTRV115	208/ 240	1	54/ 63	11.27/ 15.0	38500/ 51200	2	7.5/ 10.0	3.76/ 5.0	68/ 78	70/80	70/80
&TCC&042-060#1 &WCC&042-060#1 &TCY&042-060#1 &WCY&042-060#1 &WCZ&048-060#1	BAYHTRV120#	208/ 240	1	72/ 83	15.0/ 20.0	51200/ 68300	2	7.5/ 10.0	7.5/ 10.0	90/ 104	90/110	90/110
&TCC&060#1 &WCC&060#1 &TCY&042-060#1 &WCY&042-060#1 &WCZ&048-060#1	BAYHTRV125#	208/ 240	1	90/ 104	18.78/ 25.0	64100/ 85300	2	11.26/ 15.0	7.5/ 10.0	113/ 130	125/150	125/150
W/TC*3036-060#3 W/TCY4036-060#3 &WCZ&036-060#3 *CC4036-060#3	BAYHTRV305	208/ 240	3	10/ 12	3.76/ 5.0	12800/ 17100	1	3.76/ 5.0	—	13/ 15	15/15	15/15
W/TC*3036-060#3 W/TCY4036-060#3 &WCZ&036-060#3 *CC4036-060#3	BAYHTRV308	208/ 240	3	17/ 19	6.0/ 8.0	20500/ 27300	1	6.0/ 8.0	—	21/ 24	25/25	25/25
W/TC*3036-060#3 W/TCY4036-060#3 &WCZ&036-060#3 *CC4036-060#3	BAYHTRV310	208/ 240	3	21/ 24	7.5/ 10.0	25600/ 34100	1	7.5/ 10.0	—	26/ 30	30/30	30/30
W/TC*3036-060#3 W/TCY4036-060#3 &WCZ&036-060#3 *CC4036-060#3	BAYHTRV315	208/ 240	3	31/ 36	11.27/ 15.0	38500/ 51200	2	7.5/ 10.0	3.76/ 5.0	39/ 45	40/45	40/45
W/TC*3048-060#3 W/TCY4048-060#3 &WCZ&048-060#3 *CC4048-060#3	BAYHTRV320	208/ 240	3	42/ 48	15.0/ 20.0	51200/ 68300	2	7.5/ 10.0	7.5/ 10.0	52/ 60	60/60	60/60
W/TC*3060#3 W/TCY4048-060#3 &WCZ&048-060#3 *CC4060#3	BAYHTRV325#	208/ 240	3	52/ 60	18.78/ 25.0	64100/ 85300	2	11.26/ 15.0	7.5/ 10.0	65/ 75	70/80	70/80
W/TC*3036-060#4 &WCZ&036-060#4 *CC4036-60#4	BAYHTRV405	480	3	6	5.0	17100	1	5.0	—	8	15	15
W/TC*3036-060#4 &WCZ&036-060#4 *CC4036-60#4	BAYHTRV408	480	3	10	8.0	27300	1	8.0	—	13	15	15
W/TC*3036-060#4 &WCZ&036-060#4 *CC4036-60#4	BAYHTRV410	480	3	12	10.0	34100	1	10.0	—	15	15	15



Supplementary Electric Heaters

W/TC*3036-060#4 &WCZ&036-060#4 *CC4036-60#4	BAYHTRV415	480	3	18	15.0	51200	2	10.0	5.0	23	25	25
W/TC*3048-060#4 &WCZ&048-060#4 *CC4048-60#4	BAYHTRV420	480	3	24	20.0	68300	2	10.0	10.0	30	30	30
W/TC*3060#4 &WCZ&048-060#4 *CC4048-60#4	BAYHTRV425	480	3	30	25.0	85300	2	15.0	10.0	38	40	40

1. Any power supply and circuits must be wired and protected in accordance with local electrical codes.
2. The values listed in the above table are for the electric heater only.
3. Field wiring must be rated at least 75° C.
4. * indicates an alpha character.
5. ‡ indicates model letter.
6. # Heater uses fuses.
7. & indicates a digit.

ALL VALUES ARE FOR THE ELECTRIC HEATER ONLY

- (a) The HACR circuit breaker is for U.S.A. installations only.
 (b) For Canada installation reference only.



Indoor Fan Performance (230v)

Table 1. Horizontal Airflow

4TCC4024E1		EXTERNAL STATIC PRESSURE (IN. WG)										
MOTOR SPEED		0	0.1	0.2	0.3	0.4	0.5	0.6	0.7	0.8	0.9	1
LOW	WATTS	84	91	98	105	-	-	-	-	-	-	-
	CFM	873	811	754	690	-	-	-	-	-	-	-
MED-LOW	WATTS	-	114	121	128	138	-	-	-	-	-	-
	CFM	-	900	846	794	729	-	-	-	-	-	-
MED-HIGH	WATTS	-	-	-	158	167	175	185	-	-	-	-
	CFM	-	-	-	890	836	777	707	-	-	-	-
HIGH	WATTS	-	-	-	-	-	256	264	274	282	-	-
	CFM	-	-	-	-	-	863	818	773	731	-	-

Note: Airflow must not exceed 900 CFM due to condensate blowoff.

Table 2. Down Airflow

4TCC4024E1		EXTERNAL STATIC PRESSURE (IN. WG)										
MOTOR SPEED		0	0.1	0.2	0.3	0.4	0.5	0.6	0.7	0.8	0.9	1
LOW	WATTS	85	92	98	106	-	-	-	-	-	-	-
	CFM	865	803	746	683	-	-	-	-	-	-	-
MED-LOW	WATTS	-	115	122	129	138	-	-	-	-	-	-
	CFM	-	891	838	786	722	-	-	-	-	-	-
MED-HIGH	WATTS	-	-	-	159	167	176	186	-	-	-	-
	CFM	-	-	-	881	828	769	700	-	-	-	-
HIGH	WATTS	-	-	-	-	249	258	266	276	284	-	-
	CFM	-	-	-	-	899	854	810	765	724	-	-

Note: Airflow must not exceed 900 CFM due to condensate blowoff.

Table 3. Horizontal Airflow

4TCC4030E1		EXTERNAL STATIC PRESSURE (IN. WG)										
MOTOR SPEED		0	0.1	0.2	0.3	0.4	0.5	0.6	0.7	0.8	0.9	1
LOW	WATTS	126	134	142	150	158	-	-	-	-	-	-
	CFM	1051	994	939	889	840	-	-	-	-	-	-
MED-LOW	WATTS	-	175	184	192	200	209	219	-	-	-	-
	CFM	-	1107	1054	1009	965	919	862	-	-	-	-
MED-HIGH	WATTS	-	-	239	247	256	267	274	282	-	-	-
	CFM	-	-	1108	1070	1027	975	920	875	-	-	-
HIGH	WATTS	-	-	-	-	259	268	278	289	-	-	-
	CFM	-	-	-	-	1099	1059	1017	968	-	-	-

Note: Airflow must not exceed 1125 CFM due to condensate blowoff.



Indoor Fan Performance (230v)

Table 4. Down Airflow

4TCC4030E1		EXTERNAL STATIC PRESSURE (IN. WG)										
MOTOR SPEED		0	0.1	0.2	0.3	0.4	0.5	0.6	0.7	0.8	0.9	1
LOW	WATTS	126	135	143	150	158	-	-	-	-	-	-
	CFM	1041	984	930	880	831	-	-	-	-	-	-
MED-LOW	WATTS	-	176	185	193	201	210	220	-	-	-	-
	CFM	-	1096	1044	999	956	910	853	-	-	-	-
MED-HIGH	WATTS	-	-	240	248	258	269	276	284	-	-	-
	CFM	-	-	1097	1059	1017	965	911	866	-	-	-
HIGH	WATTS	-	-	-	-	260	270	279	290	-	-	-
	CFM	-	-	-	-	1088	1048	1007	959	-	-	-

Note: Airflow must not exceed 1125 CFM due to condensate blowoff.

Table 5. Horizontal Airflow

4TCC4036E1		EXTERNAL STATIC PRESSURE (IN. WG)										
MOTOR SPEED		0	0.1	0.2	0.3	0.4	0.5	0.6	0.7	0.8	0.9	1
LOW	WATTS	247	258	267	277	287	-	-	-	-	-	-
	CFM	1192	1160	1126	1091	1052	-	-	-	-	-	-
MED-LOW	WATTS	-	352	361	372	382	392	404	416	-	-	-
	CFM	-	1272	1243	1214	1186	1154	1116	1072	-	-	-
MED-HIGH	WATTS	-	-	-	-	489	500	511	523	537	548	558
	CFM	-	-	-	-	1349	1319	1277	1242	1199	1160	1124
HIGH	WATTS	-	-	-	-	-	516	527	539	552	566	575
	CFM	-	-	-	-	-	1326	1296	1263	1225	1183	1150

Note: Airflow must not exceed 1350 CFM due to condensate blowoff.

Table 6. Down Airflow

4TCC4036E1		EXTERNAL STATIC PRESSURE (IN. WG)										
MOTOR SPEED		0	0.1	0.2	0.3	0.4	0.5	0.6	0.7	0.8	0.9	1
LOW	WATTS	248	260	269	279	289	-	-	-	-	-	-
	CFM	1180	1148	1115	1080	1041	-	-	-	-	-	-
MED-LOW	WATTS	-	354	363	374	384	394	406	418	-	-	-
	CFM	-	1259	1231	1202	1174	1142	1105	1061	-	-	-
MED-HIGH	WATTS	-	-	-	-	492	503	514	526	540	551	561
	CFM	-	-	-	-	1336	1306	1264	1230	1187	1148	1113
HIGH	WATTS	-	-	-	-	-	519	530	542	555	569	578
	CFM	-	-	-	-	-	1299	1270	1238	1201	1159	1127

Note: Airflow must not exceed 1350 CFM due to condensate blowoff.

Table 7. Horizontal Airflow

4TCC4042E1		EXTERNAL STATIC PRESSURE (IN. WG)										
MOTOR SPEED		0	0.1	0.2	0.3	0.4	0.5	0.6	0.7	0.8	0.9	1
LOW	WATTS	224	233	242	252	262	-	-	-	-	-	-
	CFM	1358	1393	1348	1296	1253	-	-	-	-	-	-
MED-LOW	WATTS	306	316	327	337	348	359	369	382	395	-	-
	CFM	1521	1490	1448	1391	1362	1338	1315	1307	1254	-	-
MED-HIGH	WATTS	-	-	-	-	455	467	477	490	503	513	-
	CFM	-	-	-	-	1529	1491	1467	1425	1385	1345	-
HIGH	WATTS	-	-	-	-	490	502	514	527	540	554	568
	CFM	-	-	-	-	1533	1505	1476	1447	1415	1383	1347

Note: Airflow must not exceed 1575 CFM due to condensate blowoff.

Table 8. Down Airflow

4TCC4042E1		EXTERNAL STATIC PRESSURE (IN. WG)										
MOTOR SPEED		0	0.1	0.2	0.3	0.4	0.5	0.6	0.7	0.8	0.9	1
LOW	WATTS	228	238	247	257	267	-	-	-	-	-	-
	CFM	1345	1379	1334	1283	1241	-	-	-	-	-	-
MED-LOW	WATTS	312	322	333	344	354	366	377	389	403	-	-
	CFM	1506	1475	1433	1377	1348	1325	1302	1293	1241	-	-
MED-HIGH	WATTS	-	-	-	-	464	477	487	499	513	523	-
	CFM	-	-	-	-	1514	1476	1453	1411	1371	1331	-
HIGH	WATTS	-	-	-	-	499	511	523	536	550	564	578
	CFM	-	-	-	-	1518	1490	1461	1433	1401	1369	1334

Note: Airflow must not exceed 1575 CFM due to condensate blowoff.

Table 9. Horizontal Airflow

4TCC4048E1		EXTERNAL STATIC PRESSURE (IN. WG)										
MOTOR SPEED		0	0.1	0.2	0.3	0.4	0.5	0.6	0.7	0.8	0.9	1
LOW	WATTS	302	313	324	332	346	-	-	-	-	-	-
	CFM	1583	1542	1502	1460	1415	-	-	-	-	-	-
MED-LOW	WATTS	414	426	436	448	459	471	483	495	510	-	-
	CFM	1763	1723	1689	1648	1609	1568	1527	1488	1447	-	-
MED-HIGH	WATTS	-	577	591	604	617	631	643	655	599	-	-
	CFM	-	1786	1757	1729	1700	1675	1648	1624	1504	-	-
HIGH	WATTS	-	-	-	-	-	613	631	643	647	611	-
	CFM	-	-	-	-	-	1769	1728	1688	1652	1545	-

Note: Airflow must not exceed 1800 CFM due to condensate blowoff.



Indoor Fan Performance (230v)

Table 10. Down Airflow

4TCC4048E1		EXTERNAL STATIC PRESSURE (IN. WG)										
MOTOR SPEED		0	0.1	0.2	0.3	0.4	0.5	0.6	0.7	0.8	0.9	1
LOW	WATTS	308	320	330	339	352	-	-	-	-	-	-
	CFM	1567	1526	1487	1445	1401	-	-	-	-	-	-
MED-LOW	WATTS	422	434	444	457	468	480	493	505	520	-	-
	CFM	1745	1706	1672	1632	1593	1552	1512	1473	1433	-	-
MED-HIGH	WATTS	-	589	603	616	629	644	656	668	611	-	-
	CFM	-	1768	1739	1712	1683	1658	1632	1608	1489	-	-
HIGH	WATTS	-	-	-	-	-	625	644	656	660	623	-
	CFM	-	-	-	-	-	1751	1711	1671	1635	1530	-

Note: Airflow must not exceed 1800 CFM due to condensate blowoff.

Table 11. Horizontal Airflow

4TCC4060E1		EXTERNAL STATIC PRESSURE (IN. WG)										
MOTOR SPEED		0	0.1	0.2	0.3	0.4	0.5	0.6	0.7	0.8	0.9	1
LOW	WATTS	515	523	533	544	-	-	-	-	-	-	-
	CFM	1857	1831	1800	1766	-	-	-	-	-	-	-
MED-LOW	WATTS	594	609	624	639	653	667	681	695	709	-	-
	CFM	2031	2003	1974	1940	1907	1874	1837	1805	1771	-	-
MED-HIGH	WATTS	749	759	769	779	788	803	816	830	845	860	-
	CFM	2083	2058	2032	2003	1974	1943	1911	1877	1843	1807	-
HIGH	WATTS	900	910	921	932	941	956	969	983	997	1010	-
	CFM	2201	2177	2152	2127	2105	2071	2041	2009	1975	1940	-

Note: Airflow must not exceed 2250 CFM due to condensate blowoff.

Table 12. Down Airflow

4TCC4060E1		EXTERNAL STATIC PRESSURE (IN. WG)										
MOTOR SPEED		0	0.1	0.2	0.3	0.4	0.5	0.6	0.7	0.8	0.9	1
LOW	WATTS	524	533	545	558	-	-	-	-	-	-	-
	CFM	1831	1802	1765	1728	-	-	-	-	-	-	-
MED-LOW	WATTS	611	627	642	658	672	686	701	715	730	-	-
	CFM	2003	1975	1946	1913	1880	1848	1811	1780	1746	-	-
MED-HIGH	WATTS	770	781	790	804	819	832	845	858	872	887	-
	CFM	2054	2030	2010	1976	1946	1911	1879	1848	1817	1781	-
HIGH	WATTS	940	936	937	948	962	975	990	992	987	985	-
	CFM	2201	2151	2120	2095	2066	2033	1999	1937	1921	1871	-

Note: Airflow must not exceed 2250 CFM due to condensate blowoff.

Wiring Diagrams

Figure 1. 4TCC4024 – 4042 Models

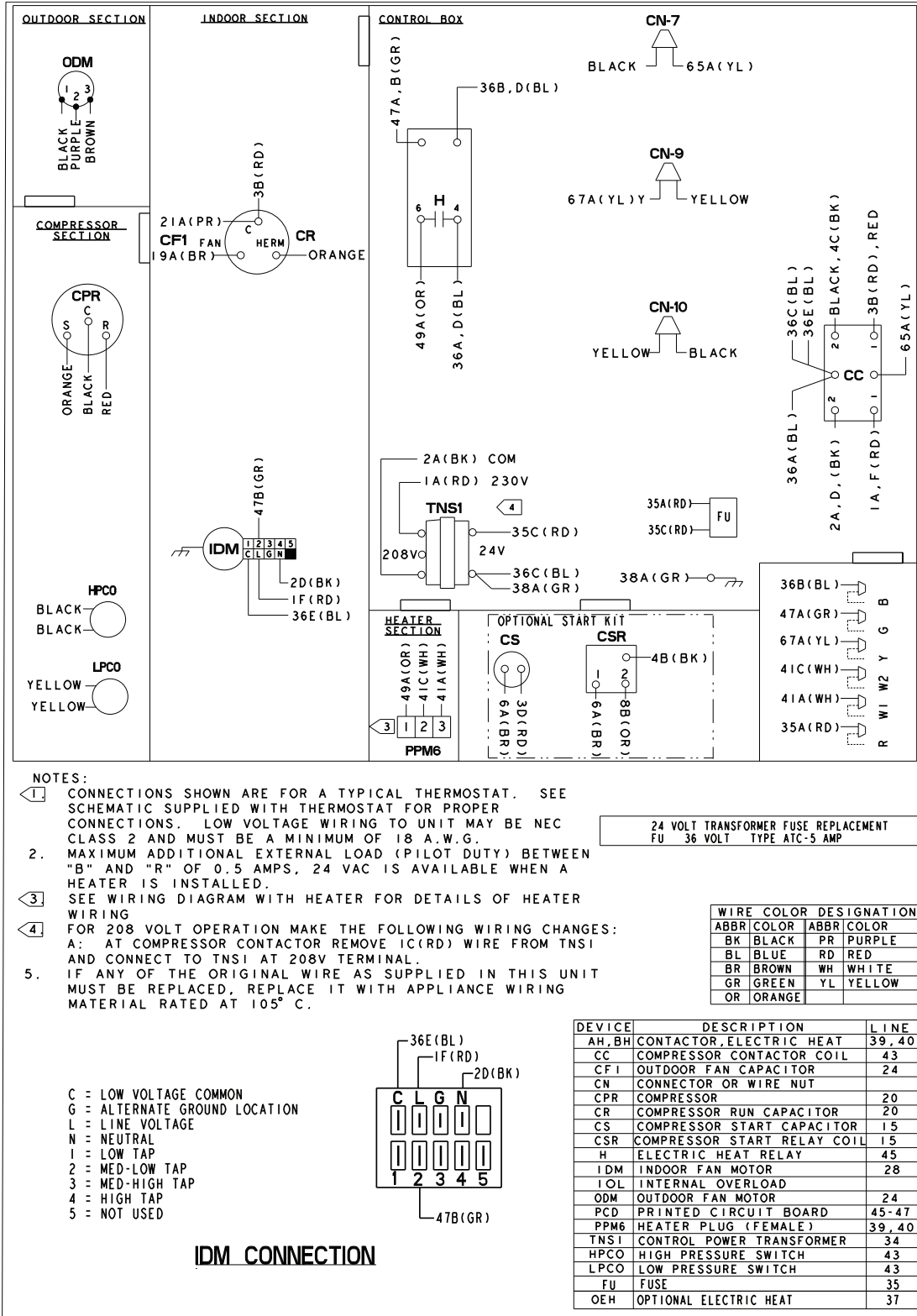


Figure 2. 4TCC4024 — 4042 Models Pg 2

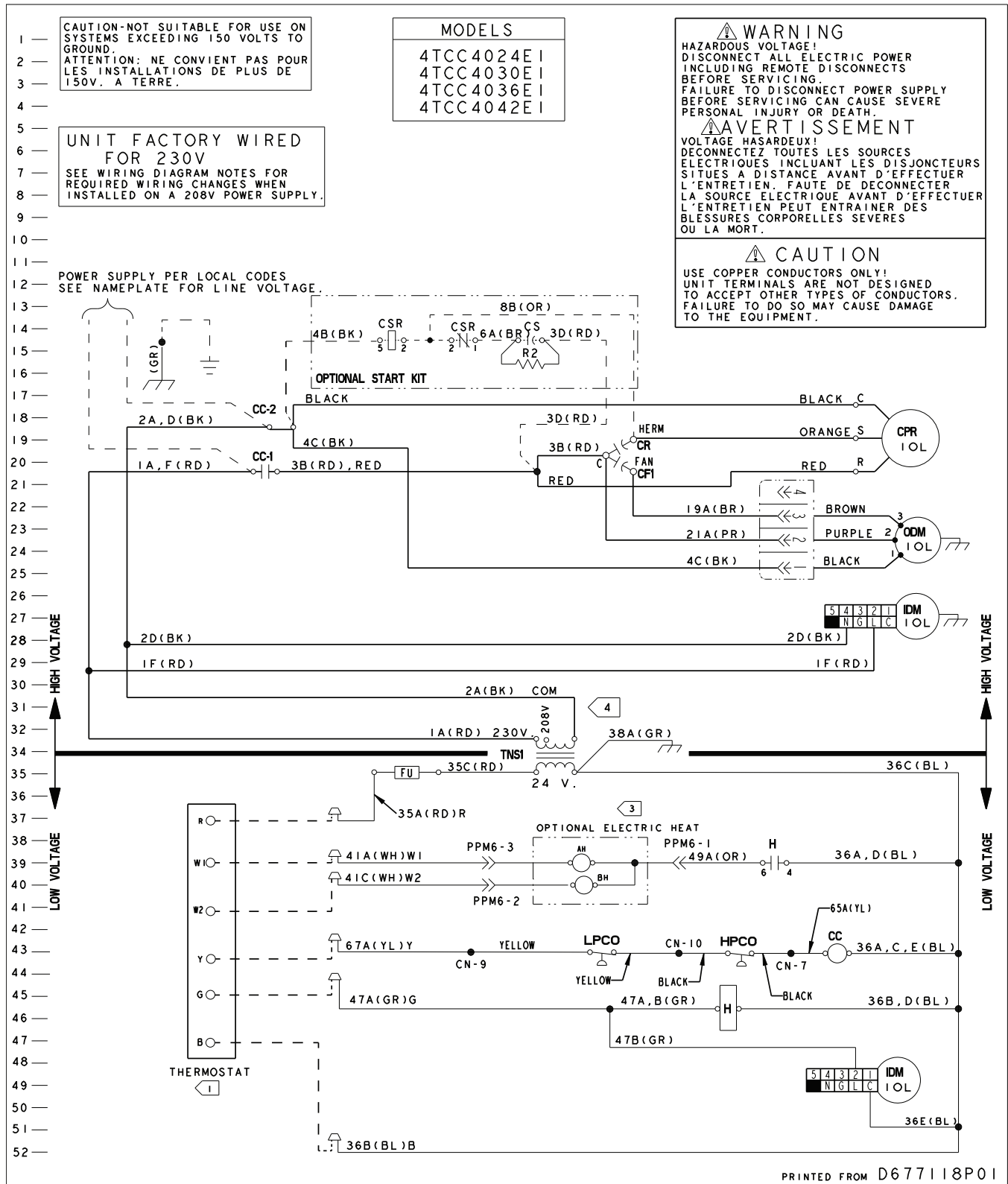
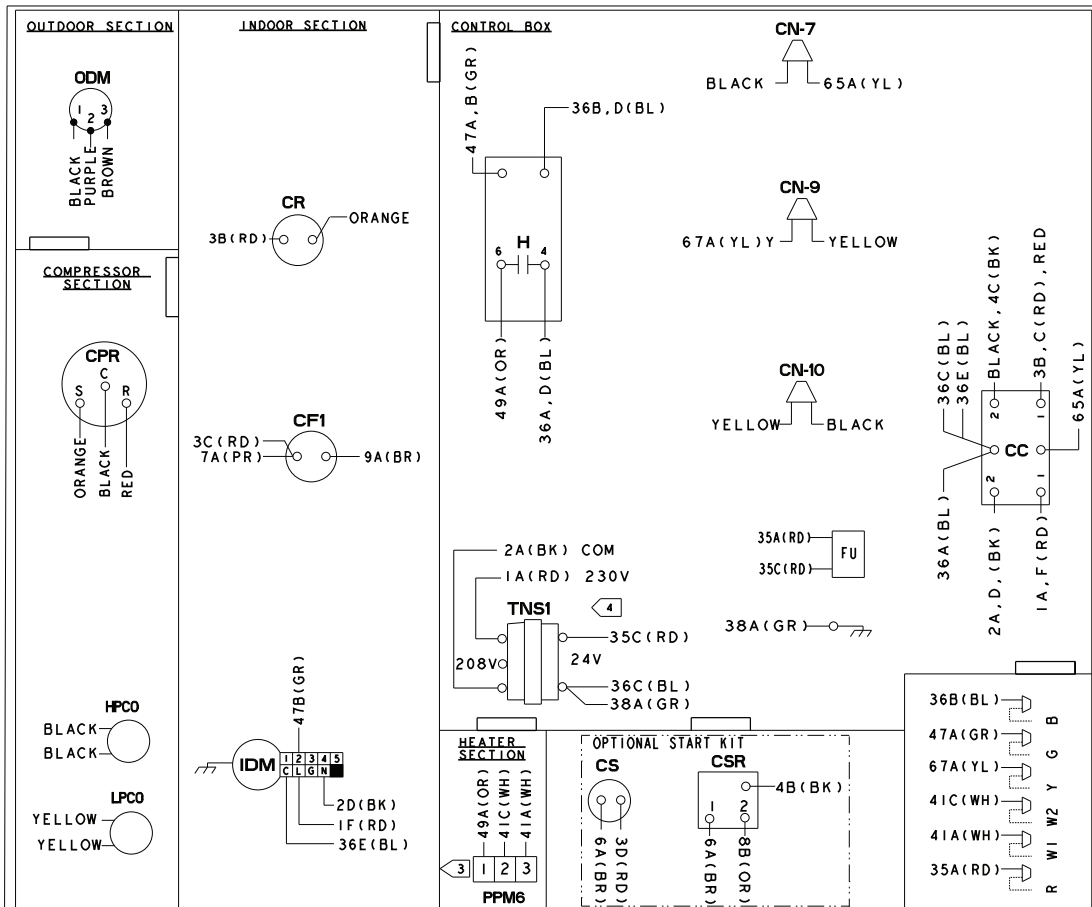


Figure 3. 4TCC4048



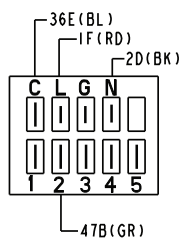
NOTES:

- 1 CONNECTIONS SHOWN ARE FOR A TYPICAL THERMOSTAT. SEE SCHEMATIC SUPPLIED WITH THERMOSTAT FOR PROPER CONNECTIONS. LOW VOLTAGE WIRING TO UNIT MAY BE NEC CLASS 2 AND MUST BE A MINIMUM OF 18 A.W.G.
2. MAXIMUM ADDITIONAL EXTERNAL LOAD (PILOT DUTY) BETWEEN "B" AND "R" OF 0.5 AMPS, 24 VAC IS AVAILABLE WHEN A HEATER IS INSTALLED.
3. SEE WIRING DIAGRAM WITH HEATER FOR DETAILS OF HEATER WIRING
4. FOR 208 VOLT OPERATION MAKE THE FOLLOWING WIRING CHANGES:
A: AT COMPRESSOR CONTACTOR REMOVE IC(RD) WIRE FROM TNS1 AND CONNECT TO TNS1 AT 208V TERMINAL.
5. IF ANY OF THE ORIGINAL WIRE AS SUPPLIED IN THIS UNIT MUST BE REPLACED, REPLACE IT WITH APPLIANCE WIRING MATERIAL RATED AT 105° C.

24 VOLT TRANSFORMER FUSE REPLACEMENT
FU 36 VOLT TYPE ATC-5 AMP

ABBR	COLOR	ABBR	COLOR
BK	BLACK	PR	PURPLE
BL	BLUE	RD	RED
BR	BROWN	WH	WHITE
GR	GREEN	YL	YELLOW
OR	ORANGE		

- C = LOW VOLTAGE COMMON
- G = ALTERNATE GROUND LOCATION
- L = LINE VOLTAGE
- N = NEUTRAL
- 1 = LOW TAP
- 2 = MED-LOW TAP
- 3 = MED-HIGH TAP
- 4 = HIGH TAP
- 5 = NOT USED



IDM CONNECTION

DEVICE	DESCRIPTION	LINE
AH, BH	CONTACTOR, ELECTRIC HEAT	39, 40
CC	COMPRESSOR CONTACTOR COIL	43
CF1	OUTDOOR FAN CAPACITOR	24
CN	CONNECTOR OR WIRE NUT	
CPR	COMPRESSOR	20
CR	COMPRESSOR RUN CAPACITOR	20
CS	COMPRESSOR START CAPACITOR	15
CSR	COMPRESSOR START RELAY COIL	15
H	ELECTRIC HEAT RELAY	45
IDM	INDOOR FAN MOTOR	28
IOL	INTERNAL OVERLOAD	
ODM	OUTDOOR FAN MOTOR	24
PCD	PRINTED CIRCUIT BOARD	45-47
PPM6	HEATER PLUG (FEMALE)	39, 40
TNS1	CONTROL POWER TRANSFORMER	34
HPCO	HIGH PRESSURE SWITCH	43
LPCO	LOW PRESSURE SWITCH	43
FU	FUSE	35
OEH	OPTIONAL ELECTRIC HEAT	37

Figure 4. 4TCC4048 Pg 2

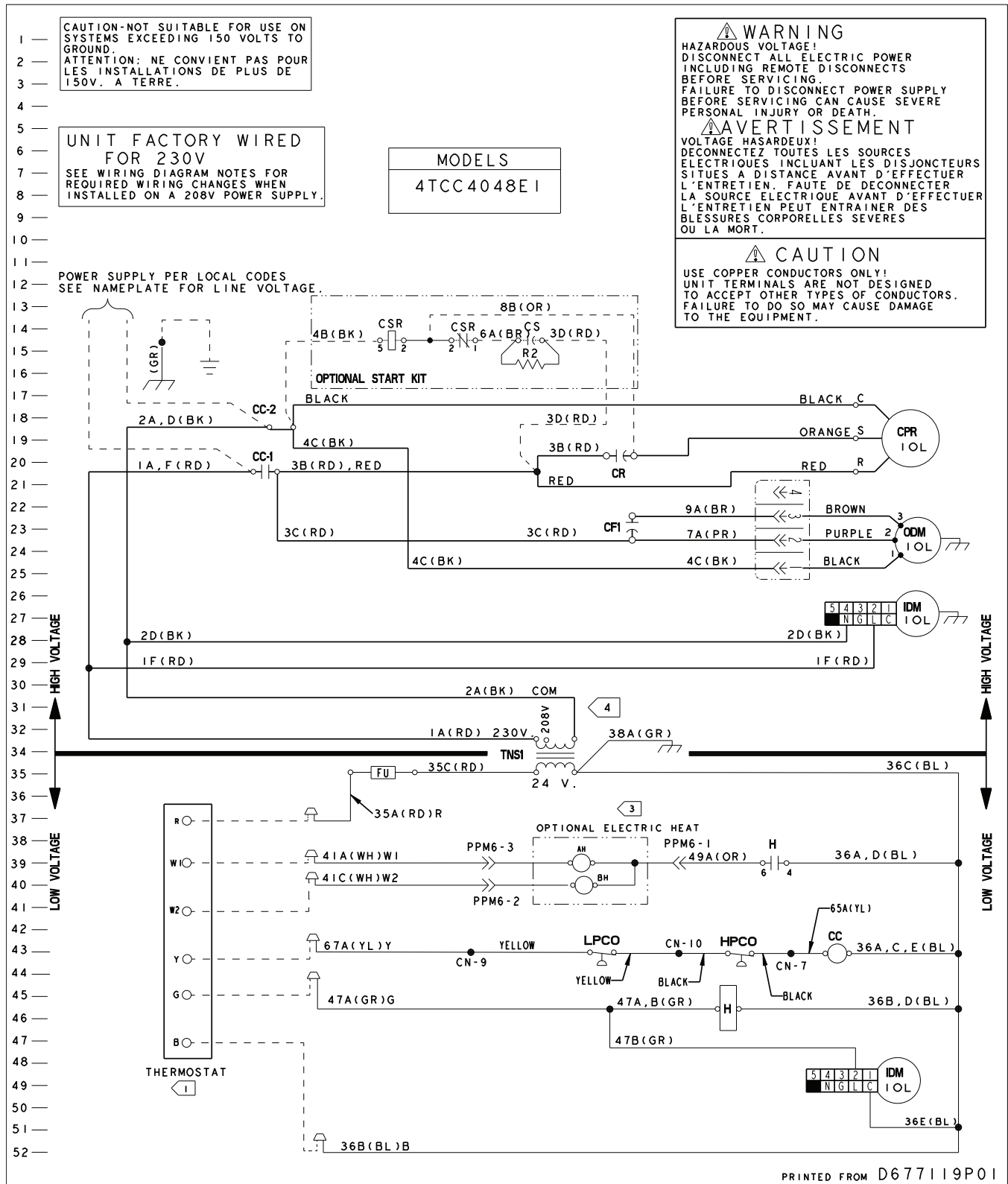
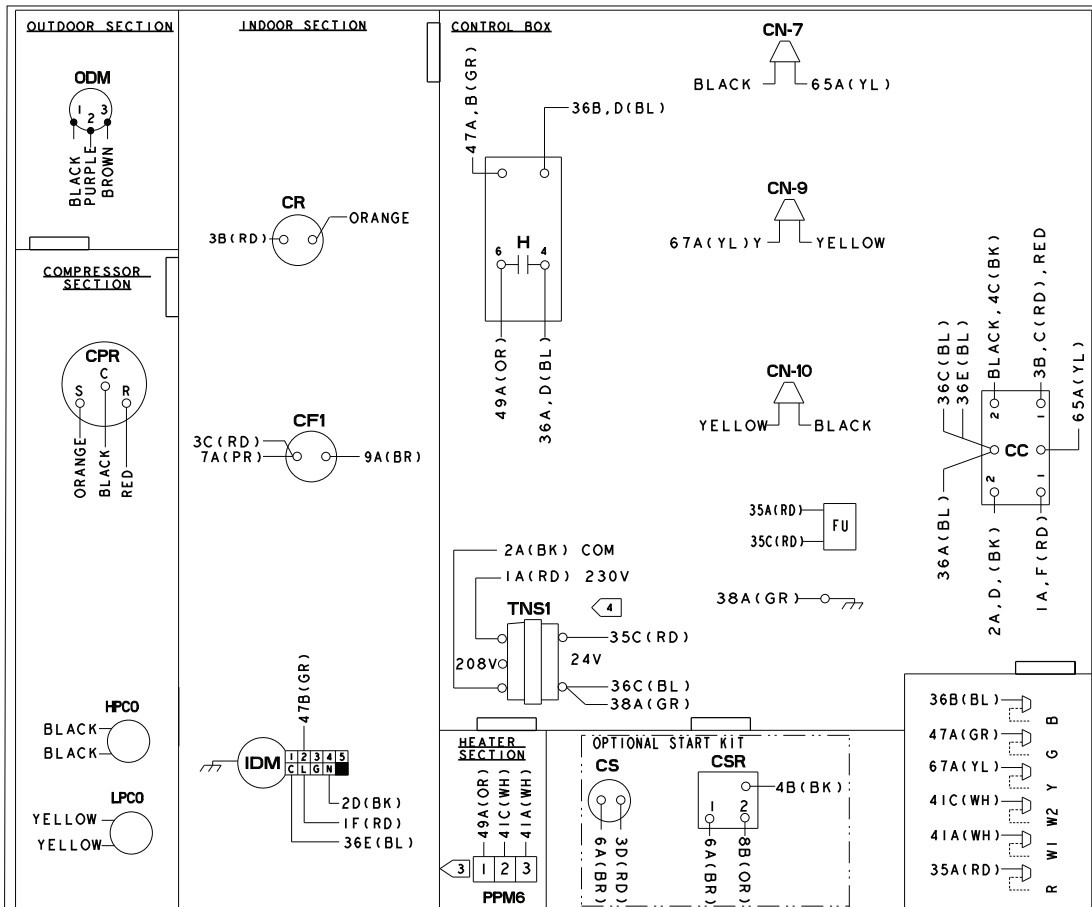


Figure 5. 4TCC4060



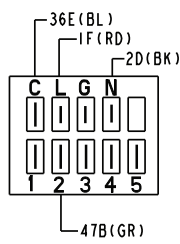
NOTES:

- 1 CONNECTIONS SHOWN ARE FOR A TYPICAL THERMOSTAT. SEE SCHEMATIC SUPPLIED WITH THERMOSTAT FOR PROPER CONNECTIONS. LOW VOLTAGE WIRING TO UNIT MAY BE NEC CLASS 2 AND MUST BE A MINIMUM OF 18 A.W.G.
2. MAXIMUM ADDITIONAL EXTERNAL LOAD (PILOT DUTY) BETWEEN "B" AND "R" OF 0.5 AMPS, 24 VAC IS AVAILABLE WHEN A HEATER IS INSTALLED.
3. SEE WIRING DIAGRAM WITH HEATER FOR DETAILS OF HEATER WIRING
4. FOR 208 VOLT OPERATION MAKE THE FOLLOWING WIRING CHANGES:
A: AT COMPRESSOR CONTACTOR REMOVE IC(RD) WIRE FROM TNS1 AND CONNECT TO TNS1 AT 208V TERMINAL.
5. IF ANY OF THE ORIGINAL WIRE AS SUPPLIED IN THIS UNIT MUST BE REPLACED, REPLACE IT WITH APPLIANCE WIRING MATERIAL RATED AT 105° C.

24 VOLT TRANSFORMER FUSE REPLACEMENT
FU 36 VOLT TYPE ATC-5 AMP

ABBR	COLOR	ABBR	COLOR
BK	BLACK	PR	PURPLE
BL	BLUE	RD	RED
BR	BROWN	WH	WHITE
GR	GREEN	YL	YELLOW
OR	ORANGE		

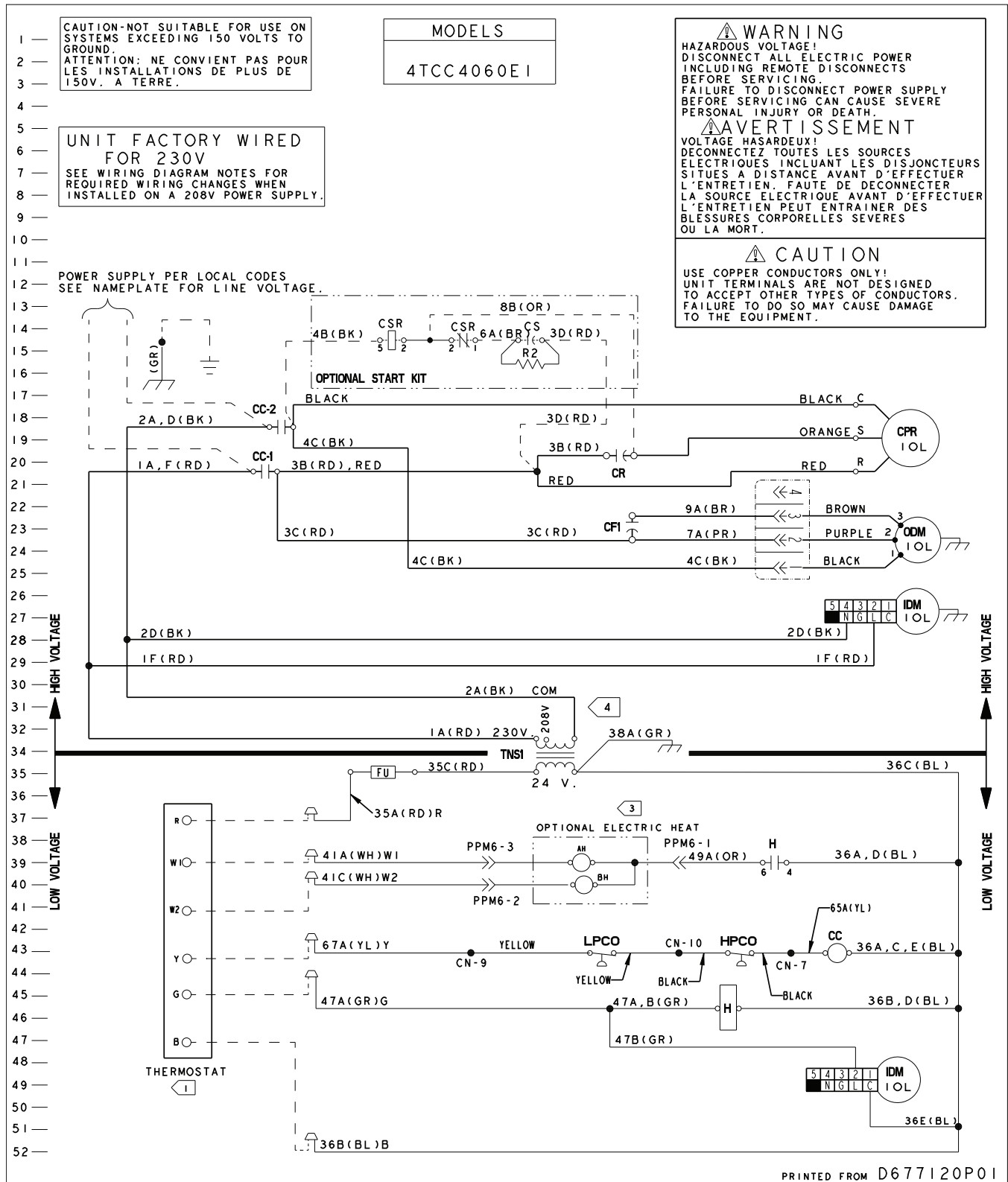
- C = LOW VOLTAGE COMMON
- G = ALTERNATE GROUND LOCATION
- L = LINE VOLTAGE
- N = NEUTRAL
- 1 = LOW TAP
- 2 = MED-LOW TAP
- 3 = MED-HIGH TAP
- 4 = HIGH TAP
- 5 = NOT USED



IDM CONNECTION

DEVICE	DESCRIPTION	LINE
AH, BH	CONTACTOR, ELECTRIC HEAT	39, 40
CC	COMPRESSOR CONTACTOR COIL	43
CF1	OUTDOOR FAN CAPACITOR	24
CN	CONNECTOR OR WIRE NUT	
CPR	COMPRESSOR	20
CR	COMPRESSOR RUN CAPACITOR	20
CS	COMPRESSOR START CAPACITOR	15
CSR	COMPRESSOR START RELAY COIL	15
H	ELECTRIC HEAT RELAY	45
IDM	INDOOR FAN MOTOR	28
IOL	INTERNAL OVERLOAD	
ODM	OUTDOOR FAN MOTOR	24
PCD	PRINTED CIRCUIT BOARD	45-47
PPM6	HEATER PLUG (FEMALE)	39, 40
TNS1	CONTROL POWER TRANSFORMER	34
HPCO	HIGH PRESSURE SWITCH	43
LPCO	LOW PRESSURE SWITCH	43
FU	FUSE	35
OEH	OPTIONAL ELECTRIC HEAT	37

Figure 6. 4TCC4060 Pg 2

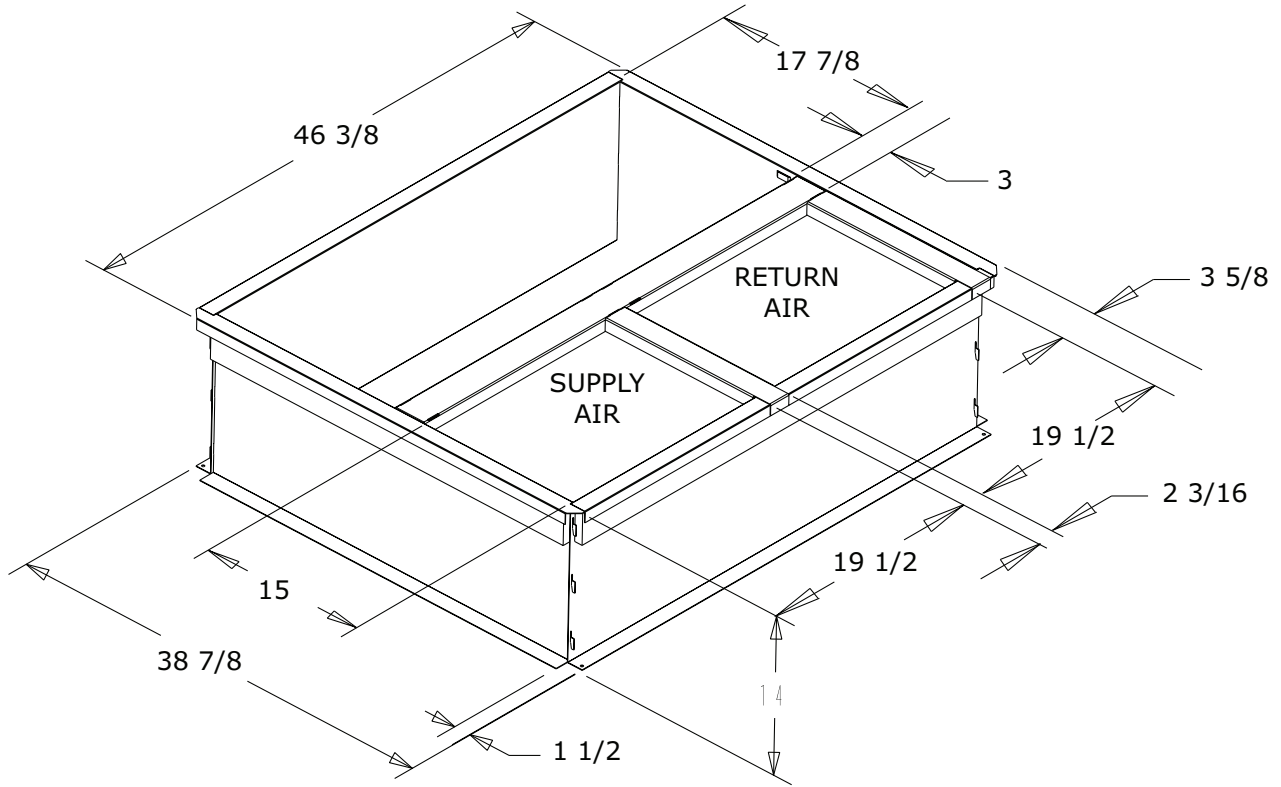




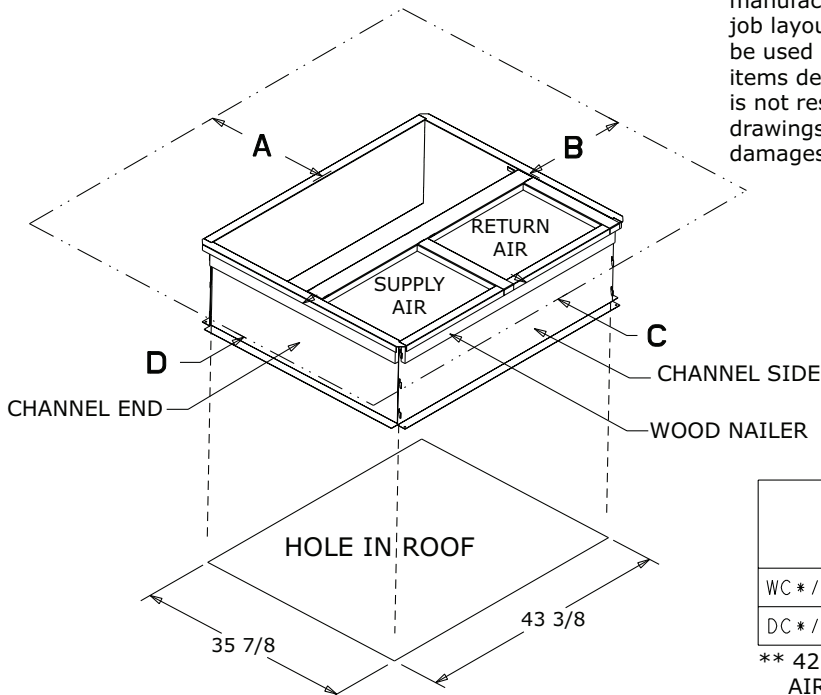
Full Perimeter Roof Mounting Curb

Figure 7. 2.0 – 3.0 Ton Models

BAYCURB050A Full Perimeter Roof Mounting Curb



The drawings on this page are prepared by the manufacturer in order to provide detail regarding job layout only. These drawings are not intended to be used as a basis to construct, build or modify the items depicted in the drawings. The manufacturer is not responsible for the unauthorized use of these drawings and expressly disclaims any liability for damages resulting from such unauthorized use.

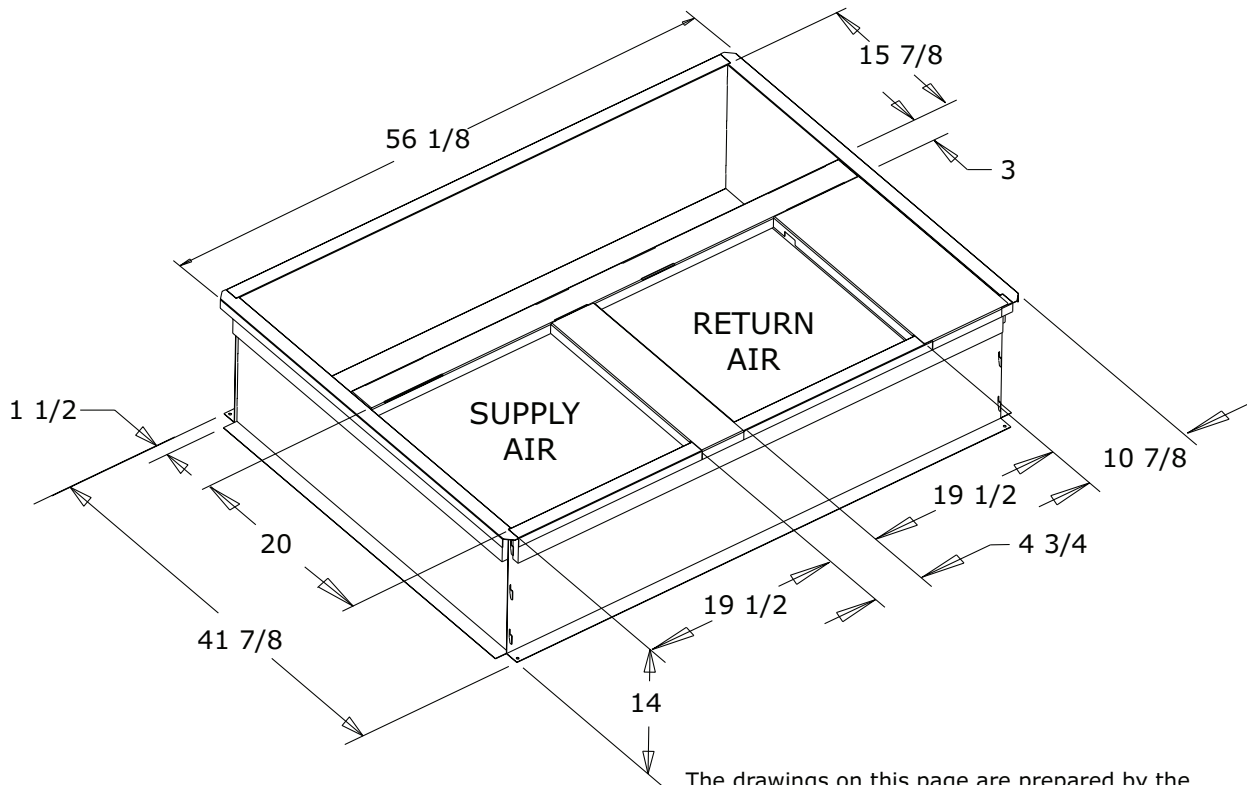


	SERVICE CLEARANCE DIMENSIONS			
	A	B	C	D
WC*/TC*	42.00	36.00	12.00**	24.00
DC*/YC*	42.00	36.00	12.00**	36.00

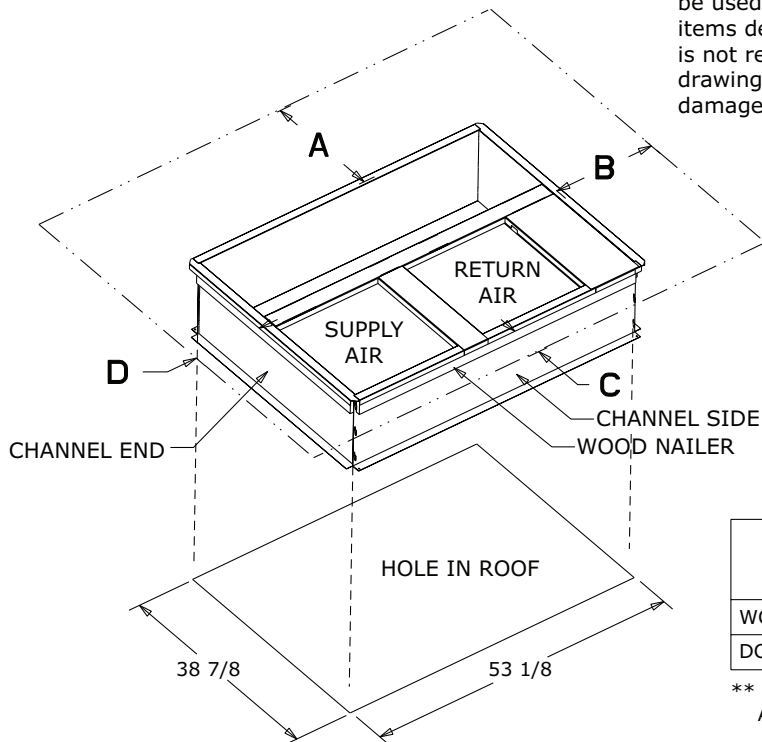
** 42.00 WITH ECONOMIZER WITH 25% FRESH AIR ACCESSORY

Figure 8. 3.5 – 5.0 Ton Models

BAYCURB051A Full Perimeter Roof Mounting Curb



The drawings on this page are prepared by the manufacturer in order to provide detail regarding job layout only. These drawings are not intended to be used as a basis to construct, build or modify the items depicted in the drawings. The manufacturer is not responsible for the unauthorized use of these drawings and expressly disclaims any liability for damages resulting from such unauthorized use.



	SERVICE CLEARANCE DIMENSIONS			
	A	B	C	D
WC*/TC*	42.00	36.00	12.00**	24.00
DC*/YC*	42.00	36.00	12.00**	36.00

** 42.00 WITH ECONOMIZER WITH 25% FRESH AIR ACCESSORY

Optional Equipment – Economizer

Table 13. BAYECON101,102A Down Discharge Economizer and Rain Hood (Mounts Over Horizontal Return Air Opening)

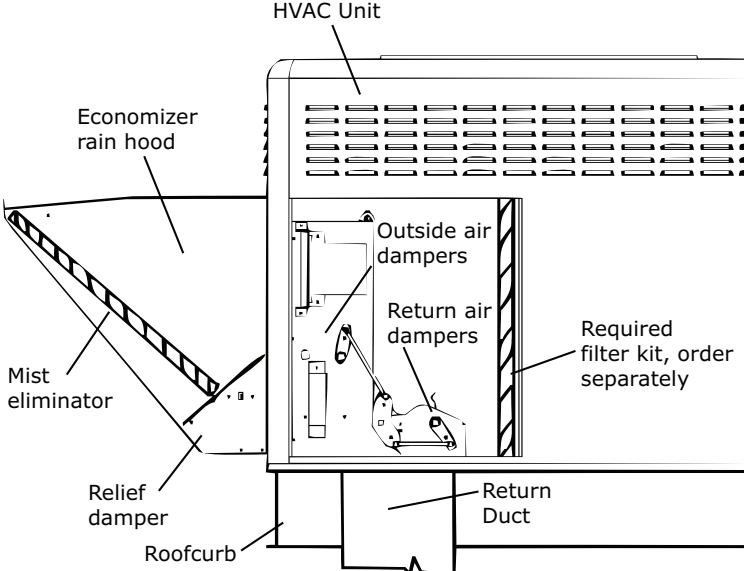
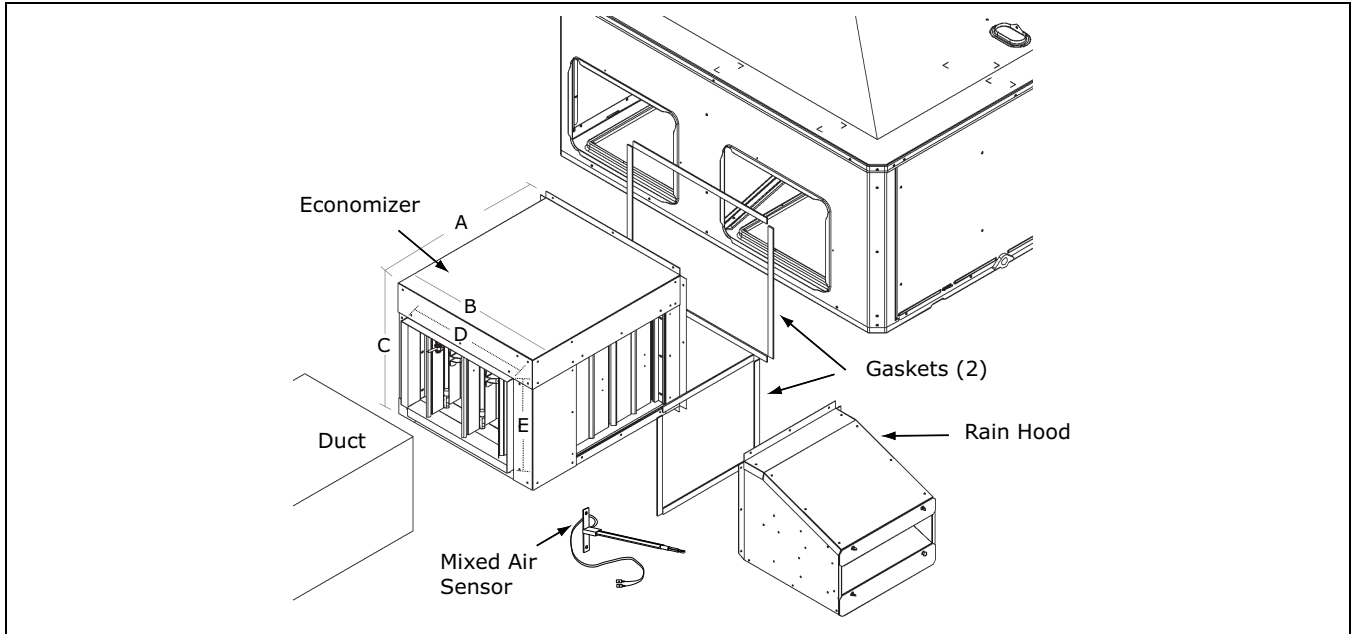
	Economizer	Unit Application Models
	BAYECON101A	2.0 – 3.0 Ton Models
	BAYECON102A	3.5 – 5.0 Ton Models

Table 14. BAYCON200, 201A Horizontal Economizer and Rain Hood



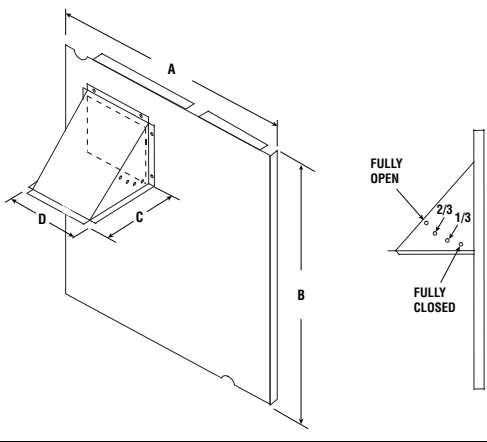
Economizer	Models	A	B	C	D	E	F
BAYECON200A	2.0 – 3.0 Ton	22"	20"	16-7/8"	15-11/16"	11-11/16"	15"
BAYECON201A	3.5 – 5.0 Ton	26"	22-21/32"	19"	17-11/16"	14-11/16"	21-3/8"

Note: The drawings on this page are prepared by the manufacturer in order to provide detail regarding job layout only. These drawings are not intended to be used as a basis to construct, build or modify the items depicted in the drawings. The manufacturer is not responsible for the unauthorized use of these drawings and expressly disclaims any liability for damages resulting from such unauthorized use.

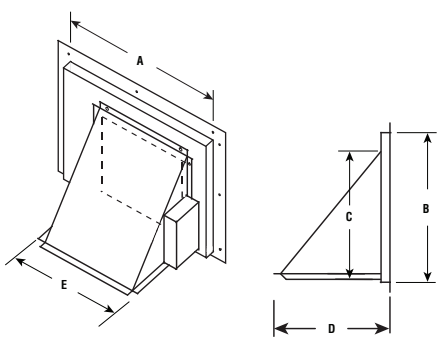


Optional Equipment – Outside Air Damper

**Table 15. BAYOSAH001 and 002A Outside Air Damper
(Replaces Filter/Coil Access Panel)**

	Manual Fresh Air Model	Unit Application Models	A	B	C	D
	BAYOSAH001A	2.0 – 3.0 Ton	22-7/16"	20-11/16"	12-3/8"	9-3/16"
BAYOSAH002A	3.5 – 5.0 Ton	25-3/16"	20-11/16"	12-3/8"	9-3/16"	

**Table 16. BAYDMPR101 and 102A, 25% Motorized Outside Air Damper
(Mounts Over Horizontal Return Air Opening)**

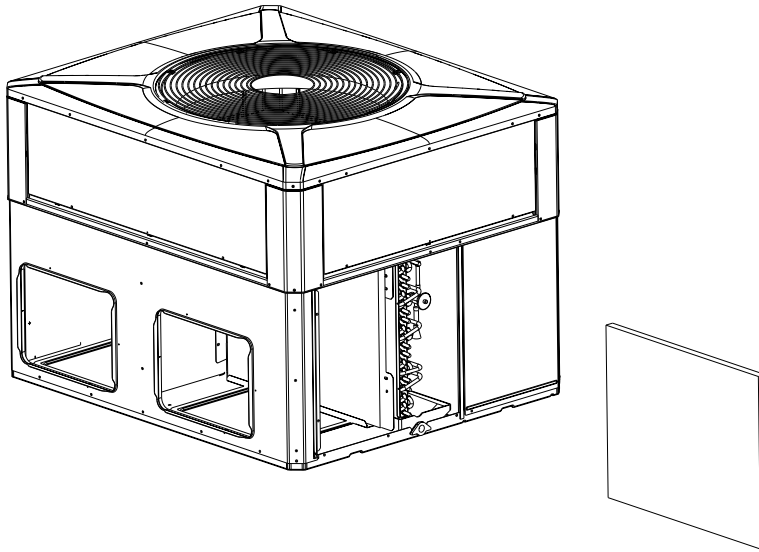
	Manual Fresh Air Model	Unit Application Models	A	B	C	D	E
	BAYDM-PR101A	2.0 – 3.0 Ton	15-13/16"	11-13/16"	10-1/4"	11-1/2"	12-1/4"
BAYDM-PR102A	3.5 – 5.0 Ton	18-3/16"	15-1/8"	10-1/4"	11-1/2"	12-1/4"	

Note: The drawings on this page are prepared by the manufacturer in order to provide detail regarding job layout only. These drawings are not intended to be used as a basis to construct, build or modify the items depicted in the drawings. The manufacturer is not responsible for the unauthorized use of these drawings and expressly disclaims any liability for damages resulting from such unauthorized use.

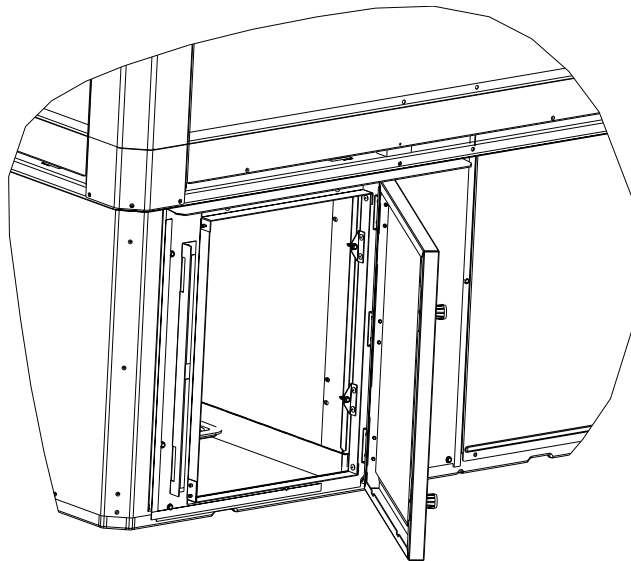


Optional Equipment — Filter Rack

**Figure 9. BAYFLTR101 Filter Rack (2.0 – 3.0 Ton Models)
BAYFLTR201 (3.5 – 5.0 Ton Models)
(Mounts in Filter/Coil Section)**



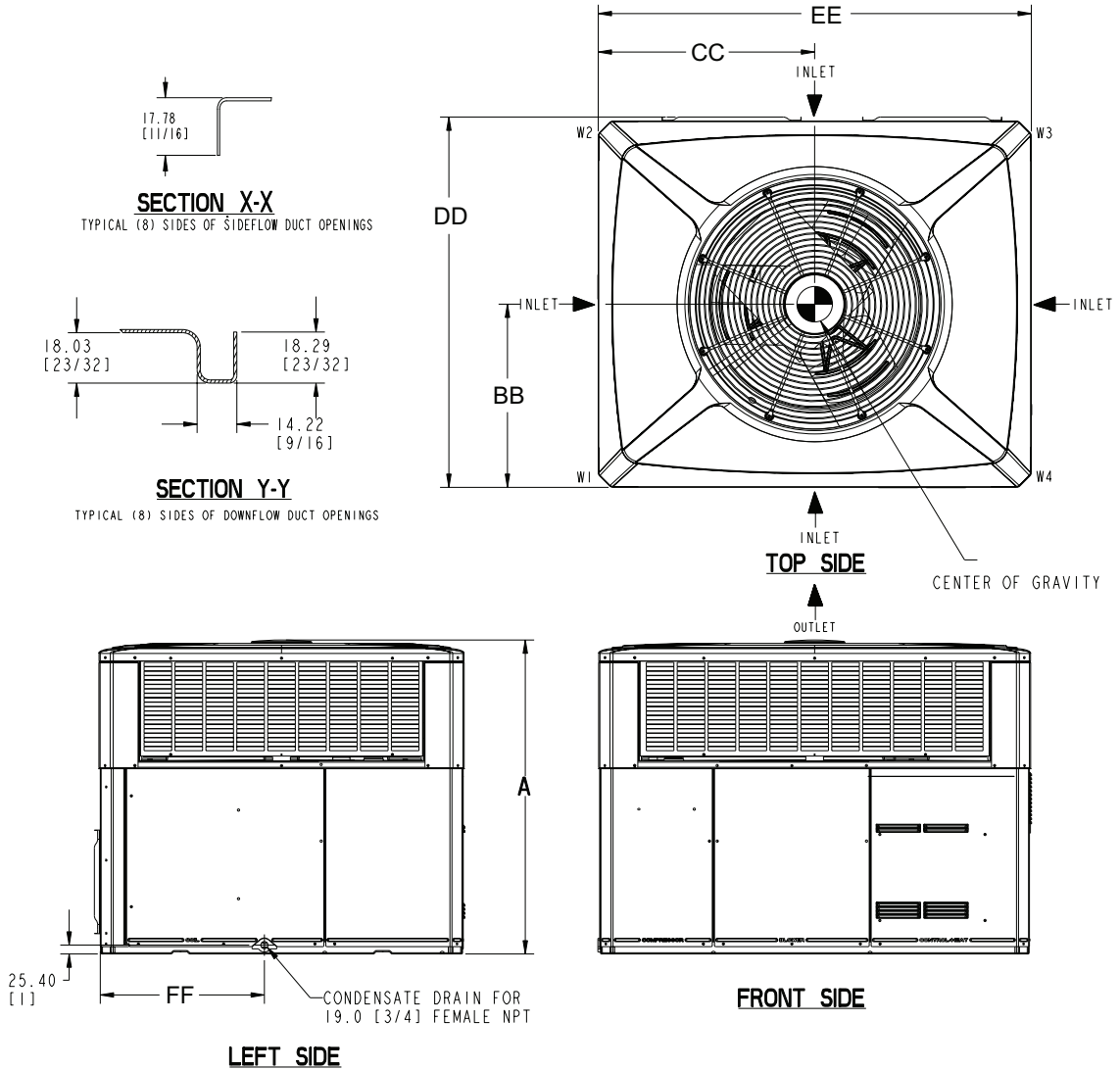
**Figure 10. BAYACCDOR1A Hinged Filter Access Door (2.0 – 3.0 Ton Models)
BAYACCDOR2A (3.5 – 5.0 Ton Models)
Replaces Filter/Coil Access Panel**



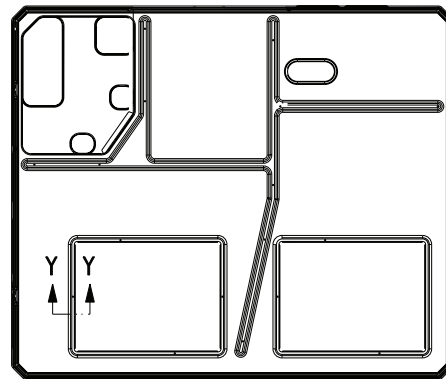
Note: The drawings on this page are prepared by the manufacturer in order to provide detail regarding job layout only. These drawings are not intended to be used as a basis to construct, build or modify the items depicted in the drawings. The manufacturer is not responsible for the unauthorized use of these drawings and expressly disclaims any liability for damages resulting from such unauthorized use.

Outline Drawings

Figure 11. 2 - 5 Ton Models

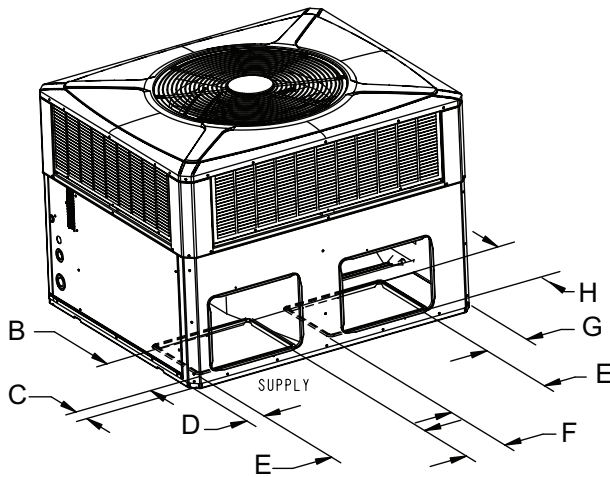


	2 - 3 TON Units		3.5 - 5 TON Units	
	RECOMMENDED SERVICE CLEARANCE mm [Inches]			
	W/ ECONOMIZER	W/ ECONOMIZER	W/ ECONOMIZER	W/ ECONOMIZER
BACK SIDE	305 [12]	762 [30]	305 [12]	762 [30]
LEFT SIDE	762 [30]	914 [36]	914 [36]	1067 [42]
RIGHT SIDE	610 [24]	-	610 [24]	-
FRONT SIDE	1067 [42]	-	762 [30]	-
	CLEARANCE TO COMBUSTIBLE MATERIAL mm [Inches]			
BOTTOM	0		0	
BACK SIDE	25 [1]		25 [1]	
LEFT SIDE	152 [6]		152 [6]	
RIGHT SIDE	152 [6]		152 [6]	
FRONT SIDE	305 [12]		305 [12]	
TOP	914 [36]		914 [36]	
	DIMENSIONS mm [Inches]			
A	HEIGHT OF UNIT - TABLE NEXT PAGE			
BB	CENTER OF GRAVITY - TABLE NEXT PAGE			
CC	CENTER OF GRAVITY - TABLE NEXT PAGE			
DD -Depth	1049.02 [41-5/16]		1125.22 [44-5/16]	
EE -Width	1240.28 [48-27/32]		1487.17 [58-9/16]	
FF	469.93 [18-1/2]		551.48 [21-23/32]	

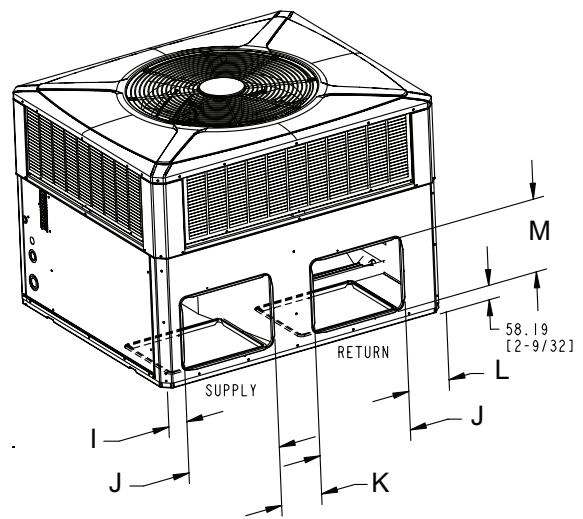


BOTTOM SIDE

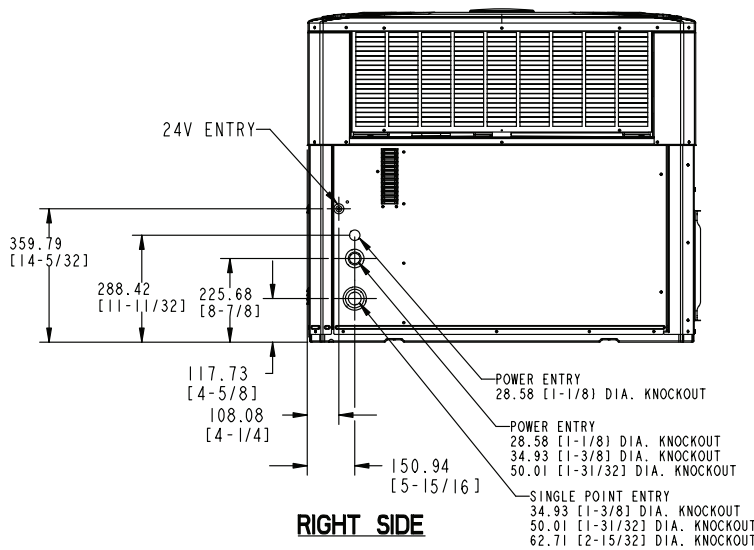
Figure 12. 2 - 5 Ton Models



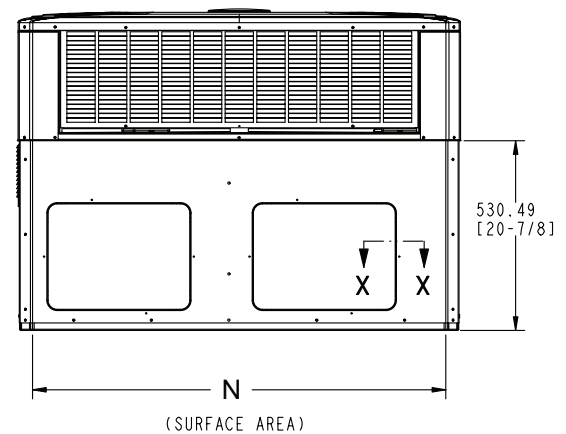
BOTTOM DUCT OPENINGS



BACK DUCT OPENINGS



RIGHT SIDE



BACK SIDE

	Height mm [in]	PHYSICAL DIMENSIONS mm [in]												
	A -Height	B	C	D	E	F	G	H	I	J	K	L	M	N
4TCC4024	898.53 [35 - 3/8]	304.80 [12.0]	75.41 [2.93]	75.41 [2.93]	406.40 [16.0]	167.89 [6.61]	173.46 [6.8]	304.80 [12.0]	79.50 [3.13]	398.22 [15.68]	176.07 [6.93]	177.55 [6.99]	296.62 [11.68]	1155.45 [45.49]
4TCC4030	949.33 [37 - 3/8]													
4TCC4036														
4TCC4042	898.53 [35 - 3/8]	457.20 [18.0]	75.41 [2.97]	75.41 [2.97]	381.00 [15.0]	244.09 [9.61]	318.75 [12.55]	381.00 [15.0]	79.50 [3.13]	449.02 [17.68]	176.07 [6.93]	322.84 [12.71]	372.82 [14.68]	1402.34 [55.21]
4TCC4048	1000.13 [39 - 3/8]													
4TCC4060														

	Corner Weights KG [LBS]				SHIPPING WEIGHT KG [LBS]	UNIT WEIGHT KG [LBS]	Center Of Gravity mm [inch]	
	W1	W2	W3	W4			BB	CC
4TCC4024	58.3 [129]	36.8 [81]	26.1 [58]	41.0 [90]	196.1 [432]	162.4 [358]	479.8 [18.9]	527.8 [20.8]
4TCC4030	61.3 [135]	38.7 [85]	27.5 [61]	43.1 [95]	204.8 [451]	171.1 [377]	406.5 [16.0]	594.1 [23.4]
4TCC4036	61.7 [136]	38.7 [85]	27.7 [61]	43.7 [96]	205.7 [453]	172.0 [379]	414.3 [16.3]	697.6 [27.5]
4TCC4042	71.8 [158]	47.2 [104]	35.2 [78]	53.6 [118]	254.5 [561]	207.3 [457]	470.0 [18.5]	731.0 [28.8]
4TCC4048	72.0 [159]	45.0 [99]	33.8 [75]	54.4 [120]	252.6 [557]	205.4 [453]	433.0 [17.0]	743.3 [29.3]
4TCC4060	78.0 [172]	46.3 [85]	34.9 [77]	59.0 [130]	265.8 [586]	218.6 [482]	414.0 [16.3]	635.0 [25.0]



Mechanical Specifications

General

The units shall be horizontal airflow as shipped and convertible to downflow. All units shall be factory assembled, piped, internally wired and fully charged with refrigerant. Units shall be certified to UL Standard 1995. All units shall be factory run tested to check cooling operation, fan and blower rotation and control or TXV sequence. Units shall be designed to operate at ambient temperatures between 115°F and 55°F in cooling as manufactured. Cooling performance shall be rated in accordance with AHRI standards.

Unit Casing

All components shall be mounted in a weather-resistant steel cabinet with an enamel finish. Access panels shall be provided for unit controls and indoor coil and fans. Indoor air section compartment shall be completely insulated with fireproof, permanent, odorless fiber material. Knockouts shall be provided for utility and control connections. Drain connections shall be provided to accommodate indoor water runoff.

Compressor

The compressor shall be hermetically sealed, high efficiency scroll compressors. Internal overcurrent and over temperature protection, internal pressure relief shall be standard. Other features include centrifugal oil pump, low vibration and noise.

Refrigeration System

All units shall have refrigerant control. Service pressure tap ports and a refrigerant line filter shall be standard.

Evaporator Coil (2–4 Ton Models) All aluminum micro channel, extruded tubes, mechanically bonded to aluminum fins, and factory pressure and leak tested at 480 – 650 psig. All units have TXV to control refrigerant flow.

Evaporator Coil (5 Ton Model) Internally enhanced 3/8" OD seamless copper tubing mechanically bonded to aluminum fins, factory pressure and leak tested at 480 – 650 psig. All units have TXV to control refrigerant flow.

Condenser Coil

The Spine Fin™ condenser coil shall be continuously wrapped, corrosion resistant all aluminum with minimum brazed joints. This coil is 3/8" OD seamless aluminum tubing glued to a continuous aluminum fin. Coils are lab tested to withstand 2,000 pounds of pressure per square inch. The outdoor coil provides low airflow resistance and efficient heat transfer. The coil is protected on all four sides by louvered panels.

Indoor Air Fan

Constant Torque, forward-curved, centrifugal wheel in a Composite Vortica® Blower housing. Motor shall have thermal overload protection and permanently lubricated motor bearings. Motor/blower assembly isolated from unit with rubber mounts.

Outdoor Fan

One direct-drive, statically and dynamically balanced propeller fan shall be used in a draw-through vertical discharge configuration. Permanently lubricated weather proof motor shall have built-in thermal overload protection.

System Controls

System controls include condenser fan, evaporator fan and compressor contactors.

Accessories Roof Curb

The roof curb shall be designed to mate with the unit and provide support and complete weathertight installation when properly installed. Adhesive back polyurethane sealing strips shall be provided to ensure an airtight seal between supply and return openings of the curb and unit. The roof curb design allows field fabricated ductwork to be connected directly to the curb. Curb ships knocked down for field assembly, and includes factory installed wood nailer strips.

Electric Heaters

Each heater assembly shall include power supply fusing if over 48 amps, automatic resetting limit switches and heat limiters for thermal protection. Heaters shall be provided with polarized plugs for quick connection to unit low voltage wiring. Electric heat modules shall be UL listed.

Single Source Power Entry

This accessory when used with electric heat accessory shall allow single source power connection to unit and heater combination. Single source power entry kits shall have specific matching heater(s). Kit shall include high voltage terminal blocks, fuse blocks and fuses, cut-to-length interconnecting wiring, and junction box (if required) to provide power sources with fuse protection as required for both the unit and accessory heater. Kit components shall install within the heater cabinet in the heater access section. Single source branch power circuit shall be protected and wired in accordance with local codes.

Fully Modulating Economizer

This accessory shall be field installed and be composed of the following items: 0–100 % fresh air damper, damper drive motor, fixed dry bulb enthalpy control, and low voltage pigtails for electrical connections. Solid state enthalpy or differential enthalpy control is optional. Economizer operations shall be controlled by the preset position of the enthalpy control. A barometric relief damper shall be standard with the economizer and provide a pressure operated damper that shall be gravity closing and prohibit entrance of outside air on equipment "off" cycle. Economizer requires BAYRLAY004A relay kit to interface the economizer to the heat pump.

Manual Outside Air Dampers

Rain hood and screen shall be field installed. Suitable for up to 25% outside air.

Start Kit

Extra compressor starting capacity for single phase equipment.

Control Options**Standard Indoor Thermostats**

Two stage heating/cooling or one stage heating/cooling thermostats shall be available in either manual or automatic changeover.

Programmable Electronic Night Setting Thermostat

Programmable electronic thermostat shall provide heating setback and cooling setup with 7–day programming capability. 1H/1C or 2H/2C models available.



Trane - by Trane Technologies (NYSE: TT), a global innovator - creates comfortable, energy efficient indoor environments for commercial and residential applications. For more information, please visit trane.com or tranetechnologies.com.



The AHRI Certified mark indicates Trane U.S. Inc. participation in the AHRI Certification program. For verification of individual certified products, go to ahridirectory.org.

Trane has a policy of continuous data improvement and it reserves the right to change design and specifications without notice. We are committed to using environmentally conscious print practices.