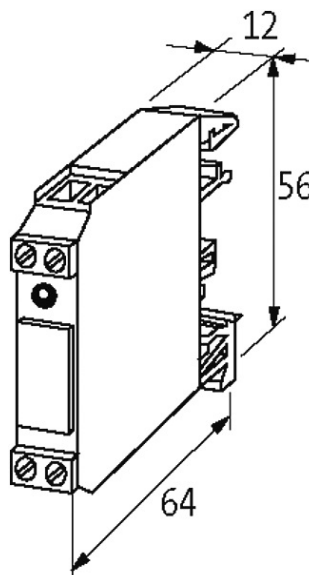
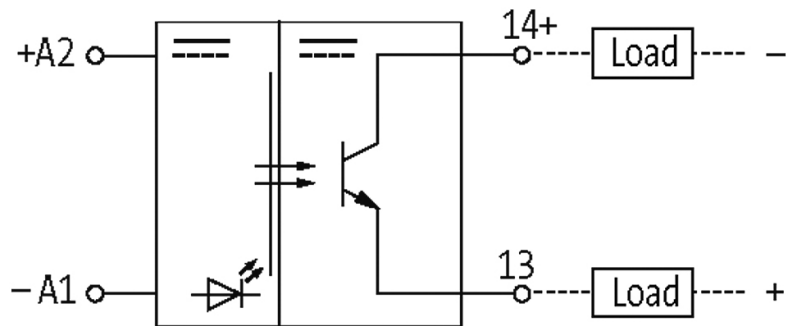
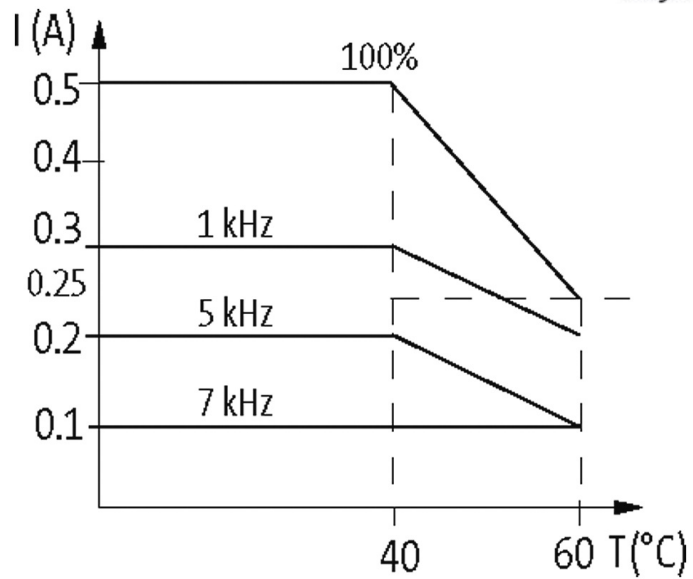


AMMS 10-1 OPTO-COUPLER MODULE

IN: 30 VDC - OUT: 48 VDC / 0.5 A

Transistor 0.5 A
4...30 V DC[Link to Product](#)**Illustration**



Product may differ from Image

Input

Voltage range ON	4...30 V DC
Voltage range OFF	0...2 V DC
Input current	max. 10 mA
LED display	LED (red)

General data

Test isolation voltage	3.75 kV
Mounting method	DIN-rail mountable TH35 or G32 (EN 60715)
Housing	Black plastic, flame retardant
Temperature range	-20...+60 °C
Dimensions H×W×D	63×11.8×56 mm

Output

Switching voltage	4.5...44 V DC
Switching current per output	1 mA...0.5 A
Saturation voltage (across output)	max. 1.2 V DC
Leakage current (output is open)	max. 0.3 mA
Switching time ON/OFF	65 µs/20 ms
Switching frequency	max. 7 kHz (resist.) at max. 0.1 A/max. 10 Hz (ind.)

Commercial data

country of origin	CZ
customs tariff number	85414090
EAN	4048879028080
eClass	27371604
Packaging unit	1