

Part#: 57W007



ROUND PLASTIC PAIL

7 Gallon

Description: White

Liters: 26.5

Wall: 90 mil

#/Pallet: 84/pallet



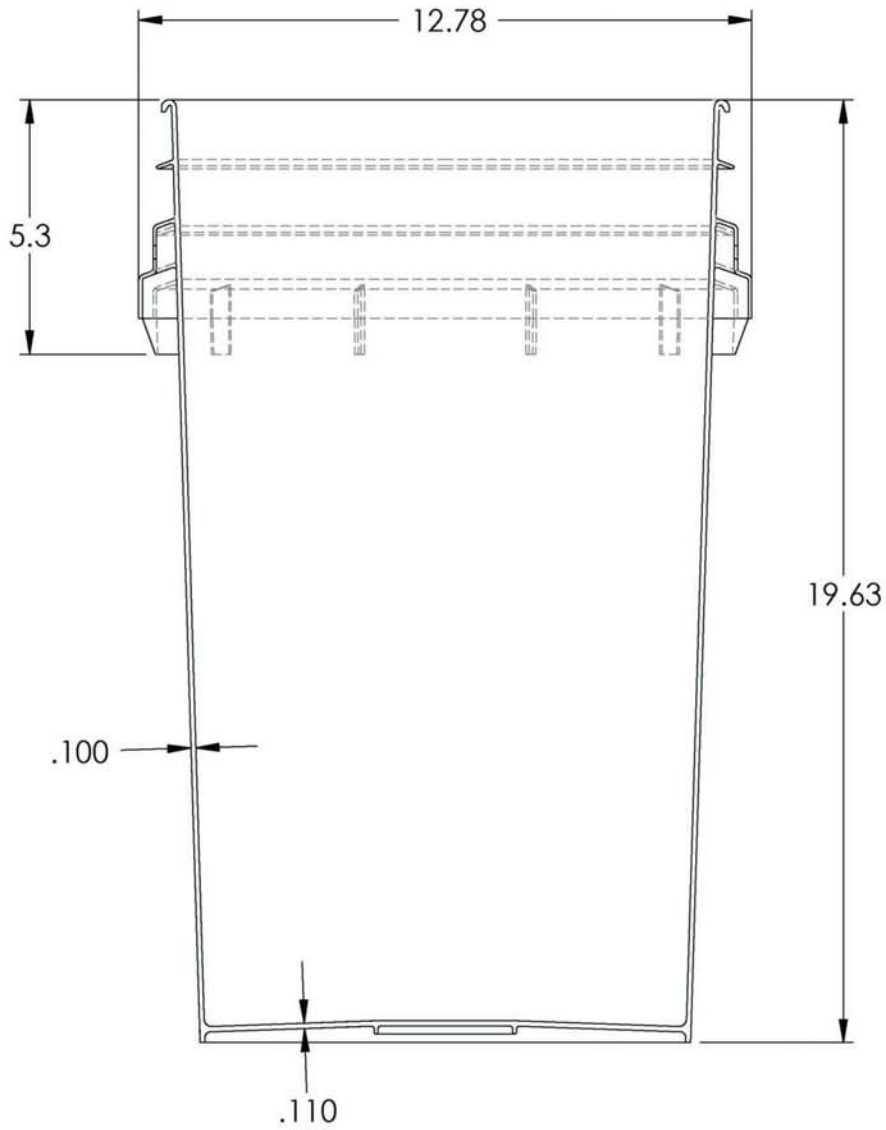
Supplied By: **The Cary Company**
Ph: 630-629-6600
www.thecarycompany.com

DIMENSIONS

Supplied By: The Cary Company

Ph: 630-629-6600

www.thecarycompany.com

**FUNCTIONAL**

REFERENCE WEIGHT	1286g
COLOR OPTIONS	PLEASE CONTACT SALES ASSOCIATE
COMPATIBLE LIDS	5LTB
RESIN	PREMIUM INJECTION GRADE HDPE