



55" 4K UHD Professional Digital Signage 24/7 display (Landscape and Portrait) featuring Android OS, FailOver and Intel® SDM slot

The ideal all-in-one solution for environments where performance and reliability are mission critical. The iiyama ProLite LH5552UHS is a 500cd/m² high brightness professional large format display with a 24/7 operating time. On-board Android 8.0 OS means you can easily customize the display to your needs and install applications directly to it. The embedded option of Nsign* empowers you to create and schedule a range of content across multiple screens using a powerful cloud-based solution. The Intel® SDM Slot provides embedded PC option for total flexibility, security and control, while the FailOver feature ensures your content is always actively displayed through your choice of inputs.

*Nsign license required – please see our [nsgin landing page](#) for more information



Signal FailOver

FailOver is a feature which automatically detects input sources. When there is no signal on the default input it will automatically switch to the next available input. FailOver allows customers to prioritize a number of inputs (incl. Browser, Media Player and Custom) and ensures your content is always actively displayed, assuring active content at all times.



Android OS

Thanks to Android OS, you can easily customize the display to your needs by installing applications directly to it.

01 DISPLAY CHARACTERISTICS

Design	Thin bezel
Diagonal	54.6", 138.8cm
Panel	VA, matte finish, haze 25%
Native resolution	3840 x 2160 @60Hz (8.3 MegaPixels 4K UHD)
Aspect ratio	16:9
Panel brightness	500 cd/m ²
Static contrast	5000:1
Response time (GTG)	8ms
Viewing zone	horizontal/vertical: 178°/178°, right/left: 89°/89°, up/down: 89°/89°
Colour support	1.07B 8bit+FRC
Horizontal Sync	30 - 80kHz
Viewable area W x H	1209.6 x 680.4mm, 47.6 x 26.8"
Bezel width (sides, top, bottom)	13.9mm, 13.9mm, 13.9mm
Pixel pitch	0.315mm
Bezel colour and finish	black, matte

02 INTERFACES / CONNECTORS / CONTROLS

Analog signal input	VGA x1 (DVI-I: VGA+DVI)
Digital signal input	DVI x1 (max. 1920x1080 @60Hz) HDMI x3 (max. 3840x2160 @60Hz) DisplayPort x1 (max. 3840x2160 @60Hz)
Audio input	Mini jack x1 (3.5mm)
Monitor control input	RS-232c x1 RJ45 (LAN) x1 IR x1 (3.5mm stereo mini)
Digital signal output	DisplayPort x1 (max. 3840x2160 @60Hz, MST-out Daisy Chain v.1.2)
Audio output	Speakers 2 x 10W
Monitor control output	RS-232c x1 IR loop through x1 (3.5mm stereo mini)
HDCP	yes
USB ports	x2 (v.2.0)

03 FEATURES

Integrated software	Android OS 8.0, EShare, iiSignage
WiFi	optional
Hardware	CPU: MTK96B+MSB6000, CA73*2+A53*2, Memory: 3GB DDR4, Storage: 32GB eMMC
Extra	Intel® SDM-L, micro SD card slot
Max. non-stop operating time	24/7
Anti image retention	yes
Media playback	yes
Housing (bezel)	metal (front)

04 GENERAL

OSD languages	EN, DE, FR, ES, IT, CN, RU, JP, CZ, NL, PL
Control buttons	Power, Mute, Input, Plus, Minus, Up, Down, Menu

User controls	picture (brightness, contrast, sharpness, black level, tint, color, noise reduction, gamma selection, color temperature, color control, smart power, over scan, picture reset), screen (H. position, V. position, clock, clock phase, zoom mode, custom zoom, auto adjust, screen reset), Audio (balance, treble, bass, volume, audio out, maximum volume, minimum volume, mute, audio source, audio reset, audio out sync, speaker setting), configuration 1 (switch on state, panel saving, RS232-routing, boot on source, WOL, configuration 1 reset, factory reset), Configuration 2 (OSD turn off, OSD H-Position, OSD V-position, rotation, information OSD, logo, monitor ID, heat status, monitor information, DP version, HDMI version, configuration 2 reset), advanced option (IR control, power LED light, keyboard control, tiling, off timer, schedule, HDMI with one wire, HDMI with one wire power off, FailOver, language, OSD transparency, power save, SDM settings, advanced option reset), Android settings (network, signage display, apps, display, security, date & time, developer options, about)
Plug&Play	DDC2B

05 MECHANICAL

Orientation	landscape, portrait
Fanless design	yes
VESA mounting	400 x 400mm
Operation temperature range	0°C - 40°C
Storage temperature range	- 20°C - 60°C
MTBF	50.000 hours (excluding backlight)

06 ACCESSORIES INCLUDED

Cables	power, HDMI, RS-232c
Guides	quick start guide, safety guide
Other	Stickers for screw holes
Remote control	yes (batteries included)

07 POWER MANAGEMENT

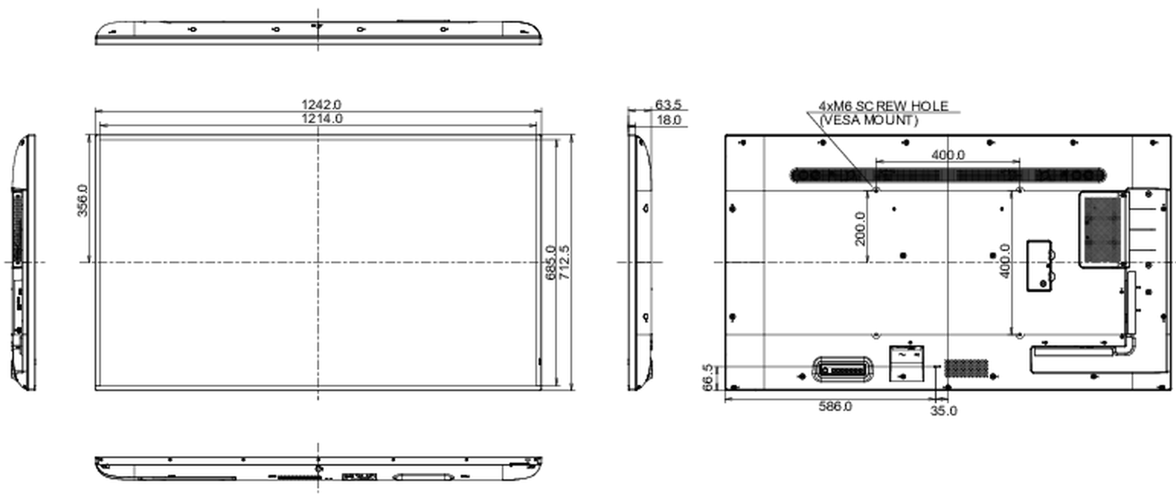
Power supply unit	internal
Power supply	AC 100 - 240V, 50/60Hz
Power usage	133W typical, 0.5W stand by, 0.5W off mode

08 SUSTAINABILITY

Regulations	CB, CE, TÜV-Bauart, EAC, RoHS support, ErP, WEEE, REACH
Energy efficiency class (Regulation (EU) 2017/1369)	G

09 DIMENSIONS / WEIGHT

Product dimensions W x H x D	1241 x 712.6 x 63.5mm
Box dimensions W x H x D	1350 x 160 x 860mm
Weight (without box)	16.7kg
Weight (with box)	23kg
EAN code	4948570118496



All trademarks and registered trademarks acknowledged. E & O E. Specification subject to change without notice. All LCD's comply with ISO-9241-307:2008 in connection with pixel defects.

© IIYAMA CORPORATION. ALL RIGHTS RESERVED