



SELF-CONTAINED HEAT PUMP PACKAGE UNITS

FORM NO. P11-762 REV. 6
Supersedes Form No. P11-762 Rev. 5

RQNJ- SUPER HIGH EFFICIENCY 13-SEER SERIES NOMINAL SIZES 2-5 TONS [7-17.6 kW]

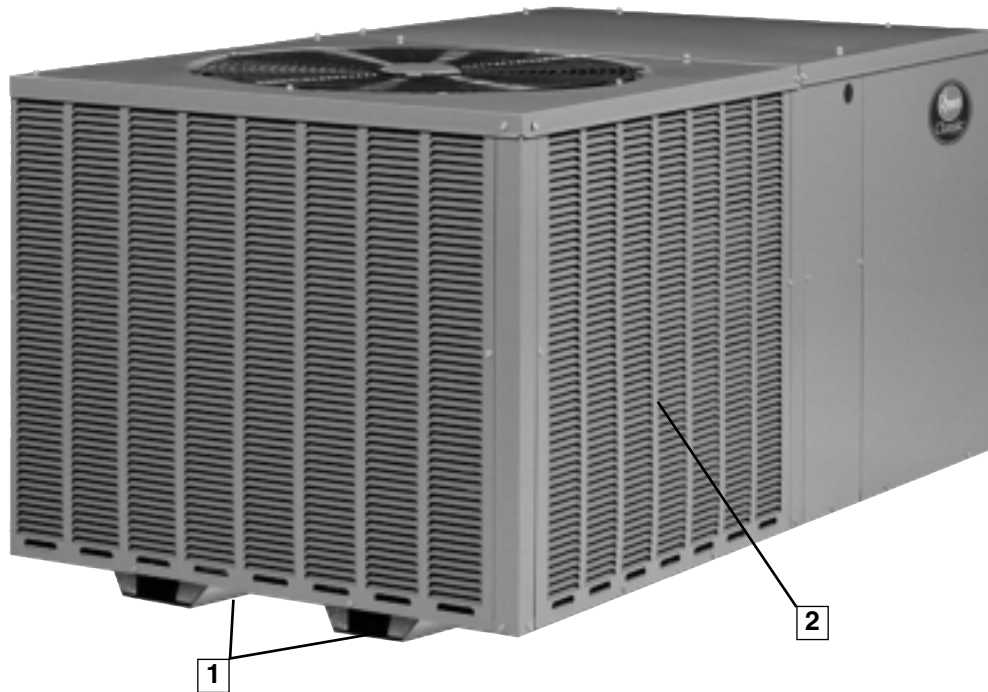




Unit Features & Benefits	3-6
Model Identification Options	7
General Data	
RQNJ- Series	8-10
General Data Notes	11
Performance Data	
RQNJ- Cooling Series.....	12-14
RQNJ- Heating Series	15-17
Airflow Performance RQNJ- Series	18-19
Electrical Data	
RQNJ- Series	20
Electric Heater Kits	21-22
Dimensional Data	23
Typical Installations	24
Accessories	25
Typical Wiring	26-31
Limited Warranty	32



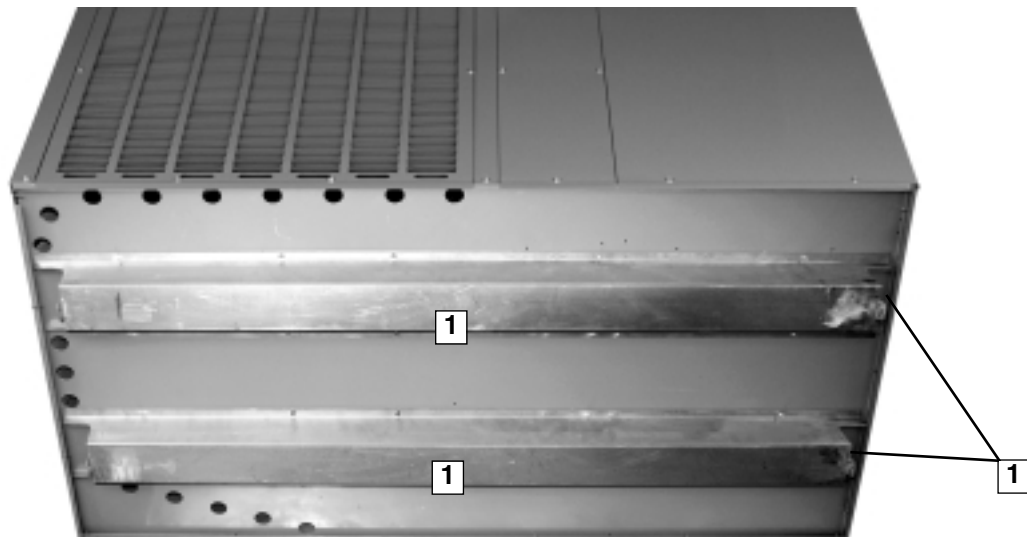
UNIT FEATURES & BENEFITS—RQNJ- SERIES



The RQNJ series of Package Heat Pumps are designed to be the most efficient, quickest to install, easiest to service, and most reliable units in the industry - while still maintaining an affordable price. This platform provides you with a full line of nominal capacities from 2 through 5 tons. RQNJ models are 13 SEER, and ARI-certified.

As with all units offered by Rheem, we started our design process with input from the customer. From fan grille to the base rails, Rheem has combined 30 years worth of package unit design experience with input from Dealers to meet the latest application requirements.

Starting at the bottom, the base rails (1) allow for separation between the unit base and the ground level, protecting the base from ground moisture and providing air circulation around the unit. Constructed from sturdy 18-gauge G-90 sheet metal, the base rails also allow for easier maneuverability during installation.



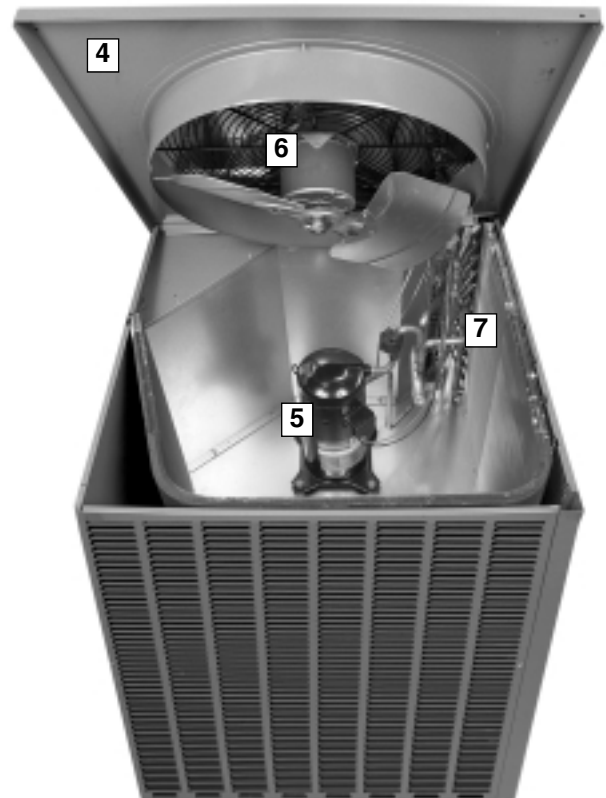


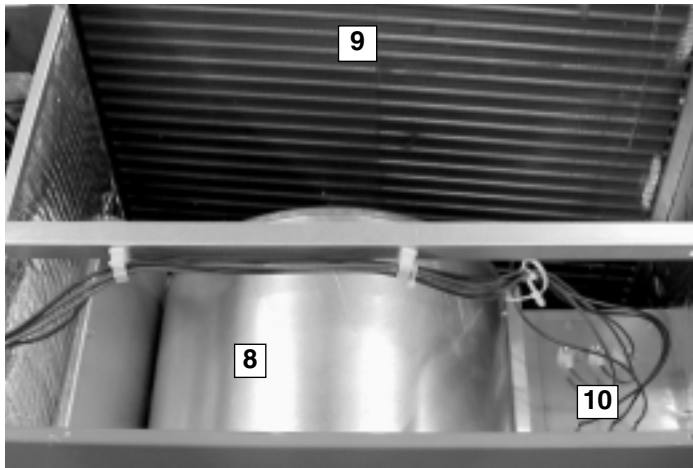
While other manufacturers have chosen to use pre-painted steel in their equipment, which exposes raw edges and invites rust and sharp edges, Rheem package equipment uses a powder-coat paint system, rated at 1000 hour salt spray per ASTM B117. The powder-coat process also greatly diminishes and dulls sharp edges, reducing the occurrence of cuts and torn clothes.

To provide flexibility in space-limited installations, the unit can be installed flush to the structure without blocking airflow over the outdoor coil or making any screws inaccessible for maintenance. Furthermore, the cabinet is a slim 33" wide. Full-louver coil protection (2) makes Rheem unique in the industry and also totally protects the outdoor coil from vandalism and weather extremes.

Two round 14" duct collar (3) are included with the unit, which makes attaching duct a snap. The collar is crimped around the leading edge, making it easier to install duct onto the collar. A metal bead around the circumference prevents the attached ducting from sliding off after installation.

Keeping service technicians in mind, Rheem takes pride providing easy access to internal components. The outdoor-section top cover (4) is easily removed to allow access to the the scroll compressor (5), outdoor fan motor (6), and refrigerant tubing (7).

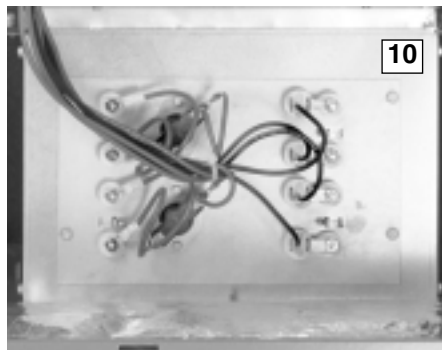




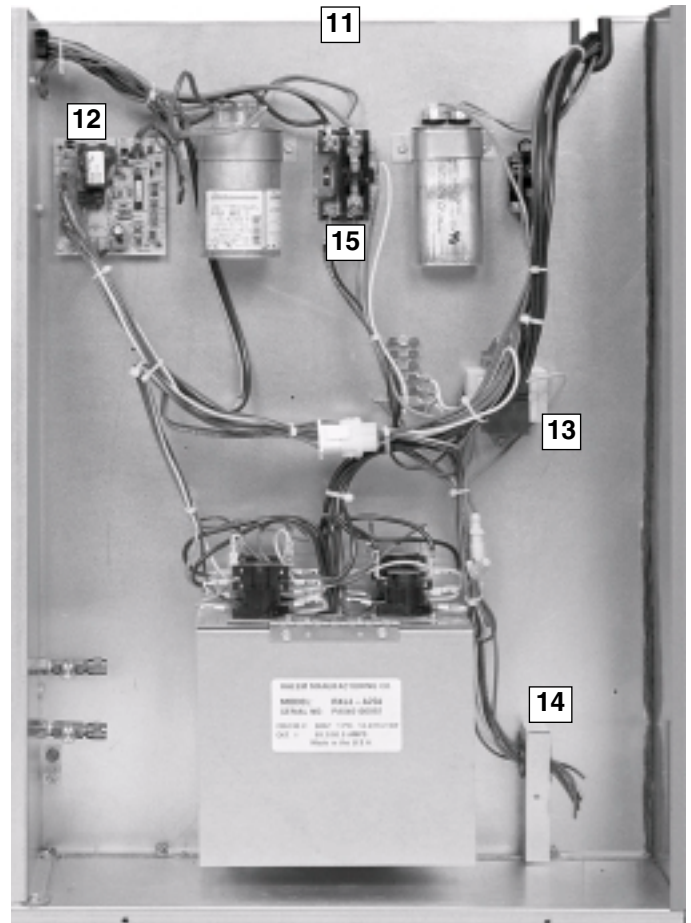
The indoor-section top cover also easily opens to access the removable blower housing and motor (8). This also gains total access to the indoor coil for cleaning and service (9).

The indoor motor and blower system will achieve nominal 400 CFM per ton up to a minimum of .8 inches of static pressure, which helps to eliminate customer dissatisfaction over poor airflow brought about by high-static duct designs.

Optional electric heat (10) can be easily installed in the field, with either dual- or single-point power, and is designed to easily install into the unit. Electric heat can also be specified as factory installed.

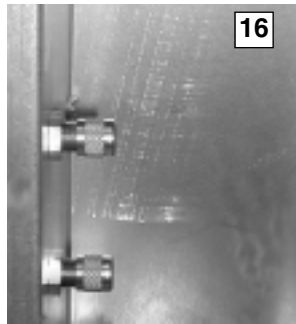


The controls are located in a large, easy-to-access control box (11), which provides plenty of space in which to troubleshoot. A demand defrost control (12) is used to manage the defrost cycle. The transformer (13) is protected by an in-line fuse, which protects the transformer during a low-voltage electrical short. The low-voltage (14) and high-voltage (15) wiring connections are easily accessed and have ample room around which to maneuver. Troubleshooting is further aided with number- and color-coded wiring, which corresponds with the large, easy-to-read wiring diagram located on the inside of the control box access panel.





High and low pressure can easily and accurately be measured using the two gauge ports (16) located inside the control box.



A small side panel grants access to a removable, sloped drain pan (17), which helps to ensure indoor air quality (IAQ) throughout the life of the unit. A 3/4" drain trap (18) assembly is provided for convenience.



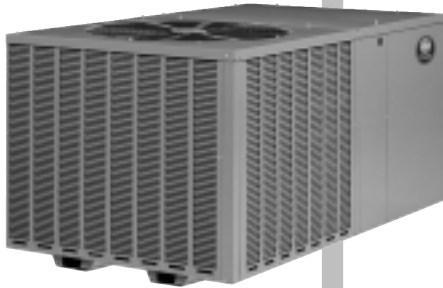
Foil-faced insulation is securely glued and captured to the cabinet. On the base of the unit, closed-cell insulation is used to prevent moisture from being absorbed and help reduce mold content to provide better indoor air quality.

For reliability and long-lasting operation, Rheem uses 100% scroll compressor technology (19) on all package platforms. With over 12 years of history, the scroll compressor has proven to be reliable, efficient, and quiet during operation.





MODEL IDENTIFICATION—RQNJ- SERIES



R Q N J — A 036 J K 010

Heating Capacity (Factory Installed)

- 000 = No Resistance Heat
- 005 = 05 KW Resistance Heat
- 007 = 07 KW Resistance Heat
- 010 = 10 KW Resistance Heat
- 015 = 15 KW Resistance Heat
- 020 = 20 KW Resistance Heat

Drive Package
K = Direct Drive

Electrical Designation

- J = 208-230V—1PH—60 Hz
- C = 208-230V—3PH—60 Hz
(13 SEER Only)

Nominal Cooling Capacity (BTUH) [kW]

- 024 = 24,000 [7.03]
- 030 = 30,000 [8.79]
- 036 = 36,000 [10.55]
- 042 = 42,000 [12.31]
- 048 = 48,000 [14.07]
- 060 = 60,000 [17.59]

Future Technical Variations

Design Series

- J = Horizontal Discharge

Efficiency Designation

- N = 13 SEER Super High Efficiency

Product Classification

- Q = Package Heat Pump

Tradebrand
R = Rheem

[] Designates Metric Conversions



NOMINAL SIZES 2-5 TONS [7-17.6 kW]

Model RQNJ- Series	A024JK	A030JK	A036CK	A036JK
Cooling Performance¹				CONTINUED →
Gross Cooling Capacity Btu [kW]	25,000 [7.3]	30,000 [8.8]	37,000 [10.8]	37,000 [10.8]
EER/SEER ²	11.2/13	11.25/13	11.45/13	11.45/13
Nominal CFM/ARI Rated CFM [L/s]	800/800 [378/378]	1000/1000 [472/472]	1200/1200 [566/566]	1200/1200 [566/566]
ARI Net Cooling Capacity Btu [kW]	24,000 [7]	29,000 [8.5]	35,600 [10.4]	35,600 [10.4]
Net Sensible Capacity Btu [kW]	18,200 [5.3]	22,400 [6.6]	27,200 [8]	27,200 [8]
Net Latent Capacity Btu [kW]	5800 [1.7]	6600 [1.9]	8400 [2.5]	8400 [2.5]
Net System Power kW	2.1	2.5	3	3
Heating Performance (Heat Pumps)				
Heating Input Btu [kW] Rating	24,000 [7]	28,800 [8.4]	36,000 [10.5]	36,000 [10.5]
System Power KW/COP	2.2/3.26	2.5/3.24	3.1/3.34	3.1/3.34
Low Temp. Btuh [kW] Rating	14,400 [4.2]	16,600 [4.9]	20,400 [6]	20,400 [6]
System Power KW/COP	1.9/2.18	2.4/2.08	2.8/2.14	2.8/2.14
HSPF (Btu/Watts-hr)	7.7	7.7	7.7	7.7
Compressor				
No./Type	1/Scroll	1/Scroll	1/Scroll	1/Scroll
Outdoor Sound Rating (dB)	76	76	76	76
Outdoor Coil—Fin Type	Louvered	Louvered	Louvered	Louvered
Tube Type	Rifled	Rifled	Rifled	Rifled
Tube Size in. [mm] OD	0.375 [9.5]	0.375 [9.5]	0.375 [9.5]	0.375 [9.5]
Face Area sq. ft. [sq. m]	10.44 [0.97]	12.65 [1.18]	10.44 [0.97]	10.44 [0.97]
Rows / FPI [FPcm]	1 / 20 [8]	1 / 20 [8]	2 / 16 [6]	2 / 16 [6]
Refrigerant Control	TX Valves	TX Valves	TX Valves	TX Valves
Indoor Coil—Fin Type	Louvered	Louvered	Louvered	Louvered
Tube Type	Rifled	Rifled	Rifled	Rifled
Tube Size in. [mm]	0.375 [9.5]	0.375 [9.5]	0.375 [9.5]	0.375 [9.5]
Face Area sq. ft. [sq. m]	4.33 [0.4]	4.33 [0.4]	4.33 [0.4]	4.33 [0.4]
Rows / FPI [FPcm]	2 / 15 [6]	2 / 15 [6]	3 / 13 [5]	3 / 13 [5]
Refrigerant Control	TX Valves	TX Valves	TX Valves	TX Valves
Drain Connection No./Size in. [mm] ³	1/1 [25.4]	1/1 [25.4]	1/1 [25.4]	1/1 [25.4]
Outdoor Fan—Type	Propeller	Propeller	Propeller	Propeller
No. Used/Diameter in. [mm]	1/24 [609.6]	1/24 [609.6]	1/24 [609.6]	1/24 [609.6]
Drive Type/No. Speeds	Direct/1	Direct/1	Direct/1	Direct/1
CFM [L/s]	3200 [1510]	3200 [1510]	3200 [1510]	3200 [1510]
No. Motors/HP	1 at 1/3 HP	1 at 1/3 HP	1 at 1/3 HP	1 at 1/3 HP
Motor RPM	1075	1075	1075	1075
Indoor Fan—Type	FC Centrifugal	FC Centrifugal	FC Centrifugal	FC Centrifugal
No. Used/Diameter in. [mm]	1/10x9 [254x228.6]	1/10x9 [254x228.6]	1/10x9 [254x228.6]	1/10x9 [254x228.6]
Drive Type/No. Speeds	Direct/2	Direct/2	Direct/2	Direct/2
No. Motors	1	1	1	1
Motor HP	1/4	1/3	1/2	1/2
Motor RPM	1033	1080	1050	1050
Motor Frame Size	48	48	48	48
Filter—Type	Field Supplied	Field Supplied	Field Supplied	Field Supplied
Furnished	No	No	No	No
(No.) Size Recommended in. [mm]	(1)1x20x16 [25x508x406]	(1)1x20x20 [25x508x508]	(1)1x24x24 [25x610x610]	(1)1x24x24 [25x610x610]
Refrigerant Charge Oz. [g]	70 [1984]	76 [2155]	121 [3430]	121 [3430]
Weights				
Net Weight lbs. [kg]	308 [140]	331 [150]	356 [161]	356 [161]
Ship Weight lbs. [kg]	332 [151]	355 [161]	380 [172]	380 [172]

See Page 11 for Notes.

[] Designates Metric Conversions



NOMINAL SIZES 2-5 TONS [7-17.6 kW]

Model RQNJ- Series	A042CK	A042JK	A048CK	A048JK
Cooling Performance¹				CONTINUED →
Gross Cooling Capacity Btu [kW]	43,500 [12.7]	43,500 [12.7]	49,000 [14.4]	49,000 [14.4]
EER/SEER ²	11.85/13	11.85/13	11.4/13	11.4/13
Nominal CFM/ARI Rated CFM [L/s]	1400/1450 [661/684]	1400/1450 [661/684]	1600/1550 [755/731]	1600/1550 [755/731]
ARI Net Cooling Capacity Btu [kW]	42,000 [12.3]	42,000 [12.3]	47,000 [13.8]	47,000 [13.8]
Net Sensible Capacity Btu [kW]	32,200 [9.4]	32,200 [9.4]	35,600 [10.4]	35,600 [10.4]
Net Latent Capacity Btu [kW]	9800 [2.9]	9800 [2.9]	11,400 [3.3]	11,400 [3.3]
Net System Power kW	3.5	3.5	4.1	4.1
Heating Performance (Heat Pumps)				
Heating Input Btu [kW] Rating	40,500 [11.9]	40,500 [11.9]	47,000 [13.8]	47,000 [13.8]
System Power KW/COP	3.3/3.4	3.3/3.4	4.1/3.36	4.1/3.36
Low Temp. Btuh [kW] Rating	23,000 [6.7]	23,000 [6.7]	27,600 [8.1]	27,600 [8.1]
System Power KW/COP	3.1/2.2	3.1/2.2	3.6/2.2	3.6/2.2
HSPF (Btu/Watts-hr)	7.7	7.7	7.7	7.7
Compressor				
No./Type	1/Scroll	1/Scroll	1/Scroll	1/Scroll
Outdoor Sound Rating (dB)	78	78	78	78
Outdoor Coil—Fin Type	Louvered	Louvered	Louvered	Louvered
Tube Type	Rifled	Rifled	Rifled	Rifled
Tube Size in. [mm] OD	0.375 [9.5]	0.375 [9.5]	0.375 [9.5]	0.375 [9.5]
Face Area sq. ft. [sq. m]	13.65 [1.27]	13.65 [1.27]	13.65 [1.27]	13.65 [1.27]
Rows / FPI [FPcm]	2 / 18 [7]	2 / 18 [7]	2 / 18 [7]	2 / 18 [7]
Refrigerant Control	TX Valves	TX Valves	TX Valves	TX Valves
Indoor Coil—Fin Type	Louvered	Louvered	Louvered	Louvered
Tube Type	Rifled	Rifled	Rifled	Rifled
Tube Size in. [mm]	0.375 [9.5]	0.375 [9.5]	0.375 [9.5]	0.375 [9.5]
Face Area sq. ft. [sq. m]	5.78 [0.54]	5.78 [0.54]	5.78 [0.54]	5.78 [0.54]
Rows / FPI [FPcm]	3 / 13 [5]	3 / 13 [5]	3 / 13 [5]	3 / 13 [5]
Refrigerant Control	TX Valves	TX Valves	TX Valves	TX Valves
Drain Connection No./Size in. [mm] ³	1/1 [25.4]	1/1 [25.4]	1/1 [25.4]	1/1 [25.4]
Outdoor Fan—Type	Propeller	Propeller	Propeller	Propeller
No. Used/Diameter in. [mm]	1/24 [609.6]	1/24 [609.6]	1/24 [609.6]	1/24 [609.6]
Drive Type/No. Speeds	Direct/1	Direct/1	Direct/1	Direct/1
CFM [L/s]	4200 [1982]	4200 [1982]	4200 [1982]	4200 [1982]
No. Motors/HP	1 at 1/3 HP	1 at 1/3 HP	1 at 1/3 HP	1 at 1/3 HP
Motor RPM	1075	1075	1075	1075
Indoor Fan—Type	FC Centrifugal	FC Centrifugal	FC Centrifugal	FC Centrifugal
No. Used/Diameter in. [mm]	1/11x9 [279.4x228.6]	1/11x9 [279.4x228.6]	1/11x9 [279.4x228.6]	1/11x9 [279.4x228.6]
Drive Type/No. Speeds	Direct/2	Direct/2	Direct/2	Direct/2
No. Motors	1	1	1	1
Motor HP	1/2	1/2	3/4	3/4
Motor RPM	1075	1075	1075	1075
Motor Frame Size	48	48	48	48
Filter—Type	Field Supplied	Field Supplied	Field Supplied	Field Supplied
Furnished	No	No	No	No
(No.) Size Recommended in. [mm]	(1)1x24x24 [25x610x610]	(1)1x24x24 [25x610x610]	(1)1x24x24 [25x610x610]	(1)1x24x24 [25x610x610]
Refrigerant Charge Oz. [g]	156 [4423]	156 [4423]	158 [4479]	158 [4479]
Weights				
Net Weight lbs. [kg]	408 [185]	408 [185]	429 [195]	429 [195]
Ship Weight lbs. [kg]	434 [197]	434 [197]	455 [206]	455 [206]

See Page 11 for Notes.

[] Designates Metric Conversions



NOMINAL SIZES 2-5 TONS [7-17.6 kW]

Model RQNJ- Series	A060CK	A060JK	B060CK	B060JK
Cooling Performance¹				
Gross Cooling Capacity Btu [kW]	62,000 [18.2]	62,000 [18.2]	62,000 [18.17]	62,000 [18.17]
EER/SEER ²	11.45/13	11.45/13	11.45/13	11.45/13
Nominal CFM/ARI Rated CFM [L/s]	2000/1900 [944/897]	2000/1900 [944/897]	2000/1900 [944/897]	2000/1900 [944/897]
ARI Net Cooling Capacity Btu [kW]	59,000 [17.3]	59,000 [17.3]	59,000 [17.29]	59,000 [17.29]
Net Sensible Capacity Btu [kW]	44,600 [13.1]	44,600 [13.1]	44,600 [13.07]	44,600 [13.07]
Net Latent Capacity Btu [kW]	14,400 [4.2]	14,400 [4.2]	14,400 [4.22]	14,400 [4.22]
Net System Power kW	5.1	5.1	5.11	5.11
Heating Performance (Heat Pumps)				
Heating Input Btu [kW] Rating	57,500 [16.8]	57,500 [16.8]	57,500 [16.85]	
System Power KW/COP	4.8/3.48	4.8/3.48	4.76/3.48	4.76/3.48
Low Temp. Btuh [kW] Rating	33,600 [9.8]	33,600 [9.8]	33,600 [9.84]	33,600 [9.84]
System Power KW/COP	4.2/2.34	4.2/2.34	4.21/2.34	4.21/2.34
HSPF (Btu/Watts-hr)	7.7	7.7	7.7	7.7
Compressor				
No./Type	1/Scroll	1/Scroll	1/Scroll	1/Scroll
Outdoor Sound Rating (dB)				
	78	78	78	78
Outdoor Coil—Fin Type				
Tube Type	Louvered	Louvered	Louvered	Louvered
Tube Size in. [mm] OD	Rifled	Rifled	Rifled	Rifled
Tube Size in. [mm] OD	0.375 [9.5]	0.375 [9.5]	0.375 [9.5]	0.375 [9.5]
Face Area sq. ft. [sq. m]	16.54 [1.54]	16.54 [1.54]	16.54 [1.54]	16.54 [1.54]
Rows / FPI [FPcm]	2 / 18 [7]	2 / 18 [7]	2 / 18 [7]	2 / 18 [7]
Refrigerant Control	TX Valves	TX Valves	TX Valves	TX Valves
Indoor Coil—Fin Type				
Tube Type	Louvered	Louvered	Louvered	Louvered
Tube Type	Rifled	Rifled	Rifled	Rifled
Tube Size in. [mm]	0.375 [9.5]	0.375 [9.5]	0.375 [9.5]	0.375 [9.5]
Face Area sq. ft. [sq. m]	5.78 [0.54]	5.78 [0.54]	5.78 [0.54]	5.78 [0.54]
Rows / FPI [FPcm]	4 / 13 [5]	4 / 13 [5]	4 / 13 [5]	4 / 13 [5]
Refrigerant Control	TX Valves	TX Valves	TX Valves	TX Valves
Drain Connection No./Size in. [mm] ³	1/1 [25.4]	1/1 [25.4]	1/1 [25.4]	1/1 [25.4]
Outdoor Fan—Type				
Propeller	Propeller	Propeller	Propeller	Propeller
No. Used/Diameter in. [mm]	1/24 [609.6]	1/24 [609.6]	1/24 [609.6]	1/24 [609.6]
Drive Type/No. Speeds	Direct/1	Direct/1	Direct/1	Direct/1
CFM [L/s]	4000 [1888]	4000 [1888]	4000 [1888]	4000 [1888]
No. Motors/HP	1 at 1/3 HP	1 at 1/3 HP	1 at 1/3 HP	1 at 1/3 HP
Motor RPM	1075	1075	1075	1075
Indoor Fan—Type				
FC Centrifugal	FC Centrifugal	FC Centrifugal	FC Centrifugal	FC Centrifugal
No. Used/Diameter in. [mm]	1/11x9 [279.4x228.6]	1/11x9 [279.4x228.6]	1/11x9 [279.4x228.6]	1/11x9 [279.4x228.6]
Drive Type/No. Speeds	Direct/2	Direct/2	Direct/2	Direct/2
No. Motors	1	1	1	1
Motor HP	1	1	1	1
Motor RPM	1075	1075	1075	1075
Motor Frame Size	48	48	48	48
Filter—Type				
Field Supplied	Field Supplied	Field Supplied	Field Supplied	Field Supplied
Furnished	No	No	No	No
(No.) Size Recommended in. [mm]	(1)1x24x24 [25x610x610]	(1)1x24x24 [25x610x610]	(1)1x24x24 [25x610x610]	(1)1x24x24 [25x610x610]
Refrigerant Charge Oz. [g]				
	195 [5528]	195 [5528]	195 [5528]	195 [5528]
Weights				
Net Weight lbs. [kg]	481 [218]	481 [218]	481 [218]	481 [218]
Ship Weight lbs. [kg]	507 [230]	507 [230]	507 [230]	507 [230]

See Page 11 for Notes.

[] Designates Metric Conversions



NOTES:

1. Cooling Performance is rated at 95° F ambient, 80° F entering dry bulb, 67° F entering wet bulb. Gross capacity does not include the effect of fan motor heat. ARI capacity is net and includes the effect of fan motor heat. Units are suitable for operation to $\pm 20\%$ of nominal cfm. Units are certified in accordance with the Unitary Air Conditioner Equipment certification program, which is based on ARI Standard 210/240 or 360.
2. EER and/or SEER are rated at ARI conditions and in accordance with DOE test procedures.
3. Standard 3/4" P-Trap provided.

[] Designates Metric Conversions



GROSS SYSTEMS PERFORMANCE DATA—RQNJ-A024

		ENTERING INDOOR AIR @ 80°F [26.7°C] dbE ①									
		71°F [21.7°C]			67°F [19.4°C]			63°F [17.2°C]			
		CFM [L/s]	880 [415]	800 [378]	680 [321]	880 [415]	800 [378]	680 [321]	880 [415]	800 [378]	680 [321]
		DR ①	.10	.08	.05	.10	.08	.05	.10	.08	.05
OUTDOOR DRY BULB TEMPERATURE °F [°C]	75 [23.9]	Total BTUH [kW]	30.4 [8.91]	29.9 [8.76]	29.1 [8.53]	28.5 [8.35]	28.0 [8.21]	27.2 [7.97]	26.8 [7.85]	26.3 [7.71]	25.6 [7.50]
		Sens BTUH [kW]	18.4 [5.39]	17.6 [5.16]	16.4 [4.81]	21.9 [6.42]	21.0 [6.15]	19.5 [5.71]	25.0 [7.33]	23.9 [7.00]	22.2 [6.51]
		Power	1.5	1.4	1.4	1.5	1.5	1.4	1.4	1.4	1.4
	80 [26.7]	Total BTUH [kW]	30.1 [8.82]	29.6 [8.67]	28.8 [8.44]	28.2 [8.26]	27.7 [8.12]	27.0 [7.91]	26.5 [7.77]	26.0 [7.62]	25.3 [7.41]
		Sens BTUH [kW]	18.2 [5.33]	17.4 [5.10]	16.2 [4.75]	21.7 [6.36]	20.7 [6.07]	19.3 [5.66]	24.7 [7.24]	23.6 [6.92]	22.0 [6.45]
		Power	1.6	1.5	1.5	1.6	1.6	1.5	1.5	1.5	1.5
	85 [29.4]	Total BTUH [kW]	29.6 [8.67]	29.1 [8.53]	28.3 [8.29]	27.7 [8.12]	27.2 [7.97]	26.5 [7.77]	26.0 [7.62]	25.5 [7.47]	24.8 [7.27]
		Sens BTUH [kW]	17.9 [5.25]	17.1 [5.01]	15.9 [4.66]	21.4 [6.27]	20.5 [6.01]	19.0 [5.57]	24.4 [7.15]	23.4 [6.86]	21.7 [6.36]
		Power	1.6	1.6	1.6	1.7	1.7	1.6	1.6	1.6	1.6
	90 [32.2]	Total BTUH [kW]	28.9 [8.47]	28.4 [8.32]	27.7 [8.12]	27.0 [7.91]	26.5 [7.77]	25.8 [7.56]	25.3 [7.41]	24.9 [7.30]	24.2 [7.09]
Sens BTUH [kW]		17.5 [5.13]	16.8 [4.92]	15.6 [4.57]	21.0 [6.15]	20.1 [5.89]	18.7 [5.48]	24.1 [7.06]	23.0 [6.74]	21.4 [6.27]	
Power		1.7	1.7	1.7	1.8	1.7	1.7	1.7	1.7	1.7	
95 [35]	Total BTUH [kW]	28.1 [8.24]	27.6 [8.09]	26.9 [7.88]	26.2 [7.68]	25.7 [7.53]	25.0 [7.33]	24.5 [7.18]	24.0 [7.03]	23.4 [6.86]	
	Sens BTUH [kW]	17.1 [5.01]	16.4 [4.81]	15.2 [4.45]	20.6 [6.04]	19.7 [5.77]	18.3 [5.36]	23.7 [6.95]	22.6 [6.62]	21.0 [6.15]	
	Power	1.8	1.8	1.8	1.9	1.8	1.8	1.8	1.8	1.8	
100 [37.8]	Total BTUH [kW]	27.2 [7.97]	26.7 [7.83]	26.0 [7.62]	25.3 [7.41]	24.8 [7.27]	24.1 [7.06]	23.5 [6.89]	23.1 [6.77]	22.5 [6.59]	
	Sens BTUH [kW]	16.7 [4.89]	16.0 [4.69]	14.9 [4.37]	20.2 [5.92]	19.3 [5.66]	18.0 [5.28]	23.2 [6.80]	22.2 [6.51]	20.7 [6.07]	
	Power	1.9	1.9	1.9	1.9	1.9	1.9	1.9	1.9	1.9	
105 [40.6]	Total BTUH [kW]	26.2 [7.68]	25.8 [7.56]	25.1 [7.36]	24.3 [7.12]	23.9 [7.00]	23.2 [6.80]	22.6 [6.62]	22.2 [6.51]	21.6 [6.33]	
	Sens BTUH [kW]	16.3 [4.78]	15.6 [4.57]	14.5 [4.25]	19.8 [5.80]	18.9 [5.54]	17.6 [5.16]	22.6 [6.62]	21.8 [6.39]	20.3 [5.95]	
	Power	2.0	2.0	2.0	2.0	2.0	2.0	2.0	2.0	2.0	
110 [43.3]	Total BTUH [kW]	25.3 [7.41]	24.8 [7.27]	24.2 [7.09]	23.4 [6.86]	23.0 [6.74]	22.3 [6.54]	21.6 [6.33]	21.3 [6.24]	20.7 [6.07]	
	Sens BTUH [kW]	15.9 [4.66]	15.2 [4.45]	14.1 [4.13]	19.4 [5.69]	18.5 [5.42]	17.2 [5.04]	21.6 [6.33]	21.3 [6.24]	19.9 [5.83]	
	Power	2.1	2.1	2.1	2.1	2.1	2.1	2.1	2.1	2.1	
115 [46.1]	Total BTUH [kW]	24.4 [7.15]	24.0 [7.03]	23.3 [6.83]	22.5 [6.59]	22.1 [6.48]	21.5 [6.30]	20.8 [6.10]	20.4 [5.98]	19.9 [5.83]	
	Sens BTUH [kW]	15.5 [4.54]	14.8 [4.34]	13.8 [4.04]	19.0 [5.57]	18.2 [5.33]	16.9 [4.95]	20.8 [6.10]	20.4 [5.98]	19.6 [5.74]	
	Power	2.2	2.2	2.2	2.2	2.2	2.2	2.2	2.2	2.1	

GROSS SYSTEMS PERFORMANCE DATA—RQNJ-A030

		ENTERING INDOOR AIR @ 80°F [26.7°C] dbE ①									
		71°F [21.7°C]			67°F [19.4°C]			63°F [17.2°C]			
		CFM [L/s]	1100 [519]	1000 [472]	850 [401]	1100 [519]	1000 [472]	850 [401]	1100 [519]	1000 [472]	850 [401]
		DR ①	.13	.11	.07	.13	.11	.07	.13	.11	.07
OUTDOOR DRY BULB TEMPERATURE °F [°C]	75 [23.9]	Total BTUH [kW]	34.7 [10.17]	34.0 [9.96]	33.1 [9.70]	33.5 [9.82]	32.9 [9.64]	32.0 [9.38]	30.8 [9.03]	30.3 [8.88]	29.5 [8.65]
		Sens BTUH [kW]	22.0 [6.45]	21.0 [6.15]	19.5 [5.71]	26.3 [7.71]	25.1 [7.36]	23.3 [6.83]	29.5 [8.65]	28.2 [8.26]	26.2 [7.68]
		Power	1.8	1.7	1.7	1.8	1.7	1.7	1.7	1.1	1.1
	80 [26.7]	Total BTUH [kW]	34.3 [10.05]	33.7 [9.88]	32.8 [9.61]	33.1 [9.70]	32.5 [9.52]	31.6 [9.26]	30.5 [8.94]	29.9 [8.76]	29.1 [8.53]
		Sens BTUH [kW]	21.7 [6.36]	20.8 [6.10]	19.3 [5.66]	26.0 [7.62]	24.8 [7.27]	23.1 [6.77]	29.2 [8.56]	28.0 [8.21]	26.0 [7.62]
		Power	1.9	1.9	1.8	1.9	1.9	1.8	1.2	1.2	1.2
	85 [29.4]	Total BTUH [kW]	33.7 [9.88]	33.1 [9.70]	32.2 [9.44]	32.5 [9.52]	31.9 [9.35]	31.0 [9.09]	29.8 [8.73]	29.3 [8.59]	28.5 [8.35]
		Sens BTUH [kW]	21.3 [6.24]	20.4 [5.98]	19.0 [5.57]	25.6 [7.50]	24.5 [7.18]	22.7 [6.65]	29.0 [8.50]	27.6 [8.09]	25.7 [7.53]
		Power	2.0	2.0	1.9	2.0	2.0	1.9	1.3	1.3	1.3
	90 [32.2]	Total BTUH [kW]	32.8 [9.61]	32.2 [9.44]	31.4 [9.20]	31.6 [9.26]	31.1 [9.11]	30.2 [8.85]	29.0 [8.50]	28.5 [8.35]	27.7 [8.12]
Sens BTUH [kW]		20.8 [6.10]	19.9 [5.83]	18.5 [5.42]	25.1 [7.36]	24.0 [7.03]	22.3 [6.54]	28.5 [8.35]	27.1 [7.94]	25.2 [7.39]	
Power		2.1	2.1	2.0	2.1	2.1	2.0	1.4	1.4	1.4	
95 [35]	Total BTUH [kW]	31.8 [9.32]	31.2 [9.14]	30.4 [8.91]	30.6 [8.97]	30.1 [8.82]	29.3 [8.59]	28.0 [8.21]	27.5 [8.06]	26.7 [7.83]	
	Sens BTUH [kW]	20.3 [5.95]	19.4 [5.69]	18.0 [5.28]	24.6 [7.21]	23.5 [6.89]	21.8 [6.39]	27.7 [8.12]	26.7 [7.83]	24.7 [7.24]	
	Power	2.2	2.2	2.1	2.2	2.2	2.1	1.6	1.5	1.5	
100 [37.8]	Total BTUH [kW]	30.7 [9.00]	30.1 [8.82]	29.3 [8.59]	29.5 [8.65]	29.0 [8.50]	28.2 [8.26]	26.9 [7.88]	26.4 [7.74]	25.7 [7.53]	
	Sens BTUH [kW]	19.7 [5.77]	18.9 [5.54]	17.5 [5.13]	24.0 [7.03]	22.9 [6.71]	21.3 [6.24]	26.9 [7.88]	26.0 [7.62]	24.3 [7.12]	
	Power	2.3	2.3	2.3	2.3	2.3	2.3	1.7	1.6	1.6	
105 [40.6]	Total BTUH [kW]	29.4 [8.62]	28.9 [8.47]	28.1 [8.24]	28.3 [8.29]	27.8 [8.15]	27.0 [7.91]	25.6 [7.50]	25.2 [7.39]	24.5 [7.18]	
	Sens BTUH [kW]	19.2 [5.63]	18.4 [5.39]	17.1 [5.01]	23.5 [6.89]	22.4 [6.56]	20.9 [6.13]	25.6 [7.50]	25.2 [7.39]	23.8 [6.98]	
	Power	2.4	2.4	2.4	2.4	2.4	2.4	1.8	1.8	1.7	
110 [43.3]	Total BTUH [kW]	28.2 [8.26]	27.7 [8.12]	26.9 [7.88]	27.0 [7.91]	26.5 [7.77]	25.8 [7.56]	24.4 [7.15]	23.9 [7.00]	23.3 [6.83]	
	Sens BTUH [kW]	18.8 [5.51]	17.9 [5.25]	16.7 [4.89]	23.0 [6.74]	22.0 [6.45]	20.5 [6.01]	24.4 [7.15]	23.9 [7.00]	23.3 [6.83]	
	Power	2.5	2.5	2.5	2.5	2.5	2.5	1.9	1.9	1.8	
115 [46.1]	Total BTUH [kW]	26.9 [7.88]	26.4 [7.74]	25.7 [7.53]	25.7 [7.53]	25.3 [7.41]	24.6 [7.21]	23.1 [6.77]	22.7 [6.65]	22.0 [6.45]	
	Sens BTUH [kW]	18.4 [5.39]	17.6 [5.16]	16.4 [4.81]	22.7 [6.65]	21.7 [6.36]	20.2 [5.92]	23.1 [6.77]	22.7 [6.65]	22.0 [6.45]	
	Power	2.6	2.6	2.6	2.6	2.6	2.6	2.0	2.0	1.9	

DR —Depression ratio
dbE—Entering air dry bulb
wbE—Entering air wet bulb

Total —Total capacity x 1000 BTUH
Sens —Sensible capacity x 1000 BTUH
Power—KW input

NOTES: ① When the entering air dry bulb is other than 80°F [27°C], adjust the sensible capacity from the table by adding $[1.10 \times \text{CFM} \times (1 - \text{DR}) \times (\text{dbE} - 80)]$.

[] Designates Metric Conversions



SYSTEMS PERFORMANCE—RQNJ- SERIES

GROSS SYSTEMS PERFORMANCE DATA—RQNJ-A036

		ENTERING INDOOR AIR @ 80°F [26.7°C] dbE ①									
wbE		71°F [21.7°C]			67°F [19.4°C]			63°F [17.2°C]			
CFM [L/s]		1320 [623]	1200 [566]	1020 [481]	1320 [623]	1200 [566]	1020 [481]	1320 [623]	1200 [566]	1020 [481]	
DR ①		.11	.09	.06	.11	.09	.06	.11	.09	.06	
OUTDOOR DRY BULB TEMPERATURE °F [°C]	75 [23.9]	Total BTUH [kW]	45.0 [13.19]	44.2 [12.95]	43.0 [12.60]	41.7 [12.22]	41.0 [12.02]	39.8 [11.66]	38.8 [11.37]	38.1 [11.17]	37.1 [10.87]
		Sens BTUH [kW]	26.9 [7.88]	25.7 [7.53]	23.9 [7.00]	31.9 [9.35]	30.5 [8.94]	28.4 [8.32]	36.6 [10.73]	35.0 [10.26]	32.5 [9.52]
		Power	2.1	2.1	2.1	2.1	2.1	2.1	2.1	2.1	2.1
	80 [26.7]	Total BTUH [kW]	44.2 [12.95]	43.4 [12.72]	42.2 [12.37]	40.9 [11.99]	40.2 [11.78]	39.1 [11.46]	38.1 [11.17]	37.4 [10.96]	36.4 [10.67]
		Sens BTUH [kW]	26.2 [7.68]	25.1 [7.36]	23.3 [6.83]	31.3 [9.17]	29.9 [8.76]	27.8 [8.15]	35.9 [10.52]	34.4 [10.08]	32.0 [9.38]
		Power	2.3	2.3	2.2	2.3	2.2	2.2	2.3	2.2	2.2
	85 [29.4]	Total BTUH [kW]	43.2 [12.66]	42.5 [12.46]	41.3 [12.10]	40.0 [11.72]	39.2 [11.49]	38.2 [11.20]	37.1 [10.87]	36.4 [10.67]	35.4 [10.37]
		Sens BTUH [kW]	25.7 [7.53]	24.6 [7.21]	22.8 [6.68]	30.7 [9.00]	29.4 [8.62]	27.3 [8.00]	35.6 [10.43]	33.9 [9.94]	31.5 [9.23]
		Power	2.4	2.4	2.4	2.4	2.4	2.3	2.4	2.4	2.3
	90 [32.2]	Total BTUH [kW]	42.1 [12.34]	41.4 [12.13]	40.2 [11.78]	38.8 [11.37]	38.2 [11.20]	37.1 [10.87]	36.0 [10.55]	35.3 [10.35]	34.4 [10.08]
Sens BTUH [kW]		25.3 [7.41]	24.1 [7.06]	22.5 [6.59]	30.3 [8.88]	28.9 [8.47]	26.9 [7.88]	35.1 [10.29]	33.4 [9.79]	31.1 [9.11]	
Power		2.5	2.5	2.5	2.5	2.5	2.5	2.5	2.5	2.5	
95 [35]	Total BTUH [kW]	40.9 [11.99]	40.2 [11.78]	39.1 [11.46]	37.6 [11.02]	37.0 [10.84]	36.0 [10.55]	34.8 [10.20]	34.2 [10.02]	33.2 [9.73]	
	Sens BTUH [kW]	24.9 [7.30]	23.8 [6.98]	22.1 [6.48]	29.9 [8.76]	28.6 [8.38]	26.6 [7.80]	34.4 [10.08]	33.2 [9.73]	30.7 [9.00]	
	Power	2.7	2.6	2.6	2.7	2.6	2.6	2.6	2.6	2.6	
100 [37.8]	Total BTUH [kW]	39.6 [11.61]	38.9 [11.40]	37.9 [11.11]	36.4 [10.67]	35.7 [10.46]	34.8 [10.20]	33.5 [9.82]	32.9 [9.64]	32.0 [9.38]	
	Sens BTUH [kW]	24.5 [7.18]	23.4 [6.86]	21.8 [6.39]	29.5 [8.65]	28.2 [8.26]	26.2 [7.68]	33.5 [9.82]	32.6 [9.55]	30.4 [8.91]	
	Power	2.8	2.8	2.7	2.8	2.8	2.7	2.8	2.8	2.7	
105 [40.6]	Total BTUH [kW]	38.4 [11.25]	37.7 [11.05]	36.7 [10.76]	35.1 [10.29]	34.5 [10.11]	33.5 [9.82]	32.2 [9.44]	31.7 [9.29]	30.8 [9.03]	
	Sens BTUH [kW]	24.1 [7.06]	23.0 [6.74]	21.4 [6.27]	29.1 [8.53]	27.8 [8.15]	25.9 [7.59]	32.2 [9.44]	31.7 [9.29]	30.0 [8.79]	
	Power	2.9	2.9	2.9	2.9	2.9	2.9	2.9	2.9	2.9	
110 [43.3]	Total BTUH [kW]	37.2 [10.90]	36.5 [10.70]	35.5 [10.40]	33.9 [9.94]	33.3 [9.76]	32.4 [9.50]	31.0 [9.09]	30.5 [8.94]	29.6 [8.67]	
	Sens BTUH [kW]	23.6 [6.92]	22.6 [6.62]	21.0 [6.15]	28.7 [8.41]	27.4 [8.03]	25.5 [7.47]	31.0 [9.09]	30.5 [8.94]	29.6 [8.67]	
	Power	3.1	3.0	3.0	3.1	3.0	3.0	3.0	3.0	3.0	
115 [46.1]	Total BTUH [kW]	36.0 [10.55]	35.4 [10.37]	34.4 [10.08]	32.8 [9.61]	32.2 [9.44]	31.3 [9.17]	29.9 [8.76]	29.4 [8.62]	28.6 [8.38]	
	Sens BTUH [kW]	23.1 [6.77]	22.1 [6.48]	20.5 [6.01]	28.1 [8.24]	26.9 [7.88]	25.0 [7.33]	29.9 [8.76]	29.4 [8.62]	28.6 [8.38]	
	Power	3.2	3.2	3.1	3.2	3.2	3.1	3.2	3.2	3.1	

GROSS SYSTEMS PERFORMANCE DATA—RQNJ-A042

		ENTERING INDOOR AIR @ 80°F [26.7°C] dbE ①									
wbE		71°F [21.7°C]			67°F [19.4°C]			63°F [17.2°C]			
CFM [L/s]		1600 [755]	1450 [684]	1230 [580]	1600 [755]	1450 [684]	1230 [580]	1600 [755]	1450 [684]	1230 [580]	
DR ①		.13	.11	.08	.13	.11	.08	.13	.11	.08	
OUTDOOR DRY BULB TEMPERATURE °F [°C]	75 [23.9]	Total BTUH [kW]	53.3 [15.62]	52.4 [15.36]	50.9 [14.92]	50.7 [14.86]	49.8 [14.59]	48.4 [14.18]	49.5 [14.51]	48.6 [14.24]	47.3 [13.86]
		Sens BTUH [kW]	32.1 [9.41]	30.6 [8.97]	28.5 [8.35]	38.3 [11.22]	36.5 [10.70]	34.0 [9.96]	44.2 [12.95]	42.2 [12.37]	39.3 [11.52]
		Power	1.2	1.2	1.2	2.5	2.5	2.4	2.0	2.0	2.0
	80 [26.7]	Total BTUH [kW]	51.4 [15.06]	50.5 [14.80]	49.1 [14.39]	48.8 [14.30]	47.9 [14.04]	46.6 [13.66]	47.6 [13.95]	46.7 [13.69]	45.4 [13.31]
		Sens BTUH [kW]	31.2 [9.14]	29.9 [8.76]	27.8 [8.15]	37.4 [10.96]	35.8 [10.49]	33.3 [9.76]	43.4 [12.72]	41.4 [12.13]	38.5 [11.28]
		Power	1.4	1.3	1.3	2.6	2.6	2.6	2.2	2.2	2.1
	85 [29.4]	Total BTUH [kW]	49.9 [14.62]	49.0 [14.36]	47.6 [13.95]	47.2 [13.83]	46.4 [13.60]	45.1 [13.22]	46.0 [13.48]	45.2 [13.25]	44.0 [12.90]
		Sens BTUH [kW]	30.6 [8.97]	29.2 [8.56]	27.2 [7.97]	36.8 [10.79]	35.1 [10.29]	32.7 [9.58]	42.7 [12.51]	40.8 [11.96]	37.9 [11.11]
		Power	1.5	1.5	1.5	2.8	2.7	2.7	2.3	2.3	2.3
	90 [32.2]	Total BTUH [kW]	48.6 [14.24]	47.7 [13.98]	46.4 [13.60]	46.0 [13.48]	45.2 [13.25]	43.9 [12.87]	44.8 [13.13]	44.0 [12.90]	42.8 [12.54]
Sens BTUH [kW]		30.0 [8.79]	28.7 [8.41]	26.7 [7.83]	36.2 [10.61]	34.6 [10.14]	32.2 [9.44]	42.1 [12.34]	40.3 [11.81]	37.4 [10.96]	
Power		1.6	1.6	1.6	2.9	2.9	2.8	2.5	2.4	2.4	
95 [35]	Total BTUH [kW]	47.6 [13.95]	46.7 [13.69]	45.4 [13.31]	44.9 [13.16]	44.1 [12.92]	42.9 [12.57]	43.7 [12.81]	43.0 [12.60]	41.8 [12.25]	
	Sens BTUH [kW]	29.5 [8.65]	28.2 [8.26]	26.2 [7.68]	35.7 [10.46]	34.1 [9.99]	31.7 [9.29]	41.7 [12.22]	39.8 [11.66]	37.0 [10.84]	
	Power	1.8	1.8	1.7	3.0	3.0	3.0	2.6	2.6	2.6	
100 [37.8]	Total BTUH [kW]	46.6 [13.66]	45.8 [13.42]	44.6 [13.07]	44.0 [12.90]	43.2 [12.66]	42.0 [12.31]	42.8 [12.54]	42.0 [12.31]	40.9 [11.99]	
	Sens BTUH [kW]	29.1 [8.53]	27.8 [8.15]	25.8 [7.56]	35.3 [10.35]	33.7 [9.88]	31.3 [9.17]	41.2 [12.07]	39.4 [11.55]	36.6 [10.73]	
	Power	1.9	1.9	1.9	3.2	3.2	3.1	2.8	2.7	2.7	
105 [40.6]	Total BTUH [kW]	45.7 [13.39]	44.9 [13.16]	43.7 [12.81]	43.1 [12.63]	42.3 [12.40]	41.2 [12.07]	41.9 [12.28]	41.1 [12.05]	40.0 [11.72]	
	Sens BTUH [kW]	28.6 [8.38]	27.3 [8.00]	25.4 [7.44]	34.8 [10.20]	33.3 [9.76]	30.9 [9.06]	40.7 [11.93]	38.9 [11.40]	36.2 [10.61]	
	Power	2.1	2.1	2.0	3.3	3.3	3.3	2.9	2.9	2.8	
110 [43.3]	Total BTUH [kW]	44.7 [13.10]	43.9 [12.87]	42.7 [12.51]	42.1 [12.34]	41.3 [12.10]	40.2 [11.78]	40.9 [11.99]	40.2 [11.78]	39.1 [11.46]	
	Sens BTUH [kW]	28.1 [8.24]	26.9 [7.88]	25.0 [7.33]	34.3 [10.05]	32.8 [9.61]	30.5 [8.94]	40.2 [11.78]	38.4 [11.25]	35.7 [10.46]	
	Power	2.2	2.2	2.2	3.5	3.4	3.4	3.0	3.0	3.0	
115 [46.1]	Total BTUH [kW]	43.6 [12.78]	42.8 [12.54]	41.6 [12.19]	40.9 [11.99]	40.2 [11.78]	39.1 [11.46]	39.7 [11.63]	39.0 [11.43]	38.0 [11.14]	
	Sens BTUH [kW]	27.5 [8.06]	26.3 [7.71]	24.4 [7.15]	33.7 [9.88]	32.2 [9.44]	29.9 [8.76]	39.6 [11.61]	37.8 [11.08]	35.2 [10.32]	
	Power	2.4	2.3	2.3	3.6	3.6	3.5	3.2	3.2	3.1	

DR —Depression ratio
dbE—Entering air dry bulb
wbE—Entering air wet bulb

Total —Total capacity x 1000 BTUH
Sens —Sensible capacity x 1000 BTUH
Power—KW input

NOTES: ① When the entering air dry bulb is other than 80°F [27°C], adjust the sensible capacity from the table by adding $[1.10 \times \text{CFM} \times (1 - \text{DR}) \times (\text{dbE} - 80)]$.

[] Designates Metric Conversions

SYSTEMS PERFORMANCE—RQNJ- SERIES



GROSS SYSTEMS PERFORMANCE DATA—RQNJ-048

		ENTERING INDOOR AIR @ 80°F [26.7°C] dbE ①									
wbE		71°F [21.7°C]			67°F [19.4°C]			63°F [17.2°C]			
CFM [L/s]		1700 [802]	1550 [732]	1320 [623]	1700 [802]	1550 [732]	1320 [623]	1700 [802]	1550 [732]	1320 [623]	
DR ①		.11	.10	.06	.11	.10	.06	.11	.10	.06	
OUTDOOR DRY BULB TEMPERATURE °F [°C]	75 [23.9]	Total BTUH [kW] Sens BTUH [kW] Power	60.3 [17.67] 36.3 [10.64] 2.9	59.2 [17.35] 34.7 [10.17] 2.9	57.6 [16.88] 32.3 [9.47] 2.9	55.7 [16.32] 42.1 [12.34] 2.9	54.7 [16.03] 40.2 [11.78] 2.9	53.2 [15.59] 37.4 [10.96] 2.8	53.0 [15.53] 48.3 [14.16] 2.8	52.1 [15.27] 46.2 [13.54] 2.8	50.7 [14.86] 42.9 [12.57] 2.8
	80 [26.7]	Total BTUH [kW] Sens BTUH [kW] Power	58.8 [17.23] 35.4 [10.37] 3.1	57.8 [16.94] 33.8 [9.91] 3.1	56.2 [16.47] 31.4 [9.20] 3.0	54.2 [15.88] 41.2 [12.07] 3.0	53.2 [15.59] 39.4 [11.55] 3.0	51.8 [15.18] 36.6 [10.73] 3.0	51.5 [15.09] 47.4 [13.89] 3.0	50.6 [14.83] 45.3 [13.28] 3.0	49.2 [14.42] 42.1 [12.34] 2.9
	85 [29.4]	Total BTUH [kW] Sens BTUH [kW] Power	57.4 [16.82] 34.7 [10.17] 3.2	56.3 [16.50] 33.1 [9.70] 3.2	54.8 [16.06] 30.8 [9.03] 3.2	52.7 [15.44] 40.5 [11.87] 3.2	51.8 [15.18] 38.6 [11.31] 3.2	50.4 [14.77] 35.9 [10.52] 3.1	50.1 [14.68] 46.6 [13.66] 3.2	49.2 [14.42] 44.6 [13.07] 3.1	47.8 [14.01] 41.4 [12.13] 3.1
	90 [32.2]	Total BTUH [kW] Sens BTUH [kW] Power	55.9 [16.38] 34.0 [9.96] 3.4	54.9 [16.09] 32.5 [9.52] 3.4	53.4 [15.65] 30.3 [8.88] 3.3	51.3 [15.03] 39.8 [11.66] 3.4	50.4 [14.77] 38.1 [11.17] 3.3	49.0 [14.36] 35.4 [10.37] 3.3	48.6 [14.24] 46.0 [13.48] 3.3	47.8 [14.01] 44.0 [12.90] 3.3	46.5 [13.63] 40.9 [11.99] 3.3
	95 [35]	Total BTUH [kW] Sens BTUH [kW] Power	54.5 [15.97] 33.5 [9.82] 3.6	53.5 [15.68] 32.0 [9.38] 3.5	52.1 [15.27] 29.8 [8.73] 3.5	49.9 [14.62] 39.3 [11.52] 3.5	49.0 [14.36] 37.6 [11.02] 3.5	47.6 [13.95] 34.9 [10.23] 3.5	47.2 [13.83] 45.6 [13.36] 3.5	46.4 [13.60] 43.5 [12.75] 3.5	45.1 [13.22] 40.4 [11.84] 3.4
	100 [37.8]	Total BTUH [kW] Sens BTUH [kW] Power	53.0 [15.53] 33.1 [9.70] 3.7	52.1 [15.27] 31.6 [9.26] 3.7	50.6 [14.83] 29.4 [8.62] 3.6	48.4 [14.18] 38.9 [11.40] 3.7	47.5 [13.92] 37.1 [10.87] 3.7	46.2 [13.54] 34.5 [10.11] 3.6	45.7 [13.39] 45.0 [13.19] 3.7	44.9 [13.16] 43.0 [12.60] 3.6	43.7 [12.81] 40.0 [11.72] 3.6
	105 [40.6]	Total BTUH [kW] Sens BTUH [kW] Power	51.5 [15.09] 32.6 [9.55] 3.9	50.6 [14.83] 31.1 [9.11] 3.8	49.2 [14.42] 29.0 [8.50] 3.8	46.9 [13.75] 38.4 [11.25] 3.8	46.0 [13.48] 36.7 [10.76] 3.8	44.8 [13.13] 34.1 [9.99] 3.8	44.2 [12.95] 44.2 [12.95] 3.8	43.4 [12.72] 42.6 [12.48] 3.8	42.2 [12.37] 39.6 [11.61] 3.7
	110 [43.3]	Total BTUH [kW] Sens BTUH [kW] Power	49.9 [14.62] 32.1 [9.41] 4.0	49.0 [14.36] 30.7 [9.00] 4.0	47.6 [13.95] 28.5 [8.35] 4.0	45.2 [13.25] 37.9 [11.11] 4.0	44.4 [13.01] 36.2 [10.61] 4.0	43.2 [12.66] 33.7 [9.88] 3.9	42.6 [12.48] 42.6 [12.48] 4.0	41.8 [12.25] 41.8 [12.25] 3.9	40.7 [11.93] 39.2 [11.49] 3.9
	115 [46.1]	Total BTUH [kW] Sens BTUH [kW] Power	48.1 [14.10] 31.5 [9.23] 4.2	47.3 [13.86] 30.1 [8.82] 4.2	46.0 [13.48] 28.0 [8.21] 4.1	43.5 [12.75] 37.3 [10.93] 4.2	42.7 [12.51] 35.6 [10.43] 4.1	41.6 [12.19] 33.1 [9.70] 4.1	40.8 [11.96] 40.8 [11.96] 4.1	40.1 [11.75] 40.1 [11.75] 4.1	39.0 [11.43] 38.6 [11.31] 4.0

GROSS SYSTEMS PERFORMANCE DATA—RQNJ-A060/B060

		ENTERING INDOOR AIR @ 80°F [26.7°C] dbE ①									
wbE		71°F [21.7°C]			67°F [19.4°C]			63°F [17.2°C]			
CFM [L/s]		2090 [000]	1900 [000]	1620 [000]	2090 [000]	1900 [000]	1620 [000]	2090 [000]	1900 [000]	1620 [000]	
DR ①		.09	.07	.04	.09	.07	.04	.09	.07	.04	
OUTDOOR DRY BULB TEMPERATURE °F [°C]	75 [23.9]	Total BTUH [kW] Sens BTUH [kW] Power	76.7 [22.48] 45.6 [13.36] 3.4	75.3 [22.07] 43.6 [12.78] 3.4	73.2 [21.45] 40.6 [11.90] 3.4	70.7 [20.72] 53.4 [15.65] 3.4	69.4 [20.34] 51.0 [14.95] 3.4	67.5 [19.78] 47.4 [13.89] 3.3	67.7 [19.84] 61.0 [17.88] 3.3	66.5 [19.49] 58.3 [17.09] 3.3	64.6 [18.93] 54.2 [15.88] 3.3
	80 [26.7]	Total BTUH [kW] Sens BTUH [kW] Power	74.9 [21.95] 44.4 [13.01] 3.7	73.6 [21.57] 42.4 [12.43] 3.6	71.6 [20.98] 39.5 [11.58] 3.6	68.9 [20.19] 52.2 [15.30] 3.6	67.7 [19.84] 49.8 [14.59] 3.6	65.9 [19.31] 46.3 [13.57] 3.5	65.9 [19.31] 59.8 [17.53] 3.6	64.7 [18.96] 57.1 [16.73] 3.5	63.0 [18.46] 53.1 [15.56] 3.5
	85 [29.4]	Total BTUH [kW] Sens BTUH [kW] Power	73.0 [21.39] 43.4 [12.72] 3.9	71.7 [21.01] 41.5 [12.16] 3.9	69.8 [20.46] 38.6 [11.31] 3.8	67.0 [19.64] 51.2 [15.01] 3.8	65.8 [19.28] 48.9 [14.33] 3.8	64.0 [18.76] 45.5 [13.33] 3.8	64.0 [18.76] 58.8 [17.23] 3.8	62.9 [18.43] 56.2 [16.47] 3.8	61.2 [17.94] 52.3 [15.33] 3.7
	90 [32.2]	Total BTUH [kW] Sens BTUH [kW] Power	71.0 [20.81] 42.7 [12.51] 4.1	69.8 [20.46] 40.8 [11.96] 4.1	67.9 [19.90] 37.9 [11.11] 4.0	65.0 [19.05] 50.4 [14.77] 4.1	63.9 [18.73] 48.2 [14.13] 4.0	62.1 [18.20] 44.8 [13.13] 4.0	62.0 [18.17] 58.1 [17.03] 4.0	60.9 [17.85] 55.5 [16.27] 4.0	59.3 [17.38] 51.6 [15.12] 3.9
	95 [35]	Total BTUH [kW] Sens BTUH [kW] Power	69.1 [20.25] 42.0 [12.31] 4.3	67.8 [19.87] 40.1 [11.75] 4.3	66.0 [19.34] 37.3 [10.93] 4.2	63.1 [18.49] 49.8 [14.59] 4.3	61.9 [18.14] 47.5 [13.92] 4.2	60.2 [17.64] 44.2 [12.95] 4.2	60.0 [17.58] 57.4 [16.82] 4.2	59.0 [17.29] 54.8 [16.06] 4.2	57.4 [16.82] 51.0 [14.95] 4.2
	100 [37.8]	Total BTUH [kW] Sens BTUH [kW] Power	67.2 [19.69] 41.4 [12.13] 4.6	66.0 [19.34] 39.5 [11.58] 4.5	64.2 [18.82] 36.8 [10.79] 4.5	61.2 [17.94] 49.1 [14.39] 4.5	60.1 [17.61] 46.9 [13.75] 4.5	58.5 [17.14] 43.7 [12.81] 4.4	58.2 [17.06] 56.8 [16.65] 4.5	57.1 [16.73] 54.2 [15.88] 4.4	55.6 [16.29] 50.4 [14.77] 4.4
	105 [40.6]	Total BTUH [kW] Sens BTUH [kW] Power	65.5 [19.20] 40.7 [11.93] 4.8	64.3 [18.84] 38.9 [11.40] 4.7	62.6 [18.35] 36.2 [10.61] 4.7	59.5 [17.44] 48.5 [14.21] 4.7	58.4 [17.12] 46.3 [13.57] 4.7	56.8 [16.65] 43.1 [12.63] 4.6	56.5 [16.56] 56.1 [16.44] 4.7	55.5 [16.27] 53.6 [15.71] 4.7	54.0 [15.83] 49.8 [14.59] 4.6
	110 [43.3]	Total BTUH [kW] Sens BTUH [kW] Power	64.1 [18.79] 39.9 [11.69] 5.0	62.9 [18.43] 38.2 [11.20] 5.0	61.2 [17.94] 35.5 [10.40] 4.9	58.1 [17.03] 47.7 [13.98] 5.0	57.1 [16.73] 45.6 [13.36] 4.9	55.5 [16.27] 42.4 [12.43] 4.9	55.1 [16.15] 55.1 [16.15] 4.9	54.1 [15.86] 52.9 [15.50] 4.9	52.6 [15.42] 49.2 [14.42] 4.8
	115 [46.1]	Total BTUH [kW] Sens BTUH [kW] Power	63.1 [18.49] 39.0 [11.43] 5.2	61.9 [18.14] 37.2 [10.90] 5.2	60.2 [17.64] 34.6 [10.14] 5.1	57.1 [16.73] 46.7 [13.69] 5.2	56.0 [16.41] 44.6 [13.07] 5.1	54.5 [15.97] 41.5 [12.16] 5.1	54.1 [15.86] 54.1 [15.86] 5.1	53.1 [15.56] 51.9 [15.21] 5.1	51.6 [15.12] 48.3 [14.16] 5.0

DR —Depression ratio
dbE—Entering air dry bulb
wbE—Entering air wet bulb

Total —Total capacity x 1000 BTUH
Sens —Sensible capacity x 1000 BTUH
Power—kW input

NOTES: ① When the entering air dry bulb is other than 80°F [27°C], adjust the sensible capacity from the table by adding $[1.10 \times \text{CFM} \times (1 - \text{DR}) \times (\text{dbE} - 80)]$.

[] Designates Metric Conversions



HEATING PERFORMANCE DATA—RQNJ-A024

IDB		60°F [15.5°C]			70°F [21.1°C]			80°F [26.7°C]			
CFM [L/s]		880 [415]	800 [378]	680 [321]	880 [415]	800 [378]	680 [321]	880 [415]	800 [378]	680 [321]	
OUTDOOR DRY BULB TEMPERATURE °F [°C]	0 [-17.8]	Total BTUH [kW] Power	9.8 [2.87] 1.3	9.7 [2.84] 1.3	9.6 [2.81] 1.3	8.8 [2.58] 1.5	8.7 [2.55] 1.5	8.6 [2.52] 1.5	7.9 [2.32] 1.6	7.8 [2.29] 1.6	7.7 [2.26] 1.6
	5 [-15]	Total BTUH [kW] Power	11.3 [3.31] 1.3	11.2 [3.28] 1.3	11.1 [3.25] 1.3	10.3 [3.02] 1.5	10.3 [3.02] 1.5	10.1 [2.96] 1.6	9.4 [2.75] 1.6	9.4 [2.75] 1.6	9.3 [2.73] 1.7
	10 [-12.2]	Total BTUH [kW] Power	12.9 [3.78] 1.3	12.8 [3.75] 1.4	12.6 [3.69] 1.4	11.9 [3.49] 1.5	11.8 [3.46] 1.6	11.7 [3.43] 1.6	11.0 [3.22] 1.7	10.9 [3.19] 1.7	10.8 [3.17] 1.7
	15 [-9.4]	Total BTUH [kW] Power	14.4 [4.22] 1.4	14.3 [4.19] 1.4	14.2 [4.16] 1.4	13.4 [3.93] 1.6	13.3 [3.90] 1.6	13.2 [3.87] 1.6	12.5 [3.66] 1.7	12.4 [3.63] 1.7	12.3 [3.60] 1.8
	20 [-6.7]	Total BTUH [kW] Power	16.0 [4.69] 1.4	15.9 [4.66] 1.5	15.7 [4.60] 1.5	15.0 [4.40] 1.6	14.9 [4.37] 1.7	14.7 [4.31] 1.7	14.1 [4.13] 1.7	14.0 [4.10] 1.8	13.8 [4.04] 1.8
	25 [-3.9]	Total BTUH [kW] Power	17.6 [5.16] 1.5	17.4 [5.10] 1.5	17.3 [5.07] 1.5	16.6 [4.86] 1.7	16.4 [4.81] 1.7	16.3 [4.78] 1.7	15.7 [4.60] 1.8	15.6 [4.57] 1.8	15.4 [4.51] 1.8
	30 [-1.1]	Total BTUH [kW] Power	19.2 [5.63] 1.5	19.0 [5.57] 1.5	18.8 [5.51] 1.6	18.2 [5.33] 1.7	18.0 [5.28] 1.8	17.8 [5.22] 1.8	17.3 [5.07] 1.8	17.1 [5.01] 1.9	17.0 [4.98] 1.9
	35 [1.7]	Total BTUH [kW] Power	20.8 [6.10] 1.6	20.6 [6.04] 1.6	20.4 [5.98] 1.6	19.8 [5.80] 1.8	19.7 [5.77] 1.8	19.4 [5.69] 1.8	18.9 [5.54] 1.9	18.8 [5.51] 1.9	18.6 [5.45] 1.9
	40 [4.4]	Total BTUH [kW] Power	22.5 [6.59] 1.6	22.3 [6.54] 1.6	22.1 [6.48] 1.7	21.5 [6.30] 1.8	21.3 [6.24] 1.8	21.1 [6.18] 1.9	20.6 [6.04] 1.9	20.4 [5.98] 2.0	20.2 [5.92] 2.0
	45 [7.2]	Total BTUH [kW] Power	24.2 [7.09] 1.7	24.0 [7.03] 1.7	23.7 [6.95] 1.7	23.2 [6.80] 1.9	23.0 [6.74] 1.9	22.7 [6.65] 1.9	22.3 [6.54] 2.0	22.1 [6.48] 2.0	21.9 [6.42] 2.0
50 [10]	Total BTUH [kW] Power	25.9 [7.59] 1.7	25.7 [7.53] 1.7	25.4 [7.44] 1.8	24.9 [7.30] 1.9	24.7 [7.24] 1.9	24.5 [7.18] 2.0	24.0 [7.03] 2.0	23.8 [6.98] 2.0	23.6 [6.92] 2.1	

IDB—Indoor air dry bulb

HEATING PERFORMANCE DATA—RQNJ-A030

IDB		60°F [15.5°C]			70°F [21.1°C]			80°F [26.7°C]			
CFM [L/s]		1100 [519]	1000 [472]	850 [401]	1100 [519]	1000 [472]	850 [401]	1100 [519]	1000 [472]	850 [401]	
OUTDOOR DRY BULB TEMPERATURE °F [°C]	0 [-17.8]	Total BTUH [kW] Power	9.3 [2.73] 1.6	9.2 [2.70] 1.6	9.1 [2.67] 1.6	8.7 [2.55] 1.8	8.6 [2.52] 1.8	8.5 [2.49] 1.8	7.7 [2.26] 2.0	7.6 [2.23] 2.1	7.6 [2.23] 2.1
	5 [-15]	Total BTUH [kW] Power	11.1 [3.25] 1.6	11.0 [3.22] 1.6	10.9 [3.19] 1.7	10.5 [3.08] 1.8	10.4 [3.05] 1.8	10.3 [3.02] 1.9	9.5 [2.78] 2.1	9.4 [2.75] 2.1	9.3 [2.73] 2.1
	10 [-12.2]	Total BTUH [kW] Power	13.0 [3.81] 1.7	12.9 [3.78] 1.7	12.8 [3.75] 1.7	12.4 [3.63] 1.9	12.3 [3.60] 1.9	12.2 [3.58] 1.9	11.4 [3.34] 2.1	11.4 [3.34] 2.1	11.2 [3.28] 2.2
	15 [-9.4]	Total BTUH [kW] Power	15.0 [4.40] 1.7	14.9 [4.37] 1.7	14.8 [4.34] 1.8	14.4 [4.22] 1.9	14.3 [4.19] 1.9	14.2 [4.16] 2.0	13.4 [3.93] 2.2	13.3 [3.90] 2.2	13.2 [3.87] 2.2
	20 [-6.7]	Total BTUH [kW] Power	17.1 [5.01] 1.7	17.0 [4.98] 1.8	16.8 [4.92] 1.8	16.5 [4.84] 2.0	16.4 [4.81] 2.0	16.2 [4.75] 2.0	15.5 [4.54] 2.2	15.4 [4.51] 2.2	15.2 [4.45] 2.3
	25 [-3.9]	Total BTUH [kW] Power	19.2 [5.63] 1.8	19.1 [5.60] 1.8	18.9 [5.54] 1.8	18.6 [5.45] 2.0	18.5 [5.42] 2.0	18.3 [5.36] 2.1	17.6 [5.16] 2.2	17.5 [5.13] 2.3	17.3 [5.07] 2.3
	30 [-1.1]	Total BTUH [kW] Power	21.4 [6.27] 1.8	21.2 [6.21] 1.9	21.0 [6.15] 1.9	20.8 [6.10] 2.0	20.6 [6.04] 2.1	20.4 [5.98] 2.1	19.8 [5.80] 2.3	19.6 [5.74] 2.3	19.4 [5.69] 2.4
	35 [1.7]	Total BTUH [kW] Power	23.5 [6.89] 1.9	23.3 [6.83] 1.9	23.1 [6.77] 1.9	22.9 [6.71] 2.1	22.7 [6.65] 2.1	22.5 [6.59] 2.2	21.9 [6.42] 2.3	21.7 [6.36] 2.4	21.5 [6.30] 2.4
	40 [4.4]	Total BTUH [kW] Power	25.6 [7.50] 1.9	25.4 [7.44] 1.9	25.2 [7.39] 2.0	25.0 [7.33] 2.1	24.8 [7.27] 2.2	24.6 [7.21] 2.2	24.0 [7.03] 2.4	23.9 [7.00] 2.4	23.6 [6.92] 2.5
	45 [7.2]	Total BTUH [kW] Power	27.7 [8.12] 2.0	27.5 [8.06] 2.0	27.2 [7.97] 2.0	27.1 [7.94] 2.2	26.9 [7.88] 2.2	26.6 [7.80] 2.2	26.1 [7.65] 2.4	25.9 [7.59] 2.5	25.6 [7.50] 2.5
50 [10]	Total BTUH [kW] Power	29.7 [8.70] 2.0	29.5 [8.65] 2.0	29.2 [8.56] 2.1	29.1 [8.53] 2.2	28.9 [8.47] 2.2	28.6 [8.38] 2.3	28.1 [8.24] 2.5	27.9 [8.18] 2.5	27.6 [8.09] 2.5	

IDB—Indoor air dry bulb

[] Designates Metric Conversions



HEATING PERFORMANCE DATA—RQNJ-A036

IDB		60°F [15.5°C]			70°F [21.1°C]			80°F [26.7°C]			
CFM [L/s]		1320 [623]	1200 [566]	1020 [481]	1320 [623]	1200 [566]	1020 [481]	1320 [623]	1200 [566]	1020 [481]	
OUTDOOR DRY BULB TEMPERATURE °F [°C]	0 [-17.8]	Total BTUH [kW] Power	14.5 [4.25] 1.7	14.4 [4.22] 1.7	14.2 [4.16] 1.7	13.5 [3.96] 2.0	13.4 [3.93] 2.1	13.3 [3.90] 2.1	11.8 [3.46] 2.3	11.7 [3.43] 2.4	11.6 [3.40] 2.4
	5 [-15]	Total BTUH [kW] Power	15.6 [4.57] 1.7	15.5 [4.54] 1.8	15.3 [4.48] 1.8	14.6 [4.28] 2.1	14.5 [4.25] 2.1	14.4 [4.22] 2.2	12.9 [3.78] 2.4	12.8 [3.75] 2.4	12.7 [3.72] 2.5
	10 [-12.2]	Total BTUH [kW] Power	17.2 [5.04] 1.8	17.1 [5.01] 1.8	16.9 [4.95] 1.9	16.3 [4.78] 2.2	16.1 [4.72] 2.2	16.0 [4.69] 2.2	14.5 [4.25] 2.5	14.4 [4.22] 2.5	14.3 [4.19] 2.5
	15 [-9.4]	Total BTUH [kW] Power	19.3 [5.66] 1.9	19.1 [5.60] 1.9	18.9 [5.54] 1.9	18.3 [5.36] 2.2	18.2 [5.33] 2.2	18.0 [5.28] 2.3	16.6 [4.86] 2.5	16.4 [4.81] 2.6	16.3 [4.78] 2.6
	20 [-6.7]	Total BTUH [kW] Power	21.7 [6.36] 1.9	21.5 [6.30] 2.0	21.3 [6.24] 2.0	20.7 [6.07] 2.3	20.5 [6.01] 2.3	20.3 [5.95] 2.4	18.9 [5.54] 2.6	18.8 [5.51] 2.6	18.6 [5.45] 2.7
	25 [-3.9]	Total BTUH [kW] Power	24.3 [7.12] 2.0	24.1 [7.06] 2.0	23.8 [6.98] 2.1	23.3 [6.83] 2.4	23.1 [6.77] 2.4	22.9 [6.71] 2.4	21.5 [6.30] 2.7	21.4 [6.27] 2.7	21.2 [6.21] 2.7
	30 [-1.1]	Total BTUH [kW] Power	27.0 [7.91] 2.1	26.8 [7.85] 2.1	26.5 [7.77] 2.1	26.0 [7.62] 2.4	25.8 [7.56] 2.4	25.5 [7.47] 2.5	24.3 [7.12] 2.7	24.1 [7.06] 2.8	23.8 [6.98] 2.8
	35 [1.7]	Total BTUH [kW] Power	29.8 [8.73] 2.1	29.6 [8.67] 2.2	29.3 [8.59] 2.2	28.8 [8.44] 2.5	28.6 [8.38] 2.5	28.3 [8.29] 2.6	27.1 [7.94] 2.8	26.9 [7.88] 2.8	26.6 [7.80] 2.9
	40 [4.4]	Total BTUH [kW] Power	32.5 [9.52] 2.2	32.3 [9.47] 2.2	31.9 [9.35] 2.3	31.5 [9.23] 2.5	31.3 [9.17] 2.6	31.0 [9.09] 2.6	29.8 [8.73] 2.9	29.6 [8.67] 2.9	29.3 [8.59] 2.9
	45 [7.2]	Total BTUH [kW] Power	35.1 [10.29] 2.3	34.9 [10.23] 2.3	34.5 [10.11] 2.3	34.1 [9.99] 2.6	33.9 [9.94] 2.6	33.5 [9.82] 2.7	32.4 [9.50] 2.9	32.1 [9.41] 3.0	31.8 [9.32] 3.0
50 [10]	Total BTUH [kW] Power	37.5 [10.99] 2.3	37.2 [10.90] 2.4	36.8 [10.79] 2.4	36.5 [10.70] 2.7	36.2 [10.61] 2.7	35.8 [10.49] 2.8	34.7 [10.17] 3.0	34.5 [10.11] 3.0	34.1 [9.99] 3.1	

IDB—Indoor air dry bulb

HEATING PERFORMANCE DATA—RQNJ-A042

IDB		60°F [15.5°C]			70°F [21.1°C]			80°F [26.7°C]			
CFM [L/s]		1600 [755]	1450 [684]	1230 [580]	1600 [755]	1450 [684]	1230 [580]	1600 [755]	1450 [684]	1230 [580]	
OUTDOOR DRY BULB TEMPERATURE °F [°C]	0 [-17.8]	Total BTUH [kW] Power	15.8 [4.63] 1.8	15.7 [4.60] 1.8	15.5 [4.54] 1.9	14.5 [4.25] 2.1	14.4 [4.22] 2.1	14.2 [4.16] 2.2	13.3 [3.90] 2.5	13.3 [3.90] 2.5	13.1 [3.84] 2.6
	5 [-15]	Total BTUH [kW] Power	17.4 [5.10] 1.9	17.2 [5.04] 1.9	17.1 [5.01] 1.9	16.0 [4.69] 2.2	15.9 [4.66] 2.2	15.7 [4.60] 2.3	14.9 [4.37] 2.6	14.8 [4.34] 2.6	14.6 [4.28] 2.7
	10 [-12.2]	Total BTUH [kW] Power	19.2 [5.63] 2.0	19.1 [5.60] 2.0	18.9 [5.54] 2.0	17.9 [5.25] 2.3	17.7 [5.19] 2.3	17.5 [5.13] 2.3	16.7 [4.89] 2.6	16.6 [4.86] 2.7	16.4 [4.81] 2.7
	15 [-9.4]	Total BTUH [kW] Power	21.3 [6.24] 2.0	21.1 [6.18] 2.1	20.9 [6.13] 2.1	20.0 [5.86] 2.3	19.8 [5.80] 2.4	19.6 [5.74] 2.4	18.8 [5.51] 2.7	18.7 [5.48] 2.8	18.5 [5.42] 2.8
	20 [-6.7]	Total BTUH [kW] Power	23.7 [6.95] 2.1	23.5 [6.89] 2.1	23.2 [6.80] 2.2	22.3 [6.54] 2.4	22.2 [6.51] 2.4	21.9 [6.42] 2.5	21.2 [6.21] 2.8	21.0 [6.15] 2.8	20.8 [6.10] 2.9
	25 [-3.9]	Total BTUH [kW] Power	26.3 [7.71] 2.2	26.1 [7.65] 2.2	25.8 [7.56] 2.2	24.9 [7.30] 2.5	24.8 [7.27] 2.5	24.5 [7.18] 2.6	23.8 [6.98] 2.9	23.6 [6.92] 2.9	23.4 [6.86] 3.0
	30 [-1.1]	Total BTUH [kW] Power	29.1 [8.53] 2.3	28.9 [8.47] 2.3	28.6 [8.38] 2.3	27.8 [8.15] 2.6	27.6 [8.09] 2.6	27.3 [8.00] 2.6	26.7 [7.83] 2.9	26.5 [7.77] 3.0	26.2 [7.68] 3.0
	35 [1.7]	Total BTUH [kW] Power	32.2 [9.44] 2.3	32.0 [9.38] 2.4	31.6 [9.26] 2.4	30.9 [9.06] 2.6	30.7 [9.00] 2.7	30.3 [8.88] 2.7	29.8 [8.73] 3.0	29.5 [8.65] 3.0	29.2 [8.56] 3.1
	40 [4.4]	Total BTUH [kW] Power	35.5 [10.40] 2.4	35.3 [10.35] 2.4	34.9 [10.23] 2.5	34.2 [10.02] 2.7	33.9 [9.94] 2.7	33.6 [9.85] 2.8	33.1 [9.70] 3.1	32.8 [9.61] 3.1	32.5 [9.52] 3.2
	45 [7.2]	Total BTUH [kW] Power	39.0 [11.43] 2.5	38.7 [11.34] 2.5	38.3 [11.22] 2.5	37.7 [11.05] 2.8	37.4 [10.96] 2.8	37.0 [10.84] 2.9	36.6 [10.73] 3.2	36.3 [10.64] 3.2	35.9 [10.52] 3.3
50 [10]	Total BTUH [kW] Power	42.7 [12.51] 2.5	42.4 [12.43] 2.6	42.0 [12.31] 2.6	41.4 [12.13] 2.8	41.1 [12.05] 2.9	40.7 [11.93] 2.9	40.3 [11.81] 3.2	40.0 [11.72] 3.3	39.5 [11.58] 3.3	

IDB—Indoor air dry bulb

[] Designates Metric Conversions



HEATING PERFORMANCE DATA—RQNJ-A048

IDB		60°F [15.5°C]			70°F [21.1°C]			80°F [26.7°C]			
CFM [L/s]		1700 [802]	1500 [732]	1320 [623]	1700 [802]	1500 [732]	1320 [623]	1700 [802]	1500 [732]	1320 [623]	
OUTDOOR DRY BULB TEMPERATURE °F [°C]	0 [-17.8]	Total BTUH [kW] Power	16.4 [4.81] 2.3	16.2 [4.75] 2.4	16.1 [4.72] 2.4	15.5 [4.54] 2.7	15.4 [4.51] 2.7	15.3 [4.48] 2.8	14.0 [4.10] 3.1	13.9 [4.07] 3.1	13.7 [4.02] 3.2
	5 [-15]	Total BTUH [kW] Power	19.1 [5.60] 2.4	19.0 [5.57] 2.5	18.8 [5.51] 2.5	18.3 [5.36] 2.8	18.2 [5.33] 2.8	18.0 [5.28] 2.9	16.7 [4.89] 3.2	16.6 [4.86] 3.2	16.4 [4.81] 3.3
	10 [-12.2]	Total BTUH [kW] Power	22.1 [6.48] 2.5	22.0 [6.45] 2.5	21.7 [6.36] 2.6	21.3 [6.24] 2.9	21.2 [6.21] 2.9	20.9 [6.13] 3.0	19.7 [5.77] 3.3	19.6 [5.74] 3.3	19.4 [5.69] 3.4
	15 [-9.4]	Total BTUH [kW] Power	25.3 [7.41] 2.6	25.1 [7.36] 2.6	24.9 [7.30] 2.7	24.5 [7.18] 2.9	24.3 [7.12] 3.0	24.1 [7.06] 3.0	22.9 [6.71] 3.3	22.8 [6.68] 3.4	22.5 [6.59] 3.4
	20 [-6.7]	Total BTUH [kW] Power	28.6 [8.38] 2.7	28.4 [8.32] 2.7	28.1 [8.24] 2.7	27.8 [8.15] 3.0	27.6 [8.09] 3.1	27.3 [8.00] 3.1	26.2 [7.68] 3.4	26.0 [7.62] 3.5	25.7 [7.53] 3.5
	25 [-3.9]	Total BTUH [kW] Power	32.0 [9.38] 2.7	31.7 [9.29] 2.8	31.4 [9.20] 2.8	31.2 [9.14] 3.1	30.9 [9.06] 3.1	30.6 [8.97] 3.2	29.6 [8.67] 3.5	29.4 [8.62] 3.5	29.1 [8.53] 3.6
	30 [-1.1]	Total BTUH [kW] Power	35.3 [10.35] 2.8	35.1 [10.29] 2.8	34.7 [10.17] 2.9	34.5 [10.11] 3.2	34.3 [10.05] 3.2	33.9 [9.94] 3.3	32.9 [9.64] 3.6	32.7 [9.58] 3.6	32.4 [9.50] 3.7
	35 [1.7]	Total BTUH [kW] Power	38.7 [11.34] 2.9	38.4 [11.25] 2.9	38.0 [11.14] 3.0	37.9 [11.11] 3.2	37.6 [11.02] 3.3	37.2 [10.90] 3.4	36.3 [10.64] 3.6	36.0 [10.55] 3.7	35.6 [10.43] 3.8
	40 [4.4]	Total BTUH [kW] Power	41.9 [12.28] 3.0	41.6 [12.19] 3.0	41.2 [12.07] 3.1	41.1 [12.05] 3.3	40.8 [11.96] 3.4	40.4 [11.84] 3.4	39.5 [11.58] 3.7	39.2 [11.49] 3.8	38.8 [11.37] 3.8
	45 [7.2]	Total BTUH [kW] Power	45.0 [13.19] 3.0	44.7 [13.10] 3.1	44.2 [12.95] 3.1	44.2 [12.95] 3.4	43.9 [12.87] 3.4	43.4 [12.72] 3.5	42.6 [12.48] 3.8	42.3 [12.40] 3.8	41.8 [12.25] 3.9
50 [10]	Total BTUH [kW] Power	47.9 [14.04] 3.1	47.5 [13.92] 3.2	47.0 [13.77] 3.2	47.0 [13.77] 3.5	46.7 [13.69] 3.5	46.2 [13.54] 3.6	45.5 [13.33] 3.9	45.1 [13.22] 3.9	44.7 [13.10] 4.0	

IDB —Indoor air dry bulb

HEATING PERFORMANCE DATA—RQNJ-A060/B060

IDB		60°F [15.5°C]			70°F [21.1°C]			80°F [26.7°C]			
CFM [L/s]		2090 [986]	1900 [897]	1620 [765]	2090 [986]	1900 [897]	1620 [765]	2090 [986]	1900 [897]	1620 [765]	
OUTDOOR DRY BULB TEMPERATURE °F [°C]	0 [-17.8]	Total BTUH [kW] Power	20.6 [6.04] 2.3	20.4 [5.98] 2.3	20.2 [5.92] 2.4	19.8 [5.80] 2.8	19.7 [5.77] 2.9	19.4 [5.69] 2.9	19.0 [5.57] 3.2	18.8 [5.51] 3.2	18.6 [5.45] 3.3
	5 [-15]	Total BTUH [kW] Power	23.1 [6.77] 2.4	22.9 [6.71] 2.4	22.7 [6.65] 2.5	22.3 [6.54] 2.9	22.2 [6.51] 3.0	21.9 [6.42] 3.0	21.5 [6.30] 3.3	21.4 [6.27] 3.3	21.1 [6.18] 3.4
	10 [-12.2]	Total BTUH [kW] Power	26.3 [7.71] 2.5	26.1 [7.65] 2.5	25.9 [7.59] 2.6	25.5 [7.47] 3.0	25.3 [7.41] 3.1	25.1 [7.36] 3.1	24.7 [7.24] 3.4	24.5 [7.18] 3.4	24.3 [7.12] 3.5
	15 [-9.4]	Total BTUH [kW] Power	30.1 [8.82] 2.6	29.8 [8.73] 2.7	29.5 [8.65] 2.7	29.3 [8.59] 3.1	29.0 [8.50] 3.2	28.7 [8.41] 3.2	28.4 [8.32] 3.5	28.2 [8.26] 3.6	27.9 [8.18] 3.6
	20 [-6.7]	Total BTUH [kW] Power	34.1 [9.99] 2.7	33.9 [9.94] 2.8	33.5 [9.82] 2.8	33.4 [9.79] 3.3	33.1 [9.70] 3.3	32.8 [9.61] 3.4	32.5 [9.52] 3.6	32.3 [9.47] 3.7	32.0 [9.38] 3.7
	25 [-3.9]	Total BTUH [kW] Power	38.5 [11.28] 2.8	38.2 [11.20] 2.9	37.8 [11.08] 2.9	37.7 [11.05] 3.4	37.4 [10.96] 3.4	37.0 [10.84] 3.5	36.8 [10.79] 3.7	36.6 [10.73] 3.8	36.2 [10.61] 3.8
	30 [-1.1]	Total BTUH [kW] Power	42.8 [12.54] 2.9	42.5 [12.46] 3.0	42.0 [12.31] 3.0	42.0 [12.31] 3.5	41.7 [12.22] 3.5	41.3 [12.10] 3.6	41.2 [12.07] 3.8	40.9 [11.99] 3.9	40.5 [11.87] 4.0
	35 [1.7]	Total BTUH [kW] Power	47.0 [13.77] 3.1	46.7 [13.69] 3.1	46.2 [13.54] 3.2	46.2 [13.54] 3.6	45.9 [13.45] 3.6	45.4 [13.31] 3.7	45.4 [13.31] 3.9	45.1 [13.22] 4.0	44.6 [13.07] 4.1
	40 [4.4]	Total BTUH [kW] Power	51.0 [14.95] 3.2	50.6 [14.83] 3.2	50.1 [14.68] 3.3	50.2 [14.71] 3.7	49.8 [14.59] 3.7	49.3 [14.45] 3.8	49.4 [14.48] 4.1	49.0 [14.36] 4.1	48.5 [14.21] 4.2
	45 [7.2]	Total BTUH [kW] Power	54.5 [15.97] 3.3	54.1 [15.86] 3.3	53.5 [15.68] 3.4	53.7 [15.74] 3.8	53.3 [15.62] 3.9	52.8 [15.47] 3.9	52.9 [15.50] 4.2	52.5 [15.39] 4.2	52.0 [15.24] 4.3
50 [10]	Total BTUH [kW] Power	57.4 [16.82] 3.4	57.0 [16.71] 3.4	56.4 [16.53] 3.5	56.6 [16.59] 3.9	56.2 [16.47] 4.0	55.6 [16.29] 4.0	55.8 [16.35] 4.3	55.4 [16.24] 4.3	54.8 [16.06] 4.4	

IDB —Indoor air dry bulb

[] Designates Metric Conversions

AIRFLOW PERFORMANCE—RQNJ- SERIES



INDOOR AIRFLOW PERFORMANCE—230 VOLTS

Nominal Cooling Capacity Tons [kW]	Motor Speed from Factory	Manufacturer Recommended Air-Flow Range (Min/Max) CFM	Blower Size/ Motor HP [W] & # of Speeds	Motor Speed	CFM [L/s] Air Delivery/RPM/Watts—230 Volts Side Discharge—Wet Coil											
					External Static Pressure—Inches W.C. [kPa]											
					0.1 [0.2]	0.2 [0.05]	0.3 [0.07]	0.4 [0.10]	0.5 [0.12]	0.6 [0.15]	0.7 [0.17]	0.8 [0.20]	0.9 [0.22]	1.0 [0.25]		
2.0 [7.03]	Low	700/900	10x9 1/4 HP [186] 2 Speed Motor	Low	CFM	827 [390]	811 [383]	782 [369]	740 [349]	684 [323]	614 [290]	531 [251]	435 [205]	—	—	
					RPM	450	533	626	742	799	894	932	985	—	—	
					Watts	278	273	269	254	244	227	216	198	—	—	
	High	CFM	1230 [580]	1223 [577]	1216 [574]	1211 [572]	1187 [560]	1125 [531]	1020 [481]	874 [412]	696 [328]	504 [238]	1092	—		
		RPM	575	643	703	767	819	877	976	1001	1072	1092	—	—		
		Watts	479	468	455	448	431	416	357	341	279	259	—	—		
2.5 [8.79]	Low	875/1125	10x9 1/3 HP [249] 2 Speed Motor	Low	CFM	1032 [487]	1030 [486]	1014 [478]	979 [462]	923 [436]	843 [398]	735 [347]	596 [281]	423 [200]	—	
					RPM	533	570	659	746	795	863	934	1019	1050	—	—
					Watts	336	331	326	314	303	280	271	227	210	—	—
	High	CFM	1312 [619]	1301 [614]	1292 [610]	1276 [602]	1246 [588]	1196 [564]	1117 [527]	1003 [473]	845 [399]	—	—			
		RPM	592	646	712	768	824	883	933	1012	1035	—	—			
		Watts	482	473	466	454	433	421	401	349	329	—	—			
3.0 [10.55]	Low	1050/1350	10x9 1/2 HP [373] 2 Speed Motor	Low	CFM	1261 [595]	1253 [591]	1225 [578]	1177 [555]	1110 [524]	1023 [483]	915 [432]	788 [372]	641 [303]	—	
					RPM	648	705	754	802	854	896	985	1008	1041	—	—
					Watts	398	395	387	391	370	361	323	310	300	—	—
	High	CFM	2068 [976]	2008 [948]	1957 [924]	1905 [899]	1841 [869]	1753 [827]	1629 [769]	1458 [688]	1228 [580]	929 [438]	1108	—		
		RPM	850	883	917	946	972	999	1028	1049	1091	1108	—	—		
		Watts	826	806	784	762	734	702	658	626	546	512	—	—		
3.5 [12.31]	Low	1225/1575	11x9 1/2 HP [373] 2 Speed Motor	Low	CFM	1431 [675]	1394 [658]	1348 [636]	1302 [614]	1258 [594]	1208 [570]	1140 [538]	1030 [486]	849 [401]	577 [263]	
					RPM	540	579	633	686	724	776	831	868	1035	1076	—
					Watts	482	479	477	470	459	453	437	423	335	292	—
	High	CFM	1960 [925]	1936 [914]	1903 [898]	1859 [877]	1806 [852]	1742 [822]	1669 [788]	1585 [748]	1491 [704]	1387 [655]	975	—		
		RPM	703	727	750	780	809	846	877	910	940	975	—	—		
		Watts	783	782	776	759	750	729	712	686	656	625	—	—		
4.0 [14.07]	Low	1400/1800	11x9 3/4 HP [559] 2 Speed Motor	Low	CFM	1674 [790]	1638 [773]	1595 [753]	1547 [730]	1492 [704]	1432 [676]	1365 [644]	1293 [610]	1214 [573]	1129 [533]	
					RPM	576	618	668	708	753	789	832	874	915	954	—
					Watts	575	563	556	549	544	532	522	503	483	465	—
	High	CFM	1996 [942]	1976 [933]	1947 [919]	1909 [901]	1863 [879]	1808 [853]	1744 [823]	1671 [789]	1590 [750]	1500 [708]	973	—		
		RPM	680	722	752	781	807	833	867	912	936	973	—	—		
		Watts	799	787	784	760	753	749	730	699	693	652	—	—		
5.0 [17.6]	Low	1750/2250	11x9 3/4 HP [559] 2 Speed Motor	Low	CFM	2044 [965]	2017 [952]	1993 [936]	1941 [916]	1892 [893]	1836 [866]	1773 [837]	1702 [803]	1623 [766]	1537 [725]	
					RPM	689	723	756	798	822	855	889	924	951	988	—
					Watts	886	870	865	849	831	817	799	782	755	726	—
	High	CFM	2693 [1271]	2654 [1253]	2606 [1230]	2549 [1203]	2483 [1172]	2408 [1136]	2323 [1096]	2230 [1052]	2127 [1004]	2015 [951]	1044	—		
		RPM	876	897	915	938	956	975	996	1009	1025	1044	—	—		
		Watts	1438	1427	1399	1368	1340	1312	1274	1228	1192	1146	—	—		
RQNJ-A060/B060																
5.0 [17.6]	Low	1750/2250	11x9 1 HP [746] 2 Speed Motor	Low	CFM	1953 [922]	1916 [904]	1880 [887]	1846 [871]	1812 [855]	1779 [840]	1747 [824]	1714 [809]	1681 [793]	1647 [777]	
					RPM	681	720	757	792	823	855	889	922	955	994	—
					Watts	432	455	485	496	518	540	554	571	582	605	—
	High	CFM	2201 [1039]	2168 [1023]	2134 [1007]	2101 [992]	2067 [976]	2035 [960]	2004 [946]	1975 [932]	1947 [919]	1922 [907]	1032	—		
		RPM	754	782	806	838	881	907	936	960	996	1032	—	—		
		Watts	627	641	668	682	718	739	754	770	792	820	—	—		

[] Designates Metric Conversions



INDOOR AIRFLOW PERFORMANCE—208 VOLTS

Nominal Cooling Capacity Tons [kW]	Motor Speed from Factory	Manufacturer Recommended Air-Flow Range (Min/Max) CFM	Blower Size/Motor HP [W] & # of Speeds	Motor Speed	CFM [L/s] Air Delivery/RPM/Watts—208 Volts Side Discharge—Wet Coil										
					External Static Pressure—Inches W.C. [kPa]										
					0.1 [0.02]	0.2 [0.05]	0.3 [0.07]	0.4 [0.10]	0.5 [0.12]	0.6 [0.15]	0.7 [0.17]	0.8 [0.20]	0.9 [0.22]	1.0 [0.25]	
2.0 [7.03]	Low	700/900	10x9 1/4 HP [186] 2 Speed Motor	Low	CFM	723 [341]	692 [327]	654 [309]	609 [287]	556 [262]	496 [234]	428 [202]	—	—	—
					RPM	443	528	651	710	819	863	914	—	—	—
					Watts	230	222	219	214	202	196	184	—	—	—
	High	700/900	10x9 1/4 HP [186] 2 Speed Motor	High	CFM	1062 [501]	1062 [501]	1058 [499]	1043 [492]	1013 [478]	962 [454]	884 [417]	774 [365]	627 [296]	437 [206]
					RPM	528	618	674	735	812	895	936	985	1055	1080
					Watts	396	393	384	376	361	335	318	297	244	223
2.5 [8.79]	Low	875/1125	10x9 1/3 HP [249] 2 Speed Motor	Low	CFM	923 [435]	904 [426]	874 [413]	832 [393]	774 [365]	698 [329]	602 [284]	483 [228]	—	—
					RPM	498	543	648	728	806	853	947	989	—	—
					Watts	280	278	268	259	252	243	219	201	—	—
	High	875/1125	10x9 1/3 HP [249] 2 Speed Motor	High	CFM	1164 [549]	1154 [545]	1143 [539]	1124 [530]	1090 [514]	1034 [489]	948 [447]	826 [390]	660 [311]	445 [210]
					RPM	526	596	670	744	803	864	945	971	1051	1078
					Watts	401	398	388	379	371	350	322	310	259	235
3.0 [10.55]	Low	1050/1350	10x9 1/2 HP [373] 2 Speed Motor	Low	CFM	1145 [540]	1142 [539]	1118 [528]	1073 [506]	1006 [475]	918 [433]	—	—	—	
					RPM	556	645	703	769	828	909	—	—	—	
					Watts	346	340	335	326	321	298	—	—	—	
	High	1050/1350	10x9 1/2 HP [373] 2 Speed Motor	High	CFM	1884 [889]	1850 [873]	1815 [856]	1772 [836]	1712 [808]	1630 [769]	1516 [715]	1363 [643]	1164 [549]	910 [430]
					RPM	791	834	871	912	946	975	1004	1032	1083	1097
					Watts	704	694	675	655	638	606	581	548	464	440
3.5 [12.31]	Low	1225/1575	11x9 1/2 HP [373] 2 Speed Motor	Low	CFM	1279 [604]	1237 [584]	1196 [564]	1151 [543]	1098 [518]	1032 [487]	950 [448]	846 [399]	717 [338]	558 [263]
					RPM	490	539	598	653	709	772	811	887	928	978
					Watts	401	400	393	391	381	373	364	343	329	305
	High	1225/1575	11x9 1/2 HP [373] 2 Speed Motor	High	CFM	1751 [826]	1729 [816]	1698 [801]	1658 [782]	1608 [759]	1549 [731]	1481 [699]	1404 [663]	1317 [622]	1221 [576]
					RPM	640	668	706	734	781	813	851	888	937	968
					Watts	660	658	651	644	628	617	603	581	557	524
4.0 [14.07]	Low	1400/1800	11x9 3/4 HP [559] 2 Speed Motor	Low	CFM	1400 [661]	1393 [658]	1373 [648]	1337 [631]	1288 [608]	1225 [578]	1147 [541]	1055 [498]	949 [448]	828 [391]
					RPM	536	578	623	677	718	782	830	863	902	976
					Watts	471	466	458	455	453	442	429	420	403	374
	High	1400/1800	11x9 3/4 HP [559] 2 Speed Motor	High	CFM	1786 [843]	1764 [832]	1734 [818]	1695 [800]	1649 [778]	1595 [753]	1532 [723]	1462 [690]	1384 [653]	1297 [612]
					RPM	618	643	684	726	757	805	841	883	924	955
					Watts	665	660	651	646	638	626	612	596	573	555
5.0 [17.6]	Low	1750/2250	11x9 3/4 HP [559] 2 Speed Motor	Low	CFM	1848 [872]	1821 [859]	1785 [843]	1742 [822]	1690 [798]	1630 [769]	1562 [737]	1486 [701]	1402 [662]	1309 [618]
					RPM	660	685	722	755	795	836	867	904	940	975
					Watts	731	725	720	707	698	680	665	651	623	596
	High	1750/2250	11x9 3/4 HP [559] 2 Speed Motor	High	CFM	2444 [1153]	2420 [1142]	2384 [1125]	2337 [1103]	2278 [1075]	2208 [1042]	2127 [1004]	2034 [960]	1930 [911]	1814 [856]
					RPM	829	838	863	885	914	936	958	983	1003	1029
					Watts	1225	1218	1197	1191	1160	1135	1105	1068	1035	980
RQNJ-A060/B060															
5.0 [17.6]	Low	1750/2250	11x9 3/4 HP [559] 2 Speed Motor	Low	CFM	1953 [922]	1916 [904]	1880 [887]	1846 [871]	1812 [855]	1779 [840]	1747 [824]	1714 [809]	1681 [793]	1647 [777]
					RPM	681	720	757	792	823	855	889	922	955	994
					Watts	432	455	485	496	518	540	554	571	582	605
	High	1750/2250	11x9 3/4 HP [559] 2 Speed Motor	High	CFM	2201 [1039]	2168 [1023]	2134 [1007]	2101 [992]	2067 [976]	2035 [960]	2004 [946]	1975 [932]	1947 [919]	1922 [907]
					RPM	754	782	806	838	881	907	936	960	996	1032
					Watts	627	641	668	682	718	739	754	770	792	820

[] Designates Metric Conversions



Model No. RQNJ-	Unit Information				Evaporator Fan					
	Unit Operating Voltage Range	Minimum Circuit Ampacity	Minimum Overcurrent Protection Device Size	Maximum Overcurrent Protection Device Size	No.	Volts	Phase	HP	Amps (FLA)	Amps (LRA)
A024JK	187-253	17/17	20/20	25/25	1	208/230	1	1/4	1.5	2.6
A030JK	187-253	19/19	25/25	30/30	1	208/230	1	1/3	1.7	2.6
A036CK	187-253	16/16	20/20	25/25	1	208/230	1	1/2	2.5	5
A036JK	187-253	23/23	30/30	35/35	1	208/230	1	1/2	2.5	5
A042CK	187-253	18/18	25/25	30/30	1	208/230	1	1/2	2.7	4.6
A042JK	187-253	26/26	30/30	40/40	1	208/230	1	1/2	2.7	4.6
A048CK	187-253	22/22	25/25	30/30	1	208/230	1	3/4	3.2	4.4
A048JK	187-253	28/28	35/35	45/45	1	208/230	1	3/4	3.2	4.4
A060CK	187-253	31/31	35/35	45/45	1	208/230	1	1	7	0
A060JK	187-253	41/41	50/50	60/60	1	208/230	1	1	7	0
B060CK	187-253	32/32	35/35	45/45	1	208/230	1	1	7.6	0
B060JK	187-253	41/41	50/50	60/60	1	208/230	1	1	7.6	0

Model No. RQNJ-	Compressor Motor							Condenser Motor					
	No.	Volts	Phase	HP	RPM	Amps (RLA)	Amps (LRA)	No.	Volts	Phase	HP	Amps (FLA)	Amps (LRA)
A024JK	1	208/230	1	2	3450	10.9/10.9	54/54	1	208/230	1	1/3	1.5	3
A030JK	1	208/230	1	2.5	3450	12.2/12.2	67/67	1	208/230	1	1/3	1.5	3
A036CK	1	208/230	3	3	3450	10.2/10.2	63/63	1	208/230	1	1/3	1.5	3
A036JK	1	208/230	1	3	3450	14.9/14.9	83/83	1	208/230	1	1/3	1.5	3
A042CK	1	208/230	3	3.5	3450	11.6/11.6	77/77	1	208/230	1	1/3	1.8	4
A042JK	1	208/230	1	3.5	3450	16.7/16.7	95/95	1	208/230	1	1/3	1.8	4
A048CK	1	208/230	3	4	3450	12.9/12.9	88/88	1	208/230	1	1/3	1.8	4
A048JK	1	208/230	1	4	3450	18.3/18.3	109/109	1	208/230	1	1/3	1.8	4
A060CK	1	208/230	3	4.5	3450	17.3/17.3	123/123	1	208/230	1	1/3	1.8	4
A060JK	1	208/230	1	4.5	3450	25/25	148/148	1	208/230	1	1/3	1.8	4
B060CK	1	208/230	3	4.5	3450	17.3/17.3	123/123	1	208/230	1	1/3	1.8	4
B060JK	1	208/230	1	4.5	3450	25/25	148/148	1	208/230	1	1/3	1.8	4



ELECTRIC HEATER KITS—RQNJ- SERIES

208-240 VOLT, SINGLE PHASE, 60 HZ, AUXILIARY ELECTRIC HEATER KITS CHARACTERISTICS AND APPLICATION

Unit Model No. RQNJ-	Single Power Supply For Both Unit and Heater Kit										Separate Power Supply For Both Unit and Heater Kit									
	Heater Kit					Heat Pump					Heater Kit					Heat Pump				
	RXQJ- Heater Kit Nominal kW	No. of Elements	No. of Sequence Steps	Rated Heater kW @ 208-240 V	Heater KBTU/Hr @ 208-240 V	Heater Amp. @ 208-240 V	Unit Min. Ckt. Ampacity @ 208-240 V	Over Current Protective Device Size Min./Max. @ 208 V	Min. Ckt. Ampacity 208/240V	Max. Fuse Size 208/240V	Min. Circuit Ampacity 208-240 V	Over Current Protective Device Size Min./Max. @ 240 V	Min. Ckt. Ampacity 208/240V	Max. Fuse Size 208/240V	Min. Circuit Ampacity 208-240 V	Over Current Protective Device Size Min./Max. @ 208 V	Min. Ckt. Ampacity 208/240V	Max. Fuse Size 208/240V	Min. Circuit Ampacity 208-240 V	Over Current Protective Device Size Min./Max. @ 240 V
A024J	No Heat	—	—	—	—	—	17/17	20/25	—	—	17/17	20/25	—	—	17/17	20/25	—	—	17/17	20/25
	C05J	1	1	3.6/4.8	12.28/16.38	17.33/20	39/42	40/40	17.33/20	17.33/20	39/42	40/40	22/25	25/25	—	—	22/25	25/25	—	—
	C07J	1	1	5.4/7.2	18.42/24.56	26/30	50/55	50/50	26/30	26/30	50/55	50/50	33/38	35/40	—	—	33/38	35/40	—	—
A030J	C10J	2	1	7.2/9.6	24.57/32.76	34.7/40	60/67	60/60	34.7/40	34.7/40	60/67	60/60	44/50	45/50	—	—	44/50	45/50	—	—
	No Heat	—	—	—	—	—	19/19	25/30	—	—	19/19	25/30	—	—	19/19	25/30	—	—	19/19	25/30
	C05J	1	1	3.6/4.8	12.28/16.38	17.33/20	41/44	45/45	17.33/20	17.33/20	41/44	45/45	22/25	25/25	—	—	22/25	25/25	—	—
A036J	C07J	1	1	5.4/7.2	18.42/24.56	26/30	51/56	60/60	26/30	26/30	51/56	60/60	33/38	35/40	—	—	33/38	35/40	—	—
	C10J	2	1	7.2/9.6	24.57/32.76	34.7/40	62/69	70/70	34.7/40	34.7/40	62/69	70/70	44/50	45/50	—	—	44/50	45/50	—	—
	C15J	3	2	10.8/14.4	36.85/49.13	52/60	84/94	90/90	52/60	52/60	84/94	90/90	65/75	70/80	—	—	65/75	70/80	—	—
A042J	C20J	4	2	14.4/19.2	49.12/65.52	69.33/80	110/123	110/110	69.33/80	69.33/80	110/123	110/110	87/100	90/100	—	—	87/100	90/100	—	—
	No Heat	—	—	—	—	—	26/26	30/40	—	—	26/26	30/40	—	—	26/26	30/40	—	—	26/26	30/40
	C05J	1	1	3.6/4.8	12.28/16.38	17.33/20	47/51	50/50	17.33/20	17.33/20	47/51	50/50	22/25	25/25	—	—	22/25	25/25	—	—
A048J	C07J	1	1	5.4/7.2	18.42/24.56	26/30	58/63	60/60	26/30	26/30	58/63	60/60	33/38	35/40	—	—	33/38	35/40	—	—
	C10J	2	1	7.2/9.6	24.57/32.76	34.7/40	69/76	70/70	34.7/40	34.7/40	69/76	70/70	44/50	45/50	—	—	44/50	45/50	—	—
	C15J	3	2	10.8/14.4	36.85/49.13	52/60	91/101	100/100	52/60	52/60	91/101	100/100	65/75	70/80	—	—	65/75	70/80	—	—
A060J	C20J	4	2	14.4/19.2	49.12/65.52	69.33/80	112/126	125/125	69.33/80	69.33/80	112/126	125/125	87/100	90/100	—	—	87/100	90/100	—	—
	No Heat	—	—	—	—	—	28/28	35/45	—	—	28/28	35/45	—	—	28/28	35/45	—	—	28/28	35/45
	C05J	1	1	3.6/4.8	12.28/16.38	17.33/20	50/53	60/60	17.33/20	17.33/20	50/53	60/60	22/25	25/25	—	—	22/25	25/25	—	—
B060J	C07J	1	1	5.4/7.2	18.42/24.56	26/30	61/66	70/70	26/30	26/30	61/66	70/70	33/38	35/40	—	—	33/38	35/40	—	—
	C10J	2	1	7.2/9.6	24.57/32.76	34.7/40	72/78	80/80	34.7/40	34.7/40	72/78	80/80	44/50	45/50	—	—	44/50	45/50	—	—
	C15J	3	2	10.8/14.4	36.85/49.13	52/60	93/103	100/100	52/60	52/60	93/103	100/100	65/75	70/80	—	—	65/75	70/80	—	—
B060J	C20J	4	2	14.4/19.2	49.12/65.52	69.33/80	115/128	125/125	69.33/80	69.33/80	115/128	125/125	87/100	90/100	—	—	87/100	90/100	—	—
	No Heat	—	—	—	—	—	41/41	50/60	—	—	41/41	50/60	—	—	41/41	50/60	—	—	41/41	50/60
	C05J	1	1	3.6/4.8	12.28/16.38	17.33/20	62/66	80/80	17.33/20	17.33/20	62/66	80/80	22/25	25/25	—	—	22/25	25/25	—	—
B060J	C07J	1	1	5.4/7.2	18.42/24.56	26/30	73/78	90/90	26/30	26/30	73/78	90/90	33/38	35/40	—	—	33/38	35/40	—	—
	C10J	2	1	7.2/9.6	24.57/32.76	34.7/40	84/91	90/90	34.7/40	34.7/40	84/91	90/90	44/50	45/50	—	—	44/50	45/50	—	—
	C15J	3	2	10.8/14.4	36.85/49.13	52/60	106/116	110/110	52/60	52/60	106/116	110/110	65/75	70/80	—	—	65/75	70/80	—	—
B060J	C20J	4	2	14.4/19.2	49.12/65.52	69.33/80	127/141	150/150	69.33/80	69.33/80	127/141	150/150	87/100	90/100	—	—	87/100	90/100	—	—
	No Heat	—	—	—	—	—	41/41	50/60	—	—	41/41	50/60	—	—	41/41	50/60	—	—	41/41	50/60
	C05J	1	1	3.6/4.8	12.28/16.38	17.33/20	63/66	80/80	17.33/20	17.33/20	63/66	80/80	22/25	25/25	—	—	22/25	25/25	—	—
B060J	C07J	1	1	5.4/7.2	18.42/24.56	26/30	74/79	90/90	26/30	26/30	74/79	90/90	33/38	35/40	—	—	33/38	35/40	—	—
	C10J	2	1	7.2/9.6	24.57/32.76	34.7/40	85/91	90/90	34.7/40	34.7/40	85/91	90/90	44/50	45/50	—	—	44/50	45/50	—	—
	C15J	3	2	10.8/14.4	36.85/49.13	52/60	106/116	110/110	52/60	52/60	106/116	110/110	65/75	70/80	—	—	65/75	70/80	—	—
B060J	C20J	4	2	14.4/19.2	49.12/65.52	69.33/80	128/141	150/150	69.33/80	69.33/80	128/141	150/150	87/100	90/100	—	—	87/100	90/100	—	—
	No Heat	—	—	—	—	—	128/141	150/150	—	—	128/141	150/150	—	—	128/141	150/150	—	—	128/141	150/150
	C05J	1	1	3.6/4.8	12.28/16.38	17.33/20	63/66	80/80	17.33/20	17.33/20	63/66	80/80	22/25	25/25	—	—	22/25	25/25	—	—



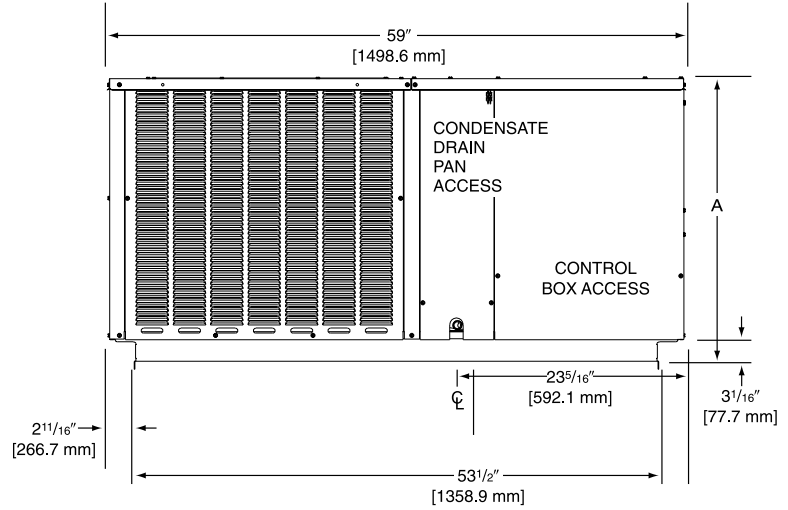
208-240 VOLT, THREE PHASE, 60 HZ, AUXILIARY ELECTRIC HEATER KITS CHARACTERISTICS AND APPLICATION													
Separate Power Supply For Both Unit and Heater Kit													
Unit Model No. RQNJ-	Single Power Supply For Both Unit and Heater Kit						Separate Power Supply For Both Unit and Heater Kit						
	Heater Kit			Heat Pump			Heater Kit			Heat Pump			
	RXQJ- Heater Kit Nominal kW	No. of Elements	No. of Sequence Steps	Rated Heater kW @ 208-240 V	Heater KBTU/Hr @ 208-240 V	Heater Amp. @ 208-240 V	Unit Min. Ckt. Ampacity @ 208-240 V	Over Current Protective Device Size Min./Max. @ 208 V	Min. Ckt. Ampacity 208/240V	Max. Fuse Size 208/240V	Min. Circuit Ampacity 208-240 V	Over Current Protective Device Size Min./Max. @ 208 V	Min./Max. @ 240 V
A036C	No Heat	—	—	—	—	—	17/17	20/25	—	—	17/17	20/25	20/25
	C10C	2	1	7.2/9.6	24.57/32.76	20/23.1	42/46	45/45	25/30	25/30	—	—	—
	C15C	3	2	10.8/14.4	36.85/49.13	30/34.6	55/61	60/60	40/45	—	—	—	—
A042C	No Heat	—	—	—	—	—	19/19	25/30	—	—	19/19	25/30	25/30
	C10C	2	1	7.2/9.6	24.57/32.76	20/23.1	44/48	45/50	25/30	25/30	—	—	—
	C15C	3	2	10.8/14.4	36.85/49.13	30/34.6	57/63	60/60	40/45	—	—	—	—
	C20C	4	2	14.4/19.2	49.12/65.52	40/46.2	69/77	70/70	50/60	50/60	—	—	—
A048C	No Heat	—	—	—	—	—	22/22	25/30	—	—	22/22	25/30	25/30
	C10C	2	1	7.2/9.6	24.57/32.76	20/23.1	47/50	50/50	25/30	25/30	—	—	—
	C15C	3	2	10.8/14.4	36.85/49.13	30/34.6	59/65	60/60	40/45	—	—	—	—
	C20C	4	2	14.4/19.2	49.12/65.52	40/46.2	72/79	80/80	50/60	50/60	—	—	—
A060C	No Heat	—	—	—	—	—	31/31	35/45	—	—	31/31	35/45	35/45
	C10C	2	1	7.2/9.6	24.57/32.76	20/23.1	56/60	60/60	25/30	25/30	—	—	—
	C15C	3	2	10.8/14.4	36.85/49.13	30/34.6	69/74	70/70	40/45	—	—	—	—
	C20C	4	2	14.4/19.2	49.12/65.52	40/46.2	81/89	90/90	50/60	50/60	—	—	—
B060C	No Heat	—	—	—	—	—	32/32	35/45	—	—	32/32	35/45	35/45
	C10C	2	1	7.2/9.6	24.57/32.76	20/23.1	57/60	60/60	25/30	25/30	—	—	—
	C15C	3	2	10.8/14.4	36.85/49.13	30/34.6	69/75	70/70	40/45	—	—	—	—
	C20C	4	2	14.4/19.2	49.12/65.52	40/46.2	82/89	90/90	50/60	50/60	—	—	—



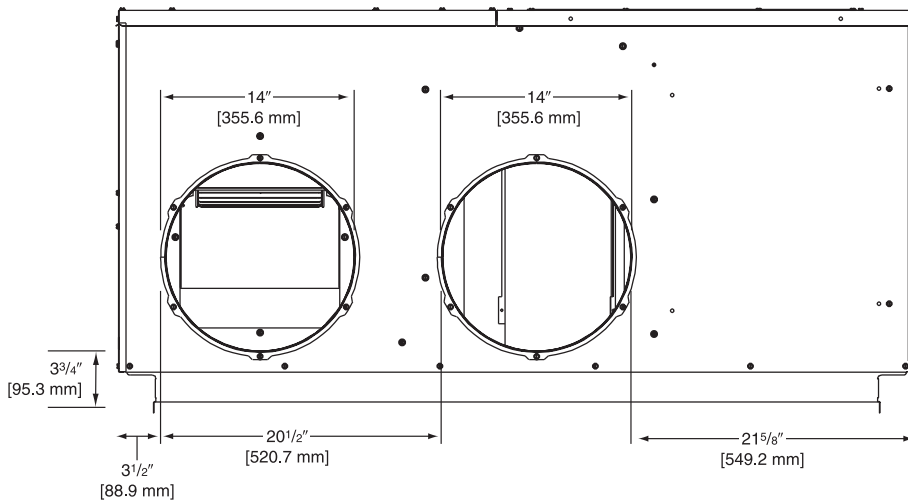
DIMENSIONS

Model	Height "A"
024, 030, 036	29 1/8"
042, 048, 060	37 1/8"

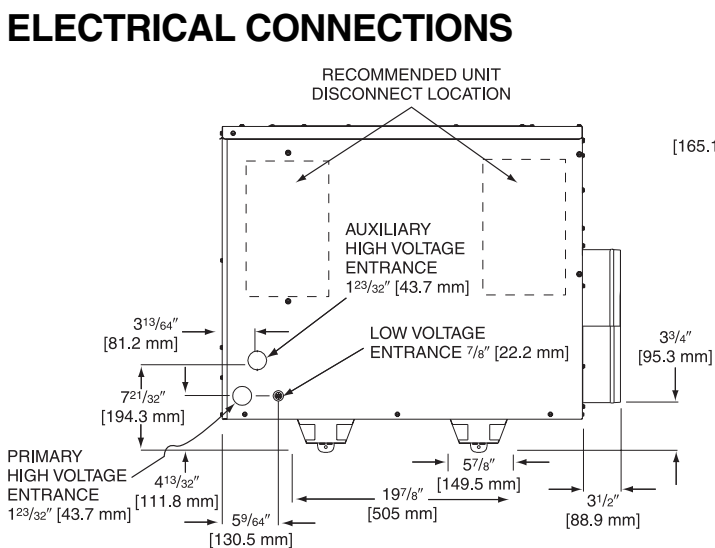
FRONT VIEW



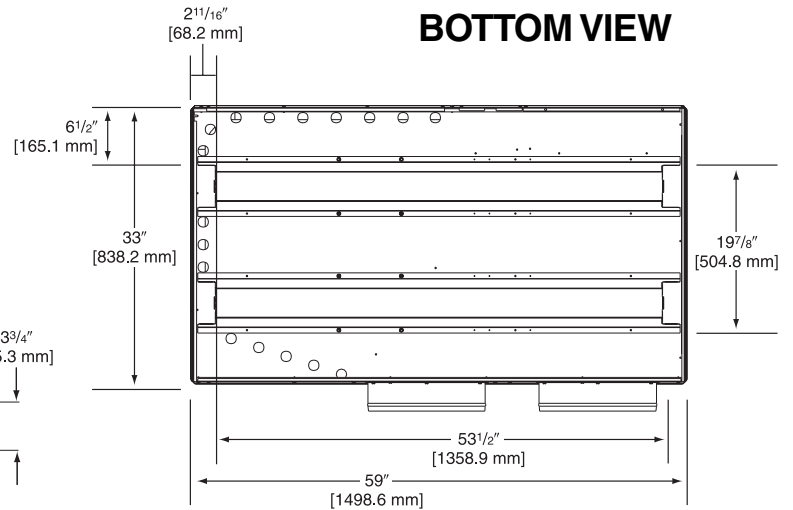
REAR VIEW

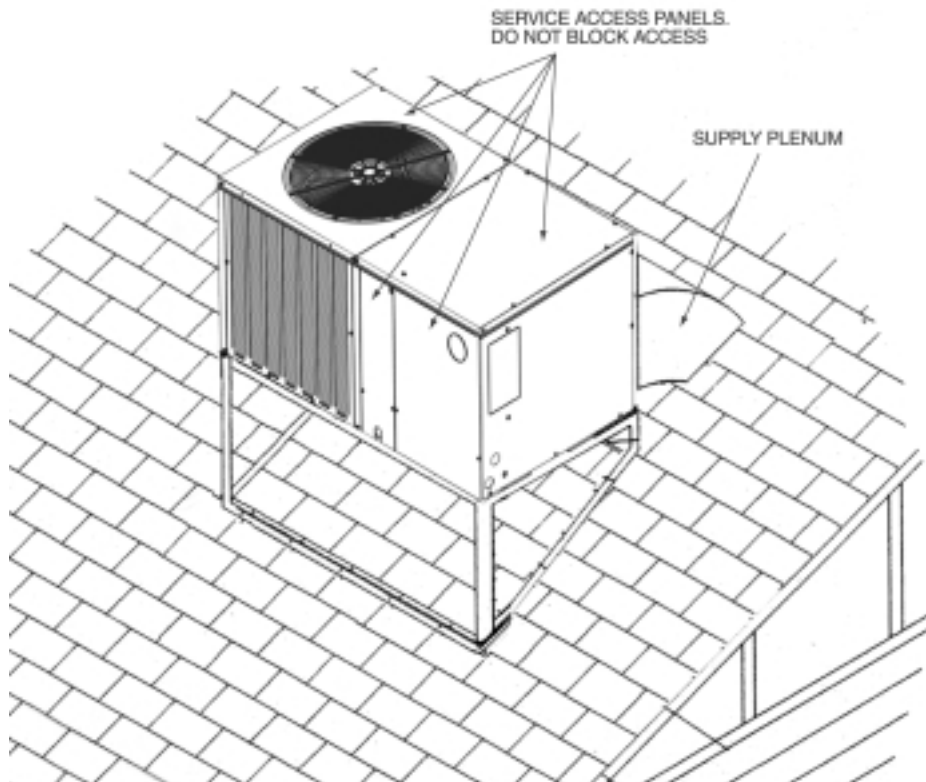
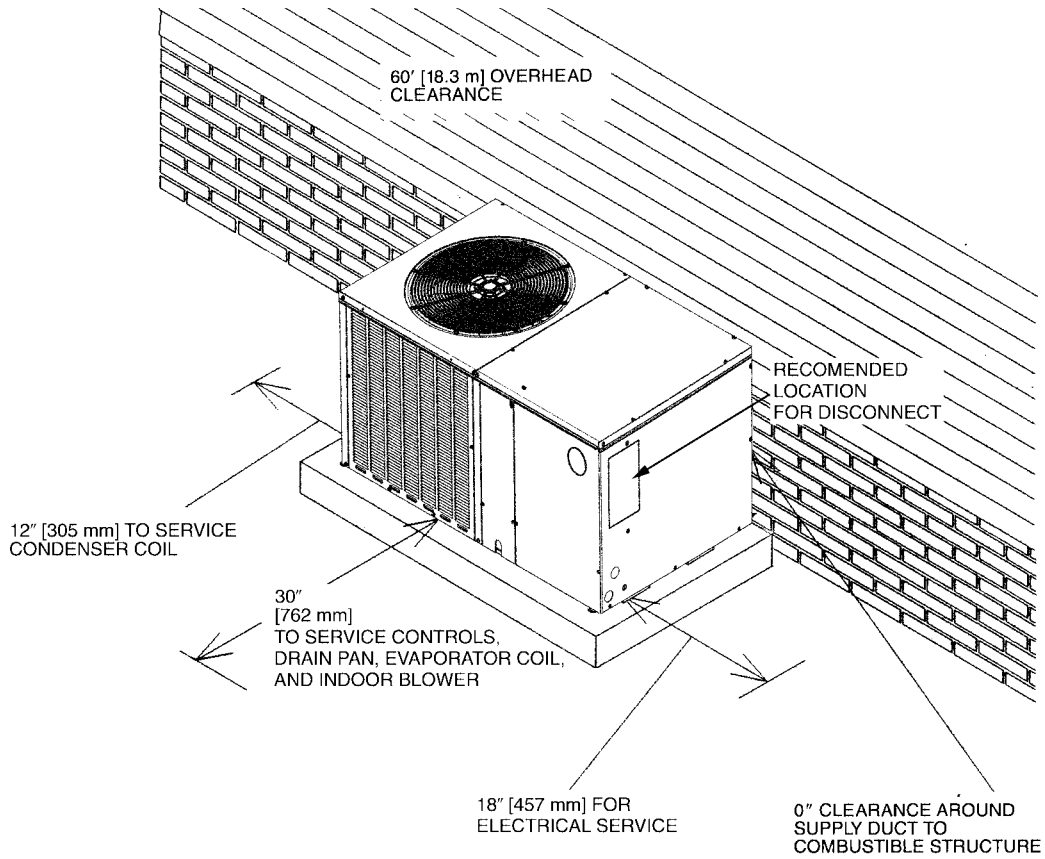


ELECTRICAL CONNECTIONS



BOTTOM VIEW





ACCESSORY EQUIPMENT

Accessory Description	Model Application	Accessory Model No.
Thermostats	RQNJ	See Thermostat Specification Sheet (T11-001)
Outdoor Thermostat	RQNJ	RXPT-A01

THERMOSTATS
■ Thermostats


300-Series *
Deluxe Programmable



200-Series *
Programmable



100-Series *
Non-Programmable

400-Series *
Special Applications/Programmable

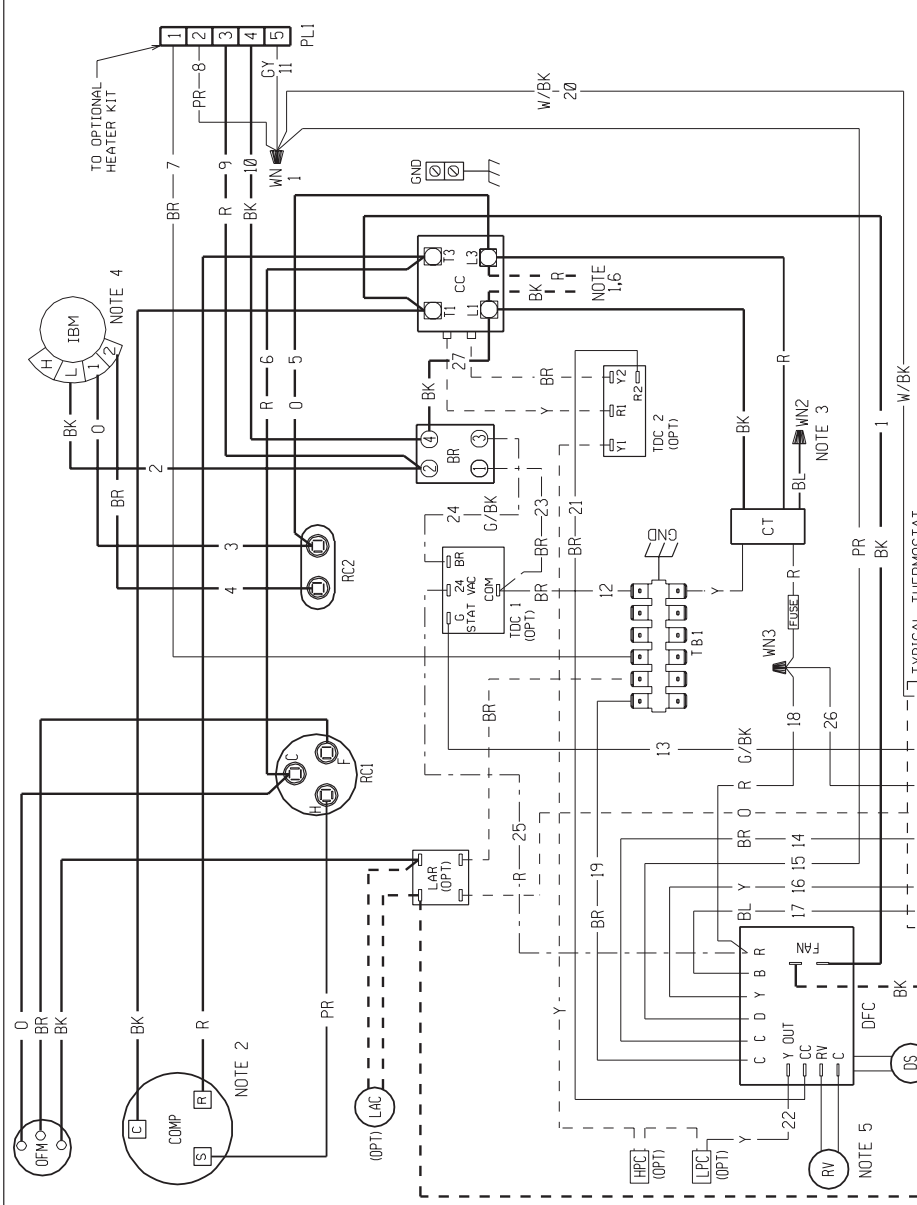
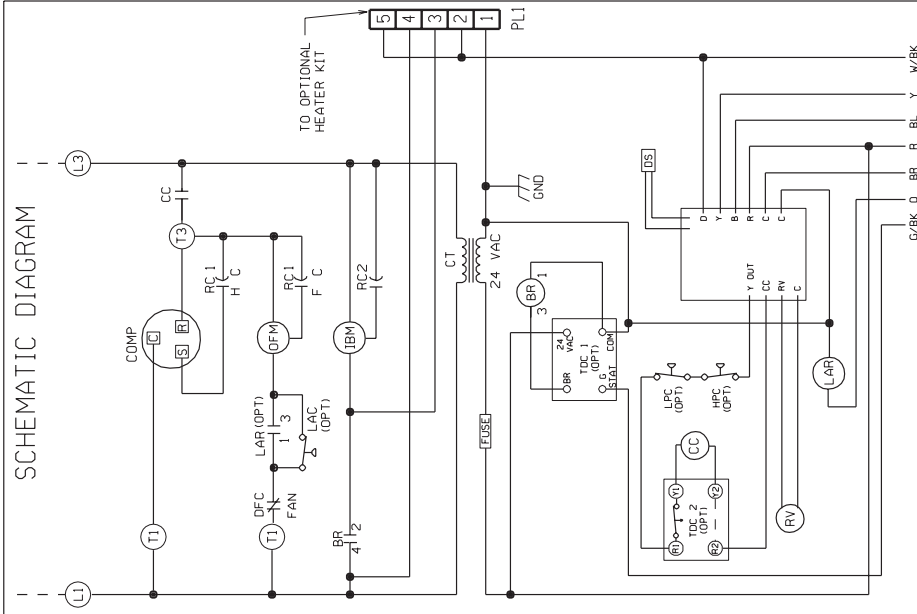
Brand	Unique Model Number Prefix	Descriptor (3 Characters)	Series (3 Characters)	System (2 Characters)	Type (2 Characters)
RHC	-	TST	101	GE	MS
RHC=Rheem		TST=Thermostat	100=Non-Programmable 200=Programmable 300=Deluxe Programmable 400=Special Applications/Programmable	GE=Gas/Oil/Electric HP=Heat Pump MD=Modulating Furnace DF=Dual Fuel UN=Universal AC/HP/GE	SS=Single-Stage MS=Multi-Stage

* Photos are representative. Actual models may vary.

For detailed thermostat match-up information, see specification sheet form number T11-001.



SCHEMATIC DIAGRAM



WIRE COLOR CODE

BK	BLACK
OR	ORANGE
PR	PURPLE
BL	BLUE
R	RED
W	WHITE
GY	GRAY
Y	YELLOW

WIRING INFORMATION

- LINE VOLTAGE
 - FACTORY STANDARD
 - FACTORY OPTION
 - FIELD INSTALLED
- LOW VOLTAGE
 - FACTORY STANDARD
 - FACTORY OPTION
 - FIELD INSTALLED
- REPLACEMENT WIRE
 - MUST BE THE SAME SIZE AND TYPE OF INSULATION AS ORIGINAL (105 C MIN.)
 - WARNING
 - CABINET MUST BE PERMANENTLY GROUNDED AND CONFORM TO I.E.C., N.E.C., C.E.C. AND LOCAL CODES AS APPLICABLE.

NOTES:

- CONNECTORS SUITABLE FOR USE WITH COPPER CONDUCTORS ONLY.
- COMPRESSOR MOTOR THERMALLY PROTECTED.
- TRANSFORMER FACTORY WIRED FOR 230 VOLTS. USE RED AND BLUE LEADS FOR 208 VOLTS.
- MOTOR FACTORY WIRED FOR LOW SPEED. SEE AIRFLOW TABLES IN INSTALLATION INSTRUCTIONS TO DETERMINE CORRECT SPEED FOR UNIT APPLICATION.
- THIS COMPONENT ENERGIZED IN HEATING.
- FIELD WIRING OR CONNECTION FROM HEATER KIT FUSE BLOCK.

COMPONENT CODE

ALC	AUX. LIMIT CONTROL
BR	BLOWER RELAY
CC	COMPRESSOR CONTACTOR
CCH	CRANKCASE HEATER
COMP	COMPRESSOR
CT	CONTROL TRANSFORMER
DFC	DEFROST CONTROL
DR	DEFROST RELAY
DS	DIFFERENTIAL SWITCH
GS	GROUND
HPS	HOT GAS SENSOR
HPC	HIGH PRESSURE CONTROL
IBM	INDOOR BLOWER MOTOR
LAC	LOW AMBIENT CONTROL
LAR	LOW AMBIENT RELAY
CC	CRANKCASE HEATER
OFM	OUTDOOR FAN MOTOR
OPT	OPTIONAL
PL	PLUG
RC	ROOM CAPACITOR
RCV	REVERSING VALVE
TR	TRIP
TDC	TIME DELAY CONTROL
W	WIRE NUT

ELECTRICAL WIRING DIAGRAM

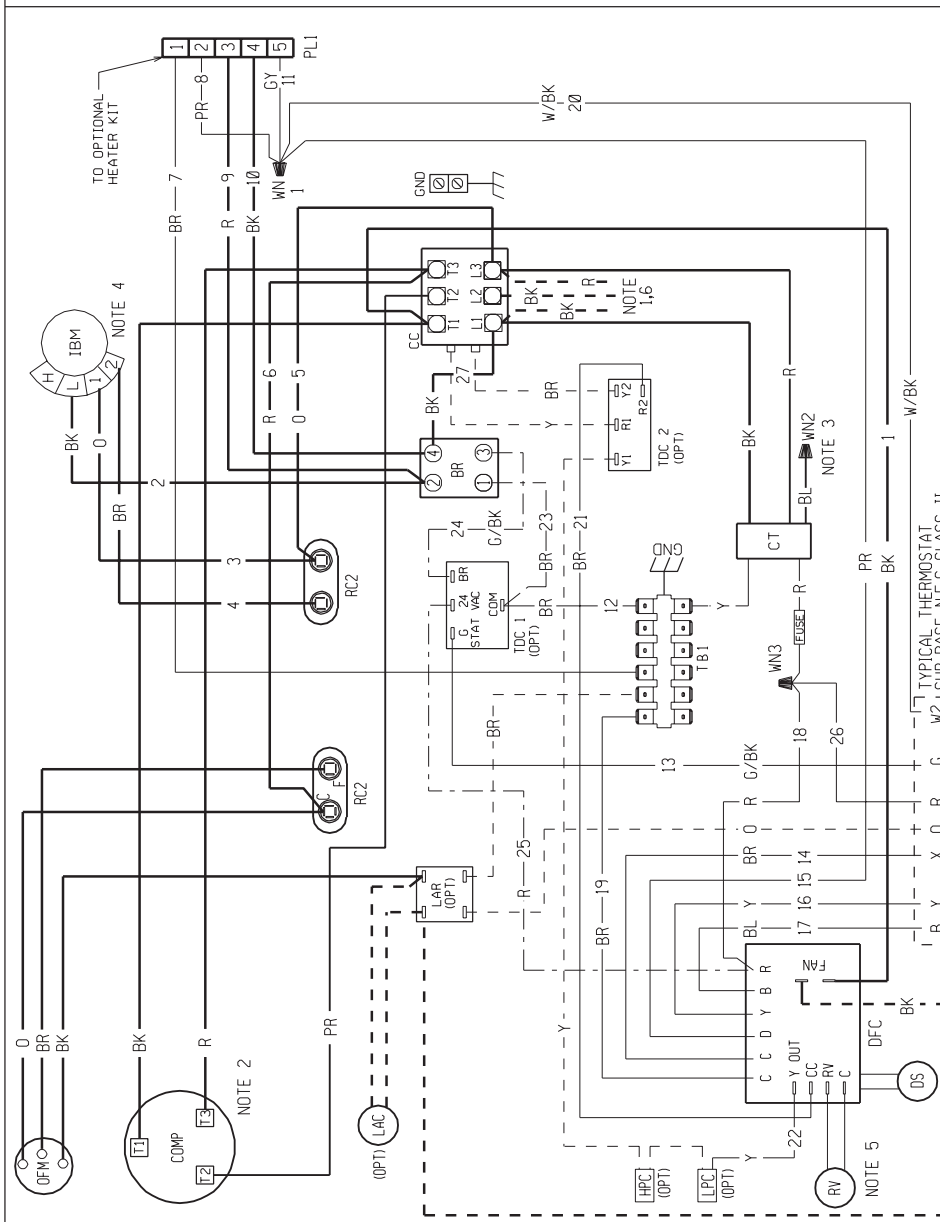
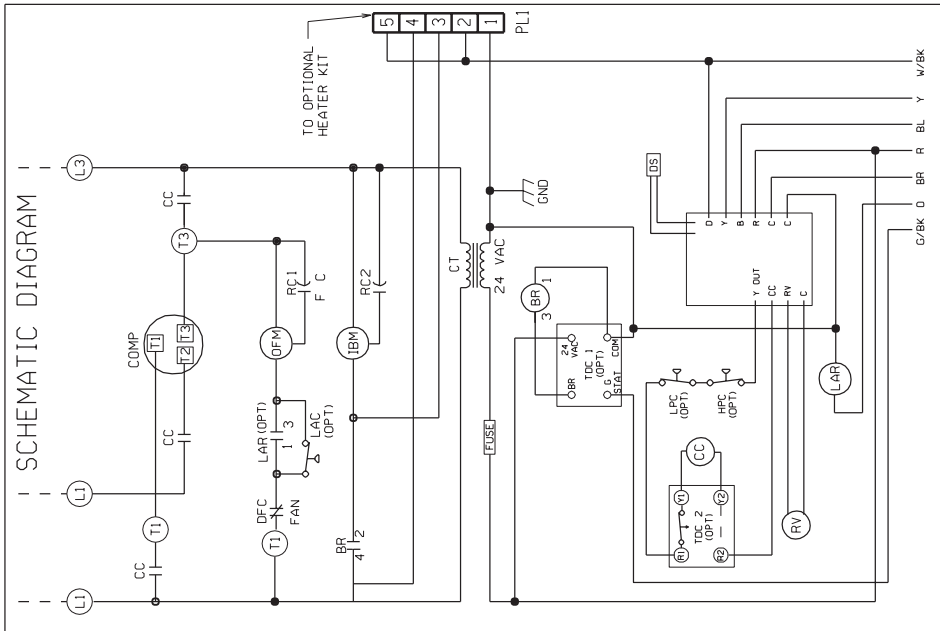
PACKAGE HEAT PUMP

1 PH, 208/230 VOLT - 60 HZ

DR. BY: BJJ
APP. BY: BJJ
DATE: 02-10-04
DWG. NO.: 90-23621-08
REV: 04

90-23621-08

26



COMPONENT CODE	WIRE COLOR CODE
AUX. LIMIT CONTROL	BK__BLACK
BLOWER RELAY CONTACTOR	BR__BROWN
COMPRESSOR HEATER	O___ORANGE
COMPRESSOR MOTOR	PR__PURPLE
CONTROL TRANSFORMER	BL__BLUE
DEFROST CONTROL	R___RED
DEFROST RELAY	W___WHITE
DEFROST SENSOR	G___GREEN
GROUND	GY__GRAY
HOT GAS SENSOR	Y___YELLOW
HIGH PRESSURE CONTROL	
INDOOR BLOWER MOTOR	
LAC	
LAR	
LOW AMBIENT COOLING CONTROL	
LOW AMBIENT RELAY	
OPTIONAL FAN MOTOR	
OPTIONAL PLUG	
PLUG	
REVERSING VALVE	
TERMINAL BLOCK	
TIME DELAY CONTROL	
WIRE NUT	
Y OUT	
CC	
DFC	
DS	
RC1	
RC2	
RV	
TDC 1	
TDC 2	
CT	
IBM	
W/BK	

WIRING INFORMATION	ELECTRICAL WIRING DIAGRAM
<ul style="list-style-type: none"> -LINE VOLTAGE -FACTORY STANDARD -FACTORY OPTION -FIELD INSTALLED -LOW VOLTAGE -FACTORY STANDARD -FACTORY OPTION -FIELD INSTALLED 	<p>PACKAGE HEAT PUMP</p> <p>3 PH, 208/230 VOLT - 60 HZ</p>
<ul style="list-style-type: none"> -MUST BE THE SAME SIZE AND TYPE OF REPLACEMENT WIRE -INSULATION AS ORIGINAL (05 C MIN.) -CABINET MUST BE PERMANENTLY GROUNDED AND CONFORM TO I.E.C., N.E.C., C.E.C., AND LOCAL CODES AS APPLICABLE. 	<p>DR. BY DATE 9-29-04</p> <p>APP. BY DATE 9-29-04</p> <p>MCB</p> <p>REV 01</p>

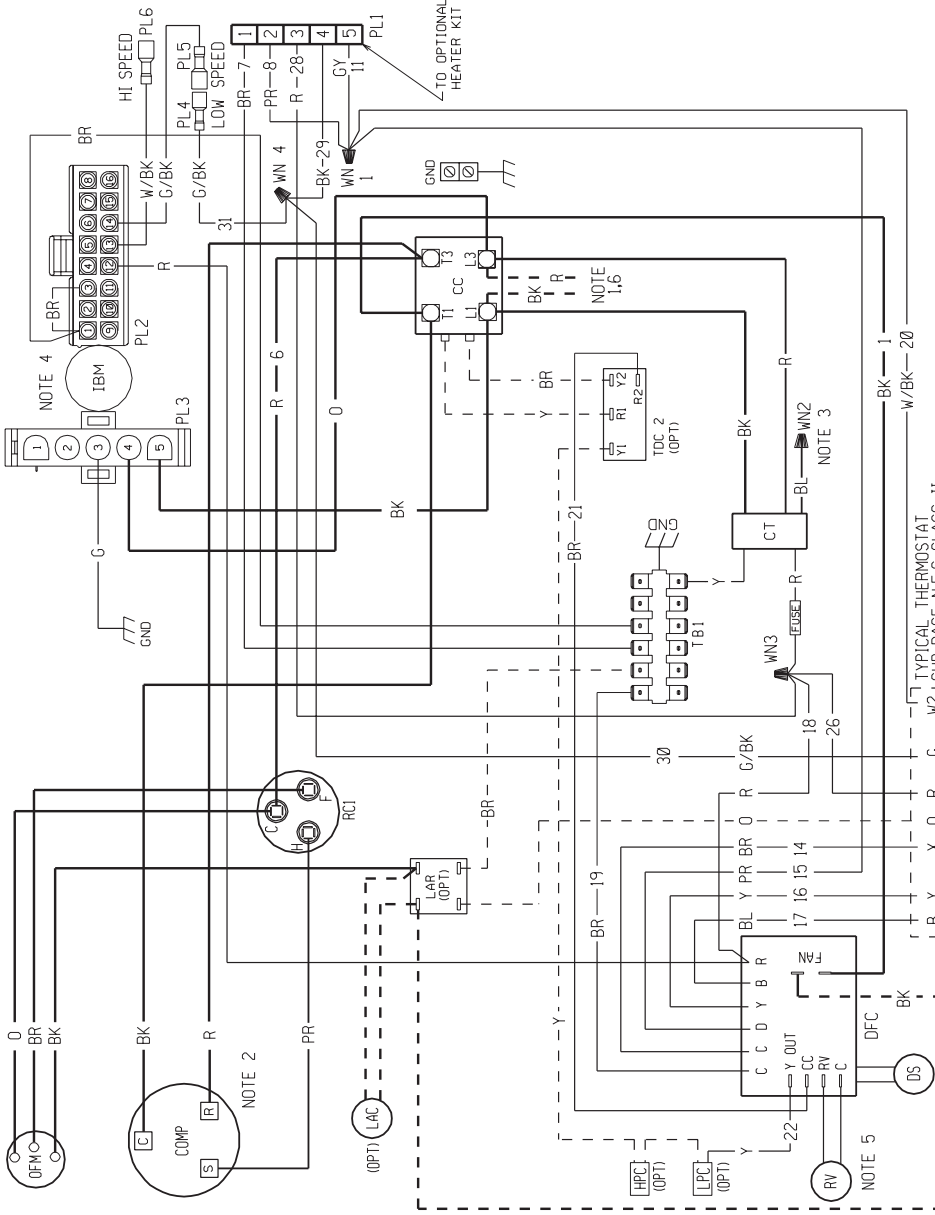
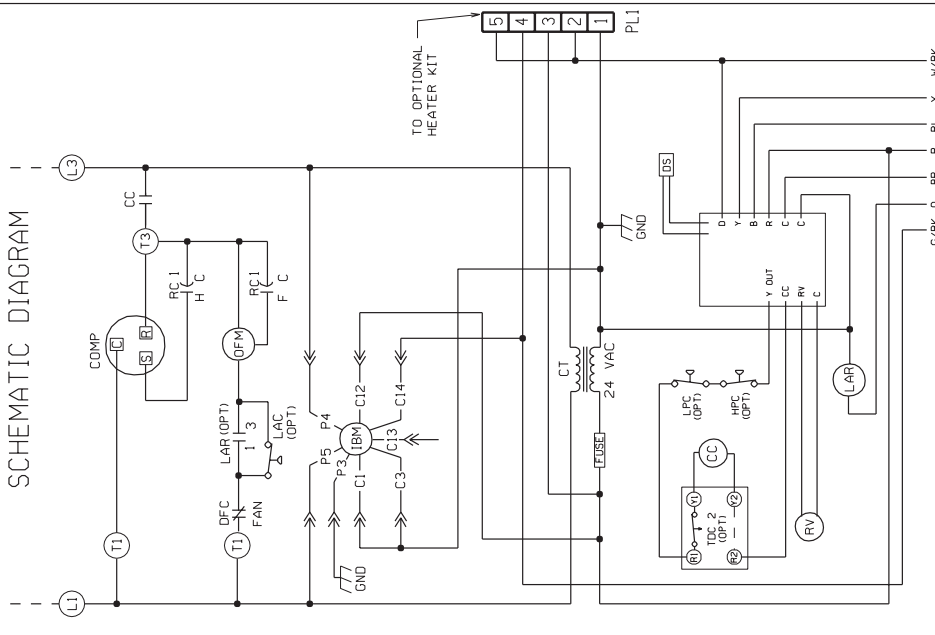
- NOTES:**
- CONNECTORS SUITABLE FOR USE WITH COPPER CONDUCTORS ONLY.
 - COMPRESSOR MOTOR THERMALLY PROTECTED.
 - TRANSFORMER FACTORY WIRED FOR 230 VOLTS. USE RED AND BLUE LEADS FOR 208 VOLTS.
 - MOTOR FACTORY WIRED FOR LOW SPEED. SEE AIRFLOW TABLES IN INSTALLATION INSTRUCTIONS TO DETERMINE CORRECT SPEED FOR UNIT APPLICATION.
 - THIS COMPONENT ENERGIZED IN HEATING.
 - FIELD WIRING OR CONNECTION FROM HEATER KIT FUSE BLOCK.

- NOTES:**
- CONNECTORS SUITABLE FOR USE WITH COPPER CONDUCTORS ONLY.
 - COMPRESSOR MOTOR THERMALLY PROTECTED.
 - TRANSFORMER FACTORY WIRED FOR 230 VOLTS. USE RED AND BLUE LEADS FOR 208 VOLTS.
 - MOTOR FACTORY WIRED FOR LOW SPEED. SEE AIRFLOW TABLES IN INSTALLATION INSTRUCTIONS TO DETERMINE CORRECT SPEED FOR UNIT APPLICATION.
 - THIS COMPONENT ENERGIZED IN HEATING.
 - FIELD WIRING OR CONNECTION FROM HEATER KIT FUSE BLOCK.

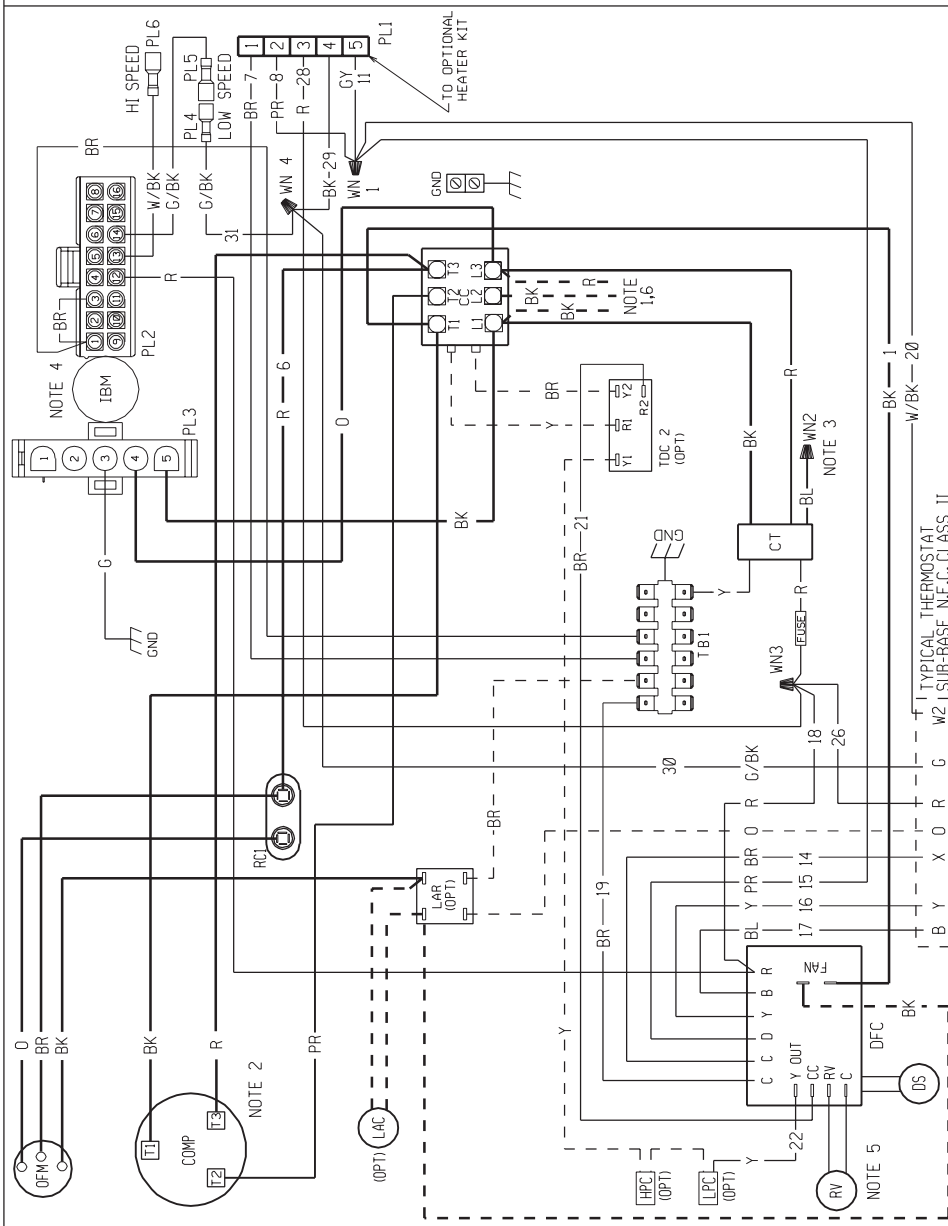
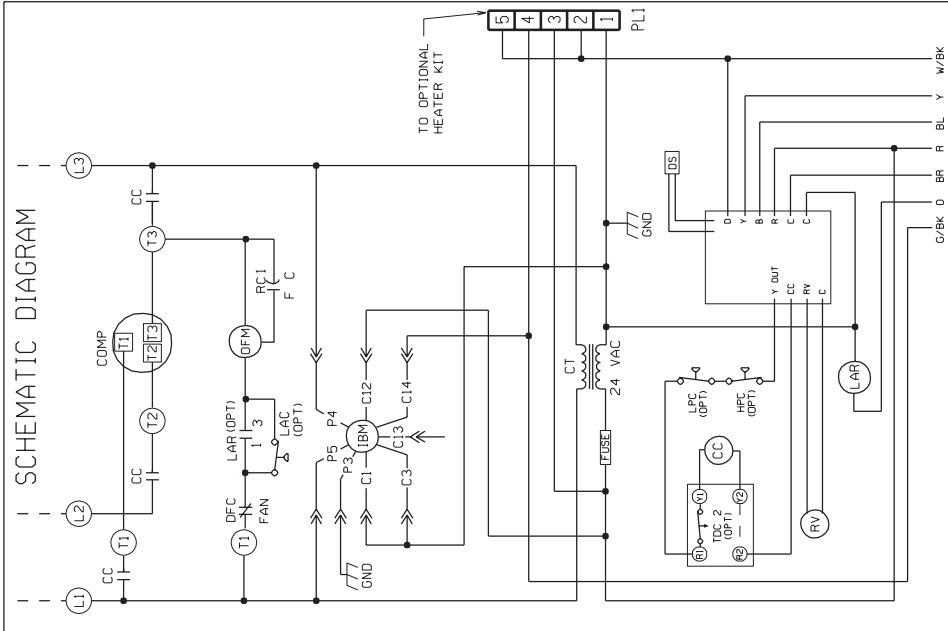
COMPONENT CODE	WIRE COLOR CODE
AUX. LIMIT CONTROL	BK__BLACK
BLOWER RELAY CONTACTOR	BR__BROWN
COMPRESSOR HEATER	O___ORANGE
COMPRESSOR MOTOR	PR__PURPLE
CONTROL TRANSFORMER	BL__BLUE
DEFROST CONTROL	R___RED
DEFROST RELAY	W___WHITE
DEFROST SENSOR	G___GREEN
GROUND	GY__GRAY
HOT GAS SENSOR	Y___YELLOW
HIGH PRESSURE CONTROL	
INDOOR BLOWER MOTOR	
LAC	
LAR	
LOW AMBIENT COOLING CONTROL	
LOW AMBIENT RELAY	
OPTIONAL FAN MOTOR	
OPTIONAL PLUG	
PLUG	
REVERSING VALVE	
TERMINAL BLOCK	
TIME DELAY CONTROL	
WIRE NUT	
Y OUT	
CC	
DFC	
DS	
RC1	
RC2	
RV	
TDC 1	
TDC 2	
CT	
IBM	
W/BK	



SCHEMATIC DIAGRAM



<p>WIRE COLOR CODE</p> <p>BK --- BLACK BR --- BROWN BL --- BLUE G --- GREEN GY --- GRAY O --- ORANGE PR --- PURPLE R --- RED W --- WHITE Y --- YELLOW</p>		<p>ELECTRICAL WIRING DIAGRAM</p> <p>PACKAGE HEAT PUMP</p> <p>1 PH, 208/230 VOLT - 60 HZ</p>	<p>REV 01</p> <p>DR. BY MCB</p> <p>APP. BY DATE 9-29-04</p> <p>DWG. NO. 90-23621-09</p>
<p>WIRING INFORMATION</p> <p>LINE VOLTAGE -FACTORY STANDARD -FACTORY OPTION -FIELD INSTALLED</p> <p>LOW VOLTAGE -FACTORY STANDARD -FACTORY OPTION -FIELD INSTALLED</p> <p>REPLACEMENT WIRE -MUST BE THE SAME SIZE AND TYPE OF INSULATION AS ORIGINAL (105 C° MIN.) WARNING -CABINET MUST BE PERMANENTLY GROUNDED AND CONFORM TO I.E.C., N.E.C., C.E.C. AND LOCAL CODES AS APPLICABLE.</p>			



WIRE COLOR CODE

BK	BLACK	GY	GRAY	R	RED
BR	BROWN	O	ORANGE	W	WHITE
BL	BLUE	PK	PINK	Y	YELLOW
G	GREEN	PR	PURPLE		

WIRING INFORMATION

- LINE VOLTAGE
- FACTORY STANDARD
- FACTORY OPTION
- FIELD INSTALLED
- LOW VOLTAGE
- FACTORY STANDARD
- FACTORY OPTION
- FIELD INSTALLED
- REPLACEMENT WIRE
- MUST BE THE SAME SIZE AND TYPE OF INSULATION AS ORIGINAL (105 C MIN.)
- WARNING
- CABINET MUST BE PERMANENTLY GROUNDED AND CONFORM TO I.E.C., N.E.C., C.E.C. AND LOCAL CODES AS APPLICABLE.

NOTES:

- CONNECTORS SUITABLE FOR USE WITH COPPER CONDUCTORS ONLY.
- COMPRESSOR MOTOR THERMALLY PROTECTED.
- TRANSFORMER-FACTORY WIRING FOR 230 VOLTS, USE RED AND BLUE LEADS FOR 208 VOLTS.
- MOTOR FACTORY WIRING FOR LOW SPEED, SEE AIRFLOW TABLES IN INSTALLATION INSTRUCTIONS TO DETERMINE CORRECT SPEED FOR UNIT APPLICATION.
- THIS COMPONENT ENERGIZED IN HEATING.
- FIELD WIRING OR CONNECTION FROM HEATER KIT FUSE BLOCK.

COMPONENT CODE

ALC	AUX. LIMIT CONTROL	LAC	LOW AMBIENT COOLING CONTROL
BR	BLOWER RELAY	LAR	LOW AMBIENT RELAY
CC	COMPRESSOR CONTACTOR	OPM	OPTIONAL MOTOR
CH	CRANKCASE HEATER	PL	OPTIONAL PL
COMP	COMPRESSOR	PR	OPTIONAL RUN CAPACITOR
DFC	DEFROST CONTROL	RV	REVERSING VALVE
DR	DEFROST RELAY	TB	TERMINAL BLOCK
DS	DEFROST SENSOR	TDC	TIME DELAY CONTROL
GND	GROUND	W	WIRE NUT
HGS	HOT GAS SENSOR		
HPC	HIGH PRESSURE CONTROL		
IBM	INDOOR BLOWER MOTOR		

ELECTRICAL WIRING DIAGRAM

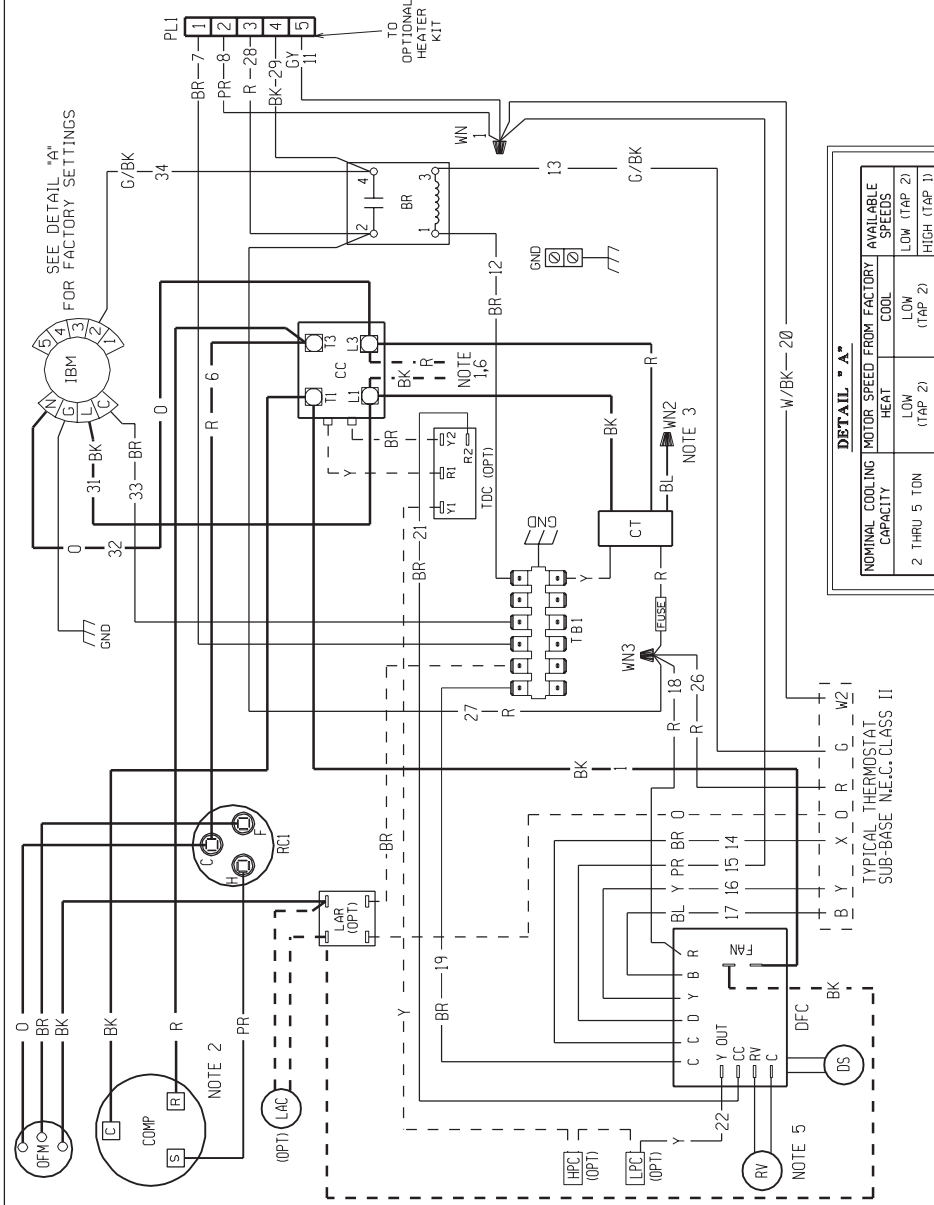
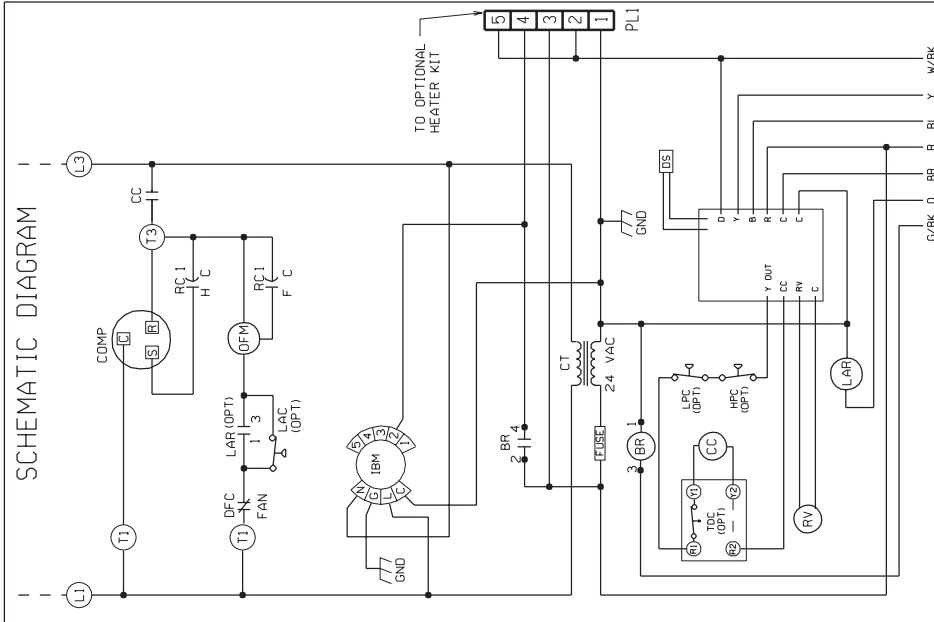
PACKAGE HEAT PUMP

3 PH, 208/230 VOLT - 60 HZ

DR. BY	DATE	DWG. NO.	REV
MCB	9-29-04	90-23621-11	02



SCHEMATIC DIAGRAM



WIRE COLOR CODE

BK	BLACK	GY	GRAY	R	RED
BR	BROWN	O	ORANGE	W	WHITE
BL	BLUE	PK	PINK	Y	YELLOW
G	GREEN	PR	PURPLE		

ELECTRICAL WIRING DIAGRAM

PACKAGE HEAT PUMP

1 PH, 208/230 VOLT - 60 HZ

DR. BY: APP. BY: DATE: DWG. NO. REV

JRJ 7-13-05 90-23621-16 01

WIRING INFORMATION

LINE VOLTAGE
 -FACTORY STANDARD
 -FACTORY OPTION
 -FIELD INSTALLED

LOW VOLTAGE
 -FACTORY STANDARD
 -FACTORY OPTION
 -FIELD INSTALLED

REPLACEMENT WIRE
 -MUST BE THE SAME SIZE AND TYPE OF INSULATION AS ORIGINAL (105 C MIN.)
 WARNING
 -CABINET MUST BE PERMANENTLY GROUNDED AND CONFORM TO I.E.C., N.E.C., C.E.C. AND LOCAL CODES AS APPLICABLE.

NOTES:

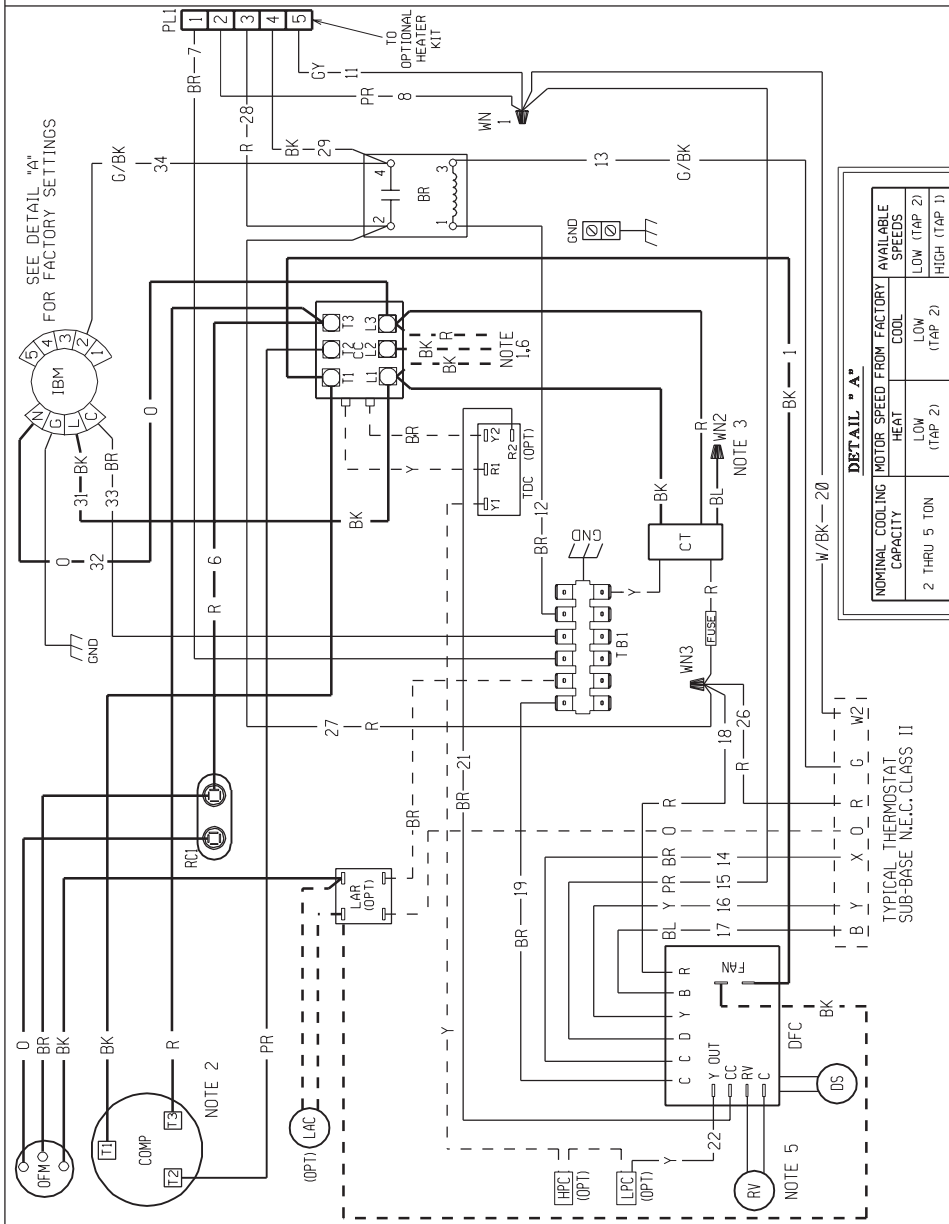
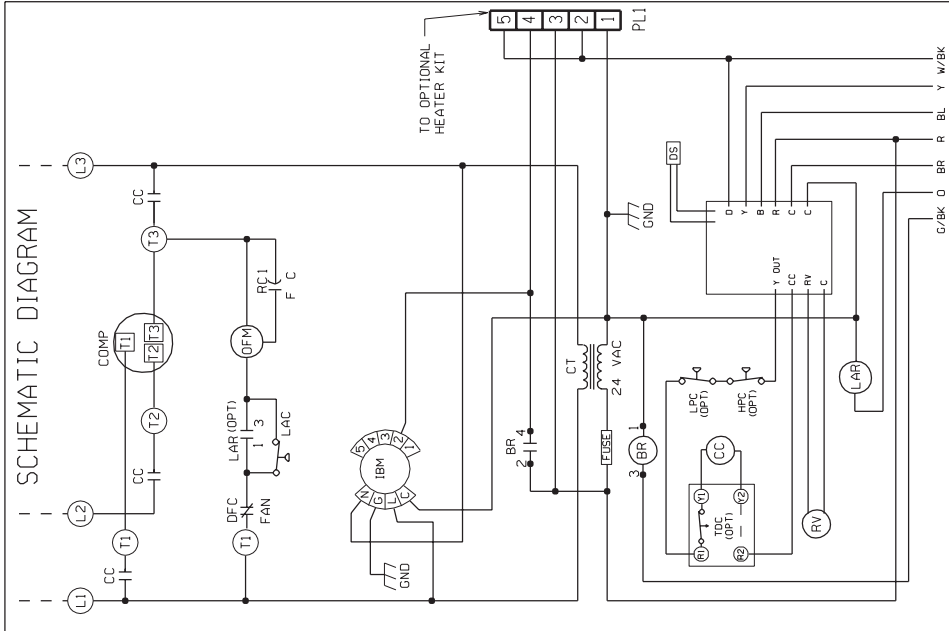
- CONNECTORS SUITABLE FOR USE WITH COPPER CONDUCTORS ONLY.
- COMPRESSOR MOTOR THERMALLY PROTECTED.
- TRANSFORMER FACTORY WIRE FOR 230 VOLTS. USE RED AND BLUE LEADS FOR 208 VOLTS.
- MOTOR FACTORY WIRE FOR LOW SPEED. SEE AIRFLOW TABLES IN INSTALLATION INSTRUCTIONS TO DETERMINE CORRECT SPEED FOR UNIT APPLICATION.
- THIS COMPONENT ENERGIZED IN HEATING.
- FIELD WIRING OR CONNECTION FROM HEATER KIT FUSE BLOCK.

COMPONENT CODE

AUX. LIMIT CONTROL	LAC
BLOWER RELAY CONTROL	LAR
COMPRESSOR CONTACTOR	OFM
CRANKCASE HEATER	OFM
COMPRESSOR CONTROL	PL
TRANSFORMER	PL
DEFROST CONTROL	RC
DEFROST RELAY	RC
REVERSING VALVE	T8
TERMINAL BLOCK	T8
TIME DELAY CONTROL	TDC
WIPE NUT	W
LOW AMBIENT COOLING CONTROL	W
LOW AMBIENT RELAY	W
OUTDOOR FAN MOTOR	W
OPTIONAL PLUG	W
PLUG CAPACITOR	W
REVERSING VALVE	W
TERMINAL BLOCK	W
TIME DELAY CONTROL	W
WIPE NUT	W

DETAIL - A

NOMINAL COOLING CAPACITY	MOTOR SPEED FROM FACTORY	AVAILABLE SPEEDS
2 THRU 5 TON	HEAT	LOW (TAP 2)
	COOL	LOW (TAP 2)
		HIGH (TAP 1)



WIRE COLOR CODE

BK	BLACK	GY	GRAY	R	RED
BR	BROWN	O	ORANGE	W	WHITE
BL	BLUE	PK	PINK	Y	YELLOW
G	GREEN	PR	PURPLE		

ELECTRICAL WIRING DIAGRAM

PACKAGE HEAT PUMP

3 PH, 208/230 VOLT - 60 HZ

DR: BY APP: BY DATE DWG. NO. REV

JRJ 7-13-05 90-23621-17 02

WIRING INFORMATION

VOLTAGE
 -FACTORY STANDARD
 -FACTORY OPTION
 -FIELD INSTALLED

LOW VOLTAGE
 -FACTORY STANDARD
 -FACTORY OPTION
 -FIELD INSTALLED

REPLACEMENT WIRE
 -MUST BE THE SAME SIZE AND TYPE OF INSULATION AS ORIGINAL (105 C MIN.)

WARNING
 -CABINET MUST BE PERMANENTLY GROUNDED AND CONFORM TO I.E.C., N.E.C., C.E.C. AND LOCAL CODES AS APPLICABLE.

NOTES:

- CONNECTORS SUITABLE FOR USE WITH COPPER CONDUCTORS ONLY.
- COMPRESSOR MOTOR THERMALLY PROTECTED.
- TRANSFORMER-FACTORY WIRE FOR 230 VOLTS. USE RED AND BLUE LEADS FOR 208 VOLTS.
- MOTOR FACTORY WIRE FOR LOW SPEED. SEE AIRFLOW TABLES IN INSTALLATION INSTRUCTIONS TO DETERMINE CORRECT SPEED FOR UNIT APPLICATION.
- THIS COMPONENT ENERGIZED IN HEATING.
- FIELD WIRING OR CONNECTION FROM HEATER KIT FUSE BLOCK.

COMPONENT CODE

ALC	AUX. LIMIT CONTROL
BR	BLOWER RELAY
CC	COMPRESSOR CONTACTOR
CH	CRANKCASE HEATER
COMP	COMPRESSOR
DFC	DEFROST CONTROL
DR	DEFROST RELAY
DS	DEFROST VALVE
GND	GROUND
HGS	HOT GAS SENSOR
HPC	HIGH PRESSURE CONTROL
IBM	INDOOR BLOWER MOTOR

DWG. NO. 90-23621-17 REV 02

BEFORE PURCHASING THIS APPLIANCE, READ IMPORTANT ENERGY COST AND EFFICIENCY INFORMATION AVAILABLE FROM YOUR RETAILER.

GENERAL TERMS OF LIMITED WARRANTY

Rheem will furnish a replacement for any part of this product which fails in normal use and service within the applicable periods stated, in accordance with the terms of the limited warranty.

For Complete Details of the Limited Warranty, Including Applicable Terms and Conditions, See Your Local Installer or Contact the Manufacturer for a Copy.

Compressor
(Single Phase, Residential Applications)Ten (10) Years
Any Other Part
1 Phase (Residential Applications)Five (5) Years
1 & 3 Phase (Commercial Applications).....One (1) Year

Before proceeding with installation, refer to installation instructions packaged with each model, as well as complying with all Federal, State, Provincial, and Local codes, regulations, and practices.

**Rheem Heating,
Cooling and
Water Heating**

P.O. Box 17010, Fort Smith, AR 72917



"In keeping with its policy of continuous progress and product improvement, Rheem reserves the right to make changes without notice."