

## NINGBO HAITIAN SMART SOLUTIONS TECHNOLOGY CO.,LTD.

ADD: No.32 Jiangnan Zhong Road, Xiaogang, Beilun, Ningbo , P. R. China.

Zipcode: P. R. China 315821

Tel: +86-574-86185756 86185758

Fax: +86-574-86182618

E-Mail: htsmart@mail.haitian.com



# Auxiliary Equipment

## Molding assistant

Smart auxiliary machine & visual monitoring / Specification



WeChat Official  
Account

HT 20211202-CV





# Dehumidification and drying

## 3-IN-1 Compact Dryer

HTDL-50F

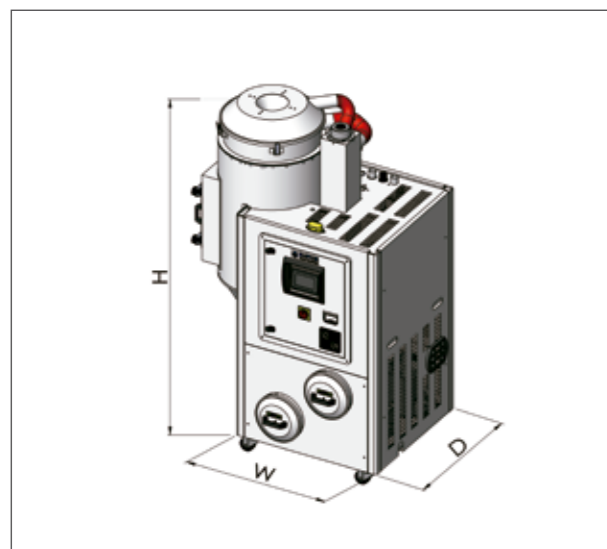


### Specification

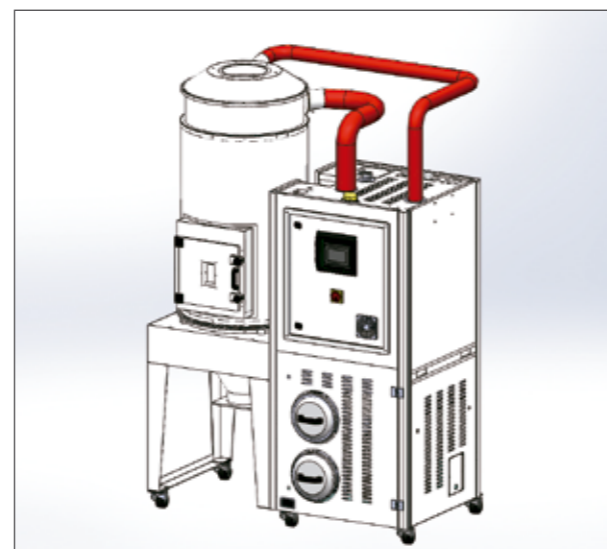
Models	HTDL-	30F	50F	75F	100F	150F	200F	300F	400F	600F	800F	1000F
Air flow	CMH	50	50	50	120	120	200	200	300	400	600	800
Loading capacity	kg	30	50	75	100	150	200	300	400	600	800	1000
	Ltr	50	80	120	160	230	300	450	600	900	1200	1500
Dewpoint	°C	-40										
Drying temp	°C	150 (180°C Optional)										
Process blower	kW	0.4	0.4	0.4	0.75	0.75	1.5	1.5	3	3.75	7.5	8.5
Process heater	kW	2.7	4	5	6	8	10	13	20	20	30	30
Regen. blower	kW	0.4	0.4	0.4	0.4	0.4	0.4	0.4	0.75	0.75	1.5	1.5
Regen. heater	kW	2.5	2.5	2.5	4	4	5	5	8.5	8.5	12	12
PVC hose	Inch	1.5										

### Dimension

		1550	1760	1760	1930	2146	2045	2200	2390	2830	2760	3200
H	mm											
W	mm	980	980	1270	1270	1270	1560	1610	1880	2230	2300	2300
D	mm	840	840	920	920	920	920	1050	1060	1410	1410	1560
Weight	Kg	235	280	290	330	390	495	540	560	600	1248	1359



HTDL-30F-150F View



HTDL-200F-1000F View



# Dehumidification and drying

## 3-IN-1 Compact Dryer

HTDL-50N

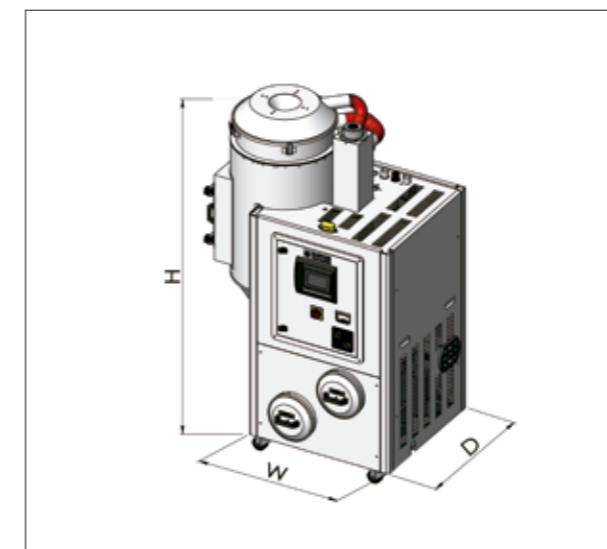


### Specification

Models	HTDL-	30N	50N	75N	100N	150N	200N	300N	400N	600N	800N	
Loading capacity	kg	30	50	75	100	150	200	300	400	600	800	
	Ltr	50	80	120	160	230	300	450	600	900	1200	
Dewpoint	°C	-40										
Drying temp	°C	150 (180°C Optional)										
Process blower	kW	0.13	0.15	0.4	0.75	0.75	1.5	1.5	3	3.75	7.5	
Process heater	kW	2.7	4	5	6	8	10	13	20	20	30	
PVC hose	Inch	1.5										
Total power rate	kW	3.58	4.9	6.9	8.25	10.25	13	16	25.2	25.95	39.7	

### Dimension

		1550	1760	1760	1930	2146	2200	2200	2390	2830	2760
H	mm										
W	mm	980	980	1270	1270	1270	1350	1610	1880	2230	2300
D	mm	840	840	920	920	920	1000	1050	1060	1410	1410
Weight	kg	215	260	270	330	370	475	490	520	560	1208



HTDL-30N-150N View



HTDL-200N-800N View



# Dehumidification and drying

## Standard Hopper Dryer

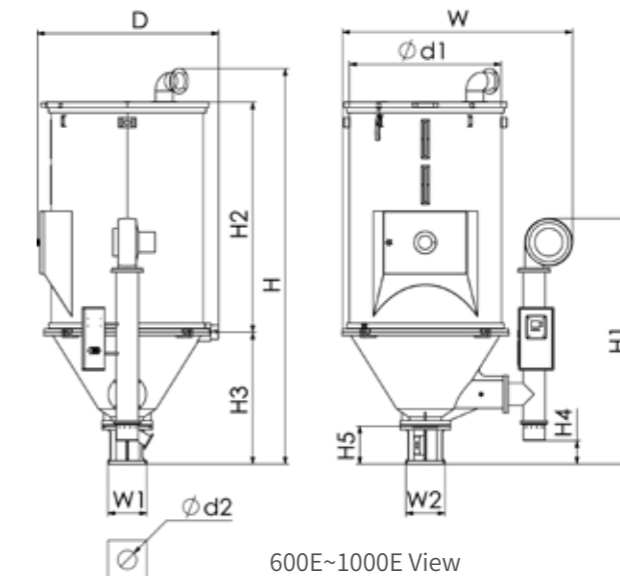
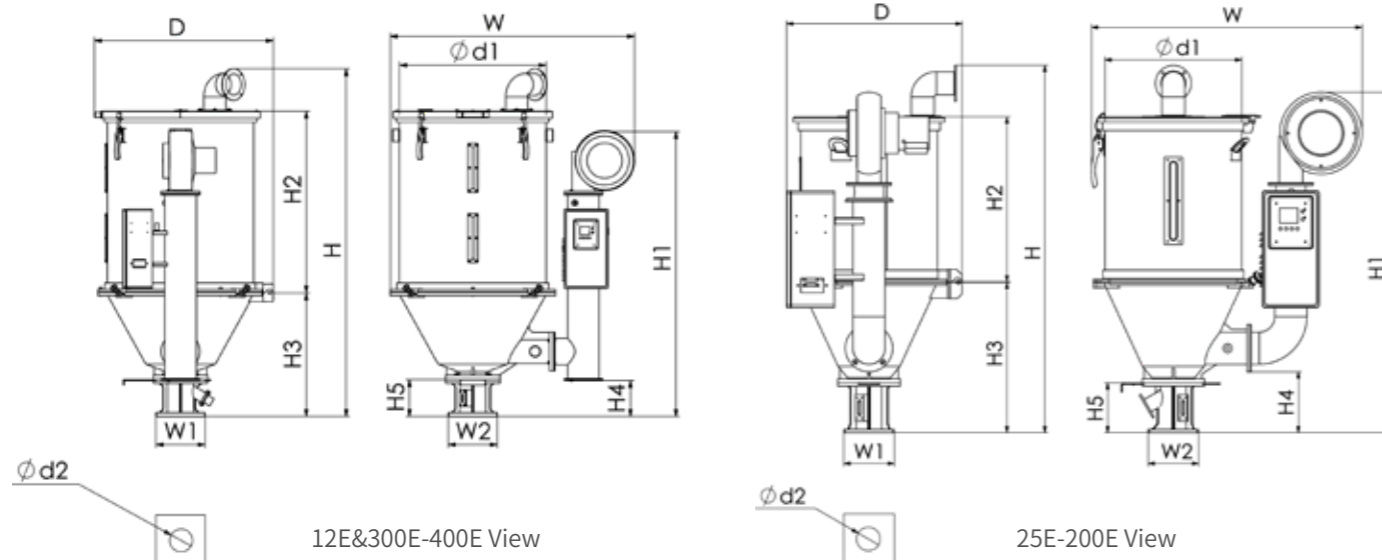
HTHD-50MHL



### Specification

Model		HTHD-12E	HTHD-25E	HTHD-50E	HTHD-75E	HTHD-100E	HTHD-150E
Loading capacity	kg	12	25	50	75	100	150
Heating power	kW	2.1	2.7	3.9	5	6.4	7.8
Fan power	kW	0.14	0.14	0.17	0.17	0.35	0.35
H	mm	820	990	1165	1250	1425	1520
H1	mm	690	945	1075	1140	1220	1325
H2	mm	380	465	530	620	735	785
H3	mm	325	415	480	475	535	580
H4	mm	45	190	195	200	225	240
H5	mm	110	160	160	160	175	175
D	mm	430	490	545	610	685	760
φ d1	mm	300	350	435	495	550	630
φ d2	mm	42	61	74	74	81	81
W	mm	600	745	865	920	1040	1105
W1	mm	110	150	160	160	180	180
W2	mm	110	150	160	160	180	180
Weight	kg	26	36	46	51	76	94

Model		HTHD-200E	HTHD-300HL	HTHD-400HL	HTHD-600HL	HTHD-800HL	HTHD-1000HL
Loading capacity	kg	200	300	400	600	800	1000
Heating power	kW	10	15	20	27	32	32
Fan power	kW	0.75	0.75	0.75	0.75	1	1
H	mm	1685	1855	1995	2290	2665	2830
H1	mm	1510	1550	1630	1705	1705	1750
H2	mm	840	935	1035	1270	1650	1650
H3	mm	605	670	710	765	765	930
H4	mm	225	200	205	120	120	155
H5	mm	200	196	210	255	255	270
D	mm	860	935	1015	1180	1180	1310
φ d1	mm	700	760	835	995	995	1095
φ d2	mm	115	115	120	135	135	135
W	mm	1200	1305	1410	1580	1580	1655
W1	mm	230	230	320	320	320	320
W2	mm	230	230	320	320	320	320
Weight	kg	112	139	154	310	169+183	195+204





# Dehumidification and drying

## Hopper Dryer

HTHD-50EU



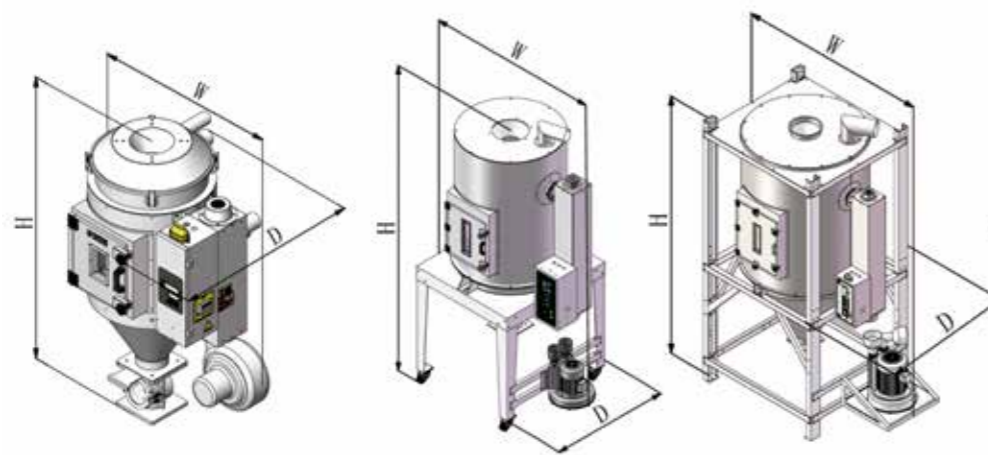
### Specification

Model		HTHD-15EU	HTHD-30EU	HTHD-50EU	HTHD-75EU	HTHD-100EU	HTHD-150EU	HTHD-200EU	HTHD-300EU
Loading capacity	Ltr	20	40	80	120	160	230	300	450
	kg	15	30	50	75	100	150	200	300
Heating power	kW	1.6	2.7	4	5	6	8	10	13
Heating blower power	kW	0.135	0.135	0.2	0.2	0.35	0.35	0.35	0.45
Drying temperature	°C	150(180°C Optional)							
Air inlet pipe	Inch	2		2.5		3			
Air outlet pipe	Inch	1.5		2		2.5			
Total power	kW	1.735	2.835	4.155	5.155	6.35	8.35	10.75	13.75

Dimension									
H	mm	900	1080	1210	1300	1480	1760	1880	2130
W	mm	660	720	820	900	910	980	1180	1180
D	mm	460	550	620	700	700	660	770	770
Weight	kg	30	45	60	80	100	140	165	195

Model		HTHD-400EU	HTHD-500EU	HTHD-600EU	HTHD-800EU	HTHD-1000EU
Loading capacity	Ltr	600	750	900	1200	1500
	kg	400	500	600	800	1000
Heating power	kW	20	20	20	30	30
Heating blower power	kW	1.03	1.03	1.03	5.5	5.5
Drying temperature	°C	150(180°C Optional)				
Air inlet pipe	Inch				4	5
Air outlet pipe	Inch	3		4		5
Total power	kW	21.1	21.1	21.1	35.5	35.5

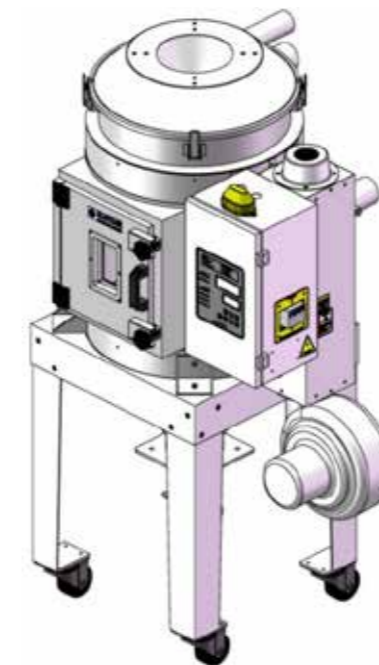
Dimension						
H	mm	2500	2830	2840	3280	3070
W	mm	1340	1340	1450	1530	2010
D	mm	1060	1060	1100	1100	1310
Weight	kg	230	265	280	316	390



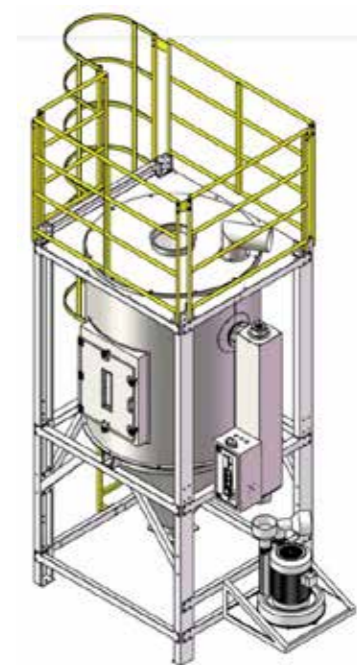
HTHD-15EU~300EU

HTHD-400EU~500EU

HTHD-600EU~1000EU



HTHD-50EU & Floor stand (Optional)



HTHD-1000EU & Safety ladder and protective fence(Optional)



# Dehumidification and drying

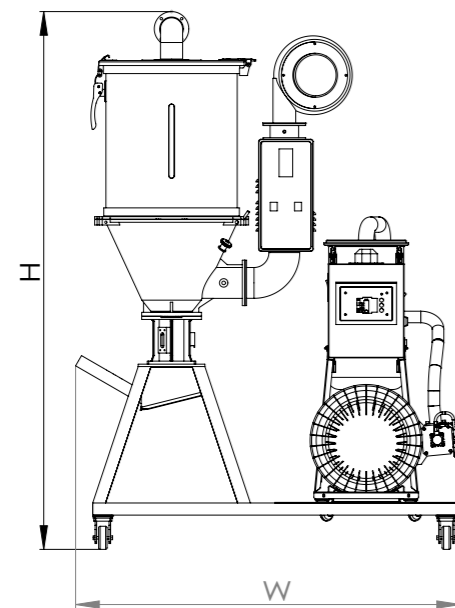
## Standard Hopper Dryer & Auto-Loader

HTLD-50MHL/1.5P HUL

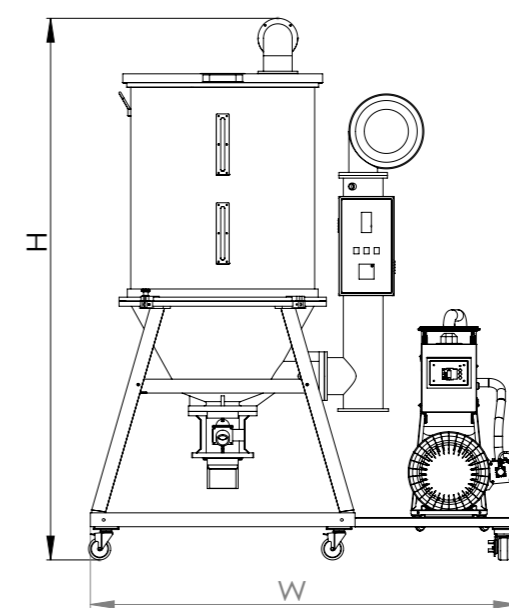
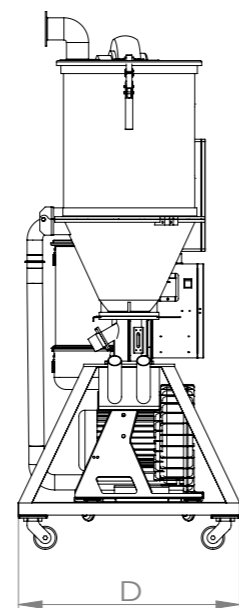


### Specification

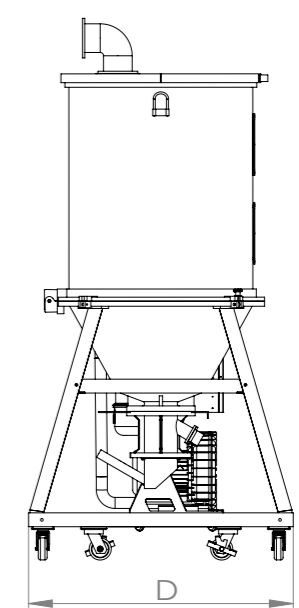
Model	Dryer model	Loader model	Hopper model	Hopper capacity L	Conveying capacity kg/hr	Dimension H×W×D mm	Weight kg
HTLD-25HL/1.5P HUL	HTHD-25HL	HTAL-1.5P HUL	1*MH-7.5L	7.5	450	1600×1220×730	116
HTLD-25HL/1.5P-D HUL		HTAL-1.5P-D HUL	1*MH-7.5L 1*PH-7.5L	7.5+7.5	450		136
HTLD-50HL/1.5P HUL	HTHD-50HL	HTAL-1.5P HUL	1*MH-7.5L	7.5	450	1780×1270×730	126
HTLD-50HL/1.5P-D HUL		HTAL-1.5P-D HUL	1*MH-7.5L 1*PH-7.5L	7.5+7.5	450		146
HTLD-75HL/1.5P HUL	HTHD-75HL	HTAL-1.5P HUL	1*MH-7.5L	7.5	450	1860×1270×730	131
HTLD-75HL/1.5P-D HUL		HTAL-1.5P-D HUL	1*MH-7.5L 1*PH-7.5L	7.5+7.5	450		151
HTLD-100HL/1.5P HUL	HTHD-100HL	HTAL-1.5P HUL	1*MH-7.5L	7.5	450	2100×1340×900	164
HTLD-100HL/1.5P-D HUL		HTAL-1.5P-D HUL	1*MH-7.5L 1*PH-7.5L	7.5+7.5	450		185
HTLD-150HL/1.5P HUL	HTHD-150HL	HTAL-1.5P HUL	1*MH-7.5L	7.5	450	2190×1380×900	182
HTLD-150HL/1.5P-D HUL		HTAL-1.5P-D HUL	1*MH-7.5L 1*PH-7.5L	7.5+7.5	450		203
HTLD-200HL/2.5P HUL	HTHD-200HL	HTAL-2.5P HUL	1*MH-12L	12	550	2380×1580×860	220
HTLD-200HL/2.5P-D HUL		HTAL-2.5P-D HUL	1*MH-12L 1*PH-12L	12+12	550		246
HTLD-300HL/2.5P HUL	HTHD-300HL	HTAL-2.5P HUL	1*MH-12L	12	550	2310×1800×1000	251
HTLD-300HL/2.5P-D HUL		HTAL-2.5P-D HUL	1*MH-12L 1*PH-12L	12+12	550		257
HTLD-400HL/2.5P HUL	HTHD-400HL	HTAL-2.5P HUL	1*MH-12L	12	550	2460×1940×1200	298
HTLD-400HL/2.5P-D HUL		HTAL-2.5P-D HUL	1*MH-12L 1*PH-12L	12+12	550		304



HTLD-50HL/1.5P-D HUL



HTLD-400HL/2.5P-D HUL





# Dehumidification and drying

## Optional accessories for drying loader

### Exhaust air filter

It can effectively filter dust-containing gas exhausted from dryer, avoiding of air pollution and protecting environment. The filter efficiency can reach 99%.

Model	Applicable model
EAF-12	HTHD-12
EAF-25	HTHD-25
EAF-50	HTHD-50~75
EAF-100	HTHD-100~150
EAF-200	HTHD-200~1000



EAF-50

### Fan inlet filter

For fan inlet filter, wind amount is adjustable, and can keep dried materials clean as well as improve quality of transparent material molding.

Model	Applicable model	Diameter of Filter barrel (mm)
FIF-12	HTHD-12	100
FIF-25	HTHD-25	135
FIF-50	HTHD-50~75	135
FIF-100	HTHD-100~150	135
FIF-200	HTHD-200~600	220
FIF-800	HTHD-800~1000	220



FIF-50

### Magnetic base

Magnetic base effectively absorbs iron impurities in raw materials, and prevent iron impurities into barrel, in that way, screw and barrel will not be harmed. It can also be used with hopper magnetic frame together.

Model	Applicable model	Magnetic tube quantity
MB-12	HTHD-12	3
MB-25	HTHD-25	3
MB-50	HTHD-50~75	3
MB-100	HTHD-100	3
MB-150	HTHD-150	3
MB-200	HTHD-200	5
MB-300	HTHD-300	5
MB-400	HTHD-400	5
MB-600	HTHD-600~800	5
MB-1000	HTHD-1000	5



MB-50

### Magnetic frame

Magnetic base effectively absorbs iron impurities in raw materials, and prevent iron impurities into barrel, in that way, screw and barrel will not be harmed. It can also be used with hopper magnetic frame together.

Model	Applicable model	Magnetic tube quantity
MF-5	HTHD-12	5
MF-7	HTHD-25~75	7
MF-9	HTHD-100~400	9
MF-11	HTHD-600~1000	11



MF-11

### Hot air collector

Dried hot air will flow into semi-closed circuit to avoid of increasing temperature in factory, keeping air clean and maintaining product quality. Hot air recycling can reduce energy consumption and save about 40% energy.

Model	Applicable model	Diameter of Filter barrel (mm)
HAR-12	HTHD-12	100
HAR-25	HTHD-25	135
HAR-50	HTHD-50~75	135
HAR-100	HTHD-100~150	185
HAR-200	HTHD-200~600	220
HAR-800	HTHD-800~1000	220

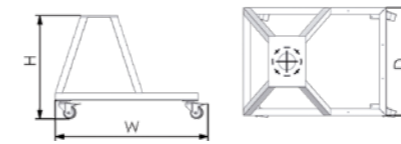


HAR-50

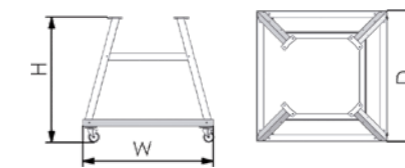
### Ground frame

When the dryer is placed on ground, it can be installed on ground frame which has casters for easy movement. It is suitable for factories with insufficient height and is convenient to adapt with machine desk.

Model	Applicable model	Dimension (H×W×D)(mm)
GF-50	HTHD-12~75	537×850×520
GF-100	HTHD-100~150	587×970×720
GF-200	HTHD-200	652×1240×840
GF-300	HTHD-300	775×1000×1000
GF-400	HTHD-400	1150×1200×1200
GF-600	HTHD-600~800	1255×1300×1300
GF-1000	HTHD-1000	1635×1300×1300



GF-50-200



GF-300-1000



GF-400

### Suction box

The dryer is used together with suction machine when it is installed on the bracket, reducing manpower and improving efficiency.

Model	Applicable model	Diameter of pipe (Inch)
HSB-38S	HTHD-25~1000	1.5"
HSB-38D	HTHD-25~1000	1.5"×2
HSB-50S	HTHD-25~1000	2"
HSB-50D	HTHD-25~1000	2"×2



HSB-38S



# Suction and conveying

## VacuumAuto-Loader

HTAL-1.5P HUL



### Specification

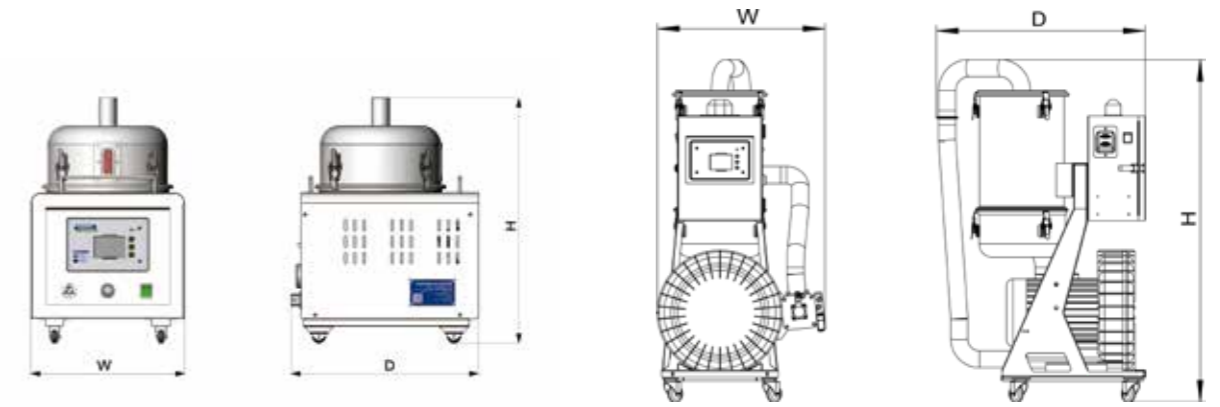
Model	HTAL-300GN HUL	HTAL-1.5P HUL	HTAL-1.5P-D HUL	HTAL-2.5P HUL	HTAL-2.5P-D HUL
Motor type	Carbon brush type	Induction type			
Motor power	kW 1.1 (1ϕ)	1.1 (3ϕ)	1.1 (3ϕ)	1.8 (3ϕ)	1.8 (3ϕ)
Conveying capacity	kg/hr 400	450	450	550	550
Hopper	MH 7.5L	MH 7.5L	MH 7.5L X1 PH 7.5L X1	MH 12L	MH 12L X1 PH 12L X1
Feeding pipe / air pipe	Inch 1.5/1.5	1.5/1.5	1.5/1.5	1.5/1.5	1.5/1.5
Weight	kg 19	46	50	51	57

Dimension						
H	mm	530	1000	1100	1000	1000
W	mm	330	370	500	370	500
D	mm	380	600	600	600	600

Model	HTAL-1.5P UL	HTAL-2.5P UL	HTAL-5P UL	HTAL-10P UL
Motor type	Induction type			
Motor power	kW 1.1 (3ϕ)	1.8 (3ϕ)	4.0 (3ϕ)	7.5 (3ϕ)
Conveying capacity	kg/hr 450	550	700	1400
Hopper	MH 7.5L	MH 12L	MH 24L	MH 36L
Feeding pipe / air pipe	Inch 1.5/1.5	1.5/1.5	2.0/2.0	2.0/2.5
Weight	kg 52	57	80	112

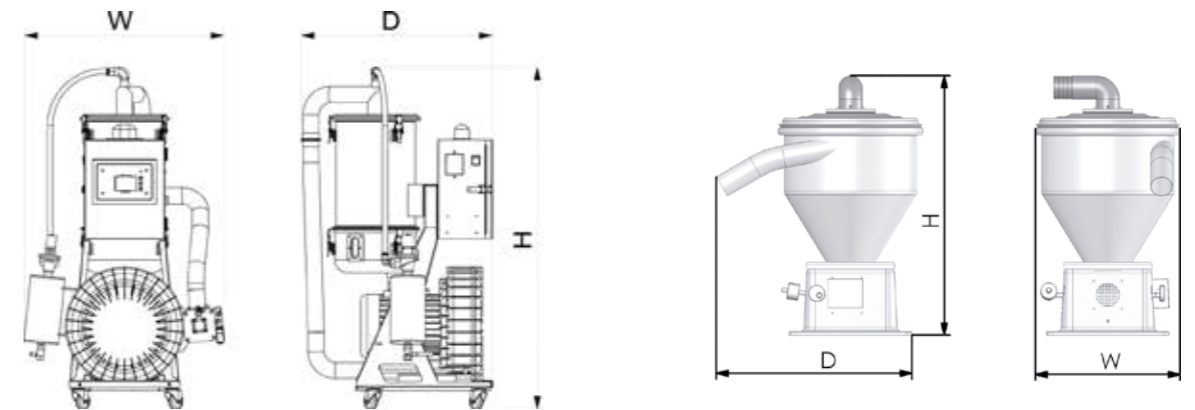
Note: If dual model, change P to P-D, equipped with additional one set of PH type loader with same volume;

Dimension					
H	mm	1100	1100	1100	1300
W	mm	500	500	520	570
D	mm	600	600	600	750



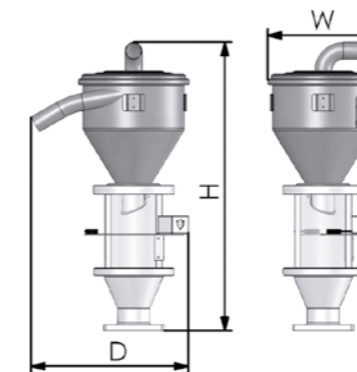
HTAL-300GN HUL View

HTAL -XXP HUL



HTAL -XXP UL

MH Mechanical hopper View



PH Photo sensor hopper View

Items	Mechanical hopper				Photo sensor hopper				
	Model	MH 7.5L	MH 12L	MH 24L	MH 36L	PH 7.5L	PH 12L	PH 24L	PH 36L
H	mm	450	545	740	940	660	745	940	1140
W	mm	330	320	320	320	330	320	320	320
D	mm	345	385	385	385	345	385	385	385



# Metering and color mixing

## Volumetric ScrewDoser

HTCM-A10

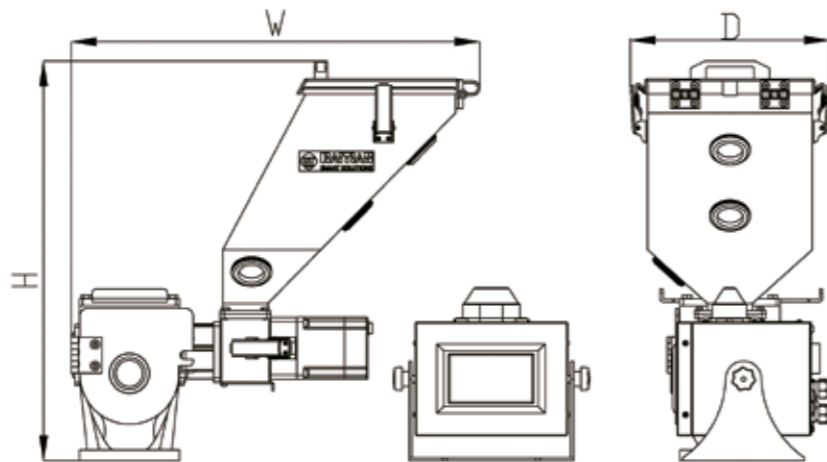
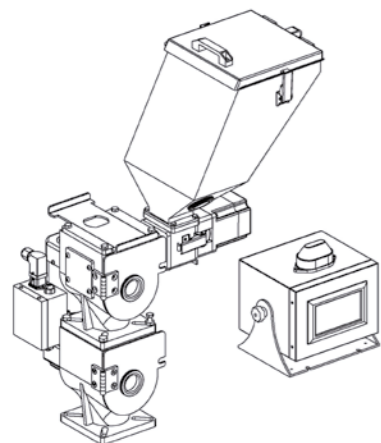


### Specification

Model		HTCM-A5	HTCM-A10	HTCM-A15	HTCM-A20	HTCM-A30	HTCM-AX/AX
Metering motor power	kW			0.2			0.2*2
Metering motor rotation speed	rpm			1~200			1~200
Outer diameter of screw	mm		20			30	20/30
inner diameter of barrel	mm		30			40	30/40
Max. output	kg/hr	0.04~17.6	0.07~30.2	0.1~43.6	0.1~55	0.4~161	Refer to left
Color hopper	Ltr			10			
Intermediate hopper	Ltr			(Optional MIH18/24)			
Mixing motor power	kW			0.09 (Optional)			
Mixing chamber capacity	Ltr			3L or (Optional 6L)			

### Dimension

Dimension	mm	mm	mm	kg
H	551/711 (With mixer)			
W	582		984	
D	278/459 (With mixer)			
Weight	23/35			34/46



# Metering and color mixing

## Gravimetric Blender

HTGB-5-4



### Specification

Model		HTGB-1			HTGB-2			HTGB-5						
Group Number		2	3	4	2	3	4	5	6	2	3	4	5	6
Max. output	kg/hr	130	110	90	260	230	210	205	195	840	740	670	650	600
Hopper Capacity	Ltr		17				33					33		
Batch weight	kg		1				2					5		
Weight bin capacity	Ltr		4				6					10		
Mixing motor power	kW		0.12				0.37					0.37		
Mixing chamber capacity	Ltr		6				15					15		

Model		HTGB-10		HTGB-18		HTGB-25	
Station		2	3	4	5	6	
Max. output	kg/hr	1860	1625	1440	1310	1190	
Hopper Capacity	Ltr			52/70(Medium)			
Batch weight	kg			10			
Weight bin capacity	Ltr			24			
Mixing motor power	kW			0.55			
Mixing chamber capacity	Ltr			35			

Dimension		HTGB-1	HTGB-2	HTGB-5	HTGB-10	HTGB-18	HTGB-25
H	mm	920	1180	1280	2600	2725	2880
W	mm	647	843	843	1370	1370	1750
D	mm	697	892	892	1340	1340	1663
Weight	kg	50-60	65-85	75-95	135-155	140-175	155-180





# Metering color mixing

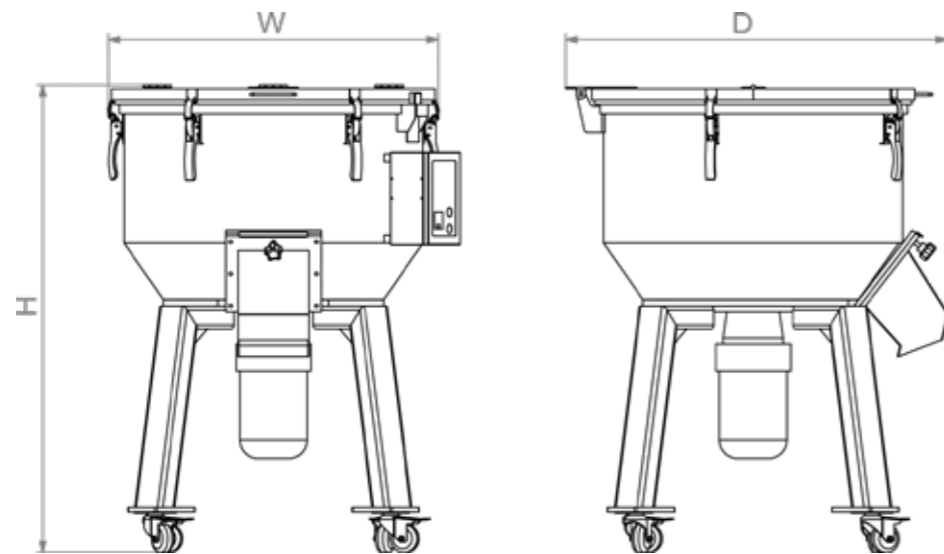
## Plastic Color Mixer

HTHS-100



### Specification

Model		HTHS-50	HTHS-100	HTHS-150	HTHS-200
Type			Vertical		
Motor power	kW	1.5	3	4	5.5
Mixing amount	kg/min	50/3	100/3	150/4	200/4
Dimension	mm	1050×710×790	1050×710×790	1360×1010×1180	1490×1170×1240
Weight	kg	140	180	270	400



HTHS View



# Crushing recovery

## Low-Speed Crusher

HTGS 320

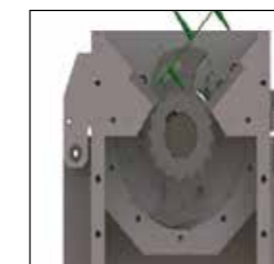


### Specification

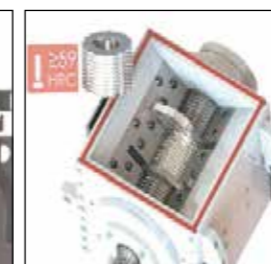
Model		HTGS-260	HTGS-320	HTGS-420	HTGS-480
Motor power	kW	1.1	1.5	2.2	3.8
rotation speed	rpm	24	24	24	24
Claw blade	Pcs	2	2	3	3
Teeth blade	Pcs	3	3	4	4
Crushing capacity	kg/hr	10 ~ 40	20 ~ 50	25 ~ 60	30 ~ 80
Crushing chamber dimension	mm	250×260	320×320	320×420	390×480
Weight	kg	205	275	320	530

#### Dimension

H	mm	1293	1328	1352	1510
H1	mm	1659	1788	1944	2140
W	mm	432	480	480	610
D	mm	960	1061	1170	1360
d1	mm	1399	1588	1699	2000



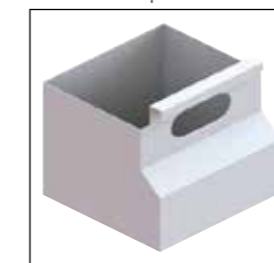
No screen, no leakage cutting, good granularity, little powder



Low-speed rolling teeth crusher, flange with dust-proof strip



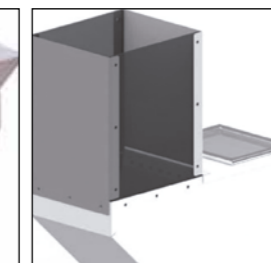
Crusher proportional valve (optional)



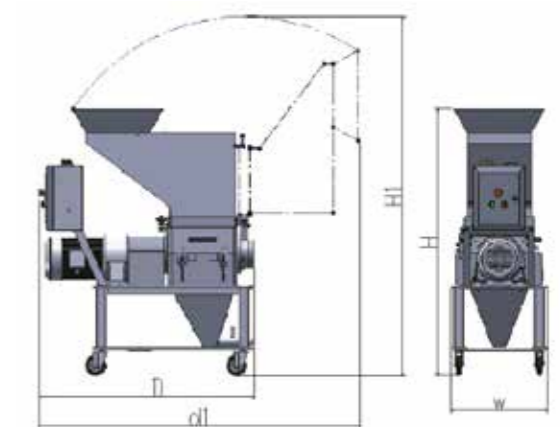
Manual collection box (optional)



Inlet with magnet (optional)



Double-layer damping soundproof material (optional high port)



HTGS View



# Crushing recovery

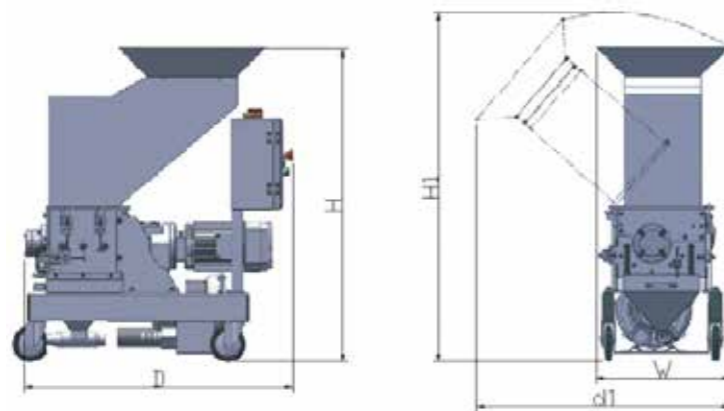
## Medium-Speed Crusher

HTGM270-290



### Specification

Model		HTGM230-270	HTGM270-290	HTGM370-310	HTGM270-430
Motor power	kW	2.2	2.2	3.7	3.7
rotation speed	rpm	143	143	143	143
Rotor blade quantity	Pcs	24	30	39	45
Fix blade quantity	Pcs	2	2	2	2
Crushing capacity	kg/hr	20 ~ 40	25 ~ 45	30 ~ 60	40 ~ 70
Feed inlet size	mm	270X310	270X310	310X430	270X430
Crushing rotor size	mm	275×236	275×291	315×375	275×430
Screen mesh size	mm	Φ6	Φ6	Φ6	Φ6
Weight	kg	177	197	250	245
<b>Dimension</b>					
H	mm	1142	1142	1300	1294
H1	mm	1270	1266	1422	1395
W	mm	467	467	507	467
D	mm	875	930	1070	1125
d1	mm	917	895	1056	1016



HTGM View



# Crushing recovery

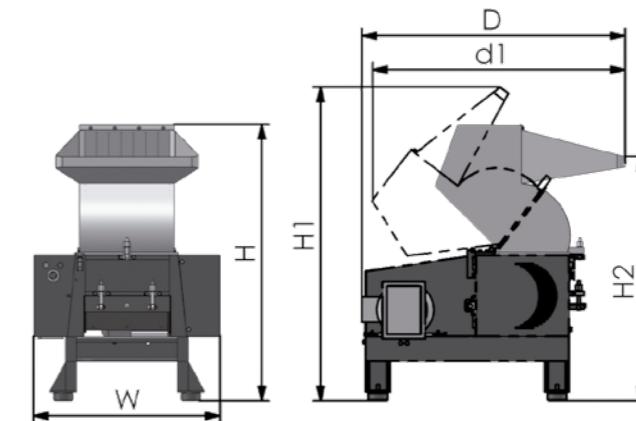
## Central Granulator

HTSS400



### Specification

Model		HTSS230	HTSS300	HTSS400	HTSS500	HTSS600	HTSS800
Motor power	kW	4	5.5	7.5	11	15	22
rotation speed	rpm	640	670	650	650	580	560
Rotor blade quantity	- A Pcs	6	9	12	15	18	24
	- B Pcs	3	3	3	6	6	6
Fixed blade quantity	Pcs	2	2	2	2	4	4
Crushing capacity	kg/hr	100 ~ 200	200 ~ 300	350 ~ 500	400 ~ 580	450 ~ 600	600 ~ 800
Weight	kg	280	390	490	590	980	1770
Feed inlet size	mm	160×230	210×300	250×400	250×500	310×600	420×800
Crushing rotor size	mm	Φ205×230	Φ220×300	Φ250×400	Φ250×500	Φ330×600	Φ415×800
Screw mesh size	mm	Φ8	Φ10	Φ10	Φ10	Φ12	Φ12
<b>Dimension</b>							
H	mm	1060	1195	1340	1345	1680	2130
H1	mm	1280	1280	1530	1530	1810	2290
H2	mm	970	1065	1190	1190	1485	1875
W	mm	645	800	910	1010	1155	1440
D	mm	960	1060	1310	1360	1370	1725
d1	mm	785	920	1045	1036	1240	1050



HTSS230~800 View



# Mold temperature control

## Industrial Chiller

HTC-05A

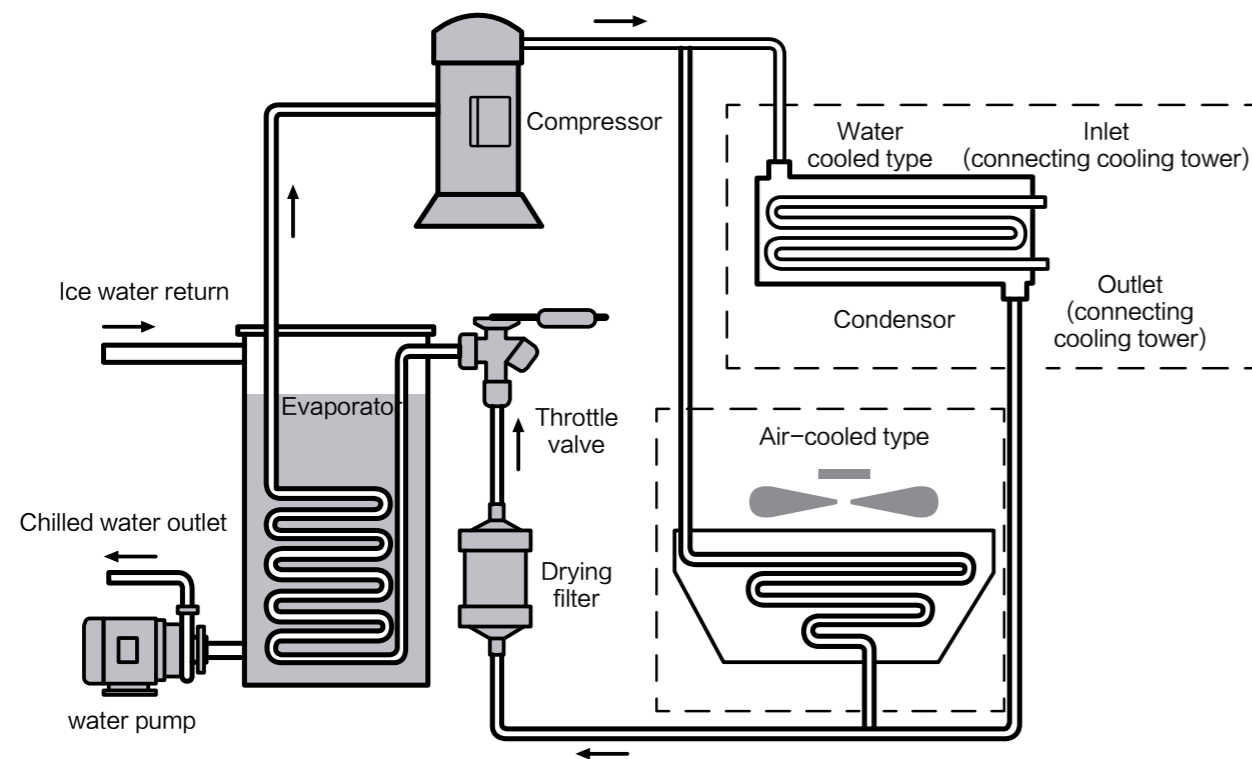


HTC-08W



HTC-05W

Water-cooled industrial chiller cabinet schematic diagram



Coil evaporator  
HTC-XX A  
HTC-XX W



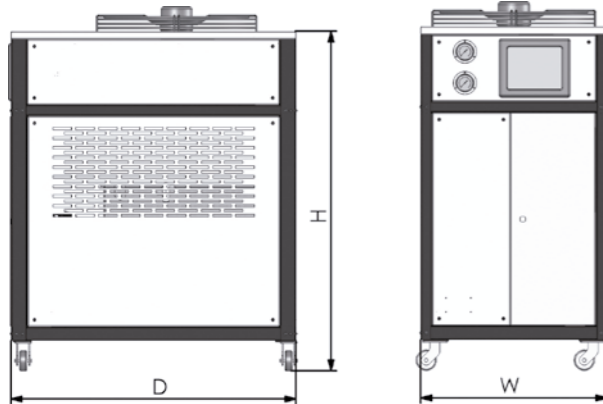
Shell and tube exchange evaporator  
HTC-XX SA  
HTC-XX SW



# Mold temperature control

冷水机

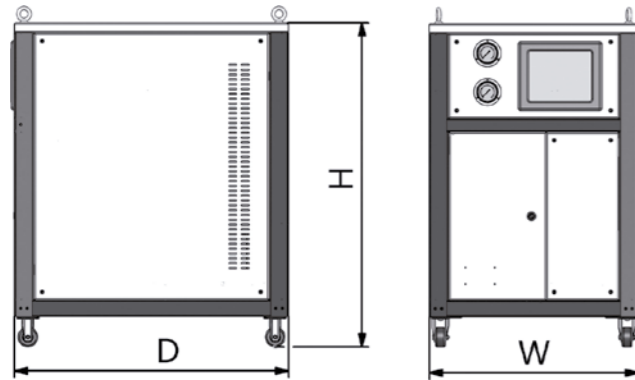
## Air-cooled Industrial Chiller unit



## Specification Air-cooled industrial chiller cabinet

Model		HTC-03A	HTC-05A	HTC-08A	HTC-10A	HTC-12SA	HTC-15SA	HTC-20SA-D	HTC-25SA-D	HTC-30SA-D	HTC-40SA-D	HTC-50SA-D	
Cooling capacity	kW	8	14	22	30	37	42	52	62	86	104	125	
	Kcal/h	6800	12040	19000	25200	32000	37000	45000	54000	74000	90000	108000	
Compressor	Type	Hermetic scroll type											
	Power	kW	2.5	4.4	7	9	10.5	13.4	9x2	10.5x2	13.4x2	17.8x2	20x2
Freezing media	Type	R22(R407C)											
Evaporator	Type	Immersive water tank type					Shell and tube evaporator						
	Type	Finned condenser											
Air-cooled condenser	Cooled fan power	kW	0.25	0.6	0.25x2	0.45x2	0.45x2	0.6x2	0.45x4	0.6x4	0.6x6	0.6x6	0.7x6
	Power	kW	0.75	0.75	1.5	1.5	1.5	3	3	3	4	5.5	5.5
Water pump	Flow	L/min	83	83	208	208	208	330	330	330	500	660	660
	Tank volume	L	100	100	160	200	160	160	250	250	320	450	450
Chilled water pipe diameter	Inch	1	1	1.5	1.5	1.5	2	2	2	2	2.5	2.5	
Weight	kg	194	208	340	372	457	564	821	834	1420	1760	2000	
<b>Dimension</b>													
H	mm	1250	1250	1450	1500	1500	1700	1800	1800	1900	1940	1940	
W	mm	680	680	700	800	900	960	1600	1600	1900	1950	1950	
D	mm	1060	1060	1360	1470	1470	1580	1480	1480	2400	2540	2840	

## Water-cooled Industrial Chiller unit



## Specification Water-cooled industrial chiller cabinet

Model		HTC-03W	HTC-05W	HTC-08W	HTC-10W	HTC-12SW	HTC-15SW	HTC-20SW-D	HTC-25SW-D	HTC-30SW-D	HTC-40SW-D	HTC-50SW-D	
Cooling capacity	kW	9	15	25	32	40	48	58	70	95	115	140	
	Kcal/h	7580	13500	21150	28000	34000	41000	50000	60000	82000	100000	120000	
Compressor	Type	hermetic screw compressor											
	Power	kW	2.5	4.4	7	9	10.5	13.4	9x2	10.5x2	13.4x2	17.8x2	20x2
Frozen media	Type	R22(R407C)											
Evaporator	Type	Immersive water tank type					Shell and tube evaporator						
	Type	Shell and tube evaporator											
Water-cooled condenser	Cooling water volume	L/min	≥ 36	≥ 60	≥ 100	≥ 135	≥ 160	≥ 200	≥ 135x2	≥ 160x2	≥ 200x2	≥ 480	≥ 600
	Power	kW	0.75	0.75	1.5	1.5	1.5	3	3	3	4	5.5	5.5
Water pump	Flow	L/min	83	83	208	208	208	330	330	330	500	660	660
	Tank volume	L	60	60	120	130	150	180	250	250	310	380	470
Cooling water pipe diameter	Inch	1	1	1.5	1.5	1.5	2	1.5x2	1.5x2	2x2	2.5	2.5	
Chilled water pipe diameter	Inch	1	1	1.5	1.5	1.5	2	2	2	2	2.5	2.5	
Weight	kg	170	206	319	346	380	509	761	787	910	1150	1200	
<b>Dimension</b>													
H	mm	1000	1000	1200	1200	1200	1360	1360	1360	1380	1470	1470	
W	mm	650	650	800	800	800	1000	1200	1200	1250	1400	1400	
D	mm	850	850	1050	1200	1300	1550	1800	1800	1900	2050	2050	

## Optional Items

- Model with R407C environment-friendly refrigerant, multiport shunt, high lift pump, external water tank is optional; HLINK network linking function is optional.

## The cooling capacity is obtained based on following conditions

- Chilled water outlet temperature 15°C
- Cooling water inlet temperature 30°C
- Air temperature 35°C



# Mold temperature control

## Oil Mold Temperature Controller

HTMC-9H



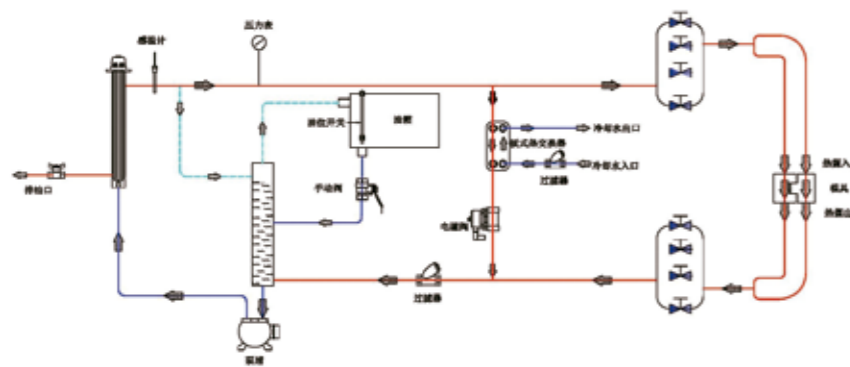
### Specification

Model	Unit	HTMC-6H	HTMC-9H	HTMC-12H	HTMC-18H	HTMC-24H	HTMC-36H	HTMC-6H-D	HTMC-9H-D	HTMC-12H-D
Temperature range	°C	50 ~ 200°C								
Media		Oil								
Heater	kW	6	9	12	18	12x2	18x2	6x2	9x2	12x2
Cooling mode		indirect cooling								
Pump	kW	0.37		0.75		1.5		2.2		3.7
Max.flow	Ltr/min	28	65	65	110	280	450	28x2	65x2	65x2
Max.pressure	kg/cm <sup>2</sup>	2.8	3.8	3.8	4.5	2.7	3.5	2.8x2	3.8x2	3.8x2
Media pipe	Inch/set	3/8"PT-2 in 2 out		3/8"PT-4 in 4 out	3/8"PT-6 in 6 out	3/8"PT-8 in 8 out		3/8"PT-2 in 2 out x2		3/8"PT-4 in 4 out x2
Dimension (HxWxD)	mm	705x300x853		768x320x1120		853x350x944	860x450x940	633x580x925		800x580x860
Weight	kg	50	50	55	65	80	90	100		110

Model	单位	HTMC-9HT	HTMC-12HT
Temperature range	°C	100 ~ 300°C	
Media		Oil	
Heater	kW	9	12
Cooling mode	KW	1.1	1.1
Pump		indirect cooling	
Max.flow	Ltr/min	30	58
Max.pressure	kg/cm <sup>2</sup>	5	5.5
Media pipe	Inch/set	1"-1 in 1 out	
Dimension (HxWxD)	mm	830x480x860	
Weight	kg	55	65

notes:

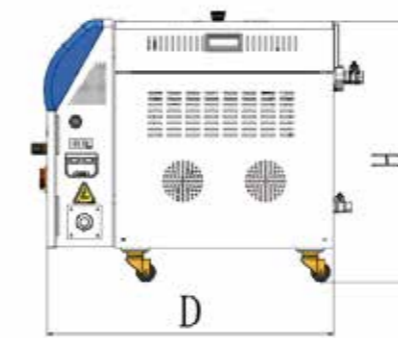
- ① HTMC-HT:High temperature type, D means Two-stage heater;
- ② Pump testing standard: Transport of purified water at normal speed at 20°C (There is ±10% deviation for both pump head and flow rate, ±10% of performance deviation);
- ③ When machine works continuously, the suggested temperature should not higher than 180°C .



HTMC-H Schematic diagram



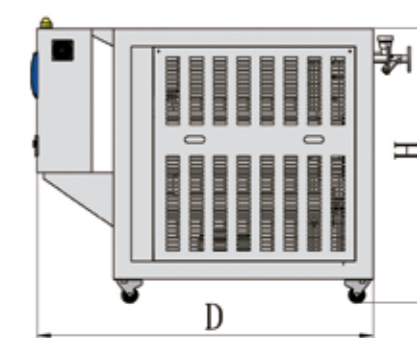
HTMC-HT Schematic diagram



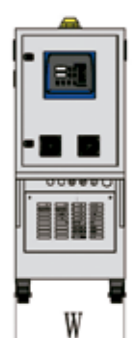
HTMC-H View



W



HTMC-HT View



W



# Mold temperature control

## Water Mold Temperature Controller

HTMC-9WG



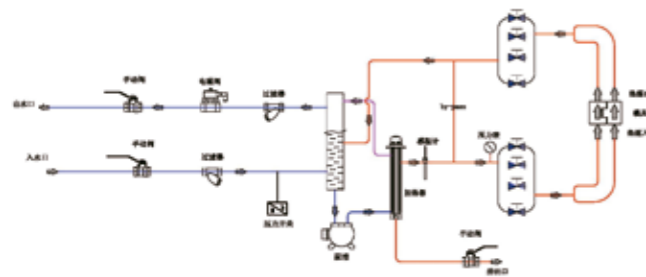
### Specification

Model	Unit	HTMC-6WG	HTMC-9WG	HTMC-12WG	HTMC-18WG	HTMC-24WG	HTMC-36WG	HTMC-6WG-D	HTMC-9WG-D	HTMC-12WG-D
Temperature range	°C	50 ~ 120°C								
Media		Water								
Heater	kW	6	9	12	18	12x2	18x2	6x2	9x2	12x2
Cooling mode		Direct cooling								
Pump	kW	0.37	0.75		1.5	2.2	3.7	0.37x2	0.75x2	
Max.flow	Ltr/min	28	65	65	110	280	450	28x2	65x2	65x2
Max.pressure	kg/cm <sup>2</sup>	2.8	3.8	3.8	4.5	2.7	3.5	2.8x2	3.8x2	3.8x2
Media pipe	Inch/set	3/8"PT-2 in 2 out		3/8"PT-4 in 4 out	3/8"PT-6 in 6 out	3/8"PT-8 in 8 out		3/8"PT-2 in 2 out x2		3/8"PT-4 in 4 out x2
Dimension (HxWxD)	mm	630x300x854		695x320x1120		740x350x1060	1217x450x805	633x580x925		705x580x1014
Weight	kg	45		50	60	75	85	90		100

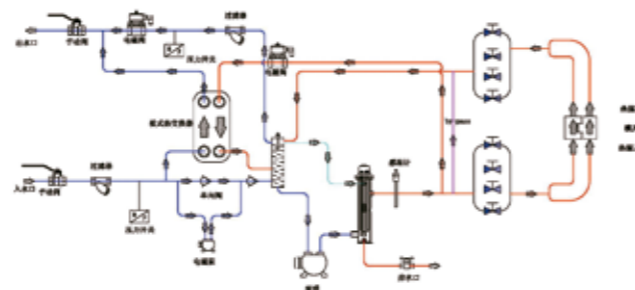
Model	Unit	HTMC-9WP	HTMC-12WP	HTMC-18WP	HTMC-24WP
Temperature range	°C	50~160°C			
Media		Water			
Heater	kW	9	12	18	12x2
Cooling mode		indirect cooling			
Pump	kW	0.75	0.75	1.5	2.2
Max.flow	Ltr/min	65	65	110	280
Max.pressure	kg/cm <sup>2</sup>	3.8	3.8	4.5	2.7
Media pipe	Inch/set	3/8"PT-4 in 4 out		3/8"PT-6 in 6 out	3/8"PT-8 in 8 out
Dimension (HxWxD)	mm	700x300x790		700x300x1120	970x480x1280
Weight	kg	55	65	70	75

notes:

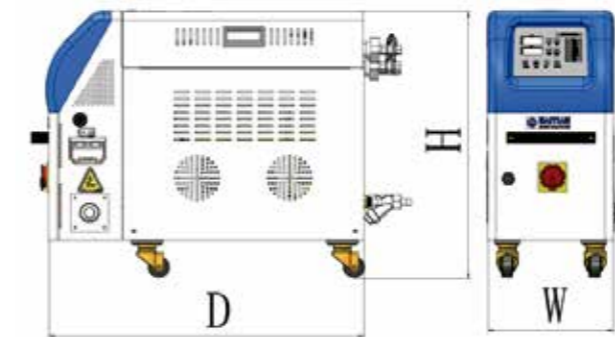
- ① To ensure stable water temperature, the cooling water pressure should not be less than 2 bar, but also no more than 5 bar;
- ② Pump testing standard: Transport of purified water at normal speed at 20°C (There is ±10% deviation for both pump head and flow rate, ±10% of performance deviation).



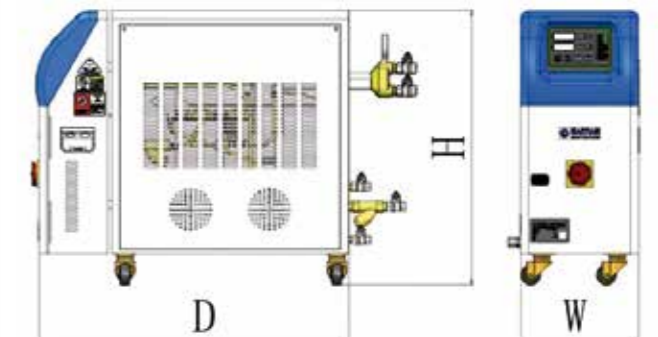
HTMC-WG Schematic diagram



HTMC-WP Schematic diagram



HTMC-WG View



HTMC-WP View



# Visual monitoring

## HDC-500 in-mold monitor



NOTE:

### Specification

Model	HDC-500	HDC-B500
Screen Size	inch 12.5 / Full Touchscreen	inch 13.3 / Full Touchscreen
CPU Model	Intel 4205U	Rockchip 3399
CPU Frequency	1.8GHz	6 cores 2.3GHz
RAM	4GB	DDR 4GB
Hard Disk	M.2-64G	SSD MMC-32G
Operating System	Linux 20.04 (Embedded System)	64 bit Linux(Embedded System)
Graphics Card	Intel HD Graphics 610	ARM Integrated
Rated Voltage	DC 12V-35V (Wide Voltage)	DC 24V
Camera	2 million pixels(Network port camera)	2 million pixels
Resolution	1920*1080	1920*1080
Frame Rate	30	30
Sensor	Sony IMX290LQR 1/2.8"	Sony IMX290LQR-C
Communication Methods	Using RJ45 with POE Gigabit Ethernet interface,which is currently the only one in China. It has the strongest anti-interference capability(USB communication is widely used at present)	Using RJ45 with POE Gigabit Ethernet interface,which is currently the only one in China. It has the strongest anti-interference capability(USB communication is widely used at present)

NOTE:

Lined area for notes on the left page.

NOTE:

Lined area for notes on the right page.