

PROTEKT®

**FOLDING
ALUMINUM
GANTRY CRANES**

ASB, LSB, KSB, FSB

06/2018



- 100% -

MADE IN POLAND

GANTRY CRANES PREPARED FOR TRANSPORTATION

Gantry cranes ASB / LSB / KSB - transport dimensions			
	length (cm) „L”	width (cm) „W”	height (cm) „H”
2 supports - set A1 (ASB), E1 (LSB)	190	80	75
2 supports - set B1 (ASB), F1 (LSB)	295	80	75
2 supports - set C1 (ASB), G1 (LSB)	370	115	75
beam 2 m	210	15	75
beam 3 m	310	15	75
beam 4 m	410	15	75
beam 5 m	510	15	75
beam 6 m	610	15	75
beam 7 m	710	15	75
KSB and FSB - beam 2 m	205	40	40
KSB and FSB - beam 3 m	305	40	40
KSB and FSB - beam 4 m	405	40	40

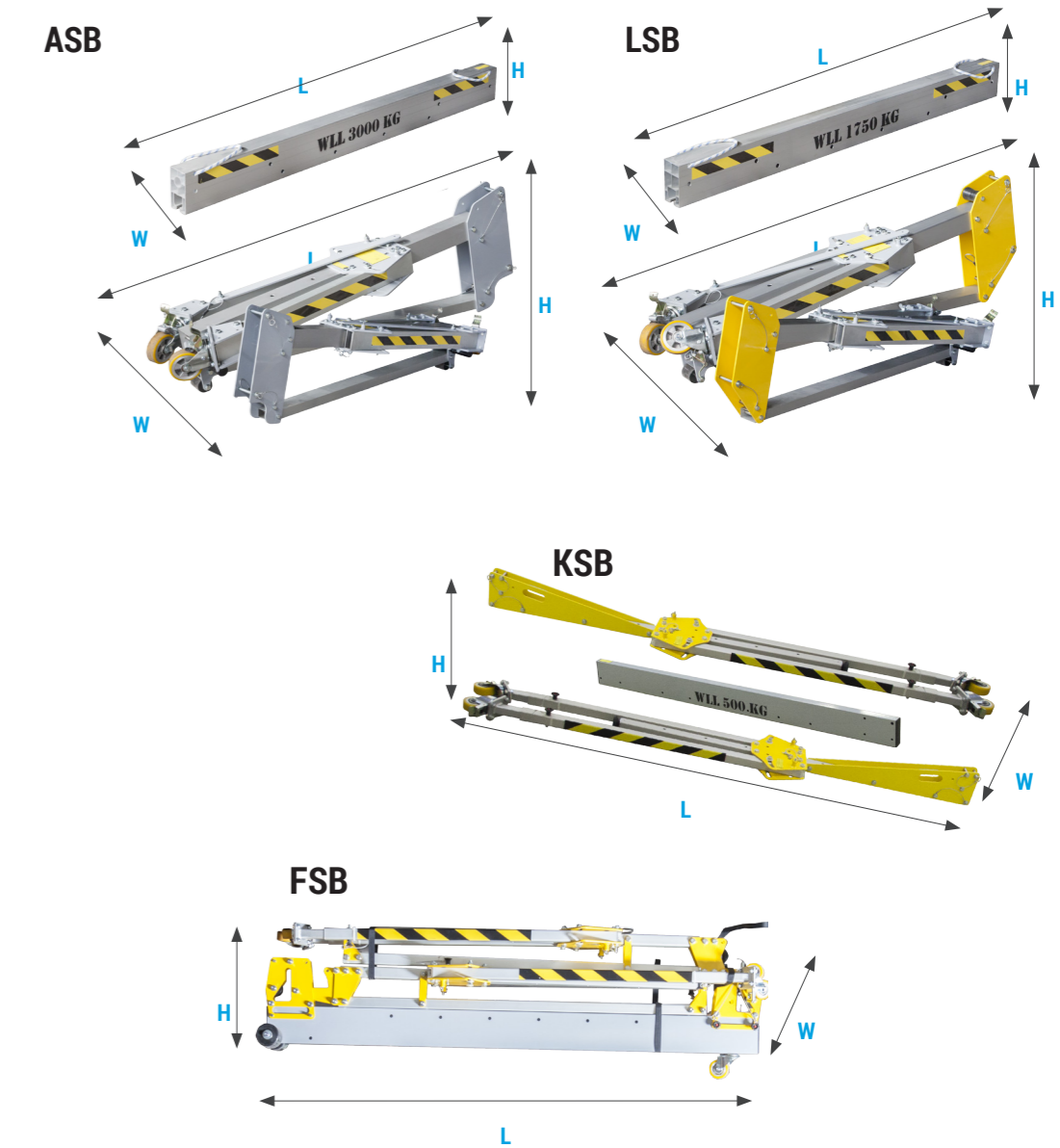


TABLE OF CONTENTS

Parameters of gantry cranes prepared for transport 3

ASB - aluminum gantry crane (1500...3500 kg) 4

LSB - light gantry crane (500...2000 kg) 10

ASB/LSB - shared accessories 16

KSB - compact gantry crane (500 kg) 22

FSB - compact folding gantry crane (500 kg) 27

KSB/FSB - shared accessories 32

BAS - gantry crane type H 34



The content, photos and illustrations published on this website are only for reference purposes. In order to get more detailed, up-to-date information about usage and technology, please contact our office.

This price list is only for reference purposes and is not an commercial offer within the meaning of Article 61 §1. of the Polish Civil Code. Protekt reserves the right to change, supplement or remove the information published on the website.

In case of certain groups of products, there is a possibility of ordering the equipment in other configurations. The returns are not possible for products modified in accordance with Customer's requests and for custom-made products.



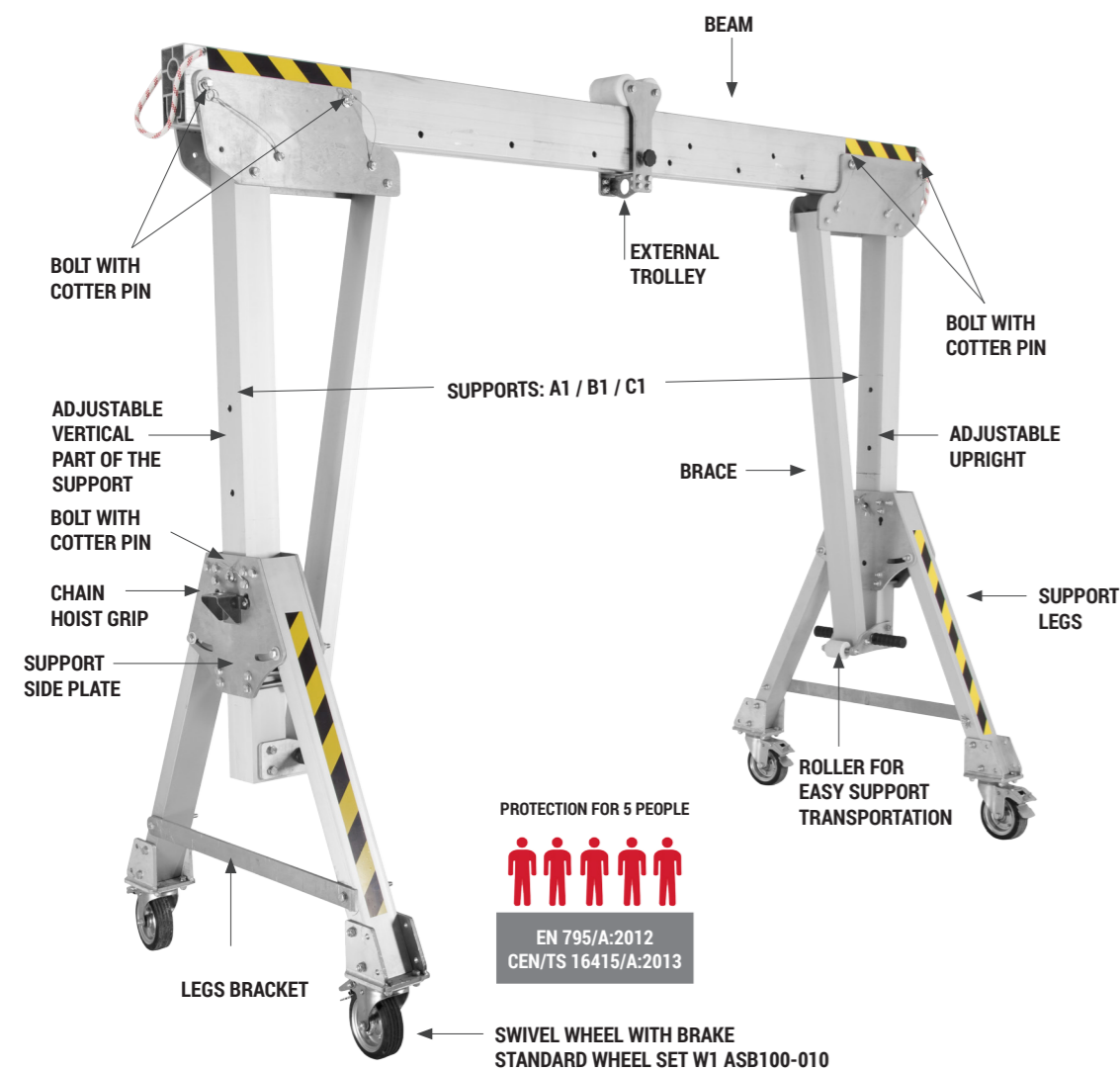
Aluminum gantry crane (ASB series) is a complete, lightweight, fully customizable, portable device designed for lifting loads up to the related Working Load Limit (WLL). WLL is always indicated on the beam. Device can be used in variety of lifting applications such as: drainage wells, reservoirs, wells, silos, rooftop, lift-shaft, waste water and many more. ASB can be used with chain hoists, RUP50x-T series devices for lifting loads. For lifting loads external trolley must be used.

ASB device can be used for personal protection purposes as component of personal protective equipment against fall from height. For personal protection internal trolley must be used.

Beam length: from 2 to 7 meters
Support height: three basic types - A1 / B1 / C1
Working Load Limit (WLL): **from 1500 kg up to 3500 kg** (depends on configuration - please see Technical Data Table).
Safety factor for lifting loads: 2,1:1.
Safety factor for personal rescue: 10:1.
Protection for maximum five people at the same time.

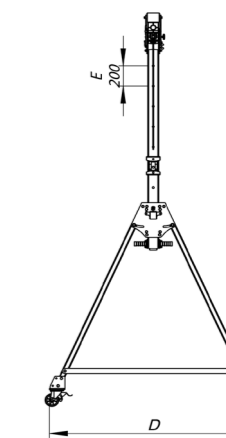
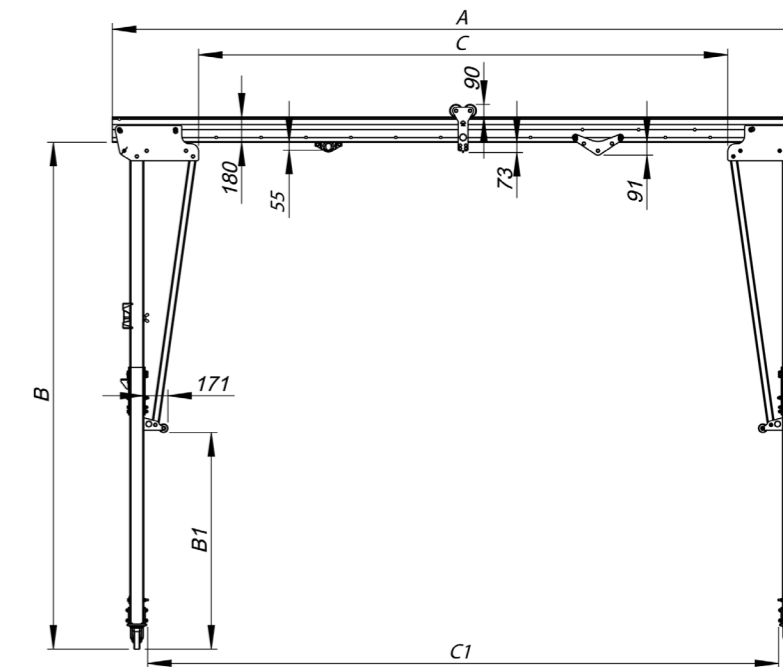
BENEFITS:

- Modular design, flexibility.
- Fast assembly using bolt with cotter pin. No need additional tools.
- RUP50x-T lifting devices can be used for loads lifting operations.
- RUP50x rescue lifting devices can be used for rescue purposes.



TECHNICAL DATA TABLE

"A" Total beam length [mm]	"C" Working span [mm]	"C1" Bottom span [mm]	Beam weight [kg]	SMALL SUPPORT A1 WLL [kg]	MEDIUM SUPPORT B1 WLL [kg]	LARGE SUPPORT C1 WLL [kg]
2000	770	1496	26,7	3500	3000	3000
3000	1770	2496	40,1	3500	3000	3000
4000	2770	3496	53,4	3000	3000	3000
5000	3770	4496	66,5	2500	2500	2500
6000	4770	5496	80,1	2000	2000	2000
7000	5770	6496	93,5	1500	1500	1500
Support weight (one side) [kg]				38,2	50,2	71,8
"B" - Support height (min... max) [mm]				1594...2194	2207...3607	3230...5430
"B1" - Under roller height (min... max) [mm]				34...634	141...1541	164...2364
"D" - Legs spacing [mm]				1115	1928	2834
"E" - Support height increment [mm]				200		



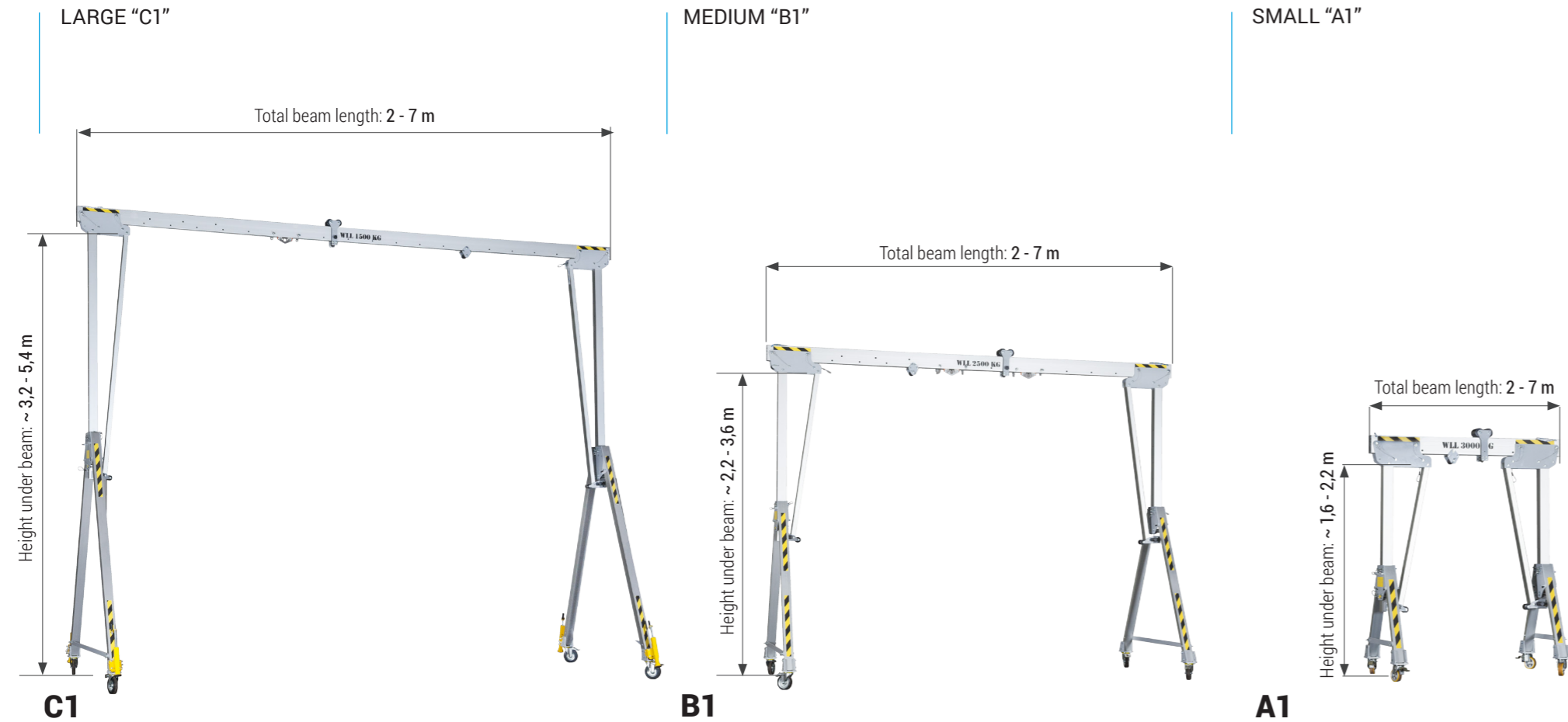
ASB REFERENCE

ASBXXX-YY-ZZ WHERE: **ASBXXX-YY-ZZ**

YY - support height option [A1 / B1 / C1]
ZZ - wheels set type [W1 / W2 / W3]
XXX - length of the beam [cm] [200 / 300 / 400 / 600 / 700]

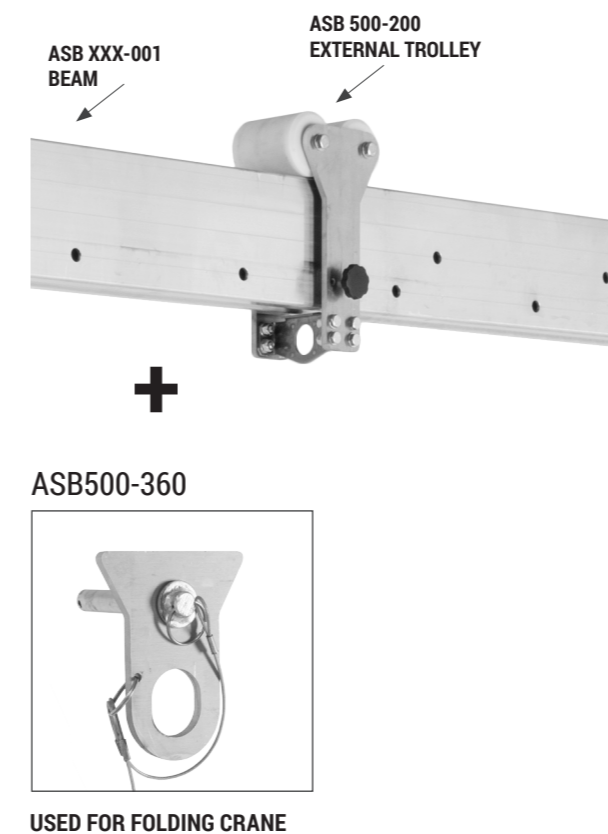
EXAMPLE: **ASB500-B1-W1** - 5 meter beam with support B1 with standard Ø 160 mm galvanized steel with solid rubber tyre wheels.

→ **ASB** AVAILABLE SIZES







WLL: 1500 - 3500 KG

→ **ASB** BEAM PRICE LIST



Ref Nr.	Part name	Weight	Net price
ASB200-001 + ASB500-200 + ASB500-360	2 m beam with external trolley and hitch for raising the support	31,20kg	
ASB300-001 + ASB500-200 + ASB500-360	3 m beam with external trolley and hitch for raising the support	45,02kg	
ASB400-001 + ASB500-200 + ASB500-360	4 m beam with external trolley and hitch for raising the support	58,37kg	
ASB500-001 + ASB500-200 + ASB500-360	5 m beam with external trolley and hitch for raising the support	71,72kg	
ASB600-001 + ASB500-200 + ASB500-360	6 m beam with external trolley and hitch for raising the support	85,07kg	
ASB700-001 + ASB500-200 + ASB500-360	7 m beam with external trolley and hitch for raising the support	98,42kg	

Ref Nr.	Part name	 W1	 W2	 W3
		net prices	net prices	net prices
 <p>ASB500-140 CHAIN HOIST GRIP</p>	ASB500-450-1 + wheel set + ASB500-140 x2	A1 support - pair 1,6...2,2 m <u>Wheels set included.</u> Chain hoist grip included. 89,88kg		
	ASB500-100-1 + wheel set + ASB500-140 x2	B1 support - pair 2,2...3,6 m <u>Wheels set included.</u> Chain hoist grip included. 115,86kg		
	ASB500-500-1 + wheel set + ASB500-140 x2	C1 support - pair 3,2...5,4 m <u>Wheels set included.</u> Chain hoist grip included. 159,14kg		

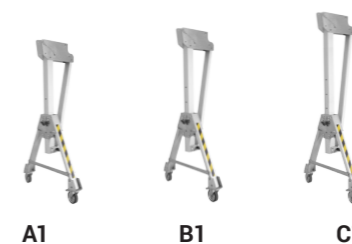
BEAM ref nr. ASBxxx-001

ref. ASBxxx-001 (where ,xxx' - beam length in cm] Made of aluminium alloy with inside rail (for internal trolley). Can be used with external and internal trolleys.
 Available beam length: 2 / 3 / 4 / 5 / 6 / 7 m.
 Beam length and weight - Technical Data Table.



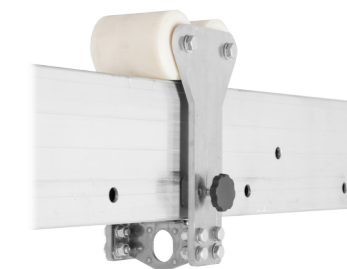
SUPPORT

A1 - ref nr. ASB500-450-1
B1 - ref nr. ASB500-100-1
C1 - ref nr. ASB500-500-1
 Made of aluminium alloy. Various height options. 200mm height adjustment. Foldable construction. Two the same supports are needed for one beam. Equipped with three bolts with cotter pin (described in Optional Equipment). Available support types: A1 / B1 / C1. Support height and weight - Technical Data Table and Basic support types section.



EXTERNAL TROLLEY ref nr. ASB500-200

Made of aluminium alloy, stainless steel and polyamide parts. Position locking using knob.
 External trolley can be used for lifting loads only.



CHAIN HOIST GRIP ref nr. ASB500-140

Made of stainless steel. Provides safety rising and lowering the adjustable vertical part of the support during device installation on the working site. Chain hoist grip is installed, on support side plates holes. Must be used with 250... 1500 kg chain hoist.
A device for folding the crane.



HITCH FOR RAISING THE SUPPORT

ref nr. ASB500-360

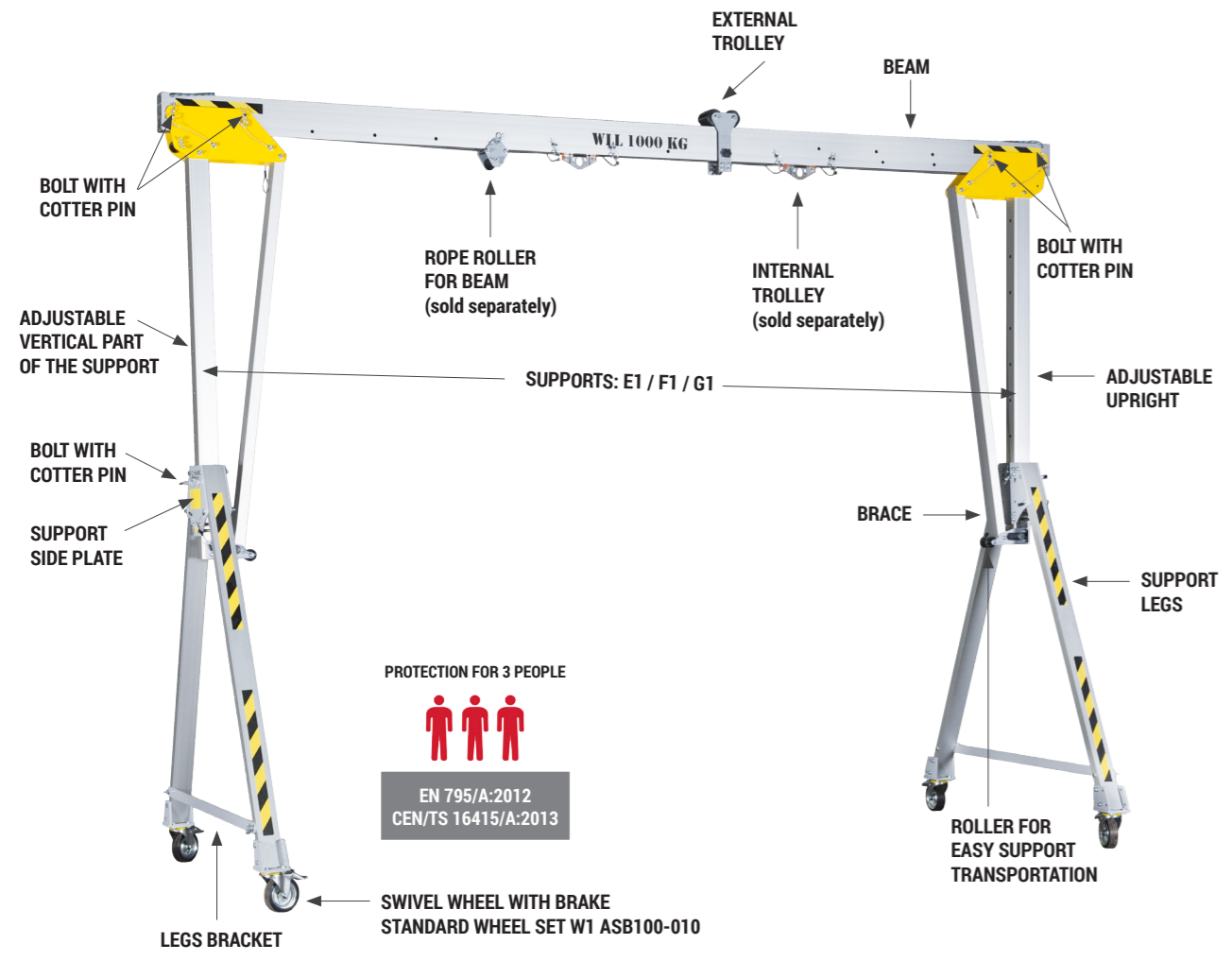
Made of aluminium alloy / galvanized steel. Used during raising and lowering the device support. Chain hoist is attached to the hitch ear. **MUST BE USED** with B1/C1 support. **A device for folding the crane.**



WHEELS

Support can be equipped with three types of swivel wheels with brake:
W1 - ref. ASB100-010 - Ø 160 mm solid tyres for general use (**standard**).
W2 - ref. ASB100-020 - Ø 200 mm solid tyres for general use.
W3 - ref. ASB100-030 - Ø 125 mm solid tyres for cleanroom.





Light gantry crane (LSB series) is a complete, lightweight, fully customizable, portable device designed for lifting loads up to the related Working Load Limit (WLL). WLL is always indicated on the beam.
Device can be used in variety of lifting applications such as: drainage wells, reservoirs, wells, silos, rooftop, lift-shaft, waste water and many more. LSB can be used with chain hoists, RUP50x-T series devices for lifting loads.
For lifting loads external trolley must be used.

LSB device can be used for personal protection purposes as component of personal protective equipment against fall from height.
For personal protection internal trolley must be used.

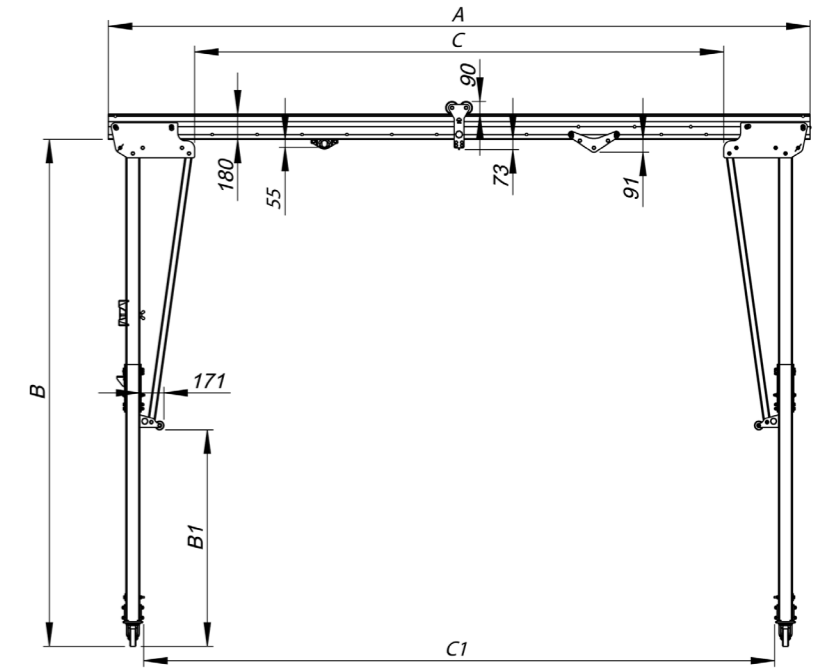
Beam length: from 2 to 7 meters
Support height: three basic types - E1 / F1 / G1
Working Load Limit (WLL): **from 500 kg up to 2000 kg** (depends on configuration - please see Technical Data Table).
Safety factor for lifting loads: 2,1:1.
Safety factor for personal rescue: 10:1.
Protection for maximum three people at the same time.

- BENEFITS:**
- Modular design, flexibility.
 - Fast assembly using bolt with cotter pin. No need additional tools.
 - RUP50x-T lifting devices can be used for loads lifting operations.
 - RUP50x rescue lifting devices can be used for rescue purposes.



TECHNICAL DATA TABLE

"A" Total beam length [mm]	"C" Working span [mm]	"C1" Bottom span [mm]	Beam weight [kg]	SMALL SUPPORT E1 WLL [kg]	MEDIUM SUPPORT F1 WLL [kg]	LARGE SUPPORT G1 WLL [kg]
2000	770	1496	13,2	2000	1750	1750
3000	1770	2496	19,7	1500	1500	1500
4000	2770	3496	26,3	1250	1250	1250
5000	3770	4496	32,8	1000	1000	1000
6000	4770	5496	39,4	750	750	750
7000	5770	6496	46,0	500	500	500
Support weight (one side) [kg]				34,0	45,0	62,0
"B" - Support height (min... max) [mm]				1594...2194	2207...3607	3230...5430
"B1" - Under roller height (min... max) [mm]				34...634	141...1541	164...2364
"D" - Legs spacing [mm]				1115	1928	2834
"E" - Support height increment [mm]				200		



LSB REFERENCE

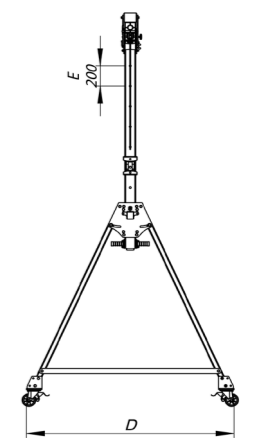
ASBXXX-YY-ZZ WHERE:

LSBXXX-YY-ZZ

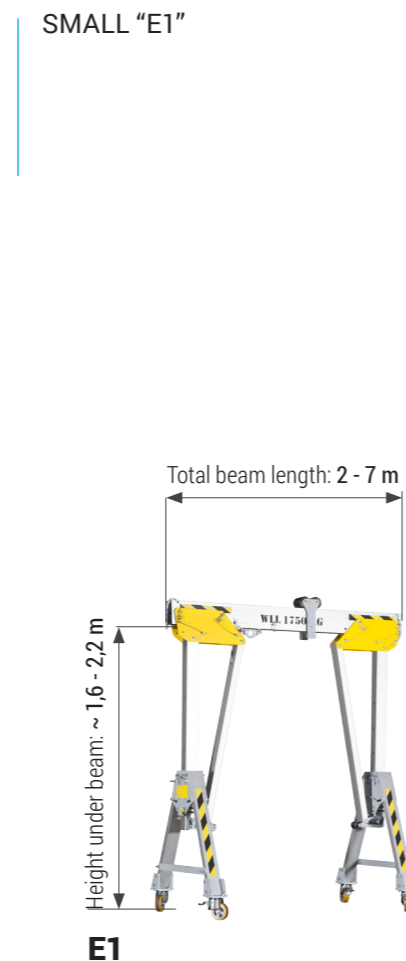
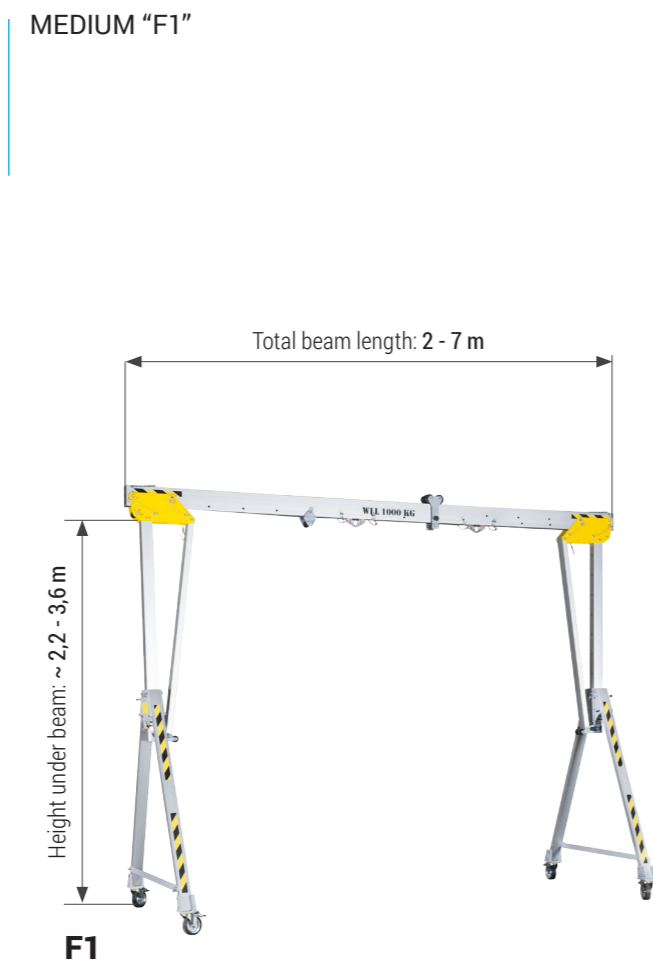
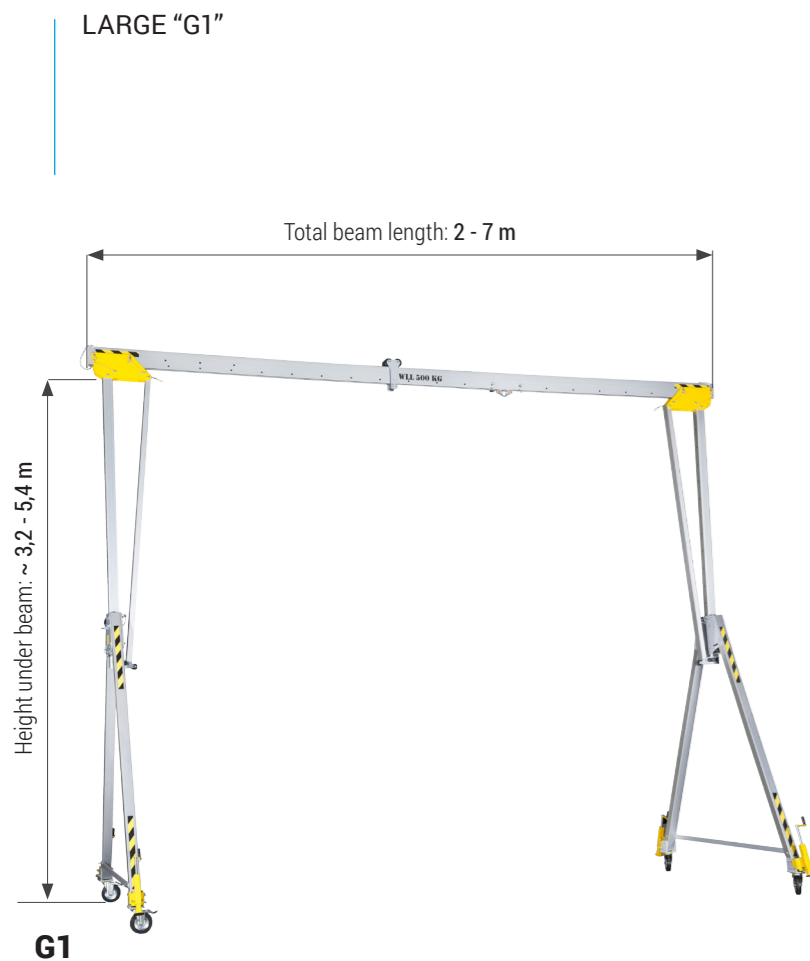
XXX - length of the beam [cm] [200 / 300 / 400 / 600 / 700]

YY - support height option [E1 / F1 / G1]

EXAMPLE: **LSB500-F1-W1** - 5 meter beam with support F1 with standard Ø 160 mm galvanized steel with solid rubber tyre wheels.



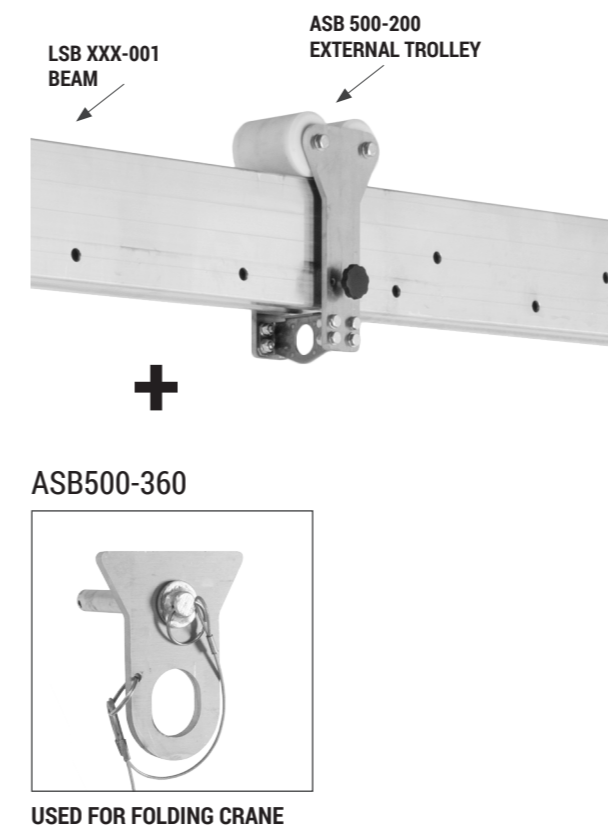
→ **LSB** AVAILABLE SIZES







WLL: 500 - 2000 KG

→ **LSB** BEAM PRICE LIST

Ref Nr.	Part name	Weight	Net price
LSB200-001 + ASB500-200 + ASB500-360	2 m beam with external trolley and hitch for raising the support	18,10kg	
LSB300-001 + ASB500-200 + ASB500-360	3 m beam with external trolley and hitch for raising the support	24,66kg	
LSB400-001 + ASB500-200 + ASB500-360	4 m beam with external trolley and hitch for raising the support	31,23kg	
LSB500-001 + ASB500-200 + ASB500-360	5 m beam with external trolley and hitch for raising the support	37,79kg	
LSB600-001 + ASB500-200 + ASB500-360	6 m beam with external trolley and hitch for raising the support	44,35kg	
LSB700-001 + ASB500-200 + ASB500-360	7 m beam with external trolley and hitch for raising the support	50,92kg	



Ref Nr.	Part name	 W1	 W2	 W3
		net prices	net prices	net prices
 <p>ASB500-140 CHAIN HOIST GRIP</p>	LSB500-450-1 + wheel set + ASB500-140 x2	E1 support - pair 1,6...2,2 m <u>Wheels set included.</u> Chain hoist grip included. 80,24kg		
	LSB500-100-1 + wheel set + ASB500-140 x2	F1 support - pair 2,2...3,6 m <u>Wheels set included.</u> Chain hoist grip included. 103,88kg		
	LSB500-500-1 + wheel set + ASB500-140 x2	G1 support - pair 3,2...5,4 m <u>Wheels set included.</u> Chain hoist grip included. 137,38kg		

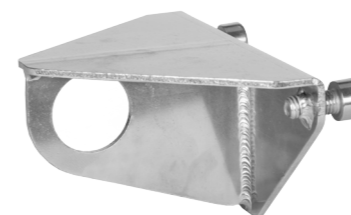
BEAM ref nr. LSBxxx-001 (where 'xxx' - length of the beam in cm)

Made of aluminium alloy with inside rail (for internal trolley).
 Can be used with external and internal trolleys.
Available beam length: 2 / 3 / 4 / 5 / 6 / 7 m.
 Beam length and weight - Technical Data Table.



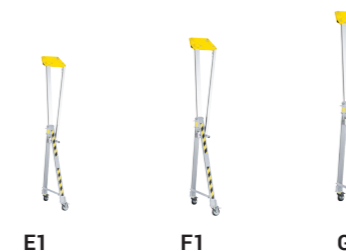
CHAIN HOIST GRIP ref nr. ASB500-140

Made of stainless steel. Provides safety rising and lowering the adjustable vertical part of the support during device installation on the working site. Chain hoist grip is installed, on support side plates holes. Must be used with 250... 1500 kg chain hoist. A device for folding the crane.



SUPPORT

E1 - ref nr. LSB500-450-1
F1 - ref nr. LSB500-100-1
G1 - ref nr. LSB500-500-1
 Made of aluminium alloy. Various height options. 200mm height adjustment. Foldable construction. Two the same supports are needed for one beam. Equipped with three bolts with cotter pin (described in Optional Equipment). Available support types: E1 / F1 / G1. Support height and weight - Technical Data Table and Basic support types section.



HITCH FOR RAISING THE SUPPORT

ref nr. ASB500-360

Made of aluminium alloy / galvanized steel. Used during raising and lowering the device support. Chain hoist is attached to the hitch ear. Must be used with F1/G1 support. A device for folding the crane.



EXTERNAL TROLLEY ref nr. ASB500-200

Made of aluminium alloy, stainless steel and polyamide parts. Position locking using knob. External trolley can be used for lifting loads only.



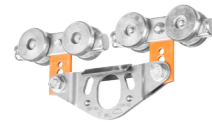


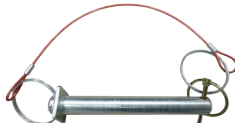






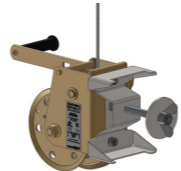
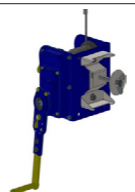
WHEELS

Support can be equipped with three types of swivel wheels with brake:
W1 - ref. nr ASB100-010 - Ø 160 mm, solid tyres for general use (**standard**).
W2 - ref. nr ASB100-020 - Ø 200 mm, solid tyres for general use.
W3 - ref. nr ASB100-030 - Ø 125 mm, solid tyres for cleanroom.

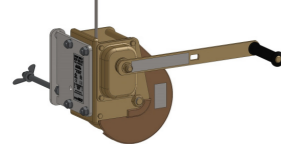
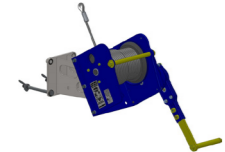
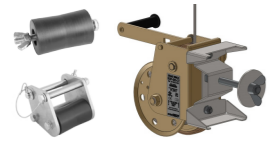
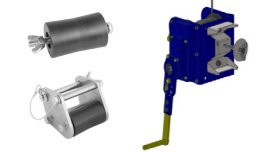
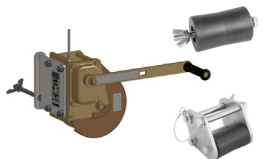
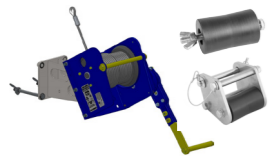


W1 **W2** **W3**

Ref Nr.	Part name	Weight	Net price
 ASB500-200	EXTERNAL TROLLEY Made of aluminum alloy, stainless steel and polyamide parts. Position locking using knob. External trolley can be used for lifting loads only.	4,50kg	
 ASB500-240	ROPE ROLLER FOR BEAM Made of reinforced aluminium alloy, stainless steel and polyamide parts. Provides working rope guidance when RUP 50x-T lifting device is used. Installed to the beam using bolts with cotter pin.	1,63kg	
 ASB500-250	INTERNAL TROLLEY Made of galvanized and stainless steel. Space saving. Attachment point only 55mm under the beam. Position blocking using bolts with cotter pin. Internal trolley can be used <u>for personal protection purposes only. One trolley can be use for one person.</u>	2,55kg	
 ASB500-130	BOLT WITH COTTER PIN 16mm Made of galvanized steel. Used for: <ul style="list-style-type: none"> locking vertical part of the support (one piece for one support), locking beam between support's front plates (two pieces for one support), A1, B1, E1, F1, G1 locking internal trolley position along the beam (two pieces for one internal trolley), locking rope roller for beam on the beam's holes (two pieces for one rope roller for beam). 	0,27kg	
 ASB500-370	HITCH FOR LIFTING UP THE VERTICAL PART OF SUPPORT Made of stainless steel. Used for easy beam height adjustment (vertical part of the support) with chain hoist. Should be used with large supports (C1/G1).	0,34kg	
 ASB500-560	BOLT WITH COTTER PIN 17,5mm Made of galvanized steel. Used for locking beam between large "C1" support's front plates (two pcs. for one support)	0,34kg	



Ref Nr.	Part name	Weight	Net price
 ASB500-180	ROPE ROLLER FOR SUPPORT Made of polyamide and galvanized steel. Provides working rope guidance when RUP 50x-T lifting device is used. Installed to the support using bolt with wing-nut. Installed between support front plates.	0,43kg	
 ASB500-640	FRAME WINCH Used instead of chain hoist grip (ASB500-140). Provides safety rising and lowering the adjustable vertical (parts of the support)	5,00kg	
 ASB500-300	WHEEL SUPPORT FOR PIECES SET Made of galvanized and powder painted steel. Provides device leveling on uneven ground and stabilization during operation. Equipped with locking bolts with wings nuts. Complete ASB device must be equipped with four wheel supports.	28,68kg	
 ASB500-600	BEAM TRANSPORTER Used for easy beam transportation on long distances.	6,30kg	
 RUP502-CT	RUP 502-CT winch 25-meter rope Mounted on vertical part of all support types. Used for lifting loads up to 500 kg.	14,00kg	
 RUP503-CT	RUP 503-CT winch 50-meter rope Mounted on vertical part of all support types. Used for lifting loads up to 1000 kg	26,20kg	

→ ASB, LSB PARTS - PRICE LIST

Ref Nr.	Part name	Weight	Net price
 RUP502-DT	RUP 502-DT winch 25-meter rope Mounted on side plate of small and medium support. Used for lifting loads to 500 kg.	14,00kg	
 RUP503-DT	RUP 503-DT winch 50-meter rope Mounted on side plate of small and medium support. Used for lifting loads to 1000 kg.	26,20kg	
 ASB500-800 ASB500-240 ASB500-180 RUP-502-CT	SET RUP502-CT winch 25-meter rope winch rope rollers set	16,06kg	
 ASB500-810 ASB500-240 ASB500-180 RUP-503-CT	SET RUP502-CT winch 25-meter rope winch rope rollers set	28,26kg	
 ASB500-820 ASB500-240 ASB500-180 RUP-502-DT	SET RUP502-DT winch 25-meter rope winch rope rollers set	16,06kg	
 ASB500-830 ASB500-240 ASB500-180 RUP-503-DT	SET RUP502-DT winch 50-meter rope winch rope rollers set	28,26kg	




→ ASB ALUMINUM GANTRY CRANE

ASB CRANE WITH BASIC EQUIPMENT - NET WEIGHT AND PRICE

	2 m	3 m	4 m	5 m	6 m	7 m
SMALL Height under beam: ~ 1,6 - 2,2 m  A1	capacity: 3T total weight: 121 kg net prices	capacity: 3T total weight: 135 kg net prices	capacity: 3T total weight: 148 kg net prices	capacity: 2,5T total weight: 162 kg net prices	capacity: 2T total weight: 175 kg net prices	capacity: 1,5T total weight: 188 kg net prices
MEDIUM Height under beam: ~ 2,2 - 3,6 m  B1	capacity: 3T total weight: 147 kg net prices	capacity: 3T total weight: 161 kg net prices	capacity: 3T total weight: 174 kg net prices	capacity: 2,5T total weight: 188 kg net prices	capacity: 2T total weight: 201 kg net prices	capacity: 1,5T total weight: 214 kg net prices
LARGE Height under beam: ~ 3,2 - 5,4 m  C1	capacity: 3T total weight: 190 kg net prices	capacity: 3T total weight: 204 kg net prices	capacity: 3T total weight: 218 kg net prices	capacity: 2,5T total weight: 231 kg net prices	capacity: 2T total weight: 244 kg net prices	capacity: 1,5T total weight: 259 kg net prices

→ **LSB** LIGHT GANTRY CRANE

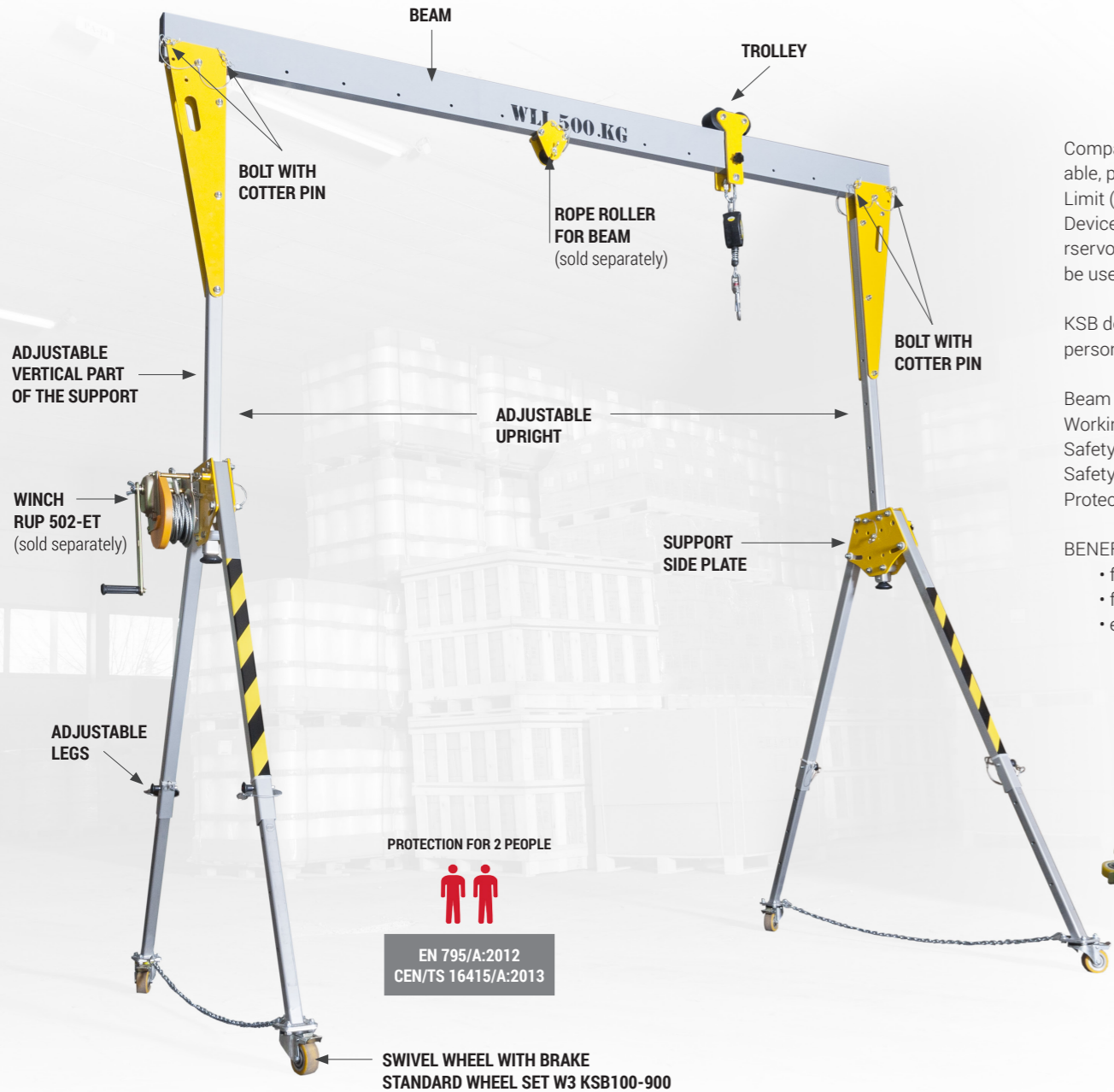
LSB CRANE WITH BASIC EQUIPMENT - NET WEIGHT AND PRICE

	2 m	3 m	4 m	5 m	6 m	7 m
SMALL Height under beam: ~ 1,6 - 2,2 m 	capacity: 2T total weight: 98 kg net prices	capacity: 1,5T total weight: 105 kg net prices	capacity: 1,25T total weight: 111 kg net prices	capacity: 1T total weight: 118 kg net prices	capacity: 0,75T total weight: 125 kg net prices	capacity: 0,5T total weight: 131 kg net prices
MEDIUM Height under beam: ~ 2,2 - 3,6 m 	capacity: 1,75T total weight: 122 kg net prices	capacity: 1,5T total weight: 129 kg net prices	capacity: 1,25T total weight: 135 kg net prices	capacity: 1T total weight: 142 kg net prices	capacity: 0,75T total weight: 148 kg net prices	capacity: 0,5T total weight: 155 kg net prices
LARGE Height under beam: ~ 3,2 - 5,4 m 	capacity: 1,75T total weight: 155 kg net prices	capacity: 1,5T total weight: 162 kg net prices	capacity: 1,25T total weight: 169 kg net prices	capacity: 1T total weight: 175 kg net prices	capacity: 0,75T total weight: 182 kg net prices	capacity: 0,5T total weight: 188 kg net prices



**COMPACT
GANTRY
CRANES**

→ **KSB** COMPACT GANTRY CRANE



PROTECTION FOR 2 PEOPLE

 EN 795/A:2012
 CEN/TS 16415/A:2013

Compact gantry crane (KSB series) is a complete, lightweight, fully customizable, portable device designed for lifting loads up to the related Working Load Limit (WLL). WLL is always indicated on the beam. Device can be used in variety of lifting applications such as, drainage wells, reservoirs, wells, silos, rooftop, lift-shaft, waste water and many more. KSB can be used with chain hoists, RUP502-ET series devices for lifting loads.

KSB device can be used for personal protection purposes as component of personal protective equipment against fall from height.

Beam length: 2, 3, 4 meters
 Working Load Limit (WLL): **from 500 kg**
 Safety factor for lifting loads: 2,1:1.
 Safety factor for personal rescue: 10:1.
 Protection for maximum two people at the same time.

- BENEFITS:
- fast instalation
 - flexibility
 - easy transport



→ **KSB** BASIC EQUIPMENT

KSB consist of two separate supports connected using pin with cotter. Available beam length: 2 / 3 / 4 m. **ONE TROLLEY INCLUDED.**

- Ref nr. KSB200-K1-W3 - **2 meter beam**
- Ref nr. KSB300-K1-W3 - **3 meter beam**
- Ref nr. KSB400-K1-W3 - **4 meter beam**

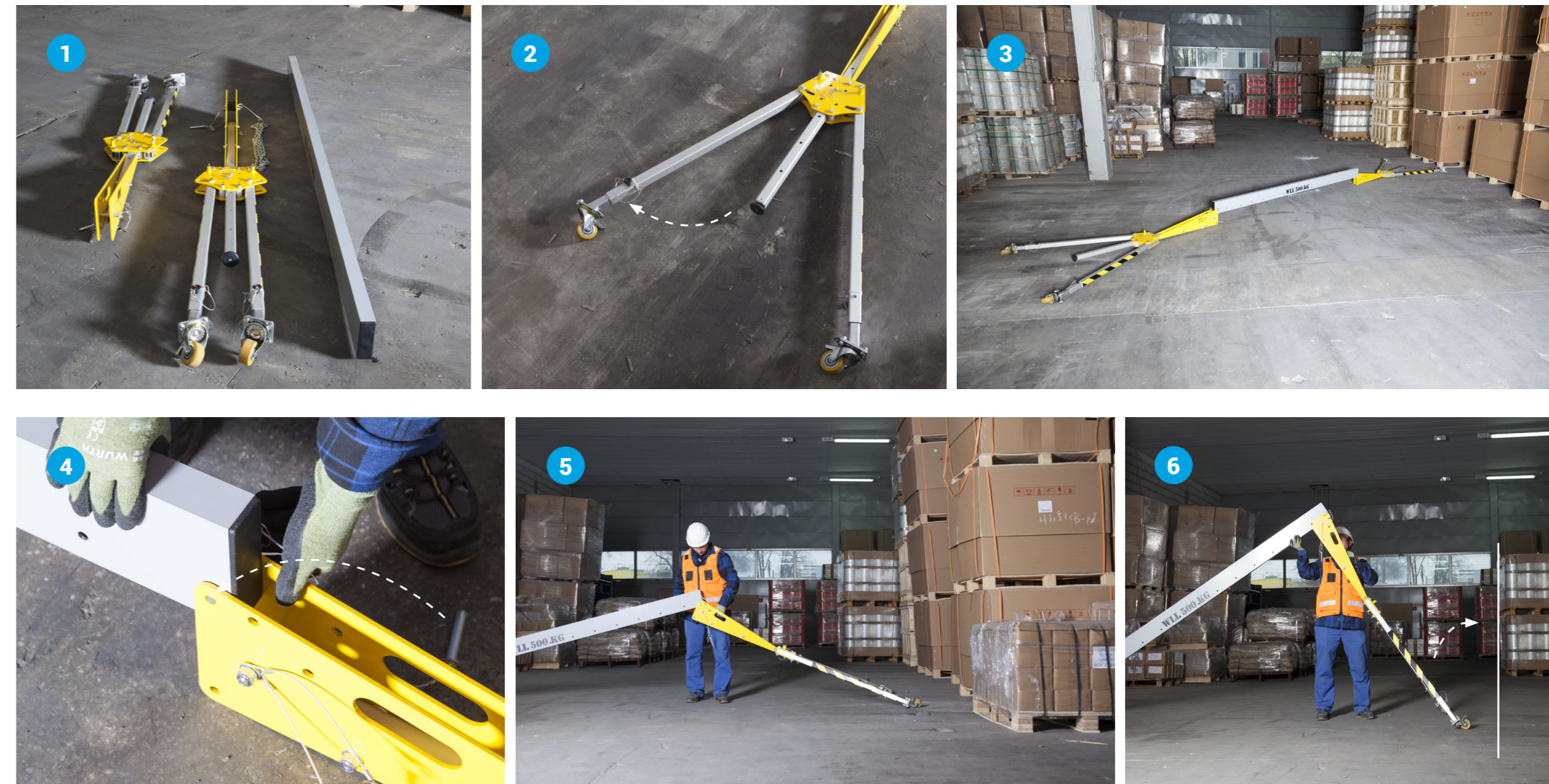
- K1** - one supports type (height 2,1- 3,0m)
- W3** - KSB100-900 wheel set 80 mm diameter

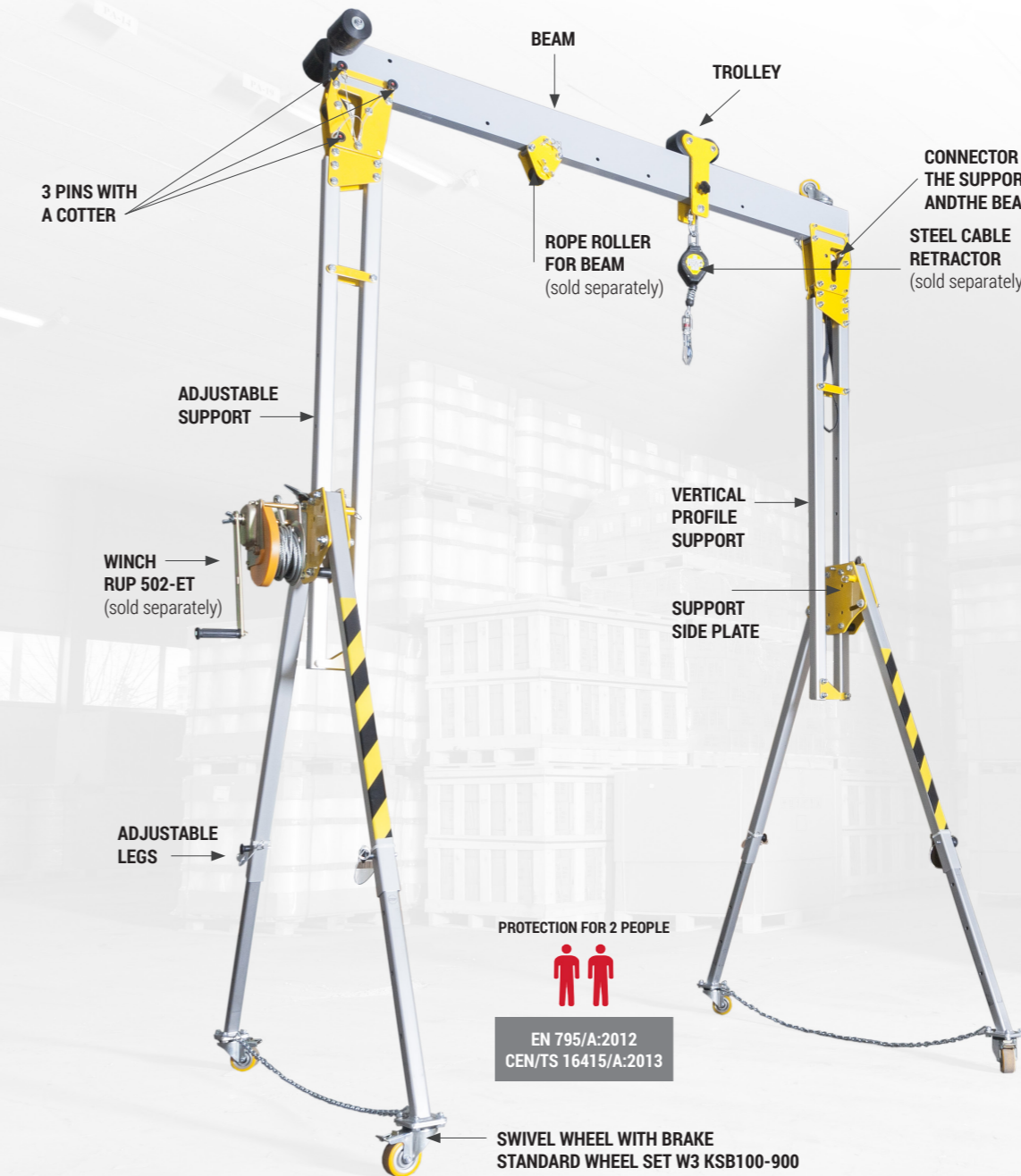
TROLLEY ref nr. KSB100-320
 Made of aluminium alloy, stainless steel and polyamide parts.
 Position locking using knob.





Ref nr.	Part name	Weight	Net price
KSB200-K1-W3	Beam 2 m frame height: 2.1- 3,0 m with external trolley	52,37kg	
KSB300-K1-W3	Beam 3 m frame height: 2.1- 3,0 m with external trolley	56,51kg	
KSB400-K1-W3	Beam 4 m frame height: 2.1- 3,0 m with external trolley	60,64kg	
KSB100-800	KSB winch - 25 meter rope + rope rollers set	15,27kg	





DUE TO EUROPEAN PATENT, AVAILABLE OUTSIDE OF THESE COUNTRIES: Germany, France, Great Britain, (The) Netherlands, Italy

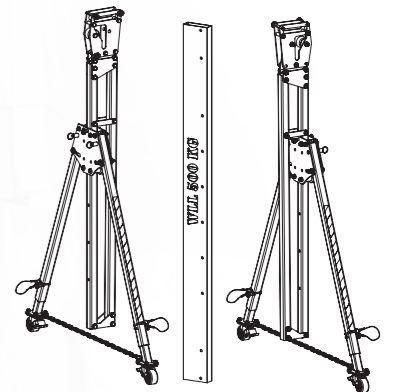
The FSB device is a light, folding gantry crane with fully detachable supports. The FSB device is made of aluminum, powder coated or anodized. FSB device can be transported very easy. Thanks to rollers and caster installed on the beam.

The FSB device can be used to lift loads up to 500 kg (indicated on the beam) or for personal protection up to two persons at the same time or for rescue operations using the RUP502 / CRW200 rescue device (up to 140 kg).

Beam length: 2, 3, 4 meters
 Working Load Limit (WLL): **from 500 kg**
 Safety factor for lifting loads: 2,1:1.
 Safety factor for personal rescue: 10:1.
 Protection for maximum two people at the same time.

BENEFITS:

- fast installation
- flexibility
- easy transport



The FSB compact crane consists of a beam, two detachable connectors, two supports with the possibility of disassembly and trolley.

Ref nr. FSB200-K1-W3 - **2 meter beam**

Ref nr. FSB300-K1-W3 - **3 meter beam**

Ref nr. FSB400-K1-W3 - **4 meter beam**

O1 - one supports type (height 1,9- 3,1m)

W3 - KSB100-900 wheel set 80 mm diameter

TROLLEY ref nr. KSB100-320

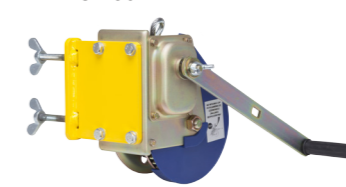
Made of aluminium alloy, stainless steel and polyamide parts.

Position locking using knob.



Ref nr.	Part name	Weight	Net price
FSB200-01-W3	Beam 2 m frame height: 1.9- 3,1 m with external trolley	53,45kg	
FSB300-01-W3	Beam 3 m frame height: 1.9- 3,1 m with external trolley	57,59kg	
FSB400-01-W3	Beam 4 m frame height: 1.9- 3,1 m with external trolley	61,72kg	
KSB100-800	FSB winch - 25 meter rope + rope rollers set	15,27kg	

RUP 502-ET

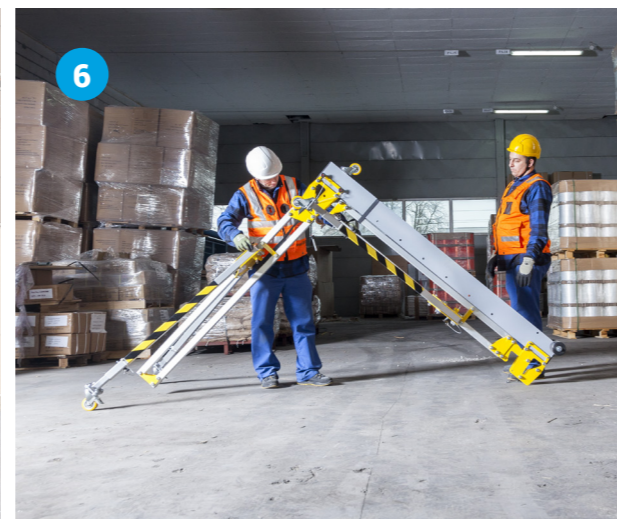


KSB100-310




KSB100-330







Ref nr.	Part name	Net price
 KSB100-320	Trolley 3,02kg	
 KSB100-310	Rope roller for beam 1,02kg	
 KSB100-330	Rope roller for support 0,25kg	
 KSB100-180	Bolt with cotter pin 12 mm 0,11kg	

Ref nr.	Part name	Net price
 RUP 502-ET	Winch 25 meter rope 14,00kg	
 KSB200-001	Beam - 2 meter 8,25kg	
 KSB300-001	Beam - 3 meter 12,39kg	
 KSB400-001	Beam - 4 meter 16,52kg	
 FSB100-902	FSB 80 mm caster for beam 0,52kg	
 KSB100-900	KSB W3 Wheel set 4,00kg	

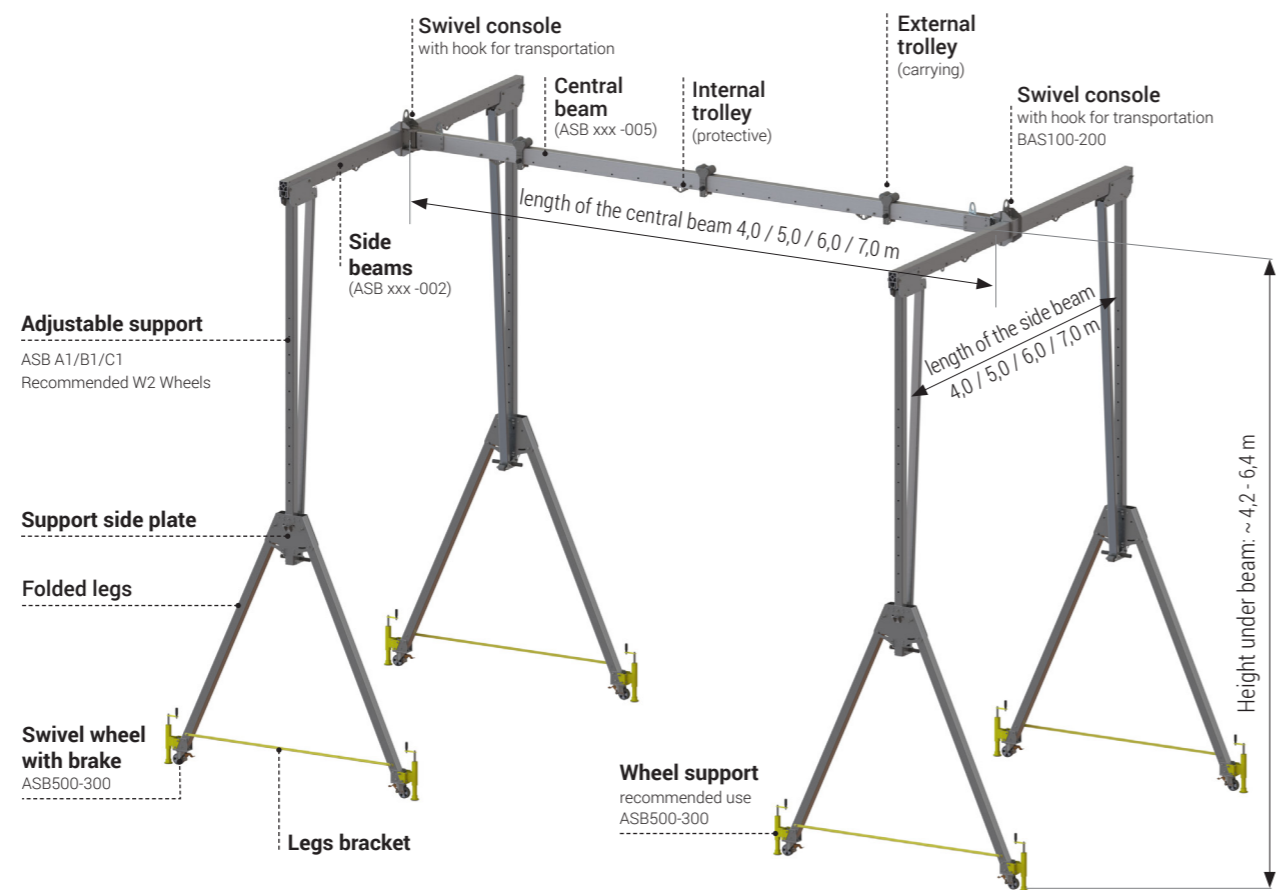
Ref nr.	Part name	Net price
 KSB100-101-1	Beam support for KSB 20,44kg	
 FSB100-300 (left)	Beam support for FSB „01“ left with an connector 20,64kg	
 FSB100-310 (right)	„01“ rights with an connector 20,80kg	
 FSB100-200	FSB beam - support connector 2,19kg	

Ref nr.	Part name	Net price
 FSB100-250	FSB beam transport roller set 2,37kg	
 FSB100-901	Locking pin 12x70 0,16kg	

→ BAS GANTRY CRANE TYPE H

Technical data:

Protection for 5 people
 WLL: 1000 kg
 Side beams: max 7,0 m
 Central beam: max 7,0 m
 Max high: 6,40 m
 Swivel connection between side beam end central beam.
 Swivel console equipped with hooks to hang the whole gantry crane.



WARNING!



The BAS device can only be assembled from a part of the ASB device.

WE MANUFACTURE GANTRY CRANES IN SPECIAL VERSIONS FOR INDIVIDUAL ORDERS.

BASXXX-YY-ZZ-WWW

YY - support height option [A1 / B1 / C1]

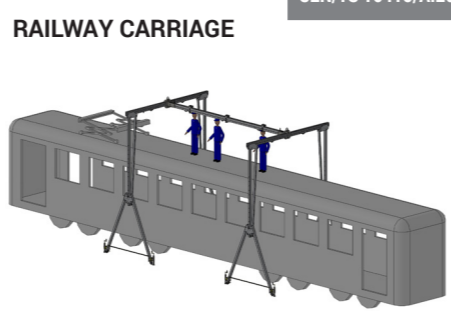
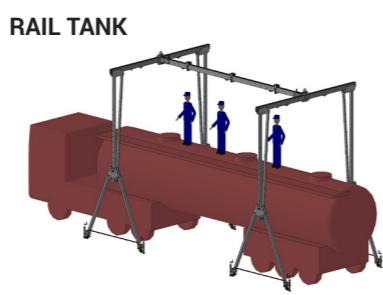
WWW - length of the central beam [cm] [400 / 500 / 600 / 700]

XXX - length of the side beam [cm] [400 / 500 / 600 / 700]

ZZ - wheels set type [W1 / W2 / W3*]
 *recommended wheels W2

EXAMPLE:
BAS500-C1-W2-700

APPLICATION EXAMPLE



PROTECTION FOR 5 PEOPLE



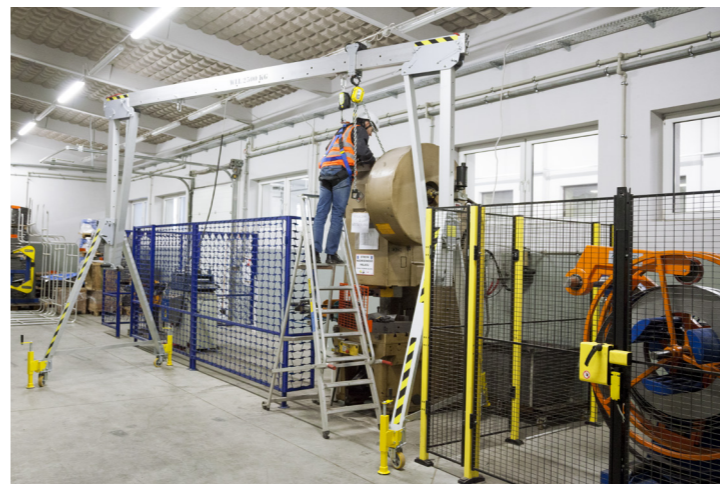
EN 795/A:2012
 CEN/TS 16415/A:2013

ASB - protection for 5 people at the same time (external trolley).

LSB - protection for 3 people at the same time (external trolley).

KSB - protection for 2 people at the same time (external trolley).

FSB - protection for 2 people at the same time (external trolley).



EN 795/A:2012
 CEN/TS 16415/A:2013

PROTEKT[®]

PROTEKT

Starorudzka 9, 93-403 Lodz,
phone +48 42 29 29 500, +48 42 680 20 83,
fax +48 42 680 20 93,
email: export@protekt.com.pl