



For Surveillance
Telephoto Zoom

MP¹ MEGA PIXELS

D32x15.6HR4D-YE1

Applicable camera (model)

1 2/3 1/2 1/3 1/4

32x

New!

ZOOM

Zoom

WIDE

Wide Angle

TELE

Telephoto Long Focal

MOTOR DRIVE

Motor Drive

Day~Night

Day & Night

1.3 Mega

For Megapixel Camera

DC

DC Auto Iris

C-mt

C Mount

METAL

Metal Mount

PRESET

Potentiometer

ND

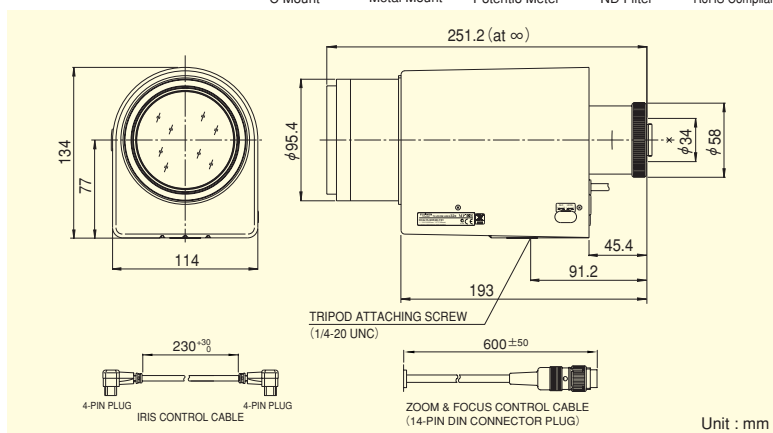
ND Filter

RoHS

RoHS Compliant



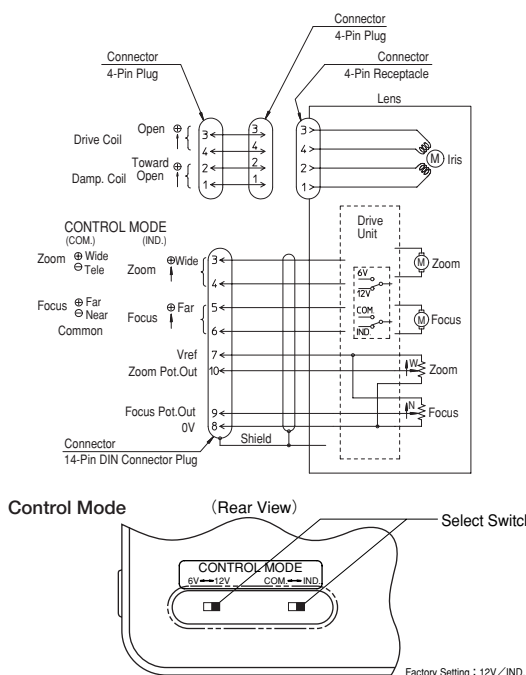
- Optically corrected 32x telephoto zoom lens best suited for day and night cameras.
- High-resolution design, providing support for up to 1.3 megapixel camera resolution.
- High-power zoom lens with focal length of 500mm, best suited for remote surveillance.
- Realized a light and compact design for condensed system.
- Multi power compatibility for use with existing control systems.
- Built-in potentiometer, supporting preset.



TELEPHOTO ZOOM LENSES MP¹

| | | | |
|---|-------|---|-----------------|
| Focal Length (mm) | | 15.6~500 (32x) | |
| Iris Range | | F3.9 ~ T1500 (Equivalent to F1500) | |
| Operation | Zoom | Motor Drive | |
| | Focus | Motor Drive | |
| | Iris | Auto (DC Type) (*1) | |
| Angle Of View (H×V) | 1/2" | WIDE | 23°11' × 17°30' |
| | | TELE | 0°44' × 0°33' |
| | 1/3" | WIDE | 17°30' × 13°10' |
| | | TELE | 0°33' × 0°25' |
| | 1/4" | WIDE | 13°10' × 9°54' |
| | | TELE | 0°25' × 0°19' |
| Focusing Range (From Front Of The Lens) (m) | | ∞ ~ 3 | |
| Object Dimensions at M.O.D. (H×V) (mm) | 1/2" | WIDE | 1152 × 864 |
| | | TELE | 37 × 28 |
| | 1/3" | WIDE | 864 × 648 |
| | | TELE | 28 × 21 |
| | 1/4" | WIDE | 648 × 486 |
| | | TELE | 21 × 16 |
| Back Focal Distance (in air) (mm) | | 44.92 | |
| Exit Pupil Position (From Image Plane) (mm) | | -75 | |
| Filter Thread (mm) | | M82 × 0.75 | |
| Mount | | C | |
| Mass (kg) | | 2.7 | |
| Standard Accessories | | Iris Control Cable Connection Connector (14-pin) | |
| Remarks | | <ul style="list-style-type: none"> • With Metal Mount (*1) When power is turned off, iris will automatically close. | |

Wiring



| Controller output | Select switch position | Conversion cable (Standard accessory) |
|-------------------|------------------------|---------------------------------------|
| 6V | 6V/IND. | Not necessary |
| ±6V | 6V/COM. | Necessary |
| 12V | 12V/IND. | Not necessary |
| ±12V | 12V/COM. | Necessary |

Accessories

Extender

| Model | Magnification |
|--------|---------------|
| HE15-1 | 1.5X |
| HE20-1 | 2X |