

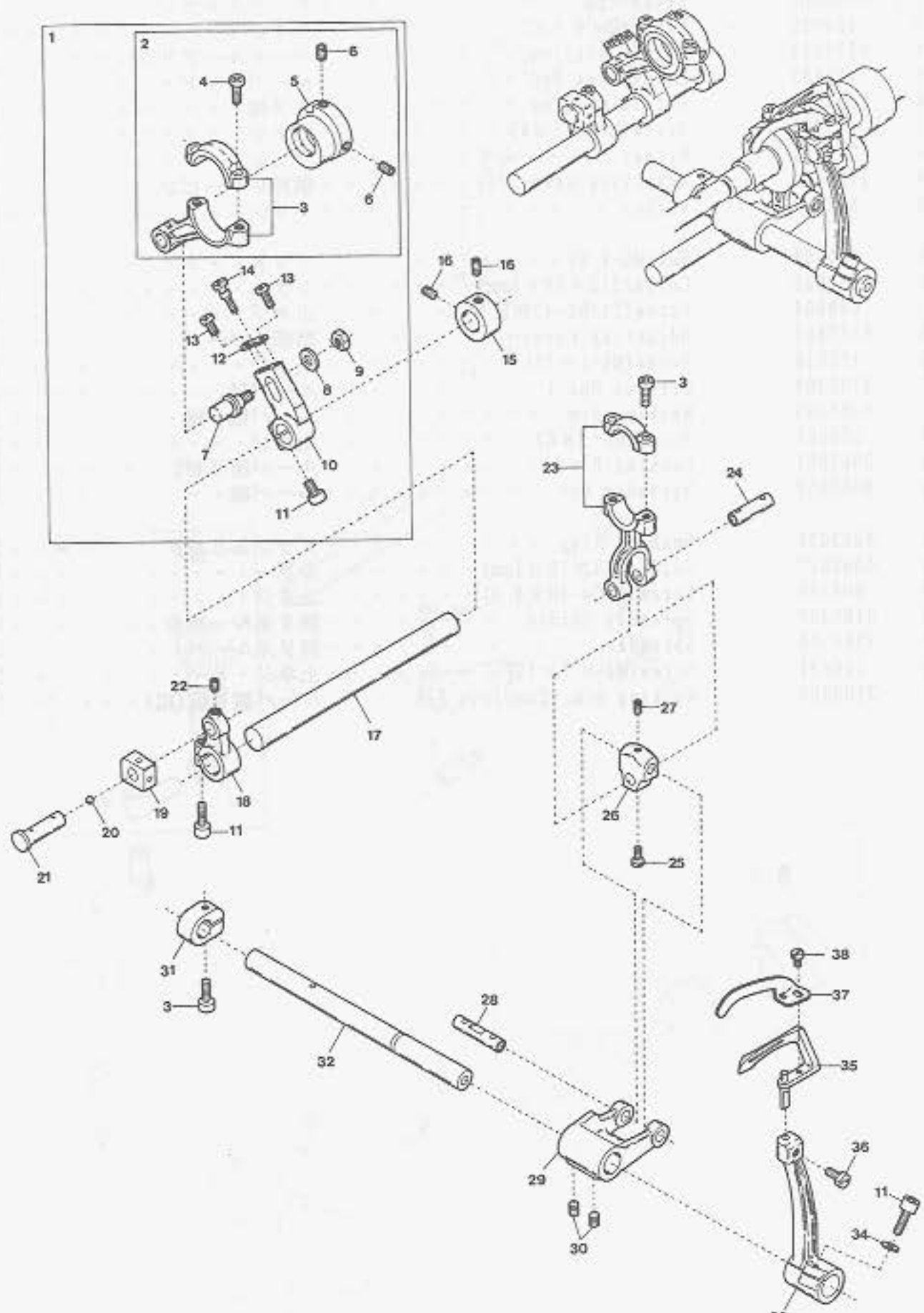
MISCELLANEOUS COVERS(1)

カバー関係(1)

| Ref. No. | Parts No. | Description | 品名 | 1 Amt. Req. |
|----------|-----------|------------------------------|-------------|-------------|
| 1 | 3100026 | Top Cover | 上カバー | 1 |
| 2 | 110045 | Screw(M4-0.7×12) | 止ネジ | 15 |
| 3 | 3100027 | Top Cover Gasket | 上カバーパッキン | 1 |
| 4 | 0068011 | Oil Sight Window | オイル確認窓 | 1 |
| 5 | 0020759 | Top Cover Seal Plug | 上カバー詰栓 | 1 |
| 6 | 390069 | Brand Name Plate(76.5) | 銘板 | 1 |
| 7 | 3100018 | Head Cover | ヘッドカバー | 1 |
| 8 | 3100019 | Head Cover Gasket | ヘッドカバーパッキン | 1 |
| 9 | 0093864 | Head Cover Seal Plug | 詰栓 | 1 |
| 10 | 390073 | "VF" Emblem | V Fエンブレム | 1 |
| 11 | 3200010 | Bed Rear Cover | ベッド後カバー | 1 |
| 12 | 0095108 | Bed Rear Cover Gasket | ベッド後カバーパッキン | 1 |
| 13 | 3200011 | Side Cover | 横開キカバー | 1 |
| 14 | 170001 | Screw(M5-0.8×8) | 止ネジ | 1 |
| 15 | 300100 | Conical Spring Washer | 皿バネワッシャ | 2 |
| 16 | 180005 | Screw(M5-0.8×8) | 止ネジ | 1 |
| 17 | 160000 | Screw(M3-0.5×3) | 止ネジ | 1 |
| 18 | 0032604 | Rubber Cushion(Large) | クッションゴム(大) | 2 |
| 19 | 3200033 | Rubber Cushion(Small) | クッションゴム(小) | 3 |
| 20 | 3200012 | Cover Latch Spring | カバーラッチバネ | 1 |
| 21 | 110012 | Screw(M4-0.7×5) | 止ネジ | 2 |
| 22 | 180018 | Screw(M4-0.7×7) | バネ掛ケネジ | 1 |
| 23 | 3200013 | Side Cover Holder | 横開キカバー受け | 1 |
| 24 | 110013 | Screw(M4-0.7×8) | 止ネジ | 5 |
| 25 | 000015 | Nut | ナット | 1 |
| 26 | 110016 | Screw(M4-0.7×15) | 止ネジ | 1 |
| 27 | 330000 | Seal Plug | 詰栓 | 1 |
| 28 | 3200000 | Machine Frame Unit | アームベッド(組) | 1 |
| 29 | 009970 | Screw(M6-1×20) | 止ネジ | 6 |
| 30 | 340016 | Machine Frame Supporting Bar | ベッド支エ棒 | 4 |
| 31 | 4109403 | Model Plate(See the below) | 型式板(下記参照) | 1 |
| 32 | 000726 | Rivet | 止メ鋸 | 3 |
| 33 | 3200007 | Oil Reservoir Gasket | 油受けパッキン | 1 |
| 34 | 3200006 | Oil Reservoir | 油受け | 1 |
| 35 | 0020137 | Drain Hole Seal | 油抜キネジパッキン | 1 |
| 36 | 005075 | Screw(3/8-24×8) | 油抜キネジ | 1 |
| 37 | 3200021 | Wind Guide Plate | 風案内板 | 1 |
| 38 | 390067 | Brand Name Plate(106) | 銘板 | 1 |
| 39 | 390068 | Brand Name Plate(92) | 銘板 | 1 |

(注) 型式板を御注文の際は機種名(ゲージ記号, 附帯装置含む)をお知らせ下さい。
 Note : Order for Model Plate must be accompanied by model designation(including symbols of gauge and devices).

| Ref. No. | Parts No. | Description | 品名 | Amt. Req. |
|----------|-----------|---|---------------|-----------|
| 1 | 3200150 | Looper Rocker Connecting Rod, C. Set(2) | ルーパー前後ロッド(組2) | 1 |
| 2 | 3200149 | Looper Rocker Connecting Rod, C. Set(1) | ルーパー前後ロッド(組1) | 1 |
| 3 | 3200152 | Looper Rocker Connecting Rod | ルーパー前後ロッド | 1 |
| 4 | 120001 | Screw(M4-0.7×14) | 止ネジ | 5 |
| 5 | 3200151 | Looper Rocker Eccentric | ルーパー前後エキセン | 1 |
| 6 | 160003 | Screw(M5-0.8×5) | 止ネジ | 2 |
| 7 | 3200159 | Connecting Rod Pin | ルーパー前後ロッドピン | 1 |
| 8 | 300000 | Washer | ワッシャ | 1 |
| 9 | 100002 | Nut | ナット | 1 |
| 10 | 3200154 | Looper Rocker Lever | ルーパー前後腕 | 1 |
| 11 | 005650 | Screw(M5-0.8×14) | 止ネジ | 3 |
| 12 | 3200155 | Looper Rocker Adjusting Guide Plate | ルーパー前後調節ガイド板 | 1 |
| 13 | 110007 | Screw(M2.5-0.45×6) | 止ネジ | 2 |
| 14 | 170021 | Adjusting Screw(M2.5-0.45×10.5) | 調節ネジ | 1 |
| 15 | 2100267 | Collar(10×17×8mm) | カラー | 1 |
| 16 | 160001 | Screw(M4-0.7×4) | 止ネジ | 2 |
| 17 | 0093314 | Looper Rocker Shaft | ルーパー前後軸 | 1 |
| 18 | 3200157 | Looper Rocker Arm | ルーパー振り腕 | 1 |
| 19 | 0093319 | Looper Slide Block | ルーパー前後駒 | 1 |
| 20 | 000637 | Seal Plug | 詰栓 | 1 |
| 21 | 0033074 | Looper Slide Block Pin | ルーパー前後駒ピン | 1 |
| 22 | 160009 | Screw(M5-0.8×5) | 止ネジ | 1 |
| 23 | 3200161 | Looper Connecting Rod | ルーパーロッド | 1 |
| 24 | 0032784 | Link Pin(Short) | ルーパーリンクピン(短) | 1 |
| 25 | 009604 | Screw(11/64-40×5.5) | 止ネジ | 1 |
| 26 | 0032785 | Looper Driving Lever Link | ルーパーリンク | 1 |
| 27 | 001457 | Screw(11/64-40×3.3) | 止ネジ | 1 |
| 28 | 0032786 | Link Pin(Long) | ルーパーリンクピン(長) | 1 |
| 29 | 3200162 | Looper Driving Lever | ルーパー軸腕 | 1 |
| 30 | 160007 | Screw(M6-1×6) | 止ネジ | 2 |
| 31 | 3200163 | Collar | カラー | 1 |
| 32 | 0093300 | Looper Driving Shaft | ルーパー軸 | 1 |
| 33 | 3200164 | Looper Holder | ルーパー台 | 1 |
| 34 | 000669 | Washer | ワッシャ | 1 |
| 35 | 3209311 | Looper | ルーパー | 1 |
| 36 | 110057 | Screw(M4-0.7×7) | 止ネジ | 1 |
| 37 | 0095723 | Needle Guard(Front) | 針受ケ(前) | 1 |
| 38 | 004236 | Screw(3/32-56×4.2) | 止ネジ | 1 |



INDEX

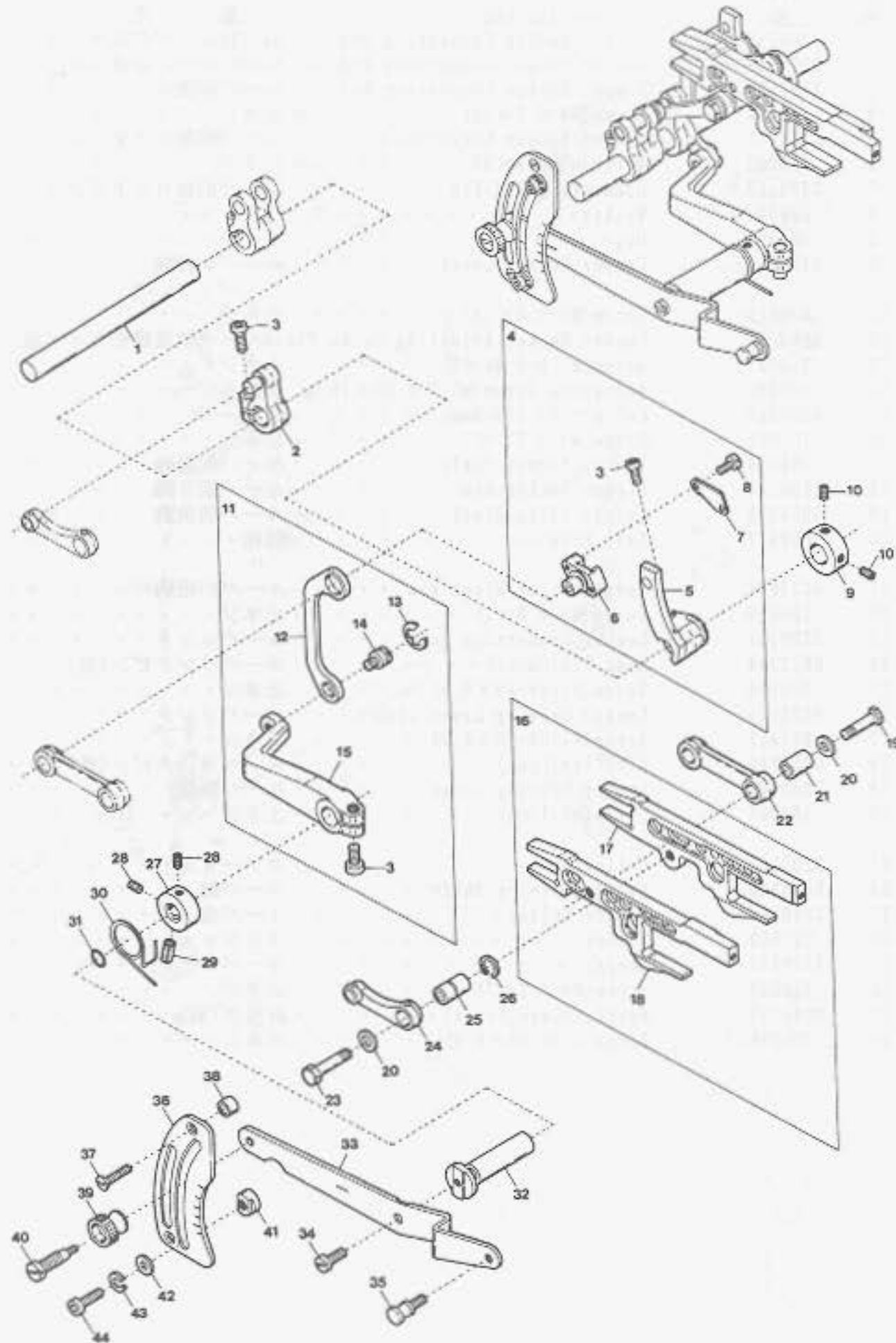
Page = 18

Table with 4 columns: Parts No., Page No., Ref. No., Weight (g). It lists parts 3201172 through 3201211 and 3201212 through 3201270.

INDEX

Page = 19

Table with 4 columns: Parts No., Page No., Ref. No., Weight (g). It lists parts 3208023 through 3209040 and 4017013 through 9620614.



FEED DRIVING CONTROL MECHANISM

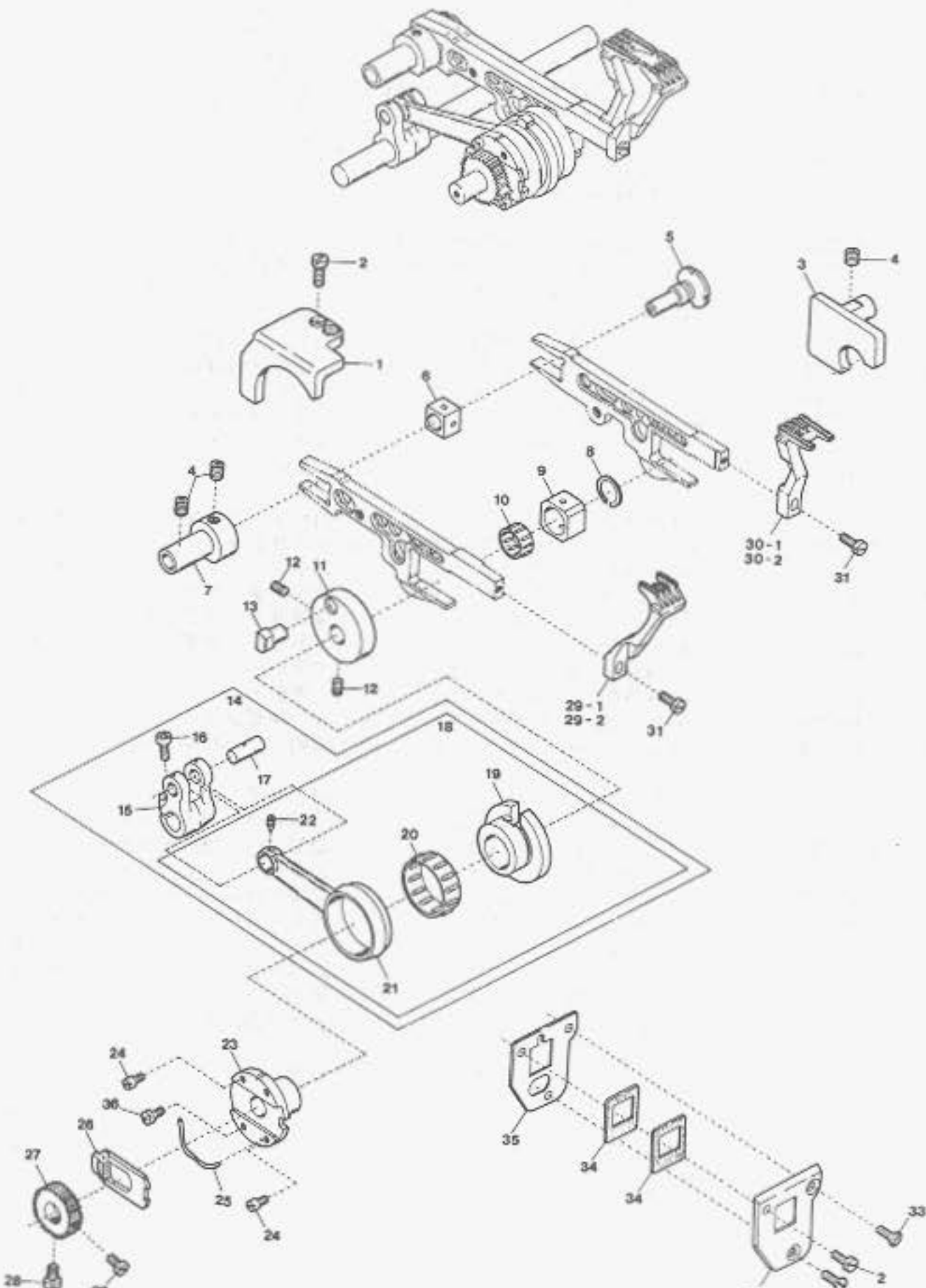
前送り調節機構

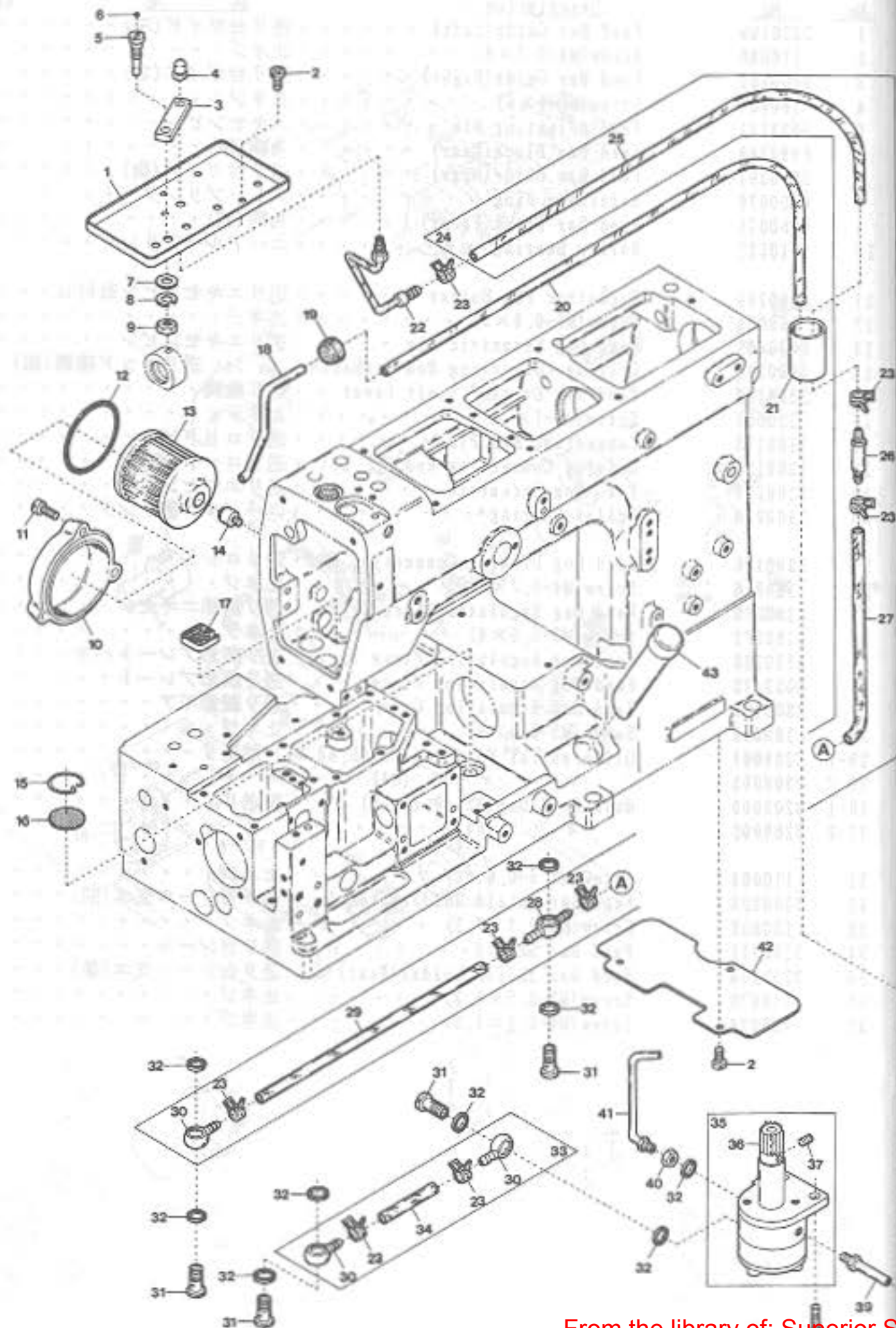
| Ref. No. | Parts No. | Description | 品名 | Amt. Req. |
|----------|-----------|--|-------------|-----------|
| 1 | 3200181 | Feed Bar Driving Shaft | 送り軸 | 1 |
| 2 | 3200183 | Main Feed Bar Lever | 後送りレバー | 1 |
| 3 | 120006 | Screw(M6-1×12) | 止ネジ | 3 |
| 4 | 3200184 | Differential Rocker, Complete Set | 前送り腕(組) | 1 |
| 5 | 3200185 | Differential Rocker | 前送り腕 | 1 |
| 6 | 3200186 | Differential Regulating Slider | スライダ | 1 |
| 7 | 3200187 | Differential Regulating Slider Cap | スライダ蓋 | 1 |
| 8 | 110033 | Screw(M3-0.5×6) | 止ネジ | 2 |
| 9 | 2100161 | Collar(10×19×9mm) | カラー | 1 |
| 10 | 160003 | Screw(M5-0.8×5) | 止ネジ | 2 |
| 11 | 3200205 | Differential Lever(Inner), C. Set | 差動レバー(中)(組) | 1 |
| 12 | 2100252 | Slider Link | スライダリンク | 1 |
| 13 | 0068202 | Retaining Ring | ストップリング | 1 |
| 14 | 2100253 | Slider Link Pin | スライダリンクピン | 1 |
| 15 | 3200206 | Differential Lever(Inner) | 差動レバー(中) | 1 |
| 16 | 3200189 | Feed Bar, Complete Set | 前後送り台(組) | 1 |
| 17 | 3200190 | Main Feed Bar | 後送り台 | 1 |
| 18 | 3200191 | Differential Feed Bar | 前送り台 | 1 |
| 19 | 140018 | Screw(M5-0.5×6) | 止ネジ | 1 |
| 20 | 300000 | Washer | ワッシャ | 2 |
| 21 | 3200194 | Connection Bushing | 前送りリンクブッシュ | 1 |
| 22 | 3200193 | Differential Feed Bar Connection | 前送りリンク | 1 |
| 23 | 140017 | Screw(M5-0.5×6) | 止ネジ | 1 |
| 24 | 2100248 | Main Feed Bar Connection | 後送りリンク | 1 |
| 25 | 3200192 | Connection Bushing | 後送りリンクブッシュ | 1 |
| 26 | 3200215 | Retaining Ring | ストップリング | 1 |
| 27 | 2100267 | Collar(10×17×8mm) | カラー | 1 |
| 28 | 160001 | Screw(M4-0.7×4) | 止ネジ | 2 |
| 29 | 000690 | Roll Pin | ロールピン | 1 |
| 30 | 3200216 | Differential Lever Spring | 差動レバーバネ | 1 |
| 31 | 0020538 | O-ring(P7) | Oリング | 1 |
| 32 | 3200207 | Differential Lever Shaft | 差動レバー軸 | 1 |
| 33 | 0095132 | Differential Lever(Left) | 差動レバー(左) | 1 |
| 34 | 110009 | Screw(M4-0.7×8) | 止ネジ | 1 |
| 35 | 004143 | Screw(11/64-40×3.2) | 鎖掛ケネジ | 1 |
| 36 | 3200208 | Differential Feed Graduation | 送り目盛板 | 1 |
| 37 | 130004 | Screw(M4-0.7×14) | 止ネジ | 2 |
| 38 | 000505 | Spacer | スペーサ | 2 |
| 39 | 000210 | Adjusting Nut | 調節ナット | 1 |
| 40 | 005511 | Adjusting Screw(1/4-40×11, 11/64-40×4) | 調節ネジ | 1 |
| 41 | 0020350 | Differential Lever Stop | 差動レバーストップ | 2 |
| 42 | 000669 | Washer | ワッシャ | 2 |
| 43 | 000600 | Spring Washer | スプリングワッシャ | 2 |
| 44 | 005049 | Screw(M5-0.8×8) | 止ネジ | 2 |

FEED DRIVING MECHANISM

送り機構

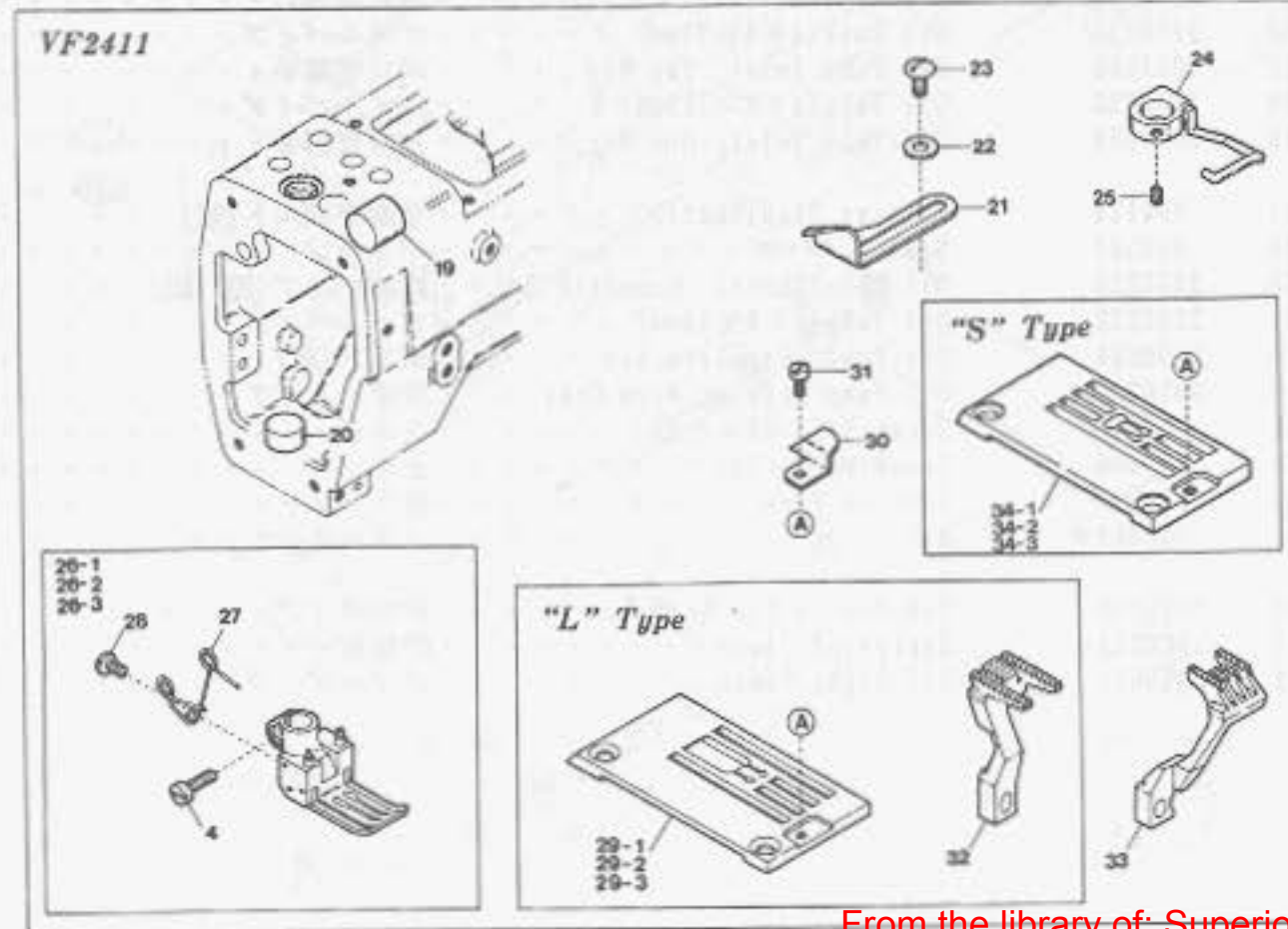
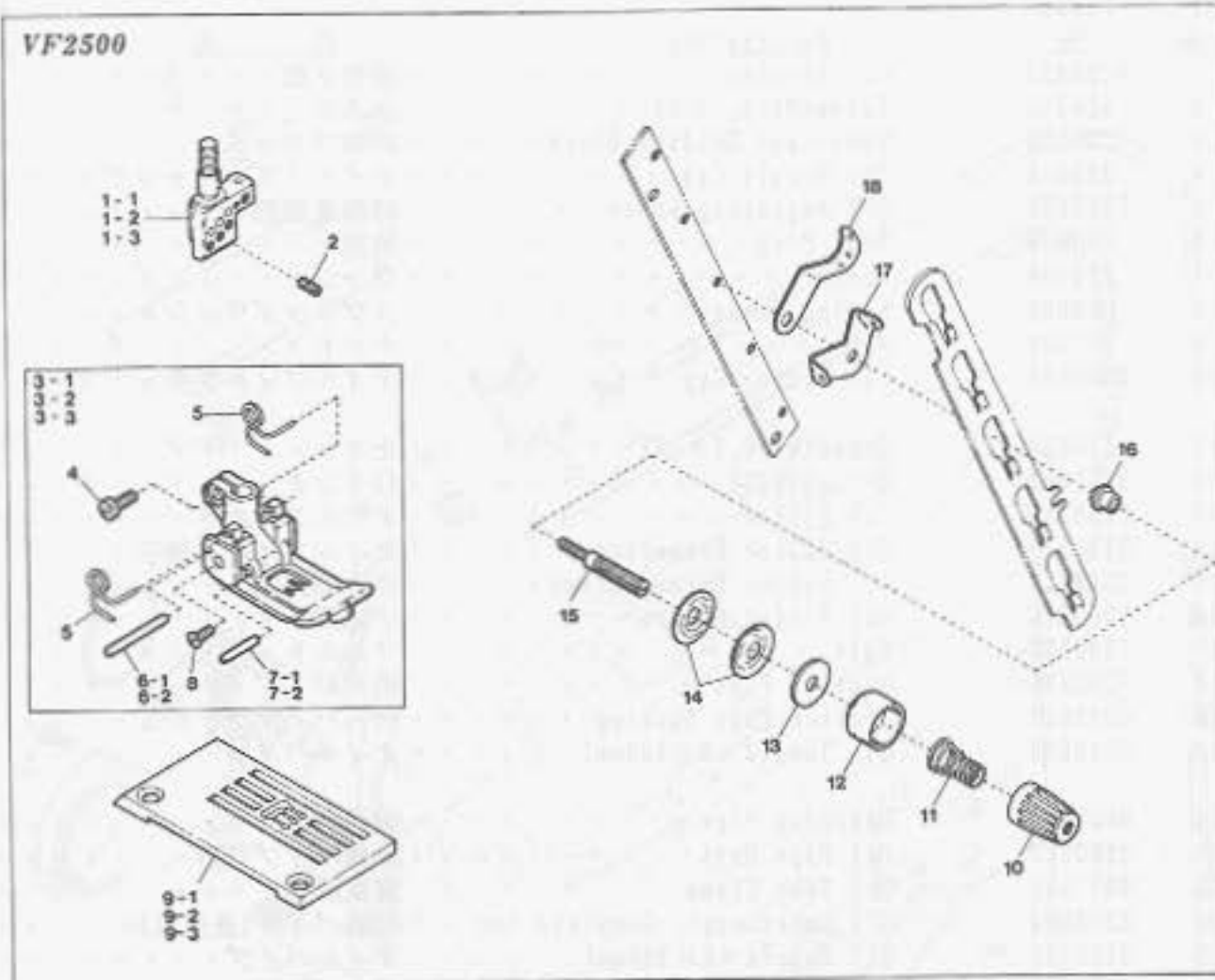
| Ref. No. | Parts No. | Description | 品名 | Amt. Req. |
|----------|-----------|--|-------------|-----------|
| 1 | 3200199 | Feed Bar Guide(Left) | 送り台ガイド(左) | 1 |
| 2 | 110080 | Screw(M4-0.7×8) | 止ネジ | 3 |
| 3 | 3200200 | Feed Bar Guide(Right) | 送り台ガイド(右) | 1 |
| 4 | 160007 | Screw(M6-1×6) | 止ネジ | 3 |
| 5 | 0033141 | Feed Adjusting Pin | エキセンピン | 1 |
| 6 | 0093389 | Feed Bar Block(Rear) | 角駒(後) | 1 |
| 7 | 3200201 | Feed Bar Guide(Rear) | 送り台ガイド(後) | 1 |
| 8 | 0060076 | Retaining Ring | ストップリング | 1 |
| 9 | 0060075 | Feed Bar Block(Front) | 角駒(前) | 1 |
| 10 | 2110527 | Roller Bearing | ニードルベアリング | 1 |
| 11 | 3200198 | Eccentric Pin Holder | 送リエキセンピン取付台 | 1 |
| 12 | 160003 | Screw(M5-0.8×5) | 止ネジ | 2 |
| 13 | 0020401 | Feed Dog Eccentric Pin | 送リエキセンピン | 1 |
| 14 | 3200214 | Driving Connecting Rod Mechanism, C. Set | 送りロッド機構(組) | 1 |
| 15 | 3200182 | Feed Bar Driving Shaft Lever | 送り軸腕 | 1 |
| 16 | 120006 | Screw(M6-1×12) | 止ネジ | 1 |
| 17 | 2100173 | Connecting Rod Pin | 送りロッドピン | 1 |
| 18 | 3200195 | Driving Connecting Rod, C. Set | 送りロッド(組) | 1 |
| 19 | 2100277 | Feed Dog Eccentric | 送リエキセン | 1 |
| 20 | 2100278 | Roller Bearing | ニードルベアリング | 1 |
| 21 | 3200196 | Feed Dog Driving Connecting Rod | 送りロッド | 1 |
| 22 | 160016 | Screw(M4-0.7×4.5) | 止ネジ | 1 |
| 23 | 2100276 | Feed Dog Regulating Eccentric | 送り調節エキセン | 1 |
| 24 | 180002 | Screw(M3-0.5×4) | 止ネジ | 3 |
| 25 | 2100289 | Feed Dog Regulating Plate Spring | 送り調節プレートパネ | 1 |
| 26 | 0023473 | Feed Dog Regulating Plate | 送り調節プレート | 1 |
| 27 | 3200197 | Feed Dog Regulating Gear | 送り調節ギア | 1 |
| 28 | 180003 | Screw(M5-0.8×8) | 止ネジ | 2 |
| 29-1 | 3209001 | Differential Feed Dog(32, 40, 48, 56) | 前送り | 1 |
| 29-2 | 3209003 | " " (64) | " | 1 |
| 30-1 | 3209000 | Main Feed Dog(32, 40, 48, 56) | 後送り | 1 |
| 30-2 | 3209002 | " " (64) | " | 1 |
| 31 | 110004 | Screw(M3.5-0.6×8) | 止ネジ | 2 |
| 32 | 3200203 | Feed Bar Shield Holder(Front) | 送り台シール支エ(前) | 1 |
| 33 | 130003 | Screw(M4-0.7×7.3) | 止ネジ | 1 |
| 34 | 3200211 | Feed Bar Shield | 送り台シール | 2 |
| 35 | 3200204 | Feed Bar Shield Holder(Rear) | 送り台シール支エ(後) | 1 |
| 36 | 110070 | Screw(M3-0.5×6.3) | 止ネジ | 1 |
| 37 | 130024 | Screw(M4-0.7×7.3) | 止ネジ | 1 |





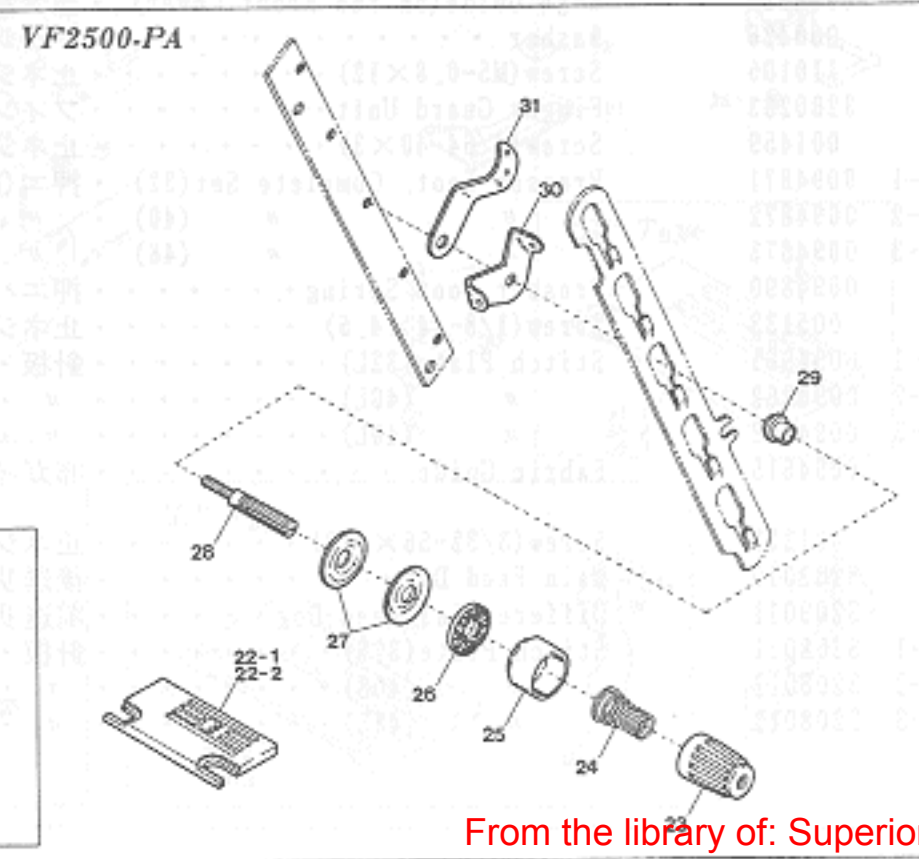
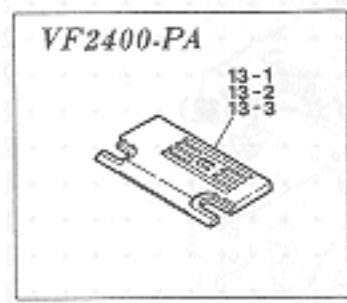
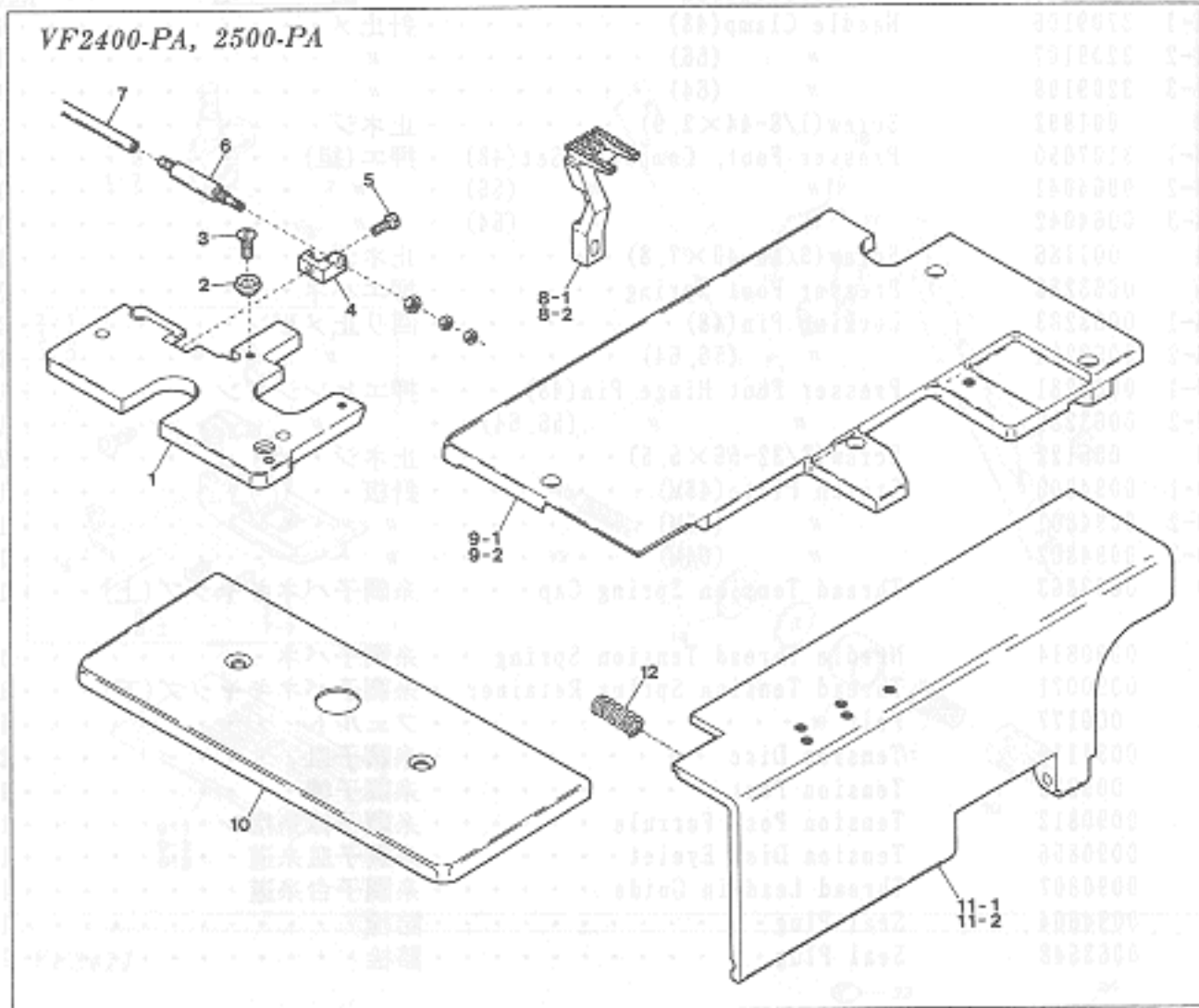
LUBRICATING MECHANISM

| Ref. No. | Parts No. | Description | 品名 | Amt. Req. |
|----------|-----------|--------------------------------|-------------|-----------|
| 1 | 0065453 | Oil Receiver | 油受ケ皿 | 1 |
| 2 | 110012 | Screw(M4-0.7x5) | 止ネジ | 5 |
| 3 | 3200229 | Lubricant Guiding Block | 給油ブロック | 1 |
| 4 | 320006 | Top Nozzle Cap | オイルノズルキャップ | 1 |
| 5 | 3200230 | Oil Adjusting Screw | 給油量調節ネジ | 1 |
| 6 | 000636 | Seal Plug | 詰栓 | 1 |
| 7 | 300000 | Washer | ワッシャ | 1 |
| 8 | 000600 | Spring Washer | スプリングワッシャ | 1 |
| 9 | 100002 | Nut | ナット | 1 |
| 10 | 3100060 | Oil Filter Cap | オイルフィルタキャップ | 1 |
| 11 | 110031 | Screw(M4-0.7x12) | 止ネジ | 3 |
| 12 | 3100061 | O-ring(P42) | Oリング | 1 |
| 13 | 3100345 | Oil Filter | オイルフィルタ | 1 |
| 14 | 3100329 | Oil Filter Connector | オイルフィルタ継手 | 1 |
| 15 | 0063217 | Oil Filter Screen Clamp | 伊過網押エ | 1 |
| 16 | 0063216 | Oil Filter Screen | 伊過網 | 1 |
| 17 | 3200237 | Felt | フェルト | 1 |
| 18 | 3200236 | Suction Pipe | 吸入パイプ | 1 |
| 19 | 0093617 | Suction Pipe Bushing | 吸入パイプブッシュ | 1 |
| 20 | 3200238 | Oil Tube(3x5x500mm) | オイルパイプ | 1 |
| 21 | 0065452 | Draining Pipe | 排油パイプ | 1 |
| 22 | 3200227 | Oil Pipe Unit | 給油パイプ(組) | 1 |
| 23 | 0031831 | Oil Tube Clamp | 緊束環 | 8 |
| 24 | 3200234 | Oil Tube(Long), Complete Set | 給油パイプ(長)(組) | 1 |
| 25 | 3100335 | Oil Tube(4x6x290mm) | オイルパイプ | 1 |
| 26 | 0090930 | Non-Return Valve, Complete Set | 逆止弁(組) | 1 |
| 27 | 3100336 | Oil Tube(4x6x75mm) | オイルパイプ | 1 |
| 28 | 0037668 | Oil Tube Joint, Two Way | 両口管継手 | 1 |
| 29 | 3200233 | Oil Tube(4x6x175mm) | オイルパイプ | 1 |
| 30 | 0037669 | Oil Tube Joint, One Way | 片口管継手 | 3 |
| 31 | 004124 | Fitting Stud(Short) | 管継手ボルト(短) | 4 |
| 32 | 000567 | Seal | パッキン | 9 |
| 33 | 3200235 | Oil Tube(Short), Complete Set | 給油パイプ(短)(組) | 1 |
| 34 | 3200232 | Oil Tube(4x6x45mm) | オイルパイプ | 1 |
| 35 | 3100328 | Oil Pump, Complete Set | ポンプ(組) | 1 |
| 36 | 0030711 | Oil Pump Driving Worm Gear | ウォームギア | 1 |
| 37 | 009526 | Screw(9/64-40x4.4) | 止ネジ | 2 |
| 38 | 120006 | Screw(M6-1x12) | 止ネジ | 2 |
| 39 | 0090918 | Suction Pipe | 吸入パイプ | 1 |
| 40 | 000419 | Nut | ノズル止メナット | 1 |
| 41 | 3100349 | Oil Nozzle for Worm Gear | 給油パイプ | 1 |
| 42 | 3200231 | Dustproof Plate | 防塵板 | 1 |
| 43 | 0020533 | Oil Sight Gauge | オイルゲージ | 1 |



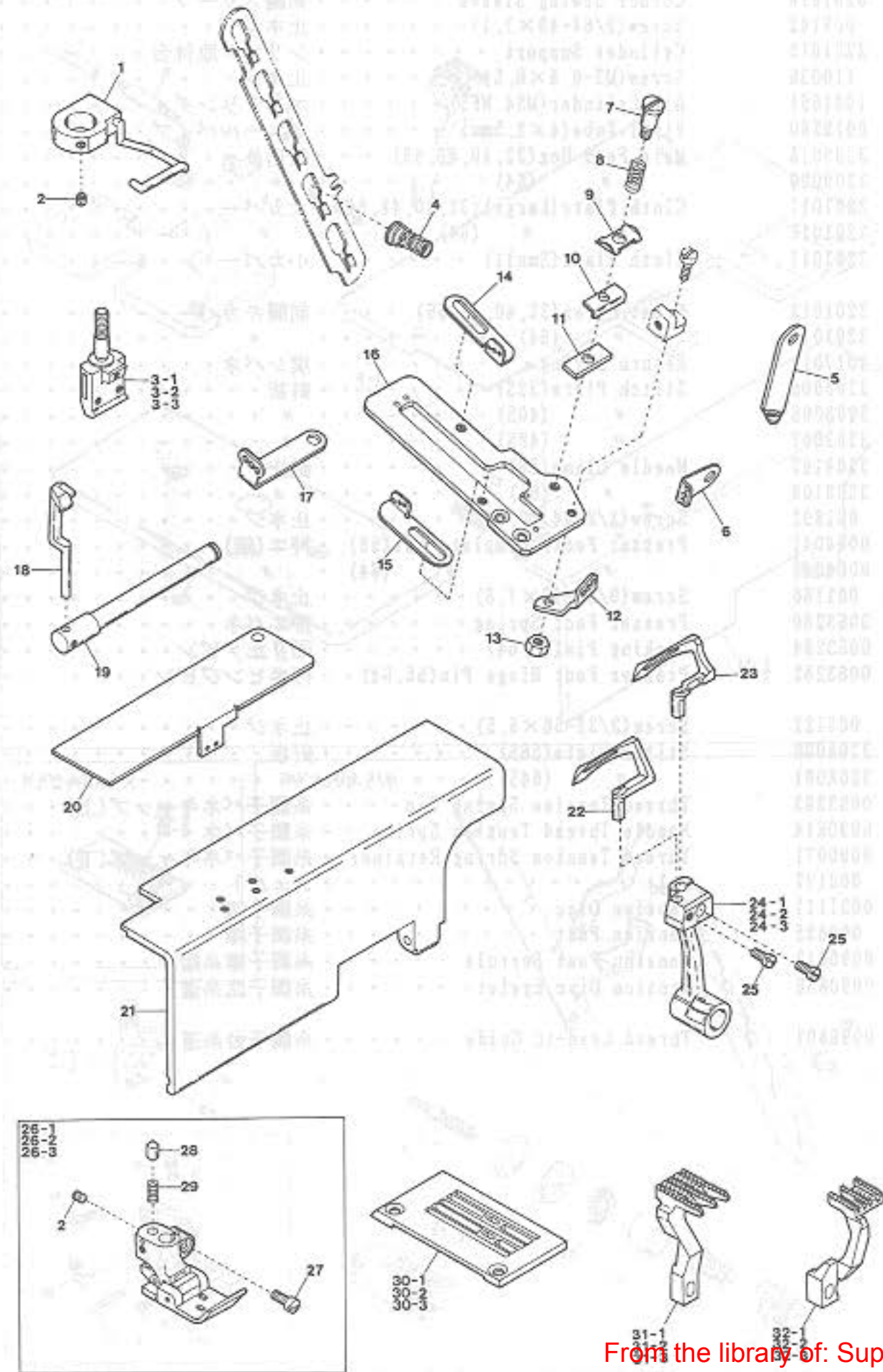
VF2500, 2411 EXCLUSIVE PARTS

| Ref. No | Parts No | Description | 品名 | Amt. Req. |
|---------|----------|--------------------------------|--------------|-----------|
| 1-1 | 3209106 | Needle Clamp(48) | 針止メ | 1 |
| 1-2 | 3209107 | " (56) | " | 1 |
| 1-3 | 3209108 | " (64) | " | 1 |
| 2 | 001892 | Screw(1/8-44×2.9) | 止ネジ | 3 |
| 3-1 | 3107050 | Presser Foot, Complete Set(48) | 押エ(組) | 1 |
| 3-2 | 0064041 | " " (56) | " | 1 |
| 3-3 | 0064042 | " " (64) | " | 1 |
| 4 | 001186 | Screw(9/64-40×7.8) | 止ネジ | 1 |
| 5 | 0063280 | Presser Foot Spring | 押エバネ | 2 |
| 6-1 | 0063283 | Locking Pin(48) | 回り止メピン | 1 |
| 6-2 | 0063284 | " (56, 64) | " | 1 |
| 7-1 | 0063281 | Presser Foot Hinge Pin(48) | 押エヒンジピン | 1 |
| 7-2 | 0063282 | " " (56, 64) | " | 1 |
| 8 | 005122 | Screw(3/32-56×5.5) | 止ネジ | 2 |
| 9-1 | 0094800 | Stitch Plate(48M) | 針板 | 1 |
| 9-2 | 0094801 | " (56M) | " | 1 |
| 9-3 | 0094802 | " (64M) | " | 1 |
| 10 | 0093863 | Thread Tension Spring Cap | 糸調子バネキャップ(上) | 1 |
| 11 | 0090814 | Needle Thread Tension Spring | 糸調子バネ | 1 |
| 12 | 0090071 | Thread Tension Spring Retainer | 糸調子バネキャップ(下) | 1 |
| 13 | 000177 | Felt | フェルト | 1 |
| 14 | 0031111 | Tension Disc | 糸調子皿 | 2 |
| 15 | 009835 | Tension Post | 糸調子棒 | 1 |
| 16 | 0090812 | Tension Post Ferrule | 糸調子棒糸摺レ | 1 |
| 17 | 0090856 | Tension Disc Eyelet | 糸調子皿糸道 | 1 |
| 18 | 0090807 | Thread Lead-in Guide | 糸調子台糸道 | 1 |
| 19 | 0094604 | Seal Plug | 詰栓 | 1 |
| 20 | 0063548 | Seal Plug | 詰栓 | 1 |
| 21 | 0094616 | Edge Guide(on the Front Cover) | 当て定規 | 1 |
| 22 | 000426 | Washer | ワッシャ | 2 |
| 23 | 110105 | Screw(M5-0.8×12) | 止ネジ | 2 |
| 24 | 3200253 | Finger Guard Unit | フィンガガード(組) | 1 |
| 25 | 001459 | Screw(9/64-40×3) | 止ネジ | 2 |
| 26-1 | 0094871 | Presser Foot, Complete Set(32) | 押エ(組) | 1 |
| 26-2 | 0094872 | " " (40) | " | 1 |
| 26-3 | 0094873 | " " (48) | " | 1 |
| 27 | 0094890 | Presser Foot Spring | 押エバネ | 1 |
| 28 | 005133 | Screw(1/8-44×4.5) | 止ネジ | 1 |
| 29-1 | 0094961 | Stitch Plate(32L) | 針板 | 1 |
| 29-2 | 0094962 | " (40L) | " | 1 |
| 29-3 | 0094963 | " (48L) | " | 1 |
| 30 | 0094615 | Fabric Guide | 布ガイド | 1 |
| 31 | 001228 | Screw(3/32-56×3.2) | 止ネジ | 1 |
| 32 | 3209010 | Main Feed Dog | 後送り | 1 |
| 33 | 3209011 | Differential Feed Dog | 前送り | 1 |
| 34-1 | 3208011 | Stitch Plate(32S) | 針板 | 1 |
| 34-2 | 3208012 | " (40S) | " | 1 |
| 34-3 | 3208013 | " (48S) | " | 1 |



| Ref. No | Parts No | Description | 品名 | Amt. Req. |
|---------|----------|------------------------------------|--------------|-----------|
| 1 | 3201014 | Stitch Plate Support | 針板取付板 | 1 |
| 2 | 3201016 | Corner Sewing Sleeve | 角縫スリーブ | 2 |
| 3 | 009142 | Screw(9/64-40×7.1) | 止ネジ | 2 |
| 4 | 3201015 | Cylinder Support | シリンダ取付台 | 1 |
| 5 | 110036 | Screw(M3-0.5×6.5) | 止ネジ | 1 |
| 6 | 1091051 | Air Cylinder(MS4 NFS) | エアシリンダ | 1 |
| 7 | 0010260 | Vinyl Tube(4×2.5mm) | ビニールパイプ | - |
| 8-1 | 3209018 | Main Feed Dog(32, 40, 48, 56) | 後送り | 1 |
| 8-2 | 3209020 | " (64) | " | 1 |
| 9-1 | 3201011 | Cloth Plate(Large)(32, 40, 48, 56) | 大カバー | 1 |
| 9-2 | 3201017 | " " (64) | " | 1 |
| 10 | 3201012 | Cloth Plate(Small) | 小カバー | 1 |
| 11-1 | 3201013 | Front Cover(32, 40, 48, 56) | 前開キカバー | 1 |
| 11-2 | 3201018 | " (64) | " | 1 |
| 12 | 4017013 | Return Spring | 戻シバネ | 1 |
| 13-1 | 3208005 | Stitch Plate(32S) | 針板 | 1 |
| 13-2 | 3208006 | " (40S) | " | 1 |
| 13-3 | 3208007 | " (48S) | " | 1 |
| 14-1 | 3209107 | Needle Clamp(56) | 針止メ | 1 |
| 14-2 | 3209108 | " (64) | " | 1 |
| 15 | 001892 | Screw(1/8-44×2.9) | 止ネジ | 3 |
| 16-1 | 0064041 | Presser Foot, Complete Set(56) | 押エ(組) | 1 |
| 16-2 | 0064042 | " " (64) | " | 1 |
| 17 | 001186 | Screw(9/64-40×7.8) | 止ネジ | 1 |
| 18 | 0063280 | Presser Foot Spring | 押エバネ | 2 |
| 19 | 0063284 | Locking Pin(56, 64) | 回り止メピン | 1 |
| 20 | 0063282 | Presser Foot Hinge Pin(56, 64) | 押エヒンジピン | 1 |
| 21 | 005122 | Screw(3/32-56×5.5) | 止ネジ | 2 |
| 22-1 | 3208000 | Stitch Plate(56S) | 針板 | 1 |
| 22-2 | 3208001 | " (64S) | " | 1 |
| 23 | 0093863 | Thread Tension Spring Cap | 糸調子バネキャップ(上) | 1 |
| 24 | 0090814 | Needle Thread Tension Spring | 糸調子バネ | 1 |
| 25 | 0090071 | Thread Tension Spring Retainer | 糸調子バネキャップ(下) | 1 |
| 26 | 000177 | Felt | フェルト | 1 |
| 27 | 0031111 | Tension Disc | 糸調子皿 | 2 |
| 28 | 009835 | Tension Post | 糸調子棒 | 1 |
| 29 | 0090812 | Tension Post Ferrule | 糸調子棒糸摺レ | 1 |
| 30 | 0090856 | Tension Disc Eyelet | 糸調子皿糸道 | 1 |
| 31 | 0090807 | Thread Lead-in Guide | 糸調子台糸道 | 1 |

VF2402



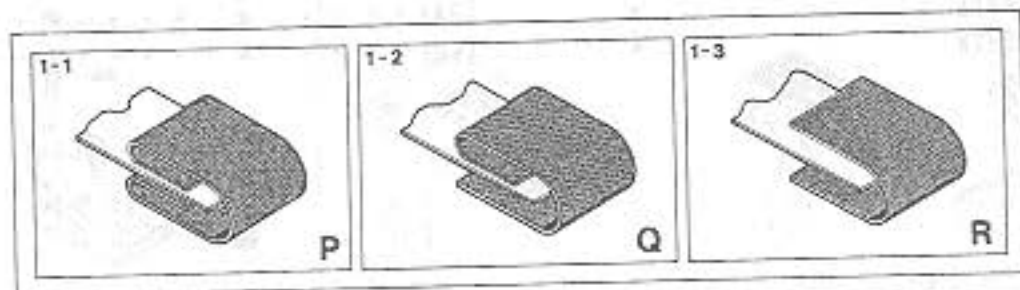
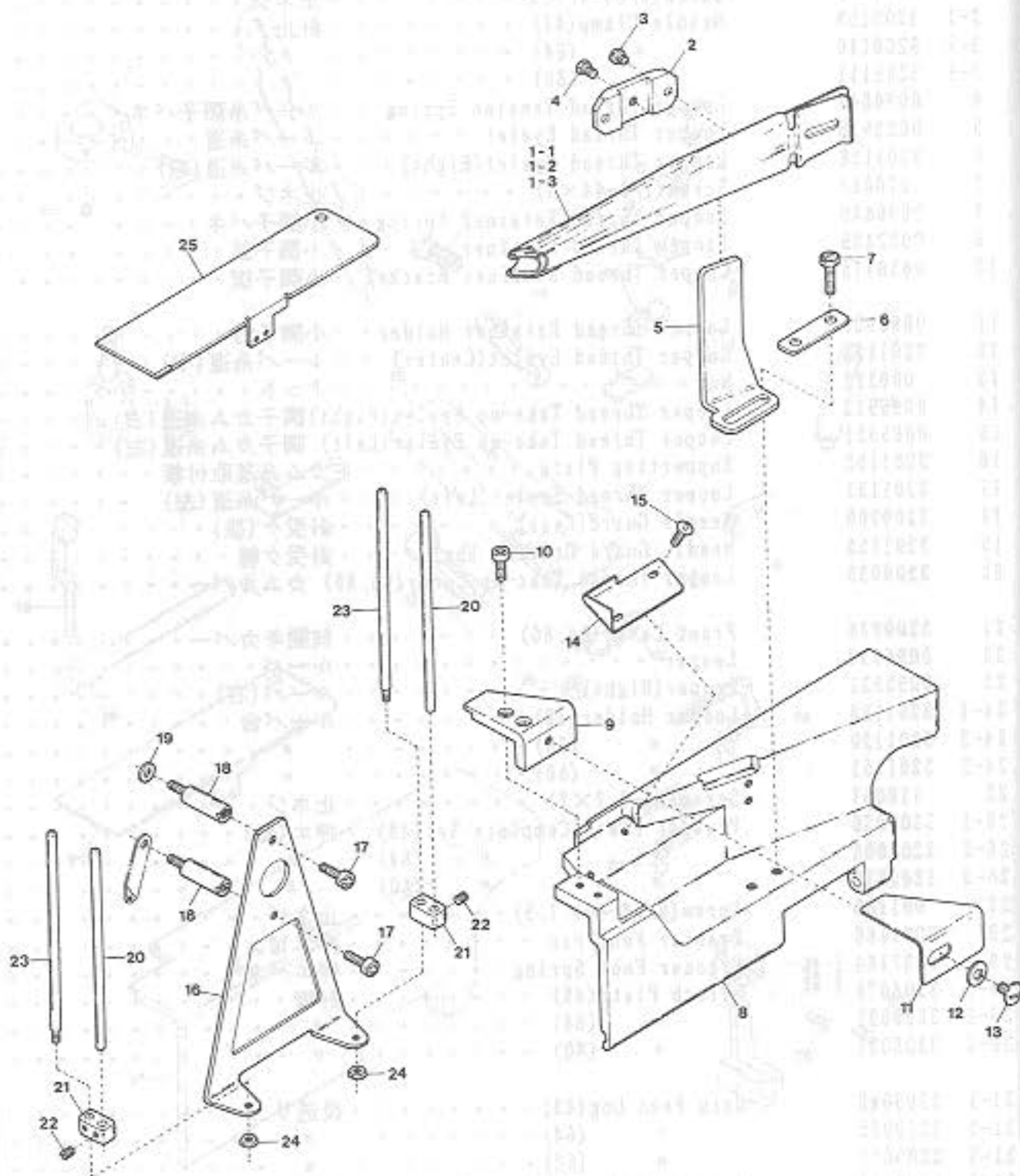
VF2402 EXCLUSIVE PARTS

| Ref. No | Parts No | Description | 品名 | Amt. Req. |
|---------|----------|-------------------------------------|------------|-----------|
| 1 | 3200253 | Finger Guard Unit | フィンガガード(組) | 1 |
| 2 | 001459 | Screw(9/64-40×3) | 止ネジ | 3 |
| 3-1 | 3209109 | Needle Clamp(48) | 針止メ | 1 |
| 3-2 | 3209110 | " (64) | " | 1 |
| 3-3 | 3209111 | " (80) | " | 1 |
| 4 | 0090847 | Looper Thread Tension Spring | ルーパー糸調子バネ | 1 |
| 5 | 0095916 | Looper Thread Eyelet | ルーパー糸道 | 1 |
| 6 | 3201156 | Looper Thread Eyelet(Right) | ルーパー糸道(右) | 1 |
| 7 | 270012 | Screw(1/8-44×5) | 止ネジ | 1 |
| 8 | 0090846 | Looper Thread Retainer Spring | 小調子バネ | 1 |
| 9 | 0032425 | Looper Thread Retainer | 小調子皿 | 1 |
| 10 | 0036175 | Looper Thread Retainer Bracket | 小調子板 | 1 |
| 11 | 0095909 | Looper Thread Retainer Holder | 小調子台 | 1 |
| 12 | 3201153 | Looper Thread Eyelet(Center) | ルーパー糸道(中) | 1 |
| 13 | 000322 | Nut | ナット | 1 |
| 14 | 0095922 | Looper Thread Take-up Eyelet(Right) | 調子カム糸道(右) | 1 |
| 15 | 0095921 | Looper Thread Take-up Eyelet(Left) | 調子カム糸道(左) | 1 |
| 16 | 3201152 | Supporting Plate | カム糸道取付板 | 1 |
| 17 | 3201157 | Looper Thread Eyelet(Left) | ルーパー糸道(左) | 1 |
| 18 | 3209200 | Needle Guard(Rear) | 針受ケ(後) | 1 |
| 19 | 3201155 | Needle Guard Driving Shaft | 針受ケ軸 | 1 |
| 20 | 3200035 | Looper Thread Take-up Cover(64, 80) | カムカバー | 1 |
| 21 | 3200034 | Front Cover(64, 80) | 前開キカバー | 1 |
| 22 | 0095930 | Looper | ルーパー | 1 |
| 23 | 0095931 | Looper(Right) | ルーパー(右) | 1 |
| 24-1 | 3201158 | Looper Holder(48) | ルーパー台 | 1 |
| 24-2 | 3201150 | " (64) | " | 1 |
| 24-3 | 3201151 | " (80) | " | 1 |
| 25 | 110057 | Screw(M4-0.7×7) | 止ネジ | 2 |
| 26-1 | 3207036 | Presser Foot, Complete Set(48) | 押エ(組) | 1 |
| 26-2 | 3207008 | " " (64) | " | 1 |
| 26-3 | 3207010 | " " (80) | " | 1 |
| 27 | 001186 | Screw(9/64-40×7.8) | 止ネジ | 1 |
| 28 | 0037166 | Presser Foot Pin | 押エピン | 1 |
| 29 | 0037164 | Presser Foot Spring | 押エバネ | 1 |
| 30-1 | 3208070 | Stitch Plate(48) | 針板 | 1 |
| 30-2 | 3208022 | " (64) | " | 1 |
| 30-3 | 3208021 | " (80) | " | 1 |
| 31-1 | 3209043 | Main Feed Dog(48) | 後送り | 1 |
| 31-2 | 3209025 | " (64) | " | 1 |
| 31-3 | 3209027 | " (80) | " | 1 |
| 32-1 | 3209044 | Differential Feed Dog(48) | 前送り | 1 |
| 32-2 | 3209026 | " (64) | " | 1 |
| 32-3 | 3209028 | " (80) | " | 1 |

サブモデル専用部品

Amt. Req.

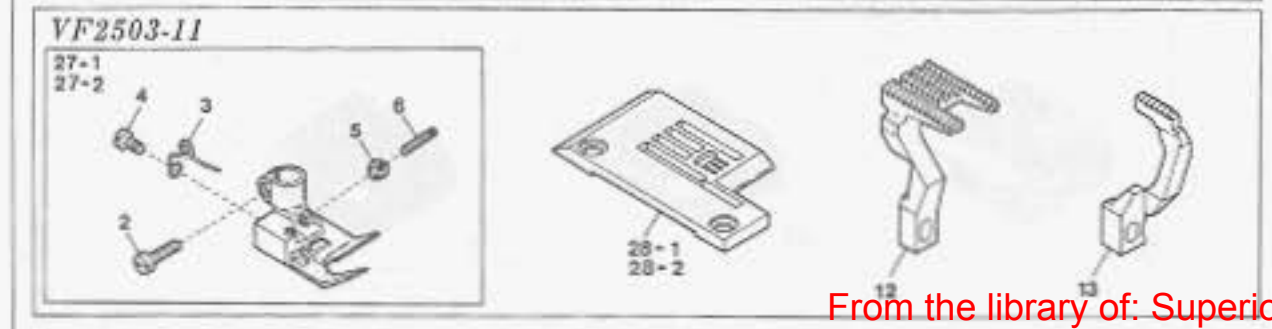
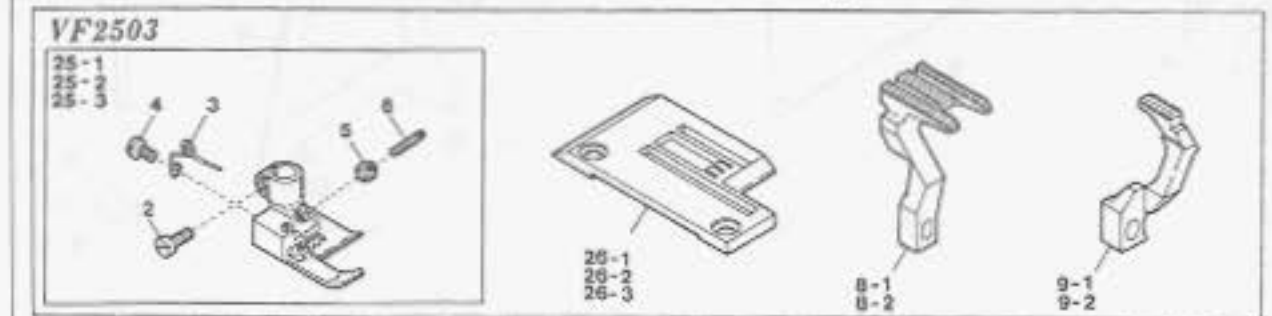
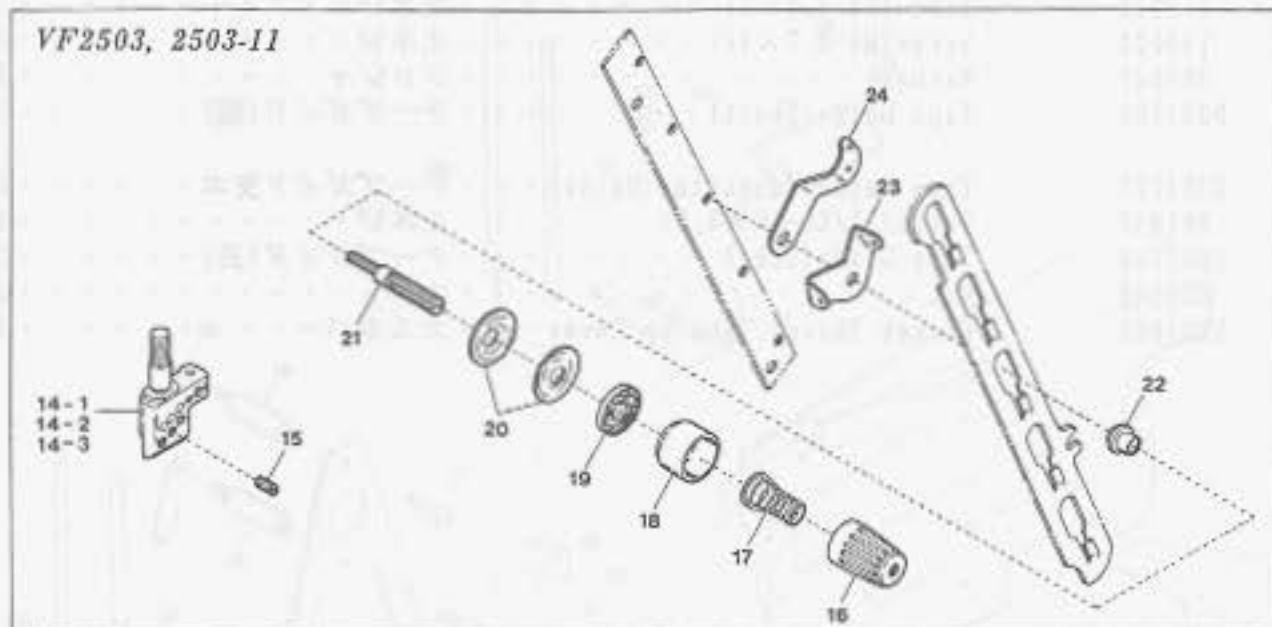
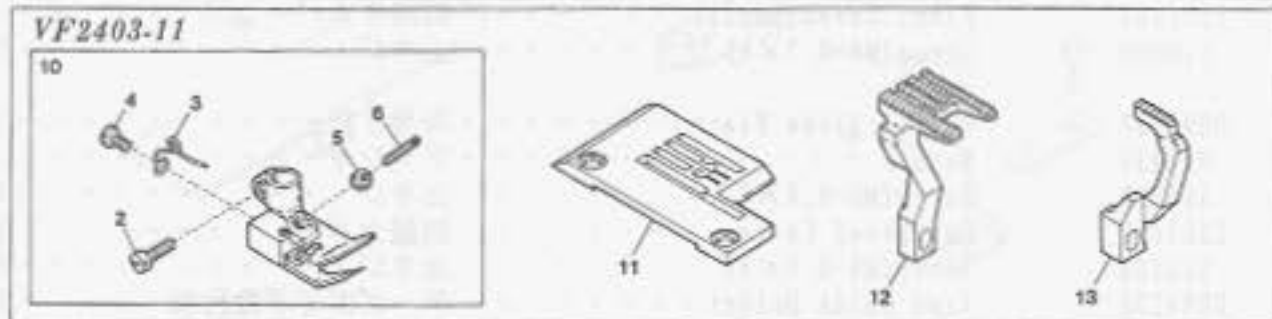
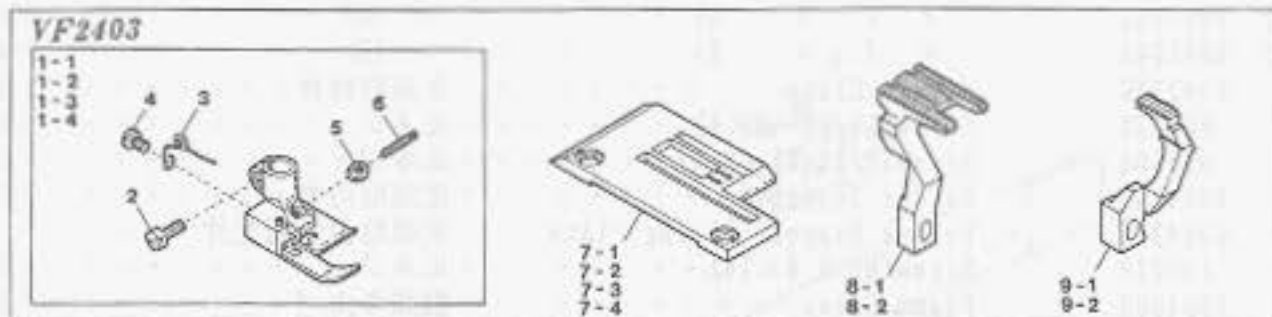
VF2403, 2403-11, 2503, 2503-11(1)



VF2403, 2403-11, 2503, 2503-11 EXCLUSIVE PARTS(1)

サブモデル専用部品(1)

| Ref. No. | Parts No. | Description | 品名 | Amt. Req. |
|----------|-----------|-----------------------------|-----------|-----------|
| 1-1 | 0093241 | Folder(for Type P) | 定規(P) | 1 |
| 1-2 | 0093242 | " (" Q) | " (Q) | 1 |
| 1-3 | 0093243 | " (" R) | " (R) | 1 |
| 2 | 0091736 | Folder Clamp | 定規取付片 | 1 |
| 3 | 009932 | Screw(11/64-40×4) | 止ネジ | 2 |
| 4 | 005554 | Screw(7/32-32×6.5) | 止ネジ | 1 |
| 5 | 0094245 | Folder Support | 定規取付台 | 1 |
| 6 | 0094246 | Folder Support Fixing Plate | 定規取付台固定片 | 1 |
| 7 | 140019 | Screw(M5-0.8×14) | 止ネジ | 2 |
| 8 | 3201000 | Front Cover | 前開キカバー | 1 |
| 9 | 3201002 | Front Cover(Small) | 前開キカバー(小) | 1 |
| 10 | 110009 | Screw(M4-0.7×8) | 止ネジ | 2 |
| 11 | 0096277 | Fabric Slide Plate | 布滑り板 | 1 |
| 12 | 000426 | Washer | ワッシャ | 1 |
| 13 | 110103 | Screw(M5-0.8×8) | 止ネジ | 1 |
| 14 | 3201003 | Dustproof Cover | 防塵カバー | 1 |
| 15 | 110104 | Screw(M4-0.7×8) | 止ネジ | 2 |
| 16 | 0094235 | Tape Guide Holder | テープガイド取付板 | 1 |
| 17 | 110013 | Screw(M4-0.7×8) | 止ネジ | 2 |
| 18 | 190028 | Screw(M4-0.7×10) | 止ネジ | 2 |
| 19 | 000547 | Washer | ワッシャ | 1 |
| 20 | 0091709 | Tape Guide(Short) | テープガイド(短) | 2 |
| 21 | 0091707 | Tape Guide Adjusting Holder | テープガイド支エ | 2 |
| 22 | 001457 | Screw(11/64-40×3.3) | 止ネジ | 4 |
| 23 | 0091708 | Tape Guide(Long) | テープガイド(長) | 2 |
| 24 | 000340 | Nut | ナット | 2 |
| 25 | 3201001 | Looper Thread Take-up Cover | カムカバー | 1 |

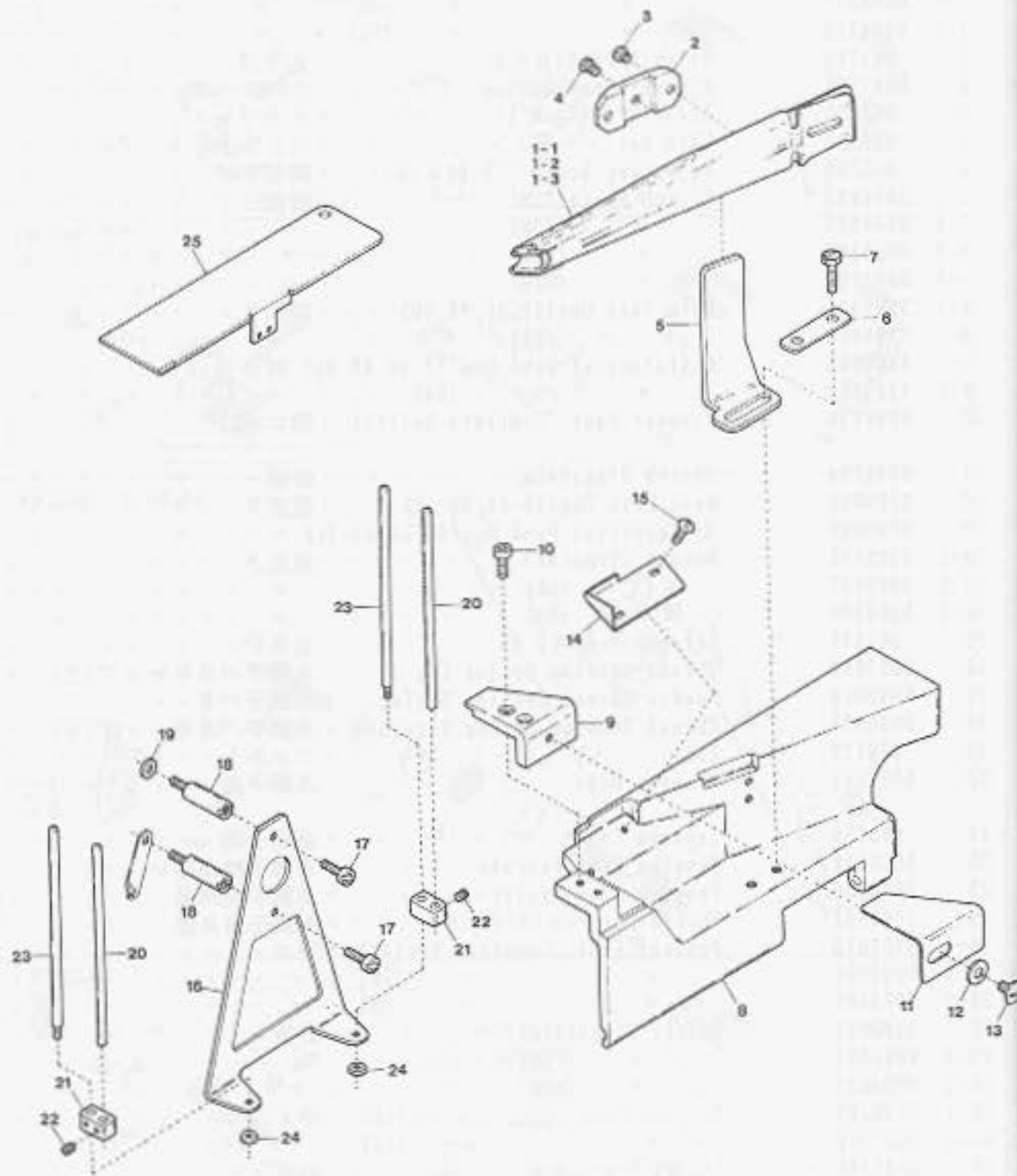


VF2403, 2403-11, 2503, 2503-11 EXCLUSIVE PARTS(2)

サブモデル専用部品(2)

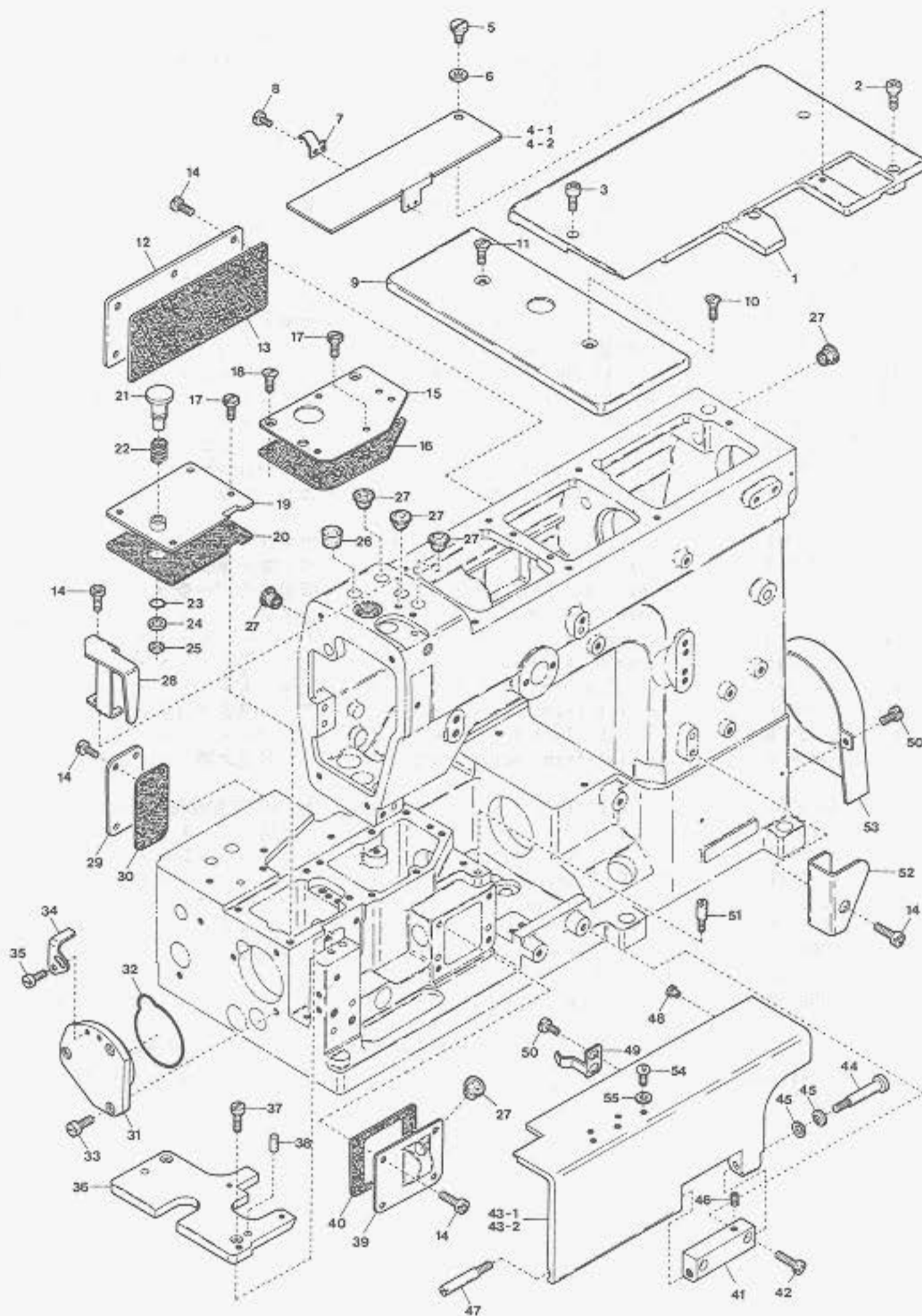
| Ref. No | Parts No | Description | 品名 | 18 Amt. Req. |
|---------|----------|---------------------------------------|--------------|--------------|
| 1-1 | 0094215 | Presser Foot, Complete Set(32) | 押エ(組) | 1 |
| 1-2 | 0094216 | " " (40) | " | 1 |
| 1-3 | 0094217 | " " (48) | " | 1 |
| 1-4 | 0094219 | " " (64) | " | 1 |
| 2 | 001186 | Screw(9/64-40×7.8) | 止ネジ | 1 |
| 3 | 0091725 | Presser Foot Spring | 小押エバネ | 1 |
| 4 | 005133 | Screw(1/8-44×4.5) | 止ネジ | 1 |
| 5 | 000220 | Lock Nut | ロックナット | 1 |
| 6 | 003300 | Adjusting Screw(1/8-44×15) | 調節ネジ | 1 |
| 7-1 | 0094281 | Stitch Plate(32M) | 針板 | 1 |
| 7-2 | 0094282 | " (40M) | " | 1 |
| 7-3 | 0094283 | " (48M) | " | 1 |
| 7-4 | 0094285 | " (64M) | " | 1 |
| 8-1 | 3209004 | Main Feed Dog(32, 40, 48, 56) | 後送り | 1 |
| 8-2 | 3209006 | " " (64) | " | 1 |
| 9-1 | 3209005 | Differential Feed Dog(32, 40, 48, 56) | 前送り | 1 |
| 9-2 | 3209007 | " " (64) | " | 1 |
| 10 | 0095238 | Presser Foot, Complete Set(40) | 押エ(組) | 1 |
| 11 | 0095234 | Stitch Plate(40M) | 針板 | 1 |
| 12 | 3209008 | Main Feed Dog(40-11, 64-11) | 後送り | 1 |
| 13 | 3209009 | Differential Feed Dog(40-11, 64-11) | " | 1 |
| 14-1 | 3209106 | Needle Clamp(48) | 針止メ | 1 |
| 14-2 | 3209107 | " " (56) | " | 1 |
| 14-3 | 3209108 | " " (64) | " | 1 |
| 15 | 001892 | Screw(1/8-44×2.9) | 止ネジ | 3 |
| 16 | 0093863 | Thread Tension Spring Cap | 糸調子バネキャップ(上) | 1 |
| 17 | 0090814 | Needle Thread Tension Spring | 糸調子バネ | 1 |
| 18 | 0090071 | Thread Tension Spring Retainer | 糸調子バネキャップ(下) | 1 |
| 19 | 000177 | Felt | フェルト | 2 |
| 20 | 0031111 | Tension Disc | 糸調子皿 | 2 |
| 21 | 009835 | Tension Post | 糸調子棒 | 1 |
| 22 | 0090812 | Tension Post Ferrule | 糸調子棒系摺レ | 1 |
| 23 | 0090856 | Tension Disc Eyelet | 糸調子皿系道 | 1 |
| 24 | 0090807 | Thread Lead-in Guide | 糸調子台系道 | 1 |
| 25-1 | 3207020 | Presser Foot, Complete Set(48) | 押エ | 1 |
| 25-2 | 0094908 | " " (56) | " | 1 |
| 25-3 | 0094909 | " " (64) | " | 1 |
| 26-1 | 3208025 | Stitch Plate(48M) | 針板 | 1 |
| 26-2 | 0094921 | " (56M) | " | 1 |
| 26-3 | 0094922 | " (64M) | " | 1 |
| 27-1 | 0095089 | Presser Foot, Complete Set(56) | 押エ(組) | 1 |
| 27-2 | 3007018 | " " (64) | " | 1 |
| 28-1 | 0095085 | Stitch Plate(56M) | 針板 | 1 |
| 28-2 | 3008025 | " (64M) | " | 1 |

VF2404(1)



VF2404 EXCLUSIVE PARTS(1)

| Ref. No | Parts No | Description | 品名 | Amt. Req. |
|---------|----------|-----------------------------|-----------|-----------|
| 1-1 | 0093241 | Folder(for Type P) | 定規(P) | 1 |
| 1-2 | 0093242 | " (" Q) | " (Q) | 1 |
| 1-3 | 0093243 | " (" R) | " (R) | 1 |
| 2 | 0091736 | Folder Clamp | 定規取付片 | 1 |
| 3 | 009932 | Screw(11/64-40×4) | 止ネジ | 2 |
| 4 | 005554 | Screw(7/32-32×6.5) | 止ネジ | 1 |
| 5 | 0094245 | Folder Support | 定規取付台 | 1 |
| 6 | 0094246 | Folder Support Fixing Plate | 定規取付台固定片 | 1 |
| 7 | 140019 | Screw(M5-0.8×14) | 止ネジ | 2 |
| 8 | 3201000 | Front Cover | 前開キカバー | 1 |
| 9 | 3201002 | Front Cover(Small) | 前開キカバー(小) | 1 |
| 10 | 110009 | Screw(M4-0.7×8) | 止ネジ | 2 |
| 11 | 0096277 | Fabric Slide Plate | 布滑り板 | 1 |
| 12 | 000426 | Washer | ワッシャ | 1 |
| 13 | 110103 | Screw(M5-0.8×8) | 止ネジ | 1 |
| 14 | 3201003 | Dustproof Cover | 防塵カバー | 1 |
| 15 | 110104 | Screw(M4-0.7×8) | 止ネジ | 2 |
| 16 | 0094235 | Tape Guide Holder | テープガイド取付板 | 1 |
| 17 | 110013 | Screw(M4-0.7×8) | 止ネジ | 2 |
| 18 | 190028 | Screw(M4-0.7×10) | 止ネジ | 2 |
| 19 | 000547 | Washer | ワッシャ | 1 |
| 20 | 0091709 | Tape Guide(Short) | テープガイド(短) | 2 |
| 21 | 0091707 | Tape Guide Adjusting Holder | テープガイド支エ | 2 |
| 22 | 001457 | Screw(11/64-40×3.3) | 止ネジ | 4 |
| 23 | 0091708 | Tape Guide(Long) | テープガイド(長) | 2 |
| 24 | 000340 | Nut | ナット | 2 |
| 25 | 3201101 | Looper Thread Take-up Cover | カムカバー | 1 |



MISCELLANEOUS COVERS(2)

| Ref. No. | Parts No. | Description | 品名 | 2 | Amt. Reg. |
|----------|-----------|--|----------------|----|-----------|
| 1 | 3200017 | Cloth Plate(Large) | 大カバー | 1 | 1 |
| 2 | 009749 | Screw(M4-0.7×16) | 止ネジ | 3 | 3 |
| 3 | 009747 | Screw(M4-0.7×10) | 止ネジ | 1 | 1 |
| 4-1 | 3200018 | Looper Thread Take-up Cover(32,40,48,56) | カムカバー | 1 | 1 |
| 4-2 | 3200035 | " (64) | " | 1 | 1 |
| 5 | 006004 | Screw(11/64-40×9.7) | 止ネジ | 1 | 1 |
| 6 | 000010 | Conical Spring Washer | 皿パネワッシャ | 1 | 1 |
| 7 | 3200019 | Take-up Cover Spring | カムカバーパネ | 1 | 1 |
| 8 | 110030 | Screw(M3-0.5×2.6) | 止ネジ | 2 | 2 |
| 9 | 3200014 | Cloth Plate(Small) | 小カバー | 1 | 1 |
| 10 | 130003 | Screw(M4-0.7×7.3) | 止ネジ | 1 | 1 |
| 11 | 130004 | Screw(M4-0.7×14) | 止ネジ | 1 | 1 |
| 12 | 3100016 | Rear Cover | 後カバー | 1 | 1 |
| 13 | 3100017 | Rear Cover Gasket | 後カバーパッキン | 1 | 1 |
| 14 | 110013 | Screw(M4-0.7×8) | 止ネジ | 17 | 17 |
| 15 | 3200024 | Bed Top Cover | ベッド上カバー(右) | 1 | 1 |
| 16 | 3200025 | Bed Top Cover Gasket | ベッド上カバー(右)パッキン | 1 | 1 |
| 17 | 007610 | Screw(M4-0.7×10) | 止ネジ | 8 | 8 |
| 18 | 130006 | Screw(M4-0.7×10) | 止ネジ | 2 | 2 |
| 19 | 3200022 | Bed Top Cover(Left) | ベッド上カバー(左) | 1 | 1 |
| 20 | 3200023 | Bed Top Cover(Left) Gasket | ベッド上カバー(左)パッキン | 1 | 1 |
| 21 | 3200209 | Feed Regulating Pushbutton | プッシュボタン | 1 | 1 |
| 22 | 0063152 | Feed Regulating Pushbutton Spring | プッシュボタンパネ | 1 | 1 |
| 23 | 0020472 | O-ring(P6) | Oリング | 1 | 1 |
| 24 | 000425 | Washer | ワッシャ | 1 | 1 |
| 25 | 0033024 | Retaining Ring | ストップリング | 1 | 1 |
| 26 | 0065275 | Seal Plug | 詰栓 | 1 | 1 |
| 27 | 0093864 | Seal Plug | 詰栓 | 6 | 6 |
| 28 | 3100070 | Needle Bar Guard | 針棒ガード | 1 | 1 |
| 29 | 3200028 | Bed Rear Cover(Small) | ベッド後カバー(小) | 1 | 1 |
| 30 | 3200029 | Bed Rear Cover(Small) Gasket | ベッド後カバー(小)パッキン | 1 | 1 |
| 31 | 3200030 | Ball Bearing Housing | ハウジング | 1 | 1 |
| 32 | 3200031 | O-ring | Oリング | 1 | 1 |
| 33 | 110035 | Screw(M4-0.7×10) | 止ネジ | 3 | 3 |
| 34 | 3200210 | Pushbutton Stop | プッシュボタンストッパ | 1 | 1 |
| 35 | 110008 | Screw(M4-0.7×5) | 止ネジ | 2 | 2 |
| 36 | 3200032 | Stitch Plate Support | 針板取付板 | 1 | 1 |
| 37 | 110041 | Screw(M4-0.7×8) | 止ネジ | 2 | 2 |
| 38 | 000745 | Knock Pin | ノックピン | 2 | 2 |
| 39 | 3200026 | Bed Front Cover | ベッド前カバー | 1 | 1 |
| 40 | 3200027 | Bed Front Cover Gasket | ベッド前カバーパッキン | 1 | 1 |

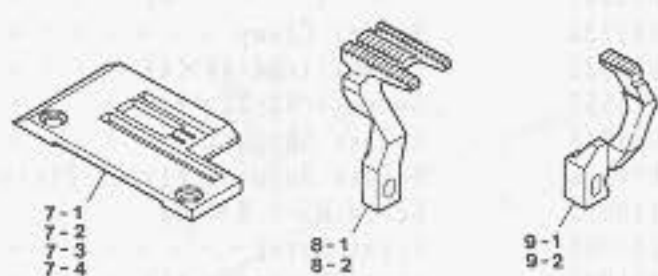
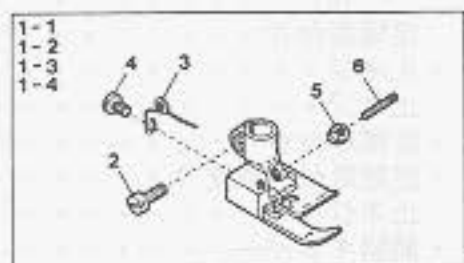
※ Ref. No. 41 to 55 See the following page.

MISCELLANEOUS COVERS(2)

| Ref. No. | Parts No. | Description | 品名 | 2 | Amt. Reg. |
|----------|-----------|--------------------------|------------|---|-----------|
| 41 | 3100030 | Front Cover Hinge | 前開キカバーヒンジ | 1 | 1 |
| 42 | 110016 | Screw(M4-0.7×15) | 止ネジ | 2 | 2 |
| 43-1 | 3200015 | Front Cover(32,40,48,56) | 前開キカバー | 1 | 1 |
| 43-2 | 3200034 | " (64) | " | 1 | 1 |
| 44 | 170020 | Screw(M4-0.7×8) | 止ネジ | 1 | 1 |
| 45 | 300100 | Conical Spring Washer | 皿パネワッシャ | 2 | 2 |
| 46 | 160001 | Screw(M4-0.7×4) | 止ネジ | 1 | 1 |
| 47 | 180017 | Screw(M4-0.7×6) | 止ネジ | 1 | 1 |
| 48 | 3200033 | Rubber Cushion(Small) | クッションゴム(小) | 2 | 2 |
| 49 | 3200016 | Front Cover Spring | 前開キカバーパネ | 1 | 1 |
| 50 | 110012 | Screw(M4-0.7×5) | 止ネジ | 4 | 4 |
| 51 | 180018 | Screw(M4-0.7×7) | パネ掛ケネジ | 1 | 1 |
| 52 | 3100071 | Eyelet Cover | 糸道カバー | 1 | 1 |
| 53 | 3200020 | Oil Cooling Fan Cover | 冷却ファンカバー | 1 | 1 |
| 54 | 110105 | Screw(M5-0.8×12) | 止ネジ | 2 | 2 |
| 55 | 000426 | Washer | ワッシャ | 2 | 2 |

※ Ref. No. 1 From the library of Superior Sewing Machine & Supply LLC

VF2404(2)

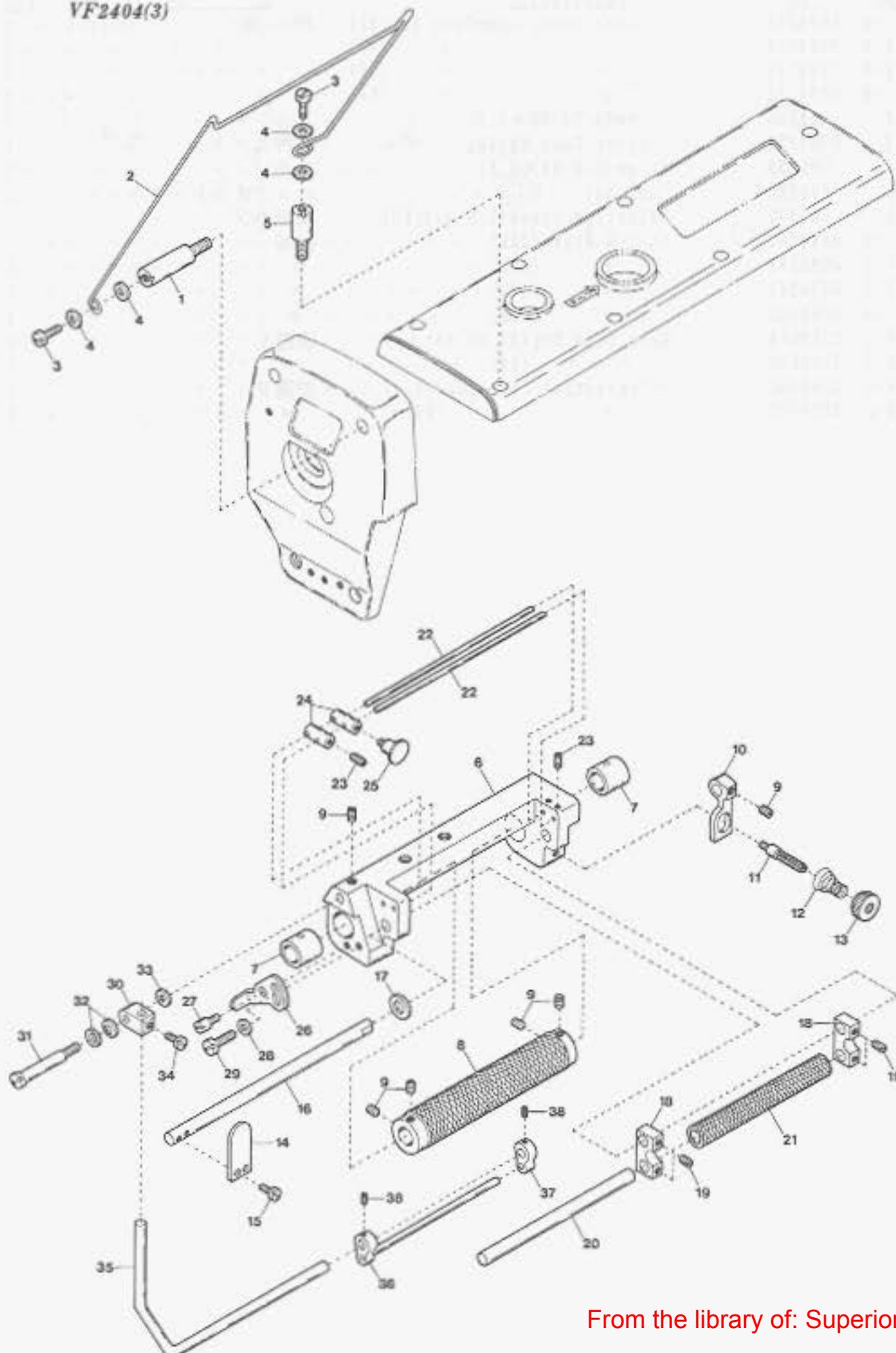


VF2404 EXCLUSIVE PARTS(2)

サブモデル専用部品(2)

| Ref. No | Parts No | Description | 品名 | Amt. Req. |
|---------|----------|-----------------------------------|--------|-----------|
| 1-1 | 0094215 | Presser Foot, Complete Set(32) | 押エ(組) | 1 |
| 1-2 | 0094216 | " (40) | " | 1 |
| 1-3 | 0094217 | " (48) | " | 1 |
| 1-4 | 0094219 | " (64) | " | 1 |
| 2 | 001186 | Screw(9/64-40×7,8) | 止ネジ | 1 |
| 3 | 0091725 | Presser Foot Spring | 小押エバネ | 1 |
| 4 | 005133 | Screw(1/8-44×4,5) | 止ネジ | 1 |
| 5 | 000220 | Lock Nut | ロックナット | 1 |
| 6 | 003300 | Adjusting Screw(1/8-44×15) | 調節ネジ | 1 |
| 7-1 | 0094281 | Stitch Plate(32M) | 針板 | 1 |
| 7-2 | 0094282 | " (40M) | " | 1 |
| 7-3 | 0094283 | " (48M) | " | 1 |
| 7-4 | 0094285 | " (64M) | " | 1 |
| 8-1 | 3209004 | Main Feed Dog(32, 40, 48) | 後送り | 1 |
| 8-2 | 3209006 | " " (64) | " | 1 |
| 9-1 | 3209005 | Differential Feed Dog(32, 40, 48) | 前送り | 1 |
| 9-2 | 3209007 | " " (64) | " | 1 |

VF2404(3)

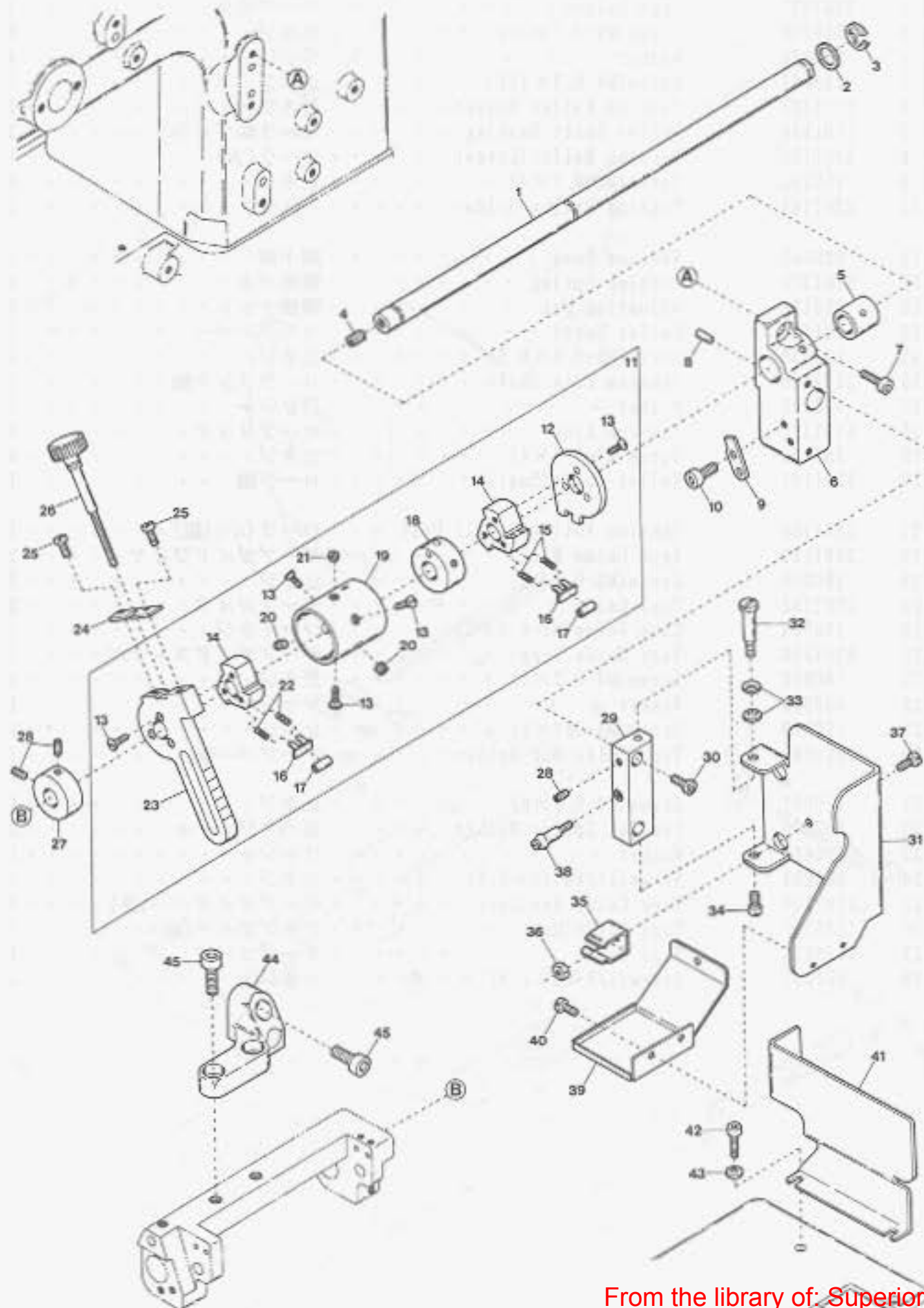


VF2404 EXCLUSIVE PARTS(3)

| Ref. No. | Parts No. | Description | 品名 | 21 Amt. Req. |
|----------|-----------|----------------------------|-------------|--------------|
| 1 | 190044 | Screw(M4-0.7×12) | 止ネジ | 1 |
| 2 | 3201077 | Tape Holder | テープ受ケ | 1 |
| 3 | 110048 | Screw(M4-0.7×10) | 止ネジ | 2 |
| 4 | 000538 | Washer | ワッシャ | 4 |
| 5 | 190021 | Screw(M4-0.7×12) | 止ネジ | 1 |
| 6 | 3201181 | Tension Roller Holder | バネ受ケ | 1 |
| 7 | 3201184 | Roller Shaft Bushing | ローラ軸ブッシュ | 2 |
| 8 | 3201185 | Tension Roller(Large) | ローラ(大) | 1 |
| 9 | 160001 | Screw(M4-0.7×4) | 止ネジ | 6 |
| 10 | 3201189 | Tension Spring Holder | バネ受ケ | 1 |
| 11 | 006543 | Tension Post | 調子棒 | 1 |
| 12 | 3101373 | Tension Spring | 調節バネ | 1 |
| 13 | 000182 | Adjusting Nut | 調節ナット | 1 |
| 14 | 3201188 | Roller Lever | ローラレバー | 1 |
| 15 | 110036 | Screw(M3-0.5×6.5) | 止ネジ | 2 |
| 16 | 3201190 | Tension Link Shaft | ローラリンク軸 | 1 |
| 17 | 000425 | Washer | ワッシャ | 1 |
| 18 | 3101376 | Tension Link | ローラリンク | 2 |
| 19 | 150001 | Screw(M4-0.7×4) | 止ネジ | 4 |
| 20 | 3201191 | Roller Shaft(Small) | ローラ軸 | 1 |
| 21 | 3201186 | Tension Roller(Small) Unit | ローラ(小)(組) | 1 |
| 22 | 3201192 | Tape Guide Wire | テープガイドワイヤ | 2 |
| 23 | 160000 | Screw(M3-0.5×3) | 止ネジ | 3 |
| 24 | 3201193 | Tape Guide | テープガイド | 2 |
| 25 | 190064 | Knob Screw(M3-0.5×5) | ツマミネジ | 1 |
| 26 | 3201196 | Tape Guide Stop | テープガイドストッパ | 1 |
| 27 | 180012 | Screw(M4-0.7×3) | 止ネジ | 1 |
| 28 | 000665 | Washer | ワッシャ | 1 |
| 29 | 110009 | Screw(M4-0.7×8) | 止ネジ | 1 |
| 30 | 0095269 | Tape Guide Bar Holder | テープバー腕 | 1 |
| 31 | 170001 | Screw(M4-0.7×8) | 止ネジ | 1 |
| 32 | 300100 | Conical Spring Washer | 皿バネワッシャ | 2 |
| 33 | 000669 | Washer | ワッシャ | 1 |
| 34 | 009604 | Screw(11/64-40×5.5) | 止ネジ | 1 |
| 35 | 3201195 | Tape Guide Bar(Long) | テープガイドバー(長) | 1 |
| 36 | 3201197 | Tape Guide(Unit) | テープガイド(組) | 1 |
| 37 | 0095272 | Tape Guide | テープガイド | 1 |
| 38 | 001892 | Screw(1/8-44×2.9) | 止ネジ | 2 |

サブモデル専用部品(3) 21

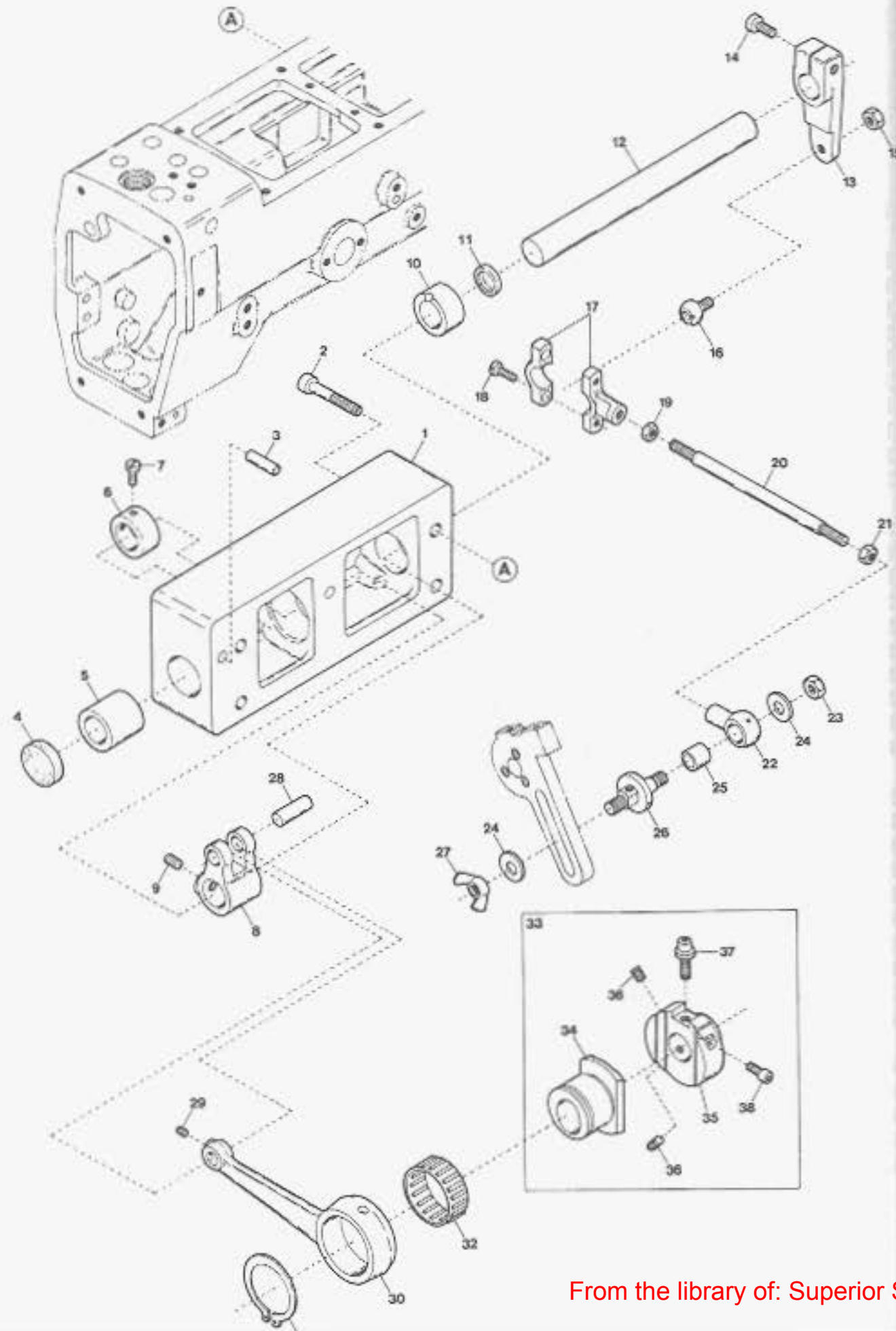
VF2404(4)



VF2404 EXCLUSIVE PARTS(4)

サブモデル専用部品(4)

| Ref. No | Parts No | Description | 品名 | Amt. Req. |
|---------|----------|----------------------------------|-------------|-----------|
| 1 | 3201183 | Roller Shaft | ローラ軸 | 1 |
| 2 | 2100218 | Thrust Ring | スラストリング | 1 |
| 3 | 0095027 | Retaining Ring | ストップリング | 1 |
| 4 | 160003 | Screw(M5-0.8×5) | 止ネジ | 1 |
| 5 | 3201184 | Roller Shaft Bushing | ローラ軸ブッシュ | 1 |
| 6 | 3201182 | Clutch Bracket | ブラケット | 1 |
| 7 | 120013 | Screw(M6-1×15) | 止ネジ | 2 |
| 8 | 000652 | Knock Pin | ノックピン | 2 |
| 9 | 0095070 | Clutch Plate Stop | クラッチ板回り止め | 1 |
| 10 | 120008 | Screw(M4-0.7×8) | 止ネジ | 2 |
| 11 | 3201202 | Clutch, Complate Set | クラッチ(組) | 1 |
| 12 | 0095064 | Clutch Plate | クラッチ板 | 1 |
| 13 | 007621 | Screw(9/64-40×8.5) | 止ネジ | 9 |
| 14 | 0095061 | Clutch | クラッチ | 2 |
| 15 | 3010022 | Clutch Spring(Thick) | クラッチバネ(太) | 6 |
| 16 | 0095066 | Clutch Spring Seat | クラッチバネ座 | 6 |
| 17 | 0095067 | Clutch Roller | クラッチローラ | 6 |
| 18 | 0095063 | Clutch Sleeve Collar | クラッチスリーブカラー | 1 |
| 19 | 0095062 | Clutch Sleeve | クラッチスリーブ | 1 |
| 20 | 003635 | Screw(1/4-40×6) | 止ネジ | 2 |
| 21 | 007645 | Screw(1/4-40×3) | 止ネジ | 1 |
| 22 | 0095065 | Clutch Spring(Thin) | クラッチバネ(細) | 6 |
| 23 | 3201084 | Clutch Lever | クラッチレバー | 1 |
| 24 | 3201089 | Clutch Lever Pin Adjusting Plate | 調節プレート | 1 |
| 25 | 110002 | Screw(M3-0.5×5) | 止ネジ | 2 |
| 26 | 190034 | Adjusting Screw(M4-0.7×69) | 調節ネジ | 1 |
| 27 | 2100267 | Collar(10×17×8mm) | カラー | 1 |
| 28 | 160001 | Screw(M4-0.7×4) | 止ネジ | 3 |
| 29 | 3201091 | Clutch Cover Hinge | クラッチカバーヒンジ | 1 |
| 30 | 110016 | Screw(M4-0.7×15) | 止ネジ | 2 |
| 31 | 3201199 | Clutch Cover | クラッチカバー | 1 |
| 32 | 170026 | Hinge Pin | ヒンジピン | 1 |
| 33 | 300100 | Conical Spring Washer | 皿バネワッシャ | 2 |
| 34 | 180012 | Screw(M4-0.7×3) | 止ネジ | 1 |
| 35 | 0094201 | Clutch Cover Latch Spring | クラッチカバーバネ | 1 |
| 36 | 000335 | Nut | ナット | 1 |
| 37 | 004169 | Screw(9/64-40×8.2) | 止ネジ | 1 |
| 38 | 190005 | Screw(M4-0.7×5) | バネ掛ネジ | 1 |
| 39 | 3201200 | Clutch Cover(Lower) | クラッチカバー(下) | 1 |
| 40 | 110030 | Screw(M3-0.5×2.6) | 止ネジ | 3 |
| 41 | 3201201 | Clutch Rod Cover | クラッチロッドカバー | 1 |
| 42 | 120027 | Screw(M4-0.7×8) | 止ネジ | 2 |
| 43 | 000186 | Washer | ワッシャ | 2 |
| 44 | 3201180 | Tension Roller Holder Bracket | ローラ台ブラケット | 1 |
| 45 | 120006 | Screw(M4-0.7×25) | 止ネジ | 4 |

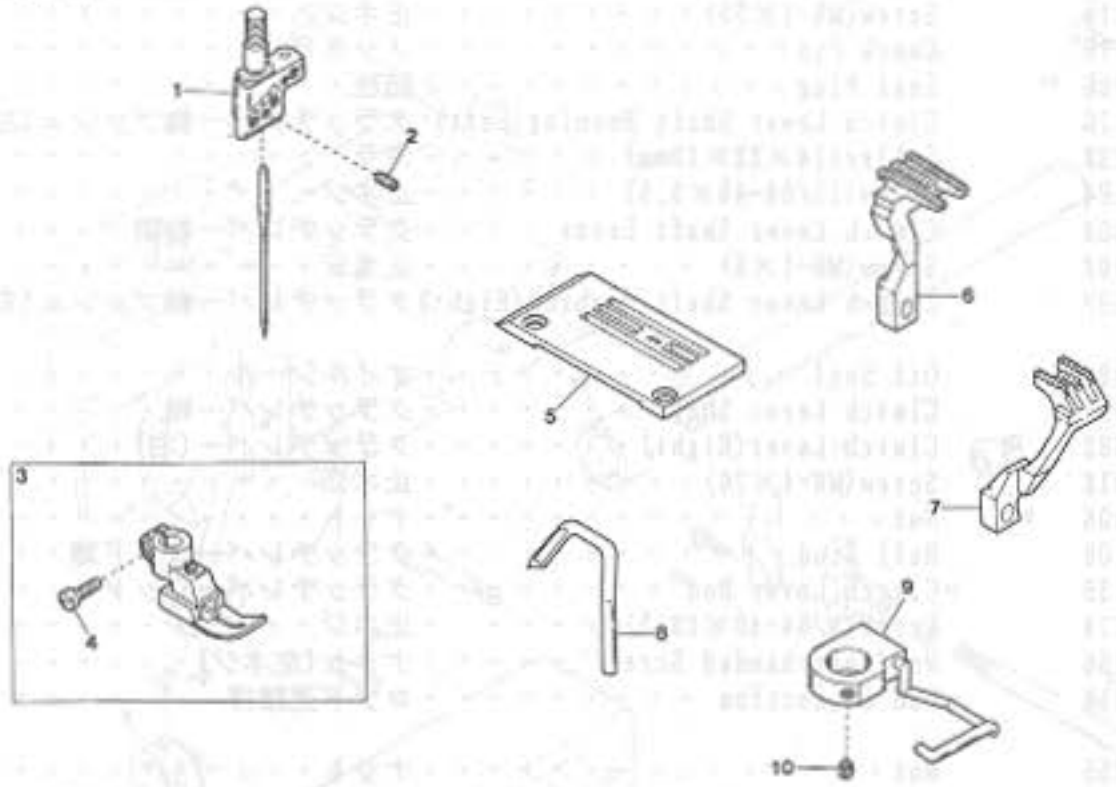


VF2404 EXCLUSIVE PARTS(5)

サブモデル専用部品(5)

| Ref. No. | Parts No. | Description | 品名 | Qty |
|----------|-----------|-----------------------------------|-----------------|-----|
| 1 | 3100625 | Clutch Lever Shaft Bracket | クラッチレバー軸ブラケット | 1 |
| 2 | 120019 | Screw(M6-1×36) | 止ネジ | 4 |
| 3 | 000779 | Knock Pin | ノックピン | 2 |
| 4 | 3100006 | Seal Plug | 詰栓 | 1 |
| 5 | 3100626 | Clutch Lever Shaft Bushing(Left) | クラッチレバー軸ブッシュ(左) | 1 |
| 6 | 0065398 | Collar(14×22×10mm) | カラー | 1 |
| 7 | 009604 | Screw(11/64-40×5.5) | 止ネジ | 2 |
| 8 | 3100604 | Clutch Lever Shaft Lever | クラッチレバー軸腕 | 1 |
| 9 | 160007 | Screw(M6-1×6) | 止ネジ | 2 |
| 10 | 3100607 | Clutch Lever Shaft Bushing(Right) | クラッチレバー軸ブッシュ(右) | 1 |
| 11 | 0065395 | Oil Seal | オイルシール | 1 |
| 12 | 3201081 | Clutch Lever Shaft | クラッチレバー軸 | 1 |
| 13 | 3201082 | Clutch Lever(Right) | クラッチレバー(右) | 1 |
| 14 | 120012 | Screw(M6-1×20) | 止ネジ | 1 |
| 15 | 000306 | Nut | ナット | 1 |
| 16 | 0060109 | Ball Stud | クラッチレバーロッド球 | 1 |
| 17 | 0063335 | Clutch Lever Rod | クラッチレバーロッド | 1 |
| 18 | 001174 | Screw(9/64-40×10.3) | 止ネジ | 2 |
| 19 | 000356 | Nut(Left-handed Screw) | ナット(左ネジ) | 1 |
| 20 | 290018 | Rod Connection | ロッド連結桿 | 1 |
| 21 | 000355 | Nut | ナット | 1 |
| 22 | 3201092 | Clutch Lever Rod(Front) | クラッチレバーロッド(前) | 1 |
| 23 | 100003 | Nut | ナット | 1 |
| 24 | 000613 | Washer | ワッシャー | 2 |
| 25 | 0065402 | Clutch Lever Rod Sleeve | クラッチレバーロッドスリーブ | 1 |
| 26 | 3201083 | Clutch Lever Pin | クラッチレバーピン | 1 |
| 27 | 100018 | Wing Nut | チョウナット | 1 |
| 28 | 0032921 | Clutch Driving Rod Pin | クラッチロッドピン | 1 |
| 29 | 160001 | Screw(M4-0.7×4) | 止ネジ | 1 |
| 30 | 3100602 | Clutch Driving Rod | クラッチロッド | 1 |
| 31 | 3100192 | Retaining Ring | ストップリング | 1 |
| 32 | 3100623 | Roller Bearing | ニードルベアリング | 1 |
| 33 | 3100603 | Clutch Regulator, Complete Set | クラッチ調節器(組) | 1 |
| 34 | 3100601 | Clutch Eccentric | クラッチエキセン | 1 |
| 35 | 3100600 | Clutch Regulator | クラッチ調節器 | 1 |
| 36 | 160003 | Screw(M5-0.8×5) | 止ネジ | 2 |
| 37 | 190007 | Adjusting Screw(M5-0.8×6) | 調節ネジ | 1 |
| 38 | 120008 | Screw(M4-0.7×8) | 止ネジ | 1 |

VF2408

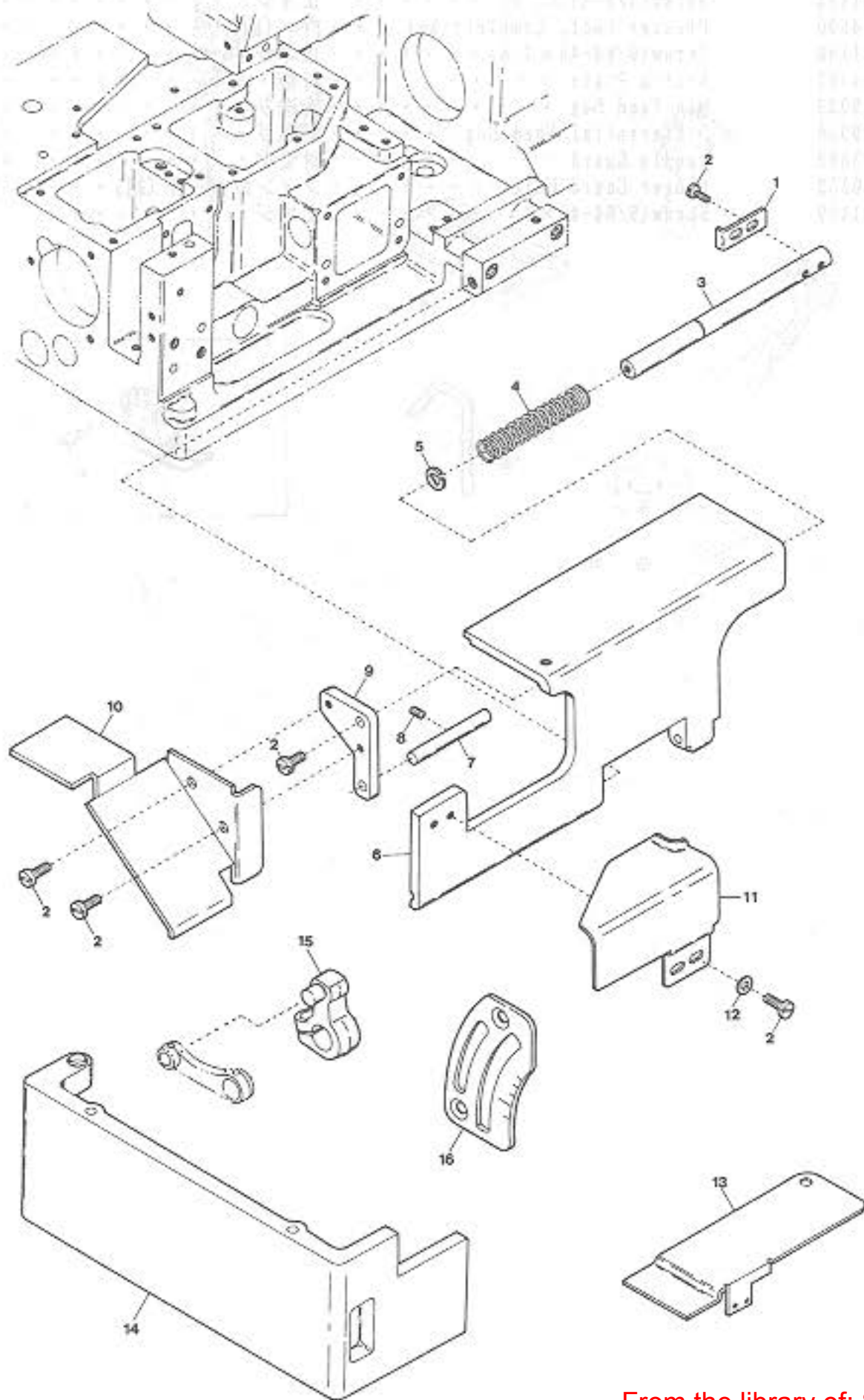


VF2408 EXCLUSIVE PARTS

| Ref. No. | Parts No. | Description | 品名 | Amt. Req. |
|----------|-----------|----------------------------|------------|-----------|
| 1 | 3209107 | Needle Clamp | 針止メ | 1 |
| 2 | 001892 | Screw(1/8-44×2.9) | 止ネジ | 1 |
| 3 | 0094500 | Presser Foot, Complete Set | 押エ(組) | 1 |
| 4 | 001186 | Screw(9/64-40×7.8) | 止ネジ | 1 |
| 5 | 0094507 | Stitch Plate | 針板 | 1 |
| 6 | 3209029 | Min Feed Dog | 後送り | 1 |
| 7 | 3209030 | Differential Feed Dog | 前送り | 1 |
| 8 | 0093669 | Needle Guard | 針受ケ | 1 |
| 9 | 3200253 | Finger Guard Unit | フィンガガード(組) | 1 |
| 10 | 001459 | Screw(9/64-40×3) | 止ネジ | 2 |

サブモデル専用部品

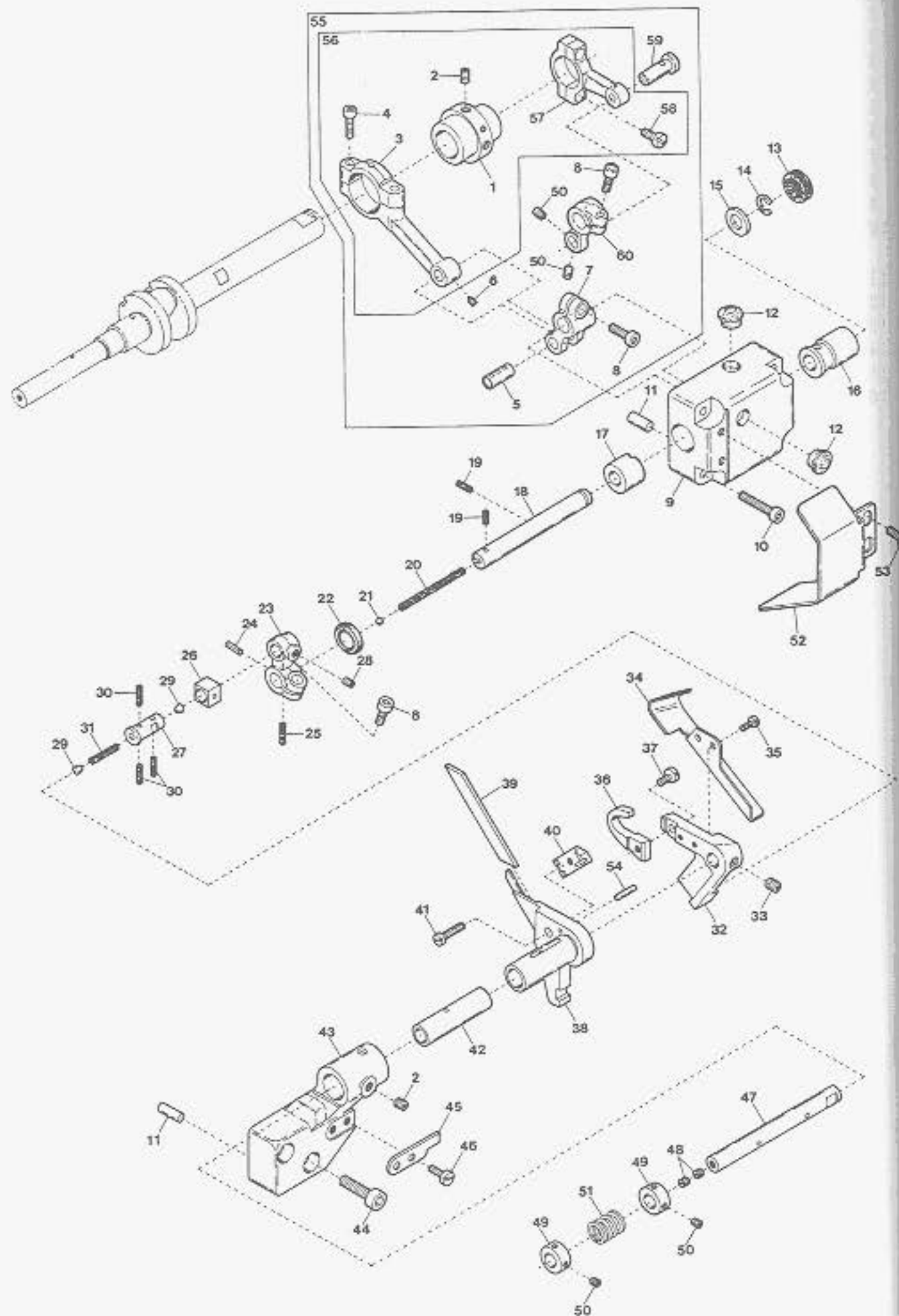
VF2409G, 2429G, 2509G, 2529G(1)



VF2409G, 2429G, 2509G, 2529G EXCLUSIVE PARTS(1)

サブモデル専用部品(1)

| Ref. No | Parts No | Description | 品名 | Amt. Req. |
|---------|----------|--|----------|-----------|
| 1 | 3201073 | Supplementary Front Cover Stop | 前カバーストップ | 1 |
| 2 | 110009 | Screw(M4-0.7×8) | 止ネジ | 7 |
| 3 | 3201071 | Supplementary Front Cover Shaft(Long) | 前カバー軸(長) | 1 |
| 4 | 3201076 | Supplementary Front Cover Spring | 前カバーバネ | 1 |
| 5 | 0068202 | Retaining Ring | ストップリング | 1 |
| 6 | 3201068 | Front Cover | 前開キカバー | 1 |
| 7 | 3201072 | Supplementary Front Cover Shaft(Short) | 前カバー軸(短) | 1 |
| 8 | 160001 | Screw(M4-0.7×4) | 止ネジ | 1 |
| 9 | 3201070 | Supplementary Front Cover Support | 前カバー取付板 | 1 |
| 10 | 3201069 | Supplementary Front Cover | 前カバー | 1 |
| 11 | 3201075 | Edge Guide | 当て定規 | 1 |
| 12 | 000538 | Washer | ワッシャ | 2 |
| 13 | 3201066 | Looper Thread Take-up Cover | カムカバー | 1 |
| 14 | 3201067 | Side Cover | 横開キカバー | 1 |
| 15 | 3201098 | Min Feed Bar Lever | 後送りレバー | 1 |
| 16 | 3201099 | Differential Feed Graduation | 送り目盛板 | 1 |



| Ref. No. | Parts No. | Description | 品名 | Amt. Req. |
|----------|-----------|--|-------------|-----------|
| 1 | 3201051 | Upper Knife Eccentric | 上メスエキセン | 1 |
| 2 | 160003 | Screw(M5-0.8×5) | 止ネジ | 3 |
| 3 | 3201052 | Upper Knife Connecting Rod | 上メスロッド | 1 |
| 4 | 120001 | Screw(M4-0.7×14) | 止ネジ | 2 |
| 5 | 0032799 | Connecting Rod Pin | 上メスロッドピン | 1 |
| 6 | 160006 | Screw(M3-0.5×4) | 止ネジ | 1 |
| 7 | 3201053 | Upper Knife Driving Shaft Lever(Right) | 上メス軸腕(右) | 1 |
| 8 | 005650 | Screw(M5-0.8×14) | 止ネジ | 3 |
| 9 | 3201054 | Upper Knife Driving Shaft Bracket | 上メス軸ブラケット | 1 |
| 10 | 120027 | Screw(M4-0.7×25) | 止ネジ | 4 |
| 11 | 000779 | Knock Pin | ノックピン | 4 |
| 12 | 0093864 | Seal Plug | 詰栓 | 2 |
| 13 | 3200057 | Seal Plug | 詰栓 | 1 |
| 14 | 0068202 | Retaining Ring | ストップリング | 1 |
| 15 | 3200085 | Spacer | スペーサ | 1 |
| 16 | 3201056 | Upper Knife Driving Shaft Bushing(Right) | 上メス軸ブッシュ(右) | 1 |
| 17 | 3201055 | Upper Knife Driving Shaft Bushing(Left) | 上メス軸ブッシュ(左) | 1 |
| 18 | 3201057 | Upper Knife Driving Shaft | 上メス軸 | 1 |
| 19 | 000171 | Oil Wick | 油芯 | 2 |
| 20 | 310041 | Oil Wick | 油芯 | 1 |
| 21 | 000637 | Seal Plug | 詰栓 | 1 |
| 22 | 0077300 | Oil Seal | オイルシール | 1 |
| 23 | 3201058 | Upper Knife Driving Shaft Lever(Left) | 上メス軸腕(左) | 1 |
| 24 | 340022 | Pin | ピン | 1 |
| 25 | 310042 | Oil Wick | 油芯 | 1 |
| 26 | 3201060 | Upper Knife Connecting Block | 上メス台角駒 | 1 |
| 27 | 3201061 | Upper Knife Connecting Block Pin | 上メス台角駒ピン | 1 |
| 28 | 160001 | Screw(M4-0.7×4) | 止ネジ | 1 |
| 29 | 330000 | Seal Plug | 詰栓 | 2 |
| 30 | 000243 | Oil Wick | 油芯 | 3 |
| 31 | 310043 | Oil Wick | 油芯 | 1 |
| 32 | 3201059 | Upper Knife Holder | 上メス台 | 1 |
| 33 | 160007 | Screw(M6-1×6) | 止ネジ | 1 |
| 34 | 3201074 | Chip Guard | 切屑除ケ | 1 |
| 35 | 110100 | Screw(M3-0.5×6) | 止ネジ | 2 |
| 36 | 0095276 | Upper Knife | 上メス | 1 |
| 37 | 006268 | Screw(9/64-40×9.5) | 止ネジ | 1 |
| 38 | 3201063 | Lower Knife Holder | 下メス台 | 1 |
| 39 | 3201062 | Lower Knife | 下メス | 1 |
| 40 | 0095275 | Lower Knife Clamp | 下メス押エ | 1 |

※ Ref. No. 41 to 60 See the following page.

VF2409G, 2429G, 2509G, 2529G EXCLUSIVE PARTS(2)

サブモデル専用部品(2)

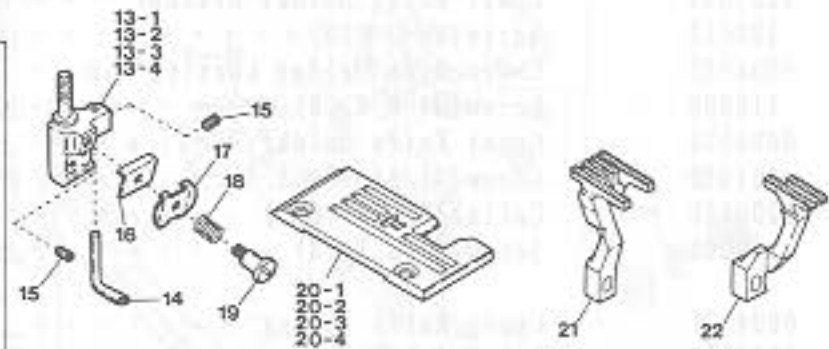
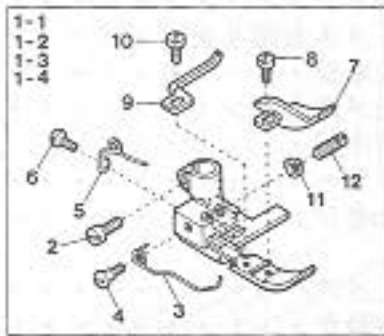
26

| Ref. No. | Parts No. | Description | 品名 | Amt. Req. |
|----------|-----------|---------------------------------------|------------|-----------|
| 41 | 009150 | Screw(11/64-40×11) | 止ネジ | 1 |
| 42 | 3120013 | Lower Knife Holder Bushing | 下メス台ブッシュ | 1 |
| 43 | 3201064 | Lower Knife Holder Bracket | 下メス台ブラケット | 1 |
| 44 | 120012 | Screw(M6-1×20) | 止ネジ | 2 |
| 45 | 0094582 | Lower Knife Holder Locking Pin | 下メス台回り止め | 1 |
| 46 | 110009 | Screw(M4-0.7×8) | 止ネジ | 2 |
| 47 | 0094574 | Upper Knife Holder Pin | 上メス台ピン | 1 |
| 48 | 001457 | Screw(11/64-40×3.3) | 詰ネジ | 2 |
| 49 | 3200086 | Collar(8×13×6mm) | カラー | 2 |
| 50 | 160000 | Screw(M3-0.5×3) | 止ネジ | 6 |
| 51 | 0094577 | Upper Knife Spring | 上メスバネ | 1 |
| 52 | 3201065 | Oil Defender | 油除ケ | 1 |
| 53 | 110008 | Screw(M4-0.7×5) | 止ネジ | 2 |
| 54 | 000687 | Pin | ピン | 1 |
| 55 | 3201050 | Upper Knife Connecting Rod, C. Set(2) | 上メスロッド(組2) | 1 |
| 56 | 3201049 | Upper Knife Connecting Rod, C. Set(1) | 上メスロッド(組1) | 1 |
| 57 | 3200082 | Needle Guard Connecting Rod | 針受ケロッド | 1 |
| 58 | 110005 | Screw(M3.5-0.6×12) | 止ネジ | 2 |
| 59 | 3200087 | Connecting Rod Pin | ロッドピン | 1 |
| 60 | 3200084 | Needle Guard Driving Shaft Arm | 針受ケ軸腕 | 1 |

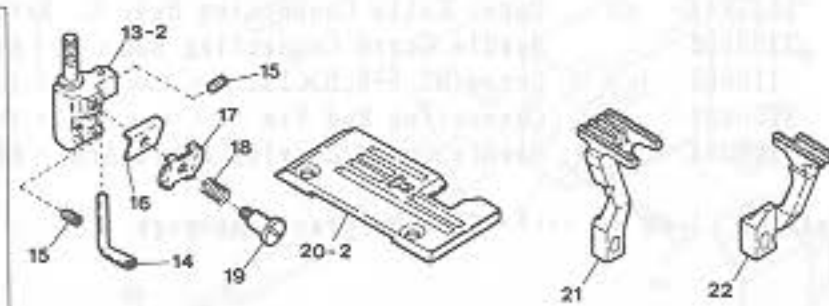
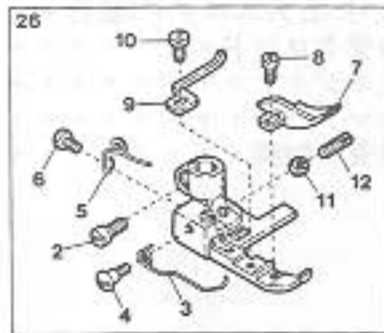
※ Ref. No. 1 From the library of Superior Sewing Machine & Supply LLC

VF2409G, 2429G, 2509G, 2529G(3)

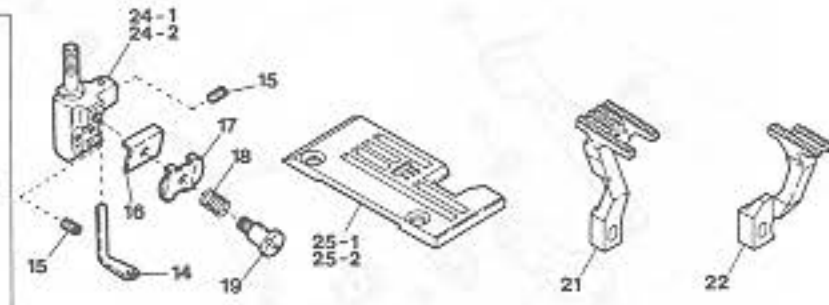
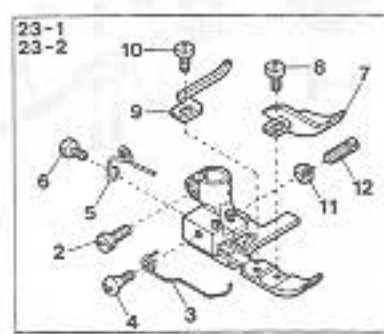
VF2409G, 2429G



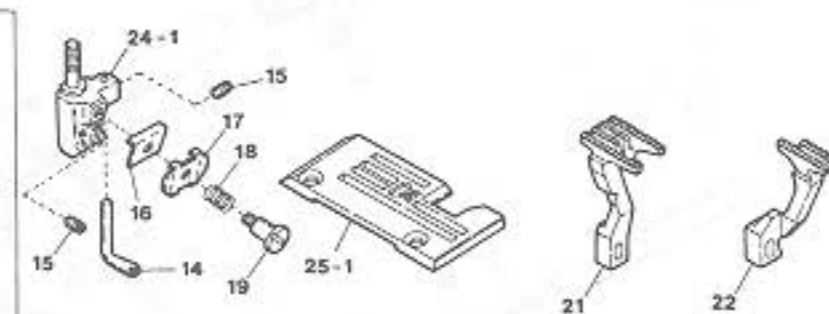
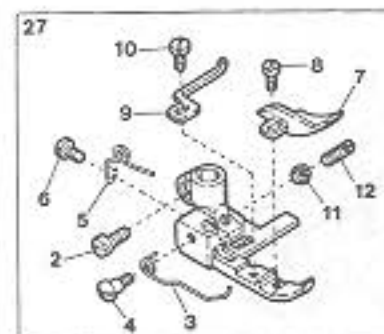
VF2409G-1, 2429G-1



VF2509G, 2529G



VF2509G-1, 2529G-1

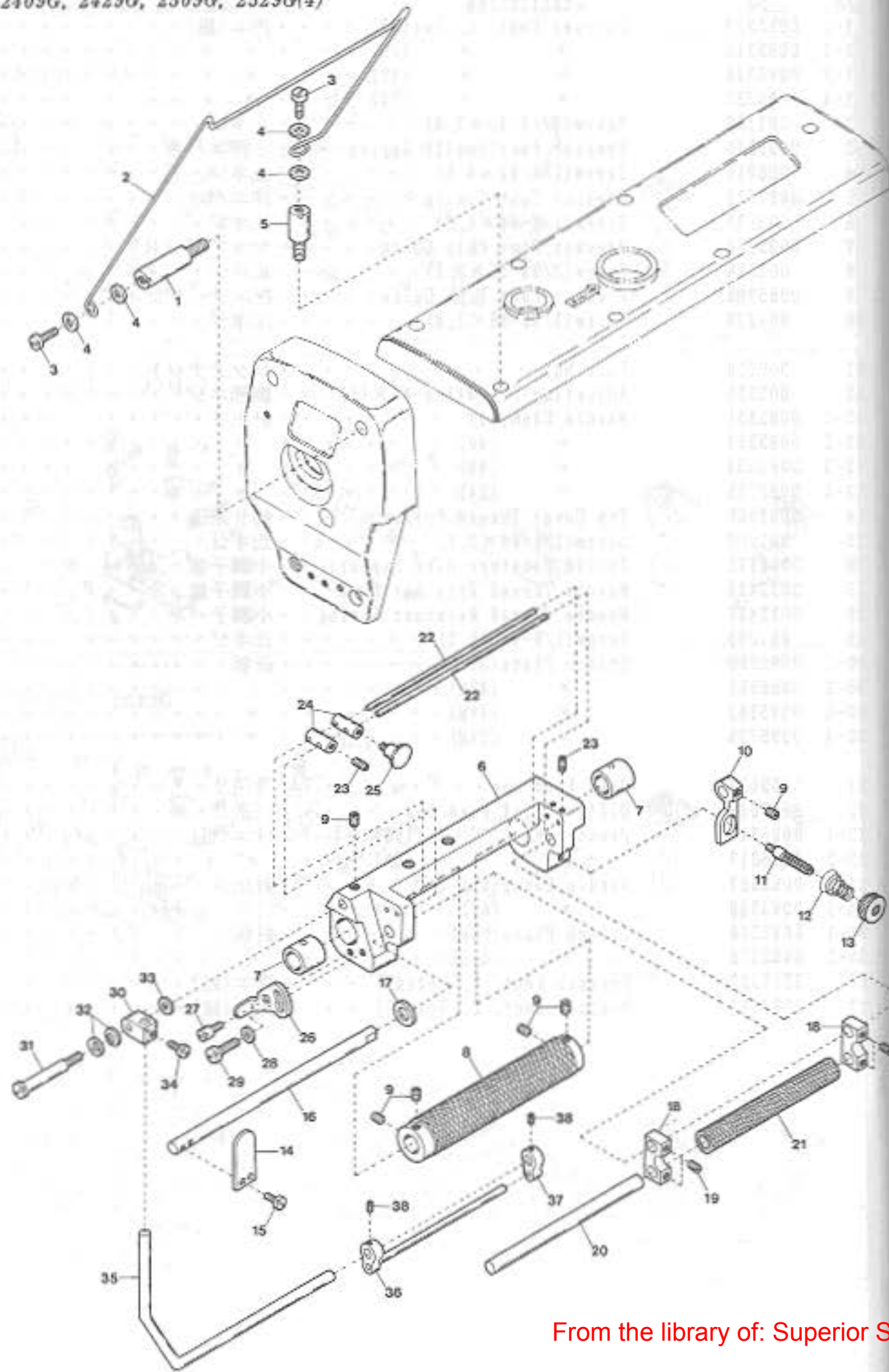


VF2409G, 2429G, 2509G, 2529G EXCLUSIVE PARTS(3)

サブモデル専用部品(3)

| Ref. No | Parts No | Description | 品名 | Amt. Req |
|---------|----------|-------------------------------|----------|----------|
| 1-1 | 0095313 | Presser Foot, C. Set(32) | 押エ(組) | 1 |
| 1-2 | 0095314 | " " (40) | " " | 1 |
| 1-3 | 0095315 | " " (48) | " " | 1 |
| 1-4 | 0095737 | " " (24) | " " | 1 |
| 2 | 001186 | Screw(9/64-40×7.8) | 止ネジ | 1 |
| 3 | 0095515 | Presser Foot(Small) Spring | 小押エバネ | 1 |
| 4 | 006010 | Screw(1/8-44×4.5) | 止ネジ | 1 |
| 5 | 0091725 | Presser Foot Spring | 押エバネ | 1 |
| 6 | 005133 | Screw(1/8-44×4.5) | 止ネジ | 1 |
| 7 | 0095266 | Presser Foot Chip Guard | チップガード | 1 |
| 8 | 001228 | Screw(3/32-56×3.2) | 止ネジ | 1 |
| 9 | 0095268 | Presser Foot Tape Guide | 押エテープガイド | 1 |
| 10 | 001230 | Screw(3/32-56×3.8) | 止ネジ | 1 |
| 11 | 000220 | Lock Nut | ロックナット | 1 |
| 12 | 003300 | Adjusting Screw(1/8-44×15) | 調節ネジ | 1 |
| 13-1 | 0093351 | Needle Clamp(32) | 針止メ | 1 |
| 13-2 | 0093352 | " (40) | " | 1 |
| 13-3 | 0093353 | " (48) | " | 1 |
| 13-4 | 0095735 | " (24) | " | 1 |
| 14 | 0093365 | Top Cover Thread Eyelet | 飾り糸道 | 1 |
| 15 | 001900 | Screw(1/8-44×2.4) | 止ネジ | 3 |
| 16 | 0036175 | Thread Retainer Disc Support | 小調子板 | 1 |
| 17 | 0032425 | Needle Thread Retainer Disc | 小調子皿 | 1 |
| 18 | 0032426 | Needle Thread Retainer Spring | 小調子バネ | 1 |
| 19 | 001093 | Screw(1/8-44×2.2) | 止ネジ | 1 |
| 20-1 | 0095260 | Stitch Plate(32M) | 針板 | 1 |
| 20-2 | 0095261 | " (40M) | " | 1 |
| 20-3 | 0095262 | " (48M) | " | 1 |
| 20-4 | 0095736 | " (24M) | " | 1 |
| 21 | 3209012 | Main Feed Dog | 後送り | 1 |
| 22 | 3209013 | Differential Feed Dog | 前送り | 1 |
| 23-1 | 0095316 | Presser Foot, C. Set(56) | 押エ(組) | 1 |
| 23-2 | 0095317 | " " (64) | " " | 1 |
| 24-1 | 0093357 | Needle Clamp(56) | 針止メ | 1 |
| 24-2 | 0093358 | " (64) | " | 1 |
| 25-1 | 0095278 | Stitch Plate(56M) | 針板 | 1 |
| 25-2 | 0095279 | " (64M) | " | 1 |
| 26 | 3207002 | Presser Foot, C. Set(40) | 押エ(組) | 1 |
| 27 | 3207004 | Presser Foot, C. Set(56) | 押エ(組) | 1 |

VF2409G, 2429G, 2509G, 2529G(4)

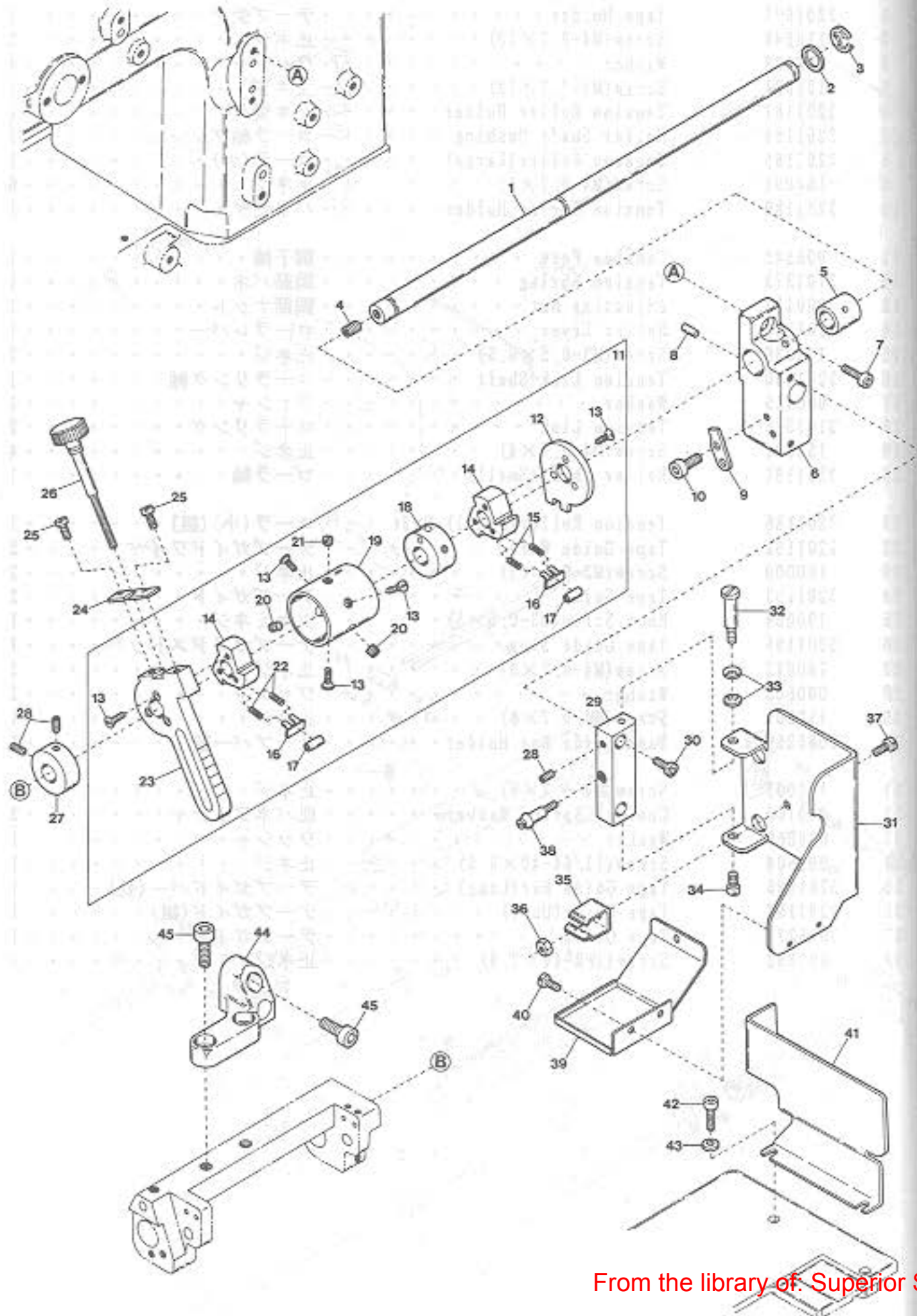


VF2409G, 2429G, 2509G, 2529G EXCLUSIVE PARTS(4)

| Ref. No. | Parts No. | Description | 品名 | Amt. Req. |
|----------|-----------|----------------------------|-------------|-----------|
| 1 | 190044 | Screw(M4-0.7×12) | 止ネジ | 1 |
| 2 | 3201077 | Tape Holder | テープ受ケ | 1 |
| 3 | 110048 | Screw(M4-0.7×10) | 止ネジ | 2 |
| 4 | 000538 | Washer | ワッシャ | 4 |
| 5 | 190021 | Screw(M4-0.7×12) | 止ネジ | 1 |
| 6 | 3201181 | Tension Roller Holder | バネ受ケ | 1 |
| 7 | 3201184 | Roller Shaft Bushing | ローラ軸ブッシュ | 2 |
| 8 | 3201185 | Tension Roller(Large) | ローラ(大) | 1 |
| 9 | 160001 | Screw(M4-0.7×4) | 止ネジ | 6 |
| 10 | 3201189 | Tension Spring Holder | バネ受ケ | 1 |
| 11 | 006543 | Tension Post | 調子棒 | 1 |
| 12 | 3101373 | Tension Spring | 調節バネ | 1 |
| 13 | 000182 | Adjusting Nut | 調節ナット | 1 |
| 14 | 3201188 | Roller Lever | ローラレバー | 1 |
| 15 | 110036 | Screw(M3-0.5×6.5) | 止ネジ | 2 |
| 16 | 3201190 | Tension Link Shaft | ローラリンク軸 | 1 |
| 17 | 000425 | Washer | ワッシャ | 1 |
| 18 | 3101376 | Tension Link | ローラリンク | 2 |
| 19 | 150001 | Screw(M4-0.7×4) | 止ネジ | 4 |
| 20 | 3201191 | Roller Shaft(Small) | ローラ軸 | 1 |
| 21 | 3201186 | Tension Roller(Small) Unit | ローラ(小)(組) | 1 |
| 22 | 3201192 | Tape Guide Wire | テープガイドワイヤ | 2 |
| 23 | 160000 | Screw(M3-0.5×3) | 止ネジ | 3 |
| 24 | 3201193 | Tape Guide | テープガイド | 2 |
| 25 | 190064 | Knob Screw(M3-0.5×5) | ツマミネジ | 1 |
| 26 | 3201196 | Tape Guide Stop | テープガイドストッパ | 1 |
| 27 | 180012 | Screw(M4-0.7×3) | 止ネジ | 1 |
| 28 | 000665 | Washer | ワッシャ | 1 |
| 29 | 110009 | Screw(M4-0.7×8) | 止ネジ | 1 |
| 30 | 0095269 | Tape Guide Bar Holder | テープバー腕 | 1 |
| 31 | 170001 | Screw(M4-0.7×8) | 止ネジ | 1 |
| 32 | 300100 | Conical Spring Washer | 皿バネワッシャ | 2 |
| 33 | 000669 | Washer | ワッシャ | 1 |
| 34 | 009604 | Screw(11/64-40×5.5) | 止ネジ | 1 |
| 35 | 3201195 | Tape Guide Bar(Long) | テープガイドバー(長) | 1 |
| 36 | 3201197 | Tape Guide(Unit) | テープガイド(組) | 1 |
| 37 | 0095272 | Tape Guide | テープガイド | 1 |
| 38 | 001892 | Screw(1/8-44×2.9) | 止ネジ | 2 |

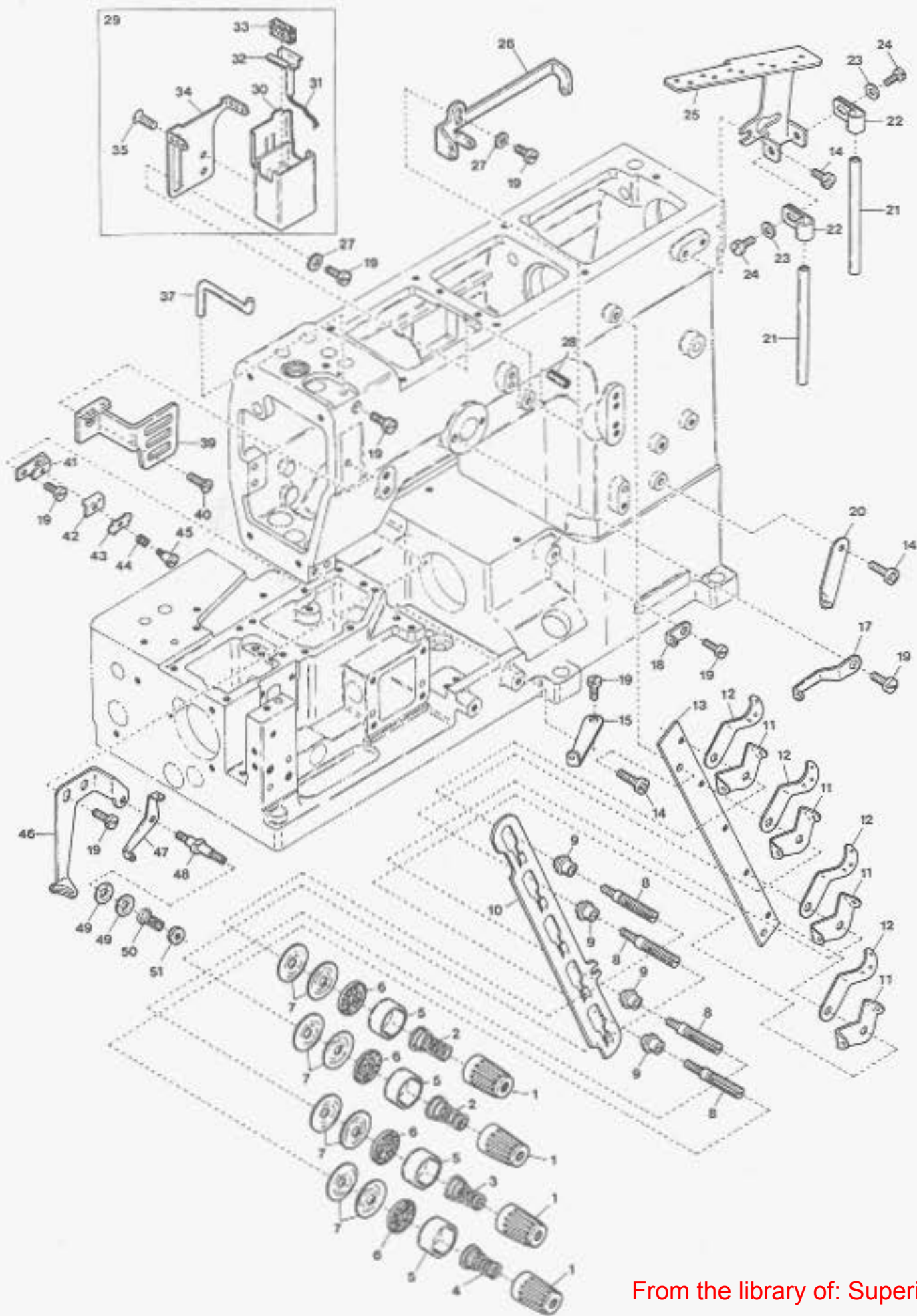
サブモデル専用部品(4)

VF2409G, 2509G(5)



VF2409G, 2509G EXCLUSIVE PARTS(5)

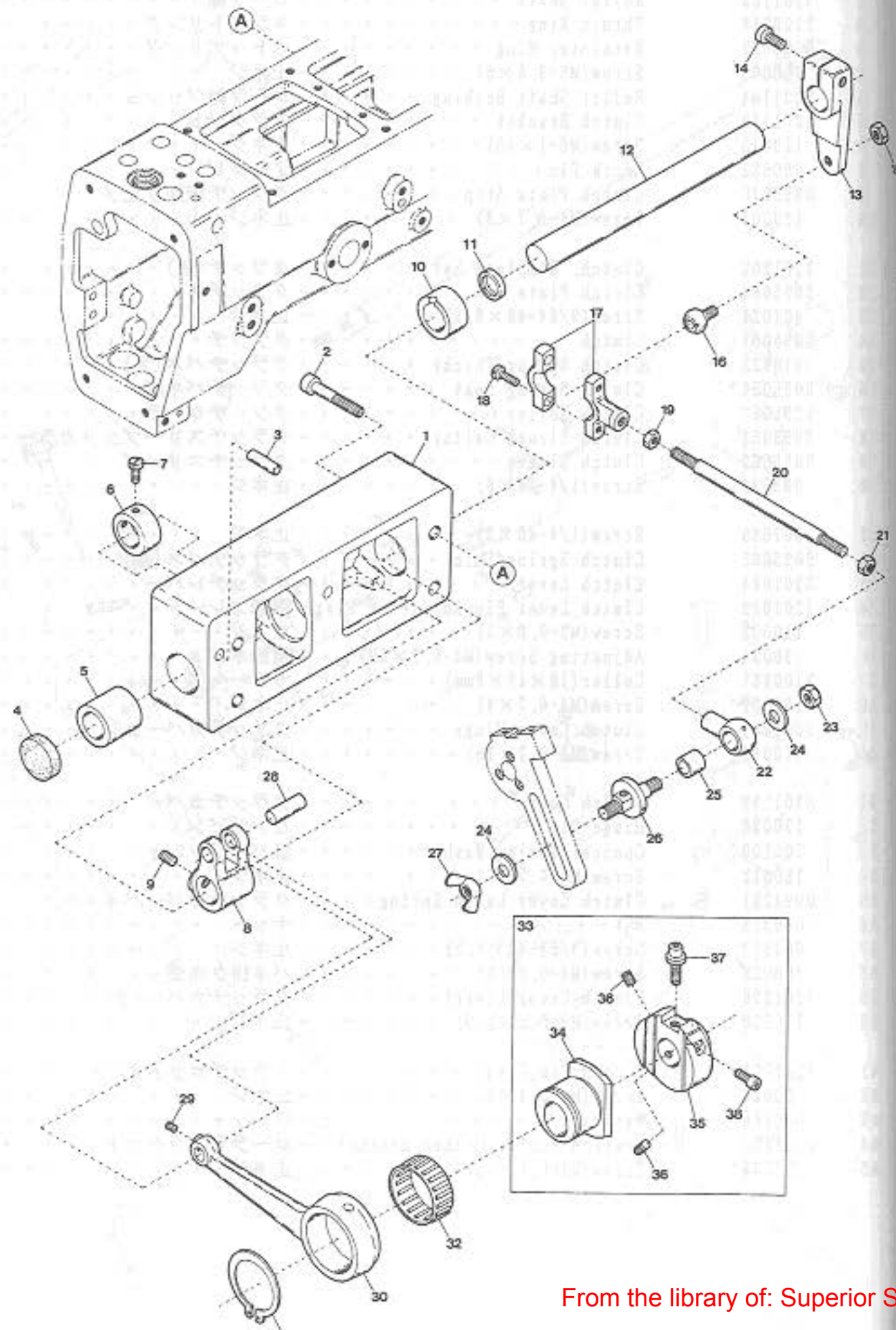
| Ref. No. | Parts No. | Description | 品名 | Amt. Req. |
|----------|-----------|----------------------------------|---------------|-----------|
| 1 | 3201183 | Roller Shaft | ローラ軸 | 1 |
| 2 | 2100218 | Thrust Ring | スラストリング | 1 |
| 3 | 0095027 | Retaining Ring | ストップリング | 1 |
| 4 | 160003 | Screw(M5-0.8×5) | 止ネジ | 1 |
| 5 | 3201184 | Roller Shaft Bushing | ローラ軸ブッシュ | 1 |
| 6 | 3201182 | Clutch Bracket | ブラケット | 1 |
| 7 | 120013 | Screw(M6-1×15) | 止ネジ | 2 |
| 8 | 000652 | Knock Pin | ノックピン | 2 |
| 9 | 0095070 | Clutch Plate Stop | クラッチ板回り止め | 1 |
| 10 | 120008 | Screw(M4-0.7×8) | 止ネジ | 2 |
| 11 | 3201202 | Clutch, Complete Set | クラッチ(組) | 1 |
| 12 | 0095064 | Clutch Plate | クラッチ板 | 1 |
| 13 | 007621 | Screw(9/64-40×8.5) | 止ネジ | 9 |
| 14 | 0095061 | Clutch | クラッチ | 2 |
| 15 | 3010022 | Clutch Spring(Thick) | クラッチバネ(太) | 6 |
| 16 | 0095066 | Clutch Spring Seat | クラッチバネ座 | 6 |
| 17 | 0095067 | Clutch Roller | クラッチローラ | 6 |
| 18 | 0095063 | Clutch Sleeve Collar | クラッチスリーブ止めカラー | 1 |
| 19 | 0095062 | Clutch Sleeve | クラッチスリーブ | 1 |
| 20 | 003635 | Screw(1/4-40×6) | 止ネジ | 2 |
| 21 | 007645 | Screw(1/4-40×3) | 止ネジ | 1 |
| 22 | 0095065 | Clutch Spring(Thin) | クラッチバネ(細) | 6 |
| 23 | 3201084 | Clutch Lever | クラッチレバー | 1 |
| 24 | 3201089 | Clutch Lever Pin Adjusting Plate | 調節プレート | 1 |
| 25 | 110002 | Screw(M3-0.5×5) | 止ネジ | 2 |
| 26 | 190034 | Adjusting Screw(M4-0.7×69) | 調節ネジ | 1 |
| 27 | 2100267 | Collar(10×17×8mm) | カラー | 1 |
| 28 | 160001 | Screw(M4-0.7×4) | 止ネジ | 3 |
| 29 | 3201091 | Clutch Cover Hinge | クラッチカバーヒンジ | 1 |
| 30 | 110016 | Screw(M4-0.7×15) | 止ネジ | 2 |
| 31 | 3201199 | Clutch Cover | クラッチカバー | 1 |
| 32 | 170026 | Hinge Pin | ヒンジピン | 1 |
| 33 | 300100 | Conical Spring Washer | 皿バネワッシャ | 2 |
| 34 | 180012 | Screw(M4-0.7×3) | 止ネジ | 1 |
| 35 | 0094201 | Clutch Cover Latch Spring | クラッチカバーバネ | 1 |
| 36 | 000335 | Nut | ナット | 1 |
| 37 | 004169 | Screw(9/64-40×8.2) | 止ネジ | 1 |
| 38 | 190005 | Screw(M4-0.7×5) | バネ掛けネジ | 1 |
| 39 | 3201200 | Clutch Cover(Lower) | クラッチカバー(下) | 1 |
| 40 | 110030 | Screw(M3-0.5×2.6) | 止ネジ | 3 |
| 41 | 3201201 | Clutch Rod Cover | クラッチロッドカバー | 1 |
| 42 | 120027 | Screw(M4-0.7×8) | 止ネジ | 2 |
| 43 | 000186 | Washer | ワッシャ | 2 |
| 44 | 3201180 | Tension Roller Holder Bracket | ローラ台ブラケット | 1 |
| 45 | 120006 | Screw(M4-0.7×25) | 止ネジ | 4 |



MISCELLANEOUS THREAD EYELETS

| Ref. No. | Parts No. | Description | 品名 | Amt. Req. |
|----------|-----------|---------------------------------|--------------|-----------|
| 1 | 0093863 | Thread Tension Spring Cap | 糸調子バネキャップ(上) | 4 |
| 2 | 0090814 | Needle Thread Tension Spring | 針糸調子バネ | 2 |
| 3 | 3100086 | Top Cover Thread Tension Spring | 飾り糸調子バネ | 1 |
| 4 | 0090847 | Looper Thread Tension Spring | ルーバ糸調子バネ | 1 |
| 5 | 0090071 | Thread Tension Spring Retainer | 糸調子バネキャップ(下) | 4 |
| 6 | 000177 | Felt | フェルト | 4 |
| 7 | 0031111 | Tension Disc | 糸調子皿 | 8 |
| 8 | 009835 | Tension Post | 糸調子棒 | 4 |
| 9 | 0090812 | Tension Post Ferrule | 糸調子棒糸摺レ | 4 |
| 10 | 3100075 | Tension Disc Separator | 糸緩メ板 | 1 |
| 11 | 0090856 | Tension Disc Eyelet | 糸調子皿糸道 | 4 |
| 12 | 0090807 | Thread Lead-in Guide | 糸調子台糸道 | 4 |
| 13 | 3100074 | Tension Post Support | 糸調子台 | 1 |
| 14 | 110013 | Screw(M4-0.7x8) | 止ネジ | 5 |
| 15 | 2100065 | Looper Thread Eyelet | ルーバ糸道 | 1 |
| 16 | | | | |
| 17 | 3200048 | Top Cover Thread Eyelet(Left) | 飾り糸道(左) | 1 |
| 18 | 3200042 | Looper Thread Eyelet | ルーバ糸道 | 1 |
| 19 | 110009 | Screw(M4-0.7x8) | 止ネジ | 9 |
| 20 | 0093556 | Looper Thread Eyelet(Long) | ルーバ糸道(長) | 1 |
| 21 | 0020119 | Thread Eyelet Pipe(Short) | 糸道パイプ(短) | 2 |
| 22 | 0093528 | Thread Eyelet Pipe Stay | 糸道パイプ支エ | 2 |
| 23 | 000532 | Washer | ワッシャ | 2 |
| 24 | 004353 | Screw(9/64-40x7) | 止ネジ | 2 |
| 25 | 0063104 | Thread Guide Plate | 糸案内板 | 1 |
| 26 | 3200047 | Top Cover Thread Eyelet(Right) | 飾り糸道(右) | 1 |
| 27 | 000538 | Washer | ワッシャ | 2 |
| 28 | 000651 | Guide Pin | ガイドピン | 1 |
| 29 | 3100382 | SP Device, Complete Set | SP装置(組) | 1 |
| 30 | 3100381 | SP Container | SPタンク | 1 |
| 31 | 310039 | Oil Wick | 油芯 | 1 |
| 32 | 0093517 | SP Felt Stay | SPフェルト支エ | 1 |
| 33 | 0093526 | Felt | SPフェルト | 1 |
| 34 | 0093521 | Needle Thread Eyelet | 針糸道 | 1 |
| 35 | 005403 | Screw(1/8-44x8) | 止ネジ | 2 |
| 36 | | | | |
| 37 | 0090068 | Needle Thread Guide | 針糸受ケ | 1 |
| 38 | | | | |
| 39 | 3100442 | Needle Thread Eyelet | 針糸道 | 1 |
| 40 | 130003 | Screw(M4-0.7x4.5) | 止ネジ | 1 |
| 41 | 3100087 | Needle Thread Retainer Support | 小調子台 | 1 |
| 42 | 0036175 | Thread Retainer Disc Support | 小調子板 | 1 |
| 43 | 0032425 | Needle Thread Retainer Dice | 小調子皿 | 1 |
| 44 | 0032426 | Needle Thread Retainer Spring | 小調子バネ | 1 |
| 45 | 001093 | Screw(1/8-44x2.2) | 止ネジ | 1 |
| 46 | 3200045 | Top Cover Thread Guide | 飾り糸案内 | 1 |
| 47 | 0063074 | Supplementary Thread Guide | 小調子台糸道 | 1 |
| 48 | 001818 | Tension Post | 糸調子棒 | 1 |
| 49 | 0037108 | Supplementary Tension Disc | 小調子皿 | 2 |
| 50 | 0035813 | Supplementary Tension Spring | 飾り糸調子バネ | 1 |
| 51 | 000360 | Nut | ナット | 1 |

VF2409G, 2509G(6)

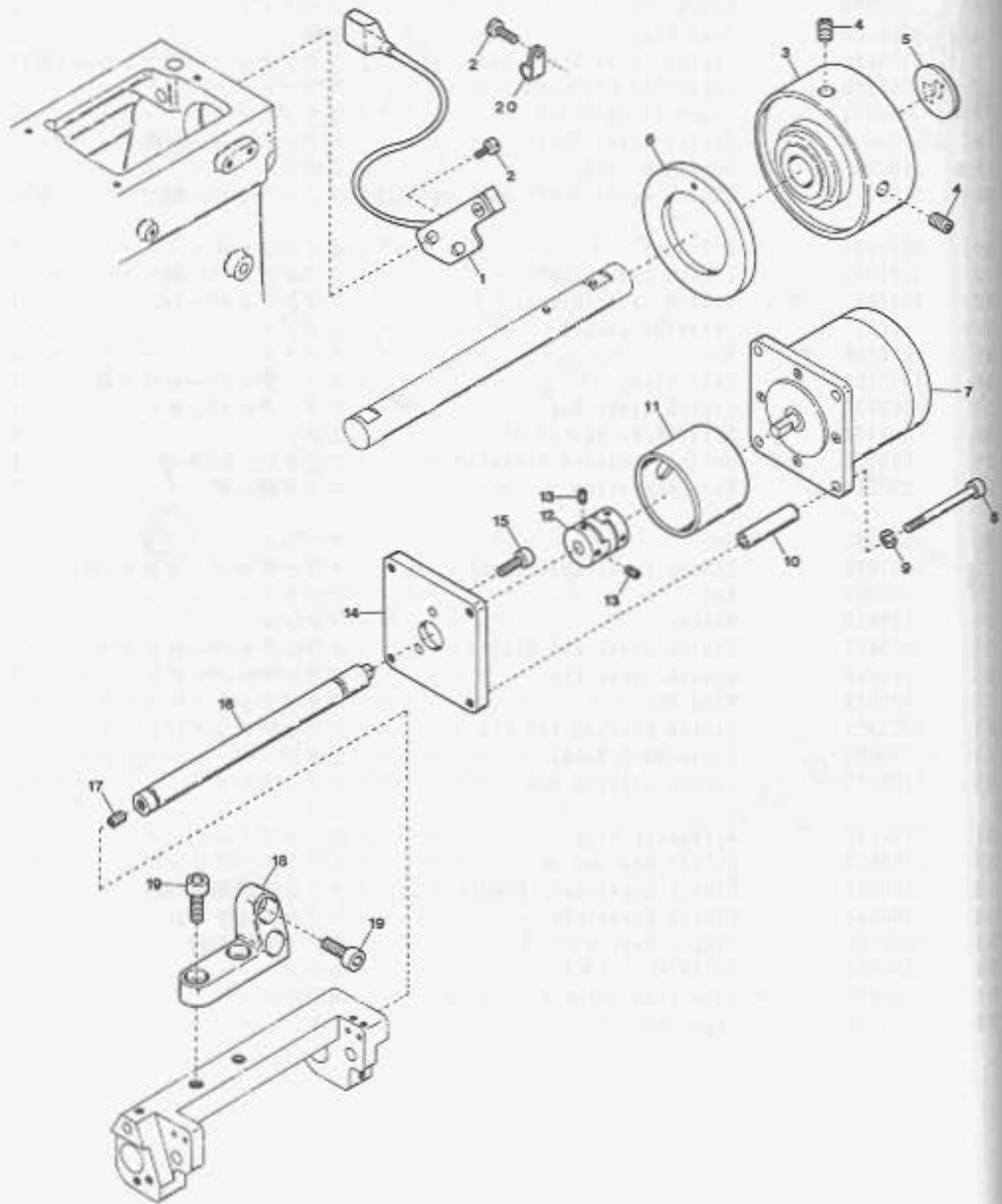


VF2409G, 2509G EXCLUSIVE PARTS(6)

| Ref. No | Parts No | Description | 品名 | Amt. Req. |
|---------|----------|-----------------------------------|-----------------|-----------|
| 1 | 3100625 | Clutch Lever Shaft Bracket | クラッチレバー軸ブラケット | 1 |
| 2 | 120019 | Screw(M6-1×35) | 止ネジ | 4 |
| 3 | 000779 | Knock Pin | ノックピン | 2 |
| 4 | 3100006 | Seal Plug | 詰栓 | 1 |
| 5 | 3100626 | Clutch Lever Shaft Bushing(Left) | クラッチレバー軸ブッシュ(左) | 1 |
| 6 | 0065398 | Collar(14×22×10mm) | カラー | 1 |
| 7 | 009604 | Screw(11/64-40×5.5) | 止ネジ | 2 |
| 8 | 3100604 | Clutch Lever Shaft Lever | クラッチレバー軸腕 | 1 |
| 9 | 160007 | Screw(M6-1×6) | 止ネジ | 2 |
| 10 | 3100607 | Clutch Lever Shaft Bushing(Right) | クラッチレバー軸ブッシュ(右) | 1 |
| 11 | 0065395 | Oil Seal | オイルシール | 1 |
| 12 | 3201081 | Clutch Lever Shaft | クラッチレバー軸 | 1 |
| 13 | 3201082 | Clutch Lever(Right) | クラッチレバー(右) | 1 |
| 14 | 120012 | Screw(M6-1×20) | 止ネジ | 1 |
| 15 | 000306 | Nut | ナット | 1 |
| 16 | 0060109 | Ball Stud | クラッチレバーロッド球 | 1 |
| 17 | 0063335 | Clutch Lever Rod | クラッチレバーロッド | 1 |
| 18 | 001174 | Screw(9/64-40×10.3) | 止ネジ | 2 |
| 19 | 000356 | Nut(Left-handed Screw) | ナット(左ネジ) | 1 |
| 20 | 290018 | Rod Connection | ロッド連結棒 | 1 |
| 21 | 000355 | Nut | ナット | 1 |
| 22 | 3201092 | Clutch Lever Rod(Front) | クラッチレバーロッド(前) | 1 |
| 23 | 100003 | Nut | ナット | 1 |
| 24 | 000613 | Washer | ワッシャ | 2 |
| 25 | 0065402 | Clutch Lever Rod Sleeve | クラッチレバーロッドスリーブ | 1 |
| 26 | 3201083 | Clutch Lever Pin | クラッチレバーピン | 1 |
| 27 | 100018 | Wing Nut | チョウナット | 1 |
| 28 | 0032921 | Clutch Driving Rod Pin | クラッチロッドピン | 1 |
| 29 | 160001 | Screw(M4-0.7×4) | 止ネジ | 1 |
| 30 | 3100602 | Clutch Driving Rod | クラッチロッド | 1 |
| 31 | 3100192 | Retaining Ring | ストップリング | 1 |
| 32 | 3100623 | Roller Bearing | ニードルベアリング | 1 |
| 33 | 3100603 | Clutch Regulator, Complete Set | クラッチ調節器(組) | 1 |
| 34 | 3100601 | Clutch Eccentric | クラッチエキセン | 1 |
| 35 | 3100600 | Clutch Regulator | クラッチ調節器 | 1 |
| 36 | 160003 | Screw(M5-0.8×5) | 止ネジ | 2 |
| 37 | 190007 | Adjusting Screw(M5-0.8×6) | 調節ネジ | 1 |
| 38 | 120008 | Screw(M4-0.7×8) | 止ネジ | 1 |

サブモデル専用部品(6)

VF2429G, 2529G(5)

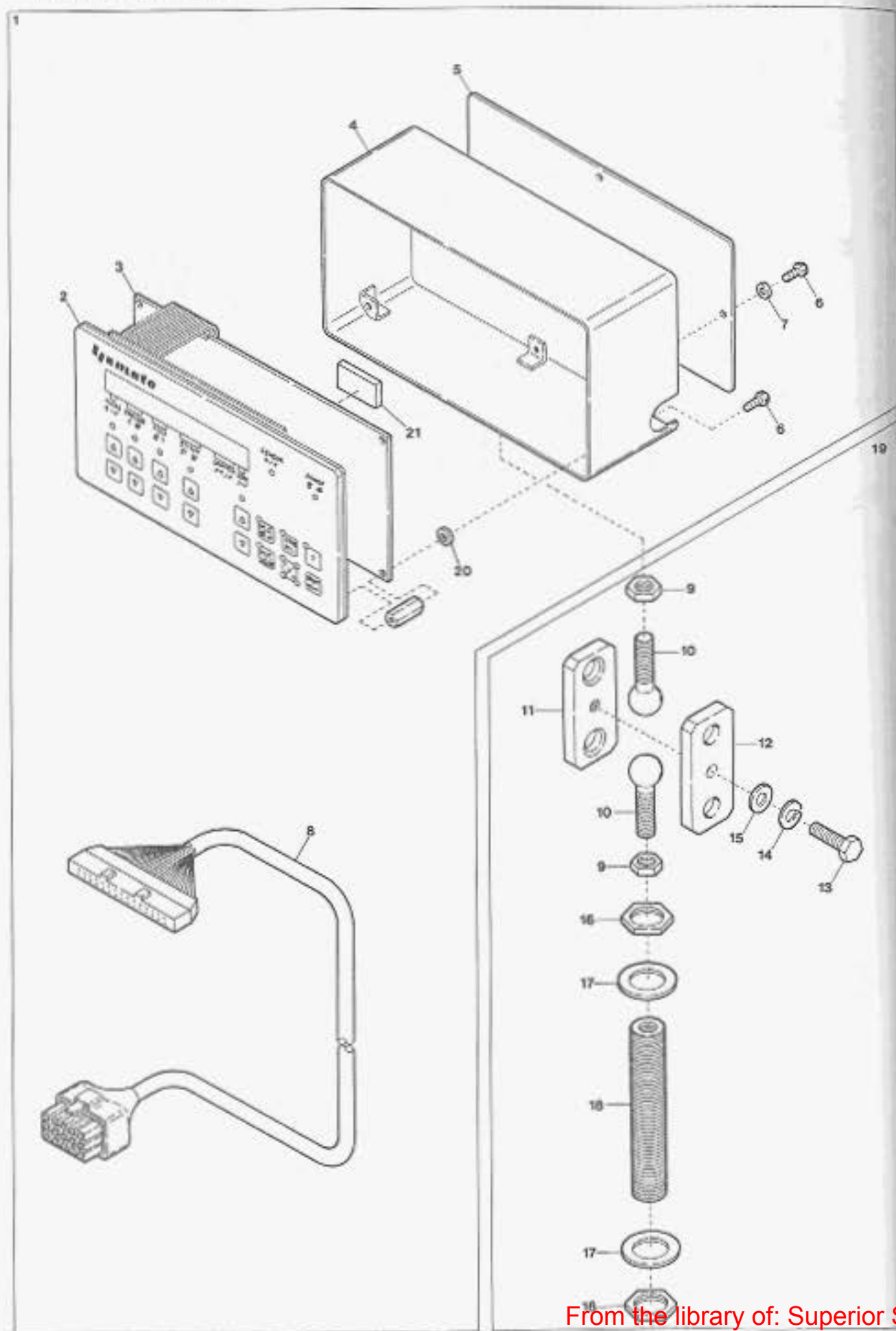


VF2429G, 2529G EXCLUSIVE PARTS(5)

サブモデル専用部品(5)

| Ref. No. | Parts No. | Description | 品名 | Amt. Req. |
|----------|-----------|---|------------------------|-----------|
| 1 | 1200153 | Rotation Detector Unit | ホールIC(組) | 1 |
| 2 | 110013 | Screw(M4-0.7×8) | 止ネジ | 3 |
| 3 | 3201216 | Handwheel | ハンドホイール | 1 |
| 4 | 160005 | Screw(M6-1×6) | 止ネジ | 2 |
| 5 | 000989 | Handwheel Mark | ハンドホイールマーク | 1 |
| 6 | 3201217 | Magnet | マグネット | 1 |
| 7 | 1064032 | Stepping Motor Unit | ステッピングモータ(組) | 1 |
| 8 | 009816 | Screw(M4-0.7×40) | 止ネジ | 4 |
| 9 | 000644 | Spring Washer | スプリングワッシャ | 4 |
| 10 | 3201238 | Spacer | スペーサ | 4 |
| 11 | 3201212 | Stepping Motor Sleeve | モータ取付パイプ | 1 |
| 12 | 3201214 | Coupling(Large) | カップリング(大) | 1 |
| 13 | 160000 | Screw(M3-0.5×3) | 止ネジ | 4 |
| 14 | 3201213 | Stepping Motor Support | モータ取付板 | 1 |
| 15 | 120018 | Screw(M4-0.7×10) | 止ネジ | 2 |
| 16 | 3201211 | Roller Shaft | ローラ軸 | 1 |
| 17 | 160003 | Screw(M5-0.8×5) | 止ネジ | 1 |
| 18 | 3201210 | Tension Roller Holder Bracket | ローラ台ブラケット | 1 |
| 19 | 120006 | Screw(M6-1×12) | 止ネジ | 4 |
| 20 | 0036133 | Cord Clamp(5N-φ8.4) | コードクランプ | 1 |

VF2429G, 2529G(6)

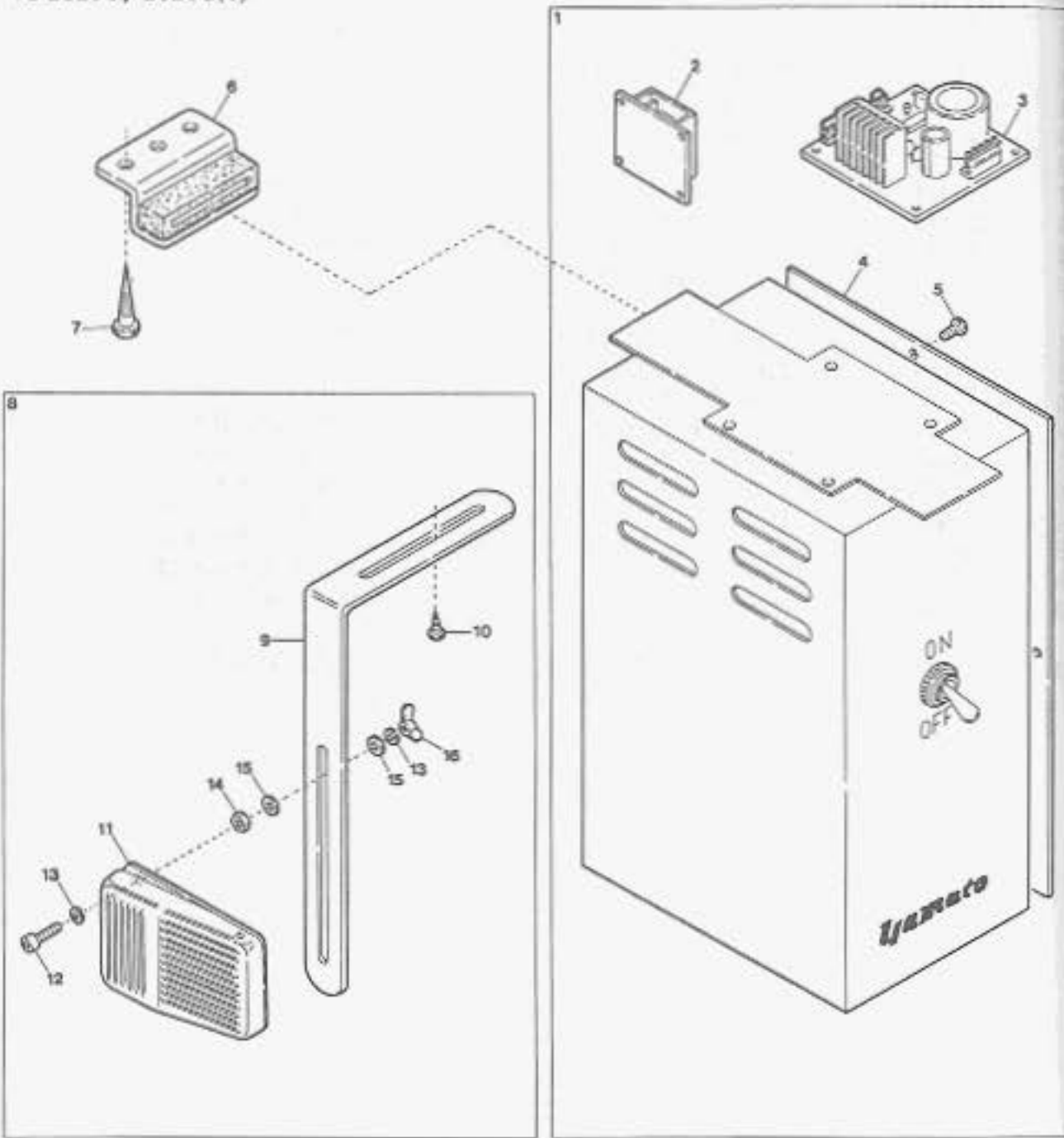


VF2429G, 2529G EXCLUSIVE PARTS(6)

サブモデル専用部品(6)

| Ref. No. | Parts No. | Description | 品名 | Amt. Req. |
|----------|-----------|-------------------------------------|---------------------------|-----------|
| 1 | 1249053 | Control Box, Complete Set | 制御ボックス(組) | 1 |
| 2 | 3201233 | Control Panel | 制御パネル | 1 |
| 3 | 1057069 | Control Board Unit | 制御基板(組) | 1 |
| 4 | 3201227 | Control Box | 制御ボックス | 1 |
| 5 | 3201228 | Control Box Lid | 制御ボックス蓋 | 1 |
| 6 | 009956 | Screw(M3-0.5×10) | 止ネジ | 8 |
| 7 | 000014 | Washer | ワッシャ | 4 |
| 8 | 1200170 | Cable | ケーブル | 1 |
| 9 | 000016 | Nut | ナット | 2 |
| 10 | 006187 | Screwed Ball(M8-1.25×23) | 球 | 2 |
| 11 | 0014224 | Box Holder(Left) | ボックスホルダ(左) | 1 |
| 12 | 0014225 | Box Holder(Right) | ボックスホルダ(右) | 1 |
| 13 | 009948 | Screw(M8-1.25×30) | 止ネジ | 1 |
| 14 | 000676 | Spring Washer | スプリングワッシャ | 1 |
| 15 | 000666 | Washer | ワッシャ | 1 |
| 16 | 000060 | Nut | ナット | 2 |
| 17 | 000434 | Washer | ワッシャ | 2 |
| 18 | 3201229 | Box Fixing Screw | ボックス取付ネジ | 1 |
| 19 | 3201234 | Box Holder, Complete Set | ボックスホルダ(組) | 1 |
| 20 | 300030 | Washer | ワッシャ | 4 |
| 21 | 1050228 | EPROM(Mark VF100) | EPROM(記号 VF100) | 1 |

VF2429G, 2529G(7)

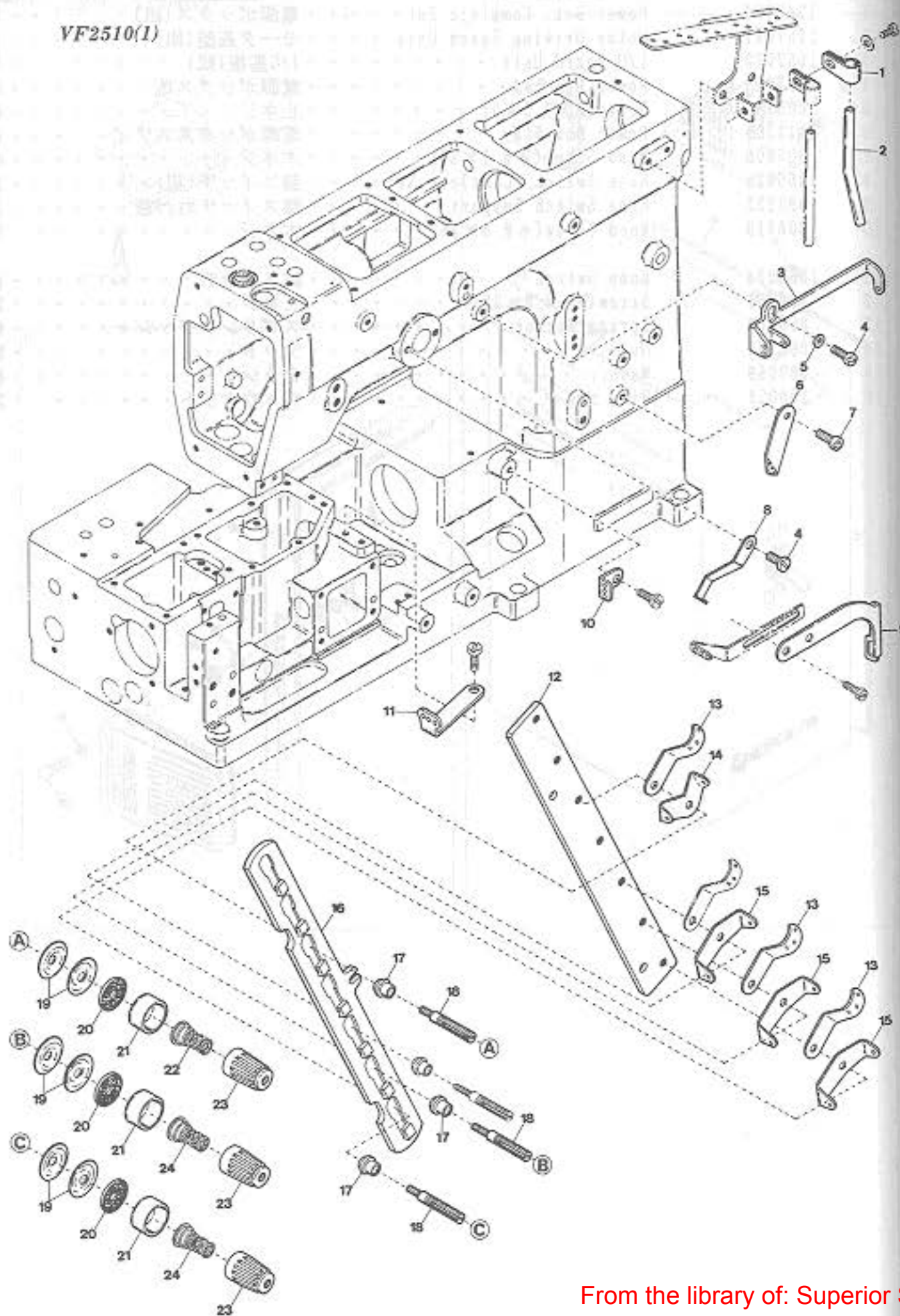


VF2429G, 2529G EXCLUSIVE PARTS(7)

サブモデル専用部品(7)

| Ref. No. | Parts No. | Description | 品名 | Amt. Req. |
|----------|-----------|-------------------------------------|---------------------|-----------|
| 1 | 1249054 | Power Box, Complete Set | 電源ボックス(組) | 1 |
| 2 | 1057041 | Motor Driving Board Unit | モータ基盤(組) | 1 |
| 3 | 1057072 | I/O Board Unit | I/O基板(組) | 1 |
| 4 | 3201225 | Power Box Lid | 電源ボックス蓋 | 1 |
| 5 | 009995 | Screw(M3-0.5×5) | 止ネジ | 4 |
| 6 | 0011709 | Power Box Stay | 電源ボックスステイ | 2 |
| 7 | 006905 | Wood Screw(φ5.1×20) | 木ネジ | 4 |
| 8 | 1066025 | Knee Switch, Complete Set | 膝スイッチ(組) | 1 |
| 9 | 0092232 | Knee Switch Support | 膝スイッチ取付板 | 1 |
| 10 | 006910 | Wood Screw(φ6.8×26) | 木ネジ | 2 |
| 11 | 1066024 | Knee Switch | 膝スイッチ | 1 |
| 12 | 009961 | Screw(M5-0.8×35) | 止ネジ | 2 |
| 13 | 000600 | Spring Washer | スプリングワッシャ | 4 |
| 14 | 000206 | Nut | ナット | 2 |
| 15 | 000669 | Washer | ワッシャ | 4 |
| 16 | 100028 | Wing Nut | チョウナット | 2 |

VF2510(1)



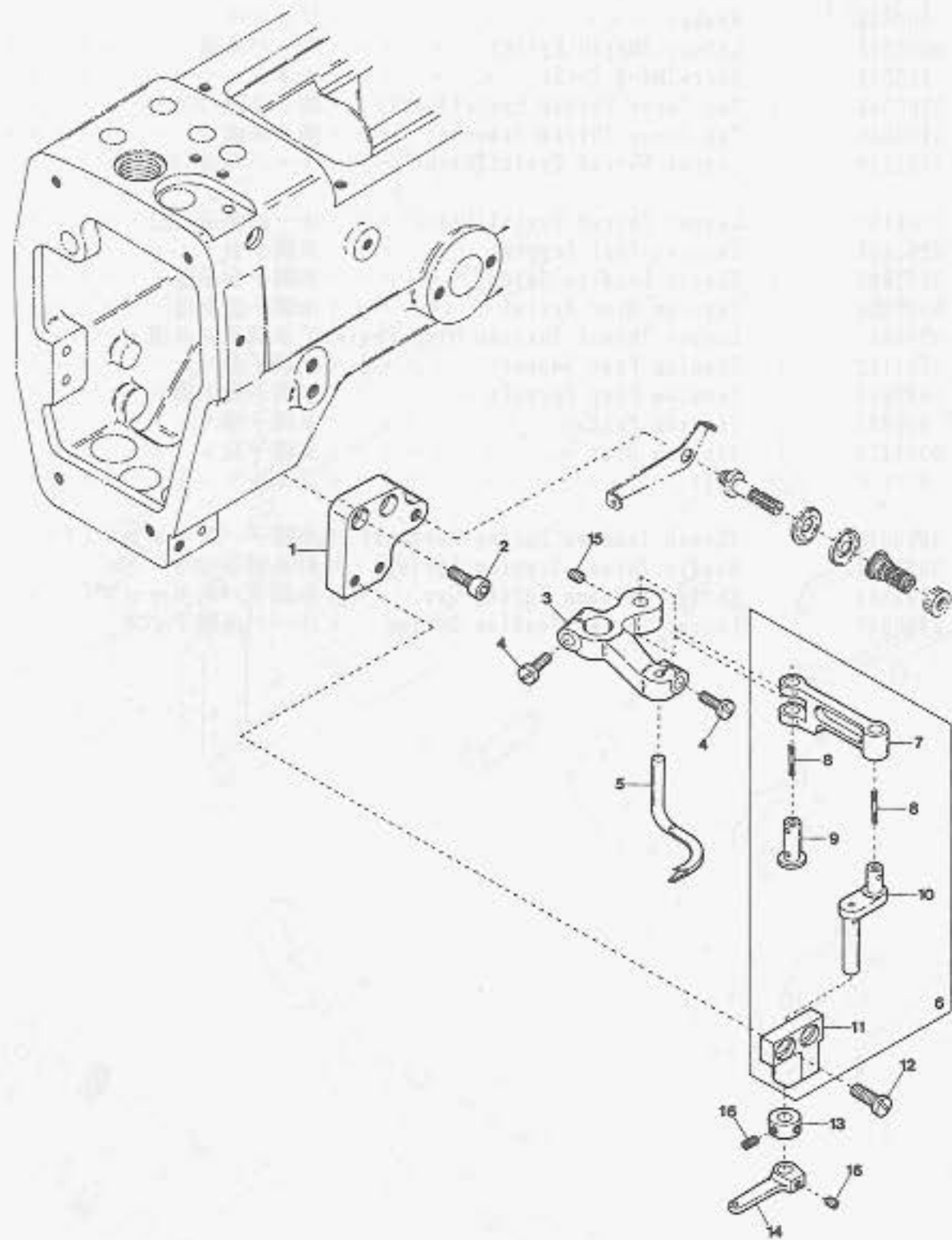
VF2510 EXCLUSIVE PARTS(1)

| Ref. No. | Parts No. | Description | 品名 | Amt. Req. |
|----------|-----------|---|------------------------|-----------|
| 1 | 0093528 | Thread Eyelet Pipe Stay | 糸道パイプ支エ | 1 |
| 2 | 0021735 | Thread Eyelet Pipe(Long) | 糸道パイプ(長) | 1 |
| 3 | 3200047 | Top Cover Thread Eyelet(Right) | 飾り糸道(右) | 1 |
| 4 | 110009 | Screw(M4-0.7×8) | 止ネジ | 2 |
| 5 | 000538 | Washer | ワッシャ | 1 |
| 6 | 0095916 | Looper Thread Eyelet | ルーパ糸道 | 1 |
| 7 | 110013 | Screw(M4-0.7×8) | 止ネジ | 1 |
| 8 | 3200048 | Top Cover Thread Eyelet(Left) | 飾り糸道(左) | 1 |
| 9 | 3200049 | Tap Cover Thread Take-up | 飾り糸繰り | 1 |
| 10 | 3201156 | Looper Thread Eyelet(Right) | ルーパ糸道(右) | 1 |
| 11 | 3201157 | Looper Thread Eyelet(Left) | ルーパ糸道(左) | 1 |
| 12 | 3201163 | Tension Post Support | 糸調子台 | 1 |
| 13 | 0090807 | Thread Lead-in Guide | 糸調子台糸道 | 3 |
| 14 | 0090856 | Tension Disc Eyelet | 糸調子皿糸道 | 1 |
| 15 | 0090857 | Looper Thread Tension Disc Eyelet | 下糸調子皿糸道 | 3 |
| 16 | 3201162 | Tension Post Support | 糸調子台 | 1 |
| 17 | 0090812 | Tension Post Ferrule | 糸調子棒糸摺レ | 3 |
| 18 | 009835 | Tension Post | 糸調子棒 | 3 |
| 19 | 0031111 | Tension Disc | 糸調子皿 | 6 |
| 20 | 000177 | Felt | フェルト | 3 |
| 21 | 0090071 | Thread Tension Spring Retainer | 糸調子バネキャップ(下) | 3 |
| 22 | 0090814 | Needle Thread Tension Spring | 針糸調子バネ | 1 |
| 23 | 0093863 | Thread Tension Spring Cap | 糸調子バネキャップ(上) | 3 |
| 24 | 0090847 | Looper Thread Tension Spring | ルーパ糸調子バネ | 2 |

サブモデル専用部品(1)

Amt. Req.

VF2510(2)

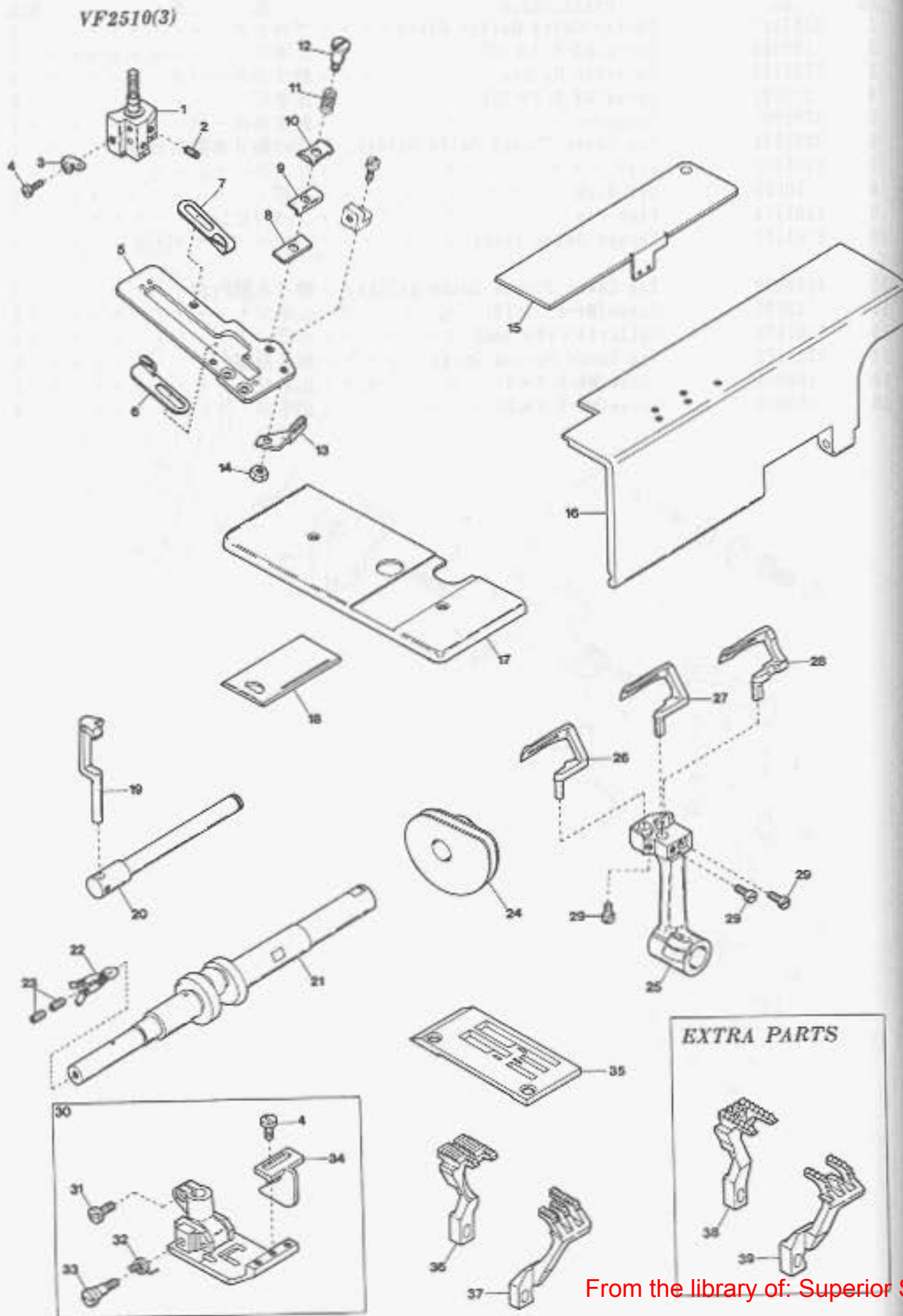


VF2510 EXCLUSIVE PARTS(2)

| Ref. No. | Parts No. | Description | 品名 | Amt. Req. |
|----------|-----------|---|---------------------|-----------|
| 1 | 3201169 | Thread Guide Holder Block | ブロック | 1 |
| 2 | 120009 | Screw (M4-0.7×12) | 止ネジ | 2 |
| 3 | 3201168 | Spreader Holder | 飾り糸ルーパ台 | 1 |
| 4 | 110031 | Screw (M4-0.7×12) | 止ネジ | 2 |
| 5 | 3209301 | Spreader | 飾り糸ルーパ | 1 |
| 6 | 3201178 | Top Cover Thread Guide Holder, C. Set | 飾り糸案内台(組) | 1 |
| 7 | 3201171 | Link | リンク | 1 |
| 8 | 310056 | Oil Wick | 油芯 | 2 |
| 9 | 3201174 | Link Pin | ツバ付ピン | 1 |
| 10 | 3201172 | Thread Guide Lever | レバー | 1 |
| 11 | 3201170 | Top Cover Thread Guide Holder | 飾り糸案内台 | 1 |
| 12 | 110035 | Screw (M4-0.7×10) | 止ネジ | 2 |
| 13 | 3201173 | Collar (5×10×5mm) | カラー | 1 |
| 14 | 3201175 | Top Cover Thread Guide | 飾り糸案内 | 1 |
| 15 | 160001 | Screw (M4-0.7×4) | 止ネジ | 1 |
| 16 | 160000 | Screw (M3-0.5×3) | 止ネジ | 3 |

サブモデル専用部品(2)

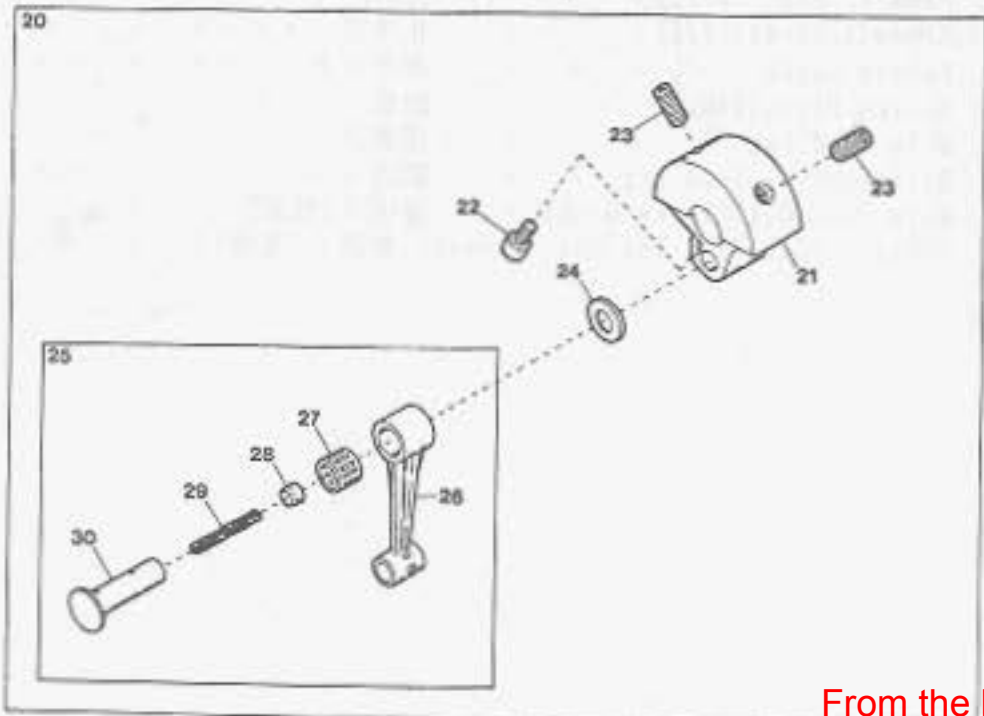
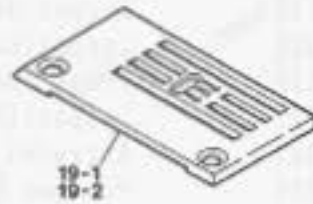
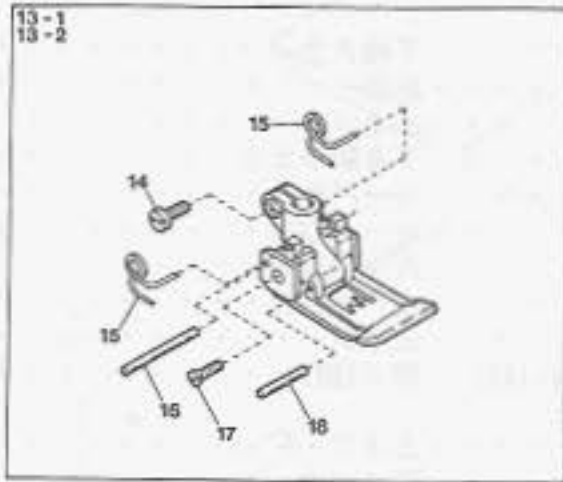
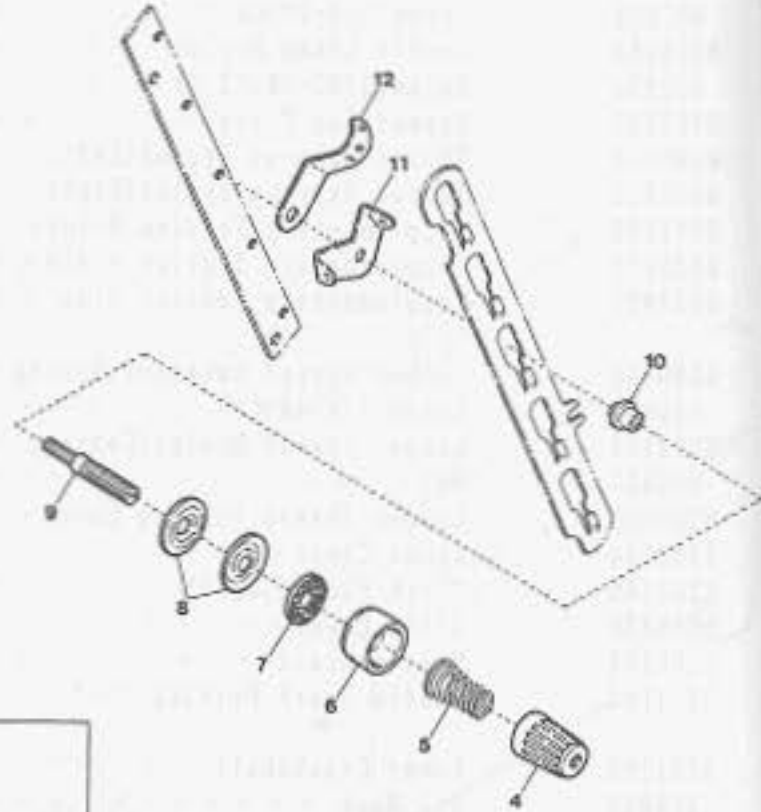
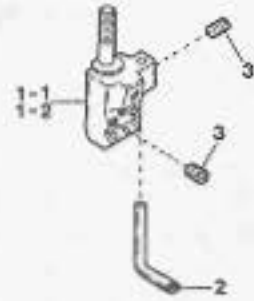
35



VF2510 EXCLUSIVE PARTS(3)

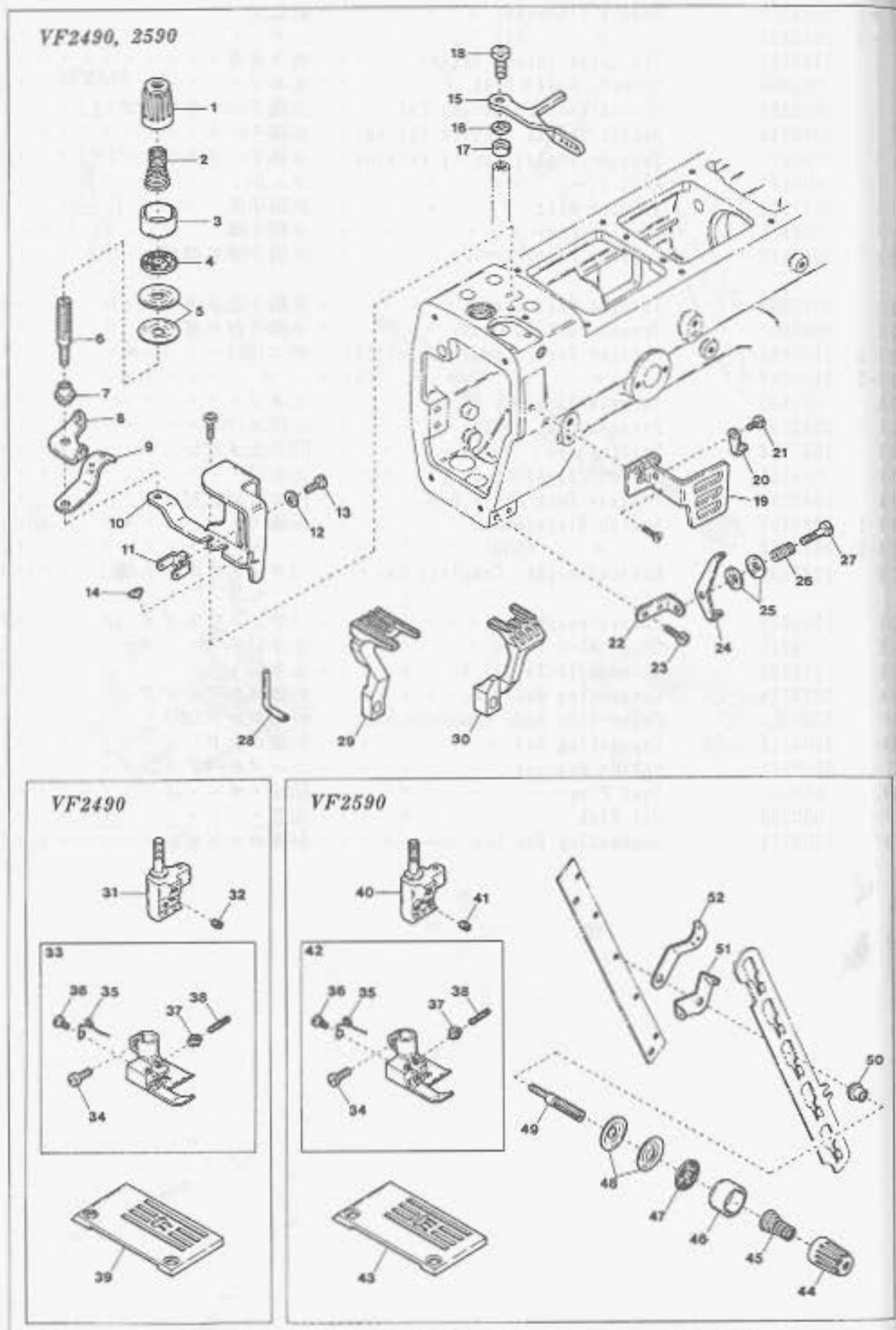
| Ref. No | Parts No | Description | 品名 | Amt. Req. |
|---------|----------|------------------------------------|-----------|-----------|
| 1 | 3209112 | Needle Clamp(88) | 針止メ | 1 |
| 2 | 001892 | Screw(1/8-44×2.9) | 止ネジ | 3 |
| 3 | 3201164 | Needle Clamp Eyelet | 針止メ糸道 | 1 |
| 4 | 001230 | Screw(3/32-56×3.8) | 止ネジ | 3 |
| 5 | 3201152 | Supporting Plate | カム糸道取付板 | 1 |
| 6 | 0095921 | Thread Take-up Eyelet(Left) | 調子カム糸道(左) | 1 |
| 7 | 0095922 | Thread Take-up Eyelet(Right) | 調子カム糸道(右) | 1 |
| 8 | 0095909 | Supplementary Tension Holder | 小調子台 | 1 |
| 9 | 0036175 | Supplementary Tension Plate | 小調子板 | 1 |
| 10 | 0032425 | Supplementary Tension Disc | 小調子皿 | 1 |
| 11 | 0090846 | Looper Thread Retainer Spring | 小調子バネ | 1 |
| 12 | 270012 | Screw(1/8-44×5) | 止ネジ | 1 |
| 13 | 3201153 | Looper Thread Eyelet(Center) | ルーバ糸道(中) | 1 |
| 14 | 000322 | Nut | ナット | 1 |
| 15 | 3200035 | Looper Thread Take-up Cover | カムカバー | 1 |
| 16 | 3200034 | Front Cover | 前開キカバー | 1 |
| 17 | 3201160 | Cloth Plate(Small) | 小カバー | 1 |
| 18 | 0095936 | Slide Cover | 小カバー滑り板 | 1 |
| 19 | 3209201 | Needle Guard | 針受ケ | 1 |
| 20 | 3201155 | Needle Guard Driving Shaft | 針受ケ軸 | 1 |
| 21 | 3201166 | Lower Crankshaft | 下軸クランク | 1 |
| 22 | 310055 | Oil Wick | 油芯 | 1 |
| 23 | 160007 | Screw(M6-1×6) | 止ネジ | 2 |
| 24 | 0094512 | Looper Thread Taku-up | 下糸調子カム | 1 |
| 25 | 3201176 | Looper Holder | ルーバ台 | 1 |
| 26 | 0095932 | Looper(Left) | ルーバ(左) | 1 |
| 27 | 0095930 | Looper(Medium) | ルーバ(中) | 1 |
| 28 | 0095931 | Looper(Right) | ルーバ(右) | 1 |
| 29 | 110057 | Screw(M4-0.7×7) | 止ネジ | 3 |
| 30 | 0096006 | Presser Foot, Complete Set(88) | 押エ(組) | 1 |
| 31 | 001186 | Screw(9/64-40×7.8) | 止ネジ | 1 |
| 32 | 0094839 | Presser Foot Spring | 押エバネ | 1 |
| 33 | 006093 | Screw(5/32-40×6.5) | 止ネジ | 1 |
| 34 | 0096005 | Fabric Guide | 布ガイド | 1 |
| 35 | 0096255 | Stitch Plate(88M) | 針板 | 1 |
| 36 | 3209031 | Main Feed Dog | 後送り | 1 |
| 37 | 3209032 | Differential Feed Dog | 前送り | 1 |
| 38 | 3209040 | Main Feed Dog(Coarse Mesh) | 後送り(荒歯) | 1 |
| 39 | 3209041 | Differential Feed Dog(Coarse Mesh) | 前送り(荒歯) | 1 |

VF2530



VF2530 EXCLUSIVE PARTS

| Ref. No | Parts No | Description | 品名 | Amt. Req. |
|---------|----------|--------------------------------|--------------|-----------|
| 1-1 | 0093357 | Needle Clamp(56) | 針止メ | 1 |
| 1-2 | 0093358 | " (64) | " | 1 |
| 2 | 3201232 | Top Cover Thread Eyelet | 飾り糸道 | 1 |
| 3 | 001900 | Screw(1/8-44×2.4) | 止ネジ | 4 |
| 4 | 0093863 | Thread Tension Spring Cap | 糸調子バネキャップ(上) | 1 |
| 5 | 0090814 | Needle Thread Tension Spring | 糸調子バネ | 1 |
| 6 | 0090071 | Thread Tension Spring Retainer | 糸調子バネキャップ(下) | 1 |
| 7 | 000177 | Felt | フェルト | 1 |
| 8 | 0031111 | Tension Disc | 糸調子皿 | 2 |
| 9 | 009835 | Tension Post | 糸調子棒 | 1 |
| 10 | 0090812 | Tension Post Ferrule | 糸調子棒糸摺レ | 1 |
| 11 | 0090856 | Tension Disc Eyelet | 糸調子皿糸道 | 1 |
| 12 | 0090807 | Thread Lead-in Guide | 糸調子台糸道 | 1 |
| 13-1 | 3107025 | Presser Foot, Complete Set(56) | 押エ(組) | 1 |
| 13-2 | 3107047 | " " (64) | " | 1 |
| 14 | 001186 | Screw(9/64-40×7.8) | 止ネジ | 1 |
| 15 | 0063280 | Presser Foot Spring | 小押エバネ | 2 |
| 16 | 0063284 | Locking Pin | 回り止メピン | 1 |
| 17 | 005122 | Screw(3/32-56×5.5) | 止ネジ | 2 |
| 18 | 0063282 | Presser Foot Hinge Pin | 押エヒンジピン | 1 |
| 19-1 | 0094801 | Stitch Plate(56M) | 針板 | 1 |
| 19-2 | 0094802 | " (64M) | " | 1 |
| 20 | 3201230 | Counterweight, Complete Set | バランスウエイト(組) | 1 |
| 21 | 3201231 | Counterweight | バランスウエイト | 1 |
| 22 | 120015 | Screw(M5-0.8×10) | 止ネジ | 1 |
| 23 | 260000 | Screw(5/16-24×15.9) | 止ネジ | 2 |
| 24 | 0093214 | Connecting Rod Ring | 針棒ロッドリング | 1 |
| 25 | 3200114 | Connecting Rod, Complete Set | 針棒ロッド(組) | 1 |
| 26 | 3200112 | Connecting Rod | 針棒ロッド | 1 |
| 27 | 0093212 | Roller Bearing | ニードルベアリング | 1 |
| 28 | 330000 | Seal Plug | 詰栓 | 1 |
| 29 | 000309 | Oil Wick | 油芯 | 1 |
| 30 | 3200113 | Connecting Rod Pin | 針棒ロッドピン | 1 |



| Ref. No. | Parts No. | Description | 品名 | Amt. Req. |
|----------|-----------|--------------------------------|--------------|-----------|
| 1 | 0093863 | Thread Tension Spring Cap | 糸調子バネキャップ(上) | 1 |
| 2 | 0090814 | Needle Thread Tension Spring | 糸調子バネ | 1 |
| 3 | 0090071 | Thread Tension Spring Retainer | 糸調子バネキャップ(下) | 1 |
| 4 | 000177 | Felt | フェルト | 1 |
| 5 | 0031111 | Tension Disc | 糸調子皿 | 2 |
| 6 | 009835 | Tension Post | 糸調子棒 | 1 |
| 7 | 0090812 | Tension Post Ferrule | 糸調子棒拵レ | 1 |
| 8 | 0090856 | Tension Disc Eyelet | 糸調子皿糸道 | 1 |
| 9 | 0090807 | Thread Lead-in Guide | 糸調子台糸道 | 1 |
| 10 | 3201481 | Needle Bar Guard | 針棒ガード | 1 |
| 11 | 3202021 | Top Cover Thraed Eyelet(Upper) | 飾り糸道(上) | 1 |
| 12 | 000531 | Washer | ワッシャ | 1 |
| 13 | 110033 | Screw(M3-0.5×6) | 止ネジ | 1 |
| 14 | 3120128 | Thraed Guide Eyelet | 糸案内糸道 | 1 |
| 15 | 3201483 | Needle Bar Thraed Eyelet | 針棒糸道 | 1 |
| 16 | 000548 | Washer | ワッシャ | 1 |
| 17 | 000515 | Spacer | スペーサ | 1 |
| 18 | 001923 | Screw(9/64-40×14) | 止ネジ | 1 |
| 19 | 3201488 | Needle Thread Take-up Guard | 針糸繰りガード | 1 |
| 20 | 3200042 | Looper Thread Eyelet | ループ糸道 | 1 |
| 21 | 110008 | Screw(M4-0.7×5) | 止ネジ | 1 |
| 22 | 3201484 | Thread Eyelet Support | 飾り糸道取付板 | 1 |
| 23 | 110009 | Screw(M4-0.7×8) | 止ネジ | 1 |
| 24 | 0093535 | Top Cover Thread Eyelet(Upper) | 飾り糸道(上) | 1 |
| 25 | 0037108 | Supplementary Tension Disc | 小調子皿 | 2 |
| 26 | 0032426 | Tension Spring | 小調子バネ | 1 |
| 27 | 270014 | Screw(1/8-44×2.6) | 止ネジ | 1 |
| 28 | 0093365 | Top Cover Thread Eyelet(Lower) | 飾り糸道(下) | 1 |
| 29 | 3209037 | Main Feed Dog | 後送り | 1 |
| 30 | 3209036 | Differential Feed Dog | 前送り | 1 |
| 31 | 0093352 | Needle Clamp(40) | 針止メ | 1 |
| 32 | 001900 | Screw(1/8-44×2.4) | 止ネジ | 2 |
| 33 | 0093292 | Presser Foot, Complete Set(40) | 押エ(組) | 1 |
| 34 | 001186 | Screw(9/64-40×7.8) | 止ネジ | 1 |
| 35 | 0091725 | Presser Foot Spring | 押エバネ | 2 |
| 36 | 005133 | Screw(1/8-44×4.5) | 止ネジ | 1 |
| 37 | 000220 | Lock Nut | ロックナット | 1 |
| 38 | 003300 | Adjusting Screw(1/8-44×15) | 調節ネジ | 1 |
| 39 | 0093287 | Stitch Plate(40M) | 針板 | 1 |
| 40 | 0093357 | Needle Clamp(56) | 針止メ | 1 |

※ Ref. No. 41 to 52 See the following page.

VF2490, 2590 EXCLUSIVE PARTS

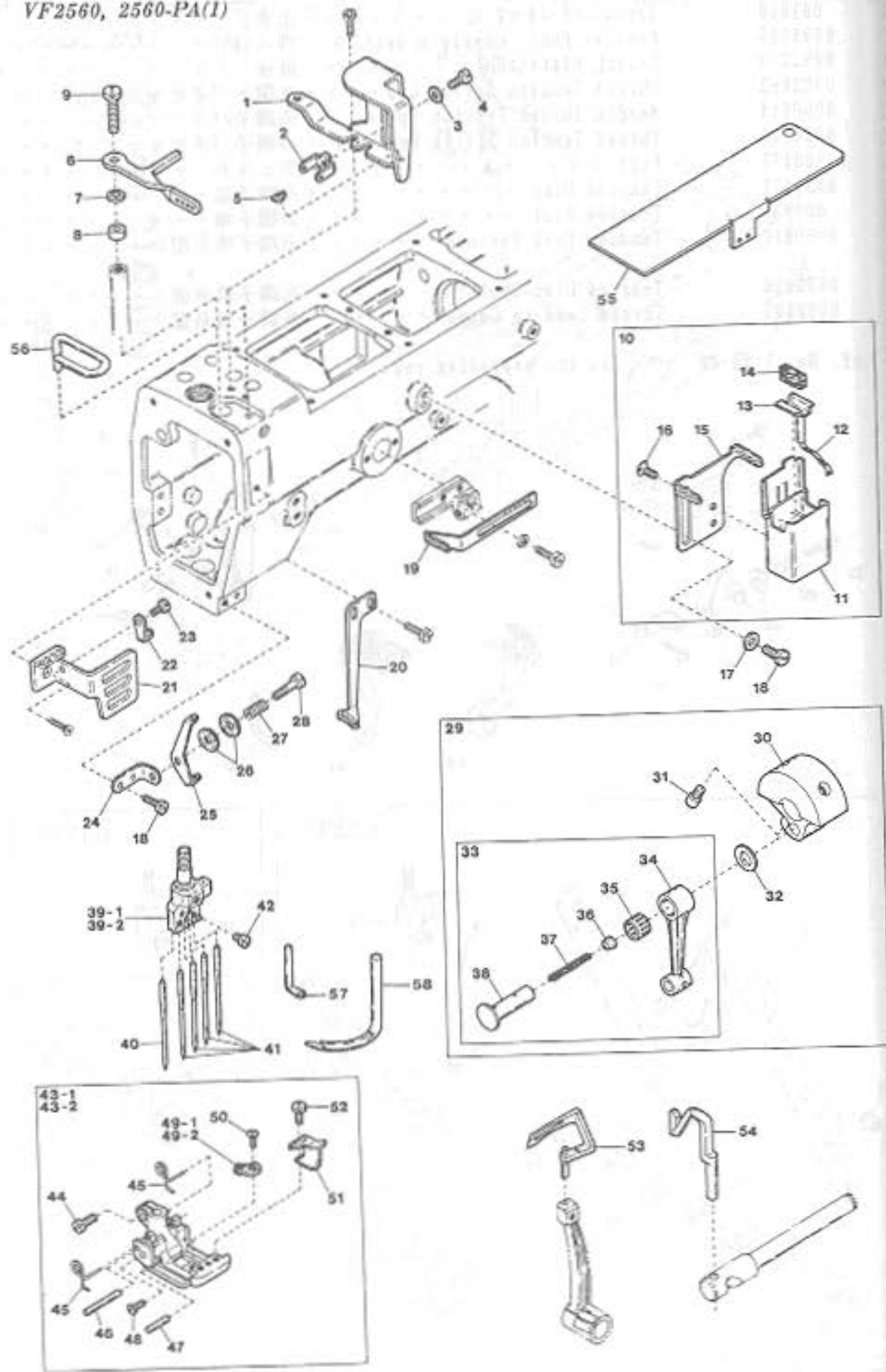
サブモデル専用部品

38

| Ref. No. | Parts No. | Description | 品名 | Amt. Req. |
|----------|-----------|--------------------------------|--------------|-----------|
| 41 | 001900 | Screw(1/8-44×2.4) | 止ネジ | 3 |
| 42 | 0095035 | Presser Foot, Complete Set(56) | 押エ(組) | 1 |
| 43 | 0093289 | Stitch Plate(56M) | 針板 | 1 |
| 44 | 0093863 | Thread Tension Spring Cap | 糸調子バネキャップ(上) | 1 |
| 45 | 0090814 | Needle Thread Tension Spring | 糸調子バネ | 1 |
| 46 | 0090071 | Thread Tension Spring Retainer | 糸調子バネキャップ(下) | 1 |
| 47 | 000177 | Felt | フェルト | 1 |
| 48 | 0031111 | Tension Disc | 糸調子皿 | 2 |
| 49 | 009835 | Tension Post | 糸調子棒 | 1 |
| 50 | 0090812 | Tension Post Ferrule | 糸調子棒拵レ | 1 |
| 51 | 0090856 | Tension Disc Eyelet | 糸調子皿糸道 | 1 |
| 52 | 0090807 | Thread Lead-in Guide | 糸調子台糸道 | 1 |

※ Ref. No. 1 to 40 See the preceding page.

VF2560, 2560-PA(1)



VF2560, 2560-PA EXCLUSIVE PARTS(1)

サブモデル専用部品(1)

| Ref. No. | Parts No. | Description | 品名 | Amt. Req. |
|----------|-----------|---------------------------------|-------------|-----------|
| 1 | 3201481 | Needle Bar Guard | 針棒ガード | 1 |
| 2 | 3202021 | Top Cover Thread Eyelet (Upper) | 飾り糸道(上) | 1 |
| 3 | 000531 | Washer | ワッシャー | 1 |
| 4 | 110033 | Screw(M3-0.5×6) | 止ネジ | 1 |
| 5 | 3120128 | Thread Guide Eyelet | 糸案内糸道 | 1 |
| 6 | 3201483 | Needle Bar Thread Eyelet | 針棒糸道 | 1 |
| 7 | 000548 | Washer | ワッシャー | 1 |
| 8 | 000515 | Spacer | スペーサ | 1 |
| 9 | 001923 | Screw(9/64-40×14) | 止ネジ | 1 |
| 10 | 3202023 | SP Device, Complete Set | SP装置(組) | 1 |
| 11 | 3100381 | SP Container | SPタンク | 1 |
| 12 | 310039 | Oil Wick | 油芯 | 1 |
| 13 | 0093517 | SP Felt Stay | SPフェルト支エ | 1 |
| 14 | 0093526 | Felt | SPフェルト | 1 |
| 15 | 0096158 | Needle Thread Eyelet | 針糸道 | 1 |
| 16 | 005403 | Screw(1/8-44×8) | 止ネジ | 2 |
| 17 | 000538 | Washer | ワッシャー | 1 |
| 18 | 110009 | Screw(M4-0.7×8) | 止ネジ | 2 |
| 19 | 0066644 | Needle Thread Take-up | 針糸繰り糸道 | 1 |
| 20 | 3202020 | Top Cover Thread Guide | 飾り糸案内 | 1 |
| 21 | 3201488 | Needle Thread Take-up Guard | 針糸繰りガード | 1 |
| 22 | 3200042 | Looper Thread Eyelet | ルーパー糸道 | 1 |
| 23 | 110008 | Screw(M4-0.7×5) | 止ネジ | 1 |
| 24 | 3201484 | Thread Eyelet Support | 飾り糸道取付板 | 1 |
| 25 | 0093535 | Top Cover Thread Eyelet (Upper) | 飾り糸道(上) | 1 |
| 26 | 0037108 | Supplementary Tension Disc | 小調子皿 | 2 |
| 27 | 0032426 | Tension Spring | 小調子バネ | 1 |
| 28 | 270014 | Screw(1/8-44×2.6) | 止ネジ | 1 |
| 29 | 3202024 | Counterweight, Complete Set | バランスウエイト(組) | 1 |
| 30 | 3202025 | Counterweight | バランスウエイト | 1 |
| 31 | 120015 | Screw(M5-0.8×10) | 止ネジ | 1 |
| 32 | 0093214 | Connecting Rod Ring | 針棒ロッドリング | 1 |
| 33 | 3200114 | Connecting Rod, Complete Set | 針棒ロッド(組) | 1 |
| 34 | 3200112 | Connecting Rod | 針棒ロッド | 1 |
| 35 | 0093212 | Roller Bearing | ニードルベアリング | 1 |
| 36 | 330000 | Seal Plug | 詰栓 | 1 |
| 37 | 000309 | Oil Wick | 油芯 | 1 |
| 38 | 3200113 | Connecting Rod Pin | 針棒ロッドピン | 1 |
| 39-1 | 3209115 | Needle Clamp(56) | 針止メ | 1 |
| 39-2 | 3209116 | " (64) | " | 1 |
| 40 | ----- | Retainer(FLG-1, 36211) | リテーナ針 | 1 |

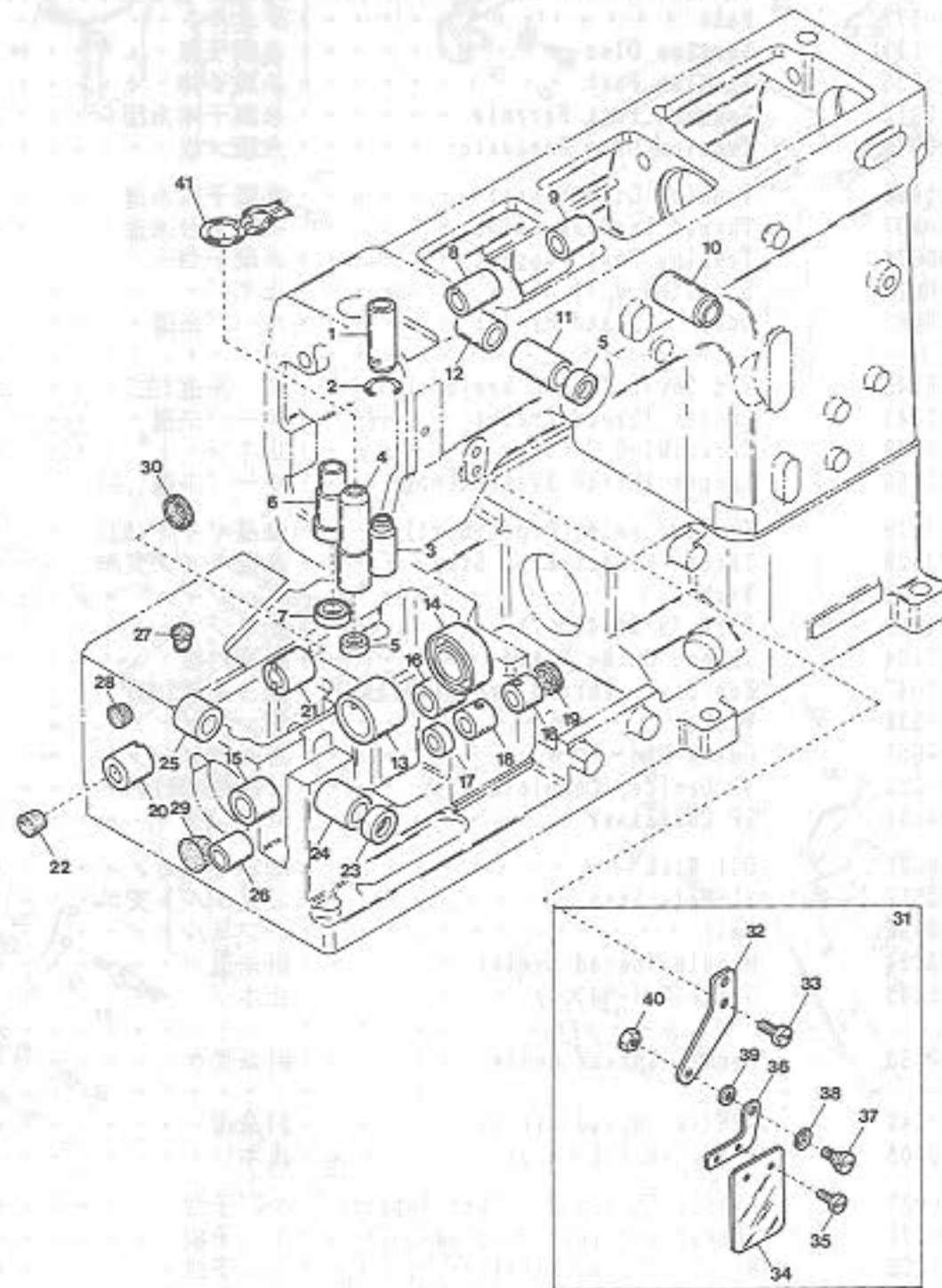
※ Ref. No. 41 to 58 See the following page.

VF2560, 2560-PA EXCLUSIVE PARTS(1)

サブモデル専用部品(1)

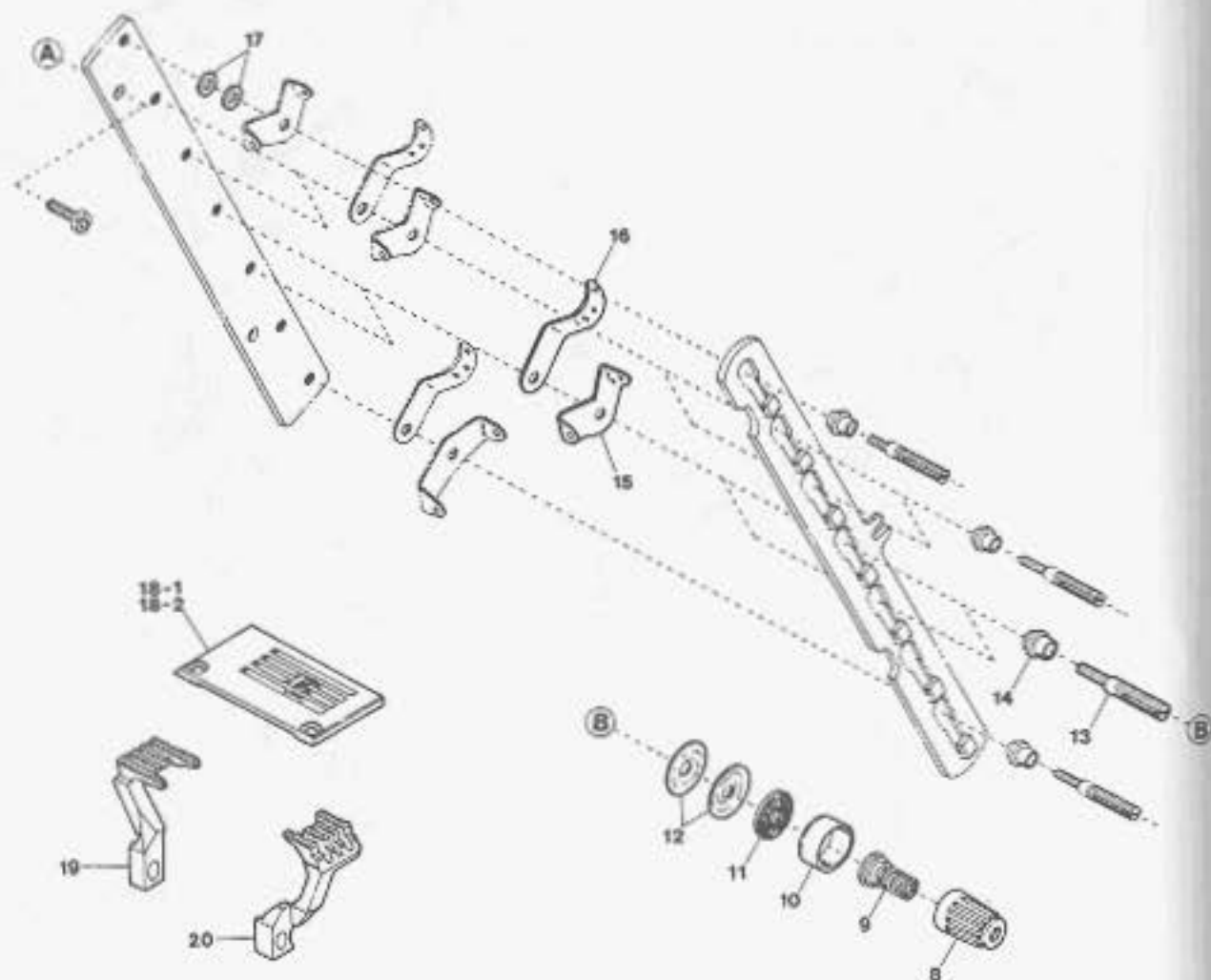
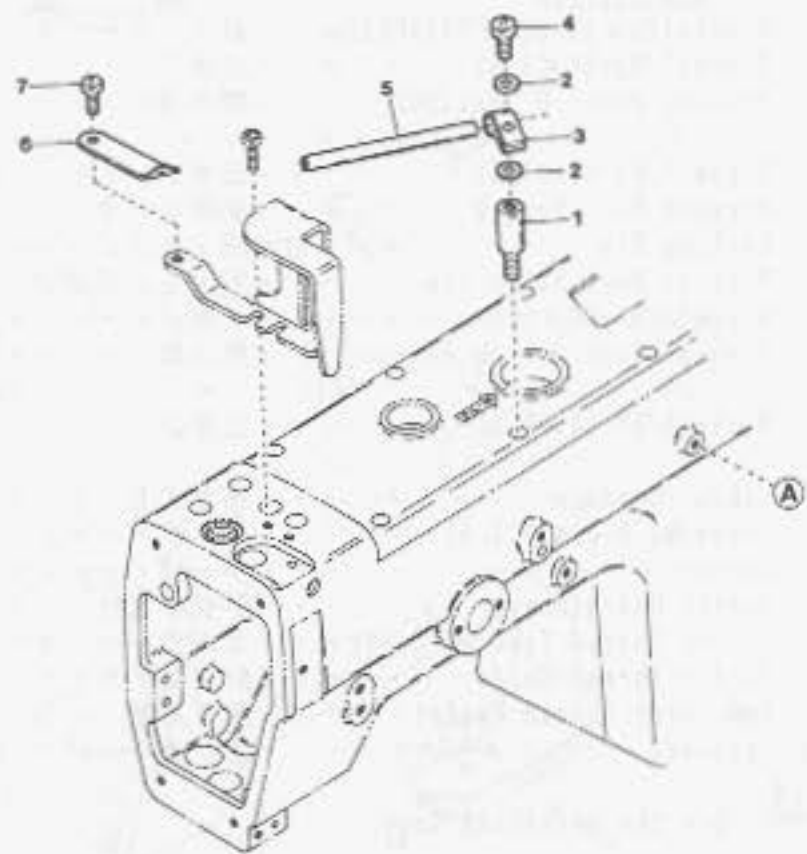
| Ref. No. | Parts No. | Description | 品名 | Amt. Req. |
|----------|-----------|--------------------------------|---------|-----------|
| 41 | ----- | Needle(FL×118GCS, UY118GKS) | 針 | 4 |
| 42 | 004170 | Screw(3/32-56×2.5) | 止ネジ | 5 |
| 43-1 | 3207039 | Presser Foot, C. Set(56) | 押エ(組) | 1 |
| 43-2 | 3207040 | " " (64) | " | 1 |
| 44 | 001186 | Screw(9/64-40×7.8) | 止ネジ | 1 |
| 45 | 0063280 | Presser Foot Spring | 小押エバネ | 2 |
| 46 | 0063284 | Locking Pin | 回り止メピン | 1 |
| 47 | 0063282 | Presser Foot Hinge Pin | 押エヒンジピン | 1 |
| 48 | 005122 | Screw(3/32-56×5.5) | 止ネジ | 2 |
| 49-1 | 3207044 | Presser Foot Stitch Tongue(56) | 押エ爪 | 1 |
| 49-2 | 3207045 | " " (64) | " | 1 |
| 50 | 004182 | Screw(3/32-56×2.5) | 止ネジ | 1 |
| 51 | 3207046 | Fabric Guide | 布ガイド | 1 |
| 52 | 110027 | Screw(M2.5-0.45×3.5) | 止ネジ | 1 |
| 53 | 3209312 | Looper | ルーパー | 1 |
| 54 | 3209202 | Needle Guard(Rear) | 針受ケ(後) | 1 |
| 55 | 3200035 | Looper Thread Take-up Cover | カムカバー | 1 |
| 56 | 0066646 | Needle Thread Guide | 針糸受ケ | 1 |
| 57 | 0093365 | Top Cover Thread Eyelet | 飾り糸道 | 1 |
| 58 | 3109310 | Spreader | 飾り糸ルーパー | 1 |

MISCELLANEOUS BUSHINGS & EYE GUARD



| Ref. No. | Parts No. | Description | 品名 | Amt. Req. |
|----------|-----------|---------------------------------------|----------------|-----------|
| 1 | 3200058 | Needle Bar Bushing(Upper) | 針棒ブッシュ(上) | 1 |
| 2 | 310009 | Oil Wick | 油芯 | 1 |
| 3 | 3200060 | Needle Bar Bushing(Lower) | 針棒ブッシュ(下) | 1 |
| 4 | 3200059 | Presser Bar Bushing | 押エ棒ブッシュ | 1 |
| 5 | 0030291 | Oil Seal | オイルシール | 2 |
| 6 | 3100100 | Spreader Driving Bar Bushing | 飾り糸ルーバ棒ブッシュ | 1 |
| 7 | 0063055 | Oil Seal | オイルシール | 1 |
| 8 | 3200063 | Spreader Driving Shaft Bushing(Left) | 飾り糸ルーバ軸ブッシュ(左) | 1 |
| 9 | 3200064 | Spreader Driving Shaft Bushing(Right) | 飾り糸ルーバ軸ブッシュ(右) | 1 |
| 10 | 3100108 | Foot Lifter Lever Bushing | 押エ揚ゲ軸ブッシュ | 1 |
| 11 | 0093201 | Needle Thread Take-up Bushing(Front) | 針糸繰り軸ブッシュ(前) | 1 |
| 12 | 3100098 | Needle Thread Take-up Bushing(Rear) | 針糸繰り軸ブッシュ(後) | 1 |
| 13 | 3200050 | Lower Shaft Bushing(Left) | 下軸ブッシュ | 1 |
| 14 | 0093094 | Oil Seal | オイルシール | 1 |
| 15 | 3200062 | Looper Rocker Shaft Bushing(Left) | ルーバ前後軸ブッシュ(左) | 1 |
| 16 | 3200052 | Looper Rocker Shaft Bushing(Right) | ルーバ前後軸ブッシュ(右) | 1 |
| 17 | 0077300 | Oil Seal | オイルシール | 1 |
| 18 | 3200056 | Needle Guard Driving Shaft | 針受ケ軸ブッシュ | 2 |
| 19 | 3200057 | Seal Plug | 詰栓 | 1 |
| 20 | 3200053 | Feed Bar Driving Shaft Bushing(Left) | 送り軸ブッシュ(左) | 1 |
| 21 | 3200065 | Feed Bar Driving Shaft Bushing(Right) | 送り軸ブッシュ(右) | 1 |
| 22 | 2100034 | Seal Plug | 詰栓 | 1 |
| 23 | 0093303 | Oil Seal | オイルシール | 1 |
| 24 | 3200061 | Looper Driving Shaft Bushing(Front) | ルーバ軸ブッシュ(前) | 1 |
| 25 | 3200051 | Looper Driving Shaft Bushing(Rear) | ルーバ軸ブッシュ(後) | 1 |
| 26 | 3200055 | Differential Lever Shaft Bushing | 差動レバー軸ブッシュ | 1 |
| 27 | 0093864 | Seal Plug | 詰栓 | 1 |
| 28 | 0065275 | Seal Plug | 詰栓 | 1 |
| 29 | 0095218 | Seal Plug | 詰栓 | 1 |
| 30 | 3200066 | Seal Plug | 詰栓 | 1 |
| 31 | 3200251 | Eye Guard, Complete Set | アイガード(組) | 1 |
| 32 | 3101200 | Safety Plate Support | セーフティプレート取付板 | 1 |
| 33 | 009784 | Screw(M6-1×10) | 止ネジ | 1 |
| 34 | 3200252 | Safety Plate | セーフティプレート | 1 |
| 35 | 001230 | Screw(3/32-56×3.8) | 止ネジ | 2 |
| 36 | 0060175 | Safety Plate Holder | セーフティプレートホルダ | 1 |
| 37 | 006004 | Screw(11/64-40×7.8) | 止ネジ | 1 |
| 38 | 000010 | Conical Spring Washer | 皿バネワッシャ | 1 |
| 39 | 000547 | Washer | ワッシャ | 1 |
| 40 | 000334 | Nut | ナット | 1 |
| 41 | 000195 | Oil Wick | 油芯 | 1 |

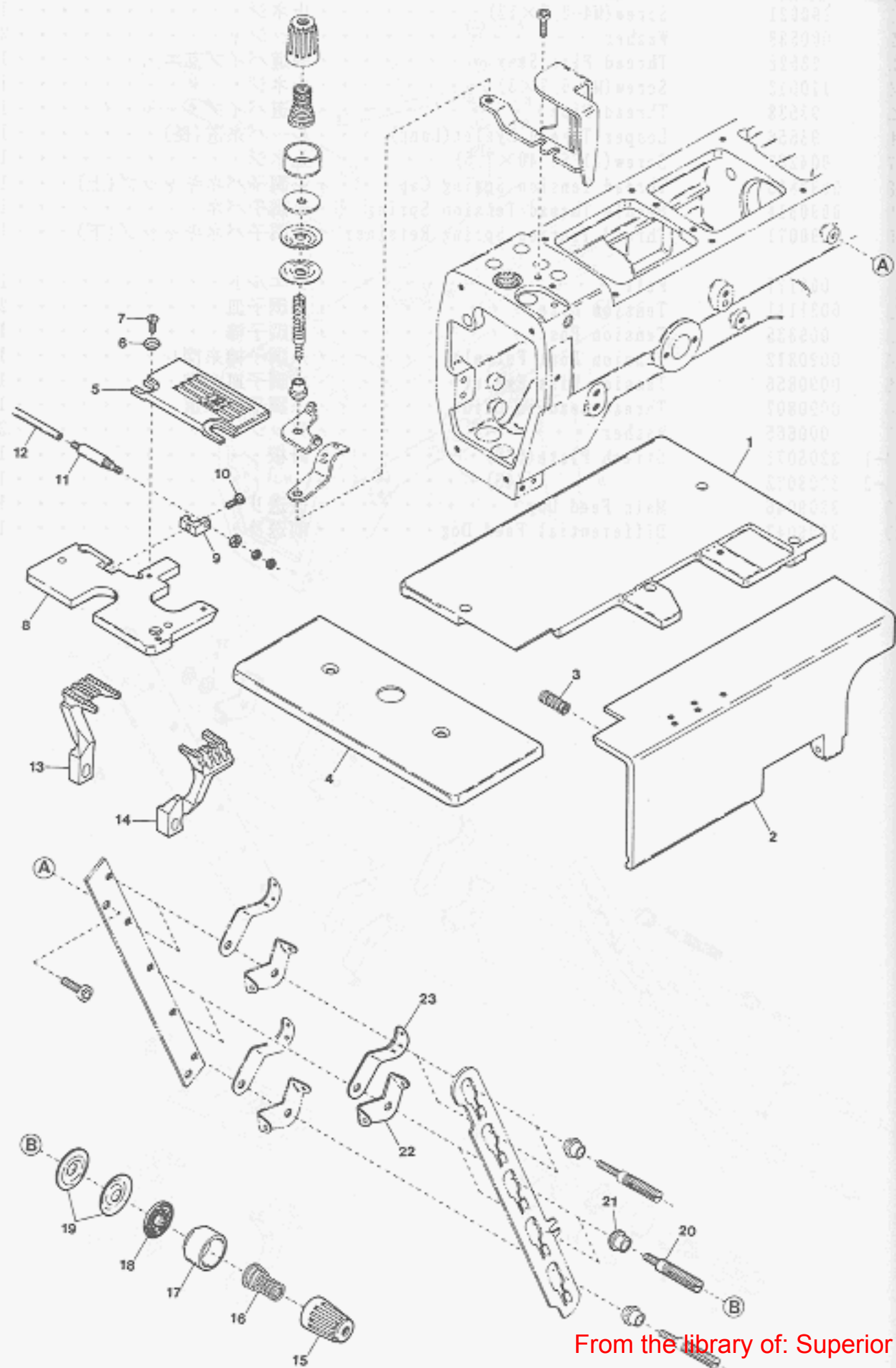
VF2560(2)



VF2560 EXCLUSIVE PARTS(2)

| Ref. No. | Parts No. | Description | 品名 | Amt. Req. |
|----------|-----------|--------------------------------|--------------|-----------|
| 1 | 190021 | Screw(M4-0.7×12) | 止ネジ | 1 |
| 2 | 000538 | Washer | ワッシャ | 2 |
| 3 | 93528 | Thread Pipe Stay | 糸道パイプ支エ | 1 |
| 4 | 110013 | Screw(M4-0.7×8) | 止ネジ | 1 |
| 5 | 93538 | Thread Pipe | 糸道パイプ | 1 |
| 6 | 93556 | Looper Thread Eyelet(Long) | ルーパー糸道(長) | 1 |
| 7 | 004267 | Screw(11/64-40×7.5) | 止ネジ | 1 |
| 8 | 0093863 | Thread Tension Spring Cap | 糸調子バネキャップ(上) | 1 |
| 9 | 0090814 | Needle Thread Tension Spring | 糸調子バネ | 1 |
| 10 | 0090071 | Thread Tension Spring Retainer | 糸調子バネキャップ(下) | 1 |
| 11 | 000177 | Felt | フェルト | 1 |
| 12 | 0031111 | Tension Disc | 糸調子皿 | 2 |
| 13 | 009835 | Tension Post | 糸調子棒 | 1 |
| 14 | 0090812 | Tension Post Ferrule | 糸調子棒糸摺レ | 1 |
| 15 | 0090856 | Tension Disc Eyelet | 糸調子皿糸道 | 1 |
| 16 | 0090807 | Thread Lead-in Guide | 糸調子台糸道 | 1 |
| 17 | 000665 | Washer | ワッシャ | 2 |
| 18-1 | 3208071 | Stitch Plate(56S) | 針板 | 1 |
| 18-2 | 3208072 | " (64S) | " | 1 |
| 19 | 3209046 | Main Feed Dog | 後送り | 1 |
| 20 | 3209047 | Differential Feed Dog | 前送り | 1 |

VF2560-PA(2)

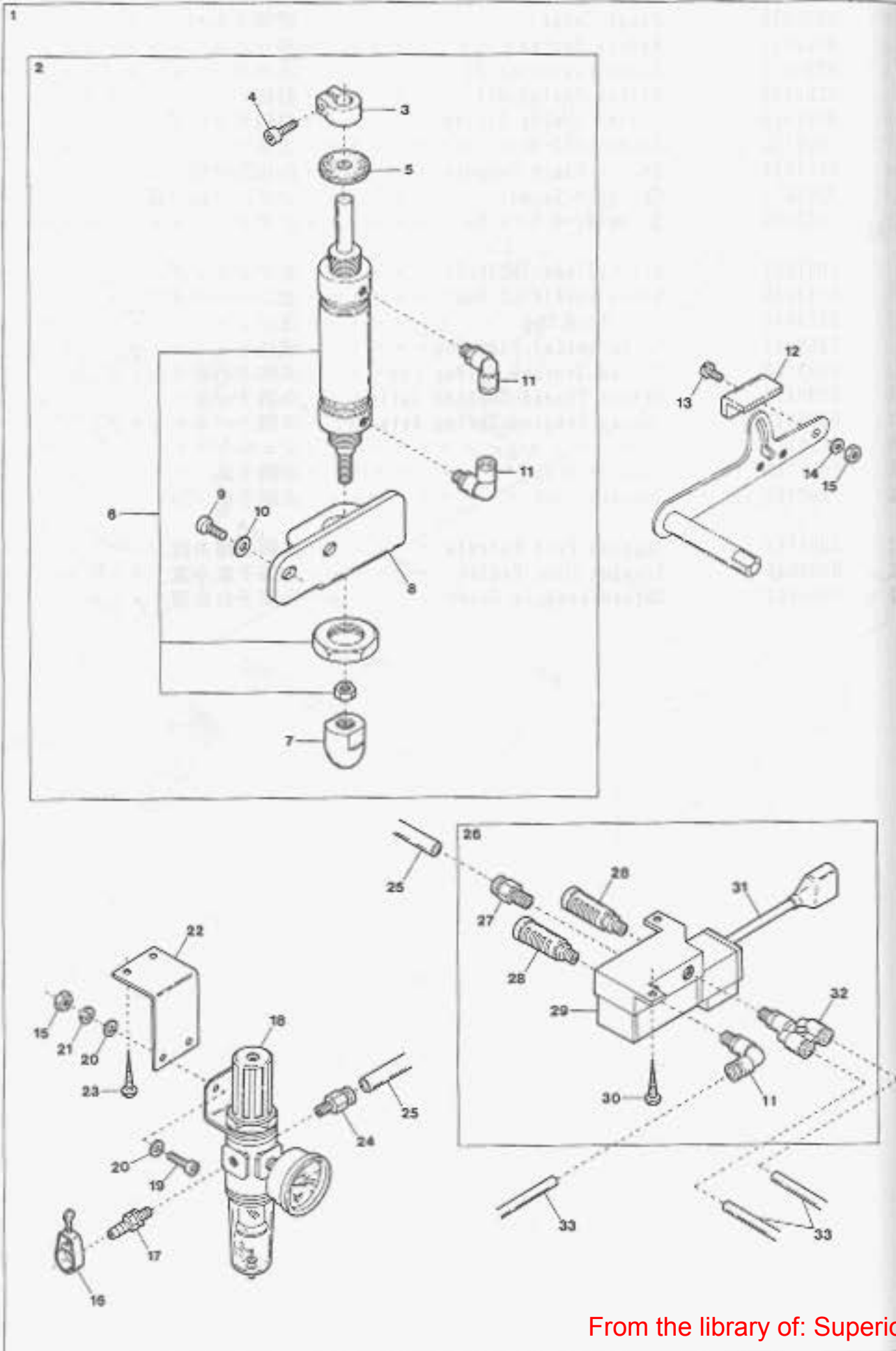


VF2560-PA EXCLUSIVE PARTS(2)

| Ref. No. | Parts No. | Description | 品名 | Amt. Req. |
|----------|-----------|--------------------------------|--------------|-----------|
| 1 | 3202029 | Cloth Plate(Large) | 大カバー | 1 |
| 2 | 3201013 | Front Cover | 前開キカバー | 1 |
| 3 | 4017013 | Return Spring | 戻シバネ | 1 |
| 4 | 3201012 | Cloth Plate(Small) | 小カバー | 1 |
| 5 | 3208073 | Stitch Plate(56S) | 針板 | 1 |
| 6 | 3201016 | Corner Sewing Sleeve | 角縫スリーブ | 2 |
| 7 | 009142 | Screw(9/64-40×7.1) | 止ネジ | 2 |
| 8 | 3201014 | Stitch Plate Support | 針板取付板 | 1 |
| 9 | 3201015 | Cylinder Support | シリンダ取付板 | 1 |
| 10 | 110036 | Screw(M3-0.5×6.5) | 止ネジ | 1 |
| 11 | 1091051 | Air Cylinder(MS4NFS) | エアシリンダ | 1 |
| 12 | 0010260 | Vinyl Tube(4×2.5mm) | ビニールパイプ | 1 |
| 13 | 3209048 | Main Feed Dog | 後送り | 1 |
| 14 | 3209049 | Differential Feed Dog | 前送り | 1 |
| 15 | 0093863 | Thread Tension Spring Cap | 糸調子バネキャップ(上) | 1 |
| 16 | 0090814 | Needle Thread Tension Spring | 糸調子バネ | 1 |
| 17 | 0090071 | Thread Tension Spring Retainer | 糸調子バネキャップ(下) | 1 |
| 18 | 000177 | Felt | フェルト | 1 |
| 19 | 0031111 | Tension Disc | 糸調子皿 | 2 |
| 20 | 009835 | Tension Post | 糸調子棒 | 1 |
| 21 | 0090812 | Tension Post Ferrule | 糸調子棒系摺レ | 1 |
| 22 | 0090856 | Tension Disc Eyelet | 糸調子皿系道 | 1 |
| 23 | 0090807 | Thread Lead-in Guide | 糸調子台系道 | 1 |

サブモデル専用部品(2)

VF2560-PA(3)

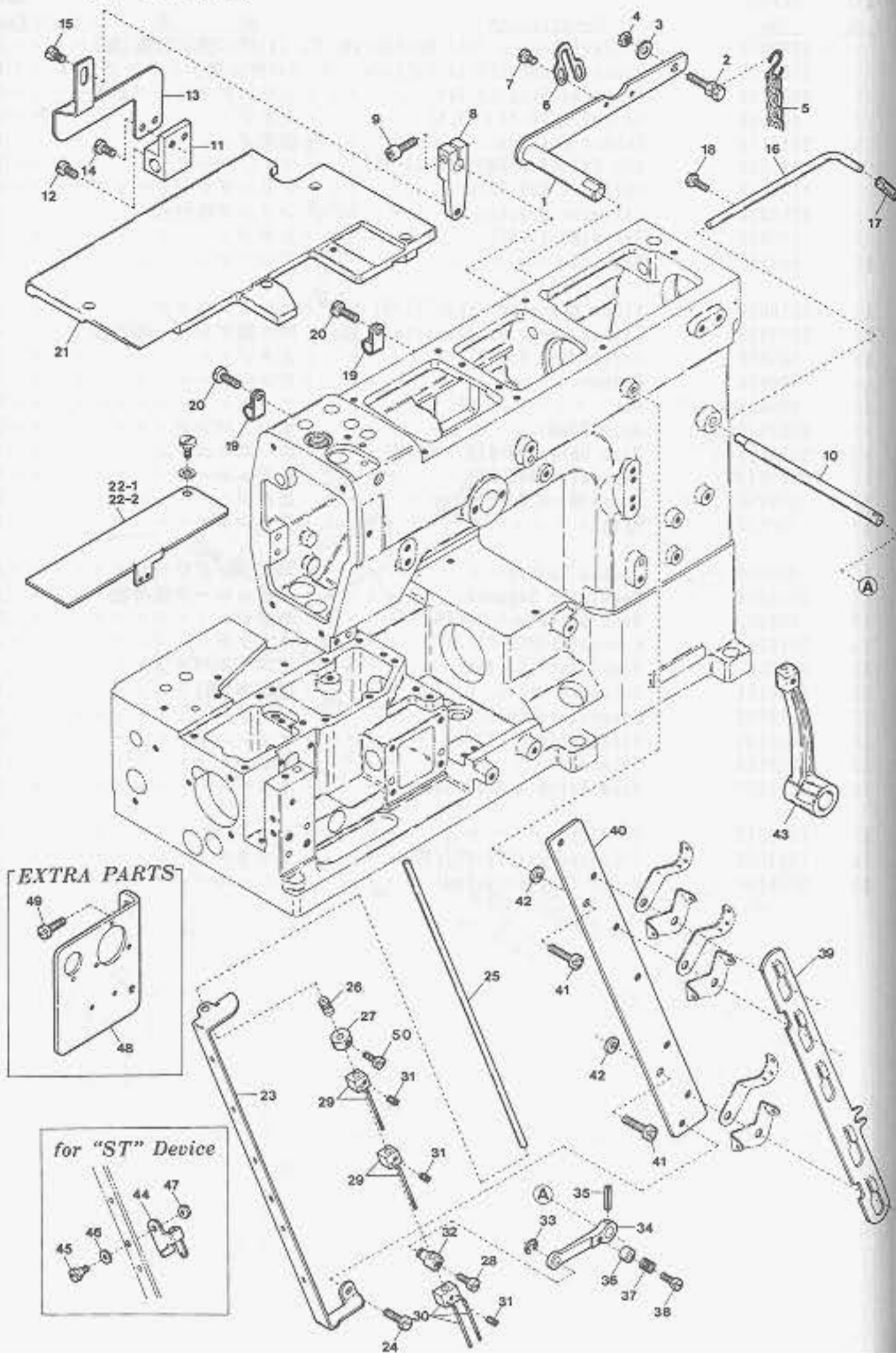


VF2560-PA EXCLUSIVE PARTS(3)

サブモデル専用部品(3)

| Ref. No. | Parts No. | Description | 品名 | Amt. Req. |
|----------|-----------|---------------------------------------|-------------|-----------|
| 1 | 3209943 | Presser Foot Lifter Mechanism, C. Set | 押エ揚ゲ装置(組) | 1 |
| 2 | 3201035 | Presser Foot Lifter Cylinder, C. Set | 押エ揚ゲシリンダ(組) | 1 |
| 3 | 0033104 | Cylinder Stop Collar | シリンダストップカラー | 1 |
| 4 | 005550 | Screw(11/64-40×13.5) | 止ネジ | 1 |
| 5 | 0014120 | Rubber Cushion | 緩衝ゴム | 1 |
| 6 | 1091050 | Air Cylinder(EMD-SDW-25-30) | エアシリンダ | 1 |
| 7 | 3201037 | Cylinder Rod Chip | シリンダロッドチップ | 1 |
| 8 | 3201036 | Cylinder Bracket | シリンダ取付台 | 1 |
| 9 | 120013 | Screw(M6-1×15) | 止ネジ | 2 |
| 10 | 000425 | Washer | ワッシャ | 2 |
| 11 | 0010057 | Elbow Connector(EL4-PT1/8) | エルボコネクタ | 3 |
| 12 | 3201038 | Lifter Lever Supplementary Plate | 押エ揚ゲレバー補助板 | 1 |
| 13 | 005650 | Screw(M5-0.8×14) | 止ネジ | 1 |
| 14 | 000426 | Washer | ワッシャ | 1 |
| 15 | 000009 | Nut | ナット | 2 |
| 16 | 0033939 | Hose Band | ホースバンド | 1 |
| 17 | 0010108 | Hose Union(NH-512 8×1/4) | ホースユニオン | 1 |
| 18 | 0010073 | Regulator(AW2000) | レギュレータ | 1 |
| 19 | 009960 | Screw(M5-0.8×10) | 止ネジ | 2 |
| 20 | 000669 | Washer | ワッシャ | 4 |
| 21 | 000600 | Spring Washer | スプリングワッシャ | 2 |
| 22 | 0013218 | Regulator Support | レギュレータ取付板 | 1 |
| 23 | 006905 | Wood Screw(φ5.1×20) | 木ネジ | 2 |
| 24 | 0010264 | Connector(EC6-PT1/4) | コネクタ | 1 |
| 25 | 0010261 | Vinyl Tube(6×4mm) | ビニールパイプ | - |
| 26 | 1090141 | Solenoid Valve, C. Set | 電磁弁(組) | 1 |
| 27 | 0010263 | Connector(EC6-PT1/8) | コネクタ | 1 |
| 28 | 0010143 | Silencer(MF6-PT1/8) | サイレンサ | 2 |
| 29 | 0010120 | Solenoid | 電磁弁 | 1 |
| 30 | 009937 | Wood Screw(φ3.8×20) | 木ネジ | 2 |
| 31 | 1200071 | Cord(J) | コード(J) | 1 |
| 32 | 1094030 | Y-Connector(EY4-PT1/8) | Yコネクタ | 1 |
| 33 | 0010260 | Vinyl Tube(4×2.5mm) | ビニールパイプ | - |

"UT" DEVICE(1)



"UT" DEVICE(1)

| Ref. No. | Parts No. | Description | 品名 | Amt. Req. |
|----------|-----------|----------------------------------|---------------|-----------|
| 1 | 0094478 | Lifter Lever | 押エ揚ゲレバー | 1 |
| 2 | 005153 | Screw(3/16-32×9) | 鎖掛ケネジ | 1 |
| 3 | 000542 | Washer | ワッシャ | 1 |
| 4 | 000346 | Nut | ナット | 1 |
| 5 | 0037912 | Chain | 鎖 | 1 |
| 6 | 0093499 | Lifter Lever Stop | 押エ揚ゲレバーストップ | 1 |
| 7 | 004358 | Screw(9/64-40×5.6) | 止ネジ | 2 |
| 8 | 3100533 | Tension Release Lever | 糸緩メ腕 | 1 |
| 9 | 120001 | Screw(M4-0.7×14) | 止ネジ | 1 |
| 10 | 0094387 | Tension Release Shaft | 糸緩メ軸 | 1 |
| 11 | 0095333 | Tension Release Block | 糸緩メブロック | 1 |
| 12 | 009932 | Screw(11/64-40×4) | 止ネジ | 1 |
| 13 | 0065460 | Tension Release Connecting Plate | 糸緩メ連結板 | 1 |
| 14 | 004351 | Screw(9/64-40×7) | 止ネジ | 2 |
| 15 | 170009 | Screw(M4-0.7×4) | 止ネジ | 1 |
| 16 | 0022836 | Synchroniser Positioning Pin | ポジションナビン | 1 |
| 17 | 0022837 | Synchroniser Cushion | ポジションナビンクッション | 1 |
| 18 | 007610 | Screw(M4-0.7×10) | 止ネジ | 2 |
| 19 | 0094491 | Cord Clamp(2N-φ3.4) | コードクランプ | 2 |
| 20 | 110013 | Screw(M4-0.7×8) | 止ネジ | 2 |
| 21 | 3201021 | Cloth Plate(Large) | 大カバー | 1 |
| 22-1 | 3201025 | Looper Thread Take-up Cover | カムカバー | 1 |
| 22-2 | 3201034 | " " (64) | " " | 1 |

※ Ref. No. 23 to 50 See the following page.

Device classification 装置の種類

| Mark | Trimming Solenoid | Wiper Solenoid | Foot Lifter Solenoid |
|------|-------------------|----------------|----------------------|
| 記号 | 0011802 | 3201027 | 3100571 |
| UT-1 | × | ○ | × |
| UT-2 | ○ | ○ | ○ |
| UT-3 | ○ | ○ | × |
| UT-4 | ○ | × | ○ |
| UT-5 | ○ | × | × |
| UT-6 | × | × | × |

○ Assembled ----- 有り
 × Non-assembled ----- 無し

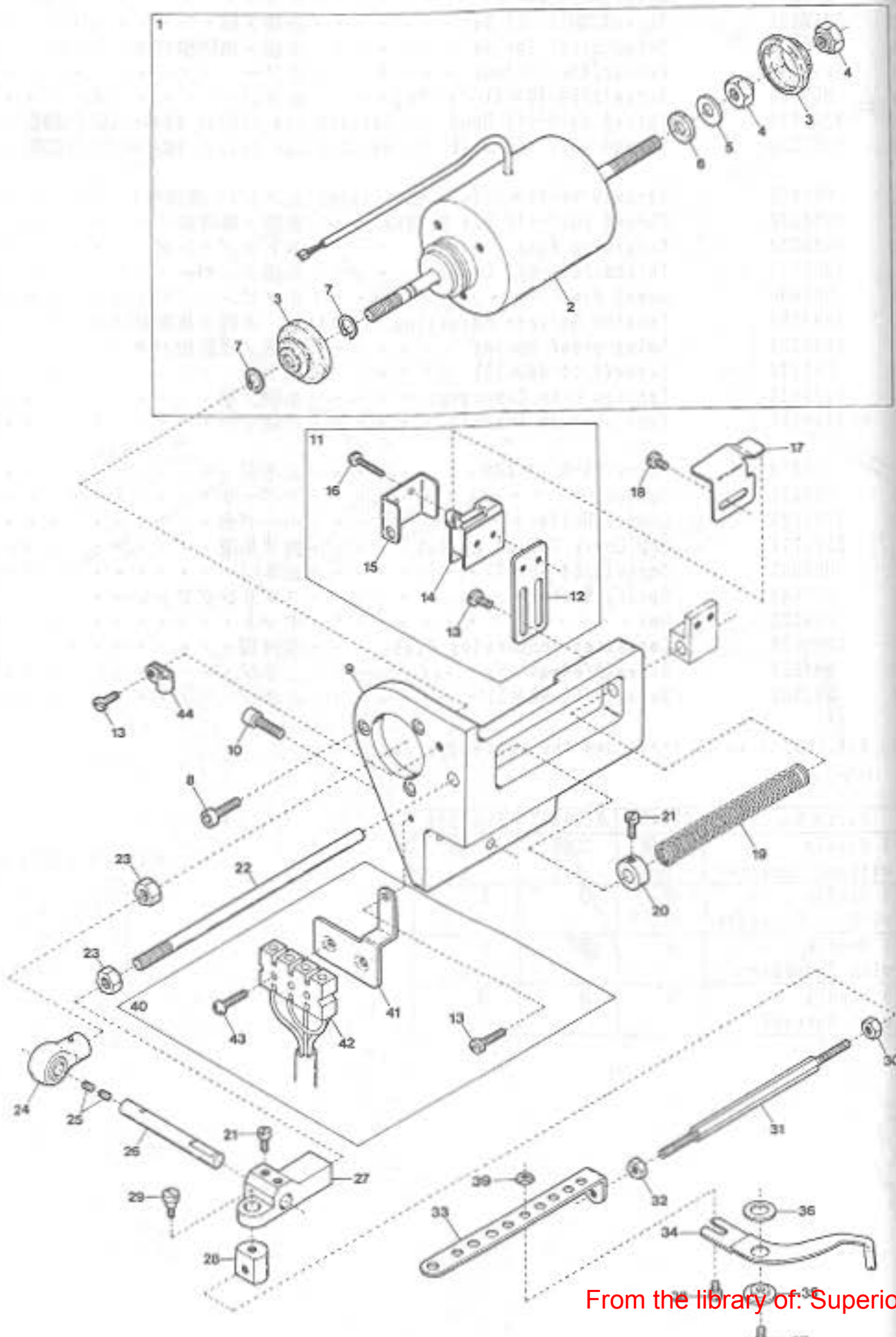
"UT" DEVICE(1)

| Ref. No. | Parts No. | Description | 品名 | Amt. Req. |
|----------|-----------|---|-----------------|-----------|
| 23 | 3100529 | Thread Pull-off Eyelet | 糸緩メ糸道 | 1 |
| 24 | 110012 | Screw(M4-0.7×5) | 止ネジ | 2 |
| 25 | 0067101 | Thread Pull-off Bar | 糸緩メ棒 | 1 |
| 26 | 0063076 | Swing-proof Spring | 糸緩メ棒防振バネ | 1 |
| 27 | 0094433 | Collar(4×11×7mm) | カラー | 1 |
| 28 | 007006 | Screw(9/64-40×4) | 止ネジ | 1 |
| 29 | 3101275 | Thread pull-off Hook, C. Set(See the table) | 糸緩メフック(組)(下記参照) | - |
| 30 | 3101276 | Thread pull-off Hook, C. Set(See the table) | 糸緩メフック(組)(下記参照) | - |
| 31 | 001459 | Screw(9/64-40×3)(see the table) | 止ネジ(下表参照) | - |
| 32 | 0094396 | Thread pull-off Bar Holder | 糸緩メ棒連結片 | 1 |
| 33 | 0033024 | Retaining Ring | ストップリング | 1 |
| 34 | 0063515 | Thread Pull-off Lever | 糸緩メレバー | 1 |
| 35 | 000690 | Dowel Pin | 止メピン | 1 |
| 36 | 0094390 | Tension Release Adjusting Eccentric | 糸緩メ板調節コロ | 1 |
| 37 | 0095334 | Swing-proof Spring | 糸緩メ板防振バネ | 1 |
| 38 | 001170 | Screw(9/64-40×12) | 止ネジ | 1 |
| 39 | 3100528 | Tension Disc Separator | 糸緩メ板 | 1 |
| 40 | 3100527 | Tension Post Support | 糸調子台 | 1 |
| 41 | 110014 | Screw(M4-0.7×18) | 止ネジ | 2 |
| 42 | 000505 | Spacer | スペーサ | 2 |
| 43 | 3201026 | Looper Holder | ルーパ台 | 1 |
| 44 | 3100711 | Top Cover Thread Eyelet | 飾り糸道 | 1 |
| 45 | 006035 | Screw(9/64-40×7) | 止ネジ | 1 |
| 46 | 000644 | Spring Washer | スプリングワッシャ | 1 |
| 47 | 000322 | Nut | ナット | 1 |
| 48 | 3201030 | Connector Supporting Plate | 取付板 | 1 |
| 49 | 004353 | Screw(9/64-40×7) | 止ネジ | 2 |
| 50 | 001208 | Screw(9/64-40×5) | 止ネジ | 1 |

※ Ref. No. 1 to 22 See the preceding page.

| Parts No. | 001459 | 3101275 | 3101276 |
|---------------------------|----------|----------|---------|
| 2 Needle without Spreader | 3 個 pcs. | 2 個 pcs. | 1 個 pc. |
| 3 Needle without Spreader | 4 | 3 | 1 |
| 2 Needle with Spreader | 4 | 2 | 2 pcs. |
| 3 Needle with Spreader | 5 | 3 | 2 |

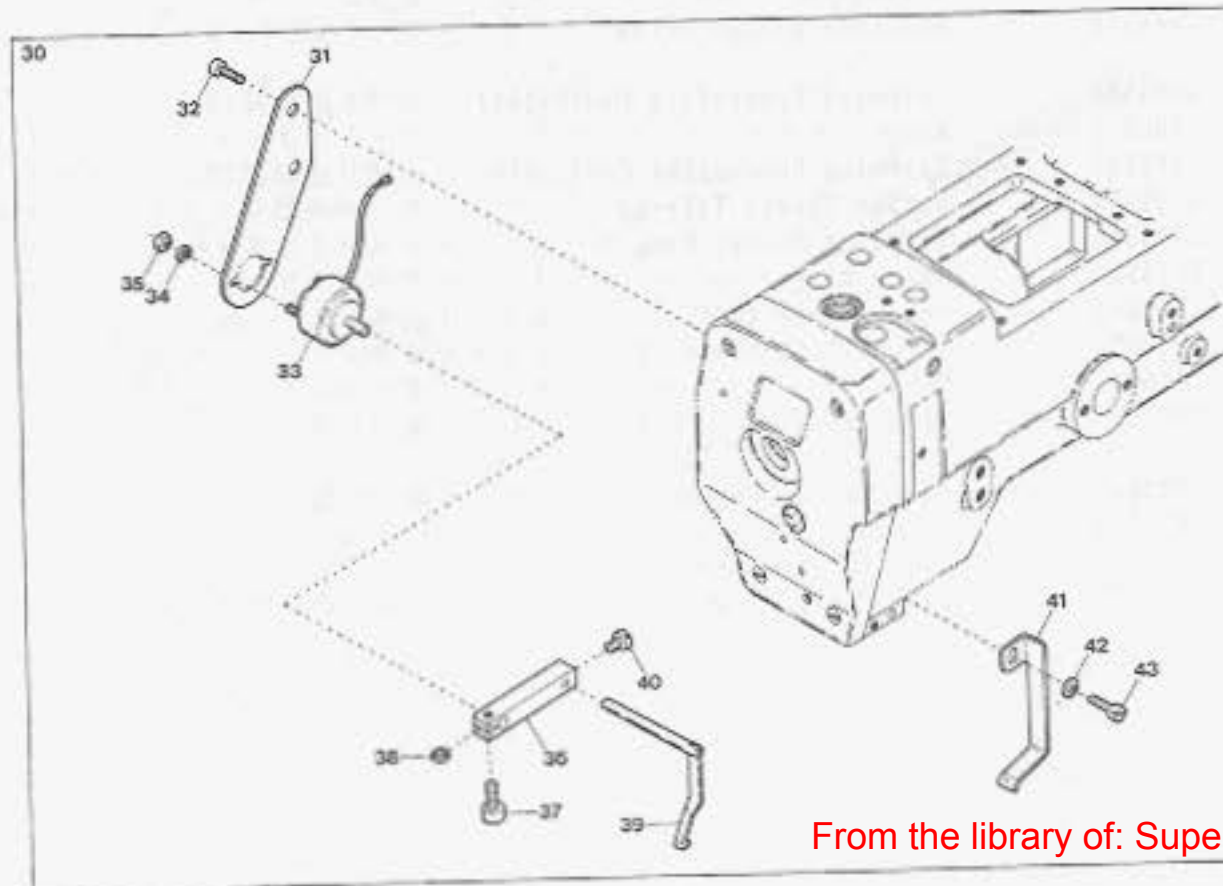
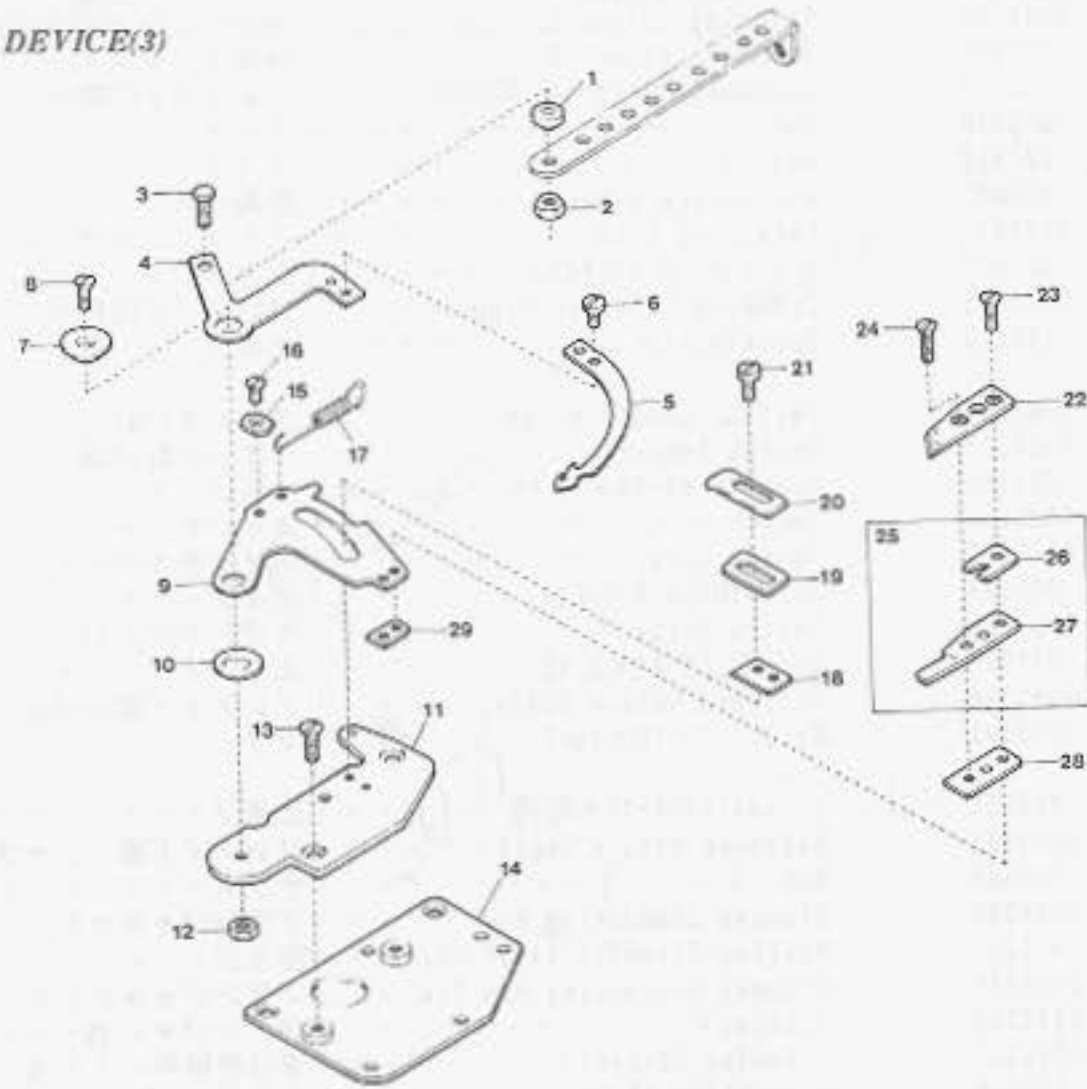
"UT" DEVICE(2)



"UT" DEVICE(2)

| Ref. No. | Parts No. | Description | 品名 | Amt. Req. |
|----------|-----------|---------------------------------|-------------|-----------|
| 1 | 0011802 | Trimming Solenoid, Complete Set | 糸切りソレノイド(組) | 1 |
| 2 | 0011801 | Trimming Solenoid | 糸切りソレノイド | 1 |
| 3 | 0063579 | Solenoid Dustproof Cover | ソレノイド防塵カバー | 2 |
| 4 | 000140 | Nut | ナット | 2 |
| 5 | 000598 | Washer | ワッシャ | 1 |
| 6 | 000597 | Anti-shock Rubber | 緩衝ゴム | 1 |
| 7 | 0077410 | Retaining Ring | ストップリング | 2 |
| 8 | 005650 | Screw(M5-0.8×14) | 止ネジ | 3 |
| 9 | 0095335 | Trimming Solenoid Support | ソレノイド取付台 | 1 |
| 10 | 120013 | Screw(M6-1×15) | 止ネジ | 3 |
| 11 | 0063610 | Switch, Complete Set | スイッチ(組) | 1 |
| 12 | 0063607 | Switch Support | スイッチ取付板 | 1 |
| 13 | 004353 | Screw(9/64-40×7) | 止ネジ | 4 |
| 14 | 0063606 | Switch | スイッチ | 1 |
| 15 | 0063609 | Switch Cover | スイッチカバー | 1 |
| 16 | 009984 | Screw(M2.3-0.4×10) | 止ネジ | 2 |
| 17 | 0063608 | Switch Guide | スイッチガイド | 1 |
| 18 | 001227 | Screw(1/8-44×3.8) | 止ネジ | 2 |
| 19 | 0095336 | Solenoid Return Spring | ソレノイド戻シバネ | 1 |
| 20 | 0093491 | Collar(8×16×8mm) | カラー | 1 |
| 21 | 009508 | Screw(11/64-40×7.5) | 止ネジ | 3 |
| 22 | 0095337 | Solenoid Return Shaft | ソレノイド戻シシャフト | 1 |
| 23 | 000145 | Nut | ナット | 2 |
| 24 | 0095388 | Plunger Connecting Rod | プランジャロッド | 1 |
| 25 | 001457 | Packing Screw(11/64-40×3.3) | 詰ネジ | 2 |
| 26 | 0095389 | Plunger Connecting Rod Pin | プランジャロッドピン | 1 |
| 27 | 0095390 | Plunger | プランジャ | 1 |
| 28 | 0095391 | Trimming Connector | 連結桿継手 | 1 |
| 29 | 006058 | Screw(7/32-32×6) | 止ネジ | 1 |
| 30 | 000356 | Nut(Left-handed Screw) | ナット(左ネジ) | 1 |
| 31 | 0094356 | Trimming Connecting Rod(Right) | 糸切り連結桿(右) | 1 |
| 32 | 000355 | Nut | ナット | 1 |
| 33 | 0094357 | Trimming Connecting Rod(Left) | 糸切り連結桿(左) | 1 |
| 34 | 3201024 | Looper Thread Take-up | ルーパー糸繰り | 1 |
| 35 | 0095340 | Trimming Holder Ring | メス台リング | 1 |
| 36 | 0095357 | Space Ring | スペースリング | 1 |
| 37 | 005343 | Screw(11/64-40×6.2) | 止ネジ | 1 |
| 38 | 009621 | Screw(11/64-40×4.7) | 止ネジ | 1 |
| 39 | 000340 | Nut | ナット | 1 |
| 40 | 3201020 | Terminal Holder, Complete Set | 端子台(組) | 1 |
| 41 | 3100535 | Terminal Holder Support | 端子台取付板 | 1 |
| 42 | 0063586 | Terminal Holder | 端子台 | 1 |
| 43 | 009985 | Screw(M2.5-0.45×10) | 止ネジ | 2 |
| 44 | 0036133 | Cord Clamp(5N-φ8.4) | コードクランプ | 1 |

"UT" DEVICE(3)



"UT" DEVICE(3)

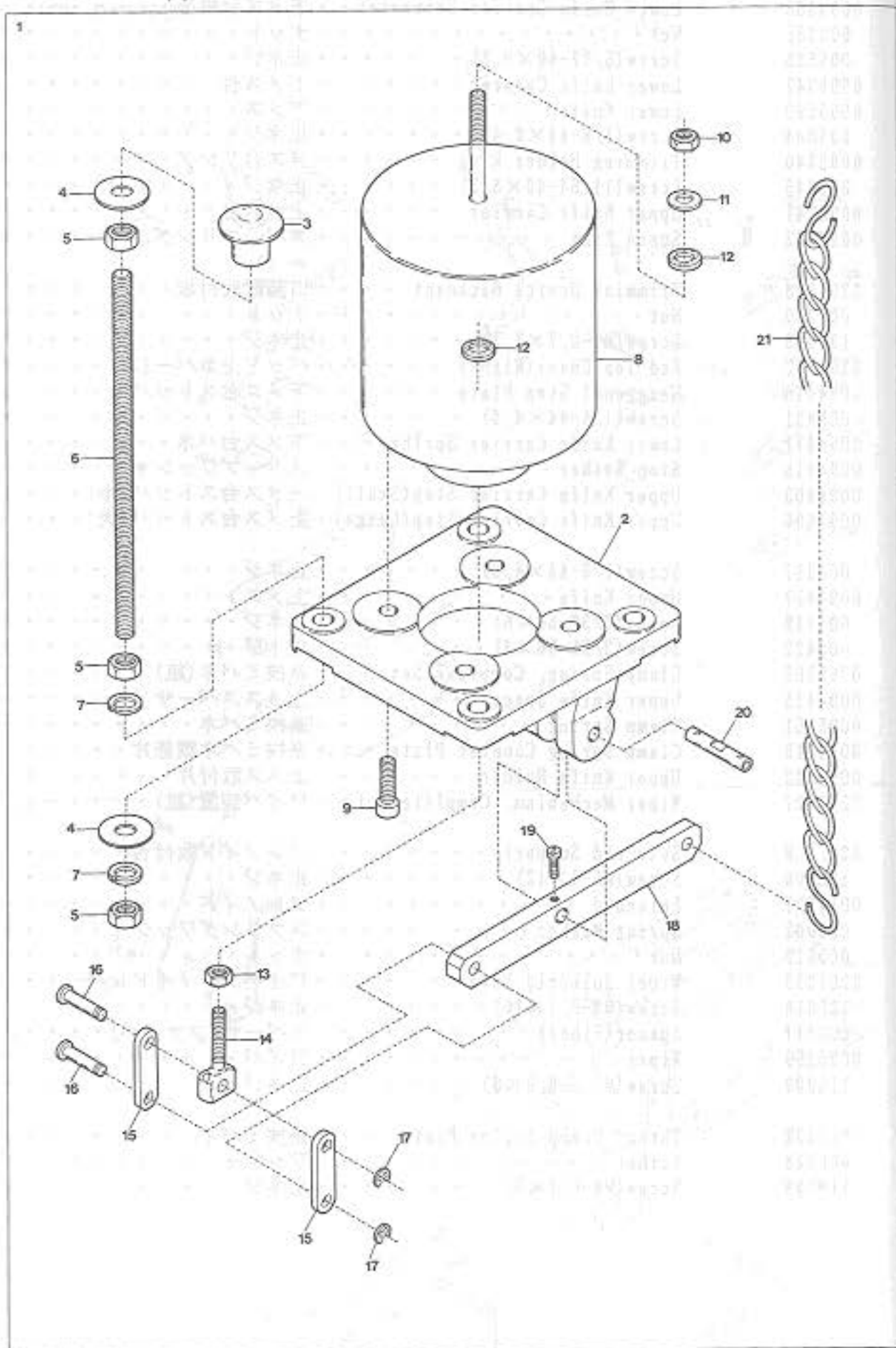
| Ref. No | Parts No |
|---------|----------|
| 1 | 0094358 |
| 2 | 000338 |
| 3 | 005526 |
| 4 | 0095342 |
| 5 | 0095399 |
| 6 | 005044 |
| 7 | 0095340 |
| 8 | 005345 |
| 9 | 0095341 |
| 10 | 0095343 |
| 11 | 3201023 |
| 12 | 000340 |
| 13 | 130003 |
| 14 | 3201022 |
| 15 | 0094410 |
| 16 | 005431 |
| 17 | 0094477 |
| 18 | 0094418 |
| 19 | 0094403 |
| 20 | 0094406 |
| 21 | 004317 |
| 22 | 0094417 |
| 23 | 005112 |
| 24 | 005422 |
| 25 | 0095362 |
| 26 | 0094415 |
| 27 | 0095361 |
| 28 | 0094413 |
| 29 | 0094412 |
| 30 | 3201027 |
| 31 | 3201028 |
| 32 | 120006 |
| 33 | 0011737 |
| 34 | 000002 |
| 35 | 000012 |
| 36 | 3201033 |
| 37 | 120018 |
| 38 | 000417 |
| 39 | 0095359 |
| 40 | 110003 |
| 41 | 3201032 |
| 42 | 000538 |
| 43 | 110009 |

| Description | 品名 | Amt. Req. |
|---------------------------------|-------------|-----------|
| Lower Knife Carrier Connector | 下メス台継手 | 1 |
| Nut | ナット | 1 |
| Screw(5/32-40×9.3) | 止ネジ | 1 |
| Lower Knife Carrier | 下メス台 | 1 |
| Lower Knife | 下メス | 1 |
| Screw(1/8-44×2.4) | 止ネジ | 2 |
| Trimming Holder Ring | メス台リング | 1 |
| Screw(11/64-40×8.3) | 止ネジ | 1 |
| Upper Knife Carrier | 上メス台 | 1 |
| Space Ring | スペースリング | 1 |
| Trimming Device Basement | UT装置取付板 | 1 |
| Nut | ナット | 1 |
| Screw(M4-0.7×7.3) | 止ネジ | 2 |
| Bed Top Cover(Right) | ベッド上カバー(右) | 1 |
| Hexagonal Stop Plate | 下メス台ストッパ | 1 |
| Screw(1/8-44×4.4) | 止ネジ | 1 |
| Lower Knife Carrier Spring | 下メス台バネ | 1 |
| Stop Washer | ストップワッシャ | 1 |
| Upper Knife Carrier Stop(Small) | 上メス台ストッパ(小) | 1 |
| Upper Knife Carrier Stop(Large) | 上メス台ストッパ(大) | 1 |
| Screw(1/8-44×4.8) | 止ネジ | 2 |
| Upper Knife | 上メス | 1 |
| Screw(3/32-56×6) | 止ネジ | 2 |
| Screw(3/32-56×4) | 止ネジ | 1 |
| Clamp Spring, Complete Set | 糸挟ミバネ(組) | 1 |
| Upper Knife Spacer | 上メススペース | 1 |
| Clamp Spring | 糸挟ミバネ | 1 |
| Clamp Spring Counter Plate | 糸挟ミバネ調節片 | 1 |
| Upper Knife Holder | 上メス取付片 | 1 |
| Wiper Mechanism, Complete Set | ワイパ装置(組) | 1 |
| Solenoid Support | ソレノイド取付台 | 1 |
| Screw(M6-1×12) | 止ネジ | 2 |
| Solenoid | ソレノイド | 1 |
| Spring Washer | スプリングワッシャ | 2 |
| Nut | ナット | 2 |
| Wiper Solenoid Lever | ワイパソレノイドレバー | 1 |
| Screw(M4-0.7×10) | 止ネジ | 1 |
| Spacer(Fiber) | スペースサ(ファイバ) | 1 |
| Wiper | ワイパ | 1 |
| Screw(M3, 5-0.6×6) | 止ネジ | 1 |
| Thread Clamp Spring Plate | 糸挟ミバネ | 1 |
| Washer | ワッシャ | 1 |
| Screw(M4-0.7×8) | 止ネジ | 1 |

"UT"装置(3)

Amt. Req.

"UT" DEVICE(4)

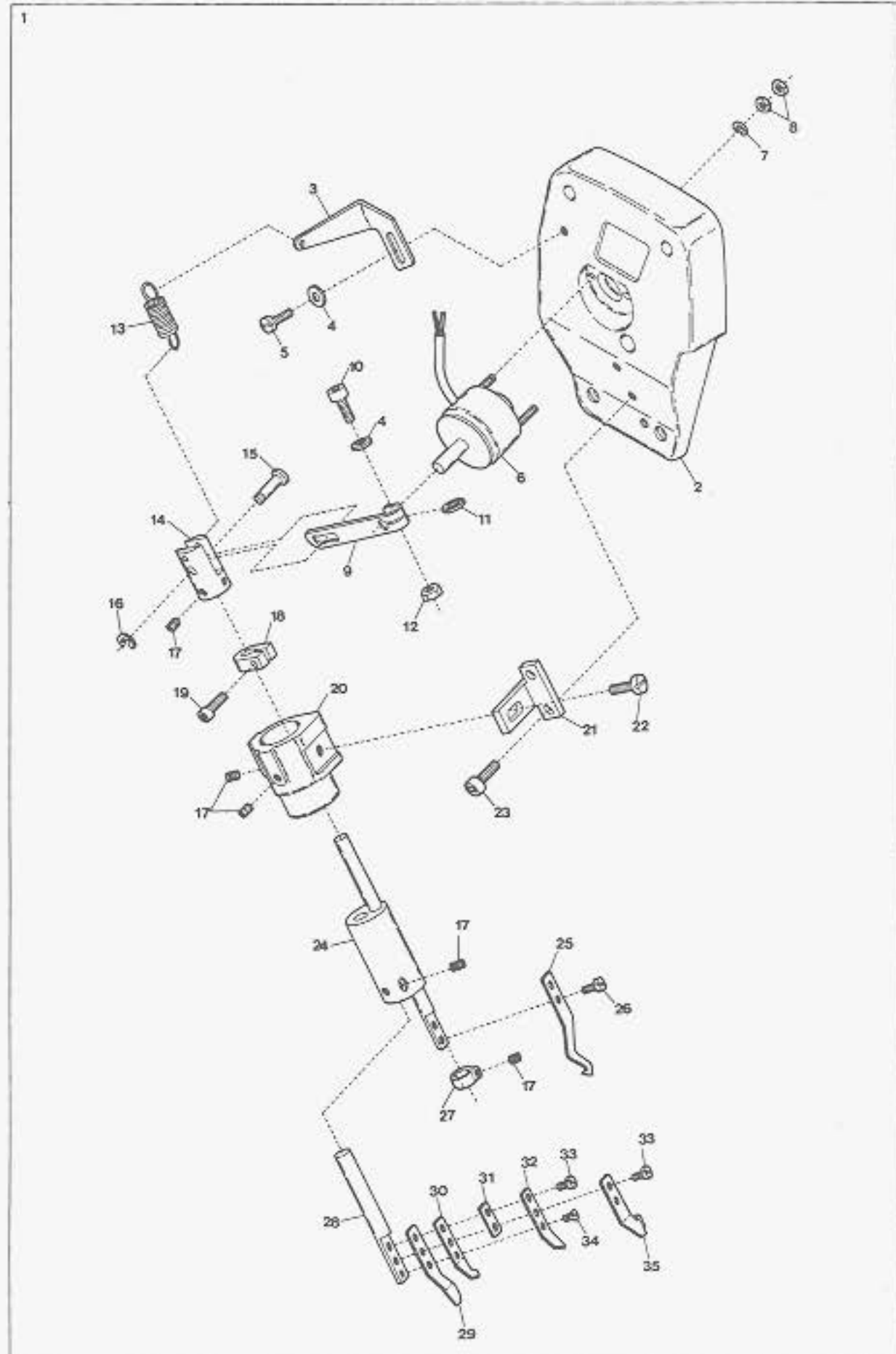


"UT" DEVICE(4)

| Ref. No | Parts No | Description | 品名 | Amt. Req. |
|---------|----------|--------------------------------------|--------------|-----------|
| 1 | 3100571 | Presser Foot Lifter Solenoid, C. Set | 押エ揚ゲソレノイド(組) | 1 |
| 2 | 3100570 | Solenoid Support | ソレノイド台 | 1 |
| 3 | 000070 | Hanging Nut | 吊リナット | 4 |
| 4 | 000162 | Washer | ワッシャ | 8 |
| 5 | 000016 | Nut | ナット | 12 |
| 6 | 009865 | Hanging Bolt | 吊リボルト | 4 |
| 7 | 000676 | Spring Washer | スプリングワッシャ | 8 |
| 8 | 0011733 | Presser Foot Lifter Solenoid | 押エ揚ゲソレノイド | 1 |
| 9 | 009970 | Screw (M6-1×20) | 止ネジ | 4 |
| 10 | 000011 | Nut | ナット | 1 |
| 11 | 000528 | Washer | ワッシャ | 1 |
| 12 | 000588 | Anti-shock Rubber | 緩衝ゴム | 2 |
| 13 | 000306 | Nut | ナット | 1 |
| 14 | 0064045 | Lifter Connecting Rod | 押エ揚ゲ連結棒 | 1 |
| 15 | 0064046 | Lifter Connecting Link | 押エ揚ゲリンク | 2 |
| 16 | 0035301 | Connecting Link Pin | 押エ揚ゲリンクピン | 2 |
| 17 | 0033024 | Retaining Ring | ストップリング | 2 |
| 18 | 0064047 | Presser Foot Lifter Solenoid Lever | 押エ揚ゲソレノイドレバー | 1 |
| 19 | 009853 | Screw (11/64-40×6.5) | 止ネジ | 1 |
| 20 | 0032786 | Solenoid Lever Pin | ソレノイドレバーピン | 1 |
| 21 | 0037912 | Chain | 鎖 | 1 |

"UT"装置(4)

"UT/ST" DEVICE



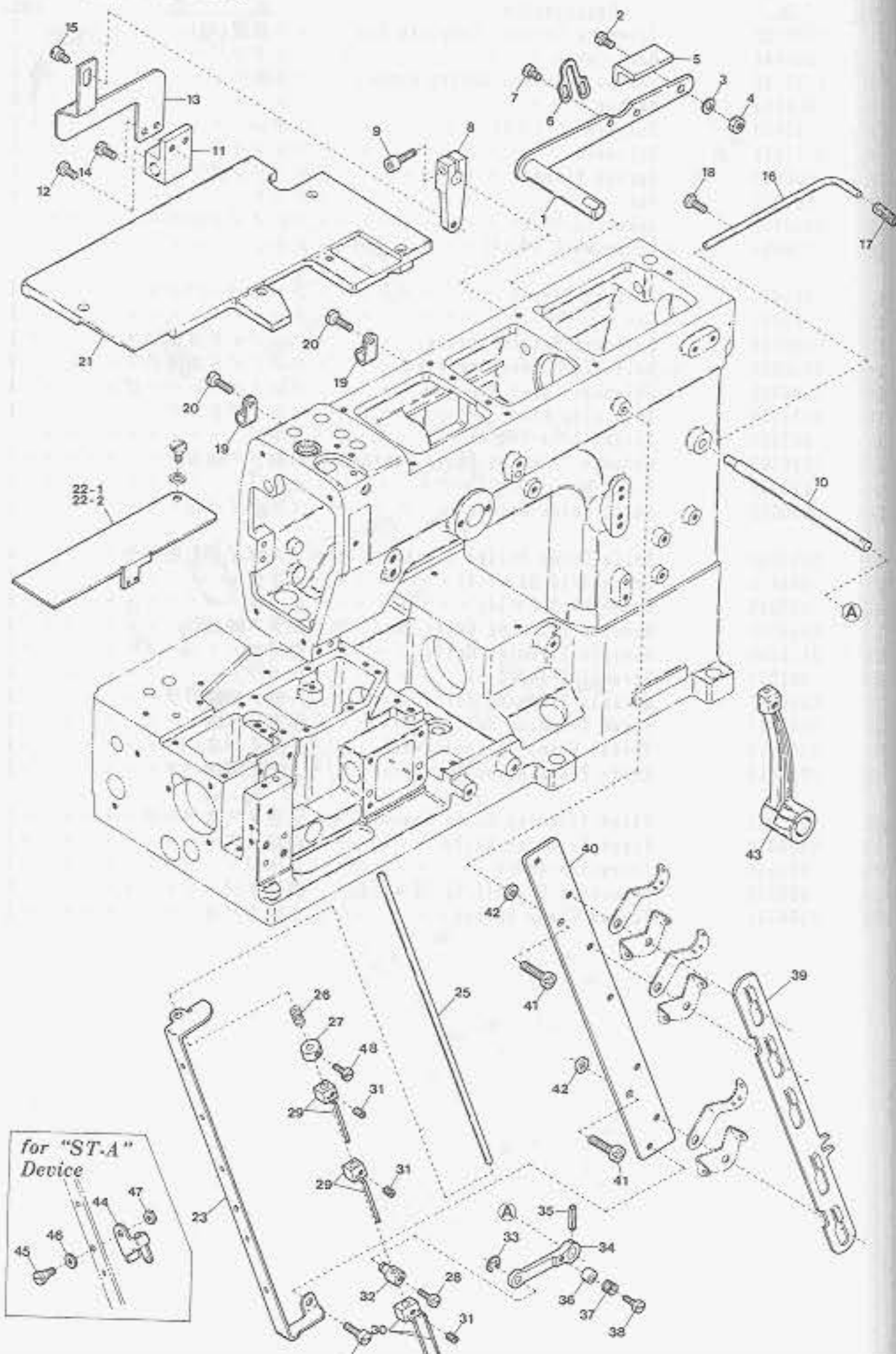
"UT/ST" DEVICE

| Ref. No. | Parts No. |
|----------|-----------|
| 1 | 3209930 |
| 2 | 3201044 |
| 3 | 0096026 |
| 4 | 000554 |
| 5 | 110009 |
| 6 | 0011498 |
| 7 | 000644 |
| 8 | 000022 |
| 9 | 3100702 |
| 10 | 120001 |
| 11 | 000417 |
| 12 | 100001 |
| 13 | 0096025 |
| 14 | 0096022 |
| 15 | 0096023 |
| 16 | 0034293 |
| 17 | 003638 |
| 18 | 3100703 |
| 19 | 120009 |
| 20 | 0096020 |
| 21 | 3201042 |
| 22 | 004475 |
| 23 | 120026 |
| 24 | 0096018 |
| 25 | 3100708 |
| 26 | 001227 |
| 27 | 0096027 |
| 28 | 3100707 |
| 29 | 3100710 |
| 30 | 0096013 |
| 31 | 0096012 |
| 32 | 0096010 |
| 33 | 001196 |
| 34 | 005112 |
| 35 | 3100709 |

| Description | 品名 | Amt. Req. |
|-------------------------------------|------------|-----------|
| Trimming Device, Complete Set | メス装置(組) | 1 |
| Head Cover | ヘッドカバー | 1 |
| Solenoid Return Spring Hanger | バネ掛ケ | 1 |
| Washer | ワッシャ | 2 |
| Screw(M4-0.7x8) | 止ネジ | 1 |
| Solenoid | ソレノイド | 1 |
| Spring Washer | スプリングワッシャ | 2 |
| Nut | ナット | 4 |
| Solenoid Lever | ソレノイドレバー | 1 |
| Screw(M4-0.7x14) | 止ネジ | 1 |
| Packing Piece | ファイバーパッキン | 1 |
| Nut | ナット | 1 |
| Solenoid Return Spring | ソレノイド戻シバネ | 1 |
| Solenoid Connecting Block | ソレノイド連結台 | 1 |
| Solenoid Lever Pin | ソレノイドレバーピン | 1 |
| Retaining Ring | ストップリング | 1 |
| Screw(11/64-40x4) | 止ネジ | 7 |
| Movable Trimming Knife Shaft Collar | 動メス軸カラー | 1 |
| Screw(M4-0.7x12) | 止ネジ | 1 |
| Knife Guide Holder | メスガイド台 | 1 |
| Knife Guide Holder Bracket | メスガイド台取付台 | 1 |
| Screw(3/16-32x7.9) | 止ネジ | 1 |
| Screw(M5-0.8x18) | 止ネジ | 2 |
| Movable Trimming Knife Shaft Unit | 動メス軸(組) | 1 |
| Movable Trimming Knife | 動メス | 1 |
| Screw(1/8-44x3.8) | 止ネジ | 2 |
| Movable Trimming Knife Shaft Collar | 動メス軸カラー | 1 |
| Fixed Trimming Knife Shaft | 固定メス軸 | 1 |
| Thread Clamp Spring(Lower) | 糸挟ミバネ(下) | 1 |
| Knife Press Adjusting Spring | メス圧調節バネ | 1 |
| Fixed Trimming Knife Spacer | 固定メススペーサ | 1 |
| Fixed Trimming Knife | 固定メス | 1 |
| Screw(1/8-44x6) | 止ネジ | 2 |
| Adjusting Screw(3/32-56x5.5) | 調節ネジ | 1 |
| Thread Clamp Spring | 糸挟ミバネ | 1 |

"UT/ST"装置

"UT-A" DEVICE(1)



"UT-A" DEVICE(1)

| Ref. No. | Parts No. | Description | 品名 | Amt. Req. |
|----------|-----------|----------------------------------|---------------|-----------|
| 1 | 0094478 | Lifter Lever | 押エ揚グレバー | 1 |
| 2 | 005650 | Screw(M5-0.8×14) | 止ネジ | 1 |
| 3 | 000426 | Washer | ワッシャ | 1 |
| 4 | 000009 | Nut | ナット | 1 |
| 5 | 3201038 | Lifter Lever Supplementary Plate | 押エ揚グレバー補助板 | 1 |
| 6 | 0093499 | Lifter Lever Stop | 押エ揚グレバーストップ | 1 |
| 7 | 004358 | Screw(9/64-40×5.6) | 止ネジ | 2 |
| 8 | 3100533 | Tension Release Lever | 糸緩メ腕 | 1 |
| 9 | 120001 | Screw(M4-0.7×14) | 止ネジ | 1 |
| 10 | 0094387 | Tension Release Shaft | 糸緩メ軸 | 1 |
| 11 | 0095333 | Tension Release Block | 糸緩メブロック | 1 |
| 12 | 009932 | Screw(11/64-40×4) | 止ネジ | 1 |
| 13 | 005460 | Tension Release Connecting Plate | 糸緩メ連結板 | 1 |
| 14 | 004351 | Screw(9/64-40×7) | 止ネジ | 2 |
| 15 | 170009 | Screw(M4-0.7×4) | 止ネジ | 1 |
| 16 | 0022836 | Synchroniser Positioning Pin | ポジションナピン | 1 |
| 17 | 0022837 | Synchroniser Cushion | ポジションナピンクッション | 1 |
| 18 | 007610 | Screw(M4-0.7×10) | 止ネジ | 2 |
| 19 | 0094491 | Cord Clamp(2N-φ3.4) | コードクランプ | 2 |
| 20 | 110013 | Screw(M4-0.7×8) | 止ネジ | 2 |
| 21 | 3201021 | Cloth Plate(Large) | 大カバー | 1 |
| 22-1 | 3201025 | Looper Thread Take-up Cover | カムカバー | 1 |
| 22-2 | 3201034 | " " (64) | " " | 1 |

※ Ref. No. 23 to 48 See the following page.

Device classification 装置の種類

| Mark | Trimming Cylinder | Wiper | Foot Lifter Cylinder |
|-------|-------------------|-------|----------------------|
| 記号 | 1091002 | ----- | 3201035 |
| UT-A1 | × | ○ | × |
| UT-A2 | ○ | ○ | ○ |
| UT-A3 | ○ | ○ | × |
| UT-A4 | ○ | × | ○ |
| UT-A5 | ○ | × | × |
| UT-A6 | × | × | × |

○ Assembled ----- 有り
 × Non-assembled -- 無し

(注) ワイパはエア吹き付け式になっておりエアシリンダを使用していません。
 Note: For Wiper, the air blowing system is used instead of Air Cylinder.

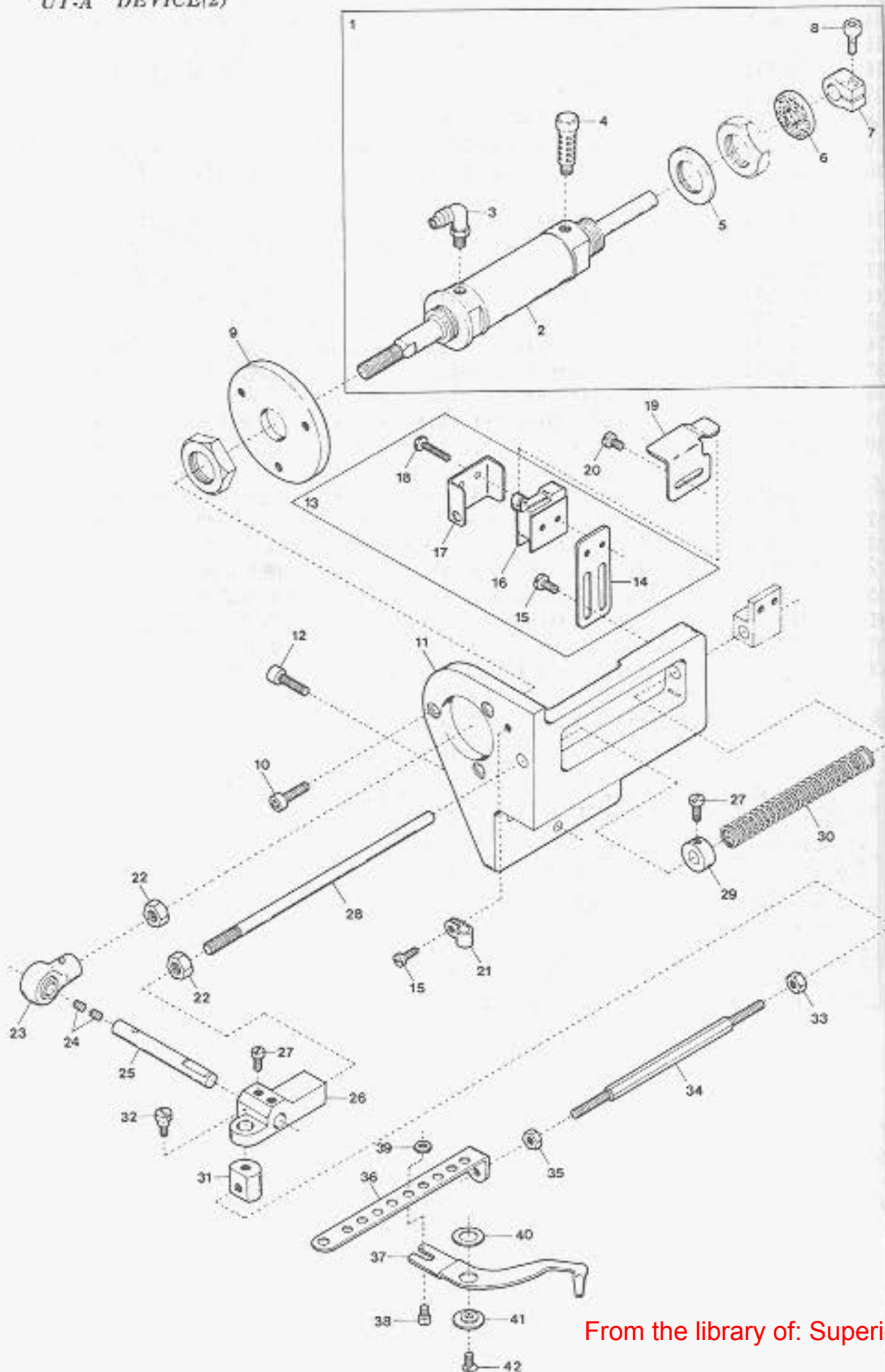
"UT-A" DEVICE(1)

| Ref. No. | Parts No. | Description | 品名 | Amt. Req. |
|----------|-----------|---|----------------|-----------|
| 23 | 3100529 | Thread Pull-off Eyelet | 糸緩メ糸道 | 1 |
| 24 | 110012 | Screw(M4-0.7×5) | 止ネジ | 2 |
| 25 | 0067101 | Thread Pull-off Bar | 糸緩メ棒 | 1 |
| 26 | 0063076 | Swing-proof Spring | 糸緩メ棒防振パネ | 1 |
| 27 | 0094433 | Collar(4×11×7mm) | カラー | 1 |
| 28 | 007006 | Screw(9/64-40×4) | 止ネジ | 1 |
| 29 | 3101275 | Thread Pull-off Hook, C. Set(See the table) | 糸緩メフック(組)(下設線) | 1 |
| 30 | 3101276 | Thread Pull-off Hook, C. Set(See the table) | 糸緩メフック(組)(下設線) | 1 |
| 31 | 001459 | Screw(9/64-40×3)(See the table) | 止ネジ(下表参照) | 1 |
| 32 | 0094396 | Thread Pull-off Bar Holder | 糸緩メ棒連結片 | 1 |
| 33 | 0033024 | Retaining Ring | ストップリング | 1 |
| 34 | 0063515 | Thread Pull-off Lever | 糸緩メレバー | 1 |
| 35 | 000690 | Dowel Pin | 止メピン | 1 |
| 36 | 0094390 | Tension Release Adjusting Eccentric | 糸緩メ板調節コロ | 1 |
| 37 | 0095334 | Swing-proof Spring | 糸緩メ板防振パネ | 1 |
| 38 | 001170 | Screw(9/64-40×12) | 止ネジ | 1 |
| 39 | 3100528 | Tension Disc Separator | 糸緩メ板 | 1 |
| 40 | 3100527 | Tension Post Support | 糸調子台 | 1 |
| 41 | 110014 | Screw(M4-0.7×18) | 止ネジ | 2 |
| 42 | 000505 | Spacer | スペーサ | 2 |
| 43 | 3201026 | Looper Holder | ルーパ台 | 1 |
| 44 | 3100711 | Top Cover Thread Eyelet | 飾り糸道 | 1 |
| 45 | 006035 | Screw(9/64-40×7) | 止ネジ | 1 |
| 46 | 000644 | Spring Washer | スプリングワッシャ | 1 |
| 47 | 000322 | Nut | ナット | 1 |
| 48 | 001208 | Screw(9/64-40×5) | 止ネジ | 1 |

※ Ref. No. 1 to 22 See the preceding page.

| Parts No. | 001459 | 3101275 | 3101276 |
|---------------------------|--------|---------|---------|
| 2 Needle without Spreader | 3 個 | 2 個 | 1 個 |
| | pcs. | pcs. | pc. |
| 3 Needle without Spreader | 4 | 3 | 1 |
| 2 Needle with Spreader | 4 | 2 | 2 |
| | | | pcs. |
| 3 Needle with Spreader | 5 | 3 | 2 |

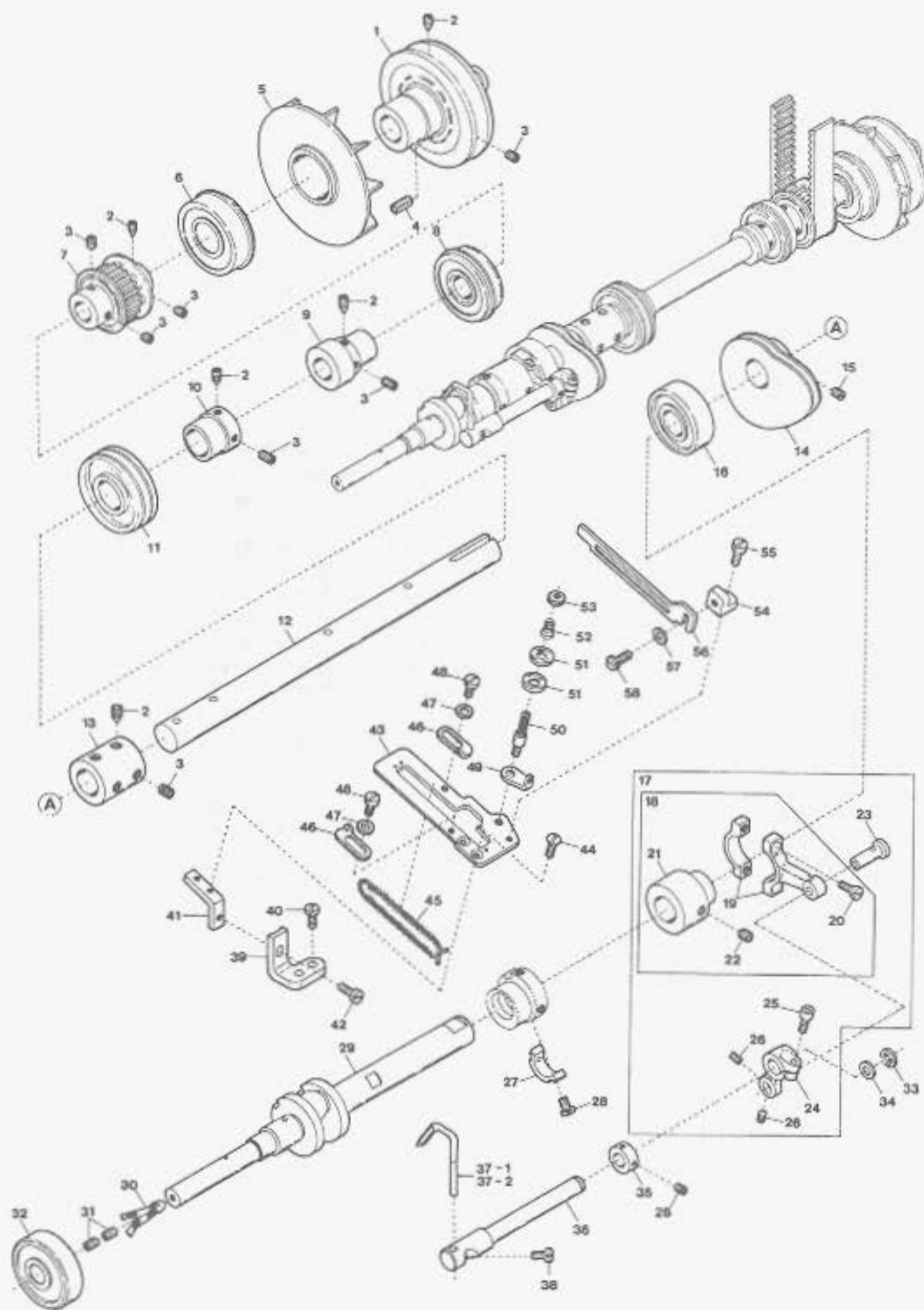
"UT-A" DEVICE(2)



"UT-A" DEVICE(2)

| Ref. No. | Parts No. | Description | 品名 | Amt. Req. |
|----------|-----------|---------------------------------|------------|-----------|
| 1 | 1091002 | Trimming Cylinder, Complete Set | 糸切りシリンダ(組) | 1 |
| 2 | 0010340 | Air Cylinder(CMWB20-01-53995) | エアシリンダ | 1 |
| 3 | 0010057 | Elbow Connector(EL4-PT1/8) | エルボコネクタ | 1 |
| 4 | 0010143 | Silencer(MF-6 PT1/8) | サイレンサ | 1 |
| 5 | 000389 | Spacer | スペーサ | 1 |
| 6 | 0014120 | Anti-shock Rubber | 緩衝ゴム | 1 |
| 7 | 0033104 | Collar(10×18×9mm) | カラー | 1 |
| 8 | 005550 | Screw(11/64-40×13.5) | 止ネジ | 1 |
| 9 | 0096355 | Cylinder Bracket | シリンダブラケット | 1 |
| 10 | 005650 | Screw(M5-0.8×14) | 止ネジ | 3 |
| 11 | 0095335 | Trimming Cylinder Support | シリンダ取付台 | 1 |
| 12 | 120013 | Screw(M6-1×15) | 止ネジ | 3 |
| 13 | 0063610 | Switch, Complete Set | スイッチ(組) | 1 |
| 14 | 0063607 | Switch Support | スイッチ取付板 | 1 |
| 15 | 004353 | Screw(9/64-40×7) | 止ネジ | 3 |
| 16 | 0063606 | Switch | スイッチ | 1 |
| 17 | 0063609 | Switch Cover | スイッチカバー | 1 |
| 18 | 009984 | Screw(M2.3-0.4×10) | 止ネジ | 2 |
| 19 | 0063608 | Switch Guide | スイッチガイド | 1 |
| 20 | 001227 | Screw(1/8-44×3.8) | 止ネジ | 2 |
| 21 | 0036133 | Cord Clamp(5N-φ8.4) | コードクランプ | 1 |
| 22 | 000145 | Nut | ナット | 2 |
| 23 | 0095388 | Plunger Connecting Rod | プランジャロッド | 1 |
| 24 | 001457 | Packing Screw(11/64-40×3.3) | 詰ネジ | 2 |
| 25 | 0095389 | Plunger Connecting Rod Pin | プランジャロッドピン | 1 |
| 26 | 0095390 | Plunger | プランジャ | 1 |
| 27 | 009508 | Screw(11/64-40×7.5) | 止ネジ | 3 |
| 28 | 0095337 | Cylinder Return Shaft | シリンダ戻シシャフト | 1 |
| 29 | 0093491 | Collar(8×16×8mm) | カラー | 1 |
| 30 | 0095336 | Cylinder Return Spring | シリンダ戻シバネ | 1 |
| 31 | 0095391 | Trimming Connector | 連結棒継手 | 1 |
| 32 | 006058 | Screw(7/32-32×6) | 止ネジ | 1 |
| 33 | 000356 | Nut(Left-handed Screw) | ナット(左ネジ) | 1 |
| 34 | 0094356 | Trimming Connecting Rod(Right) | 糸切り連結棒(右) | 1 |
| 35 | 000355 | Nut | ナット | 1 |
| 36 | 0094357 | Trimming Connecting Rod(Left) | 糸切り連結棒(左) | 1 |
| 37 | 3201024 | Looper Thread Take-up | ルーパー糸繰り | 1 |
| 38 | 009621 | Screw(11/64-40×4.7) | 止ネジ | 1 |
| 39 | 000340 | Nut | ナット | 1 |
| 40 | 0095357 | Space Ring | スペースリング | 1 |
| 41 | 0095340 | Trimming Holder Ring | メス台リング | 1 |
| 42 | 005343 | Screw(11/64-40×6.2) | 止ネジ | 1 |

"UT-A"装置(2)



MAIN SHAFT DRIVING MECHANISM

| Ref. No. | Parts No. | Description | 品名 | 5 Amt. Req. |
|----------|-----------|--|--------------|-------------|
| 1 | 3200070 | Pulley | プーリ | 1 |
| 2 | 160005 | Screw(M6-1×8) | 止ネジ | 5 |
| 3 | 160007 | Screw(M6-1×6) | 止ネジ | 9 |
| 4 | 000037 | Roll Pin | ロールピン | 1 |
| 5 | 3200071 | Oil Cooling Fan | 冷却ファン | 1 |
| 6 | 0093089 | Ball Bearing(Right) | ボールベアリング(右) | 1 |
| 7 | 3100128 | Main Shaft Sprocket(Lower) | ベルトプーリ(下) | 1 |
| 8 | 0093090 | Ball Bearing(Middle) | ボールベアリング(中) | 1 |
| 9 | 3200072 | Oil Pump Driving Worm | ウォーム | 1 |
| 10 | 3100129 | Adapter | アダプタ | 1 |
| 11 | 3200078 | Ball Bearing(Left) | ボールベアリング(左) | 1 |
| 12 | 3200073 | Lower Shaft(Right) | 下軸(右) | 1 |
| 13 | 3200074 | Lower Shaft Joint | 継手 | 1 |
| 14 | 3200076 | Looper Thread Take-up | 下糸調子カム | 1 |
| 15 | 008047 | Screw(7/32-32×3.6) | 止ネジ | 2 |
| 16 | 0093091 | Ball Bearing | ボールベアリング | 1 |
| 17 | 3200080 | Needle Guard Connecting Rod, C. Set(2) | 針受ケロッド(組2) | 1 |
| 18 | 3200079 | Needle Guard Connecting Rod, C. Set(1) | 針受ケロッド(組1) | 1 |
| 19 | 3200082 | Needle Guard Connecting Rod | 針受ケロッド | 1 |
| 20 | 110005 | Screw(M3, 5-0.6×12) | 止ネジ | 2 |
| 21 | 3200081 | Needle Guard Eccentric | 針受ケエキセン | 1 |
| 22 | 160003 | Screw(M5-0.8×5) | 止ネジ | 2 |
| 23 | 3200087 | Connecting Rod Pin | ロッドピン | 1 |
| 24 | 3200084 | Needle Guard Driving Shaft Arm | 針受ケ軸腕 | 1 |
| 25 | 005650 | Screw(M5-0.8×14) | 止ネジ | 1 |
| 26 | 160000 | Screw(M3-0.5×3) | 止ネジ | 4 |
| 27 | 3200077 | Counterweight | バランスウェイト | 1 |
| 28 | 110036 | Screw(M3-0.5×6.5) | 止ネジ | 2 |
| 29 | 3200075 | Lower Crankshaft | 下軸クランク | 1 |
| 30 | 310035 | Oil Wick | 油芯 | 3 |
| 31 | 160001 | Screw(M4-0.7×4) | 止ネジ | 2 |
| 32 | 0020159 | Ball Bearing | ボールベアリング | 1 |
| 33 | 0068202 | Retaining Ring | ストップリング | 1 |
| 34 | 3200085 | Spacer | スペーサ | 1 |
| 35 | 3200086 | Collar(8×13×6mm) | カラー | 1 |
| 36 | 3200083 | Needle Guard Driving Shaft | 針受ケ軸 | 1 |
| 37-1 | 0093659 | Needle Guard(Rear)(32, 40, 48, 56, 64) | 針受ケ(後) | 1 |
| 37-2 | 0093669 | " " (Extra) | " " (特注品) | 1 |
| 38 | 110083 | Screw(M3, 5-0.6×4.5) | 止ネジ | 1 |
| 39 | 3200093 | Supporting Plate Stay(Lower) | カム糸道取付板支エ(下) | 1 |
| 40 | 110035 | Screw(M4-0.7×10) | 止ネジ | 2 |

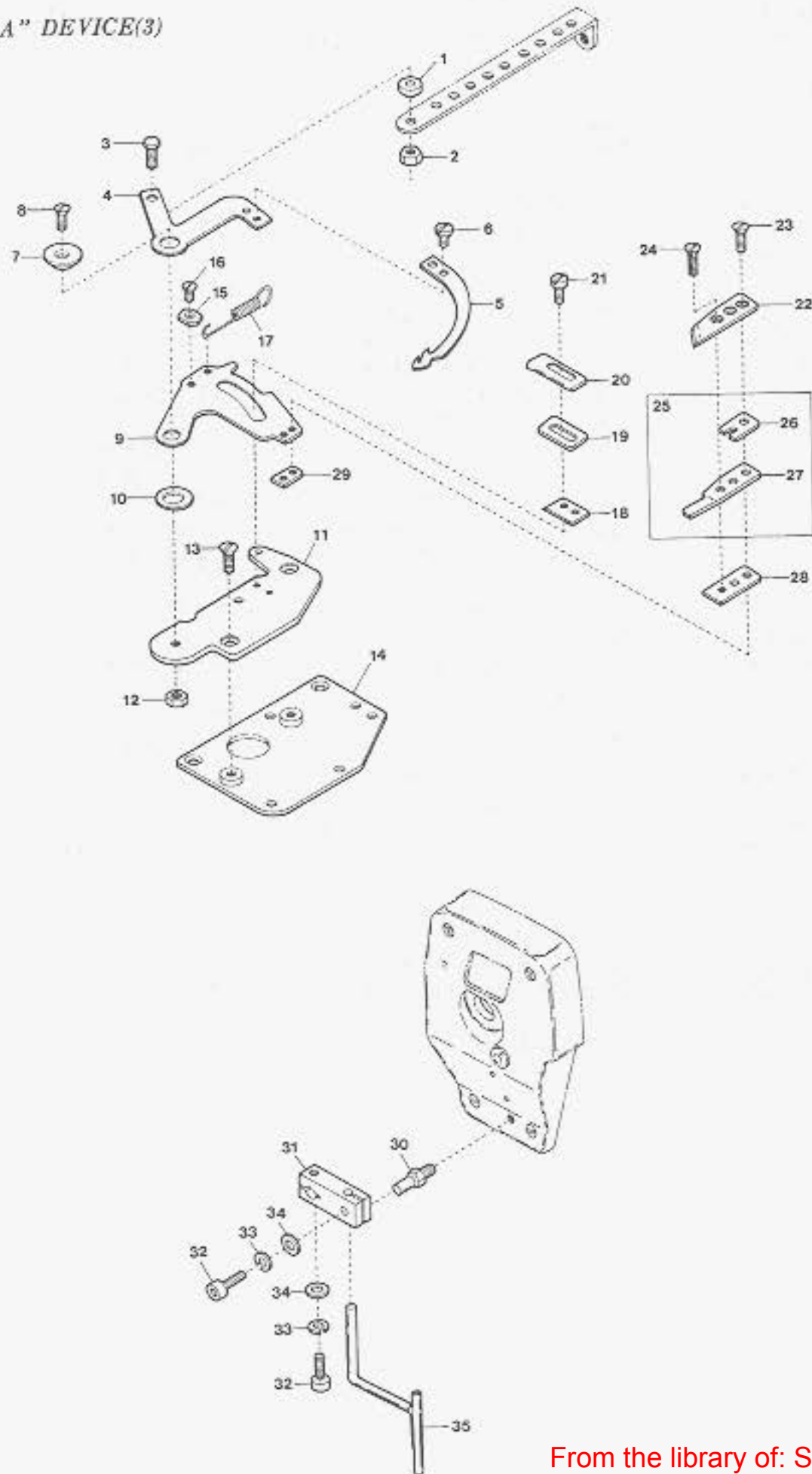
※ Ref. No. 41 to 58 See the following Page.

MAIN SHAFT DRIVING MECHANISM

| Ref. No. | Parts No. | Description | 品名 | 5 Amt. Req. |
|----------|-----------|------------------------------|--------------|-------------|
| 41 | 3200092 | Supporting Plate Stay(Upper) | カム糸道取付板支エ(上) | 1 |
| 42 | 110009 | Screw(M4-0.7×8) | 止ネジ | 1 |
| 43 | 3200091 | Supporting Plate | カム糸道取付板 | 1 |
| 44 | 130002 | Screw(M3-0.5×6) | 止ネジ | 2 |
| 45 | 000463 | Laced Wire | モール(糸巻キ付防止) | 1 |
| 46 | 0093515 | Thread Take-up Eyelet | カム糸道 | 2 |
| 47 | 000014 | Washer | ワッシャ | 2 |
| 48 | 001227 | Screw(1/8-44×3.8) | 止ネジ | 2 |
| 49 | 3200042 | Looper Thread Eyelet | ルーパー糸道 | 1 |
| 50 | 001818 | Tension Post | 糸調子棒 | 1 |
| 51 | 0037108 | Supplementary Tension Disc | 小調子皿 | 2 |
| 52 | 0035813 | Supplementary Tension Spring | 小調子バネ | 1 |
| 53 | 000360 | Adjusting Nut | 調節ナット | 1 |
| 54 | 0063197 | Cast-off Plate Bracket | 糸案内台 | 1 |
| 55 | 001223 | Screw(9/64-40×7.5) | 止ネジ | 1 |
| 56 | 3200094 | Cast-off Plate | 糸案内 | 1 |
| 57 | 000532 | Washer | ワッシャ | 1 |
| 58 | 004106 | Screw(9/64-40×6.5) | 止ネジ | 1 |

※ Ref. No. 1 to 40 See the preceding Page.

"UT-A" DEVICE(3)

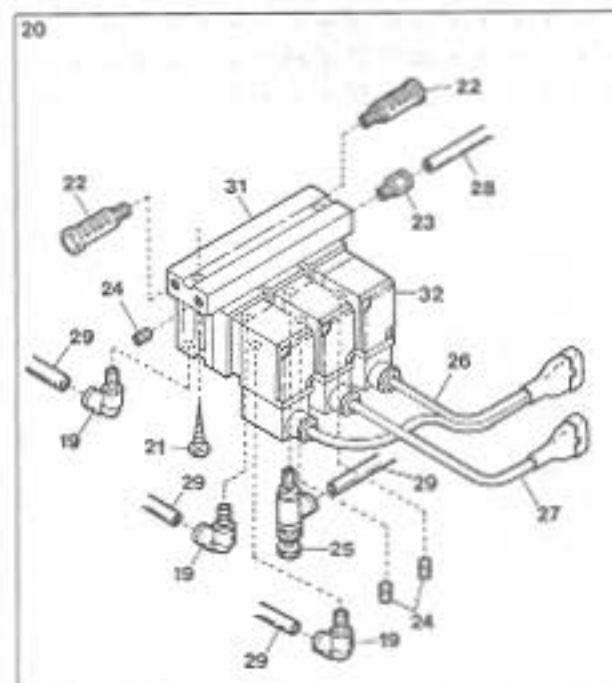
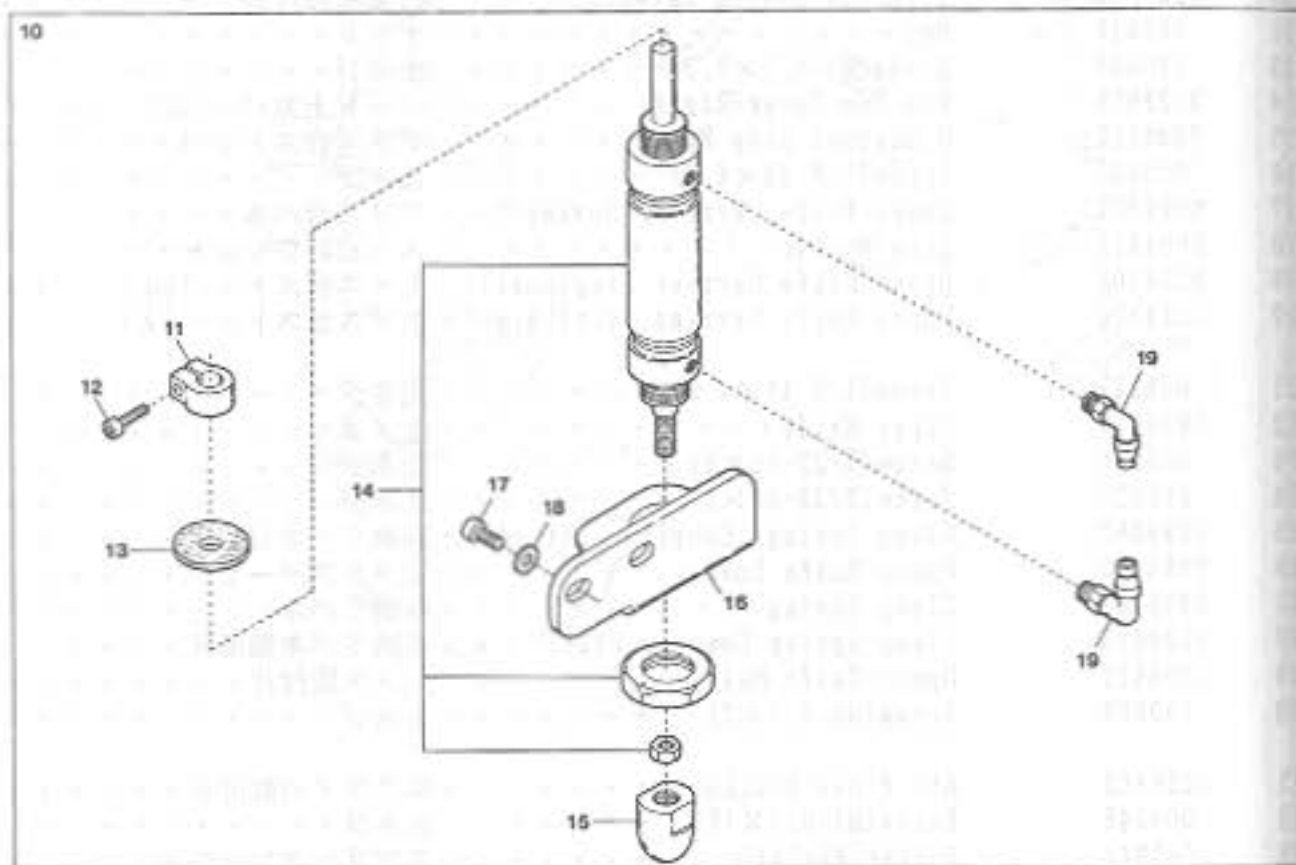
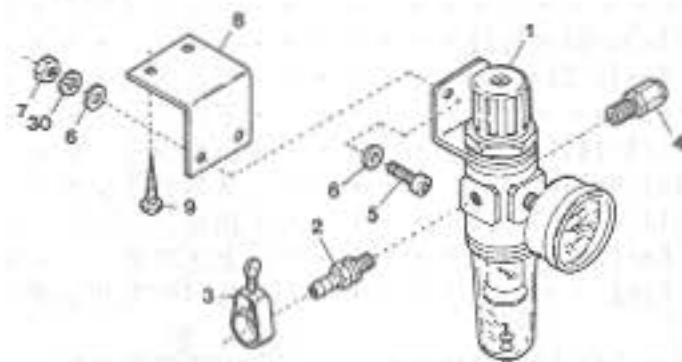


"UT-A" DEVICE(3)

| Ref. No. | Parts No. | Description | 品名 | Amt. Req. |
|----------|-----------|---------------------------------|-------------|-----------|
| 1 | 0094358 | Lower Knife Carrier Connector | 下メス台継手 | 1 |
| 2 | 000338 | Nut | ナット | 1 |
| 3 | 005526 | Screw(5/32-40×9.3) | 止ネジ | 1 |
| 4 | 0095342 | Lower Knife Carrier | 下メス台 | 1 |
| 5 | 0095399 | Lower Knife | 下メス | 1 |
| 6 | 005044 | Screw(1/8-44×2.4) | 止ネジ | 2 |
| 7 | 0095340 | Trimming Holder Ring | メス台リング | 1 |
| 8 | 005345 | Screw(11/64-40×8.3) | 止ネジ | 1 |
| 9 | 0095341 | Upper Knife Carrier | 上メス台 | 1 |
| 10 | 0095343 | Space Ring | スペースリング | 1 |
| 11 | 3201023 | Trimming Device Basement | UT装置取付板 | 1 |
| 12 | 000340 | Nut | ナット | 1 |
| 13 | 130003 | Screw(M4-0.7×7.3) | 止ネジ | 2 |
| 14 | 3201022 | Bed Top Cover(Right) | ベッド上カバー(右) | 1 |
| 15 | 0094410 | Hexagonal Stop Plate | 下メス台ストッパ | 1 |
| 16 | 005431 | Screw(1/8-44×4.4) | 止ネジ | 1 |
| 17 | 0094477 | Lower Knife Carrier Spring | 下メス台バネ | 1 |
| 18 | 0094418 | Stop Washer | ストップワッシャ | 1 |
| 19 | 0094403 | Upper Knife Carrier Stop(Small) | 上メス台ストッパ(小) | 1 |
| 20 | 0094406 | Upper Knife Carrier Stop(Large) | 上メス台ストッパ(大) | 1 |
| 21 | 004317 | Screw(1/8-44×4.8) | 止ネジ | 2 |
| 22 | 0094417 | Upper Knife | 上メス | 1 |
| 23 | 005112 | Screw(3/32-56×6) | 止ネジ | 2 |
| 24 | 005422 | Screw(3/32-56×4) | 止ネジ | 1 |
| 25 | 0095362 | Clamp Spring, Complete Set | 糸挟ミバネ(組) | 1 |
| 26 | 0094415 | Upper Knife Spacer | 上メススペーサ | 1 |
| 27 | 0095361 | Clamp Spring | 糸挟ミバネ | 1 |
| 28 | 0094413 | Clamp Spring Counter Plate | 糸挟ミバネ調節片 | 1 |
| 29 | 0094412 | Upper Knife Holder | 上メス取付片 | 1 |
| 30 | 190009 | Screw(M4-0.7×7) | 止ネジ | 1 |
| 31 | 0096358 | Air Wiper Bracket | エアワイパ取付台 | 1 |
| 32 | 009748 | Screw(M4-0.7×12) | 止ネジ | 1 |
| 33 | 000644 | Spring Washer | スプリングワッシャ | 2 |
| 34 | 000538 | Washer | ワッシャ | 2 |
| 35 | 0096357 | Air Wiper | エアワイパ | 1 |
| 36 | 120023 | Screw(M4-0.7×10) | 止ネジ | 1 |

"UT-A"装置(3)

"UT-A" DEVICE(4)



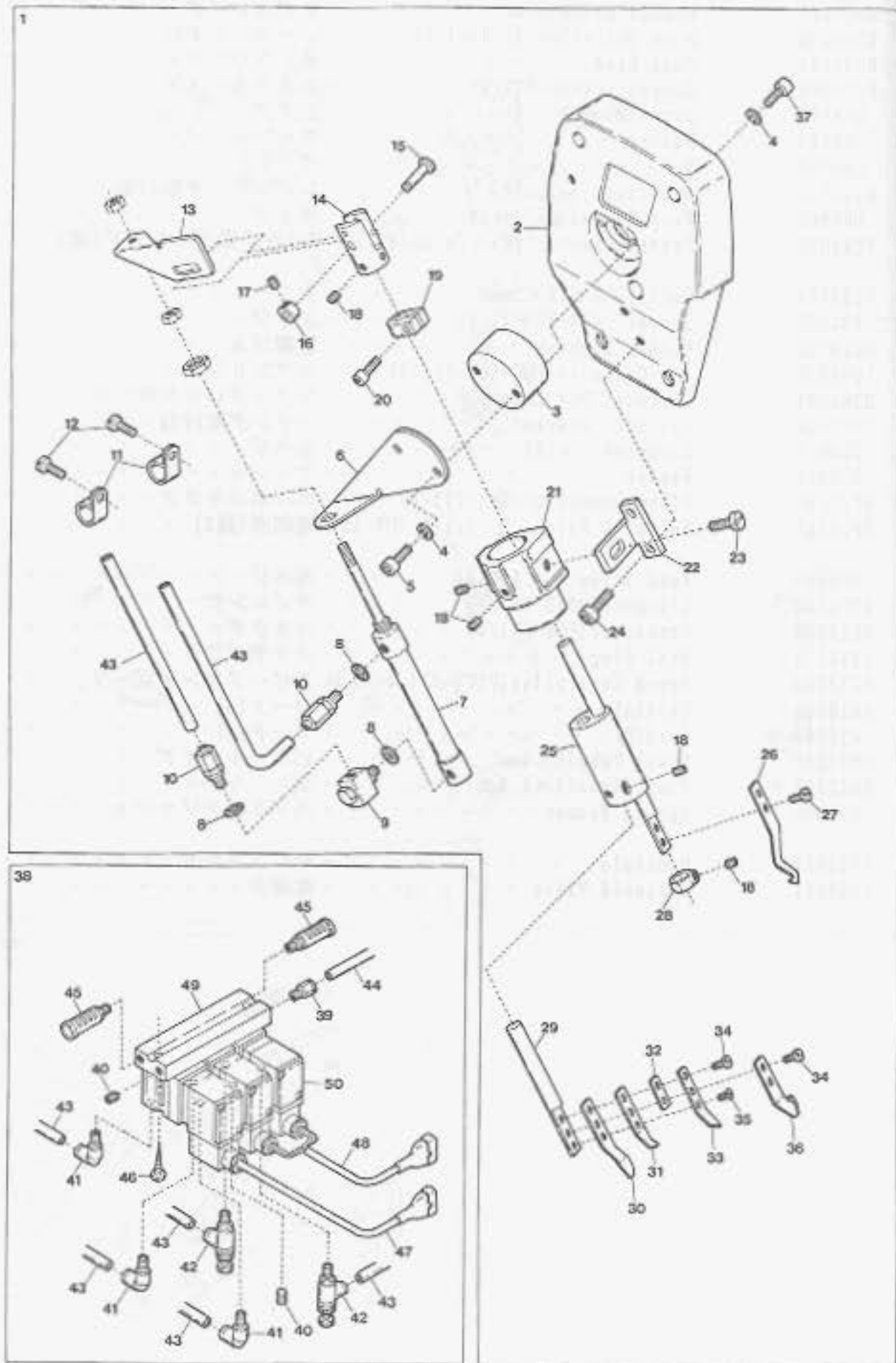
"UT-A" DEVICE(4)

| Ref. No. | Parts No. | Description | 品名 | 5-1 Amt. Req. |
|----------|-----------|--------------------------------------|-------------|---------------|
| 1 | 0010073 | Regulator(AW2000) | レギュレータ | 1 |
| 2 | 0010108 | Hose Union(NH-512 8×1/4) | ホースユニオン | 1 |
| 3 | 0033939 | Hose Band | ホースバンド | 1 |
| 4 | 0010264 | Connector(EC6-PT1/4) | コネクタ | 1 |
| 5 | 009960 | Screw(M5-0.8×10) | 止ネジ | 2 |
| 6 | 000669 | Washer | ワッシャ | 4 |
| 7 | 000009 | Nut | ナット | 2 |
| 8 | 0013218 | Regulator Support | レギュレータ取付板 | 1 |
| 9 | 006905 | Wood Screw(φ5.1×20) | 木ネジ | 2 |
| 10 | 3201035 | Presser Foot Lifter Cylinder, C. Set | 押エ揚ゲシリンダ(組) | 1 |
| 11 | 0033104 | Collar(10×18×9mm) | カラー | 1 |
| 12 | 005550 | Screw(11/64-40×13.5) | 止ネジ | 1 |
| 13 | 0014120 | Rubber Cushion | 緩衝ゴム | 1 |
| 14 | 1091050 | Air Cylinder(EMD-SDW-25-30) | エアシリンダ | 1 |
| 15 | 3201037 | Cylinder Rod Chip | シリンダロッドチップ | 1 |
| 16 | 3201036 | Cylinder Bracket | シリンダ取付台 | 1 |
| 17 | 120013 | Screw(M6-1×15) | 止ネジ | 2 |
| 18 | 000425 | Washer | ワッシャ | 2 |
| 19 | 0010057 | Elbow Connector(EL4-PT1/8) | エルボコネクタ | 5 |
| 20 | 0010343 | Solenoid Valve, C. Set(2)(UT-A2) | 電磁弁(組2) | 1 |
| 21 | 009880 | Wood Screw(φ4.5×40) | 木ネジ | 2 |
| 22 | 0010143 | Silencer(MF-6 PT1/8) | サイレンサ | 2 |
| 23 | 0010263 | Connector(EC6-PT1/8) | コネクタ | 1 |
| 24 | 0010119 | Seal Plug | メクラプラグ | 3 |
| 25 | 0010254 | Speed Controller(ESC4-PT1/8-0) | スピードコントローラ | 1 |
| 26 | 0010868 | Cord(A) | コード(A) | 1 |
| 27 | 0010869 | Cord(B) | コード(B) | 1 |
| 28 | 0010261 | Vinyl Tube(6×4mm) | ビニールパイプ | - |
| 29 | 0010260 | Vinyl Tube(4×2.5mm) | ビニールパイプ | - |
| 30 | 000600 | Spring Washer | スプリングワッシャ | 2 |
| 31 | 1090012 | Manifold | マニフォルド | 1 |
| 32 | 1090011 | Solenoid Valve | 電磁弁 | 3 |

"UT-A"装置(4)

| Ref. No. | Parts No. | Description | 品名 | 5-1 Amt. Req. |
|----------|-----------|--------------------------------------|-------------|---------------|
| 1 | 0010073 | Regulator(AW2000) | レギュレータ | 1 |
| 2 | 0010108 | Hose Union(NH-512 8×1/4) | ホースユニオン | 1 |
| 3 | 0033939 | Hose Band | ホースバンド | 1 |
| 4 | 0010264 | Connector(EC6-PT1/4) | コネクタ | 1 |
| 5 | 009960 | Screw(M5-0.8×10) | 止ネジ | 2 |
| 6 | 000669 | Washer | ワッシャ | 4 |
| 7 | 000009 | Nut | ナット | 2 |
| 8 | 0013218 | Regulator Support | レギュレータ取付板 | 1 |
| 9 | 006905 | Wood Screw(φ5.1×20) | 木ネジ | 2 |
| 10 | 3201035 | Presser Foot Lifter Cylinder, C. Set | 押エ揚ゲシリンダ(組) | 1 |
| 11 | 0033104 | Collar(10×18×9mm) | カラー | 1 |
| 12 | 005550 | Screw(11/64-40×13.5) | 止ネジ | 1 |
| 13 | 0014120 | Rubber Cushion | 緩衝ゴム | 1 |
| 14 | 1091050 | Air Cylinder(EMD-SDW-25-30) | エアシリンダ | 1 |
| 15 | 3201037 | Cylinder Rod Chip | シリンダロッドチップ | 1 |
| 16 | 3201036 | Cylinder Bracket | シリンダ取付台 | 1 |
| 17 | 120013 | Screw(M6-1×15) | 止ネジ | 2 |
| 18 | 000425 | Washer | ワッシャ | 2 |
| 19 | 0010057 | Elbow Connector(EL4-PT1/8) | エルボコネクタ | 5 |
| 20 | 0010343 | Solenoid Valve, C. Set(2)(UT-A2) | 電磁弁(組2) | 1 |
| 21 | 009880 | Wood Screw(φ4.5×40) | 木ネジ | 2 |
| 22 | 0010143 | Silencer(MF-6 PT1/8) | サイレンサ | 2 |
| 23 | 0010263 | Connector(EC6-PT1/8) | コネクタ | 1 |
| 24 | 0010119 | Seal Plug | メクラプラグ | 3 |
| 25 | 0010254 | Speed Controller(ESC4-PT1/8-0) | スピードコントローラ | 1 |
| 26 | 0010868 | Cord(A) | コード(A) | 1 |
| 27 | 0010869 | Cord(B) | コード(B) | 1 |
| 28 | 0010261 | Vinyl Tube(6×4mm) | ビニールパイプ | - |
| 29 | 0010260 | Vinyl Tube(4×2.5mm) | ビニールパイプ | - |
| 30 | 000600 | Spring Washer | スプリングワッシャ | 2 |
| 31 | 1090012 | Manifold | マニフォルド | 1 |
| 32 | 1090011 | Solenoid Valve | 電磁弁 | 3 |

"UT-A4/ST-A" DEVICE

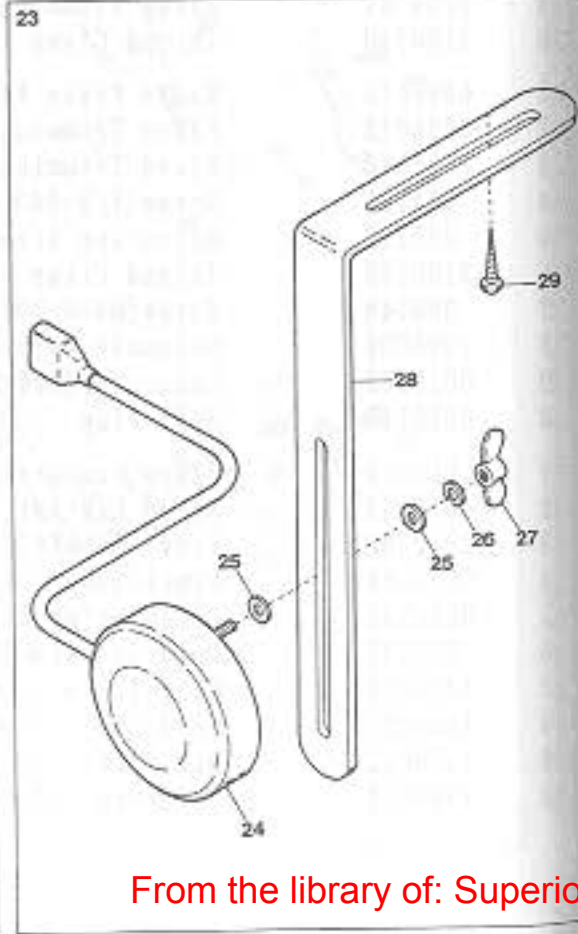
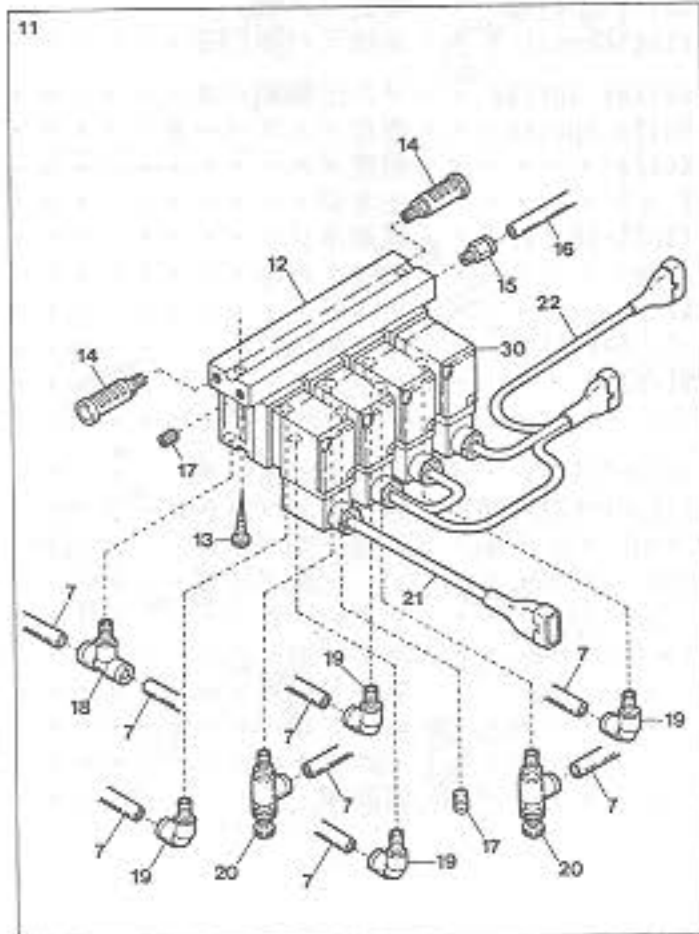
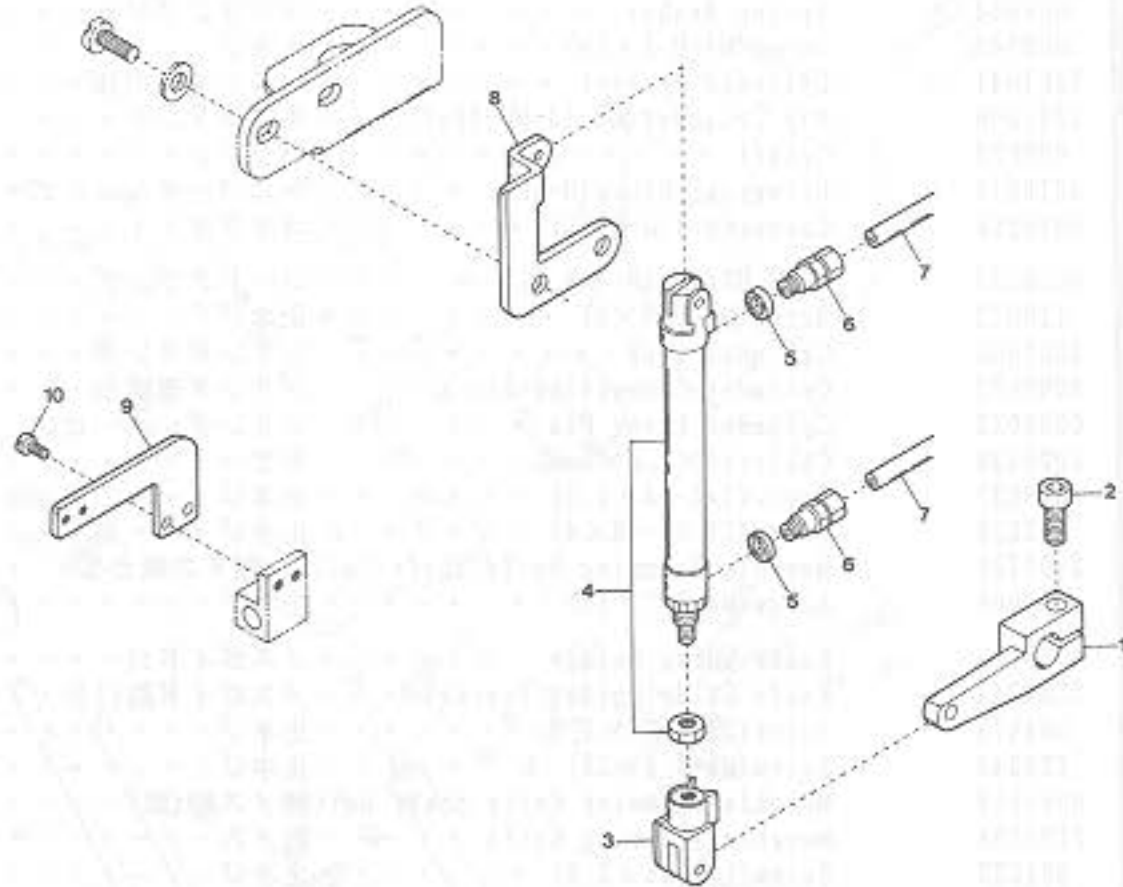


"UT-A4/ST-A" DEVICE

| Ref. No | Parts No | Description | 品名 | Amt. Req. |
|---------|----------|---|------------|-----------|
| 1 | 3209931 | Trimming Device, Complete Set | メス装置(組) | 1 |
| 2 | 3201044 | Head Cover | ヘッドカバー | 1 |
| 3 | 3001001 | Cylinder Bracket Holder | シリンダ取付台 | 1 |
| 4 | 000644 | Spring Washer | スプリングワッシャ | 4 |
| 5 | 009747 | Screw(M4-0.7×10) | 止ネジ | 2 |
| 6 | 3201041 | Cylinder Bracket | シリンダ取付板 | 1 |
| 7 | 1091006 | Air Cylinder(MS-10-ND-30-P) | エアシリンダ | 1 |
| 8 | 000623 | Gasket | パッキン | 3 |
| 9 | 0010019 | Universal Elbow(M-5UL) | ユニバーサルエルボ | 1 |
| 10 | 0010258 | Connector(SA-2.5L) | コネクタ | 2 |
| 11 | 0036133 | Cord Clamp(5N-φ8.4) | コードクランプ | 2 |
| 12 | 110012 | Screw(M4-0.7×5) | 止ネジ | 2 |
| 13 | 3001002 | Cylinder Link | シリンダリンク | 1 |
| 14 | 0096022 | Cylinder Connecting Block | シリンダ連結台 | 1 |
| 15 | 0096023 | Cylinder Lever Pin | シリンダレバーピン | 1 |
| 16 | 0026438 | Collar(4×7.4×5mm) | カラー | 1 |
| 17 | 003637 | Screw(1/8-44×2.5) | 止ネジ | 1 |
| 18 | 003638 | Screw(11/64-40×4) | 止ネジ | 7 |
| 19 | 3100703 | Movable Trimming Knife Shaft Collar 動メス軸カラー | 動メス軸カラー | 1 |
| 20 | 120009 | Screw(M4-0.7×12) | 止ネジ | 1 |
| 21 | 0096020 | Knife Guide Holder | メスガイド台 | 1 |
| 22 | 3201042 | Knife Guide Holder Bracket | メスガイド取付台 | 1 |
| 23 | 004475 | Screw(3/16-32×7.9) | 止ネジ | 1 |
| 24 | 120040 | Screw(M5-0.8×18) | 止ネジ | 2 |
| 25 | 0096018 | Movable Trimming Knife Shaft Unit 動メス軸(組) | 動メス軸(組) | 1 |
| 26 | 3100708 | Movable Trimming Knife | 動メス | 1 |
| 27 | 001227 | Screw(1/8-44×3.8) | 止ネジ | 2 |
| 28 | 0096027 | Movable Trimming Knife Shaft Collar 動メス軸カラー | 動メス軸カラー | 1 |
| 29 | 3100707 | Fixed Trimming Knife Shaft | 固定メス軸 | 1 |
| 30 | 3100710 | Thread Clamp Spring(Lower) | 糸挟ミバネ(下) | 1 |
| 31 | 0096013 | Knife Press Adjusting Spring | メス圧調節バネ | 1 |
| 32 | 0096012 | Fixed Trimming Knife Spacer | 固定メススペーサ | 1 |
| 33 | 0096010 | Fixed Trimming Knife | 固定メス | 1 |
| 34 | 001196 | Screw(1/8-44×6) | 止ネジ | 2 |
| 35 | 005112 | Adjusting Screw(3/32-56×5.5) | 調節ネジ | 1 |
| 36 | 3100709 | Thread Clamp Spring | 糸挟ミバネ | 1 |
| 37 | 009749 | Screw(M4-0.7×16) | 止ネジ | 2 |
| 38 | 1090002 | Solenoid Valve, C. Set(2) | 電磁弁(組2) | 1 |
| 39 | 0010263 | Connector(EC6-PT1/8) | コネクタ | 1 |
| 40 | 0010119 | Seal Plug | メクラプラグ | 2 |
| 41 | 0010057 | Elbow Connector(EL4-PT1/8) | エルボコネクタ | 3 |
| 42 | 0010254 | Speed Controller(ESC4-PT1/8-0) | スピードコントローラ | 2 |
| 43 | 0010260 | Vinyl Tube(4×2.5mm) | ビニールパイプ | - |
| 44 | 0010261 | Vinyl Tube(6×4mm) | ビニールパイプ | - |
| 45 | 0010143 | Silencer(MF-6PT1/8) | サイレンサ | 2 |
| 46 | 009880 | Wood Screw(φ4.5×40) | 木ネジ | 2 |
| 47 | 1200071 | Cord(J) | コード(J) | 1 |
| 48 | 1200007 | Cord(D) | コード(D) | 1 |
| 49 | 1090012 | Manifold | マニフォールド | 1 |
| 50 | 1090011 | Solenoid Valve | 電磁弁 | 3 |

"UT-A4/ST-A"装置

"UT-A4" DEVICE for VF2400-PA, 2500-PA

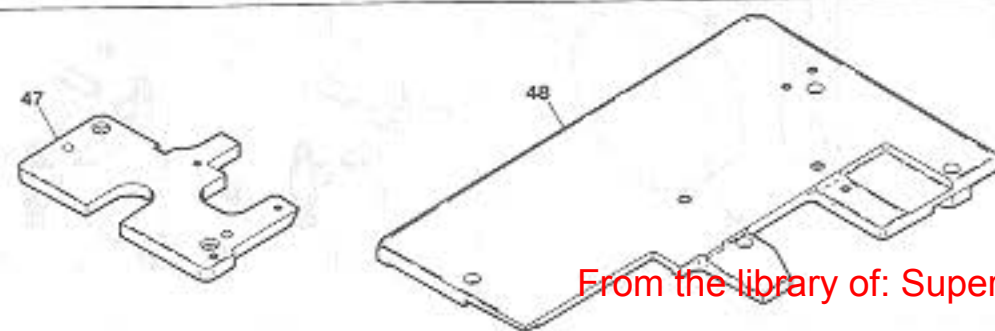
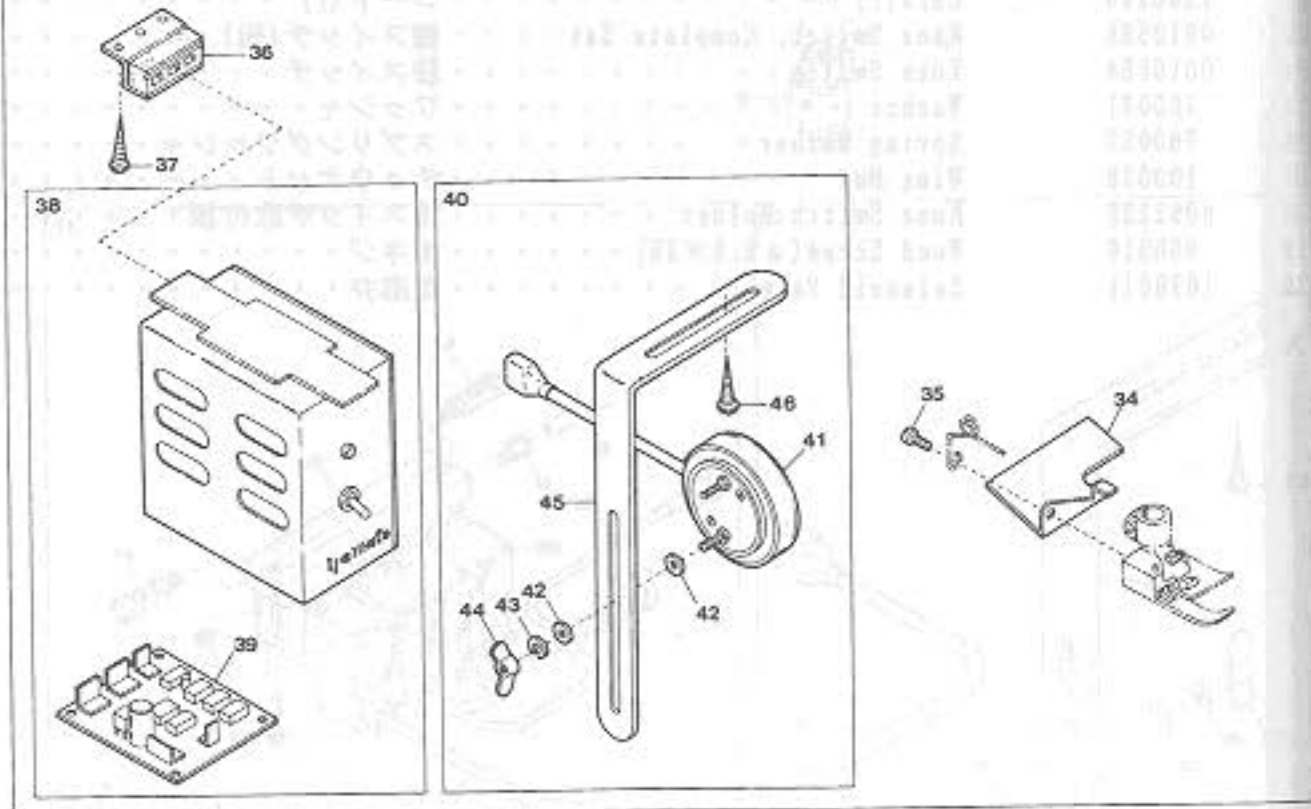
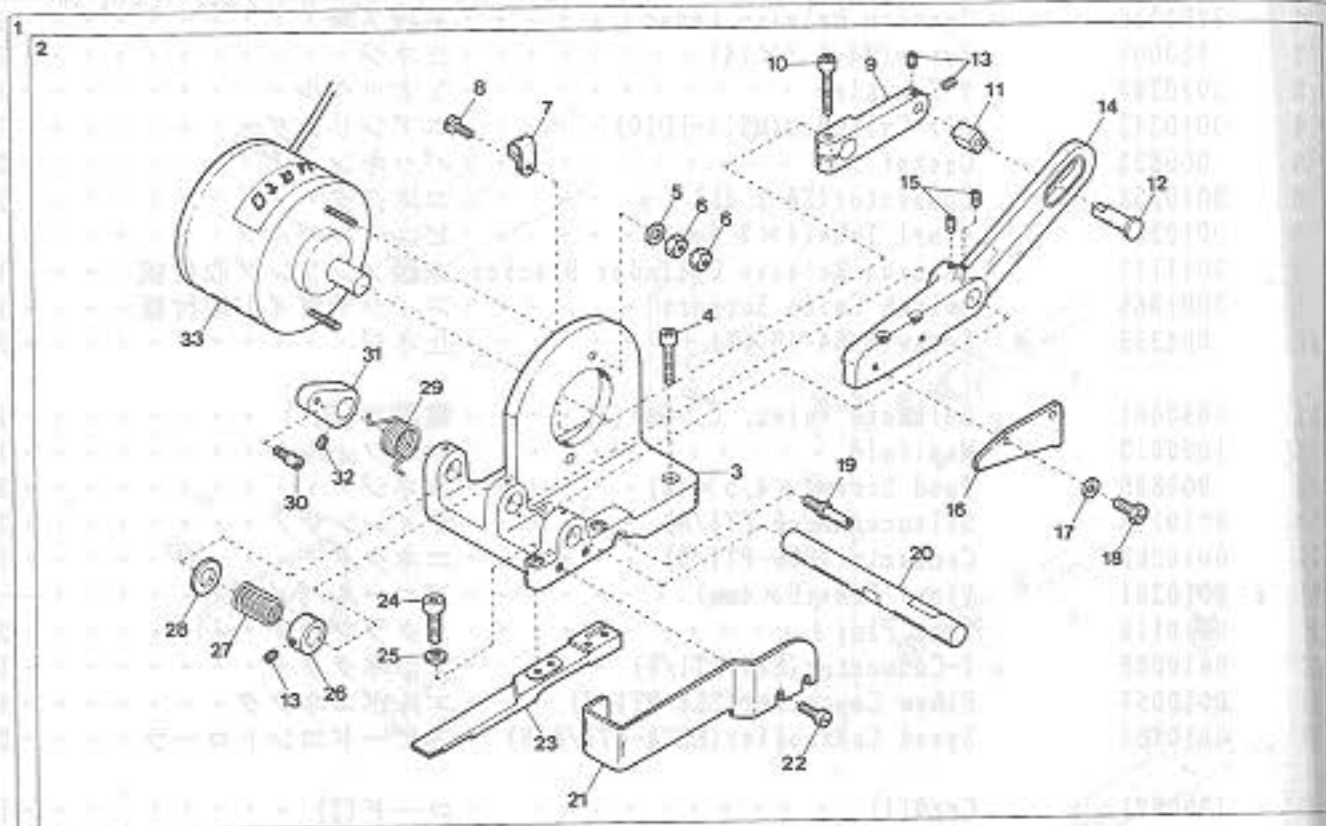


"UT-A4" DEVICE for VF2400-PA, 2500-PA

"UT-A4"装置

| Ref. No. | Parts No. | Description | 品名 | Amt. Req. |
|----------|-----------|----------------------------------|------------|-----------|
| 1 | 3201019 | Tension Release Lever | 糸緩メ腕 | 1 |
| 2 | 120001 | Screw (M4-0.7×14) | 止ネジ | 1 |
| 3 | 0010283 | Y-Knuckle | Yナックル | 1 |
| 4 | 0010242 | Air Cylinder (MS10-PD10) | エアシリンダ | 1 |
| 5 | 000623 | Gasket | パッキン | 2 |
| 6 | 0010258 | Connector (SA-2, 5L) | コネクタ | 2 |
| 7 | 0010260 | Vinyl Tube (4×2.5mm) | ビニールパイプ | - |
| 8 | 3011117 | Tension Release Cylinder Bracket | 糸緩メシリンダ取付板 | 1 |
| 9 | 3001066 | Switch Guide Support | スイッチガイド取付板 | 1 |
| 10 | 004353 | Screw (9/64-40×7) | 止ネジ | 2 |
| 11 | 1090061 | Solenoid Valve, C. Set (2) | 電磁弁(組2) | 1 |
| 12 | 1090013 | Manifold | マニフォルド | 1 |
| 13 | 009880 | Wood Screw (φ4.5×40) | 木ネジ | 2 |
| 14 | 0010143 | Silencer (MF-6 PT1/8) | サイレンサ | 2 |
| 15 | 0010263 | Connector (EC6-PT1/8) | コネクタ | 1 |
| 16 | 0010261 | Vinyl Tube (6×4mm) | ビニールパイプ | - |
| 17 | 0010119 | Seal Plug | メクラプラグ | 2 |
| 18 | 0010056 | T-Connector (ET4-PT1/8) | Tコネクタ | 1 |
| 19 | 0010057 | Elbow Connector (EL4-PT1/8) | エルボコネクタ | 4 |
| 20 | 0010254 | Speed Controller (ESC4-PT1/8-0) | スピードコントローラ | 2 |
| 21 | 1200071 | Cord (J) | コード(J) | 1 |
| 22 | 1200110 | Cord (P) | コード(P) | 1 |
| 23 | 0010565 | Knee Switch, Complete Set | 膝スイッチ(組) | 1 |
| 24 | 0010564 | Knee Switch | 膝スイッチ | 1 |
| 25 | 300031 | Washer | ワッシャ | 4 |
| 26 | 300033 | Spring Washer | スプリングワッシャ | 2 |
| 27 | 100038 | Wing Nut | チョウナット | 2 |
| 28 | 0092232 | Knee Switch Holder | 膝スイッチ取付板 | 1 |
| 29 | 006910 | Wood Screw (φ6.8×26) | 木ネジ | 2 |
| 30 | 1090011 | Solenoid Valve | 電磁弁 | 4 |

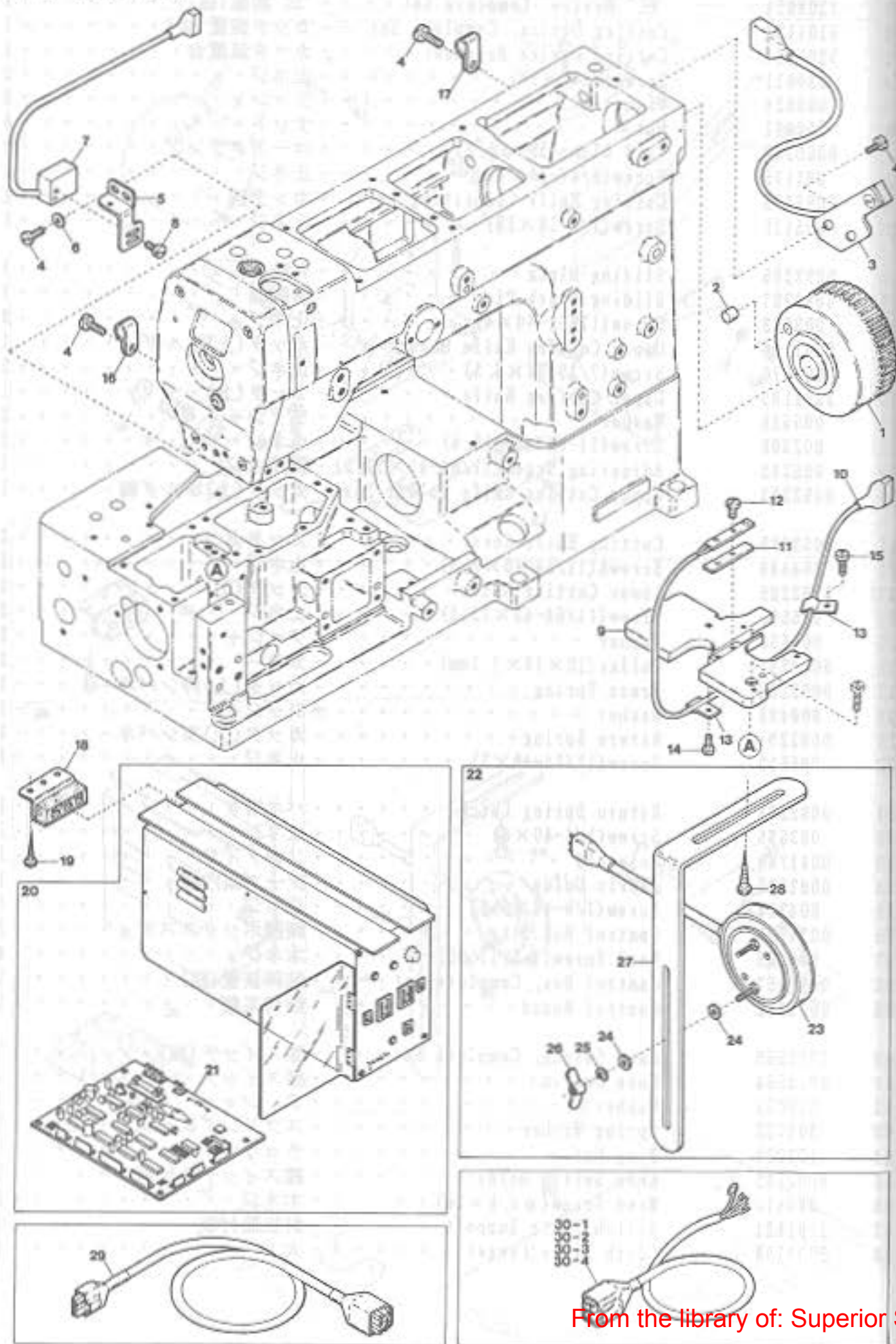
"EC" DEVICE



"EC" DEVICE

| Ref. No. | Parts No. | Description | "EC"装置 品名 | Amt. Req. |
|----------|-----------|----------------------------------|--------------|-----------|
| 1 | 3209924 | "EC" Device, Complete Set | "EC"装置(組) | 1 |
| 2 | 3201122 | Cutting Device, Complete Set | カッタ装置(組) | 1 |
| 3 | 3201104 | Cutting Device Basement | カッタ装置台 | 1 |
| 4 | 120011 | Screw(M6-1×18) | 止ネジ | 2 |
| 5 | 000528 | Washer | ワッシャ | 2 |
| 6 | 000011 | Nut | ナット | 4 |
| 7 | 0060248 | Cord Clamp(3N-φ5.3) | コードクランプ | 1 |
| 8 | 001175 | Screw(9/64-40×8) | 止ネジ | 1 |
| 9 | 0092288 | Cutting Knife Connecting Lever | カッタ腕 | 1 |
| 10 | 005115 | Screw(1/4-28×19) | 止ネジ | 1 |
| 11 | 0092286 | Sliding Block | 角駒 | 1 |
| 12 | 0092287 | Sliding Block Pin | 角駒軸 | 1 |
| 13 | 003638 | Screw(11/64-40×4) | 止ネジ | 3 |
| 14 | 3201106 | Upper Cutting Knife Holder | カッタ(上)ホルダ | 1 |
| 15 | 003670 | Screw(7/32-32×6.3) | 止ネジ | 2 |
| 16 | 3201105 | Upper Cutting Knife | カッタ(上) | 1 |
| 17 | 000538 | Washer | ワッシャ | 2 |
| 18 | 002308 | Screw(11-64-40×10.4) | 止ネジ | 2 |
| 19 | 006245 | Adjusting Screw(11/64-40×11.5) | 調節ネジ | 1 |
| 20 | 0092283 | Upper Cutting Knife Holder Shaft | カッタ(上)ホルダ軸 | 1 |
| 21 | 0092289 | Cutting Knife Cover | カッタカバー | 1 |
| 22 | 004440 | ScrewA(11/64-40×8.3) | 止ネジ | 2 |
| 23 | 0092285 | Lower Cutting Knife | カッタ(下) | 1 |
| 24 | 005550 | Screw(11/64-40×13.5) | 止ネジ | 2 |
| 25 | 000530 | Washer | ワッシャ | 2 |
| 26 | 0092294 | Collar(10×18×7.5mm) | カラー | 1 |
| 27 | 0092292 | Press Spring | カッタ(上)押しバネ | 1 |
| 28 | 000498 | Washer | ワッシャ | 1 |
| 29 | 0092291 | Return Spring | カッタ(上)戻しバネ | 1 |
| 30 | 005512 | Screw(11/64-40×3) | 止ネジ | 1 |
| 31 | 0092293 | Return Spring Latch | バネ掛ケ | 1 |
| 32 | 003635 | Screw(1/4-40×6) | 止ネジ | 1 |
| 33 | 0011789 | Solenoid | ソレノイド | 1 |
| 34 | 0092298 | Fabric Guide | テープ案内板 | 1 |
| 35 | 004314 | Screw(1/8-44×5.6) | 止ネジ | 1 |
| 36 | 0011709 | Control Box Stay | 制御ボックスステイ | 2 |
| 37 | 006905 | Wood Screw(φ5.1×20) | 木ネジ | 4 |
| 38 | 0011957 | Control Box, Complete Set | 制御装置(組) | 1 |
| 39 | 0011952 | Control Board | 制御基板 | 1 |
| 40 | 0010565 | Knee Switch, Complete Set | 膝スイッチ(組) | 1 |
| 41 | 0010564 | Knee Switch | 膝スイッチ | 1 |
| 42 | 300031 | Washer | ワッシャ | 4 |
| 43 | 300033 | Spring Washer | スプリングワッシャ | 2 |
| 44 | 100038 | Wing Nut | チョウナット | 2 |
| 45 | 0092232 | Knee Switch Holder | 膝スイッチ取付板 | 1 |
| 46 | 006910 | Wood Screw(φ6.8×26) | 木ネジ | 2 |
| 47 | 3201121 | Stitch Plate Support | 針板取付板 | 1 |
| 48 | 3201100 | Cloth Plate(Large) | 大カバー | 1 |

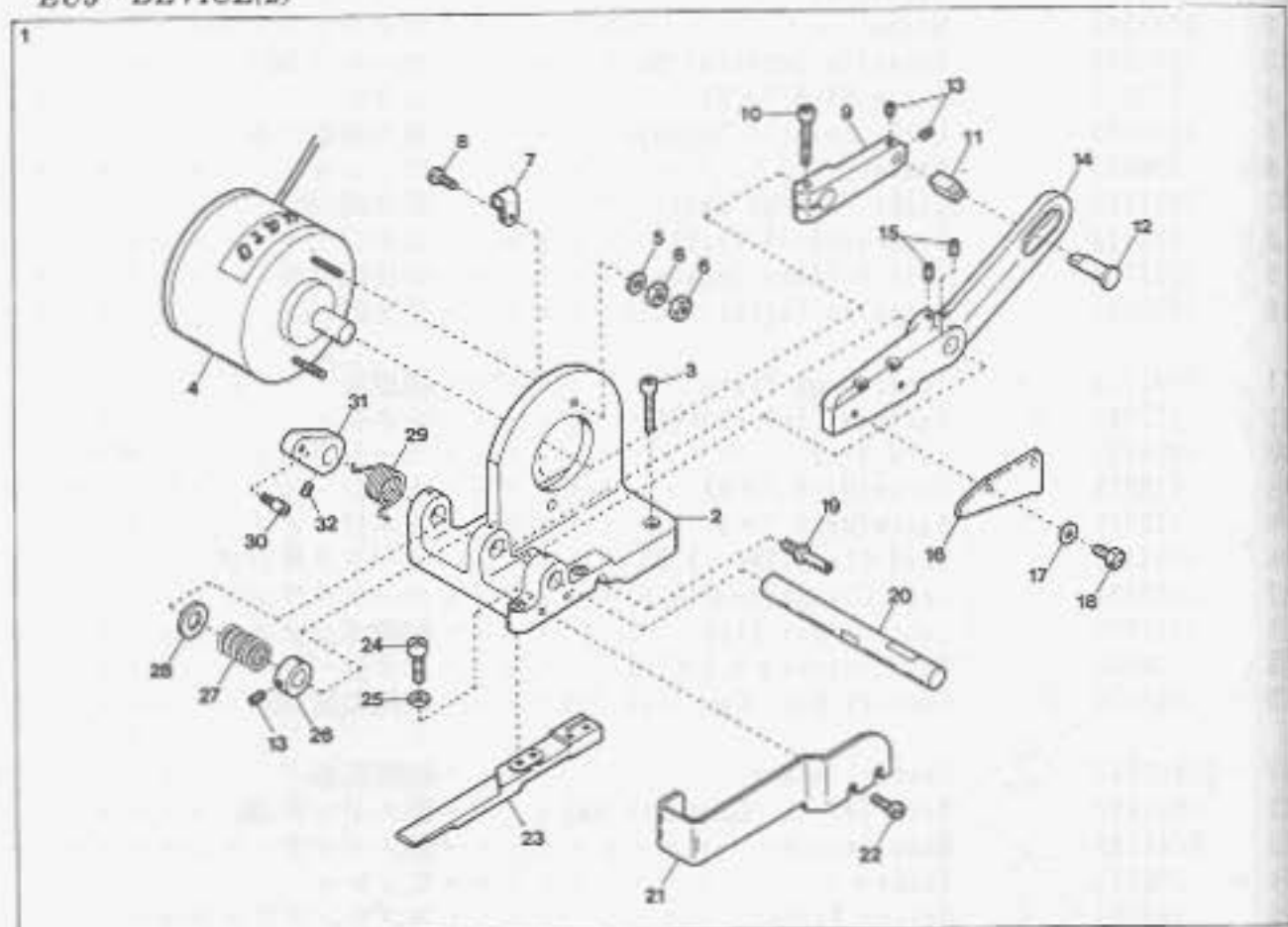
"EU5" DEVICE(1)



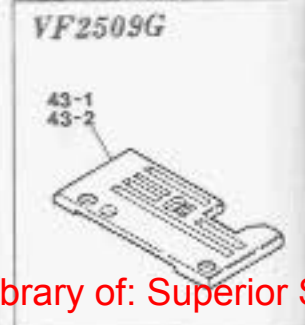
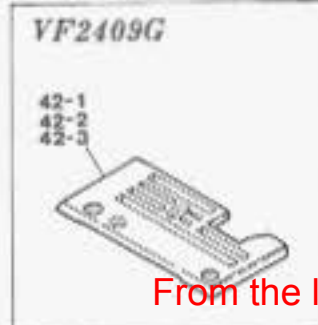
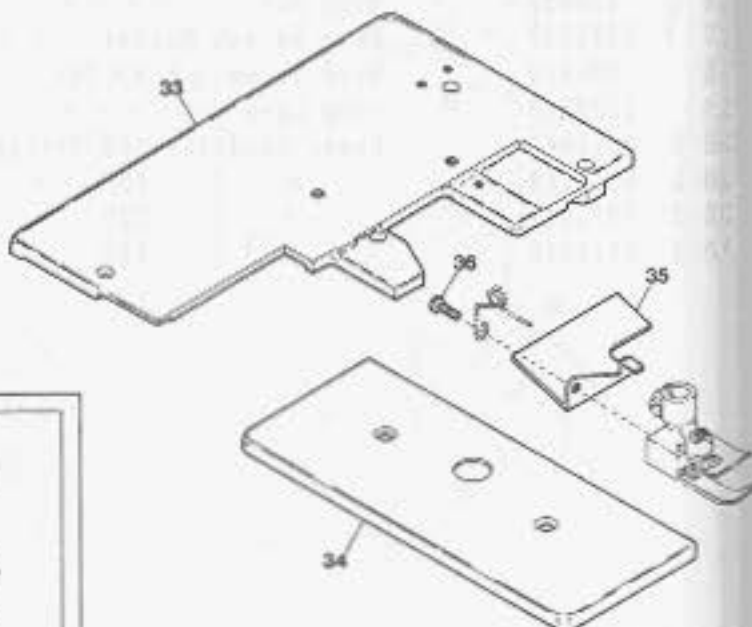
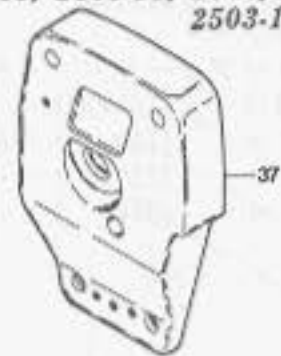
"EU5" DEVICE(1)

| Ref. No | Parts No | Description | 品名 | 55 Amt. Req. |
|---------|----------|-----------------------------|--------------|--------------|
| 1 | 3201108 | Handwheel | ハンドホイール | 1 |
| 2 | 0092305 | Magnet | マグネット | 1 |
| 3 | 1200038 | Rotation Detector Unit | ホールIC(組) | 1 |
| 4 | 110013 | Screw(M4-0.7×8) | 止ネジ | 6 |
| 5 | 3201103 | Light Emitter Support | 投光器取付板 | 1 |
| 6 | 000538 | Washer | ワッシャ | 2 |
| 7 | 0011228 | Light Emitter Unit | 投光器(組) | 1 |
| 8 | 004314 | Screw(1/8-44×5.6) | 止ネジ | 2 |
| 9 | 3201102 | Stitch Plate Support | 針板取付板 | 1 |
| 10 | 1200068 | Emission Catcher Unit | 受光器(組) | 1 |
| 11 | 0092335 | Insulating Plate | 絶縁板 | 1 |
| 12 | 110007 | Screw(M2.5-0.45×6) | 止ネジ | 2 |
| 13 | 0024302 | Cord Stay | コード支エ | 2 |
| 14 | 110008 | Screw(M4-0.7×5) | 止ネジ | 1 |
| 15 | 110009 | Screw(M4-0.7×8) | 止ネジ | 1 |
| 16 | 0094491 | Cord Clamp(2N-φ3.3) | コードクランプ | 1 |
| 17 | 0023381 | Cord Clamp(6N-φ10.6) | コードクランプ | 1 |
| 18 | 0011709 | Control Box Stay | 制御ボックスステイ | 4 |
| 19 | 006905 | Wood Screw(φ5.1×20) | 木ネジ | 8 |
| 20 | 1249020 | Control Box, Complete Set | 制御装置(組) | 1 |
| 21 | 1057087 | Control Board | 制御基板 | 1 |
| 22 | 0011192 | Knee Switch, Complete Set | 膝スイッチ(組) | 1 |
| 23 | 0011189 | Knee Switch | 膝スイッチ | 1 |
| 24 | 300031 | Washer | ワッシャ | 4 |
| 25 | 300033 | Spring Washer | スプリングワッシャ | 2 |
| 26 | 100038 | Wing Nut | チョウナット | 2 |
| 27 | 0092232 | Knee Switch Holder | 膝スイッチ取付板 | 1 |
| 28 | 006910 | Wood Screw(φ6.8×26) | 木ネジ | 2 |
| 29 | 1200040 | Stop Cord | ストップコード | 1 |
| 30-1 | 0011943 | Power Cord(for 100 Voltage) | 電源コード(100V用) | 1 |
| 30-2 | 0011944 | " (200 ") | " (200") | 1 |
| 30-3 | 0011945 | " (220 ") | " (220") | 1 |
| 30-4 | 0011946 | " (380 ") | " (380") | 1 |

"EU5" DEVICE(2)



VF2403, 2403-11, 2503, 2503-11

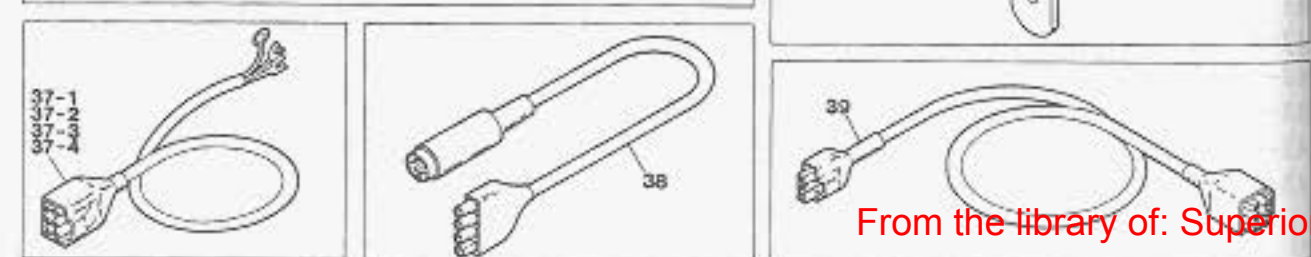
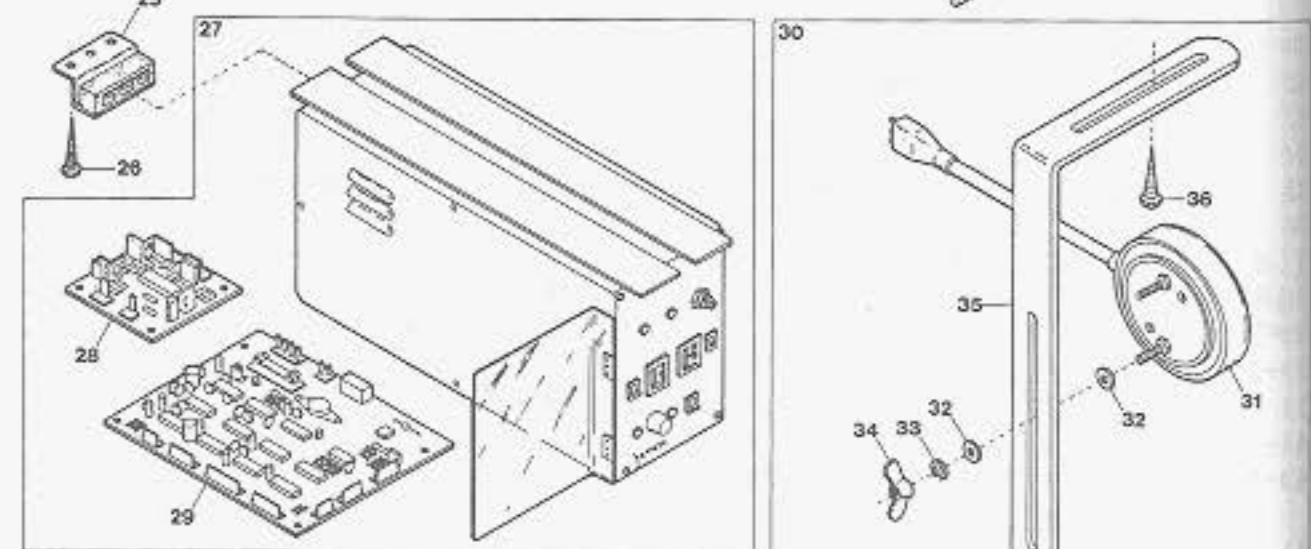
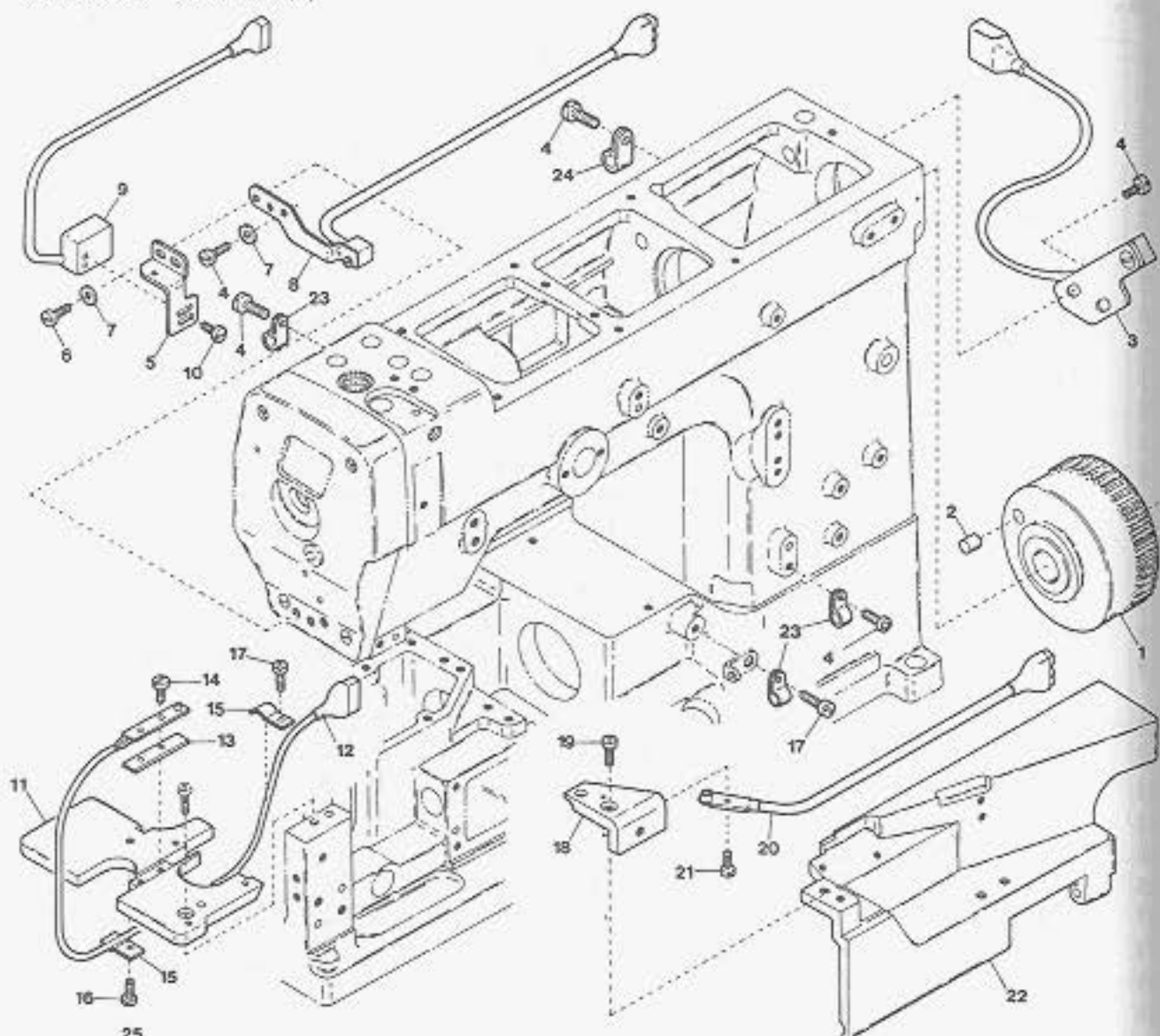


"EU5" DEVICE(2)

| Ref. No. | Parts No. | Description | 品名 | Amt. Req. |
|----------|-----------|----------------------------------|------------|-----------|
| 1 | 3201107 | Cutting Device, Complete Set | カット装置(組) | 1 |
| 2 | 3201104 | Cutting Device Basement | カット装置台 | 1 |
| 3 | 120011 | Screw(M6-1×18) | 止ネジ | 2 |
| 4 | 1200069 | Solenoid | ソレノイド | 1 |
| 5 | 000528 | Washer | ワッシャ | 2 |
| 6 | 000011 | Nut | ナット | 4 |
| 7 | 0060248 | Cord Clamp(3N-φ5.3) | コードクランプ | 1 |
| 8 | 001175 | Screw(9/64-40×8) | 止ネジ | 1 |
| 9 | 0092288 | Cutting Knife Connecting Lever | カット腕 | 1 |
| 10 | 005115 | Screw(1/4-28×19) | 止ネジ | 1 |
| 11 | 0092286 | Sliding Block | 角駒 | 1 |
| 12 | 0092287 | Sliding Block Pin | 角駒軸 | 1 |
| 13 | 003638 | Screw(11/64-40×4) | 止ネジ | 3 |
| 14 | 3201106 | Upper Cutting Knife Holder | カット(上)ホルダ | 1 |
| 15 | 003670 | Screw(7/32-32×6.3) | 止ネジ | 2 |
| 16 | 3201105 | Upper Cutting Knife | カット(上) | 1 |
| 17 | 000538 | Washer | ワッシャ | 2 |
| 18 | 002308 | Screw(11/64-40×10.4) | 止ネジ | 2 |
| 19 | 006245 | Adjusting Screw(11/64-40×11.5) | 調節ネジ | 1 |
| 20 | 0092283 | Upper Cutting Knife Holder Shaft | カット(上)ホルダ軸 | 1 |
| 21 | 0092289 | Cutting Knife Cover | カットカバー | 1 |
| 22 | 004440 | Screw(11/64-40×8.3) | 止ネジ | 2 |
| 23 | 0092285 | Lower Cutting Knife | カット(下) | 1 |
| 24 | 005550 | Screw(11/64-40×13.5) | 止ネジ | 2 |
| 25 | 000530 | Washer | ワッシャ | 2 |
| 26 | 0092294 | Collar(10×18×7.5mm) | カラー | 1 |
| 27 | 0092292 | Press Spring | カット(上)押シバネ | 1 |
| 28 | 000498 | Washer | ワッシャ | 1 |
| 29 | 0092291 | Return Spring | カット(上)戻シバネ | 1 |
| 30 | 005512 | Screw(11/64-40×3) | 止ネジ | 1 |
| 31 | 0092293 | Return Spring Latch | バネ掛け | 1 |
| 32 | 003635 | Screw(1/4-40×6) | 止ネジ | 1 |
| 33 | 3201100 | Cloth Plate(Large) | 大カバー | 1 |
| 34 | 3201101 | Cloth Plate(Small) | 小カバー | 1 |
| 35 | 0092298 | Fabric Guide | テープ案内板 | 1 |
| 36 | 004314 | Screw(1/8-44×5.6) | 止ネジ | 1 |
| 37 | 3101464 | Head Cover | ヘッドカバー | 1 |
| 38-1 | 0092324 | Stitch Plate(32M) | 針板 | 1 |
| 38-2 | 0092325 | " (40M) | " | 1 |
| 38-3 | 0092326 | " (48M) | " | 1 |
| 39 | 3208023 | " (40M) | " | 1 |
| 40-1 | 0092330 | " (56M) | " | 1 |
| 40-2 | 0092331 | " (64M) | " | 1 |
| 41 | 3208016 | Stitch Plate(56M) | 針板 | 1 |
| 42-1 | 0092327 | Stitch Plate(32M) | " | 1 |
| 42-2 | 0092328 | " (40M) | " | 1 |
| 42-3 | 0092329 | " (48M) | " | 1 |
| 43-1 | 0092332 | " (56M) | " | 1 |
| 43-2 | 0092333 | Stitch Plate(64M) | " | 1 |

"EU5"装置(2)

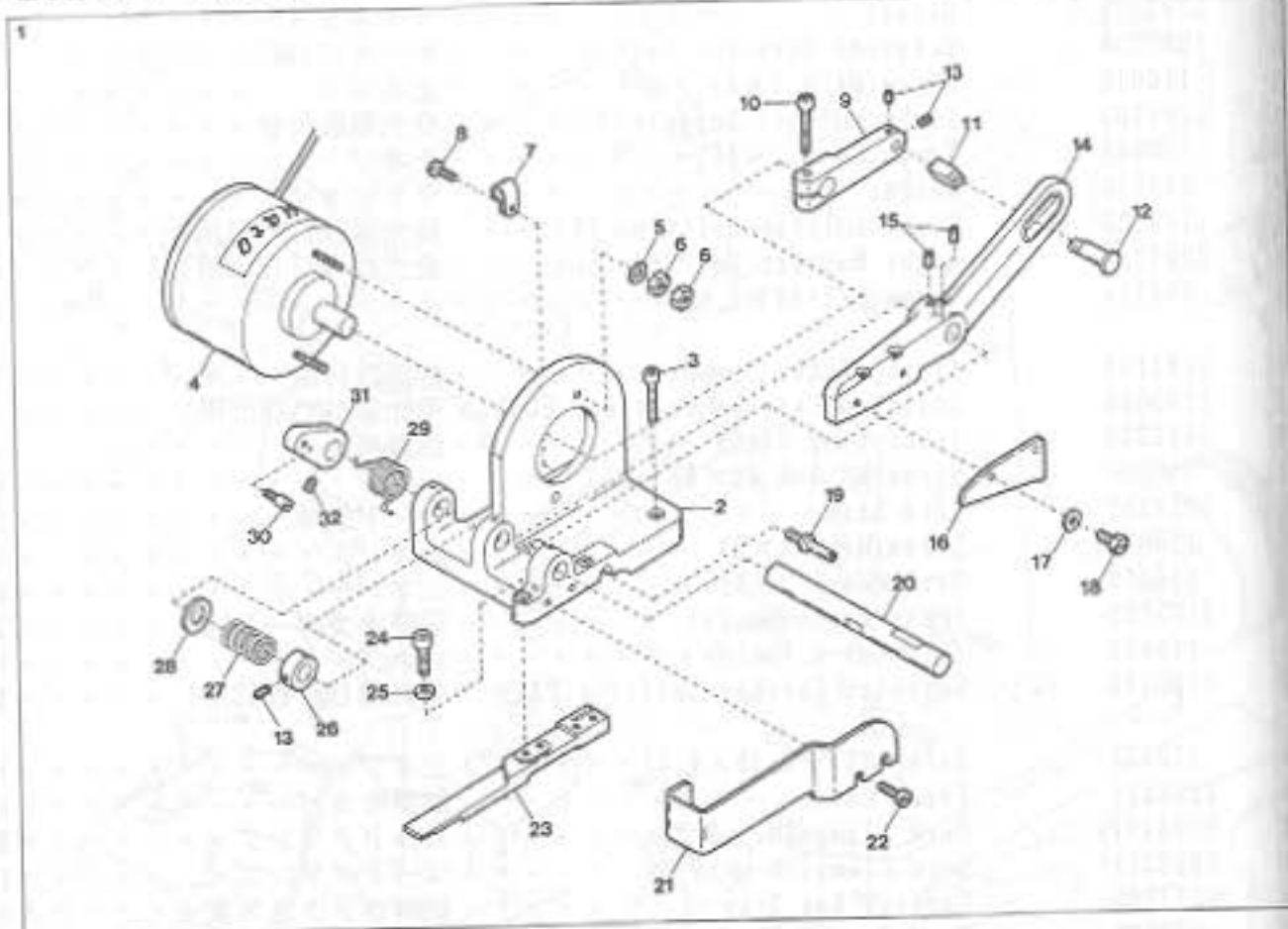
"EU5/PS2" DEVICE(1)



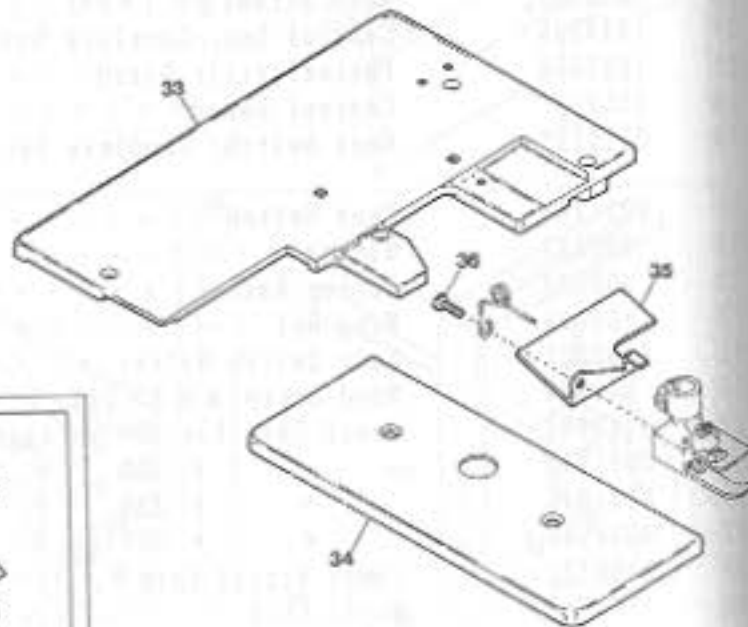
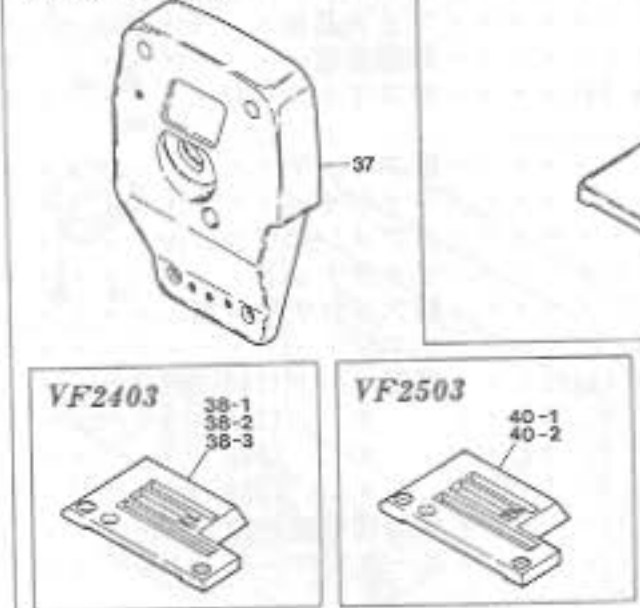
"EU5/PS2" DEVICE(1)

| Ref. No. | Parts No. | Description | 品名 | Amt. Req. |
|----------|-----------|--------------------------------|--------------|-----------|
| 1 | 3201108 | Handwheel | ハンドホイール | 1 |
| 2 | 0092305 | Magnet | マグネット | 1 |
| 3 | 1200038 | Rotation Detector Unit | ホールIC(組) | 1 |
| 4 | 110013 | Screw(M4-0.7×8) | 止ネジ | 6 |
| 5 | 3201103 | Light Emitter Support | 投光器取付板 | 1 |
| 6 | 110048 | Screw(M4-0.7×10) | 止ネジ | 2 |
| 7 | 000538 | Washer | ワッシャ | 3 |
| 8 | 1200137 | Light Emitter Unit(for PS2) | 投光器(組)(PS2用) | 1 |
| 9 | 0011228 | Light Emitter Unit(for EU5) | 投光器(組)(EU5用) | 1 |
| 10 | 004314 | Screw(1/8-44×5.6) | 止ネジ | 2 |
| 11 | 3201102 | Stitch Plate Support | 針板取付板 | 1 |
| 12 | 1200068 | Emission Catcher Unit(for EU5) | 受光器(組)(EU5用) | 1 |
| 13 | 0092335 | Insulating Plate | 絶縁板 | 1 |
| 14 | 110007 | Screw(M2.5-0.45×6) | 止ネジ | 2 |
| 15 | 0024302 | Cord Stay | コード支エ | 2 |
| 16 | 110008 | Screw(M4-0.7×5) | 止ネジ | 1 |
| 17 | 110009 | Screw(M4-0.7×8) | 止ネジ | 2 |
| 18 | 3201132 | Front Cover(Small) | 前開キカバー(小) | 1 |
| 19 | 110035 | Screw(M4-0.7×10) | 止ネジ | 1 |
| 20 | 1200138 | Emission Catcher Unit(for PS2) | 受光器(組)(PS2用) | 1 |
| 21 | 110038 | Screw(M2.5-0.45×4.5) | 止ネジ | 1 |
| 22 | 3201131 | Front Cover | 前開キカバー | 1 |
| 23 | 0094491 | Cord Clamp(2N-φ3.3) | コードクランプ | 3 |
| 24 | 0023381 | Cord Clamp(6N-φ10.6) | コードクランプ | 1 |
| 25 | 0011709 | Control Box Stay | 制御ボックスステイ | 4 |
| 26 | 006905 | Wood Screw(φ5.1×20) | 木ネジ | 8 |
| 27 | 1249046 | Control Box, Complete Set | 制御ボックス(組) | 1 |
| 28 | 1057028 | Photoelectric Board | フォト基板 | 1 |
| 29 | 1057087 | Control Board | 制御基板 | 1 |
| 30 | 0011192 | Knee Switch, Complete Set | 膝スイッチ(組) | 1 |
| 31 | 0011189 | Knee Switch | 膝スイッチ | 1 |
| 32 | 300031 | Washer | ワッシャ | 4 |
| 33 | 300033 | Spring Washer | スプリングワッシャ | 2 |
| 34 | 100038 | Wing Nut | チョウナット | 2 |
| 35 | 0092232 | Knee Switch Holder | 膝スイッチ取付板 | 1 |
| 36 | 006910 | Wood Screw(φ6.8×26) | 木ネジ | 2 |
| 37-1 | 0011943 | Power Cord(for 100 Voltage) | 電源コード(100V用) | 1 |
| 37-2 | 0011944 | " (" 200 ") | " (200用) | 1 |
| 37-3 | 0011945 | " (" 220 ") | " (220用) | 1 |
| 37-4 | 0011946 | " (" 380 ") | " (380用) | 1 |
| 38 | 1200132 | Power Signal Cord | 電源信号線(外) | 1 |
| 39 | 1200040 | Motor Cord | モータ用コード | 1 |

"EU5/PS2" DEVICE(2)



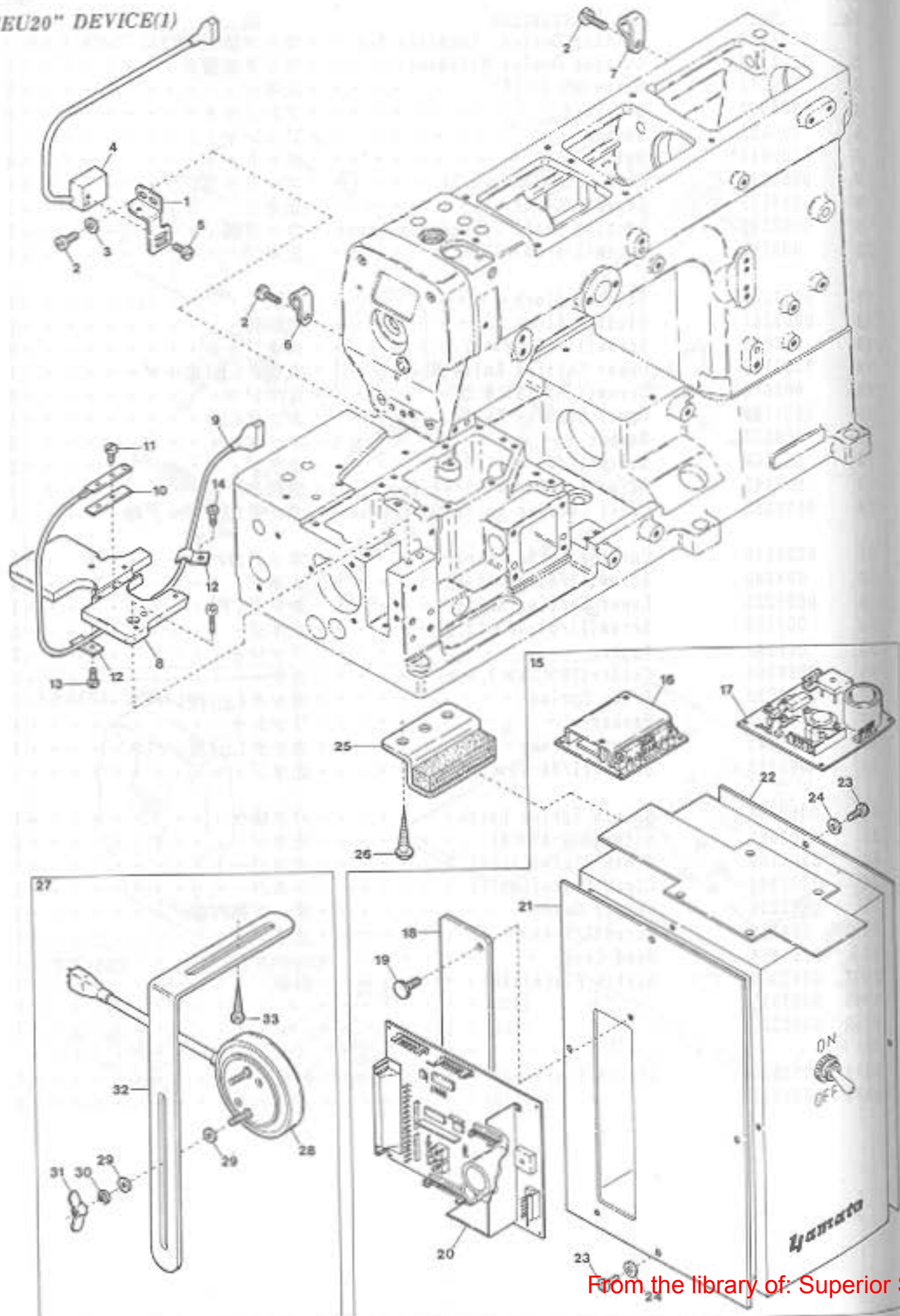
VF2403, 2503



"EU5/PS2" DEVICE(2)

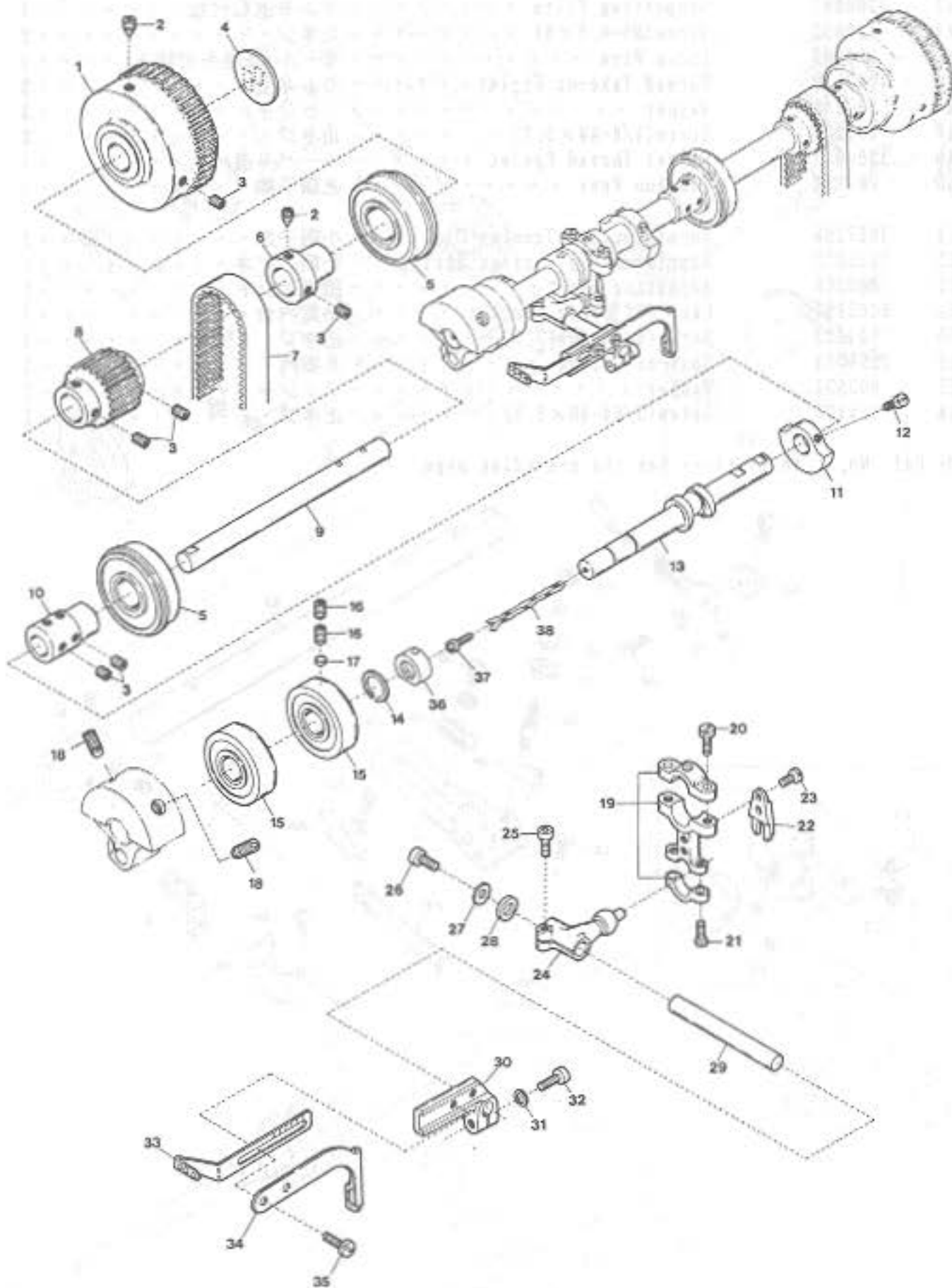
| Ref. No. | Parts No. | Description | 品名 | Amt. Req. |
|----------|-----------|----------------------------------|------------|-----------|
| 1 | 3201107 | Cutting Device, Complete Set | カッタ装置(組) | 1 |
| 2 | 3201104 | Cutting Device Basement | カッタ装置台 | 1 |
| 3 | 120011 | Screw(M6-1×18) | 止ネジ | 2 |
| 4 | 1200069 | Solenoid | ソレノイド | 1 |
| 5 | 000528 | Washer | ワッシャ | 2 |
| 6 | 000011 | Nut | ナット | 4 |
| 7 | 0060248 | Cord Clamp(3N-φ5.3) | コードクランプ | 1 |
| 8 | 001175 | Screw(9/64-40×8) | 止ネジ | 1 |
| 9 | 0092288 | Cutting Knife Connecting Lever | カッタ腕 | 1 |
| 10 | 005115 | Screw(1/4-28×19) | 止ネジ | 1 |
| 11 | 0092286 | Sliding Block | 角駒 | 1 |
| 12 | 0092287 | Sliding Block Pin | 角駒軸 | 1 |
| 13 | 003638 | Screw(11/64-40×4) | 止ネジ | 3 |
| 14 | 3201106 | Upper Cutting Knife Holder | カッタ(上)ホルダ | 1 |
| 15 | 003670 | Screw(7/32-32×6.3) | 止ネジ | 2 |
| 16 | 3201105 | Upper Cutting Knife | カッタ(上) | 1 |
| 17 | 000538 | Washer | ワッシャ | 2 |
| 18 | 002308 | Screw(11/64-40×10.4) | 止ネジ | 2 |
| 19 | 006245 | Adjusting Screw(11/64-40×11.5) | 調節ネジ | 1 |
| 20 | 0092283 | Upper Cutting Knife Holder Shaft | カッタ(上)ホルダ軸 | 1 |
| 21 | 0092289 | Cutting Knife Cover | カッタカバー | 1 |
| 22 | 004440 | Screw(11/64-40×8.3) | 止ネジ | 2 |
| 23 | 0092285 | Lower Cutting Knife | カッタ(下) | 1 |
| 24 | 005550 | Screw(11/64-40×13.5) | 止ネジ | 2 |
| 25 | 000530 | Washer | ワッシャ | 2 |
| 26 | 0092294 | Collar(10×18×7.5mm) | カラー | 1 |
| 27 | 0092292 | Press Spring | カッタ(上)押しバネ | 1 |
| 28 | 000498 | Washer | ワッシャ | 1 |
| 29 | 0092291 | Return Spring | カッタ(上)戻しバネ | 1 |
| 30 | 005512 | Screw(11/64-40×3) | 止ネジ | 1 |
| 31 | 0092293 | Return Spring Latch | バネ掛け | 1 |
| 32 | 003635 | Screw(1/4-40×6) | 止ネジ | 1 |
| 33 | 3201100 | Cloth Plate(Large) | 大カバー | 1 |
| 34 | 3201101 | Cloth Plate(Small) | 小カバー | 1 |
| 35 | 0092298 | Fabric Guide | テープ案内板 | 1 |
| 36 | 004314 | Screw(1/8-44×5.6) | 止ネジ | 1 |
| 37 | 3101464 | Head Cover | ヘッドカバー | 1 |
| 38-1 | 0092324 | Stitch Plate(32M) | 針板 | 1 |
| 38-2 | 0092325 | " (40M) | " | 1 |
| 38-3 | 0092326 | " (48M) | " | 1 |
| 39 | | | | |
| 40-1 | 0092330 | Stitch Plate(56M) | 針板 | 1 |
| 40-2 | 0092331 | " (64M) | " | 1 |

"EU20" DEVICE(1)



"EU20" DEVICE(1)

| Ref. No | Parts No | Description | 品名 | Ant. Req. |
|---------|----------|---------------------------|--------------|-----------|
| 1 | 3201103 | Light Emitter Support | 投光器取付板 | 1 |
| 2 | 110013 | Screw(M4-0.7×8) | 止ネジ | 4 |
| 3 | 000538 | Washer | ワッシャ | 2 |
| 4 | 0011228 | Light Emitter Unit | 投光器(組) | 1 |
| 5 | 004314 | Screw(1/8-44×5.6) | 止ネジ | 2 |
| 6 | 0094491 | Cord Clamp(2N-φ3.3) | コードクランプ | 1 |
| 7 | 0023381 | Cord Clamp(6N-φ10.6) | コードクランプ | 1 |
| 8 | 3201102 | Stitch Plate Support | 針板取付板 | 1 |
| 9 | 1200068 | Emission Catcher Unit | 受光器(組) | 1 |
| 10 | 0092335 | Insulating Plate | 絶縁板 | 1 |
| 11 | 110007 | Screw(M2.5-0.45×6) | 止ネジ | 2 |
| 12 | 0024302 | Cord Stay | コード支エ | 2 |
| 13 | 110008 | Screw(M4-0.7×5) | 止ネジ | 1 |
| 14 | 110009 | Screw(M4-0.7×8) | 止ネジ | 1 |
| 15 | 1249070 | Power Box, Complete Set | 電源ボックス(組) | 1 |
| 16 | 1057041 | Motor Drive Board | モータ基板 | 1 |
| 17 | 1057059 | Cutting Board | カッタ基板 | 1 |
| 18 | 1260036 | Power Box Lid | 電源ボックス蓋 | 1 |
| 19 | 009791 | Screw(M3-0.5×6) | 止ネジ | 2 |
| 20 | 1057089 | I/O Board | I/O基板 | 1 |
| 21 | 3201236 | Box Cover(Left) | 電源ボックスカバー(左) | 1 |
| 22 | 3201237 | Box Cover(Right) | 電源ボックスカバー(右) | 1 |
| 23 | 110076 | Screw(M3-0.5×6) | 止ネジ | 8 |
| 24 | 300030 | Washer | ワッシャ | 8 |
| 25 | 0011709 | Power Box Stay | 電源ボックスステイ | 2 |
| 26 | 006905 | Wood Screw(φ5.1×20) | 木ネジ | 4 |
| 27 | 0011192 | Knee Switch, Complete Set | 膝スイッチ(組) | 1 |
| 28 | 0011189 | Knee Switch | 膝スイッチ | 1 |
| 29 | 300031 | Washer | ワッシャ | 4 |
| 30 | 300033 | Spring Washer | スプリングワッシャ | 2 |
| 31 | 100038 | Wing Nut | チョウナット | 2 |
| 32 | 0092232 | Knee Switch Holder | 膝スイッチ取付板 | 1 |
| 33 | 006910 | Wood Screw(φ6.8×26) | 木ネジ | 2 |

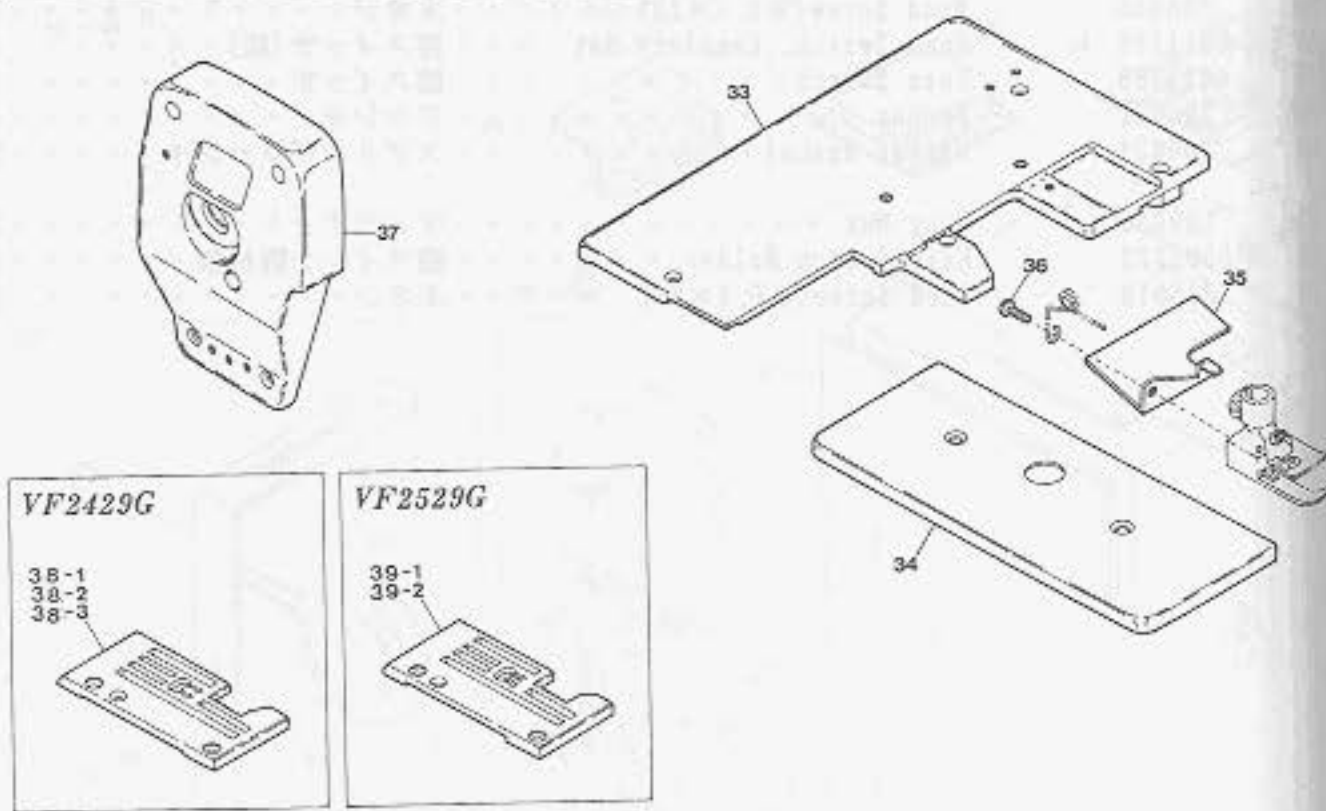
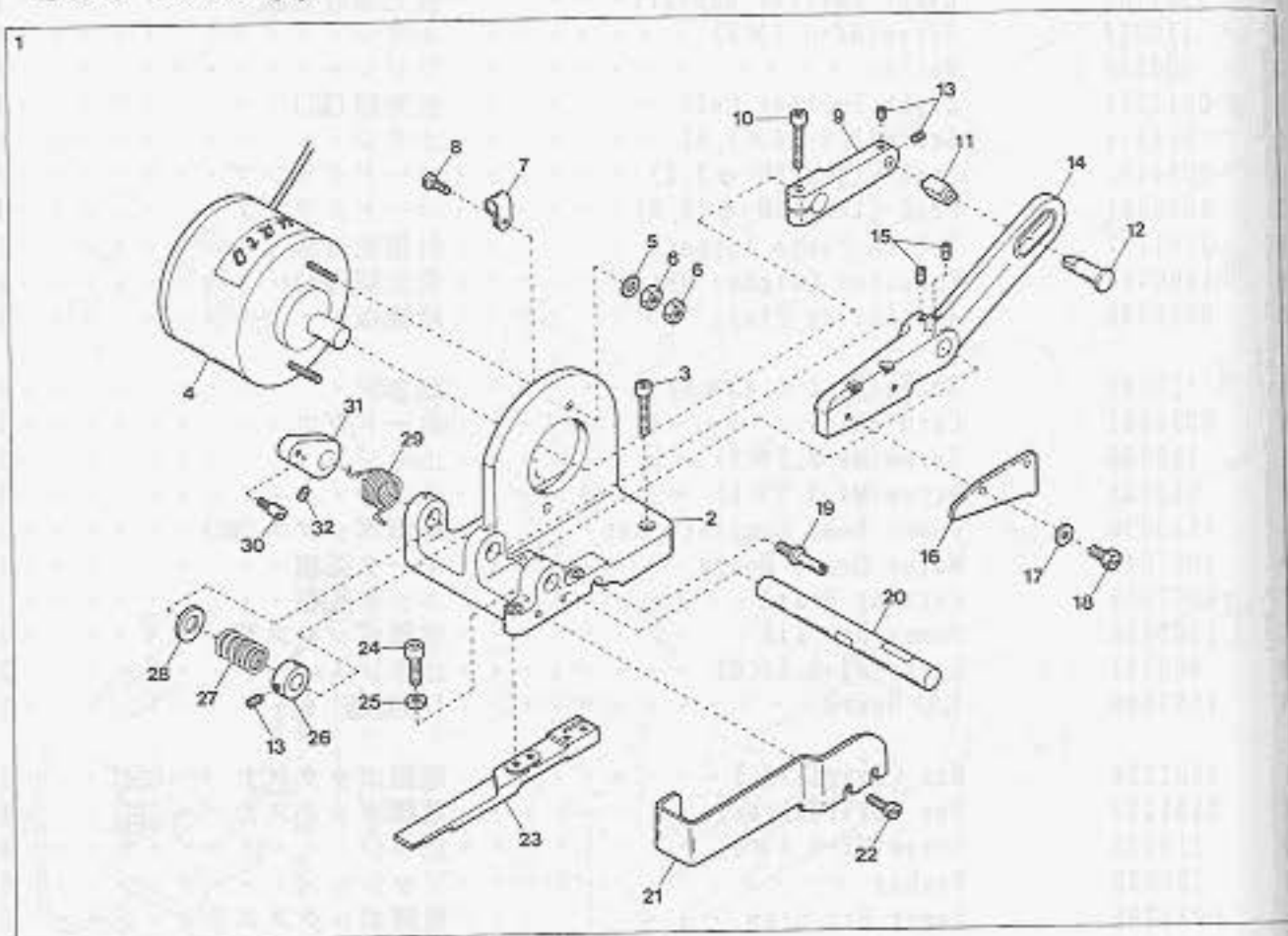


UPPER SHAFT & NEEDLE THREAD TAKE-UP MECHANISM

上軸及び針糸繰り機構

| Ref. No. | Parts No. | Description | 品名 | Amt. Req. |
|----------|-----------|------------------------------|--------------|-----------|
| 1 | 3200102 | Handwheel | ハンドホイール | 1 |
| 2 | 160005 | Screw (M6-1×8) | 止ネジ | 2 |
| 3 | 160007 | Screw (M6-1×6) | 止ネジ | 10 |
| 4 | 000989 | Handwheel Mark | ハンドホイールマーク | 1 |
| 5 | 0093090 | Ball Bearing | ボールベアリング | 2 |
| 6 | 3100129 | Handwheel Adapter | アダプタ | 1 |
| 7 | 0095214 | Timing Belt | タイミングベルト | 1 |
| 8 | 3100281 | Upper Shaft Sprocket (Upper) | ベルトプーリ (上) | 1 |
| 9 | 3100282 | Upper Shaft (Right) | 上軸 (右) | 1 |
| 10 | 3100283 | Upper Shaft Joint | 上軸継手 | 1 |
| 11 | 3100127 | Counterweight (Small) | バランスウエイト (小) | 1 |
| 12 | 110009 | Screw (M4-0.7×8) | 止ネジ | 2 |
| 13 | 3200100 | Upper Crankshaft | 上軸クランク | 1 |
| 14 | 0060057 | Retaining Ring | 止メ輪 | 1 |
| 15 | 0093154 | Ball Bearing | ボールベアリング | 2 |
| 16 | 160004 | Screw (M6-1×4.8) | 止ネジ | 2 |
| 17 | 000926 | Rubber Seat | ゴム座 | 1 |
| 18 | 260000 | Screw (5/16-24×15.88) | 止ネジ | 2 |
| 19 | 0095170 | Connecting Rod | 針糸繰りロッド | 1 |
| 20 | 005071 | Screw (11/64-32×14) | 止ネジ | 2 |
| 21 | 001174 | Screw (9/64-40×10.3) | 止ネジ | 2 |
| 22 | 0095168 | Guide Fork | 撥レ止メ | 1 |
| 23 | 004312 | Screw (1/8-44×7.9) | 止ネジ | 2 |
| 24 | 3100285 | Driving Lever | 針糸繰り軸腕 | 1 |
| 25 | 120013 | Screw (M6-1×15) | 止ネジ | 1 |
| 26 | 120015 | Screw (M5-0.8×10) | 止ネジ | 1 |
| 27 | 000555 | Washer | ワッシャ | 1 |
| 28 | 3100286 | Spacer | スペーサ | 1 |
| 29 | 3100287 | Driving Shaft | 針糸繰り軸 | 1 |
| 30 | 3100078 | Bracket | 針糸繰り台 | 1 |
| 31 | 000600 | Spring Washer | スプリングワッシャ | 1 |
| 32 | 005650 | Screw (M5-0.8×14) | 止ネジ | 1 |
| 33 | 0063096 | Needle Thread Take-up | 針糸繰り糸道 | 1 |
| 34 | 3200049 | Top Cover Thread Take-up | 飾り糸繰り | 1 |
| 35 | 110004 | Screw (M3.5-0.6×8) | 止ネジ | 2 |
| 36 | 3200226 | Oil Sleeve | オイルスリーブ | 1 |
| 37 | 110012 | Screw (M4-0.7×4) | 止ネジ | 1 |
| 38 | 310018 | Oil Wick | 油芯 | 1 |

"EU20" DEVICE(2)

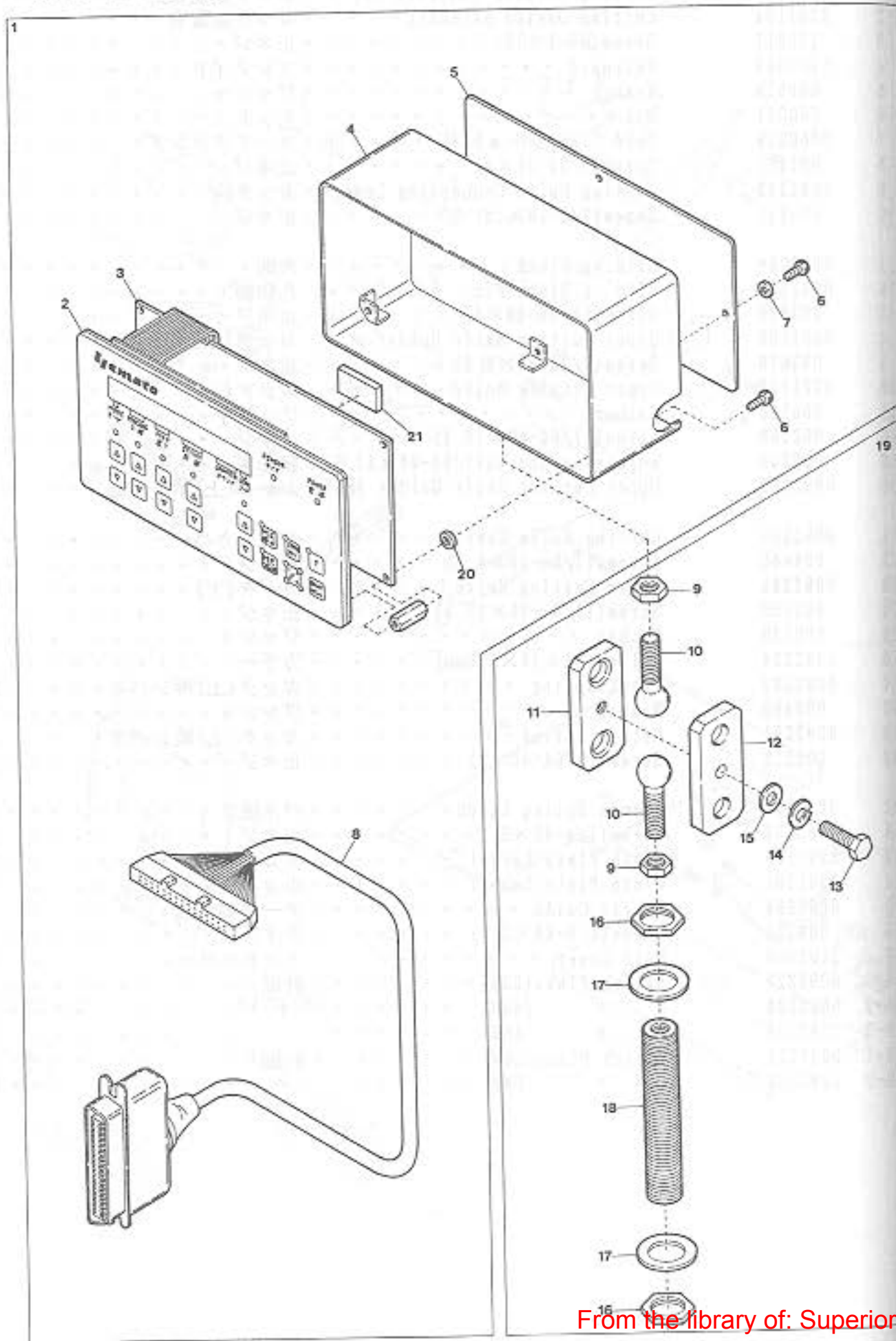


"EU20" DEVICE(2)

| Ref. No | Parts No | Description | 品名 | Amt. Req. |
|---------|----------|----------------------------------|------------|-----------|
| 1 | 3201107 | Cutting Device, Complete Set | カット装置(組) | 1 |
| 2 | 3201104 | Cutting Device Basement | カット装置台 | 1 |
| 3 | 120011 | Screw(M6-1×18) | 止ネジ | 2 |
| 4 | 1200069 | Solenoid | ソレノイド | 1 |
| 5 | 000528 | Washer | ワッシャ | 2 |
| 6 | 000011 | Nut | ナット | 4 |
| 7 | 0060248 | Cord Clamp(3N-φ5.3) | コードクランプ | 1 |
| 8 | 001175 | Screw(9/64-40×8) | 止ネジ | 1 |
| 9 | 0092288 | Cutting Knife Connecting Lever | カット腕 | 1 |
| 10 | 005115 | Screw(1/4-28×19) | 止ネジ | 1 |
| 11 | 0092286 | Sliding Block | 角駒 | 1 |
| 12 | 0092287 | Sliding Block Pin | 角駒軸 | 1 |
| 13 | 003638 | Screw(11/64-40×4) | 止ネジ | 3 |
| 14 | 3201106 | Upper Cutting Knife Holder | カット(上)ホルダ | 1 |
| 15 | 003670 | Screw(7/32-32×6.3) | 止ネジ | 2 |
| 16 | 3201105 | Upper Cutting Knife | カット(上) | 1 |
| 17 | 000538 | Washer | ワッシャ | 2 |
| 18 | 002308 | Screw(11/64-40×10.4) | 止ネジ | 2 |
| 19 | 006245 | Adjusting Screw(11/64-40×11.5) | 調節ネジ | 1 |
| 20 | 0092283 | Upper Cutting Knife Holder Shaft | カット(上)ホルダ軸 | 1 |
| 21 | 0092289 | Cutting Knife Cover | カットカバー | 1 |
| 22 | 004440 | Screw(11/64-40×8.3) | 止ネジ | 2 |
| 23 | 0092285 | Lower Cutting Knife | カット(下) | 1 |
| 24 | 005550 | Screw(11/64-40×13.5) | 止ネジ | 2 |
| 25 | 000530 | Washer | ワッシャ | 2 |
| 26 | 0092294 | Collar(10×18×7.5mm) | カラー | 1 |
| 27 | 0092292 | Press Spring | カット(上)押シバネ | 1 |
| 28 | 000498 | Washer | ワッシャ | 1 |
| 29 | 0092291 | Return Spring | カット(上)戻シバネ | 1 |
| 30 | 005512 | Screw(11/64-40×3) | 止ネジ | 1 |
| 31 | 0092293 | Return Spring Latch | バネ掛ケ | 1 |
| 32 | 003635 | Screw(1/4-40×6) | 止ネジ | 1 |
| 33 | 3201100 | Cloth Plate(Large) | 大カバー | 1 |
| 34 | 3201101 | Cloth Plate(Small) | 小カバー | 1 |
| 35 | 0092298 | Fabric Guide | テープ案内板 | 1 |
| 36 | 004314 | Screw(1/8-44×5.6) | 止ネジ | 1 |
| 37 | 3101464 | Head Cover | ヘッドカバー | 1 |
| 38-1 | 0092327 | Stitch Plate(32M) | 針板 | 1 |
| 38-2 | 0092328 | " (40M) | " | 1 |
| 38-3 | 0092329 | " (48M) | " | 1 |
| 39-1 | 0092332 | Stitch Plate(56M) | 針板 | 1 |
| 39-2 | 0092333 | " (64M) | " | 1 |

"EU20"装置(2)

"EU20" DEVICE(3)

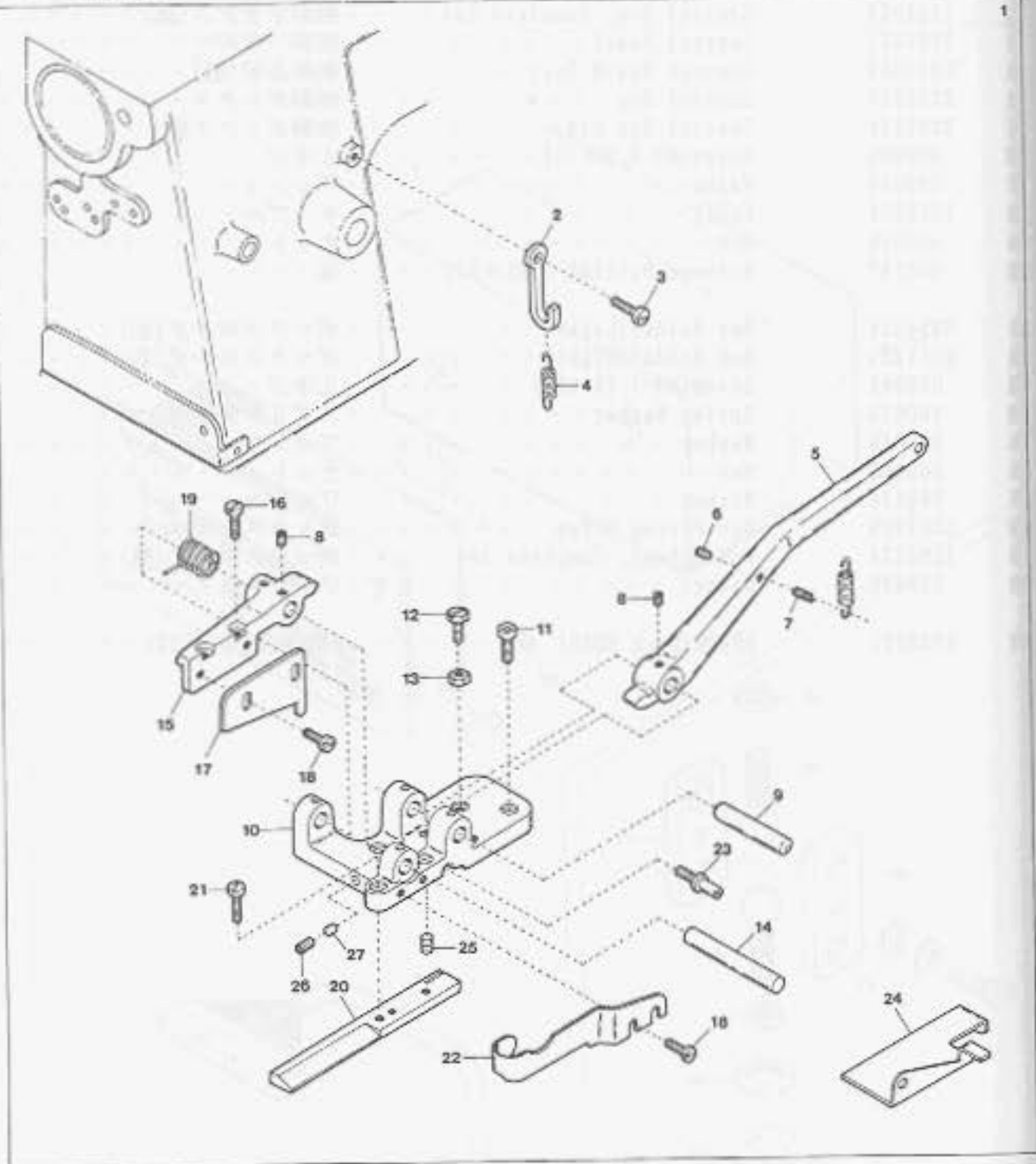


"EU20" DEVICE(3)

| Ref. No. | Parts No. | Description | 品名 | Amt. Req. |
|----------|-----------|---------------------------|----------------|-----------|
| 1 | 1249069 | Control Box, Complete Set | 制御ボックス(組) | 1 |
| 2 | 3201233 | Control Panel | 制御パネル | 1 |
| 3 | 1057069 | Control Board Unit | 制御基板(組) | 1 |
| 4 | 3201227 | Control Box | 制御ボックス | 1 |
| 5 | 3201228 | Control Box Lid | 制御ボックス蓋 | 1 |
| 6 | 009956 | Screw (M3-0.5×10) | 止ネジ | 8 |
| 7 | 000014 | Washer | ワッシャ | 4 |
| 8 | 1200204 | Cable | ケーブル | 1 |
| 9 | 000016 | Nut | ナット | 2 |
| 10 | 006187 | Screwed Ball (M8-1.25×23) | 球 | 2 |
| 11 | 0014224 | Box Holder (Left) | ボックスホルダ(左) | 1 |
| 12 | 0014225 | Box Holder (Right) | ボックスホルダ(右) | 1 |
| 13 | 009948 | Screw (M8-1.25×30) | 止ネジ | 1 |
| 14 | 000676 | Spring Washer | スプリングワッシャ | 1 |
| 15 | 000666 | Washer | ワッシャ | 1 |
| 16 | 000060 | Nut | ナット | 2 |
| 17 | 000434 | Washer | ワッシャ | 2 |
| 18 | 3201229 | Box Fixing Screw | ボックス取付ネジ | 1 |
| 19 | 3201234 | Box Holder, Complete Set | ボックスホルダ(組) | 1 |
| 20 | 300030 | Washer | ワッシャ | 4 |
| 21 | 1050221 | EPROM (Mark EU20) | EPROM(記号 EU20) | 1 |

"EU20"装置(3)

"FC" DEVICE

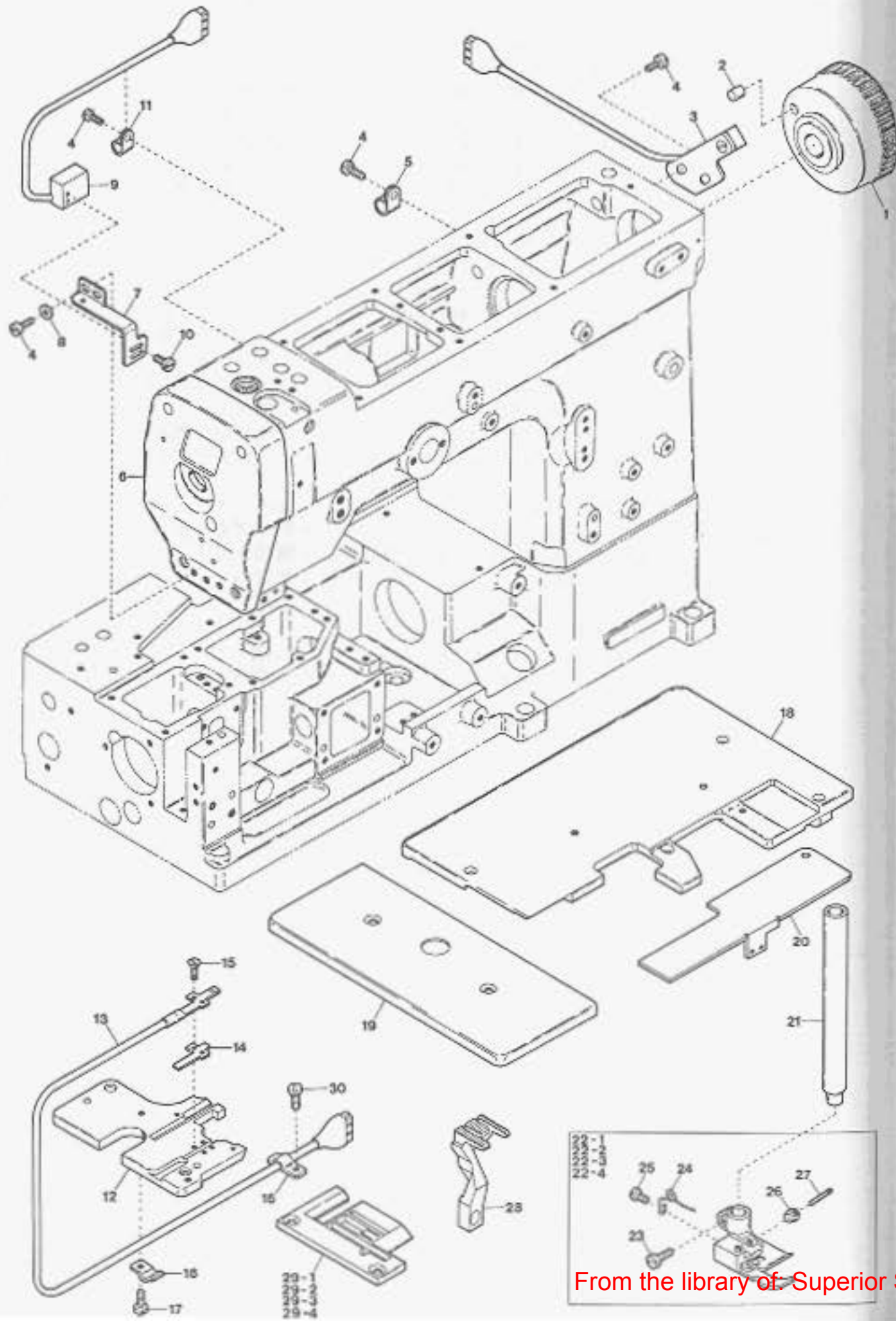


"FC" DEVICE

| Ref. No. | Parts No. |
|----------|-----------|
| 1 | 3209920 |
| 2 | 0090711 |
| 3 | 110009 |
| 4 | 0091842 |
| 5 | 3201114 |
| 6 | 003393 |
| 7 | 006638 |
| 8 | 007650 |
| 9 | 0091841 |
| 10 | 3201112 |
| 11 | 120026 |
| 12 | 002308 |
| 13 | 000340 |
| 14 | 0091835 |
| 15 | 3201113 |
| 16 | 009150 |
| 17 | 0091833 |
| 18 | 004440 |
| 19 | 0091838 |
| 20 | 0091839 |
| 21 | 001156 |
| 22 | 0091837 |
| 23 | 006245 |
| 24 | 0092298 |
| 25 | 009740 |
| 26 | 160003 |
| 27 | 330000 |
| 28 | 3201111 |

| Description | 品名 | 62 Amt. Req. |
|---|-----------------------|--------------|
| "FC" Device, Complete Set | "FC"装置(組) | 1 |
| Cutting Knife Lever Spring Hanger | カッタレバーバネ掛け | 1 |
| Screw(M4-0.7x8) | 止ネジ | 1 |
| Cutting Knife Lever Spring | カッタレバーバネ | 1 |
| Cutting Knife Lever | カッタレバー | 1 |
| Screw(5/32-40x3.2) | 止ネジ | 1 |
| Screw(5/32-40x9.5) | 止ネジ | 1 |
| Screw(11/64-40x5) | 止ネジ | 3 |
| Cutting Knife Lever Pin | カッタレバーピン | 1 |
| Cutting Device Holder | テープカッタ取付台 | 1 |
| | | |
| Screw(M5-0.8x18) | 止ネジ | 2 |
| Screw(11/64-40x10.4) | 止ネジ | 1 |
| Nut | ナット | 1 |
| Cutting Knife Holder Pin | テープカッタ取付台ピン | 1 |
| Cutting Knife Holder | テープカッタ取付台 | 1 |
| Screw(11/64-40x11) | 止ネジ | 2 |
| Cutting Knife(Upper) | テープカッタ(上) | 1 |
| Screw(11/64-40x8.3) | 止ネジ | 4 |
| Cutting Knife Spring | テープカッタバネ | 1 |
| Cutting Knife(Lower) | テープカッタ(下) | 1 |
| | | |
| Screw(11/64-40x13.3) | 止ネジ | 2 |
| Cutting Knife Cover | テープカッタカバー | 1 |
| Adjusting Screw(11/64-40x11.5) | 調節ネジ | 1 |
| Fabric Guide | 布案内 | 1 |
| Screw(M6-1x10) | 止ネジ | 1 |
| Screw(M5-0.8x5) | 止ネジ | 1 |
| Seal Plug | 詰栓 | 1 |
| Cloth Plate(Large) | 大カバー | 1 |

"AU2" DEVICE(1)

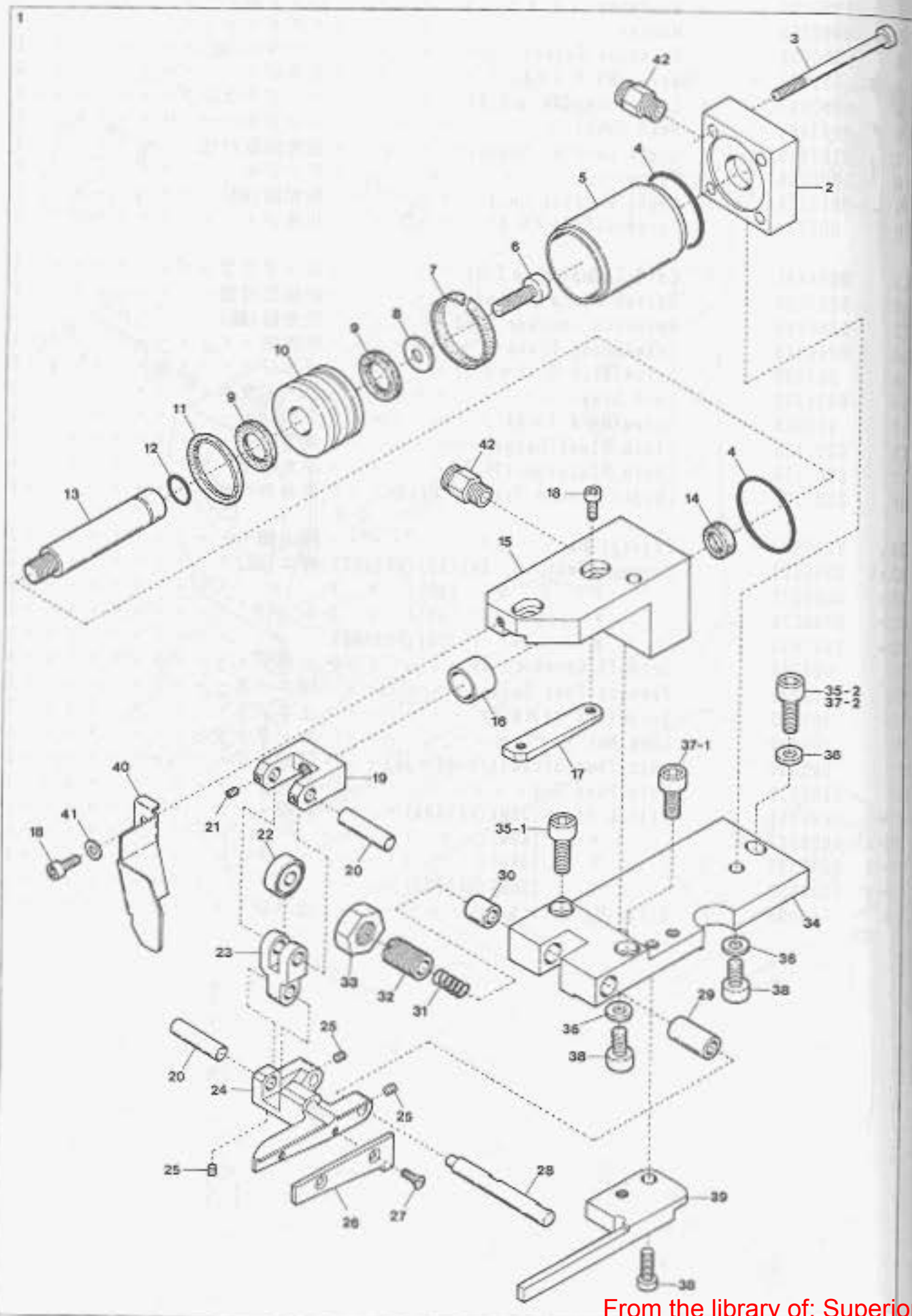


"AU2" DEVICE(1)

| Ref. No. | Parts No. | Description | 品名 | Amt. Req. |
|----------|-----------|----------------------------------|----------|-----------|
| 1 | 3201108 | Handwheel | ハンドホイール | 1 |
| 2 | 0092305 | Magnet | マグネット | 1 |
| 3 | 1200038 | Rotation Detector Unit | ホールIC(組) | 1 |
| 4 | 110013 | Screw(M4-0.7×8) | 止ネジ | 6 |
| 5 | 0063612 | Cord Clamp(4N-φ6.8) | コードクランプ | 1 |
| 6 | 3101464 | Head Cover | ヘッドカバー | 1 |
| 7 | 3101476 | Light Emitter Support | 投光器取付板 | 1 |
| 8 | 000538 | Washer | ワッシャ | 2 |
| 9 | 0011228 | Light Emitter Unit | 投光器(組) | 1 |
| 10 | 004314 | Screw(1/8-44×5.6) | 止ネジ | 2 |
| 11 | 0094491 | Cord Clamp(2N-φ3.3) | コードクランプ | 1 |
| 12 | 3201128 | Stitch Plate Support | 針板取付板 | 1 |
| 13 | 1200199 | Emission Catcher Unit | 受光器(組) | 1 |
| 14 | 0096348 | Insulating Plate | 絶縁板 | 1 |
| 15 | 007630 | Screw(M2.5-0.45×1.8) | 止ネジ | 2 |
| 16 | 0024302 | Cord Stay | コード支エ | 2 |
| 17 | 110008 | Screw(M4-0.7×5) | 止ネジ | 1 |
| 18 | 3201125 | Cloth Plate(Large) | 大カバー | 1 |
| 19 | 3201126 | Cloth Plate(Small) | 小カバー | 1 |
| 20 | 3201127 | Looper Thread Take-up Cover | カムカバー | 1 |
| 21 | 0095961 | Presser Bar | 押エ棒 | 1 |
| 22-1 | 0096270 | Presser Foot, C. Set(32)(VF2403) | 押エ(組) | 1 |
| 22-2 | 0096271 | " " (40) (") | " | 1 |
| 22-3 | 0096272 | " " (48) (") | " | 1 |
| 22-4 | 3207026 | " " (56)(VF2503) | " | 1 |
| 23 | 001186 | Screw(9/64-40×7.8) | 止ネジ | 1 |
| 24 | 0091725 | Presser Foot Spring | 押エバネ | 1 |
| 25 | 005133 | Screw(1/8-44×4.5) | 止ネジ | 1 |
| 26 | 000220 | Lock Nut | ロックナット | 1 |
| 27 | 003300 | Adjusting Screw(1/8-44×15) | 調節ネジ | 1 |
| 28 | 3209022 | Main Feed Dog | 後送り | 1 |
| 29-1 | 0096341 | Stitch Plate(32M)(VF2403) | 針板 | 1 |
| 29-2 | 0096342 | " (40M) (") | " | 1 |
| 29-3 | 0096343 | " (48M) (") | " | 1 |
| 29-4 | 3208050 | " (56M)(VF2503) | " | 1 |
| 30 | 110009 | Screw(M4-0.7×8) | 止ネジ | 1 |

"AU2"装置(1)

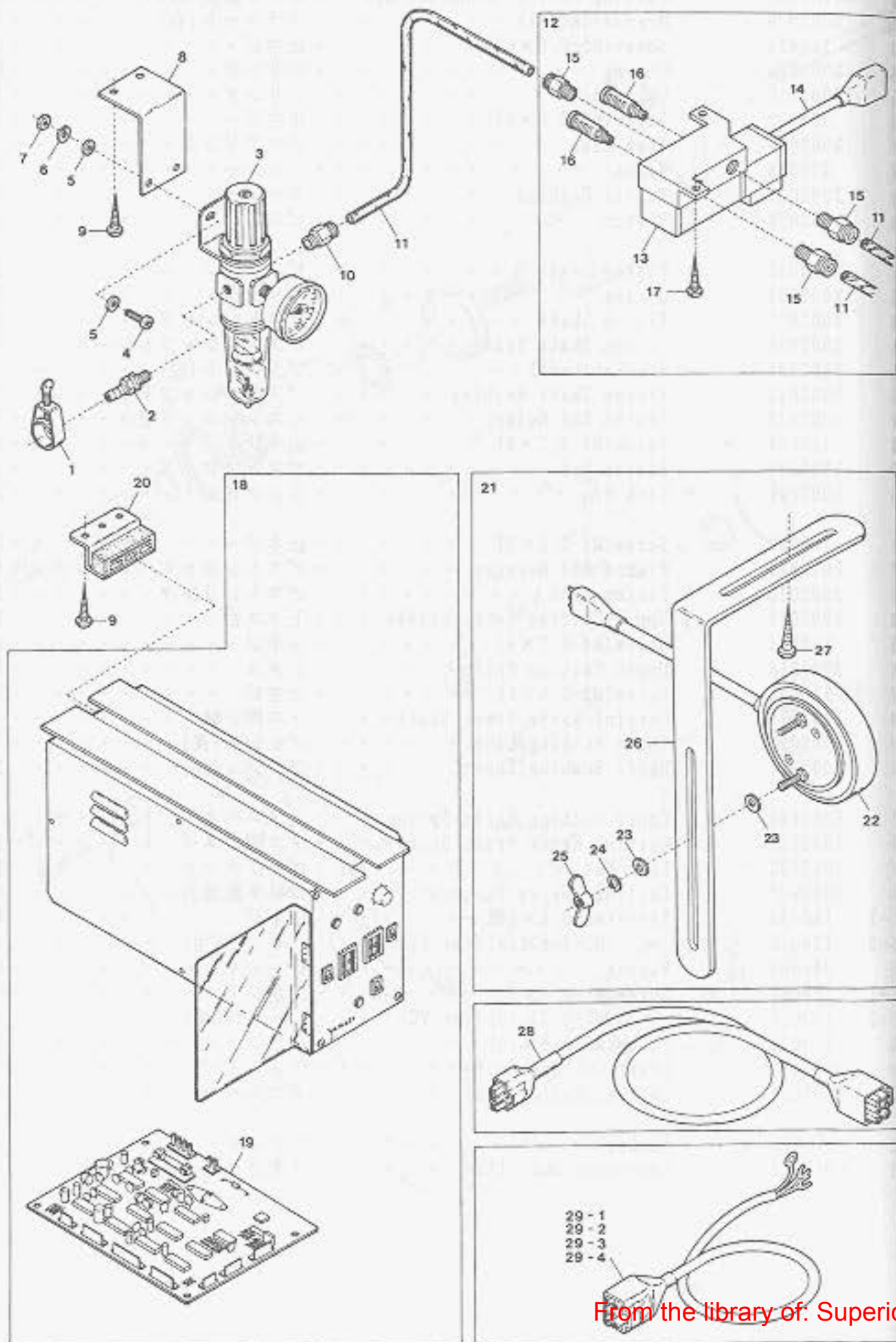
"AU2" DEVICE(2)



"AU2" DEVICE(2)

| Ref. No. | Parts No. | Description | 品名 | 64 Amt. Req. |
|----------|-----------|------------------------------|--------------|--------------|
| 1 | 3101491 | Cutting Device, Complete Set | カッタ装置(組) | 1 |
| 2 | 3002009 | Bracket (Right) | ブラケット(右) | 1 |
| 3 | 120021 | Screw(M5-0.8×60) | 止ネジ | 4 |
| 4 | 3002026 | O-ring | Oリング | 2 |
| 5 | 3002010 | Cylinder | シリンダ | 1 |
| 6 | 009935 | Screw(M5-0.8×20) | 止ネジ | 1 |
| 7 | 3002029 | Wear Ring | ウエアリング | 1 |
| 8 | 300038 | Washer | ワッシャ | 1 |
| 9 | 3002027 | Rubber Cushion | クッション | 2 |
| 10 | 3002028 | Piston | ピストン | 1 |
| 11 | 3002030 | Piston Seal | ピストンシール | 1 |
| 12 | 3002031 | O-ring | Oリング | 2 |
| 13 | 3002011 | Piston Shaft | ピストンシャフト | 1 |
| 14 | 3002032 | Piston Shaft Seal | ピストンシャフトシール | 1 |
| 15 | 3002008 | Bracket (Left) | ブラケット(左) | 1 |
| 16 | 3002012 | Piston Shaft Bushing | ピストンシャフトブッシュ | 1 |
| 17 | 3002013 | Piston Rod Holder | ピストンロッド受ケ | 1 |
| 18 | 120008 | Screw(M4-0.7×8) | 止ネジ | 3 |
| 19 | 3002014 | Piston Rod | ピストンロッド | 1 |
| 20 | 3002016 | Link Pin | リンクピン | 2 |
| 21 | 160000 | Screw(M3-0.5×3) | 止ネジ | 2 |
| 22 | 0095980 | Piston Rod Bearing | ピストンロッドベアリング | 1 |
| 23 | 3002015 | Piston Link | ピストンリンク | 1 |
| 24 | 3002017 | Upper Cutting Knife Holder | 上メス台 | 1 |
| 25 | 160001 | Screw(M4-0.7×4) | 止ネジ | 4 |
| 26 | 3002018 | Upper Cutting Knife | 上メス | 1 |
| 27 | 130002 | Screw(M3-0.5×6) | 止ネジ | 2 |
| 28 | 3002019 | Cutting Knife Press Shaft | メス押シ軸 | 1 |
| 29 | 3002020 | Shaft Bushing (Long) | ブッシュ(長) | 1 |
| 30 | 3002021 | Shaft Bushing (Short) | ブッシュ(短) | 1 |
| 31 | 0095940 | Upper Cutting Knife Spring | 上メスバネ | 1 |
| 32 | 3002022 | Cutting Knife Press Screw | メス押シネジ | 1 |
| 33 | 3002023 | Lock Nut | ロックナット | 1 |
| 34 | 3002007 | Cutting Device Basement | カッタ装置台 | 1 |
| 35-1 | 120026 | Screw(M5-0.8×18) | 止ネジ | 1 |
| 35-2 | 120026 | " (M5-0.8×18) (for VF) | " (VF用) | 1 |
| 36 | 000669 | Washer | ワッシャ | 3 |
| 37-1 | 120017 | Screw(M5-0.8×15) | 止ネジ | 1 |
| 37-2 | 120017 | " (M5-0.8×15) (for VC) | " (VC用) | 1 |
| 38 | 120015 | Screw(M5-0.8×10) | 止ネジ | 3 |
| 39 | 3101492 | Lower Cutting Knife | 下メス | 1 |
| 40 | 3002025 | Cutting Knife Cover | メスカバー | 1 |
| 41 | 000665 | Washer | ワッシャ | 1 |
| 42 | 0010263 | Connector(EC6-PT1/8) | コネクタ | 2 |

"AU2" DEVICE(3)

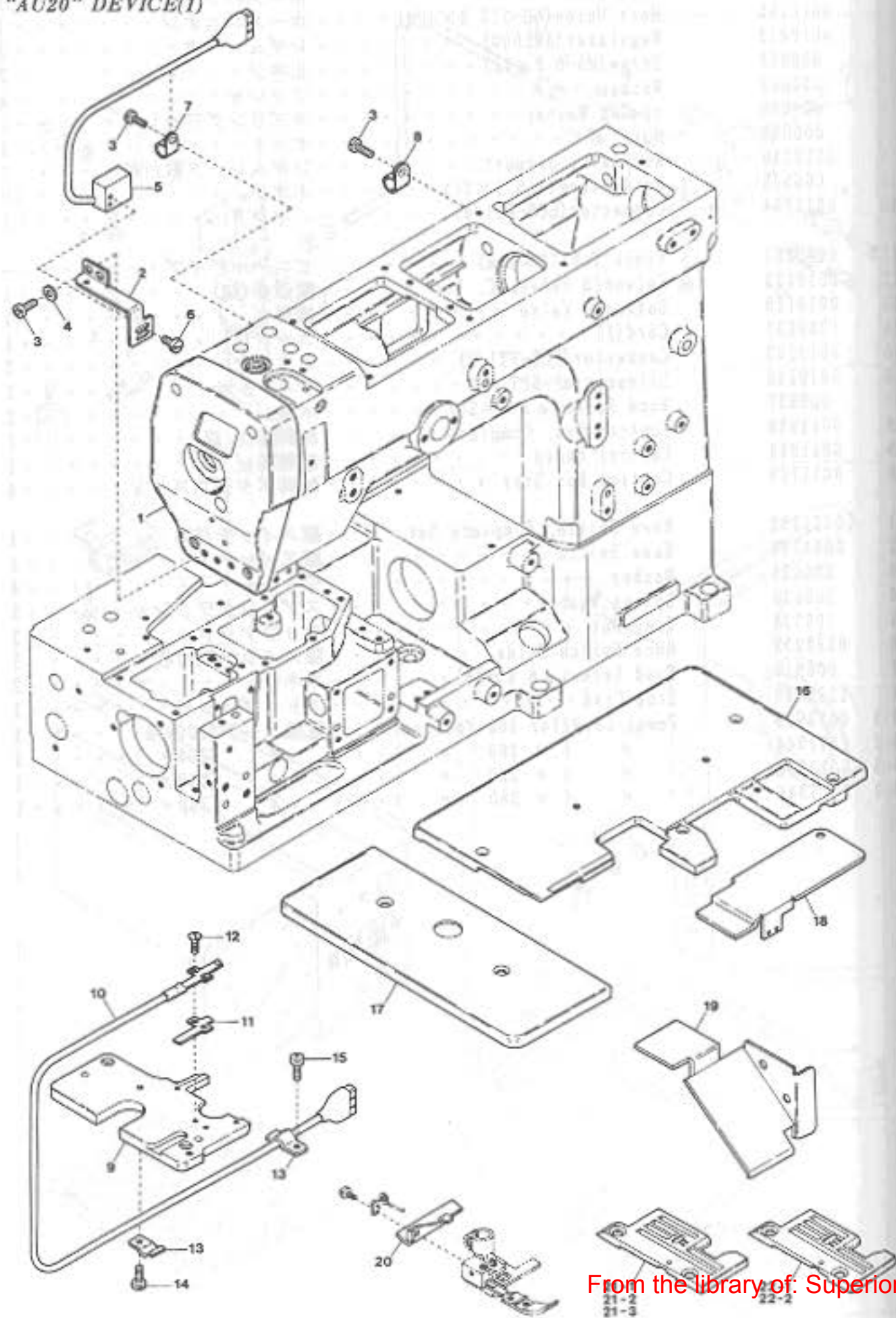


"AU2" DEVICE(3)

| Ref. No. | Parts No. | Description | 品名 | Amt. Req. |
|----------|-----------|-----------------------------|--------------|-----------|
| 1 | 0033939 | Hose Band | ホースバンド | 1 |
| 2 | 0010108 | Hose Union(NH-512 8×1/4) | ホースユニオン | 1 |
| 3 | 0010073 | Regulator(AW2000) | レギュレータ | 1 |
| 4 | 009960 | Screw(M5-0.8×16) | 止ネジ | 2 |
| 5 | 000669 | Washer | ワッシャ | 4 |
| 6 | 000600 | Spring Washer | スプリングワッシャ | 2 |
| 7 | 000009 | Nut | ナット | 2 |
| 8 | 0013218 | Regulator Support | レギュレータ取付板 | 1 |
| 9 | 006905 | Wood Screw(φ5.1×20) | 木ネジ | 10 |
| 10 | 0010264 | Connector(EC6-PT1/4) | コネクタ | 1 |
| 11 | 0010261 | Vinyl Tube(6×4mm) | ビニールパイプ | - |
| 12 | 0010123 | Solenoid Valve, C. Set | 電磁弁(組) | 1 |
| 13 | 0010120 | Solenoid Valve | 電磁弁 | 1 |
| 14 | 1200037 | Cord(F) | コード(F) | 1 |
| 15 | 0010263 | Connector(EC6-PT1/8) | コネクタ | 3 |
| 16 | 0010143 | Silencer(MF-6PT1/8) | サイレンサ | 2 |
| 17 | 009937 | Wood Screw(φ3.8×20) | 木ネジ | 2 |
| 18 | 0011989 | Control Box, Complete Set | 制御装置(組) | 1 |
| 19 | 0011988 | Control Board | 制御基板 | 1 |
| 20 | 0011709 | Control Box Stay | 制御ボックスステイ | 4 |
| 21 | 0011192 | Knee Switch, Complete Set | 膝スイッチ(組) | 1 |
| 22 | 0011189 | Knee Switch | 膝スイッチ | 1 |
| 23 | 300031 | Washer | ワッシャ | 4 |
| 24 | 300033 | Spring Washer | スプリングワッシャ | 2 |
| 25 | 100038 | Wing Nut | チョウナット | 2 |
| 26 | 0092232 | Knee Switch Holder | 膝スイッチ取付板 | 1 |
| 27 | 006910 | Wood Screw(φ6.8×26) | 木ネジ | 2 |
| 28 | 1200040 | Stop Cord | ストップコード | 1 |
| 29-1 | 0011943 | Power Cord(for 100 Voltage) | 電源コード(100V用) | 1 |
| 29-2 | 0011944 | " (" 200 ") | " (200") | 1 |
| 29-3 | 0011945 | " (" 220 ") | " (220") | 1 |
| 29-4 | 0011946 | " (" 380 ") | " (380") | 1 |

"AU2"装置(3)

"AU20" DEVICE(1)

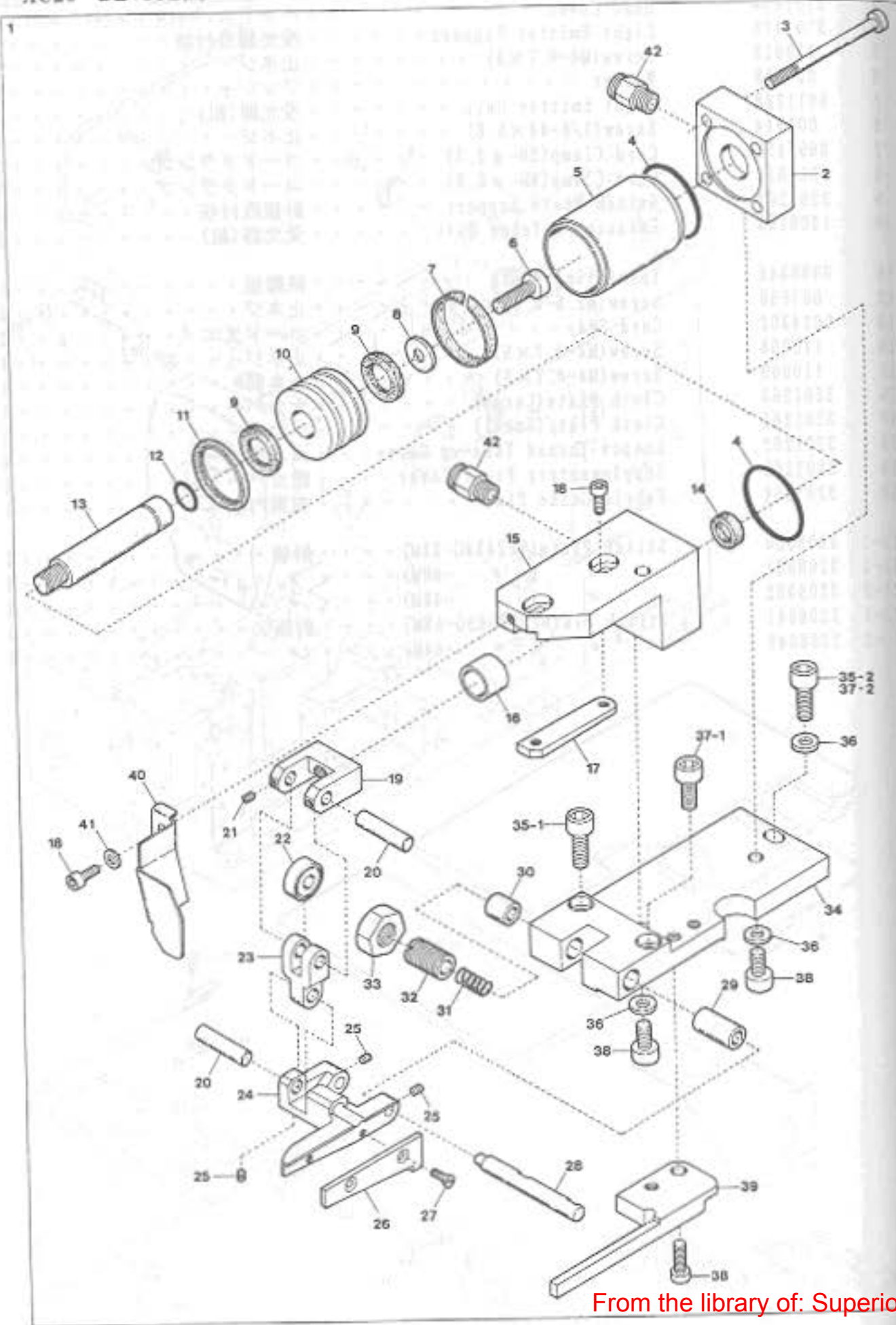


"AU20" DEVICE(1)for VF2429G, 2529G

"AU20"装置(1)

| Ref. No | Parts No | Description | 品名 | Amt. Req |
|---------|----------|-----------------------------|---------|----------|
| 1 | 3101464 | Head Cover | ヘッドカバー | 1 |
| 2 | 3101476 | Light Emitter Support | 投光器取付板 | 1 |
| 3 | 110013 | Screw(M4-0.7×8) | 止ネジ | 6 |
| 4 | 000538 | Washer | ワッシャー | 2 |
| 5 | 0011228 | Light Emitter Unit | 投光器(組) | 1 |
| 6 | 004314 | Screw(1/8-44×5.6) | 止ネジ | 2 |
| 7 | 0094491 | Cord Clamp(2N-φ3.3) | コードクランプ | 3 |
| 8 | 0063612 | Cord Clamp(4N-φ6.8) | コードクランプ | 1 |
| 9 | 3201263 | Stitch Plate Support | 針板取付板 | 1 |
| 10 | 1200199 | Emission Catcher Unit | 受光器(組) | 1 |
| 11 | 0096348 | Insulating Plate | 絶縁板 | 1 |
| 12 | 007630 | Screw(M2.5-0.45×1.8) | 止ネジ | 2 |
| 13 | 0024302 | Cord Stay | コード支エ | 2 |
| 14 | 110008 | Screw(M4-0.7×5) | 止ネジ | 1 |
| 15 | 110009 | Screw(M4-0.7×8) | 止ネジ | 1 |
| 16 | 3201260 | Cloth Plate(Large) | 大カバー | 1 |
| 17 | 3201261 | Cloth Plate(Small) | 小カバー | 1 |
| 18 | 3201262 | Looper Thread Take-up Cover | カムカバー | 1 |
| 19 | 3201265 | Supplementary Front Cover | 前カバー | 1 |
| 20 | 3201264 | Fabric Guide Plate | 布案内板 | 1 |
| 21-1 | 3208060 | Stitch Plate(VF2429G-32M) | 針板 | 1 |
| 21-2 | 3208061 | " (" -40M) | " | 1 |
| 21-3 | 3208062 | " (" -48M) | " | 1 |
| 22-1 | 3208041 | Stitch Plate(VF2529G-56M) | 針板 | 1 |
| 22-2 | 3208042 | " (" -64M) | " | 1 |

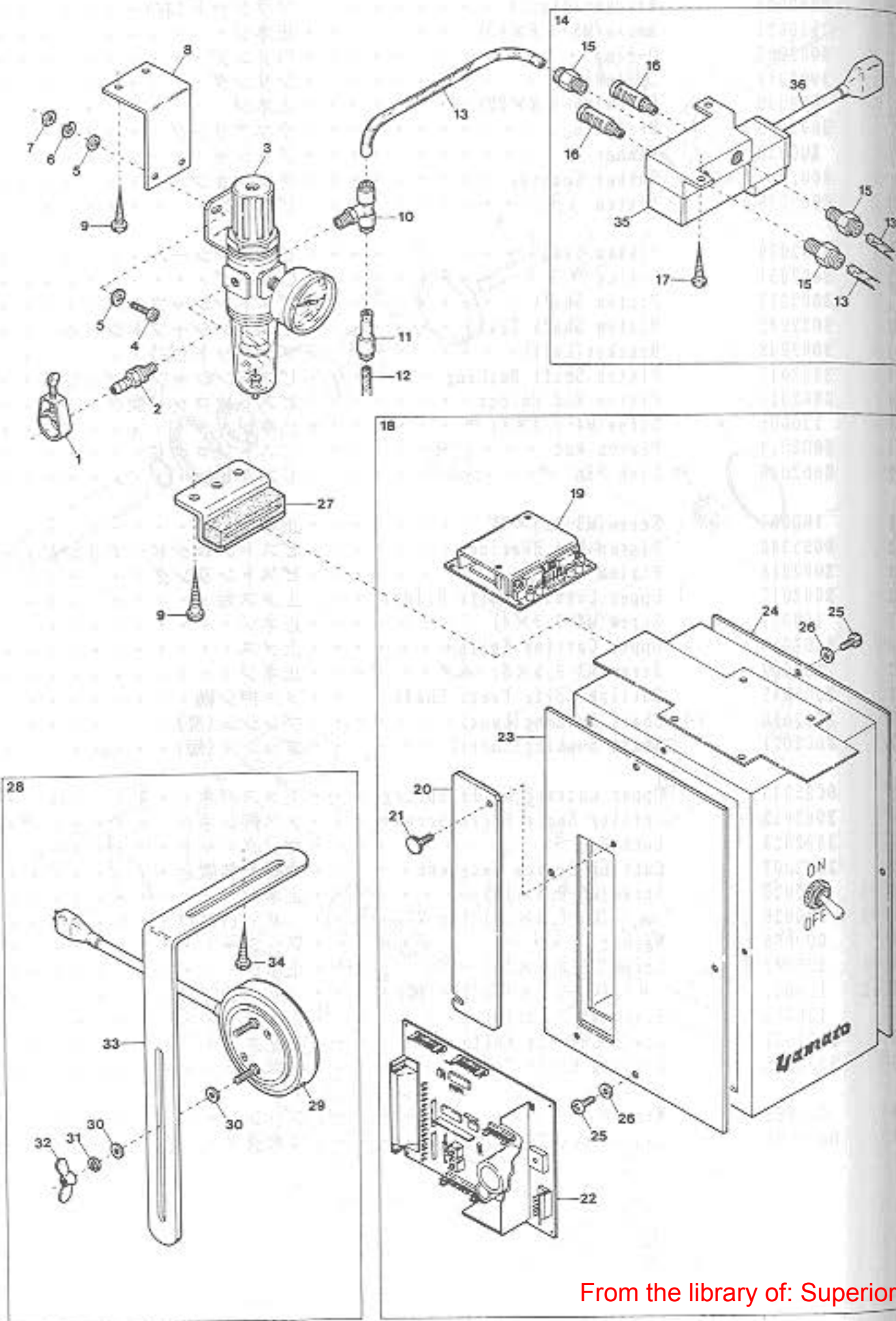
"AU20" DEVICE(2)



"AU20" DEVICE(2)

| Ref. No. | Parts No. | Description | 品名 | Amt. Req. |
|----------|-----------|------------------------------|--------------|-----------|
| 1 | 3101491 | Cutting Device, Complete Set | カッタ装置(組) | 1 |
| 2 | 3002009 | Bracket (Right) | ブラケット(右) | 1 |
| 3 | 120021 | Screw (M5-0.8×60) | 止ネジ | 4 |
| 4 | 3002026 | O-ring | Oリング | 2 |
| 5 | 3002010 | Cylinder | シリンダ | 1 |
| 6 | 009935 | Screw (M5-0.8×20) | 止ネジ | 1 |
| 7 | 3002029 | Wear Ring | ウェアリング | 1 |
| 8 | 300038 | Washer | ワッシャ | 1 |
| 9 | 3002027 | Rubber Cushion | クッション | 2 |
| 10 | 3002028 | Piston | ピストン | 1 |
| 11 | 3002030 | Piston Seal | ピストンシール | 1 |
| 12 | 3002031 | O-ring | Oリング | 2 |
| 13 | 3002011 | Piston Shaft | ピストンシャフト | 1 |
| 14 | 3002032 | Piston Shaft Seal | ピストンシャフトシール | 1 |
| 15 | 3002008 | Bracket (Left) | ブラケット(左) | 1 |
| 16 | 3002012 | Piston Shaft Bushing | ピストンシャフトブッシュ | 1 |
| 17 | 3002013 | Piston Rod Holder | ピストンロッド受け | 1 |
| 18 | 120008 | Screw (M4-0.7×8) | 止ネジ | 3 |
| 19 | 3002014 | Piston Rod | ピストンロッド | 1 |
| 20 | 3002016 | Link Pin | リンクピン | 2 |
| 21 | 160000 | Screw (M3-0.5×3) | 止ネジ | 2 |
| 22 | 0095980 | Piston Rod Bearing | ピストンロッドベアリング | 1 |
| 23 | 3002015 | Piston Link | ピストンリンク | 1 |
| 24 | 3002017 | Upper Cutting Knife Holder | 上メス台 | 1 |
| 25 | 160001 | Screw (M4-0.7×4) | 止ネジ | 4 |
| 26 | 3002018 | Upper Cutting Knife | 上メス | 1 |
| 27 | 130002 | Screw (M3-0.5×6) | 止ネジ | 2 |
| 28 | 3002019 | Cutting Knife Press Shaft | メス押し軸 | 1 |
| 29 | 3002020 | Shaft Bushing (Long) | ブッシュ(長) | 1 |
| 30 | 3002021 | Shaft Bushing (Short) | ブッシュ(短) | 1 |
| 31 | 0095940 | Upper Cutting Knife Spring | 上メスバネ | 1 |
| 32 | 3002022 | Cutting Knife Press Screw | メス押しネジ | 1 |
| 33 | 3002023 | Lock Nut | ロックナット | 1 |
| 34 | 3002007 | Cutting Device Basement | カッタ装置台 | 1 |
| 35-1 | 120026 | Screw (M5-0.8×18) | 止ネジ | 1 |
| 35-2 | 120026 | " (M5-0.8×18) (for VF) | " (VF用) | 1 |
| 36 | 000669 | Washer | ワッシャ | 3 |
| 37-1 | 120017 | Screw (M5-0.8×15) | 止ネジ | 1 |
| 37-2 | 120017 | " (M5-0.8×15) (for VC) | " (VC用) | 1 |
| 38 | 120015 | Screw (M5-0.8×10) | 止ネジ | 3 |
| 39 | 3101492 | Lower Cutting Knife | 下メス | 1 |
| 40 | 3002025 | Cutting Knife Cover | メスカバー | 1 |
| 41 | 000665 | Washer | ワッシャ | 1 |
| 42 | 0010263 | Connector (EC6-PT1/8) | コネクタ | 2 |

"AU20" DEVICE(3)

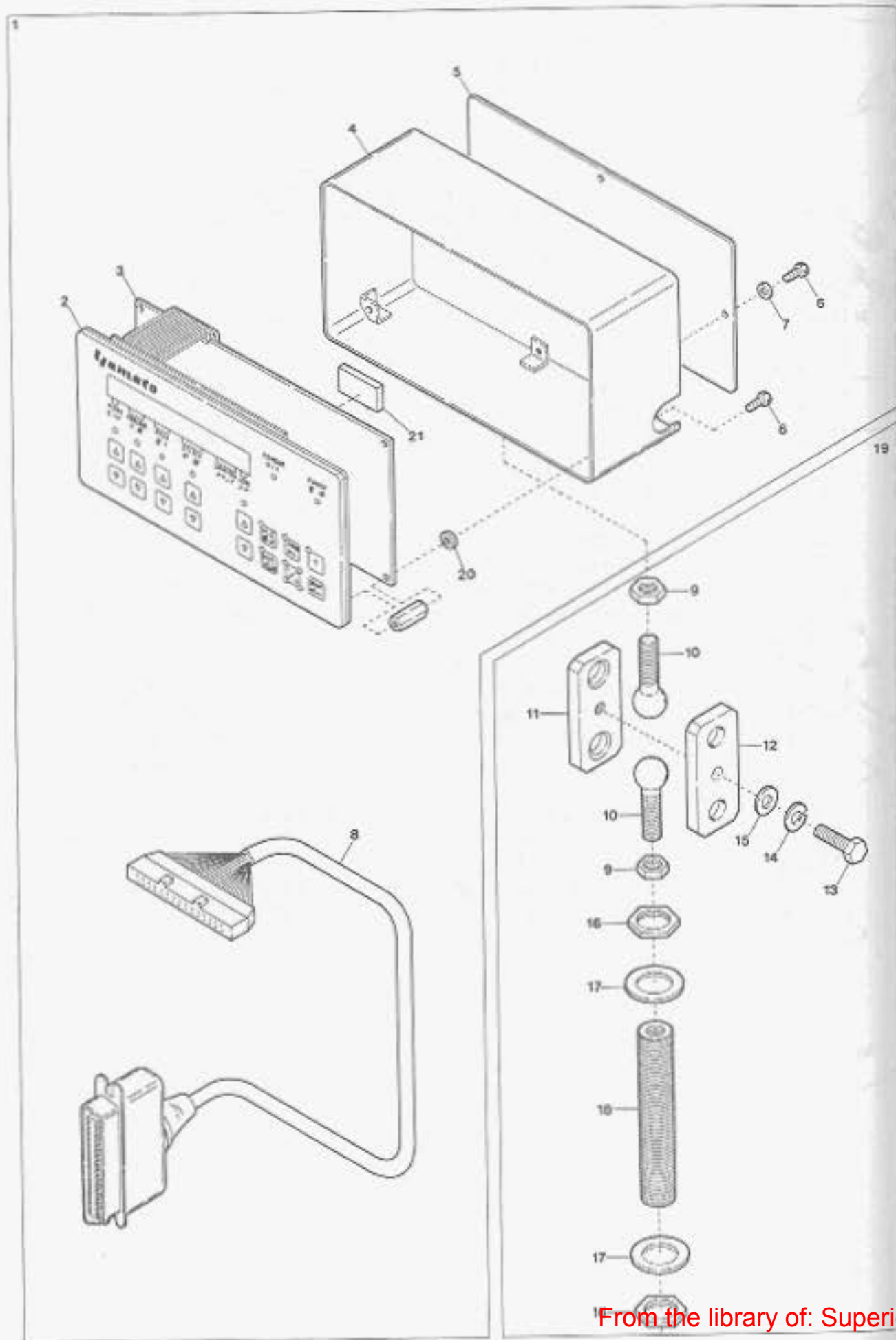


"AU20" DEVICE(3)

| Ref. No. | Parts No. | Description | 品名 | Amt. Req. |
|----------|-----------|---------------------------|--------------|-----------|
| 1 | 0033939 | Hose Band | ホースバンド | 1 |
| 2 | 0010108 | Hose Union(NH-512 8×1/4) | ホースユニオン | 1 |
| 3 | 0010073 | Regulator(AW2000) | レギュレータ | 1 |
| 4 | 009960 | Screw(M5-0.8×16) | 止ネジ | 2 |
| 5 | 000669 | Washer | ワッシャ | 4 |
| 6 | 000600 | Spring Washer | スプリングワッシャ | 2 |
| 7 | 000009 | Nut | ナット | 2 |
| 8 | 0013218 | Regulator Support | レギュレータ取付板 | 1 |
| 9 | 006905 | Wood Screw(φ5.1×20) | 木ネジ | 6 |
| 10 | 0010289 | T-Connector(ET6-PT1/4) | Tコネクタ | 1 |
| 11 | 1094002 | Reducer(φ6×4) | レデューサ | 1 |
| 12 | 0010260 | Vinyl Tube(4×2.5mm) | ビニールパイプ | - |
| 13 | 0010261 | Vinyl Tube(6×4mm) | ビニールパイプ | - |
| 14 | 0010123 | Solenoid Valve, C. Set | 電磁弁(組) | 1 |
| 15 | 0010263 | Connector(EC6-PT1/8) | コネクタ | 3 |
| 16 | 0010143 | Silencer(MF-6PT1/8) | サイレンサ | 2 |
| 17 | 009937 | Wood Screw(φ3.8×20) | 木ネジ | 2 |
| 18 | 1249071 | Power Box, Complete Set | 電源装置(組) | 1 |
| 19 | 1057041 | Motor Device Board | モータ基板 | 1 |
| 20 | 1260036 | Power Box Lid | 電源ボックス蓋 | 1 |
| 21 | 009791 | Screw(M3-0.5×6) | 止ネジ | 2 |
| 22 | 1057089 | I/O Board | I/O基板 | 1 |
| 23 | 3201236 | Box Cover(Left) | 電源ボックスカバー(左) | 1 |
| 24 | 3201237 | Box Cover(Right) | 電源ボックスカバー(右) | 1 |
| 25 | 110076 | Screw(M3-0.5×6) | 止ネジ | 8 |
| 26 | 300030 | Washer | ワッシャ | 8 |
| 27 | 0011709 | Power Box Stay | 電源ボックスステイ | 2 |
| 28 | 0011192 | Knee Switch, Complete Set | 膝スイッチ(組) | 1 |
| 29 | 0011189 | Knee Switch | 膝スイッチ | 1 |
| 30 | 300031 | Washer | ワッシャ | 4 |
| 31 | 300033 | Spring Washer | スプリングワッシャ | 2 |
| 32 | 100038 | Wing Nut | チョウナット | 2 |
| 33 | 0092232 | Knee Switch Holder | 膝スイッチ取付板 | 1 |
| 34 | 006910 | Wood Screw(φ6.8×26) | 木ネジ | 2 |
| 35 | 0010120 | Solenoid Valve | 電磁弁 | 1 |
| 36 | 1200037 | Cord(F) | コード(F) | 1 |

"AU20"装置(3)

"AU20" DEVICE(4)



"AU20" DEVICE(4)

| Ref. No. | Parts No. |
|----------|-----------|
| 1 | 1249069 |
| 2 | 3201233 |
| 3 | 1057069 |
| 4 | 3201227 |
| 5 | 3201228 |
| 6 | 009956 |
| 7 | 000014 |
| 8 | 1200204 |
| 9 | 000016 |
| 10 | 006187 |
| 11 | 0014224 |
| 12 | 0014225 |
| 13 | 009948 |
| 14 | 000676 |
| 15 | 000666 |
| 16 | 000060 |
| 17 | 000434 |
| 18 | 3201229 |
| 19 | 3201234 |
| 20 | 300030 |
| 21 | 1050221 |

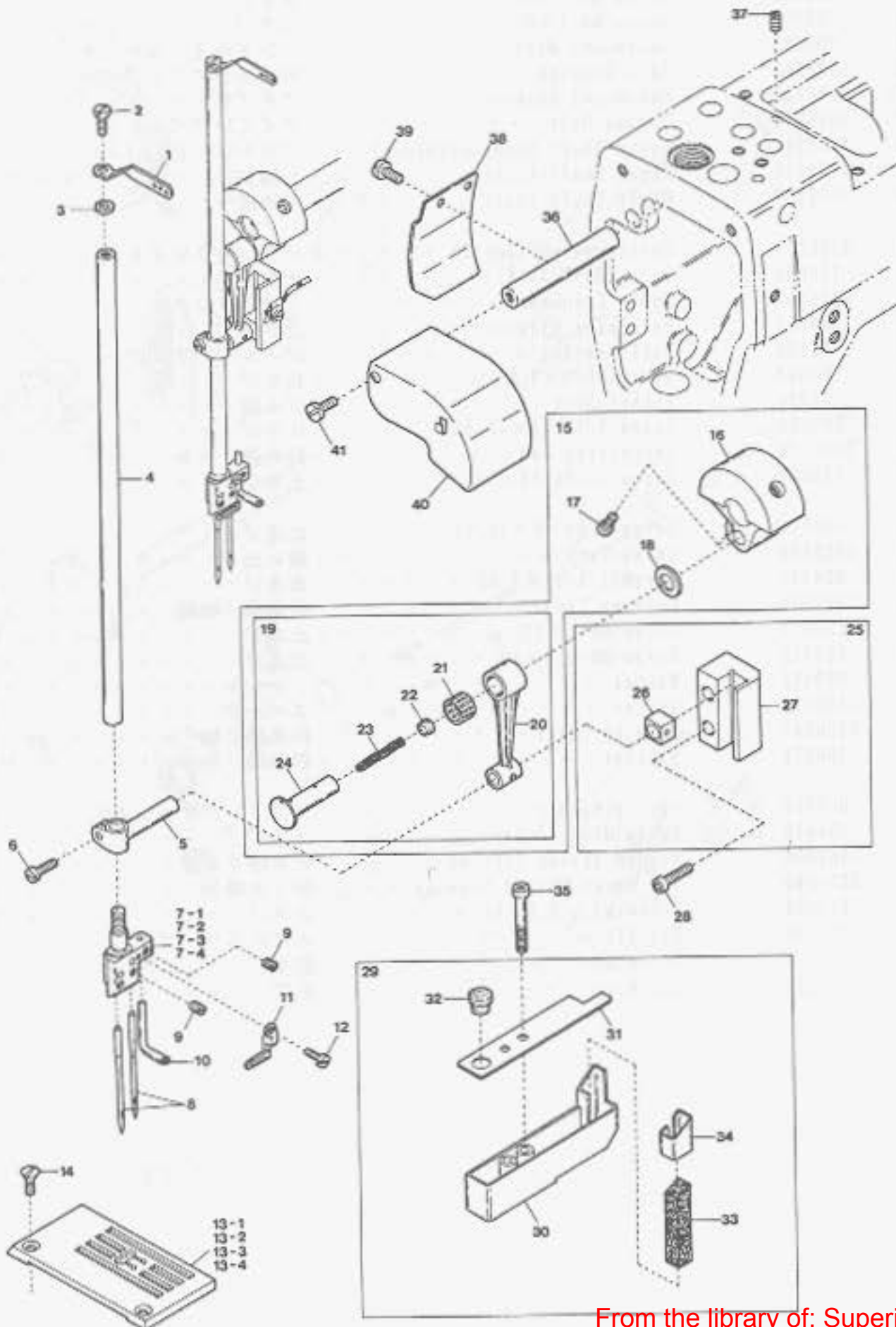
Description

| Description | 品名 | Amt. Req. |
|-------------------------------------|--------------------------|-----------|
| Control Box, Complete Set | 制御ボックス(組) | 1 |
| Control Panel | 制御パネル | 1 |
| Control Board Unit | 制御基板(組) | 1 |
| Control Box | 制御ボックス | 1 |
| Control Box Lid | 制御ボックス蓋 | 1 |
| Screw(M3-0.5×10) | 止ネジ | 8 |
| Washer | ワッシャ | 4 |
| Cable | ケーブル | 1 |
| Nut | ナット | 2 |
| Screwed Ball(M8-1.25×23) | 球 | 2 |
| Box Holder(Left) | ボックスホルダ(左) | 1 |
| Box Holder(Right) | ボックスホルダ(右) | 1 |
| Screw(M8-1.25×30) | 止ネジ | 1 |
| Spring Washer | スプリングワッシャ | 1 |
| Washer | ワッシャ | 1 |
| Nut | ナット | 2 |
| Washer | ワッシャ | 2 |
| Box Fixing Screw | ボックス取付ネジ | 1 |
| Box Holder, Complete Set | ボックスホルダ(組) | 1 |
| Washer | ワッシャ | 4 |
| EPROM(Mark EU20) | EPROM(記号 EU20) | 1 |

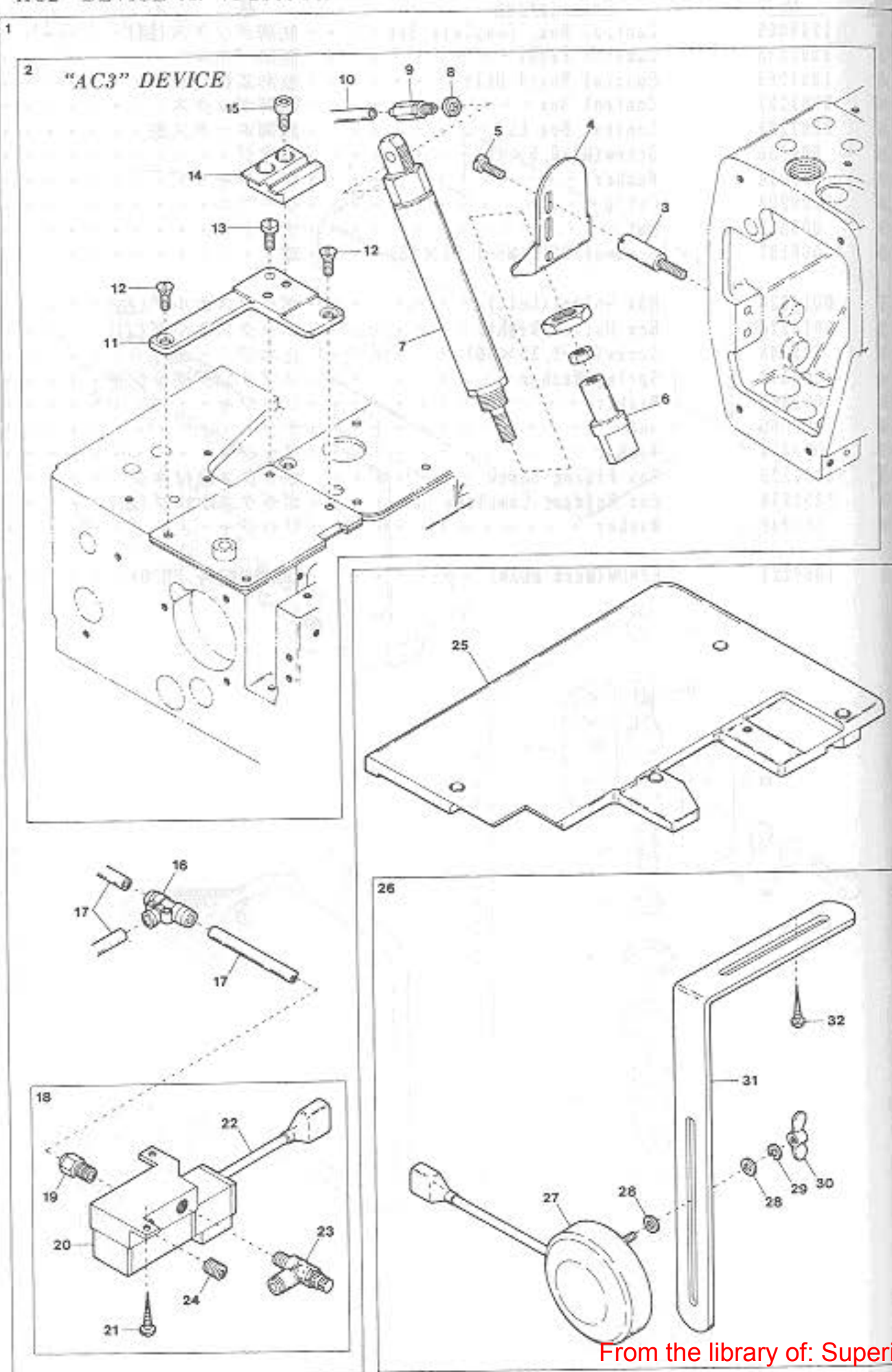
NEEDLE BAR MECHANISM

針棒機構

| Ref. No. | Parts No. | Description | 品名 | 7 Amt. Req. |
|----------|-----------|------------------------------|-------------|-------------|
| 1 | 3200041 | Needle Bar Thread Eyelet | 針棒糸道 | 1 |
| 2 | 004358 | Screw(9/64-40×5.6) | 止ネジ | 1 |
| 3 | 000548 | Washer | ワッシャ | 1 |
| 4 | 3200110 | Needle Bar | 針棒 | 1 |
| 5 | 3200111 | Needle Bar Bracket | 針棒抱キ | 1 |
| 6 | 110035 | Screw(M4-0.7×10) | 止ネジ | 1 |
| 7-1 | 3209100 | Needle Clamp(32) | 針止メ | 1 |
| 7-2 | 3209101 | " (40) | " | 1 |
| 7-3 | 3209102 | " (48) | " | 1 |
| 7-4 | 3209104 | " (64) | " | 1 |
| 8 | --- | Needle(UY128 GAS) | 針 | 2 |
| 9 | 001892 | Screw(1/8-44×2.9) | 止ネジ | 3 |
| 10 | 3200046 | Top Cover Thread Eyelet | 飾り糸道 | 1 |
| 11 | 3200117 | Needle Clamp Eyelet | 針止メ糸道 | 1 |
| 12 | 001230 | Screw(3/32-56×3.8) | 止ネジ | 1 |
| 13-1 | 0093170 | Stitch Plate(32M) | 針板 | 1 |
| 13-2 | 0093171 | " (40M) | " | 1 |
| 13-3 | 0093172 | " (48M) | " | 1 |
| 13-4 | 0093174 | " (64M) | " | 1 |
| 14 | 009142 | Screw(9/64-40×4.8) | 止ネジ | 2 |
| 15 | 3200115 | Counterweight, Complete Set | バランスウエイト(組) | 1 |
| 16 | 3200101 | Counterweight | バランスウエイト | 1 |
| 17 | 120015 | Screw(M5-0.8×10) | 止ネジ | 1 |
| 18 | 0093214 | Connecting Rod Ring | 針棒ロッドリング | 1 |
| 19 | 3200114 | Connecting Rod, Complete Set | 針棒ロッド(組) | 1 |
| 20 | 3200112 | Connecting Rod | 針棒ロッド | 1 |
| 21 | 0093212 | Roller Bearing | ニードルベアリング | 1 |
| 22 | 330000 | Seal Plug | 詰栓 | 1 |
| 23 | 000309 | Oil Wick | 油芯 | 1 |
| 24 | 3200113 | Connecting Rod Pin | 針棒ロッドピン | 1 |
| 25 | 3200118 | Needle Bar Guide, C, Set | 針棒案内(組) | 1 |
| 26 | 0093186 | Slide Block | 針棒案内駒 | 1 |
| 27 | 3200116 | Needle Bar Guide | 針棒案内 | 1 |
| 28 | 009749 | Screw(M4-0.7×16) | 止ネジ | 2 |
| 29 | 3200120 | HR Device, Complete Set | HR装置(組) | 1 |
| 30 | 3200121 | HR Cup | HRカップ | 1 |
| 31 | 3200122 | HR Cup Lid | HRカップ蓋 | 1 |
| 32 | 0093864 | Seal Plug | 詰栓 | 1 |
| 33 | 310036 | HR Felt | HRフェルト | 1 |
| 34 | 0093663 | HR Felt Guard | フェルトガード | 1 |
| 35 | 006219 | Screw(M4-0.7×14) | 止ネジ | 2 |
| 36 | 3200090 | Connecting Rod Cover Shaft | カバー軸 | 1 |
| 37 | 160023 | Screw(M4-0.7×4) | 止ネジ | 1 |
| 38 | 3200089 | Connecting Rod Cover(Rear) | 針棒ロッドカバー(後) | 1 |
| 39 | 110002 | Screw(M3-0.5×5) | 止ネジ | 2 |
| 40 | 3200088 | Connecting Rod Cover(Front) | 針棒ロッドカバー(前) | 1 |
| 41 | 110012 | Screw(M4-0.7×5) | 止ネジ | 1 |



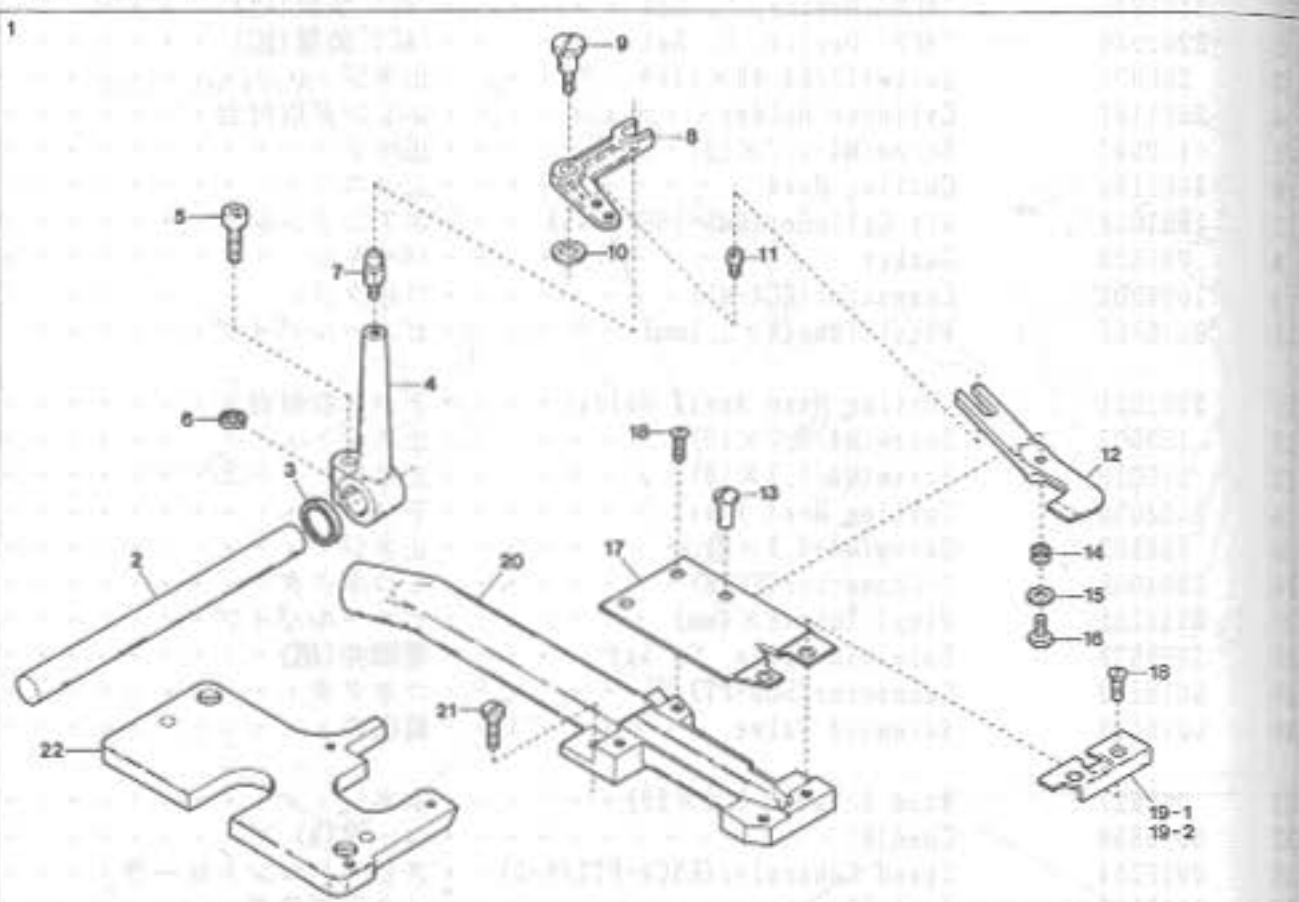
"AC2" DEVICE for VF2560-PA



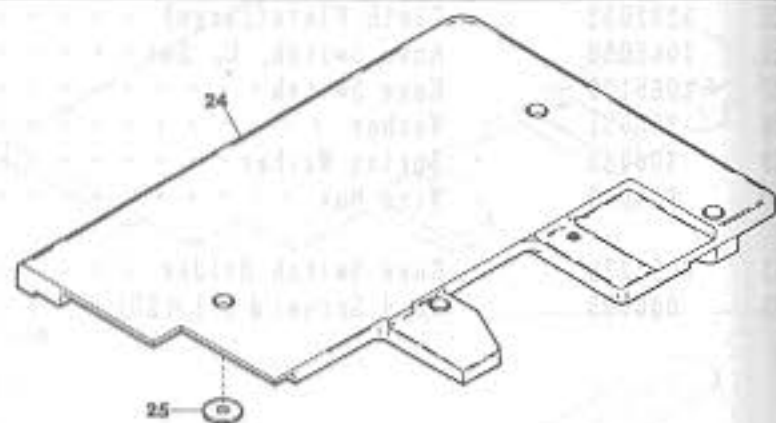
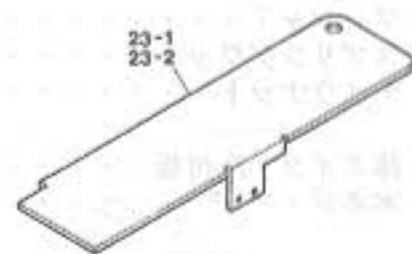
"AC2" DEVICE for VF2560-PA

| Ref. No. | Parts No. | Description | 品名 | 70 Amt. Req. |
|----------|-----------|--------------------------------|------------|--------------|
| 1 | 3209945 | "AC2" Device, C. Set | "AC2"装置(組) | 1 |
| 2 | 3209946 | "AC3" Device, C. Set | "AC3"装置(組) | 1 |
| 3 | 290023 | Screw(11/64-40×14) | 止ネジ | 2 |
| 4 | 3001101 | Cylinder Holder | シリンダ取付台 | 1 |
| 5 | 110047 | Screw(M4-0.7×10) | 止ネジ | 2 |
| 6 | 3001100 | Cutting Head | 上メス | 1 |
| 7 | 1091028 | Air Cylinder(KMS-16NFS-45) | エアシリンダ | 1 |
| 8 | 000623 | Gasket | パッキン | 1 |
| 9 | 1094000 | Connector(EC4-M5) | コネクタ | 1 |
| 10 | 0010260 | Vinyl Tube(4×2.5mm) | ビニールパイプ | - |
| 11 | 3202031 | Cutting Head Anvil Holder | 下メス取付台 | 1 |
| 12 | 130007 | Screw(M4-0.7×10) | 止ネジ | 2 |
| 13 | 110010 | Screw(M4-0.7×16) | 止ネジ | 1 |
| 14 | 3202030 | Cutting Head Anvil | 下メス | 1 |
| 15 | 006202 | Screw(M4-0.7×6) | 止ネジ | 2 |
| 16 | 1094008 | T-Connector(EUT6) | Tコネクタ | 1 |
| 17 | 0010261 | Vinyl Tube(6×4mm) | ビニールパイプ | - |
| 18 | 1090033 | Solenoid Valve, C. Set | 電磁弁(組) | 1 |
| 19 | 0010263 | Connector(EC6-PT1/8) | コネクタ | 1 |
| 20 | 0010120 | Solenoid Valve | 電磁弁 | 1 |
| 21 | 009937 | Wood Screw(φ3.8×20) | 木ネジ | 2 |
| 22 | 0010869 | Coed(B) | コード(B) | 1 |
| 23 | 0010254 | Speed Controller(ESC4-PT1/8-0) | スピードコントローラ | 1 |
| 24 | 0010119 | Seal Plug | メクラプラグ | 1 |
| 25 | 3202032 | Cloth Plate(Large) | 大カバー | 1 |
| 26 | 1066099 | Knee Switch, C. Set | 膝スイッチ(組) | 1 |
| 27 | 1066100 | Knee Switch | 膝スイッチ | 1 |
| 28 | 300031 | Washer | ワッシャ | 4 |
| 29 | 300033 | Spring Washer | スプリングワッシャ | 2 |
| 30 | 100038 | Wing Nut | チョウナット | 2 |
| 31 | 0092232 | Knee Switch Holder | 膝スイッチ取付板 | 1 |
| 32 | 006905 | Wood Screw(φ5.1×20) | 木ネジ | 2 |

"K1" DEVICE(1)



VF2400, 2500



VF2400



VF2500

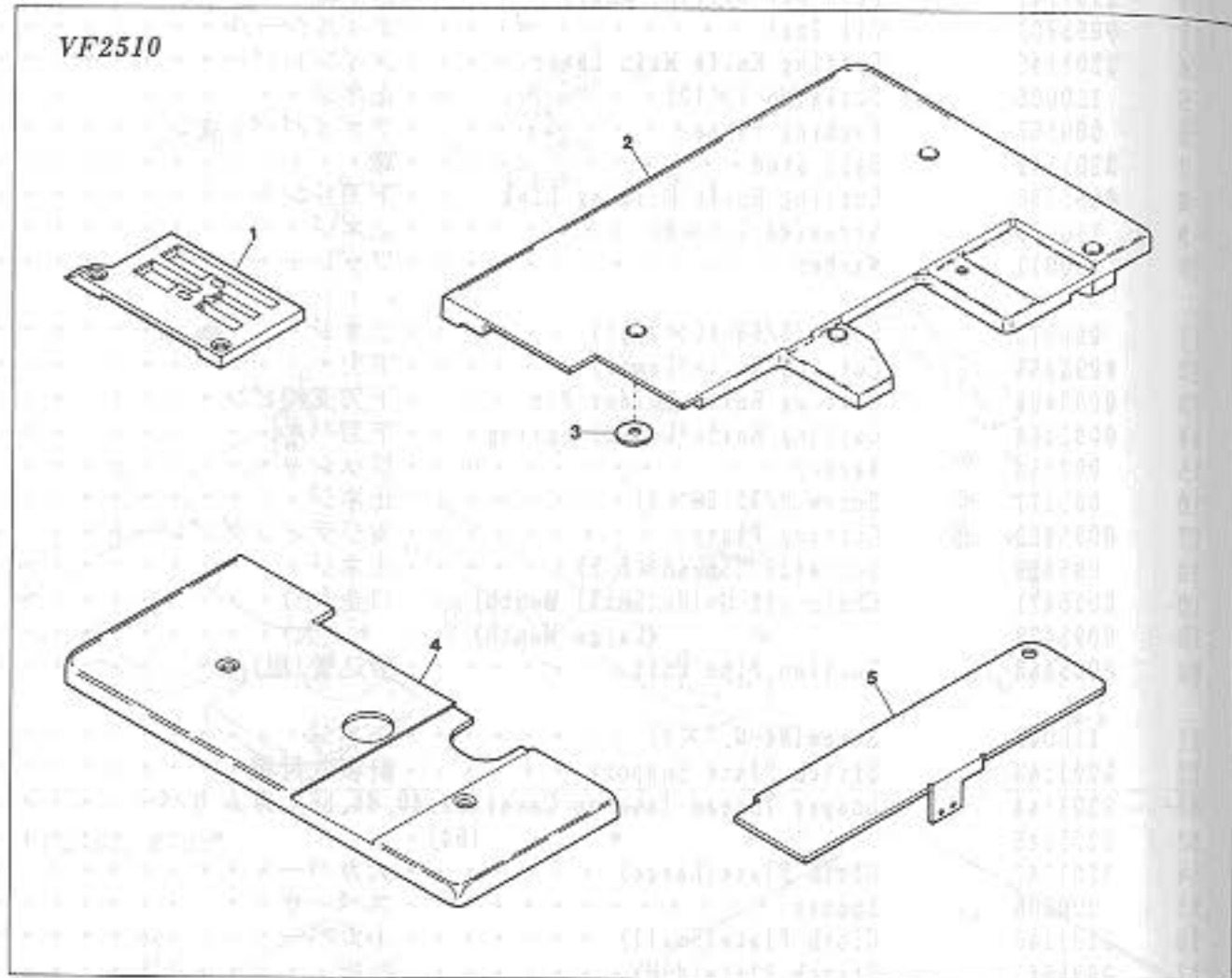


"K1" DEVICE(1) for VF2400, 2500

| Ref. No. | Parts No. | Description | 品名 | 71 Amt. Req. |
|----------|-----------|---|------------|--------------|
| 1 | 3209923 | "K1" Device, Complete Set | "K1"装置(組) | 1 |
| 2 | 3201141 | Feed Bar Driving Shaft | 送り軸 | 1 |
| 3 | 0093303 | Oil Seal | オイルシール | 1 |
| 4 | 3201140 | Cutting Knife Main Lever | メインレバー | 1 |
| 5 | 120006 | Screw(M6-1×12) | 止ネジ | 1 |
| 6 | 000567 | Packing Piece | ファイバパッキン | 1 |
| 7 | 3201142 | Ball Stud | 球 | 1 |
| 8 | 0095466 | Cutting Knife Driving Link | 下刃リンク | 1 |
| 9 | 170029 | Screw(M4-0.7×8) | 止ネジ | 1 |
| 10 | 300017 | Washer | ワッシャ | 1 |
| 11 | 005572 | Screw(9/64-40×3.57) | 止ネジ | 1 |
| 12 | 0095463 | Cutting Knife(Lower) | 下刃 | 1 |
| 13 | 0095465 | Cutting Knife Holder Pin | 下刃支持ピン | 1 |
| 14 | 0095464 | Cutting Knife(Lower) Spring | 下刃バネ | 1 |
| 15 | 000014 | Washer | ワッシャ | 1 |
| 16 | 005571 | Screw(3/32-56×4) | 止ネジ | 1 |
| 17 | 0095462 | Cutting Plate | カッティングプレート | 1 |
| 18 | 005328 | Screw(29/256-48×6.5) | 止ネジ | 4 |
| 19-1 | 0095471 | Chain-off Guide(Small Mouth) | 口金(小) | 1 |
| 19-2 | 0095472 | " (Large Mouth) | " (大) | 1 |
| 20 | 0095458 | Suction Pipe Unit | 吸込管(組) | 1 |
| 21 | 110009 | Screw(M4-0.7×8) | 止ネジ | 2 |
| 22 | 3201143 | Stitch Plate Support | 針板取付板 | 1 |
| 23-1 | 3201144 | Looper Thread Take-up Cover(32, 40, 48, 56) | カムカバー | 1 |
| 23-2 | 3201145 | " " (64) | " | 1 |
| 24 | 3201147 | Cloth Plate(Large) | 大カバー | 1 |
| 25 | 300006 | Spacer | スペーサ | 1 |
| 26 | 3201146 | Cloth Plate(Small) | 小カバー | 1 |
| 27 | 0095541 | Stitch Plate(40M) | 針板 | 1 |
| 28-1 | 0095456 | Stitch Plate(56M) | 針板 | 1 |
| 28-2 | 0095457 | " (64M) | " | 1 |

“K1” DEVICE(2)

VF2510

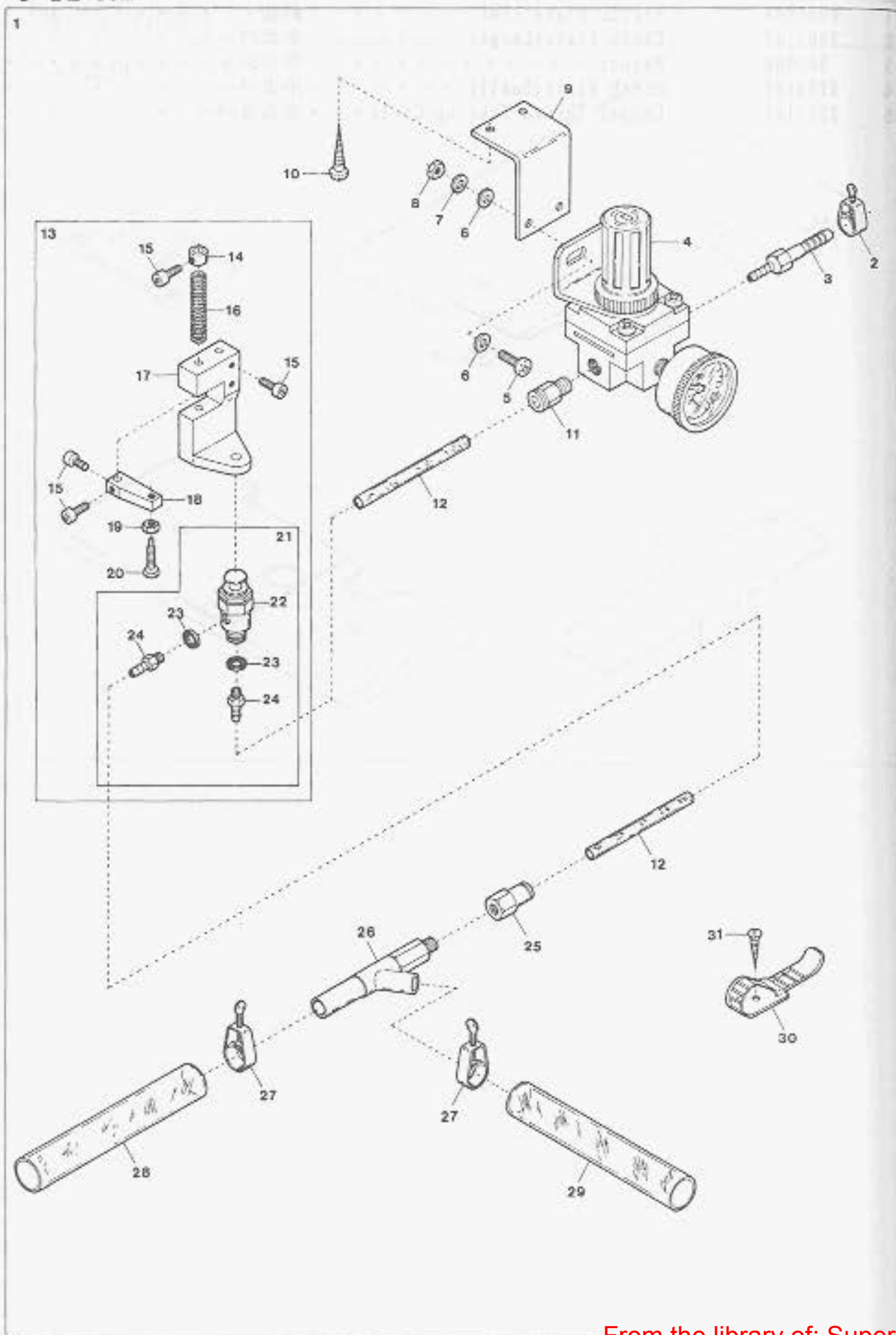


“K1” DEVICE(2) for VF2510

| Ref. No | Parts No | Description | 品名 | Amt. Req. |
|---------|----------|-----------------------------|-------|-----------|
| 1 | 0095904 | Stitch Plate(88M) | 針板 | 1 |
| 2 | 3201147 | Cloth Plate(Large) | 大カバー | 1 |
| 3 | 300006 | Washer | ワッシャ | 1 |
| 4 | 3201161 | Cloth Plate(Small) | 小カバー | 1 |
| 5 | 3201145 | Looper Thread Take-up Cover | カムカバー | 1 |

“K1”装置(2)

"C" DEVICE



"C" DEVICE

Ref. Parts

No. No.

1 2109932
2 0033939
3 1094011
4 1097000
5 009960
6 000669
7 000600
8 000009
9 1097001
10 006905

11 0010263
12 1096000
13 1298000
14 0033938
15 005040
16 0033937
17 0033936
18 0033935
19 000334
20 005505

21 1090133
22 0010052
23 000623
24 0010112
25 0010290
26 0010310
27 0033940
28 1096004
29 1096005
30 0011987

31 009814

Description

"C" Device, Complete Set
Hose Band (1/4 inch)
Hose Nipple (PT1/8×8)
Regulator (AR2000-01BC)
Screw (M5-0.8×16)
Washer
Spring Washer
Nut
Regulator Support
Wood Screw (φ 5.1×20)

コネクタ
ナイロンホース
エアバルブ(組)
カラー
止ネジ
エアバルブ補助バネ
エアバルブ取付台
エアバルブストッパ
ナット
調節ネジ

TACバルブ(組)
TACバルブ
パッキン
継手
コネクタ
ベンチュリ管
ホースバンド(3/8インチ)
ビニールホース
ビニールホース
ULクランプ

木ネジ

"C"装置

73

Amt.

Req.

品名

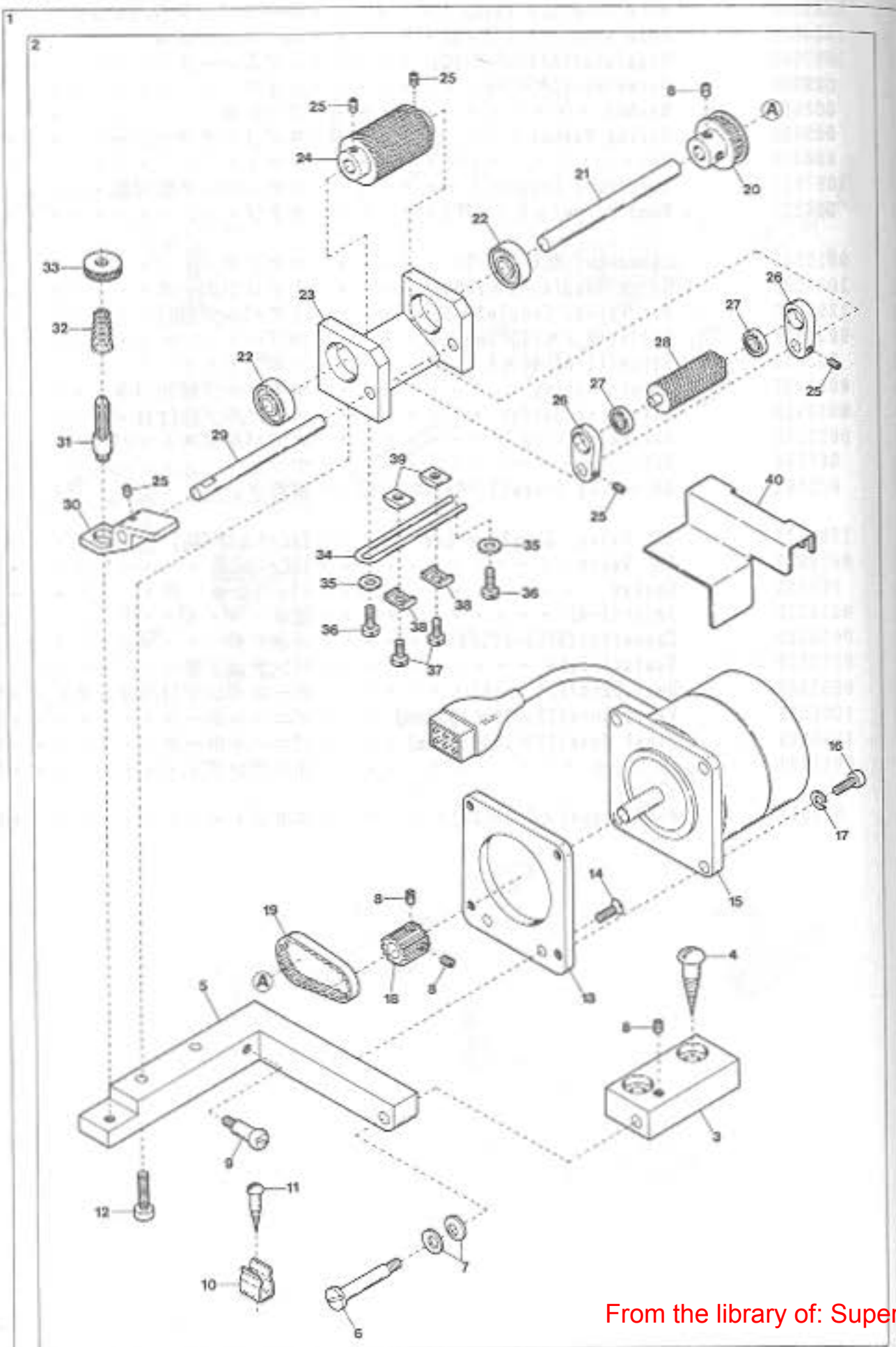
"C"装置(組)
ホースバンド(1/4インチ)
ホースニップル
レギュレータ
止ネジ
ワッシャ
スプリングワッシャ
ナット
レギュレータ取付板
木ネジ

コネクタ
ナイロンホース
エアバルブ(組)
カラー
止ネジ
エアバルブ補助バネ
エアバルブ取付台
エアバルブストッパ
ナット
調節ネジ

TACバルブ(組)
TACバルブ
パッキン
継手
コネクタ
ベンチュリ管
ホースバンド(3/8インチ)
ビニールホース
ビニールホース
ULクランプ

木ネジ

"LEM" DEVICE(1)

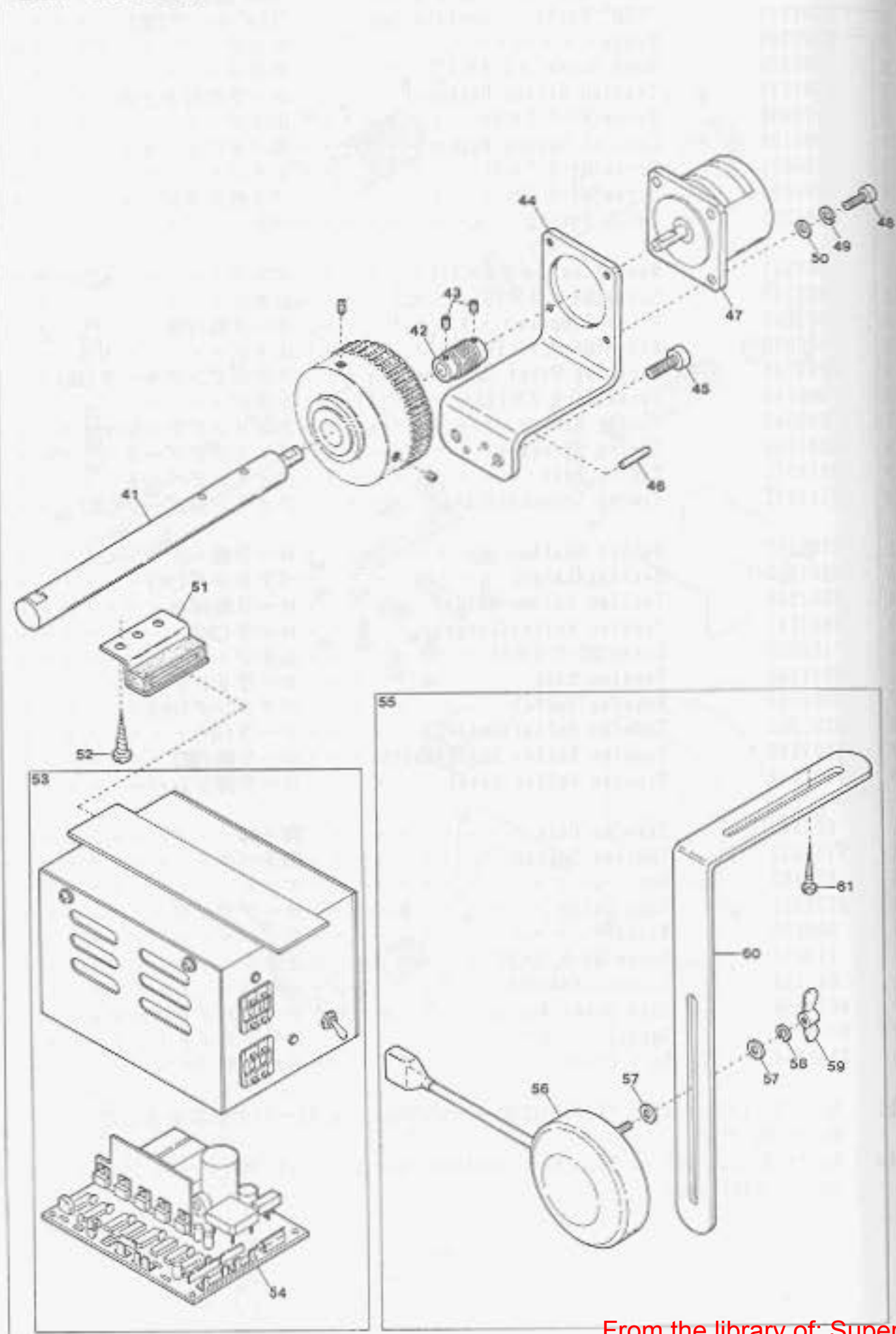


"LEM" DEVICE(1)

| Ref. No. | Parts No. | Description | 品名 | 74 Amt. Req. |
|----------|-----------|-----------------------------|--------------|--------------|
| 1 | 3209939 | "LEM" Device, Complete Set | "LEM"装置(組) | 1 |
| 2 | 3201240 | "LEM" Roller, Complete Set | "LEM"ローラ(組) | 1 |
| 3 | 3201248 | Hinge | ヒンジ | 1 |
| 4 | 006920 | Wood Screw(φ5.8×32) | 木ネジ | 2 |
| 5 | 3201246 | Tension Roller Basement | ローラ取付台土台 | 1 |
| 6 | 170001 | Screw(M4-0.7×8) | 止ネジ | 1 |
| 7 | 300100 | Conical Spring Washer | 皿バネワッシャ | 2 |
| 8 | 160001 | Screw(M4-0.7×4) | 止ネジ | 5 |
| 9 | 190005 | Screw(M4-0.4×5) | バネ掛ケネジ | 1 |
| 10 | 0094201 | Latch Spring | バネ | 1 |
| 11 | 009937 | Wood Screw(φ3.8×20) | 木ネジ | 1 |
| 12 | 009749 | Screw(M4-0.7×16) | 止ネジ | 2 |
| 13 | 3201247 | Motor Support | モータ取付板 | 1 |
| 14 | 130006 | Screw(M4-0.7×10) | 止ネジ | 2 |
| 15 | 1064040 | Stepping Motor Unit | ステッピングモータ(組) | 1 |
| 16 | 009748 | Screw(M4-0.7×12) | 止ネジ | 4 |
| 17 | 000644 | Spring Washer | スプリングワッシャ | 4 |
| 18 | 3201250 | Timing Sprocket | タイミングプーリ | 1 |
| 19 | 2114025 | Timing Belt | タイミングベルト | 1 |
| 20 | 2114011 | Timing Sprocket(Large) | タイミングプーリ(大) | 1 |
| 21 | 3101377 | Roller Shaft | ローラ軸 | 1 |
| 22 | 3201252 | Bearing(Large) | ベアリング(大) | 2 |
| 23 | 3201245 | Tension Roller Holder | ローラ取付台 | 1 |
| 24 | 3201241 | Tension Roller(Large) | ローラ(大) | 1 |
| 25 | 160000 | Screw(M3-0.5×3) | 止ネジ | 8 |
| 26 | 3201243 | Tension Link | ローラリンク | 2 |
| 27 | 3201253 | Bearing(Small) | ベアリング(小) | 2 |
| 28 | 3201242 | Tension Roller(Small) | ローラ(小) | 1 |
| 29 | 3201249 | Tension Roller Shaft(Short) | ローラ軸(短) | 1 |
| 30 | 3201244 | Tension Roller Lever | ローラ押シレバー | 1 |
| 31 | 006543 | Tension Post | 調子棒 | 1 |
| 32 | 3101373 | Tension Spring | 調子バネ | 1 |
| 33 | 000182 | Nut | ナット | 1 |
| 34 | 3201251 | Tape Guide | テープガイド | 1 |
| 35 | 000530 | Washer | ワッシャ | 2 |
| 36 | 110013 | Screw(M4-0.7×8) | 止ネジ | 2 |
| 37 | 001196 | Screw(1/8-44×6) | 止ネジ | 2 |
| 38 | 0094556 | Tape Guide Washer | テープガイドワッシャ | 2 |
| 39 | 0094557 | Tape Guide Nut | テープガイドナット | 2 |
| 40 | 3201254 | Belt Cover | ベルトカバー | 1 |

(注) Ref. No.1のParts No.3209939は次ページのRef. No.41~61の部品を含んだParts No.です。
 Note : Parts No.3209939 of Ref. No.1 includes parts of Ref. No.41~61 listed on the next page.

"LEM" DEVICE(2)



"LEM" DEVICE(2)

| Ref. No. | Parts No. |
|----------|-----------|
| 41 | 3101460 |
| 42 | 3101461 |
| 43 | 160000 |
| 44 | 3101462 |
| 45 | 120006 |
| 46 | 000652 |
| 47 | 1200034 |
| 48 | 0009748 |
| 49 | 000644 |
| 50 | 000538 |
| 51 | 0011709 |
| 52 | 006905 |
| 53 | 1249008 |
| 54 | 1057021 |
| 55 | 0011883 |
| 56 | 0011882 |
| 57 | 300031 |
| 58 | 300033 |
| 59 | 100038 |
| 60 | 0092232 |
| 61 | 006910 |

Description

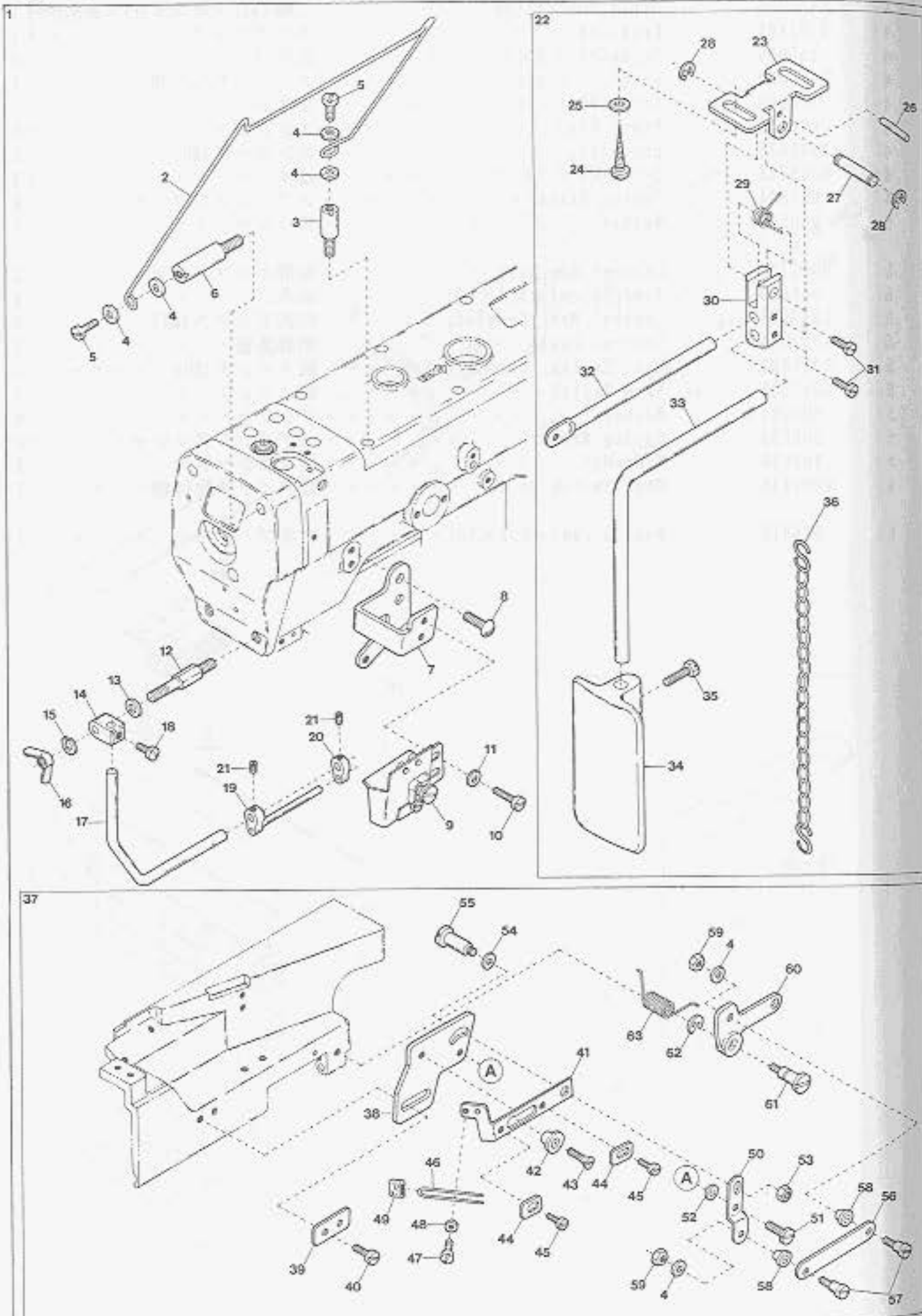
| Description | Amt. Req. |
|---------------------------|-----------|
| Upper Shaft (Right) | 1 |
| Coupling | 1 |
| Screw (M3-0.5x3) | 4 |
| Encoder Support | 1 |
| Screw (M6-1x12) | 2 |
| Knock Pin | 2 |
| Encoder | 1 |
| Screw (M4-0.7x12) | 4 |
| Spring Washer | 4 |
| Washer | 8 |
| Control Box Stay | 2 |
| Wood Screw (φ 5.1x20) | 4 |
| Control Box, Complete Set | 1 |
| Control Board | 1 |
| Knee Switch, Complete Set | 1 |
| Knee Switch | 1 |
| Washer | 4 |
| Spring Washer | 2 |
| Wing Nut | 2 |
| Knee Switch Holder | 1 |
| Wood Screw (φ 6.8x26) | 2 |

"LEM"装置(2)

品名

| 品名 | Amt. Req. |
|-----------|-----------|
| 上軸(右) | 1 |
| カップリング | 1 |
| 止ネジ | 4 |
| エンコーダ取付板 | 1 |
| 止ネジ | 2 |
| ノックピン | 2 |
| エンコーダ(組) | 1 |
| 止ネジ | 4 |
| スプリングワッシャ | 4 |
| ワッシャ | 8 |
| 制御ボックスステイ | 2 |
| 木ネジ | 4 |
| 制御ボックス(組) | 1 |
| 制御基板 | 1 |
| 膝スイッチ(組) | 1 |
| 膝スイッチ | 1 |
| ワッシャ | 4 |
| スプリングワッシャ | 2 |
| チョウナット | 2 |
| 膝スイッチ取付板 | 1 |
| 木ネジ | 2 |

"S1" DEVICE



"S1" DEVICE

| Ref. No | Parts No | Description | 品名 | Amt. Req |
|---------|----------|-----------------------------|-------------|----------|
| 1 | 3209926 | "S1" Device, Complete Set | "S1"装置(組) | 1 |
| 2 | 3201077 | Tape Holder | テープ受ケ | 1 |
| 3 | 190021 | Screw(M4-0.7×12) | 止ネジ | 1 |
| 4 | 000538 | Washer | ワッシャ | 6 |
| 5 | 110048 | Screw(M4-0.7×10) | 止ネジ | 2 |
| 6 | 190044 | Screw(M4-0.7×12) | 止ネジ | 1 |
| 7 | 3201134 | Tension Guide Support | テンションガイド取付板 | 1 |
| 8 | 009784 | Screw(M6-1×10) | 止ネジ | 2 |
| 9 | 0096066 | Tension Guide | テンションガイド | 1 |
| 10 | 007627 | Screw(M4-0.7×6) | 止ネジ | 2 |
| 11 | 000665 | Washer | ワッシャ | 2 |
| 12 | 190022 | Screw(M4-0.7×12, M5-0.8×21) | 止ネジ | 1 |
| 13 | 000669 | Washer | ワッシャ | 1 |
| 14 | 0095269 | Tape Guide Bar Holder | テープバー腕 | 1 |
| 15 | 000600 | Spring Washer | スプリングワッシャ | 1 |
| 16 | 100028 | Wing Nut | チョウナット | 1 |
| 17 | 0095270 | Tape Guide Bar | テープガイドバー | 1 |
| 18 | 009604 | Screw(11/64-40×5.5) | 止ネジ | 1 |
| 19 | 0095296 | Tape Guide Unit | テープガイド(組) | 1 |
| 20 | 0095272 | Tape Guide | テープガイド | 1 |
| 21 | 001892 | Screw(1/8-44×2.9) | 止ネジ | 2 |
| 22 | 3101270 | Knee Press, Complete Set | 膝受ケ(組) | 1 |
| 23 | 0064179 | Knee Press Support | 膝受ケ台 | 1 |
| 24 | 006910 | Wood Screw(φ6.8×26) | 木ネジ | 2 |
| 25 | 000428 | Washer | ワッシャ | 2 |
| 26 | 000731 | Pin | ピン | 1 |
| 27 | 0064187 | Knee Press Pin | 膝受ケピン | 1 |
| 28 | 0068202 | Retaining Ring | ストップリング | 2 |
| 29 | 0064180 | Knee Press Return Spring | 膝受ケ戻シバネ | 1 |
| 30 | 0064181 | Knee Press Connecting Block | 膝受ケ連結ブロック | 1 |
| 31 | 004474 | Screw(3/16-32×6.4) | 止ネジ | 2 |
| 32 | 0064186 | Knee Press Connecting Shaft | 膝受ケ連結軸 | 1 |
| 33 | 0067082 | Knee Press Shaft | 膝受ケ軸 | 1 |
| 34 | 0064182 | Knee Press | 膝受ケ | 1 |
| 35 | 004635 | Screw(1/4-40×14) | 止ネジ | 1 |
| 36 | 0037912 | Chain | 鎖 | 1 |
| 37 | 3209927 | Driving Guide, Complete Set | 可動ガイド装置(組) | 1 |
| 38 | 3201133 | Guide Holder | ガイド取付板(組) | 1 |
| 39 | 0096177 | Guide Holder Fixing Plate | 取付板固定板 | 1 |
| 40 | 110011 | Screw(M5-0.8×10) | 止ネジ | 2 |

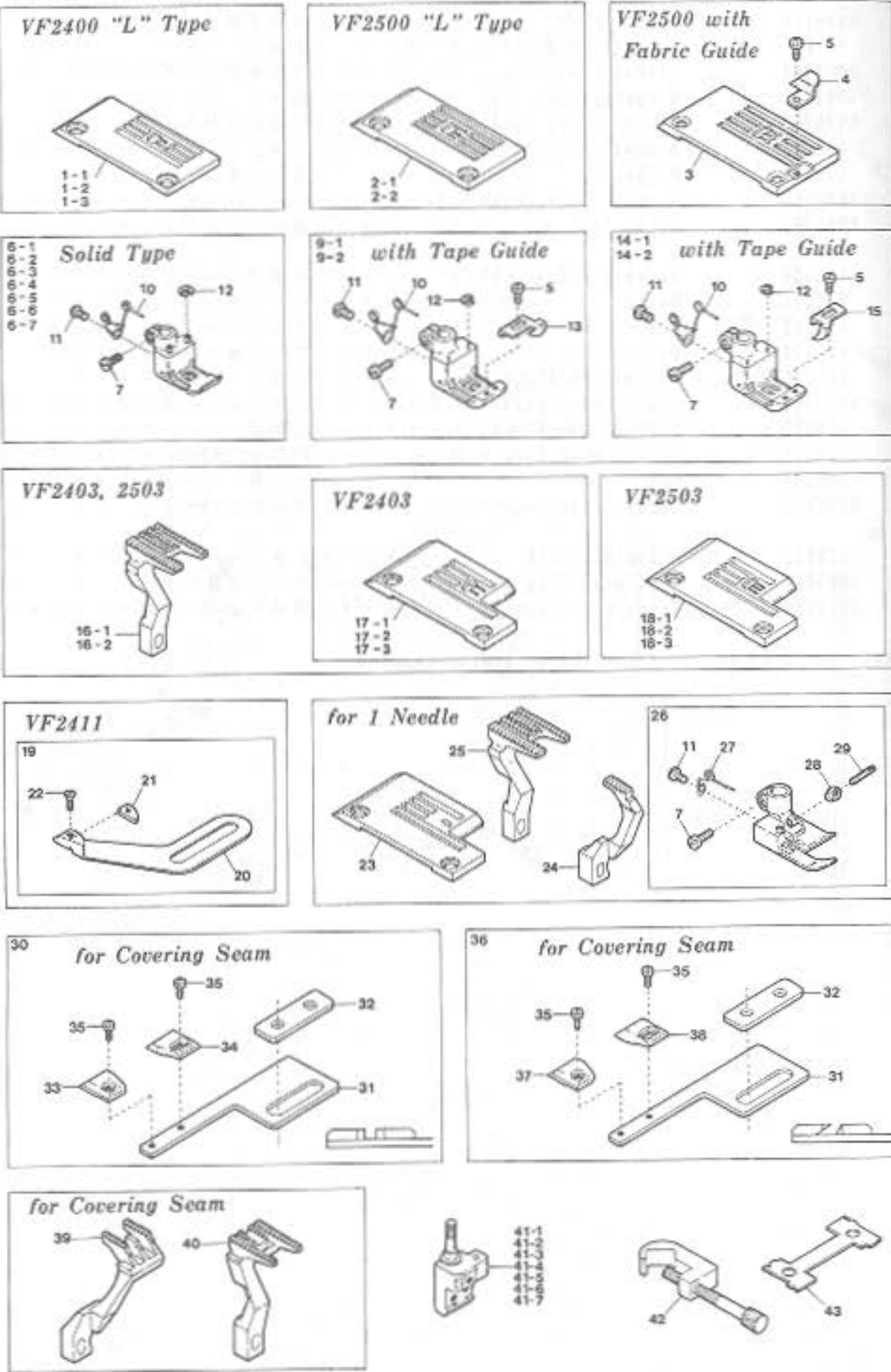
※ Ref. No. 41 to 63 See the following page.

"S1" DEVICE

| Ref. No | Parts No | Description | 品名 | Amt. Req |
|---------|----------|--------------------------|---------------|----------|
| 41 | 0096163 | Slider | スライダ | 1 |
| 42 | 0096164 | Slider Ling | スライダリング | 1 |
| 43 | 007620 | Screw(9/64-40×6.3) | 止ネジ | 1 |
| 44 | 0094403 | Slider Ling Stop | スライダリングストッパ | 2 |
| 45 | 001225 | Screw(1/8-44×2.8) | 止ネジ | 2 |
| 46 | 0096166 | Elastic Tape Guide | ゴムガイド | 1 |
| 47 | 004236 | Screw(3/32-56×4.2) | 止ネジ | 2 |
| 48 | 000014 | Washer | ワッシャ | 2 |
| 49 | 0096167 | Elastic Tape Guide Tube | ビニール | 1 |
| 50 | 0096161 | Guide Link | ガイドリンク | 1 |
| 51 | 006120 | Screw(11/64-40×5) | 止ネジ | 1 |
| 52 | 000511 | Washer | ワッシャ | 1 |
| 53 | 000451 | Nut | ナット | 1 |
| 54 | 000613 | Washer | ワッシャ | 1 |
| 55 | 006046 | Screw(3/16-32×4.5) | 止ネジ | 1 |
| 56 | 0063428 | Guide Lever Link | ガイドレバーリンク | 1 |
| 57 | 006075 | Screw(11/64-40×6) | 止ネジ | 2 |
| 58 | 0034979 | Guide Lever Link Bushing | ガイドレバーリンクバッシュ | 2 |
| 59 | 000334 | Nut | ナット | 2 |
| 60 | 0096178 | Guide Lever | ガイドレバー | 1 |
| 61 | 170033 | Screw(M6-1×8) | 止ネジ | 1 |
| 62 | 0095027 | Retaining Ring | ストップリング | 1 |
| 63 | 0096159 | Guide Lever Spring | ガイドレバーバネ | 1 |

※ Ref. No. 1 to 40 See the preceding page.

EXTRA PARTS(1)



EXTRA PARTS(1)

| Ref. No. | Parts No. | Description | 品名 | Amt. Req. |
|----------|-----------|------------------------------------|--------------|-----------|
| 1-1 | 0095490 | Stitch Plate(32L) | 針板 | 1 |
| 1-2 | 0095491 | " (40L) | " | 1 |
| 1-3 | 0095492 | " (48L) | " | 1 |
| 2-1 | 0095493 | Stitch Plate(56L) | 針板 | 1 |
| 2-2 | 0095494 | " (64L) | " | 1 |
| 3 | 3208045 | Stitch Plate(56) | 針板 | 1 |
| 4 | 0094615 | Fabric Guide | 布ガイド | 1 |
| 5 | 001228 | Screw(3/32-56×3.2) | 止ネジ | 1 |
| 6-1 | 0095580 | Presser Foot, C. Set(32)(2 Needle) | 押エ(組)(2本針用) | 1 |
| 6-2 | 0095581 | " (40) | " | 1 |
| 6-3 | 0095582 | " (48) | " | 1 |
| 6-4 | 0095584 | " (64) | " | 1 |
| 6-5 | 0095586 | " (48)(3 Needle) | " (3本針用) | 1 |
| 6-6 | 0095587 | " (56) | " | 1 |
| 6-7 | 0095588 | " (64) | " | 1 |
| 7 | 001186 | Screw(9/64-40×7.8) | 止ネジ | 1 |
| 8 | | | | |
| 9-1 | 3007029 | Presser Foot, C. Set(40)(VF2400) | 押エ(組)(ガイド付き) | 1 |
| 9-2 | 3007030 | " (56)(VF2500) | " | 1 |
| 10 | 0095641 | Presser Foot Spring | 押エバネ | 1 |
| 11 | 005133 | Screw(1/8-44×4.5) | 止ネジ | 1 |
| 12 | 0095642 | Retaining Ring | ストップリング | 2 |
| 13 | 3000009 | Tape Guide | テープガイド | 1 |
| 14-1 | 0095730 | Presser Foot, C. Set(40)(VF2400) | 押エ(組)(ガイド付き) | 1 |
| 14-2 | 0095731 | " (56)(VF2500) | " | 1 |
| 15 | 0095728 | Tape Guide | テープガイド | 1 |
| 16-1 | 3209014 | Main Feed Dog(32, 40, 48, 56) | 後送り | 1 |
| 16-2 | 3209016 | " (64) | " | 1 |
| 17-1 | 0094210 | Stitch Plate(32) | 針板 | 1 |
| 17-2 | 0094211 | " (40) | " | 1 |
| 17-3 | 0094212 | " (48) | " | 1 |
| 18-1 | 3208026 | Stitch Plate(48) | 針板 | 1 |
| 18-2 | 0094901 | " (56) | " | 1 |
| 18-3 | 0094902 | " (64) | " | 1 |
| 19 | 0095365 | Folder(Left), C. Set | 定規(左)(組) | 1 |
| 20 | 0095366 | Folder(Left) | 定規(左) | 1 |
| 21 | 0095367 | Folder Chip | 定規チップ | 1 |
| 22 | 004182 | Screw(3/32-56×2.5) | 止ネジ | 1 |
| 23 | 0093981 | Stitch Plate(Single Needle) | 針板(1本針用) | 1 |
| 24 | 3209007 | Differential Feed Dog | 前送り | 1 |
| 25 | 3209016 | Main Feed Dog | 後送り | 1 |
| 26 | 0093982 | Presser Foot, C. Set | 押エ(組) | 1 |
| 27 | 0091725 | Presser Foot Spring | 押エバネ | 1 |
| 28 | 000220 | Lock Nut | ロックナット | 1 |
| 29 | 003300 | Adjusting Screw(1/8-44×15) | 調節ネジ | 1 |

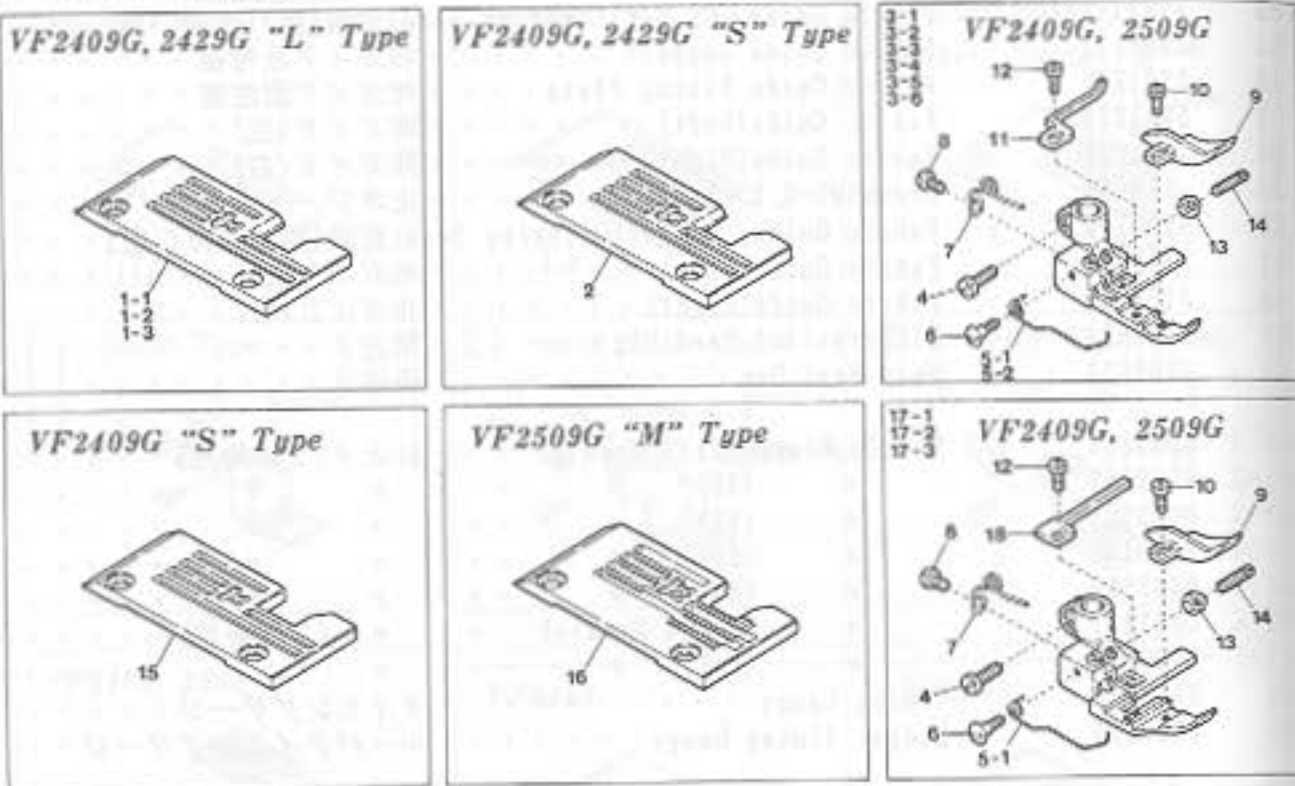
※ Ref. No. 30 to 43 See the following page.

EXTRA PARTS(1)

| Ref. No. | Parts No. | Description | 品名 | Amt. Req. |
|----------|-----------|-------------------------------------|-------------|-----------|
| 30 | 3201118 | Fabric Guide, C. Set(Covering Seam) | 定規(組)(伏縫い用) | 1 |
| 31 | 3201117 | Fabric Guide Support | 布ガイド取付板 | 1 |
| 32 | 3201120 | Fabric Guide Fixing Plate | 布ガイド固定板 | 1 |
| 33 | 3101224 | Fabric Guide(Left) | 布ガイド(左) | 1 |
| 34 | 3101223 | Fabric Guide(Right) | 布ガイド(右) | 1 |
| 35 | 110054 | Screw(M3-0.5×3.5) | 止ネジ | 2 |
| 36 | 3201119 | Fabric Guide, C. Set(Covering Seam) | 定規(組)(ネカシ用) | 1 |
| 37 | 3101229 | Fabric Guide(Left) | 布ガイド(左) | 1 |
| 38 | 3101228 | Fabric Guide(Right) | 布ガイド(右) | 1 |
| 39 | 3209024 | Differential Feed Dog | 前送り | 1 |
| 40 | 3209023 | Main Feed Dog | 後送り | 1 |
| 41-1 | 0093351 | Needle Clamp(32)(2 Needle) | 針止メ(2本針用) | 1 |
| 41-2 | 0093352 | " (40) | " | 1 |
| 41-3 | 0093353 | " (48) | " | 1 |
| 41-4 | 3009101 | " (56) | " | 1 |
| 41-5 | 0093355 | " (64) | " | 1 |
| 41-6 | 0093357 | " (56)(3 Needle) | " (3本針用) | 1 |
| 41-7 | 0093358 | " (64) | " | 1 |
| 42 | 0093690 | Timing Gauge | タイミングゲージ | 1 |
| 43 | 0095220 | Looper Timing Gauge | ルーペタイミングゲージ | 1 |

※ Ref. No. 1 to 29 See the preceding page.

EXTRA PARTS(2)



EXTRA PARTS(2)

| Ref. No | Parts No | Description | 品名 | 78 Amt. Req. |
|---------|----------|-----------------------------------|-----------|--------------|
| 1-1 | 0096041 | Stitch Plate(32L) | 針板 | 1 |
| 1-2 | 0096042 | " (40L) | " | 1 |
| 1-3 | 0096043 | " (48L) | " | 1 |
| 2 | 3008012 | Stitch Plate(40S) (Note 1) | 針板(注1) | 1 |
| 3-1 | 3207000 | Presser Foot, C. Set(24) (Note 2) | 押エ(組)(注2) | 1 |
| 3-2 | 3207001 | " " (32) | " " | 1 |
| 3-3 | 3207002 | " " (40) | " " | 1 |
| 3-4 | 3207003 | " " (48) | " " | 1 |
| 3-5 | 3207004 | " " (56) | " " | 1 |
| 3-6 | 3207005 | " " (64) | " " | 1 |
| 4 | 001186 | Screw(9/64-40×7.8) | 止ネジ | 1 |
| 5-1 | 0095515 | Presser Foot(Small) Spring | 小押エバネ | 1 |
| 5-2 | 3201078 | " " (Note3) | " (注3) | 1 |
| 6 | 006010 | Screw(1/8-44×4.5) | 止ネジ | 1 |
| 7 | 0091725 | Presser Foot Spring | 押エバネ | 1 |
| 8 | 005133 | Screw(1/8-44×4.5) | 止ネジ | 1 |
| 9 | 0095266 | Presser Foot Chip Guide | チップガード | 1 |
| 10 | 001228 | Screw(3/32-56×3.2) | 止ネジ | 1 |
| 11 | 0095268 | Presser Foot Tape Guide | 押エテープガイド | 1 |
| 12 | 001230 | Screw(3/32-56×3.8) | 止ネジ | 1 |
| 13 | 000220 | Lock Nut | ロックナット | 1 |
| 14 | 003300 | Adjusting Screw(1/8-44×15) | 調節ネジ | 1 |
| 15 | 3208031 | Stitch Plate(32S) (Note 4) | 針板(注4) | 1 |
| 16 | 3208090 | Stitch Plate(64S) (Note 5) | 針板(注5) | 1 |
| 17-1 | 3207048 | Presser Foot, C. Set(40) (Note6) | 押エ(組)(注6) | 1 |
| 17-2 | 3207049 | " " (48) | " " | 1 |
| 17-3 | 3207072 | " " (56) | " " | 1 |
| 18 | 3207035 | Presser Foot Tape Guide | 押エテープガイド | 1 |
| 19 | 3200242 | Chain Guide | 鎖ガイド | 1 |
| 20 | 110009 | Screw(M4-0.7×8) | 止ネジ | 2 |
| 21 | 000541 | Washer | ワッシャ | 2 |

注1 針板の爪幅が広い4.0mm
 Note 1 ... wide Stitch Plate Tongue, 4.0mm

注2 小押エ一体物
 Note 2 ... Presser Foot(Small) is rigid type, not hinged type.

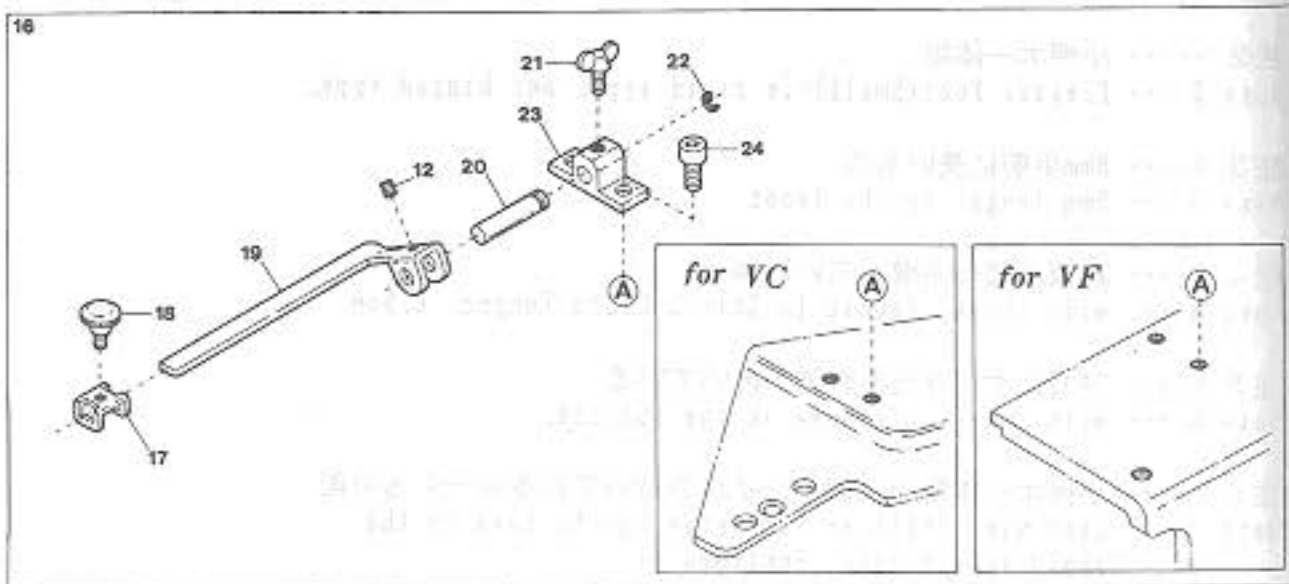
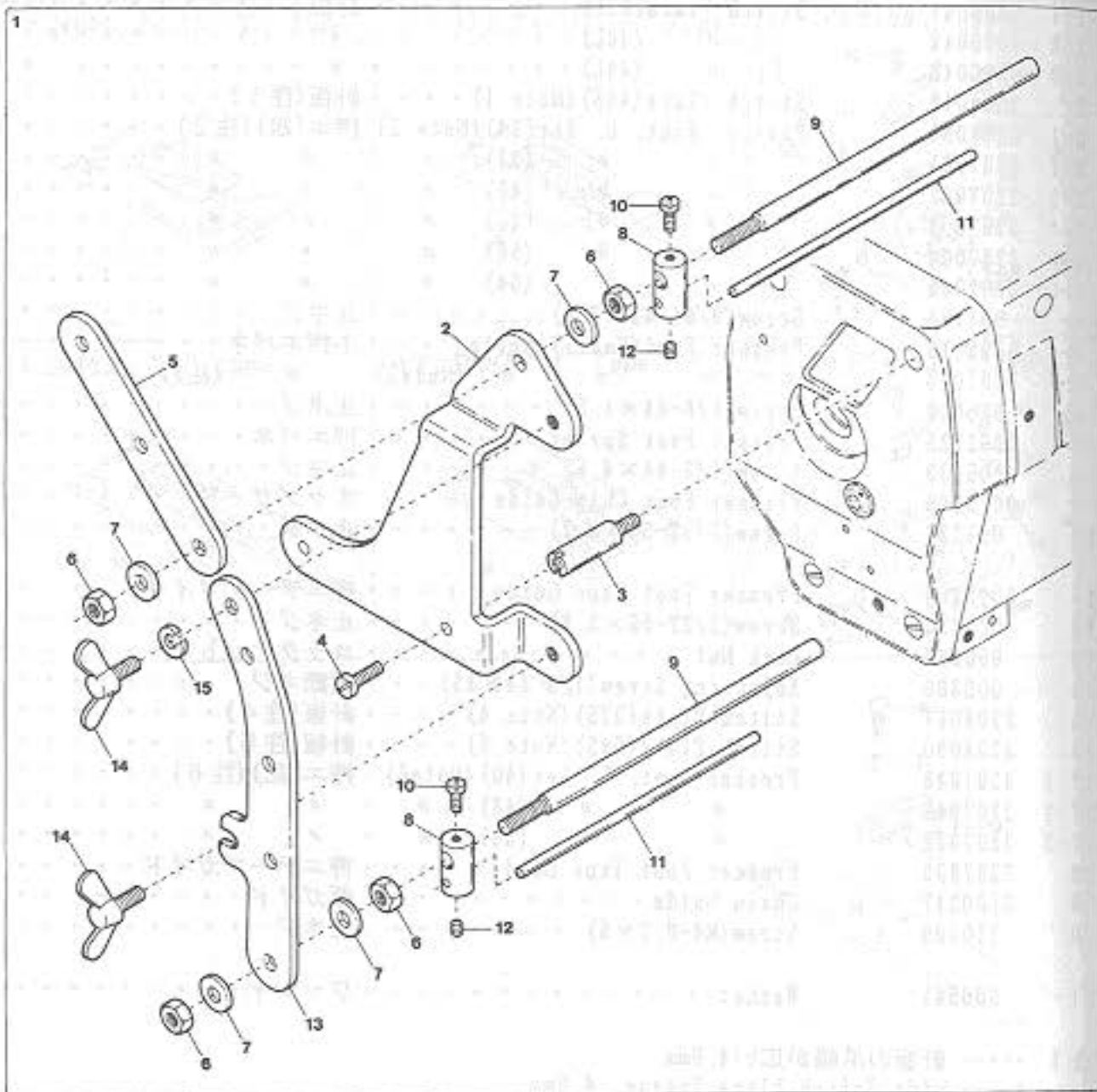
注3 5mm手前に長いもの
 Note 3 ... 5mm longer to the front

注4 針板爪部の糸溝が広い0.9mm
 Note 4 ... wide thread groove in Stitch Plate Tongue, 0.9mm

注5 表面にすべり止めの溝が付いている
 Note 5 ... with non-slip groove on the surface.

注6 小押エ一体物で左側にフリルの付いているレースも可能
 Note 6 ... Lace with frill on left side can be sewn by the rigid type Presser Foot(Small).

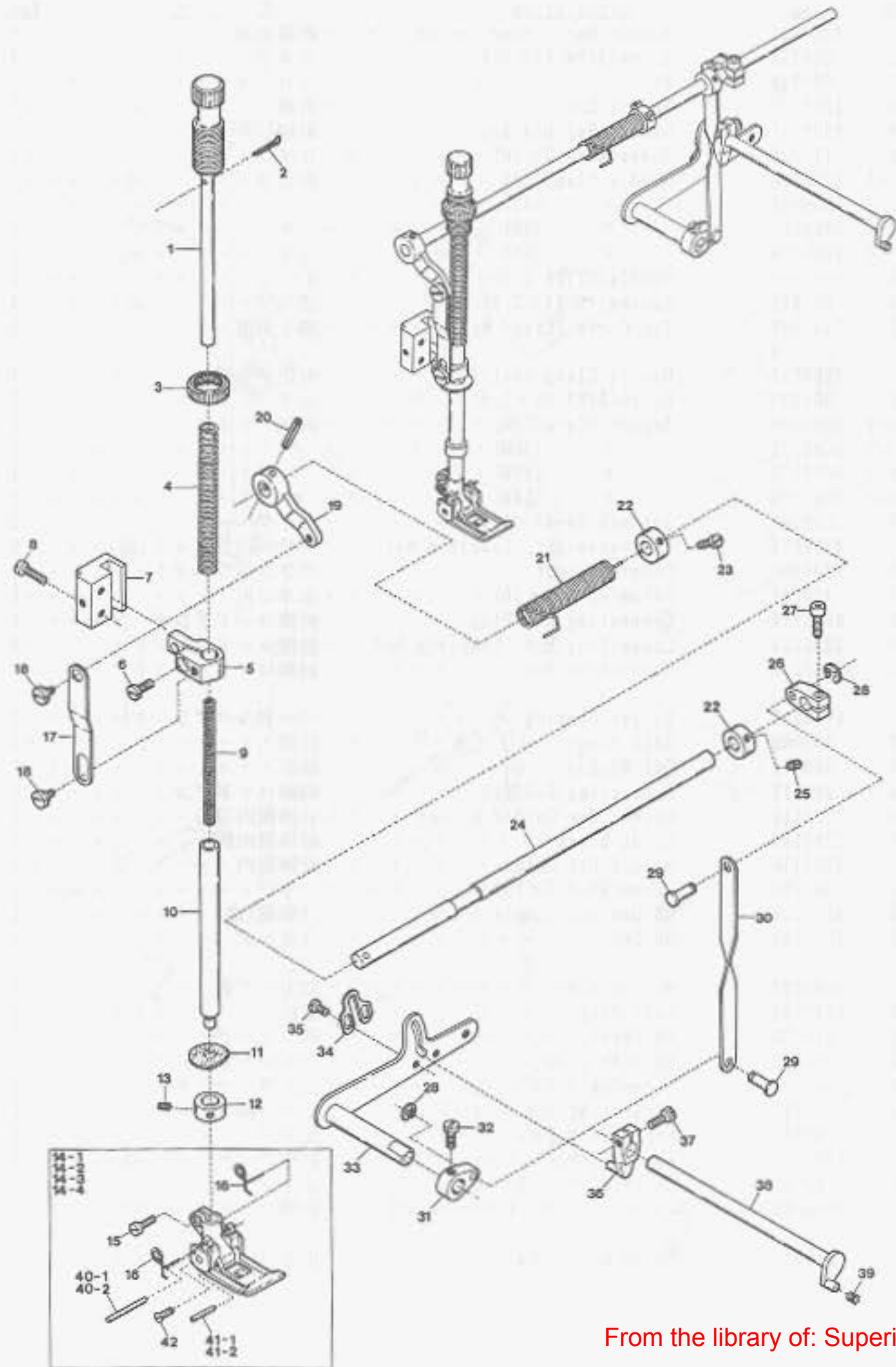
EXTRA PARTS(3)



EXTRA PARTS(3)

| Ref. No | Parts No | Description | 品名 | Amt. Req. |
|---------|----------|---------------------------|--------------|-----------|
| 1 | 3201266 | Lace Guide, C. Set | レースガイド(組) | 1 |
| 2 | 3201267 | Lace Guide Support | レースガイド台 | 1 |
| 3 | 190044 | Screw(M4-0.7×12) | 止ネジ | 2 |
| 4 | 110048 | Screw(M4-0.7×10) | 止ネジ | 2 |
| 5 | 3201269 | Lace Guide Plate(Upper) | レースガイド板(上) | 1 |
| 6 | 000009 | Nut | ナット | 14 |
| 7 | 000426 | Washer | ワッシャ | 14 |
| 8 | 3201271 | Lace Guide Block | レースガイドブロック | 7 |
| 9 | 3120113 | Lace Guide Bar(Thick) | レースガイドバー(太) | 7 |
| 10 | 110002 | Screw(M3-0.5×5) | 止ネジ | 7 |
| 11 | 3201270 | Lace Guide Bar(Thin) | レースガイドバー(細) | 7 |
| 12 | 160000 | Screw(M3-0.5×3) | 止ネジ | 7 |
| 13 | 3201268 | Lace Guide Plate(Lower) | レースガイド板(下) | 1 |
| 14 | 009911 | Wing Bolt(M5-0.8×8) | チョウボルト | 2 |
| 15 | 000600 | Spring Washer | スプリングワッシャ | 1 |
| 16 | 3201204 | Lace Guide(Lower), C. Set | レースガイド(下)(組) | 1 |
| 17 | 3201206 | Edge Guide | エッジガイド | 1 |
| 18 | 190064 | Screw(M3-0.5×5) | 止ネジ | 1 |
| 19 | 3201205 | Lace Guide(Lower) | レースガイド(下) | 1 |
| 20 | 3201208 | Link Pin | リンクピン | 1 |
| 21 | 190062 | Wing Bolt(M4-0.7×5) | チョウボルト | 1 |
| 22 | 0033024 | Retaining Ring | ストップリング | 1 |
| 23 | 3201207 | Lace Guide(Lower) Holder | レースガイド(下)取付台 | 1 |
| 24 | 009746 | Screw(M4-0.7×8) | 止ネジ | 2 |

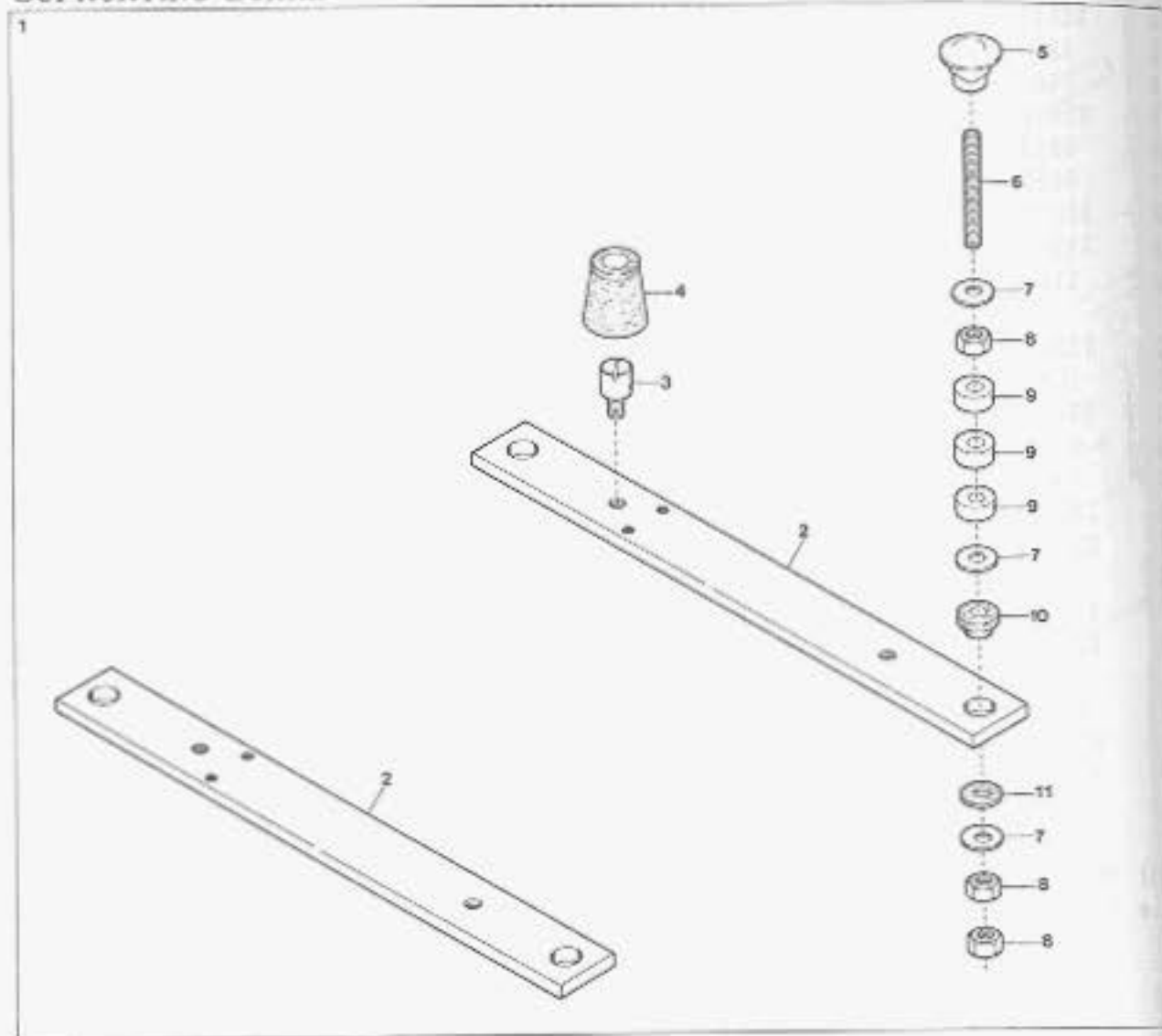
(注) テープ幅 最大80mm
 Note : Width of tape up to 80mm



PRESSER FOOT MECHANISM

| Ref. No | Parts No | Description | 品名 | Amt. Req. |
|---------|----------|------------------------------------|--------------|-----------|
| 1 | 0093500 | Presser Spring Regulator | 押エ調節ネジ | 1 |
| 2 | 3200133 | Cotter Pin | 割リピン | 1 |
| 3 | 000445 | Lock Nut | ロックナット | 1 |
| 4 | 3200132 | Presser Bar Spring(Outer) | 押エ棒バネ(太) | 1 |
| 5 | 3200131 | Presser Bar Connecting Bracket | Unit押エ棒抱キ(組) | 1 |
| 6 | 110031 | Screw(M4-0.7×12) | 止ネジ | 1 |
| 7 | 0093483 | Presser Bar Guide | 押エ棒案内 | 1 |
| 8 | 004441 | Screw(11/64-40×16) | 止ネジ | 2 |
| 9 | 0093485 | Presser Bar Spring(Inner) | 押エ棒バネ(細) | 1 |
| 10 | 0093480 | Presser Bar | 押エ棒 | 1 |
| 11 | 0093611 | Oil Protector Ring | 油切リング | 1 |
| 12 | 0063079 | Collar(9×15×7mm) | カラー | 1 |
| 13 | 001459 | Screw(9/64-40×3) | 止ネジ | 2 |
| 14-1 | 0063318 | Presser Foot, Complete Set(32) | 押エ(組) | 1 |
| 14-2 | 0063319 | " (40) | " | 1 |
| 14-3 | 0063320 | " (48) | " | 1 |
| 14-4 | 0063322 | " (64) | " | 1 |
| 15 | 001186 | Screw(9/64-40×7.8) | 止ネジ | 1 |
| 16 | 0063280 | Presser Foot Spring | 小押エバネ | 1 |
| 17 | 0093487 | Lifter Link | 吊リリンク | 1 |
| 18 | 006038 | Screw(3/16-32×2.2) | 止ネジ | 2 |
| 19 | 0063083 | Lifter Link Lever | 吊リリンクレバー | 1 |
| 20 | 000690 | Fastener Pin | 止メピン | 1 |
| 21 | 0063084 | Lifter Spring | 押エ揚ゲバネ | 1 |
| 22 | 0093491 | Collar(8×16×8mm) | カラー | 2 |
| 23 | 009604 | Screw(11/64-40×5.5) | 止ネジ | 2 |
| 24 | 0093479 | Lifter Shaft | 押エ揚ゲ軸 | 1 |
| 25 | 003433 | Screw(11/64-40×4) | 止ネジ | 2 |
| 26 | 3100294 | Intermediate Lever | 押エ揚ゲ中レバー | 1 |
| 27 | 120017 | Screw(M5-0.8×15) | 止ネジ | 1 |
| 28 | 0077179 | Retaining Ring | 止メ輪 | 2 |
| 29 | 0093509 | Connecting Pin | 連結ピン | 2 |
| 30 | 0093507 | Connecting Plate | 連結板 | 1 |
| 31 | 0093508 | Lifter Lever(Small) | 押エ揚ゲレバー(小) | 1 |
| 32 | 004591 | Screw(15/64-28×9.5) | 止ネジ | 1 |
| 33 | 0093496 | Lifter Lever | 押エ揚ゲレバー | 1 |
| 34 | 0093499 | Lifter Lever Stop | 押エ揚ゲレバーストップ | 1 |
| 35 | 004358 | Screw(9/64-40×5.6) | 止ネジ | 2 |
| 36 | 0090801 | Tension Release Lever | 糸緩メ腕 | 1 |
| 37 | 005542 | Screw(11/64-40×14.5) | 止ネジ | 1 |
| 38 | 0093545 | Tension Release Shaft | 糸緩メ軸 | 1 |
| 39 | 0090824 | Swing-proof Spring | 防振バネ | 1 |
| 40-1 | 0063283 | Locking Pin(32, 40, 48) | 回り止メピン | 1 |
| 40-2 | 0063284 | " (64) | " | 1 |
| 41-1 | 0063281 | Presser Foot Hinge Pin(32, 40, 48) | 押エヒンジピン | 1 |
| 41-2 | 0063282 | " (64) | " | 1 |
| 42 | 005122 | Screw(3/32-56×5.6) | 止ネジ | 2 |

SUPPORTING BOARD



SUPPORTING BOARD(1)

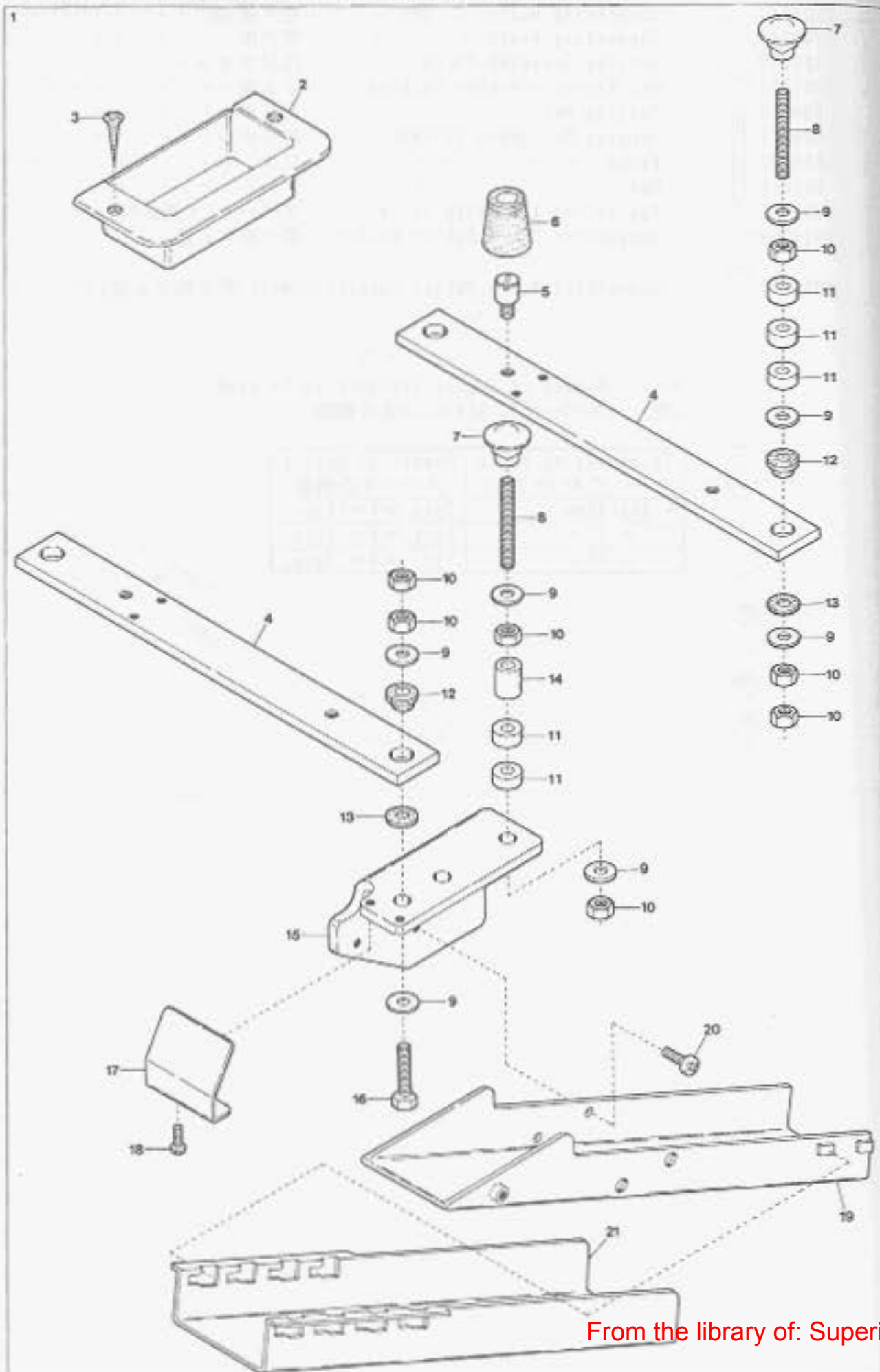
| Ref. No. | Parts No. |
|----------|-----------|
| 1 | 3200240 |
| 2 | 3200241 |
| 3 | 180020 |
| 4 | 0093035 |
| 5 | 000070 |
| 6 | 009861 |
| 7 | 000162 |
| 8 | 000016 |
| 9 | 2101451 |
| 10 | 0020064 |
| 11 | 0063010 |

| Description | 品名 | Amt. Req. |
|--|----------------------|-----------|
| Supporting Board, C. Set | 受ケ板(組) | 1 |
| Supporting Board | 受ケ板 | 2 |
| Setting Screw(M6-1×15) | 取付ケネジ | 4 |
| Oil Reservoir Rubber Cushion | ゴム座 | 4 |
| Hanging Nut | 吊リナット | 4 |
| Hanging Bolt(M8-1.25×95) | 吊リボルト | 4 |
| Washer | ワッシャ | 12 |
| Nut | ナット | 12 |
| Spacer(See the table below) | スペーサ(下表参照) | 12 |
| Supporting Board Rubber Cushion | 受ケ板ゴム座 | 4 |
| Supporting Board Rubber Cushion(Lower) | 受ケ板ゴム座(下) | 4 |

Note : Number of Spacer(2101451) to be used.
 (注) スペーサ(2101451)の使用個数

| Thickness of Table テーブルの厚さ | Number of Spacer スペーサの個数 |
|-------------------------------|-----------------------------|
| for 40mm | 3pcs. × 4 = 12pcs. |
| " 45 " | 2pcs. × 4 = 8pcs. |
| " 50 " | 1pc. × 4 = 4pcs. |

SUPPORTING BOARD for VF2409G, 2429G, 2509G, 2529G



SUPPORTING BOARD(2) for VF2409G, 2429G, 2509G, 2529G

受ケ板(2)

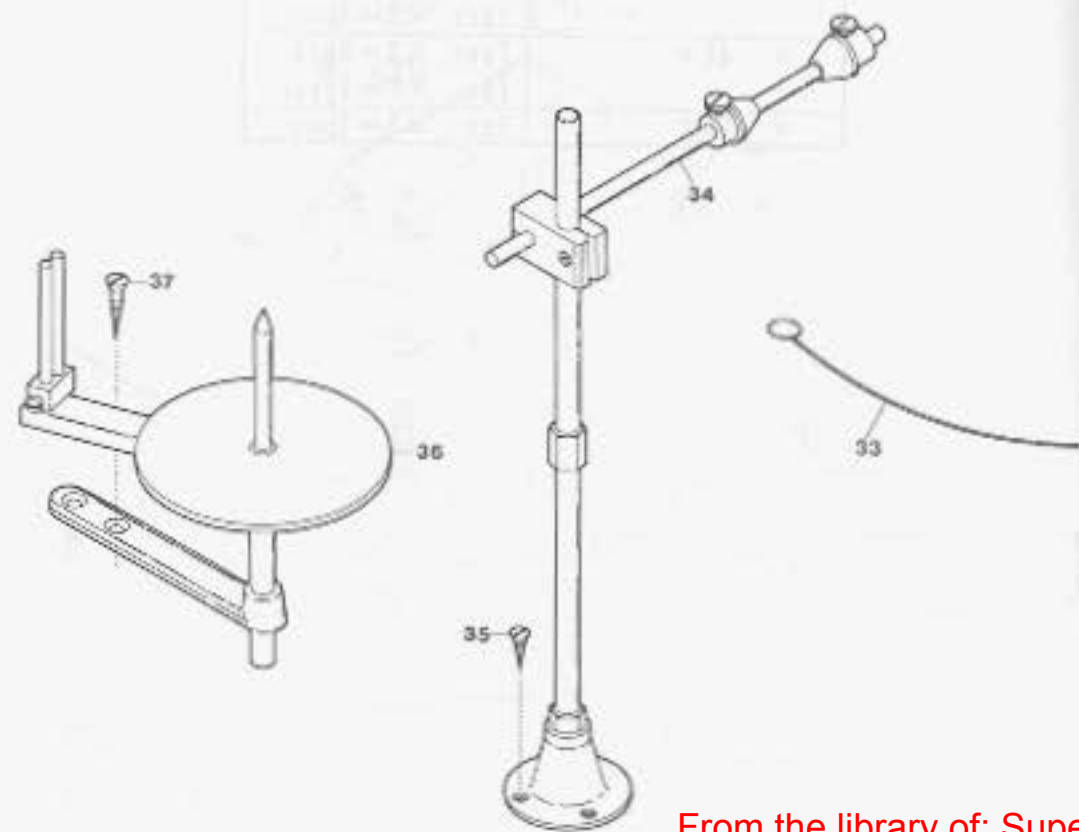
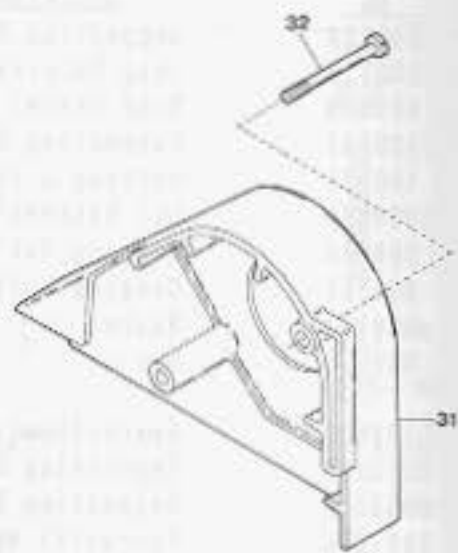
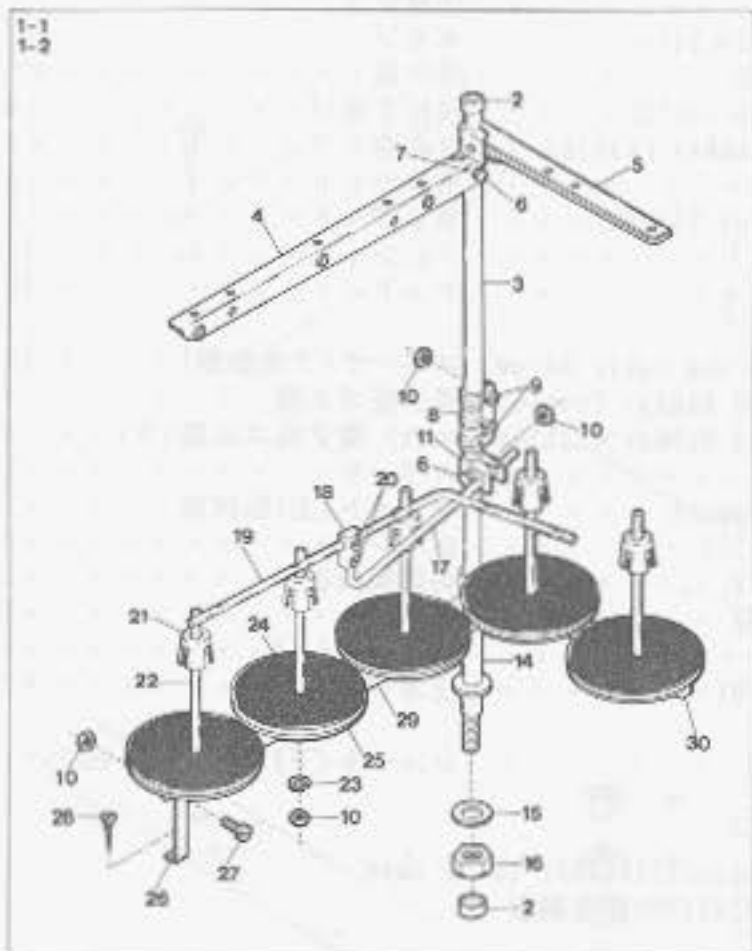
| Ref. No. | Parts No. | Description | 品名 | Amt. Req. |
|----------|-----------|--|------------|-----------|
| 1 | 3201094 | Supporting Board, C. Set | 受ケ板(組) | 1 |
| 2 | 2100376 | Chip Receiver | 切屑受ケ | 1 |
| 3 | 009929 | Wood Screw(φ3.5×24) | 木ネジ | 2 |
| 4 | 3200241 | Supporting Board | 受ケ板 | 2 |
| 5 | 180020 | Setting Screw(M6-1×15) | 取付ケネジ | 4 |
| 6 | 0093035 | Oil Reservoir Rubber Cushion | ゴム座 | 4 |
| 7 | 000070 | Hanging Nut | 吊リナット | 5 |
| 8 | 009861 | Hanging Bolt(M8-1.25×95) | 吊リボルト | 5 |
| 9 | 000162 | Washer | ワッシャ | 15 |
| 10 | 000016 | Nut | ナット | 15 |
| 11 | 2101451 | Spacer(5mm) (See the table below) | スペーサ(下表参照) | 13 |
| 12 | 0020064 | Supporting Board Rubber Cushion | 受ケ板ゴム座 | 4 |
| 13 | 0063010 | Supporting Board Rubber Chshion(Lower) | 受ケ板ゴム座(下) | 4 |
| 14 | 3201096 | Spacer(17.4mm) | スペーサ | 2 |
| 15 | 3201095 | Chute(Upper) Support | シュート(上)取付板 | 1 |
| 16 | 009870 | Screw(M8-1.25×35) | 止ネジ | 1 |
| 17 | 3201097 | Ship Guide Plate | 切屑案内板 | 1 |
| 18 | 009770 | Screw(M4-0.7×8) | 止ネジ | 2 |
| 19 | 2100337 | Chute(Upper) | シュート(上) | 1 |
| 20 | 009992 | Screw(M4-0.7×10) | 止ネジ | 2 |
| 21 | 2100338 | Chute(Lower) | シュート(下) | 1 |

Note : Number of Spacer(2101451) to be used.
 (注) スペーサ(2101451)の使用個数

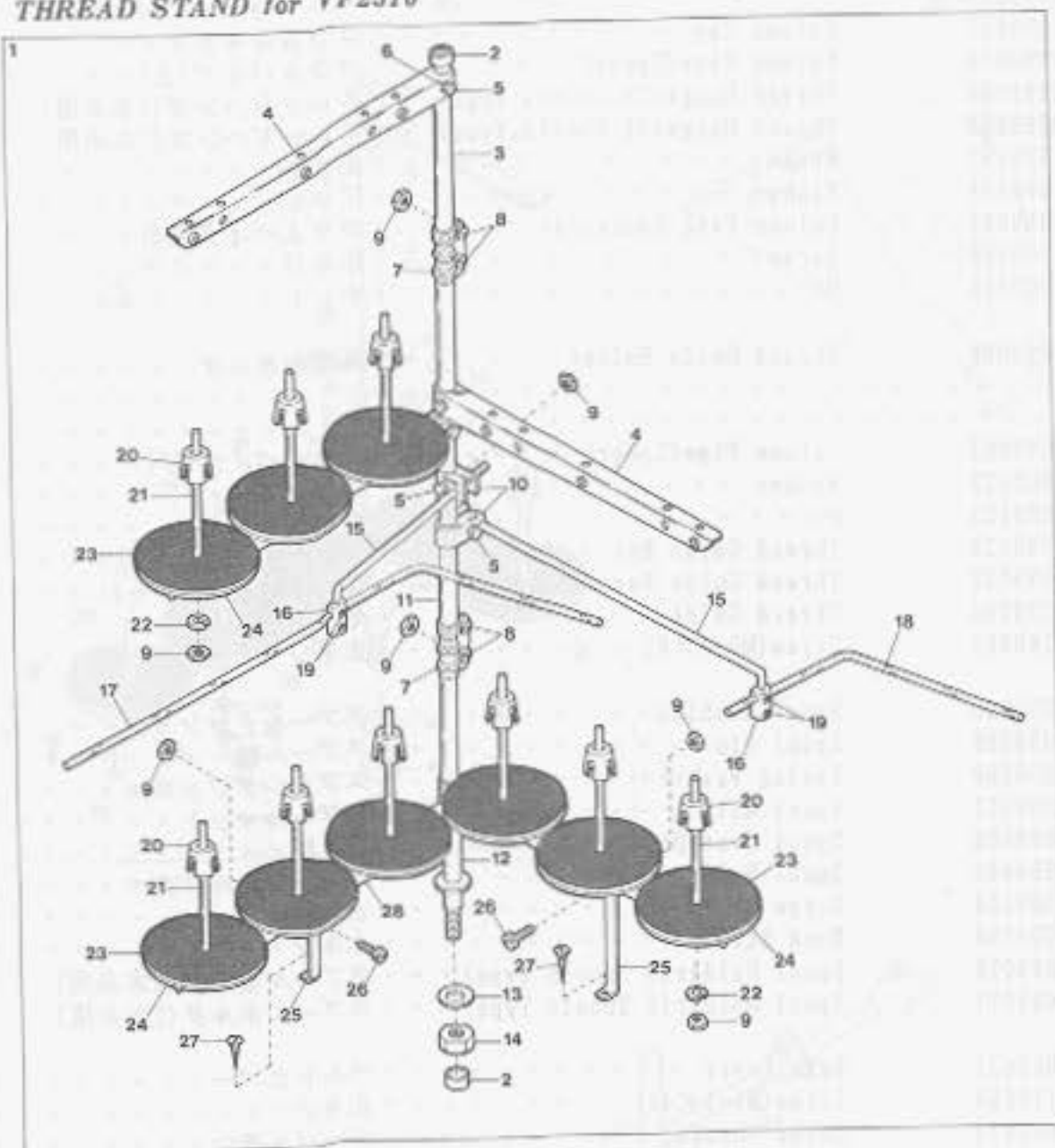
| Thickness of Table テーブルの厚さ | Number of Spacer スペーサの個数 |
|-------------------------------|---------------------------------------|
| for 40mm | 3pcs. × 4 = 9pcs. 2pcs. × 2 = 4pcs |
| " 45 " | 2pcs. × 3 = 6pcs. 1pc. × 2 = 2pcs. |
| " 50 " | 1pc. × 3 = 3pcs. |

THREAD STAND & TAPE STAND

| Ref. No. | Parts No. | Description | 品名 | Amt. Req. |
|----------|-----------|---|---------------------------|-----------|
| 1-1 | 0099056 | Thread Stand, Complete Set (5 Spools Type) | 糸立台(組) (5本糸用) | 1 |
| 1-2 | 0099048 | " " " (6 " " " (6 " " " (6 " " ") | " " " (6 " " " (6 " " ") | 1 |
| 2 | 0099057 | Column Cap | コラムキャップ | 2 |
| 3 | 0099058 | Column Pipe (Upper) | コラムパイプ(上) | 1 |
| 4 | 0099060 | Thread Hanger (3 Spools Type) | スレッドハンガ (3本糸用) | 1 |
| 5 | 0099059 | Thread Hanger (2 Spools Type) | スレッドハンガ (2本糸用) | 1 |
| 6 | 000147 | Screw | 止ネジ | 5 |
| 7 | 000148 | Washer | ワッシャ | 4 |
| 8 | 0099061 | Column Pipe Connector | コラムパイプ継手 | 1 |
| 9 | 000149 | Screw | 止ネジ | 2 |
| 10 | 000152 | Nut | ナット | 9 |
| 11 | 0099062 | Thread Guide Holder | 糸案内ホルダ | 1 |
| 12 | | | | |
| 13 | | | | |
| 14 | 0099063 | Column Pipe (Lower) | コラムパイプ(下) | 1 |
| 15 | 300027 | Washer | ワッシャ | 1 |
| 16 | 000153 | Nut | ナット | 1 |
| 17 | 0099030 | Thread Guide Bar | 糸案内支エ棒 | 1 |
| 18 | 0099031 | Thread Guide Bar Bracket | 支エ棒接点 | 1 |
| 19 | 0099064 | Thread Guide | 糸案内 | 1 |
| 20 | 160007 | Screw (M6-1x6) | 止ネジ | 2 |
| 21 | 0099065 | Spool Cushion | スプールクッション | 5 |
| 22 | 0099066 | Spool Pin | スプール軸 | 5 |
| 23 | 000600 | Spring Washer | スプリングワッシャ | 5 |
| 24 | 0099067 | Spool Mat | スプリームット | 5 |
| 25 | 0099068 | Spool Seat Disc | 受ケ皿 | 5 |
| 26 | 0099069 | Spool Holder Stay | スプールホルダ支エ | 1 |
| 27 | 000158 | Screw | 止ネジ | 1 |
| 28 | 000159 | Wood Screw | 木ネジ | 1 |
| 29 | 0099070 | Spool Holder (3 Spools Type) | スプールホルダ (3本糸用) | 1 |
| 30 | 0099071 | Spool Holder (2 Spools Type) | スプールホルダ (2本糸用) | 1 |
| 31 | 0063031 | Belt Cover | ベルトカバー | 1 |
| 32 | 110028 | Screw (M6-1x46) | 止ネジ | 2 |
| 33 | 3000010 | Guide Thread | ルーバ糸通シ | 2 |
| 34 | 0094304 | Elastic Tape Stand (VF2409G, 2429G, 2509G, 2529G) | ゴムテープスタンド | 1 |
| 35 | --- | Wood Screw | 木ネジ | 3 |
| 36 | 0099050 | Knitted Tape Stand (VF2403, 2503) | メリヤステープスタンド | 1 |
| 37 | --- | Wood Screw | 木ネジ | 2 |



THREAD STAND for VF2510



THREAD STAND for VF2510

| Ref. No. | Parts No. | Description | 品名 | Amt. Req. |
|----------|-----------|-------------------------------------|---------------|-----------|
| 1 | 9620610 | Thread Stand, C. Set(9 Spools Type) | 糸立台(組)(9本糸用) | 1 |
| 2 | 0099057 | Column Cap | コラムキャップ | 2 |
| 3 | 9620611 | Column Pipe(Short) | コラムパイプ(短) | 1 |
| 4 | 0099060 | Thread Hanger(3 Spools Type) | スレッドハンガ(3本糸用) | 2 |
| 5 | 000147 | Screw | 止ネジ | 7 |
| 6 | 000148 | Washer | ワッシャ | 5 |
| 7 | 0099061 | Column Pipe Connector | コラムパイプ継手 | 2 |
| 8 | 000149 | Screw | 止ネジ | 4 |
| 9 | 000152 | Nut | ナット | 17 |
| 10 | 0099062 | Thread Guide Holder | 糸案内ホルダ | 2 |
| 11 | 0099058 | Column Pipe(Upper) | コラムパイプ(上) | 1 |
| 12 | 0099063 | Column Pipe(Lower) | コラムパイプ(下) | 1 |
| 13 | 300027 | Washer | ワッシャ | 2 |
| 14 | 000153 | Nut | ナット | 1 |
| 15 | 9620614 | Thread Guide Bar | 糸案内支エ棒 | 2 |
| 16 | 0099031 | Thread Guide Bar Bracket | 支エ棒接点 | 2 |
| 17 | 9620612 | Thread Guide(Long) | 糸案内(長) | 1 |
| 18 | 9620613 | Thread Guide(Short) | 糸案内(短) | 1 |
| 19 | 160007 | Screw(M6-1×6) | 止ネジ | 4 |
| 20 | 0099065 | Spool Cushion | スプールクッション | 9 |
| 21 | 0099066 | Spool Pin | スプール軸 | 9 |
| 22 | 000600 | Spring Washer | スプリングワッシャ | 9 |
| 23 | 0099067 | Spool Mat | スプールマット | 9 |
| 24 | 0099068 | Spool Seat Disc | 受け皿 | 9 |
| 25 | 0099069 | Spool Holder Stay | スプールホルダ支エ | 2 |
| 26 | 000158 | Screw | 止ネジ | 2 |
| 27 | 000159 | Wood Screw | 木ネジ | 2 |
| 28 | 0099070 | Spool Holder(3 Spools Type) | スプールホルダ(3本糸用) | 3 |

| Main Parts Models | Needle | Presser Foot, C. Set | Stitch Plate | Differen- tial Feed Dog | Main Feed Dog | Front Cover | Cloth Plate (Large) | Cloth Plate (Small) | Thread Take-up Cover | Stitch Plate Support | Looper |
|----------------------|---------|----------------------------|-----------------|-------------------------------|------------------|----------------|---------------------------|---------------------------|----------------------------|----------------------------|----------------|
| | 針止メ | 押エ(組) | 針板 | 前送り | 後送り | 前開キ カバー | 大カバー | 小カバー | カムカバー | 針板 取付板 | ルーバ |
| | | | | | | | | | | | |
| VF2400-132M | 3209100 | 0063318 | 0093170 | 3209001 | 3209000 | 3200015 | 3200017 | 3200014 | 3200018 | 3200032 | 3209311 |
| 132S-PA/UT-A4/ST-A | " | " | 3208005 | " | 3209018 | 3201013 | 3201011 | 3201012 | " | 3201014 | " |
| 140M | 3209101 | 0063319 | 0093171 | " | 3209000 | 3200015 | 3200017 | 3200014 | " | 3200032 | " |
| /K1 | " | " | 0095541 | " | " | " | 3201147 | 3201146 | 3201144 | 3201143 | " |
| 140S-PA/UT-A4/ST-A | " | " | 3208006 | " | 3209018 | 3201013 | 3201011 | 3201012 | 3200018 | 3201014 | " |
| 148M | 3209102 | 0063320 | 0093172 | " | 3209000 | 3200015 | 3200017 | 3200014 | " | 3200032 | " |
| 148S-PA/UT-A4/ST-A | " | " | 3208007 | " | 3209018 | 3201013 | 3201011 | 3201012 | " | 3201014 | " |
| 164M | 3209104 | 0063322 | 0093174 | 3209003 | 3209002 | 3200034 | 3200017 | 3200014 | 3200035 | 3200032 | " |
| VF2402-048 | 3209109 | 3207036 | 3208070 | 3209044 | 3209043 | 3200015 | " | " | 3200018 | " | (注1) Note 1 |
| 064 | 3209110 | 3207008 | 3208022 | 3209026 | 3209025 | 3200034 | " | " | 3200035 | " | " |
| 080 | 3209111 | 3207010 | 3208021 | 3209028 | 3209027 | " | " | " | " | " | " |
| VF2403-132M | 3209100 | 0094215 | 0094281 | 3209005 | 3209004 | 3201000 | " | " | 3201001 | " | 3209311 |
| /AU2 | " | 0096270 | 0096341 | " | 3209022 | " | 3201125 | 3201126 | 3201127 | 3201128 | " |
| /EU5 | " | 0094215 | 0092324 | " | 3209004 | " | 3201100 | 3201101 | 3201001 | 3201102 | " |
| /EC | " | " | 0094281 | " | " | " | " | 3200014 | " | 3201121 | " |
| /FC | " | " | " | " | " | " | 3201111 | " | " | 3200032 | " |
| | | | | | | | | | | | |
| | | | | | | | | | | | |
| | | | | | | | | | | | |
| | | | | | | | | | | | |
| | | | | | | | | | | | |
| | | | | | | | | | | | |

(注1) ルーバ(左)は0095930を、ルーバ(右)は0095931を使用して下さい。 No. 0095930 for Looper (Left) and 0095931 for Looper (Right).

VF2400 CLASS LIST of MAIN SPARE PARTS(主要部品リスト)(2)

| Main Parts Models | Needle | Presser Foot, C. Set | Stitch Plate | Differen- tial Feed Dog | Main Feed Dog | Front Cover | Cloth Plate (Large) | Cloth Plate (Small) | Thread Take-up Cover | Stitch Plate Support | Looper |
|----------------------|---------|----------------------------|-----------------|-------------------------------|------------------|----------------|---------------------------|---------------------------|----------------------------|----------------------------|---------|
| | Clamp | 押エ(組) | 針板 | 前送り | 後送り | 前開キ カバー | 大カバー | 小カバー | カムカバー | 針板 取付板 | ルーバ |
| | 針止メ | 押エ(組) | 針板 | 前送り | 後送り | 前開キ カバー | 大カバー | 小カバー | カムカバー | 針板 取付板 | ルーバ |
| VF2403-140M | 3209101 | 0094216 | 0094282 | 3209005 | 3209004 | 3201000 | 3200017 | 3200014 | 3201001 | 3200032 | 3209311 |
| /AU2 | " | 0096271 | 0096342 | " | 3209022 | " | 3201125 | 3201126 | 3201127 | 3201128 | " |
| /EU5(EU5/PS2) | " | 0094216 | 0092325 | " | 3209004 | " | 3201100 | 3201101 | 3201001 | 3201102 | " |
| /EC | " | " | 0094282 | " | " | " | " | 3200014 | " | 3201121 | " |
| /FC | " | " | " | " | " | " | 3201111 | " | " | 3200032 | " |
| 140M-11 | " | 0095238 | 0095234 | 3209009 | 3209008 | " | 3200017 | " | " | " | " |
| /EU5 | " | " | 3208023 | " | " | " | 3201100 | 3201101 | " | 3201102 | " |
| /EC | " | " | 0095234 | " | " | " | " | 3200014 | " | 3201121 | " |
| 148M | 3209102 | 0094217 | 0094283 | 3209005 | 3209004 | " | 3200017 | " | " | 3200032 | " |
| /AU2 | " | 0096272 | 0096343 | " | 3209022 | " | 3201125 | 3201126 | 3201127 | 3201128 | " |
| /EU5 | " | 0094217 | 0092326 | " | 3209004 | " | 3201100 | 3201101 | 3201001 | 3201102 | " |
| /EC | " | " | 0094283 | " | " | " | " | 3200014 | " | 3201121 | " |
| /FC | " | " | " | " | " | " | 3201111 | " | " | 3200032 | " |
| 164M | 3209104 | 0094219 | 0094285 | 3209007 | 3209006 | " | 3200017 | " | " | " | " |
| /FC | " | " | " | " | " | " | 3201111 | " | " | " | " |
| VF2404-132M | 3209100 | 0094215 | 0094281 | 3209005 | 3209004 | " | 3200017 | " | " | " | " |
| 140M | 3209101 | 0094216 | 0094282 | " | " | " | " | " | " | " | " |
| 148M | 3209102 | 0094217 | 0094283 | " | " | " | " | " | " | " | " |
| 164M | 3209104 | 0094219 | 0094285 | 3209007 | 3209006 | " | " | " | " | " | " |
| VF2408 | 3209107 | 0094500 | 0094507 | 3209030 | 3209029 | 3200015 | " | " | 3200018 | " | " |

| Main Parts Models | Needle | Presser Foot, C. Set | Stitch | Differen- tial | Main | Front | Cloth | Cloth | Thread | Stitch | Looper |
|----------------------|---------|----------------------------|---------|-------------------|----------|------------|------------------|------------------|------------------|------------------|---------|
| | Clamp | | Plate | Feed Dog | Feed Dog | Cover | Plate (Large) | Plate (Small) | Take-up Cover | Plate Support | |
| | 針止メ | 押エ(組) | 針板 | 前送り | 後送り | 前開キ カバー | 大カバー | 小カバー | カムカバー | 針板 取付板 | |
| VF2409G-124M | 0095735 | 0095737 | 0095736 | 3209013 | 3209012 | 3201068 | 3200017 | 3200014 | 3201066 | 3200032 | 3209311 |
| 132M | 0093351 | 0095313 | 0095260 | " | " | " | " | " | " | " | " |
| /EU5 | " | " | 0092327 | " | " | " | 3201100 | 3201101 | " | 3201102 | " |
| /EC | " | " | 0095260 | " | " | " | " | 3200014 | " | 3201121 | " |
| /FC | " | " | " | " | " | " | 3201111 | " | " | 3200032 | " |
| 140M | 0093352 | 0095314 | 0095261 | " | " | " | 3200017 | " | " | " | " |
| /EU5 | " | " | 0092328 | " | " | " | 3201100 | 3201101 | " | 3201102 | " |
| /EC | " | " | 0095261 | " | " | " | " | 3200014 | " | 3201121 | " |
| /FC | " | " | " | " | " | " | 3201111 | " | " | 3200032 | " |
| 140M-1 | " | 3207002 | " | " | " | " | 3200017 | " | " | " | " |
| 148M | 0093353 | 0095315 | 0095262 | " | " | " | " | " | " | " | " |
| /EU5 | " | " | 0092329 | " | " | " | 3201100 | 3201101 | " | 3201102 | " |
| /EC | " | " | 0095262 | " | " | " | " | 3200014 | " | 3201121 | " |
| /FC | " | " | " | " | " | " | 3201111 | " | " | 3200032 | " |
| VF2411-032L/UT-A(UT) | 3209100 | 0094871 | 0094961 | 3209011 | 3209010 | 3200015 | 3201021 | " | 3201025 | " | " |
| 032S/UT-A(UT) | " | " | 3208011 | " | 3209000 | " | " | " | " | " | " |
| 040L/UT-A(UT) | 3209101 | 0094872 | 0094962 | " | 3209010 | " | " | " | " | " | " |
| 040S/UT-A(UT) | " | " | 3208012 | " | 3209000 | " | " | " | " | " | " |
| 048L/UT-A(UT) | 3209102 | 0094873 | 0094963 | " | 3209010 | " | " | " | " | " | " |
| 048S/UT-A(UT) | " | " | 3208013 | " | 3209000 | " | " | " | " | " | " |

| Models | Main Parts | Needle | Presser Foot, C. Set | Stitch Plate | Differen- tial Feed Dog | Main Feed Dog | Front Cover | Cloth Plate (Large) | Cloth Plate (Small) | Thread Take-up Cover | Stitch Plate Support | Looper |
|--------------|------------|---------|----------------------------|-----------------|-------------------------------|------------------|----------------|---------------------------|---------------------------|----------------------------|----------------------------|---------|
| | | 針止メ | 押エ(組) | 針板 | 前送り | 後送り | 前開キ カバー | 大カバー | 小カバー | カムカバー | 針板 取付板 | ルーパ |
| | | | | | | | | | | | | |
| VF2429G-124M | | 0095735 | 0095737 | 0095736 | 3209013 | 3209012 | 3201068 | 3200017 | 3200014 | 3201066 | 3200032 | 3209311 |
| 132M | | 0093351 | 0095313 | 0095260 | " | " | " | " | " | " | " | " |
| /AU20 | | " | " | 3208060 | " | " | " | 3201260 | 3201261 | 3201262 | 3201263 | " |
| /EU20 | | " | " | 0092327 | " | " | " | 3201100 | 3201101 | 3201066 | 3201102 | " |
| 140M | | 0093352 | 0095314 | 0095261 | " | " | " | 3200017 | 3200014 | " | 3200032 | " |
| /AU20 | | " | " | 3208061 | " | " | " | 3201260 | 3201261 | 3201262 | 3201263 | " |
| /EU20 | | " | " | 0092328 | " | " | " | 3201100 | 3201101 | 3201066 | 3201102 | " |
| 140M-1 | | " | 3207002 | 0095261 | " | " | " | 3200017 | 3200014 | " | 3200032 | " |
| /AU20 | | " | " | 3208061 | " | " | " | 3201260 | 3201261 | 3201262 | 3201263 | " |
| /EU20 | | " | " | 0092328 | " | " | " | 3201100 | 3201101 | 3201066 | 3201102 | " |
| 148M | | 0093353 | 0095315 | 0095262 | " | " | " | 3200017 | 3200014 | " | 3200032 | " |
| /AU20 | | " | " | 3208062 | " | " | " | 3201260 | 3201261 | 3201262 | 3201263 | " |
| VF2490-140M | | 0093352 | 0093292 | 0093287 | 3209036 | 3209037 | 3200015 | 3200017 | 3200014 | 3200018 | 3200032 | " |
| | | | | | | | | | | | | |
| | | | | | | | | | | | | |
| | | | | | | | | | | | | |
| | | | | | | | | | | | | |
| | | | | | | | | | | | | |
| | | | | | | | | | | | | |
| | | | | | | | | | | | | |

VF2400 CLASS LIST of MAIN SPARE PARTS(主要部品リスト)(5)

| Main Parts Models | Needle | Presser Foot, C. Set | Stitch Plate | Differen- tial Feed Dog | Main Feed Dog | Front Cover | Cloth Plate (Large) | Cloth Plate (Small) | Thread Take-up Cover | Stitch Plate Support | Looper |
|----------------------|---------|----------------------------|-----------------|-------------------------------|------------------|----------------|---------------------------|---------------------------|----------------------------|----------------------------|---------|
| | Clamp | 押エ(組) | 針板 | 前送り | 後送り | 前開キ カバー | 大カバー | 小カバー | カムカバー | 針板 取付板 | ルーバ |
| | 針止メ | 押エ(組) | 針板 | 前送り | 後送り | 前開キ カバー | 大カバー | 小カバー | カムカバー | 針板 取付板 | ルーバ |
| VF2500-148M | 3209106 | 3107050 | 0094800 | 3209001 | 3209000 | 3200015 | 3200017 | 3200014 | 3200018 | 3200032 | 3209311 |
| 156M | 3209107 | 0064041 | 0094801 | " | " | " | " | " | " | " | " |
| /UT-A/ST-A | " | " | " | " | " | " | 3201021 | " | 3201025 | " | " |
| /K1 | " | " | 0095456 | " | " | " | 3201147 | 3201146 | 3201144 | 3201143 | " |
| 156S-PA/UT-A/ST-A | " | " | 3208000 | " | 3209018 | 3201013 | 3201011 | 3201012 | 3201025 | 3201014 | " |
| 164M | 3209108 | 0064042 | 0094802 | 3209003 | 3209002 | 3200034 | 3200017 | 3200014 | 3200035 | 3200032 | " |
| /UT-A/ST-A | " | " | " | " | " | " | 3201021 | " | 3201034 | " | " |
| /UT | " | " | " | " | " | " | " | " | " | " | " |
| /K1 | " | " | 0095457 | " | " | " | 3201147 | 3201146 | 3201145 | 3201143 | " |
| 164S-PA/UT-A/ST-A | " | " | 3208001 | " | 3209020 | 3201018 | 3201017 | 3201012 | 3201034 | 3201014 | " |
| VF2503-148M | 3209106 | 3207020 | 3208025 | 3209005 | 3209004 | 3201000 | 3200017 | 3200014 | 3201001 | 3200032 | " |
| 156M | 3209107 | 0094908 | 0094921 | " | " | " | " | " | " | " | " |
| /AU2 | " | 3207026 | 3208050 | " | 3209022 | " | 3201125 | 3201126 | 3201127 | 3201128 | " |
| /EU5 | " | 0094908 | 0092330 | " | 3209004 | " | 3201100 | 3201101 | 3201001 | 3201102 | " |
| /EC | " | " | 0094921 | " | " | " | " | 3200014 | " | 3201121 | " |
| /FC | " | " | " | " | " | " | 3201111 | " | " | 3200032 | " |
| 156M-11 | " | 0095089 | 0095085 | 3209009 | 3209008 | " | 3200017 | " | " | " | " |
| /EU5 | " | " | 3208016 | " | " | " | 3201100 | 3201101 | " | 3201102 | " |
| | | | | | | | | | | | |
| | | | | | | | | | | | |

VF2400 CLASS LIST of MAIN SPARE PARTS(主要部品リスト)(6)

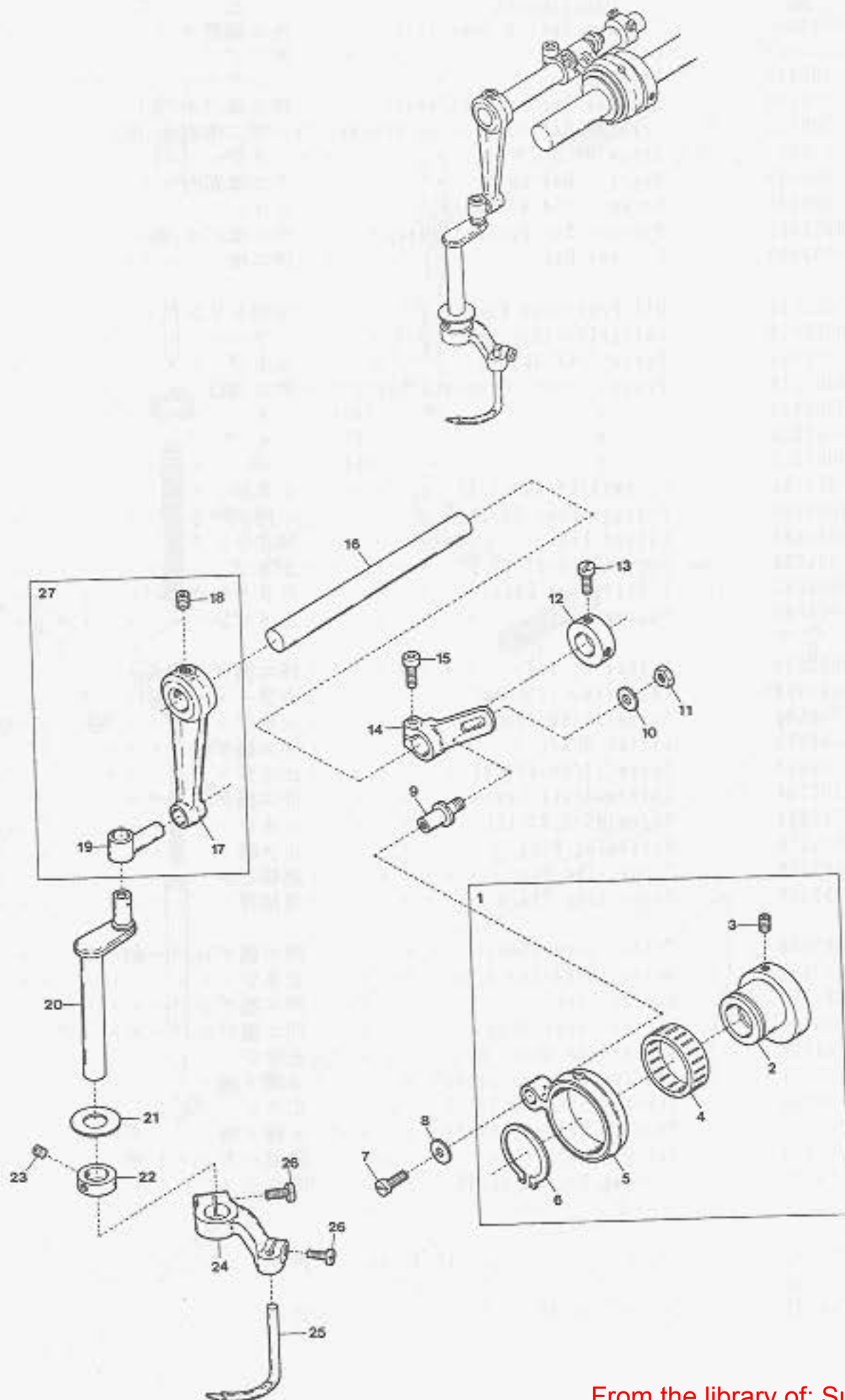
| Models | Main Parts | Needle | Presser Foot, C. Set | Stitch Plate | Differen- tial Feed Dog | Main Feed Dog | Front Cover | Cloth Plate (Large) | Cloth Plate (Small) | Thread Take-up Cover | Stitch Plate Support | Looper |
|--------------|------------|---------|----------------------------|-----------------|-------------------------------|------------------|----------------|---------------------------|---------------------------|----------------------------|----------------------------|----------------|
| | | 針止メ | 押エ(組) | 針板 | 前送り | 後送り | 前開キ カバー | 大カバー | 小カバー | カムカバー | 針板 取付板 | ルーパ |
| | | | | | | | | | | | | |
| VF2503-164M | | 3209108 | 0094909 | 0094922 | 3209007 | 3209006 | 3201000 | 3200017 | 3200014 | 3201001 | 3200032 | 3209311 |
| /EU5 | | " | " | 0092331 | " | " | " | 3201100 | 3201101 | " | 3201102 | " |
| /EC | | " | " | 0094922 | " | " | " | " | 3200014 | " | 3201121 | " |
| /FC | | " | " | " | " | " | " | 3201111 | " | " | 3200032 | " |
| 164M-11 | | " | 3007018 | 3008025 | 3209009 | 3209008 | " | 3200017 | " | " | " | " |
| VF2509G-156M | | 0093357 | 0095316 | 0095278 | 3209013 | 3209012 | 3201068 | " | " | 3201066 | " | " |
| /EU5 | | " | " | 0092332 | " | " | " | 3201100 | 3201101 | " | 3201102 | " |
| /EC | | " | " | 0095278 | " | " | " | " | 3200014 | " | 3201121 | " |
| /FC | | " | " | " | " | " | " | 3201111 | " | " | 3200032 | " |
| 156M-1 | | " | 3207004 | " | " | " | " | 3200017 | " | " | " | " |
| 164M | | 0093358 | 0095317 | 0095279 | " | " | " | " | " | " | " | " |
| /EU5 | | " | " | 0092333 | " | " | " | 3201100 | 3201101 | " | 3201102 | " |
| /EC | | " | " | 0095279 | " | " | " | " | 3200014 | " | 3201121 | " |
| /FC | | " | " | " | " | " | " | 3201111 | " | " | 3200032 | " |
| VF2510-188M | | 3209112 | 0096006 | 0096255 | 3209032 | 3209031 | 3200034 | 3200017 | 3201160 | 3200035 | " | (注2) Note 2 |
| /K1 | | " | " | 0095904 | " | " | " | 3201147 | 3201161 | 3201145 | 3201143 | " |
| | | | | | | | | | | | | |
| | | | | | | | | | | | | |

(注2) ルーパ(左)は0095932を、ルーパ(中)は0095930を、ルーパ(右)は95931を使用します。

Note 2: use 0095932 for Looper(Left), 0095930 for Looper(Middle) and 0095931 for Looper(Right).

From the library of: Superior Sewing Machine & Supply LLC

| Ref. No. | Parts No. | Description | 品名 | Amt. Req. |
|----------|-----------|------------------------------|-----------|-----------|
| 1 | 3100302 | Connecting Rod, Complete Set | ルーバロッド(組) | 1 |
| 2 | 3100300 | Eccentric | ルーバエキセン | 1 |
| 3 | 160003 | Screw(M5-0.8×5) | 止ネジ | 2 |
| 4 | 0077322 | Roller Bearing | ニードルベアリング | 1 |
| 5 | 3100301 | Connecting Rod | ルーバロッド | 1 |
| 6 | 0094566 | Retaining Ring | 止メ輪 | 1 |
| 7 | 110009 | Screw(M4-0.7×8) | 止ネジ | 1 |
| 8 | 300006 | Washer | ワッシャ | 1 |
| 9 | 3100309 | Adjusting Lever Pin | 調節レバーピン | 1 |
| 10 | 000528 | Washer | ワッシャ | 1 |
| 11 | 100003 | Nut (M6-1.0) | ナット | 1 |
| 12 | 0032646 | Collar (12×20×8mm) | カラー | 1 |
| 13 | 009604 | Screw(11/64-40×5.5) | 止ネジ | 2 |
| 14 | 3100303 | Adjusting Lever | 調節レバー | 1 |
| 15 | 120013 | Screw(M6-1×15) | 止ネジ | 1 |
| 16 | 3100304 | Driving Shaft | ルーバ軸 | 1 |
| 17 | 3100305 | Rocking Arm | ルーバ振り腕 | 1 |
| 18 | 160007 | Screw(M6-1×6) | 止ネジ | 2 |
| 19 | 0063051 | Rocking Pin | ルーバ振りピン | 1 |
| 20 | 0063053 | Spreader Bar | ルーバ棒 | 1 |
| 21 | 0063056 | Bushing Ring | ブッシュリング | 1 |
| 22 | 0063057 | Collar (10×18×7mm) | カラー | 1 |
| 23 | 009526 | Screw(9/64-40×4.4) | 止ネジ | 2 |
| 24 | 3100307 | Spreader Holder | 飾り糸ルーバ台 | 1 |
| 25 | 3209300 | Spreader | 飾り糸ルーバ | 1 |
| 26 | 110031 | Screw(M4-0.7×12) | 止ネジ | 2 |
| 27 | 3100306 | Rocking Arm, Complete Set | ルーバ振り腕(組) | 1 |



VF2400 CLASS LIST of MAIN SPARE PARTS(主要部品リスト)(7)

| Models | Main Parts | Needle | Presser | Stitch | Differen- | Main | Front | Cloth | Cloth | Thread | Stitch | Looper |
|--------------|------------|---------|-----------------|---------|------------------|----------|------------|------------------|------------------|------------------|------------------|---------|
| | | Clamp | Foot, C. Set | Plate | tial Feed Dog | Feed Dog | Cover | Plate (Large) | Plate (Small) | Take-up Cover | Plate Support | |
| | | 針止メ | 押エ(組) | 針板 | 前送り | 後送り | 前開キ カバー | 大カバー | 小カバー | カムカバー | 針板 取付板 | |
| VF2529G-156M | | 0093357 | 0095316 | 0095278 | 3209013 | 3209012 | 3201068 | 3200017 | 3200014 | 3201066 | 3200032 | 3209311 |
| /AU20 | | " | " | 3208041 | " | " | " | 3201260 | 3201261 | 3201262 | 3201263 | " |
| /EU20 | | " | " | 0092332 | " | " | " | 3201100 | 3201101 | 3201066 | 3201102 | " |
| 156M-1 | | " | 3207004 | 0095278 | " | " | " | 3200017 | 3200014 | " | 3200032 | " |
| /AU20 | | " | " | 3208041 | " | " | " | 3201260 | 3201261 | 3201262 | 3201263 | " |
| /EU20 | | " | " | 0092332 | " | " | " | 3201100 | 3201101 | 3201066 | 3201102 | " |
| 164M | | 0093358 | 0095317 | 0095279 | " | " | " | 3200017 | 3200014 | " | 3200032 | " |
| /AU20 | | " | " | 3208042 | " | " | " | 3201260 | 3201261 | 3201262 | 3201263 | " |
| /EU20 | | " | " | 0092333 | " | " | " | 3201100 | 3201101 | 3201066 | 3201102 | " |
| VF2530-156M | | 0093357 | 3107025 | 0094801 | 3209001 | 3209000 | 3200015 | 3200017 | 3200014 | 3200018 | 3200032 | " |
| 164M | | 0093358 | 3107047 | 0094802 | 3209003 | 3209002 | 3200034 | " | " | 3200035 | " | " |
| VF2560-156S | | 3209115 | 3207039 | 3208071 | 3209047 | 3209046 | 3200015 | " | " | " | " | 3209312 |
| 156S-PA | | " | " | 3208073 | 3209049 | 3209048 | 3201013 | 3202029 | 3201012 | " | 3201014 | " |
| /AC2 | | " | " | " | " | " | " | 3202032 | " | " | " | " |
| 164S | | 3209116 | 3207040 | 3208072 | 3209047 | 3209046 | 3200015 | 3200017 | 3200014 | " | 3200032 | " |
| VF2590-156M | | 0093357 | 0095035 | 0093289 | 3209036 | 3209037 | " | " | " | 3200018 | " | 3209311 |
| | | | | | | | | | | | | |
| | | | | | | | | | | | | |
| | | | | | | | | | | | | |
| | | | | | | | | | | | | |

| Parts No. | Page No. | Ref. No. | Weight (g) | Parts No. | Page No. | Ref. No. | Weight (g) | Parts No. | Page No. | Ref. No. | Weight (g) |
|-----------|----------|----------|------------|-----------|----------|----------|------------|-----------|----------|----------|------------|
| 000002 | 45 | 34 | | 000162 | 80 | 7 | | 000355 | 30 | 21 | |
| 000009 | 42 | 15 | | 000162 | 81 | 9 | | 000355 | 44 | 32 | |
| 000009 | 48 | 4 | | 000171 | 26 | 19 | | 000355 | 49 | 35 | |
| 000009 | 51 | 7 | | 000177 | 3 | 6 | | 000356 | 23 | 19 | |
| 000009 | 65 | 7 | | 000177 | 14 | 13 | | 000356 | 30 | 19 | |
| 000009 | 68 | 7 | | 000177 | 15 | 26 | | 000356 | 44 | 30 | |
| 000009 | 73 | 8 | | 000177 | 18 | 19 | | 000356 | 49 | 33 | |
| 000009 | 79 | 6 | | 000177 | 34 | 20 | | 000360 | 3 | 51 | |
| 000010 | 2 | 6 | | 000177 | 37 | 7 | | 000360 | 5 | 53 | |
| 000010 | 4 | 38 | | 000177 | 38 | 4 | | 000389 | 49 | 5 | |
| 000011 | 46 | 10 | | 000177 | 38 | 47 | | 000417 | 45 | 38 | |
| 000011 | 54 | 6 | | 000177 | 40 | 11 | | 000417 | 47 | 11 | |
| 000011 | 56 | 6 | | 000177 | 41 | 18 | | 000419 | 13 | 40 | |
| 000011 | 58 | 6 | | 000182 | 21 | 13 | | 000425 | 2 | 24 | |
| 000011 | 60 | 6 | | 000182 | 28 | 13 | | 000425 | 21 | 17 | |
| 000012 | 45 | 35 | | 000182 | 74 | 33 | | 000425 | 28 | 17 | |
| 000014 | 5 | 47 | | 000186 | 22 | 43 | | 000425 | 42 | 10 | |
| 000014 | 32 | 7 | | 000186 | 29 | 43 | | 000425 | 51 | 18 | |
| 000014 | 61 | 7 | | 000195 | 4 | 41 | | 000426 | 2 | 55 | |
| 000014 | 69 | 7 | | 000206 | 33 | 14 | | 000426 | 14 | 22 | |
| 000014 | 71 | 15 | | 000210 | 11 | 39 | | 000426 | 17 | 12 | |
| 000014 | 76 | 48 | | 000220 | 18 | 5 | | 000426 | 19 | 12 | |
| 000015 | 1 | 25 | | 000220 | 20 | 5 | | 000426 | 42 | 14 | |
| 000016 | 32 | 9 | | 000220 | 27 | 11 | | 000426 | 48 | 3 | |
| 000016 | 46 | 5 | | 000220 | 38 | 37 | | 000426 | 79 | 7 | |
| 000016 | 61 | 9 | | 000220 | 63 | 26 | | 000428 | 76 | 25 | |
| 000016 | 69 | 9 | | 000220 | 77 | 28 | | 000434 | 32 | 17 | |
| 000016 | 80 | 8 | | 000220 | 78 | 13 | | 000434 | 61 | 17 | |
| 000016 | 81 | 10 | | 000243 | 26 | 30 | | 000434 | 69 | 17 | |
| 000022 | 47 | 8 | | 000306 | 23 | 15 | | 000445 | 8 | 3 | |
| 000037 | 5 | 4 | | 000306 | 30 | 15 | | 000451 | 76 | 53 | |
| 000060 | 32 | 16 | | 000306 | 46 | 13 | | 000463 | 5 | 45 | |
| 000060 | 61 | 16 | | 000309 | 7 | 23 | | 000498 | 54 | 28 | |
| 000060 | 69 | 16 | | 000309 | 37 | 29 | | 000498 | 56 | 28 | |
| 000070 | 46 | 3 | | 000309 | 39 | 37 | | 000498 | 58 | 28 | |
| 000070 | 80 | 5 | | 000322 | 16 | 13 | | 000498 | 60 | 28 | |
| 000070 | 81 | 7 | | 000322 | 36 | 14 | | 000505 | 11 | 38 | |
| 000140 | 44 | 4 | | 000322 | 43 | 47 | | 000505 | 43 | 42 | |
| 000145 | 44 | 23 | | 000322 | 48 | 47 | | 000505 | 48 | 42 | |
| 000145 | 49 | 22 | | 000334 | 4 | 40 | | 000511 | 76 | 52 | |
| 000147 | 82 | 6 | | 000334 | 73 | 19 | | 000515 | 38 | 17 | |
| 000147 | 83 | 5 | | 000334 | 76 | 59 | | 000515 | 39 | 8 | |
| 000148 | 82 | 7 | | 000335 | 22 | 36 | | 000528 | 9 | 10 | |
| 000148 | 83 | 6 | | 000335 | 29 | 36 | | 000528 | 46 | 11 | |
| 000149 | 82 | 9 | | 000338 | 45 | 2 | | 000528 | 54 | 5 | |
| 000149 | 83 | 8 | | 000338 | 50 | 2 | | 000528 | 56 | 5 | |
| 000152 | 82 | 10 | | 000340 | 17 | 24 | | 000528 | 58 | 5 | |
| 000152 | 83 | 9 | | 000340 | 19 | 24 | | 000528 | 60 | 5 | |
| 000153 | 82 | 16 | | 000340 | 44 | 39 | | 000530 | 54 | 25 | |
| 000153 | 83 | 14 | | 000340 | 45 | 12 | | 000530 | 56 | 25 | |
| 000158 | 82 | 27 | | 000340 | 49 | 39 | | 000530 | 58 | 25 | |
| 000158 | 83 | 26 | | 000340 | 50 | 12 | | 000530 | 60 | 25 | |
| 000159 | 82 | 28 | | 000340 | 62 | 13 | | 000530 | 74 | 35 | |
| 000159 | 83 | 27 | | 000346 | 43 | 4 | | 000531 | 38 | 12 | |
| 000162 | 46 | 4 | | 000355 | 23 | 21 | | 000531 | 39 | 3 | |

INDEX

| Parts No. | Page No. | Ref. No. | Weight (g) | Parts No. | Page No. | Ref. No. | Weight (g) | Parts No. | Page No. | Ref. No. | Weight (g) |
|-----------|----------|----------|------------|-----------|----------|----------|------------|-----------|----------|----------|------------|
| 000532 | 3 | 23 | | 000623 | 70 | 8 | | 000989 | 6 | 4 | |
| 000532 | 5 | 57 | | 000623 | 73 | 23 | | 000989 | 31 | 5 | |
| 000538 | 3 | 27 | | 000636 | 13 | 6 | | | | | |
| 000538 | 21 | 4 | | 000637 | 10 | 20 | | 001093 | 3 | 45 | |
| 000538 | 25 | 12 | | 000637 | 26 | 21 | | 001093 | 27 | 19 | |
| 000538 | 28 | 4 | | 000644 | 31 | 9 | | 001156 | 62 | 21 | |
| 000538 | 34 | 5 | | 000644 | 43 | 46 | | 001170 | 43 | 38 | |
| 000538 | 39 | 17 | | 000644 | 47 | 7 | | 001170 | 48 | 38 | |
| 000538 | 40 | 2 | | 000644 | 48 | 46 | | 001174 | 6 | 21 | |
| 000538 | 45 | 42 | | 000644 | 50 | 33 | | 001174 | 23 | 18 | |
| 000538 | 50 | 34 | | 000644 | 52 | 4 | | 001174 | 30 | 18 | |
| 000538 | 54 | 17 | | 000644 | 74 | 17 | | 001175 | 54 | 8 | |
| 000538 | 55 | 6 | | 000644 | 75 | 49 | | 001175 | 56 | 8 | |
| 000538 | 56 | 17 | | 000651 | 3 | 28 | | 001175 | 58 | 8 | |
| 000538 | 57 | 7 | | 000652 | 22 | 8 | | 001175 | 60 | 8 | |
| 000538 | 58 | 17 | | 000652 | 29 | 8 | | 001186 | 8 | 15 | |
| 000538 | 59 | 3 | | 000652 | 75 | 46 | | 001186 | 14 | 4 | |
| 000538 | 60 | 17 | | 000665 | 21 | 28 | | 001186 | 15 | 17 | |
| 000538 | 63 | 8 | | 000665 | 28 | 28 | | 001186 | 16 | 27 | |
| 000538 | 66 | 4 | | 000665 | 40 | 17 | | 001186 | 18 | 2 | |
| 000538 | 75 | 50 | | 000665 | 64 | 41 | | 001186 | 20 | 2 | |
| 000538 | 76 | 4 | | 000665 | 67 | 41 | | 001186 | 24 | 4 | |
| 000541 | 78 | 21 | | 000665 | 76 | 11 | | 001186 | 27 | 2 | |
| 000542 | 43 | 3 | | 000666 | 32 | 15 | | 001186 | 36 | 31 | |
| 000547 | 4 | 39 | | 000666 | 61 | 15 | | 001186 | 37 | 14 | |
| 000547 | 17 | 19 | | 000666 | 69 | 15 | | 001186 | 38 | 34 | |
| 000547 | 19 | 19 | | 000669 | 10 | 34 | | 001186 | 39 | 44 | |
| 000548 | 7 | 3 | | 000669 | 11 | 42 | | 001186 | 63 | 23 | |
| 000548 | 38 | 16 | | 000669 | 21 | 33 | | 001186 | 77 | 7 | |
| 000548 | 39 | 7 | | 000669 | 28 | 33 | | 001186 | 78 | 4 | |
| 000554 | 47 | 4 | | 000669 | 33 | 15 | | 001196 | 47 | 33 | |
| 000555 | 6 | 27 | | 000669 | 42 | 20 | | 001196 | 52 | 34 | |
| 000567 | 13 | 32 | | 000669 | 51 | 6 | | 001196 | 74 | 37 | |
| 000567 | 71 | 6 | | 000669 | 64 | 36 | | 001208 | 43 | 50 | |
| 000588 | 46 | 12 | | 000669 | 65 | 5 | | 001208 | 48 | 48 | |
| 000597 | 44 | 6 | | 000669 | 67 | 36 | | 001223 | 5 | 55 | |
| 000598 | 44 | 5 | | 000669 | 68 | 5 | | 001225 | 76 | 45 | |
| 000600 | 6 | 31 | | 000669 | 73 | 6 | | 001227 | 5 | 48 | |
| 000600 | 11 | 43 | | 000669 | 76 | 13 | | 001227 | 44 | 18 | |
| 000600 | 13 | 8 | | 000676 | 32 | 14 | | 001227 | 47 | 26 | |
| 000600 | 33 | 13 | | 000676 | 46 | 7 | | 001227 | 49 | 20 | |
| 000600 | 42 | 21 | | 000676 | 61 | 14 | | 001227 | 52 | 27 | |
| 000600 | 51 | 30 | | 000676 | 69 | 14 | | 001228 | 14 | 31 | |
| 000600 | 65 | 6 | | 000687 | 26 | 54 | | 001228 | 27 | 8 | |
| 000600 | 68 | 6 | | 000690 | 8 | 20 | | 001228 | 77 | 5 | |
| 000600 | 73 | 7 | | 000690 | 11 | 29 | | 001228 | 78 | 10 | |
| 000600 | 76 | 15 | | 000690 | 43 | 35 | | 001230 | 4 | 35 | |
| 000600 | 79 | 15 | | 000690 | 48 | 35 | | 001230 | 7 | 12 | |
| 000600 | 82 | 23 | | 000726 | 1 | 32 | | 001230 | 27 | 10 | |
| 000600 | 83 | 22 | | 000731 | 76 | 26 | | 001230 | 36 | 4 | |
| 000613 | 23 | 24 | | 000745 | 2 | 38 | | 001230 | 78 | 12 | |
| 000613 | 30 | 24 | | 000779 | 23 | 3 | | 001457 | 10 | 27 | |
| 000613 | 76 | 54 | | 000779 | 26 | 11 | | 001457 | 17 | 22 | |
| 000623 | 52 | 8 | | 000779 | 30 | 3 | | 001457 | 19 | 22 | |
| 000623 | 53 | 5 | | 000926 | 6 | 17 | | 001457 | 26 | 48 | |

INDEX

| Parts No. | Page No. | Ref. No. | Weight (g) | Parts No. | Page No. | Ref. No. | Weight (g) | Parts No. | Page No. | Ref. No. | Weight (g) |
|-----------|----------|----------|------------|-----------|----------|----------|------------|-----------|----------|----------|------------|
| 001457 | 44 | 25 | | 003670 | 56 | 15 | | 005075 | 1 | 36 | |
| 001457 | 49 | 24 | | 003670 | 58 | 15 | | 005112 | 47 | 34 | |
| 001459 | 8 | 13 | | 003670 | 60 | 15 | | 005112 | 50 | 23 | |
| 001459 | 14 | 25 | | | | | | 005112 | 52 | 35 | |
| 001459 | 16 | 2 | | 004106 | 5 | 58 | | 005115 | 54 | 10 | |
| 001459 | 24 | 10 | | 004124 | 13 | 31 | | 005115 | 56 | 10 | |
| 001459 | 43 | 31 | | 004143 | 11 | 35 | | 005115 | 58 | 10 | |
| 001459 | 48 | 31 | | 004169 | 22 | 37 | | 005115 | 60 | 10 | |
| 001818 | 3 | 48 | | 004169 | 29 | 37 | | 005122 | 8 | 42 | |
| 001818 | 5 | 50 | | 004170 | 39 | 42 | | 005122 | 14 | 8 | |
| 001892 | 7 | 9 | | 004182 | 39 | 50 | | 005122 | 15 | 21 | |
| 001892 | 14 | 2 | | 004182 | 77 | 22 | | 005122 | 37 | 17 | |
| 001892 | 15 | 15 | | 004236 | 10 | 38 | | 005122 | 39 | 48 | |
| 001892 | 18 | 15 | | 004236 | 76 | 47 | | 005133 | 14 | 28 | |
| 001892 | 21 | 38 | | 004267 | 40 | 7 | | 005133 | 18 | 4 | |
| 001892 | 24 | 2 | | 004312 | 6 | 23 | | 005133 | 20 | 4 | |
| 001892 | 28 | 38 | | 004314 | 54 | 35 | | 005133 | 27 | 6 | |
| 001892 | 36 | 2 | | 004314 | 55 | 8 | | 005133 | 38 | 36 | |
| 001892 | 76 | 21 | | 004314 | 56 | 36 | | 005133 | 63 | 25 | |
| 001900 | 27 | 15 | | 004314 | 57 | 10 | | 005133 | 77 | 11 | |
| 001900 | 37 | 3 | | 004314 | 58 | 36 | | 005133 | 78 | 8 | |
| 001900 | 38 | 32 | | 004314 | 59 | 5 | | 005153 | 43 | 2 | |
| 001900 | 38 | 41 | | 004314 | 60 | 36 | | 005328 | 71 | 18 | |
| 001923 | 38 | 18 | | 004314 | 63 | 10 | | 005343 | 44 | 37 | |
| 001923 | 39 | 9 | | 004314 | 66 | 6 | | 005343 | 49 | 42 | |
| | | | | 004317 | 45 | 21 | | 005345 | 45 | 8 | |
| 002308 | 54 | 18 | | 004317 | 50 | 21 | | 005345 | 50 | 8 | |
| 002308 | 56 | 18 | | 004351 | 43 | 14 | | 005403 | 3 | 35 | |
| 002308 | 58 | 18 | | 004351 | 48 | 14 | | 005403 | 39 | 16 | |
| 002308 | 60 | 18 | | 004353 | 3 | 24 | | 005422 | 45 | 24 | |
| 002308 | 62 | 12 | | 004353 | 43 | 49 | | 005422 | 50 | 24 | |
| | | | | 004353 | 44 | 13 | | 005431 | 45 | 16 | |
| 003300 | 18 | 6 | | 004353 | 49 | 15 | | 005431 | 50 | 16 | |
| 003300 | 20 | 6 | | 004353 | 53 | 10 | | 005505 | 73 | 20 | |
| 003300 | 27 | 12 | | 004358 | 7 | 2 | | 005511 | 11 | 40 | |
| 003300 | 38 | 38 | | 004358 | 8 | 35 | | 005512 | 45 | 23 | |
| 003300 | 63 | 27 | | 004358 | 43 | 7 | | 005512 | 54 | 30 | |
| 003300 | 77 | 29 | | 004358 | 48 | 7 | | 005512 | 56 | 30 | |
| 003300 | 78 | 14 | | 004440 | 54 | 22 | | 005512 | 58 | 30 | |
| 003393 | 62 | 6 | | 004440 | 56 | 22 | | 005512 | 60 | 30 | |
| 003433 | 8 | 25 | | 004440 | 58 | 22 | | 005526 | 45 | 3 | |
| 003635 | 22 | 20 | | 004440 | 60 | 22 | | 005526 | 50 | 3 | |
| 003635 | 29 | 20 | | 004440 | 62 | 18 | | 005542 | 8 | 37 | |
| 003635 | 54 | 32 | | 004441 | 8 | 8 | | 005550 | 42 | 4 | |
| 003635 | 56 | 32 | | 004474 | 76 | 31 | | 005550 | 49 | 8 | |
| 003635 | 58 | 32 | | 004475 | 47 | 22 | | 005550 | 51 | 12 | |
| 003635 | 60 | 32 | | 004475 | 52 | 23 | | 005550 | 54 | 24 | |
| 003637 | 52 | 17 | | 004591 | 8 | 32 | | 005550 | 56 | 24 | |
| 003638 | 47 | 17 | | 004635 | 76 | 35 | | 005550 | 58 | 24 | |
| 003638 | 52 | 18 | | | | | | 005550 | 60 | 24 | |
| 003638 | 54 | 13 | | 005040 | 73 | 15 | | 005554 | 17 | 4 | |
| 003638 | 56 | 13 | | 005044 | 45 | 6 | | 005554 | 19 | 4 | |
| 003638 | 58 | 13 | | 005044 | 50 | 6 | | 005571 | 71 | 16 | |
| 003638 | 60 | 13 | | 005049 | 11 | 44 | | 005572 | 71 | 11 | |
| 003670 | 54 | 15 | | 005071 | 6 | 20 | | 005650 | 5 | 25 | |

INDEX

| Parts No. | Page No. | Ref. No. | Weight (g) | Parts No. | Page No. | Ref. No. | Weight (g) | Parts No. | Page No. | Ref. No. | Weight (g) |
|-----------|----------|----------|------------|-----------|----------|----------|------------|-----------|----------|----------|------------|
| 005650 | 6 | 32 | | 006910 | 68 | 34 | | 009791 | 59 | 19 | |
| 005650 | 10 | 11 | | 006910 | 75 | 61 | | 009791 | 68 | 21 | |
| 005650 | 26 | 8 | | 006910 | 76 | 24 | | 009814 | 73 | 31 | |
| 005650 | 42 | 13 | | 006920 | 74 | 4 | | 009816 | 31 | 8 | |
| 005650 | 44 | 8 | | | | | | 009835 | 3 | 8 | |
| 005650 | 48 | 2 | | 007006 | 43 | 28 | | 009835 | 14 | 15 | |
| 005650 | 49 | 10 | | 007006 | 48 | 28 | | 009835 | 15 | 28 | |
| | | | | 007610 | 2 | 17 | | 009835 | 18 | 21 | |
| | | | | 007610 | 43 | 18 | | 009835 | 34 | 18 | |
| 006004 | 2 | 5 | | 007610 | 48 | 18 | | 009835 | 37 | 9 | |
| 006004 | 4 | 37 | | 007620 | 76 | 43 | | 009835 | 38 | 6 | |
| 006010 | 27 | 4 | | 007621 | 22 | 13 | | 009835 | 38 | 49 | |
| 006010 | 78 | 6 | | 007621 | 29 | 13 | | 009835 | 40 | 13 | |
| 006035 | 43 | 45 | | 007627 | 76 | 10 | | 009835 | 41 | 20 | |
| 006035 | 48 | 45 | | 007630 | 63 | 15 | | 009853 | 46 | 19 | |
| 006038 | 8 | 18 | | 007630 | 66 | 12 | | 009861 | 80 | 6 | |
| 006046 | 76 | 55 | | 007645 | 22 | 21 | | 009861 | 81 | 8 | |
| 006058 | 44 | 29 | | 007645 | 29 | 21 | | 009865 | 46 | 6 | |
| 006058 | 49 | 32 | | 007650 | 62 | 8 | | 009870 | 81 | 16 | |
| 006075 | 76 | 57 | | | | | | 009880 | 51 | 21 | |
| 006093 | 36 | 33 | | 008047 | 5 | 15 | | 009880 | 52 | 46 | |
| 006120 | 76 | 51 | | | | | | 009880 | 53 | 13 | |
| 006187 | 32 | 10 | | | | | | 009911 | 79 | 14 | |
| 006187 | 61 | 10 | | 009142 | 7 | 14 | | 009929 | 81 | 3 | |
| 006187 | 69 | 10 | | 009142 | 15 | 3 | | 009932 | 17 | 3 | |
| 006202 | 70 | 15 | | 009142 | 41 | 7 | | 009932 | 19 | 3 | |
| 006219 | 7 | 35 | | 009150 | 26 | 41 | | 009932 | 43 | 12 | |
| 006245 | 54 | 19 | | 009150 | 62 | 16 | | 009932 | 48 | 12 | |
| 006245 | 56 | 19 | | 009508 | 44 | 21 | | 009935 | 64 | 6 | |
| 006245 | 58 | 19 | | 009508 | 49 | 27 | | 009935 | 67 | 6 | |
| 006245 | 60 | 19 | | 009526 | 9 | 23 | | 009937 | 42 | 30 | |
| 006245 | 62 | 23 | | 009526 | 13 | 37 | | 009937 | 65 | 17 | |
| 006268 | 26 | 37 | | 009604 | 8 | 23 | | 009937 | 68 | 17 | |
| 006543 | 21 | 11 | | 009604 | 9 | 13 | | 009937 | 70 | 21 | |
| 006543 | 28 | 11 | | 009604 | 10 | 25 | | 009937 | 74 | 11 | |
| 006543 | 74 | 31 | | 009604 | 21 | 34 | | 009948 | 32 | 13 | |
| 006638 | 62 | 7 | | 009604 | 23 | 7 | | 009948 | 61 | 13 | |
| 006905 | 33 | 7 | | 009604 | 28 | 34 | | 009948 | 69 | 13 | |
| 006905 | 42 | 23 | | 009604 | 30 | 7 | | 009956 | 32 | 6 | |
| 006905 | 51 | 9 | | 009604 | 76 | 18 | | 009956 | 61 | 6 | |
| 006905 | 54 | 37 | | 009621 | 44 | 38 | | 009956 | 69 | 6 | |
| 006905 | 55 | 19 | | 009621 | 49 | 38 | | 009960 | 42 | 19 | |
| 006905 | 57 | 26 | | 009740 | 62 | 25 | | 009960 | 51 | 5 | |
| 006905 | 59 | 26 | | 009746 | 79 | 24 | | 009960 | 65 | 4 | |
| 006905 | 65 | 9 | | 009747 | 2 | 3 | | 009960 | 68 | 4 | |
| 006905 | 68 | 9 | | 009747 | 52 | 5 | | 009960 | 73 | 5 | |
| 006905 | 70 | 32 | | 009748 | 50 | 32 | | 009961 | 33 | 12 | |
| 006905 | 73 | 10 | | 009748 | 74 | 16 | | 009970 | 1 | 29 | |
| 006905 | 75 | 52 | | 009748 | 75 | 48 | | 009970 | 46 | 9 | |
| 006910 | 33 | 10 | | 009749 | 2 | 2 | | 009984 | 44 | 16 | |
| 006910 | 53 | 29 | | 009749 | 7 | 28 | | 009984 | 49 | 18 | |
| 006910 | 54 | 46 | | 009749 | 52 | 37 | | 009985 | 44 | 43 | |
| 006910 | 55 | 28 | | 009749 | 74 | 12 | | 009992 | 81 | 20 | |
| 006910 | 57 | 36 | | 009770 | 81 | 18 | | 009995 | 33 | 5 | |
| 006910 | 59 | 33 | | 009784 | 4 | 33 | | | | | |
| 006910 | 65 | 27 | | 009784 | 76 | 8 | | | | | |

INDEX

| Parts No. | Page No. | Ref. No. | Weight (g) | Parts No. | Page No. | Ref. No. | Weight (g) | Parts No. | Page No. | Ref. No. | Weight (g) |
|-----------|----------|----------|------------|-----------|----------|----------|------------|-----------|----------|----------|------------|
| 0010019 | 52 | 9 | | 0010261 | 70 | 17 | | 0011801 | 44 | 2 | |
| 0010052 | 73 | 22 | | 0010263 | 42 | 27 | | 0011802 | 44 | 1 | |
| 0010056 | 53 | 18 | | 0010263 | 51 | 23 | | 0011882 | 75 | 56 | |
| 0010057 | 42 | 11 | | 0010263 | 52 | 39 | | 0011883 | 75 | 55 | |
| 0010057 | 49 | 3 | | 0010263 | 53 | 15 | | 0011943 | 55 | 30-1 | |
| 0010057 | 51 | 19 | | 0010263 | 64 | 42 | | 0011943 | 57 | 37-1 | |
| 0010057 | 52 | 41 | | 0010263 | 65 | 15 | | 0011943 | 65 | 29-1 | |
| 0010057 | 53 | 19 | | 0010263 | 67 | 42 | | 0011944 | 55 | 30-2 | |
| 0010073 | 42 | 18 | | 0010263 | 68 | 15 | | 0011944 | 57 | 37-2 | |
| 0010073 | 51 | 1 | | 0010263 | 70 | 19 | | 0011944 | 65 | 29-2 | |
| 0010073 | 65 | 3 | | 0010263 | 73 | 11 | | 0011945 | 55 | 30-3 | |
| 0010073 | 68 | 3 | | 0010264 | 42 | 24 | | 0011945 | 57 | 37-3 | |
| 0010108 | 42 | 17 | | 0010264 | 51 | 4 | | 0011945 | 65 | 29-3 | |
| 0010108 | 51 | 2 | | 0010264 | 65 | 10 | | 0011946 | 55 | 30-4 | |
| 0010108 | 65 | 2 | | 0010283 | 53 | 3 | | 0011946 | 57 | 37-4 | |
| 0010108 | 68 | 2 | | 0010289 | 68 | 10 | | 0011946 | 65 | 29-4 | |
| 0010112 | 73 | 24 | | 0010290 | 73 | 25 | | 0011952 | 54 | 39 | |
| 0010119 | 51 | 24 | | 0010310 | 73 | 26 | | 0011957 | 54 | 38 | |
| 0010119 | 52 | 40 | | 0010340 | 49 | 2 | | 0011987 | 73 | 30 | |
| 0010119 | 53 | 17 | | 0010343 | 51 | 20 | | 0011988 | 65 | 19 | |
| 0010119 | 70 | 24 | | 0010564 | 53 | 24 | | 0011989 | 65 | 18 | |
| 0010120 | 42 | 29 | | 0010564 | 54 | 41 | | | | | |
| 0010120 | 65 | 13 | | 0010565 | 53 | 23 | | 0013218 | 42 | 22 | |
| 0010120 | 68 | 35 | | 0010565 | 54 | 40 | | 0013218 | 51 | 8 | |
| 0010120 | 70 | 20 | | 0010868 | 51 | 26 | | 0013218 | 65 | 8 | |
| 0010123 | 65 | 12 | | 0010869 | 51 | 27 | | 0013218 | 68 | 8 | |
| 0010123 | 68 | 14 | | 0010869 | 70 | 22 | | | | | |
| 0010143 | 42 | 28 | | | | | | 0014120 | 42 | 5 | |
| 0010143 | 49 | 4 | | 0011189 | 55 | 23 | | 0014120 | 49 | 6 | |
| 0010143 | 51 | 22 | | 0011189 | 57 | 31 | | 0014120 | 51 | 13 | |
| 0010143 | 52 | 45 | | 0011189 | 59 | 28 | | 0014224 | 32 | 11 | |
| 0010143 | 53 | 14 | | 0011189 | 65 | 22 | | 0014224 | 61 | 11 | |
| 0010143 | 65 | 16 | | 0011189 | 68 | 29 | | 0014224 | 69 | 11 | |
| 0010143 | 68 | 16 | | 0011192 | 55 | 22 | | 0014225 | 32 | 12 | |
| 0010242 | 53 | 4 | | 0011192 | 57 | 30 | | 0014225 | 61 | 12 | |
| 0010254 | 51 | 25 | | 0011192 | 59 | 27 | | 0014225 | 69 | 12 | |
| 0010254 | 52 | 42 | | 0011192 | 65 | 21 | | | | | |
| 0010254 | 53 | 20 | | 0011192 | 68 | 28 | | 0020064 | 80 | 10 | |
| 0010254 | 70 | 23 | | 0011228 | 55 | 7 | | 0020064 | 81 | 12 | |
| 0010258 | 52 | 10 | | 0011228 | 57 | 9 | | 0020119 | 3 | 21 | |
| 0010258 | 53 | 6 | | 0011228 | 59 | 4 | | 0020137 | 1 | 35 | |
| 0010260 | 15 | 7 | | 0011228 | 63 | 9 | | 0020159 | 5 | 32 | |
| 0010260 | 41 | 12 | | 0011228 | 66 | 5 | | 0020350 | 11 | 41 | |
| 0010260 | 42 | 33 | | 0011498 | 47 | 6 | | 0020401 | 12 | 13 | |
| 0010260 | 51 | 29 | | 0011709 | 33 | 6 | | 0020472 | 2 | 23 | |
| 0010260 | 52 | 43 | | 0011709 | 54 | 36 | | 0020533 | 13 | 43 | |
| 0010260 | 53 | 7 | | 0011709 | 55 | 18 | | 0020538 | 11 | 31 | |
| 0010260 | 68 | 12 | | 0011709 | 57 | 25 | | 0020759 | 1 | 5 | |
| 0010260 | 70 | 10 | | 0011709 | 59 | 25 | | | | | |
| 0010261 | 42 | 25 | | 0011709 | 65 | 20 | | 0021735 | 34 | 2 | |
| 0010261 | 51 | 28 | | 0011709 | 68 | 27 | | | | | |
| 0010261 | 52 | 44 | | 0011709 | 75 | 51 | | 0022836 | 43 | 16 | |
| 0010261 | 53 | 16 | | 0011733 | 46 | 8 | | 0022836 | 48 | 16 | |
| 0010261 | 65 | 11 | | 0011737 | 45 | 33 | | 0022837 | 43 | 17 | |
| 0010261 | 68 | 13 | | 0011789 | 54 | 33 | | 0022837 | 48 | 17 | |

INDEX

| Parts No. | Page No. | Ref. No. | Weight (g) | Parts No. | Page No. | Ref. No. | Weight (g) | Parts No. | Page No. | Ref. No. | Weight (g) |
|-----------|----------|----------|------------|-----------|----------|----------|------------|-----------|----------|----------|------------|
| 0023381 | 55 | 17 | | 0033104 | 51 | 11 | | 0063051 | 9 | 19 | |
| 0023381 | 57 | 24 | | 0033141 | 12 | 5 | | 0063053 | 9 | 20 | |
| 0023381 | 59 | 7 | | 0033935 | 73 | 18 | | 0063055 | 4 | 7 | |
| 0023473 | 12 | 26 | | 0033936 | 73 | 17 | | 0063056 | 9 | 21 | |
| | | | | 0033937 | 73 | 16 | | 0063057 | 9 | 22 | |
| | | | | 0033938 | 73 | 14 | | 0063074 | 3 | 47 | |
| 0024302 | 55 | 13 | | 0033939 | 42 | 16 | | 0063076 | 43 | 26 | |
| 0024302 | 57 | 15 | | 0033939 | 51 | 3 | | 0063076 | 48 | 26 | |
| 0024302 | 59 | 12 | | 0033939 | 65 | 1 | | 0063079 | 8 | 12 | |
| 0024302 | 63 | 16 | | 0033939 | 68 | 1 | | 0063083 | 8 | 19 | |
| 0024302 | 66 | 13 | | 0033939 | 73 | 2 | | 0063084 | 8 | 21 | |
| | | | | 0033940 | 73 | 27 | | 0063096 | 6 | 33 | |
| 0026438 | 52 | 16 | | | | | | 0063104 | 3 | 25 | |
| | | | | 0034293 | 47 | 16 | | 0063152 | 2 | 22 | |
| 0030291 | 4 | 5 | | 0034979 | 76 | 58 | | 0063197 | 5 | 54 | |
| 0030711 | 13 | 36 | | | | | | 0063216 | 13 | 16 | |
| | | | | 0035301 | 46 | 16 | | 0063217 | 13 | 15 | |
| 0031111 | 3 | 7 | | 0035813 | 3 | 50 | | 0063280 | 8 | 16 | |
| 0031111 | 14 | 14 | | 0035813 | 5 | 52 | | 0063280 | 14 | 5 | |
| 0031111 | 15 | 27 | | | | | | 0063280 | 15 | 18 | |
| 0031111 | 18 | 20 | | 0036133 | 31 | 20 | | 0063280 | 37 | 15 | |
| 0031111 | 34 | 19 | | 0036133 | 44 | 44 | | 0063280 | 39 | 45 | |
| 0031111 | 37 | 8 | | 0036133 | 49 | 21 | | 0063281 | 8 | 41-1 | |
| 0031111 | 38 | 5 | | 0036133 | 52 | 11 | | 0063281 | 14 | 7-1 | |
| 0031111 | 38 | 48 | | 0036175 | 3 | 42 | | 0063282 | 8 | 41-2 | |
| 0031111 | 40 | 12 | | 0036175 | 16 | 10 | | 0063282 | 14 | 7-2 | |
| 0031111 | 41 | 19 | | 0036175 | 27 | 16 | | 0063282 | 15 | 20 | |
| 0031831 | 13 | 23 | | 0036175 | 36 | 9 | | 0063282 | 37 | 18 | |
| | | | | | | | | 0063282 | 39 | 47 | |
| 0032425 | 3 | 43 | | 0037108 | 3 | 49 | | 0063283 | 8 | 40-1 | |
| 0032425 | 16 | 9 | | 0037108 | 5 | 51 | | 0063283 | 14 | 6-1 | |
| 0032425 | 27 | 17 | | 0037108 | 38 | 25 | | 0063284 | 8 | 40-2 | |
| 0032425 | 36 | 10 | | 0037108 | 39 | 26 | | 0063284 | 14 | 6-2 | |
| 0032426 | 3 | 44 | | 0037154 | 16 | 29 | | 0063284 | 15 | 19 | |
| 0032426 | 27 | 18 | | 0037166 | 16 | 28 | | 0063284 | 37 | 16 | |
| 0032426 | 38 | 26 | | 0037668 | 13 | 28 | | 0063284 | 39 | 46 | |
| 0032426 | 39 | 27 | | 0037669 | 13 | 30 | | 0063318 | 8 | 14-1 | |
| 0032604 | 1 | 18 | | 0037912 | 43 | 5 | | 0063319 | 8 | 14-2 | |
| 0032646 | 9 | 12 | | 0037912 | 46 | 21 | | 0063320 | 8 | 14-3 | |
| 0032784 | 10 | 24 | | 0037912 | 76 | 36 | | 0063322 | 8 | 14-4 | |
| 0032785 | 10 | 26 | | | | | | 0063335 | 23 | 17 | |
| 0032786 | 10 | 28 | | 0060057 | 6 | 14 | | 0063335 | 30 | 17 | |
| 0032786 | 46 | 20 | | 0060075 | 12 | 9 | | 0063428 | 76 | 56 | |
| 0032799 | 26 | 5 | | 0060076 | 12 | 8 | | 0063515 | 43 | 34 | |
| 0032921 | 23 | 28 | | 0060109 | 23 | 16 | | 0063515 | 48 | 34 | |
| 0032921 | 30 | 28 | | 0060109 | 30 | 16 | | 0063548 | 14 | 20 | |
| | | | | 0060175 | 4 | 36 | | 0063579 | 44 | 3 | |
| 0033024 | 2 | 25 | | 0060248 | 54 | 7 | | 0063586 | 44 | 42 | |
| 0033024 | 43 | 33 | | 0060248 | 56 | 7 | | 0063606 | 44 | 14 | |
| 0033024 | 46 | 17 | | 0060248 | 58 | 7 | | 0063606 | 49 | 16 | |
| 0033024 | 48 | 33 | | 0060248 | 60 | 7 | | 0063607 | 44 | 12 | |
| 0033024 | 79 | 22 | | | | | | 0063607 | 49 | 14 | |
| 0033074 | 10 | 21 | | 0063010 | 80 | 11 | | 0063608 | 44 | 17 | |
| 0033104 | 42 | 3 | | 0063010 | 81 | 13 | | 0063608 | 49 | 19 | |
| 0033104 | 49 | 7 | | 0063031 | 82 | 31 | | 0063609 | 44 | 15 | |

INDEX

| Parts No. | Page No. | Ref. No. | Weight (g) | Parts No. | Page No. | Ref. No. | Weight (g) | Parts No. | Page No. | Ref. No. | Weight (g) |
|-----------|----------|----------|------------|-----------|----------|----------|------------|-----------|----------|----------|------------|
| 0063609 | 49 | 17 | | 0090071 | 14 | 12 | | 0090856 | 40 | 15 | |
| 0063610 | 44 | 11 | | 0090071 | 15 | 25 | | 0090856 | 41 | 22 | |
| 0063610 | 49 | 13 | | 0090071 | 18 | 18 | | 0090857 | 34 | 15 | |
| 0063612 | 63 | 5 | | 0090071 | 34 | 21 | | 0090918 | 13 | 39 | |
| 0063612 | 66 | 8 | | 0090071 | 37 | 6 | | 0090930 | 13 | 26 | |
| | | | | 0090071 | 38 | 3 | | | | | |
| 0064041 | 14 | 3-2 | | 0090071 | 38 | 46 | | 0091707 | 17 | 21 | |
| 0064041 | 15 | 16-1 | | 0090071 | 40 | 10 | | 0091707 | 19 | 21 | |
| 0064042 | 14 | 3-3 | | 0090071 | 41 | 17 | | 0091708 | 17 | 23 | |
| 0064042 | 15 | 16-2 | | 0090711 | 62 | 2 | | 0091708 | 19 | 23 | |
| 0064045 | 46 | 14 | | 0090801 | 8 | 36 | | 0091709 | 17 | 20 | |
| 0064046 | 46 | 15 | | 0090807 | 3 | 12 | | 0091709 | 19 | 20 | |
| 0064047 | 46 | 18 | | 0090807 | 14 | 18 | | 0091725 | 18 | 3 | |
| 0064179 | 76 | 23 | | 0090807 | 15 | 31 | | 0091725 | 20 | 3 | |
| 0064180 | 76 | 29 | | 0090807 | 18 | 24 | | 0091725 | 27 | 5 | |
| 0064181 | 76 | 30 | | 0090807 | 34 | 13 | | 0091725 | 38 | 35 | |
| 0064182 | 76 | 34 | | 0090807 | 37 | 12 | | 0091725 | 63 | 24 | |
| 0064186 | 76 | 32 | | 0090807 | 38 | 9 | | 0091725 | 77 | 27 | |
| 0064187 | 76 | 27 | | 0090807 | 38 | 52 | | 0091725 | 78 | 7 | |
| | | | | 0090807 | 40 | 16 | | 0091736 | 17 | 2 | |
| 0065275 | 2 | 26 | | 0090807 | 41 | 23 | | 0091736 | 19 | 2 | |
| 0065275 | 4 | 28 | | 0090812 | 3 | 9 | | 0091833 | 62 | 17 | |
| 0065395 | 23 | 11 | | 0090812 | 14 | 16 | | 0091835 | 62 | 14 | |
| 0065395 | 30 | 11 | | 0090812 | 15 | 29 | | 0091837 | 62 | 22 | |
| 0065398 | 23 | 6 | | 0090812 | 18 | 22 | | 0091838 | 62 | 19 | |
| 0065398 | 30 | 6 | | 0090812 | 34 | 17 | | 0091839 | 62 | 20 | |
| 0065402 | 23 | 25 | | 0090812 | 37 | 10 | | 0091841 | 62 | 9 | |
| 0065402 | 30 | 25 | | 0090812 | 38 | 7 | | 0091842 | 62 | 4 | |
| 0065452 | 13 | 21 | | 0090812 | 38 | 50 | | | | | |
| 0065453 | 13 | 1 | | 0090812 | 40 | 14 | | 0092232 | 33 | 9 | |
| 0065460 | 43 | 13 | | 0090812 | 41 | 21 | | 0092232 | 53 | 28 | |
| 0065460 | 48 | 13 | | 0090814 | 3 | 2 | | 0092232 | 54 | 45 | |
| | | | | 0090814 | 14 | 11 | | 0092232 | 55 | 27 | |
| 0066644 | 39 | 19 | | 0090814 | 15 | 24 | | 0092232 | 57 | 36 | |
| 0066646 | 39 | 56 | | 0090814 | 18 | 17 | | 0092232 | 59 | 32 | |
| | | | | 0090814 | 34 | 22 | | 0092232 | 65 | 26 | |
| 0067082 | 76 | 33 | | 0090814 | 37 | 5 | | 0092232 | 68 | 33 | |
| 0067101 | 43 | 25 | | 0090814 | 38 | 2 | | 0092232 | 70 | 31 | |
| 0067101 | 48 | 25 | | 0090814 | 38 | 45 | | 0092232 | 75 | 60 | |
| | | | | 0090814 | 40 | 9 | | 0092283 | 54 | 20 | |
| 0068011 | 1 | 4 | | 0090814 | 41 | 16 | | 0092283 | 56 | 20 | |
| 0068202 | 5 | 33 | | 0090824 | 8 | 39 | | 0092283 | 58 | 20 | |
| 0068202 | 11 | 13 | | 0090846 | 16 | 8 | | 0092283 | 60 | 20 | |
| 0068202 | 25 | 5 | | 0090846 | 36 | 11 | | 0092285 | 54 | 23 | |
| 0068202 | 26 | 14 | | 0090847 | 3 | 4 | | 0092285 | 56 | 23 | |
| 0068202 | 76 | 28 | | 0090847 | 16 | 4 | | 0092285 | 58 | 23 | |
| | | | | 0090847 | 34 | 24 | | 0092285 | 60 | 23 | |
| 0077179 | 8 | 28 | | 0090856 | 3 | 11 | | 0092286 | 54 | 11 | |
| 0077300 | 4 | 17 | | 0090856 | 14 | 17 | | 0092286 | 56 | 11 | |
| 0077300 | 26 | 22 | | 0090856 | 15 | 30 | | 0092286 | 58 | 11 | |
| 0077322 | 9 | 4 | | 0090856 | 18 | 23 | | 0092286 | 60 | 11 | |
| 0077410 | 44 | 7 | | 0090856 | 34 | 14 | | 0092287 | 54 | 12 | |
| | | | | 0090856 | 37 | 11 | | 0092287 | 56 | 12 | |
| 0090068 | 3 | 37 | | 0090856 | 38 | 8 | | 0092287 | 58 | 12 | |
| 0090071 | 3 | 5 | | 0090856 | 38 | 51 | | 0092287 | 60 | 12 | |

INDEX

| Parts No. | Page No. | Ref. No. | Weight (g) | Parts No. | Page No. | Ref. No. | Weight (g) | Parts No. | Page No. | Ref. No. | Weight (g) |
|-----------|----------|----------|------------|-----------|----------|----------|------------|-----------|----------|----------|------------|
| 0092288 | 54 | 9 | | 0093035 | 80 | 4 | | 0093480 | 8 | 10 | |
| 0092288 | 56 | 9 | | 0093035 | 81 | 6 | | 0093483 | 8 | 7 | |
| 0092288 | 58 | 9 | | 0093089 | 5 | 6 | | 0093485 | 8 | 9 | |
| 0092288 | 60 | 9 | | 0093090 | 5 | 8 | | 0093487 | 8 | 17 | |
| 0092289 | 54 | 21 | | 0093090 | 5 | 5 | | 0093491 | 8 | 22 | |
| 0092289 | 56 | 21 | | 0093091 | 5 | 16 | | 0093491 | 44 | 20 | |
| 0092289 | 58 | 21 | | 0093094 | 4 | 14 | | 0093491 | 49 | 29 | |
| 0092289 | 60 | 21 | | 0093154 | 6 | 15 | | 0093496 | 8 | 33 | |
| 0092291 | 54 | 29 | | 0093170 | 7 | 13-1 | | 0093499 | 8 | 34 | |
| 0092291 | 56 | 29 | | 0093171 | 7 | 13-2 | | 0093499 | 43 | 6 | |
| 0092291 | 58 | 29 | | 0093172 | 7 | 13-3 | | 0093499 | 48 | 6 | |
| 0092291 | 60 | 29 | | 0093174 | 7 | 13-4 | | 0093500 | 8 | 1 | |
| 0092292 | 54 | 27 | | 0093186 | 7 | 26 | | 0093507 | 8 | 30 | |
| 0092292 | 56 | 27 | | 0093201 | 4 | 11 | | 0093508 | 8 | 31 | |
| 0092292 | 58 | 27 | | 0093212 | 7 | 21 | | 0093509 | 8 | 29 | |
| 0092292 | 60 | 27 | | 0093212 | 37 | 27 | | 0093515 | 5 | 46 | |
| 0092293 | 54 | 31 | | 0093212 | 39 | 35 | | 0093517 | 3 | 32 | |
| 0092293 | 56 | 31 | | 0093214 | 7 | 18 | | 0093517 | 39 | 13 | |
| 0092293 | 58 | 31 | | 0093214 | 37 | 24 | | 0093521 | 3 | 34 | |
| 0092293 | 60 | 31 | | 0093214 | 39 | 32 | | 0093526 | 3 | 33 | |
| 0092294 | 54 | 26 | | 0093241 | 17 | 1-1 | | 0093526 | 39 | 14 | |
| 0092294 | 56 | 26 | | 0093241 | 19 | 1-1 | | 0093528 | 3 | 22 | |
| 0092294 | 58 | 26 | | 0093242 | 17 | 1-2 | | 0093528 | 34 | 1 | |
| 0092294 | 60 | 26 | | 0093242 | 19 | 1-2 | | 0093528 | 40 | 3 | |
| 0092298 | 54 | 34 | | 0093242 | 19 | 1-3 | | 0093535 | 38 | 24 | |
| 0092298 | 56 | 35 | | 0093243 | 17 | 1-3 | | 0093535 | 39 | 25 | |
| 0092298 | 58 | 35 | | 0093243 | 19 | 1-3 | | 0093538 | 40 | 5 | |
| 0092298 | 60 | 35 | | 0093287 | 38 | 39 | | 0093545 | 8 | 38 | |
| 0092298 | 62 | 24 | | 0093289 | 38 | 43 | | 0093556 | 3 | 20 | |
| 0092305 | 55 | 2 | | 0093292 | 38 | 33 | | 0093556 | 40 | 6 | |
| 0092305 | 57 | 2 | | 0093300 | 10 | 32 | | 0093611 | 8 | 11 | |
| 0092305 | 63 | 2 | | 0093303 | 4 | 23 | | 0093617 | 13 | 19 | |
| 0092324 | 56 | 38-1 | | 0093303 | 71 | 3 | | 0093659 | 5 | 37-1 | |
| 0092324 | 58 | 38-1 | | 0093314 | 10 | 17 | | 0093663 | 7 | 34 | |
| 0092325 | 56 | 38-2 | | 0093319 | 10 | 19 | | 0093669 | 5 | 37-2 | |
| 0092325 | 58 | 38-2 | | 0093351 | 27 | 13-1 | | 0093669 | 24 | 8 | |
| 0092326 | 56 | 38-3 | | 0093351 | 77 | 41-1 | | 0093690 | 77 | 42 | |
| 0092326 | 58 | 38-3 | | 0093352 | 27 | 13-2 | | 0093863 | 3 | 1 | |
| 0092327 | 56 | 42-1 | | 0093352 | 38 | 31 | | 0093863 | 14 | 10 | |
| 0092327 | 60 | 38-1 | | 0093352 | 77 | 41-2 | | 0093863 | 15 | 23 | |
| 0092328 | 56 | 42-2 | | 0093353 | 27 | 13-3 | | 0093863 | 18 | 16 | |
| 0092328 | 60 | 38-2 | | 0093353 | 77 | 41-3 | | 0093863 | 34 | 23 | |
| 0092329 | 56 | 42-3 | | 0093355 | 77 | 41-5 | | 0093863 | 37 | 4 | |
| 0092329 | 60 | 38-3 | | 0093357 | 27 | 24-1 | | 0093863 | 38 | 1 | |
| 0092330 | 56 | 40-1 | | 0093357 | 37 | 1-1 | | 0093863 | 38 | 44 | |
| 0092330 | 58 | 40-1 | | 0093357 | 38 | 40 | | 0093863 | 40 | 8 | |
| 0092331 | 56 | 40-2 | | 0093357 | 77 | 41-6 | | 0093863 | 41 | 15 | |
| 0092331 | 58 | 40-2 | | 0093358 | 27 | 24-2 | | 0093864 | 1 | 9 | |
| 0092332 | 56 | 43-1 | | 0093358 | 37 | 1-2 | | 0093864 | 2 | 27 | |
| 0092332 | 60 | 39-1 | | 0093358 | 77 | 41-7 | | 0093864 | 4 | 27 | |
| 0092333 | 56 | 43-2 | | 0093365 | 27 | 14 | | 0093864 | 7 | 32 | |
| 0092333 | 60 | 39-2 | | 0093365 | 38 | 28 | | 0093864 | 26 | 12 | |
| 0092335 | 55 | 11 | | 0093365 | 39 | 57 | | 0093981 | 77 | 23 | |
| 0092335 | 57 | 13 | | 0093389 | 12 | 6 | | 0093982 | 77 | 26 | |
| 0092335 | 59 | 10 | | 0093479 | 8 | 24 | | | | | |

INDEX

| Parts No. | Page No. | Ref. No. | Weight (g) | Parts No. | Page No. | Ref. No. | Weight (g) | Parts No. | Page No. | Ref. No. | Weight (g) |
|-----------|----------|----------|------------|-----------|----------|----------|------------|-----------|----------|----------|------------|
| 0094201 | 22 | 35 | | 0094417 | 50 | 22 | | 0095062 | 22 | 19 | |
| 0094201 | 29 | 35 | | 0094418 | 45 | 18 | | 0095062 | 29 | 19 | |
| 0094201 | 74 | 10 | | 0094418 | 50 | 18 | | 0095063 | 22 | 18 | |
| 0094210 | 77 | 17-1 | | 0094433 | 43 | 27 | | 0095063 | 29 | 18 | |
| 0094211 | 77 | 17-2 | | 0094433 | 48 | 27 | | 0095064 | 22 | 12 | |
| 0094212 | 77 | 17-3 | | 0094477 | 45 | 17 | | 0095064 | 29 | 12 | |
| 0094215 | 18 | 1-1 | | 0094477 | 50 | 17 | | 0095065 | 22 | 22 | |
| 0094215 | 20 | 1-1 | | 0094478 | 43 | 1 | | 0095065 | 29 | 22 | |
| 0094216 | 18 | 1-2 | | 0094478 | 48 | 1 | | 0095066 | 22 | 16 | |
| 0094216 | 20 | 1-2 | | 0094491 | 43 | 19 | | 0095066 | 29 | 16 | |
| 0094217 | 18 | 1-3 | | 0094491 | 48 | 19 | | 0095067 | 22 | 17 | |
| 0094217 | 20 | 1-3 | | 0094491 | 55 | 16 | | 0095067 | 29 | 17 | |
| 0094219 | 18 | 1-4 | | 0094491 | 57 | 23 | | 0095070 | 22 | 9 | |
| 0094219 | 20 | 1-4 | | 0094491 | 59 | 6 | | 0095070 | 29 | 9 | |
| 0094235 | 17 | 16 | | 0094491 | 63 | 11 | | 0095085 | 18 | 28-1 | |
| 0094235 | 19 | 16 | | 0094491 | 66 | 7 | | 0095089 | 18 | 27-1 | |
| 0094245 | 17 | 5 | | 0094500 | 24 | 3 | | 0095108 | 1 | 12 | |
| 0094245 | 19 | 5 | | 0094507 | 24 | 5 | | 0095132 | 11 | 33 | |
| 0094246 | 17 | 6 | | 0094512 | 36 | 24 | | 0095168 | 6 | 22 | |
| 0094246 | 19 | 6 | | 0094556 | 74 | 38 | | 0095170 | 6 | 19 | |
| 0094281 | 18 | 7-1 | | 0094557 | 74 | 39 | | 0095214 | 6 | 7 | |
| 0094281 | 20 | 7-1 | | 0094566 | 9 | 6 | | 0095218 | 4 | 29 | |
| 0094282 | 18 | 7-2 | | 0094574 | 26 | 47 | | 0095220 | 77 | 43 | |
| 0094282 | 20 | 7-2 | | 0094577 | 26 | 51 | | 0095234 | 18 | 11 | |
| 0094283 | 18 | 7-3 | | 0094582 | 26 | 45 | | 0095238 | 18 | 10 | |
| 0094283 | 20 | 7-3 | | 0094604 | 14 | 19 | | 0095260 | 27 | 20-1 | |
| 0094285 | 18 | 7-4 | | 0094615 | 14 | 30 | | 0095261 | 27 | 20-2 | |
| 0094285 | 20 | 7-4 | | 0094615 | 77 | 4 | | 0095262 | 27 | 20-3 | |
| 0094304 | 82 | 34 | | 0094616 | 14 | 21 | | 0095266 | 27 | 7 | |
| 0094356 | 44 | 31 | | 0094800 | 14 | 9-1 | | 0095266 | 78 | 9 | |
| 0094356 | 49 | 34 | | 0094801 | 14 | 9-2 | | 0095268 | 27 | 9 | |
| 0094357 | 44 | 33 | | 0094801 | 37 | 19-1 | | 0095268 | 78 | 11 | |
| 0094357 | 49 | 36 | | 0094802 | 14 | 9-3 | | 0095269 | 21 | 30 | |
| 0094358 | 45 | 1 | | 0094802 | 37 | 19-2 | | 0095269 | 28 | 30 | |
| 0094358 | 50 | 1 | | 0094839 | 36 | 32 | | 0095269 | 76 | 14 | |
| 0094387 | 43 | 10 | | 0094871 | 14 | 26-1 | | 0095270 | 76 | 17 | |
| 0094387 | 48 | 10 | | 0094872 | 14 | 26-2 | | 0095272 | 21 | 37 | |
| 0094390 | 43 | 36 | | 0094873 | 14 | 26-3 | | 0095272 | 28 | 37 | |
| 0094390 | 48 | 36 | | 0094890 | 14 | 27 | | 0095272 | 76 | 20 | |
| 0094396 | 43 | 32 | | 0094901 | 77 | 18-2 | | 0095275 | 26 | 40 | |
| 0094396 | 48 | 32 | | 0094902 | 77 | 18-3 | | 0095276 | 26 | 36 | |
| 0094403 | 45 | 19 | | 0094908 | 18 | 25-2 | | 0095278 | 27 | 25-1 | |
| 0094403 | 50 | 19 | | 0094909 | 18 | 25-3 | | 0095279 | 27 | 25-2 | |
| 0094403 | 76 | 44 | | 0094921 | 18 | 26-2 | | 0095296 | 76 | 19 | |
| 0094406 | 45 | 20 | | 0094922 | 18 | 26-3 | | 0095313 | 27 | 1-1 | |
| 0094406 | 50 | 20 | | 0094961 | 14 | 29-1 | | 0095314 | 27 | 1-2 | |
| 0094410 | 45 | 15 | | 0094962 | 14 | 29-2 | | 0095315 | 27 | 1-3 | |
| 0094410 | 50 | 15 | | 0094963 | 14 | 29-3 | | 0095316 | 27 | 23-1 | |
| 0094412 | 45 | 29 | | | | | | 0095317 | 27 | 23-2 | |
| 0094412 | 50 | 29 | | 0095027 | 22 | 3 | | 0095333 | 43 | 11 | |
| 0094413 | 45 | 28 | | 0095027 | 29 | 3 | | 0095333 | 48 | 11 | |
| 0094413 | 50 | 28 | | 0095027 | 76 | 62 | | 0095334 | 43 | 37 | |
| 0094415 | 45 | 26 | | 0095035 | 38 | 42 | | 0095334 | 48 | 37 | |
| 0094415 | 50 | 26 | | 0095061 | 22 | 14 | | 0095335 | 44 | 9 | |
| 0094417 | 45 | 22 | | 0095061 | 29 | 14 | | 0095335 | 49 | 11 | |

INDEX

| Parts No. | Page No. | Ref. No. | Weight (g) | Parts No. | Page No. | Ref. No. | Weight (g) | Parts No. | Page No. | Ref. No. | Weight (g) |
|-----------|----------|----------|------------|-----------|----------|----------|------------|-----------|----------|----------|------------|
| 0095336 | 44 | 19 | | 0095588 | 77 | 6-7 | | 0096158 | 39 | 15 | |
| 0095336 | 49 | 30 | | 0095641 | 77 | 10 | | 0096159 | 76 | 63 | |
| 0095337 | 44 | 22 | | 0095642 | 77 | 12 | | 0096161 | 76 | 50 | |
| 0095337 | 49 | 28 | | 0095723 | 10 | 37 | | 0096163 | 76 | 41 | |
| 0095340 | 44 | 35 | | 0095728 | 77 | 15 | | 0096164 | 76 | 42 | |
| 0095340 | 45 | 7 | | 0095730 | 77 | 14-1 | | 0096166 | 76 | 46 | |
| 0095340 | 49 | 41 | | 0095731 | 77 | 14-2 | | 0096167 | 76 | 49 | |
| 0095340 | 50 | 7 | | 0095735 | 27 | 13-4 | | 0096177 | 76 | 39 | |
| 0095341 | 45 | 9 | | 0095736 | 27 | 20-4 | | 0096178 | 76 | 60 | |
| 0095341 | 50 | 9 | | 0095737 | 27 | 1-4 | | 0096255 | 36 | 35 | |
| 0095342 | 46 | 4 | | 0095904 | 72 | 1 | | 0096270 | 63 | 22-1 | |
| 0095342 | 50 | 4 | | 0095909 | 16 | 11 | | 0096271 | 63 | 22-2 | |
| 0095343 | 45 | 10 | | 0095909 | 36 | 8 | | 0096272 | 63 | 22-3 | |
| 0095343 | 50 | 10 | | 0095916 | 16 | 5 | | 0096277 | 17 | 11 | |
| 0095357 | 44 | 36 | | 0095916 | 34 | 6 | | 0096277 | 19 | 11 | |
| 0095357 | 49 | 40 | | 0095921 | 16 | 15 | | 0096341 | 63 | 29-1 | |
| 0095359 | 45 | 39 | | 0095921 | 36 | 6 | | 0096342 | 63 | 29-2 | |
| 0095361 | 45 | 27 | | 0095922 | 16 | 14 | | 0096343 | 63 | 29-3 | |
| 0095361 | 50 | 27 | | 0095922 | 36 | 7 | | 0096348 | 63 | 14 | |
| 0095362 | 45 | 25 | | 0095930 | 16 | 22 | | 0096348 | 66 | 11 | |
| 0095362 | 50 | 25 | | 0095930 | 36 | 27 | | 0096355 | 49 | 9 | |
| 0095365 | 77 | 19 | | 0095931 | 16 | 23 | | 0096357 | 50 | 35 | |
| 0095366 | 77 | 20 | | 0095931 | 36 | 28 | | 0096358 | 50 | 31 | |
| 0095367 | 77 | 21 | | 0095932 | 36 | 26 | | | | | |
| 0095388 | 44 | 24 | | 0095936 | 36 | 18 | | 0099030 | 82 | 17 | |
| 0095388 | 49 | 23 | | 0095940 | 64 | 31 | | 0099031 | 82 | 18 | |
| 0095389 | 44 | 26 | | 0095940 | 67 | 31 | | 0099031 | 83 | 16 | |
| 0095389 | 49 | 25 | | 0095961 | 63 | 21 | | 0099048 | 82 | 1-2 | |
| 0095390 | 44 | 27 | | 0095980 | 64 | 22 | | 0099050 | 82 | 36 | |
| 0095390 | 49 | 26 | | 0095980 | 67 | 22 | | 0099056 | 82 | 1-1 | |
| 0095391 | 44 | 28 | | | | | | 0099057 | 82 | 2 | |
| 0095391 | 49 | 31 | | 0096005 | 36 | 34 | | 0099057 | 83 | 2 | |
| 0095399 | 45 | 5 | | 0096006 | 36 | 30 | | 0099058 | 82 | 3 | |
| 0095399 | 50 | 6 | | 0096010 | 47 | 32 | | 0099058 | 83 | 11 | |
| 0095456 | 71 | 28-1 | | 0096010 | 52 | 33 | | 0099059 | 82 | 5 | |
| 0095457 | 71 | 28-2 | | 0096012 | 47 | 31 | | 0099060 | 82 | 4 | |
| 0095458 | 71 | 20 | | 0096012 | 52 | 32 | | 0099060 | 83 | 4 | |
| 0095462 | 71 | 17 | | 0096013 | 47 | 30 | | 0099061 | 82 | 8 | |
| 0095463 | 71 | 12 | | 0096013 | 52 | 31 | | 0099061 | 83 | 7 | |
| 0095464 | 71 | 14 | | 0096018 | 47 | 24 | | 0099062 | 82 | 11 | |
| 0095465 | 71 | 13 | | 0096018 | 52 | 25 | | 0099062 | 83 | 10 | |
| 0095466 | 71 | 8 | | 0096020 | 47 | 20 | | 0099063 | 82 | 14 | |
| 0095471 | 71 | 19-1 | | 0096020 | 52 | 21 | | 0099063 | 83 | 12 | |
| 0095472 | 71 | 19-2 | | 0096022 | 47 | 14 | | 0099064 | 82 | 19 | |
| 0095493 | 77 | 2-1 | | 0096022 | 52 | 14 | | 0099065 | 82 | 21 | |
| 0095494 | 77 | 2-2 | | 0096023 | 47 | 15 | | 0099065 | 83 | 20 | |
| 0095515 | 27 | 3 | | 0096023 | 52 | 15 | | 0099066 | 82 | 22 | |
| 0095515 | 78 | 5-1 | | 0096025 | 47 | 13 | | 0099066 | 83 | 21 | |
| 0095541 | 71 | 27 | | 0096026 | 47 | 3 | | 0099067 | 82 | 24 | |
| 0095580 | 77 | 6-1 | | 0096027 | 47 | 27 | | 0099067 | 83 | 23 | |
| 0095581 | 77 | 6-2 | | 0096027 | 52 | 28 | | 0099068 | 82 | 25 | |
| 0095582 | 77 | 6-3 | | 0096041 | 78 | 1-1 | | 0099068 | 83 | 24 | |
| 0095584 | 77 | 6-4 | | 0096042 | 78 | 1-2 | | 0099069 | 82 | 26 | |
| 0095586 | 77 | 6-5 | | 0096043 | 78 | 1-3 | | 0099069 | 83 | 25 | |
| 0095587 | 77 | 6-6 | | 0096066 | 76 | 9 | | 0099070 | 82 | 29 | |

INDEX

| Parts No. | Page No. | Ref. No. | Weight (g) | Parts No. | Page No. | Ref. No. | Weight (g) | Parts No. | Page No. | Ref. No. | Weight (g) |
|-----------|----------|----------|------------|-----------|----------|----------|------------|-----------|----------|----------|------------|
| 0099070 | 83 | 28 | | 110009 | 28 | 29 | | 110033 | 11 | 8 | |
| 0099071 | 82 | 30 | | 110009 | 34 | 4 | | 110033 | 38 | 13 | |
| | | | | 110009 | 38 | 23 | | 110033 | 39 | 4 | |
| 100001 | 47 | 12 | | 110009 | 39 | 18 | | 110035 | 2 | 33 | |
| 100002 | 10 | 9 | | 110009 | 45 | 43 | | 110035 | 5 | 40 | |
| 100002 | 13 | 9 | | 110009 | 47 | 5 | | 110035 | 7 | 6 | |
| 100003 | 9 | 11 | | 110009 | 55 | 15 | | 110035 | 35 | 12 | |
| 100003 | 23 | 23 | | 110009 | 57 | 17 | | 110035 | 57 | 19 | |
| 100003 | 30 | 23 | | 110009 | 59 | 14 | | 110036 | 5 | 28 | |
| 100018 | 23 | 27 | | 110009 | 62 | 3 | | 110036 | 15 | 5 | |
| 100018 | 30 | 27 | | 110009 | 63 | 30 | | 110036 | 21 | 15 | |
| 100028 | 33 | 16 | | 110009 | 66 | 15 | | 110036 | 28 | 15 | |
| 100028 | 76 | 16 | | 110009 | 71 | 21 | | 110036 | 41 | 10 | |
| 100038 | 53 | 27 | | 110009 | 78 | 20 | | 110038 | 57 | 21 | |
| 100038 | 54 | 44 | | 110010 | 70 | 13 | | 110041 | 2 | 37 | |
| 100038 | 55 | 26 | | 110011 | 76 | 40 | | 110045 | 1 | 2 | |
| 100038 | 57 | 34 | | 110012 | 1 | 21 | | 110047 | 70 | 5 | |
| 100038 | 59 | 31 | | 110012 | 2 | 50 | | 110048 | 21 | 3 | |
| 100038 | 65 | 25 | | 110012 | 6 | 37 | | 110048 | 28 | 3 | |
| 100038 | 68 | 32 | | 110012 | 7 | 41 | | 110048 | 57 | 6 | |
| 100038 | 70 | 30 | | 110012 | 13 | 2 | | 110048 | 76 | 5 | |
| 100038 | 75 | 59 | | 110012 | 43 | 24 | | 110048 | 79 | 4 | |
| | | | | 110012 | 48 | 24 | | 110054 | 77 | 35 | |
| 110002 | 7 | 39 | | 110012 | 52 | 12 | | 110057 | 10 | 36 | |
| 110002 | 22 | 25 | | 110013 | 1 | 24 | | 110057 | 16 | 25 | |
| 110002 | 29 | 25 | | 110013 | 2 | 14 | | 110057 | 36 | 29 | |
| 110002 | 79 | 10 | | 110013 | 3 | 14 | | 110070 | 12 | 36 | |
| 110003 | 45 | 40 | | 110013 | 17 | 17 | | 110076 | 59 | 23 | |
| 110004 | 6 | 35 | | 110013 | 19 | 17 | | 110076 | 68 | 25 | |
| 110004 | 12 | 31 | | 110013 | 31 | 2 | | 110080 | 12 | 2 | |
| 110005 | 5 | 20 | | 110013 | 34 | 7 | | 110083 | 5 | 38 | |
| 110005 | 26 | 58 | | 110013 | 40 | 4 | | 110100 | 26 | 35 | |
| 110007 | 10 | 13 | | 110013 | 43 | 20 | | 110103 | 17 | 13 | |
| 110007 | 55 | 12 | | 110013 | 48 | 20 | | 110103 | 19 | 13 | |
| 110007 | 57 | 14 | | 110013 | 55 | 4 | | 110104 | 17 | 15 | |
| 110007 | 59 | 11 | | 110013 | 57 | 4 | | 110104 | 19 | 15 | |
| 110008 | 2 | 35 | | 110013 | 59 | 2 | | 110105 | 2 | 54 | |
| 110008 | 26 | 53 | | 110013 | 63 | 4 | | 110105 | 14 | 23 | |
| 110008 | 38 | 21 | | 110013 | 66 | 3 | | | | | |
| 110008 | 39 | 23 | | 110013 | 74 | 36 | | 120001 | 10 | 4 | |
| 110008 | 55 | 14 | | 110014 | 43 | 41 | | 120001 | 26 | 4 | |
| 110008 | 57 | 16 | | 110014 | 48 | 41 | | 120001 | 43 | 9 | |
| 110008 | 59 | 13 | | 110016 | 1 | 26 | | 120001 | 47 | 10 | |
| 110008 | 63 | 17 | | 110016 | 2 | 42 | | 120001 | 48 | 9 | |
| 110008 | 66 | 14 | | 110016 | 22 | 30 | | 120001 | 53 | 2 | |
| 110009 | 3 | 19 | | 110016 | 29 | 30 | | 120006 | 11 | 3 | |
| 110009 | 5 | 42 | | 110027 | 39 | 52 | | 120006 | 12 | 16 | |
| 110009 | 6 | 12 | | 110028 | 82 | 32 | | 120006 | 13 | 38 | |
| 110009 | 9 | 7 | | 110030 | 2 | 8 | | 120006 | 22 | 45 | |
| 110009 | 11 | 34 | | 110030 | 22 | 40 | | 120006 | 29 | 45 | |
| 110009 | 17 | 10 | | 110030 | 29 | 40 | | 120006 | 31 | 19 | |
| 110009 | 19 | 10 | | 110031 | 8 | 6 | | 120006 | 45 | 32 | |
| 110009 | 21 | 29 | | 110031 | 9 | 26 | | 120006 | 71 | 5 | |
| 110009 | 25 | 2 | | 110031 | 13 | 11 | | 120006 | 75 | 45 | |
| 110009 | 26 | 46 | | 110031 | 35 | 4 | | 120008 | 22 | 10 | |

INDEX

| Parts No. | Page No. | Ref. No. | Weight (g) | Parts No. | Page No. | Ref. No. | Weight (g) | Parts No. | Page No. | Ref. No. | Weight (g) |
|-----------|----------|----------|------------|-----------|----------|----------|------------|-----------|----------|----------|------------|
| 120008 | 23 | 38 | | 130003 | 2 | 10 | | 160003 | 26 | 2 | |
| 120008 | 29 | 10 | | 130003 | 3 | 40 | | 160003 | 29 | 4 | |
| 120008 | 30 | 38 | | 130003 | 12 | 33 | | 160003 | 30 | 36 | |
| 120008 | 64 | 18 | | 130003 | 45 | 13 | | 160003 | 31 | 17 | |
| 120008 | 67 | 18 | | 130003 | 50 | 13 | | 160003 | 62 | 26 | |
| 120009 | 35 | 2 | | 130004 | 2 | 11 | | 160004 | 6 | 16 | |
| 120009 | 47 | 19 | | 130004 | 11 | 37 | | 160005 | 5 | 2 | |
| 120009 | 52 | 20 | | 130006 | 2 | 18 | | 160005 | 6 | 2 | |
| 120011 | 54 | 4 | | 130006 | 74 | 14 | | 160005 | 31 | 4 | |
| 120011 | 56 | 3 | | 130007 | 70 | 12 | | 160006 | 26 | 6 | |
| 120011 | 58 | 3 | | 130024 | 12 | 37 | | 160007 | 5 | 3 | |
| 120011 | 60 | 3 | | | | | | 160007 | 6 | 3 | |
| 120012 | 23 | 14 | | 140017 | 11 | 23 | | 160007 | 9 | 18 | |
| 120012 | 26 | 44 | | 140018 | 11 | 19 | | 160007 | 10 | 30 | |
| 120012 | 30 | 14 | | 140019 | 17 | 7 | | 160007 | 12 | 4 | |
| 120013 | 6 | 25 | | 140019 | 19 | 7 | | 160007 | 23 | 9 | |
| 120013 | 9 | 15 | | | | | | 160007 | 26 | 33 | |
| 120013 | 22 | 7 | | 150001 | 21 | 19 | | 160007 | 30 | 9 | |
| 120013 | 29 | 7 | | 150001 | 28 | 19 | | 160007 | 36 | 23 | |
| 120013 | 42 | 9 | | | | | | 160007 | 82 | 20 | |
| 120013 | 44 | 10 | | 160000 | 1 | 17 | | 160007 | 83 | 19 | |
| 120013 | 49 | 12 | | 160000 | 5 | 26 | | 160009 | 10 | 22 | |
| 120013 | 51 | 17 | | 160000 | 21 | 23 | | 160016 | 12 | 22 | |
| 120015 | 6 | 26 | | 160000 | 26 | 50 | | 160023 | 7 | 37 | |
| 120015 | 7 | 17 | | 160000 | 28 | 23 | | | | | |
| 120015 | 37 | 22 | | 160000 | 31 | 13 | | 170001 | 1 | 14 | |
| 120015 | 39 | 31 | | 160000 | 35 | 16 | | 170001 | 21 | 31 | |
| 120015 | 64 | 38 | | 160000 | 64 | 21 | | 170001 | 28 | 31 | |
| 120015 | 67 | 38 | | 160000 | 67 | 21 | | 170001 | 74 | 6 | |
| 120017 | 8 | 27 | | 160000 | 74 | 25 | | 170009 | 43 | 15 | |
| 120017 | 64 | 37-1 | | 160000 | 75 | 43 | | 170009 | 48 | 15 | |
| 120017 | 64 | 37-2 | | 160000 | 79 | 12 | | 170020 | 2 | 44 | |
| 120017 | 67 | 37-1 | | 160001 | 2 | 46 | | 170021 | 10 | 14 | |
| 120017 | 67 | 37-2 | | 160001 | 5 | 31 | | 170026 | 22 | 32 | |
| 120018 | 31 | 15 | | 160001 | 10 | 16 | | 170026 | 29 | 32 | |
| 120018 | 45 | 37 | | 160001 | 11 | 28 | | 170029 | 71 | 9 | |
| 120019 | 23 | 2 | | 160001 | 21 | 9 | | 170033 | 76 | 61 | |
| 120019 | 30 | 2 | | 160001 | 22 | 28 | | | | | |
| 120021 | 64 | 3 | | 160001 | 23 | 29 | | 180002 | 12 | 24 | |
| 120021 | 67 | 3 | | 160001 | 25 | 8 | | 180003 | 12 | 28 | |
| 120023 | 50 | 36 | | 160001 | 26 | 28 | | 180005 | 1 | 16 | |
| 120026 | 47 | 23 | | 160001 | 28 | 9 | | 180012 | 21 | 27 | |
| 120026 | 62 | 11 | | 160001 | 29 | 28 | | 180012 | 22 | 34 | |
| 120026 | 64 | 35-1 | | 160001 | 30 | 29 | | 180012 | 28 | 27 | |
| 120026 | 64 | 35-2 | | 160001 | 35 | 15 | | 180012 | 29 | 34 | |
| 120026 | 67 | 35-1 | | 160001 | 64 | 25 | | 180017 | 2 | 47 | |
| 120026 | 67 | 35-2 | | 160001 | 67 | 25 | | 180018 | 1 | 22 | |
| 120027 | 22 | 42 | | 160001 | 74 | 8 | | 180018 | 2 | 51 | |
| 120027 | 26 | 10 | | 160003 | 5 | 22 | | 180020 | 80 | 3 | |
| 120027 | 29 | 42 | | 160003 | 9 | 3 | | 180020 | 81 | 5 | |
| 120040 | 52 | 24 | | 160003 | 10 | 6 | | | | | |
| | | | | 160003 | 11 | 10 | | 190005 | 22 | 38 | |
| 130002 | 5 | 44 | | 160003 | 12 | 12 | | 190005 | 29 | 38 | |
| 130002 | 64 | 27 | | 160003 | 22 | 4 | | 190005 | 74 | 9 | |
| 130002 | 67 | 27 | | 160003 | 23 | 36 | | 190007 | 23 | 37 | |

INDEX

| Parts No. | Page No. | Ref. No. | Weight (g) | Parts No. | Page No. | Ref. No. | Weight (g) | Parts No. | Page No. | Ref. No. | Weight (g) |
|-----------|----------|----------|------------|-----------|----------|----------|------------|-----------|----------|----------|------------|
| 190007 | 30 | 37 | | 300031 | 75 | 57 | | 1057041 | 33 | 2 | |
| 190009 | 50 | 30 | | 300033 | 53 | 26 | | 1057041 | 59 | 16 | |
| 190021 | 21 | 5 | | 300033 | 54 | 43 | | 1057041 | 68 | 19 | |
| 190021 | 28 | 5 | | 300033 | 55 | 25 | | 1057059 | 59 | 17 | |
| 190021 | 40 | 1 | | 300033 | 57 | 33 | | 1057069 | 32 | 3 | |
| 190021 | 76 | 3 | | 300033 | 59 | 30 | | 1057069 | 61 | 3 | |
| 190022 | 76 | 12 | | 300033 | 65 | 24 | | 1057069 | 69 | 3 | |
| 190028 | 17 | 18 | | 300033 | 68 | 31 | | 1057072 | 33 | 3 | |
| 190028 | 19 | 18 | | 300033 | 70 | 29 | | 1057087 | 55 | 21 | |
| 190034 | 22 | 26 | | 300033 | 75 | 58 | | 1057087 | 57 | 29 | |
| 190034 | 29 | 26 | | 300038 | 64 | 8 | | 1057089 | 59 | 20 | |
| 190044 | 21 | 1 | | 300038 | 67 | 8 | | 1057089 | 68 | 22 | |
| 190044 | 28 | 1 | | 300100 | 1 | 15 | | | | | |
| 190044 | 76 | 6 | | 300100 | 2 | 45 | | 1064032 | 31 | 7 | |
| 190044 | 79 | 3 | | 300100 | 21 | 32 | | 1064040 | 74 | 15 | |
| 190062 | 79 | 21 | | 300100 | 22 | 33 | | | | | |
| 190064 | 21 | 25 | | 300100 | 28 | 32 | | 1066024 | 33 | 11 | |
| 190064 | 28 | 25 | | 300100 | 29 | 33 | | 1066025 | 33 | 8 | |
| 190064 | 79 | 18 | | 300100 | 74 | 7 | | 1066099 | 70 | 26 | |
| | | | | | | | | 1066100 | 70 | 27 | |
| 260000 | 6 | 18 | | 310009 | 4 | 2 | | | | | |
| 260000 | 37 | 23 | | 310018 | 6 | 38 | | 1090002 | 52 | 38 | |
| | | | | 310035 | 5 | 30 | | 1090011 | 51 | 32 | |
| 270012 | 16 | 7 | | 310036 | 7 | 33 | | 1090011 | 52 | 50 | |
| 270012 | 36 | 12 | | 310039 | 3 | 31 | | 1090011 | 53 | 30 | |
| 270014 | 38 | 27 | | 310039 | 39 | 12 | | 1090012 | 51 | 31 | |
| 270014 | 39 | 28 | | 310041 | 26 | 20 | | 1090012 | 52 | 49 | |
| | | | | 310042 | 26 | 25 | | 1090013 | 53 | 12 | |
| 290018 | 23 | 20 | | 310043 | 26 | 31 | | 1090033 | 70 | 18 | |
| 290018 | 30 | 20 | | 310055 | 36 | 22 | | 1090061 | 53 | 11 | |
| 290023 | 70 | 3 | | 310056 | 35 | 8 | | 1090133 | 73 | 21 | |
| | | | | | | | | 1090141 | 42 | 26 | |
| 300000 | 10 | 8 | | 320006 | 13 | 4 | | | | | |
| 300000 | 11 | 20 | | | | | | 1091002 | 49 | 1 | |
| 300000 | 13 | 7 | | | | | | 1091006 | 52 | 7 | |
| 300006 | 9 | 8 | | 330000 | 1 | 27 | | 1091028 | 70 | 7 | |
| 300006 | 71 | 25 | | 330000 | 7 | 22 | | 1091050 | 42 | 6 | |
| 300006 | 72 | 3 | | 330000 | 26 | 29 | | 1091050 | 51 | 14 | |
| 300010 | 82 | 33 | | 330000 | 37 | 28 | | 1091050 | 51 | 14 | |
| 300017 | 71 | 10 | | 330000 | 39 | 36 | | 1091051 | 15 | 6 | |
| 300027 | 82 | 15 | | 330000 | 62 | 27 | | 1091051 | 41 | 11 | |
| 300027 | 83 | 13 | | | | | | | | | |
| 300030 | 32 | 20 | | 340016 | 1 | 30 | | 1094000 | 70 | 9 | |
| 300030 | 59 | 24 | | 340022 | 26 | 24 | | 1094002 | 68 | 11 | |
| 300030 | 61 | 20 | | | | | | 1094008 | 70 | 16 | |
| 300030 | 68 | 26 | | 390067 | 1 | 38 | | 1094011 | 73 | 3 | |
| 300030 | 69 | 20 | | 390068 | 1 | 39 | | 1094030 | 42 | 32 | |
| 300031 | 53 | 25 | | 390069 | 1 | 6 | | | | | |
| 300031 | 54 | 42 | | 390073 | 1 | 10 | | 1096000 | 73 | 12 | |
| 300031 | 55 | 24 | | | | | | 1096004 | 73 | 28 | |
| 300031 | 57 | 32 | | 1050221 | 61 | 21 | | 1096005 | 73 | 29 | |
| 300031 | 59 | 29 | | 1050221 | 69 | 21 | | | | | |
| 300031 | 65 | 23 | | 1050228 | 32 | 21 | | 1097000 | 73 | 4 | |
| 300031 | 68 | 30 | | | | | | 1097001 | 73 | 9 | |
| 300031 | 70 | 28 | | 1057021 | 75 | 54 | | | | | |
| | | | | 1057028 | 57 | 28 | | 1200007 | 52 | 48 | |

INDEX

| Parts No. | Page No. | Ref. No. | Weight (g) | Parts No. | Page No. | Ref. No. | Weight (g) | Parts No. | Page No. | Ref. No. | Weight (g) |
|-----------|----------|----------|------------|-----------|----------|----------|------------|-----------|----------|----------|------------|
| 1200034 | 75 | 47 | | 2100267 | 22 | 27 | | 3002020 | 67 | 29 | |
| 1200037 | 65 | 14 | | 2100267 | 29 | 27 | | 3002021 | 64 | 30 | |
| 1200037 | 68 | 36 | | 2100276 | 12 | 23 | | 3002021 | 67 | 30 | |
| 1200038 | 55 | 3 | | 2100277 | 12 | 19 | | 3002022 | 64 | 32 | |
| 1200038 | 57 | 3 | | 2100278 | 12 | 20 | | 3002022 | 67 | 32 | |
| 1200038 | 63 | 3 | | 2100289 | 12 | 25 | | 3002023 | 64 | 33 | |
| 1200040 | 55 | 29 | | 2100337 | 81 | 19 | | 3002023 | 67 | 33 | |
| 1200040 | 57 | 39 | | 2100338 | 81 | 21 | | 3002025 | 64 | 40 | |
| 1200040 | 65 | 28 | | 2100376 | 81 | 2 | | 3002025 | 67 | 40 | |
| 1200068 | 55 | 10 | | | | | | 3002026 | 64 | 4 | |
| 1200068 | 57 | 12 | | 2101451 | 80 | 9 | | 3002026 | 67 | 4 | |
| 1200068 | 59 | 9 | | 2101451 | 81 | 11 | | 3002027 | 64 | 9 | |
| 1200069 | 56 | 4 | | | | | | 3002027 | 67 | 9 | |
| 1200069 | 58 | 4 | | 2109932 | 73 | 1 | | 3002028 | 64 | 10 | |
| 1200069 | 60 | 4 | | | | | | 3002028 | 67 | 10 | |
| 1200071 | 42 | 31 | | 2110527 | 12 | 10 | | 3002029 | 64 | 7 | |
| 1200071 | 52 | 47 | | | | | | 3002029 | 67 | 7 | |
| 1200071 | 53 | 21 | | 2114011 | 74 | 20 | | 3002030 | 64 | 11 | |
| 1200110 | 53 | 22 | | 2114025 | 74 | 19 | | 3002030 | 67 | 11 | |
| 1200132 | 57 | 38 | | | | | | 3002031 | 64 | 12 | |
| 1200137 | 57 | 8 | | 3000009 | 77 | 13 | | 3002031 | 67 | 12 | |
| 1200138 | 57 | 20 | | | | | | 3002032 | 64 | 14 | |
| 1200153 | 31 | 1 | | 3001001 | 52 | 3 | | 3002032 | 67 | 14 | |
| 1200170 | 32 | 8 | | 3001002 | 52 | 13 | | | | | |
| 1200199 | 63 | 13 | | 3001066 | 53 | 9 | | 3007018 | 18 | 27-2 | |
| 1200199 | 66 | 10 | | 3001100 | 70 | 6 | | 3007029 | 77 | 9-1 | |
| 1200204 | 61 | 8 | | 3001101 | 70 | 4 | | 3007030 | 77 | 9-2 | |
| 1200204 | 69 | 8 | | | | | | | | | |
| | | | | 3002007 | 64 | 34 | | 3008012 | 78 | 2 | |
| 1249008 | 75 | 53 | | 3002007 | 67 | 34 | | 3008025 | 18 | 28-2 | |
| 1249020 | 55 | 20 | | 3002008 | 64 | 15 | | | | | |
| 1249046 | 57 | 27 | | 3002008 | 67 | 15 | | 3009101 | 77 | 41-4 | |
| 1249053 | 32 | 1 | | 3002009 | 64 | 2 | | | | | |
| 1249054 | 33 | 1 | | 3002009 | 67 | 2 | | 3010022 | 22 | 15 | |
| 1249069 | 61 | 1 | | 3002010 | 64 | 5 | | 3010022 | 29 | 15 | |
| 1249069 | 69 | 1 | | 3002010 | 67 | 5 | | | | | |
| 1249070 | 59 | 15 | | 3002011 | 64 | 13 | | 3011117 | 53 | 8 | |
| 1249071 | 68 | 18 | | 3002011 | 67 | 13 | | | | | |
| | | | | 3002012 | 64 | 16 | | 3100006 | 23 | 4 | |
| 1260036 | 59 | 18 | | 3002012 | 67 | 16 | | 3100006 | 30 | 4 | |
| 1260036 | 68 | 20 | | 3002013 | 64 | 17 | | 3100016 | 2 | 12 | |
| | | | | 3002013 | 67 | 17 | | 3100017 | 2 | 13 | |
| 1298000 | 73 | 13 | | 3002014 | 64 | 19 | | 3100018 | 1 | 7 | |
| | | | | 3002014 | 67 | 19 | | 3100019 | 1 | 8 | |
| 2100034 | 4 | 22 | | 3002015 | 64 | 23 | | 3100026 | 1 | 1 | |
| 2100065 | 3 | 15 | | 3002015 | 67 | 23 | | 3100027 | 1 | 3 | |
| 2100161 | 11 | 9 | | 3002016 | 64 | 20 | | 3100030 | 2 | 41 | |
| 2100173 | 12 | 17 | | 3002016 | 67 | 20 | | 3100060 | 13 | 10 | |
| 2100218 | 22 | 2 | | 3002017 | 64 | 24 | | 3100061 | 13 | 12 | |
| 2100218 | 29 | 2 | | 3002017 | 67 | 24 | | 3100070 | 2 | 28 | |
| 2100248 | 11 | 24 | | 3002018 | 64 | 26 | | 3100071 | 2 | 52 | |
| 2100252 | 11 | 12 | | 3002018 | 67 | 26 | | 3100074 | 3 | 13 | |
| 2100253 | 11 | 14 | | 3002019 | 64 | 28 | | 3100075 | 3 | 10 | |
| 2100267 | 10 | 15 | | 3002019 | 67 | 28 | | 3100078 | 6 | 30 | |
| 2100267 | 11 | 27 | | 3002020 | 64 | 29 | | 3100086 | 3 | 3 | |

INDEX

| Parts No. | Page No. | Ref. No. | Weight (g) | Parts No. | Page No. | Ref. No. | Weight (g) | Parts No. | Page No. | Ref. No. | Weight (g) |
|-----------|----------|----------|------------|-----------|----------|----------|------------|-----------|----------|----------|------------|
| 3100087 | 3 | 41 | | 3100604 | 23 | 8 | | 3107025 | 37 | 13-1 | |
| 3100098 | 4 | 12 | | 3100604 | 30 | 8 | | 3107047 | 37 | 13-2 | |
| 3100100 | 4 | 6 | | 3100607 | 23 | 10 | | 3107050 | 14 | 3-1 | |
| 3100108 | 4 | 10 | | 3100607 | 30 | 10 | | | | | |
| 3100127 | 6 | 11 | | 3100623 | 23 | 32 | | 3109310 | 39 | 58 | |
| 3100128 | 5 | 7 | | 3100623 | 30 | 32 | | | | | |
| 3100129 | 5 | 10 | | 3100625 | 23 | 1 | | 3120013 | 26 | 42 | |
| 3100129 | 6 | 6 | | 3100625 | 30 | 1 | | 3120113 | 79 | 9 | |
| 3100192 | 23 | 31 | | 3100626 | 23 | 5 | | 3120128 | 38 | 14 | |
| 3100192 | 30 | 31 | | 3100626 | 30 | 5 | | 3120128 | 39 | 5 | |
| 3100281 | 6 | 8 | | 3100702 | 47 | 9 | | | | | |
| 3100282 | 6 | 9 | | 3100703 | 47 | 18 | | 3200000 | 1 | 28 | |
| 3100283 | 6 | 10 | | 3100703 | 52 | 19 | | 3200006 | 1 | 34 | |
| 3100285 | 6 | 24 | | 3100707 | 47 | 28 | | 3200007 | 1 | 33 | |
| 3100286 | 6 | 28 | | 3100707 | 52 | 29 | | 3200010 | 1 | 11 | |
| 3100287 | 6 | 29 | | 3100708 | 47 | 25 | | 3200011 | 1 | 13 | |
| 3100294 | 8 | 26 | | 3100708 | 52 | 26 | | 3200012 | 1 | 20 | |
| 3100300 | 9 | 2 | | 3100709 | 47 | 35 | | 3200013 | 1 | 23 | |
| 3100301 | 9 | 5 | | 3100709 | 52 | 36 | | 3200014 | 2 | 9 | |
| 3100302 | 9 | 1 | | 3100710 | 47 | 29 | | 3200015 | 2 | 43-1 | |
| 3100303 | 9 | 14 | | 3100710 | 52 | 30 | | 3200016 | 2 | 49 | |
| 3100304 | 9 | 16 | | 3100711 | 43 | 44 | | 3200017 | 2 | 1 | |
| 3100305 | 9 | 17 | | 3100711 | 48 | 44 | | 3200018 | 2 | 4-1 | |
| 3100306 | 9 | 27 | | | | | | 3200019 | 2 | 7 | |
| 3100307 | 9 | 24 | | 3101200 | 4 | 32 | | 3200020 | 2 | 53 | |
| 3100309 | 9 | 9 | | 3101223 | 77 | 34 | | 3200021 | 1 | 37 | |
| 3100328 | 13 | 35 | | 3101224 | 77 | 33 | | 3200022 | 2 | 19 | |
| 3100329 | 13 | 14 | | 3101228 | 77 | 38 | | 3200023 | 2 | 20 | |
| 3100335 | 13 | 25 | | 3101229 | 77 | 37 | | 3200024 | 2 | 15 | |
| 3100336 | 13 | 27 | | 3101270 | 76 | 22 | | 3200025 | 2 | 16 | |
| 3100345 | 13 | 13 | | 3101275 | 43 | 29 | | 3200026 | 2 | 39 | |
| 3100349 | 13 | 41 | | 3101275 | 48 | 29 | | 3200027 | 2 | 40 | |
| 3100381 | 3 | 30 | | 3101276 | 43 | 30 | | 3200028 | 2 | 29 | |
| 3100381 | 39 | 11 | | 3101276 | 48 | 30 | | 3200029 | 2 | 30 | |
| 3100382 | 3 | 29 | | 3101373 | 21 | 12 | | 3200030 | 2 | 31 | |
| 3100442 | 3 | 39 | | 3101373 | 28 | 12 | | 3200031 | 2 | 32 | |
| 3100527 | 43 | 40 | | 3101373 | 74 | 32 | | 3200032 | 2 | 36 | |
| 3100527 | 48 | 40 | | 3101376 | 21 | 18 | | 3200033 | 1 | 19 | |
| 3100528 | 43 | 39 | | 3101376 | 28 | 18 | | 3200033 | 2 | 48 | |
| 3100528 | 48 | 39 | | 3101377 | 74 | 21 | | 3200034 | 2 | 43-2 | |
| 3100529 | 43 | 23 | | 3101460 | 75 | 41 | | 3200034 | 16 | 21 | |
| 3100529 | 48 | 23 | | 3101461 | 75 | 42 | | 3200034 | 36 | 16 | |
| 3100533 | 43 | 8 | | 3101462 | 75 | 44 | | 3200035 | 2 | 4-2 | |
| 3100533 | 48 | 8 | | 3101464 | 56 | 37 | | 3200035 | 16 | 20 | |
| 3100535 | 44 | 41 | | 3101464 | 58 | 37 | | 3200035 | 36 | 15 | |
| 3100570 | 46 | 2 | | 3101464 | 60 | 37 | | 3200035 | 39 | 55 | |
| 3100571 | 46 | 1 | | 3101464 | 63 | 6 | | 3200041 | 7 | 1 | |
| 3100600 | 23 | 35 | | 3101464 | 66 | 1 | | 3200042 | 3 | 18 | |
| 3100600 | 30 | 35 | | 3101476 | 63 | 7 | | 3200042 | 5 | 49 | |
| 3100601 | 23 | 34 | | 3101476 | 66 | 2 | | 3200042 | 38 | 20 | |
| 3100601 | 30 | 34 | | 3101491 | 64 | 1 | | 3200042 | 39 | 22 | |
| 3100602 | 23 | 30 | | 3101491 | 67 | 1 | | 3200045 | 3 | 46 | |
| 3100602 | 30 | 30 | | 3101492 | 64 | 39 | | 3200046 | 7 | 10 | |
| 3100603 | 23 | 33 | | 3101492 | 67 | 39 | | 3200047 | 3 | 26 | |
| 3100603 | 30 | 33 | | | | | | 3200047 | 34 | 3 | |

INDEX

| Parts No. | Page No. | Ref. No. | Weight (g) | Parts No. | Page No. | Ref. No. | Weight (g) | Parts No. | Page No. | Ref. No. | Weight (g) |
|-----------|----------|----------|------------|-----------|----------|----------|------------|-----------|----------|----------|------------|
| 3200048 | 3 | 17 | | 3200111 | 7 | 5 | | 3200206 | 11 | 15 | |
| 3200048 | 34 | 8 | | 3200112 | 7 | 20 | | 3200207 | 11 | 32 | |
| 3200049 | 6 | 34 | | 3200112 | 37 | 26 | | 3200208 | 11 | 36 | |
| 3200049 | 34 | 9 | | 3200112 | 39 | 34 | | 3200209 | 2 | 21 | |
| 3200050 | 4 | 13 | | 3200113 | 7 | 24 | | 3200210 | 2 | 34 | |
| 3200051 | 4 | 25 | | 3200113 | 37 | 30 | | 3200211 | 12 | 34 | |
| 3200052 | 4 | 16 | | 3200113 | 39 | 38 | | 3200214 | 12 | 14 | |
| 3200053 | 4 | 20 | | 3200114 | 7 | 19 | | 3200215 | 11 | 26 | |
| 3200055 | 4 | 26 | | 3200114 | 37 | 25 | | 3200216 | 11 | 30 | |
| 3200056 | 4 | 18 | | 3200114 | 39 | 33 | | 3200226 | 6 | 36 | |
| 3200057 | 4 | 19 | | 3200115 | 7 | 15 | | 3200227 | 13 | 22 | |
| 3200057 | 26 | 13 | | 3200116 | 7 | 27 | | 3200229 | 13 | 3 | |
| 3200058 | 4 | 1 | | 3200117 | 7 | 11 | | 3200230 | 13 | 5 | |
| 3200059 | 4 | 4 | | 3200118 | 7 | 25 | | 3200231 | 13 | 42 | |
| 3200060 | 4 | 3 | | 3200120 | 7 | 29 | | 3200232 | 13 | 34 | |
| 3200061 | 4 | 24 | | 3200121 | 7 | 30 | | 3200233 | 13 | 29 | |
| 3200062 | 4 | 15 | | 3200122 | 7 | 31 | | 3200234 | 13 | 24 | |
| 3200063 | 4 | 8 | | 3200131 | 8 | 5 | | 3200235 | 13 | 33 | |
| 3200064 | 4 | 9 | | 3200132 | 8 | 4 | | 3200236 | 13 | 18 | |
| 3200065 | 4 | 21 | | 3200133 | 8 | 2 | | 3200237 | 13 | 17 | |
| 3200066 | 4 | 30 | | 3200149 | 10 | 2 | | 3200238 | 13 | 20 | |
| 3200070 | 5 | 1 | | 3200150 | 10 | 1 | | 3200240 | 80 | 1 | |
| 3200071 | 5 | 5 | | 3200151 | 10 | 5 | | 3200241 | 80 | 2 | |
| 3200072 | 5 | 9 | | 3200152 | 10 | 3 | | 3200241 | 81 | 4 | |
| 3200073 | 5 | 12 | | 3200154 | 10 | 10 | | 3200242 | 78 | 19 | |
| 3200074 | 5 | 13 | | 3200155 | 10 | 12 | | 3200251 | 4 | 31 | |
| 3200075 | 5 | 29 | | 3200157 | 10 | 18 | | 3200252 | 4 | 34 | |
| 3200076 | 5 | 14 | | 3200159 | 10 | 7 | | 3200253 | 14 | 24 | |
| 3200077 | 5 | 27 | | 3200161 | 10 | 23 | | 3200253 | 16 | 1 | |
| 3200078 | 5 | 11 | | 3200162 | 10 | 29 | | 3200253 | 24 | 9 | |
| 3200079 | 5 | 18 | | 3200163 | 10 | 31 | | | | | |
| 3200080 | 5 | 17 | | 3200164 | 10 | 33 | | 3201000 | 17 | 8 | |
| 3200081 | 5 | 21 | | 3200181 | 11 | 1 | | 3201000 | 19 | 8 | |
| 3200082 | 5 | 19 | | 3200182 | 12 | 15 | | 3201001 | 17 | 25 | |
| 3200082 | 26 | 57 | | 3200183 | 11 | 2 | | 3201002 | 17 | 9 | |
| 3200083 | 5 | 36 | | 3200184 | 11 | 4 | | 3201002 | 19 | 9 | |
| 3200084 | 5 | 24 | | 3200185 | 11 | 5 | | 3201003 | 17 | 14 | |
| 3200084 | 26 | 60 | | 3200186 | 11 | 6 | | 3201003 | 19 | 14 | |
| 3200085 | 5 | 34 | | 3200187 | 11 | 7 | | 3201011 | 15 | 9-1 | |
| 3200085 | 26 | 15 | | 3200189 | 11 | 16 | | 3201012 | 15 | 10 | |
| 3200086 | 5 | 35 | | 3200190 | 11 | 17 | | 3201012 | 41 | 4 | |
| 3200086 | 26 | 49 | | 3200191 | 11 | 18 | | 3201013 | 15 | 11-1 | |
| 3200087 | 5 | 23 | | 3200192 | 11 | 25 | | 3201013 | 41 | 2 | |
| 3200087 | 26 | 59 | | 3200193 | 11 | 22 | | 3201014 | 15 | 1 | |
| 3200088 | 7 | 40 | | 3200194 | 11 | 21 | | 3201014 | 41 | 8 | |
| 3200089 | 7 | 38 | | 3200195 | 12 | 18 | | 3201015 | 15 | 4 | |
| 3200090 | 7 | 36 | | 3200196 | 12 | 21 | | 3201015 | 41 | 9 | |
| 3200091 | 5 | 43 | | 3200197 | 12 | 27 | | 3201016 | 15 | 2 | |
| 3200092 | 5 | 41 | | 3200198 | 12 | 11 | | 3201016 | 41 | 6 | |
| 3200093 | 5 | 39 | | 3200199 | 12 | 1 | | 3201017 | 15 | 9-2 | |
| 3200094 | 5 | 56 | | 3200200 | 12 | 3 | | 3201018 | 15 | 11-2 | |
| 3200100 | 6 | 13 | | 3200201 | 12 | 7 | | 3201019 | 53 | 1 | |
| 3200101 | 7 | 16 | | 3200203 | 12 | 32 | | 3201020 | 44 | 40 | |
| 3200102 | 6 | 1 | | 3200204 | 12 | 35 | | 3201021 | 43 | 21 | |
| 3200110 | 7 | 4 | | 3200205 | 11 | 11 | | 3201021 | 48 | 21 | |

INDEX

| Parts No. | Page No. | Ref. No. | Weight (g) | Parts No. | Page No. | Ref. No. | Weight (g) | Parts No. | Page No. | Ref. No. | Weight (g) |
|-----------|----------|----------|------------|-----------|----------|----------|------------|-----------|----------|----------|------------|
| 3201022 | 45 | 14 | | 3201074 | 26 | 34 | | 3201107 | 60 | 1 | |
| 3201022 | 50 | 14 | | 3201075 | 25 | 11 | | 3201108 | 55 | 1 | |
| 3201023 | 45 | 11 | | 3201076 | 25 | 4 | | 3201108 | 57 | 1 | |
| 3201023 | 50 | 11 | | 3201077 | 21 | 2 | | 3201108 | 63 | 1 | |
| 3201024 | 44 | 34 | | 3201077 | 28 | 2 | | 3201111 | 62 | 28 | |
| 3201024 | 49 | 37 | | 3201077 | 76 | 2 | | 3201112 | 62 | 10 | |
| 3201025 | 43 | 22-1 | | 3201078 | 78 | 5-2 | | 3201113 | 62 | 15 | |
| 3201025 | 48 | 22-1 | | 3201081 | 23 | 12 | | 3201114 | 62 | 5 | |
| 3201026 | 43 | 43 | | 3201081 | 30 | 12 | | 3201117 | 77 | 31 | |
| 3201026 | 48 | 43 | | 3201082 | 23 | 13 | | 3201118 | 77 | 30 | |
| 3201027 | 45 | 30 | | 3201082 | 30 | 13 | | 3201119 | 77 | 36 | |
| 3201028 | 45 | 31 | | 3201083 | 23 | 26 | | 3201120 | 77 | 32 | |
| 3201030 | 43 | 48 | | 3201083 | 30 | 26 | | 3201121 | 54 | 47 | |
| 3201032 | 45 | 41 | | 3201084 | 22 | 23 | | 3201122 | 54 | 2 | |
| 3201033 | 45 | 36 | | 3201084 | 29 | 23 | | 3201125 | 63 | 18 | |
| 3201034 | 43 | 22-2 | | 3201089 | 22 | 24 | | 3201126 | 63 | 19 | |
| 3201034 | 48 | 22-2 | | 3201089 | 29 | 24 | | 3201127 | 63 | 20 | |
| 3201035 | 42 | 2 | | 3201091 | 22 | 29 | | 3201128 | 63 | 12 | |
| 3201035 | 51 | 10 | | 3201091 | 29 | 29 | | 3201131 | 57 | 22 | |
| 3201036 | 42 | 8 | | 3201092 | 23 | 22 | | 3201132 | 57 | 18 | |
| 3201036 | 51 | 16 | | 3201092 | 30 | 22 | | 3201133 | 76 | 38 | |
| 3201037 | 42 | 7 | | 3201094 | 81 | 1 | | 3201134 | 76 | 7 | |
| 3201037 | 51 | 15 | | 3201095 | 81 | 15 | | 3201140 | 71 | 4 | |
| 3201038 | 42 | 12 | | 3201096 | 81 | 14 | | 3201141 | 71 | 2 | |
| 3201038 | 48 | 5 | | 3201097 | 81 | 17 | | 3201142 | 71 | 7 | |
| 3201041 | 52 | 6 | | 3201098 | 25 | 15 | | 3201143 | 71 | 22 | |
| 3201042 | 47 | 21 | | 3201099 | 25 | 16 | | 3201144 | 71 | 23-1 | |
| 3201042 | 52 | 22 | | 3201100 | 54 | 48 | | 3201145 | 71 | 23-2 | |
| 3201044 | 47 | 2 | | 3201100 | 56 | 33 | | 3201145 | 72 | 5 | |
| 3201044 | 52 | 2 | | 3201100 | 58 | 33 | | 3201146 | 71 | 26 | |
| 3201049 | 26 | 56 | | 3201100 | 60 | 33 | | 3201147 | 71 | 24 | |
| 3201050 | 26 | 55 | | 3201101 | 19 | 25 | | 3201147 | 72 | 2 | |
| 3201051 | 26 | 1 | | 3201101 | 56 | 34 | | 3201150 | 16 | 24-2 | |
| 3201052 | 26 | 3 | | 3201101 | 58 | 34 | | 3201151 | 16 | 24-3 | |
| 3201053 | 26 | 7 | | 3201101 | 60 | 34 | | 3201152 | 16 | 16 | |
| 3201054 | 26 | 9 | | 3201102 | 56 | 9 | | 3201152 | 36 | 5 | |
| 3201055 | 26 | 17 | | 3201102 | 57 | 11 | | 3201153 | 16 | 12 | |
| 3201056 | 26 | 16 | | 3201102 | 59 | 8 | | 3201153 | 36 | 13 | |
| 3201057 | 26 | 18 | | 3201103 | 55 | 5 | | 3201155 | 16 | 19 | |
| 3201058 | 26 | 23 | | 3201103 | 57 | 5 | | 3201155 | 36 | 20 | |
| 3201059 | 26 | 32 | | 3201103 | 59 | 1 | | 3201156 | 16 | 6 | |
| 3201060 | 26 | 26 | | 3201104 | 54 | 3 | | 3201156 | 34 | 10 | |
| 3201061 | 26 | 27 | | 3201104 | 56 | 2 | | 3201157 | 16 | 17 | |
| 3201062 | 26 | 39 | | 3201104 | 58 | 2 | | 3201157 | 34 | 11 | |
| 3201063 | 26 | 38 | | 3201104 | 60 | 2 | | 3201158 | 16 | 24-1 | |
| 3201064 | 26 | 43 | | 3201105 | 54 | 16 | | 3201160 | 36 | 17 | |
| 3201065 | 26 | 52 | | 3201105 | 56 | 16 | | 3201161 | 72 | 4 | |
| 3201066 | 25 | 13 | | 3201105 | 58 | 16 | | 3201162 | 34 | 16 | |
| 3201067 | 25 | 14 | | 3201105 | 60 | 16 | | 3201163 | 34 | 12 | |
| 3201068 | 25 | 6 | | 3201106 | 54 | 14 | | 3201164 | 36 | 3 | |
| 3201069 | 25 | 10 | | 3201106 | 56 | 14 | | 3201166 | 36 | 21 | |
| 3201070 | 25 | 9 | | 3201106 | 58 | 14 | | 3201168 | 35 | 3 | |
| 3201071 | 25 | 3 | | 3201106 | 60 | 14 | | 3201169 | 35 | 1 | |
| 3201072 | 25 | 7 | | 3201107 | 56 | 1 | | 3201170 | 35 | 11 | |
| 3201073 | 25 | 1 | | 3201107 | 58 | 1 | | 3201171 | 35 | 7 | |