

brother

E.C. MOTOR

MOTOR E.C.

LE MOTEUR E.C.

EL MOTOR E.C.

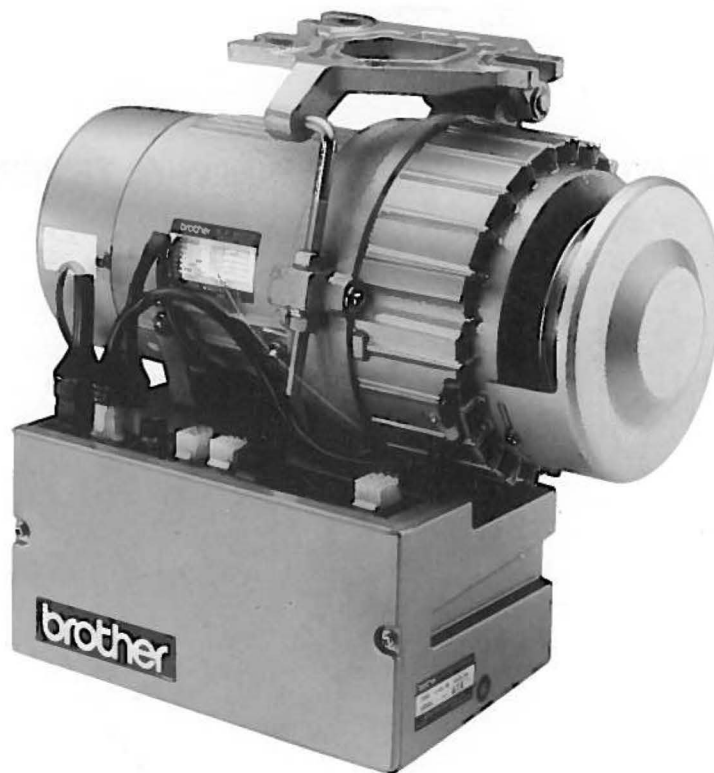
MDS-403, 413
MDS-404, 414

PARTS BOOK



TEILEKATALOG

LIVRE DES PIECES



LIBRO DE REFERENCIA DE PIEZAS



Notes for using this parts book

1. If the symbol  is found in the "Parts No." column or the "Assembly No." column, refer to the different parts list on page 5, 6.
2. The symbol  in the "Parts No." column indicates that the parts is not available for supply. If, however, there is a number in the "Assembly No." column, the parts can be ordered as an assembly. Please, therefore, order by using the Assembly No.
3. This book was prepared based on information available in February, 1984.
4. Parts are subject to changes in design without prior notice.

Anmerkungen zum Gebrauch dieses Stücklistebuches

1. Dieses Zeichen  in der Spalte "Parts No. (Teilnummer)" oder "Assembly No. (Gerätesatznummer)" verweist auf die Gesonderte Stückliste auf Seite 5, 6.
2. Dieses Zeichen  in der Spalte "Teilnummer" bedeutet, daß dieser Teil nicht lieferbar ist. Wenn jedoch in der Spalte "Gerätesatznummer" eine Nummer steht, kann dieser Teil als ein Geräteteilsatz bestellt werden. Bestellen Sie daher bitte mit dieser Gerätesatznummer.
3. Dieses Buch basiert auf den Informationen vom Februar, 1984.
4. Modelländerungen sind vorbehalten.

CONTENTS

A. Motor (1)	1
A. Motor (2)	2
B. Control box	3
C. Accessories	4
DIFFERENT PARTS LIST	5
INDEX	7

INHALTSVERZEICHNIS

A. Motors (1)	1
A. Motors (2)	2
B. Schaltkasten	3
C. Zubehör	4
ZUBEHÖRLISTE	5
VERZEICHNIS	7

Notes sur l'utilisation de ce manuel de pièces détachées

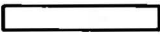

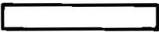

1. Si le symbole  se trouve dans la colonne "Parts No. (N° de pièce)" ou dans la colonne "Assembly No. (N° jeu de pcs)", veuillez vous référer à la liste de pièces annexe page 5, 6.
2. Le symbole  dans la colonne "N° de pièce" signifie que la pièce ne peut être fournie. Si, dans la colonne "N° jeu de pcs", il y a un numéro de nomenclature, la pièce peut être commandée comme faisant partie d'un jeu de pièces. Donc, pour toute commande, veuillez spécifier le N° du jeu de pièces.
3. Ce manuel a été fait d'après les renseignements valables au mois de Février 1984.
4. Les pièces peuvent être sujettes à des modifications sans préavis.

TABLE DES MATIERS

A. Moteur (1)	1
A. Moteur (2)	2
B. Boîtier de contrôle	3
C. Accessoires	4
LISTE DES PIÈCES	
ACCESSOIRES	5
INDEX	7

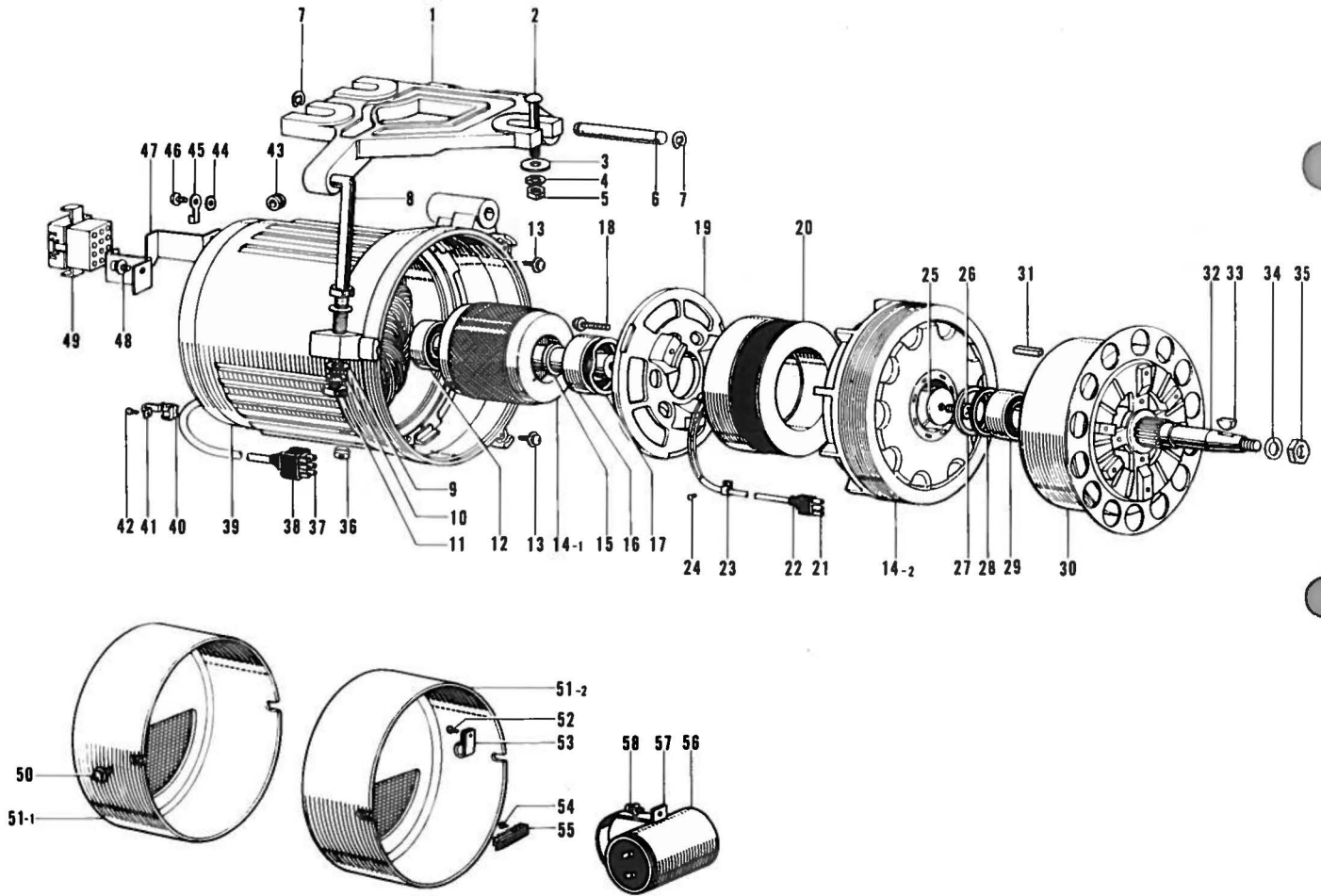
Notas para usar este Libro de Piezas

1. De haber un símbolo  junto al "Parts No. (Número de Pieza)" o en la columna del "Assembly No. (Número de Juego)", habrá que mirar la lista de piezas separada de la página 5, 6.
2. El símbolo  , que se encuentra en la columna del "Número de Pieza", quiere decir que no se dispone de dicha pieza sola. Cuando, empero, hay un número en la columna del "Número de Juego", se podrá ordenar la pieza con todo el juego. Por lo tanto, será mejor hacer el pedido recurriendo al número del juego respectivo.
3. Este libro ha sido compilado basándose en los datos de que se disponía en febrero de 1984.
4. Las piezas quedan sujetas a cambios de diseño sin aviso previo.

INDICE DEL CONTENIDO

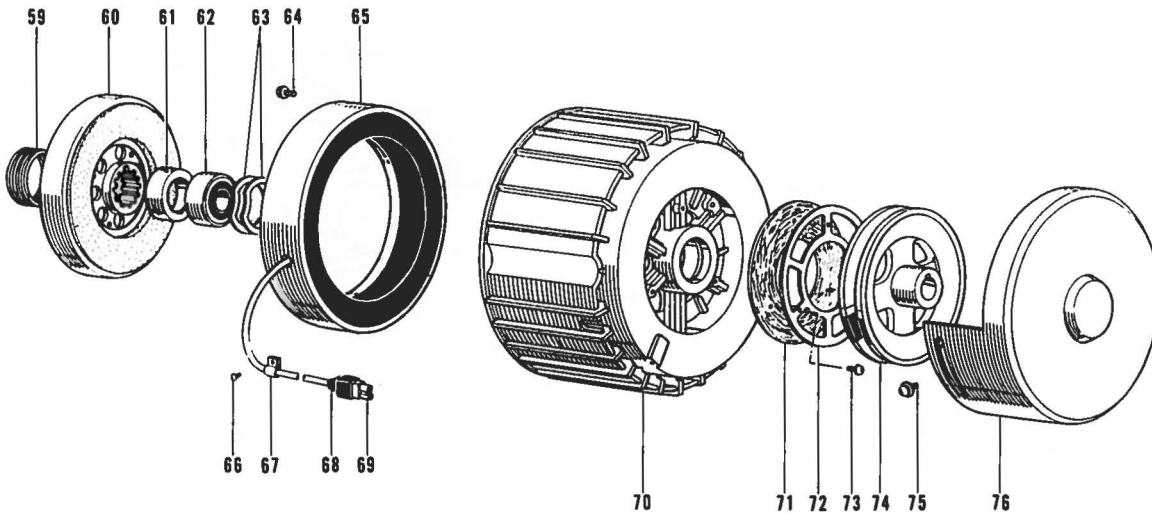
A. Motor (1)	1
A. Motor (2)	2
B. Caja de controles	3
C. Accesorios	4
LISTS DE PIEZAS ACCESORIAS	5
INDICE	7

A. Motor (1) / Motors (1)
Moteur (1) / Motor (1)



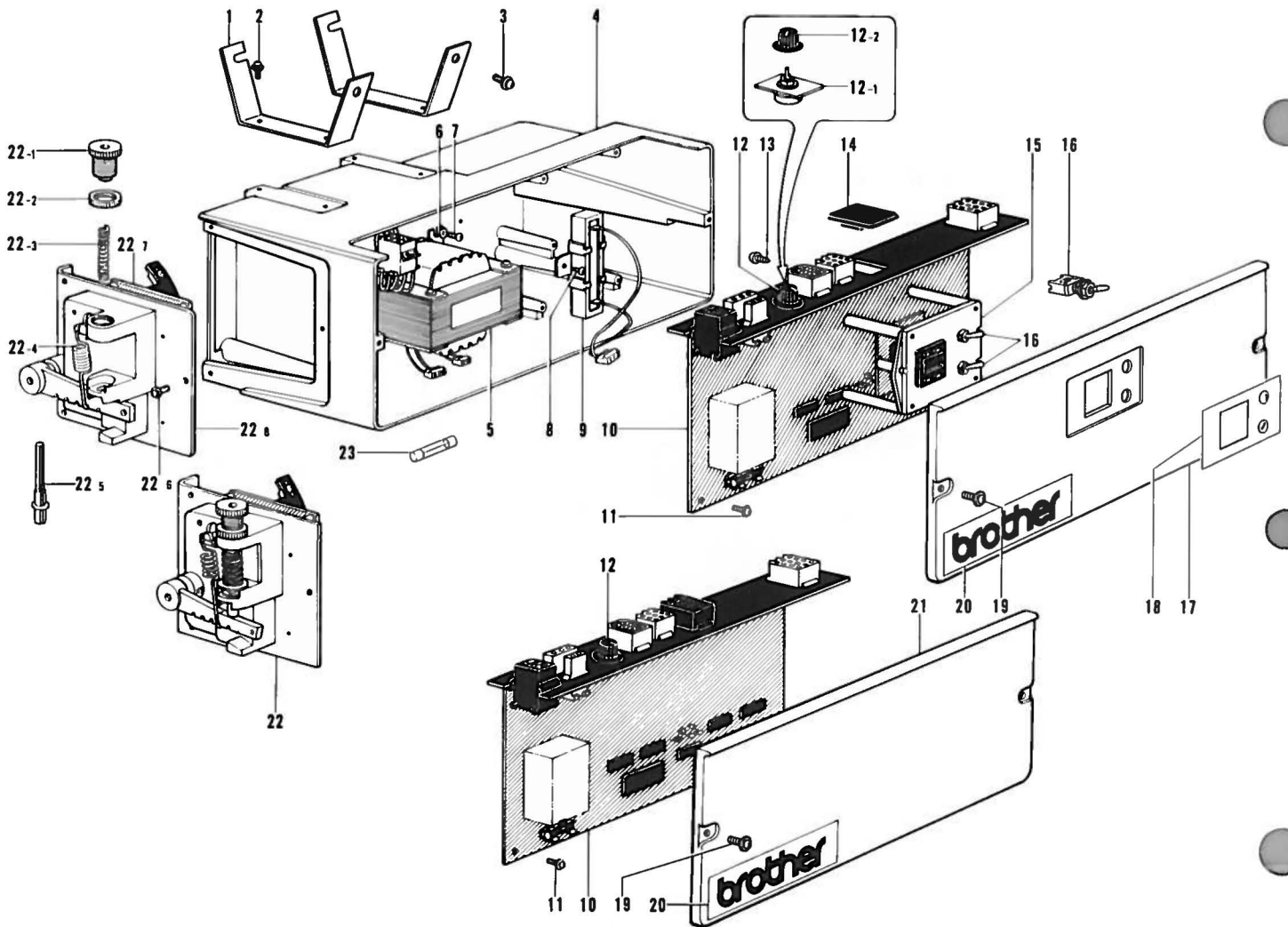
Ref. No.	Name of Parts	Q'ty	Parts No.	Assembly No.	Ref. No	Name of Parts	Q'ty	Parts No.	Assembly No.
1	Base	1	S02101-001		32	Clutch Shaft (taper)	1	S02133-001	
2	Mounting Bolt M8 x 70	3	S02102-001		33	Woodruff Key 4 x 13	1	S02134-001	
3	Wide-Rimmed Washer	3	S02103-001		34	Spring Washer 10	1	S02110-001	
4	Spring Washer 8	3	S02104-001		35	Nut M10 x 1	1	S02135-001	
5	Nut M8	3	S02105-001		36	Protective Bushing 6.3 x 4.5	1	S02136-001	
6	Base-Pin	1	S02106-001		37	Connector 3191-06R1 (white)	1	S02137-001	
7	E-Ring 9	2	S02107-001			Connector 3191-06R1-BU (Blue)	1	S02138-001	
8	Adjusting Bolt	1	S02108-001			Connector 3191-06R1-BL (Black)	1	S02139-001	
9	Special Washer	2	S02109-001		38	Nylon Cap	1	S02140-001	
10	Spring Washer 10	1	S02110-001		39	Frame & Stator Assembly	1		
11	Nut M10	2	S02111-001		40	Protective Bushing (Standard)	1	S02142-001	
12	Shielded Ball Bearing #6203	1	S02112-001			Protective Bushing (1φ Pual Voltage)	1	S02143-001	
13	Fitting Screw	3	S02113-001		41	Fittings	1	S02144-001	
14- 1	Rotor (with Shaft)	1		A-14	42	P-Screw M4 x 0.7 x 4	2	S02145-001	
14- 2	Drive-Member Assembly	1		Rotor Assembly	43	Protective Bushing 6.3 x 4.5	1	S02136-001	
15	Spacer	1	S02116-001		44	Toothed Lock Washer B4	1	S02146-001	
16	Shielded Ball Bearing #6204	1	S02117-001		45	Terminal 1.25-F4	2	S02147-001	
17	Preload Spring	1	S02118-001		46	P-BS-Screw M4 x 0.7 x 8	1	S02148-001	
18	P-Screw with SW M5 x 0.8 x 18	3	S02119-001		47	Adapter	1	S02149-001	
19	Middle Bracket	1	S02120-001		48	P-Screw with SW & PW M4 x 0.7 x 8	2	S02158-001	
20	Clutch Coil Assembly	1	S02121-001		49	Reverse Rotation Socket	1	S02150-001	
21	Connector 3191-03R1	1	S02122-001		50	P-Screw with SW & PW M4 x 0.7 x 8	2	S02158-001	
22	Nylon Cap	1	S02123-001		51- 1	End Cover (Standard Type)	1	S02151-001	
23	Nylon Clip Hp-4N	1	S02124-001		51- 2	End Cover (Dual Voltage Type)	1	S02152-001	
24	P-Screw M4 x 0.7 x 8	1	S02125-001		52	P-Screw M4 x 0.7 x 8	1	S02125-001	
25	Wide-Rimmed Washer	1	S02126-001		53	Nylon Clip HP-5N	1	S02153-001	
26	P-Screw with SW M6 x 14	1	S02127-001		54	P-Screw with SW & PW M4 x 0.7 x 16	2	S02154-001	
27	Washer t 1.0	1	S02128-001		55	Terminal Block TE-K2-6	1	S02155-001	
28	Washer t 0.25	a few	S02129-001		56	Capacitor 25μF 230WV	1	S02156-001	
29	Shielded Ball Bearing #6302	1	S02130-001		57	Adapter Plate	1	S02157-001	
30	Driven-Member Assembly	1	S02131-001		58	P-Screw with SW & PW M4 x 0.7 x 8	2	S02158-001	
31	Key 5 x 5 x 20	1	S02132-001						

A. Motor (2) / Motors (2)
Moteur (2) / Motor (2)



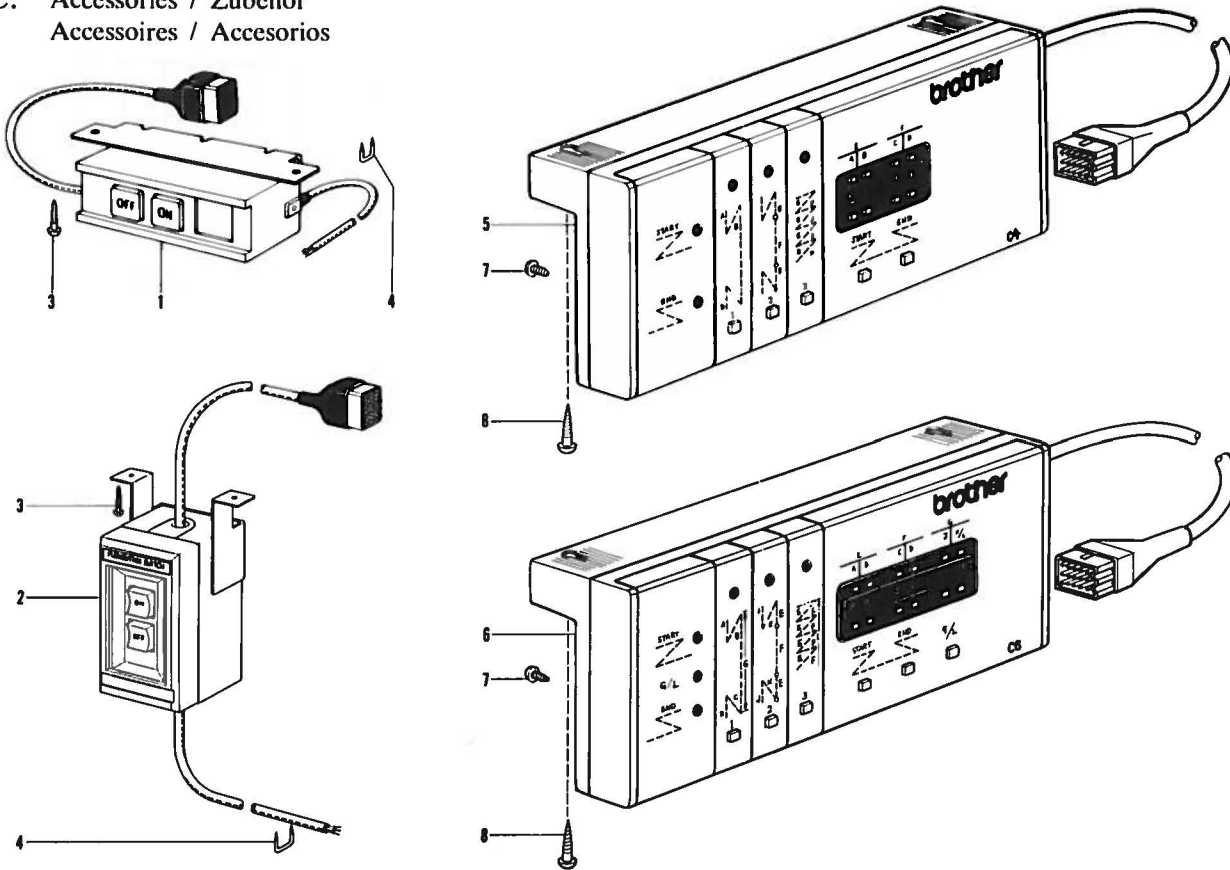
Ref. No.	Name of Parts	Q'ty	Parts No.	Assembly No.	Ref. No	Name of Parts	Q'ty	Parts No.	Assembly No.
59	Coil Spring	1	S02159-001		68	Nylon Cap	1	S02166-001	
60	Armature (lining)	1	S02160-001		69	Connector 3191-02R1	1	S02167-001	
61	Cap	1	S02161-001		70	Load Side Bracket	1	S02168-001	
62	Shielded Ball Bearing	1	S02162-001		71	Filter	1	S02169-001	
63	Preload Spring	2	S02163-001		72	Filter Keeping Plate	1	S02170-001	
64	Fitting Screw	3	S02113-001		73	Tap Screw M4 x 0.7 x 8	3	S02165-001	
65	Core Assembly	1	S02164-001		74	Pully (taper)	1		
66	Tap Screw M4 x 0.7 x 8	1	S02165-001		75	P-Screw with SW & PW M4 x 0.7 x 8	2	S02158-001	
67	Nylon Clip HP-4N	1	S02124-001		76	Belt Cover	1	S02171-001	

B. Control box / Schaltkasten
Boîtier de contrôle / Caja de controles

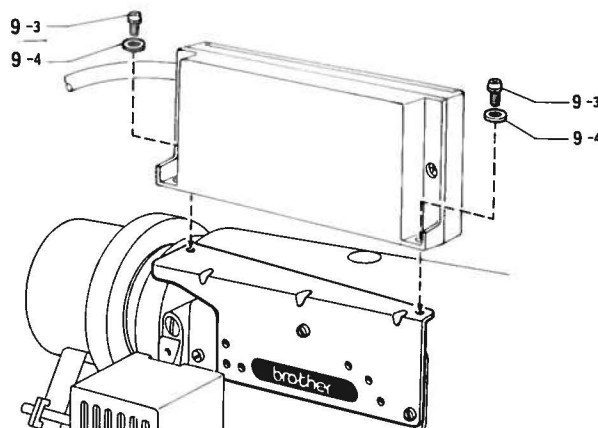
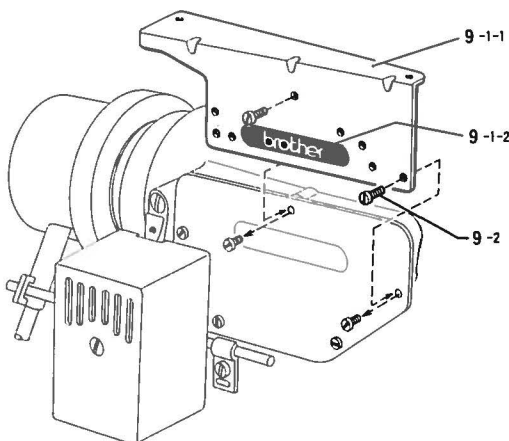


Ref. No.	Name of Parts	Q'ty	Parts No.	Assembly No.	Ref. No.	Name of Parts	Q'ty	Parts No.	Assembly No.
1	Mounting Plate	2	S02173-001		13	Top Screw M3 x 10	4	S02184-001	B-10 ~ B-21 Control Circuit Unit
2	P-Screw with SW & PW M5 x 0.8 x 12	4	S02174-001		14	Rubber Bushing	1	S02185-001	
3	Fitting Screw	4	S02113-001		15	Control Circuit Unit (F)	1	S02186-001	
4	Box	1	S02175-001		16	Switch Assembly	1	S02187-001	
5	Transformer Assembly 100/200 V	1	S02176-001		17	Cover (MDS-403, 413)	1	S02188-001	
	Transformer Assembly 110/220/240 V	1	S02177-001		18	Name Plate (MDS-403, 413)	1		
	Transformer Assembly 220/380/415 V	1	S02178-001		19	P-Screw with SW & PW M4 x 0.7 x 10	2	S02190-001	
6	Washer 4	4	S02179-001		20	Name Plate	1		
7	Top Screw M4 x 0.7 x 8	4	S02165-001		21	Cover (MDS-404, 414)	1	S02192-001	
8	Top Screw M4 x 0.7 x 8	1	S02165-001		22- 1	Adjusting Bolt	1	S02194-001	
9	Resistor Assembly	1	S02180-001		22- 2	Special Nut	1	S02195-001	
10	Control Circuit Unit A	1			22- 3	Coil Spring	1	S02196-001	
11	P-Screw with SW & PW M4 x 0.7 x 8	5	S02158-001		22- 4	Coil Spring	1	S02197-001	
12- 1	Variable Resistor	1		B-12 Variable Resistor Assembly S02181-001	22- 5	Pin	1	S02198-001	
12- 2	Knob	1	S02183-001		22- 6	P-Screw with SW & PW M5 x 0.8 x 12	3	S02174-001	
					22- 7	Lever Parts Base	1		
					22- 8	Lever Parts Unite	1		
					23	Fuse 8A	1	S02201-001	
				B-22 Lever Parts Assembly S02193-001					

C. Accessories / Zubehör
Accessoires / Accesorios



Ref. No.	Name of Parts	Q'ty	Parts No.	Assembly No.	Ref. No.	Name of Parts	Q'ty	Parts No.	Assembly No.
1	Switch Assembly (1 Phase Standard 3m)	1	S02060-001		2	Switch Assembly with OCR 3 Phase 220V 3.5m	1	S02067-001	
	Switch Assembly (1 Phase 110V Taiwan 3m)	1	S02061-001			Switch Assembly with OCR 3 Phase 415V 3.5m	1	S02068-001	
	Switch Assembly (1 Phase 110/220V Korea 3m)	1	S02062-001			3	Wood Screw 4.1 x 16	2	S02202-001
	Switch Assembly (1 Phase 110V Canada 4.3m)	1	S02063-001		4	Staple	5	S02203-001	
	Switch Assembly (3 Phase Standard 3.5m)	1	S02064-001		5	Control Switch Panel LD-C4-BR	1	S02004-001	
	Switch Assembly (3 Phase 220V 4.3m)	1	S02065-001		6	Control Switch Panel LD-C6-BR	1	S02006-001	
	Switch Assembly with OCR 1 Phase 110V 3m	1	S02066-001		7	P-Truss Tap Screw 4 x 10	2	S02204-001	
					8	Wood Screw 4.1 x 16	2	S02205-001	



OPTION PARTS / SONDERZUBEHÖR
PIÈCES EN OPTION / PIEZAS OPCIONALES

Ref. No.	Name of Parts	Q'ty	Parts No.	Assembly No.
9- 1- 1	Switch Panel Attaching Plate	1	S02208-001	C-9-1 Attaching Plate Assembly S02207-001
9- 1- 2	Name Plate	1		
9- 2	Screw 357 - 40 x 10	2	062671-012	C-9 Switch Panel Attaching Plate Assembly S02206-001
9- 3	Screw 4 x 10 D	2	215080-001	
9- 4	Washer 4	2	025040-135	

DIFFERENT PARTS LIST (Maximum Sewing Speed 5000 spm)

1 Phase

Ref No	Name of Parts	Volt		Sewing Speed		110V 60Hz U.S.A.		Canada	110 / 220V 60Hz	240V 50Hz Lamp 12V	230V 50Hz	220V 50Hz	200V 50Hz	
		4300 spm		5000 spm		4300 spm								
A-1~A-76	Motor Assembly	S02010-001		S02011-001	S02012-001	S02013-001	S02014-001	S02015-001		S02016-001				
B-1~B-23	Control Box Assembly	403-413	S02040-001		S02041-001		S02042-001							
		404-414	S02050-001		S02051-001		S02052-001							
A-14	Rotor Assembly	S02070-001												
B-10 B-21	Control Circuit Unit	403-413	S02100-304		S02100-305		S02100-304							
		404-414	S02100-404		S02100-405		S02100-404							

3 Phase

Ref No	Name of Parts	Volt		Sewing Speed		220V 60Hz U.S.A.		Canada	380V 50Hz	400 / 415V 50Hz Lamp 12V		
		4300 spm		5000 spm		4300 spm						
A-1~A-76	Motor Assembly	S02017-001		S02018-001		S02019-001		S02020-001				
B-1~B-23	Control Box Assembly	403-413	S02040-001		S02043-001		S02044-001		S02043-001			
		404-414	S02050-001		S02053-001		S02054-001		S02053-001			
A-14	Rotor Assembly	S02071-001										
B-10 B-21	Control Circuit Unit	403-413	S02100-304		S02100-305		S02100-304					
		404-414	S02100-404		S02100-405		S02100-404					

PULLEY

Ref No	Name of Parts	Parts No	Sewing Speed	
			50Hz	60Hz
A-74	Pulley T 60	S02080-001	2000 spm	2000 spm
	Pulley T 70	S02081-001	2500 spm	2500 spm
	Pulley T 85	S02082-001	3000 spm	3000 spm
	Pulley T100	S02083-001	3500 spm	3500 spm
	Pulley T120	S02084-001	4300 spm	4300 spm
	Pulley T135	S02085-001	5000 spm	5000 spm

(Maximum Sewing Speed 2000 spm)

1 Phase

Ref No	Name of Parts	Sewing Speed		110V 60Hz U.S.A.		Canada	110 / 220V 60Hz	240V 50Hz Lamp 12V	230V 50Hz	220V 50Hz	200V 50Hz	
		2000 spm										
A-1~A-76	Motor Assembly			S02010-001			S02011-001	S02012-001	S02013-001	S02014-001	S02015-001	S0216-001
B-1~B-23	Control Box Assembly	403-413			S02045-001						S02046-001	
		404-414			S02055-001						S02056-001	
A-14	Rotor Assembly									S02070-001		
B-10 B-21	Control Circuit Unit	403-413									S02100-307	
		404-414									S02100-407	

3 Phase

Ref No	Name of Parts	Sewing Speed		220V 60Hz U.S.A.		Canada	380V 50Hz	400 / 415V 50Hz Lamp 12V	
		2000 spm							
A-1~A-76	Motor Assembly			S02017-001			S02018-001	S02019-001	S02020-001
B-1~B-23	Control Box Assembly	403-413			S02045-001				S02047-001
		404-414			S02055-001				S02057-001
A-14	Rotor Assembly							S02071-001	
B-10 B-21	Control Circuit Unit	403-413							S02100-307
		404-414							S02100-407

INDEX / VERZEICHNIS
INDEX / INDICE

Parts No.	Ref No.	Remark	Parts No.	Ref No.	Remark	Parts No.	Ref No.	Remark	Parts No.	Ref No.	Remark
S02004-001	C- 5		S02113-001	B- 3		S02171-001	A- 76				
S02006-001	C- 6		S02114-001	A- 14- 1		S02173-001	B- 1				
S02010-001	A- 1 ~ A-76		S02115-001	A- 14- 2		S02174-001	B- 2				
S02011-001	A- 1 ~ A-76		S02116-001	A- 15			B- 22- 6				
S02012-001	A- 1 ~ A-76		S02117-001	A- 16		S02175-001	B- 4				
S02013-001	A- 1 ~ A-76		S02118-001	A- 17		S02176-001	B- 5				
S02014-001	A- 1 ~ A-76		S02119-001	A- 18		S02177-001	B- 5				
S02015-001	A- 1 ~ A-76		S02120-001	A- 19		S02178-001	B- 5				
S02016-001	A- 1 ~ A-76		S02121-001	A- 20		S02179-001	B- 6				
S02017-001	A- 1 ~ A-76		S02122-001	A- 21		S02180-001	B- 9				
S02018-001	A- 1 ~ A-76		S02123-001	A- 22		S02181-001	B- 12				
S02019-001	A- 1 ~ A-76		S02124-001	A- 23		S02182-001	B- 12- 1				
S02020-001	A- 1 ~ A-76			A- 67		S02183-001	B- 12- 2				
S02040-001	B- 1 ~ B-76		S02125-001	A- 24		S02184-001	B- 13				
S02041-001	B- 1 ~ B-76			A- 52		S02185-001	B- 14				
S02042-001	B- 1 ~ B-76		S02126-001	A- 25		S02186-001	B- 15				
S02043-001	B- 1 ~ B-76		S02127-001	A- 26		S02187-001	B- 16				
S02044-001	B- 1 ~ B-76		S02128-001	A- 27		S02188-001	B- 17				
S02045-001	B- 1 ~ B-76		S02129-001	A- 28		S02190-001	B- 19				
S02046-001	B- 1 ~ B-76		S02130-001	A- 29		S02192-001	B- 21				
S02047-001	B- 1 ~ B-76		S02131-001	A- 30		S02193-001	B- 22				
S02050-001	B- 1 ~ B-23		S02132-001	A- 31		S02194-001	B- 22- 1				
S02051-001	B- 1 ~ B-23		S02133-001	A- 32		S02195-001	B- 22- 2				
S02052-001	B- 1 ~ B-23		S02134-001	A- 33		S02196-001	B- 22- 3				
S02053-001	B- 1 ~ B-23		S02135-001	A- 35		S02197-001	B- 22- 4				
S02054-001	B- 1 ~ B-23		S02136-001	A- 36		S02198-001	B- 22- 5				
S02055-001	B- 1 ~ B-23			A- 43		S02201-001	B- 23				
S02056-001	B- 1 ~ B-23		S02137-001	A- 37		S02202-001	C- 3				
S02057-001	B- 1 ~ B-23		S02138-001	A- 37		S02203-001	C- 4				
S02060-001	C- 1		S02139-001	A- 37		S02204-001	C- 7				
S02061-001	C- 1		S02140-001	A- 38		S02205-001	C- 8				
S02062-001	C- 1		S02142-001	A- 40		S02206-001	C- 9				
S02063-001	C- 1		S02143-001	A- 40		S02207-001	C- 9- 1				
S02064-001	C- 1		S02144-001	A- 41		S02208-001	C- 9- 1- 1				
S02065-001	C- 1		S02145-001	A- 42		025040-135	C- 9- 4				
S02066-001	C- 2		S02146-001	A- 44		062671-012	C- 9- 2				
S02067-001	C- 2		S02147-001	A- 45		215080-001	C- 9- 3				
S02068-001	C- 2		S02148-001	A- 46							
S02070-001	A- 14		S02149-001	A- 47							
S02071-001	A- 14		S02150-001	A- 49							
S02080-001	A- 74		S02151-001	A- 51- 1							
S02081-001	A- 74		S02152-001	A- 51- 2							
S02082-001	A- 74		S02153-001	A- 53							
S02083-001	A- 74		S02154-001	A- 54							
S02084-001	A- 74		S02155-001	A- 55							
S02085-001	A- 74		S02156-001	A- 56							
S02097-004	B-10 ~ B-21		S02157-001	A- 57							
S02098-004	B-10 ~ B-21		S02158-001	A- 48							
S02099-004	B-10 ~ B-21			A- 50							
S02099-005	B-10 ~ B-21			A- 58							
S02100-004	B-10 ~ B-21			A- 75							
S02100-005	B-10 ~ B-21			B- 11							
S02101-001	A- 1		S02159-001	A- 59							
S02102-001	A- 2		S02160-001	A- 60							
S02103-001	A- 3		S02161-001	A- 61							
S02104-001	A- 4		S02162-001	A- 62							
S02105-001	A- 5		S02163-001	A- 63							
S02106-001	A- 6		S02164-001	A- 65							
S02107-001	A- 7		S02165-001	A- 66							
S02108-001	A- 8			A- 73							
S02109-001	A- 9			B- 7							
S02110-001	A- 10			B- 8							
	A- 34		S02166-001	A- 68							
S02111-001	A- 11		S02167-001	A- 69							
S02112-001	A- 12		S02168-001	A- 70							
S02113-001	A- 13		S02169-001	A- 71							
	A- 64		S02170-001	A- 72							

117-716
195716-032
1984, 1