



# **CAMEL<sup>®</sup> MAX SERIES**

## **COMBINATION SEWER CLEANERS**



**PARTS, CONSUMABLES & ACCESSORIES**

## TABLE OF CONTENTS

Nozzles	4
Water Guns & Replacement Parts	9
Sewer Hose & Accessories	13
Vacuum Tubes, Hoses, Clamps & Fittings	16
Gauges	22
Valves: Gate, Knife, Water, Hydraulic	24
Lights & Accessories	26
Cylinders & Replacement Parts	27
Vacuum Pumps / Blowers & Replacement Parts	30
Transfer Case / PTO	30
Hydraulic Pumps, Motors, Manifold & Replacement Parts	32
Heaters / Coolers	34
Filters: Air, Hydraulic, Water, Fuel	34
Water Pumps & Replacement Parts	36
Fluids, Adhesives	39
Boom Assemblies & Parts	39
Water System & Plumbing	43
Body Assemblies & Parts	46
Reel Assemblies & Parts	49
Tailgate Assemblies & Parts	57
Decals	59
Vacuum Seals / Gaskets	59
Pendants	61
Electrical System & Harnesses	63
Chassis / Power Frame	68
Parts Breakdown	69
Serial Number Locations	161

## PARTS BREAKDOWN

Assembly Hydro-Excavation Kit, Vactor Style #0029640	69
Assembly Hydro-Excavation Kit #0002383	70
Manifold, Door, Latch & Boost #0001045	72
Manifold Check Supply #0002487	73
Manifold, Hydraulic Ejector #0002415	74
Manifold, Hydraulic Boom Functions #0025032	76
Manifold, Hydraulic Water Pump, DG10 #0004931	79
Valve, Boom Solenoid #6000-01939	80
Valve, Boom Solenoid #6000-01941	81
Water Pump – Myers D65-20P #6000-01581	82
Water Pump #0009715	85
Assembly Filter Recycling #0024785	86
Assembly Recycle Valves, Electric, HP #0027563	88
Assembly Pneumatic Valves, Recycle #0029310	91
Assembly Charge Pump, Recycle #0032193	93
Assembly Recycling System #0032377	95
Assembly Water Pump #0032409	100
Assembly Cyclone, Recycling #0029315	103
Water Pump Assembly, 65 GPM #6000-00367	104
Water Pump Assembly, 80 GPM #6000-02070	107
E-Series Hydraulic Drive Power End #6000-02342	110
Boom Gear Assembly #0004458	115
Water Sight Gauge #9010-00686K	117
Assembly Separator #0001975	119
Assembly Float, Body Level #0001271	120
Panel, Cab, Camel #0032123	121
Assembly Low Water Warning #0032190	122
Hydraulic System – 12 Yard Dump #0032919	123
Hydraulic System – 9 Yard Dump #0032920	134
Hydraulic System – 9 Yard Ejector #0032439	145
Hydra-FlexNozzle Flow Rate	157

## NOZZLES

### 3D Cleaning Nozzle

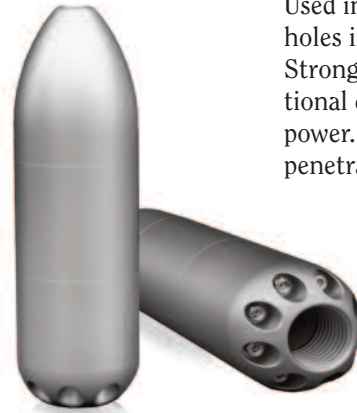


Highly efficient all around cleaner made of extremely wear resistant, hardened stainless steel. Great for general pipe cleaning and preventive maintenance work. A forward spraying jet is also included.

- 4 – 15° Rear Jets
- 4 – 25° Rear Jets
- Ceramic Inserts

Part No.	GPM/PSI	Hose Connection	Weight	Pipe Diameter
6000-02065	5030 •	3/4"	5 lbs.	6-15"
6000-02065	6520	1"	5 lbs.	6-15"
6000-02065	8020	1"	5 lbs.	6-15"

### 3D Extreme Nozzle



Used in pipes that may have holes in the bottom or offsets. Strong jet pattern and exceptional cleaning and pulling power. One forward jet offers a penetration option as well.

- 1 – Forward Jets
- 8 – 11° Rear Jets
- Ceramic Inserts

Part No.	GPM/PSI	Hose Connection	Weight	Pipe Diameter
6000-02012	5030 •	3/4"	10 lbs.	6-15"
6000-02012	6520	1"	10 lbs.	6-15"
6000-02012	8020	1"	10 lbs.	6-15"

### Chisel Nozzle Large



Excellent at difficult cleaning processes, especially when pipe deformations caused by outer pressure or total blockage are present. A drill point can be added to the front of the chisel as well

- 4 – 12° Forward Jets
- 8 – 30° Rear Jets
- Ceramic Inserts

Part No.	GPM/PSI	Hose Connection	Weight	Pipe Diameter
6000-02011	5030 •	3/4"	2 lbs.	8-15"
6000-02011	6520	1"	2 lbs.	8-12"
6000-02011	8020	1"	2 lbs.	8-12"

### Chisel Nozzle XL



Recommended for large sewer/storm water lines, this nozzle has many advantages, changeable drill point, penetrates solid root and debris masses.

- 5 – 12° Forward Jets
- 6 – 30° Rear Jets

Part No.	GPM/PSI	Hose Connection	Weight	Pipe Diameter
6000-02014	6520 •	1"	5.5 lbs.	8-20"
6000-02014	8020	1"	5.5 lbs.	8-20"

# NOZZLES

## Cycle Nozzle 3D



Produced from hardened stainless steel includes 3D fluid mechanics and two different rear spray angles. Ideal for general pipe cleaning and preventive maintenance work.

- 4 – 12° Rear Jets
- 4 – 20° Rear Jets
- Ceramic Inserts

Part No.	GPM/PSI	Hose Connection	Weight	Pipe Diameter
6000-02017	5030 •	3/4"	11 lbs.	8-20"
6000-02017	6520	1"	11 lbs.	8-20"
6000-02017	8020	1"	11 lbs.	8-20"

## Super Cycle Nozzle 3D



Large heavy nozzle constructed from hardened stainless steel with 12 rear jets, ideal for cleaning large pipes. Power jets flush dirt from roots before cutting or general cleaning.

- 6 – 12° Rear Jets
- 6 – 28° Rear Jets
- Ceramic Inserts

Part No.	GPM/PSI	Hose Connection	Weight	Pipe Diameter
6000-02013	6520 •	1"	17.5 lbs.	10-40"
6000-02013	8020	1"	17.5 lbs.	10-40"

## Radial Cleaning Nozzle



3D fluid mechanics deliver smooth water to the rear fan jets creating a 360° spray pattern. Capable of removing grease, scale, dirt and sand without leaving streaks. The additional 15 propulsion jets move the nozzle up the line and help transport material back to the manhole. Perfect nozzle to use prior to CCTV inspection.

- 6 – 45° Fan Jets
- 6 – 15° Rear Propulsion Jets
- Ceramic Inserts

Part No.	GPM/PSI	Hose Connection	Weight	Pipe Diameter
6000-02072	5030 •	3/4"	12 lbs.	8-20"
6000-02072	6520	1"	12 lbs.	8-20"
6000-02072	8020	1"	12 lbs.	8-20"

## Rotor Nozzle



Three one-piece ceramic nozzle inserts located in the middle rotating section will remove grease, dirt and light roots from pipe. Rear propulsion jets help flush the material. Non corrosive rotating center requires low maintenance, rest of nozzle constructed of hardened stainless steel.

- 3 – 90°/75°/60° Rotation Jets
- 6 Rear Jets
- Ceramic Inserts

Part No.	GPM/PSI	Hose Connection	Weight	Pipe Diameter
6000-02023	5030 •	3/4"	3lbs.	6-10"
6000-02023	6520	1"	3lbs.	8-12"
6000-02023	8020	1"	3lbs.	8-12"

# NOZZLES

## Large Rocket Nozzle 3D



Extremely high efficiency unequaled propulsion, the narrow jet angle can flush dirt, mud, rocks and any other large heavy material found in sewer or storm pipe.

- 8 – 7° Rear Jets
- Ceramic Inserts
- 3D Fluid Mechanics

Part No.	GPM/PSI	Hose Connection	Weight	Pipe Diameter
6000-02075	5030 •	3/4"	12 lbs.	8-20"
6000-02075	6520	1"	12 lbs.	8-20"
6000-02075	8020	1"	12 lbs.	8-20"

## Rocket Nozzle 3D



Extremely high efficiency unequaled propulsion, the narrow jet angle can flush dirt, mud, rocks and any other large heavy material found in sewer or storm pipe.

- 10 – 7° Rear Jets
- Ceramic Inserts
- 3D Fluid Mechanics

Part No.	GPM/PSI	Hose Connection	Weight	Pipe Diameter
0034684	5030 •	3/4"	8 lbs.	6-24"
0034684	6520	1"	8 lbs.	6-24"
0034684	8020	1"	8 lbs.	6-24"

## Pipe Wolf Nozzle



Unique turbine driven cutter can reach 6,000 RPM. Extremely efficient on total obstructions caused by roots, silt, grease. Succeeds where hydrodynamic tool fails. No lubrication needed.

- Ceramic Inserts
- 3D Fluid Dynamics

Part No.	GPM/PSI	Hose Connection	Weight	Pipe Diameter
6000-02074	5030 •	3/4"	5 lbs.	6-12"
6000-02074	6520	1"	5 lbs.	6-15"
6000-02074	8020	1"	5 lbs.	6-15"

## Small Rocket Nozzle 3D



Extremely high efficiency unequaled propulsion, the narrow jet angle can flush dirt, mud, rocks and any other large heavy material found in sewer or storm pipe.

- 8 – 7° Rear Jets
- Ceramic Inserts
- 3D Fluid Mechanics

Part No.	GPM/PSI	Hose Connection	Weight	Pipe Diameter
6000-02076	5030 •	3/4"	5 lbs.	6-12"
6000-02076	6520	1"	5 lbs.	6-15"
6000-02076	8020	1"	5 lbs.	6-15"

# NOZZLES

## Primus II Nozzle



The Primus is operated by water coming from a pressurized hose. No lubrication needed for low maintenance and operator ease of use. For potable or reclaimed water with flow rates of 18 GPM – 80 GPM, for 6" to 20" pipe and operating pressures of 2000 PSI – 3600 PSI max.

- 1 Front Jet
- 4 Rear Jets
- 4 Radial Jets

Part No.	GPM/PSI	Hose Connection	Weight	Pipe Diameter
6000-02270	5030 •	3/4"	6 lbs.	6-10"
6000-02270	6520	1"	9 lbs.	6-10"
6000-02270	8020	1"	9 lbs.	6-10"

## Primus III Nozzle



The Primus is operated by water coming from a pressurized hose. No lubrication needed for low maintenance and operator ease of use. For potable or reclaimed water with flow rates of 18 GPM – 80 GPM, for 6" to 20" pipe and operating pressures of 2000 PSI – 3600 PSI max.

- 1 Front Jet
- 6 Rear Jets
- 4 Radial Jets

Part No.	GPM/PSI	Hose Connection	Weight	Pipe Diameter
0034840	8020	1-1/4"	21 lbs.	12-24"

## Storm Surge 3D Bottom Cleaner Nozzle



A highly efficient floor cleaner of hardened stainless steel, built in power manifold with fixed jets. Roll over bars enable this nozzle to return to its correct position. One piece ceramic inserts and high pressure swivel come standard on this nozzle.

- Ceramic Inserts
- 3D Fluid Dynamics

Part No.	GPM/PSI	Hose Connection	Weight	Pipe Diameter
<b>SIX JETS</b>				

6000-02047	6520 •	1"	21 lbs.	12-15"
6000-02047	8020	1"	21 lbs.	12-15"

### EIGHT JETS

6000-02048	6520	1"	40 lbs.	15-30"
6000-02048	8020	1"	40 lbs.	15-30"

### TEN JETS

6000-02018	6520	1"	56 lbs.	18-40"
6000-02018	8020	1"	56 lbs.	18-40"

### TWELVE JETS

6000-02050	6520	1"	58 lbs.	20-80"
6000-02050	8020	1"	58 lbs.	20-80"

### FOURTEEN JETS

6000-02049	8020	1"	60 lbs.	20-96"
------------	------	----	---------	--------

# NOZZLES

## Standard Nozzle



- Wear-resistant material
- Light and maneuverable
- Inexpensive yet highly efficient
- Front jet for penetration is also available
- 5 – 15° Spray Pattern
- 5 – 20° Spray Pattern

Part No.	GPM/PSI	Hose Connection	Weight	Pipe Diameter
6000-02015	5030 •	3/4"	1 lbs.	6-8"
6000-02015	6520	1"	1 lbs.	6-12"
6000-02015	8020	1"	1 lbs.	6-12"

## Turbo II Nozzle with Flexible Skid



You can switch from smaller size to larger sizes in less than five minutes. It uses the same high RPM turbine and chain as the fixed skid turbo retainers. Low maintenance, no lubrication required.

Part No.	GPM/PSI	Hose Connection	Weight	Pipe Diameter
6000-02021	5030 •	3/4"	—	6-12"
6000-02021	6520	1"	—	6-12"
6000-02021	8020	1"	—	6-12"

## Turbo II Nozzle



The chain retainer is driven by a high performance turbine; achieving maximum results in the removal of roots, grease and mineral deposits from sewer lines. The chains are not rigid and do not damage the pipes.

- Additional skids sold separately. Comes standard setup for 6"

Part No.	GPM/PSI	Hose Connection	Weight	Pipe Diameter
3000-02981	5030 •	3/4"	—	6-12"
3000-02981	6520	1"	—	6-12"
3000-02981	8020	1"	—	6-12"

## Turbo III Nozzle with Flexible Skid



You can switch from smaller size to larger sizes in less than five minutes. It uses the same high RPM turbine and chain as the fixed skid turbo retainers. Low maintenance, no lubrication required. Extra chain included.

- Extension kit for 21" – 32" • Ceramic Inserts

Part No.	GPM/PSI	Hose Connection	Weight	Pipe Diameter
6000-02083	6520 •	1"	—	10-20"
6000-02083	8020	1"	—	10-20"
6000-02083	10020	1-1/4"	—	10-20"



## WATER GUNS & REPLACEMENT PARTS

### Handgun, SS Couplings, 1/2"



Part Number	Description
9010-01146	• Handgun, SS Couplings, 1/2"
6000-00685	Male Coupler Quick Disconnect w/valve 1/2"
6023-00009	Nipple, Hex 0.50 MNPT
6000-01826	Handgun, 21 GPM
6000-02486	Male Quick Disconnect w/o valve 1/2"

### Hose, Handgun Assembly, 35' x 1/2"



Part Number	Description
9410-02179	Hose, Handgun Assembly 35' x 1/2"

### Washdown Gun w/Lance and Whip Hose



Part Number	Description
0023397	• Washdown Gun w/Lance and Whip Hose
0020282	Washdown Gun w/Lance
6000-00685	Male Coupler Quick Disconnect
0033084	Whip Hose

### Lance w/Adjustable Nozzle & Handle



Part Number	Description
9010-01150	• Lance w/adjustable Nozzle & Handle
6000-00975	Female Quick Disconnect w/o valve 1/2"
6000-01694	Handgun for Lance
6000-01875	Adjustable Nozzle
6000-01695	Lance Handle
0024-00005	Bushing Hx-Red .50 x .25

### Lance w/Turbo Nozzle



Part Number	Description
9010-01197	• Lance w/Turbo Nozzle
6000-00975	Female Quick Disconnect w/o Valve
6510-00311-0830	Pipe, Coated-TBE .50 x 30 Schedule 80
6000-02491	Rotary Nozzle

## WATER GUNS & REPLACEMENT PARTS

### Lance, Ripsaw – HD Nozzle, #10 GP



Part Number	Description
0034403 •	Lance, Ripsaw–HD Nozzle, 10
0034401	Nozzle, Ripsaw–HD #10
6000-00975	Female Quick Disconnect w/o Valve
6510-00311-0830	Pipe, Coated-TBE .50 x 30 Schedule 80

### Lance, Switchblade Quad Nozzle



Part Number	Description
0030688 •	Lance, Switchblade Quad Nozzle
0028196	Nozzle, Hydra-Flex Switchblade Quad
6000-00975	Female Quick Disconnect w/o Valve
6510-00311-0830	Pipe, Coated-TBE .50 x 30 Schedule 80
9410-02179	Hose, Handgun Assembly 35' x 1/2"

### Pipe Extensions



Part Number	Description
9010-01194 •	30" x 1/2" Pipe Extension
9010-01195	60" x 1/2" Pipe Extension
6000-02486	1/2" O.D. Male Coupling without Valve
6000-00975	1/2" Female Coupling without Valve
6000-00685	1/2" O.D. Male Coupling with Valve
6000-00684	1/2" O.D. Female Coupling with Valve

### Turbo Nozzles



Part Number	Description
6000-02491 •	Turbo Nozzle 8 GPM @ 3000 PSI
7310-03015	Repair Kit for 6000-02491

### Rip Saw Nozzles



Part Number	Description	Nozzle Size
0027520 •	Rip Saw Nozzle	6
0027518	Rip Saw Nozzle	8
0026363	Rip Saw Nozzle	10
0027694	Rip Saw Nozzle	12

*See product literature on pages 157-159*

### Rip Saw Nozzles – High Density



Part Number	Description	Nozzle Size
0027520-HD •	Rip Saw Nozzle – High Density	6
0027518-HD	Rip Saw Nozzle – High Density	8
0034401	Rip Saw Nozzle – High Density	10
0027694-HD	Rip Saw Nozzle – High Density	12

*See product literature on pages 157-159*

## WATER GUNS & REPLACEMENT PARTS

### Linear Excavation Nozzle Pill, 4.0



Part Number	Description
0030266	Linear Excavation Nozzle Pill, 4.0 – Orange

### Linear Excavation Nozzle Pill, 8.0



Part Number	Description
0030265	Linear Excavation Nozzle Pill, 8.0 – Black

### Linear Excavation Nozzle Pill, 1.0



Part Number	Description
0030451	Linear Excavation Nozzle Pill, 1.0 – Blue

### Linear Excavation Nozzle Pill, 10.0



Part Number	Description
0030460	Linear Excavation Nozzle Pill, 10.0 – White

### Linear Excavation Nozzle Pill, 3.0



Part Number	Description
0030453	Linear Excavation Nozzle Pill, 3.0 – Green

### Linear Excavation Nozzle Pill, 6.0



Part Number	Description
0030459	Linear Excavation Nozzle Pill, 6.0 – Red

### Linear Excavation Nozzle Pill, 12.0



Part Number	Description
0030462	Linear Excavation Nozzle Pill, 12.0 – Pink

**WATER GUNS & REPLACEMENT PARTS**

**Switchblade Ace, Body Only**



Part Number	Description
0030512	Switchblade Ace, Body Only

**Switchblade Duece, Body Only**



Part Number	Description
0030513	Switchblade Duece, Body Only

**Switchblade Quad, Body Only**



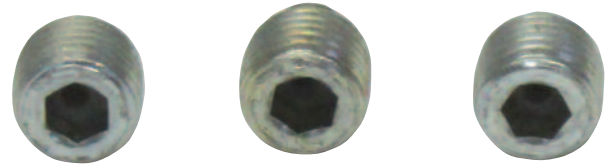
Part Number	Description
0030514	Switchblade Quad, Body Only

**Plug, 1/8 NPT, SS-316, Counter Sunk**



Part Number	Description
0030463	Plug, 1/8 NPT, SS-316, Counter Sunk

**Nozzle Inserts for 4500-00230**



Part Number	Description
6000-01977	Nozzle Inserts for 4500-00230

**Rip Saw Nozzle Repair Kits**



Part No	Description	
0026364 •	Repair Kit for 0026363 and 0034401	(10)
0027519	Repair Kit for 0027518 and 0027518-HD	(8)
0027521	Repair Kit for 0027520 and 0027520-HD	(6)
0027695	Repair Kit for 0027694 and 0027694-HD	(12)

## SEWER HOSE & ACCESSORIES

### 3" x 36" Tiger Tail w/Rope



Part Number	Description
-------------	-------------

3000-02601	3" x 36" Tiger Tail w/Rope
------------	----------------------------

### Hose 1" – 2500 PSI Polymer



Part Number	Description
-------------	-------------

3665-40000	• Hose 1" x 400' – 2500 PSI Polymer
3665-50000	Hose 1" x 500' – 2500 PSI Polymer
3665-60000	Hose 1" x 600' – 2500 PSI Polymer
3665-80000	Hose 1" x 800' – 2500 PSI Polymer

### Plastic Fill Hose



Part Number	Description
-------------	-------------

0025085	• Plastic Fill Hose 2-1/2" x 25' w/Camlock
3000-00219	Plastic Fill Hose 2-1/2" x 25' w/Swivel
3500-00245	Plastic Fill Hose 2-1/2" x 50' w/Swivel

### Leader Hose



Part Number	Description
-------------	-------------

3736-12000-0012	• Leader Hose 3/4" x 120"
3736-12000-0016	Leader Hose 1" x 120"

### Cotton Fill Hose



Part Number	Description
-------------	-------------

0027059	• Cotton Fill Hose 2-1/2" x 25' w/Camlock
3500-00239	25' Cotton Filler Swivel
3500-00259	50' Cotton Filler Swivel

### Nozzle Extension



Part Number	Description
-------------	-------------

9050-00038-0001	• Nozzle Extension 3/4"
9050-00038-0002	Nozzle Extension 1"

**SEWER HOSE & ACCESSORIES**

**Nozzle Extension – Finned**

◆■▲



**Part Number Description**

<b>9050-00039</b>	Nozzle Extension – Finned 3/4"
<b>9050-00058</b>	Nozzle Extension – Finned 1"

**Sewer Hose Wiper 1"**

◆■▲



**Part Number Description**

<b>9010-00106</b>	Sewer Hose Wiper 1"
-------------------	---------------------

**Rubber Scraper Inserts for Hose Wiper**

◆■▲



**Part Number Description**

<b>3500-00193</b>	Rubber Scraper Inserts for Hose Wiper
-------------------	---------------------------------------

**Hydrant Wrench**

◆■▲



**Part Number Description**

<b>3000-01242</b>	Hydrant Wrench
-------------------	----------------

**30" – 90° Handle Manhole Hook**

◆■▲



**Part Number Description**

<b>3000-01244</b>	30" - 90° Handle Manhole Hook
-------------------	-------------------------------

**Grabber Assembly**

◆■▲



**Part Number Description**

<b>9510-00016</b>	Grabber Assembly
-------------------	------------------

## SEWER HOSE & ACCESSORIES

### Hose Water Discharge, Blue 6"



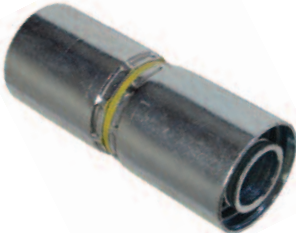
Part Number	Description
3827-00000	Hose Water Discharge, Blue 6" <i>Sold by the Inch</i>

### Swage Fit Male 1" Polymer



Part Number	Description	Dia.	Wt.
3000-02292	Swage Fit Male 1" Polymer	1.0"	0.5 lbs

### Swage Mender 1" Polymer



Part Number	Description	Dia.
3000-02311	Swage Mender 1" Polymer	1.0"

### Tool Kit, Swage – Hydraulic



Part Number	Description
3000-02339K	Hydraulic Tool Kit
3000-03205	Swage Die x 2
3000-03208	Swage Die x 1
3000-02311	Swage Mender x 1

VACUUM TUBES, HOSES, CLAMPS & FITTINGS

6" Vacuum Tubes

◆■▲



Part Number	Description
8510-00285 •	Super Tube, Aluminum 6" x 2'
8510-01147	Super Tube, Aluminum 6" x 3'
8510-01148	Super Tube, Aluminum 6" x 5'
8510-01371	Super Tube, Aluminum 6" x 7'
8510-00287	Super Tube, Aluminum 6" x 8'
8510-00938	Super Tube, Aluminum 6" x 10'

6" Weld Ends for Aluminum Tubes

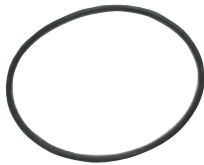
◆■▲



Part Number	Description
3000-00781	Fitting, Male, Weld on, 6"
3000-00782 •	Fitting, Female, Weld on, 6"

O-Rings for Aluminum Tubes

◆■▲



Part Number	Description
3500-00205 •	8" O-Ring for Aluminum Tubes
3500-00206	6" O-Ring for Aluminum Tubes

Gaskets – Bandlock

◆■▲



Part Number	Description
3500-00002 •	6" Gasket–Bandlock–Flat
3500-00001	8" Gasket–Bandlock–Flat

8" Vacuum Tubes

◆■▲



Part Number	Description
8510-01373 •	8" x 3' Aluminum Tube
8510-01374	8" x 5' Aluminum Tube
8510-01375	8" x 7' Aluminum Tube
8510-00290	8" x 8' Aluminum Tube

8" Weld Ends for Aluminum Tubes

◆■▲



Part Number	Description
3000-00783 •	Fitting, Male, Weld on 8"
3000-00784	Fitting, Female, BI, Weld on, 8"

Vector Style Tubes

◆■▲



Part Number	Description
0029137 •	Tube, Vacuum Flat Flange, 8" x 36"
0029139	Tube, Vacuum Flat Flange, 8" x 84"
0029140	Tube, Vacuum Flat Flange, 8" x 96"

Operator Handles

◆■▲



Part Number	Description
0026946 •	Clamp, 6" Manhole Pipe w/24
0026948	Clamp, 8" Manhole Pipe w/24



# VACUUM TUBES, HOSES, CLAMPS & FITTINGS

## Fluidizing Tubes



Part Number	Description
0029142	Nozzle Fluidizing Flat Flange, 8" x 24"
4510-00124	Nozzle, Fluidizing 4" x 48"
4510-00246	Nozzle, Fluidizing 6" x 24"
4510-00245 •	Nozzle, Fluidizing 8" x 24"

## Reducers



Part Number	Description
0029639	Reducer, 8" x 6" Flat Ends
3000-00929 •	8M x 6F Aluminum Reducer
3000-01294	6M x 4F Aluminum Reducer
3000-02948	8F x 6M Aluminum Reducer
3000-02949	6F x 4M Aluminum Reducer

## Crown Nozzles



Part Number	Description
0029141	Flat Flange Crown Nozzle, 8" x 36"
0033892	Flat Flange Crown Nozzle, 6" x 24"
8500-02692 •	6" Crown Nozzle—Male
8500-02683	8" Crown Nozzle—Male
8500-02842	8" Crown Nozzle—Female
8500-00453EF	CB Nozzle, 8" x 60" w/FML B.L.

## Dig Tube, 6" Female



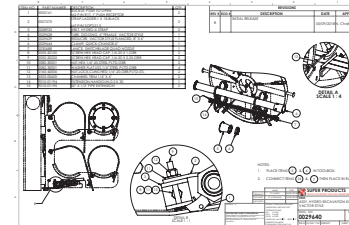
Part Number	Description
9010-00859 •	Tube, Digging 6" Female
3100-01240	Dig Tube, 6" Female
0034854	6" Dig Cuff

## Dig Cuff & Tube, 6" Flat Flange



Part Number	Description
0029628	Tube, Digging, 6" Flat Flange
0029625	Dig Tube 6" x 84" Flat Flange
0034854	6" Dig Cuff

## Hydro-Excavation Kits



Part Number	Description
0002383 •	Assembly, Hydro-Ex Kit—Bandlock Style <i>Engineering Drawings on pages 70-71</i>
0029640	Assembly, Hydro-Ex Kit, Flat Flange Style <i>Engineering Drawing on page 69</i>

VACUUM TUBES, HOSES, CLAMPS & FITTINGS

180 AR Abrasion Material Handling Hose



180 AR abrasion-resistant urethane vacuum suction hose; flexible, lightweight, smooth bore and static dissipating. Specify length in feet when ordering. Ends and clamps not included.

Hg. Rating: 27" @ 72°F – 16" above 72°F

Temperature Range: -28°F to 158°F (-33°C to 70°C)

Part Number	Description
3906-01000 •	Hose Material Handling 2.00"
3906-02000	Hose Material Handling 2.50"
3906-03000	Hose Material Handling 3.00"
3906-09000	Hose Material Handling 3.50"
3906-04000	Hose Material Handling 4.00"
3906-05000	Hose Material Handling 6.00"
3906-06000	Hose Material Handling 8.00"
	<i>sold per foot</i>
3906-06054	Hose Material Handling 8.00" x 54"
3906-06060	Hose Material Handling 8.00" x 60"
3906-06064	Hose Material Handling 8.00" x 64"
3906-06069	Hose Material Handling 8.00" x 69"
3906-06072	Hose Material Handling 8.00" x 72"
3906-06090	Hose Material Handling 8.00" x 90"
3906-06098	Hose Material Handling 8.00" x 98"
3906-06108	Hose Material Handling 8.00" x 108"
0034636	Kanaline, 3" Diameter x 132" Length <i>Replaces 0029414 Kanaflex</i>
	<i>pre-cut prices – sold as each</i>
0032683	Support, Hose Tray for Kanaline Hose

High Temperature Hose



High temperature hose, abrasion resistant, lightweight, flexible, smooth bore, wire reinforced and static dissipating. Specify length in feet when ordering. Ends and clamps not included.

Hg. Rating: 28" (711.20mm)

Temperature Range: -0°F to 220°F (-18°C to 104°C)

Part Number	Description
3913-04000 •	Hose, Kanaflex, 4" High Temperature
3913-05000	Hose, Kanaflex, 6" High Temperature
3913-06000	Hose, Kanaflex, 8" High Temperature
	<i>sold per foot</i>

Spiral Clamps



Part Number	Description
0258-00002 •	Clamp, Wire 2.50"
0258-00003	Clamp, Wire 3.00"
0258-00004	Clamp, Wire 4.00"
0258-00006	Clamp, Wire 6.00"
0258-00007	Clamp, Wire 8.00"
0258-00008	Clamp, Wire 10.0"
8510-00406	Clamp, Wire 6.00" with Pear Link
8510-00407	Clamp, Wire 8.00" with Pear Link

## VACUUM TUBES, HOSES, CLAMPS & FITTINGS

### Travis Clamps for Aluminum Tubes



Part Number	Description
3000-01295 •	4" Heavy Gauge Steel
3000-00824	6" Heavy Gauge Steel
3000-00825	8" Heavy Gauge Steel

### Bandlock Clamps for Steel Tubes



Part Number	Description
3000-00012 •	4" Bandlock Clamp
3000-00011	6" Bandlock Clamp
3000-00010	8" Bandlock Clamp

### Clamp with Handlift



Part Number	Description
3000-02821	Lock Ring, 4" with Handlift
3000-02629	Lock Ring, 5" with Handlift
3000-02628 •	Lock Ring, 6" with Handlift

### Vactor Style Clamps



Part Number	Description
3000-03144	Clamp, Quick Change – 6"
3000-00276	Clamp, Quick Change – 8"
0002090 •	Clamp, Quick Change – 10"

### Band Clamps



Part Number	Description
3000-00042	Clamp, Hose, 4.00" (Screw Type)
3000-00041 •	Clamp, Hose, 6.00" (Screw Type)
3000-00040	Clamp, Hose, 8.00" (Screw Type)

### Female Camlock to Male NPT



Part Number	Description
0349-00008 •	Coupler, Male NPT 2.50 B-Series
0349-00009	Fitting, Camlock, 3" Female
0349-00010	Coupler, Male NPT 4.00 B-Series
0349-00012	Coupler, Male NPT 6.00 B-Series
3000-01246	Adapter, Male 6" NPT – Camlock

VACUUM TUBES, HOSES, CLAMPS & FITTINGS

**Male Camlock to Male NPT**



Part Number	Description
0350-00007 •	2" Male Camlock
0350-00008	Adapter, Male NPT 2.50 F-Series
0350-00009	Fitting, Camlock, Part F, 3"
0350-00010	Fitting, Camlock, Part F, 4"
0350-00012	Aluminum PT Couplings #60F-AL
3000-01248	Adapter, Male 4" NPT Camlock

**Straight Female with Hose Shank**



Part Number	Description
0500-00006 •	Coupler, Hose Shank 2.00 (C)
0500-00009	Camlock 4" Part C Aluminum Female
0500-00011	Coupler, Hose Shank
0487-00005	Coupler, 90 Hose Shank 3.00 CL

**Dust Plugs**



Part Number	Description
0489-00008 •	Fitting, Camlock, Dust Plug, 3"
0489-00009	Plug, Dust 4.00 W-Series
0489-00011	6" Camlock Dust Plug Adapter

**Reducers**



Part Number	Description
3000-02828 •	Camlock, Aluminum 4 x 2 Reducer
3000-03325	Aluminum 4 x 3 Reducer
3000-03324	Aluminum 3(F) x 2(M) Reducer
3000-02693	Camlock, Aluminum 6 x 4 Reducer
9000-00681	Reducer, 8"(F) x 6"(M) Cam

**Male Camlock to Female NPT**



Part Number	Description
0417-10008 *	Adapter, Camlock A-Series 2.50
0417-10009	Adapter, Camlock A-Series 3.00
0417-10010	Aluminum 4" Male X Female P
0417-10012	Aluminum 4" Male X Female P
0417-10013	Adapter, Camlock A-Series 8.00

**Dust Caps**



Part Number	Description
0492-00002 •	2" Camlock Caps
3000-02694	Cap, Dust 2.50 V-Series
3000-01557	3" Camlock Caps
6000-00150	Cap, Dust 4.00 V-Series
0492-00003	6" Camlock Caps
0492-00004	8" Camlock Caps

## VACUUM TUBES, HOSES, CLAMPS & FITTINGS

### Straight Male with Hose Shank

◆■▲



Part Number	Description
0488-00008 •	Adapter, Hose Shank 3.00 (E)
0488-00009	Camlock 4" Part E Alum Male
0488-00011	Adapter, Hose Shank 6.00 (E)
0488-00012	Adapter, Hose Shank 8.00 (E)

### Female Bandlock to Camlock Adapter

◆■▲



Part Number	Description
9000-00679 •	Adapter, 4" AG(F) to 4" Camlock
9000-00678	Adapter, 6" AG(F) to 6" Camlock

### Male Bandlock to Camlock Adapter

◆■▲



Part Number	Description
9000-00680 •	4" Camlock to BL Adapter
9000-00670	Adapter, 6" AG(M) to 6" Camlock

### Steel Couplers – Zinc Plated Male

◆■▲



Part Number	Description
3000-00032	4" Male Plated
3000-00031	6" Male Plated
3000-00030	8" Male Plated

### Steel Couplers – Non-Plated Male

Part Number	Description
3000-00543 •	4" Male Non-Plated
3000-00544	6" Male Non-Plated
3000-00545	8" Male Non-Plated

### Steel Couplers – Zinc Plated Female

◆■▲



Part Number	Description
3000-00022	4" Female Plated
3000-00021	6" Female Plated
3000-00020	8" Female Plated

### Steel Couplers – Non-Plated Female

Part Number	Description
3000-00546	4" Female Non-Plated
3000-00547	6" Female Non-Plated
3000-00548 •	8" Female Non-Plated

**VACUUM TUBES, HOSES, CLAMPS & FITTINGS**

**Male Bandlock End Plugs w/Single Handle**

◆ ■ ▲



Part Number	Description
8500-00286	End Plug, 4" Male (Plated)
8500-00285	End Plug, 6" Male (Plated)
8500-00284 •	End Plug, 8" Male (Plated)

**Female Bandlock End Plugs w/Single Handle**

◆ ■ ▲



Part Number	Description
3000-03256	End Plug, 4" Female (Plated)
3000-03257 •	End Plug, 6" Female (Plated)
3000-03258	End Plug, 8" Female (Plated)

**Vacuum Breaker**

◆ ■ ▲



Part Number	Description
3000-02758 •	4" Safety Tee Plated, Inline
3000-02615	6" Safety Tee Plated, Inline
3000-02757	8" Safety Tee Plated, Inline

**GAUGES**

**1-1/2" Gauge, Pressure 0-160 PSI**

▲



Part Number	Description
6000-00410	1-1/2 Gauge, Pressure 0-160 PSI

**Gauge, Filter Indicator Hydraulic (0-60)**

▲



Part Number	Description
6000-00795	Gauge, Filter Indicator Hydraulic (0-60)

**Gauge, Vacuum (0-30° HG)**

▲



Part Number	Description
6000-00524	Gauge, Vacuum (0-30° HG)

**Tachometer**

▲



Part Number	Description
5500-00567	Tachometer

# GAUGES

## Hydraulic Pressure Gauge

◆ ■ ▲



Part Number	Description
6000-00260	Hydraulic Pressure Gauge

## Test Pressure Gauge w/Quick Disconnect

◆ ■ ▲



Part Number	Description
0031397	Test Pressure Gauge w/Quick Disconnect

## Gauges, Pressure

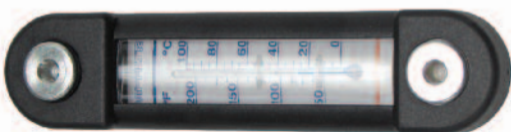
◆ ■



Part Number	Description
0027579	Gauge, Pressure 0-100 PSI Recycling
0028691	Gauge, Pressure 0-160 PSI, 1/4" Recy

## Gauge, Level, Temperature, Hydraulic

◆ ■



Part Number	Description
0030484	Gauge, Level, Temperature, Hydraulic

## Water Pressure Gauge Freezeproof 0-5000 PSI

◆ ■ ▲



Part Number	Description
6000-01316	Water Pressure Gauge Freezeproof 0-5000 PSI

## 1-3/4 Gauge, Pressure 0-160 PSI

◆ ■



Part Number	Description
0020256	1-3/4 Gauge, Pressure 0-160 PSI

## OMSI Oil Sight Level Gauge

◆ ■



Part Number	Description
000099	OMSI Oil Sight Level Gauge

## Gauge, Fluid Level Sight

◆ ■ ▲



Part Number	Description
0031428	Fluid Level Sight M12 Metric Thread

**VALVES: GATE, KNIFE, WATER, HYDRAULIC, PNEUMATIC**

**Valves, Gate, 6" NPT**

◆ ■ ▲



Part Number	Description
0001895	Valves, Gate, 6" NPT
7310-02957	Handle

**Butterfly Valves**



Part Number	Description
6000-01232	◆ 5" Butterfly Valve
6000-01233	◆ ■ 3" Butterfly Valve
0029079	◆ ■ Valve, Butterfly, 3", DBL ACT

**Valve, Butterfly 3" Double Acting**



Part Number	Description
0029079	◆ ■ Valve, Butterfly, 3" Double Acting

**3-Way Ball Valves**

◆ ■ ▲



Part Number	Description
0027838	Valve, Ball, 3-Way, 3/8" NPT (F)

**Valves, Vacuum Relief (18" HG)**

◆ ■ ▲



Part Number	Description
6000-01689	• Vacuum Relief Valve (18" HG)
6000-00008	Vacuum Relief Valve (15" HG)

**Ball Valves**



Part Number	Description
6000-01150	◆ ■ ▲ Valve, Ball 0.50" 3000 PSI
6000-01286	▲ Ball Valve 1" 3000 PSI
6000-01030-0003	◆ ■ Valve, Ball, Bronze 0.50 Low PR
0005102	◆ Valve, Ball, 3000 PSI, 1.25"

**Air Solenoid Valves**



Part Number	Description
9810-00377	▲ Air Solenoid Valve Kit
6000-02286	◆ ■ ▲ Valve, Air Solenoid •
0024093	◆ Valve, Air Solenoid, 2 POS
0032671	■ Valve, Air Solenoid, Double Acting
0033160	◆ Assy, Valve, Air solenoid, Dbl. Act.
0029511	◆ ■ Solenoid, Single, 5-Port, 2PO

**3-Way Ball Valves**

◆ ■ ▲



Part Number	Description
0029054	Valve, Ball, 50 3-Way, Low Pressure



# VALVES: GATE, KNIFE, WATER, HYDRAULIC, PNEUMATIC

## Valve, Ball, 2.0



### Part Number Description

0003594 Valve, Ball, 2.0"

## 1/2" Check Valve



### Part Number Description

6000-00650 Valve, Ball, 2.0"

## Valve, Check 1/4" SS



### Part Number Description

0025820 Valve, Check 1/4" SS

## Valve, Check, Gruvlock 7800 Series



### Part Number Description

0006717 Valve, Check, Gruvlock 7800 Series

## Valve, Pressure Protection



### Part Number Description

0024453 Valve, Pressure Protection

## Direct Control Valve



### Part Number Description

6000-00297 Direct Control Valve

7310-00405 Handle

7310-00404 Pin Kit

7310-00409 Handle Bracket

7310-01750 Knob

## Hydraulic Valve – Camel Tube R



### Part Number Description

6000-01052 Hydraulic Valve – Camel Tube R

6000-02077 Valve Directional 3 Spool

**LIGHTS & ACCESSORIES**

**Handlight, Rechargeable, LED**

◆■▲



Part Number	Description
0028248 •	Handlight, Rechargeable, LED
0028249	Charger, 12VDC, Handlight

**Reel, Auto Rewind Electric Extension**

◆■▲



Part Number	Description
5500-00810 •	Reel, Auto Rewind Electric Extension
8510-01611	Bracket, Cord Reel

**Light, Flood, LED**

◆■



Part Number	Description
5500-03198	Light, Flood, LED

**Light, Flood, LED**

■



Part Number	Description
0032137	Light, Flood, LED

**Lamp, Marker / Clearance**

◆■▲



Part Number	Description
0008713 •	Lamp, Marker / Clearance, Yellow
0006227	Lamp, Marker / Clearance, Red PC

**Safety Director Bar, Amber**

◆■▲



Part Number	Description
0005914	Safety Director Bar, Amber

**ID Light Assembly, LED, LVT**

◆■▲



Part Number	Description
9000-00958	ID Light Assembly, LED, LVT

## LIGHTS & ACCESSORIES

### Light, License Kit LED

◆■▲



Part Number	Description
5500-01881	Light, License Kit LED

### Beacon, Amber LED – 12V

◆■▲



Part Number	Description
5500-01847	Beacon, Amber LED – 12V

### Tail Light w/Amber Turn Signal

◆■



Part Number	Description
0006413	Tail Light w/Amber Turn Signal

## CYLINDERS & REPLACEMENT PARTS

### Cylinder, Hydraulic Telescopic (12yd–JIC)

◆■▲



Part Number	Description
0005769	Cylinder, Hydraulic Telescopic (12yd–JIC)

### Cylinder, Telescopic 10 yd

▲



Part Number	Description
6000-01897	Telescopic 10 yd

### Cylinder, Telescopic

▲



Part Number	Description
6000-00444	Cylinder, Telescopic 16 yd
6000-02460	Cylinder, Telescopic 10 yd

◆ Camel 1200 ■ Camel Maxxx ▲ Legacy Camel

800.837.9711 • [superproductsllc.com](http://superproductsllc.com)

**CYLINDERS & REPLACEMENT PARTS**

**Cylinder Kit 10 yd Ejector w/Fittings)**



Part Number	Description
9810-00413	Cylinder Kit 10 yd Ejector w/Fittings
6000-02460 •	Ejector Plate Cylinder 10 yd

**Cylinder Boom Ext w/Fittings**



Part Number	Description
9810-00414	Cylinder Boom Ext w/Fittings
6000-01712	Cylinder, Hydraulic 2.50 x 96.00 (JIC)

**Cylinder Assembly Tilt, Ejector**



Part Number	Description
0002389	Cylinder Assembly Tilt, Ejector
0007529	Cylinder, Hydraulic 4 x 24 Spheric

**Cylinder, Hydraulic 2" x 6"**



Part Number	Description
6000-00212	Cylinder, Hydraulic 2" x 6"

**Cylinder, Hydraulic 2.5" x 4"**



Part Number	Description
0005042	Cylinder, Hydraulic 2.5" x 4" SAE

**Cylinder, Hydraulic 2.5" x 6" (JIC)**



Part Number	Description
6000-02461	Cylinder, Hydraulic 2.5" x 6" (JIC)

**Cylinder, Hydraulic 3" x 8" SAE**



Part Number	Description
6000-02043	Cylinder, Hydraulic 3" x 8" SAE

## CYLINDERS & REPLACEMENT PARTS

### Cylinder, Hydraulic 3.5" x 8" SAE



Part Number	Description
0005041	Cylinder, Hydraulic 3.5" x 8" SAE

### Cylinder, Hydraulic 2.0" x 18" Stroke



Part Number	Description
0032643	Cylinder, Hydraulic 2.0" x 18 Stroke

### Cylinder, Hydraulic 1.50" x 6.00"



Part Number	Description
6000-01620	Cylinder, Hydraulic 1.50" x 6.00"

### Cylinder, Air 1.75 x 3.625 Stroke



Part Number	Description
0031047	Cylinder, Air 1.75 x 3.625 Stroke

### Cylinder, Air 2" Diameter x 6.0" Stroke



Part Number	Description
6000-02285	Cylinder, Air 2" Diameter x 6.0" Stroke

### Cylinder, Air 2" Bore x 4" Stroke



Part Number	Description
0032998	Cylinder, Air 2" Bore x 4" Stroke

### Cylinder, Air 3" Bore x 6" Stroke



Part Number	Description
6000-01314	Cylinder, Air 3" Bore x 6" Stroke

**VACUUM PUMPS / BLOWERS & REPLACEMENT PARTS**

**Blower, Vacuum, 624**

◆ ■



Part Number	Description
0001857	Blower, Vacuum, 624

**Blower, Roots, Ram 624, RHD, C**

▲



Part Number	Description
6000-02106	Blower, Roots, Ram 624, RHD, C

**Blower, Vacuum, 824**

◆ ■



Part Number	Description
0001878	Blower, Vacuum, 824
0031796	Flange, Companion, Roots 824

**Pump, Vacuum 824 RCS-H RH 18**

▲



Part Number	Description
6000-02284	Pump, Vacuum 824 RCS-H RH 18

**TRANSFER CASE / PTO**

**Transfer Case, OMSI**

◆ ■ ▲



Part Number	Description
0005864	Transfer Case, OMSI
0026102	Transfer Case OMSI

**Yoke, Flange 1760 Series**

◆ ■



Part Number	Description
7001-00046	Yoke, Flange 1760 Series

## TRANSFER CASE / PTO

### Yoke, Flange 1810 Half Round



Part Number	Description
0002579	Yoke, Flange 1810 Half Round

### Yoke, Flange 1610 Half Round



Part Number	Description
0001769	Yoke, Flange 1610 Half Round

### Flange, 1710 Half Round, Modified



Part Number	Description
0027426	Flange, 1710 Half Round, Modified

### Transfer Case Vacuum Switch



Part Number	Description
7310-03131	Transfer Case Vacuum Switch

### Pressure Switch, Muncie 10-Bolt



Part Number	Description
7310-01928	Pressure Switch, Muncie 10-Bolt

### Harness, Pressure Switch



Part Number	Description
0029710	Harness, Pressure Switch

### PTO CS40 Muncie 144%



Part Number	Description
0027072	PTO 10-Bolt #CS40 Muncie 144%

### PTO 10-Bolt #CS11-A1007-H3CX



Part Number	Description
0027731	PTO 10-Bolt

## Assembly, HPU Replacement



Part Number	Description
0029770	Assembly, HPU Replacement
0027318 •	Pump, Hydraulic Electric <i>IP65 Replaces 0001511</i>

## Pump, Hydraulic 420 GPM



Part Number	Description
0001809 •	Pump, Hydraulic 420 GPM
0030012	Pump, Hydraulic 420, Cold Start
0031588	Cold Start Valve

## Pump, Hydraulic Eaton 620 Front



Part Number	Description
0026203	Pump, Hydraulic Eaton 620 Front

## Pump, Hydraulic 620 Rear



Part Number	Description
0000403	Pump, Hydraulic 620 Rear

## Motor, Hydraulic – Eaton Delta



Part Number	Description
6000-02283	Motor, Hydraulic – Eaton Delta

## Motor, Hydraulic – Eaton Delta



Part Number	Description
0028638	Motor, Hydraulic – Eaton Delta

## Manifold, Door, Latch & Boost



Part Number	Description
0001045	Manifold, Door, Latch & Boost <i>Engineering Drawing on page 69</i>



## Manifold, Hydraulic Water Pump DG10



Part Number	Description
0004931 ◆■	Manifold, Hydraulic Water Pump DG10
0031347 ◆■	Spool, 3-Position, 4-Way
0033223 ■	Assy. Manifold, Hydraulic Water Pump <i>Engineering Drawing on page 79</i>

## Manifold, Trash / Recycle Pump



Part Number	Description
0005037	Manifold, Trash / Recycle Pump

## Manifold, 2-Bank, SMC



Part Number	Description
0033705	Manifold, 2-Bank SMC

## Manifold, Hydraulic, Boom Functions



Part Number	Description
0025032	Manifold, Hydraulic, Boom Functions <i>Engineering Drawings on pages 76-78</i>

## Manifold, Hydraulic, Ejector



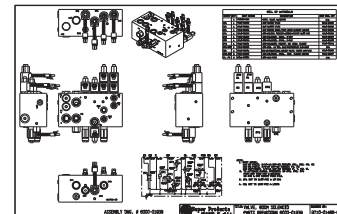
Part Number	Description
0002415	Manifold, Hydraulic, Ejector <i>Engineering Drawings on pages 74, 75</i>

## Manifold, Check Supply



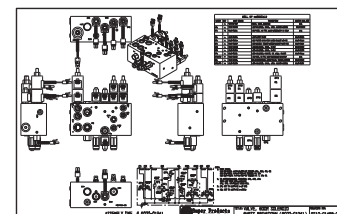
Part Number	Description
0002487	Manifold, Check Supply <i>Engineering Drawing on page 73</i>

## Valve, Boom Solenoid



Part Number	Description
6000-01939	Valve, Boom Solenoid <i>Parts Breakdown on page 00</i>

## Valve, Boom Solenoid



Part Number	Description
6000-01941	Valve, Boom Solenoid <i>Engineering Drawings on pages 80, 81</i>

**HEATERS / COOLERS**

**Heat Exchanger, Water Cooled**

◆ ■



Part Number	Description
0000591	Heat Exchanger, Water Cooled

**Coolers, w/Bypass**

◆ ■



Part Number	Description
0028774	Cooler, DCS w/Bypass
0032576	Cooler, DCS16 w/Bypass
0028773	Switch, Temperature for 0028774

**FILTERS: AIR, HYDRAULIC, WATER, FUEL**

**Pleated Air Filter Element**

◆ ■ ▲



Part Number	Description
3000-02991	Pleated Air Filter Element
9810-00319	Air Filter Kit Replaces 3000-02808

**Hydraulic Filter**



Part Number	Description
6000-00794 ▲	Hydraulic Filter
0030505 ◆ ■	Hydraulic Filter
0031305 ■	Case Drain Filter

**Hydraulic Filter**



Part Number	Description
0030505 ◆ ■	Hydraulic Filter
0031305 ■	Case Drain Hydraulic Filter

## WATER PUMPS & REPLACEMENT PARTS

### Pump, Piston Water Pump



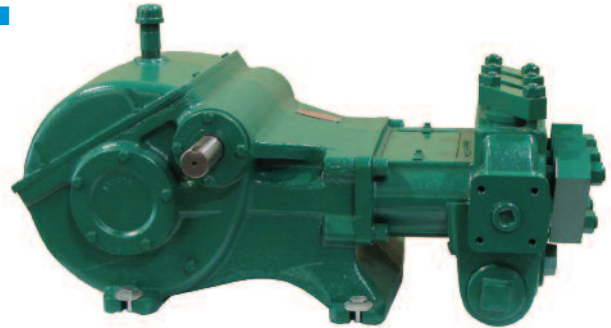
Part Number	Description
0009715	Pump, Piston Water Pump
0026088	Water Pump – Inlet Valve
0026089	Water Pump – Outlet Valve
0026090	Water Pump – Main Rod
0026091	Water Pump – Oil Piston
0026092	Water Pump – Water Piston
0026093	Water Pump – Seal Kit Water End
0026094	Water Pump – Seal Kit Oil En
0026095	Water Pump – Seal Kit Full
0026096	Water Pump – Center Block
0026097	Water Pump – Oil Barrel Paint
0026098	Water Pump – End Cap
0026099	Water Pump – LVDT
0026785	Water Pump – Water Pump
0027246	O-Ring Intake Check Valve
0027247	O-Ring Outlet Check Valve
0030642	Check Valve, Inlet, High Wear Recycle
0030643	Check Valve, Outlet, High Wear Recycle
0031351	Base – Water End
0031352	Tie Rod, 5/8-18
0031347	Spool, 3 POS 4-Way
0005437	Manifold, Water Pump

*Engineering Drawing on page 85*

0032409	Water Pump Assembly	pages 100-102
0032377	Recycling System Assy	pages 95-99
0027563	Recycling Electric Valve	pages 88-90
0032193	Recycling Change Pump	pages 93, 94
0029315	Recycling Cyclone	page 103
0029310	Recycling Valve	pages 91, 92
0024785	Recycling Assembly	pages 86, 87

*Engineering Drawings on pages indicated*

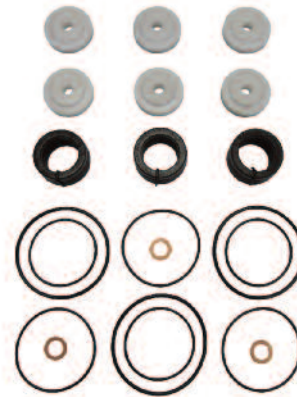
### Myers D65-20SP Water Pump



Part Number	Description
6000-01581	Myers D65-20SP Water Pump, RH Drive
7310-01875	Gear End D65-20SP RH
7310-01876	Liquid End for Meyers D65-20SP

*Engineering Drawings on pages 82-84*

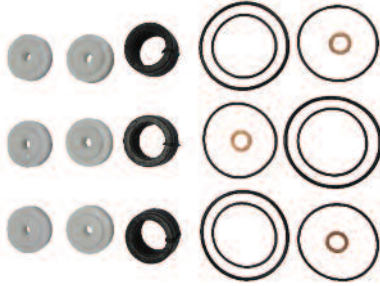
### Minor Rebuild Kit D65-20 AVD



Part Number	Description	Quantity
9810-00196	Minor Rebuild Kit D65-20 AVD	1
7310-00667	Packing	3
7310-00670	Washer	3
7310-00680	O-Ring	3
7310-00682	O-Ring	3
7310-00684	Valve	6
7310-00674	O-Ring	3

**WATER PUMPS & REPLACEMENT PARTS**

**Minor Rebuild Kit D65-20SP**



Part Number	Description	Quantity
9810-00237	Minor Rebuild Kit D65-20SP	1
7310-00667	Packing	3
7310-00670	Washer	3
7310-00680	O-Ring	3
7310-00682	O-Ring	3
7310-01863	Valve	6
7310-00674	O-Ring	3

**Major Rebuild Kit, Myers D65-20SP**



Part Number	Description	Quantity
9810-00238	Major Rebuild Kit, Myers D65-20SP	1
7310-00667	Packing	3
7310-00670	Washer	3
7310-00671	Spring	3
7310-00664	Cap Screw	3
7310-00682	O-Ring	3
7310-00692	Cylinder Liner	3
9310-00080	Suction Valve Assembly	3
9310-00081	Discharge Valve Assembly	3
7310-00680	O-Ring	3
7310-00674	O-Ring	3

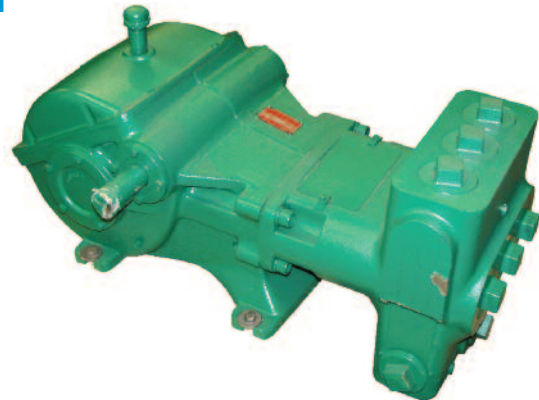
**Major Rebuild Kit, D65-20 AVD**



Part Number	Description	Quantity
9810-00195	Major Rebuild Kit, D65-20 AVD	1
7310-00667	Packing	3
7310-00670	Washer	3
7310-00671	Spring	3
7310-00664	Cap Screw	3
7310-00682	O-Ring	3
7310-00692	Cylinder Liner	3
9310-00013	Suction Valve Assembly	3
9310-00014	Discharge Valve Assembly	3
7310-00680	O-Ring	3
7310-00674	O-Ring	3
6000-00367	Pump Replacement Parts	

*Engineering Drawings on pages 104-106*

**Pump, Water 80 GPM – RH (DP80-20)**



Part Number	Description
6000-02070	Pump, Water 80 GPM – RH (DP80-20)
7310-01583	Gear End DP-80 RH
7310-01584	Liquid End, Pump DP80-20

*Engineering Drawings on pages 107-109*

## WATER PUMPS & REPLACEMENT PARTS

### Minor Repair Kit Meyers DP80-20



Part Number	Description	Quantity
9810-00198	Minor Repair Kit Meyers DP80-20	1
7310-01399	Packing	3
7310-01390	O-Ring	6
7310-01392	Valve	6
7310-01391	Backup Ring	6

### Valve, Drain 1/4" MNPTF



Part Number	Description
6000-02112	Valve, Drain 1/4" MNPTF

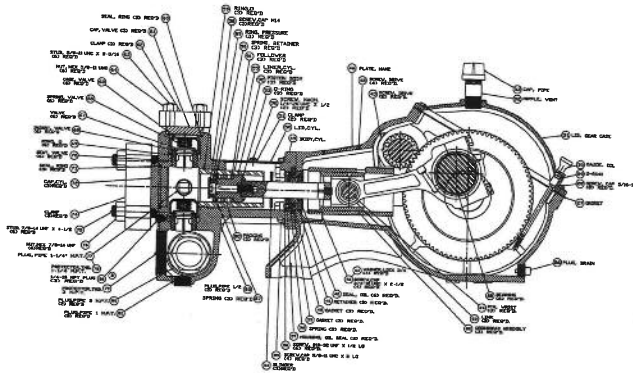
### Major Repair Kit for Meyers DP80-20



Part Number	Description	Quantity
9810-00197	Major Repair Kit for Meyers DP80-20	
7310-01399	Packing	3
7310-01390	O-Ring	3
7310-01404	Packing Spring	3
7310-01400	Spring Washer (packing)	3
7310-01391	Backup Ring	3
7310-01384	Oil Seat	3
7310-01392	Valve	3
7310-01393	Suction Valve Seat	3
7310-01394	Discharge Valve Seat	3
7310-01395	Spring	3
7310-00686	Compression Spring	3
7310-00687	Spring Retainer	6
7310-01396	Capscrew	6

**WATER PUMPS & REPLACEMENT PARTS**

**80-25 Water Pump Hydrostatic H/D**



Part Number	Description
6000-02342	80-25 Water Hydrostatic H/D
7310-03003	Liquid End E70/80-25

*Engineering Drawings on pages 110-114*

**Strainer, 2" Line AA124-2-AL-30**



Part Number	Description
20152-003	Strainer, 2" Line AA124-2-AL-30
7350-00097	Bowl Strainer
7350-00098	Gasket Strainer
7350-00099	Screen Strainer

**Major Rebuild Kit E80-25**



Part Number	Description
7310-03083	Major Rebuild Kit E 80-25 Water End

**Fluid End Repair Kit E80-25**



Part Number	Description
7310-02992	Minor Rebuild Kit

## FLUIDS, ADHESIVES

### Additive, Oil



Part Number	Description
3000-00826	Additive Oil

### ISO 150 Synthetic Machine Oil



Part Number	Description
3060-00047	ISO 150 Synthetic Machine Oil

### Oil, Hydraulic – Premium MV (5 Gallion)



Part Number	Description
3060-00048	Oil, Hydraulic – Premium MV (5 Gallion)

### Gasket Adhesive #847 (Tube)



Part Number	Description
3060-00029	Gasket Adhesive #847 (Tube)

## BOOM ASSEMBLIES & PARTS

### Chain Assembly



Part Number	Description
9010-00105K	Chain Assembly

### Valve, SSC Divider Quicklube-1



Part Number	Description
6000-02452	Valve, SSC Divider Quicklube-1

### Clamp, Hose Shackle – 8"



Part Number	Description
8510-00407	Clamp, Hose Shackle – 8"

### Fitting, 1/4" QC x 1.8" NPT



Part Number	Description
6000-02451	Fitting, 1/4" QC x 1/8" NPT

**BOOM ASSEMBLIES & PARTS**

**Valve Outlet Adapter w/Check**



Part Number	Description
6000-02462	Valve Outlet Adapter w/Check

**Plug, Valve Outlet, 1/8" NPT**



Part Number	Description
6000-02453	Plug, Valve Outlet, 1/8" NPT

**1" Ball Valve, Modified**



Part Number	Description
3100-01179	1" Ball Valve, Modified
6000-01286	Ball Valve 1" 3000 PSI
2010-02850	Handle, 1.00 Valve

**Valve, 1.00" Modified (6000-1286)**



Part Number	Description
3100-01088	Valve, 1.00" Modified (6000-1286)
6000-01286	Ball Valve 1" 3000 PSI
2010-02372	Handle, 1.00 Valve

**Roller Assembly, 4-Way**



Part Number	Description
3000-00347	Roller Assembly, 4-Way

**Bearing Boom w/Drive Motor**



Part Number	Description
0004458	Bearing Boom w/Drive Motor
<i>Engineering Drawings on pages 115,116</i>	

**Hose End 8"**



Part Number	Description
8510-01473	Hose End 8"

**Hose End 8" Flanged (Vactor)**



Part Number	Description
3000-03051	Hose End 8" Flanged (Vactor)



## BOOM ASSEMBLIES & PARTS

### Flange, 8" Hose (replaces 8510-02994)



Part Number	Description
0020040	Flange, 8" Hose (replaces 8510-02994)

### Hose End, 8" (M) Aluminum-Corrugate



Part Number	Description
0020040	Hose End, 8" (M) Aluminum Corrugate

### Inner Boom Tubes



Part Number	Description
8510-01679-1020 •	Boom Inner Tube -102.00"

*Call with your serial number for Legacy Camel*

### Seal, Boom 8"



Part Number	Description
6000-01251	Seal, Boom 8"

### Slider, Boom



Part Number	Description
3500-00668	Slider, Boom

### Bolt, Elevator 0.38.16



Part Number	Description
0509-00023	Bolt, Elevator 0.38.16

## BOOM ASSEMBLIES & PARTS

### Reinforced Boom Elbow



Part Number	Description
9214-00075	Boom Elbow 8", Long
9214-00074	Boom Elbow 8", Short
9214-00077	Boom Elbow 6", Long
9214-00076	Boom Elbow 6", Short

### Boom Elbow Weldment



Part Number	Description
0003735	Boom Elbow Weldment
0031925	Boom Elbow Weldment

*Lights sold separately (not included)*

### Guard, Wear – Boom



Part Number	Description
3500-00688	Guard, Wear – Boom

## WATER SYSTEMS & PLUMBING

*For tanks that need modification please call with your truck serial number.*

### Tank, Water 250 Gallon



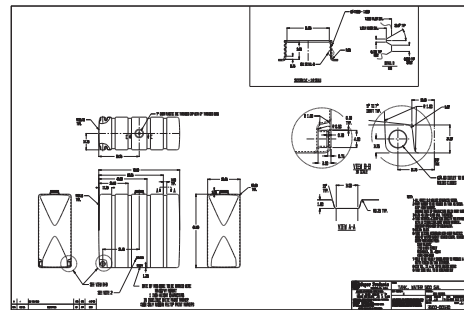
Part Number	Description
0000153	Tank, Water 250 Gallon

### Tank, Water 250 Gallon



Part Number	Description
3500-00338K	Tank, Water 250 Gallon with Cap
3500-00338	Tank, Water 250 Gallon without Cap

### Tank, Water 500 Gallon – Black



Part Number	Description
3500-00530	Tank, Water 500 Gallon – Black

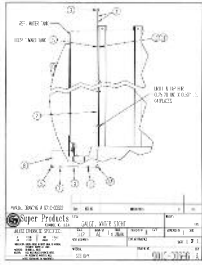
*Available early 2019*

### Assembly, Filler Door



Part Number	Description
9010-00521	Assembly, Filter Door

**Sight Gauge Water**



Part Number	Description
9010-00686K	Sight Gauge Water
1864-07200	Sight Gauge for Camel
3500-00426	Ball, H.D. Polyethylene – Red. 420
24544-000	Cap, with Hole Sight Gauge
24544-000	Elbow Fitting
3500-00314	Bulkhead Fitting

*Engineering Drawings on pages 117, 118*

**Hose, Rubber Hump 4.00"**



Part Number	Description
3000-01953-0003	Hose, Rubber Hump 4.00"

**Accumulator, 2.5 Gallon**



Part Number	Description
0004991	Accumulator, 2.5 Gallon

**Flusher, Body**



Part Number	Description
0008139	Flusher, Body

**Elbow, Rotary Swivel 3"**



Part Number	Description
0024784	Elbow, Rotary Swivel 3"

**Bearing, Flange Mount 1.00"**



Part Number	Description
0024856	Bearing, Flange Mount 1.00"

**Collar, Set 1" SS**



Part Number	Description
0025007	Collar, Set 1" SS

**WATER SYSTEMS & PLUMBING**

**Y-Strainer 3"**



Part Number	Description
0020239	Y-Strainer 3"
0026276	Y- Strainer Body Only
0026277	Y- Strainer Screen Only
0026279	Y- Strainer Basket Screen Gasket
0025680	Gasket Y- Strainer 4"
0026280	Y- Strainer Cap 3"
0026281	Y- Strainer Cap Clamp Only
0028158	Y-Screen, Vee Wire, Y-Strainer
0026283	Screw with T-Handle

**Y-Strainer**



Part Number	Description
3100-00597	Y-Strainer
6000-01085	Strainer, Line 3" NPT
6000-01086	Element Strainer – Mesh 6
6000-00940	Screen, Suction 3.0 – Mesh 80
7310-01511	Strainer Body
7310-01512	Cap & Water Filter 3"
7310-01513	Yoke
7310-01515	Gasket
0043-00007	Nut, Hex Jam .63-11 NC
8510-01353	T-Bolt

**Switch, Water Level Control (NC)**



Part Number	Description
3000-02841	Switch, Water Level Control (NC)

**Pressure Regulator Valve**



Part Number	Description
6000-00588	Pressure Regulator Valve

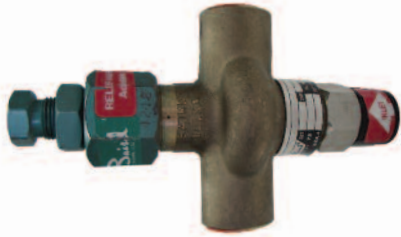
**Regulator Rebuild Kit**



Part Number	Description	Quantity
9810-00194	Regulator Rebuild Kit	1
7310-01299	Valve	1
7310-01347	Screw	1
7310-01346	O-Ring	1
7310-01345	Gasket	1
7310-01343	Washer	1
7310-01342	Plunger Cup	1
7310-01344	O-Ring	1

**Pressure Regulator Valve**

◆ ■ ▲



Part Number	Description
6000-02122	Pressure Regulator Valve

**Regulator Valve**

▲



Part Number	Description
17527-003	Regulator Valve

**Screen, Suction 3.0**

◆ ■



Part Number	Description
6000-00940	Screen, Suction

**Nozzle 1/4 MEG-5010 – 3000PSI**

◆ ■ ▲



Part Number	Description
6000-01226	Nozzle 1/4 MEG-5010 – 3000PSI

**Wet Ring 8"**

◆ ■ ▲



Part Number	Description
9010-00109 •	Wet Ring 8"
9010-00116	Wet Ring 6"

**Spray Bar Internal Recycling**

◆ ■



Part Number	Description
0024922	Spray Bar Internal Recycling

**Nozzle, 1/4 3000 PSI**

◆ ■



Part Number	Description
0024894	Nozzle, 1/4 3000 PSI

**Clamp, Hose, T-Bolt**

◆ ■



Part Number	Description
0027624 •	Clamp, Hose, T-Bolt, 2.38"-2
3000-03245	Clamp, Hose, 3.50" T-Bolt

**BODY ASSEMBLIES & PARTS**

**Assembly, Radar Sensor, Programmed**



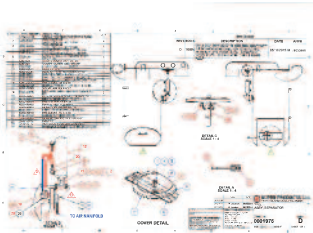
Part Number	Description
0028987-CML	Assembly, Radar Sensor, Programmed

**Weldment, Water Fill**



Part Number	Description
0001648	Weldment, Water Fill

**Separator Assembly**



Part Number	Description
0001975	Separator Assembly
0001921	Cover, Outer, Vacuum Relief
0001923	Cover, Inner Vacuum Relief
0001959	Lever, Vacuum, Relief Door
3000-02419	Handle

Engineering Drawing on page 119

**Weldment, Elbow, Inlet, Replaceable**



Part Number	Description
0002072	Weldment, Elbow, Inlet

**Weldment, Elbow, Inlet, Replaceable**



Part Number	Description
0002073	Weldment, Inlet Tube 12 yd
0006630	Weldment, Inlet Tube 9 yd

**Buckle, Push to Open**



Part Number	Description
0002161	Buckle, Push to Open

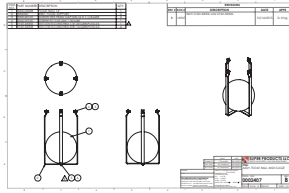
**Strap Ladder 1 x 24 Black**



Part Number	Description
0009583	Strap Ladder 1 x 24 Black

# BODY ASSEMBLIES & PARTS

## Float Ball Assembly & Cage



Part Number	Description
0002407 ■	Float Ball Assembly & Cage
0002321 ◆■	Float Support Bracket
3000-02208 ◆■▲	14" Float Ball

*Engineering Drawing on page 119*

## Round, Float Ball Pipe



Part Number	Description
1010-02672	Round, Float Ball Pipe

## 12" Float Ball



Part Number	Description
3000-00998	12" Float Ball

## Pin, Clevis, Zinc Plated 0.75 x 2



Part Number	Description
0095-20001	Pin, Clevis, Zinc Plated 0.75 x 2

## Clevis, Cylinder



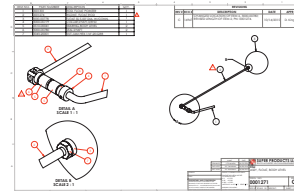
Part Number	Description
3000-00494	Clevis, Cylinder

## Strap, Hold-down



Part Number	Description
3000-00312	Strap Hold-down

## Float Assembly



Part Number	Description
0001271 ■	Float Assembly
3000-00780 ◆■▲	Seal, Shaft
3000-00779	Collar, Shaft
3000-00778 ◆■▲	5" Float Ball with Conn.

*Engineering Drawing on page 120*

## Tube, Flexible Wet Door Seal



Part Number	Description
3500-00188	Tube, Flexible Wet Door Seal

**BODY ASSEMBLIES & PARTS**

**Cap, Guide**

▲



Part Number	Description
1010-00676	Cap, Guide

**Pump 3" Submersible – 390 GPM**

◆■▲



Part Number	Description
6000-01354	Pump 3" Submersible – 390 GPM

**Coupler, Female 8.00 Modified**

▲



Part Number	Description
3100-00272	Female 8.00 Modified

**Flange, Seal Retainer, Painted**

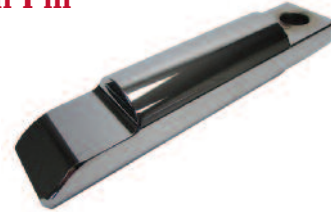
◆■▲



Part Number	Description
4510-00190P	Flange, Seal Retainer, Painted

**Bolt, Latch Pin**

◆■▲



Part Number	Description
4510-00215	Bolt, Latch Pin

**Brace, Tailgate**

◆■▲



Part Number	Description
2010-01086	Brace, Tailgate

**Valve, SSV Divider, Quick Lube**

◆■



Part Number	Description
0008638	Valve, SSV Divider, Quick Lube

**Valve, Double P.O. Check**

◆■▲



Part Number	Description
6000-02170	Valve, Double P.O. Check



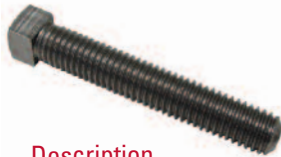
## BODY ASSEMBLIES & PARTS

### Tubing, .25 O.D. Grease Filled



Part Number	Description
6000-02456	Tubing, .25 O.D. Grease Filled

### Screw Set .50-13 x 3.00 Square HD SS



Part Number	Description
0000-00298	Screw Set .50-13 x 3.00 Square HD SS

### Port Inspection 8"



Part Number	Description
3000-01386	Port Inspection 8"
7300-01343	Stud Assembly
7300-01352	Pin, Pivot 8.0" Fill Cover
7300-01354	Nut, Pall Fill Cover
7300-01341	Retainer, Gasket 8.0" Fill Cover
3500-00189	Gasket 8.0"

## REEL ASSEMBLIES & PARTS

### Retractable Hose Reel 65'



Part Number	Description
6000-01315	Retractable Hose Reel 65'
7310-01991	Rotary Elbow (used on all product lines)

### 90° Balance Swivel Joint



Part Number	Description
7310-01991	Plate, Reel Brake Latch

### Power Supply, Hydraulic (Monarch)



Part Number	Description
6000-01281	Power Supply, Hydraulic (Monarch)

### Manifold, Hydraulic Front Reel



Part Number	Description
0025182	Manifold, Hydraulic Front Reel <i>Engineering Drawing on Page</i>

**REEL ASSEMBLIES & PARTS**

**Chain, Roller, #60 Double-60PI**  
▲




Part Number	Description
0004388	Chain, Roller, #60 Double-60PI

**Chain #40 (0.50" Pitch)**  
◆■▲



Part Number	Description
3000-02848	Chain, #40 (0.50" Pitch)

**Encoder**  
◆■▲



Part Number	Description
5500-01805	Encoder
5500-01717	5 Socket Plug
5500-01622	Seal PLug
5500-01621	Contact Socket

**Encoder, Reel, Hose, M12**  
◆■▲



Part Number	Description
0008208	Encoder, Reel, Hose, M12

**O-Ring (9" I.D.)**  
◆■▲



Part Number	Description
3500-00175	O-Ring (9" I.D.)

**Guard, Encoder with Power Level Wind**  
◆■▲



Part Number	Description
2010-03661	Guard, Encoder with Power Level Wind

**Connector Link**  
◆■▲



Part Number	Description
3000-01314	Connector Link

## REEL ASSEMBLIES & PARTS

### Rod End, .50-13 x .38 Hole



Part Number	Description
0032621	Rod End, .50-13 x .38 Hole

### Slide Pad, Reel Brake



Part Number	Description
0032637	Slide Pad, Reel Brake

### Pin Safety



Part Number	Description
0000-00281	Pin Safety
0438-0003	Clevis Pin 1.50 x 5.00
0078-00014	Washer Flat

### S-Hook, 1.75



Part Number	Description
0257-00005	S-Hook, 1.75

### Plate, Latch



Part Number	Description
2010-02713	Plate Latch

### Sprocket, Motor



Part Number	Description
3000-02133	Sprocket, Motor

### Sprocket, Reel



Part Number	Description
3000-02134	Sprocket, Reel

### Sprocket, 24 Teeth



Part Number	Description
3000-02847	Sprocket, 24 Teeth

**REEL ASSEMBLIES & PARTS**

**Clamp, Hold Down**

◆■▲



Part Number	Description
3000-02387	Clamp Hold Down

**Bumper, Hose 0.75-1.05**

◆■▲



Part Number	Description
3000-02746	Bumper, Hose 0.75 -1.05

**Bearing**

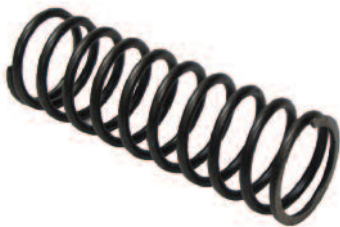
◆■



Part Number	Description
3000-02845	Bearing

**Spring**

◆■▲



Part Number	Description
3000-02849	Spring

**Roller, Level Wind Weldment \*B**

◆■▲



Part Number	Description
8550-00419	Roller, Level Wind Weldment *B

**Roller, Tensioner-Center**

◆■



Part Number	Description
3000-02965	Roller, Tensioner-Center

**Roller, Tensioner-End**

■



Part Number	Description
3000-02966	Roller, Tensioner-End

**Roller, UHMW-PE**

◆▲



Part Number	Description
19957-000	Roller, UHMW-PE

## REEL ASSEMBLIES & PARTS

### Cleat



Part Number	Description
3000-03101	Cleat

### Valve, 1.00 Return (6000-01286)



Part Number	Description
3100-01087 •	Valve, 1.00 Return (6000-01286)
6000-01286	Ball Valve 1" 3000 PSI
2010-02369	Handle, 1.00 Return Valve

### Valve, 1.00 Modified (6000-1286)



Part Number	Description
3100-01088 •	Valve, 1.00 Return (6000-01286)
6000-01286	Ball Valve 1" 3000 PSI
2010-02372	Handle, 1.00 Valve

### Handle, Speed Ball .50-13 NC



Part Number	Description
3000-01958-1001	Handle, Speed Ball .50-13 NC

### Shield, Containment 800'



Part Number	Description
3350-00010	Shield, Containment 800'
3350-00011	Shield, Containment 600'

### Hose, Hydraulic (R2) .50 x 600.00



Part Number	Description
3616-60000	Hose, Hydraulic (R2) .50 x 600.00

**REEL ASSEMBLIES & PARTS**

**Bearing, 2" Bore**

◆ ■ ▲



Part Number	Description
4000-00023	Bearing, 2" Bore

**Bearing**

◆ ■ ▲



Part Number	Description
4000-00055	Bearing

**Cam, Helical Reel Level Wind**

◆ ■ ▲



Part Number	Description
4510-00225	Cam, Helical Reel Level Wind

**Cam, Helical – Level Wind**

◆ ■



Part Number	Description
4510-00236	Cam, Helical – Level Wind

**Block, Traveler**

◆ ■ ▲



Part Number	Description
4510-00251	Block Traveler

**Follower, Cam**

▲



Part Number	Description
4000-00007	Follower, Cam

**Follower, Level Wind**

◆ ■ ▲



Part Number	Description
4510-00226	Follower, Level Wind

**Guide Rod, Level Wind**

◆ ■ ▲



Part Number	Description
4510-00227	Guide Rod, Level Wind

## REEL ASSEMBLIES & PARTS

### Retainer, Spring

◆ ■ ▲



Part Number	Description
4510-0023	Retainer, Spring

### Cylinder, Pneumatic

◆ ■ ▲



Part Number	Description
6000-00455	Cylinder, Pneumatic

### Valve, 4-Way Air

◆ ■



Part Number	Description
6000-00536	Valve, 4-Way Air
7300-01146	Knob

### Regulator, Air

◆ ■ ▲



Part Number	Description
6000-01975	Regulator, Air

### Hose Guide Hinged

◆ ■



Part Number	Description
8510-02140	Hose Guide Hinged

### Retainer, Pin Black Paint

◆ ▲



Part Number	Description
8510-02258	Retainer, Pin Black Paint

### Bracket, Brake Band

◆ ■ ▲



Part Number	Description
8510-02101	Bracket, Brake Band

**REEL ASSEMBLIES & PARTS**

**Hose, Rubber 2.75" x 7.00"**



Part Number	Description
3498-00700	Hose, Rubber 2.75" x 7.00"

**Wireway, 4" Radius, 3.0 x .98**



Part Number	Description
0032871	Wireway, 4" Radius, 3.0 x .98

**Hose Mount**



Part Number	Description
8550-00453	Hose Mounting Weldment

**Tube, RD, 2.00 O.D. x 0.125 WT**



Part Number	Description
0032383	Tube, RD, 2.00 O.D. x 0.125 WT

**Roller, 3" O.D. x 1.63 LG, UHMW**



Part Number	Description
0032564	Roller, 3" O.D. x 1.63 LG, UHMW

**Plate, Reel Brake Latch**



Part Number	Description
0032602	Plate, Reel Brake Latch

**Rotary Elbow**



Part Number	Description
6000-01647	Rotary Elbow ( <i>not Plate, Reel Brake Latch</i> )
7310-01933	Seal Kit for 6000-01647
7310-01934	Bearing Kit for 6000-01647 Elbow



## TAILGATE ASSEMBLIES & PARTS

### End Yoke. 3/4 – 16

◆■▲



Part Number	Description
3000-01475	End Yoke, 3/4 – 16

### Push Rod – Reinforced

▲



Part Number	Description
8510-01520	Push Rod – Reinforced

### Push Rod, Tailgate

▲



Part Number	Description
8510-01166	Push Rod, Tailgate

### Nut, Hex Jam, 3/4-16 NF

◆■▲



Part Number	Description
0044-00008	Nut, Hex Jam, 3/4-16 NF

### Bolt, Elevator 0.38.16

■



Part Number	Description
0509-00023	Bolt, Elevator 0.38.16

### Spacer-Ball Joint Full Dia TLG

■



Part Number	Description
1010-01107	Spacer-Ball Joint Full Dia TLG

### Ball Joint Rod End-RH Threads

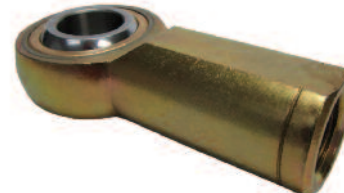
■



Part Number	Description
3000-01665	Ball Joint Rod End-RH Threads

### Ball Joint Rod End-LH Threads

■



Part Number	Description
3000-01908	Ball Joint Rod End-LH Threads

**TAILGATE ASSEMBLIES & PARTS**

**Tube, Poly 1/2" I.D. x 5/8" O.D.**



Part Number	Description
0006674	Tube, Poly 1/2" I.D. x 5/8" O.D.

**Tube RD 1.31 x .148 x 2.50**



Part Number	Description
2398-00250	Tube RD 1.31 x .148 x 2.50

**Gasket, Tailgate-MD, DS, Camel**



Part Number	Description
3500-00258	Tailgate Gasket

**Cam Follower Kit – Dome Tailgate**



Part Number	Description
3500-00258	Cam Follower Kit

**Shaft Latch Roller**



Part Number	Description
4510-00266	Shaft Latch Roller

**Rod, Latch Lock**



Part Number	Description
1010-00967	Rod, Latch Lock

**Assembly, Tailgate Roller**



Part Number	Description
0002609	Assembly, Tailgate Roller

## DECALS

### Decals

Part Number	Description
0007572	Assembly Set, 50' Hose Reel
0007543	Assembly Set – Camel
0030277	Kit – Recycling
0007470	Camel 900 Boom Logo Black
0007471	Camel 1200 Boom Logo Black
0007472	Decal Camel, 900 Boom White
0007473	Decal Camel, 1200 Boom White

### Decals

Part Number	Description
0007548	Assembly Set – Camel
0025803	Decal Anti Freeze System
0033185	Assembly Set – Camel
0033183	Assembly Set – Front
9518-00127	Set – Common All Camels
9810-00270	Set – Camel Generic
0020235	Control Panel, CJ

## VACUUM SEALS / GASKETS

### Gaskets for Air Filter Door



Part Number	Description
0005155	Gaskets for Air Filter Door

### Gasket , Dumptube, 8 Front



Part Number	Description
3500-00189	Gasket, Dumptube, 8" Front

### Vacuum Inlet Gasket



Part Number	Description
3500-00467	Vacuum Inlet Gasket

### Retainer, Manhole (3000-03185)



Part Number	Description
7300-02796	Retainer, Manhole (3000-03285)

### Gasket , Make/Break – Camel 0.75



Part Number	Description
3500-00707	Gasket, Make/Break – Camel 0.75

### Gasket, Manhole (3000-03185)



Part Number	Description
7300-02795	Gasket, Manhole (3000-03285)

VACUUM SEALS / GASKETS

**Gasket, Make / Break, Double**



Part Number	Description
0004461	Gaskets , Make/Break, Double

**Spring, Make-Break**



Part Number	Description
0001971	Spring, Make-Break

**Bolt, Shoulder, .62 Diameter x 3.00**



Part Number	Description
0004540-00300	Bolt, Shoulder, .62 Diameter x 3.00

**Gasket, 8" Vector Style**



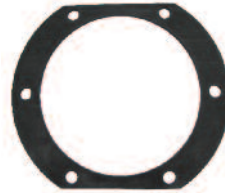
Part Number	Description
3000-03064	Gasket, 8" Vector Style

**Gasket, Body Inlet Duct**



Part Number	Description
0001682	Gaskets , Body Inlet Duct

**Gasket, Flange, Pipe, 8"**



Part Number	Description
0002055	Gasket , Flange, Pipe, 8"

**Gasket, Rubber, Vacuum Relief**



Part Number	Description
0025124	Gasket , Rubber, Vacuum Relief

**Gasket, Vent Door**



Part Number	Description
3500-00066	Gasket , Vent Door

**Assembly, Shoulder Strap**



Part Number	Description
0034269	Assembly, Shoulder Strap

## PENDANTS

### Harness, Pendant, Wired



Part Number	Description
0006955	Harness, Pendant, Wired

### Pendant, Wired. Camel



Part Number	Description
0030402	Pendant, Wired Camel

### Pendant, Wireless Camel



Part Number	Description
0030401	Pendant, Wireless, Camel

### Pendant, Wireless, Magnetek, CML



Part Number	Description
0029171	Pendant, Wireless, Magnetek, CML

*Will need to be programmed to channel number and access code for unit*

### Pendant, Wired



Part Number	Description
0009139	Pendant, Wired

### Xmitter, Remote See ...“C” Rec



Part Number	Description
7310-02647	Xmitter, Remote See “C” Rec

*Will need to be programmed to I.D. code for unit*

### Leather Holder, Transmitter (S)



Part Number	Description
7310-02129	Leather Holder, Transmitter (S)

### Sling, Wireless Pendant



Part Number	Description
7310-02588	Sling, Wireless Pendant

**ELECTRICAL SYSTEM & HARNESS**

**Controller, Prop. Valve Universal**



Part Number	Description
5500-03092	Controller, Prop. Valve Universal Must be programmed

**Controller, Front HMI Display**



Part Number	Description
0033379	Controller, Front HMI Display

**Harness, Reel Control**



Part Number	Description
0031513	Harness, Reel Control

**Harness, Hose Reel Encoder**



Part Number	Description
0006935	Harness, Hose Reel Encoder

**Joystick, OEM Controls**



Part Number	Description
0005241	Joystick, OEM Controls

**Joystick**



Part Number	Description
5500-01283	Joystick

**Module, Can**



Part Number	Description
0030735	Module, Can

**Module, Control**



Part Number	Description
0031506	Module, Control

# ELECTRICAL SYSTEM & HARNESS

## Module, Reel Controller



Part Number	Description
0030257	Module, Reel Controller

## Module, Control, Recycling



Part Number	Description
0032154	Module, Control, Recycling

## Module, Power Distribution



Part Number	Description
5500-03078	Module, Power Distribution

## Curbside Enclosure



Part Number	Description
0007489 •	Curbside Enclosure
0027207k	Curbside Switch Pack with Boot

## Front Enclosure



Part Number	Description
0007490	Front Enclosure
0026059	EF Basic Mobile Display
0026058	EF Basic Controller 24 I/O
5500-01740	Switch, E Stop
0027195k	3G/Front Switch Cluster w/Boot

## Cab Enclosure



Part Number	Description
0007488	Cab Enclosure
0027214k	Switch Cluster Cab with Boot
5500-00561	Alarm, Back-up
5500-00807	Alarm, Mallory

## Socket, Connector – 6 Pole



Part Number	Description
5500-00263	Socket, Connector – 6 Pole

## ELECTRICAL SYSTEM &amp; HARNESS

## Power Frame Electrical Harness

Part Number	Description
0009667 •	Power Frame Electrical Kit
0007491	Power Distribution Enclosure
0008166	Harness, Cab I/O, Camel
0006974	Harness, Vent Door Close SOL
0006775	Harness, PTO Enable SOL
0006976	Harness, PTO Confirm SW
0006977	Harness, Vac Engage/Disengage
0006980	Harness, Rear Axle Engage/Disengage
0008151	Module, Cab, Camel
0008164	Harness, Body, Camel
0006969	Harness, Boom Down SW
0006979	Harness, Vacuum Pressure SG
0008163	Harness, Power Frame Canbus, C
0006952	Harness, J1939 BUS
0006965	Harness, Vac Pump Speed
0006959	Harness, Boom I/O Can OPen Bus
0029691	Harness, Cold Start Dist Box
0008169	Harness, Boom Manifold, Camel
0006985	Harness, Boom Body Up/Down SOL
0006997	Harness, Boom Up SOL
0006998	Harness, Boom Down SOL
0006999	Harness, Boom Left SOL
0007000	Harness, Boom Right SOL
0007001	Harness, Boom Extend SOL
0007003	Harness, Boom Boom Speed SOL
0007004	Harness, Boom Retract SOL
0008243	Module, Boom, Camel
0008152	Module, Chassis, Camel
0006982	Harness, Body Down SW
0006986	Harness, Water Pump Hydraulic Press SG
0006987	Harness, Water Pump FWD SOL
0006988	Harness, Water Pump REV SOL
0006989	Harness, Water Pump LVDT
0006990	Harness, Engine Kill SW2

## Chassis I/O Harness Assembly

Part Number	Description
0029596 •	Chassis I/O Harness
0006987	Harness, Water Pump Forward SOL
0006988	Harness, Water Pump Reverse SOL
0007002	Harness, Water Pump Load Sense
0029710	Harness, Pressure Switch
0006986	Harness, Water Pump Hyd Press SG
0029709	Harness, Vacuum Pump Engaged
0029708	Harness, Rear Axle Disengage
0006990	Harness, Engine Kill SW2
0006982	Harness, Body Down SW
0029587	Harness, Backup HPU
0006989	Harness, Water Pump LVDT

## Cab / Front Electrical Assembly

Part Number	Description
0009671 •	Cab/Front Electrical Harness
0006933	Harness, Reel, Joystick
0006934	Harness, Boom Joystick
0005241	Joystick, OEM Controls
0006943	Harness, J1939 Bus T2 Splitter
0007640	Harness, Cab Enclosure to Thro
0006946	Harness, J1939 Bus T1 Splitter
0008161	Harness, Hose Reel Manifold, C
0008162	Harness, Can/J1939 Front, Came
0006962	Harness, Boom Lights, Front BE

## Body Electrical Kit

Part Number	Description
0009669	Body Electrical Kit
0008173	Harness, Body I/O, Camel
0006944	Resistor, Terminator, 120 OHM
0008244	Module, Body, Camel



# ELECTRICAL SYSTEM & HARNESS

## Relay Throttle / Fan Lock-up

◆ ■ ▲



Part Number	Description
5500-03017	Socket, Connector – 6 Pole

## Panel, Control, Camel

■



Part Number	Description
0032122	Panel, Control, Camel

## Panel, Cab, Camel

■



Part Number	Description
0032123	Panel, Cab, Camel
<i>Engineering Drawings on page 121</i>	

## Rubber Latch Control Panel Shield

■



Part Number	Description
0033373	Rubber Latch Control Panel Shield

## Connector, Male M-12 Field Wireable

◆ ■



Part Number	Description
0002515	Connector, Male M-12 Field Wireable

## Connector, M-12, Socket, Female Pins

◆ ■



Part Number	Description
0002723	Connector, M-12, Socket, Female Pins

## Splitter, Tee, M-12

◆ ■



Part Number	Description
0006971	Splitter, Tee, M-12

## Assembly, Camera System, 15M Cable

◆ ■



Part Number	Description
0008442	Assembly, Camera System, 15M Cable

**ELECTRICAL SYSTEM & HARNESS**

**Sensor, Pressure, Water Level, WILK**



Part Number	Description
0026040	Sensor, Pressure, Water Level, WIK

**Sensor, Pressure, Sanitary 1/2**



Part Number	Description
0026913	Sensor, Pressure, Sanitary 1/2

**Sensor, H2O Pressure, 0-150 PSI**



Part Number	Description
0034771 •	Sensor, H2O Pressure, 0-150 PSI Requires an adapter
0027631	Adapter, Str.,08MP-08FBSP

**Sensor, Pressure, H2O, 0-150 PSI**



Part Number	Description
0032133	Sensor, Pressure, H2O, 0-150 PSI

**Switch, Level, Liquid**



Part Number	Description
0027548	Switch, Level, Liquid

**Switch, Micro – 12V**



Part Number	Description
5500-00039	Switch, Micro – 12V

**Switch, Liquid Level**



Part Number	Description
5500-00282	Switch, Liquid Level

**Switch, Disconnect, 300A**



Part Number	Description
0032140	Switch, Disconnect, 300A

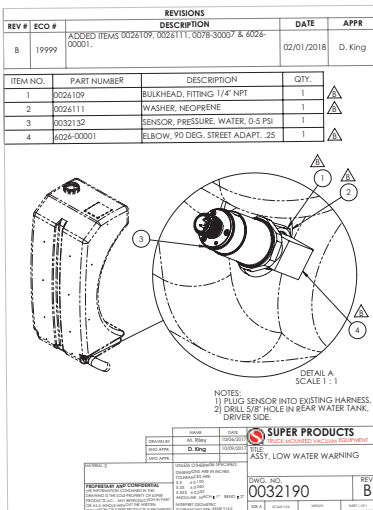
# ELECTRICAL SYSTEM & HARNESS

## Switch, Proximity PNP, N.O., M12



Part Number	Description
0005940	Sensor, Proximity PNP, N.O., M12

## Assembly, Low Water Warning



Part Number	Description
0032190 •	Assembly, Low Water Warning
0026109	Bulkhead, Fitting 1/4" NPT
0026111	Washer, Neoprene
0032132	Sensor, Pressure. H2O, 0-5 PSI
6026-00001	Elbow, 90°, Street Adapter

*Engineering Drawing on page 122*

## 100 Amp Fuse



Part Number	Description
5500-03076	100 Amp Fuse

## Junction Box



Part Number	Description
5500-00042	Junction Box

## Socket, Relay



Part Number	Description
5500-00091	Socket, Relay

## Relay, Auxiliary 3 PDT



Part Number	Description
5500-01319	Relay, Auxiliary 3 PDT

## Sensor, Temperature – Hydraulic Tank



Part Number	Description
0032227	Sensor, Temperature

**CHASSIS / POWER FRAME**

**Orange Traffic Cone 28" Reflective**

◆■▲



Part Number	Description
3000-03006	Orange Traffic Cone 28" Reflective

**Mud Flap**

◆■▲



Part Number	Description
3500-00674	Mud Flap

**Hose, Material Handling 10.00 x 27"**

◆■▲



Part Number	Description
3906-07027	Hose, Material Handling 10.00 x 27"

**Chock, Wheel 1 Piece**

◆■▲



Part Number	Description
0026450	Chock, Wheel 1 Piece

**Bearing, Pillow Block 1.44**

▲



Part Number	Description
4000-00011	Bearing, Pillow Block 1.44

**Latch Tool Box**

◆■▲



Part Number	Description
8-325-281	Latch Tool Box

**Valve, Pressure Protection**

◆■▲



Part Number	Description
0024453	Valve, Pressure Protection

**Coupler, Female 8.00 Modified**

▲



Part Number	Description
3100-00649	Coupler, Female 8.00 Modified

# ASSEMBLY HYDRO-EXCAVATION KIT, VACTOR STYLE Item 0029640

ITEM NO.	PART NUMBER	DESCRIPTION	QTY.
1	0002161	BUCKLE, PUSH TO OPEN M2 P/N P11, 1" PUSH RECEPTOR	2
2	0007270	STRAP, LADDER, 1 X 18, BLACK	2
3	0008935	M2 P/N S0FTLS1-S	2
4	0029628	BRKT, HYDRO-X STRAP	1
5	0029639	TUBE, DIGGING, 6" FEMALE, VACTOR STYLE	1
6	0029644	REDUCER, VACTOR STYLE FLANGED, 8" X 6"	1
7	0030688	CLAMP, QUICK-CHANGE-6"	1
8	0050-20100	LANCE, SWITCH-BLADE QUAD NOZZLE	2
9	0050-20225	SCREW-HEX HEAD CAP, 1/4"-20 X 1, GR8	2
10	0080-30001	SCREW-HEX HEAD CAP, 1/4"-20 X 2.25, GR8	2
11	0082-30001	NUT, HEX, 1/4"-20, STEEL, PLTD, GR8	4
12	0160-42006	WASHER, FLAT, USS, 1/4", STEEL, PLTD, GR8	2
13	3503-00600	NUT, LOCK CLINCHED, 1/4"-20, GR8, PLTD-STL	2
14	9010-01194	CHANNEL TRIM, 1/4" X 6"	1
15	9010-01195	EXTENSION, HANDGUN, 0.5 X 30 60" X 1/2" PIPE EXTENSION	2

REV #	ECO #	DESCRIPTION	DATE	APPR
B		INITIAL RELEASE	05/09/2018	N. Chalhouh

**DETAIL A**  
SCALE 1 : 4

**DETAIL B**  
SCALE 1 : 1

**DETAIL C**  
SCALE 1 : 4

**DETAIL D**  
SCALE 1 : 4

**DETAIL E**  
SCALE 1 : 4

**DETAIL F**  
SCALE 1 : 4

**DETAIL G**  
SCALE 1 : 4

**DETAIL H**  
SCALE 1 : 4

**DETAIL I**  
SCALE 1 : 4

**DETAIL J**  
SCALE 1 : 4

**DETAIL K**  
SCALE 1 : 4

**DETAIL L**  
SCALE 1 : 4

**DETAIL M**  
SCALE 1 : 4

**DETAIL N**  
SCALE 1 : 4

**DETAIL O**  
SCALE 1 : 4

**DETAIL P**  
SCALE 1 : 4

**DETAIL Q**  
SCALE 1 : 4

**DETAIL R**  
SCALE 1 : 4

**DETAIL S**  
SCALE 1 : 4

**DETAIL T**  
SCALE 1 : 4

**DETAIL U**  
SCALE 1 : 4

**DETAIL V**  
SCALE 1 : 4

**DETAIL W**  
SCALE 1 : 4

**DETAIL X**  
SCALE 1 : 4

**DETAIL Y**  
SCALE 1 : 4

**DETAIL Z**  
SCALE 1 : 4

**DETAIL AA**  
SCALE 1 : 4

**DETAIL AB**  
SCALE 1 : 4

**DETAIL AC**  
SCALE 1 : 4

**DETAIL AD**  
SCALE 1 : 4

**DETAIL AE**  
SCALE 1 : 4

**DETAIL AF**  
SCALE 1 : 4

**DETAIL AG**  
SCALE 1 : 4

**DETAIL AH**  
SCALE 1 : 4

**DETAIL AI**  
SCALE 1 : 4

**DETAIL AJ**  
SCALE 1 : 4

**DETAIL AK**  
SCALE 1 : 4

**DETAIL AL**  
SCALE 1 : 4

**DETAIL AM**  
SCALE 1 : 4

**DETAIL AN**  
SCALE 1 : 4

**DETAIL AO**  
SCALE 1 : 4

**DETAIL AP**  
SCALE 1 : 4

**DETAIL AQ**  
SCALE 1 : 4

**DETAIL AR**  
SCALE 1 : 4

**DETAIL AS**  
SCALE 1 : 4

**DETAIL AT**  
SCALE 1 : 4

**DETAIL AU**  
SCALE 1 : 4

**DETAIL AV**  
SCALE 1 : 4

**DETAIL AW**  
SCALE 1 : 4

**DETAIL AX**  
SCALE 1 : 4

**DETAIL AY**  
SCALE 1 : 4

**DETAIL AZ**  
SCALE 1 : 4

**DETAIL BA**  
SCALE 1 : 4

**DETAIL BB**  
SCALE 1 : 4

**DETAIL BC**  
SCALE 1 : 4

**DETAIL BD**  
SCALE 1 : 4

**DETAIL BE**  
SCALE 1 : 4

**DETAIL BF**  
SCALE 1 : 4

**DETAIL BG**  
SCALE 1 : 4

**DETAIL BH**  
SCALE 1 : 4

**DETAIL BI**  
SCALE 1 : 4

**DETAIL BJ**  
SCALE 1 : 4

**DETAIL BK**  
SCALE 1 : 4

**DETAIL BL**  
SCALE 1 : 4

**DETAIL BM**  
SCALE 1 : 4

**DETAIL BN**  
SCALE 1 : 4

**DETAIL BO**  
SCALE 1 : 4

**DETAIL BP**  
SCALE 1 : 4

**DETAIL BQ**  
SCALE 1 : 4

**DETAIL BR**  
SCALE 1 : 4

**DETAIL BS**  
SCALE 1 : 4

**DETAIL BT**  
SCALE 1 : 4

**DETAIL BU**  
SCALE 1 : 4

**DETAIL BV**  
SCALE 1 : 4

**DETAIL BV**  
SCALE 1 : 4

**DETAIL BV**  
SCALE 1 : 4

**DETAIL BV**  
SCALE 1 : 4

**DETAIL BV**  
SCALE 1 : 4

**DETAIL BV**  
SCALE 1 : 4

**DETAIL BV**  
SCALE 1 : 4

**DETAIL BV**  
SCALE 1 : 4

**DETAIL BV**  
SCALE 1 : 4

**DETAIL BV**  
SCALE 1 : 4

**DETAIL BV**  
SCALE 1 : 4

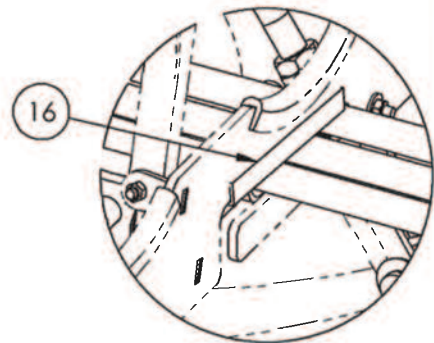
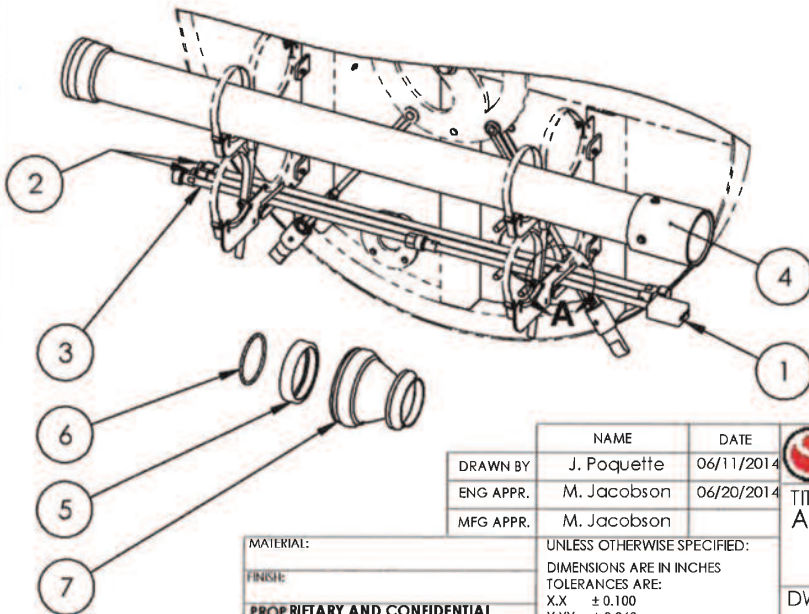
**ASSEMBLY HYDRO-EXCAVATION KIT** Item 0002383 1 of 2

REVISIONS				
REV #	ECO #	DESCRIPTION	DATE	APPR
B	17305	0033363 WAS 0050-20225 QTY 2	02/20/2018	N. Chalhoub

ITEM NO.	PART NUMBER	DESCRIPTION	QTY.
1	9010-01198	LANCE, 2.5' W/NOZ/20GPM @ 2KPSI	1
2	9010-01195	60" X 1/2" PIPE EXTENSION	2
3	9010-01194	EXTENSION, HANDGUN, 0.5 X 30	1
4	9010-00859	TUBE, DIGGING 6.00" FEMALE	1
5	3000-00824	Lockring 6" (ALUMUNUM CPLRS)	1
6	3500-00206	6" O RING FOR ALUM. TUBES	1
7	3000-02948	8" (F) X 6" (M) ALUMINUM REDUCER	1
8	0002161	BUCKLE, PUSH TO OPEN M2 P/N R1T, 1" PUSH RECEPTOR	2
9	0050-20100	SCREW, HEX HEAD CAP, 1/4-20 X 1, GR8	2
10	0033363	SCREW, BUTTON HEAD T27 TORX, 1/4-20 X 2.00	2
11	0082-30001	WASHER, FLAT, USS, 1/4", STEEL, PLT'D, GR8	4
12	0160-42006	NUT, LOCK, CLINCHED, 1/4"-20, GR8, PLT'D-STL	2
13	0007270	STRAP, LADDER, 1 X 18, BLACK M2 P/N SOFTLS1-S	2
14	0008935	BRKT, HYDRO-X STRAP	2
15	0080-30001	NUT, HEX, 1/4"-20, STEEL, PLT'D, GR8	2
16	3503-00600	CHANNEL TRIM 1/4" X 6"	2

**NOTES:**

1. PLACE ITEMS 5, 6 & 7 IN TOOLBOX.
2. CONNECT ITEMS 1 & 3 THEN PLACE IN RACK.



**DETAIL A**  
**SCALE 1 : 4**

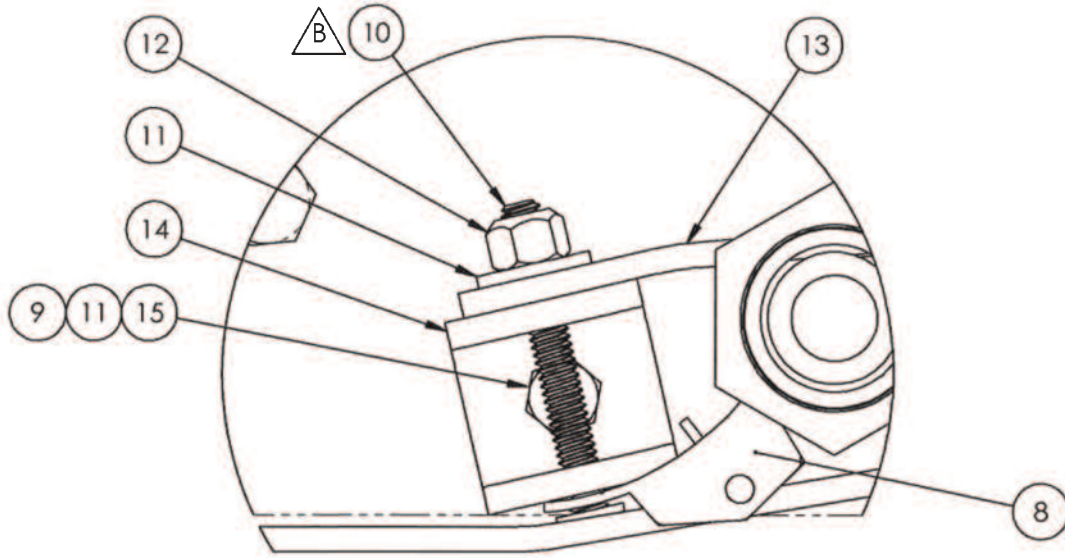
NAME	J. Poquette	DATE	06/11/2014
DRAWN BY	J. Poquette	DATE	06/11/2014
ENG APPR.	M. Jacobson	DATE	06/20/2014
MFG APPR.	M. Jacobson		

**SUPER PRODUCTS LLC.**  
TRUCK MOUNTED VACUUM EQUIPMENT  
TITLE:  
ASSY, HYDRO-EXCAVATION KIT

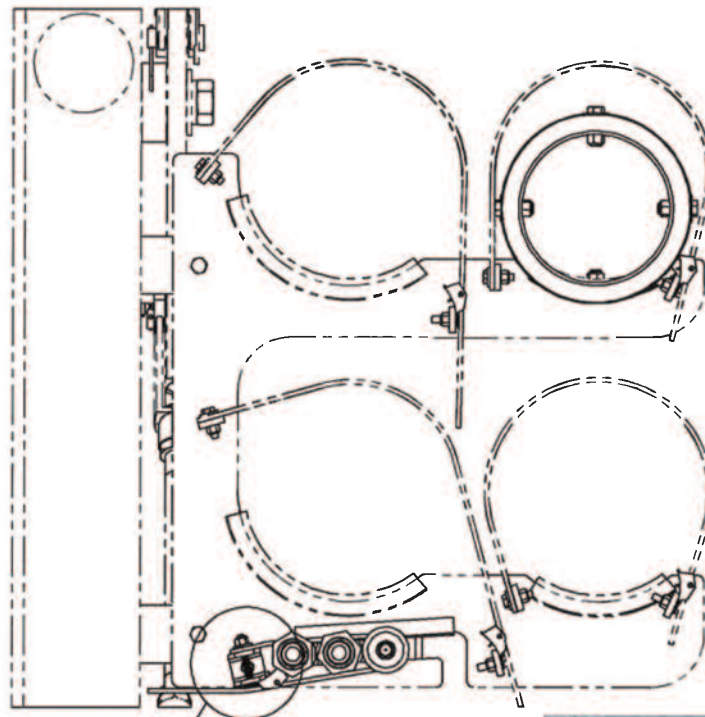
MATERIAL:  
FINISH:  
**PROPRIETARY AND CONFIDENTIAL**  
THE INFORMATION CONTAINED IN THIS DRAWING IS THE SOLE PROPERTY OF SUPER PRODUCTS LLC. ANY REPRODUCTION IN PART OR AS A WHOLE WITHOUT THE WRITTEN PERMISSION OF SUPER PRODUCTS IS PROHIBITED.

UNLESS OTHERWISE SPECIFIED:  
DIMENSIONS ARE IN INCHES  
TOLERANCES ARE:  
X.X ± 0.100  
X.XX ± 0.060  
X.XXX ± 0.030  
ANGULAR: MACH ± 1° BEND ± 2°  
INTERPRET GEOMETRIC TOLERANCING PER: ASME Y14.5

DWG. NO.	0002383	REV	B
SIZE	A	SCALE	1:24
WEIGHT		SHEET	1 OF 2



DETAIL B  
SCALE 1 : 1

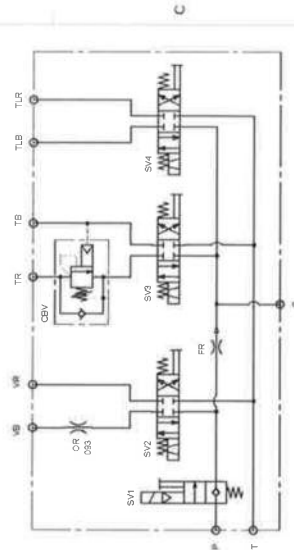


 <b>SUPER PRODUCTS</b> TRUCK MOUNTED VACUUM EQUIPMENT			
DWG. NO.		REV	
0002383		B	
SIZE A	SCALE:1:24	WEIGHT:	SHEET 2 OF 2

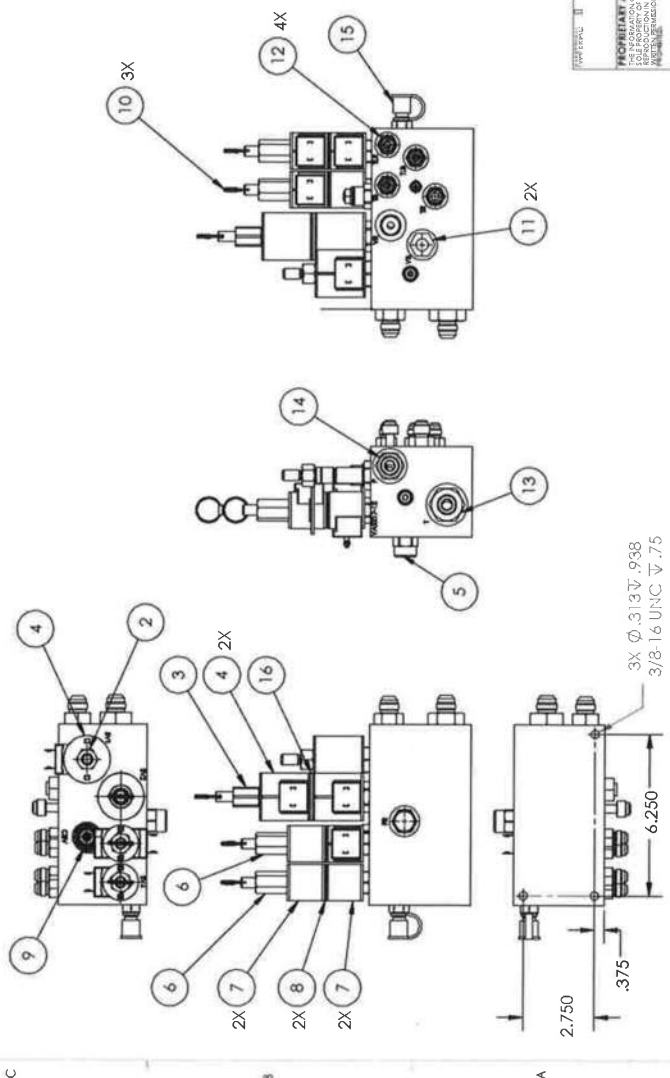
MANIFOLD, DOOR, LATCH & BOOST Item 0001045

REV #	ECO #	DESCRIPTION	DATE	APPR
B	17983	Add Super Products part numbers to drawing	06/12/2018	D. King

ITEM	CAV	QTY.	PART NO.	SP PART NUMBER	DESCRIPTION	SEAL KIT
1		1	V82217-12 REV B	N/A	BLOCK BODY CONTROL	N/A
2	SV1	1	SV10-20M-Q-N-00	0033683	#10 SOLENOID 2-WAY NORMALLY CLOSED POPPET	SK10-2N-M
3	SV2	1	HSV10-47-C-M-Q-U-00	0027618	#10 4-PORT 3-POS. SPOOL TYPE HIGH PRESSURE	SK10-4N-MMM
4	SV1-SV2	3	4305882	0032707	#10 F-COIL 12VDC D1N43650	N/A
5	FR	1	FR08-20F-Q-N-20	0033888	#8 FLOW CONTROL PRESS COMP 2.0 GPM	SK08-2N-M
6	SV3-SV4	2	SV08-47-C-M-Q-N-00	7310-02-606	#8 FLOW CONTROL PRESS COMP 2.0 GPM	SK08-4N-MMM
7	SV3-SV4	4	4305862	0033890	#8 COIL 12VDC DIN 43650 CONNECTOR	N/A
8	SV3-SV4	2	4534720	0033891	#8 COIL SPACER	N/A
9	CRV	1	CRCA-LHN	0033889	SUN C-BALANCE 3:1 RATIO	990-011-007
10	SV2-SV4	3	95390A435	N/A	1 INCH COTTER RING	N/A
11	VR-V8	2	6400-06-08	6130-00608	ADAPTER STR. (M/JIC/MI) O-RING	N/A
12	TB, TR, TLR, TLB	4	6400-04-06	6130-00606	ADAPTER STR. (M/JIC/MI) O-RING	N/A
13	T	1	6400-08-12	6130-00812	ADAPTER STR. (M/JIC/MI) O-RING	N/A
14	P	1	6400-08-10	6130-00810	ADAPTER STR. (M/JIC/MI) O-RING	N/A
15	G	1	FD90-1004-04-04	0033691-00404	TEXT POINT FITTING	N/A
16	SV1	1	4539700	0032708	#10 COIL SPACER	N/A



- NOTES:
- PORT SIZES:  
SAE #4, 7/16"-20 UNF-2B; G  
SAE #6, 9/16"-18 UNF-2B; TB, TR, TLB, TLR  
SAE #8, 3/4"-16 UNF-2B; VB, VR  
SAE #10, 7/8"-14 UNF-2B; P  
SAE #12, 1-1/16"-12UN-2B; T
  - BODY MATERIAL: 6061-T6 ALUMINUM, GOLD ANODIZE.  
TO ACTIVATE MANUAL OVERRIDE:  
ON SV1 PUSH AND ROTATE 180° THEN RELEASE  
ON SV2-SV4 DIRECT PUSH/PULL



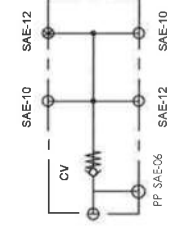
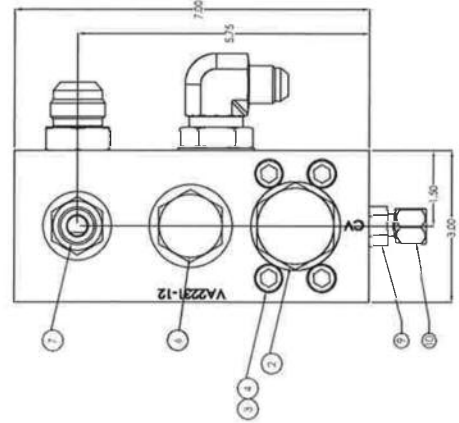
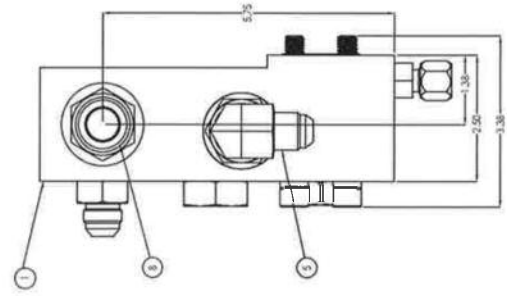
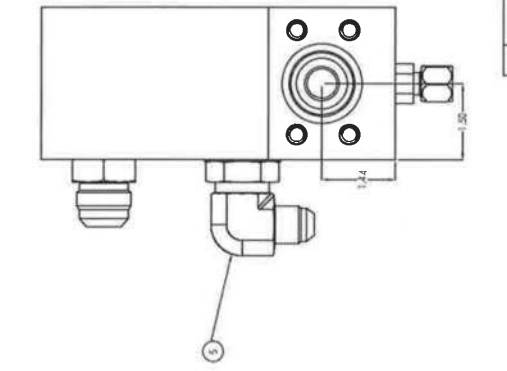
NAME	DATE	 TRUCK MOUNTED VACUUM EQUIPMENT
DRAWN BY	10/19/2014	
ENG APPR.	M. Jacobson	
MFG APPR.	M. Jacobson	TITLE: MANIFOLD, DOOR, LATCH & BOOST DWG. NO. <b>0001045</b> SCALE: 1:1 SHEET 1 OF 1

UNLESS OTHERWISE SPECIFIED:  
DIMENSIONS ARE IN INCHES  
TOLERANCES UNLESS OTHERWISE SPECIFIED:  
X.XX ± 0.000  
X.X ± 0.005  
X ± 0.010  
ANGULAR CONTACT: 1° BOND 2°  
INTERFERING DIMENSIONS TO SUPER PRODUCTS



# MANIFOLD CHECK SUPPLY Item 0002487

ITEM	CAV	QTY	PART NO.	DESCRIPTION	SP PART NO.	SEAL KIT
1		1	162231-12 REV B	BLOCK "1" OD61 CHECK SUPPLY		N/A
2	CV	1	CV16-20-0-NLS	#18 CHECK VALVE 5TRI	0038666	SK76-2N-T
3		4	1318-16X3 SHCS	3/8" 16X3 SOCKET HEAD CAP SCREW		N/A
4		1	1680-108-10-4	3/8" HICOLLAR LOCK WASHER		N/A
5		1	16408-12	90 DEGREE SAE-8 MALE JIC X SAE-10 MALE ORING		N/A
6		1	16408-12	SAE-12 HEX HEAD PLUG		N/A
7		1	16408-10-10	ADAPTER SAE#10 MALE X JIC#8 MALE		N/A
8		1	16408-12-12	ADAPTER SAE#12 MALE X #12 JIC MALE STRAIGHT		N/A
9		1	16408-06-06	J/R1 FITTING SAE #6 MALE X JIC #6 MALE STRAIGHT		N/A
10		1	10304-C-06	-06 JIC CAP		N/A



NOTES:  
 1. PORT SIZES: SEE DRAWING  
 2. BODY MATERIAL: 6061-T6 ALUMINUM, GOLD ANODIE

REV	ECO	DESCRIPTION	DATE	BY
C		17604		

NAME	DATE
DRAWN BY	
ENG APPR	
MEG APPR	

REVISION	DATE	BY
1		

ADDED PP SAE-06 PORT TO BLOCK. ADDED 1 6408-06-06 1 0402/18 A MESSING 0804-C-06 CAP

**SUPER PRODUCTS LLC.**  
 TRUCK MOUNTED VACUUM EQUIPMENT

TITLE: **MANIFOLD, CHECK SUPPLY**  
 DWG. NO. **0002487**

UNLESS OTHERWISE SPECIFIED:  
 MATERIAL: ALUMINUM  
 FINISH: ANODIZED

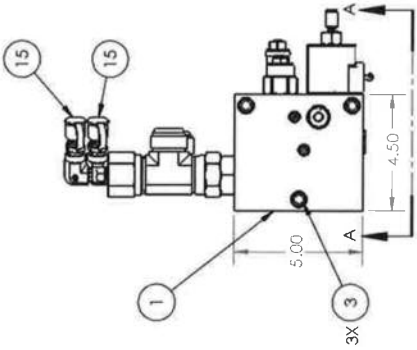
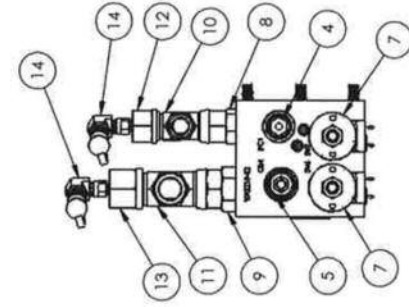
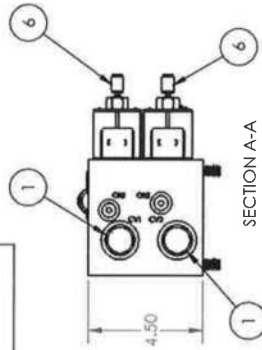
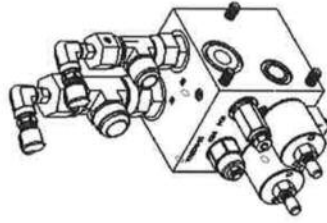
PROPRIETARY AND CONFIDENTIAL

SIZE B SCALE 1:1 WEIGHT: C  
 SHEET 1 OF 1

REV #	ECO #	DESCRIPTION	DATE	APPR
C	0			

NOTES:  
 1. PORT SIZES :  
 SAE # 12 PORT: 1-1/16-12 UN THREAD : ER  
 SAE # 16 PORT : 1-5/16-12UN THREAD : EB  
 2. BODY MATERIAL : 6061-T6 ALUMINUM, GOLD ANODIZE  
 3. TO ACTIVATE MANUAL OVERRIDE, ON SV6,SV7 PUSH  
 AND ROTATE CCW 180° THEN RELEASE.

ITEM NO.	PART NUMBER	DESCRIPTION	QTY.	CAV	POWER SYSTEM P/N	SEAL KIT
1	0033680	BLOCK, MANIFOLD,CAMEL EJECTOR	1		VB2218-12 REV A	
2	0033684	VALVE CHECK #10, 5PSI	2	CV1, CV2	CV10-24-O-N-05	SK10-2N-B
3	0170-00450	S.H.C.S. 3/8-16 X 4.50	3			
4	0033681	COUNTERBALANCE, 10:1 3000PSI	1	PC1	406AA00050A	SK1079
5	0033682	COUNTERBALANCE 3:1 1200PSI	1	CB4	CBEA-LHN / 1200	990-202-007
6	0033683	SOLENOID, 2-WAY	2	SV6,SV7	SV10-20M-O-N-00	SK10-2N-M
7	0032707	# 10 E-COIL, 12VDC, DIN43650	2	SV6,SV7	4306882	
8	6130-01212	ADAPTER, MJIC X M O-RING	1			
9	6130-01616	ADAPTER, MJIC X M O-RING	1			
10	6135-01212	TEE, MALE X MALE X FEMALE	1			
11	6135-01616	ADAPTER, TEE, JIC M-M-FS	1			
12	6126-01204	REDUCER, STRAIGHT, JIC (F) X JIC (M)	1			
13	6126-01604	REDUCER, STRAIGHT, JIC (F) X JIC (M)	1			
14	0033690-00404	ADAPTER, 90°, NPT (F) X JIC (F)	2			
15	0033691-00404	TEST POINT FITTING	2			



**SUPER PRODUCTS**  
 TRUCK MOUNTED VACUUM EQUIPMENT

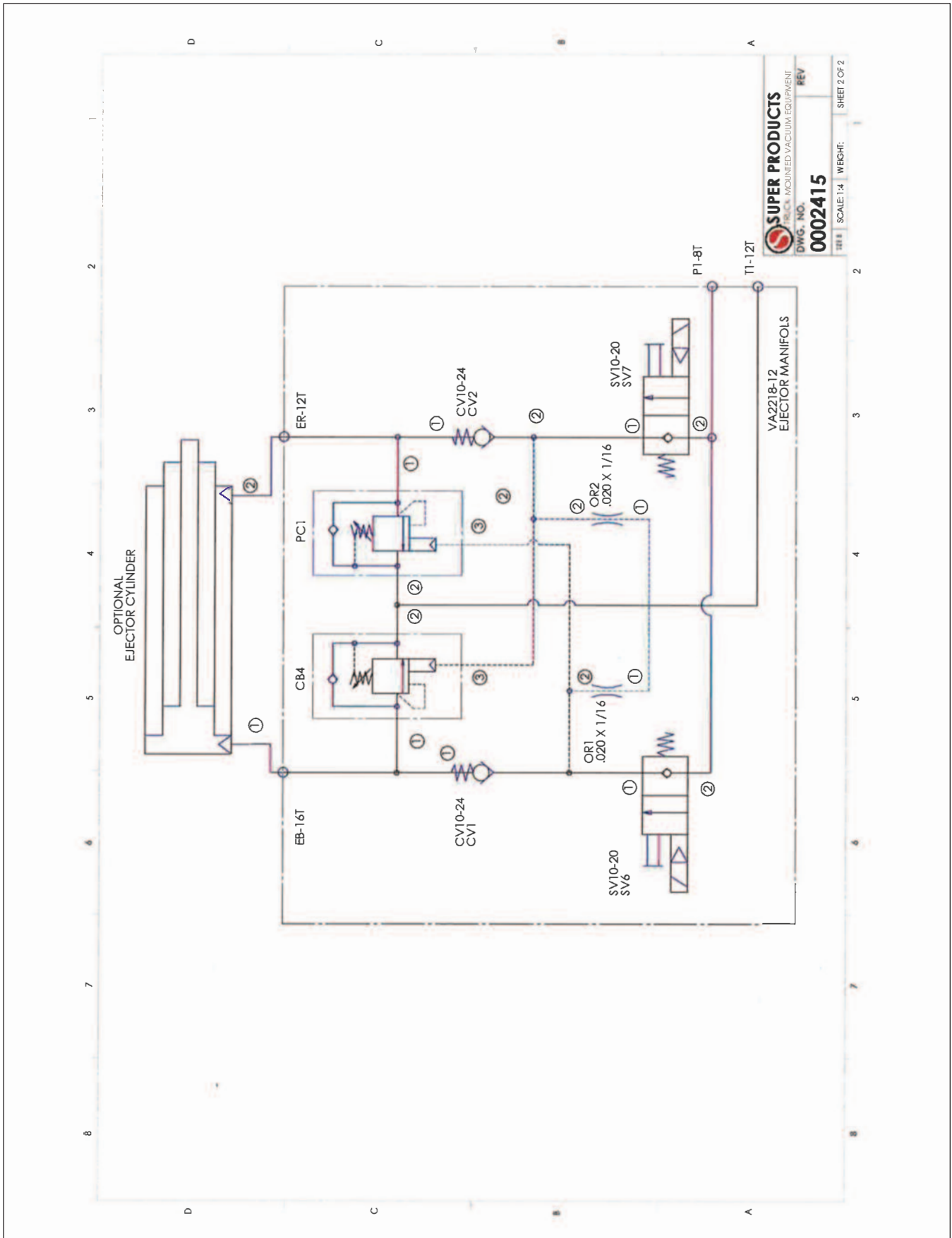
NAME: M. Riley  
 DATE: 04/19/2018  
 DRAWN BY: D. Krog  
 ENG APPR: 05/30/2018

TITLE: MANIFOLD, HYD, EJECTOR

UNLESS OTHERWISE SPECIFIED:  
 DIMENSIONS ARE IN INCHES  
 TOLERANCES ARE:  
 .XX ± 0.00  
 .XXX ± 0.00  
 .XXX ± 0.030  
 ANGULAR: ± 0.030  
 HOLE POSITION: ± 0.030  
 HOLE POSITION: ± 0.030

DWG. NO. **0002415**  
 REV **C**

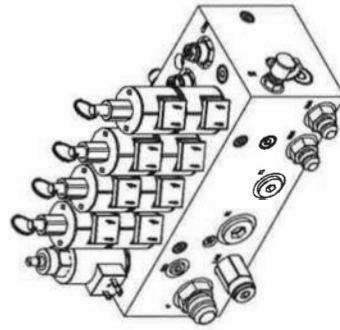
SIZE B | SCALE: 1:1 | WEIGHT: 0.00 | SHEET 1 OF 2



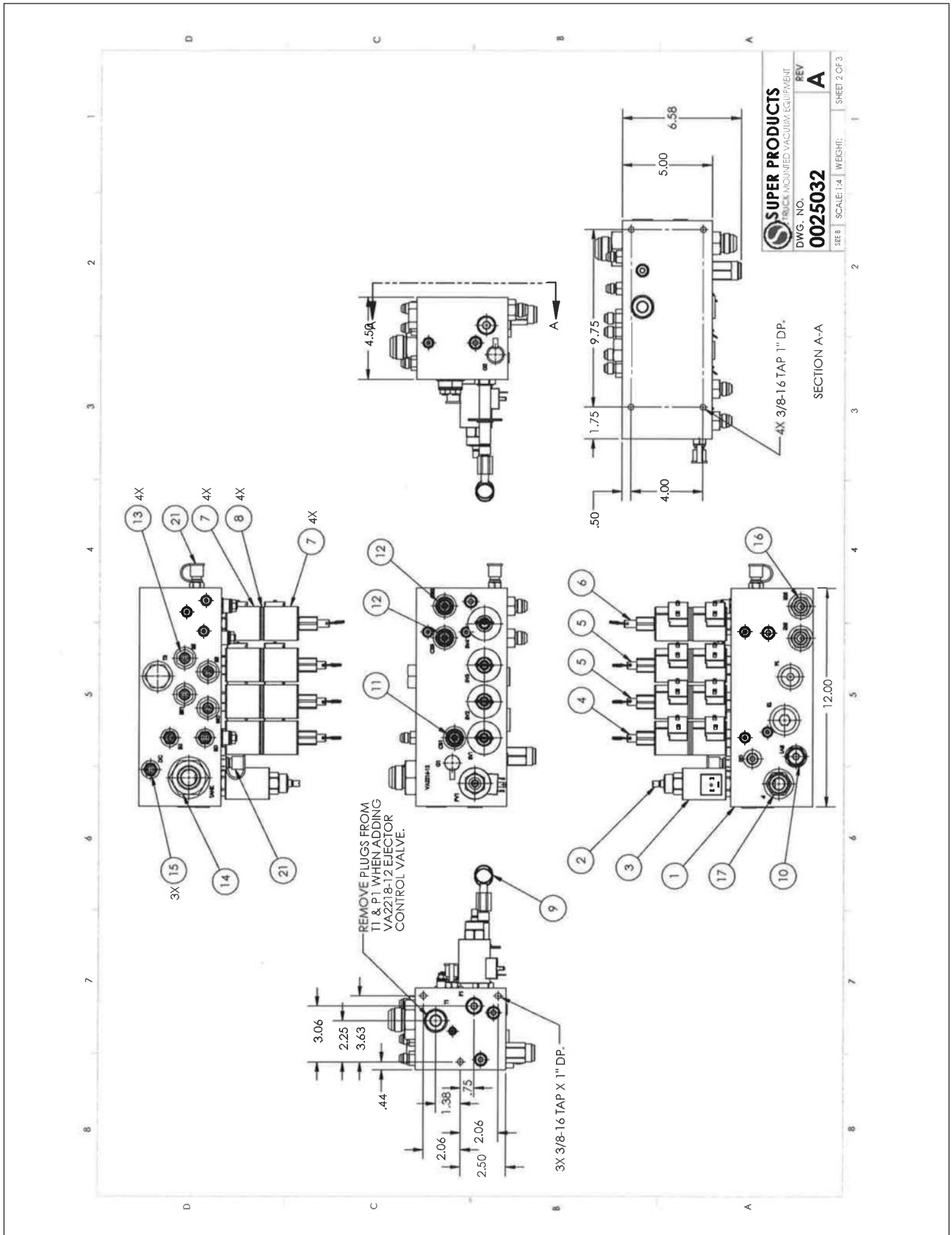
REV #	ECO #	DESCRIPTION	DATE	APPR
A	17099	Spool SV-4, HSV10-47DM was HSV10-47CM. (open center was closed center)	07/19/2016	D. King

ITEM	CAVITY	QTY	SP PART NO.	DESCRIPTION	SEAL KIT
1		1		BLOCK, CAMEL POWER UNIT MANIFOLD	N/A
2	PV1	1	0027615	PROPORTIONAL FLOW CONTROL	SK12-2N-M
3	PV1	1	0032702	#70 COIL, 12 VDC, DIN 43650	N/A
4	SV1	1	0032703	#10 PROP 4W3P, CYLINDER SPOOL W/MANUAL OVERRIDE	SK10-4N-MMM
5	SV2,SV3	2	7310-02589	#10 SOLENOID, 3 POSITION 4 WAY CLOSED CENTER	SK10-4N-MMM
6	SV4	1	0027836	#10.4 PORT, 3 POS. SPOOL TYPE, HIGH PRESSURE	SK10-4N-MMM
7	SV1 THRU SV4	8	0032707	#10 E-COIL, 12VDC, DIN43650	N/A
8	SV1 THRU SV3	4	0032708	#10 COIL SPACER	N/A
9	SV1 THRU SV4	4		1" INCH COTTER RING	N/A
10	RV1	1	0032709	#10 RELIEF, DIFFERENTIAL AREA, 2500 PSI	SK10-2N-T
11	CB1	1	0028948	SUNT-11A C-BALANCE 4.5:1 RATIO RESTRICTIVE 2000 PSI	990-011-007
12	CB2, CB3	2	0027352	EATON/HI(1SE30F355S) C-BALANCE 5:1 3000 PSI	SK1079
13	BR1 BR2, BR, BE	4	6130-00806	ADAPTER, SAE-8 MALE X JIC-6 MALE	N/A
14	TANK	1	6130-02016	ADAPTER, SAE-20 MALE X JIC-16 MALE	N/A
15	DC, BU, BD	3	6130-00606	ADAPTER, SAE-06 MALE X JIC-06 MALE	N/A
16	BTR, BTE	2	6130-01008	ADAPTOR, SAE-10 MALE X JIC-8 MALE	N/A
17	P	1	6130-01212	ADAPTOR, SAE-12 MALE X JIC-12 MALE	N/A
18	T4	1		SAE-10 HOLLOW HEX PLUG	N/A
19	T3	1		SAE-12 HOLLOW HEX PLUG	N/A
20	G2	1		EATON FD90 DIAGNOSTIC COUPLING SAE-6	N/A
21	G1	2		TEST POINT FITTING	N/A
22	T2	1		SAE-12 HEX HEAD PLUG	N/A

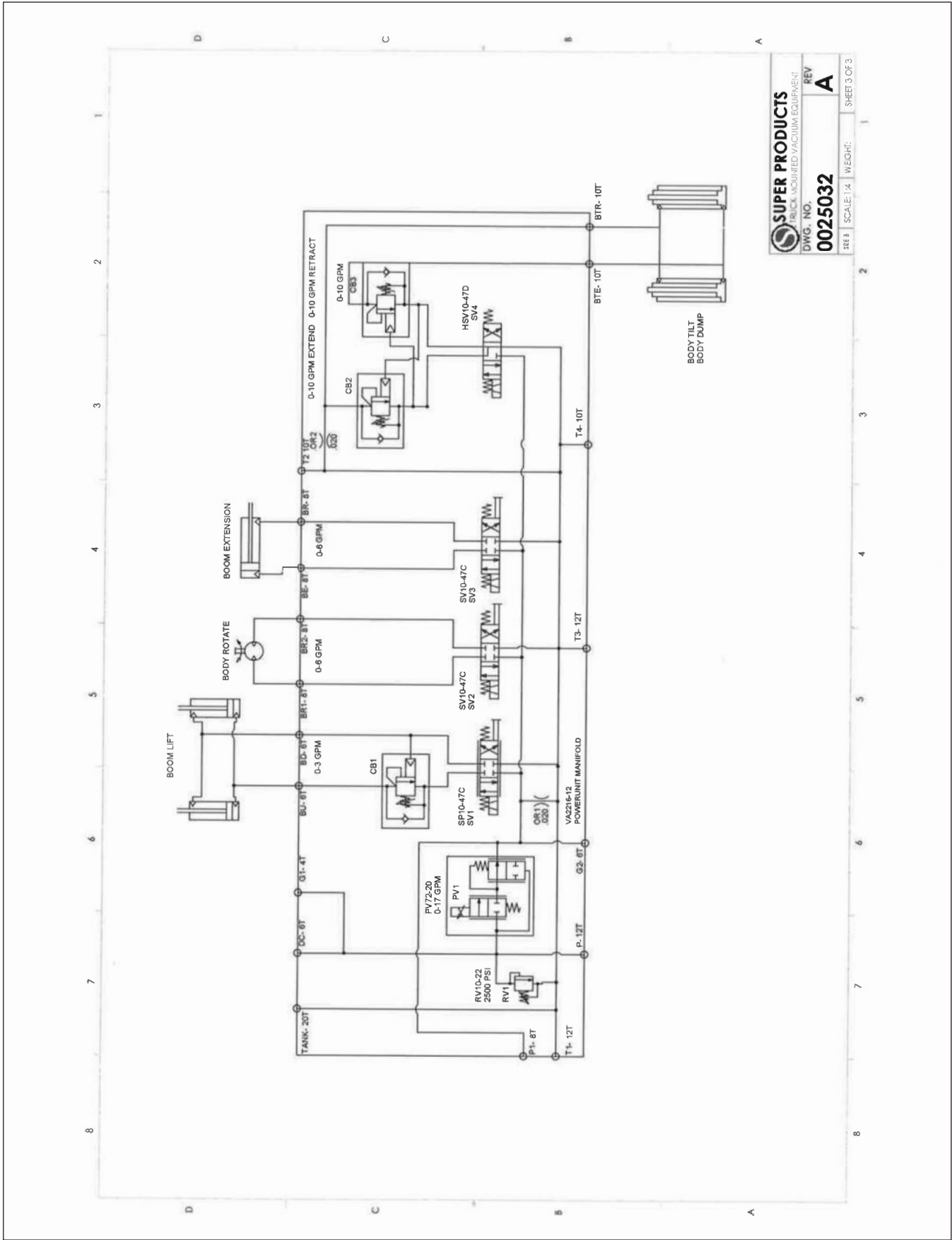
**NOTES:**  
 1. PORTS SIZES:  
 SAE #4 PORT, 7/16-20 UNF THREAD: G1  
 SAE #6 PORT, 9/16-18 UNF THREAD: G2, DC, BD, BU  
 SAE #8 PORT, 3/4-16 UNF THREAD: B1, B2, BE, BR  
 SAE #10 PORT, 7/8-14 UNF THREAD: B1E, BTR, T4  
 SAE #12 PORT, 1-1/16-12 UNF THREAD: P, T2, T5  
 SAE #20 PORT, 1-5/8-12 UNF THREAD: TANK  
 2. BODY MATERIAL: 6061-T6 ALUMINUM, ANODIZED GOLD  
 3. TO ACTIVATE MANUAL OVERRIDE: ON PVT ROTATE CLOCKWISE TO INCREASE, ONSV1-SV4 DIRECT PUSH/PULL



NAME	DATE	DATE	DATE
D. King	05/15/2014	05/15/2014	05/15/2014
DRWN BY	D. King	ENGR APPR	D. King
WFO APPR	B. Schmitt	DATE	05/20/2014
TITLE: MANIFOLD, HYD. BOOM FUNCTIONS			
DIMENSIONS ARE IN INCHES			
TOLERANCES ARE			
XXX ± 0.00			
XXX ± 0.030			
ANGULAR: MACH 1°			
SURFACE GEOMETRIC: PER ASME Y14.5			
DWG. NO. 0025032			
REV A			
SIZE B SCALE: 1:4			
WEIGHT: SHEET 1 OF 3			



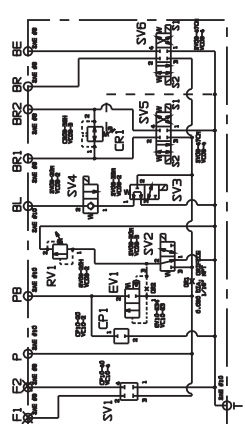
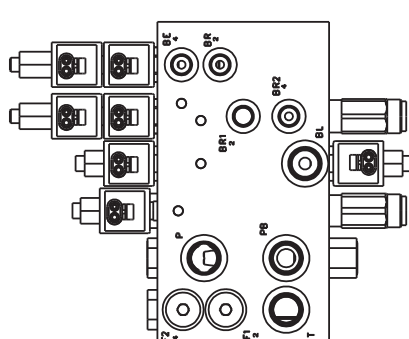
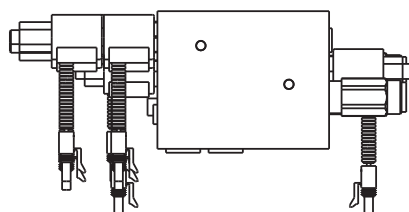
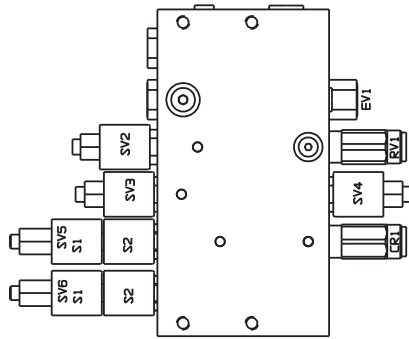
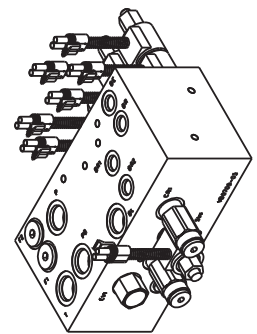
MANIFOLD, HYDRAULIC BOOM FUNCTIONS Item 0025032 3 of 3





VALVE, BOOM SOLENOID Item 6000-01939

BILL OF MATERIALS			SEAL KIT
CAVITY	QTY	PART NUMBER	DESCRIPTION
1	1	V80708-03B	BODY, CAMEL MANIFOLD
SV1	1	7310-02650	#10 CAVITY PLUG
CP1	1	7310-02652	#10 VENTED SPINDLE-TYPE LOGIC ELEMENT 40 PSI
RV1	1	7310-02684	#08 RELIEF, DIRECT-ACTING POPPET 2100 PSI
SV2	1	7310-02688	#08 SOLENOID, SPINDLE, 3-WAY
SV3	1	7310-02689	#08 SOLENOID, SPINDLE, 3-WAY
SV4	1	7310-02691	#08 SOLENOID, POPPET, 2W, NBRH, CLOSED
SV2-SV6	7	7310-02803	#08 COIL, 12 VDC, MALE WEATHERPACK 8 B DMS
CR1	1	7310-02804	#08 BC-DIRECTIONAL RELIEF VALVE, VENTED 2800 PSI
SV5, SV6	2	7310-02806	#08 SOLENOID, SPINDLE, 4WSP, CLOSED CENTER
SV1, FE	2	6048-00008	#08 SAE PLUG
			SEAL KIT
			M/A
			7310-02650
			7310-02652
			7310-02684
			7310-02687
			7310-02690
			7310-02694
			M/A
			7310-02805
			7310-02807
			M/A



NOTE:  
 1. PART SIZES:  
 SAE #8 PORTS: 9/16-18 UNF-2B THREAD: BR1, BR2, BE, BR  
 SAE #10 PORTS: 7/8-14 UNF-2B THREAD: P, T, PG, BL  
 SAE #10 PORTS: 7/8-14 UNF-2B THREAD: P, T, PG, BL  
 2. TO ACTIVATE MANUAL OVERRIDE: DN SV2, SV3, SV4  
 PUSH AND TURN CW & RELEASE  
 OR SV5 & SV6 DIRECT PUSH PULL  
 3. RV1 SET TO 2100 PSI @ 10 GPM  
 4. CR1 SET TO 1250 PSI @ 10GPM

ASSEMBLY DWG. # 6000-01939

**Super Products**  
 MILWAUKEE, WI., U.S.A.

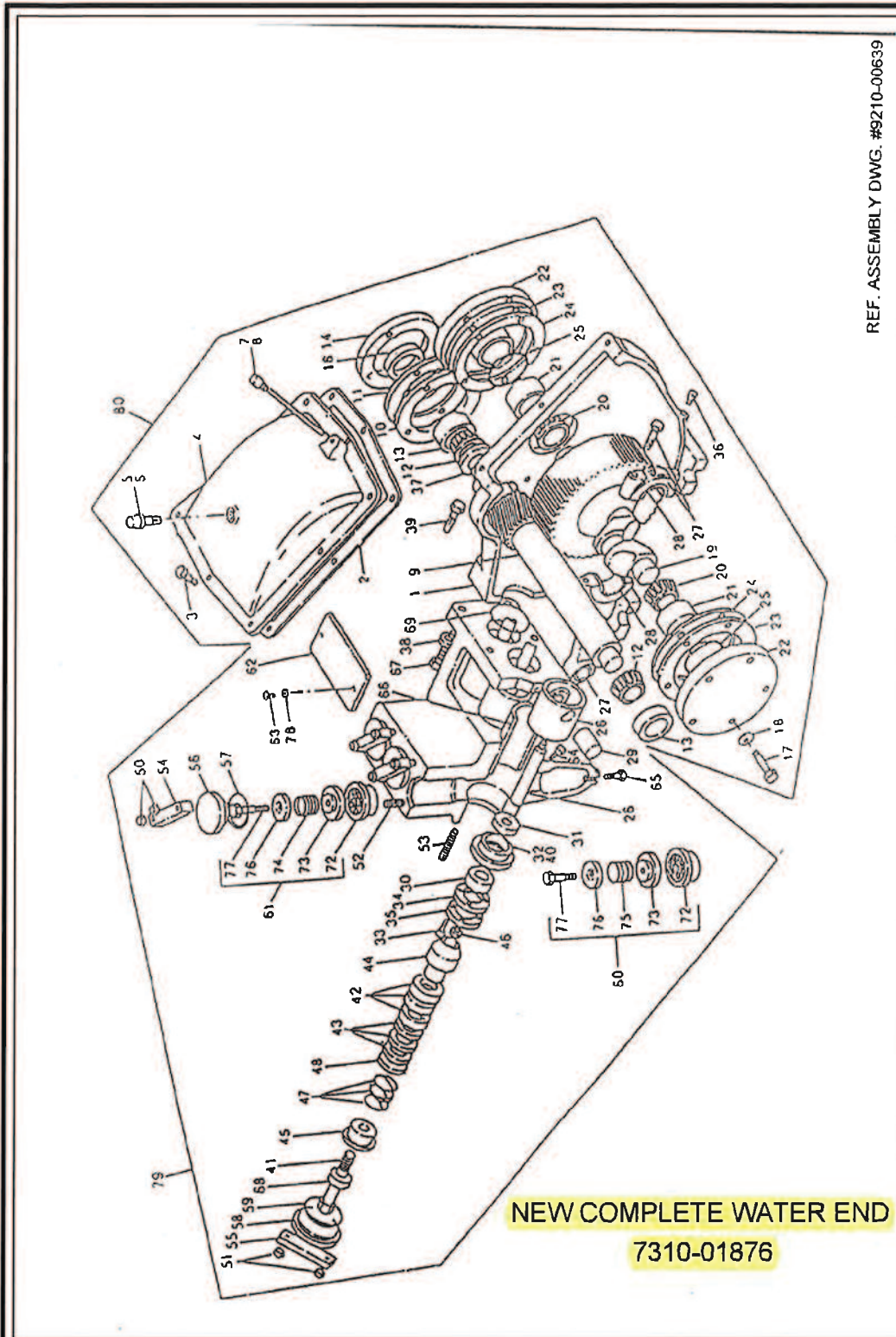
TITLE: VALVE, BOOM SOLENOID  
 PARTS BREAKDOWN 6000-01939

DRAWING NO: 9710-01466-0106





Parts Breakdown, Water Pump - Myers D65-20SP



REF. ASSEMBLY DWG. #9210-00639

**Parts Breakdown, Water Pump - Myers D65-20SP**

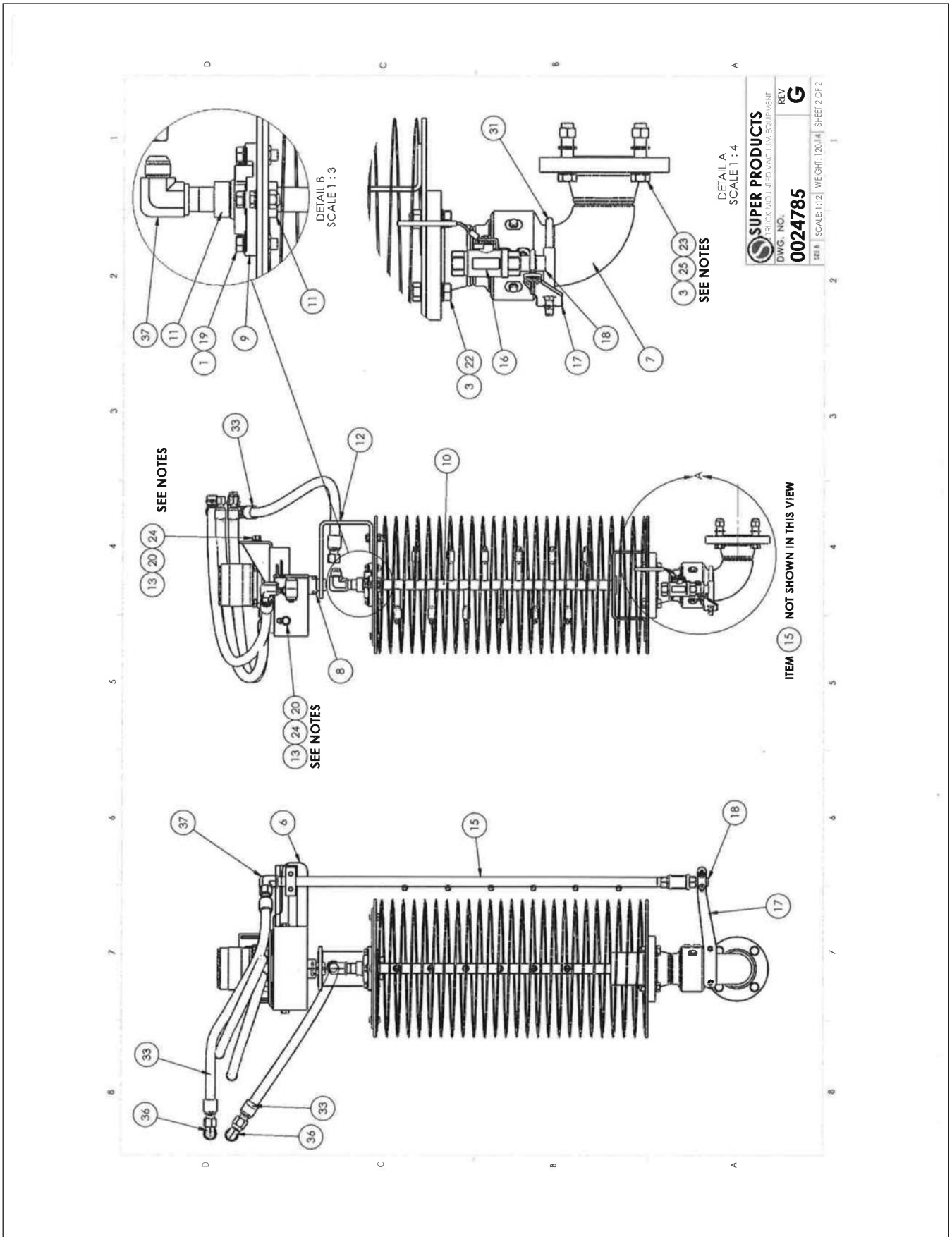
Item	Part No.	Qty.	Description
1	7310-00629	1	Case, Gear
2	7310-00630	1	Gasket, Lid
3	0051-00088	8	Screw, Hex Hd Cap 0.31-18 x 0.31 Gr 5
4	7310-01861	1	Lid
5	7310-00632	1	Nipple, Special Vent
6	7310-00633	1	Cap, Pipe
7	7310-01938	1	Gauge, Oil / DIP STICK
8	7310-00635	1	O-Ring
9	7310-02079	1	Shaft, Pinion
10	7310-00637	4	Shim
11	7310-00638	4	Shim
12	7310-00639	2	Cone, Bearing
13	7310-00640	2	Cup, Bearing
14	7310-00641	1	Cap, Open
15	7310-00642	1	Cap, Closed
16	7310-00643	1	Seal, Oil
17	0052-00100	18	Screw, Hex Hd Cap 0.31-18 x 0.38 Gr 5
18	7310-00644	18	Washer, Seal
19	7310-02132	1	Crankshaft
20	7310-00646	2	Cone, Bearing
21	7310-00647	2	Cap, Bearing
22	7310-00648	2	Cap, Bearing
23	7310-00649	6	Shim, Green Plastic
24	7310-00650	6	Shim, Pink Plastic
25	7310-00651	2	O-Ring
26	7310-01482	3	Crosshead
27	7310-00653	3	Link, Iron
	7310-00654	3	Bushing
	7310-00655	6	Screw, Hex Hd Cap
28	7310-00656	3	Bearing, Two Halves
29	7310-01382	3	Wrist, Pin
30	7310-01484	3	Oil Seal, Housing
31	7310-01483	6	Oil Seal
32	7310-01385	3	Retainer, Oil Seal Housing
33	7310-01386	6	Screw, Allen
34	7310-01387	3	Gasket, Housing Seal
35	7310-00662	3	Gasket, Retainer
36	7310-00663	1	Plug, Magnetic Pipe
37	7310-01488	1	Spacer, Pinion Shaft
38	0083-00008	4	Washer, Lock 0.75
39	0056-00200	4	Screw, Hex Hd Cap 0.62-11 x 0.62 Gr 5
40	7310-00661	3	Spring
41	7310-00664	3	Screw, Hex Hd Cap
42	7310-00666	3	Follower
43	7310-00667	3	Packing, V-Rings
44	7310-00668	3	Stud
45	7310-00669	3	Retainer
46	7310-00670	3	Washer
47	7310-00671	3	Spring
48	7310-00672	3	Ring
49	7310-01866	1	Body, Cylinder
50	0000-00220	6	Nut, Hex 0.62-11

**Parts Breakdown, Water Pump - Myers D65-20SP**

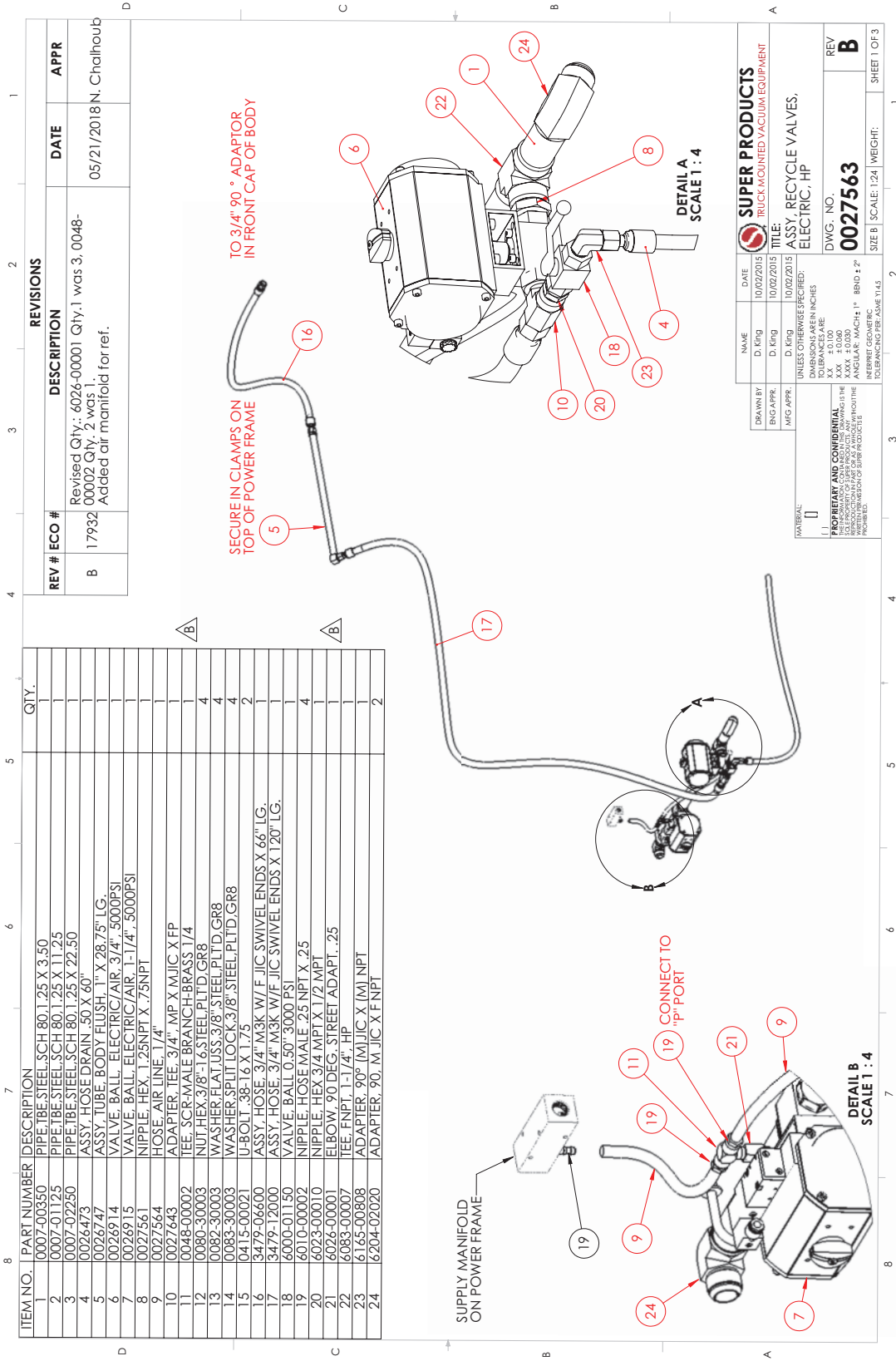
<b>Item</b>	<b>Part No.</b>	<b>Qty.</b>	<b>Description</b>
51	0081-00009	6	Nut, Hex 0.88-14
52	7310-00675	6	Stud, 0.62-11
53	7310-00676	6	Stud, 0.88-14
54	7310-00677	3	Clamp, Valve Cap
55	7310-00678	3	Clamp, Cylinder Cap
56	7310-00679	3	Cap, Valve
57	7310-00680	3	O-Ring
58	7310-00681	3	Cap, Cylinder
59	7310-00682	3	O-Ring
60	9310-00080	3	Suction, Valve and Seat Assembly
61	9310-00081	3	Discharge, Valve and Seat Assembly
62	7310-00689	1	Lid, Cylinder
63	0156-00059	2	Screw, Rd Hd Mach 0.5-20
64	7310-00690	3	Plug, Pipe 0.5
65	7310-00691	3	Plug, Pipe 1
66	7310-00692	3	Liner, Cylinder
67	0057-00300	4	Screw, Hex Hd Cap 0.75-10 x 3.0 Gr 5
68	7310-00665	3	Lock, Washer
69	7310-00674	3	O-Ring
70	7310-00693	1	Plug, Pipe 1.25
71	7310-00694	2	Plug, Pipe 3
72	7310-01862	6	Seat, Valve
73	7310-01863	6	Valve
74	7310-00686	3	Spring, Discharge Valve
75	7310-00685	3	Spring, Suction Valve
76	7310-01864	6	Retainer
77	7310-01865	6	Bolt, Shoulder 0.31 x 24
78	0082-00001	2	Washer, Flat 0.25
79	7310-01582	1	Pump Fluid End Assembly
80	7310-01581	1	Pump Gear End Assembly



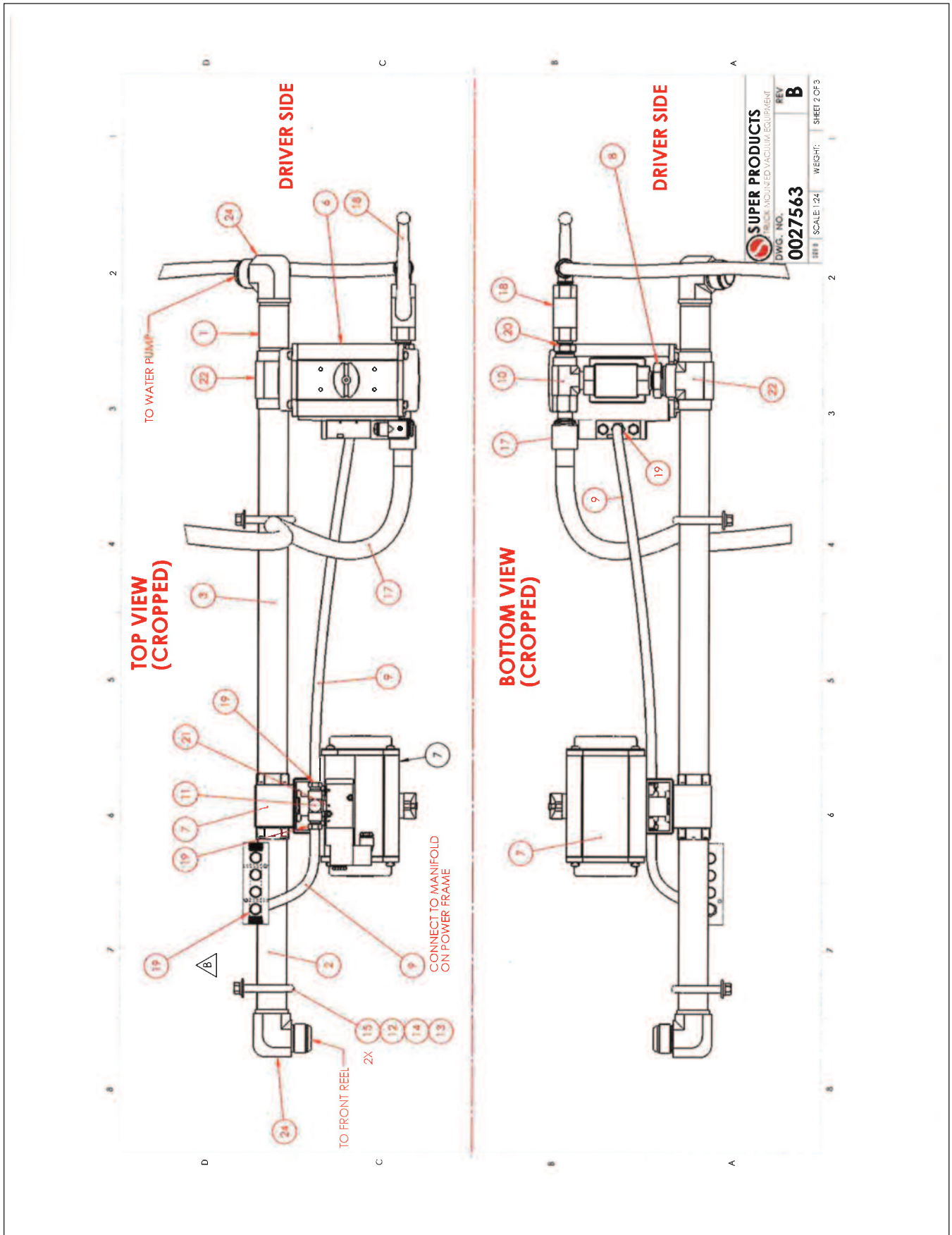




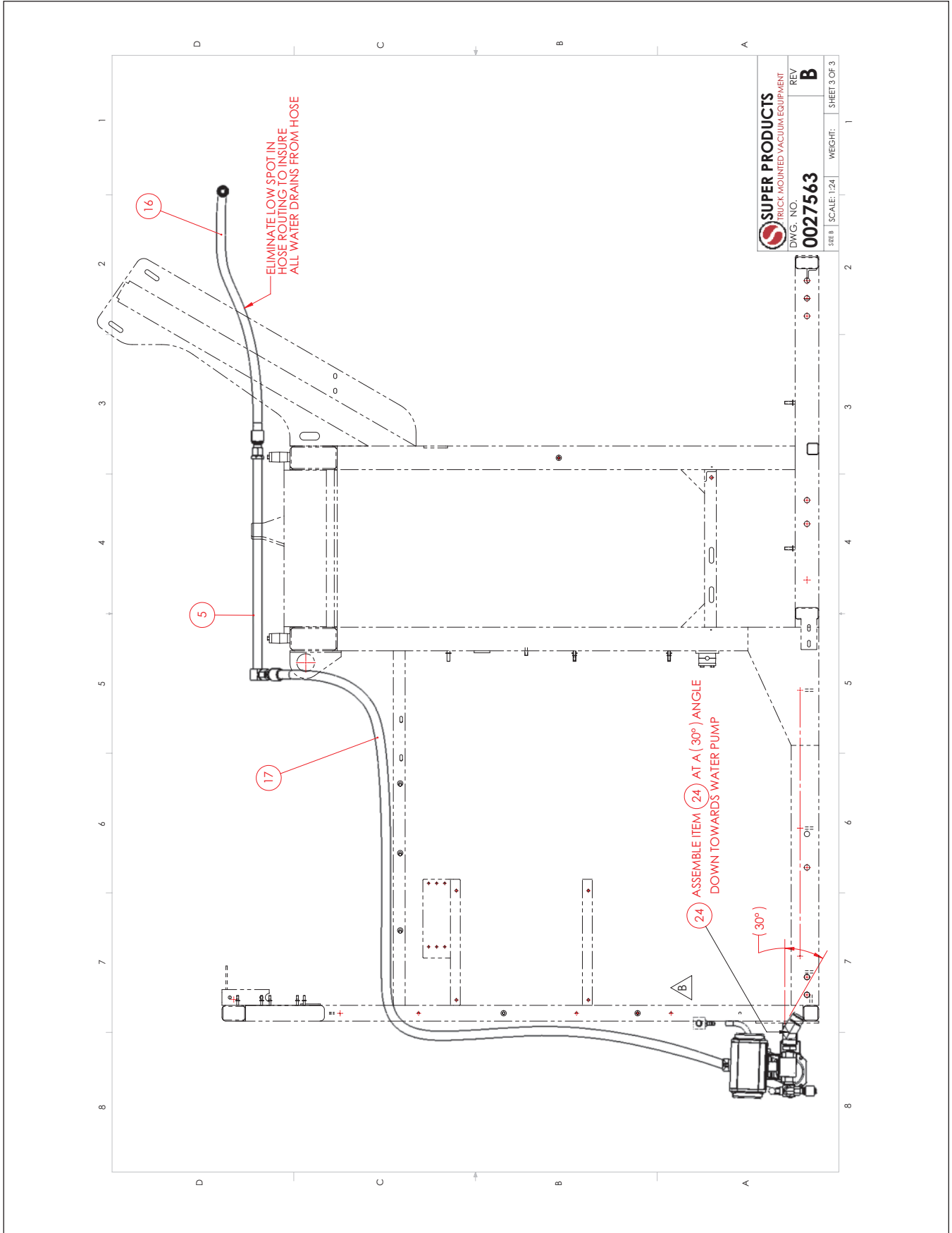
ASSEMBLY RECYCLE VALVES, ELECTRIC, HP Item 0027563 1 of 3

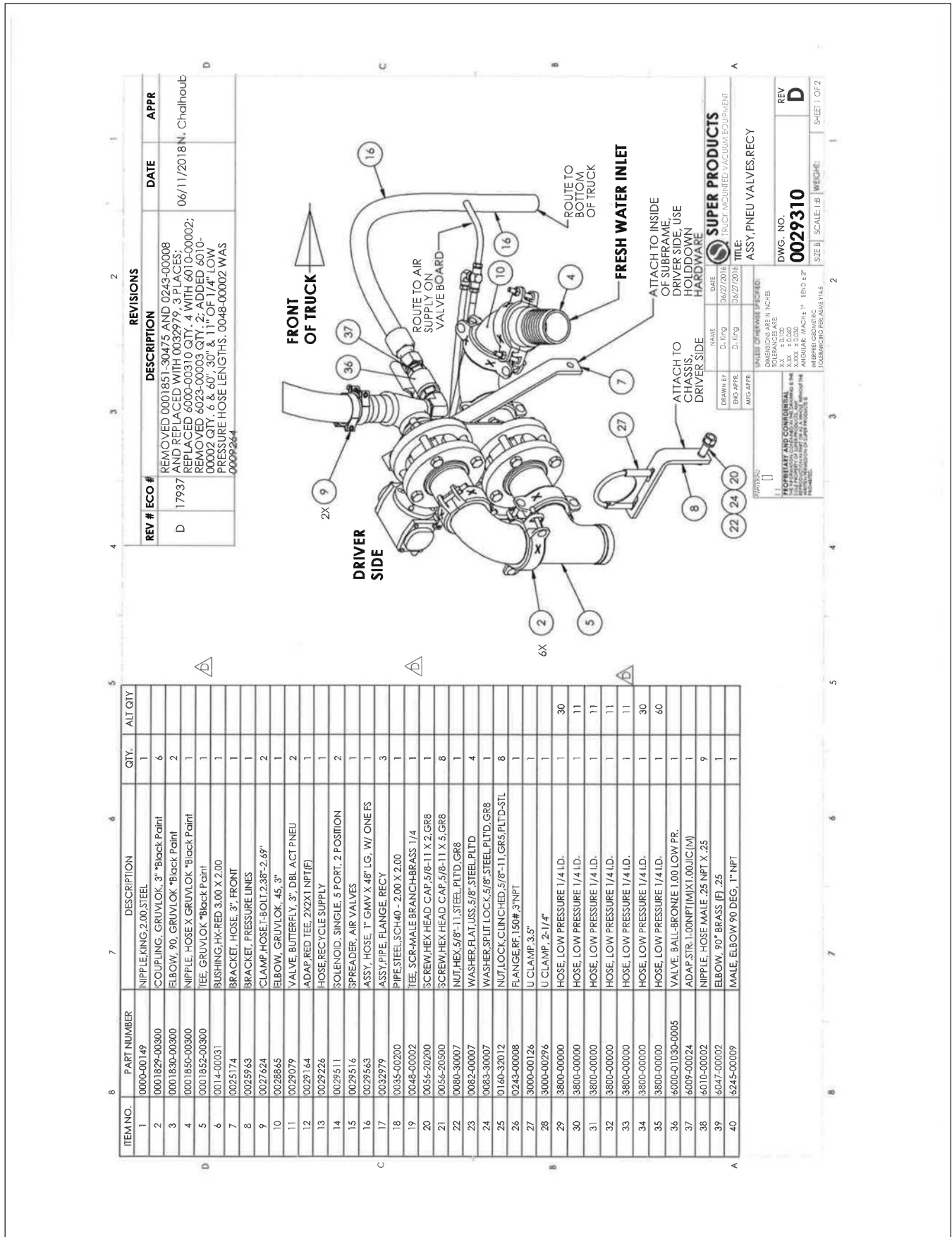






ASSEMBLY RECYCLE VALVES, ELECTRIC, HP Item 0027563 3 of 3





REV #	ECO #	DESCRIPTION	DATE	APPR
D	17937	REMOVED 0001851-30475 AND 0243-00008 AND REPLACED WITH 0032979, 3 PLACES; REPLACED 6000-00310 QTY. 4 WITH 6010-00002; REMOVED 6023-00003 QTY. 2; ADDED 6010-00002 QTY. 6 & 60, 30" & 11" OF 1/4" LOW PRESSURE HOSE LENGTHS. 0048-00002 WAS 0009264	06/11/2018	N. Chalhoub

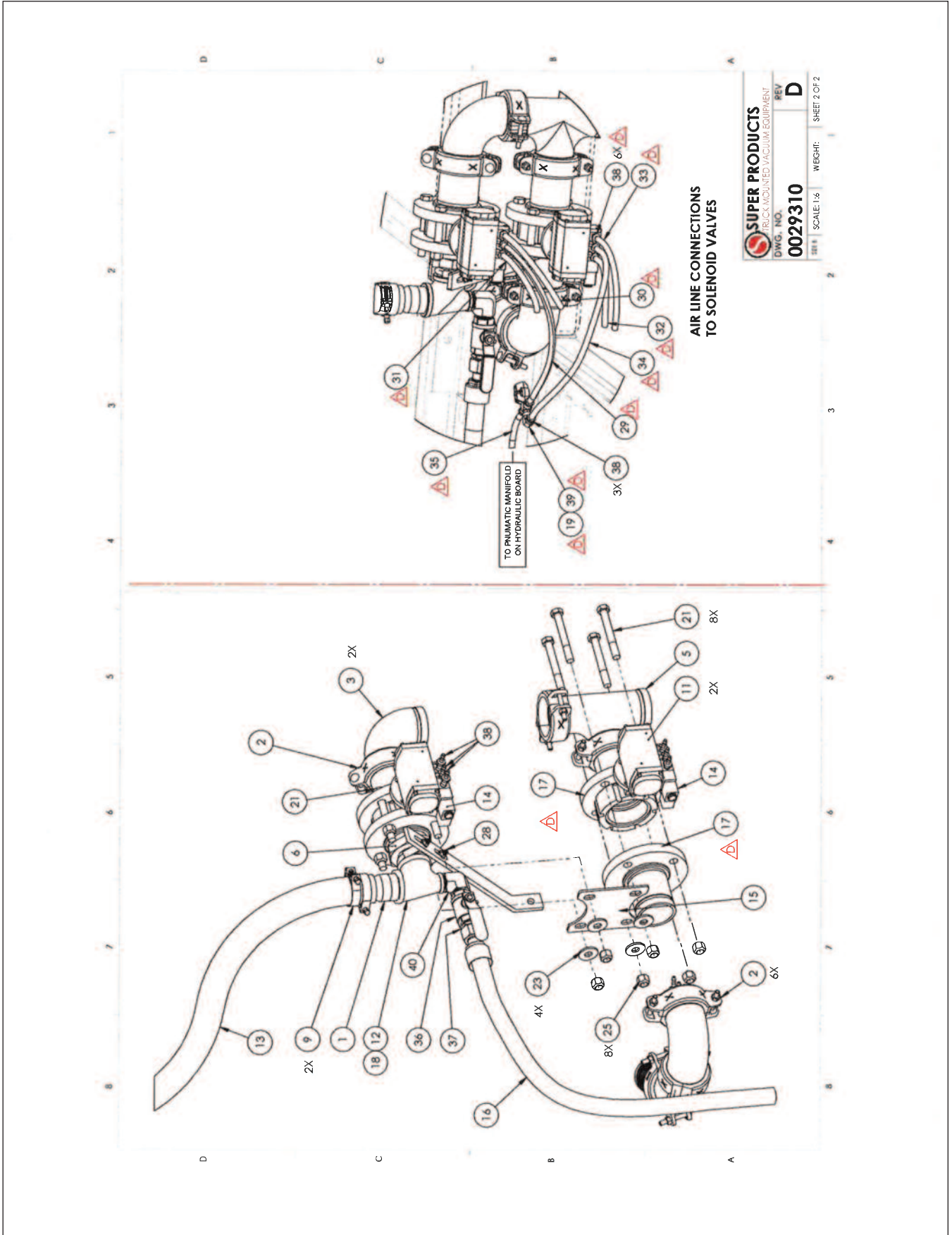
NAME	DATE	REV
D. KING	06/27/2016	1
D. KING	06/27/2016	2

**SUPER PRODUCTS**  
TITLE: TRUCK MOUNTED PNEUMATIC EQUIPMENT  
ASSY, PNEU VALVES, RECY

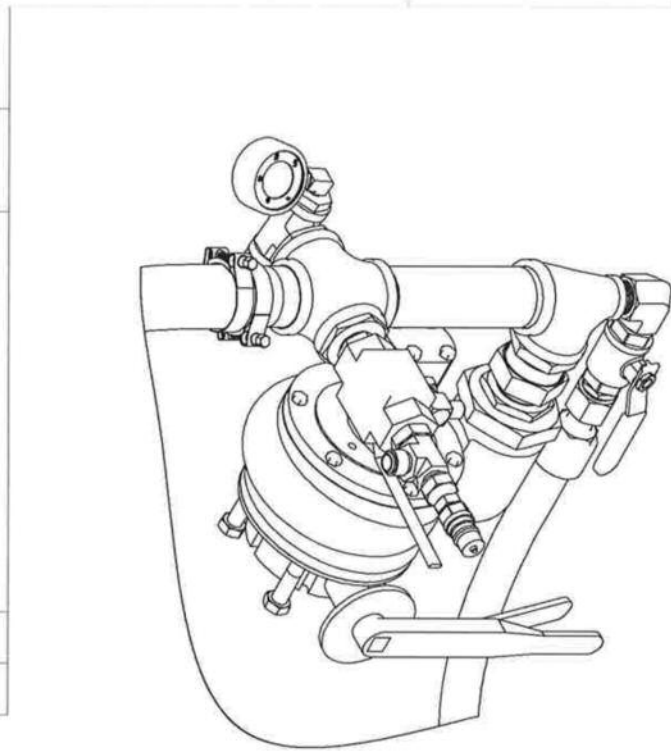
DWG. NO. **0029310** REV **D**

SCALE: 1:8 W/GRAPH: SHEET 1 OF 2

UNLESS OTHERWISE SPECIFIED:  
DIMENSIONS ARE IN INCHES  
TOLERANCES ARE:  
X.XXX ± 0.000  
X.XX ± 0.005  
X.X ± 0.010  
X ± 0.015  
HOLE DIA FACTOR: 1" 89D ± 2"  
HOLE DIA FACTOR: 1" 89D ± 2"  
HOLE DIA FACTOR: 1" 89D ± 2"  
HOLE DIA FACTOR: 1" 89D ± 2"



REV #	ECO #	DESCRIPTION	DATE	APPR
D	18059	0034771 WAS 0032748. 0027576 WAS 0024-00026 (QTY1). REMOVED 6026-00001 QTY1.	10/18/2018	N. Chalhouh



ITEM NO.	PART NUMBER	DESCRIPTION	QTY.
1	0000-00149	NIPPLE KING 2.00 STEEL	1
2	0003909	VALVE BALL 1" SAE	1
3	0014-00023	BUSHING HK-RED 2.00 X 1.00	2
4	0014-00031	BUSHING HK-RED 3.00 X 2.00	1
5	0024-00026	BUSHING 3000PSI X 1/4" STEEL	1
6	0027575	ADP. TEE 1/4" 16MP-16MP	1
7	0027576	ADP. STR. 1/4" 16MP-08FB3PP	1
8	0027622	CROSS PIPE SCR. 2.00	1
9	0027624	CLAMP HOSE 1/2" BOLT 2.38"-2.69"	2
10	0028691	GAUGE PRESSURE 0-160PSI 1/4" NPT BOTTOM	1
11	0029164	ADAP. RED TEE 2X2X1 NPT(F)	1
12	0029176	ADAP -16 O-RING (M) X 1.00 NPT (M)	1
13	0029180	HOSE G.M.V. 2.00 CYCLONE FEED	1
14	0029280	PLATE ADAPTER TRASH PUMP	1
15	0029305	NIPPLE HEX 2.00 MPT X 2.00 MPT	1
16	0029563	ASSY. HOSE 1" G.M.V. X 48" LG. W/ ONE FS	1
17	0034771	SENSOR WATER PRESSURE 0-150PSI	1
18	0035-00800	PIPE STEEL SCH 40 - 2.00 X 8.00	1
19	0056-20325	SCREW HEX HEAD CAP 5/8-11 X 3.25 GR8	4
20	6000-00686	COUPLER MALE 0.50 NPT OD	1
21	6000-01030-0005	VALVE BALL-BRONZE 1.00 LOW PR.	1
22	6000-01233	3" BUTTERFLY VALVE	1
23	6000-01354	PUMP TRASH 3/4" BASE	1
24	6001-00021	UNION STR ADAPTER 2.00M X 2.00FS	1
25	6009-00024	ADAP. STR. 1.00NPT (M) X 1.00JIC (M)	1
26	6026-00001	ELBOW 90 DEG. STREET ADAPT. .25	1
27	6137-00808	ADAPTER 90. M O-RING X M JIC	1
28	6137-00810	ADAPTER 90DEG (M) O-RING / (M) JIC	1
29	6140-21612	ADAP. TEE (M) JIC (M) O-RING	1
30	6173-00812	ADAPTER STR. (M) NPT / (F) JIC SWIVEL	1
31	6245-00009	MALE ELBOW 90 DEG. 1" NPT	1

**ASSEMBLY NOTES:**

- 1- PAINT 6000-01354 BLACK TO MATCH MATING PARTS.
- 2- CAULK HOLES COUNTERBORES ON 6000-01354 TO COVER THE SCREWS (not shown).
- 3- APPLY A BEAD OF CAULK, BETWEEN THE BOLT CIRCLES.
- 4- INSTALL PLATE 0029280 & BOLTS; TIGHTEN AND WIPE OFF ANY EXCESS OF CAULK.
- 5- LET SIT FOR 2 HOURS BEFORE INSTALLATION.
- 6- ROTATE HANDLE (~15°) ON VALVE (ITEM 6000-01030-0005).
- 7- CLEAN PARTS BEFORE APPLYING SEVERAL DROPS OF LOCITE 243 TO THE BOTTOM THREADS OF THE HOLE; WIPE OFF EXCESS IF ANY.

**SUPER PRODUCTS**  
TROY, MOUNTAIN VACUUM EQUIPMENT

NAME: M. RUBY DATE: 10/06/2017  
DRAWN BY: D. L'ECG DATE: 10/09/2017  
ENG. APPR: MFG APPR:

TITLE: ASSY. CHARGE PUMP. RECY

SCALE: 1:1

SIZE: B

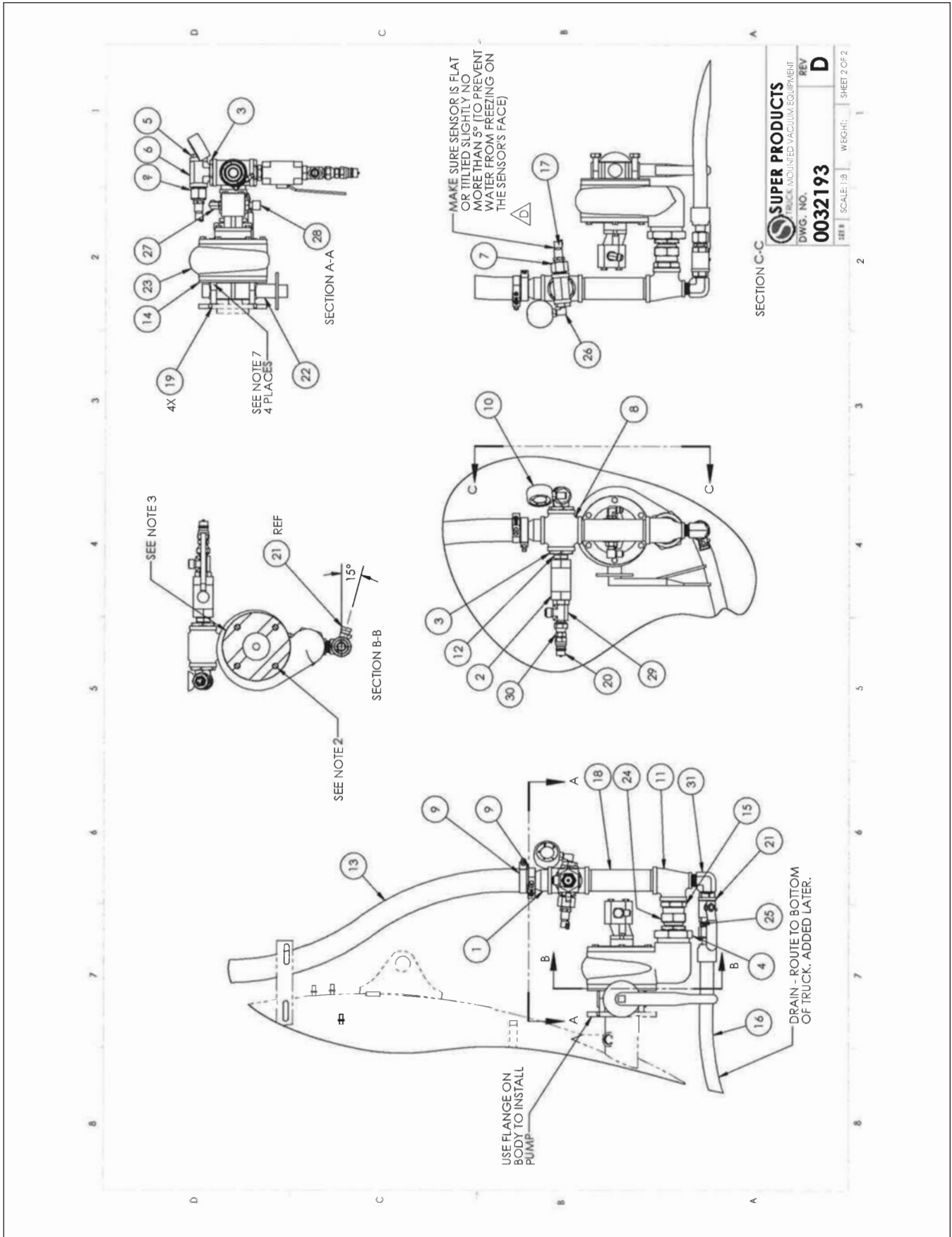
WEIGHT: SHEET 1 OF 2

DWG. NO. **0032193**

REV **D**

INTERPRET DIMENSIONS: ANGULAR: MACHINE ± 1° BEND ± 2°

PROPRIETARY AND CONFIDENTIAL  
THIS DOCUMENT IS THE PROPERTY OF SUPER PRODUCTS, INC. IT IS TO BE USED ONLY FOR THE PROJECT AND QUANTITY SPECIFIED THEREIN. IT IS NOT TO BE REPRODUCED, COPIED, OR DISTRIBUTED IN ANY MANNER WITHOUT THE WRITTEN PERMISSION OF SUPER PRODUCTS, INC.



ITEM NO.	PART NUMBER	DESCRIPTION	QTY.
1	0001830-00300	ELBOW, 90, GRUVLOK *Black Paint	1
2	0005940	SWITCH, PROX. PNP, N.O., M12	1
3	0014-00005	BUSHING,HX-RED,1/2 X 1/4"NPT	1
4	0025831	MANIFOLD, HYD RECYCLING	1
5	0027552	PLATE, MANIFOLD MTG, RECYCLE	1
6	0027563	ASSY, RECYCLE VALVES, ELECTRIC, HP	1
7	0027631	ADP,STR,08MP,08FBSPP	1
8	0028158	SCREEN, VEE WIRE, Y-STRAINER	2
9	0028691	GAUGE,PRESSURE, 0-1.60PSI, 1/4" NPT BOTTOM	1
10	0028974	ASSY,HOSE GUIDE	1
15	0029215	ASSY, FILL, FRONT BUMPER	1
12	0029310	ASSY,PNEU VALVES,RECY	1
13	0029315	ASSY,CYCLONE,RECY	1
14	0030277	KIT, DECAL, RECYCLING	1
15	0031575	HARNES, RECYCLING, CAMEL	1
16	0032154	MODULE, CONTROL, RECYCLING	1
17	0032190	ASSY, LOW WATER WARNING	1
18	0032193	ASSY,CHARGE PUMP,RECY	1
19	0032395	ASSY, RADAR, OPTION	1
20	0034771	SENSOR, WATER PRESSURE, 0-150PSI	1
21	0046-00004	CROSS, PIPE SCR, 0.50 GALV	1
22	0050-20125	SCREW,HEX HEAD CAP,1/4-20 X 1-1/4,GR8	2
23	0052-20100	SCREW,HEX HEAD CAP,3/8-16 X 1,GR8	6
24	0160-42008	NUT,LOCK,CLINCHED,3/8"16,GR8,PLTD-STL	1
25	0505-00012	CLAMP,CABLE CUSHIONED 2.5	1
26	3470-02500	HOSE,HYD,0.75 (#12GMV) SUCTION	1
27	3477-05700	ASSY, HOSE .50 M3K W/JIC ENDS	1
28	3477-05700	ASSY, HOSE .50 (M3K) W/JIC ENDS	1
29	3477-10200	ASSY, HOSE .50 (M3K) W/JIC ENDS	1
30	3477-10200	ASSY, HOSE .50 (M3K) W/JIC ENDS	1
31	3479-07600	HOSE,HYD,0.75 (M3K) W/JIC ENDS	1
32	3479-08600	ASSY, HOSE .75 (M3K) W/JIC ENDS	1
33	6010-00004	NIPPLE, HOSE MALE 0.38 NPT X 0.38	1
34	6023-00009	NIPPLE, HEX 0.50 MNPT	1
35	6132-01212	ADAPTER, 90, M/JIC X F SWIVEL	1
36	6137-00808	ADAPTER, 90, M O-RING X M JIC	2
37	6137-01212	ADAPTER,90°(M) O-RING (M) JIC	2
38	6137-01220	ADAPTER,90 M JIC X M O-RING	1
39	6240-00808	ELBOW, 90, M BARBED X M NPT, 1/2"	1

REV #	ECO #	DESCRIPTION	DATE	APPR
E	18059	0034771 WAS 0032748, 0027631 WAS 0014-00005 (QTY 1)	11/13/2018	N. Chalhoub

**NOTE:**  
 1) SEE DRAWING 0030921 FOR DECAL PLACEMENT

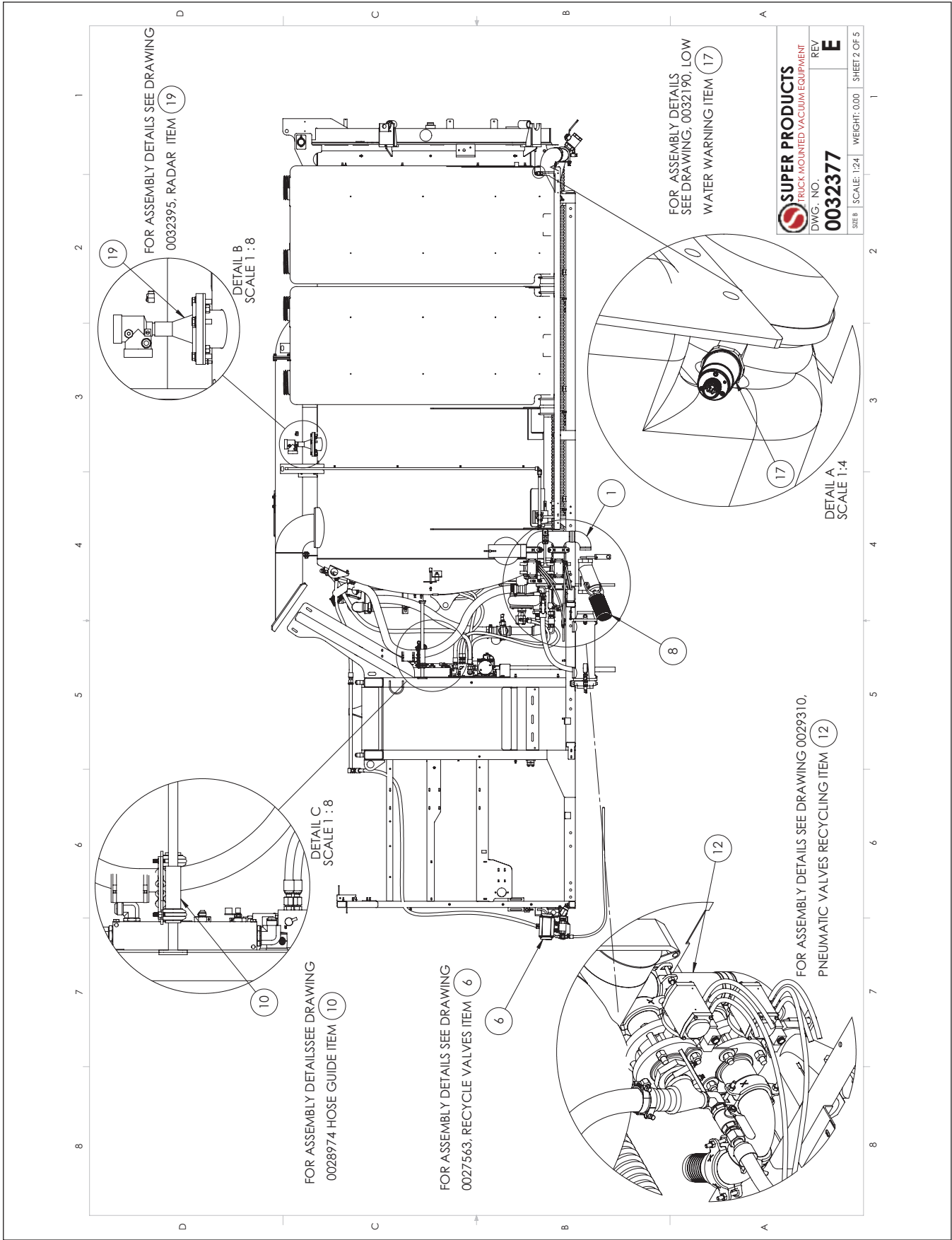
  

2X  
 22 16  
 DETAIL D  
 SCALE 1:12

DRAWN BY M. Riley	DATE 10/05/2017	SUPER PRODUCTS RUCK MOUNTED VACUUM EQUIPMENT	DWG. NO. 0032377
ENG APPR. D. King	10/09/2017	TITLE: ASSY, RECYCLING SYSTEM	REV E
MFG APPR.		UNLESS OTHERWISE SPECIFIED: DIMENSIONS ARE IN INCHES FRACTIONS ARE: X.X ±0.100 X.XX ±0.050 X.XXX ±0.010 X.XXX ±0.005 X.XXX ±0.002 INTERPRET GEOMETRIC TOLERANCING PER ASME Y14.5	SIZE B   SCALE: 1:32   WEIGHT: 0.000   SHEET 1 OF 5

ASSEMBLY RECYCLING SYSTEM Item 0032377 2 of 5



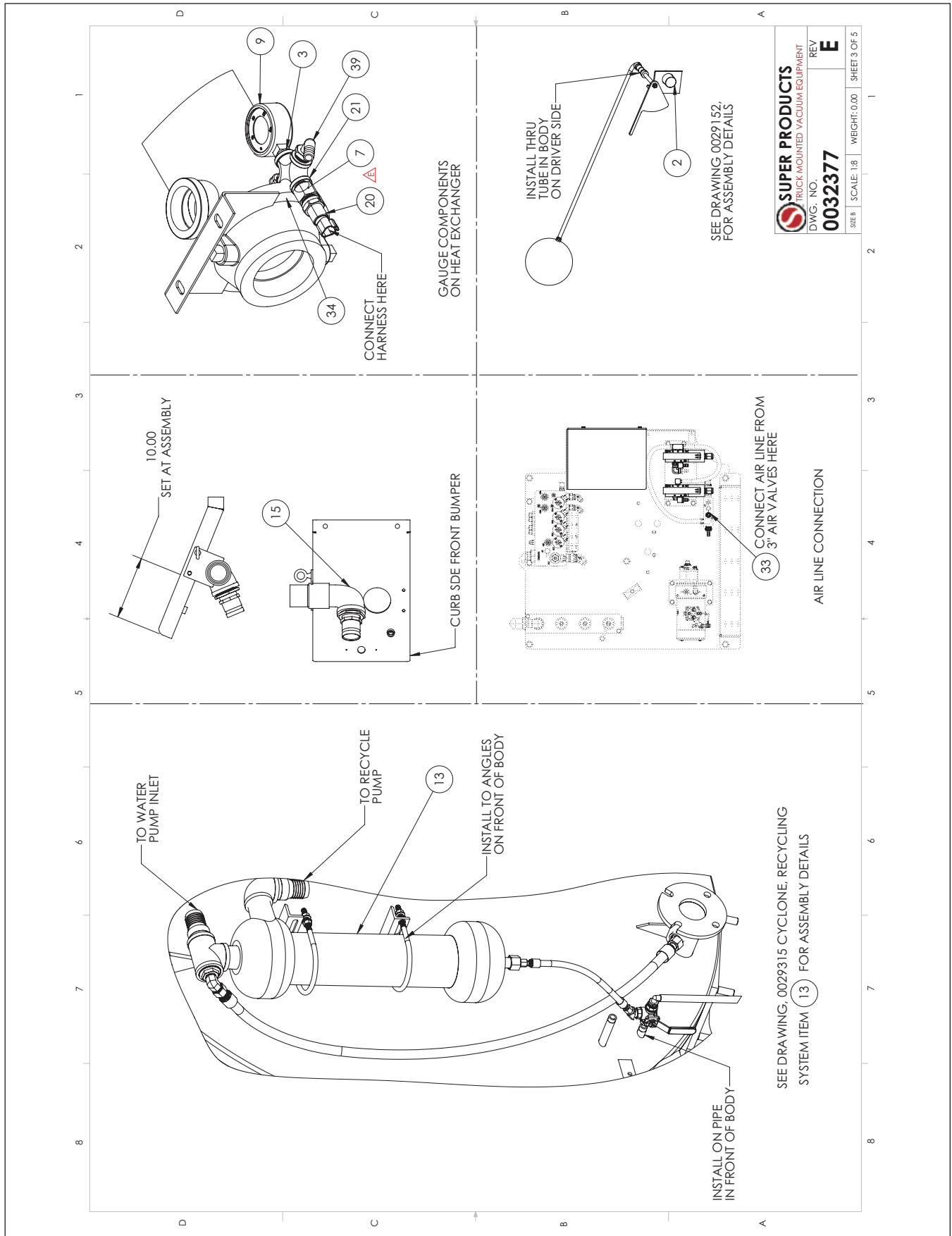
**SUPER PRODUCTS**  
TRUCK MOUNTED VACUUM EQUIPMENT

DWG. NO. **0032377**

REV **E**

SIZE B SCALE: 1:24 WEIGHT: 0.000 SHEET 2 OF 5





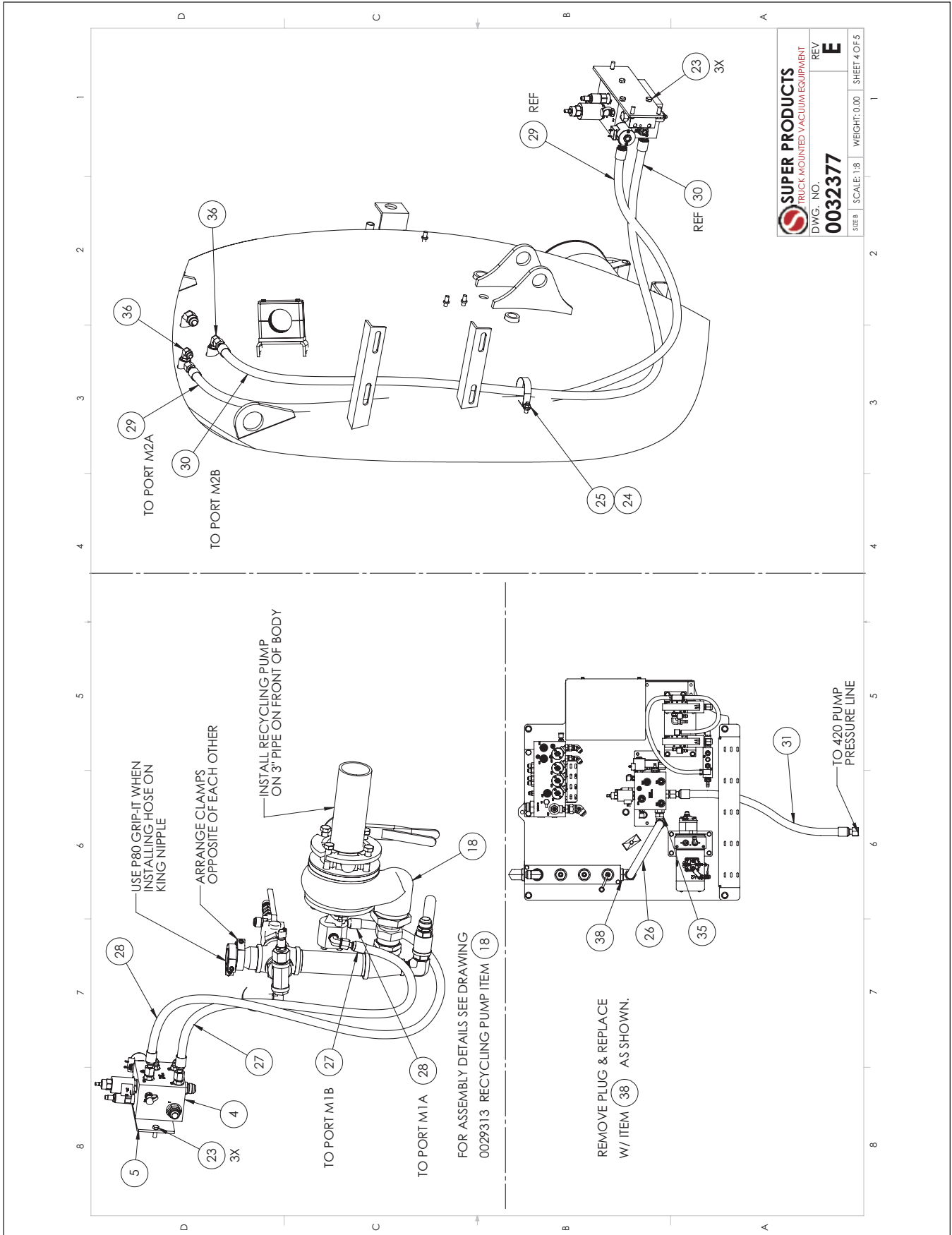
**SUPER PRODUCTS**  
TRUCK MOUNTED VACUUM EQUIPMENT

DWG. NO. **0032377**

REV **E**

SIZE B | SCALE: 1:8 | WEIGHT: 0.00 | SHEET 3 OF 5

ASSEMBLY RECYCLING SYSTEM Item 0032377 4 of 5



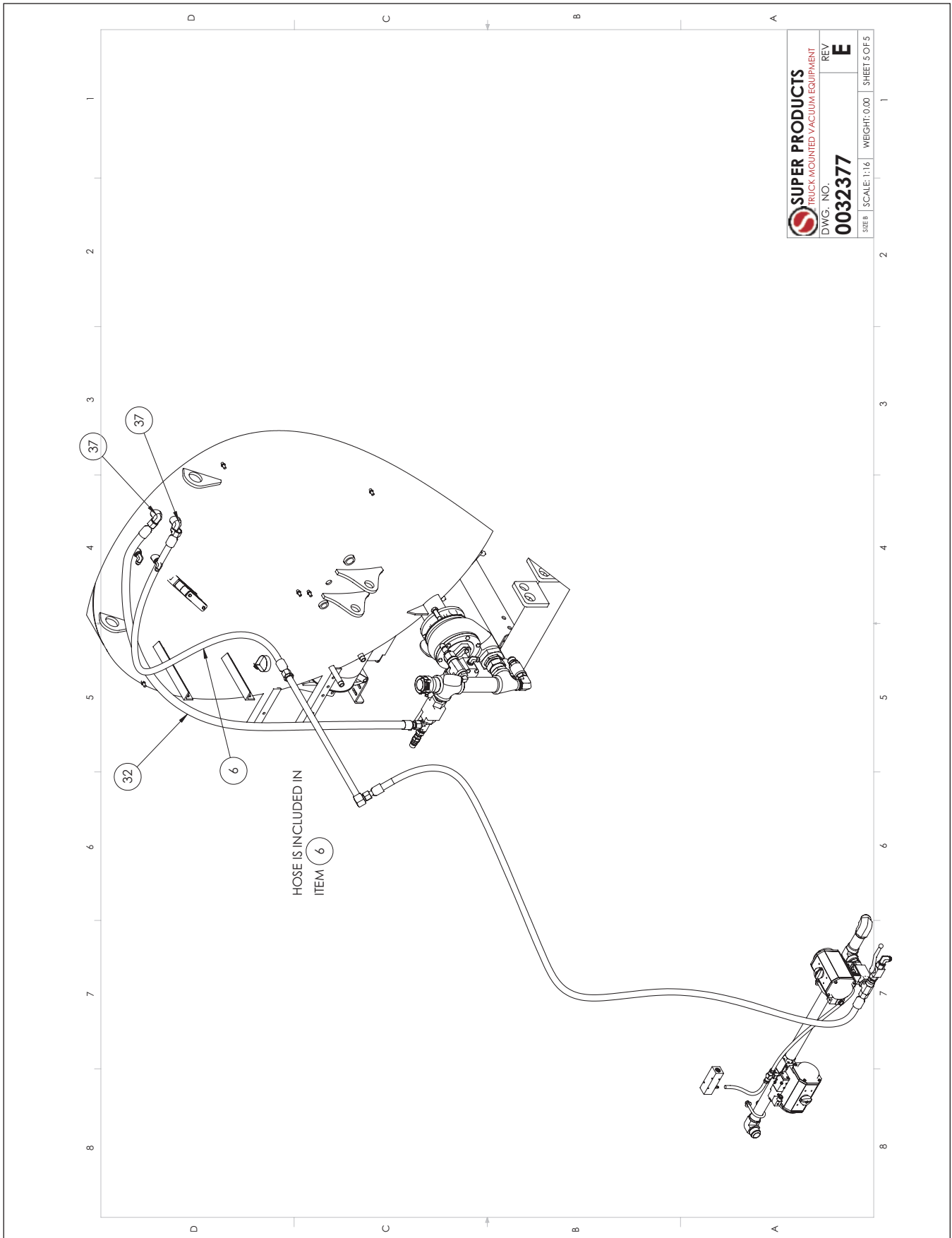
**SUPER PRODUCTS**  
TRUCK MOUNTED VACUUM EQUIPMENT

DWG. NO. **0032377**

REV **E**

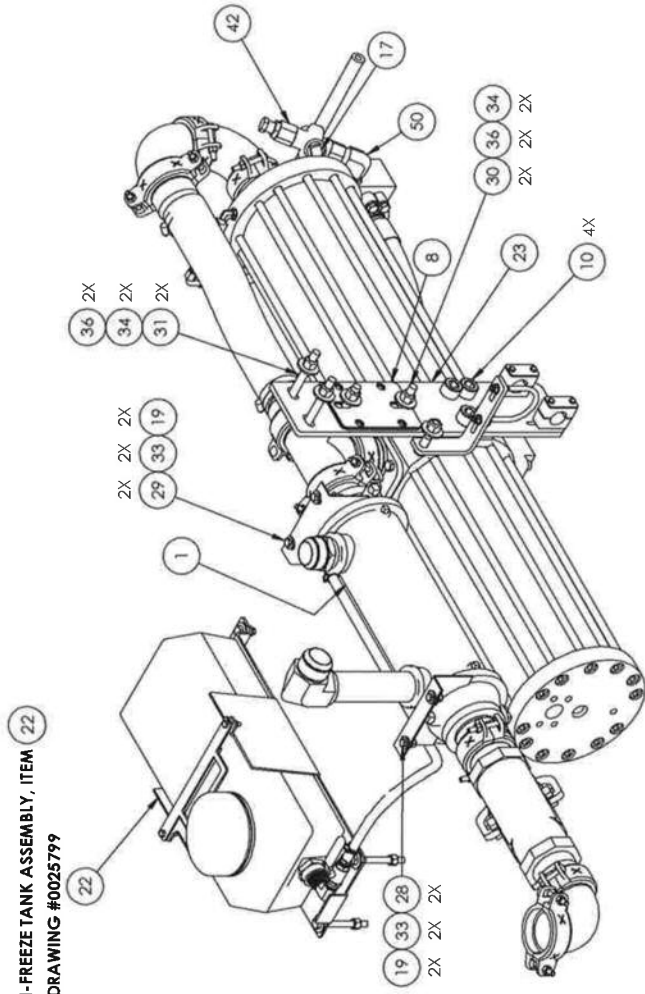
SIZE B SCALE: 1:8 WEIGHT: 0.00 SHEET 4 OF 5

# ASSEMBLY RECYCLING SYSTEM Item 0032377 5 of 5



ASSEMBLY WATER PUMP Item 0032409 1 of 3

REV #	ECO #	DESCRIPTION	DATE	APPR
E		Same as Rev D. No changes made. ECR was rejected.	06/19/2018	N. Chalhouh



ANTI-FREEZE TANK ASSEMBLY, ITEM 22  
SEE DRAWING #0025799

ITEM NO.	PART NUMBER	DESCRIPTION	QTY.
1	0000891	HEAT EXCHANGER, WATER-COOLED	1
2	0001629-00000	COUPLING, GRU/LOK, 3" Black Paint	9
3	0001830-00000	ELBOW, 30, GRU/LOK, Black Paint	3
4	0001831-00000	TEE, SHORF, CRU/LOK, 3" Black Paint	1
5	0001850-00000	NIPLER, HOSE, GRU/LOK, Black Paint	2
6	0001851-30000	PIPER, GRU/LOK X WPT, 3" X 3.00	4
7	00228116	FLANGE, LOCKING, 3/8"-16 S.S.	2
8	0026151	SHIM, REAR BUMPER, "stainless"	2
9	0006328-01250	ASSTY, HOSE 3/16 W/ JIC 90° X JIC ENDS	1
10	0006409	SCREW, SOCKET HEAD CAP, 1/8 X 1.75 LG.	4
11	0006796	HOSE, FLANGE 99° CODE 61-11/4"	1
12	00069715	PUMP, PISTON WATER, 100 GRM	1
13	0002029	Y-STRAINER, 3"	1
14	0002560	GASKET, 1/4" S.S.	1
15	0025900	VALVE, CHECK 1/4" S.S.	1
16	0025963	BRACKET, PRESSURE LINES	1
17	002610006	PLUG, SCR. SQ. HD., 1" NPT, 300F S1	1
18	0026259	VALVE, MULTIWAY, 3000 PSI	2
19	0034455-30004	NUT, FLANGE TOP, LOCK 3/8 X 1/4	4
20	0035544	ADAPTER, 20, MGR X WPT, 3/8 X 1/4	1
21	0029130	SENSOR, PRESSURE, WATER, 0-400 PSI	1
22	0033135	ASSTY, ANTI-FREEZE TANK	1
23	0033449	BRKT, WATER PUMP MOUNT	1
24	0033450-00012	CLAMP, HOSE, SPLT	2
25	0034455-00013	COVER, PLATE CLAMP	2
26	003500900	PIPE, STEEL SCH 40, 2.00 X 9.00	1
27	003520350	SCREW, HEX HEAD CAP, 1/4-20 X 3.50, GR8	4
28	003520100	SCREW, HEX HEAD CAP, 3/8-16 X 1.1, GR8	2
29	003520250	SCREW, HEX HEAD CAP, 3/8-16 X 2.1/2, GR8	2
30	003562075	SCREW, HEX HEAD CAP, 5/8-11 X 2.3/4, GR8	3
31	003562100	SCREW, HEX HEAD CAP, 5/8-11 X 5, GR8	2
32	008230701	WASHER, FLAT, 1/8 X 1/4" STEEL PLTD GR8	4
33	008230703	WASHER, FLAT, 1/8 X 3/8" STEEL PLTD GR8	4
34	008230707	WASHER, FLAT, 1/8 X 1/2" STEEL PLTD GR8	5
35	016042006	NUT, LOCK, CLINCH, HD, 1/4-20 GR8, PLTD-STL	4
36	016042012	NUT, LOCK, CLINCH, HD, 3/8-11 GR8, PLTD-STL	5
37	000500544	CLAMP, HOSE, 3.25" - 4.13"	2
38	000500725	U CLAMP, 3.0"	1
39	000500751	ASSTY, HOSE, 50' M3K W/ ONE F. JIC'S X 1/4" U.G.	1
40	0819402100	HOSE, SUCTION, 3"	1
41	600002112	VALVE, PLUG 1/4" NPT	1
42	600002122	PRESSURE REGULATOR	1
43	600900006	ADAP, STR, 25NPT(MIX, 30JIC(M)	1
44	600900036	ADAP, STR, 20NPT(MIX, 2, 0JIC(M)	1
45	6011500016	BUSHING, RED, O-RING, .25 X .75	1
46	602300003	NIPLER, HEX, O, 25 MNP	1
47	602440009	PLUG, STR, 1/2" O-RING	1
48	602680004	FLANGE, KIT, STL, 1.25" CODE 61	2
49	602680003	SPR FLANGE KIT, 1.50" 300F S1	1
50	610600004	ELBOW, 1/4" MGR B-16 P	1
51	610300220	ADAPTER, STR, M/JIC/ (M/O-RING	1
52	613101608	REDUCER, STR., O-RING, M/F	1
53	613200608	ADAPTER, 90° JIC M/F	1
54	613700608	ADAPTER, 90° M/O-RING X M JIC	2
55	613701208	ADAPTER, 90° M/O-RING/ (M/JIC	1
56	614000608	ADAPTER, 90° (M/JIC/ (M/O-RING	1
57	614100608	ADAPTER, STR, (M/JIC/ (M/O-RING	1
58	614600608	ADAPTER, STR, (M/JIC/ (M/O-RING	1
59	620400222	ADAPTER, 20M, MCK X NPT	1

**SUPER PRODUCTS**  
TRUCK, MOUNTED VACUUM EQUIPMENT

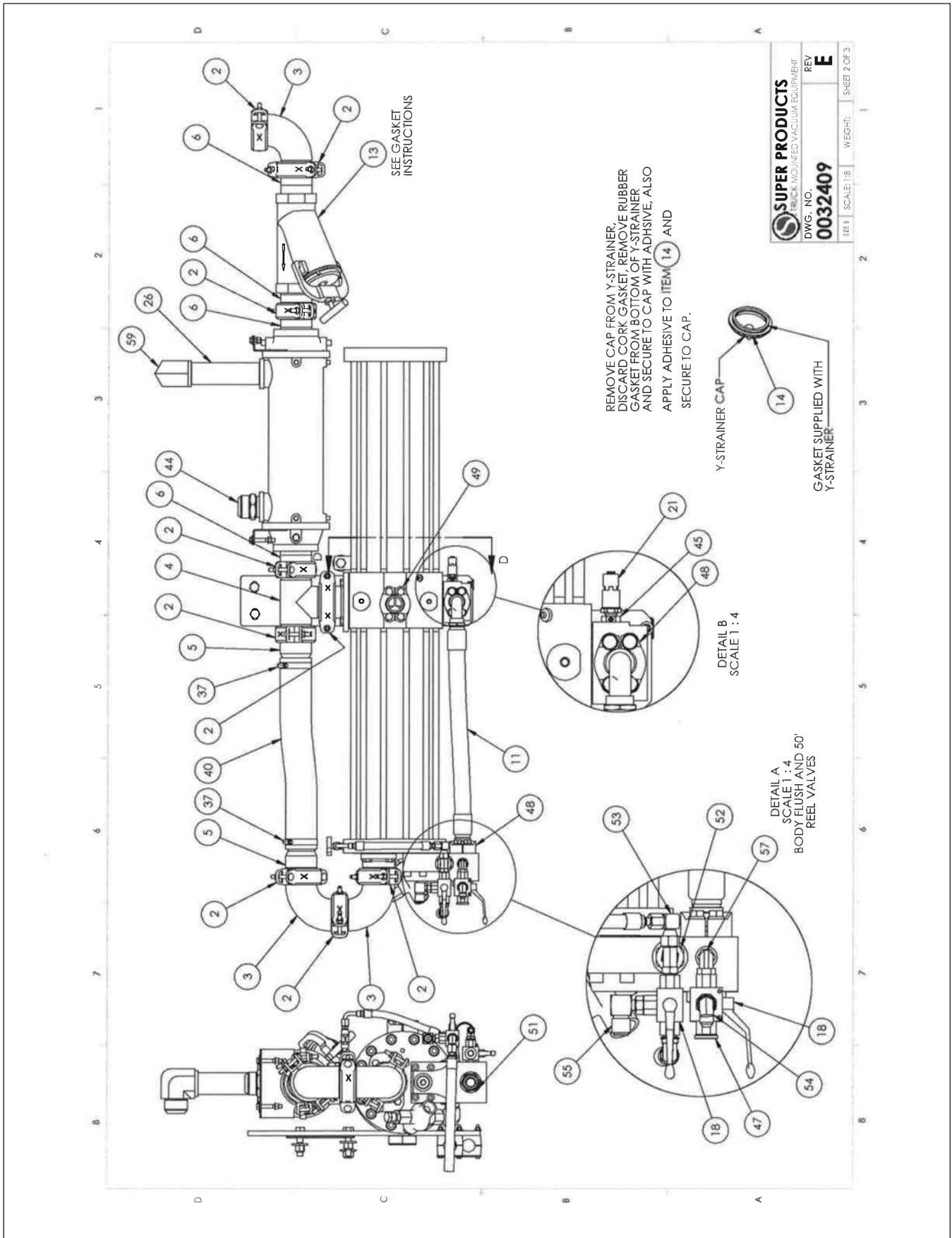
NAME: M. Ribey DATE: 10/04/2017  
DRAWN BY: D. King ENG APPR: 10/09/2017

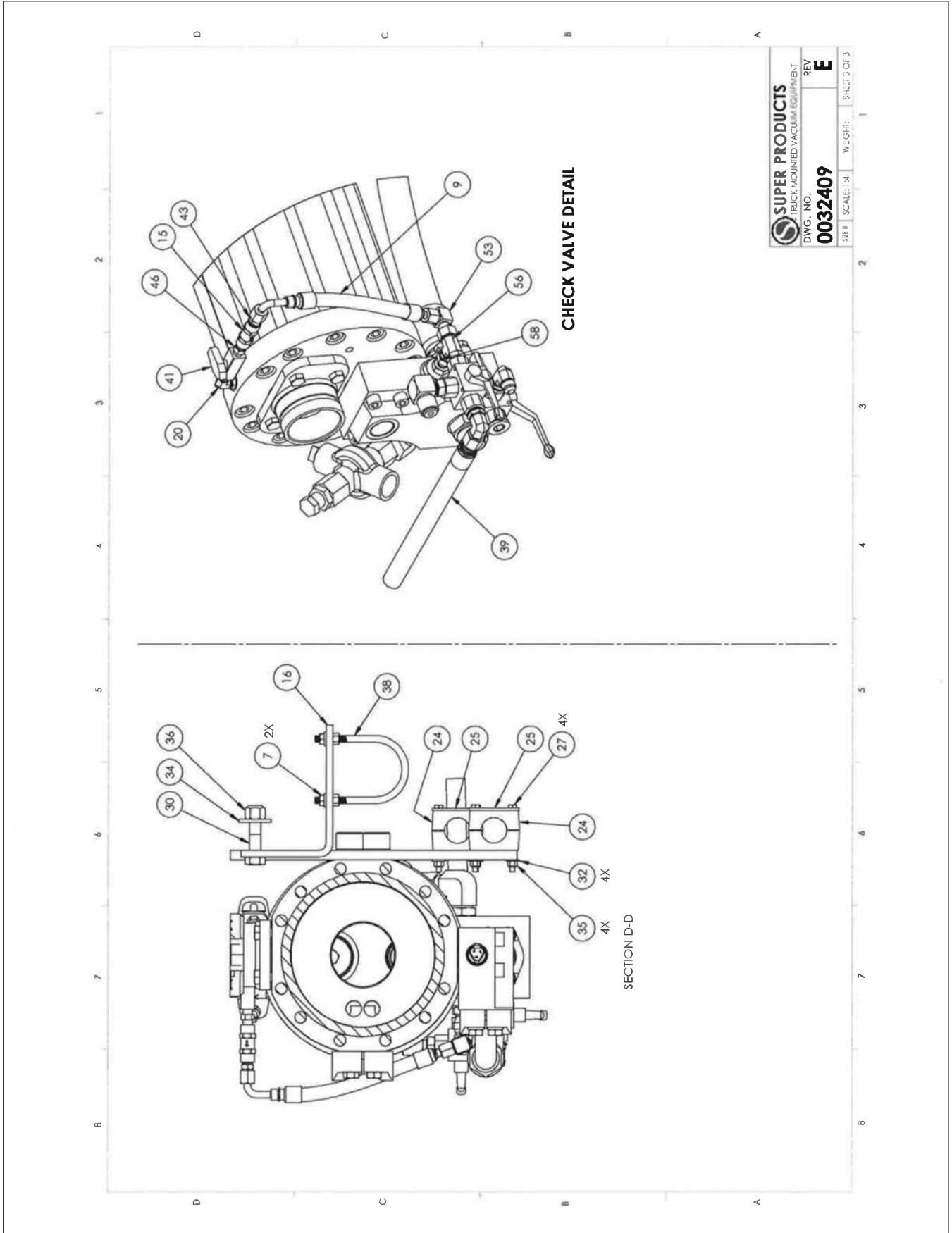
TITLE: ASSTY, WATER PUMP

UNLESS OTHERWISE SPECIFIED:  
DIMENSIONS ARE IN INCHES  
TOLERANCES ARE:  
XX ±0.100  
XXX ±0.050  
XXX ±0.030  
ANGULAR: MACH 1° END 2°  
HOLE POSITION: PER ASME Y14.5

DWG. NO. **0032409**  
SCALE: 1:8 WEIGHT: SHEET 1 OF 3

PROPRIETARY AND CONFIDENTIAL  
THIS DOCUMENT IS THE PROPERTY OF SUPER PRODUCTS, LLC  
ALL RIGHTS RESERVED. NO PART OF THIS DOCUMENT IS TO BE REPRODUCED OR TRANSMITTED IN ANY FORM OR BY ANY MEANS, ELECTRONIC OR MECHANICAL, INCLUDING PHOTOCOPYING, RECORDING, OR BY ANY INFORMATION STORAGE AND RETRIEVAL SYSTEM.





<b>SUPER PRODUCTS</b> TRUCK MOUNTED VACUUM EQUIPMENT	
DWG. NO.	REV
<b>0032409</b>	<b>E</b>
SHEET 8   SCALE: 1:4	WEIGHT:   SHEET 3 OF 3

# ASSEMBLY CYCLONE, RECYCLING Item 0029315

REV #	ECO #	DESCRIPTION	DATE	APPR
C	17752	ADDED NOTES: 6203-00612 was 6203-01206. UPDATED ASSEMBLY.	02/22/2018	N. Chalhoub

ITEM NO.	PART NUMBER	DESCRIPTION	QTY.
1	0000-00149	NIPPLE, KING, 2.00, STEEL	2
2	0010-00009	ELBOW, 90, 1.50#, .STEEL, 2" NPT	1
3	0013-00009	TEE, 1.50#, 2" NPT	1
4	0014-00022	BUSHING, HX, RED 2.00 X 3/4	1
5	0027-624	CLAMP, HOSE, T-BOLT, 2.38"-2.69"	4
6	0028403	SEPARATOR, CYCLONE, 108GPM	1
7	0028626-00008	WASHER, LOCK, WEDGE, 1/2", PLTD STL	8
8	0028739	U-BOLT, 1/2-13 X 5.62	2
9	0029054	VALVE, BALL, .50 3-WAY, LOW PR.	1
10	3476-01600	HOSE, HYD, 0.38 (M3K) W/FJIC ENDS	1
11	3479-06200	HOSE, HYD, 0.75 (M3K) W/FJIC ENDS	1
12	3802-00000	HOSE, LOW PRESSURE .50	1
13	6130-01212	ADAPTER, MJIC X M O-RING	1
14	6165-01212	ADAPTER, 90DEG (MJIC X MJIC)	1
15	6177-00608	ADAPTER, 45DEG, (M) JIC X (M) NPT	1
16	6203-00612	ADAPTER, STR., .38 (M) JIC X .75 (F) NPT	1
17	6240-00808	ELBOW, 90, M BARBED X M NPT, 1 1/2"	1

TO BUSHING IN 3" PIPE ON FRONT OF BODY

NAME	DATE	<b>SUPER PRODUCTS</b> TRUCK MOUNTED VACUUM EQUIPMENT
DRAWN BY	06/20/2016	
ENG. APPR.	09/20/2016	
MFG. APPR.		TITLE: ASSY, CYCLONE, RECY
UNLESS OTHERWISE SPECIFIED: DIMENSIONS ARE IN INCHES X.XX ±0.00 X.X ±0.00 X ±0.00 ANGULAR: MACH: 1° BEND ±2° INTERPRET GEOMETRIC TOLERANCING PER ASME Y14.5		
DWG. NO. <b>0029315</b>		REV <b>C</b>
SIZE: 1/4" X 1/4" X 1/4"		SHEET 1 OF 1

SCALE 1 : 2

**DETAIL C**  
SCALE 3 : 8

SCALE 3 : 8

SCALE 1 : 4

**NOTES (UNLESS OTHERWISE SPECIFIED):**

- USE PIPE DOPE OR SEALANT ON ALL PIPE THREADS.
- TORQUE ALL FASTENERS PER SP SPECIFICATIONS.

**Water Pump Assembly, 65 GPM  
6000-00367 Right Hand Myers Type**

Item	Part No.	Qty.	Description
1	7310-00629	1	Case, Gear
2	7310-00630	1	Gasket, Lid
3	0051-00088	8	Screw, Hex Hd Cap 0.31-18 x 0.31 Gr 5
4	7310-00631	1	Lid
5	7310-00632	1	Nipple, Special Vent
6	7310-00633	1	Cap, Pipe
7	7310-00634	1	Gage, Oil Assembly
8	7310-00635	1	O-Ring
9	7310-00636	1	Shaft, Pinion
10	7310-00637	4	Shim
11	7310-00638	4	Shim
12	7310-00639	2	Cone, Bearing
13	7310-00640	2	Cup, Bearing
14	7310-00641	1	Cap, Open
15	7310-00642	1	Cap, Closed
16	7310-00643	1	Seal, Oil
17	0052-00100	18	Screw, Hex Hd Cap 0.31-18 x 0.38 Gr 5
18	7310-00644	18	Washer, Seal
19	7310-00645	1	Crankshaft
20	7310-00646	2	Cone, Bearing
21	7310-00647	2	Cap, Bearing
22	7310-00648	2	Cap, Bearing
23	7310-00649	6	Shim, Green Plastic
24	7310-00650	6	Shim, Pink Plastic
25	7310-00651	2	O-Ring
26	7310-01482	3	Crosshead
27	7310-00653	3	Link, Iron
	7310-00654	3	Bushing
	7310-00655	6	Screw, Hex Hd Cap
28	7310-00656	3	Bearing, Two Halves
29	7310-01382	3	Wrist, Pin
30	7310-01484	3	Oil Seal, Housing
31	7310-01483	6	Oil Seal
32	7310-01385	3	Retainer, Oil Seal Housing
33	7310-01386	6	Screw, Allen
34	7310-01387	3	Gasket, Housing Seal
35	7310-00662	3	Gasket, Retainer
36	7310-00663	1	Plug, Magnetic Pipe
37	7310-01488	1	Spacer, Pinion Shaft
38	0083-00008	4	Washer, Lock 0.75
39	0056-00200	4	Screw, Hex Hd Cap 0.62-11 x 0.62 Gr 5
40	7310-00661	3	Spring
□ 41	7310-00664	3	Screw, Hex Hd Cap

CAMEL: 1200 / Maxxx / Legacy



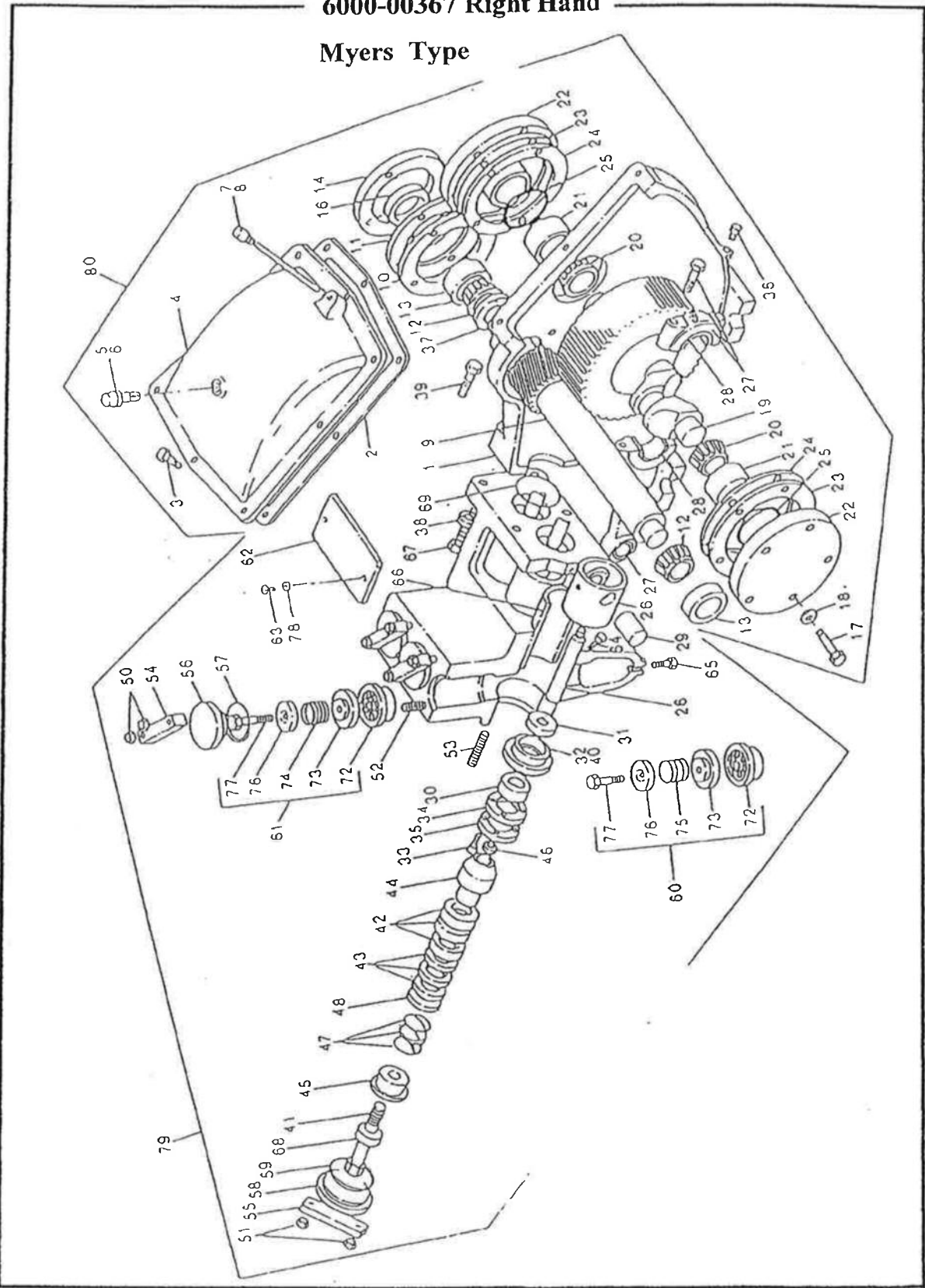
**Water Pump Assembly, 65 GPM  
6000-00367 Right Hand Myers Type**

Item	Part No.	Qty.	Description
42	7310-00666\	3	Follower
43	7310-00667	3	Packing, V-Rings
44	7310-00668	3	Stud
45	7310-00669	3	Retainer
46	7310-00670	3	Washer
47	7310-00671	3	Spring
48	7310-00672	3	Ring
49	7310-00673	1	Body, Cylinder
50	0000-00220	6	Nut, Hex 0.62-11
51	0081-00009	6	Nut, Hex 0.88-14
52	7310-00675	6	Stud, 0.62-11
53	7310-00676	6	Stud, 0.88-14
54	7310-00677	3	Clamp, Valve Cap
55	7310-00678	3	Clamp, Cylinder Cap
56	7310-00679	3	Cap, Valve
57	7310-00680	3	O-Ring
58	7310-00681	3	Cap, Cylinder
59	7310-00682	3	O-Ring
60	9310-00013	3	Suction, Valve and Seat Assembly
61	9310-00014	3	Discharge, Valve and Seat Assembly
62	7310-00689	1	Lid, Cylinder
63	0156-00059	2	Screw, Rd Hd Mach 0.5-20
64	7310-00690	3	Plug, Pipe 0.5
65	7310-00691	3	Plug, Pipe 1
66	7310-00692	3	Liner, Cylinder
67	0057-00300	4	Screw, Hex Hd Cap 0.75-10 x 3 Gr 5
68	7310-00665	3	Lock, Washer
69	7310-00674	3	O-Ring
70	7310-00693	1	Plug, Pipe 1.25
71	7310-00694	2	Plug, Pipe 3
72	7310-00683	6	Seat, Valve
73	7310-00684	6	Valve
74	7310-00686	3	Spring, Discharge Valve
75	7310-00685	3	Spring, Suction Valve
76	7310-00687	6	Retainer
77	7310-00688	6	Bolt, Shoulder 0.31 x 24
78	0082-00001	2	Washer, Flat 0.25
79	7310-01582	1	Pump Fluid End Assembly
80	7310-01581	1	Pump Gear End Assembly

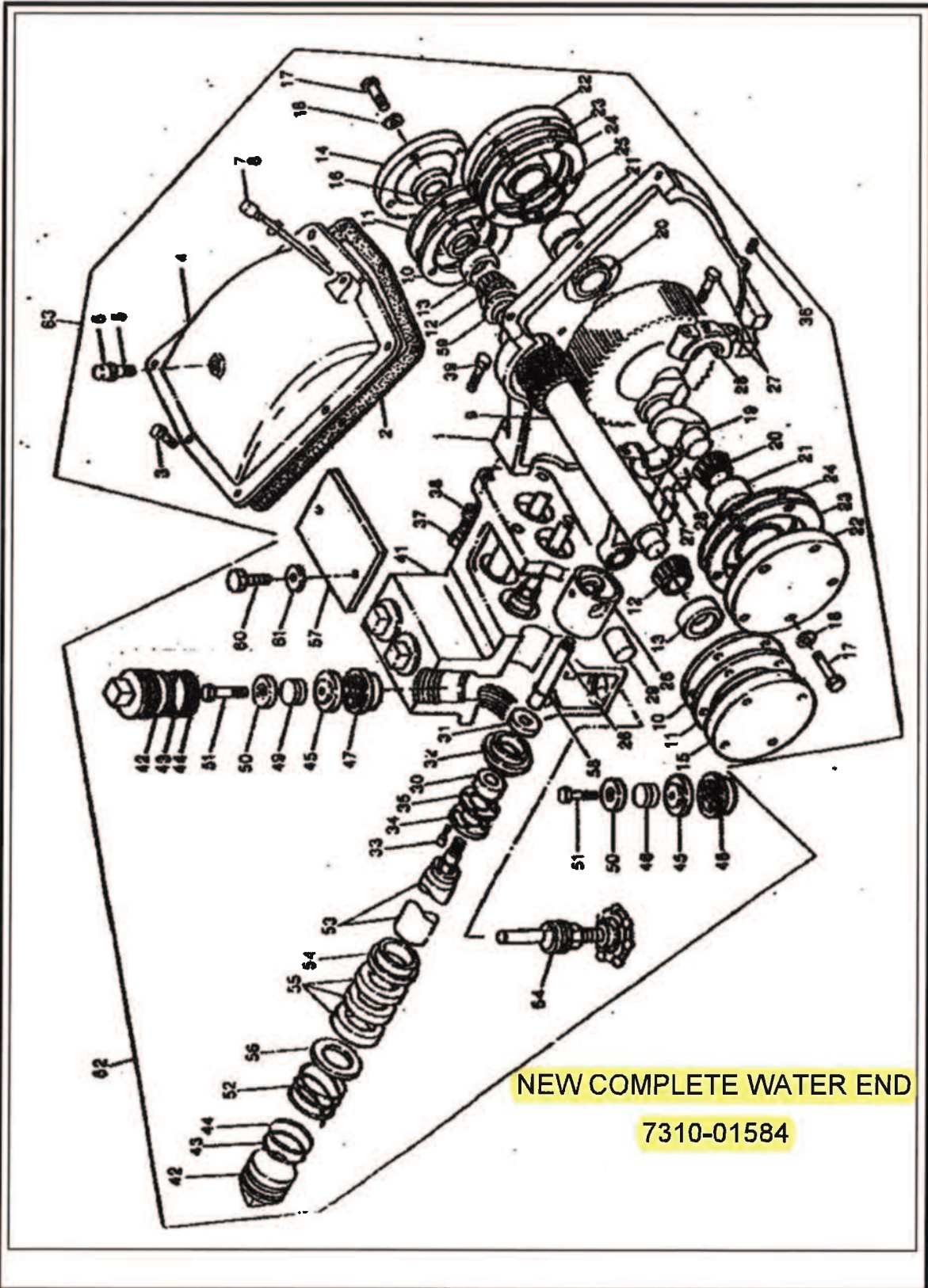
### Water Pump Assembly, 65 GPM AVD

6000-00367 Right Hand

Myers Type



Parts Breakdown, 80GPM Water Pump (6000-00875/6000-02070)



**Parts Breakdown, 80GPM Water Pump (6000-00875/6000-02070)**

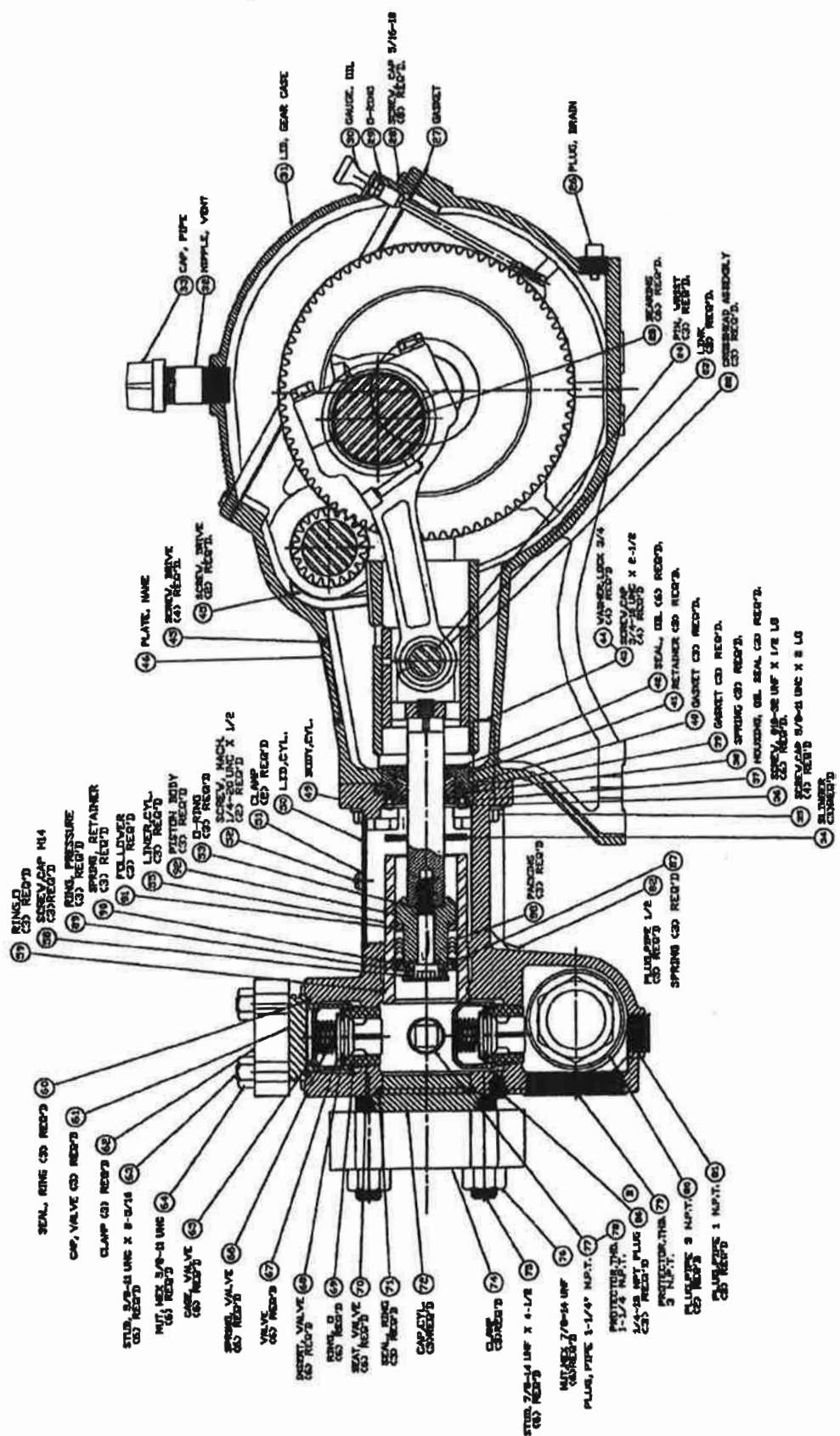
Item	Part No.	Qty.	Description
1	7310-00629	1	Case, Gear
2	7310-00630	1	Gasket, Lid
3	7310-00025	8	Screw, Hex Hd 0.31-18
4	7310-00631	1	Lid
5	7310-00632	1	Nipple, Special Vent
6	7310-00633	1	Cap, Pipe
7	7310-00634	1	Gauge, Oil Assembly
8	7310-00635	1	O-Ring
9	7310-02079	1	Shaft, Pinion
10	7310-00637	4	Shim
11	7310-00638	4	Shim
12	7310-00639	2	Cone, Bearing
13	73120-0640	2	Cup, Bearing
14	7310-00641	1	Cap, Open
15	7310-00642	1	Cap, Closed
16	7310-00643	1	Seal, Oil
17	0052-00100	18	Screw, Hex Hd Cap 0.38-16 x 1 Gr 5
18	7310-00644	18	Washer, Seal
19	7310-01380	1	Crankshaft
20	7310-00646	2	Cone, Bearing
21	7310-00647	2	Cup, Bearing
22	7310-00648	2	Cap, Bearing
23	7310-00649	6	Shim, Green Plastic
24	7310-00650	6	Shim, Pink Plastic
25	7310-00651	2	O-Ring
26	7310-01381	3	Crosshead
27	7310-00653	3	Link, Iron
	7310-00654	3	Bushing
	7310-00655	6	Screw, Hex Cap Hd
28	7310-00656	3	Bearing, Two Halves
29	7310-01382	3	Wrist, Pin
30	7310-01383	3	Oil Seal, Housing
31	7310-01384	6	Oil Seal
32	7310-01385	3	Retainer, Oil Seal Housing
33	7310-01386	6	Screw, Allen
34	7310-01387	3	Gasket, Housing Seal
35	7310-00662	3	Gasket, Retainer
36	7310-00663	1	Plug, Magnetic Pipe
37	0057-00300	4	Screw, Hex Hd Cap 0.75-10 x 3 Gr 5
38	0083-00008	4	Washer, Lock 0.75
39	0056-00200	4	Screw, Hex Hd Cap 0.62-11 x 2 Gr 5
40	7310-00661	3	Spring
41	7310-01388	1	Body, Fluid End
42	7310-01389	6	Cap, Valve
43	7310-01390	6	O-Ring
44	7310-01391	6	Ring, Back-Up
45	7310-01392	6	Valve
46	7310-01393	3	Seat, Suction Valve
47	7310-01394	3	Seat, Discharge Valve
48	7310-00686	3	Spring, Suction Valve
49	7310-01395	3	Spring, Discharge Valve
50	7310-00687	6	Retainer, Spring

CAMEL: 1200 / Maxxx / Legacy

**Parts Breakdown, 80GPM Water Pump (6000-00875/6000-02070)**

Item	Part No.	Qty.	Description
51	7310-01396	6	Capscrew, Nylock
52	7310-01404	3	Spring, Packing
53	7310-01397	3	Plunger, Ceramic
54	7310-01398	3	Ring, Back Seal
55	7310-01399	3	Packing, Plunger
56	7310-01400	3	Washer, Spring
57	7310-00689	1	Lid, Cylinder
58	7310-01401	3	Slinger
59	7310-01488	1	Spacer, Pinion Shaft
60	0156-00059	2	Screw, Rd Hd Mach 0.25-20 x 0.5
61	0082-00001	2	Washer, Flat
62	7310-01584	1	Pump Fluid End Assembly
63	7310-01583	1	Pump Gear End Assembly
64	6000-01041	3	Valve, Drain

SP PART #6000-02342  
E80-25-H/D



SP PART #

44	05454A003.	4	WASHER, LOCK 3/4"
45	45800011	6	SCREW-DRIVE #6-5/16 TYPE USST 18-8
49	18639F007 7310-01866	1	BODY,CYL; DUCTILE IRON
50	M01520A000 7310-00689	1	LID FOR CYLINDER BODY
51	26842A000	2	CLAMP;LID (PONY ROD COVER)
52	148850001	2	SCREW-HEX HD SERRATED SST
53	110-000024-218 7310-01903	3	O-RING; POLYURETHANE
55	26849A001 7310-03317	3	LINER,CYL;2 ID with Tech-23 COATING
58	16654A006 7310-00664	3	SCREW CAP NYLOCK SST M-14 METR
59	05876A095 7310-00674	3	O-RING, 2 15/16 OD X 2 3/4 ID
60	05876A064 7310-00680	3	O-RING, 2 9/16 OD x 2 3/8" ID
61	17390A000 7310-00679	3	CAP, VALVE
62	20848A000 7310-00677	3	CLAMP, 5/8 STUD ST 5 29/32 LG
63	05659A560 7310-00675	6	STUD, ST 5/8-11UNC X 3 5/16 LG
64	19109A046 0000-00220	6	NUT , HEX ST 5/8-11 NC
71	05876A064 7310-00682	3	O-RING; VALVE COVER SEAL
72	26805A001 7310-03271	3	CAP,CYLINDER
74	20856A000 7310-00678	3	CLAMP, ST 2 SQ
75	05659A089 7310-00676	6	STUD, 7/8-14NF X 4 1/2 LG
76	19109A072 0081-00009	6	NUT ,HEX ST 7/8-14 NF
77	05022A041 7310-00693	1	PLUG, PIPE ST GALV 1 1/4 SQ CTRSK HD
80	03210A000	2	PLUG;PIPE 3" C I
81	05022A043 7310-00691	3	PLUG, PIPE ST GALV 1 SQ CTRSK H
82	05022A015 7310-00690	3	PLUG;PIPE ST GALV 1/2 SQ CTRSK HD
86	05022A088	3	PLUG,PIPE;1/4-18NPT 1/4HEX SOCKET SST 31
86a	06107A013 7310-00665	3	WASHER ,LOCK SHKPRF INTERNAL SS
87	20853A000 20853-000	3	SPRING, SST 1.770 OD X 1 1/2 ID
88	18922A000 7310-00667	3	PACKING;V-RING 1 3/8 ID X 2 OD
89	18921A000 7310-00672	3	RING, PRESS SST 1 7/8 DIA 303 S
90	20852A003	3	RETAINER 2" PISTON SPRING & PACKING
91	18923A002 7310-00666	3	FOLLOWER ,BRASS 2" DIA 3/8 THK
92	18924A004	3	PISTON; BODY, For V-Ring Packing
95	18835A008 7310-03314	6	VALVE SEAT
96	18834A005 7310-01863	6	VALVE DISC , ACETAL ; 2.063 DIA.
97a	11829A000 7310-00686	3	SPRING ,VALVE; SUCTION
97b	11829A001 7310-01395	3	SPRING ,VALVE ;DISCHARGE
98	18833A003 7310-01864	6	SPRING RETAINER
99	18832A004 7310-01865	6	CAP SCREW 1-1/4 , 3/8-16 SHOULDER
	7206-0243-00A	1	MAGNET;FOR POWER END
	M01520A001	1	COVER-LOWER, CYL BODY SST D, E, & DP SER
	1560321	1	WASHER-FLAT 3/8" SST
	2380241	1	SCREW-HHC 3/8-16UNC X 5/8 18-8 (304) SST

Material  
Description

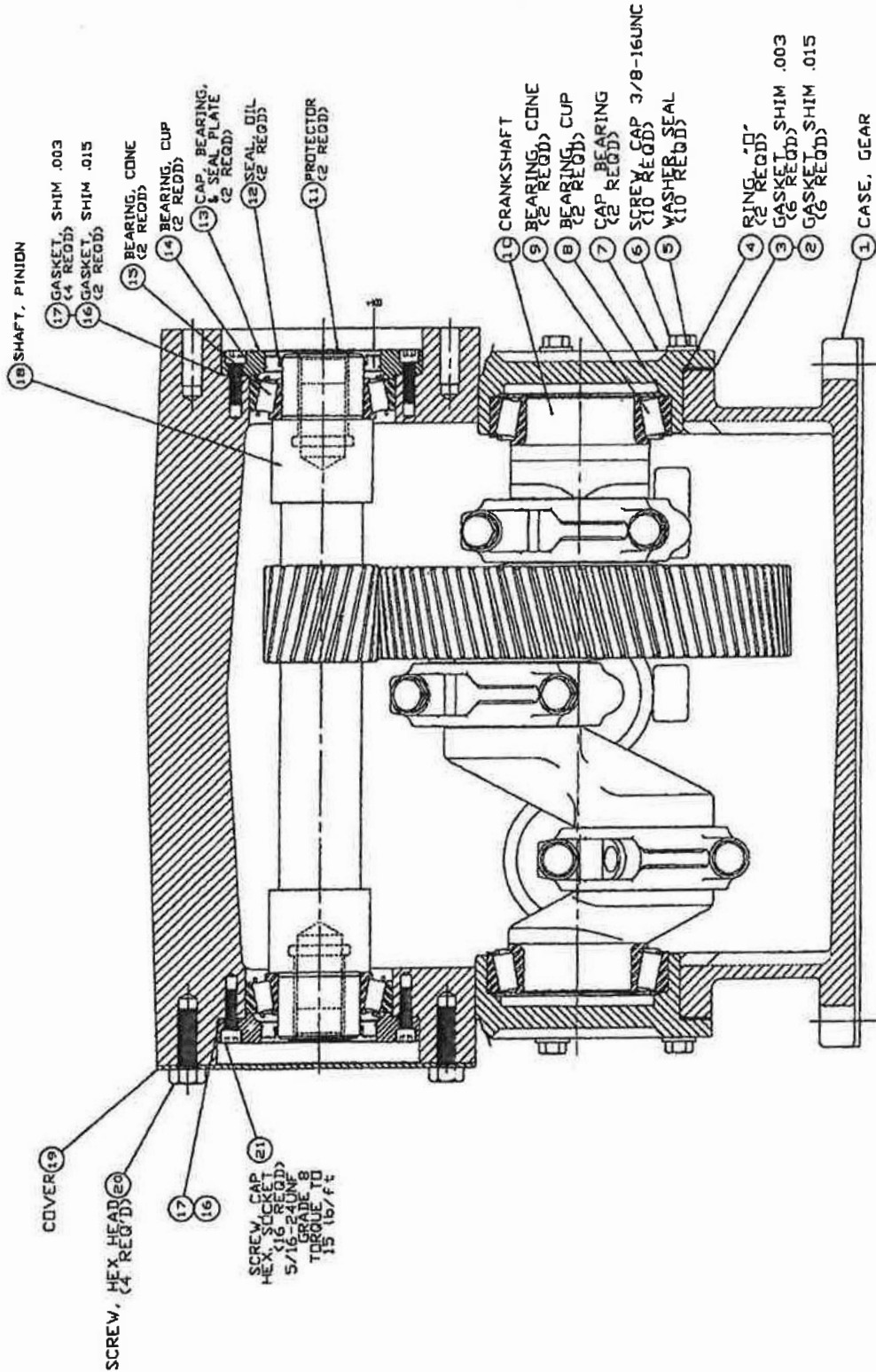
26866F124  
PUMP,RECIP;E80-25-H/D Not standard "E" Series

Item	Component no.	Quantity	Object description
	<b>SP PART #</b>		
1	04625E100 7310-00629	1	GEAR CASE, PAINTED
2	05068A016 7310-00650	6	GASKET PLASTIC 5 BOLT HOLES
3	05068A018 7310-00649	6	GASKET PLASTIC 5 BOLT HOLES
4	05876A098 7310-00651	2	O-RING 5 1/8 OD X 5 ID
5	14946A003 7310-00644	10	WASHER SEAL .666 OD
6	19101A009	18	SCREW, CAP HEX ST PL 3/8-16 X 1" LG
7	04624B004 7310-00648	2	CAP , BEARING, MAIN
8	05675A013 7310-02790	2	BEARING CUP, TAPERED ROLLER, MAIN
9	05674A021	2	BEARING;CONE , TAPERED ROLLER,MAIN
10	27937C044	1	CRANKSHAFT; W/RING GEAR
11	17272A022	2	PROTECTOR, THREAD, PLUG 1 NPT
12	05710A046	2	SEAL; OIL 2 7/8"
13	04741B010	2	CAP,BEARING & SEAL PLATE
14	05675A019	2	BEARING CUP TAPERED ROLLER, PINION
15	05674A020	2	BEARING CONE TAPERED ROLLER, PINION
16	05863A023 7310-02081	2	GASKET ARTUS SHIM .015 THK
17	05863A024 7310-02080	4	GASKET ARTUS SHIM .003 THK
18	27938B040	1	SHAFT PINION 19 TEETH HELICAL- SPLINE HYD DRIVE
19	26588B000	1	COVER; PINION SHAFT
22	06211B044	3	CROSSHEAD; PISTON ROD
23	17042C002 7310-00653	3	LINK CONNECTING DUCTILE IRON
23a	B01619A000K 7310-00654	1	BUSHING ,LINK; BRONZE
23b	05454A004	2	WASHER, LOCK ST Z&D 1/2
23c	19103A016	2	SCREW, CAP HEX ST Z&D 1/2-13UNC
24	M01525A001	3	PIN; WRIST
25	15245A101K 7310-00656	3	BEARING, CRANKPIN; PAIR
26	17481A002 7310-00663	1	PLUG PIPE 3/4" F x 1.25 LG
27	06201C000 7310-00630	1	GASKET, VELLUMOID
28	19100A033	8	SCREW ,CAP HEX 5/16 SST 7/8 LG
29	110-000110-201	1	O-RING, NITRILE RUBBER
30	7206-0094-00A 7310-01938	1	DIPSTICK, OIL LEVEL
31	04561B000	1	LID ,GEAR CASE
32	17995A000 7310-00632	1	NIPPLE; VENT
33	05737A002 7310-00633	1	CAP PIPE
34	05059A449 7310-03025	3	SLINGER ,NEOPRENE
35	19105A008	4	SCREW, CAP HEX 5/8 ST x 2 LG
36	06106A034 7310-01386	6	SCREW, CAP SKT HD
37	24959A000 7310-01383	3	HOUSING, OIL SEAL
38	M01643A000	3	SPRING ,SEAL RETAINER
39	05059A434 7310-01387	3	GASKET VELLUMOID 2.312 X 2.000
40	05059A058 7310-00662	3	GASKET VELLUMOID 3 1/2 x 2 31/32
41	24958A000 7310-01385	3	RETAINER , OIL SEAL HOUSING
42	22835A003 7310-01384	6	CUP U VITON 1 9/16 OD X 1 1/4
43	06106A038	4	SCREW CAP SKT HD ST 3/4-10UNC-

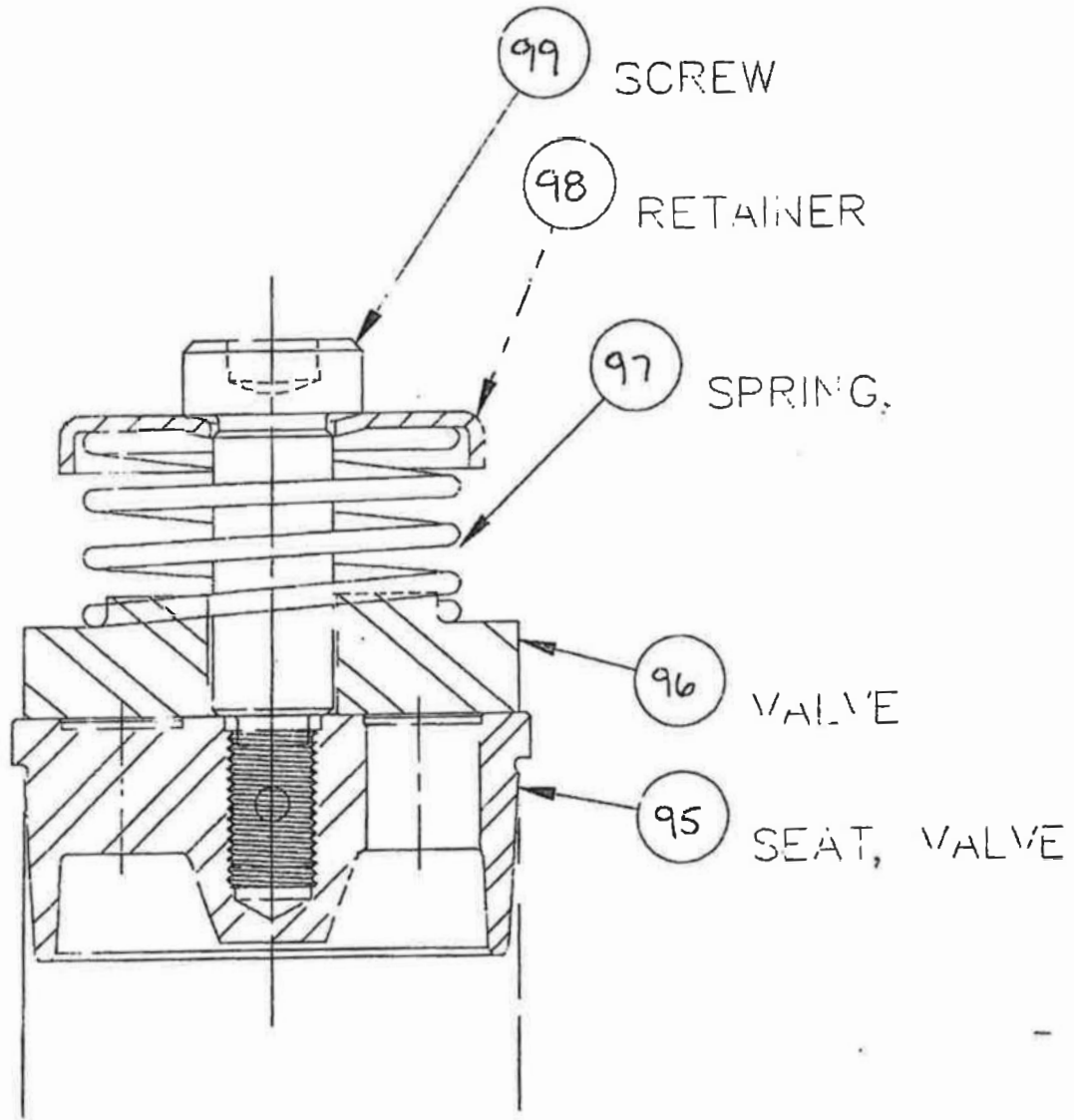


### "E" SERIES HYDRAULIC DRIVE POWER END

(Pinion shaft shown rotated 59° for clarity)

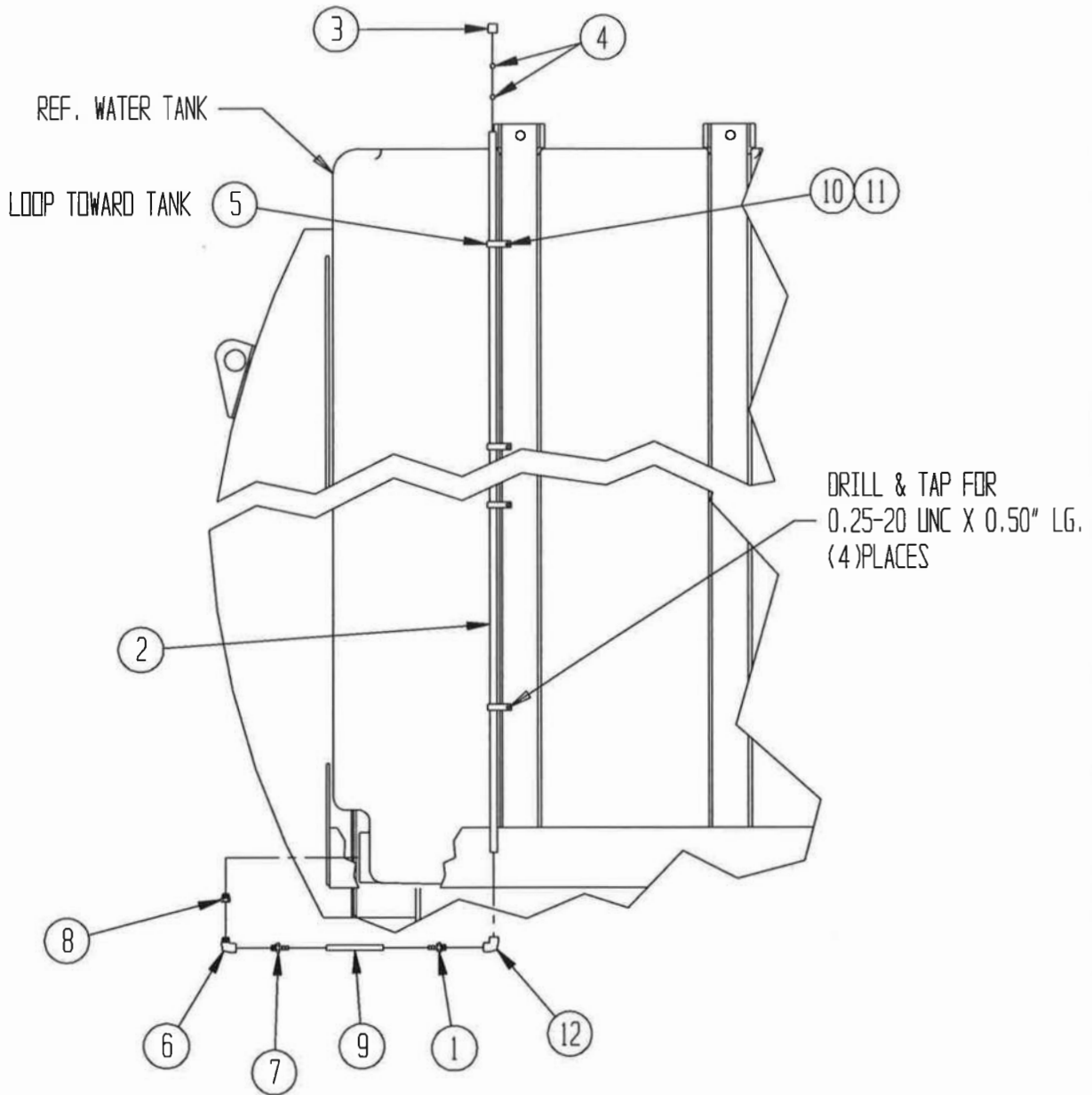


VALVES FOR E80-25





PART NUMBER	DESCRIPTION	QTY.
0033258	ROLLER BEARING WITH CONE	2
0033256	MOTOR ADAPTER	1
0033260	OIL SEAL	2
0033261	WORM CAP	1
0033259	WORM GEAR	1
0033255	HYDRAULIC MOTOR	1
0033262	OIL SEAL	1
0033254	SLEW RING	1
0033257	WORM SHIM .020 YELLOW	AS REQ.
0033263	WORM SHIM .005 BLUE	AS REQ.
0033264	WORM SHIM .0075 CLEAR	AS REQ.
0033265	WORM SHIM .010 BROWN	AS REQ.
0033266	WORM SHIM .003 GREEN	AS REQ.



MANUAL DRAWING # 9710-00322

SYM.	ECD NO.	DESCRIPTION	BY	DATE



TITLE: GAUGE, WATER SIGHT

WEIGHT: \_\_\_\_\_ LBS.

UNLESS OTHERWISE SPECIFIED:

.X	± 0.06	.XXX	± 0.010
.XX	± 0.03	ANGLES	± 1°

FABRICATION: INSIDE RADIUS OF BENDS EQUAL TO MATERIAL THICKNESS. REMOVE ALL BURRS.  
 MACHINING: DE-BURR ALL HOLES.  
 WELDING: FULL WELD UNLESS OTHERWISE NOTED.  
 WT- DESIGNATES WATER-TITE WELD.  
 (METRIC EQUIVALENTS IN PARENTHESES)

SCALE 1:12	DRAWN BY AL	DATE 4:19:94	CHECKED BY	DATE	APPROVED BY	DATE
---------------	----------------	-----------------	------------	------	-------------	------

NEXT ASSEMBLY: \_\_\_\_\_ SIMILAR DRAWINGS: \_\_\_\_\_ SHEET 1 OF 1

MATERIAL: SEE B/M

DRAWING NO. 9010-00686

SIZE A

**WATER SIGHT GAUGE Item 9010-00686K 2 of 2**

**Gauge, Water Sight**

Item	Part No.	Qty.	Description
1	10519-003	2	Adapter, 0.5 NPT(F) x 0.5 OD Tube
2	1864-07200	2	Tubing, 0.62 OD x 0.062 W Polycarbonate
3	24544-000	2	Cap, Sight Gauge Tube
4	3500-00426	10	Ball, Red Polyethylene
5	0328-00004	8	Clamp, Cushioned 0.62 Dia
6	6026-00003	2	Elbow, 90° 0.5 NPT(M) x 0.5 NPT(F)
7	6010-00006	2	Hose End, 0.5 NPT(M) x 0.5 Hose Barb
8	0014-20009	2	Reducer, 0.75 NPT(M) x 0.5 NPT(F) Galv
9	3802-00000	24"	Hose, Low Pressure 0.5 ID
10	0050-00050	8	Screw, Hex Hd Cap 0.25-20 x 0.50 Gr 5
11	0083-00001	8	Washer, Lock 0.25
12	24550-000	2	Elbow, 90° 0.5 NPT(F) x 0.5 OD Tube

# ASSEMBLY SEPARATOR Item 0001975

ITEM NO.	PART NUMBER	DESCRIPTION	QTY
1	0652-20300	SCREW HEX HEAD CAP 1/2-13 X 3 GR8	1
2	0083-30001	WASHER SP/IT	4
3	0083-30005	LOCK W/8 STEEL PLTD GR8	1
4	0080-30005	LOCK 1/2" STEEL PLTD GR8	1
5	0080-30001	NUT HEX 1/4-20 STEEL PLTD GR8	4
6	0025-124	GASKET RUBBER VACUUM RELIEF DOOR .50	1
7	0001975	COVER INNER VAC RELIEF	1
8	0001971	COVER OUTER VAC RELIEF	1
9	0001959	LEVER VAC RELIEF DOOR	1
10	0000-00511	ROD CLEVIS	1
11	0000-02441	BRACKET CYL MITG (6000-01314)	1
12	0000-01314	AIRCYLINDER (3 BORE 6" STROKE)	1
13	0083-30001	WASHER FLAT USS 1/8" STEEL PLTD GR8	2
14	0083-30001	WASHER FLAT USS 1/8" STEEL PLTD GR8	2
15	0081-00017	PIN CLEVIS .38 X 3.00	1
16	0052-20100	SCREW HEX HEAD CAP 1/4-20 X 1 GR8	4
17	0000-02286	VALVE AIR SOLENOID	1
18	0160-32005	NUT LOCK CLINCHED #10-24 GR5 PLTD STL	2
19	0178-00001	ELBOW 90 DEG STREET ADAPT .25	2
20	5010-00009	NIPPLE HOSE MALE .25 NPT X .25	2
21	0152-00019	PIN COLLIER 13 X 1.25	2
22	0172-00003	NIPPLE HEX 0.75 MNPT	1
23	3800-00000	HOSE LOW PRESSURE .75	1
24	0000-00005	UNION 90 DEG MNPT 1/4" FNPT SW	1
25	0083-30001	WASHER FLAT USS 1/8" STEEL PLTD GR8	2
26	0083-30001	WASHER FLAT USS 1/8" STEEL PLTD GR8	2
27	0187-00200	SCREW CAP #10-24 X 2.00 SOC	2
28	0187-00200	SCREW CAP #10-24 X 2.00 SOC	2
29	0187-00200	SCREW CAP #10-24 X 2.00 SOC	2
30	0083-30005	WASHER FLAT USS 1/8" STEEL PLTD GR8	1

REV #	ECO #	DESCRIPTION	DATE	APPR
D	16884	DELETED: 0018-00001 & (0001893 NOW PART OF 0009457) SWITCHED AIR LINE PORTS. PISTON PORT GOES TO 'A', ROD PORT GOES TO 'B', ADDED PORT IDENTIFIERS, A-B-P	06/18/2015	M. Jacobson

**DETAIL B**  
SCALE 1 : 4

**DETAIL A**  
SCALE 1 : 4

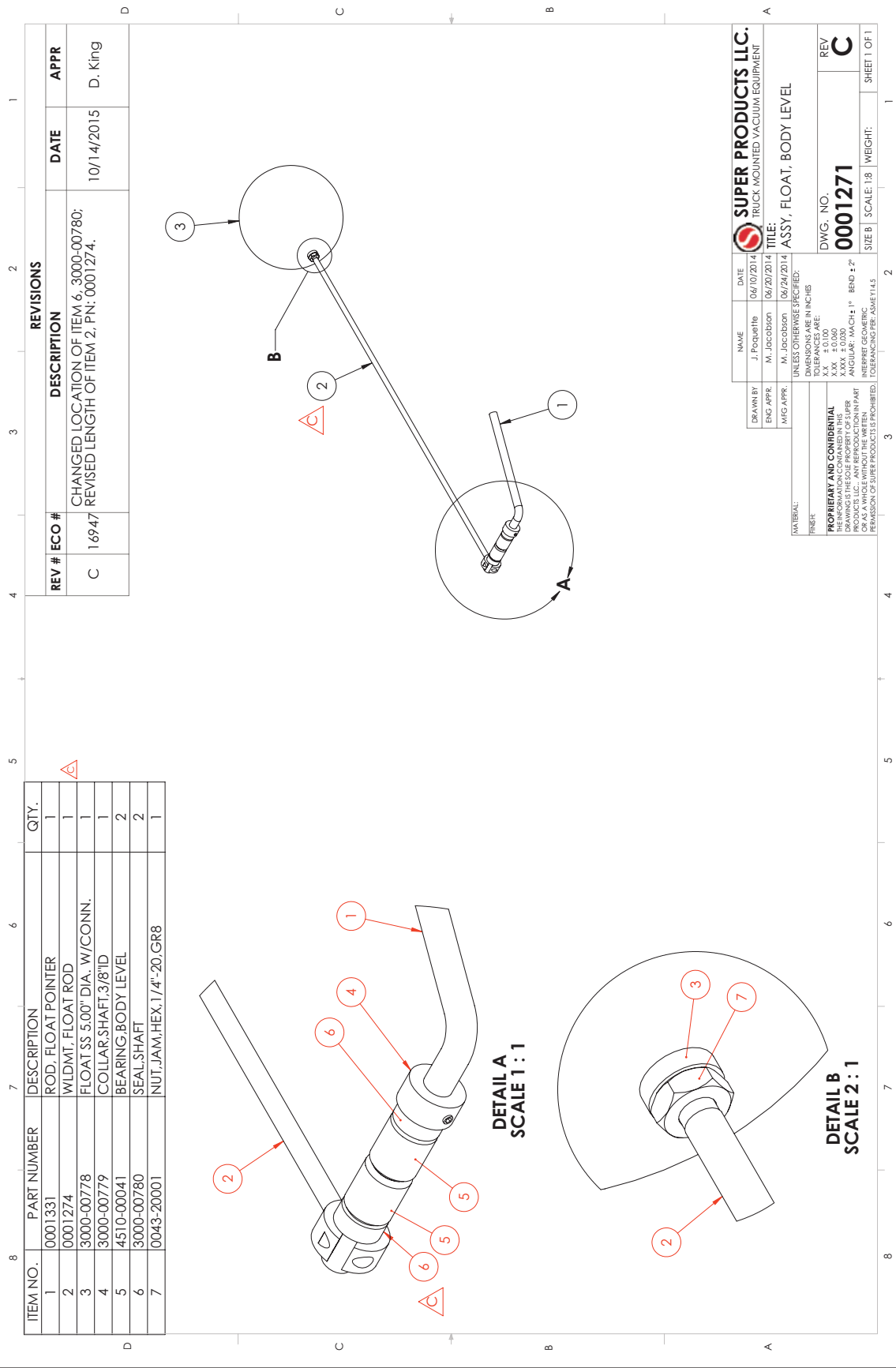
**DETAIL C**  
SCALE 1 : 4

**COVER DETAIL**

**PROPERTY AND CONFIDENTIAL INFORMATION:**  
SUPER PRODUCTS LLC IS THE SOLE REPRODUCER OF THIS PART OR ASSEMBLY.  
SUPER PRODUCTS LLC

NAME	M. Jacobson	DATE	06/20/2014
DESIGNED BY	M. Jacobson	DATE	06/20/2014
ISSUED BY	M. Jacobson	DATE	06/18/2014
DIMENSIONS ARE IN INCHES UNLESS OTHERWISE SPECIFIED			
TOLERANCES ARE X.XX ± 0.00 X.XX ± 0.00 X.XX ± 0.00			
ANGULAR: MACHS 1° BEND 1.2°			
INTERFERE GEOMETRIC UNLESS OTHERWISE SPECIFIED			
DWG NO	0001975		REV
TITLE			D
SUPER PRODUCTS LLC.			
TRUCK MOUNTED VACUUM EQUIPMENT			
ASSY, SEPARATOR			
SIZE	SCALE	1:16	WEIGHT:
			SHEET 1 OF 1

ASSEMBLY FLOAT, BODY LEVEL Item 0001271





ITEM NO.	PART NUMBER	DESCRIPTION	QTY.
1	0027193	SONALERT AUDIO ALARM	1
2	0032605	HARNES, CAB CONTROL PANEL, CAMEL	1
3	0033359	CONTROLLER, HMI DISPLAY, CAB, CAMEL, PROGRAMMED	1
4	0033387	BRACKET, MOUNTING DISPLAY, CAB	1
5	0033389	BASE, RAM TELE-POLE, 12 IN.	1
6	0033390	RAM, DOUBLE SWING ARM W/ MALE TELE-POLE	1
7	0033391	BASE, TELE-POLE	1
8	0033392	BASE, ELECTRONICS	1
9	0033393	WLDMT., L BRACKET	4
10	0033403	MOUNT, HANDLIGHT	1
11	0033404	SOCKET, POWER, CIGARETTE LIGHTER	2
12	0033405	DECAL, POWERPORT	2
13	0033406	MODULE, RELAY, 2X	1
14	0082-30003	WASHER, FLAT, USS, 3/8", STEEL, PLTD, GR8	4
15	0470-04025	SCREW, BUTTON HEAD SOCKET CAP SCREW, #10-24 X .25 LG.	6
16	0470-04075	SCREW, BUTTON HEAD SOCKET CAP SCREW, #10-24 X .75 LG.	4
17	0470-05050	SCREW, BUTTON HEAD SOCKET CAP SCREW, 1/4-20 X .50 LG.	6
18	0470-06063	SCREW, BUTTON HEAD SOCKET CAP SCREW, 5/16-18 X .63 LG.	4
19	0470-07075	SCREW, BUTTON HEAD SOCKET CAP SCREW, 3/8-16 X .75 LG.	4
20	3500-00590-0013	GROMMET, RUBBER	1

REV #	ECO #	DESCRIPTION	DATE	APPR
B	19999	ADDED PART 0032605 QTY. 1.	04/12/2018	D. King

**RAM MOUNT AND DISPLAY  
SCALE 1:6**

**BASE INTERIOR  
SCALE 1:3**

**BASE ONLY  
SCALE 1:4**

NOTES:  
HED# DG-086-101

**SUPER PRODUCTS**  
TRUCK MOUNTED VACUUM EQUIPMENT

NAME: A.Messing DATE: 02/15/2018  
 D. King ENG APPR: 02/28/2018  
 TITLE: PANEL, CAB, CAMEL

DWG. NO. **0032123**  
 REV **B**

SIZE: 11" x 17" WEIGHT: 6.55 SHEET 1 OF 1

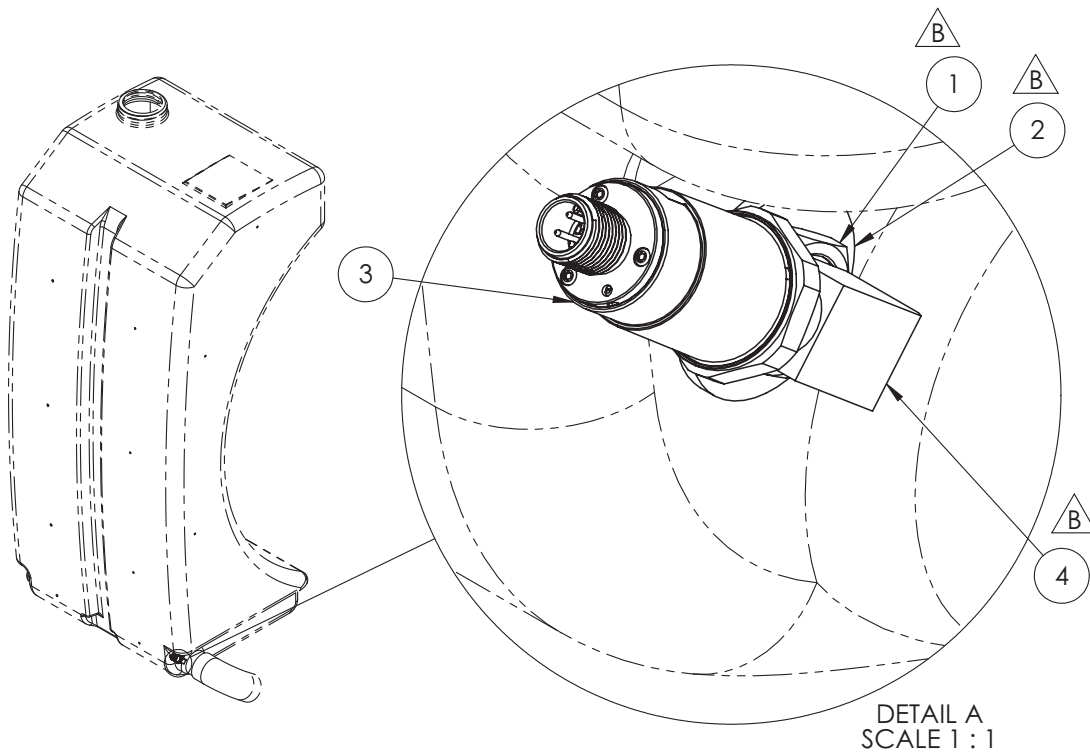
UNLESS OTHERWISE SPECIFIED:  
 DIMENSIONS ARE IN INCHES  
 TOLERANCES ARE:  
 .XX ± .0100  
 .XXX ± .0050  
 .XXX ± .0050  
 ANGULAR: MACH: 1° BRD ± 2°  
 UNLESS OTHERWISE SPECIFIED

PROPRIETARY AND CONFIDENTIAL  
 This document contains information that is the property of Super Products LLC. It is intended for the use of the customer named herein. It is not to be distributed, copied, or used for any other purpose without the written permission of Super Products LLC.

**ASSEMBLY LOW WATER WARNING Item 0032190**

REVISIONS				
REV #	ECO #	DESCRIPTION	DATE	APPR
B	19999	ADDED ITEMS 0026109, 0026111, 0078-30007 & 6026-00001.	02/01/2018	D. King

ITEM NO.	PART NUMBER	DESCRIPTION	QTY.	
1	0026109	BULKHEAD, FITTING 1/4" NPT	1	△B
2	0026111	WASHER, NEOPRENE	1	△B
3	0032132	SENSOR, PRESSURE, WATER, 0-5 PSI	1	
4	6026-00001	ELBOW, 90 DEG. STREET ADAPT. .25	1	△B



NOTES:  
 1) PLUG SENSOR INTO EXISTING HARNESS.  
 2) DRILL 5/8" HOLE IN REAR WATER TANK, DRIVER SIDE.

	NAME	DATE
DRAWN BY	M. Riley	10/06/2017
ENG APPR.	D. King	10/09/2017
MFG APPR.		

**SUPER PRODUCTS**  
 TRUCK MOUNTED VACUUM EQUIPMENT

TITLE:  
 ASSY, LOW WATER WARNING

MATERIAL: []  
 PROPRIETARY AND CONFIDENTIAL  
 THE INFORMATION CONTAINED IN THIS  
 DRAWING IS THE SOLE PROPERTY OF SUPER  
 PRODUCTS LLC.. ANY REPRODUCTION IN PART  
 OR AS A WHOLE WITHOUT THE WRITTEN  
 PERMISSION OF SUPER PRODUCTS IS PROHIBITED.

UNLESS OTHERWISE SPECIFIED:  
 DIMENSIONS ARE IN INCHES  
 TOLERANCES ARE:  
 X.X ±0.100  
 X.XX ±0.060  
 X.XXX ±0.030  
 ANGULAR: MACH ± 1° BEND ± 2°  
 INTERPRET GEOMETRIC  
 TOLERANCING PER: ASME Y14.5

DWG. NO.  
**0032190**

REV  
**B**

SIZE A	SCALE:1:24	WEIGHT:	SHEET 1 OF 1
--------	------------	---------	--------------

# HYDRAULIC SYSTEM - 12 YARD DUMP Item 0032919 1 of 11

ITEM NO.	PART NUMBER	DESCRIPTION	QTY.	SEE PAGE #
1	0001045	MANIFOLD, DOOR LATCH & BOOST	1	2
2	0002487	MANIFOLD, CHECK SUPPLY	1	2
3	0003756-07600	ASSY. HOSE. HYD. 2.50" 90° CODE 61 X STR. CODE 61 X 76"	1	6
4	0004511-09500	ASSY. HOSE. 1.00 (GMV) FJS X 90 FS	1	6
5	0006328-03400	ASSY. HOSE. 38" WF/JIC 90° SWIVEL X FJIC STR. X 34"	1	6
6	0006328-07100	HOSE. HYD. 0.50 (MBSK) W/JIC ENDS	2	2
7	0006330-01600	ASSY. HOSE. 50 (MBSK) W/90° FJS X STR. FJS X 15"	1	8
8	0006330-01800	ASSY. HOSE. 50 (MBSK) W/90° FJS X STR. FJS X 18"	1	8
9	0006330-03800	HOSE. 50" WF/JIC 90° SWIVEL X FJIC SWIVEL X 38"	2	4
10	0006395	ASSY. TUBE. HYDRAULIC 0.50"	2	4
11	0006597-03050	HOSE. HYD. 1.50" GR4895 90° CODE 61 X 90° CODE 61 X 90"	1	5
12	0006608	ASSY. TUBE. HYD. 50"	2	4
13	0006835-09200	HOSE. HYD. 2" CODE 61 X 2" FJIC X 92"	1	9
14	0006844-04650	HOSE. HYD. 2" FJIC SWIVEL X 2" FJIC SWIVEL	1	9
15	0025182	MANIFOLD, HYD. FRONT REEL	1	6
16	0031897	GAUGE, PRESSURE, TEST W/OID	1	6
17	0031937	ASSY. HYDRAULIC MANIFOLDS	1	11
18	0032277	SENSOR, TEMPERATURE, -40-250F, 18"	1	2
19	0032511-05900	HOSE. HYD. 2.50" 90° CODE 61 X FJS STR. X 59"	1	7
20	0032515-07900	HOSE. HYD. 2.00" 90° CODE 61 X STR. CODE 61 X 79"	1	6
21	0032833-07200	HOSE. HYD. 1.00" 90° CODE 61 X FJS X 72"	1	5
22	0032833-07600	HOSE. HYD. 1.00" 90° CODE 61 X FJS X 76"	1	5
23	0032849	ASSY. TUBE. 50 HOSE REEL	2	8
24	0033071-01600	ASSY. HOSE. 25 WF/JIC 90° X FJIC	1	8
25	0033071-03700	ASSY. HOSE. 25 WF/JIC 90° X FJIC	1	8
26	0033111-05300	ASSY. HOSE. 1.25" WF/JIS 90° X FJS X 53.00 LG	1	9
27	0033112-03200	ASSY. HOSE. 1.25" WF/JIS X FJS 45" X 32.00 LG	1	9
28	0033223	ASSY. MANIFOLD, HYD. WATER PUMP	1	5
29	0050-20100	SCREW, HEX HEAD CAP 1/4-20 X 1.0GR8	3	4
30	0082-00022	WASHER, FLAT, USS, #10 STEEL PLTD	1	11
31	0082-30001	WASHER, FLAT, USS, #14 STEEL PLTD	7	4, 11
32	0156-30005	NUT, LOCK CLINCHED #10-24 X 0.75 PLTD	1	11
33	0160-42006	NUT, LOCK CLINCHED, 1/4"-20 GR8 PLTD-STL	6	4
34	0328-00004	CLAMP, CABLE CUSHIONED, 63	12	4
35	3471-01000	ASSY. HOSE. HYD. 1.00 (GMV) W/JIC ENDS X 35"	1	6
36	3471-03500	ASSY. HOSE. HYD. #16 GMV. W/JIC ENDS	1	2
37	3471-03000	ASSY. HOSE. HYD. 1.00 (GMV) W/JIC ENDS X 35"	1	6
38	3471-03000	ASSY. HOSE. HYD. 1.00 (GMV) W/JIC ENDS X 35"	1	6
39	3476-06900	ASSY. HOSE. HYD. 38 (MBSK) W/JIC ENDS X 69"	1	7
40	3476-07200	ASSY. HOSE. HYD. 38 (MBSK) W/JIC ENDS X 70"	1	2
41	3476-07200	ASSY. HOSE. HYD. 38 (MBSK) W/JIC ENDS X 70"	1	6
42	3476-14200	ASSY. HOSE. HYD. 38 (MBSK) W/JIC ENDS X 75"	1	6
43	3476-14200	ASSY. HOSE. HYD. 38 (MBSK) W/JIC ENDS X 75"	1	6
44	3477-07200	ASSY. HOSE. HYD. 50" (MBSK) W/JIC ENDS X 72"	2	2
45	3477-07600	ASSY. HOSE. HYD. 50" (MBSK) W/JIC ENDS X 76"	1	4
46	3477-08000	ASSY. HOSE. HYD. 50 (MBSK) W/JIC ENDS X 80"	1	4
47	3477-19100	ASSY. HOSE. HYD. 50 (MBSK) W/JIC ENDS X 90"	2	8
48	3477-19100	ASSY. HOSE. HYD. 50 (MBSK) W/JIC ENDS X 191"	1	8
49	3477-31700	ASSY. HOSE. HYD. 50 (MBSK) W/JIC ENDS X 317"	1	8
50	3479-06800	ASSY. HOSE. HYD. 75 (MBSK) W/JIC ENDS X 88"	1	2
51	3487-01600	ASSY. HOSE. HYD. 25 (MBSK) W/JIC ENDS X 16"	2	3
52	3487-01800	ASSY. HOSE. HYD. 25 (MBSK) W/JIC ENDS X 18"	1	3
53	3487-02200	ASSY. HOSE. HYD. 25 (MBSK) W/JIC ENDS X 22"	1	3
54	3487-02400	ASSY. HOSE. HYD. 25 (MBSK) W/JIC ENDS	1	2
55	3487-02500	ASSY. HOSE. HYD. 25 (MBSK) W/JIC ENDS X 25"	2	2, B
56	3487-03100	ASSY. HOSE. HYD. 25 (MBSK) W/JIC ENDS X 31"	1	3
57	3487-03900	ASSY. HOSE. HYD. 25 (MBSK) W/JIC ENDS X 39"	1	2
58	3487-04800	ASSY. HOSE. HYD. 25 (MBSK) W/JIC ENDS X 48"	1	8
59	3487-06600	ASSY. HOSE. HYD. 25 (MBSK) W/JIC ENDS X 60"	1	2
60	3487-06600	ASSY. HOSE. HYD. 25 (MBSK) W/JIC ENDS X 60"	1	2
61	3487-06800	ASSY. HOSE. HYD. 25 (MBSK) W/JIC ENDS X 68"	2	3
62	3487-07100	ASSY. HOSE. HYD. 25 (MBSK) W/JIC ENDS X 71"	1	2
63	3487-18400	ASSY. HOSE. HYD. 25 (MBSK) W/JIC ENDS X 184"	1	6
64	6132-00808	ADAPTER, 90° JIC-M-F	1	2
65	6132-01212	ADAPTER, 90° M-JIC X F SWIVEL	1	6

REV #	ECO #	DESCRIPTION	DATE	APPR
D	18039	0032833-07200 WAS 0032833-06900; 0032511-05900 WAS 0032511-06400	07/30/2018	N. Chalhoub

DESCRIPTION	PART NUMBER	SEE PAGE #
POWER UNIT MANIFOLD	0025032	2
RETURN MANIFOLD	0032667	2
HPU	0027318	2
BODY CONTROL MANIFOLD	0001045	3-4
BOLT-ON CHECK SUPPLY MANIFOLD	0002487	4, 6
WATER PUMP MANIFOLD	0033223	5
DUAL PUMPS	0032200 & 0030012	6
620 PUMP ON TRANSFER CASE	0000403	7
REEL CONTROL MANIFOLD	0025182	8
RETURN FILTER ROUTING	0032283	9
HYDRAULIC TANK	0032283	10
PRESSURE GAUGE	0031397	11

**SUPER PRODUCTS**  
TRUCK MOUNTED VACUUM EQUIPMENT

DATE: 02/06/2018  
DRAWN BY: A. Weising  
ENG APPR: D. King  
ARG APPR:

TITLE: HYDRAULIC SYSTEM, 12YD, DUMP

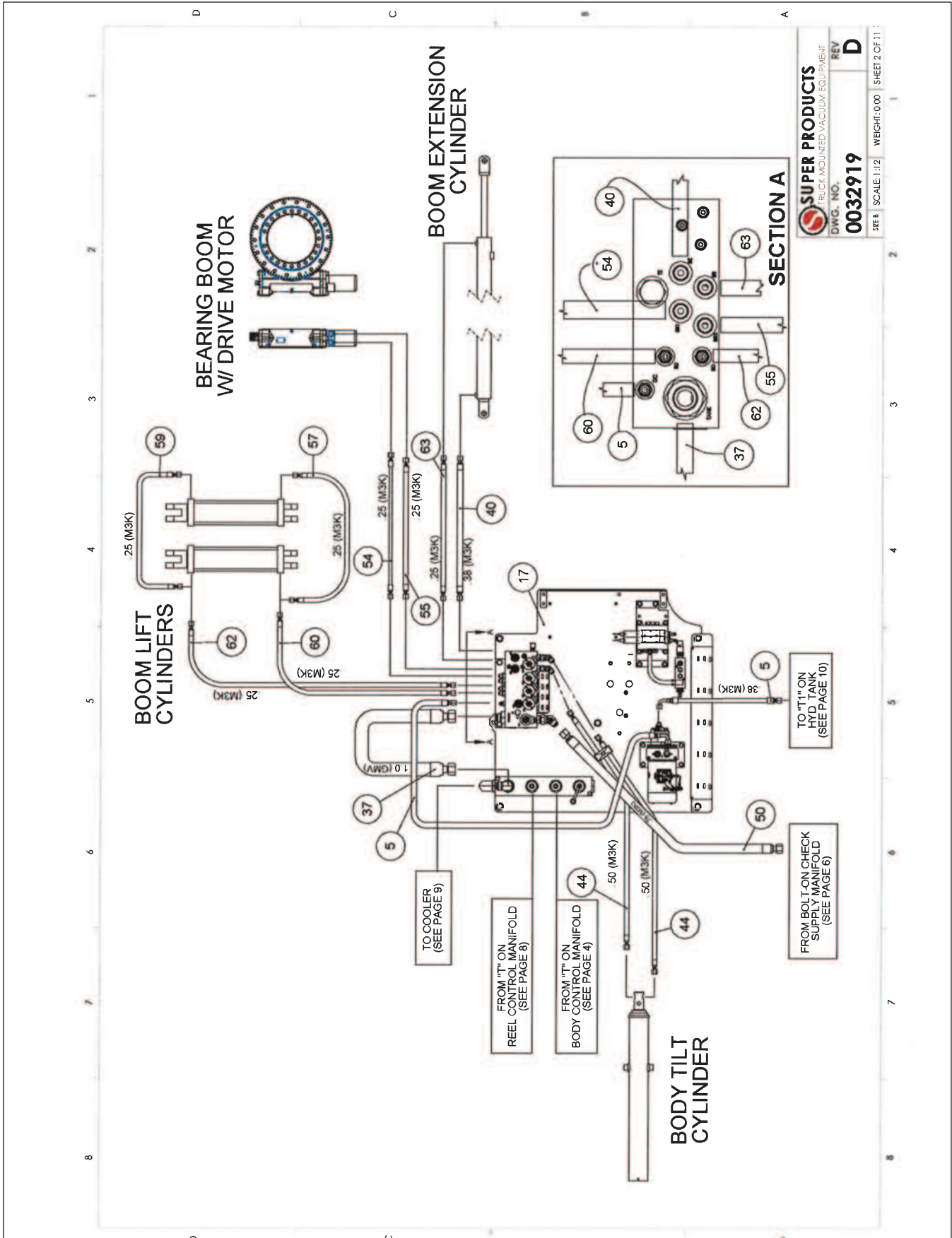
DWG. NO. 0032919

SCALE: 1:5

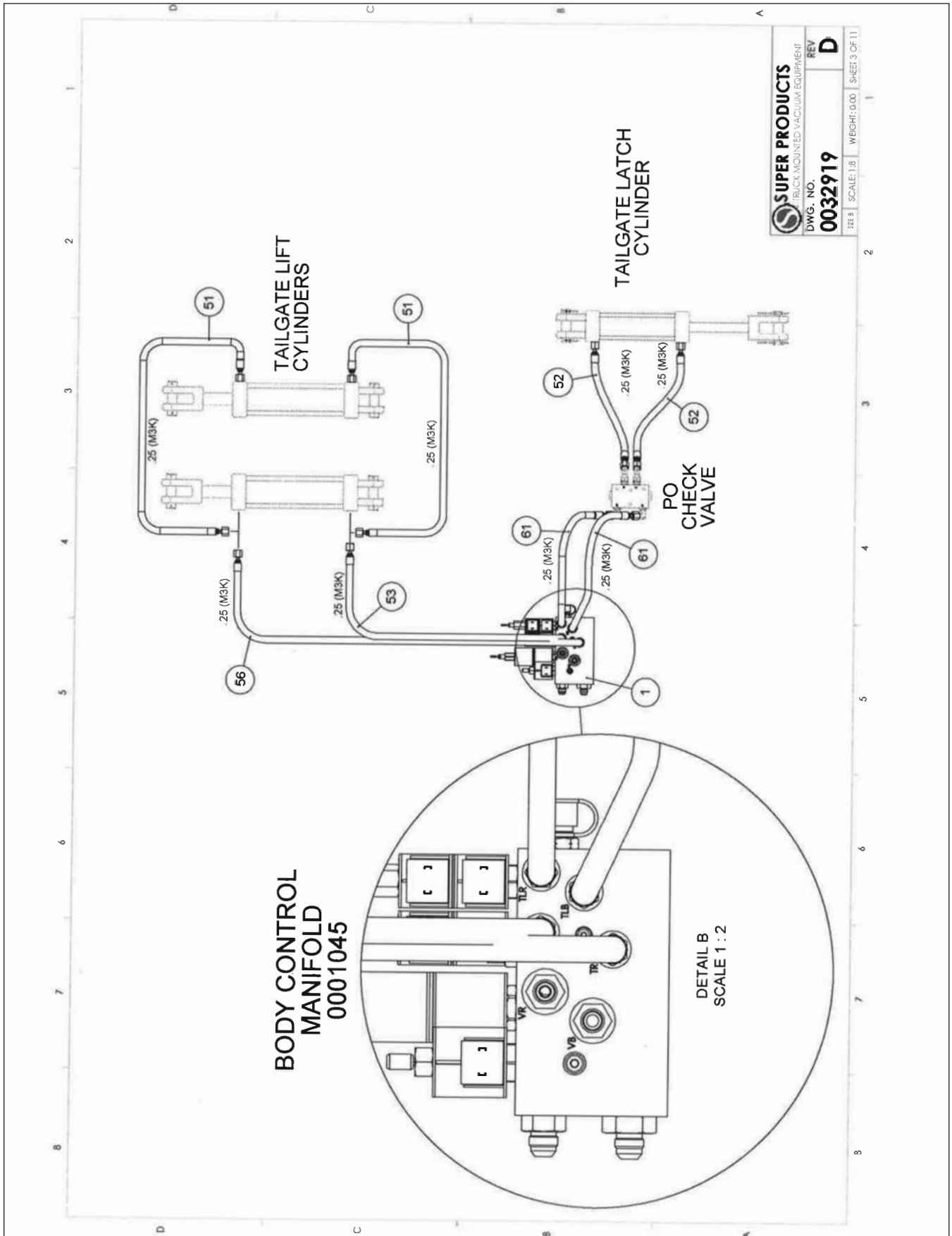
WEIGHT: 0.00

SHEET 1 OF 11

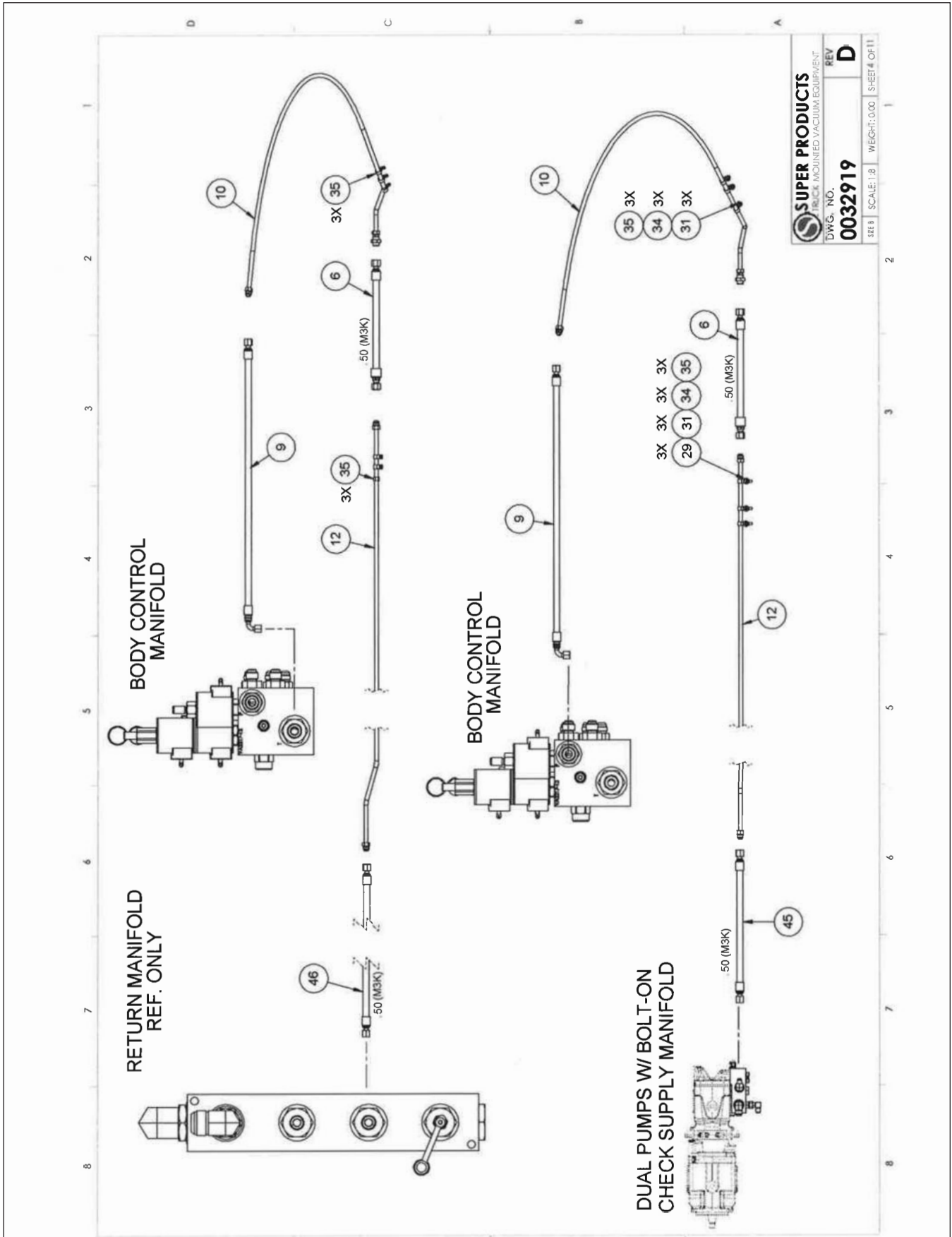


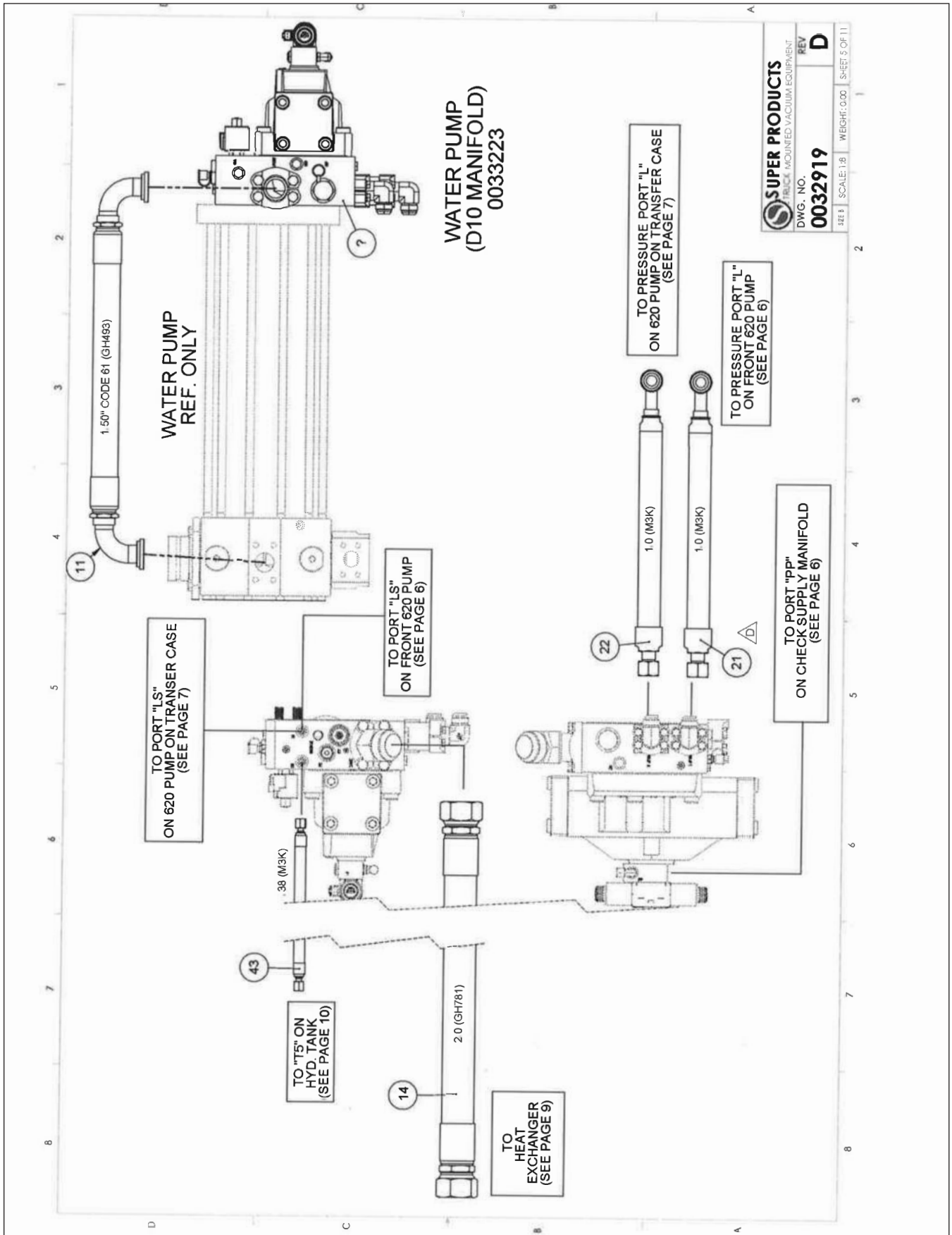


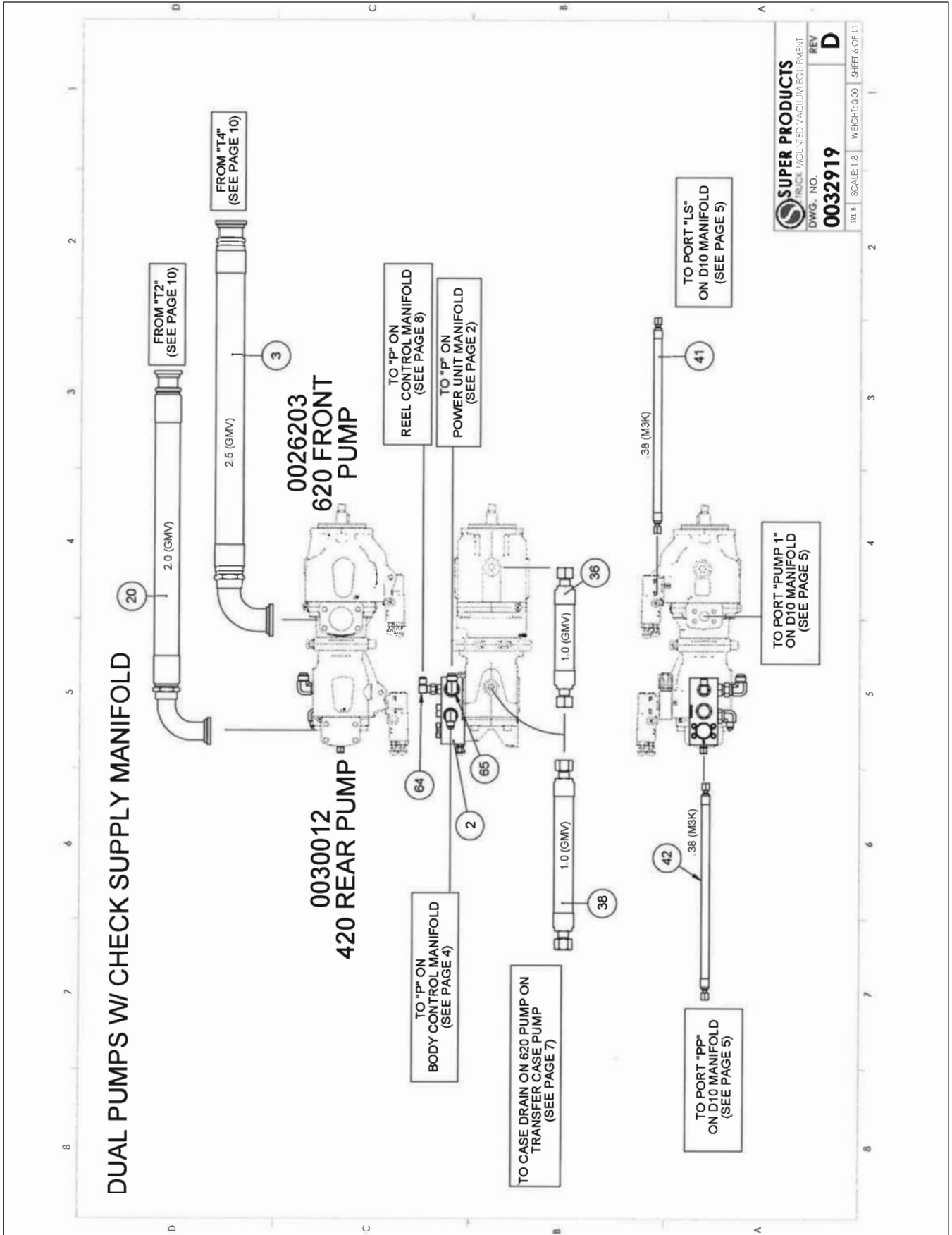
**SUPER PRODUCTS**  
TRUCK MOUNTED VACUUM EQUIPMENT  
DWG. NO. **0032919**  
REV **D**  
SHEET SCALE 1:12 WEIGHT: 0.00 SHEET 2 OF 11



HYDRAULIC SYSTEM – 12 YARD DUMP Item 0032919 4 of 11







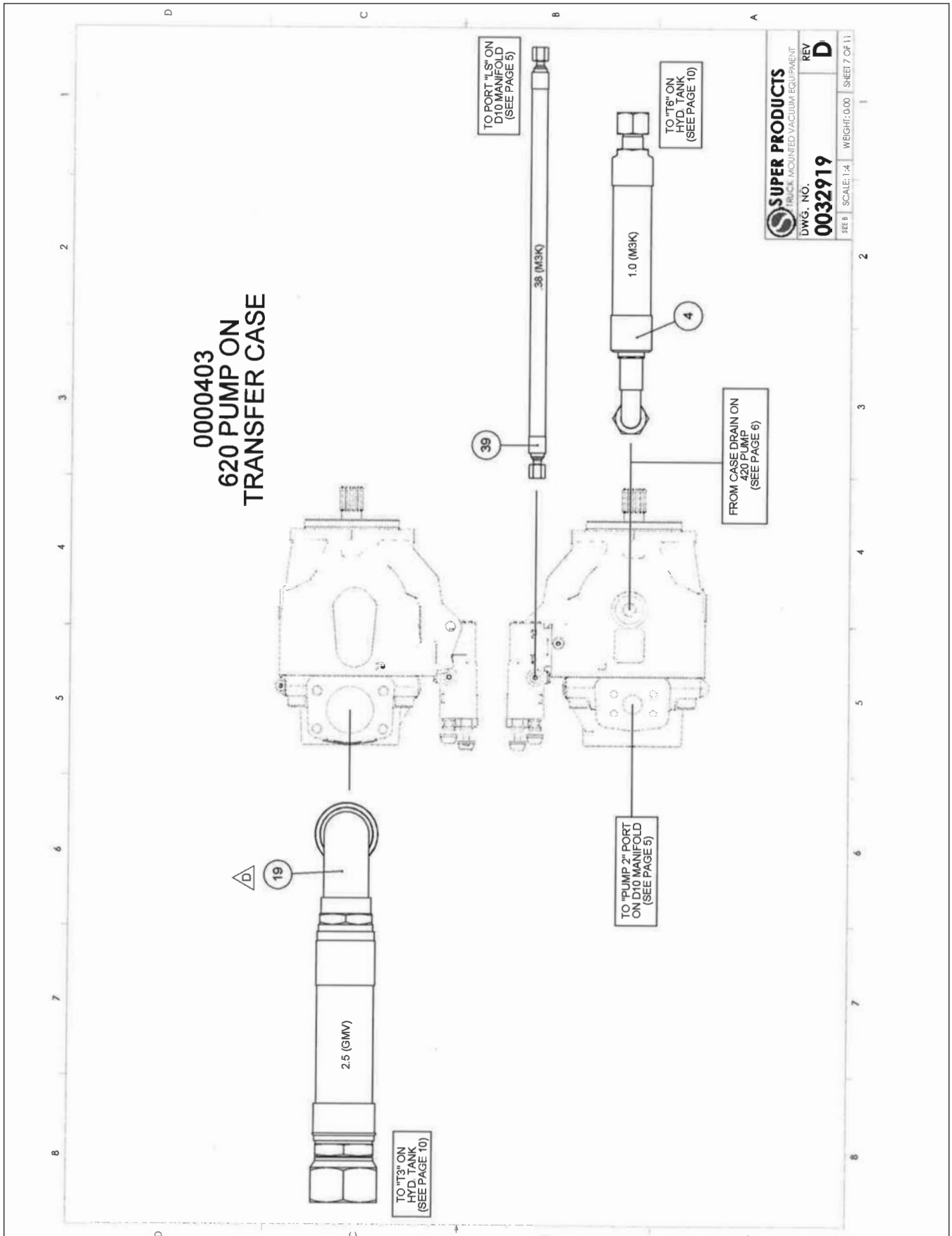
**SUPER PRODUCTS**  
FRICK MOUNTED VACUUM EQUIPMENT

DWG. NO. **0032919**

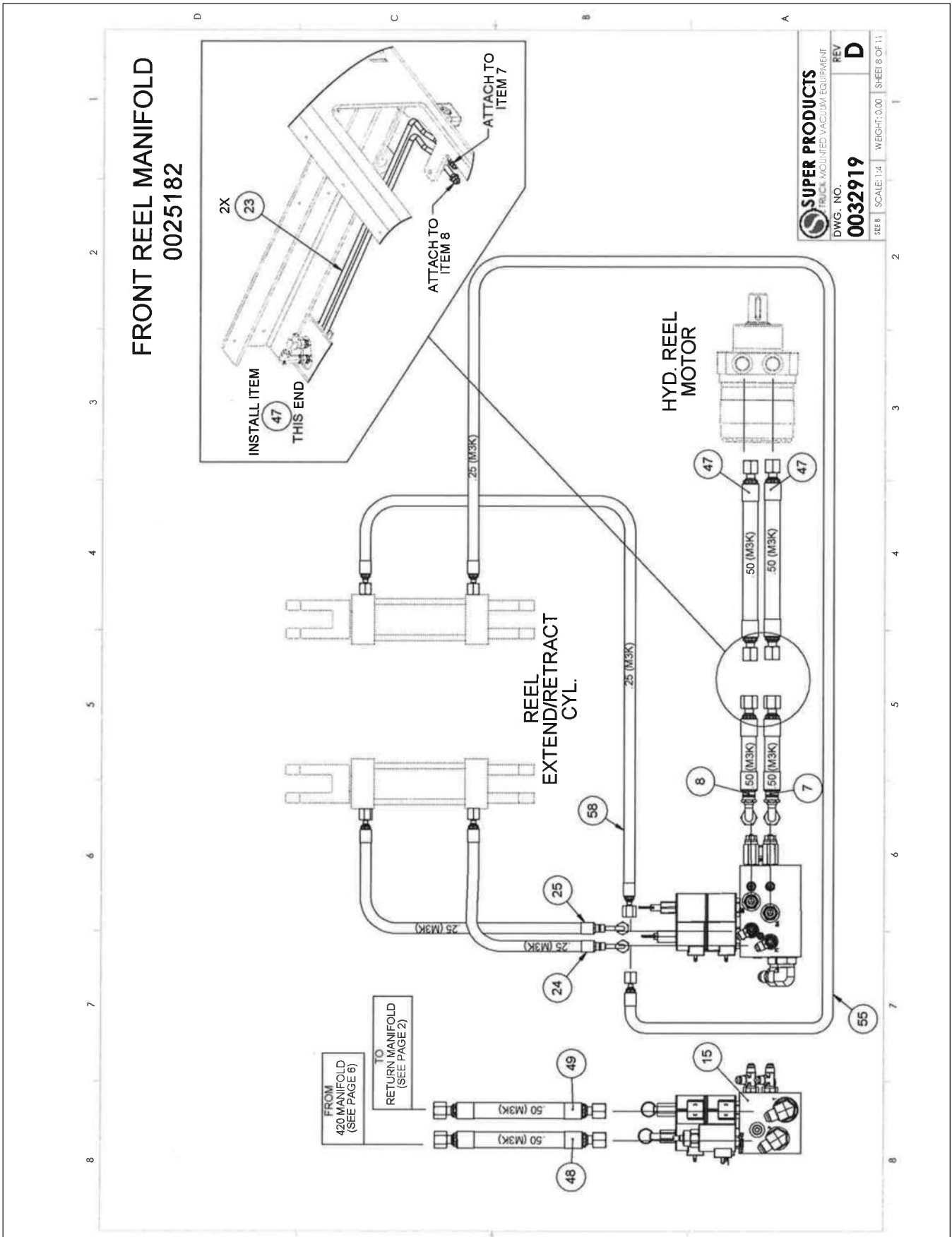
REV **D**

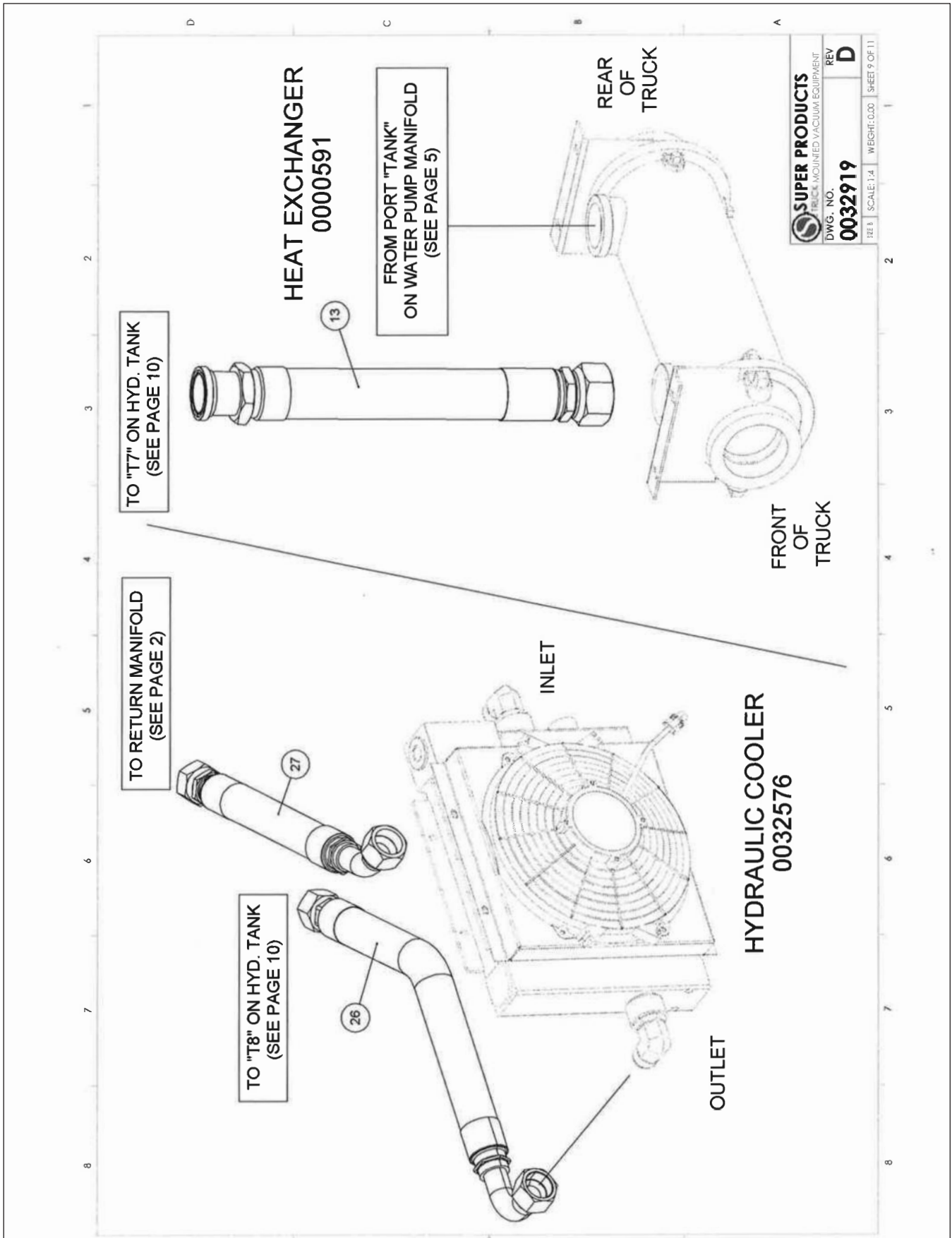
SEE B | SCALE: 1:8 | WEIGHT: 0.00 | SHEET 6 OF 11

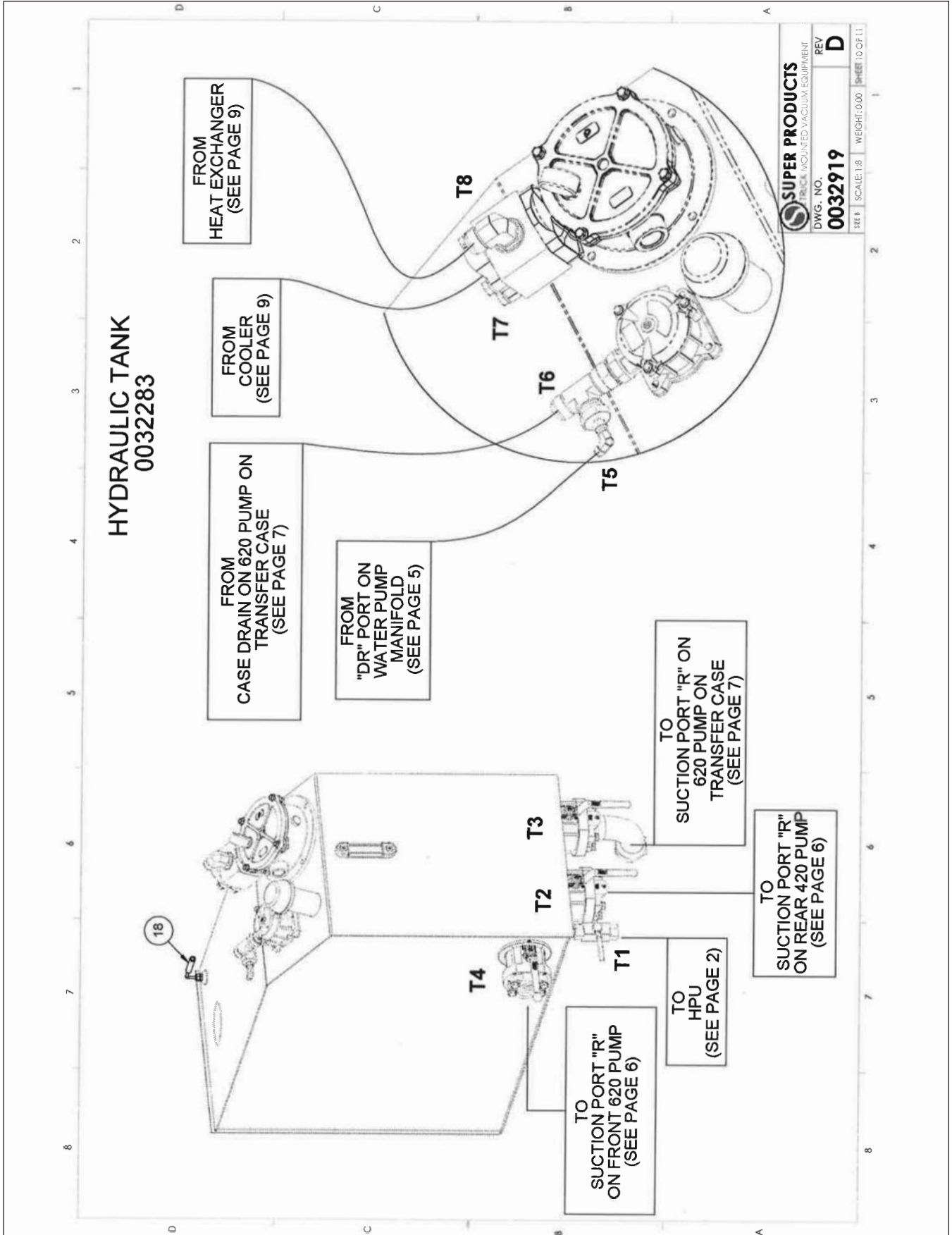


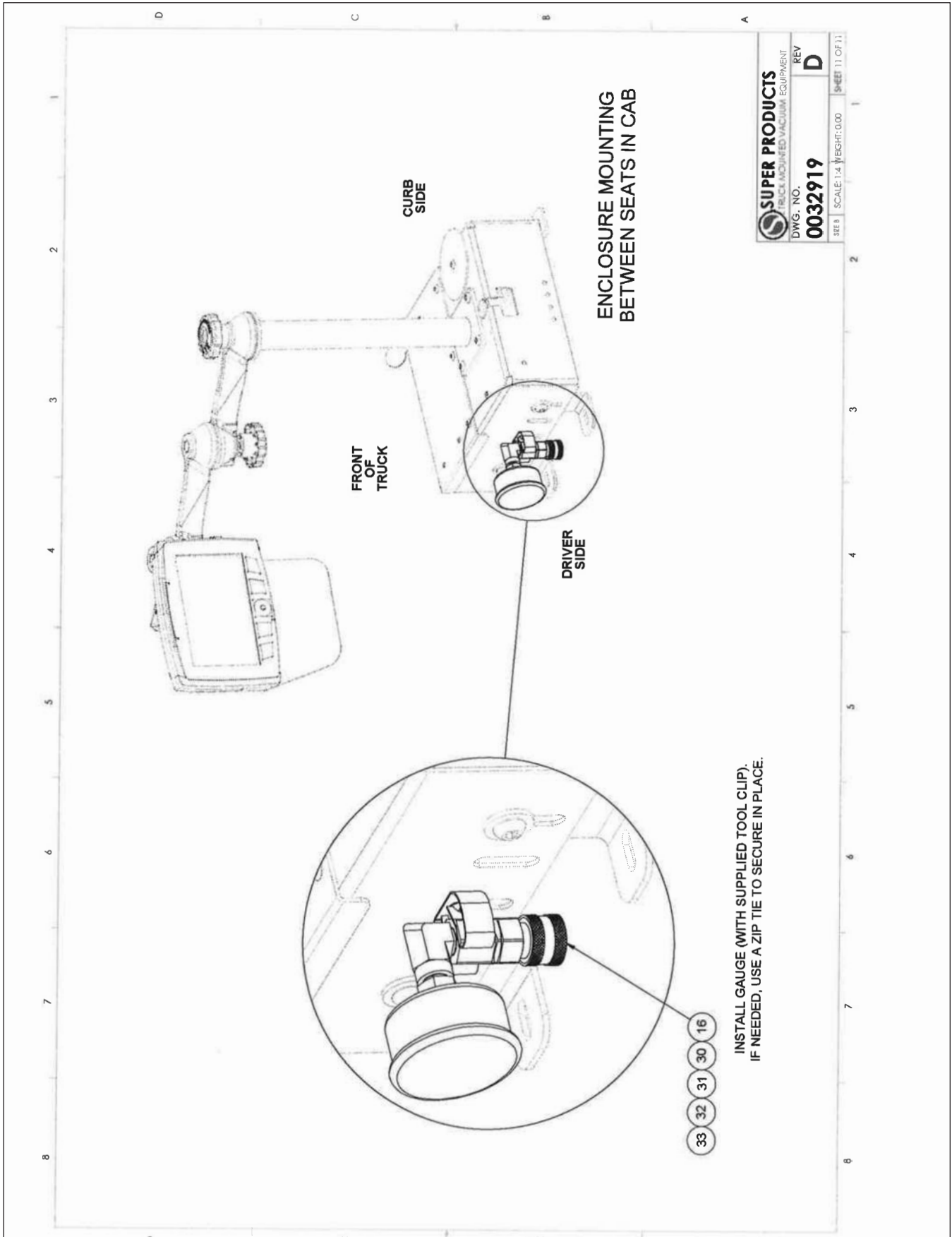


HYDRAULIC SYSTEM - 12 YARD DUMP Item 0032919 8 of 11









HYDRAULIC SYSTEM - 9 YARD DUMP Item 0032920 1 of 11

ITEM NO	PART NUMBER	DESCRIPTION	QTY	SEE PAGE #
1	0001045	MANIFOLD, DOOR LATCH & BOOST	1	3
2	0002487	MANIFOLD, CHECK SUPPLY	1	6
3	0003756-07600	ASSY, HOSE, HYD, 2 50" 90" CODE 61 X STR, CODE 61 X 76"	1	6
4	0004531-09500	ASSY, HOSE, HYD, 1.00 (GMV) FS X 90 FS	1	7
5	0006328-03400	ASSY, HOSE, 38" WFJIC 90 SWIVEL X FJIC STR, X 34"	2	2
6	0006329-01700	HOSE, HYD, 50 (M3K) WJIC ENDS	2	4
7	0006330-01500	ASSY, HOSE, 50 (M3K) WJIC STR, FJIS X 16"	1	6
8	0006330-01800	ASSY, HOSE, 50 (M3K) WJIC STR, FJIS X 18"	1	6
9	0006330-03900	HOSE, 50" WFJIC 90" SWIVEL X FJIC SWIVEL X 38"	2	4
10	0006395	ASSY, TUBE, HYDRAULIC 0.50"	2	4
11	0006597-03050	HOSE, HYD, 1.50" GHHS3, 90" CODE 61 X 90" CODE 61 X 30.50"	1	5
12	0006704	ASSY, TUBE, HYD, 50"	2	4
13	0006835-09200	HOSE, HYD, 2" CODE 61 X 2" FJIC X 92"	1	9
14	0006844-04050	HOSE, HYD, 2" FJIC SWIVEL X 2" FJIC SWIVEL	1	5
15	00075182	MANIFOLD, HYD, FRONT REEL	1	8
16	00031397	GAUGE, PRESSURE, TEST W/ O/D	1	11
17	00031932	ASSY, HYDRAULIC MANIFOLDS	1	2
18	00032227	SENSOR, TEMPERATURE, -40-250F, 18"	1	10
19	0002511-05900	HOSE, HYD, 2.50" 90" CODE 61 X FJIS STR, X 59"	1	7
20	0002515-07900	HOSE, HYD, 2.00" 90" CODE 61 X STR, CODE 61 X 79"	1	6
21	0002833-07200	HOSE, HYD, 1.00" 90" CODE 61 X FJIS X 72"	1	5
22	0002833-07800	HOSE, HYD, 1.00" 90" CODE 61 X FJIS X 78"	1	5
23	0002849	ASSY, TUBE, 50, HOSE REEL	2	8
24	0003071-01600	ASSY, HOSE, 25 WFJIC 90" X FJIC	1	8
25	0003071-03700	ASSY, HOSE, 25 WFJIC 90" X FJIC	1	8
26	0003111-05300	ASSY, HOSE, 1.25" WFJIS 90" X FJIS X 53.00 LG	1	9
27	0003111-05300	ASSY, HOSE, 1.25" WFJIS 90" X FJIS X 53.00 LG	1	9
28	0003311-02300	ASSY, MANIFOLD, HYD, WATER PUMP	1	5
29	00050-20100	SCREW, HEX HEAD, CAP, 1/4-20 X 1, LGR8	3	4
30	00082-00022	WASHER, FLAT, USS #10, STEEL, PLTD, GR8	1	11
31	00082-00021	WASHER, FLAT, USS 1/4", STEEL, PLTD, GR8	7	4, 11
32	0166-00049	SCREW, NCH #10-24 X 0.75 PLTD	1	11
33	0169-00065	NUT, LOCK, CLINCHED #10-24, GR6, PLTD, STL	1	11
34	0169-00065	NUT, LOCK, CLINCHED #10-24, GR6, PLTD, STL	1	11
35	0339-00004	CLAMP, CABLE CUSHIONED, 63	12	4
36	3471-01000	ASSY, HOSE, HYD, 1.00 (GMV) WJIC ENDS X 35"	1	6
37	3471-03600	ASSY, HOSE, HYD, #16 GMV WJIC ENDS	1	2
38	3471-05600	ASSY, HOSE, HYD, 1.00 (GMV) WJIC ENDS X 35"	1	6
39	3476-06500	ASSY, HOSE, HYD, 38 (M3K) WJIC ENDS X 69"	1	7
40	3476-07000	ASSY, HOSE, HYD, 38 (M3K) WJIC ENDS X 70"	1	6
41	3476-07200	ASSY, HOSE, HYD, 38 (M3K) WJIC ENDS X 72"	1	6
42	3476-07500	ASSY, HOSE, HYD, 38 (M3K) WJIC ENDS X 75"	1	6
43	3476-10200	ASSY, HOSE, HYD, 38 (M3K) WJIC ENDS X 192"	1	5
44	3477-07200	ASSY, HOSE, HYD, 50 (M3K) WJIC ENDS X 72"	2	2
45	3477-07600	ASSY, HOSE, HYD, 50 (M3K) WJIC ENDS X 76"	1	4
46	3477-09000	ASSY, HOSE, HYD, 50 (M3K) WJIC ENDS X 80"	1	4
47	3477-09000	ASSY, HOSE, HYD, 50 (M3K) WJIC ENDS X 90"	2	6
48	3477-19100	ASSY, HOSE, HYD, 50 (M3K) WJIC ENDS X 191"	1	8
49	3477-31700	ASSY, HOSE, HYD, 50 (M3K) WJIC ENDS X 317"	1	8
50	3479-08800	ASSY, HOSE, HYD, 75 (M3K) WJIC ENDS X 88"	1	2
51	3497-01600	ASSY, HOSE, HYD, 25 (M3K) WJIC ENDS X 16"	2	3
52	3497-01800	ASSY, HOSE, HYD, 25 (M3K) WJIC ENDS X 18"	2	3
53	3497-02200	ASSY, HOSE, HYD, 25 (M3K) WJIC ENDS X 22"	1	3
54	3497-02300	HOSE, HYD, 0.25 (M3K) WJIC ENDS	1	2
55	3497-02500	ASSY, HOSE, HYD, 25 (M3K) WJIC ENDS X 25"	2	2, 8
56	3497-03100	ASSY, HOSE, HYD, 25 (M3K) WJIC ENDS X 31"	1	3
57	3497-03900	ASSY, HOSE, HYD, 25 (M3K) WJIC ENDS X 39"	1	2
58	3497-04600	ASSY, HOSE, HYD, 25 (M3K) WJIC ENDS X 46"	1	6
59	3497-06000	ASSY, HOSE, HYD, 25 (M3K) WJIC ENDS X 60"	1	2
60	3497-06500	ASSY, HOSE, HYD, 25 (M3K) WJIC ENDS X 65"	1	2
61	3497-06800	ASSY, HOSE, HYD, 25 (M3K) WJIC ENDS X 68"	2	3
62	3497-07700	ASSY, HOSE, HYD, 25 (M3K) WJIC ENDS X 77"	1	2
63	3497-18400	ASSY, HOSE, HYD, 25 (M3K) WJIC ENDS X 184"	1	2
64	6132-00808	ADAPTER, 90", JIC, M-F	1	6
65	6132-01212	ADAPTER, 90", M/JIC F SWIVEL	1	6

REV #	ECO #	DESCRIPTION	DATE	APPR
D	18039	0032833-07200 WAS 0032833-06900; 0032511-05900 WAS 0032511-06400	07/30/2018	N. Chdhouh

DESCRIPTION	PART NUMBER	SEE PAGE #
POWER UNIT MANIFOLD	0025032	2
RETURN MANIFOLD	0032667	2
HPU	0027318	2
BODY CONTROL MANIFOLD	0001045	3-4
BOLT-ON CHECK SUPPLY MANIFOLD	0002487	4, 6
WATER PUMP MANIFOLD	0033223	5
DUAL PUMPS	0032200 & 0030012	6
520 PUMP ON TRANSFER CASE	0000403	7
REEL CONTROL MANIFOLD	0025182	8
RETURN FILTER ROUTING	-	9
HYDRAULIC TANK	0032283	10
PRESSURE GAUGE	0031397	11

**SUPER PRODUCTS**  
TRUCK MOUNTED VACUUM EQUIPMENT

NAME: A. Messing DATE: 02/08/2018  
 ENG. APPR: D. King DATE: 02/12/2018  
 MFG APPR:

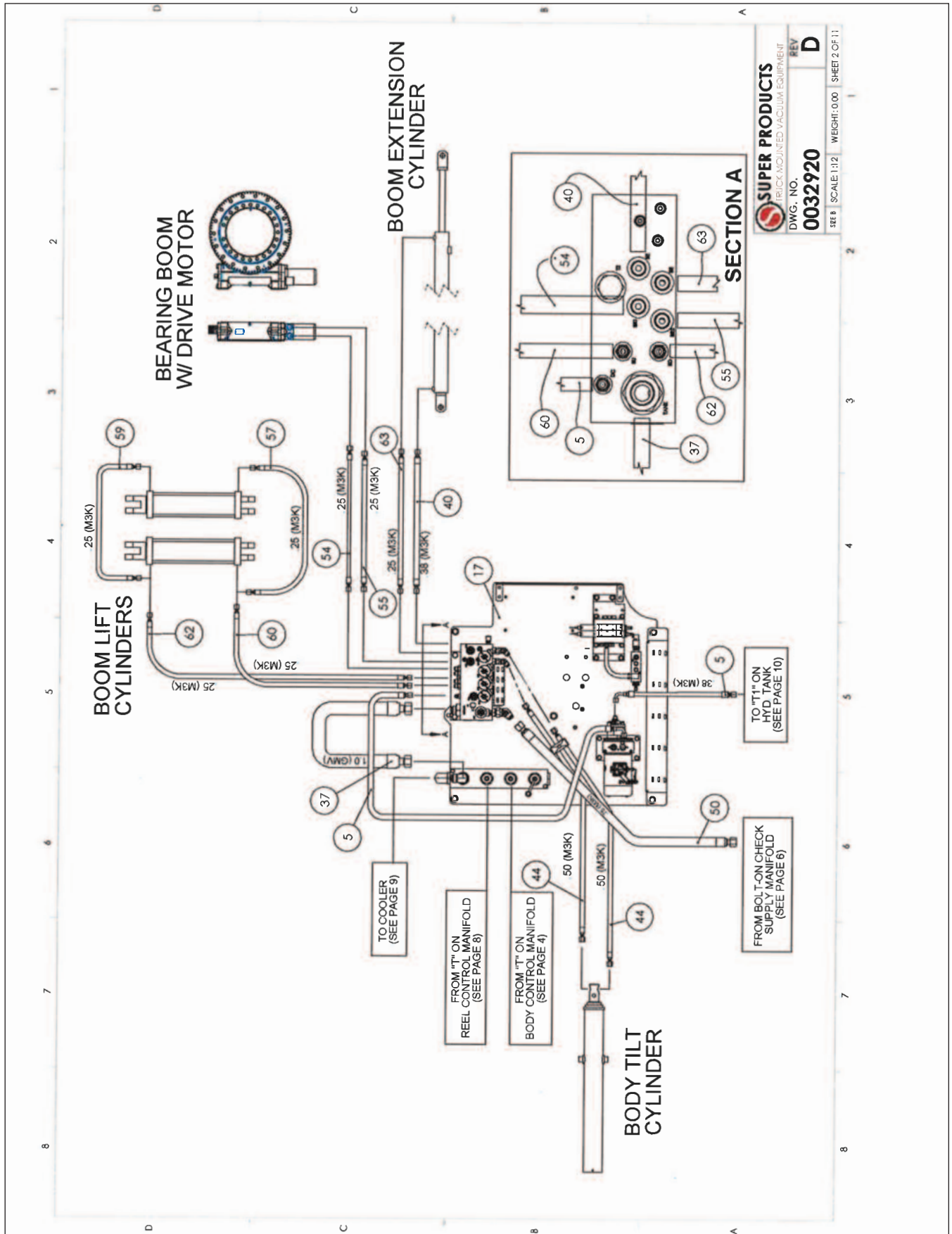
TITLE: HYDRAULIC SYSTEM, 9YD, DUMP

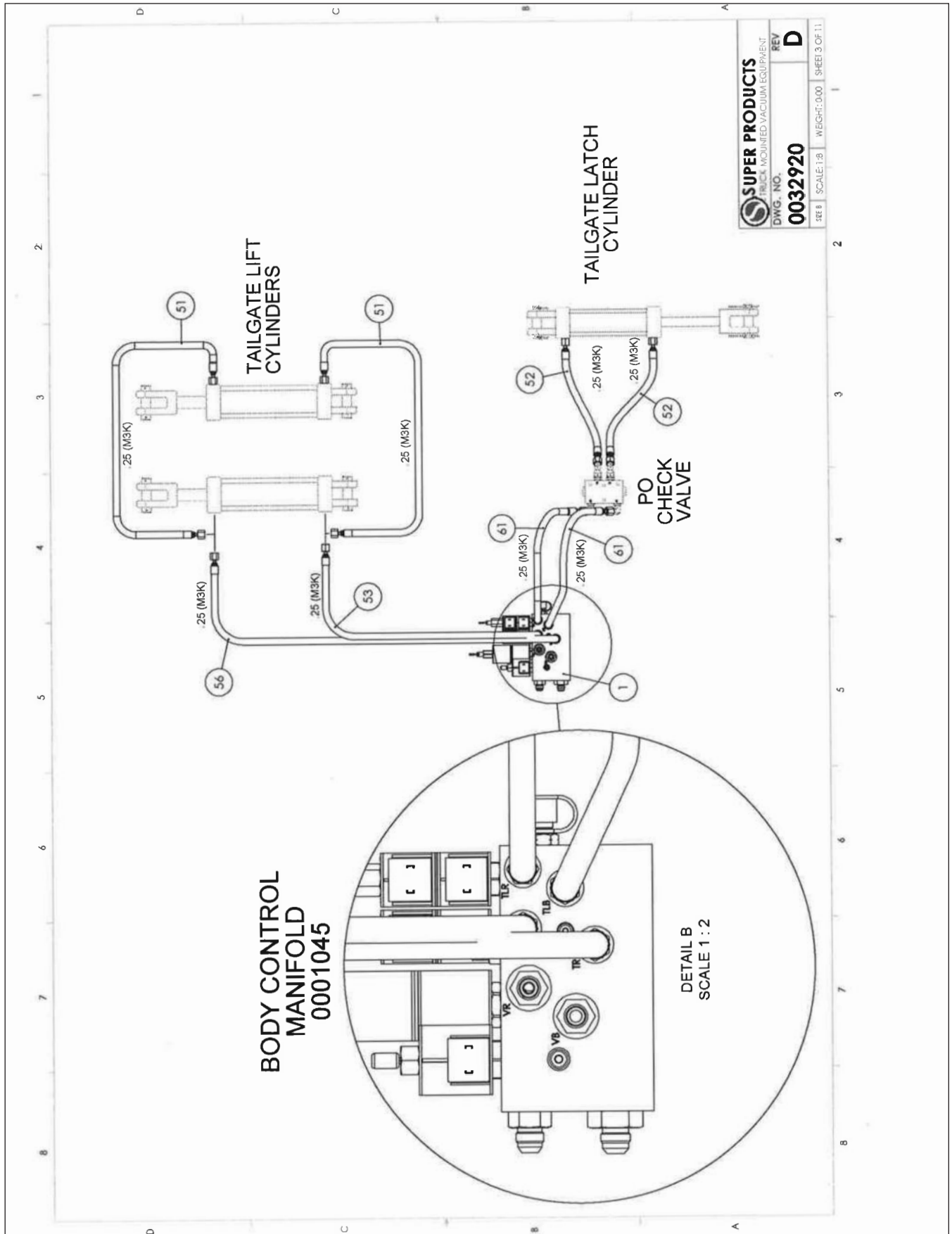
UNLESS OTHERWISE SPECIFIED:  
 DIMENSIONS ARE IN INCHES  
 DECIMALS: 1/16"  
 FRACTIONS: 1/8", 1/4", 3/8", 1/2"  
 X.XX ± 0.000  
 X.XXX ± 0.000  
 ANGULAR: MACH 1° 8ND ± 2"  
 INTERFER GEOMETRIC  
 TOLERANCING PER ASME Y14.5

DWG. NO. **0032920**

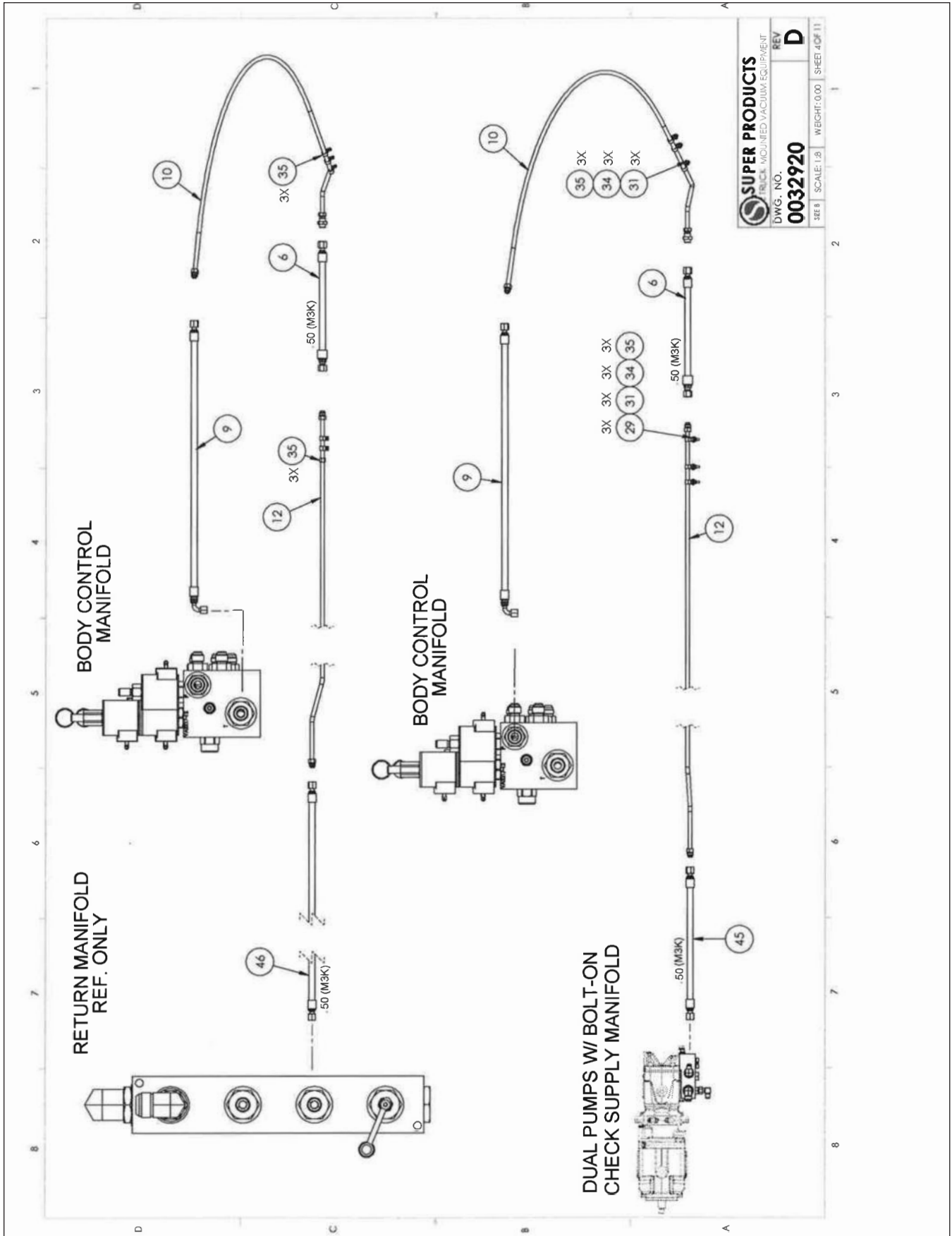
REV **D**

SCALE: 1/4" = 1'-0" SHEET 1 OF 11

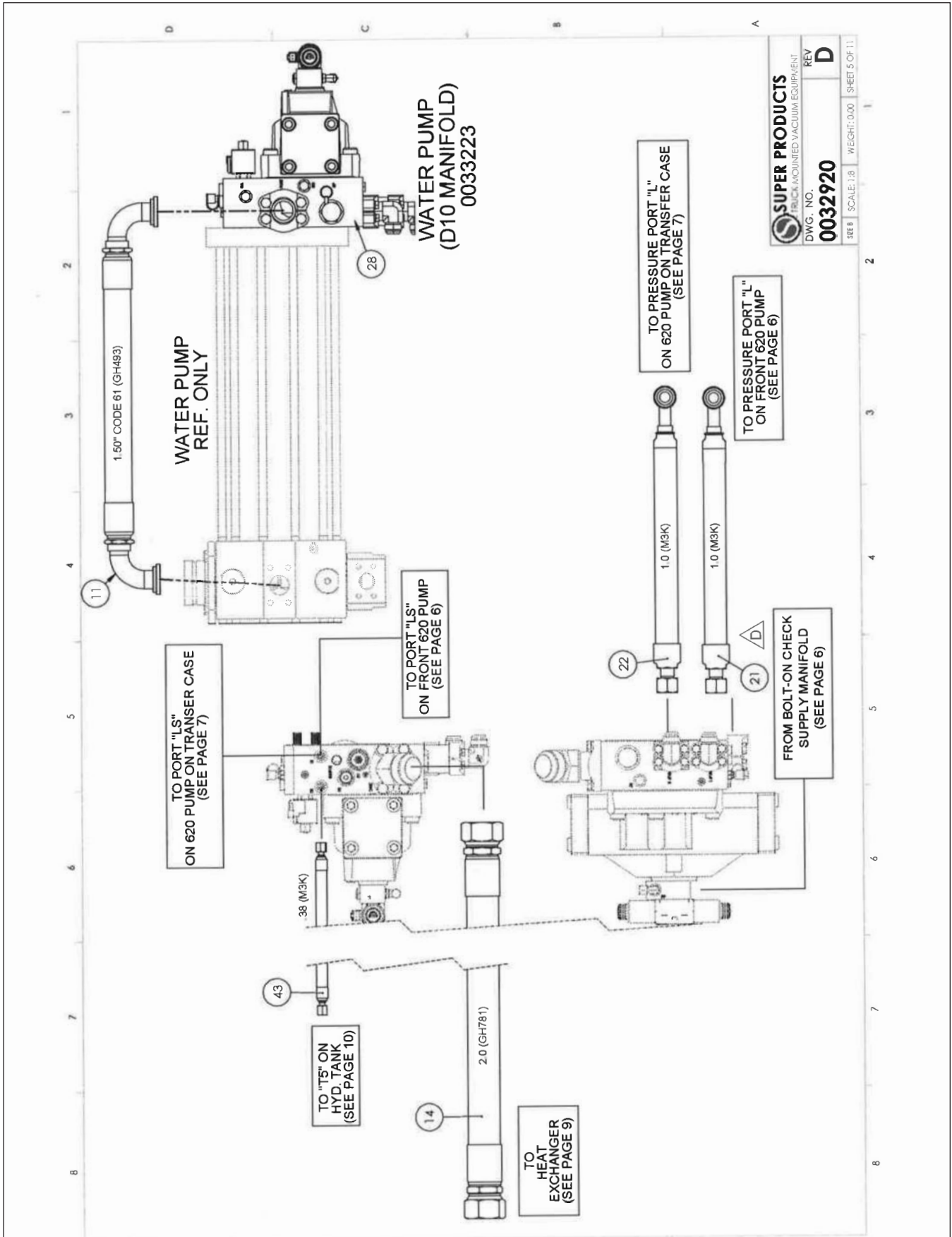


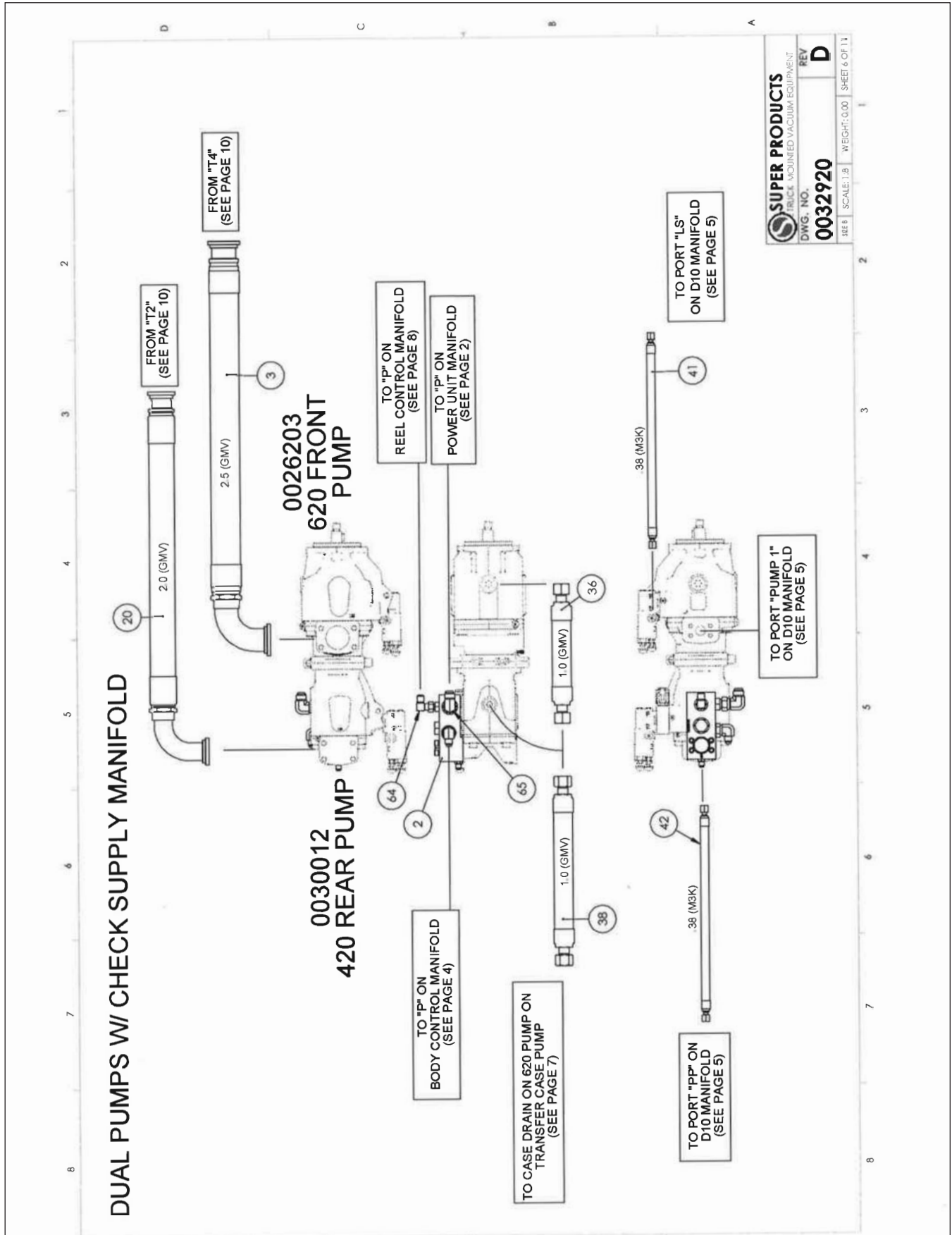


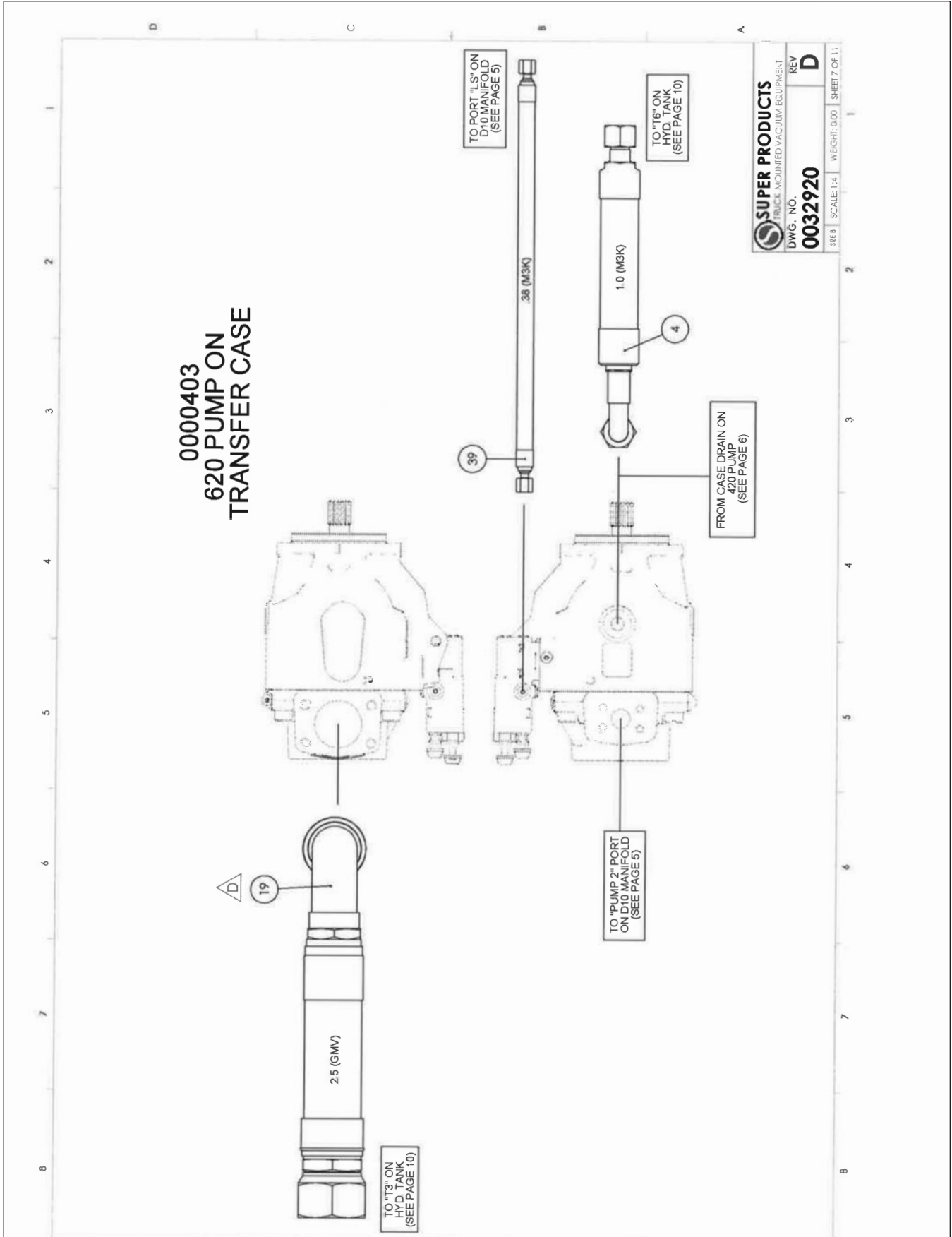


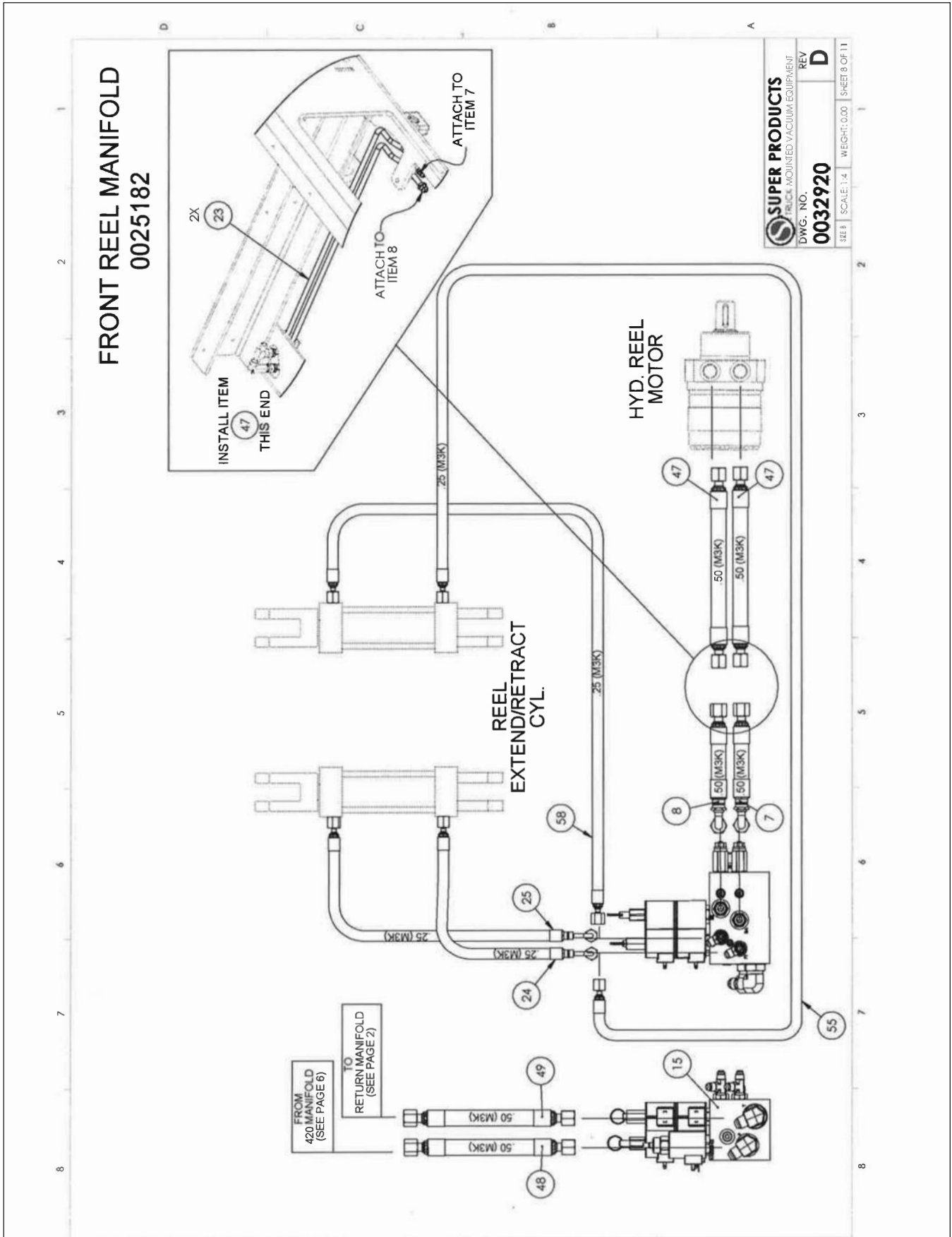


HYDRAULIC SYSTEM – 9 YARD DUMP Item 0032920 5 of 11

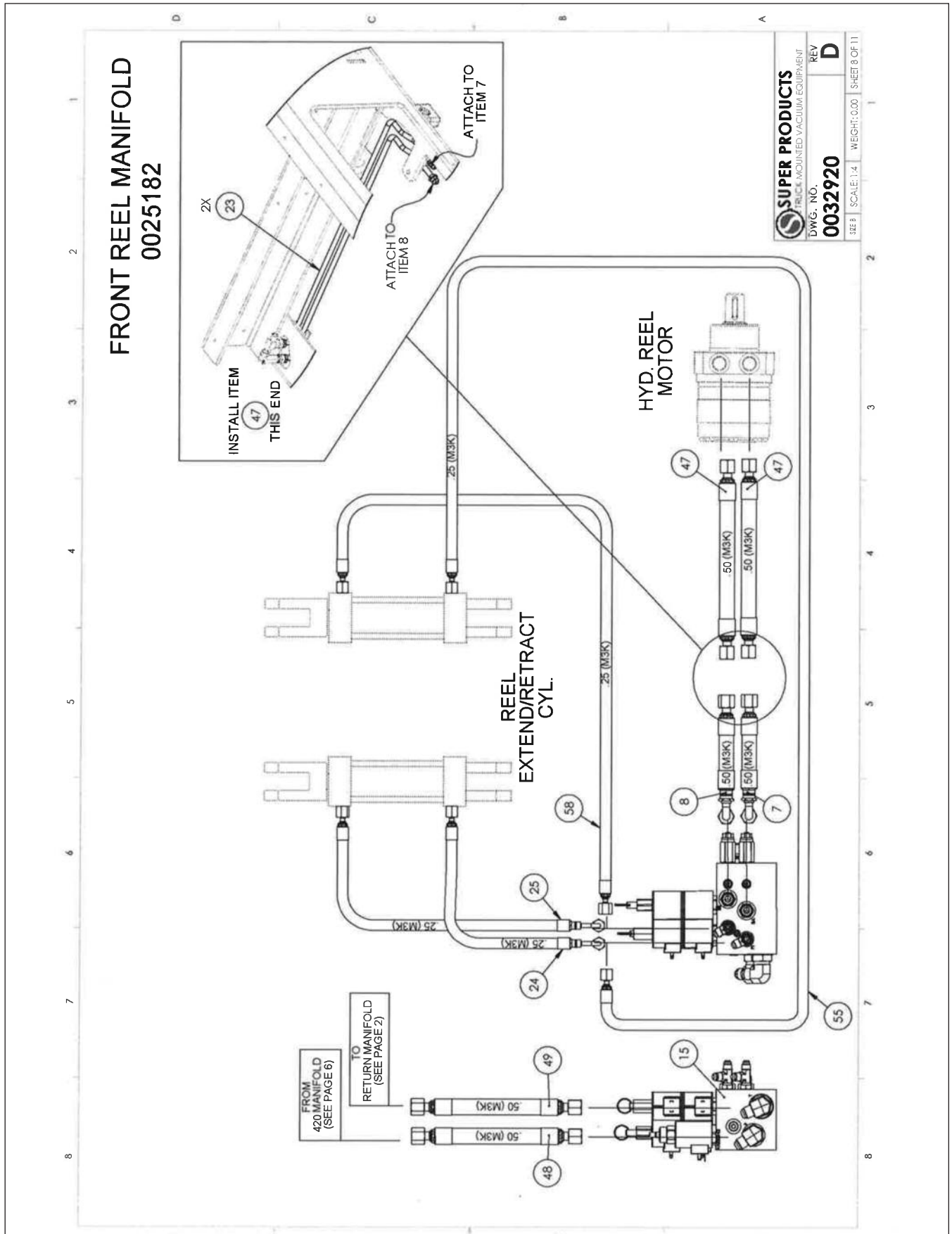


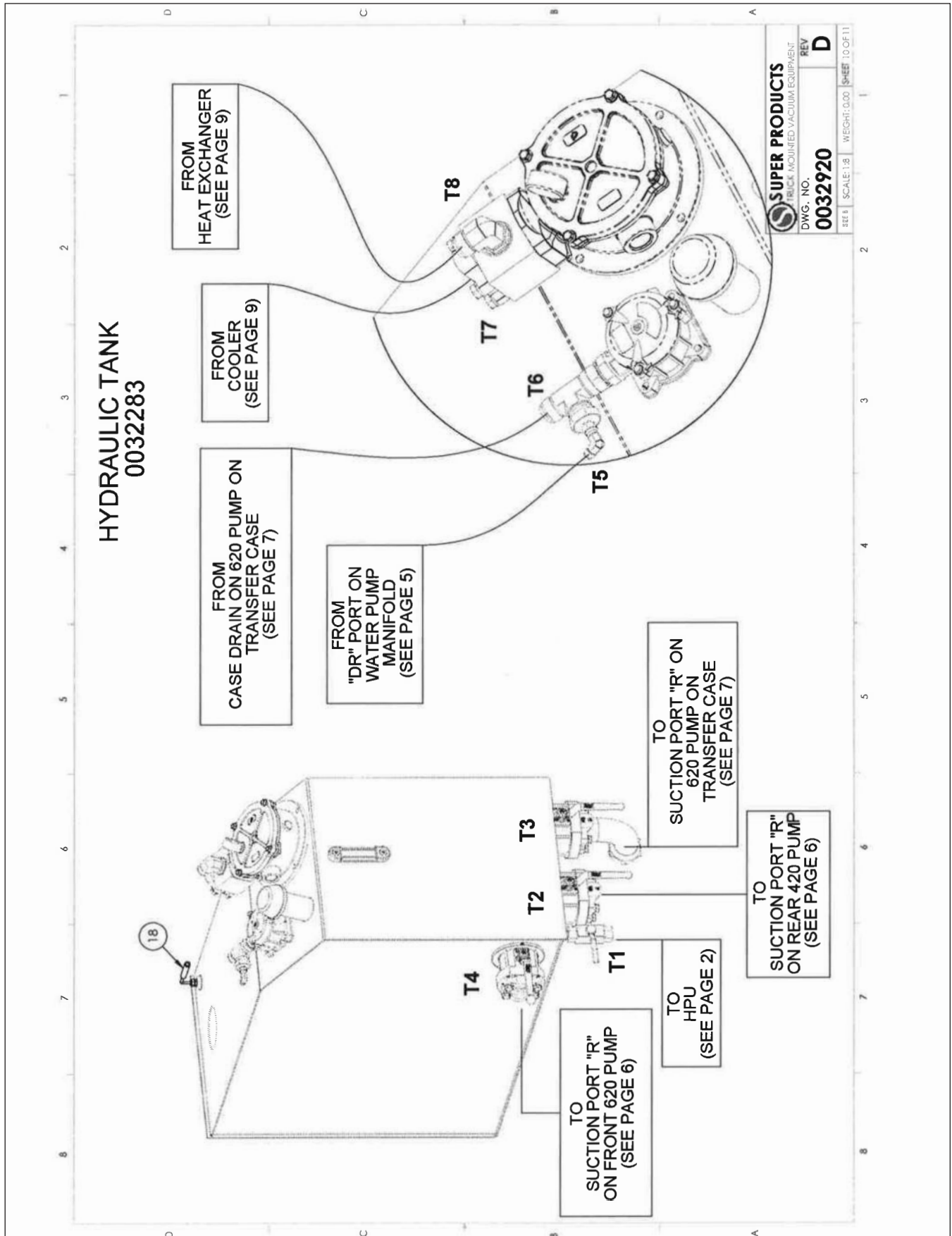


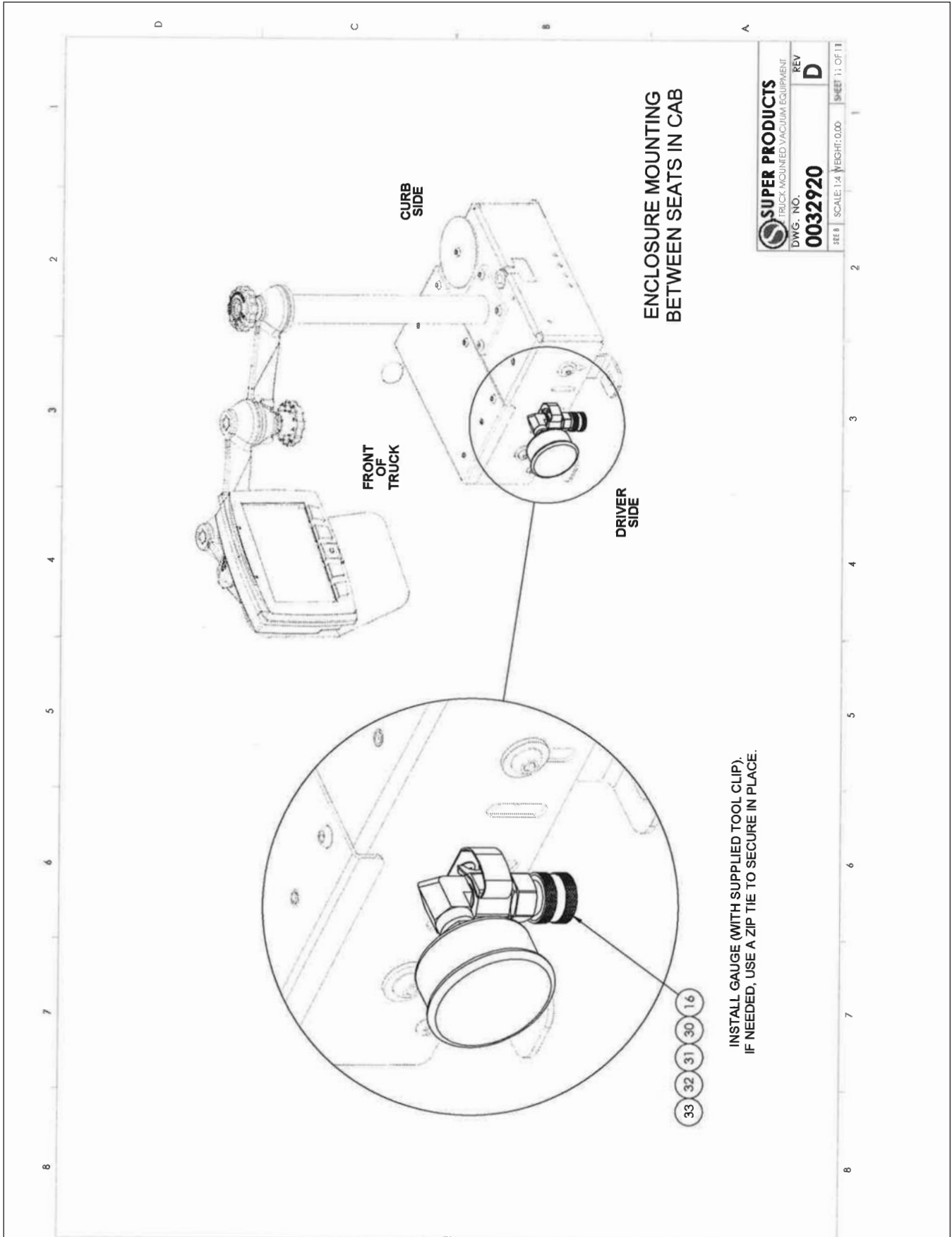




HYDRAULIC SYSTEM – 9 YARD DUMP Item 0032920 9 of 11









REV #	ECO #	DESCRIPTION	DATE	APPR
E	18039	0032833-07200 WAS 0032833-06900; 0032511-05900 WAS 0032511-06400	07/30/2018	N. Chalhoub

DESCRIPTION	PART NUMBER	SEE PAGE #
POWER UNIT MANIFOLD	0025032	2
BOLT-ON EJECTOR MANIFOLD	0002415	2
RETURN MANIFOLD	0032667	2
HPU	0027318	2
BODY CONTROL MANIFOLD	0001045	3-4
BOLT-ON CHECK SUPPLY MANIFOLD	0002487	4,6
WATER PUMP MANIFOLD	0033223	5
DUAL PUMPS	0032200 & 0030012	6
620 PUMP ON TRANSFER CASE	0000403	7
REEL CONTROL MANIFOLD	0025182	8
COMPACTON GAUGE	0029674	9
RETURN FILTER ROUTING	-	10
HYDRAULIC TANK	0032283	11
PRESSURE GAUGE	0031397	12

ITEM #	QTY	DESCRIPTION	UNIT
1	1	MANIFOLD CONTROL USE EJECTOR	1
2	1	MANIFOLD USE EJECTOR	1
3	1	MANIFOLD USE EJECTOR	1
4	1	MANIFOLD USE EJECTOR	1
5	1	MANIFOLD USE EJECTOR	1
6	1	MANIFOLD USE EJECTOR	1
7	1	MANIFOLD USE EJECTOR	1
8	1	MANIFOLD USE EJECTOR	1
9	1	MANIFOLD USE EJECTOR	1
10	1	MANIFOLD USE EJECTOR	1
11	1	MANIFOLD USE EJECTOR	1
12	1	MANIFOLD USE EJECTOR	1
13	1	MANIFOLD USE EJECTOR	1
14	1	MANIFOLD USE EJECTOR	1
15	1	MANIFOLD USE EJECTOR	1
16	1	MANIFOLD USE EJECTOR	1
17	1	MANIFOLD USE EJECTOR	1
18	1	MANIFOLD USE EJECTOR	1
19	1	MANIFOLD USE EJECTOR	1
20	1	MANIFOLD USE EJECTOR	1
21	1	MANIFOLD USE EJECTOR	1
22	1	MANIFOLD USE EJECTOR	1
23	1	MANIFOLD USE EJECTOR	1
24	1	MANIFOLD USE EJECTOR	1
25	1	MANIFOLD USE EJECTOR	1
26	1	MANIFOLD USE EJECTOR	1
27	1	MANIFOLD USE EJECTOR	1
28	1	MANIFOLD USE EJECTOR	1
29	1	MANIFOLD USE EJECTOR	1
30	1	MANIFOLD USE EJECTOR	1
31	1	MANIFOLD USE EJECTOR	1
32	1	MANIFOLD USE EJECTOR	1
33	1	MANIFOLD USE EJECTOR	1
34	1	MANIFOLD USE EJECTOR	1
35	1	MANIFOLD USE EJECTOR	1
36	1	MANIFOLD USE EJECTOR	1
37	1	MANIFOLD USE EJECTOR	1
38	1	MANIFOLD USE EJECTOR	1
39	1	MANIFOLD USE EJECTOR	1
40	1	MANIFOLD USE EJECTOR	1
41	1	MANIFOLD USE EJECTOR	1
42	1	MANIFOLD USE EJECTOR	1
43	1	MANIFOLD USE EJECTOR	1
44	1	MANIFOLD USE EJECTOR	1
45	1	MANIFOLD USE EJECTOR	1
46	1	MANIFOLD USE EJECTOR	1
47	1	MANIFOLD USE EJECTOR	1
48	1	MANIFOLD USE EJECTOR	1
49	1	MANIFOLD USE EJECTOR	1
50	1	MANIFOLD USE EJECTOR	1
51	1	MANIFOLD USE EJECTOR	1
52	1	MANIFOLD USE EJECTOR	1
53	1	MANIFOLD USE EJECTOR	1
54	1	MANIFOLD USE EJECTOR	1
55	1	MANIFOLD USE EJECTOR	1
56	1	MANIFOLD USE EJECTOR	1
57	1	MANIFOLD USE EJECTOR	1
58	1	MANIFOLD USE EJECTOR	1
59	1	MANIFOLD USE EJECTOR	1
60	1	MANIFOLD USE EJECTOR	1
61	1	MANIFOLD USE EJECTOR	1
62	1	MANIFOLD USE EJECTOR	1
63	1	MANIFOLD USE EJECTOR	1
64	1	MANIFOLD USE EJECTOR	1
65	1	MANIFOLD USE EJECTOR	1
66	1	MANIFOLD USE EJECTOR	1
67	1	MANIFOLD USE EJECTOR	1
68	1	MANIFOLD USE EJECTOR	1
69	1	MANIFOLD USE EJECTOR	1
70	1	MANIFOLD USE EJECTOR	1
71	1	MANIFOLD USE EJECTOR	1
72	1	MANIFOLD USE EJECTOR	1
73	1	MANIFOLD USE EJECTOR	1
74	1	MANIFOLD USE EJECTOR	1
75	1	MANIFOLD USE EJECTOR	1
76	1	MANIFOLD USE EJECTOR	1
77	1	MANIFOLD USE EJECTOR	1
78	1	MANIFOLD USE EJECTOR	1
79	1	MANIFOLD USE EJECTOR	1
80	1	MANIFOLD USE EJECTOR	1

**SUPER PRODUCTIS**  
TRUCK MOUNTED VACUUM EQUIPMENT

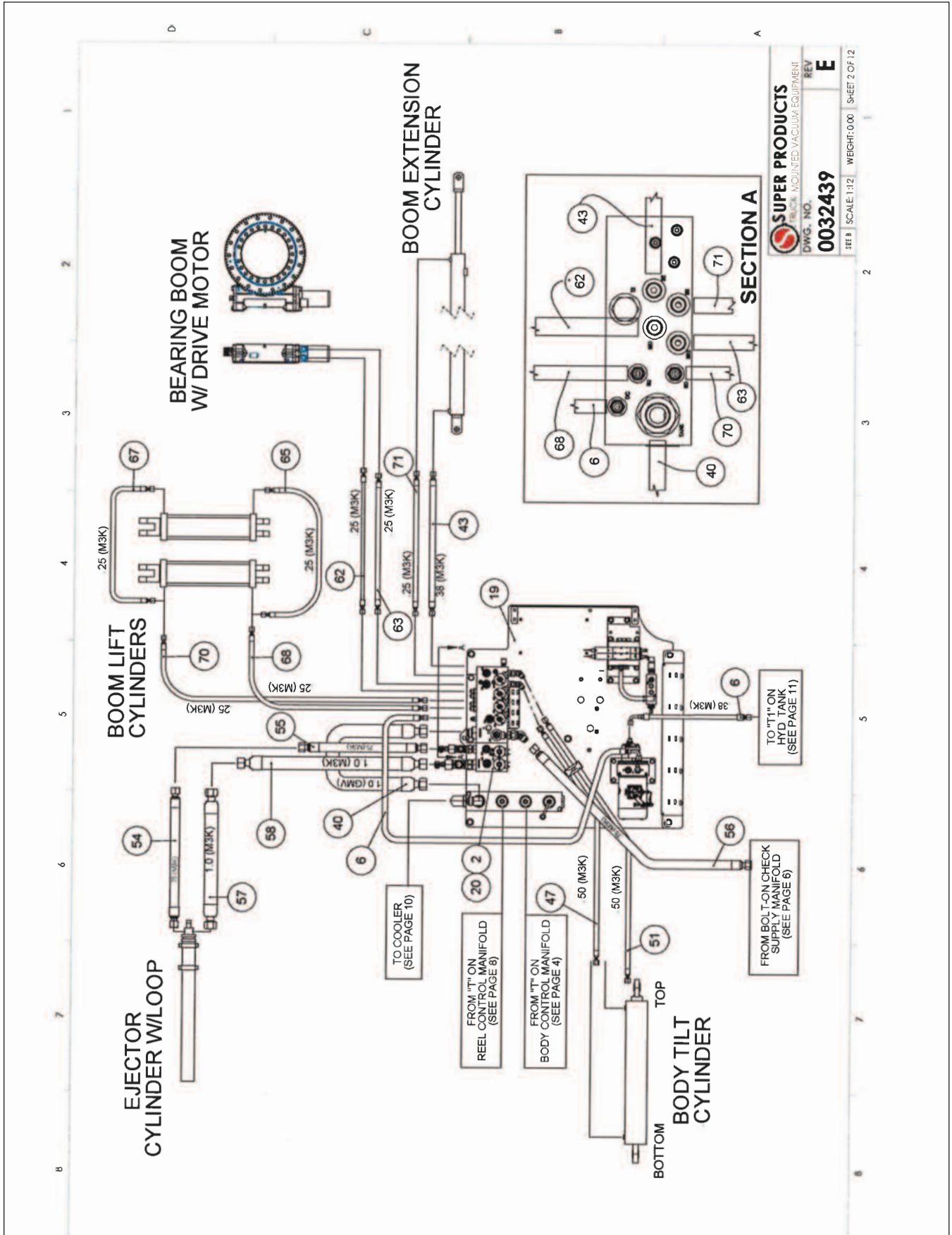
NAME: DATE: 10/26/2017  
DRAWN BY: A.Messing  
ENG APPR: D. King  
MFG APPR:

TITLE: HYDRAULIC SYSTEM, 12YD, EJECTOR

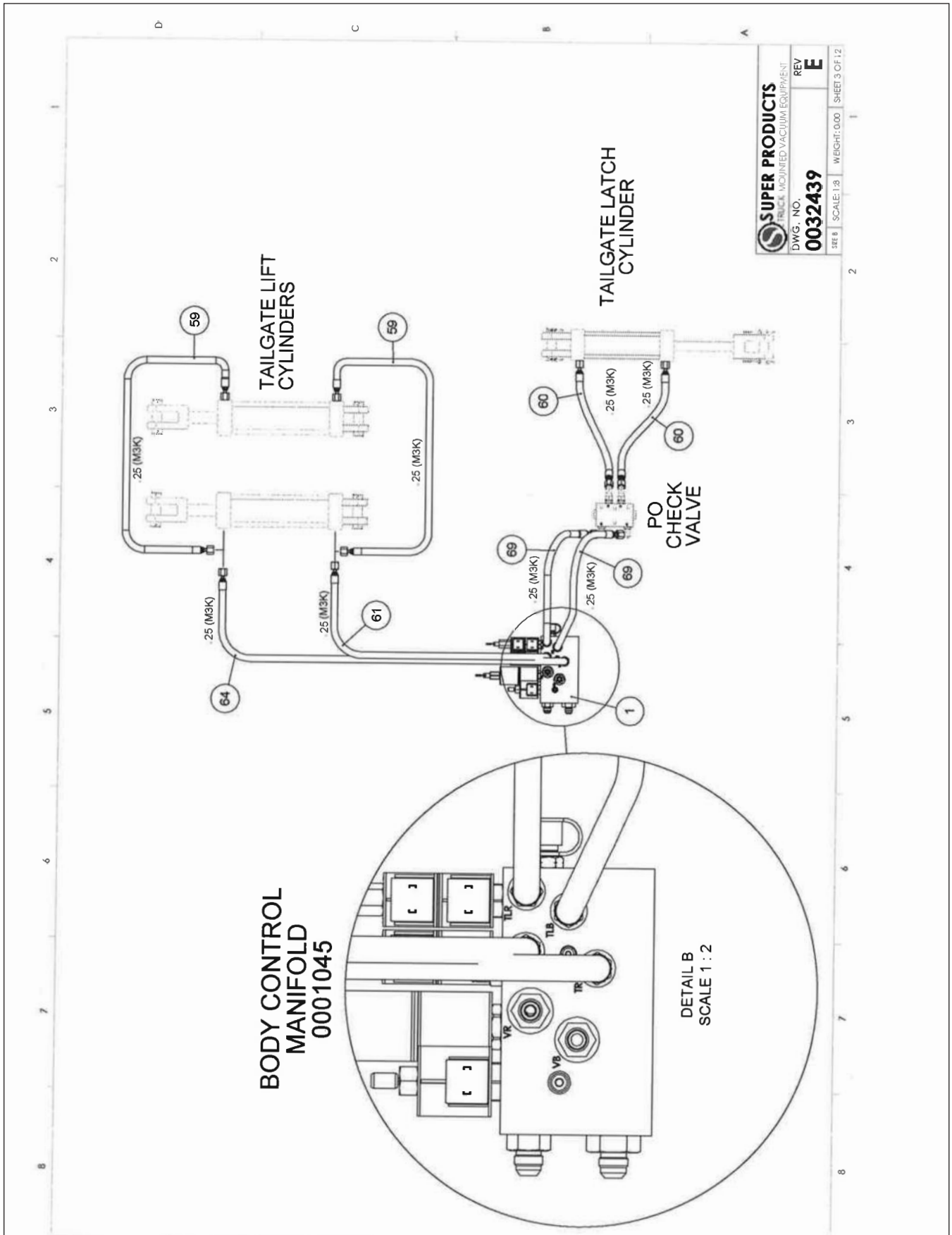
UNLESS OTHERWISE SPECIFIED:  
DIMENSIONS ARE IN INCHES  
TOLERANCES ARE:  
XXX ± 0.000  
XXX ± 0.000  
ANGULAR: MACH ± 1° BHD ± 2°  
INTERPRET DIMENSIONS TO UNLESS OTHERWISE SPECIFIED

DWG. NO: **0032439**  
REV: **E**

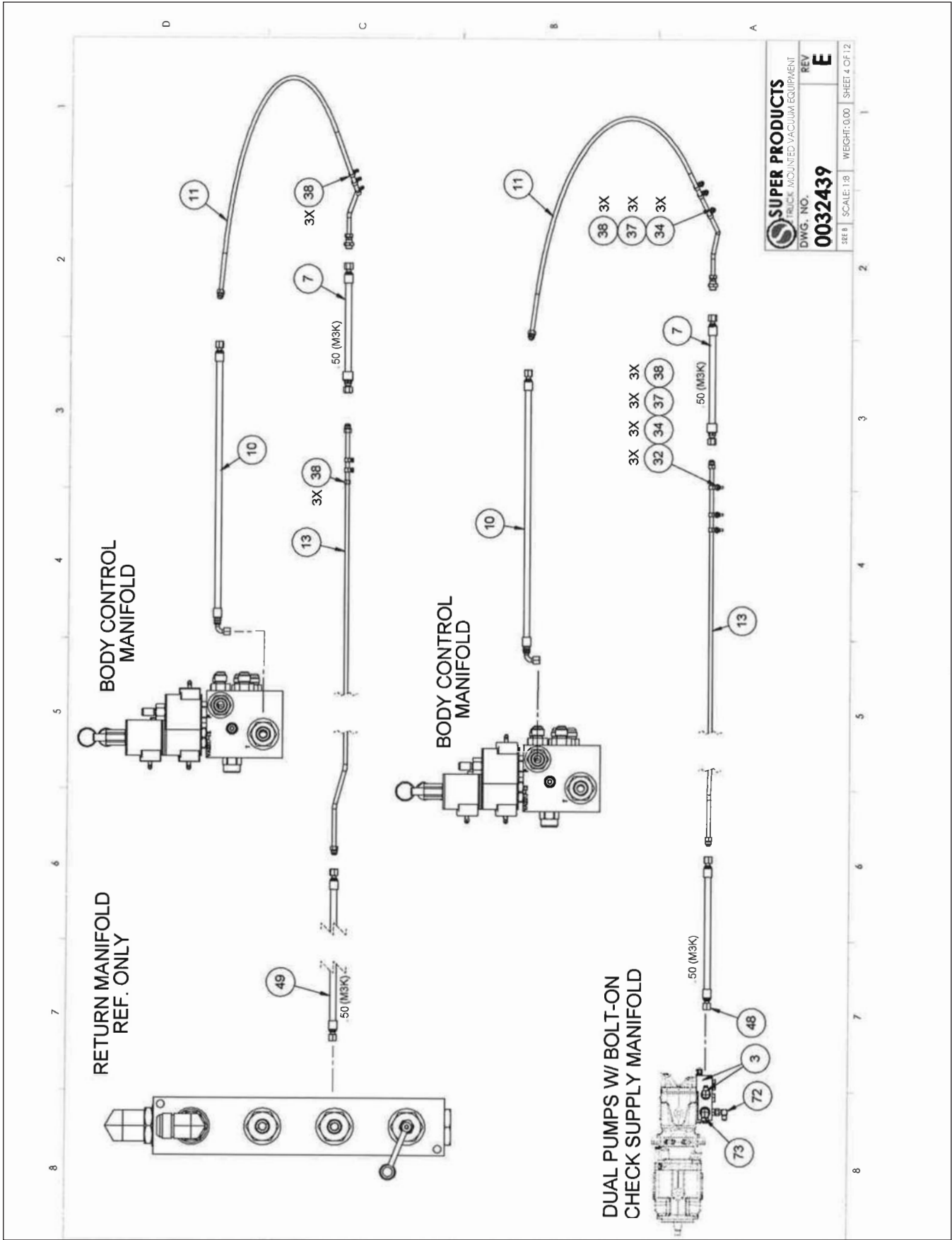
SCALE: 1:6 WEIGHT: 0.00 SHEET 1 OF 12

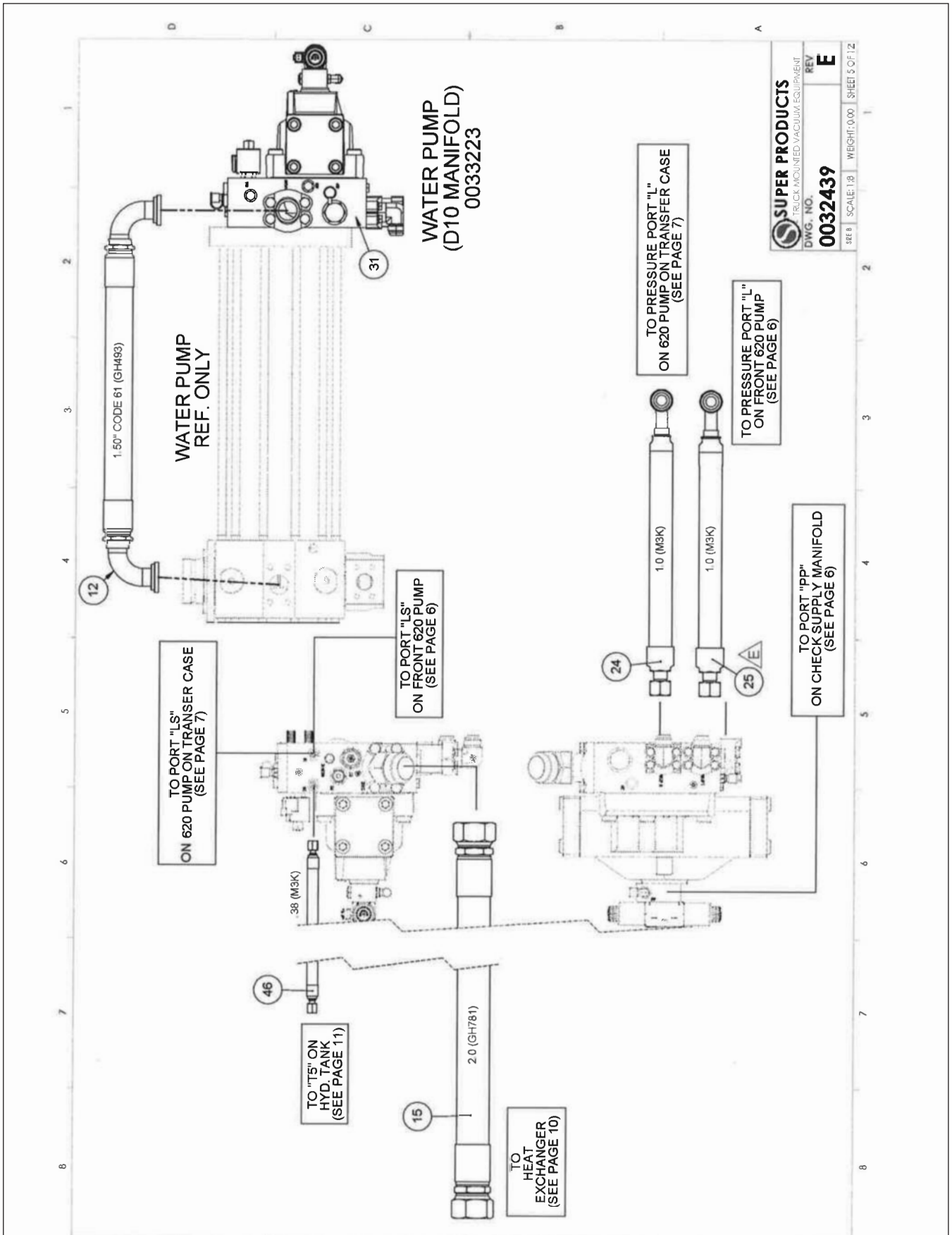


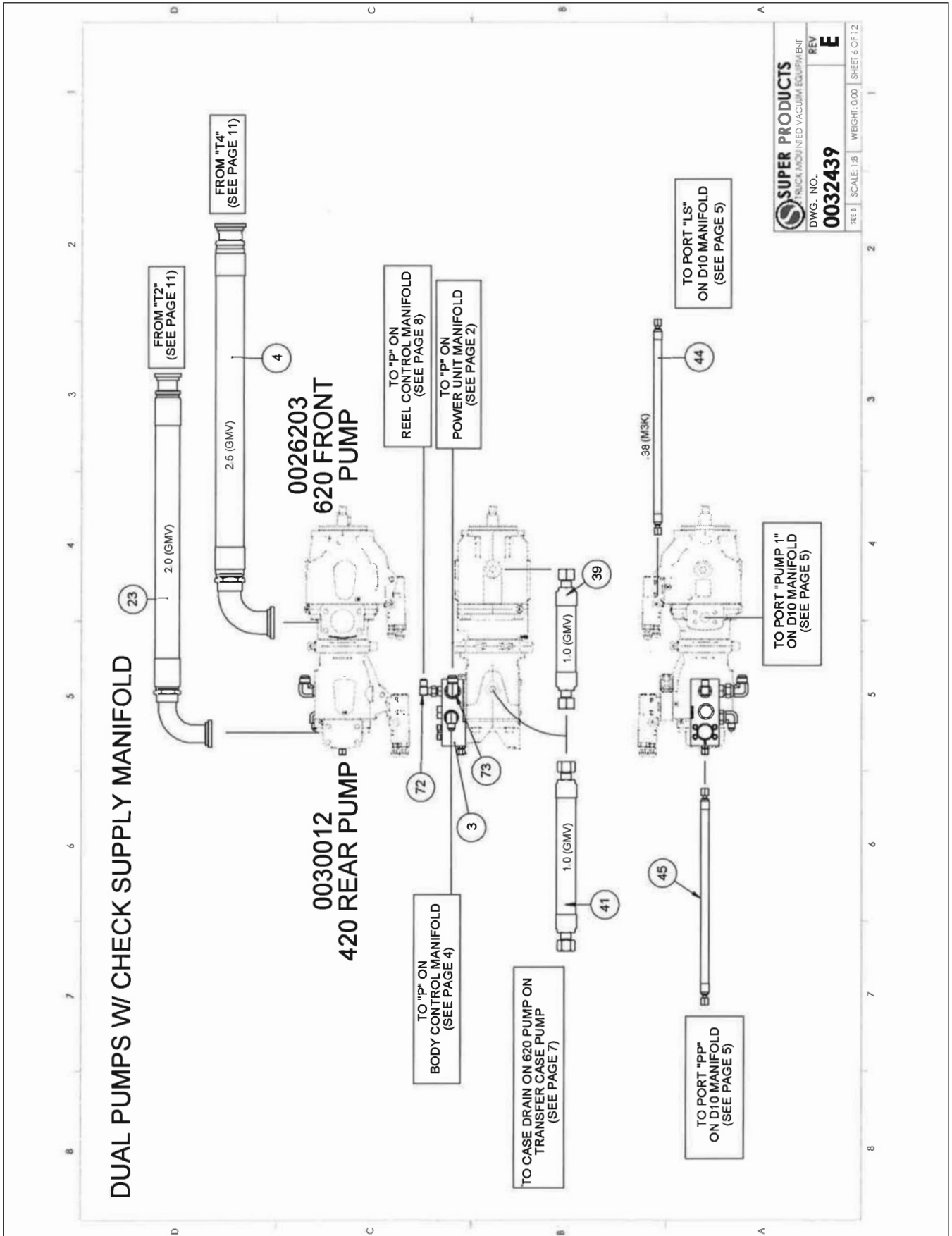
**SUPER PRODUCTS**  
 BLACK MOUNTED VACUUM EQUIPMENT  
 DWG. NO. **0032439**  
 REV **E**  
 SEE 8 | SCALE: 1:12 | WEIGHT: 0.00 | SHEET 2 OF 12



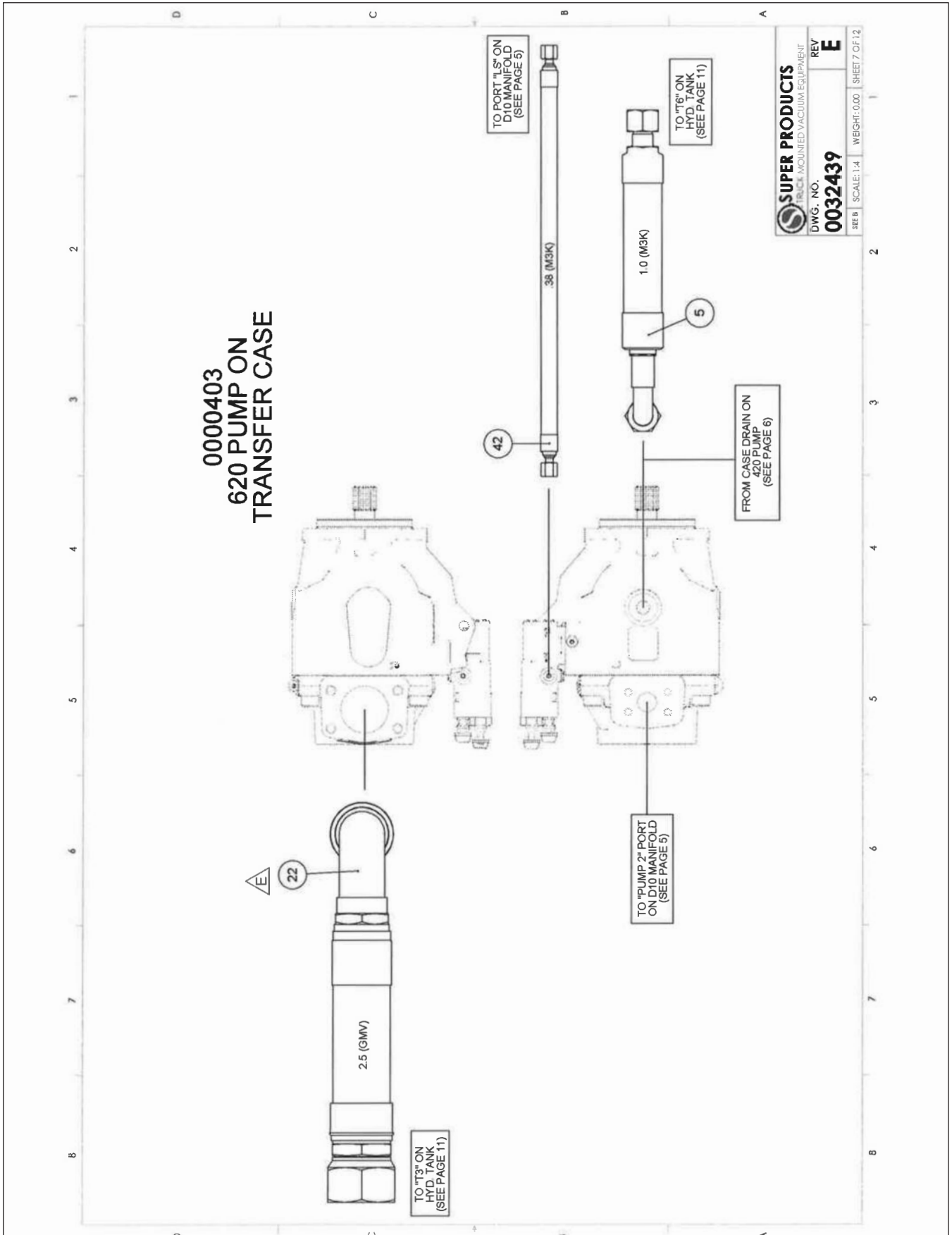
HYDRAULIC SYSTEM – 9 YARD EJECTOR Item 0032439 4 of 12



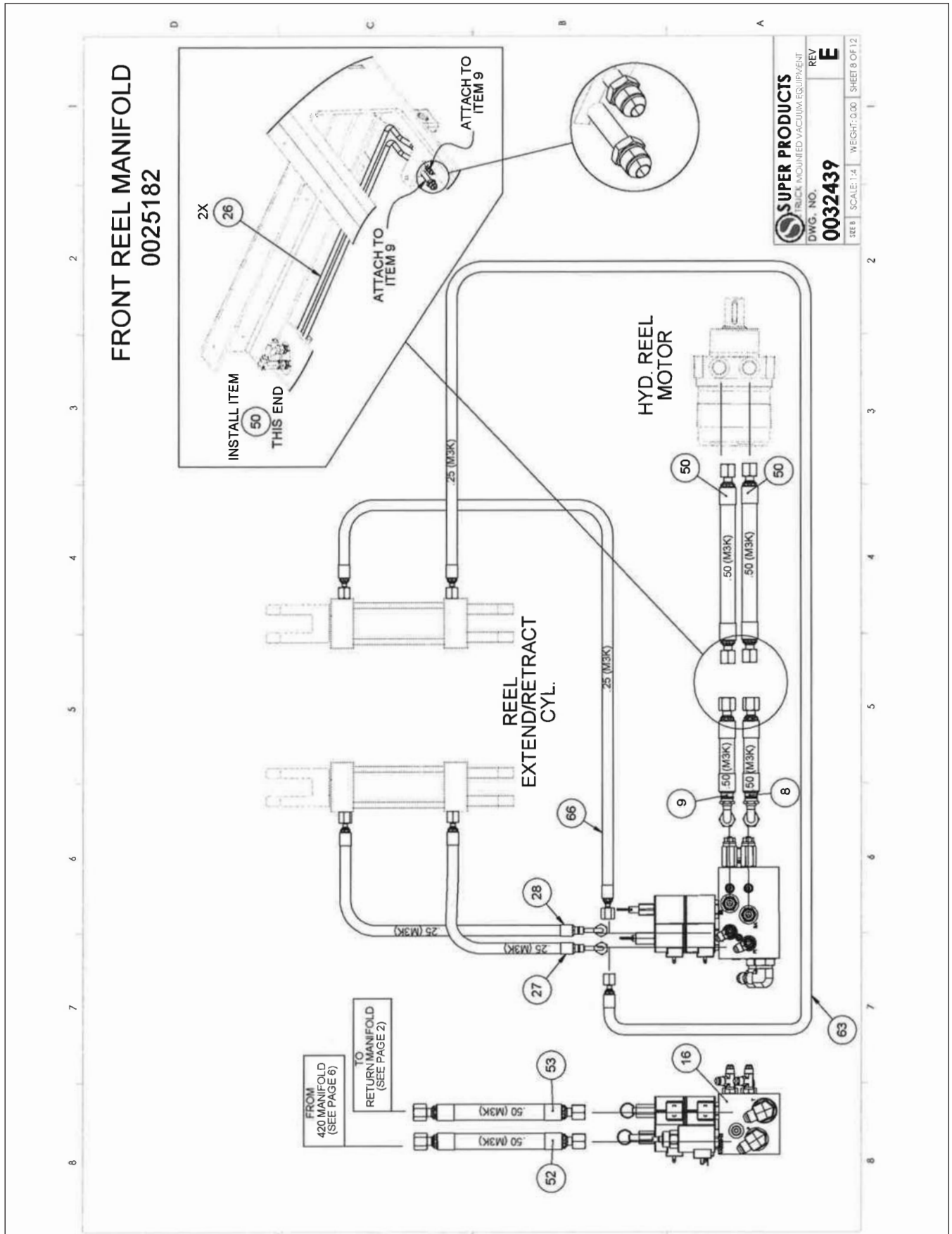




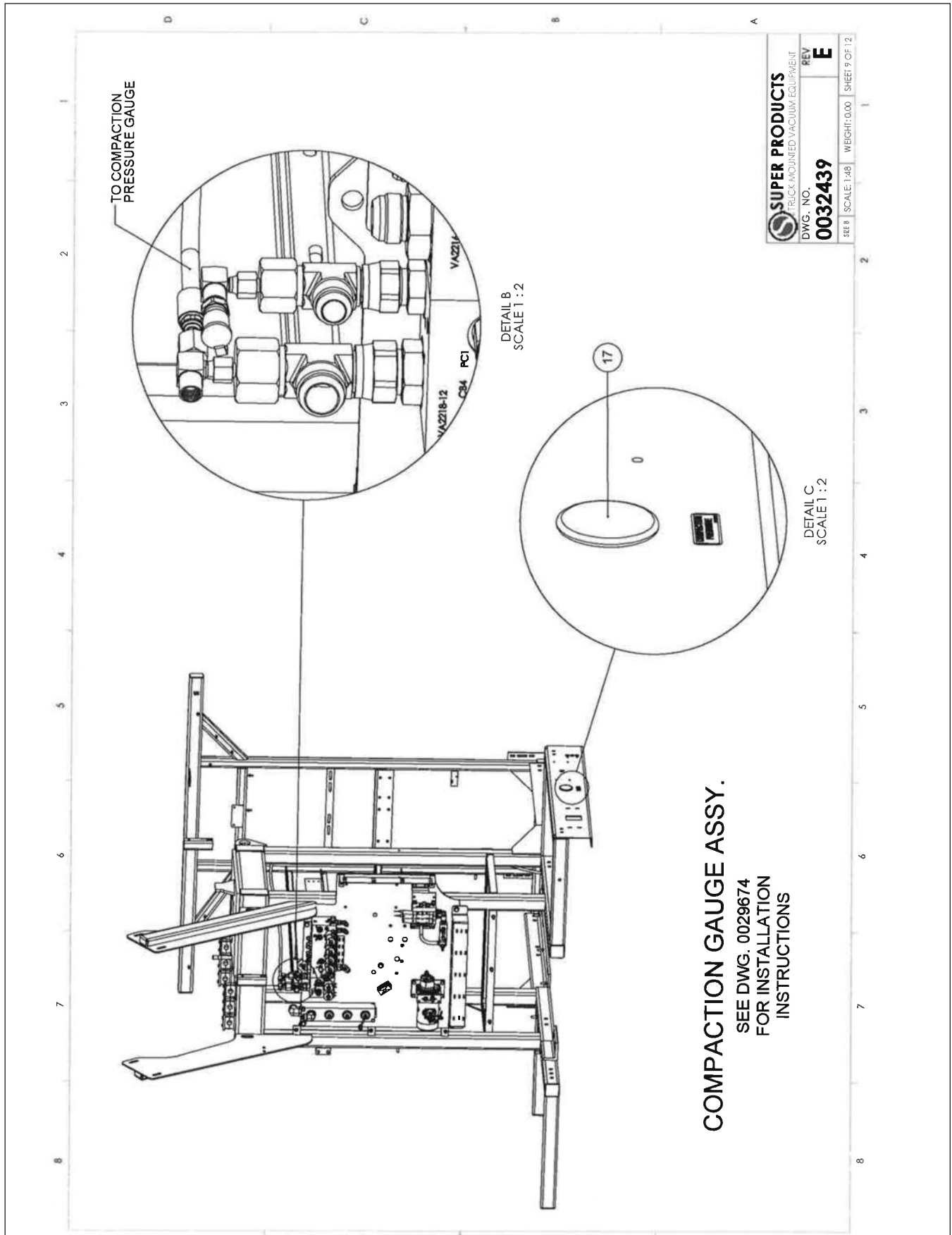
**SUPER PRODUCTS**  
 TRUCK MOUNTED VACUUM EQUIPMENT  
 DWG. NO. **0032439**  
 REV **E**  
 SEE B SCALE: 1/8 WEIGHT: 0.00 SHEET 6 OF 12



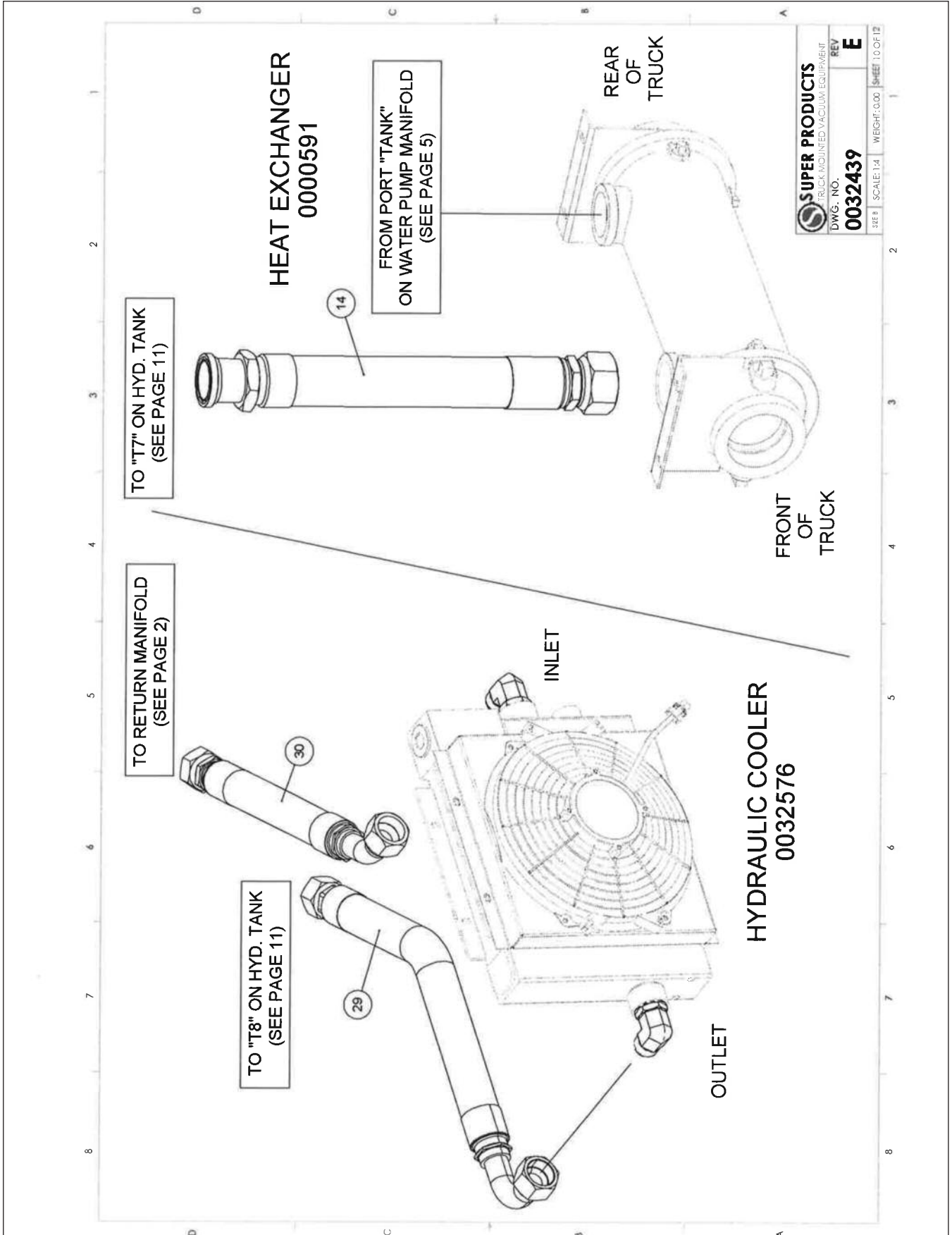
HYDRAULIC SYSTEM – 9 YARD EJECTOR Item 0032439 8 of 12

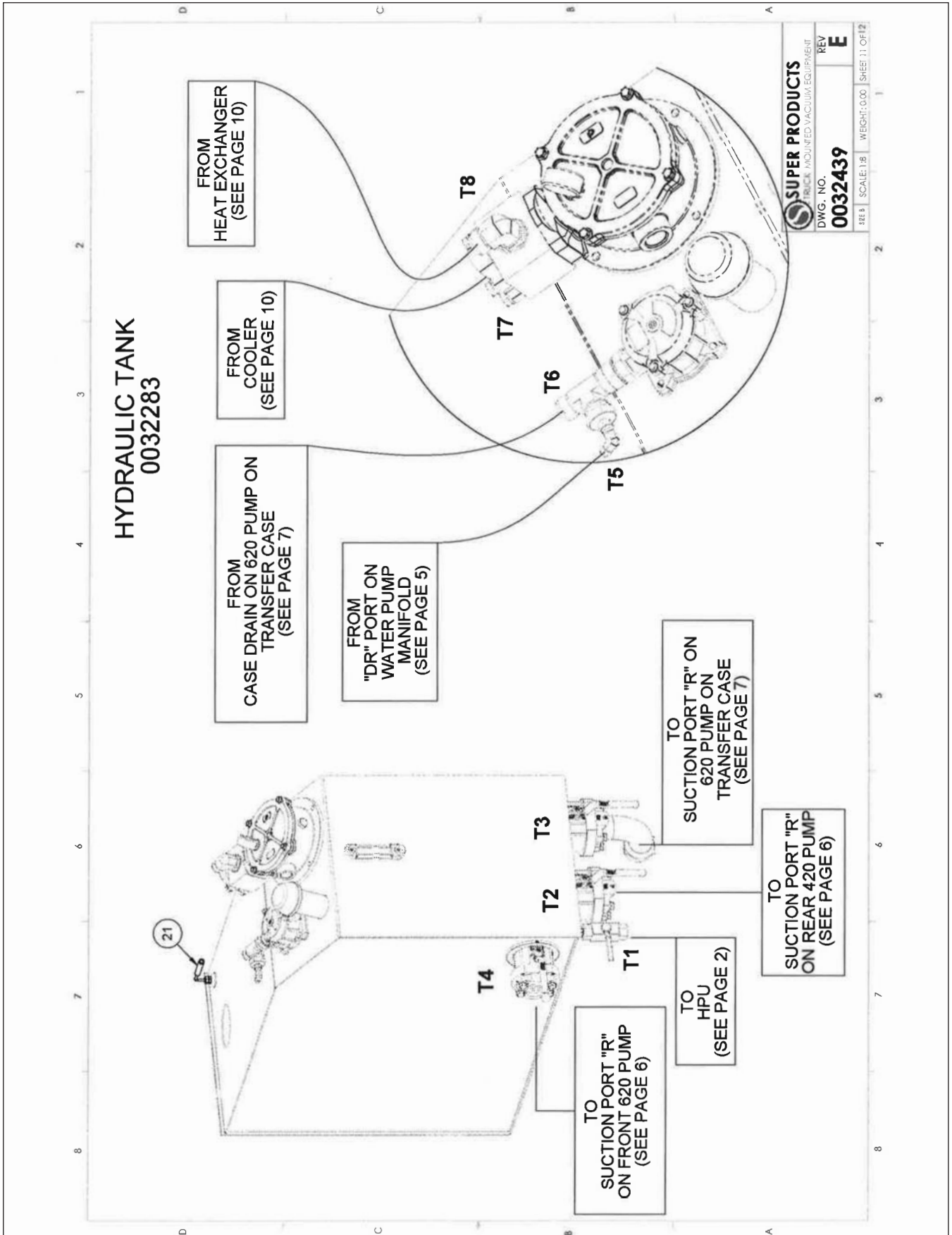


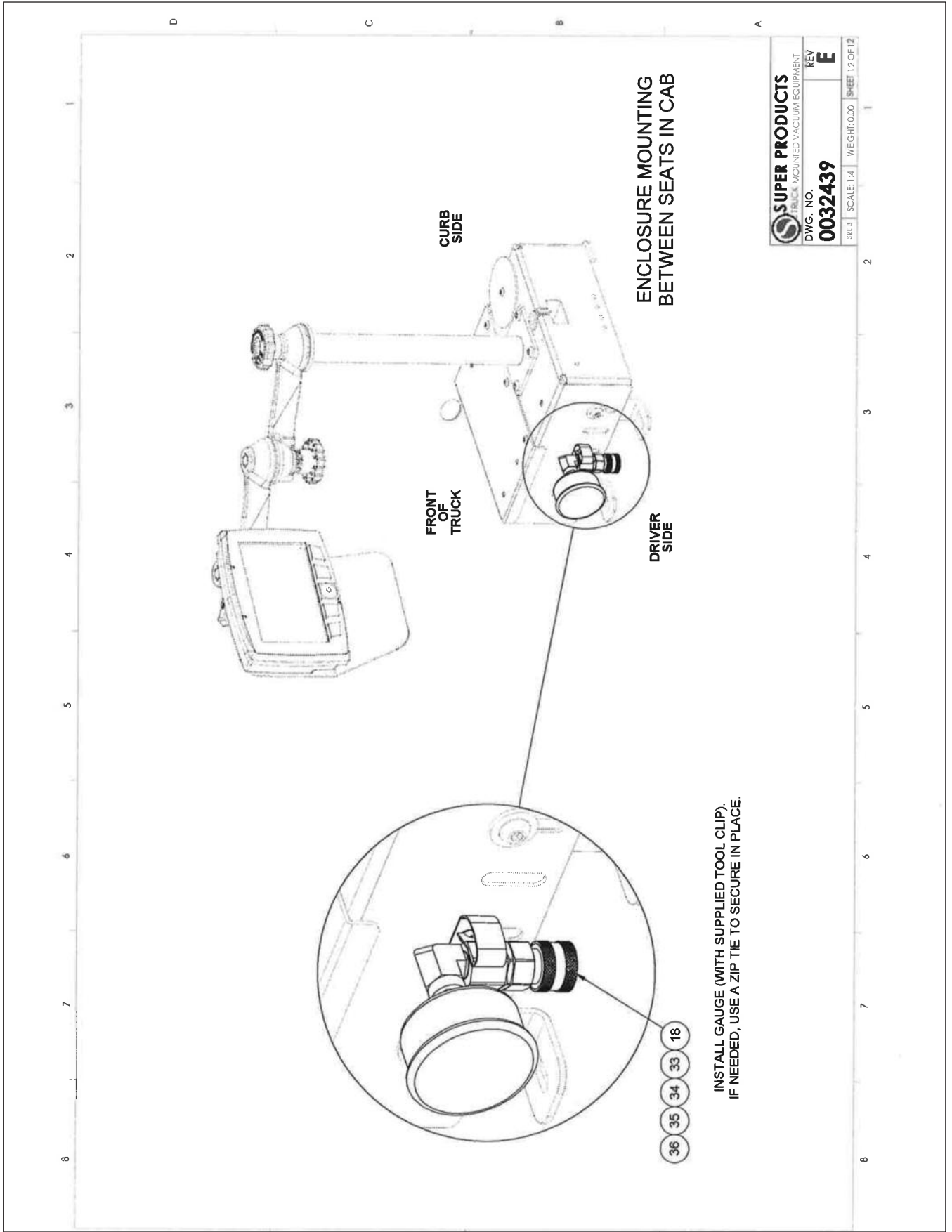




HYDRAULIC SYSTEM – 9 YARD EJECTOR Item 0032439 10 of 12







<b>SUPER PRODUCTS</b>	
TRUCK MOUNTED VACUUM EQUIPMENT	
DWG. NO.	REV
<b>0032439</b>	<b>E</b>
SHEET	SHEET 12 OF 12
SCALE: 1:4	WEIGHT: 0.00

# NOZZLE FLOW RATE CHART

## NOZZLE FLOW RATE CHART U.S. STANDARD MEASUREMENTS

NOZZLE SIZE	ORIFICE DIAMETER IN (INCHES)	MEASUREMENTS IN GALLONS PER MINUTE (GPM)													
		40 PSI (2.8 bar)	100 PSI (6.9 bar)	250 PSI (17.2 bar)	500 PSI (34.5 bar)	800 PSI (55.2 bar)	1000 PSI (68.9 bar)	1200 PSI (82.7 bar)	1500 PSI (103.4 bar)	2000 PSI (127.9 bar)	2500 PSI (172.4 bar)	3000 PSI (206.8 bar)	3500 PSI (241.3 bar)	4000 PSI (275.8 bar)	5000 PSI (344.7 bar)
1.0	.026	0.10	0.16	0.25	0.35	0.45	0.50	0.55	0.61	0.70	0.79	0.87	0.94	1.00	1.11
2.0	.035	0.20	0.32	0.50	0.71	0.89	1.00	1.10	1.22	1.44	1.58	1.73	1.87	2.00	2.24
2.5	.039	0.25	0.40	0.63	0.88	1.12	1.25	1.37	1.53	1.77	1.98	2.17	2.34	2.50	2.80
3.0	.043	0.30	0.47	0.75	1.06	1.34	1.50	1.64	1.84	2.12	2.37	2.60	2.81	3.00	3.35
3.5	.048	0.35	0.55	0.88	1.24	1.57	1.75	1.92	2.14	2.47	2.77	3.03	3.27	3.50	3.91
4.0	.052	0.40	0.63	1.00	1.41	1.79	2.00	2.19	2.45	2.83	3.16	3.46	3.74	4.00	4.47
4.5	.055	0.45	0.71	1.13	1.59	2.01	2.25	2.46	2.76	3.18	3.56	3.90	4.21	4.50	5.03
5.0	.057	0.50	0.79	1.25	1.77	2.24	2.50	2.74	3.06	3.54	3.95	4.33	4.68	5.00	5.59
5.5	.060	0.55	0.87	1.38	1.94	2.46	2.75	3.01	3.37	3.89	4.35	4.76	5.14	5.50	6.15
6.0	.062	0.60	0.95	1.50	2.12	2.68	3.00	3.29	3.67	4.24	4.74	5.20	5.61	6.00	6.71
6.5	.064	0.65	1.03	1.63	2.30	2.91	3.25	3.56	3.98	4.60	5.14	5.63	6.08	6.50	7.27
7.0	.067	0.70	1.11	1.75	2.47	3.13	3.50	3.83	4.29	4.95	5.53	6.06	6.55	7.00	7.83
7.5	.070	0.75	1.19	1.88	2.65	3.35	3.75	4.11	4.59	5.30	5.93	6.50	7.02	7.50	8.39
8.0	.072	0.80	1.26	2.00	2.83	3.58	4.00	4.38	4.90	5.66	6.32	6.93	7.48	8.00	8.94
8.5	.074	0.85	1.34	2.13	3.01	3.80	4.25	4.66	5.21	6.01	6.72	7.36	7.95	8.50	9.50
9.0	.076	0.90	1.42	2.25	3.18	4.02	4.50	4.93	5.51	6.36	7.12	7.79	8.42	9.00	10.06
9.5	.078	0.95	1.50	2.38	3.36	4.25	4.75	5.20	5.82	6.72	7.51	8.23	8.89	9.50	10.62
10.0	.080	1.00	1.58	2.50	3.54	4.47	5.00	5.48	6.12	7.07	7.91	8.66	9.35	10.00	11.18
11.0	.083	1.10	1.74	2.75	3.89	4.92	5.50	6.02	6.74	7.78	8.70	9.53	10.29	11.00	12.30
12.0	.087	1.20	1.90	3.00	4.24	5.37	6.00	6.57	7.35	8.49	9.49	10.39	11.22	12.00	13.42



952-808-3640 • www.hydratflexinc.com

CAMEL: 1200 / Maxxx / Legacy

# HYDRO-EXCAVATION NOZZLES

## SAFETY BEST PRACTICES

### NOZZLE SELECTION AND SIZING

Using a smaller nozzle size (less flow) and lowering pressure settings in the presence of underground utilities are critical safety precautions. Select the smallest nozzle size appropriate for the job.

### RECOMMENDED NOZZLE SAFETY GUIDELINES

1. Always wear the proper PPE (Personal Protective Equipment) when using these nozzles.
2. Do not point nozzle at people or animals. Serious injury can result from high-pressure water from these nozzles.
3. Nozzles are recommended for use with high-pressure spray wand with automatic shut-off (Dead man's switch).
4. Always observe proper grounding procedures when performing hydro-excavation.
5. Urethane coating on the nozzle tip is designed for safety. Replace nozzle when urethane coating is worn.
6. **A distance of at least 8" must be maintained between the nozzle tip and the underground facility and/or subsoil. The nozzle should never be inserted into the soil.**
7. **The wand/nozzle shall never remain motionless during excavation. Aiming directly at the underground utilities should be avoided at all times.**
8. **Observe the referenced industry best practices for recommended maximum pressures for rotating nozzles within 18" of utilities. Within 18" of utilities the operator should lower water inlet pressure from normal operating pressure and use the nozzle to "wash down" the utility, not to blast.**
9. **Static nozzles are not to be used within 18" of utilities.**

### **!CAUTION: HIGH PRESSURE WATER NOZZLES MAY DAMAGE BURIED UTILITIES!**

High-pressure nozzles can damage buried utilities. While Hydra-Flex rigorously tests its product to limit the likelihood of damage in the case of an accidental encounter with buried utilities, it is not possible to completely eliminate the possibility of damage. Using a smaller nozzle size (less flow) and lowering operating pressure when near underground utilities are critical to reducing the likelihood of any damage.

Buried utilities vary dramatically in their ability to resist damage. All utilities become less damage resistant with age, soil conditions and other factors. Hydra-Flex cannot assure this product will not cause damage to all buried utilities.

*These high-pressure water nozzles are provided as is without any guarantees or warranty. Hydra-Flex, Inc. makes no warranties of any kind, either express or implied, including but not limited to warranties of merchantability, fitness for a particular purpose, of title, or of noninfringement of third party rights. In no event shall Hydra-Flex, Inc. be liable to the buyer or any third party for any indirect, incidental, special, consequential, punitive or exemplary damages including without limitation lost profits, lost savings, or loss of business opportunity arising out of or relating to any product or service provided or to be provided by Hydra-Flex, Inc. or the use or inability to use the same, even if Hydra-Flex, Inc. has been advised of the possibility of such damages. In no event shall Hydra-Flex's liability exceed the buyers purchase price. Use of the product by a user is at the user's risk.*



952-808-3640 • www.hydrflexinc.com

4000037 revB0915

# HYDRO-EXCAVATION NOZZLES

## SAFETY BEST PRACTICES

Hydro-Excavation, when performed properly, can be a safe and efficient alternative to traditional excavation methods or the use of hand-tools to expose underground utilities. As with any excavation project, hydro-excavators must:

- Follow all federal, state, and local rules and regulations.
- Follow industry best practices and the project requirements as set forth by their employer, the facility owner, the project owner, etc.
- Obtain underground utility locations (call 8-1-1 to reach your local One Call Center prior to beginning work.)
- Use equipment designed specifically for hydro-excavation.
- Equipment must be operated by trained, competent, and qualified workers.
- Read and understand all equipment manuals prior to operation.

### INDUSTRY BEST PRACTICES REFERENCES:

**Common Ground Alliance: Best Practices Guide**

Available online at:

<http://www.commongroundalliance.com/best-practices-guide>


**Gas Technology Institute: Vacuum Excavation Best Practice & Guideline**

Available online at:

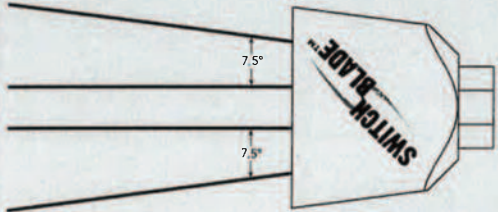
[http://www.gastechnology.org/Expertise/Documents/KeyholeTechnology/Guidelines/Keyhole-Vacuum-Excavation-Guideline\\_v10-Jan2012.pdf](http://www.gastechnology.org/Expertise/Documents/KeyholeTechnology/Guidelines/Keyhole-Vacuum-Excavation-Guideline_v10-Jan2012.pdf)

### NOZZLE TYPES:

Several nozzle types are available for different types of applications or project conditions. Just like picking the right silverware from the drawer – do you need a knife, a fork, or a spoon?



**ROTATING/TURBO/SPINNING NOZZLE**  
*(Ripsaw Rotating Turbo Nozzle):*  
 Dynamic 0° straight water stream that rotates at a high speed to form a cone-shaped flow pattern that is ideal for potholing applications. Typically a rotating nozzle is less likely to do damage than the same size, same pressure straight tip nozzle. A rotating water stream contacts the substrate for a shorter duration of time.



**STATIC, ZERO-DEGREE/SOLID STREAM NOZZLE**  
*(Switchblade 0° Nozzle):*  
 Static 0° straight tip nozzle(s), arranged in a linear pattern ideal for trenching applications.  
*(Static nozzles are not to be used within 18" of utilities.)*

**WHEN ORDERING PARTS**

**...always have the unit serial number of your truck available**

The information below indicates where you can find your Super Products serial number on your truck.

**SUPERSUCKER® 1992 – CURRENT**

Bottom front of forward most LH clean-out door frame.  
 PRE-1992: Below main control panel on support tubing.

**CAMEL® 1983 – CURRENT**

LH side of the power frame on horizontal tube towards front.  
 PRE-1983: LH side of power frame on front face of vertical angle.  
 Camel 1200 and Camel Maxxx: LH side sub frame forward of body.

**MUD DOG® All YEARS**

Forward LH edge of water tray.

All serial numbers are either eight or nine digits long, depending on the unit type. The serial number denotes several characteristics as indicated on the example.

S / N:	<u>02</u>	<u>01</u>	<u>1537</u>
	Year of	Model	Unit Number
	Production	Produced	Number

S / N: 02011537 is a Model 5227 Supersucker built in 2002 and is unit 1537

The third and fourth (and sometimes the fifth) digits on the unit serial number indicate which model is produced and which vacuum pump is used



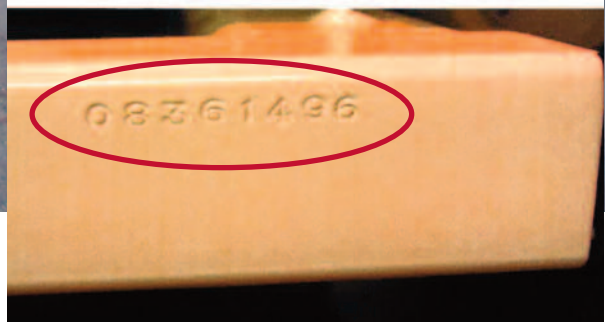
# LOCATION OF SERIAL NUMBERS



Locating Serial Number On Super Products Camel  
1981 to Present



Eight Digit Serial Number Stamped Into Frame





800.837.9711 • [WWW.SUPERPRODUCTSLLC.COM](http://WWW.SUPERPRODUCTSLLC.COM)