

## GLOBAL STYLE SAFETY LIMIT SWITCHES (PLASTIC BODIED EN50047 COMPATIBLE) SND2 SERIES (2 - CONDUIT ENTRIES)

*Such a reasonable cost, more and more enterprises choose SUNS for their products*



### Features

- Glass fiber reinforced plastic body
- Easily interchangeable contact block
- Galvanically separated contacts
- Screw terminals with self-lifting clamps for easy wiring
- Positive Opening of NC contacts
- 4 x 90° actuator positions
- Cable entry available: M20, PG13.5 and 1/2"NPT
- Conform to EN 50047 standard

### Definitions of Operating Characteristics

OF	Operating Force	
RF	Releasing Force	
OT	Overtravel	
TT	Total Travel	
PT	Pretravel	
MD	Movement Differential	
OP	Operating Position	
PO	Travel to Positive Opening	

### Specifications

Operating Speed	0.05mm-2m/sec
Operating Frequency	Mechanical: 120ops/min Electrical: 30 ops/min
Insulation Resistance	>100MΩ@500V DC
Contact Resistance	<25mΩ (initial value)
Rated Thermal Current	10A/600V AC (EN60947-5-1) AC15 A600 / DC13 Q300
Dielectric Strength	1000VAC for 1 min between current carrying parts 2500VAC for 1 min between non-current carrying parts
Service Life	Mechanically 1.0 x 10 <sup>7</sup> (operations) Electrically 5 x 10 <sup>5</sup> (operations)
Operating Temperature	-25~+80°C (-13~176°F) with no icing
Humidity	< 95%RH
Weight	59-109g
Degree of Protection	IP67

### Selection Guide:

<b>SND21</b>	<b>04</b>	<b>-</b>	<b>SP</b>	<b>-</b>	<b>A</b>	<b>-</b>	<b>R</b>
Body Styles	Head Styles		<ul style="list-style-type: none"> <li>— SP: 1NO/1NC Snap action</li> <li>— SPT: 2NO/2NC Snap action</li> <li>— SL: BBM 1NO/1NC Slow Action changeover</li> <li>— SL1: MBB 1NO/1NC Slow Action Overlapping</li> <li>— SL2: 2NC Slow Action</li> <li>— SL3: 2NO Slow Action</li> <li>— SL4: 3NC Slow Action</li> <li>— SL5: 3NO Slow Action</li> <li>— SL6: BBM 2NC/1NO Slow Action changeover</li> <li>— SL7: MBB 2NC/1NO Slow Action Overlapping</li> <li>— SL8: BBM 2NO/1NC Slow Action changeover</li> <li>— SL9: MBB 2NO/1NC Slow Action Overlapping</li> </ul>		Conduits		Blank R: with Reset
					<ul style="list-style-type: none"> <li>— A: 1/2"NPT</li> <li>— B: PG13.5</li> <li>— C: M20</li> <li>— D: M16</li> <li>— B1: PG11</li> </ul>		

## GLOBAL STYLE SAFETY LIMIT SWITCHES (PLASTIC BODIED EN50047 COMPATIBLE) SND2 SERIES (2 - CONDUIT ENTRIES)

Available contact blocks and travel diagrams



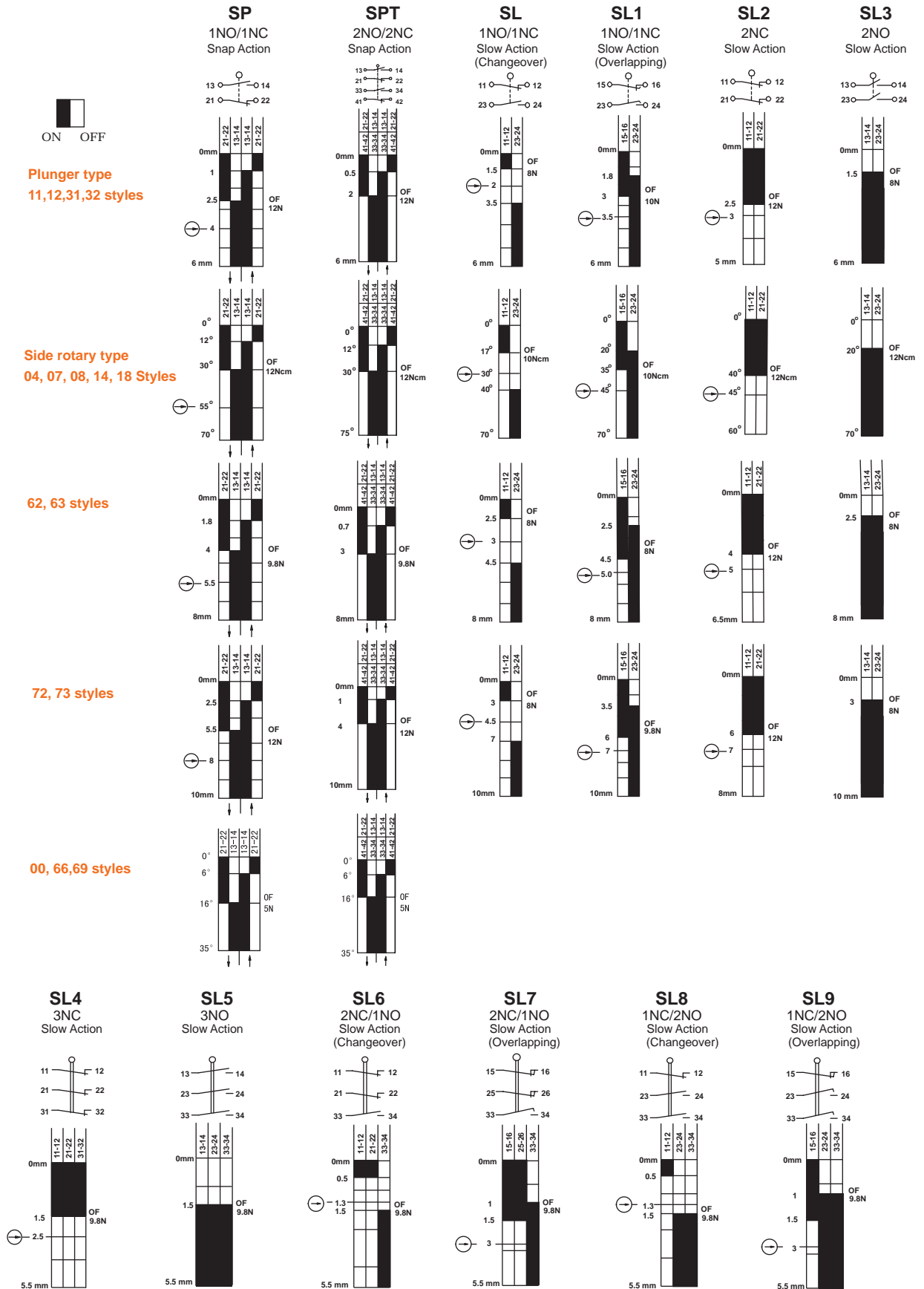
Plunger type  
11, 12, 31, 32 styles

Side rotary type  
04, 07, 08, 14, 18 Styles

62, 63 styles

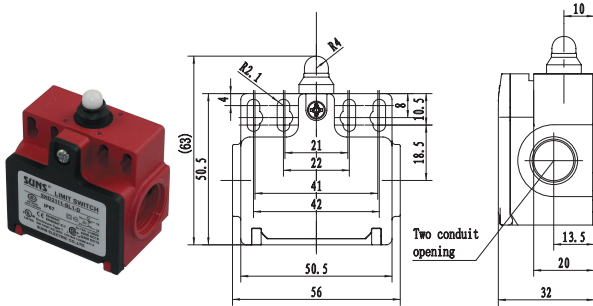
72, 73 styles

00, 66, 69 styles



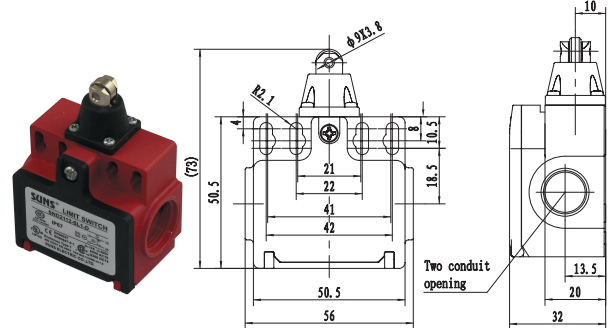
## GLOBAL STYLE SAFETY LIMIT SWITCHES (PLASTIC BODIED EN50047 COMPATIBLE) SND2 SERIES (2 - CONDUIT ENTRIES)

### SND2111



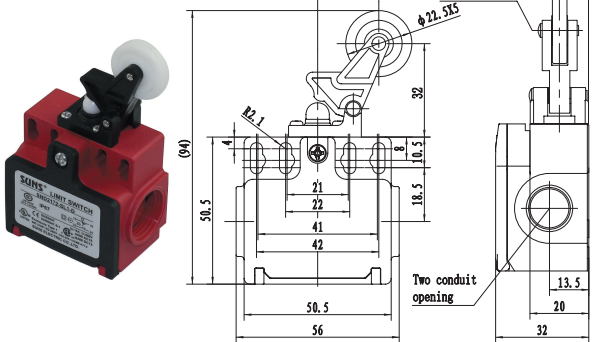
Order Code	Contact block	SP	SL	SL1	SL2	SNAP ACTION	1NO+1NC	1NO+1NC BBM	1NO+1NC MBB	2NC
SND2111-SP- _	SP	→				snap action	1NO+1NC			
SND2111-SL- _	SL	→				slow action	1NO+1NC	BBM		
SND2111-SL1- _	SL1	→				slow action	1NO+1NC		MBB	
SND2111-SL2- _	SL2	→				slow action				2NC

### SND2112



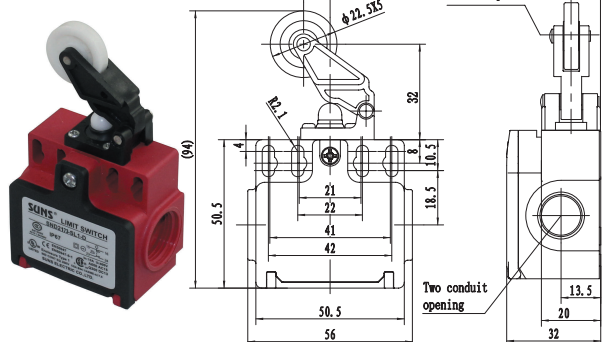
Order Code	Contact block	SP	SL	SL1	SL2	SNAP ACTION	1NO+1NC	1NO+1NC BBM	1NO+1NC MBB	2NC
SND2112-SP- _	SP	→				snap action	1NO+1NC			
SND2112-SL- _	SL	→				slow action	1NO+1NC	BBM		
SND2112-SL1- _	SL1	→				slow action	1NO+1NC		MBB	
SND2112-SL2- _	SL2	→				slow action				2NC

### SND2172



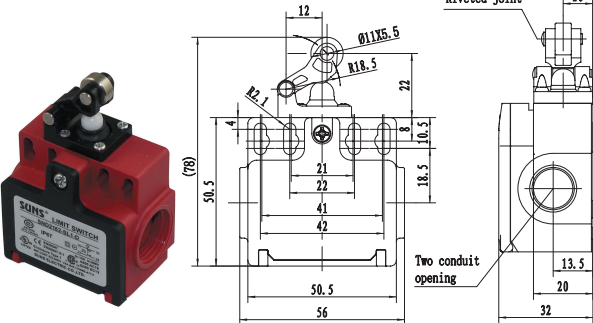
Order Code	Contact block	SP	SL	SL1	SL2	SNAP ACTION	1NO+1NC	1NO+1NC BBM	1NO+1NC MBB	2NC
SND2172-SP- _	SP	→				snap action	1NO+1NC			
SND2172-SL- _	SL	→				slow action	1NO+1NC	BBM		
SND2172-SL1- _	SL1	→				slow action	1NO+1NC		MBB	
SND2172-SL2- _	SL2	→				slow action				2NC

### SND2173



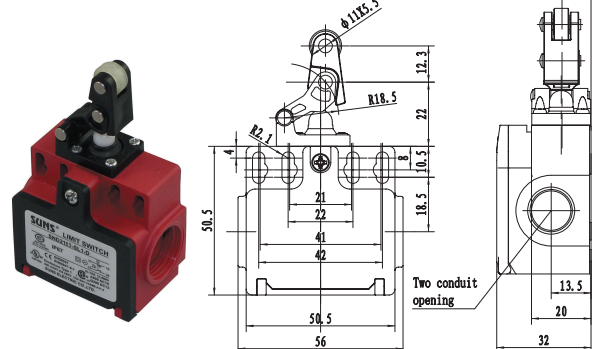
Order Code	Contact block	SP	SL	SL1	SL2	SNAP ACTION	1NO+1NC	1NO+1NC BBM	1NO+1NC MBB	2NC
SND2173-SP- _	SP	→				snap action	1NO+1NC			
SND2173-SL- _	SL	→				slow action	1NO+1NC	BBM		
SND2173-SL1- _	SL1	→				slow action	1NO+1NC		MBB	
SND2173-SL2- _	SL2	→				slow action				2NC

### SND2162



Order Code	Contact block	SP	SL	SL1	SL2	SNAP ACTION	1NO+1NC	1NO+1NC BBM	1NO+1NC MBB	2NC
SND2162-SP- _	SP	→				snap action	1NO+1NC			
SND2162-SL- _	SL	→				slow action	1NO+1NC	BBM		
SND2162-SL1- _	SL1	→				slow action	1NO+1NC		MBB	
SND2162-SL2- _	SL2	→				slow action				2NC

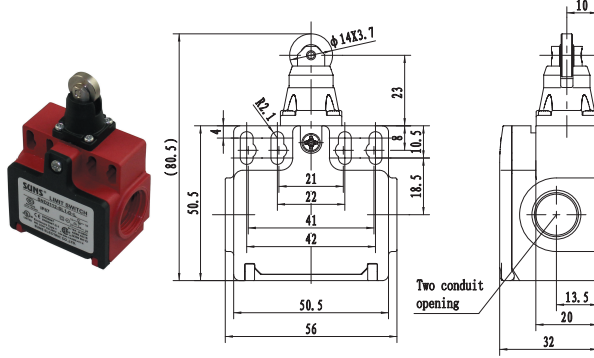
### SND2163



Order Code	Contact block	SP	SL	SL1	SL2	SNAP ACTION	1NO+1NC	1NO+1NC BBM	1NO+1NC MBB	2NC
SND2163-SP- _	SP	→				snap action	1NO+1NC			
SND2163-SL- _	SL	→				slow action	1NO+1NC	BBM		
SND2163-SL1- _	SL1	→				slow action	1NO+1NC		MBB	
SND2163-SL2- _	SL2	→				slow action				2NC

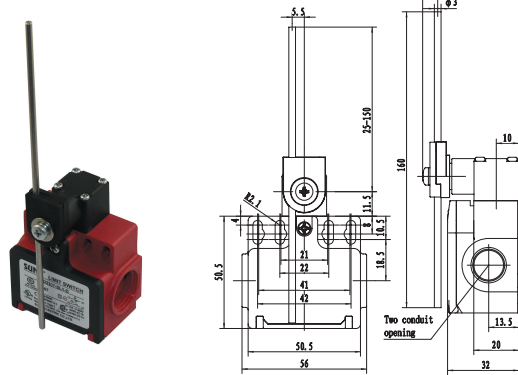
## GLOBAL STYLE SAFETY LIMIT SWITCHES (PLASTIC BODIED EN50047 COMPATIBLE) SND2 SERIES (2 - CONDUIT ENTRIES)

### SND2112-L



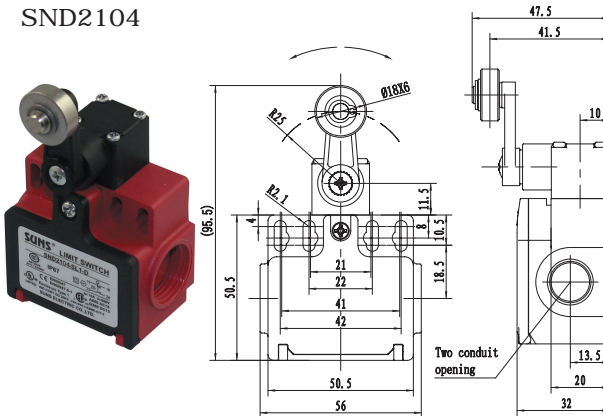
Order Code	Contact block	SP	SL	SL1	SL2	Action	Contacts
SND2112-SP- _L	SP	+				snap action	1NO+1NC
SND2112-SL- _L	SL	+				slow action	1NO+1NC BBM
SND2112-SL1- _L	SL1	+				slow action	1NO+1NC MBB
SND2112-SL2- _L	SL2	+				slow action	2NC

### SND2107



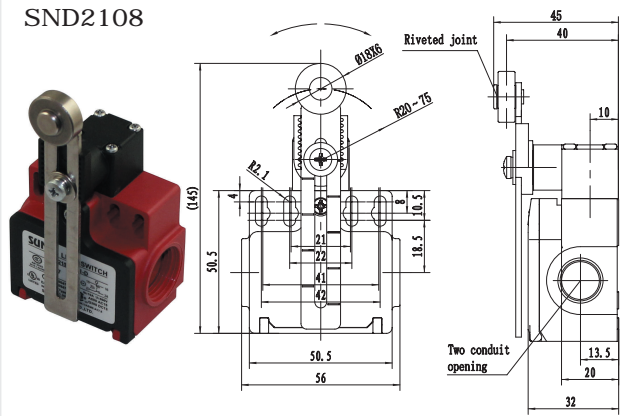
Order Code	Contact block	SP	SL	SL1	SL2	Action	Contacts
SND2107-SP- _	SP	+				snap action	1NO+1NC
SND2107-SL- _	SL	+				slow action	1NO+1NC BBM
SND2107-SL1- _	SL1	+				slow action	1NO+1NC MBB
SND2107-SL2- _	SL2	+				slow action	2NC

### SND2104



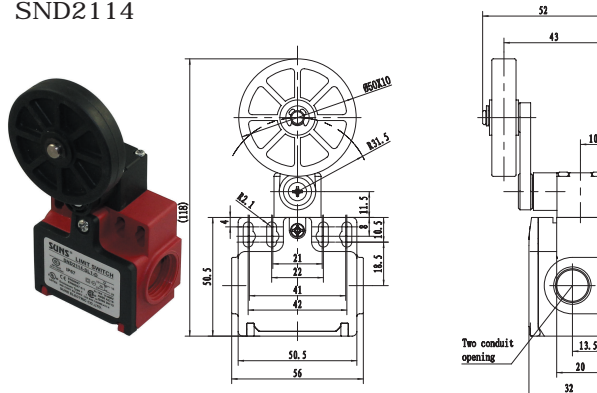
Order Code	Contact block	SP	SL	SL1	SL2	Action	Contacts
SND2104-SP- _	SP	+				snap action	1NO+1NC
SND2104-SL- _	SL	+				slow action	1NO+1NC BBM
SND2104-SL1- _	SL1	+				slow action	1NO+1NC MBB
SND2104-SL2- _	SL2	+				slow action	2NC

### SND2108



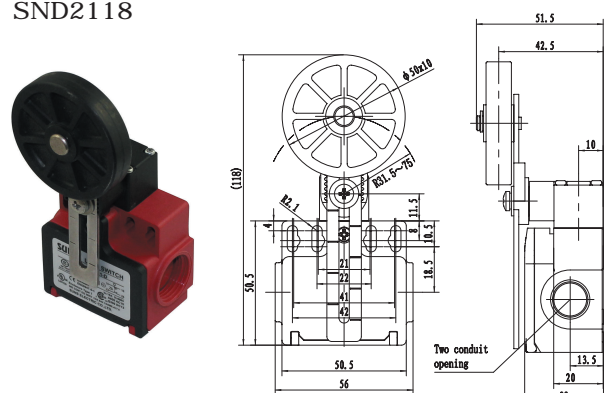
Order Code	Contact block	SP	SL	SL1	SL2	Action	Contacts
SND2108-SP- _	SP	+				snap action	1NO+1NC
SND2108-SL- _	SL	+				slow action	1NO+1NC BBM
SND2108-SL1- _	SL1	+				slow action	1NO+1NC MBB
SND2108-SL2- _	SL2	+				slow action	2NC

### SND2114



Order Code	Contact block	SP	SL	SL1	SL2	Action	Contacts
SND2114-SP- _	SP	+				snap action	1NO+1NC
SND2114-SL- _	SL	+				slow action	1NO+1NC BBM
SND2114-SL1- _	SL1	+				slow action	1NO+1NC MBB
SND2114-SL2- _	SL2	+				slow action	2NC

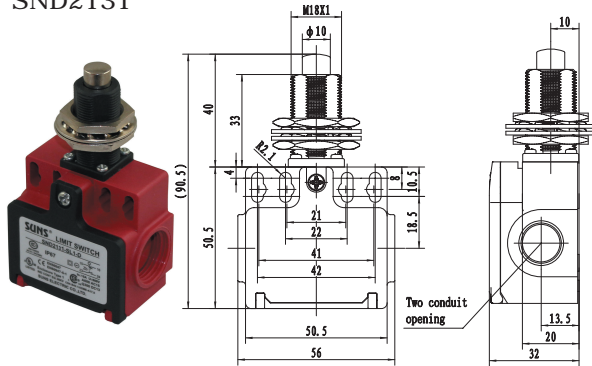
### SND2118



Order Code	Contact block	SP	SL	SL1	SL2	Action	Contacts
SND2118-SP- _	SP	+				snap action	1NO+1NC
SND2118-SL- _	SL	+				slow action	1NO+1NC BBM
SND2118-SL1- _	SL1	+				slow action	1NO+1NC MBB
SND2118-SL2- _	SL2	+				slow action	2NC

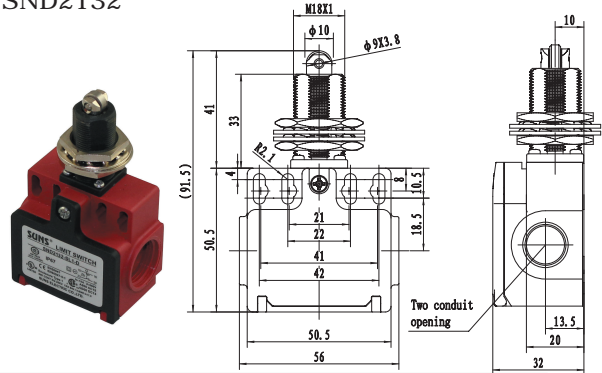
## GLOBAL STYLE SAFETY LIMIT SWITCHES (PLASTIC BODIED EN50047 COMPATIBLE) SND2 SERIES (2 - CONDUIT ENTRIES)

SND2131



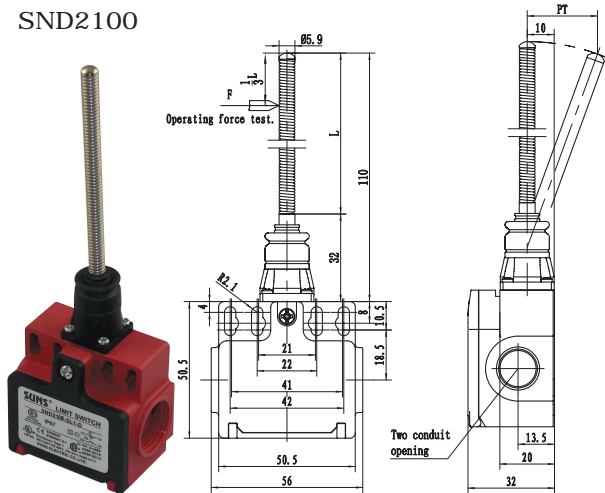
Order Code	Contact block	SP	SL	SL1	SL2
SND2131-SP- _	SP	⊕			
SND2131-SL- _	SL		⊕		
SND2131-SL1- _	SL1			⊕	
SND2131-SL2- _	SL2				⊕

SND2132



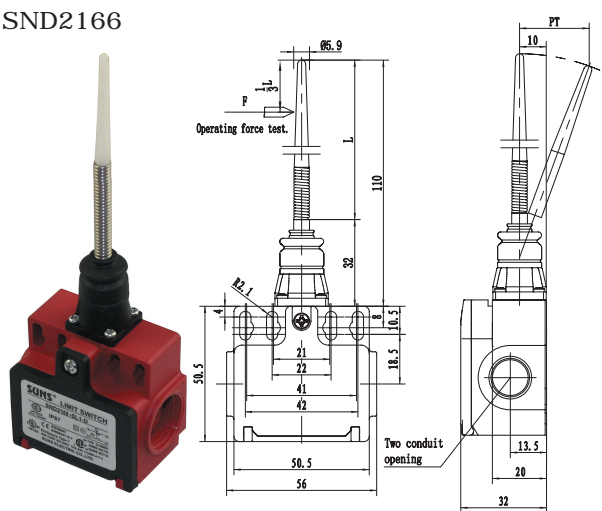
Order Code	Contact block	SP	SL	SL1	SL2
SND2132-SP- _	SP	⊕			
SND2132-SL- _	SL		⊕		
SND2132-SL1- _	SL1			⊕	
SND2132-SL2- _	SL2				⊕

SND2100



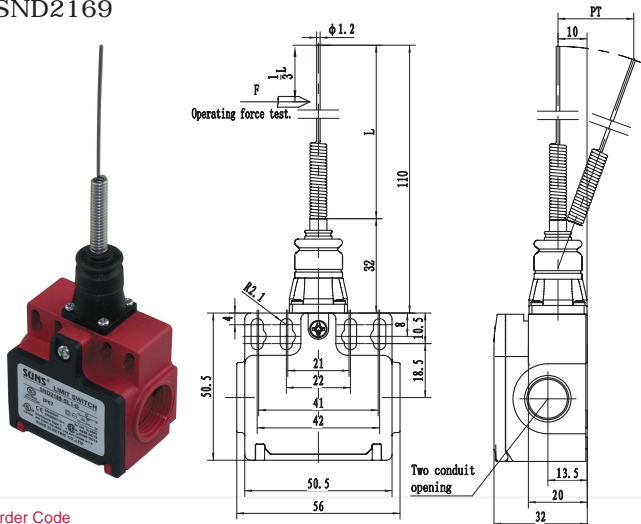
Order Code	SP	SNAP ACTION	1NO+1NC
SND2100-SP- _	SP	SNAP ACTION	1NO+1NC

SND2166



Order Code	SP	SNAP ACTION	1NO+1NC
SND2166-SP- _	SP	SNAP ACTION	1NO+1NC

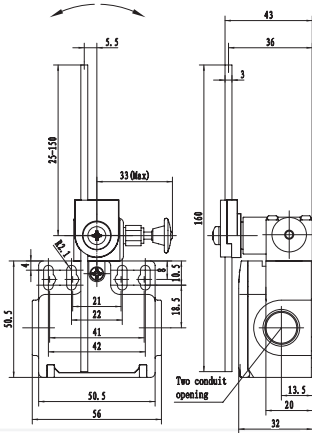
SND2169



Order Code	SP	SNAP ACTION	1NO+1NC
SND2169-SP- _	SP	SNAP ACTION	1NO+1NC

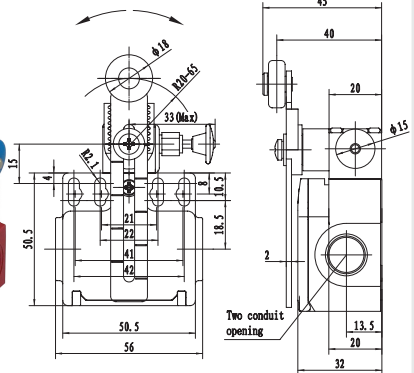
## GLOBAL STYLE SAFETY LIMIT SWITCHES (PLASTIC BODIED EN50047 COMPATIBLE) SND2 SERIES (2 - CONDUIT ENTRIES WITH RESET)

**SND2107-SR**



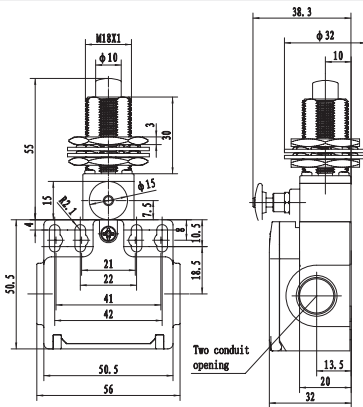
Order Code	Contact block		
SND2107-SP- _SR	SP	↻	snap action 1NO+1NC
SND2107-SL- _SR	SL	↻	slow action 1NO+1NC BBM
SND2107-SL1- _SR	SL1	↻	slow action 1NO+1NC MBB
SND2107-SL2- _SR	SL2	↻	slow action 2NC

**SND2108-SR**



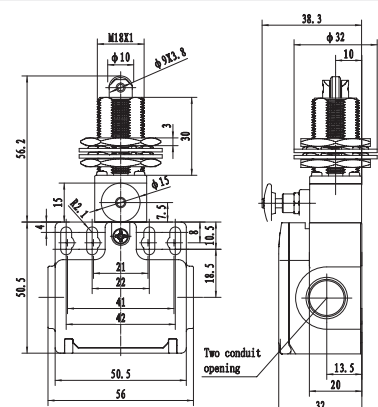
Order Code	Contact block		
SND2108-SP- _SR	SP	↻	snap action 1NO+1NC
SND2108-SL- _SR	SL	↻	slow action 1NO+1NC BBM
SND2108-SL1- _SR	SL1	↻	slow action 1NO+1NC MBB
SND2108-SL2- _SR	SL2	↻	slow action 2NC

**SND2131-R**



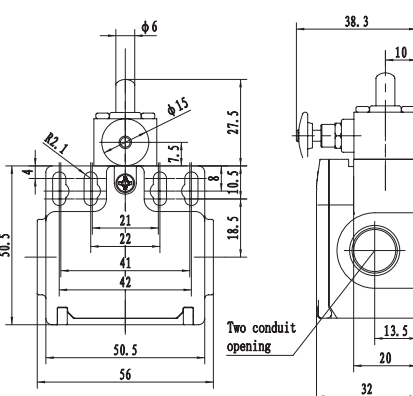
Order Code	Contact block		
SND2131-SP- _ - R	SP	↻	snap action 1NO+1NC
SND2131-SL- _ - R	SL	↻	slow action 1NO+1NC BBM
SND2131-SL1- _ - R	SL1	↻	slow action 1NO+1NC MBB
SND2131-SL2- _ - R	SL2	↻	slow action 2NC

**SND2132-R**



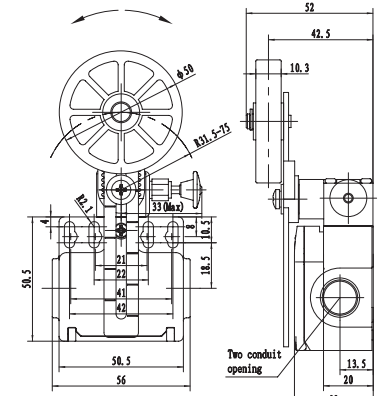
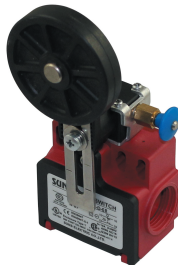
Order Code	Contact block		
SND2132-SP- _ - R	SP	↻	snap action 1NO+1NC
SND2132-SL- _ - R	SL	↻	slow action 1NO+1NC BBM
SND2132-SL1- _ - R	SL1	↻	slow action 1NO+1NC MBB
SND2132-SL2- _ - R	SL2	↻	slow action 2NC

**SND2111-R**



Order Code	Contact block		
SND2111-SP- _ - R	SP	↻	snap action 1NO+1NC
SND2111-SL- _ - R	SL	↻	slow action 1NO+1NC BBM
SND2111-SL1- _ - R	SL1	↻	slow action 1NO+1NC MBB
SND2111-SL2- _ - R	SL2	↻	slow action 2NC

**SND2118-SR**



Order Code	Contact block		
SND2118-SP- _ SR	SP	↻	snap action 1NO+1NC
SND2118-SL- _ SR	SL	↻	slow action 1NO+1NC BBM
SND2118-SL1- _ SR	SL1	↻	slow action 1NO+1NC MBB
SND2118-SL2- _ SR	SL2	↻	slow action 2NC