

## Series Spec Sheet

# LPDL

## LED 4" ROUND LOW PROFILE DOWNLIGHT

LPDL™ gives you all the flexibility you need during installation, especially in confined area or when facing constraints such as wood beams, ceiling joist or air ducts. The driver is mounted separately from the light source which allows the luminaire profile to be less than 1" thick.

### FEATURES AND SPECIFICATIONS

#### • Construction

- Finishing
  - White and Brushed Nickel
  - 120° beam angle
  - 4" Round

#### Mounting

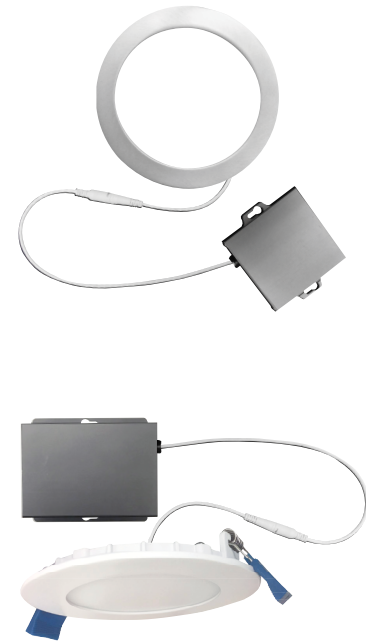
- LED module with LED driver easily installed with quick connect wire
- Torsion spring mounting clips

#### • Technical specifications

- Phase-cut dimming
- Color temperature 2 700, 3 000, 4 000 and 5 000 K
- Operating temperature: -20 °C to 45 °C (-4 °F to 113 °F)
- IC certified
- Suitable for damp and wet location
- FT4 cable and FT6 cable for plenum
- Air tight

#### • Compliances

- cETLus
- Energy Star



### OVERVIEW

Light source	LED
Watts (W)	9
Lumen output (lm)	520 - 600
Efficacy (lm/W)	58 - 67
Color temperature (K)	2 700, 3 000, 4 000 and 5 000
CRI	80



**QUICK SHIP AND TECHNICAL SPECIFICATION TABLE** 



**S1 - Small junction box**

Order code	Model number	Watts (W)	Volts (V AC)	Color temp. (K) <sup>2</sup>	Lumen output (lm) <sup>3</sup>	Efficacy (lm/W)	CRI	Life L70 (hrs) <sup>4</sup>	Beam angle (°)	Cable rating	Finish	Power factor	THD (%)	Traditional equivalent (W)	Case qty (master)
<b>4" Round</b>															
63879	LPDL4/RND/9W/27K/WH/STD	9	120	2 700	520	58	80	50 000	120	FT4	White	>0.9	<40	50	24
63884	LPDL4/RND/9W/30K/SLV/STD	9	120	3 000	550	61	80	50 000	120	FT4	Brushed nickel	>0.9	<40	50	24
63887	LPDL4/RND/9W/40K/SLV/STD	9	120	4 000	580	64	80	50 000	120	FT4	Brushed nickel	>0.9	<40	50	24

<sup>1</sup> **QUICK SHIP:** Product availability is subject to change without notice. Please contact your Stanpro customer service representative to confirm inventory levels at time of order.  
<sup>2</sup> Typical color temperature range: +/- 5 %.  
<sup>3</sup> Lumen values are derived from Energy Star reported data. Initial lumens range: +/- 10 %.  
<sup>4</sup> Life hours are derived from IESNA LM-80-08 testing report and projected per IESNA TM-21-11 extrapolations.



**S2 - Large junction box**

Order code	Model number	Watts (W)	Volts (V AC)	Color temp. (K) <sup>2</sup>	Lumen output (lm) <sup>3</sup>	Efficacy (lm/W)	CRI	Life L70 (hrs) <sup>4</sup>	Beam angle (°)	Cable rating	Finish	Power factor	THD (%)	Traditional equivalent (W)	Case qty (master)
<b>4" Round Wet Location</b>															
66220	LPDL4/RND/9W/30K/BN/WET/STD	9	120	3 000	550	61	80	50 000	120	FT4	Brushed nickel	>0.9	<40	50	24
66221	LPDL4/RND/9W/40K/BN/WET/STD	9	120	4 000	580	64	80	50 000	120	FT4	Brushed nickel	>0.9	<40	50	24
<b>4" Round FT6 cable for plenum</b>															
66960	LPDL4/S2/FT6/RND/9W/30K/WH/STD	9	120	3 000	550	61	80	50 000	120	FT6	White	>0.9	<40	50	24
<b>4" Round</b>															
65938	LPDL4/S2/RND/9W/30K/BN/STD	9	120	3 000	550	61	80	50 000	120	FT4	Brushed nickel	>0.9	<40	50	24
65941	LPDL4/S2/RND/9W/40K/BN/STD	9	120	4 000	580	64	80	50 000	120	FT4	Brushed nickel	>0.9	<40	50	24

<sup>1</sup> **QUICK SHIP:** Product availability is subject to change without notice. Please contact your Stanpro customer service representative to confirm inventory levels at time of order.  
<sup>2</sup> Typical color temperature range: +/- 5 %.  
<sup>3</sup> Lumen values are derived from Energy Star reported data. Initial lumens range: +/- 10 %.  
<sup>4</sup> Life hours are derived from IESNA LM-80-08 testing report and projected per IESNA TM-21-11 extrapolations.

**ACCESSORIES (order separately)**

Part number	Model number	Type	Inner diameter (in)	Outer diameter (in)	Master case qty
66821 <sup>1</sup>	ACC/MPLATE/4.25IN/HANG.BARS/STD	Mounting plate with hanger bars	4 1/4	-	25
66058	ACC/MPLATE/4.25/ADJ/STD	Adjustable mounting plate	4 1/4	-	24
66051	ACC/MPLATE/4.25/SQR/STD	Square mounting plate	4 1/4	-	96
66143	ACC/4/VAPOR BARRIER/STD	Vapor barrier extender	4 1/4	-	50
68986 <sup>2</sup>	GOOF RING-4.25IN	Goof rings	4 1/4	6 1/2	120
64264 <sup>3</sup>	LPDL/ACC/6FT/EXTCABLE/STD	6' Extension cord	-	-	96
66964	LPDL/ACC/6FT/EXTCABLE/FT6/STD	6' FT6 Extension cord	-	-	96



<sup>1</sup> Includes brackets and screws.  
<sup>2</sup> Please note that the white finish of the goof rings differs from the white finish of the LPDL Stanpro Series.  
<sup>3</sup> Up to 6 FT4 extension cords can be connected together.

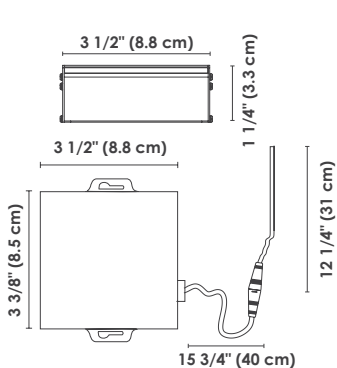
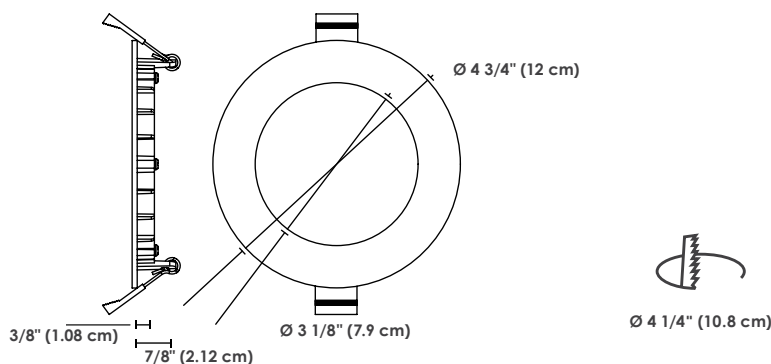
Data is based upon tests performed in a controlled environment. Actual performance can vary depending on operating conditions. All products are subject to change or may be discontinued any time without notice.

**COMPATIBLE DIMMERS**

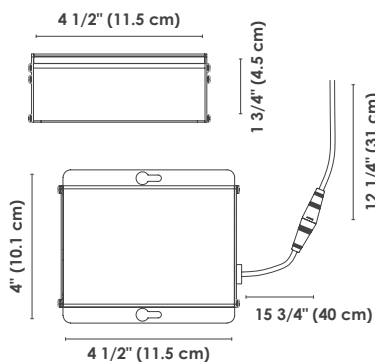
Brand	Product type & dimmer model number	
	Damp location	Wet location
LEGRAND	HCL453P	HCL453P
COOPER	9531AW, DAL06P, SLC03P	AAL06, DAL06P, SLC03P
LEVITON	6615, 6674, DSL06-1LZ, DSM10-1LZ, IPE04-1LZ, IPL06	6615, DSL06-1LZ, DSM10-1LZ, IPE04-1LZ
LUTRON	DVCL-153P, DVCL-253P, DVELV-300P, MACL-153P, NTELV-600, PD-6WCL, SELV-300P	AYCL-253P, CTCL-153P, DVCL-153P, DVCL-253P, DVELV-300P, MACL-153P, NTELV-600, PD-6WCL, SELV-300P

NOTE: The above table shows dimmers that have been tested and have demonstrated proper operation under normal conditions. Each installation being unique, various factors such as load, common neutrals or other electrical products on the circuit can, in certain instances, cause variance in system performance. Read and comply to the dimmer installation instructions. Consult dimming system manufacturer for additional support in operation. Standard recommends to use dimmers designed to work with LED products. Older dimmers designed for incandescent products may cause erratic operation. Some dimmers may require more than one product for stable operation. The maximum number of products is determined by the dimmer wattage rating with LEDs. Be careful, these dimmers have different ratings depending on the product type. Again, refer to the dimmer installation instructions.

**DIMENSIONS**



**S1 4" LED DRIVER**



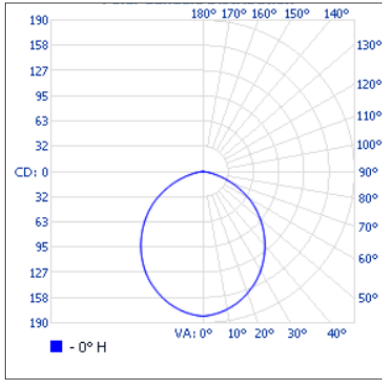
**S2 4" LED DRIVER**

Data is based upon tests performed in a controlled environment. Actual performance can vary depending on operating conditions. All products are subject to change or may be discontinued any time without notice.

## PHOTOMETRIC DATA<sup>1</sup>

63879 • LPDL4/RND/9W/27K/WH/STD • 448.1 lm

### Polar candela distribution



### Zonal lumen summary

Zone	Lumens	% Fixture
0-30	135.8	30.3
0-40	218.9	48.9
0-60	373.8	83.4
60-90	74.3	16.6
0-90	448.1	100

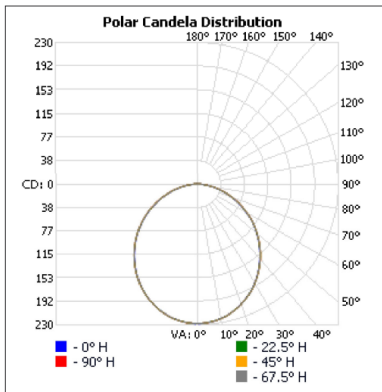
### Illuminance at a distance

	Center beam fc	Beam width
1.7'	62.8	4.2'
3.3'	16.7	8.2'
5.0'	7.26	12.5'
6.7'	4.04	16.7'
8.3'	2.63	20.7'
10.0'	1.82	24.9'

■ Vert. spread: 102.5°

66221 • LPDL4/RND/9W/40K/BN/WET/STD • 621.5 lm

### Polar candela distribution



### Zonal lumen summary

Zone	Lumens	% Fixture
0-30	174.5	28.1
0-40	283.4	45.6
0-60	493.3	79.4
60-90	128.1	20.6
70-100	53.7	8.6
90-120	0.0	0
0-90	621.5	100
90-180	0.0	0
0-180	621.5	100

### Illuminance at a distance

	Center beam fc	Beam width
1.7'	78.8	4.6' 4.7'
3.3'	20.9	9.0' 9.1'
5.0'	9.11	13.7' 13.8'
6.7'	5.07	18.3' 18.5'
8.3'	3.31	22.7' 22.9'
10.0'	2.28	27.3' 27.6'

■ Vert. spread: 107.6°  
■ Horiz. spread: 108.1°

<sup>1</sup> Complete IES files available on our website.

Data is based upon tests performed in a controlled environment. Actual performance can vary depending on operating conditions. All products are subject to change or may be discontinued any time without notice.