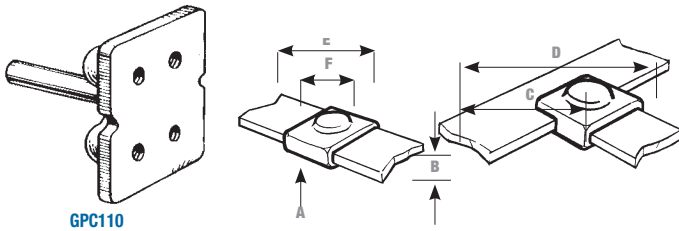


Exothermic Welding System

Earth Points

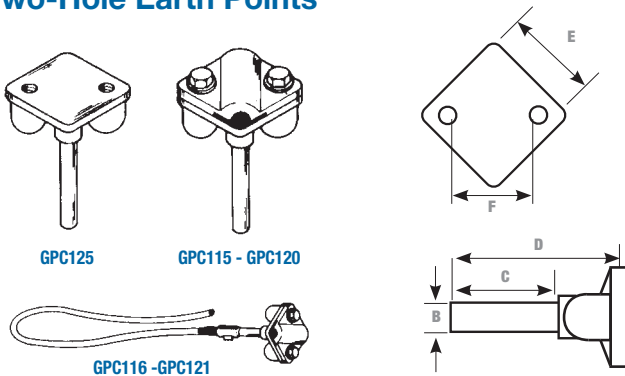
Four-Hole Earth Points



GPC110

Cat. No.	A Hole Size (in. dia.)	B (in. dia.)	C (in. dia.)	D (in. dia.)	E (in. dia.)	F (in. dia.)
GPC110	4 x 5/16 UNC x 9/16	27/64	2	3	2-1/2	1-13/32
GPC111	As GPC110 with a pre-welded 20 in. long tail of 2/0 AWG pvc insulated cable					

Two-Hole Earth Points



GPC125

GPC115 - GPC120

GPC116 - GPC121

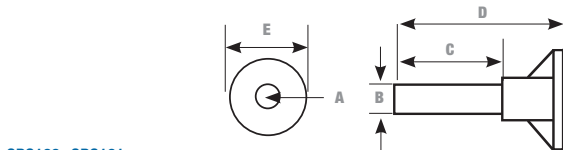
Complete with front plate

Cat. No.	Conductor Type	B (in. dia.)	C (in.)	D (in.)	E (in.)	F (in.)
GPC115	1 in. x 1/8 in. Tape or 2/0 AWG Cable	27/64	2	3-1/8	2-3/16	1-3/4
GPC116	As GPC115 with a pre-welded 20 in. long tail of 2/0 AWG pvc insulated cable					
GPC120	1 in. x 1/8 in. Tape or 5/16 in. dia. Solid	27/64	2	3-1/8	2-3/16	1-3/4
GPC121	As PC120 with a pre-welded 20 in. long tail of 2/0 AWG pvc insulated cable					

Without front plate

Cat. No.	Conductor Type	B (in. dia.)	C (in.)	D (in.)	E (in.)	F (in.)
GPC125	2 x 5/16 UNC x 1/2	27/64	2	3-1/8	2-3/16	1-3/4
GPC126	As PC125 with a pre-welded 20 in. long tail of 2/0 AWG pvc insulated cable					

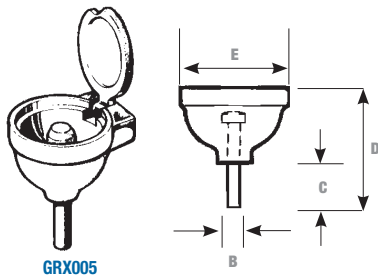
One-Hole Earth Points



GPC100 - GPC101

Cat. No.	A Hole Size	B (in. dia.)	C (in.)	D (in.)	E (in.)
GPC100	1 x 5/16 UNC x 5/8	27/64	2-3/16	3-1/8	1-3/8
GPC101	1 x 3/8 UNC x 5/8				
GPC105	As PC100 with a pre-welded 20 in. long tail of 2/0 AWG pvc insulated cable				
GPC106	As PC101 with a pre-welded 20 in. long tail of 2/0 AWG pvc insulated cable				

Static Earth Receptacle

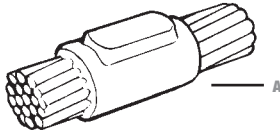


GRX005

Cat. No.	B (in. dia.)	C (in.)	D (in.)	E (in.)
GRX005	27/64	1-1/2	3-3/8	2-11/16

Exothermic Welding System

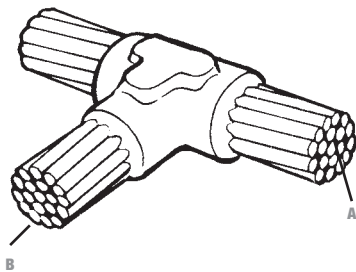
Cable to Cable



- Stranded Conductor
- Solid Circular Conductor

CC1

Cat. No.	Wire Size (A)	Welding Powder size	Handle Clamp Type	Std. Qty.
CC1-3-#3	3	32BKB	HCPK3	1
CC1-3-#2	2			
CC1-3-#2S	2 solid			
CC1-3-#1	1			
CC1-3-#1S	1 solid	45BKB	HCPK4	
CC1-4-1/0	1/0			
CC1-4-1/0S	1/0 solid			
CC1-4-2/0	2/0			
CC1-4-3/0	3/0	90BKB	HCPK4	
CC1-4-4/0	4/0			
CC1-4-4/0S	4/0 solid			
CC1-4-250K	250			
CC1-4-300K	300	115BKB	HCPK5	
CC1-4-350K	350	150BKB		
CC1-4-500K	500	200BKB		
CC1-5-750K	750	2 X 150BKB		
CC1-5-1000K	1000	2 X 200BKB		



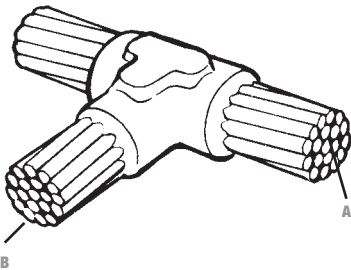
- Stranded Conductor
- Solid Circular Conductor

CC2

Cat. No.	Wire Size (A)	Wire Size (B)	Welding Powder size	Handle Clamp Type	Std. Qty.	Cat. No.	Wire Size (A)	Wire Size (B)	Welding Powder size	Handle Clamp Type	Std. Qty.
CC2-4-#4#4	4	4	32BKB	HCPK4	1	CC2-4-3/0#2	3/0	2	45BKB	HCPK4	1
CC2-4-#2S#2	2 solid	2	45BKB								
CC2-4-#2S#2S		2 solid									
CC2-4-#2S#4		4									
CC2-4-#2#2	2	2	45BKB								
CC2-4-#2#2S		2 solid									
CC2-4-#2#4		4									
CC2-4-#1#1	1	1	90BKB								
CC2-4-#1#2		2									
CC2-4-#1#2S		2 solid									
CC2-4-#1#4	1/0	4	45BKB								
CC2-4-1/01/0		1/0									
CC2-4-1/0#1		1									
CC2-4-1/0#2	1/0	2	90BKB								
CC2-4-1/0#2S		2 solid									
CC2-4-1/0#4		4									
CC2-4-2/02/0	2/0	2/0	45BKB								
CC2-4-2/01/0		1/0									
CC2-4-2/0#1		1									
CC2-4-2/0#2	2/0	2	115BKB								
CC2-4-2/0#2S		2 solid									
CC2-4-2/0#4		4									
CC2-4-3/03/0	3/0	3/0	90BKB								
CC2-4-3/02/0		2/0									
CC2-4-3/01/0		1/0									
CC2-4-3/0#1	3/0	1	45BKB								
CC2-4-300K300K		300		300	200BKB						
CC2-4-300K250K				250							
CC2-4-300K4/0	4/0		150BKB								
CC2-4-300K3/0	3/0										
CC2-4-300K2/0	2/0	90BKB									
CC2-4-300K1/0	1/0										

Exothermic Welding System

Cable to Cable



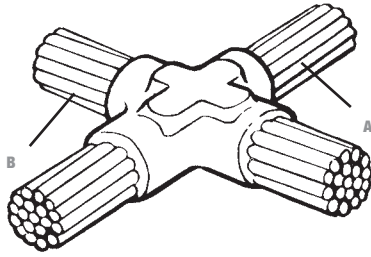
- Stranded Conductor
- Solid Circular Conductor

CC2 (cont'd)

Cat. No.	Wire Size (A)	Wire Size (B)	Welding Powder size	Handle Clamp Type	Std. Qty.	Cat. No.	Wire Size (A)	Wire Size (B)	Welding Powder size	Handle Clamp Type	Std. Qty.
CC2-4-300K#2	300	2	90BKB	HCPK4	1	CC2-4-750K300K	750	300	200BKB	HCPK4	1
CC2-4-300K#2S		2 solid				CC2-4-750K250		250			
CC2-4-300K#4		4				CC2-4-750K4/0		4/0			
CC2-4-350K350K		350				CC2-4-750K2/0		2/0			
CC2-4-350K300K	350	300	200BKB			CC2-4-750K1/0	1/0				
CC2-4-350K250K		250	150BKB			CC2-5-1000K1000K	1000				
CC2-4-350K4/0		4/0				CC2-5-1000K750K	750				
CC2-4-350K3/0		3/0	2 X 250BKB			CC2-5-1000K500K	500				
CC2-4-350K2/0		2/0				2 X 200BKB	CC2-4-1000K350K	350			
CC2-4-350K1/0		1/0	90BKB			250BKB	HCPK4				
CC2-4-350K#1		1				CC2-4-1000K300K		300			
CC2-4-350K#2		2				200BKB		250			
CC2-4-350K#4		4				4/0		150BKB			
CC2-4-500K500K		500	500			2 X 150BKB	CC2-4-1000K2/0	2/0			
CC2-4-500K350K	350		90BKB			1/0	HCPK4				
CC2-4-500K300K	300					200BKB		CC2-4-500K#1	1		
CC2-4-500K250K	250		2 X 250BKB			2	HCPK5				
CC2-4-500K4/0	4/0					150BKB		CC2-4-500K#2	2		
CC2-4-500K2/0	2/0					250BKB		4	HCPK4		
CC2-4-500K1/0	1/0							90BKB		CC2-4-500K#4	
CC2-4-500K#1	1		2 X 250BKB	HCPK5	CC2-5-750K750K	750					
CC2-4-500K#2	2				CC2-5-750K500K	500					
CC2-4-500K#4	4				250BKB	350	CC2-4-750K350K	350			

Exothermic Welding System

Cable to Cable



- Stranded Conductor
- Solid Circular Conductor

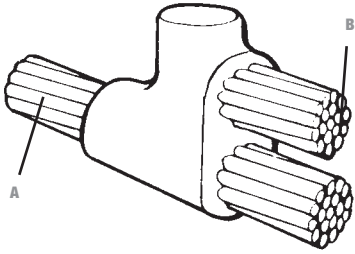
CC4

Cat. No.	Wire Size (A)	Wire Size (B)	Welding Powder size	Handle Clamp Type	Std. Qty.	Cat. No.	Wire Size (A)	Wire Size (B)	Welding Powder size	Handle Clamp Type	Std. Qty.
CC4-4-#4#4	4	4	45BKB	HCPK4	1	CC4-4-300K300K	300	300	250BKB	HCPK4	1
CC4-4-#2#2	2	2	65BKB			CC4-4-300K250K		250			
CC4-4-#2#4		4				CC4-4-300K4/0		4/0			
CC4-4-#2S#2S	2 solid	2 solid	2 solid			CC4-4-300K3/0		3/0			
CC4-4-#1#1	1	1	65BKB			CC4-4-300K2/0		2/0			
CC4-4-#1#2		2				CC4-4-300K1/0		1/0			
CC4-4-#1#4		4				CC4-4-300K#1		1			
CC4-4-1/01/0	1/0	1/0	90BKB			CC4-4-300K#2		2			
CC4-4-1/0#1		1				CC4-4-350K350K		350			
CC4-4-1/0#2		2				CC4-4-350K300K		300			
CC4-4-1/0#4		4				CC4-4-350K250K	250				
CC4-4-2/02/0	2/0	2/0	115BKB			CC4-4-350K4/0	4/0				
CC4-4-2/01/0		1/0				CC4-4-350K3/0	3/0				
CC4-4-2/0#1		1				CC4-4-350K2/0	2/0				
CC4-4-2/0#2		2				CC4-4-350K1/0	1/0				
CC4-4-3/03/0	3/0	3/0	150BKB			CC4-4-350K#1	1				
CC4-4-3/02/0		2/0				CC4-4-350K#2	2				
CC4-4-3/01/0		1/0				CC4-5-500K500K	500				
CC4-4-3/0#1		1				CC4-5-500K350K	350				
CC4-4-3/0#2	4/0	2	200BKB			CC4-5-500K300K	300				
CC4-4-4/04/0		4/0				CC4-5-500K250K	250				
CC4-4-4/03/0		3/0				CC4-5-500K4/0	4/0				
CC4-4-4/02/0		2/0				CC4-5-500K3/0	3/0				
CC4-4-4/01/0	4/0	1/0	150BKB			CC4-5-500K2/0	2/0				
CC4-4-4/0#1		1				CC4-5-500K1/0	1/0				
CC4-4-4/0#2		2				CC4-4-250K250K	250				
CC4-4-250K250K		250				250	200BKB	CC4-4-250K4/0	4/0		
CC4-4-250K4/0	4/0		CC4-4-250K3/0			3/0					
CC4-4-250K3/0	3/0		CC4-4-250K2/0			2/0					
CC4-4-250K2/0	2/0		CC4-4-250K1/0			1/0					
CC4-4-250K1/0	1/0		CC4-4-250K#1			1					
CC4-4-250K#1	1		CC4-4-250K#2			2					
CC4-4-250K#2	2										

Exothermic Welding System

Cable to Cable

CC6

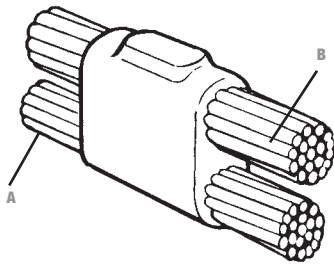


- Stranded Conductor
- Solid Circular Conductor

Cat. No.	Wire Size (A)	Wire Size (B)	Welding Powder size	Handle Clamp Type	Std. Qty.	
CC6-4-#4#4	4	4	45BKB	HCPK4	1	
CC6-4-#2#2	2	2	65BKB			
CC6-4-#2#4		4				
CC6-4-#2S#2S	2 solid	2 solid				
CC6-4-#1#1	1	1				
CC6-4-#1#2		2				
CC6-4-#1#4		4				
CC6-4-1/0#1/0	1/0	1/0	90BKB			
CC6-4-1/0#1		1				
CC6-4-1/0#2		2				
CC6-4-1/0#4		4				
CC6-4-2/0#2/0	2/0	2/0	115BKB			
CC6-4-2/0#1/0		1/0				
CC6-4-2/0#1		1				
CC6-4-2/0#2		2				
CC6-4-3/0#3/0	3/0	3/0	150BKB			
CC6-4-3/0#2/0		2/0				
CC6-4-3/0#1/0		1/0	115BKB			
CC6-4-3/0#1		1				
CC6-4-3/0#2						
CC6-4-4/0#4/0	4/0	4/0	200BKB			
CC6-4-4/0#3/0		3/0	150BKB			
CC6-4-4/0#2/0		2/0				
CC6-4-4/0#1/0		1/0	115BKB			
CC6-4-4/0#1		1				
CC6-4-4/0#2		2				
CC6-4-250K250K	250	250	200BKB			
CC6-4-250K4/0		4/0				
CC6-4-250K3/0		3/0				150BKB
CC6-4-250K2/0		2/0				
CC6-4-250K1/0		1/0	115BKB			
CC6-4-250K#1		1				
CC6-4-250K#2		2				
CC6-4-300K300K		300				300
CC6-4-300K250K	250		200BKB			
CC6-4-300K4/0	4/0					
CC6-4-300K3/0	3/0		150BKB			
CC6-4-300K2/0	2/0					
CC6-4-300K1/0	1/0		115BKB			
CC6-4-300K#1	1					
CC6-4-300K#2	2					
CC6-4-350K350K	350	350				250BKB
CC6-4-350K300K		300				
CC6-4-4350K250K		250	200BKB			
CC6-4-350K4/0		4/0				
CC6-4-350K3/0		3/0				
CC6-4-350K2/0		2/0				

Exothermic Welding System

Cable to Cable



- Stranded Conductor
- Solid Circular Conductor

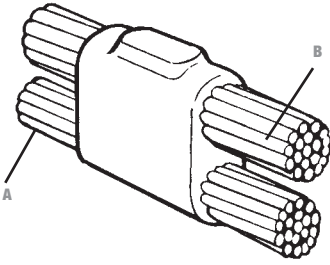
CC7

Cat. No.	Wire Size (A)	Wire Size (B)	Welding Powder size	Handle Clamp Type	Sleeve	Std. Qty.	
CC7-4-#4#4	4	4	32BKB	HCPK4	-	1	
CC7-4-#4#6		6			2 X SLEEVE#6		
CC7-4-#4#6S		6 solid			2 X SLEEVE#6S		
CC7-4-#4#8		8			2 X SLEEVE#8		
CC7-4-#2S#2	2 solid	2	65BKB		-		
CC7-4-#2S#2S		2 solid			-		
CC7-4-#2S#4		4			2 X SLEEVE#6		
CC7-4-#2S#6		6			2 X SLEEVE#6S		
CC7-4-#2S#6S	2	6 solid	45BKB		2 X SLEEVE#8		
CC7-4-#2S#8		8			2 X SLEEVE#8S		
CC7-4-#2S#8S		8 solid			2 X SLEEVE#8S		
CC7-4-#2#2		2			65BKB		-
CC7-4-#2#4	4	2 X SLEEVE#6					
CC7-4-#2#6	6	2 X SLEEVE#6S					
CC7-4-#2#6S	6 solid	2 X SLEEVE#8					
CC7-4-#2#8	1 solid	8	45BKB		2 X SLEEVE#8S		
CC7-4-#2#8S		8 solid			-		
CC7-4-#1S#1		1			65BKB		2 X SLEEVE#6
CC7-4-#1S#2		2					2 X SLEEVE#6S
CC7-4-#1S#2S	2 solid	2 X SLEEVE#8					
CC7-4-#1S#4	4	2 X SLEEVE#8S					
CC7-4-#1S#6	1	6	45BKB		-		
CC7-4-#1S#6S		6 solid			2 X SLEEVE#6		
CC7-4-#1S#8		8			2 X SLEEVE#6S		
CC7-4-#1S#8S		8 solid			2 X SLEEVE#8		
CC7-4-#1#1	1/0 solid	1	90BKB		2 X SLEEVE#8S		
CC7-4-#1#1S		1 solid			-		
CC7-4-#1#2		2			2 X SLEEVE#6		
CC7-4-#1#2S		2 solid			2 X SLEEVE#6S		
CC7-4-#1#4	1/0	4	65BKB		2 X SLEEVE#8		
CC7-4-#1#6		6			2 X SLEEVE#8S		
CC7-4-#1#6S		6 solid			-		
CC7-4-#1#8		8			2 X SLEEVE#6		
CC7-4-#1#8S	1/0 solid	8 solid	65BKB		2 X SLEEVE#6S		
CC7-4-1/OS1/0		1/0			2 X SLEEVE#8		
CC7-4-1/OS1/OS		1/0 solid			2 X SLEEVE#8S		
CC7-4-1/OS#1		1			-		
CC7-4-1/OS#1S	1/0	1 solid	90BKB		2 X SLEEVE#6		
CC7-4-1/OS#2		2			2 X SLEEVE#6S		
CC7-4-1/OS#2S		2 solid			2 X SLEEVE#8		
CC7-4-1/OS#4		4			2 X SLEEVE#8S		
CC7-4-1/OS#6	1/0 solid	6	65BKB		-		
CC7-4-1/OS#6S		6 solid			2 X SLEEVE#6		
CC7-4-1/OS#8		8			2 X SLEEVE#6S		
CC7-4-1/OS#8S		8 solid			2 X SLEEVE#8		
CC7-4-1/01/0	1/0	1/0	90BKB		2 X SLEEVE#8S		
CC7-4-1/01/OS		1/0 solid			-		

Exothermic Welding System

Cable to Cable

CC7 (cont'd)

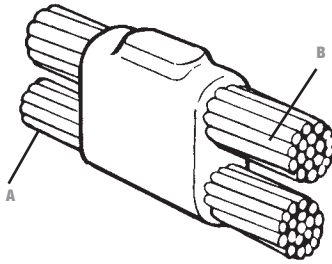


- Stranded Conductor
- Solid Circular Conductor

Cat. No.	Wire Size (A)	Wire Size (B)	Welding Powder size	Handle Clamp Type	Sleeve	Std. Qty.			
CC7-4-1/0#1	1/0	1	65BKB		-				
CC7-4-1/0#1S		1 solid							
CC7-4-1/0#2		2							
CC7-4-1/0#2S		2 solid							
CC7-4-1/0#4		4							
CC7-4-1/0#6		6							
CC7-4-1/0#6S		6 solid							
CC7-4-1/0#8		8							
CC7-4-1/0#8S	8 solid	115BKB		-					
CC7-4-2/02/0	2/0								
CC7-4-2/01/0	1/0								
CC7-4-2/01/0S	1/0 solid								
CC7-4-2/0#1	1					90BKB		-	
CC7-4-2/0#1S	1 solid								
CC7-4-2/0#2	2								
CC7-4-2/0#4	4								
CC7-4-2/0#6	6								
CC7-4-2/0#6S	6 solid								
CC7-4-2/0#8	8	65BKB		-					
CC7-4-2/0#8S	8 solid								
CC7-4-3/03/0	3/0	3/0	150BKB	HCPK4	-	1			
CC7-4-3/02/0		2/0							
CC7-4-3/01/0		1/0	115BKB						
CC7-4-3/01/0S		1/0 solid							
CC7-4-3/0#1		1							
CC7-4-3/0#1S		1 solid							
CC7-4-3/0#2		2							
CC7-4-3/0#2S		2 solid							
CC7-4-3/0#4		4	90BKB						
CC7-4-3/0#6		6							
CC7-4-3/0#6S		6 solid							
CC7-4-3/0#8		8							
CC7-4-3/0#8S		8 solid							
CC7-4-4/0S4/0		4/0					200BKB	-	
CC7-4-4/0S4/0S		4/0 solid							
CC7-4-4/0S3/0		3/0	150BKB						
CC7-4-4/0S2/0	2/0								
CC7-4-4/0S1/0	1/0								
CC7-4-4/0S1/0S	1/0 solid								
CC7-4-4/0S#1	1								
CC7-4-4/0S#1S	1 solid								
CC7-4-4/0S#2	2	90BKB							
CC7-4-4/0S#2S	2 solid								
CC7-4-4/0S#4	4								
CC7-4-4/0S#6	6								
CC7-4-4/0S#6S	6 solid								
CC7-4-4/0S#8	8								
CC7-4-4/0S#8S	8 solid								

Exothermic Welding System

Cable to Cable



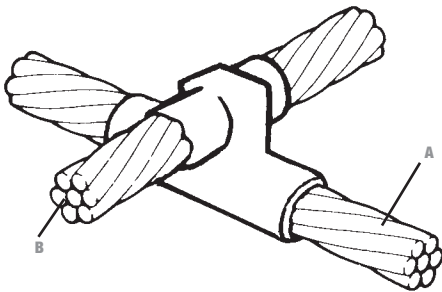
- Stranded Conductor
- Solid Circular Conductor

CC7 (cont'd)

Cat. No.	Wire Size (A)	Wire Size (B)	Welding Powder size	Handle Clamp Type	Sleeve	Std. Qty.
CC7-4-4/04/0	4/0	4/0	200BKB	HCPK4	-	1
CC7-4-4/04/0S		4/0 solid				
CC7-4-4/03/0		3/0	150BKB			
CC7-4-4/02/0		2/0				
CC7-4-4/01/0		1/0				
CC7-4-4/01/0S		1/0 solid				
CC7-4-4/0#1		1				
CC7-4-4/0#1S		1 solid				
CC7-4-4/0#2		2				
CC7-4-4/0#2S		2 solid				
CC7-4-4/0#4		4	90BKB			
CC7-4-4/0#6		6				
CC7-4-4/0#6S		6 solid				
CC7-4-4/0#8		8				
CC7-4-4/0#8S		8 solid	2 X SLEEVE#6			
			2 X SLEEVE#6S			
		2 X SLEEVE#8				
		2 X SLEEVE#8S				

Exothermic Welding System

Cable to Cable



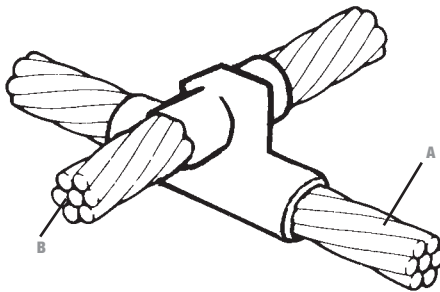
- Stranded Conductor
- Solid Circular Conductor

CC11

Cat. No.	Wire Size (A)	Wire Size (B)	Welding Powder size	Handle Clamp Type	Sleeve	Std. Qty.
CC11-7-#6S#6S	6 solid	6 solid	32BKB	HCPK7	4 X SLEEVE#6S	1
CC11-7-#6#6	6	6	45BKB		4 X SLEEVE#6	
CC11-7-#4#4	4	4	65BKB			
CC11-7-#2#2	2	2	90BKB			
CC11-7-#2#4		4	65BKB			
CC11-7-#2S#2S	2 solid	2 solid	90BKB			
CC11-7-#1#1	1	1	115BKB			
CC11-7-#1#2		2	90BKB			
CC11-7-#1#4		4				
CC11-7-1/01/0	1/0	1/0	150BKB			
CC11-7-1/0#1		1	115BKB			
CC11-7-1/0#2		2				
CC11-7-1/0#4		4				
CC11-7-2/02/0	2/0	2/0	200BKB			
CC11-7-2/01/0		1/0				
CC11-7-2/0#1		1	150BKB			
CC11-7-2/0#2		2				
CC11-7-3/03/0	3/0	3/0	250BKB			
CC11-7-3/02/0		2/0	200BKB			
CC11-7-3/01/0		1/0				
CC11-7-3/0#1		1	150BKB			
CC11-7-3/0#2		2				
CC11-7-4/04/0		4/0			250BKB	
CC11-7-4/03/0	4/0	3/0	250BKB			
CC11-7-4/02/0		2/0				
CC11-7-4/01/0		1/0	200BKB			
CC11-7-4/0#1		1				
CC11-7-4/0#2		2	150BKB			
CC11-7-250K250K		250	250		2 X 150BKB	
CC11-7-250K4/0	4/0					
CC11-7-250K3/0	3/0					
CC11-7-250K2/0	2/0		250BKB			
CC11-7-250K1/0	1/0		200BKB			
CC11-7-250K#1	1					
CC11-7-250K#2	2			150BKB		

Exothermic Welding System

Cable to Cable



- Stranded Conductor
- Solid Circular Conductor

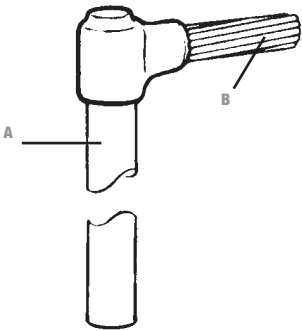
CC11 (cont'd)

Cat. No.	Wire Size (A)	Wire Size (B)	Welding Powder size	Handle Clamp Type	Sleeve	Std. Qty.
CC11-8-300K300K	300	300	2 X 200BKB	HCPK8	-	1
CC11-8-300K250K		250				
CC11-7-300K4/0		4/0	2 X 150BKB	HCPK7		
CC11-7-300K3/0		3/0				
CC11-7-300K2/0		2/0	250BKB	HCPK7		
CC11-7-300K1/0		1/0				
CC11-7-300K#1		1	200BKB	HCPK7		
CC11-7-300K#2		2	150BKB			
CC11-8-350K350K	350	350	2 X 250BKB	HCPK8	-	1
CC11-8-350K300K		300				
CC11-8-350K250K		250	2 X 200BKB	HCPK7		
CC11-8-350K4/0		4/0				
CC11-8-350K3/0		3/0	2 X 150BKB	HCPK7		
CC11-7-350K2/0		2/0				
CC11-7-350K1/0		1/0	250BKB	HCPK7		
CC11-7-350K#1		1	200BKB			
CC11-7-350K#2	2					
CC11-8-500K500K	500	500	3 X 250BKB	HCPK8	-	1
CC11-8-500K350K		350				
CC11-8-500K300K		300	3 X 200BKB	HCPK8		
CC11-8-500K250K		250k				
CC11-8-500K4/0		4/0	2 X 250BKB	HCPK8		
CC11-8-500K3/0		3/0				
CC11-8-500K2/0		2/0	2 X 200BKB	HCPK8		
CC11-8-500K1/0		1/0				

Exothermic Welding System

Cable to Ground Rod

CR1



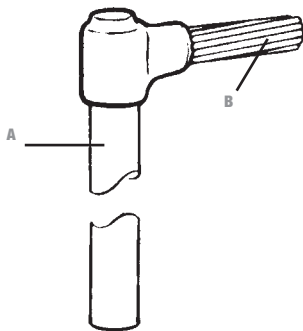
- Stranded Conductor
- Solid Circular Conductor

Cat. No.	Rod Size (A)	Wire Size (B)	Welding Powder size	Handle Clamp Type	Sleeve	Std. Qty.
CR1-3-500#6	1/2 Nominal Diameter Actual Shank Dia. 0.476 in. (Non UL Rod)	6	65BKB	HCPK3	1 X SLEEVE#6	1
CR1-3-500#6S		6 solid			1 X SLEEVE#6S	
CR1-3-500#4		4	45BKB			
CR1-3-500#4S		4 solid				
CR1-3-500#2		2	65BKB	HCPK4	-	
CR1-3-500#2S		2 solid				
CR1-4-500#1		1	90BKB			
CR1-4-5001/0		1/0				
CR1-4-5001/0S		1/0 solid				
CR1-4-5002/0		2/0				
CR1-4-5003/0		3/0				
CR1-4-5004/0		4/0				
CR1-4-500250K		250				
CR1-4-500300K		300				
CR1-3-500L#6	1/2 True Diameter Actual Shank Dia. 0.502 in. (UL Rod)	6	45BKB	HCPK3	1 X SLEEVE#6	
CR1-3-500L#6S		6 solid			1 X SLEEVE#6S	
CR1-3-500L#4		4	65BKB			
CR1-3-500L#4S		4 solid				
CR1-3-500L#2		2	90BKB	HCPK4	-	
CR1-3-500L#2S		2 solid				
CR1-4-500L#1		1				
CR1-4-500L1/0		1/0				
CR1-4-500L1/0S		1/0 solid				
CR1-4-500L2/0		2/0				
CR1-4-500L3/0		3/0				
CR1-4-500L4/0		4/0				
CR1-4-500L250K		250				
CR1-4-500L300K		300				
CR1-3-625#6	5/8 Nominal Diameter Actual Shank Dia. 0.560 in.	6	65BKB		HCPK4	1 X SLEEVE#6
CR1-3-625#6S		6 solid				1 X SLEEVE#6S
CR1-3-625#4		4	90BKB			
CR1-3-625#4S		4 solid				
CR1-4-625#2		2	115BKB			
CR1-4-625#2S		2 solid				
CR1-4-625#1		1				
CR1-4-6251/0		1/0				
CR1-4-6251/0S		1/0 solid				
CR1-4-6252/0		2/0				
CR1-4-6253/0		3/0				
CR1-4-6254/0		4/0				
CR1-4-625250K		250				
CR1-4-625300K		300				
CR1-4-625350K	350					
CR1-4-625500K	500					

For Connections to Extensible (Threaded) Rods - Remove Top Threaded Section.

Exothermic Welding System

Cable to Ground Rod



- Stranded Conductor
- Solid Circular Conductor

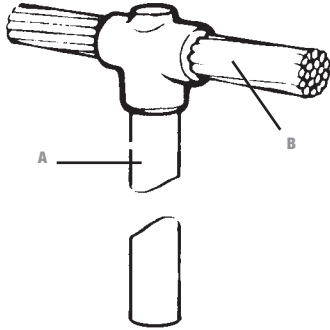
CR1 (cont'd)

Cat. No.	Rod Size (A)	Wire Size (B)	Welding Powder size	Handle Clamp Type	Sleeve	Std. Qty.
CR1-3-750#6	3/4 Nominal Diameter Actual Shank Dia. 0.678 in.	6	32BKB	HCPK3	1 X SLEEVE#6	1
CR1-3-750#6S		6 solid			45BKB	
CR1-3-750#4		4	90BKB			
CR1-3-750#4S		4 solid			HCPK4	
CR1-4-750#2		2	115BKB			
CR1-4-750#2S		2 solid		150BKB		
CR1-4-750#1		1				
CR1-4-7501/0		1/0				
CR1-4-7501/0S		1/0 solid				
CR1-4-7502/0		2/0				
CR1-4-7503/0		3/0				
CR1-4-7504/0		4/0				
CR1-4-750250K		250				
CR1-4-750300K		300				
CR1-4-750350K		350				
CR1-4-750500K		500				

For Connections to Extensible (Threaded) Rods - Remove Top Threaded Section.

Exothermic Welding System

Cable to Ground Rod



- Stranded Conductor
- Solid Circular Conductor

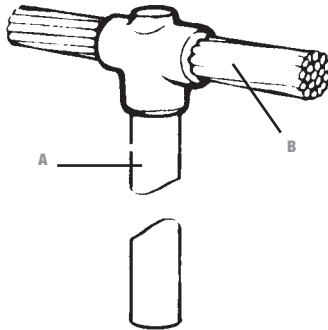
CR2

Cat. No.	Rod Size (A)	Wire Size (B)	Welding Powder size	Handle Clamp Type	Sleeve	Std. Qty.		
CR2-3-500#6	1/2 Nominal Diameter Actual Shank Dia. 0.476 in. (Non UL Rod)	6	65BKB	HCPK3	SLEEVE#6			
CR2-3-500#6S		6 solid			SLEEVE#6S			
CR2-3-500#4		4			90BKB		-	
CR2-3-500#4S		4 solid						
CR2-4-500#2		2	115BKB	HCPK4	-			
CR2-4-500#2S		2 solid						
CR2-4-500#1		1					150BKB	-
CR2-4-5001/0		1/0						
CR2-4-5001/0S		1/0 solid	200BKB	-				
CR2-4-5002/0		2/0						
CR2-4-5003/0		3/0	200BKB	-				
CR2-4-5004/0		4/0						
CR2-4-500250K		250	200BKB	-				
CR2-4-500300K		300						
CR2-3-500L#6	1/2 True Diameter Actual Shank Dia. 0.502 in. (UL Rod)	6	65BKB	HCPK3	SLEEVE#6			
CR2-3-500L#6S		6 solid			SLEEVE#6S			
CR2-3-500L#4		4			90BKB		-	
CR2-3-500L#4S		4 solid						
CR2-4-500L#2		2	115BKB	HCPK4	-			
CR2-4-500L#2S		2 solid						
CR2-4-500L#1		1					150BKB	-
CR2-4-500L1/0		1/0						
CR2-4-500L1/0S		1/0 solid	200BKB	-				
CR2-4-500L2/0		2/0						
CR2-4-500L3/0		3/0	200BKB	-				
CR2-4-500L4/0		4/0						
CR2-4-500L250K		250	200BKB	-				
CR2-4-500L300K		300						
CR2-3-625#6	5/8 Nominal Diameter Actual Shank Dia. 0.560 in.	6	32BKB	HCPK3	SLEEVE#6			
CR2-3-625#6S		6 solid			SLEEVE#6S			
CR2-3-625#4		4			90BKB		-	
CR2-3-625#4S		4 solid						
CR2-4-625#2		2	115BKB	HCPK4	-			
CR2-4-625#2S		2 solid						
CR2-4-625#1		1					150BKB	-
CR2-4-6251/0		1/0						
CR2-4-6251/0S		1/0 solid	200BKB	-				
CR2-4-6252/0		2/0						
CR2-4-6253/0		3/0	200BKB	-				
CR2-4-6254/0		4/0						
CR2-4-625250K		250	200BKB	-				
CR2-4-625300K		300						
CR2-4-625350K	350	200BKB	-					
CR2-4-625500K	500							

For Connections to Extensible (Threaded) Rods - Remove Top Threaded Section.

Exothermic Welding System

Cable to Ground Rod



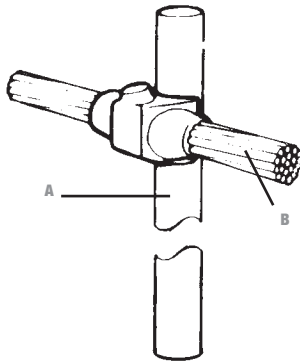
- Stranded Conductor
- Solid Circular Conductor

CR2 (cont'd)

Cat. No.	Rod Size (A)	Wire Size (B)	Welding Powder size	Handle Clamp Type	Sleeve	Std. Qty.		
CR2-3-750#6	3/4 Nominal Diameter Actual Shank Dia. 0.678 in.	6	65BKB	HCPK3	SLEEVE#6	1		
CR2-3-750#6S		6 solid			SLEEVE#6S			
CR2-3-750#4		4			90BKB	HCPK4	-	-
CR2-3-750#4S		4 solid						
CR2-4-750#2		2						
CR2-4-750#2S		2 solid						
CR2-4-750#1		1						
CR2-4-7501/0		1/0	115BKB					
CR2-4-7501/0S		1/0 solid						
CR2-4-7502/0		2/0						
CR2-4-7503/0		3/0						
CR2-4-7504/0		4/0	150BKB					
CR2-4-750250K		250						
CR2-4-750300K		300	200BKB					
CR2-4-750350K		350						
CR2-4-750500K		500						

For Connections to Extensible (Threaded) Rods - Remove Top Threaded Section.

CR3



- Stranded Conductor
- Solid Circular Conductor

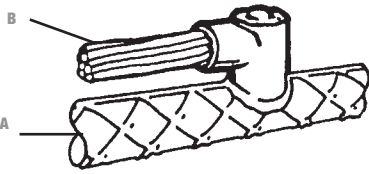
Cat. No.	Rod Size (A)	Wire Size (B)	Welding Powder size	Handle Clamp Type	Sleeve	Std. Qty.
CR3-9-5001/0	1/2 Nominal Diameter Actual Shank Dia. 0.476 in. (Non UL Rod)	1/0	115BKB	HCPK4 and FRAME1	-	1
CR3-9-5001/0S		1/0 solid				
CR3-9-5002/0		2/0				
CR3-9-5003/0		3/0				
CR3-9-5004/0		4/0				
CR3-9-500250K	250	200BKB				
CR3-9-500300K	300					
CR3-9-500L1/0	1/2 Nominal Diameter Actual Shank Dia. 0.502 in. (UL Rod)	1/0	115BKB			
CR3-9-500L1/0S		1/0 solid				
CR3-9-500L2/0		2/0				
CR3-9-500L3/0		3/0				
CR3-9-500L4/0		4/0				
CR3-9-500L250K		250	200BKB			
CR3-9-500300K	300					
CR3-9-6251/0	5/8 Nominal Diameter Actual Shank Dia. 0.560 in.	1/0	115BKB	HCPK5 and FRAME2		
CR3-9-6251/0S		1/0 solid				
CR3-9-6252/0		2/0				
CR3-9-6253/0		3/0				
CR3-9-6254/0		4/0				
CR3-9-625250K		250	150BKB			
CR3-9-625300K	300					
CR3-9-625350K	350	250BKB				
CR3-10-625500K	500					
CR3-9-7501/0	3/4 Nominal Diameter Actual Shank Dia. 0.678 in.	1/0	115BKB	HCPK4 and FRAME1		
CR3-9-7501/0S		1/0 solid				
CR3-9-7502/0		2/0				
CR3-9-7503/0		3/0				
CR3-9-7504/0		4/0	200BKB			
CR3-9-750250K		250				
CR3-9-750300K		300	200BKB			
CR3-10-750350K		350				
CR3-10-750500K		500				
CR3-10-750500K		500	2 X 250BKB		HCPK5 and FRAME2	

For Connections to Extensible (Threaded) Rods - Remove Top Threaded Section.

Exothermic Welding System

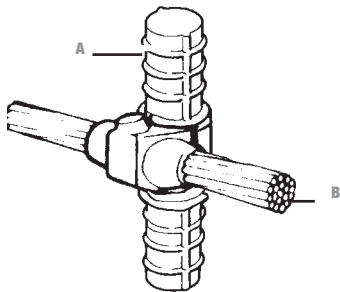
Cable to Re-Bar

CRE1



- Stranded Conductor
- Solid Circular Conductor

Cat. No.	Rod Size (A)	Wire Size (B)	Welding Powder size	Handle Clamp Type	Sleeve	Pkg.	Std. Qty.
CRE1-4-#43R	3	4	32BKB	HCPK4		-	
CRE1-4-#2S3R		2 solid	45BKB				
CRE1-4-#23R		2					
CRE1-4-#13R		1	65BKB				
CRE1-4-1/03R		1/0	90BKB				
CRE1-4-2/03R		2/0					
CRE1-4-3/03R		3/0	115BKB				
CRE1-3-#4Z	4 to 7	4	32BKB	HCPK3B	-	Pack-A	1
CRE1-3-#2SZ		2 solid	45BKB				
CRE1-3-#2Z		2					
CRE1-3-#1Z		1	65BKB				
CRE1-3-1/0Z		1/0	90BKB				
CRE1-3-2/0Z		2/0					
CRE1-3-3/0Z		3/0	115BKB				
CRE1-3-4/0Z	4/0						
CRE1-3-#4Y	8 to 11	4	32BKB	HCPK3B	-	Pack-A	1
CRE1-3-#2SY		2 solid	45BKB				
CRE1-3-#2Y		2					
CRE1-3-#1Y		1	65BKB				
CRE1-3-1/0Y		1/0	90BKB				
CRE1-3-2/0Y		2/0					
CRE1-3-3/0Y		3/0	115BKB				
CRE1-3-4/0Y	4/0						



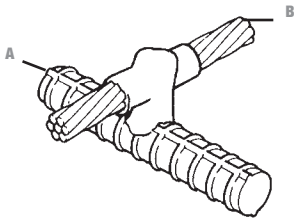
- Stranded Conductor
- Solid Circular Conductor

CRE3

Cat. No.	Rod Size (A)	Wire Size (B)	Welding Powder size	Handle Clamp Type	Sleeve	Pkg.	Std. Qty.
CRE3-3-#4Z	4 to 7	4	90BKB	HCPK3A	-	Pack-A	1
CRE3-3-#2SZ		2 solid					
CRE3-3-#2Z		2					
CRE3-4-#1Z		1	115BKB				
CRE3-4-1/0Z		1/0					
CRE3-4-2/0Z		2/0	150BKB				
CRE3-4-3/0Z		3/0					
CRE3-4-4/0Z	4/0						
CRE3-3-#4Y	8 to 11	4	90BKB	HCPK3A	-	Pack-A	1
CRE3-3-#2SY		2 solid					
CRE3-3-#2Y		2					
CRE3-4-#1Y		1	115BKB				
CRE3-4-1/0Y		1/0					
CRE3-4-2/0Y		2/0	150BKB				
CRE3-4-3/0Y		3/0					
CRE3-4-4/0Y	4/0						

Exothermic Welding System

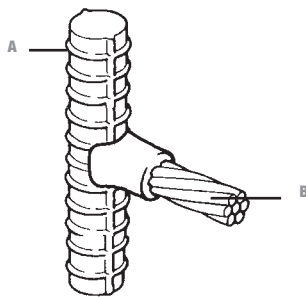
Cable to Re-Bar



- Stranded Conductor
- Solid Circular Conductor

CRE4

Cat. No.	Rod Size (A)	Wire Size (B)	Welding Powder size	Handle Clamp Type	Cradle	Sleeve	Pkg.	Std. Qty.
CRE4-3-#4Z	4 to 7	4	65BKB	HCPK3B	HCPK3BMOD	-	Pack-A	1
CRE4-3-#2SZ		2 solid	90BKB					
CRE4-3-#2Z		2						
CRE4-3-#1Z		1	115BKB					
CRE4-3-1/OZ		1/0						
CRE4-3-2/OZ		2/0						
CRE4-3-3/OZ		3/0						
CRE4-3-4/OZ	4/0	8 to 11	65BKB					
CRE4-3-#4Y	4		90BKB					
CRE4-3-#2SY	2 solid		90BKB					
CRE4-3-#2Y	2							
CRE4-3-#1Y	1		115BKB					
CRE4-3-1/OY	1/0							
CRE4-3-2/OY	2/0							
CRE4-3-3/OY	3/0							
CRE4-3-4/OY	4/0							



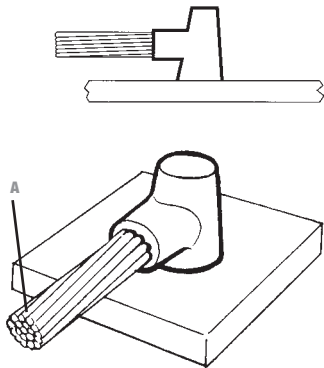
- Stranded Conductor
- Solid Circular Conductor

CRE6

Cat. No.	Rod Size (A)	Wire Size (B)	Welding Powder size	Handle Clamp Type	Sleeve	Pkg.	Std. Qty.
CRE6-3-#4Z	4 to 7	4	65BKB	HCPK3A	-	Pack-A	1
CRE6-3#2SZ		2 solid					
CRE6-3-#2Z		2	90BKB				
CRE6-3-#1Z		1					
CRE6-4-1/OZ		1/0	115BKB				
CRE6-4-2/OZ		2/0					
CRE6-4-3/OZ		3/0					
CRE6-4-4/OZ	4/0						
CRE6-3-#4Y	8 to 11	4	65BKB				
CRE6-3-#2SY		2 solid	65BKB				
CRE6-3-#2Y		2	90BKB				
CRE6-3-#1Y		1	115BKB				
CRE6-4-1/OY		1/0					
CRE6-4-2/OY		2/0					
CRE6-4-3/OY		3/0		150BKB			
CRE6-4-4/OY	4/0						

Exothermic Welding System

Cable to Steel Surface and Pipe

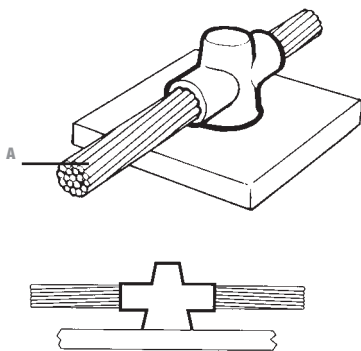


- Stranded Conductor
- Solid Circular Conductor

CS1 – For Flat Surfaces

Cat. No.	Wire Size (A)	Welding Powder size	Handle Clamp Type	Sleeve	Std. Qty.
CS1-4-1/0	1/0	90BKB	HCPK4	-	1
CS1-4-2/0	2/0				
CS1-4-3/0	3/0	115BKB			
CS1-4-4/0	4/0				
CS1-4-250K	250	150BKB			
CS1-4-300K	300				
CS1-4-350K	350	200BKB			
CS1-4-500K	500				
CS1-4-750K	750	2 X 150BKB			
CS1-4-1000K	1000	2 X 200BKB			

Mold Sealing Compound (MSC) will be required if surface is uneven.



- Stranded Conductor
- Solid Circular Conductor

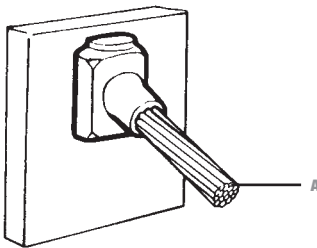
CS2 – For Flat Surfaces

Cat. No.	Wire Size (A)	Welding Powder size	Handle Clamp Type	Sleeve	Std. Qty.
CS2-4-1/0	1/0	90BKB	HCPK4	-	1
CS2-4-2/0	2/0	115BKB			
CS2-4-3/0	3/0				
CS2-4-4/0	4/0	150BKB			
CS2-4-250K	250				
CS2-4-300K	300	200BKB			
CS2-4-350K	350	250BKB			
CS2-5-500K	500	2 X 150BKB			

Mold Sealing Compound (MSC) will be required if surface is uneven.

Exothermic Welding System

Cable to Steel Surface and Pipe

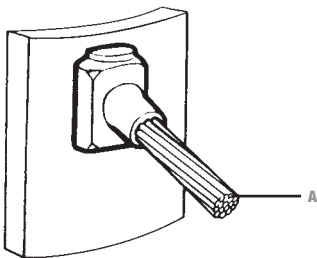


- Stranded Conductor
- Solid Circular Conductor

CS3 – For Flat Surfaces

Cat. No.	Wire Size (A)	Welding Powder size	Handle Clamp Type	Sleeve	Std. Qty.
CS3-4-#6	#6	45BKB	HCPK4	SLEEVE#6	1
CS3-4-#4	#4				
CS3-4-#2S	#2 solid				
CS3-4-#2	#2				
CS3-4-#1	#1				
CS3-4-1/0	1/0				
CS3-4-2/0	2/0				
CS3-4-3/0	3/0				
CS3-4-4/0	4/0				
CS3-4-250K	250			90BKB	
CS3-4-300K	300	115BKB	-		
CS3-4-350K	350	200BKB	HCPK5	-	
CS3-4-500K	500				
CS3-5-750K	750	2 X 150BKB	-		
CS3-5-1000K	1000	2 X 200BKB	-		

Mold Sealing Compound (MSC) will be required if surface is uneven.



- Stranded Conductor
- Solid Circular Conductor

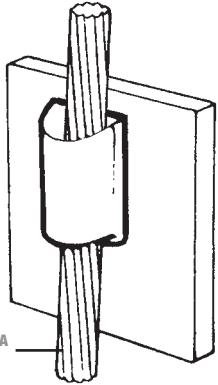
CS3 – For Pipes

Cat. No.	Wire Size (A)	Pipe Size (in.)	Welding Powder size	Handle Clamp Type	Sleeve	Std. Qty.
CS3-4-#4C	#4	1-1/2 to 2-3/4	45BKB	HCPK4	-	1
CS3-4-#4D		2-3/4 to 6-1/2				
CS3-4-#4F		6-1/2 to 10				
CS3-4-#4G	10 to 14					
CS3-4-#2SC	#2 solid	1-1/2 to 2-3/4				
CS3-4-#2SD		2-3/4 to 6-1/2				
CS3-4-#2SF		6-1/2 to 10				
CS3-4-#2SG	10 to 14					
CS3-4-#2C	#2	1-1/2 to 2-3/4				
CS3-4-#2D		2-3/4 to 6-1/2				
CS3-4-#2F		6-1/2 to 10				
CS3-4-#2G	10 to 14					
CS3-4-#1C	#1	1-1/2 to 2-3/4				
CS3-4-#1D		2-3/4 to 6-1/2				
CS3-4-#1F		6-1/2 to 10				
CS3-4-#1G	10 to 14					
CS3-4-#1/0C	1/0	1-1/2 to 2-3/4				
CS3-4-#1/0D		2-3/4 to 6-1/2				
CS3-4-#1/0F		6-1/2 to 10				
CS3-4-#1/0G	10 to 14					
CS3-4-#2/0C	2/0	1-1/2 to 2-3/4				
CS3-4-#2/0D		2-3/4 to 6-1/2				
CS3-4-#2/0F		6-1/2 to 10				
CS3-4-#2/0G	10 to 14					
CS3-4-#3/0C	3/0	1-1/2 to 2-3/4				
CS3-4-#3/0D		2-3/4 to 6-1/2				
CS3-4-#3/0F		6-1/2 to 10				
CS3-4-#3/0G	10 to 14					
CS3-4-#4/0C	4/0	1-1/2 to 2-3/4				
CS3-4-#4/0D		2-3/4 to 6-1/2				
CS3-4-#4/0F		6-1/2 to 10				
CS3-4-#4/0G	10 to 14					

OVER 14 in. USE CS3 FOR FLAT SURFACE
Use Mold Sealing Compound (MSC) to ensure effective sealing.

Exothermic Welding System

Cable to Steel Surface and Pipe

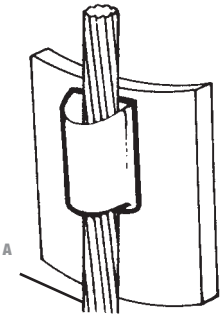


- Stranded Conductor
- Solid Circular Conductor

CS4 – For Flat Surfaces

Cat. No.	Wire Size (A)	Welding Powder size	Handle Clamp Type	Sleeve	Std. Qty.
CS4-4-#6	#6	90BKB	HCPK4	SLEEVE#6	1
CS4-4-#4	#4				
CS4-4-#2S	#2 solid	115BKB			
CS4-4-#2	#2				
CS4-4-#1	#1	200BKB	HCPK5	-	
CS4-5-1/0	1/0				
CS4-5-2/0	2/0				
CS4-5-3/0	3/0				
CS4-5-4/0	4/0	250BKB			
CS4-5-250K	250				

Mold Sealing Compound (MSC) will be required if surface is uneven.



- Stranded Conductor
- Solid Circular Conductor

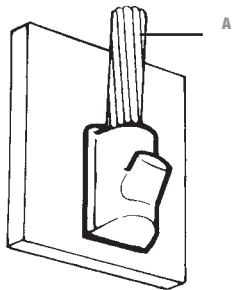
CS4 – For Pipes

Cat. No.	Wire Size (A)	Pipe Size (in.)	Welding Powder size	Handle Clamp Type	Sleeve	Std. Qty.
CS4-4-#4C	#4	1-1/2 to 2-3/4	90BKB	HCPK4	-	1
CS4-4-#4D		2-3/4 to 6-1/2				
CS4-4-#4F		6-1/2 to 10				
CS4-4-#4G	10 to 14	115BKB				
CS4-4-#2SC	1-1/2 to 2-3/4					
CS4-4-#2SD	2-3/4 to 6-1/2					
CS4-4-#2SF	6-1/2 to 10					
CS4-4-#2SG	10 to 14					
CS4-4-#2C	1-1/2 to 2-3/4		200BKB			
CS4-4-#2D	2-3/4 to 6-1/2					
CS4-4-#2F	6-1/2 to 10					
CS4-4-#2G	10 to 14	250BKB				
CS4-4-#1C	1-1/2 to 2-3/4					
CS4-4-#1D	2-3/4 to 6-1/2					
CS4-4-#1F	6-1/2 to 10					
CS4-4-#1G	10 to 14					
CS4-5-1/0C	1/0		1-1/2 to 2-3/4	HCPK5		
CS4-5-1/0D		2-3/4 to 6-1/2				
CS4-5-1/0F		6-1/2 to 10				
CS4-5-1/0G	10 to 14	200BKB				
CS4-5-2/0C	1-1/2 to 2-3/4					
CS4-5-2/0D	2-3/4 to 6-1/2					
CS4-5-2/0F	6-1/2 to 10	250BKB				
CS4-5-2/0G	10 to 14					
CS4-5-3/0C	1-1/2 to 2-3/4					
CS4-5-3/0D	2-3/4 to 6-1/2	250BKB				
CS4-5-3/0F	6-1/2 to 10					
CS4-5-3/0G	10 to 14					
CS4-5-4/0C	4/0	1-1/2 to 2-3/4	250BKB			
CS4-5-4/0D		2-3/4 to 6-1/2				
CS4-5-4/0F		6-1/2 to 10				
CS4-5-4/0G	10 to 14					

OVER 14 in. USE CS4 FOR FLAT SURFACE
Use Mold Sealing Compound (MSC) to ensure effective sealing.

Exothermic Welding System

Cable to Steel Surface and Pipe



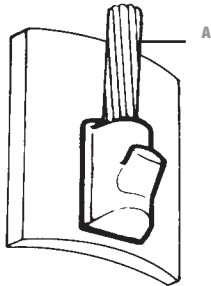
- Stranded Conductor
- Solid Circular Conductor

CS7 – For Flat Surfaces

Cat. No.	Wire Size (A)	Welding Powder size	Handle Clamp Type	Sleeve	Std. Qty.			
CS7-4-#4	#4	65BKB	HCPK4	-	1			
CS7-4-#2S	#2 solid							
CS7-4-#2	#2							
CS7-4-#1	#1	90BKB						
CS7-4-1/0	1/0							
CS7-4-2/0	2/0	150BKB						
CS7-5-3/0	3/0	200BKB				HCPK5		
CS7-5-4/0	4/0							
CS7-5-250K	250							
CS7-5-300K	300							
CS7-6-350K	350	2 X 150BKB						
CS7-6-500K	500	2 X 200BKB						

Use Mold Sealing Compound (MSC) to ensure effective sealing.

CS7 – For Pipes



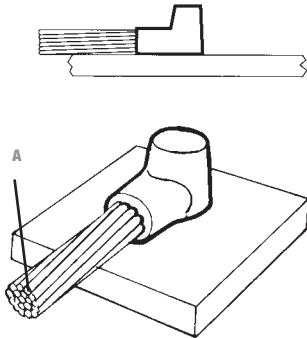
- Stranded Conductor
- Solid Circular Conductor

Cat. No.	Wire Size (A)	Pipe Size (in.)	Welding Powder size	Handle Clamp Type	Sleeve	Std. Qty.				
CS7-4-#4C	#4	1-1/2 to 2-3/4	65BKB	HCPK4	-	1				
CS7-4-#4D		2-3/4 to 6-1/2								
CS7-4-#4F		6-1/2 to 10								
CS7-4-#4G		10 to 14								
CS7-4-#2SC	#2 solid	1-1/2 to 2-3/4								
CS7-4-#2SD		2-3/4 to 6-1/2								
CS7-4-#2SF		6-1/2 to 10								
CS7-4-#2SG		10 to 14								
CS7-4-#2C	#2	1-1/2 to 2-3/4								
CS7-4-#2D		2-3/4 to 6-1/2								
CS7-4-#2F		6-1/2 to 10								
CS7-4-#2G		10 to 14								
CS7-4-#1C	#1	1-1/2 to 2-3/4					90BKB	HCPK4	-	1
CS7-4-#1D		2-3/4 to 6-1/2								
CS7-4-#1F		6-1/2 to 10								
CS7-4-#1G		10 to 14								
CS7-4-1/0C	1/0	1-1/2 to 2-3/4								
CS7-4-1/0D		2-3/4 to 6-1/2								
CS7-4-1/0F		6-1/2 to 10								
CS7-4-1/0G		10 to 14								
CS7-4-2/0C	2/0	1-1/2 to 2-3/4	150BKB							
CS7-4-2/0D		2-3/4 to 6-1/2								
CS7-4-2/0F		6-1/2 to 10								
CS7-4-2/0G		10 to 14								
CS7-5-3/0C	3/0	1-1/2 to 2-3/4					200BKB			
CS7-5-3/0D		2-3/4 to 6-1/2								
CS7-5-3/0F		6-1/2 to 10								
CS7-5-3/0G		10 to 14								
CS7-5-4/0C	4/0	1-1/2 to 2-3/4								
CS7-5-4/0D		2-3/4 to 6-1/2								
CS7-5-4/0F		6-1/2 to 10								
CS7-5-4/0G		10 to 14								

Over 14 in. use CS7 for flat surface.
Use Mold Sealing Compound (MSC) to ensure effective sealing.

Exothermic Welding System

Cable to Steel Surface and Pipe

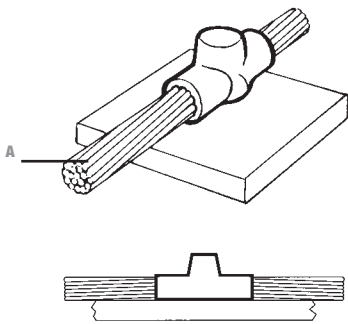


- Stranded Conductor
- Solid Circular Conductor

CS8 – For Flat Surfaces

Cat. No.	Wire Size (A)	Welding Powder size	Handle Clamp Type	Sleeve	Std. Qty.
CS8-2-#6	#6	45BKB	HCPK2	SLEEVE#6	1
CS8-2-#4	#4			-	
CS8-2-#2S	#2 solid			-	
CS8-2-#2	#2	65BKB		-	
CS8-2-#1	#1				

Use Mold Sealing Compound (MSC) to ensure effective sealing.



- Stranded Conductor
- Solid Circular Conductor

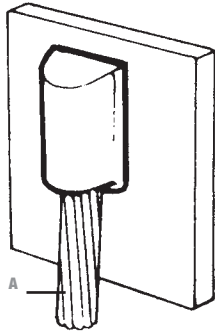
CS9 – For Flat Surfaces

Cat. No.	Wire Size (A)	Welding Powder size	Handle Clamp Type	Sleeve	Std. Qty.
CS9-2-#6	#6	45BKB	HCPK2	SLEEVE#6	1
CS9-2-#4	#4			-	
CS9-2-#2S	#2 solid			-	
CS9-2-#2	#2	65BKB		-	
CS9-2-#1	#1				

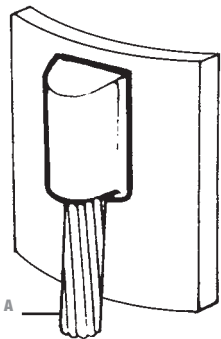
Use Mold Sealing Compound (MSC) to ensure effective sealing.

Exothermic Welding System

Cable to Steel Surface and Pipe



- Stranded Conductor
- Solid Circular Conductor



- Stranded Conductor
- Solid Circular Conductor

CS25 – For Flat Surfaces

Cat. No.	Wire Size (A)	Welding Powder size	Handle Clamp Type	Sleeve	Std. Qty.
CS25-4-#4	#4	65BKB	HCPK4	-	1
CS25-4-#2S	#2 solid				
CS25-4-#2	#2				
CS25-4-#1	#1	90BKB			
CS25-4-1/0	1/0				
CS25-4-2/0	2/0	115BKB			
CS25-4-3/0	3/0				
CS25-4-4/0	4/0	150BKB			
CS25-4-250K	250				
CS25-4-300K	300	200BKB			
CS25-4-350K	350				
CS25-4-500K	500	250BKB			

Use Mold Sealing Compound (MSC) to ensure effective sealing.

CS25 – For Pipes

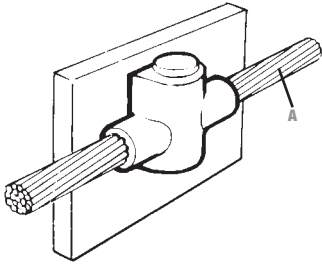
Cat. No.	Wire Size (A)	Pipe Size (in.)	Welding Powder size	Handle Clamp Type	Sleeve	Std. Qty.				
CS25-4-#4C	#4	1-1/2 to 2-3/4	65BKB	HCPK4	-	1				
CS25-4-#4D		2-3/4 to 6-1/2								
CS25-4-#4F		6-1/2 to 10								
CS25-4-#4G	10 to 14									
CS25-4-#2SC	#2 solid	1-1/2 to 2-3/4								
CS25-4-#2SD		2-3/4 to 6-1/2								
CS25-4-#2SF		6-1/2 to 10								
CS25-4-#2SG	10 to 14									
CS25-4-#2C	#2	1-1/2 to 2-3/4								
CS25-4-#2D		2-3/4 to 6-1/2								
CS25-4-#2F		6-1/2 to 10								
CS25-4-#2G	10 to 14									
CS25-4-#1C	#1	1-1/2 to 2-3/4	90BKB	HCPK4	-	1				
CS25-4-#1D		2-3/4 to 6-1/2								
CS25-4-#1F		6-1/2 to 10								
CS25-4-#1G	10 to 14									
CS25-4-1/0C	1/0	1-1/2 to 2-3/4								
CS25-4-1/0D		2-3/4 to 6-1/2								
CS25-4-1/0F		6-1/2 to 10								
CS25-4-1/0G	10 to 14									
CS25-4-2/0C	2/0	1-1/2 to 2-3/4	150BKB	HCPK4	-	1				
CS25-4-2/0D		2-3/4 to 6-1/2								
CS25-4-2/0F		6-1/2 to 10								
CS25-4-2/0G	10 to 14									
CS25-4-3/0C	3/0	1-1/2 to 2-3/4					200BKB	HCPK4	-	1
CS25-4-3/0D		2-3/4 to 6-1/2								
CS25-4-3/0F		6-1/2 to 10								
CS25-4-3/0G	10 to 14									
CS25-4-4/0C	4/0	1-1/2 to 2-3/4	200BKB	HCPK4	-	1				
CS25-4-4/0D		2-3/4 to 6-1/2								
CS25-4-4/0F		6-1/2 to 10								
CS25-4-4/0G	10 to 14									

Over 14 in. use CS25 for flat surface.

Use Mold Sealing Compound (MSC) to ensure effective sealing.

Exothermic Welding System

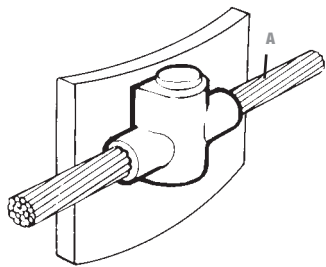
Cable to Steel Surface and Pipe



- Stranded Conductor
- Solid Circular Conductor

CS27 – For Flat Surfaces

Cat. No.	Wire Size (A)	Welding Powder size	Handle Clamp Type	Sleeve	Std. Qty.
CS27-4-#6	#6	45BKB	HCPK4	SLEEVE#6	1
CS27-4-#4	#4				
CS27-4-#2S	#2 solid				
CS27-4-#2	#2	65BKB		-	
CS27-4-#1	#1				
CS27-4-1/0	1/0	115BKB			
CS27-4-2/0	2/0				
CS27-4-3/0	3/0	150BKB			
CS27-4-4/0	4/0				
CS27-4-250K	250				



- Stranded Conductor
- Solid Circular Conductor

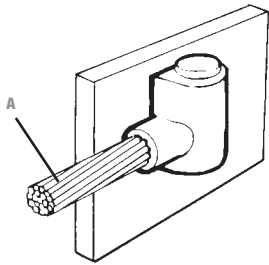
CS27 – For Pipes

Cat. No.	Wire Size (A)	Pipe Size (in.)	Welding Powder size	Handle Clamp Type	Sleeve	Std. Qty.
CS27-4-#4C	#4	1-1/2 to 2-3/4	45BKB	HCPK4	-	1
CS27-4-#4D		2-3/4 to 6-1/2				
CS27-4-#4F		6-1/2 to 10				
CS27-4-#4G	10 to 14					
CS27-4-#2SC	#2 solid	1-1/2 to 2-3/4				
CS27-4-#2SD		2-3/4 to 6-1/2				
CS27-4-#2SF		6-1/2 to 10				
CS27-4-#2SG	10 to 14					
CS27-4-#2C	#2	1-1/2 to 2-3/4				
CS27-4-#2D		2-3/4 to 6-1/2				
CS27-4-#2F		6-1/2 to 10				
CS27-4-#2G	10 to 14					
CS27-4-#1C	#1	1-1/2 to 2-3/4	65BKB			
CS27-4-#1D		2-3/4 to 6-1/2				
CS27-4-#1F		6-1/2 to 10				
CS27-4-#1G	10 to 14					
CS27-4-110C	1/0	1-1/2 to 2-3/4	115BKB			
CS27-4-110D		2-3/4 to 6-1/2				
CS27-4-110F		6-1/2 to 10				
CS27-4-110G	10 to 14					
CS27-4-210C	2/0	1-1/2 to 2-3/4				
CS27-4-210D		2-3/4 to 6-1/2				
CS27-4-210F		6-1/2 to 10				
CS27-4-210G	10 to 14					
CS27-4-310C	3/0	1-1/2 to 2-3/4	150BKB			
CS27-4-310D		2-3/4 to 6-1/2				
CS27-4-310F		6-1/2 to 10				
CS27-4-310G	10 to 14					
CS27-4-410C	4/0	1-1/2 to 2-3/4				
CS27-4-410D		2-3/4 to 6-1/2				
CS27-4-410F		6-1/2 to 10				
CS27-4-410G	10 to 14					

Over 14 in. use CS27 for flat surface.
Use Mold Sealing Compound (MSC) to ensure effective sealing.

Exothermic Welding System

Cable to Steel Surface and Pipe



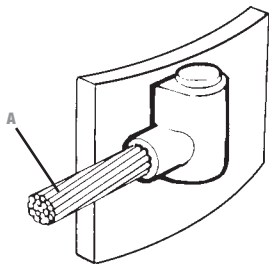
- Stranded Conductor
- Solid Circular Conductor

CS31 – For Flat Surfaces

Cat. No.	Wire Size (A)	Welding Powder size	Handle Clamp Type	Sleeve	Std. Qty.
CS31-4-#6	#6	45BKB	HCPK4	SLEEVE#6	1
CS31-4-#4	#4				
CS31-4-#2S	#2 solid				
CS31-4-#2	#2	65BKB		-	
CS31-4-#1	#1	90BKB		-	
CS31-4-1/0	1/0	115BKB		-	
CS31-4-2/0	2/0				
CS31-4-3/0	3/0				
CS31-4-4/0	4/0				
CS31-4-250K	250				

Add "R" or "L" to denote wire exiting left or right. (Example: CS31-6-#6R for #6 wire exiting on the right.)
Use Mold Sealing Compound (MSC) to ensure effective sealing.

CS31 – For Pipes



- Stranded Conductor
- Solid Circular Conductor

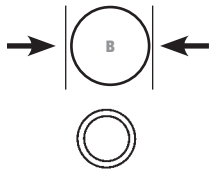
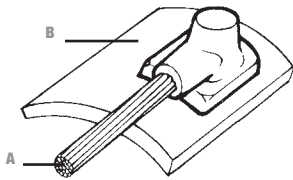
Cat. No.	Wire Size (A)	Pipe Size (in.)	Welding Powder size	Handle Clamp Type	Sleeve	Std. Qty.
CS31-4-#4C	#4	1-1/2 to 2-3/4	45BKB	HCPK4	-	1
CS31-4-#4D		2-3/4 to 6-1/2				
CS31-4-#4F		6-1/2 to 10				
CS31-4-#4G	10 to 14					
CS31-4-#2SC	#2 solid	1-1/2 to 2-3/4				
CS31-4-#2SD		2-3/4 to 6-1/2				
CS31-4-#2SF		6-1/2 to 10				
CS31-4-#2SG	10 to 14	65BKB				
CS31-4-#2C	1-1/2 to 2-3/4					
CS31-4-#2D	2-3/4 to 6-1/2					
CS31-4-#2F	6-1/2 to 10	90BKB				
CS31-4-#2G	10 to 14					
CS31-4-#1C	#1		1-1/2 to 2-3/4			
CS31-4-#1D		2-3/4 to 6-1/2				
CS31-4-#1F		6-1/2 to 10				
CS31-4-#1G	10 to 14	115BKB				
CS31-4-1/0C	1/0		1-1/2 to 2-3/4			
CS31-4-1/0D			2-3/4 to 6-1/2			
CS31-4-1/0F			6-1/2 to 10			
CS31-4-1/0G	10 to 14					
CS31-4-2/0C	2/0		1-1/2 to 2-3/4			
CS31-4-2/0D		2-3/4 to 6-1/2				
CS31-4-2/0F		6-1/2 to 10				
CS31-4-2/0G	10 to 14	115BKB				
CS31-4-3/0C	3/0		1-1/2 to 2-3/4			
CS31-4-3/0D			2-3/4 to 6-1/2			
CS31-4-3/0F			6-1/2 to 10			
CS31-4-3/0G	10 to 14					
CS31-4-4/0C	4/0		1-1/2 to 2-3/4			
CS31-4-4/0D		2-3/4 to 6-1/2				
CS31-4-4/0F		6-1/2 to 10				
CS31-4-4/0G	10 to 14					

Over 14 in. use CS31 for flat surface.
Add "R" or "L" to denote wire exiting left or right. (Example: CS31-6-#6R for #6 wire exiting on the right.)
Use Mold Sealing Compound (MSC) to ensure effective sealing.

Exothermic Welding System

Cable to Steel Surface and Pipe

CS32 – For Pipes



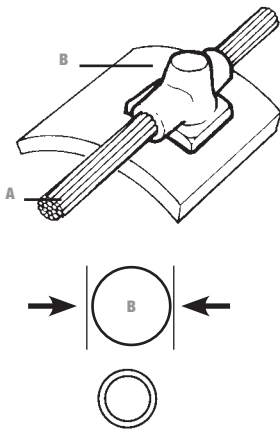
• Stranded Conductor

Cat. No.	Wire Size (A)	Pipe Size (B)	Welding Powder size	Handle Clamp Type	Sleeve	Std. Qty.				
OVER 14 in. USE CS8 FOR FLAT SURFACE										
CS32-2-#4C	#4	1-1/2 to 2-3/4	45BKB	HCPK2	-	1				
CS32-2-#4D		2-3/4 to 6-1/2								
CS32-2-#4F		6-1/2 to 10								
CS32-2-#4G		10 to 14								
CS32-2-#2SC	#2 solid	1-1/2 to 2-3/4								
CS32-2-#2SD		2-3/4 to 6-1/2								
CS32-2-#2SF		6-1/2 to 10								
CS32-2-#2SG	10 to 14									
CS32-2-#2C	#2	1-1/2 to 2-3/4								
CS32-2-#2D		2-3/4 to 6-1/2								
CS32-2-#2F		6-1/2 to 10								
CS32-2-#2G		10 to 14								
CS32-2-#1D	#1	2-3/4 to 6-1/2					65BKB	HCPK4	-	1
CS32-2-#1F		6-1/2 to 10								
CS32-2-#1G		10 to 14								
OVER 14 in. USE CS1 FOR FLAT SURFACE										
CS32-4-#1/OD	1/0	2-3/4 to 6-1/2	90BKB	HCPK4	-	1				
CS32-4-#1/OF		6-1/2 to 10								
CS32-4-#1/OG		10 to 14								
CS32-4-#2/OD	2/0	2-3/4 to 6-1/2								
CS32-4-#2/OF		6-1/2 to 10								
CS32-4-#2/OG		10 to 14								
CS32-4-#3/OD	3/0	2-3/4 to 6-1/2								
CS32-4-#3/OF		6-1/2 to 10								
CS32-4-#3/OG		10 to 14								
CS32-4-#4/OD	4/0	2-3/4 to 6-1/2								
CS32-4-#4/OF		6-1/2 to 10								
CS32-4-#4/OG		10 to 14								

Add "R" or "L" to denote wire exiting left or right. (Example: CS31-6-#6R for #6 wire exiting on the right.)
Use Mold Sealing Compound (MSC) to ensure effective sealing.

Exothermic Welding System

Cable to Steel Surface and Pipe



- Stranded Conductor

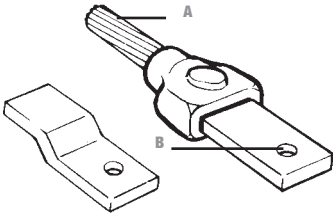
CS34 – For Pipes

Cat. No.	Wire Size (A)	Pipe Size (B)	Welding Powder size	Handle Clamp Type	Sleeve	Std. Qty.				
OVER 14 in. USE CS8 FOR FLAT SURFACE										
CS34-2-#4C	#4	1-1/2 to 2-3/4	45BKB	HCPK2	-	1				
CS34-2-#4D		2-3/4 to 6-1/2								
CS34-2-#4F		6-1/2 to 10								
CS34-2-#4G		10 to 14								
CS34-2-#2SC	#2S	1-1/2 to 2-3/4								
CS34-2-#2SD		2-3/4 to 6-1/2								
CS34-2-#2SF		6-1/2 to 10								
CS34-2-#2SG		10 to 14								
CS34-2-#2C	#2	1-1/2 to 2-3/4								
CS34-2-#2D		2-3/4 to 6-1/2								
CS34-2-#2F		6-1/2 to 10								
CS34-2-#2G		10 to 14								
CS34-2-#1D	#1	2-3/4 to 6-1/2					65BKB	HCPK4	-	1
CS34-2-#1F		6-1/2 to 10								
CS34-2-#1G		10 to 14								
OVER 14 in. USE CS1 FOR FLAT SURFACE										
CS34-4-#1/OD	1/0	2-3/4 to 6-1/2	90BKB	HCPK4	-	1				
CS34-4-#1/OF		6-1/2 to 10								
CS34-4-#1/OG		10 to 14								
CS34-4-#2/OD	2/0	2-3/4 to 6-1/2	115BKB							
CS34-4-#2/OF		6-1/2 to 10								
CS34-4-#2/OG		10 to 14								
CS34-4-#3/OD	3/0	2-3/4 to 6-1/2	150BKB							
CS34-4-#3/OF		6-1/2 to 10								
CS34-4-#3/OG		10 to 14								
CS34-4-#4/OD	4/0	2-3/4 to 6-1/2	150BKB							
CS34-4-#4/OF		6-1/2 to 10								
CS34-4-#4/OG		10 to 14								

Use Mold Sealing Compound (MSC) to ensure effective sealing.

Exothermic Welding System

Cable to Bar



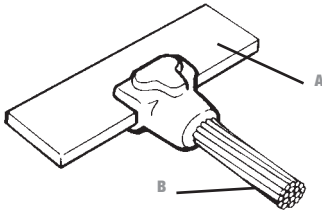
- Stranded Conductor
- Solid Circular Conductor
- Rectangular Tape or Bar

CB1 – For Pipes

Cat. No.	Wire Size (A)	Bar Size (B)	Welding Powder size	Handle Clamp Type	Sleeve	Std. Qty.
CB1-4-#4181	#4	1/8 X 1	45BKB			
CB1-4-#2181	#2 solid					
CB1-4-#2181	#2					
CB1-4-#1181	#1					
CB1-4-1/0181	1/0	3/16 X 1	65BKB			
CB1-4-1/03161		1/4 X 1				
CB1-4-1/0141		1/8 X 1				
CB1-4-2/0181	2/0	3/16 X 1	65BKB			
CB1-4-2/03161		1/4 X 1				
CB1-4-2/0141		1/8 X 1				
CB1-4-3/018	3/0	3/16 X 1	90BKB	HCPK4		
CB1-4-3/0161		1/4 X 1				
CB1-4-3/0141		1/4 X 1				
CB1-4-4/03161	4/0	3/16 X 1	90BKB	HCPK4		
CB1-4-4/0141		1/4 X 1				
CB1-4-4/014112		1/4 X 1-1/2				
CB1-4-4/0142	250	1/4 X 2	90BKB	HCPK4		
CB1-4-4/0143		1/4 X 3				
CB1-4-4/0143		1/4 X 3				
CB1-4-250K3161	250	3/16 X 1	90BKB	HCPK4		
CB1-4-250K141		1/4 X 1				
CB1-4-250K14112		1/4 X 1-1/2				
CB1-4-250K142	300	1/4 X 2	90BKB	HCPK4		
CB1-4-250K143		1/4 X 3				
CB1-4-250K143		1/4 X 3				
CB1-4-300K141	300	1/4 X 1	90BKB	HCPK4		
CB1-4-300K14112		1/4 X 1-1/2				
CB1-4-300K142		1/4 X 2				
CB1-4-300K143	350	1/4 X 3	115BKB	HCPK4		
CB1-4-350K141		1/4 X 1				
CB1-4-350K14112		1/4 X 1-1/2				
CB1-4-350K142	500	1/4 X 2	200BKB	HCPK4		
CB1-4-350K143		1/4 X 3				
CB1-4-350K143		1/4 X 3				
CB1-4-500K14112	500	1/4 X 1-1/2	200BKB	HCPK4		
CB1-4-500K142		1/4 X 2				
CB1-4-500K143		1/4 X 3				
CB1-4-500K38112	750	3/8 X 1-1/2	2 X 150BKB	HCPK5		
CB1-4-500K382		3/8 X 2				
CB1-4-500K383		3/8 X 3				
CB1-5-750K142	750	1/4 X 2	2 X 150BKB	HCPK5		
CB1-5-750K143		1/4 X 3				
CB1-5-750k38112		3/8 X 1-1/2				
CB1-5-750k382	1000	3/8 X 2	2 X 150BKB	HCPK5		
CB1-5-750K383		3/8 X 3				
CB1-5-750K383		3/8 X 3				
CB1-5-1000K143	1000	1/4 X 3	2 X 150BKB	HCPK5		
CB1-5-1000K382		3/8 X 2				
CB1-5-1000K383		3/8 X 3				
CB1-5-1000K122	1000	1/2 X 2	2 X 150BKB	HCPK5		
CB1-5-1000K123		1/2 X 3				

Exothermic Welding System

Cable to Bar



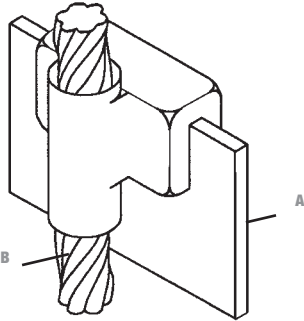
- Stranded Conductor
- Solid Circular Conductor
- Rectangular Tape or Bar

CB4 – For Flat Surfaces

Cat. No.	Bar Size (A)	Wire Size (B)	Welding Powder size	Handle Clamp Type	Sleeve	Std. Qty.
CB4-4-#2S14112	1/4 X 1-1/2 and wider	#2 solid	45BKB	HCPK4	-	1
CB4-4-214112		#2				
CB4-4-1/014112		1/0	90BKB			
CB4-4-2/014112		2/0				
CB4-4-3/014112		3/0				
CB4-4-4/014112		4/0				
CB4-4-250K14112		250	115BKB			
CB4-4-300K14112		300	150BKB			
CB4-4-350K14112		350	200BKB			
CB4-4-500K1411		500	200BKB			
CB4-4-#2S38112	3/8 X 1-1/2 and wider	#2 solid	65BKB	HCPK5	-	1
CB4-4-#238112		#2				
CB4-4-1/038112		1/0	90BKB			
CB4-4-2/038112		2/0				
CB4-4-4/038112		4/0	115BKB			
CB4-4-250K38112		250	150BKB			
CB4-4-300K38112		300	200BKB			
CB4-4-350K38112		350	250BKB			
CB4-4-500K38112		500	250BKB			
CB4-5-750K38112		750	2 X 150BKB			
CB4-5-1000K38112	1000	2 X 200BKB				
CB4-4-#2S12112	1/2 X 1-1/2 and wider	#2 solid	90BKB	HCPK4	-	1
CB4-4-#212112		#2				
CB4-4-1/012112		1/0	115BKB			
CB4-4-2/012112		2/0				
CB4-4-3/012112		3/0	150BKB			
CB4-4-4/012112		4/0				
CB4-4-250K12112		250	200BKB			
CB4-4-300K12112		300	250BKB			
CB4-4-350K12112		350	250BKB			
CB4-5-500K12112		500	2 X 150BKB			
CB4-5-750K12112	750	2 X 200BKB				
CB4-5-1000K12112	1000	2 X 250BKB				

Exothermic Welding System

Cable to Bar



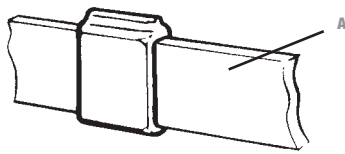
CB29 – For Flat Surfaces

Cat. No.	Bar Size (A)	Wire Size (B)	Welding Powder size	Handle Clamp Type	Sleeve	Std. Qty.
CB29-9-#2S142	1/4 X 2 and wider	#2 solid	250BKB	HCPK4	-	1
CB29-9-#2142		#2				
CB29-10-#1142		#1	2 X 150BKB	HCPK5		
CB29-10-1/0142		1/0	2 X 200BKB			
CB29-10-2/0142		2/0				
CB29-10-4/0142		4/0	2 X 250BKB			
CB29-10-250K142		250				
CB29-10-500K142		500				
CB29-10-750K142		750	3 X 200BKB			
CB29-9-#2S382		3/8 X 2 and wider	#2 solid			
CB29-9-#2382	#2 solid					
CB29-10-#1382	#1		2 X 150BKB	HCPK5		
CB29-10-1/0382	1/0		2 X 200BKB			
CB29-102/0382	2/0					
CB29-104/0382	4/0		2 X 250BKB			
CB29-10-250K382	250					
CB29-10-500K382	500					
CB29-10-750K382	750		3 X 200BKB			
CB29-10-#2S122	1/2 X 2 and wider		#2 solid		2 X 150BKB	HCPK5
CB29-10-#2122		#2				
CB29-10-#1122		#1	2 X 200BKB			
CB29-10-1/0122		1/0	2 X 250BKB			
CB29-10-2/0122		2/0				
CB29-10-4/0122		4/0	3 X 200BKB			
CB29-10-250K122		250				
CB29-10-500K122		500				
CB29-10-750K		750	3 X 250BKB			

Use Mold Sealing Compound (MSC) to ensure effective sealing.

Exothermic Welding System

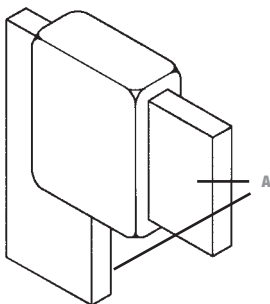
Bar to Bar



BB1 – For Flat Surfaces

Cat. No.	Bar Size (A)	Welding Powder size	Handle Clamp Type	Sleeve	Std. Qty.	
BB1-4-181	1/8 X 1	45BKB	HCPK4	-	1	
BB1-4-18112	1/8 X 1-1/2	65BKB				
BB1-4-182	1/8 X 2	90BKB				
BB1-4-183	1/8 X 3	200BKB				
BB1-4-184	1/8 X 4	250BKB				
BB1-4-3161	3/16 X 1	65BKB				
BB1-4-3162	3/16 X 2	115BKB				
BB1-4-141	1/4 X 1	90BKB				
BB1-4-14114	1/4 X 1-1/4	115BKB				
BB1-4-14112	1/4 X 1-1/2	150BKB				
BB1-4-142	1/4 X 2	200BKB				
BB1-4-14212	1/4 X 2-1/2	250BKB				
BB1-5-143	1/4 X 3	2 X 200BKB				HCPK5
BB1-5-144	1/4 X 4	2 X 250BKB				
BB1-4-381	3/8 X 1	150BKB	HCPK4			
BB1-4-38112	3/8 X 1-1/2	250BKB				
BB1-5-382	3/8 X 2	2 X 150BKB	HCPK5			
BB1-5-383	3/8 X 3	2 X 250BKB				
BB1-5-384	3/8 X 4	3 X 200BKB				
BB1-4-121	1/2 X 1	200BKB	HCPK4			
BB1-5-122	1/2 X 2	2 X 200BKB	HCPK5			

BB2 – For Flat Surfaces

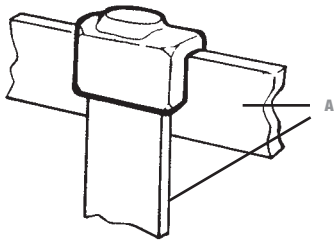


Cat. No.	Bar Size (A)	Welding Powder size	Handle Clamp Type	Sleeve	Std. Qty.	
BB2-4-181	1/8 X 1	45BKB	HCPK4	-	1	
BB2-4-18112	1/8 X 1-1/2	65BKB				
BB2-4-182	1/8 X 2	90BKB				
BB2-4-183	1/8 X 3	200BKB				
BB2-4-184	1/8 X 4	250BKB				
BB2-4-3161	3/16 X 1	65BKB				
BB2-4-3162	3/16 X 2	115BKB				
BB2-4-141	1/4 X 1	90BKB				
BB2-4-14114	1/4 X 1-1/4	115BKB				
BB2-4-14112	1/4 X 1-1/2	150BKB				
BB2-4-142	1/4 X 2	200BKB				
BB2-4-14212	1/4 X 2-1/2	250BKB				
BB2-5-143	1/4 X 3	2 X 200BKB				HCPK5
BB2-5-144	1/4 X 4	2 X 250BKB				
BB2-4-381	3/8 X 1	150BKB	HCPK4			
BB2-4-38112	3/8 X 1-1/2	250BKB				
BB2-5-382	3/8 X 2	2 X 150BKB	HCPK5			
BB2-5-383	3/8 X 3	2 X 250BKB				
BB2-5-384	3/8 X 4	3 X 200BKB				
BB2-4-121	1/2 X 1	200BKB	HCPK4			
BB2-5-122	1/2 X 2	2 X 200BKB	HCPK5			

Exothermic Welding System

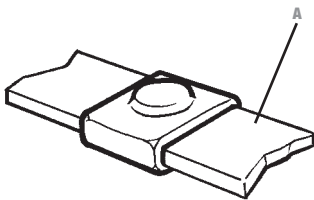
Bar to Bar

BB3 – For Flat Surfaces



Cat. No.	Bar Size (A)	Welding Powder size	Handle Clamp Type	Sleeve	Std. Qty.			
BB3-4-181	1/8 X 1	45BKB	HCPK4	-	1			
BB3-4-18112	1/8 X 1-1/2	65BKB						
BB3-4-182	1/8 X 2	90BKB						
BB3-4-183	1/8 X 3	200BKB						
BB3-4-184	1/8 X 4	250BKB						
BB3-4-3161	3/16 X 1	65BKB						
BB3-4-3162	3/16 X 2	115BKB						
BB3-4-141	1/4 X 1	90BKB						
BB3-4-14114	1/4 X 1-1/4	115BKB						
BB3-4-14112	1/4 X 1-1/2	150BKB						
BB3-4-142	1/4 X 2	200BKB						
BB3-4-14212	1/4 X 2-1/2	250BKB						
BB3-5-143	1/4 X 3	2 X 200BKB				HCPK5	-	1
BB3-5-144	1/4 X 4	2 X 250BKB						
BB3-4-381	3/8 X 1	150BKB	HCPK4					
BB3-4-38112	3/8 X 1-1/2	250BKB						
BB3-5-382	3/8 X 2	2 X 150BKB	HCPK5					
BB3-5-383	3/8 X 3	2 X 250BKB						
BB3-5-384	3/8 X 4	3 X 200BKB						
BB3-4-121	1/2 X 1	200BKB	HCPK4					
BB3-5-122	1/2 X 2	2 X 200BKB	HCPK5					

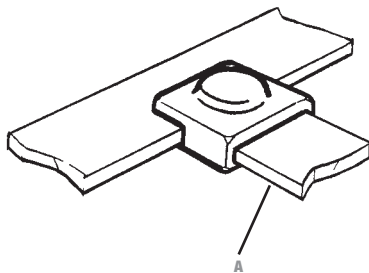
BB7 – For Flat Surfaces



Cat. No.	Bar Size (A)	Welding Powder size	Handle Clamp Type	Sleeve	Std. Qty.			
BB7-4-181	1/8 X 1	45BKB	HCPK4	-	1			
BB7-4-18112	1/8 X 1-1/2	65BKB						
BB7-4-182	1/8 X 2	90BKB						
BB7-4-183	1/8 X 3	200BKB						
BB7-4-184	1/8 X 4	250BKB						
BB7-4-3161	3/16 X 1	65BKB						
BB7-4-3162	3/16 X 2	115BKB						
BB7-4-141	1/4 X 1	90BKB						
BB7-4-14114	1/4 X 1-1/4	115BKB						
BB7-4-14112	1/4 X 1-1/2	150BKB						
BB7-4-142	1/4 X 2	200BKB						
BB7-4-14212	1/4 X 2-1/2	250BKB						
BB7-5-143	1/4 X 3	2 X 200BKB				HCPK5	-	1
BB7-5-144	1/4 X 4	2 X 250BKB						
BB7-4-381	3/8 X 1	150BKB	HCPK4					
BB7-4-38112	3/8 X 1-1/2	250BKB						
BB7-5-382	3/8 X 2	2 X 150BKB	HCPK5					
BB7-5-383	3/8 X 3	2 X 250BKB						
BB7-5-384	3/8 X 4	3 X 200BKB						
BB7-4-121	1/2 X 1	200BKB	HCPK4					
BB7-5-122	1/2 X 2	2 X 200BKB	HCPK5					

Exothermic Welding System

Bar to Bar

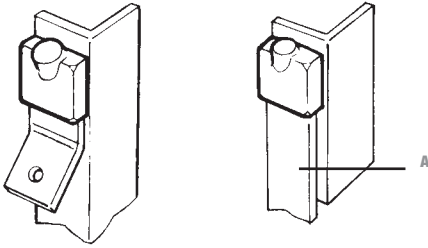


BB14 – For Flat Surfaces

Cat. No.	Bar Size (A)	Welding Powder size	Handle Clamp Type	Sleeve	Std. Qty.	
BB14-4-181	1/8 X 1	45BKB	HCPK4	-	1	
BB14-4-18112	1/8 X 1-1/2	65BKB				
BB14-4-182	1/8 X 2	90BKB				
BB14-4-183	1/8 X 3	200BKB				
BB14-4-184	1/8 X 4	250BKB				
BB14-4-3161	3/16 X 1	65BKB				
BB14-4-3162	3/16 X 2	115BKB				
BB14-4-141	1/4 X 1	90BKB				
BB14-4-14114	1/4 X 1-1/4	115BKB				
BB14-4-14112	1/4 X 1-1/2	150BKB				
BB14-4-142	1/4 X 2	200BKB				
BB14-4-14212	1/4 X 2-1/2	250BKB				
BB14-5-143	1/4 X 3	2 X 200BKB				HCPK5
BB14-5-144	1/4 X 4	2 X 250BKB				
BB14-4-381	3/8 X 1	150BKB	HCPK4			
BB14-4-38112	3/8 X 1-1/2	250BKB				
BB14-5-382	3/8 X 2	2 X 150BKB	HCPK5			
BB14-5-383	3/8 X 3	2 X 250BKB				
BB14-5-384	3/8 X 4	3 X 200BKB				
BB14-4-121	1/2 X 1	200BKB	HCPK4			
BB14-5-122	1/2 X 2	2 X 200BKB	HCPK5			

Exothermic Welding System

Bar to Steel Surface

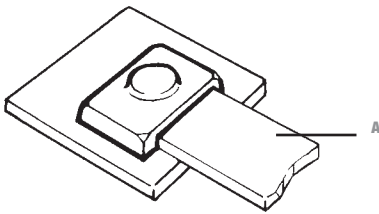


- Rectangular Tape or Bar

BS1 – For Flat Surfaces

Cat. No.	Bar Size (A)	Welding Powder size	Handle Clamp Type	Sleeve	Std. Qty.			
BS1-4-181	1/8 X 1	115BKB	HCPK4	4	1			
BS1-4-18112	1/8 X 1-1/2	150BKB						
BS1-4-182	1/8 X 2	200BKB						
BS1-4-3161	3/16 X 1	150BKB						
BS1-4-316112	3/16 X 1-1/2	200BKB						
BS1-4-3162	3/16 X 2	250BKB						
BS1-4-141	1/4 X 1	150BKB						
BS1-4-14114	1/4 X 1-1/4	200BKB						
BS1-4-14112	1/4 X 1-1/2	250BKB						
BS1-5-142	1/4 X 2	2 X 150BKB						
BS1-4-381	3/8 X 1	200BKB				HCPK5	5	1
BS1-4-38112	3/8 X 1-1/2	250BKB				HCPK4		
BS1-5-382	3/8 X 2	2 X 200BKB	HCPK5					
BS1-4-121	1/2 X 1	250BKB	HCPK4					
BS1-5-12112	1/2 X 1-1/2	2 X 200BKB	HCPK5	5				
BS1-5-122	1/2 X 2	2 X 250BKB						

Mold Sealing Compound (MSC) will be required if surface is uneven.



- Rectangular Tape or Bar

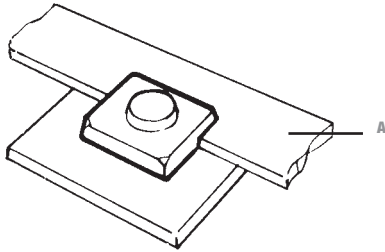
BS2 – For Flat Surfaces

Cat. No.	Bar Size (A)	Welding Powder size	Handle Clamp Type	Sleeve	Std. Qty.			
BS2-4-181	1/8 X 1	115BKB	HCPK4	-	1			
BS2-4-18112	1/8 X 1-1/2	150BKB						
BS2-4-182	1/8 X 2	200BKB						
BS2-4-3161	3/16 X 1	150BKB						
BS2-4-316112	3/16 X 1-1/2	200BKB						
BS2-4-3162	3/16 X 2	250BKB						
BS2-4-141	1/4 X 1	150BKB						
BS2-4-14114	1/4 X 1-1/4	200BKB						
BS2-4-14112	1/4 X 1-1/2	250BKB						
BS2-5-142	1/4 X 2	2 X 150BKB						
BS2-4-381	3/8 X 1	200BKB				HCPK5	5	1
BS2-4-38112	3/8 X 1-1/2	250BKB				HCPK4		
BS2-5-382	3/8 X 2	2 X 200BKB	HCPK5					
BS2-4-121	1/2 X 1	250BKB	HCPK4					
BS2-5-12112	1/2 X 1-1/2	2 X 200BKB	HCPK5	5				
BS2-5-122	1/2 X 2	2 X 250BKB						

Mold Sealing Compound (MSC) will be required if surface is uneven.

Exothermic Welding System

Bar to Steel Surface



- Rectangular Tape or Bar

BS3 – For Flat Surfaces

Cat. No.	Bar Size (A)	Welding Powder size	Handle Clamp Type	Sleeve	Std. Qty.
BS3-4-181	1/8 X 1	115BKB	HCPK4	-	1
BS3-4-18112	1/8 X 1-1/2 and wider	150BKB			
BS3-4-3161	3/16 X 1	150BKB			
BS3-4-316112	3/16 X 1-1/2 and wider	200BKB			
BS3-4-141	1/4 X 1	150BKB			
BS3-4-14114	1/4 X 1-1/4	200BKB			
BS3-4-14112	1/4 X 1-1/2 and wider	250BKB	HCPK5	-	1
BS3-4-381	3/8 X 1	200BKB			
BS3-4-38112	3/8 X 1-1/2 and wider	250BKB	HCPK4	-	1
BS3-4-121	1/2 X 1	250BKB			
BS3-5-12112	1/2 X 1-1/2 and wider	2 X 200BKB	HCPK5	-	1

Mold Sealing Compound (MSC) will be required if surface is uneven.

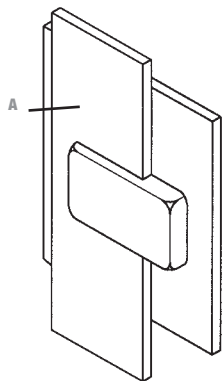
BS4 – For Flat Surfaces

Cat. No.	Bar Size (A)	Welding Powder size	Handle Clamp Type	Sleeve	Std. Qty.
BS4-4-181	1/8 X 1	115BKB	HCPK4	-	1
BS4-4-18112	1/8 X 1-1/2	150BKB			
BS4-4-182	1/8 X 2	200BKB			
BS4-4-3161	3/16 X 1	150BKB			
BS4-4-316112	3/16 X 1-1/2	200BKB			
BS4-4-3162	3/16 X 2	250BKB			
BS4-4-141	1/4 X 1	150BKB			
BS4-4-14114	1/4 X 1-1/4	200BKB			
BS4-4-14112	1/4 X 1-1/2	250BKB			
BS4-5-142	1/4 X 2	2 X 150BKB			
BS4-4-381	3/8 X 1	200BKB			
BS4-4-38112	3/8 X 1-1/2	250BKB	HCPK4	-	1
BS4-5-382	3/8 X 2	2 X 200BKB			
BS4-4-121	1/2 X 1	250BKB	HCPK5	-	1
BS4-5-12112	1/2 X 1-1/2	2 X 200BKB			
BS4-5-122	1/2 X 2	2 X 250BKB	HCPK5	-	1

Mold Sealing Compound (MSC) will be required if surface is uneven.

Exothermic Welding System

Bar to Steel Surface



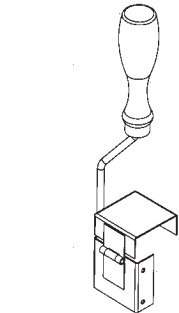
BS5 – For Flat Surfaces

Cat. No.	Bar Size (A)	Welding Powder size	Handle Clamp Type	Sleeve	Std. Qty.
BS5-4-181	1/8 X 1	115BKB	HCPK4	-	1
BS5-4-18112	1/8 X 1-1/2	150BKB			
BS5-4-182	1/8 X 2 and wider	200BKB			
BS5-4-3161	3/16 X 1	150BKB			
BS5-4-316112	3/16 X 1-1/2	200BKB			
BS5-4-3162	3/16 X 2 and wider	250BKB			
BS5-4-141	1/4 X 1	150BKB			
BS5-4-14114	1/4 X 1-1/4	200BKB			
BS5-4-14112	1/4 X 1-1/2	250BKB			
BS5-5-142	1/4 X 2 and wider	2 X 150BKB			
BS5-4-381	3/8 X 1	200BKB	HCPK4		
BS5-4-38112	3/8 X 1-1/2	250BKB	HCPK5		
BS5-5-382	3/8 X 2 and wider	2 X 200BKB	HCPK4		
BS5-4-121	1/2 X 1	250BKB	HCPK5		
BS5-5-12112	1/2 X 1-1/2	2 X 200BKB			
BS5-5-122	1/2 X 2 and wider	2 X 250BKB			

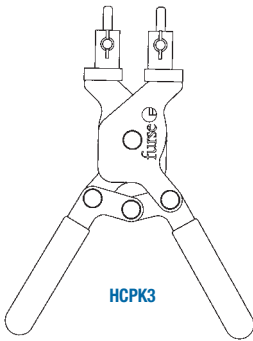
Mold Sealing Compound (MSC) will be required if surface is uneven.

Exothermic Welding System

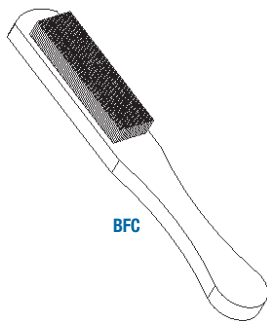
Handle Clamps, Tools and Accessories



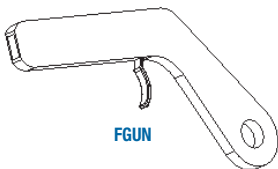
HCPK2



HCPK3



BFC



FGUN



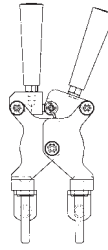
BCM



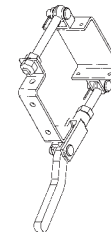
STM1-TB

Handle Clamps

Cat. No.	Description	Applications	Std. Qty.
HCPK1	Price Key 1 Handle	For use on price key 1 molds	1
HCPK2	Price Key 2 Handle	For use on price key 2 molds	
HCPK3	Price Key 3 Handle Clamp	For use on price key 3 molds	
HCPK3A	Price Key 3A Handle Clamp	Type 3A molds (connections to vertical rebars)	
HCPK3B	Price Key 3B Handle Clamp	Type 3B molds (connections to horizontal rebars)	
HCPK3BMOD	Price Key 3B Modified Clamp	Type 3B molds (cross connections to horizontal rebars)	
HCPK4	Price Key 4 Handle Clamp	For use on price key 4 molds	
HCPK5	Price Key 5 Handle Clamp	For use on price key 5 molds	
HCPK7	Price Key 7 Handle Clamp	For use on price key 7 molds	
HCPK8	Price Key 8 Handle Clamp	For use on price key 8 molds	
FRAME1	Price Key 9 Frame	For use with HCPK4 on price key 9 molds	
FRAME2	Price Key 10 Frame	For use with HCPK5 on price key 10 molds	



HCPK4



FRAME 1

Tools and Accessories

Cat. No.	Description	Applications	Std. Qty.
WWB1	Cable Cleaning Brush	Cleaning of stranded and other circular section conductors	6
WRB1	Replacement Elements (Pair)	-	3
BFC	Card Cloth Brush	Cleaning of conductors and surfaces	10
FGUN	Flint Ignitor Gun	Starting powder ignition	
BCM	Mold Cleaning Brush	Soft brush for mold cleaning	
STM1-TB	Mold Scraper Tool	Break up and removal of slag in mold crucible	
MSC	Mold Sealing Compound	Mold sealing on uneven surfaces, and general mold sealing	5
PACK-A	Packing	Mold sealing on rebar surfaces	50
SLEEVE#6	Sleeve for #6 wire	Prevents burning of small section wire	100
SLEEVE#6S	Sleeve for #6S wire		
SLEEVE#8	Sleeve for #8 wire		
SLEEVE#8S	Sleeve for #8S wire		
SHIM	Copper shim.	For sealing around undersize conductors	

Exothermic Welding System

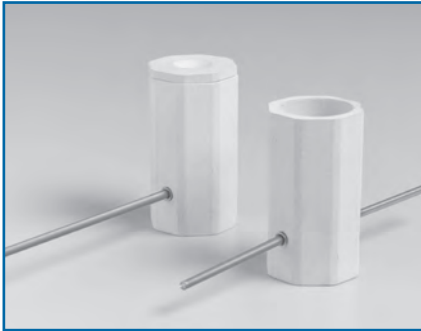
Sure Shot™ Welding Mold

Thomas & Betts introduces a new approach to the perfect connection Sure Shot™ an extension of the Furseweld® line of exothermic welding products.

Sure Shot™ molds come completely packaged with everything necessary for a connection. They are fast and easy to use. The contractor simply positions the mold, adds the weld powder and starting powder, and ignites it with a flint gun.

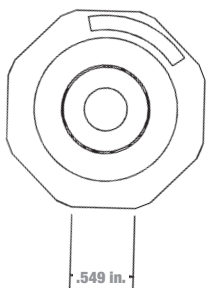
Sure Shot™ molds are disposable, so there's no maintenance involved. And, it's not necessary to remove the mold in underground installations because Sure Shot™ molds are made from an "earth friendly" ceramic.

The hexagonal Sure Shot™ design is easy to grasp and hold without removing safety gloves, and it won't roll away if it's laid down while the installer prepares the connection.

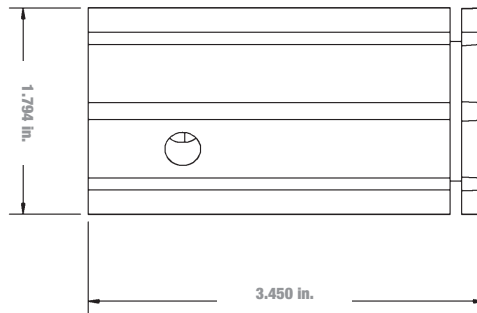


Features and Benefits:

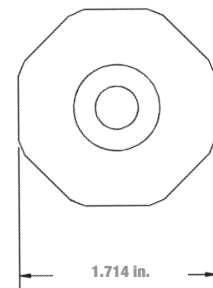
- Fast and easy to use
- Packaged with everything necessary for a connection
- Maintenance-free disposable molds
- Made of biodegradable ceramic
- Ergonomic hexagonal design



Cover



Welding Mold

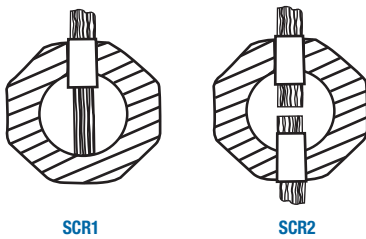


Disk

Exothermic Welding System

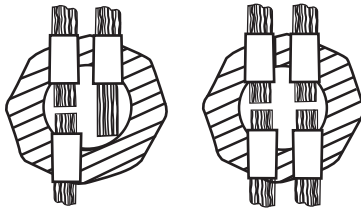
Sure Shot™ Welding Mold

Wire Positioning



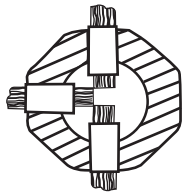
SCR1

SCR2

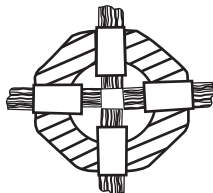


SCR17

SCR24



SCR25



SCR27

Product Specifications

Cat. No.	Ground Rod Size in.	Conductor Size	
		Solid	Stranded
Furseweld Type SCR1			
SCR1-58-6808	5/8	6,8	8
SCR1-58-3446		3,4	4,6
SCR1-58-1223		1,2	2,3
SCR1-58-2010		2/0,1/0	1/0,1
SCR1-58-0020		-	2/0
SCR1-34-6808	3/4	6,8	8
SCR1-34-3446		3,4	4,6
SCR1-34-1223		1,2	2,3
SCR1-34-2010		2/0,1/0	1/0,1
SCR1-34-0020		-	2/0
SCR1-34-0040			4/0
Furseweld Type SCR2			
SCR2-58-6808	5/8	6,8	8
SCR2-58-3446		3,4	4,6
SCR2-58-1223		1,2	2,3
SCR2-58-2010		2/0,1/0	1/0,1
SCR2-58-0020		-	2/0
SCR2-34-6808	3/4	6,8	8
SCR2-34-3446		3,4	4,6
SCR2-34-1223		1,2	2,3
SCR2-34-2010		2/0,1/0	1/0,1
SCR2-34-0020		-	2/0
SCR2-34-0040			4/0
Furseweld Type SCR17			
SCR17-58-6808	5/8	6,8	8
SCR17-58-3446		3,4	4,6
SCR17-58-1223		1,2	2,3
SCR17-34-6808	3/4	6,8	8
SCR17-34-3446		3,4	4,6
SCR17-34-1223		1,2	2,3
Furseweld Type SCR24			
SCR24-58-6808	5/8	6,8	8
SCR24-58-3446		3,4	4,6
SCR24-58-1223		1,2	2,3
SCR24-34-6808	3/4	6,8	8
SCR24-34-3446		3,4	4,6
SCR24-34-1223		1,2	2,3
Furseweld Type SCR25			
SCR25-58-6808	5/8	6,8	8
SCR25-58-3446		3,4	4,6
SCR25-58-1223		1,2	2,3
SCR25-34-6808	3/4	6,8	8
SCR25-34-3446		3,4	4,6
SCR25-34-1223		1,2	2,3
Furseweld Type SCR27			
SCR27-58-6808	5/8	6,8	8
SCR27-58-3446		3,4	4,6
SCR27-34-6808	3/4	6,8	8
SCR27-34-3446		3,4	4,6
SCR27-34-1223		1,2	2,3

* The weight per 100 is 20 lb. and the standard carton/outer pack is 6 for all catalogue numbers.

Exothermic Welding System

Cross Reference

Cadweld Cat. No.	Thermoweld Cat. No.	Furseweld Cat. No.
BAC-JE	M-1135	BB1-4-121
BAC-EE	M-1122	BB1-4-141
BAC-EG	M-1124	BB1-4-14112
BAC-EF	M-1123	BB1-4-14114
BAC-EH	M-1125	BB1-4-142
BAC-EJ	M-6346	BB1-4-14212
BAC-CE	M-1118	BB1-4-181
BAC-CG	M-2557	BB1-4-18112
BAC-CH	M-1119	BB1-4-182
BAC-CK	M-6298	BB1-4-183
BAD-CM	M-5315	BB1-4-184
BAC-DE	M-1120	BB1-4-3161
BAC-DH	M-1121	BB1-4-3162
BAC-GE	M-1130	BB1-4-381
BAC-GG	M-1131	BB1-4-38112
BAD-JH	M-1136	BB1-5-122
BAD-EK	M-1126	BB1-5-143
BAD-EM	M-1127	BB1-5-144
BAD-GH	M-1132	BB1-5-382
BAD-GK	M-1133	BB1-5-38
BAD-GM	M-1134	BB1-5-384
EPC-JE	M-1247	BB2-4-121
EPC-EE	M-1234	BB2-4-141
EPC-EG	M-1236	BB2-4-14112
EPC-EF	M-1235	BB2-4-14114
EPC-EH	M-1237	BB2-4-142
EPC-EJ	M-6352	BB2-4-14212
EPC-CE	M-1230	BB2-4-181
EPC-CG	M-6347	BB2-4-18112
EPC-CH	M-1231	BB2-4-182
EPC-CK	M-6348	BB2-4-183
EPD-CM	M-6351	BB2-4-184
EPC-DE	M-1232	BB2-4-3161
EPC-DH	M-1233	BB2-4-3162
EPC-GE	M-1242	BB2-4-381
EPC-GG	M-1243	BB2-4-38112
EPD-JH	M-1248	BB2-5-122
EPD-EK	M-1238	BB2-5-143
EPD-EM	M-1239	BB2-5-144
EPD-GH	M-1244	BB2-5-382
EPD-GK	M-1245	BB2-5-383
EPD-GM	M-1246	BB2-5-384
BQC-EEEE	M-1102	BB3-4-141
BQC-EGEG	M-1104	BB3-4-14112
BQC-EFEF	M-1103	BB3-4-14114
BQC-CECE	M-1098	BB3-4-181
BQC-CHCH	M-1099	BB3-4-182
BQC-DEDE	M-1100	BB3-4-3161
BQC-DHDH	M-1101	BB3-4-3162
BQC-GEGE	M-1108	BB3-4-381
BQD-JEJE	M-1113	BB3-5-121

Cadweld Cat. No.	Thermoweld Cat. No.	Furseweld Cat. No.
BQD-JHJH	M-1114	BB3-5-122
BQD-EHEH	M-1105	BB3-5-142
BQD-GGGG	M-1109	BB3-5-38112
BQD-GHGH	M-1110	BB3-5-382
BQF-EKEK	M-1106	BB3-6-143
BQF-GKGK	M-1111	BB3-6-383
BWC-JE	M-1051	BS1-4-121
BWC-EE	M-1045	BS1-4-141
BWC-EG	M-1047	BS1-4-14112
BWC-EF	M-1046	BS1-4-14114
BWC-CE	M-1043	BS1-4-181
BWC-CG	M-6354	BS1-4-18112
BWC-CH	M-1044	BS1-4-182
BWC-DE	M-6056	BS1-4-3161
BWC-DG	M-6355	BS1-4-316112
BWC-DH	M-6356	BS1-4-3162
BWC-GE	M-1049	BS1-4-381
BWC-GG	M-6357	BS1-4-38112
BWD-JG	M-6358	BS1-5-12112
BWD-JH	M-1052	BS1-5-122
BWD-EH	M-1048	BS1-5-142
BWD-GH	M-1050	BS1-5-382
CGC-JE	M-1084	BS2-4-121
CGC-EE	M-1077	BS2-4-141
CGC-EG	M-1079	BS2-4-14112
CGC-EF	M-1078	BS2-4-14114
CGC-CE	M-1072	BS2-4-181
CGC-CG	M-1073	BS2-4-18112
CGC-CH	M-1074	BS2-4-182
CGC-DE	M-1075	BS2-4-3161
CGC-DG	M-6359	BS2-4-316112
CGC-DH	M-1076	BS2-4-3162
CGC-GE	M-1081	BS2-4-381
CGC-GG	M-1082	BS2-4-38112
CGD-JG	M-1085	BS2-5-12112
CGD-JH	M-1086	BS2-5-122
CGD-EH	M-1080	BS2-5-142
CGD-GH	M-1083	BS2-5-382
CHC-JE	M-1095	BS3-4-121
CHC-EE	M-1090	BS3-4-141
CHC-EG	M-1092	BS3-4-14112
CHC-EF	M-1091	BS3-4-14114
CHC-CE	M-1088	BS3-4-181
CHC-CG	M-1089	BS3-4-18112
CHC-DE	M-6353	BS3-4-3161
CHC-DG	M-7163	BS3-4-316112
CHC-GE	M-1093	BS3-4-381
CHC-GG	M-1094	BS3-4-38112
CHD-JG	M-1096	BS3-5-12112
CCC-JE	M-1060	BS4-4-121
CCC-EE	M-1056	BS4-4-141

Cadweld Cat. No.	Thermoweld Cat. No.	Furseweld Cat. No.
CCC-EG	M-6369	BS4-4-14112
CCC-EF	M-5566	BS4-4-14114
CCC-CE	M-1054	BS4-4-181
CCC-CG	M-6360	BS4-4-18112
CCC-CH	M-1055	BS4-4-182
CCC-DE	M-6361	BS4-4-3161
CCC-DG	M-6362	BS4-4-316112
CCC-DH	M-6367	BS4-4-3162
CCC-GE	M-1058	BS4-4-381
CCC-GG	M-6370	BS4-4-38112
CCD-JG	M-6372	BS4-5-12112
CCD-JH	M-1061	BS4-5-122
CCD-EH	M-1057	BS4-5-142
CCD-GH	M-1059	BS4-5-382
CFC-JE	M-1069	BS5-4-121
CFC-EE	M-1065	BS5-4-141
CFC-EG	M-6379	BS5-4-14112
CFC-EF	M-6377	BS5-4-14114
CFC-CE	M-1063	BS5-4-181
CFC-CF	M-6373	BS5-4-18112
CFC-CH	M-1064	BS5-4-182
CFC-DE	M-6374	BS5-4-3161
CFC-DG	M-6375	BS5-4-316112
CFC-DH	M-6376	BS5-4-3162
CFC-GE	M-1067	BS5-4-381
CFC-GG	M-6382	BS5-4-38112
CFD-JG	M-6383	BS5-5-12112
CFD-JH	M-1070	BS5-5-122
CFD-EH	M-1066	BS5-5-142
CFD-GH	M-1068	BS5-5-382
LAC-1YCE	M-977	CB1-4-#1181
LAC-1VCE	M-975	CB1-4-#2181
LAC-1TCE	-	CB1-4-#2S181
LAC-1LCE	M-971	CB1-4-#4181
LAC-2CEE	M-979	CB1-4-1/0141
LAC-2CCE	M-978	CB1-4-1/0181
LAC-2CDE	M-6075	CB1-4-1/03161
LAC-2GEE	M-981	CB1-4-2/0141
LAC-2GCE	M-980	CB1-4-2/0181
LAC-2GDE	M-6579	CB1-4-2/03161
LAC-2VEE	M-988	CB1-4-250K141
LAC-2VEG	M-990	CB1-4-250K14112
LAC-2VEH	M-8784	CB1-4-250K142
LAC-2VEK	M-1916	CB1-4-250K143
LAC-2VDE	M-8277	CB1-4-250K3161
LAC-2LEE	M-983	CB1-4-3/0141
LAC-2LCE	M-6284	CB1-4-3/0181
LAC-2LDE	M-982	CB1-4-3/03161
LAC-3AEE	M-991	CB1-4-300K141
LAC-3AEG	M-993	CB1-4-300K14112
LAC-3AEH	M-6288	CB1-4-300K142

Exothermic Welding System

Cross Reference

Cadweld Cat. No.	Thermoweld Cat. No.	Furseweld Cat. No.
LAC-3AEK	M-1917	CB1-4-300K143
LAC-3DEE	M-994	CB1-4-350K141
LAC-3DEG	M-996	CB1-4-350K14112
LAC-3DEH	M-6289	CB1-4-350K142
LAC-3DEK	M-1918	CB1-4-350K143
LAC-2QEE	M-985	CB1-4-4/0141
LAC-2QEG	M-987	CB1-4-4/014112
LAC-2QEH	M-5657	CB1-4-4/0142
LAC-2QEK	M-1915	CB1-4-4/0143
LAC-2QDE	M-984	CB1-4-4/03161
LAC-3QEG	M-1001	CB1-4-500K14112
LAC-3QEH	M-1002	CB1-4-500K142
LAC-3QEK	M-1920	CB1-4-500K143
LAC-3QGG	M-1004	CB1-4-500K38112
LAD-4YJH	M-1011	CB1-5-1000K122
LAD-4YJK	M-6295	CB1-5-1000K123
LAD-4YEK	M-6292	CB1-5-1000K143
LAD-4YGH	M-1009	CB1-5-1000K382
LAD-4YVK	M-1922	CB1-5-1000K383
LAD-4LEH	M-1006	CB1-5-750K142
LAD-4LEK	M-1921	CB1-5-750K143
LAD-4LGG	M-1007	CB1-5-750K38112
LAD-4LGH	M-1008	CB1-5-750K382
LAD-4LGK	M-6291	CB1-5-750K383
LQJ-JH1Y		CB29-10-#1122
LQJ-EH1Y		CB29-10-#1142
LQJ-GH1Y		CB29-10-#1382
LQJ-JH1V		CB29-10-#2122
LQJ-JH1T		CB29-10-#2S122
LQJ-JH2C		CB29-10-1/0122
LQJ-EH2C		CB29-10-1/0142
LQJ-GH2C		CB29-10-1/0382
LQJ-JH2G		CB29-10-2/0122
LQJ-EH2G		CB29-10-2/0142
LQJ-GH2G		CB29-10-2/0382
LQJ-JH2V		CB29-10-250K122
LQJ-EH2V		CB29-10-250K142
LQJ-GH2V		CB29-10-250K382
LQJ-JH2Q		CB29-10-4/0122
LQJ-EH2Q		CB29-10-4/0142
LQJ-GH2Q		CB29-10-4/0382
LQJ-JH3Q		CB29-10-500K122
LQJ-EH3Q		CB29-10-500K142
LQJ-GH3Q		CB29-10-500K382
LQJ-JH4L		CB29-10-750K122
LQJ-EH4L		CB29-10-750K142
LQJ-GH4L		CB29-10-750K382
LQE-EH1V		CB29-9-#2142
LQE-GH1V		CB29-9-#2382
LQE-EH1T		CB29-9-#2S142
LQE-GH1T		CB29-9-#2S382

Cadweld Cat. No.	Thermoweld Cat. No.	Furseweld Cat. No.
LJC-JG1V		CB4-4-#212112
LJC-EG1V		CB4-4-#214112
LJC-GG1V		CB4-4-#238112
LJC-JG1T		CB4-4-#2S12112
LJC-EG1T		CB4-4-#2S14112
LJC-GG1T		CB4-4-#2S38112
LJC-JG2C	M-1671	CB4-4-1/012112
LJC-EG2C	M-1651	CB4-4-1/014112
LJC-GG2C	M-1660	CB4-4-1/038112
LJC-JG2G	M-1672	CB4-4-2/012112
LJC-EG2G	M-1652	CB4-4-2/014112
LJC-GG2G	M-1661	CB4-4-2/038112
LJC-JG2V	M-1675	CB4-4-250K12112
LJC-EG2V	M-1655	CB4-4-250K14112
LJC-GG2V	M-1664	CB4-4-250K38112
LJC-JG2L	M-1673	CB4-4-3/012112
LJC-EG2L	M-1653	CB4-4-3/014112
LJC-GG2L	M-1662	CB4-4-3/038112
LJC-JG3A	M-1676	CB4-4-300K12112
LJC-EG3A	M-1656	CB4-4-300K14112
LJC-GG3A	M-1665	CB4-4-300K38112
LJC-JG3D	M-1677	CB4-4-350K12112
LJC-EG3D	M-1657	CB4-4-350K14112
LJC-GG3D	M-1666	CB4-4-350K38112
LJC-JG2Q	M-1674	CB4-4-4/012112
LJC-EG2Q	M-1654	CB4-4-4/014112
LJC-GG2Q	M-1663	CB4-4-4/038112
LJC-EG3Q	M-1659	CB4-4-500K14112
LJC-GG3Q	M-1668	CB4-4-500K38112
LJD-JG4Y	M-1681	CB4-5-1000K12112
LJD-GG4Y	M-1670	CB4-5-1000K38112
LJD-JG3Q	M-1679	CB4-5-500K12112
LJD-JG4L	M-1680	CB4-5-750K12112
LJD-GG4L	M-1669	CB4-5-750K38112
XBC-1Y1Y	M-2691	CC11-7-#1#1
XBC-1Y1V	M-2692	CC11-7-#1#2
XBC-1Y1L	M-2693	CC11-7-#1#4
XBC-1V1V	M-2689	CC11-7-#2#2
XBC-1V1L	M-2690	CC11-7-#2#4
XBC-1T1T	M-2689-S	CC11-7-#2S#2S
XBC-1L1L	M-2687	CC11-7-#4#4
XBP-1H1H	M-5432	CC11-7-#6#6
XBP-1G1G	M-5432-S	CC11-7-#6S#6S
XBM-2C1Y	M-2695	CC11-7-1/0#1
XBM-2C1V	M-2696	CC11-7-1/0#2
XBM-2C1L	M-2697	CC11-7-1/0#4
XBM-2C2C	M-2694	CC11-7-1/01/0
XBM-2G1Y	M-2700	CC11-7-2/0#1
XBM-2G1V	M-2701	CC11-7-2/0#2
XBM-2G2C	M-2699	CC11-7-2/01/0
XBM-2G2G	M-2698	CC11-7-2/02/0

Cadweld Cat. No.	Thermoweld Cat. No.	Furseweld Cat. No.
XBM-2V1Y	M-2718	CC11-7-250K#1
XBM-2V1V	M-2719	CC11-7-250K#2
XBM-2V2C	M-2717	CC11-7-250K1/0
XBM-2V2G	M-2716	CC11-7-250K2/0
XBM-2V2V	M-2713	CC11-7-250K250K
XBM-2V2L	M-2715	CC11-7-250K3/0
XBM-2V2Q	M-2714	CC11-7-250K4/0
XBM-2L1Y	M-2705	CC11-7-3/0#1
XBM-2L1V	M-2706	CC11-7-3/0#2
XBM-2L2C	M-2704	CC11-7-3/01/0
XBM-2L2G	M-2703	CC11-7-3/02/0
XBM-2L2L	M-2702	CC11-7-3/03/0
XBM-3A1Y	M-2726	CC11-7-300K#1
XBM-3A1V	M-2727	CC11-7-300K#2
XBM-3A2C	M-2725	CC11-7-300K1/0
XBM-3A2G	M-2724	CC11-7-300K2/0
XBM-3A2L	M-2723	CC11-7-300K3/0
XBM-3A2Q	M-2722	CC11-7-300K4/0
XBM-3D1Y	M-2735	CC11-7-350K#1
XBM-3D1V	M-2736	CC11-7-350K#2
XBM-3D2C	M-2734	CC11-7-350K1/0
XBM-3D2G	M-2733	CC11-7-350K2/0
XBM-3D1Y	M-2711	CC11-7-4/0#1
XBM-2Q1V	M-2712	CC11-7-4/0#2
XBM-2Q2C	M-2710	CC11-7-4/01/0
XBM-2Q2G	M-2709	CC11-7-4/02/0
XBM-2Q2L	M-2708	CC11-7-4/03/0
XBM-2Q2Q	M-2707	CC11-7-4/04/0
XBM-3Q2C	M-2755	CC11-7-500K1/0
XBV-3A2V	M-2721	CC11-8-300K250K
XBV-3A3A	M-2720	CC11-8-300K300K
XBV-3D2V	M-2730	CC11-8-350K250K
XBV-3D2L	M-2732	CC11-8-350K3/0
XBV-3D3A	M-2729	CC11-8-350K300K
XBV-3D3D	M-2728	CC11-8-350K350K
XBV-3D2Q	M-2731	CC11-8-350K4/0
XBV-3Q2G	M-2754	CC11-8-500K2/0
XBV-3Q2V	M-2751	CC11-8-500K250K
XBV-3Q2L	M-2753	CC11-8-500K3/0
XBV-3Q3A	M-2750	CC11-8-500K300K
XBV-3Q3D	M-2749	CC11-8-500K350K
XBV-3Q2Q	M-2752	CC11-8-500K4/0
XBV-3Q3Q	M-2747	CC11-8-500K500K
SST-1Y	M-5626	CC1-3-#1
SST-1X	M-5626-S	CC1-3-#1S
SST-1V	M-5625	CC1-3-#2
SST-1T	M-5625-S	CC1-3-#2S
SST-1Q	M-5624	CC1-3-#3
-	-	CC1-4-#2
SSC-2C	M-205	CC1-4-1/0
SSC-2B	M-205-S	CC1-4-1/0S

Exothermic Welding System

Cross Reference

Cadweld Cat. No.	Thermoweld Cat. No.	Furseweld Cat. No.
SSC-2G	M-206	CC1-4-2/0
SSC-2V	M-209	CC1-4-250K
SSC-2L	M-207	CC1-4-3/0
SSC-3A	M-210	CC1-4-300K
SSC-3D	M-211	CC1-4-350K
SSC-2Q	M-208	CC1-4-4/0
SSC-2P	M-208-S	CC1-4-4/0S
SSC-3Q	M-213	CC1-4-500K
SSD-4Y	M-215	CC1-5-1000K
SSD-4L	M-214	CC1-5-750K
TAC-1Y1Y	M-225	CC2-4-#1#1
TAC-1Y1V	M-226	CC2-4-#1#2
TAC-1Y1T	M-5879	CC2-4-#1#2S
TAC-1Y1L	M-227	CC2-4-#1#4
TAC-1V1V	M-223	CC2-4-#2#2
TAC-1V1T	M-5869	CC2-4-#2#2S
TAC-1T1L	M-224	CC2-4-#2#4
TAC-1V1L	M-5859	CC2-4-#2#4
TAC-1T1V	M-5856	CC2-4-#2S#2
TAC-1T1T	M-223-S	CC2-4-#2S#2S
TAC-1L1L	M-221	CC2-4-#4#4
TAC-2C1Y	M-229	CC2-4-1/0#1
TAC-2C1V	M-230	CC2-4-1/0#2
TAC-2C1T	M-5311	CC2-4-1/0#2S
TAC-2C1L	M-231	CC2-4-1/0#4
TAC-2C2C	M-228	CC2-4-1/01/0
TAC-4Y2C	M-308	CC2-4-1000K1/0
TAC-4Y2G	M-307	CC2-4-1000K2/0
TAC-4Y2V	M-305	CC2-4-1000K250K
TAC-4Y3A	M-304	CC2-4-1000K300K
TAC-4Y3D	M-303	CC2-4-1000K350K
TAC-4Y2Q	M-306	CC2-4-1000K4/0
TAC-2G1Y	M-234	CC2-4-2/0#1
TAC-2G1V	M-235	CC2-4-2/0#2
TAC-2G1T	M-8093	CC2-4-2/0#2S
TAC-2G1L	M-5475	CC2-4-2/0#4
TAC-2G2C	M-233	CC2-4-2/01/0
TAC-2G2G	M-232	CC2-4-2/02/0
TAC-2V1Y	M-252	CC2-4-250K#1
TAC-2V1V	M-253	CC2-4-250K#2
TAC-2V1T	M-5889	CC2-4-250K#2S
TAC-2V1L	M-5425	CC2-4-250K#4
TAC-2V2C	M-251	CC2-4-250K1/0
TAC-2V2G	M-250	CC2-4-250K2/0
TAC-2V2V	M-247	CC2-4-250K250K
TAC-2V2L	M-249	CC2-4-250K3/0
TAC-2V2Q	M-248	CC2-4-250K4/0
TAC-2L1Y	M-239	CC2-4-3/0#1
TAC-2L1V	M-240	CC2-4-3/0#2
TAC-2L1T	M-5884	CC2-4-3/0#2S
TAC-2L1L	M-5574	CC2-4-3/0#4

Cadweld Cat. No.	Thermoweld Cat. No.	Furseweld Cat. No.
TAC-2L2C	M-238	CC2-4-3/01/0
TAC-2L2G	M-237	CC2-4-3/02/0
TAC-2L2L	M-236	CC2-4-3/03/0
TAC-3A1Y	M-260	CC2-4-300K#1
TAC-3A1V	M-261	CC2-4-300K#2
TAC-3A1T	M-5903	CC2-4-300K#2S
TAC-3A1L	M-6397	CC2-4-300K#4
TAC-3A2C	M-259	CC2-4-300K1/0
TAC-3A2G	M-258	CC2-4-300K2/0
TAC-3A2V	M-255	CC2-4-300K250K
TAC-3A2L	M-257	CC2-4-300K3/0
TAC-3A3A	M-254	CC2-4-300K300K
TAC-3A2Q	M-256	CC2-4-300K4/0
TAC-3D1Y	M-269	CC2-4-350K#1
TAC-3D1V	M-270	CC2-4-350K#2
TAC-3D1L	M-6398	CC2-4-350K#4
TAC-3D2C	M-268	CC2-4-350K1/0
TAC-3D2G	M-267	CC2-4-350K2/0
TAC-3D2V	M-264	CC2-4-350K250K
TAC-3D2L	M-266	CC2-4-350K3/0
TAC-3D3A	M-263	CC2-4-350K300K
TAC-3D3D	M-262	CC2-4-350K350K
TAC-3D2Q	M-265	CC2-4-350K4/0
TAC-2Q1Y	M-245	CC2-4-4/0#1
TAC-2Q1V	M-246	CC2-4-4/0#2
TAC-2Q1T	M-5348	CC2-4-4/0#2S
TAC-2Q1L	M-5021	CC2-4-4/0#4
TAC-2Q2C	M-244	CC2-4-4/01/0
TAC-2Q2G	M-243	CC2-4-4/02/0
TAC-2Q2L	M-242	CC2-4-4/03/0
TAC-2Q2Q	M-241	CC2-4-4/04/0
TAC-3Q1Y	M-288	CC2-4-500K#1
TAC-3Q1V	M-289	CC2-4-500K#2
TAC-3Q1L	M-8113	CC2-4-500K#4
TAC-3Q2C	M-287	CC2-4-500K1/0
TAC-3Q2G	M-286	CC2-4-500K2/0
TAC-3Q2V	M-284	CC2-4-500K250K
TAC-3Q3A	M-283	CC2-4-500K300K
TAC-3Q3D	M-282	CC2-4-500K350K
TAC-3Q2Q	M-285	CC2-4-500K4/0
TAC-3Q3Q	M-280	CC2-4-500K500K
TAC-4L2C	M-298	CC2-4-750K1/0
TAC-4L2G	M-297	CC2-4-750K2/0
TAC-4L2V	M-295	CC2-4-750K250K
TAC-4L3A	M-294	CC2-4-750K300K
TAC-4L3D	M-293	CC2-4-750K350K
TAC-4L2Q	M-296	CC2-4-750K4/0
TAD-4Y4Y	M-299	CC2-5-1000K1000K
TAD-4Y3Q	M-301	CC2-5-1000K500K
TAD-4Y4L	M-300	CC2-5-1000K750K
TAD-4L3L	M-291	CC2-5-750K500K

Cadweld Cat. No.	Thermoweld Cat. No.	Furseweld Cat. No.
TAD-4L4L	M-290	CC2-5-750K750K
-	-	CC2HD-4-4/04/0
XAC-1Y1Y	M-427	CC4-4-#1#1
XAC-1Y1V	M-428	CC4-4-#1#2
XAC-1Y1L	M-429	CC4-4-#1#4
XAC-1V1V	-	CC4-4-#2#2
XAC-1V1L	-	CC4-4-#2#4
XAC-1T1T	-	CC4-4-#2S#2S
XAC-1L1L	-	CC4-4-#4#4
XAC-2C1Y	M-431	CC4-4-1/0#1
XAC-2C1V	M-432	CC4-4-1/0#2
XAC-2C1L	M-433	CC4-4-1/0#4
XAC-2C2C	M-430	CC4-4-1/01/0
XAC-2G1Y	M-436	CC4-4-2/0#1
XAC-2G1V	M-437	CC4-4-2/0#2
XAC-2G2C	M-435	CC4-4-2/01/0
XAC-2G2G	M-434	CC4-4-2/02/0
XAC-2V1Y	M-454	CC4-4-250K#1
XAC-2V1V	M-455	CC4-4-250K#2
XAC-2V2C	M-453	CC4-4-250K1/0
XAC-2V2G	M-452	CC4-4-250K2/0
XAC-2V2V	M-449	CC4-4-250K250K
XAC-2V2L	M-451	CC4-4-250K3/0
XAC-2V2Q	M-450	CC4-4-250K4/0
XAC-2L1Y	M-441	CC4-4-3/0#1
XAC-2L1V	M-442	CC4-4-3/0#2
XAC-2L2C	M-440	CC4-4-3/01/0
XAC-2L2G	M-439	CC4-4-3/02/0
XAC-2L2L	M-438	CC4-4-3/03/0
XAC-3A1Y	M-462	CC4-4-300K#1
XAC-3A1V	M-463	CC4-4-300K#2
XAC-3A2C	M-461	CC4-4-300K1/0
XAC-3A2G	M-460	CC4-4-300K2/0
XAC-3A2V	M-457	CC4-4-300K250K
XAC-3A2L	M-459	CC4-4-300K3/0
XAC-3A3A	M-456	CC4-4-300K300K
XAC-3A2Q	M-458	CC4-4-300K4/0
XAC-3D1Y	M-471	CC4-4-350K#1
XAC-3D1V	M-472	CC4-4-350K#2
XAC-3D2C	M-470	CC4-4-350K1/0
XAC-3D2G	M-469	CC4-4-350K2/0
XAC-3D2V	M-466	CC4-4-350K250K
XAC-3D2L	M-468	CC4-4-350K3/0
XAC-3D3A	M-465	CC4-4-350K300K
XAC-3D3D	M-464	CC4-4-350K350K
XAC-3D2Q	M-467	CC4-4-350K4/0
XAC-2Q1Y	M-447	CC4-4-4/0#1
XAC-2Q1V	M-448	CC4-4-4/0#2
XAC-2Q2C	M-446	CC4-4-4/01/0
XAC-2Q2G	M-445	CC4-4-4/02/0
XAC-2Q2L	M-444	CC4-4-4/03/0

Exothermic Welding System

Cross Reference

Cadweld Cat. No.	Thermoweld Cat. No.	Furseweld Cat. No.
XAC-2Q2Q	M-443	CC4-4-4/04/0
XAC-3Q2C	M-491	CC4-4-500K1/0
XAC-3Q2G	M-490	CC4-4-500K2/0
XAD-3Q2V	M-487	CC4-5-500K250K
XAD-3Q2L	M-489	CC4-5-500K3/0
XAD-3Q3A	M-486	CC4-5-500K300K
XAD-3Q3D	M-485	CC4-5-500K350K
XAD-3Q2Q	M-488	CC4-5-500K4/0
XAD-3Q3Q	M-483	CC4-5-500K500K
PCC-1Y1V	M-1282	CC6-4-#1#2
PCC-1Y1L	M-1283	CC6-4-#1#4
PCC-1Y1H	M-1284	CC6-4-#1#6
PCC-1Y1G	M-1285	CC6-4-#1#6S
PCC-1Y1D	M-1286	CC6-4-#1#8S
PCC-1V1V	M-1276	CC6-4-#2#2
PCC-1V1L	M-1277	CC6-4-#2#4
PCC-1V1H	M-1278	CC6-4-#2#6
PCC-1V1G	M-1279	CC6-4-#2#6S
PCC-1V1D	M-1280	CC6-4-#2#8S
PCC-1T1V		CC6-4-#2S#2
PCC-1T1T		CC6-4-#2S#2S
PCC-1T1H		CC6-4-#2S#6
PCC-1T1G		CC6-4-#2S#6S
PCC-1T2C		CC6-4-#2S1/0
PCC-1T2G		CC6-4-#2S2/0
PCC-1L1L		CC6-4-#4#4
PCC-1L1H		CC6-4-#4#6
PCC-1L1G		CC6-4-#4#6S
PCC-1L1D		CC6-4-#4#8S
PCC-2C1V	M-1289	CC6-4-1/0#2
PCC-2C1L	M-1290	CC6-4-1/0#4
PCC-2C1H	M-1291	CC6-4-1/0#6
PCC-2C1G	M-1292	CC6-4-1/0#6S
PCC-2C1D	M-1293	CC6-4-1/0#8S
PCC-2G1V	M-1297	CC6-4-2/0#2
PCC-2G1L	M-1298	CC6-4-2/0#4
PCC-2G1H	M-1299	CC6-4-2/0#6
PCC-2G1G	M-1300	CC6-4-2/0#6S
PCC-2G1D	M-1301	CC6-4-2/0#8S
-	-	CC6-4-2/02/0
PCC-2Q1Y	M-1305	CC6-4-4/0#1
PCC-2Q1V	M-1306	CC6-4-4/0#2
PCC-2Q1L	M-1307	CC6-4-4/0#4
PCC-2Q1H	M-1308	CC6-4-4/0#6
PCC-2Q1G	M-1309	CC6-4-4/0#6S
PCC-2Q1D	M-1310	CC6-4-4/0#8S
-	-	CC6-4-4/02/0
-	-	CC6-4-4/04/0
PTC-1Y1Y	M-1315	CC7-4-#1#1
PTC-1Y1X	M-6013	CC7-4-#1#1S
PTC-1Y1V	M-1316	CC7-4-#1#2

Cadweld Cat. No.	Thermoweld Cat. No.	Furseweld Cat. No.
PTC-1Y1T	M-6017	CC7-4-#1#2S
PTC-1Y1L	M-1317	CC7-4-#1#4
PTC-1Y1H	M-5636	CC7-4-#1#6
PTC-1Y1G	M-5637	CC7-4-#1#6S
PTC-1Y1E	M-5638	CC7-4-#1#8
PTC-1Y1D	M-5639	CC7-4-#1#8S
PTC-1X1Y	M-5998	CC7-4-#1S#1
PTC-1X1V	M-6001	CC7-4-#1S#2
PTC-1X1T	M-1316-S	CC7-4-#1S#2S
PTC-1X1L	M-6008	CC7-4-#1S#4
PTC-1X1H	M-6010	CC7-4-#1S#6
PTC-1X1G	M-5636-S	CC7-4-#1S#6S
PTC-1X1E	M-6012	CC7-4-#1S#8
PTC-1X1D	M-5638-S	CC7-4-#1S#8S
PTC-1V1V	M-1313	CC7-4-#2#2
PTC-1V1L	M-1314	CC7-4-#2#4
PTC-1V1H	M-5631	CC7-4-#2#6
PTC-1V1G	M-5632	CC7-4-#2#6S
PTC-1V1E	M-5634	CC7-4-#2#8
PTC-1V1D	M-5635	CC7-4-#2#8S
PTC-1T1V	M-5973	CC7-4-#2S#2
PTC-1T1T	M-1313-S	CC7-4-#2S#2S
PTC-1T1L	M-5987	CC7-4-#2S#4
PTC-1T1H	M-5989	CC7-4-#2S#6
PTC-1T1G	M-5631-S	CC7-4-#2S#6S
PTC-1T1E	M-5993	CC7-4-#2S#8
PTC-1T1D	M-5634-S	CC7-4-#2S#8S
PTC-1L1L	M-1311	CC7-4-#4#4
PTC-1L1H	M-5627	CC7-4-#4#6
PTC-1L1G	M-8882	CC7-4-#4#6S
PTC-1L1E	M-5629	CC7-4-#4#8
PTC-1L1D	M-5630	CC7-4-#4#8S
PTC-2C1Y	M-1319	CC7-4-1/0#1
PTC-2C1X	M-6036	CC7-4-1/0#1S
PTC-2C1V	M-1320	CC7-4-1/0#2
PTC-2C1T	M-6044	CC7-4-1/0#2S
PTC-2C1L	M-1321	CC7-4-1/0#4
PTC-2C1H	M-5642	CC7-4-1/0#6
PTC-2C1G	M-1208	CC7-4-1/0#6S
PTC-2C1E	M-5644	CC7-4-1/0#8
PTC-2C1D	M-5645	CC7-4-1/0#8S
PTC-2C2C	M-1318	CC7-4-1/01/0
PTC-2C2B	M-6035	CC7-4-1/01/0S
PTC-2B1Y	M-6019	CC7-4-1/0S#1
PTC-2B1X	M-1319-S	CC7-4-1/0S#1S
PTC-2B1V	M-6023	CC7-4-1/0S#2
PTC-2B1T	M-1320-S	CC7-4-1/0S#2S
PTC-2B1L	M-6026	CC7-4-1/0S#4
PTC-2B1H	M-6806	CC7-4-1/0S#6
PTC-2B1G	M-5462-S	CC7-4-1/0S#6S
PTC-2B1E	M-6028	CC7-4-1/0S#8

Cadweld Cat. No.	Thermoweld Cat. No.	Furseweld Cat. No.
PTC-2B1D	M-5644-S	CC7-4-1/0S#8S
PTC-2B2C	M-6227	CC7-4-1/0S1/0
PTC-2B2B	M-1318-S	CC7-4-1/0S1/0S
PTC-2G1Y	M-1324	CC7-4-2/0#1
PTC-2G1X	M-6052	CC7-4-2/0#1S
PTC-2G1V	M-1325	CC7-4-2/0#2
PTC-2G1L	M-5659	CC7-4-2/0#4
PTC-2G1H	M-5342	CC7-4-2/0#6
PTC-2G1G	M-5652	CC7-4-2/0#6S
PTC-2G1E	M-5668	CC7-4-2/0#8
PTC-2G1D	M-5943	CC7-4-2/0#8S
PTC-2G2C	M-1323	CC7-4-2/01/0
PTC-2G2B	M-6047	CC7-4-2/01/0S
PTC-2G2G	M-1322	CC7-4-2/02/0
PTC-2L1Y	M-1329	CC7-4-3/0#1
PTC-2L1X	M-6064	CC7-4-3/0#1S
PTC-2L1V	M-1330	CC7-4-3/0#2
PTC-2L1T	M-6065	CC7-4-3/0#2S
PTC-2L1L	M-6046	CC7-4-3/0#4
PTC-2L1H	M-5676	CC7-4-3/0#6
PTC-2L1G	M-5679	CC7-4-3/0#6S
PTC-2L1E	M-5680	CC7-4-3/0#8
PTC-2L1D	M-5682	CC7-4-3/0#8S
PTC-2L2C	M-1328	CC7-4-3/01/0
PTC-2L2B	M-6062	CC7-4-3/01/0S
PTC-2L2G	M-1327	CC7-4-3/02/0
PTC-2L2L	M-1326	CC7-4-3/03/0
PTC-2Q1Y	M-1335	CC7-4-4/0#1
PTC-2Q1X	M-6804	CC7-4-4/0#1S
PTC-2Q1V	M-1336	CC7-4-4/0#2
PTC-2Q1T	M-6805	CC7-4-4/0#2S
PTC-2Q1L	M-5340	CC7-4-4/0#4
PTC-2Q1H	M-5684	CC7-4-4/0#6
PTC-2Q1G	M-6552	CC7-4-4/0#6S
PTC-2Q1E	M-5686	CC7-4-4/0#8
PTC-2Q1D	M-5688	CC7-4-4/0#8S
PTC-2Q2C	M-1334	CC7-4-4/01/0
PTC-2Q2B	M-2551	CC7-4-4/01/0S
PTC-2Q2G	M-1333	CC7-4-4/02/0
PTC-2Q2L	M-1332	CC7-4-4/03/0
PTC-2Q2Q	M-1331	CC7-4-4/04/0
PTC-2Q2P	M-6803	CC7-4-4/04/0S
PTC-2P1Y	M-6089	CC7-4-4/0S#1
PTC-2P1X	M-1335-S	CC7-4-4/0S#1S
PTC-2P1V	M-6090	CC7-4-4/0S#2
PTC-2P1T	M-1336-S	CC7-4-4/0S#2S
PTC-2P1L	M-6109	CC7-4-4/0S#4
PTC-2P1H	M-6111	CC7-4-4/0S#6
PTC-2P1G	M-5684-S	CC7-4-4/0S#6S
PTC-2P1E	M-6112	CC7-4-4/0S#8
PTC-2P1D	M-5686-S	CC7-4-4/0S#8S

Exothermic Welding System

Cross Reference

Cadweld Cat. No.	Thermoweld Cat. No.	Furseweld Cat. No.
PTC-2P2C	M-6085	CC7-4-4/OS1/0
PTC-2P2B	M-1334-S	CC7-4-4/OS1/OS
PTC-2P2G	M-6082	CC7-4-4/OS2/0
PTC-2P2L	M-6081	CC7-4-4/OS3/0
PTC-2P2Q	M-6071	CC7-4-4/OS4/0
PTC-2P2P	M-1331-S	CC7-4-4/OS4/OS
GRT-14A1V	-	CR1-3-500#2
GRT-14A1T	-	CR1-3-500#2S
GRT-14A1L	M-8403	CR1-3-500#4
GRT-14A1K	M-8403-S	CR1-3-500#4S
GRT-14A1H	M-8402	CR1-3-500#6
GRT-14A1G	M-8402-S	CR1-3-500#6S
GRT-14B1V	-	CR1-3-500L#2
GRT-14B1T	-	CR1-3-500L#2S
GRT-14B1L	M-8403-T	CR1-3-500L#4
GRT-14B1K	M-8403-ST	CR1-3-500L#4S
GRT-14B1H	M-8402-T	CR1-3-500L#6
GRT-14B1G	M-8402-ST	CR1-3-500L#6S
GRT-161L	M-8415	CR1-3-625#4
GRT-161K	M-8415-S	CR1-3-625#4S
GRT-161H	M-8414	CR1-3-625#6
GRT-161G	M-8414-S	CR1-3-625#6S
GRP-181L	M-8426	CR1-3-750#4
GRP-181K	M-8426-S	CR1-3-750#4S
GRT-181H	M-8422	CR1-3-750#6
GRT-181G	M-8422-S	CR1-3-750#6S
GRC-151Y	M-496	CR1-4-500#1
GRC-152C	M-497	CR1-4-5001/0
GRC-152B	M-497-S	CR1-4-5001/OS
GRC-152G	M-498	CR1-4-5004/0
GRC-152V	M-501	CR1-4-500250K
GRC-152L	M-499	CR1-4-5003/0
GRC-153A	M-502	CR1-4-500300K
GRC-152Q	M-500	CR1-4-5004/0
GRC-141Y	M-496-T	CR1-4-500L#1
GRC-142C	M-497-T	CR1-4-500L1/0
GRC-142B	M-497-ST	CR1-4-500L1/OS
GRC-142G	M-498-T	CR1-4-500L2/0
GRC-142V	M-501-T	CR1-4-500L250K
GRC-142L	M-499-T	CR1-4-500L3/0
GRC-143A	M-502-T	CR1-4-500L300K
GRC-142Q	M-500-T	CR1-4-500L4/0
GRC-161Y	M-504	CR1-4-625#1
GRC-161V	M-503	CR1-4-625#2
GRT-161V	-	CR1-4-625#2
GRC-161T	-	CR1-4-625#2S
GRT-161T	-	CR1-4-625#2S
GRC-162C	M-505	CR1-4-6251/0
GRC-162B	M-505-S	CR1-4-6251/OS
GRC-162G	M-506	CR1-4-6252/0
GRC-162V	M-509	CR1-4-625250K

Cadweld Cat. No.	Thermoweld Cat. No.	Furseweld Cat. No.
GRC-162L	M-507	CR1-4-6253/0
GRC-163A	M-510	CR1-4-625300K
GRC-163D	M-511	CR1-4-625350K
GRC-162Q	M-508	CR1-4-6254/0
GRC-163Q	M-513	CR1-4-625500K
GRC-181Y	M-514	CR1-4-750#1
GRC-181V	M-5781	CR1-4-750#2
GRC-181T	-	CR1-4-750#2S
GRC-182C	M-515	CR1-4-7501/0
GRC-182B	M-515-S	CR1-4-7501/OS
GRC-182G	M-516	CR1-4-7502/0
GRC-182V	M-519	CR1-4-750250K
GRC-182L	M-517	CR1-4-7503/0
GRC-183A	M-520	CR1-4-750300K
GRC-183D	M-521	CR1-4-750350K
GRC-182Q	M-518	CR1-4-7504/0
GRC-183Q	M-523	CR1-4-750500K
-	-	CR17-4-7504/0
GTT-14A1L	M-8435	CR2-3-500#4
GTT-14A1K	M-8435-S	CR2-3-500#4S
GTT-14A1H	M-8434	CR2-3-500#6
GTT-14A1G	M-8434-S	CR2-3-500#6S
GTT-14B1L	M-8435-T	CR2-3-500L#4
GTT-14B1K	M-8435-ST	CR2-3-500L#4S
GTT-14B1H	M-8434-T	CR2-3-500L#6
GTT-14B1G	M-8434-ST	CR2-3-500L#6S
GTT-161L	M-8442	CR2-3-625#4
GTT-161K	M-8442-S	CR2-3-625#4S
GTT-161G	M-8441-S	CR2-3-625#6S
GTP-181L	M-8454	CR2-3-750#4
GTP-181K	M-8454-S	CR2-3-750#4S
GTP-181H	M-8452	CR2-3-750#6S
GTC-151Y	M-538	CR2-4-500#1
GTC-151V	M-537	CR2-4-500#2
GTC-151T	-	CR2-4-500#2S
GTC-152C	M-539	CR2-4-5001/0
GTC-152B	M-539-S	CR2-4-5001/OS
GTC-152G	M-540	CR2-4-5002/0
GTC-152V	M-543	CR2-4-500250K
GTC-152L	M-541	CR2-4-5003/0
GTC-153A	M-544	CR2-4-500300K
GTC-152Q	M-542	CR2-4-5004/0
GTC-141Y	M-538-T	CR2-4-500L#1
GTC-141V	M-537-T	CR2-4-500L#2
GTC-141T	-	CR2-4-500L#2S
GTC-142C	M-539-T	CR2-4-500L1/0
GTC-142B	-	CR2-4-500L1/OS
GTC-142G	M-540-T	CR2-4-500L2/0
GTC-142V	M-543-T	CR2-4-500L250K

Cadweld Cat. No.	Thermoweld Cat. No.	Furseweld Cat. No.
GTC-142L	M-541-T	CR2-4-500L3/0
GTC-143A	M-544-T	CR2-4-500L300K
GTC-142Q	M-542-T	CR2-4-500L4/0
GTC-161Y	M-546	CR2-4-625#1
GTC-161V	M-545	CR2-4-625#2
GTC-161T	-	CR2-4-625#2S
GTC-162C	M-547	CR2-4-6251/0
GTC-162B	M-547-S	CR2-4-6251/OS
GTC-162G	M-548	CR2-4-6252/0
GTC-162V	M-551	CR2-4-625250K
GTC-162L	M-549	CR2-4-6253/0
GTC-163A	M-552	CR2-4-625300K
GTC-163D	M-553	CR2-4-625350K
GTC-162Q	M-550	CR2-4-6254/0
GTC-163Q	M-555	CR2-4-625500K
GTC-181Y	M-557	CR2-4-750#1
GTC-181V	M-556	CR2-4-750#2
GTC-181T	-	CR2-4-750#2S
GTC-182C	M-558	CR2-4-7501/0
GTC-182B	M-558-S	CR2-4-7501/OS
GTC-182G	M-559	CR2-4-7502/0
GTC-182V	M-562	CR2-4-750250K
GTC-182L	M-560	CR2-4-7503/0
GTC-183A	M-563	CR2-4-750300K
GTC-183D	M-564	CR2-4-750350K
GTC-182Q	M-561	CR2-4-7504/0
GTC-183Q	M-566	CR2-4-750500K
GYJ-163Q	M-1593	CR3-10-625500K
GYJ-183D	M-1599	CR3-10-750350K
GYJ-183Q	M-1601	CR3-10-750500K
GYE-152C	M-1581	CR3-9-5001/0
GYE-152B	M-1581-S	CR3-9-5001/OS
GYE-152G	M-1582	CR3-9-5002/0
GYE-152V	M-1584	CR3-9-500250K
GYE-152L	M-6267	CR3-9-5003/0
GYE-153A	M-1585	CR3-9-500300K
GYE-152Q	M-1583	CR3-9-5004/0
GYE-142C	M-1581-T	CR3-9-500L1/0
GYE-142B	M-1581-ST	CR3-9-500L1/OS
GYE-142G	M-1582-T	CR3-9-500L2/0
GYE-142V	M-1584-T	CR3-9-500L250K
GYE-142L	M-6267-T	CR3-9-500L3/0
GYE-143A	M-1585-T	CR3-9-500L300K
GYE-142Q	M-1583-T	CR3-9-500L4/0
-	-	CR3-9-625#2
GYE-162C	M-1586	CR3-9-6251/0
GYE-162B	M-1586-S	CR3-9-6251/OS
GYE-162G	M-1587	CR3-9-6252/0
GYE-162V	M-1589	CR3-9-625250K
GYE-162L	M-8305	CR3-9-6253/0
GYE-163A	M-1590	CR3-9-625300K

Exothermic Welding System

Cross Reference

Cadweld Cat. No.	Thermoweld Cat. No.	Furseweld Cat. No.
GYE-163D	M-1591	CR3-9-625350K
GYE-162Q	M-1588	CR3-9-6254/0
GYE-182C	M-1594	CR3-9-7501/0
GYE-182B	M-1594-S	CR3-9-7501/0S
GYE-182G	M-1595	CR3-9-7502/0
GYE-182V	M-1597	CR3-9-750250K
GYE-182L	M-6608	CR3-9-7503/0
GYE-183A	-	CR3-9-750300K
GYE-182Q	M-1596	CR3-9-7504/0
RR		CRE1-3-#1Y
RR		CRE1-3-#1Z
RR		CRE1-3-#2SY
RR		CRE1-3-#2SZ
RR		CRE1-3-#2Y
RR		CRE1-3-#2Z
RR		CRE1-3-#4Y
RR		CRE1-3-#4Z
RR		CRE1-3-1/0Y
RR		CRE1-3-1/0Z
RR		CRE1-3-2/0Y
RR		CRE1-3-2/0Z
RR		CRE1-3-3/0Y
RR		CRE1-3-3/0Z
RR		CRE1-3-4/0Y
RR		CRE1-3-4/0Z
RRC-511Y	M-7503	CRE1-4-#13R
RRC-511V	M-7502	CRE1-4-#23R
RRC-511T	-	CRE1-4-#2S3R
RRC-511L	M-7501	CRE1-4-#43R
RRC-512C	M-7504	CRE1-4-1/03R
RRC-512G	M-7505	CRE1-4-2/03R
RRC-512L	M-7506	CRE1-4-3/03R
RRC-512Q	M-7507	CRE1-4-4/03R
RC		CRE3-3-#2SY
RC		CRE3-3-#2SZ
RC		CRE3-3-#2Y
RC		CRE3-3-#2Z
RC		CRE3-3-#4Y
RC		CRE3-3-#4Z
		CRE3-3-1/0Y
		CRE3-3-1/0Z
		CRE3-3-2/0Y
		CRE3-3-2/0Z
RC		CRE3-4-#1Y
RC		CRE3-4-#1Z
RC		CRE3-4-1/0Y
RC		CRE3-4-1/0Z
RC		CRE3-4-2/0Y
RC		CRE3-4-2/0Z
RC		CRE3-4-3/0Y
RC		CRE3-4-3/0Z

Cadweld Cat. No.	Thermoweld Cat. No.	Furseweld Cat. No.
RC		CRE3-4-4/0Y
RC		CRE3-4-4/0Z
RD		CRE4-3-#1Y
RD		CRE4-3-#1Z
RD		CRE4-3-#2SY
RD		CRE4-3-#2SZ
RD		CRE4-3-#2Y
RD		CRE4-3-#2Z
RD		CRE4-3-#4Y
RD		CRE4-3-#4Z
RD		CRE4-3-1/0Y
RD		CRE4-3-1/0Z
RD		CRE4-3-2/0Y
RD		CRE4-3-2/0Z
RD		CRE4-3-3/0Y
RD		CRE4-3-3/0Z
RD		CRE4-3-4/0Y
RJ		CRE6-3-#1Y
RJ		CRE6-3-#1Z
RJ		CRE6-3-#2SY
RJ		CRE6-3-#2SZ
RJ		CRE6-3-#2Y
RJ		CRE6-3-#2Z
RJ		CRE6-3-#4Y
RJ		CRE6-3-#4Z
RJ		CRE6-4-1/0Y
RJ		CRE6-4-1/0Z
RJ		CRE6-4-2/0Y
RJ		CRE6-4-2/0Z
RJ		CRE6-4-3/0Y
RJ		CRE6-4-3/0Z
RJ		CRE6-4-4/0Y
RJ		CRE6-4-4/0Z
HSC-2C	M-644	CS1-4-1/0
HSD-4Y	M-654	CS1-4-1000K
HSC-2G	M-645	CS1-4-2/0
HSC-2V	M-648	CS1-4-250K
HSC-2L	M-646	CS1-4-3/0
HSC-3A	M-649	CS1-4-300K
HSC-3D	M-650	CS1-4-350K
HSC-2Q	M-647	CS1-4-4/0
HSC-3Q	M-652	CS1-4-500K
HSD-4L	M-653	CS1-4-750K
HTC-2C	M-616	CS2-4-1/0
HTC-2G	M-617	CS2-4-2/0
HTC-2V	M-620	CS2-4-250K
HTC-2L	M-618	CS2-4-3/0
HTC-3A	M-621	CS2-4-300K
HTC-3D	M-622	CS2-4-350K
HTC-2Q	M-619	CS2-4-4/0

Cadweld Cat. No.	Thermoweld Cat. No.	Furseweld Cat. No.
VBC-1Y	M-5361	CS25-4-#1
VBC-1Y-V3		CS25-4-#1C
VBC-1Y-V5	-	CS25-4-#1D
VBC-1Y-V8		CS25-4-#1F
VBC-1Y-V21C		CS25-4-#1G
VBC-1V	M-2781	CS25-4-#2
VBC-1V-V3		CS25-4-#2C
VBC-1V-V5		CS25-4-#2D
VBC-1V-V8		CS25-4-#2F
VBC-1V-V21C		CS25-4-#2G
VBC-1T	-	CS25-4-#2S
VBC-1T-V3		CS25-4-#2SC
VBC-1T-V5		CS25-4-#2SD
VBC-1T-V8		CS25-4-#2SF
VBC-1T-V21		CS25-4-#2SG
VBC-1L	M-5359	CS25-4-#4
VBC-1L-V3		CS25-4-#4C
VBC-1L-V5	-	CS25-4-#4D
VBC-1L-V8		CS25-4-#4F
VBC-1L-V21		CS25-4-#4G
VBC-2C	M-2189	CS25-4-1/0
VBC-2C-V3		CS25-4-1/0C
VBC-2C-V5		CS25-4-1/0D
VBC-2C-V8		CS25-4-1/0F
VBC-2C-V20		CS25-4-1/0G
VBC-2G	M-2540	CS25-4-2/0
VBC-2G-V3		CS25-4-2/0C
VBC-2G-V5	-	CS25-4-2/0D
VBC-2G-V8		CS25-4-2/0F
VBC-2G-V20		CS25-4-2/0G
VBC-2V	M-8165	CS25-4-250K
VBC-2L	M-5362	CS25-4-3/0
VBC-2L-V3		CS25-4-3/0C
VBC-2L-V5	-	CS25-4-3/0D
VBC-2L-V8		CS25-4-3/0F
VBC-2L-V20		CS25-4-3/0G
VBC-3A	M-5363	CS25-4-300K
VBC-3D	M-9029	CS25-4-350K
VBC-2Q	M-8718	CS25-4-4/0
VBC-2Q-V3		CS25-4-4/0C
VBC-2Q-V5	-	CS25-4-4/0D
VBC-2Q-V8		CS25-4-4/0F
VBC-2Q-V20		CS25-4-4/0G
VBR-3Q	M-8512	CS25-4-500K
HTD-30	M-624	CS2-5-500K
VGC-1Y	M-6279	CS27-4-#1
VGC-1Y-V3		CS27-4-#1C
VGC-1Y-V5	-	CS27-4-#1D
VGC-1Y-V8		CS27-4-#1F
VGC-1Y-V21C		CS27-4-#1G
VGC-1V	M-5822	CS27-4-#2

Exothermic Welding System

Cross Reference

Cadweld Cat. No.	Thermoweld Cat. No.	Furseweld Cat. No.
VGC-1V-V3		CS27-4-#2C
VGC-1V-V5		CS27-4-#2D
VGC-1V-V8		CS27-4-#2F
VGC-1V-V21C		CS27-4-#2G
VGC-1T		CS27-4-#2S
VGC-1T-V3		CS27-4-#2SC
VGC-1T-V5		CS27-4-#2SD
VGC-1T-V8		CS27-4-#2SF
VGC-1T-V21		CS27-4-#2SG
VGC-1H	M-5245	CS27-4-#4
VGC-1L	M-5816	CS27-4-#4
VGC-1L-V3		CS27-4-#4C
VGC-1L-V5		CS27-4-#4D
VGC-1L-V8		CS27-4-#4F
VGC-1L-V21		CS27-4-#4G
VGC-2C	M-1168	CS27-4-1/0
VGC-2C-V3		CS27-4-1/0C
VGC-2C-V5		CS27-4-1/0D
VGC-2C-V8		CS27-4-1/0F
VGC-2C-V20		CS27-4-1/0G
VGC-2G	M-9242	CS27-4-2/0
VGC-2G-V3		CS27-4-2/0C
VGC-2G-V5		CS27-4-2/0D
VGC-2G-V8		CS27-4-2/0F
VGC-2G-V20		CS27-4-2/0G
VGC-2V	M-2520	CS27-4-250K
VGC-2L	M-6195	CS27-4-3/0
VGC-2L-V3		CS27-4-3/0C
VGC-2L-V5		CS27-4-3/0D
VGC-2L-V8		CS27-4-3/0F
VGC-2L-V20		CS27-4-3/0G
VGC-2Q	M-2177	CS27-4-4/0
VGC-2Q-V3		CS27-4-4/0C
VGC-2Q-V5		CS27-4-4/0D
VGC-2Q-V8		CS27-4-4/0F
VGC-2Q-V20		CS27-4-4/0G
VNC-1Y	M-6060	CS31-4-#1
VGC-1Y-V3		CS31-4-#1C
VGC-1Y-V5		CS31-4-#1D
VGC-1Y-V8		CS31-4-#1F
VGC-1Y-V21C		CS31-4-#1G
VNC-1V	M-2569	CS31-4-#2
VGC-1V-V3		CS31-4-#2C
VGC-1V-V5		CS31-4-#2D
VGC-1V-V8		CS31-4-#2F
VGC-1V-V21C		CS31-4-#2G
VNC-1T		CS31-4-#2S
VGC-1T-V3		CS31-4-#2SC
VGC-1T-V5		CS31-4-#2SD
VGC-1T-V8		CS31-4-#2SF
VGC-1T-V21		CS31-4-#2SG

Cadweld Cat. No.	Thermoweld Cat. No.	Furseweld Cat. No.
VNC-1L	M-2761	CS31-4-#4
VGC-1L-V3		CS31-4-#4C
VGC-1L-V5		CS31-4-#4D
VGC-1L-V8		CS31-4-#4F
VGC-1L-V21		CS31-4-#4G
VNC-1H	M-5910	CS31-4-#6
VNC-2C	M-5419	CS31-4-1/0
VGC-2C-V3		CS31-4-1/0C
VGC-2C-V5		CS31-4-1/0D
VGC-2C-V8		CS31-4-1/0F
VGC-2C-V20		CS31-4-1/0G
VNC-2G	M-2567	CS31-4-2/0
VGC-2G-V3		CS31-4-2/0C
VGC-2G-V5		CS31-4-2/0D
VGC-2G-V8		CS31-4-2/0F
VGC-2G-V20		CS31-4-2/0G
VNC-2V	M-2568	CS31-4-250K
VNC-2L	M-6072	CS31-4-3/0
VGC-2L-V3		CS31-4-3/0C
VGC-2L-V5		CS31-4-3/0D
VGC-2L-V8		CS31-4-3/0F
VGC-2L-V20		CS31-4-3/0G
VNC-3A	M-6061	CS31-4-300K
VNC-3D	M-6067	CS31-4-350K
VNC-2Q	M-9253	CS31-4-4/0
VGC-2Q-V3		CS31-4-4/0C
VGC-2Q-V5		CS31-4-4/0D
VGC-2Q-V8		CS31-4-4/0F
VGC-2Q-V20		CS31-4-4/0G
VNC-3Q	M-8359	CS31-4-500K
HAA-1Y-325C	M-6269	CS32-2-#1D
HAA-1Y-7C	M-6270	CS32-2-#1F
HAA-1Y-11C	M-6271	CS32-2-#1G
HAA-1V-162C	M-6016	CS32-2-#2C
HAA-1V-350C	M-2576	CS32-2-#2D
HAA-1V-7C	M-2514	CS32-2-#2F
HAA-1V-11C	M-2515	CS32-2-#2G
HAA-1T-162C		CS32-2-#2SC
HAA-1T-350C		CS32-2-#2SD
HAA-1T-7C		CS32-2-#2SF
HAA-1T-11C		CS32-2-#2SG
HAA-1L-162C	M-8014	CS32-2-#4C
HAA-1L-350C	M-8015	CS32-2-#4D
HAA-1L-7C	M-2516	CS32-2-#4F
HAA-1L-11C	M-2517	CS32-2-#4G
HAH-2C-350C	M-8504	CS32-4-1/0D
HAH-2C-8C	M-8505	CS32-4-1/0F
HAH-2C-20C	M-6272	CS32-4-1/0G
HAH-2G-350C	M-2776	CS32-4-2/0D
HAH-2G-8C	M-6273	CS32-4-2/0F
HAH-2G-20C	M-6274	CS32-4-2/0G

Cadweld Cat. No.	Thermoweld Cat. No.	Furseweld Cat. No.
HAH-2L-350C	M-6275	CS32-4-3/0D
HAH-2L-8C	M-6276	CS32-4-3/0F
HAH-2L-20C	M-6278	CS32-4-3/0G
HAH-2Q-350C	M-9236	CS32-4-4/0D
HAH-2Q-8C	M-9237	CS32-4-4/0F
HAH-2Q-20C	M-9238	CS32-4-4/0G
VSC-1Y	M-589	CS3-4-#1
VSC-1Y-V3C	M-2482	CS3-4-#1C
VSC-1Y-V5C	M-2483	CS3-4-#1D
VSC-1Y-V8C	M-2484	CS3-4-#1F
VSC-1Y-V21C	M-2485	CS3-4-#1G
VSC-1V	M-588	CS3-4-#2
VSC-1V-V3C	M-9233	CS3-4-#2C
VSC-1V-V5C	M-2480	CS3-4-#2D
VSC-1V-V8C	M-2583	CS3-4-#2F
VSC-1V-V21C	M-2481	CS3-4-#2G
VSC-1T		CS3-4-#2S
VSC-1T-V3C		CS3-4-#2SC
VSC-1T-V5C		CS3-4-#2SD
VSC-1T-V8C		CS3-4-#2SF
VSC-1T-V21C		CS3-4-#2SG
VSC-1L	M-586	CS3-4-#4
VSC-1L-V3C	M-2476	CS3-4-#4C
VSC-1L-V5C	M-2477	CS3-4-#4D
VSC-1L-V8C	M-2478	CS3-4-#4F
VSC-1L-V21C	M-2479	CS3-4-#4G
VSC-1H	M-585	CS3-4-#6
VSC-2C	M-590	CS3-4-1/0
VSC-2C-V3C	M-2486	CS3-4-1/0C
VSC-2C-V5C	M-2487	CS3-4-1/0D
VSC-2C-V8C	M-2488	CS3-4-1/0F
VSC-2C-V21C	M-2489	CS3-4-1/0G
HCA-1Y-350C		CS34-2-#1D
HCA-1Y-7C		CS34-2-#1F
HCA-1Y-11C		CS34-2-#1G
HCA-1V-162C		CS34-2-#2C
HCA-1V-350C		CS34-2-#2D
HCA-1V-7C		CS34-2-#2F
HCA-1V-11C		CS34-2-#2G
HCA-1T-162C		CS34-2-#2SC
HCA-1T-350C		CS34-2-#2SD
HCA-1T-7C		CS34-2-#2SF
HCA-1T-11C		CS34-2-#2SG
HCA-1L-162C		CS34-2-#4C
HCA-1L-350C		CS34-2-#4D
HCA-1L-7C		CS34-2-#4F
HCA-1L-11C		CS34-2-#4G
VSC-2G	M-591	CS3-4-2/0
VSC-2G-V3C	M-8833	CS3-4-2/0C
VSC-2G-V5C	M-2490	CS3-4-2/0D
VSC-2G-V8C	M-2491	CS3-4-2/0F

Exothermic Welding System

Cross Reference

Cadweld Cat. No.	Thermoweld Cat. No.	Furseweld Cat. No.
VSC-2G-V21C	M-2492	CS3-4-2/OG
VSC-2V	M-594	CS3-4-250K
VSC-2L	M-592	CS3-4-3/0
VSC-2L-V3C	M-2493	CS3-4-3/OC
VSC-2L-V5C	M-2494	CS3-4-3/OD
VSC-2L-V8C	M-2495	CS3-4-3/OF
VSC-2L-V21C	M-2496	CS3-4-3/OG
VSC-3A	M-595	CS3-4-300K
VSC-3D	M-596	CS3-4-350K
VSC-2Q	M-593	CS3-4-4/0
VSC-2Q-V3C	M-9021	CS3-4-4/OC
VSC-2Q-V5C	M-2497	CS3-4-4/OD
VSC-2Q-V8C	M-2498	CS3-4-4/OF
VSC-2Q-V21C	M-2499	CS3-4-4/OG
HTC-2C-350C		CS34-4-1/OD
HTC-2C-8C		CS34-4-1/OF
HTC-2C-20C		CS34-4-1/OG
HTC-2G-350C		CS34-4-2/OD
HTC-2G-8C		CS34-4-2/OF
HTC-2G-20C		CS34-4-2/OG
HTC-2L-350C		CS34-4-3/OD
HTC-2L-8C		CS34-4-3/OF
HTC-2L-20C		CS34-4-3/OG
HTC-2Q-350C		CS34-4-4/OD
HTC-2Q-8C		CS34-4-4/OF
HTC-2Q-20C		CS34-4-4/OG
VSC-3Q	M-598	CS3-4-500K
VSD-4Y	M-600	CS3-5-1000K
VSD-4L	M-599	CS3-5-750K
WC-1Y	M-1219	CS4-4-#1
WC-1Y-V3		CS4-4-#1C
WC-1Y-V5		CS4-4-#1D
WC-1Y-V8		CS4-4-#1F
WC-1Y-V21		CS4-4-#1G
WC-1V	M-1218	CS4-4-#2
WC-1V-V3		CS4-4-#2C
WC-1V-V5		CS4-4-#2D
WC-1V-V8		CS4-4-#2F
WC-1V-V21		CS4-4-#2G
WC-1T		CS4-4-#2S
WC-1T-V3		CS4-4-#2SC
WC-1T-V5		CS4-4-#2SD
WC-1T-V8		CS4-4-#2SF
WC-1T-V21		CS4-4-#2SG
WC-1L	M-1216	CS4-4-#4
WC-1L-V3		CS4-4-#4C
WC-1L-V5		CS4-4-#4D
WC-1L-V8		CS4-4-#4F
WC-1L-V21		CS4-4-#4G
WC-1H	M-1215	CS4-4-#6
WR-2C	M-1220	CS4-5-1/0

Cadweld Cat. No.	Thermoweld Cat. No.	Furseweld Cat. No.
WR-2C-V3		CS4-5-1/OC
WR-2C-V5		CS4-5-1/OD
WR-2C-V8		CS4-5-1/OF
WR-2C-V20		CS4-5-1/OG
WR-2G	M-1221	CS4-5-2/0
WR-2G-V3		CS4-5-2/OC
WR-2G-V5		CS4-5-2/OD
WR-2G-V8		CS4-5-2/OF
WR-2G-V20		CS4-5-2/OG
WR-2V	M-1224	CS4-5-250K
WR-2L	M-1222	CS4-5-3/0
WR-2L-V3		CS4-5-3/OC
WR-2L-V5		CS4-5-3/OD
WR-2L-V8		CS4-5-3/OF
WR-2L-V20		CS4-5-3/OG
WR-2Q	M-1223	CS4-5-4/0
WR-2Q-V3		CS4-5-4/OC
WR-2Q-V5		CS4-5-4/OD
WR-2Q-V8		CS4-5-4/OF
WR-2Q-V20		CS4-5-4/OG
VFC-1Y	M-1639	CS7-4-#1
VFC-1Y-V3		CS7-4-#1C
VFC-1Y-V5		CS7-4-#1D
VFC-1Y-V8		CS7-4-#1F
VFC-1Y-V21		CS7-4-#1G
VFC-1V	M-1638	CS7-4-#2
VFC-1V-V3		CS7-4-#2C
VFC-1V-V5		CS7-4-#2D
VFC-1V-V8		CS7-4-#2F
VFC-1V-V21		CS7-4-#2G
VFC-1T		CS7-4-#2S
VFC-1T-V3		CS7-4-#2SC
VFC-1T-V5		CS7-4-#2SD
VFC-1T-V8		CS7-4-#2SF
VFC-1T-V21		CS7-4-#2SG
VFC-1L	M-1636	CS7-4-#4
VFC-1L-V3		CS7-4-#4C
VFC-1L-V5		CS7-4-#4D
VFC-1L-V8		CS7-4-#4F
VFC-1L-V21		CS7-4-#4G
VFC-2C	M-1640	CS7-4-1/0
VFC-2C-V3		CS7-4-1/OC
VFC-2C-V5		CS7-4-1/OD
VFC-2C-V8		CS7-4-1/OF
VFC-2C-V20		CS7-4-1/OG
VFC-2G	M-1641	CS7-4-2/0
VFC-2G-V3		CS7-4-2/OC
VFC-2G-V5		CS7-4-2/OD
VFC-2G-V8		CS7-4-2/OF
VFC-2G-V20		CS7-4-2/OG
VFR-2V	M-1644	CS7-5-250K

Cadweld Cat. No.	Thermoweld Cat. No.	Furseweld Cat. No.
VFR-2L	M-1642	CS7-5-3/0
VFR-2L-V3		CS7-5-3/OC
VFR-2L-V5		CS7-5-3/OD
VFR-2L-V8		CS7-5-3/OF
VFR-2L-V20		CS7-5-3/OG
VFR-3A	M-1645	CS7-5-300K
VFR-2Q	M-1643	CS7-5-4/0
VFR-2Q-V3		CS7-5-4/OC
VFR-2Q-V5		CS7-5-4/OD
VFR-2Q-V8		CS7-5-4/OF
VFR-2Q-V20		CS7-5-4/OG
VFF-3D	M-1646	CS7-6-350K
VFF-3Q	M-1648	CS7-6-500K
HAA-1Y	M-631	CS8-2-#1
HAA-1V	M-630	CS8-2-#2
HAA-1T		CS8-2-#2S
HAA-1L	M-629	CS8-2-#4
HAA-1H	M-628	CS8-2-#6
HCA-1Y	M-605	CS9-2-#1
HCA-1V	M-604	CS9-2-#2
HCA-1T		CS9-2-#2S
HCA-1L	M-603	CS9-2-#4
HCA-1H	M-602	CS9-2-#6
15	15	15BKB
25	25	25BKB
32	32	32BKB
45	45	45BKB
65	65	65BKB
90	90	90BKB
115	115	115BKB
150	150	150BKB
200	200	200BKB
250	250	250BKB
L160	40-0106-00	HCPK4
L159	40-0107-00	HCPK5
T314	38-0135-00	WWB1
T314A	38-0135-01	WRB1
T313	38-0306-00	BFC
T320	38-0309-00	FGUN
T394	38-3922-00	BCM
B136A/B	40-0319-01/3/5/6	STM1
T403	38-4129-00	MSC
B144A/B/C/E	38-406-1/2/3/4-00	PACK-A

Exothermic Welding System

Sure Shot™ Cross Reference

Ground Rod	Conductor Size		Cadweld Cat. No.	Thermoweld Cat. No.	Furseweld Cat. No.
Size (in.)	Solid	Stranded	TYPE GR(CR1)	TYPE CR-1	TYPE CR1
1/2	6,8	8	GR1-141G	-	-
	3,4	4,6	GR1-141L		
	1,2	2,3	GR1-141V		
5/8	6,8	8	GR1-161G	M-2012	SCR1-58-6808
	3,4	4,6	GR1-161L	M-2013	SCR1-58-3446
	1,2	2,3	GR1-161V	M-2014	SCR1-58-1223
	2/0,1/0	1/0,1	GR1-162C	M-2015	SCR1-58-2010
	-	2/0	GR1-162G	M-2016	SCR1-58-0020
3/4	6,8	8	GR1-181G	M-2017	SCR1-34-6808
	3,4	4,6	GR1-181L	M-2018	SCR1-34-3446
	1,2	2,3	GR1-181V	M-2019	SCR1-34-1223
	2/0,1/0	1/0,1	GR1-182C	M-2020	SCR1-34-2010
	-	2/0	GR1-182G	M-2021	SCR1-34-0020
	-	4/0	GR1-182Q	-	SCR1-34-0040
Size (in.)	Solid	Stranded	TYPE GT(CR2)	TYPE CR-2	TYPE CR2
1/2	6,8	8	GT1-141G	-	-
	3,4	4,6	GT1-141L		
	1,2	2,3	GT1-141V		
5/8	6,8	8	GT1-161G	M-2027	SCR2-58-6808
	3,4	4,6	GT1-161L	M-2028	SCR2-58-3446
	1,2	2,3	GT1-161V	M-2029	SCR2-58-1223
	2/0,1/0	1/0,1	GT1-162C	M-2030	SCR2-58-2010
	-	2/0	-	-	SCR2-58-0020*
3/4	6,8	8	GT1-181G	M-2031	SCR2-34-6808
	3,4	4,6	GT1-181L	M-2032	SCR2-34-3446
	1,2	2,3	GT1-181V	M-2033	SCR2-34-1223
	2/0,1/0	1/0,1	GT1-182C	M-2034	SCR2-34-2010
	-	2/0	-	-	SCR2-34-0020*
	-	4/0	-	-	SCR2-34-0040*
Size (in.)	Solid	Stranded	TYPE NT(CR17)		TYPE CR17
1/2	6,8	8	NT1-141G	-	-
	3,4	4,6	NT1-141L		
	1,2	2,3	-		
5/8	6,8	8	NT1-161G	-	SCR17-58-6808
	3,4	4,6	NT1-161L		SCR17-58-3446
	1,2	2,3	NT1-161V		SCR17-58-1223
	2/0,1/0	1/0,1	-		SCR17-58-2010*
	-	2/0	-		SCR17-58-0020*
3/4	6,8	8	NT1-181G	-	SCR17-34-6808
	3,4	4,6	NT1-181L		SCR17-34-3446
	1,2	2,3	NT1-181V		SCR17-34-1223
	2/0,1/0	1/0,1	-		SCR17-34-2010*
	-	2/0	-		SCR17-34-0020*
	-	4/0	-		SCR17-34-0040*
Size (in.)	Solid	Stranded	TYPE NX(CR24)		TYPE CR24
1/2	6,8	8	NX1-141G	-	-
	3,4	4,6	NX1-141L		
	1,2	2,3	-		
5/8	6,8	8	NX1-161G	-	SCR24-58-6808
	3,4	4,6	NX1-161L		SCR24-58-3446

* Future development.

Exothermic Welding System

Sure Shot™ Cross Reference

Ground Rod	Conductor Size		Cadweld Cat. No.	Thermoweld Cat. No.	Furseweld Cat. No.
Size (in.)	Solid	Stranded	TYPE GR(CR1)	TYPE CR-1	TYPE CR1
3/4	3,4	4,6	NX1-181L	-	SCR24-34-3446
	1,2	2,3	NX1-181V		SCR24-34-1223
	2/0,1/0	1/0,1			SCR24-34-2010*
5/8	-	2/0	-		SCR24-34-0020*
		4/0			SCR24-34-0040*
Size (in.)	Solid	Stranded		TYPE CR-25	TYPE CR25
	6,8	8		M-2006	SCR25-58-6808
	3,4	4,6		M-2007	SCR25-58-3446
	1,2	2,3		M-2008	SCR25-58-1223
3/4	2/0,1/0	1/0,1		M-2023	SCR25-58-12010
	6,8	8		M-2068	SCR25-34-6808
	3,4	4,6		M-2069	SCR25-34-3446

* Future development.

Exothermic Welding System

Additional Tables

Conductor Properties

Size (AWG or kcmil)	Area		Quantity	Conductors						Direct-Current Resistance at 75°C (167°F)					
				Stranding				Overall		Copper				Aluminum	
	mm ²	Circular mils		Diameter		Diameter		Area		Uncoated		Coated		ohm/km	ohm/kFT
				mm	in.	mm	in.	mm ²	in. ²	ohm/km	ohm/kFT	ohm/km	ohm/kFT		
18	0.823	1620	1	—	—	1.02	0.040	0.823	0.001	25.5	7.77	26.5	8.08	42.0	12.8
			7	0.39	0.015	1.16	0.046	1.06	0.002	26.1	7.95	27.7	8.45	42.8	13.1
16	1.31	2580	1	—	—	1.29	0.051	1.31	0.003	16.0	4.89	16.7	5.08	26.4	8.05
			7	0.49	0.019	1.46	0.058	1.68	0.004	16.4	4.99	17.3	5.29	26.9	8.21
14	2.08	4110	1	—	—	1.63	0.064	2.08	0.005	10.1	3.07	10.4	3.19	16.6	5.06
			7	0.62	0.024	1.85	0.073	2.68	0.006	10.3	3.14	10.7	3.26	16.9	5.17
12	3.31	6530	1	—	—	2.05	0.081	3.31	0.008	6.34	1.93	6.57	2.01	10.45	3.18
			7	0.78	0.030	2.32	0.092	4.25	0.011	6.50	1.98	6.73	2.05	10.69	3.25
10	5.261	10380	1	—	—	2.588	0.102	5.26	0.013	3.984	1.21	4.148	1.26	6.561	2.00
			7	0.98	0.038	2.95	0.116	6.76	0.017	4.070	1.24	4.226	1.29	6.679	2.04
8	8.367	16510	1	—	—	3.264	0.128	8.37	0.027	2.506	0.764	2.579	0.786	4.125	1.26
			7	1.23	0.049	3.71	0.146	10.76	0.042	2.551	0.778	2.653	0.809	4.204	1.28
6	13.30	26240	7	1.56	0.061	4.67	0.184	17.09	0.067	1.608	0.491	1.671	0.510	2.652	0.808
4	21.15	41740		1.96	0.077	5.89	0.232	27.19	0.087	1.010	0.308	1.053	0.321	1.666	0.508
3	26.67	52620	19	2.20	0.087	6.60	0.260	34.28	0.109	0.802	0.245	0.833	0.254	1.320	0.403
2	33.62	66360		2.47	0.097	7.42	0.292	43.23	0.137	0.634	0.194	0.661	0.201	1.045	0.319
1	42.41	83690	37	1.69	0.066	8.43	0.332	55.80	0.166	0.505	0.154	0.524	0.160	0.829	0.253
1/0	53.49	105600		1.89	0.074	9.45	0.372	70.41	0.199	0.399	0.122	0.415	0.127	0.660	0.201
2/0	67.43	133100	61	2.13	0.084	10.62	0.418	88.74	0.251	0.3170	0.0967	0.329	0.101	0.523	0.159
3/0	85.01	167800		2.39	0.094	11.94	0.470	111.9	0.312	0.2512	0.0766	0.2610	0.0797	0.413	0.126
4/0	107.2	211600	—	2.68	0.106	13.41	0.528	141.1	0.364	0.1996	0.0608	0.2050	0.0626	0.328	0.100
250	—	—		2.09	0.082	14.61	0.575	168	0.416	0.1687	0.0515	0.1753	0.0535	0.2778	0.0847
300	—	—	37	2.29	0.090	16.00	0.630	201	0.466	0.1409	0.0429	0.1463	0.0446	0.2318	0.0707
350	—	—		2.47	0.097	17.30	0.681	235	0.519	0.1205	0.0367	0.1252	0.0382	0.1984	0.0605
400	—	—	61	2.64	0.104	18.49	0.728	268	0.563	0.1053	0.0321	0.1084	0.0331	0.1737	0.0529
500	—	—		2.95	0.116	20.65	0.813	336	0.626	0.0845	0.0258	0.0869	0.0265	0.1391	0.0424
600	—	—	—	2.52	0.099	22.68	0.893	404	0.673	0.0704	0.0214	0.0732	0.0223	0.1159	0.0353
700	—	—		2.72	0.107	24.49	0.964	471	0.730	0.0603	0.0184	0.0622	0.0189	0.0994	0.0303
750	—	—	61	2.82	0.111	25.35	0.998	505	0.782	0.0563	0.0171	0.0579	0.0176	0.0927	0.0282
800	—	—		2.91	0.114	26.16	1.030	538	0.834	0.0528	0.0161	0.0544	0.0166	0.0868	0.0265
900	—	—	—	3.09	0.122	27.79	1.094	606	0.887	0.0470	0.0143	0.0481	0.0147	0.0770	0.0235
1000	—	—		3.25	0.128	29.26	1.152	673	0.942	0.0423	0.0129	0.0434	0.0132	0.0695	0.0212

FPN: The construction information is per NEMA WC8-1992 or ANSI/UL 1581-1998. The resistance is calculated per National Bureau of Standards Handbook 100, dated 1966, and Handbook 109, dated 1972. 70-625 TABLES.

NATIONAL ELECTRICAL CODE, 2002 Edition.

Exothermic Welding System

Additional Tables

Metric Conductors

Wire Size		Circ Mills	# of Strands	Strand Diameter	Diameter		Colour Code	Die Code
MM	AWG				MM	Inch		
10	8	19,73	1	3.57	3.57	0.140	Red	21
			7	1.35	4.05	0.159		
16	6	31,558	1	4.50	4.50	0.177	Blue	24
			7	1.70	5.10	0.200		
25	2	49,325	7	2.14	6.42	0.253	Gray	29
				1.35	6.75	0.266		
35	1	69,055	19	1.53	7.65	0.300	Green	37
50	1/0	98,65		1.78	8.90	0.350	Pink	42
70	2/0	138,11		2.14	10.70	0.421	Black	45
95	3/0	187,5		2.52	12.60	0.496	Orange	50
120	250	236,76	37	1.78	12.46	0.490	Purple	54
150	300	295,95		2.03	14.21	0.560		
185	–	365	61	2.25	15.75	0.620	White	66
240	500	473,5		2.52	17.64	0.695		
300	–	591,9		2.25	20.25	0.797		
400	–	789,2		2.52	22.68	0.893		
500	–	986,5	91	2.85	25.65	1.000	Black	106
			91	2.36	25.96	1.022		
630	–	1,243,000	127	3.20	28.80	1.134	–	125
800	–	1,578,400		2.52	32.76	1.290		
1000	–	1,973,000		2.85	37.05	1.459		
				3.20	41.60	1.638		

Table B.310.1 Ampacities of Two or Three Insulated Conductors, Rated 0 Through 2000 V, Within an Overall Covering (Multiconductor Cable), in Raceway in Free Air Based on Ambient Air Temperature of 30°C (86°F)

Temperature Rating of Conductor

Size (AWG or kcmil)	60°C (140°F)	75°C (167°F)	90°C (194°F)	60°C (140°F)	75°C (167°F)	90°C (194°F)	Size (AWG or kcmil)
	Types TW, UF	Copper	Types THHN, THHW, THW-2, THWN-2, RHH, RWH-2, USE-2, XHHN, XHHW-2, ZW-2	Type TW	Aluminum or Copper-Clad Aluminum	Types THHN, THHW, THW-2, THWN-2, RHH, RWH-2, USE-2, XHHW, XHHW-2, ZW-2	
14	16*	18*	21*	–	–	–	14
12	20*	24*	27*	16*	18*	21*	12
10	27*	33*	36*	21*	25*	28*	10
8	36	43	48	28	33	37	8
6	48	58	65	38	45	51	6
4	66	79	89	51	61	69	4
3	76	90	102	59	70	79	3
2	88	105	119	69	83	93	2
1	102	121	137	80	95	106	1
1/0	121	145	163	94	113	127	1/0
2/0	138	166	186	108	129	146	2/0
3/0	158	189	214	124	147	167	3/0
4/0	187	223	253	147	176	197	4/0
250	205	245	276	160	192	217	250
300	234	281	317	185	221	250	300
350	255	305	345	202	242	273	350
400	274	328	371	218	261	295	400
500	315	378	427	254	303	342	500
600	343	413	468	279	335	378	600
700	376	452	514	310	371	420	700
750	387	466	529	321	384	435	750
800	397	479	543	331	397	450	800
900	415	500	570	350	421	477	900
1000	448	542	617	382	460	521	1000

Correction Factors							
Ambient Temp. (°C)	For ambient temperatures other than 30°C (86°F), multiply the ampacities shown above by the appropriate factor shown below.					Ambient Temp. (°C)	
21–25	1.08	1.05	1.04	1.08	1.05	1.04	70–77
26–30	1.00	1.00	1.00	1.00	1.00	1.00	79–86
31–35	0.91	0.94	0.96	0.91	0.94	0.96	88–95
36–40	0.82	0.88	0.91	0.82	0.88	0.91	97–104
41–45	0.71	0.82	0.87	0.71	0.82	0.87	106–113
46–50	0.58	0.75	0.82	0.58	0.75	0.82	115–122

*Unless otherwise specifically permitted elsewhere in this Code, the overcurrent protection for these conductor types shall not exceed 15 A for 14 AWG, 20 A for 12 AWG, and 30 A for 10 AWG copper; or 15 A for 12 AWG and 25 A for 10 AWG aluminum and copper-clad aluminum.

Exothermic Welding System

Additional Tables

Table C1 Maximum Number of Conductors or Fixture Wires in Electrical Metallic Tubing (EMT) (Based on Table 1, Chapter 9)

		CONDUCTORS									
Type	Conductor Size (AWG/kcmil)	Metric Designator (Trade Size)									
		16 (1/2)	21 (3/4)	27 (1)	35 (1-1/4)	41 (1-1/2)	53 (2)	63 (2-1/2)	78 (3)	91 (3-1/2)	103 (4)
RHH, RHW, RHW-2	14	4	7	11	20	27	46	80	120	157	201
	12	3	6	9	17	23	38	66	100	131	167
	10	2	5	8	13	18	30	53	81	105	135
	8	1	2	4	7	9	16	28	42	55	70
	6	1	1	3	5	8	13	22	34	44	56
	4	1	1	2	4	6	10	17	26	34	44
	3	1	1	1	4	5	9	15	23	30	38
	2	1	1	1	3	4	7	13	20	26	33
	1	0	1	1	1	3	5	9	13	17	22
	1/0	0	1	1	1	2	4	7	11	15	19
	2/0	0	1	1	1	2	4	6	10	13	17
	3/0	0	0	1	1	1	3	5	8	11	14
	4/0	0	0	1	1	1	3	5	7	9	12
	250	0	0	0	1	1	1	3	5	7	9
	300	0	0	0	1	1	1	3	5	6	8
	350	0	0	0	1	1	1	3	4	6	7
	400	0	0	0	1	1	1	2	4	5	7
	500	0	0	0	0	1	1	2	3	4	6
	600	0	0	0	0	1	1	1	3	4	5
	700	0	0	0	0	0	1	1	2	3	4
750	0	0	0	0	0	1	1	2	3	4	
800	0	0	0	0	0	1	1	2	3	4	
900	0	0	0	0	0	1	1	1	3	3	
1000	0	0	0	0	0	1	1	1	2	3	
TW, THHW, THW, THW-2	14	8	15	25	43	58	96	168	254	332	424
	12	6	11	19	33	45	74	129	195	255	326
	10	5	8	14	24	33	55	96	145	190	243
	8	2	5	8	13	18	30	53	81	105	135
RHH*, RHW*, RHW-2*	14	6	10	6	28	39	64	112	169	221	282
	12	4	8	13	23	31	51	90	136	177	227
	10	3	6	10	18	24	40	70	106	138	177
	8	1	4	6	10	14	24	42	63	83	106

* Types RHH, RHW, and RHW-2 without outer covering.

		CONDUCTORS									
Type	Conductor Size (AWG/kcmil)	Metric Designator (Trade Size)									
		16 (1/2)	21 (3/4)	27 (1)	35 (1-1/4)	41 (1-1/2)	53 (2)	63 (2-1/2)	78 (3)	91 (3-1/2)	103 (4)
RHH*, RHW*, RHW-2*, TW, THHW, THW, THW-2	6	1	3	4	8	11	18	32	48	63	81
	4	1	1	3	6	8	13	24	36	47	60
	3	1	1	3	5	7	12	20	31	40	52
	2	1	1	2	4	6	10	17	26	34	44
	1	1	1	1	3	4	7	12	18	24	31
	1/0	0	1	1	2	3	6	10	16	20	26
	2/0	0	1	1	1	3	5	9	13	17	22
	3/0	0	1	1	1	2	4	7	11	15	19
	4/0	0	0	1	1	1	3	6	9	12	16
	250	0	0	1	1	1	3	5	7	10	13
	300	0	0	1	1	1	2	4	6	8	11
	350	0	0	0	1	1	1	4	6	7	10
	400	0	0	0	1	1	1	3	5	7	9
	500	0	0	0	1	1	1	3	4	6	7
	600	0	0	0	1	1	1	2	3	4	6
	700	0	0	0	0	1	1	1	3	4	5
	750	0	0	0	0	1	1	1	3	4	5
	800	0	0	0	0	1	1	1	3	3	5
	900	0	0	0	0	0	1	1	2	3	4
	1000	0	0	0	0	0	1	1	2	3	4
THHN, THWN, THWN-2	14	12	22	35	61	84	138	241	364	476	608
	12	9	16	26	45	61	101	176	266	347	443
	10	5	10	16	28	38	63	111	167	219	279
	8	3	6	9	16	22	36	64	96	126	161
	6	2	4	7	12	16	26	46	69	91	116
	4	1	2	4	7	10	16	28	43	56	71
	3	1	1	3	6	8	13	24	36	47	60
	2	1	1	3	5	7	11	20	30	40	51
	1	1	1	1	4	5	8	15	22	29	37
	1/0	1	1	1	3	4	7	12	19	25	32
	2/0	0	1	1	2	3	6	10	16	20	26
	3/0	0	1	1	1	3	5	8	13	17	22
	4/0	0	1	1	1	2	4	7	11	14	18
	250	0	0	1	1	1	3	6	9	11	15
	300	0	0	1	1	1	3	5	7	10	13
	350	0	0	1	1	1	2	4	6	9	11
	400	0	0	0	1	1	1	4	6	8	10
	500	0	0	0	1	1	1	3	5	6	8
	600	0	0	0	1	1	1	2	4	5	7
	700	0	0	0	1	1	1	2	3	4	6
750	0	0	0	0	1	1	1	3	4	5	
800	0	0	0	0	1	1	1	3	4	5	
900	0	0	0	0	1	1	1	3	3	4	
1000	0	0	0	0	1	1	1	2	3	4	

NATIONAL ELECTRICAL CODE, 2002 Edition

* Types RHH, RHW, and RHW-2 without outer covering.

Exothermic Welding System

Additional Tables

Table C4 Maximum Number of Conductors or Fixture Wires in Intermediate Metal Conduit (IMC) (Based on Table 1, Chapter 9)

Type	Conductor Size (AWG/kcmil)	CONDUCTORS									
		Metric Designator (Trade Size)									
		16 (1/2)	21 (3/4)	27 (1)	35 (1-1/4)	41 (1-1/2)	53 (2)	63 (2-1/2)	78 (3)	91 (3-1/2)	103 (4)
RHH, RHW, RHW-2	14	4	8	13	22	30	49	70	108	144	186
	12	4	6	11	18	25	41	58	89	120	154
	10	3	5	8	15	20	33	47	72	97	124
	8	1	3	4	8	10	17	24	38	50	65
	6	1	1	3	6	8	14	19	30	40	52
	4	1	1	3	5	6	11	15	23	31	41
	3	1	1	2	4	6	9	13	21	28	36
	2	1	1	1	3	5	8	11	18	24	31
	1	0	1	1	2	3	5	7	12	16	20
	1/0	0	1	1	1	3	4	6	10	14	18
	2/0	0	1	1	1	2	4	6	9	12	15
	3/0	0	0	1	1	1	3	5	7	10	13
	4/0	0	0	1	1	1	3	4	6	9	11
	250	0	0	1	1	1	1	3	5	6	8
	300	0	0	0	1	1	1	3	4	6	7
	350	0	0	0	1	1	1	2	4	5	7
	400	0	0	0	1	1	1	2	3	5	6
	500	0	0	0	1	1	1	1	3	4	5
	600	0	0	0	0	1	1	1	2	3	4
	700	0	0	0	0	1	1	1	2	3	4
750	0	0	0	0	1	1	1	1	3	4	
800	0	0	0	0	0	1	1	1	3	3	
900	0	0	0	0	0	1	1	1	2	3	
1000	0	0	0	0	0	1	1	1	2	3	
1250	0	0	0	0	0	1	1	1	1	2	
1500	0	0	0	0	0	0	1	1	1	1	
1750	0	0	0	0	0	0	1	1	1	1	
2000	0	0	0	0	0	0	1	1	1	1	
TW, THHW, THW, THW-2	14	10	17	27	47	64	104	147	228	304	392
	12	7	13	21	36	49	80	113	175	234	301
10	5	9	15	27	36	59	84	130	174	224	
8	3	5	8	15	20	33	47	72	97	124	
RHH,* RHW,* RHW-2*	14	6	11	18	31	42	69	98	151	202	261
	12	5	9	14	25	34	56	79	122	163	209
RHH,* RHW,* RHW-2*	10	4	7	11	19	26	43	61	95	127	163
	8	2	4	7	12	16	26	37	57	76	98
RHH,* RHW,* RHW-2*	6	1	3	5	9	12	20	28	43	58	75
	4	1	2	4	6	9	15	21	32	43	56

* Types RHH, RHW, and RHW-2 without outer covering.

Type	Conductor Size (AWG/kcmil)	CONDUCTORS										
		Metric Designator (Trade Size)										
		16 (1/2)	21 (3/4)	27 (1)	35 (1-1/4)	41 (1-1/2)	53 (2)	63 (2-1/2)	78 (3)	91 (3-1/2)	103 (4)	
TW, THHW, THW, THW-2	3	1	1	3	6	8	13	18	28	37	48	
	2	1	1	3	5	6	11	15	23	31	41	
	1	1	1	1	3	4	7	11	16	22	28	
	1/0	1	1	1	3	4	6	9	14	19	24	
	2/0	0	1	1	2	3	5	8	12	16	20	
	3/0	0	1	1	1	3	4	6	10	13	17	
	4/0	0	1	1	1	2	4	5	8	11	14	
	250	0	0	1	1	1	3	4	7	9	12	
	300	0	0	1	1	1	2	4	6	8	10	
	350	0	0	1	1	1	2	3	5	7	9	
	400	0	0	0	1	1	1	3	4	6	8	
	500	0	0	0	1	1	1	2	4	5	7	
	600	0	0	0	1	1	1	1	3	4	5	
	700	0	0	0	0	1	1	1	3	4	5	
	750	0	0	0	0	1	1	1	2	3	4	
	800	0	0	0	0	1	1	1	2	3	4	
	900	0	0	0	0	1	1	1	2	3	4	
	1000	0	0	0	0	0	1	1	1	3	3	
	THHN, THWN, THWN-2	14	14	24	39	68	91	149	211	326	436	562
		12	10	17	29	49	67	109	154	238	318	410
10		6	11	18	31	42	68	97	150	200	258	
8		3	6	10	18	24	39	56	86	115	149	
6		2	4	7	13	17	28	40	62	83	107	
4		1	3	4	8	10	17	25	38	51	66	
3		1	2	4	6	9	15	21	32	43	56	
2		1	1	3	5	7	12	17	27	36	47	
1		1	1	2	4	5	9	13	20	27	35	
1/0		1	1	1	3	4	8	11	17	23	29	
2/0		1	1	1	3	4	6	9	14	19	24	
3/0		0	1	1	2	3	5	7	12	16	20	
4/0		0	1	1	1	2	4	6	9	13	17	
250		0	0	1	1	1	3	5	8	10	13	
300		0	0	1	1	1	3	4	7	9	12	
350		0	0	1	1	1	2	4	6	8	10	
400		0	0	1	1	1	2	3	5	7	9	
500		0	0	0	1	1	1	3	4	6	7	
600		0	0	0	1	1	1	2	3	5	6	
700		0	0	0	1	1	1	1	3	4	5	
750	0	0	0	1	1	1	1	3	4	5		
800	0	0	0	0	1	1	1	3	4	5		
900	0	0	0	0	1	1	1	2	3	4		
1000	0	0	0	0	1	1	1	2	3	4		

Note: This table is for concentric stranded conductors only. For compact stranded conductors, Table C4(A) should be used. *Types RHH, RHW, and RHW-2 without outer covering.

NATIONAL ELECTRICAL CODE, 2002 Edition

Exothermic Welding System

Additional Tables

Table C8 Maximum Number of Conductors or Fixture Wires in Rigid Metal Conduit (RMC) (Based on Table 1, Chapter 9)

CONDUCTORS														
Type	Conductor Size (AWG/kcmil)	Metric Designator (Trade Size)												
		16 (1/2)	21 (3/4)	27 (1)	35 (1-1/4)	41 (1-1/2)	53 (2)	63 (2-1/2)	78 (3)	91 (3-1/2)	103 (4)	129 (5)	155 (6)	
RHH, RHW, RHW-2	14	4	7	12	21	28	46	66	102	136	176	276	398	
	12	3	6	10	17	23	38	55	85	113	146	229	330	
	10	3	5	8	14	19	31	44	68	91	118	185	267	
	8	1	2	4	7	10	16	23	36	48	61	97	139	
	6	1	1	3	6	8	13	18	29	38	49	77	112	
	4	1	1	2	4	6	10	14	22	30	38	60	87	
	3	1	1	2	4	5	9	12	19	26	34	53	76	
	2	1	1	1	3	4	7	11	17	23	29	46	66	
	1	0	1	1	1	3	5	7	11	15	19	30	44	
	1/0	0	1	1	1	2	4	6	10	13	17	26	38	
	2/0	0	1	1	1	2	4	5	8	11	14	23	33	
	3/0	0	0	1	1	1	3	4	7	10	12	20	28	
	4/0	0	0	1	1	1	3	4	6	8	11	17	24	
	250	0	0	0	1	1	1	3	4	6	8	13	18	
	300	0	0	0	1	1	1	2	4	5	7	11	16	
	350	0	0	0	1	1	1	2	4	5	6	10	15	
	400	0	0	0	1	1	1	1	3	4	6	9	13	
	500	0	0	0	1	1	1	1	3	4	5	8	11	
	600	0	0	0	0	1	1	1	2	3	4	6	9	
	700	0	0	0	0	1	1	1	1	3	4	6	8	
	750	0	0	0	0	0	1	1	1	3	3	5	8	
	800	0	0	0	0	0	1	1	1	2	3	5	7	
	900	0	0	0	0	0	1	1	1	2	3	5	7	
1000	0	0	0	0	0	1	1	1	1	3	4	6		
TW, THHW, THW, THW-2	14	9	15	25	44	59	98	140	216	288	370	581	839	
	12	7	12	19	33	45	75	107	165	221	284	446	644	
	10	5	9	14	25	34	56	80	123	164	212	332	480	
	8	3	5	8	14	19	31	44	68	91	118	185	267	
RHH,* RHW,* RHW-2*	14	6	10	17	29	39	65	93	143	191	246	387	558	
RHH,* RHW,* RHW-2*	12	5	8	13	23	32	52	75	115	154	198	311	448	
RHH,* RHW,* RHW-2*	10	3	6	10	18	25	41	58	90	120	154	242	350	
RHH,* RHW,* RHW-2*	8	1	4	6	11	15	24	35	54	72	92	145	209	

NATIONAL ELECTRICAL CODE, 2002 Edition

CONDUCTORS															
Type	Conductor Size (AWG/kcmil)	Metric Designator (Trade Size)													
		16 (1/2)	21 (3/4)	27 (1)	35 (1-1/4)	41 (1-1/2)	53 (2)	63 (2-1/2)	78 (3)	91 (3-1/2)	103 (4)	129 (5)	155 (6)		
RHH,* RHW,* TW, THHW, THW, THW-2	6	1	3	5	8	11	18	27	41	55	71	111	160		
	4	1	1	3	6	8	14	20	31	41	53	83	120		
	3	1	1	3	5	7	12	17	26	35	45	71	103		
	2	1	1	2	4	6	10	14	22	30	38	60	87		
	1	1	1	1	3	4	7	10	15	21	27	42	61		
	1/0	0	1	1	2	3	6	8	13	18	23	36	52		
	2/0	0	1	1	2	3	5	7	11	15	19	31	44		
	3/0	0	1	1	1	2	4	6	9	13	16	26	37		
	4/0	0	0	1	1	1	3	5	8	10	14	21	31		
	250	0	0	1	1	1	3	4	6	8	11	17	25		
	300	0	0	1	1	1	2	3	5	7	9	15	22		
	350	0	0	0	1	1	1	3	5	6	8	13	19		
	400	0	0	0	1	1	1	3	4	6	7	12	17		
	500	0	0	0	1	1	1	2	3	5	6	10	14		
	600	0	0	0	1	1	1	1	3	4	5	8	12		
	700	0	0	0	0	1	1	1	2	3	4	7	10		
	750	0	0	0	0	1	1	1	2	3	4	7	10		
	800	0	0	0	0	1	1	1	2	3	4	6	9		
	900	0	0	0	0	1	1	1	1	2	3	4	6	8	
	1000	0	0	0	0	0	1	1	1	2	3	5	8		
		14	13	22	36	63	85	140	200	309	412	531	833	1202	
		12	9	16	26	46	62	102	146	225	301	387	608	877	
		10	6	10	17	29	39	64	92	142	189	244	383	552	
	8	3	6	9	16	22	37	53	82	109	140	221	318		
	6	2	4	7	12	16	27	38	59	79	101	159	230		
	4	1	2	4	7	10	16	23	36	48	62	98	141		
	3	1	1	3	6	8	14	20	31	41	53	83	120		
	2	1	1	3	5	7	11	17	26	34	44	70	100		
	1	1	1	1	4	5	8	12	19	25	33	51	74		
	1/0	1	1	1	3	4	7	10	16	21	27	43	63		
	2/0	0	1	1	2	3	6	8	13	18	23	36	52		
	3/0	0	1	1	1	3	5	7	11	15	19	30	43		
	4/0	0	1	1	1	2	4	6	9	12	16	25	36		
	250	0	0	1	1	1	3	5	7	10	13	20	29		
	300	0	0	1	1	1	3	4	6	8	11	17	25		
	350	0	0	1	1	1	2	3	5	7	10	15	22		
	400	0	0	1	1	1	2	3	5	7	8	13	20		
	500	0	0	0	1	1	1	2	4	5	7	11	16		
	600	0	0	0	1	1	1	3	4	6	9	13			
	700	0	0	0	1	1	1	3	4	5	8	11			
	750	0	0	0	0	1	1	3	4	5	7	11			
	800	0	0	0	0	1	1	2	3	4	7	10			
	900	0	0	0	0	1	1	2	3	4	6	9			
	1000	0	0	0	0	1	1	1	3	4	6	8			

Note: This table is for concentric stranded conductors only. For compact stranded conductors, Table C8(A) should be used. *Types RHH, RHW, and RHW-2 without outer covering.

Competitive Cross Reference

Figure 6 — Compression Ground Tap Connectors

EZGround®	Burndy	IlSCO
54855	YGHP29C2	GGC-2
54860	YGHP29C26	GGC-3
54865	YGHP29C29	GGC-4
54875	YGHP2C2	GGC-1
54885	YGHP34C2	GGC-5
54890	YGHP34C26	GGC-6
54895	YGHP34C29	GGC-7
54900	YGHP34C34	GGC-8

Figure 6 to Figure 6 — Compression Ground Grid Connectors

EZGround®	Burndy	IlSCO
54855L	YGL2C2	-
54855LR12	YGLR29C12	-
54865L	YGL29C2	GGA-2
54865LR58	YGLR29C58	-
54875L	YGL29C29	GGA-3
54875LR34	YGLR29C34	-
54885L	YGL34C2	GGA-4
54885LR12	YGLR34C12	-
54895L	YGL34C29	GGA-5
54895LR58	YGLR34C58	-
54900L	YGL34C34	GGA-6
54900LR34	YGLR34C34	-
54910LR100	YGLR29C100	-
54920LR100	YGLR34C100	-

C-Crimp Series BC

EZGround®	Burndy	IlSCO
BC202	YC26C2	-
BC2020-BB	YC26C26	-
BC22	YC2C2	ULT-7-Z
BC24	YC2C4	ULT-6-Z
BC402	YC28C2	-
BC4020	YC28C26	-
BC4040	YC28C28	ULT-12-Z
BC44	YC4C4	ULT-5-Z
BC46-BB	YC4C6	ULT-4-Z
BC48	YC4C8	-

C-Taps

EZ Ground®	Burndy	IlSCO
CTG250	GCM28CG3	-

Type SP — Service Post Connectors

Blackburn®	Penn Union	Burndy	IlSCO/Utilico	Kupler
SP0DL	SCS-0A1	K2C15B1		
SP1DL	SCS-1A1	K2C17B1		
SP2DL	SCS-2A1	K2C20B1		
SP3DL	SCS-3A1	K2C22B1		
SP4DL	SCS-4A1	K2C23B1		
SP5DL	SCS-5A1	K2C25B1		
SP6DL	SCS-6A1	K2C26B1		
SP8DL	SCS-8A1	K2C28B1		
SP9DL	SCS-9A1	K2C31B1		
SP10DL	SCS-10A1	K2C34B1		
SP0SL	SSS-0A1	KC15B1	-	-
SP1SL	SSS-1A1	KC17B1		
SP2SL	SSS-2A1	KC20B1		
SP3SL	SSS-3A1	KC22B1		
SP4SL	SSS-4A1	KC23B1		
SP5SL	SSS-5A1	KC25B1		
SP6SL	SSS-6A1	KC26B1		
SP8SL	SSS-8A1	KC28B1		
SP9SL	SSS-9A1	KC31B1		
SP10SL	SSS-10A1	KC34B1		

Flexible Braids

Blackburn®	Penn Union	Burndy	IlSCO/Utilico	Penn-Union	Anderson	Dossert	Gedney
FB2D12		B2D12N		FXB2A-12-Q			
FB2E12		B2E12N		FXB2C-12N-Q			
FB2F12		B2F12N		FXB2D-12N-Q			
FB3D12		B3D12N		FXB3A-12-Q			
FB3E12		B3E12N		FXB3C-12N-Q			
FB3F12		B3F12N					
FB3XD12		B4D12N		-			
FB4E12		B4E12N		FXB4C-12N-Q			
FB4F12	-	B4F12N	-	FXB4D-12N-Q	-	-	-
FBD12		BD12N		FXBA-12-Q			
FBD18				FXBA-18-Q			
FBD24				FXBA-24-Q			
FBE12		BE12N		FXBB-12N-Q			
FBF12		BF12N		FXBD-12N-Q			
FBG12				FXBE-12N-Q			
FBG18				FXBE-18S-Q			
FBG24				FXBE-24S-Q			