



YOSHIMURA

RESEARCH&DEVELOPMENT OF AMERICA, INC.

5420 DANIELS STREET STE A, CHINO CA., 91786 · (800)634-9166 · (909)628-4722 · FACSIMILE (909)591-2198

www.yoshimura-rd.com

TRI-OVAL PERFORMANCE EXHAUST SYSTEM

SUZUKI
'99-06
GSX1300R

1120462	TRS BOLT-ON SYSTEM WITH CARBON FIBER
1120465	TRS BOLT-ON SYSTEM WITH STAINLESS
1120467	TRS BOLT-ON SYSTEM WITH TITANIUM
1120435	R22 BOLT-ON SYSTEM



THIS PRODUCT IS DESIGNED FOR USE IN CLOSED COURSE RACING AND IS NOT INTENDED FOR HIGHWAY USE.



NOTE: IN THE STATE OF CALIFORNIA, IT IS ILLEGAL TO MODIFY THE EMISSION CONTROL SYSTEM. WHICH INCLUDES THE FUEL INJECTION OF ANY VEHICLE.

Caution: Exhaust system can be extremely hot. Let motorcycle cool down before beginning installation.

Note: Read through all instructions before beginning installation.

Tools Needed:

12mm socket
3/8" ratchet
12mm and 14mm wrenches
Torque wrench

Installation Steps:

1 Remove stock mufflers and muffler gaskets.

2 Install new muffler gaskets.
(Not supplied - Suzuki part no. 14181-33E00)

3 Install Yoshimura mufflers using supplied bolts.
Torque bolts to 2.3 kg-m (16.5 lb-ft).

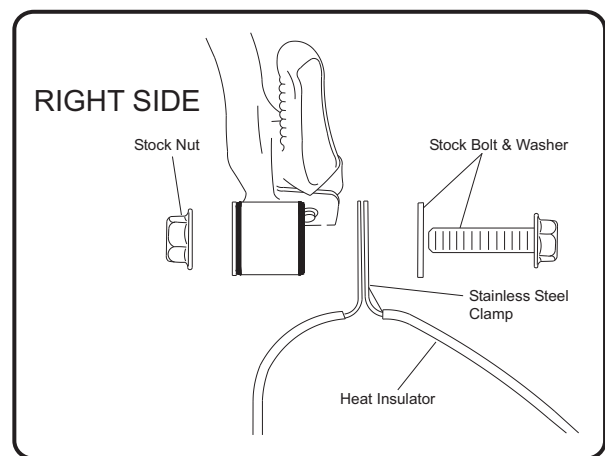
Note: Bolts are not the same length. Each muffler is bolted to the tailpipe using two 20mm bolts and one 16mm bolt. Please refer to the parts diagram on page 3 for correct bolt locations.

4 Apply heat insulator to inside of muffler clamps and slide clamps onto mufflers.
(note direction of clamp in Fig. 1&2)

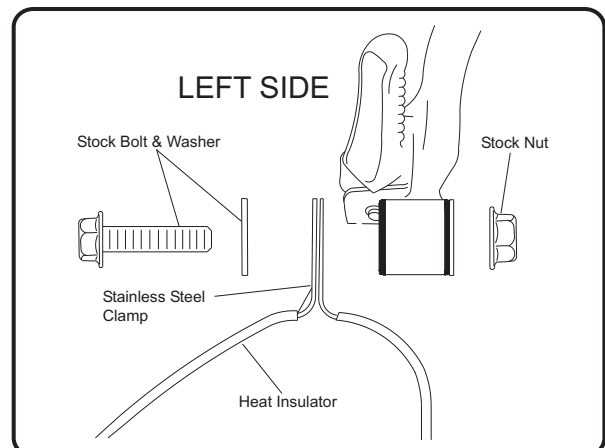
5 Mount clamps to stock muffler brackets using stock bolts, washers, and nuts. (Fig. 1&2)
Torque bolt to 2.5 kg-m (18 lb-ft).

6 Check for proper clearance between new muffler and motorcycle. (i.e. swing-arm, passenger foot-peg, rear wheel, etc.) If any problem is found, please carefully follow through the installation steps again. If problem still persists, please call Yoshimura tech. Dept. at (800)634-9166 / in CA (909)628-4722

Note: After starting motorcycle, it is normal for new exhaust system to smoke until oil residue burns off.

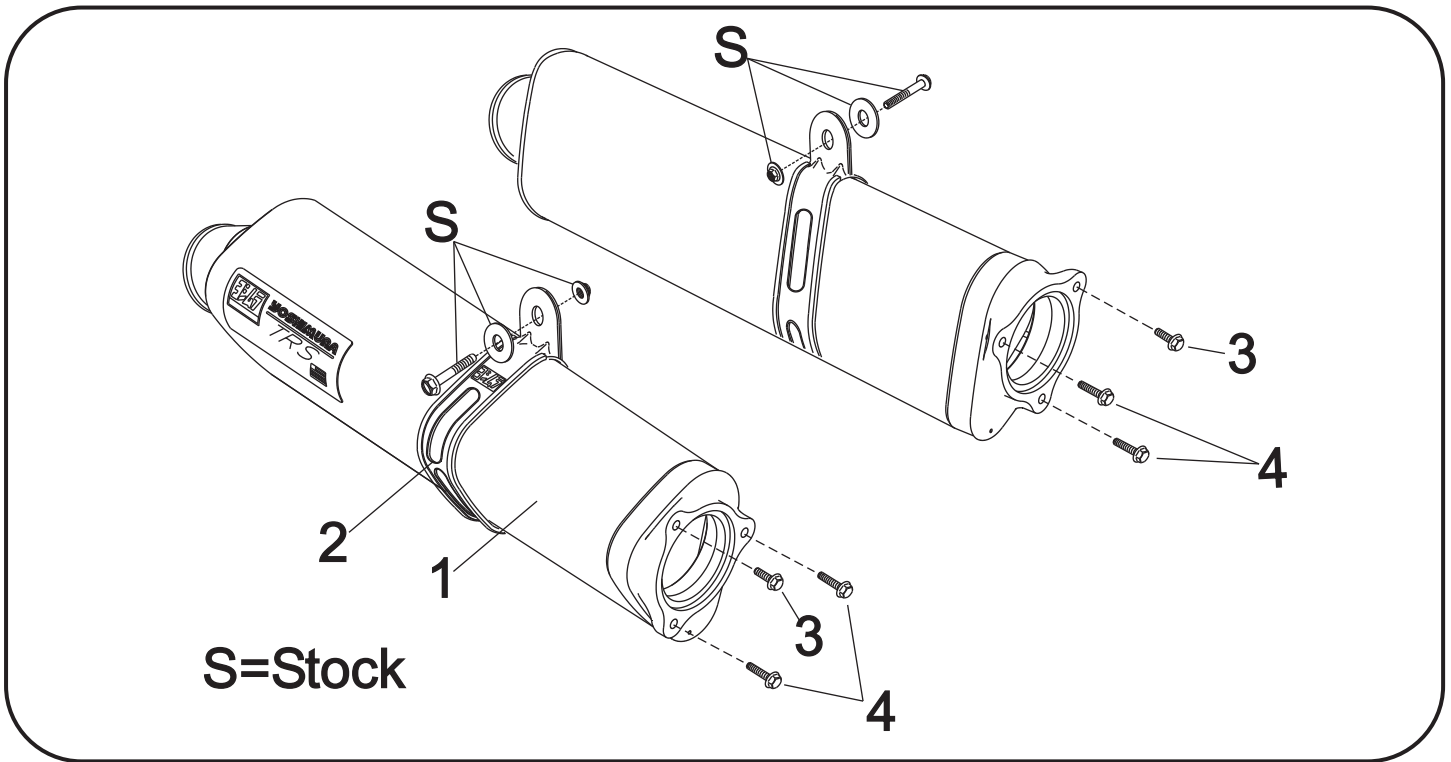


Right Side Fig. 1



Left Side Fig. 2

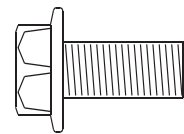
#112046(2,5,7) / 1120435



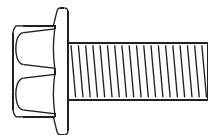
Parts Diagram

NO.	DESCRIPTION	QTY	PART #
1	Muffler Assembly	2	**
2	Stainless Steel Muffler Clamp Stainless Steel or Titanium Sleeve uses Carbon Fiber Sleeve uses	2	CTS082X
		2	CTS082
3	8mm x 16mm Flange Hex Bolt	2	M8X16H
4	8mm x 20mm Flange Hex Bolt	4	M8X20H
**	TRS Insert Kit	1	TRS-INS-BK
**	Muffler Clamp Heat Insulator	2	HT SHLDTRS
**	Yoshimura Vinyl Sticker	2	17028-BLK

Nuts and Bolts Guide (Actual Size):



8mm x 16mm
Flange Hex Bolt



8mm x 20mm
Flange Hex Bolt